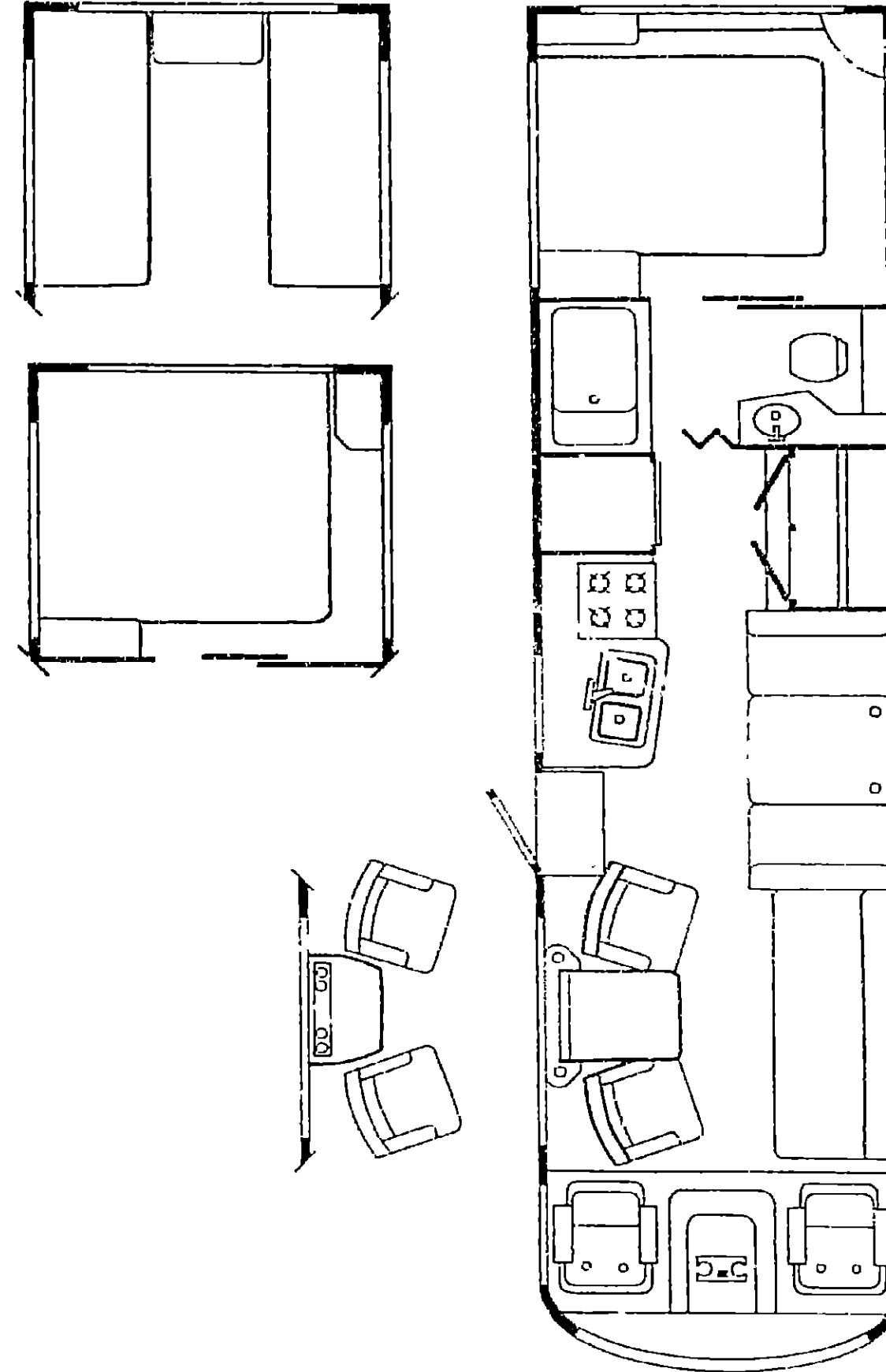


1987 ICP34RU



1987 ITASCA TABLE OF CONTENTS

IC420RG	A-01 - B-22
IC/IF424RB	B-23 - D-22
ICN27RU	D-23 - G-06
ICP28RU	G-07 - I-18
ICP34RU	I-19 - L-04

1987 ICP34RU INDEX

Floor Plan	I-19 - I-20
Accessories Group	I-21 - I-24
Bath Group	J-01
Chassis Group	J-02 - J-06
Curtain, Cushion & Pad Group	J-07 - J-14
Dinette Group	J-15 - J-16
Driver's Compartment Group	J-17 - J-21
Electrical Group	J-22 - J-24
Exterior Body Group	K-01 - K-06
Galley Group	K-07 - K-09
Heating & Air Conditioning Group	K-10
Interior Finish Group	K-11 - K-13
LP Group	K-14
Lounge Group	K-15 - K-16
Water & Sewage Group	K-17
Window, Vent & Exterior Door Group	K-18 - L-04

ACCESSORIES GROUP

OPTIONAL RACK & LADDER COMPONENTS

Key	Part Number	U/M	Description
	080997-03-T03	EA	Ladder Asm - Lower
	080999-03-T03	EA	Ladder Asm - Upper
	081026-05-T03	EA	Rack Asm. - Right
	081026-06-T03	EA	Rack Asm - Left
	081055-01-000	EA	Spring Grip - Internal
	081056-01-000	EA	Pin - Quick Release
	081152-01-000	EA	Bumper Plate - Brite Dip
	064093-01-000	EA	Luggage Box - 14" x 30" x 60"

OPTIONAL MICROWAVE/CONVECTION OVEN & COMPONENTS

Key	Part Number	U/M	Description
	081379-01-000	EA	Microwave/Convection Oven - Sharp
	081459-05-000	EA	Bracket Asm. - Microwave - Right
	081459-06-000	EA	Bracket Asm - Microwave - Left
	081456-01-000	EA	Angle Asm. Microwave - Right
	081456-02-000	EA	Angle Asm Microwave - Left
	081555-01-T03	EA	Trim Asm - Microwave
	082876-01-000	FA	Baffle Asm - Microwave

OPTIONAL SPEED CONTROL & COMPONENTS

Key	Part Number	U/M	Description
	084417-01-000	EA	Speed Control Package - w/Column Control
	084417-01-700	EA	Servo Cable
	084417-01-701	EA	Servo - Electric Asm
	084417-01-702	EA	Servo - Extension Harness
	084417-01-703	EA	Cruise Control - Main Wiring Harness
	084417-01-704	EA	Switch - Brake
	084417-01-705	EA	Transducer
	084417-01-706	EA	Speedometer Adapter
	084417-01-707	EA	Control Asm.
	084417-01-708	EA	Smart Stick - Main Harness
	084417-01-709	EA	Relay - 12 VDC
	084417-01-710	EA	Relay
	084417-01-711	EA	Brake Switch Asm.
	084417-01-712	EA	Tester - Cruise Control
	084417-01-713	EA	Pilot
	084417-01-714	EA	Servo Asm.
	084417-01-715	EA	Tester - Smart Stick
	084417-01-716	EA	Regulator for Cruise Control
	084417-01-717	EA	Smart Stick - Electric Package
	084417-01-718	EA	Control Arm - Smart Stick Only

OPTIONAL FOG LAMP & COMPONENTS

Key	Part Number	U/M	Description
	073941-01-000	EA	Lamp Asm - Fog w/Cover - Amber
	079941-01-700	EA	Lamp Asm - (Set/2)
	079941-01-701	EA	Lens & Cover Only
	079941-01-702	EA	Switch - Fog Lamp
	079941-01-703	EA	Solenoid
	079941-01-704	EA	Shroud - Fan
	079941-01-705	EA	Lens Only
	079941-01-706	EA	Cover Only

ACCESSORIES GROUP (CONTINUED)

OPTIONAL AIR HORNS & COMPONENTS

Key	Part Number	U/M	Description
	077497-01-000	EA	Air Horn Kit - Twin Chromed
	077497-01-700	EA	Solenoid - Air Tank
	077497-01-701	EA	Switch - Compressor
	077497-01-702	EA	Toggle Switch w/Wire
	077497-01-703	EA	Air Tank
	077497-01-704	EA	Compressor w/Switch
	077497-02-000	EA	Hose Kit - Auxiliary Air
	077497-03-000	EA	Parts Kit - Hose - Auxiliary Air
	078239-01-000	EA	Label Plate - Horn

OPTIONAL CUSTOM STEERING WHEEL

Key	Part Number	U/M	Description
	080752-05-000	EA	Steering Wheel - Custom
	080752-06-000	EA	Hub Adapter - Steering Wheel
	080752-07-000	EA	Button - Horn - w/Wire
	080752-08-000	EA	Screw - Custom Steering Wheel

OPTIONAL VACUUM CLEANER & COMPONENTS

Key	Part Number	U/M	Description
	055285-01-000	EA	Vacuum Cleaner - Built In - Tevis Campbell
	055285-01-700	EA	Accessories Kit - Standard
	055285-01-701	EA	Filter - 8 per Consumer Package
	055285-01-702	EA	Hose - Vacuum Cleaner - 20'
	055285-01-703	EA	Rug Tool
	055285-01-704	EA	Crevice Tool
	055285-01-705	EA	Upholstery Tool
	055285-01-706	EA	Wands - Set (2 piece)
	055285-01-707	EA	Dust Bubble - Complete

OPTIONAL POWER SEARCHLIGHT & COMPONENTS

Key	Part Number	U/M	Description
	051057-01-000	EA	Searchlight - Power Driven
	051057-01-700	EA	Switch - Panel Asm (Aux)
	051057-01-701	EA	Switch - Panel Asm (Main)
	051057-01-702	EA	Joy Switch & Housing
	051057-01-703	EA	Toggle Switch - On/Off
	051057-01-704	EA	Micro Switch

WHEEL COVER & MOUNTING HARDWARE

Key	Part Number	U/M	Description
	083181-03-000	EA	Wheel Cover - 19 5" (Set/4)
	083181-03-700	EA	Wheel Cover - 19 5" (1)
	083181-04-000	EA	Retainer Kit - 19 5" Wheel Cover (Set/4)
	083181-04-700	EA	Retainer Kit - 19 5" Front (1)
	083181-04-701	EA	Retainer Kit - 19 5" Rear (1)
	083181-04-702	EA	Nut Cover - 19 6"
	083181-04-703	EA	Cap - Chrome Center

1987 ITASCA TABLE OF CONTENTS

IC420RG	A-01 - B-22
IC/IF424RB	B-23 - D-22
ICN27RU	D-23 - G-06
ICP28RU	G-07 - I-18
ICP34RU	I-19 - L-04

1987 ICP34RU INDEX

Floor Plan	I-19 - I-20
Accessories Group	I-21 - I-24
Bath Group	J-01
Chassis Group	J-02 - J-06
Curtain, Cushion & Pad Group	J-07 - J-14
Dinette Group	J-15 - J-16
Driver's Compartment Group	J-17 - J-21
Electrical Group	J-22 - J-24
Exterior Body Group	K-01 - K-06
Galley Group	K-07 - K-09
Heating & Air Conditioning Group	K-10
Interior Finish Group	K-11 - K-13
LP Group	K-14
Lounge Group	K-15 - K-16
Water & Sewage Group	K-17
Window Vent & Exterior Door Group	K-18 - L-04

ACCESSORIES GROUP (CONTINUED)

ALUMINUM & CHROME WHEELS & COMPONENTS

Key	Part Number	U/M	Description
	077042-01-000	EA	Wheel - Polished Aluminum - 19 5" x 6" - Front
	077042-02-000	EA	Wheel - Polished Aluminum - 19 5" x 6" - Rear
	077043-01-000	EA	Lug Nut - 2 Pieces - Cone Seat & Flange
	077044-01-000	EA	Chrome Cover - Lug Nut - w/Skirt
	077045-01-000	EA	Chrome Cover - Front Axle - 2 Piece
	077045-02-000	EA	Chrome Cover - Rear Axle - 2 Piece
	078260-02-000	EA	Pouch - Wrench - 11" x 11"
	085741-01-000	EA	Wheel Liner - Chrome - 19 5" (Set/4)
	077030-02-000	EA	Valve Stem Extension - 1 25"

EXTERIOR MIRRORS

Key	Part Number	U/M	Description
	077051-03-000	EA	Mirror Asm - Exterior - Right
	077051-04-000	EA	Mirror Asm - Exterior - Left
	086236-02-000	EA	Gasket - Exterior Mirror - Left
	086236-01-000	EA	Gasket - Exterior Mirror - Right

GENERATORS & COMPONENTS

Key	Part Number	U/M	Description
	081634-01-000	EA	Generator - Onan - 6 5 kw - Emerald
	079654-03-000	EA	Generator - Onan - 4 0 kw - Emerald
**	051911-01-000	EA	Generator - Kohler - 7 0 kw
	081364-01-000	EA	Muffler - Generator - 6 5 Emerald
	007067-01-000	EA	Insulation - Fiberglass - 1"
	086246-01-000	EA	Tray - Generator Mounting - Onan Emerald

** The illustrated parts breakdown for this item is found on the Common Items Fiche

RADIO & RELATED COMPONENTS

Key	Part Number	U/M	Description
	077069-01-000	EA	Antenna - Radio
	031105-02-000	EA	Antenna - Side Mounted
	077448-01-000	EA	Bracket - Radio - Front
	077069-02-000	EA	Cable - Antenna Extension - 96"
	064792-01-000	EA	Grille - Speaker - 5 25" - w/Mesh - Brown
	031105-01-700	EA	Holder - Radio Antenna - Upper
	075903-01-000	EA	Radio - AM/FM Stereo - Cassette
	075904-01-000	EA	Radio - AM/FM Stereo Cassette - Electronic Tuning
	097684-01-000	EA	Radio - AM/FM Stereo - Wall Mount
	074791-01-000	EA	Speaker - Recessed - 5 25"
	073741-03-000	EA	Speaker - 4" x 6" - Oval - w/o Grille
	073741-04-000	EA	Grill - Speaker - 4" x 6" Oval
	073431-02-000	EA	Speaker - 5 25" - 3 Way (Pair)
	074979-01-000	EA	Speaker Cover - Light Oak
	074979-07-000	EA	Speaker Cover - Light Oak

* Parts used in the Rear Stereo Option

OPTIONAL REARVIEW TELEVISION & COMPONENTS

Key	Part Number	U/M	Description
	083207-01-000	EA	Television System
	084713-02-000	EA	Shroud - Camera - Gray
	084349-01-U16	EA	Shroud Asm - Camera
	084409-01-000	EA	Seal - Camera Shroud
	084264-01-000	EA	Bracket - Camera Mounting

ACCESSORIES GROUP (CONTINUED)

MISCELLANEOUS ACCESSORIES

Key	Part Number	U/M	Description
	054185-26-000	EA	Owners Manual - 1987 - Winnebago & Itasca
**	076319-01-000	EA	Antenna - TV - 44 5" Mast
	085732-01-000	EA	Clock - Plum (W37)
	085732-02-000	EA	Clock - Peach (W36)
	085732-03-000	EA	Clock - Grey (W38)
	086269-01-000	EA	Picture - Decorative
	017516-01-000	EA	Mud Flap - 14" x 18" - Rear - Black
	017516-02-000	EA	Mud Flap - 14" x 12" - Front - Black
	041944-03-000	EA	Fire Extinguisher w/Mounting Bracket
	041944-04-000	EA	Fire Extinguisher - 5 BC
	084472-01-000	EA	Holder - Fire Extinguisher
	072852-01-000	EA	Smoke Detector w/9 Volt Battery
	023111-01-000	EA	Food Center - Built In
	006069-01-000	EA	Key Case - Leather
	080208-01-000	EA	Lug Wrench
	080208-02-000	EA	Leverage Bar - Lug Wrench
	006113-01-000	EA	Jack - Hydraulic - 6 Ton - w/Handle
	040069-01-000	EA	Door Mat - 10 5' x 26" - Black
	081072-02-000	EA	Door Mat - Front - Right - "Winnebago"
	081074-02-000	EA	Door Mat - Front - Left - "Winnebago"
	081075-02-000	EA	Door Mat - Entrance - "Winnebago"
	079942-01-000	EA	Shock Absorber - Stabilizer - Front
	079942-02-000	EA	Shock Absorber - Stabilizer - Rear
	079942-07-000	EA	Bracket - Mounting - Stabilizer
	084086-01-000	EA	Air Spring Bellows - Rear Axle (Pair)
	036420-02-000	EA	Defroster Fan - 6 - 2 Speed Fan
	077986-01-000	EA	Bracket - Defroster Fan - Right
	077986-02-000	EA	Bracket - Defroster Fan - Left
**	075461-01-000	EA	Step Asm. - Electric (Kwikkee)

** The illustrated parts breakdown for this item is provided on the Common Items Fiche

1987 ITASCA TABLE OF CONTENTS

IC420RG	A-01 - B-22
IC/IF424RB	B-23 - D-22
ICN27RU	D-23 - G-06
ICP28RU	G-07 - I-18
ICP34RU	I-19 - L-04

1987 ICP34RU INDEX

Floor Plan	I-19 - I-20
Accessories Group	I-21 - I-24
Bath Group	J-01
Chassis Group	J-02 - J-06
Curtain, Cushion & Pad Group	J-07 - J-14
Dinette Group	J-15 - J-16
Driver's Compartment Group	J-17 - J-21
Electrical Group	J-22 - J-24
Exterior Body Group	K-01 - K-06
Galley Group	K-07 - K-09
Heating & Air Conditioning Group	K-10
Interior Finish Group	K-11 - K-13
I/P Group	K-14
Lounge Group	K-15 - K-16
Water & Sewage Group	K-17
Window Vent & Exterior Door Group	K-18 - L-04

BATH GROUP

BATH & WARDROBE CABINETRY

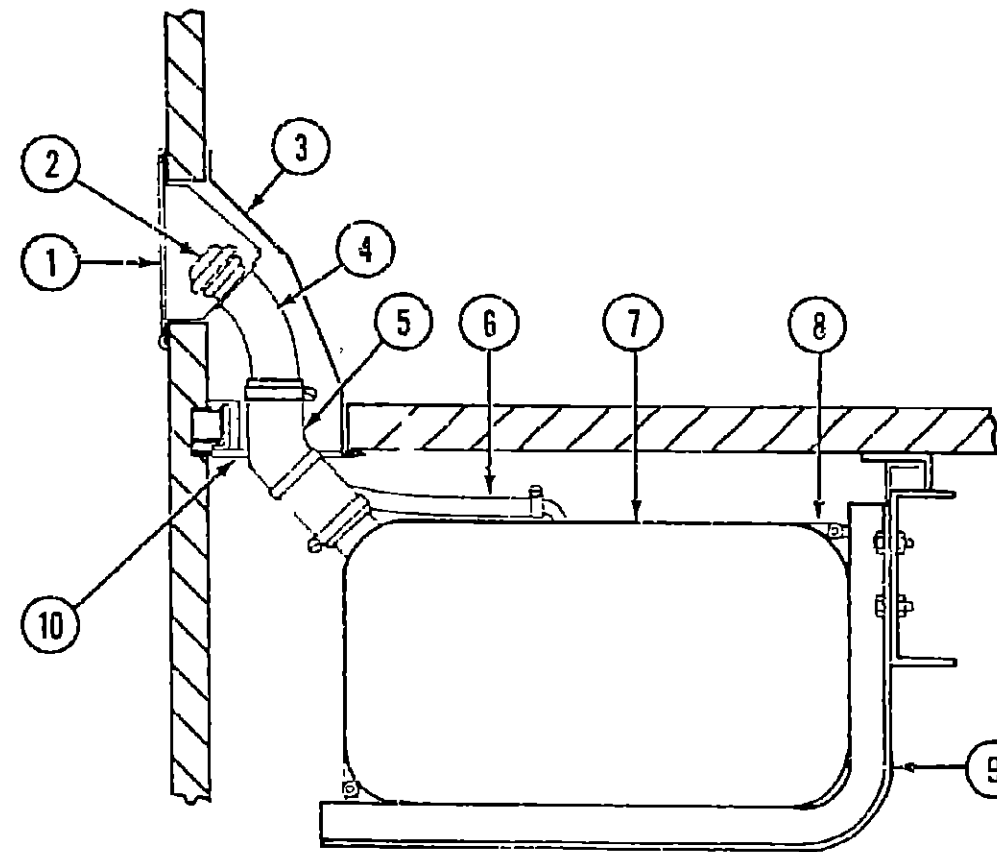
Key	Part Number	U/M	Description
	M82369-02-W36	EA	Cabinet Asm - Lavatory w/o Countertop, Doors or Hardware
	M02587-01-W14	EA	Countertop Asm - Lavatory
	M02587-01-W13	EA	Countertop Asm - Lavatory
	M02587-01-W38	EA	Countertop Asm - Lavatory
	M81797-08-W36	EA	Door Asm - Lavatory Cabinet - w/o Hardware (Hamper)
	077251-01-000	EA	Tilt Out Drawer - Plastic
	081893-01-W36	EA	Drawer Face - Tilt Out
	M78921-01-W36	EA	Drawer Asm - Lavatory Cabinet (Lower)
	M81798-17-W36	EA	Door Asm - Lavatory Cabinet (Lower)
	076073-01-000	EA	Cabinet Asm - Medicine - Metal - Almond - w/o Door or Hardware
	078276-01-W36	EA	Door Asm - Metal Medicine Cabinet w/Mirror - w/o Hardware
	080224-17-000	EA	Door Asm - Folding - Front - w/o Latch
	082934-01-W36	EA	Door Asm - Sliding - Rear - w/o Latch
	M87088-04-W36	EA	Door Asm - Wardrobe Cabinet - Upper - w/o Hardware
	M81798-20-W36	EA	Door Asm - Wardrobe Cabinet - Lower Left - w/o Hardware
	M81798-19-W36	EA	Door Asm - Wardrobe Cabinet - Lower Right - w/o Hardware
	M02594-01-W36	EA	Countertop Asm - Wardrobe
	M02582-01-W36	EA	Countertop Asm - Pipe Cover (W36)
	M02582-01-W37	EA	Countertop Asm - Pipe Cover (W37)
	M02582-01-W38	EA	Countertop Asm - Pipe Cover (W38)

BATH & WARDROBE HARDWARE

Key	Part Number	U/M	Description
	075240-03-000	EA	Faucet - Lavatory
	075242-03-000	EA	Faucet - Tub & Shower
	058713-01-000	EA	Sink Oval - Ivory Plastic
	M01817-01-T03	EA	Bathtub Asm - w/Strainer
	075541-03-000	EA	Bathtub Shroud Asm
	009059-01-000	EA	Hinge - 2" Gold
	059777-02-000	EA	Hinge - Brass - Cabinet Door
	077523-01-000	EA	Latch Asm - Cabinet Door
	039873-01-700	EA	Nylon Catch & Spring Steel Strike
	075606-01-000	EA	Panel - Shower Faucet
	011083-01-000	EA	Tail Piece 1 25" x 5" - Plastic - w/Stopper
	011048-02-000	EA	Shower Head - w/60' Hose
	066729-01-000	EA	Strainer - Shower Pan & Tub
	066436-01-000	EA	Slip Nut - 1.5" Tail Piece - Bathtub
	066435-01-000	EA	Nut - Strainer - Plastic
	075452-02-000	EA	Holder - Tissue
	075680-01-000	EA	Clothes Rod - Adjustable
	075453-02-000	EA	Bar - Towel Rack
	075454-02-000	EA	Towel Ring - Brass
	076997-04-000	EA	Track - Sliding Door - Beige (Rear)
	058034-02-000	EA	Latch - Sliding Door
	009156-01-000	EA	Hanger - Sliding Door
	064467-01-000	EA	Guide - Sliding Door - Bottom Door Guide
	080224-13-000	EA	Folding Door Track - S Curve - Beige (Front)
	080224-01-000	EA	Latch & Catch Asm. - Folding Door
	009112-01-000	EA	Flange - 1" Closet Rod
	057671-01-000	EA	Screw Cover (No. 8)
	058331-08-000	EA	Mirror - Tempered Glass - 24" x 30"
	058331-05-000	EA	Mirror - Tempered Glass - 12" x 26"
	058331-04-000	EA	Mirror - Tempered Glass - 12" x 42"
	009069-01-000	EA	Mirror Clip
	071632-01-000	EA	Hamper Bag - Fabric
	085330-02-000	EA	Toilet - Thetford - Bone - China
	081614-01-000	EA	Soap Dish
	075451-01-000	EA	Storage Rack - White Wire
	075451-02-000	EA	Clip - Storage Rack

The illustrated parts breakdown for this item is provided on the Common Items Fiche

CHASSIS GROUP



AUXILIARY FUEL FILL

Key	Part Number	U/M	Description
1	078010-02-000	EA	Door Asm. & Upper Shroud - Fuel Fill
2	073220-02-000	EA	Cap - Fuel Fill
3	078032-01-000	EA	Shroud - Fuel Fill - Inside
4	075914-02-000	EA	Neck Asm. - Upper Fuel Fill
5	077398-01-000	EA	Hose - Fuel - Formed 2" I.D.
6	066732-01-000	FT	Hose - Fuel - .62" I.D. - Vent
7	075686-01-000	EA	Tank - Fuel - 30 Gallon
8	075232-02-000	EA	Strap Asm - Fuel Tank - T-Bolts Ends
9	075685-01-000	EA	Bracket - Fuel Tank Mounting
10	083578-01-000	EA	Bolt - Fuel Fill
	057038-10-000	EA	Sending Unit - Fuel - 90 Ohm
	085743-01-000	EA	Valve Asm - Fuel Select - 6 Port
	073200-01-000	EA	Gasket - Fuel Fill
	084235-01-000	EA	Support - Flange - Fuel Fill - Boot
	077963-01-000	EA	Gasket - Door - Gas Fill
			Not illustrated

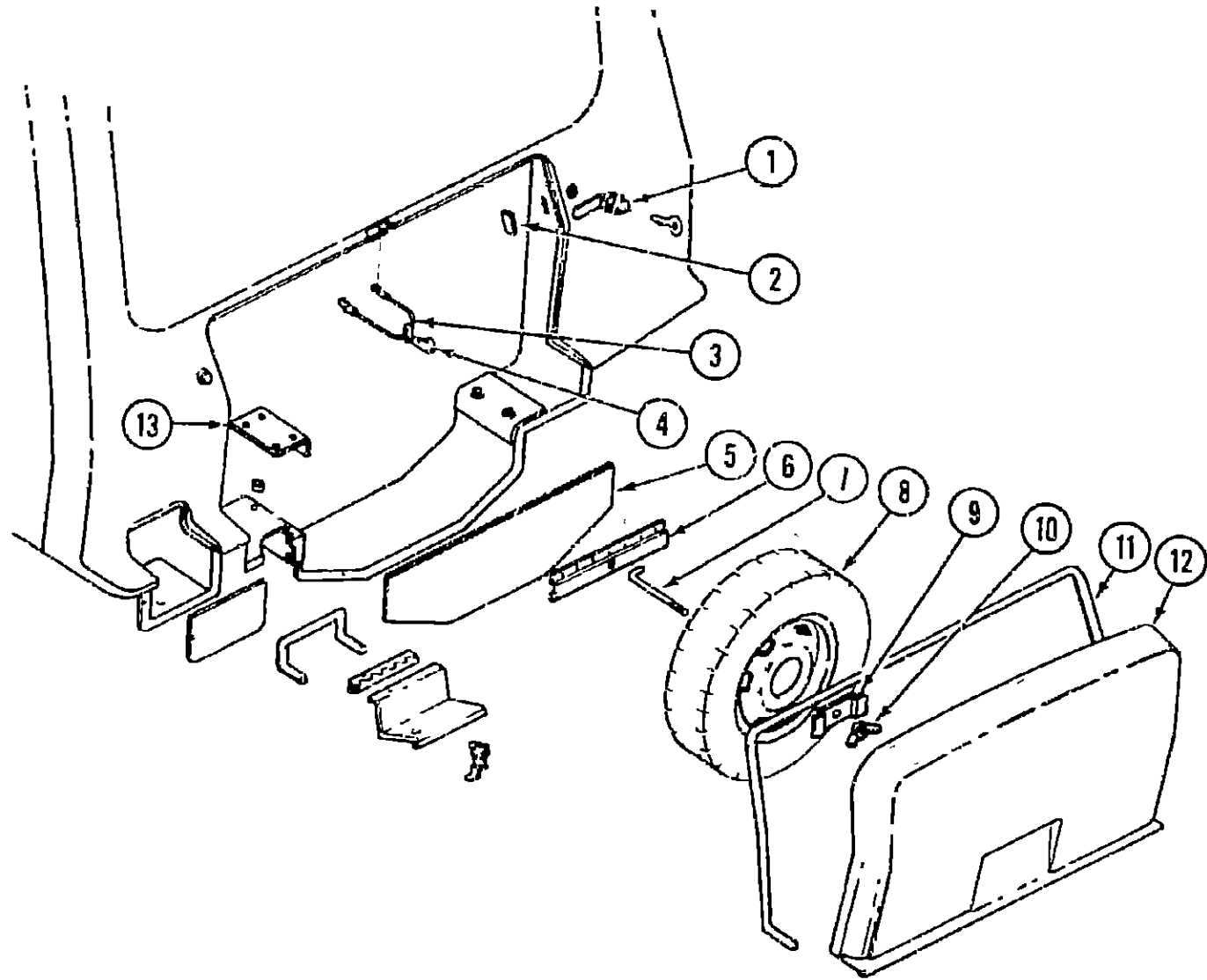
1987 ITASCA TABLE OF CONTENTS

IC420RG	A-01 - B-22
IC/IF424RB	B-23 - D-22
ICN27RU	D-23 - G-06
ICP28RU	G-07 - I-18
ICP34RU	I-19 - L-04

1987 ICP34RU INDEX

Floor Plan	I-19 - I-20
Accessories Group	I-21 - I-24
Bath Group	J-01
Chassis Group	J-02 - J-06
Curtain, Cushion & Pad Group	J-07 - J-14
Dinette Group	J-15 - J-16
Driver's Compartment Group	J-17 - J-21
Electrical Group	J-22 - J-24
Exterior Body Group	K-01 - K-06
Galley Group	K-07 - K-09
Heating & Air Conditioning Group	K-10
Interior Finish Group	K-11 - K-13
LP Group	K-14
Lounge Group	K-15 - K-16
Water & Sewage Group	K-17
Window, Vent & Exterior Door Group	K-18 - L-04

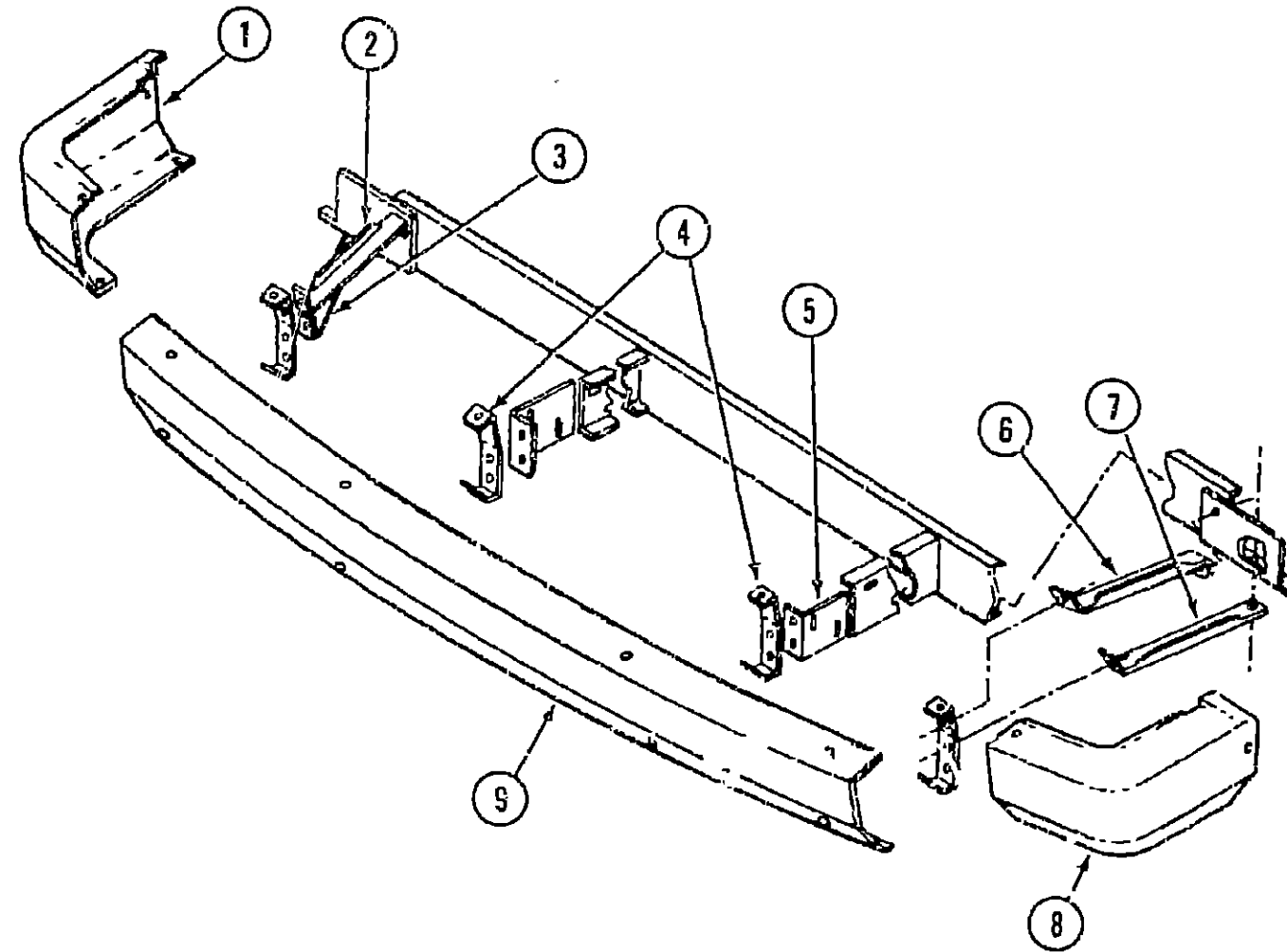
CHASSIS GROUP (CONTINUED)



SPARE TIRE & COMPARTMENT

Key	Part Number	U/M	Description
1	077048-01-000	EA	Lock Asm. - Key Type
2	077941-01-000	EA	Rubber Seal - Flat w/Slit
3	076767-02-000	EA	Cable Asm.
4	072463-01-000	EA	Spring Hook - 1/2"
5	077395-01-000	EA	Shield - Spare Tire
6	077403-01-000	EA	Support Bracket - Spare Tire
7	077411-01-000	EA	Retaining Rod - Spare Tire
8	007321-01-000	EA	Tire - 8" x 19.5" - 8 Ply Poly - Goodyear
8	007321-02-000	EA	Tire - 8" x 19.5" - 8 Ply - Tubeless - Goodrich
8	007324-04-000	EA	Tire - 8" x 19.5" - Radial - Michelin
*	063963-01-000	EA	Rim - Wheel - 19.5" x 6.75"
*	077030-02-000	EA	Extension - Valve Stem - 1.25"
9	077399-01-000	EA	Retainer - Spare Tire
10	064081-01-000	EA	Wing Nut - 3/8" - Spare Tire
11	058027-01-000	FT	Weather Seal
12	M01990-04-U16	EA	Cover - Spare Tire - Beige
*	077392-01-000	EA	Strike - Latch
*	077080-01-000	EA	Angle Support - Pivot
*	077381-01-000	EA	Plate - Pivot
*	077385-01-000	EA	Pin Asm - Pivot
*	077384-01-000	EA	Plate - Pin
13	077400-01-000	EA	Support - Spare Tire
*	077393-01-000	EA	Support Asm - Strike
*	077759-01-000	EA	Spacer - Spare Tire Support
*			Not illustrated

CHASSIS GROUP (CONTINUED)



FRONT BUMPER

Key	Part Number	U/M	Description
1	075767-02-000	EA	End Cap - Front Bumper - Passenger
2	077853-01-000	EA	Brace - Upper - Front Bumper - Passenger
3	077854-01-000	EA	Brace - Lower - Front Bumper - Passenger
4	077852-01-000	EA	Bracket - Front Bumper
5	076527-01-000	EA	Bracket to Frame - Front Bumper
6	077853-02-000	EA	Brace - Upper - Front Bumper - Driver
7	077854-02-000	EA	Brace - Lower - Front Bumper - Driver
8	075767-04-000	EA	End Cap - Front Bumper - Driver
9	077850-08-000	EA	Bumper - Front - Gray
9	077850-01-000	EA	Bumper - Front - Plain
*	005200-01-000	EA	Carriage Bolt - Chrome - 7/16" x 14 x 1 1/4"
*			Not illustrated

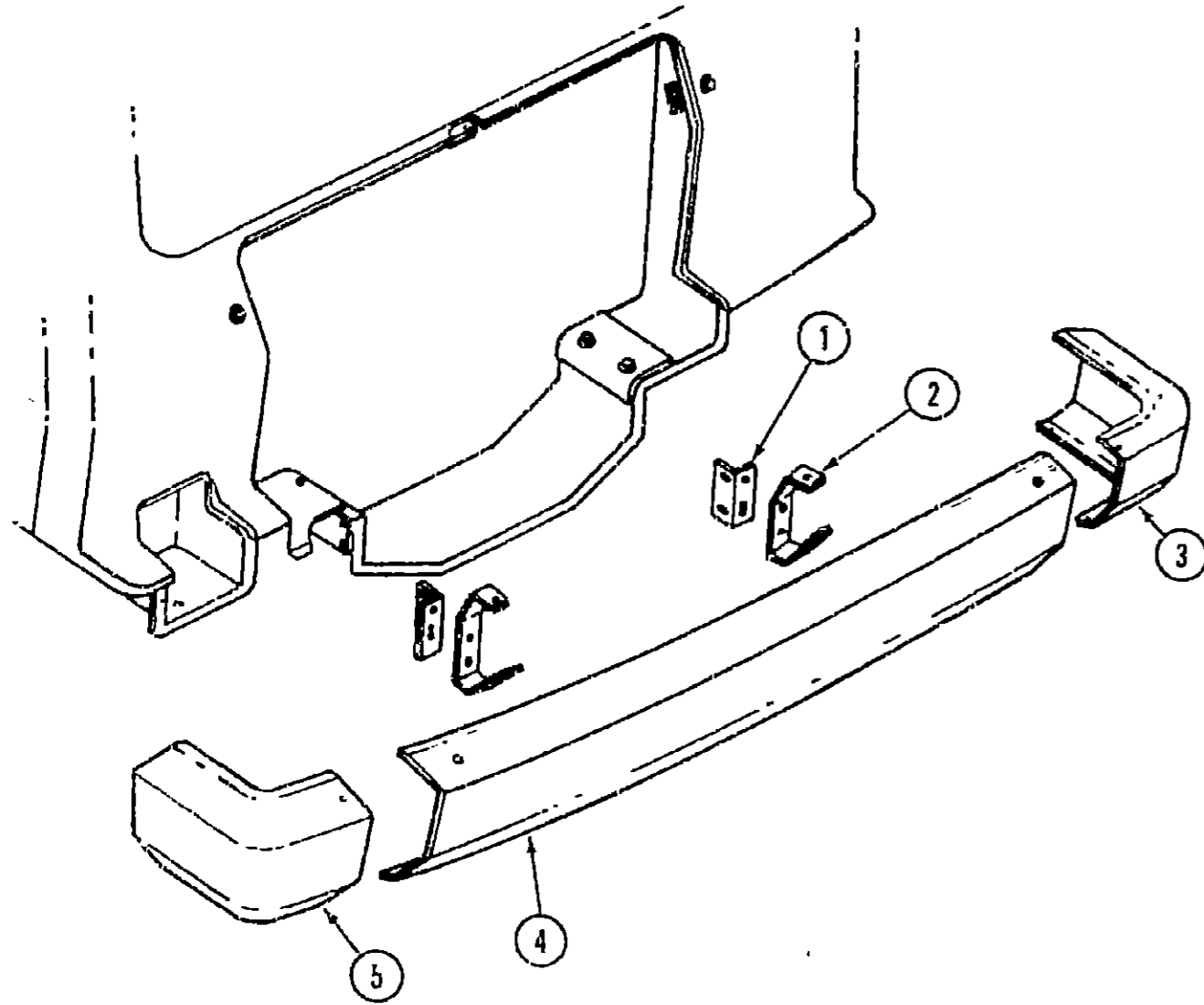
**1987 ITASCA
TABLE OF CONTENTS**

IC420RG	A-01 - B-22
IC/IF424RB	B-23 - D-22
ICN27RU	D-23 - G-06
ICP28RU	G-07 - I-18
ICP34RU	I-19 - L-04

1987 ICP34RU INDEX

Floor Plan	I-19 - I-20
Accessories Group	I-21 - I-24
Bath Group	J-01
Chassis Group	J-02 - J-06
Curtain, Cushion & Pad Group	J-07 - J-14
Dinette Group	J-15 - J-16
Driver's Compartment Group	J-17 - J-21
Electrical Group	J-22 - J-24
Exterior Body Group	K-01 - K-05
Galley Group	K-07 - K-09
Heating & Air Conditioning Group	K-10
Interior Finish Group	K-11 - K-13
LP Group	K-14
Lounge Group	K-15 - K-16
Water & Sewage Group	K-17
Window, Vent & Exterior Door Group	K-18 - L-04

CHASSIS GROUP (CONTINUED)



REAR BUMPER & HITCH

Key	Part Number	U/M	Description
1	076558-01-000	EA	Bracket to Frame - Rear Bumper
2	077855-01-000	EA	Bracket to Bumper - Rear
3	077330-02-000	EA	Bumper End - Right Rear
4	077851-01-000	EA	Bumper - Rear - Plain
4	077851-05-000	EA	Bumper - Rear - Gray
4	077851-04-000	EA	Bumper - Rear - Chrome
5	077330-03-000	EA	Bumper - End - Left Rear
6	005200-01-000	EA	Carriage Bolt - Chrome - 7/16" x 14 x 1 1/4"
*	Not illustrated		

CHASSIS GROUP (CONTINUED)

MISCELLANEOUS

Key	Part Number	U/M	Description
	084086-01-000	EA	Air Spring - Bellows - Rear Axle
	077995-02-000	EA	Baffle - Upper - Radialor
	065450-04-000	EA	Battery Tiedown - Plastic Coated
	081266-01-000	EA	Box - Power Cord
	073220-02-000	EA	Cap - Fuel Fill - Non-Locking - Gas
	062401-01-000	EA	Clamp - Hose - Wormgear - 22 ID - 1" ID
	062401-02-000	EA	Clamp - Hose - Wormgear - 1 5/8 ID - 2 5/8 ID
	062401-03-000	EA	Clamp - Hose - Wormgear - .25 ID - 1" ID
	062401-04-000	EA	Clamp - Hose - Wormgear - 69 ID - 1 25 ID
	062401-05-000	EA	Clamp - Hose - Wormgear - 2" ID - 3" ID
	062401-06-000	EA	Clamp - Hose - Wormgear - 22" ID - .62" ID
	007125-07-000	EA	Clamp Asm. - Muffler - 2 50 DIA
	007131-01-000	EA	Hanger - Tailpipe
	007063-01-000	FT	Hose - Gas - 1/4 ID x 1/2 O D.
	017516-01-000	Ea	Mud Flap - Black
	017516-02-000	EA	Mud Flap - Black - 14" x 12 5" w/Holes
	075526-01-000	EA	Radiator Cover - Rear
	081264-01-000	EA	Shield - Heat Deflector
	077848-01-000	EA	Step Asm - Pullout
	075686-01-000	EA	Tank Asm - Auxiliary Fuel
	076281-01-000	EA	Tray - Battery
	052431-01-000	EA	Tray - Luggage Compartment
	075758-01-000	EA	Wheelwell - Plastic - Rear - Dual
*	NOTE: Remainder of exhaust components available from chassis service center		

**1987 ITASCA
TABLE OF CONTENTS**

IC420RG	A-01 - B-22
IC/IF424RB	B-23 - D-22
ICN27RU	D-23 - G-06
ICP28RU	G-07 - I-18
ICP34RU	I-19 - L-04

1987 ICP34RU INDEX

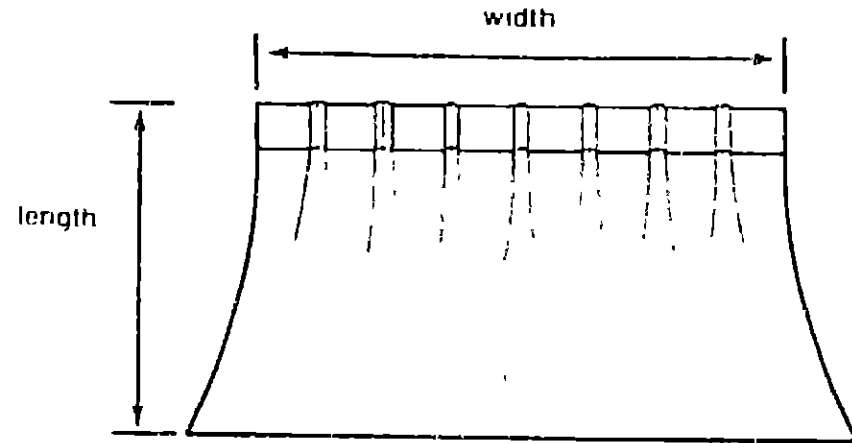
Floor Plan	I-19 - I-20
Accessories Group	I-21 - I-24
Bath Group	J-01
Chassis Group	J-02 - J-06
Curtain, Cushion & Pad Group	J-07 - J-14
Dinette Group	J-15 - J-16
Driver's Compartment Group	J-17 - J-21
Electrical Group	J-22 - J-24
Exterior Body Group	K-01 - K-06
Galley Group	K-07 - K-09
Heating & Air Conditioning Group	K-10
Interior Finish Group	K-11 - K-13
LP Group	K-14
Lounge Group	K-15 - K-16
Water & Sewage Group	K-17
Window, Vent & Exterior Door Group	K-18 - L-04

CURTAIN, CUSHION & PAD GROUP

NOTICE

In order to assist our Parts Sales Dept. in providing interior software items, please include the serial number and the color code number from the vehicle certification label when ordering. This label is located on the left sidewall at the end of the dash (A-Body), or on the driver's door latch plate (C-Body).

An example of a color code number is P31 which designates an overall color scheme of a particular unit. The color listed after the item description on the microfiche, indicates the overall unit color. Order the item you desire according to unit color code.



NOTE:

Use this illustration when determining length and width measurements for curtains. You will note the width measurement is taken on the top of the curtain with the curtain fully extended. The length measurement is taken from top to bottom.

CURTAIN HARDWARE

Key	Part Number	U/M	Description
	056116-01-000	EA	Track - Curtain - Brown - Plastic
	077046-01-000	EA	Track - Curtain - Front Wraparound - Passenger
	077046-02-000	EA	Track - Curtain - Front Wraparound - Driver
	056003-01-000	EA	Bracket - Drapery Retainer - Right
	056003-02-000	EA	Bracket - Drapery Retainer - Left
	087253-01-000	EA	Pull - Window Shade - Clear Plastic
	039175-02-000	EA	Bracket - Curtain Rod
	048394-02-000	YD	Tape Hook - .75" x 50 YD - Beige (Velcro)
	048395-02-000	YD	Tape Loop - .75" x 50 YD - Beige (Velcro)
	081362-01-000	EA	Bracket - Armrest - Right
	081362-02-000	EA	Bracket - Armrest - Left
	080730-01-000	EA	Recliner - Seat Back - Right
	080730-02-000	EA	Recliner - Seat Back - Left
	080731-01-000	EA	Hinge - Slave - Recliner - Right
	080731-02-000	EA	Hinge - Slave - Recliner - Left
	082139-01-000	EA	Bracket - Hold Down - Blind
	016601-02-000	EA	Brace - Seat - Angle - 2 50" Brown
	039175-03-000	EA	Rod - Curtain Cafe Ext - 28" - 48"
	081381-01-000	EA	Swivel - Snap Curtain Track
	084434-01-000	EA	Bracket - Roller Shade - 1 3/8"
	079782-10-000	EA	Track - Curtain - 25' - Beige
	079619-01-000	EA	Bracket - Tie Back

CURTAIN, CUSHION & PAD GROUP (CONTINUED)

TRIM PADS

Key	Part Number	U/M	Description
	077123-61-000	EA	Insert - Upper Passenger Door - 2 5" x 6 25" (W36)
	077123-21-000	EA	Insert - Upper Passenger Door - 2.5" x 6 25" (W37)
	077123-29-000	EA	Insert - Upper Passenger Door - 2.5" x 6 25" (W38)
	077123-62-000	EA	Insert - Upper Drivers Door - 2 5" x 6 25" (W36)
	077123-28-000	EA	Insert - Upper Drivers Door - 2.5" x 6 25" (W37)
	077123-30-000	EA	Insert - Upper Drivers Door - 2 5" x 6.25" (W38)
	077124-61-000	EA	Insert - Lower Passenger Door - 14 2" x 28 25" (W36)
	077124-27-000	EA	Insert - Lower Passenger Door - 14 2" x 28.25" (W37)
	077124-29-000	EA	Insert - Lower Passenger Door - 14 2" x 28.25" (W38)
	077124-62-000	EA	Insert - Lower Driver Door - 14 2" x 28 25" (W36)
	077124-28-000	EA	Insert - Lower Driver Door - 14.2" x 28 25" (W37)
	077124-20-000	EA	Insert - Lower Driver Door - 14 2" x 28 25" (W38)
	077125-61-000	EA	Insert - Map Pocket - Passenger Door - 5 75" x 7 6" (W36)
	077125-27-000	EA	Insert - Map Pocket - Passenger Door - 5 75" x 7 6" (W37)
	077125-29-000	EA	Insert - Map Pocket - Passenger Door - 5 75" x 7 6" (W38)
	077125-62-000	EA	Insert - Map Pocket - Driver Door - 5 75" x 7 5" (W36)
	077125-28-000	EA	Insert - Map Pocket - Driver Door - 5 75" x 7 6" (W37)
	077125-30-000	EA	Insert - Map Pocket - Driver Door - 5 75" x 7 6" (W38)
	077126-31-000	EA	Insert - Side Upper - Drivers - 2 6" x 3 14" (W36)
	077126-14-000	EA	Insert - Side Upper - Drivers - 2 6" x 3.14" (W37)
	077126-15-000	EA	Insert - Side Upper - Drivers - 2 6" x 3 14" (W38)
	077128-26-000	EA	Insert - Side Upper - Passenger - 2 6" x 17 1" (W36)
	077128-14-000	EA	Insert - Side Upper - Passenger - 2.6" x 17.1" (W37)
	077128-15-000	EA	Insert - Side Upper - Passenger - 2 6" x 17.1" (W38)
	077127-31-000	EA	Insert - Side Lower - Driver - 9 3" x 21 3" (W36)
	077127-14-000	EA	Insert - Side Lower - Driver - 9 3" x 21 3" (W37)
	077127-15-000	EA	Insert - Side Lower - Driver - 9 3" x 21 3" (W38)
	077129-37-000	EA	Insert - Side Lower - Passenger - 9 2" x 28" (W36)
	077129-14-000	EA	Insert - Side Lower - Passenger - 9 2" x 28" (W37)
	077129-26-000	EA	Insert - Side Lower - Passenger - 9 2" x 28" (W38)
	077130-31-000	EA	Insert - Front Center Overhead - 19 5" x 4" (W36)
	077130-14-000	EA	Insert - Front Center Overhead - 19 5" x 4" (W37)
	077130-15-000	EA	Insert - Front Center Overhead - 19 5" x 4" (W38)
	077131-61-000	EA	Insert - Front Overhead (Sunvisor) Passenger - 28" x 23 2" (W36)
	077131-27-000	EA	Insert - Front Overhead (Sunvisor) Passenger - 28" x 23 2" (W37)
	077131-29-000	EA	Insert - Front Overhead (Sunvisor) Passenger - 28" x 23 2" (W38)
	077131-62-000	EA	Insert - Front Overhead (Sunvisor) Driver - 28" x 23 2" (W36)
	077131-28-000	EA	Insert - Front Overhead (Sunvisor) Driver - 28" x 23 2" (W37)
	077131-30-000	EA	Insert - Front Overhead (Sunvisor) Driver - 28" x 23 2" (W38)
	077641-98-000	EA	Insert - TT Chair Lounge - 12" x 16" (W36)
	077641-61-000	EA	Insert - TT Chair Lounge - 12" x 16" (W37)
	077641-67-000	EA	Insert - TT Chair Lounge - 12" x 16" (W38)
	081519-01-W36	EA	Pad Asm - Dinette - Right
	081519-01-U09	EA	Pad Asm - Dinette - Right
	081519-01-W38	EA	Pad Asm - Dinette - Right
	081519-02-W36	EA	Pad Asm - Dinette - Left
	081519-02-W05	EA	Pad Asm - Dinette - Left
	081519-02-W38	EA	Pad Asm - Dinette - Left

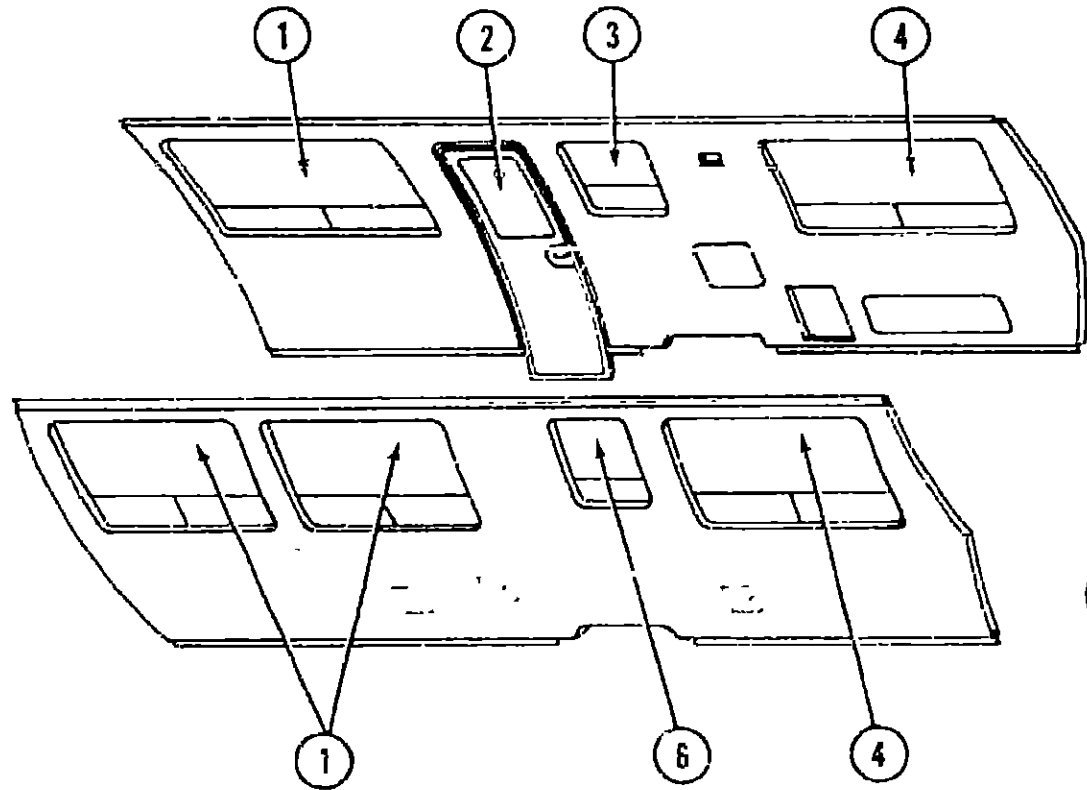
**1987 ITASCA
TABLE OF CONTENTS**

IC420RG	A-01 - B-22
IC/IF424RB	B-23 - D-22
ICN27RU	D-23 - G-06
ICF28RU	G-07 - I-18
ICP34RU	I-19 - L-04

1987 ICP34RU INDEX

Floor Plan	I-19 - I-20
Accessories Group	I-21 - I-24
Bath Group	J-01
Chassis Group	J-02 - J-06
Curtain, Cushion & Pad Group	J-07 - J-14
Dinette Group	J-15 - J-16
Driver's Compartment Group	J-17 - J-21
Electrical Group	J-22 - J-24
Exterior Body Group	K-01 - K-06
Galley Group	K-07 - K-09
Heating & Air Conditioning Group	K-10
Interior Finish Group	K-11 - K-13
LP Group	K-14
Lounge Group	K-15 - K-16
Water & Sewage Group	K-17
Window, Vent & Exterior Door Group	K-18 - L-04

CURTAIN, CUSHION & PAD GROUP (CONTINUED)



CURTAINS, SHADES, VALANCES & TIEBACKS

Key	Part Number	U/M	Description
1	087318-01-W36	EA	Curtain Asm w/Snap Top - 38" x 18" (W36)
**1	087318-01-WB6	EA	Curtain Asm w/Snap Top - 38" x 18" (W36)
1	087318-01-W37	EA	Curtain Asm. w/Snap Top - 38" x 18" (W37)
1	087318-01-W38	EA	Curtain Asm. w/Snap Top - 38" x 18" (W38)
†1	087318-01-W37	EA	Curtain Asm - w/Snap Top - 38" x 18" (W38)
1	085304-41-000	EA	Blind - Pleated - 64 5" x 36" Drop (W36)
1	085304-42-000	EA	Blind - Pleated - 64 5" x 36" Drop (W37)
1	085304-45-000	EA	Blind - Pleated - 64 5" x 36" Drop (W38)
1	085327-04-000	EA	Blind - Micro Mini - 64 5" x 36" Drop (W36)
1	085327-05-000	EA	Blind - Micro Mini - 64 5" x 36" Drop (W37)
1	085327-06-000	EA	Blind - Micro Mini - 64 5" x 36" Drop (W38)
2	084755-04-W06	EA	Shade Asm - Pull - 24 25" - Linen (W36)
2	084755-04-W05	EA	Shade Asm - Pull - 24 25" - Linen (W37)
2	084755-04-W04	EA	Shade Asm - Pull - 24 25" - Linen (W38)
†12	084755-04-WA6	EA	Shade Asm - Pull - 24 25" - Linen (W36)
†12	084755-04-WA8	EA	Shade Asm - Pull - 24 25" - Linen (W37)
†12	084755-04-WA7	EA	Shade Asm - Pull - 24 25" - Linen (W38)
3	085327-07-000	EA	Blind - Micro Minnie - 30" x 30" Drop (W36)
3	085327-08-000	EA	Blind - Micro Minnie - 30" x 30" Drop (W37)
3	085327-09-000	EA	Blind - Micro Minnie - 30" x 30" Drop (W38)
4	087318-03-W36	EA	Curtain Asm w/Snap Top - 37 5" x 15"
4	087318-03-W37	EA	Curtain Asm w/Snap Top - 37 5" x 15"
4	087318-03-W38	EA	Curtain Asm. w/Snap Top - 37 5" x 15"
4	085200-04-W36	EA	Shade - Fabric - 64 25"
4	085200-04-W37	EA	Shade - Fabric - 64 25"
4	085200-04-W38	EA	Shade - Fabric - 64 25"
5	087318-02-W36	EA	Curtain Asm w/Snap Top - 35 5" x 18"
5	087318-02-W37	EA	Curtain Asm w/Snap Top - 35 5" x 18"
5	087318-02-W38	EA	Curtain Asm w/Snap Top - 35 5" x 18"
5	085200-03-W36	EA	Shade - Fabric - 61 25"
5	085200-03-W37	EA	Shade - Fabric - 61 25"
5	085200-03-W38	EA	Shade - Fabric - 61 25"

†† Parts used on units produced after 10/20/86
 ** Parts used on unit produced after 10/10/86
 † Parts used in the Micro Mini Blind Option
 ‡ Parts used in units produced after 2/1/87.

CURTAIN, CUSHION & PAD GROUP (CONTINUED)

CURTAINS, VALANCES, SHADES & TIEBACKS (CONT)

Key	Part Number	U/M	Description
5	M01624-02-W36	EA	Valance Asm - Rear
5	M01624-02-W37	EA	Valance Asm - Rear
5	M01624-02-W38	EA	Valance Asm - Rear
6	073304-38-W14	EA	Curtain Asm. - w/Snap Top - 31.5" x 9" (W36)
**6	073304-38-WB6	EA	Curtain Asm - w/Snap Top - 31.5" x 9" (W36)
6	073304-38-W37	EA	Curtain Asm - w/Snap Top - 31.5" x 9" (W37)
6	073304-38-W15	EA	Curtain Asm - w/Snap Top - 31.5" x 9" (W38)
†6	073304-38-W37	EA	Curtain Asm - w/Snap Top - 31.5" x 9" (W38)
6	085327-07-000	EA	Blind - Micro Minnie - 30" x 30" Drop (W36)
6	085327-08-000	EA	Blind - Micro Minnie - 30" x 30" Drop (W37)
6	085327-09-000	EA	Blind - Micro Minnie - 30" x 30" Drop (W38)
**	077591-01-WB6	EA	Curtain Asm w/Velcro Top - 52" x 40" - Blackout (Right) (W36)
·	077591-01-W36	EA	Curtain Asm w/Velcro Top - 52" x 40" - Blackout (Right) (W36)
·	077591-01-W37	EA	Curtain Asm w/Velcro Top - 52" x 40" - Blackout (Right) (W37)
·	077591-01-W38	EA	Curtain Asm w/Velcro Top - 52" x 40" - Blackout (Right) (W38)
†·	077591-01-W35	EA	Curtain Asm w/Velcro Top - 52" x 40" - Blackout (Right) (W38)
**	077591-02-WB6	EA	Curtain Asm w/Velcro Top - 52" x 42" - Blackout (Left) (W36)
·	077591-02-W09	EA	Curtain Asm w/Velcro Top - 52" x 42" - Blackout (Left) (W36)
·	077591-02-W37	EA	Curtain Asm w/Velcro Top - 52" x 42" - Blackout (Left) (W37)
·	077591-02-W15	EA	Curtain Asm w/Velcro Top - 52" x 42" - Blackout (Left) (W38)
†·	077591-02-W35	EA	Curtain Asm w/Velcro Top - 52" x 42" - Blackout (Left) (W38)
·	073304-40-W09	EA	Curtain Asm w/Snap Top - 32 5" x 86" - Privacy (Right) (W36)
**	073304-40-WB6	EA	Curtain Asm w/Snap Top - 32 5" x 86" - Privacy (Right) (W36)
·	073304-40-W37	EA	Curtain Asm w/Snap Top - 32 5" x 86" - Privacy (Right) (W37)
·	073304-40-W15	EA	Curtain Asm w/Snap Top - 32 5" x 86" - Privacy (Right) (W38)
†·	073304-40-W08	EA	Curtain Asm w/Snap Top - 32 5" x 86" - Privacy (Right) (W38)
·	073304-41-W09	EA	Curtain Asm. w/Snap Top - 32 5" x 86" - Privacy (Left) (W36)
**	073304-41-WB6	EA	Curtain Asm w/Snap Top - 32 5" x 86" - Privacy (Left) (W36)
·	073304-41-W37	EA	Curtain Asm w/Snap Top - 32 5" x 86" - Privacy (Left) (W37)
·	073304-41-W15	EA	Curtain Asm w/Snap Top - 32 5" x 86" - Privacy (Left) (W38)
†·	073304-41-W08	EA	Curtain Asm w/Snap Top - 32 5" x 86" - Privacy (Left) (W38)
·	073260-23-W36	EA	Tie Back Asm - 3" x 18" - Drapery (W36)
**	073260-23-WB6	EA	Tie Back Asm - 3" x 18" - Drapery (W36)
·	073260-23-W37	EA	Tie Back Asm - 3" x 18" - Drapery (W37)
·	073260-23-W38	EA	Tie Back Asm - 3" x 18" - Drapery (W38)
†·	073260-23-W05	EA	Tie Back Asm - 3" x 18" - Drapery (W38)
·	073260-27-W36	EA	Tie Back Asm - 3" x 23" - Bedspread
·	073260-27-W37	EA	Tie Back Asm - 3" x 23" - Bedspread
·	073260-27-W38	EA	Tie Back Asm - 3" x 23" - Bedspread
·	073260-28-W36	EA	Tie Back Asm - 3" x 23" - Drapery (W36)
**	073260-28-WB6	EA	Tie Back Asm - 3" x 23" - Drapery (W36)
·	073260-28-W37	EA	Tie Back Asm - 3" x 23" - Drapery (W37)
·	073260-28-W38	EA	Tie Back Asm - 3" x 23" - Drapery (W38)
†·	073260-28-W37	EA	Tie Back Asm - 3" x 23" - Drapery (W38)
·	085283-01-000	EA	Tie Back - Plastic Bracket
·	057534-01-000	EA	Tie Back - Clear Plastic - 6"
·	057534-03-000	EA	Tie Back - Clear Plastic - 7.5"
·	057534-04-000	EA	Tie Back - Clear Plastic - 20"
·	057534-06-000	EA	Tie Back Asm - Vinyl - Taupe 6"
·			Not illustrated
††	Parts used on units produced after 10/20/86		
**	Parts used on units produced after 10/10/86.		
†	Parts used in the Micro Mini Blind Option		
‡	Parts used in units produced after 2/1/87.		

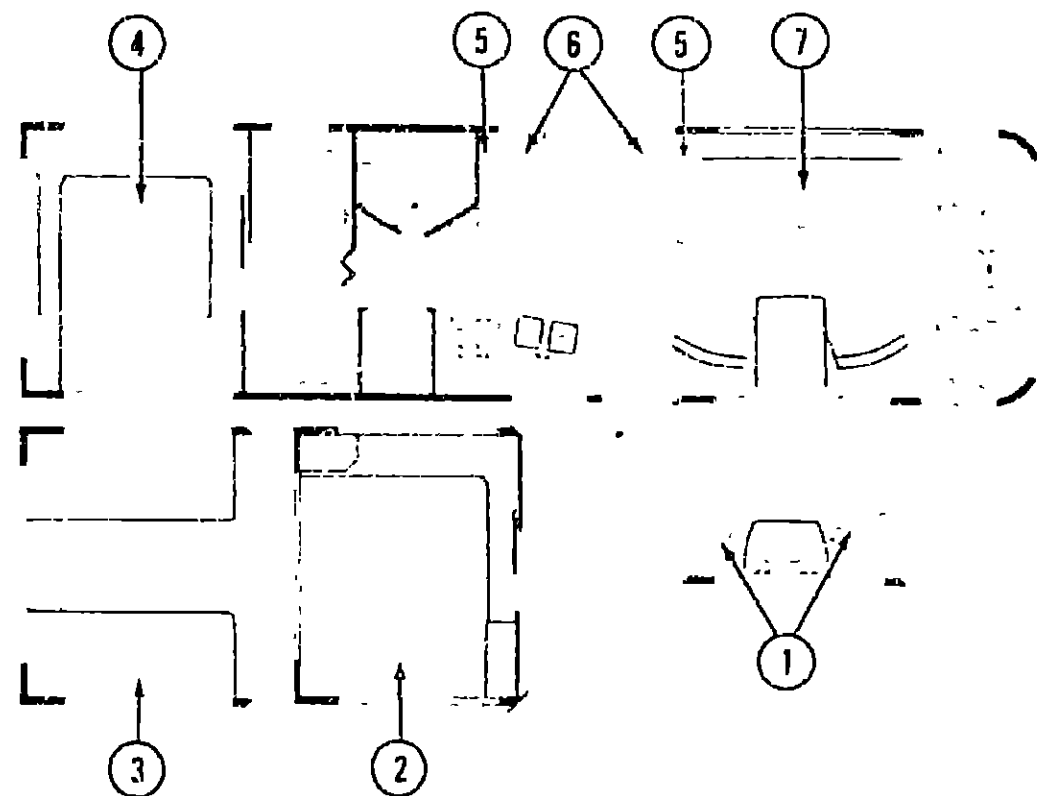
**1987 ITASCA
TABLE OF CONTENTS**

IC420RG	A-01 - B-22
IC/IF424RB	B-23 - D-22
ICN27RU	D-23 - G-06
ICP28RU	G-07 - I-18
ICP34RU	I-19 - L-34

1987 ICP34RU INDEX

Floor Plan	I-19 - I-20
Accessories Group	I-21 - I-24
Bath Group	J-01
Chassis Group	J-02 - J-06
Curtain, Cushion & Pad Group	J-07 - J-14
Dinette Group	J-15 - J-16
Driver's Compartment Group	J-17 - J-21
Electrical Group	J-22 - J-24
Exterior Body Group	K-01 - K-06
Galley Group	K-07 - K-09
Heating & Air Conditioning Group	K-10
Interior Finish Group	K-11 - K-13
LP Group	K-14
Lounge Group	K-15 - K-16
Water & Sewage Group	K-17
Window, Vent & Exterior Door Group	K-18 - L-04

CURTAIN, CUSHION & PAD GROUP (CONTINUED)



TEARDROP SWIVEL CHAIRS

Key	Part Number	U/M	Description
1	085356-01-W36	EA	Chair Asm - Teardrop - Swivel
1	085356-01-W37	EA	Chair Asm - Teardrop - Swivel
1	085356-01-W38	EA	Chair Asm - Teardrop - Swivel
•	087301-01-W36	EA	Skirt Asm - Swivel Chair
•	087301-01-W37	EA	Skirt Asm - Swivel Chair
•	087301-01-W38	EA	Skirt Asm - Swivel Chair
•	035036-01-000	EA	Plate - Tilt & Swivel - Swivel Chair
•	035036-05-000	EA	Extension - 7" - Swivel Chair
•	035036-04-000	EA	Base w/Legs - Swivel Chair
1	086516-01-W36	EA	Chair Asm - Reclining Back
1	086516-01-W37	EA	Chair Asm - Reclining Back
1	086516-01-W38	EA	Chair Asm - Reclining Back
•	075174-05-W36	EA	Skirt Asm - Reclining Swivel Chair
•	075174-05-W37	EA	Skirt Asm - Reclining Swivel Chair
•	075174-05-W38	EA	Skirt Asm - Reclining Swivel Chair
•	Not illustrated		

QUEEN BED

Key	Part Number	U/M	Description
?	077478-05-000	EA	Mattress - Inner Spring - 60" x 75"
	083986-04-W36	EA	Bedsread - Fitted - 60" Throw w/Flip Up Top
	083986-04-W37	EA	Bedsread - Fitted - 60" Throw w/Flip Up Top
	083986-04-W38	EA	Bedsread - Fitted - 60" Throw w/Flip Up Top
	086109-04-W36	EA	Headboard Asm - Queen Bed
	086109-04-W37	EA	Headboard Asm - Queen Bed
	086109-04-W38	EA	Headboard Asm - Queen Bed
	085366-01-W36	EA	Pillow Asm - Throw
	085366-01-W37	EA	Pillow Asm - Throw
	085366-01-W38	EA	Pillow Asm - Throw

CURTAIN, CUSHION & PAD GROUP (CONTINUED)

TWIN BED OPTION

Key	Part Number	U/M	Description
3	077478-04-000	EA	Mattress - Inner Spring - 33" x 75"
	083986-03-W36	EA	Bedsread Asm - Fitted - 33"
	083986-03-W37	EA	Bedsread Asm - Fitted - 33"
	083986-03-W38	EA	Bedsread Asm - Fitted - 33"
	086109-05-W36	EA	Headboard Asm - Twin Bed
	086109-05-W37	EA	Headboard Asm - Twin Bed
	086109-05-W38	EA	Headboard Asm - Twin Bed
	085366-01-W36	EA	Pillow Asm - Throw
	085366-01-W37	EA	Pillow Asm - Throw
	085366-01-W38	EA	Pillow Asm - Throw

DOUBLE BED

Key	Part Number	U/M	Description
4	077478-03-000	EA	Mattress - Inner Spring - 54" x 75"
	085365-04-W36	EA	Bedsread Asm - Throw Top - 54"
	085365-04-W37	EA	Bedsread Asm - Throw Top - 54"
	085365-04-W38	EA	Bedsread Asm - Throw Top - 54"

DINETTE CUSHION

Key	Part Number	U/M	Description
5	081998-56-W36	EA	Cushion Asm - 19 25" x 38" x 5" - Back
5	081998-56-W37	EA	Cushion Asm - 19 25" x 38" x 5" - Back
5	081998-56-W38	EA	Cushion Asm - 19 25" x 38" x 5" - Back
	M81998-56-W36	EA	Cover Asm - Dinette Back Cushion
	M81998-56-W37	EA	Cover Asm - Dinette Back Cushion
	M81998-56-W38	EA	Cover Asm - Dinette Back Cushion
6	081998-57-W36	EA	Cushion Asm - 17 5" x 38" x 5" - Seat
6	081998-57-W37	EA	Cushion Asm - 17 5" x 38" x 5" - Seat
6	081998-57-W38	EA	Cushion Asm - 17 5" x 38" x 5" - Seat
	M81998-57-W36	EA	Cover Asm - Dinette Seat Cushion
	M81998-57-W37	EA	Cover Asm - Dinette Seat Cushion
	M81998-57-W38	EA	Cover Asm - Dinette Seat Cushion

TEARDROP BED

Key	Part Number	U/M	Description
7	085355-01-W36	EA	Bed Asm - Teardrop w/o Back Cushions
7	085355-01-W37	EA	Bed Asm - Teardrop w/o Back Cushions
7	085355-01-W38	EA	Bed Asm - Teardrop w/o Back Cushions
	M85355-01-W36	EA	Cover Asm - Teardrop Bed
	M85355-01-W37	EA	Cover Asm - Teardrop Bed
	M85355-01-W38	EA	Cover Asm - Teardrop Bed
	086546-01-W36	EA	Pillow Asm - Removable Armrest
	086546-01-W37	EA	Pillow Asm - Removable Armrest
	086546-01-W38	EA	Pillow Asm - Removable Armrest
	M86546-01-W36	EA	Cover Asm - Armrest Cushion
	M86546-01-W37	EA	Cover Asm - Armrest Cushion
	M86546-01-W38	EA	Cover Asm - Armrest Cushion
	086545-01-W36	EA	Cushion Asm - Teardrop Pillow
	086545-01-W37	EA	Cushion Asm - Teardrop Pillow
	086545-01-W38	EA	Cushion Asm - Teardrop Pillow
	M86545-01-W36	EA	Cover Asm - Teardrop Pillow
	M86545-01-W37	EA	Cover Asm - Teardrop Pillow
	M86545-01-W38	EA	Cover Asm - Teardrop Pillow

**1987 ITASCA
TABLE OF CONTENTS**

IC420RG	A 01 - B-22
IC/IF424RB	B-23 - D-22
ICN27RU	D-23 - G-06
ICP28RU	G-07 - I-18
ICP34RU	I-19 - L-04

1987 ICP34RU INDEX

Floor Plan	I-19 - I-20
Accessories Group	I-21 - I-24
Bath Group	J-01
Chassis Group	J-02 - J-06
Curtain, Cushion & Pad Group	J-07 - J-14
Dinette Group	J-15 - J-16
Driver's Compartment Group	J-17 - J-21
Electrical Group	J-22 - J-24
Exterior Body Group	K-01 - K-06
Galley Group	K-07 - K-09
Heating & Air Conditioning Group	K-10
Interior Finish Group	K-11 - K-13
LP Group	K-14
Lounge Group	K-15 - K-16
Water & Sewage Group	K-17
Window Vent & Exterior Door Group	K-18 - L-04

CURTAIN, CUSHION & PAD GROUP (CONTINUED)

FABRICS & TRIMS

Key	Part Number	U/M	Description
	077498-93-000	YD	Fabric - Upholstery - Aluminum (W36)
	077498-99-000	YD	Fabric - Upholstery - Claret (W37)
	077498-97-000	YD	Fabric - Upholstery - Opal (W38)
	077498-A4-000	YD	Fabric - Upholstery/Striped Accent - Aluminum (W36)
	077498-A5-000	YD	Fabric - Upholstery/Striped Accent - Claret (W37)
	077498-A3-000	YD	Fabric - Upholstery/Striped Accent - Opal (W38)
	077498-94-000	YD	Fabric - Upholstery/Plain Accent - Gray (W36)
	077498-61-000	YD	Fabric - Upholstery/Plain Accent - Old Rose (W37)
	077498-60-000	YD	Fabric - Upholstery/Plain Accent - Taupe (W38)
	069729-50-000	YD	Fabric - Bedspread - Miami #6 (W36)
	069729-52-000	YD	Fabric - Bedspread - New York #6 (W37)
	069729-51-000	YD	Fabric - Bedspread - Miami #61 (W38)
	072333-36-000	YD	Fabric - Drapery - Cocoa (Headboard Insert) (W36)
	072333-35-000	YD	Fabric - Drapery - Plum (Headboard Insert) (W37)
	072333-34-000	YD	Fabric - Drapery - Green (Headboard Insert) (W38)
	084467-01-000	YD	Fabric - Pillow - Black (W36 W37)
	084467-02-000	YD	Fabric - Pillow - Gray (W38)
	072333-38-000	YD	Fabric - Drapery - Melba (W36)
	072333-45-000	YD	Fabric Drapery - Blossoms (W36)
1	072333-37-000	YD	Fabric - Drapery - Mauve (W37)
	072333-41-000	YD	Fabric - Drapery - Silver (W38)
	079680-01-000	YD	Vinyl - Expanded - Buckskin
	069649-03-000	YD	Vinyl - Expanded - Taupe
	078394-01-000	FT	Trim - Half Round Vinyl - 7/16"
	038421-01-000	YD	Fabric - Mattress Ticking
	038421-04-000	YD	Fabric - Mattress Ticking - 82"
	081607-02-000	YD	Fabric - Headline - Sandstone
	087272-01-000	YD	Drapery Lining - 48" - Ivory
	072333-30-000	YD	Fabric - Linon - Shade
	084416-13-000	YD	Fabric - Laminate - Shade - Cocoa (W36)
	084416-12-000	YD	Fabric - Laminate - Shade - Plum (W37)
	084416-11-000	YD	Fabric - Laminate - Shade - Vintage Green (W38)
	071127-10-W36	EA	Button Asm - #30 - Hook Back (W36)
	071127-10-W09	EA	Button Asm - #30 - Hook Back (W37)
	071127-10-W38	EA	Button Asm - #30 - Hook Back (W38)
	071127-12-W36	EA	Button Asm - #30 - Hook Back (W36)
	071127-12-U09	EA	Button Asm - #30 - Hook Back (W37)
	071127-01-W38	EA	Button Asm - #30 - Hook Back (W38)
	084415-14-000	YD	Trim - Braid - Peach (W36)
	084415-13-000	YD	Trim - Braid - Mauve (W37)
	084415-12-000	YD	Trim - Braid - Green (W38)

* Fabric used in units produced after 10/10 86
 1 After 2/1/87 this fabric was used on W38 units also



Key	Part Number	U/M	Description
1	029130-01-000	EA	Socket - Snap Fastener
2	029155-01-000	EA	Cap - Snap - 156" Dia x 17" Barrel
3	029156-02-000	EA	Socket - Snap Fastener
4	029092-01-000	EA	Stud - Nickel Finish
5	029093-01-000	EA	Eyelet - Nickel Finish

CURTAIN, CUSHION & PAD GROUP (CONTINUED)

BUCKET SEATS

Key	Part Number	U/M	Description
	078804-14-W36	EA	Seat Asm - Single Bucket - w/Armrests & Headrests
	078804-14-W37	EA	Seat Asm - Single Bucket - w/Armrests & Headrests
	078804-14-W38	EA	Seat Asm - Single Bucket - w/Armrests & Headrests
	M01863-02-W36	EA	Cover - Back - Single Bucket (W36)
	M01863-02-W08	EA	Cover - Back - Single Bucket (W37)
	M01863-02-W38	EA	Cover - Back - Single Bucket (W38)
	M01863-01-W36	EA	Cover - Bottom - Single Bucket (W36)
	M01863-09-W08	EA	Cover - Bottom - Single Bucket (W37)
	M01863-01-W38	EA	Cover - Bottom - Single Bucket (W38)
	071126-16-W36	EA	Skirt - Single Bucket (W36)
	071126-16-W08	EA	Skirt - Single Bucket (W37)
	071126-16-W38	EA	Skirt - Single Bucket (W38)
	080243-07-W36	EA	Armrest Asm - Right (W36)
	080243-07-W05	EA	Armrest Asm - Right (W37)
	080243-07-W38	EA	Armrest Asm - Right (W38)
	080243-08-W36	EA	Armrest Asm - Left (W36)
	080243-08-W05	EA	Armrest Asm - Left (W37)
	080243-08-W38	EA	Armrest Asm - Left (W38)
	M80243-01-W36	EA	Cover - Armrest - Right (W36)
	M80243-01-W05	EA	Cover - Armrest - Right (W37)
	M80243-01-W38	EA	Cover - Armrest - Right (W38)
	M80243-02-W36	EA	Cover - Armrest - Left (W36)
	M80243-02-W05	EA	Cover - Armrest - Left (W37)
	M80243-02-W38	EA	Cover - Armrest - Left (W38)
	079281-04-W36	EA	Seat Asm - Double Bucket w/Armrests & Headrests
	079281-04-W37	EA	Seat Asm - Double Bucket w/Armrests & Headrests
	079281-04-W38	EA	Seat Asm - Double Bucket w/Armrests & Headrests
	M01874-04-W36	EA	Cover - Back - Double Bucket
	M01874-04-W37	EA	Cover - Back - Double Bucket
	M01874-04-W38	EA	Cover - Back - Double Bucket
	M01874-03-W36	EA	Cover - Bottom - Double Bucket
	M01874-03-W37	EA	Cover - Bottom - Double Bucket
	M01874-03-W38	EA	Cover - Bottom - Double Bucket
	071690-04-W36	EA	Skirt - Double Bucket (W36)
	071690-04-W08	EA	Skirt - Double Bucket (W37)
	071690-04-W38	EA	Skirt - Double Bucket (W38)
	080243-02-W36	EA	Armrest Asm - Left - Double Bucket (W36)
	080243-02-W08	EA	Armrest Asm - Left - Double Bucket (W37)
	080243-02-W38	EA	Armrest Asm - Left - Double Bucket (W38)
	M80243-02-W36	EA	Cover - Armrest - Left - Double Bucket (W36)
	M80243-02-W05	EA	Cover - Armrest - Left - Double Bucket (W37)
	M80243-02-W38	EA	Cover - Armrest - Left - Double Bucket (W38)
	080242-08-W36	EA	Headrest Asm
	080242-08-W37	EA	Headrest Asm
	080242-08-W38	EA	Headrest Asm
	M80242-08-W36	EA	Headrest Cover
	M80242-08-W37	EA	Headrest Cover
	M80242-08-W38	EA	Headrest Cover

Key	Part Number	U/M	Description
	079145-02-000	EA	Cushion Asm - Front Bunk - 30" x 72" x 4"
	M79145-02-000	EA	Cover Asm - Front Bunk Cushion

FRONT OVERHEAD BUNK CUSHIONS

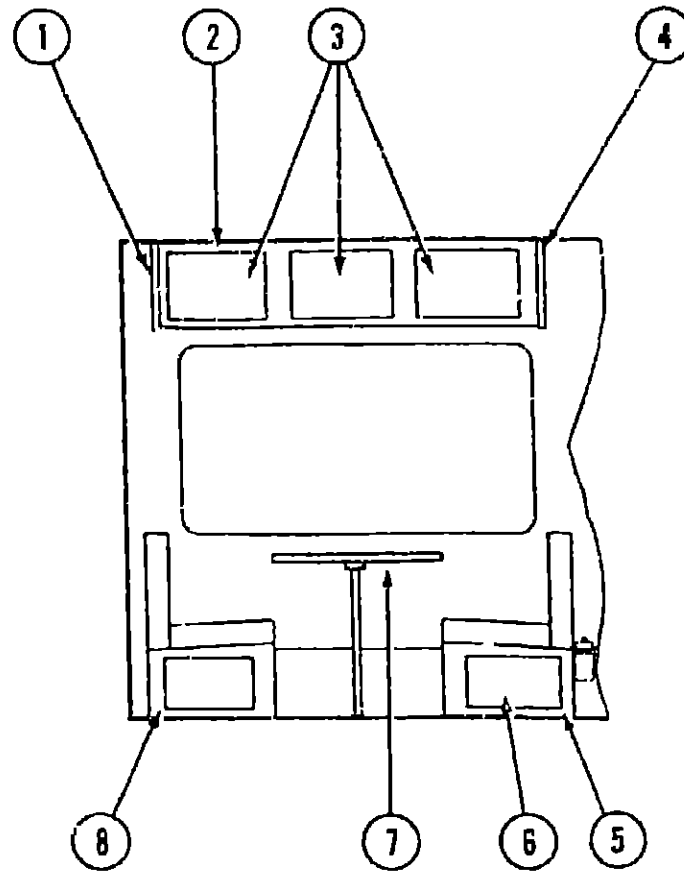
**1987 ITASCA
TABLE OF CONTENTS**

IC420RG	A-01 - B-22
IC/IF424RB	B-23 - D-22
ICN27RU	D-23 - G-06
ICP28RU	G-07 - I-18
ICP34RU	I-19 - L-04

1987 ICP34RU INDEX

Floor Plan	I-19 - I-20
Accessories Group	I-21 - I-24
Bath Group	J-01
Chassis Group	J-02 - J-06
Curtain, Cushion & Pad Group	J-07 - J-14
Dinette Group	J-15 - J-16
Driver's Compartment Group	J-17 - J-21
Electrical Group	J-22 - J-24
Exterior Body Group	K-01 - K-06
Galley Group	K-07 - K-09
Heating & Air Conditioning Group	K-10
Interior Finish Group	K-11 - K-13
LP Group	K-14
Lounge Group	K-15 - K-16
Water & Sewage Group	K-17
Window, Vent & Exterior Door Group	K-18 - L-04

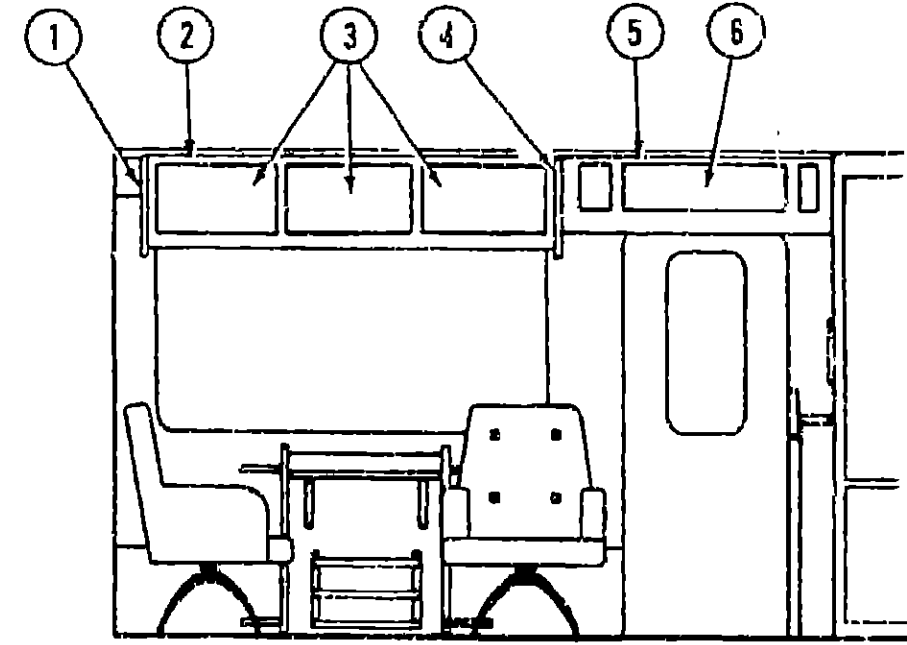
DINETTE GROUP



CONVENTIONAL DINETTE & COMPONENTS

Key	Part Number	U/M	Description
1	076548-02-W36	EA	End Cap Asm - Dinette Overhead - Vinyl
2	081848-06-W36	EA	Cabinet Asm - Dinette Overhead - w/o Doors or Hardware
3	M81797-01-W36	EA	Door Asm - Dinette Overhead - 12 1" x 20 9" - w/o Hardware
4	076548-01-W36	EA	End Cap Asm - Dinette Overhead - Vinyl
5	M02652-01-W36	EA	Cabinet Asm - Dinette Seat - w/o Doors or Hardware
*	M02653-01-W36	EA	Cabinet Asm - Dinette Back
6	M81797-03-W36	EA	Door Asm - Dinette Seat - 16.7" x 10 1" - w/o Hardware
7	086258-01-000	EA	Table Asm. - Dinette - Regal Oak
8	M02652-02-W36	EA	Cabinet Asm - Dinette Seat - w/o Door or Hardware
*	M02653-02-W36	EA	Cabinet Asm - Dinette Back
*	082098-01-000	EA	Cabinet Asm - Heat Duct Cover
*	053200-05-000	EA	Bracket - Upper Wall Mount - 23 5" - Beige
*	093410-01-000	EA	Bracket - Table Mount - Beige
*	024275-05-000	EA	Rod - Table Lift - 8" x 23 5" - Beige
*	024276-17-000	EA	Leg Asm - Table - Tan
*	024281-07-000	EA	Bracket - Lower Wall Mount - 22 12" - Beige
*	024282-01-000	EA	Brace - Table Leg
*	024283-01-000	EA	Clip - 1" O.D. Tube
*	049493-05-000	EA	Catch - Table Leg - Mounts on Floor - Tan
*	064050-02-000	EA	Hinge - Table Leg
*	064781-03-000	EA	Cup Holder - 3 5" x 1 5"
*			Not illustrated

DINETTE GROUP (CONTINUED)



SWIVEL CHAIR W/PULLOUT TABLE

Key	Part Number	U/M	Description
1	076548-02-W36	EA	End Cap Asm - Swivel Chair Overhead - Vinyl
2	081848-02-W36	EA	Cabinet Asm. - Swivel Chair Overhead - w/o Doors or Hardware
3	M81797-01-W36	EA	Door Asm - Swivel Chair Overhead - 12 1" x 20 9" - w/o Hardware
4	076548-01-W36	EA	End Cap Asm - Swivel Chair Overhead - Vinyl
5	M87147-02-W36	EA	Cabinet Asm - Entrance Door - w/o Doors or Hardware
6	M81797-12-W36	EA	Door Asm - Entrance Door Overhead - w/o Hardware
*	M02414-01-W36	EA	Countertop Asm - Cup Holder - w/o Hardware
*	M02417-01-W36	EA	Cover - Pullout Table
*	M02415-01-W36	EA	Table Asm - Pullout - w/o Handle
*	M02416-01-W36	EA	Top - TV - Pullout Table
†	079608-05-W36	EA	Magazine Rack Asm
*	079606-01-W36	EA	Magazine Rack Asm.
*	079921-01-000	EA	Nylon Roller w/Shaft
*	080728-01-000	EA	Handle - Recessed - Brown Plastic
*	035036-04-000	EA	Base - w/Legs - Swivel Chair
†	088245-01-000	EA	Base w/Leg - Swivel Chair
*	035036-07-000	EA	Extension - 4" - Swivel Chair - Recliner
†	088245-04-000	EA	Extension - 4" - Swivel Chair
**		EA	Swivel Chairs
*			Not illustrated
**			See Curtain, Cushion & Pad Group
{			Used in units produced after 3/1/87
††			Used in units produced after 9/14/86

SWIVEL CHAIR & ICE MAKER OPTION

Key	Part Number	U/M	Description
	M82887-01-W36	EA	Cabinet Asm - Ice Maker
	M02493-01-W36	EA	Countertop Asm - Ice Maker - Regal Oak
	M02494-01-W36	EA	Slide Out Table
	074489-02-W36	EA	Beverage Holder w/Tray
	078238-08-W36	EA	Access Panel
*		EA	Swivel Chairs
**	076799-01-000	EA	Ice Maker - Black Glass
*			See Curtain, Cushion & Pad Group
**			The illustrated parts breakdown for this item is provided on the Common Items Fiche

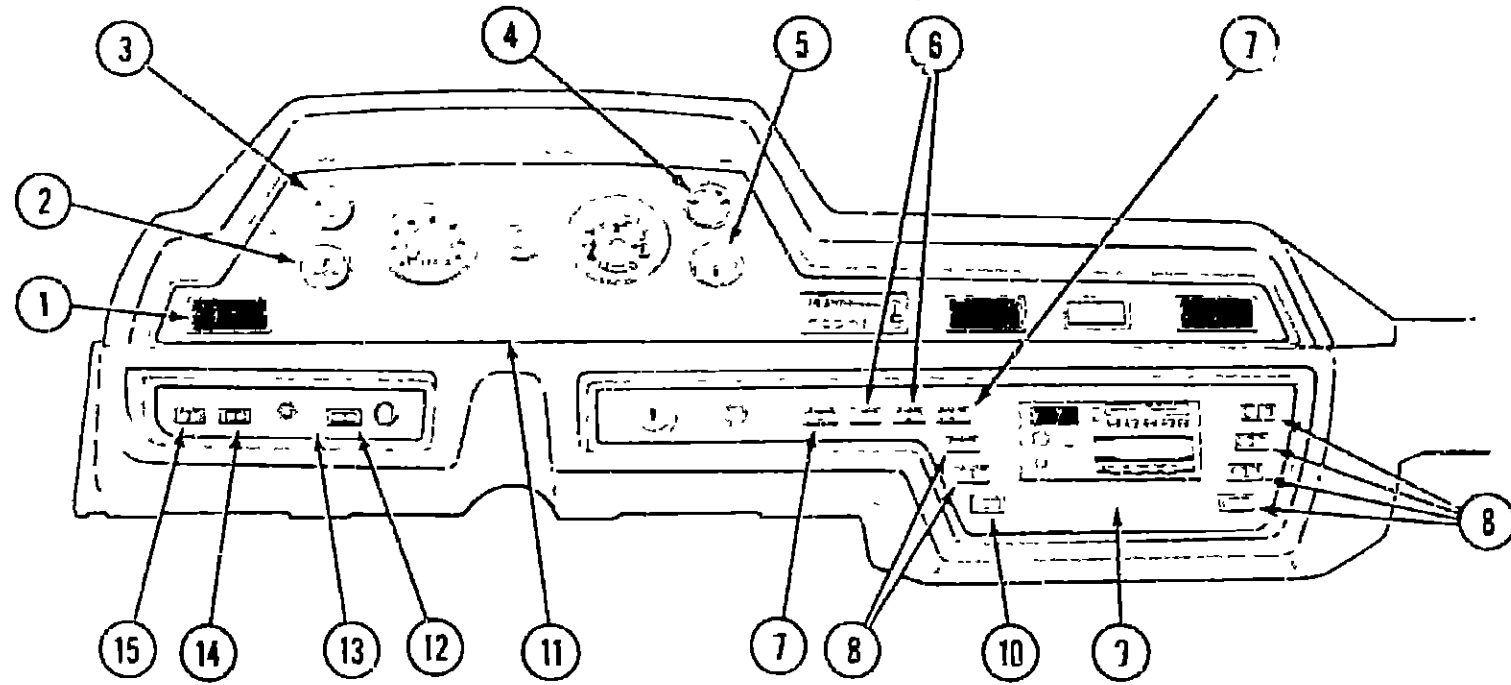
**1987 ITASCA
TABLE OF CONTENTS**

IC420RG	A-01 - B-22
IC/IF424RB	B-23 - D-22
ICN27RU	D-23 - G-06
ICP28RU	G-07 - I-18
ICF34RU	I-19 - L-04

1987 ICP34RU INDEX

Floor Plan	I-19 - I-20
Accessories Group	I-21 - I-24
Bath Group	J-01
Chassis Group	J-02 - J-06
Curtain, Cushion & Pad Group	J-07 - J-14
Dinette Group	J-15 - J-16
Driver's Compartment Group	J-17 - J-21
Electrical Group	J-22 - J-24
Exterior Body Group	K-01 - K-06
Galley Group	K-07 - K-09
Heating & Air Conditioning Group	K-10
Interior Finish Group	K-11 - K-13
LP Group	K-14
Lounge Group	K-15 - K-16
Water & Sewage Group	K-17
Window Vent & Exterior Door Group	K-18 - L-04

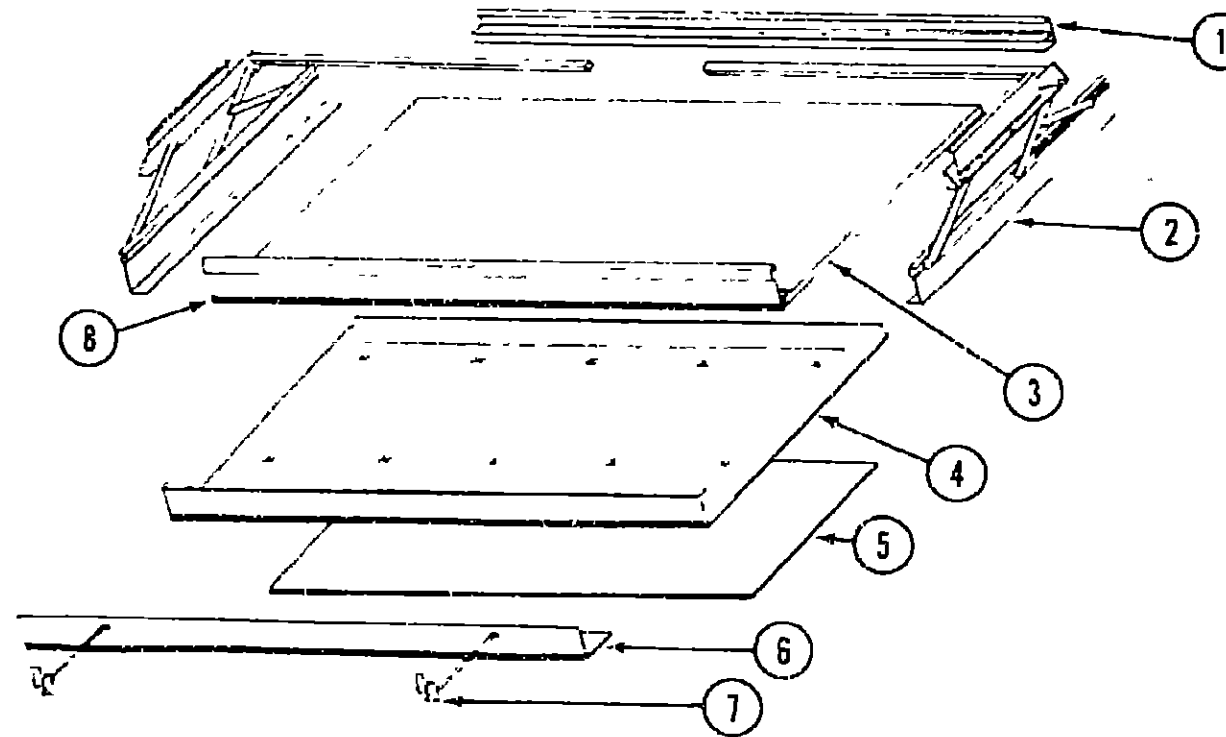
DRIVER'S COMPARTMENT GROUP



DASH SWITCHES & GAUGES

Key	Part Number	U/M	Description
1	076783-02-000	EA	Louver Asm. - A/C Adjustable
2	031035-02-000	EA	Gauge - Hourmeter - Generator
3	024460-04-000	EA	Gauge - Vacuum
4	024459-04-000	EA	Gauge - Voltmeter
5	072341-01-710	EA	Control Asm. - Heater
6	076759-05-000	EA	Switch - 3 Position
7	076759-04-000	EA	Switch - 3 Position
8	076759-01-000	EA	Switch - 2 Position
9	076217-05-000	EA	Instrument Panel - Lower
10	076800-01-000	EA	Switch w/Thermometer
11	076216-03-000	EA	Instrument Panel - Upper
†11	076216-05-000	EA	Instrument Panel - Upper
12	076759-07-000	EA	Switch - 2 Position
13	076218-02-000	EA	Instrument Panel - Lower Left
14	076759-02-000	EA	Switch - 2 Position
15	076759-03-000	EA	Switch - 3 Position
*	081087-01-000	EA	Socket Asm. - Indicator Lamp
**	081369-01-000	EA	Electronic Dash Cluster
**	081369-06-000	EA	Bezel - Wandcruiser - Electronic Dash - w/o Aux Fuel
**	087715-01-000	EA	Bezel
**	087714-01-000	EA	Component - Electronic Dash - w/Aux Fuel
**	087714-02-000	EA	Component - Electronic Dash - w/o Aux Fuel
**	087713-01-000	EA	Display Panel - Electronic Dash - w/Aux Fuel
**	087713-02-000	EA	Display Panel - Electronic Dash - w/o Aux Fuel
**	081369-07-000	EA	Sender Kit - Speed - Electronic Dash
**	081369-08-000	EA	Wiring Harness - Electronic Dash
*	Not illustrated		
**	Parts used with the Electronic Dash Option		
†	Used in units produced after 1/5/87		

DRIVER'S COMPARTMENT GROUP (CONTINUED)



FRONT BUNK & HARDWARE

Key	Part Number	U/M	Description
1	081155-02-000	EA	Bunk Rail - Front - Beige
2	076760-02-000	EA	Bunk Support - Overhead - Complete
*	077110-09-000	EA	Cover - Bunk Support - Right
*	077110-10-000	EA	Cover - Bunk Support - Left
3	081110-01-W13	EA	Bunkboard Asm. - w/Rail
4	077121-03-000	EA	Trim Panel - Front Bunk
5	077133-31-000	EA	Bunk Insert - Lower (W36)
5	077133-14-000	EA	Bunk Insert - Lower (W37)
5	077133-15-000	EA	Bunk Insert - Lower (W38)
6	077132-31-000	EA	Bunk Insert - Rear (W36)
6	077132-14-000	EA	Bunk Insert - Rear (W37)
6	077132-15-000	EA	Bunk Insert - Rear (W38)
*	077513-31-000	EA	Bunk Trim - Upper (Mounts to Trim Board) (W36)
*	077513-14-000	EA	Bunk Trim - Upper (Mounts to Trim Board) (W37)
*	077513-15-000	EA	Bunk Trim - Upper (Mounts to Trim Board) (W38)
*	075943-02-000	EA	Brace - Valance - Beige
*	079144-01-W13	EA	Strap Asm. - 3 x 20
7	042541-04-700	EA	Latch Asm. - w/Strike - Brass
8	081154-02-000	EA	Bunk Rail - Rear - Beige
*	Not illustrated		

1987 ITASCA TABLE OF CONTENTS

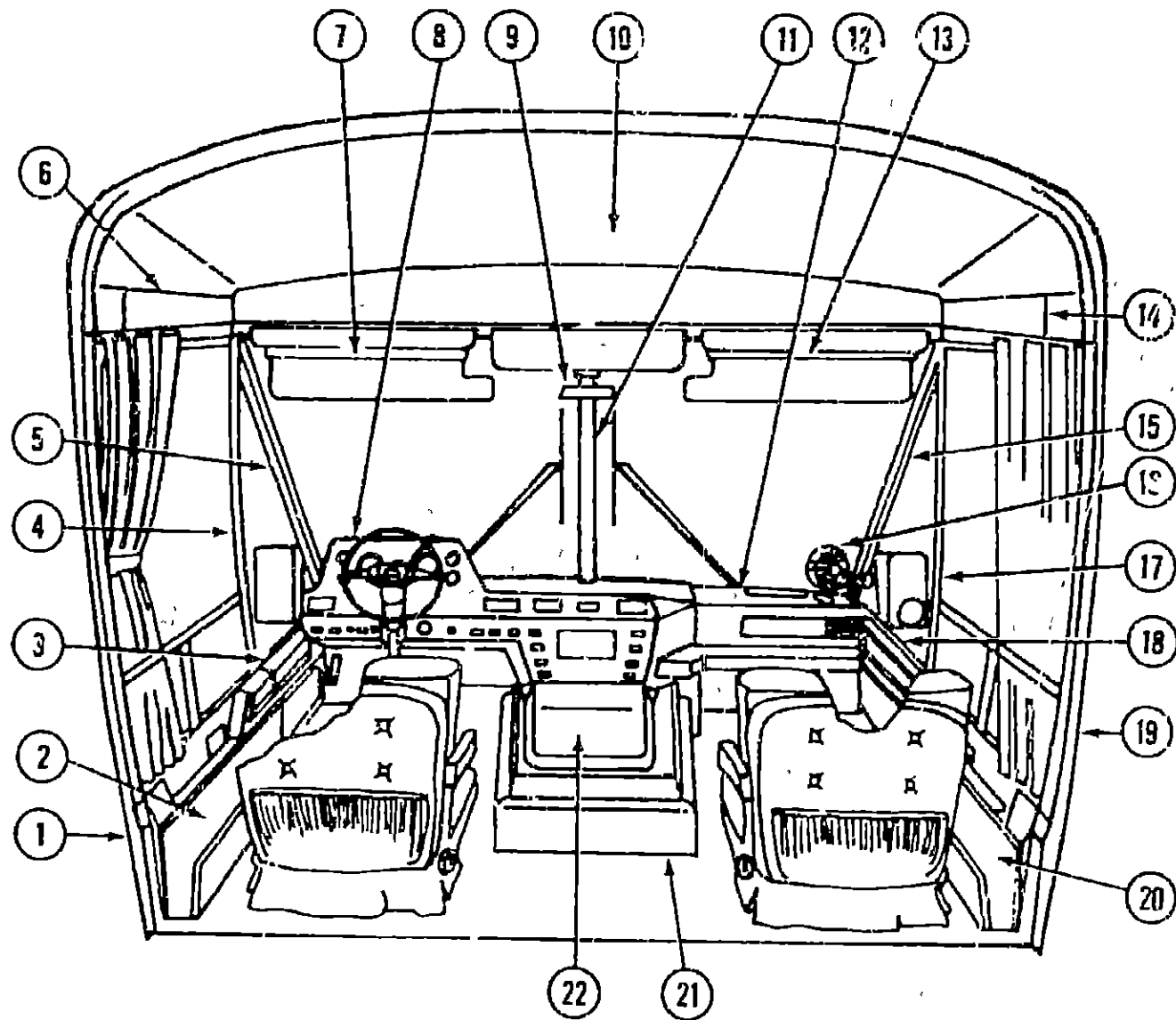
IC420RG
IC/IF424RB
ICN27RU
ICP28RU
ICP34RU

A-01 - B-22
B-23 - D-22
D-23 - G-06
G-07 - I-18
I-19 - L-04

1987 ICP34RU INDEX

Floor Plan	I-19 - I-20
Accessories Group	I-21 - I-24
Bath Group	J-01
Chassis Group	J-02 - J-06
Curtain, Cushion & Pad Group	J-07 - J-14
Dinette Group	J-15 - J-16
Driver's Compartment Group	J-17 - J-21
Electrical Group	J-22 - J-24
Exterior Body Group	K-01 - K-06
Galley Group	K-07 - K-09
Heating & Air Conditioning Group	K-10
Interior Finish Group	K-11 - K-13
LP Group	K-14
Lounge Group	K-15 - K-16
Water & Sewage Group	K-17
Window, Vent & Exterior Door Group	K-18 - L-04

DRIVER'S COMPARTMENT GROUP (CONTINUED)



MISCELLANEOUS DRIVER'S COMPARTMENT COMPONENTS

Key	Part Number	U/M	Description
1	077111-04-000	EA	Panel Trim - Driver's Side
2	077117-04-000	EA	Side Panel Trim - Door
3	077116-02-000	EA	Side Panel Trim - Front
4	077113-04-000	EA	Trim Panel - Hinge Pillar
5	077112-04-000	EA	Trim - Windshield - Interior - "A" Post - Left
6	077110-04-000	EA	Trim Cover - w/Bunk - Left
7	082286-01-W36	EA	Sunvisor Asm - Driver - Vinyl
.	083919-01-W36	EA	Cabinet Asm. - Front Overhead (w/o Front Bunk)
**	086712-03-W36	EA	Cabinet Asm. - Front Overhead - Right - w/o Doors or Hardware
**	086712-04-W36	EA	Cabinet Asm. - Front Overhead - Left - w/o Doors or Hardware
**	086714-01-W36	EA	Cabinet Asm. - Television
**	M86713-03-W36	EA	Door Asm - Front Overhead Cabinet - w/o Hardware
8	085253-01-W36	EA	Instrument Panel Asm. - Upper - Left
.	076808-02-000	EA	Dash Panel - Lower - Left
.	076808-04-000	EA	Dash Panel - Lower - Left (w/Electronic Dash)
.			Not illustrated
**			Parts used with the Television Option

DRIVER'S COMPARTMENT GROUP (CONTINUED)

MISCELLANEOUS DRIVER'S COMPARTMENT COMPONENTS (CONT.)

Key	Part Number	U/M	Description
9	040714-01-700	EA	Rearview Mirror Kit
.	079926-01-000	EA	Lamp - Flex Arm
.	079926-01-700	EA	Bulb - Flex Arm Lamp
10	077108-02-000	EA	Trim Panel - Roof Front - w/Bunk
10	077108-04-000	EA	Trim Panel - Roof Front - w/o Bunk
10	077108-09-000	EA	Trim Panel - Roof Front - w/Antenna
**10	077108-10-000	EA	Trim Panel - Roof Front - w/T.V. Cabinet
11	077114-02-000	EA	Trim Panel - Center - Pillar
.	076783-01-000	EA	Louver Asm - A/C Adjustable
12	085252-01-W36	EA	Instrument Panel Asm - Upper - Right
13	082286-03-W36	EA	Sunvisor Asm - w/Mirror - Vinyl
.	081917-01-000	EA	Clip - Sunvisor - Black
14	077110-03-000	EA	Trim Cover - w/Bunk - Right
15	077112-03-000	EA	Trim - Windshield - Interior - "A" Post - Right
16	036420-02-700	EA	Defroster Fan
.	077988-01-000	EA	Bracket - Fan - Right
.	077988-02-000	EA	Bracket - Fan - Left
17	077113-03-000	EA	Trim Panel - Hinge Pillar - Beige
18	077115-02-000	EA	Side Panel Trim - Front
19	077111-03-000	EA	Trim Panel - Passenger Side
20	077117-03-000	EA	Side Panel Trim - Door
21	075939-01-000	EA	Motor Cover
.	039623-01-000	EA	Seal - Engine Cover
22	076729-02-000	EA	Beverage Tray (Plastic)
22	081654-02-000	EA	Beverage Tray (Plastic) w/Double Bucket Seal
.	077431-05-000	EA	Beverage Tray - Driftwood
.	052367-01-000	EA	Cigarette Lighter
.	076359-01-000	EA	Panel Asm - Stepwell - Rear - Right
.	076359-02-000	EA	Panel Asm - Stepwell - Rear - Left
.	076360-01-000	EA	Panel Asm - Stepwell - Front - Right
.	076360-02-000	EA	Panel Asm - Stepwell - Front - Left
.	087030-01-W36	EA	Door Asm - Battery - Right
.	087030-02-W36	EA	Door Asm - Battery - Left
.	075972-01-000	EA	Mat - Rubber - Lower
.	075969-01-000	EA	Mat - Rubber - Upper - Right
.	075969-02-000	EA	Mat - Rubber - Upper - Left
.	086755-01-000	EA	Latch - 1/4 Turn - Rotary - Plastic
.			Not illustrated
**			Parts used with the Television Option

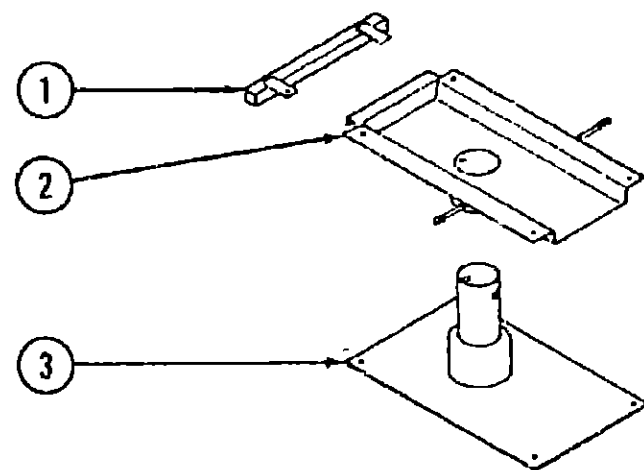
**1987 ITASCA
TABLE OF CONTENTS**

IC420RG	A-01 - B-22
IC/IF424RB	B-23 - D-22
ICN27RU	D-23 - G-06
ICP28RU	G-07 - I-18
ICP34RU	I-19 - L-04

1987 ICP34RU INDEX

Floor Plan	I-19 - I-20
Accessories Group	I-21 - I-24
Bath Group	J-01
Chassis Group	J-02 - J-06
Curtain, Cushion & Pad Group	J-07 - J-14
Dinette Group	J-15 - J-16
Driver's Compartment Group	J-17 - J-21
Electrical Group	J-22 - J-24
Exterior Body Group	K-01 - K-06
Galley Group	K-07 - K-09
Heating & Air Conditioning Group	K-10
Interior Finish Group	K-11 - K-13
LP Group	K-14
Lounge Group	K-15 - K-16
Water & Sewage Group	K-17
Window, Vent & Exterior Door Group	K-18 - L-04

DRIVER'S COMPARTMENT GROUP (CONTINUED)



BUCKET SEAT PEDESTAL & SEAT BELTS

Key	Part Number	U/M	Description
1	069585-29-000	EA	Bar - Seat Belt - 20"
2	069585-27-000	EA	Plate - Top - Pedestal Asm - Single Bucket Seat
2	069585-10-000	EA	Plate - Top - Pedestal Asm - Double Bucket Seat
2	069585-18-000	EA	Flat - Plate - Top - Power Seat
3	069585-08-000	EA	Plate - Sub - Pedestal Asm - Bucket Seat
3	069585-15-000	EA	Plate - Sub - Vertical - 4 5 Nom - Power Seat
.	007019-01-000	EA	Belt Asm - Seat - 2" x 84" - Black
.	007021-01-000	EA	Belt Asm - Seat - 2" x 90" - Black
.	056271-02-000	EA	Belt Asm - Seat - 2" x 72" - Black
.	057759-01-000	EA	Bracket - Seat Belt Washer
.	069246-01-000	EA	Adjuster Asm. - Seat - w/Lock
.	069246-02-000	EA	Adjuster Asm - Seat - w/o Lock
.	081373-01-000	EA	Seat - Power - 6 Way
.	081373-02-700	EA	Switch Asm - Package
.	081373-02-701	EA	Harness Asm - Left
.	081373-02-702	EA	Harness Asm, - Right
.	081373-02-703	EA	Horizontal Adjustment Package
.	081373-02-704	EA	Vertical Adjustment Package
.			Not Illustrated

ELECTRICAL GROUP

BULBS

Key	Part Number	U/M	Description
	008103-01-000	EA	Bulb - 53
	008213-01-000	EA	Bulb - 57
	008214-01-000	EA	Bulb - 67
	036196-01-000	EA	Bulb - 194
	008215-01-000	EA	Bulb - 1003
	067479-01-000	EA	Bulb - 1076
	063914-01-000	EA	Bulb - 1139
	008218-01-000	EA	Bulb - 1141
	037935-01-000	EA	Bulb - 1157
	037936-01-000	EA	Bulb - 1157A
	056288-02-000	EA	Bulb - 9431808
	081633-01-700	EA	Bulb - Make Up Light

FUSES & CIRCUIT BREAKERS

Key	Part Number	U/M	Description
	008234-01-000	EA	Fuse - 10 Amp. - 12 Volt
	008235-01-000	EA	Fuse - 15 Amp. - 12 Volt
	062901-02-000	EA	Fuse - 5 Amp - Automotive
	062901-05-000	EA	Fuse - 15 Amp - Automotive
	008211-01-000	EA	Circuit Breaker - 6 Amp. - 12 Volt
	008208-01-000	EA	Circuit Breaker - 40 Amp - 12 Volt
	033573-02-000	EA	Circuit Breaker - 15 Amp - 12 Volt - w/Mount
	033573-01-000	EA	Circuit Breaker - 20 Amp - 12 Volt - w/Mount
	044466-03-000	EA	Circuit Breaker - 25 Amp - 12 Volt - w/Mount
	008268-01-000	EA	Circuit Breaker - 30 Amp - 12 Volt - w/Mount
	083209-01-000	EA	Circuit Breaker - 15 Amp - 120 Volt
	083210-02-000	EA	Circuit Breaker - 15 Amp - 120 Volt (Ground Fault Interrupter)
	085720-01-000	EA	Circuit Breaker - 15 Amp
	085720-02-000	EA	Circuit Breaker - 20 Amp - 120 Volt
	085720-03-000	EA	Circuit Breaker - 25 Amp
	085720-04-000	EA	Circuit Breaker - 30 Amp - 120 Volt
	085720-05-000	EA	Circuit Breaker - 40 Amp
	083209-03-000	EA	Circuit Breaker - 15/20 Amp - 120 Volt
	083209-05-000	EA	Circuit Breaker - 20 Amp - 120 Volt
	083209-07-000	EA	Circuit Breaker - 20/20 Amp. - 120 Volt
	083209-04-000	EA	Circuit Breaker - 30 Amp. - 120 Volt
	083209-06-000	EA	Circuit Breaker - 30/15 Amp - 120 Volt
	071279-06-000	EA	Circuit Breaker - 30/15 Amp - 120 Volt
	083209-08-000	EA	Circuit Breaker Blank
	050283-02-000	EA	Circuit Breaker - Buss Bar

WINDSHIELD WIPERS & WASHER

Key	Part Number	U/M	Description
**	056000-02-000	EA	Washer Asm - Windshield
**	072472-04-000	EA	Arm - Windshield Wiper - 29" - Black
**	049464-03-000	EA	Blade - Windshield Wiper - 20" - Black
**	072472-02-000	EA	Adapter Asm. - Wiper Pantograph
**	072472-04-000	EA	Wiper - Pantograph - 29"

The illustrated parts breakdown for this item is provided on the Common Items Fiche

MISCELLANEOUS ELECTRICAL COMPONENTS

Key	Part Number	U/M	Description
	008188-01-000	EA	Solenoid - Dual Battery - Relay
	083208-02-000	EA	Control Center - 45 Amp
	063737-01-000	EA	Battery - 12 Volt - 80 Amp. - Gould
	083208-03-000	EA	Control Center - 45 Amp - 12 Volt/120 Volt
	036420-02-000	EA	Fan - 6" Defroster - 2 Speed
	077988-01-000	EA	Bracket - Fan - Right
	077988-02-000	EA	Bracket - Fan - Left
	052367-01-000	EA	Lighter Asm - Cigarette

**1987 ITASCA
TABLE OF CONTENTS**

IC420RG	A-01 - B-22
IC/IF424RB	B-23 - D-22
ICN27RU	D-23 - G-06
ICP28RU	G-07 - I-18
ICP34RU	I-19 - L-04

1987 ICP34RU INDEX

Floor Plan	I-19 - I-20
Accessories Group	I-21 - I-24
Bath Group	J-01
Chassis Group	J-02 - J-06
Curtain, Cushion & Pad Group	J-07 - J-14
Dinette Group	J-15 - J-16
Driver's Compartment Group	J-17 - J-21
Electrical Group	J-22 - J-24
Exterior Body Group	K-01 - K-06
Galley Group	K-07 - K-09
Heating & Air Conditioning Group	K-10
Interior Finish Group	K-11 - K-13
LP Group	K-14
Lounge Group	K-15 - K-16
Water & Sewage Group	K-17
Window, Vent & Exterior Door Group	K-18 - L-04

ELECTRICAL GROUP (CONTINUED)

WIRE, SWITCHES & RECEPTACLES

Key	Part Number	U/M	Description
	008288-01-000	EA	Box - Electrical - 3" x 3 5" - Plastic
	008289-01-000	EA	Box - Electrical - 4" x 4" - 1/2 & 3/4 Steel - UL
	058049-01-000	EA	Box - Electrical - 2" x 3" x 2 25" - Steel
	041953-01-000	FT	Conduit - Convolute Slit - 5" I D
	008353-01-000	EA	Connector - Clamping - 3/8 Cable - UL & CSA
	058028-01-000	EA	Connector - Pigtail - Clear Nylon
	008311-01-000	EA	Connector - Wire Nut - Red
	031968-01-000	EA	Contact Plug - Brass - Tin Plated
	031967-01-000	EA	Contact - Receptacle
	008054-01-000	EA	Cord - Power - 10-3 30 Amp. - 25' - UL
	008052-01-000	EA	Cord - Power - 10-3 30 Amp. - 25' - CSA
	069238-01-000	EA	Cover - Electrical Box - 4" x 4"
	008294-01-000	EA	Cover - Flat Blank - 4" x 4" - Steel - US
	064399-01-000	EA	Housing Asm - Trailer Pin
	064450-01-000	EA	Housing Asm - Trailer Plug
	064398-01-000	EA	Housing Asm - Trailer Receptacle
	054532-03-000	EA	Housing Pin - 4 Position
	075736-01-000	EA	Receptacle/Cover Asm - Gray (Exterior)
	058708-01-000	EA	Receptacle - Duplex - Brown
	058708-02-000	EA	Receptacle - Duplex - Ivory
	024924-02-000	EA	Receptacle - Power Cord
	058707-01-000	EA	Receptacle - Single - Brown
	063912-01-000	EA	Relay - Canister SPDT w/Ground
	075723-01-000	EA	Switch - Block Spacer - w/o Holes
	075723-02-000	EA	Switch - Block Spacer - w/Holes
	077942-02-000	EA	Switch - Dummy - Brown
	056264-01-000	EA	Switch - Leaf Actuator
	079362-01-000	EA	Switch Plate - 3 Gang - 2 Switches
	079363-01-000	EA	Switch Plate - Single - w/Switches
	079364-01-000	EA	Switch - On/Off Rocker - Brown
	008195-01-000	EA	Switch - Push Button - 12 Volt
	076759-01-000	EA	Switch - SPST - Lock/Lock
	076759-02-000	EA	Switch - SPST - Mom On/Lock (NO)
	076759-03-000	EA	Switch - SPST - Lock/Lock/Lock
	076759-04-000	EA	Switch - SPDT - Mom/Lock/Mom
	076759-05-000	EA	Switch - SPDT - Lock/Lock/Mom
	076759-06-000	EA	Switch - Dummy
	076759-07-000	EA	Switch - SPST - Mom Off/Lock (NO)
	047443-02-000	EA	Terminal - .250 Receptacle - 12-10 AWG
	008348-01-000	EA	Terminal Ring - 2 - w/3/8 Stud
	008331-01-000	EA	Terminal Ring - 4 - w/3/8 Stud
	008328-01-000	EA	Terminal Ring - 12/10 Wire
	008028-01-000	FT	Wire - 18 5 Bonded - Blue/Red/Yellow/Orange/White
	008024-01-000	FT	Wire - 18 5 Bonded - Orange/White/Yellow/Blue/Brown
	008025-01-000	FT	Wire - 18 5 Bonded - Orange/White/Yellow/Blue/Green
	008026-01-000	FT	Wire w/Ground - Romex - 12/2

ELECTRICAL GROUP (CONTINUED)

INTERIOR LIGHT

Key	Part Number	U/M	Description
	065202-08-000	EA	Lamp - Decor - Wall - Brass
	082686-01-000	EA	Table Lamp - Brass w/Wood
	065201-03-000	EA	Lamp Shade - Fabric - Black - Wall Lamp
	082686-02-000	EA	Lamp Shade - Table
	033508-02-000	EA	Light - Dome - Ivory - 1 Bulb - US
	033503-03-000	EA	Light - Dome - Ivory - 1 Bulb - CSA
	033509-02-000	EA	Light - Dome - Ivory - 2 Bulb - US
	033509-03-000	EA	Light - Dome - Ivory - 2 Bulb - CSA
	078424-02-000	EA	Light - Fluorescent - 12V
	061424-01-000	EA	Light - 12V Receptacle - Aisle - IP
	077026-01-000	EA	Lens - Courtesy Light - Clear - Door Panels
	079926-01-000	EA	Lamp - Flexible Arm
	076788-01-000	EA	Socket Lamp - Mini Bayonet
	086280-01-000	EA	Light - Surface Mount - 12V
	081633-01-000	EA	Light - Makeup

EXTERIOR LIGHTS

Key	Part Number	U/M	Description
	075660-01-000	EA	Lamp Asm - Side Market - Amber
	076795-01-000	EA	Lamp Asm - License
	087201-01-000	EA	Light - Dump Valve
	081237-01-000	EA	Light Asm - Cab Marker - Amber
	081237-02-000	EA	Light Asm - Cab Marker - Red
	008089-01-000	EA	Light - Porch - Recessed
	008089-01-700	EA	Lens - Recessed Porch Light
	079941-01-000	EA	Lamp Asm - Fog - w/Amber Cover
	067789-02-000	EA	Socket Asm - Lamp
	067789-03-000	EA	Socket Asm - Lamp w/6" Brwn & White
	076344-01-000	EA	Socket Asm - Park/Turn Lamp
	076345-02-000	EA	Socket Asm - Park/Turn Lamp
	075459-04-000	EA	Lamp Asm - Taillight - Red
	075459-05-000	EA	Lamp Asm - Taillight - Amber
	075459-06-000	EA	Lamp Asm - Taillight - Back Up w/Reflex
	076343-01-000	EA	Lamp Asm - Park/Turn - Clear - Left
	076343-02-000	EA	Lamp Asm - Park/Turn - Clear - Right
	049185-01-000	EA	Headlamp Capsule Asm - Rectangular - Left - High/Low Beam
	049186-01-000	EA	Headlamp Capsule Asm - Rectangular - Right - High/Low Beam
	049187-01-000	EA	Headlamp Capsule Asm - Rectangular - Left - High Beam
	049188-01-000	EA	Headlamp Capsule Asm - Rectangular - Right - High Beam
	051057-01-000	EA	Searchlight - Power Driver

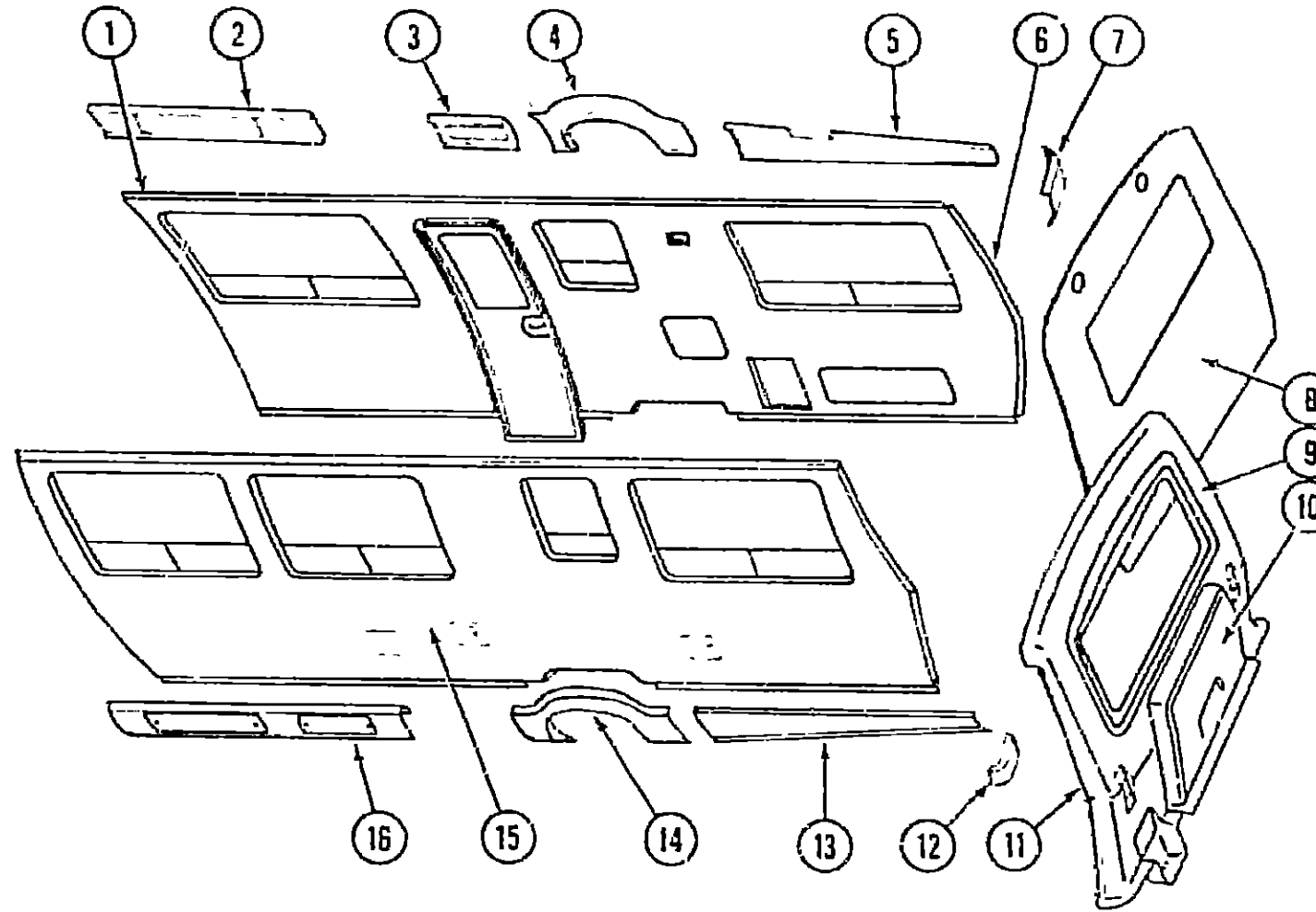
1987 ITASCA TABLE OF CONTENTS

IC420RG	A-01 - B-22
IC/IF424RB	B-23 - D-22
ICN27RU	D-23 - G-06
ICP28RU	G-07 - I-18
ICP34RU	I-19 - L-04

1987 ICP34RU INDEX

Floor Plan	I-19 - I-20
Accessories Group	I-21 - I-24
Bath Group	J-01
Chassis Group	J-02 - J-06
Curtain, Cushion & Pad Group	J-07 - J-14
Dinette Group	J-15 - J-16
Driver's Compartment Group	J-17 - J-21
Electrical Group	J-22 - J-24
Exterior Body Group	K-01 - K-06
Galley Group	K-07 - K-09
Heating & Air Conditioning Group	K-10
Interior Finish Group	K-11 - K-13
LP Group	K-14
Lounge Group	K-15 - K-16
Water & Sewage Group	K-17
Window, Vent & Exterior Door Group	K-18 - L-04

EXTERIOR BODY GROUP
EXTERIOR BODY PANELS



1987 ITASCA
TABLE OF CONTENTS

IC420RG	A-01 - B-22
IC/IF424RB	B-23 - D-22
ICN27RU	D-23 - G-06
ICP28RU	G-07 - I-18
ICP34RU	I-19 - L-04

Key	Part Number	U/M	Description
1	M87135-01-W36	EA	Sidewall Asm - Passenger (W36, W37)
1	M87135-01-W38	EA	Sidewall Asm - Passenger (W38)
2	078935-04-000	EA	Valance Panel - Right Front
3	078934-04-000	EA	Valance Panel - Right
	076948-04-000	EA	Valance Panel - Entrance Door
4	076234-06-000	EA	Wheelwell - Trim - Rear Gray
5	076238-08-000	EA	Valance Panel - Right Rear
6	073502-09-000	EA	Fiberglass Trim - Right Rear - Gray
7	077330-02-000	EA	Bumper End - Rear Right
8	077141-01-W36	EA	Backwall Asm
9	076233-02-000	EA	Rear Cap Panel - Gray
10	M01990-04-U16	EA	Spare Tire Cover

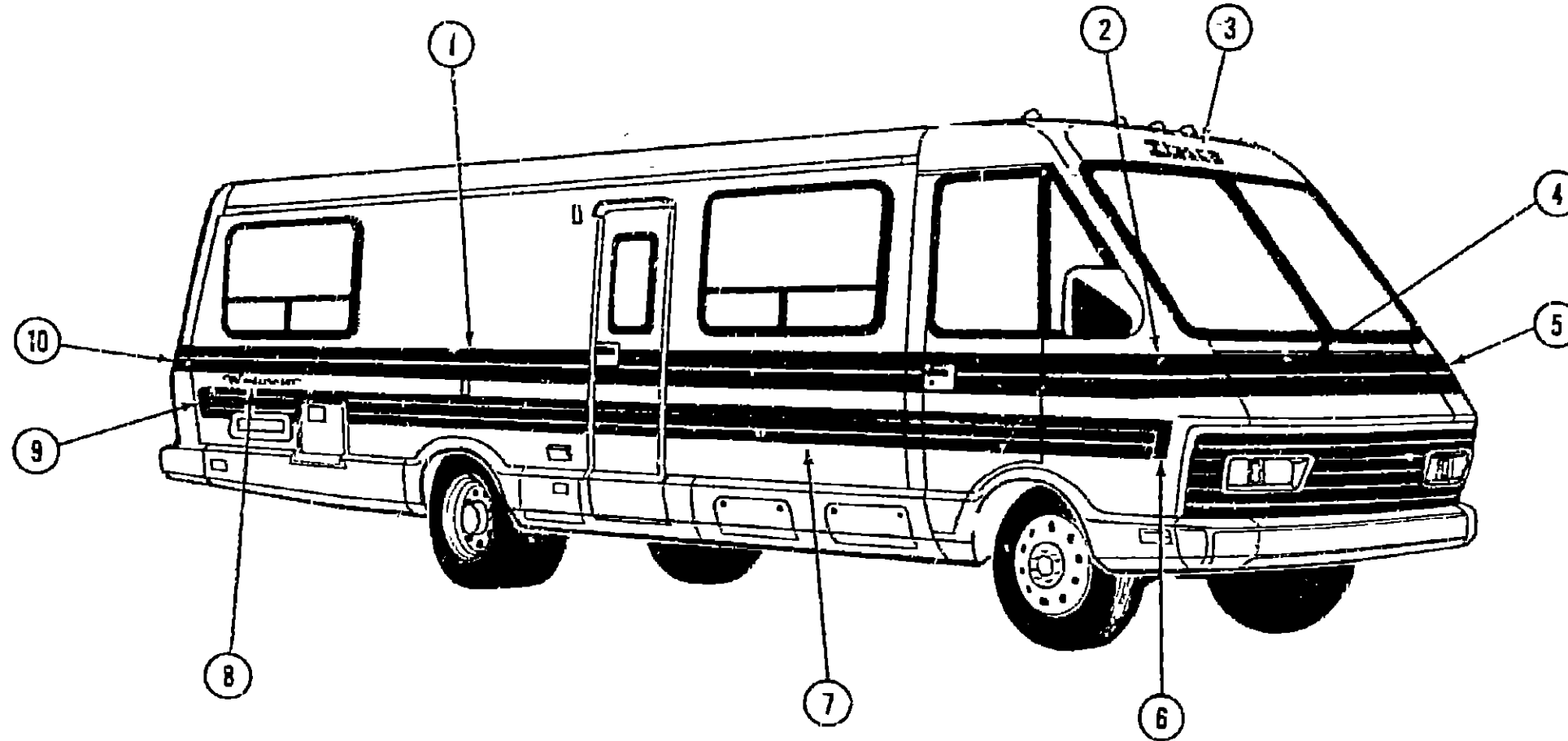
Key	Part Number	U/M	Description
11	073502-10-000	EA	Fiberglass Trim - Rear Left - Gray
12	077330-04-000	EA	Bumper End - Rear Left
13	077792-12-000	EA	Valance Panel - Rear Left
14	076234-08-000	EA	Wheelwell Trim - Rear - Gray
15	M87133-01-W36	EA	Sidewall Asm - Driver (W36, W37)
15	M87133-01-W38	EA	Sidewall Asm - Driver (W38)
16	076933-04-000	EA	Valance Panel - Front
	M87159-01-W36	EA	Roof Asm. - Gray
	073505-08-000	EA	Roof Trim - 180" - Gray
	076515-01-000	EA	Inside Trim - Rear Wheelwell - Right/Left - Steel
	077412-03-000	EA	Trim Cap - Rear Upper Right Corner - Sidewall
	077412-04-000	EA	Trim Cap - Rear Upper Left Corner - Sidewall
	076342-02-000	FT	Molding - Valance to Sidewall
	Not illustrated		

1987 ICP34RU INDEX

Floor Plan	I-19 - I-20
Accessories Group	I-21 - I-24
Bath Group	J-01
Chassis Group	J-02 - J-06
Curtain, Cushion & Pad Group	J-07 - J-14
Dinette Group	J-15 - J-16
Driver's Compartment Group	J-17 - J-21
Electrical Group	J-22 - J-24
Exterior Body Group	K-01 - K-06
Galley Group	K-07 - K-09
Heating & Air Conditioning Group	K-10
Interior Finish Group	K-11 - K-13
LP Group	K-14
Lounge Group	K-15 - K-16
Water & Sewage Group	K-17
Window, Vent & Exterior Door Group	K-18 - L-04

EXTERIOR BODY GROUP (CONTINUED)

LABELS & DECALS



1987 ITASCA
TABLE OF CONTENTS

IC420RG
IC/IF424RB
ICN27RU
ICP28RU
ICP34RU

A-01 - B-22
B-23 - D-22
D-23 - G-26
G-07 - I-18
I-19 - L-04

Key	Part Number	U/M	Description
1	078196-18-000	EA	Film - Multistripe - 7.75" x 150' - Dark Gray/Peach
1	078196-19-000	EA	Film - Multistripe - 7.75" x 150' - Gray/Rose
1	078196-20-000	EA	Film - Multistripe - 7.75" x 150' - Brown/Red Beige
2	085348-01-000	EA	Decal - Hood Corner - Right - Dark Gray/Peach
2	085348-03-000	EA	Decal - Hood Corner - Right - Gray/Rose
2	085348-05-000	EA	Decal - Hood Corner - Right - Brown/Red Beige
3	069227-08-000	EA	Decal - Logo - "Itasca" - 3.7" x 15.82"
4	085349-01-000	EA	Decal - Hood - Windcruiser - Dark Gray/Peach
4	085349-02-000	EA	Decal - Hood - Windcruiser - Gray/Rose
4	085349-03-000	EA	Decal - Hood - Windcruiser - Brown/Red Beige
5	085348-02-000	EA	Decal - Hood Corner - Left - Dark Gray
5	085348-04-000	EA	Decal - Hood Corner - Left - Gray/Rose
5	085348-06-000	EA	Decal - Hood Corner - Left - Brown/Red Beige
6	085343-01-000	EA	Decal - Side - Front - Right - Dark Gray
6	085343-03-000	EA	Decal - Side - Front - Right - Gray
6	085343-05-000	EA	Decal - Side - Front - Right - Brown
6	085343-02-000	EA	Decal - Side - Front - Left - Dark Gray
6	085343-04-000	EA	Decal - Side - Front - Left - Gray
6	085343-06-000	EA	Decal - Side - Front - Left - Brown

Key	Part Number	U/M	Description
7	069245-D2-000	FT	Film - Multistripe - 2.36" x 150' - Dark Gray
7	069245-D3-000	FT	Film - Multistripe - 2.36" x 150' - Gray
7	069245-D4-000	FT	Film - Multistripe - 2.36" x 150' - Brown
8	076335-02-000	EA	Decal - Logo - "Windcruiser"
9	085342-01-000	EA	Decal - Rear Side - Right - Dark Gray
9	085342-03-000	EA	Decal - Rear Side - Right - Gray
9	085342-05-000	EA	Decal - Rear Side - Right - Brown
9	085342-02-000	EA	Decal - Rear Side - Left - Dark Gray
9	085342-04-000	EA	Decal - Rear Side - Left - Gray
9	085342-06-000	EA	Decal - Rear Side - Left - Brown
10	085347-01-000	EA	Decal - Rear Side - Right - Dark Gray/Peach
10	085347-03-000	EA	Decal - Rear Side - Right - Gray/Rose
10	085347-05-000	EA	Decal - Rear Side - Right - Brown/Red Beige
10	085347-02-000	EA	Decal - Rear Side - Left - Dark Gray/Peach
10	085347-04-000	EA	Decal - Rear Side - Left - Gray/Rose
10	085347-06-000	EA	Decal - Rear Side - Left - Brown/Red Beige
10	084075-01-000	EA	Decal - by Winnebago Industries"
			Not illustrated

1987 ICP34RU INDEX

Floor Plan	I-19 - I-20
Accessories Group	I-21 - I-24
Bath Group	J-01
Chassis Group	J-02 - J-06
Curtain, Cushion & Pad Group	J-07 - J-14
Dirette Group	J-15 - J-16
Driver's Compartment Group	J-17 - J-21
Electrical Group	J-22 - J-24
Exterior Body Group	K-01 - K-06
Galley Group	K-07 - K-09
Heating & Air Conditioning Group	K-10
Interior Finish Group	K-11 - K-13
LP Group	K-14
Lounge Group	K-15 - K-16
Water & Sewage Group	K-17
Window, Vent & Exterior Door Group	K-18 - L-04

EXTERIOR BODY GROUP (CONTINUED)

LABELS & EXTERIOR PAINT

Key	Part Number	U/M	Description
	074983-01-000	EA	Label - Air Conditioner Selector
	059383-01-000	EA	Label - Diesel Fuel
	006195-01-000	EA	Label - Electrical Test
	047731-01-000	EA	Label - Emergency Exit
	006199-01-000	EA	Label - Exit - Escape Window
	057467-04-000	EA	Label - Exterior Loading Limit
	064378-01-000	EA	Label - Flying "W" w/Thermo Panel
	061417-01-000	EA	Label - Fuel
	087207-02-000	EA	Label - Fuel Cap Removal
	006196-01-000	EA	Label - Gas Test
	054531-01-000	EA	Label - LP Gas Only
	040944-01-000	EA	Label - Open - Entrance Door
	006015-01-000	EA	Label - Patent Motor Home
	056259-01-000	EA	Label - Safety Check List
	006064-01-000	EA	Label - Seat - w/o Seat Belts
	006187-01-000	EA	Label - Sewage
	006006-01-000	EA	Label - Thermo Panel - 2 1/4" x 2 1/4"
	075221-01-000	EA	Label - Trailer Hitch Capacity
	075220-01-000	EA	Label - Warning - Exterior Load Limit
	050225-01-000	EA	Label - Warning - Stove Vent - US
	006188-01-000	EA	Label - Waste Water
	006197-01-000	EA	Label - Water Test
	077927-01-000	EA	Label - Warning - Wheel Nuts
	072863-01-000	EA	Nameplate - Diesel - 6 2L
	006062-01-000	EA	Tag - Electrical - 110 Volt Connection
	006040-01-000	EA	Tag - Gas - Refueling Warning
	044486-03-000	EA	Paint - Beige Acrylic Enamel - 16 oz. Aerosol (7633A Dupont)
	045681-03-000	EA	Paint - Gloss Black - Acrylic Enamel - 16 oz. Aerosol (99 Dupont)
	058637-05-000	EA	Paint - Grey Acrylic Enamel - 16 oz. Aerosol (71537 Dupont)
	041561-03-000	EA	Paint - Off White Acrylic Enamel - 16 oz. Aerosol (45396A Dupont)
	074559-01-000	EA	Label "LPG" - 3 3" x 1.75" - (Calif Code)

ACCESS PANEL HARDWARE

Key	Part Number	U/M	Description
	076739-01-000	EA	Bracket - Grille Hanger - Inner - Right
	076739-02-000	EA	Bracket - Grille Hanger - Inner - Left
	077407-01-000	EA	Bracket - Hood Release Cable
	073336-02-000	EA	Bracket - Mounting - Latch
	073342-01-000	EA	Bracket Asm. - Latch Hood
	077064-01-000	EA	Cable Asm. - Hood Release
	062624-01-000	EA	Clip - Prop Rod
	077252-01-000	EA	Hinge Pin - Stainless Steel
	M02680-01-U16	EA	Hinge Asm. - Hood - Right
	M02680-02-U16	EA	Hinge Asm. - Hood - Left
	R77006-59-931	EA	Latch - Hood
	R77006-66-172	EA	Plate - Spacer
	076837-01-000	EA	Prop Rod
	R77007-01-950	EA	Striker - Hood Latch
	076837-01-000	EA	Rod - Prop - Hood

MISCELLANEOUS EXTERNALLY MOUNTED PARTS

Key	Part Number	U/M	Description
	083558-02-000	EA	Plumbing Seal - Roof Vent - 1 1/2" - Covered
	087659-03-000	EA	Fill - City Water - Recessed - Gray
	081 40-02-000	EA	Water Fill - Lockable - Gray
	077953-01-000	EA	Gasket - Gas Fill Door
	063578-01-000	EA	Boot - Fuel Fill

EXTERIOR BODY GROUP (CONTINUED)

SEALANTS & ADHESIVES

Key	Part Number	U/M	Description
	004020-01-000	OT	Adhesive - ABS Cement (Plastic Fittings)
	002337-01-000	EA	Adhesive - 1300 Tube - 3M (Windows)
	004005-02-000	GL	Adhesive - Swirls - Glue (Sidewalls)
	053766-07-000	EA	Bedding Compound - Tube - Beige (Exterior)
	053766-06-000	EA	Bedding Compound - Tube - Clear (Window)
	053766-08-000	EA	Bedding Compound - Tube - Gray (Exterior)
	053766-05-000	EA	Bedding Compound - Tube - Gray (Sidewalls to Floor)
	053766-02-000	EA	Bedding Compound - Tube - Off White (Exterior)
	002328-02-000	EA	Block - Rubber Spacer (Windshield)
	004336-01-000	EA	Caulk - Latex - Golden Walnut (Sidewalls)
	077967-01-000	EA	Sealant - Acrylic Latex - Tube - Off White (Interior Sealant)
	034552-04-000	EA	Sealant - Silicone - Beige
	034552-02-000	EA	Sealant - Silicone - Clear
	034552-07-000	EA	Sealant - Silicone - Dark Gray
	034552-06-000	EA	Sealant - Silicone - Off White
	069637-01-000	EA	Sealant - Weatherban 404 - Tube - White (Door Caulk)
	072889-01-000	EA	Sealant - Urethane - Black (Windshield)
	069640-01-000	FT	Sealer Ribbon - .25" Bead x 20'
	069640-02-000	FT	Sealer Ribbon - .5" x .125" x 30'
	069640-03-000	FT	Sealer Ribbon - .75" x .125" x 30'
	069640-04-000	FT	Sealer Ribbon - 2" x .09" x 45' (P Series)
	069640-05-000	FT	Sealer Ribbon - 2 5" x .09" x 50'
	069640-06-000	FT	Sealer Ribbon - 5/16" Bead x 15'
	069640-07-000	FT	Sealer Ribbon - 2" x 3/32" x 30'
	002316-01-000	FT	Sealer Tape - 3/32" x 3/8" - White (Window)
	002707-01-000	FT	Sealer Tape - 5/16" x 3/4"
	002707-02-000	FT	Sealer Tape - 5/16" x 1/2"
	040545-01-000	GL	Sealer - Seam Weld
	053752-04-000	EA	Seam Sealer - Tube - Aluminum (Roof)
	063642-01-000	FT	Tape - Adhesive - .10 mm. x 1 5" Wide
	038886-01-000	EA	Tape - Butyl - .31" x 31" x 148' (Windshield)
	076322-01-000	FT	Tape - Foam - Double Coated - .025 x 1" (Fiberglass Sidewall Seams)
	076322-02-000	FT	Tape - Foam - Double Coated - .045 x 1" (Fiberglass Sidewall Seams)
	009200-01-000	EA	Tape - Furnace - 1 5"
	002825-01-000	FT	Weather Striping (Roof Vent)

EXTERIOR BODY PANELS (CAB)

Key	Part Number	U/M	Description
	084759-01-W36	EA	Hood Panel
	075763-01-000	EA	Grill Panel - Gray
	088407-01-000	EA	Grill Panel - Lower Front
	084751-02-W36	EA	Panel Asm. - Fender - Left
	084751-01-W36	EA	Panel Asm. - Fender - Right
	M01615-07-U36	EA	Roof Cap - Front Cap Asm
	075759-02-000	EA	Fender Panel - Rear - Right
	075759-04-000	EA	Fender Panel - Rear - Left
	076910-01-000	EA	Headlamp Bezel - Chrome - Right
	076910-02-000	EA	Headlamp Bezel - Chrome - Left
	049359-01-000	EA	Spring - Headlamp - Retaining
	073308-01-000	EA	Screw Asm. - Headlamp - Adjusting

Part used after 2/1/87.

SHEET FIBERGLASS, ALUMINUM & STYROFOAM

Key	Part Number	U/M	Description
	076054-32-000	EA	Fiberglass Sheet - 47 6" x 313" - Gray - Smooth
	044487-01-001	EA	Aluminum - Mill Finish - No Design (Roof) - 96" x 360"
	000868-01-000	SF	Styrofoam - 3/4" x 24" x 96"
	000870-01-000	SF	Styrofoam - 1 1/2" x 24" x 96"
	000870-03-000	SF	Styrofoam - 1.34" x 48" x 96"
	000870-04-000	SF	Styrofoam - 1.34" x 24" x 96"
	081395-02-700	EA	Fiberglass/Partical Board Sheet - 70 2' x 320 5' - Gray

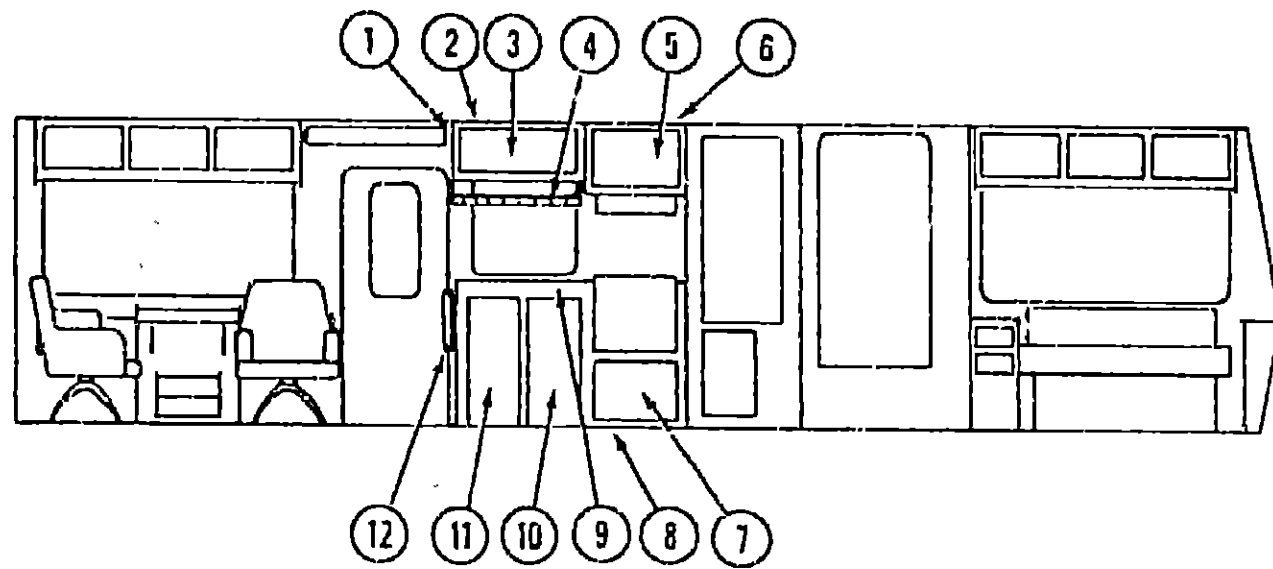
**1987 ITASCA
TABLE OF CONTENTS**

IC420RG	A-01 - B-22
IC/IF424RB	B-23 - D-22
ICN27RU	D-23 - G-05
ICP28RU	G-07 - I-18
ICP34RU	I-19 - L-04

1987 ICP34RU INDEX

Floor Plan	I-19 - I-20
Accessories Group	I-21 - I-24
Bath Group	J-01
Chassis Group	J-02 - J-06
Curtain, Cushion & Pad Group	J-07 - J-14
Dinette Group	J-15 - J-16
Driver's Compartment Group	J-17 - J-21
Electrical Group	J-22 - J-24
Exterior Body Group	K-01 - K-06
Galley Group	K-07 - K-09
Heating & Air Conditioning Group	K-10
Interior Finish Group	K-11 - K-13
LP Group	K-14
Lounge Group	K-15 - K-16
Water & Sewage Group	K-17
Window, Vent & Exterior Door Group	K-18 - L-04

GALLEY GROUP



GALLEY CABINETRY

Key	Part Number	U/M	Description
1	076548-02-W36	EA	End Cap - Galley Overhead
2	082189-04-W36	EA	Cabinet Asm - Galley Overhead - w/o Doors or Hardware
3	M81797-05-W36	EA	Door Asm - Galley Overhead - w/o Hardware
4	076570-04-W36	EA	Spice Rack Asm
5	M81797-06-W36	EA	Door Asm - Range Overhead - w/o Hardware
6	082198-02-W36	EA	Cabinet Asm - Range Overhead - w/o Doors or Hardware
7	M81507-02-W36	EA	Door Asm. - Furnace - w/o Hardware
8	M82079-01-W36	EA	Cabinet Asm. - Galley - w/o Doors, Drawers, Countertop or Hardware
**	M82079-01-W36	EA	Cabinet Asm. - Galley w/o Doors, Drawers, Countertop or Hardware
**	M82184-06-W36	EA	Drawer Asm. - Galley Storage
9	M02184-01-W36	EA	Countertop Asm. - Galley Cabinet
10	M81798-08-W36	EA	Doors Asm. - Galley Cabinet - w/o Hardware
11	M81798-09-W36	EA	Doors Asm. - Galley Cabinet - w/o Hardware
12	080812-03-W36	EA	Galley Extension

** Parts used with the Microwave Option

GALLEY HARDWARE

Key	Part Number	U/M	Description
	081530-01-W14	EA	Sink Cover - Large
	068615-01-000	EA	Sink - Stainless Steel - Double
	066437-01-000	EA	Strainer - w/Basket - Sink
	084072-01-000	EA	Faucet - Swing Spout - 8"
	058334-01-000	EA	Wastebasket - 9 3/4" x 7" x 10" - White
	077409-01-000	EA	Drawer Slide - Plastic - 20 7/8"
	077404-01-000	EA	Drawer - Plastic - 20" x 12 7/8"
	037688-01-000	EA	Drawer Rail - V-Guide
	059777-02-000	EA	Hinge - Antique - Light Brass
	074981-01-000	EA	Cutting Board - Maple
	054450-01-000	EA	Level - Refrigerator
	086263-01-000	EA	Door Pull - Polished Brass
	081376-01-000	EA	Back Plate - Door Pull - Polished Brass
	084466-04-000	EA	Slide Asm. - Cabinet - Galley Drawer - Right
	084466-05-000	EA	Slide Asm. - Cabinet - Galley Drawer - Left

GALLEY GROUP (CONTINUED)

GALLEY APPLIANCES

Key	Part Number	U/M	Description
	084880-01-000	EA	Refrigerator - 3-Way - Large Double Door
	084880-01-700	EA	Cooling Unit
	084880-01-701	EA	Lower Door Handle
	084080-01-702	EA	Cabinet Asm. - Foamed
	084880-01-703	EA	Liner - Lower Door - Foamed w/Frame
	084880-01-704	EA	Panel Holder - Lower Door
	084880-01-705	EA	Orifice
	084880-01-706	EA	DC Light Bulb
	084880-01-707	EA	Heater (3 Way)
	084880-01-708	EA	Baffle Asm.
	084880-01-709	EA	Lamp Socket
	084880-01-710	EA	Ignition Electrode
	084880-01-711	EA	Sensor Electrode
	084880-01-712	EA	Control Module - Fenwal
	084880-01-713	EA	Male Connector - Intel Fitting
	084880-01-714	EA	Burner
	084880-01-715	EA	Valve - Manual Shut Off
	084880-01-716	EA	Burner Tube
	084880-01-717	EA	Control Module
	084880-01-718	EA	Gas Valve
	084880-01-719	EA	Brass Elbow
	084880-01-720	EA	Spring (For Door Handle)
	084880-01-721	EA	Cover - Power Supply
	084880-01-722	EA	Cover - Crisper
	084880-01-723	EA	Board - Power Supply (3 Way)
	084880-01-724	EA	Hinge Plate - Bottom
	084880-01-725	EA	Hinge Plate - Top
	084880-01-726	EA	Hinge Bracket - Center
	084880-01-727	EA	Upper Door - Gasket
	084880-01-728	EA	Lower Door - Gasket
	084880-01-729	EA	Eyebrow (3 Way)
	084880-01-730	EA	Crisper
	084880-01-731	EA	Hinge Pin
	084880-01-732	EA	Latch
	084880-01-733	EA	Dairy Keeper
	084880-01-734	EA	Bracket - Hinge - Right
	084880-01-735	EA	Bracket - Hinge - Left
	084880-01-736	EA	Light Switch (Brown)
	084880-01-737	EA	Liner - Upper Door - Foamed w/Frame
	084830-01-738	EA	Bracket - Control Asm. - (3 Way)
	084880-01-739	EA	End Cap - Spring Catch
	084880-01-740	EA	End Cap - Stop Catch
	084880-01-741	EA	Humidity Switch
	084880-01-742	EA	Trim - Lower Seal
	084880-01-743	EA	PC Board (3 Way)
	084880-01-744	EA	Shaft - Hinge Pin - Center
	084880-01-745	EA	Bushing - Hinge
	084880-01-746	EA	Cable
	084880-01-747	EA	Hole Plug
	084880-01-748	EA	Snap in Plug
	084880-01-749	EA	Bushing - Hinge

1987 ITASCA TABLE OF CONTENTS

IC420RG	A-01 - B-22
IC/IF424RB	B-23 - D-22
ICN27RU	D-23 - G-06
ICP24RU	G-07 - I-18
ICP34RU	I-19 - L-04

1987 ICP34RU INDEX

Floor Plan	I-19 - I-20
Accessories Group	I-21 - I-24
Bath Group	J-01
Chassis Group	J-02 - J-06
Curtain, Cushion & Pad Group	J-07 - J-14
Dinette Group	J-15 - J-16
Driver's Compartment Group	J-17 - J-21
Electrical Group	J-22 - J-24
Exterior Body Group	K-01 - K-06
Galley Group	K-07 - K-09
Heating & Air Conditioning Group	K-10
Interior Finish Group	K-11 - K-13
LP Group	K-14
Lounge Group	K-15 - K-16
Water & Sewage Group	K-17
Window, Vent & Exterior Door Group	K-18 - L-04

GALLEY GROUP (CONTINUED)

GALLEY APPLIANCES (CONT.)

Key	Part Number	U/M	Description
**	079353-01-000	EA	Hood - Range - w/Monitor - Almond - US
	079353-02-000	EA	Hood - Range - w/Monitor - Almond CSA
	064782-02-000	EA	Range - 4 Burner - Almond Top
	064782-02-700	EA	Top - Main - 4 Burner - Almond
	064782-02-701	EA	Deflector Plate - Black
	064782-02-702	EA	Trim - Cab - Right - Black
	064782-02-703	EA	Trim - Cab - Left - Black
	064782-02-704	EA	Trim - Lower Outside Glass - Black
	064782-02-705	EA	Handle - Oven Door - Black
	064782-02-708	EA	Trim - Vertical - Black
	064782-02-707	EA	Panel - Manifold
	064782-02-708	EA	Valve - Mercury
	064782-02-703	EA	Glass - Oven Door
	064782-02-710	EA	Clip - Glass Holder
	064782-02-711	EA	Main Top - 4 Burner - Square - Almond
	064782-02-712	EA	Grale - Top Burner Square
	064782-02-713	EA	Gas Regulator
	064782-02-714	EA	Nipple - 1/8"
	085280-01-000	EA	Burner Cover - Bi-Fold - Stainless Steel
	085280-02-000	EA	Burner Cover - Bi-Fold - Stainless Steel - Range Top
	081374-01-000	EA	Range Top - 4 Burner Almond
	081374-01-700	EA	Trim - Cab Top - Right
	081374-01-701	EA	Trim - Cab Top - Left
	081374-01-702	EA	Panel - Manifold - Warm Black
	081374-01-703	EA	Trim Top Rear
	081374-01-704	EA	Guard - Fabric
	081379-01-000	EA	Microwave Oven - Sharp - Convection
	081456-01-000	EA	Angle Asm. - Microwave - Right
	081456-02-000	EA	Angle Asm. - Microwave - Left
	081459-05-000	EA	Bracket Asm. - Microwave - Right
	081459-06-000	EA	Bracket Asm. - Microwave - Left
	081555-01-003	EA	Trim Asm. - Microwave
	082876-01-000	EA	Baffle - Microwave
	023111-01-000	EA	Blender - Built In

** the illustrated parts breakdown for this item is provided on the Common Items Fiche

HEATING & AIR CONDITIONING GROUP

FURNACE & ROOF AIR CONDITIONER

Key	Part Number	U/M	Description
**	078182-01-000	EA	Furnace - 20,000 BTU - w/Electric Ignition
	078182-04-000	EA	Furnace - 20,000 BTU - w/Electronic CGA
**	078182-03-000	EA	Furnace - 30,000 BTU - w/Electric Ignition
	078182-06-000	EA	Furnace - 30,000 BTU - w/Electronic CGA
	084405-01-000	EA	Heater Asm. - Rear - Ducted
	084405-01-700	EA	Heater Core
	084405-01-701	EA	Fan
	084405-01-702	EA	Motor - 12 Volt
	009198-01-000	FT	Duct - Flexible - 4" I.D. x 25'
	056424-01-000	FT	Register - 4" Dia. - Plastic - w/Damper
	056424-02-000	EA	Register - 4" Dia. - Plastic - w/o Damper
	009200-01-000	EA	Tap - Furnace - 1 1/2"
**	081606-03-000	EA	Shroud Asm. - Ceiling - Inside - Roof Air - Cool Only - 13,500 BTU Coleman
**	081606-04-000	EA	Shroud Asm. - Ceiling - Inside - Roof Air - Heat & Cool - 13,500 Coleman
**	081606-01-000	EA	Air Conditioner - 110 Volt - Roof Mount - 13,500 BTU - Rotary
**	073743-01-000	EA	Ceiling Asm. - A/C Cool Ivory

** The illustrated parts breakdown for this item is provided on the Common Items Fiche

AUTOMOTIVE HEATER & AIR CONDITIONER

Key	Part Number	U/M	Description
	080426-02-000	EA	Heater/Evaporator Asm. - w/Pressure Sensor Switch
	072342-03-000	EA	Condensator Asm. - w/Fans & High Temp Sensor Switch
	072342-03-700	EA	Condensator Coil
	072342-03-701	EA	Receiver Drier
	072342-03-702	EA	Condensator Fan & Seal Asm.
	072342-03-703	EA	Condensator Fan
	072342-03-704	EA	Bracket - Condensator Mounting
	072342-03-705	EA	Switch - Temperature
	072342-03-706	EA	O'Ring
	072342-03-707	EA	O Ring
	072342-03-708	EA	O'Ring
	072342-03-709	EA	O'Ring
	072342-03-710	EA	Fan Guard
	072342-03-711	EA	Fitting - Aeroquip - w/Check
	072342-04-000	EA	Condensator Asm. - w/High Temp Sensor Switch
	072343-04-000	EA	Compressor/Clutch - w/Rear Mounted Valves
	072344-02-000	EA	Package - Rear Valve Compressor - Mount Brackets
	007108-01-000	EA	Hose - Heater - 5/8 I.D. SAE
	031170-01-000	EA	Clamp - Cable - 3/16" DIA

1987 ITASCA TABLE OF CONTENTS

IC420RG	A-01 - B-22
IC/IF424RB	B-23 - D-22
ICN27RU	D-23 - G-06
ICP28RU	G-07 - I-18
ICP34RU	I-19 - L-04

1987 ICP34RU INDEX

Floor Plan	I-19 - I-20
Accessories Group	I-21 - I-24
Bath Group	J-01
Chassis Group	J-02 - J-06
Curtain, Cushion & Pad Group	J-07 - J-14
Dinette Group	J-15 - J-16
Driver's Compartment Group	J-17 - J-21
Electrical Group	J-22 - J-24
Exterior Body Group	K-01 - K-06
Galley Group	K-07 - K-09
Heating & Air Conditioning Group	K-10
Interior Finish Group	K-11 - K-13
LP Group	K-14
Lounge Group	K-15 - K-16
Water & Sewage Group	K-17
Window Vent & Exterior Door Group	K-18 - L-04

INTERIOR FINISH GROUP

MISCELLANEOUS

Key	Part Number	U/M	Description
	053552-02-W24	EA	Handle Asm. - Assist - Vinyl
	041944-04-000	EA	Fire Extinguisher - 5 BC - w/o Bracket
	084472-01-000	EA	Holder - Plastic - Fire Extinguisher
	054185-26-000	EA	Owner's Manual - Winnebago/Itasca
	081072-02-000	EA	Floor Mat - Front - Right - "Itasca"
	081074-02-000	EA	Floor Mat - Front - Left - "Itasca"
	081075-02-000	EA	Floor Mat - Entrance - Brown "Itasca"
	065201-03-000	EA	Lamp Shade - Fabric - Black - Wall Lamp
	084168-02-000	EA	Cover Asm - Battery - Gray Plastic
	086259-01-000	EA	Pictures - Decorative

PANELING & COUNTERTOP MATERIAL

Key	Part Number	U/M	Description
	074497-11-000	SF	Paneling - Driftwood - 48" x 84" (Wall)
	076773-04-000	SF	Paneling - Driftwood - 48" x 96" - 2 Sided (Cove Trim)
	079666-01-000	SF	Paneling - Closet - Cedar
	074497-08-000	SF	Paneling - Decor - Greystone - 48" x 84" (Wall)
	074496-52-000	SF	Paneling - Decor - Tulip/Charcoal - 48" x 84" (Galley) (W36, W37)
	074496-53-000	SF	Paneling - Decor - Tulip/Pastel - 48" x 84" (Galley) (W38)
	074496-50-000	SF	Paneling - Decor - Tulip/Charcoal - 48" x 84" (Wet Bath) (W36, W37)
	074496-51-000	SF	Paneling - Decor - Tulip/Pastel - 48" x 84" (Wet Bath) (W38)
	074498-18-000	SF	Plastic Laminate - Sand Linen - 60" x 96" (Galley)
	074498-16-000	SF	Plastic Laminate - Apricot Blush (Bath) (W36)
	074498-15-000	SF	Plastic Laminate - Blush (Bath) (W37)
	074498-17-000	SF	Plastic Laminate - Maple/Lt (Bath) (W38)
	076325-15-000	FT	Edge Molding - Apricot Blush (Bath) (W36)
	076325-08-000	FT	Edge Molding - Fawn (Bath) (W37)
	076325-17-000	FT	Edge Molding - Driftwood (Bath) (W38)

INTERIOR MOLDS & TRIMS

Key	Part Number	U/M	Description
	069733-73-000	EA	Batt Strip - Driftwood
	084085-02-000	EA	Batt Strip - Greystone - Abutment to Curved Sidewall
	069733-69-000	EA	Batt Strip - Greystone (Galley)
	069733-72-000	EA	Batt Strip - Decor - Winrie (Wet Bath)
	085284-04-000	FT	Batt Strip - Tape Adhesive - Greystone
	084284-02-000	EA	Batt Strip - Tape Adhesive - Driftwood
	083620-03-000	FT	T-Molding - 3/4" w/Edge Lips - Driftwood
	074044-91-000	EA	Trim Oak - 2" x 11.9" - w/o Groove - Driftwood (Ceiling)
	074044-70-000	EA	Trim Oak - 2" x 11.9" - w/Groove - Driftwood (Ceiling)
	078394-01-000	EA	Brass Insert - Ceiling
	079653-05-000	EA	Molding - Batt Strip - Driftwood
	042357-12-000	FT	Molding - Outside Corner - Driftwood
	009767-11-000	FT	Weiting - Driftwood
	022992-08-000	FT	Molding - Reverse Cove - Champagne White
	070504-07-000	FT	U-Channel - Driftwood
	009778-08-000	FT	U-Channel - 1" - Driftwood
	072860-57-000	SY	Carpet - French Court (W36)
	072860-56-000	SY	Carpet - Rose Mist (W37)
	072860-58-000	SY	Carpet - Champagne (W38)

INTERIOR FINISH GROUP (CONTINUED)

CABINETS & TABLE HARDWARE

Key	Part Number	U/M	Description
	053200-05-000	EA	Bracket - Upper Wall Mount - 23.5" - Beige
**	053201-06-000	EA	Bracket - Table Mount - 23" - Beige
	024275-05-000	EA	Rod - Table Lift - 8" x 23.5" - Beige
	024281-07-000	EA	Bracket - Lower Wall Mount - 22.12" - Beige
	02427E-17-000	EA	Leg Asm. - Table - 29.5" - Brown
	064050-01-000	EA	Hinge - Table Leg
**	0242E2-01-000	EA	Brace - Table Leg
**	024283-01-000	EA	Clip - 1" O.D. Tube
	049493-03-000	EA	Catch - Table Leg - Mounts on Floor - Brown
	009016-01-000	EA	Catch - Elbow - Spring Loaded Zn
	009021-01-000	EA	Catch - Nylon - Grille
	088254-01-000	EA	Catch - Magnetic
	009021-02-000	EA	Strike - Spring Steel
	076726-04-000	EA	Cover - Strike - Light Oak
	084899-01-000	EA	Pull - Polished Brass
	076725-01-000	EA	Access Cover - Door Hinge
	084451-01-000	EA	Catch - TV Shelf - Brass
	034435-01-000	EA	Knot - Cabinet - Decorative
	084466-02-000	EA	Slide Asm. - Drawer - Right
	084466-03-000	EA	Slide Asm. - Drawer - Left
	084466-04-000	EA	Slide Asm. - Cabinet - Right
	084466-05-000	EA	Slide Asm. - Cabinet - Left
	082128-03-000	EA	Slide Asm. - Drawer w/"L" Bracket - 22"
	082128-04-000	EA	Slide Asm. - Drawer w/"L" Bracket - 22"
	082128-05-000	EA	Slide Asm. - Drawer w/"L" Bracket - 16"
	082128-06-000	EA	Slide Asm. - Drawer w/"L" Bracket - 16"
	077409-01-000	EA	Slide - Drawer - Plastic
	061604-01-000	EA	Slide Bolt - Antique Brass
	059777-02-000	EA	Hinge - Cabinet Door - Brass
	074493-02-000	EA	Overhead Door Support - Sprung
	081376-01-000	EA	Back Plate - Door Pull - Polished Brass

** The illustrated parts breakdown for this item is provided on the Common Items Fiche

CURTAIN HARDWARE

Key	Part Number	U/M	Description
	055116-01-000	EA	Track - Curtain - Brown - Plastic
	077046-01-000	EA	Track - Curtain - Front Wraparound - Passenger
	077406-02-000	EA	Track - Curtain - Front Wraparound - Driver
	056002-01-000	EA	Bracket - Drapery Retainer - Right
	056003-02-000	EA	Bracket - Drapery Retainer - Left
	087253-01-000	EA	Pull - Window Shade - Brass
	039175-02-000	EA	Bracket - Curtain Rod
	079619-01-000	EA	Bracket - Tie Back
	048394-02-000	YD	Tape Hook - .75" x 50 yd - Beige (Velcro)
	048395-02-000	YD	Tape Loop - .75" x 50 yd - Beige (Velcro)
	081362-01-000	EA	Bracket - Armrest - Right
	081362-02-000	EA	Bracket - Armrest - Left
	080730-01-000	EA	Recliner - Seat Back - Right
	080730-02-000	EA	Recliner - Seat Back - Left
	080731-01-000	EA	Hinge - Slave - Recliner - Right
	080731-02-000	EA	Hinge - Slave - Recliner - Left
	082139-01-000	EA	Bracket - Hold Down - Blind
	015604-02-000	EA	Brace - Seat - Angle - 2.50" - Brown
	039175-03-000	EA	Rod - Cafe Curtain Ext - 28"-48"
	081381-01-000	EA	Swivel - Snap Curtain Track
	084434-01-000	EA	Bracket - Roller Shade - 1 3/8"
	079782-10-000	EA	Track - Curtain - 25" - Beige

1987 ITASCA TABLE OF CONTENTS

IC420RG	A-01 - B-22
IC1F424RB	B-23 - D-22
ICN27RU	D-23 - G-06
ICP28RU	G-07 - I-18
ICP34RU	I-19 - L-04

1987 ICP34RU INDEX

Floor Plan	I-19 - I-20
Accessories Group	I-21 - I-24
Bath Group	J-01
Chassis Group	J-02 - J-06
Curtain, Cushion & Pad Group	J-07 - J-14
Dinette Group	J-15 - J-16
Driver's Compartment Group	J-17 - J-21
Electrical Group	J-22 - J-24
Exterior Body Group	K-01 - K-06
Galley Group	K-07 - K-09
Heating & Air Conditioning Group	K-10
Interior Finish Group	K-11 - K-13
LP Group	K-14
Lounge Group	K-15 - K-16
Water & Sewage Group	K-17
Window, Vent & Exterior Door Group	K-18 - L-04

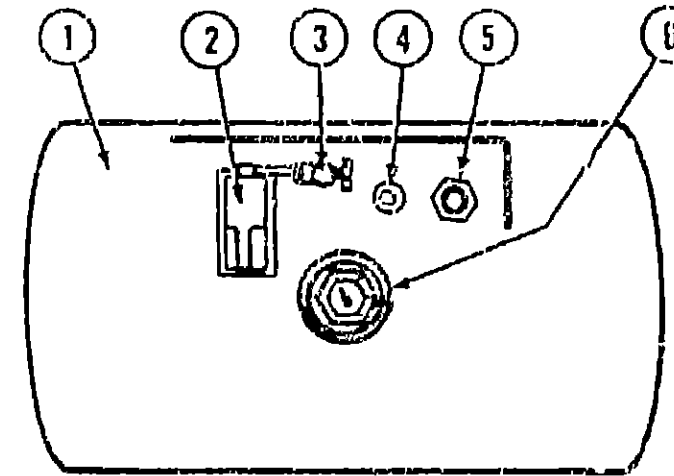
INTERIOR FINISH GROUP (CONTINUED)

FABRICS

Key	Part Number	U/M	Description
	077498-92-000	YD	Fabric - Upholstery - Aluminum (W36)
	077498-99-000	YD	Fabric - Upholstery - Claret (W37)
	077498-97-000	YD	Fabric - Upholstery - Opal (W38)
	077498-A4-000	YD	Fabric - Upholstery/Striped Accent - Aluminum (W36)
	077498-A5-000	YD	Fabric - Upholstery/Striped Accent - Claret (W37)
	077498-A3-000	YD	Fabric - Upholstery/Striped Accent - Opal (W38)
	077498-94-000	YD	Fabric - Upholstery/Plain Accent - Gray (W36)
	077498-61-000	YD	Fabric - Upholstery/Plain Accent - Old Rose (W37)
	077498-60-000	YD	Fabric - Upholstery/Plain Accent - Taupe (W38)
	069729-50-000	YD	Fabric - Bedspread - Miami #6 (W36)
	069729-52-000	YD	Fabric - Bedspread - New York #6 (W37)
	069729-51-000	YD	Fabric - Bedspread - Miami #61 (W38)
	072333-38-000	YD	Fabric - Drapery - Melba (W36)
	072333-45-000	YD	Fabric - Drapery - Blossom (W36)
†	072333-37-000	YD	Fabric - Drapery - Mauve (W37)
	072333-41-000	YD	Fabric - Drapery - Silver (W38)
	072333-36-000	YD	Fabric - Drapery - Cocoa (Headboard Insert) (W36)
	072333-35-000	YD	Fabric - Drapery - Plum (Headboard Insert) (W37)
	072333-34-000	YD	Fabric - Drapery - Green (Headboard Insert) (W38)
	084467-01-000	YD	Fabric - Pillow - Black (W36, W37)
	084467-02-000	YD	Fabric - Pillow - Gray (W38)
	079680-01-000	YD	Vinyl - Expanded - Buckskin
	069649-03-000	YD	Vinyl - Expanded - Taupe
	078394-01-000	FT	Trim - Half Round Vinyl - 7/16"
	038421-01-000	YD	Fabric - Mattress Ticking
	038421-04-000	YD	Fabric - Mattress Ticking - 82"
	081607-02-000	YD	Fabric - Headline - Sandstone
	087272-01-000	YD	Drapery - Lining - 48" - Ivory
	072333-30-000	YD	Fabric - Linon - Shade
	084416-13-000	YD	Fabric - Laminate - Shade - Cocoa (W36)
	084416-12-000	YD	Fabric - Laminate - Shade - Plum (W37)
	084416-11-000	YD	Fabric - Laminate - Shade - Vintage Green (W38)
	084415-14-000	YD	Trim Braid - Peach (W36)
	084415-13-000	YD	Trim Braid - Mauve (W37)
	084415-12-000	YD	Trim Braid - Green (W38)

* Fabric used in units produced after 10/10/86
 † After 2/1/87 this fabric was used on W38 units also

LP GROUP



Key	Part Number	U/M	Description
1	074142-01-000	EA	Tank Asm - LP - Frame Mount - 80 Pound 13" x 44"
2	061938-01-000	EA	Compartment - LP Regulator
*	076301-01-000	EA	Regulator - Two Stage - LP Gas
3	040421-01-703	EA	Valve - Vapor Relief
4	040421-01-700	EA	Gauge - Liquid Level - 20% LP
5	040421-01-701	EA	Valve - Filler - LP
*	040421-01-702	EA	Cap - Plastic Fill Valve
6	040421-01-707	EA	Gauge - Float - w/Visible Dial - 80 Pound Tank
*	040421-01-706	EA	Dial - Visible Face - Float Gauge (Tank w/o Electric Transmitter)
*	040440-01-000	EA	Dial - Transmitter - 0-90 Ohm (Float Gauge)
*	045703-01-000	EA	Hose Asm - LP - 3/8" I.D. x 24" - US
*	045703-02-000	EA	Hose Asm - LP - 3/8" I.D. x 24" - CSA
*	045703-03-000	EA	Hose Asm - LP - 3/8" I.D. x 18" - US
*	045703-04-000	EA	Hose Asm - LP - 3/8" I.D. x 14" - CSA
*	065741-01-000	EA	Gauge - Diaphragm Pressure - Test Leak
*			Not illustrated

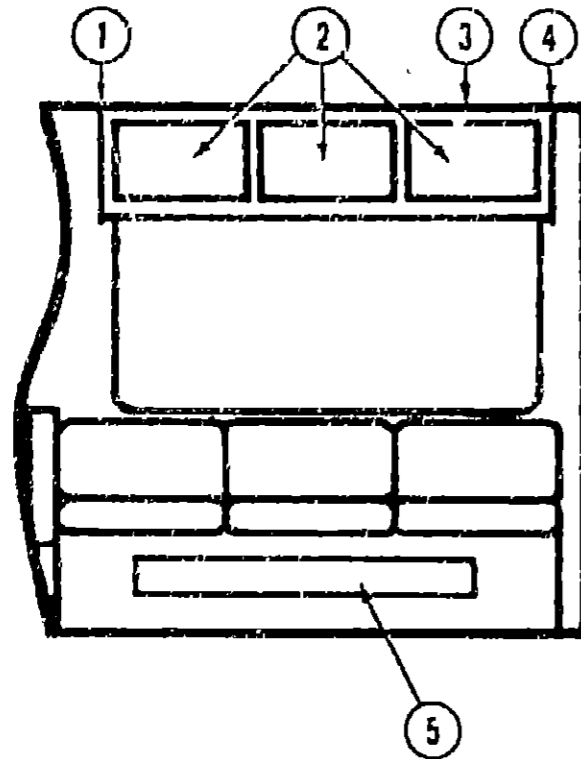
**1987 ITASCA
TABLE OF CONTENTS**

IC420RG	A-01 - B-22
IC1IF424RB	B-23 - D-22
ICN27RU	D-23 - G-06
ICP28RU	G-07 - I-18
ICP34RU	I-19 - L-04

1987 ICP34RU INDEX

Floor Plan	I-19 - I-20
Accessories Group	I-21 - I-24
Bath Group	J-01
Chassis Group	J-02 - J-06
Curtain, Cushion & Pad Group	J-07 - J-14
Dinette Group	J-15 - J-18
Driver's Compartment Group	J-17 - J-21
Electrical Group	J-22 - J-24
Exterior Body Group	K-01 - K-06
Galley Group	K-07 - K-09
Heating & Air Conditioning Group	K-10
Interior Finish Group	K-11 - K-13
LP Group	K-14
Lounge Group	K-15 - K-16
Water & Sewage Group	K-17
Window, Vent & Exterior Door Group	K-18 - L-04

LOUNGE GROUP



FRONT LOUNGE

Key	Part Number	U/M	Description
1	076548-02-W36	EA	End Cap Asm. - Front Lounge - Vinyl
2	M81797-01-W36	EA	Door Asm. - Overhead Cabinetry - w/o Hardware
3	081848-04-W36	EA	Cabinet Asm. - Front Lounge Overhead - w/o Door or Hardware
4	076548-01-W36	EA	End Cap Asm. - Front Lounge Overhead - Vinyl
5	M86704-01-W36	EA	Drawer Asm. - Couch
5	M86704-01-W37	EA	Drawer Asm. - Couch
5	M86704-01-W38	EA	Drawer Asm. - Couch
**	NOTE	EA	Bed Asm. - Victorian
**	See Curtain, Cushion & Pad Group for this item		

DOUBLE BED W/NIGHTSTAND OPTION

Key	Part Number	U/M	Description
	M82099-01-W36	EA	Cabinet Asm. - Nightstand - w/o Countertop, Drawers or Hardware
	M01568-01-W36	EA	Countertop Asm. - w/Nightstand
	M78921-02-W36	EA	Drawer Asm. - Nightstand Cabinet - w/o Hardware
	082100-01-W36	EA	Cabinet Asm. - Nightstand - Rear Wall - w/o Countertop
	M01567-01-W36	EA	Countertop Asm. - Nightstand - Rear Wall
	081848-10-W36	EA	Cabinet Asm. - Passenger Side Overhead - w/o Doors or Hardware
	081848-18-W36	EA	Cabinet Asm. - Driver Side Overhead - w/o Doors or Hardware
	M81797-01-W36	EA	Door Asm. - Overhead - 12 1" x 29 1" - w/o Hardware
	M87065-01-W36	EA	Cabinet Asm. - TV - w/o Countertop, Door or Hardware
*	M87065-03-W36	EA	Cabinet Asm. - TV - w/o Countertop, Door or Hardware
	M03007-01-W36	EA	Countertop Asm. - TV Cabinet
	M86713-06-W36	EA	Door Asm. - TV Cabinet - w/o Hardware
*	Part used with the rear stereo option		

LOUNGE GROUP (CONTINUED)

TWIN BED & OVERHEAD CABINETRY

Key	Part Number	U/M	Description
	001848-10-W36	EA	Cabinet Asm. - Sidewall Overhead - Passenger - w/o Doors or Hardware
	M81797-01-W36	EA	Door Asm. - Overhead - 12" x 20.8" - w/o Hardware
	M83441-01-W36	EA	Cabinet Asm. - Nightstand - w/o Countertop, Door or Hardware
	M83441-06-W36	EA	Cabinet Asm. - Nightstand w/Rear Stereo - w/o Countertop, Doors or Hardware
	M02608-01-W36	EA	Countertop Asm. - Nightstand Cabinet - Bottom
	M02609-01-W36	EA	Countertop Asm. - Nightstand Cabinet - Top
	M81797-09-W36	EA	Door Asm. - Nightstand Cabinet - 21.5" x 11 5" - w/o Hardware
	081848-01-W36	EA	Cabinet Asm. - Sidewall Overhead - Driver - w/o Doors or Hardware
	034357-01-W36	EA	Shell Asm. - TV - Fold Down
	M81957-01-W36	EA	Cabinet Asm. - Twin Bed - Left
	M85945-01-W36	EA	Cabinet Asm. - Twin Bed - Right

QUEEN BED OPTION

Key	Part Number	U/M	Description
	M82099-01-W36	EA	Cabinet Asm. - Nightstand - w/o Countertop, Drawers, & Hardware
	M01568-01-W36	EA	Countertop Asm. - Nightstand
	M78921-02-W36	EA	Drawer Asm. - Nightstand Cabinet - w/o Hardware
	081848-10-W36	EA	Cabinet Asm. - Passenger Side Overhead - w/o Doors or Hardware
	081848-18-W36	EA	Cabinet Asm. - Driver Side Overhead - w/o Doors or Hardware
	M81797-01-W36	EA	Door Asm. - Overhead - 12 1" x 29.1" - w/o Hardware
	M87065-01-W36	EA	Cabinet Asm. - TV - w/o Countertop, Door or Hardware
*	M87065-03-W36	EA	Cabinet Asm. - TV - w/o Countertop, Door or Hardware
	M03007-01-W38	EA	Countertop Asm. - TV Cabinet
	M86713-06-W36	EA	Door Asm. - TV Cabinet - w/o Hardware
*	Part used with rear stereo option.		

**1987 ITASCA
TABLE OF CONTENTS**

IC420RG	A-01 - B-22
IC/IF424RB	B-23 - D-22
ICN27RU	D-23 - G-06
ICP28RU	G-07 - I-18
ICP34RU	I-19 - L-04

1987 ICP34RU INDEX

Floor Plan	I-19 - I-20
Accessories Group	I-21 - I-24
Bath Group	J-01
Chassis Group	J-02 - J-06
Curtain, Cushion & Pad Group	J-07 - J-14
Dinette Group	J-15 - J-16
Driver's Compartment Group	J-17 - J-21
Electrical Group	J-22 - J-24
Exterior Body Group	K-01 - K-06
Galley Group	K-07 - K-09
Heating & Air Conditioning Group	K-10
Interior Finish Group	K-11 - K-13
LP Group	K-14
Lounge Group	K-15 - K-16
Water & Sewage Group	K-17
Window, Vent & Exterior Door Group	K-18 - L-04

WATER GROUP

PLUMBING & REPAIR PARTS

Key	Part Number	U/M	Description
	010320-01-000	EA	Adapter - Flare - w/Conc Gasket
	062422-01-000	EA	Adapter - Hose Offset - Reducer - 3" x 1 1/2"
	052954-01-000	EA	Adapter - Hose Cone - 3/8 or 1/2 - Plastic
	062415-01-000	EA	Cap - Sewer - 3"
	087200-02-000	EA	Cartridge - Water Filter
	052959-03-000	EA	Connector - 1/2 F x 3/8 MPT - Plastic
	011091-02-000	EA	Continuous Waste - Double Sink - 11 7/8" - US
	078406-01-000	EA	Coupler Rubber - 3" x 3"
	052960-01-000	EA	Drain Valve - 1/2 F x 1/2 F - Plastic
	010000-01-000	EA	Elbow - Plastic - 1/8 BD x 1 1/4 x 45° H x H
	010006-01-000	EA	Elbow - Plastic - 1/8 BD x 1 1/2 x 45° H x H
	010008-01-000	EA	Elbow - Plastic - 1/4 BD x 1 1/2 x 90° Left
	010051-01-000	EA	Elbow - ST - Plastic - 1/8 BD x 1 1/2 x 45°
	052957-01-000	EA	Elbow - Plastic - 1/2 F x 3/8 MPT
	052957-02-000	EA	Elbow - Plastic - 1/2 F x 1/2 MPT (In Tank Filter)
	065120-01-000	EA	Elbow - Plastic - Swivel - .50
	077954-02-000	EA	Filter/Screen (in Water Tank)
	010147-01-000	EA	Flange - Closet - 4" F x 3" FPT - US
	010147-02-000	EA	Flange - Closet - 4" F x 3" FPT - CSA
	079381-01-000	FT	Flexible Tubing - 1 1/4 I.D. x 10'
	061607-01-000	EA	Grommet - Holding Tank Coupler - 1 1/2"
	061607-02-000	EA	Grommet - Holding Tank Coupler - 3"
	052961-01-000	EA	Header - 1/2 F x 1/2 F x 1/2 F x 1/2 F
	062416-01-000	EA	Hose Adapter - 3"
	011066-03-000	EA	P-Trap - 1 1/4" Plastic - US
**	011066-02-000	EA	P-Trap - 1 1/4" Plastic - CSA
	049032-01-000	EA	Patch - Spinweld - Plastic - 3/8"
	010197-01-000	EA	Pipe - Plastic - 3" x 240" - Black
	045729-01-000	EA	Pump - Water - 2 8 G P.M. - Direct Drive - Shurflo - US
	045729-02-000	EA	Pump - Water - 2 8 G P.M. - Direct Drive - Shurflo - CSA
**	010201-01-000	EA	Sewer Hose - 3" x 8' w/Clamp
	042969-02-000	EA	Spinweld Fittings - Plastic - 1/2 FPT (In Tank Filter)
	042989-03-000	EA	Spinweld Fittings - Plastic - 1/4 NPT
	042989-04-000	EA	Spinweld Fittings - Plastic - 3/8 FPT
	011069-02-000	EA	Tailpiece - 1 1/2" x 1 1/4" x 4" - Brass
	076625-01-000	EA	Tee - Plastic - 1 1/2 H x H x H
**	010079-01-000	EA	Tee - Plastic - 1 1/2 H x 1 1/2 H x 1 1/4 H
	052955-01-000	EA	Tee - Plastic - 1/2 F x 1/2 F x 1/2 MPT
	052955-01-000	EA	Tee - Plastic - 1/2 F x 1/2 MPT x 1/2 F
	052956-01-000	EA	Tee - Plastic - 1/2 F x 1/2 F x 1/2 F
	039800-01-000	FT	Tubing - Polybutyl - 1/2 O.D. (Water Line)
	079701-01-000	FT	Tubing - Flexible - Smooth - 1 25 I.D.
	074462-02-000	FT	Tubing - Vinyl - 3/8 I.D.
	062421-01-000	EA	Valve - 1 1/2" - w/Handle
	052960-01-000	EA	Valve - Line Drain - 1/2 F x 1/2 F
	069735-01-000	EA	Washer - Tailpiece - 1.5" Plastic
	010073-01-000	EA	Wye - Plastic - 1 1/2 x 45 H x H

** The illustrated parts breakdown for this item is provided on the Common Items Fiche

HOLDING TANKS & WATER HEATERS

Key	Part Number	U/M	Description
	076625-03-000	EA	Tank Asm. - Water - 54 Gallon - w/Fitting
	076625-01-000	EA	Tank - Water - 54 Gallon - w/o Fittings
	076573-01-000	EA	Tank - Sewage - 40 Gallon - w/o Fittings
	077460-01-000	EA	Tank - Waste Water - 40 Gallon - w/o Fittings
**	051391-03-000	EA	Water Heater - w/o Motor Aid - Electric Ignition - Atwood - G6A-3E
**	051391-01-000	EA	Water Heater - w/o Motor Aid - Atwood - G6A-3E
**	051393-01-000	EA	Water Heater - Direct Ignition - Atwood - GH6-3E

** The illustrated parts breakdown for this item is provided on the Common Items Fiche

WINDOWS, VENTS & EXTERIOR DOORS

ACCESS DOORS & HARDWARE

Key	Part Number	U/M	Description
	M83954-01-W36	EA	Door Asm. - Generator
	079576-03-W36	EA	Door Asm. - Luggage
	076510-02-000	EA	Door Asm. - LP
	054104-02-000	EA	Door Asm. - Refrigerator
	076510-04-000	EA	Door Asm. - Storage
	052009-03-000	EA	Door Asm. - Water Heater
	078010-02-000	EA	Door Asm. - Fuel Fill
	077137-02-000	EA	Door Asm. - Sewage Hose
	078960-02-T09	EA	Door Asm. - Power Cord
	078200-01-000	EA	Gasket - Fuel Fill
	079368-01-000	FT	Seal - Bulb
	077941-01-000	EA	Seal - Rubber - Flat w/Slit
	086755-01-000	EA	Lock Asm. - Twist Type (Battery)
	042442-01-000	EA	Lock Asm. - Twist Type
	009003-01-000	EA	Lock Asm. - Twist Type (Generator)
	079366-04-000	EA	Lock Asm. - Key Type
	042442-02-000	EA	Lock Asm. - Twist Type

VENTS & DOMES

Key	Part Number	U/M	Description
	084073-02-000	EA	Cap - Refrigerator Vent - Gray
	084073-04-000	EA	Roof Base - Refrigerator Vent
	084616-03-000	EA	Shroud - Range Hood Vent - Gray
	084878-05-000	EA	Vent - Range Hood - Sidewall - Curved
	075056-01-000	EA	Vent Asm. - Roof - Non-Powered - w/o Screen
	078786-01-T03	EA	Screen Asm. - Non-Powered Roof Vent
	064469-06-000	EA	Vent - Power Roof w/o Light - Off White
**	064469-07-000	EA	Vent - Power w/Lift
**	064470-01-000	EA	Vent - Roof - Plastic - Off White
**	084079-01-000	EA	Ceiling Vent - Powered - Exhaust
	077902-01-000	EA	Collar - Skylite
	081171-01-000	EA	Trim - Skylite - Mill Finish
	080910-01-000	EA	Outer Panel - Skylite

** The illustrated parts breakdown for this item is provided on the Common Items Fiche.

WINDSHIELD & VENT WINDOWS

Key	Part Number	U/M	Description
	074887-01-000	EA	Glass - Windshield - Passenger
	074887-02-000	EA	Glass - Windshield - Driver
	076671-01-000	EA	Glass - Front Corner - Driver
	076671-02-000	EA	Glass - Front Corner - Passenger
	083179-01-000	FT	Reveal Molding - Windshield - Passenger or Driver
	083178-01-000	FT	Reveal Molding - Center Windshield or Front Corner Glass
	076844-02-000	EA	T-Cap Reveal Molding - Center Windshield
	076841-02-000	EA	Cap - Reveal Molding - Front Corner Glass - Upper
	076842-02-000	EA	Cap - Reveal Molding - Front Corner Glass - Lower

1987 ITASCA TABLE OF CONTENTS

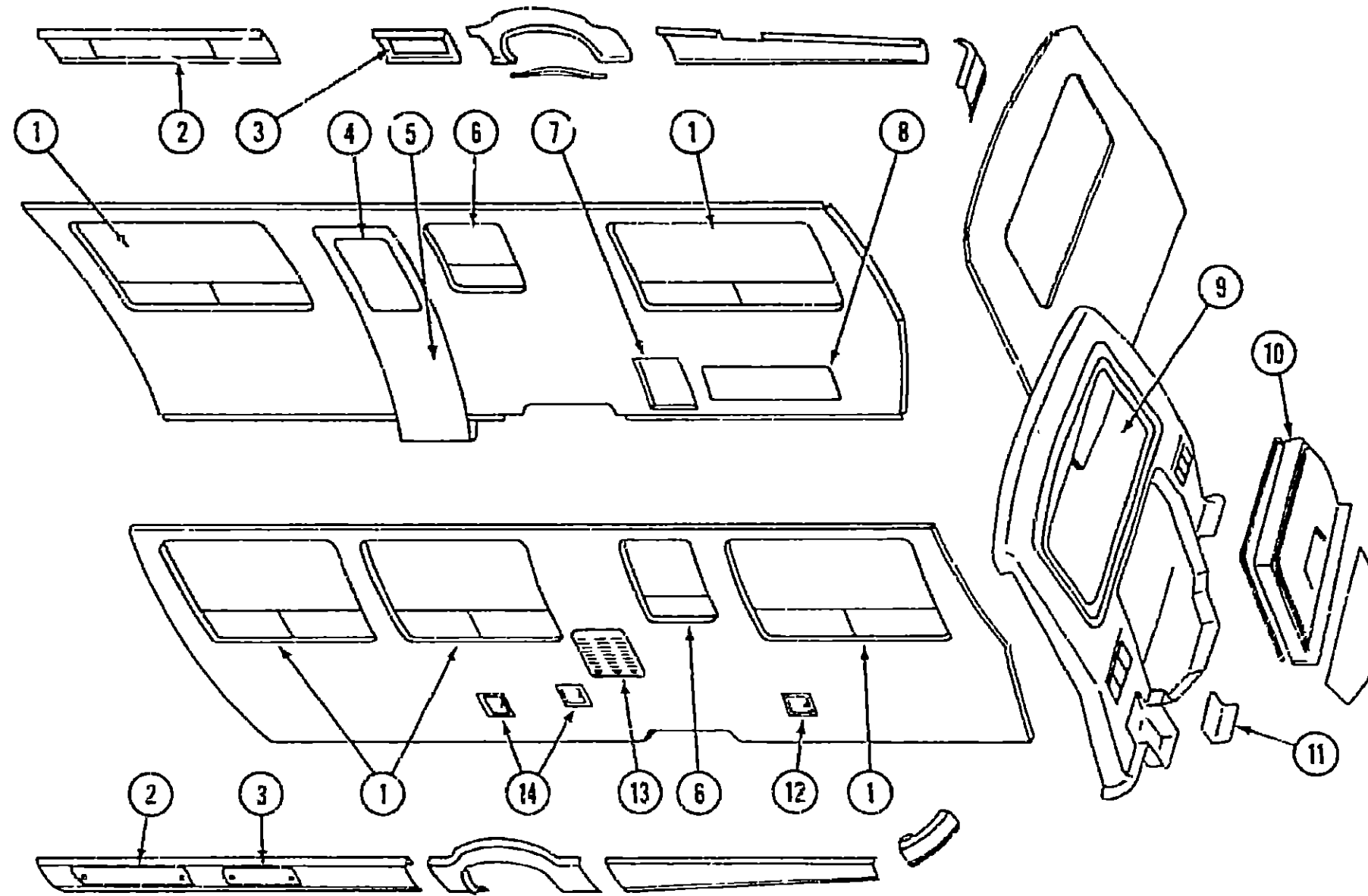
IC420RG	A-01 - B-22
IC/IF424RB	B-23 - D-22
ICN27RU	D-23 - G-06
ICP28RU	G-07 - I-18
ICP34RU	I-19 - L-04

1987 ICP34RU INDEX

Floor Plan	I-19 - I-20
Accessories Group	I-21 - I-24
Bath Group	J-01
Chassis Group	J-02 - J-06
Curtain, Cushion & Pad Group	J-07 - J-14
Dinette Group	J-15 - J-16
Driver's Compartment Group	J-17 - J-21
Electrical Group	J-22 - J-24
Exterior Body Group	K-01 - K-06
Galley Group	K-07 - K-09
Heating & Air Conditioning Group	K-10
Interior Finish Group	K-11 - K-13
LP Group	K-14
Lounge Group	K-15 - K-16
Water & Sewage Group	K-17
Window, Vent & Exterior Door Group	K-18 - L-04

WINDOW, VENT & EXTERIOR DOOR GROUP (CONTINUED)

WINDOWS & ACCESS DOORS



Key	Part Number	U/M	Description
1	085354-01-W07	EA	Window Asm - Double
2	076510-04-000	EA	Door Asm - Storage
3	076510-02-000	EA	Door Asm - LP
4	079733-04-T03	EA	Window Asm. - Picture
5	M84385-01-W36	EA	Door Asm - Entrance
6	085353-01-W07	EA	Window Asm - Crank Out
7	052009-03-000	EA	Door Asm - Water Heater
8	M83954-01-W36	EA	Door Asm - Generator
8	079578-03-W36	EA	Door Asm - Luggage
9	076648-01-000	EA	Window Asm - Rear Escape

Key	Part Number	U/M	Description
10	M01990-04-U16	EA	Cover Spare Tire
11	077137-02-000	EA	Door Asm - Sewer Hose Compartment
12	078010-02-000	EA	Door Asm - Fuel Fill
13	084104-02-000	EA	Door Asm. - Refrigerator Vent
14	076960-02-T09	EA	Door Asm. - Power Cord
*	M78469-02-000	EA	Window Asm. - Driver Door
*	077209-02-000	EA	Inside Frame - Driver Door Window - Black
*	M78469-01-000	EA	Window Asm. - Passenger Door
*	077209-01-000	EA	Inside Frame - Passenger Door Window - Black
*			Not illustrated

1987 ITASCA TABLE OF CONTENTS

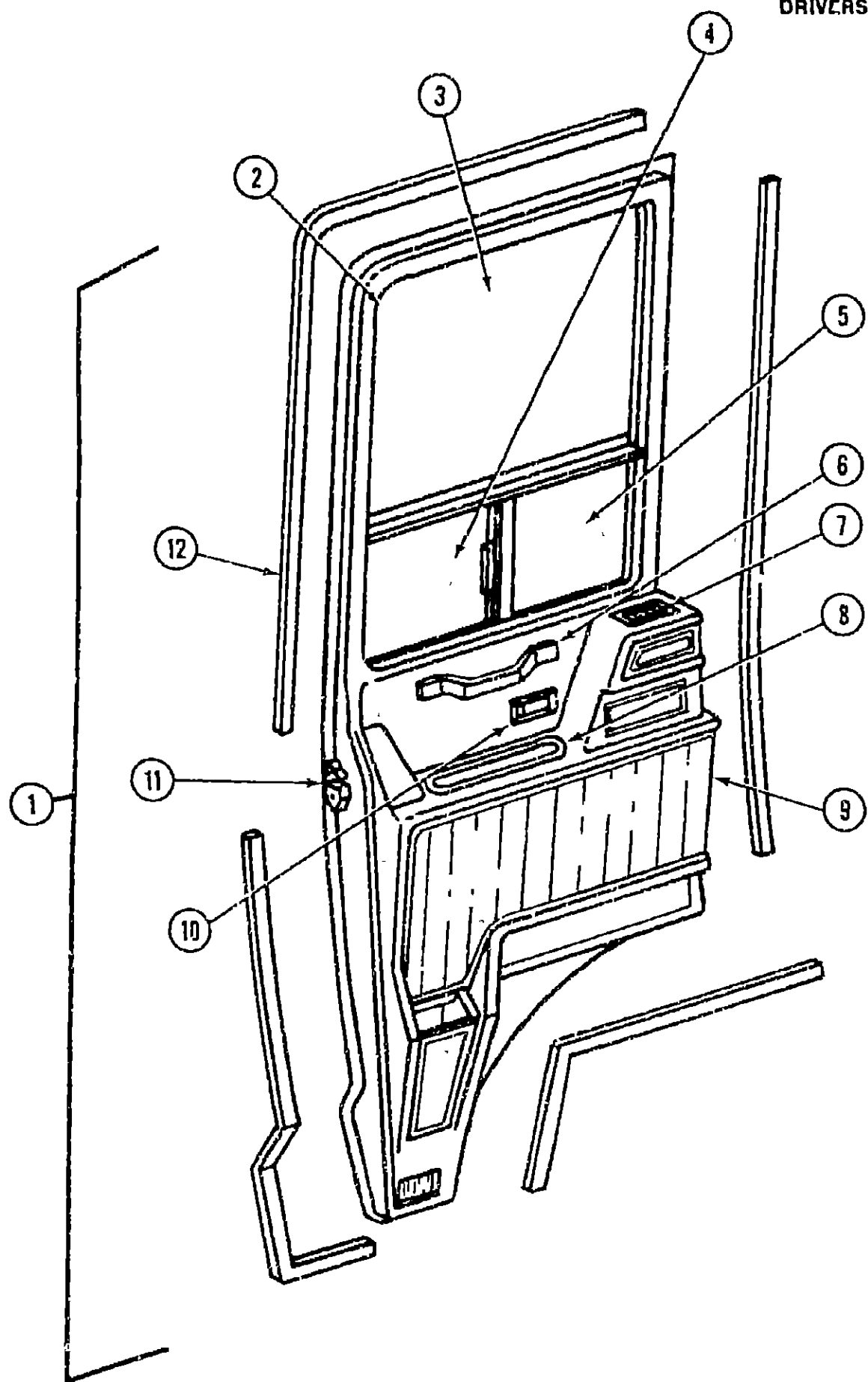
IC420RG	A-01 - B-22
IC/IF424RB	B-23 - D-22
ICN27RU	D-23 - G-06
ICP28RU	G-07 - I-18
ICP34RU	I-19 - L-04

1987 ICP34RU INDEX

Floor Plan	I-19 - I-20
Accessories Group	I-21 - I-24
Bath Group	J-01
Chassis Group	J-02 - J-06
Curtain, Cushion & Pad Group	J-07 - J-14
Dinette Group	J-15 - J-16
Driver's Compartment Group	J-17 - J-21
Electrical Group	J-22 - J-24
Exterior Body Group	K-01 - K-06
Galley Group	K-07 - K-09
Heating & Air Conditioning Group	K-10
Interior Finish Group	K-11 - K-13
LP Group	K-14
Lounge Group	K-15 - K-16
Water & Sewage Group	K-17
Window, Vent & Exterior Door Group	K-18 - L-04

WINDOW, VENT & EXTERIOR DOOR GROUP (CONTINUED)

DRIVERS & PASSENGER CAB DOOR



Key	Part Number	U/M	Description
1	M01596-04-W36	EA	Door Asm - Drivers
•	M01595-04-W36	EA	Door Asm. - Passengers
2	M78469-01-000	EA	Window Asm. - Drivers Door - w/Support
•	M78469-02-000	EA	Window Asm - Drivers Door - w/Support
•	077209-01-000	EA	Inside Frame Asm. - Window - Passenger
•	077209-02-000	EA	Inside Frame Asm. - Window - Driver
3	077036-03-000	EA	Glass - .19" x 28.9" x 22"
4	078379-01-000	EA	Glass - .19" x 15" x 9.3" - w/Hole
5	077378-01-000	EA	Glass - .19" x 15" x 9.3"
•	077224-03-000	EA	Window Mullion - Horizontal - Passenger
•	077224-04-000	EA	Window Mullion - Horizontal - Driver
•	077226-01-000	EA	Window Mullion - Vertical - Passenger
•	077226-02-000	EA	Window Mullion - Vertical - Driver
•	M02389-53-001	EA	Seal Holder - w/Fin Seal
•	042077-01-000	FT	Channel - Weatherstrip - Glass
•	041928-02-000	EA	Seal - Window Channel
•	050216-C2-000	EA	Spline - Vinyl Glass - .19 Black
6	051400-05-000	EA	Assist Strap - 12" - w/Woodgrain
7	076783-01-000	EA	Louver/Bezel Asm. - Black - 2"
•	075671-01-000	FT	Sponge Seal - Lazy T Shape
•	076542-01-000	EA	Control Rod - Right Hand Latch
•	076543-01-000	EA	Control Rod - Right Hand Lock
•	076542-02-000	EA	Control Rod - Left Hand Latch
•	076543-02-000	EA	Control Rod - Left Hand Lock
•	077167-01-000	EA	Door Prop Rod - Passenger
•	077167-02-000	EA	Door Prop Rod - Drivers
8	077118-02-000	EA	Storage Tray - Door Panel - Gray
•	077179-01-000	EA	Hose Adapter - 2" - Snap In
•	077000-01-000	EA	Socket Asm. - w/8" Pigtail Leads
9	077117-04-000	EA	Door Panel - Front Inner - Driver
•	077117-03-000	EA	Door Panel - Front Inner - Passenger
•	063826-04-000	EA	Assist Handle - Gray Steel Tube
10	R77006-50-261	EA	Door Handle - Interior - Right
10	R77006-50-326	EA	Door Handle - Interior - Left
•	R77040-01-538	EA	Door Handle - Exterior
•	R77007-05-374	EA	Gasket - Door Handle - Exterior
11	R77013-48-168	EA	Latch Asm - Right
11	R77013-48-167	EA	Latch Asm - Left
•	R77007-62-747	EA	Latch Asm. - Inner - Right
•	R77007-62-746	EA	Latch Asm. - Inner - Left
12	076813-01-000	FT	Seal - Entrance Door (Glue On)
•	R77007-04-136	EA	Lock Bracket
•	080563-01-000	EA	Arm - Lock Control
•	R77030-67-257	EA	Spline Pine
•	R77007-73-327	EA	Cylinder & Key
•	R77006-64-355	EA	Control Link
•	064580-02-000	EA	Check Strap - Front Door - 7"
•	064219-01-000	EA	Retainer - Check Strap - Front Door
•	R77013-48-165	EA	Striker - Door - Left
•	R77013-48-166	EA	Striker - Door - Right
•	091632-01-000	FT	Bulb Seal - Cab Door - w/Wire Channel
•	075245-01-000	EA	Hinge - Cab Door
•	081905-01-000	EA	Control Knob (Lock/Unlock) Right
•	081905-02-000	EA	Control Knob (Lock/Unlock) Left
•			Not illustrated

1987 ITASCA TABLE OF CONTENTS

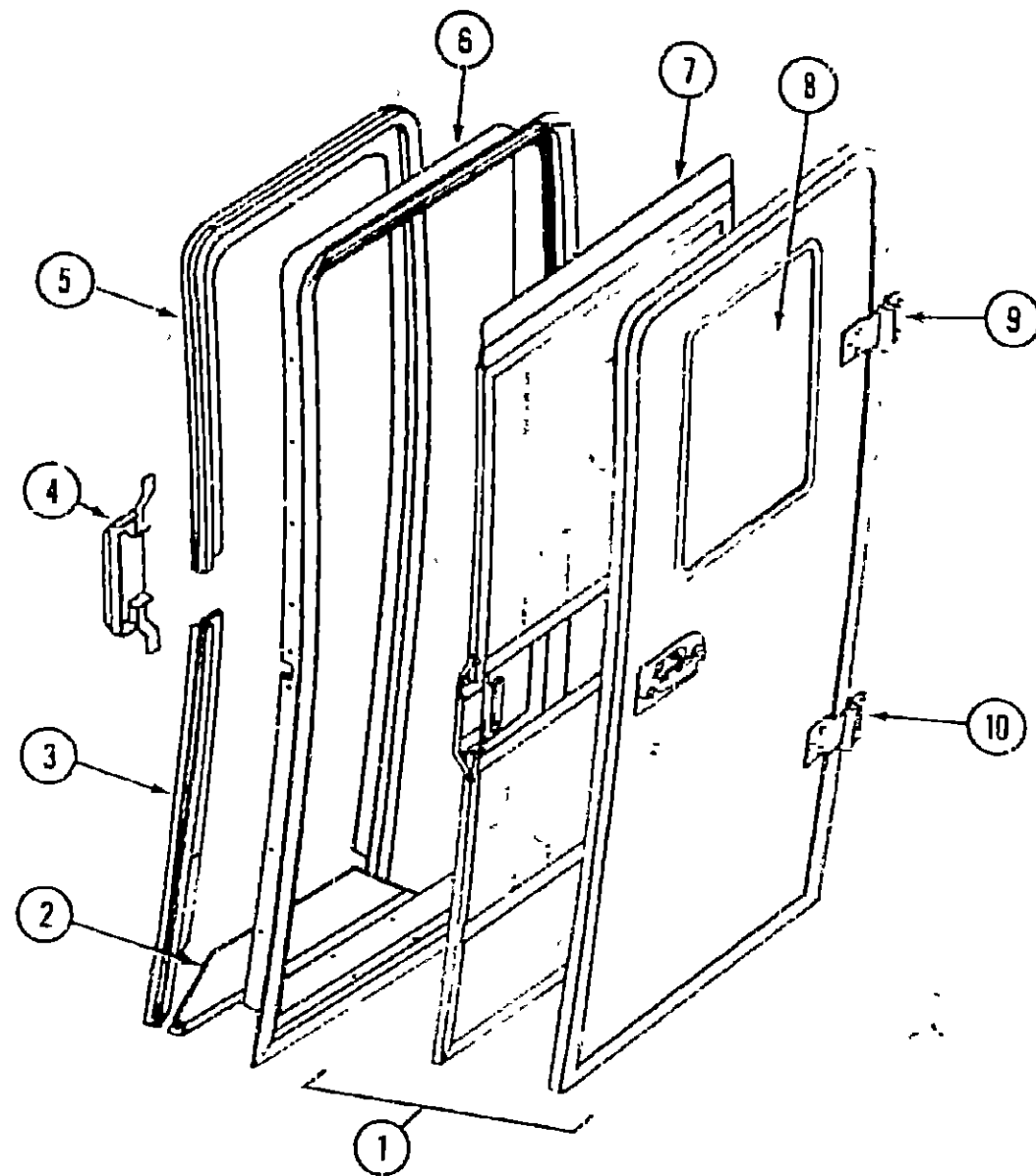
IC420RG	A-01 - B-22
IC/IF424RB	B-23 - D-22
ICN27RU	D-23 - G-06
ICP28RU	G-07 - I-18
ICP34RU	I-19 - L-04

1987 ICP34RU INDEX

Floor Plan	I-19 - I-20
Accessories Group	I-21 - I-24
Bath Group	J-01
Chassis Group	J-02 - J-06
Curtain, Cushion & Pad Group	J-07 - J-14
Dinette Group	J-15 - J-16
Driver's Compartment Group	J-17 - J-21
Electrical Group	J-22 - J-24
Exterior Body Group	K-01 - K-06
Galley Group	K-07 - K-09
Heating & Air Conditioning Group	K-10
Interior Finish Group	K-11 - K-13
LP Group	K-14
Lounge Group	K-15 - K-16
Water & Sewage Group	K-17
Window, Vent & Exterior Door Group	K-18 - L-04

WINDOW, VENT & EXTERIOR DOOR GROUP (CONTINUED)

ENTRANCE DOOR



Key	Part Number	U/M	Description
1	M84385-01-W36	EA	Door Asm. - Entrance
2	076929-01-000	EA	Trim - Entrance Door - Lower
3	085015-01-000	EA	Trim - Entrance Door - Upper - Beige
4	076726-04-000	EA	Cover - Strike - Light Oak
5	085016-01-000	EA	Trim - Entrance Door
6	076947-04-000	EA	Jamb Asm. - Entrance Door
7	084389-01-W13	EA	Screen Door - Complete
	076727-01-000	EA	Slider - Screen Door - Light Oak Plastic
	002293-02-000	SF	Screen - 26" Charcoal
	063638-02-000	EA	Strike - Screen Door
	076231-01-000	EA	Spacer - Screen Door - Latch
	078156-01-000	EA	Plate - Screen Door
	002294-01-000	FT	Spline - Screen Door - Black
	076738-02-000	EA	Transition Frame - Screen Door - Beige
	077437-01-000	EA	Strike - Roller Catch - Beige
8	079733-04-T03	EA	Window Asm. - Picture (w/o inside frame)
	067609-03-000	EA	Inside Frame - Beige (not included in assembly)
	002181-06-000	EA	Glass - .115" x 16 25" x 24"
	002309-02-000	FT	Spline - Glass - 1/8 Material - Black
	069637-01-000	EA	Sealer - 3M EC5510
9	084097-01-000	EA	Hinge Asm. - Upper - Beige
10	084096-01-000	EA	Hinge Asm. - Lower - Beige
	009126-02-000	EA	Assist Handle - Black
	073303-01-000	EA	Latch Asm. - Inner
	076728-01-000	EA	Panel Trim - Light Oak Plastic
	R77007-05-374	EA	Gasket - Exterior Door Handle
	R77040-01-538	EA	Handle - Exterior Door
	R77006-50-261	EA	Handle - Interior - Right Door
	073104-04-000	EA	Escutcheon - Door Handle
	R77013-48-168	EA	Lock Bolt - Right
	R77007-51-201	EA	Cylinder & Key Set
	083205-01-000	EA	Deadbolt - Press Fit - 5"
	079173-01-000	EA	Gasket - Deadbolt - Exterior
	R77030-67-257	EA	Spline Pin
	080963-01-000	EA	Arm - Lock Control
	073111-01-000	EA	Rod - Latch
	073110-01-000	EA	Rod - Lock
	R77006-64-355	EA	Link - Control
	073303-01-000	EA	Latch Asm. - Inner - Right
	073093-03-000	EA	Support Asm. - Latch - Gray
	R77007-04-136	EA	Bracket - Lock
	063729-04-000	EA	Rivnut - 10-32 UNF
	076907-08-000	EA	Trim - Door - Upper
	076908-08-000	EA	Trim - Door - Lower
	Not illustrated		

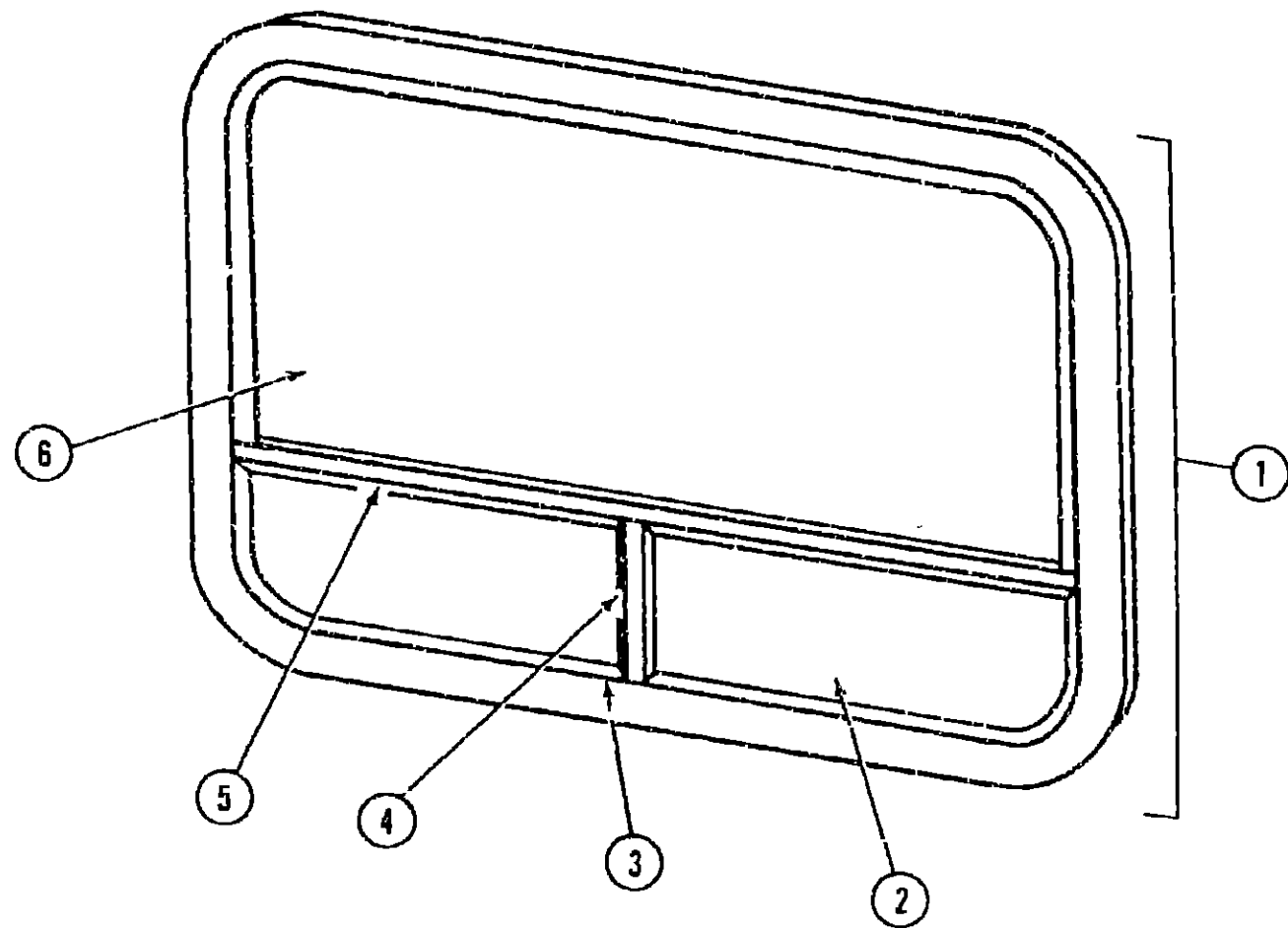
1987 ITASCA TABLE OF CONTENTS

IC420RG	A-01 - B-22
IC/IF424RB	B-23 - D-22
ICN27RU	D-23 - G-06
ICP28RU	G-07 - I-18
ICP34RU	I-19 - L-04

1987 ICP34RU INDEX

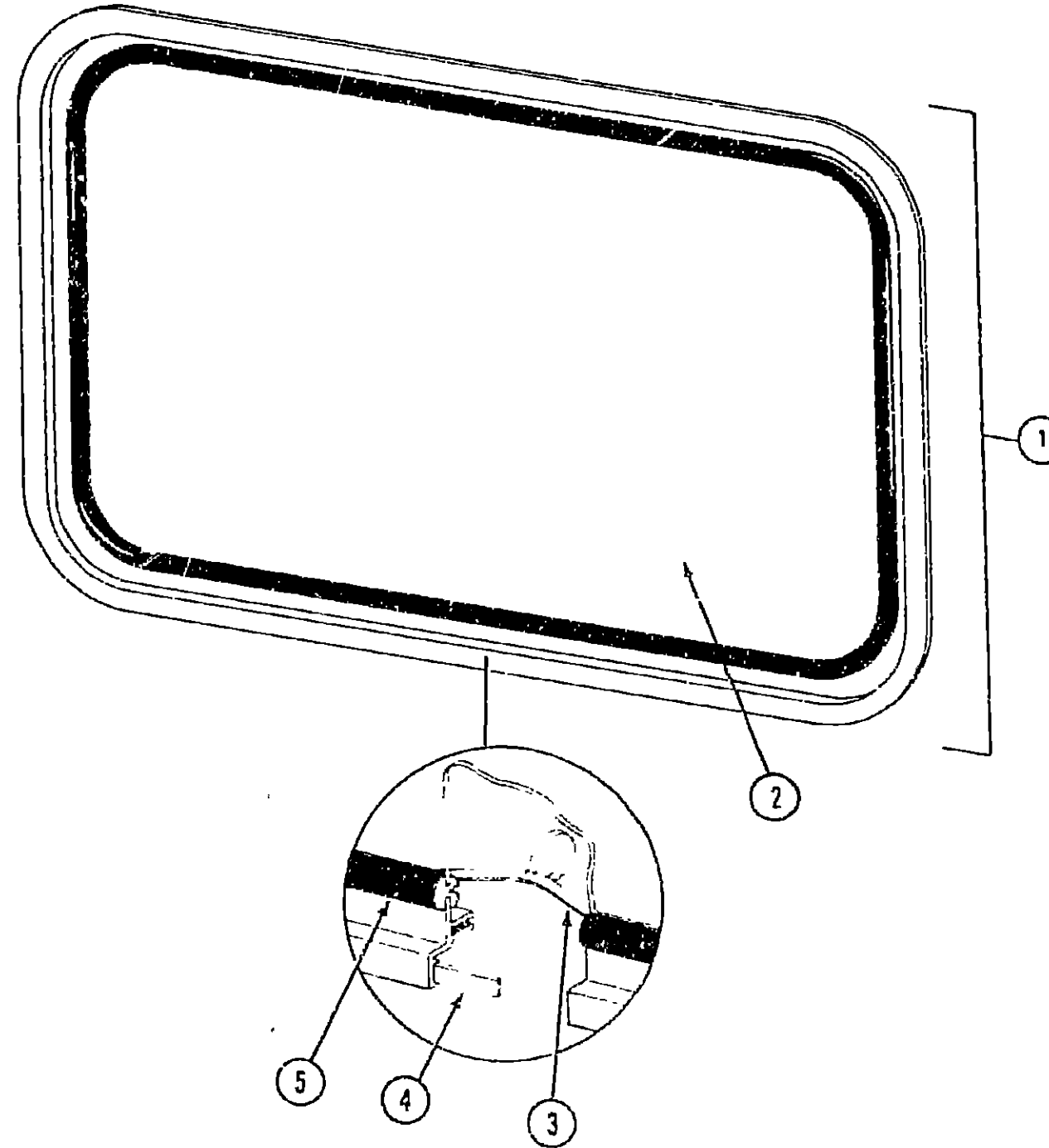
Floor Plan	I-19 - I-20
Accessories Group	I-21 - I-24
Bath Group	J-01
Chassis Group	J-02 - J-06
Curtain, Cushion & Pad Group	J-07 - J-14
Dinette Group	J-15 - J-16
Driver's Compartment Group	J-17 - J-21
Electrical Group	J-22 - J-24
Exterior Body Group	K-01 - K-06
Galley Group	K-07 - K-09
Heating & Air Conditioning Group	K-10
Interior Finish Group	K-11 - K-13
LP Group	K-14
Lounge Group	K-15 - K-16
Water & Sewage Group	K-17
Window, Vent & Exterior Door Group	K-18 - L-04

WINDOW, VENT & EXTERIOR DOOR GROUP (CONTINUED)



Key	Part Number	U/M	Description
1	085354-01-W07	EA	Window Asm - Double Tipout (w/o inside frame)
	081822-05 000	EA	Inside Frame - Black (not included in assembly)
2	084068-04-000	EA	Glass - 1/8" x 9.24" x 30.39" - Tipout
	084581-01-W07	EA	Screen Asm - Tipout - Right
	084581-02-W07	EA	Screen Asm - Tipout - Left
3	084067-01-000	FT	Seal - "e" - Sponge Rubber
4	084154-01-000	EA	Mullion - Vertical - Black
	084066-01-000	FT	Bulb Seal - Double - Sponge Rubber
5	083112-05-000	EA	Mullion - Horizontal - Black
	081357-01-000	FT	Foam Seal - Vinyl
6	081239-02-000	EA	Glass - 1/8" x 61.77" x 23" - Stationary
	002291-02-000	SF	Screen - 16" Window
	002298-02-000	FT	Spline - 130 Dia - Charcoal (Screen)
	081243-01-000	EA	Clip - Screen - Plastic
	080918-01-000	EA	Spring - Torque Tube - Right
	080918-02-000	EA	Spring - Torque Tube - Left
	035302-01-000	EA	Operating Mech - Right
	035302-02-000	EA	Operating Mech - Left
			Not illustrated

WINDOW, VENT & EXTERIOR DOOR GROUP (CONTINUED)



Key	Part Number	U/M	Description
1	076648-01-000	EA	Window Asm - Escape (w/o inside frame)
	076650-03-000	EA	Inside Frame - Brown (not included in assembly)
2	076337-01-000	EA	Glass - 1/8" x 55.7" x 28.7"
3	002285-01-000	FT	Filler - Weatherstrip - Black
4	069640-07-000	FT	Tape - 2" Bead x 45
5	002282-01-000	FT	Weatherstrip - Window - .125" Black
			Not illustrated

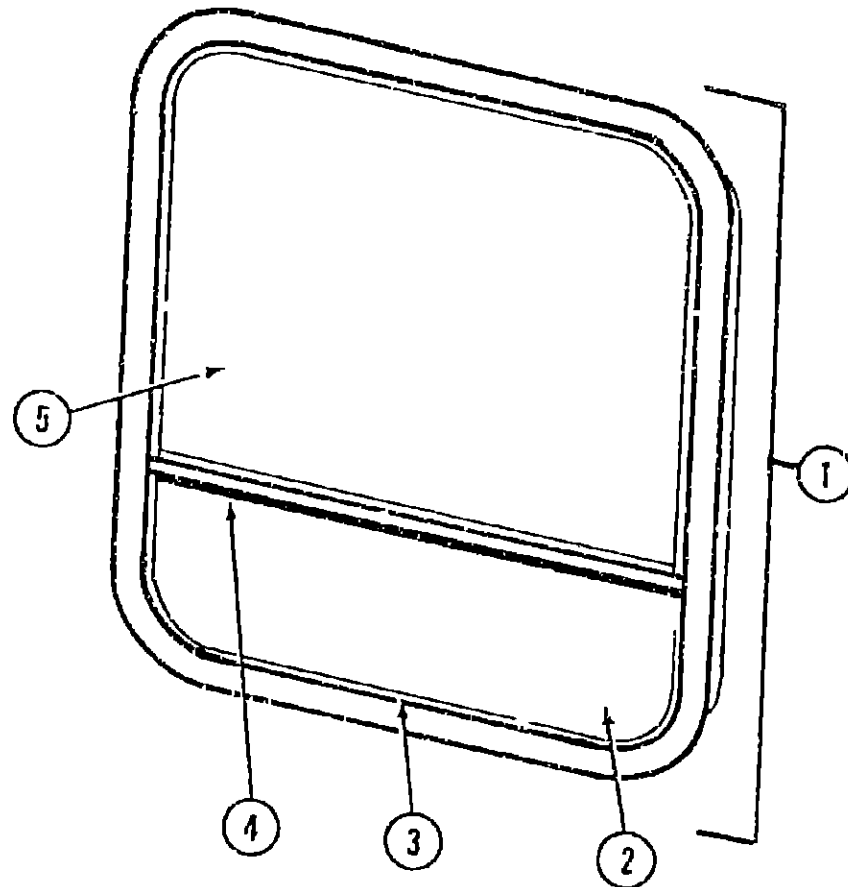
1987 ITASCA
TABLE OF CONTENTS

IC420RG	A-01 - B-22
IC/IF424RB	B-23 - D-22
ICN27RU	D-23 - G-06
ICP28RU	G-07 - I-18
ICP34RU	I-19 - L-04

1987 ICP34RU INDEX

Floor Plan	I-19 - I-20
Accessories Group	I-21 - I-24
Bath Group	J-01
Chassis Group	J-02 - J-06
Curtain, Cushion & Pad Group	J-07 - J-14
Dinette Group	J-15 - J-16
Driver's Compartment Group	J-17 - J-21
Electrical Group	J-22 - J-24
Exterior Body Group	K-01 - K-06
Galley Group	K-07 - K-09
Heating & Air Conditioning Group	K-10
Interior Finish Group	K-11 - K-13
LP Group	K-14
Lounge Group	K-15 - K-16
Water & Sewage Group	K-17
Window, Vent & Exterior Door Group	K-18 - L-04

WINDOW, VENT & EXTERIOR DOOR GROUP (CONTINUED)



Key	Part Number	U/M	Description
1	085353-01-W07	EA	Window Asm. - Single (w/o inside frame)
	081222-01-000	EA	Inside Frame - Black (not included in assembly)
2	084068-03-000	EA	Glass - 1/8" x 9.24" x 30.39" - Tipout
	084580-01-W07	EA	Screen Asm. - Tipout Window - Single
3	084473-01-000	EA	Seal - Rubber - Tipout Window
4	083112-01-000	EA	Mullion - Horizontal - Black
5	081239-01-000	EA	Glass - 1/8" x 25.7" x 17" - Stationary
	035302-02-000	EA	Operators Mech - Slant - Left
	002291-02-000	SF	Screen - 16" Window - Charcoal
	002298-02-000	FT	Spline - 130 Dia - Charcoal
	068927-03-000	EA	Rubber Seal - .31 x 80
	081243-01-000	EA	Clip - Screen - Black Plastic
	081357-01-000	FT	Foam Seal - Vinyl
			Not illustrated

**1987 ITASCA
TABLE OF CONTENTS**

IC420RG	A-01 - B-22
IC/JF424RB	B-23 - D-22
ICN27RU	D-23 - G-06
ICP28RU	G-07 - I-18
ICP34RU	I-19 - L-04

1987 ICP34RU INDEX

Floor Plan	I-19 - I-20
Accessories Group	I-21 - I-24
Bath Group	J-01
Chassis Group	J-02 - J-06
Curtain, Cushion & Pad Group	J-07 - J-14
Dinette Group	J-15 - J-16
Driver's Compartment Group	J-17 - J-21
Electrical Group	J-22 - J-24
Exterior Body Group	K-01 - K-06
Galley Group	K-07 - K-09
Heating & Air Conditioning Group	K-10
Interior Finish Group	K-11 - K-13
LP Group	K-14
Lounge Group	K-15 - K-16
Water & Sewage Group	K-17
Window, Vent & Exterior Door Group	K-18 - L-04