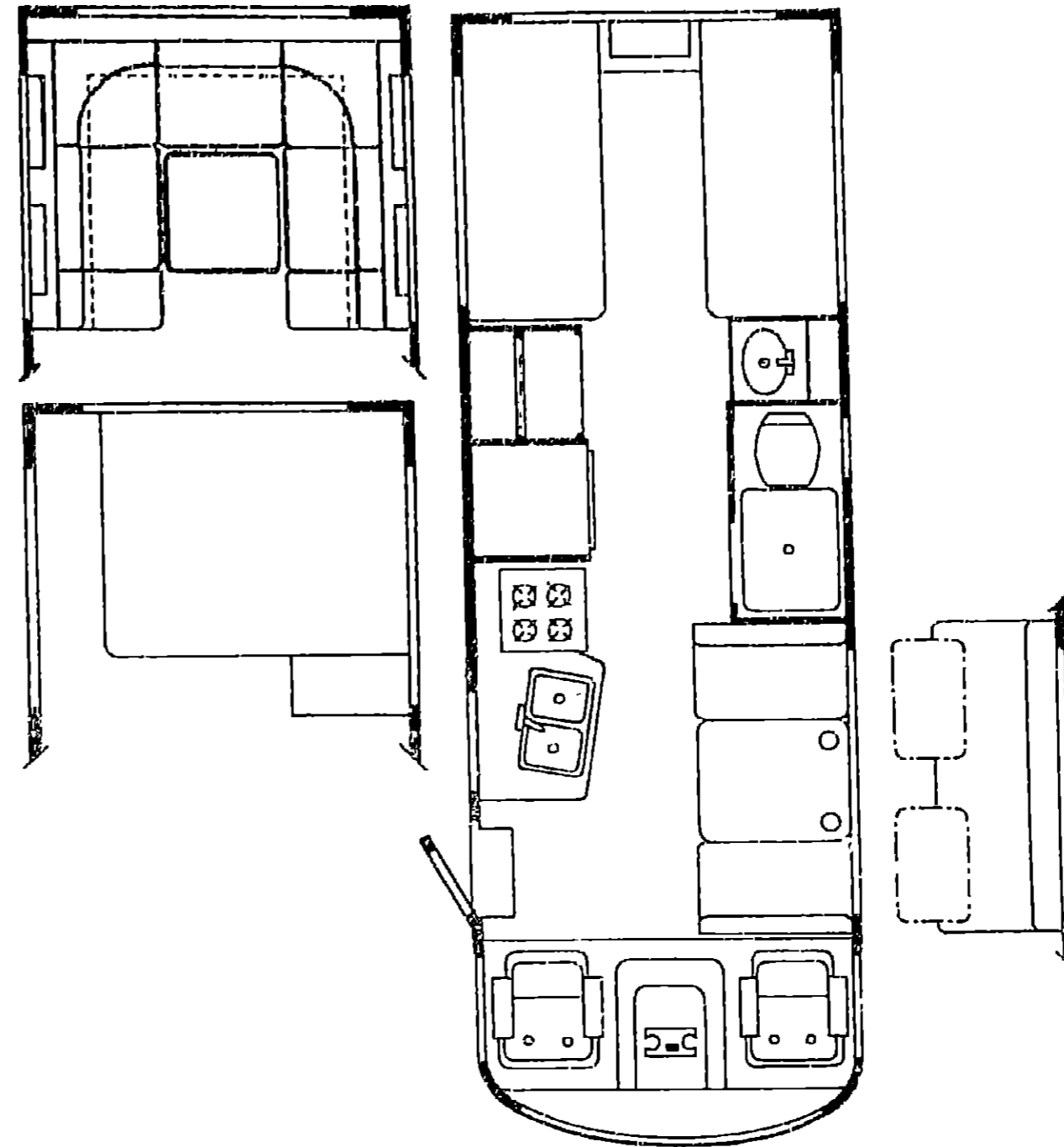


1987 ICP26ET



1987 ITASCA TABLE OF CONTENTS

IC420EG	A-01 - B-06
ICN22EC	B-07 - D-08
ICN27RT	D-09 - F-14
IJN32RQ	F-15 - I-02
ICP26ET	I-03 - K-10

1987 ICP26ET INDEX

Floor Plan	I-03 - I-04
Accessories Group	I-05 - I-07
Bath Group	I-08
Chassis Group	I-09 - I-12
Curtain, Cushion & Pad Group	I-13 - I-21
Dinette Group	I-22
Driver's Compartment Group	I-23 - J-02
Electrical Group	J-03 - J-06
Exterior Body Group	J-07 - J-13
Galley Group	J-14 - J-15
Heating & Air Conditioning Group	J-16
Interior Finish Group	J-17 - J-19
LP Group	J-20
Lounge Group	J-21
Water & Sewage Group	J-22
Window, Vent & Exterior Door Group	J-23 - K-10

ACCESSORIES GROUP

EXTERIOR MIRRORS

Key	Part Number	U/M	Description
	077051-03-000	EA	Mirror Asm. - Exterior - Passenger Side
	077051-04-000	EA	Mirror Asm. - Exterior - Drivers Side
	086236-01-000	EA	Gasket - Exterior Mirror Mounting - Passenger Side
	086236-02-000	EA	Gasket - Exterior Mirror Mounting - Drivers Side
	077051-04-700	EA	Mirror - Glass - 7 8" x 12 12"
	077051-04-701	EA	Glass - Convex - w/Bezel
	049347-01-000	EA	Mirror Head - 7 5" x 10 5" - SST
	049348-03-000	EA	Arm Asm. - Low Mount - Mirror - Black

RADIO & RELATED COMPONENTS

Key	Part Number	U/M	Description
	077059-01-000	EA	Antenna - Radio
	031105-01-700	EA	Holder - Antenna - Radio - Upper
	064791-01-000	EA	Speaker - Recessed - 5 25"
	064792-01-000	EA	Grille - Speaker - 5 25" - w/Mesh - Brown
	073741-01-000	EA	Speaker - 4" x 6" - Oval
	073431-01-000	EA	Speaker - 5 25" - 3 Way (Pair)
	074979-01-000	EA	Speaker Cover Protector - Plastic
	075903-01-000	EA	Radio - AM/FM MPX - w/Cassette
	075904-01-000	EA	Radio - AM/FM Stereo Cassette - Electric Tuning
†	087683-01-000	EA	Radio - AM/FM/Stereo w/Cassette
†	087684-01-000	EA	Radio - AM/FM/Stereo w/Cassette - Electronic Tuning
†	Used in units produced after 1/25/87		

OPTIONAL ELECTRIC STEP & COMPONENTS

Key	Part Number	U/M	Description
**	075461-01-000	EA	Step Asm. - Electric (Kwikkee)
†	088746-01-000	EA	Step Asm - Electric (Kwikkee)
†	Used in units produced after 4/13/87		
**	The illustrated parts breakdown for this item is provided on the Common Items Fiche.		

OPTIONAL WHEEL LINERS & COMPONENTS (CHROME)

Key	Part Number	U/M	Description
	085741-03-000	EA	Liners - 16" Wheel (Set/4)
	085741-03-703	EA	Liner - Rear - 16" Wheel (1)
	085741-03-704	EA	Liner - Front - 16" Wheel (1)
†	086271-04-000	EA	Liners - 16" Wheel (Set/4)
†	086271-04-700	EA	Liner - Front - 16" Wheel (1)
†	086271-04-701	EA	Liner - Rear - 16" Wheel (1)
†	086271-04-702	EA	Cover - Front Axle - 16" Wheel (1)
†	086271-04-703	EA	Cover - Rear Axle - 16" Wheel (1)
†	086271-04-704	EA	Cover - Lug Nut
†	Used in units produced after 2/22/87		

ACCESSORIES GROUP (CONTINUED)

OPTIONAL FOG LAMP & COMPONENTS

Key	Part Number	U/M	Description
	079941-01-000	EA	Lamp Asm. - Fog w/Cover - Amber
	079941-01-700	EA	Lamp Asm. - Fog - Set of 2
	079941-01-701	EA	Lens and Cover Only
	079941-01-702	EA	Switch - Fog Lights
	079941-01-703	EA	Solenoid
	079941-01-704	EA	Switch Plate - For Switch

OPTIONAL STEERING WHEEL

Key	Part Number	U/M	Description
	080752-05-000	EA	Steering Wheel - Custom
	080752-06-000	EA	Hub Adapter - Steering Wheel
	080752-07-000	EA	Button - Horn - w/Wire
	080752-08-000	EA	Screw - Custom Steering Wheel

GENERATORS & COMPONENTS

Key	Part Number	U/M	Description
	079654-03-000	EA	Generator - Onan/Emerald - 4.0 kw
	701629-02-000	EA	Onan Installation Package
	084455-01-016	EA	Tailpipe - 1.5" O.D. x 43 5"
	083151-01-000	EA	Muffler - Generator
	068046-01-000	EA	Conversion Kit - LP - Onan Generator

OPTIONAL MICROWAVE/CONVECTION OVEN & COMPONENTS

Key	Part Number	U/M	Description
	081379-01-000	EA	Microwave/Convection Oven - Sharp
	081459-05-000	EA	Bracket Asm - Microwave - Right
	081459-06-000	EA	Bracket Asm. - Microwave - Left
	081456-01-000	EA	Angle Asm. - Microwave - Right
	081456-02-000	EA	Angle Asm - Microwave - Left
	081555-01-703	EA	Trim Asm - Microwave
	082876-01-000	EA	Baffle Asm. - Microwave
†	088737-01-000	EA	Microwave/Convection Oven - Magic Chef
†	088737-02-000	EA	Frame Kit - Microwave
†	Used in units produced after 5-12-87		

1987 ITASCA TABLE OF CONTENTS

IC420EG	A-01 - B-03
ICN22EC	B-07 - D-08
ICN27RT	D-09 - F-14
IJN32RQ	F-15 - I-02
ICP26ET	I-03 - K-10

1987 ICP26ET INDEX

Floor Plan	I-03 - I-04
Accessories Group	I-05 - I-07
Bath Group	I-08
Chassis Group	I-09 - I-12
Curtain, Cushion & Pad Group	I-13 - I-21
Dinette Group	I-22
Driver's Compartment Group	I-23 - J-02
Electrical Group	J-03 - J-06
Exterior Body Group	J-07 - J-13
Galley Group	J-14 - J-15
Heating & Air Conditioning Group	J-16
Interior Finish Group	J-17 - J-19
LP Group	J-20
Lounge Group	J-21
Water & Sewage Group	J-22
Window, Vent & Exterior Door Group	J-23 - K-10

ACCESSORIES GROUP (CONTINUED)

MISCELLANEOUS ACCESSORIES

Key	Part Number	U/M	Description
**	054185-26-000	EA	Owners Manual - 1987 - Winnebago & Itasca
**	076319-01-000	EA	Antenna - TV - 44.5" Mast
	017510-01-000	EA	Mud Flap - 14" x 18" - Rear - Black
	017516-02-000	EA	Mud Flap - 14" x 12" - Front - Black
	041944-03-000	EA	Fire Extinguisher w/Mounting Bracket
	041944-04-000	EA	Fire Extinguisher - 5 BC
	072852-01-000	EA	Smoke Detector w/9 Volt Battery
	006069-01-000	EA	Key Case - Leather
	080208-01-000	EA	Lug Wrench
	080209-02-000	EA	Leverage Bar - Lug Wrench
	006113-01-000	EA	Jack - Hydraulic - 8 Ton - w/Handle
	040069-01-000	EA	Door Mat - 10.5" x 26" - Black
	081072-02-000	EA	Door Mat - Front - Right - "Itasca"
	081074-02-000	EA	Door Mat - Front - Left - "Itasca"
	081075-02-000	EA	Door Mat - Entrance - "Itasca"
	079942-01-000	EA	Shock Absorber - Stabilizer - Front
	079942-02-000	EA	Shock Absorber - Stabilizer - Rear
	084086-01-000	EA	Air Spring Bellows - Rear Axle (Pair)
	038420-02-000	EA	Defroster Fan - 6" - 2 Speed Fan
	077988-01-000	EA	Bracket - Defroster Fan - Right
	077988-02-000	EA	Bracket - Defroster Fan - Left
**	075461-01-000	EA	Step Asm - Electric (Kwikstep)
	083181-01-000	EA	Wheel Covers - 16" (Set/4)
**	083181-01-700	EA	Wheel Cover - 16" (1)

** The illustrated parts breakdown for this item is provided on the Common Items Fiche.

BATH GROUP

BATH & WARDROBE CABINETS

Key	Part Number	U/M	Description
	M83964-01-W33	EA	Cabinet Asm. - Lavatory w/o Countertop, Doors or Hardware
	M02672-01-W33	EA	Countertop Asm. - Lavatory
	M02672-01-W34	EA	Countertop Asm. - Lavatory
	M02672-01-W35	EA	Countertop Asm. - Lavatory
	M82424-01-W33	EA	Door Asm. - Lavatory Cabinet - w/o Hardware (Upper)
†	M88304-27-W33	EA	Door Asm. - Lavatory Cabinet - w/o Hardware (Upper)
	M81501-A7-W33	EA	Door Asm. - Lavatory Cabinet (Lower)
†	M88304-52-W33	EA	Door Asm. - Lavatory Cabinet (Lower)
	M81501-A4-W33	EA	Door Asm. - Wardrobe Cabinet - Upper - w/o Hardware
†	M88304-54-W33	EA	Door Asm. - Wardrobe Cabinet - Upper - w/o Hardware
	M81501-A5-W33	EA	Door Asm. - Wardrobe Cabinet - Lower - w/o Hardware
†	M88304-55-W33	EA	Door Asm. - Wardrobe Cabinet - Lower - w/o Hardware
	M87868-01-W33	EA	Door Asm. - Shower - w/o Lockset
†	Used in units produced after 3/15/87.		

BATH & WARDROBE HARDWARE

Key	Part Number	U/M	Description
	075240-03-000	EA	Faucet - Lavatory
	075242-03-000	EA	Faucet - Shower
	075606-01-000	EA	Panel - Shower Faucet
	089366-01-000	EA	Sink Oval - Ivory Plastic
	M02630-04-W13	EA	Shower Pan Asm. - w/Strainer
	009059-01-000	EA	Hinge - 2" Gold
	059777-02-000	EA	Hinge - Brass
	075687-02-000	EA	Knob Asm. - Bath Door
	039873-01-700	EA	Nylon Catch & Spring Steel Strike
	011069-03-000	EA	Tail Piece 1.5" x 1.75" - Plastic
	011048-02-000	EA	Shower Head - w/60" Hose
	066729-01-000	EA	Strainer - Shower Pan & Tub
	066436-01-000	EA	Slip Nut - 1.5" Tail Piece - Bathtub
	066435-01-000	EA	Nut - Strainer - Plastic
	075452-02-000	EA	Holder - Tissue
	075453-02-000	EA	Bar - Towel Rack
	075454-02-000	EA	Towel Ring - Brass
	057671-01-000	EA	Screw Cover (No. 8)
	058331-01-000	EA	Mirror - Tempered Glass - 19" x 26"
	058331-05-000	EA	Mirror - Tempered Glass - 12" x 26"
	058331-04-000	EA	Mirror - Tempered Glass - 12" x 42"
	058031-21-000	EA	Mirror - Tempered Glass - 17 1" x 32.9"
	083204-02-000	EA	Mirror Button - Retainer
	067487-01-000	EA	Toilet - Thetford - Aqua IV - Ivory - Low
	081614-01-000	EA	Soap Dish
	078551-04-000	EA	Track - Divider Curtain - Front & Rear - 36"
	087961-01-000	EA	Track - Shower Curtain
	077404-01-000	EA	Drawer - Wardrobe - 20" x 12 7" - Plastic
	077409-01-000	EA	Slide - Drawer - 20 75" - Plastic
	084257-01-U25	EA	Shelf Asm - Bath

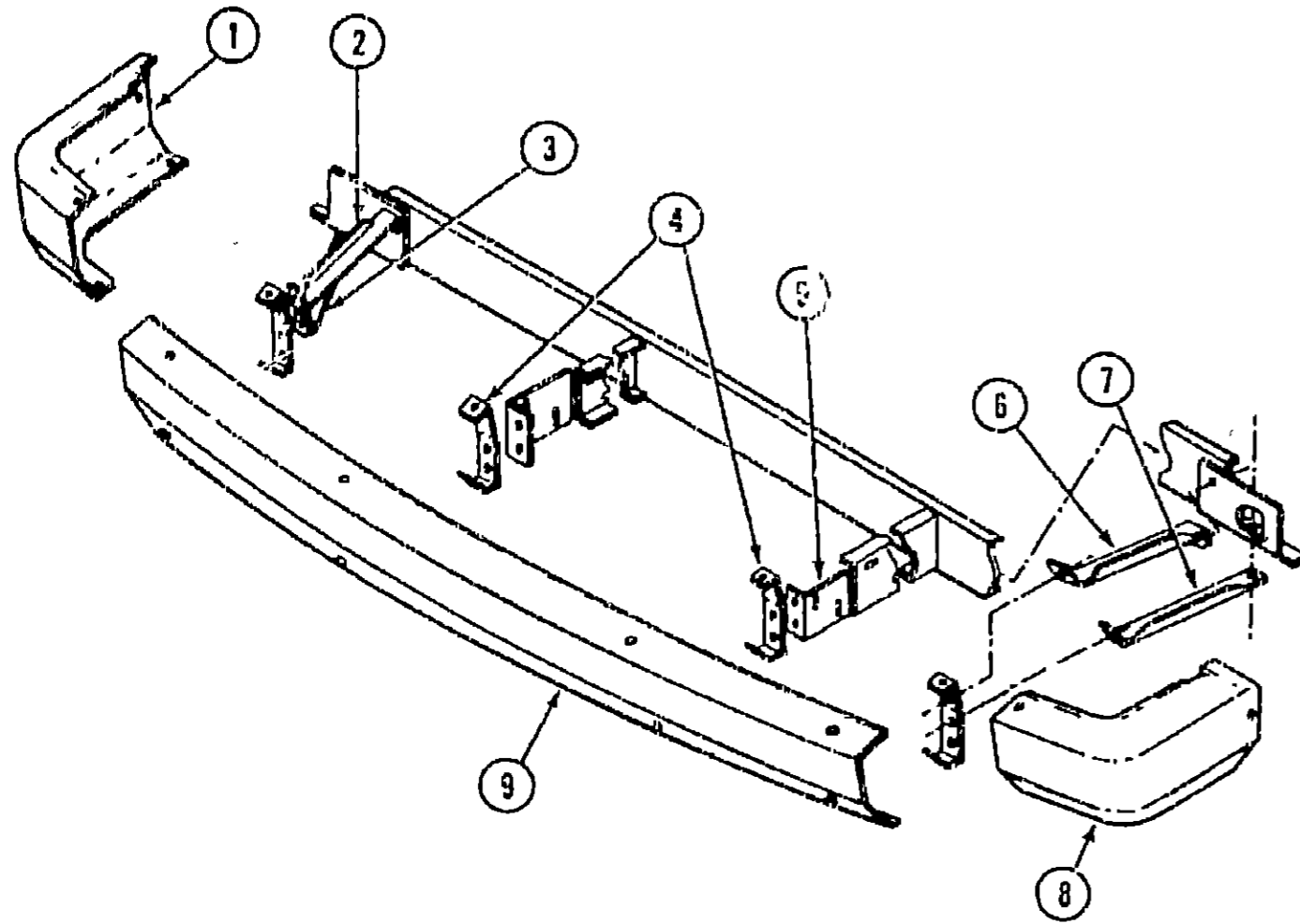
**1987 ITASCA
TABLE OF CONTENTS**

IC420EG	A-01 - B-08
ICN22EC	B-07 - D-08
ICN27RT	D-09 - F-14
IJN32RQ	F-15 - I-02
ICP26ET	I-03 - K-10

1987 ICP26ET INDEX

Floor Plan	I-03 - I-04
Accessories Group	I-05 - I-07
Bath Group	I-08
Chassis Group	I-09 - I-12
Curtain, Cushion & Pad Group	I-13 - I-21
Dinette Group	I-22
Driver's Compartment Group	I-23 - J-02
Electrical Group	J-03 - J-06
Exterior Body Group	J-07 - J-13
Galley Group	J-14 - J-15
Heating & Air Conditioning Group	J-16
Interior Finish Group	J-17 - J-19
LP Group	J-20
Lounge Group	J-21
Water & Sewage Group	J-22
Window, Vent & Exterior Door Group	J-23 - K-10

CHASSIS GROUP



FRONT BUMPER

Key	Part Number	U/M	Description
1	075767-02-000	EA	Bumper End - Gray - Right Front
2	077853-01-000	EA	Brace - Upper Right - Front Bumper
3	077854-01-000	EA	Brace - Lower Right - Front Bumper
4	077852-01-000	EA	Bracket - Bumper - Front
5	076527-01-000	EA	Bracket to Frame - Front Bumper
6	077853-02-000	EA	Brace - Upper Left - Front Bumper
7	077854-02-000	EA	Brace - Lower Left - Front Bumper
8	075767-04-000	EA	Bumper End - Gray - Left Front
9	077850-08-000	EA	Bumper - Front - Gray
9	077850-07-000	EA	Bumper - Front - Chrome
.	005200-01-000	EA	Carriage Bolt - Chrome - 7/16" x 14 x 1 1/4"
.	Not illustrated		

CHASSIS GROUP (CONTINUED)

MISCELLANEOUS

Key	Part Number	U/M	Description
	004086-01-000	EA	Air Spring Bellows - Rear Axle
	077995-02-000	EA	Baffle - Radiator - Upper
	084419-01-000	EA	Filler Neck - Fuel - Lower
	078010-02-000	EA	Door Asm. & Upper Shroud - Fuel Fill
	083578-01-000	EA	Boot - Fuel Fill
	078032-01-000	EA	Shroud - Fuel Fill - Inside
	084177-01-000	EA	Wheel Well - Plastic - Rear - Left/Right
	065450-04-000	EA	Battery Tie Down - Plastic Coated
	077848-01-000	EA	Step Asm - Entry
	008348-01-000	EA	Battery Terminal
	077479-02-000	EA	Battery Terminal Boot
	020167-03-000	EA	Dirt Guard - Wheel Well
	050273-02-000	EA	Tire - 7.50 x 16 - XCA Radial - Tubeless - Michelin
	040546-01-000	EA	Tire - 7.50 x 16 - 8 Ply - Tubed
.	007131-01-000	EA	Tailpipe Hanger
.	007125-07-000	EA	Clamp Arms - Muller - 2.5"
.	Remainder of exhaust components available from chassis service center		

1987 ITASCA TABLE OF CONTENTS

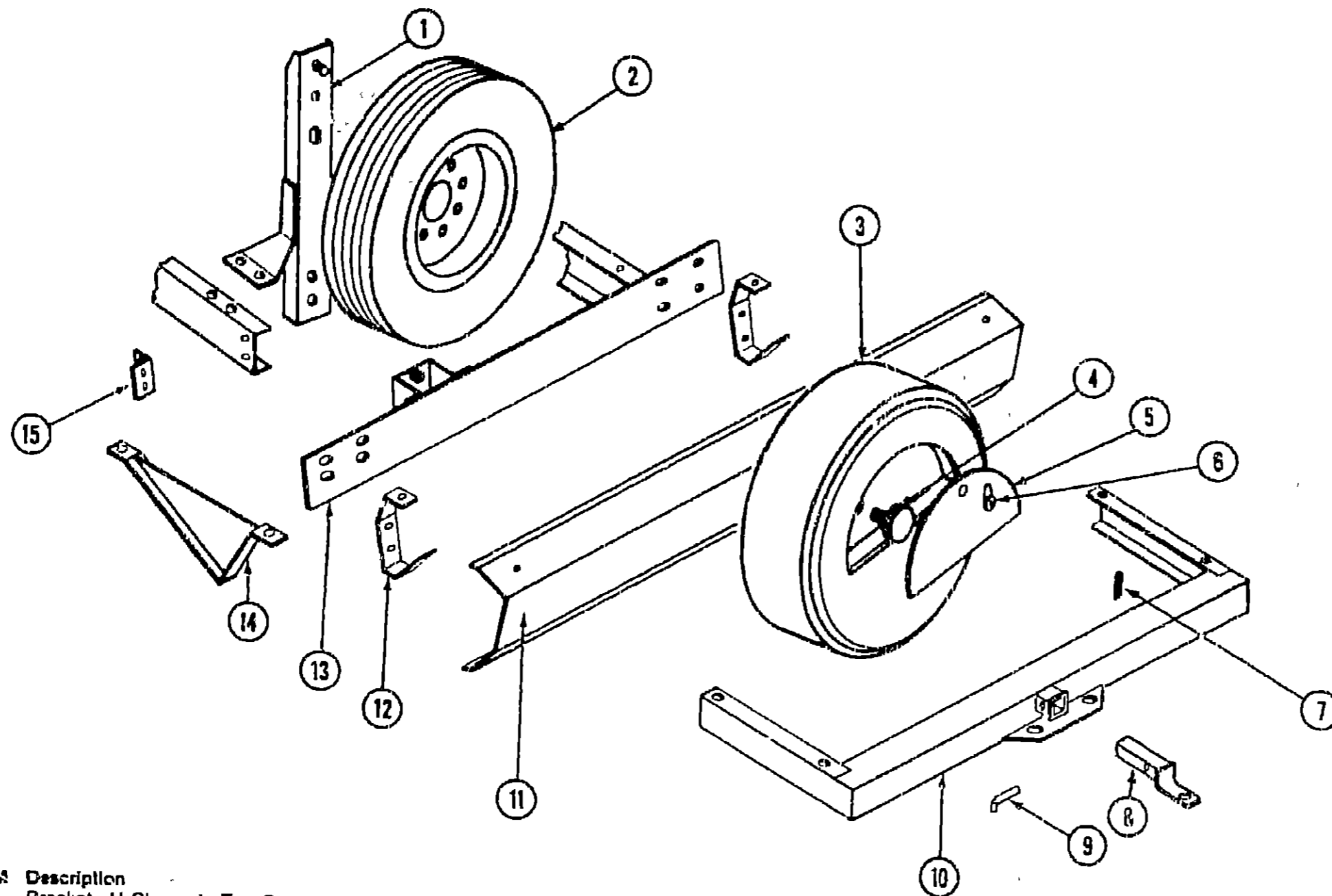
IC420EG	A-01 - B-06
ICN22EC	B-07 - D-08
ICN27RT	D-09 - F-14
IJN32RQ	F-15 - I-02
ICP26ET	I-03 - K-10

1987 ICP26ET INDEX

Floor Plan	I-03 - I-04
Accessories Group	I-05 - I-07
Bath Group	I-08
Chassis Group	I-09 - I-12
Curtain, Cushion & Pad Group	I-13 - I-21
Dinette Group	I-22
Driver's Compartment Group	I-23 - J-02
Electrical Group	J-03 - J-06
Exterior Body Group	J-07 - J-13
Galley Group	J-14 - J-15
Heating & Air Conditioning Group	J-16
Interior Finish Group	J-17 - J-19
LP Group	J-20
Lounge Group	J-21
Water & Sewage Group	J-22
Window, Vent & Exterior Door Group	J-23 - K-10

CHASSIS GROUP (CONTINUED)

SPARE TIRE, REAR BUMPER & HITCH



Key	Part Number	U/A	Description
1	090378-02-000	EA	Bracket - U-Channel - Tire Carrier
2	040546-01-000	EA	Tire - 7 50 x 16 - 8 Ply
3	079762-02-000	EA	Tire Cover - Gray Plastic
4	064082-02-000	EA	Nut - Tire Cover Retainer - Delmet
5	M02047-01-T18	EA	Door - Tire Cover - Gray Plastic
6	077409-01-000	EA	Lock Asm. - Key Type
7	034513-01-000	EA	Pin - Hitch - 3/16" Wire
8	077613-01-000	EA	Drawbar - Ball Mount
9	034512-01-000	EA	Locking Pin - Drawbar
10	077617-01-700	EA	Hitch Asm - w/o Drawbar
11	078584-10-000	EA	Bumper - Rear - Gray
	084614-03-000	EA	Bumper End - Right
	084914-04-000	EA	Bumper End - Left
12	078670-02-000	EA	Bracket to Bumper - Rear
13	079129-02-000	EA	Bracket to Frame - Rear Bumper
14	083376-01-000	EA	Skid Plate Asm.
15	078668-01-000	EA	Support Angle - Rear Bumper Support to Frame
	005200-01-000	EA	Bumper Bolt - 7/16" - 14 x 1 1/4
			Not illustrated

1987 ITASCA TABLE OF CONTENTS

IC420EG	A-01 - B-06
ICN22EC	B-07 - D-08
ICN27RT	D-09 - F-14
IJN32RQ	F-15 - I-02
ICP26ET	I-03 - K-10

1987 ICP26ET INDEX

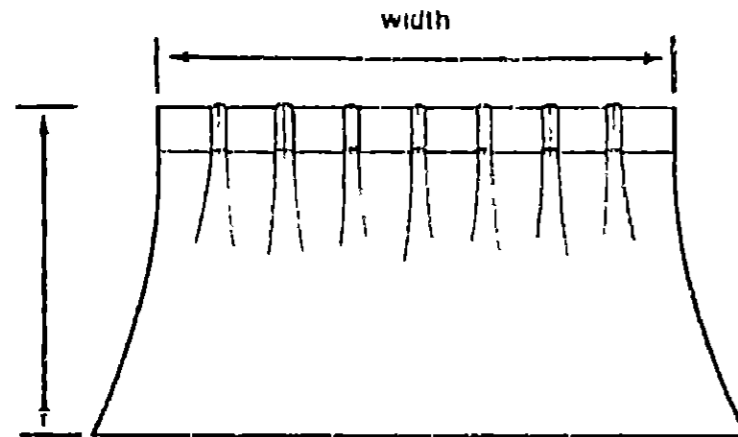
Floor Plan	I-03 - I-04
Accessories Group	I-05 - I-07
Bath Group	I-08
Chassis Group	I-09 - I-12
Curtain, Cushion & Pad Group	I-13 - I-21
Dinette Group	I-22
Driver's Compartment Group	I-23 - J-02
Electrical Group	J-03 - J-06
Exterior Body Group	J-07 - J-13
Galley Group	J-14 - J-15
Heating & Air Conditioning Group	J-16
Interior Finish Group	J-17 - J-19
LP Group	J-20
Lounge Group	J-21
Water & Sewage Group	J-22
Window, Vent & Exterior Door Group	J-23 - K-10

CURTAIN, CUSHION & PAD GROUP

NOTICE

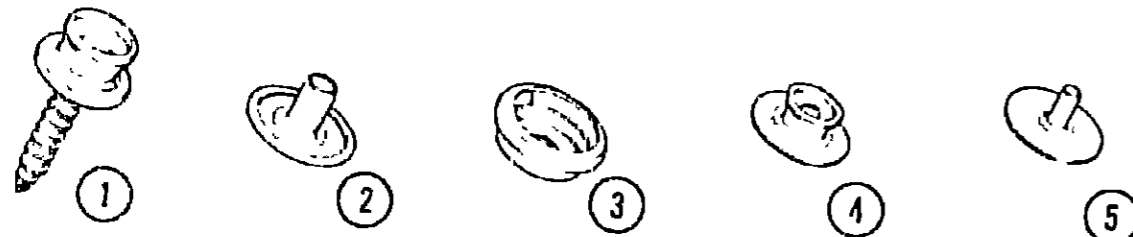
In order to assist our Parts Sales Dept. in providing interior software items, please include the serial number and the color code number from the vehicle certification label when ordering. This label is located on the left sidewall at the end of the dash (A-Body), or on the driver's door latch plate (C-Body).

An example of a color code number is P31, which designates an overall color scheme of a particular unit. The color listed after the item description on the microfiche, indicates the overall unit color. Order the item you desire according to unit color code.



NOTE:

Use this illustration when determining length and width measurements for curtains. You will note the width measurement is taken on the top of the curtain with the curtain fully extended. The length measurement is taken from top to bottom.



Key	Part Number	U/M	Description
1	029130-01-000	EA	Socket - Snap Fastener
2	029155-01-000	EA	Cap - Snap - .156" Dia x 17" Barrel
3	029156-01-000	EA	Socket - Snap Fastener
4	029092-01-000	EA	Stud - Nickel Finish
5	092093-01-000	EA	Eyelet - Nickel Finish

FRONT BUNK

Key	Part Number	U/M	Description
	079145-02-000	EA	Cushion Asm - Front Bunk - 4" x 34" x 78"
	M79145-02-000	EA	Cover Asm - Front Bunk Cushion - 4" x 34" x 78"
	079144-02-W33	EA	Bunk Strap - Vinyl

CURTAIN, CUSHION & PAD GROUP (CONTINUED)

FABRICS, TRIMS & PADS

Key	Part Number	U/M	Description
	077498-89-000	YD	Fabric - Main - Jade/Peach (W33)
	077498-90-000	YD	Fabric - Main - Mahogany (W34)
	077498-88-000	YD	Fabric - Main - Rose (W35)
	077498-A1-000	YD	Fabric - Plain Accent - Jade/Peach (W33)
	077498-A2-000	YD	Fabric - Plain Accent - Mahogany (W34)
	077498-AB-000	YD	Fabric - Plain Accent - Rose (W35)
	063729-44-000	YD	Fabric - Bedroom Drapery - Jade/Peach (W33)
	059729-45-000	YD	Fabric - Bedroom Drapery - Mahogany (W34)
	069729-46-000	YD	Fabric - Bedroom Drapery - Rose (W35)
	072333-38-000	YD	Fabric - Drapery - Accent - Jade/Peach (W33)
	072333-34-000	YD	Fabric - Drapery - Accent - Mahogany (W34)
	072333-37-000	YD	Fabric - Drapery - Accent - Rose (W35)
	038421-02-000	YD	Fabric - Mattress Ticking - Beige/Brown
	038421-04-000	YD	Fabric - Mattress Ticking - Cashew
	052859-01-W30	FT	Trim Asm. - Accent - Buckskin
	052859-06-W13	FT	Trim Asm. - Accent - Buckskin
	079680-01-000	YD	Vinyl - Expanded - 26 oz. - Buckskin
	029219-01-000	YD	Vinyl - White - 14.6 oz.
	087272-01-000	YD	Fabric - Drapery Lining - 48" - Ivory
	038421-01-000	YD	Fabric - Mattress Ticking
	071127-10-W24	EA	Button Asm. - Round Hook - #31 (W33)
	071127-10-W25	EA	Button Asm. - Round Hook - #30 (W34)
	071127-10-W26	EA	Button Asm. - Round Hook - #30 (W35)
	078155-01-000	EA	Strap Asm. - Cushion
	079144-02-W33	EA	Strap Asm. - Bunk
	081519-01-V.24	EA	Pad Asm. - Dinette - Front (W33)
	081519-01-V.25	EA	Pad Asm. - Dinette - Front (W34)
	081519-01-W26	EA	Pad Asm. - Dinette - Front (W35)
	081519-02-W24	EA	Pad Asm. - Dinette - Rear (W33)
	081519-02-W25	EA	Pad Asm. - Dinette - Rear (W34)
	081519-02-W26	EA	Pad Asm. - Dinette - Rear (W35)

FRONT TRIM PADS

Key	Part Number	U/M	Description
	077123-56-000	EA	Insert - Upper Drivers Door - 2.5" x 6.25" (W33)
	077123-58-000	EA	Insert - Upper Drivers Door - 2.5" x 6.25" (W34)
	077123-60-000	EA	Insert - Upper Drivers Door - 2.5" x 6.25" (W35)
	077124-56-000	EA	Insert - Lower Driver Door - 14.2" x 28.25" (W33)
	077124-58-000	EA	Insert - Lower Driver Door - 14.2" x 28.25" (W34)
	077124-60-000	EA	Insert - Lower Driver Door - 14.2" x 28.25" (W35)
	077125-56-000	EA	Insert - Map Pocket - Driver Door - 5.75" x 7.6" (W33)
	077125-58-000	EA	Insert - Map Pocket - Driver Door - 5.75" x 7.6" (W34)
	077125-60-000	EA	Insert - Map Pocket - Driver Door - 5.75" x 7.6" (W35)
	077126-28-000	EA	Insert - Side Upper - Drivers - 2.6" x 3.14" (W33)
	077126-29-000	EA	Insert - Side Upper - Drivers - 2.6" x 3.14" (W34)
	077126-30-000	EA	Insert - Side Upper - Drivers - 2.6" x 3.14" (W35)
	077128-30-000	EA	Insert - Side Upper - Passenger - 2.6" x 17.1" (W33)
	077128-31-000	EA	Insert - Side Upper - Passenger - 2.6" x 17.1" (W34)
	077128-32-000	EA	Insert - Side Upper - Passenger - 2.6" x 17.1" (W35)
	077127-28-000	EA	Insert - Side Lower - Driver - 9.3" x 21.3" (W33)
	077127-29-000	EA	Insert - Side Lower - Driver - 9.3" x 21.3" (W34)
	077127-30-000	EA	Insert - Side Lower - Driver - 9.3" x 21.3" (W35)
	077130-28-000	EA	Insert - Front Center Overhead - 19.5" x 4" (W33)
	077130-29-000	EA	Insert - Front Center Overhead - 19.5" x 4" (W34)
	077130-30-000	EA	Insert - Front Center Overhead - 19.5" x 4" (W35)
	077131-55-000	EA	Insert - Front Overhead (Sunvisor) - Passenger - 28" x 23.2" (W33)
	077131-57-000	EA	Insert - Front Overhead (Sunvisor) - Passenger - 28" x 23.2" (W34)
	007131-59-000	EA	Insert - Front Overhead (Sunvisor) - Passenger - 28" x 23.2" (W35)
	077131-56-000	EA	Insert - Front Overhead (Sunvisor) - Driver - 28" x 23.2" (W33)
	077131-58-000	EA	Insert - Front Overhead (Sunvisor) - Driver - 28" x 23.2" (W34)
	077131-60-000	EA	Insert - Front Overhead (Sunvisor) - Driver - 28" x 23.2" (W35)

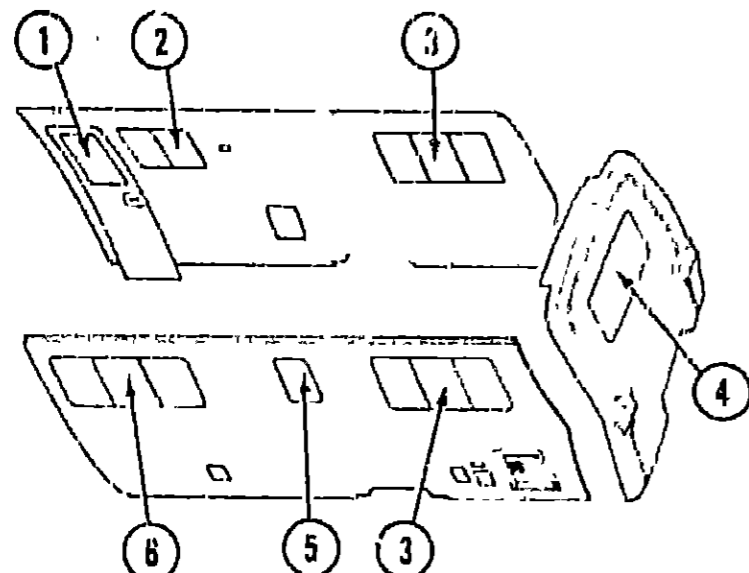
1987 ITASCA TABLE OF CONTENTS

IC420EG	A-01 - B-08
ICN22EC	B-07 - D-08
ICN27RT	D-09 - F-14
IJN32RQ	F-15 - I-02
ICP26ET	I-03 - K-10

1987 ICP26ET INDEX

Floor Plan	I-03 - I-04
Accessories Group	I-05 - I-07
Bath Group	I-08
Chassis Group	I-09 - I-12
Curtain, Cushion & Pad Group	I-13 - I-21
Dinette Group	I-22
Driver's Compartment Group	I-23 - J-02
Electrical Group	J-03 - J-06
Exterior Body Group	J-07 - J-13
Galley Group	J-14 - J-15
Heating & Air Conditioning Group	J-16
Interior Finish Group	J-17 - J-19
LP Group	J-20
Lounge Group	J-21
Water & Sewage Group	J-22
Window, Vent & Exterior Door Group	J-23 - K-10

CURTAIN, CUSHION & PAD GROUP (CONTINUED)



CURTAINS, VALANCES, SHADES & TIEBACKS

Key	Part Number	U/M	Description
1	M79558-14-W30	EA	Valance Asm. - Entrance Door (W33)
†1	M79558-14-WB6	EA	Valance Asm. - Entrance Door (W33)
1	M79558-14-W31	EA	Valance Asm. - Entrance Door (W34)
1	M79558-14-W32	EA	Valance Asm. - Entrance Door (W35)
1	084755-04-W30	EA	Shade Asm. - Fabric - 24 25" - Linen (W33)
††1	084755-04-WA4	EA	Shade Asm. - Fabric - 24 25" - Linen (W33)
1	084755-04-W31	EA	Shade Asm. - Fabric - 24 25" - Linen (W34)
††1	084755-04-WA5	EA	Shade Asm. - Fabric - 24 25" - Linen (W34)
1	084755-04-W01	EA	Shade Asm. - Fabric - 24 25" - Linen (W35)
††1	084755-04-WA8	EA	Shade Asm. - Fabric - 24 25" - Linen (W35)
2	M79558-14-W30	EA	Valance Asm. - Galley (W33)
†2	M79558-14-WB6	EA	Valance Asm. - Galley (W33)
2	M79558-14-W31	EA	Valance Asm. - Galley (W34)
2	M79558-14-W32	EA	Valance Asm. - Galley (W35)
2	084755-01-W24	EA	Shade Asm. - Fabric - 28 25" - Linen (W33)
††2	084955-01-WA4	EA	Shade Asm. - Fabric - 28 25" - Linen (W33)
2	084755-01-W25	EA	Shade Asm. - Fabric - 28 25" - Linen (W34)
††2	084755-01-WA5	EA	Shade Asm. - Fabric - 28 25" - Linen (W34)
2	084755-01-W26	EA	Shade Asm. - Fabric - 28 25" - Linen (W35)
††2	084755-01-WA8	EA	Shade Asm. - Fabric - 28 25" - Linen (W35)
3	079558-20-W30	EA	Valance Asm. - 5" x 140" Gathered (W33)
3	079558-20-W31	EA	Valance Asm. - 5" x 140" Gathered (W34)
3	079558-20-W32	EA	Valance Asm. - 5" x 140" Gathered (W35)
3	079559-11-W30	EA	Curtain - Gathered - 32" x 41" (W33)
3	079559-11-W31	EA	Curtain - Gathered - 32" x 41" (W34)
3	079559-11-W32	EA	Curtain - Gathered - 32" x 41" (W35)
3	079558-13-W30	EA	Valance Asm. - 5" x 140" - Use w/Horseshoe Lounge (W33)
3	079558-13-WB6	EA	Valance Asm. - 5" x 140" - Use w/Horseshoe Lounge (W33)
3	079558-13-W31	EA	Valance Asm. - 5" x 140" - Use w/Horseshoe Lounge (W34)
3	079558-13-W32	EA	Valance Asm. - 5" x 140" - Use w/Horseshoe Lounge (W35)
3	079559-10-W30	EA	Curtain - w/Darts & Snap Top - 31" x 41" - Used w/Horseshoe Lounge (W33)
†3	079559-10-WB6	EA	Curtain - w/Darts & Snap Top - 31" x 41" - Used w/Horseshoe Lounge (W33)
3	079559-10-W31	EA	Curtain - w/Darts & Snap Top - 31" x 41" - Used w/Horseshoe Lounge (W34)
3	079559-10-W32	EA	Curtain - w/Darts & Snap Top - 31" x 41" - Used w/Horseshoe Lounge (W35)
3	084755-05-W30	EA	Shade Asm. - Fabric - 60 25" - Linen (W33)
††3	084755-05-WA4	EA	Shade Asm. - Fabric - 60 25" - Linen (W33)
3	084755-05-W31	EA	Shade Asm. - Fabric - 60 25" - Linen (W34)
††3	084755-05-WA5	EA	Shade Asm. - Fabric - 60 25" - Linen (W34)
3	084755-05-W32	EA	Shade Asm. - Fabric - 60 25" - Linen (W35)
††3	084755-05-WA8	EA	Shade Asm. - Fabric - 60 25" - Linen (W35)

CURTAIN, CUSHION & PAD GROUP (CONTINUED)

CURTAINS, VALANCES, SHADES & TIEBACKS (CONT.)

Key	Part Number	U/M	Description
4	079558-21-W30	EA	Valance Asm. - 5" x 120" - Gathered (W33)
4	079558-21-W31	EA	Valance Asm. - 5" x 120" - Gathered (W34)
4	079558-21-W32	EA	Valance Asm. - 5" x 120" - Gathered (W35)
4	079559-11-W30	EA	Curtain - Gathered - 32" x 41" (W33)
4	079559-11-W31	EA	Curtain - Gathered - 32" x 41" (W34)
4	079559-11-W32	EA	Curtain - Gathered - 32" x 41" (W35)
4	079558-18-W30	EA	Valance Asm. - 5" x 140" - Used w/Horseshoe Lounge (W33)
4	079558-18-WB6	EA	Valance Asm. - 5" x 140" - Used w/Horseshoe Lounge (W33)
4	079558-18-W31	EA	Valance Asm. - 5" x 140" - Used w/Horseshoe Lounge (W34)
4	079558-18-W32	EA	Valance Asm. - 5" x 140" - Used w/Horseshoe Lounge (W35)
4	079559-10-W30	EA	Curtain - w/Darts & Snap Top - 31" x 41" - Used w/Horseshoe Lounge (W33)
†4	079559-10-WB6	EA	Curtain - w/Darts & Snap Top - 31" x 41" - Used w/Horseshoe Lounge (W33)
4	079559-10-W31	EA	Curtain - w/Darts & Snap Top - 31" x 41" - Used w/Horseshoe Lounge (W34)
4	079559-10-W32	EA	Curtain - w/Darts & Snap Top - 31" x 41" - Used w/Horseshoe Lounge (W35)
4	084755-15-W33	EA	Shade Asm. - Fabric - 53 25" - Linen (W33)
††4	084755-15-WA4	EA	Shade Asm. - Fabric - 53 25" - Linen (W33)
4	084755-15-W31	EA	Shade Asm. - Fabric - 53 25" - Linen (W34)
††4	084755-15-WA5	EA	Shade Asm. - Fabric - 53 25" - Linen (W34)
4	084755-15-W11	EA	Shade Asm. - Fabric - 53 25" - Linen (W35)
††4	084755-15-WA8	EA	Shade Asm. - Fabric - 53 25" - Linen (W35)
5	M84261-03-W33	EA	Valance Asm. - Bath (W33, W34, W35)
5	084755-14-W33	EA	Shade Asm. - Fabric - 21 25" - Linen (W33)
††5	084755-14-WA4	EA	Shade Asm. - Fabric - 21 25" - Linen (W33)
5	084755-14-W34	EA	Shade Asm. - Fabric - 21 25" - Linen (W34)
††5	084755-14-WA5	EA	Shade Asm. - Fabric - 21 25" - Linen (W34)
5	084755-14-W11	EA	Shade Asm. - Fabric - 21 25" - Linen (W35)
††5	084755-14-WA8	EA	Shade Asm. - Fabric - 21 25" - Linen (W35)
6	079558-13-W30	EA	Valance Asm. - Lounge (W33)
†6	079558-13-WB6	EA	Valance Asm. - Lounge (W33)
6	079558-13-W31	EA	Valance Asm. - Lounge (W34)
6	079558-13-W32	EA	Valance Asm. - Lounge (W35)
6	079559-06-W30	EA	Curtain - Gathered - 37" x 44" (W33)
6	079559-06-WB6	EA	Curtain - Gathered - 37" x 44" (W33)
6	079559-06-W31	EA	Curtain - Gathered - 37" x 44" (W34)
6	079559-06-W32	EA	Curtain - Gathered - 37" x 44" (W35)
6	084755-02-W24	EA	Shade Asm. - Fabric - 67 25" - Linen (W33)
††6	084755-02-WA4	EA	Shade Asm. - Fabric - 67 25" - Linen (W33)
6	084755-02-W25	EA	Shade Asm. - Fabric - 67 25" - Linen (W34)
††6	084755-02-WA5	EA	Shade Asm. - Fabric - 67 25" - Linen (W34)
6	084755-02-W26	EA	Shade Asm. - Fabric - 67 25" - Linen (W35)
††6	084755-02-WA8	EA	Shade Asm. - Fabric - 67 25" - Linen (W35)
*	084481-05-000	EA	Curtain Asm. - Shower - Vinyl
*	073304-40-W30	EA	Curtain Asm. - Passenger Wraparound - 32 5" x 86" - Snap Top (W33)
†*	073304-40-WB6	EA	Curtain Asm. - Passenger Wraparound - 32 5" x 86" - Snap Top (W33)
*	073304-40-W31	EA	Curtain Asm. - Passenger Wraparound - 32 5" x 86" - Snap Top (W34)
*	073304-40-W08	EA	Curtain Asm. - Passenger Wraparound - 32 5" x 86" - Snap Top (W35)
*	073304-41-W30	EA	Curtain Asm. - Drivers Wraparound - 32 5" x 86" - Snap Top (W33)
†*	073304-41-WB6	EA	Curtain Asm. - Drivers Wraparound - 32 5" x 86" - Snap Top (W33)
*	073304-41-W31	EA	Curtain Asm. - Drivers Wraparound - 32 5" x 86" - Snap Top (W34)
*	073304-41-W08	EA	Curtain Asm. - Drivers Wraparound - 32 5" x 86" - Snap Top (W35)
*	077591-01-W33	EA	Curtain Asm. - Right Blackout - 52" x 40" - Velcro Top
*	077591-01-W34	EA	Curtain Asm. - Right Blackout - 52" x 40" - Velcro Top
*	077591-01-W35	EA	Curtain Asm. - Right Blackout - 52" x 40" - Velcro Top
*	077591-02-W33	EA	Curtain Asm. - Left Blackout - 52" x 42" - Velcro Top
†*	077591-02-W34	EA	Curtain Asm. - Left Blackout - 52" x 42" - Velcro Top
*	077591-02-W35	EA	Curtain Asm. - Left Blackout - 52" x 42" - Velcro Top
*	Not illustrated		
††	Used in units produced after 10/20/86		
†	Used in units produced after 10/10/86		

**1987 ITASCA
TABLE OF CONTENTS**

IC420EG	A-01 - I-08
ICN22EC	B-07 - D-08
ICN27RT	D-09 - F-14
IJN32RQ	F-15 - I-02
ICP26ET	I-03 - K-10

1987 ICP26ET INDEX

Floor Plan	I-03 - I-04
Accessories Group	I-05 - I-07
Bath Group	I-08
Chassis Group	I-09 - I-12
Curtain, Cushion & Pad Group	I-13 - I-21
Dinette Group	I-22
Driver's Compartment Group	I-23 - J-02
Electrical Group	J-03 - J-06
Exterior Body Group	J-07 - J-13
Galley Group	J-14 - J-15
Heating & Air Conditioning Group	J-16
Interior Finish Group	J-17 - J-19
LP Group	J-20
Lounge Group	J-21
Water & Sewage Group	J-22
Window, Vent & Exterior Door Group	J-23 - K-10

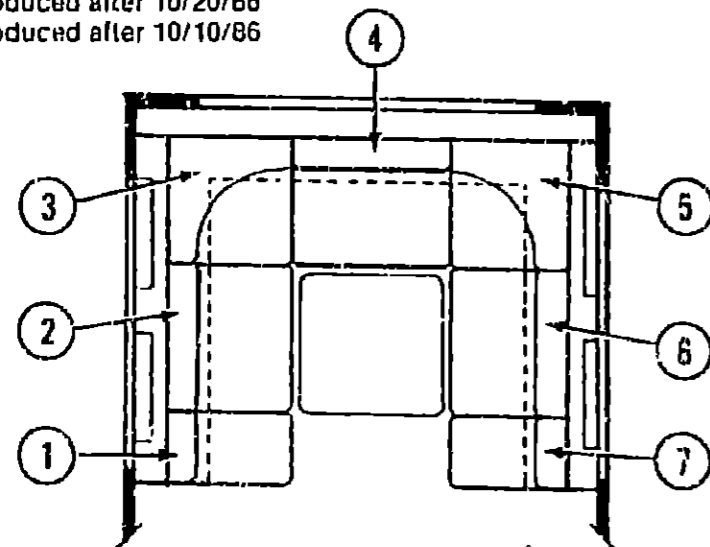
CURTAIN, CUSHION & PAD GROUP (CONTINUED)
CURTAINS, VALANCES, SHADES & TIEBACKS (CONT.)

Key	Part Number	U/M	Description
*	073304-29-W12	EA	Curtain Asm. - Room Divider - 64" x 40" - Snap Top (W33)
†	073304-29-WB8	EA	Curtain Asm. - Room Divider - 64" x 40" - Snap Top (W33)
*	073304-29-W34	EA	Curtain Asm. - Room Divider - 64" x 40" - Snap Top (W34)
*	073304-29-W11	EA	Curtain Asm. - Room Divider - 64" x 40" - Snap Top (W35)
*	073260-23-W06	EA	Tie Back Asm. - 3" x 18" (W33)
†	073260-23-WB6	EA	Tie Back Asm. - 3" x 18" (W33)
*	073260-23-W25	EA	Tie Back Asm. - 3" x 18" (W34)
*	073260-23-W05	EA	Tie Back Asm. - 3" x 18" (W35)
*	073260-27-W33	EA	Tie Back Asm. - 3" x 23" - Bedspread
*	073260-27-W34	EA	Tie Back Asm. - 3" x 23" - Bedspread
*	073260-27-W35	EA	Tie Back Asm. - 3" x 23" - Bedspread
*	073260-28-W36	EA	Tie Back Asm. - 3" x 23" (W33)
*	073260-28-W34	EA	Tie Back Asm. - 3" x 23" (W34)
*	073260-28-W37	EA	Tie Back Asm. - 3" x 23" (W35)
*	057534-03-000	EA	Tie Back Asm. - 7.5" - Clear Plastic

* Not illustrated

†† Used in units produced after 10/20/86

† Used in units produced after 10/10/86



HORSESHOE LOUNGE CUSHIONS

Key	Part Number	U/M	Description
1	077813-16-W30	EA	Cushion Asm. - Back - 4" x 6" x 12" x 16 3/4" (W33)
1	077813-16-W31	EA	Cushion Asm. - Back - 4" x 6" x 12" x 16 3/4" (W34)
1	077813-16-W32	EA	Cushion Asm. - Back - 4" x 6" x 12" x 16 3/4" (W35)
1	M77813-16-W30	EA	Cover Asm. - Back Cushion (W33)
1	M77813-16-W31	EA	Cover Asm. - Back Cushion (W34)
1	M77813-16-W32	EA	Cover Asm. - Back Cushion (W35)
*	081998-03-W30	EA	Cushion Asm. - Seat - 26 3/8" x 16 3/4" x 5" (W33)
*	081998-03-W31	EA	Cushion Asm. - Seat - 26 3/8" x 16 3/4" x 5" (W34)
*	081998-03-W32	EA	Cushion Asm. - Seat - 26 3/8" x 16 3/4" x 5" (W35)
*	M81998-03-W30	EA	Cover Asm. - Seat Cushion (W33)
*	M81998-03-W31	EA	Cover Asm. - Seat Cushion (W34)
*	M81998-03-W32	EA	Cover Asm. - Seat Cushion (W35)
2	077813-13-W30	EA	Cushion Asm. - Back - 4" x 6" x 12" x 33 1/2" (W33)
2	077813-13-W31	EA	Cushion Asm. - Back - 4" x 6" x 12" x 33 1/2" (W34)
2	077813-13-W32	EA	Cushion Asm. - Back - 4" x 6" x 12" x 33 1/2" (W35)
2	M77813-13-W30	EA	Cover Asm. - Back Cushion (W33)
2	M77813-13-W31	EA	Cover Asm. - Back Cushion (W34)
2	M77813-13-W32	EA	Cover Asm. - Back Cushion (W35)
*	081998-05-W30	EA	Cushion Asm. - Seat - 26 3/8" x 33 1/2" x 5" (W33)
*	081998-05-W31	EA	Cushion Asm. - Seat - 26 3/8" x 33 1/2" x 5" (W34)
*	081998-05-W32	EA	Cushion Asm. - Seat - 26 3/8" x 33 1/2" x 5" (W35)
*	M81998-05-W30	EA	Cover Asm. - Seat Cushion (W33)
*	M81998-05-W31	EA	Cover Asm. - Seat Cushion (W34)
*	M81998-05-W32	EA	Cover Asm. - Seat Cushion (W35)

CURTAIN, CUSHION & PAD GROUP (CONTINUED)

HORSESHOE LOUNGE CUSHIONS (CONT.)

Key	Part Number	U/M	Description
3	077814-08-W30	EA	Cushion Asm. - Back - 4" x 6" x 12" x 26 3/8" (W33)
3	077814-08-W31	EA	Cushion Asm. - Back - 4" x 6" x 12" x 26 3/8" (W34)
3	077814-08-W32	EA	Cushion Asm. - Back - 4" x 6" x 12" x 26 3/8" (W35)
3	M77814-08-W30	EA	Cover Asm. - Back Cushion (W33)
3	M77814-08-W31	EA	Cover Asm. - Back Cushion (W34)
3	M77814-08-W32	EA	Cover Asm. - Back Cushion (W35)
*	081998-26-W30	EA	Cushion Asm. - Seat - 26 3/8" x 26 3/8" x 5" (W33)
*	081998-26-W31	EA	Cushion Asm. - Seat - 26 3/8" x 26 3/8" x 5" (W34)
*	081998-26-W32	EA	Cushion Asm. - Seat - 26 3/8" x 26 3/8" x 5" (W35)
*	M81998-26-W30	EA	Cover Asm. - Seat Cushion (W33)
*	M81998-26-W31	EA	Cover Asm. - Seat Cushion (W34)
*	M81998-26-W32	EA	Cover Asm. - Seat Cushion (W35)
4	077813-15-W30	EA	Cushion Asm. - Back - 4" x 6" x 12" x 26 3/4" (W33)
4	077813-15-W31	EA	Cushion Asm. - Back - 4" x 6" x 12" x 26 3/4" (W34)
4	077813-15-W32	EA	Cushion Asm. - Back - 4" x 6" x 12" x 26 3/4" (W35)
4	M77813-15-W30	EA	Cover Asm. - Back Cushion (W33)
4	M77813-15-W31	EA	Cover Asm. - Back Cushion (W34)
4	M77813-15-W32	EA	Cover Asm. - Back Cushion (W35)
*	081998-25-W30	EA	Cushion Asm. - Seat - 26 3/8" x 26 3/8" x 5" (W33)
*	081998-25-W31	EA	Cushion Asm. - Seat - 26 3/8" x 26 3/8" x 5" (W34)
*	081998-25-W32	EA	Cushion Asm. - Seat - 26 3/8" x 26 3/8" x 5" (W35)
*	M81998-25-W30	EA	Cover Asm. - Seat Cushion (W33)
*	M81998-25-W31	EA	Cover Asm. - Seat Cushion (W34)
*	M81998-25-W32	EA	Cover Asm. - Seat Cushion (W35)
5	077814-09-W30	EA	Cushion Asm. - Back - 4" x 6" x 12" x 26 3/8" (W33)
5	077814-09-W31	EA	Cushion Asm. - Back - 4" x 6" x 12" x 26 3/8" (W34)
5	077814-09-W32	EA	Cushion Asm. - Back - 4" x 6" x 12" x 26 3/8" (W35)
5	M77814-09-W30	EA	Cover Asm. - Back Cushion (W33)
5	M77814-09-W31	EA	Cover Asm. - Back Cushion (W34)
5	M77814-09-W32	EA	Cover Asm. - Back Cushion (W35)
*	081998-27-W30	EA	Cushion Asm. - Seat - 26 3/8" x 26 3/8" x 5" (W33)
*	081998-27-W31	EA	Cushion Asm. - Seat - 26 3/8" x 26 3/8" x 5" (W34)
*	081998-27-W32	EA	Cushion Asm. - Seat - 26 3/8" x 26 3/8" x 5" (W35)
*	M81998-27-W30	EA	Cover Asm. - Seat Cushion (W33)
*	M81998-27-W31	EA	Cover Asm. - Seat Cushion (W34)
*	M81998-27-W32	EA	Cover Asm. - Seat Cushion (W35)
6	077813-14-W30	EA	Cushion Asm. - Back - 4" x 6" x 12" x 33 1/2" (W33)
6	077813-14-W31	EA	Cushion Asm. - Back - 4" x 6" x 12" x 33 1/2" (W34)
6	077813-14-W32	EA	Cushion Asm. - Back - 4" x 6" x 12" x 33 1/2" (W35)
6	M77813-14-W30	EA	Cover Asm. - Back Cushion (W33)
6	M77813-14-W31	EA	Cover Asm. - Back Cushion (W34)
6	M77813-14-W32	EA	Cover Asm. - Back Cushion (W35)
*	081998-06-W30	EA	Cushion Asm. - Seat - 26 3/8" x 33 1/2" x 5" (W33)
*	081998-06-W31	EA	Cushion Asm. - Seat - 26 3/8" x 33 1/2" x 5" (W34)
*	081998-06-W32	EA	Cushion Asm. - Seat - 26 3/8" x 33 1/2" x 5" (W35)
*	M81998-06-W30	EA	Cover Asm. - Seat Cushion (W33)
*	M81998-06-W31	EA	Cover Asm. - Seat Cushion (W34)
*	M81998-06-W32	EA	Cover Asm. - Seat Cushion (W35)
7	077813-17-W30	EA	Cushion Asm. - Back - 4" x 6" x 12" x 16 3/4" (W33)
7	077813-17-W31	EA	Cushion Asm. - Back - 4" x 6" x 12" x 16 3/4" (W34)
7	077813-17-W32	EA	Cushion Asm. - Back - 4" x 6" x 12" x 16 3/4" (W35)
7	M77813-17-W30	EA	Cover Asm. - Back Cushion (W33)
7	M77813-17-W31	EA	Cover Asm. - Back Cushion (W34)
7	M77813-17-W32	EA	Cover Asm. - Back Cushion (W35)
*	081998-03-W30	EA	Cushion Asm. - Seat - 26 3/8" x 16 3/4" x 5" (W33)
*	081998-03-W31	EA	Cushion Asm. - Seat - 26 3/8" x 16 3/4" x 5" (W34)
*	081998-03-W32	EA	Cushion Asm. - Seat - 26 3/8" x 16 3/4" x 5" (W35)
*	M81998-03-W30	EA	Cover Asm. - Seat Cushion (W33)
*	M81998-03-W31	EA	Cover Asm. - Seat Cushion (W34)
*	M81998-03-W32	EA	Cover Asm. - Seat Cushion (W35)
*	Not Keyed Out		

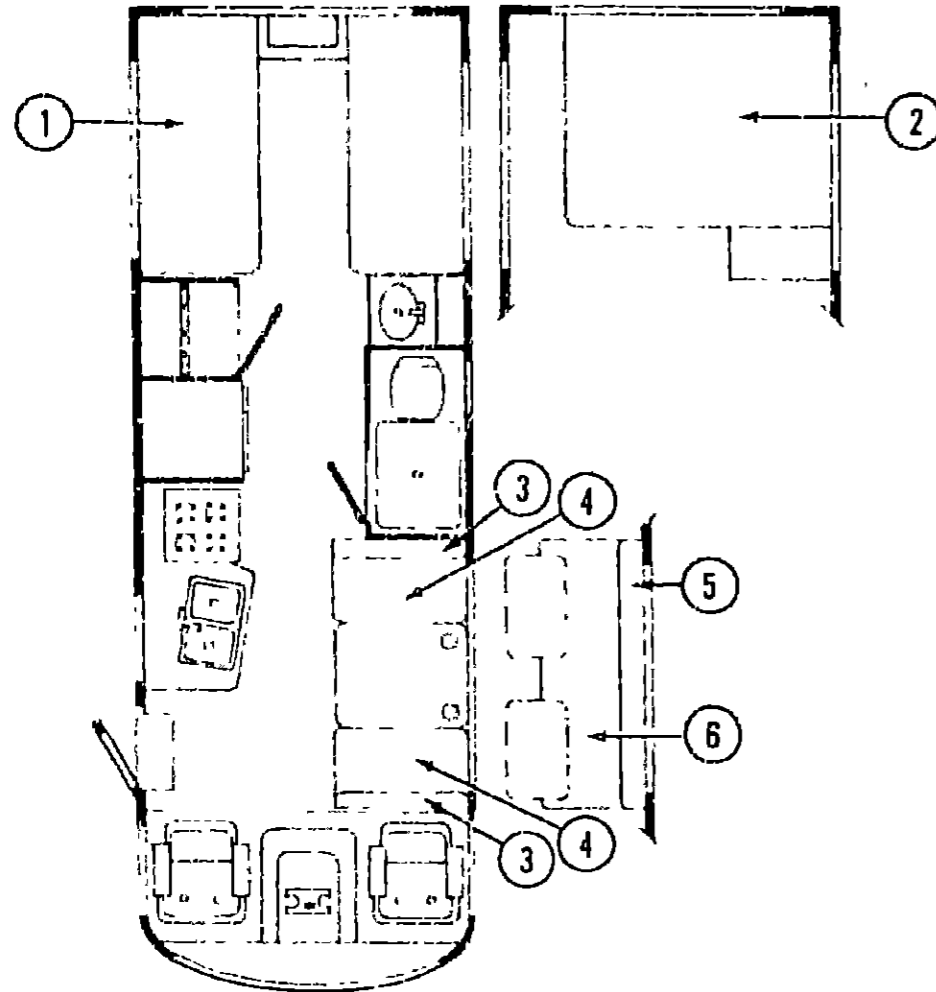
**1987 ITASCA
 TABLE OF CONTENTS**

IC420EG	A-01 - H-06
ICN22EC	B-07 - D-08
ICN27RT	D-09 - F-14
IJN32RQ	F-15 - I-02
ICP26ET	I-03 - K-10

1987 ICP26ET INDEX

Floor Plan	1-03 - 1-04
Accessories Group	1-05 - 1-07
Bath Group	1-08
Chassis Group	1-09 - 1-12
Curtain, Cushion & Pad Group	1-13 - 1-21
Dinette Group	1-22
Driver's Compartment Group	1-23 - J-02
Electrical Group	J-03 - J-06
Exterior Body Group	J-07 - J-13
Galley Group	J-14 - J-15
Heating & Air Conditioning Group	J-16
Interior Finish Group	J-17 - J-19
LP Group	J-20
Lounge Group	J-21
Water & Sewage Group	J-22
Window, Vent & Exterior Door Group	J-23 - K-10

CURTAIN, CUSHION & PAD GROUP (CONTINUED)



SINGLE & QUEEN BED

Key	Part Number	U/M	Description
1	083496-01-000	EA	Mattress - Foam - 33" x 75" x 7"
1	077478-04-000	EA	Mattress - Inner Spring - 33" x 75" x 7 5" - Sealy
2	083496-04-000	EA	Mattress - Foam - 60" x 75" x 7"
2	077478-05-000	EA	Mattress - Inner Spring - 60" x 75" x 7 5" - Sealy
	081969-04-W30	EA	Bedsprad - Twin Fitted - 33" (W33)
	081969-04-W31	EA	Bedsprad - Twin Fitted - 33" (W34)
	081969-04-W32	EA	Bedsprad - Twin Fitted - 33" (W35)
	081969-08-W33	EA	Bedsprad - Queen Fitted - 60"
	081969-08-W31	EA	Bedsprad - Queen Fitted - 60"
	081969-08-W31	EA	Bedsprad - Queen Fitted - 60"
	081997-01-W30	EA	Pillow Sham - Quilted - 30" x 26" (W33)
	081997-01-W31	EA	Pillow Sham - Quilted - 30" x 26" (W34)
	081997-01-W32	EA	Pillow Sham - Quilted - 30" x 26" (W35)
	077463-08-W24	EA	Headboard Asm - Twin (W33)
	077463-08-W31	EA	Headboard Asm. - Twin (W34)
	077463-08-W32	EA	Headboard Asm - Twin (W35)
	077463-10-W30	EA	Headboard Asm - Queen (W33)
	077463-10-W31	EA	Headboard Asm. - Queen (W34)
	077463-10-W32	EA	Headboard Asm - Queen (W35)

CURTAIN, CUSHION & PAD GROUP (CONTINUED)

DINETTE CUSHIONS

Key	Part Number	U/M	Description
3	081998-56-W24	EA	Cushion - Dinette Back - 19.25" x 38" x 5" - Angled (W33)
3	081998-56-W25	EA	Cushion - Dinette Back - 19.25" x 38" x 5" - Angled (W34)
3	081998-56-W26	EA	Cushion - Dinette Back - 19.25" x 38" x 5" - Angled (W35)
	M81998-56-W24	EA	Cover - Dinette Back - 19.25" x 38" x 5" - Angled (W33)
	M81998-56-W25	EA	Cover - Dinette Back - 19.25" x 38" x 5" - Angled (W34)
	M81998-56-W26	EA	Cover - Dinette Back - 19.25" x 38" x 5" - Angled (W35)
4	081998-57-W24	EA	Cushion - Dinette Bottom - 17.5" x 38" x 5" (W33)
4	081998-57-W25	EA	Cushion - Dinette Bottom - 17.5" x 38" x 5" (W34)
4	081998-57-W26	EA	Cushion - Dinette Bottom - 17.5" x 38" x 5" (W35)
	M81998-57-W24	EA	Cover - Dinette Bottom Cushion - 17.5" x 38" x 5" (W33)
	M81998-57-W25	EA	Cover - Dinette Bottom Cushion - 17.5" x 38" x 5" (W34)
	M81998-57-W26	EA	Cover - Dinette Bottom Cushion - 17.5" x 38" x 5" (W35)

3 PILLOW COUCH

Key	Part Number	U/M	Description
5	073630-11-W33	EA	Cushion Asm - 3 Pillow Back
5	073630-11-W34	EA	Cushion Asm. - 3 Pillow Back
5	073630-11-W35	EA	Cushion Asm - 3 Pillow Back
	M73630-11-W33	EA	Cover - 3 Pillow Back
	M73630-11-W34	EA	Cover - 3 Pillow Back
	M73630-11-W35	EA	Cover - 3 Pillow Back
6	073631-12-W33	EA	Cushion Asm - 3 Pillow Bottom
6	073631-12-W34	EA	Cushion Asm - 3 Pillow Bottom
6	073631-12-W35	EA	Cushion Asm. - 3 Pillow Bottom
	M73631-12-W33	EA	Cover - 3 Pillow Bottom
	M73631-12-W34	EA	Cover - 3 Pillow Bottom
	M73631-12-W35	EA	Cover - 3 Pillow Bottom

**1987 ITASCA
TABLE OF CONTENTS**

IC420EG	A-01 - B-06
ICN22EC	B-07 - D-08
ICN27RT	D-09 - F-14
IJN32RQ	F-15 - I-02
ICP26ET	I-03 - K-10

1987 ICP26ET INDEX

Floor Plan	I-03 - I-04
Accessories Group	I-05 - I-07
Bath Group	I-08
Chassis Group	I-09 - I-12
Curtain, Cushion & Pad Group	I-13 - I-21
Dinette Group	I-22
Driver's Compartment Group	I-23 - J-02
Electrical Group	J-03 - J-06
Exterior Body Group	J-07 - J-13
Galley Group	J-14 - J-15
Heating & Air Conditioning Group	J-16
Interior Finish Group	J-17 - J-19
LP Group	J-20
Lounge Group	J-21
Water & Sewage Group	J-22
Window, Vent & Exterior Door Group	J-23 - K-10

CURTAIN, CUSHION & PAD GROUP (CONTINUED)

BUCKET SEATS

Key	Part Number	U/M	Description
	084181-02-W24	EA	Seat Asm. - Comet I (W33)
	084191-02-W25	EA	Seat Asm. - Comet I (W34)
	084191-02-W26	EA	Seat Asm. - Comet I (W35)
	M01864-23-W24	EA	Cover Asm. - Seat Bottom (W33)
	M01864-23-W25	EA	Cover Asm. - Seat Bottom (W34)
	M01864-23-W26	EA	Cover Asm. - Seat Bottom (W35)
	M01864-24-W24	EA	Cover Asm. - Seat Back (W33)
	M01864-24-W25	EA	Cover Asm. - Seat Back (W34)
	M01864-24-W26	EA	Cover Asm. - Seat Back (W35)
	083909-06-W30	EA	Seat Asm. - Straton (W33)
	083909-06-W31	EA	Seat Asm. - Straton (W34)
	083909-06-W32	EA	Seat Asm. - Straton (W35)
	M01864-25-W24	EA	Cover Asm. - Bucket Seat Bottom (W33)
	M01864-25-W25	EA	Cover Asm. - Bucket Seat Bottom (W34)
	M01864-25-W26	EA	Cover Asm. - Bucket Seat Bottom (W35)
	M01864-26-W24	EA	Cover Asm. - Bucket Seat Back (W33)
	M01864-26-W25	EA	Cover Asm. - Bucket Seat Back (W34)
	M01864-26-W26	EA	Cover Asm. - Bucket Seat Back (W35)
	080243-23-W24	EA	Armrest Asm. - Right (W33)
	080243-23-W25	EA	Armrest Asm. - Right (W34)
	080243-23-W26	EA	Armrest Asm. - Right (W35)
	080243-24-W24	EA	Armrest Asm. - Left (W33)
	080243-24-W25	EA	Armrest Asm. - Left (W34)
	080243-24-W26	EA	Armrest Asm. - Left (W35)
	M80243-23-W24	EA	Cover Asm. - Armrest - Right (W33)
	M80243-23-W25	EA	Cover Asm. - Armrest - Right (W34)
	M80243-23-W26	EA	Cover Asm. - Armrest - Right (W35)
	M80243-24-W24	EA	Cover Asm. - Armrest - Left (W33)
	M80243-24-W25	EA	Cover Asm. - Armrest - Left (W34)
	M80243-24-W26	EA	Cover Asm. - Armrest - Left (W35)
	085268-01-W24	EA	Headrest Asm. (W33)
	085268-01-W25	EA	Headrest Asm. (W34)
	085268-01-W26	EA	Headrest Asm. (W35)
	M85268-01-W24	EA	Cover Asm. - Headrest (W33)
	M85268-01-W25	EA	Cover Asm. - Headrest (W34)
	M85268-01-W26	EA	Cover Asm. - Headrest (W35)
	071126-16-W30	EA	Skirt Asm. - Single Bucket (W33)
	071126-16-W31	EA	Skirt Asm. - Single Bucket (W34)
	071126-13-W32	EA	Skirt Asm. - Single Bucket (W35)

DINETTE GROUP

DINETTE & COMPONENTS

Key	Part Number	U/M	Description
	M01501-A6-W33	EA	Door Asm. - Dinette Seat Cabinet - Front - w/o Hardware
†	M02304-21-W33	EA	Door Asm. - Dinette Seat Cabinet - Front - w/o Hardware
	M02645-01-W33	EA	Cabinet Asm. - Dinette Seat - Right - w/o Door or Hardware
	M02645-02-W33	EA	Cabinet Asm. - Dinette Seat - Left - w/o Door or Hardware
	M02646-02-W33	EA	Cabinet Asm. - Dinette Seat Back - Left
	M02646-01-W33	EA	Cabinet Asm. - Dinette Seat Back - Right
	M81299-01-W33	EA	Table Asm. - Dinette - w/o Hardware
	053200-08-000	EA	Bracket - Upper Wall Mount - 23.5" - Tan
	053201-06-000	EA	Bracket - Table Mount - 23"
	024275-09-000	EA	Rod - Table Lift - 8" x 23.5" - Tan
	024276-17-000	EA	Leg Asm. - Table - 29.5" - Tan
	024281-10-000	EA	Bracket - Lower Wall Mount - 22.12" - Tan
	024282-01-000	EA	Brace - Table Leg
	024283-01-000	EA	Clip - 1" O.D. Tube
	049493-05-000	EA	Catch - Table Leg - Mount on Floor
	064050-02-000	EA	Hinge - Table Leg
	064781-02-000	EA	Cup Holder - 3.5" x 1.5"

† Used in units produced after 3/15/87

COUCH EXCHANGE DINETTE

Key	Part Number	U/M	Description
	081298-01-W24	EA	Table Asm. - Pedestal
	009040-06-000	EA	Leg - Pedestal - Tan
	081800-02-W33	EA	Panel Asm. - Couch End - Right
	081827-01-W33	EA	Panel Asm. - Couch End - Left
	M02423-06-W33	EA	Panel Asm. - Couch Front
	M02423-06-W34	EA	Panel Asm. - Couch Front
	M02423-06-W35	EA	Panel Asm. - Couch Front
	081922-01-000	EA	Frame Asm. - Couch - Right
	081922-02-000	EA	Frame Asm. - Couch - Left
	081922-03-000	EA	Bars - Spacer - Couch - 74.75"
	081922-04-000	EA	Hardware Kit - Couch
	041194-01-000	EA	Base - Flush Mount - Pedestal Table

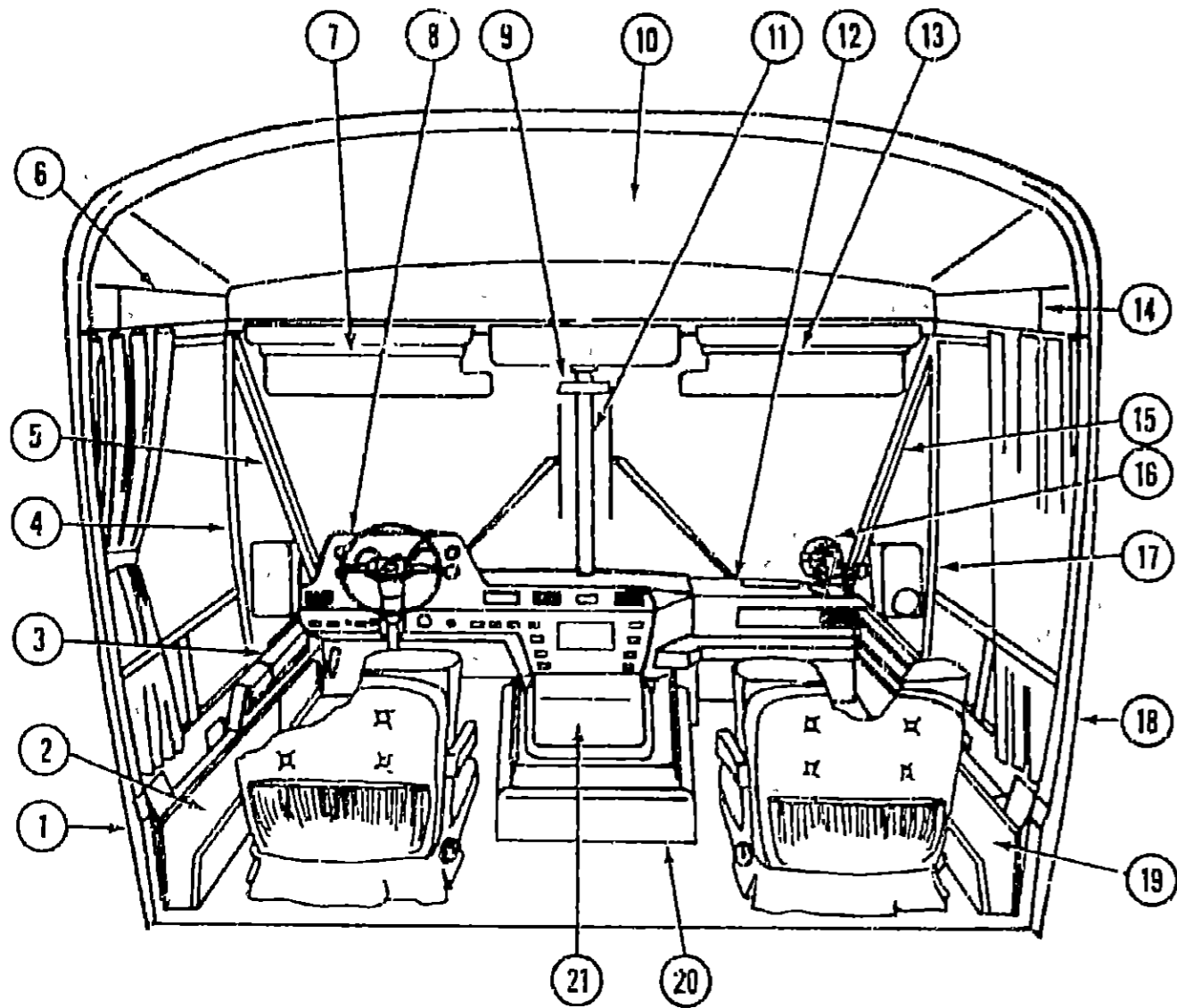
**1987 ITASCA
TABLE OF CONTENTS**

IC420EG	A-01 - B-08
ICN22EC	B-07 - D-08
ICN27RT	D-09 - F-14
IJN32RO	F-15 - I-02
ICP26ET	I-03 - K-10

1987 ICP26ET INDEX

Floor Plan	I-03 - I-04
Accessories Group	I-05 - I-07
Bath Group	I-08
Chassis Group	I-09 - I-12
Curtain, Cushion & Pad Group	I-13 - I-21
Dinette Group	I-22
Driver's Compartment Group	I-23 - J-02
Electrical Group	J-03 - J-06
Exterior Body Group	J-07 - J-13
Galley Group	J-14 - J-15
Heating & Air Conditioning Group	J-16
Interior Finish Group	J-17 - J-19
LP Group	J-20
Lounge Group	J-21
Water & Sewage Group	J-22
Window, Vent & Exterior Door Group	J-23 - K-10

DRIVERS COMPARTMENT GROUP



MISCELLANEOUS DRIVER'S COMPARTMENT COMPONENTS

Key	Part Number	U/M	Description
1	034612-06-000	EA	Panel Trim - Driver's Side
2	077117-04-000	EA	Side Panel Trim - Door
2	084611-08-000	EA	Side Panel Trim - No Door
3	077116-02-000	EA	Side Panel Trim - Front
4	077113-04-000	EA	Trim Panel - Hinge Pillar
5	077112-04-000	EA	Trim - Windshield - Interior - "A" Post - Left
6	077110-04-000	EA	Trim Cover - w/Bunk - Left
7	082286-01-W36	EA	Sunvisor Asm - Driver - Vinyl
*	083919-01-W36	EA	Cabinet Asm - Front Overhead (w/o Front Bunk)
8	085253-01-W36	EA	Instrument Panel Asm. - Upper - Left
*	076808-02-000	EA	Dash Panel - Lower - Left
*			Not illustrated

DRIVER'S COMPARTMENT GROUP (CONTINUED)

MISCELLANEOUS DRIVER'S COMPARTMENT COMPONENTS (CONT.)

Key	Part Number	U/M	Description
9	040714-01-700	EA	Rearview Mirror Kit
*	079926-01-000	EA	Lamp - Flex Arm
*	079926-01-700	EA	Bulb - Flex Arm Lamp
10	077108-12-000	EA	Trim Panel - Roof Front - w/Bunk w/Antenna
10	077108-04-000	EA	Trim Panel - Roof Front - w/o Bunk
10	077108-09-000	EA	Trim Panel - Roof Front - w/Antenna
11	077114-02-000	EA	Trim Panel - Center - Pillar
*	078783-01-000	EA	Louver Asm. - A/C Adjustable
12	085252-01-W36	EA	Instrument Panel Asm. - Upper - Right
13	082286-03-W36	EA	Sunvisor Asm - w/Mirror - Vinyl
*	081917-01-000	EA	Clip - Sunvisor - Black
14	077110-03-000	EA	Trim Cover - w/Bunk - Right
15	077112-03-000	EA	Trim - Windshield - Interior - "A" Post - Right
16	036420-02-700	EA	Defroster Fan
*	077988-01-000	EA	Bracket - Fan - Right
*	077988-02-000	EA	Bracket - Fan - Left
17	077113-03-000	EA	Trim Panel - Hinge Pillar - Beige
18	084611-07-000	EA	Side Panel Trim - No Door
19	084612-05-000	EA	Trim Panel - Passenger Side
20	075939-01-000	EA	Motor Cover
*	039623-01-000	EA	Seal - Engine Cover
21	076729-02-000	EA	Beverage Tray (Plastic)
21	081654-02-000	EA	Beverage Tray (Plastic) w/Double Bucket Seat
*	077431-05-000	EA	Beverage Tray - Regal Oak
*	052367-01-000	EA	Cigarette Lighter
*	076359-02-000	EA	Panel Asm. - Stepwell - Rear - Left
*	076360-02-000	EA	Panel Asm. - Stepwell - Front - Left
*	087030-02-W14	EA	Door Asm. - Battery
*	084168-02-000	EA	Cover - Battery - Plastic - Gray
*	075972-01-000	EA	Mat - Rubber - Lower
*	075969-02-000	EA	Mat - Rubber - Upper - Left
*	086755-01-000	EA	Latch - 1/4 Turn - Rotary - Plastic
*			Not illustrated

FRONT BUNK & HARDWARE

Key	Part Number	U/M	Description
	076760-02-000	EA	Bunk Support - Overhead - Complete
	077110-03-000	EA	Cover - Bunk Support - Right
	077110-04-000	EA	Cover - Bunk Support - Left
	081717-02-U25	EA	Bunkboard Asm
	077140-03-W33	EA	Trim Panel - Front Bunk
	042541-04-700	EA	Latch Asm - w/Strike - Brass

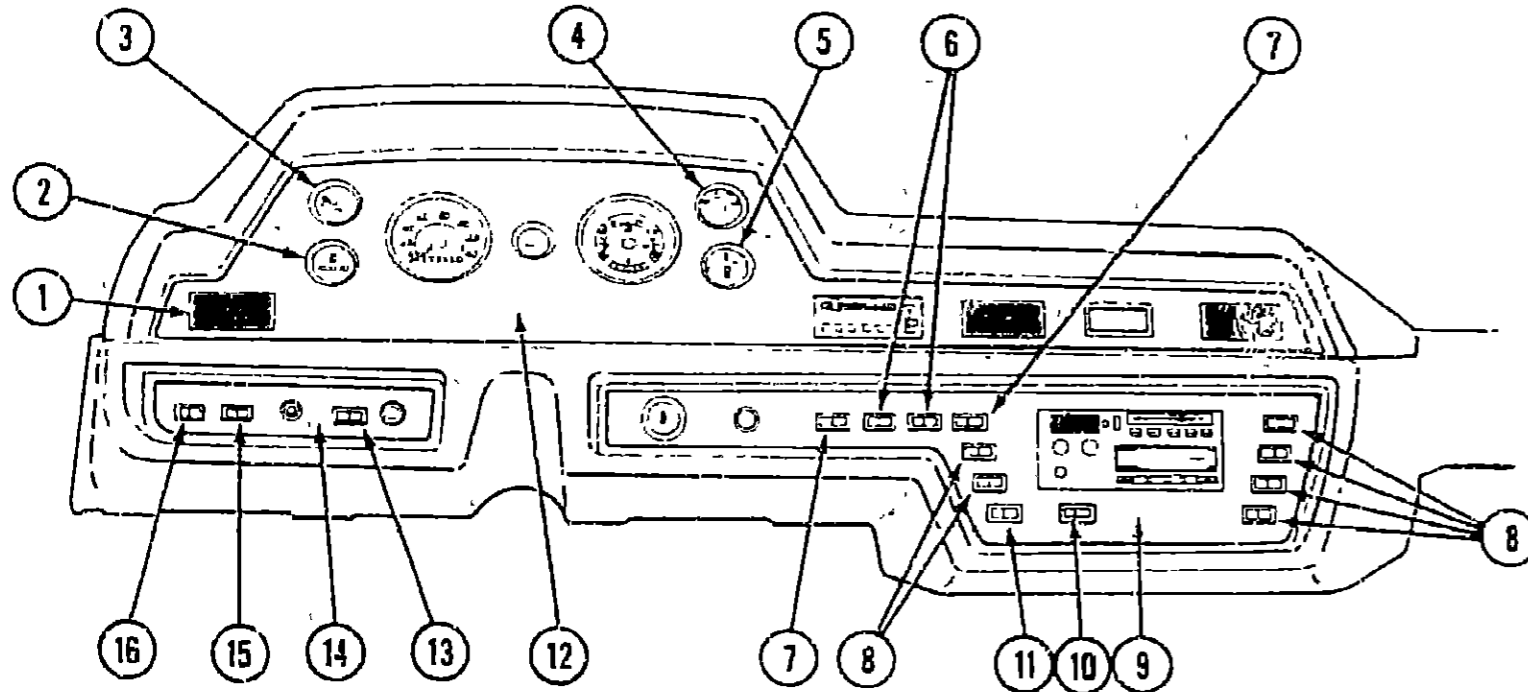
**1987 ITASCA
TABLE OF CONTENTS**

IC420EG	A-01 - B-08
ICN22EC	B-07 - D-08
ICN17RT	D-09 - F-14
IJN32RQ	F-15 - I-02
ICP26ET	I-02 - K-10

1987 ICP26ET INDEX

Floor Plan	I-03 - I-04
Accessories Group	I-05 - I-07
Bath Group	I-08
Chassis Group	I-09 - I-12
Curtain, Cushion & Pad Group	I-13 - I-21
Dinette Group	I-22
Driver's Compartment Group	I-23 - J-02
Electrical Group	J-03 - J-06
Exterior Body Group	J-07 - J-13
Galley Group	J-14 - J-15
Heating & Air Conditioning Group	J-16
Interior Finish Group	J-17 - J-19
LP Group	J-20
Lounge Group	J-21
Water & Sewage Group	J-22
Window, Vent & Exterior Door Group	J-23 - K-10

DRIVER'S COMPARTMENT GROUP (CONTINUED)

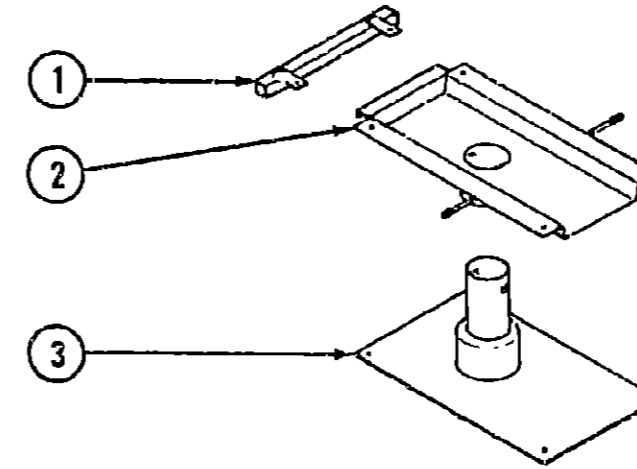


DASH SWITCHES & GAUGES

Key	Part Number	U/M	Description
1	076783-02-000	EA	Louver Asm - A/C Adjustable
2	031035-02-000	EA	Gauge - Hourmeter - Generator
3	024460-04-000	EA	Gauge - Vacuum
4	024455-04-000	EA	Gauge - Voltmeter
5	052367-01-000	EA	Lighter Asm - Cigarette
6	076759-05-000	EA	Switch - 3 Position
7	076759-04-000	EA	Switch - 3 Position
8	076759-01-000	EA	Switch - 2 Position
9	076217-09-000	EA	Instrument Panel - Lower
10	084404-01-000	EA	Switch - Aux. Heater Fan
11	086272-01-000	EA	Switch - Rocker - Aux. Battery
12	076216-05-000	EA	Instrument Panel - Upper
13	076759-07-000	EA	Switch - 2 Position
14	076218-02-000	EA	Instrument Panel - Lower Left
15	076759-02-000	EA	Switch - 2 Position
16	076759-03-000	EA	Switch - 3 Position
*	081087-01-000	EA	Socket Asm - Indicator Lamp
*	Not illustrated		

Key	Part Number	U/M	Description
1	069585-29-000	EA	Bar - Seat Belt - 20"
2	069585-27-000	EA	Plate - Top - Pedestal Asm. - Single Bucket Seat
3	069585-08-000	EA	Plate - Sub - Pedestal Asm - Bucket Seat
*	007019-01-000	EA	Belt Asm - Seat - 2" x 84" - Black
*	007021-01-000	EA	Belt Asm. - Seat - 2" x 90" - Black
*	056271-02-000	EA	Belt Asm. - Seat - 2" x 72" - Black
*	057759-01-000	EA	Bracket - Seat Belt Washer
*	069246-01-000	EA	Adjuster Asm. - Seat - w/lock
*	069246-02-000	EA	Adjuster Asm. - Seat - w/o Lock
*	Not illustrated		

DRIVER'S COMPARTMENT GROUP (CONTINUED)



BUCKET SEAT PEDESTAL & SEAT BELTS

Key	Part Number	U/M	Description
1	069585-29-000	EA	Bar - Seat Belt - 20"
2	069585-27-000	EA	Plate - Top - Pedestal Asm. - Single Bucket Seat
3	069585-08-000	EA	Plate - Sub - Pedestal Asm - Bucket Seat
*	007019-01-000	EA	Belt Asm - Seat - 2" x 84" - Black
*	007021-01-000	EA	Belt Asm. - Seat - 2" x 90" - Black
*	056271-02-000	EA	Belt Asm. - Seat - 2" x 72" - Black
*	057759-01-000	EA	Bracket - Seat Belt Washer
*	069246-01-000	EA	Adjuster Asm. - Seat - w/lock
*	069246-02-000	EA	Adjuster Asm. - Seat - w/o Lock
*	Not illustrated		

**1987 ITASCA
TABLE OF CONTENTS**

IC420EG	A-01 - B-06
ICN22EC	B-07 - D-08
ICN27RT	D-09 - F-14
IJN32RQ	F-15 - I-02
ICP26ET	I-03 - K-10

1987 ICP26ET INDEX

Floor Plan	I-03 - I-04
Accessories Group	I-05 - I-07
Bath Group	I-08
Chassis Group	I-09 - I-12
Curtain, Cushion & Pad Group	I-13 - I-21
Dinette Group	I-22
Driver's Compartment Group	I-23 - J-02
Electrical Group	J-03 - J-06
Exterior Body Group	J-07 - J-13
Galley Group	J-14 - J-15
Heating & Air Conditioning Group	J-16
Interior Finish Group	J-17 - J-19
LP Group	J-20
Lounge Group	J-21
Water & Sewage Group	J-22
Window, Vent & Exterior Door Group	J-23 - K-10

ELECTRICAL GROUP

BULBS

Key	Part Number	U/M	Description
	037936-01-000	EA	Bulb - 1157A
	037935-01-000	EA	Bulb - 1157
	063914-01-000	EA	Bulb - 1139
	008103-01-000	EA	Bulb - 53
	006213-01-000	EA	Bulb - 57
	008214-01-000	EA	Bulb - 67
	008215-01-000	EA	Bulb - 1003
	008216-01-000	EA	Bulb - 1034
	008217-01-000	EA	Bulb - 1073
	008218-01-000	EA	Bulb - 1141
	008220-01-000	EA	Bulb - 12V - 25W
	036196-01-000	EA	Bulb - 194
	067479-01-000	EA	Bulb - 1076 - 12V - 1 80 Amp.

FUSES AND CIRCUIT BREAKERS

Key	Part Number	U/M	Description
	063912-01-000	EA	Relay Canister - w/Ground (Bosch)
	055473-02-000	EA	Fuse - Slow Blow - 5 Amp. - 32 Volt Capacity
	056473-01-000	EA	Fuse - Slow Blow - 6 1/4 Amp
	009233-01-000	EA	Fuse - 12 Volt - 6 Amp.
	008234-01-000	EA	Fuse - 12 Volt - 10 Amp
	046893-01-000	EA	Fuse - 12 Volt - 13 Amp
	008235-01-000	EA	Fuse - 12 Volt - 15 Amp
	008236-01-000	EA	Fuse - 12 Volt - 20 Amp
	008248-01-000	EA	Fuse - 110 Volt - 30 Amp - AGU
	008252-01-000	EA	Fuse - 110 Volt - 50 Amp.
	062901-02-000	EA	Fuse - Automotive - 5 Amp
	062901-05-000	EA	Fuse - Automotive - 15 Amp
	044466-03-000	EA	Circuit Breaker - 12 Volt - 25 Amp. - DC
	008208-01-000	EA	Circuit Breaker - 12 Volt - 40 Amp.
	008211-01-000	EA	Circuit Breaker - 12 Volt - 6 Amp.
	008268-01-000	EA	Circuit Breaker - 12 Volt - 30 Amp. w/Mount
	033573-02-000	EA	Circuit Breaker - 12 Volt - 15 Amp. w/Mount
	033573-01-000	EA	Circuit Breaker - 12 Volt - 20 Amp. w/Mount
	040051-01-000	EA	Circuit Breaker - 110 Volt - 20 Amp. TQL
	071279-01-000	EA	Circuit Breaker - 120 Volt - 15 Amp
	008273-03-000	EA	Circuit Breaker - 15/20 Amp TQL
	008299-01-000	EA	Circuit Breaker - 115 Amp TQL
	008297-01-000	EA	Circuit Breaker - 120 Amp TQL
	008293-01-000	EA	Circuit Breaker - 130 Amp TQL
	071279-02-000	EA	Circuit Breaker - 15/15 Amp - 120 Volt
	071279-03-000	EA	Circuit Breaker - 15/20 Amp - 120 Volt
	071279-04-000	EA	Circuit Breaker - 30 Amp. - 120 Volt
	075735-02-000	EA	Circuit Breaker - GF 115 Amp. - 120 Volt
	071279-05-000	EA	Circuit Breaker - 20 Amp. - 120 Volt
	071279-06-000	EA	Circuit Breaker - 30/15 Amp. - 120 Volt
	071279-07-000	EA	Circuit Breaker - 20/20 Amp. - 120 Volt
	071280-01-000	EA	Circuit Breaker Blank
	077817-01-000	EA	Box - Circuit Breaker - 20 Amp
	050283-01-000	EA	Bar - Buss - 3 Position
	050283-02-000	EA	Buss Bar Circuit Breaker
	083209-01-000	EA	Circuit Breaker - 15 Amp - 120 Volt
	083209-02-000	EA	Circuit Breaker - 15/15 Amp - 120 Volt
	083209-03-000	EA	Circuit Breaker - 15/20 Amp. - 120 Volt
	083209-04-000	EA	Circuit Breaker - 30 Amp. - 120 Volt
	083209-05-000	EA	Circuit Breaker - 20 Amp - 120 Volt
	083209-06-000	EA	Circuit Breaker - 30/15 Amp - 120 Volt
	083209-07-000	EA	Circuit Breaker - 20/20 Amp. - 120 Volt
	083209-08-000	EA	Circuit Breaker - Blank
	083210-01-000	EA	Circuit Breaker - GFI - 20 Amp - 120 Volt
	083210-02-000	EA	Circuit Breaker - GFI - 15 Amp - 120 Volt

ELECTRICAL GROUP (CONTINUED)

WIRE, SWITCHES & RECEPTACLES (CONT)

Key	Part Number	U/M	Description
	052037-01-000	EA	Housing - Auto Fuse - Natural
	062037-02-000	EA	Housing - Auto Fuse - Green
	062037-03-000	EA	Housing - Auto Fuse - Black
	062037-04-000	EA	Housing - Auto Fuse - Blue
	062037-05-000	EA	Housing - Auto Fuse - Gray
	062037-06-000	EA	Housing - Auto Fuse - Brown
	062037-07-000	EA	Housing - Auto Fuse - Red
	076759-01-000	EA	Switch - SPST - Lock/Lock
	076759-02-000	EA	Switch - SPST - Mom On/Lock (NO)
	076759-03-000	EA	Switch - SPST - Lock/Lock/Lock
	076759-04-000	EA	Switch - SPDT - Mom/Lock/Mom
	076759-05-000	EA	Switch - SPDT - Lock/Lock/Mom
	076759-06-000	EA	Switch - Dummy
	076759-07-000	EA	Switch - SPST - Mom Off/Lock (NC)

EXTERIOR LIGHTS

Key	Part Number	U/M	Description
	058032-01-000	EA	Lamp Asm. - Taillight - Two Bulbs
	007309-01-000	EA	Lamp Asm. - License Plate
	083120-02-000	EA	Bracket - License
	008089-01-000	EA	Light - Porch - Recessed
	079941-01-000	EA	Fog Lamps - w/Cover
	051057-01-000	EA	Searchlight - Power Driven
	075660-01-000	EA	Lamp Asm - Side Marker - Amber
	075660-02-000	EA	Lamp Asm - Side Marker - Red
	081237-01-000	EA	Light Asm - Cab Marker - Amber
	081237-02-000	EA	Light Asm - Cab Marker - Red

INTERIOR LIGHTS

Key	Part Number	U/M	Description
	033508-02-000	EA	Light - Dome - Ivory - 1 Bulb - US
	033508-03-000	EA	Light - Dome - Ivory - 1 Bulb - CSA
	033509-02-000	EA	Light - Dome - Ivory - 2 Bulb - US
	033509-03-000	EA	Light - Dome - Ivory - 2 Bulb - CSA
	061424-01-000	EA	Light - 12 V Receptacle - Aisle - IP
	077026-01-000	EA	Lens - Courtesy Light - Clear - Front Door Panels
	078424-02-000	EA	Light - Fluorescent 12V - 18"
	079926-01-000	EA	Lamp - Flexible Arm
	082686-01-000	EA	Table Lamp - Bright Brass & Wood
	082686-02-000	EA	Lamp Shade - Table Lamp

1987 ITASCA TABLE OF CONTENTS

IC420EG	A-01 - B-06
ICN22EC	B-07 - D-08
ICN27RT	D-09 - F-14
IJN32RQ	F-15 - I-02
ICP26ET	I-03 - K-10

1987 ICP26ET INDEX

Floor Plan	I-03 - I-04
Accessories Group	I-05 - I-07
Bath Group	I-08
Chassis Group	I-09 - I-12
Curtain, Cushion & Pad Group	I-13 - I-21
Dinette Group	I-22
Driver's Compartment Group	I-23 - J-02
Electrical Group	J-03 - J-06
Exterior Body Group	J-07 - J-13
Galley Group	J-14 - J-15
Heating & Air Conditioning Group	J-16
Interior Finish Group	J-17 - J-19
LP Group	J-20
Lounge Group	J-21
Water & Sewage Group	J-22
Window, Vent & Exterior Door Group	J-23 - K-10

ELECTRICAL GROUP (CONTINUED)

WIRES, SWITCHES & RECEPTACLES

Key	Part Number	U/M	Description
	008024-01-000	FT	Wire - 18.5 Bonded - Orange/White/Yellow/Blue/Brown
	008025-01-000	FT	Wire - 18.5 Bonded - Orange/White/Yellow/Blue/Green
	008028-01-000	FT	Wire - 18.5 Bonded - Blue/Red/Yellow/Orange/White
	008026-01-000	FT	Wire - 122 - Homes w/Ground
	041953-01-000	FT	Conduit - Convolute Slit - 5" I D
	008277-01-000	EA	Holder - Fuse - Black - Panel Mount
	008054-01-000	EA	Cord - Power - 10-3 30 Amp. - 25' - UL
	008052-01-000	EA	Cord - Power - 10-3 30 Amp. - 25' - CSA
	024571-03-000	EA	Cover Plate - Receptacle - Jumbo Plastic - Brown
	024571-04-000	EA	Cover Plate - Receptacle - Jumbo Plastic - Ivory
	008160-01-000	EA	Cover Plate - Receptacle - Plastic - Ivory
	008164-01-000	EA	Cover Plate - Switch - Brown
	076319-09-000	EA	TV Wall Plate/Receptacle - Brown (Winegard Antenna)
	076319-07-000	EA	TV Wall Plate - Power Supply - Brown (Winegard Antenna)
	074151-01-000	EA	Switch Plate - On/Off - Jensen
	058028-01-000	EA	Connector - Pigtail - Clear - Nylon
	008162-02-000	EA	Switch - Double Toggle - Ivory
	008162-01-000	EA	Switch - Double Toggle - Brown
	008163-01-000	EA	Switch - Toggle Brown
	056264-01-000	EA	Switch - Leaf Actuator
	074007-02-000	EA	Switch - Intermittent - Windshield Wiper
	063912-01-000	EA	Relay - Canister Spot w/Ground
	069238-01-000	EA	Cover - Electrical - 4 x 4 Box
	003058-01-000	EA	Adaptor - Power Cord
	024924-02-000	EA	Receptacle - Power Cord
	058707-01-000	EA	Receptacle - Single - Brown
	058708-01-000	EA	Receptacle - Duplex - Brown
	058708-02-000	EA	Receptacle - Duplex - Ivory
	075736-03-000	EA	Receptacle/Cover - Exterior - Beige
	008291-01-000	EA	Cover - Steel - Flat Blank - 4" x 4"
	008288-01-000	EA	Box - Electrical - Plastic - 3" x 3 5"
	008289-01-000	EA	Box - Electrical - Steel - 4 x 4 - 1/2 & 3/4 ILL
	059049-01-000	EA	Box - Electrical - 2" 3" x 2.25" - Steel
	064398-01-000	EA	Housing Asm. - Trailer Receptacle
	064399-01-000	EA	Housing Asm. - Trailer Pin
	064450-01-000	EA	Housing Asm. - Trailer Plug
	035417-01-000	EA	Terminal - Pin Receptacle - 125 Dia
	054532-01-000	EA	Housing Pin - 6 Position
	054532-02-000	EA	Housing Pin - 4 Position
	054532-04-000	EA	Housing Pin - 12 Position
	054532-05-000	EA	Housing Socket - 12 Position
	031968-01-000	EA	Contact - Plug - Brass - Tin Plated
	073937-01-000	EA	Switch - Roof Air - A/C Selector - 3 Deck Rotary
	074151-01-000	EA	Switch - Rocker

ELECTRICAL GROUP (CONTINUED)

MISCELLANEOUS ELECTRICAL COMPONENTS

Key	Part Number	U/M	Description
	063739-01-000	EA	Battery - 12 Volt - 80 Amp. Gould
	008188-01-000	EA	Solenoid - Dual Battery - Relay
	024459-04-000	EA	Gauge - Voltmeter - w/o Bracket
	031035-02-000	EA	Gauge - Hourmeter - Generator
	024460-04-000	EA	Gauge - Vacuum - w/o Bracket
	008343-01-000	EA	Wire Tie - Plastic - 6"
	052367-01-000	EA	Lighter Asm - Cigarette
	036420-02-000	EA	Fan - 6" Defroster - 2 Speed
	083208-01-000	EA	Control Center - 32 Amp - 120 Volt/12 Volt

WINDSHIELD WIPER & WASHER

Key	Part Number	U/M	Description
**	055000-02-000	EA	Washer Asm - Windshield - w/o Nozzles
**	072472-04-000	EA	Arm - Windshield Wiper - 29" - Black
**	049464-03-000	EA	Blade - Windshield Wiper - 20" Black
	067188-01-000	EA	Crank Stud - Wiper
	067190-01-000	EA	Shaft & Pivot Asm. - Wiper
	067192-01-000	EA	Connecting Link Asm - Drivers Side
	067193-01-000	EA	Connecting Link Asm - Passenger Side
	067191-02-700	EA	Wiper Motor Asm
	074007-02-000	EA	Switch - Wiper Delay
**	The illustrated parts breakdown for this item is provided on the Common Items Fiche		

1987 ITASCA TABLE OF CONTENTS

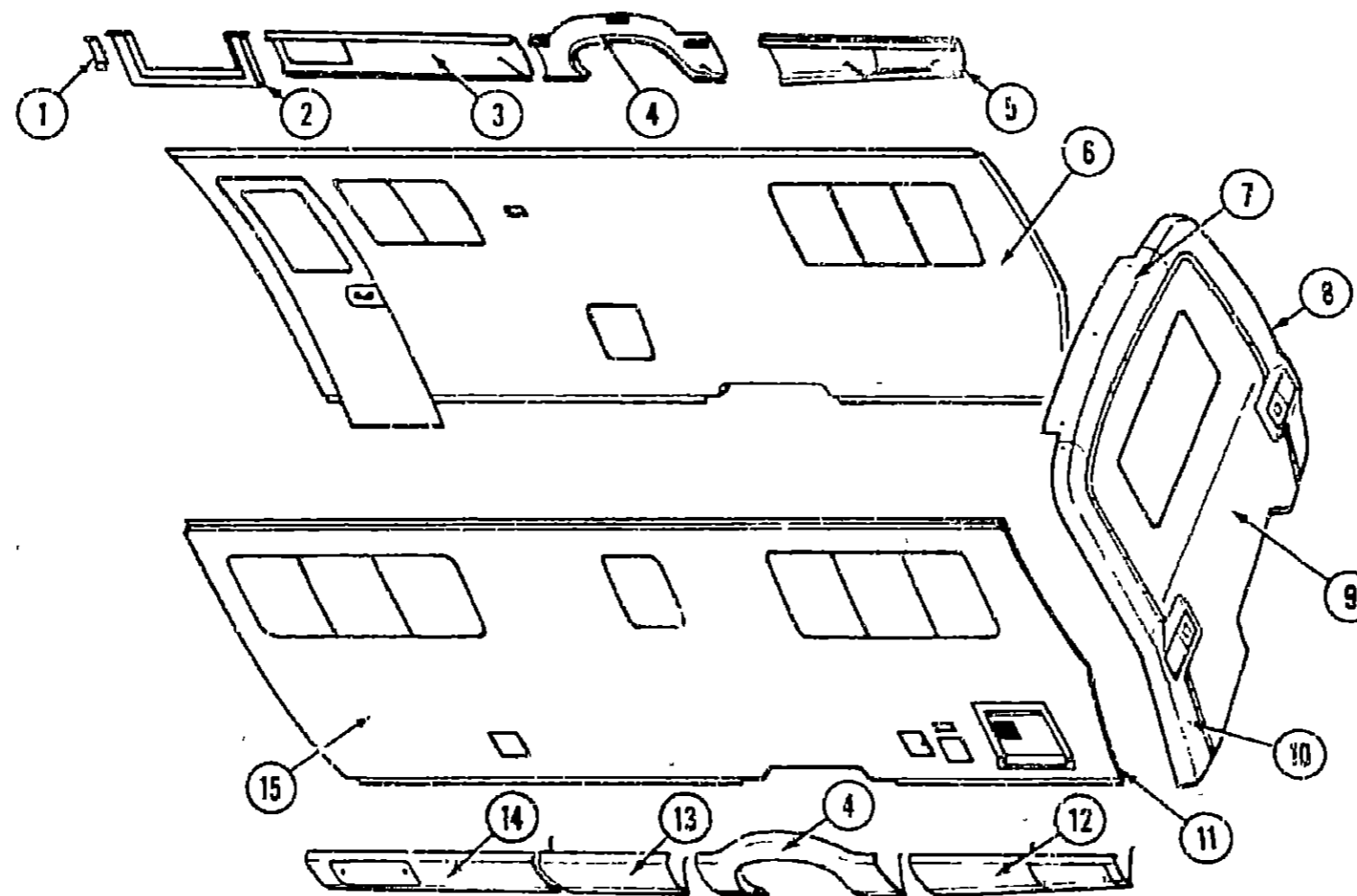
IC420EG	A-01 - F-06
ICN22EC	B-07 - D-08
ICN27RT	D-09 - F-14
IJN32RQ	F-15 - I-02
ICP26ET	I-03 - K-10

1987 ICP26ET INDEX

Floor Plan	I-03 - I-04
Accessories Group	I-05 - I-07
Bath Group	I-08
Chassis Group	I-09 - I-12
Curtain, Cushion & Pad Group	I-13 - I-21
Dinette Group	I-22
Driver's Compartment Group	I-23 - J-02
Electrical Group	J-03 - J-06
Exterior Body Group	J-07 - J-13
Galley Group	J-14 - J-15
Heating & Air Conditioning Group	J-16
Interior Finish Group	J-17 - J-19
LP Group	J-20
Lounge Group	J-21
Water & Sewage Group	J-22
Window, Vent & Exterior Door Group	J-23 - K-10

EXTERIOR BODY GROUP

EXTERIOR BODY PANELS



Key	Part Number	U/M	Description
1	M02586-25-W33	EA	Valance Panel - Right Front
2	M02586-03-U16	EA	Valance Panel - Entrance Door
3	M02586-20-W33	EA	Valance Panel - Right Center
4	082925-01-U16	EA	Wheelwell Trim - Rear - Gray
5	M02586-21-W33	EA	Valance Panel - Right Rear
6	M83896-01-W33	EA	Sidewall Asm. - Right
6	M83896-01-W34	EA	Sidewall Asm. - Right
6	M83896-01-W35	EA	Sidewall Asm. - Right
7	M02679-03-W33	EA	Trim Asm. - Top Rear - Gray Plastic
	077412-03-000	EA	Trim Cap - Right Rear Top - Gray Plastic
	077412-04-000	EA	Trim Cap - Left Rear Top - Gray Plastic
8	M02679-01-W33	EA	Trim Asm. - Right Rear - Gray Plastic
9	083951-01-W33	EA	Backwall Asm.
10	M02679-02-W33	EA	Trim Asm. - Left Rear - Gray Plastic
11	073502-10-000	EA	Trim - Plastic Rear Cap - Left - Gray
	073502-09-000	EA	Trim - Plastic Rear Cap - Right - Gray

Key	Part Number	U/M	Description
12	M02586-26-W33	EA	Valance Panel - Left Rear - w/o Generator
12	M02586-24-W33	EA	Valance Panel - Left Rear - w/Generator
13	M02586-23-W33	EA	Valance Panel - Left Center
14	M02586-22-W33	EA	Valance Panel - Left Front
15	M87627-01-W33	EA	Sidewall Asm - Left
15	M87627-01-W34	EA	Sidewall Asm - Left
15	M87627-01-W35	EA	Sidewall Asm - Left
	M87642-01-W33	EA	Roof Asm
	073505-08-000	EA	Roof Trim - 180" - Gray
	076515-02-000	EA	Inside Trim - Wheelwell - Rear - Left/Right - Steel
	M01615-07-U16	EA	Roof Cap - Front Roof Cab - Gray
			Not illustrated

1987 ITASCA TABLE OF CONTENTS

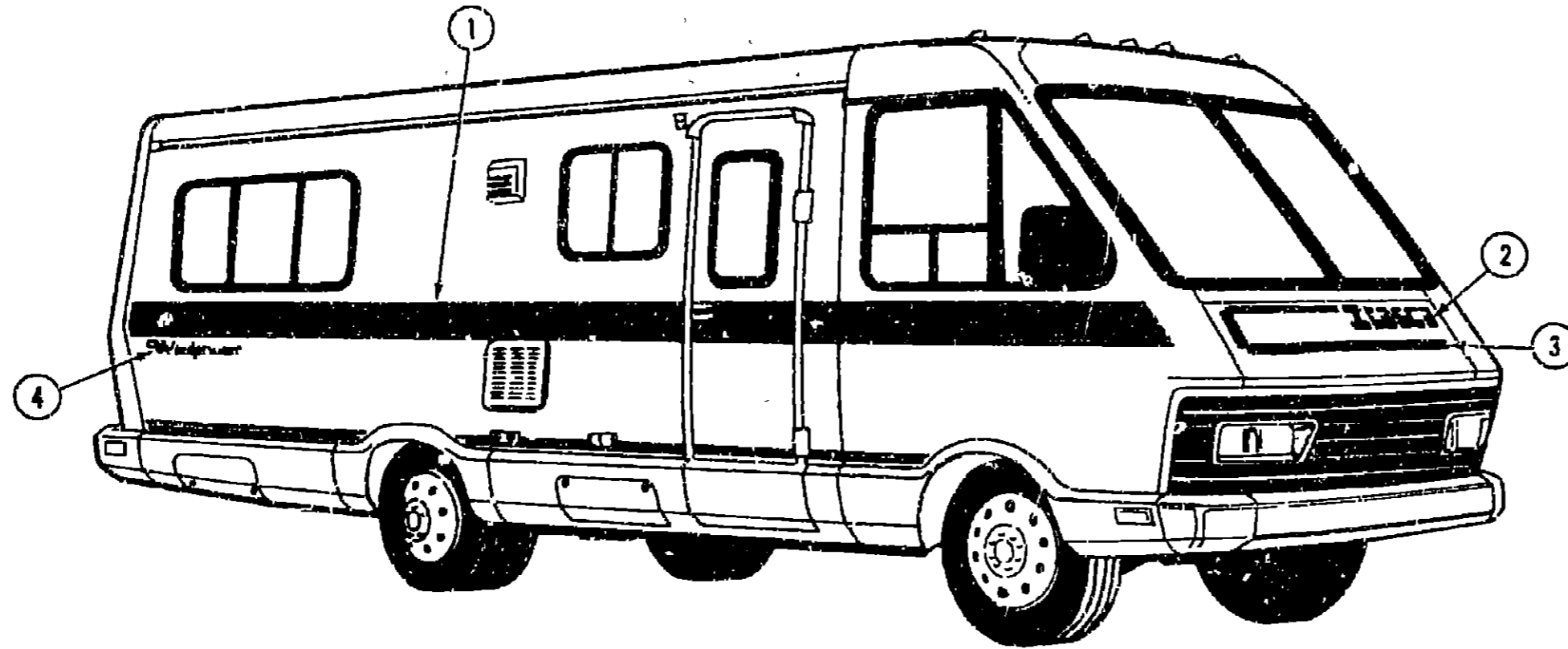
IC420EG	A-01 - B-06
ICN22EC	B-07 - D-08
ICN27RT	D-09 - F-14
IJN32RQ	F-15 - I-02
ICP26ET	I-03 - K-10

1987 ICP26ET INDEX

Floor Plan	I-03 - I-04
Accessories Group	I-05 - I-07
Bath Group	I-08
Chassis Group	I-09 - I-12
Curtain, Cushion & Pad Group	I-13 - I-21
Dinette Group	I-22
Driver's Compartment Group	I-23 - J-02
Electrical Group	J-03 - J-06
Exterior Body Group	J-07 - J-13
Galley Group	J-14 - J-15
Heating & Air Conditioning Group	J-16
Interior Finish Group	J-17 - J-19
LP Group	J-20
Lounge Group	J-21
Water & Sewage Group	J-22
Window, Vent & Exterior Door Group	J-23 - K-10

EXTERIOR BODY GROUP (CONTINUED)

DECALS & FILM STRIPE



**1987 ITASCA
TABLE OF CONTENTS**

IC420EG	A-01 - B-06
ICN22EC	B-07 - D-08
ICN27RT	D-09 - F-14
IJN32RQ	F-15 - I-02
ICP26ET	I-03 - K-10

Key	Part Number	U/M	Descr
1	078196-21-000	FT	Film - Multistripe - 7.75" x 150' - Light Green/Dark Green (W33)
1	078196-22-000	FT	Film - Multistripe - 7.75" x 150' - Rust/Gray (W34)
1	078196-23-000	FT	Film - Multistripe - 7.75" x 150' - Burgundy/Gray (W35)
2	078852-06-C00	EA	Decal - Hood - "Itasca" - Black
3	065217-E0-000	FT	Film - Multistripe - 1.62" x 150' - Light Green/Dark Green (W33)
3	065217-E1-000	FT	Film - Multistripe - 1.62" x 150' - Rust/Gray (W34)
3	065217-E2-000	FT	Film - Multistripe - 1.62" x 150' - Burgundy/Gray (W35)
4	076336-02-000	EA	Decal - "Windcruiser" - Black
*	078191-01-000	EA	Decal - "Itasca" - Black (Backwall)
*	Not illustrated		

1987 ICP26ET INDEX

Floor Plan	I-03 - I-04
Accessories Group	I-05 - I-07
Bath Group	I-08
Chassis Group	I-09 - I-12
Curtain, Cushion & Pad Group	I-13 - I-21
Dinette Group	I-22
Driver's Compartment Group	I-23 - J-02
Electrical Group	J-03 - J-06
Exterior Body Group	J-07 - J-13
Galley Group	J-14 - J-15
Heating & Air Conditioning Group	J-16
Interior Finish Group	J-17 - J-19
LP Group	J-20
Lounge Group	J-21
Water & Sewage Group	J-22
Window, Vent & Exterior Door Group	J-23 - K-10

EXTERIOR BODY GROUP (CONTINUED)

EXTERIOR BODY PANELS (CAB)

Key	Part Number	U/M	Description
	084759-01-W36	EA	Hood Panel
	075763-01-000	EA	Panel - Grille - Fiberglass - Gray
	084240-02-W36	EA	Fender Panel - Front Left
	084751-02-W36	EA	Fender Panel - Front Left - Used w/Door Option
	084240-01-W36	EA	Fender Panel - Front Right
	084166-04-000	EA	Fender Panel - Rear Left - Used w/Door Option
	058786-02-000	EA	Hood Bolt - Adjusting
	R77006-38-499	EA	Spring - Hood Latch Cable
	M02680-01-U25	EA	Hinge Asm. - Hood - Right
	M02680-02-U25	EA	Hinge Asm. - Hood - Left
	077252-01-000	EA	Hinge Pin - Stainless Steel
	077407-01-000	EA	Bracket - Hood Release Cable
	049185-01-000	EA	Headlamp Capsule Asm. - High/Low Beam - Left
	049186-01-000	EA	Headlamp Capsule Asm. - High/Low - Right
	049187-01-000	EA	Headlamp Capsule Asm. - High - Left
	049188-01-000	EA	Headlamp Capsule Asm. - High - Right
	076910-01-000	EA	Headlamp Bezel - Chrome - Right Hand
	076910-02-000	EA	Headlamp Bezel - Chrome - Left Hand
	075767-02-000	EA	Bumper End - Plastic - Passenger Side - Gray
	075767-04-000	EA	Bumper End - Plastic - Drivers Side - Gray
	076343-01-000	EA	Lamp Asm. - Park/Turn - Amber - Left or Right
	M01615-07-U16	EA	Roof Cap - Front Cab

MISCELLANEOUS EXTERNALLY MOUNTED PARTS

Key	Part Number	U/M	Description
	083558-01-000	EA	Plumbing Seal - Roof Vent - 1 1/2" - Covered
	087659-03-000	EA	Fill - City Water - Recessed - Gray
	081240-02-000	EA	Water Fill - Lockable

SHEET FIBERGLASS, ALUMINUM & STYROFOAM

Key	Part Number	U/M	Description
	000868-01-000	SF	Styrofoam - 3/4" x 24" x 96"
	000870-01-000	SF	Styrofoam - 1 1/2" x 24" x 96"
	000870-02-000	SF	Styrofoam - 1 1/2" x 48" x 96"
	000870-04-000	SF	Styrofoam - 1.34" x 24" x 96"
	000870-03-000	SF	Styrofoam - 1.34" x 48" x 96"
	000870-05-000	SF	Styrofoam - 5" x 24" x 96"
	044487-01-001	EA	Alum. - Mill Finish - No Design - 96" x 360"
	001054-01-041	EA	Alum. - Off White - Sheet - 48" x 360"
	076054-32-000	EA	Fiberglass Sheet - 47.6" x 313" - Gray - Smooth
	081395-02-700	EA	Fiberglass/Partial Board - 70 2" x 360 5" - Gray

EXTERIOR BODY GROUP (CONTINUED)

SEALANTS & ADHESIVES

Key	Part Number	U/M	Description
	004020-01-000	QT	Adhesive - ABS Cement (Plastic Fittings)
	002337-01-000	EA	Adhesive - 1300 Tube - 3M (Windows)
	004005-02-000	GL	Adhesive - Swifts - Glue (Sidewalls)
	053766-07-000	EA	Bedding Compound - Tube - Beige (Exterior)
	053766-06-000	EA	Bedding Compound - Tube - Clear (Window)
	053766-08-000	EA	Bedding Compound - Tube - Gray (Exterior)
	053766-05-000	EA	Bedding Compound - Tube - Gray (Sidewalls to Floor)
	053766-02-000	EA	Bedding Compound - Tube - Off White (Exterior)
	002328-02-000	EA	Block - Rubber Spacer (Windshield)
	004336-01-000	EA	Caulk - Latex - Golden Walnut (Sidewalls)
	077967-01-000	EA	Sealant - Acrylic Latex - Tube - Off White (Interior Sealant)
	034552-04-000	EA	Sealant - Silicone - Beige
	034552-02-000	EA	Sealant - Silicone - Clear
	034552-07-000	EA	Sealant - Silicone - Dark Gray
	034552-06-000	EA	Sealant - Silicone - Off White
	069637-01-000	EA	Sealant - Weatherban 404 - Tube - White (Door Caulk)
	072889-01-000	EA	Sealant - Urethane - Black (Windshield)
	069640-01-000	FT	Sealer Ribbon - .25" Bead x 20'
	069640-02-000	FT	Sealer Ribbon - .5" x .125" x 30'
	069640-03-000	FT	Sealer Ribbon - .75" x .125" x 30'
	069640-04-000	FT	Sealer Ribbon - 2" x .09" x 45' (P Series)
	069640-05-000	FT	Sealer Ribbon - 2 5" x .09" x 50'
	069640-06-000	FT	Sealer Ribbon - 5/16" Bead x 15'
	069640-07-000	FT	Sealer Ribbon - 2" x 3/32" x 30'
	002316-01-000	FT	Sealer Tape - 3/32" x 3/8" - White (Window)
	002707-01-000	FT	Sealer Tape - 5/16" x 3/4"
	002707-02-000	FT	Sealer Tape - 5/16" x 1/2"
	040545-01-000	GL	Sealer - Seam Weld
	053752-04-000	EA	Seam Sealer - Tube - Aluminum (Roof)
	063642-01-000	FT	Tape - Adhesive - .10 mm x 1 5" Wide
	038886-01-000	EA	Tape - Butyl - 31" x 31" x 148" (Windshields)
	076322-01-000	FT	Tape - Foam - Double Coated - .025 x 1" (Fiberglass Sidewall Seams)
	076322-02-000	FT	Tape - Foam - Double Coated - .045 x 1" (Fiberglass Sidewall Seams)
	009200-01-000	EA	Tape - Furnace - 1.5"
	002825-01-000	FT	Weather Striping (Roof Vent)

**1987 ITASCA
TABLE OF CONTENTS**

IC420EG	A-01 - B-06
ICN22EC	B-07 - D-08
ICN27RT	D-09 - F-14
IJN32RQ	F-15 - I-02
ICP26ET	I-03 - K-10

1987 ICP26ET INDEX

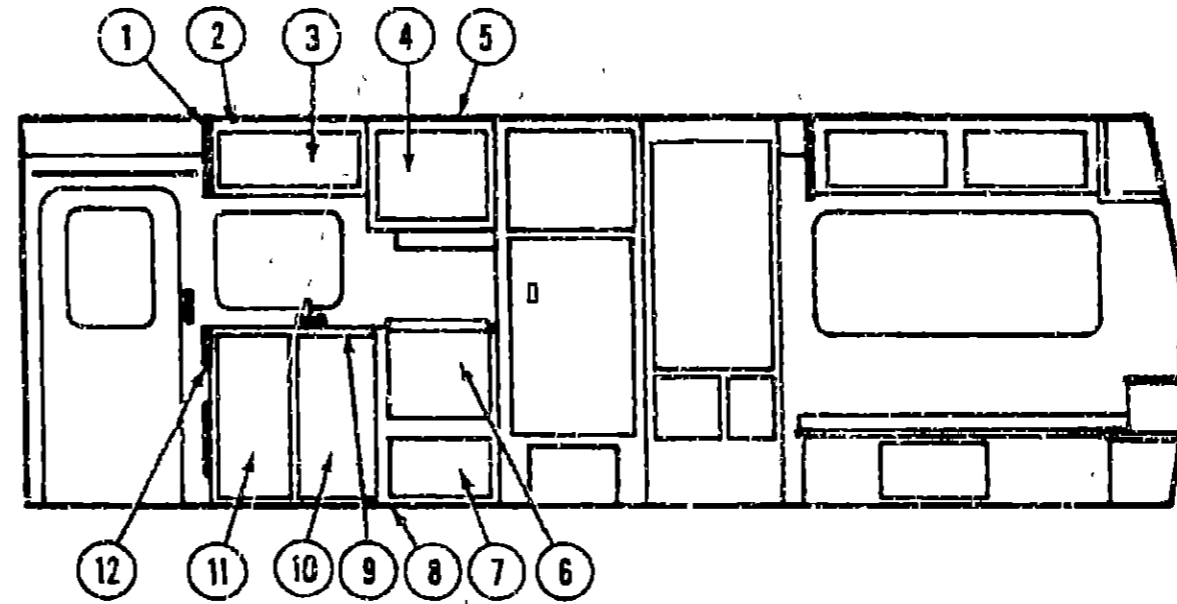
Floor Plan	I-03 - I-04
Accessories Group	I-05 - I-07
Bath Group	I-08
Chassis Group	I-09 - I-12
Curtain, Cushion & Pad Group	I-13 - I-21
Dinette Group	I-22
Driver's Compartment Group	I-23 - J-02
Electrical Group	J-03 - J-06
Exterior Body Group	J-07 - J-13
Galley Group	J-14 - J-15
Heating & Air Conditioning Group	J-16
Interior Finish Group	J-17 - J-19
LP Group	J-20
Lounge Group	J-21
Water & Sewage Group	J-22
Window, Vent & Exterior Door Group	J-23 - K-10

EXTERIOR BODY GROUP (CONTINUED)

LABELS & EXTERIOR PAINT

Key	Part Number	U/M	Description
	065748-01-000	EA	Label - Caution - Battery Charging
	068383-01-000	EA	Label - Diesel Fuel
	006195-01-000	EA	Label - Electrical Test
	047731-01-000	EA	Label - Emergency Exit
	006193-01-000	EA	Label - Exit - Escape Window
	057467-04-000	EA	Label - Exterior Loading Limit
	064378-01-000	EA	Label - Flying "W" w/Thermo Panel
	061417-01-000	EA	Label - Fuel
	087207-02-000	EA	Label - Fuel Cap Removal
	006196-01-000	EA	Label - Gas Test
	054531-01-000	EA	Label - LP Gas Only
	073998-01-000	EA	Label - LPG Odor Warning
	040944-01-000	EA	Label - Open - Entrance Door
	006015-01-000	EA	Label - Patent Motor Home
	058259-01-000	EA	Label - Safety Check List
	006064-01-000	EA	Label - Seat - w/o Seat Belts
	006187-01-000	EA	Label - Sewage
	006006-01-000	EA	Label - Thermo Panel - 2 1/4" x 2 1/4"
	075221-01-000	EA	Label - Trailer Hitch Capacity
	088249-01-000	EA	Label - Warning - Electric Step
	075220-01-000	EA	Label - Warning - Exterior Load Limit
	050225-01-000	EA	Label - Warning - Stove Vent - US
	079966-01-000	EA	Label - Warning - Stowed Motion
	006188-01-000	EA	Label - Waste Water
	006197-01-000	EA	Label - Water Test
	072863-01-000	EA	Nameplate - Diesel - 6 2L
	006062-01-000	EA	Tag - Electrical - 110 Volt Connection
	006040-01-000	EA	Tag - Gas - Refueling Warning
	044486-03-000	EA	Paint - Beige Acrylic Enamel - 16 oz. Aerosol (7633A Dupont)
	045681-03-000	EA	Paint - Gloss Black - Acrylic Enamel - 16 oz. Aerosol (99 Dupont)
	058637-05-000	EA	Paint - Gray Acrylic Enamel - 16 oz. Aerosol (71537 Dupont)
	041561-03-000	EA	Paint - Off White Acrylic Enamel - 16 oz. Aerosol (45396A Dupont)
	074559-01-000	EA	Label "LPG" - 3 3" x 1.75" - (Calif. Code)

GALLEY GROUP



GALLEY CABINETRY

Key	Part Number	U/M	Description
1	083993-01-W33	EA	End Cap - Galley Overhead
2	083968-01-W33	EA	Cabinet Asm - Galley Overhead - w/o Doors or Hardware
†2	M83968-01-W33	EA	Cabinet Asm - Galley Overhead - w/o Doors or Hardware
3	M81503-10-W33	EA	Door Asm - Galley Overhead - w/o Hardware
†3	M88304-53-W33	EA	Door Asm - Galley Overhead - w/o Hardware
4	M81523-10-W33	EA	Door Asm - Range Overhead - w/o Hardware - Rear
†4	M88304-12-W33	EA	Door Asm - Range Overhead - w/o Hardware - Rear
5	083969-01-W33	EA	Cabinet Asm - Range Overhead - w/o Doors or Hardware
†5	M83969-01-W33	EA	Cabinet Asm - Range Overhead - w/o Doors or Hardware
6	M81501-A3-W33	EA	Door Asm - Galley Cabinet
†6	M88304-59-W33	EA	Door Asm - Galley Cabinet
7	M81501-A2-W33	EA	Door Asm - Galley Cabinet - w/o Hardware - Lower
†7	M88304-05-W24	EA	Door Asm - Galley Cabinet - w/o Hardware - Lower
8	M87336-02-W33	EA	Cabinet Asm - Galley - w/o Doors, Drawers, Countertop or Hardware
9	M03018-01-W33	EA	Countertop Asm - Galley Cabinet
10	M81501-99-W33	EA	Door Asm - Galley Cabinet - w/o Hardware - Rear
†10	M88304-14-W33	EA	Door Asm - Galley Cabinet - w/o Hardware - Rear
11	M81501-A0-W33	EA	Door Asm - Galley Cabinet - w/o Hardware - Front
†11	M88304-13-W33	EA	Door Asm - Galley Cabinet - w/o Hardware - Front
12	080812-03-W24	EA	Galley Counter Extension
†	Used in units produced after 3/16/87.		

GALLEY HARDWARE

Key	Part Number	U/M	Description
	081530-01-W07	EA	Sink Cover - Large - Beige Crescent
	068615-01-000	EA	Sink - Stainless Steel - Double w/Bolts
**	011053-01-000	EA	Faucet - Swing Spout - 8" - US
**	011053-02-000	EA	Faucet - Swing Spout - 8" - CSA
	066437-01-000	EA	Strainer w/Basket - Sink
**	011053-01-700	EA	Aerator - Swing Spout Faucet
	058334-01-000	EA	Wastebasket - 9 3/4" x 7" x 10" - White Rubbermaid
	058478-01-000	EA	Support - Wastebasket
	077409-01-000	EA	Drawer Slide - Plastic - 20 7/8"
	077404-01-000	EA	Drawer - Plastic - 20" x 12 7/8"
	039873-01-700	EA	Door Catch & Strike - Nylon & Spring Steel
**	059777-02-000	EA	Hinge - Cabinet Door - Brass
	074981-01-000	EA	Cutting Board - Maple
	054450-01-000	EA	Level - Refrigerator
	084899-01-000	EA	Door Pull - Polished Brass
	074493-02-000	EA	Door Support - Sprung
	079306-01-W13	EA	Magazine Rack Asm.

** The illustrated parts breakdown for this item is provided on the Common Items Fiche.

**1987 ITASCA
TABLE OF CONTENTS**

IC420EG	A-01 - B-06
ICN22EC	B-07 - D-03
ICN27RT	D-09 - F-14
IJN32RQ	F-15 - I-02
ICP26ET	I-03 - K-10

1987 ICP26ET INDEX

Floor Plan	I-03 - I-04
Accessories Group	I-05 - I-07
Bath Group	I-08
Chassis Group	I-09 - I-12
Curtain, Cushion & Pad Group	I-13 - I-21
Dinette Group	I-22
Driver's Compartment Group	I-23 - J-02
Electrical Group	J-03 - J-06
Exterior Body Group	J-07 - J-13
Galley Group	J-14 - J-15
Heating & Air Conditioning Group	J-16
Interior Finish Group	J-17 - J-19
LP Group	J-20
Lounge Group	J-21
Water & Sewage Group	J-22
Window, Vent & Exterior Door Group	J-23 - K-10

GALLEY GROUP (CONTINUED)

GALLEY APPLIANCES

Key	Part Number	U/M	Description
**	064473-02-000	EA	Refrigerator - 3-Way - 6' Norcold
	084879-01-000	EA	Refrigerator - 3-Way - 8' Norcold
	084879-01-700	EA	Cooling Unit
	084879-01-701	EA	Gasket - Lower Door
	084879-01-702	EA	Handle - Lower Door
	084879-01-703	EA	Cabinet Asm. - Foamed
	084879-01-704	EA	Liner - Lower Door - Foamed w/Frame
	084879-01-705	EA	Panel Holder - Lower Door
	055282-02-000	EA	Range - 4 Burner - Small Almond
	055282-02-700	EA	Top - Almond - 4 Burner
	081374-01-000	EA	Range Top - 4-Burner
	081374-01-700	EA	Trim - Top Right
	081374-01-701	EA	Trim - Top Left
	081374-01-702	EA	Panel - Manifold - Warm Black
	081374-01-703	EA	Trim - Top Rear
	081374-01-704	EA	Guard - Fabric
**	079352-01-000	EA	Hood - Stove - w/Light - Non Powered

** The illustrated parts breakdown for this item is provided on the Common Items Fiche.

HEATING & AIR CONDITIONING GROUP

AUTOMOTIVE HEATER & AIR CONDITIONER

Key	Part Number	U/M	Description
	080426-02-000	EA	Heater/Evaporator Asm - w/Pressure Sensor Switch - A.R.A
	072342-01-000	EA	Condensor Asm - A.R.A.
	072342-03-000	EA	Condensor Asm - w/Fans & High Temp Sensor Switch - A.R.A
	072342-04-000	EA	Condensor Asm - w/High Temp Sensor Switch - A.R.A.
	072342-03-700	EA	Coil - Condenser
	072342-03-701	EA	Receiver - Drier
	072342-03-702	EA	Condenser Fan & Seal Asm.
	072342-03-703	EA	Condenser Fan
	072342-03-704	EA	Bracket - Condenser Mounting
	072342-03-705	EA	Switch - Temperature
	072343-01-000	EA	Compressor/Clutch - A.R.A.
	072343-04-000	EA	Compressor/Clutch - w/Rear Mounted Valves - A.R.A.
	072344-01-000	EA	Package - Compressor Mount
	072344-02-000	EA	Package - Rear Valve Compressor - Mount Brackets
	084405-01-000	EA	Heater Asm. - Rear - Auxiliary
	084405-01-701	EA	Fan
	084405-01-702	EA	Motor Asm (Aux. Heater)
	084405-01-700	EA	Heater Core (Aux. Heater)

FURNACES & ROOF AIR CONDITIONER

Key	Part Number	U/M	Description
**	078182-01-000	EA	Furnace - 20,000 BTU - w/Electric UL
**	078182-03-000	EA	Furnace - 30,000 BTU - w/Electric, UL
	078182-04-000	EA	Furnace - 20,000 BTU - w/Electric, CGA
	078182-06-000	EA	Furnace - 30,000 BTU - w/Electric, CGA
	009198-01-000	FT	Duct - Flexible - 4" I.D. x 25'
	056464-01-000	EA	Register - 4" Dia - Plastic - w/Damper
	056464-02-000	EA	Register - 4" Dia - Plastic - w/o Damper
	009200-01-000	EA	Tape - Furnace - 1 1/2"
	023145-01-000	EA	Clamp Screw Type - 4"
**	073743-01-000	EA	Shroud Asm - Ceiling - Inside - Roof Air Cool Only - 13,500 BTU - Coleman
**	073742-01-000	EA	Air Conditioner - 110 Volt - Roof Mount - 13,500 BTU Rotary

** The illustrated parts breakdown for this item is provided on the Common Items Fiche.

1987 ITASCA TABLE OF CONTENTS

IC420EG	A-01 - B-08
ICN22EC	B-07 - D-09
ICN27RT	D-09 - F-14
IJN32RQ	F-15 - I-02
ICP26ET	I-03 - K-10

1987 ICP26ET INDEX

Floor Plan	I-03 - I-04
Accessories Group	I-05 - I-07
Bath Group	I-08
Chassis Group	I-09 - I-12
Curtain, Cushion & Pad Group	I-13 - I-21
Dinette Group	I-22
Driver's Compartment Group	I-23 - J-02
Electrical Group	J-03 - J-06
Exterior Body Group	J-07 - J-13
Galley Group	J-14 - J-15
Heating & Air Conditioning Group	J-16
Interior Finish Group	J-17 - J-19
LP Group	J-20
Lounge Group	J-21
Water & Sewage Group	J-22
Window, Vent & Exterior Door Group	J-23 - K-10

INTERIOR FINISH GROUP

CURTAIN & CUSHION HARDWARE

Key	Part Number	U/M	Description
	081261-01-000	EA	Swivel Snap - Curtain Track
	029130-01-000	EA	Snap Socket - Curtain Bottom
	082129-02-000	EA	Bracket - Blind - Hold Down
	083170-03-000	EA	Bracket - Blind - Top Right
	083170-04-000	EA	Bracket - Blind - Top Left
	056003-01-000	EA	Bracket - Drapery - Retainer - Right
	056003-02-000	EA	Bracket - Drapery - Retainer - Left
	082129-03-000	EA	Bracket - Hold Down - Blind
	079619-01-000	EA	Bracket - Tie Back
	084434-01-000	EA	Bracket - Shade
	086263-01-000	EA	Pull - Window Shade - Polished Brass
	043394-02-000	YD	Tape Hook - 75 x 50 yd - Beige
	048395-02-000	YD	Tape Loop - 75 x 50 YD - Beige
	029090-01-000	FT	Tie - Drapery - Clear Vinyl
	056116-01-000	EA	Track - Curtain - Brown Plastic - Top
	079946-01-000	EA	Track - Curtain - Wraparound - Right
	079946-02-000	EA	Track - Curtain - Wraparound - Left
	085283-01-000	EA	Bracket - Curtain Hold Back - Clear Plastic
	087253-01-000	EA	Shade Pull - Clear Plastic

PANELING & LAMINATE

Key	Part Number	U/M	Description
	074497-07-000	SF	Paneling - Champagne - 48 x 96 (32 SF) (Ceiling)
	074497-10-000	SF	Paneling - Regal Oak - 48 x 84 (28 SF) (Wall)
	074496-66-000	SF	Paneling - Decor - 48 x 84 (28 SF) Bath (W33)
	074496-68-000	SF	Paneling - Decor - 48 x 84 (28 SF) Bath (W34)(W35)
	074496-73-000	SF	Paneling - Decor - 48 x 84 (28 SF) Galley (W33)
	074496-75-000	SF	Paneling - Decor - 48 x 84 (28 SF) Galley (W34)(W35)
	074497-10-000	SF	Paneling - Regal Oak - 48 x 96 (32 SF) (Cabinets)
	074498-13-000	SF	Plastic Laminate - Sand Quadrus (Galley Dinette)
	074498-16-000	SF	Plastic Laminate - T/Apricot (Bath) (W33)
	074498-17-000	SF	Plastic Laminate - Maplenut (Bath) (W34)
	074498-15-000	SF	Plastic Laminate - Blush (Bath) (W35)
	074498-20-000	SF	Plastic Laminate - Regal Oak (Nightstand & Table Tops)
	076325-16-000	FT	Plastic Laminate - Edge Band - Regal Oak (1 5/16 x 600)

MISCELLANEOUS PARTS

Key	Part Number	U/M	Description
	053152-02 W24	EA	Handle Asm - Interior Asslt - Medium Almond Vinyl
	041944-03-000	EA	Fire Extinguisher - Dry 5BC
	054185-26-000	EA	Owner's Manual - 1987 Itasca & Winnebago
	040069-01-000	EA	Door Mat - 10 1/2 x 26 - Black Rubber
	086269-01-000	EA	Picture - Decor

INTERIOR FINISH GROUP (CONTINUED)

FABRICS & CARPET

Key	Part Number	U/M	Description
	077498-69-000	YD	Fabric - Main - Jade/Peach (W33)
	077198-90-000	YD	Fabric - Main - Mahogany (W34)
	077498-88-000	YD	Fabric - Main - Rose (W35)
	071498-A1-000	YD	Fabric - Plain Accent - Jade/Peach (W33)
	077498-A2-000	YD	Fabric - Plain Accent - Mahogany (W34)
	077498-A8-000	YD	Fabric - Plain Accent - Rose (W35)
	069729-44-000	YD	Fabric - Bedroom Drapery - Jade/Peach (W33)
	069729-45-000	YD	Fabric - Bedroom Drapery - Mahogany (W34)
	069729-46-000	YD	Fabric - Bedroom Drapery - Rose (W35)
	072333-38-000	YD	Fabric - Drapery - Accent - Jade/Peach (W33)
	072333-34-000	YD	Fabric - Drapery - Accent - Mahogany (W34)
	072333-37-000	YD	Fabric - Drapery - Accent - Rose (W35)
	038421-02-000	YD	Fabric - Mattress Ticking - Beige/Brown
	038421-04-000	YD	Fabric - Mattress Ticking - Cashew
	052859-01-W30	FT	Trim Asm - Accent - Buckskin
	052859-06-W19	FT	Trim Asm - Accent - Buckskin
	079680-01-000	YD	Vinyl - Expanded - 26 oz - Buckskin
	029219-01-000	YD	Vinyl - White - 14.6 oz
	087272-01-000	YD	Fabric - Drapery Lining - 48 - Ivory
	038421-01-000	YD	Fabric - Mattress Ticking
	029012-01-000	BF	Foam - Rolled - 3/8"
	072880-57-000	YD	Carpet - Jade/Peach (W33)
	072880-58-000	YD	Carpet - Mahogany Rose (W34 W35)
	075233-02-000	YD	Pad - Carpet - 3/8"

INTERIOR MOLDING & TRIM

Key	Part Number	U/M	Description
	081521-01-001	EA	Molding w/Holes - Corner - 16
	042357-11-000	FT	Molding - Radius Corner - 7" Light Oak
	009809-17-000	FT	Molding - O/S Corner - 1" - Light Oak
	022992-08-000	FT	Molding - Reverse Cove - White
	085284-01-000	FT	Batt Strip - Adhesive Tape - Kapco
	069733-71-000	EA	Batt Strip - Winnie - 8' (Galley & Bath)
	069733-74-000	EA	Batt Strip - Winnie - 8' (Wet Bath)
	069733-62-000	EA	Batt Strip - Champagne (Ceiling)
	069733-70-000	EA	Batt Strip - Regal Oak
	070504-01-000	FT	U Channel - 065 - Light Brown
	083620-01-000	FT	T-Molding - 75 - w/Edge Lips - Grady Brown
	077840-01 T03	EA	Molding - Wall Cap - 96" - Vinyl Covered - Sunset Oak
	071953-01-000	EA	Grommet - 1 Hole Liner
	009767-06-000	FT	Welting - Beige
	009767-10-000	FT	Welting - Mahogany
	042356-01-000	EA	Plug - 3/8" Mahogany
	083603-01-000	EA	Cove - Roof to Left Sidelwall
	083604-01-000	EA	Cove - Roof to Right Sidelwall

**1987 ITASCA
TABLE OF CONTENTS**

IC420EG	A-01 - B-06
ICN22EC	B-07 - D-08
ICN2/RT	D-09 - F-14
IJN32RQ	F-15 - I-02
ICP26ET	I-03 - K-10

1987 ICP26ET INDEX

Floor Plan	I-03 - I-04
Accessories Group	I-05 - I-07
Bath Group	I-08
Chassis Group	I-09 - I-12
Curtain Cushion & Pad Group	I-13 - I-21
Dinette Group	I-22
Driver's Compartment Group	I-23 - J-02
Electrical Group	J-03 - J-06
Exterior Body Group	J-07 - J-13
Galley Group	J-14 - J-15
Heating & Air Conditioning Group	J-16
Interior Finish Group	J-17 - J-19
LP Group	J-20
Lounge Group	J-21
Water & Sewage Group	I-22
Window Vent & Exterior Door Group	J-23 - K-10

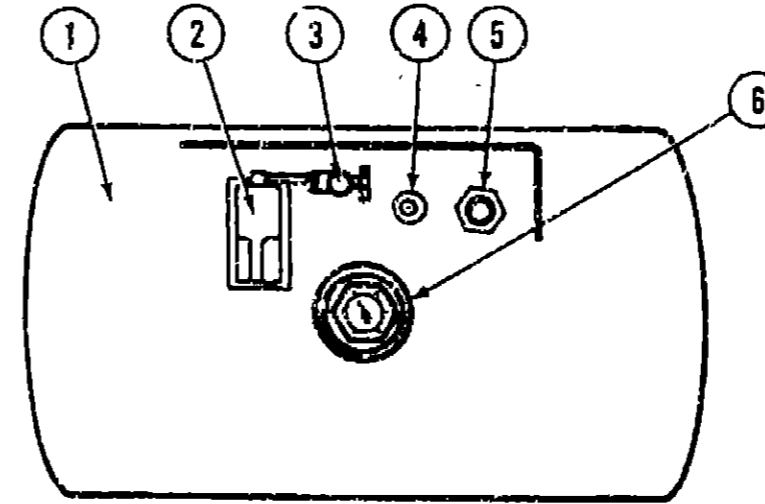
INTERIOR FINISH GROUP (CONTINUED)

CABINETRY & TABLE HARDWARE

Key	Part Number	U/M	Description
	053200-08-000	EA	Bracket - Upper Wall Mount - 23 5" - Tan
**	053201-06-000	EA	Bracket - Table Mount - 23" - Beige
	024275-09-000	EA	Rod - Table Lift - 8" x 23 5" - Tan
	024281-10-000	EA	Bracket - Lower Wall Mount - 22 12" - Beige
	024275-17-000	EA	Leg Asm. - Table - 26 5" - Tan
	064650-02-000	EA	Hinge - Table Leg - Tan
**	024282-01-000	EA	Brace - Table Leg
**	024283-01-000	EA	Clip - 1" O.D. Tube
	049493-05-000	EA	Catch - Table Leg - Mounts on Floor - Tan
	009112-01-000	EA	Flange - 1" - Chrome - Closet Rod
	077409-01-000	EA	Slide - Drawer - Plastic - 20.75"
	009040-01-000	EA	Table Support - Drop Leaf
	009059-01-000	EA	Hinge - 2" - Drop Leaf Table - Gold
	086263-01-000	EA	Pull - Polished Brass Centers
	009016-01-000	EA	Elbow - Catch - Spring Loaded
	057671-01-000	EA	Scraper Cover - #8 - Off White
	072369-20-000	EA	Mesh - Grille - 22" x 12 5" - Duraton Bronze
	009021-01-000	EA	Catch - Nylon
	009021-02-000	EA	Strike - Nylon Catch
**	059777-02-000	EA	Hinge - Cabinet Door - Antique Light Brass
	074493-02-000	EA	Support - Sprung - Door
	066433-01-000	EA	Hook - Cup - Bright
	075680-01-000	EA	Clothes Rod - Adjustable - 27" x 36"
	041194-01-000	EA	Base - Table - Flush Mounts in Floor
	009040-03-000	EA	Base - Table - Mounts on Table

** The illustrated parts breakdown for this item is provided on the Common Items Fiche.

LP GROUP



Key	Part Number	U/M	Description
1	080450-01-000	EA	Tank Asm - LP - Frame Mount - 42 Pound - 13" x 24"
*	080450-01-700	EA	Fill Valve - LP
2	081938-01-000	EA	Compartment - LP Regulator
*	076301-01-000	EA	Regulator - Two Stage - LP Gas
3	040421-01-703	EA	Valve - Vapor Relief
4	040421-01-700	EA	Gauge - Liquid Level - 20% LP
5	040421-01-701	EA	Valve - Filler - LP
*	040421-01-702	EA	Cap - Plastic Fill Valve
6	040421-01-707	EA	Gauge - Float - w/Visible Dial - 80 Pound Tank
*	040421-01-706	EA	Dial - Visible Face - Float Gauge (Tank w/o Electric Transmitter)
*	040440-01-000	EA	Dial - Transmitter - 0-90 Ohm (Float Gauge)
*	045703-01-000	EA	Hose Asm - LP - 3/8" I.D. x 24" - US
*	045703-02-000	EA	Hose Asm - LP - 3/8" I.D. x 24" - CSA
*	045703-03-000	EA	Hose Asm. - LP - 3/8" I.D. x 18" - US
*	045703-04-000	EA	Hose Asm. - LP - 3/8" I.D. x 14" - CSA
*	065741-01-000	EA	Gauge - Diaphragm Pressure - Test Leak
*			Not illustrated

1987 ITASCA TABLE OF CONTENTS

IC420EG	A-01 - B-06
ICN22EC	B-07 - D-08
ICN27RT	D-09 - F-14
IJN32RQ	F-15 - I-02
ICP26ET	I-03 - K-10

1987 ICP26ET INDEX

Floor Plan	I-03 - I-04
Accessories Group	I-05 - I-07
Bath Group	I-08
Chassis Group	I-09 - I-12
Curtain, Cushion & Pad Group	I-13 - I-21
Dinette Group	I-22
Driver's Compartment Group	I-23 - J-02
Electrical Group	J-03 - J-06
Exterior Body Group	J-07 - J-13
Galley Group	J-14 - J-15
Heating & Air Conditioning Group	J-16
Interior Finish Group	J-17 - J-19
LP Group	J-20
Lounge Group	J-21
Water & Sewage Group	J-22
Window, Vent & Exterior Door Group	J-23 - K-10

LOUNGE GROUP

QUEEN BED W/NIGHT STAND

Key	Part Number	U/M	Description
	083959-01-W33	EA	Cabinet Asm - Rear Overhead - w/o Doors or Hardware
	M81503-09 W33	EA	Door Asm - Rear Overhead - w/o Hardware
	087636-01-W33	EA	Cabinet Asm - Nightstand - w/o Countertop Doors or Hardware
	M03000 12 W33	EA	Countertop Asm - Nightstand
	M81501 A7 W33	EA	Door Asm - Nightstand - w/o Hardware
	077404-01-000	EA	Drawer - Plastic - 20 x 12 7
	077409-01-000	EA	Slide - Drawer - Plastic - 20 75
	M87303-01-W33	EA	Cabinet Asm - Queen Bed Base
	M81501-A1-W33	EA	Door Asm - Queen Bed - w/o Hardware
†	M88304 58 W33	EA	Door Asm - Queen Bed - w/o Hardware
†	Used in units produced after 3/16/87		

TWIN BED & OVERHEAD CABINERY

Key	Part Number	U/M	Description
	083960-01-W33	EA	Cabinet Asm - Rear Overhead - Passenger Side - w/o Doors or Hardware
	083960-02 W33	EA	Cabinet Asm - Rear Overhead - Drivers Side - w/o Doors or Hardware
	083959-01-W33	EA	Cabinet Asm - Rear Overhead - Backwall - w/o Door or Hardware
	M81503-09-W33	EA	Door Asm - Rear Overhead Cabinet - w/o Hardware
†	M88304 50 W33	EA	Door Asm - Rear Overhead Cabinet - w/o Hardware
	M83441-01 W33	EA	Cabinet Asm - Nightstand - w/o Door or Hardware
	M02609-01 W33	EA	Countertop Asm - Nightstand - Top
	M02608-01-W33	EA	Countertop Asm - Nightstand - Base
	M81501-A3 W33	EA	Door Asm - Nightstand - w/o Hardware
†	M88304 59 W33	EA	Door Asm - Nightstand - w/o Hardware
	081710-01-000	EA	Slide - Drawer - Plastic
	077404-C1 000	EA	Drawer - Plastic - 20 x 12 7
	M83961-01-W33	EA	Cabinet Asm - Twin Bed - Right
	M85388-01-W33	EA	Cabinet Asm - Twin Bed - Left
	084357-01 W13	EA	TV Shelf Asm
	077463-08 W24	EA	Headboard Asm - 33 - Gathered (W10)
	077463-08 W31	EA	Headboard Asm - 33 - Gathered (W11)
	077463-08-W32	EA	Headboard Asm - 33 - Gathered (W12)
†	Used in units produced after 3/16/87		

WATER & SEWAGE GROUP

PLUMBING AND REPAIR PARTS

Key	Part Number	U/M	Description
	045729-01-000	EA	Pump - Water - 2 8 G P M - Direct Drive - Shurflo US
	045729-02-000	EA	Pump - Water - 2 8 G P M Direct Drive - Shurflo CSA
	039647-02-000	EA	Filter - Water Pump - 1/2 MPT
	039647-03-000	EA	Filter - Water Pump - 1/2 Flare
	052959-03-000	EA	Connector - 1/2 F x 3/8 MPT - Plastic
	052960-01-000	EA	Drain Valve - 1/2 F x 1/2 F - Plastic
	046524-02-000	EA	Kit - Water Tank Fittings - Blank Tank
	010079-01-000	EA	Tee - Plastic - 1 1/2 H x 1 1/2 H x 1 1/4 H
	010121-01-000	EA	Bushing - Plastic - 1 1/2 S x 1 1/4 H
	010133-01-000	EA	Trap Adapter - Plastic - 1 1/2 H x MPT
	052954 01-000	EA	Adapter - Nose Cone - 5/8 or 1/2 - Plastic
	010201-01-000	EA	Sewer Hose - 3 x 6 w/Clamp
	050780-01-000	EA	Coupler Rubber - 3 x 3
	062415-01-000	EA	Cap - Sewer - 3
	062416-01-000	EA	Hose Adapter - 3
	062417-01-000	EA	Adapter - Termination - 3
	062418-01-000	EA	Valve - C - w/Handle
	062421-01-000	EA	Valve - 1 1/2 - w/Handle
	011066-01-000	EA	P-Trap - 1 1/4 - Plastic
	010071-01-000	EA	Tee - Plastic - 1 1/2 x H x H x H
	010072-01-000	EA	Tee - Plastic - 1 1/2 H x 1 1/4 H x 1 1/2 H
	052956-01-000	EA	Tee - Plastic - 1/2 F x 1/2 MPT x 1/2 F
	052958-01-000	EA	Tee - Plastic - 1/2 F x 1/2 F x 1/2 F
	053335-01 000	EA	P-Trap - Plastic - 1 1/4 H x H - w/Union
	011091-01-000	EA	Waste - Continuous - Double Sink - 11 7/8
	061007-01-000	EA	Grommet - Holding Tank Coupler - 1 1/2
	081607-02-000	EA	Grommet - Holding Tank Coupler 3
	010000-01-000	EA	Elbow - Plastic - 1/8 BD x 1 1/4 x 45° H x H
	010006-01-000	EA	Elbow - Plastic - 1/8 BD x 1 1/2 x 45° H x H
	010051-01-000	EA	Elbow - ST - Plastic - 1/8 BD x 1 1/2 x 45°
	010219-01-000	EA	Elbow - 1 1/4 Barb x 1 1/4 MPT x 90°
	034250-01-000	EA	Elbow - Plastic - 1/4 BD x 1 1/2 x 90° H x H
	052957-01-000	EA	Elbow - Plastic - 1/2 F x 3/8 MPT
	052957-02-000	EA	Elbow - Plastic - 1/2 F x 1/2 MPT
	065120-01-000	EA	Elbow - Plastic - Swivel - 50
	070924 01-000	EA	Elbow - Plastic - Swivel - 1/2 MPT x 1/2 FP
	010123-01-000	EA	Bushing - Plastic - 25 x 1 1/2 H
	033302-02-000	EA	Adapter Asm - SWVC Strain - 1 1/2
	072346-01-000	EA	Valve Asm - 3 Ell - w/2 Socket
	039800-01-000	FT	Tubing - Polybutyl - 1/2 O D (Water Line)
	044928-01-000	FT	Flexible Tubing - 1 1/4 I D
	004020-01-000	QT	Adhesive - ABS Cement
	077954-01-000	EA	Filter/Screen - Plastic Water Tank
	042989-02-000	EA	Plastic Fitting - Spinweld (Filter/Screen)
	062422-01-000	EA	Adapter - Hose Offset - Reducer - 3' x 1 1/2
	052962-01-000	EA	Valve - Stool - 90° x 1/2 F x 3/8 MPT
	010147-01 000	EA	Flange - Closet - 4 F x 3 FPT
	010224 01-000	EA	Adapter - Plastic - 3/8 MPT x 3/8 Barb
	007108-01-000	EA	Hose - Heater - 5/8
	The illustrated parts breakdown for this item is provided on the Common Items Fiche		

HOLDING TANKS & WATER HEATERS

Key	Part Number	U/M	Description
	078252-01-000	EA	Tank - Water - 40 Gallon - w/o Fittings
	083039-01 000	EA	Tank - Waste Water - 18 Gallon - w/o Fittings
	083041-01-000	EA	Tank - Sewage - 30 Gallon - w/o Fittings
	M02458 31-000	EA	Tank - Sewage - 25 Gallon - w/o Fittings
	051393-01-000	EA	Water Heater - w/Motor Aid GH6 3E
	051391-03-000	EA	Water Heater - w/Electronic Ignition
	The illustrated parts breakdown for this item is provided on the Common Items Fiche		

1987 ITASCA TABLE OF CONTENTS

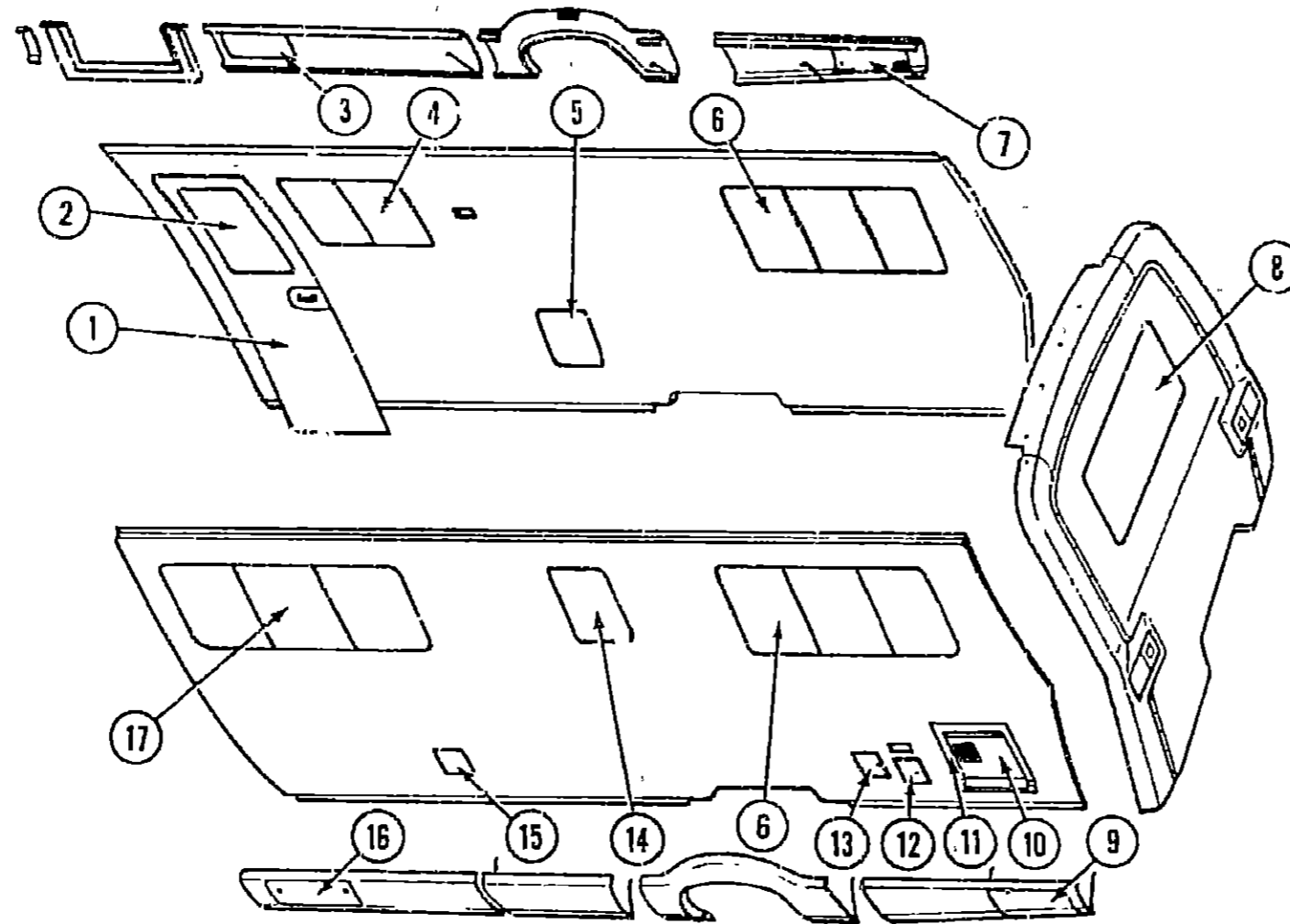
IC420EG	A-01 - B-06
ICN22EC	B-07 - D-08
ICN27RT	D-09 - F-14
IJN32RQ	F-15 - I 02
ICP26ET	I-03 - K-10

1987 ICP26ET INDEX

Floor Plan	I-03 - I-04
Accessories Group	I 05 - I-07
Bath Group	I-08
Chassis Group	I-09 I 12
Curtain Cushion & Pad Group	I-13 I 21
Dinette Group	I 22
Driver's Compartment Group	I 23 - J-02
Electrical Group	J 03 - J-06
Exterior Body Group	J-07 - J 13
Galley Group	J 14 - J 15
Heating & Air Conditioning Group	J-16
Interior Finish Group	J 17 - J-19
LP Group	J 20
Lounge Group	J 21
Water & Sewage Group	J-22
Window Vent & Exterior Door Group	J 23 - K 10

WINDOW, VENT & EXTERIOR DOOR GROUP

WINDOWS & ACCESS DOORS



Key	Part Number	U/M	Description
1	M03019-01-W33	EA	Door Asm - Radius Entry w/o Screen Door - Fiberglass
1	M84385-01-W36	EA	Door Asm - Radius Entry w/Screen Door - Fiberglass
2	079733-04-T03	EA	Window Asm - Picture (w/o inside frame)
3	083095-03-U16	EA	Door Asm. - Storage - w/Twist & Key Locks - 33 9"
4	078266-02-T03	EA	Window Asm. - Single Slider
5	084141-04-W33	EA	Door Asm. - Refrigerator Access - Gray
†5	084104-02-000	EA	Door Asm. - Refrigerator Access - Gray
6	078271-01-T03	EA	Window Asm. - Center Slider
7	084354-01-W33	EA	Door Asm. - LP Access
8	078528-01-T03	EA	Window Asm. - Rear Escape
9	084353-01-W33	EA	Door Asm. - Generator w/Louvers
9	084353-02-W33	EA	Door Asm - Storage
10	052009-03-000	EA	Door Asm - Water Heater - Gray
11	084701-02-000	EA	Shroud - Water Heater - Gray
12	052423-03-000	EA	Door Asm. - Sewer Hose - Gray
13	078010-02-000	EA	Door Asm. - Fuel Fill - Gray
14	078453-02-U25	EA	Window Asm. - Vertical Slider
15	063742-03-000	EA	Door Asm. - Power Cord - Gray
16	083095-01-U16	EA	Door Asm. - Storage - w/Twist & Key Locks - Gray
17	078269-01-T03	EA	Window Asm - Double Slider

† Used In units produced after 11-10-85

1987 ITASCA TABLE OF CONTENTS

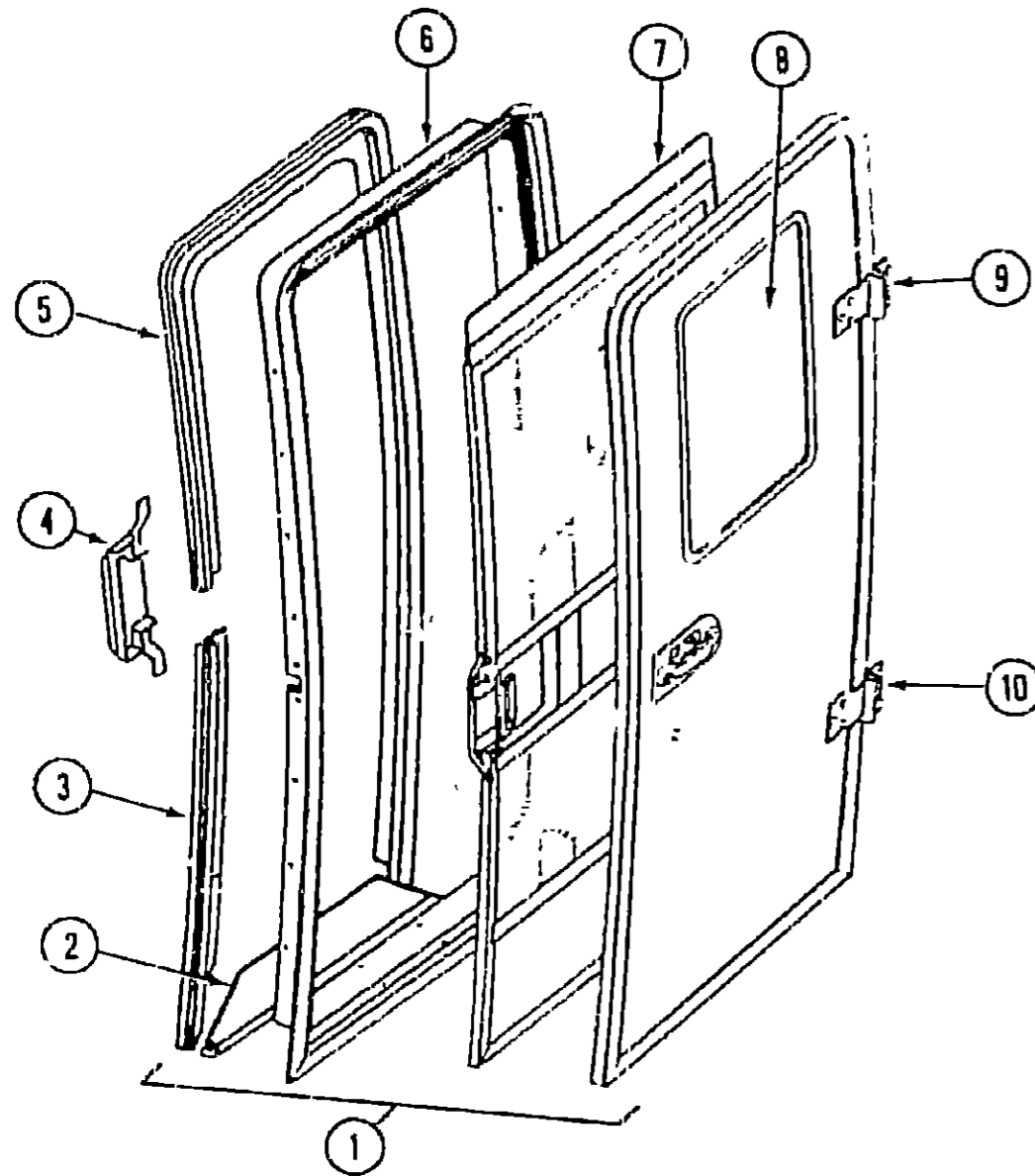
IC420EG	A-01 - B-06
ICN22EC	B-07 - D-08
ICN27RT	D-09 - F-14
IJN32RQ	F-15 - I-02
ICP26ET	I-03 - K-10

1987 ICP26ET INDEX

Floor Plan	I-03 - I-04
Accessories Group	I-05 - I-07
Bath Group	I-08
Chassis Group	I-09 - I-12
Curtain, Cushion & Pad Group	I-13 - I-21
Dinette Group	I-22
Driver's Compartment Group	I-23 - J-02
Electrical Group	J-03 - J-06
Exterior Body Group	J-07 - J-13
Galley Group	J-14 - J-15
Heating & Air Conditioning Group	J-16
Interior Finish Group	J-17 - J-19
L ³ Group	J-20
Lounge Group	J-21
Water & Sewage Group	J-22
Window, Vent & Exterior Door Group	J-23 - K-10

WINDOW, VENT & EXTERIOR DOOR GROUP (CONTINUED)

ENTRANCE DOOR



Key	Part Number	U/M	Description
1	M84385-01-W36	EA	Door Asm. - Entrance
2	076929-01-000	EA	Trim - Entrance Door - Lower
3	085015-01-000	EA	Trim - Entrance Door - Upper - Beige
4	076726-04-000	EA	Cover - Strike - Light Oak
5	085016-01-000	EA	Trim - Entrance Door
6	076947-04-000	EA	Jamb Asm. - Entrance Door
7	084389-01-W13	EA	Screen Door - Complete
	076727-01-000	EA	Slider - Screen Door - Light Oak Plastic
	002293-02-000	SF	Screen - 26" Charcoal
	063638-02-000	EA	Strike - Screen Door
	076231-01-000	EA	Spacer - Screen Door - Latch
	078156-01-000	EA	Plate - Screen Door
	002294-01-000	FT	Spline - Screen Door - Black
	076738-02-000	EA	Transition Frame - Screen Door - Beige
	077437-01-000	EA	Strike - Roller Catch - Beige
8	079733-04-T03	EA	Window Asm. - Picture (w/o inside frame)
	067609-03-000	EA	Inside Frame - Beige (not included in assembly)
	002101-06-000	EA	Glass - .115" x 16.25" x 24"
	002309-02-000	FT	Spline - Glass - 1/8 Material - Black
	069637-01-000	EA	Sealer - 3M EC5510
9	084097-02-000	EA	Hinge Asm. - Upper - Gray
10	084096-02-000	EA	Hinge Asm. - Lower - Gray
	009126-02-000	EA	Assist Handle - Black
	073303-01-000	EA	Latch Asm. - Inner
	076728-01-000	EA	Panel Trim - Light Oak Plastic
	R77007-05-374	EA	Gasket - Exterior Door Handle
	R77040-01-538	EA	Handle - Exterior Door
	R77006-50-261	EA	Handle - Interior - Right Door
	073104-04-000	EA	Escutcheon - Door Handle
	R77013-48-168	EA	Lock Bolt - Right
	084429-03-000	EA	Cylinder & Key Set
	083205-01-000	EA	Deadbolt - Press Fit - 5"
	079173-01-000	EA	Gasket - Deadbolt - Exterior
	R77030-67-257	EA	Spline Pin
	060963-01-000	EA	Arm - Lock Control
	073111-01-000	EA	Rod - Latch
	073110-01-000	EA	Rod - Lock
	R77006-64-355	EA	Link - Control
	073303-02-000	EA	Latch Asm. - Inner - Right
	073093-03-000	EA	Support Asm. - Latch - Gray
	R77007-04-136	EA	Bracket - Lock
	063729-04-000	EA	Rivnut - 10-32 UNF
	076907-08-000	EA	Trim - Door - Upper
	076908-02-000	EA	Trim - Door - Lower
	075673-01-000	FT	Seal - Pile - Adhesive Back
	Not illustrated		

1987 ITASCA TABLE OF CONTENTS

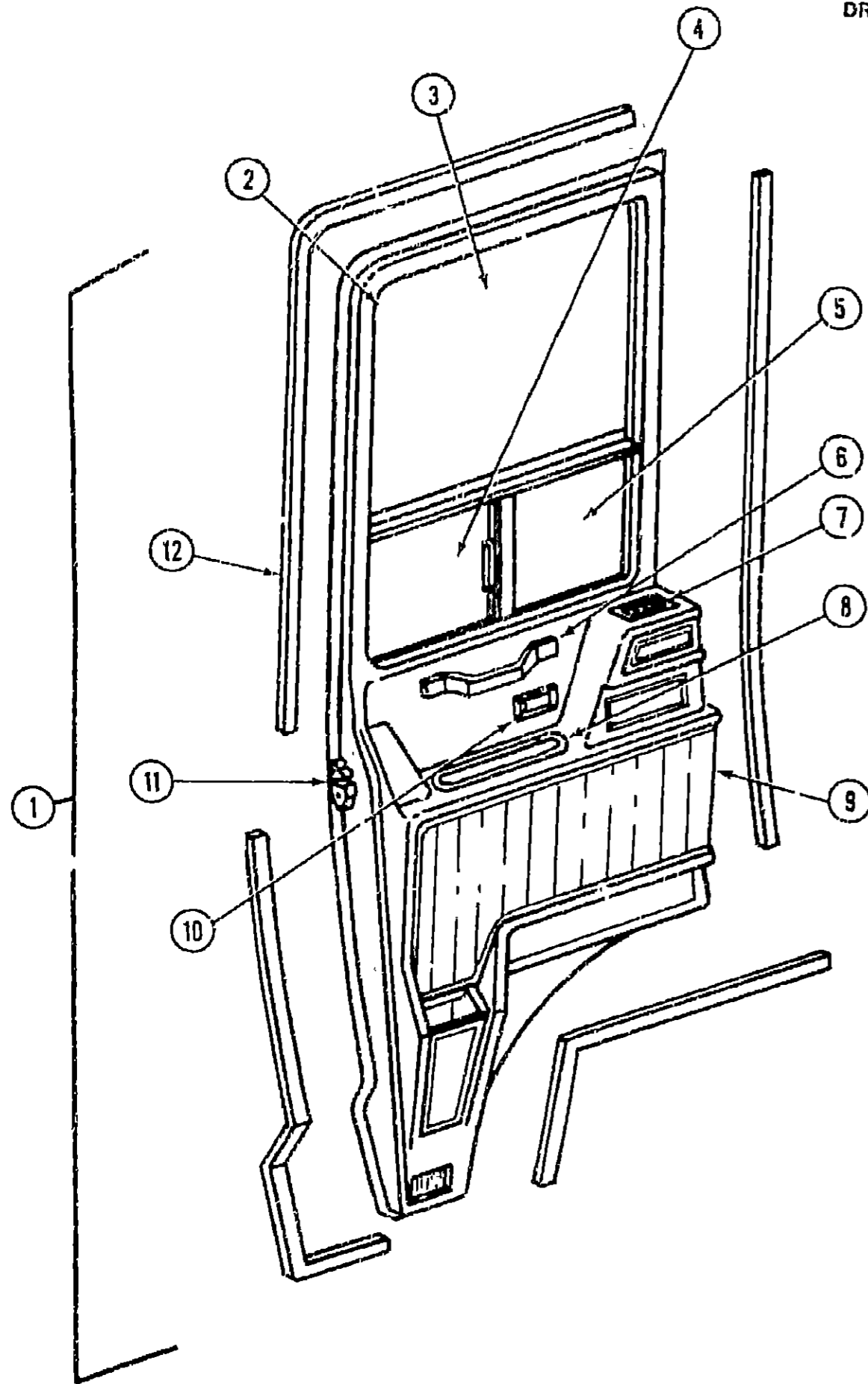
IC420EG	A-01 - B-06
ICN22EC	B-07 - D-08
ICN27RT	D-09 - F-14
IJN32RO	F-15 - I-02
ICP26ET	I-03 - K-10

1987 ICP26ET INDEX

Floor Plan	I-03 - I-04
Accessories Group	I-05 - I-07
Bath Group	I-08
Chassis Group	I-09 - I-12
Curtain, Cushion & Pad Group	I-13 - I-21
Dinette Group	I-22
Driver's Compartment Group	I-23 - J-02
Electrical Group	J-03 - J-06
Exterior Body Group	J-07 - J-13
Galley Group	J-14 - J-15
Heating & Air Conditioning Group	J-16
Interior Finish Group	J-17 - J-19
LP Group	J-20
Lounge Group	J-21
Water & Sewage Group	J-22
Window, Vent & Exterior Door Group	J-23 - K-10

WINDOW, VENT & EXTERIOR DOOR GROUP (CONTINUED)

DRIVERS & PASSENGER CAB DOOR



Key	Part Number	U/M	Description
1	M01596-04-W36	EA	Door Asm. - Drivers
-	M01595-04-W36	EA	Door Asm. - Passengers
2	M78469-01-000	EA	Window Asm. - Drivers Door - w/Support
-	M78469-02-000	EA	Window Asm. - Drivers Door - w/Support
-	077209-01-000	EA	Inside Frame Asm. - Window - Passenger
-	077209-02-000	EA	Inside Frame Asm. - Window - Driver
3	077036-03-000	EA	Glass - .19" x 28.9" x 22"
4	078379-01-000	EA	Glass - .19" x 15" x 9.3" - w/Hold
5	077378-01-000	EA	Glass - .19" x 15" x 9.3"
-	077224-03-000	EA	Window Mullion - Horizontal - Passenger
-	077224-04-000	EA	Window Mullion - Horizontal - Driver
-	077226-01-000	EA	Window Mullion - Vertical - Passenger
-	077226-02-000	EA	Window Mullion - Vertical - Driver
-	M02389-53-001	EA	Seal Holder - w/Fin Seal
-	042077-01-000	FT	Channel - Weatherstrip - Glass
-	041928-02-000	EA	Seal - Window Channel
-	050216-02-000	EA	Spline - Vinyl Glass - .19 Black
6	064400-05-000	EA	Assist Strap - 12" - w/Woodgrain
7	076783-01-000	EA	Louver/Bezel Asm. - Black - 2"
-	075671-01-000	FT	Sponge Seal - Lazy T Shape
-	076542-01-000	EA	Control Rod - Right Hand Latch
-	076543-01-000	EA	Control Rod - Right Hand Lock
-	076542-02-000	EA	Control Rod - Left Hand Latch
-	076543-02-000	EA	Control Rod - Left Hand Lock
-	077167-01-000	EA	Door Prop Rod - Passenger
-	077167-02-000	EA	Door Prop Rod - Drivers
8	077118-02-000	EA	Storage Tray - Door Panel - Gray
-	077179-01-000	EA	Hose Adapter - 2" - Snap In
-	077000-01-000	EA	Socket Asm. - w/8" Pigtail Leads
9	077117-04-000	EA	Door Panel - Front Inner - Driver
-	077117-03-000	EA	Door Panel - Front Inner - Passenger
-	063886-04-000	EA	Assist Handle - Gray Steel Tube
10	R77006-50-261	EA	Door Handle - Interior - Right
10	R77006-50-326	EA	Door Handle - Interior - Left
-	R77040-01-538	EA	Door Handle - Exterior
-	R77007-05-374	EA	Gasket - Door Handle - Exterior
11	R77013-48-163	EA	Latch Asm. - Right
11	R77013-48-167	EA	Latch Asm. - Left
-	R77007-62-747	EA	Latch Asm. - Inner - Right
-	R77007-62-746	EA	Latch Asm. - Inner - Left
12	076813-01-000	FT	Seal - Entrance Door (Glue On)
-	R77007-04-136	EA	Lock Bracket
-	080963-01-000	EA	Arm - Lock Control
-	R77030-67-257	EA	Spline Pine
-	R77007-73-327	EA	Cylinder & Key
-	R77006-64-355	EA	Control Link
-	064580-02-000	EA	Check Strap - Front Door - 7"
-	064219-01-000	EA	Retainer - Check Strap - Front Door
-	R77013-48-165	EA	Striker - Door - Left
-	R77013-48-166	EA	Striker - Door - Right
-	081632-01-000	FT	Bulb Seal - Cab Door - w/Wire Channel
-	075245-01-000	EA	Hinge - Cab Door
-	081905-01-000	EA	Control Knob (Lock/Unlock) Right
-	081905-02-000	EA	Control Knob (Lock/Unlock) Left
-	-	-	Not illustrated

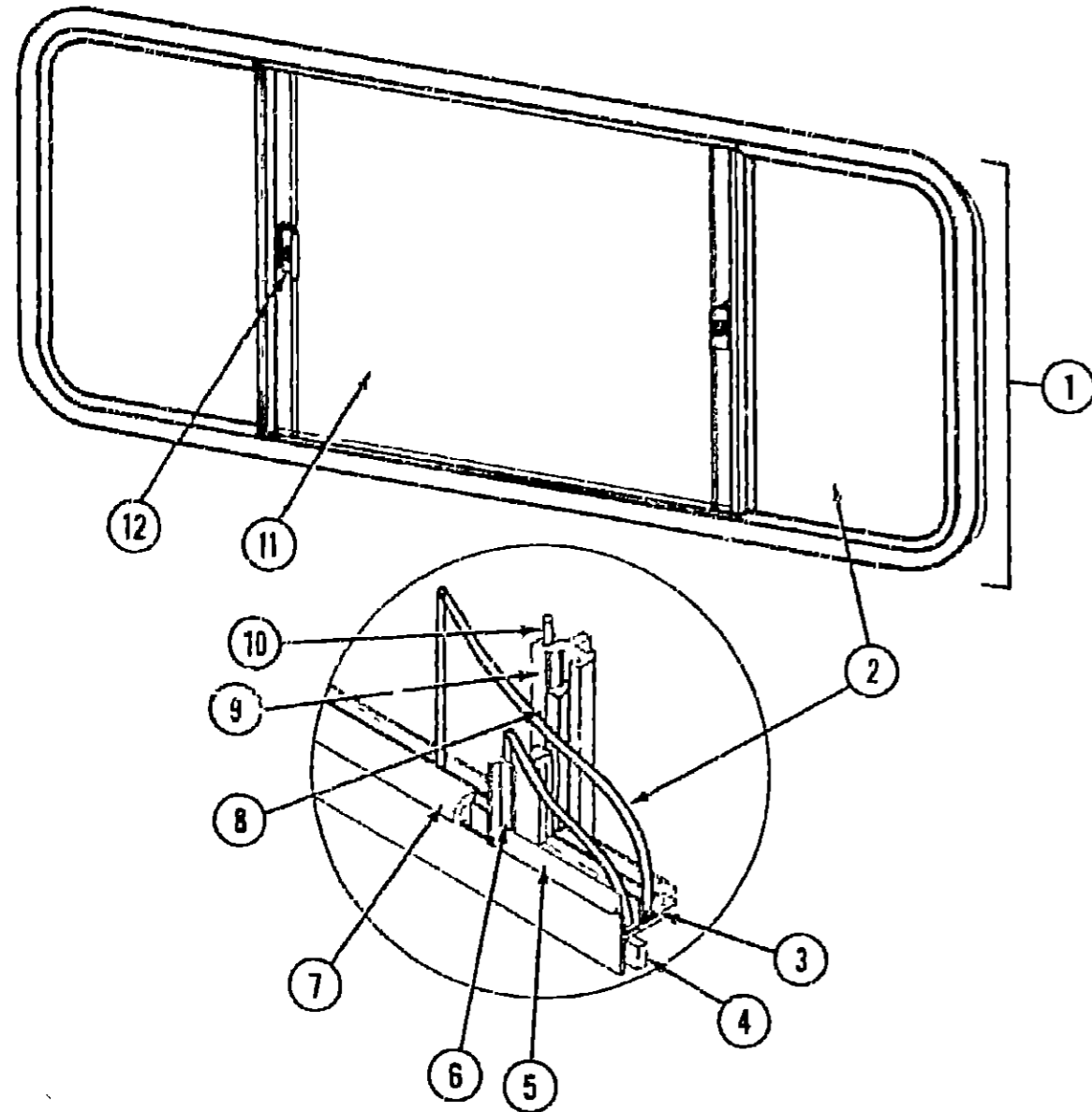
1987 ITASCA TABLE OF CONTENTS

IC120EG	A-01 - B-08
ICN22EC	B-07 - D-08
ICN27RT	D-09 - F-14
IJN32RQ	F-15 - I-02
ICP26ET	I-03 - K-10

1987 ICP26ET INDEX

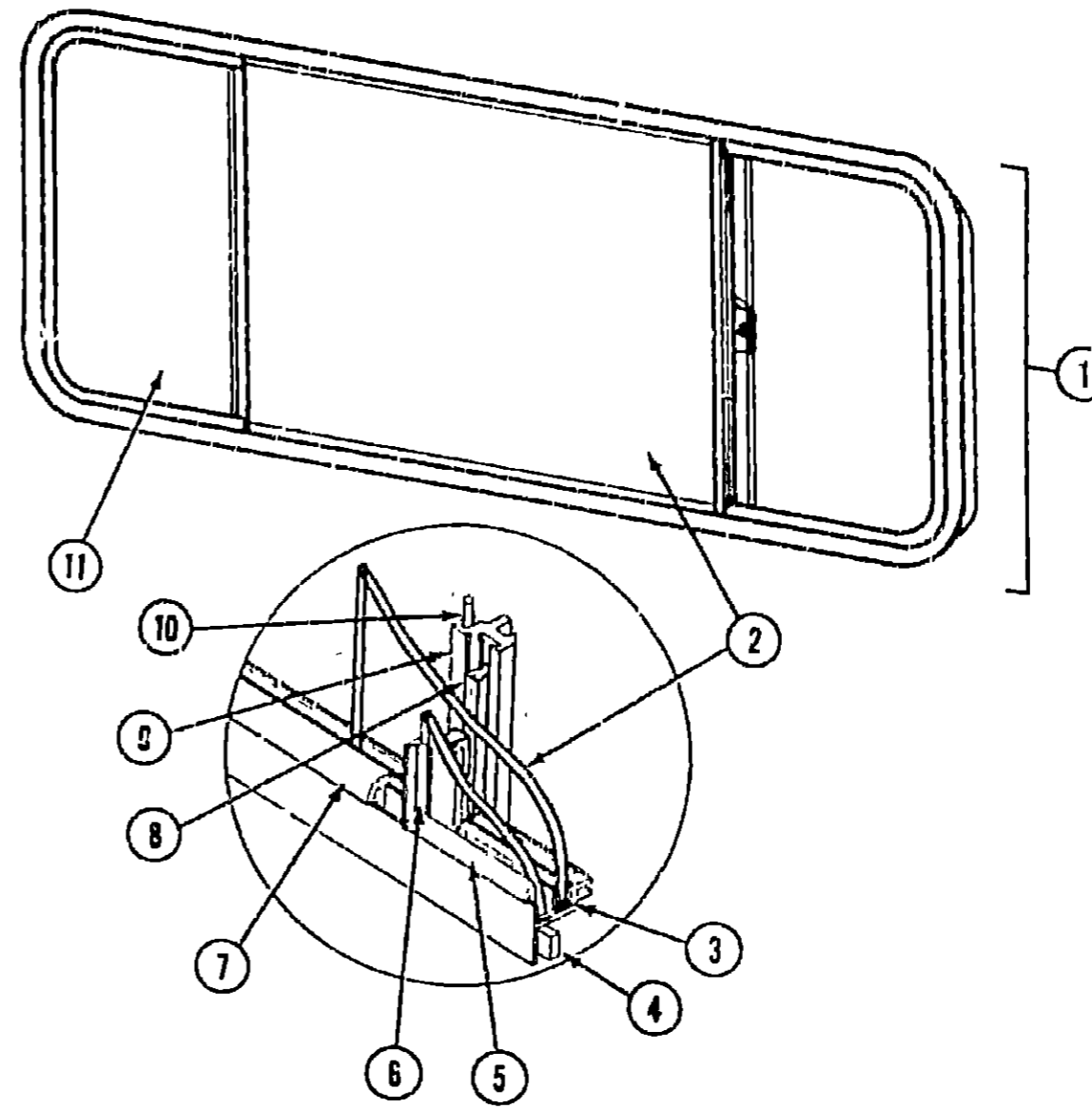
Floor Plan	I-03 - I-04
Accessories Group	I-05 - I-07
Bath Group	I-08
Chassis Group	I-09 - I-12
Curtain, Cushion & Pad Group	I-13 - I-21
Dinette Group	I-22
Driver's Compartment Group	I-23 - J-02
Electrical Group	J-03 - J-06
Exterior Body Group	J-07 - J-13
Galley Group	J-14 - J-15
Heating & Air Conditioning Group	J-16
Interior Finish Group	J-17 - J-19
LP Group	J-20
Lounge Group	J-21
Water & Sewage Group	J-22
Window, Vent & Exterior Door Group	J-23 - K-10

WINDOW, VENT & EXTERIOR DOOR GROUP (CONTINUED)



Key	Part Number	U/M	Description
1	078269-01-T03	EA	Window Asm - Double Slider - 25" x 65" - Black (w/o inside frame)
	083122-21-000	EA	Inside Frame - Tan (not included in assembly)
2	081980-04-000	EA	Glass - Sliding - 1/8" x 24" x 21 3"
3	002324-02-000	FT	Channel - Weatherstrip - Glass Run - 1/8" Glass
4	069640-06-000	FT	Ribbon Sealer - 5/16" x 15'
5	002309-02-000	FT	Spline - Glass - 1/8" - Black
6	M69886-03-003	EA	Seal Holder w/Fin Seal - 23.19" - Black
7	057374-02-000	FT	Extr. Vinyl - Window Seal - Black
8	073740-01-000	FT	Seal - Fin - Pile - .460"
9	078562-04-000	EA	Mullion - Slider Window - Black
10	002298-02-000	FT	Spline - .130" Dia. - Charcoal (Screen)
11	002188-05-000	EA	Glass - Stationary - 1/8" x 24" x 25 5"
12	047369-01-700	EA	Latch Kit - Window - Plastic w/Fastener
	079204-01-000	EA	Bracket - Mullion - Black
	002293-02-000	SF	Screen - Window - 26" - Charcoal
			Not illustrated

WINDOW, VENT & EXTERIOR DOOR GROUP (CONTINUED)



Key	Part Number	U/M	Description
1	078271-01-T03	EA	Window Asm. - Center Slider (w/o inside frame)
	083122-22-000	EA	Inside Frame - Center Slider - Tan (not included in assembly)
2	066727-02-000	EA	Glass - Sliding - 1/8" x 25 5" - 24"
3	002324-02-000	FT	Channel - Weatherstrip - Glass Run - 1/8" Glass
4	069640-06-000	FT	Ribbon Sealer - 5/16" Bead x 15'
5	002309-02-000	FT	Spline - Glass - 1/8" Material - Black
6	M69886-03-003	EA	Seal Holder w/Fin Seal - Black
7	057374-02-000	FT	Extr. Rubber - Window Seal - Black
8	073740-01-000	FT	Seal - Fin Pile - .460"
9	078562-02-000	EA	Mullion - Slider Window - Black
10	002298-02-000	FT	Spline - .130" Dia - Charcoal (Screen)
11	081984-07-000	EA	Glass - Stationary - 1/8" x 24" - 16 5"
	079204-01-000	EA	Bracket - Mullion - Black
	047369-01-700	EA	Latch Kit - Window - Plastic w/Fastener
	002293-02-000	SF	Screen - Window - 26" - Charcoal
			Not illustrated

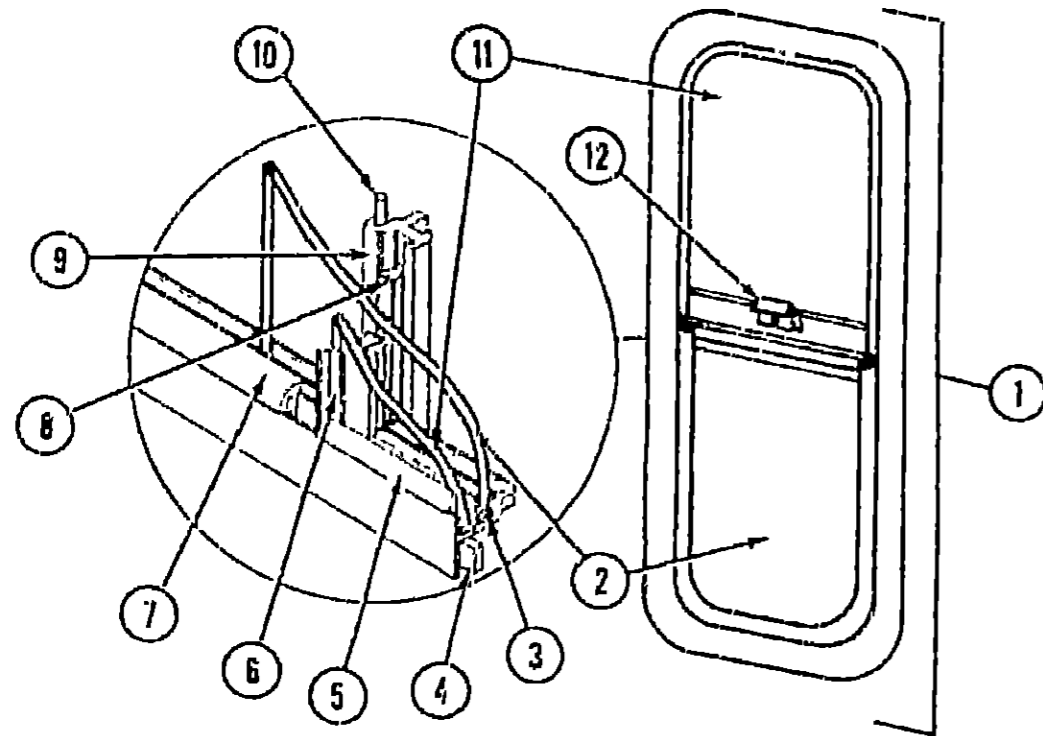
1987 ITASCA
TABLE OF CONTENTS

IC420EG	A-01 - B-06
ICN22EC	B-07 - D-08
ICN27RT	D-09 - F-14
IJN32RQ	F-15 - I-02
ICP26ET	I-03 - K-10

1987 ICP26ET INDEX

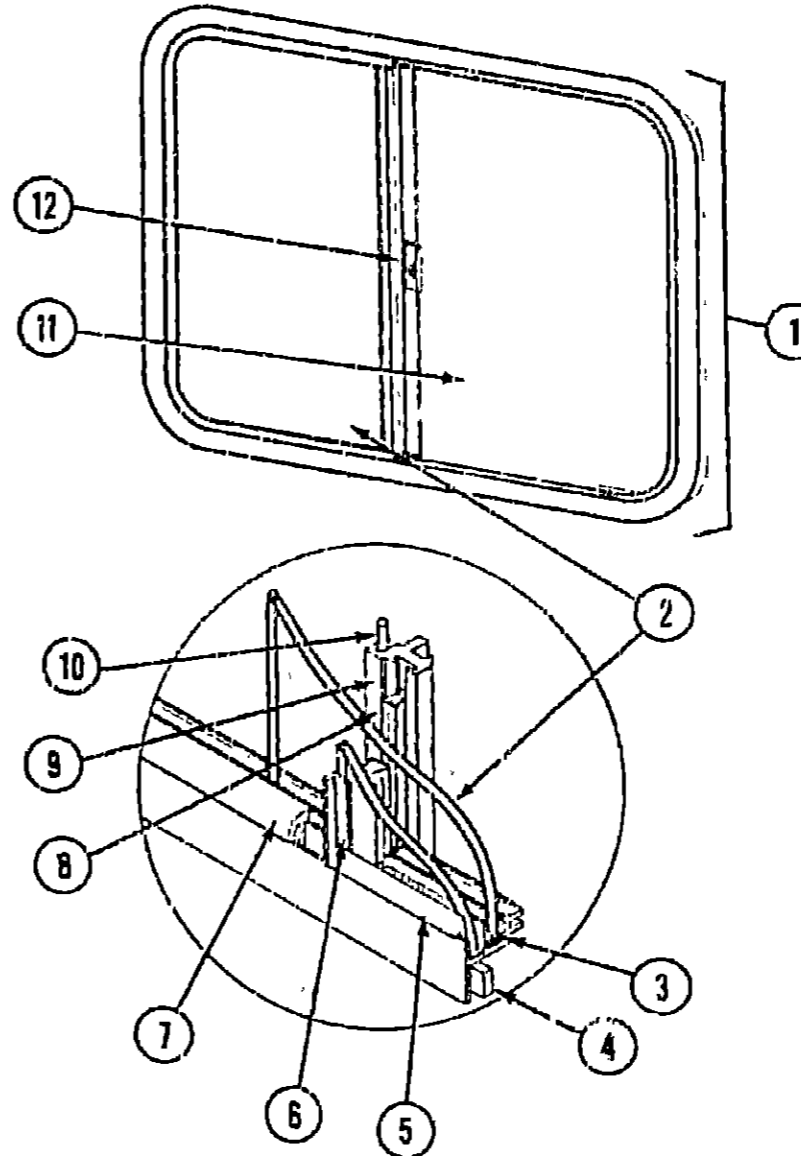
Floor Plan	I-03 - I-04
Accessories Group	I-05 - I-07
Bath Group	I-08
Chassis Group	I-09 - I-12
Curtain, Cushion & Pad Group	I-13 - I-21
Dinette Group	I-22
Driver's Compartment Group	I-23 - J-02
Electrical Group	J-03 - J-06
Exterior Body Group	J-07 - J-13
Galley Group	J-14 - J-15
Heating & Air Conditioning Group	J-16
Interior Finish Group	J-17 - J-19
LP Group	J-20
Lounge Group	J-21
Water & Sewage Group	J-22
Window, Vent & Exterior Door Group	J-23 - K-10

WINDOW, VENT & EXTERIOR DOOR GROUP (CONTINUED)



Key	Part Number	U/M	Description
1	078453-02-U25	EA	Window Asm - Vertical Slider - 37" x 15" - Black (w/o inside frame)
*	083122-13-000	EA	Inside Frame - Beige (not included in assembly)
2	081981-01-000	EA	Glass - Slider
3	002324-02-000	FT	Channel - Weatherstrip - Glass Run - 1/8" Glass
4	069640-06-000	FT	Ribbon Sealer - 5/16" Bead x 15'
5	002309-02-000	FT	Spline - Glass - 1/8" Material - Black
6	M18025-04-000	EA	Seal Holder w/Fin Seal - Black
7	057374-02-000	FT	Extr. Rubber - Window Seal - Black
8	073740-01-000	FT	Seal - Fin - Pile - .460"
9	084170-06-000	EA	Mullion - Slider Window - Black
10	002298-02-000	FT	Spline - .130" Dia - Charcoal (Screen)
11	081984-04-000	EA	Glass - Stationary - 1/8" x 17.4" x 11.5"
12	047369-01-700	EA	Latch Kit - Window - Plastic w/Fastener
*	079204-01-000	EA	Bracket - Mullion - Black
*	002292-02-000	SF	Screen - Window 20" - Charcoal
*			Not illustrated

WINDOW, VENT & EXTERIOR DOOR GROUP (CONTINUED)



Key	Part Number	U/M	Description
1	078266-02-T03	EA	Window Asm. - Single Slider (w/o inside frame)
*	083122-03-000	EA	Inside Frame - Beige (not included in assembly)
2	081980-05-000	EA	Glass - Sliding - 1/8" x 19" x 13.68"
3	002324-02-000	FT	Channel - Weatherstrip - Glass Run - 1/8" Glass
4	069640-06-000	FT	Ribbon Sealer - 5/16" Bead x 15'
5	002309-02-000	FT	Spline - Glass - 1/8" Material - Black
6	M69886-03-011	EA	Seal Holder w/Fin Seal - Black
7	057374-02-000	FT	Extr. Rubber - Window Seal - Black
8	073740-01-000	FT	Seal - Fin - Pile - .460"
9	084170-02-000	EA	Mullion - Slider Window - Black
10	002298-02-000	SF	Spline - .130" Dia - Charcoal (Screen)
11	081984-03-000	EA	Glass - Stationary - 1/8" x 19" x 12.30"
12	047369-01-700	EA	Latch Kit - Window - Plastic w/Fastener
*	079204-01-000	EA	Bracket - Mullion - Black
*	002292-02-000	SF	Screen - Window 20" - Charcoal
*			Not illustrated

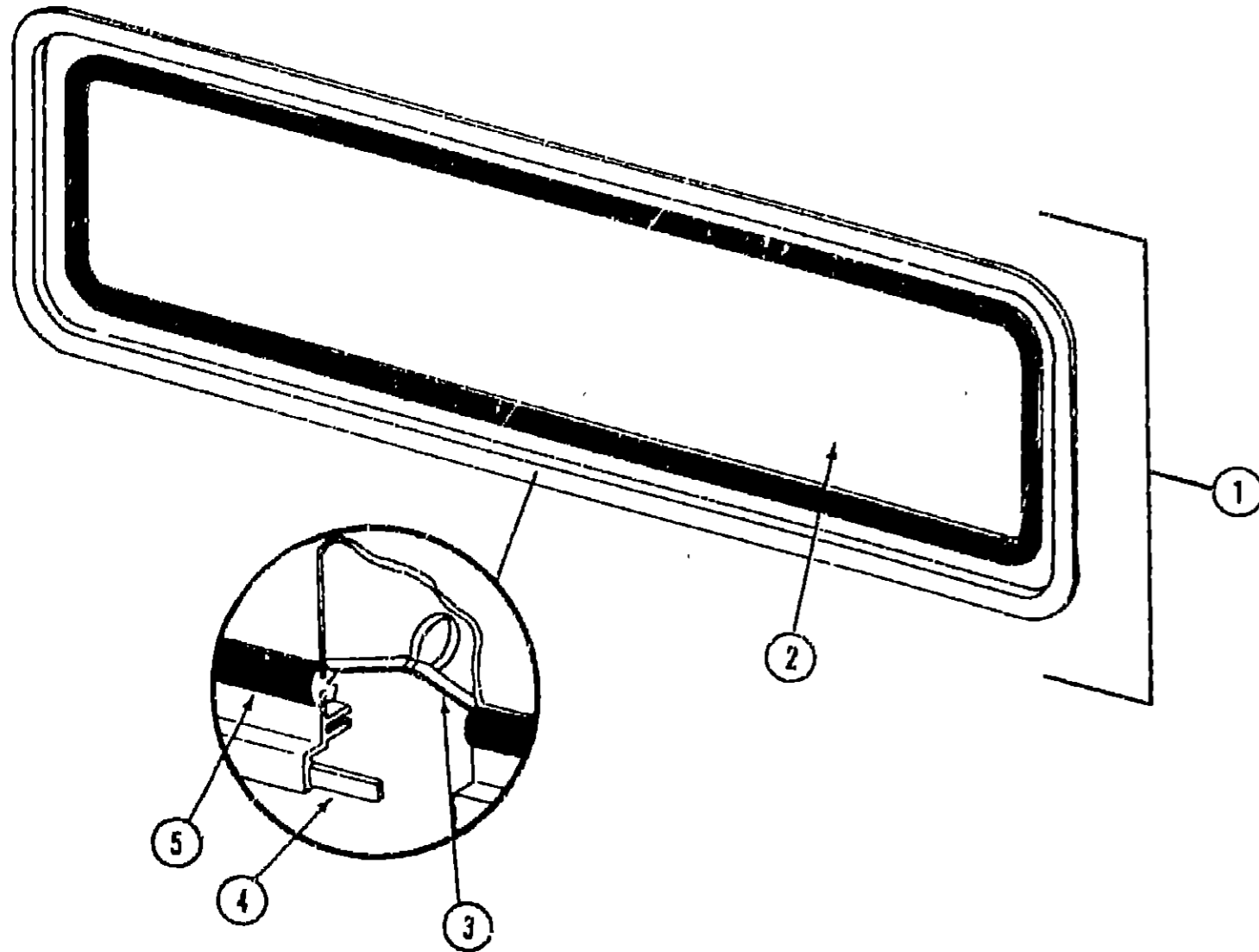
1987 ITASCA
TABLE OF CONTENTS

IC420EG	A-01 - B-06
ICN22EC	B-07 - D-08
ICN27RT	D-09 - F-14
IJN32RU	F-15 - I-02
ICP26ET	I-03 - K-10

1987 ICP26ET INDEX

Floor Plan	I-03 - I-04
Accessories Group	I-05 - I-07
Bath Group	I-08
Chassis Group	I-09 - I-12
Curtain, Cushion & Pad Group	I-13 - I-21
Dinette Group	I-22
Driver's Compartment Group	I-23 - J-02
Electrical Group	J-03 - J-06
Exterior Body Group	J-07 - J-13
Galley Group	J-14 - J-15
Heating & Air Conditioning Group	J-16
Interior Finish Group	J-17 - J-19
LP Group	J-20
Lounge Group	J-21
Water & Sewage Group	J-22
Window, Vent & Exterior Door Group	J-23 - K-10

WINDOW, VENT & EXTERIOR DOOR GROUP (CONTINUED)



Key	Part Number	U/M	Description
1	078528-01-T03	EA	Window Asm. - Escape - 23" x 68" - Black (w/o inside frame)
2	074816-05-000	EA	Inside Frame - Escape Window - Tan (not included in assembly)
3	002174-02-000	EA	Glass - 1/8" x 19 6" x 44 8"
4	002285-01-000	FT	Filler - Weatherstrip - Black
5	069640-01-000	FT	Tape - 1/4" Bead x 20'
	002282-01-000	FT	Weatherstrip - Window - .125" Black
	006199-01-000	EA	Label - Exit - Escape Window
			Not illustrated

WINDOW, VENT & EXTERIOR DOOR GROUP (CONTINUED)

WINDSHIELD & VENT WINDOWS

Key	Part Number	U/M	Description
	074887-01-000	EA	Glass - Windshield - Passenger
	074887-02-000	EA	Glass - Windshield - Drivers
	076071-01-000	EA	Glass - Front Corner - Drivers
	076671-02-000	EA	Glass - Front Corner - Passenger
	083179-01-000	FT	Reveal Molding - Windshield - Passenger - Driver
	083178-01-000	FT	Reveal Molding - Windshield (Center) - Front Corner Glass
	076844-02-000	EA	T-Cap Reveal Molding - Windshield Center
	076841-02-000	EA	Cap - Reveal Molding - Front Corner Glass - Upper
	076842-02-000	EA	Cap - Reveal Molding - Front Corner Glass - Lower

ACCESS DOORS

Key	Part Number	U/M	Description
	084353-02-W33	EA	Door Asm. - Luggage - Gray
	083095-03-U16	EA	Door Asm. - Storage - Insulated - Gray
	084354-01-W33	EA	Door Asm. - LP
	083095-01-U16	EA	Door Asm. - Storage - Insulated - Gray
	084141-04-W33	EA	Door Asm. - Refrigerator Access - Gray
†	084104-02-000	EA	Door Asm. - Refrigerator Access - Gray - Half Door
	084353-01-W33	EA	Door Asm. - Generator - Gray
	052009-03-000	EA	Door Asm. - Water Heater - Gray
	084701-02-000	EA	Water Heater Shroud - Gray
	052413-03-000	EA	Door - Hose Compartment - Gray
	052414-03-000	EA	Jamb - Power Cord/Fuel Fill Door - Gray
	063712-03-000	EA	Door - Power Cord - Gray
	054543-03-000	EA	Hatch - Power Cord Door - Gray
	083615-02-000	EA	Door Holder - Gray Plastic
	041312-01-000	FT	Door Seal e-Section - Rubber
	078010-02-000	EA	Door - Fuel Fill - Gray
	079368-01-000	FT	Seal - Bulb
	009002-01-000	EA	Lock Asm. - Twist Type - w/Clip (Generator)
	042442-02-000	EA	Lock Asm. - Twist Type - 90° Rotation - 1 95" Latch - 1.27" Depth
	047305-01-700	EA	Lock Asm. - Key Type - 90° Rotation - 1 0" Latch - 1.12" Depth
	047408-01-000	EA	Lock Asm. - Key Type - 90° Rotation - 2.5" Latch - 1" Depth
	047486-01-000	EA	Lock Asm. - Key Type - 90° Rotation - 56" Latch - 1.66" Depth
	047486-02-000	EA	Lock Asm. - Key Type - 90° Rotation - 56" Latch - 1 18" Depth

† Used in units produced after 11/10/86.

VENTS & DOMES

Key	Part Number	U/M	Description
	084073-01-000	EA	Cover - Refrigerator Vent
	084073-04-000	EA	Roof Base - Refrigerator Vent
	084616-03-000	EA	Vent - Stovehood - Outside - Gray
	080910-01-000	EA	Skylight - Fixed Dome (Bath)
	077902-01-000	EA	Collar - Skylight
	081171-01-000	EA	Trim - Skylight - Outer
	075056-01-000	EA	Vent Asm. - Roof - Non-Powered - w/o Screen
	078786-01-T03	EA	Screen Asm. - Roof - Non-Powered
	079537-01-000	EA	Vent - Powered
	078785-01-T03	EA	Screen Asm. - Roof - Powered
	009439-01-000	EA	Crank - Roof Vent
	009439-03-000	EA	Extention - .9" - Roof Vent
	009439-05-000	EA	Knob - Roof Vent - Black
	009439-06-000	EA	Extention - .9" Black - Roof Vent
	083558-01-000	EA	Coilar - Vent Pipe - Covered - 1.5"

**1987 ITASCA
TABLE OF CONTENTS**

IC420EG	A-01 - B-06
ICN22EC	B-07 - D-08
ICN27RT	D-09 - F-14
IJN32RQ	F-15 - I-02
ICP26ET	I-03 - K-10

1987 ICP26ET INDEX

Floor Plan	I-03 - I-04
Accessories Group	I-05 - I-07
Bath Group	I-08
Chassis Group	I-09 - I-12
Curtain, Cushion & Pad Group	I-13 - I-21
Dinette Group	I-22
Driver's Compartment Group	I-23 - J-02
Electrical Group	J-03 - J-06
Exterior Body Group	J-07 - J-13
Galley Group	J-14 - J-15
Heating & Air Conditioning Group	J-16
Interior Finish Group	J-17 - J-19
LP Group	J-20
Lounge Group	J-21
Water & Sewage Group	J-22
Window, Vent & Exterior Door Group	J-23 - K-10