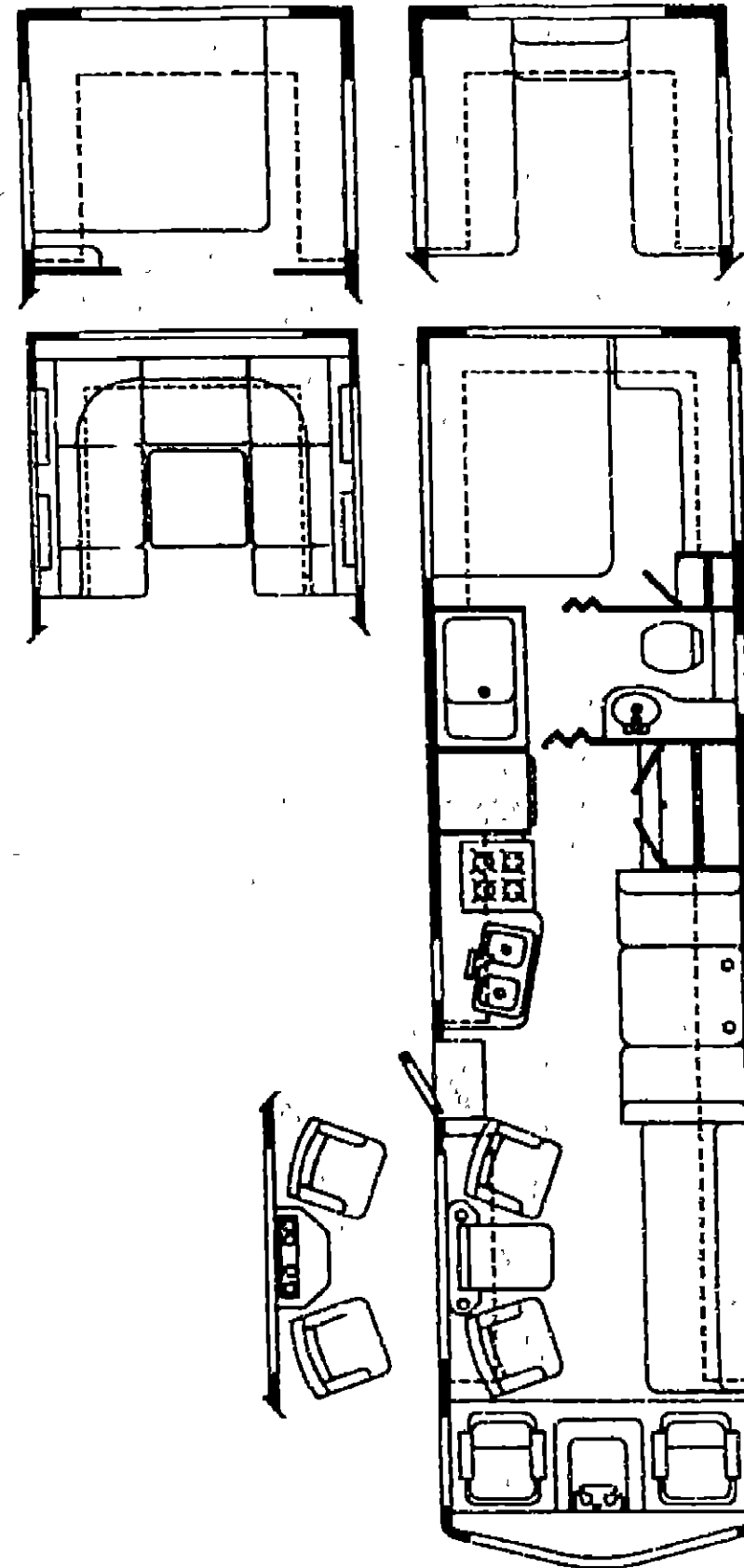


1987 ICN33RU



1987 ITASCA TABLE OF CONTENTS

IC/F424RC	A-01 - C-02
IC/JN31RT	C-03 - E-16
ICN33RU	E-17 - H-08
ICP31RT	H-07 - J-16

1987 ICN33RU INDEX

Floor Plan	E-17 - E-18
Accessories Group	E-19 - E-21
Bath Group	E-22
Chassis Group	E-23 - F-02
Curtain, Cushion & Pad Group	F-03 - F-12
Dinette Group	F-13 - F-14
Driver's Compartment Group	F-15 - F-17
Electrical Group	F-18 - F-20
Exterior Body Group	F-21 - G-02
Galley Group	G-03 - G-05
Heating & Air Conditioning Group	G-06 - G-07
Interior Finish Group	G-08 - G-10
LP Group	G-11
Lounge Group	G-12 - G-13
Water & Sewage Group	G-14 - G-15
Window, Vent & Exterior Door Group	G-16 - H-06

ACCESSORIES GROUP

RADIO & RELATED COMPONENTS

Key	Part Number	U/M	Description
	031105-02-000	EA	Antenna - Radio - Side Mount - w/12" Ground
	031105-01-700	EA	Antenna - Holder - Radio - Upper
	064792-01-000	EA	Grille - Speaker - w/Mesh - Brown
	074014-01-000	EA	Grille - Speaker - Round
	075903-01-000	EA	Radio - AM/FM/MPX w/Cassette
	075904-01-000	EA	Radio - AM/FM/MPX w/Cassette - Electronic Tune
	074979-01-000	EA	Speaker Cover Protector - Plastic
	073431-01-000	EA	Speaker - 5.25 - 3/4 Way (Pair)
	064791-01-000	EA	Speaker - Recessed - 5.25"

MISCELLANEOUS ACCESSORIES

Key	Part Number	U/M	Description
	054185-26-000	EA	Owners Manual - 1987 Itasca & Winnebago
	076319-01-000	EA	Antenna - TV Roof Mount - 44.5" Mast
	017516-01-000	EA	Mud Flaps w/Holes - 14" x 18" - Black
	041944-03-000	EA	Fire Extinguisher - 5 B C - w/Bracket
	072852-01-000	EA	Smoke Detector w/9 Volt Battery
	080089-01-000	EA	Key Case - Leather
	040089-01-000	EA	Door Mat - 10.5" x 26" - Black Rubber
	081075-02-000	EA	Floor Mat - Entrance - Itasca
	081201-02-000	EA	Floor Mat - Left Front - Itasca
	081202-02-000	EA	Floor Mat - Right Front - Itasca
	080208-01-000	EA	Lug Wrench
	080208-02-000	EA	Leverage Bar - Lug Wrench (Chevy)
	006113-01-000	EA	Jack - Hydraulic - 6 Ton - w/Handle
	063706-01-000	EA	Cover - Air Conditioner - Vinyl
	079942-01-000	EA	Shock Absorber - Stabilizer - Front
	079942-02-000	EA	Shock Absorber - Stabilizer - Rear
	079942-07-000	EA	Bracket - Mounting - Stabilizer
	077497-01-000	EA	Solenoid - Air Horns - Air Tank
	077497-01-700	EA	Compressor Switch - Air Horn
	077497-01-702	EA	Toggle Switch - Air Horn
	077497-01-703	EA	Air Tank - Air Horn
	077497-01-704	EA	Compressor w/Switch Air Horn
	063912-01-000	EA	Relay Canister - w/Ground - Air Horn
	075461-01-000	EA	Electric Step Asm - w/Light
	023111-01-000	EA	Blender - Built In
	079941-01-000	EA	Lamp Asm - Fog w/Cover - Amber
	079941-01-700	EA	Lamp Asm - Fog - Set/2
	079941-01-701	EA	Lens & Cover Only
	079941-01-702	EA	Switch - Fog Lights
	079941-01-703	EA	Solenoid
	079941-01-704	EA	Switch Plate
	086260-01-000	EA	Picture - Decorative
	086779-01-000	EA	Clock - 8.25" x 8.25"
	079665-01-000	EA	Clock - 9" x 9"

The illustrated parts breakdown for this item is provided on the Common Items Fiche

ACCESSORIES GROUP (CONTINUED)

OPTIONAL LUGGAGE BOX, RACK & LADDER

Key	Part Number	U/M	Description
	064083-01-000	EA	Box - Luggage - 14" x 30" x 80"
	081016-02-T03	EA	Ladder Asm
	081026-01-T03	EA	Rack Asm - Right
	081026-02-T03	EA	Rack Asm - Left
	081115-01-000	EA	Cap - Top - Rack & Ladder - 1"
	081116-01-000	EA	Slide - Top - Rack & Ladder - 1"
	081114-01-000	EA	End Cap - Ladder Step

OPTIONAL MICROWAVE & COMPONENTS

Key	Part Number	U/M	Description
	081379-01-000	EA	Microwave/Convection Oven - Sharp
	081459-03-000	EA	Bracket Asm - Microwave - Right
	081459-04-000	EA	Bracket Asm - Microwave - Left
	081456-01-000	EA	Angle Asm - Microwave - Right
	081456-02-000	EA	Angle Asm - Microwave - Left
	081555-01-T03	EA	Trim Asm - Microwave
	082876-01-000	EA	Baffle Asm - Microwave

GENERATORS & COMPONENTS

Key	Part Number	U/M	Description
	079654-03-000	EA	Generator - Onan - 4.0 kw - Emerald Series B
	081634-01-000	EA	Generator - Onan - 6.5 kw - Emerald
	054429-01-000	EA	Generator - Onan - 4.0 kw
	052168-01-000	EA	Generator - Onan - 4.25 kw
	069229-01-000	EA	Generator - Kohler - 4.5 kw
	051911-01-000	EA	Generator - Kohler - 7.0 kw
	701629-02-000	EA	Installation Package
	067753-01-000	EA	Muffler - Generator - w/Spark Arrestor - Nelson
	007067-01-000	EA	Insulation - Fiberglass - 1"
	079654-05-000	EA	Exhaust Pipe - Emerald

OPTIONAL VACUUM CLEANER & COMPONENTS

Key	Part Number	U/M	Description
	055285-01-000	EA	Vacuum Cleaner - Built In
	055285-01-700	EA	Accessories Kit - Standard
	055285-01-701	EA	Filter - 8 per Package
	055285-01-702	EA	Hose - 20' - Vacuum Cleaner
	055285-01-703	EA	Rug Tool
	055285-01-704	EA	Crevice Tool
	055285-01-705	EA	Upholstery Tool
	055285-01-706	EA	Wands - Set (2)
	055285-01-707	EA	Dust Bubble - Complete

EXTERIOR MIRROR & COMPONENTS

Key	Part Number	U/M	Description
	086260-01-000	EA	Mirror Asm - Exterior - w/Convex - Passenger
	086260-02-000	EA	Mirror Asm - Exterior - w/Convex - Driver
	086259-01-000	EA	Mirror Asm - Exterior - Remote Control Passenger
	086259-02-000	EA	Mirror Asm - Exterior - Remote Control Driver
	086259-03-000	EA	Switch Asm - Remote Mirror
	086260-63-000	EA	Accessories Kit - Exterior Mirror

1987 ITASCA TABLE OF CONTENTS

IC/IF424RC	A-01 - C-02
IC/JN31RT	C-03 - E-16
ICN33RU	E-17 - H-06
ICP31RT	H-07 - J-16

1987 ICN33RU INDEX

Floor Plan	E-17 - E-18
Accessories Group	E-19 - E-21
Bath Group	E-22
Chassis Group	E-23 - F-02
Curtain, Cushion & Pad Group	F-03 - F-12
Dinette Group	F-13 - F-14
Driver's Compartment Group	F-15 - F-17
Electrical Group	F-18 - F-20
Exterior Body Group	F-21 - G-02
Galley Group	G-03 - G-05
Heating & Air Conditioning Group	G-06 - G-07
Interior Finish Group	G-08 - G-10
LP Group	G-11
Lounge Group	G-12 - G-13
Water & Sewage Group	G-14 - G-15
Window Vent & Exterior Door Group	G-16 - H-06

ACCESSORIES GROUP (CONTINUED)

CUSTOM STEERING WHEEL

Key	Part Number	U/M	Description
	080752-05-000	EA	Wheel - Steering - Custom
	080752-06-000	EA	Hub - Adapter - Steering Wheel
	080752-07-000	EA	Button - Horn w/Wire
	080752-08-000	EA	Screw - Custom Steering Wheel

WHEELS, MOUNTING HARDWARE & LINERS

Key	Part Number	U/M	Description
	083181-03-000	EA	Wheel Cover - 19 5" - Set/4
	083181-03-700	EA	Wheel Cover - 19 5" (1)
	083181-04-000	EA	Retainer Kit - 19 5" - Wheel Cover (Chevy)
	083181-04-700	EA	Retainer for 19 5" - Wheel Cover - Front (1)
	083181-04-701	EA	Retainer for 19 5" - Wheel Cover - Rear (1)
	083181-04-702	EA	Nut Cover for 19 5" & 16 5"
	083181-04-703	EA	Cap - Center - Chrome
	083181-07-000	EA	Retainer Kit - 19 5" - Wheel Cover (John Deere)
	085741-01-000	EA	Liner - Wheel - 19 5" - Set/4 (Chevy)
	086271-01-000	EA	Liner - Wheel - 19 5" - Set/4 (John Deere)

SPEED CONTROL & COMPONENTS

Key	Part Number	U/M	Description
	084417-01-000	EA	Speed Control - w/Column Control
	084417-01-700	EA	Cable - Servo
	084417-01-701	EA	Servo - Electric Asm
	084417-01-702	EA	Servo Extension Harness
	084417-01-703	EA	Cruise Control - Main Harness
	084417-01-704	EA	Switch - Brake
	084417-01-705	EA	Transducer
	084417-01-706	EA	Adapter - Speedometer
	084417-01-707	EA	Control Arm
	084417-01-708	EA	Smart Stick - Main Harness
	084417-01-709	EA	Relay - 12V D C
	084417-01-710	EA	Relay
	084417-01-711	EA	Brake Switch Asm
	084417-01-712	EA	Tester - Cruise Control
	084417-01-713	EA	Pilot
	084417-01-714	EA	Servo Asm
	084417-01-715	EA	Tester - Smart Stick
	084417-01-716	EA	Regulator - Cruise Control
	084417-01-717	EA	Electronic Pkg - Smart Stick
	084417-01-718	EA	Control Arm - Smart Stick Only
	084417-01-719	EA	Rivet - Nylon Snap
	084417-01-720	EA	Mounting Bracket - GM Switch
	084417-01-721	EA	Shroud - Steering Column - Top

BATH GROUP

BATH CABINETRY

Key	Part Number	U/M	Description
	M81304-04-W30	EA	Cabinet Asm - Lavatory - w/o Countertop Doors or Drawers
	M02162-01-W30	EA	Countertop Asm - Lavatory Cabinet
	M02162-01-W31	EA	Countertop Asm - Lavatory Cabinet
	M02162-01-W32	EA	Countertop Asm - Lavatory Cabinet
	M81501-98-W30	EA	Door Asm - Hamper - Raised Panel - w/o Hardware
	M84953-53-W30	EA	Door Asm - Hamper - w/o Hardware
	M81501-13-W30	EA	Door Asm - Lavatory Cabinet - Raised Panel - w/o Hardware
	M84953-09-W30	EA	Door Asm - Lavatory Cabinet - w/o Hardware
	081997-01-W24	EA	Tilt Out - Drawer Face - Lavatory
	076073-01-000	EA	Cabinet Asm - Medicine - 15 4" x 29 4" - Almond
	031535-01-W30	EA	Door Asm - Medicine Cabinet - w/Mirror
	058331-05-000	EA	Mirror - 12" x 26" - Medicine Cabinet Door
	M82757-01-W30	EA	Door Asm - Wardrobe Cabinet - Lower Access - Raised Panel - w/o Hardware
	M81501-31-W30	EA	Door Asm - Wardrobe Cabinet - Upper - Raised Panel - w/o Hardware
	M84953-19-W30	EA	Door Asm - Wardrobe Cabinet - Upper - w/o Hardware
	M02480-01-W30	EA	Countertop Asm - Wardrobe - Regal Oak
	M02153-01-W30	EA	Countertop Asm - Pipe Cover
	M02153-01-W31	EA	Countertop Asm - Pipe Cover
	M02153-01-W32	EA	Countertop Asm - Pipe Cover
	080224-02-000	EA	Folding Door - Front - 35" x 75"
	080224-05-000	EA	Track - Front Folding Door - 29 5"
	080224-03-000	EA	Folding Door - Rear - 35" x 75" - Used with Twin Bed & Queen
	080224-07-000	EA	Track - Rear Folding Door - S Curve - Used with Twin Bed & Queen
	080224-01-700	EA	Latch & Catch Asm - Folding Door
	080224-01-000	EA	Folding Door - Rear - 46" x 75" - Used with Double Bed
	080224-19-000	EA	Track - Rear Folding Door - S Curve - Used with Double Bed

BATH HARDWARE

Key	Part Number	U/M	Description
	M01817-01-703	EA	Bathtub Asm w/Strainer
	075242-03-000	EA	Faucet - Tub & Shower - Brass
	075240-03-000	EA	Faucet - Lavatory - Brass
	011048-02-000	EA	Shower Head - w/60" Hose
	011048-04-000	EA	Vacuum Breaker - 1/8 MPT - Nylon - Shower Head
	075606-01-000	EA	Showers Panel - Faucet - Plastic
	066729-01-000	EA	Strainer - Bathtub Asm
	066435-01-000	EA	Nut Strainer - Plastic - Bathtub Asm
	066436-01-000	EA	Slip Nut - 1 5" Tail Piece - Bathtub Asm
	069735-01-000	EA	Washer - Tail Piece - 1 5" - Plastic - Bathtub Asm
	011069-02-000	EA	Tailpiece - 1 5" x 1.25" x 1/4" - Brass - Bathtub Asm
	080256-01-000	EA	Shroud - Bathtub Asm - Off White
	058713-01-000	EA	Sink - Oval - Ivory Plastic
	063746-01-000	EA	Toilet - Thelford - Aqua Magic - IV High
	075452-02-000	EA	Tissue Holder - Brass
	075453-02-000	EA	Towel Bar - 18" - Brass
	075454-02-000	EA	Towel Ring - Brass
	058331-05-000	EA	Mirror - Tempered Glass - 12" x 26"
	058331-04-000	EA	Mirror - Tempered Glass - 12" x 42"
	057671-01-000	EA	Screw Cover - #8 - Antique White
	059777-02-000	EA	Hinge - Antique Light Brass
	066433-01-000	EA	Hook - Cup - Bright
	042458-01-000	EA	Rod - Clothes - Wood
	009112-01-000	EA	Flange - 1" - Clothes Rod
	071632-01-000	EA	Bag - Hamper - 49" - w/Elastic
	077251-01-000	EA	Drawer - Tiltout - Plastic

The illustrated parts breakdown for this item is provided on the Common Items Fiche

**1987 ITASCA
TABLE OF CONTENTS**

IC/IF424RC	A-01 - C-02
IC/JN31RT	C-03 - E-16
IC/N33RU	E-17 - H-06
IC/P31RT	H-07 - J-16

1987 ICN33RU INDEX

Floor Plan	E-17 - E-18
Accessories Group	E-19 - E-21
Bath Group	E-22
Chassis Group	E-23 - F-02
Curtain Cushion & Pad Group	F-03 - F-12
Denette Group	F-13 - F-14
Driver's Compartment Group	F-15 - F-17
Electrical Group	F-18 - F-20
Exterior Body Group	F-21 - G-02
Galley Group	G-03 - G-05
Heating & Air Conditioning Group	G-06 - G-07
Interior Finish Group	G-08 - G-10
LP Group	G-11
Lounge Group	G-12 - G-13
Water & Sewage Group	G-14 - G-15
Window Vent & Exterior Door Group	G-16 - H-06

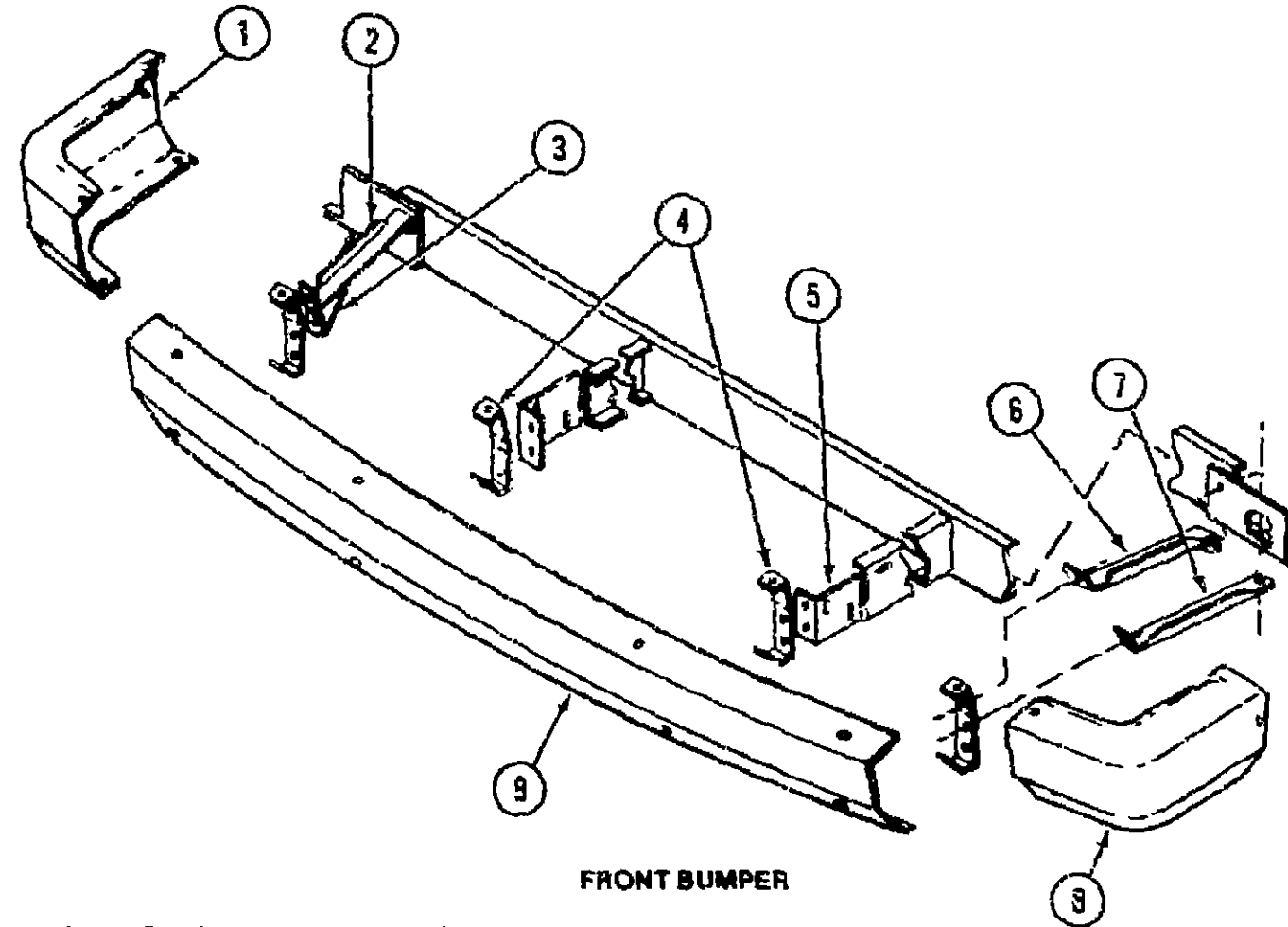
CHASSIS GROUP

MISCELLANEOUS CHASSIS

Key	Part Number	U/M	Description
	062401-04-000	EA	Clamp - Hose - Wormgear - 69" I D - 1 25" I D
	062401-05-000	EA	Clamp - Hose - Wormgear - 2" I D - 3" I D
	062401-06-000	EA	Clamp - Hose - Wormgear - 22 I D - 52" I D
	023146-01-000	EA	Clamp - Screw Type - 4
	024490-01-000	EA	Compartment - Power Cord - Black Plastic
	071858-01-000	EA	Cover - Radiator - Rear
	080722-01-000	EA	Cover - Radiator - Rear Back (Fan Shroud)
	020167-03-000	EA	Dirt Guard - Rear Wheel
	024138-01-000	FT	Hose - Fuel - 5/16" I D SAE 30RI
	066732-01-000	FT	Hose - Fuel Fill - 62 I D
	007111-02-000	EA	Hose - Fuel Fill - 2.00 I D
	007111-01-000	EA	Hose - Fuel Fill - 2.25 I D
	017516-01-000	EA	Mud Flap w/Holes - 14" x 18" - Black
	064963-01-000	EA	Rim - Wheel - 19 5" x 6 75
	086273-01-000	EA	Relay - Battery Disconnect
	075146-01-000	EA	Shield - Heat Muffler
	053322-04-000	EA	Heat Shield - Exhaust
	079942-01-000	EA	Shock Absorber - Stabilizer - Front
	079942-02-000	EA	Shock Absorber - Stabilizer - Rear
	079942-07-000	EA	Bracket - Mounting Stabilizer
	063977-08-000	EA	Step Asm - Driver Door
	063977-10-000	EA	Step Asm - Passenger Door
	077848-01-000	EA	Step Asm - Entry
	076241-01-000	EA	Support Asm - Electric Step
	061411-03-000	EA	Tailpipe Extension - 2 25" x 10 5
	081918-01-000	EA	Tailpipe Extension - 2 25" x 11 44
	007324-04-000	EA	Tire - 8 0 x 19 5" - Tubeless - Michelin
	007321-01-000	EA	Tire - 8 0 x 19 5" - 8 Ply - Tube - Polyester
	052431-02-000	EA	Tray - Luggage
	052431-01-000	EA	Tray - Luggage
	051377-01-000	EA	Valve Stem Asm - TR500
	055374-01-000	EA	Wheelwell - Plastic
	008343-01-000	EA	Wire Tie - 6
	047441-01-000	EA	Battery Terminal - Horizontal Lug
	075723-01-000	EA	Block - Switch - Spacer w/o Holes
	051697-01-000	EA	Bracket - Battery Tie Down - 6 9"
	007125-07-000	EA	Clamp Asm - Muffler - 1 62
	007125-01-000	EA	Clamp Asm - Muffler - 2 50
	010497-01-000	EA	Clamp - Close - 5/8 I D
	007167-01-000	EA	Clamp - Hose - Spring Type 112
	062401-01-000	EA	Clamp - Hose - Wormgear - 22" I D x 1 I D
	062401-02-000	EA	Clamp - Hose - Wormgear - 1 56" I D - 2 5" I D
	062401-03-000	EA	Clamp - Hose - Wormgear - 25 I D - 1" I D
	018010-05-000	EA	Door Asm & Upper Shroud - Fuel Fill - Gray
	072447-01-000	EA	Shroud - Fuel Fill - Inside
	083578-01-000	EA	Boot - Fuel Fill
	077963-01-000	EA	Gasket - Door - Gas Fill
	078200-01-000	EA	Gasket - Fuel Fill

Remainder of exhaust Components available from chassis service center

CHASSIS GROUP (CONTINUED)



Key	Part Number	U/M	Description
1	078577-05-000	EA	Bumper End - Gray - Passenger Front
2	078002-01-000	EA	Brace - Upper Passenger - Front Bumper
3	018003-01-000	EA	Brace - Lower Passenger - Front Bumper
4	077852-01-000	EA	Bracket to Bumper - Front
5	076527-01-000	EA	Bracket to Frame - Front Bumper
6	078002-02-000	EA	Brace - Upper Drivers - Front Bumper
7	078003-02-000	EA	Brace - Lower Drivers - Front Bumper
8	078577-06-000	EA	Bumper End - Gray - Drivers Front
9	077850-01-000	EA	Bumper - Front - Painted
9	077850-07-000	EA	Bumper - Front - Chrome
	005200-01-000	EA	Carriage Bolt - Chrome - 7/16" x 14 x 1 1/4
	000039-07-000	EA	Nut - hex - 7/16" - 14
*	Not illustrated		

AUXILIARY FUEL FILL

Key	Part Number	U/M	Description
	078010-05-000	EA	Door Asm & Upper Shroud - Fuel Fill - Gray
	073220-02-000	EA	Cap - Fuel Fill
	075830-01-000	EA	Shroud - Fuel Fill - Inside
	075914-02-000	EA	Neck Asm - Fuel Fill
	007111-02-000	EA	Hose - Fuel - 1 D x 3
	066732-01-000	FT	Hose - Fuel - 62" I D - Vent
	075686-01-000	EA	Tank - Fuel - 30 Gallon
	075232-01-000	EA	Strap Asm - Fuel Tank - T-Bolt Ends
	075685-01-000	EA	Bracket - Fuel Tank Mounting
	063303-05-000	EA	Shroud - Fuel Fill - Lower
	078200-01-000	EA	Gasket - Fuel Fill
	079807-01-000	EA	Plate - Changeover Valve
	080212-01-000	EA	Valve - Changeover - Fuel Select 6 Port
	085743-01-000	EA	Valve - Changeover - Fuel Select - 6 Port
	057036-10-000	EA	Sending Unit - 90 Ohms - w Filter

Used after 6-16-86

1987 ITASCA TABLE OF CONTENTS

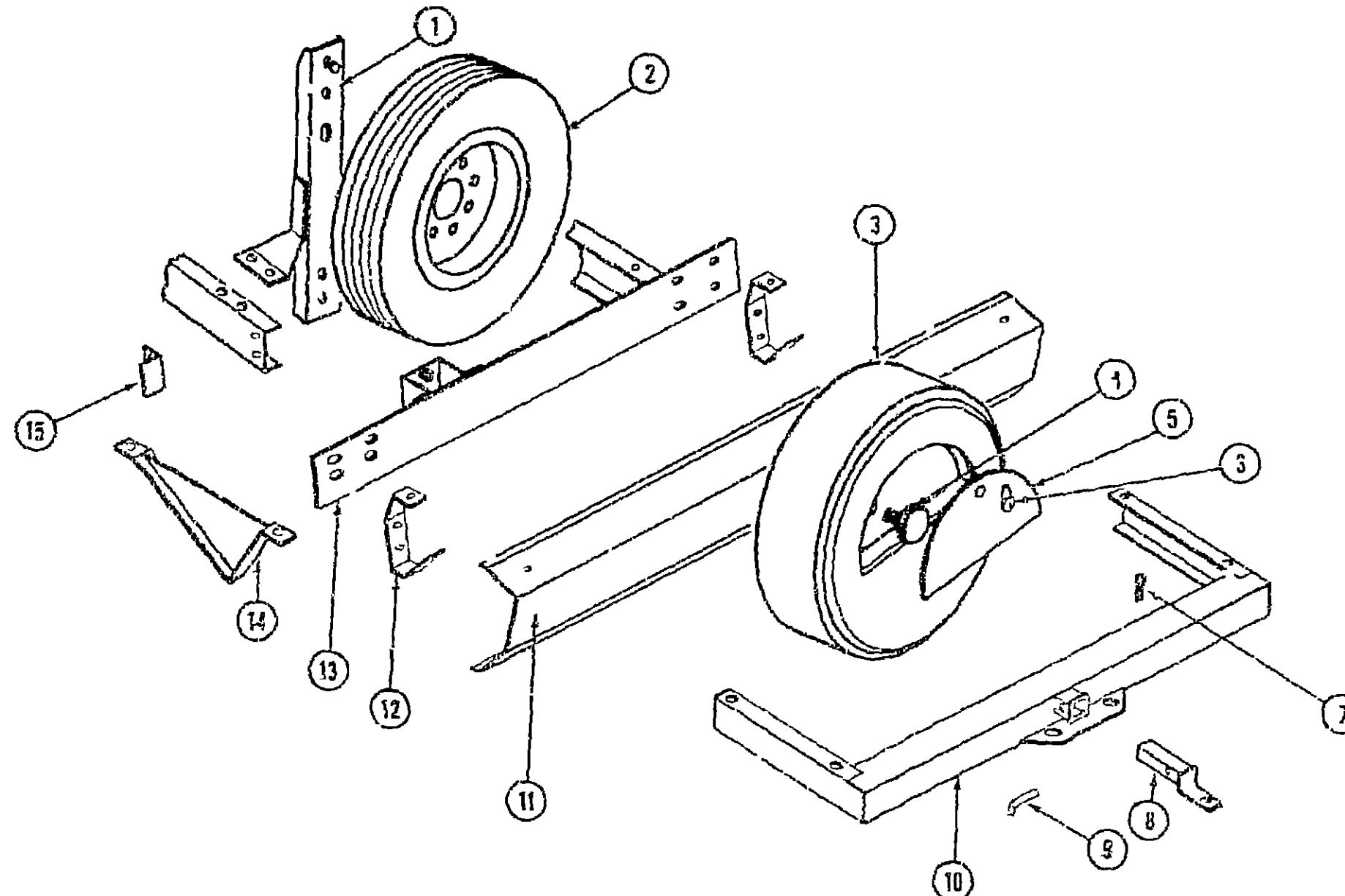
IC/IF424RC	A-01 - C-02
IC/JN31RT	C-03 E-16
ICN33RU	E-17 - H-06
ICP31RT	H-07 - I-16

1987 ICN33RU INDEX

Floor Plan	E-17 E-18
Accessories Group	E-19 - E-21
Bath Group	E-22
Chassis Group	E-23 - F-02
Curtain Cushion & Pad Group	F-03 - F-12
Dinette Group	F-13 - F-14
Drivers Compartment Group	F-15 - F-17
Electrical Group	F-18 - F-20
Exterior Body Group	F-21 G-02
Galley Group	G-03 - G-05
Heating & Air Conditioning Group	G-06 - G-07
Interior Finish Group	G-08 - G-10
LP Group	G-11
Lounge Group	G-12 - G-13
Water & Sewage Group	G-14 - G-15
Window Vent & Exterior Door Group	G-16 - H-06

CHASSIS GROUP (CONTINUED)

SPARE TIRE HITCH & REAR BUMPER



Key	Part Number	U/AI	Description
1	080378-02-000	EA	Bracket - U-Channel - Tire Carrier
2	007024-04-000	EA	Tire - 8 0" x 19 5 - 8 Ply - Tubeless - Michelin
3	079762-02-000	EA	Tire Cover - Gray Plastic
4	064032-02-000	EA	Nut - Tire Cover Retainer - Duralmet
5	1A02047-01-T18	EA	Door - Tire Cover - Gray Plastic
6	077408-02-000	EA	Lock Asm - Key Type
7	034513-01-000	EP	Pin - Hitch - 3/16 Wire
8	077613-01-000	EA	Drawbar - Ball Mount
9	034512-01-000	EA	Locking Pin - Drawbar
10	077217-01-700	EA	Hitch Asm - w/Drawbar
11	076584-10-000	EA	Bumper - Rear - Gray
11	078584-03-000	EA	Bumper - Rear - Chromed
	080814-01-W30	EA	Bumper End - Right - Beige
	080815-01-W30	EA	Bumper End - Left - Beige
12	078570-02-000	EA	Bracket to Bumper - Rear
13	079123-02-000	EA	Bracket to Frame - Rear Bumper
14	083376-01-000	EA	Skid Plate Asm
15	076668-01-000	EA	Support Angle - Rear Bumper Support to Frame
	065200-01-000	EA	Bumper Bolt - 7/16" - 14 x 1 1/4"
	Not illustrated		

1987 ITASCA TABLE OF CONTENTS

IC/IF424RC
IC/JN31RT
ICN33RU
ICP31RT

A-01 - C-02
C-03 - E-16
E-17 - H-06
H-07 - J-16

1987 ICN33RU INDEX

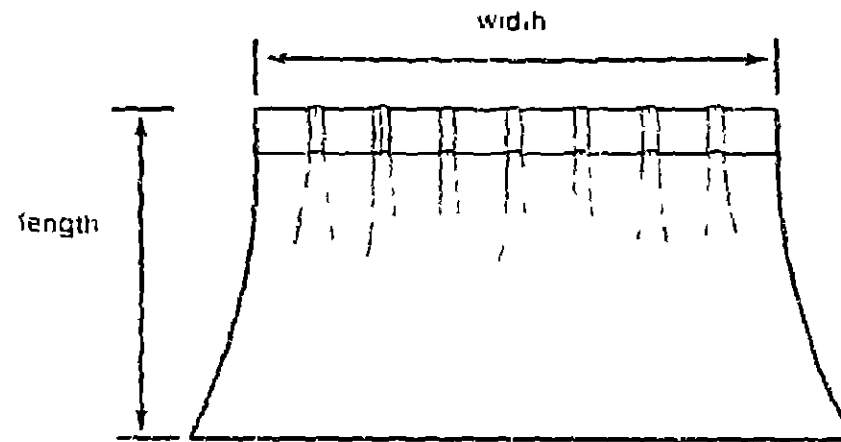
Floor Plan	E-17 - E-18
Accessories Group	E-19 - E-21
Bath Group	E-22
Chassis Group	E-23 - F-02
Curtain Cushion & Pad Group	F-03 - F-12
Dinette Group	F-13 - F-14
Driver's Compartment Group	F-15 - F-17
Electrical Group	F-18 - F-20
Exterior Body Group	F-21 - G-02
Galley Group	G-03 - G-05
Heating & Air Conditioning Group	G-06 - G-07
Interior Finish Group	G-08 - G-10
LP Group	G-11
Lounge Group	G-12 - G-13
Water & Sewage Group	G-14 - G-15
Window Vent & Exterior Door Group	G-16 - H-02

CURTAIN, CUSHION & PAD GROUP

NOTICE

In order to assist our Parts Sales Dept. in providing the correct software items please include the serial number and the color code number from the vehicle certification label when ordering. This label is located on the left side wall at the end of the dash (A-Body) or on the driver's door latch plate (C-Body).

An example of a color code number is P31 which designates an overall color scheme of a particular unit. The color listed after the item description on the microfiche indicates the overall unit color. Order the item you desire according to unit color code.



NOTE
Use this illustration when determining length and width measurements for curtains. You will note the width measurement is taken on the top of the curtain with the curtain fully extended. The length measurement is taken from top to bottom.



Key	Part Number	U/M	Description
1	029130-01-000	EA	Socket - Snap Fastener
2	029155-01-000	EA	Cap - Snap - 155" Dia x 17 Bar
3	029156-01-000	EA	Socket - Snap Fastener
4	029092-01-000	EA	Stud - Nickel Finish
5	029093-01-000	EA	Eyelet - Nickel Finish

CURTAIN, CUSHION & PAD GROUP (CONTINUED)

CURTAIN & CUSHION HARDWARE

Key	Part Number	U/M	Description
	032105-03-000	EA	Bracket - Hold Down - Blinds
	032139-02-000	EA	Bracket - Hold Down - Blinds
	085283-01-000	EA	Bracket - Hold Back - Clear
	084434-01-000	EA	Bracket - Roller Shade - 1 3/8
	056003-01-000	EA	Bracket - Drapery Retainer
	056003-02-000	EA	Bracket - Drapery Retainer
	083170-03-000	EA	Bracket - Installation - Right
	083170-04-000	EA	Bracket - Installation - Left
	079619-01-000	EA	Bracket - Tie Back
	080211-03-000	EA	Clip - Decor Pad
	048394-02-000	YD	Tape Hook - 7 1/2 x 50 yds - Beige
	048395-02-000	YD	Tape Loop - 7 1/2 x 50 yds - Beige
	029060-01-000	FT	Tie Back - Drapery - Clear
	056116-01-000	EA	Track - Curtain - Brown Plastic
	079945-01-000	EA	Track - Curtain - Wraparound - Right
	079946-02-000	EA	Track - Curtain - Wraparound - Left

FABRICS TRIMS & PADS

Key	Part Number	U/M	Description
	077498-89-000	YD	Fabric - Main w/Pattern - Jade/Peach (W30)
	077498-90-000	YD	Fabric - Main w/Pattern - Mahogany (W31)
	077498-82-000	YD	Fabric - Main w/Pattern - Rose (W32)
	077498-B2-000	YD	Fabric - Patterned Accent - Jade/Peach (W30)
	077498-B3-000	YD	Fabric - Patterned Accent - Mahogany (W31)
	077498-B4-000	YD	Fabric - Patterned Accent - Rose (W32)
	077498-A1-000	YD	Fabric - Plain Accent - Jade/Peach (W30)
	077498-A2-000	YD	Fabric - Plain Accent - Mahogany (W31)
	077498-A3-000	YD	Fabric - Plain Accent - Rose (W32)
	072333-36-000	YD	Fabric - Drapery/Accent - Jade/Peach (W30)
	072333-37-000	YD	Fabric - Drapery/Accent - Mahogany (W31)
	072333-38-000	YD	Fabric - Drapery/Accent - Rose (W32)
	069729-44-000	YD	Fabric - Bedspread/Drapery - Jade/Peach (W30)
	069729-45-000	YD	Fabric - Bedspread/Drapery - Mahogany (W31)
	069729-46-000	YD	Fabric - Bedspread/Drapery - Rose (W32)
	081607-02-000	YD	Fabric - Headliner - Sandstone
	076262-01-000	YD	Fabric - Drapery Lining - Ivory - 48"
	072333-44-000	YD	Fabric - Drapery Lining - Natural (Pull Shades)
	072333-30-000	YD	Fabric - Drapery Lining - Linen (Pull Shades)
	081519-01-W24	EA	Pad Asm - Dinette - Front - Jade/Peach (W30)
	081519-01-W25	EA	Pad Asm - Dinette - Front - Mahogany (W31)
	081519-01-W29	EA	Pad Asm - Dinette - Front - Rose (W32)
	081519-02-W24	EA	Pad Asm - Dinette - Rear - Jade/Peach (W30)
	081519-02-W25	EA	Pad Asm - Dinette - Rear - Mahogany (W31)
	081519-02-W26	EA	Pad Asm - Dinette - Rear - Rose (W32)
	059414-06-000	EA	Pad Asm - Trim - Sidewall - Right - Vinyl
	059467-04-T03	EA	Pad Asm - Map Pocket - Right - Vinyl
	077641-95-000	EA	Wall Pad - Swivel Chairs - 16 x 12" - Jade/Peach (W30)
	077641-96-000	EA	Wall Pad - Swivel Chairs - 16 x 12" - Mahogany (W31)
	077641-94-000	EA	Wall Pad - Swivel Chairs - 16 x 12" - Rose (W32)

Used in units produced after 10-19-86

**1987 ITASCA
TABLE OF CONTENTS**

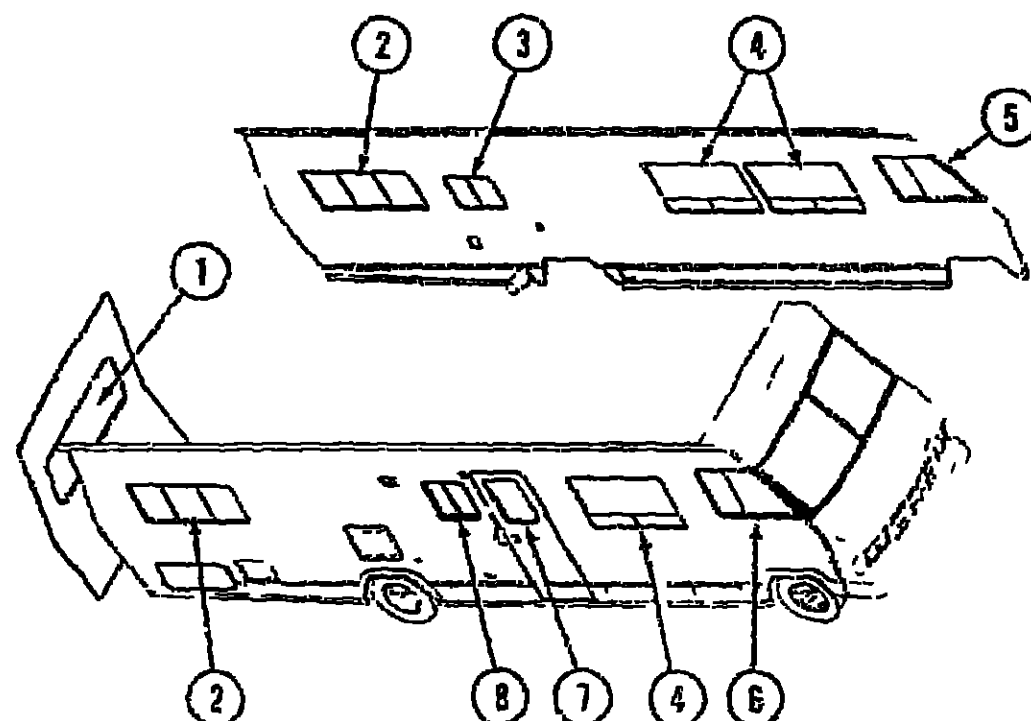
IC/IF424RC	A-01 - C-02
IC/JN31RT	C-03 - E-16
ICN33RU	E-17 - H-06
ICP31RT	H-07 - J-15

1987 ICN33RU INDEX

Floor Plan	E-17 - E-18
Accessories Group	E-19 - E-21
Bath Group	E-22
Chassis Group	E-23 - E-02
Curtain, Cushion & Pad Group	F-03 - F-12
Dinette Group	F-13 - F-14
Driver's Compartment Group	F-15 - F-17
Electrical Group	F-18 - F-20
Exterior Body Group	F-21 - G-02
Galley Group	G-03 - G-05
Heating & Air Conditioning Group	G-06 - G-07
Interior Finish Group	G-08 - G-10
LP Group	G-11
Lounge Group	G-12 - G-13
Water & Sewage Group	G-14 - G-15
Window, Vent & Exterior Door Group	G-16 - H-05

CURTAIN, CUSHION & PAD GROUP (CONTINUED)

CURTAINS SHADES VALANCES & TIEBACKS



1987 ITASCA TABLE OF CONTENTS

IC/IF424RC
IC/JN11RT
ICN33RU
ICP31RT

A-01 - C-02
C-03 - E-16
E-17 - H-06
H-07 - J-16

REAR ESCAPE WINDOW

Key	Part Number	U/M	Description
†	079558-21-W30	EA	Valance Asm - Gathered - 5" x 140"
†	079558-20-W31	EA	Valance Asm - Gathered - 5" x 140"
†	079558-20-W32	EA	Valance Asm - Gathered - 5" x 140"
†	079559-11-W30	EA	Curtain Asm w/Gathers - 32" x 41"
†	079559-11-W31	EA	Curtain Asm w/Gathers - 32" x 41"
†	079559-11-W32	EA	Curtain Asm w/Gathers - 32" x 41"
	084755-03-W24	EA	Shade Asm - Pull - 72.25" (W30)
	084755-03-W25	EA	Shade Asm - Pull - 72.25" (W31)
	084755-03-W26	EA	Shade Asm - Pull - 72.25" (W32)
	084755-03-WA4	EA	Shade Asm - Pull - 72.25" (W30)
	084755-03-WA5	EA	Shade Asm - Pull - 72.25" (W31)
	084755-03-WA8	EA	Shade Asm - Pull - 72.25" (W32)
†	079558-13-W30	EA	Valance Asm - Gathered - 5" x 140"
†	079558-13-W31	EA	Valance Asm - Gathered - 5" x 140"
†	079558-13-W32	EA	Valance Asm - Gathered - 5" x 140"
†	079559-10-W30	EA	Curtain Asm w/Gathers - 32" x 41"
†	079559-10-W31	EA	Curtain Asm w/Gathers - 32" x 41"
†	079559-10-W32	EA	Curtain Asm w/Gathers - 32" x 41"
†	085304-21-000	EA	Blinds - Pleated - 71" x 28"
†	085304-25-000	EA	Blinds - Pleated - 71" x 28"
†	085304-22-000	EA	Blinds - Pleated - 71" x 28"

Shades used on units produced after 10-19-85

† This part used with the Horseshoe Lounge Option

REAR SIDE WINDOWS

Key	Part Number	U/M	Description
2	079558-21-W30	EA	Valance Asm - Gathered - 5" x 120"
2	079558-21-W31	EA	Valance Asm - Gathered - 5" x 120"
2	079559-21-W32	EA	Valance Asm - Gathered - 5" x 120"
2	079559-11-W30	EA	Curtain Asm w/Gathers - 32" x 41"
2	079559-11-W31	EA	Curtain Asm w/Gathers - 32" x 41"
2	079559-11-W32	EA	Curtain Asm w/Gathers - 32" x 41"
	084755-09-W30	EA	Shade Asm - Pull - 42.25" - Drivers Side (w/Double Bed)
	084755-09-W31	EA	Shade Asm - Pull - 42.25" - Drivers Side (w/Double Bed)
	084755-09-W32	EA	Shade Asm - Pull - 42.25" - Drivers Side (w/Double Bed)
	084755-09-WA4	EA	Shade Asm - Pull - 42.25" - Drivers Side (w/Double Bed)
	084755-09-WA5	EA	Shade Asm - Pull - 42.25" - Drivers Side (w/Double Bed)
	084755-09-WA8	EA	Shade Asm - Pull - 42.25" - Drivers Side (w/Double Bed)
	084755-05-W30	EA	Shade Asm - Pull - 60.25" - Drivers & Passengers
	084755-05-W31	EA	Shade Asm - Pull - 60.25" - Drivers & Passengers
	084755-05-W32	EA	Shade Asm - Pull - 60.25" - Drivers & Passengers
	084755-05-WA4	EA	Shade Asm - Pull - 60.25" - Drivers & Passengers (W30)
	084755-05-WA5	EA	Shade Asm - Pull - 60.25" - Drivers & Passengers (W31)
	084755-05-WA6	EA	Shade Asm - Pull - 60.25" - Drivers & Passengers (W32)
†	079558-18-W30	EA	Valance Asm - Gathered - 5" x 120"
†	079558-18-W31	EA	Valance Asm - Gathered - 5" x 120"
†	079558-18-W32	EA	Valance Asm - Gathered - 5" x 120"
†	079559-10-W30	EA	Curtain Asm w/Gathers - 32" x 41"
†	079559-10-W31	EA	Curtain Asm w/Gathers - 32" x 41"
†	079559-10-W32	EA	Curtain Asm w/Gathers - 32" x 41"
†	085304-11-000	EA	Blinds - Pleated - 59" x 28" Drop (W30)
†	085304-15-000	EA	Blinds - Pleated - 59" x 28" Drop (W31)
†	085304-12-000	EA	Blinds - Pleated - 59" x 28" Drop (W32)

Shades used on units produced after 10-19-85

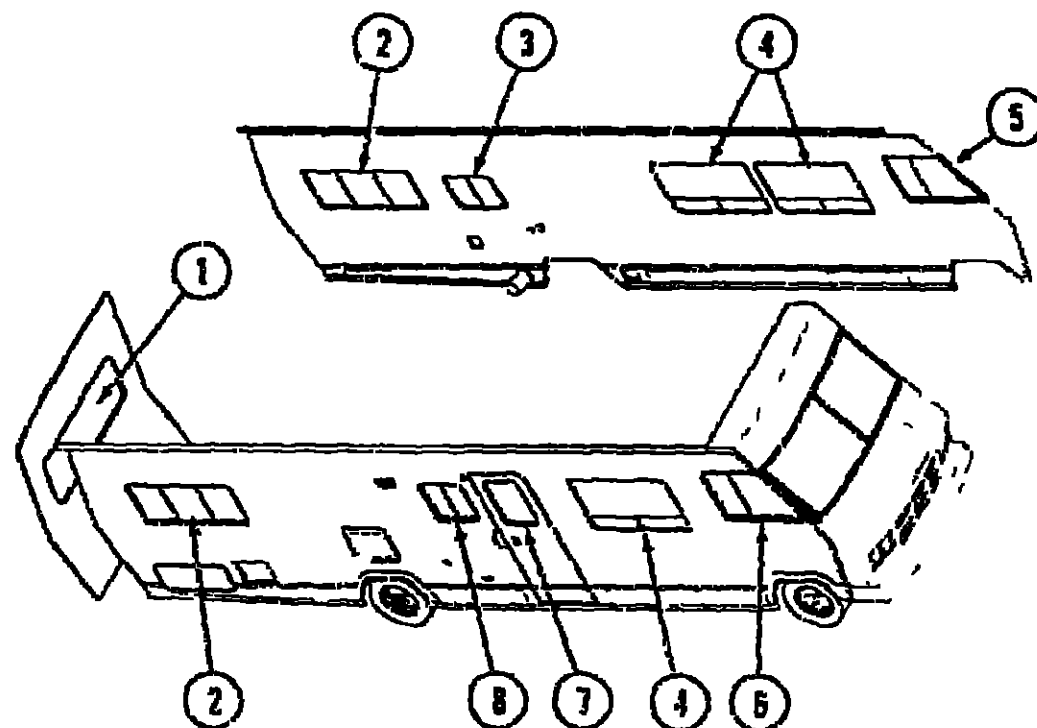
† This part used with the Horseshoe Lounge Option

1987 ICN33RU INDEX

Floor Plan	E-17 - E-18
Accessories Group	E-19 - E-21
Bath Group	E-22
Chassis Group	E-23 - F-02
Curtain Cushion & Pad Group	F-03 - F-12
Dinette Group	F-13 - F-14
Driver's Compartment Group	F-15 - F-17
Electrical Group	F-18 - F-20
Exterior Body Group	F-21 - G-02
Galley Group	G-03 - G-05
Heating & Air Conditioning Group	G-06 - G-07
Interior Finish Group	G-08 - G-10
LP Group	G-11
Lounge Group	G-12 - G-13
Water & Sewage Group	G-14 - G-15
Window Vent & Exterior Door Group	G-16 - H-06

CURTAIN, CUSHION & PAD GROUP (CONTINUED)

CURTAINS SHADES VALANCES & TIEBACKS (CONT)



**1987 ITASCA
TABLE OF CONTENTS**

IC/IF424RC
IC/JN31RT
ICN33RU
ICP31RT

A 0' - C-02
C-03 - E-16
E-17 - H-06
H-07 - J-16

Key	Part Number	U/M	Description
3	084755-06-W24	EA	Shade Asm - Pull - 33.25" (W30)
3	084755-06-W25	EA	Shade Asm - Pull - 33.25" (W31)
3	084755-06-W26	EA	Shade Asm - Pull - 33.25" (W32)
3	084755-06-WA4	EA	Shade Asm - Pull - 33.25" (W30)
3	084755-06-WA5	EA	Shade Asm - Pull - 33.25" (W31)
3	084755-06-WA8	EA	Shade Asm - Pull - 33.25" (W32)
3	079558-15-W30	EA	Valance Asm - Gathered - 5" x 40"
3	079558-15-W31	EA	Valance Asm - Gathered - 5" x 40"
3	079558-15-W32	EA	Valance Asm - Gathered - 5" x 40"
3	079558-07-W30	EA	Curtain Asm w/Gathers - 27.5" x 20"
J	079558-07-W31	EA	Curtain Asm w/Gathers - 27.5" x 20"
3	079558-07-W32	EA	Curtain Asm w/Gathers - 27.5" x 20"
4	084755-02-W24	EA	Shade Asm - Pull - 67.25" (W30)
4	084755-02-W25	EA	Shade Asm - Pull - 67.25" (W31)
4	084755-02-W26	EA	Shade Asm - Pull - 67.25" (W32)
4	084755-02-WA4	EA	Shade Asm - Pull - 67.25" (W30)
4	084755-02-WA5	EA	Shade Asm - Pull - 67.25" (W31)
4	084755-02-WA8	EA	Shade Asm - Pull - 67.25" (W32)
4	079558-13-W30	EA	Valance Asm - Gathered - 5" x 140"
4	079558-13-W31	EA	Valance Asm - Gathered - 5" x 140"
4	079558-13-W32	EA	Valance Asm - Gathered - 5" x 140"
4	079559-06-W30	EA	Curtain Asm w/Gathers - 36" x 44"
4	079559-06-W31	EA	Curtain Asm w/Gathers - 36" x 44"
4	079559-06-W32	EA	Curtain Asm w/Gathers - 36" x 44"
4	085304-21-000	EA	Blinds - Pleated - 71" x 28" Drop (W30)
4	085304-25-000	EA	Blinds - Pleated - 71" x 28" Drop (W31)
4	085304-22-000	EA	Blinds - Pleated - 71" x 28" Drop (W32)
5	073304-41-W30	EA	Curtain Asm - Front Wraparound w/Lining
5	073304-41-W31	EA	Curtain Asm - Front Wraparound w/Lining
5	073304-41-W32	EA	Curtain Asm - Front Wraparound w/Lining

Key	Part Number	U/M	Description
5	077591-06-W30	EA	Curtain Asm w/Velcro Top - Bunk Privacy - Driver
5	077591-06-W31	EA	Curtain Asm w/Velcro Top - Bunk Privacy - Driver
5	077591-06-W32	EA	Curtain Asm w/Velcro Top - Bunk Privacy - Driver
6	073304-40-W30	EA	Curtain Asm - Front Wraparound w/Lining
6	073304-40-W31	EA	Curtain Asm - Front Wraparound w/Lining
6	073304-40-W32	EA	Curtain Asm - Front Wraparound w/Lining
6	077591-05-W30	EA	Curtain Asm w/Velcro Top - Bunk Privacy - Passenger
6	077591-05-W31	EA	Curtain Asm w/Velcro Top - Bunk Privacy - Passenger
6	077591-05-W32	EA	Curtain Asm w/Velcro Top - Bunk Privacy - Passenger
6	073260-23-W06	EA	Tieback Asm - 3" x 18" - Drapery (W30)
6	073260-23-W25	EA	Tieback Asm - 3" x 18" - Drapery (W31)
6	073260-23-W05	EA	Tieback Asm - 3" x 18" - Drapery (W32)
7	084755-04-W30	EA	Shade Asm - Pull - 24.25" (W30)
7	084755-04-W31	EA	Shade Asm - Pull - 24.25" (W31)
7	084755-04-W32	EA	Shade Asm - Pull - 24.25" (W32)
7	084755-04-WA4	EA	Shade Asm - Pull - 24.25" (W30)
7	084755-04-WA5	EA	Shade Asm - Pull - 24.25" (W31)
7	084755-04-WA8	EA	Shade Asm - Pull - 24.25" (W32)
7	079558-14-W30	EA	Valance Asm - Gathered - 5" x 75"
7	079558-14-W31	EA	Valance Asm - Gathered - 5" x 75"
7	079558-14-W32	EA	Valance Asm - Gathered - 5" x 75"
8	084755-01-W24	EA	Shade Asm - Pull - 28.25" (W30)
8	084755-01-W25	EA	Shade Asm - Pull - 28.25" (W31)
8	084755-01-W26	EA	Shade Asm - Pull - 28.25" (W32)
8	084755-01-WA4	EA	Shade Asm - Pull - 28.25" (W30)
8	084755-01-WA5	EA	Shade Asm - Pull - 28.25" (W31)
8	084755-01-WA8	EA	Shade Asm - Pull - 28.25" (W32)
8	079558-14-W30	EA	Valance Asm - Gathered - 5" x 75"
8	079558-14-W31	EA	Valance Asm - Gathered - 5" x 75"
8	079558-14-W32	EA	Valance Asm - Gathered - 5" x 75"

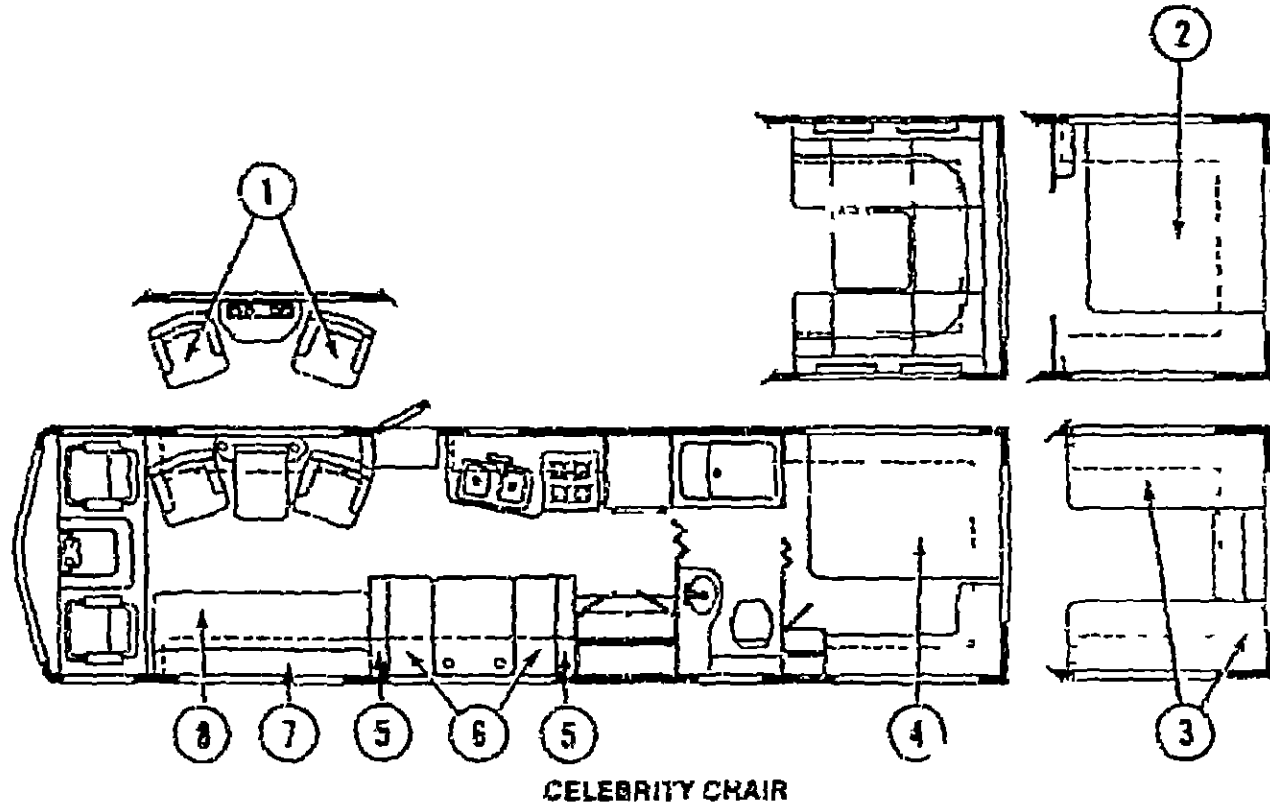
Shades used in units produced after 10-19-86

1987 ICN33RU INDEX

Floor Plan	E-17	E-18
Accessories Group	E-19	E-21
Bath Group		E-22
Chassis Group	E-23	F-02
Curtain Cushion & Pad Group	F-03	F-12
Dinette Group	F-13	F-14
Driver's Compartment Group	F-15	F-17
Electrical Group	F-18	F-20
Exterior Body Group	F-21	G-02
Galley Group	G-03	G-05
Heating & Air Conditioning Group	G-06	G-07
Interior Finish Group	G-08	G-10
LP Group		G-11
Lounge Group	G-12	G-13
Water & Sewage Group	G-14	G-15
Window Vent & Exterior Door Group	G-15	F-06

CURTAIN, CUSHION & PAD GROUP (CONTINUED)

CURTAIN, CUSHION & PAD GROUP (CONTINUED)



Key	Part Number	U/M	Description
1	085059-01-W30	EA	Chair Asm - Celebrity
1	085059-01-W31	EA	Chair Asm - Celebrity
1	085059-01-W32	EA	Chair Asm - Celebrity
	085187-01 W30	EA	Skirt Asm - Celebrity
	085187-01 W31	EA	Skirt Asm - Celebrity
	085187-01 W32	EA	Skirt Asm - Celebrity
	035036-01-000	EA	Plate - Tip & Swivel Chair
	035036-04-000	EA	Base w/Legs - Swivel Chair
	035036-06-000	EA	Extension - 5" - Swivel Chair
1	086516-01 W30	EA	Chair Asm - EZ Back Recliner
*1	086516-01-W31	EA	Chair Asm - EZ Back Recliner
1	086516-01-W32	EA	Chair Asm - EZ Back Recliner
	075174-05-W30	EA	Skirt Asm - Recliner Chair
	075174-05-W31	EA	Skirt Asm - Recliner Chair
	075174-05-W32	EA	Skirt Asm - Recliner Chair
	069246-03-000	EA	Adjuster Asm - TT Chair - w/Lock
	069246-04-000	EA	Adjuster Asm - TT Chair - w/o Lock
	035036-07-000	EA	Extension - 4" - Recliner Chair

Parts used on the Reclining Swivel Chair

QUEEN BED

Key	Part Number	U/M	Description
2	077478-05-000	EA	Mattress - Innerspring 60 x 75 x 7 5" - Sealy
2	083496-04-000	EA	Mattress - Foam - 60 x 75" x 7"
	081969-15-W30	EA	Bedspread Asm - 60" x 76" w/Flip-up Top
	081969-15-W31	EA	Bedspread Asm - 60" x 76" w/Flip-up Top
	081969-15-W32	EA	Bedspread Asm - 60" x 76" w/Flip-up Top
	081997-01-W30	EA	Pillow Sham - Quilted - 30" x 26"
	081997-01-W31	EA	Pillow Sham - Quilted - 30" x 26"
	081997-01-W32	EA	Pillow Sham - Quilted - 30" x 26"
	077463-09-W30	EA	Headboard Asm Double
	077463-09-W31	EA	Headboard Asm Double
	077463-09-W32	EA	Headboard Asm Double

TWIN BED

Key	Part Number	U/M	Description
3	077478-04-000	EA	Mattress - Innerspring - 33" x 75" x 7 5" - Sealy
3	083496-01-000	EA	Mattress - Foam - 33" x 75" x 7"
	081969-04 W30	EA	Bedspread Asm - w/10" Ruffle - 33"
	081969-04-W31	EA	Bedspread Asm - w/10" Ruffle - 33"
	081969-04 W32	EA	Bedspread Asm - w/10" Ruffle - 33"
	081997-01-W30	EA	Pillow Asm - Quilted - 30" x 26"
	081997-01-W31	EA	Pillow Asm - Quilted - 30" x 26"
	081997-01-W32	EA	Pillow Asm - Quilted - 30" x 26"
	077463-08-W30	EA	Headboard Asm - Twin
	077463-08-W31	EA	Headboard Asm - Twin
	077463-08-W32	EA	Headboard Asm - Twin

DOUBLE BED

Key	Part Number	U/M	Description
4	079356-02-000	EA	Mattress - Innerspring - 54" x 75" - Cut Corner - Sealy
4	083496-05-000	EA	Mattress - Foam - 54" - Cut Corner
	081969-16-W24	EA	Bedspread Asm - Fitted - 54" - Jade/Taupe
	081969-16-W25	EA	Bedspread Asm - Fitted - 54" - Rose
	081969-16-W26	EA	Bedspread Asm - Fitted - 54" - Taupe
	081997-01-W30	EA	Pillow Sham - Quilted - 30" x 26"
	081997-01-W31	EA	Pillow Sham - Quilted - 30" x 26"
	081997-01 W32	EA	Pillow Sham - Quilted - 30" x 26"
	077463-09-W30	EA	Headboard Asm Double
	077463-09-W31	EA	Headboard Asm Double
	077463-09-W32	EA	Headboard Asm Double

DINETTE CUSHIONS

Key	Part Number	U/M	Description
5	081998-77-W24	EA	Cushion Asm - Dinette Back - 19 25" x 38" x 5"
5	081998-77-W25	EA	Cushion Asm - Dinette Back - 19 25" x 38" x 5"
5	081998-77-W26	EA	Cushion Asm - Dinette Back - 19 25" x 38" x 5"
	M81998-77 W24	EA	Cover Asm - Dinette Back Cushion - 19 25" x 38" x 5"
	M81998-77-W25	EA	Cover Asm - Dinette Back Cushion - 19 25" x 38" x 5"
	M81998-77-W26	EA	Cover Asm - Dinette Back Cushion - 19 25" x 38" x 5"
6	081998-78-W24	EA	Cushion Asm - Dinette Seat - 17 5" x 38" x 5"
6	081998-78-W25	EA	Cushion Asm - Dinette Seat - 17 5" x 38" x 5"
6	081998-78 W26	EA	Cushion Asm - Dinette Seat - 17 5" x 38" x 5"
	M81998-78-W24	EA	Cover Asm - Dinette Seat Cushion - 17 5" x 38" x 5"
	M81998-78-W25	EA	Cover Asm - Dinette Seat Cushion - 17 5" x 38" x 5"
	M81998-78 W26	EA	Cover Asm - Dinette Seat Cushion - 17 5" x 38" x 5"

CONTINENTAL BED

Key	Part Number	U/M	Description
7	081998-67-W30	EA	Pillow Asm - 16" x 23" x 5"
7	081998-67-W31	EA	Pillow Asm - 16" x 23" x 5"
7	081998-67 W32	EA	Pillow Asm - 16" x 23" x 5"
	M81998-67-W30	EA	Cover Asm - Pillow - 16" x 23" x 5"
	M81998-67-W31	EA	Cover Asm - Pillow - 16" x 23" x 5"
	M81998-67-W32	EA	Cover Asm - Pillow - 16" x 23" x 5"
8	085058-01-W30	EA	Bed Asm - Continental Bed
8	085058-01-W31	EA	Bed Asm - Continental Bed
8	085058-01-W32	EA	Bed Asm - Continental Bed
	M85058-01 W30	EA	Cover Asm - Continental Bed
	M85058-01-W31	EA	Cover Asm - Continental Bed
	M85058-01-W32	EA	Cover Asm - Continental Bed

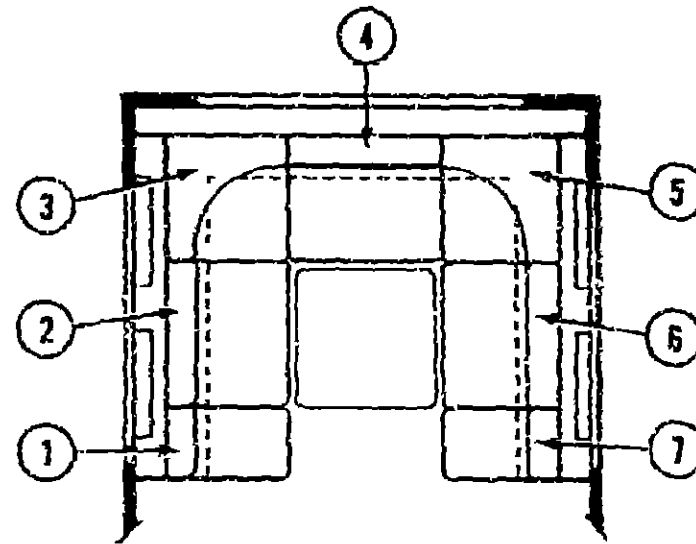
**1987 ITASCA
TABLE OF CONTENTS**

IC/F424RC	A-01 - C-02
IC/JN31RT	C-03 - E-16
ICN33RU	E-17 - H-06
ICP31RT	H-07 - J-16

1987 ICN33RU INDEX

Floor Plan	E 17 - E-18
Accessories Group	E-19 - E-21
Bath Group	E-22
Chassis Group	E 23 - F-02
Curtain Cushion & Pad Group	F-03 - F 12
Dinette Group	F-13 - F-14
Driver's Compartment Group	F-15 - F-17
Electrical Group	F-18 - F-20
Exterior Body Group	F 21 - G-02
Galley Group	G-03 - G-05
Heating & Air Conditioning Group	G-06 - G-07
Interior Finish Group	G-08 - G-10
LP Group	G 11
Lounge Group	G 12 - G-13
Water & Sewage Group	G 14 - G 15
Window Vent & Exterior Door Group	G 16 - H-06

CURTAIN, CUSHION & PAD GROUP (CONTINUED)



HORSESHOE LOUNGE CUSHIONS

Key	Part Number	U/M	Description
1	077813-16-W30	EA	Cushion Asm - Back - 4" x 6" x 12" x 16 3/4"
1	077813-16-W31	EA	Cushion Asm - Back - 4" x 6" x 12" x 16 3/4"
1	077813-16-W32	EA	Cushion Asm - Back - 4" x 6" x 12" x 16 3/4"
1	081998-03-W30	EA	Cushion Asm - Seat - 26 3/8" x 16 3/4" x 5"
1	081998-03-W31	EA	Cushion Asm - Seat - 26 3/8" x 16 3/4" x 5"
1	081998-03-W32	EA	Cushion Asm - Seat - 26 3/8" x 16 3/4" x 5"
2	077813-13-W30	EA	Cushion Asm - Back - 4" x 6" x 12" x 33 1/2"
2	077813-13-W31	EA	Cushion Asm - Back - 4" x 6" x 12" x 33 1/2"
2	077813-13-W32	EA	Cushion Asm - Back - 4" x 6" x 12" x 33 1/2"
1	081998-05-W30	EA	Cushion Asm - Seat - 26 3/8" x 33 1/2" x 5"
1	081998-05-W31	EA	Cushion Asm - Seat - 26 3/8" x 33 1/2" x 5"
1	081998-05-W32	EA	Cushion Asm - Seat - 26 3/8" x 33 1/2" x 5"
3	077814-08-W30	EA	Cushion Asm - Back - 4" x 6" x 12" x 26 3/8"
3	077814-08-W31	EA	Cushion Asm - Back - 4" x 6" x 12" x 26 3/8"
3	077814-08-W32	EA	Cushion Asm - Back - 4" x 6" x 12" x 26 3/8"
1	081998-26-W30	EA	Cushion Asm - Seat - 26 3/8" x 26 3/8" x 5"
1	081998-26-W31	EA	Cushion Asm - Seat - 26 3/8" x 26 3/8" x 5"
1	081998-26-W32	EA	Cushion Asm - Seat - 26 3/8" x 26 3/8" x 5"
4	077813-15-W30	EA	Cushion Asm - Back - 4" x 6" x 12" x 26 3/4"
4	077813-15-W31	EA	Cushion Asm - Back - 4" x 6" x 12" x 26 3/4"
4	077813-15-W32	EA	Cushion Asm - Back - 4" x 6" x 12" x 26 3/4"
1	081998-25-W30	EA	Cushion Asm - Seat - 26 3/8" x 26 3/8" x 5"
1	081998-25-W31	EA	Cushion Asm - Seat - 26 3/8" x 26 3/8" x 5"
1	081998-25-W32	EA	Cushion Asm - Seat - 26 3/8" x 26 3/8" x 5"
5	077814-09-W30	EA	Cushion Asm - Back - 4" x 6" x 12" x 26 3/8"
5	077814-09-W31	EA	Cushion Asm - Back - 4" x 6" x 12" x 26 3/8"
5	077814-09-W32	EA	Cushion Asm - Back - 4" x 6" x 12" x 26 3/8"
1	081998-27-W30	EA	Cushion Asm - Seat - 26 3/8" x 26 3/8" x 5"
1	081998-27-W31	EA	Cushion Asm - Seat - 26 3/8" x 26 3/8" x 5"
1	081998-27-W32	EA	Cushion Asm - Seat - 26 3/8" x 26 3/8" x 5"
6	077813-14-W30	EA	Cushion Asm - Back - 4" x 6" x 12" x 33 1/2"
6	077813-14-W31	EA	Cushion Asm - Back - 4" x 6" x 12" x 33 1/2"
6	077813-14-W32	EA	Cushion Asm - Back - 4" x 6" x 12" x 33 1/2"
1	081998-06-W30	EA	Cushion Asm - Seat - 26 3/8" x 33 1/2" x 5"
1	081998-06-W31	EA	Cushion Asm - Seat - 26 3/8" x 33 1/2" x 5"
1	081998-06-W32	EA	Cushion Asm - Seat - 26 3/8" x 33 1/2" x 5"
7	077813-17-W30	EA	Cushion Asm - Back - 4" x 6" x 12" x 16 3/4"
7	077813-17-W31	EA	Cushion Asm - Back - 4" x 6" x 12" x 16 3/4"
7	077813-17-W32	EA	Cushion Asm - Back - 4" x 6" x 12" x 16 3/4"
1	081998-03-W30	EA	Cushion Asm - Seat - 26 3/8" x 16 3/4" x 5"
1	081998-03-W31	EA	Cushion Asm - Seat - 26 3/8" x 16 3/4" x 5"
1	081998-03-W32	EA	Cushion Asm - Seat - 26 3/8" x 16 3/4" x 5"

No. Keyed Out

CURTAIN, CUSHION & PAD GROUP (CONTINUED)

FRONT BUNK

Key	Part Number	U/M	Description
	079145-04 000	EA	Cushion Asm - Front Bunk - 4" x 34" x 78"
	M79145-04-000	EA	Cover Asm - Front Bunk Cushion - 4" x 34" x 78"
	079144-02 T03	EA	Bunk Strap - Vinyl

BUCKET SEATS

Key	Part Number	U/M	Description
	084191-02-W24	EA	Seat Asm - Comet I (W30)
	084191-02 W25	EA	Seat Asm - Comet I (W31)
	084191-02 W26	EA	Seat Asm - Comet I (W32)
	M01864 23-W24	EA	Cover Asm - Seat Bottom (W30)
	M01864 23 W25	EA	Cover Asm - Seat Bottom (W31)
	M01864 23-W26	EA	Cover Asm - Seat Bottom (W32)
	M01864-24 W24	EA	Cover Asm - Seat Back (W30)
	M01864 24-W25	EA	Cover Asm - Seat Back (W31)
	M01864-24-W26	EA	Cover Asm - Seat Back (W32)
	083909-15-W30	EA	Seat Asm - Stratton
	083909-15-W31	EA	Seat Asm - Stratton
	083909 16-W32	EA	Seat Asm - Stratton
	M01864-35-W30	EA	Cover Asm - Stratton Seat Bottom
	M01864-35-W31	EA	Cover Asm - Stratton Seat Bottom
	M01864 35-W32	EA	Cover Asm - Stratton Seat Bottom
	M01864 36-W30	EA	Cover Asm - Stratton Seat Back
	M01864 36-W31	EA	Cover Asm - Stratton Seat Back
	M01864 36-W32	EA	Cover Asm - Stratton Seat Back
	080243-23-W24	EA	Armrest Asm - Right (W30)
	080243-23-W25	EA	Armrest Asm - Right (W31)
	080243 23 W26	EA	Armrest Asm - Right (W32)
	080243 24 W24	EA	Armrest Asm - Left (W30)
	080243-24 W25	EA	Armrest Asm - Left (W31)
	080243-24 W26	EA	Armrest Asm - Left (W32)
	M80243-23-W24	EA	Cover Asm - Armrest - Right (W30)
	M80243-23-W25	EA	Cover Asm - Armrest - Right (W31)
	M80243 23-W26	EA	Cover Asm - Armrest - Right (W32)
	M80243-24-W24	EA	Cover Asm - Armrest - Left (W30)
	M80243 24-W25	EA	Cover Asm - Armrest - Left (W31)
	M80243-24-W26	EA	Cover Asm - Armrest - Left (W32)
	085268-01 W24	EA	Headrest Asm (W30)
	085268-01-W25	EA	Headrest Asm (W31)
	085268-01-W26	EA	Headrest Asm (W32)
	M85268-01 W24	EA	Cover Asm - Headrest (W30)
	M85268-01-W25	EA	Cover Asm - Headrest (W31)
	M85268-01-W26	EA	Cover Asm - Headrest (W32)
	071126-16-W30	EA	Skirt Asm - Single Bucket
	071126-16-W31	EA	Skirt Asm - Single Bucket
	071126-16-W32	EA	Skirt Asm - Single Bucket
	085269-01 W30	EA	Seat Asm - Double Bucket (W30)
	085269-01-W31	EA	Seat Asm - Double Bucket (W31)
	085269-01-W32	EA	Seat Asm - Double Bucket (W32)
	M01874-05-W30	EA	Cover Asm - Stratton Seat Bottom - Double Bucket
	M01874-05-W31	EA	Cover Asm - Stratton Seat Bottom - Double Bucket
	M01874-07-W26	EA	Cover Asm - Stratton Seat Back - Double Bucket
	M01874-06-W30	EA	Cover Asm - Stratton Seat Back - Double Bucket
	M01874-06-W31	EA	Cover Asm - Stratton Seat Back - Double Bucket
	M01874-08-W26	EA	Cover Asm - Stratton Seat Back - Double Bucket
	071690-04-W30	EA	Skirt Asm - Double Bucket (W30)
	071690-04-W31	EA	Skirt Asm - Double Bucket (W31)
	071690-04-W26	EA	Skirt Asm - Double Bucket (W32)

F-11

**1987 ITASCA
TABLE OF CONTENTS**

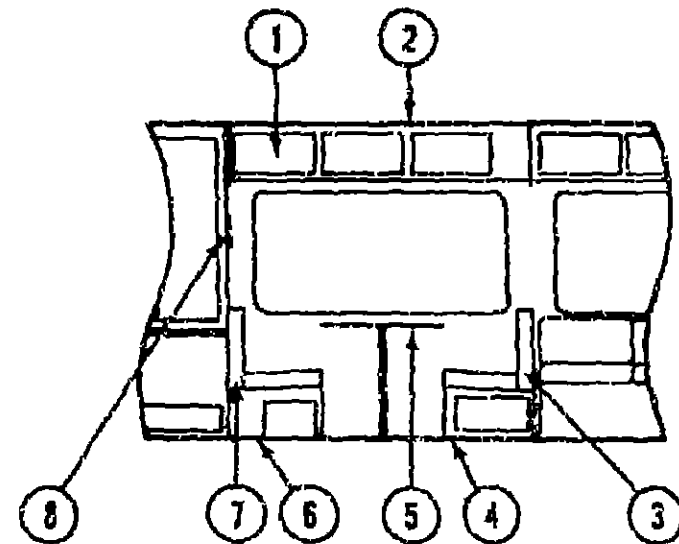
IC/IF424RC	A-01 - C-02
IC/JN31RT	C-03 - E-16
ICN33RU	E-17 - H-06
ICP31RT	H-07 - J 16

1987 ICN33RU INDEX

Floor Plan	E 17 - E-18
Accessories Group	E-19 - E 21
Bath Group	E-22
Chassis Group	E-23 - F-02
Curtain, Cushion & Pad Group	F-03 - F-12
Dinette Group	F-13 - F-14
Drivers Compartment Group	F-15
Electrical Group	F-16
Exterior Body Group	F-17 - F-18
Galley Group	G-03 - G-04
Heating & Air Conditioning Group	G-05 - G-07
Interior Finish Group	G-08 - G-10
LP Group	G-11
Lounge Group	G-12 - G 13
Water & Sewage Group	G 14 - G 15
Windows, Vent & Exterior Door Group	G-15 - H 06

F-12

DINETTE GROUP



CONVENTIONAL DINETTE & OVERHEAD CABINERY

Key	Part Number	U/M	Description
1	M81503-01-W30	EA	Door Asm - Dinette Overhead - Raised Panel - w/o Hardware
1	M84555-01-W30	EA	Door Asm - Dinette Overhead - w/o Hardware
2	081002-11-W30	EA	Cabinet Asm - Dinette Overhead - w/o Doors or Hardware
3	M02174-01-W30	EA	Cabinet Asm - Dinette Back - Front
4	M02175-02-W30	EA	Cabinet Asm - Dinette Seat - w/o Doors or Hardware
	M81501-10-W30	EA	Door Asm - Dinette Seat - Raised Panel - w/o Hardware
	M81053-06-W24	EA	Door Asm - Dinette Seat - w/o Hardware
5	M02115-09-U17	EA	Table Asm - Dinette - w/o Hardware (W30 W31 W32)
6	M02175-03-W30	EA	Cabinet Asm - Dinette Seat - Rear - w/o Doors or Hardware
7	M02174-05-W30	EA	Cabinet Asm - Dinette Back - Rear
8	036269-01-000	EA	Picture & Frame
	074493-02-000	EA	Support - Sprung Door Asm - Overhead Cabinet
	053200-05-000	EA	Bracket - Upper Wall Mount - 23.5" - Beige
	053201-06-000	EA	Bracket - Table Mount - 23" - Beige
	024275-05-000	EA	Rod - Table Lift - 8 x 23.5 - Beige
	024281-07-000	EA	Bracket - Lower Wall Mount - 22.12" - Beige
	024276-17-000	EA	Leg Asm - Table - 26.75" - Tan
	064050-02-000	EA	Hinge - Table Leg - Tan
	024282-01-000	EA	Brace - Table Leg
	024283-01-000	EA	Clip - 1 O.D. Tube
	049493-05-000	EA	Catch - Table Leg - Mounts on Floor - Tan
	01478-02-000	EA	Cup Holder - 3.47" O.D. x 2.75" I.D. x 1.5" - Beige

Illustrated breakdown for this item is provided on the Common Items File

DRIVER'S COMPARTMENT

DASH SWITCHES & GAUGES

Key	Part Number	U/M	Description
	024461-01-000	EA	Switch - Battery
	024462-01-000	EA	Switch - Battery Condition
	024464-02-000	EA	Switch - Battery - Dual Boost
	024464-01-000	EA	Switch - Washer
	024467-01-000	EA	Switch - Wiper
	024976-01-000	EA	Switch - Generator w/o Circuit Board
	074007-02-000	EA	Switch - Intermittent - Windshield Wiper
	024459-04-000	EA	Gauge - Voltmeter
	024460-04-000	EA	Gauge - Vacuum
	031035-01-000	EA	Gauge - Generator Hourmeter

FRONT BUNK & PULL DOWN STORAGE

Key	Part Number	U/M	Description
	076760-03-000	EA	Overhead Bunk Hardware
	081717-01-W07	EA	Bed Asm - Front Bunk
	079144-02-T03	EA	Bunk Strap
	042541-04-000	EA	Latch Asm - w/o Strike - Brass
	042541-05-000	EA	Latch Strike - Brass
	080855-05-000	EA	Side Trim - Right Front - Upper
	080855-06-000	EA	Side Trim - Right Front - Lower
	080855-03-000	EA	Side Trim - Left Front - Upper
	080855-05-000	EA	Side Trim - Left Front - Lower

ELECTRONIC INSTRUMENT PANEL (OPTION)

Key	Part Number	U/M	Description
	NOTE	EA	Electronic Instrument Panel
	086296-04-000	EA	Bezel - Electronic - Instrument Panel
	086296-06-000	EA	Bezel - Electronic - Instrument Panel (Aux. Fuel)
	082124-01-000	EA	Bezel - Smoked Insert - Electronic Instrument Panel
	075006-06-000	EA	Bezel - Entertainment Center - w/Radio - Black
	076006-07-000	EA	Bezel - Entertainment Center - w/Radio & Generator Switch - Black

NOTE This item is available from your Chrysler Service Service

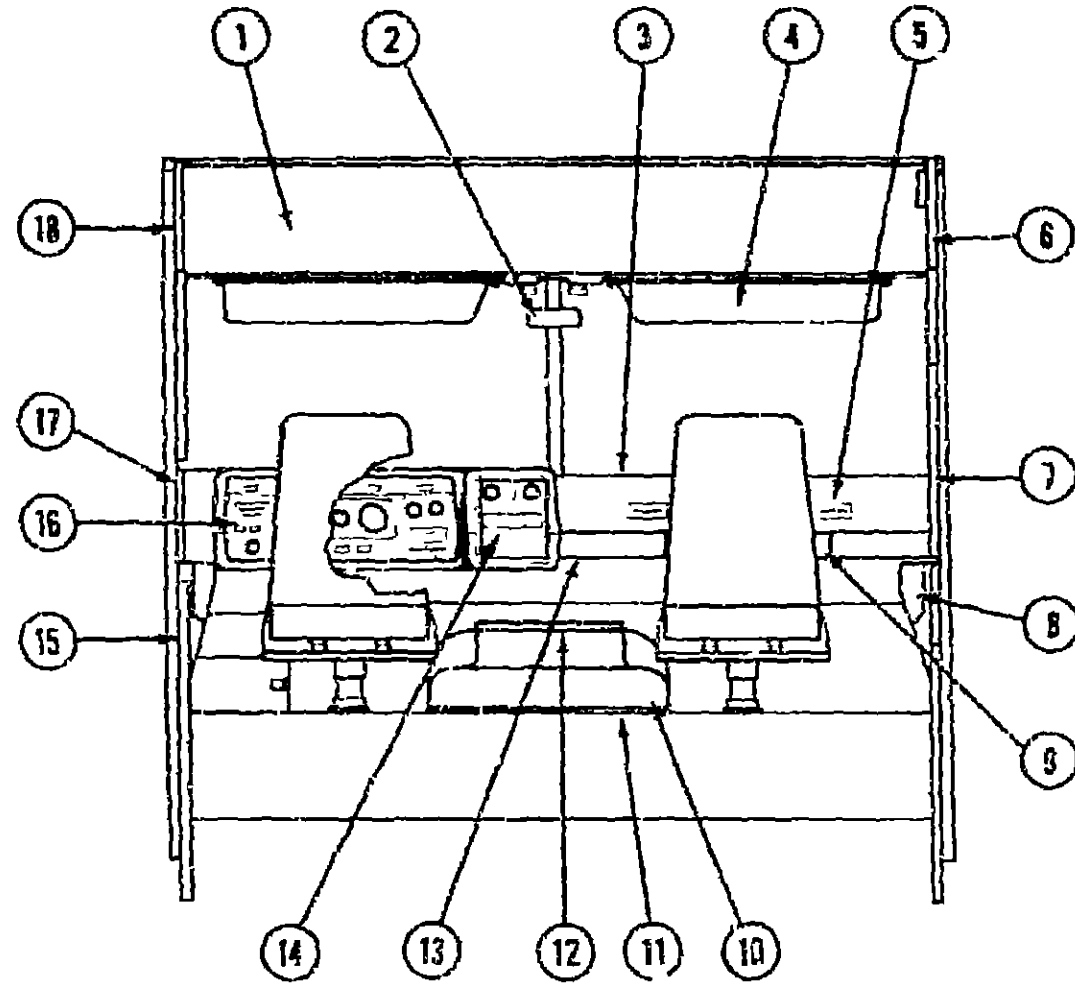
1987 ITASCA TABLE OF CONTENTS

IC/IF424RC	A-01 - C-02
IC/JN31RT	C-03 - E-16
ICN33PU	E-17 - H-06
ICP31RT	H-07 - J-16

1987 ICN33RU INDEX

Floor Plan	E-17 - E-18
Accessories Group	E-19 - E-21
Bath Group	E-22
Chassis Group	E-23 - F-02
Curtain Cushion & Pad Group	F-03 - F-12
Dinette Group	F-13 - F-14
Driver's Compartment Group	F-15 - F-17
Electrical Group	F-18 - F-20
Exterior Body Group	F-21 - G-02
Galley Group	G-03 - G-05
Heating & Air Conditioning Group	G-06 - G-07
Interior Finish Group	G-08 - G-10
LP Group	G-11
Lounge Group	G-12 - G-13
Water & Sewage Group	G-14 - G-15
Window Vent & Exterior Door Group	G-16 - H-06

DRIVER'S COMPARTMENT GROUP (CONTINUED)



MISCELLANEOUS DRIVER'S COMPARTMENT COMPONENTS

Key	Part Number	U/M	Description
1	090085-02-T03	EA	Headliner - Padded - Upper
-	078911-02-T03	EA	Headliner - Padded - Lower
-	081105-01-W30	EA	Trim - Headliner - 84 75" - Regal Oak
-	083917-01-W30	EA	Cabinet Asm - Front Overhead - w/o Bunk
2	040714-01-700	EA	Mirror - Ins de Rear View - w/Button Support
3	001113-19-W30	EA	Dash Asm - Complete - w/Gauges & Switches
	079089-01-000	EA	Dash Pad - Passenger - Brown
	079088-01-000	EA	Dash Pad - Drivers - Brown
	024990-01-000	EA	Outlet - Defroster w/Swivel - 2" - Tan
4	082286-03-U04	EA	Sunvisor Asm - Right - w/Mirror
	082286-01-U04	EA	Sunvisor Asm - Left
	08315J-01-000	EA	Mirror - Sunvisor
	085709-01-000	EA	Clip - Sunvisor - Black
5	039344-01-000	EA	Louver Asm - Air Conditioning Adjustable
6	080855-03-000	EA	Side Trim - Right Front - Upper (w/o Bunk)
-	083918-01-W30	EA	Cabinet Asm - Front Overhead - Right - w/o Bunk
	080856-03-000	EA	Side Trim - Right Front - Lower (w/o Bunk)
7	059414-06-000	EA	Pad - Sidewall Trim - Passenger - Vinyl
8	072811-01-000	EA	Side Panel - Passenger - Plastic
	059467-04-T03	EA	Pad - Map Pocket - Passenger - Vinyl
9	022219-01-000	EA	Glove Compartment Door
	023892-01-000	EA	Glove Compartment Box - Black Fiberboard
	009118-01-000	EA	Glove Compartment Twist Lock
	024598-01-000	EA	Glove Compartment Hinge
	034309-01-000	EA	Glove Compartment Chain - Door

Not keyed
NOTE To be special ordered only

DRIVER'S COMPARTMENT GROUP (CONTINUED)

MISCELLANEOUS DRIVER'S COMPARTMENT COMPONENTS (CONT)

Key	Part Number	U/M	Description
10	075939-01-000	EA	Motor Cover - Fiberglass
-	075564-01-000	EA	Mounting Bracket - Motor Cover
11	039623-01-000	FT	Seal - Engine Cover - Neoprene
12	080216-01-000	EA	Beverage Tray - Oak
12	086157-01-W30	EA	Beverage Tray Asm - Light Oak Plastic
	086410-02-000	EA	Beverage Tray - w/Cutout - Light Oak Plastic
	086411-01-000	EA	Housing - Cassette Holder - Beverage Tray
	086412-01-000	EA	Insert - Cassette Holder - Beverage Tray
13	023834-01-000	EA	Panel - Knee Kick - Bottom of Dash
14	076006-11-000	EA	Bezel - Entertainment Center - w/o Radio & Generator Switch
14	076006-01-000	EA	Bezel - Entertainment Center - Blank
15	059198-05-000	EA	Side Panel - Drivers - Plastic
15	082471-02-000	EA	Panel - Drivers Door - Inner - Plastic
	059467-03-T03	EA	Pad - Map Pocket - Drivers - Vinyl
-	046886-03-000	EA	Ash Tray - Chrome
16	086296-01-000	EA	Bezel - Control Panel
-	078581-01-000	EA	Trim - Instrument Panel - Front - Passenger
-	078582-01-000	EA	Trim - Instrument Panel - Front - Driver
	052367-01-000	EA	Cigarette Lighter Asm - 12 Volt
	007041-01-000	EA	Bezel - Cigarette Lighter
	051424-01-000	EA	Lamp Asm - Map/Gauge
	051400-06-000	EA	Assist Strap - 12" - Sandstone
17	059414-05-000	EA	Pad - Sidewall Trim - Driver - Vinyl
18	080855-04-000	EA	Side Trim - Left Front - Upper (w/o Bunk)
-	080856-04-000	EA	Side Trim - Left Front - Lower (w/o Bunk)
-	083918-02-W30	EA	Cabinet Asm - Front Overhead - Left - w/o Bunk
-	054250-01-000	EA	Support - Dimmer Switch - w/o Holes
-	079225-01-000	EA	Windshield Trim - Interior - Passenger
-	079225-02-000	EA	Windshield Trim - Interior - Driver
-	079765-01-000	EA	Windshield Trim - Interior - Center
-	018245-01-000	EA	Steering Column Boot - Vinyl
-	085431-01-000	EA	Gaske - Defroster Outlet
-			Not Keyed

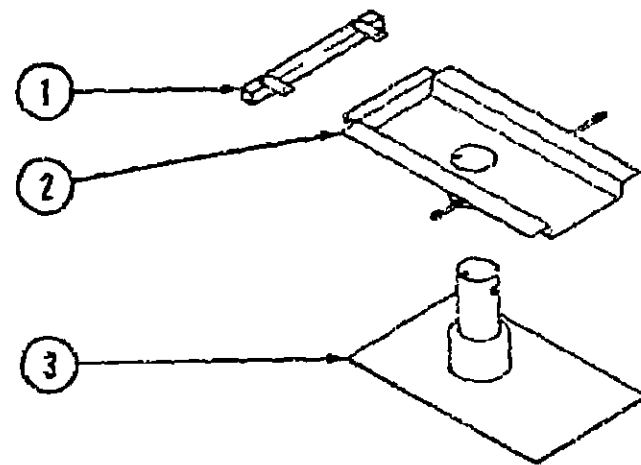
**1987 ITASCA
TABLE OF CONTENTS**

IC/IF424RC	A-01 - C-02
IC/JN31HT	C-03 - E-16
ICN33RU	E-17 - H-06
ICP31RT	H-07 - J-16

1987 ICN33RU INDEX

Floor Plan	E-17 - E-18
Accessories Group	E-19 - E-21
Bath Group	E-22
Chassis Group	E-23 - F-02
Curtain Cushion & Pad Group	F-03 - F-12
Dinette Group	F-13 - F-14
Driver's Compartment Group	F-15 - F-17
Electrical Group	F-18 - F-20
Exterior Body Group	F-21 - G-02
Galley Group	G-03 - G-05
Heating & Air Conditioning Group	G-06 - G-07
Interior Finish Group	G-08 - G-10
LP Group	G-11
Lounge Group	G-12 - G-13
Water & Sewage Group	G-14 - G-15
Window Vent & Exterior Door Group	G-16 - H-06

DRIVER'S COMPARTMENT GROUP (CONTINUED)



BUCKET SEAT PEDESTAL & SEAT BELTS

Key	Part Number	U/M	Description
1	069585-29-000	EA	Bar - Seat Belt - 20"
2	069585-27-000	EA	Plate - Top - Pedestal Asm - Single Bucket Seat
2	069585-20-000	EA	Plate - Top - Pedestal Asm - Powered Seat
2	069585-10-000	EA	Plate - Top - Pedestal Asm - Double Bucket Seat
3	069585-08-000	EA	Plate - Sub - Pedestal Asm - Bucket Seat
*	069585-05-000	EA	Hardware Kit - Bolt/Acorn Nut - 4 ea. Pedestal Asm
*	007019-01-000	EA	Belt Asm - Seat - 2 x 84" - Black
*	007021-01-000	EA	Belt Asm - Seat - 2 x 90" - Black
*	056271-02-000	EA	Belt Asm - Seat - 2 x 72" - Black
*	069246-01-000	EA	Adjuster Asm - Seat w/ Lock
*	069246-02-000	EA	Adjuster Asm - Seat - w/o Lock
*	081373-01-000	EA	Power Seat Adjustment Asm - w/Frame
	081373-02-700	EA	Switch Asm - Package
	081373-02-701	EA	Harness Asm - Left
	081373-02-702	EA	Harness Asm - Right
	081373-02-703	EA	Horizontal Adjustment Package
	081373-02-704	EA	Vertical Adjustment Package
			Not illustrated

ELECTRICAL GROUP

BULBS

Key	Part Number	U/M	Description
	008220-01-000	EA	Bulb - 12V - 25W
	008103-01-000	EA	Bulb - 53
	008213-01-000	EA	Bulb - 57
	008214-01-000	EA	Bulb - 67
	036196-01-000	EA	Bulb - 194
	008215-01-000	EA	Bulb - 1003
	067479-01-000	EA	Bulb - 1076
	063914-01-000	EA	Bulb - 1139
	008218-01-000	EA	Bulb - 1141
	037935-01-000	EA	Bulb - 1157
	056288-02-000	EA	Bulb - 9471808 - Dome Light
	067479-01-000	EA	Bulb - 12V - 1076

FUSES & CIRCUIT BREAKERS

Key	Part Number	U/M	Description
	008208-01-000	EA	Circuit Breaker - 40 Amp - 12 Volt
	033573-02-000	EA	Circuit Breaker - 15 Amp - 12 Volt - w/Mount
	033573-01-000	EA	Circuit Breaker - 20 Amp - 12 Volt - w/Mount
	008268-01-000	EA	Circuit Breaker - 30 Amp - 12 Volt - w/Mount
	071279-05-000	EA	Circuit Breaker - 20 Amp - 120 Volt
	071279-03-000	EA	Circuit Breaker - 15/20 Amp - 120 Volt
	071279-01-000	EA	Circuit Breaker - 15/30 Amp - 120 Volt
	071260-01-000	EA	Circuit Breaker Blank
	050283-02-000	EA	Circuit Breaker - Buss Bar
	071279-07-000	EA	Circuit Breaker - 20/20 - 120 Volt
	083209-01-000	EA	Circuit Breaker - 15 Amp - 120 Volt
	083209-03-000	EA	Circuit Breaker - 15/20 Amp - 120 Volt
	083209-04-000	EA	Circuit Breaker - 30 Amp - 120 Volt
	083209-05-000	EA	Circuit Breaker - 20 Amp - 120 Volt
	083209-06-000	EA	Circuit Breaker - 30/15 Amp - 120 Volt
	083209-08-000	EA	Circuit Breaker - Blank
	085719-01-000	EA	Buss Bar - 4 Position
	085719-02-000	EA	Buss Bar - 3 Position
	085720-01-000	EA	Circuit Breaker - 15 Amp
	085720-02-000	EA	Circuit Breaker - 20 Amp
	085720-03-000	EA	Circuit Breaker - 25 Amp
	085720-04-000	EA	Circuit Breaker - 30 Amp
	085720-05-000	EA	Circuit Breaker - 40 Amp

WINDSHIELD WIPERS & WASHER

Key	Part Number	U/M	Description
	056002-02-000	EA	Washer Asm - Windshield - w/o Nozzles
	057653-01-000	EA	Arm - Windshield Wiper - 18" - Black
	067188-01-000	EA	Crank Stud - Wiper
	072472-02-000	EA	Adapter Kit - Wiper Arm Pantograph Pivot
	067191-02-000	EA	Motor Asm - Windshield Wiper - 2 Speed
	067192-01-000	EA	Link Asm - Connecting - Left
	067193-01-000	EA	Link Asm - Connecting - Right
	049464-03-000	EA	Blade - Windshield Wiper - 20" - Black
	067190-01-000	EA	Shaft and Pivot Asm - Right
	067190-02-000	EA	Shaft and Pivot Asm - Left
	057474-02-000	EA	Wiper Asm

The illustrated parts break down for this item is provided on the Common Items Fiche

**1987 ITASCA
TABLE OF CONTENTS**

IC/IF424PC	A-01 - C-02
IC/JN31RT	C-03 - E-16
ICN33RU	E-17 - H-06
ICP31RT	H-07 - J-16

1987 ICN33RU INDEX

Floor Plan	E-17 - E-18
Accessories Group	E-19 - E-21
Bath Group	E-22
Chassis Group	E-23 - F-02
Curtain Cushion & Pad Group	F-03 - F-12
Dinette Group	F-13 - F-14
Driver's Compartment Group	F-15 - F-17
Electrical Group	F-18 - F-20
Exterior Body Group	F-21 - G-02
Galley Group	G-03 - G-05
Heating & Air Conditioning Group	G-06 - G-07
Interior Finish Group	G-08 - G-10
LP Group	G-11
Lounge Group	G-12 - G-13
Water & Sewage Group	G-14 - G-15
Window Vent & Exterior Door Group	G-16 - H-06

ELECTRICAL GROUP (CONTINUED)

WIRE, SWITCHES & RECEPTACLES

Key	Part Number	U/M	Description
	008058-01-000	EA	Adapter - Power Cord
	008288-01-000	EA	Box - Electrical - 3" x 3 5 - Plastic
	008289-01-000	EA	Box - Electrical - 4" x 4" - 1/2 & 3/4 Steel - UL
	008289-02-000	EA	Box - Electrical - 4" x 4" - 1/2 & 3/4 Steel - CSA
	058049-01-000	EA	Box - Electrical - 2" x 3" x 2 25" - Steel
	041353-01-000	EA	Conduit - Convolute Slit - 5 I D
	008353-01-000	EA	Connector - Clamping - 3/8 Cable - UL & CSA
	058028-01-000	EA	Connector - Pigtail - Clear Nylon
	008314-01-000	EA	Connector - Wire Nut - Gray
	008311-01-000	EA	Connector - Wire Nut - Red
	031958-01-000	EA	Contact Plug - Brass - Tin Plated
	031967-01-000	EA	Contact - Receptacle
	008054-01-000	EA	Cord - Power - 10 3 30 Amp - 25 - UL
	008052-01-000	EA	Cord - Power - 10-3 30 Amp - 25 - CSA
	069238-01-000	EA	Cover - Electrical Box - 4" x 4"
	058048-01-000	EA	Cover - Electrical Box - 4 5 x 2 75" Rain Tight (Exterior)
	024571-03-000	EA	Cover Plate - Receptacle - Jumbo - Brown Plastic
	024571-04-000	EA	Cover Plate - Receptacle - Jumbo - Ivory Plastic
	008154-01-000	EA	Cover Plate - Switch - Brown
	008294-01-000	EA	Cover - Flat Blank - 4" x 4 - Steel - US
	008294-02-000	EA	Cover - Flat Blank - 4" x 4 - Steel - CSA
	008277-01 000	EA	Fuse Holder - Panel Mount - Black
	064399-01-000	EA	Housing Asm - Trailer Pin
	064450-01-000	EA	Housing Asm - Trailer Plug
	064398-01-000	EA	Housing Asm - Trailer Receptacle
	054532-01-000	EA	Housing Pin - 6 Position
	054532-02-000	EA	Housing Pin - 4 Position
	054532-03-000	EA	Housing Socket - 4 Position
	075736-03-000	EA	Receptacle/Cover Asm - Gray (Exterior)
	058708-01-000	EA	Receptacle - Duplex - Brown
	008157-01-000	EA	Receptacle - Duplex - Brown (Exterior Backwall)
	058708-02-000	EA	Receptacle - Duplex - Ivory
	053126-01-000	EA	Receptacle - Ground Fault Interrupter - 125 Volt - Ivory
	024924-02-000	EA	Receptacle - Power Cord
	058707-01-000	EA	Receptacle - Single - Brown
	063312-01-000	EA	Relay - Canister SPDT w/Ground
	075723-01-000	EA	Switch - Block Spacer - w/o Holes
	075723-02-000	EA	Switch - Block Spacer - w/Holes
	008162-01-000	EA	Switch - Double Toggle - Brown
	077942-02-000	EA	Switch - Dummy - Brown
	056264-01-000	EA	Switch - Leaf Actuator
	081056-01-000	EA	Switch - 2 Gang - 2 Switch
	079352-01-000	EA	Switch Plate - 3 Gang - 2 Switches
	079363-01-000	EA	Switch Plate - Single - w/Switches
	079004-01-000	EA	Switch - On/Off Rocker - Brown
	008195-01-000	EA	Switch - Push Button - 12 Volt
	008163-01-000	EA	Switch - Toggle - Brown
	077942-01-000	EA	Switch - Dummy - Black
	084404-01-000	EA	Switch - Off Low Med High - Black (Motor Aid)
	006050-01-000	EA	TV Jack - Ivory
	047443-02-000	EA	Terminal - 250 Receptacle - 12-10 AWG
	035417-01-000	EA	Terminal - Pin Receptacle - 125 Dia
	008345-01-000	EA	Terminal Ring - 2 - w/3/8 Stud
	008331-01-000	EA	Terminal Ring - 4 - w/3/8 Stud
	003328-01-000	EA	Terminal Ring - 12/10 Wire
	047441-01-000	EA	Terminal - Battery - Horizontal Lug
	054065-01-000	EA	Wire Asm - Generator Switch
	008028-01-000	FT	Wire - 18 5 Bonded - Blue/Red/Yellow/Orange/White
	008024-01-000	FT	Wire - 18 5 Bonded - Orange/White/Yellow/Blue/Brown
	008025-01-000	FT	Wire - 18 5 Bonded - Orange/White/Yellow/Blue/Green
	008026-01-000	FT	Wire w/Ground - Romex - 12/2
	008030-01-000	EA	Wire - 18 4 Bonded

ELECTRICAL GROUP (CONTINUED)

INTERIOR LIGHT

Key	Part Number	U/M	Description
	033508-02-000	EA	Light - Dome - Ivory - 1 Bulb - US
	033508-03-000	EA	Light - Dome - Ivory - 1 Bulb - CSA
	033509-02-000	EA	Light - Dome - Ivory - 2 Bulb - US
	033509-03 000	EA	Light - Dome - Ivory - 2 Bulb - CSA
	078424-02-000	EA	Light - Fluorescent - 12V - 18" - Almond
	061424-01-000	EA	Light - 12V Receptacle - Aisle - IP
	007009-01-000	EA	Light - Step Well
	072353-08-000	EA	Light - Reading - Double - 360° Swivel - Brass
	068937-04-000	EA	Dome Light - Surface - w/o Switch
	086280-01-000	EA	Dome Light - Surface Mount - 12V
	065202-03-000	EA	Lamp - Decor - Wall - Bright Brass - 2 Bulb
	065201-02-000	EA	Shade - Parchment - 2 Bulb Lamps
	082586-01-000	EA	Lamp - Table - Brass w/Wood
	082686-02-000	EA	Shade - Table Lamp
	007309-01 000	EA	Lamp - Step Well
	081633-01-000	EA	Light - Make-Up

EXTERIOR LIGHTS

Key	Part Number	U/M	Description
	007309-01-000	EA	Light - License Plate
	042405-01-000	EA	Lens - Rectangular - Pea w/Reflex
	042405-02-000	EA	Lens - Rectangular - Amber w/Reflex
	042405-03-000	EA	Base - Rectangular Side Marker Light
	049185-01-000	EA	Headlight Capsule Asm - High/Low Beam - Driver
	049186-01-000	EA	Headlight Capsule Asm - High/Low Beam - Passenger
	049187-01-000	EA	Headlight Capsule Asm - High Beam - Driver
	049188-01-000	EA	Headlight Capsule Asm - High Beam - Passenger
	081250-02-000	EA	Light Asm - Clearance - Red
	081250-01-000	EA	Light Asm - Clearance - Amber
	008089-01-000	EA	Light - Recessed Porch
	081638-01-000	EA	Tailight Asm - Double - Black Trim
	076343-01-000	EA	Lamp Asm - Park/Turn - Clear - Left GM917803
	076343-02-000	EA	Lamp Asm - Park/Turn - Clear - Right GM917804

MISCELLANEOUS ELECTRICAL COMPONENTS

Key	Part Number	U/M	Description
	047338-03-000	EA	Isolator - Dual Battery - 70 Amp
	008188-01-000	EA	Solenoid - Dual Battery - Relay
	055201-02-000	EA	Lamp Shade - Fabric - Parchment
	083203-01-000	EA	Control Center - 32 Amp
	063912-01-000	EA	Relay Canister - SPDT w/Ground
	08C273-01-000	EA	Relay - Battery Disconnect

**1987 ITASCA
TABLE OF CONTENTS**

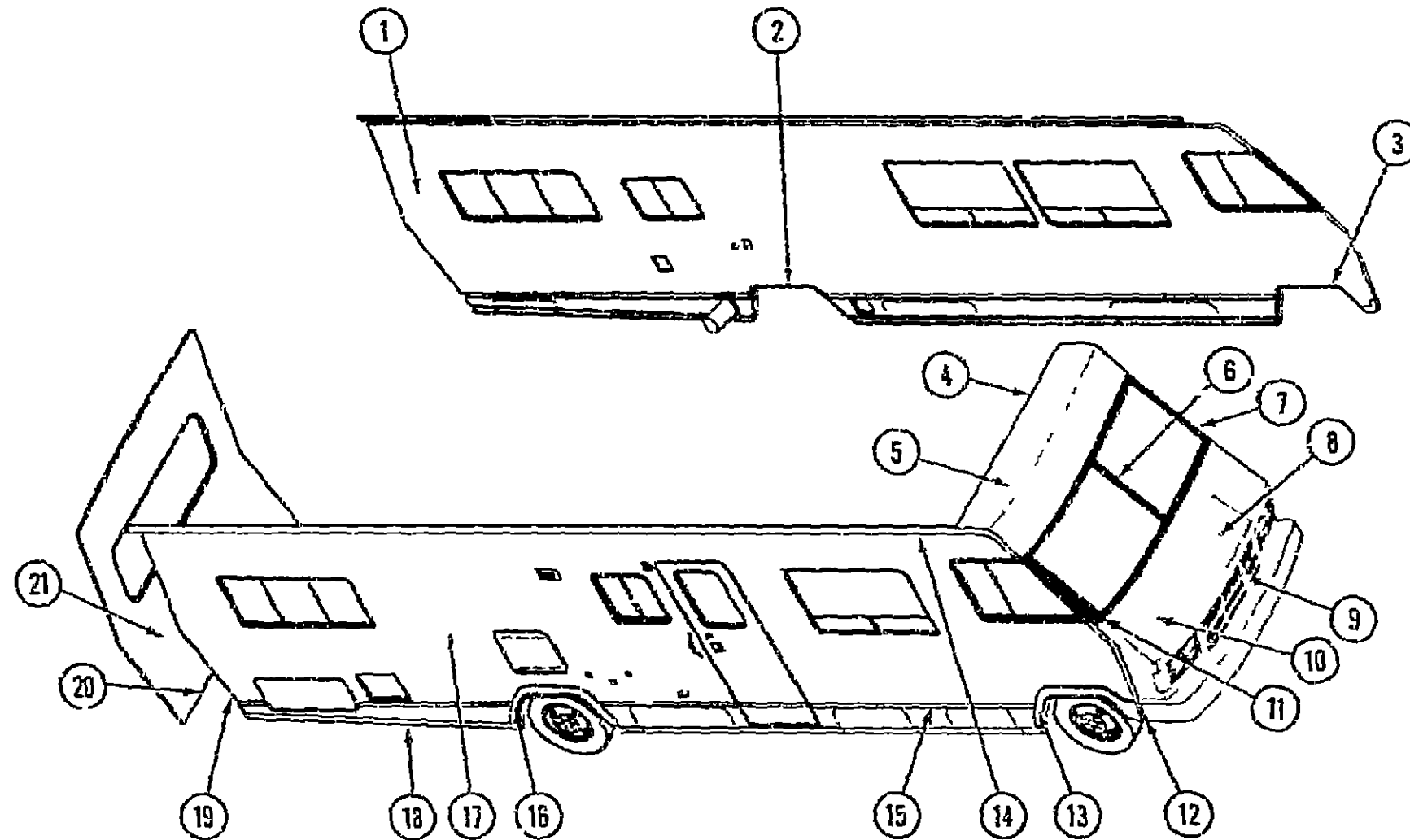
IC/IF424RC	A-01 - C-02
IC/JN31RT	C-03 - E-16
ICN33RU	E-17 - H-06
ICP31RT	H-07 - J-16

1987 ICN33RU INDEX

Floor Plan	E 17 - E-18
Accessories Group	E 19 E-21
Bath Group	E-22
Chassis Group	E-23 - F-02
Curtain Cushion & Pad Group	F-03 - F-12
Dinette Group	F-13 - F-14
Driver's Compartment Group	F-15 - F 17
Electrical Group	F-18 - F-20
Exterior Body Group	F-21 - G-02
Galley Group	G-03 - G-05
Heating & Air Conditioning Group	G-06 - G-07
Interior Finish Group	G-08 - G-10
LP Group	G-11
Lounge Group	G-12 G-13
Water & Sewage Group	G 14 - G 15
Window Vent & Exterior Door Group	G-16 - H-06

EXTERIOR BODY GROUP

EXTERIOR BODY PANELS



1987 ITASCA TABLE OF CONTENTS

IC/IF424RC
IC/JN31RT
ICN33RU
ICP31RT

A-01 - C-02
C-03 - E 16
E-17 - H-06
H-07 - J-16

1987 ICN33RU INDEX

Floor Plan	E-17 - E-18
Accessories Group	E-19 E 21
Bath Group	E 22
Chassis Group	E-23 - F-02
Curtain Cushion & Pad Group	F-03 - F 12
Dinette Group	F 13 - F-14
Driver's Compartment Group	F 15 - F-17
Electrical Group	F-18 - F-20
Exterior Body Group	F 21 G-02
Galley Group	G-03 - G-05
Heating & Air Conditioning Group	G-06 - G-07
Interior Finish Group	G-08 - G-10
LP Group	G-11
Lounge Group	G 12 - G 13
Water & Sewage Group	G-14 G-15
Window Vent & Exterior Door Group	G 16 - H-06

Key	Part Number	U/M	Description
1	M87171-01-W30	EA	Sidewall Asm - Driver
1	M87171-01-W31	EA	Sidewall Asm - Driver
1	M87171-01-W32	EA	Sidewall Asm - Driver
2	05E487-07-000	EA	Trim - Wheel Well - Rear - U-Channel - Driver or Passenger
3	073647-02-000	EA	Trim - Wheel Well - Front - U-Channel - Driver or Passenger
4	078580-01-000	EA	Trim - Roof/Front Cap
5	M01893-01-T09	EA	Cap - Over Windshield - Gray
6	076676-02-000	EA	Trim - Molding - Windshield - Center
7	079225-02-000	EA	Trim - Contour - Windshield - Driver
	077944-02-000	EA	Trim - Molding - Windshield - Upper - Left
	077945-02-000	EA	Trim - Molding - Windshield - Lower - Left
8	078281-01-T09	EA	Access Panel - w/Hardware
9	080754-01-000	EA	Trim - Grille - Vinyl Chrome - 47.25"
9	080754-02-000	EA	Trim - Grille - Vinyl Chrome - 91.50"
	076910-02-000	EA	Headlamp Bezel - Driver
	076910-01-000	EA	Headlamp Bezel - Passenger
	073308-01-070	EA	Screw Asm - Headlamp - Adjusting
	U49359-01-000	EA	Spring - Headlamp Retainer
	062207-01-000	EA	Headlamp Guard
10	M01115-11-T09	EA	Panel Asm - Front Shroud (includes access panel)
11	079225-01-000	EA	Trim - Contour - Windshield - Passenger
	077944-01-000	EA	Trim - Molding - Windshield - Upper - Right
	077945-01-000	EA	Trim - Molding - Windshield - Lower - Right
	077952-02-000	EA	Cap - Trim Molding - Windshield
12	079224-03-000	EA	Trim - Fiberglass Panel - Passenger - Gray
	079224-04-000	EA	Trim - Fiberglass Panel - Driver - Gray
			Not Keyed

F-21

Key	Part Number	U/M	Description
13	078556-05-000	EA	Trim - Wheelwell - Front - Plastic - Passenger
	078556-06-000	EA	Trim - Wheelwell - Front - Plastic - Drivers
14	078600-12-000	EA	Trim - Sidewall - Upper - Driver or Passenger - Gray
15	059576-11-000	EA	Feature Strip - Extr - Gray - 14 - w/o Insert
	009731-01-000	EA	End Cap - Feature Strip Insert
	001030-11-100	EA	Insert - Feature Strip - Gray - 17
16	075070-02-000	EA	Trim - Wheelwell - Rear - Plastic - Passenger
	075070-04-000	EA	Trim - Wheelwell - Rear - Plastic - Drivers
17	M87170-01-W30	EA	Sidewall Asm - Passenger
17	M87170-01-W31	EA	Sidewall Asm - Passenger
17	M87170-01-W32	EA	Sidewall Asm - Passenger
18	072639-01-001	EA	Extr - Rocker Panel - 216 (Rear)
19	073502-21-000	EA	Trim - Passenger Rear - Gray Plastic
	073502-22-000	EA	Trim - Drivers Rear - Gray Plastic
20	050406-05-000	EA	Trim - Backwall - Lower - Driver or Passenger
	086151-02-V/30	EA	Roof Asm
21	082084-01-W30	EA	Backwall Asm
	078577-05-000	EA	Bumper End Cap - Front Passenger - Gray
	078577-06-000	EA	Bumper End Cap - Front Driver - Gray
	080815-01-W30	EA	Bumper End Cap - Rear - Passenger - Gray Plastic
	030815-07-V/30	EA	Bumper End Cap - Rear - Drivers - Gray Plastic
	M01893-03-000	EA	Trim - Rear Center - Gray Plastic
	082456-03-000	EA	Trim - Rear Upper Right - Gray Plastic
	082456-04-000	EA	Trim - Rear Upper Left - Gray Plastic
	082457-03-000	EA	Trim - Rear Lower Right - Gray Plastic
	082457-04-000	EA	Trim - Rear Lower Left - Gray Plastic
			Not Keyed

F-22

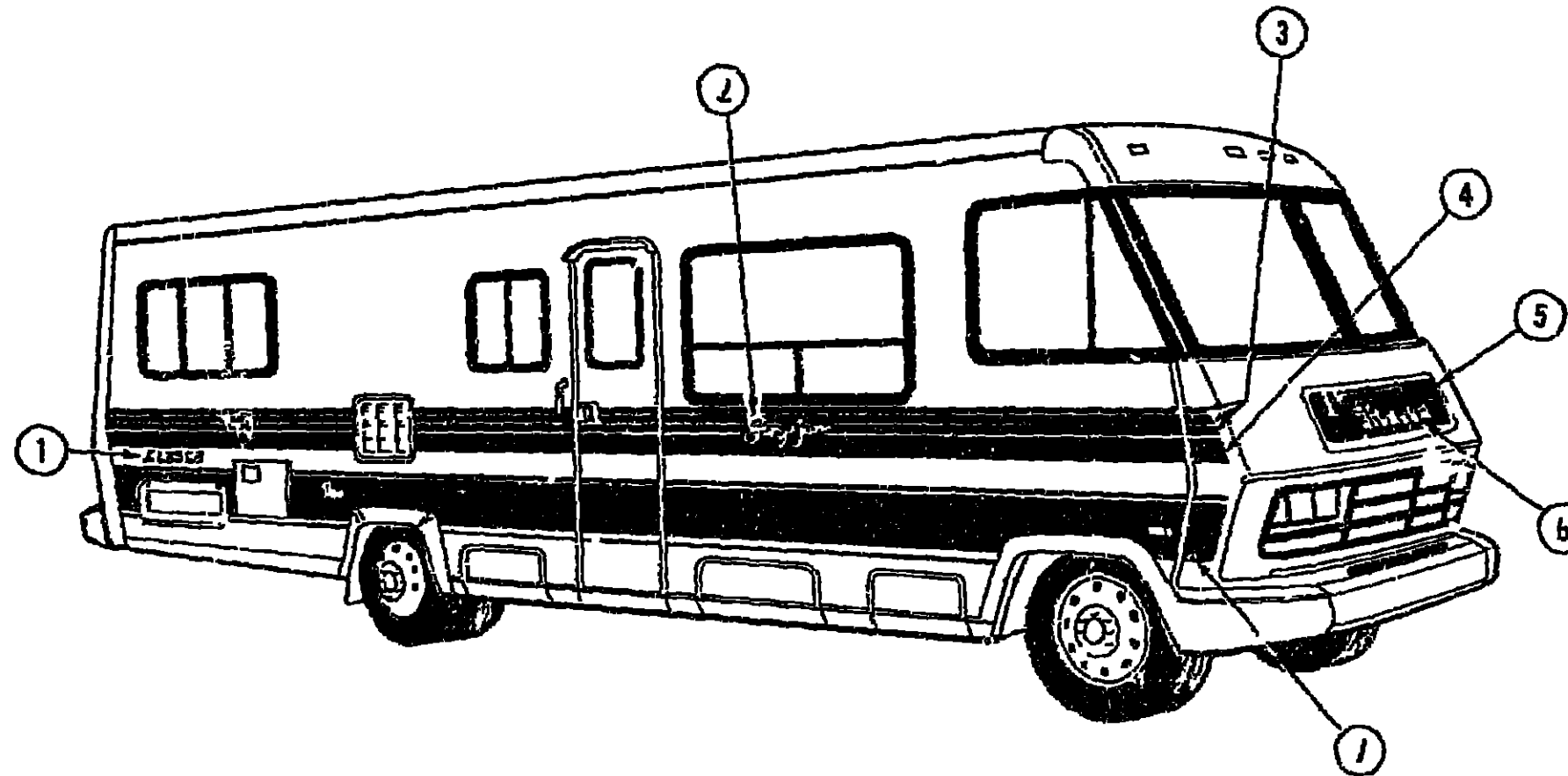
EXTERIOR BODY GROUP (CONTINUED)

DECALS & FILM STRIPE

1987 ITASCA TABLE OF CONTENTS

IC/IF424RC
IC/JN31RT
ICN33RU
ICP31RT

A-01 - C-02
C-03 - E-16
E-17 - H-06
H-07 - J-16



Key	Part Number	U/M	Description
1	076852-05-000	EA	Decal - Logo - "Itasca" - 6.5" x 25.5" - Sides & Rear
2	058718-02-000	EA	Decal - "Sunlifer"
3	069245-B0-000	FT	Film - Multi-Stripe - 5.1" x 150" - Light Green Metallic (W30)
3	069245-B1-000	FT	Film - Multi-Stripe - 5.1" x 150" - Rust Metallic (W31)
3	069245-A9-000	FT	Film - Multi-Stripe - 5.1" x 150" - Burgundy Metallic (W32)
4	078831-28-000	FT	Decal - Stripping - 3.5" x 150" - Dark Green (W30)
4	078831-27-000	FT	Decal - Stripping - 3.5" x 150" - Gray (W31 W32)
5	087206-02-000	EA	Decal - Hood - Rust/Light Green/Dark Green (W30)
5	087206-03-000	EA	Decal - Hood - Red Beige/Rust/Gray (W31)
5	087206-01-000	EA	Decal - Hood - Rose/Burgundy/Gray (W32)
6	076852-07-000	EA	Decal - Logo - "Itasca" - Hood - Gray (W30 W31 W32)
6	076852-06-000	EA	Decal - Logo - "Itasca" - Hood - Black - 6.5" (W30 W31 W32)
7	065217-C4-000	FT	Film - Multi-Stripe - 11" x 150" - Dark Green (W30)
7	065217-C3-000	FT	Film - Multi-Stripe - 11" x 150" - Gray (W31 W32)
	084075-01-000	EA	Decal - "By Winnebago Inc."
	Not illustrated		

1987 ICN33RU INDEX

Floor Plan	E-17 - F-18
Accessories Group	E-19 - E-21
Bath Group	E-22
Chassis Group	E-23 - F-02
Curtain Cushion & Pad Group	F-03 - F-12
Dinette Group	F-13 - F-14
Driver's Compartment Group	F-15 - F-17
Electrical Group	F-18 - F-20
Exterior Body Group	F-21 - G-02
Galley Group	G-03 - G-05
Heating & Air Conditioning Group	G-06 - G-07
Interior Finish Group	G-08 - G-10
LP Group	G-11
Lounge Group	G-12 - G-13
Water & Sewage Group	G-14 - G-15
Window Vent & Exterior Door Group	G-16 - H-06

EXTERIOR BODY GROUP (CONTINUED)

LABELS & EXTERIOR PAINT

Key	Part Number	U/M	Description
	068383-01-000	EA	Label - Diesel Fuel
	005195-01-000	EA	Label - Electrical Test
	047731-01-000	EA	Label - Emergency Exit
	006199-01-000	EA	Label - Exit - Escape Window
	057467-04-000	EA	Label - Exterior Loading Limit
	054376-01-001	EA	Label - Flying W w/ Thermo Panel
	061417-01-000	EA	Label - Fuel
	005196-01-000	EA	Label - Gas Test
	054531-01-000	EA	Label - LP Gas Only
	040944-01-000	EA	Label - Open - Entrance Door
	005015-01-000	EA	Label - Patent Motor Home
	056259-01-000	EA	Label - Safety Check List
	005054-01-000	EA	Label - Seal - 1/2 Seal Belts
	005187-01-000	EA	Label - Sawage
	005006-01-000	EA	Label - Thermo Panel - 2 1/4 x 2 1/4
	075221-01-000	EA	Label - Trailer Hitch Capacity
	075220-01-000	EA	Label - Warning - Exterior Load Limit
	050225-01-000	EA	Label - Warning - Stove Vent - US
	006168-01-000	EA	Label - Waste Water
	006197-01-000	EA	Label - Water Test
	072863-01-000	EA	Nameplate - Diesel - 6.2L
	005052-01-000	EA	Tag - Electrical - 110 Volt Connection
	076040-01-000	EA	Tag - Gas - Refueling Warning
	044496-01-000	EA	Paint - Beige Acrylic Enamel - 16 oz Aerosol (7F33A Dupont)
	045581-03-000	EA	Paint - Gloss Black - Acrylic Enamel - 16 oz Aerosol (99 Dupont)
	058637-05-000	EA	Paint - Gray Acrylic Enamel - 16 oz Aerosol (71537 Dupont)
	041051-03-000	EA	Paint - Off White Acrylic Enamel - 16 oz Aerosol (45396A Dupont)
	074559-01-000	EA	Label - LPG - 3.5 x 1.75 (Call Code)

ACCESS PANEL HARDWARE

Key	Part Number	U/M	Description
	072917-02-000	EA	Rod - Hood Prop
	052628-01-000	EA	Clip - Prop Rod
	058833-01-000	EA	Bracket - Prop Rod
	073340-01-000	EA	Hinge - Access Panel - Passenger
	073340-02-000	EA	Hinge - Access Panel - Drivers
	045950-01-000	EA	Bracket - Hinge Asm - Hood - Drivers
	050360-02-000	EA	Bracket - Hinge Asm - Hood - Passenger
	R77005-68-721	EA	Cable - Release (Access Panel)
	074178-01-000	EA	Bracket - Cable Release - Inside
	R77007-01-950	EA	Striker - Hood Latch
	R77006-52-931	EA	Latch - Hood
	R77005-36-499	EA	Spring
	R77005-16-763	EA	Cable Sheath
	073333-01-000	EA	Bracket - Latch Support
	073337-01-000	EA	Crack Latch - Hood
	073341-01-000	EA	Bracket - Hood Latch
	059765-02-000	EA	Bolt - Hood Adjusting - 5.16" x 18 x 1 1/4

EXTERIOR BODY GROUP (CONTINUED)

SEALANTS & ADHESIVES

Key	Part Number	U/M	Description
	004020-01-000	QT	Adhesive - ABS Cement (Plastic Fittings)
	002337-01-000	EA	Adhesive - 100 Tube - 3M (Windows)
	00-005-02-000	GL	Adhesive - Seam - Glue (Sidewalls)
	053765-07-000	EA	Bedding Compound - Tube - Beige (Exterior)
	053766-06-000	EA	Bedding Compound - Tube - Clear (Window)
	053766-08-000	EA	Bedding Compound - Tube - Gray (Exterior)
	053766-05-000	EA	Bedding Compound - Tube - Gray (Sidewalls 'a Floor)
	053766-02-000	EA	Bedding Compound - Tube - Off White (Exterior)
	002328-02-000	EA	Block Rubber Spacer (Windshield)
	004336-01-000	EA	Caulk - Latex Golden Walnut (Sidewalls)
	077967-01-000	EA	Sealant - Acrylic Latex - Tube - Off White (Interior Sealant)
	034552-04-000	EA	Sealant - Silicone - Beige
	034552-02-000	EA	Sealant - Silicone - Clear
	034552-07-000	EA	Sealant - Silicone - Dark Gray
	034552-03-000	EA	Sealant - Silicone - Off White
	069637-01-000	EA	Sealant - Weatherstriap 404 - Tube - White (Door Caulk)
	072889-01-000	EA	Sealant - Urethane - Black (Windshield)
	069640-01-000	FT	Sealer Ribbon - 25" Bead x 20
	069640-02-000	FT	Sealer Ribbon - 5 x 125 x 30
	069640-03-000	FT	Sealer Ribbon - 75 x 125" x 30
	069640-04-000	FT	Sealer Ribbon - 2" x 09 x 45 (P Series)
	069640-05-000	FT	Sealer Ribbon - 2.5" x 09 x 50
	069640-06-000	FT	Sealer Ribbon - 5 1/2" Bead x 15
	069640-07-000	FT	Sealer Ribbon - 2 x 3 3/32" x 30
	002316-01-000	FT	Sealer Tape - 3/32 x 3 6" - White (Window)
	002707-01-000	FT	Sealer Tape - 5/16 x 3/4
	002707-07-000	FT	Sealer Tape - 5/16 x 1/2"
	040545-01-000	GL	Seal - Seam Weld
	053752-04-000	EA	Seam Sealer - Tube - Aluminum (Roof)
	043842-01-000	FT	Tape - Adhesive - 10mm x 1 1/2 Wide
	038806-01-000	EA	Tape - Butyl - 31 x 31 x 148" (Windshield)
	076322-01-000	FT	Tape - Foam - Double Coated - 0.25 x 1" (Fiberglass Sidewall Seams)
	076322-02-000	FT	Tape - Foam - Double Coated - 0.5 x 1" (Fiberglass Sidewall Seams)
	009270-01-000	EA	Tape - Furnace - 15"
	002825-01-000	FT	Weather Striping (Roof Vent)

SHEET FIBERGLASS, ALUMINUM & STYROFOAM

Key	Part Number	U/M	Description
	077517-15-001	EA	Fiberglass - Sheet - 46 1/2 x 378" - Mesa - Gray
	077517-15-002	EA	Fiberglass - Sheet - 46 1/2 x 60" - Mesa - Gray
	001054-01-011	EA	Alum - Off White - No Design - 48" x 96"
	001054-03-003	SF	Alum - Gray - No Design - 48" x 96"
	044487-01-001	EA	Alum - Mill Finish - No Design (Roof) - 96" x 360"
	000858-01-000	SF	Styrofoam - 75 x 24 x 96"
	000870-01-000	SF	Styrofoam - 1 50" x 24" x 96"
	000876-03-000	SF	Styrofoam - 1 34" x 48" x 96"

MISCELLANEOUS EXTERNALLY MOUNTED PARTS

Key	Part Number	U/M	Description
	083558-01-000	EA	Plumbing Seal - Roof Vent - 1.5" - Covered
	063886-09-000	EA	Assist Handle
	010230-04-000	EA	Fill - City Water - Recessed - Gray
	081240-02-000	EA	Water Fill - Lockable - Gray
	087659-03-000	EA	Fill - City Water - Gray
	083120-03-000	EA	Bracket - License Plate - Gray

NOTE: For Screws & Fasteners See Common Items Fiche

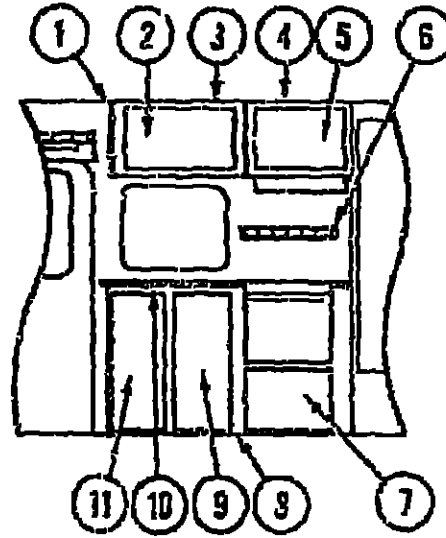
**1987 ITASCA
TABLE OF CONTENTS**

IC7F424RC	A-01 - C-02
IC/JN31HT	C-03 - E-16
ICN33PU	E-17 - H-06
CP31RT	H-07 - J-16

1987 ICN33PU INDEX

Floor Plan	E-17 - E-18
Accessories Group	E-19 - E-21
Bath Group	E-22
Chassis Group	E-23 - F-02
Curtain Cushion & Pad Group	F-03 - F-12
Dinette Group	F-13 - F-14
Drivers Compartment Group	F-15 - F-17
Electrical Group	F-18 - F-20
Exterior Body Group	F-21 - G-02
Galley Group	G-03 - G-05
Heating & Air Conditioning Group	G-06 - G-07
Interior Finish Group	G-08 - G-10
LP Group	G-11
Lounge Group	G-12 - G-13
Water & Sewage Group	G-14 - G-15
Window Vent & Exterior Door Group	G-16 - H-06

GALLEY GROUP



GALLEY CABINETRY

Key	Part Number	U/M	Description
1	081320-04-W30	EA	Pad Asm - End Cap - Galley Overhead - Vinyl
2	M31523-04-W30	EA	Door Asm - Galley Overhead - Raised Panel - w/o Hardware
2	M54956-04-W30	EA	Door Asm - Galley Overhead - w/o Hardware
3	081655-07-W30	EA	Cabinet Asm - Galley Overhead - w/o Doors or Hardware
4	081460-05-W30	EA	Cabinet Asm - Galley Overhead - w/o Doors or Hardware
5	M81523-01-W30	EA	Door Asm - Galley Overhead - Raised Panel - w/o Hardware
5	M84956-01-W24	EA	Door Asm - Galley Overhead - w/o Hardware
6	074490-02-W24	EA	Spice Rack - Oak
7	M81507-05-W30	EA	Door Asm - Furnace w/ Mesh Insert - w/o Hardware
	072369-20-000	EA	Mesh Insert - Furnace Door - Bronze
8	M82486-05-W30	EA	Cabinet Asm - Galley - w/o Doors Drawers Countertop or Hardware
	M82486-06-W30	EA	Cabinet Asm - Galley - w/o Doors Drawers Countertop or Hardware
	M82184-07-W24	EA	Drawer Asm - Galley Cabinet - w/o Hardware
9	M81501-03-W30	EA	Door Asm - Galley Cabinet - Right - Raised Panel - w/o Hardware
9	M84953-03-W30	EA	Door Asm - Galley Cabinet - Right - w/o Hardware
10	M02482-01-W30	EA	Countertop Asm - Galley Cabinet
11	M81501-02-W30	EA	Door Asm - Galley Cabinet - Left - Raised Panel - w/o Hardware
11	M84953-02-W24	EA	Door Asm - Galley Cabinet - Left - w/o Hardware
	080812-02-W30	EA	Extension Asm - Galley

Not illustrated
Used with microwave option

GALLEY HARDWARE & APPLIANCES

Key	Part Number	U/M	Description
	079353-01-000	EA	Hood - Range - Powered w/ Monitor - Almond - US
	079353-02-000	EA	Hood - Range - Powered w/ Monitor - Almond - CSA
	084878-01-000	EA	Duct Extension - Hood Range
	081374-01-000	EA	Range Top - 4 Burner - Almond - Magic Chef
	055282-04-000	EA	Range w/ Small Oven - 4 Burner - Almond - Magic Chef
	081374-01-000	EA	Range Top - 4 Burner - Almond
	081374-01-700	EA	Trim - Cabinet - Top Right
	081374-01-701	EA	Trim - Cabinet - Top Left
	081374-01-702	EA	Panel - Manifold Warm - Black
	081374-01-703	EA	Trim - Top - Rear
	081374-01-704	EA	Guard - Fabric
	084879-01-000	EA	Refrigerator - 3-Way Small Double Door
	084879-01-700	EA	Cooling Unit - F/Model 8553

GALLEY GROUP (CONTINUED)

GALLEY HARDWARE & APPLIANCES (CONT)

Key	Part Number	U/M	Description
	084879-01-701	EA	Lower Door Gasket
	084879-01-702	EA	Lower Door Handle
	084878-01-703	EA	Foamed Cabinet Asm
	084979-01-704	EA	Foamed Lower Door Liner w/Frame
	084879-01-705	EA	Panel Holder - Lower Door
	084879-02-000	EA	Refrigerator - 3-Way Small Double Door
	084880-01-000	EA	Refrigerator - 3-Way Large Double Door
	084380-01-700	EA	Cooling Unit F/Model 8553
	084880-01-701	EA	Lower Door Handle
	084880-01-702	EA	Foamed Cabinet Asm
	084880-01-703	EA	Foamed Lower Door Liner w/Frame
	084880-01-704	EA	Panel Holder (Lower Door)
	084880-01-705	EA	Grille
	084880-01-706	EA	DC Light Bulb
	084880-01-707	EA	Heatic (3 Way)
	084880-01-708	EA	Baffle Asm
	084880-01-709	EA	Lamp Socket
	084880-01-710	EA	Ignition Electrode
	084880-01-711	EA	Sensor Electrode
	084880-01-712	EA	Control Module (Fenwal)
	084990-01-713	EA	Male Connector - Inlet Fitting
	084380-01-714	EA	Burner (No Electrodes)
	084660-01-715	EA	Manual Shut Off Valve
	084880-01-716	EA	Burner Tube (Asco)
	084880-01-717	EA	Control Module (Channel)
	084880-01-718	EA	Gas Valve (Asco)
	084880-01-719	EA	Brass Elbow (Asco)
	084880-01-720	EA	Spring (For Door Handle)
	084880-01-721	EA	Power Supply Cover
	084880-01-722	EA	Crisper Cover
	084880-01-723	EA	Power Supply Board (3 Way)
	084880-01-724	EA	Hinge Plate (BTM of DR Asm)
	084980-01-725	EA	Hinge Plate (Top of DR Asm)
	084880-01-726	EA	Hinge Bracket (Ctr Hinge)
	084880-01-727	EA	Upper Door Gasket
	084880-01-728	EA	Lower Door Gasket
	084880-01-729	EA	Eyebrow (3 Way)
	084890-01-730	EA	Crisper
	084880-01-731	EA	Hinge Pin
	084660-01-732	EA	Latch
	084880-01-733	EA	Dairy Keeper Asm
	084880-01-734	EA	Hinge Bracket Asm Right
	084880-01-735	EA	Hinge Bracket Asm Left
	084880-01-736	EA	Light Switch (Brow)
	084880-01-737	EA	Foamed UPR Di Line w/Frame
	084880-01-738	EA	Control Brkt Asm (3-Way)
	084880-01-739	EA	End Cap (Spring Catch)
	084880-01-740	EA	End Cap (Stop Catch)
	084880-01-741	EA	Humidity Switch
	084880-01-742	EA	Lower Seal Trim
	084880-01-743	EA	F/C Board (3-Way)
	084880-01-744	EA	Hinge Pin Shaft (Ctr Hinge)
	084880-01-745	EA	Hinge Bushing
	084880-01-746	EA	Cable
	084880-01-747	EA	Wole Plug
	084880-01-748	EA	Snap In Plug
	084880-01-749	EA	Hinge Bushing
	084880-01-750	EA	Door Shelf Bins

* The illustrated parts breakdown for this item is provided on the Common Items Fiche

**1987 ITASCA
TABLE OF CONTENTS**

IC/IF424RC	A-01 C-02
IC/JN31RT	C-03 - E-16
IC/N33PL	E-17 - H-06
ICP31RT	H-07 - J-16

1987 ICN33RU INDEX

Floor Plan	E-17 - E-18
Accessories Group	E-19 - E-21
Bath Group	E-22
Chassis Group	E-23 - F-02
Curtain Cushion & Pad Group	F-03 - E-12
Dinette Group	F-13 - F-14
Driver's Compartment Group	F-15 - F-17
Electrical Group	F-18 - F-20
Exterior Body Group	F-21 - G-02
Galley Group	G-03 - G-05
Heating & Air Conditioning Group	G-06 - G-07
Interior Finish Group	G-08 - G-10
LP Group	G-11
Locks Group	G-12 - C-13
Water & Sewage Group	G-14 - G-15
Window Vent & Exterior Door Group	G-16 - H-06

GALLEY GROUP (CONTINUED)

GALLEY HARDWARE & APPLIANCES (CONT.)

Key	Part Number	U/M	Description
	054450-01-000	EA	Level - Refrigerator
	081379-01-000	EA	Microwave Convection Oven - Sharp
	081459-03-000	EA	Bracket Asm - Microwave - Right
	081459-04-000	EA	Bracket Asm - Microwave - Left
	081456-01-000	EA	Angle Asm. - Microwave Right
	081456-02-000	EA	Angle Asm. - Microwave Left
	081555-01-T03	EA	Trim Ring - Microwave
	082875-01-000	EA	Air Exhaust Duct - Microwave
	056615-01-000	EA	Sink - Stainless Steel - Double w/Bolts
**	011053-01-000	EA	Faucet - Swing Spout - 8" - LIS
**	011053-02-000	EA	Faucet - Swing Spout - 8" - CSA
**	011053-01-700	EA	Aerator - Swing Spout Faucet
	056437-01-000	EA	Strainer w/Basket - Sink
	081530-01-U07	EA	Sink Cover - Large
	009049-01-000	EA	Support - Drop Leaf Table
	009059-01-000	EA	Hinge - 2" - Gold - Drop Leaf Table
	074490-02-W24	EA	Spice Rack - Oak
	074981-01-000	EA	Cutting Board - Maple
	056334-01-000	EA	Wastebasket - 9 3/4" x 7" x 10" - White
	059877-01-000	EA	Support - Wastebasket - Metal
	059777-02-000	EA	Hinge - Cabinet Door - Brass
	009021-01-000	EA	Catch - Nylon - Cabinet Door
	009021-02-000	EA	Strike - Spring Steel - Cabinet Door
	077409-01-000	EA	Slider - Drawer - 20 7/8" - Plastic
	077404-01-000	EA	Drawer - 20" x 12 7/8" - Plastic
	066435-01-000	EA	Nut Strainer
	011083-01-000	EA	Plug - 1 1/4" x 5" - w/Stopper

** The illustrated parts breakdown for this item is provided on the Common Items Fiche.

HEATING & AIR CONDITIONING GROUP

FURNACE & ROOF AIR CONDITIONER

Key	Part Number	U/M	Description
	074466-01-000	EA	Furnace - 45,000 BTU - w/Direct Ignition
	074466-01-701	EA	Electrode Asm. - #230782
	074465-01-702	EA	Relay - Time Delay
	074466-01-703	EA	Blower Wheel - Room Air - Clockwise
	074466-01-704	EA	Microswitch & Paddle Asm
	074466-01-705	EA	Motor
	074466-01-706	EA	Wheel - Combustion
	074466-01-707	EA	Blower Wheel - Room Air - Counter Clockwise
	074466-01-708	EA	Bushing - Blower
	074466-01-709	EA	Gasket - Combustion Air Crossover
	074466-01-710	EA	Gasket - Blower Motor - 2 1/8" Dia.
	074466-01-711	EA	Bushing - Motor Mounting
	074466-01-712	EA	Gasket - Combustion Air Housing
	074466-01-713	EA	Thermostat
	074466-01-714	EA	Vent - Tube Asm
	074466-01-715	EA	Valve - Fanwell
	074466-01-716	EA	Electrode Asm. - #230832
	074466-01-717	EA	Wall - Thermostat
	074466-01-718	EA	Valve - 12 Volt - L.P. Gas Only
	074466-01-719	EA	Cabinet Asm
	074466-01-720	EA	Pipe - Gas Inlet
	069636-02-000	EA	Connector - 4" Duct
	009199-01-000	EA	Duct - Flexible - 4" I.D. x 25'
	056464-01-000	EA	Register - 4" Dia. - Plastic - w/Damper
	056464-02-000	EA	Register - 4" Dia. - Plastic - w/o Damper
	009200-01-000	EA	Tape - Furnace - 1 1/2"
	023146-01-000	EA	Clamp - Screw Type - 4"
**	073743-01-000	EA	Shroud Asm - Ceiling - Inside - Roof Air 13,500 BTU - Cool Only
**	073744-01-000	EA	Shroud Asm. - Ceiling - Inside - Roof Air 13,500 BTU - Heat & Cool
**	073742-01-000	EA	Air Conditioner - 110 Volt - Roof Mount - 13,500 BTU Rotary

** The illustrated parts breakdown for this item is provided on the Common Items Fiche

AUXILIARY HEATER ASSEMBLY

Key	Part Number	U/M	Description
	084405-01-000	EA	Heater Asm - Rear - Auxiliary
	084405-01-700	EA	Heater Core
	084405-01-701	EA	Fan
	084405-01-702	EA	Motor - 12 V
	056464-02-000	EA	Register - 4" - Plastic - w/o Damper

1987 ITASCA TABLE OF CONTENTS

IC/IF424RC	A-01 - C-02
IC/JN31RT	C-03 - E-16
ICN33RU	E-17 - H-06
ICP31RT	H-07 - J-18

1987 ICN33RU INDEX

Floor Plan	E-17 - E-18
Accessories Group	E-19 - E-21
Bath Group	E-22
Chassis Group	E-23 - F-02
Curtain, Cushion & Pad Group	F-03 - F-12
Dinette Group	F-13 - F-14
Driver's Compartment Group	F-15 - F-17
Electrical Group	F-18 - F-20
Exterior Body Group	F-21 - G-02
Galley Group	G-03 - G-05
Heating & Air Conditioning Group	G-06 - G-07
Interior Finish Group	G-08 - G-10
LP Group	G-11
Lounge Group	G-12 - G-13
Water & Sewage Group	G-14 - G-15
Window, Vent & Exterior Door Group	G-16 - H-06

HEATING & AIR CONDITIONING GROUP (CONTINUED)

AUTOMOTIVE HEATER & AIR CONDITIONER

Key	Part Number	U/M	Description
	072341-04-000	EA	Heater/Evaporator Asm
	072341-01-700	EA	Wheel - w/Retainer & Index Clip
	072341-01-701	EA	Cone - Heater
	072341-01-702	EA	Coil - Evaporator
	072341-01-703	EA	Valve - Expansion
	072341-01-704	EA	Valve - Suction
	072341-01-705	EA	Switch - Pressure - Low Cut Out
	072341-01-706	EA	Resistor
	072341-01-707	EA	Thermostat
	072341-01-708	EA	Motor - Vacuum
	R77005-81-129	EA	Relay - Glow Plug
	072341-01-710	EA	Control Asm - Heater A/C
	072341-01-711	EA	Cable - Bowden - 72"
	072341-01-712	EA	Switch - Vacuum
	072341-01-713	EA	Switch - Jumper Control
	072341-01-714	EA	Valve - Heater - Water Flow Control
	072341-01-715	EA	Escape & Louver Adapter Asm.
	072341-01-716	EA	Discharge Valve - 1/2"
	072341-08-000	EA	Duct & Control Kit
	072342-03-000	EA	Condenser Asm. - w/Fans
	072342-02-700	EA	Receiver Drier - Condenser Asm
	072343-01-000	EA	Compressor/Clutch
	072344-01-000	EA	Package - Compressor Mount
	074025-01-000	EA	Package - Compressor Mount - 6.2 L Diesel
	039044-01-000	EA	Louver Asm. - A/C Adjustable
	007076-01-700	FT	Hose - Flexible PVC - 2" I.D.
	007281-01-700	FT	Hose - Flexible PVC - 2 1/2" I.D.
	007108-01-000	FT	Hose - Heater - 5/8" I.D. SAE 20R3
	062401-04-000	EA	Clamp - Worm Drive - .69" - 1.25" I.D.
	010227-01-000	EA	Tee - Plastic - Barb 5/8" or 3/4" Hose

INTERIOR FINISH GROUP

CURTAIN & CUSHION HARDWARE

Key	Part Number	U/M	Description
	081381-01-000	EA	Swivel Snap - Curtain Track
	029130-01-000	EA	Snap Socket - Curtain Bottom
	082139-02-000	EA	Bracket - Blind - Hold Down
	083170-03-000	EA	Bracket - Blind - Top Right
	083170-04-000	EA	Bracket - Blind - Top Left
	056003-01-000	EA	Bracket - Drapery - Retainer - Right
	056003-02-000	EA	Bracket - Drapery - Retainer - Left
	032135-03-000	EA	Bracket - Hold Down - Blind
	079619-01-000	EA	Bracket - Tie Back
	084434-01-000	EA	Bracket - Shade
	086263-01-000	EA	Pull - Window Shade - Polished Brass
	048394-02-000	YD	Tape Hook - .75" x 50 yd - Beige
	048395-02-000	YD	Tape Loop - .75" x 50 YD - Beige
	029090-01-000	FT	Tie - Drapery - Clear Vinyl
	056116-01-000	EA	Track - Curtain - Brown Plastic - Top
	079946-01-000	EA	Track - Curtain - Wraparound - Right
	079946-02-000	EA	Track - Curtain - Wraparound - Left
	085283-01-000	EA	Bracket - Curtain Hold Back - Clear Plastic
	087253-01-000	EA	Shade Pull - Clear Plastic

PANELING & LAMINATE

Key	Part Number	U/M	Description
	074497-09-000	SF	Paneling - Sand - 48" x 84" (28 SF) (Wall)
	074496-66-000	SF	Paneling - Decor - 48" x 84" (28 SF) Bath (W30)
	074496-68-000	SF	Paneling - Decor - 45" x 84" (28 SF) Bath (W31) (W32)
	074496-73-000	SF	Paneling - Decor - 48" x 84" (28 SF) Galley (W30)
	074496-75-000	SF	Paneling - Decor - 43" x 84" (28 SF) Galley (W31) (W32)
	074497-10-000	SF	Paneling - Regal Oak - 48" x 84" (28 SF) (Cabinets)
	074498-13-000	SF	Plastic Laminate - Sand Quadrus (Galley, Dinette)
	074498-16-000	SF	Plastic Laminate - T/Apricot (Bath) (W30)
	074498-17-000	SF	Plastic Laminate - Maplenut (Bath) (W31)
	074498-15-000	SF	Plastic Laminate - Blush (Bath) (W32)
	074498-20-000	SF	Plastic Laminate - Regal Oak (Nightstand & Table Tops)
	076325-16-000	FT	Plastic Laminate - Edge Band - Regal Oak - 1 5/16" x 600'

INTERIOR MOLDING & TRIM

Key	Part Number	U/M	Description
	024700-17-000	EA	Cover - Sidewall Roll Bar - Beige
	081521-01-001	EA	Molding w/Holes - Corner - 16"
	042357-09-000	FT	Molding - Radius Corner - 7" Elm
	022992-08-000	FT	Molding - Reverse Cove - White
	069733-66-000	EA	Batt Strip - Classique Tweed - 8' (Wall)
	085284-05-000	FT	Batt Strip - Adhesive Tape - Classique Tweed
	069733-71-000	EA	Batt Strip - Winnie - 8' (Galley & Bath)
	069733-74-000	EA	Batt Strip - Winnie - 8' (Wet Bath)
	069733-62-000	EA	Batt Strip - Pebble Beach (Ceiling)
	069733-70-000	EA	Batt Strip - Regal Oak (Nightstand)
	070504-01-000	FT	U-Channel - .065" - Light Brown
	009778-07-000	FT	U-Channel - 1" - Regal Oak
	083620-01-000	FT	T-Molding - .75" - w/Edge Lips - Grady Brown
	077840-01-T03	EA	Molding - Wall Cap - 16" - Vinyl Covered - Sunset Oak
	077953-01-000	EA	Grommet - 1" Hole Liner
	009767-06-000	FT	Welling - Beige
	009767-10-000	FT	Welling - Mahogany
	042356-01-000	EA	Plug - 3/8" - Mahogany

1987 ITASCA TABLE OF CONTENTS

ICVIF424RC	A-01 - C-02
IC/JN31RT	C-03 - E-16
ICN33RU	E-17 - H-06
ICP31RT	H-07 - J-16

1987 ICN33RU INDEX

Floor Plan	E-17 - E-18
Accessories Group	E-19 - E-21
Bath Group	E-22
Chassis Group	E-23 - F-02
Curtain, Cushion & Pad Group	F-03 - F-12
Dinette Group	F-13 - F-14
Driver's Compartment Group	F-15 - F-17
Electrical Group	F-18 - F-20
Exterior Body Group	F-21 - G-02
Galley Group	G-03 - G-05
Heating & Air Conditioning Group	G-06 - G-07
Interior Finish Group	G-08 - G-10
LP Group	G-11
Lounge Group	G-12 - G-13
Water & Sewage Group	G-14 - G-15
Window, Vent & Exterior Door Group	G-16 - H-06

INTERIOR FINISH GROUP (CONTINUED)

MISCELLANEOUS PARTS

Key	Part Number	U/M	Description
	053552-02-W04	EA	Handle Asm. - Interior Assist - Medium Almond Vinyl
	041944-04-000	EA	Fire Extinguisher - Dry 5BC
	084472-01-000	EA	Holder - Recessed Fire Extinguisher
	054185-26-000	EA	Owner's Manual - 1987 Itasca & Winnebago
	040069-01-000	EA	Door Mat - 10 1/2" x 26" - Black Rubber
	086290-01-000	EA	Picture - Decor
	065201-02-000	EA	Lamp Shade - Fabric - Parchment
	082686-02-000	EA	Shade - Table Lamp

FABRICS & CARPET

Key	Part Number	U/M	Description
	077498-89-000	YD	Fabric - Main - Jade/Peach (W30)
	077498-90-000	YD	Fabric - Main - Mahogany (W31)
	077498-88-000	YD	Fabric - Main - Rose (W32)
	077498-82-000	YD	Fabric - Patterned Accent - Jade/Peach (W30)
	077498-83-000	YD	Fabric - Patterned Accent - Mahogany (W31)
	077498-84-000	YD	Fabric - Patterned Accent - Rose (W32)
	077498-A1-000	YD	Fabric - Plain Accent - Jade/Peach (W30)
	077498-A2-000	YD	Fabric - Plain Accent - Mahogany (W31)
	077498-A8-000	YD	Fabric - Plain Accent - Rose (W32)
	069729-44-000	YD	Fabric - Bedroom Drapery - Jade/Peach (W30)
	069729-45-000	YD	Fabric - Bedroom Drapery - Mahogany (W31)
	069729-46-000	YD	Fabric - Bedroom Drapery - Rose (W32)
	072333-38-000	YD	Fabric - Drapery - Accent - Jade/Peach (W30)
	072333-40-000	YD	Fabric - Drapery - Accent - Mahogany (W31)
	072333-37-000	YD	Fabric - Drapery - Accent - Rose (W32)
	038421-02-000	YD	Fabric - Mattress Ticking - Beige/Brown
	038421-04-000	YD	Fabric - Mattress Ticking - Cashew
	052859-01-W30	FT	Trim Asm. - Accent - Buckskin
	052859-06-W13	FT	Trim Asm. - Accent - Buckskin
	079690-01-000	YD	Vinyl - Expanded - 26 oz. - Buckskin
	029219-01-000	YD	Vinyl - White - 14.6 oz.
	057272-01-000	YD	Fabric - Drapery Lining - 48" - Ivory
	038421-01-000	YD	Fabric - Mattress Ticking
	029012-01-000	BF	Foam - Rolled - 3/8"
	072860-57-000	YD	Carpet - Jade/Peach (W30)
	072860-58-000	YD	Carpet - Mahogany, Rose (W31, W32)

INTERIOR FINISH GROUP (CONTINUED)

CABINETHY & TABLE HARDWARE

Key	Part Number	U/M	Description
	053200-05-000	EA	Bracket - Upper Wall Mount - 23.5" - Beige
**	053201-06-000	EA	Bracket - Table Mount - 23" - Beige
	024275-05-000	EA	Rod - Table Lift - 8" x 23.5" - Beige
	024281-07-000	EA	Bracket - Lower Wall Mount - 22.12" - Beige
	024276-17-000	EA	Leg Asm. - Table - 26.5" - Tan
	064050-02-000	EA	Hinge - Table Leg - Tan
**	024282-01-000	EA	Brace - Table Leg
**	024283-01-000	EA	Clip - 1" O.D. Tube
	049493-05-000	EA	Catch - Table Leg - Mounts on Floor - Tan
	009112-01-000	EA	Flange - 1" - Chrome - Closet Rod
	077409-01-000	EA	Slide - Drawer - Plastic - 20.75"
	009049-01-000	EA	Table Support - Drop Leaf
	009059-01-000	EA	Hinge - 2" - Drop Leaf Table - Gold
	086263-01-000	EA	Pull - Polished Brass Centers
	009016-01-000	EA	Elbow - Catch - Spring Loaded
	057671-01-000	EA	Screw Cover - #8 - Off White
	072369-20-000	EA	Mesh - Grille - 22" x 12" - Duraton Bronze
	009021-01-000	EA	Catch - Nylon
	009021-02-000	EA	Strike - Nylon Catch
**	059777-02-000	EA	Hinge - Cabinet Door - Antique Light Brass
	074493-02-000	EA	Support - Spring - Door
	056433-01-000	EA	Hook - Cup - Bright
	075680-01-000	EA	Clothes Rod - Adjustable - 27" x 36"
	041194-01-000	EA	Base - Table - Flush Mounts in Floor
	009040-03-000	EA	Base - Table - Mounts on Table
	080726-01-000	EA	Handle - Pullout

** The illustrated parts breakdown for this item is provided on the Common Items Fiche.

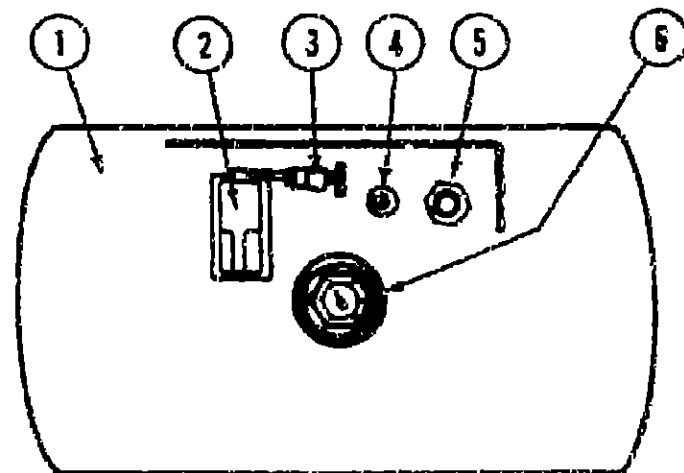
**1987 ITASCA
TABLE OF CONTENTS**

IC/IF424RC	A-01 - C-02
IC/JN31RT	C-03 - E-16
ICN33RU	E-17 - H-06
ICP31RT	H-07 - J-16

1987 ICN33RU INDEX

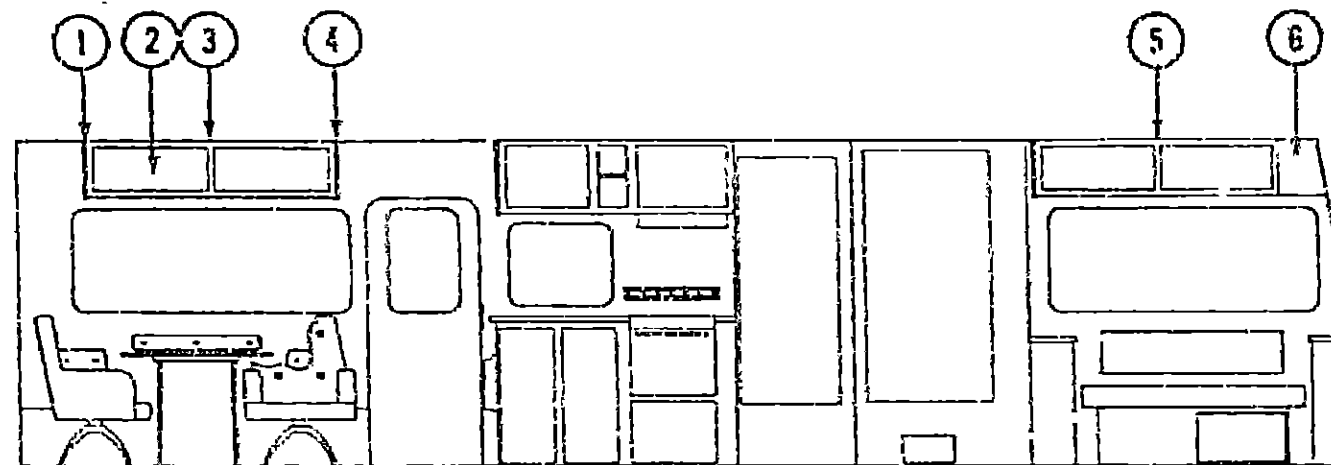
Floor Plan	E-17 - E-18
Accessories Group	E-19 - E-21
Bath Group	E-22
Chassis Group	E-23 - F-02
Curtain, Cushion & Pad Group	F-03 - F-12
Dinette Group	F-13 - F-14
Driver's Compartment Group	F-15 - F-17
Electrical Group	F-18 - F-20
Exterior Body Group	F-21 - G-02
Galley Group	G-03 - G-05
Heating & Air Conditioning Group	G-06 - G-07
Interior Finish Group	G-08 - G-10
LP Group	G-11
Lounge Group	G-12 - G-13
Water & Sewage Group	G-14 - G-15
Window, Vent & Exterior Door Group	G-16 - H-06

LP GROUP



Key	Part Number	U/M	Description
1	074142-01-000	EA	Tank Asm. - LP - Frame Mount - 80 Pound - 13" x 44"
*	065741-01-000	EA	Detector - LP Gas Leak - Marshalltown Instruments
2	081930-01-000	EA	Compartment - LP Regulator
*	076301-01-000	EA	Regulator - Two Stage - US (Dual)
*	076301-02-000	EA	Regulator - Two Stage - CSA (Dual)
3	040421-01-703	EA	Valve - Vapor Relief
4	040421-01-700	EA	Gauge - Liquid Level - 20% LP
5	040421-01-701	EA	Valve - Filler - LP
*	040421-01-702	EA	Cap - Plastic Fill Valve
6	040421-01-707	EA	Gauge - Float - w/Visible Dial
*	040421-01-706	EA	Dial - Visible Face - Float Gauge (Tank w/o Electric Transmitter)
*	040440-01-000	EA	Dial - Transmitter - 0 - 90 Ohm (Float Gauge)
*	045703-01-000	EA	Hose Asm. - LP - 3/8" I.D. x 24" - US
*	045703-02-000	EA	Hose Asm. - LP - 3/8" I.D. x 24" - CSA
*	045703-03-000	EA	Hose Asm. - LP - 3/8" I.D. x 18" - US
*	045703-04-000	EA	Hose Asm. - LP - 3/8" I.D. x 14" - CSA
*	065742-01-000	EA	Tee - .38 F x .39 F x .25 FPT
*			Not illustrated

LOUNGE GROUP



LOUNGE OVERHEAD CABINERY

Key	Part Number	U/M	Description
1	081325-02-W30	EA	Pad Asm. - End Cap - Front Overhead - Vinyl
2	M81503-01-W30	EA	Door Asm. - Overhead Cabinet - Raised Panel - w/o Hardware
2	M84955-01-W30	EA	Door Asm. - Front Overhead Cabinet - w/o Hardware
3	081550-20-W30	EA	Cabinet Asm. - Front Overhead - Passenger - w/o Doors or Hardware
*	081302-30-W30	EA	Cabinet Asm. - Front Overhead - Driver - w/o Doors or Hardware
4	081325-01-W30	EA	Pad - End Cap - Front Overhead - Vinyl
5	081730-05-W30	EA	Cabinet Asm. - Rear Overhead - Passenger - w/o Doors or Hardware
*	081498-01-W30	EA	Cabinet Asm. - Rear Overhead - Driver - w/o Doors or Hardware
*	081730-09-W30	EA	Cabinet Asm. - Rear Overhead - Passenger w/Twin & Queen Bed - w/o Doors or Hardware
*	M81503-06-W07	EA	Door Asm. - Rear Overhead - Driver or Passenger - Raised Panel - w/o Hardware
*	M84955-05-W30	EA	Door Asm. - Rear Overhead - Driver or Passenger - w/o Hardware
6	081308-22-W30	EA	Cabinet Asm. - Rear Overhead - Backwall - w/o Doors or Hardware
*	M81503-04-W30	EA	Door Asm. - Rear Overhead - Backwall - w/c Hardware
*			Not illustrated

ENTERTAINMENT CENTER & ICEMAKER

Key	Part Number	U/M	Description
	M81720-01-W30	EA	Cabinet Asm. - Ice Maker - w/o Countertop
	M02438-01-W30	EA	Countertop Asm. - Ice Maker
	M02439-01-W30	EA	Countertop Asm. - Ice Maker Pullout
	074483-02-W30	EA	Beverage Holder w/Tray - Oak
	079605-03-W30	EA	Magazine Rack Asm
**	075799-01-000	EA	Ice Maker - Black Glass
	077841-01-000	EA	Bracket - Tie Down - Ice Maker - Right
	077841-02-000	EA	Bracket - Tie Down - Ice Maker - Left
**			The illustrated parts breakdown for this item is provided on the Common Items Fiche

TWIN BED CABINERY

Key	Part Number	U/M	Description
	M83441-01-W30	EA	Cabinet Asm. - Nightstand - w/o Doors or Hardware
	M81501-93-W30	EA	Door Asm. - Nightstand
	M02603-01-W30	EA	Countertop Asm. - Nightstand - Upper
	M02603-01-W30	EA	Countertop Asm. - Nightstand - Lower
	M85452-01-W30	EA	Cabinet Asm. - Twin Bed - Right Sidewall
	M85453-01-W30	EA	Cabinet Asm. - Twin Bed - Left Sidewall
	M81501-30-W30	EA	Door Asm. - Twin Bed
	077463-08-W30	EA	Headboard Asm. - Twin Bed
	077463-08-W31	EA	Headboard Asm. - Twin Bed
	077463-08-W32	EA	Headboard Asm. - Twin Bed

**1987 ITASCA
TABLE OF CONTENTS**

IC/F424RC
IC/JN31RT
ICN33RU
ICP31RT

A-01 - C-22
C-03 - E-16
E-17 - H-06
H-07 - J-16

1987 ICN33RU INDEX

Floor Plan	E-17 - F-18
Accessories Group	E-19 - E-21
Bath Group	E-22
Chassis Group	E-23 - F-02
Curtain, Cushion & Pad Group	F-03 - F-12
Dinette Group	F-13 - F-14
Driver's Compartment Group	F-15 - F-17
Electrical Group	F-18 - F-20
Exterior Body Group	F-21 - G-02
Galley Group	G-03 - G-05
Heating & Air Conditioning Group	G-06 - G-07
Interior Finish Group	G-08 - G-10
LP Group	G-11
Lounge Group	G-12 - G-13
Water & Sewage Group	G-14 - G-15
Window, Vent & Exterior Door Group	G-16 - H-06

LOUNGE GROUP (CONTINUED)

DOUBLE BED W/VANITY & WARDROBE

Key	Part Number	U/M	Description
	M55473-01-W30	EA	Cabinet Asm - Vanity - w/o Countertop (Rear)
	M02261-01-W30	EA	Countertop Asm - Vanity
	M81501-97-W30	EA	Door Asm - Vanity - Single
	M81502-08-W30	EA	Door Asm - Vanity - Left Double Door - Raised Panel - w/o Hardware
	M81502-07-W30	EA	Door Asm - Vanity - Right Double Door - Raised Panel - w/o Hardware
	M84954-08-W30	EA	Door Asm - Vanity - Left Double Door - w/o Hardware
	M84954-07-W30	EA	Door Asm - Vanity - Right Double Door - w/o Hardware
	M81501-43-W30	EA	Door Asm - Wardrobe - Upper - Raised Panel - w/o Hardware
	M81501-44-W30	EA	Door Asm - Wardrobe - Lower - Raised Panel - w/o Hardware
	M84953-55-W30	EA	Door Asm - Wardrobe - Upper - w/o Hardware
	M84953-56-W30	EA	Door Asm - Wardrobe - Lower - w/o Hardware
	077463-09-W30	EA	Headboard Asm - Double
	077463-09-W31	EA	Headboard Asm - Double
	077463-09-W32	EA	Headboard Asm - Double

SWIVEL CHAIRS W/PULLOUT TABLE

Key	Part Number	U/M	Description
	M81727-03-W30	EA	Cabinet Asm - Pullout Table
	M02415-01-W30	EA	Table Asm - Pullout
	M02416-01-W30	EA	Countertop Asm - T.V. Shelf - Pullout Table
	M02414-01-W30	EA	Top - Cupholder - Pullout Table
	M02417-01-W30	EA	Top - Hinged Lid - Pullout Table
	080728-01-000	EA	Handle - Pullout Table
	079921-01-000	EA	Roller - Nylon - w/Shaft
	035036-01-000	EA	Plate - Tilt & Swivel
	035036-04-000	EA	Base w/Leg - Swivel Chair
	035036-05-000	EA	Extension - 7" - Swivel Chair

QUEEN BED W/NIGHTSTAND

Key	Part Number	U/M	Description
	M87455-01-W30	EA	Cabinet Asm - T.V. Stand
	M85713-06-W30	EA	Door Asm - T.V. Stand
	M03000-09-W30	EA	Countertop Asm - T.V. Stand
	081723-01-W30	EA	Cabinet Asm - Nightstand
	M02477-01-W30	EA	Countertop Asm - Nightstand
	084357-01-W30	EA	T.V. Stand Asm - Foldout
	M81501-30-W30	EA	Door Asm - Queen Bed - Raised Panel - w/o Hardware
	M84953-18-W30	EA	Door Asm - Queen Bed - w/o Hardware

HORSESHOE LOUNGE

Key	Part Number	U/M	Description
	M02959-01-W30	EA	Top Asm - Lounge Hamper - Side
	M02959-01-W31	EA	Top Asm - Lounge Hamper - Side
	M02959-01-W32	EA	Top Asm - Lounge Hamper - Side
	M02970-01-W30	EA	Top Asm - Lounge Back
	M02970-01-W31	EA	Top Asm - Lounge Back
	M02970-01-W32	EA	Top Asm - Lounge Back
	M81501-10-W30	EA	Door Asm - Horseshoe Lounge - Base - Raised Panel - w/o Hardware
	M84953-05-W24	EA	Door Asm - Horseshoe Lounge - Base - w/o Hardware

FRONT WARDROBE

Key	Part Number	U/M	Description
	M02480-01-W30	EA	Countertop Asm - Wardrobe
	M81501-31-W30	EA	Door Asm - Wardrobe - Raised Panel - w/o Hardware
	M84953-16-W30	EA	Door Asm - Wardrobe - w/o Hardware

WATER & SEWAGE GROUP

PLUMBING & REPAIR PARTS

Key	Part Number	U/M	Description
	033302-02-000	EA	Adapter Asm - SWVC Strain - 1 1/2"
	010026-01-000	EA	Adapter - Flare - w/Cone Gasket
	062422-01-000	EA	Adapter - Hose Offset - Reducer - 3" x 1 1/2"
	052954-01-000	EA	Adapter - Hose Cone - 3/8 or 1/2 - Plastic
	010224-01-000	EA	Adapter - Plastic - 3/8 MPT x 3/8 Barb
	044927-01-000	EA	Adapter - Plastic - 1 1/4" MPT x 1 1/4 Barb
	031602-02-000	EA	Adapter - Plastic - 1 1/2 H x FPT
	062417-01-000	EA	Adapter - Termination - 3"
	004020-01-000	QT	Adhesive - ABS Cement
	011048-04-000	EA	Breaker - Vacuum - 1/8 MPT - Nylon
**	010121-01-000	EA	Bushing - Plastic - 1 1/2 S x 1 1/4 H
	010122-01-000	EA	Bushing - Plastic - 1 1/2 S x 1 1/4 T
	010123-01-000	EA	Bushing - Plastic - 2S x 1 1/2 H
	035522-02-000	EA	Cap - Brass - 1/2 Flare
	062415-01-000	EA	Cap - Sewer - 3"
	052959-02-000	EA	Connector - 1/2 F x 1/2 MPT - Plastic
	052959-03-000	EA	Connector - 1/2 F x 3/8 MPT - Plastic
	011091-02-000	EA	Continuous Waste - Double Sink - 11 7/8" - US
	053874-01-000	EA	Continuous Waste Asm - Double Sink - CSA
	076405-01-000	EA	Coupler Rubber - 3" x 3"
	052950-01-000	EA	Drain Valve - 1/2 F x 1/2 F - Plastic
	010000-01-000	EA	Elbow - Plastic - 1/8 BD x 1 1/4 x 45° H x H
	010005-01-000	EA	Elbow - Plastic - 1/16 BD x 1 1/2
	010005-01-000	EA	Elbow - Plastic - 1/8 BD x 1 1/2 x 45° H x H
	010007-01-000	EA	Elbow - Plastic - 1/4 BD x 1 1/2 x 90° Left
	010051-01-000	EA	Elbow - ST - Plastic - 1/8 BD x 1 1/2 x 45°
	010219-01-000	EA	Elbow - 1 1/4 Barb x 1 1/4 MPT x 90°
	031111-01-000	EA	Elbow - Plastic - 1/4 BD x 1 1/4 x 90° Left
	034250-01-000	EA	Elbow - Plastic - 1/4 BD x 1 1/2 x 90° x H x H
	035539-01-000	EA	Elbow - Plastic - 3/8 MPT x 3/8 Barb
	052957-01-000	EA	Elbow - Plastic - 1/2 F x 3/8 MPT
	052957-02-000	EA	Elbow - Plastic - 1/2 F x 1/2 MPT (In Tank Filter)
	059536-01-000	EA	Elbow - 1 1/4 - Slip Joint Ends
	065120-01-000	EA	Elbow - Plastic - Swivel - 50
	070924-01-000	EA	Elbow - Plastic - Swivel - 1/2 MPT x 1/2 FP
	077954-01-000	EA	Filter/Screen (In Water Tank)
	039647-02-000	EA	Filter - Water Pump - 1/2" MPT
	039647-03-000	EA	Filter - Water Pump - 1/2" Flare
	010147-01-000	EA	Flange - Closet - 4" F x 3" FPT - US
	010147-02-000	EA	Flange - Closet - 4" F x 3" FPT - CSA
	079381-01-000	FT	Flexible Tubing - 1 1/4 I.D. x 10'
	061607-01-000	EA	Grommet - Holding Tank Coupler - 1 1/2"
	061607-02-000	EA	Grommet - Holding Tank Coupler - 3"
	062418-02-000	EA	Handle - Extension - w/6" Adapter
	052951-01-000	EA	Header - 1/2 F x 1/2 F x 1/2 F x 1/2 F
**	046524-01-000	EA	Kit - Holding Tank Fittings - Blank Tank
**	046524-02-000	EA	Kit - Water Tank Fittings - Blank Tank
	052953-01-000	EA	Nut - Faucet - 1/2 Tube x 1/2 FPT
	052952-01-000	EA	Nut - 1/2 F - Plastic
**	011066-03-000	EA	P-Trap - 1 1/4" Plastic - US
**	011066-02-000	EA	P-Trap - 1 1/4" Plastic - CSA
	053355-01-000	EA	P-Trap - Plastic - 1 1/4 H x H - w/Union - CSA
	010197-01-000	EA	Pipe - Plastic - 3" x 240" - Black
	045729-01-000	EA	Pump - Water - 2.8 G.P.M. - Direct Drive - Shurflo - US
	045729-02-000	EA	Pump - Water - 2.8 G.P.M. - Direct Drive - Shurflo - CSA
**	010201-01-000	EA	Sewer Hose - 3" x 8' w/Clamp
	042989-02-000	EA	Spinweld Fittings - Plastic - 1/2 FPT (In Tank Fitter)
	042989-03-000	EA	Spinweld Fittings - Plastic - 1/4 NPT
	042989-04-000	EA	Spinweld Fittings - Plastic - 3/8 FPT
	011069-02-000	EA	Tailpiece - 1 1/2 x 1 1/4 x 4" - Brass

** The illustrated parts breakdown for this item is provided on the Common Items Fiche.

1987 ITASCA TABLE OF CONTENTS

IC/IF424RC	A-01 - C-02
IC/JN31RT	C-03 - E-16
ICN33RU	E-17 - H-05
ICP31RT	H-07 - J-16

1987 ICN33RU INDEX

Floor Plan	E-17 - E-18
Accessories Group	E-19 - E-21
Bath Group	E-22
Chassis Group	E-23 - F-02
Curtain, Cushion & Pad Group	F-03 - F-12
Dinette Group	F-13 - F-14
Driver's Compartment Group	F-15 - F-17
Electrical Group	F-18 - F-20
Exterior Body Group	F-21 - G-02
Galley Group	G-03 - G-05
Heating & Air Conditioning Group	G-06 - G-07
Interior Finish Group	G-08 - G-10
LP Group	G-11
Lounge Group	G-12 - G-13
Water & Sewage Group	G-14 - G-15
Window, Vent & Exterior Door Group	G-16 - H-05

WATER & SEWAGE GROUP (CONTINUED)

PLUMBING & REPAIR PARTS (CONT.)

Key	Part Number	U/M	Description
	010071-01-000	EA	Tee - Plastic - 1 1/2 x H x H x H
	010072-01-000	EA	Tee - Plastic - 1 1/2 H x 1 1/4 H x 1 1/2 H
**	010073-01-000	EA	Tee - Plastic 1 1/2 H x 1 1/2 H x 1 1/4 H
	046172-01-000	EA	Tee - Plastic - 3/8 B x 3/8 B x 3/8 MPT
	052955-01-000	EA	Tee - Plastic - 1/2 F x 1/2 F x 1/2 MPT
	052956-01-000	EA	Tee - Plastic - 1/2 F x 1/2 MPT x 1/2 F
	052958-01-000	EA	Tee - Plastic - 1/2 F x 1/2 F x 1/2 F
**	010133-01-000	EA	Trap Adapter - Plastic - 1 1/2 H x MPT
	039600-01-000	FT	Tubing - Polybutyl - 1/2 O D (Water Line)
	079381-01-000	FT	Tubing - Flexible - Smooth - 1.25 I D.
	074452-02-000	FT	Tubing - Vinyl - 3/8 I D.
	072346-01-000	EA	Valve Asm. - 3" Ell - w/2" Socket
	062421-01-000	EA	Valve - 1 1/2" - w/Handle
	062418-02-000	EA	Valve - 3" - w/o Handle
	052960-01-000	EA	Valve - Line Drain - 1/2 F x 1/2 F
	052962-01-000	EA	Valve - Stool - 90° - 1/2 F x 3/8 MPT
	010073-01-000	EA	Wye - Plastic - 1 1/2 x 45 H x H
	067200-01-000	EA	Filter - Water Purification
	067200-02-000	EA	Cartridge - Water Purification

** The illustrated parts breakdown for this is provided on the Common Items Fiche.

HOLDING TANKS & WATER HEATERS

Key	Part Number	U/M	Description
	M01275-17-000	EA	Tank Asm. - Water - 47 Gallon - w/Fittings
	072444-01-000	EA	Tank Asm. - Water - 47 Gallon - w/o Fittings
	M01275-71-000	EA	Tank Asm. - Water - 20 Gallon - w/Fittings
	053523-01-000	EA	Tank Asm. - Water - 20 Gallon - w/o Fittings
	051605-01-000	EA	Tank - Holding - 40 Gallon - w/o Fittings - Waste Water
	074175-01-000	EA	Tank - Holding - 44 Gallon - w/o Fittings - Sewage
**	051291-01-000	EA	Water Heater - w/o Motor Aid - Atwood - G6A-3
**	051391-03-000	EA	Water Heater - w/Motor Aid - Atwood - G6A-3E
**	051393-01-000	EA	Water Heater - w/Motor Aid - Direct Ignition - Atwood - GH6-3E

** The illustrated parts breakdown for this item is provided on the Common Items Fiche.

WINDOWS, VENTS & EXTERIOR DOOR GROUP

ACCESS DOORS

Key	Part Number	U/M	Description
	086552-02-W30	EA	Door Asm. - Storage - Left Door
	078910-05-000	EA	Door Asm. - Fuel Fill
	063742-03-000	EA	Door Asm. - Power Cord
	052424-03-000	EA	Jamb - Power Cord/Fuel Fill Door
	054543-03-000	EA	Hatch - Power Cord
	077963-01-000	EA	Gasket - Fuel Fill Door - 10.1" x 8.03"
	078200-01-000	EA	Gasket - Fuel Fill - 3.54"
	086531-03-W30	EA	Door Asm. - Storage - Center Left
	086531-01-W30	EA	Door Asm. - Storage - Front Left
	086517-03-W30	EA	Door Asm. - Access - Front Right
	086531-01-W30	EA	Door Asm. - Storage - Center Front Right
	086517-01-W30	EA	Door Asm. - Access - Center Rear Right
	079578-02-T09	EA	Door Asm. - Luggage - Rear Right
	M01883-01-W30	EA	Door Asm. - Generator - Rear Right
	052181-02-000	EA	Baffle - Generator Door
	078969-03-T09	EA	Door Asm. - Refrigerator Access
	084104-02-000	EA	Door Asm. - Refrigerator Access - Half Door
	052009-03-000	EA	Door Asm. - Water Heater
	085967-01-000	EA	Outlet Extension - Sewage
	075730-01-000	EA	End Cap - Sewage Hose Compartment
	042442-01-000	EA	Lock Asm. - Twist Type - 90° Rotation - 1.5" Latch - .6" Depth
	009003-01-000	EA	Lock Asm. - Twist Type - w/Clip (Battery Door)
	077408-01-000	EA	Lock Asm. - Key Type - 90° Rotation - 2.5" Latch - 1" Depth
	079366-03-000	EA	Lock Asm. - Key Type - 90° Rotation - 1.3" Latch - 2.10" Depth
	079366-04-000	EA	Lock Asm. - Key Type - 90° Rotation - 1.3" Latch - 1.90" Depth
	085730-01-000	EA	Latch Asm. - Plastic - Beige
	085730-04-000	EA	Latch Asm. - Plastic - Beige (used on Right Rear Center Door)
	082684-01-000	EA	Key Set - Access Door (3)

VENTS

Key	Part Number	U/M	Description
	084073-04-000	EA	Base - Refrigerator Vent
	084073-02-000	EA	Cover - Refrigerator Vent - Gray
	055218-01-000	EA	Cover Asm. - Roof Vent
	084616-03-000	EA	Vent - Stovehood - Outside - Gray
	075056-01-000	EA	Vent Asm. - Roof - Non-Powered - w/o Screen
	078786-01-T03	EA	Screen Asm. - Roof Vent
**	079537-01-000	EA	Vent Asm. - Roof - Powered - w/o Screen
	080508-01-000	EA	Panel - Inner Skylight
	080507-01-000	EA	Panel - Outer Skylight
	080258-01-000	EA	Trim - Skylight Outer

** The illustrated parts breakdown for this item is provided on the Common Items Fiche.

WINDSHIELD

Key	Part Number	U/M	Description
	077675-01-000	EA	Glass - Windshield - Passenger
	077675-02-000	EA	Glass - Windshield - Driver
	058291-01-000	EA	Edge Molding - Windshield Glass
	002328-02-000	EA	Block - Windshield Spacer
	077944-01-000	EA	Revel Molding - Upper Right
	077944-02-000	EA	Revel Molding - Upper Left
	077945-01-000	EA	Revel Molding - Lower Right
	077945-02-000	EA	Revel Molding - Lower Left
	077952-02-000	EA	Cap - Revel Molding
	076676-02-000	EA	Revel Molding - T-Cap - Center Barbed
	079225-01-000	EA	Trim Molding - Windshield Post - Right
	079225-02-000	EA	Trim Molding - Windshield Post - Left

**1987 ITASCA
TABLE OF CONTENTS**

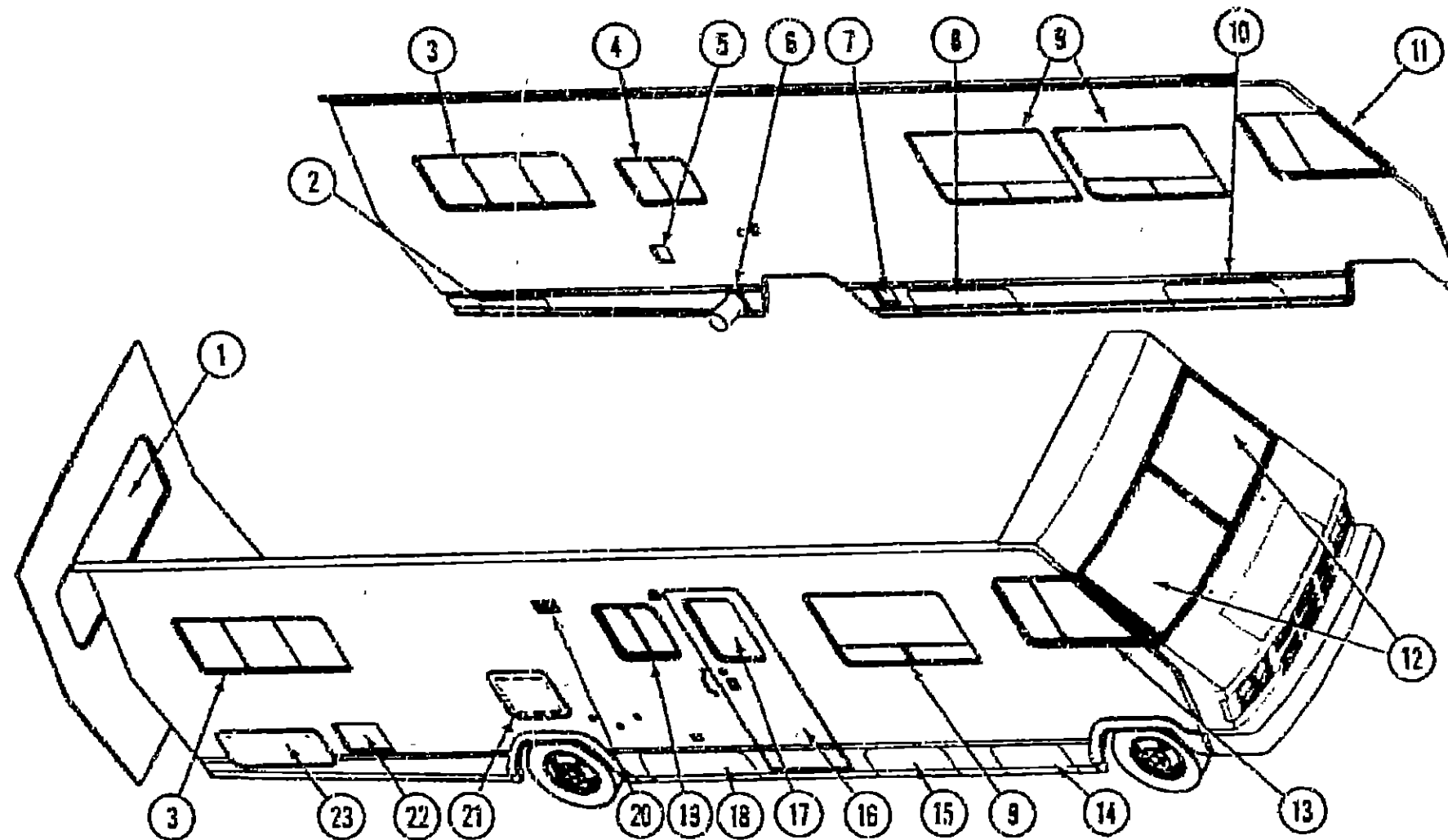
IC/IF424RC	A-01 - C-02
IC/JN31RT	C-03 - E-16
ICN33RU	E-17 - H-06
ICP31RT	H-07 - J-16

1987 ICN33RU INDEX

Floor Plan	E-17 - E-18
Accessories Group	E-19 - E-21
Bath Group	E-22
Chassis Group	E-23 - F-02
Curtain, Cushion & Pad Group	F-03 - F-12
Dineite Group	F-13 - F-14
Driver's Compartment Group	F-15 - F-17
Electrical Group	F-18 - F-20
Exterior Body Group	F-21 - G-02
Galley Group	G-03 - G-05
Heating & Air Conditioning Group	G-06 - G-07
Interior Finish Group	G-08 - G-10
LP Group	G-11
Lounge Group	G-12 - G-13
Water & Sewage Group	G-14 - G-15
Window, Vent & Exterior Door Group	G-16 - H-06

WINDOW, VENT & EXTERIOR DOOR GROUP (CONTINUED)

WINDOWS & ACCESS DOORS



1987 ITASCA TABLE OF CONTENTS

IC/IF424RC
IC/JN31RT
ICN33RU
ICP31RT

A-01 - C-02
C-03 - E-15
E-17 - H-06
H-07 - J-15

1987 ICN33RU INDEX

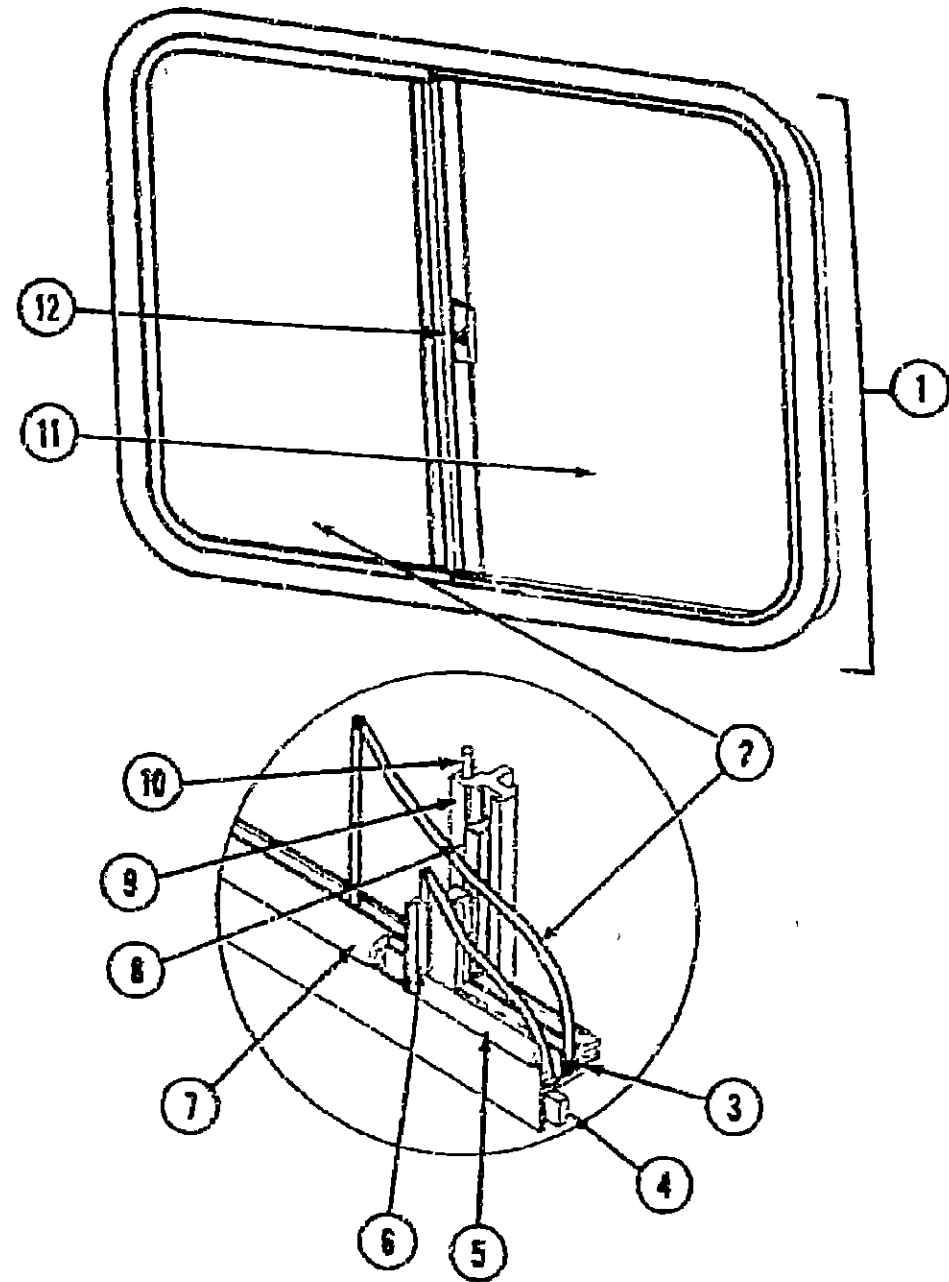
Floor Plan	E-17 - E-18
Accessories Group	E-19 - E-21
Bath Group	E-22
Chassis Group	E-23 - F-02
Curtain, Cushion & Pad Group	F-03 - F-12
Dinette Group	F-13 - F-14
Driver's Compartment Group	F-15 - F-17
Electrical Group	F-18 - F-20
Exterior Body Group	F-21 - G-02
Galley Group	G-03 - G-05
Heating & Air Conditioning Group	G-06 - G-07
Interior Finish Group	G-08 - G-10
LP Group	G-11
Lounge Group	G-12 - G-13
Water & Sewage Group	G-14 - G-15
Window, Vent & Exterior Door Group	G-16 - H-06

Key	Part Number	U/M	Description
1	078536-01-T03	EA	Window Asm. - Escape
*2	086552-02-W30	EA	Door Asm. - Storage
2	081349-02-W30	EA	Door Asm. - Storage
3	078266-07-W07	EA	Window Asm. - Single Slider
3	078271-01-T03	EA	Window Asm. - Single Slider - (Used w/Double Bed)
4	078266-04-T03	EA	Window Asm. - Single Slider
5	078010-05-000	EA	Door Asm. - Fuel Fill
6	052423-03-000	EA	Door Asm. - Sewage Hose
7	063742-03-000	EA	Door Asm. - Power Cord
8	086531-03-W30	EA	Door Asm. - Storage
9	078269-02-W24	EA	Window Asm. - Double Slider
*10	086531-01-W30	EA	Door Asm. - Luggage
10	079435-01-W30	EA	Door Asm. - Luggage
11	079421-01-T03	EA	Window Asm. - Slant
12	077675-01-000	EA	Glass - Windshield - Passenger
12	077675-02-000	EA	Glass - Windshield - Driver
13	082057-01-U04	EA	Window Asm. - Slant Slider

Key	Part Number	U/M	Description
*14	086517-03-W30	EA	Door Asm. - Access
14	079436-01-W30	EA	Door Asm. - Access
*15	086531-01-W30	EA	Door Asm. - Luggage
15	079435-02-W30	EA	Door Asm. - Luggage
16	M01870-12-W30	EA	Door Asm. - Entrance
17	079733-04-T03	EA	Window Asm. - Picture
*18	086517-01-W30	EA	Door Asm. - Access
18	079436-03-W30	EA	Door Asm. - Access
19	078266-02-T03	EA	Window Asm. - Single Slider
20	084516-03-000	EA	Vent - Stovehood
21	078969-03-T09	EA	Door Asm. - Refrigerator Access
21	084104-02-000	EA	Door Asm. - Refrigerator Access - Half Door
22	052009-03-000	EA	Door Asm. - Water Heater
23	079578-02-T09	EA	Door Asm. - Luggage
23	M01883-01-W30	EA	Door Asm. - Generator

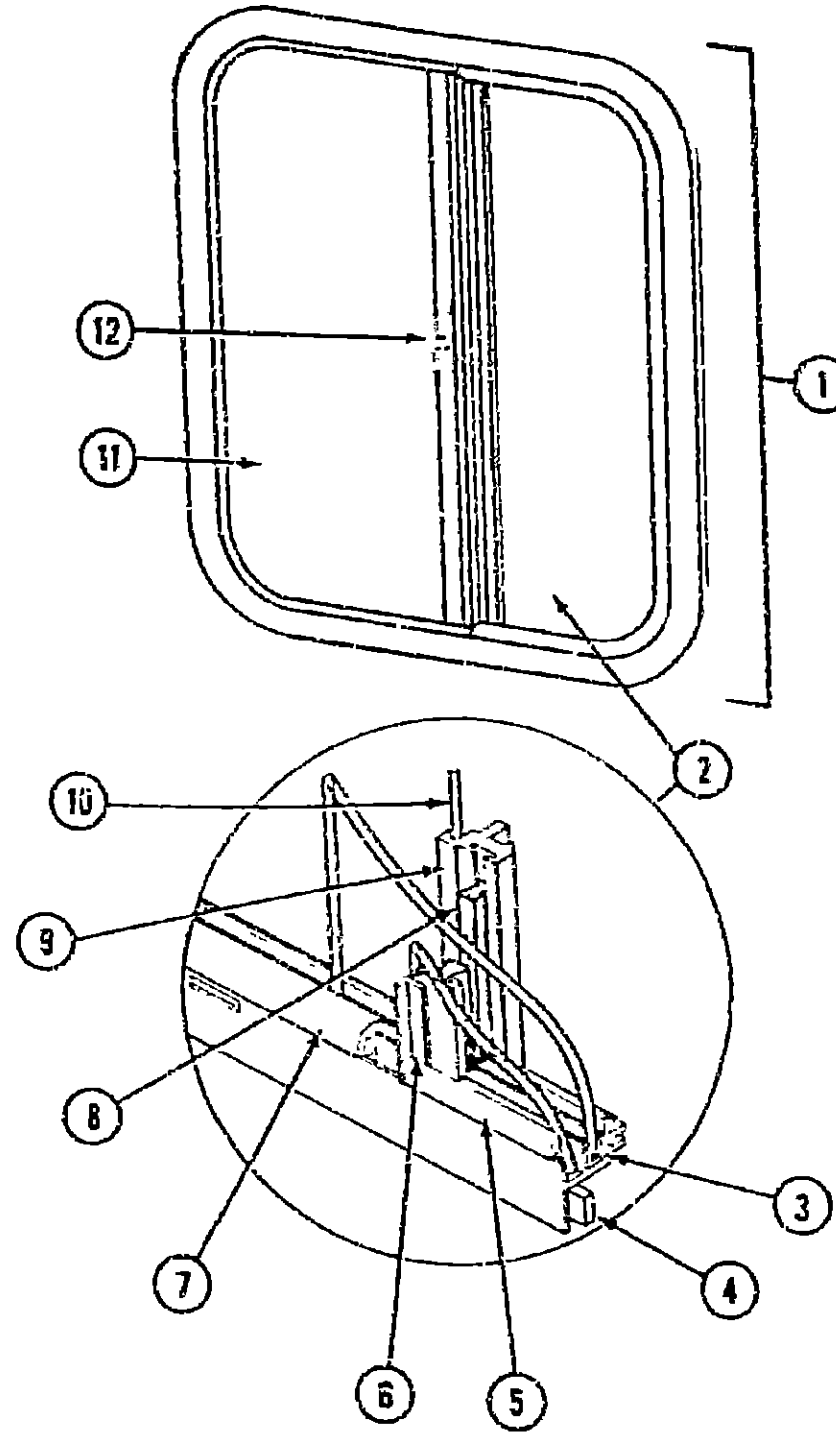
* Used on units produced after 11-3-86.

WINDOW, VENT & EXTERIOR DOOR GROUP (CONTINUED)



Key	Part Number	U/M	Description
1	078266-04-T03	EA	Window Asm. - Left Single Slider - 23" x 29" - Black (w/o inside frame)
*	083122-05-000	EA	Inside Frame - Beige (not included in assembly)
2	081980-02-000	EA	Glass - Sliding - 1/8" x 22" x 13 6/8"
3	002324-02-000	FT	Channel - Weatherstrip - Glass Run - 1/8" Glass
4	069640-06-000	FT	Ribbon Sealer - 5/16" Bead x 15'
5	002309-02-000	FT	Spline - Glass - 1/8" - Black
6	M18025-03-000	EA	Seal Holder w/Fin Seal - 1/8" - Black
7	057374-02-000	FT	Extr. Vinyl - Window Seal - Black
8	073740-01-000	FT	Seal - Fin - Pile - .460"
9	078562-03-000	EA	Inside Mullion - Slider Window - Black
10	002298-02-000	FT	Spline - .130" Dia - Charcoal (Screen)
11	081984-01-000	EA	Glass - Stationary
12	047369-01-700	EA	Latch Kit - Window - Plastic w/Fastener
*	002293-02-000	SF	Screen - Window - 26" - Charcoal
*			Not illustrated

WINDOW, VENT & EXTERIOR DOOR GROUP (CONTINUED)



Key	Part Number	U/M	Description
1	078266-02-T03	EA	Window Asm. - Right Single Slider - 20" x 25" - Black (w/o inside frame)
*	083122-03-000	EA	Inside Frame - Beige (not included in assembly)
2	081980-05-000	EA	Glass - Sliding - 1/8" x 19" x 12.3"
3	002324-02-000	FT	Channel - Weatherstrip - Glass Run - 1/8" Glass
4	069640-06-000	FT	Ribbon Sealer - 5/16" Bead x 15'
5	002309-02-000	FT	Spline - Glass - 1/8" - Black
6	M69886-03-011	EA	Seal Holder w/Fin Seal - 18.19" - Black
7	057374-02-000	FT	Extr. Vinyl - Window Seal - Black
8	073740-01-000	FT	Seal - Fin - 460 Pile
9	078562-02-000	EA	Inside Mullion - Slider Window - Black
10	002298-02-000	FT	Spline - .130" Dia. - Charcoal (Screen)
11	081984-03-000	EA	Glass - Stationary 1/8" x 19" x 12.3"
12	047369-01-700	EA	Latch Kit - Window - Plastic w/Fastener
*	002293-02-000	SF	Screen - Window - 26" - Charcoal
*			Not illustrated

1987 ITASCA
TABLE OF CONTENTS

IC/IF424PC
IC/JN31RT
ICN33RU
ICP31RT

A-01 - C-02
C-03 - E-16
E-17 - H-06
H-07 - J-16

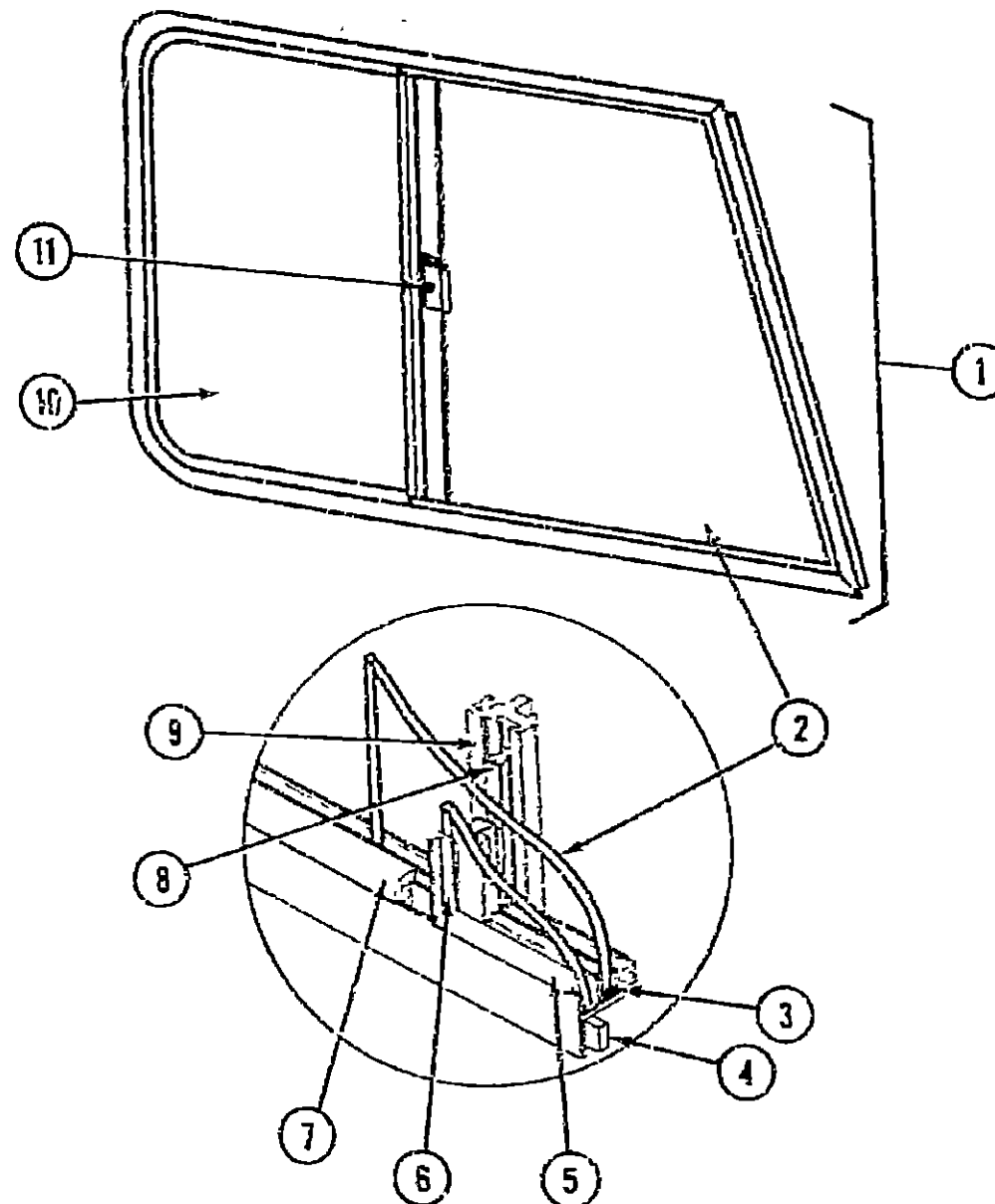
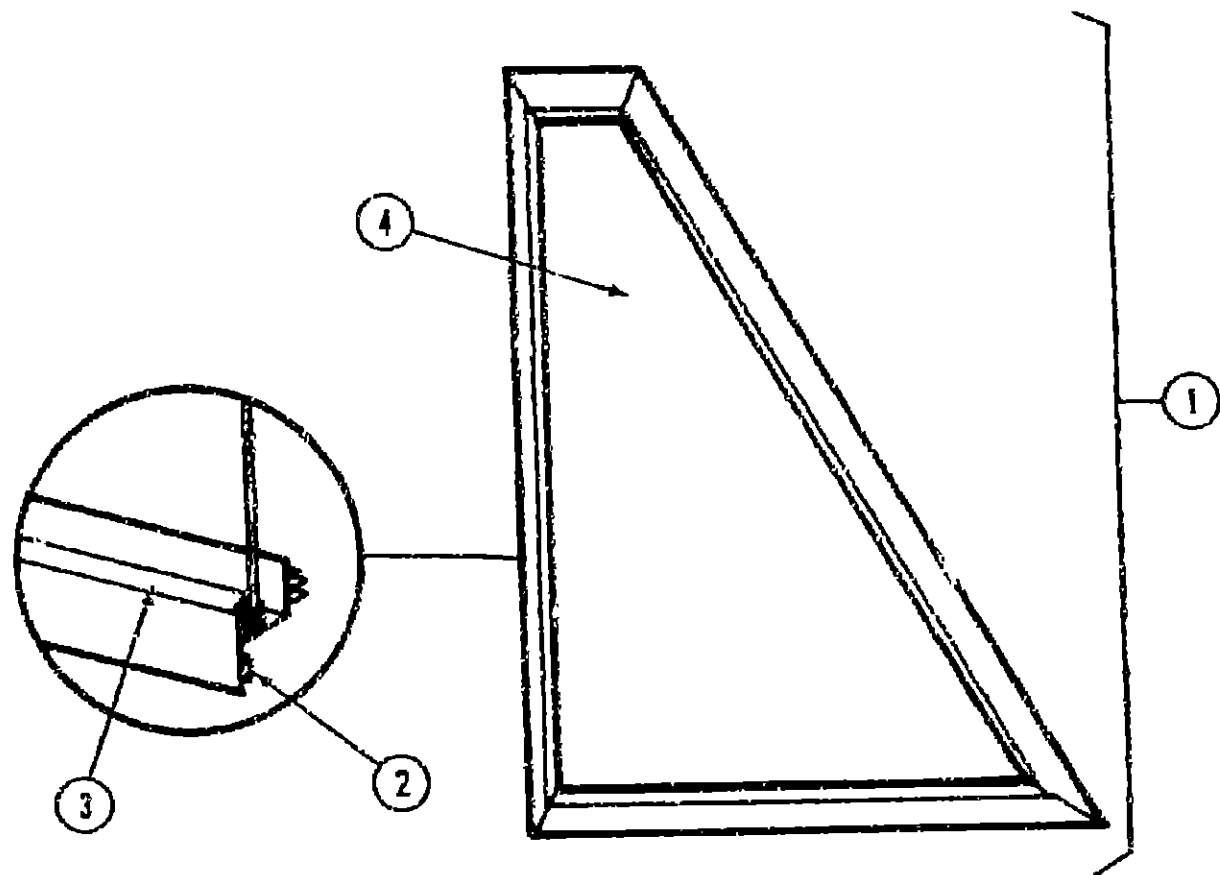
1987 ICN33RU INDEX

Floor Plan	E-17 - E-18
Accessories Group	E-19 - E-21
Bath Group	E-22
Chassis Group	E-23 - F-02
Curtain, Cushion & Pad Group	F-03 - F-12
Dinette Group	F-13 - F-14
Driver's Compartment Group	F-15 - F-17
Electrical Group	F-18 - F-20
Exterior Body Group	F-21 - G-02
Galley Group	G-03 - G-05
Heating & Air Conditioning Group	G-06 - G-07
Interior Finish Group	G-08 - G-10
LP Group	G-11
Lounge Group	G-12 - G-13
Water & Sewage Group	G-14 - G-15
Window, Vent & Exterior Door Group	G-16 - H-06

WINDOW, VENT & EXTERIOR DOOR GROUP (CONTINUED)

WINDOW, VENT & EXTERIOR DOOR GROUP (CONTINUED)

**1987 ITASCA
TABLE OF CONTENTS**



Key	Part Number	U/M	Description
1	079421-01-W24	EA	Window Asm. - Front Slant - Passenger (w/o inside frame)
1	079421-02-W24	EA	Window Asm. - Front Slant - Drivers (w/o inside frame)
*	079215-01-000	EA	Inside Frame - Front Slant - Passenger - Beige (not included in assembly)
*	079215-02-000	EA	Inside Frame - Front Slant - Drivers - Beige (not included in assembly)
2	068640-01-000	FT	Tape - 1/4" Bead x 20'
3	050216-02-000	FT	Spline - Glass - 1/8" - Black
4	057656-09-000	EA	Glass - .19" x 28.11" x 26.13" - Right
4	057656-10-000	EA	Glass - .19" x 28.11" x 26.13" - Left
*			Not illustrated

Key	Part Number	U/M	Description
1	082057-01-U04	EA	Window Asm. - Front Slant Slider - Passenger (w/o inside frame)
1	082057-02-U04	EA	Window Asm. - Front Slant Slider - Driver (w/o inside frame)
*	082467-01-W30	EA	Inside Frame - Slant Slider - Passenger (not included in assembly)
*	082467-02-W30	EA	Inside Frame - Slant Slider - Driver (not included in assembly)
2	057656-07-000	EA	Glass - 19" x 28.11" x 39.8" - Stationary (Passenger)
2	057656-08-000	EA	Glass - .19" x 28.11" x 39.8" - Stationary (Driver)
3	042077-01-000	FT	Channel - Weatherstrip - 3/16" Glass
4	069640-01-000	FT	Ribbon Sealer - 1/4" Bead x 20'
5	050216-02-000	FT	Window Seal - .19" - Glass
6	002389-03-203	EA	Seal Holder w/Fin Seal - 27.12" - Black
7	057374-02-000	FT	Extr. Rubber - Window Seal - Black
8	073740-01-000	FT	Seal - Fin - Pile - .460"
9	084170-07-000	EA	Mullion - Slider Window - Black
10	002298-02-000	FT	Spline - .130" Dia. - Charcoal (Screen)
11	081980-06-000	EA	Glass - 19" x 28.11" x 14.88" - Sliding
*	079574-01-T03	EA	Slider Screen Asm. - Passenger
*	079574-02-T03	EA	Slider Screen Asm. - Driver
*	002292-02-000	SF	Screen - Window - 20" - Charcoal
*	016310-03-000	EA	Handle - Slider Screen - Black
*	047369-01-700	EA	Latch Kit - Window - Plastic w/Fastener
*	078364-01-000	EA	Spacer - Top - Screen Track
*	078365-01-000	EA	Spacer - Bottom - Screen Track
*			Not illustrated

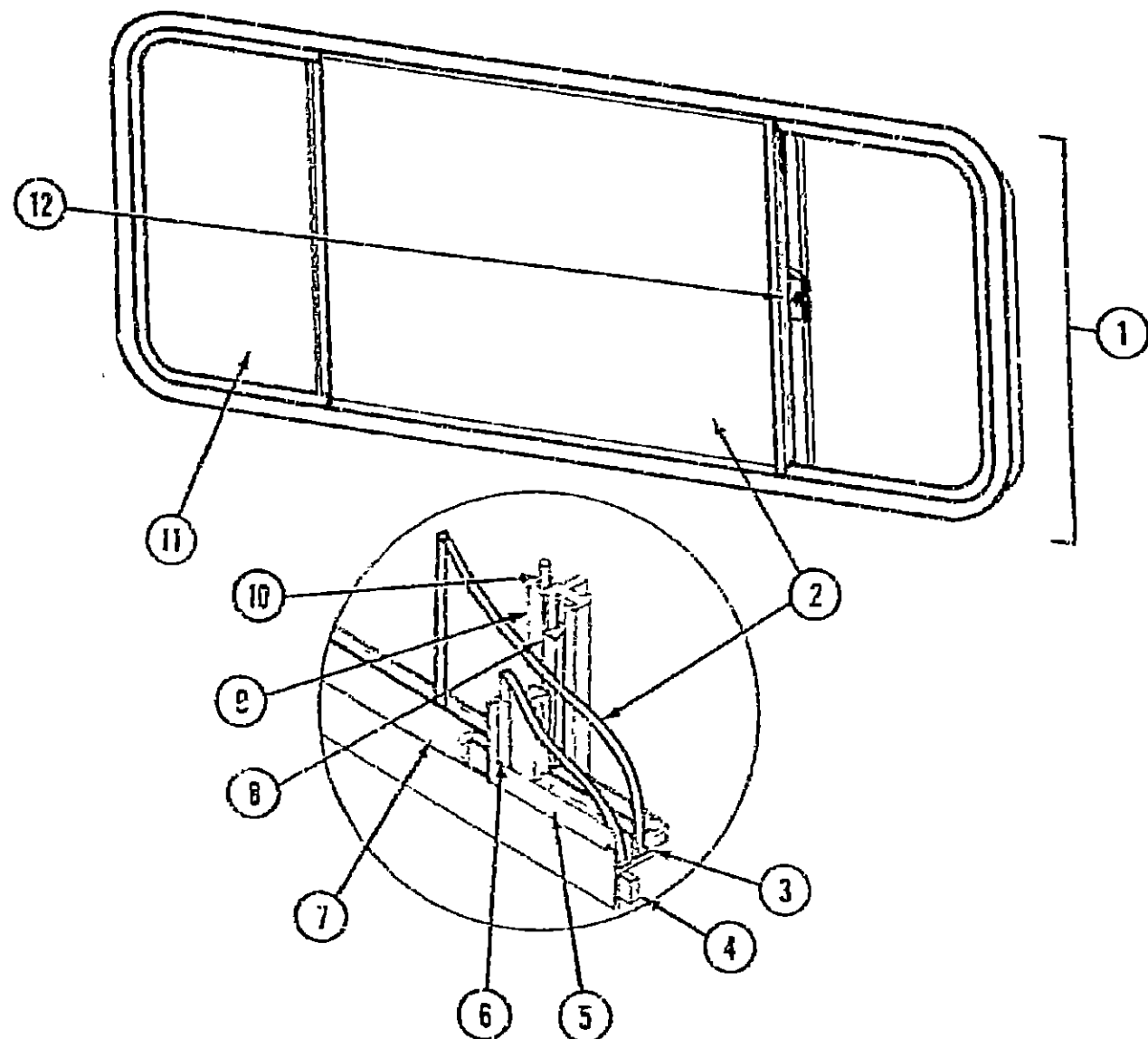
IC/IF424RC
IC/JN31RT
ICN33RU
ICP31RT

A-01 - C-02
C-03 - E-16
E-17 - H-06
H-07 - J-16

1987 ICN33RU INDEX

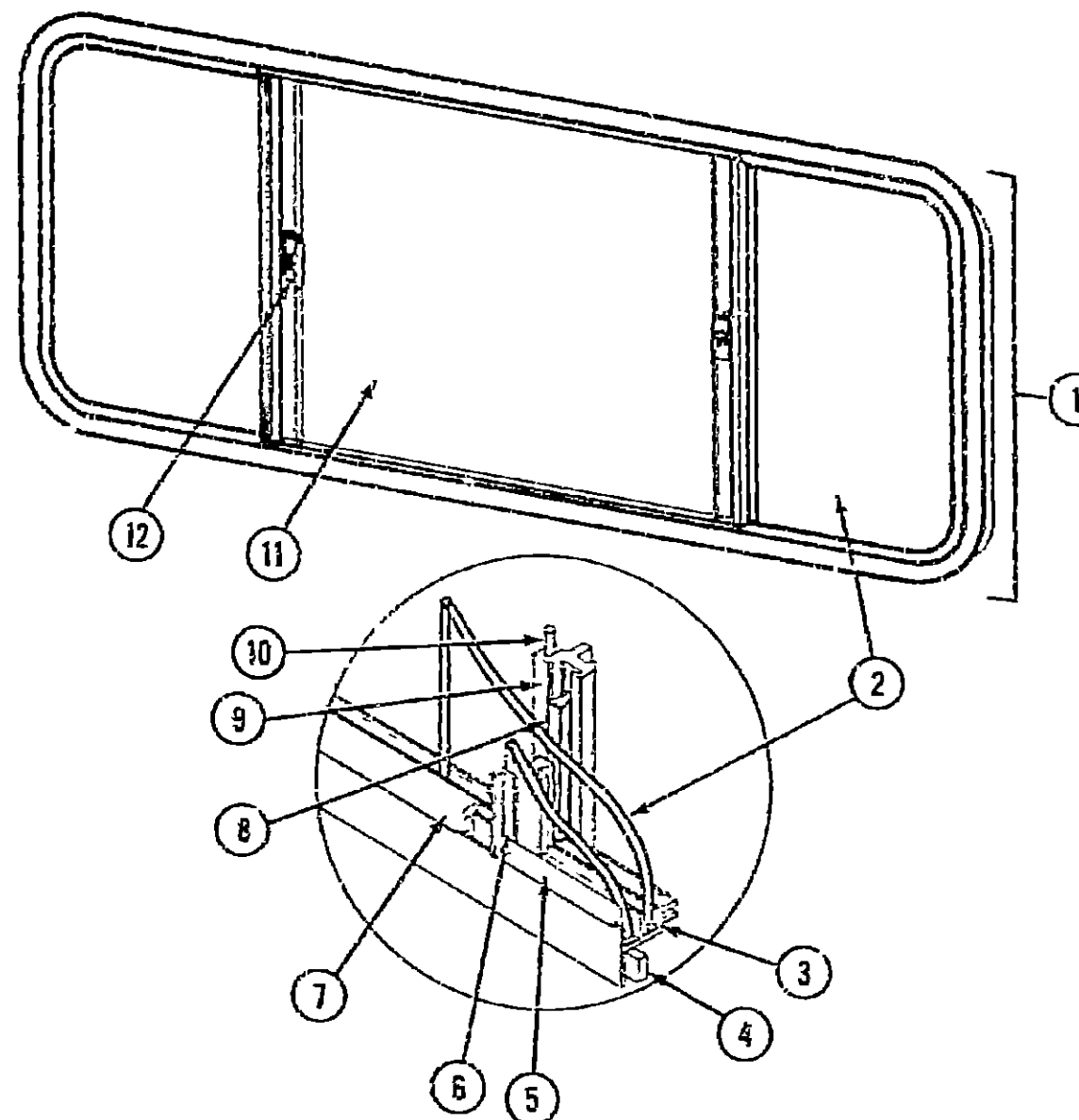
Floor Plan	E-17 - E-18
Accessories Group	E-19 - E-21
Bath Group	E-22
Chassis Group	E-23 - F-02
Curtain, Cushion & Pad Group	F-03 - F-12
Dinette Group	F-13 - F-14
Driver's Compartment Group	F-15 - F-17
Electrical Group	F-18 - F-20
Exterior Body Group	F-21 - G-02
Galley Group	G-03 - G-05
Heating & Air Conditioning Group	G-06 - G-07
Interior Finish Group	G-08 - G-10
LP Group	G-11
Lounge Group	G-12 - G-13
Water & Sewage Group	G-14 - G-15
Window, Vent & Exterior Door Group	G-16 - H-06

WINDOW, VENT & EXTERIOR DOOR GROUP (CONTINUED)



Key	Part Number	U/M	Description
1	078266-07-W07	EA	Window Asm. - Single Slider - Left (w/o inside frame)
-	083122-19-000	EA	Inside Frame - Beige (not included in assembly)
2	081980-08-000	EA	Glass - Sliding - 1/8" x 24" x 21.03" - Gray
3	002324-02-000	FT	Channel - Weatherstrip - Glass Run - 1/8" Glass
4	069640-06-000	FT	Ribbon Sealer - 5/16" Bead x 15'
5	002309-02-000	FT	Spline - Glass - 1/8" Material - Black
6	169886-03-003	EA	Seal Holder w/Fin Seal - Black
7	057374-02-000	FT	Extr. Rubber - Window Seal - Black
8	073740-01-000	FT	Seal - Fin - Pile - .460"
9	084170-04-000	EA	Mullion - Slider Window - Black
10	002298-02-000	FT	Spline - 130" Dia. Charcoal (Screen)
11	081984-08-000	EA	Glass - Stationary - 1/8" x 24" x 23.49" - Gray
12	047369-01-700	EA	Latch Kit - Window - Plastic w/Fastener
-	002293-02-000	SF	Screen - Window - 26" - Charcoal (Screen)
-			Not illustrated

WINDOW, VENT & EXTERIOR DOOR GROUP (CONTINUED)



Key	Part Number	U/M	Description
1	078269-02-W24	EA	Window Asm. - Double Slider (w/o inside frame)
-	083122-17-000	EA	Inside Frame - Beige (not included in assembly)
2	018980-07-000	EA	Glass - Sliding - 1/8" x 30.7" x 20.3" - Gray
3	002324-02-000	FT	Channel - Weatherstrip - Glass
4	069640-06-000	FT	Ribbon Sealer - 5/16" Bead x 15'
5	002309-02-000	FT	Spline - Glass - 1/8" Material - Black
6	018025-11-000	EA	Seal Holder - 1/8" Glass - Black
7	057374-02-000	FT	Extr. Vinyl - Window Seal - Black
8	073740-01-000	FT	Seal - Fin - Pile - .460"
9	084170-08-000	EA	Mullion - Slider Window - Black
-	002298-02-000	SF	Screen - Window - 26" - Charcoal
10	002298-02-000	FT	Spline - .130" Dia - Charcoal (Screen)
11	002188-07-000	EA	Glass - Stationary - 1/8" x 30.7" x 24.8"
12	047369-01-700	EA	Latch Kit - Window - Plastic w/Fastener
-			Not illustrated

1987 ITASCA
TABLE OF CONTENTS

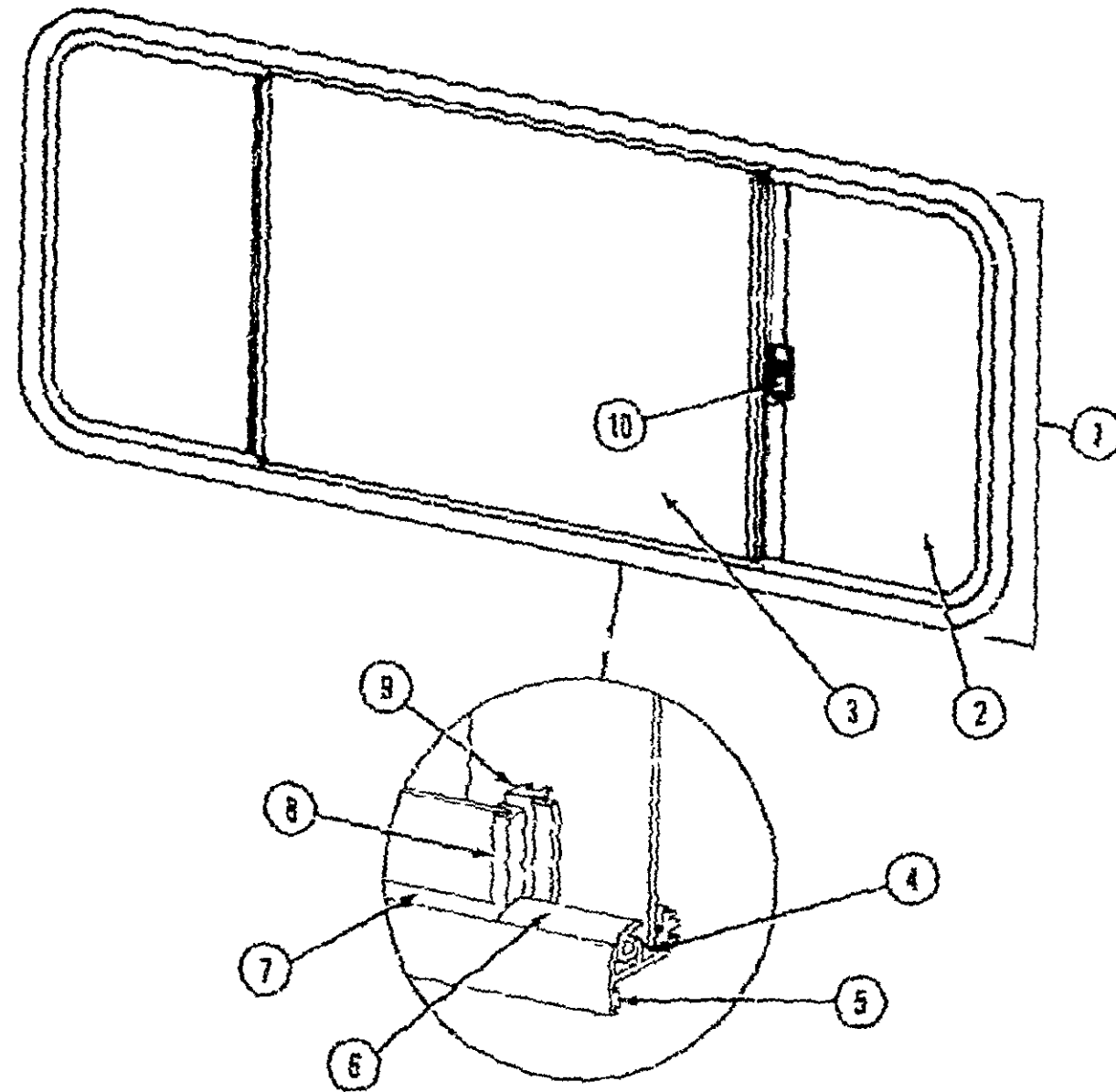
IC1F424RC
IC/JN31RT
ICN33RU
ICP31RT

A-01 - C-02
C-03 - E-16
E-17 - H-05
H-07 - J-16

1987 ICN33RU INDEX

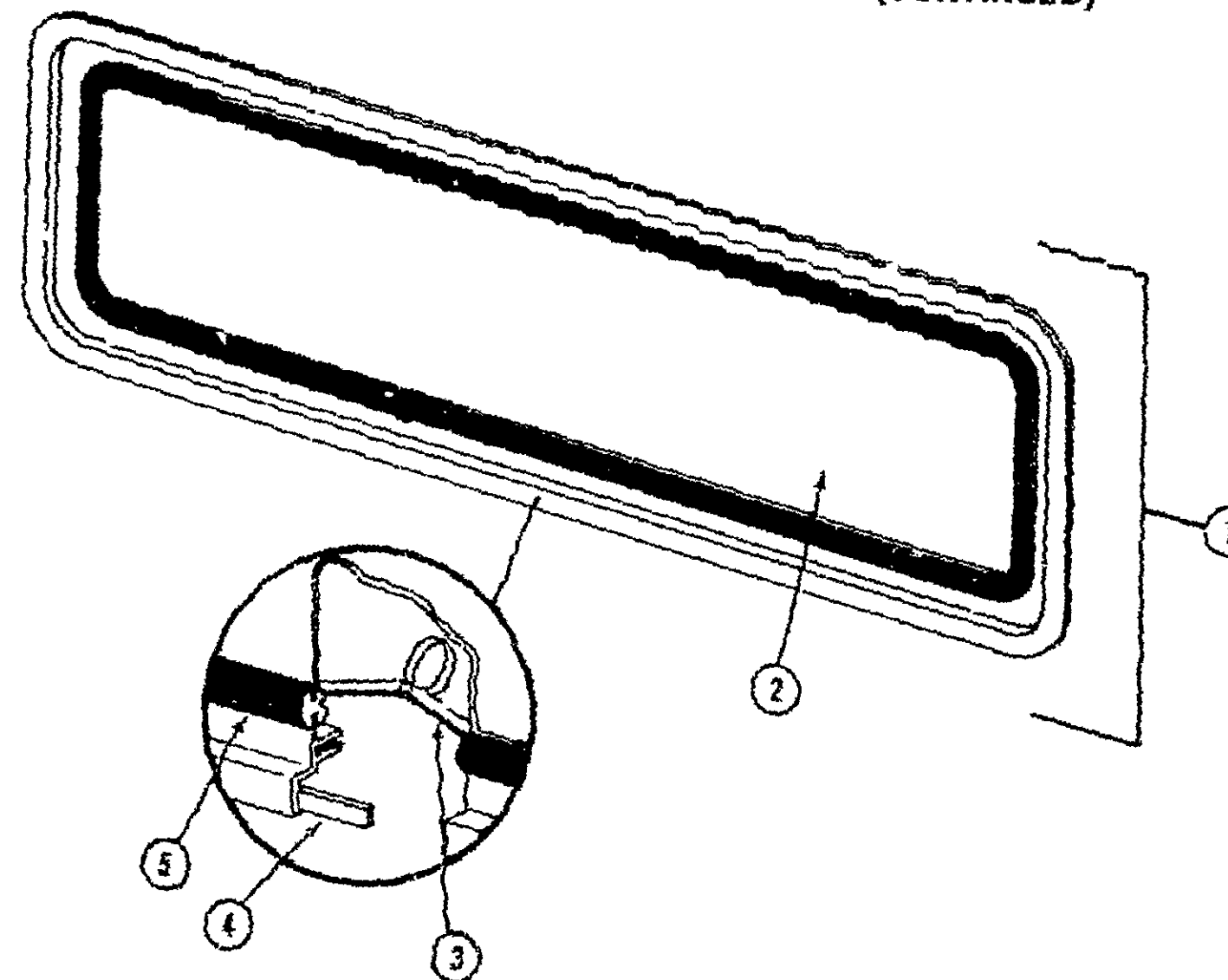
Floor Plan	E-17 - E-18
Accessories Group	E-19 - E-21
Bath Group	E-22
Chassis Group	E-23 - F-02
Curtain, Cushion & Pad Group	F-03 - F-12
Dinette Group	F-13 - F-14
Driver's Compartment Group	F-15 - F-17
Electrical Group	F-18 - F-20
Exterior Body Group	F-21 - G-02
Galley Group	G-03 - G-05
Heating & Air Conditioning Group	G-06 - G-07
Interior Finish Group	G-08 - G-10
LP Group	G-11
Lounge Group	G-12 - G-13
Water & Sewage Group	G-14 - G-15
Window, Vent & Exterior Door Group	G-16 - H-06

WINDOW, VENT & EXTERIOR DOOR GROUP (CONTINUED)



Key	Part Number	U/M	Description
1	078711-01-T03	EA	Window Asm. - Single Slider - 25" x 56" - Black (w/o inside frame)
	083122-11-000	EA	Inside Frame - Beige (not included in assembly)
2	066726-01-000	EA	Glass - Stationary - 1/8" x 16 5/8" x 24"
3	066727-02-000	EA	Glass - Sliding - 1/8" x 23 5/8" x 24"
4	002324-02-000	FT	Channel - Weatherstrip - Glass
5	069540-01-000	FT	Tape - 1/4" Bead x 20
6	057374-02-000	FT	Extr Vinyl - Window Seal - Black
7	002309-02-000	FT	Spline - Glass - 1/8" Material - Black
8	1453885-03-003	EA	Outside Mullion - 23 1/2" - Black
9	069886-02-000	EA	Inside Mullion - Slider Window - Black
10	047369-01-700	EA	Latch Kit - Window - Plastic w/Fastener
	023713-02-000	EA	Weephole Cover - Black Plastic
	002293-02-000	SF	Screen - Window - 26" - Charcoal
	002298-02-000	FT	Splines - 130" Dia. - Charcoal (Screen)
	073749-01-000	FT	Seal - Fin - Pile - 450"
	041928-02-000	FT	Seal - Window Channel
			Not illustrated

WINDOW, VENT & EXTERIOR DOOR GROUP (CONTINUED)



Key	Part Number	U/M	Description
1	078335-01-T03	EA	Window Asm. - Escape - 23" x 68" - Black (w/o inside frame)
	042027-05-000	EA	Inside Frame - Escape Window - Beige (not included in assembly)
2	002178-01-000	EA	Glass - 1/8" x 19 5/8" x 64 80"
3	002285-01-000	FT	Filler - Weatherstrip - Black
4	069540-01-000	FT	Tape - 1/4" Bead x 20
5	002282-01-000	FT	Weatherstrip - Window - 12" Black
	005199-01-000	EA	Label - Exit - Escape Window
			Not illustrated

1987 ITASCA
TABLE OF CONTENTS

IC1F424RC
IC1J131RT
ICN33RU
ICP31RT

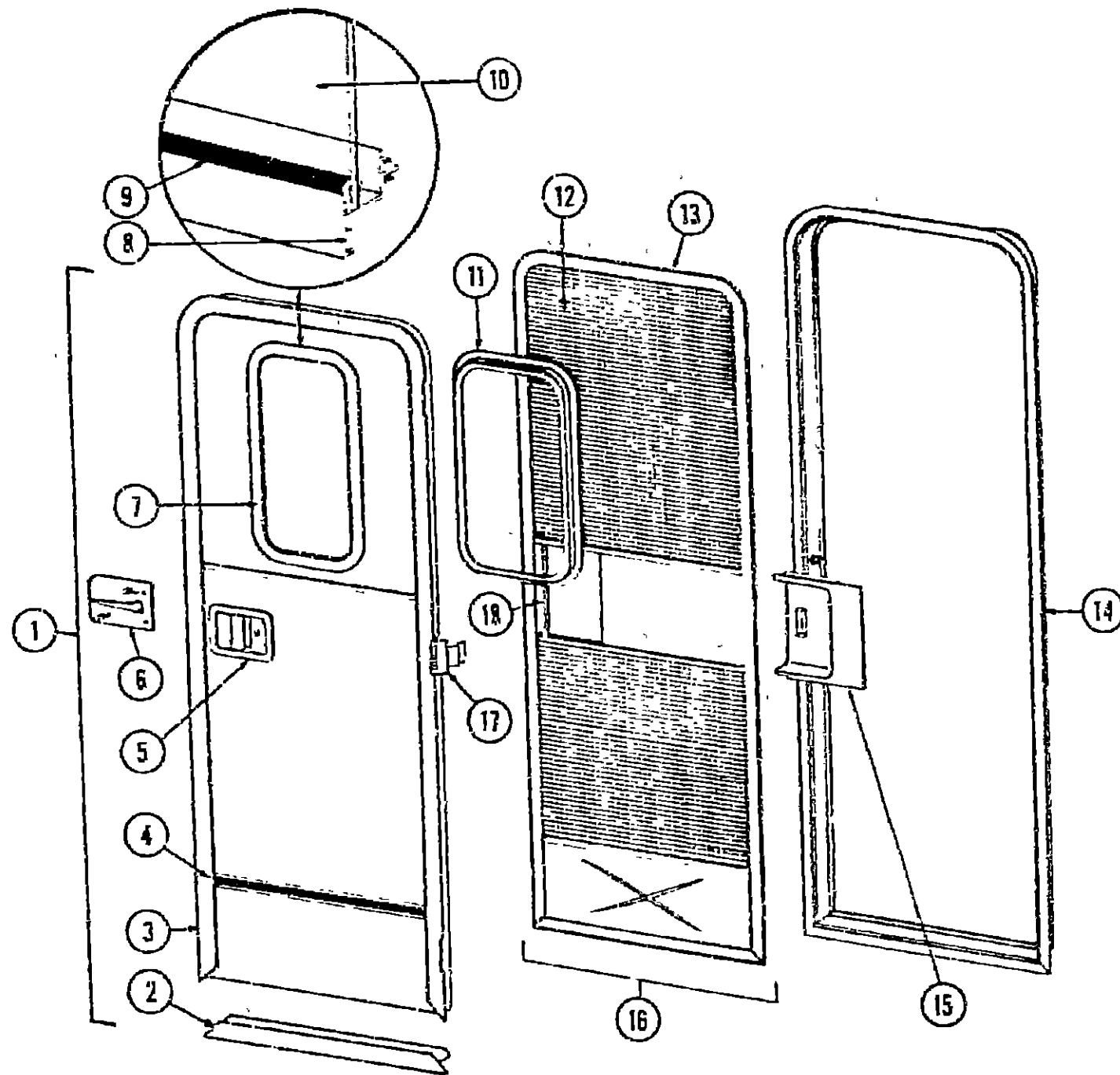
A-01 - C-02
C-03 - E-16
E-17 - H-06
H-07 - J-18

1987 ICN33RU INDEX

Floor Plan	E-17 - E-18
Accessories Group	E-19 - E-21
Bath Group	E-22
Chassis Group	E-23 - F-02
Curtain Cushion & Pad Group	F-03 - F-12
Dinette Group	F-13 - F-14
Driver's Compartment Group	F-15 - F-17
Electrical Group	F-18 - F-20
Exterior Body Group	F-21 - G-02
Galley Group	G-03 - G-05
Heating & Air Conditioning Group	G-06 - G-07
Interior Finish Group	G-08 - G-10
LP Group	G-11
Lounge Group	G-12 - G-13
Water & Sewage Group	G-14 - G-15
Window Vent & Exterior Door Group	G-16 - H-05

WINDOW, VENT & EXTERIOR DOOR GROUP (CONTINUED)

ENTRANCE & SCREEN DOOR



Key	Part Number	U/M	Description
1	M01870-12-W30	EA	Door Asm. - Radius Entry w/Screen Door
2	077998-03-000	EA	Frame - Entry Door (Bottom Portion Only)
3	076863-03-000	EA	Frame - Entry Door (Except Bottom Portion)
4	059576-11-000	EA	Feature Strip w/o Insert - Extr. - 14"
	001030-11-100	EA	Insert - Feature Strip - 17" - Stucco - Beige
	009731-01-000	EA	End Cap - Feature Strip
5	045017-05-000	EA	Paddle Asm. - Door Lock - Exterior
	045017-05-700	EA	Lock Cylinder w/Keys - Lynor
	039539-01-000	EA	Striker Bolt - Entry Doors
	039540-01-000	EA	Latch Claw - Entry Door
	039738-01-000	EA	Dead Bolt - Entry Door
6	039979-01-000	EA	Plate - Inside Lock - Includes Inside Handle
7	079733-04-T03	EA	Window Asm. - Picture - 17" x 25" - Black (w/o inside frame)
8	059640-06-000	FT	Ribbon Sealer - 5/16" Bead x 15'
9	002309-02-000	FT	Spline - Glass - 1/8" Black
10	002181-06-000	EA	Glass - Picture Window - 1/8" x 16.25" x 24" - Gray
11	067609-03-000	EA	Inside Frame - Beige (not included in assembly)
12	002293-02-000	SF	Screen - Window - 26" - Charcoal
13	056795-01-000	FT	Seal Tape - 1/8" x 3/8" - Press On
14	078591-02-000	EA	Jamb Asm. - Entrance Door
	051049-01-000	EA	Jamb - Entrance Door - Bottom
15	079086-01-000	EA	Slider - Screen Door - Light Oak Plastic
16	079012-01-T03	EA	Door Asm. - Screen
17	079361-07-000	EA	Hinge - Entrance Door (3 used per door)
18	079087-01-000	EA	Cap - Screen Door - Light Oak Plastic
	009018-01-000	EA	Catch Asm. - Single Roller w/Strike - Screen Door
	076231-01-000	EA	Spacer - Latch - Screen Door
	077437-01-000	EA	Strike - Roller Catch
	044582-06-000	EA	Drip Cap
	079278-01-000	EA	Seal - Mocket - Entrance Door
	073090-01-000	FT	Seal - Entrance Door
	075739-03-000	EA	Stiffener - Entrance Door
	075673-01-000	FT	Seal - Pile - Adhesive Back
	075671-01-000	FT	Seal - Sponge - Lazy "T" Shaped
	002294-01-000	FT	Spline - Black - .135 x .138 (Screen Door)
	063634-02-000	EA	Strike - Screen Door
	053729-04-000	EA	Rivnut - 10-32 UNF - .010 - .060
	075639-01-000	EA	Garnish - Radius - Entrance Door
	083205-01-000	EA	Deadbolt Lock - Press Fit - 5"
			Not illustrated

1987 ITASCA TABLE OF CONTENTS

IC/IF424RC	A-01 - C-02
IC/JNS1RT	C-03 - E-16
ICN33RU	E-17 - H-06
ICP31RT	H-07 - J-16

1987 ICN33RU INDEX

Floor Plan	E-17 - E-18
Accessories Group	E-19 - E-21
Bath Group	E-22
Chassis Group	E-23 - F-02
Curtain, Cushion & Pad Group	F-03 - F-12
Dinette Group	F-13 - F-14
Driver's Compartment Group	F-15 - F-17
Electrical Group	F-18 - F-20
Exterior Body Group	F-21 - G-02
Galley Group	G-03 - G-05
Heating & Air Conditioning Group	G-06 - G-07
Interior Finish Group	G-08 - G-10
LP Group	G-11
Lounge Group	G-12 - G-13
Water & Sewage Group	G-14 - G-15
Window, Vent & Exterior Door Group	G-16 - H-06

WINDOW, VENT & EXTERIOR DOOR GROUP (CONTINUED)

DRIVER DOOR W/ROLL-UP WINDOW

Key	Part Number	U/M	Description
	M82202-01-U13	EA	Door Asm. - w/Roll-Up Window - Passenger
	M82202-02-U13	EA	Door Asm. - w/Roll-Up Window - Driver
	064184-02-000	EA	Drip Cap - Cab Door - Passenger
	064184-01-000	EA	Drip Cap - Cab Door - Driver
	M02584-03-000	EA	Jamb Asm. - Cab Door - Passenger
	M02684-04-000	EA	Jamb Asm. - Cab Door - Driver
	053993-08-000	EA	Hinge Asm. - Passenger
	063993-03-000	EA	Hinge Asm. - Driver
	082150-01-000	FT	Seal - Sponge (Jamb)
	082150-02-000	FT	Seal - Sponge (Door)
	063731-01-000	EA	Cap - Push Cr - Zinc
	061403-06-000	EA	Assist Strap - Sandstone
	064219-01-000	EA	Retainer Strap - Driver Door
	065109-02-000	EA	Strap - Driver Door
	053733-01-000	EA	Bushing - Flange - Nylon
	053729-01-000	EA	Rivnut - 1/4 x 20 unc. - .030 - .125
	081903-01-000	EA	Shaft - Mounting Knob
	081905-01-000	EA	Knob - Control - Slide Bolt - Passenger
	081905-02-000	EA	Knob - Control - Slide Bolt - Driver
	081906-01-000	EA	Slide Bolt - Driver Door
	081907-01-000	EA	Regulator Asm - Window - Passenger
	081907-02-000	EA	Regulator Asm - Window - Driver
	081910-01-000	FT	Channel - Window - Sliding
	081912-01-000	EA	Weatherstrip - Rigid
	083885-09-000	EA	Assist Handle - Door
	075722-01-000	EA	Block - Switch - Spacer
	078215-01-000	EA	Frame Asm. - Front Slant Slider
	079421-01-T03	EA	Window Asm. - Front Slant - Passenger
	079421-02-T03	EA	Window Asm. - Front Slant - Driver
	073118-01-000	EA	Retainer - Attachment Plate
	073119-01-000	EA	Attachment Plate - Striker
	079551-01-000	EA	Shim - Strike - Cab Door
	050216-02-000	FT	Spline - Vinyl - Glass - .19
	057656-06-000	EA	Glass - 19" x 28.11" x 13.93" - Front Slant
	R77007-56-701	EA	Plate - Passenger Door Lock
	R77007-56-702	EA	Plate - Driver Door Lock
	R77040-01-538	EA	Door Handle
	R77007-05-374	EA	Plate - Door Handle Spacer
	R77005-50-326	EA	Door - Handle Inner - Driver
	R77005-50-261	EA	Door - Handle Inner - Passenger
	R77006-13-460	EA	Cap - Inner - Window Crank
	072035-01-000	EA	Crank - Hand - Glass Lift
	072035-02-000	EA	Cap - Crank - Hand
	073110-02-000	EA	Rod - Lock - Passenger
	073110-03-000	EA	Rod - Lock - Driver
	R77006-64-355	EA	Link - Door Handle - Control
	R77030-58-048	EA	Washer
	R77030-33-009	EA	Nut - w/Washer
	R77007-62-748	EA	Lock - Left Tumbler Assembly
	R77007-62-748	EA	Lock - Right Tumbler Assembly
	081488-01-000	EA	Glass - Door - Roll-Up
	083223-02-000	EA	Lock Asm. - Key Type (Set of 2)
	076542-03-000	EA	Rod Control - Latch - Passenger
	076542-04-000	EA	Rod Control - Latch - Driver

**1987 ITASCA
TABLE OF CONTENTS**

IC/IF424RC	A-01 - C-02
IC/JN31RT	C-03 - E-16
ICN33RU	E-17 - H-06
ICP31RT	H-07 - J-16

1987 ICN33RU INDEX

Floor Plan	E-17 - E-18
Accessories Group	E-19 - E-21
Bath Group	E-22
Chassis Group	E-23 - F-02
Curtain, Cushion & Pad Group	F-03 - F-12
Dinette Group	F-13 - F-14
Driver's Compartment Group	F-15 - F-17
Electrical Group	F-18 - F-20
Exterior Body Group	F-21 - G-02
Galley Group	G-03 - G-05
Heating & Air Conditioning Group	G-05 - G-07
Interior Finish Group	G-08 - G-10
LP Group	G-11
Lounge Group	G-12 - G-13
Water & Sewage Group	G-14 - G-15
Window, Vent & Exterior Door Group	G-16 - H-06