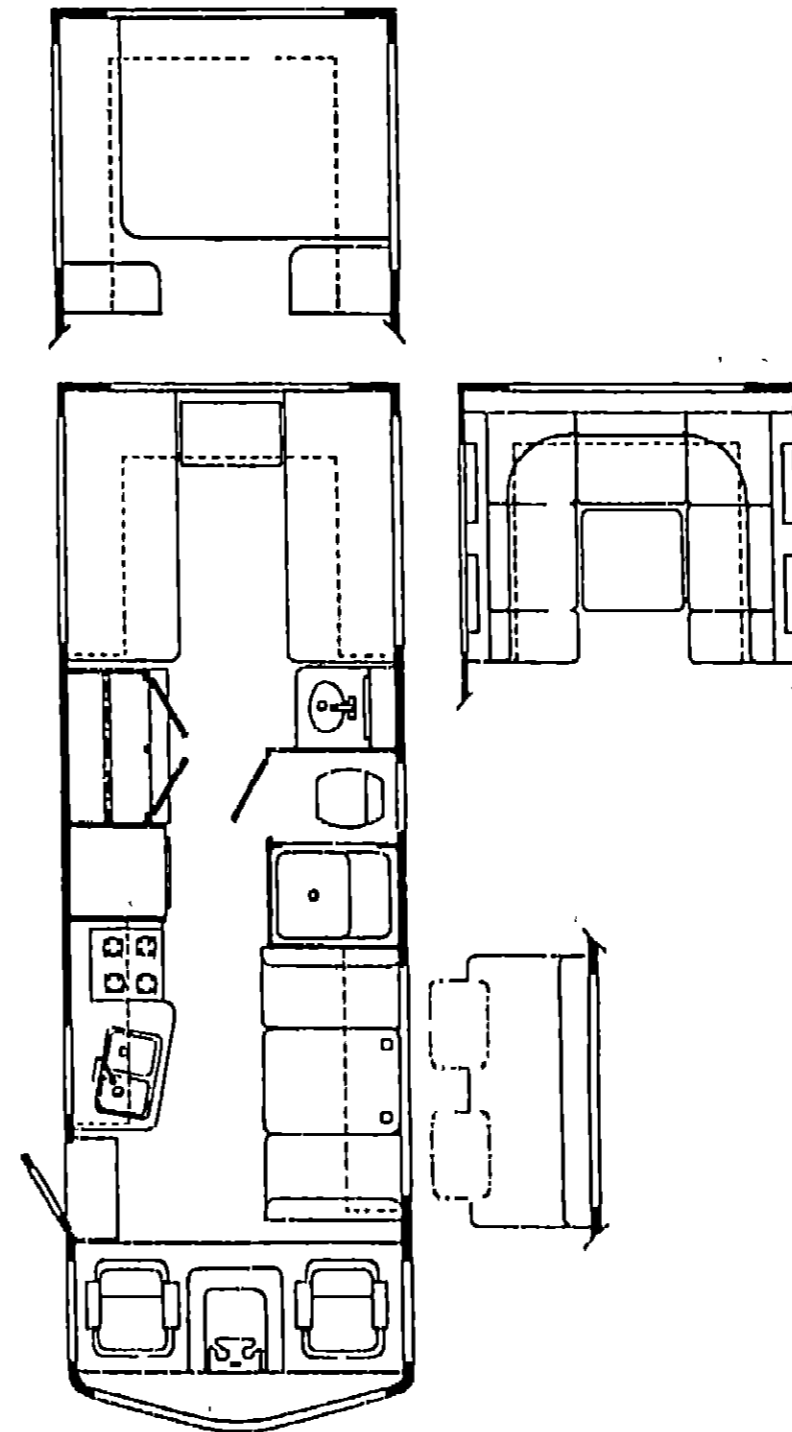


1987 ICN27RT



1987 ITASCA TABLE OF CONTENTS

IC420EG	A-01 - B-06
ICN22EC	B-07 - D-08
ICN27RT	D-09 - F-14
IJN32RQ	F-15 - I-02
ICP26ET	I-03 - K-10

1987 ICN27RT INDEX

Floor Plan	D-09 - D-10
Accessories Group	D-11 - D-13
Bath Group	D-14
Chassis Group	D-15 - D-17
Curtain, Cushion & Pad Group	D-18 - E-02
Dinette Group	E-03
Driver's Compartment Group	E-04 - E-06
Electrical Group	E-07 - E-09
Exterior Body Group	E-10 - E-14
Galley Group	E-15 - E-18
Heating & Air Conditioning Group	E-17
Interior Finish Group	E-18 - E-20
LP Group	E-21
Lounge Group	E-22 - E-23
Water & Sewage Group	E-24
Window, Vent & Exterior Door Group	F-01 - F-14

ACCESSORIES GROUP

RADIO & RELATED COMPONENTS

Key	Part Number	U/M	Description
	031105-02 000	EA	Antenna - Radio - Side Mount - w/12 Ground
	031105-01-700	EA	Antenna - Holder Radio - Upper
	064792-01-000	EA	Grille Speaker - w/Mesh - Brown
	074014-01-000	EA	Grille - Speaker - Round
	067884-01-000	EA	Radio - AM/FM/Stereo - Cassette - Electronic
	074979-01-000	EA	Speaker Cover Protector - Plastic
	073431-01-000	EA	Speaker 5 25 - 3/Way (Pair)
	064791-01-000	EA	Speaker - Recessed - 5 25
	073741 03-000	EA	Speaker - 4" x 6" Oval
	073741-04-000	EA	Grille Speaker - 4 x 6 Oval

* The illustrated parts breakdown for this part is provided on the Common Items Fiche

MISCELLANEOUS ACCESSORIES

Key	Part Number	U/M	Description
	054185 26-000	EA	Owners Manual 1987 Itasca & Winnebago
	07A319 01-000	EA	Antenna - TV Roof Mount - 44 5 Mast
	017516-01-000	EA	Mud Flaps w/Holes - 14' x 18' - Black
	041944-03-000	EA	Fire Extinguisher - 5 B C
	072852-01-000	EA	Smoke Detector w/9 Volt Battery
	006069 01-000	EA	Key Case - Leather
	007038-01-000	EA	Door Mat - 10 5' x 26' Black Rubber
	061075-02-000	EA	Floor Mat - Entrance - Itasca
	061201-02-000	EA	Floor Mat - Left Front - Itasca
	061202-02-000	EA	Floor Mat - Right Front - Itasca
	060206-01-000	EA	Lug Wrench
	060206-02 000	EA	Leverage Bar Lug Wrench
	006113-01-000	EA	Jack Hydraulic 6 Ton - w/Handle
	079942-01 000	EA	Shock Absorber Stabilizer - Front
	079942-02-000	EA	Shock Absorber Stabilizer - Rear
	079942-07-000	EA	Bracket Mounting Stabilizer
	077497-01-000	EA	Solenoid - Air Horns - Air Tank
	077497-01-700	EA	Compressor Switch - Air Horn
	077497-01-702	FA	Toggle Switch - Air Horn
	077497-01 703	EA	Air Tank - Air Horn
	077497-01-704	EA	Compressor w/Switch Air Horn
	077497 01 705	EA	Repair Kit - 120 Compressor
	063912-01-000	EA	Relay Controller - w/Ground - Air Horn
	075481-01-000	EA	Electric Step Asm w/Light
†	068746-01-000	EA	Electric Step Black
	023111-01-000	EA	Blender - Built In
	023111-03-000	EA	Blender - Power V Built In
	079941 01 000	EA	Lamp Asm Fog w/Cover - Amber
	079941-01-700	EA	Lamp Asm - Fog - Set/2
	079941-01-701	EA	Lens & Cover Only
	079941 01-702	EA	Switch Fog Lights
	079941 01-703	EA	Solenoid
	079941 01 704	FA	Switch Plate
	079941-01-705	EA	Lens Only
	079941 01-706	FA	Cover Only

† Used in units produced after 3/30/87

** The illustrated parts breakdown for this item is provided on the Common Items Fiche

ACCESSORIES GROUP (CONTINUED)

OPTIONAL LUGGAGE BOX, RACK & LADDER

Key	Part Number	U/M	Description
	054083-01-000	EA	Box - Luggage - 14 x 30 x 60
	061016-01-000	EA	Ladder Asm
	061026-01-T03	EA	Rack Asm - Right
	061026-02-T03	EA	Rack Asm - Left
	061115-01-000	EA	Cap - Top - Rack & Ladder - 1
	061116-01-000	EA	Slide - Top Rack & Ladder - 1
	061114-01-000	EA	End Cap - Ladder Step

OPTIONAL MICROWAVE & COMPONENTS

Key	Part Number	U/M	Description
	061379-01-000	EA	Microwave/Convection Oven - Sharp
†	066737 01-000	EA	Microwave/Convection Oven - Magic Chef
	061459-03-000	EA	Bracket Asm - Microwave - Right
	061459-04-000	EA	Bracket Asm Microwave - Left
	061456-01-000	EA	Angle Asm Microwave Right
	061456-02-000	EA	Angle Asm - Microwave - Left
	061555-01-703	EA	Trim Asm - Microwave
	062878-01-000	EA	Baffle Asm - Microwave
†	066737-02-000	EA	Frame Kit Microwave Oven Magic Chef
†			Parts used after 5/4/87

GENERATORS & COMPONENTS

Key	Part Number	U/M	Description
	079654-03-000	EA	Generator - Onan - 4 0 kw - Emerald Series B
	052168-01-000	EA	Generator - Onan - 4 25 kw
	701629-02-000	EA	Installation Package
	061364-01-000	EA	Muffler - Generator - w/Spark Arrestor - Nelson
	007067 01-000	EA	Insulation - Fiberglass - 1"
	079654-05 000	EA	Exhaust Pipe - Emerald
	076045-01-000	EA	Plate - Support Generator
	064365-01-000	EA	Plate Support - Generator
	063152-01 000	FA	Pipe Exhaust Gen

OPTIONAL VACUUM CLEANER & COMPONENTS

Key	Part Number	U/M	Description
	055285 01-000	EA	Vacuum Cleaner - Built In
	055285-01-700	EA	Accessories Kit - Standard
	055285-01-701	EA	Filter 8 per Package
	055285 01 702	EA	Hose 20' - Vacuum Cleaner
	055285-01 703	EA	Rug Tool
	055285-01-704	EA	Clevice Tool
	055285-01 705	FA	Upholstery Tool
	055285 01 706	EA	Wands - Set (2)
	055285 01 707	CA	Dust Bubble Complete

EXTERIOR MIRROR & COMPONENTS

Key	Part Number	U/M	Description
	066260-01-000	EA	Mirror Asm - Exterior - w/Convex - Passenger
	066260-02-000	EA	Mirror Asm Exterior - w/Convex - Driver
	066259-01-000	EA	Mirror Asm - Exterior - Remote Control Passenger
	066259-02-000	EA	Mirror Asm Exterior - Remote Control Driver
	066259 03 000	EA	Switch Asm Remote Mirror
	067695 01-000	EA	Switch Asm Mirror Heater
	066260 03 000	EA	Accessories Kit Exterior Mirror

1987 ITASCA TABLE OF CONTENTS

IC420EG	A-01	B-06
ICN22EC	B-07	D-08
ICN27RT	D-09	F 14
IJN32RQ	F 15	I-02
ICP26ET	I-03	K-10

1987 ICN27RT INDEX

Floor Plan	D-09	D-10
Accessories Group	D 11	D-13
Bath Group		D-14
Chassis Group	D 15	D-17
Curtain, Cushion & Pad Group	D 18	E-02
Dinette Group		E-03
Driver's Compartment Group	F-04	E-06
Electrical Group	C-07	E-09
Exterior Body Group	E-10	E-14
Galley Group	E-15	E-18
Heating & Air Conditioning Group		E 17
Interior Finish Group	E 18	E-20
LP Group		E-21
Lounge Group	E 22	E-23
Water & Sewage Group		E-24
Window, Vent & Exterior Door Group	F-01	F-14

ACCESSORIES GROUP (CONTINUED)

CUSTOM STEERING WHEEL

Key	Part Number	U/M	Description
	080752-05-000	EA	Wheel - Steering - Custom
	080752-06-000	EA	Hub - Adapter - Steering Wheel
	080752-07-000	EA	Button - Horn w/Wire
	080752-08-000	EA	Screw - Custom Steering Wheel

WHEELS, MOUNTING HARDWARE & LINERS

Key	Part Number	U/M	Description
	083181-01-000	EA	Wheel Covers - 16.0" - Set/4
	083181-01-700	EA	Wheel Covers - 16.0" (1)
	086271-04-000	EA	Liner - Wheel - 16.0" - Set/4
	086271-04-700	EA	Wheel Liner - 16.0" Front (1)
	086271-04-701	EA	Wheel Liner - 16.0" Rear (1)
	086271-04-702	EA	Axle Cover - Front - 16" (1)
	086271-04-703	EA	Axle Cover - Rear - 16" (1)
	086271-04-704	EA	Cover - Lug Nut

SPEED CONTROL & COMPONENTS

Key	Part Number	U/M	Description
	084417-01-000	EA	Speed Control - w/Column Control
	084417-01-700	EA	Cable - Servo
	084417-01-701	EA	Servo - Electric Asm.
	084417-01-702	EA	Servo Extension Harness
	084417-01-703	EA	Cruise Control - Main Harness
	084417-01-704	EA	Switch - Brake
	084417-01-705	EA	Transducer
	084417-01-706	EA	Adapter - Speedometer
	084417-01-707	EA	Control Arm
	084417-01-708	EA	Smart Stick - Main Harness
	084417-01-709	EA	Relay - 12V D.C.
	084417-01-710	EA	Relay
	084417-01-711	EA	Brake Switch Asm.
	084417-01-712	EA	Tester - Cruise Control
	084417-01-713	EA	Pilot
	084417-01-714	EA	Servo Asm.
	084417-01-715	EA	Tester - Smart Stick
	084417-01-716	EA	Regulator - Cruise Control
	084417-01-717	EA	Electronic Pkg. - Smart Stick
	084417-01-718	EA	Control Arm - Smart Stick Only
	084417-01-719	EA	Rivet - Nylon Snap
	084417-01-720	EA	Mounting Bracket - GM Switch
	084417-01-721	EA	Shroud - Steering Column - Top

BATH GROUP

BATH CABINETS

Key	Part Number	U/M	Description
	M83359-01-W30	EA	Cabinet Asm. - Lavatory - w/o Countertop, Doors, or Drawers
	M02617-01-W30	EA	Countertop Asm. - Lavatory Cabinet
	M02617-01-W31	EA	Countertop Asm. - Lavatory Cabinet
	M02617-01-W32	EA	Countertop Asm. - Lavatory Cabinet
	M81501-91-W30	EA	Door Asm. - Hamper - w/o Hardware
	M84953-48-W30	EA	Door Asm. - Hamper - w/o Hardware
	M82425-01-W30	EA	Door Asm. - Lavatory Cabinet w/Mirror
	058331-05-000	EA	Mirror - 12" x 26" - Medicine Cabinet Door
	081893-02-W04	EA	Tilt Out - Drawer Face - Lavatory
	076073-01-000	EA	Cabinet Asm. - Medicine - 15.4" x 29.4" - Almond
	M81501-90-W30	EA	Door Asm. - Wardrobe Cabinet - Lower - Rear - w/o Hardware
	M84953-47-W30	EA	Door Asm. - Wardrobe Cabinet - Lower - Rear - w/o Hardware
	M81501-31-W30	EA	Door Asm. - Wardrobe Cabinet - Upper - Rear - w/o Hardware
	M84953-19-W30	EA	Door Asm. - Wardrobe Cabinet - Upper - w/o Hardware
	M81501-89-W30	EA	Door Asm. - Wardrobe Cabinet - Lower - w/o Hardware
	M84953-46-W30	EA	Door Asm. - Wardrobe Cabinet - Lower - w/o Hardware
	M02615-01-W30	EA	Countertop Asm. - Wardrobe - Sunset Oak
	080224-02-000	EA	Folding Door - Front - 35" x 75"
	080224-05-000	EA	Track - Front Folding Door - 29.5"
	080224-03-000	EA	Folding Door - Rear - 35" x 75" - Used with Twin Bed & Queen
	080224-07-000	EA	Track - Rear Folding Door - S Curve - Used with Twin Bed & Queen
	080224-01-700	EA	Latch & Catch Asm. - Folding Door
	079657-01-000	EA	Door Asm. - Folding Shower - Plastic
	080224-01-000	EA	Folding Door - Rear - 46" x 75" - Used with Double Bed
	080224-19-000	EA	Track - Rear Folding Door - S Curve - Used with Double Bed
	M76876-01-W30	EA	Door Asm. - Bath
	†		Parts used before 12/2/86

BATH HARDWARE

Key	Part Number	U/M	Description
	M02630-04-W13	EA	Shower Pan Asm.
	075242-03-000	EA	Faucet - Tub & Shower - Brass
	075240-03-000	EA	Faucet - Lavatory - Brass
	011048-02-000	EA	Shower Head - w/60" Hose
	011048-04-000	EA	Vacuum Breaker - 1/8 MPT - Nylon - Shower Head
	075603-01-000	EA	Shower Panel - Faucet - Plastic
	006729-01-000	EA	Strainer - Bathtub Asm.
	036435-01-000	EA	Nut Strainer - Plastic - Bathtub Asm.
	086436-01-000	EA	Slip Nut - 1.5" Tall Piece - Bathtub Asm.
	089735-01-000	EA	Washer - Tall Piece - 1.5" - Plastic - Bathtub Asm.
	011069-02-000	EA	Tallpiece - 1.5" x 1.25" x 4" - Brass - Bathtub Asm.
	080250-01-000	EA	Shroud - Bathtub Asm. - Off White
	058713-01-000	EA	Sink - Oval - Ivory Plastic
	084076-01-000	EA	Toilet - Ivory
	075452-02-000	EA	Tissue Holder - Brass
	075453-02-000	EA	Towel Bar - 18" - Brass
	075454-02-000	EA	Towel Ring - Brass
	058331-01-000	EA	Mirror - Tempered Glass - 19" x 26"
	058331-05-000	EA	Mirror - Tempered Glass - 12" x 26"
	058331-04-000	EA	Mirror - Tempered Glass - 12" x 42"
	057871-01-000	EA	Screw Cover - #8 - Antique White
	058777-02-000	EA	Hinge - Antique Light Brass
	075680-01-000	EA	Rod - Clothes - Adjustable
	009112-01-000	EA	Flange - 1" - Clothes Rod
	071632-01-000	EA	Bag - Hamper - 49" - w/Elastic
	075687-02-000	EA	Lookset - Bath Door - Bronzestone
	077251-01-000	EA	Drawer - Tiltout - Plastic

** The illustrated parts breakdown for this item is provided on the Common Items Fiche.

1987 ITASCA TABLE OF CONTENTS

IC420EG	A-01 - B-06
ICN22EC	B-07 - D-06
ICN27RT	D-09 - F-14
IJN32RQ	F-15 - I-02
ICP26ET	I-03 - K-10

1987 ICN27RT INDEX

Floor Plan	D-09 - D-10
Accessories Group	D-11 - D-13
Bath Group	D-14
Chassis Group	D-15 - D-17
Curtain, Cushion & Pad Group	D-18 - E-02
Dinette Group	E-03
Driver's Compartment Group	E-04 - E-06
Electrical Group	E-07 - E-09
Exterior Body Group	E-10 - E-14
Galley Group	E-15 - E-16
Heating & Air Conditioning Group	E-17
Interior Finish Group	E-18 - E-20
LP Group	E-21
Lounge Group	E-22 - E-23
Water & Sewage Group	E-24
Window, Vent & Exterior Door Group	F-01 - F-14

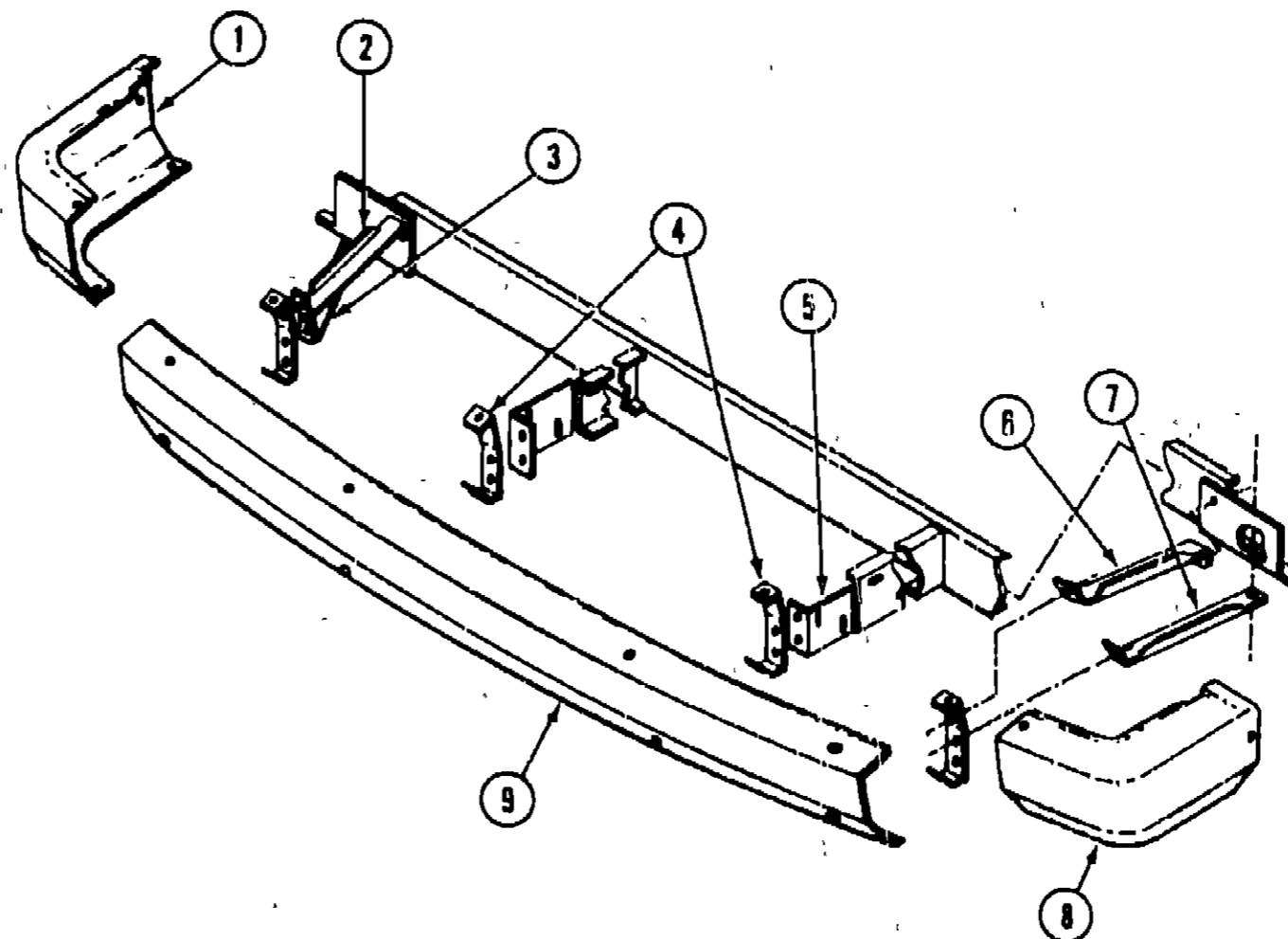
CHASSIS GROUP

MISCELLANEOUS CHASSIS

Key	Part Number	U/M	Description
	064067-01-000	EA	Airspring - Bellows - Rear Axle
	047441-01-000	EA	Battery Terminal - Horizontal Lug
	075723-01-000	EA	Block - Switch - Spacer w/o Holes
	051697-01-000	EA	Bracket - Battery Tie Down - 6 9"
**	007125-08-000	EA	Clamp Asm. - Muffler - 1.12"
**	007125-03-000	EA	Clamp Asm. - Muffler - 1.50"
	010497-01-000	EA	Clamp - Close - 5/8 I.D.
	007161-01-000	EA	Clamp - Hose - Spring Type 112
	062401-01-000	EA	Clamp - Hose - Wormgear - .22" I.D. x 1" I.D.
	062401-02-000	EA	Clamp - Hose - Wormgear - 1.56" I.D. - 2.5" I.D.
	062401-03-000	EA	Clamp - Hose - Wormgear - .25" I.D. - 1" I.D.
	062401-04-000	EA	Clamp - Hose - Wormgear - .89" I.D. - 1.25" I.D.
	062401-05-000	EA	Clamp - Hose - Wormgear - 2" I.D. - 3" I.D.
	062401-06-000	EA	Clamp - Hose - Wormgear - 22" I.D. - 62" I.D.
	023146-01-000	EA	Clamp - Screw Type - 4"
	024490-01-000	EA	Compartment - Power Cord - Black Plastic
	071650-01-000	EA	Cover - Radiator - Rear
	080722-01-000	EA	Cover - Radiator - Rear Back (Fan Shroud)
	020167-03-000	EA	Dirt Guard - Rear Wheel
	024138-01-000	FT	Hose - Fuel - 5/16" I.D. SAE 30RI
	066732-01-000	FT	Hose - Fuel Fill - .62 I.D.
	007111-02-000	EA	Hose - Fuel Fill - 2.00 I.D.
	007111-01-000	EA	Hose - Fuel Fill - 2.25 I.D.
	017516-01-000	EA	Mud Flap w/Holes - 14" x 18" - Black
	064962-02-000	EA	Rim - Wheel - 16.0" x 6"
	066273-01-000	EA	Relay - Battery Disconnect
	075146-01-000	EA	Shield - Heat Muffler
	079942-01-000	EA	Shock Absorber - Stabilizer - Front
	079942-02-000	EA	Shock Absorber - Stabilizer - Rear
	079942-07-000	EA	Bracket - Mounting Stabilizer
	063977-08-000	EA	Step Asm. - Driver Door
	063977-10-000	EA	Step Asm. - Passenger Door
	077846-01-000	EA	Step Asm. - Entry
	076241-02-000	EA	Support Asm. - Electric Step
**	061411-03-000	EA	Tailpipe Extension - 2.25" x 10.5'
**	061918-01-000	EA	Tailpipe Extension - 2.25" x 11.44'
	050273-02-000	EA	Tire - 7.5" x 16" - XCA - Tubeless - Michelin
	040546-01-000	EA	Tire - 7.5" x 16" - 18 Ply Tube - Polyester
	040546-03-000	EA	Tire - 7.5" x 16" - 8 Ply - BSW - Tube
	051377-01-000	EA	Valve Stem Asm. - TR500
	055080-01-000	EA	Wheelwell - Plastic
	008343-01-000	EA	Wire Tie - 6"
	078010-05-000	EA	Door Asm. & Upper Shroud - Fuel Fill - Gray
	072447-01-000	EA	Shroud - Fuel Fill - Inside
	083578-01-000	EA	Boot - Fuel Fill
	077963-01-000	EA	Gasket - Door - Gas Fill
	078200-01-000	EA	Gasket - Fuel Fill

** Remainder of exhaust Components available from chassis service center.

CHASSIS GROUP (CONTINUED)



FRONT BUMPER

Key	Part Number	U/M	Description
1	078577-05-000	EA	Bumper End - Gray - Right Front
2	078002-01-000	EA	Brace - Upper Right - Front Bumper
3	078003-01-000	EA	Brace - Lower Right - Front Bumper
4	077852-01-000	EA	Bracket to Bumper - Front
5	078527-01-000	EA	Bracket to Frame - Front Bumper
6	078002-02-000	EA	Brace - Upper Left - Front Bumper
7	078003-02-000	EA	Brace - Lower Left - Front Bumper
8	078577-06-000	EA	Bumper End - Gray - Left Front
9	077850-01-000	EA	Bumper - Front - Primed
9	077850-07-000	EA	Bumper - Front - Chrome
*	005200-01-000	EA	Carriage Bolt - Chrome - 7/16" x 14 x 1 1/4"
*	000D39-07-00B	EA	Nut - Hex - 7/16" - 14
*			Not Illustrated

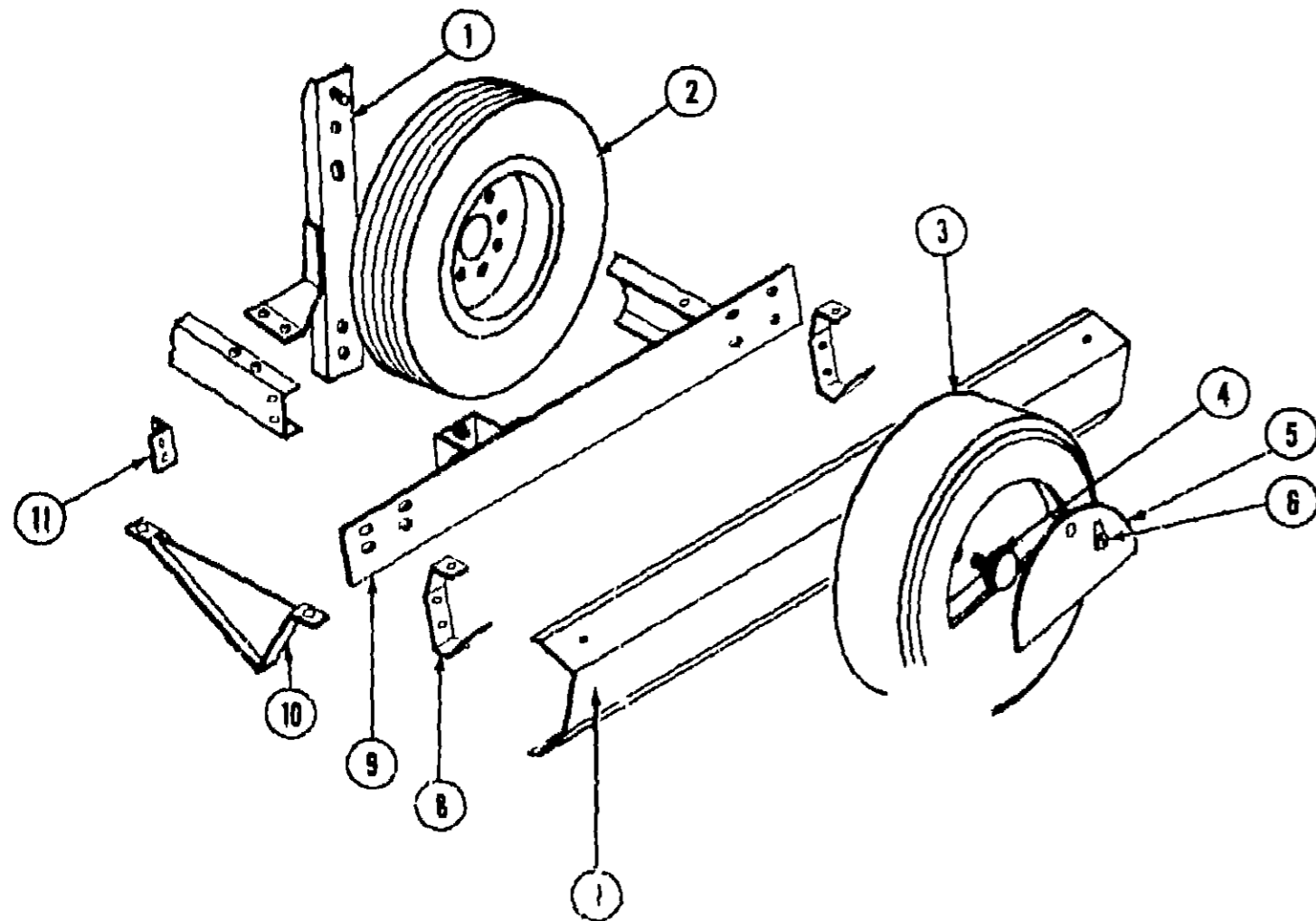
1987 ITASCA TABLE OF CONTENTS

IC420EG	A-01 - B-06
ICN22EC	B-07 - D-08
ICN27RT	D-09 - F-14
IJN32RQ	F-15 - I-02
ICP26ET	I-03 - K-10

1987 ICN27RT INDEX

Floor Plan	D-09 - D-10
Accessories Group	D-11 - D-13
Bath Group	D-14
Chassis Group	D-15 - D-17
Curtain, Cushion & Pad Group	D-18 - E-02
Dinette Group	E-03
Driver's Compartment Group	E-04 - E-06
Electrical Group	E-07 - E-09
Exterior Body Group	E-10 - E-14
Galley Group	E-15 - E-16
Heating & Air Conditioning Group	E-17
Interior Finish Group	E-18 - E-20
LP Group	E-21
Lounge Group	E-22 - E-23
Water & Sewage Group	E-24
Window, Vent & Exterior Door Group	F-01 - F-14

CHASSIS GROUP (CONTINUED)



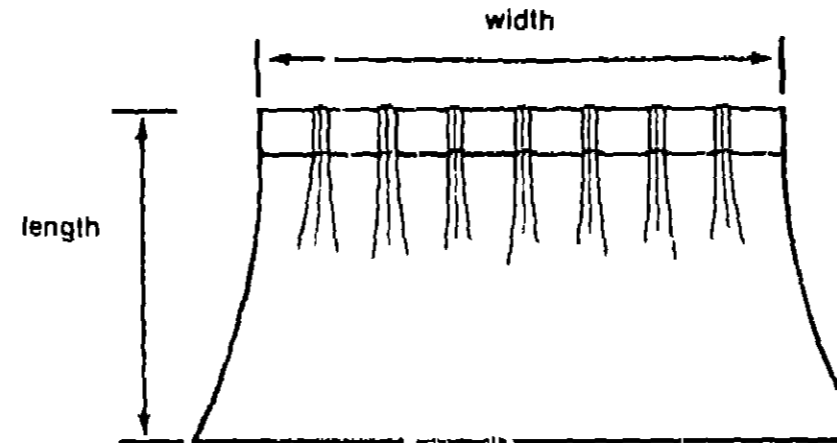
SPARE TIRE, HITCH & REAR BUMPER

Key	Part Number	U/M	Description
1	080378-02-000	EA	Bracket - U-Channel - Tire Carrier
2	050273-02-000	EA	Tire - 7.5" x 18" XCA Tubeless Michelin
3	079762-02-000	EA	Tire Cover - Gray Plastic
4	064082-02-000	EA	Nut - Tire Cover Retainer - Delmat
5	M02047-01-F18	EA	Door - Tire Cover - Gray Plastic
6	077408-02-000	EA	Lock Asm - Key Type
7	078584-10-000	EA	Bumper - Rear - Gray
7	078584-08-000	EA	Bumper - Rear - Chromed
*	080815-01-W30	EA	Bumper End - Right
*	080815-02-W30	EA	Bumper End - Left
8	078670-02-000	EA	Bracket to Bumper - Rear
9	079129-02-000	EA	Bracket to Frame - Rear Bumper
10	083376-01-000	EA	Skid Plate Asm
11	078668-01-000	EA	Support Angle - Rear Bumper Support to Frame
*	005200-01-000	EA	Bumper Bolt - 7/16" x 14 x 1 1/4
			Not Illustrated

CURTAIN, CUSHION & PAD GROUP

NOTICE

In order to assist our Parts Sales Dept in providing interior software items please include the serial number and the color code number from the vehicle certification label when ordering. This label is located on the left side wall at the end of the dash (A-Body) or on the driver's door latch plate (C-Body).
An example of a color code number is P31, which designates an overall color scheme of a particular unit. The color listed after the item description on the microfiche indicates the overall unit color. Order the item you desire according to unit color code.



NOTE

Use this illustration when determining length and width measurements for curtains. You will note the width measurement is taken on the top of the curtain with the curtain fully extended. The length measurement is taken from top to bottom.

CURTAIN & CUSHION HARDWARE

Key	Part Number	U/M	Description
	082139-03-000	EA	Bracket - Hold Down - Blinds
	085283-01-000	EA	Bracket - Hold Back - Clear
	084434-01-000	EA	Bracket - Roller Shade - 1 3/8"
	056003-01-000	EA	Bracket - Drapery Retainer
	056003-02-000	EA	Bracket - Drapery Retainer
	083170-03-000	EA	Bracket - Installation - Right
	083170-04-000	EA	Bracket - Installation - Left
	079818-01-000	EA	Bracket - Tie Back
	080211-03-000	EA	Clip - Decor Pad
	086283-01-000	EA	Pull - Window Shade - Polished Brass
	087253-01-000	EA	Shade Pull - Clear Plastic
	048384-02-000	YD	Tape Hook - .75" x 50 yds - Beige
	048995-02-000	YD	Tape Loop - .75" x 50 yds - Beige
	029090-01-000	FT	Tie Back - Drapery - Clear
	056110-01-000	EA	Track - Curtain - Brown Plastic
	079946-01-000	EA	Track - Curtain - Wraparound - Right
	079946-02-000	EA	Track - Curtain - Wraparound - Left

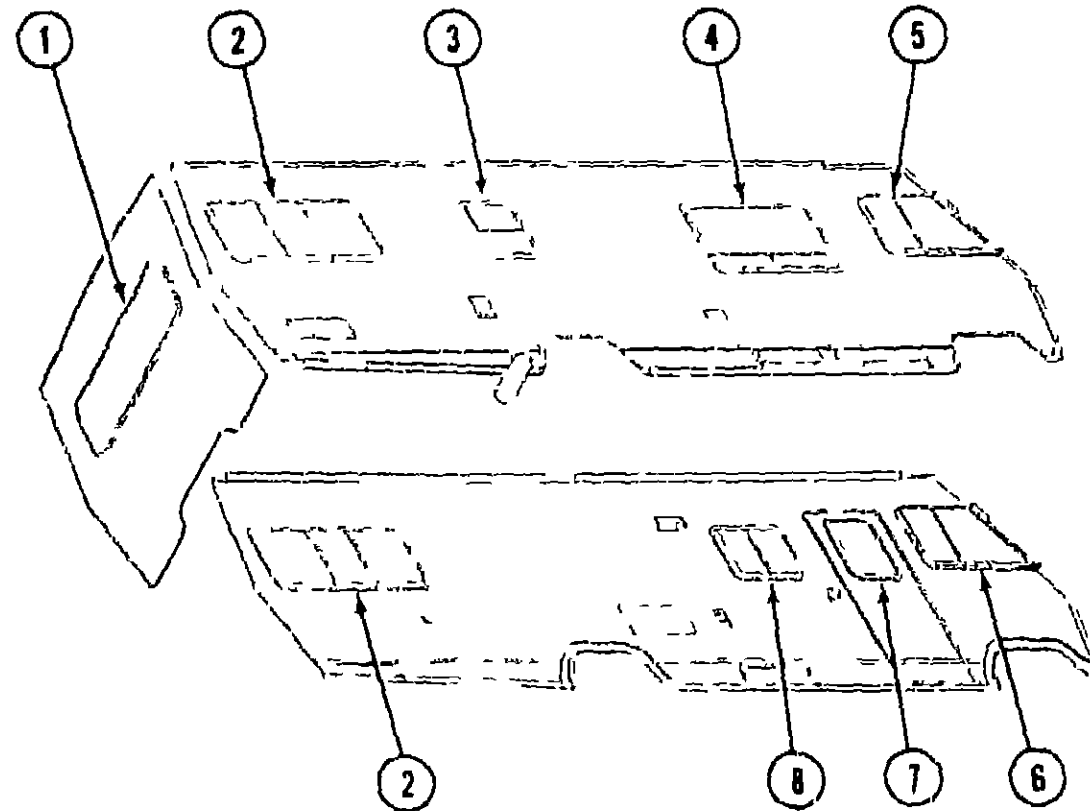
1987 ITASCA TABLE OF CONTENTS

IC420EG	A-01 - B-06
ICN22EC	B-07 - D-08
ICN27RT	D-09 - F-14
IJN32RQ	F-15 - I-02
ICP28ET	I-03 - K-10

1987 ICN27RT INDEX

Floor Plan	D-09 - D-10
Accessories Group	D-11 - D-13
Bath Group	D-14
Chassis Group	D-15 - D-17
Curtain, Cushion & Pad Group	D-18 - E-02
Dinette Group	E-03
Driver's Compartment Group	E-04 - E-06
Electrical Group	E-07 - E-09
Exterior Body Group	E-10 - E-14
Galley Group	E-15 - E-16
Heating & Air Conditioning Group	E-17
Interior Finish Group	E-18 - E-20
LP Group	E-21
Lounge Group	E-22 - E-23
Water & Sewage Group	E-24
Window Vent & Exterior Door Group	F-01 - F-14

CURTAIN, CUSHION & PAD GROUP (CONTINUED)



CURTAINS, SHADES, VALANCES & TIEBACKS

Key	Part Number	U/M	Description
1	084755-03-W24	EA	Shade Asm - Pull - 72 25" (W30)
1	084755-03-W25	EA	Shade Asm - Pull - 72 25" (W31)
1	084755-03-W26	EA	Shade Asm - Pull - 72 25" (W32)
1	084755-03-WA4	EA	Shade Asm - Pull - 72 25" (W30)
1	084755-03-WA5	EA	Shade Asm - Pull - 72 25" (W31)
1	084755-03-WA8	EA	Shade Asm - Pull - 72 25" (W32)
1	079558 20 W30	EA	Valance Asm - Gathered - 5" x 140"
1	079558 20 W31	EA	Valance Asm - Gathered - 5" x 140"
1	079558 20-W32	EA	Valance Asm - Gathered - 5" x 140"
1	079559-11-W30	EA	Curtain Asm. w/Gathers - 32" x 41"
1	079559 11-W31	EA	Curtain Asm w/Gathers 32" x 41"
1	079559 11-W32	EA	Curtain Asm. w/Gathers 32" x 41"
1	079558-13-W30	EA	Valance Asm. - Gathered - 5" x 140"
1	079558-13 W31	EA	Valance Asm - Gathered - 5" x 140"
1	079558 13 W32	EA	Valance Asm - Gathered - 5" x 140"
1	079559-10 W30	EA	Curtain Asm w/Gathers - 32" x 41"
1	079559-10 W31	EA	Curtain Asm w/Gathers - 32" x 41"
1	079559 10 W32	EA	Curtain Asm w/Gathers 32" x 41"
1	085304-21-000	EA	Blinds - Pleated - 71" x 28" Drop (W30)
1	085304-22-000	EA	Blinds - Pleated - 71" x 28" Drop (W31)
1	085304 22 000	EA	Blinds - Pleated - 71" x 28" Drop (W32)
2	084755 05-W30	EA	Shade Asm - Pull - 60 25"
2	084755-05-W31	EA	Shade Asm - Pull - 60 25"
2	084755 05 W32	EA	Shade Asm, Pull 60 25"
2	084755-05-WA4	EA	Shade Asm, Pull 60 25" (W30)
2	084755 05 WA5	EA	Shade Asm - Pull 60 25" (W31)
2	084755-05-WA8	EA	Shade Asm - Pull 60 25" (W32)
2	079558 21-W30	EA	Valance Asm - Gathered - 5" x 120"
2	079558-21-W31	EA	Valance Asm - Gathered - 5" x 120"
2	079558 21-W32	EA	Valance Asm - Gathered - 5" x 120"
2	079559 11 W30	EA	Curtain Asm w/Gathers - 32" x 41"
2	079559 11 W31	EA	Curtain Asm w/Gathers 32" x 41"
2	079559 11 W32	EA	Curtain Asm w/Gathers - 32" x 41"

CURTAIN, CUSHION & PAD GROUP (CONTINUED)

CURTAINS, SHADES, VALANCES & TIEBACKS (CONT)

Key	Part Number	U/M	Description
†	079558 18 W30	EA	Valance Asm - Gathered - 5' x 120'
†	079558-18-W31	EA	Valance Asm - Gathered - 5' x 120'
†	079558-18 W32	EA	Valance Asm - Gathered - 5' x 120'
†	079559 10 W30	EA	Curtain Asm w/Gathers - 32' x 41'
†	079559-10 W31	EA	Curtain Asm w/Gathers - 32' x 41'
†	079559 10 W32	EA	Curtain Asm w/Gathers - 32' x 41'
†	085304 11-000	EA	Blinds Pleated - 59' x 28" Drop (W30)
†	085304-15-000	EA	Blinds - Pleated - 59' x 28" Drop (W31)
†	085304-12-000	EA	Blinds Pleated - 59' x 28" Drop (W32)
3	084755-14-W33	EA	Shade Asm - Pull - 21 25' (W30)
3	084755-14-W34	EA	Shade Asm - Pull - 21 25' (W31)
3	084755 14 W11	EA	Shade Asm - Pull - 21 25' (W32)
3	084755 14 WA4	EA	Shade Asm - Pull - 21 25' (W30)
3	084755-14-WA5	EA	Shade Asm - Pull - 21 25" (W31)
3	084755-14-WA8	EA	Shade Asm - Pull - 21 25' (W32)
3	M84261-04 W30	EA	Valance Asm - Bath
4	084755-02-W24	EA	Shade Asm - Pull - 67 25' (W30)
4	084755-02 W25	EA	Shade Asm - Pull - 67 25' (W31)
4	084755-02 W26	EA	Shade Asm - Pull - 67 25" (W32)
4	084755-02-WA4	EA	Shade Asm - Pull 67,25" (W30)
4	084755-02-WA5	EA	Shade Asm. - Pull - 67 25" (W31)
4	084755 02 WA8	EA	Shade Asm - Pull 67 25" (W32)
4	079558-13 W30	EA	Valance Asm - Gathered - 5" x 140"
4	079558 13-W31	EA	Valance Asm - Gathered - 5" x 140"
4	079558 13-W32	EA	Valance Asm - Gathered - 5" x 140"
4	079559 06 W30	EA	Curtain Asm. w/Gathers 36" x 44"
4	079559-06 W31	EA	Curtain Asm w/Gathers - 36' x 44"
4	079559-06 W32	EA	Curtain Asm w/Gathers - 36" x 44"
4	085304-21-000	EA	Blinds - Pleated - 71" x 28" Drop (W30)
4	085304 21 000	EA	Blinds - Pleated - 71" x 28" Drop (W31)
4	085304-22-000	EA	Blinds - Pleated - 71" x 28" Drop (W32)
5	073304-41-W30	EA	Curtain Asm - Front Wraparound w/Lining (W30)
5	073304 41-W31	EA	Curtain Asm - Front Wraparound w/Lining (W31)
5	073304-41-W08	EA	Curtain Asm - Front Wraparound w/Lining (W32)
5	077591-06-W30	EA	Curtain Asm w/Velcro Top - Bunk Privacy - Driver
5	077591-06 W31	EA	Curtain Asm w/Velcro Top - Bunk Privacy - Driver
5	077591-06 W32	EA	Curtain Asm w/Velcro Top - Bunk Privacy - Driver
6	073304-40 W30	EA	Curtain Asm - Front Wraparound w/Lining (W30)
6	073304 40 W31	EA	Curtain Asm - Front Wraparound w/Lining (W31)
6	073304 40 W08	EA	Curtain Asm - Front Wraparound w/Lining (W32)
6	077591 05 W30	EA	Curtain Asm w/Velcro Top - Bunk Privacy - Passenger
6	077591-05 W31	EA	Curtain Asm w/Velcro Top - Bunk Privacy - Passenger
6	077591-05 W32	EA	Curtain Asm w/Velcro Top - Bunk Privacy - Passenger
7	084755-04 W30	EA	Shade Asm. - Pull - 24 25" (W30)
7	084755 04 W31	EA	Shade Asm - Pull - 24 25" (W31)
7	084755-04 W01	EA	Shade Asm. - Pull 24,25" (W32)
7	084755 04 WA4	EA	Shade Asm. - Pull - 24 25" (W30)
7	084755 04-WA5	EA	Shade Asm - Pull - 24 25" (W31)
7	084755 04-WA8	EA	Shade Asm. - Pull - 24 25" (W32)
7	079558 14 W30	EA	Valance Asm - Gathered - 5" x 75"
7	079558 14 W31	EA	Valance Asm. Gathered - 5' x 75"
7	079558-14 W32	EA	Valance Asm. - Gathered - 5" x 75"
8	084755 01 W24	EA	Shade Asm - Pull - 28 25"
8	084755 01 W25	EA	Shade Asm. - Pull - 28 25"
8	074755 01-W26	EA	Shade Asm - Pull - 28 25"
8	084755 01-WA4	EA	Shade Asm - Pull - 28 25" (W30)
8	084755 01 WA5	EA	Shade Asm. - Pull - 28 25" (W31)
8	084755 01 WA8	EA	Shade Asm - Pull - 28 25" (W32)
8	079558-14 W30	EA	Valance Asm - Gathered - 5" x 75"
8	079558 14-W31	EA	Valance Asm - Gathered - 5" x 75"
8	079558-14-W32	EA	Valance Asm - Gathered - 5' x 75'

Shades used on units produced after 10-18 86
 † Parts used in the Horseshoe Lounge Option
 † Parts used in the Pleated Blind Option

**1987 ITASCA
TABLE OF CONTENTS**

IC420EG	A-01 - B-08
ICN22EC	3-07 - D-08
ICN27RT	D-09 - F-14
IJN32RQ	F-15 - I-02
ICP26ET	I-03 - K-10

1987 ICN27RT INDEX

Floor Plan	D 09 - D 10
Accessories Group	D-11 - D-13
Bath Group	D 14
Chassis Group	D 15 - D-17
Curtain, Cushion & Pad Group	D-18 - E-02
Dinette Group	E-03
Driver's Compartment Group	E-04 - E-06
Electrical Group	E-07 - E-09
Exterior Body Group	E-10 - E 14
Galley Group	E 15 - E-16
Heating & Air Conditioning Group	E-17
Interior Finish Group	E-18 - E 20
LP Group	E-21
Lounge Group	E 22 - E 23
Water & Sewage Group	E 24
Window, Vent & Exterior Door Group	F 01 - F 14

CURTAIN, CUSHION & PAD GROUP (CONTINUED)

CURTAINS, SHADES, VALANCES & TIEBACKS (CONT.)

Key	Part Number	U/M	Description
†	079558-18-W30	EA	Valance Asm. - Gathered - 5" x 40"
†	079558-18-W31	EA	Valance Asm. - Gathered - 5" x 40"
†	079558-18-W32	EA	Valance Asm. - Gathered - 5" x 40"
•	073304-29-W30	EA	Curtain Asm. w/Snap Top - Room Divider - 64" x 40"
•	073304-29-W31	EA	Curtain Asm. w/Snap Top - Room Divider - 64" x 40"
•	073304-29-W32	EA	Curtain Asm. w/Snap Top - Room Divider - 64" x 40"
•	073260-23-W06	EA	Tieback Asm. - 3" x 18" - Drapery (W30)
•	073260-23-W25	EA	Tieback Asm. - 3" x 18" - Drapery (W31)
•	073260-23-W05	EA	Tieback Asm. - 3" x 18" - Drapery (W32)
•			Not illustrated
**	Shades used in units produced after 10-19-86		
†	Parts used in the Horseshoe Lounge Option		
†	Parts used in the Pleated Blind Option		

FABRICS, TRIMS & PADS

Key	Part Number	U/M	Description
	077498-89-000	YD	Fabric - Main w/Pattern - Jade/Peach (W30)
	077498-90-000	YD	Fabric - Main w/Pattern - Mahogany (W31)
	077498-88-000	YD	Fabric - Main w/Pattern - Rose (W32)
	077498-B2-000	YD	Fabric - Patterned Accent - Jade/Peach (W30)
	077498-B3-000	YD	Fabric - Patterned Accent - Mahogany (W31)
	077498-B4-000	YD	Fabric - Patterned Accent - Rose (W32)
	077498-A1-000	YD	Fabric - Plain Accent - Jade/Peach (W30)
	077498-A2-000	YD	Fabric - Plain Accent - Mahogany (W31)
	077498-A8-000	YD	Fabric - Plain Accent - Rose (W32)
	072333-38-000	YD	Fabric - Drapery/Accent - Jade/Peach (W30)
	072333-40-000	YD	Fabric - Drapery/Accent - Mahogany (W31)
	072333-37-000	YD	Fabric - Drapery/Accent - Rose (W32)
	069729-44-000	YD	Fabric - Bedspread/Draperly - Jade/Peach (W30)
	069729-45-000	YD	Fabric - Bedspread/Draperly - Mahogany (W31)
	069729-46-000	YD	Fabric - Bedspread/Draperly - Rose (W32)
	081607-07-000	YD	Fabric - Headliner - Sandalwood
	087272-01-000	YD	Fabric - Drapery Lining - Ivory - 48"
	072333-44-000	YD	Fabric - Drapery Lining - Natural (Pull Shades)
	072333-30-000	YD	Fabric - Drapery Lining - Linen (Pull Shades)
	079680-01-000	YD	Vinyl - Expanded - 26 oz. Buckskin
	079680-02-000	YD	Vinyl - Expanded - 26 oz. Sandrift
	038421-02-000	YD	Fabric - Mattress Ticking - Beige/Brown
	038421-04-000	YD	Fabric - Mattress Ticking - Cashew
	057550-05-T03	EA	Button Asm. - Nail #36 - 3/8" Shank - Vinyl
	070578-06-T03	EA	Button Asm. - Screw Stud - #30 - Vinyl
	057093-01-T03	EA	Button Asm. - Nail #30 - Vinyl
	071127-10-W24	EA	Button Asm. - Round Hook - #30 - Jade/Peach (W30)
	071127-10-W25	EA	Button Asm. - Round Hook - #30 - Mahogany (W31)
	071127-10-W26	EA	Button Asm. - Round Hook - #30 - Rose (W32)
	078165-01-000	EA	Strap Asm. - Cushion
	079144-02-T03	EA	Strap Asm. - Bunk
	081519-01-W24	EA	Pad Asm. - Dinette - Front - Jade/Peach (W30)
	081519-01-W25	EA	Pad Asm. - Dinette - Front - Mahogany (W31)
	081519-01-W26	EA	Pad Asm. - Dinette - Front - Rose (W32)
	081519-02-W24	EA	Pad Asm. - Dinette - Rear - Jade/Peach (W30)
	081519-02-W25	EA	Pad Asm. - Dinette - Rear - Mahogany (W31)
	081519-02-W26	EA	Pad Asm. - Dinette - Rear - Rose (W32)
	059414-08-000	EA	Pad Asm. - Trim - Sidewall - Right - Vinyl
	059487-04-T03	EA	Pad Asm. - Map Pocket - Right Vinyl

• Parts used on units produced before 10/19/86

CURTAIN, CUSHION & PAD GROUP (CONTINUED)

BUCKET SEATS

Key	Part Number	U/M	Description
	084191-02-W24	EA	Seat Asm. - Comet I (W30)
	084191-02-W25	EA	Seat Asm. - Comet I (W31)
	084191-01-W20	EA	Seat Asm. - Comet I (W32)
	M01864-23-W24	EA	Cover Asm. - Seat Bottom (W30)
	M01864-23-W25	EA	Cover Asm. - Seat Bottom (W31)
	M01864-21-W26	EA	Cover Asm. - Seat Bottom (W32)
	M01864-24-W24	EA	Cover Asm. - Seat Back (W30)
	M01864-24-W25	EA	Cover Asm. - Seat Back (W31)
	M01864-22-W26	EA	Cover Asm. - Seat Back (W32)
	083909-15-W30	EA	Seat Asm. - Straton
	083909-15-W31	EA	Seat Asm. - Straton
	083909-16-W32	EA	Seat Asm. - Straton
	M01864-35-W30	EA	Cover Asm. - Straton Seat Bottom
	M01864-35-W31	EA	Cover Asm. - Straton Seat Bottom
	M01864-33-W32	EA	Cover Asm. - Straton Seat Bottom
	M01864-36-W30	EA	Cover Asm. - Straton Seat Back
	M01864-36-W31	EA	Cover Asm. - Straton Seat Back
	M01864-34-W32	EA	Cover Asm. - Straton Seat Back
	080243-23-W24	EA	Armrest Asm. - Right (W30)
	080243-23-W25	EA	Armrest Asm. - Right (W31)
	080243-25-W26	EA	Armrest Asm. - Right (W32)
	080243-24-W24	EA	Armrest Asm. - Left (W30)
	080243-24-W25	EA	Armrest Asm. - Left (W31)
	080243-26-W26	EA	Armrest Asm. - Left (W32)
	M80243-23-W24	EA	Cover Asm. - Armrest - Right (W30)
	M08243-23-W25	EA	Cover Asm. - Armrest - Right (W31)
	M08243-25-W26	EA	Cover Asm. - Armrest - Right (W32)
	M80243-24-W24	EA	Cover Asm. - Armrest - Left (W30)
	M80243-24-W25	EA	Cover Asm. - Armrest - Left (W31)
	M80243-26-W26	EA	Cover Asm. - Armrest - Left (W32)
	085268-01-W24	EA	Headrest Asm. (W30)
	085268-01-W25	EA	Headrest Asm. (W31)
	085268-02-W26	EA	Headrest Asm. (W32)
	M85268-01-W24	EA	Cover Asm. - Headrest (W30)
	M85268-01-W25	EA	Cover Asm. - Headrest (W31)
	M85268-02-W26	EA	Cover Asm. - Headrest (W32)
	071126-16-W30	EA	Skirt Asm. - Single Bucket
	071126-16-W31	EA	Skirt Asm. - Single Bucket
	071126-13-W32	EA	Skirt Asm. - Single Bucket
	085269-01-W30	EA	Seat Asm. - Double Bucket (W30)
	085269-01-W31	EA	Seat Asm. - Double Bucket (W31)
	085269-02-W26	EA	Seat Asm. - Double Bucket (W32)
	M01874-05-W30	EA	Cover Asm. - Straton Seat Bottom - Double Bucket (W30)
	M01874-05-W31	EA	Cover Asm. - Straton Seat Bottom - Double Bucket (W31)
	M01874-07-W26	EA	Cover Asm. - Straton Seat Bottom - Double Bucket (W32)
	M01874-00-W30	EA	Cover Asm. - Straton Seat Back - Double Bucket (W30)
	M01874-06-W31	EA	Cover Asm. - Straton Seat Back - Double Bucket (W31)
	M01874-08-W26	EA	Cover Asm. - Straton Seat Back - Double Bucket (W32)
	071690-04-W30	EA	Skirt Asm. - Double Bucket (W30)
	071690-04-W31	EA	Skirt Asm. - Double Bucket (W31)
	071690-05-W32	EA	Skirt Asm. - Double Bucket (W32)

FRONT BUNK

Key	Part Number	U/M	Description
	079145-04-000	EA	Cushion Asm. - Front Bunk - 4" x 34" x 78"
	M79145-04-000	EA	Cover Asm. - Front Bunk Cushion - 4" x 34" x 78"
	079144-02-T03	EA	Bunk Strap - Vinyl

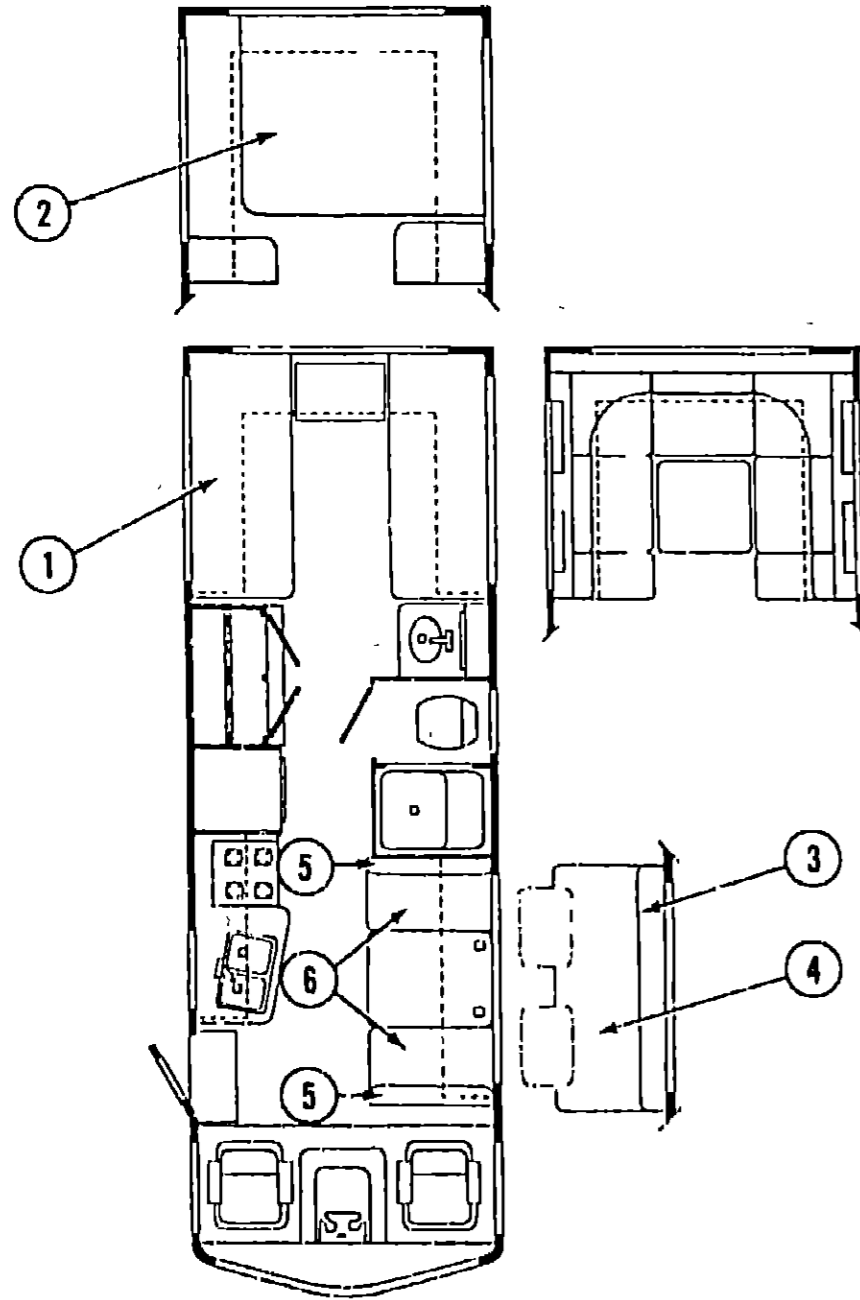
**1987 ITASCA
TABLE OF CONTENTS**

IC420EG	A-01 - B-06
ICN22EC	B-07 - D-08
ICN27RT	D-09 - F-14
IJN32RQ	F-15 - I-02
ICP26ET	I-03 - K-10

1987 ICN27RT INDEX

Floor Plan	D-09 - D-10
Accessories Group	D-11 - D-13
Bath Group	D-14
Chassis Group	D-15 - D-17
Curtain, Cushion & Pad Group	D-18 - E-02
Dinette Group	E-03
Driver's Compartment Group	E-04 - E-08
Electrical Group	E-07 - E-09
Exterior Body Group	E-10 - E-14
Galley Group	E-15 - E-16
Heating & Air Conditioning Group	E-17
Interior Finish Group	E-18 - E-20
LP Group	E-21
Lounge Group	E-22 - E-23
Water & Sewage Group	E-24
Window, Vent & Exterior Door Group	F-01 - F-14

CURTAIN, CUSHION & PAD GROUP (CONTINUED)



TWIN BED

Key	Part Number	U/M	Description
1	077478-04-000	EA	Mattress - Innerspring - 33" x 75" x 7.5" - Sealy
1	083496-01-000	EA	Mattress - Foam - 33" x 75" x 7"
	081889-04-W30	EA	Bedspread Asm. - w/10" Ruffle - 33"
	081869-04-W31	EA	Bedspread Asm. - w/10" Ruffle - 33"
	081869-04-W32	EA	Bedspread Asm. - w/10" Ruffle - 33"
	081897-01-W30	EA	Pillow Asm. - Quilted - 30" x 26"
	081897-01-W31	EA	Pillow Asm. - Quilted - 30" x 26"
	081897-01-W32	EA	Pillow Asm. - Quilted - 30" x 26"
	077463-08-W30	EA	Headboard Asm. - Twin
	077463-08-W31	EA	Headboard Asm. - Twin
	077463-08-W32	EA	Headboard Asm. - Twin

CURTAIN, CUSHION & PAD GROUP (CONTINUED)

QUEEN BED

Key	Part Number	U/M	Description
2	077478-05-000	EA	Mattress - Innerspring - 60" x 75" x 7.5" - Sealy
2	083496-04-000	EA	Mattress - Foam - 60" x 75" x 7"
	081969-08-W30	EA	Bedspread Asm. - 60" x 76" w/Flip-up Top
	081969-08-W31	EA	Bedspread Asm. - 60" x 76" w/Flip-up Top
	081969-08-W32	EA	Bedspread Asm. - 60" x 76" w/Flip-up Top
	081997-01-W30	EA	Pillow Sham - Quilted - 30" x 26"
	081997-01-W31	EA	Pillow Sham - Quilted - 30" x 26"
	081997-01-W32	EA	Pillow Sham - Quilted - 30" x 26"
	077463-10-W30	EA	Headboard Asm. Queen
	077463-10-W31	EA	Headboard Asm. Queen
	077463-10-W32	EA	Headboard Asm. Queen

PRESTO BED

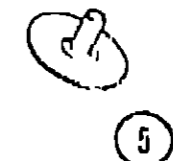
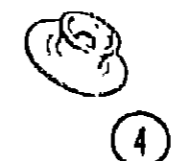
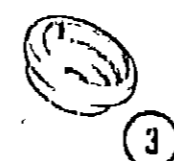
Key	Part Number	U/M	Description
3	073630-11-W33	EA	Bed Asm. - 3 Pillow Back (W30)
3	073630-11-W34	EA	Bed Asm. - 3 Pillow Back (W31)
3	073630-11-W35	EA	Bed Asm. - 3 Pillow Back (W32)
	M73630-11-W33	EA	Cover Asm. - Bed Back (W30)
	M73630-11-W34	EA	Cover Asm. - Bed Back (W31)
	M73630-11-W24	EA	Cover Asm. - Bed Back (W32)
4	073631-12-W33	EA	Bed Asm. - 3 Pillow Seat (W30)
4	073631-12-W34	EA	Bed Asm. - 3 Pillow Seat (W31)
4	073631-12-W35	EA	Bed Asm. - 3 Pillow Seat (W32)
	M73631-12-W33	EA	Cover Asm. - Bed Seat (W30)
	M73631-12-W34	EA	Cover Asm. - Bed Seat (W31)
	M73631-12-W35	EA	Cover Asm. - Bed Seat (W32)

DINETTE CUSHIONS

Key	Part Number	U/M	Description
5	081998-77-W24	EA	Cushion Asm. - Dinette Back - 19.25" x 38" x 5" (W30)
5	081998-77-W25	EA	Cushion Asm. - Dinette Back - 19.25" x 38" x 5" (W31)
5	081998-77-W26	EA	Cushion Asm. - Dinette Back - 19.25" x 38" x 5" (W32)
	M81998-77-W24	EA	Cover Asm. - Dinette Back Cushion - 19.25" x 38" x 5" (W30)
	M81998-77-W25	EA	Cover Asm. - Dinette Back Cushion - 19.25" x 38" x 5" (W31)
	M81998-77-W26	EA	Cover Asm. - Dinette Back Cushion - 19.25" x 38" x 5" (W32)
6	081998-78-W24	EA	Cushion Asm. - Dinette Seat - 17.5" x 38" x 5" (W30)
6	081998-78-W25	EA	Cushion Asm. - Dinette Seat - 17.5" x 38" x 5" (W31)
6	081998-78-W26	EA	Cushion Asm. - Dinette Seat - 17.5" x 38" x 5" (W32)
	M81998-78-W24	EA	Cover Asm. - Dinette Seat Cushion - 17.5" x 38" x 5" (W30)
	M81998-78-W25	EA	Cover Asm. - Dinette Seat Cushion - 17.5" x 38" x 5" (W31)
	M81998-78-W26	EA	Cover Asm. - Dinette Seat Cushion - 17.5" x 38" x 5" (W32)



Key	Part Number	U/M	Description
1	029130-01-000	EA	Socket - Snap Fastener
2	029155-01-000	EA	Cap - Snap - .156" Dia. x 17" Barrel
3	029156-01-000	EA	Socket - Snap Fastener
4	029092-01-000	EA	Stud - Nickel Finish
5	092093-01-000	EA	Eyelet - Nickel Finish



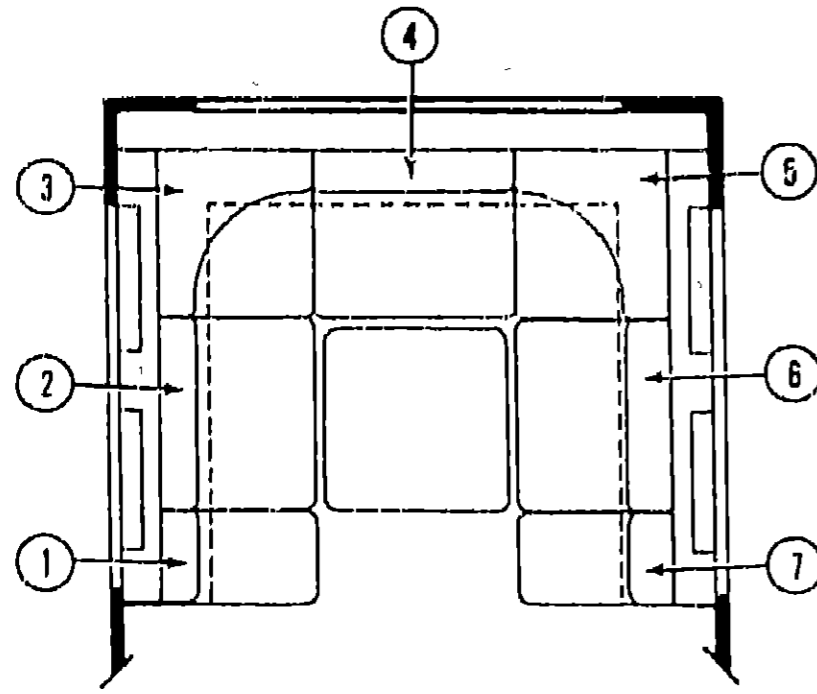
**1987 ITASCA
TABLE OF CONTENTS**

IC420EG	A-01 - B-06
ICN22EC	B-07 - D-08
ICN27RT	D-09 - F-14
IJN32HQ	F-15 - I-02
ICP26ET	I-03 - K-10

1987 ICN27RT INDEX

Floor Plan	D-09 - D-10
Accessories Group	D-11 - D-13
Bath Group	D-14
Chassis Group	D-15 - D-17
Curtain, Cushion & Pad Group	D-18 - E-02
Dinette Group	E-03
Driver's Compartment Group	E-04 - E-06
Electrical Group	E-07 - E-09
Exterior Body Group	E-10 - E-14
Galley Group	E-15 - E-16
Heating & Air Conditioning Group	E-17
Interior Finish Group	E-18 - E-20
LP Group	E-21
Lounge Group	E-22 - E-23
Water & Sewage Group	E-24
Window, Vent & Exterior Door Group	F-01 - F-14

CURTAIN, CUSHION & PAD GROUP (CONTINUED)



HORSESHOE LOUNGE CUSHIONS

Key	Part Number	U/M	Description
1	077813-16-W30	EA	Cushion Asm. - Back - 4" x 6" x 12" x 16 3/4"
1	077813-16-W31	EA	Cushion Asm. - Back - 4" x 6" x 12" x 16 3/4"
1	077813-16-W32	EA	Cushion Asm. - Back - 4" x 6" x 12" x 16 3/4"
1	M77813-16-W30	EA	Cover Asm. - Back Cushion
1	M77813-16-W31	EA	Cover Asm. - Back Cushion
1	M77813-16-W32	EA	Cover Asm. - Back Cushion
*	081998-03-W30	EA	Cushion Asm. - Seat - 26 3/8" x 16 3/4" x 5"
*	081998-03-W31	EA	Cushion Asm. - Seat - 26 3/8" x 16 3/4" x 5"
*	081998-03-W32	EA	Cushion Asm. - Seat - 26 3/8" x 16 3/4" x 5"
*	M81998-03-W30	EA	Cover Asm. - Seat Cushion
*	M81998-03-W31	EA	Cover Asm. - Seat Cushion
*	M81998-03-W32	EA	Cover Asm. - Seat Cushion
2	077813-13-W30	EA	Cushion Asm. - Back - 4" x 6" x 12" x 33 1/2"
2	077813-13-W31	EA	Cushion Asm. - Back - 4" x 6" x 12" x 33 1/2"
2	077813-13-W32	EA	Cushion Asm. - Back - 4" x 6" x 12" x 33 1/2"
2	M77813-13-W30	EA	Cover Asm. - Back Cushion
2	M77813-13-W31	EA	Cover Asm. - Back Cushion
2	M77813-13-W32	EA	Cover Asm. - Back Cushion
*	081998-05-W30	EA	Cushion Asm. - Seat - 26 3/8" x 33 1/2" x 5"
*	081998-05-W31	EA	Cushion Asm. - Seat - 26 3/8" x 33 1/2" x 5"
*	081998-05-W32	EA	Cushion Asm. - Seat - 26 3/8" x 33 1/2" x 5"
*	M81998-05-W30	EA	Cover Asm. - Seat Cushion
*	M81998-05-W31	EA	Cover Asm. - Seat Cushion
*	M81998-05-W32	EA	Cover Asm. - Seat Cushion
3	077814-08-W30	EA	Cushion Asm. - Back - 4" x 6" x 12" x 26 3/8"
3	077814-08-W31	EA	Cushion Asm. - Back - 4" x 6" x 12" x 26 3/8"
3	077814-08-W32	EA	Cushion Asm. - Back - 4" x 6" x 12" x 26 3/8"
3	M77814-08-W30	EA	Cover Asm. - Back Cushion
3	M77814-08-W31	EA	Cover Asm. - Back Cushion
3	M77814-08-W32	EA	Cover Asm. - Back Cushion
*	081998-26-W30	EA	Cushion Asm. - Seat - 26 3/8" x 26 3/8" x 5"
*	081998-26-W31	EA	Cushion Asm. - Seat - 26 3/8" x 26 3/8" x 5"
*	081998-26-W32	EA	Cushion Asm. - Seat - 26 3/8" x 26 3/8" x 5"
*	M81998-26-W30	EA	Cover Asm. - Seat Cushion
*	M81998-26-W31	EA	Cover Asm. - Seat Cushion
*	M81998-26-W32	EA	Cover Asm. - Seat Cushion

CURTAIN, CUSHION & PAD GROUP (CONTINUED)

HORSESHOE LOUNGE CUSHIONS (CONT.)

Key	Part Number	U/M	Description
4	077813-15-W30	EA	Cushion Asm. - Back - 4" x 6" x 12" x 26 3/4"
4	077813-15-W31	EA	Cushion Asm. - Back - 4" x 6" x 12" x 26 3/4"
4	077813-15-W32	EA	Cushion Asm. - Back - 4" x 6" x 12" x 26 3/4"
4	M77813-15-W30	EA	Cover Asm. - Back Cushion
4	M77813-15-W31	EA	Cover Asm. - Back Cushion
4	M77813-15-W32	EA	Cover Asm. - Back Cushion
*	081998-25-W30	EA	Cushion Asm. - Seat - 26 3/8" x 26 3/8" x 5"
*	081998-25-W31	EA	Cushion Asm. - Seat - 26 3/8" x 26 3/8" x 5"
*	081998-25-W32	EA	Cushion Asm. - Seat - 26 3/8" x 26 3/8" x 5"
*	M81998-25-W30	EA	Cover Asm. - Seat Cushion
*	M81998-25-W31	EA	Cover Asm. - Seat Cushion
*	M81998-25-W32	EA	Cover Asm. - Seat Cushion
5	077814-09-W30	EA	Cushion Asm. - Back - 4" x 6" x 12" x 26 3/8"
5	077814-09-W31	EA	Cushion Asm. - Back - 4" x 6" x 12" x 26 3/8"
5	077814-09-W32	EA	Cushion Asm. - Back - 4" x 6" x 12" x 26 3/8"
5	M77814-09-W30	EA	Cover Asm. - Back Cushion
5	M77814-09-W31	EA	Cover Asm. - Back Cushion
5	M77814-09-W32	EA	Cover Asm. - Back Cushion
*	081998-27-W30	EA	Cushion Asm. - Seat - 26 3/8" x 26 3/8" x 5"
*	081998-27-W31	EA	Cushion Asm. - Seat - 26 3/8" x 26 3/8" x 5"
*	081998-27-W32	EA	Cushion Asm. - Seat - 26 3/8" x 26 3/8" x 5"
*	M81998-27-W30	EA	Cover Asm. - Seat Cushion
*	M81998-27-W31	EA	Cover Asm. - Seat Cushion
*	M81998-27-W32	EA	Cover Asm. - Seat Cushion
6	077813-14-W30	EA	Cushion Asm. - Back - 4" x 6" x 12" x 33 1/2"
6	077813-14-W31	EA	Cushion Asm. - Back - 4" x 6" x 12" x 33 1/2"
6	077813-14-W32	EA	Cushion Asm. - Back - 4" x 6" x 12" x 33 1/2"
6	M77813-14-W30	EA	Cover Asm. - Back Cushion
6	M77813-14-W31	EA	Cover Asm. - Back Cushion
6	M77813-14-W32	EA	Cover Asm. - Back Cushion
*	081998-06-W30	EA	Cushion Asm. - Seat - 26 3/8" x 33 1/2" x 5"
*	081998-06-W31	EA	Cushion Asm. - Seat - 26 3/8" x 33 1/2" x 5"
*	081998-06-W32	EA	Cushion Asm. - Seat - 26 3/8" x 33 1/2" x 5"
*	M81998-06-W30	EA	Cover Asm. - Seat Cushion
*	M81998-06-W31	EA	Cover Asm. - Seat Cushion
*	M81998-06-W32	EA	Cover Asm. - Seat Cushion
7	077813-17-W30	EA	Cushion Asm. - Back - 4" x 6" x 12" x 16 3/4"
7	077813-17-W31	EA	Cushion Asm. - Back - 4" x 6" x 12" x 16 3/4"
7	077813-17-W32	EA	Cushion Asm. - Back - 4" x 6" x 12" x 16 3/4"
7	M77813-17-W30	EA	Cover Asm. - Back Cushion
7	M77813-17-W31	EA	Cover Asm. - Back Cushion
7	M77813-17-W32	EA	Cover Asm. - Back Cushion
*	081998-03-W30	EA	Cushion Asm. - Seat - 26 3/8" x 16 3/4" x 5"
*	081998-03-W31	EA	Cushion Asm. - Seat - 26 3/8" x 16 3/4" x 5"
*	081998-03-W32	EA	Cushion Asm. - Seat - 26 3/8" x 16 3/4" x 5"
*	M81998-03-W30	EA	Cover Asm. - Seat Cushion
*	M81998-03-W31	EA	Cover Asm. - Seat Cushion
*	M81998-03-W32	EA	Cover Asm. - Seat Cushion
	Not Keyed Out		

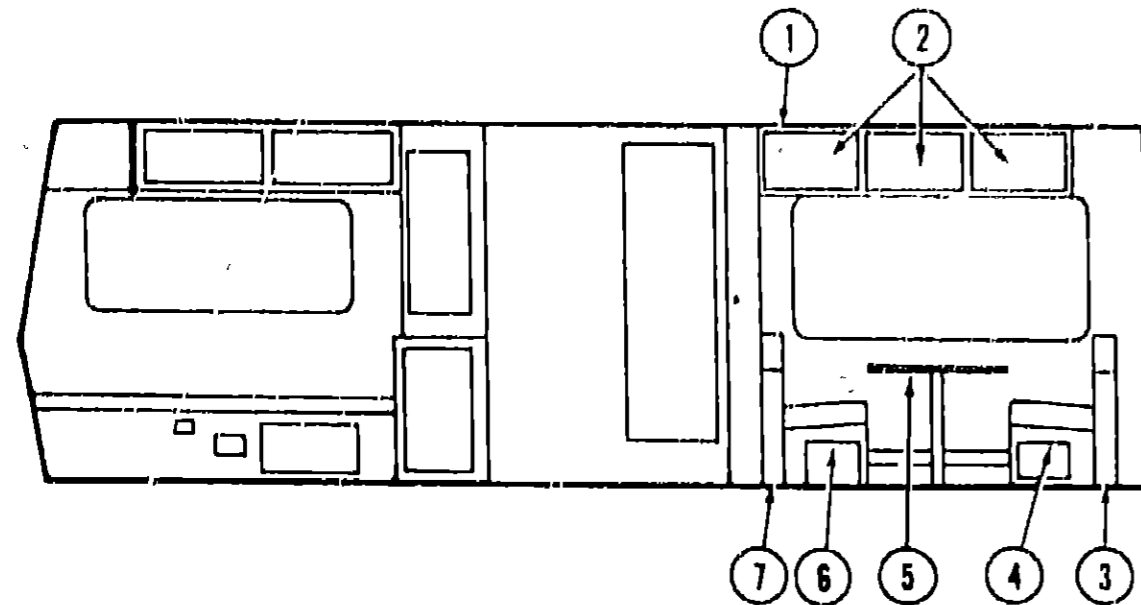
**1987 ITASCA
TABLE OF CONTENTS**

IC420EG	A-01 - B-06
ICN22EC	D-07 - D-08
ICN27RT	D-09 - F-14
IJN32RQ	F-15 - I-02
ICP26ET	I-03 - K-10

1987 ICN27RT INDEX

Floor Plan	D-09 - D-10
Accessories Group	D-11 - D-13
Bath Group	D-14
Chassis Group	D-15 - D-17
Curtain, Cushion & Pad Group	D-18 - E-02
Dinette Group	E-03
Driver's Compartment Group	E-04 - E-06
Electrical Group	E-07 - E-09
Exterior Body Group	E-10 - E-14
Galley Group	E-15 - E-16
Heating & Air Conditioning Group	E-17
Interior Finish Group	E-18 - E-20
LP Group	E-21
Lounge Group	E-22 - E-23
Water & Sewage Group	E-24
Window, Vent & Exterior Door Group	F-01 - F-14

DINETTE GROUP



CONVENTIONAL DINETTE & OVERHEAD CABINERY

Key	Part Number	U/M	Description
1	081550-18-W30	EA	Cabinet Asm - Dinette Overhead - w/o Doors or Hardware
2	M81503-01-W30	EA	Door Asm - Dinette Overhead - w/o Hardware
†2	M84955-01-W30	EA	Door Asm - Dinette Overhead - w/o Hardware
*	081325-03-W30	EA	End Cap Asm.
3	M02174-01-W30	EA	Cabinet Asm - Dinette Back - Front
4	M02175-01-W30	EA	Cabinet Asm - Dinette Seat - w/o Doors or Hardware
*	M81501-10-W30	EA	Door Asm - Dinette Seat - w/o Hardware
†	M84953-06-W24	EA	Door Asm - Dinette Seat - w/o Hardware
5	M02115-09-U17	EA	Table Asm - Dinette - w/o Hardware
6	M02625-01-W30	EA	Cabinet Asm - Dinette Seat - Rear - w/o Doors or Hardware
7	M02626-01-W30	EA	Cabinet Asm - Dinette Back - Rear
*	074493-02-000	EA	Support - Sprung Door Asm - Overhead Cabinet
*	053200-05-000	EA	Bracket - Upper Wall Mount - 23 5" - Beige
**	053201-03-000	EA	Bracket - Table Mount - 23" - Beige
*	024275-05-000	EA	Lid - Table Lift - 8" x 23 5" - Beige
*	024281-07-000	EA	Bracket - Lower Wall Mount - 22 12" - Beige
*	024276-17-000	EA	Leg Asm - Table - 26 75" - Tan
**	064050-02-000	EA	Hinge - Table Leg - Tan
**	024282-01-000	EA	Brace - Table Leg
**	024283-01-000	EA	Clip - 1" O.D. Tube
*	049493-05-000	EA	Catch - Table Leg - Mounts on Floor - Tan
*	064781-02-000	EA	Cup Holder - 3 47" O.D. x 2.7" I.D. x 1.5"
*			Not illustrated

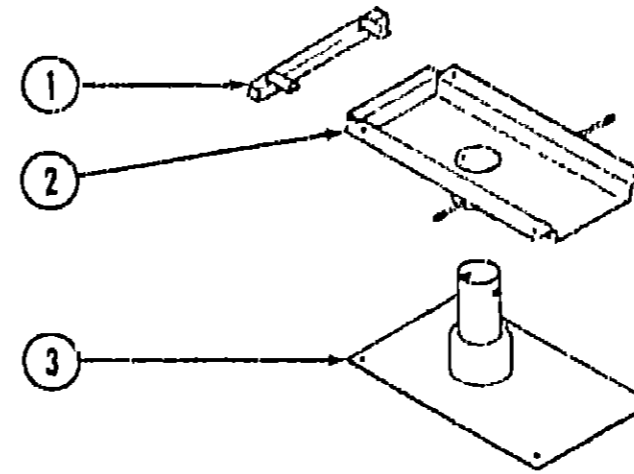
** The illustrated parts breakdown for this item is provided on the Common Items Fiche
 † Doors used before 12/1/86

SPRUNG COUCH (OPTION)

Key	Part Number	U/M	Description
**	NOTE		
	081298-01-W24	EA	Sprung Couch
	082936-01-U04	EA	Table Asm - w/o Hardware
	009040-06-000	EA	Support - Table
	009040-03-000	EA	Leg - Pedestal Table - 2.25" O.D.
	041194-01-000	EA	Base - Table Leg - Mounts on Table
	062046-01-000	EA	Base - Table Leg - Mounts on Floor
	081922-01-000	EA	Clip - Pedestal Leg
	081922-01-000	EA	Frame Asm - 3 Pillow Couch - Right
	081922-02-000	EA	Frame Asm - 3 Pillow Couch - Left
	081922-03-000	EA	Spacer Bars - H - 74 75" - 3 Pillow Couch
	081922-04-000	EA	Hardware Kit - 3 Pillow Couch

** See Curtain, Cushion & Pad Group

DRIVER'S COMPARTMENT GROUP



BUCKET SEAT PEDESTAL & SEAT BELTS

Key	Part Number	U/M	Description
1	089585-29-000	EA	Bar - Seat Belt - 20"
2	069585-27-000	EA	Plate - Top - Pedestal Asm - Single Bucket Seat
2	069585-20-000	EA	Plate - Top - Pedestal Asm - Powered Seat
2	069585-10-000	EA	Plate - Top - Pedestal Asm - Double Bucket Seat
3	069585-08-000	EA	Plate - Sub - Pedestal Asm - Bucket Seat
*	069585-05-000	EA	Hardware Kit - Bolt/Acorn Nut - 4 ea - Pedestal Asm.
*	007019-01-000	EA	Belt Asm - Seat - 2" x 84" - Black
*	007021-01-000	EA	Belt Asm - Seat - 2" x 90" - Black
*	056271-01-000	EA	Belt Asm - Seat - 2" x 72" - Black
*	069246-01-000	EA	Adjuster Asm - Seat - w/Lock
*	069246-02-000	EA	Adjuster Asm - Seat - w/o Lock
*	081373-02-000	EA	Power Seat Adjustment Asm - w/Frame
*	081373-02-700	EA	Switch Asm. Package
*	081737-02-701	EA	Harness Asm. - Left
*	081737-02-702	EA	Harness Asm. - Right
*	081737-02-703	EA	Horizontal Adjustment Package
*	081737-02-704	EA	Vertical Adjustment Package
*			Not illustrated

FRONT BUNK & PULL DOWN STORAGE

Key	Part Number	U/M	Description
	076760-03-000	EA	Overhead Bunk Hardware
	081717-01-W07	EA	Bed Asm - Front Bunk
	079144-02-T03	EA	Bunk Strap
	042541-04-000	EA	Latch Asm - w/o Strike - Brass
	042541-05-000	EA	Latch Strike - Brass
	080855-09-000	EA	Side Trim - Right Front - Upper
	080856-05-000	EA	Side Trim - Right Front - Lower
	080855-10-000	EA	Side Trim - Left Front - Upper
	080856-06-000	EA	Side Trim - Left Front - Lower

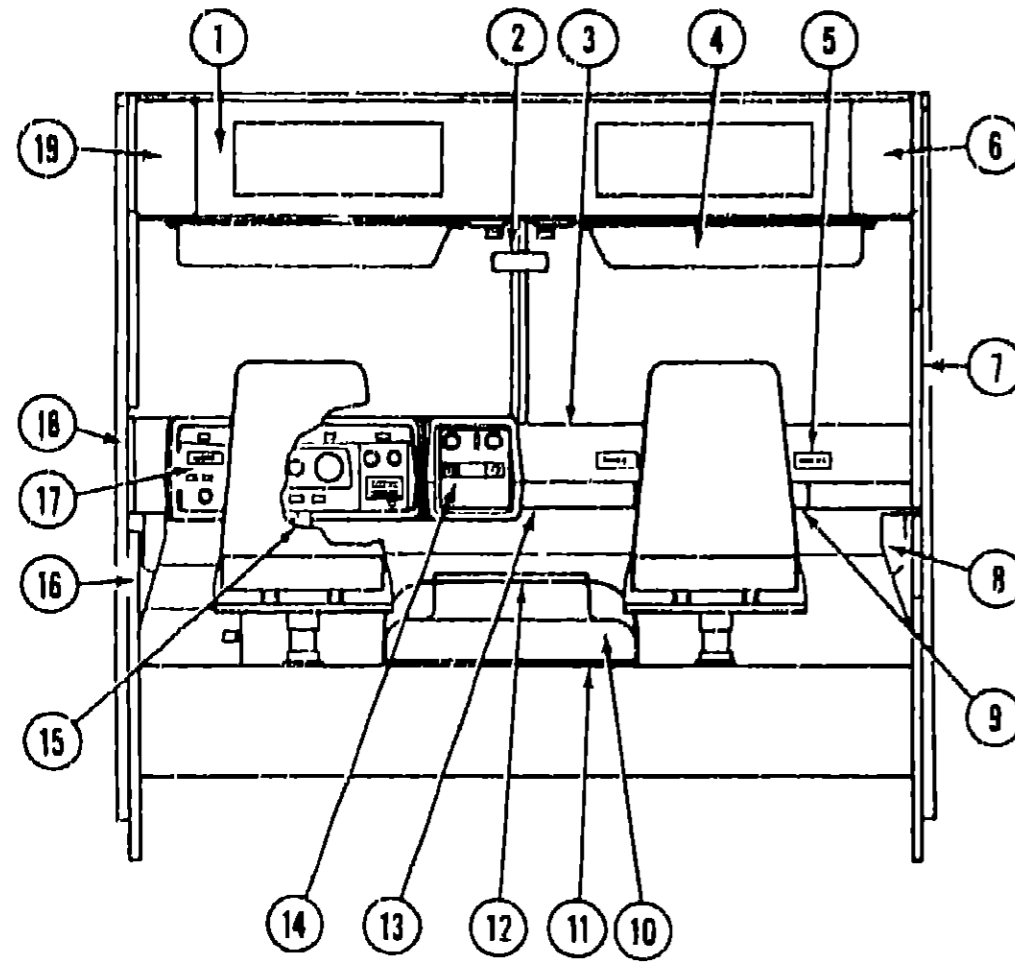
1987 ITASCA TABLE OF CONTENTS

IC420EG	A-01 - B-08
ICN22EC	B-07 - D-08
ICN27RT	D-09 - F-14
IJN32RO	F-15 - I-02
ICP28ET	I-03 - K-10

1987 ICN27RT INDEX

Floor Plan	D-09 - D-10
Accessories Group	D-11 - D-13
Bath Group	D-14
Chassis Group	D-15 - D-17
Curtain, Cushion & Pad Group	D-18 - E-02
Dinette Group	E-03
Driver's Compartment Group	E-04 - E-06
Electrical Group	E-07 - E-09
Exterior Body Group	E-10 - E-14
Galley Group	E-15 - E-16
Heating & Air Conditioning Group	E-17
Interior Finish Group	F-18 - E-20
LP Group	E-21
Lounge Group	E-22 - E-23
Water & Sewage Group	E-24
Window, Vent & Exterior Door Group	F-01 - F-14

DRIVER'S COMPARTMENT GROUP (CONTINUED)



MISCELLANEOUS DRIVER'S COMPARTMENT COMPONENTS

Key	Part Number	U/M	Description
1	086413-01-000	EA	Header - Front - Light Oak
.	083917-01-W30	EA	Cabinet Asm - Front Overhead - w/o Bunk
2	040714-01-700	EA	Mirror - Inside Rear View - w/Button Support
3	M01113-19-W30	EA	Dash Asm. - Complete - w/Gauges & Switches
.	079089-01-000	EA	Dash Pad - Passenger - Brown
.	079088-01-000	EA	Dash Pad - Drivers - Brown
.	024990-01-000	EA	Outlet - Defroster w/Swivel - 2" - Tan
.	086491-01-000	EA	Gasket - Defroster Outlet
4	082286-01-U04	EA	Sunvisor Asm. - Right
.	082286-03-U04	EA	Sunvisor Asm. - Left
.	085709-01-000	EA	Clip Asm. - Sunvisor - Black
5	039044-01-000	EA	Louver Asm - Air Conditioning Adjustable
6	080855-03-000	EA	Side Trim - Right Front - Upper (w/o Bunk)
.	083918-01-W30	EA	Cabinet Asm. - Front Overhead - Right - w/o Bunk
.	080856-03-000	EA	Side Trim - Right Front - Lower (w/o Bunk)
7	059414-06-000	EA	Pad - Sidewall Trim - Passenger - Vinyl
8	072311-01-000	EA	Side Panel - Passenger - Plastic
.	059467-04-T03	EA	Pad - Map Pocket - Passenger - Vinyl
9	022219-01-000	EA	Glove Compartment Door
.	023892-01-000	EA	Glove Compartment Box - Black Fiberboard
.	009118-01-000	EA	Glove Compartment Twist Lock
.	024598-01-000	EA	Glove Compartment Hinge
.	034309-01-000	EA	Glove Compartment Chain - Door
10	075939-01-000	EA	Motor Cover - Fiberglass
.	075564-01-000	EA	Mounting Bracket - Motor Cover
.	075564-02-000	EA	Mounting Bracket - Motor Cover
11	039623-01-000	FT	Seal - Engine Cover - Neoprene
.			Not illustrated

** NOTE To be special ordered only

DRIVER'S COMPARTMENT GROUP (CONTINUED)

MISCELLANEOUS DRIVER'S COMPARTMENT COMPONENTS (CONT.)

Key	Part Number	U/M	Description
12	086157-01-000	EA	Beverage Tray Asm. - Wooden Insert
.	086410-02-000	EA	Beverage Tray Asm. - Plastic Base
.	086411-01-000	EA	Housing - Cassette Holder
.	080412-01-000	EA	Insert - Cassette Holder
13	023834-01-000	EA	Panel - Knee Kick - Bottom of Dash
14	076006-12-000	EA	Bezel - Entertainment Center - w/Radio & Generator Switch
14	076006-11-000	EA	Bezel - Entertainment Center - w/Radio
15	078245-01-000	EA	Steering Column Boot - Vinyl
16	082471-02-000	EA	Panel - Drivers Door - Inner - Panel
.	046886-03-000	EA	Ash Tray - Chrome
17	080296-01-000	EA	Bezel - Control Panel
17	086296-03-000	EA	Bezel - Control Panel (Aux. Fuel)
.	078581-01-000	EA	Trim - Instrument Panel - Front - Passenger
.	078582-01-000	EA	Trim - Instrument Panel - Front - Driver
.	052367-01-000	EA	Cigarette Lighter Asm. - 12 Volt
.	007041-01-000	EA	Bezel - Cigarette Lighter
.	081424-01-000	EA	Lamp Asm. - Map/Gauge
.	081400-06-000	EA	Assist Strap - 12" - Medium Almond
18	059414-05-000	EA	Pad - Sidewall Trim - Driver - Vinyl
19	080855-04-000	EA	Side Trim - Left Front - Upper (w/o Bunk)
.	080856-04-000	EA	Side Trim - Left Front - Lower (w/o Bunk)
.	083918-02-W30	EA	Cabinet Asm. - Front Overhead - Left - w/o Bunk
.	054250-01-000	EA	Support - Dimmer Switch - w/o Holes
.	079765-01-000	EA	Windshield Trim - Center
.	079206-01-000	EA	Windshield Trim - Interior - Post - Passenger
.	079206-02-000	EA	Windshield Trim - Interior - Post - Driver
.	078579-01-000	EA	Windshield Trim - Upper - Interior Passenger
.	078579-02-000	EA	Windshield Trim - Upper - Interior Driver
.			Not illustrated

DASH SWITCHES & GAUGES

Key	Part Number	U/M	Description
	024461-01-000	EA	Switch - Battery
	024462-01-000	EA	Switch - Battery Condition
	065963-04-000	EA	Switch - Battery - Dual Boost
	024976-01-000	EA	Switch - Generator w/o Circuit Board
	024459-04-000	EA	Gauge - Voltmeter
	024460-04-000	EA	Gauge - Vacuum
	031035-02-000	EA	Gauge - Generator Hourmeter

ELECTRONIC INSTRUMENT PANEL (OPTION)

Key	Part Number	U/M	Description
	NOTE	EA	Electronic Instrument Panel
	086296-04-000	EA	Bezel - Electronic - Instrument Panel
	082124-01-000	EA	Bezel - Smoked Insert - Electronic Instrument Panel
	076006-06-000	EA	Bezel - Entertainment Center - w/Radio - Black
	081919-01-000	EA	Cluster - Electronic Instrument Panel
	081919-02-000	EA	Sensor - Speed - Electronic Instrument Panel
	082784-01-000	EA	Shroud - Cluster - Electronic Instrument Panel

NOTE: This item available from your Chrysler Service Center

**1987 ITASCA
TABLE OF CONTENTS**

IC420EG	A-01 - B-06
ICN22EC	B-07 - D-08
ICN27RT	D-09 - F-14
IJN32RQ	F-15 - I-02
ICP28ET	I-03 - K-10

1987 ICN27RT INDEX

Floor Plan	D-09 - D-10
Accessories Group	D-11 - D-13
Bath Group	D-14
Chassis Group	D-15 - D-17
Curtain, Cushion & Pad Group	D-18 - E-02
Dinette Group	E-03
Driver's Compartment Group	E-04 - E-06
Electrical Group	E-07 - E-09
Exterior Body Group	E-10 - E-14
Galley Group	E-15 - E-16
Heating & Air Conditioning Group	E-17
Interior Finish Group	E-18 - E-20
LP Group	E-21
Lounge Group	E-22 - E-23
Water & Sewage Group	E-24
Window, Vent & Exterior Door Group	F-01 - F-14

ELECTRICAL GROUP

BULBS

Key	Part Number	U/M	Description
	008220-01-000	EA	Bulb - 12V - 25W
	008103-01-000	EA	Bulb - 53
	008213-01-000	EA	Bulb - 57
	008214-01-000	EA	Bulb - 67
	038196-01-000	EA	Bulb - 194
	008215-01-000	EA	Bulb - 1003
	067479-01-000	EA	Bulb - 1076
	063914-01-000	EA	Bulb - 1139
	008218-01-000	EA	Bulb - 1141
	037935-01-000	EA	Bulb - 1157
	056288-02-000	EA	Bulb - 9431808 - Dome Light

FUSES & CIRCUIT BREAKERS

Key	Part Number	U/M	Description
	062901-02-000	EA	Fuse - 5 Amp - Automotive
	062901-05-000	EA	Fuse - 15 Amp. - Automotive
	083209-01-000	EA	Circuit Breaker - 15 Amp - 120 Volt
	083210-02-000	EA	Circuit Breaker - 15 Amp. GFI - 120 Volt
	083209-03-000	EA	Circuit Breaker - 15/20 Amp. - 120 Volt
	083209-04-000	EA	Circuit Breaker - 30 Amp - 120 Volt
	083209-05-000	EA	Circuit Breaker - 20 Amp - 120 Volt
	083209-06-000	EA	Circuit Breaker - 30/15 Amp - 120 Volt
	082678-01-000	EA	Circuit Breaker - 40 Amp. - 12 Volt
	082678-02-000	EA	Circuit Breaker - 20 Amp. - 12 Volt
	083209-07-000	EA	Circuit Breaker - 20/20 Amp - 120 Volt
	085719-01-000	EA	Buss Bar - 4 Position
	085720-01-000	EA	Circuit Breaker - 15 Amp
	085720-02-000	EA	Circuit Breaker - 20 Amp
	085720-03-000	EA	Circuit Breaker - 25 Amp.
	085720-04-000	EA	Circuit Breaker - 30 Amp
	085720-05-000	EA	Circuit Breaker - 40 Amp.

ELECTRICAL GROUP (CONTINUED)

INTERIOR LIGHT

Key	Part Number	U/M	Description
	065202-03-000	EA	Lamp - Decor - Wall - Bright Brass - 2 Bulb
	065202-06-000	EA	Lamp - Decor - Wall - Bright Brass - 2 Bulb
	033508-02-000	EA	Light - Dome - Ivory - 1 Bulb - US
	033508-03-000	EA	Light - Dome - Ivory - 1 Bulb - CSA
	033509-02-000	EA	Light - Dome - Ivory - 2 Bulb - US
	033509-03-000	EA	Light - Dome - Ivory - 2 Bulb - CSA
	078424-02-000	EA	Light - Fluorescent - 12V - 18" - Almond
	061424-01-000	EA	Light - 12V Receptacle - Aisle - IP
	086280-01-000	EA	Dome Light - Surface Mount - 12V
	065202-06-000	EA	Lamp - Decor - Wall - Bright Brass - 2 Bulb
	065201-02-000	EA	Shade - Parchment - 2 Bulb Lamp
	082686-01-000	EA	Lamp - Table - Brass w/Wood
	082686-02-000	EA	Shade - Table Lamp
	081633-01-000	EA	Light - Make-Up
	007309-01-000	EA	Light - Step Well

EXTERIOR LIGHTS

Key	Part Number	U/M	Description
	081638-01-000	EA	Tail Light Asm. - Double - Black Trim
	076343-01-000	EA	Lamp Asm. - Park/Turn - Clear - Left
	076343-02-000	EA	Lamp Asm. - Park/Turn - Clear - Right
	042405-02-000	EA	Lens - Rectangular - Amber w/Reflex
	042405-03-000	EA	Base - Rectangular Side Marker Light
	048817-01-000	EA	Light - Porch - Assist Handle w/Light
	048817-01-700	EA	Lens - Lighted Assist Handle
	049185-01-000	EA	Headlight Capsule Asm. - High/Low Beam - Driver
	049186-01-000	EA	Headlight Capsule Asm. - High/Low Beam - Passenger
	049187-01-000	EA	Headlight Capsule Asm. - High Beam - Driver
	049188-01-000	EA	Headlight Capsule Asm. - High Beam - Passenger
	081250-02-000	EA	Light Asm. - Clearance - Ped
	081250-01-000	EA	Light Asm. - Clearance - Amber

WINDSHIELD WIPERS & WASHER

Key	Part Number	U/M	Description
	056000-02-000	EA	Washer Asm - Windshield
	057653-01-000	EA	Arm - Windshield Wiper - 18" - Black
	072472-04-000	EA	Arm - Windshield Wiper - 29" - Black
	072472-02-000	EA	Adapter Kit - Wiper Arm Pantograph Pivot
	049464-03-000	EA	Blade - Windshield Wiper - 20" - Black

MISCELLANEOUS ELECTRICAL COMPONENTS

Key	Part Number	U/M	Description
	008188-01-000	EA	Solenoid - Dual Battery - Relay
	065201-02-000	EA	Lamp Shade - Fabric - Parchment
	083208-02-000	EA	Control Center - 45 Amp
	063912-01-000	EA	Relay Canister - SPDT w/Ground
	086273-01-000	EA	Relay - Battery Disconnect

1987 ITASCA TABLE OF CONTENTS

IC420EG	A-01 - B-08
ICN22EC	B-07 - D-08
ICN27RT	D-09 - F-14
IJN32RQ	F-15 - I-02
ICP26ET	I-03 - K-10

1987 ICN27RT INDEX

Floor Plan	D-09 - D-10
Accessories Group	D-11 - D-13
Bath Group	D-14
Chassis Group	D-15 - D-17
Curtain, Cushion & Pad Group	D-18 - E-02
Dinette Group	E-03
Driver's Compartment Group	E-04 - E-06
Electrical Group	E-07 - E-09
Exterior Body Group	E-10 - E-14
Galley Group	E-15 - E-16
Heating & Air Conditioning Group	E-17
Interior Finish Group	E-18 - E-20
LP Group	E-21
Lounge Group	E-22 - E-23
Water & Sewage Group	E-24
Window, Vent & Exterior Door Group	F-01 - F-14

ELECTRICAL GROUP (CONTINUED)

WIRE, SWITCHES & RECEPTACLES

Key	Part Number	U/M	Description
	008288-01-000	EA	Box - Electrical - 3" x 3.5" - Plastic
	008289-01-000	EA	Box - Electrical - 4" x 4" - 1/2 & 3/4 Steel - UL
	008289-02-000	EA	Box - Electrical - 4" x 4" - 1/2 & 3/4 Steel - CSA
	058049-01-000	EA	Box - Electrical - 2" x 3" x 2.25" - Steel
	041953-01-000	EA	Conduit - Convolute Silt - .5" I.D.
	008353-01-000	EA	Connector - Clamping - 3/8 Cable - UL & CSA
	058028-01-000	EA	Connector - Pigtail - Clear Nylon
	008314-01-000	EA	Connector - Wire Nut - Gray
	008311-01-000	EA	Connector - Wire Nut - Red
	031968-01-000	EA	Contact Plug - Brass - Tin Plated
	031967-01-000	EA	Contact - Receptacle
	008054-01-000	EA	Cord - Power - 10-3 30 Amp. - 25' - UL
	008052-01-000	EA	Cord - Power - 10-3 30 Amp. - 25' - CSA
	089238-01-000	EA	Cover - Electrical Box - 4" x 4"
	008294-01-000	EA	Cover - Flat Blank - 4" x 4" - Steel - US
	008294-02-000	EA	Cover - Flat Blank - 4" x 4" - Steel - CSA
	094399-01-000	EA	Housing Asm. - Trailer Pin
	064450-01-000	EA	Housing Asm. - Trailer Plug
	064398-01-000	EA	Housing Asm. - Trailer Receptacle
	054532-01-000	EA	Housing Pin - 6 Position
	054532-02-000	EA	Housing Pin - 4 Position
	054532-03-000	EA	Housing Socket - 4 Position
	075736-03-000	EA	Receptacle/Cover Asm. - Gray (Exterior)
	058708-01-000	EA	Receptacle - Duplex - Brown
	058708-02-000	EA	Receptacle - Duplex - Ivory
	024924-02-000	EA	Receptacle - Power Cord
	058707-01-000	EA	Receptacle - Single - Brown
	063912-01-000	EA	Relay - Canister SPDT w/Ground
	075723-01-000	EA	Switch - Block Spacer - w/o Holes
	075723-02-000	EA	Switch - Block Spacer - w/Holes
	008162-01-000	EA	Switch - Double Toggle - Brown
	077942-02-000	EA	Switch - Dummy - Brown
	058264-01-000	EA	Switch - Leaf Actuator
	079362-01-000	EA	Switch Plate - 3 Gang - 2 Switches
	079363-01-000	EA	Switch Plate - Single - w/Switches
	079364-01-000	EA	Switch - On/Off Rocker - Brown
	008195-01-000	EA	Switch - Push Button - 12 Volt
	008163-01-000	EA	Switch - Toggle - Brown
	077942-01-000	EA	Switch - Dummy - Black
	064404-01-000	EA	Switch - Off, Low, Med, High - Black (Motor Aid)
	047443-02-000	EA	Terminal - .250 Receptacle - 12-10 AWG
	008348-01-000	EA	Terminal Ring - 2 - w/3/8 Stud
	008331-01-000	EA	Terminal Ring - 4 - w/3/8 Stud
	008328-01-000	EA	Terminal Ring - 12/10 Wire
	054865-01-000	EA	Wire Asm - Generator Switch
	008024-01-000	FT	Wire - 18 5 Bonded - Orange/White/Yellow/Blue/Brown
	008025-01-000	FT	Wire - 18 5 Bonded - Orange/White/Yellow/Blue/Green
	008026-01-000	FT	Wire w/Ground - Romex - 12/2
	008030-01-000	EA	Wire - 18.4 Bonded

EXTERIOR BODY GROUP

SEALANTS & ADHESIVES

Key	Part Number	U/M	Description
	004020-01-000	QT	Adhesive - ABS Cement (Plastic Fittings)
	002337-01-000	EA	Adhesive - 1300 Tube - 3M (Windows)
	004005-02-000	GL	Adhesive - Swifts - Glue (Sidewalls)
	053766-07-000	EA	Bedding Compound - Tube - Beige (Exterior)
	053766-08-000	EA	Bedding Compound - Tube - Clear (Window)
	053766-08-000	EA	Bedding Compound - Tube - Gray (Exterior)
	053766-05-000	EA	Bedding Compound - Tube - Gray (Sidewalls to Floor)
	053766-02-000	EA	Bedding Compound - Tube - Off White (Exterior)
	002328-02-000	EA	Block - Rubber Spacer (Windshield)
	004336-01-000	EA	Caulk - Latex - Golden Walnut (Sidewalls)
	077987-01-000	EA	Sealant - Acrylic Latex - Tube - Off White (Interior Sealant)
	034552-04-000	EA	Sealant - Silicone - Beige
	034552-02-000	EA	Sealant - Silicone - Clear
	034552-07-000	EA	Sealant - Silicone - Dark Gray
	034552-06-000	EA	Sealant - Silicone - Off White
	069637-01-000	EA	Sealant - Weatherban 404 - Tube - White (Door Caulk)
	072889-01-000	EA	Sealant - Urethane - Black (Windshield)
	069640-01-000	FT	Sealer Ribbon - .25" Bead x 20'
	069640-02-000	FT	Sealer Ribbon - .5" x .125" x 30'
	069640-03-000	FT	Sealer Ribbon - .75" x .125" x 30'
	069640-04-000	FT	Sealer Ribbon - 2" x .09" x 45' (P Series)
	069640-05-000	FT	Sealer Ribbon - 2.5" x .09" x 50'
	069640-06-000	FT	Sealer Ribbon - 5/16" Bead x 15'
	069640-07-000	FT	Sealer Ribbon - 2" x 3/32" x 30'
	002316-01-000	FT	Sealer Tape - 3/32" x 3/8" - White (Window)
	002707-01-000	FT	Sealer Tape - 5/16" x 3/4"
	002707-02-000	FT	Sealer Tape - 5/16" x 1/2"
	040545-01-000	GL	Sealer - Seam Weld
	053752-04-000	EA	Seam Sealer - Tube - Aluminum (Roof)
	063642-01-000	FT	Tape - Adhesive - .10 mm x 1.5" Wide
	038886-01-000	EA	Tape - Butyl - .31" x .31" x 148" (Windshield)
	076322-01-000	FT	Tape - Foam - Double Coated - .025 x 1" (Fiberglass Sidewall Seams)
	076322-02-000	FT	Tape - Foam - Double Coated - .045 x 1" (Fiberglass Sidewall Seams)
	009200-01-000	EA	Tape - Furnace - 1.5"
	002825-01-000	FT	Weather Striping (Roof Vent)

ACCESS PANEL HARDWARE

Key	Part Number	U/M	Description
	076837-01-000	EA	Rod - Hood Prop
	062628-01-000	EA	Clip - Prop Rod
	073340-01-000	EA	Hinge - Access Panel - Passenger
	073340-02-000	EA	Hinge - Access Panel - Drivers
	085360-02-000	EA	Bracket - Hinge Asm - Hood - Drivers
	085360-01-000	EA	Bracket - Hinge Asm - Hood - Passenger
	074178-01-000	EA	Bracket - Cable Release - Inside
	R77007-01-950	EA	Striker - Hood Latch
	R77006-59-931	EA	Latch - Hood
	R77006-38-499	EA	Spring
	R77006-19-765	EA	Cable Sheath
	073341-01-000	EA	Bracket - Hood Latch
	058786-02-000	EA	Bolt - Hood Adjusting - 5/16" x 18 x 1 1/4"
	058833-01-000	EA	Bracket - Prop Rod

MISCELLANEOUS EXTERNALLY MOUNTED PARTS

Key	Part Number	U/M	Description
	083558-01-000	EA	Plumbing Seal - Roof Vent - 1.5"
	087659-03-000	EA	Fill - City Water - Recessed - Gray
	081240-02-000	EA	Fill Water - Lockable - Gray
	083578-01-000	EA	Boot - Fuel Fill
	078200-01-000	EA	Gasket - Fuel Fill
	075830-01-000	EA	Shroud - Fuel Neck
	081432-01-000	EA	Shroud - Fuel Fill

1987 ITASCA TABLE OF CONTENTS

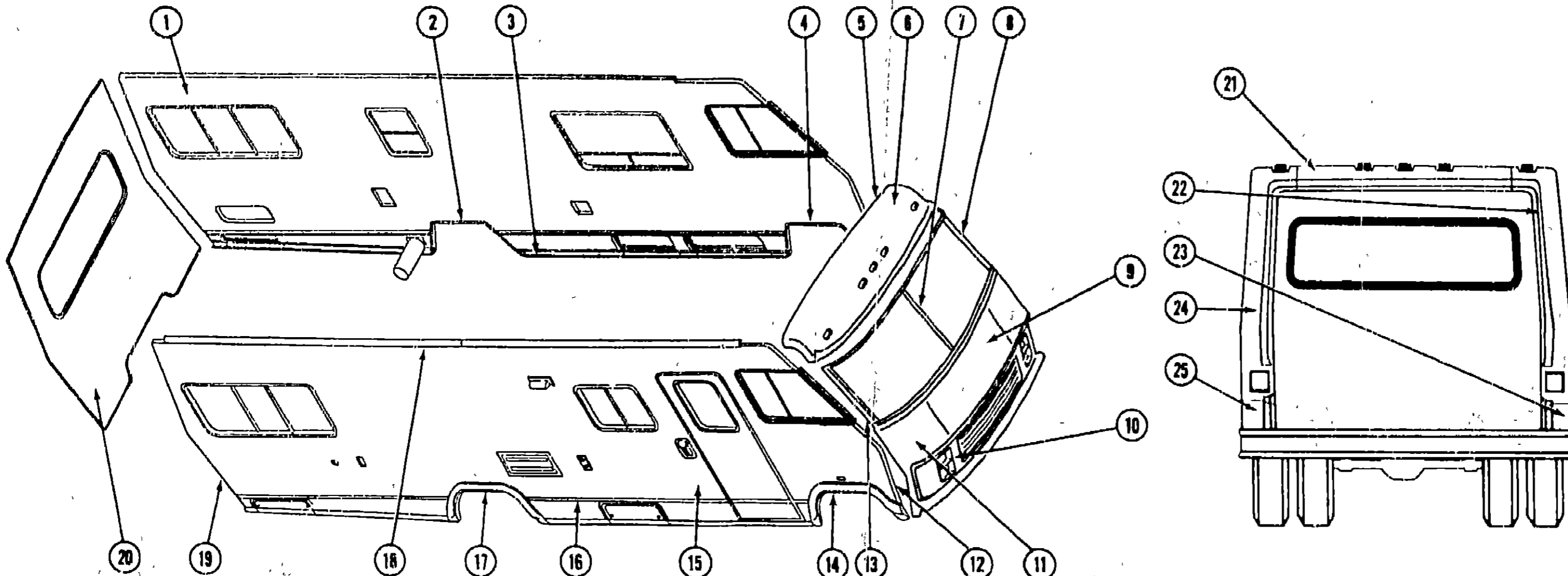
IC420EG	A-01 - B-08
ICN22EC	B-07 - D-08
ICN27RT	D-09 - F-14
IJN32RQ	F-15 - I-02
ICP26ET	I-03 - K-10

1987 ICN27RT INDEX

Floor Plan	D-09 - D-10
Accessories Group	D-11 - D-13
Bath Group	D-14
Chassis Group	D-15 - D-17
Curtain, Cushion & Pad Group	D-18 - E-02
Dinette Group	E-03
Driver's Compartment Group	E-04 - E-06
Electrical Group	E-07 - E-09
Exterior Body Group	E-10 - E-14
Galley Group	E-15 - E-16
Heating & Air Conditioning Group	E-17
Interior Finish Group	E-18 - E-20
LP Group	E-21
Lounge Group	E-22 - E-23
Water & Sewage Group	E-24
Window, Vent & Exterior Door Group	F-01 - F-14

EXTERIOR BODY GROUP (CONTINUED)

EXTERIOR BODY PANELS



Key	Part Number	U/M	Description
1	M87165-01-W30	EA	Sidewall Asm. - Left
1	M87165-01-W31	EA	Sidewall Asm. - Left
1	M87165-01-W32	EA	Sidewall Asm. - Left
2	058487-07-000	EA	Trim - Wheel Well - Rear - U Channel - Driver or Passenger
3	072839-01-001	EA	Extr. - Rocker Panel - 216"
4	073647-02-000	EA	Trim - Wheel Well - Front - U Channel - Driver or Passenger
5	078560-01-000	EA	Trim - Roof/Front Cap
6	M01899-01-T09	EA	Cap - Over Windshield - Gray
7	078676-02-000	EA	Trim - Molding - Windshield - Center
7	077952-02-000	EA	Cap - Reveal Molding
8	079225-02-000	EA	Trim - Contour - Windshield - Driver
8	077944-02-000	EA	Reveal Molding - Windshield - Upper - Driver
8	077945-02-000	EA	Reveal Molding - Windshield - Lower - Driver
9	086425-02-000	EA	Headlamp Bezel - Driver
9	078281-01-T09	EA	Access Panel - w/Hardware
10	086425-01-000	EA	Headlamp Bezel - Passenger
10	049359-01-000	EA	Spring - Headlamp Retainer
10	062207-01-000	EA	Headlamp Guard
11	M01115-11-T09	EA	Panel Asm. - Front Shroud (Includes access panel)
12	079224-03-000	EA	Trim - Fiberglass Panel - Passenger - Gray
12	079224-04-000	EA	Trim - Fiberglass Panel - Driver - Gray
13	075225-01-000	EA	Trim - Contour - Windshield - Passenger
13	077944-01-000	EA	Reveal Molding - Upper - Passenger
13	077945-01-000	EA	Reveal Molding - Lower - Passenger
14	078556-05-000	EA	Trim - Wheelwell - Front - Passenger - Gray
14	078556-06-000	EA	Trim - Wheelwell - Front - Driver - Gray

Key	Part Number	U/M	Description
15	M87164-01-W30	EA	Sidewall Asm. - Right
15	M87164-01-W31	EA	Sidewall Asm. - Right
15	M87164-01-W32	EA	Sidewall Asm. - Right
16	059576-11-000	EA	Feature Strip - Extr. Gray - 14' - w/o Insert
16	009731-01-000	EA	End Cap - Feature Strip Insert
16	001030-11-100	EA	Insert - Feature Strip - Gray - 17'
17	075070-02-000	EA	Trim - Wheelwell - Rear - Passenger - Gray
17	075070-04-000	EA	Trim - Wheelwell - Rear - Driver - Gray
18	078600-16-000	EA	Trim - Sidewall - Upper - Driver or Passenger - Gray
19	073502-21-000	EA	Trim - Passenger - Rear - Gray
19	073502-22-000	EA	Trim - Driver Rear - Gray
20	086148-02-W30	EA	Roof Asm.
20	082084-01-W30	EA	Backwall Asm.
21	M01893-03-000	EA	Rear Trim - Upper Center - Plastic - Gray
22	082456-03-000	EA	Rear Trim - Upper Passenger - Plastic - Gray
23	082457-03-000	EA	Rear Trim - Lower Passenger - Plastic - Gray
24	M01894-03-000	EA	Rear Trim - Upper Driver - Plastic w/Bracket - Gray
25	082457-04-000	EA	Rear Trim - Lower Driver - Plastic - Gray
25	078577-05-000	EA	Bumper End Cap - Front Passenger Hand - Gray
25	078577-06-000	EA	Bumper End Cap - Front Driver Hand - Gray
25	060815-01-W30	EA	Bumper End Cap - Rear Passenger - Gray
25	060815-01-W30	EA	Bumper End Cap - Rear Driver - Gray
25	077517-15-001	EA	Fiberglass Sidewall Skin - 46.12" x 378" - Mesa
25	077517-15-002	EA	Fiberglass Sidewall Skin - 46.12" x 60" - Mesa
25	001018-01-024	EA	Alum. - Beige - No Design - 48" x 96"
25	044487-01-001	EA	Alum. - Mill Finish - No Design (Roof) - 96" x 360"
25	000882-01-000	SF	Styrofoam - .75" x 24" x 96"
25	000870-01-000	SF	Styrofoam - 1.50" x 24" x 96"
25	000870-03-000	SF	Styrofoam - 1.34" x 48" x 96"
25			Not illustrated

1987 ITASCA TABLE OF CONTENTS

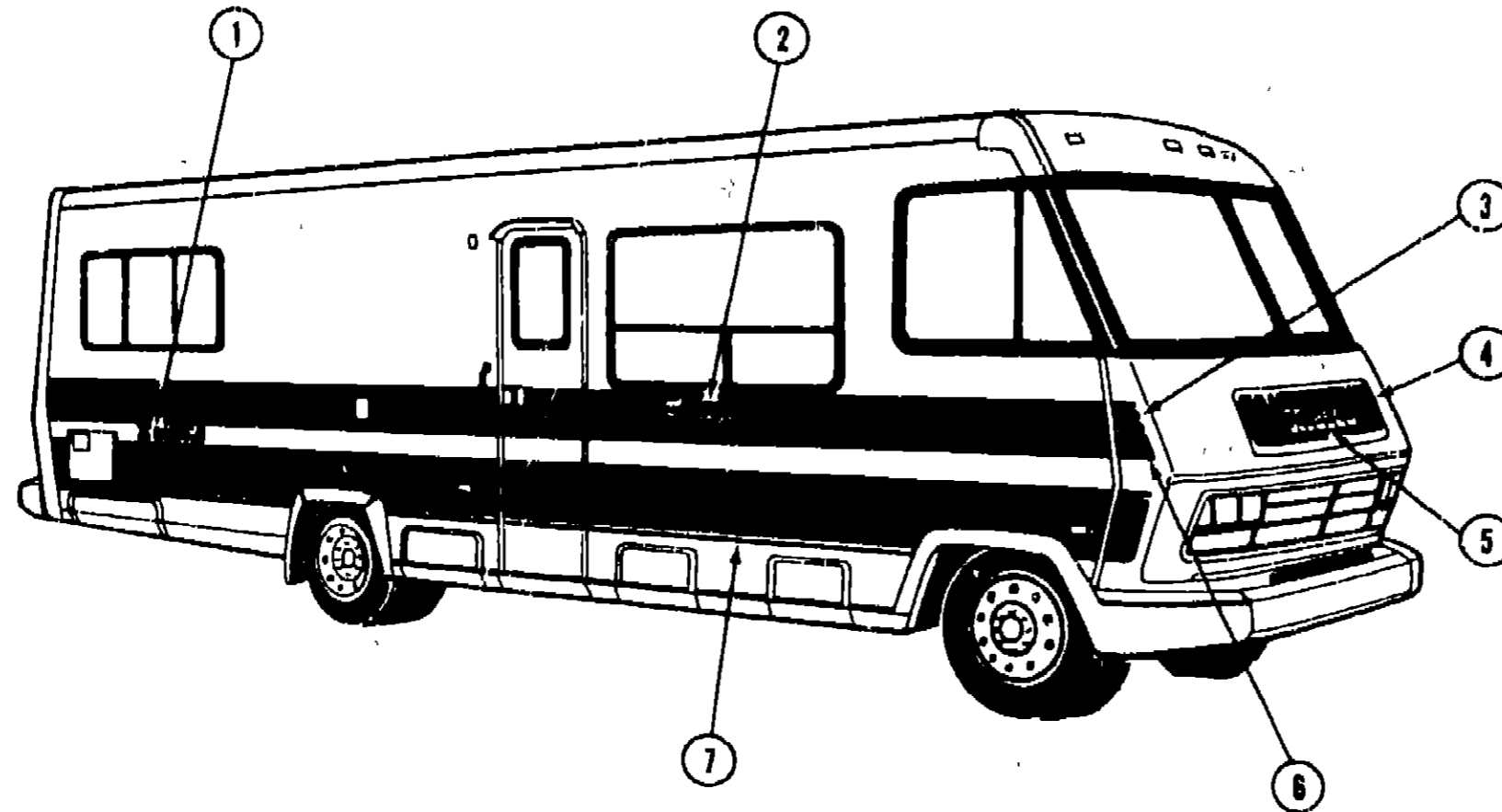
IC420EG	A-01 - B-08
ICN22EC	B-07 - D-08
ICN27RT	D-09 - F-14
IJN32RQ	F-15 - I-02
ICP26ET	I-03 - K-10

1987 ICN27RT INDEX

Floor Plan	D-09 - D-10
Accessories Group	D-11 - D-13
Bath Group	D-14
Chassis Group	D-15 - D-17
Curtain, Cushion & Pad Group	D-18 - E-02
Dinette Group	E-03
Driver's Compartment Group	E-04 - E-06
Electrical Group	E-07 - E-09
Exterior Body Group	E-10 - E-14
Galley Group	E-15 - E-16
Heating & Air Conditioning Group	E-17
Interior Finish Group	E-18 - E-20
LP Group	E-21
Lounge Group	E-22 - E-23
Water & Sewage Group	E-24
Window, Vent & Exterior Door Group	F-01 - F-14

EXTERIOR BODY GROUP (CONTINUED)

LABELS, DECALS & EXTERIOR PAINT



1987 ITASCA TABLE OF CONTENTS

IC420EG
ICN22EC
ICN27RT
IJN32RQ
ICP26ET

A-01 - B-06
B-07 - D-08
D-09 - F-14
F-15 - I-02
I-03 - K-10

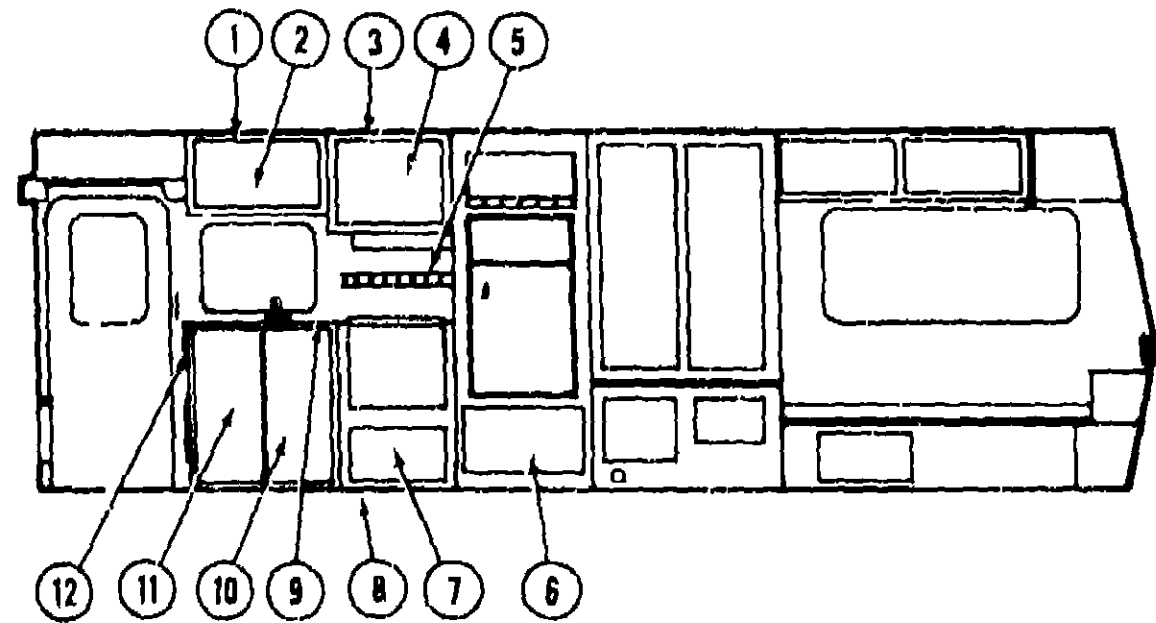
Key	Part Number	U/M	Description
1	078852-05-000	EA	Decal - Logo - "Itasca" - 6.5" x 25.5" - Sides & Rear
2	058718-02-000	EA	Decal - "Sunflyer"
3	069245-B0-000	FT	Film - Multi-Stripe - 5 1/2" x 150' - Light Green Metallic (W30)
3	069245-B1-000	FT	Film - Multi-Stripe - 5 1/2" x 150' - Rust Metallic (W31)
3	069245-A9-000	FT	Film - Multi-Stripe - 5 1/2" x 150' - Burgundy Metallic (W32)
4	087206-02-000	EA	Decal - Hood - Rust/Light Green/Dark Green (W30)
4	087206-03-000	EA	Decal - Hood - Red Beige/Rust/Gray (W31)
4	076206-01-000	EA	Decal - Hood - Rose/Burgundy/Gray (W32)
5	078852-07-000	EA	Decal - Logo - "Itasca" - Hood
6	078831-28-000	FT	Decal - Stripping - 3.5" x 150' - Dark Green (W30)
6	078831-27-000	FT	Decal - Stripping - 3.5" x 150' - Gray (W31, W32)
7	065217-C4-000	FT	Film - Multi-Stripe - 11" x 150' - Dark Green (W30)
7	065217-C3-000	FT	Film - Multi-Stripe - 11" x 150' - Gray (W31, W32)
	084075-01-000	EA	Decal - "By Winnebago Ind"
	068383-01-000	EA	Label - Diesel Fuel
	006195-01-000	EA	Label - Electrical Test
	047731-01-000	EA	Label - Emergency Exit
	008199-01-000	EA	Label - Exit - Escape Window
	057467-04-000	EA	Label - Exterior Loading Limit
	064378-01-000	EA	Label - Flying "W" w/Thermo Panel
	061417-01-000	EA	Label - Fuel
	087207-02-000	EA	Label - Fuel Cap Removal

Key	Part Number	U/M	Description
	006196-01-000	EA	Label - Gas Test
	054531-01-000	EA	Label - LP Gas Only
	040944-01-000	EA	Label - Open - Entrance Door
	006015-01-000	EA	Label - Patent Motor Home
	056259-01-000	EA	Label - Safety Check List
	006064-01-000	EA	Label - Seat - w/o Seat Belts
	006187-01-000	EA	Label - Sewage
	006006-01-000	EA	Label - Thermo Panel - 2 1/4" x 2 1/4"
	075221-01-000	EA	Label - Trailer Hitch Capacity
	075220-01-000	EA	Label - Warning - Exterior Load Limit
	050225-01-000	EA	Label - Warning - Stove Vent - US
	006188-01-000	EA	Label - Waste Water
	006197-01-000	EA	Label - Water Test
	072863-01-000	EA	Nameplate - Diesel - 6 2L
	006082-01-000	EA	Tag - Electrical - 110 Volt Connection
	006040-01-000	EA	Tag - Gas - Refueling Warning
	044488-03-000	EA	Paint - Beige Acrylic Enamel - 16 oz. Aerosol (7633A Dupont)
	045681-03-000	EA	Paint - Gloss Black - Acrylic Enamel - 16 oz. Aerosol (99 Dupont)
	058637-05-000	EA	Paint - Gray Acrylic Enamel - 16 oz. Aerosol (81537 Dupont)
	041581-03-000	EA	Paint - Off White Acrylic Enamel - 16 oz. Aerosol (45398A Dupont)
	074559-01-000	EA	Label "LPG" - 3 3/4" x 1.75" - (Calif. Code)
			Not illustrated

1987 ICN27RT INDEX

Floor Plan	D-09 - D-10
Accessories Group	D-11 - D-13
Bath Group	D-14
Chassis Group	D-15 - D-17
Curtain, Cushion & Pad Group	D-18 - E-02
Dinette Group	E-03
Driver's Compartment Group	E-04 - E-06
Electrical Group	E-07 - E-09
Exterior Body Group	E-10 - E-14
Galley Group	E-15 - E-16
Heating & Air Conditioning Group	E-17
Interior Finish Group	E-18 - E-20
LP Group	E-21
Lounge Group	E-22 - E-23
Water & Sewage Group	E-24
Window, Vent & Exterior Door Group	F-01 - F-14

GALLEY GROUP



Key	Part Number	U/M	Description
1	081656-17 W30 081320-04 W30	EA	Cabinet Asm - Galley Overhead - w/o Door or Hardware Pad Asm - End Cap - Galley Overhead Vinyl
2	M81523-04 W30	EA	Door Asm - Galley Overhead - w/o Hardware
†2	M84956-04 W30	EA	Door Asm - Galley Overhead - w/o Hardware
3	081480-05 W30	EA	Cabinet Asm - Galley Overhead - w/o Door or Hardware
4	M81523-01-W30	EA	Door Asm - Galley Overhead - w/o Hardware
†4	M84956-01-W24	EA	Door Asm - Galley Overhead - w/o Hardware
5	074490-02-W24	EA	Spice Rack - Oak
6	M81501 92 W30	EA	Door Asm - Refrigerator Cabinet - w/o Hardware
7	M81507-02-W30 072369-21-000	EA	Door Asm - Furnace - w/o Hardware Mesh Insert - Furnace Door Bronze Tone
8	M82564-01-W30 M82564-03-W30 M82184-08 W30	EA	Cabinet Asm - Galley - w/o Doors Drawers Countertop or Hardware Cabinet Asm - Galley - w/o Doors Drawers Countertop or Hardware Drawer Asm - Galley Cabinet - w/o Hardware
9	M02465-01-W30	EA	Countertop Asm - Galley Cabinet
10	M81501-03-W30	EA	Door Asm - Galley Cabinet - w/o Hardware
†10	M84953-03 W30	EA	Door Asm - Galley Cabinet - w/o Hardware
11	M81501-02-W30	EA	Door Asm - Galley Cabinet w/o Hardware
†11	M84953-02-W24	EA	Door Asm - Galley Cabinet - w/o Hardware
12	080812-02-W30 074491-01-000	EA	Extension Asm - Galley Cabinet Magazine Rack - Oak

Not illustrated
Used with Microwave Option
† Doors used on units produced before 12/1/86

GALLEY GROUP (CONTINUED)

GALLEY HARDWARE & APPLIANCES

Key	Part Number	U/M	Description
	070353 03 000	EA	Hood - Range - Powered w/Monitor - Almond - US
	079353-04-000	EA	Hood - Range - Powered w/Monitor Almond - CSA
	084878-01-000	EA	Duct Extension - Hood Range
	081374-01-000	EA	Range Top - 4 Burner - Almond - Magic Chef
	081374-01 000	EA	Range Top - 4 Burner - Almond
	081374-01 700	EA	Trim - Cabinet - Top Right
	081374-01 701	EA	Trim - Cabinet - Top Left
	081374-01 702	EA	Panel Manifold Warm - Black
	081374-01 703	EA	Trim - Top - Rear
	081374-01 704	EA	Guard - Fabric
	055282 04-000	EA	Range w/Small Oven 4 Burner - Almond - Magic Chef
	084879 01-000	EA	Refrigerator - 3 Way, Small Double Door
	084879-01 700	EA	Cooling Unit - F/Model 8663
	084879-01 701	EA	Lower Door Gasket
	084879-01 702	EA	Lower Door Handle
	084879-01-703	EA	Foamed Cabinet Asm
	084879-01-704	EA	Foamed Lower Door Liner w/Frame
	084879-01 705	EA	Panel Holder - Lower Door
	084879-02-000	EA	Refrigerator - 3-Way, Small Double Door
	084880-01 000	EA	Refrigerator - 3 Way, Large Double Door
	054450-01-000	EA	Level - Refrigerator
	081379-01-000	EA	Microwave Convection Oven - Sharp
†	088737-01-000	EA	Microwave Convection Oven - Magic Chef
	081459-03-000	EA	Bracket Asm - Microwave - Right
	081459-04-000	EA	Bracket Asm - Microwave Left
	081456-01-000	EA	Angle Asm - Microwave Right
	081456-02-000	EA	Angle Asm - Microwave Left
	081555-01-T03	EA	Trim Ring - Microwave
	082876-01-000	EA	Air Exhaust Duct - Microwave
†	088737-02-000	EA	Frame Kit Microwave Oven
	068615-01-000	EA	Sink - Stainless Steel - Double w/Bolts
	011053-01-000	EA	Faucet - Swing Spout - 8 - US
	011053-02-000	EA	Faucet - Swing Spout - 8 - CSA
	011053-01-700	EA	Aerator - Swing Spout Faucet
	066437-01-000	EA	Strainer w/Basket Sink
	053552-02 W04	EA	Sink Cover - Large
	009049-01-000	EA	Support - Drop Leaf Table
	009059-01-000	EA	Hinge - 2' - Gold - Drop Leaf Table
	074490-01-000	EA	Spice Rack - Oak
	074981-01-000	EA	Cutting Board - Maple
	058334-01-000	EA	Wastebasket - 9 3/4 x 7 x 10 - White
	059777-02-000	EA	Hinge - Cabinet Door - Brass
	009021-01-000	EA	Catch - Nylon - Cabinet Door
	009021-02-000	EA	Strike - Spring Steel - Cabinet Door
	077409 01-000	EA	Slider - Drawer - 20 75 - Plastic
	077404-01-000	EA	Drawer - 20 x 12 70 - Plastic
	066435-01-000	EA	Nut Strainer

The illustrated parts breakdown for this item is provided on the Common Items Fiche
† Parts used after 5/12/87

1987 ITASCA TABLE OF CONTENTS

IC420EG	A-01 - B-06
ICN22FC	B-07 - D-08
ICN27RT	D-09 - F-14
IJN32RQ	F-15 - I-02
ICP28ET	I-03 - K-10

1987 ICN27RT INDEX

Floor Plan	D-09 - D-10
Accessories Group	D-11 - D-13
Bath Group	D-14
Chassis Group	D-15 - D-17
Curtain, Cushion & Pad Group	D-18 - E-02
Dinette Group	E-03
Driver's Compartment Group	E-04 - E-06
Electrical Group	E-07 - E-09
Exterior Body Group	E-10 - E-14
Galley Group	E-15 - E-18
Heating & Air Conditioning Group	E-17
Interior Finish Group	E-18 - E-20
LP Group	E-21
Lounge Group	E-22 - E-23
Water & Sewage Group	E-24
Window Vent & Exterior Door Group	F-01 - F-14

HEATING & AIR CONDITIONING GROUP

FURNACE & ROOF AIR CONDITIONER

Key	Part Number	U/M	Description
**	075695-01-000	EA	Furnace - 34,000 BTU - w/Direct Ignition - NT-34S
**	075695-01-000	EA	Furnace - 24,000 BTU - w/Direct Ignition - NT-24S
**	069536-02-000	EA	Connector - 4" Duct
**	009196-01-000	EA	Duct - Flexible - 4" I.D. x 25'
**	056464-01-000	EA	Reglater - 4" Dia. - Plastic - w/Damper
**	056464-02-000	EA	Reglater - 4" Dia. - Plastic - w/o Damper
**	009200-01-000	EA	Tap - Furnace - 1 1/2"
**	023145-01-000	EA	Clamp - Screw Type - 4"
**	073743-01-000	EA	Shroud Asm. - Ceiling - Inside - Roof Air 13,500 BTU - Cool Only
**	073744-01-000	EA	Shroud Asm. - Ceiling - Inside - Roof Air 13,500 BTU - Heat & Cool
**	073742-01-000	EA	Air Conditioner - 110 Volt - Roof Mount - 13,500 BTU Rotary

The illustrated parts breakdown for this item is provided on the Common Items Fiche.

AUTOMOTIVE HEATER & AIR CONDITIONER

Key	Part Number	U/M	Description
**	072341-07-000	EA	Heater/Evaporator Asm.
**	072341-07-700	EA	Jumper Harness Resistor
**	072341-07-701	EA	Thermostat
**	072341-09-000	EA	Accessories Kit - Heater
**	072341-08-000	EA	Duct & Control Kit
**	072342-03-000	EA	Condenser Asm. - w/Fans
**	073242-02-700	EA	Receiver Drier - Condenser Asm.
**	072342-04-000	EA	Condenser Asm. w/o Fan
**	072343-06-000	EA	Compressor/Clutch
**	072344-02-000	EA	Package - Compressor Mount
**	074026-01-000	EA	Package - Compressor Mount - 6 2 L Diesel
**	039044-01-000	EA	Louver Asm. - A/C Adjustable
**	007076-01-700	FT	Hose - Flexible PVC - 2" I.D.
**	007281-01-700	FT	Hose - Flexible PVC - 2 1/2" I.D.
**	007108-01-000	FT	Hose - Heater - 5/8" I.D. SAE 20R3
**	062401-04-000	EA	Clamp - Worm Drive - 89" - 1 25" I.D.
**	010227-01-000	EA	Tee - Plastic - Barb 5/8" or 3/4" Hose

AUXILIARY HEATER ASSEMBLY

Key	Part Number	U/M	Description
**	064405-01-000	EA	Heater Asm - Rear - Auxiliary
**	064405-01-700	EA	Heater Core
**	064405-01-701	EA	Fan
**	064405-01-702	EA	Motor - 12 V
**	076312-01-000	EA	Mesh - Grille - Gold Aluminum
**	064410-01-000	EA	Decal - Rear Auto Heater

INTERIOR FINISH GROUP

CURTAIN & CUSHION HARDWARE

Key	Part Number	U/M	Description
**	061381-01-000	EA	Swivel Snap - Curtain Track
**	029130-01-000	EA	Snap Socket - Curtain Bottom
**	082139-02-000	EA	Bracket - Blind - Hold Down
**	083170-03-000	EA	Bracket - Blind - Top Right
**	083170-04-000	EA	Bracket - Blind - Top Left
**	056003-01-000	EA	Bracket - Drapery - Retainer - Right
**	056003-02-000	EA	Bracket - Drapery - Retainer - Left
**	082139-03-000	EA	Bracket - Hold Down - Blind
**	079819-01-000	EA	Bracket - Tie Back
**	064434-01-000	EA	Bracket - Shade
**	066263-01-000	EA	Pull - Window Shade - Polished Brass
**	048384-02-000	YD	Tape Hook - .75" x 50 yd - Beige
**	048395-02-000	YD	Tape Loop - .75" x 50 YD - Beige
**	028090-01-000	FT	Tie - Drapery - Clear Vinyl
**	056116-01-000	EA	Track - Curtain - Brown Plastic - Top
**	079946-01-000	EA	Track - Curtain - Wraparound - Right
**	079946-02-000	EA	Track - Curtain - Wraparound - Left
**	065263-01-000	EA	Bracket - Curtain Hold Back - Clear Plastic
**	087253-01-000	EA	Shade Pull - Clear Plastic

PANELING & LAMINATE

Key	Part Number	U/M	Description
**	074497-09-000	SF	Paneling - Sand - 48" x 84" (28 SF) (Wall)
**	074496-68-000	SF	Paneling - Decor - 48" x 84" (28 SF) (Bath) (W30)
**	074196-68-000	SF	Paneling - Decor - 48" x 84" (28 SF) (Bath) (W31, W32)
**	074496-73-000	SF	Paneling - Decor - 48" x 84" (28 SF) (Galley) (W30)
**	074496-75-000	SF	Paneling - Decor - 48" x 84" (28 SF) (Galley) (W31, V32)
**	074497-10-000	SF	Paneling - Regal Oak - 48" x 84" (28 SF) (Cabinets)
**	074498-13-000	SF	Plastic Laminate - Sand Quadrus (Galley, Dinettes)
**	074498-16-000	SF	Plastic Laminate - T/Apricot (Bath) (W30)
**	074498-17-000	SF	Plastic Laminate - Maple Nut (Bath) (W31)
**	074498-15-000	SF	Plastic Laminate - Blush (Bath) (W32)
**	074498-20-000	SF	Plastic Laminate - Regal Oak (Nightstand & Table Tops)
**	076325-16-000	FT	Plastic Laminate - Edge Band - Regal Oak - 1 5/16" x 600'

MISCELLANEOUS PARTS

Key	Part Number	U/M	Description
**	053552-02-W04	EA	Handle Asm - Interior Assist - Medium Almond Vinyl
**	041944-03-000	EA	Fire Extinguisher - Dry 5BC
**	054185-26-000	EA	Owner's Manual - 1987 Itasca & Winnebago
**	040069-01-000	EA	Door Mat - 10 1/2" x 26" - Black Rubber
**	066269-01-000	EA	Picture - Decor
**	065201-02-000	EA	Lamp Shade - Fabric - Parchment
**	082686-02-000	EA	Shade - Table Lamp

1987 ITASCA TABLE OF CONTENTS

IC420EG	A-01 - B-06
ICN22EC	B-07 - D-06
ICN27RT	D-09 - F-14
IJN32RQ	F-15 - I-02
ICP26ET	I-03 - K-10

1987 ICN27RT INDEX

Floor Plan	D-09 - D-10
Accessories Group	D-11 - D-13
Bath Group	D-14
Chassis Group	D-15 - D-17
Curtain, Cushion & Pad Group	D-16 - E-02
Dinettes Group	E-03
Driver's Compartment Group	E-04 - E-06
Electrical Group	E-07 - E-09
Exterior Body Group	E-10 - E-14
Galley Group	E-15 - E-16
Heating & Air Conditioning Group	E-17
Interior Finish Group	E-18 - E-20
LP Group	E-21
Lounge Group	E-22 - E-23
Water & Sewage Group	E-24
Window, Vent & Exterior Door Group	F-01 - F-14

INTERIOR FINISH GROUP (CONTINUED)

FABRICS & CARPET

Key	Part Number	U/M	Description
	077498-89-000	YD	Fabric - Main - Jasmine (W30)
	077498-90-000	YD	Fabric - Main - Garnet (W31)
	077498-89-000	YD	Fabric - Main - Jute (W32)
	077498-B2-000	YD	Fabric - Patterned Accent - Juniper (W30)
	077498-B3-000	YD	Fabric - Patterned Accent - Brick (W31)
	077498-B4-000	YD	Fabric - Patterned Accent - Madder (W32)
	077498-A1-000	YD	Fabric - Plain Accent - Blue (W30)
	077498-A2-000	YD	Fabric - Plain Accent - Garnet (W31)
	077498-A8-000	YD	Fabric - Plain Accent - Wine (W32)
	069729-44-000	YD	Fabric - Bedroom Drapery - Jade/Peach (W30)
	069729-45-000	YD	Fabric - Bedroom Drapery - Mahogany (W31)
	069729-48-000	YD	Fabric - Bedroom Drapery - Rose (W32)
	072333-38-000	YD	Fabric - Drapery - Accent - Melba (W30)
	072333-40-000	YD	Fabric - Drapery - Accent - Rain (W31)
	072333-37-000	YD	Fabric - Drapery - Accent - Mauve (W32)
	038421-02-000	YD	Fabric - Mattress Ticking - Beige/Brown
	038421-04-000	YD	Fabric - Mattress Ticking - Cashew
	052859-01-W30	FT	Trim Asm - Accent - Buckskin
	052859-08-W13	FT	Trim Asm - Accent - Buckskin
	079880-01-000	YD	Vinyl - Expanded - 26 oz - Buckskin
	029219-01-000	YD	Vinyl - White - 14.6 oz
	067272-01-000	YD	Fabric - Drapery Lining - 48 - Ivory
	038421-01-000	YD	Fabric - Mattress Ticking
	029012-01-000	BF	Foam - Rolled - 3/8"
	072880-57-000	YD	Carpet - French Court (W30)
	072880-58-000	YD	Carpet - Champagne (W31, W32)
	072333-30-000	YD	Drapery - Linen (Pull Shades)
	072333-44-000	YD	Drapery - Natural (Pull Shades)

Used on units produced after 10/19/86

INTERIOR MOLDING & TRIM

Key	Part Number	U/M	Description
	024700-17-000	EA	Cover - Sidewall Roll Bar - Beige
	081521-01-001	EA	Molding w/Holes - Corner - 16
	042357-09-000	FT	Molding - Radius Corner - 7' Elm
	022992-08-000	FT	Molding - Reverse Cove - White
	069733-66-000	EA	Batt Strip - Classique Tweed - 8' (Wall)
	065284-05-000	FT	Batt Strip - Adhesive Tape - Classique Tweed
	069733-71-000	EA	Batt Strip - Winnie - 8' (Galley & Bath)
	069733-74-000	EA	Batt Strip - Winnie - 8' (Wet Bath)
	069733-82-000	EA	Batt Strip - Pebble Beach (Ceiling)
	069733-70-000	EA	Batt Strip - Regal Oak (Nightstand)
	070504-01-000	FT	U-Channel - 085 - Light Brown
	009778-07-000	FT	U-Channel - 1 - Regal Oak
	083620-01-000	FT	T-Molding - 75 - w/Edge Lips - Grady Brown
	077840-01-W30	EA	Molding - Wall Cap - 98 - Vinyl Covered - Regal Oak
	077953-01-000	FA	Groinnet - 1 - Hole Liner
	009767-06-000	FT	Welting - Beige
	009767-10-000	FT	Welting - Mahogany
	042356-01-000	EA	Plug - 3/8 - Mahogany

INTERIOR FINISH GROUP (CONTINUED)

CABINETRY & TABLE HARDWARE

Key	Part Number	U/M	Description
	053200-05-000	EA	Bracket - Upper Wall Mount - 23 5" - Beige
**	053201-06-000	EA	Bracket - Table Mount - 23" - Beige
	024275-05-000	EA	Rod - Table Lift - 8" x 23 5" - Beige
	024281-07-000	EA	Bracket - Lower Wall Mount - 22 12" - Beige
	024278-17-000	EA	Leg Asm - Table - 26 5" - Tan
	064050-02-000	EA	Hinge - Table Leg - Tan
**	024282-01-000	EA	Brace - Table Leg
**	024283-01-000	EA	Clip - 1" O D Tube
	049493-05-000	EA	Catch - Table Leg - Mounts on Floor - Tan
	009112-01-000	EA	Flange - 1" - Chrome - Closet Rod
	077408-01-000	EA	Slide - Drawer - Plastic - 20 75'
	009049-01-000	EA	Table Support - Drop Leaf
	009059-01-000	EA	Hinge - 2" - Drop Leaf Table - Gold
	088283-01-000	EA	Pull - Polished Brass Centers
	009016-01-000	EA	Elbow - Catch - Spring Loaded
	057871-01-000	EA	Screw Cover - #8 - Off White
	072389-20-000	EA	Mesh - Grille - 22 x 12 - Duratlon Bronze
	009021-01-000	EA	Catch - Nylon
	009021-02-000	EA	Strike - Nylon Catch
*	059777-02-000	EA	Hinge - Cabinet Door - Antique Light Brass
	074493-02-000	EA	Support - Sprung - Door
	066433-01-000	EA	Hook - Cup - Bright
	075680-01-000	EA	Clothes Rod - Adjustable - 27 x 36
	041194-01-000	EA	Base - Table - Flush Mounts in Floor
	009040-03-000	EA	Base - Table - Mounts on Table
	080728-01-000	EA	Handle - Pullout Table
	088263-01-000	EA	Pull - Polished Brass
	084435-01-000	EA	Knob - Decorative Cabinet
	084466-02-000	EA	Slide Asm - Drawer - Right
	084466-03-000	EA	Slide Asm - Drawer - Left
	084466-04-000	EA	Slide Asm - Cabinet - Right
	084466-05-000	EA	Slide Asm - Cabinet - Left
	084451-01-000	EA	Catch - TV Shelf - Brass

The illustrated parts breakdown for this item is provided on the Common Items Fiche

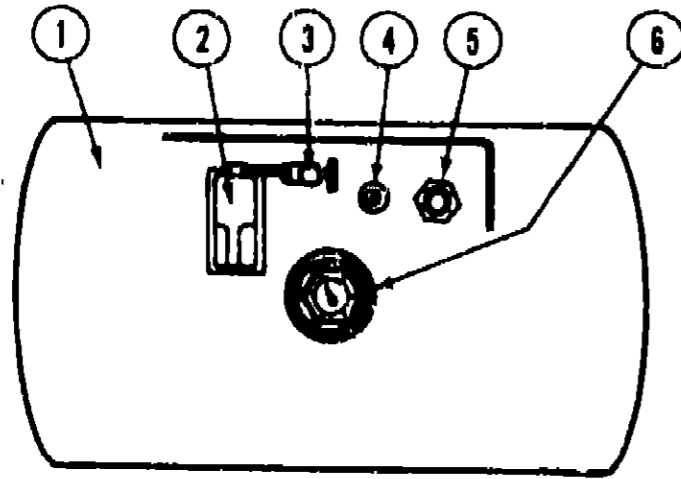
**1987 ITASCA
TABLE OF CONTENTS**

IC420EG	A-01 - B-06
ICN22EC	B-07 - D-08
ICN27RT	D-09 - F-14
IJN32RQ	F-15 - I-02
ICP26ET	I-03 - K-10

1987 ICN27RT INDEX

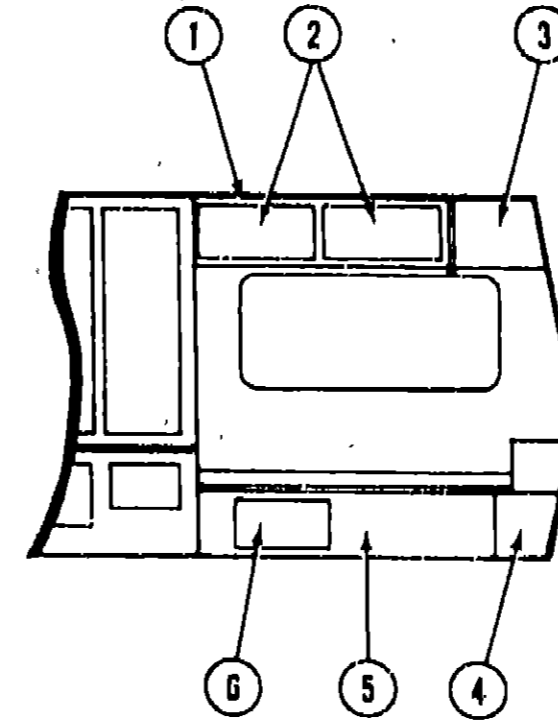
Floor Plan	D-09	D-10
Accessories Group	D-11	D-13
Bath Group		D-14
Chassis Group	D-15	D-17
Curtain Cushion & Pad Group	D-18	E-02
Dinette Group		E-03
Driver's Compartment Group	E-04	E-06
Electrical Group	E-07	E-09
Exterior Body Group	E-10	E-14
Galley Group	E-15	E-16
Heating & Air Conditioning Group		E-17
Interior Finish Group	E-18	E-20
LP Group		E-21
Lounge Group	E-22	E-23
Water & Sewage Group		E-24
Window Vent & Exterior Door Group	F-01	F-14

LP GROUP



Key	Part Number	U/M	Description
1	074142-01-000	EA	Tank Asm. - LP - Frame Mount - 80 Pound - 13" x 44"
1	080450-01-000	EA	Tank Asm. - LP - 42 Pound - 13" x 24"
*	065741-01-000	EA	Detector - LP Gas Leak - Marshalltown Instruments
2	081938-01-000	EA	Compartment - LP Regulator
*	076301-01-000	EA	Regulator - Two Stage - US (Dual)
*	076301-02-000	EA	Regulator - Two Stage - CSA (Dual)
3	040421-01-703	EA	Valve - Vapor Relief
4	040421-01-700	EA	Gauge - Liquid Level - 20% LP
5	040421-01-701	EA	Valve - Filler - LP
*	040421-01-702	EA	Cap - Plastic Fill Valve
6	040421-01-707	EA	Gauge - Float - w/Visible Dial
*	040421-01-708	EA	Dial - Visible Face - Float Gauge (Tank w/o Electric Transmitter)
*	040440-01-000	EA	Dial - Transmitter - 0 - 90 Ohm (Float Gauge)
*	045703-01-000	EA	Hose Asm. - LP - 3/8" I.D. x 24" - US
*	045703-02-000	EA	Hose Asm. - LP - 3/8" I.D. x 24" - CSA
*	045703-03-000	EA	Hose Asm. - LP - 3/8" I.D. x 18" - US
*	045703-04-000	EA	Hose Asm. - LP - 3/8" I.D. x 14" - CSA
*	065742-01-000	EA	Tee - .38 F x 39 F x 25 FPT
*			Not illustrated

LOUNGE GROUP



Key	Part Number	U/M	Description
1	081730-05-W30	EA	Cabinet Asm. - Overhead - Right - w/o Doors or Hardware
*	081730-06-W30	EA	Cabinet Asm. - Overhead - Left - w/o Doors or Hardware
2	M81503-06-W30	EA	Door Asm. - Overhead - w/o Hardware
†2	M84955-05-W30	EA	Door Asm. - Overhead - w/o Hardware
3	081308-07-W30	EA	Cabinet Asm. - Overhead - Rear - w/o Doors or Hardware
*	M81503-04-W30	EA	Door Asm. - Rear Overhead Cabinet - w/o Hardware
†	M84955-04-W30	EA	Door Asm. - Rear Overhead Cabinet - w/o Hardware
4	M83441-01-W30	EA	Cabinet Asm. - Nightstand - w/o Doors or Hardware
*	M02609-01-W30	EA	Countertop Asm. - Nightstand - Upper
*	M02608-01-W30	EA	Countertop Asm. - Nightstand - Lower
*	M81501-93-W30	EA	Door Asm. - Nightstand
†	M34953-50-W24	EA	Door Asm. - Nightstand
5	M83424-01-W30	EA	Cabinet Asm. - Twin Bed - Right - w/o Doors or Hardware
*	M87456-01-W30	EA	Cabinet Asm. - Twin Bed - Left - w/o Doors or Hardware
6	M81501-30-W30	EA	Door Asm. - Twin Bed
†6	M84953-18-W30	EA	Door Asm. - Twin Bed
*	077463-08-W24	EA	Headboard Asm. - Twin Bed (W30)
*	077463-08-W25	EA	Headboard Asm. - Twin Bed (W31)
*	077463-08-W26	EA	Headboard Asm. - Twin Bed (W32)
*			Not illustrated
†	Doors used on units produced before 12/1/86		

TWIN BED CABINETRY

1987 ITASCA TABLE OF CONTENTS

IC420EG	A-01 - B-08
ICN22EC	B-07 - D-08
ICN27RT	D-09 - F-14
IJN32RO	F-15 - I-02
ICP26ET	I-03 - K-10

1987 ICN27RT INDEX

Floor Plan	D-09 - D-10
Accessories Group	D-11 - D-13
Bath Group	D-14
Chassis Group	D-15 - D-17
Curtain, Cushion & Pad Group	D-18 - E-02
Dinette Group	E-03
Driver's Compartment Group	E-04 - E-06
Electrical Group	E-07 - E-09
Exterior Body Group	E-10 - E-14
Galley Group	E-15 - E-16
Heating & Air Conditioning Group	E-17
Interior Finish Group	E-18 - E-20
LP Group	E-21
Lounge Group	E-22 - E-23
Water & Sewage Group	E-24
Window, Vent & Exterior Door Group	F-01 - F-14

LOUNGE GROUP (CONTINUED)

QUEEN BED W/NIGHTSTAND

Key	Part Number	U/M	Description
	M83465 01-W30	EA	Cabinet Asm. - Nightstand
	M81501-54 W30	EA	Door Asm - Nightstand
†	M84953 25 W24	EA	Door Asm - Nightstand
	M02623-01-W30	EA	Counterlop Asm - Nightstand
	084357-02 W24	EA	TV Stand Asm - Foldout
	M81501-30 W30	EA	Door Asm - Queen Bed
†	M84953-18 W30	EA	Door Asm - Queen Bed
	077461-10 W30	EA	Headboard Asm Queen Bed
	077463-10 W31	EA	Headboard Asm - Queen Bed
	07746J-10 W32	EA	Headboard Asm - Queen Bed
†	Doors used on units produced before 12/1/86		

HORSESHOE LOUNGE

Key	Part Number	U/M	Description
	M02969-01-W30	EA	Top Asm - Lounge Hamper - Side
	M02969 01-W31	EA	Top Asm - Lounge Hamper - Side
	M02969-01 W32	EA	Top Asm - Lounge Hamper - Side
	M02970-01 W30	EA	Top Asm - Lounge Back
	M02970-01-W31	EA	Top Asm - Lounge Back
	M02970-01-W32	EA	Top Asm - Lounge Back
	M81501-10 W30	CA	Door Asm - Horseshoe Lounge - Base
†	M84953 06 W24	EA	Door Asm - Horseshoe Lounge - Base
	M81298-07 W33	EA	Table Asm - Pedestal - w/o Hardware
†	Doors used on units produced before 12/1/86		

WATER & SEWAGE GROUP

PLUMBING & REPAIR PARTS

Key	Part Number	U/M	Description
	033302-02 000	EA	Adapter Asm - SWVC Strain 1 1/2'
	010326-01-000	EA	Adapter Flare - w/Cone Gasket
	062422-01-000	EA	Adapter Hose Offset - Reducer 3' x 1 1/2"
	052954 01-000	EA	Adapter Hose Cone 3/8 or 1/2 - Plastic
	010224-01-000	EA	Adapter - Plastic - 3/8 MPT x 3/8 Barb
	044927 01 000	EA	Adapter Plastic - 1 1/4" MPT x 1 1/4 Barb
	004020-01-000	OT	Adhesive - ABS Cement
	010121-01-000	EA	Bushing - Plastic - 1 1/2" S x 1 1/4" H
	010123 01 000	EA	Bushing - Plastic - 2S x 1 1/2" H
	036522-02 000	EA	Cap - Brass - 1/2 Flare
	053874-01 000	EA	Continuous Waste Asm. - Double Sink
	078408-01-000	EA	Coupler Rubber - 3' x 3"
	052960 01-000	CA	Drain Valve - 1/2 F x 1/2 F - Plastic
	010006-01 000	EA	Elbow - Plastic - 1/8 BD x 1 1/2 x 45° H x H
	010008 01 000	EA	Elbow - Plastic - 1/4 BD x 1 1/2 x 90° Left
	010051-01 000	EA	Elbow - ST - Plastic - 1/8 BD x 1 1/2 x 45°
	034250 01-000	EA	Elbow - Plastic - 1/4 BD x 1 1/2 x 90° x H x H
	035539-01-000	EA	Elbow - Plastic - 3/8 MPT x 3/8 Barb
	052957-01-000	EA	Elbow - Plastic - 1/2 F x 3/8 MPT
	052957 02-000	EA	Elbow - Plastic - 1/2 F x 1/2 MPT (In Tank Filter)
	065120 01-000	EA	Elbow - Plastic - Swivel - 50
	077954-01-000	EA	Filter/Screen (In Water Tank)
	079381-01 000	FT	Flexible Tubing - 1 1/4 I D x 10
	061607-01-000	EA	Grommet - Holding Tank Coupler - 1 1/2'
	061607-02-000	EA	Grommet - Holding Tank Coupler 3
	052953-01-000	EA	Nut - Faucet 1/2 Tube x 1/2 FPT
	052952-01-000	EA	Nut 1/2 F - Plastic
	011066 03-000	EA	P-Trap - 1 1/4" Plastic - US
	053335-01-000	EA	P-Trap - Plastic - 1 1/4 H x H - w/Union CSA
	010197-01-000	EA	Pipe - Plastic 3 x 240' - Black
	045729-01-000	EA	Pump - Water - 2 8 G P M - Direct Drive Shurflo - US
	045729-02-000	EA	Pump - Water - 2 8 G P M - Direct Drive Shurflo - CSA
	010201-01-000	EA	Sewer Hose - 3 x 8 w/Clamp
	042989 03-000	EA	Spinweld Fittings - Plastic - 1/4 NPT
	042989-04-000	EA	Spinweld Fittings - Plastic - 3/8 FPT
	011059-02-000	EA	Tailpiece - 1 1/2' x 1 1/4' x 4' - B 3ss
	010071-01-000	EA	Tee - Plastic - 1 1/2 x H x H x H
	010079-01-000	EA	Tee - Plastic 1 1/2 H x 1 1/2 H x 1 1/4 H
	052955-01-000	EA	Tee - Plastic - 1/2 F x 1/2 F x 1/2 MPT
	052956-01-000	EA	Tee - Plastic - 1/2 F x 1/2 MPT x 1/2 F
	052958-01-000	EA	Tee - Plastic - 1/2 F x 1/2 F x 1/2 F
	039800-01 000	FT	Tubing - Polybutyl 1/2 O D (Water Line)
	079381-01-000	FT	Tubing Flexible - Smooth - 1 25 I D
	074462-02-000	FT	Tubing - Vinyl - 3/8 I D
	062421 01-000	EA	Valve - 1 1/2 - w/Handle
	052960-01-000	EA	Valve - Line Drain - 1/2 F x 1/2 F
	087200-01-000	EA	Filter - Water Purification
	087200-02-000	EA	Cartridge - Water Purification

The illustrated parts breakdown for this is provided on the Common Items Fiche

HOLDING TANKS & WATER HEATERS

Key	Part Number	U/M	Description
	078252-02-000	EA	Tank Asm - Water - 40 Gallon - w/Fittings
	078252-01-000	EA	Tank - Water - 40 Gallon - w/o Fittings
	083039-01-000	EA	Tank - Holding - 18 Gallon - w/o Fittings - Waste Water
	083041-01-000	EA	Tank - Holding - 30 Gallon - w/o Fittings - Sewage
	051391-01-000	EA	Water Heater - w/o Motor Aid - Atwood G6A-3
	051391-03-000	EA	Water Heater - w/Motor Aid - Atwood G6A-3E
	05139J-01-000	EA	Water Heater - w/Motor Aid - Direct Ignition - Atwood - GH6-3E

The illustrated parts breakdown for this item is provided on the Common Items Fiche

1987 ITASCA TABLE OF CONTENTS

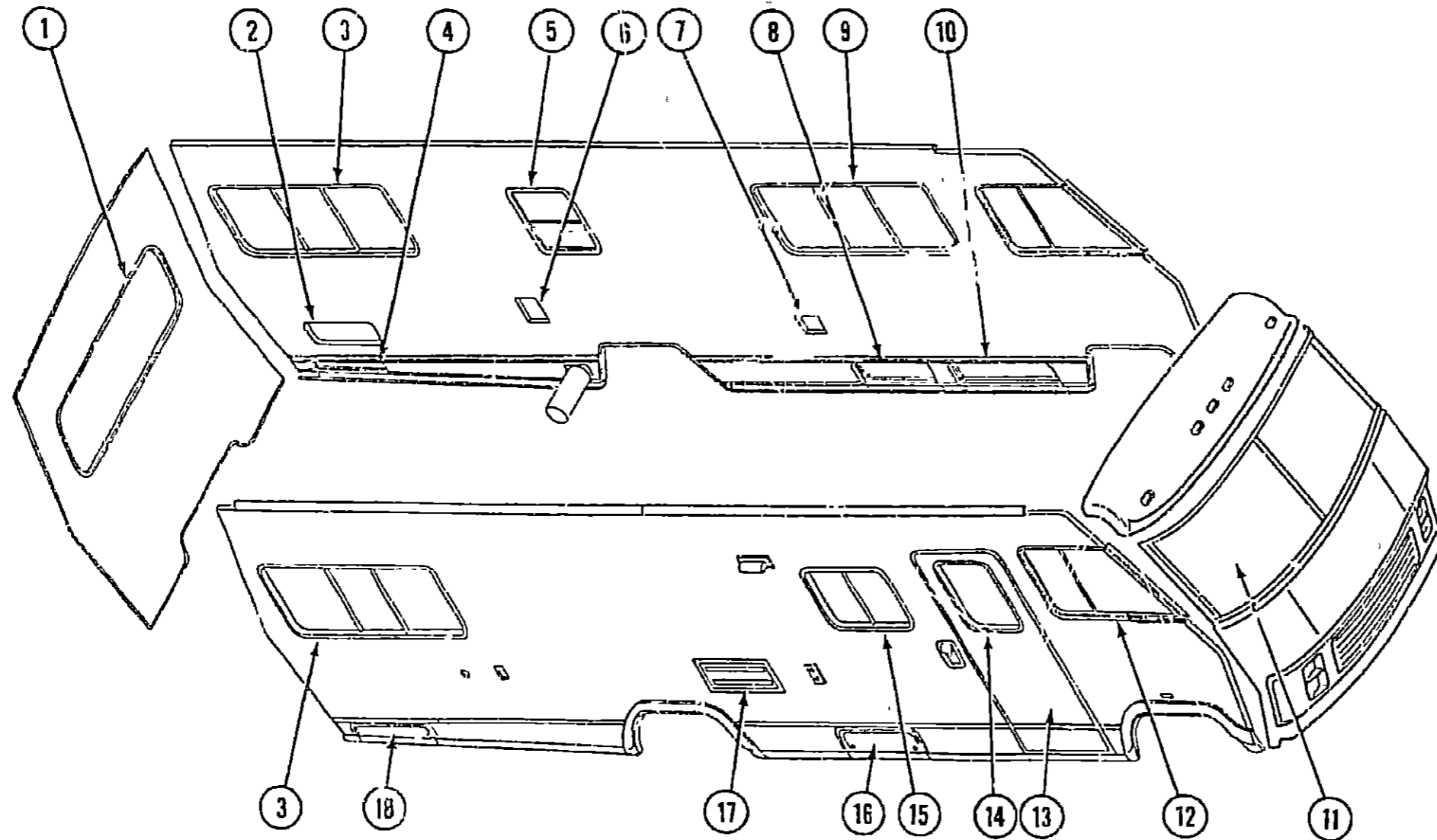
IC420FG	A-01	B-06
ICN22EC	B 07	D 08
ICN271IT	D-09	F 14
IJN32RQ	F 16	I 02
ICP26ET	I-03	K-10

1987 ICN27RT INDEX

Floor Plan	D 09 - D-10
Accessories Group	D-11 - D-13
Bath Group	D-14
Chassis Group	D 15 - D-17
Curtain Cushion & Pad Group	D 18 - E-02
Dinette Group	E-03
Driver's Compartment Group	F-04 - F-06
Electrical Group	I-07 - E-09
Exterior Body Group	E 10 - E-14
Galley Group	E-15 - E-16
Heating & Air Conditioning Group	E-17
Interior Finish Group	E-18 - E 20
LP Group	E-21
Lounge Group	E-22 - E-23
Water & Sewage Group	E 24
Window, Vent & Exterior Door Group	F-01 - F-14

WINDOW, VENT & EXTERIOR DOOR GROUP

WINDOWS & ACCESS DOORS



Key	Part Number	U/M	Description
1	078535-01-T03	EA	Window Asm. - Escape
2	052009-03-000	EA	Door Asm. - Water Heater
3	078271-01-T03	EA	Window Asm - Center Slider
4	079149-02-W30	EA	Door Asm - Luggage
†4	087437-02-W30	EA	Door Asm - Luggage
4	081349-06-W30	EA	Door Asm - Generator
†4	087437-01-W30	EA	Door Asm - Generator
5	078153-02-U25	EA	Window Asm - Vertical Slider
6	052423-03-000	EA	Door Asm - Sewer Hose Compartment
7	063742-03-000	EA	Door Asm - Power Cord
8	079435-06-W30	EA	Door Asm - Storage - 20"
†8	086517-02-W30	EA	Door Asm - Storage - 20"
9	078269-02-W24	EA	Window Asm - Double Slider
10	079435-02-W30	EA	Door Asm - Storage
†10	086531-01-W30	EA	Door Asm. - Storage

Key	Part Number	U/M	Description
11	077675-01-000	EA	Glass - Windshield - Driver
*	077675-02-000	EA	Glass - Windshield - Passenger
12	082057-01-U04	EA	Window Asm - Front Slant Slider
13	M01870-12-W30	EA	Door Asm - Entrance
14	079733-04-T03	EA	Window Asm - Entrance Door
15	078266-02-T03	EA	Window Asm - Single Slider
16	079436-03-W30	EA	Door Asm. - Storage - 25 3"
†16	086517-01-W30	EA	Door Asm. - Storage - 25 3"
17	078969-03-T09	EA	Door Asm. - Refrigerator
**17	084104-02-000	EA	Door Asm. - Refrigerator
18	081349-05-W30	EA	Door Asm. - Storage
†18	086552-05-W30	EA	Door Asm - Storage
*	078010-05-000	EA	Door Asm - Fuel Fill
			Not Keyed
†			Doors used after 11/3/86
**			Doors used after 11/17/86

1987 ITASCA TABLE OF CONTENTS

IC420EG
ICN22EC
ICN27RT
IJN32RQ
ICP26ET

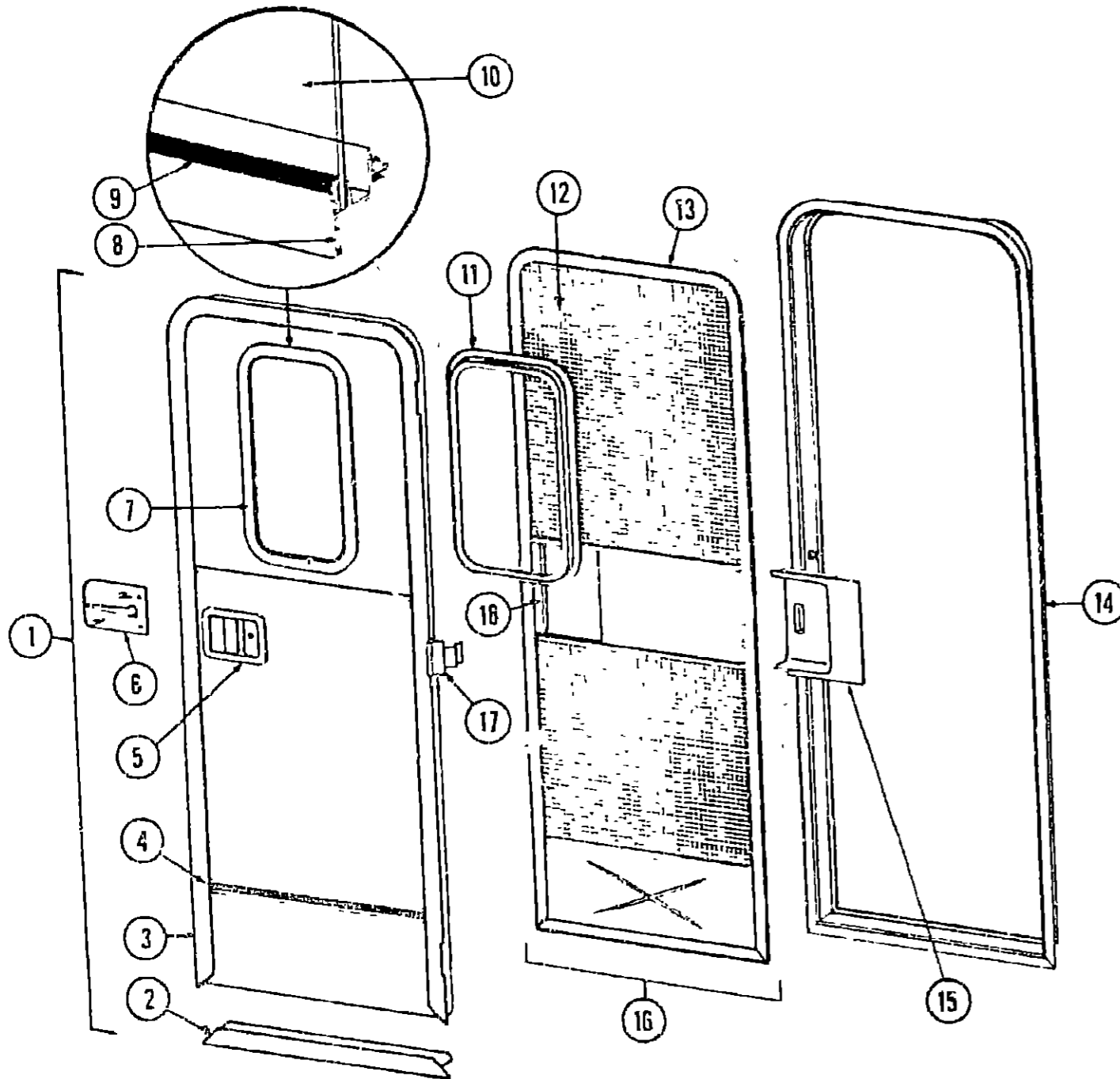
A-01 - B-06
B-07 - D-08
D-09 - F-14
F-15 - I-02
I-03 - K-10

1987 ICN27RT INDEX

Floor Plan	D-09 - D-10
Accessories Group	D-11 - D-13
Bath Group	D-14
Chassis Group	D-15 - D-17
Curtain, Cushion & Pad Group	D-18 - E-02
Dinette Group	E-03
Driver's Compartment Group	E-04 - E-06
Electrical Group	E-07 - E-09
Exterior Body Group	E-10 - E-14
Galley Group	E-15 - E-16
Heating & Air Conditioning Group	E-17
Interior Finish Group	E-18 - E-20
LP Group	E-21
Lounge Group	E-22 - E-23
Water & Sewage Group	E-24
Window, Vent & Exterior Door Group	F-01 - F-14

WINDOW, VENT & EXTERIOR DOOR GROUP (CONTINUED)

ENTRANCE & SCREEN DOORS



Key	Part Number	U/M	Description
1	M01870-12-W30	EA	Door Asm. - Radius Entry w/Screen Door
2	077998-03-000	EA	Frame - Entry Door (Bottom Portion Only)
3	076863-03-000	EA	Frame - Entry Door (Except Bottom Portion)
4	059576-11-000	EA	Feature Strip w/o Insert - Extr. - 14"
	001030-11-000	EA	Insert - Feature Strip - 17" - Stucco - Gray
	009731-01-000	EA	End Cap - Feature Strip
5	045017-05-000	EA	Paddle Asm - Door Lock - Exterior
	045017-05-700	EA	Lock Cylinder w/Keys - Lynor
	039539-01-000	EA	Striker Bolt - Entry Doors
	039540-01-000	EA	Latch Claw - Entry Door
	033738-01-000	EA	Dead Bolt - Entry Door
6	039979-01-000	EA	Plate - Inside Lock - Includes Inside Handle
7	079733-04-T03	EA	Window Asm - Picture - 17" x 25" - Black (w/o inside frame)
8	069640-06-000	FT	Ribbon Sealer - 5/16" Bead x 15'
9	002309-02-000	FT	Spline - Glass - 1/8" Black
10	002181-06-000	EA	Glass - Picture Window - 1/8" x 16 25" x 24" - Gray
11	067609-03-000	EA	Inside Frame - Beige (not included in assembly)
12	002293-02-000	SF	Screen - Window - 26" - Charcoal
13	056795-01-000	FT	Seal Tape - 1/8" x 3/8" - Press On
14	078591-02-000	EA	Jamb Asm - Entrance Door
	051049-01-000	EA	Jamb - Entrance Door - Bottom
15	079086-01-000	EA	Slider - Screen Door - Light Oak Plastic
16	079012-01-T03	EA	Door Asm - Screen
17	079361-07-000	EA	Hinge - Entrance Door (3 used per door)
18	079087-01-000	EA	Cap - Screen Door - Light Oak Plastic
	009018-01-000	EA	Catch Asm. - Single Roller w/Strike - Screen Door
	076231-01-000	EA	Spacer - Latch - Screen Door
	077437-01-000	EA	Strike - Roller Catch
	044582-06-000	EA	Drip Cap - Gray
	079278-01-000	EA	Seal - Mocket - Entrance Door
	075090-01-000	FT	Seal - Entrance Door
	075739-02-000	EA	Stiffener - Entrance Door - Beige
	075673-01-000	FT	Seal - Pile - Adhesive Back
	075671-01-000	FT	Seal - Sponge - Lazy 'T' Shaped
	002294-01-000	FT	Spline - Black - 135 x 138 (Screen Door)
	063630-02-000	EA	Strike - Screen Door
	063729-04-000	EA	Rivnut - 10-32 UNF - 010-080
	075639-01-000	EA	Garnish - Radius - Entrance Door
	083205-01-000	EA	Deadbolt Lock - Press Fit - 5"
			Not illustrated

1987 ITASCA TABLE OF CONTENTS

IC420EG	A-01 - B-06
ICN22EC	B-07 - D-08
ICN27RT	D-09 - F-14
IJN32RQ	F-15 - I-02
ICP26ET	I-03 - K-10

1987 ICN27RT INDEX

Floor Plan	D-09 - D-10
Accessories Group	D-11 - D-13
Bath Group	D-14
Chassis Group	D-15 - D-17
Curtain, Cushion & Pad Group	D-18 - E-02
Dinette Group	E-03
Driver's Compartment Group	E-04 - E-06
Electrical Group	E-07 - E-09
Exterior Body Group	E-10 - E-14
Galley Group	E-15 - E-16
Heating & Air Conditioning Group	E-17
Interior Finish Group	E-18 - E-20
LP Group	E-21
Lounge Group	E-22 - E-23
Water & Sewage Group	E-24
Window Vent & Exterior Door Group	F-01 - F-14

WINDOW, VENT & EXTERIOR DOOR GROUP (CONTINUED)

DRIVER DOOR W/ROLL-UP WINDOW

Key	Part Number	U/M	Description
	M82202-01-U13	EA	Door Asm - w/Roll-Up Window - Passenger
	M82202-02-U13	EA	Door Asm. - w/Roll-Up Window - Driver
	064184-02-000	EA	Drip Cap - Cab Door - Passenger
	064184-01-000	EA	Drip Cap - Cab Door - Driver
	M02684-03-000	EA	Jamb Asm - Cab Door - Passenger
	M02684-04-000	EA	Jamb Asm - Cab Door - Driver
	063993-12-000	EA	Hinge Asm - Passenger
	063993-10-000	EA	Hinge Asm. - Driver
	082150-01-000	FT	Seal - Sponge (Jamb)
	082150-02-000	FT	Seal - Sponge (Door)
	063731-01-000	EA	Cap - Push On - Zinc
	061400-06-000	EA	Assist Strap - Sandstone
	064219-01-000	EA	Retainer Strap - Driver Door
	066109-02-000	EA	Strap - Driver Door
	063733-01-000	EA	Bushing - Flange - Nylon
	063729-01-000	EA	Rivnut - 1/4 x 20 unc. - .030 - .125
	081903-01-000	EA	Shaft - Mounting Knob
	081905-01-000	EA	Knob - Control - Slide Bolt - Passenger
	081905-02-000	EA	Knob - Control - Slide Bolt - Driver
	081906-01-000	EA	Slide Bolt - Driver Door
	081907-01-000	EA	Regulator Asm. - Window - Passenger
	081907-02-000	EA	Regulator Asm. - Window - Driver
	081910-01-000	FT	Channel - Window - Sliding
	081912-01-000	EA	Weatherstrip - Rigid
	063886-09-000	EA	Assist Handle - Door
	075722-01-000	EA	Block - Switch - Spacer
	079215-01-000	EA	Frame Asm - Front Slant Slider
	079421-01-T03	EA	Window Asm - Front Slant Slider - Passenger
	073118-01-000	EA	Retainer - Attachment Plate
	073112-01-000	EA	Attachment Plate - Striker
	079561-01-000	EA	Shim - Strike - Cab Door
	050216-02-000	FT	Spline - Vinyl - Glass - .19
	057656-06-000	EA	Glass - .19" x 28 11" x 13 98"
	R77007-56-701	EA	Plate - Passenger Door Lock
	R77007-56-702	EA	Plate - Driver Door Lock
	R77040-01-538	EA	Door Handle
	R77007-05-374	EA	Plate - Door Handle Spacer
	R77006-50-326	EA	Door - Handle Inner - Driver
	R77006-50-261	EA	Door - Handle Inner - Passenger
	R77006-13-460	EA	Cap - Inner - Window Crank
	072035-01-000	EA	Crank - Hand - Glass Lift
	072036-02-000	EA	Cap - Crank - Hand
	073110-02-000	EA	Rod - Lock - Passenger
	073110-03-000	EA	Rod - Lock - Driver
	R77006-64-355	EA	Link - Door Handle - Control
	R77030-58-048	EA	Washer
	R77030-33-009	EA	Nut - w/Washer
	R77007-62-746	EA	Lock - Left Tumbler Assembly
	R77007-62-747	EA	Lock - Right Tumbler Assembly
	081488-01-000	EA	Glass - Door - Roll-Up
	083223-02-000	EA	Lock Asm - Key Type (Set of 2)
	076542-03-000	EA	Rod Control - Latch - Passenger
	076542-04-000	EA	Rod Control - Latch - Driver

WINDOW, VENT & EXTERIOR DOOR GROUP (CONTINUED)

ACCESS DOOR HARDWARE

Key	Part Number	U/M	Description
	052424-03-000	EA	Jamb - Power Cord/Fuel Fill Door
	054543-03-000	EA	Hatch Power Cord
	078200-01-000	EA	Gasket - Fuel Fill - 3.54"
	009003-01-000	EA	Lock Asm - Twist Type - w/Clip (Refrigerator)
	042442-01-000	EA	Lock Asm - Twist Type (Power Cord)
	079927-03-000	EA	Lock Asm. - Twist Type (Right Front Storage)
	085730-01-000	EA	Latch Asm - Paddle - Plastic (Left Front Storage)
	085730-04-000	EA	Latch Asm - Paddle - Plastic (Right Front Storage)
	079366-03-000	EA	Lock Asm. - Key Type - w/o Keys (New Luggage)
	079366-04-000	EA	Lock Asm - Key Type - w/o Keys (New Generator)
	047305-01-000	EA	Lock Asm. - Key Type - w/Clip (Old Luggage)
	079368-01-000	FT	Seal - Access Doors
	083615-04-000	EA	Door Stop - Plastic

VENTS

Key	Part Number	U/M	Description
	084073-04-000	EA	Base - Refrigerator Vent
	084073-02-000	EA	Cover - Refrigerator Vent - Gray
	084616-03-000	EA	Vent - Stovehood - Outside - Gray
	075056-01-000	EA	Vent Asm - Roof - Non-Powered - w/o Screen
	064469-02-000	EA	Vent Asm - Roof - Power - w/o Screen
	078786-01-T03	EA	Screen Asm - Roof Vent - Non Powered
	078785-01-T03	EA	Screen Asm - Roof Vent - Powered
**	079537-01-000	EA	Vent Asm - Roof - Powered - w/o Screen
	083558-01-000	EA	Vent - Roof - Vent Pipe - Covered
	084878-01-000	EA	Vent - Range Hood - S/W
	080508-01-000	EA	Panel - Inner Skylight
	080507-01-000	EA	Panel - Outer Skylight
	080258-01-000	EA	Trim - Skylight Outer
**	The illustrated parts breakdown for this item is provided on the Common Items Fiche		

WINDSHIELD

Key	Part Number	U/M	Description
	077675-01-000	EA	Glass - Windshield - Passenger
	077675-02-000	EA	Glass - Windshield - Driver
	058291-01-000	EA	Edge Molding - Windshield
	077944-01-000	EA	Reveal Molding - Upper Right
	077944-02-000	EA	Reveal Molding - Upper Left
	077945-01-000	EA	Reveal Molding - Lower Right
	077945-02-000	EA	Reveal Molding - Lower Left
	076676-02-000	EA	Reveal Molding - T-Cap - Center Barb
	077952-02-000	EA	Reveal Molding - T-Cap
	079225-01-000	EA	Trim Molding - Windshield Post - Right
	079225-02-000	EA	Trim Molding - Windshield Post - Left

**1987 ITASCA
TABLE OF CONTENTS**

IC420EG	A-01 - B-06
ICN22EC	B-07 - D-08
ICN27RT	D-09 - F-14
IJN32RQ	F-15 - I-02
ICP26ET	I-03 - K-10

1987 ICN27RT INDEX

Floor Plan	D-09 - D-10
Accessories Group	D-11 - D-13
Bath Group	D-14
Chassis Group	D-15 - D-17
Curtain, Cushion & Pad Group	D-18 - E-02
Dinette Group	E-03
Driver's Compartment Group	E-04 - E-06
Electrical Group	E-07 - E-09
Exterior Body Group	E-10 - E-14
Galley Group	E-15 - E-16
Heating & Air Conditioning Group	E-17
Interior Finish Group	E-18 - E-20
LP Group	E-21
Lounge Group	E-22 - E-23
Water & Sewage Group	E-24
Window, Vent & Exterior Door Group	F-01 - F-14

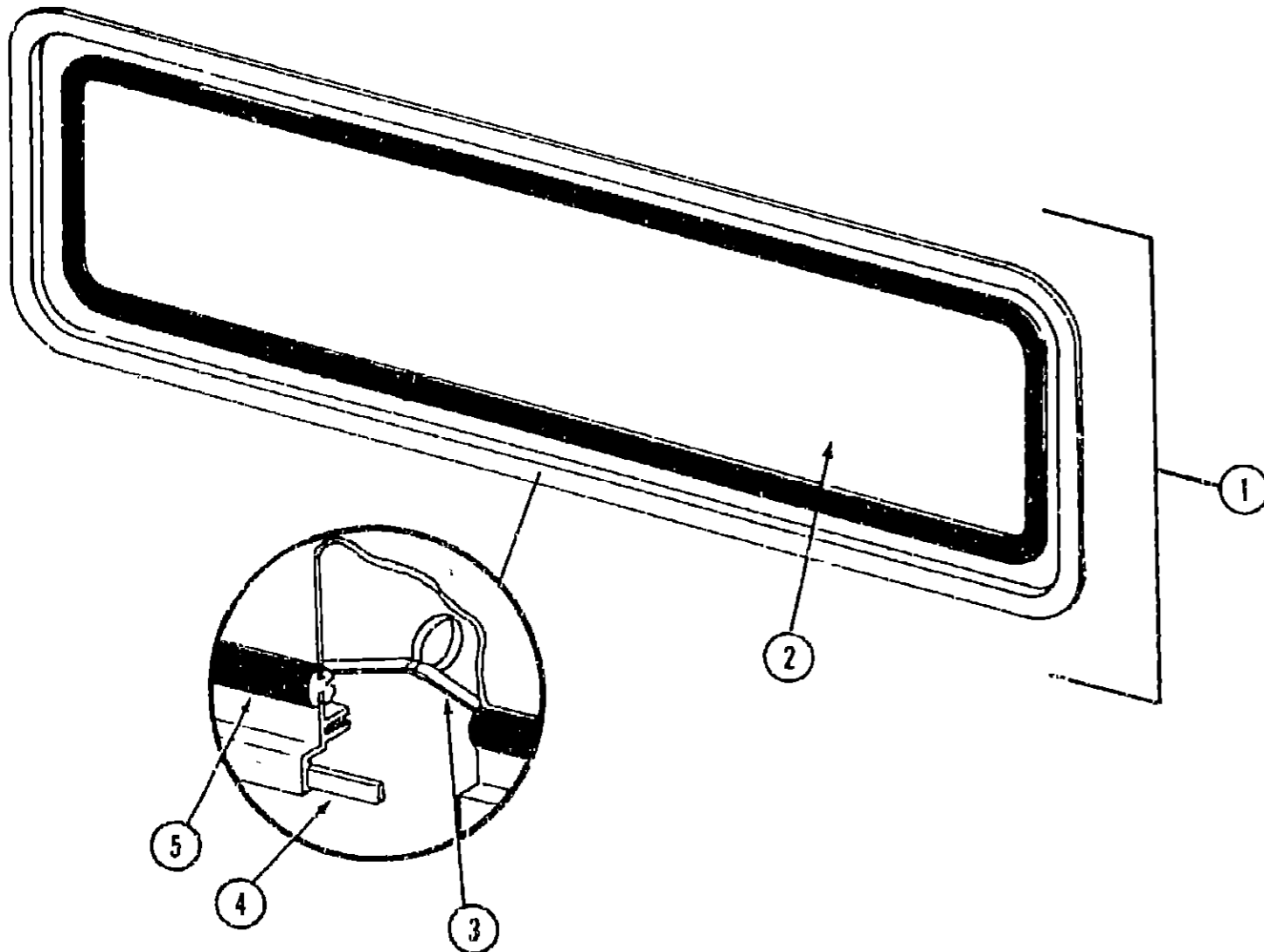
WINDOW, VENT & EXTERIOR DOOR GROUP (CONTINUED)

WINDOW, VENT & EXTERIOR DOOR GROUP (CONTINUED)

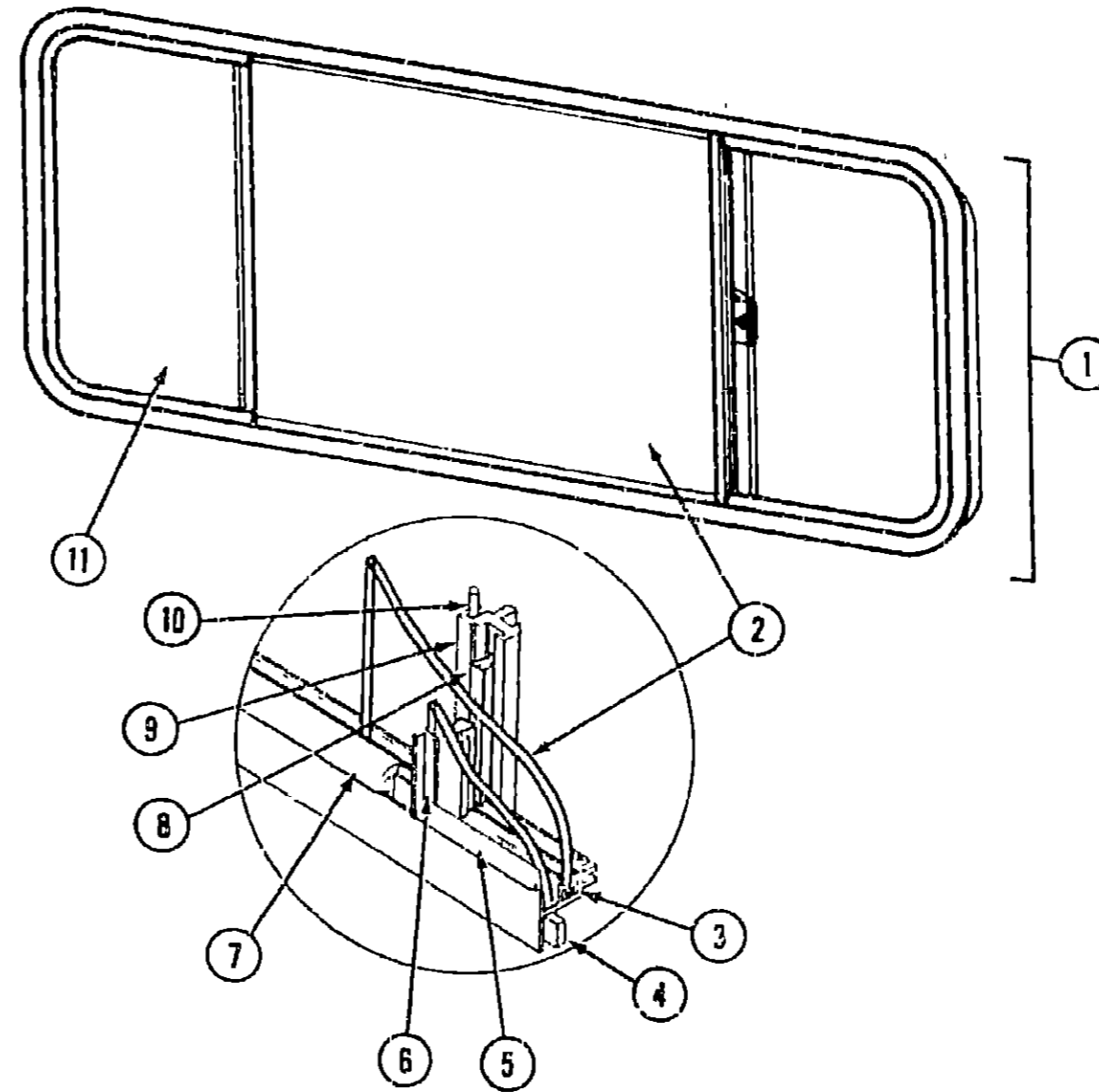
**1987 ITASCA
TABLE OF CONTENTS**

IC420EG
ICN22EC
ICN27RT
IJN32RQ
ICP26ET

A-01 - B-06
B-07 - D-08
D-09 - F-14
F-15 - I-02
I-03 - K-10



Key	Part Number	U/M	Description
1	078536-01-T03	EA	Window Asm - Escape - 23" x 68" - Black (w/o inside frame)
.	042027-05-000	EA	Inside Frame - Escape Window - Beige (not included in assembly)
2	002178-01-000	EA	Glass - 1/8" x 19 61" x 64 80"
3	002285-01-000	FT	Filler - Weatherstrip - Black
4	069640-01-000	FT	Tape - 1/4" Bead x 20'
5	002282-01-000	FT	Weatherstrip - Window - 125" Black
.	006199-01-000	EA	Label - Exit - Escape Window
.			Not illustrated

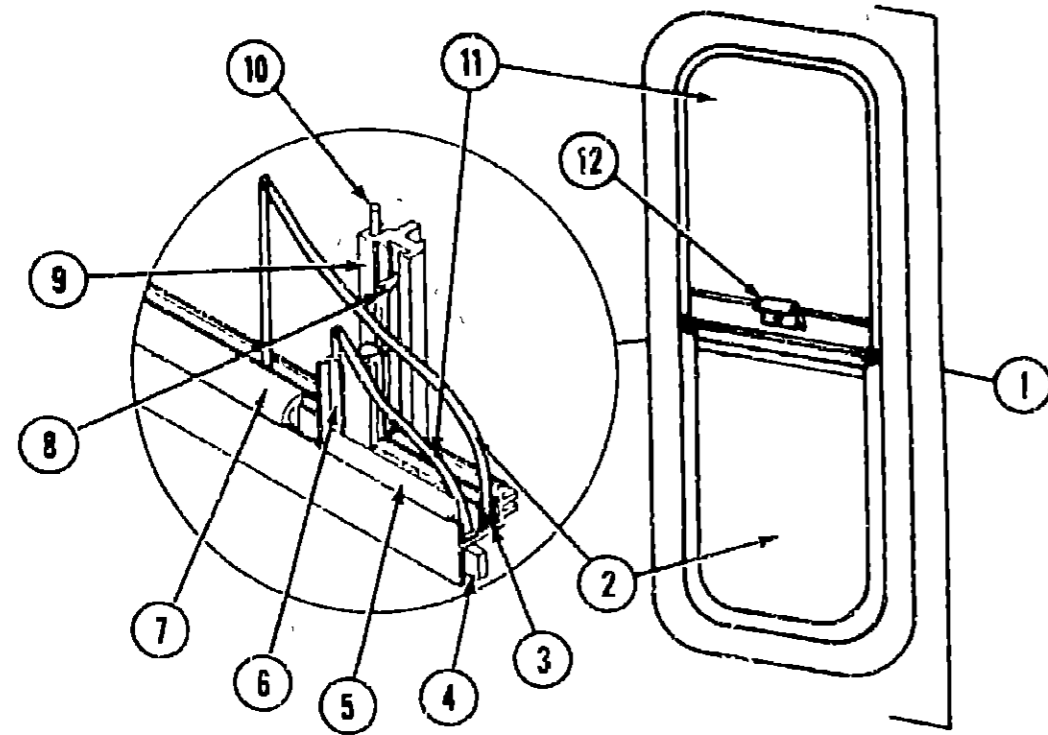


Key	Part Number	U/M	Description
1	078271-01-T03	EA	Window Asm. - Center Slider - 25" x 56" - Black (w/o inside frame)
.	083122-11-000	EA	Inside Frame - Beige (not included in assembly)
2	066727-02-000	EA	Glass - Sliding - 1/8" x 25.5" x 24"
3	002324-02-000	FT	Channel - Weatherstrip - Glass
4	069640-01-000	FT	Tape - 1/4" Bead x 20'
5	002309-02-000	FT	Spline - Glass - 1/8" Material - Black
6	M69886-03-003	EA	Outside Mullion - 23 19" - Black
7	057374-02-000	FT	Extr. Vinyl - Window Seal - Black
8	073740-01-000	FT	Seal - Fin - Pile - 460"
9	084170-04-000	EA	Mullion - Slider Window - Black
10	002298-02-000	FT	Spline - .130" Dia - Charcoal (Screen)
11	081984-07-000	EA	Glass - Stationary - 1/8" x 16 5" x 24"
.	047369-01-700	EA	Latch Kit - Window - Plastic w/Fastener
.	023713-02-000	EA	Weephole Cover - Black Plastic
.	002293-02-000	SF	Screen - Window - 26" - Charcoal
.			Not illustrated

1987 ICN27RT INDEX

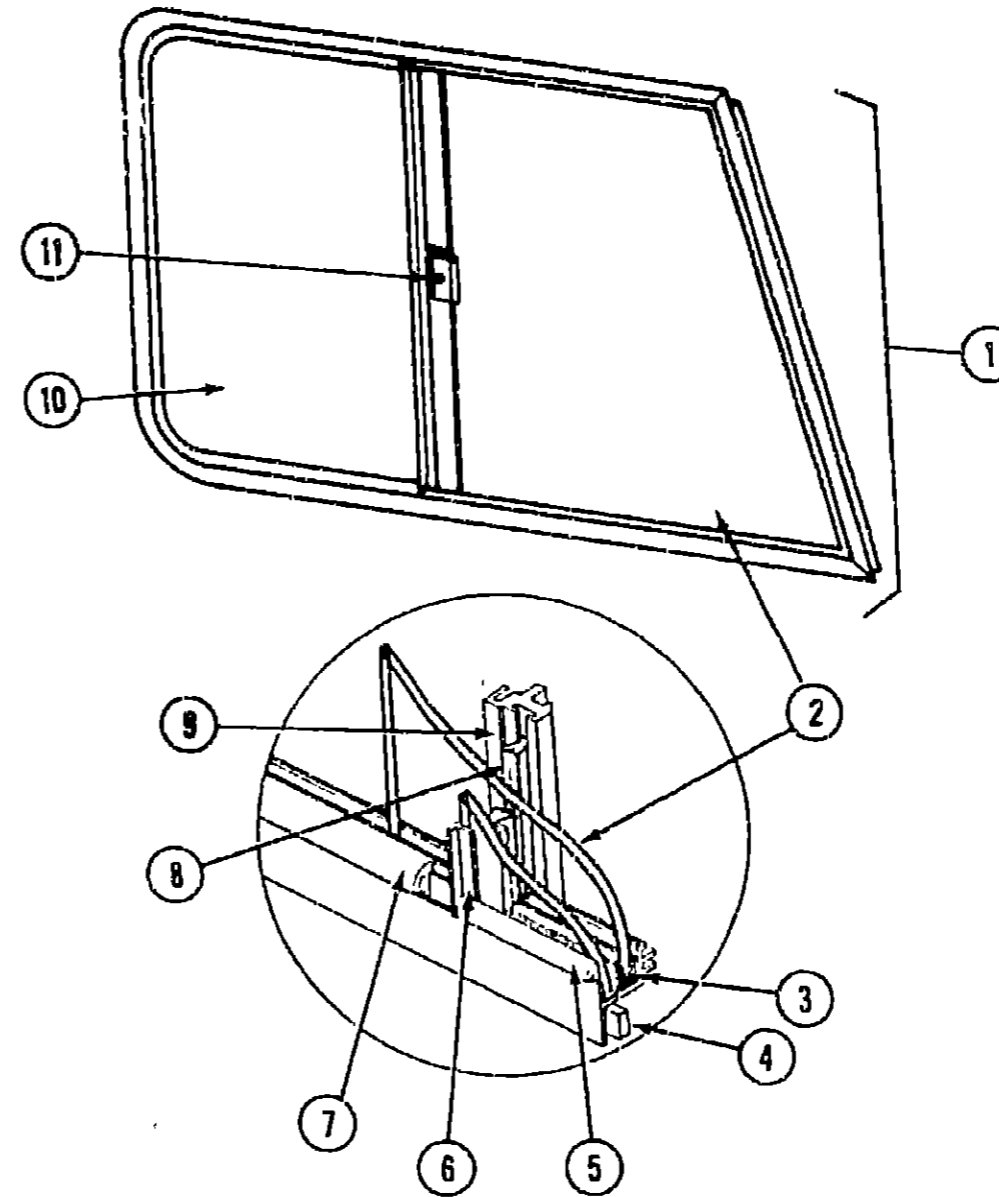
Floor Plan	D-09 - D-10
Accessories Group	D-11 - D-13
Bath Group	D-14
Chassis Group	D-15 - D-17
Curtain, Cushion & Pad Group	D-18 - E-02
Dinette Group	E-03
Driver's Compartment Group	E-04 - E-06
Electrical Group	E-07 - E-09
Exterior Body Group	E-10 - E-14
Galley Group	E-15 - E-16
Heating & Air Conditioning Group	E-17
Interior Finish Group	E-18 - E-20
LP Group	E-21
Lounge Group	E-22 - E-23
Water & Sewage Group	E-24
Window, Vent & Exterior Door Group	F-01 - F-14

WINDOW, VENT & EXTERIOR DOOR GROUP (CONTINUED)



Key	Part Number	U/M	Description
1	078453-02-U25	EA	Window Asm - Vertical Slider - 37" x 15" - Black (w/o inside frame)
•	083122-13-000	EA	Inside Frame - Beige (not included in assembly)
2	081981-01-000	EA	Glass - Slider
3	002324-02-000	FT	Channel - Weatherstrip - Glass Run - 1/8" Glass
4	069640-06-000	FT	Ribbon Sealer - 5/16" Bead x 15'
5	002309-02-000	FT	Spline - Glass - 1/8" Material - Black
6	M18025-04-000	EA	Seal Holder w/Fin Seal - Black
7	057374-02-000	FT	Extr Hubber - Window Seal - Black
8	073740-01-000	F1	Seal - Fin - Pile - 460"
9	084170-06-000	EA	Mullion - Slider Window - Black
10	002298-02-000	FT	Spline - .130" Dia. - Charcoal (Screen)
11	081984-04-000	EA	Glass - Stationary - 1/8" x 17.4" x 11.5"
12	047369-01-700	EA	Latch Kit - Window - Plastic w/Fastener
•	079204-01-000	EA	Bracket - Mullion - Black
•	002292-02-000	SF	Screen - Window - 20" - Charcoal
•	Not illustrated		

WINDOW, VENT & EXTERIOR DOOR GROUP (CONTINUED)



Key	Part Number	U/M	Description
1	082057-01-U04	EA	Window Asm - Front Slant Slider - (w/o inside frame)
•	079573-01-T03	EA	Inside Frame - Slant Slider - (not included in assembly)
2	057656-03-000	EA	Glass - .19" x 28.11" x 27" - Stationary
3	042077-01-000	FT	Channel - Weatherstrip - 3/16" Glass
4	069640-01-000	FT	Ribbon Sealer - 1/4" Bead x 20'
5	050216-02-000	FT	Window Seal - .19" - Glass
6	002389-03-203	EA	Seal Holder w/Fin Seal - 27.12" - Black
7	057374-02-000	FT	Extr. Rubber - Window Seal - Black
8	073740-01-000	FT	Seal - Fin - Pile - 460"
9	078562-07-000	EA	Mullion - Slider Window - Black
10	002298-02-000	FT	Spline - .130" Dia - Charcoal (Screen)
11	081980-06-000	EA	Glass - 19" x 28.11" x 14.88" - Sliding
•	079204-01-000	EA	Bracket - Mullion - Black
•	079574-01-T03	EA	Slider Screen Asm
•	002291-02-000	SF	Screen - Window - 16" - Charcoal
•	016310-03-000	EA	Handle - Slider Screen - Black
•	047369-01-700	EA	Latch Kit - Window - Plastic w/Fastener
•	Not illustrated		

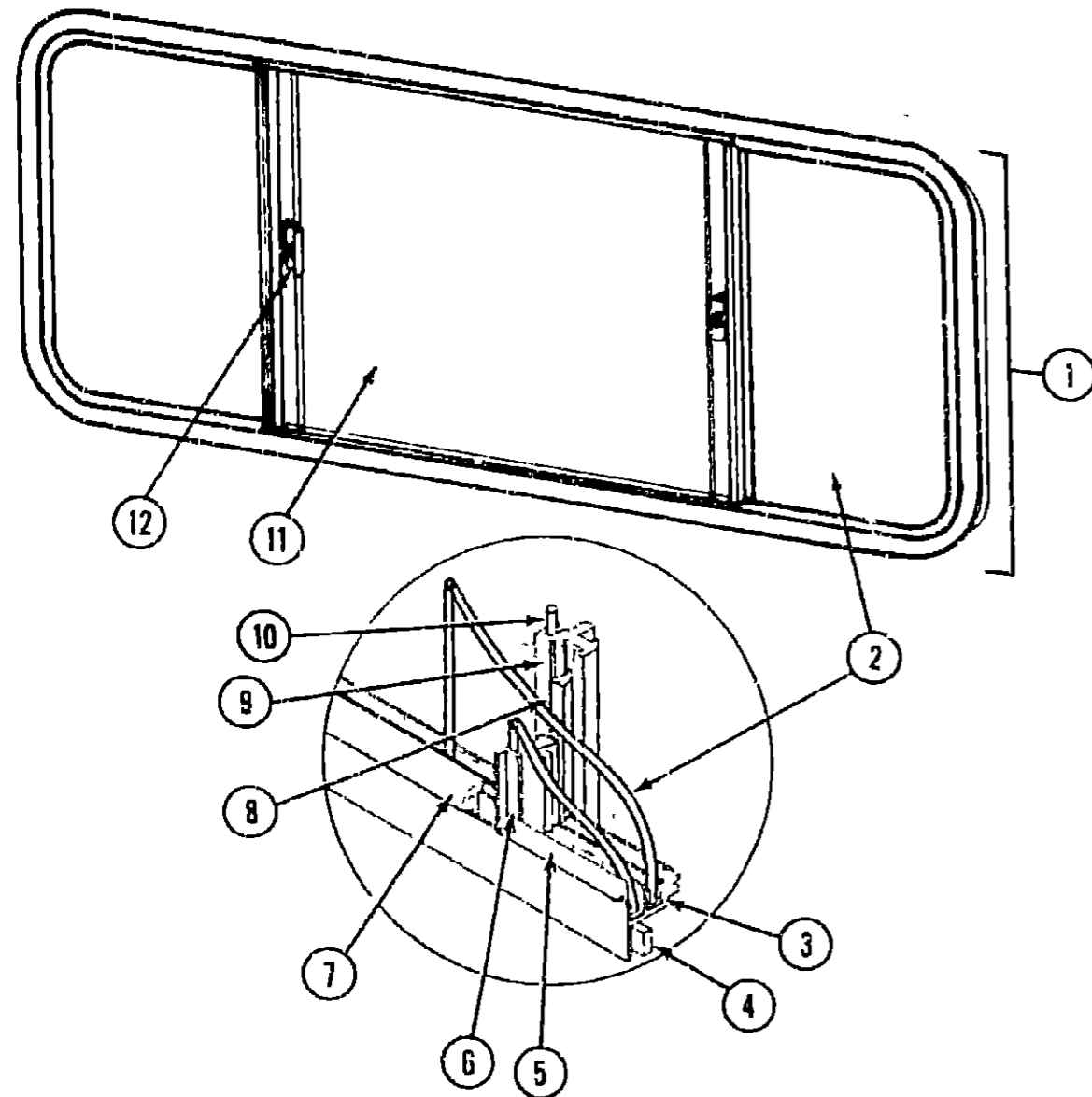
**1987 ITASCA
TABLE OF CONTENTS**

IC420EG	A-01 - B-06
ICN22EC	B-07 - D-08
ICN27RT	D-09 - F-14
IJN32RQ	F-15 - I-02
ICP26E1	I-03 - K-10

1987 ICN27RT INDEX

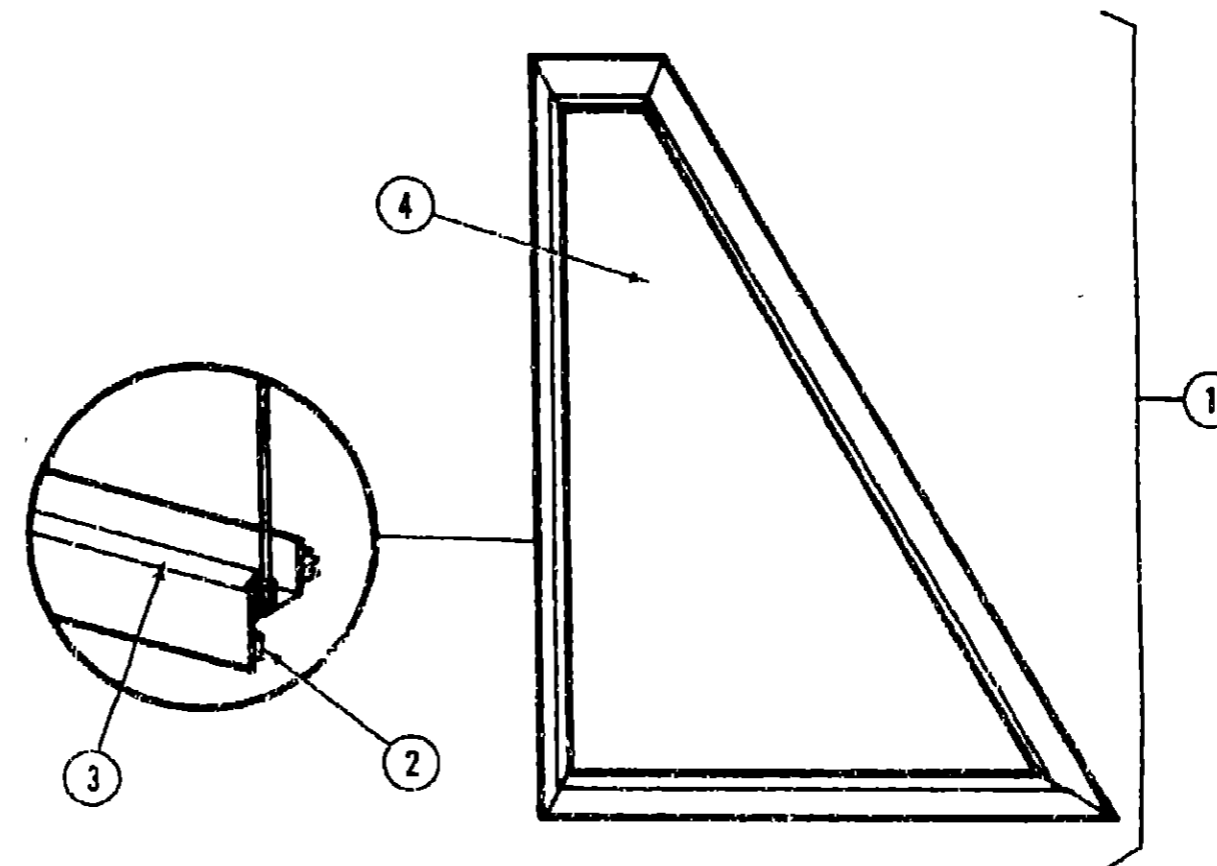
Floor Plan	D-09 - D-10
Accessories Group	D-11 - D-13
Bath Group	D-14
Chassis Group	D-15 - D-17
Curtain, Cushion & Pad Group	D-18 - E-02
Direct Group	E-03
Driver's Compartment Group	E-04 - E-06
Electrical Group	E-07 - E-09
Exterior Body Group	E-10 - E-14
Galley Group	E-15 - E-16
Heating & Air Conditioning Group	E-17
Interior Finish Group	E-18 - E-20
LP Group	E-21
Lounge Group	E-22 - E-23
Water & Sewage Group	E-24
Window, Vent & Exterior Door Group	F-01 - F-14

WINDOW, VENT & EXTERIOR DOOR GROUP (CONTINUED)



Key	Part Number	U/M	Description
1	078269-02-W24	EA	Window Asm - Double Slider (w/o inside frame)
*	083122-17-000	EA	Inside Frame - Beige (not included in assembly)
2	081980-07-000	EA	Glass - Sliding - 1/8" x 30.7" x 20.3" - Gray
3	002324-02-000	FT	Channel - Weatherstrip - Glass
4	069640-06-000	FT	Ribbon Sealer - 5/16" Bead x 15'
5	002309-02-000	FT	Spline - Glass - 1/8" Material - Black
6	018025-11-000	EA	Seal Holder - 1/8" Glass - Black
7	057374-02-000	FT	Extr Vinyl - Window Seal - Black
8	073740-01-000	FT	Seal - Fin - Pile - 460"
9	084170-08-000	EA	Mullion - Slider Window - Black
*	002293-02-000	SF	Screen - Window - 26" - Charcoal
10	002298-02-000	FT	Spline - .130" Dia - Charcoal (Screen)
11	002188-07-000	EA	Glass - Stationary - 1/8" x 30.7" x 24.8"
12	048369-01-700	EA	Latch Kit - Window - Plastic w/Fastener
*			Not illustrated

WINDOW, VENT & EXTERIOR DOOR GROUP (CONTINUED)



Key	Part Number	U/M	Description
1	079421-01-T03	EA	Window Asm - Front Slant - Passenger (w/o inside frame)
1	079421-02-T03	EA	Window Asm - Front Slant - Drivers (w/o inside frame)
*	079215-01-000	EA	Inside Frame - Front Slant - Passenger - Beige (not included in assembly)
*	079215-02-000	EA	Inside Frame - Front Slant - Drivers - Beige (not included in assembly)
2	069640-01-000	FT	Tape - 1/4" Bead x 20'
3	050216-02-000	FT	Spline - Glass - 1/8" - Black
4	057656-04-000	EA	Glass - 19' x 28.11" x 26.13"
*			Not illustrated

**1987 ITASCA
TABLE OF CONTENTS**

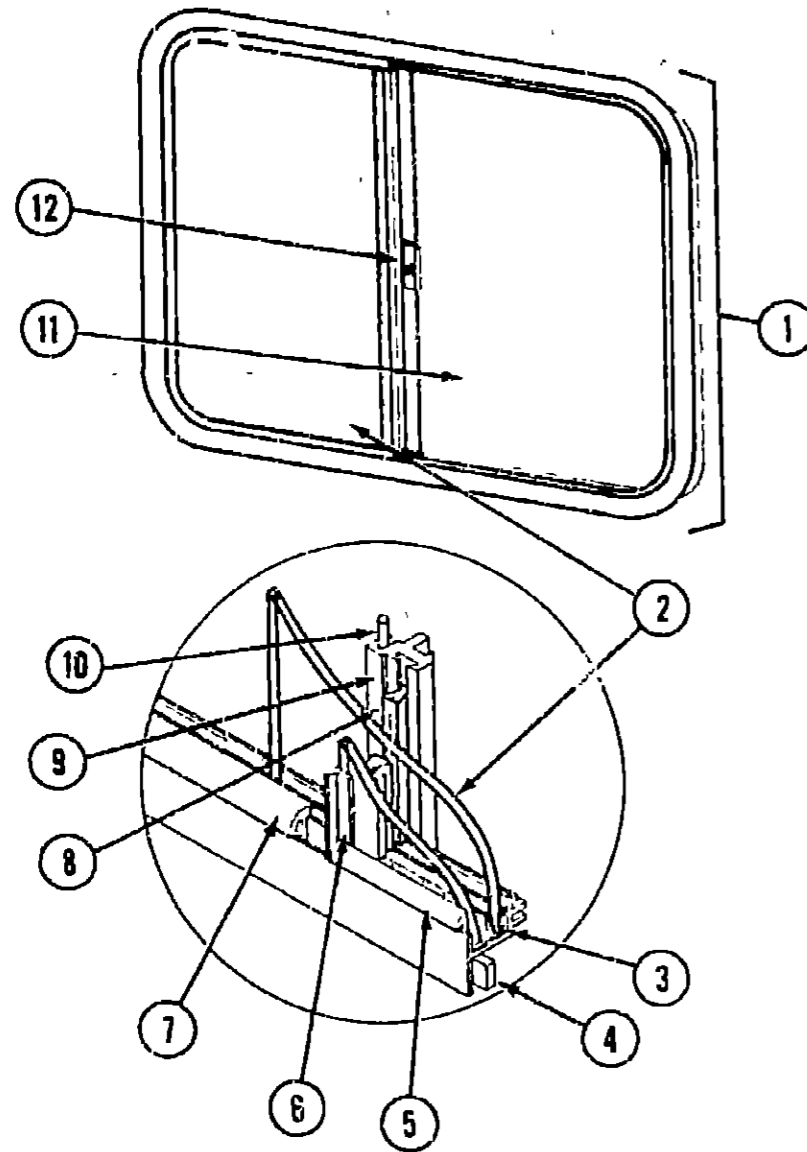
IC420EG
ICN22EC
ICN27RT
IJN32RQ
ICP26ET

A-01 - B-06
B-07 - D-08
D-09 - F-14
F-15 - I-02
I-03 - K-10

1987 ICN27RT INDEX

Floor Plan	D-09 - D-10
Accessories Group	D-11 - D-13
Bath Group	D-14
Chassis Group	D-15 - D-17
Curtain, Cushion & Pad Group	D-18 - E-02
Dinette Group	E-03
Driver's Compartment Group	E-04 - E-06
Electrical Group	E-07 - E-09
Exterior Body Group	E-10 - E-14
Galley Group	E-15 - E-16
Heating & Air Conditioning Group	E-17
Interior Finish Group	E-18 - E-20
LP Group	E-21
Lounge Group	E-22 - E-23
Water & Sewage Group	E-24
Window, Vent & Exterior Door Group	F-01 - F-14

WINDOW, VENT & EXTERIOR DOOR GROUP (CONTINUED)



Key	Part Number	U/M	Description
1	078266-02-T03	EA	Window Asm. - Right Single Slider - 20" x 25" - Black (w/o inside frame)
	083122-03-000	EA	Inside Frame - Beige (not included in assembly)
2	081980-05-000	EA	Glass - Sliding - 1/8" x 19" x 12 3/4"
3	002324-02-000	FT	Channel - Weatherstrip - Glass Run - 1/8" Glass
4	069840-06-000	FT	Ribbon Sealer - 5/16" Bead x 15'
5	002309-02-000	FT	Spline - Glass - 1/8" - Black
6	M69B86-03-011	EA	Seal Holder w/Fin Seal - 18.19" - Black
7	057374-02-000	FT	Extr Vinyl - Window Seal - Black
8	073740-01-000	FT	Seal - Fin - 460 Pile
9	078562-02-000	EA	Inside Mullion - Slider Window - Black
10	002298-02-000	FT	Spline - .130" Dia - Charcoal (Screen)
11	081984-03-000	EA	Glass - Stationary - 1/8" x 19" x 12 3/4"
12	047369-01-700	EA	Latch Kit - Window - Plastic w/Fastener
	002293-02-000	SF	Screen - Window - 26" - Charcoal
			Not illustrated

**1987 ITASCA
TABLE OF CONTENTS**

IC420EG	A-01 - B-08
ICN22EC	B-07 - D-08
ICN27RT	D-09 - F-14
IJN32RQ	F-15 - I-02
ICP26ET	I-03 - K-10

1987 ICN27RT INDEX

Floor Plan	D-09 - D-10
Accessories Group	D-11 - D-13
Bath Group	D-14
Chassis Group	D-15 - D-17
Curtain, Cushion & Pad Group	D-18 - E-02
Dinette Group	E-03
Driver's Compartment Group	E-04 - E-06
Electrical Group	E-07 - E-09
Exterior Body Group	E-10 - E-14
Galley Group	E-15 - E-18
Heating & Air Conditioning Group	E-17
Interior Finish Group	E-18 - E-20
LP Group	E-21
Lounge Group	E-22 - E-23
Water & Sewage Group	E-24
Window, Vent & Exterior Door Group	F-01 - F-14