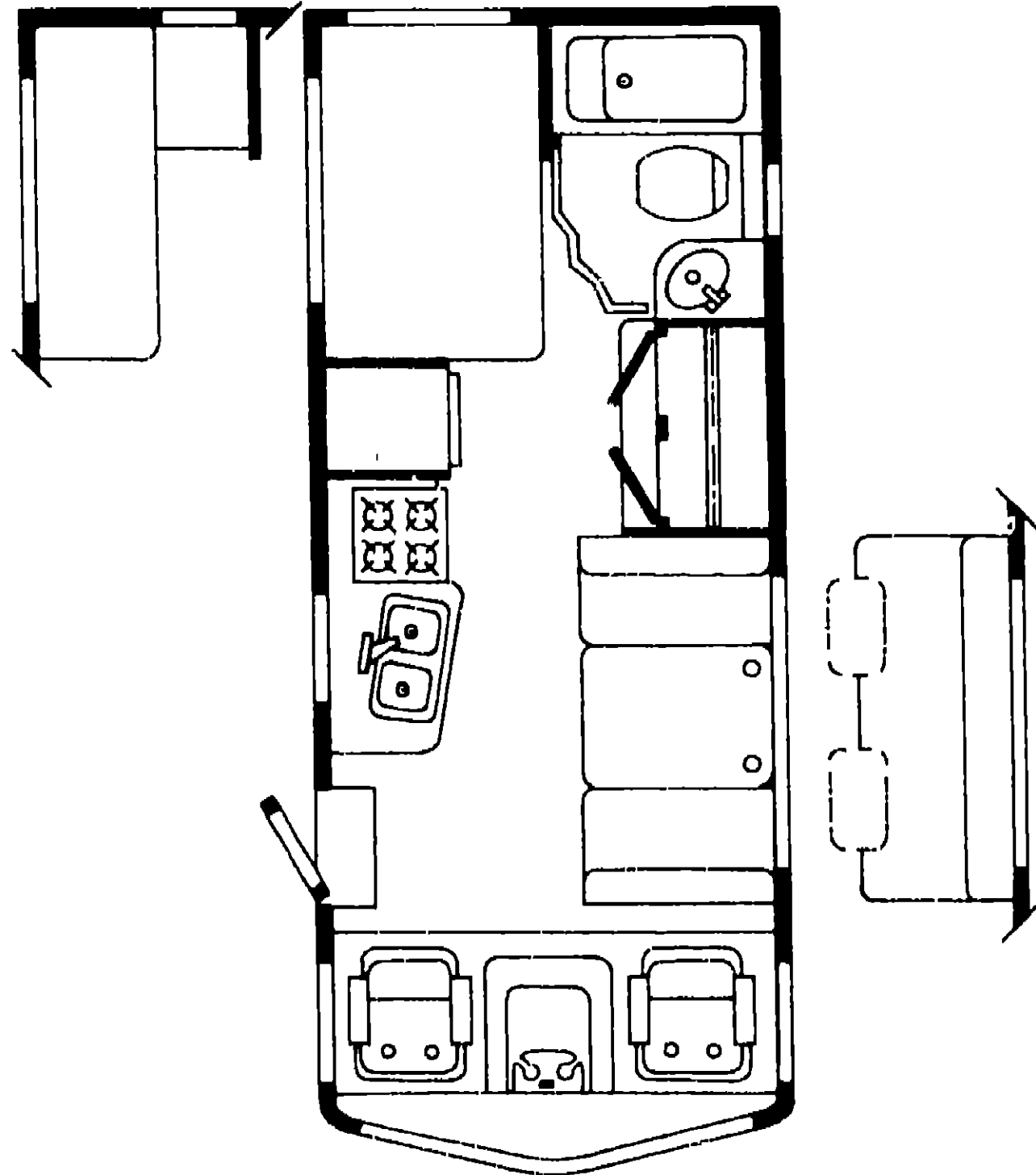


# 1987 ICN22RC



## 1987 ITASCA TABLE OF CONTENTS

INTRODUCTION	A 01
ABBREVIATIONS	A 01
ALPHABETICAL INDEX	A-02 - A 04
IT319RB	A-05 B 18
IF426RT	B-19 - D-18
ICN22RC	D 19 - G 04
ICP37RQ	G-05 - I 18

## 1987 ICN22RC INDEX

Floor Plan	D-17 - D 20
Accessories Group	D 21 - D 24
Bath Group	E 01 E 02
Chassis Group	E 03 - E 04
Curtain Cushion & Pad Group	E 05 - E-12
Dinette Group	E-13
Driver's Compartment Group	E 14 - E 16
Electrical Group	E-17 - E 19
Exterior Body Group	E 20 - F-02
Galley Group	F 03 - F 04
Heating & Air Conditioning Group	F 05
Interior Finish Group	F-06 - F 08
LP Group	F 09
Lounge Group	F 10
Water & Sewage Group	F 11 F 12
Window Vent & Exterior Door Group	F-13 G 01

## ACCESSORIES GROUP

### RADIO & RELATED COMPONENTS

Key	Part Number	U/M	Description
	031105-01-000	EA	Antenna - Radio - Side Mount
	031105-01-700	EA	Antenna Holder - Radio - Upper
	075903-01-000	EA	Radio - AM/FM/MPX w/Cassette
	075904-01-000	EA	Radio - AM/FM/MPX w/Cassette - Electronic Tuning
	074979-01-000	EA	Speaker Cover Protector - Plastic
	073741-02-000	EA	Speaker - 4 x 6 - Oval
	073431-01-000	EA	Speaker - 5 25 - 3/Way (Pair)
	064791-01-000	EA	Speaker - Recessed - 5 25
	064792-01-000	EA	Grille - Speaker - 5 25 - w/Mesh - Brown - Square

### GENERATORS & COMPONENTS

Key	Part Number	U/M	Description
	079654-03-000	EA	Generator - Emerald - 4 0 kw
	052168-01-000	EA	Generator - Onan - 4 25 kw
	068046-01-000	EA	LP Conversion Kit - Onan Generator
	072332-01-000	EA	Generator - Kohler - 4 5 kw LP
	069229-01-000	EA	Generator - Kohler - 4 5 kw
	701629-02 000	EA	Installation Package
	024732-01-016	EA	Tailpipe 1 5 O D x 43 50
	067753-01-000	EA	Muffler - Generator - w/Spark Arrestor Nelson
	007067-01 000	EA	Insulation - Fiberglass - 1

### MISCELLANEOUS ACCESSORIES

Key	Part Number	U/M	Description
	054185-28-000	EA	Owners Manual - 1987 - Itasca & Winnebago
	076319-01-000	EA	Antenna - TV Roof Mount 44 5 Mast
	086778-03-000	EA	Receptacle Outside - TV Cable - Gray
	086778-04-000	EA	Gasket Outside TV Receptacle
	017516-01-000	EA	Mud Flap w/Holes - 14" x 18 Black
	041944-03-000	EA	Fire Extinguisher - 5BC
	084472-01-000	EA	Holder - Recessed - Fire Extinguisher
	081018-02 T03	EA	Ladder Asm
	081026-01-T03	EA	Rack Asm - Right
	081026-02-T03	EA	Rack Asm - Left
	080886-01-000	EA	Stand Off - Rack & Ladder Asm
	081056-01-000	EA	Quick Pin Release
	064093-01-000	EA	Luggage Carrier Assembly
	039881-01-000	EA	Catch & Strike - Luggage Carrier
	072852-01-000	EA	Smoke Detector w/9 Volt Battery
	078665-01-000	EA	Clock - 9 x 9'
	006069-01-000	EA	Key Case - Leather
	040069-01-000	EA	Door Mat - 10 5' x 26' - Black Rubber
	081075-02 000	EA	Door Mat - Entrance - Itasca
	081201-02-000	EA	Door Mat Left Front - Itasca
	081202-02 000	EA	Door Mat Right Front - Itasca
	080208 01-000	EA	Lug Wrench
	080208-02 000	EA	Leverage Bar - Lug Wrench
	008113-01-000	EA	Jack - Hydraulic 6 Ton - w/Handle
	075461-01-000	EA	Electric Step Asm - w/Light

The illustrated parts breakdown for this item is provided on the Common Items Fiche

## ACCESSORIES GROUP (CONTINUED)

### OPTIONAL STEERING WHEEL

Key	Part Number	U/M	Description
	080752-05-000	EA	Steering Wheel - Custom
	080752-06-000	EA	Hub Adapter - Steering Wheel
	080752 07 000	EA	Button - Horn - w/Wire
	080752-08-000	EA	Screw - Custom Steering Wheel

### CHROME WHEEL LINERS & COVERS

Key	Part Number	U/M	Description
	085741-03-000	EA	Liners - 16 Wheel - Chrome (Set 4)
	083181 01-000	EA	Wheel Cover - Clip On - 16 - Dalmat (4)
	083181-01-700	EA	Wheel Cover - Clip On - 16 - Dalmat (1)

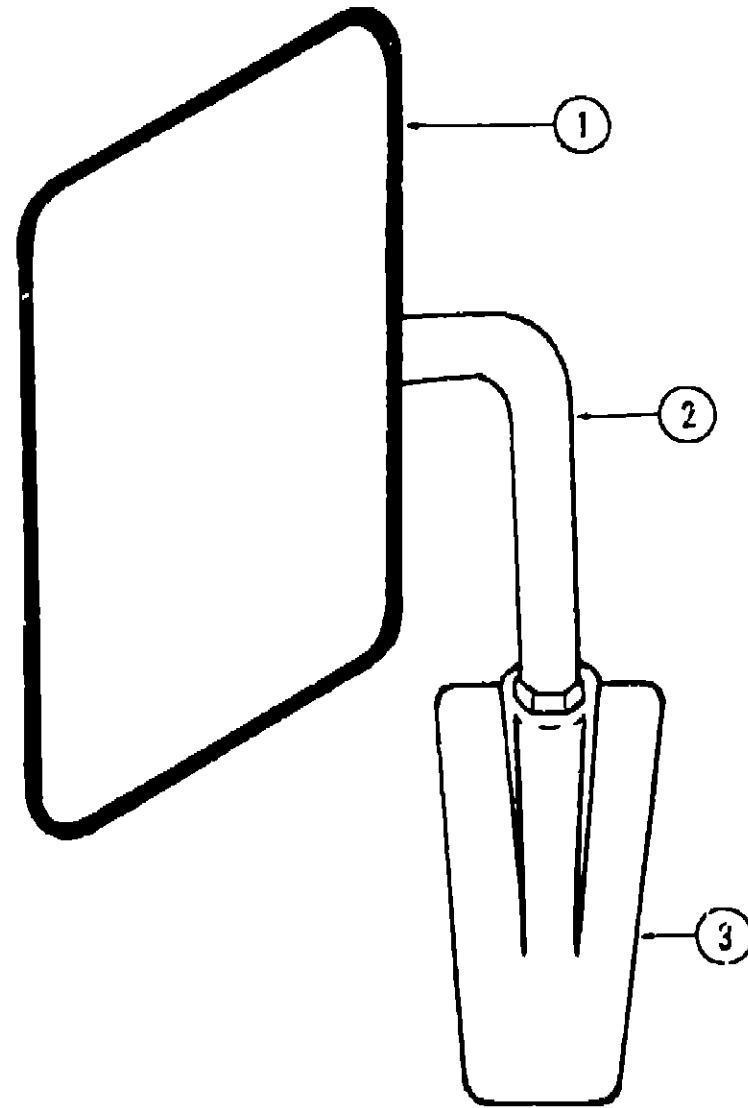
## 1987 ITASCA TABLE OF CONTENTS

INTRODUCTION	A-01
ABBREVIATIONS	A-01
ALPHABETICAL INDEX	A 02 - A-04
IT319RB	A-05 - B-18
IF426RT	B 19 - D 18
ICN22RC	D 19 - G-04
ICP37RQ	G-05 - I 18

## 1987 ICN22RC INDEX

Floor Plan	D-17 - D 20
Accessories Group	D 21 - D 24
Bath Group	E 01 - E-02
Chassis Group	E-03 - E-04
Curtain Cushion & Pad Group	E 05 - E-11
Dinette Group	E-11
Driver's Compartment Group	E 14 - E 16
Electrical Group	E-17 - E-18
Exterior Body Group	E 20 - F 01
Galley Group	F 03 - F 04
Heating & Air Conditioning Group	F-11
Interior Finish Group	F 06 - F-07
LP Group	F 08
Lounge Group	F-10
Water & Sewage Group	F 11 - F-12
Window, Vent & Exterior Door Group	F-13 - G 01

**ACCESSORIES GROUP (CONTINUED)**



**EXTERIOR MIRRORS**

Key	Part Number	U/M	Description
1	049347 01-000	EA	Mirror head 7 1/2 x 10 1/2'
2	049348-03-000	EA	Arm - Lower Mount Mirror - Black
3	049944 04-000	EA	Bracket Mirror - Outside - Black
	077966-01 000	EA	Mirror - Wide Angle - Stainless Steel Passenger
	077966-02-000	EA	Mirror - Wide Angle - Stainless Steel Driver
	006043 01 000	EA	Mirror - Convex - Adhesive Back
	Not Illustrated		

**ACCESSORIES GROUP (CONTINUED)**

**SPEED CONTROLS & COMPONENTS**

Key	Part Number	U/M	Description
	084417-01 000	EA	Speed Control Package - Smart Stick
	084417-01-700	EA	Cable - Servo
	084417 01 701	EA	Servo - Electric Asm
	084417-01 702	EA	Servo Extension Harness
	084417-01-703	EA	Main Harness - Cruise Control
	084417 01-704	EA	Brake Switch - Cruise Control
	084417 01-705	EA	Transducer
	084417 01-706	EA	Speedometer Adapter
	084417-01-707	EA	Control Arm
	084417 01-708	EA	Main Harness - Smart Stick
	084417 01-709	EA	Relay 12 V #2700131
	084417-01-710	EA	Relay #2700084
	084417-01 712	EA	Tester - Cruise Control
	084417-01 713	EA	Pilot
	084417-01-714	EA	Servo Asm
	084417 01-715	EA	Tester - Smart Stick
	084417 01 716	EA	Regulator - Cruise Control
	084417 01-717	EA	Smart Stick - Electric Package
	084417 01 718	EA	Control Arm - Smart Stick Only

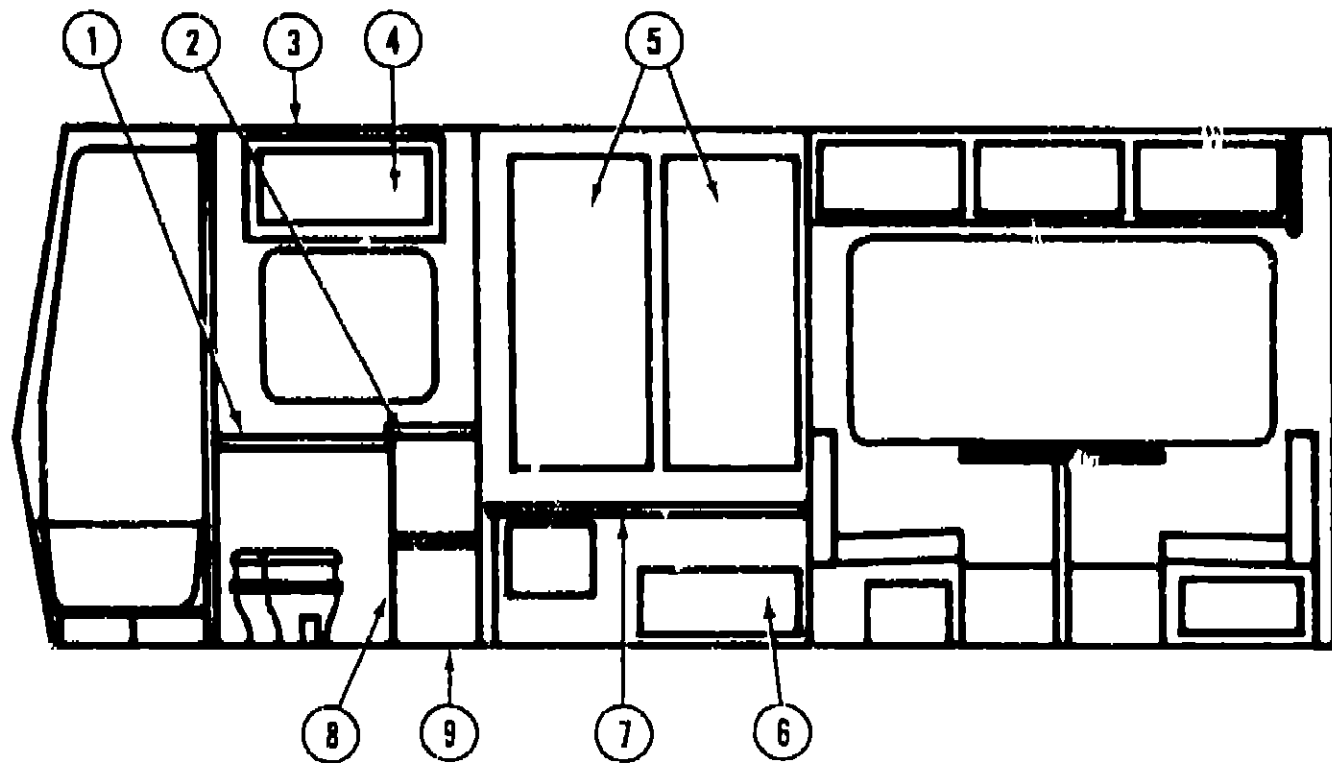
**1987 ITASCA  
TABLE OF CONTENTS**

INTRODUCTION	A-01
ABBREVIATIONS	A-01
ALPHABETICAL INDEX	A-02 - A 04
IT319RB	A-05 - B 18
IF426RT	B-19 - D 18
ICN22RC	D-19 - G 04
ICP37RQ	G 05 - I 18

**1987 ICN22RC INDEX**

Floor Plan	D 17 - D 20
Accessories Group	D 21 - D 24
Bath Group	E 01 - E 02
Chassis Group	E 03 - E 04
Curtain, Cushion & Pad Group	E 05 - E-12
Diapette Group	E-13
Driver's Compartment Group	E-14 - E-16
Electrical Group	E 17 - E-19
Exterior Body Group	E 20 - F 02
Galley Group	F 03 - F 04
Heating & Air Conditioning Group	F 05
Interior Finish Group	F 06 - F 08
LP Group	F 09
Lounge Group	F 10
Water & Sewage Group	F-11 - F-12
Window, Vent & Exterior Door Group	F 13 - G 04

**BATH GROUP**



**BATH CABINETRY**

Key	Part Number	U/M	Description
1	M02198-01 W27	EA	Countertop Asm - Pipe Cover - Jade/Peach
1	M02198 01-W28	EA	Countertop Asm - Pipe Cover - Mahogany
1	M02198 01 W29	EA	Countertop Asm - Pipe Cover - Rose
2	M02406-01 W24	EA	Countertop Asm - Lavatory Cabinet - Jade/Peach (W27)
2	M02406 01 W25	EA	Countertop Asm - Lavatory Cabinet - Mahogany (W28)
2	M02406-01-W26	EA	Countertop Asm - Lavatory Cabinet - Rose (W29)
	076073-01-700	EA	Latch - Medicine Cabinet
3	076073 01-000	EA	Cabinet Asm - Medicine - w/o Doors or Hardware
4	081535-01 W30	EA	Door Asm - Medicine Cabinet - w/Mirror - w/o Hardware
5	M84665-32 W27	EA	Door Asm - Wardrobe Cabinet - w/o Hardware
6	M84665-30-W27	EA	Door Asm - Wardrobe Cabinet w/o Hardware
7	M02426-01-W27	EA	Countertop Asm - Wardrobe (used w/Conventional Dinette)
7	M02427-01-W27	EA	Countertop Asm - Wardrobe (used w/Couch)
8	M84953-54 W24	EA	Door Asm - Lavatory Cabinet
9	M81548-01 W24	EA	Cabinet Asm - Lavatory - w/o Countertop Door or Drawers
	042488-05-000	EA	Door Asm - Folding - w/o Hardware
	081508-01-W27	EA	Drawer Asm - Wardrobe 19 1 x 20 8
			Not illustrated

**BATH GROUP (CONTINUED)**

**BATH HARDWARE**

Key	Part Number	U/M	Description
	M01817 01-T03	EA	Bathtub Asm w/Strainer
	075242-03 000	EA	Faucet - Tub & Shower - Antique Brass
	075240 03-000	EA	Faucet - Lavatory - Antique Brass
	011048 02 000	EA	Shower Head w/60' Hose
	011048 04-000	EA	Vacuum Breaker - 1/8 MPT - Nylon - Shower Head
	075608-01 000	EA	Shower Panel - Faucet - Plastic
	068729 01 000	EA	Strainer - Bathtub Asm
	068435-01 000	EA	Nut Strainer - Plastic - Bathtub Asm
	068438-01-000	EA	Slip Nut 1 5" Tail Piece Bathtub Asm
	069735 01 000	EA	Washer - Tail Piece - 1 5" - Plastic Bathtub Asm
	011069 02-000	EA	Tailpiece - 1 5" x 1 25' x 4 - Brass Bathtub Asm
	080257 01 000	EA	Shroud - Bathtub Asm
	058713 01 000	EA	Sink - Oval - Ivory Plastic
	063740 01 000	EA	Toilet - Thetford Aqua Magic IV
	009134 01 000	EA	Tissue Holder
	033580 01 000	EA	Towel Ring - Plastic
	085500 01-000	EA	Track - Shower Curtain - Beige
	085499 01-000	EA	Trim - Shower Door - Side - Beige
	085498-01 000	EA	Trim - Shower Door - Bottom - Beige
	058331 05 000	EA	Mirror - Tempered Glass 12' x 26'
	058331 04 000	EA	Mirror - Tempered Glass - 12 x 42
	009089 01 000	EA	Clip - Mirror
	057671 01 000	EA	Screw Cover #8 Antique White
	059777-02 000	EA	Hinge - Antique Brass
	009112 01 000	EA	Flange 1 - Clothes Rod
	086924 01 000	LA	Track - Folding Door - 90°
	081508 01-W27	EA	Drawer Asm - Wardrobe - 19 1 x 20 8
	080910 01 000	EA	Panel - Outer Skylight
	077902 01 000	EA	Panel - Inner Skylight
	081171 01 000	EA	Trim - Skylight - Outer

The illustrated parts breakdown for this item is provided on the Common Items Fiche

**1987 ITASCA  
TABLE OF CONTENTS**

INTRODUCTION	A 01
ABBREVIATIONS	A 01
ALPHABETICAL INDEX	A 02 A 04
IT319RB	A 05 B 10
IF428RT	B 19 D 18
ICN22RC	D 19 - G 04
ICP37RO	G 05 - I 18

**1987 ICN22RC INDEX**

Floor Plan	D 17 - D 20
Accessories Group	D 21 D 24
Bath Group	E 01 - E-02
Chassis Group	E-03 E 04
Curtain Cushion & Pad Group	F 05 - E-12
Dinette Group	E-13
Driver's Compartment Group	E-14 - E 16
Electrical Group	E-17 - E-19
Exterior Body Group	E 20 - F-02
Galley Group	F 03 - F-04
Heating & Air Conditioning Group	F-05
Interior Finish Group	F-06 - F-08
LP Group	F-09
Lounge Group	F 10
Water & Sewage Group	F-11 - F-12
Window Vent & Exterior Door Group	F 13 - G 01

## CHASSIS GROUP

### MISCELLANEOUS CHASSIS

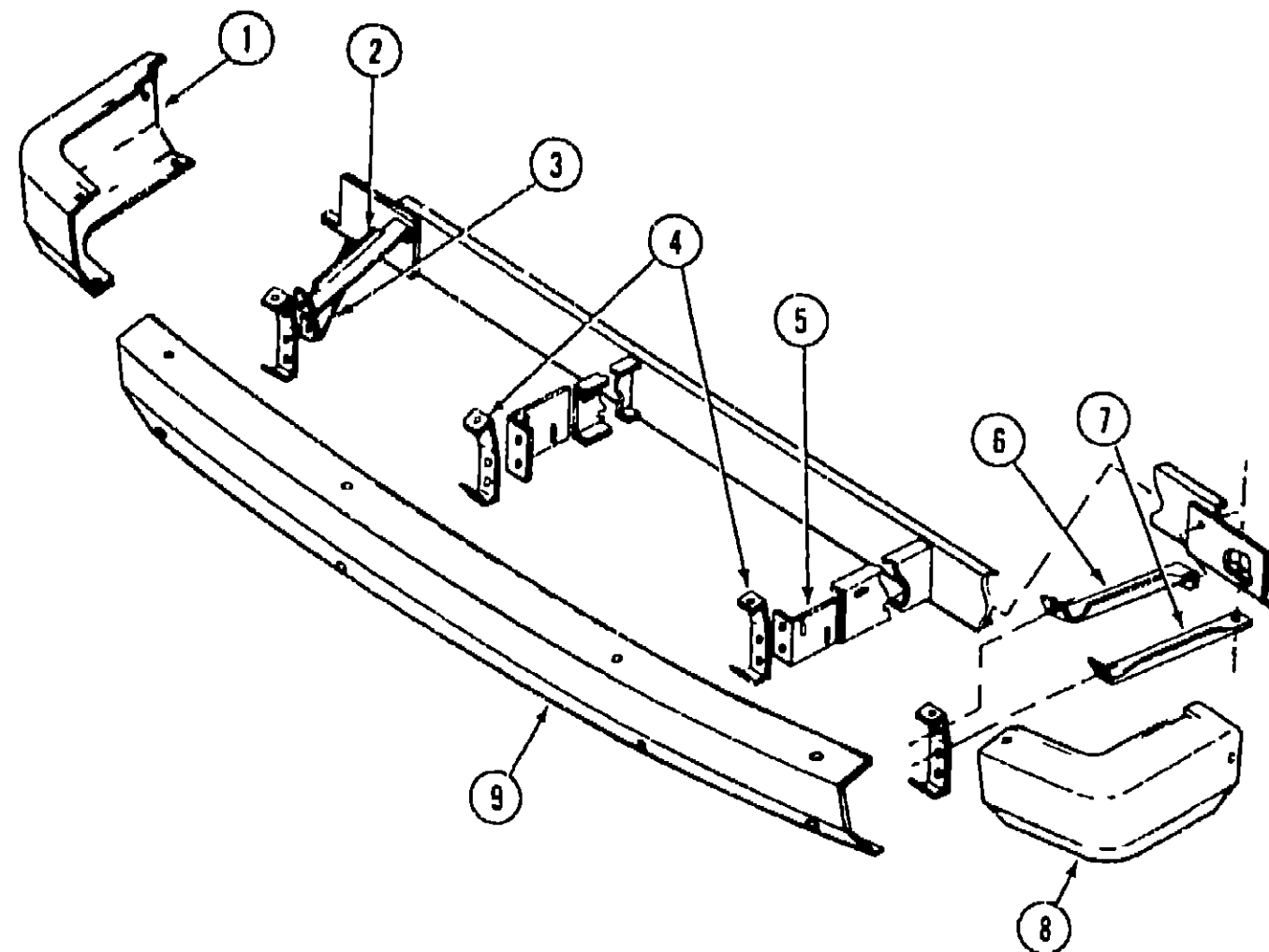
Key	Part Number	U/M	Description
	062401-04-000	EA	Clamp - Hose - Wormgear 69 ID 125' ID
	062401-05 000	EA	Clamp - Hose - Wormgear - 2 ID - 3 ID
	062401-06-000	EA	Clamp - Hose - Wormgear - 22' ID - 62 ID
	023148-01 000	EA	Clamp - Screw Type - 4'
	024490-01 000	EA	Compartment - Power Cord - Black Plastic
	071858-01 000	EA	Cover Radiator - Rear
	080722 01-000	EA	Cover Radiator - Rear Back (Fan Shroud)
	020167 03-003	EA	Dirf Guard - Rear Wheel
	024138 01 000	FT	Hose - Fuel - 5/16' ID SAE 30RI
	066732-01-000	FT	Hose - Fuel Fill - 62 ID
	007111-02-000	EA	Hose - Fuel Fill 2 00 ID
	007111-01-000	EA	Hose - Fuel Fill - 2 25 ID
	017516-01-000	EA	Mud Flap w/Holes - 14 x 18 - Black
	064982-02-000	EA	Rim - Wheel 16' x 6'
	086273-01-000	EA	Relay - Battery Disconnect
	075146-01-000	EA	Heat Shield - Muffler
	053322-08-000	EA	Heat Shield Exhaust
	063977-08-000	EA	Step Asm - Driver Door
	063977-10-000	EA	Step Asm - Passenger Door
	077848-01-000	EA	Step Asm Entry
	076241-01-000	EA	Support Asm - Electric Step
	061411-03-000	EA	Tailpipe Extension - 2 25 x 10 5
	081918 01-000	EA	Tailpipe Extension 2 25 x 11 44'
	050273-02-000	EA	Tire - 7 5 x 16 - XCA - Tubeless
	040546-03-000	EA	Tire 7 5' x 16' - 8 Ply - Tube Polyester
	052431-02 000	EA	Tray - Luggage
	052431-01-000	FA	Tray Luggage
	051377-01-000	EA	Valve Stem Asm TR500
	055080-01-000	EA	Wheelwell - Plastic
	008343-01-000	EA	Wire Tie 6'
	047441-01-000	EA	Battery Terminal - Horizontal Lug
	075723-01-000	EA	Block Switch - Spacer w/o Holes
	065450 04-000	EA	Bracket - Battery Tie Down 6 9
	007125-07-000	EA	Clamp Asm - Muffler 1 62
	007125-01-000	EA	Clamp Asm - Muffler - 2 50
	010497-01-000	EA	Clamp - Close 5/8 ID
	007161-01 000	EA	Clamp - Hose - Spring Type 112
	062401-01-000	EA	Clamp - Hose - Wormgear 22 ID x 1 ID
	062401-02-000	EA	Clamp - Hose Wormgear - 1 56 ID 2 5 ID
	062401-03-000	EA	Clamp - Hose - Wormgear 25 ID - 1 ID
	078010-05-000	EA	Door Asm & Upper Shroud - Fuel Fill - Gray
	073220-02-000	EA	Cap - Fuel Fill
	072447-01-000	EA	Shroud Fuel Fill Inside
	083578-01-000	EA	Boot Fuel Fill
	077963 01-000	EA	Gasket Door - Gas Fill
	078200-01-000	EA	Gasket - Fuel Fill

Remainder of exhaust Components available from chassis service center

## CHASSIS GROUP (CONTINUED)

### SPARE TIRE, HITCH & REAR BUMPER

Key	Part Number	U/M	Description
	064602 06-000	EA	Bumper Rear - 92' Square Gray
	041322 03 000	EA	Bumper Cover - 92' Square
	041322 02 000	EA	Reflector - Self Adhesive - Square Bumper
	039779 01-000	EA	Cap - 4' x 4" - Rubber - For Square Bumper
	079027 01 000	EA	Tire Carrier Asm
	064601 02 000	EA	Bracket Asm Bumper to Frame
	073322 04 W27	EA	Tire Cover 32 - White Vinyl
	064833 01-700	EA	Trailer Hitch Asm
	040546-03 000	EA	Tire 7 50 16 8 Ply - Black Sidewall
	064962 02 000	FA	Rim 18 x 8



FRONT BUMPER

Key	Part Number	U/M	Description
1	078577-05-W07	EA	Bumper End Gray - Right Front
2	078002-01-000	EA	Brace - Upper Right - Front Bumper
3	078003-01-000	EA	Brace - Lower Right - Front Bumper
4	077852-01-000	EA	Bracket to Bumper Front
5	076527-01-000	EA	Bracket to Frame - Front Bumper
6	078002-02-000	EA	Brace - Upper Left Front Bumper
7	078003-02-000	EA	Brace - Lower Left - Front Bumper
8	078577-06-000	EA	Bumper End Gray Left Front
9	077850-04-000	EA	Bumper - Front Primed
9	077850-07-000	EA	Bumper - Front Chrome
	005200-01-000	EA	Carriage Bolt Chrome - 7/16 x 14 x 1 1/4
	000D39-07-00B	EA	Nut - Hex - 7/16 - 14
			Not illustrated

## 1987 ITASCA TABLE OF CONTENTS

INTRODUCTION	A 01
ABBREVIATIONS	A 01
ALPHABETICAL INDEX	A 02 - A 04
IT319RB	A 05 - B 18
IF426RT	B 19 - D 18
ICN22RC	D 19 - G 04
ICPJ7RO	G 05 - I 18

## 1987 ICN22RC INDEX

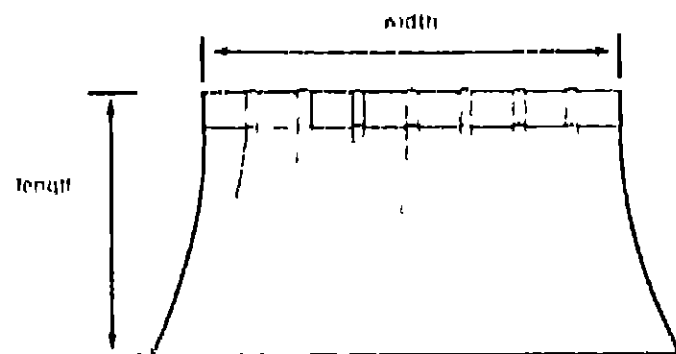
Floor Plan	D 17 - D 20
Accessories Group	D 21 - D-24
Bath Group	E-01 - E-02
Chassis Group	E-03 - E 04
Curtain Cushion & Pad Group	E-05 - E-12
Dinette Group	E-13
Driver's Compartment Group	E-14 - E-16
Electrical Group	E-17 - E-19
Exterior Body Group	E 20 - F 02
Galley Group	F-03 - F-04
Heating & Air Conditioning Group	F-05
Interior Finish Group	F-06 - F 08
LP Group	F-09
Lounge Group	F-10
Water & Sewage Group	F-11 - F-14
Window Vent & Exterior Door Group	F 13 - G-04

**CURTAIN, CUSHION & PAD GROUP**

**NOTICE**

In order to assist our Parts Sales Dept. in providing interior software items, please include the serial number and the color code number from the vehicle certification label when ordering. This label is located on the left sidewall at the end of the dash (A Body) or on the driver's door latch plate (C Body).

An example of a color code number is P31, which designates an overall color scheme of a particular unit. The color listed after the item description on the microlche, indicates the overall unit color. Order the item you desire according to unit color code.



**NOTE**

Use this illustration when determining length and width measurements for curtains. You will note the width measurement is taken on the top of the curtain with the curtain fully extended. The length measurement is taken from top to bottom.



Key	Part Number	U/M	Description
1	029130-01-000	EA	Socket Snap Fastener
2	029155-01-000	EA	Cap Snap - 156 Dia x 17 Barrel
3	029156-01-000	EA	Socket - Snap Fastener
4	029092-01-000	EA	Stud - Nickel Finish
5	092093-01-000	EA	Eyelet - Nickel Finish

**CURTAIN & CUSHION HARDWARE**

Key	Part Number	U/M	Description
	081381-01-000	EA	Swivel Snap - Curtain Track
	029130-01-000	EA	Snap Socket - Curtain Bottom
	029130-01-000	EA	Snap Socket - Tie Back
	084434-01-000	EA	Bracket - Shade
	048394-01-000	YD	Tape Hood - 1 x 50 YD - Beige
	048395-01-000	YD	Tape Loop - 1 x 50 YD - Beige
	029094-04-000	YD	Tape Loop - 1 Wide - Black
	029094-05-000	YD	Tape - Loop - 5 Wide - Beige
	029096-03-000	YD	Tape - Hook - 1 Wide - Black
	056003-01-000	EA	Bracket - Drapery Retainer - Left
	056003-02-000	EA	Bracket - Drapery Retainer - Right
	029090-01-000	FT	Tie - Drapery - Clear Vinyl
	079946-01-000	EA	Track - Curtain - Wraparound - Right
	079946-02-000	EA	Track - Curtain - Wraparound - Left
	087253-01-000	EA	Shade Pull - Clear Plastic
	005723-02-000	EA	Rod - Curtain - Flat 48" x 84
	009224-01-000	EA	Rod - Curtain - Flat - 28 x 48
	029093-01-000	EA	Eyelet - Nickel Finish
	039175-04-000	EA	Rod - Curtain - Cafe - 16 - 28
	042439-01-000	EA	Bracket - Curtain Rod - Single

**CURTAIN, CUSHION & PAD GROUP (CONTINUED)**

**FABRICS & TRIMS**

Key	Part Number	U/M	Description
	077498 89-000	YD	Fabric - Main - Jade/Peach (W27)
	077498 90-000	YD	Fabric - Main - Mahogany (W28)
	077498 88-000	YD	Fabric - Main - Rose (W29)
	077498 B2-000	YD	Fabric - Patterned Accent - Jade/Peach (W27)
	077498 B3-000	YD	Fabric - Patterned Accent - Mahogany (W28)
	077498 B4-000	YD	Fabric - Patterned Accent - Rose (W29)
	077498 A1-000	YD	Fabric - Plain Accent - Jade/Peach (W27)
	077498 A2-000	YD	Fabric - Plain Accent - Mahogany (W28)
	077498 A8-000	YD	Fabric - Plain Accent - Rose (W29)
	069729 44-000	YD	Fabric - Bedroom Drapery - Jade/Peach (W27)
	069729 45-000	YD	Fabric - Bedroom Drapery - Mahogany (W28)
	069729-46-000	YD	Fabric - Bedroom Drapery - Rose (W29)
	072333 38-000	YD	Fabric - Wraparound & Blackout - Jade/Peach (W27)
	072333-40-000	YD	Fabric - Wraparound & Blackout - Mahogany (W28)
	072333 37-000	YD	Fabric - Wraparound & Blackout - Rose (W29)
	072333 38-000	YD	Fabric - Drapery - Shades & Tie Back - Jade/Peach (W27)
	072333-40-000	YD	Fabric - Drapery - Shades & Tie Back - Mahogany (W28)
	072333 37-000	YD	Fabric - Drapery - Shades & Tie Back - Rose (W29)
	038421-02-000	YD	Fabric - Mattress Ticking - Beige/Brown
	038421 04-000	YD	Fabric - Mattress Ticking - Cashew
	052859 01-W30	FT	Trim Asm - Accent - Buckskin
	052859-06-W13	FT	Trim Asm - Accent - Buckskin
	079080-01-000	YD	Vinyl - Expanded - 26 oz - Buckskin
	029219-01-000	YD	Vinyl - White - 14.6 oz
	087272 01-000	YD	Fabric - Drapery Lining - 48 - Ivory
	038421-01-000	YD	Fabric - Mattress Ticking
	029012 01-000	BF	Foam Rolled - 3/8
	057550-03 T03	LA	Button Asm - Nail #36 - 7/8 Shank - Vinyl
	070578-01-W30	EA	Button Asm - Screw Stud - #30 - Jade/Peach (W27)
	070578-01 W31	EA	Button Asm - Screw Stud - #30 - Mahogany (W28)
	070578-01 W32	EA	Button Asm - Screw Stud - #30 - Rose (W29)
	070578 05 W30	EA	Button Asm - Screw Stud - #30 - Bedsread - Jade/Peach (W27)
	070578-05-W31	EA	Button Asm - Screw Stud - #30 - Bedsread - Mahogany (W28)
	070578 05-W32	EA	Button Asm - Screw Stud - #30 - Bedsread - Rose (W29)
	070578-06-T03	EA	Button Asm - Screw Stud - #30 - Buckskin
	071127-10-W24	EA	Button Asm - Round #30 - Jade/Peach (W27)
	071127-10 W25	EA	Button Asm - Round #30 - Mahogany (W28)
	071127 10 W26	EA	Button Asm - Round #30 - Rose (W29)
	071127 09-000	EA	Button Asm - #36 - Mattress Ticking
	057093-01-T03	EA	Button Asm - Nail Back #60 - Vinyl - Buckskin
	078155-01-000	EA	Strap Asm - Cushion
	079144-02 T03	EA	Strap Asm - Bunk
	081519 01-W24	EA	Pad Asm - Dinette - Front - Jade/Peach (W27)
	081519-01 W25	EA	Pad Asm - Dinette - Front - Mahogany (W28)
	081519-01 W06	EA	Pad Asm - Dinette - Front - Rose (W29)
	081519-02 W24	EA	Pad Asm - Dinette - Rear - Jade/Peach (W27)
	081519 02 W25	EA	Pad Asm - Dinette - Rear - Mahogany (W28)
	081519-02 W26	EA	Pad Asm - Dinette - Rear - Rose (W29)

**1987 ITASCA  
TABLE OF CONTENTS**

INTRODUCTION	A 01
ABBREVIATIONS	A 01
ALPHABETICAL INDEX	A-02 A 04
IT319RB	A-05 - B 18
IF426RT	B 19 D 18
ICN22RC	D 19 G 04
ICP37RO	G 05 I 18

**1987 ICN22RC INDEX**

Floor Plan	D 17 - D-20
Accessories Group	D-21 - D-22
Bath Group	E-01 - E 02
Chassis Group	E-03 - E-04
Curtain, Cushion & Pad Group	E 05 - E-11
Dinette Group	E-1
Driver's Compartment Group	E 14 - E-15
Electrical Group	E 17 - E 18
Exterior Body Group	E-20 - F 0
Galley Group	F 03 - F-04
Heating & Air Conditioning Group	F-0
Interior Finish Group	F-06 - F 07
LP Group	F-0
Lounge Group	F 1
Water & Sewage Group	F-11 - F-12
Window Vent & Exterior Door Group	F-13 - G 0

**CURTAIN, CUSHION & PAD GROUP (CONTINUED)**

**CURTAIN, CUSHION & PAD GROUP (CONTINUED)**

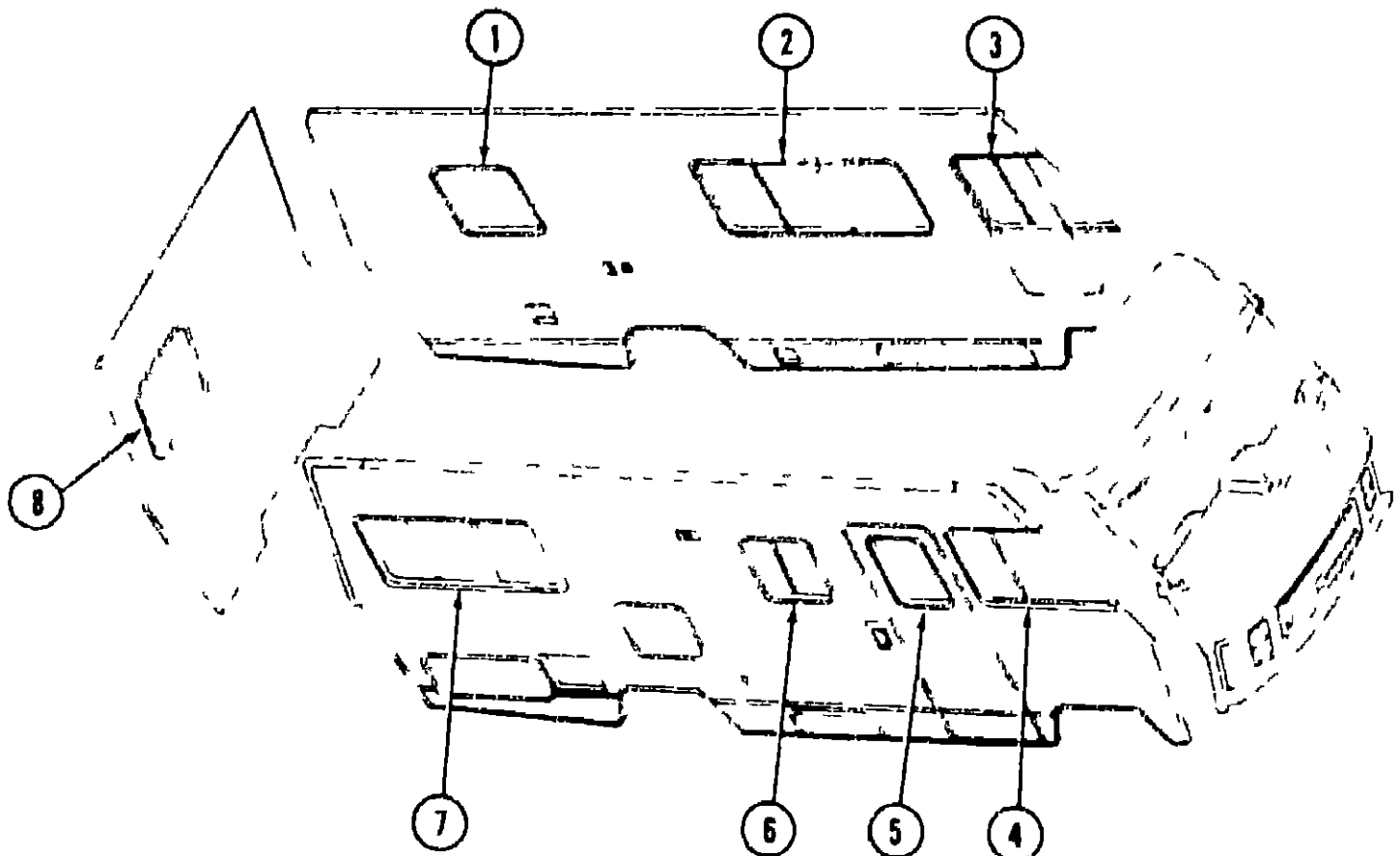
**CURTAIN, SHADES, VALANCES & TIEBACKS (CONT)**

**1987 ITASCA  
TABLE OF CONTENTS**

INTRODUCTION	A 01
ABBREVIATIONS	A 01
ALPHABETICAL INDEX	A 02 - A 04
ITJ19RB	A 05 B 18
IF426RT	B 19 D 18
ICN22RC	D 19 G-04
ICP37RO	G 05 - I 18

**1987 ICN22RC INDEX**

Floor Plan	D 17 - D-20
Accessories Group	D 21 D 24
Bath Group	E 01 - E-02
Chassis Group	E 03 - F 04
Curtain Cushion & Pad Group	E 05 - E 12
Dinette Group	E-13
Driver's Compartment Group	E-14 E 16
Electrical Group	E 17 - E 19
Exterior Body Group	E 20 - F-02
Galley Group	F 03 - F 04
Heating & Air Conditioning Group	F-05
Interior Finish Group	F 06 - F 08
LP Group	F 09
LoLuge Group	F 10
Water & Sewage Group	F 11 - F-12
Window Vent & Exterior Door Group	F 13 - G-04



**CURTAIN, SHADES, VALANCES & TIEBACKS**

Key	Part Number	U/M	Description
1	066226-12-W17	EA	Valance Asm - 4 x 40 - w/ 5' Header - Jade/Peach (W27)
1	066226-12-W28	EA	Valance Asm - 4 x 40 - w/ 5' Header - Mahogany (W28)
1	066226-12-W19	EA	Valance Asm - 4 x 40 - w/ 5' Header - Rose (W29)
1	066226-28-W17	EA	Valance Asm - 4 x 40 - w/1 Header - Jade/Peach (W27)
1	066226-28-W28	EA	Valance Asm - 4 x 40 - w/1 Header - Mahogany (W28)
1	066226-28-W19	EA	Valance Asm - 4 x 40 - w/1 Header - Rose (W29)
1	066226-19-W27	EA	Curtain w/ 5' Header - 27 5 x 10 Jade/Peach
1	066226-19-W28	EA	Curtain w/ 5' Header - 27 5 x 10 - Mahogany
1	066226-19-W29	EA	Curtain w/ 5' Header - 27 5 x 10" - Rose
1	066226-31-W27	EA	Curtain w/1 Header - 27 5 x 10 - Jade/Peach
1	066226-31-W28	EA	Curtain w/1 Header - 27 5 x 10" - Mahogany
1	066226-31-W29	EA	Curtain w/1 Header - 27 5 x 10 - Rose
1	084755-01-W24	EA	Shade - 28 25 (Ivory) Jade/Peach (W27)
1	084755-01-W25	EA	Shade - 28 25 (Ivory) Mahogany (W28)
1	084755-01-W26	EA	Shade - 28 25 (Ivory) Rose (W29)
1	084755-01-WA6	EA	Shade - 28 25 (Parchment) Jade/Peach (W27)
1	084755-01-WA5	EA	Shade - 28 25 (Parchment) Mahogany (W28)
1	084755-01-WA8	EA	Shade - 28 25 (Parchment) Rose (W29)
2	066226-13-W17	EA	Valance Asm - 4 x 75 - w/ 5' Header - Jade/Peach (W28)
2	066226-13-W28	EA	Valance Asm - 4" x 75 w/ 5' Header - Mahogany
2	066226-13-W19	EA	Valance Asm - 4 x 75 - w/ 5' Header - Rose (W29)
2	066226-26-W17	EA	Valance Asm - 4 x 75 - w/1 Header - Jade/Peach (W27)
2	066226-26-W28	EA	Valance Asm - 4 x 75 - w/1 Header - Mahogany
2	066226-26-W19	EA	Valance Asm - 4 x 75" w/1' Header - Rose (W29)
2	066226-24-W27	EA	Curtain w/ 5' Header - 37 x 22 Jade/Peach
2	066226-24-W28	EA	Curtain w/ 5' Header - 37" x 22 - Mahogany
2	066226-24-W29	EA	Curtain w/ 5' Header - 37 x 22 - Rose
2	066226-29-W27	EA	Curtain w/1 Header - 37 x 22 - Jade/Peach
2	066226-29-W28	EA	Curtain w/1" Header - 37 x 22 - Mahogany
2	066226-29-W29	EA	Curtain w/1 Header - 37 x 22 - Mahogany

Key	Part Number	U/M	Description
2	084775-02-W24	EA	Shade - 67 25 (Ivory) Jade/Peach (W27)
2	084775-02-W25	EA	Shade - 67 25' (Ivory) Mahogany (W28)
2	084775-02-W26	EA	Shade - 67 25' (Ivory) Rose (W29)
2	084775-02-WA4	EA	Shade - 67 25' (Parchment) Jade/Peach (W27)
2	084775-02-WA5	EA	Shade - 67 25' (Parchment) Mahogany (W28)
2	084775-02-WA8	EA	Shade - 67 25 (Parchment) Rose (W29)
3	073304-41-W09	EA	Curtain Asm - Front Wraparound - 32 5" x 86' Left - Jade/Peach (W27)
3	073304-41-W31	EA	Curtain Asm - Front Wraparound - 32 5 x 86' Left - Mahogany (W28)
3	073304-41-W08	EA	Curtain Asm - Front Wraparound - 32 5' x 86' Left - Rose (W29)
4	073304-40-W09	EA	Curtain Asm - Front Wraparound - 32 5 x 86" Right - Jade/Peach (W27)
4	073304-40-W31	EA	Curtain Asm - Front Wraparound - 32 5' x 86 - Right - Mahogany (W28)
4	073304-40-W08	EA	Curtain Asm - Front Wraparound - 32 5" x 86" - Right - Rose (W29)
5	073304-30-W24	EA	Curtain w/Snap Top - 34 x 37' - Entrance - Jade/Peach (W27)
5	073304-30-W25	EA	Curtain w/Snap Top - 34 x 37' Entrance - Mahogany (W28)
5	073304-30-W26	EA	Curtain w/Snap Top - 34 x 37' Entrance - Rose (W29)
6	066226-12-W17	EA	Valance Asm - 4 x 40 - w/ 5' Header - Jade/Peach (W27)
6	066226-12-W28	EA	Valance Asm - 4' x 40' - w/ 5' Header - Mahogany
6	066226-12-W19	EA	Valance Asm - 4' x 40 - w/ 5' Header - Rose (W29)
6	066226-28-W17	EA	Valance Asm - 4 x 40 w/1 Header - Jade/Peach (W27)
6	066226-28-W28	EA	Valance Asm - 4 x 40' - w/1 Header - Mahogany
6	066226-28-W19	EA	Valance Asm - 4 x 40 - w/1 Header - Rose (W29)
6	066226-20-W27	EA	Curtain w/ 5' Header - 24' x 10 Jade/Peach
6	066226-20-W28	EA	Curtain w/ 5' Header - 24 x 10 - Mahogany
6	066226-20-W29	EA	Curtain w/ 5' Header - 24' x 10 - Rose
6	066226-30-W27	EA	Curtain w/1 Header - 24' x 10" - Jade/Peach
6	066226-30-W28	EA	Curtain w/1 Header - 24 x 10 - Mahogany
6	066226-30-W29	EA	Curtain w/1' Header - 24 x 10 - Rose
6	084755-01-W24	EA	Shade - 28 25 (Ivory) Jade/Peach (W27)
6	084755-01-W25	EA	Shade - 28 25 (Ivory) Mahogany (W28)
6	084755-01-W26	EA	Shade - 28 25 (Ivory) Rose (W29)
6	084755-01-WA6	EA	Shade - 28 25 (Parchment) Jade/Peach (W27)
6	084755-01-WA5	EA	Shade - 28 25 (Parchment) Mahogany (W28)
6	084755-01-WA8	EA	Shade - 28 25 (Parchment) Rose (W29)
7	066226-16-W27	EA	Valance Asm - 4 x 75 - w/ 5' Header - Jade/Peach
7	066226-16-W28	EA	Valance Asm - 4 x 75 - w/ 5' Header - Mahogany
7	066226-16-W29	EA	Valance Asm - 4 x 75 - w/ 5' Header - Rose
7	066226-36-W27	EA	Valance Asm - 4 x 75 - w/1' Header - Jade/Peach
7	066226-36-W28	EA	Valance Asm - 4 x 75 - w/1' Header - Mahogany
7	066226-36-W29	EA	Valance Asm - 4 x 75 - w/1' Header - Rose
7	066226-14-W27	EA	Curtain w/ 5' Header - 30 x 22 - Jade/Peach
7	066226-14-W28	EA	Curtain w/ 5' Header - 30 x 22 - Mahogany
7	066226-14-W29	EA	Curtain w/ 5' Header - 30" x 22 - Rose
7	066226-32-W27	EA	Curtain w/1' Header - 30 x 22 Jade/Peach
7	066226-32-W28	EA	Curtain w/1 Header - 30 x 22 - Mahogany
7	066226-32-W29	EA	Curtain w/1 Header - 30 x 22 - Rose
7	084755-05-W30	EA	Shade - 60 25 (Ivory) Jade/Peach (W27)
7	084755-05-W31	EA	Shade - 60 25" (Ivory) Mahogany (W28)
7	084755-05-W32	EA	Shade - 60 25 (Ivory) Rose (W29)
7	084755-05-WA4	EA	Shade - 60 25 (Parchment) Jade/Peach (W27)
7	084755-05-WA5	EA	Shade - 60 25 (Parchment) Mahogany (W28)
7	084755-05-WA8	EA	Shade - 60 25 (Parchment) Rose (W29)
	066226-18-W27	EA	Curtain w/ 5" Header - 22 x 15 - Jade/Peach
	066226-18-W28	EA	Curtain w/ 5' Header - 22 x 15 - Mahogany
	066226-18-W29	EA	Curtain w/ 5' Header - 22 x 15 - Rose
	066226-35-W24	EA	Curtain w/1 Header - 22 x 15 Jade/Peach (W27)
	066226-35-W25	EA	Curtain w/1 Header - 22 x 15 - Mahogany (W28)
	066226-35-W26	EA	Curtain w/1" Header - 22 x 15 - Rose (W29)
	084755-10-W24	EA	Shade - 40 25 (Ivory) Jade/Peach (W27)
	084755-10-W25	EA	Shade - 40 25 (Ivory) Mahogany (W28)
	084755-10-W05	EA	Shade - 40 25 (Ivory) Rose (W29)

Not illustrated  
Parts for Bunkhouse Option (Not illustrated)

**CURTAIN, CUSHION & PAD GROUP (CONTINUED)**

**CURTAINS, SHADES, VALANCES & TIEBACKS (CONT)**

Key	Part Number	U/M	Description
	084755-10-WA4	EA	Shade 40 25" (Parchment) Jade/Peach (W27)
	084755-10-WA5	EA	Shade 40 25" (Parchment) Mahogany (W28)
	084755-10-WA8	EA	Shade 40 25" (Parchment) Rose (W29)
8	086226-15-W27	EA	Valance Asm - 4' x 50' w/ 5" Header - Jade/Peach
8	086226-15-W28	EA	Valance Asm - 4' x 50' w/ 5" Header - Mahogany
8	086226-15-W29	EA	Valance Asm - 4' x 50' w/ 5" Header - Rose
8	086226-33-W27	EA	Valance Asm - 4' x 50' w/1" Header - Jade/Peach
8	086226-33-W28	EA	Valance Asm - 4' x 50' w/1" Header - Mahogany
8	086226-33-W29	EA	Valance Asm - 4' x 50' w/1" Header - Rose
8	086226-14-W27	EA	Curtain w/ 5' Header - 30' x 22' - Jade/Peach
8	086226-14-W28	EA	Curtain w/ 5' Header - 30' x 22' - Mahogany
3	086226-14-W29	EA	Curtain w/ 5' Header - 30' x 22' - Rose
8	086226-32-W27	EA	Curtain w/1' Header - 30' x 22' - Jade/Peach
8	086226-32-W28	EA	Curtain w/1' Header - 30' x 22' - Mahogany
8	086226-32-W29	EA	Curtain w/1' Header - 30' x 22' - Rose
8	084755-06-W24	EA	Shade - 33 25' (Ivory) Jade/Peach (W27)
8	084755-06-W25	EA	Shade 33 25' (Ivory) Mahogany (W28)
8	084755-06-W26	EA	Shade - 33 25" (Ivory) Rose (W29)
8	084755-06-WA4	EA	Shade - 33 25" (Parchment) Jade/Peach (W27)
8	084755-06-WA5	EA	Shade - 33 25' (Parchment) Mahogany (W28)
8	084755-06-WA8	EA	Shade - 33 25' (Parchment) Rose (W29)
	086226-17-W24	EA	Curtain w/ 5' Header - 26 x 10 - Jade/Peach (W27)
	086226-17-W25	EA	Curtain w/ 5' Header - 26 x 10 - Mahogany (W28)
	086226-17-W26	EA	Curtain w/ 5' Header - 26 x 10 - Rose (W29)
	086226-34-W24	EA	Curtain w/1" Header - 26 x 10 - Jade/Peach (W27)
	086226-34-W25	EA	Curtain w/1' Header - 26 x 10 - Mahogany (W28)
	086226-34-W26	EA	Curtain w/1' Header - 26 x 10 - Rose (W29)
	086121-02-000	EA	Curtain - Shower Liner - 62' x 40'
	077591-05-W30	EA	Curtain w/Velcro Top - Bunk Privacy - 60' x 50' - Right - Jade/Peach (W27)
	077591-05-W31	EA	Curtain w/Velcro Top - Bunk Privacy - 60' x 50' - Right - Mahogany (W28)
	077591-05-W32	EA	Curtain w/Velcro Top - Bunk Privacy - 60' x 50' - Right - Rose (W29)
	077591-06-W30	EA	Curtain w/Velcro Top - Bunk Privacy - 60' x 50' - Left - Jade/Peach (W27)
	077591-06-W31	EA	Curtain w/Velcro Top - Bunk Privacy - 60' x 50' - Left - Mahogany (W28)
	077591-06-W32	EA	Curtain w/Velcro Top - Bunk Privacy - 60' x 50' - Left - Rose (W29)
	063304-04-W06	EA	Curtain w/Snap Top - Privacy - 64' x 53' - Jade/Peach (W29)
	063304-04-W31	EA	Curtain w/Snap Top - Privacy - 64' x 53' - Mahogany (W28)
	063304-04-W05	EA	Curtain w/Snap Top - Privacy - 64' x 53' - Rose (W29)
	073260-23-W06	EA	Tie Back Asm - 3' x 18' - Wraparound & Privacy - Jade/Peach (W27)
	073260-23-W25	EA	Tie Back Asm - 3' x 18' - Wraparound & Privacy - Mahogany (W28)
	073260-23-W05	EA	Tie Back Asm - 3' x 18' - Wraparound & Privacy - Rose (W29)
	073260-24-W17	EA	Tie Back Asm - 2" x 14' - Drapery - Jade/Peach (W27)
	073260-24-W25	EA	Tie Back Asm - 2" x 14' - Drapery - Mahogany (W28)
	073260-24-W19	EA	Tie Back Asm - 2" x 14' - Drapery - Rose (W29)
	073260-25-W27	EA	Tie Back Asm - 3' x 18' - Bedspread - Jade/Peach
	073260-25-W28	EA	Tie Back Asm - 3' x 18' - Bedspread - Mahogany
	073260-25-W29	EA	Tie Back Asm - 3' x 18' - Bedspread - Rose
	073260-26-W27	EA	Tie Back Asm - 3' x 16' - Drapery - Jade/Peach
	073260-26-W28	EA	Tie Back Asm - 3' x 16' - Drapery - Mahogany
	073260-26-W19	EA	Tie Back Asm - 3' x 16' - Drapery - Rose (W29)
	073260-29-W24	EA	Tie Back Asm - 2' x 14' - Bedspread - Jade/Peach (W27)
	073260-29-W25	EA	Tie Back Asm - 2' x 14' - Bedspread - Mahogany (W28)
	073260-29-W26	EA	Tie Back Asm - 2' x 14' - Bedspread - Rose (W29)
	057534-01-000	EA	Tie Back Asm - 6' - Clear Plastic
	057534-03-000	EA	Tie Back Asm - 7.5' - Clear Plastic
	057534-04-000	EA	Tie Back Asm - 20' - Clear Plastic

Not illustrated  
Parts for Bunkhouse Option (Not illustrated)

**CURTAIN, CUSHION & PAD GROUP (CONTINUED)**

**BUCKET SEATS**

Key	Part Number	U/M	Description
	084191-02-W24	EA	Seat Asm - Comet I - Jade/Peach (W27)
	084191-02-W25	EA	Seat Asm - Comet I - Mahogany (W28)
	084191-01-W26	EA	Seat Asm - Comet I - Rose (W29)
	M01864-23-W24	EA	Cover Asm - Seat Bottom - Jade/Peach (W27)
	M01864-23-W25	EA	Cover Asm - Seat Bottom - Mahogany (W28)
	M01864-21-W26	EA	Cover Asm - Seat Bottom - Rose (W29)
	M01864-24-W24	EA	Cover Asm - Seat Back - Jade/Peach (W27)
	M01864-24-W25	EA	Cover Asm - Seat Back - Mahogany (W28)
	M01864-22-W26	EA	Cover Asm - Seat Back - Rose (W29)
	083909-15-W30	EA	Seat Asm - Straton - Jade/Peach (W27)
	083909-15-W31	EA	Seat Asm - Straton - Mahogany (W28)
	083909-16-W32	EA	Seat Asm - Straton - Rose (W29)
	M01864-25-W24	EA	Cover Asm - Bucket Seat Bottom - Jade/Peach (W27)
	M01864-25-W25	EA	Cover Asm - Bucket Seat Bottom - Mahogany (W28)
	M01864-27-W26	EA	Cover Asm - Bucket Seat Bottom - Rose (W29)
	M01864-26-W24	EA	Cover Asm - Bucket Seat Back - Jade/Peach (W27)
	M01864-26-W25	EA	Cover Asm - Bucket Seat Back - Mahogany (W28)
	M01864-28-W26	EA	Cover Asm - Bucket Seat Back - Rose (W29)
	085269-01-W30	EA	Seat Asm - Double Bucket - Jade/Peach (W27)
	085269-01-W31	EA	Seat Asm - Double Bucket - Mahogany (W28)
	085269-02-W26	EA	Seat Asm - Double Bucket - Rose (W29)
	M01874-05-W30	EA	Cover Asm - Bucket Seat Bottom - Double Bucket - Jade/Peach (W27)
	M01874-05-W31	EA	Cover Asm - Bucket Seat Bottom - Double Bucket - Mahogany (W28)
	M01874-07-W26	EA	Cover Asm - Bucket Seat Bottom - Double Bucket - Rose (W29)
	M01874-06-W30	EA	Cover Asm - Bucket Seat Back - Double Bucket - Jade/Peach (W27)
	M01874-06-W31	EA	Cover Asm - Bucket Seat Back - Double Bucket - Mahogany (W28)
	M01874-08-W26	EA	Cover Asm - Bucket Seat Back - Double Bucket - Rose (W29)
	080243-23-W24	EA	Armrest Asm - Right - Jade/Peach (W27)
	080243-23-W25	EA	Armrest Asm - Right - Mahogany (W28)
	080243-25-W26	EA	Armrest Asm - Right - Rose (W29)
	080243-24-W24	EA	Armrest Asm - Left - Jade/Peach (W27)
	080243-24-W25	EA	Armrest Asm - Left - Mahogany (W28)
	080243-26-W26	EA	Armrest Asm - Left - Rose (W29)
	M80243-23-W24	EA	Cover Asm - Armrest - Right - Jade/Peach (W27)
	M80243-23-W25	EA	Cover Asm - Armrest - Right - Mahogany (W28)
	M80243-25-W26	EA	Cover Asm - Armrest - Right - Rose (W29)
	M80243-24-W24	EA	Cover Asm - Armrest - Left - Jade/Peach (W27)
	M80243-24-W25	EA	Cover Asm - Armrest - Left - Mahogany (W28)
	M80243-26-W26	EA	Cover Asm - Armrest - Left - Rose (W29)
	085268-01-W24	EA	Headrest Asm - Jade/Peach (W27)
	085268-01-W25	EA	Headrest Asm - Mahogany (W28)
	085268-02-W26	EA	Headrest Asm - Rose (W29)
	M85268-01-W24	EA	Cover Asm - Headrest - Jade/Peach (W27)
	M85268-01-W25	EA	Cover Asm - Headrest - Mahogany (W28)
	M85268-02-W26	EA	Cover Asm - Headrest - Rose (W29)
	071126-16-W30	EA	Skirt Asm - Single Bucket - Jade/Peach (W27)
	071126-16-W31	EA	Skirt Asm - Single Bucket - Mahogany (W28)
	071126-13-W32	EA	Skirt Asm - Single Bucket - Rose (W29)
	071960-04-W30	EA	Skirt Asm - Double Bucket - Jade/Peach (W27)
	071960-04-W31	EA	Skirt Asm - Double Bucket - Mahogany (W28)
	071960-05-W32	EA	Skirt Asm - Double Bucket - Rose (W29)

**1987 ITASCA  
TABLE OF CONTENTS**

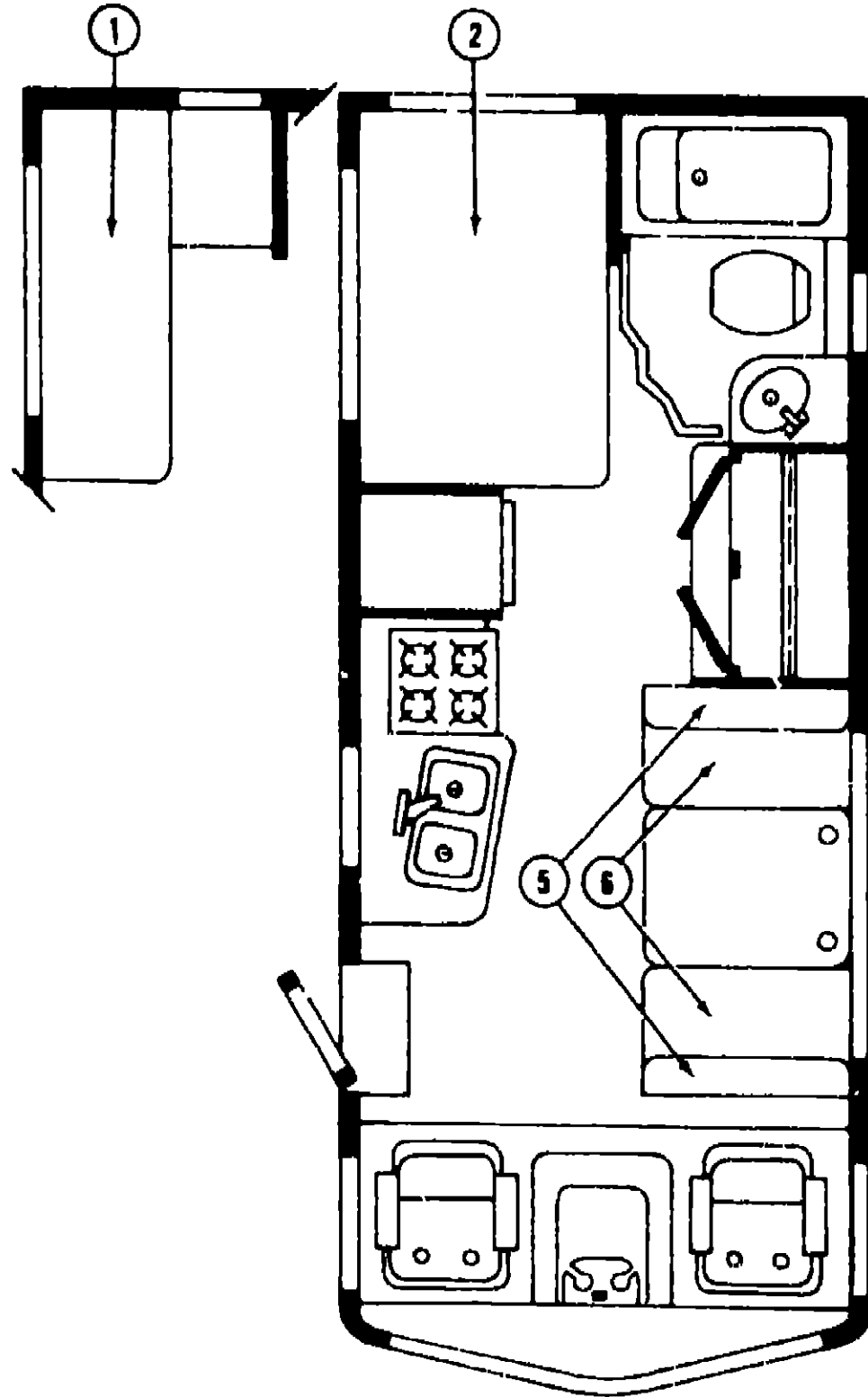
INTRODUCTION	A 01
ABBREVIATIONS	A 01
ALPHABETICAL INDEX	A-02 - A 04
IT319RB	A-05 - B 18
IF426RT	B 19 - D 18
ICN22RC	D 19 - G 04
ICP37RQ	G 05 - I-18

**1987 ICN22RC INDEX**

Floor Plan	D 17 - D 20
Accessories Group	D-21 - D 24
Bath Group	E-01 - E-02
Chassis Group	E-03 - E-04
Curtain Cushion & Pad Group	E 05 - E 12
Dinette Group	E-13
Driver's Compartment Group	E 14 - E-16
Electrical Group	E-17 - E 19
Exterior Body Group	E-20 - F-01
Galley Group	F-02 - F-04
Heating & Air Conditioning Group	F 05
Interior Finish Group	F 06 - F-08
L <sup>2</sup> Group	F-09
Lounge Group	F-10
Water & Sewage Group	F-11 - F-12
Window Vent & Exterior Door Group	F-13 - G 04



**CURTAIN, CUSHION & PAD GROUP (CONTINUED)**



**REAR BUNK CUSHIONS**

Key	Part Number	U/M	Description
1	073519-03-W24	EA	Cushion - Rear Bunk - 29 x 75.5 x 4.5" - Jade/Peach (W27)
1	073519-03-W25	EA	Cushion - Rear Bunk - 29 x 75.5 x 4.5" - Mahogany (W28)
1	073519-03-W26	EA	Cushion - Rear Bunk - 29 x 75.5 x 4.5" - Rose (W29)
	M73519-03-W24	EA	Cover - Rear Bunk Cushion - 29 x 75.5 x 4.5" - Jade/Peach (W27)
	M73519-03-W25	EA	Cover - Rear Bunk Cushion - 29 x 75.5 x 4.5" - Mahogany (W28)
	M73519-03-W26	EA	Cover - Rear Bunk Cushion - 29 x 75.5 x 4.5" - Rose (W29)

**CURTAIN, CUSHION & PAD GROUP (CONTINUED)**

**DOUBLE BED MATTRESS**

Key	Part Number	U/M	Description
2	083496-02-000	EA	Mattress - Foam - 48" x 75" x 7"
2	077478-02-000	EA	Mattress - Inner Spring Sealy - 48" x 75" x 7.75"
	083986-01-W24	EA	Bedspread - 48 x 76" - Jade/Peach (W27)
	083986-01-W25	EA	Bedspread - 48 x 76" - Mahogany (W28)
	083986-01-W26	EA	Bedspread - 48" x 76" - Rose (W29)
	081997-01-W30	EA	Pillow Sham - 30 x 26" - Jade/Peach (W27)
	081997-01-W31	EA	Pillow Sham - 30 x 26" - Mahogany (W28)
	081997-01-W32	EA	Pillow Sham - 30" x 26" - Rose (W29)

**3 PILLOW COUCH**

Key	Part Number	U/M	Description
3	085058-01-W30	EA	Bench Seat Asm - Continental II - Jade/Peach (W27)
3	085058-01-W31	EA	Bench Seat Asm - Continental II - Mahogany (W28)
3	085058-01-W32	EA	Bench Seat Asm - Continental II - Rose (W29)
	M85058-01-W30	EA	Cover Asm - Bench Seat - Jade/Peach (W27)
	M85058-01-W31	EA	Cover Asm - Bench Seat - Mahogany (W28)
	M85058-01-W32	EA	Cover Asm - Bench Seat - Rose (W29)
4	081998-67-W30	EA	Pillow Asm - 16 x 23 x 5" - Jade/Peach (W27)
4	081998-67-W31	EA	Pillow Asm - 16 x 23 x 5" - Mahogany (W28)
4	081998-67-W32	EA	Pillow Asm - 16 x 23 x 5" - Rose (W29)
	M81998-67-W30	EA	Cover Asm - Pillow - Jade/Peach (W27)
	M81998-67-W31	EA	Cover Asm - Pillow - Mahogany (W28)
	M81998-67-W32	EA	Cover Asm - Pillow - Rose (W29)

**DINETTE CUSHION**

Key	Part Number	U/M	Description
5	081998-77-W24	EA	Cushion Asm - Dinette Back - 19.25 x 38 x 5" - Jade/Peach (W27)
5	081998-77-W25	EA	Cushion Asm - Dinette Back - 19.25 x 38 x 5" - Mahogany (W28)
5	081998-77-W26	EA	Cushion Asm - Dinette Back - 19.25 x 38 x 5" - Rose (W29)
	M81998-77-W24	EA	Cover Asm - Dinette Back Cushion - 19.25 x 38 x 5" - Jade/Peach (W27)
	M81998-77-W25	EA	Cover Asm - Dinette Back Cushion - 19.25 x 38 x 5" - Mahogany (W28)
	M81998-77-W26	EA	Cover Asm - Dinette Back Cushion - 19.25 x 38 x 5" - Rose (W29)
6	081998-78-W24	EA	Cushion Asm - Dinette Bottom - 17.5 x 38 x 5" - Jade/Peach (W27)
6	081998-78-W25	EA	Cushion Asm - Dinette Bottom - 17.5 x 38 x 5" - Mahogany (W28)
6	081998-78-W26	EA	Cushion Asm - Dinette Bottom - 17.5 x 38 x 5" - Rose (W29)
	M81998-78-W24	EA	Cover Asm - Dinette Bottom Cushion - 17.5 x 38 x 5" - Jade/Peach (W27)
	M81998-78-W25	EA	Cover Asm - Dinette Bottom Cushion - 17.5 x 38 x 5" - Mahogany (W28)
	M81998-78-W26	EA	Cover Asm - Dinette Bottom Cushion - 17.5 x 38 x 5" - Rose (W29)

**FRONT BUNK**

Key	Part Number	U/M	Description
	079145-04-000	EA	Cushion Asm - Front Bunk - 4 x 34 x 78"
	M79145-04-000	EA	Cover Asm - Front Bunk Cushion - 4 x 34 x 78"
	079144-02-T03	EA	Bunk Strap - Vinyl

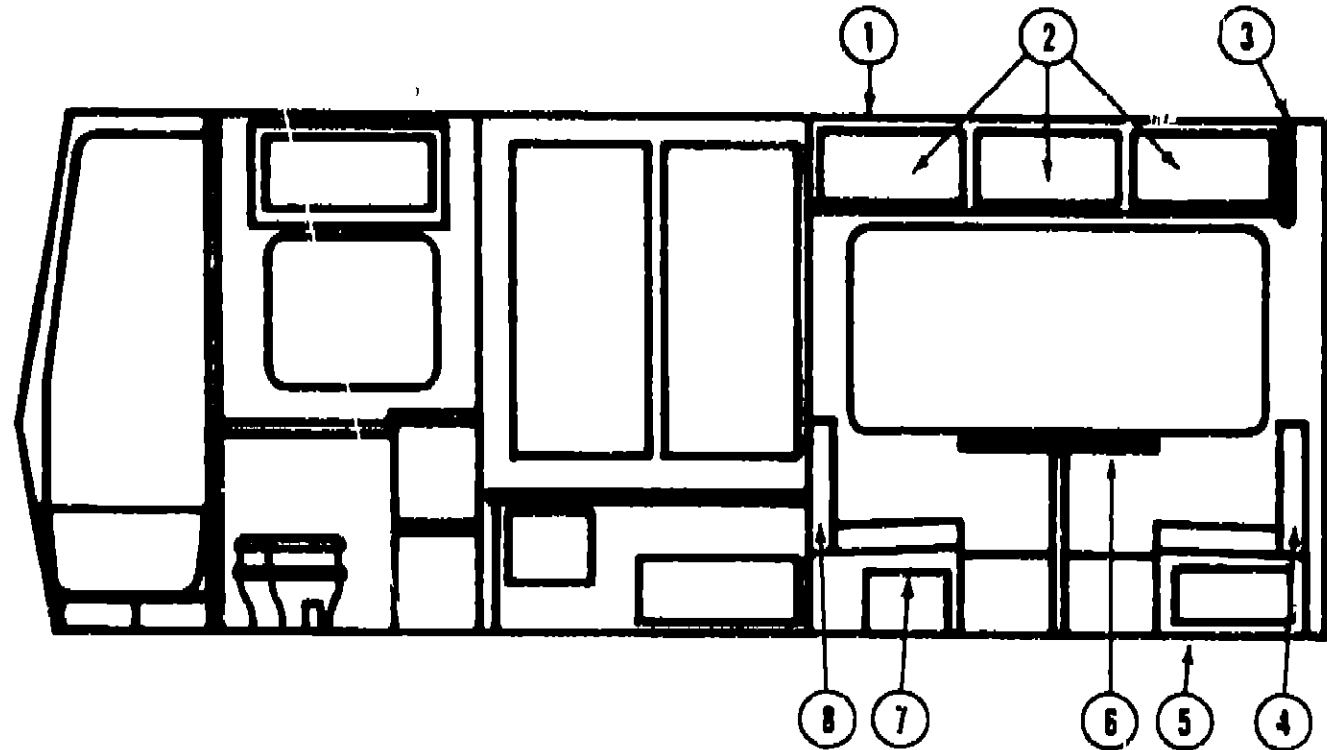
**1987 ITASCA  
TABLE OF CONTENTS**

INTRODUCTION	A 01
ABBREVIATIONS	A-01
ALPHABETICAL INDEX	A-02 A-04
IT319RB	A-05 - B-18
IF426RT	B-19 - D 18
ICN22RC	D 19 G-04
ICP37RO	G 05 - I 18

**1987 ICN22RC INDEX**

Floor Plan	D-17 - D 2
Accessories Group	D 21 - D 2
Bath Group	E-01 - E-0
Chassis Group	E-03 - E-0
Curtain Cushion & Pad Group	E-05 E-1
Dinette Group	E 1
Driver's Compartment Group	E 14 - E 1
Electrical Group	E 17 - E-1
Exterior Body Group	E-20 - F-0
Galley Group	F-03 - F-0
Heating & Air Conditioning Group	F-0
Interior Finish Group	F 06 - F-0
LP Group	F-0
Lounge Group	F-1
Water & Sewage Group	F-11 - F-1
Window Vent & Exterior Door Group	F 13 G-0

## DINETTE GROUP



### CONVENTIONAL DINETTE & OVERHEAD CABINERY

Key	Part Number	U/M	Description
1	081302-15-W27	EA	Cabinet Asm - Dinette Overhead - w/o Doors or Hardware
2	M84865-27-W27	EA	Door Asm - Dinette Overhead - w/o Hardware
3	081325-01 W30	EA	Pad Asm - End Cap - Dinette Overhead - Front - Vinyl
4	M02174-01-W30	EA	Cabinet Asm - Dinette Back - Right
5	M02175-02 W30	EA	Cabinet Asm - Dinette Seat - Right - w/o Hardware
6	M84865-31 W27	EA	Door Asm - Dinette Seat - w/o Hardware
7	M02175-04-W24	EA	Cabinet Asm - Dinette Seat - Left - w/o Door or Hardware
8	M02174-03-W30	EA	Cabinet Asm - Dinette Back - Left
-	053200-08-000	EA	Bracket - Upper Wall Mount - 23 5
-	053201-07-000	EA	Bracket - Table Mount - 23 Tan
-	024275-05-000	EA	Rod - Table Lift - 8 x 23 5 Beige
-	024281-07-000	EA	Bracket - Lower Wall Mount - 22 12
-	024276-17-000	EA	Leg Asm - Table - 29 5 - Tan
-	064050-02-000	EA	Hinge - Table Leg - Tan
-	024282-01-000	EA	Brace - Table Leg
-	024283-01-000	EA	Clip - 1 O D Tube
-	049493-05-000	EA	Catch - Table Leg - Mounts on Floor - Tan
-	064781 02-000	EA	Cup Holder - 3 47 O D x 2 75 I D x 1 5

The illustrated parts breakdown for this item is provided on the Common Items Fiche

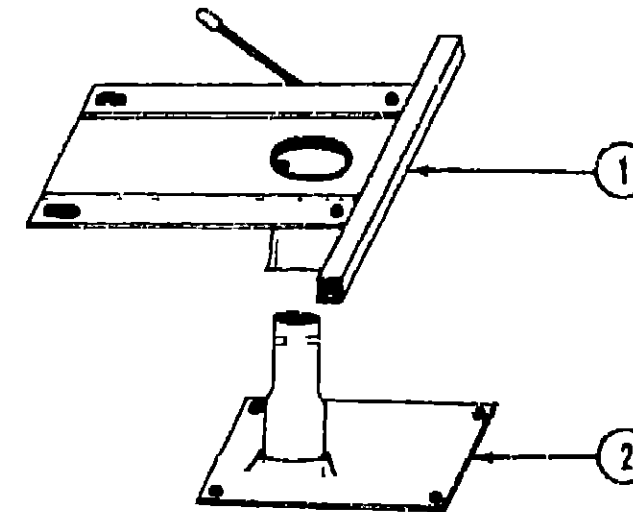
### MAGIC BELT W/TABLE (OPTION)

Key	Part Number	U/M	Description
	081298-02 W24	EA	Table Asm - Pedestal - w/o Hardware - Regal Oak
	009040-06-000	EA	Leg - Pedestal Table - 27 5 x 2 25 O D - Tan
	009040-03-000	EA	Base - Table - Mounts on Floor
	041194-01-000	EA	Base - Table - Mounts in Floor
	062046-01-000	EA	Clip - Pedestal Leg

## DRIVER'S COMPARTMENT

### DASH SWITCHES & GAUGES

Key	Part Number	U/M	Description
	024461-01 000	EA	Switch - Battery
	024462-01-000	EA	Switch - Battery Condition
	024464-02-000	EA	Switch - Battery Dual Boost
	024464-01-000	EA	Switch - Washer
	024467-01 000	EA	Switch - Wiper
	024978 01-000	EA	Switch - Generator w/o Circuit Board
	074007-02-000	EA	Switch - Intermittent - Windshield Wiper
	024459-04-000	EA	Gauge - Voltmeter
	024460-04-000	EA	Gauge - Vacuum
	031035-01-000	EA	Gauge - Generator Hourmeter



### BUCKET SEAT PEDESTAL & SEAT BELTS

Key	Part Number	U/M	Description
1	069585-27-000	EA	Plate - Top - Pedestal Asm - Single Bucket Seat
1	069585-10-000	EA	Plate - Top - Pedestal Asm - Double Bucket Seat
2	069585-08-000	EA	Plate - Sub - Pedestal Asm - Bucket Seat
	069585-05-000	EA	Hardware Kit - Bolt/Acorn Nut - 4 ea - Pedestal Asm
	007019-01-000	EA	Belt Asm - Seat - 2 x 84 - Black
	007021-01 000	EA	Belt Asm - Seat - 2' x 90 - Black
	056271-02-000	EA	Belt Asm - Seat - 2 x 72 - Black
	069246-01-000	EA	Adjuster Asm - Seat - w/Lock
	069246-02-000	EA	Adjuster Asm - Seat - w/o Lock
			Not Illustrated

### FRONT BUNK & PULL DOWN STORAGE

Key	Part Number	U/M	Description
	076760-03-000	EA	Overhead Bunk Hardware
	081717-01-W07	EA	Bed Asm - Front Bunk
	079144-02-T03	EA	Bunk Strap
	042541-04 000	EA	Latch Asm - w/o Strike - Brass
	042541 05 000	EA	Latch Strike - Brass
	080855-05 000	EA	Side Trim - Right Front - Upper
	080856-05-000	EA	Side Trim - Right Front - Lower
	080855-06-000	EA	Side Trim - Left Front - Upper
	080856-06-000	EA	Side Trim - Left Front - Lower

## 1987 ITASCA TABLE OF CONTENTS

INTRODUCTION	A 01
ABBREVIATIONS	A-01
ALPHABETICAL INDEX	A-02 - A-04
IT319RB	A 05 - B-1A
IF426RT	B 19 - D 18
ICN22RC	D-19 - G-04
ICP37RQ	G-05   18

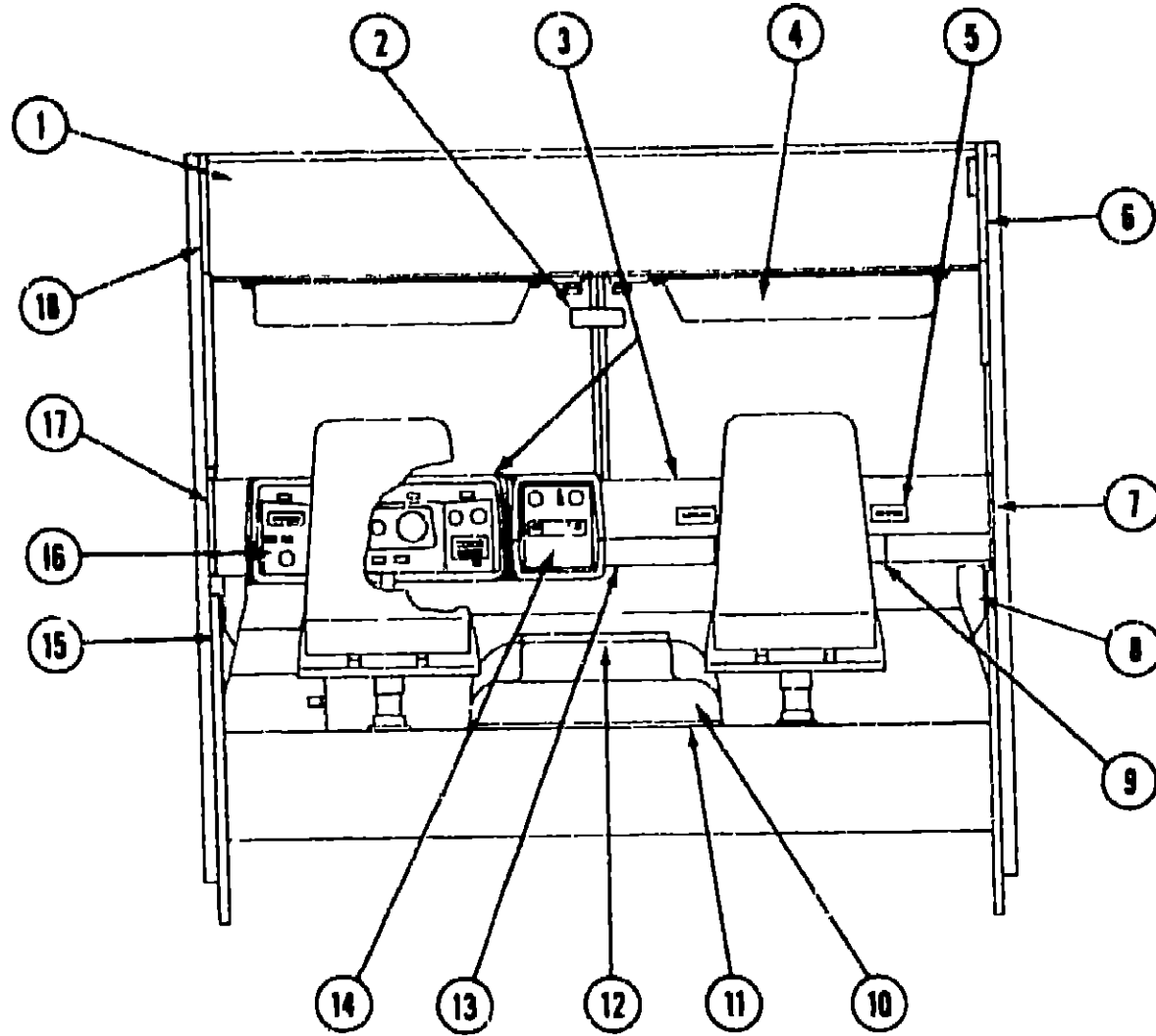
## 1987 ICN22RC INDEX

Floor Plan	D-17 - D-20
Accessories Group	D-21 - D 24
Bath Group	E-01 - E-02
Chassis Group	E-03 - E-04
Curtain Cushion & Pad Group	E-05 - E-12
Dinette Group	E-13
Driver's Compartment Group	E-14 - E-16
Electrical Group	E-17 - E-19
Exterior Body Group	E 20 - F-02
Galley Group	F-03 - F-04
Heating & Air Conditioning Group	F-05
Interior Finish Group	F 06 - F-08
LP Group	F-09
Lounge Group	F 10
Water & Sewage Group	F-11 - F-12
Window Vent & Exterior Door Group	F 13 - G-04

**DRIVER'S COMPARTMENT GROUP (CONTINUED)**

**DRIVER'S COMPARTMENT GROUP (CONTINUED)**

**MISCELLANEOUS DRIVER'S COMPARTMENT COMPONENTS (CONT)**



**MISCELLANEOUS DRIVER'S COMPARTMENT COMPONENTS**

Key	Part Number	U/M	Description
1	080065-02 T03	E/	Headliner - Padded - Upper
	078811-02-T03	EA	Headliner - Padded - Lower
	081105-01 W30	EA	Trim Headliner - 84 75 - Regal Oak
	083917-01-W30	EA	Cabinet Asm Front Overhead - w/o Bunk
2	040714-01 700	EA	Mirror - Inside Rear View - w/Button Support
3	M01113-19-W30	EA	Dash Asm - Complete - w/Gauges & Switches
3	M01113-20-W27	EA	Dash Asm - Complete - w/Gauges & Switches (Diesel)
	079089-01-000	EA	Dash Pad - Passenger - Brown
	079088-01-000	EA	Dash Pad - Drivers - Brown
	024990-01-000	EA	Outlet - Defroster w/Swivel - 2 - Tan
4	082286-03-U04	EA	Sunvisor Asm - Right - w/Mirror
	082286-01-U04	EA	Sunvisor Asm - Left
	083153-01-000	EA	Mirror - Sunvisor
	085709-01-000	EA	Clip - Sunvisor - Black
5	038044-01-000	EA	Louver Asm - Air Conditioning Adjustable
6	080855-03-000	EA	Side Trim Right Front Upper (w/o Bunk)
	083918-01-W30	EA	Cabinet Asm Front Overhead - Right - w/o Bunk
	080856-03-000	EA	Side Trim - Right Front - Lower (w/o Bunk)
7	059414-06-000	EA	Pad - Sidewall Trim - Passenger - Vinyl
8	072611-01-000	EA	Side Panel - Passenger - Plastic
	059467-04-T03	EA	Pad Map Pocket Passenger - Vinyl
9	022219-01-000	EA	Glove Compartment Door

Not keyed

NOTE To be special ordered only

Key	Part Number	U/M	Description
	023892-01-000	EA	Glove Compartment Box - Black Fiberboard
	009118-01-000	EA	Glove Compartment Twist Lock
	024598-01-000	EA	Glove Compartment Hinge
	034309-01-000	EA	Glove Compartment Chain Door
10	075038-01 000	EA	Motor Cover - Fiberglass
	075584-01-000	EA	Mounting Bracket - Motor Cover
11	039823-01-000	FT	Seal - Engine Cover - Neoprene
12	080218-01-000	EA	Beverage Tray Oak
12	086157-01 W30	EA	Beverage Tray Asm - Light Oak Plastic
	086410-02-000	EA	Beverage Tray - w/Cutout Light Oak Plastic
	086411-01-000	EA	Housing - Cassette Holder Beverage Tray
	086412-01-000	EA	Insert - Cassette Holder - Beverage Tray
13	023834-01-000	EA	Panel - Knee Kick - Bottom of Dash
14	076006-03-000	EA	Bezel - Entertainment Center w/Radio & Generator Switch
14	076006-02-000	CA	Bezel - Entertainment Center w/Radio
15	059198-05-000	EA	Side Panel Drivers Plastic
15	082471-02-000	EA	Panel Drivers Door - Inner - Plastic
	059467-03-T03	EA	Pad Map Pocket - Drivers Vinyl
	046886-03-000	EA	Ash Tray - Chrome
16	071668-01-000	EA	Bezel - Control Panel
	078581-01-000	EA	Trim - Instrument Panel - Front - Passenger
	078582-01-000	CA	Trim - Instrument Panel - Front - Driver
	052367-01-000	EA	Cigarette Lighter Asm 12 Volt
	007041-01-000	EA	Bezel - Cigarette Lighter
	061424 01-000	EA	Lamp Asm - Map/Gauge
	061400-06-000	CA	Assist Strap - 12 - Sandstone
17	059414-05-000	EA	Pad - Sidewall Trim Driver - Vinyl
18	080855-04 000	EA	Side Trim - Left Front - Upper (w/o Bunk)
	080856-04 000	EA	Side Trim - Left Front - Lower (w/o Bunk)
	083918-02 W30	EA	Cabinet Asm Front Overhead Left - w/o Bunk
	054250-01-000	EA	Support - Dimmer Switch - w/o Holes
	079225-01-000	EA	Windshield Trim Interior - Passenger
	079225-02-000	EA	Windshield Trim Interior - Driver
	079765-01-000	EA	Windshield Trim Interior - Center
	078245-01-000	EA	Steering Column Boot - Vinyl
	086491-01-000	EA	Gasket Defroster Outlet
			Not Keyed

**1987 ITASCA  
TABLE OF CONTENTS**

INTRODUCTION	A-01
ABBREVIATIONS	A-01
ALPHABETICAL INDEX	A-02 - A-04
IT319RB	A-05 - B-18
IF426RT	B 19 - D-18
ICN22RC	D 19 - G-04
ICP37RQ	G-05 - I 18

**1987 ICN22RC INDEX**

Floor Plan	D-17 - D-20
Accessories Group	D-21 - D-24
Bath Group	E-01 - E-02
Chassis Group	E-03 - E-04
Curtain Cushion & Pad Group	E-05 - E-14
Dinette Group	E-15
Driver's Compartment Group	E-14 - E-16
Electrical Group	E-17 - E-18
Exterior Body Group	E-20 - F-01
Galley Group	F-03 - F-04
Heating & Air Conditioning Group	F-05
Interior Finish Group	F-06 - F-07
LP Group	F-08
Lounge Group	F-11
Water & Sewage Group	F-11 - F-12
Window Vent & Exterior Door Group	F-13 - G-01

## ELECTRICAL GROUP

### BULBS

Key	Part Number	U/M	Description
	008220-01-000	EA	Bulb 12V 25W
	008103-01-000	EA	Bulb - 53
	008213-01-000	EA	Bulb - 57
	008214-01-000	EA	Bulb - 87
	036198-01-000	EA	Bulb - 194
	008215-01-000	EA	Bulb - 1003
	067479-01-000	EA	Bulb - 1076
	063914-01-000	EA	Bulb - 1139
	008218-01-000	EA	Bulb - 1141
	037935-01-000	EA	Bulb - 1157
	058288-02-000	EA	Bulb - 943190A - Dome Light

### FUSES & CIRCUIT BREAKERS

Key	Part Number	U/M	Description
	008208-01-000	EA	Circuit Breaker - 40 Amp - 12 Volt
	033573-02-000	EA	Circuit Breaker - 15 Amp 12 Volt w/Mount
	033573-01-000	EA	Circuit Breaker - 20 Amp - 12 Volt - w/Mount
	008268-01-000	EA	Circuit Breaker - 30 Amp - 12 Volt - w/Mount
	071280-01-000	EA	Circuit Breaker Blank
	050283-02-000	EA	Circuit Breaker - Buss Bar
	071279-07-000	EA	Circuit Breaker - 20/20 - 120 Volt
	083209-01-000	EA	Circuit Breaker - 15 Amp - 120 Volt
	083209-03-000	EA	Circuit Breaker - 15/20 Amp - 120 Volt
	083209-04-000	EA	Circuit Breaker - 30 Amp 120 Volt
	083209-05-000	EA	Circuit Breaker - 20 Amp - 120 Volt
	083209-06-000	EA	Circuit Breaker - 30/15 Amp - 120 Volt
	083209-08-000	EA	Circuit Breaker - Blank
	085719-01-000	EA	Buss Bar - 4 Position
	085719-02-000	EA	Buss Bar - 3 Position
	085720-01-000	EA	Circuit Breaker - 15 Amp
	085720-02-000	EA	Circuit Breaker - 20 Amp
	085720-04-000	EA	Circuit Breaker - 30 Amp
	085720-05-000	EA	Circuit Breaker - 40 Amp

### WINDSHIELD WIPERS & WASHER

Key	Part Number	U/M	Description
	056000-02-000	EA	Washer Asm - Windshield - w/o Nozzles
	057653-01-000	EA	Arm - Windshield Wiper - 18" - Black
	067188-01-000	EA	Crank Stud - Wiper
	072472-02-000	EA	Adapter Kit - Wiper Arm Pantograph Pivot
	067191-02-000	EA	Motor Asm - Windshield Wiper - 2 Speed
	067192-01-000	EA	Link Asm - Connecting - Left
	067193-01-000	EA	Link Asm - Connecting - Right
	049464-03-000	EA	Blade - Windshield Wiper - 20" - Black
	067190-01-000	EA	Shaft and Pivot Asm - Right
	067190-02-000	EA	Shaft and Pivot Asm - Left
	057474-02-000	EA	Wiper Asm

The illustrated parts breakdown for this item is provided on the Common Items Fiche

### MISCELLANEOUS ELECTRICAL COMPONENTS

Key	Part Number	U/M	Description
	047338-03-000	EA	Isolator - Dual Battery - 70 Amp
	008188-01-000	EA	Solenoid - Dual Battery Relay
	065201-02-000	EA	Lamp Shade - Fabric - Parchment
	083208-01-000	EA	Control Center - 32 Amp
	063912-01-000	EA	Relay Canister - SPDT w/Ground
	086273-01-000	EA	Relay - Battery Disconnect

## ELECTRICAL GROUP (CONTINUED)

### WIRE, SWITCHES & RECEPTACLES

Key	Part Number	U/M	Description
	008058-01-000	EA	Adapter - Power Cord
	008288-01-000	EA	Box - Electrical - 3' x 3 1/2' - Plastic
	008289-01-000	EA	Box - Electrical - 4" x 4" - 1/2 & 3/4 Steel - UL
	008289-02-000	EA	Box - Electrical - 4' x 4' - 1/2 & 3/4 Steel - CSA
	058049-01-000	EA	Box - Electrical - 2' x 3' x 2 25' - Steel
	041953-01-000	EA	Conduit - Convolute Silt - 5" ID
	008353-01-000	EA	Connector - Clamping - 3/8 Cable - UL & CSA
	058028-01-000	EA	Connector - Pigtail - Clear Nylon
	008314-01-000	EA	Connector - Wire Nut - Gray
	008311-01-000	EA	Connector - Wire Nut - Red
	031968-01-000	EA	Contact Plug - Brass - Tin Plated
	031967-01-000	EA	Contact - Receptacle
	008054-01-000	EA	Cord - Power - 10-3 30 Amp - 25 UL
	008052-01-000	EA	Cord - Power - 10-3 30 Amp - 25 CSA
	069238-01-000	EA	Cover - Electrical Box - 4 x 4
	058048-01-000	EA	Cover - Electrical Box - 4 5 x 2 75' Rain Tight (Exterior)
	024571-03-000	EA	Cover Plate - Receptacle - Jumbo - Brown Plastic
	024571-04-000	EA	Cover Plate - Receptacle - Jumbo - Ivory Plastic
	008164-01-000	EA	Cover Plate - Switch - Brown
	008294-01-000	EA	Cover - Flat Blank - 4 x 4 - Steel - UL
	008294-02-000	EA	Cover - Flat Blank - 4' x 4' - Steel - CSA
	008277-01-000	EA	Fuse Holder - Panel Mount - Black
	064399-01-000	EA	Housing Asm - Trailer Pin
	064450-01-000	EA	Housing Asm - Trailer Plug
	064398-01-000	EA	Housing Asm - Trailer Receptacle
	054532-01-000	EA	Housing Pin - 6 Position
	054532-02-000	EA	Housing Pin - 4 Position
	054532-03-000	EA	Housing Socket - 4 Position
	075736-03-000	EA	Receptacle/Cover Asm - Gray (Exterior)
	058708-01-000	EA	Receptacle - Duplex - Brown
	008157-01-000	EA	Receptacle - Duplex - Brown (Exterior Backwall)
	058708-02-000	EA	Receptacle - Duplex - Ivory
	053126-01-000	EA	Receptacle - Ground Fault Interrupter - 125 Volt - Ivory
	024924-02-000	EA	Receptacle - Power Cord
	058707-01-000	EA	Receptacle - Single - Brown
	063912-01-000	EA	Relay - Canister SPDT w/Ground
	075723-01-000	EA	Switch - Block Spacer - w/o Holes
	075723-02-000	EA	Switch - Block Spacer - w/Holes
	008162-01-000	EA	Switch - Double Toggle - Brown
	077942-02-000	EA	Switch - Dummy - Brown
	056264-01-000	EA	Switch - Leaf Actuator
	081066-01-000	EA	Switch - 2 Gang - 2 Switch
	079362-01-000	EA	Switch Plate - 3 Gang - 2 Switches
	079363-01-000	EA	Switch Plate - Single - w/Switches
	079364-01-000	EA	Switch - On/Off Rocker - Brown
	008195-01-000	EA	Switch - Push Button - 12 Volt
	008163-01-000	EA	Switch - Toggle - Brown
	077942-01-000	EA	Switch - Dummy - Black
	084404-01-000	EA	Switch - Off Low Med High - Black (Motor Aid)
	006050-01-000	EA	TV Jack - Ivory
	047443-02-000	EA	Terminal - 250 Receptacle - 12-10 AWG
	035417-01-000	EA	Terminal - Pin Receptacle - 125 Dia
	008348-01-000	EA	Terminal Ring - 2 w/3/8 Stud
	008331-01-000	EA	Terminal Ring - 4 - w/3/8 Stud
	008328-01-000	EA	Terminal Ring - 12/10 Wire
	047441-01-000	EA	Terminal - Battery - Horizontal Lug
	054865-01-000	EA	Wire Asm - Generator Switch
	008028-01-000	FT	Wire - 18 5 Bonded - Blue/Red/Yellow/Orange/White
	008024-01-000	FT	Wire - 18 5 Bonded - Orange/White/Yellow/Blue/Brown
	008025-01-000	FT	Wire - 18 5 Bonded - Orange/White/Yellow/Blue/Green
	008026-01-000	FT	Wire w/Ground - Romex - 12/2
	008030-01-000	EA	Wire - 18 4 Bonded

## 1987 ITASCA TABLE OF CONTENTS

INTRODUCTION	A-01
ABBREVIATIONS	A-01
ALPHABETICAL INDEX	A 02 - A-04
IT319RB	A 05 - B 18
IF426RT	B-19 - D-18
ICN22RC	D 19 - G 04
ICP37RQ	G-05 - I-18

## 1987 ICN22RC INDEX

Floor Plan	D-17	D 20
Accessories Group	D 21	D 24
Bath Group	E-01	E-02
Chassis Group	E-03	E-04
Curtain Cushion & Pad Group	E-05	E-12
Dinette Group		E 13
Driver's Compartment Group	E-14	E-16
Electrical Group	E 17	E-18
Exterior Body Group	E-20	F-02
Galley Group	F-03	F-04
Heating & Air Conditioning Group		F-05
Interior Finish Group	F 06	F-08
LP Group		F-09
Lounge Group		F-10
Water & Sewage Group	F 11	F-12
Window Vent & Exterior Door Group	F-13	G-04

## ELECTRICAL GROUP (CONTINUED)

### INTERIOR LIGHT

Key	Part Number	U/M	Description
	033508-02-000	EA	Light - Dome - Ivory - 1 Bulb US
	033508-03-000	EA	Light - Dome - Ivory - 1 Bulb - CSA
	081424-01-000	EA	Light - 12V Receptacle Aisle - IP
	007309-01-000	EA	Light - Step Well
	068937-04-000	EA	Dome Light - Surface - w/o Switch
	086280-01-000	EA	Dome Light - Surface Mount - 12V
	065202-03-000	EA	Lamp - Decor - Wall Bright Brass 2 Bulb
	065201-02-000	EA	Shade - Parchment - 2 Bulb Lamps

### EXTERIOR LIGHTS

Key	Part Number	U/M	Description
	059540-01-000	EA	License Plate Bracket
	058032-01-000	EA	Tail Lamp Asm - Backup/Reflex/Turn Signal
	042405-01-000	EA	Lens - Rectangular - Red w/Reflex
	042405-02-000	EA	Lens - Rectangular - Amber w/Reflex
	042405-03-000	EA	Base - Rectangular Side Marker Light
	048817-01-000	EA	Light - Porch - Assist Handle w/Light
	076343-01-000	EA	Lamp Asm - Park/Turn - Clear - Left - GM#917803
	076343-02-000	EA	Lamp Asm - Park/Turn - Clear - Right - GM#917803
	049185-01-000	EA	Headlight Capsule Asm - High/Low Beam - Driver
	049186-01-000	EA	Headlight Capsule Asm - High/Low Beam - Passenger
	049187-01-000	EA	Headlight Capsule Asm - High Beam - Driver
	049188-01-000	EA	Headlight Capsule Asm - High Beam - Passenger
	081250-01-000	EA	Light Asm - Clearance - Amber
	048817-01-700	EA	Lens - Lighted Assist Handle

## EXTERIOR BODY GROUP

### ACCESS PANEL HARDWARE

Key	Part Number	U/M	Description
	072917-01-000	EA	Rod - Hood Prop
	082628-01-000	EA	Clip - Prop Rod
	058833-01-000	EA	Bracket - Prop Rod
	073340-01-000	EA	Hinge Access Panel Passenger
	073340-02-000	EA	Hinge Access Panel Drivers
	058980-01-000	EA	Bracket - Hinge Asm Hood - Drivers
	058980-02-000	EA	Bracket - Hinge Asm Hood - Passenger
	R77006-68 721	EA	Cable Release (Access Panel)
	074178-01-000	EA	Bracket Cable Release Inside
	R77007-01 950	EA	Striker - Hook Latch
	R77007 51 429	EA	Latch - Hood
	R77006-38 499	EA	Spring
	R77006-19-765	EA	Cable Sheath
	073333-01-000	EA	Bracket Latch Support
	073337-01-000	EA	Brace Latch Hood
	073341-01-000	EA	Bracket - Hood Latch
	058786-02-000	EA	Bolt - Hood Adjusting - 5/16 x 18 x 1 1/4

### SHEET FIBERGLASS ALUMINUM & STYROFOAM

Key	Part Number	U/M	Description
	077517-13-000	EA	Fiberglass - Sheet - 46 12' x 305' Mesa Gray
	077517-15-002	EA	Fiberglass - Sheet - 46 12' x 60 - Mesa - Gray
	001054-01-011	EA	Alum - Off White - No Design - 48 x 96
	001054-03-003	SF	Alum - Gray - No Design - 48 x 96
	044487-01-001	EA	Alum - Mill Finish - No Design (Roof) - 96 x 360
	000868-01-000	SF	Styrofoam - 75" x 24" x 96
	000870-01-000	SF	Styrofoam - 1 50 x 24 x 96
	000876-03-000	SF	Styrofoam - 1 34 x 48 x 96

### MISCELLANEOUS EXTERNALLY MOUNTED PARTS

Key	Part Number	U/M	Description
	083558-01-000	EA	Plumbing Seal Roof Vent 1 5 - Covered
	048817-01-000	EA	Assist Handle w/Light
	048817-01-700	EA	Lens - Assist Handle
	010230-04-000	EA	Fill - City Water - Recessed Gray
	081240-02-000	EA	Water Fill - Lockable Gray
	087659-03-000	EA	Fill - City Water - Gray

NOTE For Screws & Fasteners See Common Items Fiche

## 1987 ITASCA TABLE OF CONTENTS

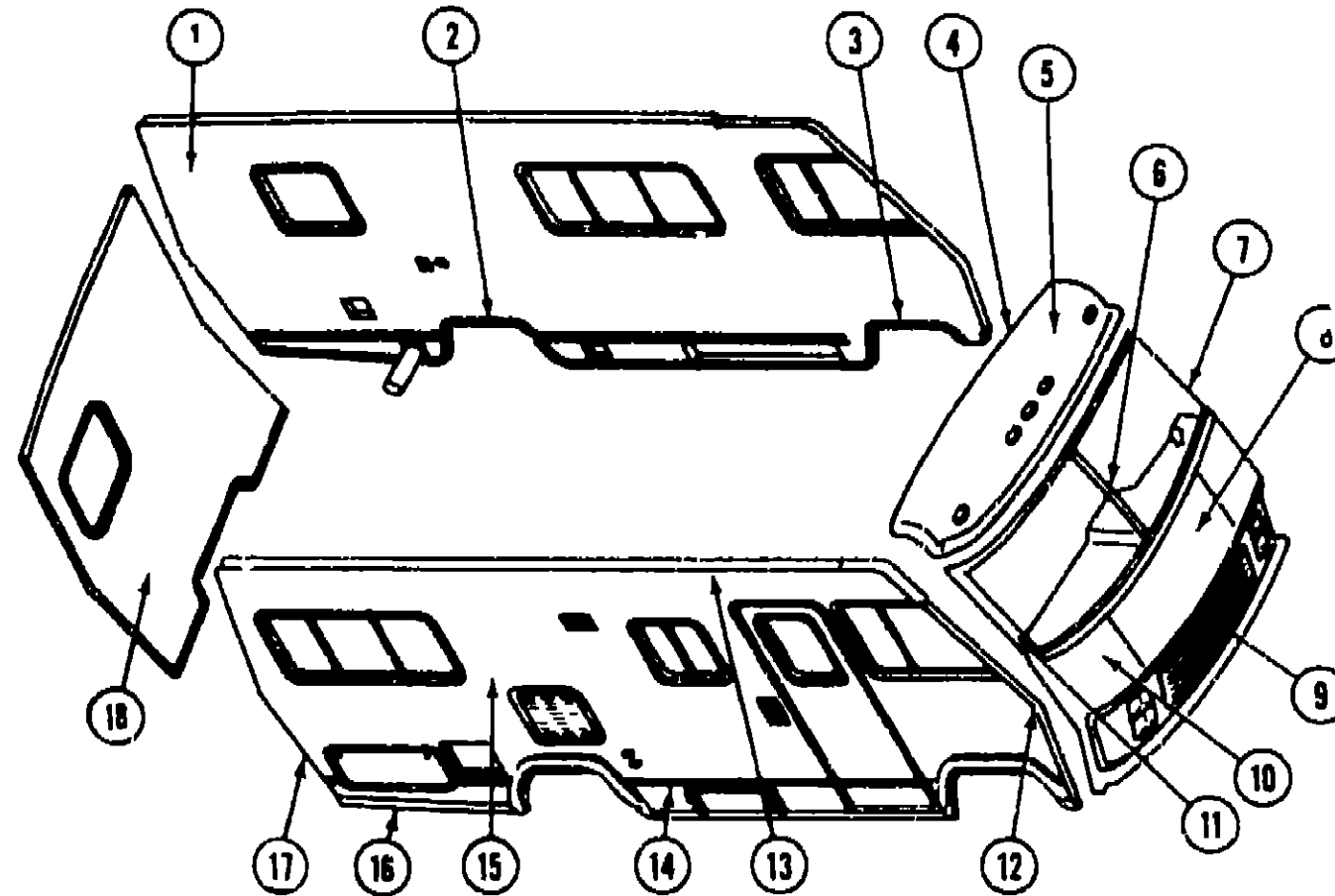
INTRODUCTION	A-01
ABBREVIATIONS	A-01
ALPHABETICAL INDEX	A-02 - A-04
IT319RB	A-05 - B-18
IF426RT	B-19 - D-18
ICN22RC	D-19 - G-04
ICP37RQ	G-05 - I-18

## 1987 ICN22RC INDEX

Floor Plan	D-17 - D-20
Accessories Group	D-21 - D-24
Bath Group	E-01 - E-02
Chassis Group	E-03 - E-04
Curtain Cushion & Pad Group	E-05 - E-10
DINETTE Group	E-11
Driver's Compartment Group	E-14 - E-16
Electrical Group	E-17 - E-19
Exterior Body Group	E-20 - F-01
Galley Group	F-02 - F-03
Heating & Air Conditioning Group	F-04 - F-05
Interior Finish Group	F-06 - F-07
LP Group	F-08
Lounge Group	F-09
Water & Sewage Group	F-10 - F-11
Window Vent & Exterior Door Group	F-12 - G-01

## EXTERIOR BODY GROUP (CONTINUED)

### EXTERIOR BODY PANELS



Key	Part Number	U/M	Description
1	M87163-01 W27	EA	Sidewall Asm - Driver
1	M87163-01-W28	EA	Sidewall Asm - Driver
1	M87163-01-W29	EA	Sidewall Asm - Driver
2	086886-01-000	EA	Trim - Wheel Well - Rear - U-Channel - Driver or Passenger
3	086887-01-000	EA	Trim - Wheel Well - Front - U-Channel - Driver or Passenger
4	078580-01-000	EA	Trim - Roof/Front Cap
5	M01899-01-T09	EA	Cap - Over Windshield - Gray
6	076676-02-000	EA	Trim - Molding - Windshield - Center
7	079225-02-000	EA	Trim - Contour - Windshield - Driver
	077944-02-000	EA	Trim - Molding - Windshield - Upper - Left
	077945-02-000	EA	Trim - Molding - Windshield - Lower - Left
8	078281-01-T09	EA	Access Panel - w/Hardware
9	080754-01-000	EA	Trim - Grille - Vinyl Chrome - 47 25
9	080754-02-000	EA	Trim - Grille - Vinyl Chrome - 91 50
	076910-02-000	EA	Headlamp Bezel - Driver
	076910-01-000	EA	Headlamp Bezel - Passenger
	073308-01-000	EA	Screw Asm - Headlamp - Adjusting
	049359-01-000	EA	Spring - Headlamp Retainer
	062207-01-000	EA	Headlamp Guard
10	M01115-11-T09	EA	Panel Asm - Front Shroud (includes access panel)
11	079225-01-000	EA	Trim - Contour - Windshield - Passenger
	077944-01-000	EA	Trim - Molding - Windshield - Upper - Right
	077945-01-000	EA	Trim - Molding - Windshield - Lower - Right
12	079224-03-000	EA	Trim - Fiberglass Panel - Passenger - Gray
	079224-04-000	EA	Trim - Fiberglass Panel - Driver - Gray
13	078600-14-000	EA	Trim - Sidewall - Upper - Driver or Passenger - Gray
14	059576-11-000	EA	Feature Strip - Extr - Gray - 14 - w/o Insert
	009731-01-000	EA	End Cap - Feature Strip Insert
	001030-11-100	EA	Insert - Feature Strip - Gray - 17
			Not Keyed

Key	Part Number	U/M	Description
15	M87162-01-W27	EA	Sidewall Asm - Passenger
15	M87162-01 W28	EA	Sidewall Asm - Passenger
15	M87162-01 W29	EA	Sidewall Asm - Passenger
16	002776-04-001	EA	Extr - Trim - U-Channel 16
17	050406-05-000	EA	Trim - Backwall - Lower - Driver or Passenger
	086145-02 W27	EA	Roof Asm
18	M86699-01-W27	EA	Backwall Asm - w/Double Bed
	M86699-02 W27	EA	Backwall Asm - w/Bunk Bed
	078577-05 000	EA	Bumper End Cap - Front Passenger - Gray
	078577-06-000	EA	Bumper End Cap - Front Driver - Gray
	086906-01-000	EA	Trim - Rear Upper Right - Gray Plastic
	086906-02-000	EA	Trim - Rear Upper Left - Gray Plastic
	086908 01-000	EA	Trim - Rear Side Right - Gray
	086908-02-000	EA	Trim - Rear Side Left - Gray
	072917-02 000	EA	Rod - Hood Prop
	072010-01 000	EA	Cable - Release (Access Panel)
	073611-01-000	EA	Striker - Hood Latch
	074178-01-000	EA	Bracket - Cable Release - Inside
	R77007-51-429	EA	Latch - Hood
	072013-01-000	EA	Spring - Hood Release
	062628-01-000	EA	Clip - Prop Rod
	072011-01-000	EA	Cable Sheath
			Not Keyed

## 1987 ITASCA TABLE OF CONTENTS

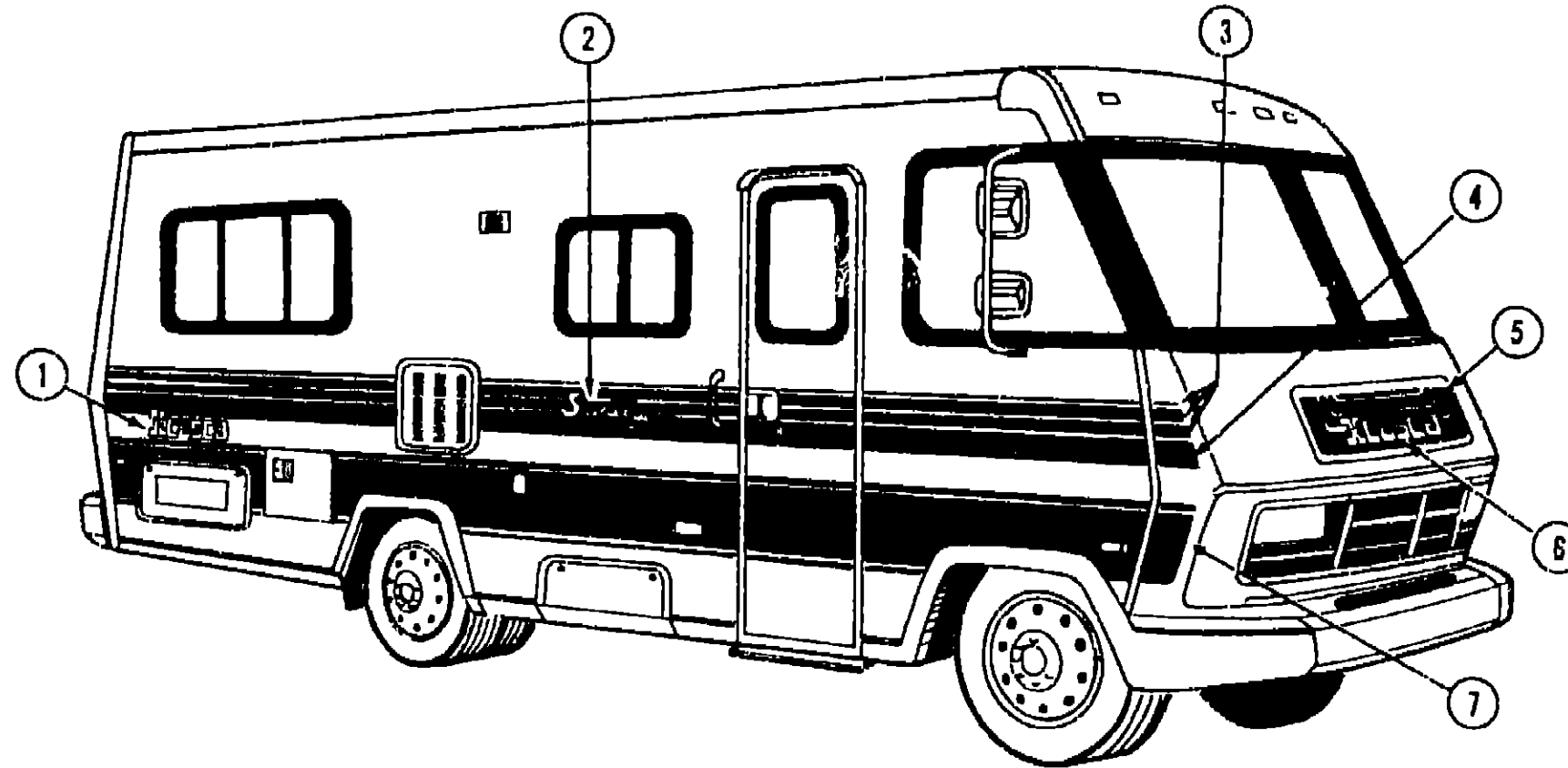
INTRODUCTION	A 01
ABBREVIATIONS	A 01
ALPHABETICAL INDEX	A 02 - A 04
IT319RB	A-05 B 18
IF426RT	B 19 - D 18
ICN22RC	D 19 G-04
ICP37RQ	G 05 - I 18

## 1987 ICN22RC INDEX

Floor Plan	D 17 - D-20
Accessories Group	D 21 - D-24
Bath Group	E-01 - E-04
Chassis Group	E-03 - E-04
Curtain Cushion & Pad Group	E-05 - E-14
Dinette Group	E-1
Driver's Compartment Group	E-14 - E-16
Electrical Group	E 17 - E 18
Exterior Body Group	E-20 - F-01
Galley Group	F 03 - F-04
Heating & Air Conditioning Group	F-01
Interior Finish Group	F-06 - F-07
LP Group	F 08
Lounge Group	F-11
Water & Sewage Group	F-11 - F-12
Window Vent & Exterior Door Group	F-13 - G 01

## EXTERIOR BODY GROUP (CONTINUED)

### DECALS & FILM STRIPE



Key	Part Number	U/M	Description
1	078852-05-000	EA	Decal - Logo - Itasca - 6.5 x 25.5 - Sides & Rear
2	058718-02-000	EA	Decal - Sunlifter
3	069245-B0-000	FT	Film - Multi-Stripe - 5.1 x 150 - Light Green Metallic (W27)
3	069245 B1-000	FT	Film - Multi-Stripe - 5.1 x 150 - Rust Metallic (W28)
3	069245 A9-000	FT	Film - Multi-Stripe - 5.1 x 150 - Burgundy Metallic (W29)
4	078831-28-000	FT	Decal - Stripping - 3.5 x 150 - Dark Green (W27)
4	078831 27-000	FT	Decal - Stripping - 3.5 x 150 - Gray (W28 W29)
5	087206-02-000	EA	Decal - Hood - Rust/Light Green/Dark Green (W27)
5	087206-03 000	EA	Decal - Hood - Red Beige/Rust/Gray (W28)
5	067206-01-000	EA	Decal - Hood - Rose/Burgundy/Gray (W29)
6	078852-07-000	EA	Decal - Logo - Itasca Hood - Gray (W27 W28 W29)
7	065217 C4 000	FT	Film - Multi-Stripe - 11 x 150 - Dark Green (W27)
7	065217-C3-000	FT	Film - Multi-Stripe - 11 x 150 - Gray (W28 W29)
	084075-01-000	EA	Decal - By Winnebago Ind
	Not illustrated		

## 1987 ITASCA TABLE OF CONTENTS

INTRODUCTION	A 01
ABBREVIATIONS	A 01
ALPHABETICAL INDEX	A 02 - A 04
IT319RB	A 05 - B 18
IF426RT	B-19 - D 18
ICN22RC	D 19 - G 04
ICP37RQ	G 05 - I 18

## 1987 ICN22RC INDEX

Floor Plan	D 17 - D 20
Accessories Group	D 21 - D 24
Bath Group	E-01 - E 02
Chassis Group	E-03 - E 04
Curtain Cushion & Pad Group	E 05 - E-14
Dinette Group	E-15
Driver's Compartment Group	E 14 - E 16
Electrical Group	E-17 - E 19
Exterior Body Group	E-20 - F-02
Galley Group	F 03 - F 04
Heating & Air Conditioning Group	F-05
Interior Finish Group	F 06 - F 08
LP Group	F 09
Lounge Group	F-10
Water & Sewage Group	F-11 - F 13
Window Vent & Exterior Door Group	F-13 - G 01

**EXTERIOR BODY GROUP (CONTINUED)**

**LABELS & EXTERIOR PAINT**

Key	Part Number	U/M	Description
	056383-01-000	EA	Label - Diesel Fuel
	006195-01-000	EA	Label - Electrical Test
	047731-01-000	EA	Label - Emergency Exit
	006199-01-000	EA	Label - Exit - Escape Window
	057467-04-000	EA	Label - Exterior Loading Limit
	064378-01-000	EA	Label - Flying W w/Thermo Panel
	061417-01-000	EA	Label - Fuel
	006196-01-000	EA	Label - Gas Test
	054531-01-000	EA	Label - LP Gas Only
	040944-01-000	EA	Label - Open - Entrance Door
	006015-01-000	EA	Label - Patent Motor Home
	056259-01-000	EA	Label - Safety Check List
	006054-01-000	EA	Label - Seat - w/o Seat Belts
	006187-01-000	EA	Label - Sewage
	006006-01-000	EA	Label - Thermo Panel - 2 1/4 x 2 1/4
	075221-01-000	EA	Label - Trailer Hitch Capacity
	075220-01-000	EA	Label - Warning - Exterior Load Limit
	050225-01-000	EA	Label - Warning - Stove Vent - US
	006188-01-000	EA	Label - Waste Water
	006197-01-000	EA	Label - Water Test
	072863-01-000	EA	Nameplate - Diesel - 6 2L
	006062-01-000	EA	Tag - Electrical - 110 Volt Connection
	006040-01-000	EA	Tag - Gas - Refueling Warning
	044486-03-000	EA	Paint - Beige Acrylic Enamel - 16 oz. Aerosol (7633A Dupont)
	045681-03-000	EA	Paint - Gloss Black - Acrylic Enamel - 16 oz. Aerosol (99 Dupont)
	058637-05-000	EA	Paint - Gray Acrylic Enamel - 16 oz. Aerosol (71537 Dupont)
	041561-03-000	EA	Paint - Off White Acrylic Enamel - 16 oz. Aerosol (45396A Dupont)
	074559-01-000	EA	Label - LPG - 3 3/4 x 1 7/8 (Calif Code)

**EXTERIOR BODY GROUP (CONTINUED)**

**SEALANTS & ADHESIVES**

Key	Part Number	U/M	Description
	004020-01-000	QT	Adhesive - ABS Cement (Plastic Fittings)
	002337-01-000	EA	Adhesive - 1300 Tube - 3M (Windows)
	004005-02-000	GL	Adhesive - Swifts - Glue (Sidewalls)
	053765-07-000	EA	Bedding Compound - Tube - Beige (Exterior)
	053766-06-000	EA	Bedding Compound - Tube - Clear (Window)
	053766-08-000	EA	Bedding Compound - Tube - Gray (Exterior)
	053766-05-000	EA	Bedding Compound - Tube - Gray (Sidewalls to Floor)
	053766-02-000	EA	Bedding Compound - Tube - Off White (Exterior)
	002328-02-000	EA	Block - Rubber Spacer (Windshield)
	004336-01-000	EA	Caulk - Latex - Golden Walnut (Sidewalls)
	072891-02-000	QT	Primer - Glass - Black
	072891-01-000	QT	Primer - Glass - Clear
	035024-01-000	EA	Primer - Glass - Clear - Windshield
	072890-01-000	QT	Primer - Metal - Black
	035024-01-000	GL	Primer - Metal - Windshield
	077967-01-000	EA	Sealant - Acrylic Latex - Tube - Off White (Interior Sealant)
	034552-04-000	EA	Sealant - Silicone - Beige
	034552-02-000	EA	Sealant - Silicone - Clear
	034552-07-000	EA	Sealant - Silicone - Dark Gray
	034552-06-000	EA	Sealant - Silicone - Off White
	069637-01-000	EA	Sealant - Weatherban 404 - Tube - White (Door Caulk)
	072889-01-000	EA	Sealant - Urethane - Black (Windshield)
	069640-01-000	FT	Sealer Ribbon - 25 Bead x 20
	069640-02-000	FT	Sealer Ribbon - 5 x 125 x 30
	069640-03-000	FT	Sealer Ribbon - 75 x 125 x 30
	069640-04-000	FT	Sealer Ribbon - 2 x 09 x 45 (P Series)
	069640-05-000	FT	Sealer Ribbon - 2 5/8 x 09 x 50
	069640-06-000	FT	Sealer Ribbon - 5/16 Bead x 15
	069640-07-000	FT	Sealer Ribbon - 2 x 3/32 x 30
	002316-01-000	FT	Sealer Tape - 3/32 x 3/8 - White (Window)
	002707-01-000	FT	Sealer Tape - 5/16 x 3/4
	002707-02-000	FT	Sealer Tape - 5/16 x 1/2
	040545-01-000	GL	Sealer - Seam Weld
	053752-04-000	EA	Seam Sealer - Tube - Aluminum (Roof)
	063642-01-000	FT	Tape - Adhesive - 10 mm x 1 1/2 Wide
	038886-01-000	EA	Tape - Butyl - 31 x 31 x 148 (Windshield)
	076322-01-000	FT	Tape - Foam - Double Coated - 025 x 1 (Fiberglass Sidewall Seams)
	076322-02-000	FT	Tape - Foam - Double Coated - 045 x 1 (Fiberglass Sidewall Seams)
	009200-01-000	EA	Tape - Furnace - 1 1/2
	002825-01-000	FT	Weather Strip - Roof Vent

**1987 ITASCA  
TABLE OF CONTENTS**

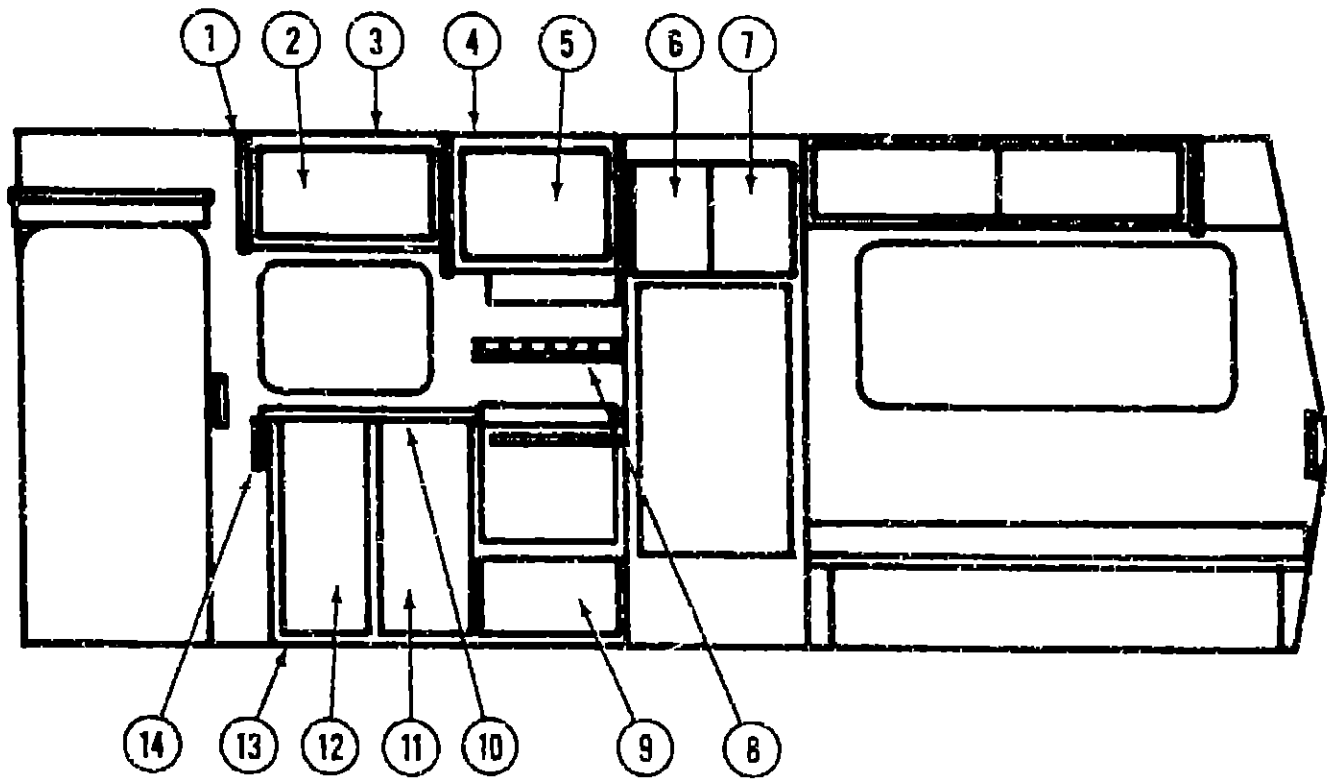
INTRODUCTION	A-01
ABBREVIATIONS	A-01
ALPHABETICAL INDEX	A-02 - A-04
IT319RB	A 05 - B-18
IF426RT	B-19 - D-18
ICN22RC	D 19 - G-04
ICP37RO	G 05 - I 18

**1987 ICN22RC INDEX**

Floor Plan	D-17 - D 20
Accessories Group	D-21 - D 24
Bath Group	E-01 - E 02
Chassis Group	E 03 - E 04
Curtain Cushion & Pad Group	E 05 - E-12
Dinette Group	E-13
Driver's Compartment Group	E-14 - E 16
Electrical Group	E 17 - E 19
Exterior Body Group	E 20 - F-02
Galley Group	F 03 - F 04
Heating & Air Conditioning Group	F 05
Interior Finish Group	F 06 - F 08
LP Group	F 09
Lounge Group	F-10
Water & Sewage Group	F 11 - F-12
Window Vent & Exterior Door Group	F 13 - G 04



## GALLEY GROUP



GALLEY CABINETRY

Key	Part Number	U/M	Description
1	081320-04-W30	EA	Pad Asm - End Cap - Galley Overhead - Buckskin
2	M84665-25-W27	EA	Door Asm - Galley Overhead - w/o Hardware
3	081656-14-W27	EA	Cabinet Asm - Galley Overhead - w/o Doors or Hardware
4	081460-23-W27	EA	Cabinet Asm - Galley Overhead - w/o Doors or Hardware
5	M84665-26-W27	EA	Door Asm - Galley Overhead - 18 2 x 23 9 - w/o Hardware
6	M85402-02-W27	EA	Door Asm - Refrigerator Cabinet - 19 6 x 11 8 - w/o Hardware - Front
7	M85402-01-W27	EA	Door Asm - Refrigerator Cabinet - 19 6 x 11 8 - w/o Hardware - Rear
8	079352-01-000	EA	Hood Range - Non Powered w/Light
9	M81507-02-W30	EA	Door Asm - Furnace - Galley Cabinet 15 9 x 21 8 - w/Mesh
	072369-21-000	EA	Mesh - Furnace Grille - 22 x 12
10	M03000-08-W31	EA	Countertop Asm - Galley
11	M84665-24-W27	EA	Door Asm - Galley Cabinet - w/o Hardware - Right
12	M84665-23-W27	EA	Door Asm - Galley Cabinet - w/o Hardware - Left
13	M86706-01-W31	EA	Cabinet Asm - Galley w/o Countertop Doors Drawers or Hardware
14	080812-02-W30	EA	Extension Asm - Galley Sand Quadrus
	077404-01-000	EA	Drawer - Plastic 20 x 12 7
			Not illustrated

## GALLEY GROUP (CONTINUED)

### GALLEY HARDWARE & APPLIANCES

Key	Part Number	U/M	Description
	079352-01-000	EA	Hood Range - Non Powered w/Light
	079353-01-000	EA	Hood - Range - Powered w/Monitor - Almond - US
	084878-01-000	EA	Vent - Range Hood
	055282-04-000	EA	Range w/Small Oven 4 Burner - Almond - Magic Chef
	084879-01-000	EA	Refrigerator - 3 Way - 8 Double Door - Norcold
	064473-02-000	EA	Refrigerator - 3 Way - 6 - Norcold
	054450-01-000	EA	Level - Refrigerator
	068615-01-000	EA	Sink - Stainless Steel - Double w/Bolts
	011053-01-000	EA	Faucet - Swing Spout - 8 - US
	011053-02-000	EA	Faucet - Swing Spout 8 - CSA
	011053 01 700	EA	Aerator - Swing Spout Faucet
	066437-01-000	EA	Strainer w/Basket - Sink
	081530-01 W07	EA	Sink Cover Large
	009049-01-000	EA	Support Drop Leaf Table
	009059-01-000	EA	Hinge - 2 - Gold - Drop Leaf Table
	079606-03 W30	EA	Magazine Rack - Oak
	074981-01-000	EA	Cutting Board Maple
	058334 01-000	EA	Wastebasket - 9 3/4 x 7 x 10 - White
	058478-01-000	EA	Support Wastebasket - Metal - Door Mount
	059777-02-000	EA	Hinge - Cabinet Door - Antique Light Brass
	084435-01-000	EA	Door Pull
	009021-01 000	EA	Catch Nylon
	009021 02-000	EA	Strike - Spring Steel
	047744-01-000	EA	Kit Drawer Guide - Plastic
	077409-01 000	EA	Slider - Drawer 20 75 Plastic
	077404 01-000	EA	Drawer - 20 x 12 70 - Plastic
	066435-01-000	EA	Nut Strainer
	011083-01-000	EA	Plug 1 1/4 x 5 - w/Stopper

The illustrated parts breakdown for this item is provided on the Common Items Fiche

## 1987 ITASCA TABLE OF CONTENTS

INTRODUCTION	A-01
ABBREVIATIONS	A-01
ALPHABETICAL INDEX	A-02 - A-04
IT319RB	A-05 - B 18
IF426RT	B-19 - D-18
ICN22RC	D-19 - G 04
ICP37RQ	G-05 - I 18

## 1987 ICN22RC INDEX

Floor Plan	D-17 - D 20
Accessories Group	D 21 - D 24
Bath Group	F 01 E 02
Chassis Group	E-03 - E-04
Curtain Cushion & Pad Group	E-05 - E 12
Dinette Group	E 13
Driver's Compartment Group	E-14 - E-16
Electrical Group	E 17 E-19
Exterior Body Group	E 20 F-02
Galley Group	F-03 - F-04
Heating & Air Conditioning Group	F 05
Interior Finish Group	F 06 - F 07
LP Group	F-08
Lounge Group	F-10
Water & Sewage Group	F-11 F-12
Window Vent & Exterior Door Group	F 13 - G 04

## HEATING & AIR CONDITIONING GROUP

### AUXILIARY HEATER ASSEMBLY

Key	Part Number	U/M	Description
	084405-01-000	EA	Heater Asm - Rear - Auxiliary
	084405-01-700	EA	Heater Core
	084405-01-701	EA	Fan
	084405-01-702	EA	Motor - 12 V
	055464-02-000	EA	Register - 4 - Plastic - w/o Damper

### AUTOMOTIVE HEATER & AIR CONDITIONER

Key	Part Number	U/M	Description
	072341-04-000	EA	Heater/Evaporator Asm
	072341-01-700	EA	Wheel - w Retainer & Index Clip
	072341-01-701	EA	Core Heater
	072341-01-702	EA	Coil - Evaporator
	072341-01-703	EA	Valve - Expansion
	072341-01-704	EA	Valve - Suction
	072341-01-705	EA	Switch - Pressure Low Cut Out
	072341-01-706	EA	Resistor
	072341-01-707	EA	Thermostat
	072341-01-708	EA	Motor - Vacuum
	R77005-81-129	EA	Relay - Glow Plug
	072341-01-710	EA	Control Asm - Heater A C
	072341-01-711	EA	Cable Bowden - 72
	072341-01-712	EA	Switch Vacuum
	072341-01-713	EA	Switch - Jumper Control
	072341-01-714	EA	Valve Heater - Water Flow Control
	072341-01-715	EA	Escape & Louver Adapter Asm
	072341-01-716	EA	Discharge Valve - 1/2
	072341-08-000	EA	Duct & Control Kit
	072342-03-000	EA	Condensor Asm - w/Fans
	072342-02-700	EA	Receiver Drier - Condenser Asm
	072343-01-000	EA	Compressor/Clutch
	072344-01-000	EA	Package - Compressor Mount
	074026-01-000	EA	Package - Compressor Mount 6.2 L Diesel
	039044-01-000	EA	Louver Asm - A/C Adjustable
	007076-01-700	FT	Hose - Flexible PVC - 2 ID
	007281-01-700	FT	Hose Flexible PVC - 2 1/2 ID
	007108-01-000	FT	Hose Heater - 5/8 ID SAE 20R3
	062401-04-000	EA	Clamp - Worm Drive - 69 - 1 25 ID
	010227-01-000	EA	Tie Plastic Barbs 5/8 or 3/4 Hose

### FURNACE & ROOF AIR CONDITIONER

Key	Part Number	U/M	Description
	075696-01-000	EA	Furnace 34 000 BTU - w/Direct Ignition NT 34S
	075695-01-000	EA	Furnace - 24 000 BTU w/Direct Ignition NT 24S
	069636-01-000	EA	Connector 4 Duct
	009198-01-000	EA	Duct Flexible 4 ID x 25
	056464-01-000	EA	Register - 4 Dia - Plastic - w/Damper
	056464-02-000	EA	Register - 4 Dia - Plastic - w/o Damper
	009200-01-000	EA	Tape - Furnace 1 1/2
	023146-01-000	EA	Clamp - Screw Type - 4
	073743-01-000	EA	Shroud Asm Ceiling Inside - Roof Air 13 500 BTU Cool Only
	073744-01-000	EA	Shroud Asm - Ceiling - Inside - Roof Air 13 500 BTU Heat & Cool
	073742-01-000	EA	Air Conditioner 1.0 Vol. Roof Mount - 13 500 BTU Polary

The illustrated parts breakdown for this item is provided on the Common Items Fiche

## INTERIOR FINISH GROUP

### CURTAIN & CUSHION HARDWARE

Key	Part Number	U/M	Description
	081381-01-000	EA	Swivel Snap - Curtain Track
	029130-01-000	EA	Snap Socket - Curtain Bolloom
	029130-01-000	EA	Snap Socket - Tie Back
	084434-01-000	EA	Bracket Shade
	048394-01-000	YD	Tape Hood - 1 x 50 YD - Beige
	048395-01-000	YD	Tape Loop - 1 x 50 YD - Beige
	029094-04-000	YD	Tape - Loop - 1 Wide - Black
	029094-05-000	YD	Tape - Loop - 5 Wide - Beige
	029096-03-000	YD	Tape - Hook - 1 Wide - Black
	056003-01-000	EA	Bracket - Drapery Retainer - Left
	056003-02-000	EA	Bracket Drapery Retainer Right
	029090-01-000	FT	Tie - Drapery - Clear Vinyl
	079946-01-000	EA	Track - Curtain - Wraparound Right
	079946-02-000	EA	Track - Curtain - Wraparound Left
	087253-01-000	EA	Shade Pull - Clear Plastic
	009223-02-000	EA	Rod - Curtain - Flat - 48 84
	009224-01-000	EA	Rod - Curtain Flat - 28 x 48
	029093-01-000	EA	Eyelet Nickel Finish
	039175-04-000	EA	Rod Curtain - Cafe 16 - 28
	042439-01-000	EA	Bracket Curtain Rod Single

### FABRICS & TRIMS

Key	Part Number	U/M	Description
	077498-89-000	YD	Fabric Main - Jade/Peach (W27)
	077498-90-000	YD	Fabric Main Mahogany (W28)
	077498-88-000	YD	Fabric - Main - Rose (W29)
	077498-82-000	YD	Fabric Patterned Accent - Jade/Peach (W27)
	077498-83-000	YD	Fabric - Patterned Accent - Mahogany (W28)
	077498-84-000	YD	Fabric - Patterned Accent - Rose (W29)
	077498-A1-000	YD	Fabric Plain Accent - Jade/Peach (W27)
	077498-A2-000	YD	Fabric Plain Accent - Mahogany (W28)
	077498-A8-000	YD	Fabric - Plain Accent - Rose (W29)
	069729-44-000	YD	Fabric - Bedroom Drapery - Jade/Peach (W27)
	069729-45-000	YD	Fabric - Bedroom Drapery - Mahogany (W28)
	069729-46-000	YD	Fabric - Bedroom Drapery - Rose (W29)
	072333-38-000	YD	Fabric Wraparound & Blackout - Jade/Peach (W27)
	072333-40-000	YD	Fabric Wraparound & Blackout - Mahogany (W28)
	072333-37-000	YD	Fabric Wraparound & Blackout - Rose (W29)
	072333-38-000	YD	Fabric Drapery - Shades & Tie Back - Jade/Peach (W27)
	072333-40-000	YD	Fabric Drapery - Shades & Tie Back - Mahogany (W28)
	072333-37-000	YD	Fabric - Drapery - Shades & Tie Back - Rose (W29)
	038421-02-000	YD	Fabric - Mattress Ticking Beige/Brown
	038421-04-000	YD	Fabric Mattress Ticking - Cashew
	052859-01-W30	FT	Trim Asm - Accent - Buckskin
	052859-06-W13	FT	Trim Asm - Accent - Buckskin
	079680-01-000	YD	Vinyl - Expanded 26 oz Buckskin
	029219-01-000	YD	Vinyl - White 14.6 oz
	087272-01-000	YD	Fabric - Drapery Lining 48 Ivory
	038421-01-000	YD	Fabric - Mattress Ticking
	029012-01-000	BF	Foam Rolled - 3/8
	072860-57-000	YD	Carpet Jade/Peach (W27)
	072860-58-000	YD	Carpet - Mahogany Rose (W28 W29)
	075233-02-000	YD	Carpet Pad - 3 B Foam

## 1987 ITASCA TABLE OF CONTENTS

INTRODUCTION	A-01
ABBREVIATIONS	A-01
ALPHABETICAL INDEX	A-02 - A-04
IT319RB	A-05 - B 18
IF426RT	B-19 - D-18
ICN22RC	D-19 - G 04
ICP37RO	G 05 - I-18

## 1987 ICN22RC INDEX

Floor Plan	D-17 - D-20
Accessories Group	D-21 - D 24
Bath Group	E-01 - E-02
Chassis Group	E-03 - E 04
Curtain Cushion & Pad Group	E-05 - E-12
Dinette Group	E-1
Drivers Compartment Group	E 14 - E-16
Electrical Group	E-17 - E-19
Exterior Body Group	E 20 - F 04
Galley Group	F 03 - F-04
Heating & Air Conditioning Group	F-05
Interior Finish Group	F 06 - F-08
LP Group	F-09
Lounge Group	F-10
Water & Sewage Group	F-11 - F 12
Window Vent & Exterior Door Group	F 13 - G 04

## INTERIOR FINISH GROUP (CONTINUED)

### PANELING & LAMINATE

Key	Part Number	U/M	Description
	074497-09-000	SF	Paneling - Sand - 48" x 84 (28 SF) (Wall)
	074496-66-000	SF	Paneling - Decor - 48 x 84 (28 SF) Bath (W27)
	074496-68-000	SF	Paneling - Decor - 48 x 84 (28 SF) Bath (W28)(W29)
	074496-73-000	SF	Paneling - Decor - 48 x 84 (28 SF) Galley (W27)
	074496-75-000	SF	Paneling - Decor - 48 x 84 (28 SF) Galley (W28)(W29)
	074497-10-000	SF	Paneling - Regal Oak - 48 x 84 (28SF) (Cabinets)
	074498-13-000	SF	Plastic Laminate - Sand Quadrus (Galley D'nette)
	074498-16-000	SF	Plastic Laminate - T/Apricot (Bath) (W27)
	074498-17-000	SF	Plastic Laminate - Maple Nut (Bath) (W28)
	074498-15-000	SF	Plastic Laminate - Blush (Bath) (W29)
	074498-20-000	SF	Plastic Laminate - Regal Oak (Nights' end & Table Tops)
	076325-16-000	FT	Plastic Laminate - Edge Band - Regal Oak - 1 5/16" x 600

### MISCELLANEOUS PARTS

Key	Part Number	U/M	Description
	053552-02-W24	EA	Handle Asm - Interior Assist - Buckskin
	041944-04-000	EA	Fire Extinguisher - Dry 5BC
	041944-02-000	EA	Holder - Fire Extinguisher
	054185-26-000	EA	Owner's Manual - 1987 Itasca & Winnebago
	040069-01-000	EA	Door Mat - 10 1/2 x 26 - Black Rubber
	086296-01-000	EA	Picture - Decor
	065201-02-000	EA	Lamp Shade - Fabric - Parchment

### INTERIOR MOLDING & TRIM

Key	Part Number	U/M	Description
	024700-21-000	EA	Cover - Sidewall Roll Bar - Beige
	081521-01-001	EA	Molding w/Holes - Corner - 16
	042357-09-000	FT	Molding - Radius Corner - 7 Elm
	022992-08-000	FT	Molding - Reverse Cove - White
	022992-09-000	FT	Molding - Reverse Cove - Grady Brown
	085229-01-000	EA	Retainer - 75 - Batt Strip - Brown Plastic
	086229-02-000	EA	Batt Strip - 1 - Tan Plastic
	085284-03-000	FT	Batt Strip - Adhesive Tape - Regal Oak
	085284-05-000	FT	Batt Strip - Adhesive Tape - Classique Tweed
	069733-71-000	EA	Batt Strip - Winnie - 8 (Galley & Bath)
	070504-01-000	FT	U Channel - 065 - Light Brown
	070504-02-000	FT	U Channel - 815 - Light Brown
	070504-03-000	FT	U Channel - 815 - Grady Brown
	009778-04-000	FT	U Channel - 1 - Grady Brown
	093620-01-000	FT	T-Molding - 75 - w'Edge Lips - Grady Brown
	076325-04-000	FT	T-Molding - 1 5/16 - Sunset Oak
	077840-01-T0J	EA	Molding Wall Cap 96 - Vinyl Covered - Sunset Oak
	077953-01-000	EA	Grommet - 1 Hole Liner
	085746-01-000	FT	Trim - Carpet - Wall - Beige
	052859-06-W13	FT	Accent Trim - Buckskin
	009767-06-000	FT	Welting - Beige
	009767-10-000	FT	Welting - Mahogany (Darker)

## INTERIOR FINISH GROUP (CONTINUED)

### CABINETRY & TABLE HARDWARE

Key	Part Number	U/M	Description
	053200-06-000	EA	Bracket - Upper Wall Mount - 23 5 - Tan
	053201-07-000	EA	Bracket - Table Mount - 23 - Tan
	024275-05-000	EA	Rod - Table Lift - 8 x 23 5 - Beige
	024281-07-000	EA	Bracket - Lower Wall Mount - 22 12 - Beige
	024276-17-000	EA	Leg Asm - Table - 26 5 - Tan
	064050-02-000	EA	Hinge - Table Leg - Tan
	024282-01-000	EA	Brace - Table Leg
	024283-01-000	EA	Clip - 1" O D Tube
	049493-05-000	EA	Catch - Table Leg - Mounts on Floor - Tan
	057898-01-000	EA	Latch - Hidden - Cabinet Door w/Strike
	009112-01-000	EA	Flange - 1 - Chrome - Closet Rod
	077409-01-000	EA	Slide - Drawer - Plastic - 20 75
	009049-01-000	EA	Table Support - Drop Leaf
	009059-01-000	EA	Hinge - 2 - Drop Leaf Table - Gold
	009059-02-000	EA	Hinge - 2" - Brass
	047744-01-000	EA	Kit - Drawer Glide
	064467-01-000	EA	Glide - Wall Mount - Door Pocket
	084435-01-000	EA	Pull - Polished Brass
	009016-01-000	EA	Elbow - Catch - Spring Loaded
	057671-01-000	EA	Screw Cover - #8 - Off White
	072369-21-000	EA	Mesh - Grille - 18 4 x 12 5 - Duraton Bronze
	009150-01-000	EA	Warp Guard - 64
	009021-01-000	EA	Catch - Nylon
	009021-02-000	EA	Strike - Nylon Catch
	059777-02-000	EA	Hinge - Cabinet Door - Antique Light Brass
	074493-02-000	EA	Support - Sprung - Door
	066433-01-000	EA	Hook - Cup - Bright
	075680-01-000	EA	Clothes Rod - Adjustable - 27 x 36
	073306-01-000	EA	Slide Drawer - 18 - Left
	073306-02-000	EA	Slide Drawer - 18 - Right
	073306-03-000	EA	Slide Cabinet - 18 - Left
	073306-04-000	EA	Slide Cabinet - 18 - Right

The illustrated parts breakdown for this item is provided on the Common Items Fiche

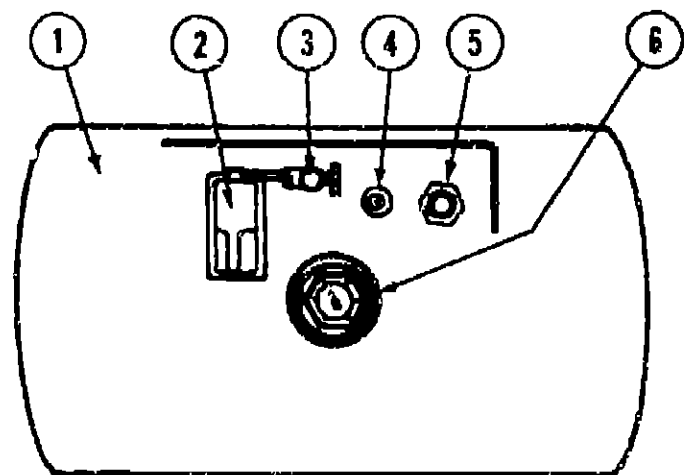
## 1987 ITASCA TABLE OF CONTENTS

INTRODUCTION	A-01
ABBREVIATIONS	A-01
ALPHABETICAL INDEX	A-02 A-04
IF319RB	A-05 B-18
IF426RT	B-19 D-18
ICN22RC	D-19 G-04
ICP37PQ	G-05 I-18

## 1987 ICN22RC INDEX

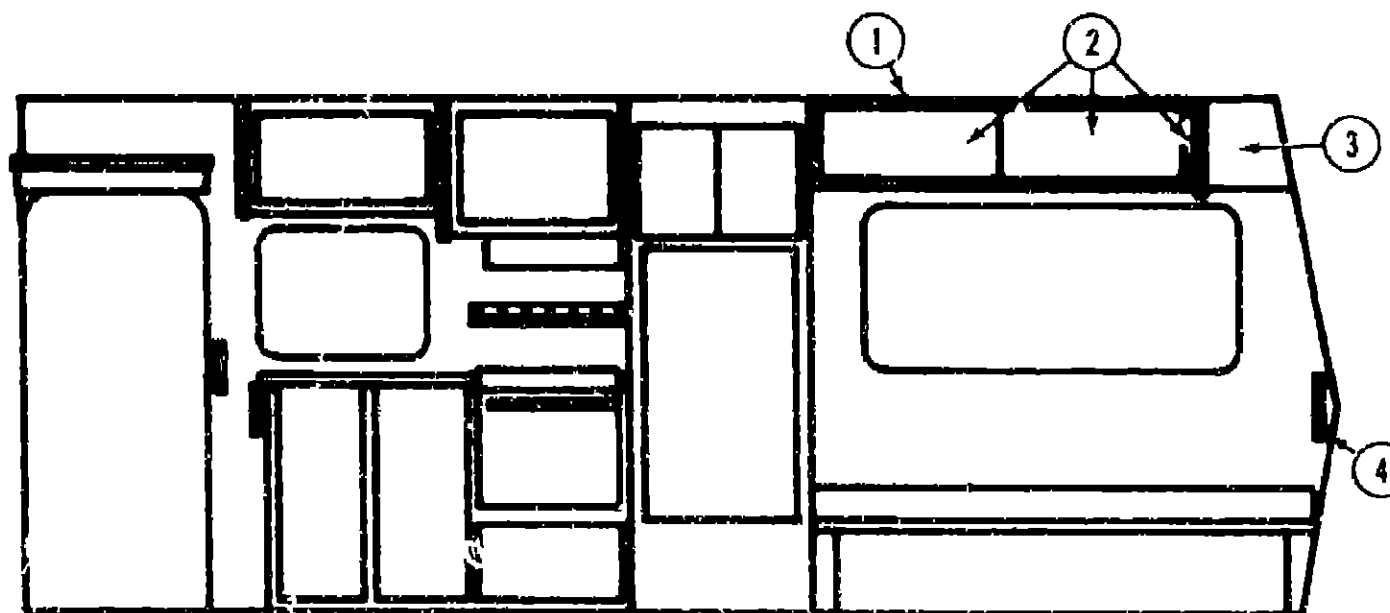
Floor Plan	D-17 - D-20
Accessories Group	D-21 D-24
Bath Group	E-01 E-02
Chassis Group	E-03 - E-04
Curtain Cushion & Pad Group	E-05 E-12
Dinette Group	E-13
Driver's Compartment Group	E-14 E-16
Electrical Group	E-17 E-19
Exterior Body Group	E-20 F-02
Galley Group	F-03 F-04
Heating & Air Conditioning Group	F-05
Interior Finish Group	F-06 F-08
LP Group	F-09
Lounge Group	F-10
Water & Sewage Group	F-11 - F-12
Window Vent & Exterior Door Group	F-13 G-04

**LP GROUP**



Key	Part Number	U/M	Description
1	074142-01-000	EA	Tank Asm - LP - Frame Mount - 80 Pound - 13" x 44"
1	080450-01-000	EA	Tank Asm - LP - Frame Mount - 42 Pound - 13" x 24"
	065741-01-000	EA	Detector - LP Gas Leak - Marshalltown Instruments
2	081938-01-000	EA	Cover - LP Regulator
	076301-01-000	EA	Regulator - Two Stage - US (Dual)
	076301-02-000	EA	Regulator - Two Stage - CSA (Dual)
3	040421-01-703	EA	Valve - Vapor Relief
4	040421-01-700	EA	Gauge - Liquid Level - 20% LP
5	040421-01-701	EA	Valve - Filler - LP
	040421-01-702	EA	Cap - Plastic Filler Valve
6	040421-01-707	EA	Gauge - Float - w/Visible Dial
	040421-01-706	EA	Dial - Visible Face Float Gauge (Tank w/o Electric Transmitter)
	040440-01-000	EA	Dial - Transmitter - 0 - 90 Ohm (Ficat Gauge)
	045703-01-000	EA	Hose Asm - LP - 3/8" ID x 24" - US
	045703-02-000	EA	Hose Asm - LP - 3/8" ID x 24" - CSA
	045703-03-000	EA	Hose Asm - LP - 3/8" ID x 18" - US
	045703-04-000	EA	Hose Asm - LP - 3/8" ID x 14" - CSA
	065742-01-000	EA	Tee - 3/8" F x 3/8" F x 25" FPT
			Not illustrated

**LOUNGE GROUP**



**DOUBLE BED & SIDE BUNKS**

Key	Part Number	U/M	Description
1	081536-04-W27	EA	Cabinet Asm - Lounge Overhead - w/o Doors or Hardware
2	M84665-27-W27	EA	Door Asm - Overhead Cabinet - w/o Hardware
3	081540-03-W27	EA	Cabinet Asm - Rear Lounge Overhead - w/o Doors or Hardware
	M81506-01-W27	EA	Door Asm - Rear Lounge Overhead - w/o Hardware
4	077463-16-W24	EA	Headboard Asm - Double Bed
4	077463-16-W25	EA	Headboard Asm - Double Bed
4	077463-16-W26	EA	Headboard Asm - Double Bed
	M04665-28-W27	EA	Door Asm - Double Bed
	M81537-01-W24	EA	Cabinet Asm - Nightstand - w/o Countertop or Drawers
	M02472-01-W24	EA	Countertop Asm - Nightstand Cabinet
	M78921-03-U24	EA	Drawer - Nightstand Cabinet - w/o Hardware
			Not illustrated

**1987 ITASCA  
TABLE OF CONTENTS**

INTRODUCTION	A-01
ABBREVIATIONS	A-01
ALPHABETICAL INDEX	A-02 - A-04
IT319RB	A-05 - B-18
1F426RT	B-19 - D-18
ICN22RC	D-10 - G-04
ICP37RQ	G-05 - I-18

**1987 ICN22RC INDEX**

Floor Plan	D-17	D-20
Accessories Group	D-21	D-24
Bath Group	E-01	E-04
Chassis Group	E-03	E-04
Curtain Cushion & Pad Group	E-05	E-14
Dinette Group		E-1
Driver's Compartment Group	E-14	E-16
Electrical Group	E-17	E-19
Exterior Body Group	E-20	F-03
Galley Group	F-03	F-04
Heating & Air Conditioning Group		F-0
Interior Finish Group	F-06	F-07
LP Group		F-0
Lounge Group		F-1
Water & Sewage Group	F-11	F-13
Window Vent & Exterior Door Group	F-13	G-0

## WATER & SEWAGE GROUP

### PLUMBING & REPAIR PARTS

Key	Part Number	U/M	Description
	033302-02-000	EA	Adapter Asm - SWVC Strain - 1 1/2
	010326-01-000	EA	Adapter - Flare - w/Cone Gasket
	062422-01-000	EA	Adapter - Hose Offset - Reducer - 3 x 1 1/2"
	052954-01-000	EA	Adapter - Hose Cone - 3/8 or 1/2 - Plastic
	010224-01-000	EA	Adapter - Plastic 3/8 MPT x 3/8 Barb
	044927-01-000	EA	Adapter - Plastic - 1 1/4 MPT x 1 1/4 Barb
	031602-02-000	EA	Adapter - Plastic 1 1/2 H x FPT
	062417-01-000	EA	Adapter - Termination 3
	054020-01-000	QT	Adhesive ABS Cement
	011048-04-000	EA	Breaker - Vacuum - 1/8 MPT - Nylon
	010121-01-000	EA	Bushing - Plastic - 1 1/2 S x 1 1/4 H
	010122-01-000	EA	Bushing - Plastic - 1 1/2 S x 1 1/4 T
	010123-01-000	EA	Bushing - Plastic - 2S x 1 1/2 H
	036522-02-000	EA	Cap - Brass - 1/2 Flare
	062415-01-000	EA	Cap - Sewer 3
	052959-02-000	EA	Connector - 1/2 F x 1/2 MPT - Plastic
	052959-03-000	EA	Connector - 1/2 F x 3/8 MPT - Plastic
	011091-02-000	EA	Continuous Waste Double Sink - 11 7/8 - US
	053874-01-000	EA	Continuous Waste Asm Double Sink - CSA
	078401-01-000	EA	Coupler Rubber - 3 x 3
	052960-01-000	EA	Drain Valve 1/2 F x 1/2 F - Plastic
	010000-01-000	EA	Elbow - Plastic - 1/8 BD x 1 1/4 x 45° H x H
	010005-01-000	EA	Elbow - Plastic - 1/16 BD x 1 1/2
	010006-01-000	EA	Elbow - Plastic 1/8 BD x 1 1/2 x 45° H x H
	010008-01-000	EA	Elbow - Plastic - 1/4 BD x 1 1/2 x 90° Left
	010051-01-000	EA	Elbow - ST - Plastic - 1/8 BD x 1 1/2 x 45°
	010219-01-000	EA	Elbow - 1 1/4 Barb x 1 1/4 MPT x 90°
	031111-01-000	EA	Elbow - Plastic - 1/4 BD x 1 1/4 x 90° Left
	034250-01-000	EA	Elbow - Plastic - 1/4 BD x 1 1/2 x 90° x H x H
	035539-01-000	EA	Elbow - Plastic - 3/8 MPT x 3/8 Barb
	052957-01-000	EA	Elbow - Plastic 1/2 F x 3/8 MPT
	052957-02-000	EA	Elbow - Plastic 1/2 F x 1/2 MPT (In Tank Filter)
	059536-01-000	EA	Elbow 1 1/4 - Slip Joint Ends
	065120-01-000	EA	Elbow - Plastic - Swivel - 50
	070924-01-000	EA	Elbow - Plastic Swivel - 1/2 MPT x 1/2 FP
	077954-01-000	EA	Filter/Screen (In Water Tank)
	039647-02-000	EA	Filter - Water Pump - 1/2 MPT
	039647-03-000	EA	Filter - Water Pump 1/2 Flare
	010147-01-000	EA	Flange - Closet 4 F x 3 FPT - US
	010147-02-000	EA	Flange - Closet 4 F x 3 FPT - CSA
	079381-01-000	FT	Flexible Tubing 1 1/4 I D x 10
	061607-01-000	EA	Grommet - Holding Tank Coupler 1 1/2
	061607-02-000	EA	Grommet - Holding Tank Coupler - 3
	062419-02-000	EA	Handle - Extension w/6 Adapter
	052961-01-000	CA	Header - 1/2 F x 1/2 F x 1/2 F x 1/2 F
	046524-01-000	EA	Kit Holding Tank Fittings Blank Tank
	046524-02-000	EA	Kit - Water Tank Fittings Blank Tank
	052953-01-000	EA	Nut - Faucet 1/2 Tube x 1/2 FPT
	052952-01-000	EA	Nut - 1/2 F - Plastic
	011066-03-000	EA	P-Trap 1 1/4 Plastic - US
	011066-02-000	EA	P Trap - 1 1/4 Plastic - CSA
	053335-01-000	EA	P Trap - Plastic - 1 1/4 H x H - w/Union - CSA
	010197-01-000	EA	Pipe - Plastic - 3 x 240 Black
	045729-01-000	EA	Pump Water - 2 8 G P M Direct Drive Shurflo - US
	045729-02-000	EA	Pump - Water 2 8 G P M - Direct Drive Shurflo - CSA
	010201-01-000	EA	Sewer Hose 3 x 8 w/Clamp
	042969-02-000	EA	Spinweld Fittings - Plastic 1 2 FPT (In Tank Fitter)
	042989-03-000	EA	Spinweld Fittings Plastic 1/4 NPT
	042989-04-000	EA	Spinweld Fittings Plastic - 3/8 FPT
	011069-02-000	EA	Tailpiece - 1 1/2 x 1 1/4 x 4 - Brass

The illustrated parts breakdown for this item is provided on the Common Items Fiche

## WATER & SEWAGE GROUP (CONTINUED)

### PLUMBING & REPAIR PARTS (CONT)

Key	Part Number	U/M	Description
	010071-01-000	EA	Tee - Plastic - 1 1/2 x H x H x H
	010072-01-000	EA	Tee - Plastic - 1 1/2 H x 1 1/4 H x 1 1/2 H
	010079-01-000	EA	Ter - Plastic 1 1/2 H x 1 1/2 H x 1 1/4 H
	046172-01-000	EA	Tee - Plastic - 3/8 B x 3/8 B x 3/8 MPT
	052955-01-000	EA	Tee - Plastic - 1/2 F x 1/2 F x 1/2 MPT
	052956-01-000	EA	Tee - Plastic - 1/2 F x 1/2 MPT x 1/2 F
	052958-01-000	EA	Tee - Plastic - 1/2 F x 1/2 F x 1/2 F
	010133-01-000	EA	Trap Adapter - Plastic - 1 1/2 H x MPT
	039600-01-000	FT	Tubing - Polybutyl - 1/2 O D (Water Line)
	079381-01-000	FT	Tubing - Flexible - Smooth - 1 25 I D
	074462-02-000	FT	Tubing - Vinyl - 3/8 I D
	072346-01-000	EA	Valve Asm 3 Ell - w/2 Socket
	062421-01-000	EA	Valve - 1 1/2 - w/Handle
	062418-02-000	EA	Valve - 3 - w/o Handle
	052960-01-000	EA	Valve - Line Drain - 1/2 F x 1/2 F
	052962-01-000	EA	Valve - Stool 90° 1/2 F x 3/8 MPT
	010073-01-000	EA	Wye - Plastic - 1 1/2 x 45 H x H
	087200-01-000	EA	Filter - Water Purification

The illustrated parts breakdown for this item is provided on the Common Items Fiche

### HOLDING TANKS & WATER HEATERS

Key	Part Number	U/M	Description
	072444-02-000	EA	Tank Asm - Water 47 Gallon - w/Fittings
	072444-01-000	EA	Tank - Water - 47 Gallon - w/o Fittings
	064592-01-000	EA	Tank - Waste Water - 25 Gallon - w/o Fittings
	072388-01-000	EA	Tank - Sewage 32 Gallon - w/o Fittings
	051391-01-000	EA	Water Heater w/o Motor Aid - G6A3
	051391-03-000	EA	Water Heater - w/Electronic Ignition G6A 3E
	051393-01-000	EA	Water Heater - w/Motor Aid - GH6-3E

The illustrated parts breakdown for this item is provided on the Common Items Fiche

## 1987 ITASCA TABLE OF CONTENTS

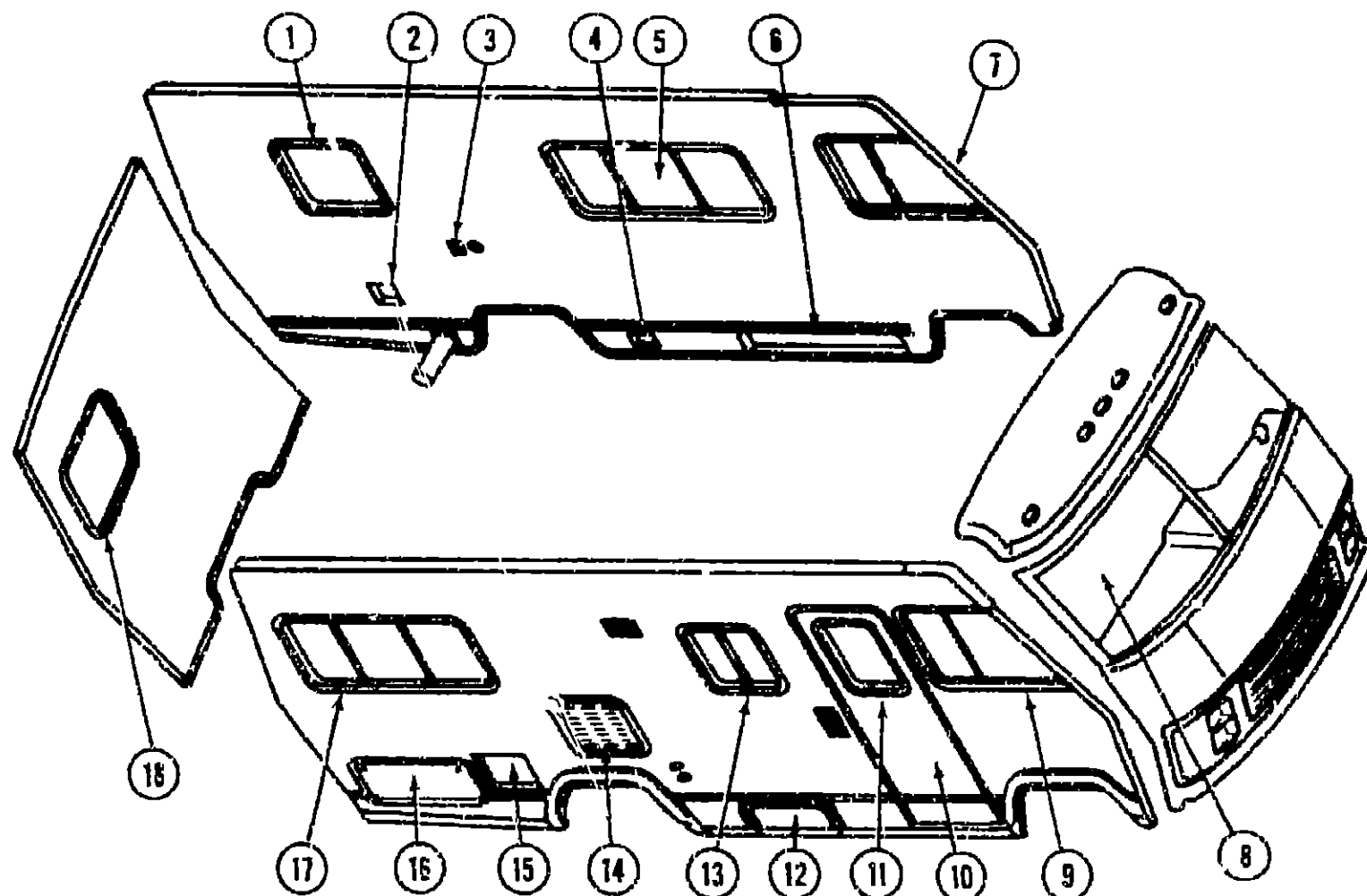
INTRODUCTION	A-01
ABBREVIATIONS	A-01
ALPHABETICAL INDEX	A-02 - A-04
IT319RB	A-05 - B-18
IF426RT	B-19 - D-18
ICN22RC	D-19 - G-04
ICP37RQ	G-05 - I-18

## 1987 ICN22RC INDEX

Floor Plan	D-17 - D-20
Accessories Group	D-21 - D-24
Bath Group	E-01 - E-02
Chassis Group	E-03 - F-04
Curtain Cushion & Pad Group	E-05 - E-12
Dinette Group	E-13
Driver's Compartment Group	E-14 - E-16
Electrical Group	E-17 - E-19
Exterior Body Group	E-20 - F-02
Galley Group	F-03 - F-04
Heating & Air Conditioning Group	F-05
Interior Finish Group	F-06 - F-08
LP Group	F-09
Lounge Group	F-10
Water & Sewage Group	F-11 - F-12
Window Vent & Exterior Door Group	F-13 - G-04

# WINDOW, VENT & EXTERIOR DOOR GROUP

## WINDOWS & ACCESS DOORS



Key	Part Number	U/M	Description
1	079729-02-T03	EA	Window Asm - Escape
2	078010-05-000	EA	Door Asm - Fuel Fill (See Access Doors)
3	081240-02-000	EA	Waterfill - Lockable
4	078960-02-T09	EA	Door Asm - Power Cord (See Access Doors)
5	078269-02 W24	EA	Window Asm - Double Slider
6	079455-08-W27	EA	Door Asm - Storage
7	079421-02-T03	EA	Window Asm - Front Slant
8	M82202-02-U13	EA	Door Asm - Driver - Roll Up Window
	077675-01-000	EA	Glass - Windshield - Passenger
	077675-02-000	EA	Glass - Windshield - Driver
9	082057-01-U04	EA	Window Asm - Right Front Slant Slider
10	M01870-12 W30	EA	Door Asm - Entrance
11	079733 04-T03	EA	Window Asm - Picture
12	079455-03-W27	EA	Door Asm - Access

Key	Part Number	U/M	Description
13	078266-02-T03	EA	Window Asm - Single Slider
14	084104-02 000	EA	Door Asm - Refrigerator Access
15	052009-03-000	EA	Door Asm - Water Heater
16	079578-02-T09	EA	Door Asm - Luggage
16	M01883-01 W30	EA	Door Asm - Generator
17	078271 01-T03	EA	Window Asm - Single Slider
	078266-01 T03	EA	Window Asm - Single Slider
18	079415 01-T03	EA	Window Asm - Rear Escape
	079733 01 T03	EA	Window Asm - Picture

Not keyed  
Parts for bunkhouse option (not illustrated)

## 1987 ITASCA TABLE OF CONTENTS

INTRODUCTION	A-01
ABBREVIATIONS	A-01
ALPHABETICAL INDEX	A-02 - A-04
IT319RB	A-05 - B-18
IF426RT	B 19 - D-18
ICN22RC	D 19 - G-04
ICP37RQ	G-05 - I-18

## 1987 ICN22RC INDEX

Floor Plan	D-17 - D-20
Accessories Group	D 21 - D 24
Bath Group	E-01 - E-02
Chassis Group	E-03 - E-04
Curtain Cushion & Pad Group	E-05 - E-12
Dinette Group	E-13
Driver's Compartment Group	E 14 - E-16
Electrical Group	E-17 - E-19
Exterior Body Group	E 20 - F 02
Galley Group	F-03 F-04
Heating & Air Conditioning Group	F-05
Interior Finish Group	F-06 - F-08
LP Group	F-09
Lounge Group	F-10
Water & Sewage Group	F-11 - F-12
Window Vent & Exterior Door Group	F-13 - G 04

**WINDOW, VENT & EXTERIOR DOOR GROUP (CONTINUED)**

**DRIVER DOOR W/ROLL UP WINDOW**

Key	Part Number	U/M	Description
	M82202-01 U13	EA	Door Asm - w/Roll-Up Window - Passenger
	M82202-02 U13	EA	Door Asm - w/Roll-Up Window - Driver
	064184-02-000	EA	Drip Cap - Cab Door - Passenger
	064184-01 000	EA	Drip Cap - Cab Door - Driver
	M02684-03-000	EA	Jamb Asm - Cab Door - Passenger
	M02684-04-000	EA	Jamb Asm - Cab Door - Driver
	063993-08-000	EA	Hinge Asm - Passenger
	063993-03-000	EA	Hinge Asm - Driver
	082150-01-000	FT	Seal - Sponge (Jamb)
	082150-02-000	FT	Seal - Sponge (Door)
	063731-01 000	EA	Cap - Push On - Zinc
	061400-06-000	EA	Assist Strap - Sandstone
	064219-01-000	EA	Retainer Strap - Driver Door
	066109-02-000	EA	Strap - Driver Door
	063733-01-000	EA	Bushing - Flange - Nylon
	063729 01 000	EA	Rivnut - 1/4 x 20 unc - 030 125
	081903-01-000	EA	Shaft - Mounting Knob
	081905-01 000	EA	Knob - Control - Slide Bolt - Passenger
	081905-02-000	EA	Knob - Control - Slide Bolt - Driver
	081906-01-000	EA	Slide Bolt - Driver Door
	081907-01-000	EA	Regulator Asm - Window - Passenger
	081907-02-000	EA	Regulator Asm - Window - Driver
	081910-01-000	FT	Channel - Window - Sliding
	081912-01-000	EA	Weatherstrip - Rigid
	063886-09-000	EA	Assist Handle - Door
	075722-01-000	EA	Block - Switch - Space
	079215-01-000	EA	Frame Asm - Front Slant Slider
	079421-01-T03	EA	Window Asm - Front Slant - Passenger
	079421-02-T03	EA	Window Asm - Front Slant - Driver
	073118-01-000	EA	Retainer - Attachment Plate
	073119-01-000	EA	Attachment Plate - Striker
	079561-01-000	EA	Shim - Strike - Cab Door
	050216-02-000	FT	Spline - Vinyl - Glass - 19
	057656-06-000	EA	Glass - 19 x 28 11 x 13 98" - Front Slant
	R77007-56-701	CA	Plate - Passenger Door Lock
	R77007-56-702	EA	Plate - Driver Door Lock
	R77040-01-538	EA	Door Handle
	R77007-05-374	EA	Plate - Door Handle Spacer
	R77006-50 326	EA	Door - Handle Inner - Driver
	R77006-50-261	EA	Door - handle Inne - Passenger
	R77006-13-460	EA	Cap - Inner - Window Crank
	072035 01-000	EA	Crank - Hand - Glass Lift
	072036 02-000	EA	Cap - Crank - Hand
	073110-02-000	EA	Rod - Lock - Passenger
	073110-03-000	EA	Rod - Lock - Driver
	R77006-64-355	EA	Link - Door Handle - Control
	R77030 58-048	CA	Washer
	R77030-33 009	EA	Nut w/Washer
	R77007-62-746	EA	Lock - Left Tumbler Assembly
	R77007-62-746	EA	Lock - Right Tumbler Assembly
	081488 01-000	EA	Glass - Door - Roll Up
	083223-02 000	EA	Lock Asm - Key Type (Set of 2)
	076542 03-000	EA	Rod Control - Latch - Passenger
	076542-04 000	EA	Rod Control - Latch - Driver

**WINDOW, VENT & EXTERIOR DOOR GROUP (CONTINUED)**

**ACCESS DOORS**

Key	Part Number	J/M	Description
	079455-08-W27	EA	Door Asm - Storage - Gray
	079578-02-T09	EA	Door Asm - Luggage - Gray
	079436-03-W27	EA	Door Asm - Storage - Gray
	M01883-01-W30	EA	Door Asm - Generator w/o Baffle
	084104-02-000	EA	Door Asm - Refrigerator Access - w/Twist Lock - Gray
	052009-03-000	EA	Door Asm - Water Heater - Gray
	076010 05 000	EA	Door - Fuel Fill - Gray
	063742 03-000	EA	Door - Power Cord - Gray
	052423-03-000	EA	Jamb - Power Cord/Fuel Fill Door - Gray
	054543-03-000	EA	Hatch - Power Cord Door
	052181-02-000	EA	Baffle - Generator Door
	083615-05-000	EA	Door Holder - Black Plastic
	079368-01-000	EA	Seal - Bulb
	042442-01-000	EA	Lock Asm - Twist Type - 90° Rotation - 1 5" Latch - 6" Depth
	009003-01-000	EA	Lock Asm - Twist Type - w/Clip (Battery Door)
	077408-01-000	EA	Lock Asm - Key Type - 90° Rotation - 2 5" Latch - 1" Depth
	079366-01-000	EA	Lock Asm - Key Type - 90° Rotation - 1 3" Latch - 2 1" Depth
	079927-01-000	EA	Lock Asm - Twist Type - 1 3" Latch - 2 1" Depth
	052951-01-000	EA	Clip - Twist Lock - Retainer
	042441-01-000	EA	Lock Asm - Key Type - 90° Rotation - 1 25" Latch - 6 2" Depth
	052950-01-700	EA	Lock Asm - Twist Type - White - 90° Rotation - 1 5" Latch - 9 4" Depth

**1987 ITASCA  
TABLE OF CONTENTS**

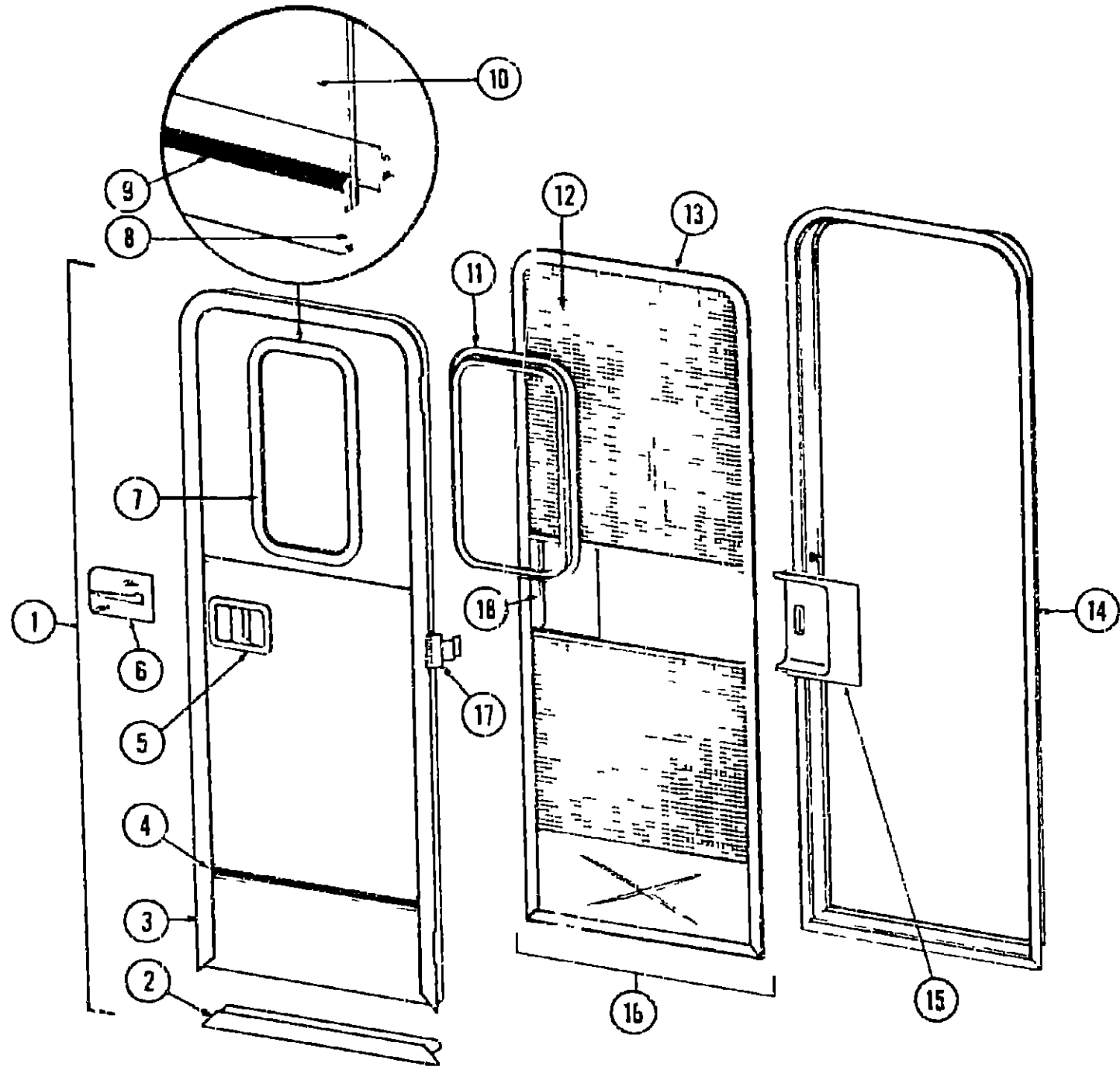
INTRODUCTION	A-01
ABBREVIATIONS	A-01
ALPHABETICAL INDEX	A-02 - A-04
IT319RE	A-05 - B-18
IF426RT	B-19 - D 18
ICN22RC	D-19 - G-04
ICP37RQ	G 05 - I-18

**1987 ICN22RC INDEX**

Floor Plan	D-17 - D 20
Accessories Group	D 21 - D-24
Bath Group	E 01 - E 02
Chassis Group	E 03 - E-04
Curtain Cushion & Pad Group	E-05 - E-1
Dinette Group	E 1 -
Driver's Compartment Group	E-14 - E 16
Electrical Group	E-17 - E 19
Exterior Body Group	E 20 - F 0
Galley Group	F 03 - F 0
Heating & Air Conditioning Group	F 0
Interior Finish Group	F 06 - F-0
LP Group	F-0
Lounge Group	F-10
Water & Sewage Group	F 11 - F 1
Window Vent & Exterior Door Group	F 13 - G 0

# WINDOW, VENT & EXTERIOR DOOR GROUP (CONTINUED)

## ENTRANCE & SCREEN DOOR



Key	Part Number	U/M	Description
1	M01870-12-W30	EA	Door Asm - Radius Entry w/Screen Door
2	077998-03 000	EA	Frame - Entry Door (Bottom Portion Only)
3	076863 03-000	EA	Frame - Entry Door (Except Bottom Portion)
4	059576-11-000	EA	Feature Strip w/o Insert - Extr - 14
	001030-11-100	EA	Insert - Feature Strip - 17 - Stucco - Gray
5	009731-01-000	EA	End Cap - Feature Strip
	045017-05-000	EA	Paddle Asm - Door Lock - Exterior
	045017-05-700	EA	Lock Cylinder w/Keys - Lynor
	039579-01-000	EA	Striker Bolt - Entry Doors
	039540-01-000	EA	Latch Claw - Entry Door
	039738-01-000	EA	Dead Bolt - Entry Door
6	039979-01-000	EA	Plate - Inside Lock - Includes Inside Handle
7	079733-04 T03	EA	Window Asm - Picture - 17 x 25 - Black (w/o inside frame)
8	0696-0 06-000	FT	Ribbon Sealer - 5/16 Bead x 15
9	002309-02-000	FT	Spline - Glass - 1/8 Black
10	002181-06-000	EA	Glass - Picture Window - 1/8 x 16 25 x 24 - Gray
11	067609-03-000	EA	Inside Frame - Beige (not included in assembly)
12	002293-02-000	SF	Screen Window - 26 - Charcoal
13	056795-01-000	FT	Seal Tape - 1/8 x 3/8 - Press On
14	078591-02-000	EA	Jamb Asm - Entrance Door
	051049-01-000	EA	Jamb - Entrance Door - Bottom
15	079086-01-000	EA	Slider - Screen Door Light Oak Plastic
16	079012-01-T03	EA	Door Asm - Screen
17	079361-07-000	EA	Hinge - Entrance Door (3 used per door)
18	079087-01-000	EA	Cap - Screen Door - Light Oak Plastic
	009018-01-000	EA	Catch Asm - Single Roller w/Strike - Screen Door
	076231-01-000	EA	Spacer Latch - Screen Door
	077437-01-000	EA	Strike - Roller Catch
	044582-01-000	CA	Drip Cap - Beige
	079278-01-000	CA	Seal Mocket - Entrance Door
	073090-01 000	FT	Seal - Entrance Door
	075739-02-000	EA	Stiffener - Entrance Door Beige
	075673-01-000	FT	Seal Pile - Adhesive Back
	075671-01-000	FT	Seal - Sponge - Lazy 'T' Shaped
	002294-01-000	FT	Spline - Black - 135 x 138 (Screen Door)
	063638-02-000	EA	Strike - Screen Door
	063729-04-000	CA	Rivnut - 10-32 UNF - 010 - 080
	075639-01-000	EA	Garnish - Radius - Entrance Door
	083205-01-000	EA	Deadbolt Lock - Press Fit - 5
	079173 01 000	EA	Gasket Deadbolt - Press Fit
			Not illustrated

## 1987 ITASCA TABLE OF CONTENTS

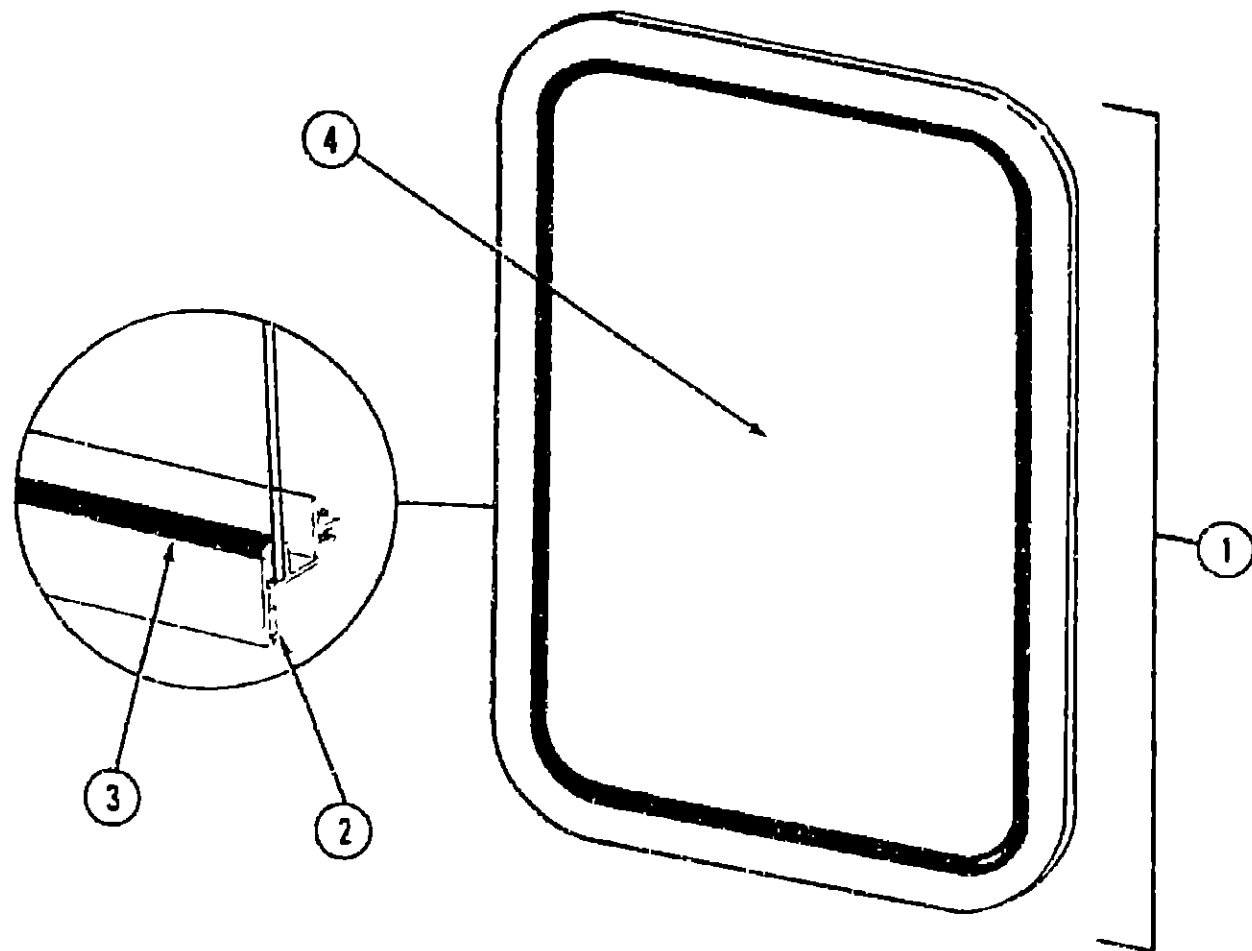
INTRODUCTION	A-01
ABBREVIATIONS	A-01
ALPHABETICAL INDEX	A-02 - A-04
IT319RB	A-05 - B-18
IF426RT	B-19 - D-12
ICN22RC	D 19 - G-04
ICP37RQ	G-05 - I-18

## 1987 ICN22RC INDEX

Floor Plan	D-17 D 20
Accessories Group	D-21 - D 24
Bath Group	E-01 E-02
Chassis Group	E-03 - E 04
Curtain Cushion & Pad Group	E-05 - E-12
Dinette Group	E 13
Driver's Compartment Group	E 14 - E-16
Electrical Group	E 17 E 19
Exterior Body Group	E-20 F 02
Galley Group	F 03 - F-04
Heating & Air Conditioning Group	F 05
Interior Finish Group	F 06 F-08
LP Group	F-09
Lounge Group	F 10
Water & Sewage Group	F-11 - F-12
Window Vent & Exterior Door Group	F 13 - G 04

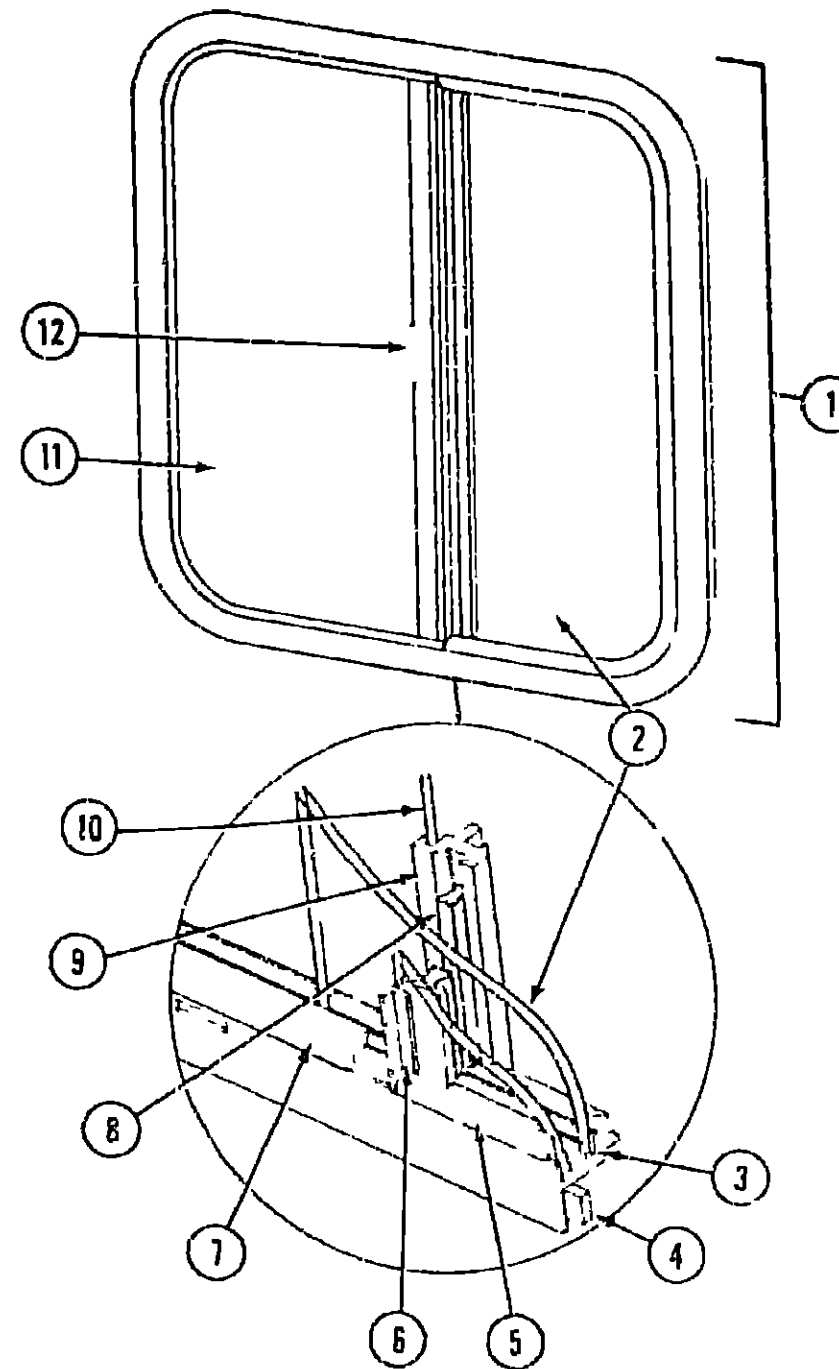


**WINDOW, VENT & EXTERIOR DOOR GROUP (CONTINUED)**



Key	Part Number	U/M	Description
1	079733-01-T03 041696-02-000	EA	Window Asm - Picture - 13 x 23 Black (w/o inside frame)
2	069640-06-000	FT	Ribbon Sealer - 5/16 Bead x 15
3	002309-02 000	FT	Spline - Glass 1/8 - Black
4	002181-01-000 083205-01 000	EA	Glass - 115 x 12 x 22
		EA	Deadbolt Lock Press Fit - 5
			Not Illustrated

**WINDOW, VENT & EXTERIOR DOOR GROUP (CONTINUED)**



Key	Part Number	U/M	Description
1	078266-02-T03 083122-03 000	EA	Window Asm - Right Single Starter - 20 x 25 - Black (w/o inside frame)
2	081930-05 000	EA	Inside Frame - Beige (not included in assembly)
3	002324-02-000	FT	Glass - Sliding 1/8 x 19 x 12 3
4	069640-06-000	FT	Channel Weatherstrip Glass Run 1/8 Glass
5	002309 02 000	FT	Ribbon Sealer 5/16 Bead x 15
6	M69886-03-011	EA	Spline - Glass 1/8 - Black
7	057374-02 000	EA	Seal Holder w/Fin Seal 18 19 - Black
8	073740 01-000	FT	Extr Vinyl - Window Seal - Black
9	078562 02 000	FT	Seal - Fin - 460 Pile
10	002298 02 000	EA	Inside Mullion Slider Window - Black
11	081984-01-000	FT	Spline - 130 Dia - Charcoal (Screen)
12	047369-01-700 002293 02-000	EA	Glass - Stationary 1/8 x 19 x 12 3
		EA	Latch Kit - Window Plastic w/Fastener
		SF	Screen - Window 26 Charcoal
			Not Illustrated

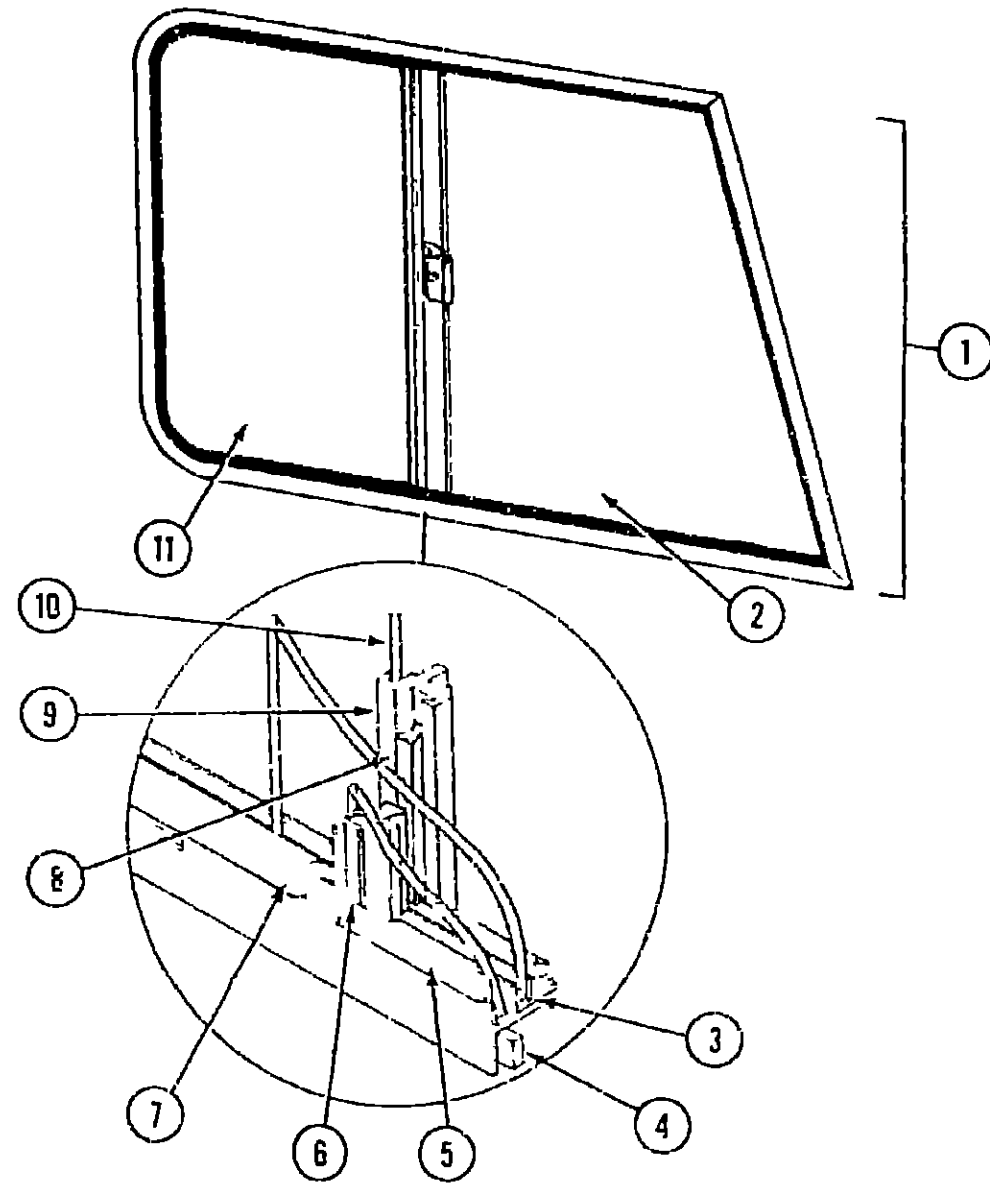
**1987 ITASCA  
TABLE OF CONTENTS**

INTRODUCTION	A-01
ABBREVIATIONS	A-01
ALPHABETICAL INDEX	A 02 - A-04
IT319RB	A-05 - B-18
IF426RT	B 19 - D 18
ICN22RC	D-19 - G-04
ICP37RQ	G-05 - I 18

**1987 ICN22RC INDEX**

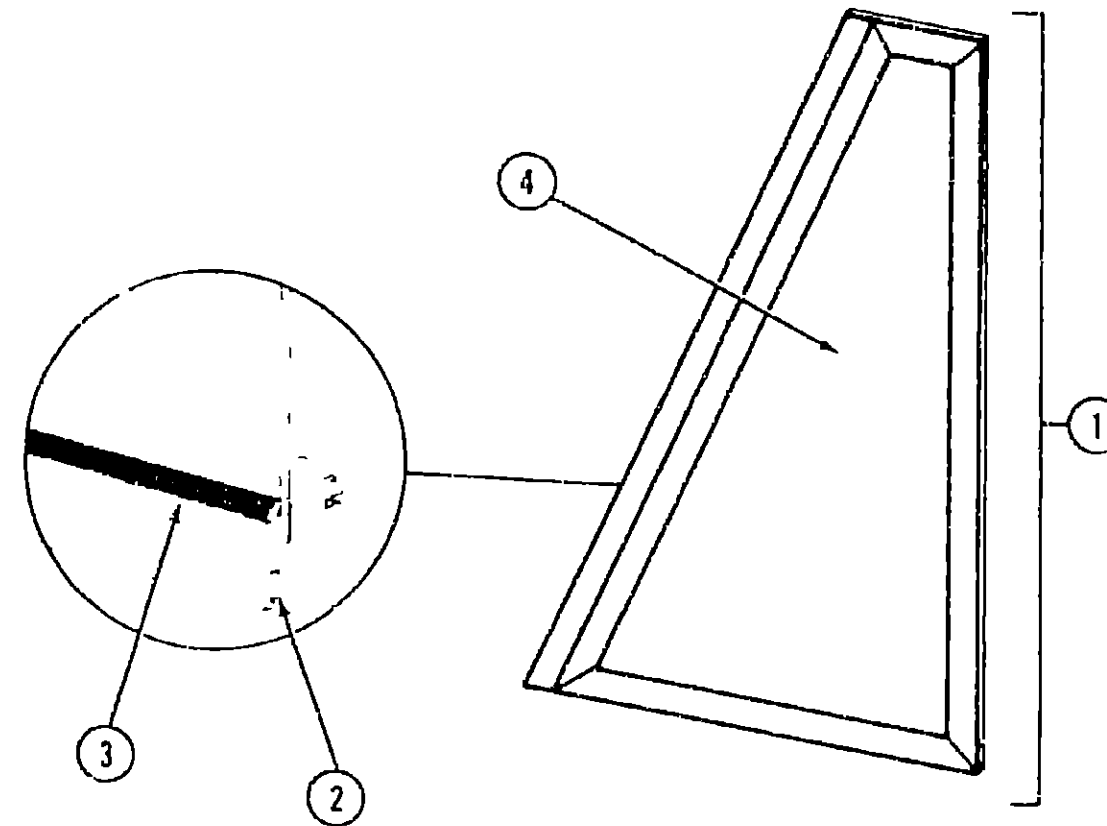
Floor Plan	D-17 - D-20
Accessories Group	D 21 D-24
Bath Group	E-01 - E 02
Chassis Group	E 03 - E-04
Curtain Cushion & Pad Group	E 05 E-12
Dinette Group	E-13
Driver's Compartment Group	E-14 E-16
Electrical Group	E-17 E-19
Exterior Body Group	E 20 - F-02
Galley Group	F-03 - F 04
Heating & Air Conditioning Group	F-05
Interior Finish Group	F-06 - F-08
LP Group	F-09
Lounge Group	F-10
Water & Sewage Group	F 11 - F 12
Window Vent & Exterior Door Group	F 13 G 0-

**WINDOW, VENT & EXTERIOR DOOR GROUP (CONTINUED)**



Key	Part Number	U/M	Description
1	082057-01-U04	EA	Window Asm - Front Slant Slider - Passenger (w/o inside frame)
	082056-01-U04	EA	Inside Frame - Slant Slider - Passenger (not included in assembly)
2	057656-03-000	EA	Glass - 19" x 28 11 x 39 8 - Stationary (Passenger)
3	042077-01-000	FT	Channel - Weatherstrip 3/16 Glass
4	069640-01-000	FT	Ribbon Sealer 1/4 Bead x 20
5	050216-02-000	FT	Window Seal - 19 - Glass
6	002369-03-203	EA	Seal Holder w/Fin Seal - 27 12 - Black
7	041928-02 000	FT	Extr Rubber - Window Seal - Black
8	073740-01-000	FT	Seal Fin - Pile - 460
9	084170-07-000	EA	Mullion Slider Window - Black
10	002298-02-000	FT	Spline - 130 Dia - Charcoal (Screen)
11	081980-06-000	EA	Glass - 19 x 28 11 x 14 88 Sliding
	079574-01-T03	EA	Slider Screen Asm - Passenger
	078364-01-000	EA	Slider - Screen Top
	078365-01-000	EA	Slider - Screen Bottom
	002292-02-000	SF	Screen Window 20 Charcoal
	016310-03-000	EA	Handle Slider Screen Black
	047369 01 700	EA	Latch Kit - Window - Plastic w/Fastener
	Not illustrated		

**WINDOW, VENT & EXTERIOR DOOR GROUP (CONTINUED)**



Key	Part Number	U/M	Description
1	079421 01-T03	EA	Window Asm - Front Slant - Passenger (w/o inside frame)
1	079421 02 T03	EA	Window Asm - Front Slant - Drivers (w/o inside frame)
	079215 01-000	EA	Inside Frame - Front Slant - Passenger - Beige (not included in assembly)
	079215-02-000	EA	Inside Frame - Front Slant - Drivers Beige (not included in assembly)
2	069640 01-000	FT	Tape - 1/4 Bead x 20
3	050216-02-000	FT	Spline - Glass - 1/8 - Black
4	057656 04 000	EA	Glass - 19 x 28 11 x 26 13 Right
4	057656-06 000	EA	Glass - 19 x 28 11 x 26 13 - Left
	Not illustrated		

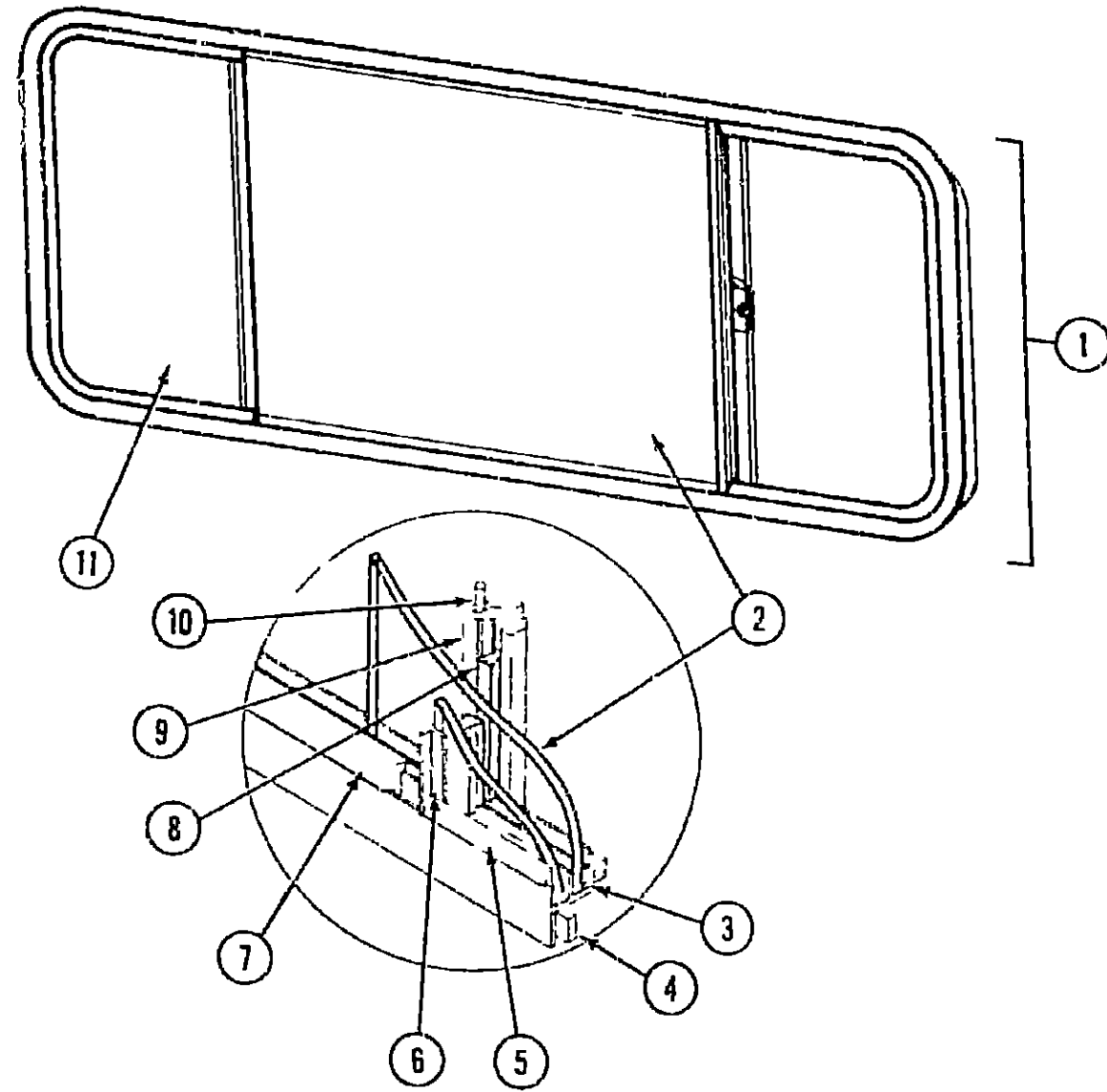
**1987 ITASCA  
TABLE OF CONTENTS**

INTRODUCTION	A-01
ABBREVIATIONS	A-01
ALPHABETICAL INDEX	A-02 - A 04
IT319RB	A-05 - B-18
IF426RT	B-19 - D 18
ICN22RC	D-19 - G-04
ICP37RO	G 05 - I 18

**1987 ICN22RC INDEX**

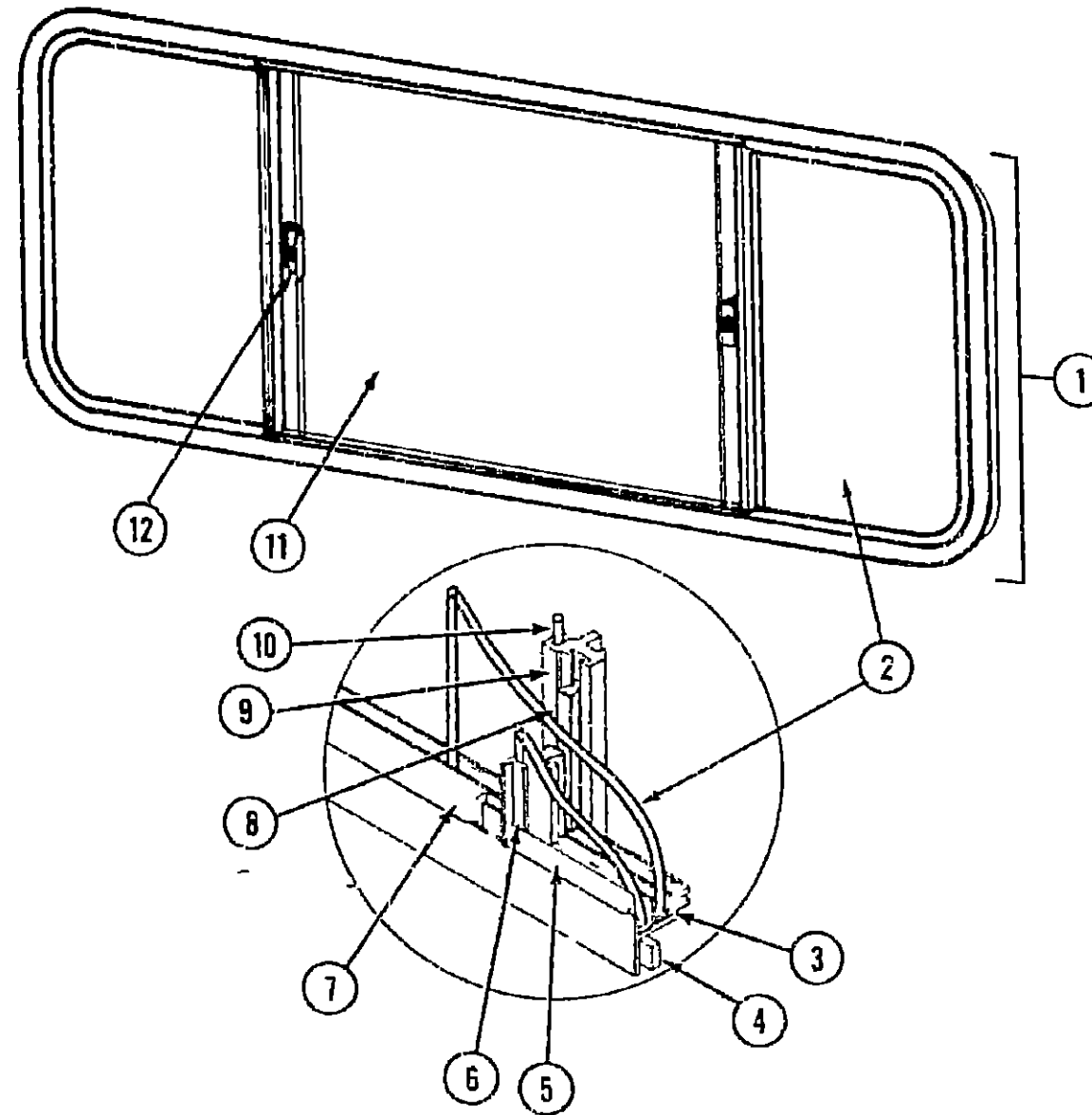
Floor Plan	D 17 - D-20
Accessories Group	D 21 - D-24
Bath Group	E-01 - E-02
Chassis Group	E-03 - E-04
Curtain Cushion & Pad Group	E 05 - E-12
Dinette Group	E-13
Drivers Compartment Group	E-14 - E-16
Electrical Group	F 17 - E-19
Exterior Body Group	E-20 - F-02
Galley Group	F-03 - F-04
Heating & Air Conditioning Group	F-05
Interior Finish Group	F-06 - F-08
LP Group	F-09
Lounge Group	F-10
Water & Sewage Group	F-11 - F-12
Window Vent & Exterior Door Group	F-13 - G-04

WINDOW, VENT & EXTERIOR DOOR GROUP (CONTINUED)



Key	Part Number	U/M	Description
1	078271-01-T03	EA	Window Asm - Center Slider (w/o inside frame)
	083122-11-000	EA	Inside Frame - Center Slider - Beige (not included in assembly)
2	066727-02-000	EA	Glass Sliding - 1/8 x 25.5 x 24
3	002324-02-000	FT	Channel - Weatherstrip - Glass Run - 1/8 Glass
4	069640-06-000	FT	Ribbon Sealer - 5/16 Bead x 15
5	0023-9-02-000	FT	Spline - Glass - 1/8 Material - Black
6	M69886-03-003	EA	Seal Holder w/Fin Seal - Black
7	057374-02-000	FT	Extr Rubber - Window Seal - Black
8	073740-01-000	FT	Seal - Fin Pile - 460
9	078562-02-000	EA	Mullion - Slider Window - Black
10	002299-02-000	FT	Spline - 130 Dia - Charcoal (Screen)
11	081984-07-000	EA	Glass - Stationary - 1/8 x 24 x 16.5
	079204-01-000	EA	Bracket - Mullion - Black
	047369-01-700	EA	Latch Kit - Window - Plastic w/Fastener
	002293-02-000	SF	Screen - Window 26 - Charcoal
			Not illustrated

WINDOW, VENT & EXTERIOR DOOR GROUP (CONTINUED)



Key	Part Number	U/M	Description
1	078269-02-W24	EA	Window Asm - Double Slider - Black (w/o inside frame)
	083122-17-000	EA	Inside Frame - Beige (not included in assembly)
2	081980-07-000	EA	Glass - Sliding
3	002324-02-000	FT	Channel - Weatherstrip - Glass Run - 1/8 Glass
4	069640-06-000	FT	Ribbon Sealer - 5/16 x 15
5	002309-02-000	FT	Spline - Glass - 1/8 - Black
6	018025-11-000	EA	Seal Holder w/Fin Seal - Black
7	057374-02-000	FT	Extr Vinyl - Window Seal - Black
8	073740-01-000	FT	Seal - Fin - Pile - 460
9	084170-08-000	EA	Mullion - Slider Window - Black
10	002298-02-000	FT	Spline - 130 Dia - Charcoal (Screen)
11	002188-07-000	EA	Glass - Stationary
12	047369-01-700	EA	Latch Kit - Window - Plastic w/Fastener
	002293-02-000	SF	Screen - Window 26 - Charcoal
			Not illustrated

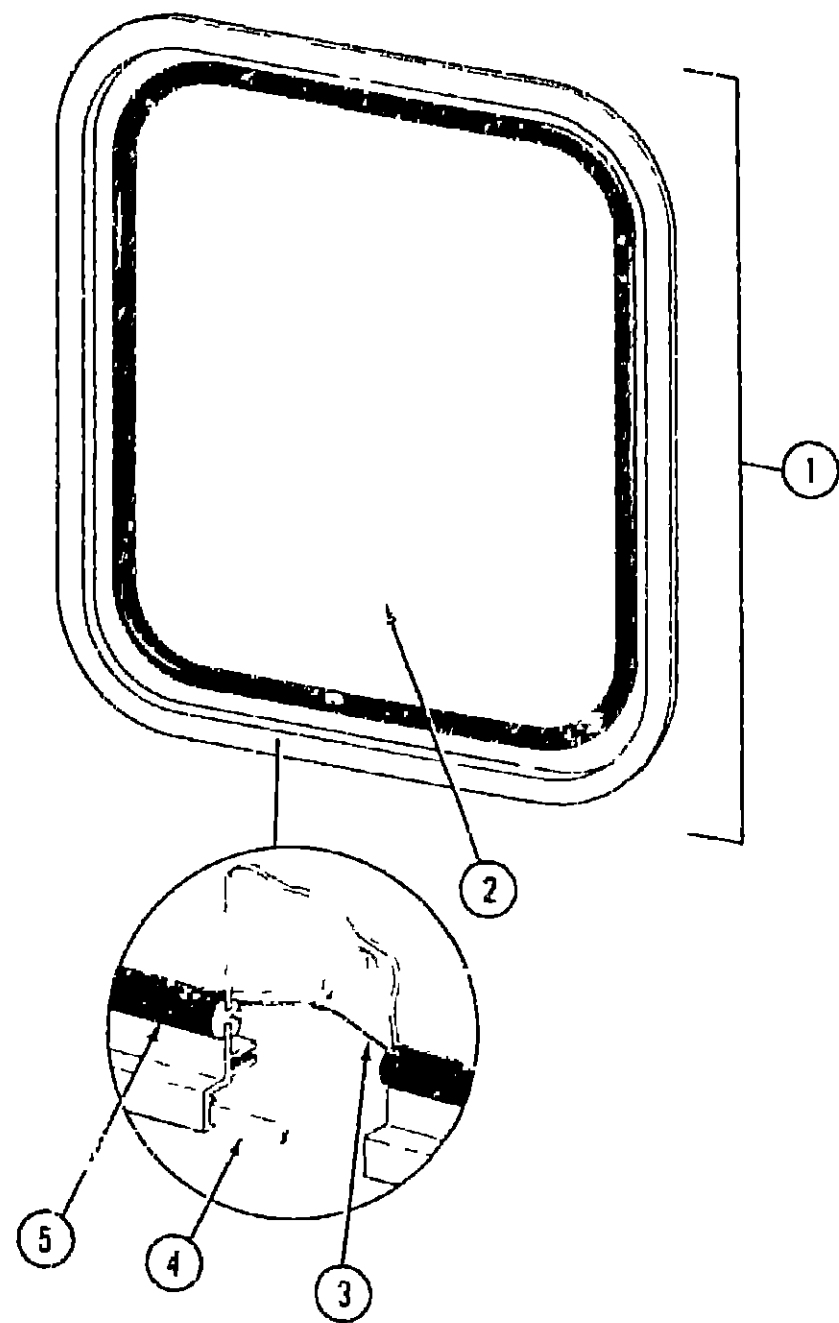
1987 ITASCA  
TABLE OF CONTENTS

INTRODUCTION	A-01
ABBREVIATIONS	A-01
ALPHABETICAL INDEX	A-02 - A-04
IT319RB	A-05 - B-18
IF426RT	B-19 - D-18
ICN22RC	D-19 - G-04
ICP37RQ	G-05 - I-18

1987 ICN22RC INDEX

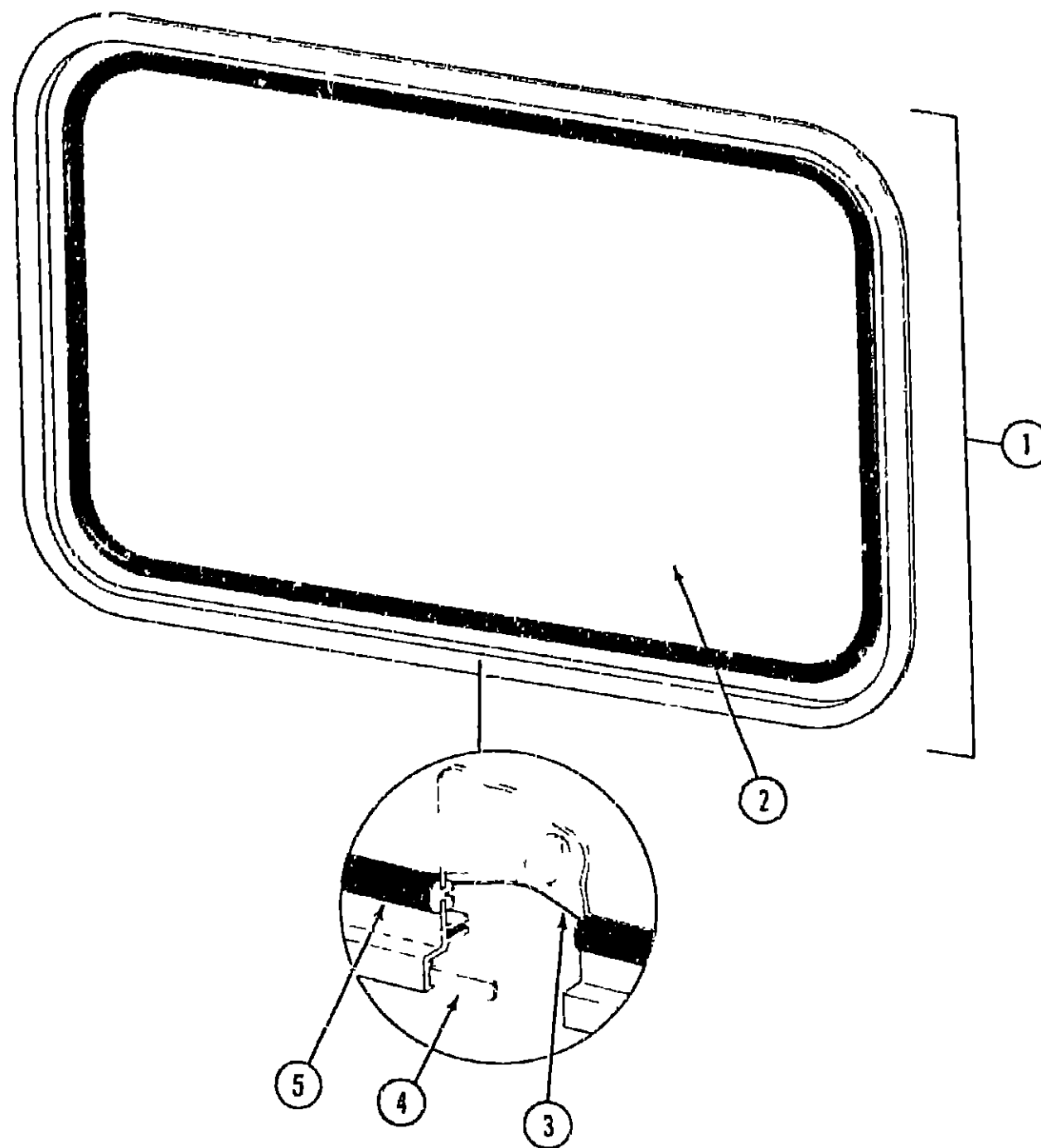
Floor Plan	D-17 - D-20
Accessories Group	D-21 - D-24
Bath Group	E-01 - E-02
Chassis Group	E-03 - E-04
Curtain Cushion & Pad Group	E-05 - E-12
Dinette Group	E-13
Driver's Compartment Group	E-14 - E-16
Electrical Group	E-17 - E-19
Exterior Body Group	E-20 - F-02
Galley Group	F-03 - F-04
Heating & Air Conditioning Group	F-05
Interior Finish Group	F-06 - F-08
LP Group	F-09
Lounge Group	F-10
Water & Sewage Group	F-11 - F-12
Window, Vent & Exterior Door Group	F-13 - G-05

WINDOW, VENT & EXTERIOR DOOR GROUP (CONTINUED)



Key	Part Number	U/M	Description
1	079729-02-T03	EA	Window Asm - Escape - 22 x 24 - Black (w/o inside frame)
	079771-01-000	EA	Inside Frame - Window - Beige (not included in assembly)
2	041392-03-000	EA	Glass - 1/8 x 21 65 x 19 61
3	002285-01-000	FT	Filler - Weatherstrip - Black
4	069640-06-000	FT	Ribbon Sealer - 5/16 Bead x 15
5	002282-01-000	FT	Weatherstrip - Window - 125 - Black
	023713-02-000	EA	Weephole Cover - Black Plastic
	006199-01-000	EA	Label - Exit - Escape Window
			Not illustrated

WINDOW, VENT & EXTERIOR DOOR GROUP (CONTINUED)



Key	Part Number	U/M	Description
1	079415 01-T03	EA	Window Asm - Escape - 23 x 29 - Black (w/o inside frame)
	020749-05 000	EA	Inside Frame - Window - Beige (not included in assembly)
2	002174 01 000	EA	Glass - 1/8 x 19 61 x 25 92
3	002285-01-000	FT	Filler - Weatherstrip - Black
4	069640-06-000	FT	Ribbon Sealer - 5/16 Bead x 15
5	002282-01-000	FT	Weatherstrip - Window - 125 - Black
	023713 02 000	EA	Weephole Cover - Black Plastic
	006199 01-000	EA	Label - Exit - Escape Window
			Not illustrated

1987 ITASCA  
TABLE OF CONTENTS

INTRODUCTION	A-01
ABBREVIATIONS	A 01
ALPHABETICAL INDEX	A 02 - A 04
IT319RB	A-05 B 18
IF426RT	B 19 - D 18
ICN22RC	D 19 G 04
ICP31RO	G 05 - I 18

1987 ICN22RC INDEX

Floor Plan	D 17 - D 20
Accessories Group	D 21 - D-24
Bath Group	E 01 E-02
Chassis Group	E 03 - E-04
Curtain Cushion & Pad Group	E-05 - E-12
Dinette Group	E-13
Driver's Compartment Group	E-14 - E-16
Electrical Group	E-17 - E-19
Exterior Body Group	E 20 - F-02
Galley Group	F 03 - F-04
Heating & Air Conditioning Group	F-05
Interior Finish Group	F-06 - F-08
LP Group	F-09
Lounge Group	F-10
Water & Sewage Group	F-11 - F-12
Window Vent & Exterior Door Group	F-13 - G 04

**WINDOW, VENT & EXTERIOR DOOR GROUP (CONTINUED)**

**WINDSHIELD**

Key	Part Number	U/M	Description
	077675 01 000	EA	Glass - Windshield - Passenger
	077675-02-000	EA	Glass - Windshield - Driver
	058291 01-000	FT	Edge Molding - Windshield Glass
	007328-02 000	EA	Block - Windshield Spacer
	077944 01 000	EA	Revel Molding - Upper Right
	077944 02 000	EA	Revel Molding - Upper Left
	077945 01 000	EA	Revel Molding - Lower Right
	077945-02 000	EA	Revel Molding - Lower Left
	077952-02-000	CA	Cap - Revel Molding
	076676-02 000	EA	Revel Molding - T Cap - Center Barbed
	079225-01 000	EA	Trim Molding - Windshield Post - Right
	079225-02 000	EA	Trim Molding - Windshield Post - Left

**WINDOW, VENT & EXTERIOR DOOR GROUP (CONTINUED)**

**VENTS**

Key	Part Number	U/M	Description
	084073 04-000	EA	Base - Refrigerator Vent
	081073 02-000	CA	Cover - Refrigerator Vent - Gray
	055218 01 000	EA	Cover Asm - Roof Vent
	084116 03 000	EA	Vent Stovehood Outside Gray
	075056-01 000	EA	Vent Asm - Roof - Non Powered - w/o Screen
	079537 01 000	EA	Vent Asm - Roof - Powered w/o Screen
	077902-01 000	EA	Panel - Inner Skylight
	080910 01 000	EA	Panel - Outer Skylight
	081171 01 000	EA	Trim - Skylight Outer

**1987 ITASCA  
TABLE OF CONTENTS**

INTRODUCTION	A 01
ABBREVIATIONS	A 01
ALPHABETICAL INDEX	A-02 A-04
IT319RB	A 05 B-18
IF426RT	B 19 - D 18
ICN22RC	D 19 G 04
ICP37RQ	G-05 - I 18

**1987 ICN22RC INDEX**

Floor Plan	D 17 - D 20
Accessories Group	D 21 - D 24
Bath Group	E-01 - E-02
Chassis Group	E 03 - E 04
Curtain Cushion & Pad Group	E-05 E 12
Dinette Group	E-13
Driver's Compartment Group	E 14 - E-16
Electrical Group	E 17 - E-19
Exterior Body Group	E-20 - F 02
Galley Group	F-03 - F-04
Heating & Air Conditioning Group	F 05
Interior Finish Group	F-06 F-08
LP Group	F 09
Lounge Group	F 10
Water & Sewage Group	F-11 F 12
Window Vent & Exterior Door Group	F-13 G 0-