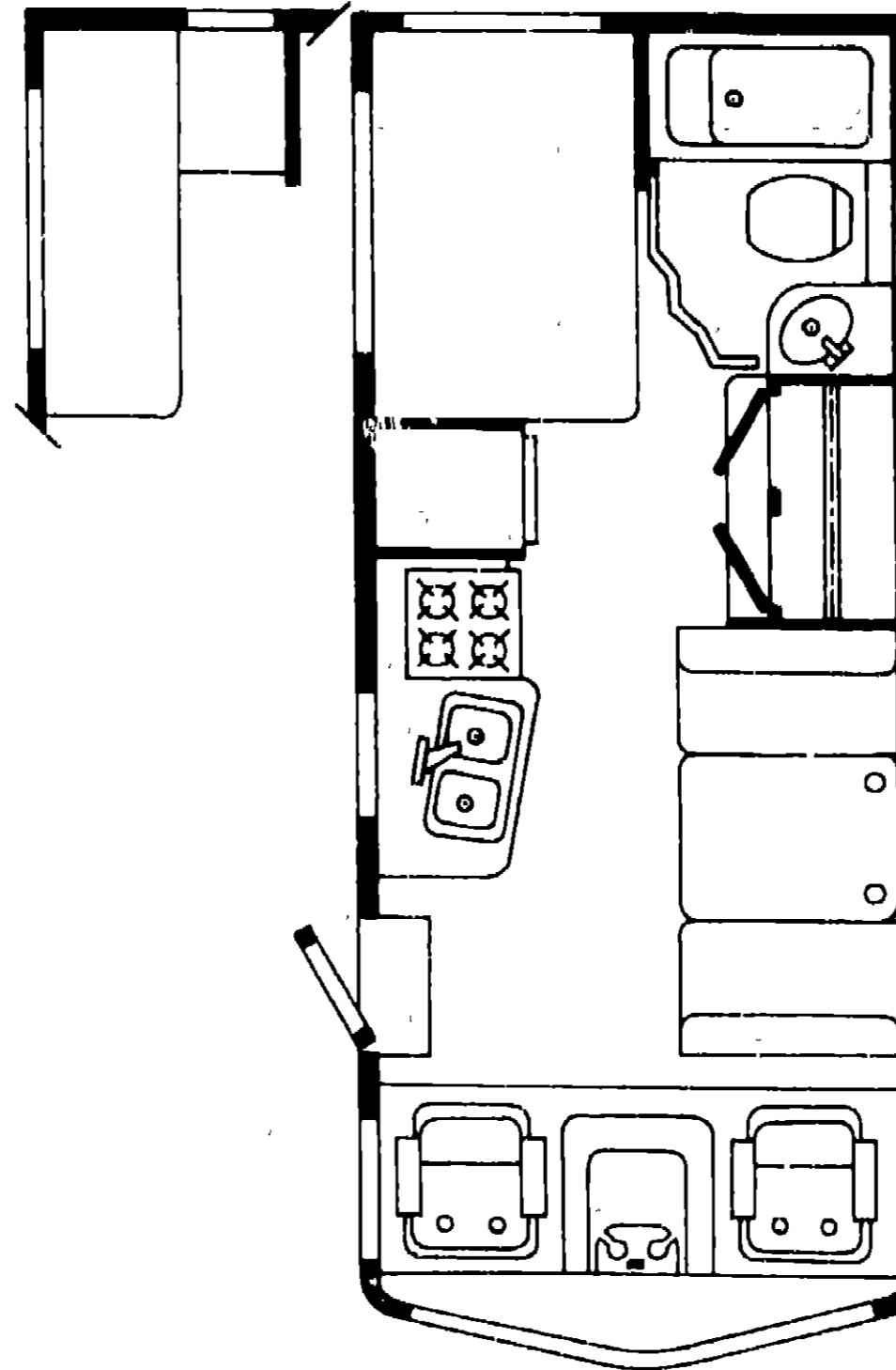


1987 ICN22EC



1987 ITASCA TABLE OF CONTENTS

IC420EG	A-01 - B-06
ICN22EC	B-07 - D-08
ICN27RT	D-09 - F-14
IJN32RQ	F-15 - I-02
ICP26ET	I-03 - K-10

1987 ICN22EC INDEX

Floor Plan	B-07 - B-08
Accessories Group	B-09 - B-10
Bath Group	B-11 - B-12
Chassis Group	B-13 - B-14
Curtain, Cushion & Pad Group	B-15 - B-20
Dinette Group	B-21
Driver's Compartment Group	B-22 - B-24
Electrical Group	C-01 - C-03
Exterior Body Group	C-04 - C-09
Galley Group	C-10 - C-11
Heating & Air Conditioning Group	C-12
Interior Finish Group	C-13 - C-14
LP Group	C-15
Lounge Group	C-16
Water & Sewage Group	C-17 - C-18
Window, Vent & Exterior Door Group	C-19 - D-08

ACCESSORIES GROUP

RADIO & RELATED COMPONENTS

Key	Part Number	U/M	Description
	031105-02-000	EA	Antenna - Radio - Side Mount - w/12" Ground
	031105-01-700	EA	Antenna Holder - Radio - Upper
	087603-01-000	EA	Radio - AM/FM/MPX w/Cassette
	074979-01-000	EA	Speaker Cover Protector - Plastic
	064791-01-000	EA	Speaker - Recessed - 5 25"
	064792-01-000	EA	Grille - Speaker - 5 25" - w/Mesh - Brown - Square

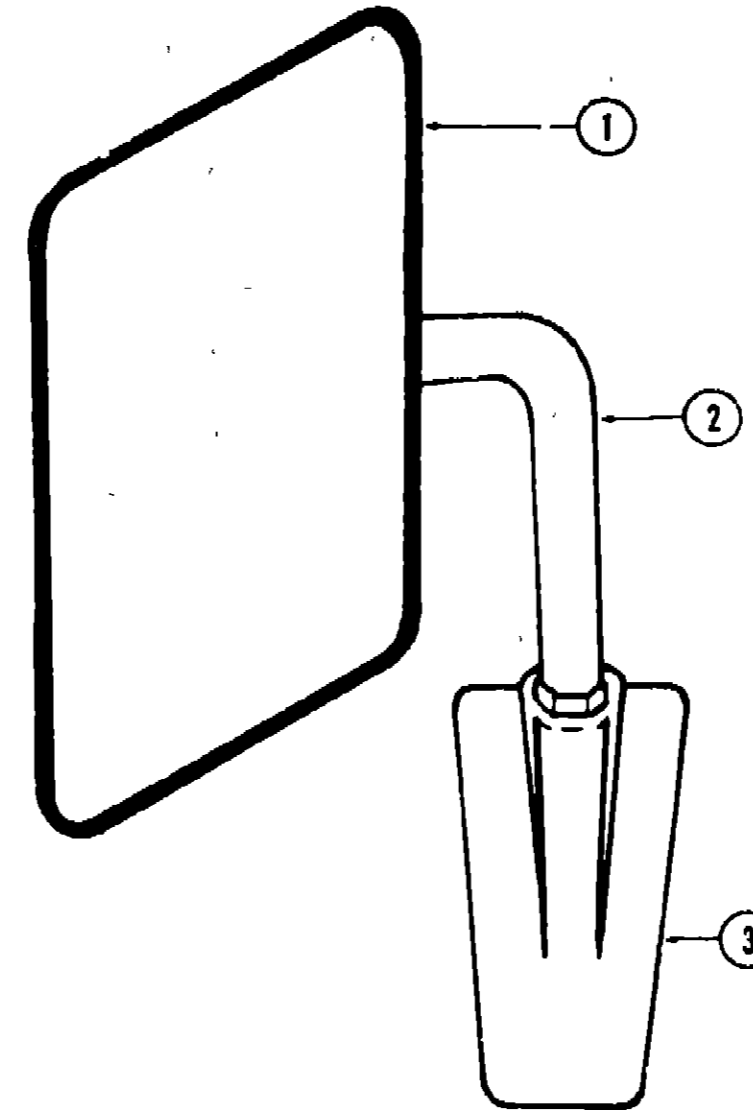
GENERATORS & COMPONENTS

Key	Part Number	U/M	Description
	079654-04-000	EA	Generator - Emerald - 40 kw
	701629-02-000	EA	Installation Package
	079654-05-000	EA	Tailpipe - Exhaust
	082272-01-000	EA	Muffler - Generator
	007067-01-000	EA	Insulation - Fiberglass - 1"
	082273-01-000	EA	Pipe - Exhaust - Generator

MISCELLANEOUS ACCESSORIES

Key	Part Number	U/M	Description
	054185-26-000	EA	Owners Manual - 1987 - Itasca & Winnebago
	017516-01-000	EA	Mud Flap w/Holes - 14" x 18" - Black
	041844-01-700	EA	Fire Extinguisher - 5BC - w/Bracket
	072852-01-000	EA	Smoke Detector w/9 Volt Battery
	008069-01-000	EA	Key Case - Leather
	040069-01-000	EA	Door Mat - 10 5" x 26" - Black Rubber
	080208-01-000	EA	Lug Wrench
	080208-02-000	EA	Leverage Bar - Lug Wrench
	008113-01-000	EA	Jack - Hydraulic - 6 Ton - w/Handle

ACCESSORIES GROUP (CONTINUED)



EXTERIOR MIRRORS

Key	Part Number	U/M	Description
1	049347-01-000	EA	Mirror head - 7 1/2 x 10 1/2"
2	049348-03-000	EA	Arm - Lower Mount Mirror - Black
3	049944-04-000	EA	Bracket - Mirror - Outside - Black
*	077966-01-000	EA	Mirror - Wide Angle - Stainless Steel - Passenger
*	077966-02-000	EA	Mirror - Wide Angle - Stainless Steel - Driver
*	006043-01-000	EA	Mirror - Convex - Adhesive Back
*			Not Illustrated

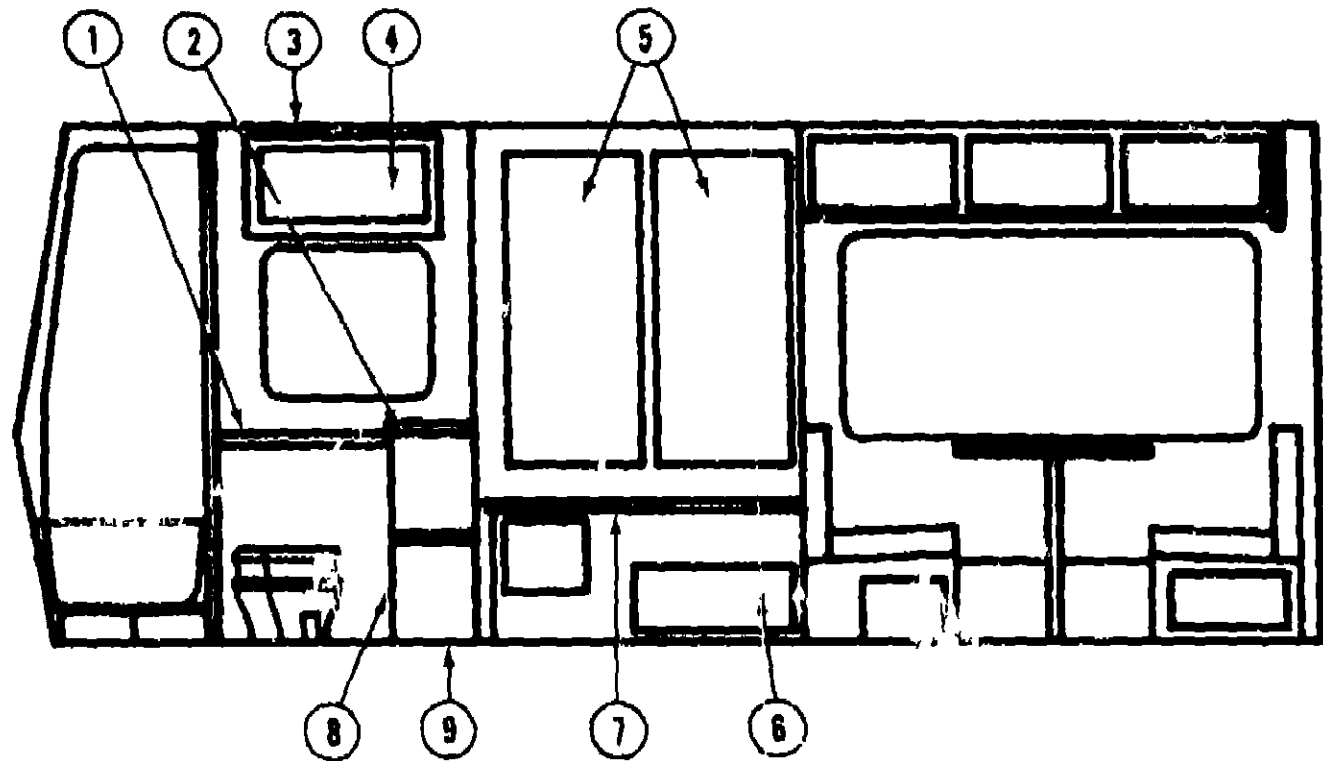
1987 ITASCA TABLE OF CONTENTS

IC420EG	A-01 - B-06
ICN22EC	B-07 - D-08
ICN27RT	D-09 - F-14
IJN32RQ	F-15 - J-02
ICP26ET	I-03 - K-10

1987 ICN22EC INDEX

Floor Plan	B-07 - B-08
Accessories Group	B-09 - B-10
Bath Group	B-11 - B-12
Chassis Group	B-13 - B-14
Curtain, Cushion & Pad Group	B-15 - B-20
Dinette Group	B-21
Driver's Compartment Group	B-22 - B-24
Electrical Group	C-01 - C-03
Exterior Body Group	C-04 - C-09
Galley Group	C-10 - C-11
Heating & Air Conditioning Group	C-12
Interior Finish Group	C-13 - C-14
LP Group	C-15
Lounge Group	C-16
Water & Sewage Group	C-17 - C-18
Window, Vent & Exterior Door Group	C-19 - D-08

BATH GROUP



BATH CABINERY

Key	Part Number	U/M	Description
1	M03000 17 W89	EA	Countertop Asm - Pipe Cover
1	M03000 17-W90	EA	Countertop Asm - Pipe Cover
2	M02406-01-W24	EA	Countertop Asm - Lavatory Cabinet
2	M02406-01-W90	EA	Countertop Asm - Lavatory Cabinet
3	M88174-01-W69	EA	Cabinet Asm - Medicine - w/o Doors or Hardware
4	M88304-18 W89	EA	Door Asm - Medicine Cabinet - w/Mirror - w/o Hardware
5	M88301-09 W89	EA	Door Asm - Wardrobe Cabinet w/o Hardware
†5	M88304-20 W89	EA	Door Asm - Wardrobe Cabinet w/o Hardware
6	078238-04 W30	EA	Door Asm Wardrobe Cabinet w/o Hardware
7	M03000 18 W89	EA	Countertop Arm Wardrobe
8	M88301-08 W89	EA	Door Asm - Lavatory Cabinet
†8	M88304 19 W89	EA	Door Asm Lavatory Cabinet
9	M03046 01-W89	EA	Cabinet Asm - Lavatory w/o Countertop Door or Drawers
	042488-05-000	EA	Door Asm Folding - w/o Hardware
	Not illustrated		
†	Used in units produced after 1 20 87		

BATH GROUP (CONTINUED)

BATH HARDWARE

Key	Part Number	U/M	Description
	M02830-05-W89	EA	Bathtub Asm w/Strainer
	031559-01-000	EA	Faucet - Tub & Shower - Antique Brass
	011056-01-000	EA	Faucet - Lavatory
	011048-02-000	EA	Shower Head - w/60' Hose
	011048-04-000	EA	Vacuum Breaker - 1/8 MPT - Nylon - Shower Head
	075606-01-000	EA	Shower Panel Faucet Plastic
	068729-01-000	EA	Strainer - Bathtub Asm
	086435-01-000	EA	Nut Strainer Plastic - Bathtub Asm
	086436-01-000	EA	Slip Nut - 1 5" Tall Piece - Bathtub Asm
	089735-01-000	EA	Washer - Tail Piece 1.5 Plastic Bathtub Asm
	011069-03-000	EA	Tailpiece - 1 5" x 1 75' - Plastic
	080257-01-000	EA	Shroud Bathtub Asm
	058713-01-000	EA	Sink - Oval - Ivory Plastic
	063740-01-000	EA	Toilet - Thetford Aqua Magic IV
	009124-01-000	EA	Tissue Holder
	071454-02-000	EA	Towel Ring - Plastic
	070782-11-000	EA	Track - Shower Curtain - Bridge
	088404-01-000	EA	Trim - Shower Door - Side - Belge
	088405-01-000	EA	Trim - Shower Door - Bottom - Belge
	088405-01-000	EA	Trim Shower Door - Top - Belge
	058331-05-000	EA	Mirror - Tempered Glass - 12' x 26'
	057671-01-000	EA	Screw Cover - 1/8 - Antique White
	059777-02-000	EA	Hinge - Antique Brass
	009112-01-000	EA	Flange - 1" - Clothes Rod
	088924-01-000	EA	Track - Folding Door - 90°

The illustrated parts breakdown for this item is provided on the Common Items Fiche

**1987 ITASCA
TABLE OF CONTENTS**

IC420EG	A-01 - B-06
ICN22EC	B-07 - D-08
ICN27RT	D 09 - F-14
IJN32RQ	F-15 - I-02
ICP26ET	I-03 - K-10

1987 ICN22EC INDEX

Floor Plan	B-07 - B-08
Accessories Group	B-09 - B-10
Bath Group	B 11 - B-12
Chassis Group	B 13 - B-14
Curtain, Cushion & Pad Group	B 15 - B-20
Dinette Group	B 21
Drives Compartment Group	B 22 - B-24
Electrical Group	C 01 - C 03
Exterior Body Group	C 04 - C-09
Galley Group	C 10 - C-11
Heating & Air Conditioning Group	C-12
Interior Finish Group	C 13 - C-14
LP Group	C-15
Lounge Group	C-16
Water & Sewage Group	C 17 - C-18
Window Vent & Exterior Door Group	C 19 - D-08

CHASSIS GROUP

MISCELLANEOUS CHASSIS

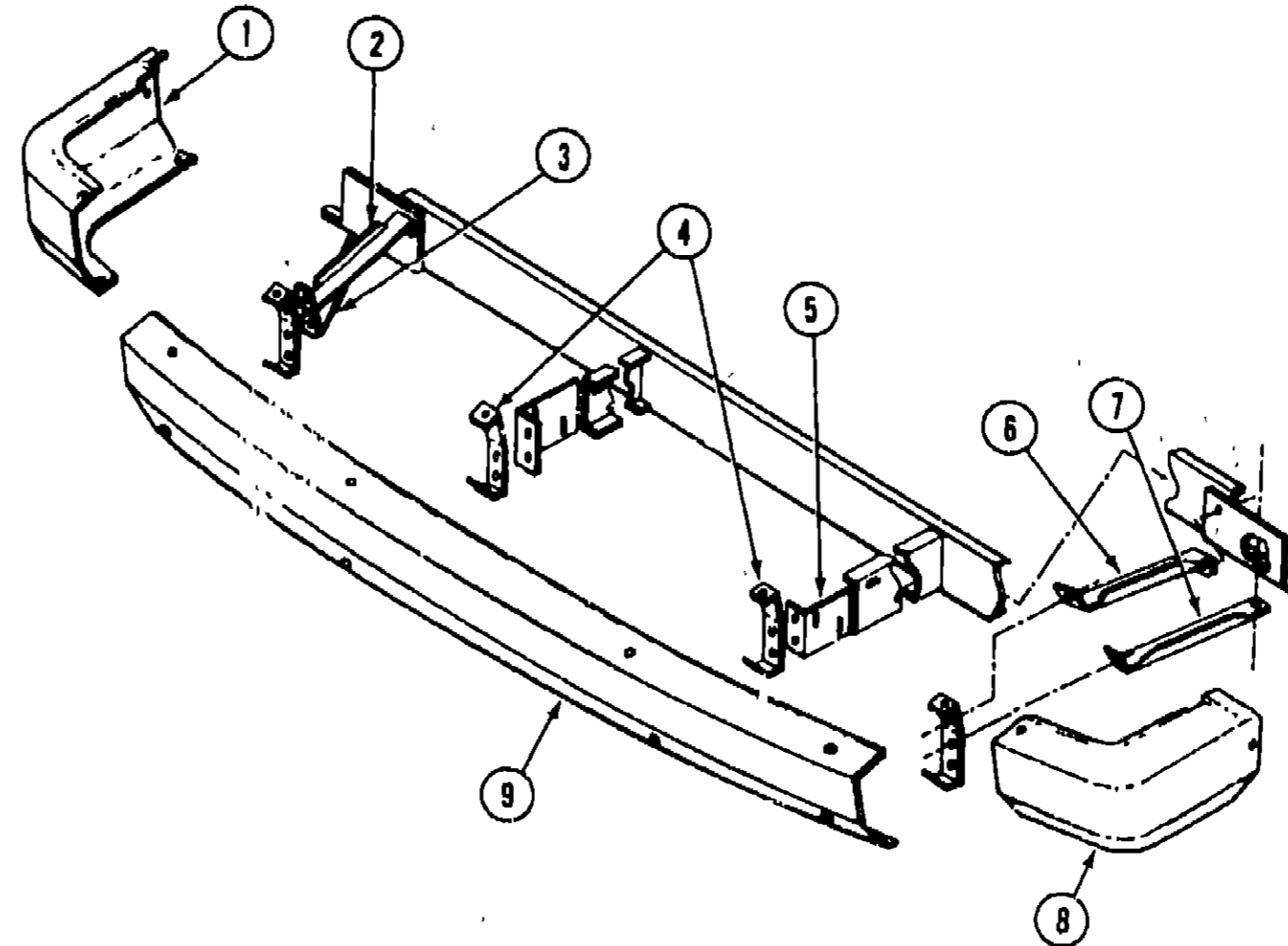
Key	Part Number	U/M	Description
	062401-04-000	EA	Clamp - Hose - Wormgear - .69" I.D. - 1.25" I.D.
	062401-05-000	EA	Clamp - Hose - Wormgear - 2" I.D. - 3" I.D.
	062401-06-000	EA	Clamp - Hose - Wormgear - .22" I.D. - .62" I.D.
	023146-01-000	EA	Clamp - Screw Type - 4"
	024490-01-000	EA	Compartment - Power Cord - Black Plastic
	071656-01-000	EA	Cover - Radiator - Rear
	080722-01-000	EA	Cover - Radiator - Rear Back (Fan Shroud)
	020167-03-000	EA	Dirt Guard - Rear Wheel
	024138-01-000	FT	Hose - Fuel - 5/16" I.D. SAE 30RI
	066732-01-000	FT	Hose - Fuel Fill - 62 I.D.
	007111-02-000	EA	Hose - Fuel Fill - 2.00 I.D.
	007111-01-000	EA	Hose - Fuel Fill - 2.25 I.D.
	017516-01-000	EA	Mud Flap w/Holes - 14" x 18" - Black
	064962-02-000	EA	Rim - Wheel - 16" x 6"
	086273-01-000	EA	Relay - Battery Disconnect
	075146-01-000	EA	Heat Shield - Muffler
	053322-01-000	EA	Heat Shield - Exhaust
	063971-01-000	EA	Step Asm. - Driver Door
	063977-01-000	EA	Step Asm. - Passenger Door
	077848-01-000	EA	Step Asm. - Entry
	076241-01-000	EA	Support Asm. - Electric Stop
**	061411-03-000	EA	Tailpipe Extension - 2 25" x 10.5"
**	081918-01-000	EA	Tailpipe Extension - 2 25" x 11.44"
	050273-02-000	EA	Tire - 7.5" x 16" - XCA - Tubeless
	040546-03-000	EA	Tire - 7.5" x 16" - 8 Ply - Tube - Polyester
	052431-02-000	EA	Tray - Luggage
	052431-01-000	EA	Tray - Luggage
	051377-01-000	EA	Valve Stem Asm. - TR500
	055080-01-000	EA	Wheelwell - Plastic
	008343-01-000	EA	Wire Tie - 6"
	047441-01-000	EA	Battery Terminal - Horizontal Lug
	075723-01-000	EA	Block - Switch - Spacer w/o Holes
	065450-04-000	EA	Bracket - Battery Tie Down - 6 9"
**	007125-07-000	EA	Clamp Asm. - Muffler - 1.62"
**	007125-01-000	EA	Clamp Asm. - Muffler - 2 50"
	010497-01-000	EA	Clamp - Close - 5/8 I.D.
	007161-01-000	EA	Clamp - Hose - Spring Type 112
	062401-01-000	EA	Clamp - Hose - Wormgear - 22" I.D. x 1" I.D.
	062401-02-000	EA	Clamp - Hose - Wormgear - 1 56" I.D. - 2 5" I.D.
	062401-03-000	EA	Clamp - Hose - Wormgear - 25" I.D. - 1" I.D.
	078010-05-000	EA	Door Asm. & Upper Shroud - Fuel Fill - Gray
	073220-02-000	EA	Cap - Fuel Fill
	072447-01-000	EA	Shroud - Fuel Fill - Inside
	083578-01-000	EA	Boot - Fuel Fill
	077963-01-000	EA	Gasket - Door - Gas Fill
**	078200-01-000	EA	Gasket - Fuel Fill

Remainder of exhaust Components available from chassis service center.

SPARE TIRE, HITCH & REAR BUMPER

Key	Part Number	U/M	Description
	064602-06-000	EA	Bumper - Rear - 92" Square - Gray
	041322-03-000	EA	Bumper Cover - 92" Square
	041322-02-000	EA	Reflector - Self Adhesive - Square Bumper
	039779-01-000	EA	Cap - 4" x 4" - Rubber - For Square Bumper
	079027-01-000	EA	Tire Carrier Asm.
	084601-02-000	EA	Bracket Asm. - Bumper to Frame
	073322-04-W27	EA	Tire Cover - 32" - White Vinyl
	064833-01-700	EA	Trailer Hitch Asm.
	040546-03-000	EA	Tire - 7.50 - 16 - 8 Ply - Black Sidewall
	084962-02-000	EA	Rim - 16 x 6

CHASSIS GROUP (CONTINUED)



FRONT BUMPER

Key	Part Number	U/M	Description
1	078577-05-W07	EA	Bumper End - Gray - Right Front
2	078002-01-000	EA	Brace - Upper Right - Front Bumper
3	078003-01-000	EA	Brace - Lower Right - Front Bumper
4	077852-01-000	EA	Bracket to Bumper - Front
5	076527-01-000	EA	Bracket to Frame - Front Bumper
6	078002-02-000	EA	Brace - Upper Left - Front Bumper
7	078003-02-000	EA	Brace - Lower Left - Front Bumper
8	078577-06-000	EA	Bumper End - Gray - Left Front
9	077850-04-000	EA	Bumper - Front - Primed
9	077850-07-000	EA	Bumper - Front - Chrome
*	005200-01-000	EA	Carriage Bolt - Chrome - 7/16" x 14 x 1 1/4"
*	000D39-07-00B	EA	Nut - Hex - 7/16" - 14
*			Not Illustrated

1987 ITASCA TABLE OF CONTENTS

IC420EG	A-01 - B-08
ICN22EC	B-07 - D-08
ICN27RT	D-09 - F-14
IJN32RQ	F-15 - I-02
ICP28ET	I-03 - K-10

1987 ICN22EC INDEX

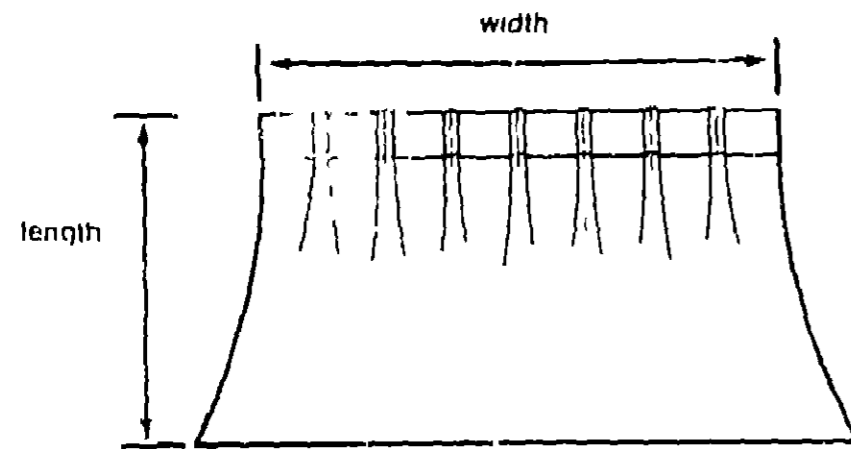
Floor Plan	B-07 - B-08
Accessories Group	B-09 - B-10
Bath Group	B-11 - B-12
Chassis Group	B-13 - B-14
Curtain, Cushion & Pad Group	B-15 - B-20
Dinetto Group	B-21
Driver's Compartment Group	B-22 - B-24
Electrical Group	C-01 - C-03
Exterior Body Group	C-04 - C-09
Galley Group	C-10 - C-11
Heating & Air Conditioning Group	C-12
Interior Finish Group	C-13 - C-14
LP Group	C-15
Lounge Group	C-16
Water & Sewage Group	C-17 - C-18
Window, Vent & Exterior Door Group	C-19 - D-08

CURTAIN, CUSHION & PAD GROUP

NOTICE

In order to assist our Parts Sales Dept in providing interior software items please include the serial number and the color code number from the vehicle certification label when ordering. This label is located on the left sidewall at the end of the dash (A Body) or on the driver's door latch plate (C Body).

An example of a color code number is P31 which designates an overall color scheme of a particular unit. The color listed after the item description on the microfiche indicates the overall unit color. Order the item you desire according to unit color code.



NOTE

Use this illustration when determining length and width measurements for curtains. You will note the width measurement is taken on the top of the curtain with the curtain fully extended. The length measurement is taken from top to bottom.



Key	Part Number	U/M	Description
1	029130 01 000	EA	Socket - Snap Fastener
2	029155 01 000	FA	Cap Snap - 156" Dia x 17" Bar: 3l
3	029156 01-000	EA	Socket - Snap Fastener
4	029092 01 000	EA	Stud - Nickel Finish
5	092093 01 000	EA	Eyelet - Nickel Finish

CURTAIN, CUSHION & PAD GROUP (CONTINUED)

FABRICS & TRIMS

Key	Part Number	U/M	Description
	077498 B8-000	YD	Fabric - Main - Clay (W89)
	077498 B7-000	YD	Fabric - Main - Jade (W90)
	077498-80-000	YD	Fabric - Plain Accent - Clay (W89)
	077498 95-000	YD	Fabric - Plain Accent - Jade (W90)
	069729-49-000	YD	Fabric - Bedroom Drapery - Clay (W89)
	069729-47-000	YD	Fabric - Bedroom Drapery - Jade (W90)
	072333-38-000	YD	Fabric - Wraparound & Blackout - Clay (W89)
	072333 47-000	YD	Fabric - Wraparound & Blackout - Jade (W90)
	072333-38-000	YD	Fabric - Drapery - Shades & Tie Back - Clay (W89)
	072333-47-000	YD	Fabric - Drapery - Shades & Tie Back - Jade (W90)
	038421-02 000	YD	Fabric - Mattress Ticking - Beige/Brown
	038421-04-000	YD	Fabric - Mattress Ticking - Casnew
	052859-01-W30	FT	Trim Asm - Accent - Buckskin
	052859-08 W13	FT	Trim Asm - Accent - Buckskin
	079880 01-000	YD	Vinyl - Expanded - 26 oz - Buckskin
	029219 01-000	YD	Vinyl - White - 14.6 oz
	038421-01-000	YD	Fabric - Mattress Ticking
	029012-01-000	BF	Foam - Rolled - 3/8"
	057550-03-T03	EA	Button Asm - Nail - #36 - 7/8" Shank - Vinyl
	071127-10 U07	EA	Button Asm - Round - #30 - Clay (W89)
	071127-10-W04	EA	Button Asm - Round - #30 - Jade (W90)
	071127-09-000	EA	Button Asm - #36 - Mattress Ticking
	057093-01-T03	EA	Button Asm - Nail Back - #60 - Vinyl - Buckskin
	078155 01-000	EA	Strap Asm - Cushion
	079144-02-T03	EA	Strap Asm - Bunk
	081519-01-U07	EA	Pad Asm - Dinette - Front - Clay (W89)
	081519-01-W04	EA	Pad Asm - Dinette - Front - Jade (W90)
	081519-02-U07	EA	Pad Asm - Dinette - Rear - Clay (W89)
	081519-02 W04	EA	Pad Asm - Dinette - Rear - Jade (W90)

CURTAIN & CUSHION HARDWARE

Key	Part Number	U/M	Description
	081381-01-000	EA	Swivel Snap - Curtain Track
	029130 01-000	EA	Snap Socket - Curtain Bottom
	029130 01-000	FA	Snap Socket - Tie Back
	084434 01 000	EA	Bracket - Shade
	048394-01 000	YD	Tape Hood - 1" x 50 YD - Beige
	048395 01 000	YD	Tape Loop - 1" x 60 YD - Beige
	029094-04 000	YD	Tape - Loop - 1" Wide - Black
	029094 05 000	YD	Tape - Loop - 5" Wide - Beige
	029096 03 000	YD	Tape - Hook - 1" Wide - Black
	056003 01 000	EA	Bracket - Drapery Retainer - Left
	056003 02 000	EA	Bracket - Drapery Retainer - Right
	029090-01-000	FT	Tie - Drapery - Clear Vinyl
	079946 01-000	EA	Track - Curtain - Wraparound - Right
	079946 02-000	EA	Track - Curtain - Wraparound - Left
	087253 01 000	EA	Shade Pull - Clear Plastic
	009223 02-000	FA	Rod - Curtain - Flat - 48' - 84'
	009224 01 000	EA	Rod - Curtain - Flat - 28' x 48'
	029093 01 000	EA	Eyelet - Nickel Finish
	039175 04 000	EA	Rod - Curtain - Cafe - 16" - 28"
	012439 01 000	EA	Bracket - Curtain Rod - Single

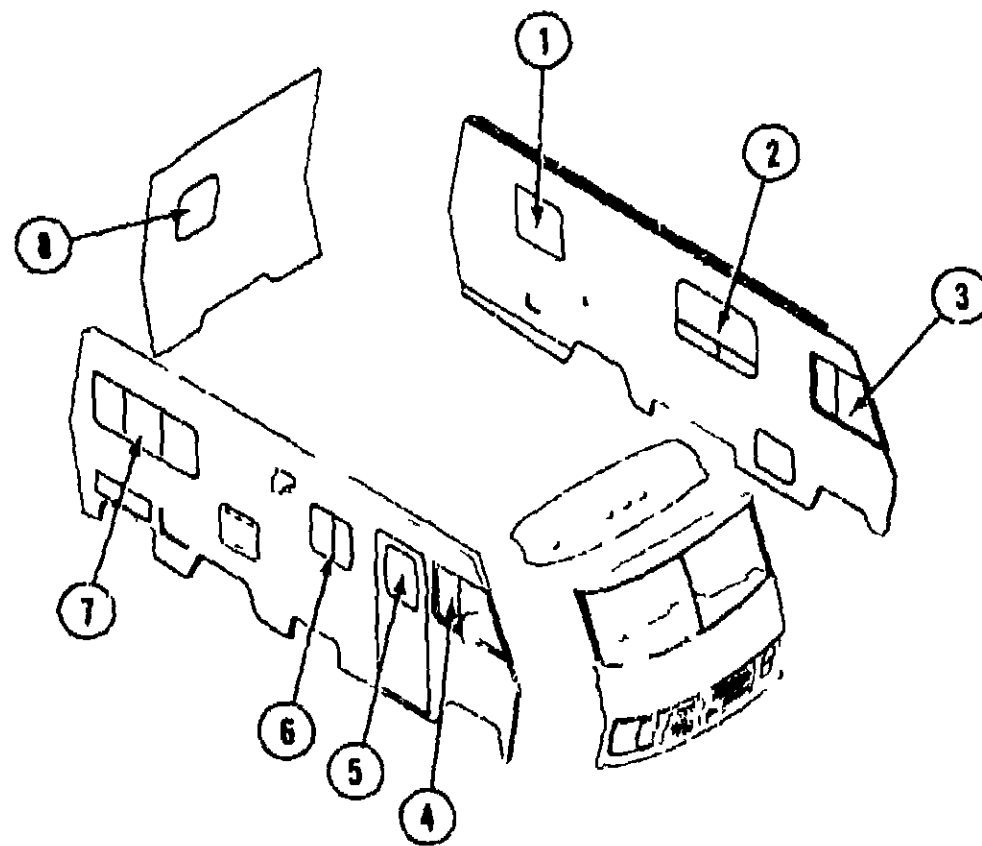
1987 ITASCA TABLE OF CONTENTS

IC420EG	A-01 - B-06
ICN22EC	B-07 - D-08
ICN27RT	D-09 - F-14
IJN32RQ	F-15 - I-02
ICP2RET	I-03 - K-10

1987 ICN22EC INDEX

Floor Plan	D-07 - B-08
Accessories Group	B-09 - B-10
Bath Group	B-11 - B-12
Chassis Group	B-13 - B-14
Curtain, Cushion & Pad Group	B-15 - B-20
Dinette Group	B-21
Driver's Compartment Group	B-22 - B-24
Electrical Group	C-01 - C-03
Exterior Body Group	C-04 - C-09
Galley Group	C-10 - C-11
Heating & Air Conditioning Group	C-12
Interior Finish Group	C-13 - C-14
LP Group	C-15
Lounge Group	C-10
Water & Sewage Group	C-17 - C-18
Window Vent & Exterior Door Group	C-19 - D-08

CURTAIN, CUSHION & PAD GROUP (CONTINUED)



CURTAIN, SHADES, VALANCES & TIEBACKS

CURTAIN, CUSHION & PAD GROUP (CONTINUED)

CURTAINS, SHADES, VALANCES & TIEBACKS (CONT)

Key	Part Number	U/M	Description
8	066226-38-W89	EA	Valance Asm - 4' x 20'
8	066226-39-W90	EA	Valance Asm - 4' x 20'
8	066226-40-W89	EA	Curtain - 30" x 20"
8	066226-40-W90	EA	Curtain - 30" x 20"
8	084755-06-WA6	EA	Shade - 33 25" (W89)
8	084755-06-WA4	EA	Shade - 33 25" (W90)
	086121-03-000	EA	Curtain - Shower Liner - 63' x 42'
	077591-07-W89	EA	Curtain w/Velcro Top - Bunk Privacy - 60 x 50 - Right
	077591-07-W90	EA	Curtain w/Velcro Top - Bunk Privacy - 60 x 50' - Right
	077591-08-W89	EA	Curtain w/Velcro Top - Bunk Privacy - 60 x 50' Left
	077591-08-W90	EA	Curtain w/Velcro Top - Bunk Privacy - 60 x 50" Left
	073304-04-W30	EA	Curtain w/Snap Top - Privacy - 64 x 53 (W89)
	073304-04-W90	EA	Curtain w/Snap Top - Privacy - 64" x 53
	073260 32 W89	EA	Tie Back Asm - 4' x 18' - Drapery
	073260 32 W90	EA	Tie Back Asm - 4' x 18" Drapery
	073260 25 W89	EA	Tie Back Asm - 3" x 18' - Bedspread
	073260 25 W90	EA	Tie Back Asm - 3" x 18' - Bedspread
	057534-01-000	EA	Tie Back Asm - 6' Clear Plastic
	057534-04-000	EA	Tie Back Asm - 20" - Clear Plastic
			Not illustrated

**1987 ITASCA
TABLE OF CONTENTS**

IC420EG	A-01 - B-06
ICN22EC	B-07 - D-08
ICN27RT	D-09 - F-14
IJN32RQ	F-15 - I-02
ICP26ET	I-03 - K-10

Key	Part Number	U/M	Description
1	M81977-21-W89	EA	Valance Asm - 31 7" - Padded
1	M81977-21-W90	EA	Valance Asm - 31 7" - Padded
1	073304-39-W06	EA	Curtain w/Snaps Top 27 5" x 10" (W89)
1	073304 39 W04	EA	Curtain w/Snaps Top 27 5" x 10" (W90)
†	073304-39-WB7	EA	Curtain w/Snaps Top 27 5' x 10' (W90)
1	084755-01-WA6	EA	Shade - 28 25"
1	084755 01 WA4	EA	Shade 28 25"
2	M81977-17-W24	EA	Valance Asm - 69' - Padded (W89)
2	M81977-17-W90	EA	Valance Asm - 69' - Padded
2	085190 01-W06	EA	Curtain w/Darts & Snaps Top 37' x 15" (W89)
2	085190-01-W04	EA	Curtain w/Darts & Snaps Top - 37' x 15' (W90)
2	084775 02 WA6	EA	Shade 67 25"
2	084775-02 WA4	EA	Shade 67 25"
3	077591-08-W89	EA	Curtain Asm - Front Wraparound - 32 5" x 86" Left
3	077591 08 W90	EA	Curtain Asm - Front Wraparound 32 5' x 86" Left
4	077591 07-W89	EA	Curtain Asm - Front Wraparound 32,5" x 86" Right
4	077591-07-W90	EA	Curtain Asm - Front Wraparound 32 5" x 86" - Right
5	073304 30 W89	EA	Curtain w/Snap Top - 34" x 37" - Entrance
5	073304 30 W04	EA	Curtain w/Snap Top - 34' x 37" - Entrance (W90)
5	084755 04-WA6	EA	Shade 24,25" - Entrance (W89)
5	084755 04 WA4	EA	Shade 24 25" Entrance (W90)
8	M81977 22-W89	EA	Valance Asm - 29 5" Padded
8	M81977 22 W90	EA	Valance Asm - 29 5" Padded
8	084755-01 WA6	EA	Shade 28 25' (W89)
8	084755-01 WA4	EA	Shade 28 25" (W90)
7	066226 38 W89	EA	Valance Asm - 4' x 75"
7	066226 38 W90	EA	Valance Asm - 4' x 75"
7	066226 32 W89	EA	Curtain w/ 5" Header - 30" x 22"
7	066226 32 W90	EA	Curtain w/ 5" Header 30" x 22'
7	084755 05 WA6	EA	Shade 60 25' (W89)
7	084755 05 WA4	EA	Shade 60 25" (W90)

† Not illustrated

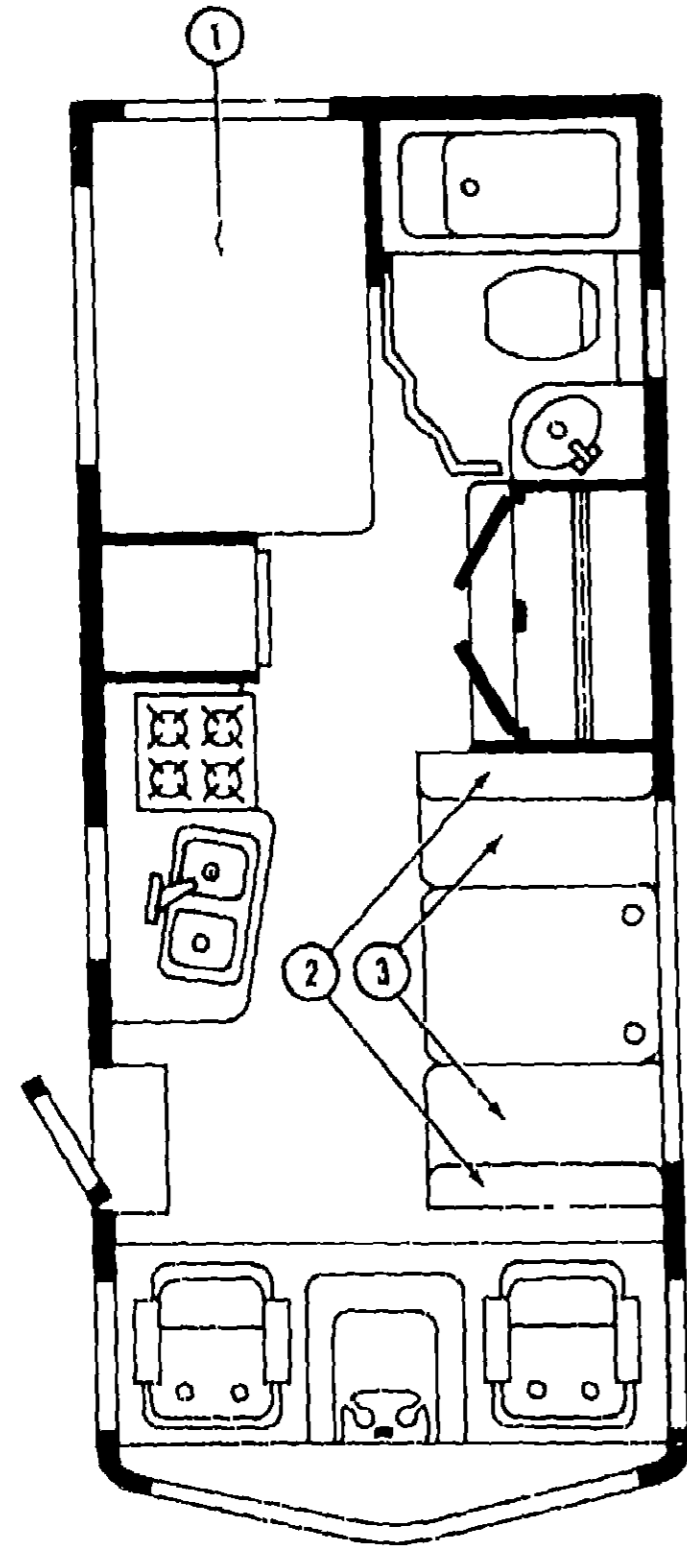
† Used in units produced after 2/1/87

1987 ICN22EC INDEX

Floor Plan	B-07 - B-08
Accessories Group	B-09 - B-10
Bath Group	B-11 - B-12
Chassis Group	B-13 - B-14
Curtain, Cushion & Pad Group	B-15 - B-20
Dinette Group	B-21
Driver's Compartment Group	B-22 - B-24
Electrical Group	C-01 - C-03
Exterior Body Group	C-04 - C-09
Galley Group	C-10 - C-11
Heating & Air Conditioning Group	C-12
Interior Finish Group	C-13 - C-14
LP Group	C-15
Lounge Group	C-16
Water & Sewage Group	C-17 - C-18
Window, Vent & Exterior Door Group	C-19 - D-08

CURTAIN, CUSHION & PAD GROUP (CONTINUED)

CURTAIN, CUSHION & PAD GROUP (CONTINUED)



DOUBLE BED MATTRESS

Key	Part Number	U/M	Description
1	083498-02-000	EA	Mattress - Foam - 48' x 75' x 7'
	081969-06 W89	EA	Bedspread - 48" x 76'
	081969-06 W90	EA	Bedspread - 48' x 76'
	081997-01-W09	EA	Pillow Sham - 30' x 26' (W89)
	081997-01 W07	EA	Pillow Sham 30" x 25' (W90)

DINETTE CUSHION

Key	Part Number	U/M	Description
2	081998-77 W89	EA	Cushion Asm - Dinette Back - 19 25' x 38' x 5'
2	081998 77-V1GJ	EA	Cushion Asm Dinette Back - 19 25' x 38' x 5"
	M81998 77-W89	EA	Cover Asm Dinette Back Cushion 19 25' x 38' x 5"
	M81998-77-W90	EA	Cover Asm - Dinette Back Cushion 19 25' x 38' x 5'
3	081998-78 W89	EA	Cushion Asm - Dinette Bottom - 17 5' x 38' x 5'
3	081998 78-W90	EA	Cushion Asm - Dinette Bottom - 17 5' x 38' x 5'
	M81998 78 W89	EA	Cover Asm - Dinette Bottom Cushion - 17 5' x 38' x 5'
	M81998 78-W90	EA	Cover Asm Dinette Bottom Cushion - 17 5' x 38' x 5'

BUCKET SEATS

Key	Part Number	U/M	Description
	083908-15 W89	EA	Seat Asm - Straton
	083909 15 W90	EA	Seat Asm - Straton
	M01864 35 W89	EA	Cover Asm Bucket Seat Bottom
	M01864-35 W90	EA	Cover Asm Bucket Seat Bottom
	M01864 36 W89	EA	Cover Asm Bucket Seat Back
	M01864 36 W90	EA	Cover Asm Bucket Seat Back
	080243 23 W89	EA	Armrest Asm - Right
	080243 23 W90	EA	Armrest Asm - Right
	080243 24 W89	EA	Armrest Asm - Left
	080243 24 W90	EA	Armrest Asm Left
	M80243 23 W89	EA	Cover Asm Armrest - Right
	M80243-23 W90	EA	Cover Asm - Armrest - Right
	M80243 24 W89	EA	Cover Asm - Armrest - Left
	M80243 24 W90	EA	Cover Asm Armrest - Left
	085268-01 W89	EA	Headrest Asm
	085268 01 W90	EA	Headrest Asm
	M85268 01 W89	EA	Cover Asm - Headrest
	M85268 01 W90	EA	Cover Asm Headrest
	071126-18 W23	EA	Skirt Asm Single Bucket (W89)
	071126 18 W07	EA	Skirt Asm Single Bucket (W90)

FRONT BUNK

Key	Part Number	U/M	Description
	079145 04 U00	EA	Cushion Asm Front Bunk - 4' x 34' x 78"
	M79145 04 000	EA	Cover Asm - Front Bunk Cushion 4' x 34' x 78"
	079144-02 T03	EA	Bunk Strap Vinyl

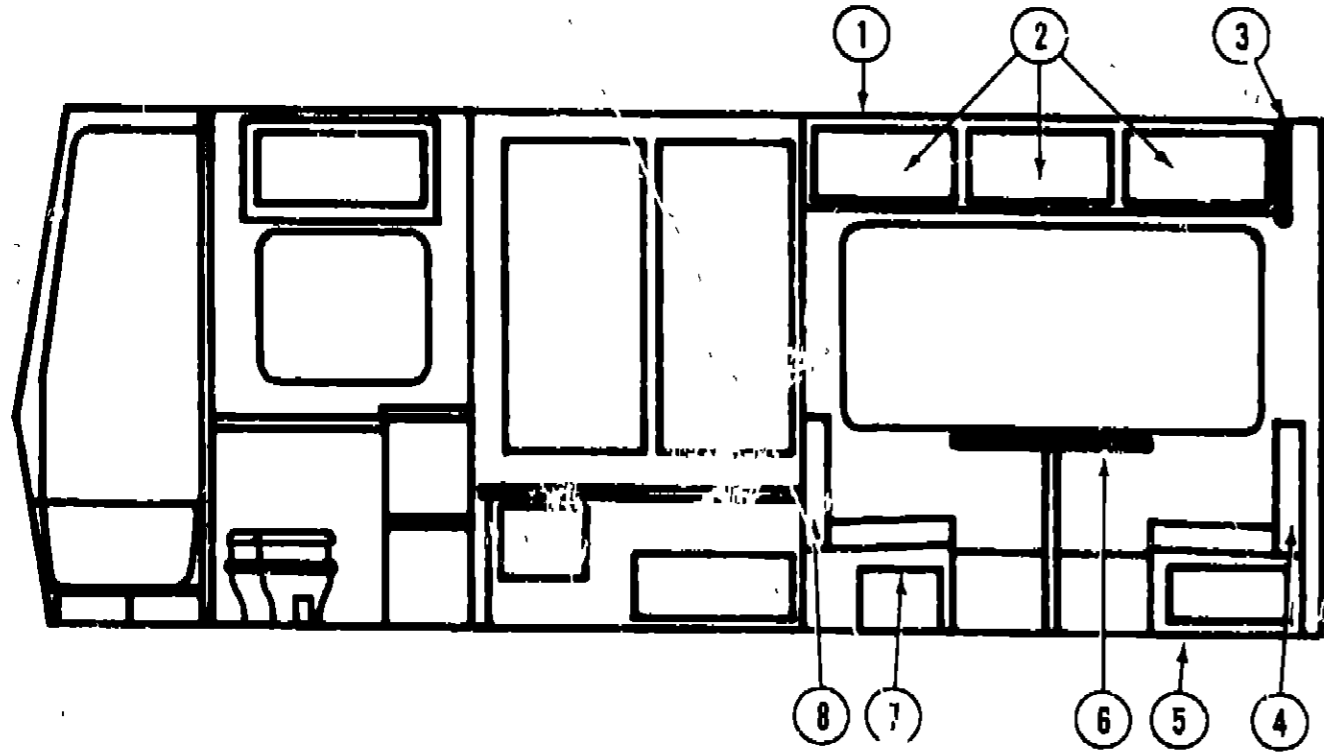
**1987 ITASCA
TABLE OF CONTENTS**

IC420EG	A-01	B-06
ICN22EC	B-07	D-08
ICN27RT	D-09	F-14
IJN32RQ	F-15	I-02
ICP26ET	I-03	K-10

1987 ICN22EC INDEX

Floor Plan	B 07 - B 08
Accessories Group	B 09 - B 10
Bath Group	B-11 - B 12
Chassis Group	B-13 - B-14
Curtain, Cushion & Pad Group	B-15 - B 20
Dinette Group	B-21
Driver's Compartment Group	B 22 - B-24
Electrical Group	C 01 - C 03
Exterior Body Group	C-04 - C-09
Galley Group	C 10 - C-11
Heating & Air Conditioning Group	C 12
Interior Finish Group	C 13 - C-14
LP Group	C-15
Lounge Group	C-16
Water & Sewage Group	C 17 - C-18
Window, Vent & Exterior Door Group	C 19 - D 08

DINETTE GROUP

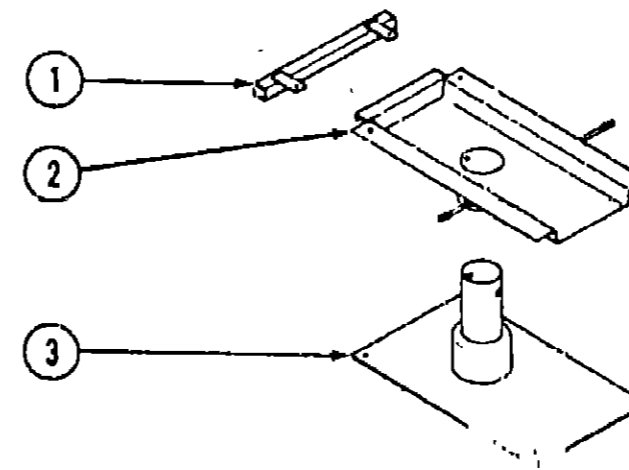


CONVENTIONAL DINETTE & OVERHEAD CABINETS

Key	Part Number	U/M	Description
1	M88176-01-W89	EA	Cabinet Asm. - Dinette Overhead - w/o Doors or Hardware
2	M88301-06-W89	EA	Door Asm. - Dinette Overhead - w/o Hardware
†2	M88304-16-W89	EA	Door Asm. - Dinette Overhead - w/o Hardware
3	081326-01-W30	EA	Pad Asm. - End Cap - Dinette Overhead - Front - Vinyl
4	M03079-01-W89	EA	Cabinet Asm. - Dinette Back - Right
5	M03078-01-W89	EA	Cabinet Asm. - Dinette Seat - Right - w/o Hardware
*	M88301-10-W89	EA	Door Asm. - Dinette Seat - w/o Hardware
†	M88304-21-W89	EA	Door Asm. - Dinette Seat - w/o Hardware
6	M81299-01-W24	EA	Table Asm. - Dinette - w/o Hardware
7	M03078-02-W89	EA	Cabinet Asm. - Dinette Seat - Left - w/o Door or Hardware
8	M03079-02-W89	EA	Cabinet Asm. - Dinette Back - Left
*	053200-08-000	EA	Bracket - Upper Wall Mount - 23.5"
*	053201-08-000	EA	Bracket - Table Mount - 23" - Belgo
*	024275-05-000	EA	Rod - Table Lift - 8" x 23.5" - Belgo
*	024281-10-000	EA	Bracket - Lower Wall Mount - 22.12"
*	024276-17-000	EA	Leg Asm. - Table - 29.5" - Tan
**	064050-02-000	EA	Hinge - Table Leg - Tan
**	024282-01-000	EA	Brace - Table Leg
**	024283-01-000	EA	Clip - 1" O.D. Tube
*	049493-05-000	EA	Catch - Table Leg - Mounts on Floor - Tan
*	064701-02-000	EA	Cup Holder - 3.47" O.D. x 2.75" I.D. x 1.5"
*			Not Illustrated

** The illustrated parts breakdown for this item is provided on the Common Items Fiche
 † Used in units produced after 1-20-87

DRIVER'S COMPARTMENT



BUCKET SEAT PEDESTAL & SEAT BELTS

Key	Part Number	U/M	Description
1	068080-29-000	EA	Bar - Seat Belt - 20"
2	069565-27-000	EA	Plate - Top - Pedestal Asm. - Single Bucket Seat
3	069585-08-000	EA	Plate - Sub - Pedestal Asm. - Bucket Seat
*	069585-05-000	EA	Hardware Kit - Bolt/Acorn Nut - 4 ea. - Pedestal Asm.
*	007019-01-000	EA	Belt Asm. - Seat - 2" x 84" - Black
*	007021-01-000	EA	Belt Asm. - Seat - 2" x 90" - Black
*	056271-02-000	EA	Belt Asm. - Seat - 2" x 72" - Black
*	069246-01-000	EA	Adjuster Asm. - Seat - w/Lock
*	069246-02-000	EA	Adjuster Asm. - Seat - w/o Lock
*			Not Illustrated

FRONT BUNK & PULL DOWN STORAGE

Key	Part Number	U/M	Description
	078760-03-000	EA	Overhead Bunk Hardware
	081717-01-W07	EA	Bed Asm. - Front Bunk
	078144-02-T03	EA	Bunk Strap
	042541-04-000	EA	Latch Asm. - w/o Strike - Brass
	042541-05-000	EA	Latch Strike - Brass
	080855-05-000	EA	Side Trim - Right Front - Upper
	080856-05-000	EA	Side Trim - Right Front - Lower
	080855-06-000	EA	Side Trim - Left Front - Upper
	080856-06-000	EA	Side Trim - Left Front - Lower

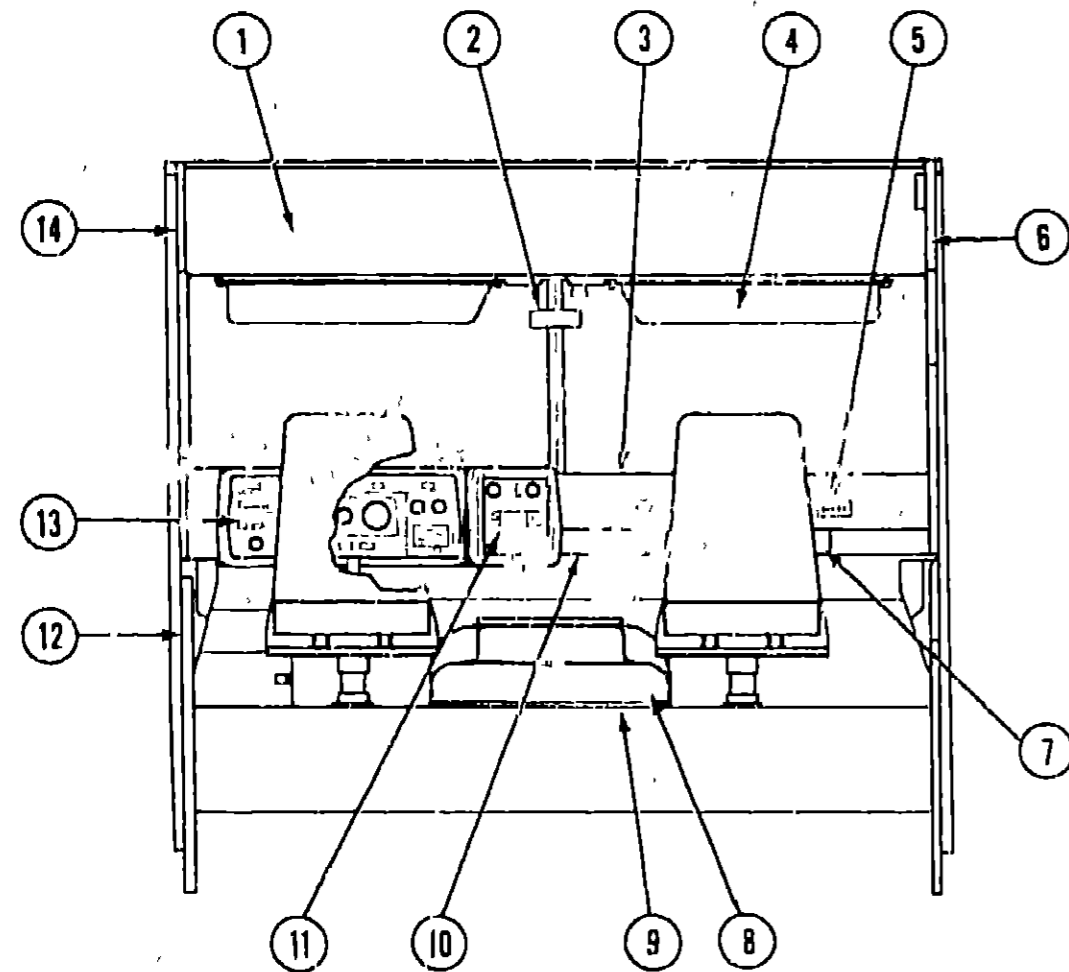
1987 ITASCA TABLE OF CONTENTS

IC420EG	A-01 - B-06
ICN22EC	B-07 - D-08
ICN27RT	D-09 - F-14
IJN32RQ	F-15 - I-02
ICP26ET	I-03 - K-10

1987 ICN22EC INDEX

Floor Plan	B-07 - B-08
Accessories Group	B-09 - B-10
Bath Group	B-11 - B-12
Chassis Group	B-13 - B-14
Curtain, Cushion & Pad Group	B-15 - B-20
Dinette Group	B-21
Driver's Compartment Group	B-22 - B-24
Electrical Group	C-01 - C-03
Exterior Body Group	C-04 - C-09
Galley Group	C-10 - C-11
Heating & Air Conditioning Group	C-12
Interior Finish Group	C-13 - C-14
LP Group	C-15
Lounge Group	C-16
Water & Sewage Group	C-17 - C-18
Window, Vent & Exterior Door Group	C-19 - D-08

DRIVER'S COMPARTMENT GROUP (CONTINUED)



MISCELLANEOUS DRIVER'S COMPARTMENT COMPONENTS

Key	Part Number	U/M	Description
1	088331-01-W88	EA	Headliner - Upper
*	088330-01-V.89	EA	Headliner - Lower Left
*	088330-02-W87	EA	Headliner - Lower Right
2	040714-01-700	EA	Mirror - Inside Rear View - w/Button Support
**3	M01113-23-W84	EA	Dash Asm. - Complete - w/Gauges & Switches
*	079089-01-000	EA	Dash Pad - Passenger - Brown
*	079088-01-000	EA	Dash Pad - Drivers - Brown
*	024990-01-0J0	EA	Outlet - Defroster w/Swivel - 2" - Tan
4	082286-02-W07	EA	Sunvisor Asm. - Right - w/Mirror
*	082286-01-W07	EA	Sunvisor Asm. - Left
*	083153-01-000	EA	Mirror - Sunvisor
*	085709-01-000	EA	Clip - Sunvisor - Black
5	039044-01-000	EA	Louver Asm. - Air Conditioning Adjustable
6	080855-05-000	EA	Slide Trim - Right Front - Upper (w/o Bunk)
*	080850-05-000	EA	Slide Trim - Right Front - Lower (w/o Bunk)
7	022219-01-000	EA	Glove Compartment Door

* Not keyed
** NOTE: To be special ordered only.

DRIVER'S COMPARTMENT GROUP (CONTINUED)

MISCELLANEOUS DRIVER'S COMPARTMENT COMPONENTS (CONT.)

Key	Part Number	U/M	Description
*	023892-01-000	EA	Glove Compartment Box - Black Fiberboard
*	009118-01-000	EA	Glove Compartment Twist Lock
*	024598-01-000	EA	Glove Compartment Hinge
*	034309-01-000	EA	Glove Compartment Chain - Door
8	075939-01-000	EA	Motor Cover - Fiberglass
*	075564-01-000	EA	Mounting Bracket - Motor Cover
9	03952-01-000	FT	Seal - Engine Cover - Neoprene
10	023892-01-000	EA	Panel - Knee Kick - Bottom of Dash
*	070006-11-000	EA	Bezel - Entertainment Center - w/Radio Cut Out
††	070006-17-000	EA	Bezel - Entertainment Center - w/Radio Cutout
12	079471-02-000	EA	Panel - Drivers Door - Inner - Plastic
*	048886-03-000	EA	Assist Tray - Chrome
13	086296-08-000	EA	Bezel - Control Panel
*	078581-01-000	EA	Trim - Instrument Panel - Front - Passenger
*	078582-01-000	EA	Trim - Instrument Panel - Front - Driver
*	052367-01-000	EA	Cigarette Lighter Asm. - 12 Volt
†	089294-01-000	EA	Cigarette Lighter Asm. - 12 Volt
*	061424-01-000	EA	Lamp Asm. - Map/Gauge
*	061400-06-000	EA	Assist Strap - 12" - Sandstone
14	080855-06-000	EA	Slide Trim - Left Front - Upper (w/o Bunk)
*	080856-06-000	EA	Slide Trim - Left Front - Lower (w/o Bunk)
*	083918-02-W30	EA	Cabinet Asm. - Front Overhead - Left - w/o Bunk
*	054250-01-000	EA	Support - Dimmer Switch - w/o Holes
*	079225-01-000	EA	Windshield Trim - Interior - Passenger
*	079225-02-000	EA	Windshield Trim - Interior - Driver
*	079765-01-000	EA	Windshield Trim - Interior - Center
*	078245-01-000	EA	Steering Column Boot - Vinyl
*	086491-01-000	EA	Gasket - Defroster Outlet

† Used in units produced after 5-18-87
†† Used in units produced after 2-15-87

DASH SWITCHES & GAUGES

Key	Part Number	U/M	Description
	024461-01-000	EA	Switch - Battery
	024459-04-000	EA	Gauge - Voltmeter
	024460-04-000	EA	Gauge - Vacuum
	031035-01-000	EA	Gauge - Generator Hourmeter
	084404-01-000	EA	Switch - Off, Low, Med, High-Black

**1987 ITASCA
TABLE OF CONTENTS**

IC420EG	A-01 - B-06
ICN22EC	B-07 - D-08
ICN27RT	D-09 - F-14
IJN32RQ	F-15 - I-02
IUP26ET	I-03 - K-10

1987 ICN22EC INDEX

Floor Plan	B-07 - B-08
Accessories Group	B-08 - B-10
Bath Group	B-11 - B-12
Chassis Group	B-13 - B-14
Curtain, Cushion & Pad Group	B-15 - B-20
Dinette Group	B-21
Driver's Compartment Group	B-22 - B-24
Electrical Group	C-01 - C-03
Exterior Body Group	C-04 - C-09
Galley Group	C-10 - C-11
Heating & Air Conditioning Group	C-12
Interior Finish Group	C-13 - C-14
LP Group	C-15
Lounge Group	C-16
Water & Sewage Group	C-17 - C-18
Window, Vent & Exterior Door Group	C-19 - D-08

ELECTRICAL GROUP

BULBS

Key	Part Number	U/M	Description
	000220-01-000	EA	Bulb - 12V - 25W
	000103-01-000	EA	Bulb - 53
	000213-01-000	EA	Bulb - 57
	000214-01-000	EA	Bulb - 67
	030100-01-000	EA	Bulb - 104
	000216-01-000	EA	Bulb - 1003
	007470-01-000	EA	Bulb - 1070
	000314-01-000	EA	Bulb - 1130
	000210-01-000	EA	Bulb - 1141
	037935-01-000	EA	Bulb - 1157
	050200-02-000	CA	Bulb - 0431000 - Dome Light

FUSES & CIRCUIT BREAKERS

Key	Part Number	U/M	Description
	000208-01-000	EA	Circuit Breaker - 40 Amp - 12 Volt
	033573-02-000	EA	Circuit Breaker - 15 Amp. - 12 Volt - w/Mount
	033573-01-000	EA	Circuit Breaker - 20 Amp. - 12 Volt - w/Mount
	000208-01-000	EA	Circuit Breaker - 30 Amp. - 12 Volt - w/Mount
	071200-01-000	EA	Circuit Breaker Blank
	050283-02-000	EA	Circuit Breaker - Buss Bar
	071270-07-000	EA	Circuit Breaker - 20/20 - 120 Volt
	003209-01-000	EA	Circuit Breaker - 15 Amp - 120 Volt
	083209-03-000	EA	Circuit Breaker - 15/20 Amp. - 120 Volt
	003209-04-000	EA	Circuit Breaker - 30 Amp - 120 Volt
	083209-05-000	EA	Circuit Breaker - 20 Amp - 120 Volt
	083209-06-000	EA	Circuit Breaker - 30/15 Amp - 120 Volt
	083209-00-000	CA	Circuit Breaker - Blank
	085719-01-000	EA	Buss Bar - 4 Position
	085719-02-000	EA	Buss Bar - 3 Position
	085720-01-000	EA	Circuit Breaker - 15 Amp.
	085720-02-000	EA	Circuit Breaker - 20 Amp.
	085720-04-000	EA	Circuit Breaker - 30 Amp.
	085720-05-000	EA	Circuit Breaker - 40 Amp

WINDSHIELD WIPERS & WASHER

Key	Part Number	U/M	Description
	056000-02-000	EA	Washer Asm - Windshield - w/o Nozzles
	057653-01-000	EA	Arm - Windshield Wiper - 18" - Black
	067188-01-000	EA	Crank Stud - Wiper
	072472-02-000	EA	Adapter Kit - Wiper Arm Pantograph Pivot
	067191-02-000	EA	Motor Asm. - Windshield Wiper - 2 Speed
	067192-01-000	EA	Link Asm. - Connecting - Left
	067193-01-000	EA	Link Asm. - Connecting - Right
**	049464-03-000	EA	Blade - Windshield Wiper - 20" - Black
**	067190-01-000	EA	Shaft and Pivot Asm - Right
**	067190-02-000	EA	Shaft and Pivot Asm - Left
**	057474-02-000	EA	Wiper Asm

** The illustrated parts breakdown for this item is provided on the Common Items Fiche.

MISCELLANEOUS ELECTRICAL COMPONENTS

Key	Part Number	U/M	Description
	047338-03-000	EA	Isolator - Dual Battery - 70 Amp
	008188-01-000	EA	Solenoid - Dual Battery - Relay
	065201-02-000	EA	Lamp Shade - Fabric - Parchment
	083208-01-000	FA	Control Center - 32 Amp
	063912-01-000	EA	Relay Canister - SPDT w/Ground
	086273-01-000	EA	Relay - Battery Disconnect

ELECTRICAL GROUP (CONTINUED)

WIRE, SWITCHES & RECEPTACLES

Key	Part Number	U/M	Description
	000050-01-000	EA	Adapter - Power Cord
	000200-01-000	EA	Box - Electrical - 3" x 3.5" - Plastic
	000200-01-000	EA	Box - Electrical - 4" x 4" - 1/2 & 3/4 Steel - UL
	000200-02-000	EA	Box - Electrical - 4" x 4" - 1/2 & 3/4 Steel - CSA
	060040-01-000	EA	Box - Electrical - 2" x 3" x 2.25" - Steel
	041953-01-000	EA	Conduit - Convoluted Silt - .5" I.D.
	000353-01-000	EA	Connector - Clamping - 3/8 Cable - UL & CSA
	050020-01-000	EA	Connector - Plug/In - Clear Nylon
	000314-01-000	EA	Connector - Wire Nut - Gray
	000311-01-000	EA	Connector - Wire Nut - Red
	031000-01-000	EA	Contact Plug - Brass - Tin Plated
	031007-01-000	EA	Contact - Receptacle
	000054-01-000	EA	Cord - Power - 10-3 30 Amp. - 25' - UL
	000052-01-000	EA	Cord - Power - 10-3 30 Amp - 25' - CSA
	000230-01-000	EA	Cover - Electrical Box - 4" x 4"
	050048-01-000	EA	Cover - Electrical Box - 4.5" x 2.75" - Rain Tight (Exterior)
	024571-03-000	EA	Cover Plate - Receptacle - Jumbo - Brown Plastic
	024571-04-000	EA	Cover Plate - Receptacle - Jumbo - Ivory Plastic
	000104-01-000	EA	Cover Plate - Switch - Brown
	000294-01-000	EA	Cover - Flat Blank - 4" x 4" - Steel - US
	000294-02-000	EA	Cover - Flat Blank - 4" x 4" - Steel - CSA
	000277-01-000	EA	Fuse Holder - Panel Mount - Black
	064399-01-000	EA	Housing Asm. - Trailer Pin
	064450-01-000	EA	Housing Asm. - Trailer Plug
	064308-01-000	EA	Housing Asm. - Trailer Receptacle
	054532-01-000	EA	Housing Pin - 6 Position
	054532-02-000	EA	Housing Pin - 4 Position
	054532-03-000	EA	Housing Socket - 4 Position
	075736-03-000	EA	Receptacle/Cover Asm. - Gray (Exterior)
	050708-01-000	EA	Receptacle - Duplex - Brown
	000157-01-000	EA	Receptacle - Duplex - Brown (Exterior Backwall)
	050708-02-000	EA	Receptacle - Duplex - Ivory
	053126-01-000	EA	Receptacle - Ground Fault Interrupter - 125 Volt - Ivory
	024924-02-000	EA	Receptacle - Power Cord
	050707-01-000	EA	Receptacle - Single - Brown
	063912-01-000	EA	Relay - Canister SPDT w/Ground
	075723-01-000	EA	Switch - Block Spacer - w/o Holes
	075723-02-000	EA	Switch - Block Spacer - w/Holes
	000162-01-000	EA	Switch - Double Toggle - Brown
	077942-02-000	EA	Switch - Dummy - Brown
	056264-01-000	EA	Switch - Leaf Actuator
	081066-01-000	EA	Switch - 2 Gang - 2 Switch
	079362-01-000	EA	Switch Plate - 3 Gang - 2 Switches
	079363-01-000	EA	Switch Plate - Single - w/Switches
	079364-01-000	EA	Switch - On/Off Rocker - Brown
	000195-01-000	EA	Switch - Push Button - 12 Volt
	000163-01-000	EA	Switch - Toggle - Brown
	077942-01-000	EA	Switch - Dummy - Black
	084404-01-000	EA	Switch - Off, Low, Med, High - Black (Motor Aid)
	000050-01-000	EA	TV Jack - Ivory
	047443-02-000	EA	Terminal - .250 Receptacle - 12-10 AWG
	035417-01-000	EA	Terminal - Pin Receptacle - .125 Dia
	000348-01-000	EA	Terminal Ring - 2 - w/3/8 Stud
	000331-01-000	EA	Terminal Ring - 4 - w/3/8 Stud
	000328-01-000	EA	Terminal Ring - 12/10 Wire
	047441-01-000	EA	Terminal - Battery - Horizontal Lug
	054865-01-000	EA	Wire Asm - Generator Switch
	000028-01-000	FT	Wire - 18 5 Bonded - Blue/Red/Yellow/Orange/White
	000024-01-000	FT	Wire - 18 5 Bonded - Orange/White/Yellow/Blue/Brown
	000025-01-000	FT	Wire - 18 5 Bonded - Orange/White/Yellow/Blue/Green
	000026-01-000	FT	Wire w/Ground - Romex - 12/2
	000030-01-000	EA	Wire - 18 4 Bonded

**1987 ITASCA
TABLE OF CONTENTS**

IC420EG	A-01 - B-06
ICN22EC	D-07 - D-08
ICN27RT	D-09 - F-14
IJN32RQ	F-15 - I-02
ICP20ET	I-03 - K-10

1987 ICN22EC INDEX

Floor Plan	B-07 - B-08
Accessories Group	B-09 - B-10
Bain Group	B-11 - B-12
Chassis Group	B-13 - B-14
Curtain, Cushion & Pad Group	B-15 - B-20
Dinette Group	B-21
Driver's Compartment Group	B-22 - B-24
Electrical Group	C-01 - C-03
Exterior Body Group	C-04 - C-09
Galley Group	C-10 - C-11
Heating & Air Conditioning Group	C-12
Interior Finish Group	C-13 - C-14
LP Group	C-15
Lounge Group	C-16
Water & Sewage Group	C-17 - C-18
Window, Vent & Exterior Door Group	C-19 - D-00

ELECTRICAL GROUP (CONTINUED)

INTERIOR LIGHT

Key	Part Number	U/M	Description
	033508-02-000	EA	Light - Dome - Ivory - 1 Bulb - US
	033508-03-000	EA	Light - Dome - Ivory - 1 Bulb - CBA
	051424-01-000	EA	Light - 12V Receptacle - Algin - IP
	007300-01-000	EA	Light - Top Wall
	068937-04-000	EA	Dome Light - Surface - w/o Switch
	005210-01-000	EA	Dome Light - Surface Mount - 12V
	005202-03-000	EA	Lamp - Decor - Wall - Bright Brass - 2 Bulb
	005201-02-000	EA	Shade - Parchment - 2 Bulb Lamps

EXTERIOR LIGHTS

Key	Part Number	U/M	Description
	050540-01-000	EA	License Plate Bracket
	058032-01-000	EA	Tail Lamp Asm. - Backup/Reflex/Turn Signal
	042405-01-000	EA	Lens - Rectangular - Red w/Reflex
	042405-02-000	EA	Lens - Rectangular - Amber w/Reflex
	042405-03-000	EA	Base - Rectangular Side Marker Light
	048817-01-000	EA	Light - Porch - Asslt Handle w/Light
	076343-01-000	EA	Lamp Asm. - Park/Turn - Clear - Left - GM#917803
	076343-02-000	EA	Lamp Asm. - Park/Turn - Clear - Right - GM#917803
	049185-01-000	EA	Headlight Capsule Asm. - High/Low Beam - Driver
	049186-01-000	EA	Headlight Capsule Asm. - High/Low Beam - Passenger
	049187-01-000	EA	Headlight Capsule Asm. - High Beam - Driver
	049188-01-000	EA	Headlight Capsule Asm. - High Beam - Passenger
	081250-01-000	EA	Light Asm. - Clearance - Amber
	048817-01-700	EA	Lens - Lighted Assist Handle

EXTERIOR BODY GROUP

SEALANTS & ADHESIVES

Key	Part Number	U/M	Description
	004020-01-000	QT	Adhesive - ABS Camant (Plastic Fittings)
	002337-01-000	EA	Adhesive - 1300 Tube - 3M (Windows)
	004005-02-000	GL	Adhesive - Swifite - Glue (Sidewalls)
	053700-07-000	EA	Bedding Compound - Tube - Beige (Exterior)
	053700-08-000	EA	Bedding Compound - Tube - Clear (Window)
	053700-09-000	EA	Bedding Compound - Tube - Gray (Exterior)
	053700-05-000	EA	Bedding Compound - Tube - Gray (Sidewalls to Floor)
	053700-02-000	EA	Bedding Compound - Tube - Off White (Exterior)
	002320-02-000	EA	Block - Rubber Spacer (Windshield)
	004330-01-000	EA	Caulk - Latex - Golden Walnut (Sidewalls)
	077907-01-000	EA	Sealant - Acrylic Latex - Tube - Off White (Interior Sealant)
	034552-04-000	EA	Sealant - Silicone - Beige
	034552-02-000	EA	Sealant - Silicone - Clear
	034552-07-000	EA	Sealant - Silicone - Dark Gray
	034552-06-000	EA	Sealant - Silicone - Off White
	069837-01-000	EA	Sealant - Weatherban 404 - Tube - White (Door Caulk)
	072889-01-000	EA	Sealant - Urethane - Black (Windshield)
	069640-01-000	FT	Sealer Ribbon - .25" Bead x 20'
	009640-02-000	FT	Sealer Ribbon - .5" x .125" x 30'
	069640-03-000	FT	Sealer Ribbon - .75" x .125" x 30'
	069640-04-000	FT	Sealer Ribbon - 2" x .03" x 45' (P Series)
	069640-05-000	FT	Sealer Ribbon - 2.5" x .09" x 50'
	069640-06-000	FT	Sealer Ribbon - 5/16" Bead x 15'
	069640-07-000	FT	Sealer Ribbon - 2" x 3/32" x 30'
	002316-01-000	FT	Sealer Tape - 3/32" x 3/8" - White (Window)
	002707-01-000	FT	Sealer Tape - 5/16" x 3/4"
	002707-02-000	FT	Sealer Tape - 5/16" x 1/2"
	040545-01-000	GL	Sealer - Seam Weld
	053752-04-000	EA	Seam Sealer - Tube - Aluminum (Roof)
	083642-01-000	FT	Tape - Adhesive - .10 mm. x 1.5" Wide
	038886-01-000	EA	Tape - Butyl - .31" x .31" x 148" (Windshield)
	076322-01-000	FT	Tape - Foam - Double Coated - .025 x 1" (Fiberglass Sidewall Seams)
	076322-02-000	FT	Tape - Foam - Double Coated - .045 x 1" (Fiberglass Sidewall Seams)
	009200-01-000	EA	Tape - Furnace - 1 5"
	002825-01-000	FT	Weather Striping (Roof Vent)

ACCESS PANEL HARDWARE

Key	Part Number	U/M	Description
	072917-02-000	EA	Rod - Hood Prop
	062628-01-000	EA	Clip - Prop Rod
	058833-01-000	EA	Bracket - Prop Rod
	073340-01-000	EA	Hinge - Access Panel - Passenger
	073340-02-000	EA	Hinge - Access Panel - Drivers
	058960-01-000	EA	Bracket - Hinge Asm. - Hood - Drivers
	058960-02-000	EA	Bracket - Hinge Asm. - Hood - Passenger
	R77006-68-721	EA	Cable - Release (Access Panel)
	074178-01-000	EA	Bracket - Cable Release - Inside
	R77007-01-950	EA	Striker - Hood Latch
	R77006-59-931	EA	Latch - Hood
	R77006-38-499	EA	Spring
	R77006-19-765	EA	Cable Sheath
	073333-01-000	EA	Bracket - Latch Support
	073337-01-000	EA	Brace Latch - Hood
	073341-01-000	EA	Bracket - Hood Latch
	058786-02-000	EA	Bolt - Hood Adjusting - 5/16" x 18 x 1 1/4"

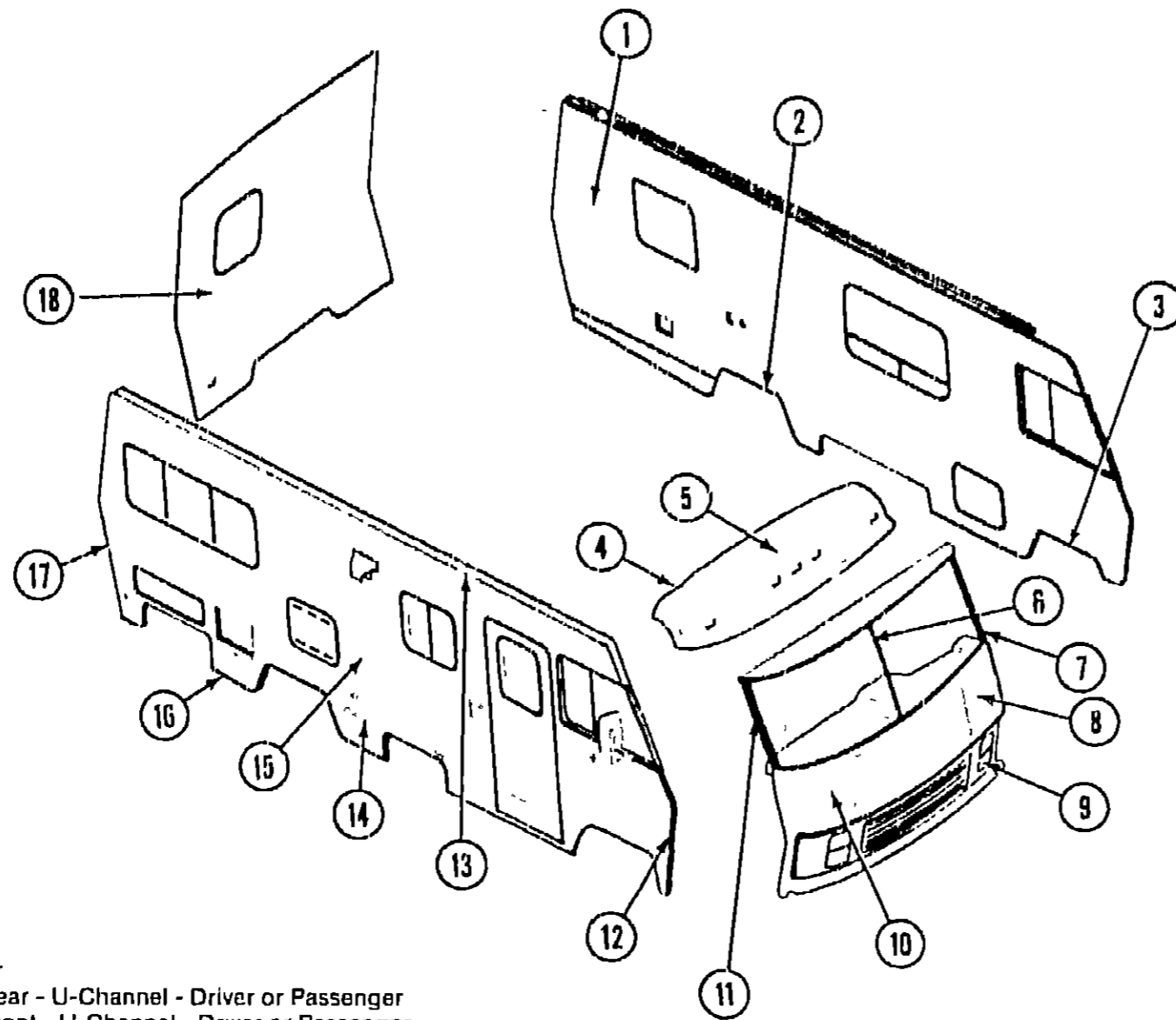
1987 ITASCA TABLE OF CONTENTS

IC420EG	A-01 - B-08
ICN22EC	B-07 - D-08
ICN27FIT	D-09 - F-14
IJN32RO	F-15 - I-02
ICP20ET	I-03 - K-10

1987 ICN22EC INDEX

Floor Plan	B-07 - B-08
Accessories Group	B-09 - B-10
Bath Group	B-11 - B-12
Chassis Group	B-13 - B-14
Curtain, Cushion & Pad Group	B-15 - B-20
Dinette Group	B-21
Driver's Compartment Group	B-22 - B-24
Electrical Group	C-01 - C-03
Exterior Body Group	C-04 - C-09
Galley Group	C-10 - C-11
Heating & Air Conditioning Group	C-12
Interior Finish Group	C-13 - C-14
LP Group	C-15
Lounge Group	C-16
Water & Sewage Group	C-17 - C-18
Window, Vent & Exterior Door Group	C-19 - D-08

EXTERIOR BODY GROUP (CONTINUED)
EXTERIOR BODY PANELS



Key	Part Number	U/M	Description
1	M88139-01-W89	EA	Sidewall Asm. - Driver
2	086887-02-000	EA	Trim - Wheel Well - Rear - U-Channel - Driver or Passenger
3	086886-02-000	EA	Trim - Wheel Well - Front - U-Channel - Driver or Passenger
4	078580-01-000	EA	Trim - Roof/Front Cap
5	M01899-01-T09	EA	Cap - Over Windshield - Gray
6	076676-02-000	EA	Trim - Molding - Windshield - Center
7	079225-02-000	EA	Trim - Contour - Windshield - Driver
8	077944-02-000	EA	Trim - Molding - Windshield - Upper - Left
9	077945-02-000	EA	Trim - Molding - Windshield - Lower - Left
10	078281-01-T09	EA	Access Panel - w/Hardware
11	076910-02-000	EA	Headlamp Bezel - Driver
12	076910-01-000	EA	Headlamp Bezel - Passenger
13	073308-01-000	EA	Screw Asm. - Headlamp - Adjusting
14	049359-01-000	EA	Spring - Headlamp Retainer
15	062207-01-000	EA	Headlamp Guard
16	M01115-15-W89	EA	Panel Asm. - Front Shroud (includes access panel)
17	079225-01-000	EA	Trim - Contour - Windshield - Passenger
18	077944-01-000	EA	Trim - Molding - Windshield - Upper - Right
19	077945-01-000	EA	Trim - Molding - Windshield - Lower - Right
20	079224-03-000	EA	Trim - Fiberglass Panel - Passenger - Gray
21	079224-04-000	EA	Trim - Fiberglass Panel - Driver - Gray
22	078600-14-000	EA	Trim - Sidewall - Upper - Driver or Passenger - Gray
23	059576-11-000	EA	Feature Strip - Extr. Gray - 14' - w/o Insert
24	009731-01-000	EA	End Cap - Feature Strip Insert
25	001030-11-100	EA	Insert - Feature Strip - Gray - 17'
			Not Keyed

Key	Part Number	U/M	Description
15	M88138-01-W89	EA	Sidewall Asm. - Passenger
16	002776-04-001	EA	Extr. - Trim - U-Channel 16'
17	050406-05-000	EA	Trim - Backwall - Lower - Driver or Passenger
18	088141-01-W89	EA	Roof Asm
	M88142-01-W89	EA	Backwall Asm. - w/Double Bed
	078577-05-000	EA	Bumper End Cap - Front Passenger - Gray
	078577-06-000	EA	Bumper End Cap - Front Driver - Gray
	086906-01-000	EA	Trim - Rear Upper Right - Gray Plastic
	086906-02-000	EA	Trim - Rear Upper Left - Gray Plastic
	086908-01-000	EA	Trim - Rear Side Right - Gray
	086908-02-000	EA	Trim - Rear Side Left - Gray
	072010-01-000	EA	Cable - Release (Access Panel)
	073611-01-000	EA	Striker - Hood Latch
	074178-01-000	EA	Bracket - Cable Release - Inside
	R77007-51-429	EA	Latch - Hood
	072013-01-000	EA	Spring - Hood Release
	062628-01-000	EA	Clip - Prop Rod
	072011-01-000	EA	Cable Sheath
			Not Keyed

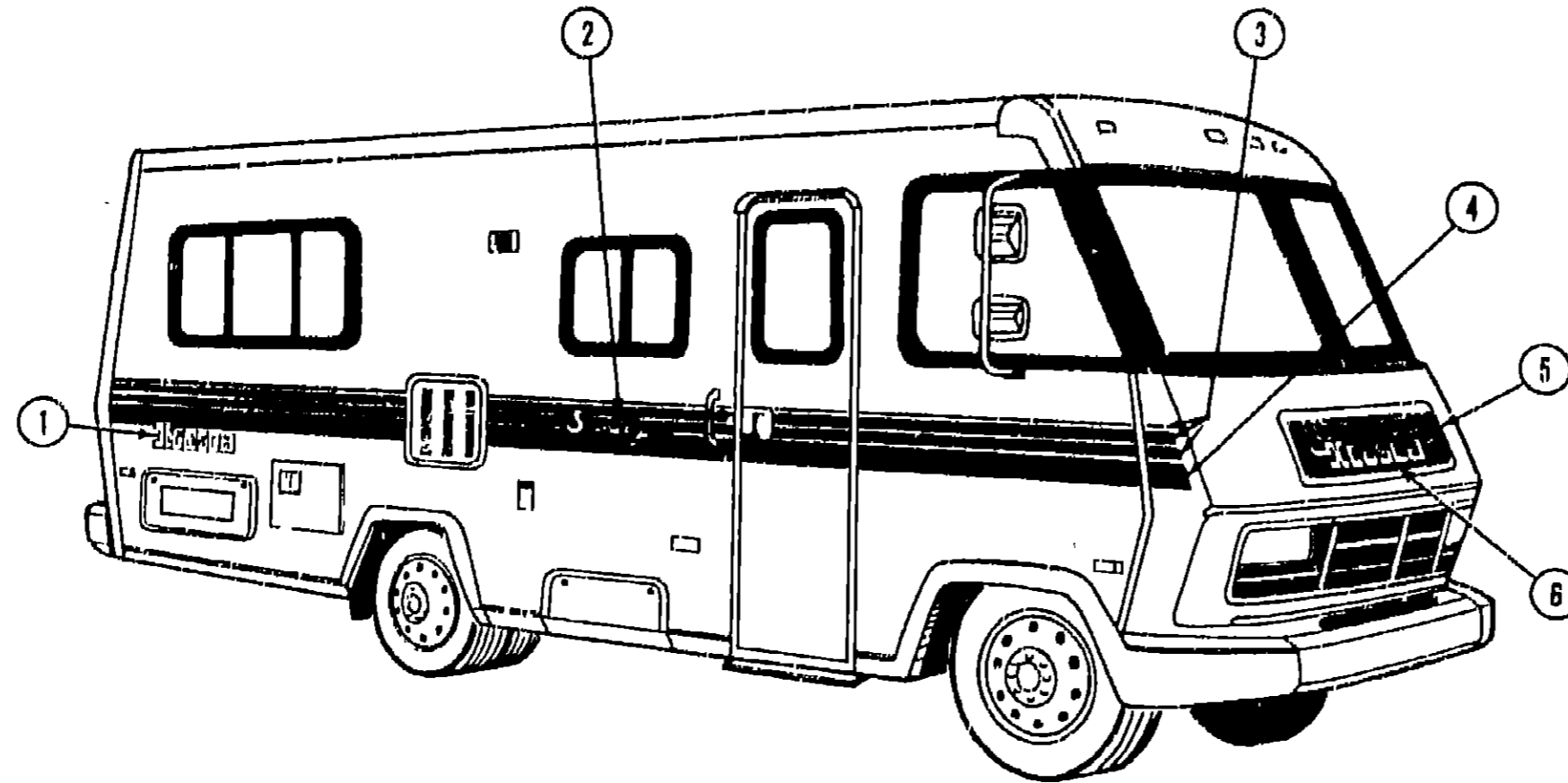
1987 ITASCA
TABLE OF CONTENTS

IC420EG	A-01 - D-08
ICN22EC	B-07 - D-08
ICN27RT	D-09 - F-14
IJN32PO	F-15 - I-02
ICP28ET	I-03 - K-10

1987 ICN22EC INDEX

Floor Plan	B-07 - B-08
Accessories Group	B-09 - B-10
Bath Group	B-11 - B-12
Chassis Group	B-13 - B-14
Curtain, Cushion & Pad Group	B-15 - B-20
Dinette Group	B-21
Driver's Compartment Group	B-22 - B-24
Electrical Group	C-01 - C-03
Exterior Body Group	C-04 - C-09
Galley Group	C-10 - C-11
Heating & Air Conditioning Group	C-12
Interior Finish Group	C-13 - C-14
LP Group	C-15
Lounge Group	C-16
Water & Sewage Group	C-17 - C-18
Window, Vent & Exterior Door Group	C-19 - D-08

EXTERIOR BODY GROUP (CONTINUED)
DECALS & FILM STRIPE



Key	Part Number	U/M	Description
1	70852-05-000	EA	Decal - Logo - "Itasca" - 6.5" x 25.5" - Sides & Rear
2	058718-02-000	EA	Decal - "Sunflyer"
3	069245-B1-000	FT	Film - Multi-Stripe - 5.1" x 150' - Rust Metallic (W89)
3	069245-B0-000	FT	Film - Multi-Stripe - 5.1" x 150' - Rust/Light Green Metallic (W90)
4	078831-27-000	FT	Decal - Stripping - 3.5" x 150' - Gray (W89)
4	078831-28-000	FT	Decal - Stripping - 3.5" x 150' - Dark Green (W90)
5	087206-03-000	EA	Decal - Hood - Red Beige/Rust/Gray (W89)
5	087206-02-000	EA	Decal - Hood - Rust/Light Green/Dark Green (W90)
6	078852-07-000	EA	Decal - Logo - "Itasca" - Hood - Gray (W89, W90)
	084075-01-000	EA	Decal - "By Winnebago Ind"
			Not Illustrated

1987 ITASCA
TABLE OF CONTENTS

IC420EG	A-01 - B-06
ICN22EC	B-07 - D-08
ICN27RT	D-09 - F-14
IJN32RQ	F-15 - I-02
ICP28ET	I-03 - K-10

1987 ICN22EC INDEX

Floor Plan	B-07 - B-08
Accessories Group	B-09 - B-10
Bath Group	B-11 - B-12
Chassis Group	B-13 - B-14
Curtain, Cushion & Pad Group	B-15 - B-20
Dinette Group	B-21
Driver's Compartment Group	B-22 - B-24
Electrical Group	C-01 - C-03
Exterior Body Group	C-04 - C-09
Galley Group	C-10 - C-11
Heating & Air Conditioning Group	C-12
Interior Finish Group	C-13 - C-14
LP Group	C-15
Lounge Group	C-16
Water & Sewage Group	C-17 - C-18
Window, Vent & Exterior Door Group	C-19 - D-08

EXTERIOR BODY GROUP (CONTINUED)

LABELS & EXTERIOR PAINT

Key	Part Number	U/M	Description
	068383-01-000	EA	Label - Diesel Fuel
	008105-01-000	EA	Label - Electrical Test
	047731-01-000	EA	Label - Emergency Exit
	008199-01-000	EA	Label - Exit - Escape Window
	057487-04-000	EA	Label - Exterior Loading Limit
	064378-01-000	EA	Label - Flying "W" w/ Thermo Panel
	061417-01-000	EA	Label - Fuel
	008198-01-000	EA	Label - Gas Test
	054531-01-000	EA	Label - LP Gas Only
	040844-01-000	EA	Label - Open - Entrance Door
	006016-01-000	EA	Label - Patent Motor Home
	058259-01-000	EA	Label - Safety Check List
	006064-01-000	EA	Label - Seat - w/o Seat Belts
	008187-01-000	EA	Label - Sewage
	006006-01-000	EA	Label - Thermo Panel - 2 1/4" x 2 1/4"
	075221-01-000	EA	Label - Trailer Hitch Capacity
	075220-01-000	EA	Label - Warning - Exterior Load Limit
	050225-01-000	EA	Label - Warning - Stove Vent - US
	008188-01-000	EA	Label - Waste Water
	008187-01-000	EA	Label - Water Test
	072863-01-000	EA	Nameplate - Diesel - 6.2L
	006062-01-000	EA	Tag - Electrical - 110 Volt Connection
	006040-01-000	EA	Tag - Gas - Refueling Warning
	044486-03-000	EA	Paint - Bolge Acrylic Enamel - 16 oz. Aerosol (7633A Dupont)
	045681-03-000	EA	Paint - Gloss Black - Acrylic Enamel - 16 oz. Aerosol (99 Dupont)
	058637-05-000	EA	Paint - Gray Acrylic Enamel - 16 oz. Aerosol (71537 Dupont)
	041561-03-000	EA	Paint - Off White Acrylic Enamel - 16 oz. Aerosol (45396A Dupont)
	074559-01-000	EA	Label "LPG" - 3 3" x 1 75" (Callf. Code)

SHEET FIBERGLASS, ALUMINUM & STYROFOAM

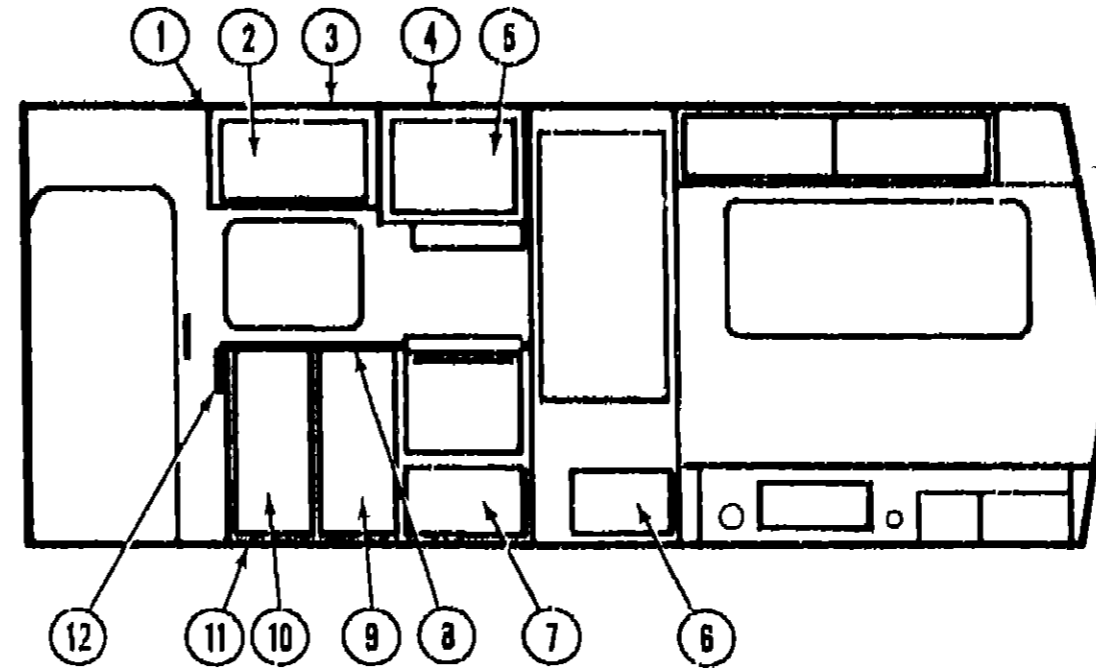
Key	Part Number	U/M	Description
	077517-13-000	EA	Fiberglass - Sheet - 46 12" x 305" - Mesa - Gray
	077517-15-002	EA	Fiberglass - Sheet - 46 12" x 60" - Mesa - Gray
	001054-01-011	EA	Alum - Off White - No Design - 48" x 95"
	001054-03-003	SF	Alum - Gray - No Design - 48" x 96"
	044487-01-001	EA	Alum. - Mill Finish - No Design (Roof) - 96" x 360"
	000868-01-000	SF	Styrofoam - 75" x 24" x 96"
	000870-01-000	SF	Styrofoam - 1 50" x 24" x 96"
	000876-03-000	SF	Styrofoam - 1 34" x 48" x 96"

MISCELLANEOUS EXTERNALLY MOUNTED PARTS

Key	Part Number	U/M	Description
	083558-01-000	EA	Plumbing Seal - Roof Vent - 1 5" - Covered
	008089-01-000	EA	Light - Porch
	010230-04-000	EA	Fill - City Water - Recessed - Gray
	081240-02-000	EA	Water Fill - Lockable - Gray
	087659-03-000	EA	Fill - City Water - Gray

NOTE: For Screws & Fasteners See Common Items Fiche

GALLEY GROUP



GALLEY CABINETRY

Key	Part Number	U/M	Description
	1 081320-02-W30	EA	Pad Asm - End Cap - Galley Overhead
	2 M88301-01-W89	EA	Door Asm. - Galley Overhead - w/o Hardware
	†2 M88304-11-W89	EA	Door Asm. - Galley Overhead - w/o Hardware
	3 M88165-01-W89	EA	Cabinet Asm. - Galley Overhead - w/o Doors or Hardware
	4 M88166-01-W89	EA	Cabinet Asm. - Galley Overhead - w/o Doors or Hardware
	5 M88301-02-W89	EA	Door Asm. - Galley Overhead - 18.2" x 23 9" - w/o Hardware
	†5 M88304-12-W89	EA	Door Asm. - Galley Overhead - w/o Hardware
	6 M88301-05-W89	EA	Door Asm. - Refrigerator Cabinet - 19 6" x 11 8" - w/o Hardware
	†6 M88304-15-W89	EA	Door Asm. - Refrigerator Cabinet - 19.6" x 11.8" - w/o Hardware
	7 M88438-01-W89	EA	Door Asm. - Furnace - Galley Cabinet - w/Mesh
	†7 M88304-67-X11	EA	Door Asm. - Furnace - Galley Cabinet - w/Mesh
	* 072369-21-000	EA	Mesh - Furnace Grille - 22" x 12"
	8 M03000-16-W89	EA	Countertop Asm. - Galley
	9 M88301-04-W89	EA	Door Asm. - Galley Cabinet - w/o Hardware - Right
	†9 M88304-14-W89	EA	Door Asm. - Galley Cabinet - w/o Hardware - Right
	10 M88301-03-W89	EA	Door Asm. - Galley Cabinet - w/o Hardware - Left
	†10 M88304-13-W89	EA	Door Asm. - Galley Cabinet - w/o Hardware - Left
	11 M88163-01-W89	EA	Cabinet Asm. - Galley - w/o Countertop, Doors, Drawers or Hardware
	12 080812-02-W30	EA	Extension Asm - Galley - Sand Quadrus
	* 077404-01-000	EA	Drawer - Plastic - 20" x 12.7"
	*		Not illustrated
	†		Used In units produced after 1/20/87

1987 ITASCA TABLE OF CONTENTS

IC420EO	A-01 - B-06
ICN22EO	B-07 - D-08
ICN271IT	D-09 - F-14
IJN32RQ	F-15 - I-02
ICP20ET	I-03 - K-10

1987 ICN22EC INDEX

Floor Plan	B-07 - B-08
Accessories Group	B-09 - B-10
Bath Group	B-11 - B-12
Chassis Group	B-13 - B-14
Curtain, Cushion & Pad Group	B-15 - B-20
Dinette Group	B-21
Driver's Compartment Group	B-22 - B-24
Electrical Group	C-01 - C-03
Exterior Body Group	C-04 - C-09
Galley Group	C-10 - C-11
Heating & Air Conditioning Group	C-12
Interior Finish Group	C-13 - C-14
LP Group	C-15
Lounge Group	C-16
Water & Sewage Group	C-17 - C-18
Window, Vent & Exterior Door Group	C-19 - D-08

GALLEY GROUP (CONTINUED)

GALLEY HARDWARE & APPLIANCES

Key	Part Number	U/M	Description
**	079353-07-000	EA	Hood - Range - Powered w/Monitor - Almond - US
	084878-01-000	EA	Vent - Range Hood
	055282-04-000	EA	Range w/Small Oven - 4 Burner - Almond - Maglo Chef
	088248-01-000	EA	Refrigerator - 3 Way - 6' - Double Door - Norcold
	054450-01-000	EA	Level - Refrigerator
	068816-01-000	EA	Sink - Stainless Steel - Double w/Bolts
**	011053-01-000	EA	Faucet - Swing Spout - 8" - US
**	011053-02-000	EA	Faucet - Swing Spout - 8" - CSA
**	011053-01-700	EA	Aerator - Swing Spout Faucet
	066437-01-000	EA	Strainer w/Basket - Sink
	081530-01-W07	EA	Sink Cover - Large
	009049-01-000	EA	Support - Drop Leaf Table
	009059-01-000	EA	Hinge - 2" - Gold - Drop Leaf Table
	059777-02-000	EA	Hinge - Cabinet Door - Antique Light Brass
	086263-01-000	EA	Door Pull
	009021-01-000	EA	Catch - Nylon
	009021-02-000	EA	Strike - Spring Steel
	047744-01-000	EA	Kit - Drawer Guide - Plastic
	077409-01-000	EA	Slider - Drawer - 20.75" - Plastic
	077404-01-000	EA	Drawer - 20" x 12.70" - Plastic
	066435-01-000	EA	Nut Strainer
**	011083-01-000	EA	Plug - 1 1/4" x 5" - w/Stopper

** The illustrated parts breakdown for this item is provided on the Common Items Fiche.

HEATING & AIR CONDITIONING GROUP

AUXILIARY HEATER ASSEMBLY

Key	Part Number	U/M	Description
	084405-01-000	EA	Heater Asm. - Rear - Auxiliary
	084405-01-700	EA	Heater Core
	084408-01-701	EA	Fan
	084405-01-702	EA	Motor - 12 V
	056464-02-000	EA	Register - 4" - Plastic - w/o Damper

AUTOMOTIVE HEATER & AIR CONDITIONER

Key	Part Number	U/M	Description
	072341-01-000	EA	Heater/Evaporator Asm.
	072341-01-700	EA	Wheel - w/Retainer & Index Clip
	072341-01-701	EA	Core - Heater
	072341-01-702	EA	Coil - Evaporator
	072341-01-703	EA	Valve - Expansion
	072341-01-704	EA	Valve - Suction
	072341-01-705	EA	Switch - Pressure - Low Cut Out
	072341-01-706	EA	Resistor
	072341-01-707	EA	Thermostat
	072341-01-708	EA	Motor - Vacuum
	R77005-81-12R	EA	Relay - Glow Plug
	072341-01-710	EA	Control Asm. - Heater A/C
	072341-01-711	EA	Cable - Bowden - 72"
	072341-01-712	EA	Switch - Vacuum
	072341-01-713	EA	Switch - Jumper Control
	072341-01-714	EA	Valve - Heater - Water Flow Control
	072341-01-715	EA	Escape & Louver Adapter Asm.
	072341-01-716	EA	Discharge Valve - 1/2"
	072341-08-000	EA	Duct & Control Kit
	072342-03-000	EA	Condenser Asm. - w/Fans
	072342-02-700	EA	Receiver Drier - Condenser Asm
	072343-01-000	EA	Compressor/Clutch
	072344-01-000	EA	Package - Compressor Mount
	074026-01-000	EA	Package - Compressor Mount - 6 2 L Diesel
	039044-01-000	EA	Louver Asm. - A/C Adjustable
	007076-01-700	FT	Hose - Flexible PVC - 2" I.D.
	007281-01-700	FT	Hose - Flexible PVC - 2 1/2" I.D.
	007108-01-000	FT	Hose - Heater - 5/8" I.D. SAE 20R3
	062401-04-000	EA	Clamp - Worm Drive - 69" - 1 25" I.D.
	010227-01-000	EA	Tee - Plastic - Barb 5/8" or 3/4" Hose

FURNACE & ROOF AIR CONDITIONER

Key	Part Number	U/M	Description
**	075695-01-000	EA	Furnace - 24,000 BTU - w/Direct Ignition - NT-24S
	069636-01-000	EA	Connector - 4" Duct
	009198-01-000	EA	Duct - Flexible - 4" I.D. x 25'
	056464-01-000	EA	Register - 4" Dia. - Plastic - w/Damper
	056464-02-000	EA	Register - 4" Dia. - Plastic - w/o Damper
	009200-01-000	EA	Tape - Furnace - 1 1/2"
	023146-01-000	EA	Clamp - Screw Type - 4"
**	073743-01-000	EA	Shroud Asm - Ceiling - Inside - Roof Air 13,500 BTU - Cool Only
**	073742-01-000	EA	Air Conditioner - 110 Volt - Roof Mount - 13,500 BTU Rotary

** The illustrated parts breakdown for this item is provided on the Common Items Fiche.

1987 ITASCA TABLE OF CONTENTS

IC420EG	A-01 - B-06
ICN22EC	B-07 - D-08
ICN27RT	D-09 - F-14
IJN32RO	F-15 - I-02
ICP26ET	I-03 - K-10

1987 ICN22EC INDEX

Floor Plan	B-07 - B-08
Accessories Group	B-09 - B-10
Bath Group	B-11 - B-12
Chassis Group	B-13 - B-14
Curtain, Cushion & Pad Group	B-15 - B-20
Dinette Group	B-21
Driver's Compartment Group	B-22 - B-24
Electrical Group	C-01 - C-03
Exterior Body Group	C-04 - C-09
Galley Group	C-10 - C-11
Heating & Air Conditioning Group	C-12
Interior Finish Group	C-13 - C-14
LP Group	C-15
Lounge Group	C-16
Water & Sewage Group	C-17 - C-18
Window, Vent & Exterior Door Group	C-19 - D-08

INTERIOR FINISH GROUP

CURTAIN & CUSHION HARDWARE

Key	Part Number	U/M	Description
	081381-01-000	EA	Swivel Snap - Curtain Track
	029130-01-000	EA	Snap Socket - Curtain Bottom
	029130-01-000	EA	Snap Socket - Tie Back
	084434-01-000	EA	Bracket - Shade
	048394-01-000	YD	Tape Hood - 1" x 50 YD - Beige
	048395-01-000	YD	Tape Loop - 1" x 50 YD - Beige
	029094-04-000	YD	Tape - Loop - 1" Wide - Black
	029094-05-000	YD	Tape - Loop - .5" Wide - Beige
	029096-03-000	YD	Tape - Hook - 1" Wide - Black
	056003-01-000	EA	Bracket - Drapery Retainer - Left
	056003-02-000	EA	Bracket - Drapery Retainer - Right
	029090-01-000	FT	Tie - Drapery - Clear Vinyl
	087253-01-000	EA	Shade Pull - Clear Plastic
	049897-02-000	EA	Rod - Curtain - Flat - 48" - 86"
	049897-01-000	EA	Rod - Curtain - Flat - 25" x 45"
	029093-01-000	EA	Eyelet - Nickel Finish
	042439-01-000	EA	Bracket - Curtain Rod - Single
	078551-04-000	EA	Track - Curtain - 36" - Beige
	079782-11-000	EA	Track - Curtain - 33.5" - Beige

FABRICS & TRIMS

Key	Part Number	U/M	Description
	077498-B8-000	YD	Fabric - Main - Clay (W89)
	077498-B7-000	YD	Fabric - Main - Jade (W90)
	077498-60-000	YD	Fabric - Plain Accent - Clay (W89)
	077498-95-000	YD	Fabric - Plain Accent - Jade (W90)
	069729-49-000	YD	Fabric - Bedroom Drapery - Clay (W89)
	069729-47-000	YD	Fabric - Bedroom Drapery - Jade (W90)
	072333-38-000	YD	Fabric - Wraparound & Blackout - Clay (W89)
	072333-47-000	YD	Fabric - Wraparound & Blackout - Jade (W90)
	072333-38-000	YD	Fabric - Drapery - Shades & Tie Back (W89)
	072333-47-000	YD	Fabric - Drapery - Shades & Tie Back (W90)
	038421-02-000	YD	Fabric - Mattress Ticking - Beige/Brown
	038421-04-000	YD	Fabric - Mattress Ticking - Cashew
	052859-01-W30	FT	Trim Asm. - Accent - Buckskin
	052859-06-W13	FT	Trim Asm. - Accent - Buckskin
	079680-01-000	YD	Vinyl - Expanded - 26 oz - Buckskin
	029219-01-000	YD	Vinyl - White - 14.9 oz
	038421-01-000	YD	Fabric - Mattress Ticking
	029012-01-000	BF	Foam - Rolled - 3/8"
	072860-57-000	YD	Carpet - Clay (W89)
	072860-58-000	YD	Carpet - Jade (W90)
	075233-02-000	YD	Carpet Pad - 3/8" Foam

PANELING & LAMINATE

Key	Part Number	U/M	Description
	074497-07-000	SF	Paneling - Pebble Beach - 48" x 96" (32 SF) Ceiling
	074497-09-000	SF	Paneling - Sand - 48" x 84" (28 SF) (Wall)
	074496-69-000	SF	Paneling - Decor - 48" x 84" (28 SF) Bath
	074496-61-000	SF	Paneling - Decor - 48" x 84" (28 SF) Galley
	074497-10-000	SF	Paneling - Regal Oak - 48" x 84" (28SF) (Cabinets)
	074498-13-000	SF	Plastic Laminate - Sand Quadrus (Galley, Dinette)
	074498-16-000	SF	Plastic Laminate - T/Apricot (Bath)
	074498-21-000	SF	Plastic Laminate - Seafrost (Bath)
	074498-20-000	SF	Plastic Laminate - Regal Oak (Nightstand & Table Tops)
	076325-16-000	FT	Plastic Laminate - Edge Band - Regal Oak - 1 5/16" x 600"

INTERIOR FINISH GROUP (CONTINUED)

MISCELLANEOUS PARTS

Key	Part Number	U/M	Description
	053552-02-W24	EA	Handle Asm. - Interior Assist - Buckskin
	041944-01-700	EA	Fire Extinguisher - Dry ABC - w/Bracket
	041944-02-000	EA	Holder - Fire Extinguisher
	054185-28-000	EA	Owner's Manual - 1987 Itasca & Winnobago
	040089-01-000	EA	Door Mat - 10 1/2" x 26" - Black Rubber

INTERIOR MOLDING & TRIM

Key	Part Number	U/M	Description
	024700-21-000	EA	Cover - Sidewall Roll Bar - Beige
	022992-08-000	FT	Molding - Reverse Cove - White
	085284-03-000	FT	Batt Strip - Adhesive Tape - Regal Oak
	085284-05-000	FT	Batt Strip - Adhesive Tape - Classic Tweed
	060733-71-000	EA	Batt Strip - Wingle - 8' (Galley & Bath)
	089733-74-000	EA	Batt Strip - Decor - Bath
	070504-01-000	FT	U-Channel - .065" - Light Brown
	009778-07-000	FT	U-Channel - 1" - Regal Oak
	083620-01-000	FT	T-Molding - .75" - w/Edge Lips - Grady Brown
	077953-01-000	EA	Grommet - 1" Hole Liner
	079680-01-000	FT	Accent Trim - Buckskin
	009767-06-000	FT	Welling - Beige
	009767-10-000	FT	Welling - Mahogany (Darker)

CABINETRY & TABLE HARDWARE

Key	Part Number	U/M	Description
	053200-08-000	EA	Bracket - Upper Wall Mount - 23.5" - Tan
**	053201-06-000	EA	Bracket - Table Mount - 23" - Beige
	024275-05-000	EA	Rod - Table Lift - 8" x 23.5" - Beige
	024281-10-000	EA	Bracket - Lower Wall Mount - 22.12" - Tan
	024276-17-000	EA	Leg Asm. - Table - 26.5" - Tan
	064050-02-000	EA	Hinge - Table Leg - Tan
**	024282-01-000	EA	Brace - Table Leg
**	024283-01-000	EA	Clip - 1" O.D. Tube
	049493-05-000	EA	Catch - Table Leg - Mounts on Floor - Tan
	009112-01-000	EA	Flange - 1" - Chrome - Closet Rod
	077409-01-000	EA	Slide - Drawer - Plastic - 20.75"
	009049-01-000	EA	Table Support - Drop Leaf
	009059-01-000	EA	Hinge - 2" - Drop Leaf Table - Gold
	009059-02-000	EA	Hinge - 2" - Brass
	086263-01-000	EA	Pull - Polished Brass
	009016-01-000	EA	Elbow - Catch - Spring Loaded
	057671-01-000	EA	Screw Cover - #8 - Off White
	072369-21-000	EA	Mesh - Grille - 18.4" x 12.5" - Dureton Bronze
	009150-01-000	EA	Warp Guard - 64"
	009021-01-000	EA	Catch - Nylon
	009021-02-000	EA	Strike - Nylon Catch
**	059777-02-000	EA	Hinge - Cabinet Door - Antique Light Brass
	009047-01-000	EA	Support - Door
	042438-01-440	EA	Clothes Rod
	077409-01-000	EA	Slide Drawer - 20.75" - Plastic

** The illustrated parts breakdown for this item is provided on the Common Items Fiche

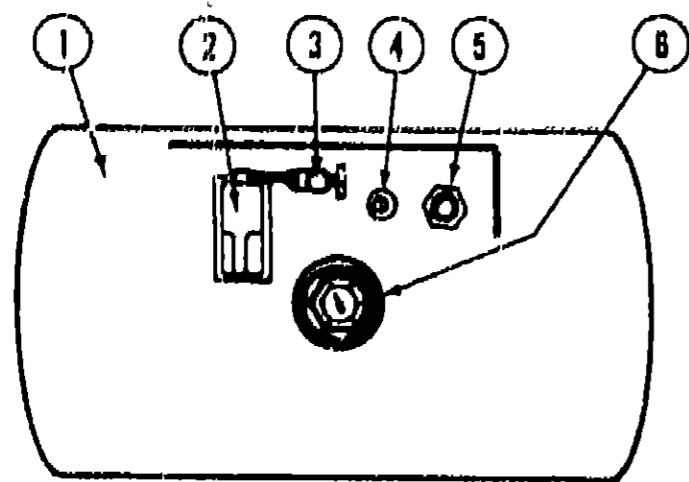
1987 ITASCA TABLE OF CONTENTS

IC420EG	A-01 - B-06
ICN22EC	B-07 - D-08
ICN27RT	D-09 - F-14
IJN32RQ	F-15 - I-02
ICP28ET	I-03 - K-10

1987 ICN22EC INDEX

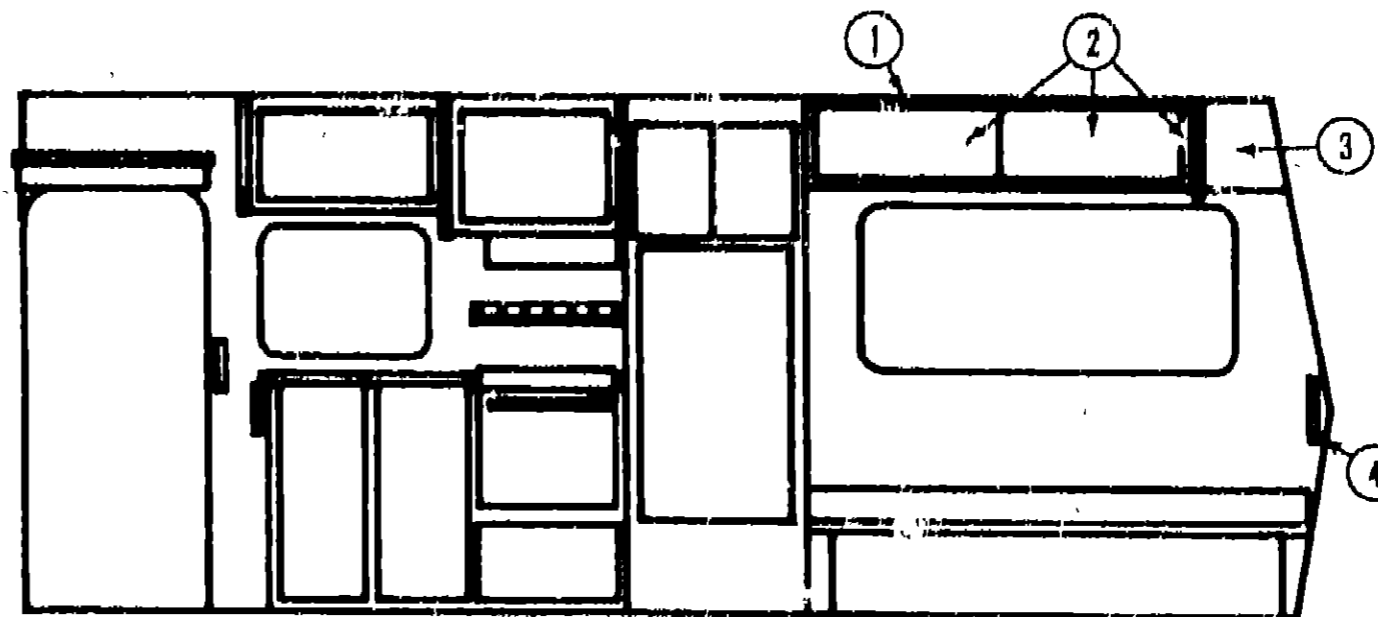
Floor Plan	B-07 - B-08
Accessories Group	B-09 - B-10
Bath Group	B-11 - B-12
Chassis Group	B-13 - B-14
Curtain, Cushion & Pad Group	B-15 - B-20
Dinette Group	B-21
Driver's Compartment Group	B-22 - B-24
Electrical Group	C-01 - C-03
Exterior Body Group	C-04 - C-09
Galley Group	C-10 - C-11
Heating & Air Conditioning Group	C-12
Interior Finish Group	C-13 - C-14
LP Group	C-15
Lounge Group	C-16
Water & Sewage Group	C-17 - C-18
Window, Vent & Exterior Door Group	C-19 - D-08

LP GROUP



Key	Part Number	U/M	Description
1	074142-01-000	EA	Tank Asm. - LP - Frame Mount - 80 Pound - 13" x 44"
*	065741-01-000	EA	Detector - LP Gas Leak - Marshalltown Instruments
2	081938-01-000	EA	Cover - LP Regulator
*	076301-01-000	EA	Regulator - Two Stage - US (Dual)
*	076301-02-000	EA	Regulator - Two Stage - CSA (Dual)
3	040421-01-703	EA	Valve - Vapor Relief
4	040421-01-700	EA	Gauge - Liquid Level - 20% LP
5	040421-01-701	EA	Valve - Filler - LP
*	040421-01-702	EA	Cap - Plastic Fill Valve
6	040421-01-707	EA	Gauge - Float - w/Visible Dial
*	040421-01-706	EA	Dial - Visible Face - Float Gauge (Tank w/o Electric Transmitter)
*	040440-01-000	EA	Dial - Transmitter - 0 - 90 Ohm (Float Gauge)
*	045703-01-000	EA	Hose Asm. - LP - 3/8" I.D. x 24" - US
*	045703-02-000	EA	Hose Asm. - LP - 3/8" I.D. x 24" - CSA
*	045703-03-000	EA	Hose Asm. - LP - 3/8" I.D. x 18" - US
*	045703-04-000	EA	Hose Asm. - LP - 3/8" I.D. x 14" - CSA
*	065742-01-000	EA	Tee - 38 F x 39 F x 25 FPT
*			Not Illustrated

LOUNGE GROUP



DOUBLE BED & SIDE BUNKS

Key	Part Number	U/M	Description
1	M88168-01-W89	EA	Cabinet Asm. - Lounge Overhead - w/o Doors or Hardware
2	M88301-06-W89	EA	Door Asm. - Overhead Cabinet - w/o Hardware
†2	M88304-16-W89	EA	Door Asm. - Overhead Cabinet - w/o Hardware
3	M88169-01-W89	EA	Cabinet Asm. - Rear Lounge Overhead - w/o Doors or Hardware
*	M88301-06-W89	EA	Door Asm. - Rear Lounge Overhead - w/o Hardware
†*	M88304-16-W89	EA	Door Asm. - Rear Lounge Overhead - w/o Hardware
4	077463-16-W89	FA	Headboard Asm. - Double Bed
4	077463-16-W90	EA	Headboard Asm. - Double Bed
*	M88301-07-W89	EA	Door Asm. - Double Bed - w/o Hardware
†*	M88304-17-W89	EA	Door Asm. - Double Bed - w/o Hardware
*			Not Illustrated
†			Used in units produced after 1-20-87

1987 ITASCA TABLE OF CONTENTS

IC420EQ	A-01 - B-08
ICN22EC	B-07 - D-08
ICN27RT	D-09 - F-14
IJN32RO	F-15 - I-02
ICP26ET	I-03 - K-10

1987 ICN22EC INDEX

Floor Plan	B-07 - B-08
Accessories Group	B-09 - B-10
Bath Group	B-11 - B-12
Chassis Group	B-13 - B-14
Curtain, Cushion & Pad Group	B-15 - B-20
Dinette Group	B-21
Driver's Compartment Group	B-22 - B-24
Electrical Group	C-01 - C-03
Exterior Body Group	C-04 - C-09
Galley Group	C-10 - C-11
Heating & Air Conditioning Group	C-12
Interior Finish Group	C-13 - C-14
LP Group	C-15
Lounge Group	C-16
Water & Sewage Group	C-17 - C-18
Window, Vent & Exterior Door Group	C-19 - D-08

WATER & SEWAGE GROUP

PLUMBING & REPAIR PARTS

Key	Part Number	U/M	Description
	033302-02-000	EA	Adapter Arm. - SWVC Strain - 1 1/2"
	010320-01-000	EA	Adapter - Flare - w/Cone Gasket
	062422-01-000	EA	Adapter - Flare Offset - Reducer - 3" x 1 1/2"
	052954-01-000	EA	Adapter - Hose Cone - 3/8 or 1/2 - Plastic
	010224-01-000	EA	Adapter - Plastic - 3/8 MPT x 3/8 Barb
	044927-01-000	EA	Adapter - Plastic - 1 1/4" MPT x 1 1/4 Barb
	031602-02-000	EA	Adapter - Plastic - 1 1/2 H x FPT
	062417-01-000	EA	Adapter - Termination - 3"
	004020-01-000	QT	Adhesive - ABS Cement
	011048-04-000	EA	Breaker - Vacuum - 1/8 MPT - Nylon
**	010121-01-000	EA	Bushing - Plastic - 1 1/2 S x 1 1/4 H
	010122-01-000	EA	Bushing - Plastic - 1 1/2 S x 1 1/4 T
	010123-01-000	EA	Bushing - Plastic - 2S x 1 1/2 H
	036522-02-000	EA	Cap - Brass - 1/2 Flare
	062415-01-000	EA	Cap - Sewer - 3"
	052959-02-000	EA	Connector - 1/2 F x 1/2 MPT - Plastic
	052959-03-000	EA	Connector - 1/2 F x 3/8 MPT - Plastic
	011091-02-000	EA	Continuous Waste - Double Sink - 11 7/8" - US
	053874-01-000	EA	Continuous Waste Asm. - Double Sink - CSA
	078406-01-000	EA	Coupler Rubber - 3" x 3"
	052960-01-000	EA	Drain Valve - 1/2 F x 1/2 F - Plastic
	010000-01-000	EA	Elbow - Plastic - 1/8 BD x 1 1/4 x 45° H x H
	010005-01-000	EA	Elbow - Plastic - 1/16 BD x 1 1/2
	010006-01-000	EA	Elbow - Plastic - 1/8 BD x 1 1/2 x 45° H x H
	010008-01-000	EA	Elbow - Plastic - 1/4 BD x 1 1/2 x 90° Left
	010051-01-000	EA	Elbow - ST - Plastic - 1/8 BD x 1 1/2 x 45°
	010219-01-000	EA	Elbow - 1 1/4 Barb x 1 1/4 MPT x 90°
	031111-01-000	EA	Elbow - Plastic - 1/4 BD x 1 1/4 x 90° Left
	034250-01-000	EA	Elbow - Plastic - 1/4 BD x 1 1/2 x 90° x H x H
	035539-01-000	EA	Elbow - Plastic - 3/8 MPT x 3/8 Barb
	052957-01-000	EA	Elbow - Plastic - 1/2 F x 3/8 MPT
	052957-02-000	EA	Elbow - Plastic - 1/2 F x 1/2 MPT (In Tank Filter)
	059536-01-000	EA	Elbow - 1 1/4 - Slip Joint Ends
	065120-01-000	EA	Elbow - Plastic - Swivel - .50
	070924-01-000	EA	Elbow - Plastic - Swivel - 1/2 MPT x 1/2 FP
	077954-01-000	EA	Filter/Screen (In Water Tank)
	039647-02-000	EA	Filter - Water Pump - 1/2" MPT
	039647-03-000	EA	Filter - Water Pump - 1/2" Flare
	010147-01-000	EA	Flange - Closet - 4" F x 3" FPT - US
	010147-02-000	EA	Flange - Closet - 4" F x 3" FPT - CSA
	079381-01-000	FT	Flexible Tubing - 1 1/4 I.D. x 10'
	061607-01-000	EA	Grommet - Holding Tank Coupler - 1 1/2"
	061607-02-000	EA	Grommet - Holding Tank Coupler - 3"
	062419-02-000	EA	Handle - Extension - w/6" Adapter
	052961-01-000	EA	Header - 1/2 F x 1/2 F x 1/2 F x 1/2 F
**	046524-01-000	EA	Kit - Holding Tank Fittings - Blank Tank
**	046524-02-000	EA	Kit - Water Tank Fittings - Blank Tank
	052953-01-000	EA	Nut - Faucet - 1/2 Tube x 1/2 FPT
	052952-01-000	EA	Nut - 1/2 F - Plastic
**	011066-03-000	EA	P-Trap - 1 1/4" Plastic - US
**	011066-02-000	EA	P-Trap - 1 1/4" Plastic - CSA
	053335-01-000	EA	P-Trap - Plastic - 1 1/4 H x H - w/Union - CSA
	010197-01-000	EA	Pipe - Plastic - 3" x 240" - Black
	045729-01-000	EA	Pump - Water - 2.8 G.P.M. - Direct Drive - Shurflo - US
	045729-02-000	EA	Pump - Water - 2.8 G.P.M. - Direct Drive - Shurflo - CSA
**	010201-01-000	EA	Sewer Hose - 3" x 8' w/Clamp
	042989-02-000	EA	Spinweld Fittings - Plastic - 1/2 FPT (In Tank Fitter)
	042989-03-000	EA	Spinweld Fittings - Plastic - 1/4 NPT
	042989-04-000	EA	Spinweld Fittings - Plastic - 3/8 FPT
**	011069-02-000	EA	Tallpiece - 1 1/2" x 1 1/4" x 4" - Brass

** The illustrated parts breakdown for this item is provided on the Common Items Fiche

WATER & SEWAGE GROUP (CONTINUED)

PLUMBING & REPAIR PARTS (CONT.)

Key	Part Number	U/M	Description
	010071-01-000	EA	Tee - Plastic - 1 1/2 x 1 1/2 x H x H
	010072-01-000	EA	Tee - Plastic - 1 1/2 H x 1 1/4 H x 1 1/2 H
**	010079-01-000	EA	Tee - Plastic - 1 1/2 H x 1 1/2 H x 1 1/4 H
	048172-01-000	EA	Tee - Plastic - 3/8 B x 3/8 B x 3/8 MPT
	052955-01-000	EA	Tee - Plastic - 1/2 F x 1/2 F x 1/2 MPT
	052056-01-000	EA	Tee - Plastic - 1/2 F x 1/2 MPT x 1/2 F
**	052058-01-000	EA	Tee - Plastic - 1/2 F x 1/2 F x 1/2 F
	010133-01-000	EA	Trap Adapter - Plastic - 1 1/2 H x MPT
	039800-01-000	FT	Tubing - Polybutyl - 1/2 O.D. (Water Line)
	079381-01-000	FT	Tubing - Flexible - Smooth - 1.25 I.D.
	074482-02-000	FT	Tubing - Vinyl - 3/8 I.D.
	072346-01-000	EA	Union Asm. - 3" Ell - w/2" Socket
	062421-01-000	EA	Valve - 1 1/2" - w/Handle
	062418-02-000	EA	Valve - 3" - w/o Handle
	052960-01-000	EA	Valve - Line Drain - 1/2 F x 1/2 F
	052962-01-000	EA	Valve - Stool - 90° - 1/2 F x 3/8 MPT
	010073-01-000	EA	Wye - Plastic - 1 1/2 x 45 H x H
	087200-01-000	EA	Filter - Water Purification

** The illustrated parts breakdown for this item is provided on the Common Items Fiche.

HOLDING TANKS & WATER HEATERS

Key	Part Number	U/M	Description
	072444-01-000	EA	Tank - Water - 47 Gallon - w/o Fittings
	064592-01-000	EA	Tank - Waste Water - 25 Gallon - w/o Fittings
	072388-01-000	EA	Tank - Sewage - 32 Gallon - w/o Fittings
**	051391-01-000	EA	Water Heater - w/o Motor Aid - G6A3
**	051391-03-000	EA	Water Heater - w/Electronic Ignition - G6A-3E
**	051393-01-000	EA	Water Heater - w/Motor Aid - GH6-3E

** The illustrated parts breakdown for this item is provided on the Common Items Fiche.

**1987 ITASCA
TABLE OF CONTENTS**

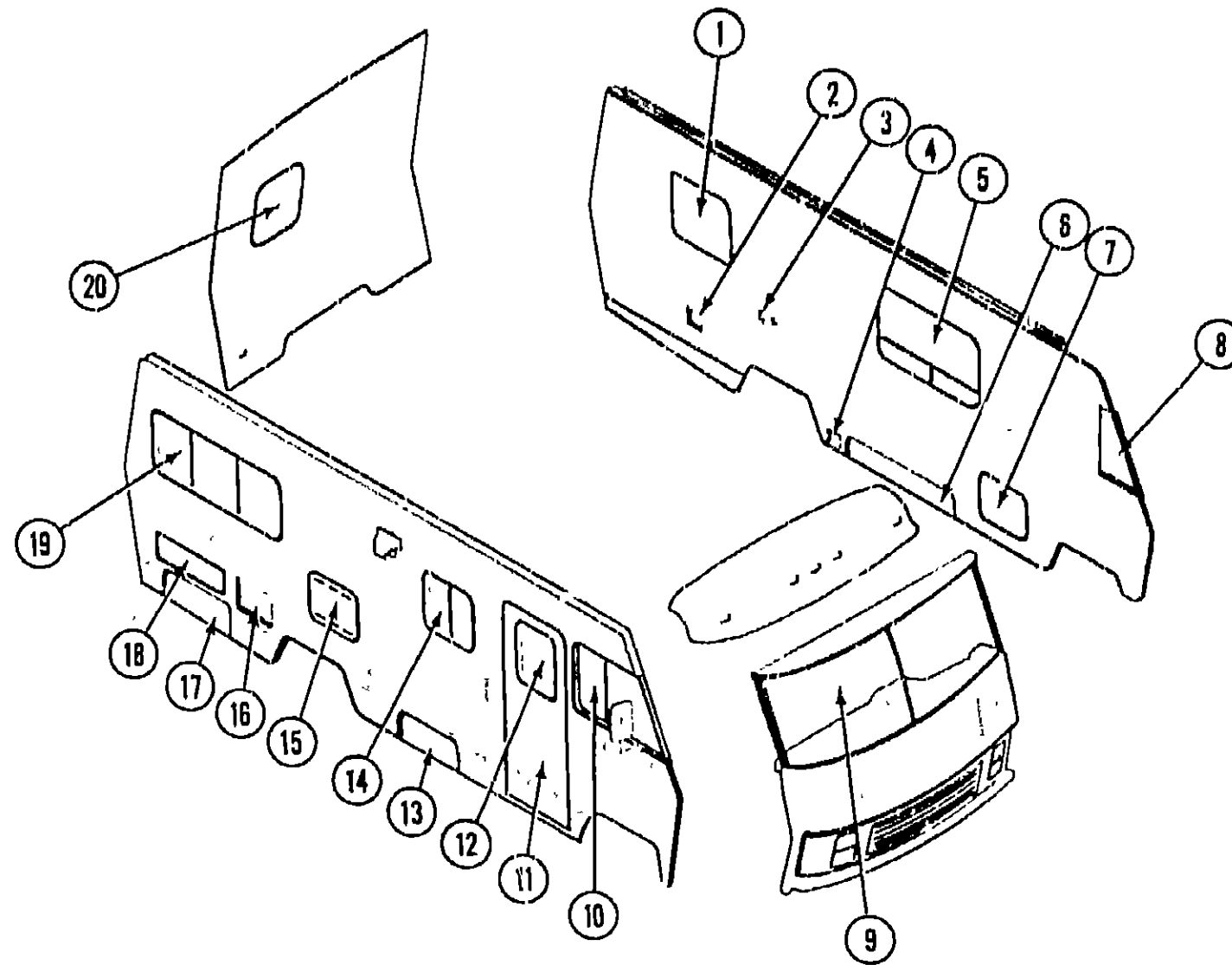
IC420EG	A-01 - B-08
ICN22EC	B-07 - D-08
ICN27R1	D-09 - F-14
IJN32RQ	F-15 - I-02
ICP26ET	I-03 - K-10

1987 ICN22EC INDEX

Floor Plan	B-07 - B-08
Accessories Group	B-09 - B-10
Bath Group	B-11 - B-12
Chassis Group	B-13 - B-14
Curtain, Cushion & Pad Group	B-15 - B-20
Dinette Group	B-21
Driver's Compartment Group	B-22 - B-24
Electrical Group	C-01 - C-03
Exterior Body Group	C-04 - C-09
Galley Group	C-10 - C-11
Heating & Air Conditioning Group	C-12
Interior Finish Group	C-13 - C-14
LP Group	C-15
Lounge Group	C-16
Water & Sewage Group	C-17 - C-18
Window, Vent & Exterior Door Group	C-19 - D-08

WINDOW, VENT & EXTERIOR DOOR GROUP

WINDOWS & ACCESS DOORS



Key	Part Number	U/M	Description
1	079729-02-T03	EA	Window Asm. - Escape - 22" x 24"
2	078010-05-000	EA	Door Asm. - Fuel Fill (See Access Doors)
3	081240-02-000	EA	Waterfill - Lockable
4	078960-02-T09	EA	Door Asm. - Power Cord (See Access Doors)
5	078269-02-W24	EA	Window Asm. - Double Slider
6	079455-08-W89	EA	Door Asm. - Storage
7	079578-01-W89	EA	Door Asm. - Storage - 10 75" x 30"
8	079421-02-T03	EA	Window Asm. - Front Slant
*	M82202-02-U13	EA	Door Asm. - Driver - Roll Up Window
9	077675-01-100	EA	Glass - Windshield - Passenger
*	077675-02-000	EA	Glass - Windshield - Driver
10	082057-01-U04	EA	Window Asm. - Right Front Slant Slider
11	M01870-12-W31	EA	Door Asm. - Entrance
12	079733-04-T03	EA	Window Asm. - Picture
13	079455-03-W89	EA	Door Asm. - Access

Key	Part Number	U/M	Description
14	078266-02-T03	EA	Window Asm. - Single Slider
15	084104-02-000	EA	Door Asm. - Refrigerator Access
16	052009-03-000	EA	Door Asm. - Water Heater
17	088278-01-W89	EA	Door Asm. - Generator/Storage
18	079578-02-T09	EA	Door Asm. - Luggage
19	078271-01-T03	EA	Window Asm. - Single Slider
20	079733-04-T03	EA	Window Asm. - Rear Escape - 17" x 25"
*			Not keyed

1987 ITASCA TABLE OF CONTENTS

IC420EG	A-01 - B-06
ICN22EC	B-07 - D-08
ICN27RT	D-09 - F-14
IJN32RQ	F-15 - I-02
ICP26ET	I-03 - K-10

1987 ICN22EC INDEX

Floor Plan	B-07 - B-08
Accessories Group	B-09 - B-10
Bath Group	B-11 - B-12
Chassis Group	B-13 - B-14
Curtain, Cushion & Pad Group	B-15 - B-20
Dinette Group	B-21
Driver's Compartment Group	B-22 - B-24
Electrical Group	C-01 - C-03
Exterior Body Group	C-04 - C-09
Galley Group	C-10 - C-11
Heating & Air Conditioning Group	C-12
Interior Finish Group	C-13 - C-14
LP Group	C-15
Lounge Group	C-16
Water & Sewage Group	C-17 - C-18
Window, Vent & Exterior Door Group	C-19 - D-08

WINDOW, VENT & EXTERIOR DOOR GROUP (CONTINUED)

ACCESS DOORS

Key	Part Number	U/M	Description
	079578-02-T00	EA	Door Asm. - Luggage
	079455-08-W89	EA	Door Asm. - Storage - Gray
	079578-01-W89	EA	Door Asm. - Luggage - Gray
	079455-03-W89	EA	Door Asm. - Storage - Gray
	088278-01-W89	EA	Door Asm. - Generator w/o Duffle
	084104-02-000	EA	Door Asm. - Refrigerator Access - w/Twist Lock - Gray
	062009-03-000	EA	Door Asm. - Water Hauler - Gray
	078010-05-000	EA	Door - Fuel Fill - Gray
	063742-03-000	EA	Door - Power Cord - Gray
	052423-03-000	EA	Jamb - Power Cord/Fuel Fill Door - Gray
	054543-03-000	EA	Hatch - Power Cord Door
	083615-05-000	EA	Door Holder - Gray Plastic
	079368-01-000	EA	Seal - Bulb
	042442-01-000	EA	Lock Asm. - Twist Type - 90° Rotation - 1.5" Latch - 6" Dnph
	079368-04-000	EA	Lock Asm. - Key Type - 90° Rotation - 1.3" Latch - 1.9" Depth
	079927-03-000	EA	Lock Asm. - Twist Type - 1 3/4" Latch - 1.9" Depth

WINDSHIELD

Key	Part Number	U/M	Description
	077675-01-000	EA	Glass - Windshield - Passenger
	077675-02-000	EA	Glass - Windshield - Driver
	058291-01-000	FT	Edge Molding - Windshield Glass
	002328-02-000	EA	Block - Windshield Spacer
	077944-01-000	EA	Revel Molding - Upper Right
	077944-02-000	EA	Revel Molding - Upper Left
	077945-01-000	EA	Revel Molding - Lower Right
	077945-02-000	EA	Revel Molding - Lower Left
	077952-02-000	EA	Cap - Revel Molding
	076676-02-000	EA	Revel Molding - T-Cap - Center Barbed
	079225-01-000	EA	Trim Molding - Windshield Post - Right
	079225-02-000	EA	Trim Molding - Windshield Post - Left

VENTS

Key	Part Number	U/M	Description
	084073-04-000	EA	Base - Refrigerator Vent
	084073-02-000	EA	Cover - Refrigerator Vent - Gray
	055218-01-000	EA	Cover Asm. - Roof Vent
	084616-03-000	EA	Vent - Stovehood - Outside - Gray
	075056-01-000	EA	Vent Asm. - Roof - Non-Powered - w/o Screen
	079537-01-000	EA	Vent Asm. - Roof - Powered - w/o Screen

WINDOW, VENT & EXTERIOR DOOR GROUP (CONTINUED)

DRIVER DOOR W/ROLL-UP WINDOW

Key	Part Number	U/M	Description
	M82202-01-U13	EA	Door Asm. - w/Roll-Up Window - Passenger
	M82202-02-U13	EA	Door Asm. - w/Roll-Up Window - Driver
	084184-02-000	EA	Drip Cap - Cab Door - Passenger
	084184-01-000	EA	Drip Cap - Cab Door - Driver
	M02684-03-000	EA	Jamb Asm. - Cab Door - Passenger
	M02684-04-000	EA	Jamb Asm. - Cab Door - Driver
	063993-08-000	EA	Hinge Asm. - Passenger
	063993-03-000	EA	Hinge Asm. - Driver
	082150-01-000	FT	Seal - Sponge (Jamb)
	082160-02-000	FT	Seal - Sponge (Door)
	083731-01-000	EA	Cap - Push On - Zinc
	081400-08-000	EA	Assist Strap - Sandstone
	064219-01-000	EA	Retainer Strap - Driver Door
	086109-02-000	EA	Strap - Driver Door
	063733-01-000	EA	Bushing - Flange - Nyliner
	063728-01-000	EA	Rivnut - 1/4 x 20 unc. - .030 - .125
	081903-01-000	EA	Shaft - Mounting Knob
	081905-01-000	EA	Knob - Control - Slide Bolt - Passenger
	081905-02-000	EA	Knob - Control - Slide Bolt - Driver
	081906-01-000	EA	Slide Bolt - Driver Door
	001907-01-000	EA	Regulator Asm. - Window - Passenger
	081907-02-000	EA	Regulator Asm. - Window - Driver
	081910-01-000	FT	Channel - Window - Sliding
	081912-01-000	EA	Weatherstrip - Rigid
	063886-09-000	EA	Assist Handle - Door
	075722-01-000	EA	Block - Switch - Spacer
	079215-01-000	EA	Frame Asm. - Front Slant Slider
	079421-01-T03	EA	Window Asm. - Front Slant - Passenger
	079421-02-T03	EA	Window Asm. - Front Slant - Driver
	073118-01-000	EA	Retainer - Attachment Plate
	073119-01-000	EA	Attachment Plate - Striker
	079561-01-000	EA	Shim - Strike - Cab Door
	050216-02-000	FT	Spline - Vinyl - Glass - .19
	057656-08-000	EA	Glass - .19" x 28.11" x 13.98" - Front Slant
	R77007-56-701	EA	Plate - Passenger Door Lock
	R77007-56-702	EA	Plate - Driver Door Lock
	R77040-01-538	EA	Door Handle
	R77007-05-374	EA	Plate - Door Handle Spacer
	R77006-50-326	EA	Door - Handle Inner - Driver
	R77006-50-261	EA	Door - Handle Inner - Passenger
	R77006-13-460	EA	Cap - Inner - Window Crank
	072035-01-000	EA	Crank - Hand - Glass Lift
	072036-02-000	EA	Cap - Crank - Hand
	073110-02-000	EA	Rod - Lock - Passenger
	073110-03-000	EA	Rod - Lock - Driver
	R77006-64-355	EA	Link - Door Handle - Control
	R77030-58-048	EA	Washer
	R77030-33-009	EA	Nut - w/Washer
	R77007-62-746	EA	Lock - Left Tumbler Assembly
	R77007-62-746	EA	Lock - Right Tumbler Assembly
	081488-01-000	EA	Glass - Door - Roll-Up
	083223-02-000	EA	Lock Asm. - Key Type (Set of 2)
	076542-03-000	EA	Rod Control - Latch - Passenger
	076542-04-000	EA	Rod Control - Latch - Driver

**1987 ITASCA
TABLE OF CONTENTS**

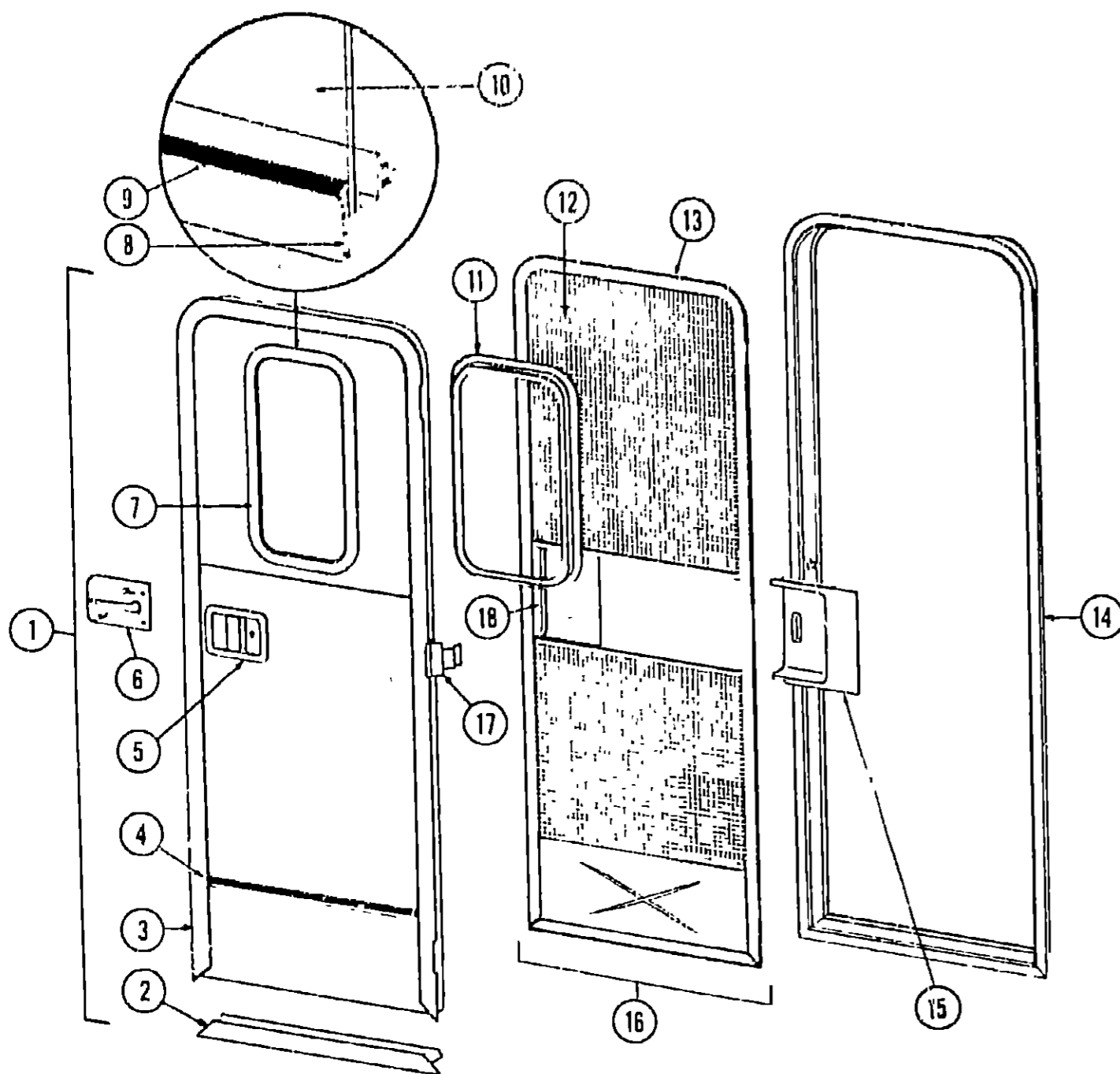
IC170EQ	A-01 - B-06
ICN22EC	B-07 - D-08
ICN27RT	D-09 - F-14
IJN32RQ	F-15 - I-02
ICP26ET	I-03 - K-10

1987 ICN22EC INDEX

Floor Plan	B-07 - B-08
Accessories Group	B-09 - B-10
Bath Group	B-11 - B-12
Chassis Group	B-13 - B-14
Curtain, Cushion & Pad Group	B-15 - B-20
Dinette Group	B-21
Driver's Compartment Group	B-22 - B-24
Electrical Group	C-01 - C-03
Exterior Body Group	C-04 - C-09
Galley Group	C-10 - C-11
Heating & Air Conditioning Group	C-12
Interior Finish Group	C-13 - C-14
LP Group	C-15
Lounge Group	C-16
Water & Sewage Group	C-17 - C-18
Window, Vent & Exterior Door Group	C-19 - D-08

WINDOW, VENT & EXTERIOR DOOR GROUP (CONTINUED)

ENTRANCE & SCREEN DOOR



Key	Part Number	U/M	Description
1	M01070-12-W31	EA	Door Asm. - Radius Entry w/Screen Door
2	077088-03-000	EA	Frame - Entry Door (Bottom Portion Only)
3	076863-03-000	EA	Frame - Entry Door (Except Bottom Portion)
4	059578-11-000	EA	Feature Strip w/o Insert - Exlr. - 14"
	001030-11-100	EA	Insert - Feature Strip - 17" - Stucco - Gray
	008731-01-000	EA	End Cap - Feature Strip
5	045017-05-000	EA	Paddle Asm. - Door Lock - Exterior
	045017-05-700	EA	Lock Cylinder w/Keys - Lynor
	039539-01-000	EA	Striker Bolt - Entry Doors
	039540-01-000	EA	Latch Claw - Entry Door
	039730-01-000	EA	Dead Bolt - Entry Door
6	039979-01-000	EA	Plate - Inside Lock - Includes Inside Handle
7	079733-04-T03	EA	Window Asm. - Picture - 17" x 25" - Black (w/o Inside frame)
8	069840-08-000	FT	Ribbon Sealer - 5/16" Bead x 15'
9	002309-02-000	FT	Spline - Glass - 1/8" Black
10	002181-08-000	EA	Glass - Picture Window - 1/8" x 16.25" x 24" - Gray
11	087609-03-000	EA	Inside Frame - Belge (not included in assembly)
12	002293-02-000	SF	Screen - Window - 26" - Charcoal
13	058795-01-000	FT	Seal Tape - 1/8" x 3/8" - Press On
14	078591-02-000	EA	Jamb Asm. - Entrance Door
	051049-01-000	EA	Jamb - Entrance Door - Bottom
15	079088-01-000	EA	Slider - Screen Door - Light Oak Plastic
16	079012-01-T03	EA	Door Asm. - Screen
17	079361-07-000	EA	Hinge - Entrance Door (3 used per door)
18	079087-01-000	EA	Cap - Screen Door - Light Oak Plastic
	009018-01-000	EA	Catch Asm. - Single Roller w/Strike - Screen Door
	076231-01-000	EA	Spacer - Latch - Screen Door
	077437-01-000	EA	Strike - Roller Catch
	044582-01-000	EA	Drip Cap - Belge
	079278-01-000	EA	Seal - Muckel - Entrance Door
	073090-01-000	FT	Seal - Entrance Door
	075739-02-000	EA	Stiffener - Entrance Door - Belge
	075673-01-000	FT	Seal - Pile - Adhesive Back
	075671-01-000	FT	Seal - Sponge - Lazy "T" Shaped
	002294-01-000	FT	Spline - Black - .135 x .138 (Screen Door)
	083638-02-000	EA	Strike - Screen Door
	063729-04-000	EA	Rivnut - 10-32 UNF - 010 - 080
	075639-01-000	EA	Garnish - Radius - Entrance Door
	083205-01-000	EA	Deadbolt Lock - Press Fit - 5"
	079173-01-000	EA	Gasket - Deadbolt - Press Fit
			Not Illustrated

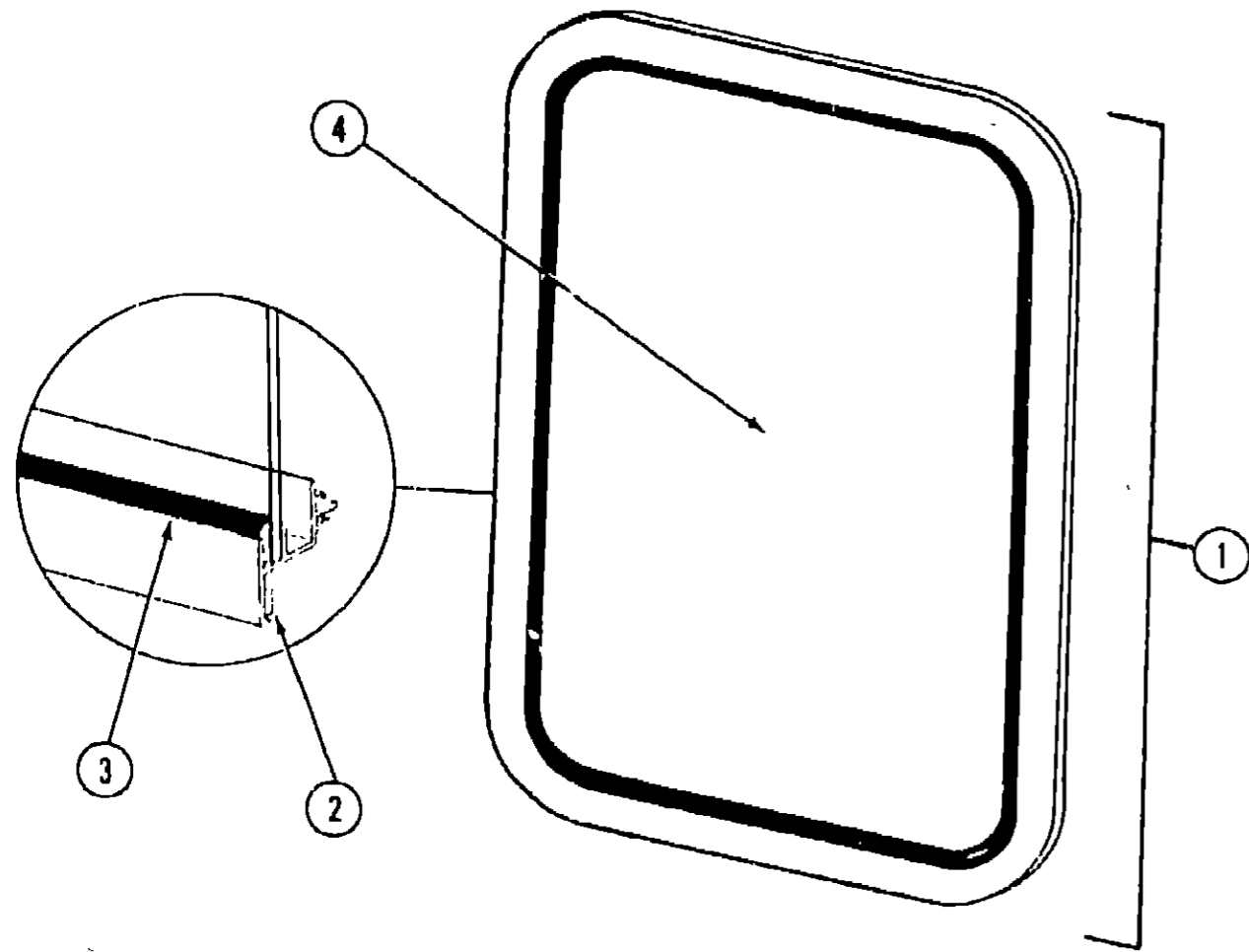
1987 ITASCA TABLE OF CONTENTS

IC420EG	A-01 - D-06
ICN22EC	B-07 - D-08
ICN27RT	D-09 - F-14
IJN32FIO	F-15 - J-02
ICP28ET	I-03 - K-10

1987 ICN22EC INDEX

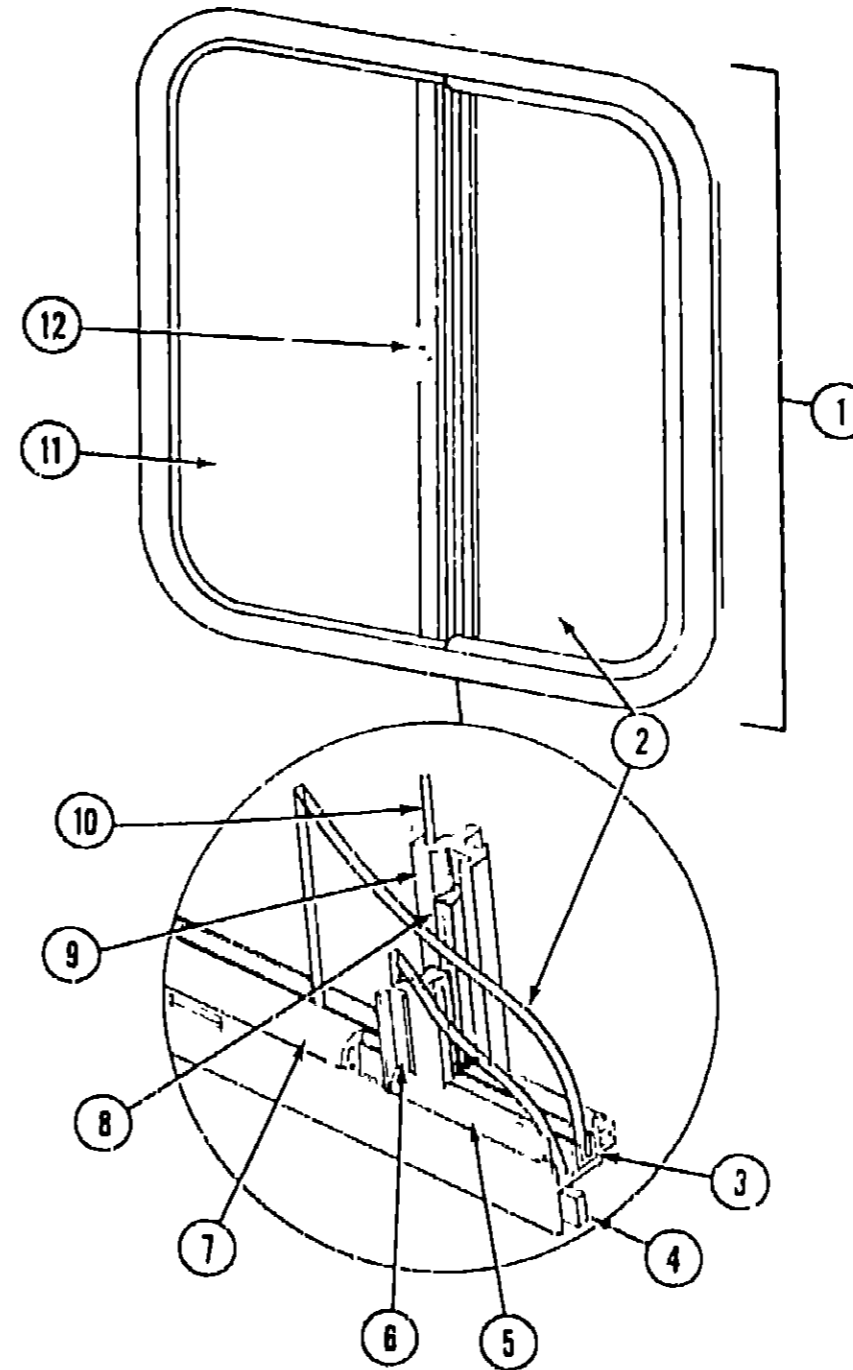
Floor Plan	B-07 - B-08
Accessories Group	B-09 - B-10
Bath Group	B-11 - B-12
Chassis Group	B-13 - B-14
Curtain, Cushion & Pad Group	B-15 - B-20
Dinette Group	B-21
Driver's Compartment Group	B-22 - B-24
Electrical Group	C-01 - C-03
Exterior Body Group	C-04 - C-09
Galley Group	C-10 - C-11
Heating & Air Conditioning Group	C-12
Interior Finish Group	C-13 - C-14
LP Group	C-15
Lounge Group	C-16
Water & Sewage Group	C-17 - C-18
Window, Vent & Exterior Door Group	C-19 - D-08

WINDOW, VENT & EXTERIOR DOOR GROUP (CONTINUED)



Key	Part Number	U/M	Description
1	079733-04-T03	EA	Window Asm - Picture - 19" x 23" Black (w/o Inside frame)
*	067809-03-000	EA	Inside Frame - Window - Beige (not Included in assembly)
2	069640-08-000	FT	Ribbon Sealer - 5/16" Bead x 15'
3	002308-02-000	FT	Spline - Glass - 1/8" - Black
4	002181-08-000	EA	Glass - 115" x 12" x 22"
*			Not illustrated

WINDOW, VENT & EXTERIOR DOOR GROUP (CONTINUED)



Key	Part Number	U/M	Description
1	078268-02-T03	EA	Window Asm. - Right Single Slider - 20" x 25" - Black (w/o Inside frame)
*	083122-03-000	EA	Inside Frame - Beige (not Included in assembly)
2	081980-05-000	EA	Glass - Sliding - 1/8" x 19" x 12.3"
3	002324-02-000	FT	Channel - Weatherstrip - Glass Run - 1/8" Glass
4	069640-08-000	FT	Ribbon Sealer - 5/16" Bead x 15'
5	002308-02-000	FT	Spline - Glass - 1/8" - Black
6	M69888-03-011	EA	Seal Holder w/Fin Seal - 18,19" - Black
7	057374-02-000	FT	Extr. Vinyl - Window Seal - Black
8	073740-01-000	FT	Seal - Fin - .460 Pile
9	078562-02-000	EA	Inside Mullion - Slider Window - Black
10	002298-02-000	FT	Spline - .130" Dia. - Charcoal (Screen)
11	081984-03-000	EA	Glass - Stationary 1/8" x 19" x 12.3"
12	047389-01-700	EA	Latch Kit - Window - Plastic w/Fastener
*	002293-02-000	SF	Screen - Window - 28" - Charcoal
*			Not illustrated

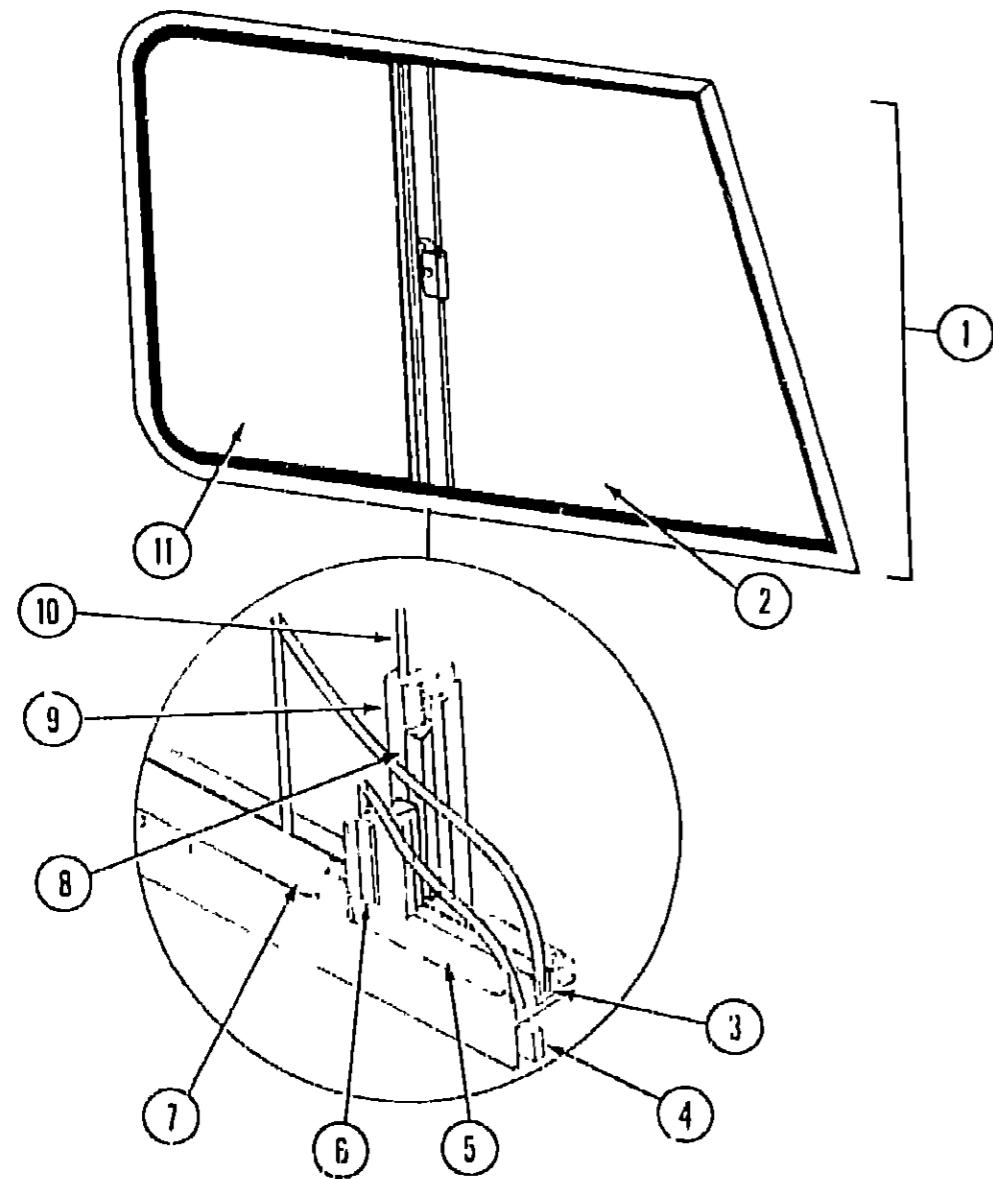
**1987 ITASCA
TABLE OF CONTENTS**

IC420EG	A-01 - B-06
ICN22EC	B-07 - D-08
ICN27RT	D-09 - F-14
IJN32RQ	F-15 - I-02
ICP26ET	I-03 - K-10

1987 ICN22EC INDEX

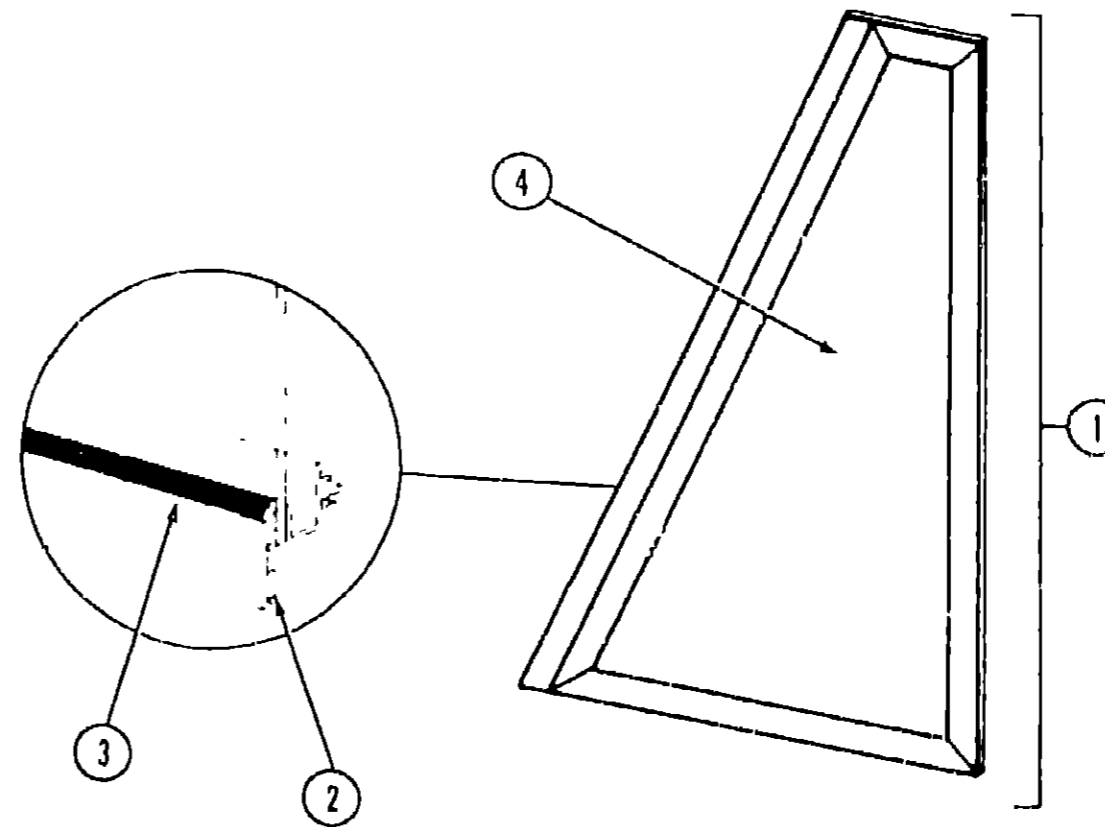
Floor Plan	B-07 - B-08
Accessories Group	B-09 - B-10
Bath Group	B-11 - B-12
Chassis Group	B-13 - B-14
Curtain, Cushion & Pad Group	B-15 - B-20
Dinette Group	B-21
Driver's Compartment Group	B-22 - B-24
Electrical Group	C-01 - C-03
Exterior Body Group	C-04 - C-09
Galley Group	C-10 - C-11
Heating & Air Conditioning Group	C-12
Interior Finish Group	C-13 - C-14
LP Group	C-15
Lounge Group	C-16
Water & Sewage Group	C-17 - C-18
Window, Vent & Exterior Door Group	C-19 - D-08

WINDOW, VENT & EXTERIOR DOOR GROUP (CONTINUED)



Key	Part Number	U/M	Description
1	082057-01-U04	EA	Window Asm. - Front Slant Slider - Passenger (w/o Inside frame)
•	082056-01-U04	EA	Inside Frame - Slant Slider - Passenger (not included in assembly)
2	057056-03-000	EA	Glass - 19" x 28.11" x 39.8" - Stationary (Passenger)
3	042077-01-000	FT	Channel - Weatherstrip - 3/16" Glass
4	069640-01-000	FT	Ribbon Sealer - 1/4" Bead x 20'
5	050216-02-000	FT	Window Seal - 19" - Glass
6	002389-03-203	EA	Seal Holder w/Fin Seal - 27.12" - Black
7	041928-02-000	FT	Extr. Rubber - Window Seal - Black
8	073740-01-000	FT	Seal - Fin - Pile - .460"
9	084170-07-000	EA	Mullion - Slider Window - Black
10	002298-02-000	FT	Spline - .130" Dia. - Charcoal (Screen)
11	081980-06-000	EA	Glass - 19" x 28.11" x 14.88" - Sliding
•	079574-01-T03	EA	Slider Screen Asm. - Passenger
•	078364-01-000	EA	Slider - Screen Top
•	078365-01-000	EA	Slider - Screen Bottom
•	002292-02-000	GF	Screen - Window - 20" - Charcoal
•	018310-03-000	EA	Handle - Slider Screen - Black
•	047369-01-700	EA	Latch Kit - Window - Plastic w/Fastener
•	Not illustrated		

WINDOW, VENT & EXTERIOR DOOR GROUP (CONTINUED)



Key	Part Number	U/M	Description
1	079421-02-T03	EA	Window Asm - Front Slant - Drivers (w/o inside frame)
•	079215-02-000	EA	Inside Frame - Front Slant - Drivers - Beige (not included in assembly)
2	069640-01-000	FT	Tape - 1/4" Bead x 20'
3	050216-02-000	FT	Spline - Glass - 1/8" - Black
4	057658-04-000	EA	Glass - .19" x 28.11" x 26.13" - Right
•	057658-06-000	EA	Glass - .19" x 28.11" x 20.13" - Left
•	Not illustrated		

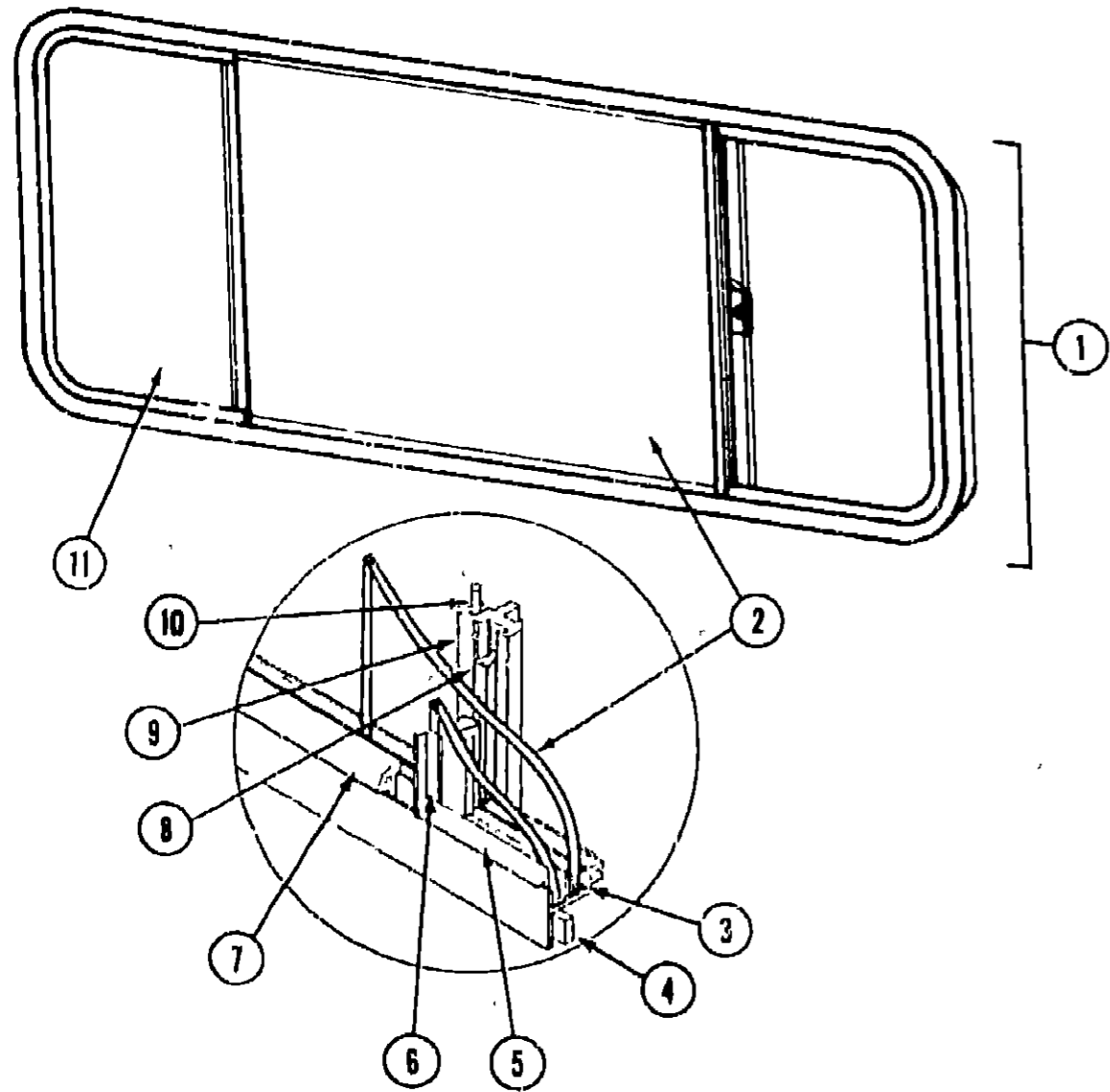
1987 ITASCA
TABLE OF CONTENTS

IC420EG	A-01 - B-06
ICN22EC	B-07 - D-08
ICN27RT	D-09 - F-14
IJN32RQ	F-15 - I-02
ICP26ET	I-03 - K-10

1987 ICN22EC INDEX

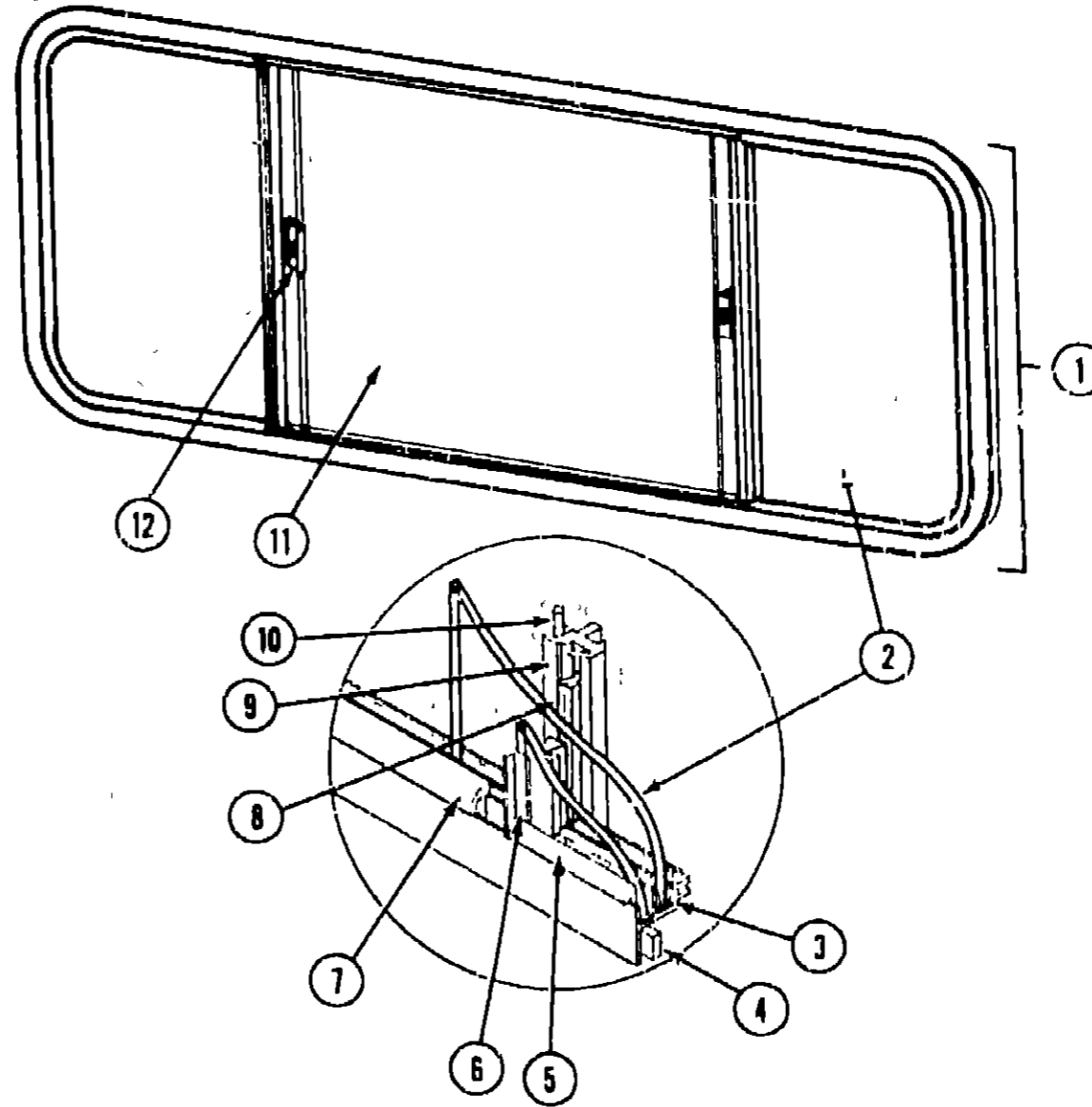
Floor Plan	B-07 - B-08
Accessories Group	B-09 - B-10
Bath Group	B-11 - B-12
Chassis Group	B-13 - B-14
Curtain, Cushion & Pad Group	B-15 - B-20
Dinette Group	B-21
Driver's Compartment Group	B-22 - B-24
Electrical Group	C-01 - C-03
Exterior Body Group	C-04 - C-09
Galley Group	C-10 - C-11
Heating & Air Conditioning Group	C-12
Interior Finish Group	C-13 - C-14
LP Group	C-15
Lounge Group	C-16
Water & Sewage Group	C-17 - C-18
Window, Vent & Exterior Door Group	C-19 - D-08

WINDOW, VENT & EXTERIOR DOOR GROUP (CONTINUED)



Key	Part Number	U/M	Description
1	078211-01-T03	EA	Window Asm. - Center Slider (w/o inside frame)
*	083122-11-000	EA	Inside Frame - Center Slider - Beige (not included in assembly)
2	068727-02-000	EA	Glass - Sliding - 1/8" x 25.5" x 24"
3	002324-02-000	FT	Channel - Weatherstrip - Glass Run - 1/8" Glass
4	069640-06-000	FT	Ribbon Sealer - 5/16" Bead x 15'
5	0023-9 02-000	FT	Spline - Glass - 1/8" Material - Black
6	M69888-03-003	EA	Seal Holder w/Fin Seal - Black
7	057374-02-000	FT	Extr. Rubber - Window Seal - Black
8	073740-01-000	FT	Seal - Fin Pile - .460"
9	078562-02-000	EA	Mullion - Slider Window - Black
10	002288-02-000	FT	Spline - .130" Dia. - Charcoal (Screen)
11	081984-07-000	EA	Glass - Stationary - 1/8" x 24" x 16.5"
*	079204-01-000	EA	Bracket - Mullion - Black
*	047369-01-700	EA	Latch Kit - Window - Plastic w/Fastener
*	002283-02-000	SF	Screen - Window - 26" - Charcoal
*			Not Illustrated

WINDOW, VENT & EXTERIOR DOOR GROUP (CONTINUED)



Key	Part Number	U/M	Description
1	078269-02-W24	EA	Window Asm. - Double Slider - Black (w/o inside frame)
*	083122-17-000	EA	Inside Frame - Beige (not included in assembly)
2	081980-07-000	EA	Glass - Sliding
3	002324-02-000	FT	Channel - Weatherstrip - Glass Run - 1/8" Glass
4	069640-06-000	FT	Ribbon Sealer - 5/16" x 15'
5	002309-02-000	FT	Spline - Glass - 1/8" - Black
6	018025-11-000	EA	Seal Holder w/Fin Seal - Black
7	057374-02-000	FT	Extr. Vinyl - Window Seal - Black
8	073740-01-000	FT	Seal - Fin Pile - .460"
9	084170-08-000	EA	Mullion - Slider Window - Black
10	002288-02-000	FT	Spline - .130" Dia. - Charcoal (Screen)
11	002188 07-000	EA	Glass - Stationary
12	047369-01-700	EA	Latch Kit - Window - Plastic w/Fastener
*	002283-02-000	SF	Screen - Window - 26" - Charcoal
*			Not Illustrated

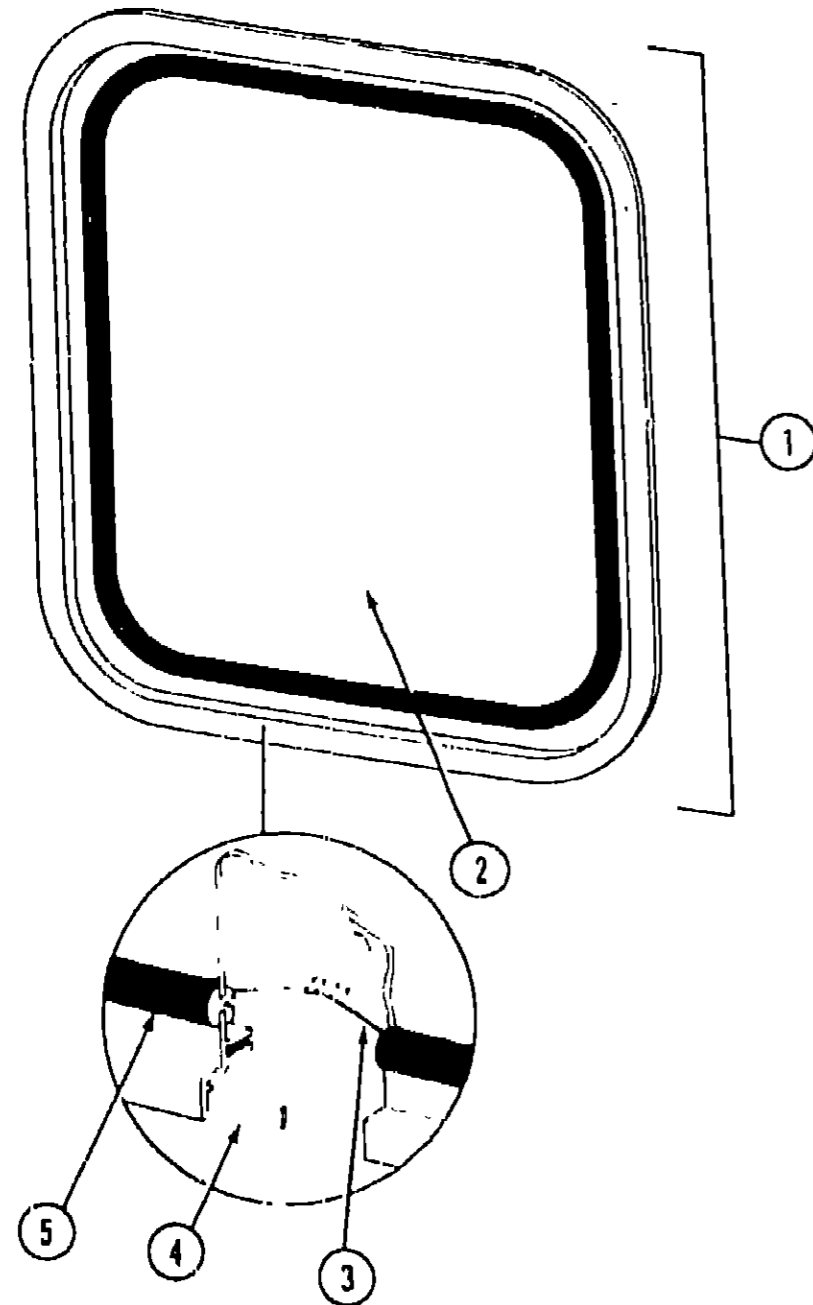
**1987 ITASCA
TABLE OF CONTENTS**

IC420EG	A-01 - B-06
ICN22EC	B-07 - D-08
ICN27RT	D-09 - F-14
IJN32RQ	F-15 - I-02
ICP28ET	I-03 - K-10

1987 ICN22EC INDEX

Floor Plan	B-07 - B-08
Accessories Group	B-09 - B-10
Bath Group	B-11 - B-12
Chassis Group	B-13 - B-14
Curtain, Cushion & Pad Group	B-15 - B-20
Dinette Group	B-21
Driver's Compartment Group	B-22 - B-24
Electrical Group	C-01 - C-03
Exterior Body Group	C-04 - C-09
Galley Group	C-10 - C-11
Heating & Air Conditioning Group	C-12
Interior Finish Group	C-13 - C-14
LP Group	C-15
Lounge Group	C-16
Water & Sewage Group	C-17 - C-18
Window, Vent & Exterior Door Group	C-19 - D-08

WINDOW, VENT & EXTERIOR DOOR GROUP (CONTINUED)



Key	Part Number	U/M	Description
1	079729-02-T03	EA	Window Asm. - Escape - 22" x 24" - Black (w/o inside frame)
.	079771-01-000	EA	Inside Frame - Window - Beige (not included in assembly)
2	041392-03-000	EA	Glass - 1/8" x 21.65" x 19.81"
3	002285-01-000	FT	Filler - Weathertrip - Black
4	069640-08-000	FT	Ribbon Sealer - 5/16" Bead x 15'
5	002282-01-000	FT	Weatherstrip - Window - .125" - Black
.	023713-02-000	EA	Weephole Cover - Black Plastic
.	006199-01-000	EA	Label - Exit - Escape Window
.	Not illustrated		

**1987 ITASCA
TABLE OF CONTENTS**

IC420EG	A-01 - B-06
ICN22EC	B-07 - D-08
ICN27RT	D-09 - F-14
IJN32RQ	F-15 - I-02
ICP26ET	I-03 - K-10

1987 ICN22EC INDEX

Floor Plan	B-07 - E-08
Accessories Group	B-09 - B-10
Bath Group	B-11 - B-12
Chassis Group	B-13 - B-14
Curtain, Cushion & Pad Group	B-15 - B-20
Dinette Group	B-21
Driver's Compartment Group	B-22 - B-24
Electrical Group	C-01 - C-03
Exterior Body Group	C-04 - C-09
Galley Group	C-10 - C-11
Heating & Air Conditioning Group	C-12
Interior Finish Group	C-13 - C-14
LP Group	C-15
Lounge Group	C-16
Water & Sewage Group	C-17 - C-18
Window, Vent & Exterior Door Group	C-19 - D-08