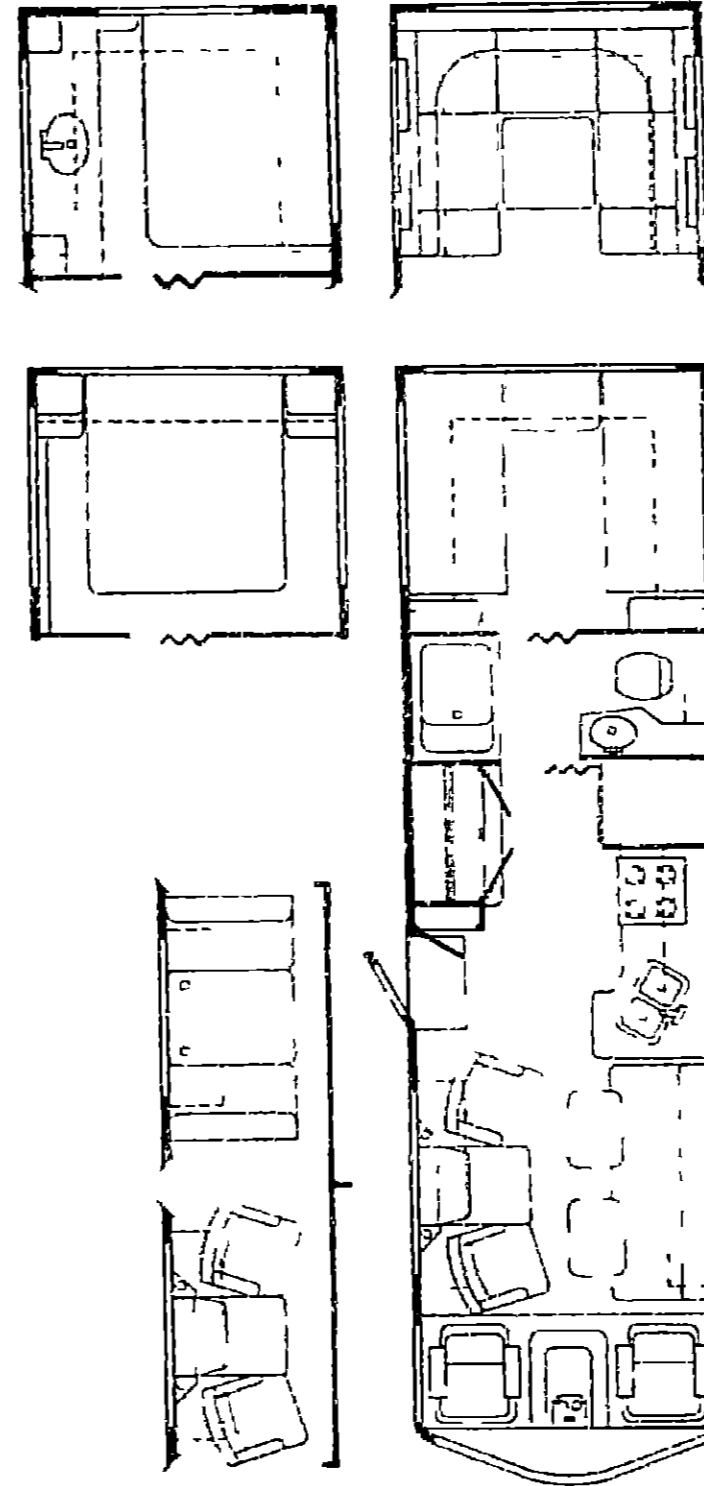


1987 IC/JN31RT



1987 ITASCA TABLE OF CONTENTS

IC/IF424RC
IC/JN31RT
ICN33RU
ICP31RT

A-01 - C-02
C-03 - E-16
E-17 - H-28
H-07 - J-10

1987 IC/JN31RT INDEX

Floor Plan	C-03 - C-04
Accessories Group	C-05 - C-07
Bath Group	C-08 - C-09
Chassis Group	C-10 - C-12
Curtain Cushion & Pad Group	C-13 - C-22
Dinette Group	C-23 - C-24
Drive s Compartment Group	D-01 - D-03
Electrical Group	D-04 - D-06
Exterior Body Group	D-07 - D-12
Galley Group	D-13 - D-15
Heating & Air Conditioning Group	D-16
Interior Finish Group	D-17 - D-19
LP Group	D-20
Lounge Group	D-21 - D-24
Water & Sewage Group	E-01 - E-02
Window Vent & Exterior Door Group	E-03 - E-16

ACCESSORIES GROUP

RADIO & RELATED COMPONENTS

Key	Part Number	U/M	Description
	031105-02-000	EA	Antenna - Radio - Sign Mount
	031105-01-700	EA	Antenna - Holder - Radio - Upper
	064792-01-000	EA	Grille - Speaker - w/Mesh - Brown
	074014-01-000	EA	Grille - Speaker - Round
	087683-01-000	EA	Radio - AM/FM/Stereo w/Cassette
	087684-01-000	EA	Radio - AM/FM/Stereo w/Cassette - Electronic Tune
	074979-01-000	EA	Speaker Cover Protector - Plastic
	073431-01-000	EA	Speaker - 5 25 - 3/Way (Pair)
	054781-01-000	EA	Speaker - Recessed - 5 25"

MISCELLANEOUS ACCESSORIES

Key	Part Number	U/M	Description
	054135-26-000	EA	Owners Manual - 1987 Itasca & Winnebago
**	076319-01-000	EA	Antenna - TV Roof Mount - 44 5' Mast
	017516-01-000	EA	Mud Flaps w/Holes - 14' x 18' - Black
	041944-03-000	EA	Fire Extinguisher - 5 B C
	072852-01-000	EA	Smoke Detector w/9 Volt Battery
	039069-01-000	EA	Key Case - Leather
	040289-01-000	EA	Door Mat - 10 5" x 26" - Black Rubber
	081075-02-000	EA	Floor Mat - Entrance - Itasca
	081201-02-000	EA	Floor Mat - Left Front - Itasca
	081202-02-000	EA	Floor Mat - Right Front - Itasca
	080203-01-000	EA	Lug Wrench
	080205-02-000	EA	Leverage Bar - Lug Wrench (Chevy)
	080208-03-000	EA	Leverage Bar - Lug Wrench (John Deere)
	006113-01-000	EA	Jack - Hydraulic - 6 Ton - w/Handle
	063708-01-000	EA	Cover - Air Conditioner - Vinyl
	079942-01-000	EA	Shock Absorber - Stabilizer - Front
	079942-02-000	EA	Shock Absorber - Stabilizer - Rear
	079942-07-000	EA	Bracket - Mounting - Stabilizer
**	063912-01-000	EA	Relay Canister - w/Ground - Air Horn
**	075461-01-000	EA	Electric Step Asm - w/Light
	023111-01-000	EA	Blender - Built In
	079941-01-000	EA	Lamp Asm - Fog w/ Cover - Amber
	079941-01-700	EA	Lamp Asm. - Fog - 1/2
	079941-01-701	EA	Lens & Cover Only
	079941-01-702	EA	Switch - Fog Lights
	079941-01-703	EA	Solenoid
**	079941-01-704	EA	Switch Plate

** The illustrated parts breakdown for this item is provided on the Common Items Fiche.

ACCESSORIES GROUP (CONTINUED)

OPTIONAL LUGGAGE BOX, RACK & LADDER

Key	Part Number	U/M	Description
	064093-01-000	EA	Box - Luggage - 14" x 30" x 60"
	081026-01-T03	EA	Rack Asm. - Right
	081026-02-T03	EA	Rack Asm. - Left
	081115-01-000	EA	Cap - Top - Rack & Ladder - 1"
	081116-01-000	EA	Slide - Top - Rack & Ladder - 1"
	081114-01-000	EA	End Cap - Ladder Step

OPTIONAL MICROWAVE & COMPONENTS

Key	Part Number	U/M	Description
	081379-01-000	EA	Microwave/Convection Oven - Sharp
	081459-03-000	EA	Bracket Asm. - Microwave - Right
	081459-04-000	EA	Bracket Asm. - Microwave - Left
	081456-01-000	EA	Angle Asm. - Microwave - Right
	081456-02-000	EA	Angle Asm. - Microwave - Left
	081555-01-T03	EA	Trim Asm. - Microwave
	082876-01-000	EA	Baffle Asm. - Microwave

GENERATORS & COMPONENTS

Key	Part Number	U/M	Description
	081634-01-000	EA	Generator - Onan - 6.5 kw - Emerald
	079654-03-000	EA	Generator - Onan - 4.0 kw - Emerald
	052168-01-000	EA	Generator - Onan - 4.25 kw
	079654-05-000	EA	Pipe & Accessories Kit - Emerald
	078045-01-000	EA	Support Plate - Generator
	081354-01-000	EA	Muffler - 6.5 kw - Generator - Emerald
	007067-01-000	SF	Insulation - Fiberglass - 1"

OPTIONAL VACUUM CLEANER & COMPONENTS

Key	Part Number	U/M	Description
	055285-01-000	EA	Vacuum Cleaner - Built In
	055285-01-700	EA	Accessories Kit - Standard
	055285-01-701	EA	Filter - 8 per Package
	055285-01-702	EA	Hose - 20' - Vacuum Cleaner
	055285-01-703	EA	Rug Tool
	055285-01-704	EA	Crevice Tool
	055285-01-705	EA	Upholstery Tool
	055285-01-706	EA	Wands - Set (2)
	055285-01-707	EA	Dust Bubble - Complete

EXTERIOR MIRROR & COMPONENTS

Key	Part Number	U/M	Description
	086260-01-000	EA	Mirror Asm. - Exterior - w/Convex - Passenger
	086260-02-000	EA	Mirror Asm. - Exterior - w/Convex - Driver
	086259-01-000	EA	Mirror Asm. - Exterior - Remote Control - Passenger
	086259-02-000	EA	Mirror Asm. - Exterior - Remote Control - Driver
	086260-63-000	EA	Accessories Kit - Exterior Mirror

CUSTOM STEERING WHEEL

Key	Part Number	U/M	Description
	080752-05-000	EA	Wheel - Steering - Custom
	080752-06-000	EA	Hub - Adapter - Steering Wheel
	080752-07-000	EA	Button - Horn w/Wire
	080752-08-000	EA	Screw - Custom Steering Wheel

1987 ITASCA TABLE OF CONTENTS

IC/IF424RC	A-01 - C-02
IC/JN31RT	C-03 - E-16
ICN33RU	E-17 - H-06
ICP11RT	H-07 - J-16

1987 IC/JN31RT INDEX

Floor Plan	C-03 - C-04
Accessories Group	C-05 - C-07
Bath Group	C-08 - C-09
Chassis Group	C-10 - C-12
Curtain, Cushion & Pad Group	C-13 - C-22
Dinette Group	C-23 - C-24
Driver's Compartment Group	D-01 - D-03
Electrical Group	D-04 - D-06
Exterior Body Group	D-07 - D-12
Galley Group	D-13 - D-15
Heating & Air Conditioning Group	D-16
Interior Finish Group	D-17 - D-19
LP Group	D-20
Lounge Group	D-21 - D-24
Water & Sewage Group	E-01 - E-02
Window, Vent & Exterior Door Group	E-03 - E-16

ACCESSORIES GROUP (CONTINUED)

WHEELS, MOUNTING HARDWARE & LINERS

Key	Part Number	U/M	Description
	083181-03-000	EA	Wheel Cover - 19.5" - Set/4
	083181-03-700	EA	Wheel Cover - 19.5" (1)
	083181-04-000	EA	Retainer Kit - 19.5" - Wheel Cover (Chevy)
	083181-04-700	EA	Retainer for 19.5" - Wheel Cover - Front (1)
	083181-04-701	EA	Retainer for 19.5" - Wheel Cover - Rear (1)
	083181-04-702	EA	Nut Cover for 19.5" & 16.5"
	083181-04-703	EA	Cap - Center - Chrome
	083181-07-000	EA	Retainer Kit - 19.5" - Wheel Cover (John Deere)
	085741-01-000	EA	Liner - Wheel - 19.5" - Set/4 (Chevy)
	086271-01-000	EA	Liner - Wheel - 19.5" - Set/4 (John Deere)

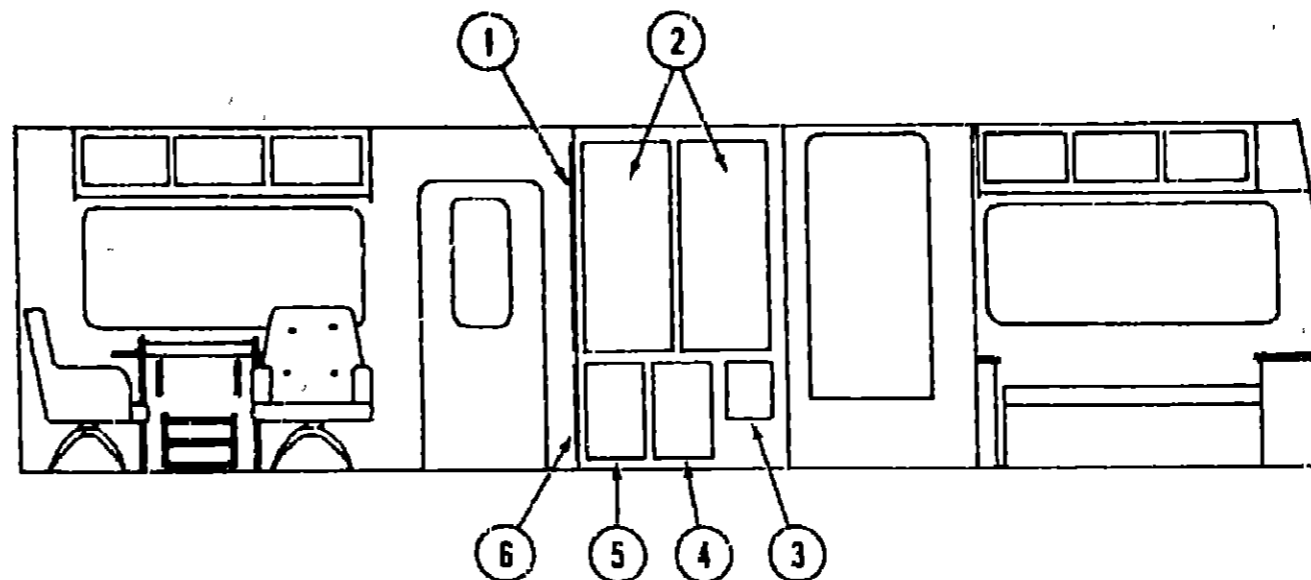
SPEED CONTROL & COMPONENTS

Key	Part Number	U/M	Description
	084417-01-000	EA	Speed Control - w/Column Control
	084417-01-700	EA	Cable - Servo
	084417-01-701	EA	Servo - Electric Asm.
	084417-01-702	EA	Servo Extension Harness
	084417-01-703	EA	Cruise Control - Main Harness
	084417-01-704	EA	Switch - Brake
	084417-01-705	EA	Transducer
	084417-01-706	EA	Adapter - Speedometer
	084417-01-707	EA	Control Arm
	084417-01-708	EA	Smart Stick - Main Harness
	084417-01-709	EA	Relay - 12V D C
	084417-01-710	EA	Relay
	084417-01-711	EA	Brake Switch Asm.
	084417-01-712	EA	Tester - Cruise Control
	084417-01-713	EA	Pilot
	084417-01-714	EA	Servo Asm
	084417-01-715	EA	Tester - Smart Stick
	084417-01-716	EA	Regulator - Cruise Control
	084417-01-717	EA	Electronic Pkg. - Smart Stick
	084417-01-718	EA	Control Arm - Smart Stick Only
	084417-01-719	EA	Rivet - Nylon Snap
	084417-01-720	EA	Mounting Brack - GM Switch
	084417-01-721	EA	Shroud - Steering Column - Top

OPTIONAL AIR HORNS & COMPONENTS

Key	Part Number	U/M	Description
	077497-01-000	EA	Air Horn Kit - Twin Chromed
	077497-01-703	EA	Solenoid - Air Tank
	077497-01-701	EA	Switch - Compressor
	077497-01-702	EA	Toggle Switch w/Wire
	077497-01-703	EA	Air Tank
	077497-01-704	EA	Compressor w/Switch
	077497-02-000	EA	Hose Kit - Auxiliary Air
	077497-03-000	EA	Parts Kit - Hose - Auxiliary Air
	078239-01-000	EA	Label Plate - Horn

BATH GROUP



WARDROBE CABINETY

Key	Part Number	U/M	Description
1	M82424-03-W30	EA	Door Asm. - Wardrobe Cabinet - Upper - w/o Hardware
**1	M82425-02-W30	EA	Door Asm. - Wardrobe Cabinet - Upper - w/o Hardware
	083224-02-000	EA	Glass - Wardrobe Door
	081471-12-W30	EA	Glass Holder - Wardrobe Cabinet - 4 Holes
2	M81501-16-W30	EA	Door Asm. - Wardrobe Cabinet - Upper - w/o Hardware
**2	M84953-12-W30	EA	Door Asm. - Wardrobe Cabinet - Upper - w/o Hardware
3	M81501-20-W30	EA	Door Asm. - Wardrobe Cabinet - Lower - w/o Hardware
**3	M84953-15-W30	EA	Door Asm. - Wardrobe Cabinet - Lower - w/o Hardware
4	M81501-18-W30	EA	Door Asm. - Wardrobe Cabinet - Lower - w/o Hardware
**4	M84953-13-W30	EA	Door Asm. - Wardrobe Cabinet - Lower - w/o Hardware
5	M81501-19-W30	EA	Door Asm. - Wardrobe Cabinet - Lower - w/o Hardware
**5	M84953-14-W30	EA	Door Asm. - Wardrobe Cabinet - Lower - w/o Hardware
6	M81501-22-W30	EA	Door Asm. - Wardrobe Cabinet - Lower - w/o Hardware
**6	M84953-16-W30	EA	Door Asm. - Wardrobe Cabinet - Lower - w/o Hardware
	081471-11-W30	EA	Glass Holder - Wardrobe Cabinet - 5 Holes
	M02124-01-U04	EA	Countertop Asm. - Wardrobe Cabinet
	077404-01-000	EA	Drawer - 20" x 12 7" - Plastic
	077409-01-000	EA	Slide - Plastic Drawer
	081646-01-000	EA	Storage Rack - White Wire
	075451-02-000	EA	Clip - Storage Rack
			Not illustrated
**	Door used on units produced before 12-1-86		

1987 ITASCA TABLE OF CONTENTS

IC/IF424RC
IC/JN31RT
ICN33RU
ICP31RT

A-01 - C-02
C-03 - E-16
E-17 - H-06
H-07 - J-18

1987 IC/JN31RT INDEX

Floor Plan	C-03 - C-04
Accessories Group	C-05 - C-07
Bath Group	C-08 - C-09
Chassis Group	C-10 - C-12
Curtain, Cushion & Pad Group	C-13 - C-22
Dinette Group	C-23 - C-24
Driver's Compartment Group	D-01 - D-03
Electrical Group	D-04 - D-06
Exterior Body Group	D-07 - D-12
Galley Group	D-13 - D-15
Heating & Air Conditioning Group	D-16
Interior Finish Group	D-17 - D-19
LP Group	D-20
Lounge Group	D-21 - D-24
Water & Sewage Group	E-01 - E-02
Window, Vent & Exterior Door Group	E-03 - E-16

BATH GROUP (CONTINUED)

BATH CABINETRY

Key	Part Number	U/M	Description
	M82195-01-W07	EA	Cabinet Asm. - Lavatory - w/o Countertop, Doors or Drawers
	M02194-01-W030	EA	Countertop Asm. - Lavatory Cabinet
	M02194-01-W31	EA	Countertop Asm. - Lavatory Cabinet
	M02194-01-W32	EA	Countertop Asm. - Lavatory Cabinet
	M81501-98-W30	EA	Door Asm. - Lavatory - Hamper - w/o Hardware
**	M84953-53-W30	EA	Door Asm. - Lavatory - Hamper - w/o Hardware
	M81501-42-W30	EA	Door Asm. - Lavatory - w/o Hardware
**	M84953-21-W30	EA	Door Asm. - Lavatory - w/o Hardware
	077251-01-000	EA	Tipout Drawer - Plastic
	076073-01-000	EA	Cabinet Asm. - Medicine - 15 4" x 29.4"
	081535-01-U04	EA	Door Asm. - Medicine Cabinet - 29 4" x 15 5" - w/o Hardware
	M02195-01-W30	EA	Countertop Asm. - Pipe Cover
	M02195-01-W31	EA	Countertop Asm. - Pipe Cover
	M02195-01-W32	EA	Countertop Asm. - Pipe Cover
	080224-02-000	EA	Door Asm. - Folding - Front - w/o Hardware
	080224-03-000	EA	Door Asm. - Folding - Rear - w/o Hardware

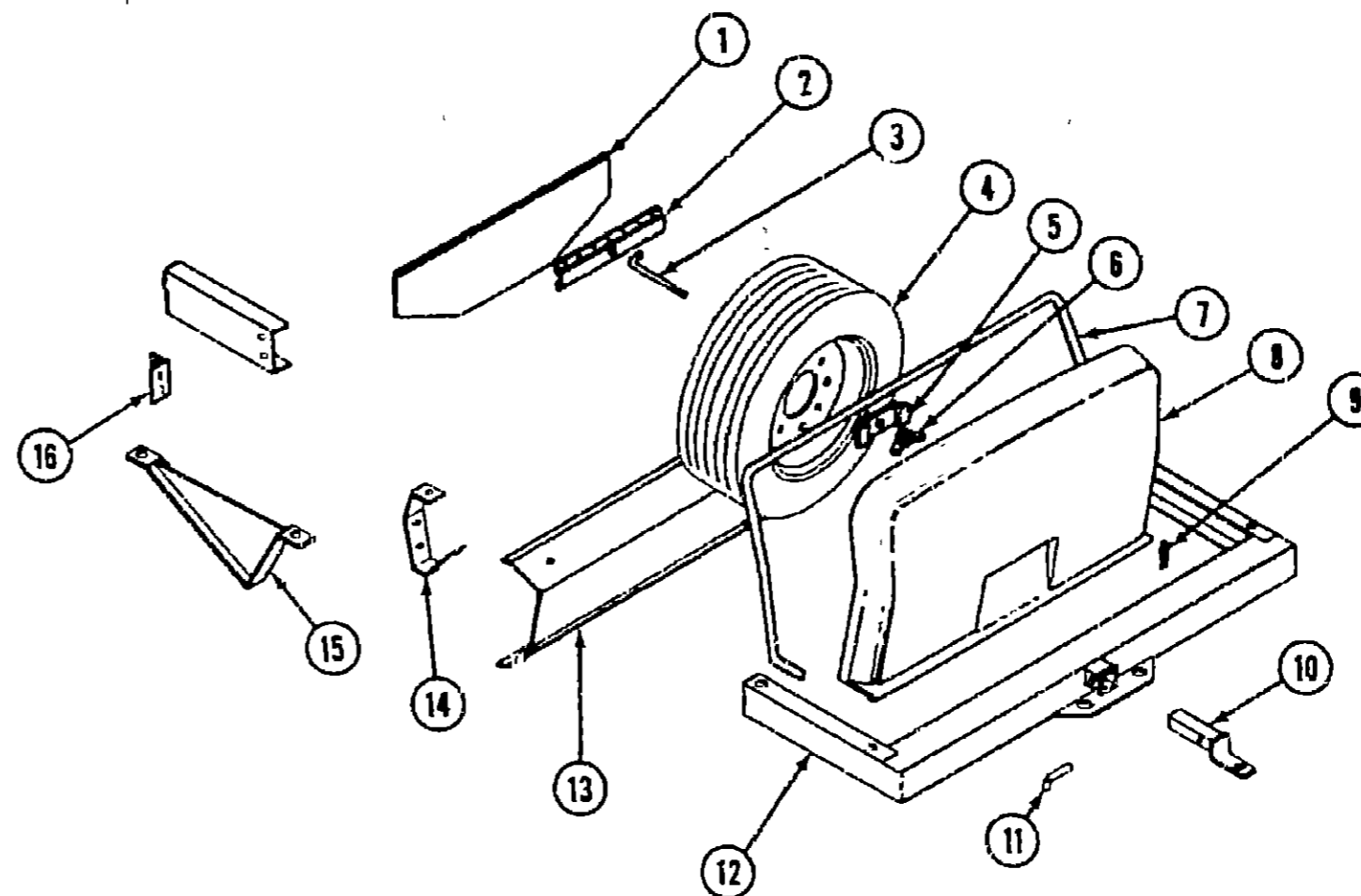
** Doors used on units produced before 12-1-86

BATH & WARDROBE HARDWARE

Key	Part Number	U/M	Description
	M01817-01-T03	EA	Bathtub Asm. w/Strainer
	075242-03-000	EA	Faucet - Tub & Shower - Brass
	075240-03-000	EA	Faucet - Lavatory - Brass
**	011048-02-000	EA	Shower Head - w/60" Hose
	011048-04-000	EA	Vacuum Breaker - 1/8 MPT - Nylon - Shower Head
	075606-01-000	EA	Shower Panel - Faucet - Plastic
**	066729-01-000	EA	Strainer - Bathtub Asm.
	066436-01-000	EA	Slip Nut - 1.5" Tail Piece - Bathtub Asm.
	069735-01-000	EA	Washer - Tail Piece - 1.5" Plastic - Bathtub Asm.
	011069-02-000	EA	Tailpiece - 1 5" x 1.25" x 4" - Brass - Bathtub Asm
	080256-01-000	EA	Shroud - Bathtub Asm
	058713-01-000	EA	Sink - Oval - Ivory - Plastic
**	064076-01-000	EA	Toilet - Thetford - Aqua Magic - Ivory
	075452-02-000	EA	Tissue Holder - Brass
	075453-02-000	EA	Towel Bar - 18" - Brass
	075454-02-000	EA	Towel Ring - Brass w/Mounting Hardware
	075244-02-000	EA	Shower Curtain - Vinyl - 72" Wide
	058331-01-000	EA	Mirror - Tempered Glass - 19" x 26"
	058331-05-000	EA	Mirror - Tempered Glass - 12" x 26"
	058331-04-000	EA	Mirror - Tempered Glass - 12" x 42"
	057671-01-000	EA	Screw Cover - #8 - Antique White
	009089-01-000	EA	Clip - Mirror
	059777-02-000	EA	Hinge - Antique Brass
	066433-01-000	EA	Hook - Cup - Bright
	009112-01-000	EA	Flange - 1" - Clothes Rod
	071632-01-000	EA	Bag - Hamper - 49" w/Elastic Top
	076387-01-000	EA	Bracket - Medicine Cabinet
	080224-05-000	EA	Track - Folding Door - ST - 29 5"
	080224-07-000	EA	Track - Folding Door - "S" - Curve

** The illustrated parts breakdown for this item is provided on the Common Items Fiche.

CHASSIS GROUP



SPARE TIRE, HITCH & REAR BUMPER

Key	Part Number	U/M	Description
1	080378-02-000	EA	Bracket - U-Channel - Tire Carrier
2	007324-04-000	EA	Tire - 8 00 x 19 5 - Michelin
3	079762-02-000	EA	Tire Cover - Gray Plastic
4	064082-02-000	EA	Nut - Tire Cover Retainer - Delmet
5	M02047-01-T18	EA	Door - Tire Cover - Gray Plastic
6	077408-02-000	EA	Lock Asm. - Key Type
7	034513-01-000	EA	Pin - Hitch - 3/16" Wire
8	077613-01-000	EA	Drawbar - Ball Mount
9	034512-01-000	EA	Locking Pin - Drawbar
10	077617-01-700	EA	Hitch Asm. - w/o Drawbar
11	078584-01-000	EA	Bumper - Rear - Primed
11	078584-08-000	EA	Bumper - Rear - Chromed
*	NOTE	EA	Bumper Ends (See Exterior Body Group)
12	078670-02-000	EA	Bracket to Bumper - Rear
13	079129-02-000	EA	Bracket to Frame - Rear Bumper
14	083376-01-000	EA	Skid Plate Asm.
15	078688-01-000	EA	Support Angle - Rear Bumper Support to Frame
*	005200-01-000	EA	Bumper Bolt - 7/16" - 14 x 1 1/4
*	Not illustrated		

1987 ITASCA TABLE OF CONTENTS

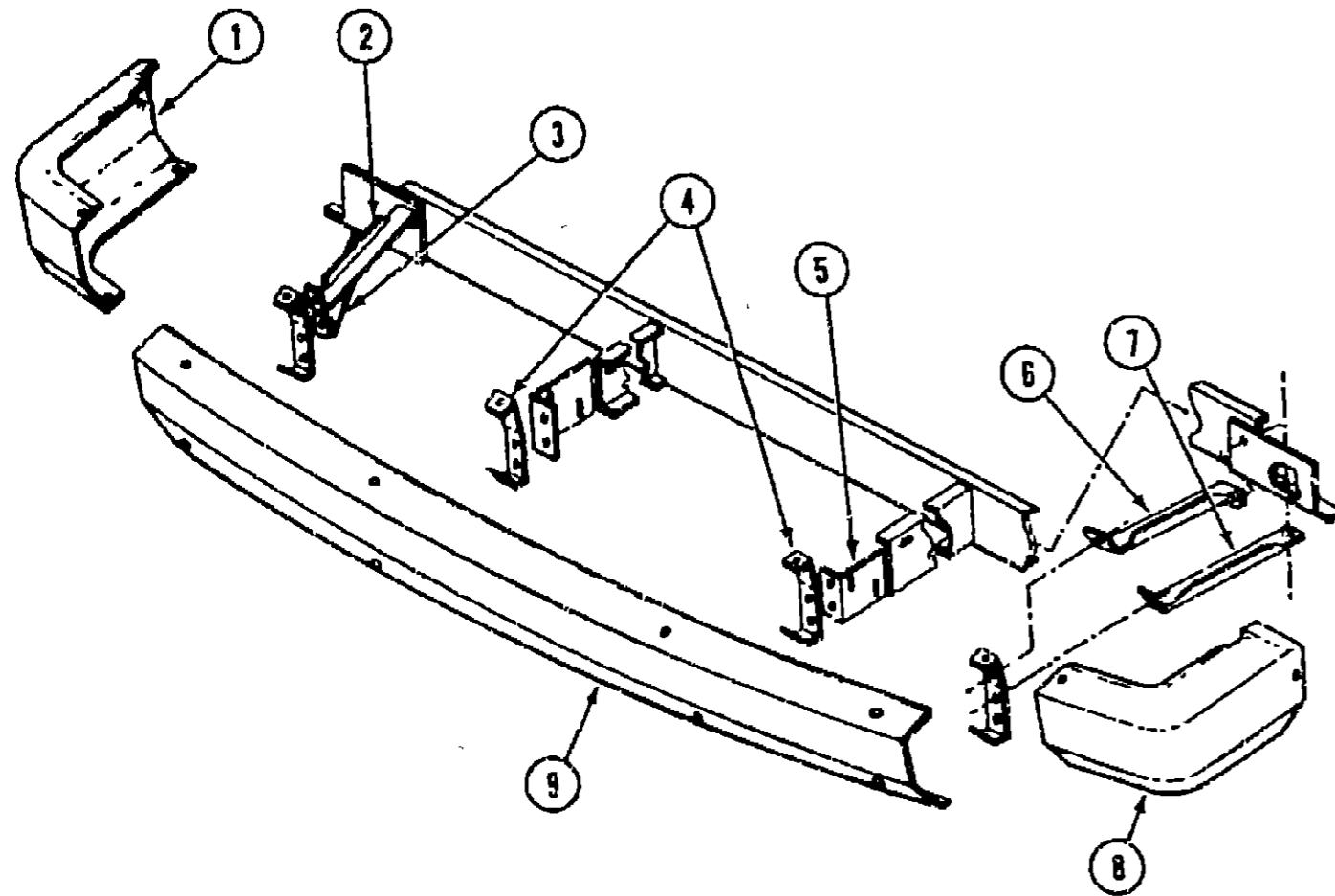
IC/IF424RC
IC/JN31RT
ICN33RU
ICP31RT

A-01 - C-02
C-03 - E-16
E-17 - H-06
H-07 - J-16

1987 IC/JN31RT INDEX

Floor Plan	C-03 - C-04
Accessories Group	C-05 - C-07
Bath Group	C-08 - C-09
Chassis Group	C-10 - C-12
Curtain, Cushion & Pad Group	C-13 - C-22
Drivette Group	C-23 - C-24
Driver's Compartment Group	D-01 - D-03
Electrical Group	D-04 - D-06
Exterior Body Group	D-07 - D-12
Galley Group	D-13 - D-15
Heating & Air Conditioning Group	D-16
Interior Finish Group	D-17 - D-19
LP Group	D-20
Lounge Group	D-21 - D-24
Water & Sewage Group	E-01 - E-02
Window, Vent & Exterior Door Group	E-03 - E-16

CHASSIS GROUP (CONTINUED)



FRONT BUMPER

Key	Part Number	U/M	Description
1	078577-05-000	EA	Bumper End - Gray - Right Front
2	078002-01-000	EA	Brace - Upper Right - Front Bumper
3	078003-01-000	EA	Brace - Lower Right - Front Bumper
4	077852-01-000	EA	Bracket to Bumper - Front
5	076527-01-000	EA	Bracket to Frame - Front Bumper
6	078002-02-000	EA	Brace - Upper Left - Front Bumper
7	078003-02-000	EA	Brace - Lower Left - Front Bumper
8	078577-06-000	EA	Bumper End - Gray - Left Front
9	077850-01-000	EA	Bumper - Front - Primed
9	077850-07-000	EA	Bumper - Front - Chrome
*	005200-01-000	EA	Carriage Bolt - Chrome - 7/16" x 14 x 1 1/4"
*			Not illustrated

AUXILIARY FUEL FILL

Key	Part Number	U/M	Description
	078010-05-000	EA	Door Asm. & Upper Shroud - Fuel Fill - Gray
	073220-02-000	EA	Cap - Fuel Fill
	075830-01-000	EA	Shroud - Fuel Fill - Inside
	083445-01-000	EA	Neck Asm - Fuel Fill
	066732-01-000	FT	Hose - Fuel - 62" I.D. - Vent
	083437-01-000	EA	Tank - Fuel - 30 Gallon
	075232-01-000	EA	Strap Asm. - Fuel Tank - T-Bolt Ends
	083452-01-000	EA	Bracket - Fuel Tank Mounting
	083303-05-000	EA	Shroud - Fuel Fill - Lower
	078200-01-000	EA	Gasket - Fuel Fill
	079807-01-000	EA	Plate - Changeover Valve
	080212-01-000	EA	Valve - Changeover - Fuel Select 5 Port
	057038-09-000	EA	Sending Unit - 90 Ohms
	083690-01-000	EA	Bracket - Auxiliary Fuel Tank

CHASSIS GROUP (CONTINUED)

MISCELLANEOUS CHASSIS

Key	Part Number	U/M	Description
	084086-01-000	EA	Air Spring Bellows - Rear Axle
	047441-01-000	EA	Battery Terminal - Horizontal Lug
	075723-01-000	EA	Block - Switch - Spacer w/o Holes
	072359-01-000	EA	Bottle - Coolant Expansion
	064093-01-000	EA	Box - Luggage
	051697-01-000	EA	Bracket - Battery Tie Down - 6 3/4"
	007125-04-000	EA	Clamp Asm. - Muffler - 1.12"
	010497-01-000	EA	Clamp - Close - 5/8 I.D.
	007161-01-000	EA	Clamp - Hose - Spring Type 112
	062401-01-000	EA	Clamp - Hose - Wormgear - .22" I.D. x 1" I.D.
	062401-02-000	EA	Clamp - Hose - Wormgear - 1.56" I.D. - 2.5" I.D.
	062401-03-000	EA	Clamp - Hose - Wormgear - .25" I.D. - 1" I.D.
	062401-04-000	EA	Clamp - Hose - Wormgear - .69" I.D. - 1.25" I.D.
	062401-05-000	EA	Clamp - Hose - Wormgear - 2" I.D. - 3" I.D.
	062401-06-000	EA	Clamp - Hose - Wormgear - .22" I.D. - .62" I.D.
	023146-01-000	EA	Clamp - Screw Type - 4"
	024490-01-000	EA	Compartment - Power Cord - Black Plastic
	071656-01-000	EA	Cover - Radiator - Rear
	080722-01-000	EA	Cover - Radiator - Rear Back (Fan Shroud)
	020167-03-000	EA	Dirt Guard - Rear Wheel
	007131-01-000	EA	Hanger - Tail Pipe
	024138-01-000	FT	Hose - Fuel - 5/16" I.D. SAE 30RI
	066732-01-000	FT	Hose - Fuel Fill - .62 I.D.
	007111-02-000	EA	Hose - Fuel Fill - 2.00 I.D.
	007111-01-000	EA	Hose - Fuel Fill - 2.25 I.D.
	006113-01-000	EA	Jack - Hydraulic - 6 Ton - w/Handle
	080208-02-000	EA	Leverage Bar - 22" - Lug Wrench
	080208-01-000	EA	Lug Wrench
	080208-03-000	EA	Leverage Bar - 1.5" x 8" (John Deere)
	017516-01-000	EA	Mud Flap w/Holes - 14" x 18" - Black
	064963-01-000	EA	Rim - Wheel - 19.5" x 6.75" - 8 Hole
	057038-11-000	EA	Sending Unit Fuel - 90 OHM - Aux. (Chevy)
	075146-01-000	EA	Shield - Heat Muffler
	079942-01-000	EA	Shock Absorber - Stabilizer - Front
	079942-02-000	EA	Shock Absorber - Stabilizer - Rear
	079942-07-000	EA	Bracket - Mounting Stabilizer
	063977-07-000	EA	Step Asm - Driver Door
	077848-01-000	EA	Step Asm. - Entry
	061411-03-000	EA	Tailpipe Extension - 2.25" x 10.5"
	007324-04-000	EA	Tire - 8.00" x 19.5 - Michelin
	048594-01-000	EA	Tray - Battery
	051377-01-000	EA	Valve Stem Asm - TR500
	055374-01-000	EA	Wheelwell - Plastic
	008343-01-000	EA	Wire Tie - 6"
	081432-01-000	EA	Shroud - Main Fuel Fill - Inside

NOTE: Remainder of exhaust components available from chassis service centers

1987 ITASCA TABLE OF CONTENTS

IC/IF424RC	A-01 - C-02
IC/JN31RT	C-03 - E-16
ICN33RU	E-17 - H-06
ICP31RT	H-07 - J-16

1987 IC/JN31RT INDEX

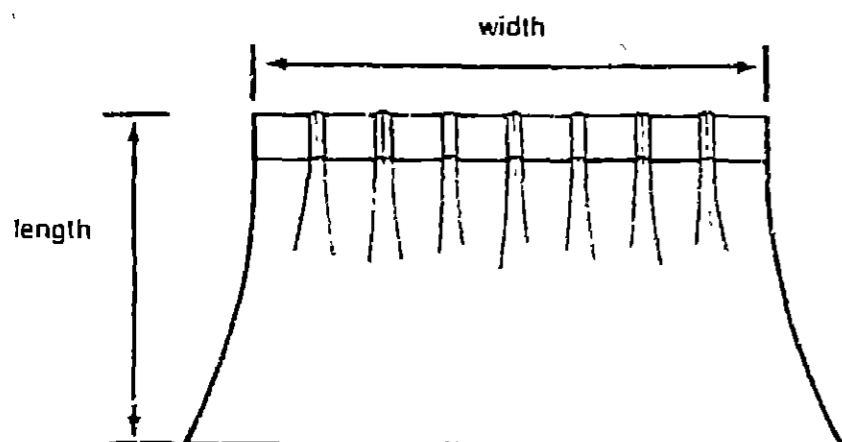
Floor Plan	C-03 - C-04
Accessories Group	C-05 - C-07
Bath Group	C-08 - C-09
Chassis Group	C-10 - C-12
Curtain, Cushion & Pad Group	C-13 - C-22
Dinette Group	C-23 - C-24
Driver's Compartment Group	D-01 - D-03
Electrical Group	D-04 - D-06
Exterior Body Group	D-07 - D-12
Galley Group	D-13 - D-15
Heating & Air Conditioning Group	D-16
Interior Finish Group	D-17 - D-19
LP Group	D-20
Lounge Group	D-21 - D-24
Water & Sewage Group	E-01 - E-02
Window, Vent & Exterior Door Group	E-03 - E-16

CURTAIN, CUSHION & PAD GROUP

NOTICE

In order to assist our Parts Sales Dept. in providing interior software items, please include the serial number and the color code number from the vehicle certification label when ordering. This label is located on the left sidewall at the end of the dash (A-Body), or on the driver's door latch plate (C-Body).

An example of a color code number is P31, which designates an overall color scheme of a particular unit. The color listed after the item description on the microfiche, indicates the overall unit color. Order the item you desire according to unit color code.



NOTE:

Use this illustration when determining length and width measurements for curtains. You will note the width measurement is taken on the top of the curtain with the curtain fully extended. The length measurement is taken from top to bottom.

CURTAIN & CUSHION HARDWARE

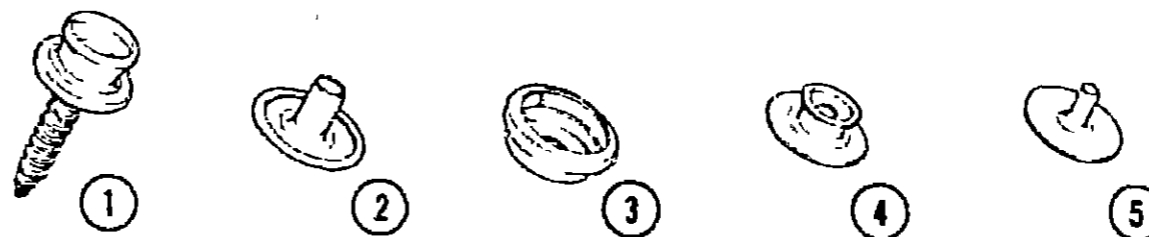
Key	Part Number	U/M	Description
	082139-03-000	EA	Bracket - Hold Down - Blinds
	082139-02-000	EA	Bracket - Hold Down - Blinds
	085283-01-000	EA	Bracket - Hold Back - Clear
	084434-01-000	EA	Bracket - Roller Shade - 1 3/8"
	056003-01-000	EA	Bracket - Drapery Retainer
	056003-02-000	EA	Bracket - Drapery Retainer
	083170-03-000	EA	Bracket - Installation - Right
	083170-04-000	EA	Bracket - Installation - Left
	079619-01-000	EA	Bracket - Tie Back
	080211-03-000	EA	Clip - Decor Pad
	048394-02-000	YD	Tape Hook - .75" x 50 yds. - Beige
	048395-02-000	YD	Tape Loop - .75" x 50 yds. - Beige
	029090-01-000	FT	Tie Back - Drapery - Clear
	056116-01-000	EA	Track - Curtain - Brown Plastic
	079946-01-000	EA	Track - Curtain - Wraparound - Right
	079946-02-000	EA	Track - Curtain - Wraparound - Left

CURTAIN, CUSHION & PAD GROUP (CONTINUED)

FABRICS, TRIMS & PADS

Key	Part Number	U/M	Description
	077498-89-000	YD	Fabric - Main w/Pattern - Jade/Peach (W30)
	077498-00-000	YD	Fabric - Main w/Pattern - Mahogany (W31)
	077498-88-000	YD	Fabric - Main w/Pattern - Rose (W32)
	077498-B2-000	YD	Fabric - Patterned Accent - Jade/Peach (W30)
	077498-B3-000	YD	Fabric - Patterned Accent - Mahogany (W31)
	077498-B4-000	YD	Fabric - Patterned Accent - Rose (W32)
	077498-A1-000	YD	Fabric - Plain Accent - Jade/Peach (W30)
	077498-A2-000	YD	Fabric - Plain Accent - Mahogany (W31)
	077498-A8-000	YD	Fabric - Plain Accent - Rose (W32)
	072333-38-000	YD	Fabric - Drapery/Accent - Jade/Peach (W30)
	072333-40-000	YD	Fabric - Drapery/Accent - Mahogany (W31)
	072333-37-000	YD	Fabric - Drapery Accent - Rose (W32)
	069729-44-000	YD	Fabric - Bedspread/Drapery - Jade/Peach (W30)
	069729-45-000	YD	Fabric - Bedspread/Drapery - Mahogany (W31)
	069729-46-000	YD	Fabric - Bedspread/Drapery - Rose (W32)
	081607-02-000	YD	Fabric - Headliner - Sandstone
	087272-01-000	YD	Fabric - Drapery Lining - Ivory - 48"
	072333-44-000	YD	Fabric - Drapery Lining - Natural (Full Shades)
	072333-30-000	YD	Fabric - Drapery Lining - Linen (Pull Shades)
	079680-01-000	YD	Vinyl - Expanded - 26 oz. Buckskin
	079680-02-000	YD	Vinyl - Expanded - 26 oz. Sandrift
	038421-02-000	YD	Fabric - Mattress Ticking - Beige/Brown
	038421-04-000	YD	Fabric - Mattress Ticking - Cashew
	057550-05-T03	EA	Button Asm. - Nail #36 - 3/8" Shank - Vinyl
	070578-06-T03	EA	Button Asm. - Screw Stud - #30 - Vinyl
	057093-01-T03	EA	Button Asm. - Nail #30 - Vinyl
	071127-12-W30	EA	Button Asm. - Round Hook - #30 - Jade/Peach
	071127-12-W31	EA	Button Asm. - Round Hook - #30 - Mahogany
	071127-12-W32	EA	Button Asm. - Round Hook - #30 - Rose
	071127-10-W24	EA	Button Asm. - Round Hook - #30 - Jade/Peach (W30)
	071127-10-W25	EA	Button Asm. - Round Hook - #30 - Mahogany (W31)
	071127-10-W26	EA	Button Asm. - Round Hook - #30 - Rose (W32)
	078155-01-000	EA	Strap Asm. - Cushion
	079144-02-T03	EA	Strap Asm. - Bunk
	081519-01-W24	EA	Pad Asm. - Dinette - Front - Jade/Peach (W30)
	081519-01-W25	EA	Pad Asm. - Dinette - Front - Mahogany (W31)
	081519-01-W26	EA	Pad Asm. - Dinette - Front - Rose (W32)
	081519-02-W24	EA	Pad Asm. - Dinette - Rear - Jade/Peach (W30)
	081519-02-W25	EA	Pad Asm. - Dinette - Rear - Mahogany (W31)
	081519-02-W26	EA	Pad Asm. - Dinette - Rear - Rose (W32)
	059414-06-000	EA	Pad Asm. - Trim - Sidewall - Right - Vinyl
	059467-04-T03	EA	Pad Asm. - Map Pocket - Right Vinyl
	077641-95-000	EA	Wall Pad - Swivel Chairs - 16" x 12" - Jade/Peach (W30)
	077641-96-000	EA	Wall Pad - Swivel Chairs - 16" x 12" - Mahogany (W31)
	077641-A8-000	EA	Wall Pad - Swivel Chairs - 16" x 12" - Rose (W32)

Parts used on units produced before 10/19/86.



Key	Part Number	U/M	Description
1	029130-01-000	EA	Socket - Snap Fastener
2	029155-01-000	EA	Cap - Snap - .156" Dia. x 17" Barrel
3	029156-01-000	EA	Socket - Snap Fastener
4	029092-01-000	EA	Stud - Nickel Finish
5	082083-01-000	EA	Eyelet - Nickel Finish

**1987 ITASCA
TABLE OF CONTENTS**

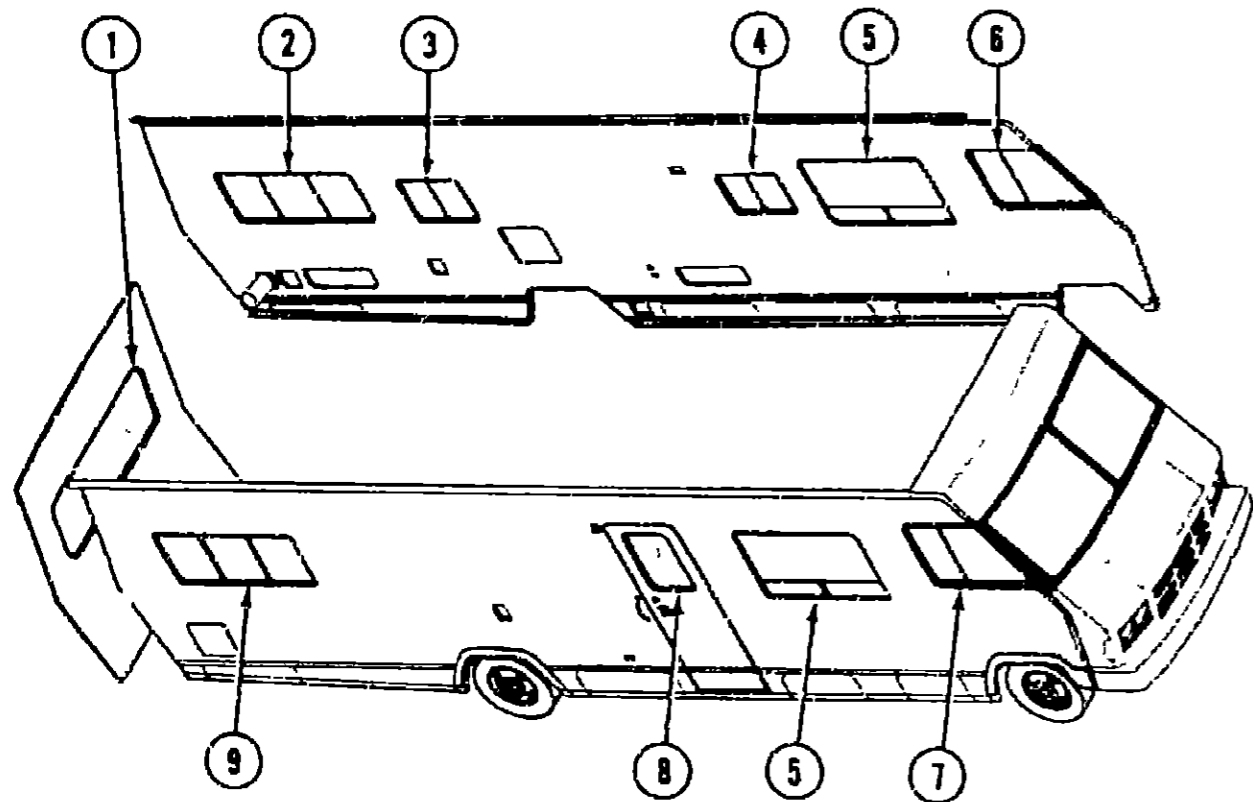
IC/IF424RC	A-01 - C-02
IC/JN31RT	C-03 - E-16
ICN33RU	E-17 - H-06
ICP31RT	H-07 - J-16

1987 IC/JN31RT INDEX

Floor Plan	C-03 - C-04
Accessories Group	C-05 - C-07
Bath Group	C-08 - C-09
Chassis Group	C-10 - C-12
Curtain, Cushion & Pad Group	C-13 - C-22
Dinette Group	C-23 - C-24
Driver's Compartment Group	D-01 - D-03
Electrical Group	D-04 - D-06
Exterior Body Group	D-07 - D-12
Galley Group	D-13 - D-15
Heating & Air Conditioning Group	D-16
Interior Finish Group	D-17 - D-19
LP Group	D-20
Lounge Group	D-21 - D-24
Water & Sewage Group	E-01 - E-02
Window, Vert. & Exterior Door Group	E-03 - E-16

CURTAIN, CUSHION & PAD GROUP (CONTINUED)

CURTAIN, CUSHION & PAD GROUP (CONTINUED)



CURTAINS, SHADES, VALANCES & TIEBACKS

Key	Part Number	U/M	Description
1	084755-15-W12	EA	Shade Asm. - Pull - 53.25" (W30)
1	084755-15-W31	EA	Shade Asm. - Pull - 53.25" (W31)
1	084755-15-W11	EA	Shade Asm. - Pull - 53.25" (W32)
**1	084755-15-WA6	EA	Shade Asm. - Pull - 53.25" (W30)
**1	084755-15-WA5	EA	Shade Asm. - Pull - 53.25" (W31)
**1	084755-15-WA8	EA	Shade Asm. - Pull - 53.25" (W32)
1	079558-20-W30	EA	Valance Asm. - Gathered - 5" x 140"
1	079558-20-W31	EA	Valance Asm. - Gathered - 5" x 140"
1	079558-20-W32	EA	Valance Asm. - Gathered - 5" x 140"
1	079559-11-W30	EA	Curtain Asm. w/Gathers - 32" x 41"
1	079559-11-W31	EA	Curtain Asm. w/Gathers - 32" x 41"
1	079559-11-W32	EA	Curtain Asm. w/Gathers - 32" x 41"
†	079558-13-W30	EA	Valance Asm. - Gathered - 5" x 140"
†	079558-13-W31	EA	Valance Asm. - Gathered - 5" x 140"
†	079558-13-W32	EA	Valance Asm. - Gathered - 5" x 140"
†	079559-10-W30	EA	Curtain Asm. w/Gathers - 32" x 41"
†	079559-10-W31	EA	Curtain Asm. w/Gathers - 32" x 41"
†	079559-10-W32	EA	Curtain Asm. w/Gathers - 32" x 41"
†	085304-54-000	EA	Blinds - Pleated - 52" x 29" Drop (W30)
†	085304-64-000	EA	Blinds - Pleated - 52" x 29" Drop (W31)
†	085304-65-000	EA	Blinds - Pleated - 52" x 29" Drop (W32)
2	084755-16-W30	EA	Shade Asm. - Pull - 69.25"
2	084755-16-W31	EA	Shade Asm. - Pull - 69.25"
2	084755-16-W32	EA	Shade Asm. - Pull - 69.25"
**2	084755-16-WA4	EA	Shade Asm. - Pull - 69.25"
**2	084755-16-WA5	EA	Shade Asm. - Pull - 69.25"
**2	084755-16-WA8	EA	Shade Asm. - Pull - 69.25"
2	079558-21-W30	EA	Valance Asm. - Gathered - 5" x 120"
2	079558-21-W31	EA	Valance Asm. - Gathered - 5" x 120"
2	079558-21-W32	EA	Valance Asm. - Gathered - 5" x 120"
2	079559-11-W30	EA	Curtain Asm. w/Gathers - 32" x 41"
2	079559-11-W31	EA	Curtain Asm. w/Gathers - 32" x 41"
2	079559-11-W32	EA	Curtain Asm. w/Gathers - 32" x 41"

CURTAINS, SHADES, VALANCES & TIEBACKS (CONT.)

Key	Part Number	U/M	Description
†	079558-18-W30	EA	Valance Asm. - Gathered - 5" x 120"
†	079558-18-W31	EA	Valance Asm. - Gathered - 5" x 120"
†	079558-18-W32	EA	Valance Asm. - Gathered - 5" x 120"
†	079559-10-W30	EA	Curtain Asm. w/Gathers - 32" x 41"
†	079559-10-W31	EA	Curtain Asm. w/Gathers - 32" x 41"
†	079559-10-W32	EA	Curtain Asm. w/Gathers - 32" x 41"
**†	085304-16-000	EA	Blinds - Pleated - 65" x 33" Drop (W30)
**†	085304-20-000	EA	Blinds - Pleated - 65" x 33" Drop (W31)
**†	085304-17-000	EA	Blinds - Pleated - 65" x 33" Drop (W32)
3	084755-06-W24	EA	Shade Asm. - Pull - 33.25" (W30)
3	084755-06-W25	EA	Shade Asm. - Pull - 33.25" (W31)
3	084755-06-W26	EA	Shade Asm. - Pull - 33.25" (W32)
**3	084755-06-WA4	EA	Shade Asm. - Pull - 33.25" (W30)
**3	084755-06-WA5	EA	Shade Asm. - Pull - 33.25" (W31)
**3	084755-06-WA8	EA	Shade Asm. - Pull - 33.25" (W32)
3	079558-15-W30	EA	Valance Asm. - Gathered - 5" x 40"
3	079558-15-W31	EA	Valance Asm. - Gathered - 5" x 40"
3	079558-15-W32	EA	Valance Asm. - Gathered - 5" x 40"
3	079559-07-W30	EA	Curtain Asm. w/Gathers - 27.5" x 20"
3	079559-07-W31	EA	Curtain Asm. w/Gathers - 27.5" x 20"
3	079559-07-W32	EA	Curtain Asm. w/Gathers - 27.5" x 20"
4	084755-01-W24	EA	Shade Asm. - Pull - 28.25" (W30)
4	084755-01-W25	EA	Shade Asm. - Pull - 28.25" (W31)
4	084755-01-W26	EA	Shade Asm. - Pull - 28.25" (W32)
**4	084755-01-WA4	EA	Shade Asm. - Pull - 28.25" (W30)
**4	084755-01-WA5	EA	Shade Asm. - Pull - 28.25" (W31)
**4	084755-01-WA8	EA	Shade Asm. - Pull - 28.25" (W32)
4	079558-14-W30	EA	Valance Asm. - Gathered - 5" x 75"
4	079558-14-W31	EA	Valance Asm. - Gathered - 5" x 75"
4	079558-14-W32	EA	Valance Asm. - Gathered - 5" x 75"
5	084755-02-W24	EA	Shade Asm. - Pull - 67.25" (W30)
5	084755-02-W25	EA	Shade Asm. - Pull - 67.25" (W31)
5	084755-02-W26	EA	Shade Asm. - Pull - 67.25" (W32)
**5	084755-02-WA4	EA	Shade Asm. - Pull - 67.25" (W30)
**5	084755-02-WA5	EA	Shade Asm. - Pull - 67.25" (W31)
**5	084755-02-WA8	EA	Shade Asm. - Pull - 67.25" (W32)
5	079558-13-W30	EA	Valance Asm. - Gathered - 5" x 140"
5	079558-13-W31	EA	Valance Asm. - Gathered - 5" x 140"
5	079558-13-W32	EA	Valance Asm. - Gathered - 5" x 140"
5	079559-06-W30	EA	Curtain Asm. w/Gathers - 36" x 44"
5	079559-06-W31	EA	Curtain Asm. w/Gathers - 36" x 44"
5	079559-06-W32	EA	Curtain Asm. w/Gathers - 36" x 44"
†	085304-21-000	EA	Blinds - Pleated - 71" x 28" Drop (W30)
†	085304-25-000	EA	Blinds - Pleated - 71" x 28" Drop (W31)
†	085304-22-000	EA	Blinds - Pleated - 71" x 28" Drop (W32)
6	073304-41-W30	EA	Curtain Asm. - Front Wraparound w/Lining
6	073304-41-W31	EA	Curtain Asm. - Front Wraparound w/Lining
6	073304-41-W32	EA	Curtain Asm. - Front Wraparound w/Lining
6	077591-06-W30	EA	Curtain Asm. w/Velcro Top - Bunk Privacy - Driver
6	077591-06-W31	EA	Curtain Asm. w/Velcro Top - Bunk Privacy - Driver
6	077591-06-W32	EA	Curtain Asm. w/Velcro Top - Bunk Privacy - Driver
7	073304-40-W30	EA	Curtain Asm. - Front Wraparound w/Lining
7	073304-40-W31	EA	Curtain Asm. - Front Wraparound w/Lining
7	073304-40-W32	EA	Curtain Asm. - Front Wraparound w/Lining
7	077591-05-W30	EA	Curtain Asm. w/Velcro Top - Bunk Privacy - Passenger
7	077591-05-W31	EA	Curtain Asm. w/Velcro Top - Bunk Privacy - Passenger
7	077591-05-W32	EA	Curtain Asm. w/Velcro Top - Bunk Privacy - Passenger

** Shades used on units produced after 10-19-86.
 † Parts used in the Horseshoe Lounge Option
 †† Parts used in the Pleated Blind Option

**1987 ITASCA
TABLE OF CONTENTS**

IC/IF424RC	A-01 - C-02
IC/JN31RT	C-03 - E-16
ICN33RU	E-17 - H-06
ICP31RT	H-07 - J-16

1987 IC/JN31RT INDEX

Floor Plan	C-03 - C-04
Accessories Group	C-05 - C-07
Bath Group	C-08 - C-09
Chassis Group	C-10 - C-12
Curtain, Cushion & Pad Group	C-13 - C-22
Dinette Group	C-23 - C-24
Driver's Compartment Group	D-01 - D-03
Electrical Group	D-04 - D-06
Exterior Body Group	D-07 - D-12
Galley Group	D-13 - D-15
Heating & Air Conditioning Group	D-16
Interior Finish Group	E-17 - D-19
LP Group	D-20
Lounge Group	D-21 - D-24
Water & Sewage Group	E-01 - E-02
Window, Vent & Exterior Door Group	E-03 - E-16

CURTAIN, CUSHION & PAD GROUP (CONTINUED)

CURTAIN, CUSHION & PAD GROUP (CONTINUED)

CURTAINS, SHADES, VALANCES & TIEBACKS (CONT.)

Key	Part Number	U/M	Description
8	084755-04-W30	EA	Shade Asm. - Pull - 24.25" (W30)
8	084755-04-W31	EA	Shade Asm. - Pull - 24.25" (W31)
8	084755-04-W32	EA	Shade Asm. - Pull - 24.25" (W32)
**8	084755-04-WA4	EA	Shade Asm. - Pull - 24.25" (W30)
**8	084755-04-WA5	EA	Shade Asm. - Pull - 24.25" (W31)
**8	084755-04-WA8	EA	Shade Asm. - Pull - 24.25" (W32)
8	079558-14-W30	EA	Valance Asm. - Gathered - 5" x 75"
8	079558-14-W31	EA	Valance Asm. - Gathered - 5" x 75"
8	079558-14-W32	EA	Valance Asm. - Gathered - 5" x 75"
9	084755-16-W30	EA	Shade Asm. - Pull - 69.25"
9	084755-16-W31	EA	Shade Asm. - Pull - 69.25"
9	074755-16-W32	EA	Shade Asm. - Pull - 69.25"
**9	084755-16-WA4	EA	Shade Asm. - Pull - 69.25" (W30)
**9	084755-16-WA5	EA	Shade Asm. - Pull - 69.25" (W31)
**9	084755-16-WA6	EA	Shade Asm. - Pull - 69.25" (W32)
9	079558-21-W30	EA	Valance Asm. - Gathered - 5" x 120"
9	079558-21-W31	EA	Valance Asm. - Gathered - 5" x 120"
9	079558-21-W32	EA	Valance Asm. - Gathered - 5" x 120"
9	079559-11-W30	EA	Curtain Asm. w/Gathers - 32" x 41"
9	079559-11-W31	EA	Curtain Asm. w/Gathers - 32" x 41"
9	079559-11-W32	EA	Curtain Asm. w/Gathers - 32" x 41"
†	079558-18-W30	EA	Valance Asm. - Gathered - 5" x 40"
†	079558-18-W31	EA	Valance Asm. - Gathered - 5" x 40"
†	079558-18-W32	EA	Valance Asm. - Gathered - 5" x 40"
†	079559-10-W30	EA	Curtain Asm. w/Gathers - 27.25" (W30)
†	079559-10-W31	EA	Curtain Asm. w/Gathers - 27.25" (W31)
†	079559-10-W32	EA	Curtain Asm. w/Gathers - 27.25" (W32)
*†	085304-16-000	EA	Blinds - Pleated - 65" x 33" Drop (W30)
*†	085304-20-000	EA	Blinds - Pleated - 65" x 33" Drop (W31)
*†	085304-17-000	EA	Blinds - Pleated - 65" x 33" Drop (W32)
††	084755-13-W24	EA	Shade Asm. - Pull - 47.25" (W30)
††	084755-13-W25	EA	Shade Asm. - Pull - 47.25" (W31)
††	084755-13-W26	EA	Shade Asm. - Pull - 47.25" (W32)
**††	084755-13-WA4	EA	Shade Asm. - Pull - 47.25" (W30)
**††	084755-13-WA5	EA	Shade Asm. - Pull - 47.25" (W31)
**††	084755-13-WA8	EA	Shade Asm. - Pull - 47.25" (W32)
††	079558-22-W24	EA	Valance Asm. - Gathered - 5" x 95"
††	079558-22-W25	EA	Valance Asm. - Gathered - 5" x 95"
††	079558-22-W26	EA	Valance Asm. - Gathered - 5" x 95"
*	073260-23-W06	EA	Tieback Asm. - 3" x 18" - Drapery (W30)
*	073260-23-W25	EA	Tieback Asm. - 3" x 18" - Drapery (W31)
*	073260-23-W05	EA	Tieback Asm. - 3" x 18" - Drapery (W32)
*			Not illustrated
**			Shades used in units produced after 10-19-86.
†			Parts used in the Horseshoe Lounge Option
*†			Parts used in the Pleated Blind Option
††			Parts used in the Double Bed Option

BUCKET SEATS

Key	Part Number	U/M	Description
	084191-02-W24	EA	Seat Asm. - Comet I (W30)
	084191-02-W25	EA	Seat Asm. - Comet I (W31)
	084191-02-W26	EA	Seat Asm. - Comet I (W32)
	M01864-23-W24	EA	Cover Asm. - Seat Bottom (W30)
	M01864-23-W25	EA	Cover Asm. - Seat Bottom (W31)
	M01864-23-W26	EA	Cover Asm. - Seat Bottom (W32)
	M01864-24-W24	EA	Cover Asm. - Seat Back (W30)
	M01864-24-W25	EA	Cover Asm. - Seat Back (W31)
	M01864-24-W26	EA	Cover Asm. - Seat Back (W32)
	083909-15-W30	EA	Seat Asm. - Straton
	083909-15-W31	EA	Seat Asm. - Straton
	083909-16-W32	EA	Seat Asm. - Straton
	M01864-35-W30	EA	Cover Asm. - Straton Seat Bottom
	M01864-35-W31	EA	Cover Asm. - Straton Seat Bottom
	M01864-33-W32	EA	Cover Asm. - Straton Seat Bottom
	M01864-36-W30	EA	Cover Asm. - Straton Seat Back
	M01864-36-W31	EA	Cover Asm. - Straton Seat Back
	M01864-34-W32	EA	Cover Asm. - Straton Seat Back
	080243-23-W24	EA	Armrest Asm. - Right (W30)
	080243-23-W25	EA	Armrest Asm. - Right (W31)
	080243-25-W26	EA	Armrest Asm. - Right (W32)
	080243-24-W24	EA	Armrest Asm. - Left (W30)
	080243-24-W25	EA	Armrest Asm. - Left (W31)
	080243-26-W26	EA	Armrest Asm. - Left (W32)
	M80243-23-W24	EA	Cover Asm. - Armrest - Right (W30)
	M08243-23-W25	EA	Cover Asm. - Armrest - Right (W31)
	M08243-25-W26	EA	Cover Asm. - Armrest - Right (W32)
	M80243-24-W24	EA	Cover Asm. - Armrest - Left (W30)
	M80243-24-W25	EA	Cover Asm. - Armrest - Left (W31)
	M80243-26-W26	EA	Cover Asm. - Armrest - Left (W32)
	085268-01-W24	EA	Headrest Asm. (W30)
	085268-01-W25	EA	Headrest Asm. (W31)
	085268-02-W26	EA	Headrest Asm. (W32)
	M85268-01-W24	EA	Cover Asm. - Headrest (W30)
	M85268-01-W25	EA	Cover Asm. - Headrest (W31)
	M85268-02-W26	EA	Cover Asm. - Headrest (W32)
	071126-16-W30	EA	Skirt Asm. - Single Bucket
	071126-16-W31	EA	Skirt Asm. - Single Bucket
	071126-16-W32	EA	Skirt Asm. - Single Bucket
	085269-01-W30	EA	Seat Asm. - Double Bucket (W30)
	085269-01-W31	EA	Seat Asm. - Double Bucket (W31)
	085269-02-W26	EA	Seat Asm. - Double Bucket (W32)
	M01874-05-W30	EA	Cover Asm. - Straton Seat Bottom - Double Bucket (W30)
	M01874-05-W31	EA	Cover Asm. - Straton Seat Bottom - Double Bucket (W31)
	M01874-07-W26	EA	Cover Asm. - Straton Seat Bottom - Double Bucket (W32)
	M01874-06-W30	EA	Cover Asm. - Straton Seat Back - Double Bucket (W30)
	M01874-06-W31	EA	Cover Asm. - Straton Seat Back - Double Bucket (W31)
	M01874-08-W26	EA	Cover Asm. - Straton Seat Back - Double Bucket (W32)
	071590-04-W30	EA	Skirt Asm. - Double Bucket (W30)
	071690-04-W31	EA	Skirt Asm. - Double Bucket (W31)
	071690-02-W26	EA	Skirt Asm. - Double Bucket (W32)

FRONT BUNK

Key	Part Number	U/M	Description
	079145-04-000	EA	Cushion Asm. - Front Bunk - 4" x 34" x 78"
	M79145-04-000	EA	Cover Asm. - Front Bunk Cushion - 4" x 34" x 78"
	079144-02-T03	EA	Bunk Strap - Vinyl

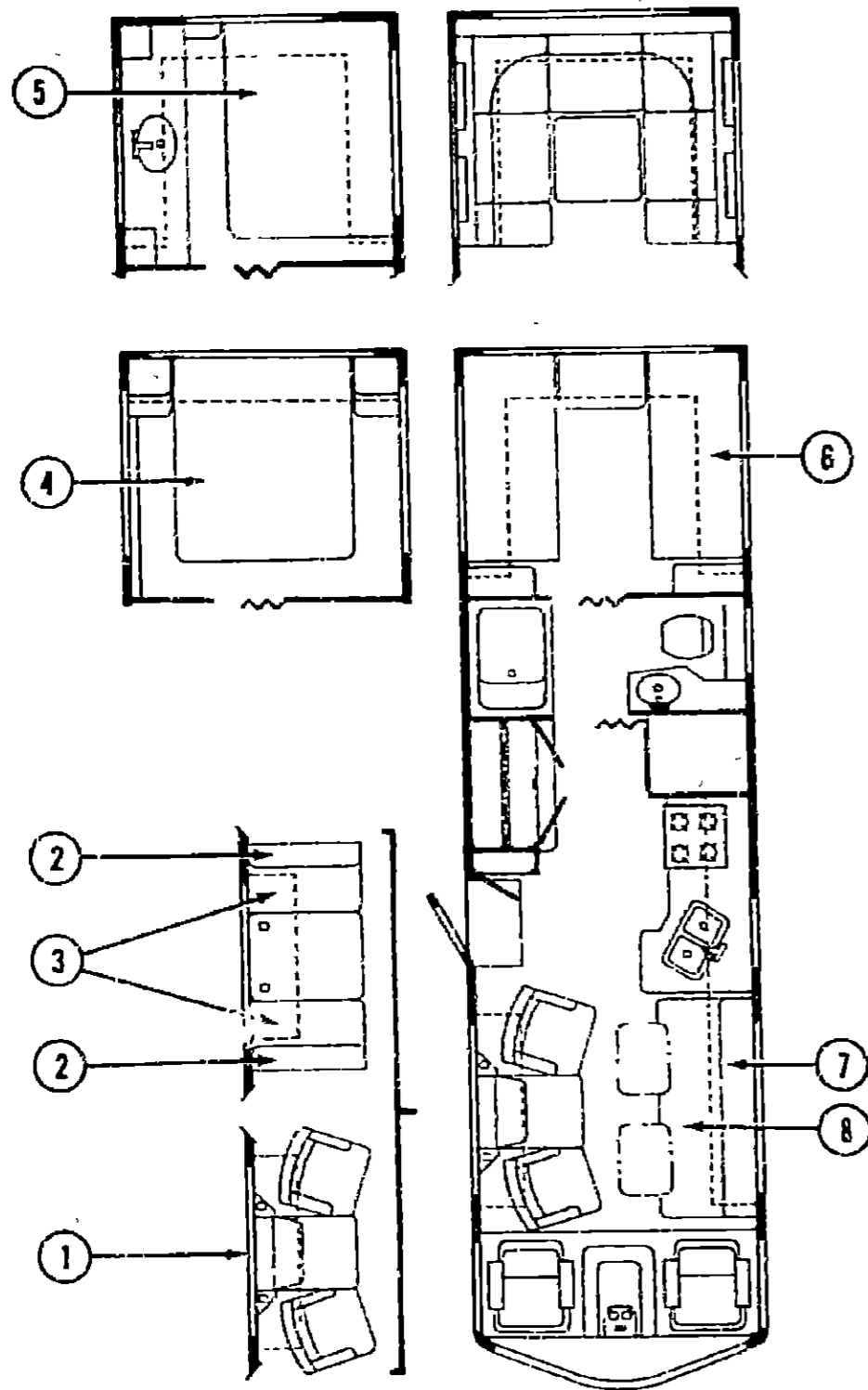
**1987 ITASCA
TABLE OF CONTENTS**

IC/IF424RC	A-01 - C-02
IC/JN31RT	C-03 - E-16
ICN33RU	E-17 - H-06
ICP31RT	H-07 - J-16

1987 IC/JN31RT INDEX

Floor Plan	C-03 - C-04
Accessories Group	C-05 - C-07
Bath Group	C-08 - C-09
Chassis Group	C-10 - C-12
Curtain, Cushion & Pad Group	C-13 - C-22
Dinette Group	C-23 - C-24
Driver's Compartment Group	D-01 - D-03
Electrical Group	D-04 - D-06
Exterior Body Group	D-07 - D-12
Galley Group	D-13 - D-15
Heating & Air Conditioning Group	D-16
Interior Finish Group	D-17 - D-19
LP Group	D-20
Lounge Group	D-21 - D-24
Water & Sewage Group	E-01 - E-02
Window, Vent & Exterior Door Group	E-03 - E-16

CURTAIN, CUSHION & PAD GROUP (CONTINUED)



CURTAIN, CUSHION & PAD GROUP (CONTINUED)

CELEBRITY CHAIR

Key	Part Number	U/M	Description
1	085059-01-W30	EA	Chair Asm - Celebrity
1	085059-01-W31	EA	Chair Asm - Celebrity
1	085059-01-W32	EA	Chair Asm - Celebrity
	085187-01-W30	EA	Skirt Asm - Celebrity
	085187-01-W31	EA	Skirt Asm - Celebrity
	085187-01-W32	EA	Skirt Asm - Celebrity
	035036-01-000	EA	Plate - Tilt & Swivel Chair
	035036-04-000	EA	Base w/Legs - Swivel Chair
	035036-06-000	EA	Extension - 5" - Swivel Chair
*1	086516-01-W30	EA	Chair Asm - EZ Back Recliner
*1	086516-01-W31	EA	Chair Asm - EZ Back Recliner
*1	086516-01-W32	EA	Chair Asm - EZ Back Recliner
	075174-05-W30	EA	Skirt Asm - Recliner Chair
	075174-05-W31	EA	Skirt Asm - Recliner Chair
	075174-05-W32	EA	Skirt Asm - Recliner Chair
	069246-03-000	EA	Adjuster Asm - TT Chair - w/Lock
	069246-04-000	EA	Adjuster Asm - TT Chair - w/o Lock
	035036-07-000	EA	Extension - 4" - Recliner Chair
	Parts used on the Reclining Swivel Chair		

DINETTE CUSHIONS

Key	Part Number	U/M	Description
2	081998-77-W30	EA	Cushion Asm - Dinette Back - 19.25" x 38" x 5"
2	081998-77-W31	EA	Cushion Asm - Dinette Back - 19.25" x 38" x 5"
2	081998-77-W32	EA	Cushion Asm - Dinette Back - 19.25" x 38" x 5"
	M81998-77-W30	EA	Cover Asm - Dinette Back Cushion - 19.25" x 38" x 5"
	M81998-77-W31	EA	Cover Asm - Dinette Back Cushion - 19.25" x 38" x 5"
	M81998-77-W32	EA	Cover Asm - Dinette Back Cushion - 19.25" x 38" x 5"
3	081998-78-W30	EA	Cushion Asm - Dinette Seat - 17.5" x 38" x 5"
3	081998-78-W31	EA	Cushion Asm - Dinette Seat - 17.5" x 38" x 5"
3	081998-78-W32	EA	Cushion Asm - Dinette Seat - 17.5" x 38" x 5"
	M81998-78-W30	EA	Cover Asm - Dinette Seat Cushion - 17.5" x 38" x 5"
	M81998-78-W31	EA	Cover Asm - Dinette Seat Cushion - 17.5" x 38" x 5"
	M81998-78-W32	EA	Cover Asm - Dinette Seat Cushion - 17.5" x 38" x 5"

QUEEN BED

Key	Part Number	U/M	Description
4	077478-05-000	EA	Mattress - Innerspring - 60" x 75" x 7.5" - Sealy
4	083496-04-000	EA	Mattress - Foam - 60" x 75" x 7"
	081969-15-W30	EA	Bedsprad Asm - 60" x 76" w/Flip-up Top
	081969-15-W31	EA	Bedsprad Asm - 60" x 76" w/Flip-up Top
	081969-15-W32	EA	Bedsprad Asm - 60" x 76" w/Flip-up Top
	081997-01-W30	EA	Pillow Sham - Quilted - 30" x 26"
	081997-01-W31	EA	Pillow Sham - Quilted - 30" x 26"
	081997-01-W32	EA	Pillow Sham - Quilted - 30" x 26"
	077463-09-W30	EA	Headboard Asm. Double
	077463-09-W31	EA	Headboard Asm. Double
	077463-09-W32	EA	Headboard Asm. Double

DOUBLE BED

Key	Part Number	U/M	Description
5	077478-03-000	EA	Mattress - Innerspring - 54" x 75" x 7.5" - Sealy
5	083496-03-000	EA	Mattress - Foam - 54" x 75" x 7"
	081969-05-W30	EA	Bedsprad Asm - Fitted - 54" - Jade/Taupe
	081969-05-W31	EA	Bedsprad Asm - Fitted - 54" - Rose
	081969-05-W32	EA	Bedsprad Asm - Fitted - 54" - Taupe
	081997-01-W30	EA	Pillow Sham - Quilted - 30" x 26"
	081997-01-W31	EA	Pillow Sham - Quilted - 30" x 26"
	081997-01-W32	EA	Pillow Sham - Quilted - 30" x 26"
	077463-09-W30	EA	Headboard Asm. Double
	077463-09-W31	EA	Headboard Asm. Double
	077463-09-W22	EA	Headboard Asm. Double

**1987 ITASCA
TABLE OF CONTENTS**

IC/IF424RC
IC/JN31RT
ICN33RU
ICP31RT

A-01 - C-02
C-03 - E-16
E-17 - H-06
H-07 - J-16

1987 IC/JN31RT INDEX

Floor Plan	C-03 - C-04
Accessories Group	C-05 - C-07
Bath Group	C-08 - C-09
Chassis Group	C-10 - C-12
Curtain, Cushion & Pad Group	C-13 - C-22
Dinette Group	C-23 - C-24
Driver's Compartment Group	D-01 - D-03
Electrical Group	D-04 - D-06
Exterior Body Group	D-07 - D-12
Galley Group	D-13 - D-15
Heating & Air Conditioning Group	D-16
Interior Finish Group	D-17 - D-19
LP Group	D-20
Lounge Group	D-21 - D-24
Water & Sewage Group	E-01 - E-02
Window, Vent & Exterior Door Group	E-03 - E-16

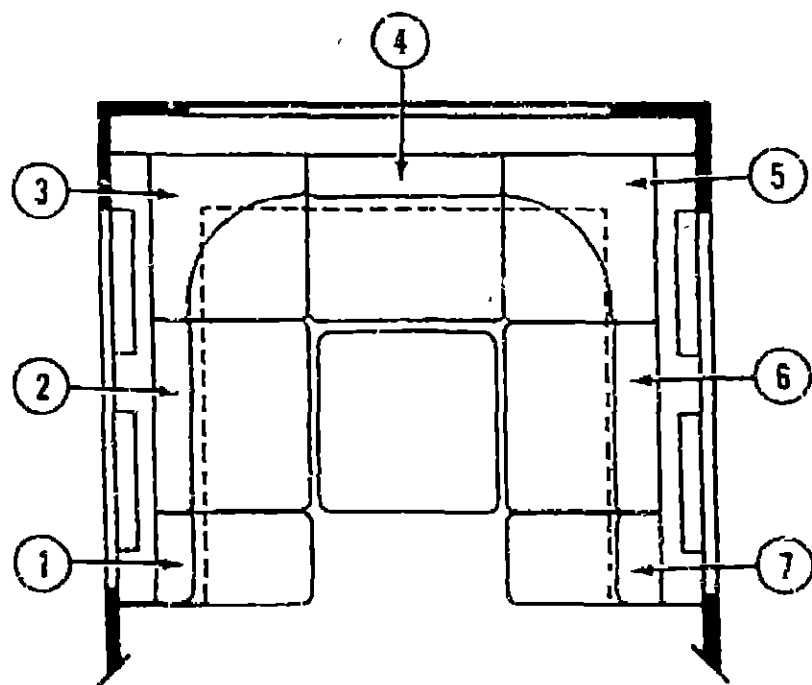
CURTAIN, CUSHION & PAD GROUP (CONTINUED)

TWIN BED

Key	Part Number	U/M	Description
6	077478-04-000	EA	Mattress - Innerspring - 33" x 75" x 7 5/8" - Sealy
6	083496-01-000	EA	Mattress - Foam - 33" x 75" x 7"
	081969-04-W30	EA	Bedsprad Asm. - w/10" Ruffle - 33"
	081969-04-W31	EA	Bedsprad Asm. - w/10" Ruffle - 33"
	081969-04-W32	EA	Bedsprad Asm. - w/10" Ruffle - 33"
	081997-01-W30	EA	Pillow Asm. - Quilted - 30" x 26"
	081997-01-W31	EA	Pillow Asm. - Quilted - 30" x 26"
	081997-01-W32	EA	Pillow Asm. - Quilted - 30" x 26"
	077463-08-W30	EA	Headboard Asm. - Twin
	077463-08-W31	EA	Headboard Asm. - Twin
	077463-08-W32	EA	Headboard Asm. - Twin

CONTINENTAL BED

Key	Part Number	U/M	Description
7	081998-67-W30	EA	Pillow Asm. - 16" x 23" x 5"
7	081998-67-W31	EA	Pillow Asm. - 16" x 23" x 5"
7	081998-67-W32	EA	Pillow Asm. - 16" x 23" x 5"
	M81998-67-W30	EA	Cover Asm. - Pillow - 16" x 23" x 5"
	M81998-67-W31	EA	Cover Asm. - Pillow - 16" x 23" x 5"
	M81998-67-W32	EA	Cover Asm. - Pillow - 16" x 23" x 5"
8	085058-01-W30	EA	Bed Asm. - Continental Bed
8	085058-01-W31	EA	Bed Asm. - Continental Bed
8	085058-01-W32	EA	Bed Asm. - Continental Bed
	M85058-01-W30	EA	Cover Asm. - Continental Bed
	M85058-01-W31	EA	Cover Asm. - Continental Bed
	M85058-01-W32	EA	Cover Asm. - Continental Bed



CURTAIN, CUSHION & PAD GROUP (CONTINUED)

HORSESHOE LOUNGE CUSHIONS

Key	Part Number	U/M	Description
1	077813-16-W30	EA	Cushion Asm. - Back - 4" x 6" x 12" x 16 3/4"
1	077813-16-W31	EA	Cushion Asm. - Back - 4" x 6" x 12" x 16 3/4"
1	077813-16-W32	EA	Cushion Asm. - Back - 4" x 6" x 12" x 16 3/4"
*	081998-03-W30	EA	Cushion Asm. - Seat - 26 3/8" x 16 3/4" x 5"
*	081998-03-W31	EA	Cushion Asm. - Seat - 26 3/8" x 16 3/4" x 5"
*	081998-03-W32	EA	Cushion Asm. - Seat - 26 3/8" x 16 3/4" x 5"
2	077813-13-W30	EA	Cushion Asm. - Back - 4" x 6" x 12" x 33 1/2"
2	077813-13-W31	EA	Cushion Asm. - Back - 4" x 6" x 12" x 33 1/2"
2	077813-13-W32	EA	Cushion Asm. - Back - 4" x 6" x 12" x 33 1/2"
*	081998-05-W30	EA	Cushion Asm. - Seat - 26 3/8" x 33 1/2" x 5"
*	081998-05-W31	EA	Cushion Asm. - Seat - 26 3/8" x 33 1/2" x 5"
*	081998-05-W32	EA	Cushion Asm. - Seat - 26 3/8" x 33 1/2" x 5"
3	077814-08-W30	EA	Cushion Asm. - Back - 4" x 6" x 12" x 26 3/8"
3	077814-08-W31	EA	Cushion Asm. - Back - 4" x 6" x 12" x 26 3/8"
3	077814-08-W32	EA	Cushion Asm. - Back - 4" x 6" x 12" x 26 3/8"
*	081998-26-W30	EA	Cushion Asm. - Seat - 26 3/8" x 26 3/8" x 5"
*	081998-26-W31	EA	Cushion Asm. - Seat - 26 3/8" x 26 3/8" x 5"
*	081998-26-W32	EA	Cushion Asm. - Seat - 26 3/8" x 26 3/8" x 5"
4	077813-15-W30	EA	Cushion Asm. - Back - 4" x 6" x 12" x 26 3/4"
4	077813-15-W31	EA	Cushion Asm. - Back - 4" x 6" x 12" x 26 3/4"
4	077813-15-W32	EA	Cushion Asm. - Back - 4" x 6" x 12" x 26 3/4"
*	081998-25-W30	EA	Cushion Asm. - Seat - 26 3/8" x 26 3/8" x 5"
*	081998-25-W31	EA	Cushion Asm. - Seat - 26 3/8" x 26 3/8" x 5"
*	081998-25-W32	EA	Cushion Asm. - Seat - 26 3/8" x 26 3/8" x 5"
5	077814-09-W30	EA	Cushion Asm. - Back - 4" x 6" x 12" x 26 3/8"
5	077814-09-W31	EA	Cushion Asm. - Back - 4" x 6" x 12" x 26 3/8"
5	077814-09-W32	EA	Cushion Asm. - Back - 4" x 6" x 12" x 26 3/8"
*	081998-27-W30	EA	Cushion Asm. - Seat - 26 3/8" x 26 3/8" x 5"
*	081998-27-W31	EA	Cushion Asm. - Seat - 26 3/8" x 26 3/8" x 5"
*	081998-27-W32	EA	Cushion Asm. - Seat - 26 3/8" x 26 3/8" x 5"
6	077813-14-W30	EA	Cushion Asm. - Back - 4" x 6" x 12" x 33 1/2"
6	077813-14-W31	EA	Cushion Asm. - Back - 4" x 6" x 12" x 33 1/2"
6	077813-14-W32	EA	Cushion Asm. - Back - 4" x 6" x 12" x 33 1/2"
*	081998-06-W30	EA	Cushion Asm. - Seat - 26 3/8" x 33 1/2" x 5"
*	081998-06-W31	EA	Cushion Asm. - Seat - 26 3/8" x 33 1/2" x 5"
*	081998-06-W32	EA	Cushion Asm. - Seat - 26 3/8" x 33 1/2" x 5"
7	077813-17-W30	EA	Cushion Asm. - Back - 4" x 6" x 12" x 16 3/4"
7	077813-17-W31	EA	Cushion Asm. - Back - 4" x 6" x 12" x 16 3/4"
7	077813-17-W32	EA	Cushion Asm. - Back - 4" x 6" x 12" x 16 3/4"
*	081998-03-W30	EA	Cushion Asm. - Seat - 26 3/8" x 16 3/4" x 5"
*	081998-03-W31	EA	Cushion Asm. - Seat - 26 3/8" x 16 3/4" x 5"
*	081998-03-W32	EA	Cushion Asm. - Seat - 26 3/8" x 16 3/4" x 5"
*			Not Keyed Out

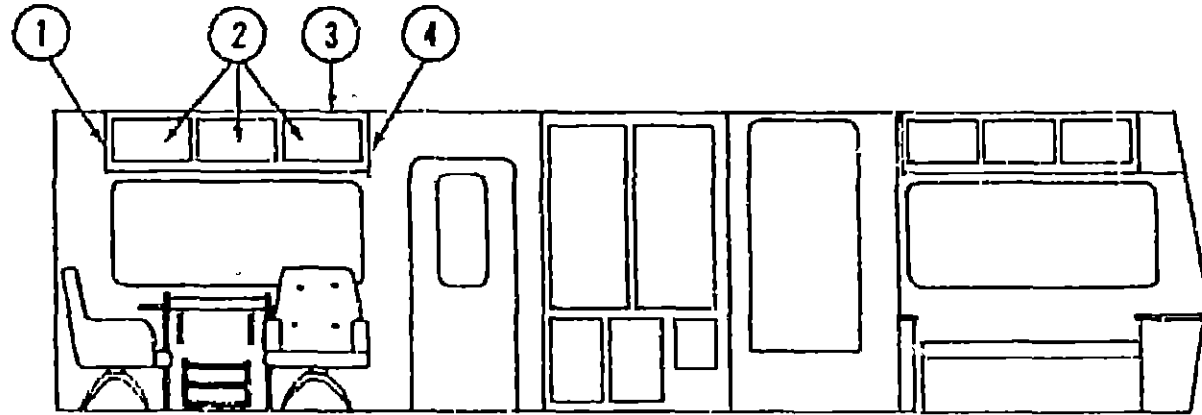
**1987 ITASCA
TABLE OF CONTENTS**

IC/IF424RC	A-01 - C-02
IC/JN31RT	C-03 - E-16
ICN33RU	E-17 - H-06
ICP31RT	H-07 - J-16

1987 IC/JN31RT INDEX

Floor Plan	C-03 - C-04
Accessories Group	C-05 - C-07
Bath Group	C-08 - C-09
Chassis Group	C-10 - C-12
Curtain, Cushion & Pad Group	C-13 - C-22
Dinette Group	C-23 - C-24
Driver's Compartment Group	D-01 - D-03
Electrical Group	D-04 - D-06
Exterior Body Group	D-07 - D-12
Galley Group	D-13 - D-15
Heating & Air Conditioning Group	D-16
Interior Finish Group	D-17 - D-19
LP Group	D-20
Lounge Group	D-21 - D-24
Water & Sewage Group	E-01 - E-02
Window, Vent & Exterior Door Group	E-03 - E-16

DINETTE GROUP



SWIVEL CHAIR DINETTE & OVERHEAD CABINETS

Key	Part Number	U/M	Description
1	091325-02-W30	EA	Pad Asm - End Cap - Front Overhead - Left - Vinyl
2	M81503-01-W30	EA	Door Asm. - Overhead Cabinet - w/o Hardware
**2	M84955-01-W30	EA	Door Asm - Overhead Cabinet - w/o Hardware
3	091550-19-W30	EA	Cabinet Asm. - Front Overhead - Passenger - w/o Doors or Hardware
*	081550-18-W30	EA	Cabinet Asm. - Front Overhead - Driver - w/o Doors or Hardware
4	091325-01-W30	EA	Pad Asm - End Cap - Front Overhead - Right - Vinyl
*	M81727-03-W30	EA	Cabinet Asm - Pullout Table
*	M02415-01-W30	EA	Table Asm - Pullout
*	M02416-01-W30	EA	Countertop Asm. - Pullout Table
*	M02414-01-W30	EA	Top - Cupholder - Pullout Table
*	M02417-01-W30	EA	Hinged Top - Pullout Table - w/o Hardware
*	079606-03-W30	EA	Magazine Rack
*	080728-01-000	EA	Handle - Pullout Table
*	035036-01-000	EA	Plate - Tilt & Swivel
*	035036-04-000	EA	Base w/Leg - Swivel Chair
*	035036-06-000	EA	Extension - 7" - Swivel Chair
*	081298-01-U04	EA	Table Asm. - Pedestal
*	009040-03-000	EA	Base - Table - Mount on Table
*	009040-04-000	EA	Leg - Pedestal Table
*	062046-01-000	EA	Clip - Pedestal Leg
*	041194-01-000	EA	Base - Table - Flush Mount in Floor
*			Not illustrated

DINETTE GROUP (CONTINUED)

SWIVEL CHAIRS & ICEMAKER (OPTION)

Key	Part Number	U/M	Description
	M81720-01-W30	EA	Cabinet Asm. - Ice Maker - w/o Countertop
	M02438-01-W30	EA	Countertop Asm. - Ice Maker
	M02439-01-W30	EA	Countertop Asm. - Ice Maker Pullout
	074489-01-000	EA	Beverage Holder w/Tray - Oak
**	076799-01-000	EA	Ice Maker - Black Glass
	077841-01-000	EA	Bracket - Tie Down - Ice Maker - Right
	077841-02-000	EA	Bracket - Tie Down - Ice Maker - Left
**			The illustrated parts breakdown for this item is provided on the Common Items Fiche

DINETTE CABINETS & HARDWARE (OPTION)

Key	Part Number	U/M	Description
	M02174-02-W30	EA	Cabinet Asm. - Dinette Back - Right
	M02174-03-W30	EA	Cabinet Asm - Dinette Back - Left
	M02175-01-W30	EA	Cabinet Asm. - Dinette Seat - Right w/o Door
	M02175-04-W30	EA	Cabinet Asm. - Dinette Seat - Left - w/o Door
	M02115-09-U17	EA	Table - Dinette - w/o Hardware
	M81501-10-W30	EA	Door Asm. - Left - Dinette Seat - w/o Hardware
**	M84953-06-W24	EA	Door Asm - Left - Dinette Seat - w/o Hardware
	M81504-11-W07	EA	Door Asm. - Right - Dinette Seat - w/o Hardware
**	M84953-07-W24	EA	Door Asm. - Right - Dinette Seat - w/o Hardware
	053201-05-000	EA	Hanger - Table - 23" - Beige
	074493-02-000	EA	Support - Sprung Door Asm - Overhead Cabinet
	053200-05-000	EA	Bracket - Upper Wall Mount - 23.5" - Beige
	053201-05-000	EA	Bracket - Table Mount - 23"
	024275-05-000	EA	Rod - Table Lift - 8" x 23.5" - Beige
	024281-07-000	EA	Bracket - Lower Wall Mount - 22.12" - Beige
	024276-17-000	EA	Leg Asm - Table - 26.75" - Tan
	064050-02-000	EA	Hinge - Table Leg
**	024282-01-000	EA	Brace - Table Leg
**	024283-01-000	EA	Clip - 1" C/D Tube
	049493-05-000	EA	Catch - Table Leg - Mounts on Floor - Tan
	064781-01-000	EA	Cup Holder - 3.47" O.D. x 2.75" I.D. x 1.5"
**			The illustrated parts breakdown for this item is provided on the Common Items Fiche

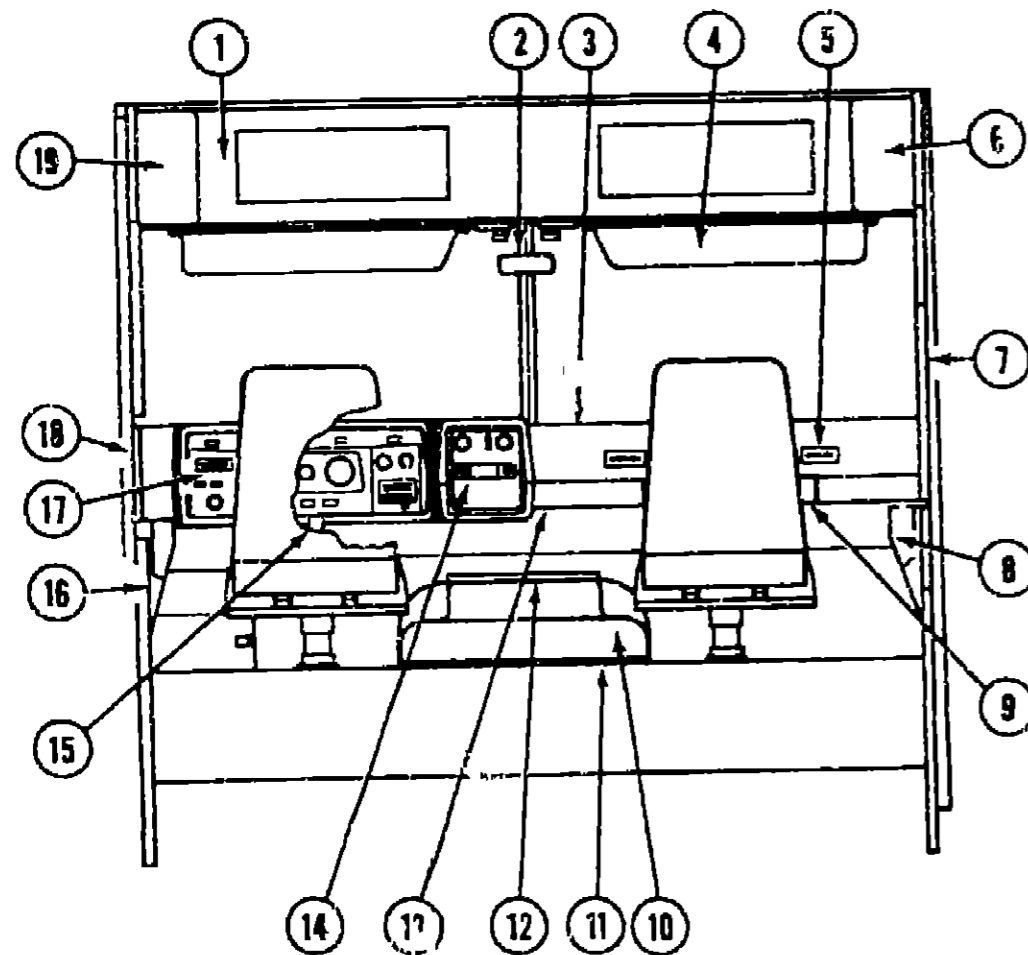
1987 ITASCA TABLE OF CONTENTS

IC/IF424RC	A-01 - C-02
IC/JN31RT	C-03 - E-16
ICN33RU	E-17 - H-06
ICP31RT	H-07 - J-16

1987 IC/JN31RT INDEX

Floor Plan	C-03 - C-04
Accessories Group	C-05 - C-07
Bath Group	C-08 - C-09
Chassis Group	C-10 - C-12
Curtain, Cushion & Pad Group	C-13 - C-22
Dinerie Group	C-23 - C-24
Driver's Compartment Group	D-01 - D-03
Electrical Group	D-04 - D-06
Exterior Body Group	D-07 - D-12
Galley Group	D-13 - D-15
Heating & Air Conditioning Group	D-16
Interior Finish Group	D-17 - D-19
LP Group	D-20
Lounge Group	D-21 - D-24
Water & Sewage Group	E-01 - E-02
Window, Vent & Exterior Door Group	E-03 - E-16

DRIVER'S COMPARTMENT GROUP



MISCELLANEOUS DRIVER'S COMPARTMENT COMPONENTS

Key	Part Number	U/M	Description
1	086413-01-000	EA	Header - Front - Light Oak
	083917-01-W30	EA	Cabinet Asm - Front Overhead - w/o Bunk
2	040714-01-700	EA	Mirror - Inside Rear View - w/Button Support
3	M01113-19-W30	EA	Dash Asm - Complete - w/Gauges & Switches (Chevy)
3	M01113-22-W30	EA	Dash Asm - Complete - w/Gauges & Switches (John Deere)
	079089-01-000	EA	Dash Pad - Passenger - Brown
	079088-01-000	EA	Dash Pad - Drivers - Brown
	074990-01-000	EA	Outlet - Defroster w/Swivel - 2 - Tan
	086491-01-000	EA	Gasket - Defroster Outlet
4	082286-01-LJ04	EA	Sunvisor Asm - Right
	082286-03-LJ04	EA	Sunvisor Asm - Left
	085709-01-000	EA	Clip Asm - Sunvisor - Black
5	039044-01-000	EA	Louver Asm - Air Conditioning Adjustable
6	080855-03-000	EA	Side Trim - Right Front - Upper (w/o Bunk)
	083918-01-W30	EA	Cabinet Asm - Front Overhead - Right - w/o Bunk
	080856-03-000	EA	Side Trim - Right Front - Lower (w/o Bunk)
7	059414-06-000	EA	Pad - Sidewall Trim - Passenger - Vinyl
8	072811-01-000	EA	Side Panel - Passenger - Plastic
	059467-04-T03	EA	Pad - Map Pocket - Passenger - Vinyl
9	022219-01-000	EA	Glove Compartment Door
	023892-01-000	EA	Glove Compartment Box - Black Fiberboard
	009118-01-000	EA	Glove Compartment Twist Lock
	024598-01-000	EA	Glove Compartment Hinge
	034309-01-000	EA	Glove Compartment Chain - Door
10	075939-01-000	EA	Motor Cover - Fiberglass
	075564-01-000	EA	Mounting Bracket - Motor Cover
	075564-02-000	EA	Mounting Bracket - Motor Cover
11	039623-01-000	FT	Seal - Engine Cover - Neoprene
			Not illustrated

NOTE: To be special ordered only

DRIVER'S COMPARTMENT GROUP (CONTINUED)

MISCELLANEOUS DRIVER'S COMPARTMENT COMPONENTS (CONT)

Key	Part Number	U/M	Description
12	086157-01-W30	EA	Beverage Tray Asm - Wooden Insert
	086410-02-000	EA	Beverage Tray Asm - Plastic Base
	086411-01-000	EA	Housing - Cassette Holder
	086412-01-000	EA	Insert - Cassette Holder
13	023834-01-000	EA	Panel - Knee Kick - Bottom of Dash
14	076006-11-000	EA	Bezel - Entertainment Center - w/o Generator (Chevy)
14	076006-13-000	EA	Bezel - Entertainment Center - w/o Generator (John Deere)
15	085495-01-000	EA	Cover - Steering Column (John Deere Only)
	078245-01-000	EA	Steering Column Boot - Vinyl
16	082471-02-000	EA	Panel - Drivers Door - Inner - Plastic
	046886-03-000	EA	Ash Tray - Chrome
17	086296-01-000	EA	Bezel - Control Panel (Chevy)
17	086296-03-000	EA	Bezel - Control Panel (Aux Fuel)
	078581-01-000	EA	Trim - Instrument Panel - Front - Passenger
	078582-01-000	EA	Trim - Instrument Panel - Front - Driver
	052367-01-000	EA	Cigarette Lighter Asm - 12 Volt
	007041-01-000	EA	Bezel - Cigarette Lighter
	061424-01-000	EA	Lamp Asm - Map/Gauge
	061400-06-000	EA	Assist Strap - 12 - Medium Almond
18	059414-05-000	EA	Pad - Sidewall Trim - Driver - Vinyl
19	080855-04-000	EA	Side Trim - Left Front - Upper (w/o Bunk)
	080856-04-000	EA	Side Trim - Left Front - Lower (w/o Bunk)
	083918-02-W30	EA	Cabinet Asm - Front Overhead - Left - w/o Bunk
	054250-01-000	EA	Support - Dimmer Switch - w/o Holes
	079765-01-000	EA	Windshield Trim - Center
	079206-01-000	EA	Windshield Trim - Interior - Post - Passenger
	079206-02-000	EA	Windshield Trim - Interior - Post - Driver
	078579-01-000	EA	Windshield Trim - Upper - Interior - Passenger
	078579-02-000	EA	Windshield Trim - Upper - Interior - Driver
			Not illustrated

DASH SWITCHES & GAUGES

Key	Part Number	U/M	Description
	024461-01-000	EA	Switch - Battery
	024462-01-000	EA	Switch - Battery Condition
	024464-02-000	EA	Switch - Battery - Dual Boost
	024464-01-000	EA	Switch - Washer
	024465-01-000	EA	Switch - Fuel
	024467-01-000	EA	Switch - Wiper
	024976-01-000	EA	Switch - Generator w/o Circuit Board
	074007-01-000	EA	Switch - Intermittent - Windshield Wiper
	024459-04-000	EA	Gauge - Voltmeter
	024460-04-000	EA	Gauge - Vacuum
	024460-02-000	EA	Mounting Bracket - Vacuum Gauge
	031035-02-000	EA	Gauge - Generator Hourmeter

FRONT BUNK & PULL DOWN STORAGE

Key	Part Number	U/M	Description
	076760-03-000	EA	Overhead Bunk Hardware
	081717-01-W07	EA	Bed Asm - Front Bunk
	079144-02-T03	EA	Bunk Strap
	042541-04-000	EA	Latch Asm - w/o Strike - Brass
	042541-05-000	EA	Latch Strike - Brass
	080855-05-000	EA	Side Trim - Right Front - Upper
	080856-05-000	EA	Side Trim - Right Front - Lower
	080855-06-000	EA	Side Trim - Left Front - Upper
	080856-06-000	EA	Side Trim - Left Front - Lower

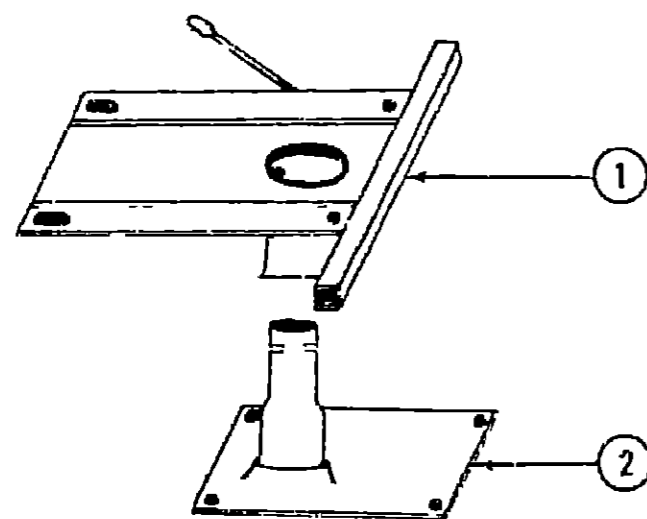
**1987 ITASCA
TABLE OF CONTENTS**

IC/IF424RC	A-01 - C-02
IC/JN31RT	C-03 - E 16
ICN33RU	E-17 - H 06
ICP31RT	H-07 - I-16

1987 IC/JN31RT INDEX

Floor Plan	C-03 - C-04
Accessories Group	C-05 - C-07
Bath Group	C-08 - C-09
Chassis Group	C-10 - C-12
Curtain Cushion & Pad Group	C-13 - C-22
Dinette Group	C-23 - C-24
Driver's Compartment Group	D-01 - D-03
Electrical Group	D-04 - D-06
Exterior Body Group	D-07 - D-12
Galley Group	D-13 - D-15
Heating & Air Conditioning Group	D 16
Interior Finish Group	D-17 - D 19
LP Group	D-20
Lounge Group	D-21 - D 24
Water & Sewage Group	E-01 - E-02
Window Vent & Exterior Door Group	E-03 - E 16

DRIVER'S COMPARTMENT GROUP (CONTINUED)



BUCKET SEAT PEDESTAL & SEAT BELTS

Key	Part Number	U/M	Description
1	0C9585-27-000	EA	Plate - Top - Pedestal Asm - Single Bucket Seat
1	069585-20-000	EA	Plate - Top - Pedestal Asm - Powered Seat
1	069585-10-000	EA	Plate - Top - Pedestal Asm - Double Bucket Seat
2	069585-08-000	EA	Plate - Sub - Pedestal Asm - Bucket Seat
	069585-05-000	EA	Hardware Kit - Bolt/Acorn Nut - 4 ea - Pedestal Asm
	069585-29-000	EA	Bar - Seat Belt - 20
	007019-01-000	EA	Belt Asm - Seat - 2 x 84" - Black
	007021-01-000	EA	Belt Asm - Seat - 2 x 90" - Black
	056271-01-000	EA	Belt Asm - Seat - 2 x 72" - Black
	057759-01-000	EA	Bracket - Seat Belt Washer
	069246-01-000	EA	Adjuster Asm - Seat - w/Lock
	069246-02-000	EA	Adjuster Asm - Seat - w/o Lock
	081373-02-000	EA	Power Seat Adjustment Asm - w/Frame
	081373-02-700	EA	Switch Asm Package
	081737-02-701	EA	Harness Asm - Left
	081737-02-702	EA	Harness Asm - Right
	081737-02-703	EA	Horizontal Adjustment Package
	081737-02-704	EA	Vertical Adjustment Package
			Not illustrated

ELECTRONIC INSTRUMENT PANEL (OPTION)

Key	Part Number	U/M	Description
	NOTE		
	086296-04-000	EA	Electronic Instrument Panel
	086296-06-000	EA	Bezel - Electronic - Instrument Panel
	082124-01-000	EA	Bezel - Smoked Insert - Electronic Instrument Panel
	076006-06-000	EA	Bezel - Entertainment Center - w/Radio - Black
	076006-07-000	EA	Bezel - Entertainment Center - w/Radio & Generator Switch - Black

NOTE This item available from your Chrysler Service Center

ELECTRICAL GROUP

INTERIOR LIGHT

Key	Part Number	U/M	Description
	065202-03-000	EA	Lamp - Decor - Wall - Bright Brass - 2 Bulb
	065202-06-000	EA	Lamp - Decor - Wall - Bright Brass
	033508-02-000	EA	Light - Dome - Ivory - 1 Bulb - JS
	033508-03-000	EA	Light - Dome - Ivory - 1 Bulb - CSA
	033509-02-000	EA	Light - Dome - Ivory - 2 Bulb - US
	033509-03-000	EA	Light - Dome - Ivory - 2 Bulb - CSA
	078424-02-000	EA	Light - Fluorescent - 12V - 18" - Almond
	061424-01-000	EA	Light - 12V Receptacle - Aisle - IP
	086280-01-000	EA	Light - Surface Mount - 12 Volt
	007309-01-000	EA	Light - Step Well
	068937-04-000	EA	Dome Light - Surface - w/o Switch
	081633-01-000	EA	Light - Make up
	082686-01-000	EA	Lamp - Decor - Table - Brass w/Wood
	082686-02-000	EA	Shade - Table Lamp
	065201-02-000	EA	Shade - Parchment - 2 Bulbs - Lamp
	081909-01-000	EA	Light Strip - 1d Clear Plastic
	067789-02-000	EA	Socket Asm - Lamp

EXTERIOR LIGHTS

Key	Part Number	U/M	Description
	081638-01-000	EA	Tail Light Asm - Double
	042405-01-000	EA	Lens - Rectangular - Red w/Reflex
	042405-02-000	EA	Lens - Rectangular - Amber w/Reflex
	042405-03-000	EA	Base - Rectangular Side Marker Light
	005089-01-000	EA	Light - Porch - Recessed
	049185-01-000	EA	Headlight Capsule Asm - High/Low Beam - Driver
	049186-01-000	EA	Headlight Capsule Asm - High/Low Beam - Passenger
	049187-01-000	EA	Headlight Capsule Asm - High Beam - Driver
	049188-01-000	EA	Headlight Capsule Asm - High Beam - Passenger
	081250-02-000	EA	Light Asm - Clearance - Red
	081250-01-000	EA	Light Asm - Clearance - Amber
	076343-01-000	EA	Lamp Asm - Park/Turn - Clear - Left
	076343-02-000	EA	Lamp Asm - Park/Turn - Clear - Right

WINDSHIELD WIPERS & WASHER

Key	Part Number	U/M	Description
	050000-02-000	EA	Washer Asm - Windshield
	057653-01-000	EA	Arm - Windshield Wiper - 18" - Black
	049464-03-000	EA	Blade - Windshield Wiper - 20" - Black
	072472-02-000	EA	Adapter Arm - Wiper Pantograph
	072472-04-000	EA	Wiper - Pantograph - 29

The illustrated parts breakdown for this item is provided on the Common Items Fiche

MISCELLANEOUS ELECTRICAL COMPONENTS

Key	Part Number	U/M	Description
	047338-03-000	EA	Isolator - Dual Battery - 70 Amp
	008188-01-000	EA	Solenoid - Dual Battery - Relay
	083208-02-000	EA	Control Center - 45 Amp 120 Amp 112 Volt - CSA
	083208-03-000	EA	Control Center - 45 Amp - 120 Amp /12 Volt

**1987 ITASCA
TABLE OF CONTENTS**

IC/IF424RC	A-01 - C-02
IC/JN31RT	C-03 - E-16
ICN33RU	E-17 - H-06
ICP31RT	H-07 - J-16

1987 IC/JN31RT INDEX

Floor Plan	C-03 - C-04
Accessories Group	C-05 - C-07
Bath Group	C-08 - C-09
Chassis Group	C-10 - C-12
Curtain Cushion & Pad Group	C-13 - C-22
Dinette Group	C-23 - C-24
Driver's Compartment Group	D-01 - D-03
Electrical Group	D-04 - D-06
Exterior Body Group	D-07 - D-12
Galley Group	D-13 - D-15
Heating & Air Conditioning Group	D-16
Interior Finish Group	D-17 - D-19
LP Group	D-20
Lounge Group	D-21 - D-24
Water & Sewage Group	E-01 - E-02
Window Vent & Exterior Door Group	E-03 - E-16

ELECTRICAL GROUP (CONTINUED)

WIRE, SWITCHES & RECEPTACLES

Key	Part Number	U/M	Description
	008288-01-000	EA	Box - Electrical - 3 x 3 5 - Plastic
	008289-01-000	EA	Box - Electrical - 4" x 4 - 1/2 & 3/4 Steel - UL
	008289-02-000	EA	Box - Electrical - 4" x 4 - 1/2 & 3/4 Steel - CSA
	058049-01-000	EA	Box - Electrical - 2 x 3 x 2.25" - Steel
	041953-01-000	EA	Conduit - Convolute Slit - 5 1 D
	008353-01-000	EA	Connector - Clamping - 3/8 Cable - UL & CSA
	058028-01-000	EA	Connector - Pigtail - Clear Nylon
	008314-01-000	EA	Connector - Wire Nut - Gray
	008311-01-000	EA	Connector - Wire Nut - Red
	031968-01-000	EA	Contact Plug - Brass - Tin Plated
	031967-01-000	EA	Contact - Receptacle
	008054-01-000	EA	Cord - Power - 10-3 30 Amp - 25 - UL
	008052-01-000	EA	Cord - Power - 10-3 30 Amp - 25 - CSA
	064238-01-000	EA	Cover - Electrical Box - 4" x 4
	084077-01-000	EA	Cover - Receptacle - Ground Fault Interrupter - Ivory
	024571-03-000	EA	Cover Plate - Receptacle - Jumbo - Brown Plastic
	008164-01-000	EA	Cover Plate - Switch - Brown
	008294-01-000	EA	Cover - Flat Blank - 4 x 4 - Steel - US
	008294-02-000	EA	Cover - Flat Blank - 4" x 4" - Steel - CSA
	008250-01-000	EA	Fuse Holder - In Line - 10 Amp
	008250-02-000	EA	Fuse Holder - In Line - 15 Amp
	008277-01-000	EA	Fuse Holder - Panel Mount - Black
	064399-01-000	EA	Housing Asm - Trailer Pin
	064450-01-000	EA	Housing Asm - Trailer Plug
	064398-01-000	EA	Housing Asm - Trailer Receptacle
	054532-01-000	EA	Housing Pin - 6 Position
	046885-01-000	EA	Plaque - Mounting Switch
	075735-01-000	EA	Receptacle/Cover Asm - Gray (Exterior)
	058708-01-000	EA	Receptacle Duplex - Brown
	058708-02-000	EA	Receptacle - Duplex - Ivory
	024924-02-000	EA	Receptacle - Power Cord
	058707-01-000	EA	Receptacle - Single - Brown
	063912-01-000	EA	Relay - Canister SPDT w/Ground
	008158-01-000	EA	Relay - Solenoid - 3 Terminal
	086272-01-000	EA	Relay - Battery Disconnect
	075723-01-000	EA	Switch - Block Spacer - w/o Holes
	075723-02-000	EA	Switch - Block Spacer - w/Holes
	077942-01-000	EA	Switch - Dummy - Black
	056264-01-000	EA	Switch - Leaf Actuator
	081066-01-000	EA	Switch - 2 Gang - 2 Switch
	079362-01-000	EA	Switch Plate - 3 Gang - 2 Switches
	079363-01-000	EA	Switch Plate - Single - w/Switches
	079364-01-000	EA	Switch - On/Off Rocker - Brown
	008195-01-000	EA	Switch - Push Button - 12 Volt
	047443-02-000	EA	Terminal - 250 Receptacle - 12-10 AWG
	008348-01-000	EA	Terminal Ring - 2 - w/3/8 Stud
	008331-01-000	EA	Terminal Ring - 4 - w/3/8 Stud
	008328-01-000	EA	Terminal Ring - 12/10 Wire
	054865-01-000	EA	Wire Asm - Generator Switch
	008028-01-000	FT	Wire - 18 5 Bonded - Blue/Red/Yellow/Orange/White
	008024-01-000	FT	Wire - 18 5 Bonded - Orange/White/Yellow/Blue/Brown
	004025-01-000	FT	Wire - 18 5 Bonded - Orange/White/Yellow/Blue/Green
	008026-01-000	FT	Wire w/Ground - Romex 12/2

ELECTRICAL GROUP (CONTINUED)

BULBS

Key	Part Number	U/M	Description
	008103-01-000	EA	Bulb - 53
	036196-01-000	EA	Bulb - 194
	067479-01-000	EA	Bulb - 1076
	081633-01-700	EA	Bulb - Make-up Light

FUSES & CIRCUIT BREAKERS

Key	Part Number	U/M	Description
	008233-01-000	EA	Fuse - 6 Amp - 12 Volt
	008234-01-000	EA	Fuse - 10 Amp - 12 Volt
	062901-02-000	EA	Fuse - 5 Amp - Automotive
	062901-05-000	EA	Fuse - 15 Amp - Automotive
	008211-01-000	EA	Circuit Breaker - 6 Amp - 12 Volt
	008208-01-000	EA	Circuit Breaker - 40 Amp - 12 Volt
	033573-02-000	EA	Circuit Breaker - 15 Amp - 12 Volt - w/Mount
	033573-01-000	EA	Circuit Breaker - 20 Amp - 12 Volt - w/Mount
	044466-03-000	EA	Circuit Breaker - 25 Amp - 12 Volt - w/Mount
	008268-01-000	EA	Circuit Breaker - 30 Amp - 12 Volt - w/Mount
	071280-01-000	EA	Circuit Breaker Blank
	050283-02-000	EA	Circuit Breaker - Buss Bar
	071279-07-000	EA	Circuit Breaker - 20/20 - 120 Volt
	083209-01-000	EA	Circuit Breaker - 15 Amp - 120 Volt
	085720-01-000	EA	Circuit Breaker - 15 Amp
	083209-02-000	EA	Circuit Breaker - 15/15 Amp - 120 Volt
	083209-03-000	EA	Circuit Breaker - 15/20 Amp - 120 Volt
	082678-02-000	EA	Circuit Breaker - 20 Amp - 12 Volt
	085720-02-000	EA	Circuit Breaker - 20 Amp
	083209-05-000	EA	Circuit Breaker - 20 Amp - 120 Volt
	065720-03-000	EA	Circuit Breaker - 25 Amp
	085720-04-000	EA	Circuit Breaker - 30 Amp
	083209-04-000	EA	Circuit Breaker - 30 Amp - 120 Volt
	083209-06-000	EA	Circuit Breaker - 30/15 Amp - 120 Volt
	082678-01-000	EA	Circuit Breaker - 40 Amp - 12 Volt
	085720-05-000	EA	Circuit Breaker - 40 Amp
	083210-01-000	EA	Circuit Breaker - GFI - 20 Amp - 120 Volt
	063210-02-000	EA	Circuit Breaker - GFI - 15 Amp - 120 Volt

**1987 ITASCA
TABLE OF CONTENTS**

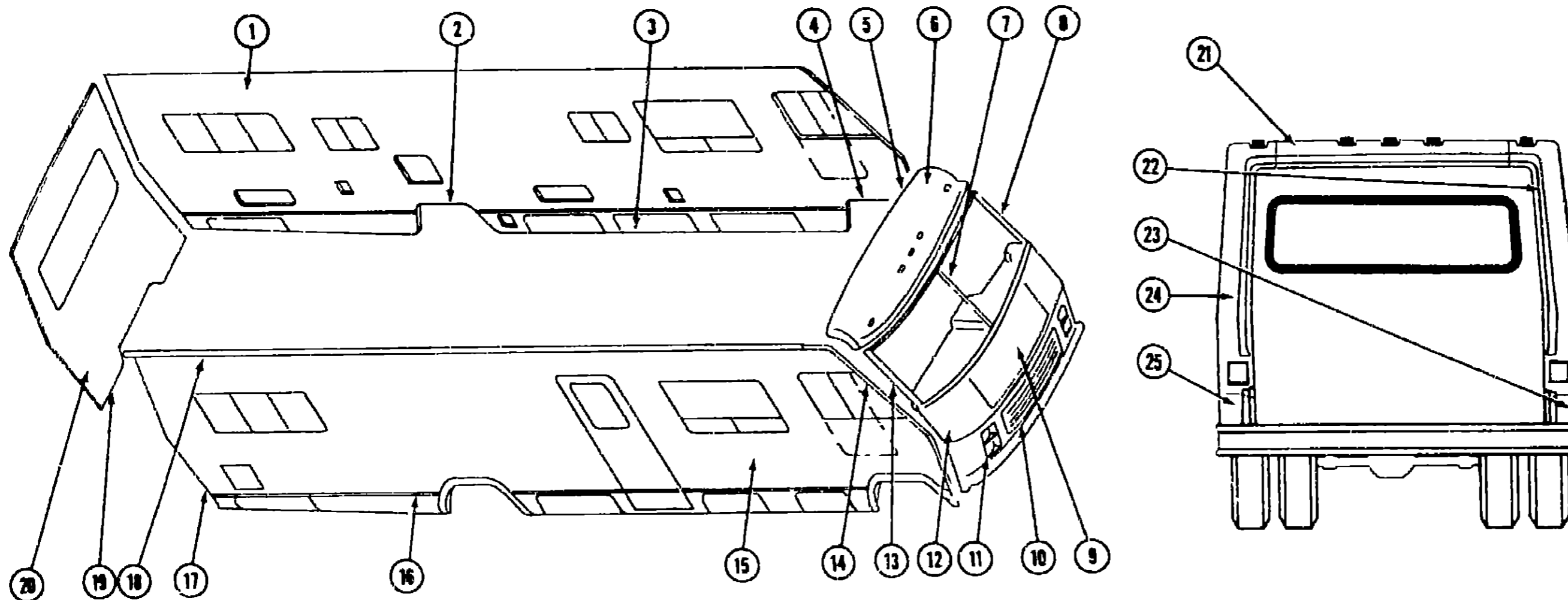
IC/IF424RC	A-01 - C-02
IC/JN31RT	C-03 - E-16
ICN33RU	E-17 - H-08
ICP31RT	H-07 - J-16

1987 IC/JN31RT INDEX

Floor Plan	C-03 - C-04
Accessories Group	C-05 - C-07
Bath Group	C-08 - C-09
Chassis Group	C-10 - C-12
Curtain Cushion & Pad Group	C-13 - C-22
Dinette Group	C-23 - C-24
Driver's Compartment Group	D-01 - D-03
Electrical Group	D-04 - D-06
Exterior Body Group	D-07 - D-12
Galley Group	D-13 - D-15
Heating & Air Conditioning Group	D-16
Interior Finish Group	D-17 - D-19
LP Group	D-20
Lounge Group	D-21 - D-24
Water & Sewage Group	E-01 - E-02
Window Vent & Exterior Door Group	E-03 - E-16

EXTERIOR BODY GROUP

EXTERIOR BODY PANELS



1987 ITASCA TABLE OF CONTENTS

IC/IF424RC
IC/JN31RT
ICN33RU
ICP31RT

A-01 - C-02
C-03 - E-16
E-17 - H-08
H-07 - J-16

Key	Part Number	U/M	Description
1	M87169-01-W30	EA	Sidewall Asm - Left
1	M87169-01-W31	EA	Sidewall Asm - Left
1	M87169-01-W32	EA	Sidewall Asm - Left
2	058487-07-000	EA	Trim - Wheel Well - Rear - U Channel - Driver or Passenger
3	072639-01-001	EA	Extr - Rocker Panel - 216
4	073647-02-000	EA	Trim - Wheel Well - Front - U Channel - Driver or Passenger
5	078580-01-000	EA	Trim - Roof/Front Cap
6	M01899-01-T09	EA	Cap - Over Windshield - Gray
7	078678-02-000	EA	Trim - Molding - Windshield - Center
	077952-02-000	EA	Cap - Reveal Molding
8	079225-02-000	EA	Trim - Contour - Windshield - Driver
	077944-02-000	EA	Reveal Molding - Windshield - Upper - Driver
	077945-02-000	EA	Reveal Molding - Windshield - Lower - Driver
	086425-02-000	EA	Headlamp Bezel - Driver
9	M88045-01-W07	EA	Access Panel - w/Hardware
10	086425-01-000	EA	Headlamp Bezel - Passenger
	049359-01-000	EA	Spring - Headlamp Retainer
	082207-01-000	EA	Headlamp Guard
11	M01115-12-W07	EA	Panel Asm - Front Shroud (includes access panel)
12	086414-02-000	EA	Trim - Fiberglass Panel - Passenger - Gray
12	086414-04-000	EA	Trim - Fiberglass Panel - Driver - Gray
13	075225-01-000	EA	Trim - Contour - Windshield - Passenger
	077944-01-000	EA	Reveal Molding - Upper - Passenger
	077945-01-000	EA	Reveal Molding - Lower - Passenger
14	078556-05-000	EA	Trim - Wheelwell - Front - Passenger - Gray
	078556-06-000	EA	Trim - Wheelwell - Front - Driver - Gray

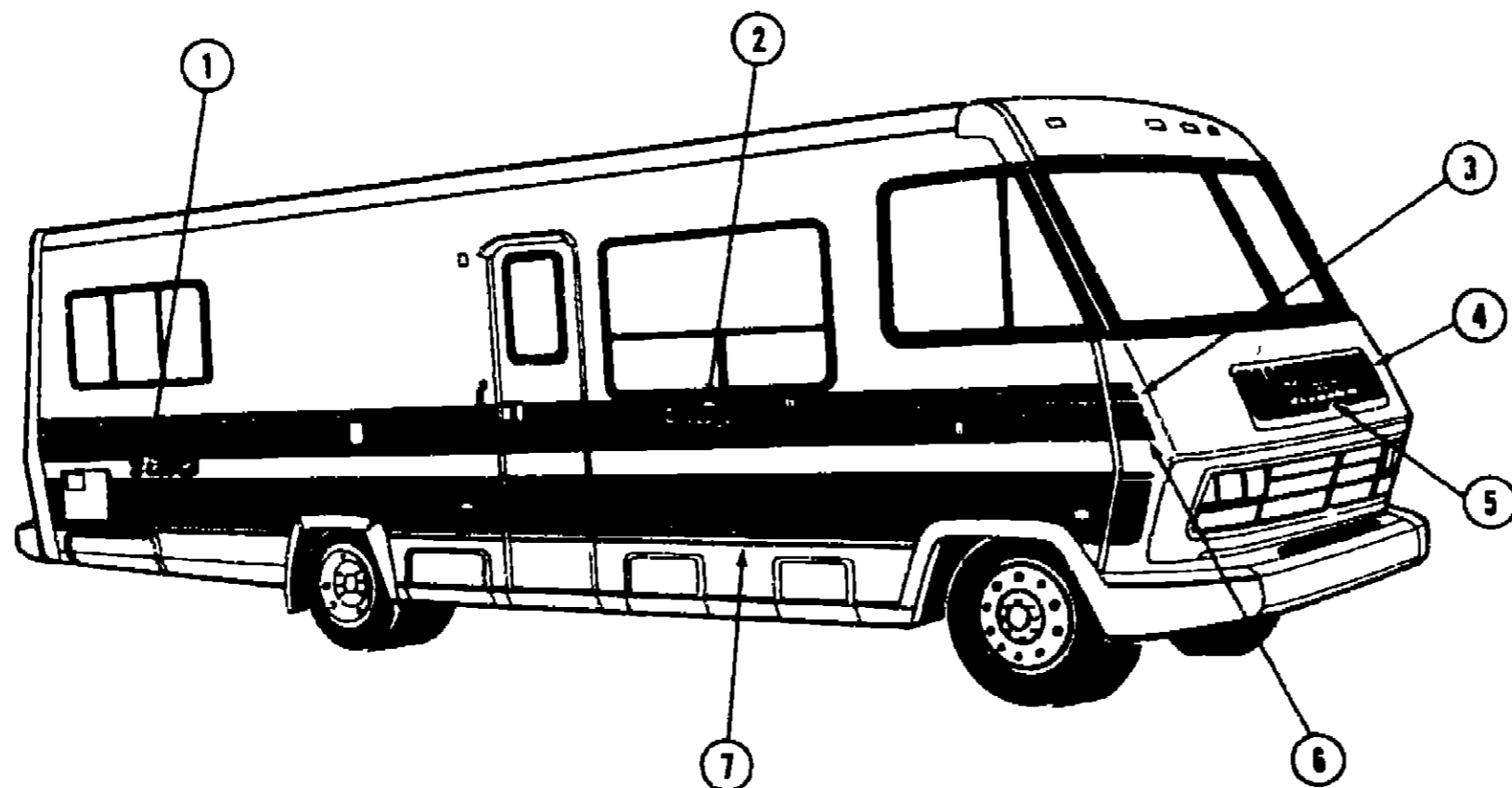
Key	Part Number	U/M	Description
15	M87168-01-W30	EA	Sidewall Asm - Right
15	M87168-01-W31	EA	Sidewall Asm - Right
15	M87168-01-W32	EA	Sidewall Asm - Right
16	039576-11-000	EA	Feature Strip - Extr Gray - 14 - w/o Insert
	009731-01-000	EA	End Cap - Feature Strip Insert
	001030-11-100	EA	Insert - Feature Strip - Gray - 17
17	075070-02-000	EA	Trim - Wheelwell - Rear - Passenger - Gray
	075070-04-000	EA	Trim - Wheelwell - Rear - Driver - Gray
18	078600-13-000	EA	Trim - Sidewall - Upper - Driver or Passenger - Gray
19	073502-21-000	EA	Trim - Passenger - Rear - Gray
	073502-22-000	EA	Trim - Driver Rear - Gray
	086150-02-W30	EA	Roof Asm
20	081686-01-W30	EA	Backwall Asm
21	M01893-03-000	EA	Rear Trim - Upper Center - Plastic - Gray
22	082456-03-000	EA	Rear Trim - Upper Passenger - Plastic - Gray
23	082457-03-000	EA	Rear Trim - Lower Passenger - Plastic - Gray
24	M01894-03-000	EA	Rear Trim - Upper Driver - Plastic w/Bracket - Gray
25	082457-04-000	EA	Rear Trim - Lower Driver - Plastic - Gray
	078577-05-000	EA	Bumper End Cap - Front Passenger Hand - Gray
	078577-06-000	EA	Bumper End Cap - Front Driver Hand - Gray
	078578-07-000	EA	Bumper End Cap - Rear Passenger - Gray
	078578-08-000	EA	Bumper End Cap - Rear Driver - Gray
	077517-10-001	EA	Fiberglass Sidewall Skin - 46 1/2" x 37 1/2" - Mesa
	077517-10-002	EA	Fiberglass Sidewall Skin - 46 1/2" x 65" - Mesa
	001018-01-024	EA	Alum - Beige - No Design - 48" x 96"
	044487-01-001	EA	Alum - Mill Finish - No Design (Roof) - 96" x 360"
	000868-01-000	SF	Styrofoam - 75" x 74" x 96"
	000870-01-000	SF	Styrofoam - 150" x 24" x 96"
	000870-03-000	SF	Styrofoam - 134" x 48" x 96"
			Not illustrated

1987 IC/JN31RT INDEX

Floor Plan	C-03 - C-04
Accessories Group	C-05 - C-07
Bath Group	C-08 - C-09
Chassis Group	C-10 - C-12
Curtain Cushion & Pad Group	C-13 - C-22
Dinette Group	C-23 - C-24
Driver's Compartment Group	D-01 - D-03
Electrical Group	D-04 - D-06
Exterior Body Group	D-07 - D-12
Galley Group	D-13 - D-15
Heating & Air Conditioning Group	D-16
Interior Finish Group	D-17 - D-19
LP Group	D-20
Lounge Group	D-21 - D-24
Water & Sewage Group	E-01 - E-02
Window Vent & Exterior Door Group	E-03 - E-16

EXTERIOR BODY GROUP (CONTINUED)

LABELS, DECALS & EXTERIOR PAINT



1987 ITASCA TABLE OF CONTENTS

IC/IF424RC
IC/JN31RT
ICN33RU
ICP31RT

A-01 - C-02
C-03 - F-16
E-17 - H-08
H-07 - J-18

Key	Part Number	U/M	Description
1	078852-05-000	EA	Decal - Logo - Itasca" - 6.5' x 25.5" - Sides & Rear
2	058718-02-000	EA	Decal - "Sunflyer"
3	089245-B0-000	FT	Film - Multi-Stripe - 5 1/2" x 150 - Light Green Metallic (W30)
3	089245-B1-000	FT	Film - Multi-Stripe - 5 1/2" x 150 - Rust Metallic (W31)
3	089245-A9-000	FT	Film - Multi-Stripe - 5 1/2" x 150 - Burgundy Metallic (W32)
4	087206-02-000	EA	Decal - Hood - Rust/Light Green/Dark Green (W30)
4	087206-03-000	EA	Decal - Hood - Red Beige/Rust/Gray (W31)
4	076206-01-000	EA	Decal - Hood - Rose/Burgundy/Gray (W32)
5	078852-07-000	EA	Decal - Logo - "Itasca" - Hood
6	078831-28-000	FT	Decal - Stripping - 3 5/8" x 150 - Dark Green (W30)
6	078831-27-000	FT	Decal - Stripping - 3 5/8" x 150 - Gray (W31 W32)
7	065217-C4-000	FT	Film - Multi-Stripe - 11" x 150 - Dark Green (W30)
7	065217-C3-000	FT	Film - Multi-Stripe - 11" x 150 - Gray (W31 W32)
	084075-01-000	EA	Decal - "By Winnebago Ind
	068383-01-000	EA	Label - Diesel Fuel
	006195-01-000	EA	Label - Electrical Test
	047731-01-000	EA	Label - Emergency Exit
	006199-01-000	EA	Label - Exit - Escape Window
	057467-04-000	EA	Label - Exterior Loading Limit
	064378-01-000	EA	Label - Flying "W" w/Thermo Panel
	061417-01-000	EA	Label - Fuel
	087207-02-000	EA	Label - Fuel Cap Removal

Key	Part Number	U/M	Description
	006196-01-000	EA	Label - Gas Test
	054531-01-000	EA	Label - LP Gas Only
	040944-01-000	EA	Label - Open - Entrance Door
	006015-01-000	EA	Label - Patent Motor Home
	056259-01-000	EA	Label - Safety Check List
	006064-01-000	EA	Label - Seal - w/o Seat Belts
	006187-01-000	EA	Label - Sewage
	006006-01-000	EA	Label - Thermo Panel - 2 1/4" x 2 1/4"
	075221-01-000	EA	Label - Trailer Hitch Capacity
	075220-01-000	EA	Label - Warning - Exterior Load Limit
	050225-01-000	EA	Label - Warning - Stove Vent - US
	006188-01-000	EA	Label - Waste Water
	006197-01-000	EA	Label - Water Test
	072863-01-000	EA	Nameplate - Diesel - 6.2L
	006062-01-000	EA	Tag - Electrical - 110 Volt Connection
	006040-01-000	EA	Tag - Gas - Refueling Warning
	044486-03-000	EA	Paint - Beige Acrylic Enamel - 16 oz. Aerosol (7633A Dupont)
	045681-03-000	EA	Paint - Gloss Black - Acrylic Enamel - 16 oz. Aerosol (99 Dupont)
	058637-05-000	EA	Paint - Gray Acrylic Enamel - 16 oz. Aerosol (61537 Dupont)
	041561-03-000	EA	Paint - Off White Acrylic Enamel - 16 oz. Aerosol (45386A Dupont)
	074559-01-000	EA	Label "LPG" - 3.3' x 17.5" - (Calif Code)
			Not illustrated

1987 IC/JN31RT INDEX

Floor Plan	C-03 - C-04
Accessories Group	C-05 - C-07
Bath Group	C-08 - C-09
Chassis Group	C-10 - C-12
Curtain Cushion & Pad Group	C-13 - C-22
Dinette Group	C-23 - C-24
Driver's Compartment Group	D-01 - D-03
Electrical Group	D-04 - D-06
Exterior Body Group	D-07 - D-12
Galley Group	D-13 - D-15
Heating & Air Conditioning Group	D-16
Interior Finish Group	D-17 - D-19
LP Group	D-20
Lounge Group	D-21 - D-24
Water & Sewage Group	E-01 - E-02
Window Vent & Exterior Door Group	E-03 - E-16

EXTERIOR BODY GROUP (CONTINUED)

SEALANTS & ADHESIVES

Key	Part Number	U/M	Description
	004020-01-000	QT	Adhesive - ABS Cement (Plastic Fittings)
	002337-01-000	EA	Adhesive - 1300 Tube - 3M (Windows)
	004005-02-000	GL	Adhesive - Swifts - Glue (Sidewalls)
	053786-07-000	EA	Bedding Compound - Tube - Beige (Exterior)
	053786-08-000	EA	Bedding Compound - Tube - Clear (Window)
	053786-08-000	EA	Bedding Compound - Tube - Gray (Exterior)
	053786-05-000	EA	Bedding Compound - Tube - Gray (Sidewalls to Floor)
	053786-02-000	EA	Bedding Compound - Tube - Off White (Exterior)
	002328-02-000	EA	Block - Rubber Spacer (Windshield)
	004336-01-000	EA	Caulk - Latex - Golden Walnut (Sidewalls)
	077967-01-000	EA	Sealant - Acrylic Latex - Tube - Off White (Interior Sealant)
	034552-04-000	EA	Sealant - Silicone - Beige
	034552-02-000	EA	Sealant - Silicone - Clear
	034552-07-000	EA	Sealant - Silicone - Dark Gray
	034552-06-000	EA	Sealant - Silicone - Off White
	069637-01-000	EA	Sealant - Weatherban 404 - Tube - White (Door Caulk)
	072889-01-000	EA	Sealant - Urethane - Black (Windshield)
	069640-01-000	FT	Sealer Ribbon - .25" Bead x 20
	069640-02-000	FT	Sealer Ribbon - .5 x 125 x 30
	069640-03-000	FT	Sealer Ribbon - .75 x 125" x 30
	069640-04-000	FT	Sealer Ribbon - 2 x 09 x 45 (P Series)
	069640-05-000	FT	Sealer Ribbon - 2.5" x 09 x 50
	069640-06-000	FT	Sealer Ribbon - 5/16 Bead x 15
	069640-07-000	FT	Sealer Ribbon - 2" x 3/32 x 30
	002316-01-000	FT	Sealer Tape - 3/32" x 3/8" - Write (Window)
	002707-01-000	FT	Sealer Tape - 5/16 x 3/4
	002707-02-000	FT	Sealer Tape - 5/16 x 1/2
	040545-01-000	GL	Sealer - Seam Weld
	053752-04-000	EA	Seam Sealer - Tube - Aluminum (Roof)
	063642-01-000	FT	Tape - Adhesive - 10 mm x 1.5 Wide
	038886-01-000	EA	Tape - Butyl - 31" x 31' x 148 (Windshield)
	076322-01-000	FT	Tape - Foam - Double Coated - 025 x 1 (Fiberglass Sidewall Seams)
	076322-02-000	FT	Tape - Foam - Double Coated - 045 x 1' (Fiberglass Sidewall Seams)
	009200-01-000	EA	Tape - Furnace - 1.5"
	002825-01-000	FT	Weather Striping (Roof Vent)

EXTERIOR BODY GROUP (CONTINUED)

ACCESS PANEL HARDWARE

Key	Part Number	U/M	Description
	076837-01-000	EA	Rod - Hood Prop
	062626-01-000	EA	Clip - Prop Rod
	073340-01-000	EA	Hinge - Access Panel - Passenger
	073340-02-000	EA	Hinge - Access Panel - Drivers
	085380-08-000	EA	Bracket - Hinge Asm - Hood - Drivers
	085380-01-000	EA	Bracket - Hinge Asm - Hood - Passenger
	077064-01-000	EA	Cable Asm - Hood Release (Access Panel)
	074178-01-000	EA	Bracket - Cable Release - Inside
	R77007-01-950	EA	Striker - Hood Latch
	079286-C1-000	EA	Latch - Hood
	R77006 38-499	EA	Spring
	R77006-19-765	EA	Cable Sheath
	073341-01-000	EA	Bracket - Hood Latch
	058786-02-000	EA	Bolt - Hood Adjusting 5/16 x 18 x 1 1/4

MISCELLANEOUS EXTERNALLY MOUNTED PARTS

Key	Part Number	U/M	Description
	083558-01-000	EA	Plumbing Seal - Roof Vent - 1.5
	U09126-01-000	EA	Assist Handle - Chrome
	087659-03-000	EA	Fill - City Water - Recessed - Gray
	081240-02-000	EA	Fill Water - Lockable - Gray
	083578-01-000	EA	Boot - Fuel Fill
	078200-01-000	EA	Gasket - Fuel Fill
	075830-01-000	EA	Shroud - Fuel Neck
	081432-01-000	EA	Shroud - Fuel Fill

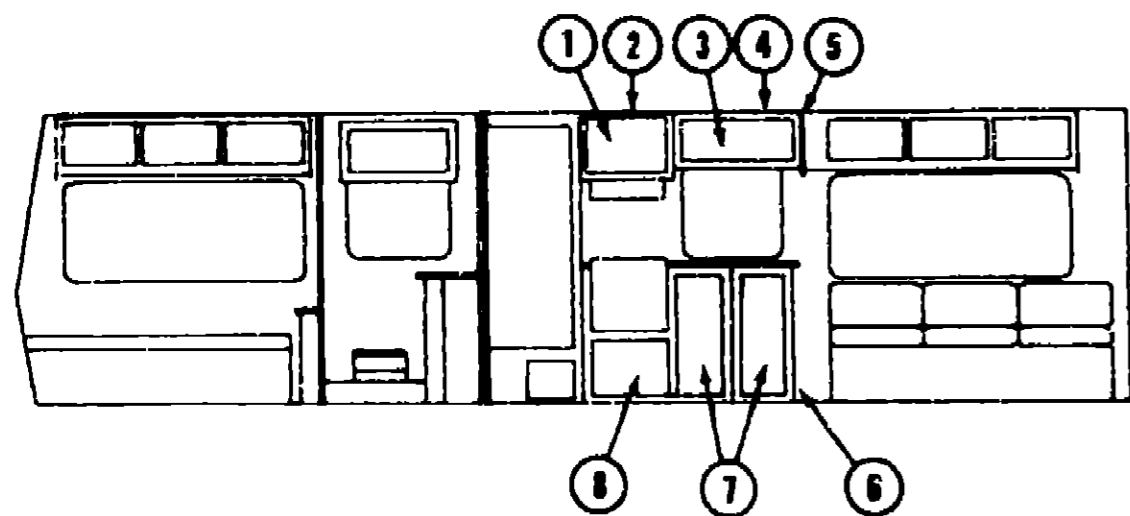
**1987 ITASCA
TABLE OF CONTENTS**

IC/IF424RC	A-01 - C-02
IC/JN31RT	C-03 - E-16
ICN33RU	E-17 - H-06
ICP31RT	H-07 - J-16

1987 IC/JN31RT INDEX

Floor Plan	C-03 - C-04
Accessories Group	C-05 - C-07
Bath Group	C-08 - C-09
Chassis Group	C-10 - C-12
Curtain Cushion & Pad Group	C-13 - C-22
Dinette Group	C-23 - C-24
Driver's Compartment Group	D-01 - D-03
Electrical Group	D-04 - D-06
Exterior Body Group	D-07 - D-12
Galley Group	D-13 - D-15
Heating & Air Conditioning Group	D-16
Interior Finish Group	D-17 - D-19
LP Group	D-20
Lounge Group	D-21 - D-24
Water & Sewage Group	E-01 - E-02
Window Vent & Exterior Door Group	E-03 - E-16

GALLEY GROUP



GALLEY CABINETRY

Key	Part Number	U/M	Description
1	M81523-01-W30	EA	Door Asm - Galley Overhead - w/o Hardware
†1	M84956-01-W24	EA	Door Asm - Galley Overhead - w/o Hardware
2	081480-07-W30	EA	Cabinet Asm - Galley Overhead - w/o Doors or Hardware (Microwave)
3	M81523-04-W30	EA	Door Asm Galley Overhead - w/o Hardware
†3	M84956-04-W30	EA	Door Asm Galley Overhead - w/o Hardware
4	081856-16-W30	EA	Cabinet Asm - Galley Overhead - w/o Doors or Hardware
5	081320-03-W30	EA	Pad Asm - End Cap - Galley Overhead - Vinyl
6	M81999-05-W30	EA	Cabinet Asm - Galley - w/o Doors Countertop, or Hardware
	M02193-01-W30	EA	Countertop Asm - Galley Cabinet
	M81999-06-W30	EA	Cabinet Asm - Galley - w/o Doors Countertop Drawers or Hardware
	M82184-07-W24	EA	Drawer Asm - Galley Cabinet
7	M81501-02-W30	EA	Door Asm - Galley - w/o Hardware
†7	M84953-02-W24	EA	Door Asm - Galley - w/o Hardware
8	M81507-02-W07	EA	Door Asm - Furnace - w/o Hardware
	072369-14-000	EA	Mesh Insert - Furnace Door - 22 x 12.5 - Gold
	077925-01-000	EA	Rail Asm - Galley - 72"
			Not illustrated
			Used with microwave option
†			Door used on units produced before 12-1-86

GALLEY GROUP (CONTINUED)

GALLEY HARDWARE & APPLIANCES

Key	Part Number	U/M	Description
	079252-01-000	EA	Hood - Range - Non Powered
	079353-01-000	EA	Hood - Range - Powered w/Monitor - Almond
	079353-03-000	EA	Hood - Range - Powered w/Monitor - Almond - US
	079353-04-000	EA	Hood - Range - Powered w/Monitor - Almond - CSA
	079355-08-000	EA	Duct Extension - Hood Range
	055282-04-000	EA	Range - 4 Burner - Small - Almond
	055282-01-700	EA	Upper Door Frame
	055282-01-701	EA	Lower Door Frame
	055282-01-702	EA	Glass - Door Front
	055282-01-703	EA	Door Panel - Black
	081374-01-000	EA	Range Top - 4 Burner - Almond
	081374-01-700	EA	Trim - Cabinet - Top Right
	081374-01-701	EA	Trim - Cabinet - Top Left
	081374-01-702	EA	Panel - Manifold Warm - Black
	081374-01-703	EA	Trim - Top - Rear
	081374-01-704	EA	Guard - Fabric
	054450-01-000	EA	Level - Refrigerator
	081379-01-000	EA	Microwave Convection Oven - Sharp
	081459-03-000	EA	Bracket Asm - Microwave - Right
	081459-04-000	EA	Bracket Asm - Microwave - Left
	081456-01-000	EA	Angle Asm - Microwave Right
	081456-02-000	EA	Angle Asm - Microwave Left
	081555-01-703	EA	Trim Ring - Microwave
	082876-01-000	EA	Air Exhaust Duct - Microwave
	023111-01-000	EA	Blender - Built In
	068615-01-000	EA	Sink - Stainless Steel - Double w/Bolts
	011053-01-000	EA	Faucet - Swing Spout - 8 - US
	011053-02-000	EA	Faucet - Swing Spout - 8 - CSA
	011053-01-700	EA	Aerator - Swing Spout Faucet
	066437-01-000	EA	Strainer w/Basket - Sink
	081530-01-W07	EA	Sink Cover - Large
	009049-01-000	EA	Support - Drop Leaf Table
	009059-01-000	EA	Hinge - 2" - Gold - Drop Leaf Table
	074490-01-000	EA	Spice Rack - Oak
	074981-01-000	EA	Cutting Board - Maple
	058334-01-000	EA	Wastebasket - 9 3/4 x 7 x 10 - White
	059777-02-000	EA	Hinge - Cabinet Door - Antique Brass
	009021-01-000	EA	Catch - Nylon - Cabinet Door
	009021-02-000	EA	Strike - Spring Steel - Cabinet Door
	077409-01-000	EA	Slider - Drawer - 20 75 - Plastic
	077404-01-000	EA	Drawer - 20 x 12.70 - Plastic
	011083-01-000	EA	Plug - 1 1/4" x 5" - w/Stopper
	084879-01-000	EA	Refrigerator - 3 Way - Small Double Door
	084879-01-700	EA	Cooling Unit - #8663
	084879-01-701	EA	Gasket - Lower Door
	084879-01-702	EA	Handle - Lower Door
	084879-01-703	EA	Cabinet Asm - Foamed
	084879-01-704	EA	Liner w/Frame - Foamed - Lower Door
	084879-01-705	EA	Panel Holder - Lower Door

The illustrated parts breakdown for this item is provided on the Common Items Fiche

1987 ITASCA TABLE OF CONTENTS

IC/IF424RC
IC/JN31RT
ICN33RU
ICP31RT

A-01 - C-02
C-03 - F-16
E-17 - H-08
H-07 - J-16

1987 IC/JN31RT INDEX

Floor Plan	C-03 - C-04
Accessories Group	C-05 - C-07
Bath Group	C-08 - C-09
Chassis Group	C-10 - C-12
Curtain Cushion & Pad Group	C-13 - C-22
Dinette Group	C-23 - C-24
Driver's Compartment Group	D-01 - D-03
Electrical Group	D-04 - D-06
Exterior Body Group	D-07 - D-12
Galley Group	D-13 - D-15
Heating & Air Conditioning Group	D-16
Interior Finish Group	D-17 - D-19
LP Group	D-20
Lounge Group	D-21 - D-24
Water & Sewage Group	E-01 - E-02
Window Vent & Exterior Door Group	E-03 - E-16

GALLEY GROUP (CONTINUED)

GALLEY HARDWARE & APPLIANCES (CONT)

Key	Part Number	U/M	Description
	084880-02-000	EA	Refrigerator - 3 Way - Large Double Door
	084880-01-700	EA	Cooking Unit - #6683
	084880-01-701	EA	Handle - Lower Door
	084880-01-702	EA	Cabinet Asm - Foamed
	084880-01-703	EA	Liner w/Frame - Foamed - Lower Door
	084880-01-704	EA	Panel Holder - Lower Door
	084880-01-705	EA	Orifice
	084880-01-706	EA	Bulb - Light - D C
	084880-01-707	EA	Heater - 3 Way
	084880-01-708	EA	Baffle Asm
	084880-01-709	EA	Socket - Lamp
	084880-01-710	EA	Electrode - Ignition
	084880-01-711	EA	Electrode - Sensor
	084880-01-712	EA	Control Module
	084880-01-713	EA	Male Connector
	084880-01-714	EA	Burner (No Electrodes)
	084880-01-715	EA	Shut Off Valve - Manual
	084880-01-716	EA	Burner Tube
	084880-01-717	EA	Control Module (Channel)
	084880-01-718	EA	Valve - Gas
	084880-01-719	EA	Elbow - Brass
	084880-01-720	EA	Spring - Door Handle
	084880-01-721	EA	Cover - Power Supply
	084880-01-722	EA	Cover - Crisper
	084880-01-723	EA	Board - Power Supply - 3 Way
	084880-01-724	EA	Plate - Hinge - Bottom
	084880-01-725	EA	Plate - Hinge - Top
	084880-01-726	EA	Bracket - Hinge - Center
	084880-01-727	EA	Gasket - Upper Door
	084880-01-728	EA	Gasket - Lower Door
	084880-01-729	EA	Eyebrow - 3 Way
	084880-01-730	EA	Crisper
	084880-01-731	EA	Pin - Hinge
	084880-01-732	EA	Latch
	084880-01-733	EA	Dairy Keeper
	084880-01-734	EA	Bracket Asm - Hinge - Right
	084880-01-735	EA	Bracket Asm - Hinge - Left
	084880-01-736	EA	Light Switch - Brown
	084880-01-737	EA	Liner w/Frame - Foamed - Upper Door
	084880-01-738	EA	Control Bracket Asm - 3 Way
	084880-01-739	EA	End Cap - Spring Catch
	084880-01-740	EA	End Cap - Stop Catch
	084880-01-741	EA	Switch - Humidity
	084880-01-742	EA	Trim - Lower Seal
	084880-01-743	EA	P/C Board - 3 Way
	084880-01-744	EA	Hinge Pin Shaft - Center
	084880-01-745	EA	Hinge Bushing
	084880-01-746	EA	Cable
	084880-01-747	EA	Hole Plug
	084880-01-748	EA	Snap In Plug
	084880-01-749	EA	Hinge - Bushing
	084880-01-750	EA	Door - Shelf Bins

HEATING & AIR CONDITIONING GROUP

FURNACE & ROOF AIR CONDITIONER

Key	Part Number	U/M	Description
	075886-01-000	EA	Furnace - 34 000 BTU - w/Direct Ignition
	089636-02-000	EA	Connector - 4" Duct
	009198-01-000	EA	Duct - Flexible - 4" I D x 25
	056464-01-000	EA	Register - 4" Dia - Plastic - w/Damper
	056464-02-000	EA	Register - 4" Dia - Plastic - w/o Damper
	009200-01-000	EA	Tape - Furnace - 1 1/2"
	023146-01-000	EA	Clamp - Screw Type - 4
	073743-01-000	EA	Shroud Asm - Ceiling - Inside - Roof Air 13 500 BTU - Cool Only
	073744-01-000	EA	Shroud Asm - Ceiling - Inside - Roof Air 13 500 BTU Heat & Cool
	073742-01-000	EA	Air Conditioner - 110 Volt - Roof Mount - 13 500 BTU Rotary

The illustrated parts breakdown for this item is provided on the Common Items Fiche

AUTOMOTIVE HEATER & AIR CONDITIONER

Key	Part Number	U/M	Description
	072341-04-000	EA	Heater/Evaporator Asm
	072341-04-700	EA	Vacuum Motor - Front
	072341-04-701	EA	Vacuum Motor - Rear
	072341-04-702	EA	Relay
	072341-04-703	EA	Evaporator Coil
	072341-04-704	EA	Liquid Hose - #8
	072341-04-705	EA	Suction Hose - #10
	072341-04-706	EA	Blower Motor
	072341-04-707	EA	Blower Wheel
	072341-07-000	EA	Heater/Evaporator - Less Duct Control
	072341-07-700	EA	Jumper Harness Resistor
	072341-07-701	EA	Thermostat
	072341-08-000	EA	Duct & Control Kit - Used w/Pressure Sensor System
	072341-08-700	EA	Reservoir Vacuum
	072341-03-000	EA	Condensor Asm - w/Fans & High Temp Sensor/Switch
	072342-04-000	EA	Condensor Asm - w/High Temp Sensor/Switch - w/o Fans
	073242-02-700	EA	Receiver Drier - Condenser Asm
	072343-04-000	EA	Compressor/Clutch - w/Rear Mounted Valves
	072344-02-000	EA	Package - Compressor Mount
	074026-01-000	EA	Package - Compressor Mount - 6 2 L Diesel
	039044-01-000	EA	Louver Asm - A/C Adjustable
	007076-01-700	FT	Hose - Flexible PVC - 2 I D
	007281-01-700	FT	Hose - Flexible PVC - 2 1/2" I D
	007108-01-000	FT	Hose - Heater - 5/8 I D SAE 20R3
	062401-04-000	EA	Clamp - Worm Drive - 69" 1 25 I D
	010227-01-000	EA	Tee - Plastic - Barb 5/8" or 3/4" hose
	072341-03-000	EA	Core - Evaporator

AUXILIARY HEATER ASSEMBLY

Key	Part Number	U/M	Description
	084405-01-000	EA	Heater Asm - Rear - Auxiliary
	084405-01-700	EA	Heater Core
	084405-01-701	EA	Fan
	084405-01-702	EA	Motor Asm
	076317-01-000	EA	Mesh - Grille - 7 3/8 x 6 7/8" - Gold Aluminum
	084410-01-000	EA	Decal - Rear Auto Heater

1987 ITASCA TABLE OF CONTENTS

IC/IF424RC	A-01	C-02
IC/JN31RT	C-03	E-18
ICN33RU	E-17	H-06
ICP31RT	H-07	J-16

1987 IC/JN31RT INDEX

Floor Plan	C-03 - C-04
Accessories Group	C-05 - C-07
Bath Group	C-08 - C-09
Chassis Group	C-10 - C-12
Curtain Cushion & Pad Group	C-13 - C-22
Dinette Group	C-23 - C-24
Driver's Compartment Group	D-01 - D-03
Electrical Group	D-04 - D-06
Exterior Body Group	D-07 - D-12
Galley Group	D-13 - D-15
Heating & Air Conditioning Group	D-16
Interior Finish Group	D-17 - D-19
LP Group	D-20
Lounge Group	D-21 - D-24
Water & Sewage Group	E-01 - E-02
Window Vent & Exterior Door Group	E-03 - E-16

INTERIOR FINISH GROUP

CURTAIN & CUSHION HARDWARE

Key	Part Number	U/M	Description
	081361-01-000	EA	Swivel Snap - Curtain Track
	029130-01-000	EA	Snap Socket - Curtain Bottom
	082136-02-000	EA	Bracket - Blind - Hold Down
	083170-03-000	EA	Bracket - Blind - Top Right
	083170-04-000	EA	Bracket - Blind - Top Left
	056003-01-000	EA	Bracket - Drapery - Retainer - Right
	056003-02-000	EA	Bracket - Drapery - Retainer - Left
	082136-03-000	EA	Bracket - Hold Down - Blind
	079619-01-000	EA	Bracket - Tie Back
	084434-01-000	EA	Bracket - Shade
	086263-01-000	EA	Pull - Window Shade - Polished Brass
	048394-02-000	YD	Tape Hook - 75" x 50 yd - Beige
	048395-02-000	YD	Tape Loop - 75 x 50 YD - Beige
	029090-01-000	FT	Tie - Drapery - Clear Vinyl
	056116-01-000	EA	Track - Curtain - Brown Plastic - Top
	079946-01-000	EA	Track - Curtain - Wraparound - Right
	079946-02-000	EA	Track - Curtain - Wraparound - Left
	085283-01-000	EA	Bracket - Curtain Hold Back - Clear Plastic
	087253-01-000	EA	Shade Pull - Clear Plastic

PANELING & LAMINATE

Key	Part Number	U/M	Description
	074497-09-000	SF	Paneling - Sand - 48' x 84' (28 SF) (Wall)
	074496-66-000	SF	Paneling - Decor - 48' x 84' (28 SF) Bath (W30)
	074496-68-000	SF	Paneling - Decor - 48" x 84' (28 SF) Bath (W31 W32)
	074496-73-000	SF	Paneling - Decor - 48" x 84' (28 SF) Galley (W30)
	074496-75-000	SF	Paneling - Decor - 48 x 84' (28 SF) Galley (W31 W32)
	074497-10-000	SF	Paneling - Regal Oak - 48 x 84' (28 SF) (Cabinets)
	074498-13-000	SF	Plastic Laminate - Sand Quadrus (Galley, Dinette)
	074498-16-000	SF	Plastic Laminate - T/Apricot (Bath) (W30)
	074498-17-000	SF	Plastic Laminate - Maplenut (Bath) (W31)
	074498-15-000	SF	Plastic Laminate - Blush (Bath) (W32)
	074498-20-000	SF	Plastic Laminate - Regal Oak (Nightstand & Table Tops)
	076325-16-000	FT	Plastic Laminate - Edge Band - Regal Oak - 1 5/16 x 600)

MISCELLANEOUS PARTS

Key	Part Number	U/M	Description
	053552-02-W04	EA	Handle Asm. - Interior Assist - Medium Almond Vinyl
	041944-04-000	EA	Fire Extinguisher - Dry 5BC
	084472-01-000	EA	Holder - Recessed Fire Extinguisher
	054185-26-000	EA	Owner's Manual - 1987 Itasca & Winnebago
	040069-01-000	EA	Door Mat - 10 1/2 x 26 - Black Rubber
	086296-01-000	EA	Picture - Decor
	065201-02-000	EA	Lamp Shade - Fabric - Parchment
	082686-02-000	EA	Shade - Table Lamp

INTERIOR FINISH GROUP (CONTINUED)

FABRICS & CARPET

Key	Part Number	U/M	Description
	077498-89-000	YD	Fabric - Main - Jasmine (W30)
	077498-90-000	YD	Fabric - Main - Garnet (W31)
	077498-86-000	YD	Fabric - Main - Jute (W32)
	077498-B2-000	YD	Fabric - Patterned Accent - Juniper (W30)
	077498-B3-000	YD	Fabric - Patterned Accent - Birch (W31)
	077498-B4-000	YD	Fabric - Patterned Accent - Madder (W32)
	077498-A1-000	YD	Fabric - Plain Accent - Blue (W30)
	077498-A2-000	YD	Fabric - Plain Accent - Garnet (W31)
	077498-A3-000	YD	Fabric - Plain Accent - Wine (W32)
	069729-44-000	YD	Fabric - Bedroom Drapery - Jade/Peach (W30)
	069729-45-000	YD	Fabric - Bedroom Drapery - Mahogany (W31)
	069729-46-000	YD	Fabric - Bedroom Drapery - Rose (W32)
	072333-38-000	YD	Fabric - Drapery - Accent - Melba (W30)
	072333-40-000	YD	Fabric - Drapery - Accent - Raisin (W31)
	072333-37-000	YD	Fabric - Drapery - Accent - Mauve (W32)
	038421-02-000	YD	Fabric - Mattress Ticking - Beige/Brown
	038421-04-000	YD	Fabric - Mattress Ticking - Cashew
	052859-01-W30	FT	Trim Asm - Accent - Buckskin
	052859-06-W13	FT	Trim Asm - Accent - Buckskin
	079690-01-000	YD	Vinyl - Expanded - 26 oz. - Buckskin
	029219-01-000	YD	Vinyl - White - 14.6 oz.
	087272-01-000	YD	Fabric - Drapery Lining - 48" - Ivory
	038421-01-000	YD	Fabric - Mattress Ticking
	029012-01-000	BF	Foam - Rolled - 3/8"
	072860-57-000	YD	Carpet - French Court (W30)
	072860-58-000	YD	Carpet - Champagne (W31 W32)

INTERIOR MOLDING & TRIM

Key	Part Number	U/M	Description
	024700-17-000	EA	Cover - Sidewall Roll Bar - Beige
	081521-01-001	EA	Molding w/Holes - Corner - 16
	042357-09-000	FT	Molding - Radius Corner - 7 Elm
	022592-08-000	FT	Molding - Reverse Cove - White
	069733-66-000	EA	Batt Strip - Classique Tweed - 8 (Wall)
	085284-05-000	FT	Batt Strip - Adhesive Tape - Classique Tweed
	069733-71-000	EA	Batt Strip - Winnie - 8 (Galley & Bath)
	069733-74-000	EA	Batt Strip - Winnie - 8 (Wet Bath)
	069733-62-000	EA	Batt Strip - Pebble Beach (Ceiling)
	069733-77-000	LA	Batt Strip - Regal Oak (Nightstand)
	070504-G-000	FT	U-Channel - 065 - Light Brown
	009778 07-000	FT	U-Channel - 1" - Regal Oak
	083620-01-000	FT	T-Molding - 75 - w/Edge Lips - Grady Brown
	077840-01 T03	EA	Molding - Wall Cap - 96 - Vinyl Covered - Sunset Oak
	077953-01-000	EA	Grommet - 1 Hole Liner
	009767-06-000	FT	Welting - Beige
	009767-10-000	FT	Welting - Mahogany
	042356-01-000	EA	Plug - 3/8 - Mahogany

1987 ITASCA TABLE OF CONTENTS

IC/IF424RC	A-01 - C-02
IC/JN31RT	C-03 - E-16
ICN33RU	E-17 - H-08
ICP31RT	H-07 - J-16

1987 IC/JN31RT INDEX

Floor Plan	C-03 - C-04
Accessories Group	C-05 - C-07
Bath Group	C-08 - C-09
Chassis Group	C-10 - C-12
Curtain Cushion & Pad Group	C-13 - C-22
Dinette Group	C-23 - C-24
Driver's Compartment Group	D-01 - D-03
Electrical Group	D-04 - D-06
Exterior Body Group	D-07 - D-12
Galley Group	D-13 - D-15
Heating & Air Conditioning Group	D-16
Interior Finish Group	D-17 - D-19
LP Group	D-20
Lounge Group	D-21 - D-24
Water & Sewage Group	E-01 - E-02
Window Vent & Exterior Door Group	E-03 - E-16

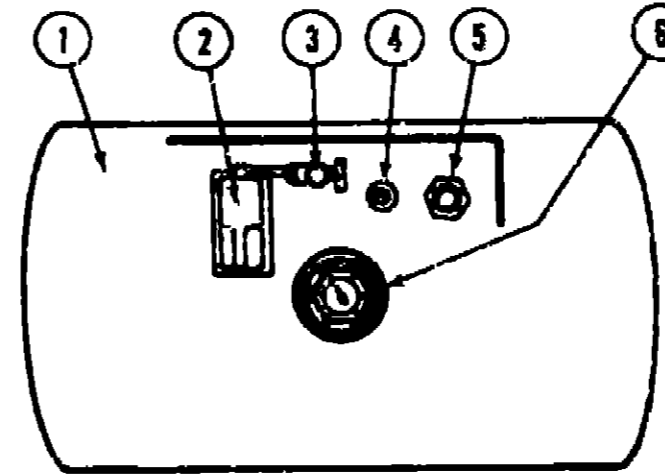
INTERIOR FINISH GROUP (CONTINUED)

CABINETRY & TABLE HARDWARE

Key	Part Number	U/M	Description
	053200-05-000	EA	Bracket - Upper Wall Mount - 23 5 - Beige
	053201-06-000	EA	Bracket - Table Mount - 23" - Beige
	024275-05-000	EA	Rod - Table Lift - 8 x 23 5 - Beige
	024281-07-000	EA	Bracket - Lower Wall Mount - 22 12' - Beige
	024276-17-000	EA	Leg Asm - Table - 26 5" - Tan
	064050-02-000	EA	Hinge - Table Leg - Tan
	024282-01-000	EA	Brace - Table Leg
	024283-01-000	EA	Clip - 1" O D Tube
	049493-05-000	EA	Catch - Table Leg - Mounts on Floor - Tan
	009112-01-000	EA	Flange - 1 - Chrome - Closet Rod
	077409-01-000	EA	Slide - Drawer - Plastic - 20 75
	009049-01-000	EA	Table Support - Drop Leaf
	009059-01-000	EA	Hinge - 2" - Drop Leaf Table - Gold
	086263-01-000	EA	Pull - Polished Brass Centers
	009016-01-000	EA	Elbow - Catch - Spring Loaded
	057671-01-000	EA	Screw Cover - #8 - Off White
	072389-20-000	EA	Mesh - Grille - 22" x 12 - Duraton Bronze
	009021-01-000	EA	Catch - Nylon
	009021-02-000	EA	Strike - Nylon Catch
	059777-02-000	EA	Hinge - Cabinet Door - Antique Light Brass
	074493-02-000	EA	Support - Sprung - Door
	066433-01-000	EA	Hook Cup - Bright
	075680-01-000	EA	Clothes Rod - Adjustable - 27 x 36"
	041194-01-000	EA	Base - Table - Flush Mounts in Floor
	009040-03-000	EA	Base - Table - Mounts on Table
	080728-01-000	EA	Handle - Pullout Table
	086263-01-000	EA	Pull - Polished Brass
	084435-01-000	EA	Knob - Decorative Cabinet
	084466-02-000	EA	Slide Asm - Drawer - Right
	084466-03-000	EA	Slide Asm - Drawer - Left
	084466-04-000	EA	Slide Asm - Cabinet - Right
	084466-05-000	EA	Slide Asm - Cabinet - Left
	084451-01-000	EA	Catch - TV Shelf - Brass

The illustrated parts breakdown for this item is provided on the Common Items Fiche

LP GROUP



Key	Part Number	U/M	Description
1	074142-01-000	EA	Tank Asm - LP - Frame Mount - 80 Pound - 13 x 44"
	065741-01-000	EA	Detector - LP Gas Leak - Marshalltown Instruments
2	081938-01-000	EA	Compartment - LP Regulator
*	076301-01-000	EA	Regulator - Two Stage - US (Dual)
	076301-02-000	EA	Regulator - Two Stage - CSA (Dual)
3	040421-01-703	EA	Valve - Vapor Relief
4	040421-01-700	EA	Gauge - Liquid Level - 20% LP
5	040421-01-701	EA	Valve - Filler - LP
	040421-01-702	EA	Cap - Plastic Filler Valve
6	040421-01-707	EA	Gauge - Float - w/Visible Dial
	040421-01-706	EA	Dial - Visible Face - Float Gauge (Tank w/o Electric Transmitter)
	040440-01-000	EA	Dial - Transmitter - 0 - 90 Ohm (Float Gauge)
	045703-01-000	EA	Hose Asm - LP - 3/8" I D x 24 - US
	045703-02-000	EA	Hose Asm - LP - 3/8" I D x 24" - CSA
	045703-03-000	EA	Hose Asm - LP - 3/8" I D x 18 - US
	045703-04-000	EA	Hose Asm - LP - 3/8" I D x 14 - CSA
	065742-01-000	EA	See 38 F x 39 F x 25 FPT
			Not illustrated

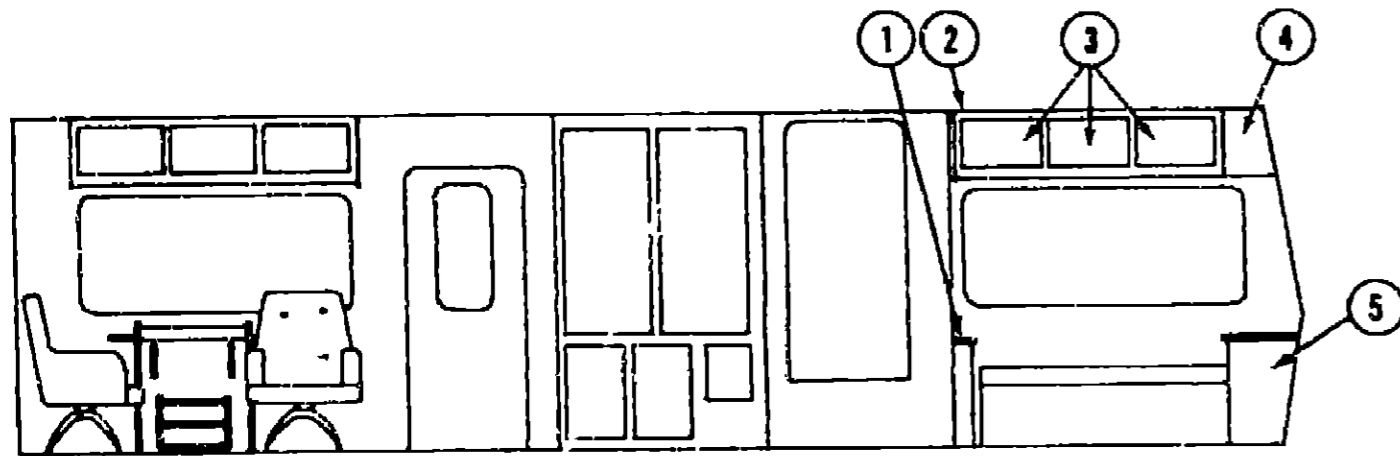
**1987 ITASCA
TABLE OF CONTENTS**

IC/IF424RC	A-01 - C-02
IC/JN31RT	C-03 - E-16
ICN33RU	E-17 - H-06
ICP31RT	H-07 - J-16

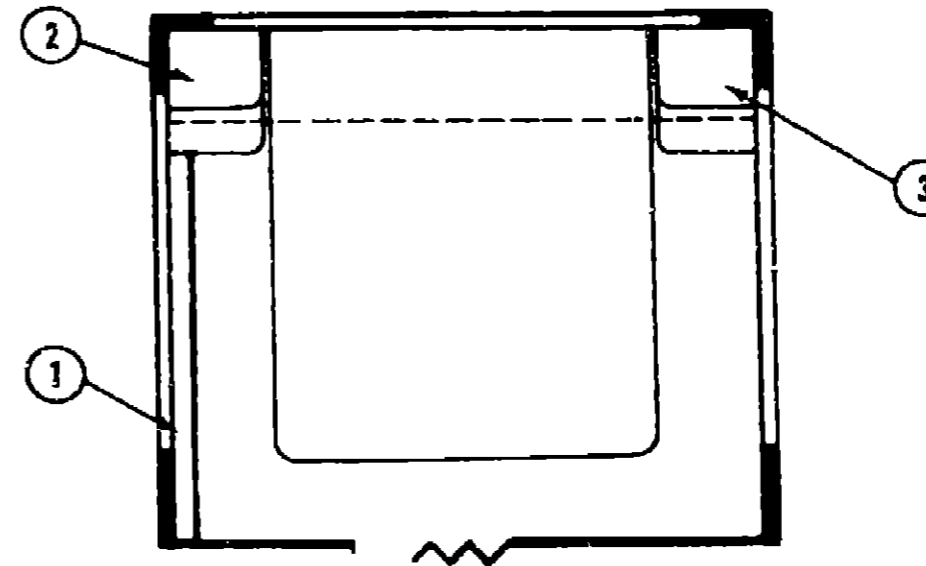
1987 IC/JN31RT INDEX

Floor Plan	C-03 - C-04
Accessories Group	C-05 - C-07
Bath Group	C-08 - C-09
Chassis Group	C-10 - C-12
Curtain Cushion & Pad Group	C-13 - C-22
Dinette Group	C-23 - C-24
Drivers Compartment Group	D-01 - D-03
Electrical Group	D-04 - D-06
Exterior Body Group	D-07 - D-12
Galley Group	D-13 - D-15
Heating & Air Conditioning Group	D-16
Interior Finish Group	D-17 - D-19
LP Group	D-20
Lounge Group	D-21 - D-24
Water & Sewage Group	E-01 - E-02
Window Vent & Exterior Door Group	E-03 - E-16

LOUNGE GROUP



LOUNGE GROUP (CONTINUED)



**1987 ITASCA
TABLE OF CONTENTS**

IC/IF424RC
IC/JN31RT
ICN33RU
ICP31RT

A-01 - C-02
C-03 - E 16
E-17 - H-06
H-07 - J-16

TWIN BED CABINERY

Key	Part Number	U/M	Description
1	081794-01 W30	EA	Cabinet Asm - Nightstand - w/o Countertop or Hardware
1	M02158-01-W30	EA	Countertop Asm - Nightstand - w/o Hardware
	087882-01-W30	EA	Cabinet Asm - Nightstand - w/o Countertop or Hardware
	M03000-13 W30	EA	Countertop Asm - Nightstand - w/o Hardware
2	081970-03-W30	EA	Cabinet Asm - Lounge Overhead - Passenger - w/o Doors or Hardware
	081970-01-W30	EA	Cabinet Asm - Lounge Overhead - Driver - w/o Doors or Hardware
3	M81503-01-W30	EA	Door Asm - Overhead Cabinets - w/o Hardware
3	M84955-01-W30	EA	Door Asm - Overhead Cabinet - w/o Hardware
4	081308-09-W30	EA	Cabinet Asm - Rear Overhead - w/o Doors or Hardware
	M81503-04-W30	EA	Door Asm - Rear Overhead - w/o Hardware
	M84955-04-W30	EA	Door Asm - Rear Overhead - w/o Hardware
5	M83441-01-W30	EA	Cabinet Asm - Nightstand - w/o Countertop Door or Hardware
	M81501-93-W30	EA	Door Asm - Nightstand Cabinet - w/o Hardware
	M84953-50-W24	EA	Door Asm - Nightstand Cabinet - w/o Hardware
	M02608-01-W30	EA	Countertop Asm - Nightstand - Lower
	M02609-01-W30	EA	Countertop Asm - Nightstand - Upper
	084357-01-W30	EA	TV Stand Asm
	M81501-30-W30	EA	Door Asm - Twin Bed Cabinets - w/o Hardware
	M84953-18-W30	EA	Door Asm - Twin Bed Cabinets - w/o Hardware
	077463-08 W30	EA	Headboard Asm - Twin
	077463-08-W31	EA	Headboard Asm - Twin
	077463-08-W32	EA	Headboard Asm - Twin
			Not illustrated
			Doors used on units produced before 12-1-86

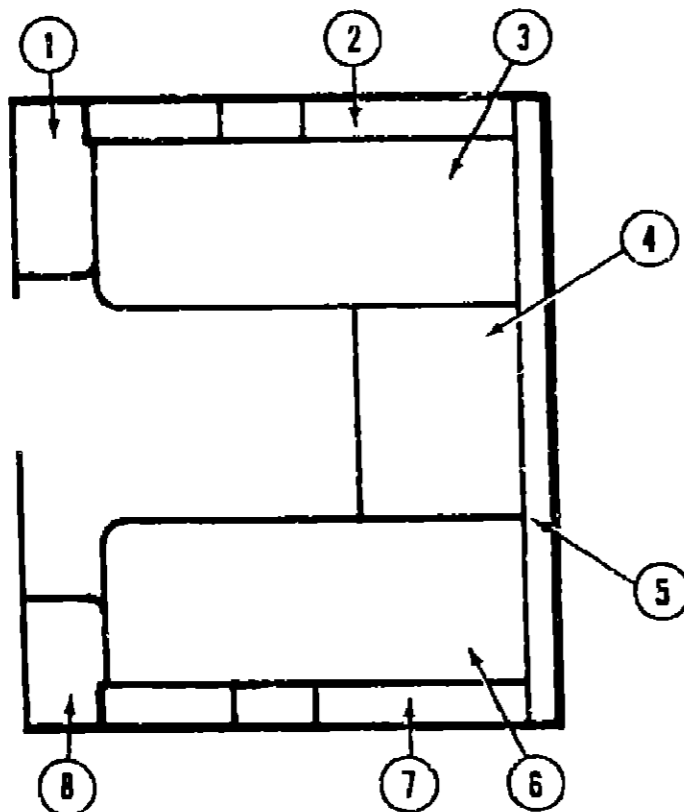
QUEEN BED OPTION

Key	Part Number	U/M	Description
1	081975-01-W09	EA	Cabinet Asm - Pipe Cover - w/o Hardware
2	M81759-01-W30	EA	Cabinet Asm - Nightstand - w/o Countertop Drawer or Hardware
	M02159-01-W30	EA	Countertop Asm - Nightstand - Lower
	M02159-02-W30	EA	Countertop Asm - Nightstand - Upper
	M78921-04 W13	EA	Drawer Asm - Nightstand Cabinets - w/o Hardware
	M81707-05-W30	EA	Cabinet Asm - Rear Overhead - w/o Doors or Hardware
	M81503-02-W30	EA	Door Asm - Overhead Cabinet - w/o Hardware
	M84955-02 W24	EA	Door Asm - Overhead Cabinet - w/o Hardware
3	M81760-01-W30	EA	Cabinet Asm - Nightstand - w/o Countertop Drawer or Hardware
	M02160-01-W30	EA	Countertop Asm - Nightstand - Lower
	M02160-02-W30	EA	Countertop Asm - Nightstand - Upper
	M81501-30-W30	EA	Door Asm - Queen Bed Cabinet - w/o Hardware
	M84953-18-W30	EA	Door Asm - Queen Bed Cabinet - w/o Hardware
	077463-10-W30	EA	Headboard Asm Queen
	077463-10-W31	EA	Headboard Asm Queen
	077463-10 W32	EA	Headboard Asm Queen
			Not illustrated
			Doors used on units produced before 12-1-86

1987 IC/JN31RT INDEX

Floor Plan	C-03 - C-04
Accessories Group	C-05 - C-07
Bath Group	C-08 - C-09
Chassis Group	C-10 - C-12
Curtain Cushion & Pad Group	C-13 - C-22
Dinette Group	C-23 - C-24
Driver's Compartment Group	D-01 - D-03
Electrical Group	D-04 - D-06
Exterior Body Group	D-07 - D-12
Galley Group	D-13 - D-15
Heating & Air Conditioning Group	D-16
Interior Finish Group	D-17 - D-19
LP Group	D-20
Lounge Group	D-21 - D-24
Water & Sewage Group	E-01 - E-02
Window Vent & Exterior Door Group	E-03 - E-16

LOUNGE GROUP (CONTINUED)

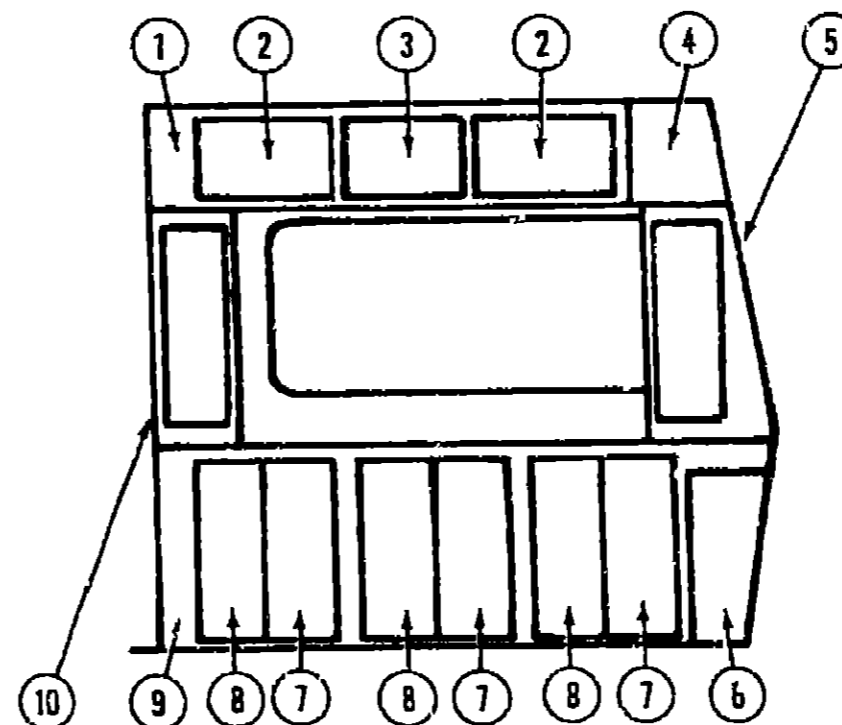


HORSESHOE LOUNGE OPTION

Key	Part Number	U/M	Description
1	081794-01-W30	EA	Cabinet Asm - Nightstand - Passenger - w/o Countertop or Hardware
	M02158-01-W30	EA	Countertop Asm - Nightstand Cabinet w/o Hardware
2	M86061-01-W30	EA	Cabinet Asm - Hamper - Passenger - w/o Top or Hardware
	M02969-01-W30	EA	Top Asm - Hamper Cabinet - Side
	M02969-01-W31	EA	Top Asm - Hamper Cabinet - Side
	M02969-01-W32	EA	Top Asm - Hamper Cabinet - Side
3	M87007-01-W30	EA	Cabinet Asm - Lounge - Right
4	M86063-01-W30	EA	Cabinet Asm - Lounge - Center - w/o Door or Hardware
	M81501-10-W30	EA	Door Asm - Lounge Cabinet - w/o Hardware
	M84953-06-W24	EA	Door Asm - Lounge Cabinet - w/o Hardware
5	M86062-01-W30	EA	Cabinet Asm - Lounge Back - w/o Top or Hardware
	M02970-01-W30	EA	Top Asm - Back Cabinet
	M02970-01-W31	EA	Top Asm - Back Cabinet
	M02970-01-W32	EA	Top Asm - Back Cabinet
6	M87008-01-W30	EA	Cabinet Asm - Lounge - Left - w/o Door or Hardware
7	M86061-02-W30	EA	Cabinet Asm - Hamper - Left - w/o Top or Hardware
8	087082-01-W30	EA	Cabinet Asm - Nightstand Cabinet - Left - w/o Countertop or Hardware
	M03000-13-W30	EA	Countertop Asm - Nightstand Cabinet - w/o Hardware
	081298-07-W24	EA	Table Asm - w/o Hardware
	009040-04-000	EA	Pedestal Leg - Table - 27.5
	041194-01-000	EA	Base - Table - Flush Mount
			Not illustrated

Doors used on units produced before 12-1-86

LOUNGE GROUP (CONTINUED)



DOUBLE BED OPTION

Key	Part Number	U/M	Description
1	085164-04-W30	EA	Cabinet Asm - Overhead - Passenger - w/o Doors or Hardware
	084996-04-W30	EA	Cabinet Asm - Overhead - Driver - w/o Doors or Hardware
2	M81503-01-W31	EA	Door Asm - Overhead Cabinet - w/o Hardware
	M84955-01-W30	EA	Door Asm - Overhead Cabinet - w/o Hardware
	M81503-04-W30	EA	Door Asm - Overhead Cabinet - w/o Hardware
3	M84955-04-W30	EA	Door Asm - Overhead Cabinet - w/o Hardware
4	085165-01-W30	EA	Cabinet Asm - Rear Overhead - w/o Doors or Hardware
	M85168-02-W30	EA	Door Asm - Rear Overhead w/Mirror - w/o Hardware
	058331-13-000	EA	Mirror - Safety Glass - 9 4" x 15 2
5	M84988-01-W30	EA	Cabinet Asm - Storage - w/o Door or Hardware
	M82424-05-W30	EA	Door Asm - Storage Cabinets w/Mirror - w/o Hardware
	059331-12-000	EA	Mirror - Safety Glass - 6 3 x 25 6
6	M84584-01-W30	EA	Cabinet Asm - Nightstand - w/o Countertop or Hardware
	M02932-01-W30	EA	Countertop Asm - Nightstand Cabinet
7	M81502-19-W30	EA	Door Asm - Vanity Cabinet - Right - w/o Hardware
	M84954-07-W30	EA	Door Asm - Vanity Cabinet - Right - w/o Hardware
8	M81502-20-W30	EA	Door Asm - Vanity Cabinet - Left - w/o Hardware
	M84954-08-W30	EA	Door Asm - Vanity Cabinet - Left - w/o Hardware
9	M84756-01-W30	EA	Cabinet Asm - Vanity - w/o Countertop Doors or Hardware
	M02933-01-W30	EA	Countertop Asm - Vanity Cabinet
10	M84660-01-W30	EA	Cabinet Asm - Storage Cabinet - Left - w/o Door or Hardware
	M81501-30-W30	EA	Door Asm - Double Bed Cabinet - w/o Hardware
	M84953-18-W30	EA	Door Asm - Double Bed Cabinet - w/o Hardware
	077463-09-W30	EA	Headboard Asm Double
	077463-09-W31	EA	Headboard Asm Double
	077463-09-W32	EA	Headboard Asm Double
			Not illustrated

Doors used on units produced before 12-1-86

**1987 ITASCA
TABLE OF CONTENTS**

IC/IF424RC
IC/JN31RT
ICN33RU
ICP31RT

A-01 - C-02
C-03 - E-16
E-17 - H 06
H-07 - I 16

1987 IC/JN31RT INDEX

Floor Plan	C-03 - C-04
Accessories Group	C-05 - C-07
Bath Group	C-08 - C-09
Chassis Group	C-10 - C-12
Curtain Cushion & Pad Group	C-13 - C-22
Dinette Group	C-23 - C-24
Driver's Compartment Group	D-01 - D-03
Electrical Group	D-04 - D-06
Exterior Body Group	D-07 - D-12
Galley Group	D-13 - D-15
Heating & Air Conditioning Group	D-16
Interior Finish Group	D-17 - D-19
LP Group	D-20
Lounge Group	D-21 - D-24
Water & Sewage Group	E-01 - E-02
Window Vent & Exterior Door Group	E-03 - E-16

WATER & SEWAGE GROUP

PLUMBING & REPAIR PARTS

Key	Part Number	U/M	Description
	033307-02-000	EA	Adapter Asm - SWVC Strain - 1 1/2"
	010326-01-000	EA	Adapter - Flare - w/Cone Gasket
	062422-01-000	EA	Adapter - Hose Offset - Reducer - 3" x 1 1/2"
	052954-01-000	EA	Adapter - Hose Cone - 3/8 or 1/2 - Plastic
	010224-01-000	EA	Adapter - Plastic - 3/8 MPT x 3/8 Barb
	044927-01-000	EA	Adapter - Plastic - 1 1/4 MPT x 1 1/4 Barb
	031602-02-000	EA	Adapter - Plastic - 1 1/2 H x FPT
	062417-01-000	EA	Adapter - Termination - 3
	004020-01-000	QT	Adhesive - ABS Cement
	010121-01-000	EA	Bushing - Plastic - 1 1/2 S x 1 1/4 H
	036522-02-000	EA	Cap - Brass - 1/2 Flare
	075730-01-000	EA	Cap - Sewer - 3
	087200-02-000	EA	Cartridge - Water Purification
	052959-03-000	EA	Connector - 1/2 F x 3/8 MPT - Plastic
	011091-02-000	EA	Continuous Waste - Double Sink - 11 7/8" - US
	078406-01-000	EA	Coupler Rubber - 3" x 3
	010000-01-000	EA	Elbow - Plastic - 1/8 BD x 1 1/4 x 45° H x H
	010006-01-000	EA	Elbow - Plastic - 1/8 BD x 1 1/2 x 45° H x H
	010008-01-000	EA	Elbow - Plastic - 1/4 BD x 1 1/2 x 90° Left
	010051-01-000	EA	Elbow - ST - Plastic - 1/8 BD x 1 1/2 x 45°
	010061-01-000	EA	Elbow - ST Plastic 1/8 BD x 3" x 45° x H
	033761-01-000	EA	Elbow - ST - Plastic 1/4 BD x 1 1/2 x 90° x LT
	031111-01-000	EA	Elbow - Plastic - 1/4 BD x 1 1/4 x 90° Left
	052957-01-000	EA	Elbow - Plastic - 1/2 F x 3/8 MPT
	052957-02-000	EA	Elbow - Plastic - 1/2 F x 1/2 MPT (In Tank Filter)
	065120-01-000	EA	Elbow - Plastic - Swivel - 50
	070924-01-000	EA	Elbow - Plastic - Swivel - 1/2 MPT x 1/2 FP
	017954-02-000	EA	Filter/Screen (In Water Tank)
	087200-01-000	EA	Filter - Water Purification
	063641-01-000	EA	Flange - Closet - 4" F x 3 FPT - US
	063641-02-000	EA	Flange - Closet - 4" F x 3 FPT - CSA
	079381-01-000	FT	Flexible Tubing - 1 1/4 I D x 10
	061607-01-000	EA	Grommet - Holding Tank Coupler - 1 1/2
	061607-02-000	EA	Grommet - Holding Tank Coupler - 3"
	052961-01-000	EA	Header - 1/2 F x 1/2 F x 1/2 F x 1/2 F
	010201-01-000	EA	Hose - Sewer - 3 ID x 8 FT
	052953-01-000	EA	Nut - Faucet - 1/2 Tube x 1/2 FPT
	052952-01-000	EA	Nut - 1/2 F - Plastic
	011066-03-000	EA	P-Trap - 1 1/4 Plastic - US
	011066-02-000	EA	P-Trap - 1 1/4 Plastic - CSA
	053335-01-000	EA	P-Trap - Plastic - 1 1/4 H x H - w/Union - CSA
	010197-01-000	EA	Pipe - Plastic - 3" x 240" - Black
	045729-01-000	EA	Pump - Water - 2.8 G P M - Direct Drive - Shurflo - US
	045729-02-000	EA	Pump - Water - 2.8 G P M - Direct Drive - Shurflo - CSA
	010201-01-000	EA	Sewer Hose - 3" x 8 w/Clamp
	042989-05-000	EA	Spinweld Fittings - Plastic - 1/2 FPT (In Tank Filter)
	042989-03-000	EA	Spinweld Fittings - Plastic - 1/4 NPT
	042989-04-000	EA	Spinweld Fittings - Plastic - 3/8 FPT
	011069-02-000	CA	Tailpiece - 1 1/2 x 1 1/4" x 4" - Brass
	010071-01-000	EA	Tee - Plastic - 1 1/2 x H x H x H
	010079-01-000	EA	Tee - Plastic 1 1/2 H x 1 1/2 H x 1 1/4 H
	052955-01-000	EA	Tee - Plastic - 1/2 F x 1/2 F x 1/2 MPT
	052958-01-000	EA	Tee - Plastic - 1/2 F x 1/2 F x 1/2 F
	039800-01-000	FT	Tubing - Polybutyl - 1/2 O D (Water Line)
	079381-01-000	FT	Tubing - Flexible - Smooth - 1 25 I D
	074462-02-000	FT	Tubing - Vinyl - 3/8 I D
	062421-01-000	EA	Valve - 1 1/2 - w/Handle
	052960-01-000	EA	Valve - Line Drain - 1/2 F x 1/2 F
	077054-01-000	EA	Valve - Plastic - 1/2 M x 1/2 M - 1/4 Comp
	010073-01-000	EA	Wye - Plastic - 1 1/2 x 45 H x H

The illustrated parts breakdown for this is provided on the Common Items Fiche

WATER & SEWAGE GROUP (CONTINUED)

HOLDING TANKS & WATER HEATERS

Key	Part Number	U/M	Description
	M01275-93-000	EA	Tank Asm - Water - 48 Gallon - w/Fittings
	081189-01-000	EA	Tank - Water - 48 Gallon - w/o Fittings
	M01275-91-000	EA	Tank Asm - Water - 21 Gallon - w/Fittings
	081185-01-000	EA	Tank - Water - 21 Gallon - w/o Fittings
	076574-01-000	EA	Tank - Holding - 28 Gallon - w/o Fittings - Waste Water
	081149-01-000	EA	Tank - Holding - 28 Gallon - w/o Fittings - Sewage
	051391-01-000	EA	Water Heater - w/o Motor Aid - Atwood - G6A-3
	051391-03-000	EA	Water Heater - w/Motor Aid - Atwood - G6A-3E
	051393-01-000	EA	Water Heater - w/Motor Aid - Direct Ignition - Atwood - GH6-3E

The illustrated parts breakdown for this item is provided on the Common Items Fiche

1987 ITASCA TABLE OF CONTENTS

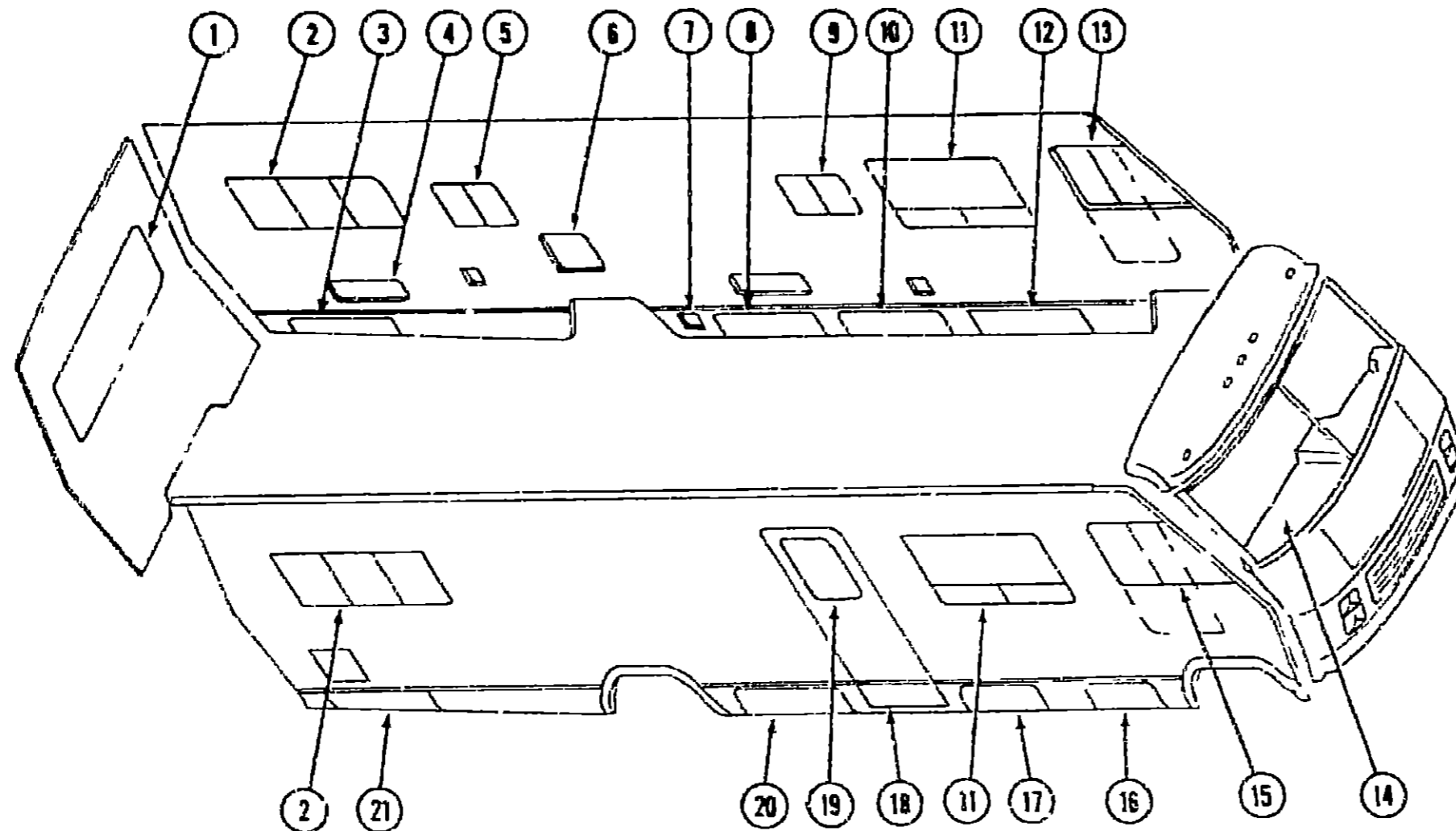
IC/IF424RC	A-01 - C-02
IC/JN31RT	C-03 - E-16
ICN33RU	E-17 - H-06
ICP31RT	H-07 - J-16

1987 IC/JN31RT INDEX

Floor Plan	C-03 - C-04
Accessories Group	C-05 - C-07
Bath Group	C-08 - C-09
Chassis Group	C-10 - C-12
Curtain Cushion & Pad Group	C-13 - C-22
Dinette Group	C-23 - C-24
Driver's Compartment Group	D-01 - D-03
Electrical Group	D-04 - D-06
Exterior Body Group	D-07 - D-12
Galley Group	D-13 - D-15
Heating & Air Conditioning Group	D-16
Interior Finish Group	D-17 - D-19
LP Group	D-20
Lounge Group	D-21 - D-24
Water & Sewage Group	E-01 - E-02
Window Vent & Exterior Door Group	E-03 - E-16

WINDOW, VENT & EXTERIOR DOOR GROUP

WINDOWS & ACCESS DOORS



Key	Part Number	U/M	Description
1	078528-01-T03	EA	Window Asm - Escape
2	078269-01-T03	EA	Window Asm - Double Slider
2	078266-05-T03	EA	Window Asm - Single Slider (used with Double Bed Option)
3	081349-02-W30	EA	Door Asm - Storage
3	086552-02-W30	EA	Door Asm - Storage
4	079578-01-T09	EA	Door Asm - Storage
5	078266-04-T03	EA	Window Asm - Slider
6	078969-04-T09	EA	Door Asm - Refrigerator Access
6	084104-02-000	EA	Door Asm - Refrigerator Access
7	063742-03-000	EA	Door Asm - Power Cord
8	079435-04-W30	EA	Door Asm - Luggage
8	086554-01-W30	EA	Door Asm - Luggage
8	M79221-02 W30	EA	Door Asm - Generator
8	M86576-01 W30	EA	Door Asm - Generator
9	078266-03-T03	EA	Window Asm - Slider
10	079435-02 W30	EA	Door Asm - Storage
10	086531-02 W30	EA	Door Asm - Storage
11	085354-02 W07	EA	Window Asm - Awning
12	079149-02 W30	EA	Door Asm - Storage
12	086531-01 W30	EA	Door Asm - Storage

Key	Part Number	U/M	Description
13	085025-02-000	EA	Window Asm - Slant - Left
14	084464-01-000	EA	Glass - Windshield - Passenger
14	084464-02-000	EA	Glass - Windshield - Driver
15	084978-01-W30	EA	Window Asm - Slant Slider
15	079421-01-T03	EA	Window Asm - Slant - Right
16	079436-01 W30	EA	Door Asm - Storage
16	086517-03-W30	EA	Door Asm - Storage
17	079436-03-W30	EA	Door Asm - LP
**17	086517-01-W30	EA	Door Asm - LP
18	M01870-12-W07	EA	Door Asm - Entrance
19	079733-04-T09	EA	Window Asm - Picture
20	079435-01-W30	EA	Door Asm - Storage
*20	086517-04-W30	EA	Door Asm - Storage
21	081349-01-W30	EA	Door Asm - Storage
21	086552-01-W30	EA	Door Asm - Storage

Parts used with the Roll Up Door
These are the part numbers of the doors produced after 11/3/86

1987 ITASCA TABLE OF CONTENTS

IC/IF424RC
IC/JN31RT
ICN33RU
ICP31RT

A-01 - C-02
C-03 - E-16
E-17 - H-08
H-07 - J-16

1987 IC/JN31RT INDEX

Floor Plan	C-03 - C-04
Accessories Group	C-05 - C-07
Bath Group	C-08 - C-09
Chassis Group	C-10 - C-12
Curtain Cushion & Pad Group	C-13 - C-22
Dinette Group	C-23 - C-24
Driver's Compartment Group	D-01 - D-03
Electrical Group	D-04 - D-06
Exterior Body Group	D-07 - D-12
Galley Group	D-13 - D-15
Heating & Air Conditioning Group	D-16
Interior Finish Group	D-17 - D-19
LP Group	D-20
Lounge Group	D-21 - D-24
Water & Sewage Group	E-01 - E-02
Window Vent & Exterior Door Group	E-03 - E-16

WINDOW, VENT & EXTERIOR DOOR GROUP (CONTINUED)

DRIVER DOOR W/ROLL-UP WINDOW

Key	Part Number	U/M	Description
	M82202-01-U13	EA	Door Asm - w/Roll Up Window - Passenger
	M82202-02-U13	EA	Door Asm - w/Roll-Up Window - Driver
	064184-02-000	EA	Drip Cap - Cab Door - Passenger
	064184-01-000	EA	Drip Cap - Cab Door - Driver
	M02684-03-000	EA	Jamb Asm - Cab Door - Passenger
	M02684-04-000	EA	Jamb Asm - Cab Door - Driver
	063993-12-000	EA	Hinge Asm - Passenger
	063993-10-000	EA	Hinge Asm - Driver
	082150-01-000	FT	Seal - Sponge (Jamb)
	082150-02-000	FT	Seal - Sponge (Door)
	063731-01-000	EA	Cap - Push On - Zinc
	061400-06-000	EA	Assist Strap - Sandstone
	064219-01-000	EA	Retainer Strap - Driver Door
	063729-01-000	EA	Rivet - 1/4 x 20 unc - 030 - 125
	081903-01-000	EA	Shaft - Mounting Knob
	081905-01-000	EA	Knob - Control - Slide Bolt - Passenger
	081905-02-000	EA	Knob - Control - Slide Bolt - Driver
	081906-01-000	EA	Slide Bolt - Driver Door
	081907-01-000	EA	Regulator Asm - Window - Passenger
	081907-02-000	EA	Regulator Asm - Window - Driver
	081910-01-000	FT	Channel - Window - Sliding
	081912-01-000	EA	Weatherstrip - Rigid
	063886-09-000	EA	Assist Handle - Door
	075722-01-000	EA	Block - Switch - Spacer
	073118-01-000	EA	Retainer - Attachment Plate
	073119-01-000	EA	Attachment Plate - Striker
	0136191-000	EA	Shim - Sink - Cab Door
	R 7007 70-701	EA	Plate - Door Lock - Passenger
	R 77007-56-702	EA	Plate - Door Lock - Driver
	R 77040-01-538	EA	Door Handle
	R 77007-05-374	EA	Plate - Door Handle Spacer
	R77006-50-326	EA	Door - Handle Inner - Driver
	R77006-50-261	EA	Door - Handle Inner - Passenger
	R77006-13-460	EA	Cap - Inner - Window Crank
	072035-01-000	EA	Crank - Hand - Glass Lift
	072036-01-000	EA	Cap - Crank - Hand
	073110-02-000	EA	Rod - Lock - Passenger
	073110-03-000	EA	Rod - Lock - Driver
	R77006-64-355	EA	Link - Door Handle Control
	R77030-58-048	EA	Washer
	R77030-33-009	EA	Nut - w/Washer
	R77007-62-746	EA	Lock - Left Tumbler Assembly
	R77007-62-747	EA	Lock - Right Tumbler Assembly
	081488-01-000	EA	Glass - Door - Roll Up
	083223-02-000	EA	Lock Asm - Key Type (Set of 2)
	076542-03-000	EA	Rod Control - Latch - Passenger
	076542-04-000	EA	Rod Control - Latch - Driver

WINDOW, VENT & EXTERIOR DOOR GROUP (CONTINUED)

VENTS

Key	Part Number	U/M	Description
	084073-04-000	EA	Base - Refrigerator Vent
	084073-02-000	EA	Cover - Refrigerator Vent
	055218-01-000	EA	Cover Asm - Roof Vent
	084878-01-000	EA	Vent - Stovehood - Outside
	075056-01-000	EA	Vent Asm - Roof - Non-Powered - w/c Screen
	079537-01-000	EA	Vent Asm - Roof - Powered - w/c Screen
	083558-01-000	EA	Roof Vent - Pipe Cover
	080507-01-000	EA	Skylight - Outside Panel
	080508-01-000	EA	Skylight - Inside Panel
	080258-01-000	EA	Collar - Skylight
	084616-03-000	EA	Shroud - Vent - Hood Range - Gray
	078785-01-T03	EA	Screen Asm - Roof Vent
	078785-01-T03	EA	Screen Asm - Roof Vent - Non Powered

The illustrated parts breakdown for this item is provided on the Common Items Fiche

ACCESS DOORS & HARDWARE

Key	Part Number	U/M	Description
	079149-02-W30	EA	Door Asm - Storage
	066531-01-W30	EA	Door Asm - Storage
	079435-02-W30	EA	Door Asm - Storage
	066531-02-W30	EA	Door Asm - Storage
	079435-04-W30	EA	Door Asm - Luggage
	086554-01-W30	EA	Door Asm - Luggage
	079435-01-W30	EA	Door Asm - Storage
	066517-03-W30	EA	Door Asm - Storage
	079578-01-T09	EA	Door Asm - Storage
	079436-01-W30	EA	Door Asm - Storage
	066517-03-W30	EA	Door Asm - Storage
	081349-01-W30	EA	Door Asm - Storage - Passenger
	086552-01-W30	EA	Door Asm - Storage - Passenger
	081349-02-W30	EA	Door Asm - Storage - Driver
	086552-02-W30	EA	Door Asm - Storage - Driver
	M79321-02-W30	EA	Door Asm - Generator
	M86576-01-W30	EA	Door Asm - Generator
	078969-04-T03	EA	Door Asm - Refrigerator Access
	084104-02-000	EA	Door Asm - Refrigerator Access
	052009-03-000	EA	Door - Water Heater
	052423-03-000	EA	Door - Sewer Hose - Gray
	075726-01-000	EA	Outlet Extension - Sewage
	075730-01-000	EA	End Cap - Sewage Hose
	078010-05-000	EA	Door - Fuel Fill - Gray
	063742-03-000	EA	Door - Power Cord - Gray
	052424-03-000	EA	Jamb - Power Cord/Fuel Fill - Gray
	054543-02-000	EA	Hatch - Power Cord
	054530-01-000	EA	Door Holder
	083615-03-000	EA	Door Stop - Gray Plastic
	041312-01-000	EA	Seal - Bulb - E" Section
	042442-01-000	EA	Lock Asm - Twist Type - 90° Rotation - 1.5" Latch - 6" Depth
	009003-01-000	EA	Lock Asm - Twist Type - w/Clip (Generator)
	047305-01-000	EA	Lock Asm - Key Type - 90° Rotation - 1.5" Latch - 1.12" Depth
	077408-01-000	EA	Lock Asm - Key Type - 90° Rotation - 2.5" Latch - 1" Depth
	079927-03-000	EA	Lock Asm - Twist Type - 1.3 Latch - 2.1" Depth
	042441-01-000	EA	Lock Asm - Key Type - 90° Rotation - 1.25" Latch - 62" Depth
	085730-01-000	EA	Latch Asm - Paddle - Plastic - w/Key Lock
	085730-04-000	EA	Latch Asm - Paddle - Plastic - w/o Key Lock

These are the part numbers of the doors produced after 11/3/86

**1987 ITASCA
TABLE OF CONTENTS**

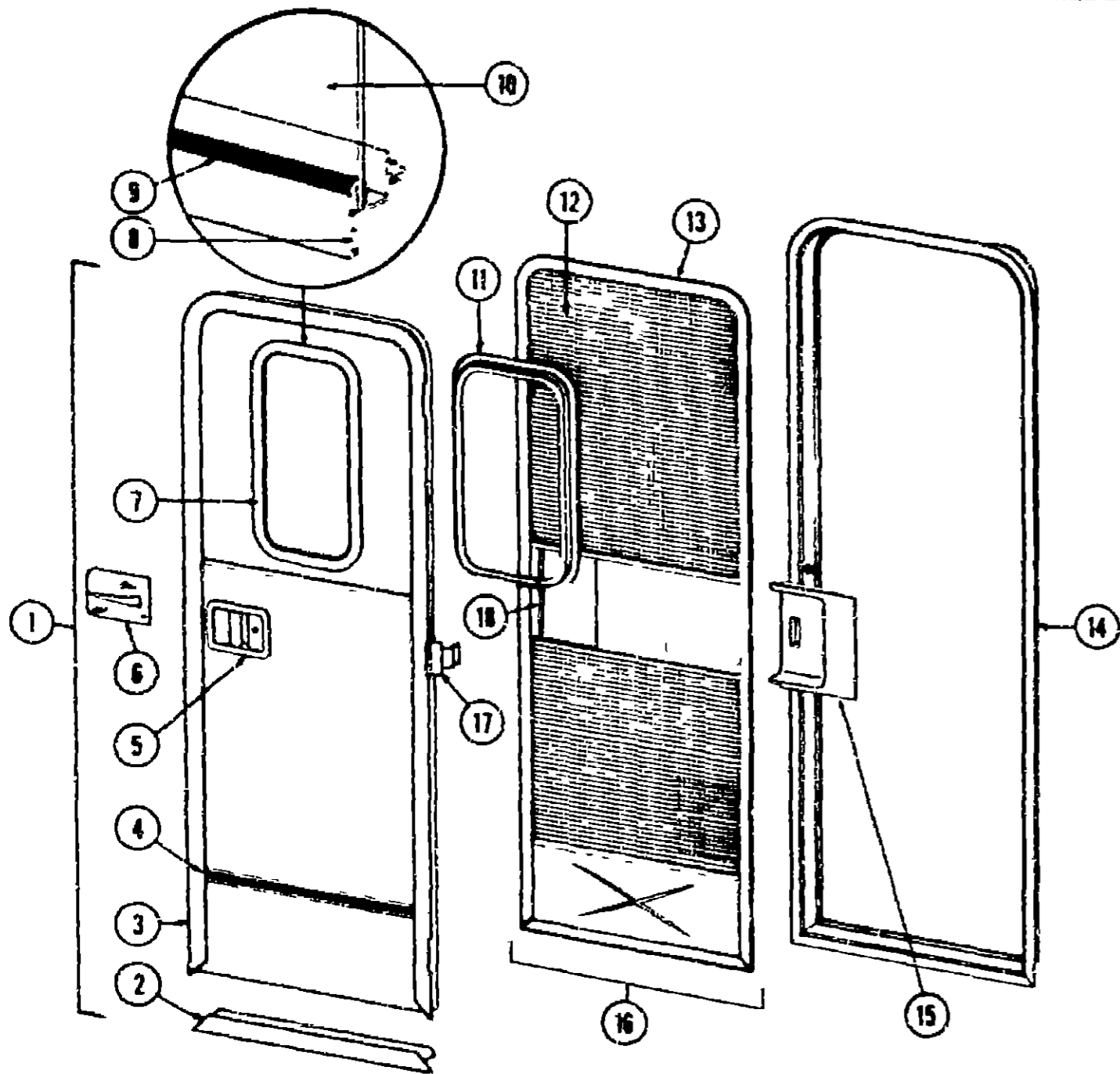
IC/IF424RC	A-01	C-02
IC/JN31RT	C-03	E-16
ICN33RU	E-17	H-06
ICP31RT	H-07	J-16

1987 IC/JN31RT INDEX

Floor Plan	C-03 - C-04
Accessories Group	C-05 - C-07
Bath Group	C-08 - C-09
Chassis Group	C-10 - C-12
Curtain Cushion & Pad Group	C-13 - C-22
Dinette Group	C-23 - C-24
Driver's Compartment Group	D-01 - D-03
Electrical Group	D-04 - D-06
Exterior Body Group	D-07 - D-12
Galley Group	D-13 - D-15
Heating & Air Conditioning Group	D-16
Interior Finish Group	D-17 - D-19
LP Group	D-20
Lounge Group	D-21 - D-24
Water & Sewage Group	E-01 - E-02
Window Vent & Exterior Door Group	E-03 - E-16

WINDOW, VENT & EXTERIOR DOOR GROUP (CONTINUED)

ENTRANCE & SCREEN DOOR



Key	Part Number	U/M	Description
1	M01870-12-W30	EA	Door Asm - Radius Entry - w/o Screen Door
2	077998-03-000	EA	Frame - Entry Door (Bottom Portion Only)
3	076863-03-000	EA	Frame - Entry Door (Except Bottom Portion)
4	059576-11-000	EA	Feature Strip w/o Insert - 14
	031030-11-000	EA	Insert - Feature Strip - 17 - Stucco - Gray
	009731-01-000	EA	End Cap - Feature Strip
5	045017-05-000	EA	Paddle Asm - Door Lock - Exterior
	045017-05-700	EA	Lock Cylinder w/Keys - Lynor
	039539-01-000	EA	Sinker Bolt - Entry Doors
	039540-01-000	EA	Latch Claw - Entry Door
	039738-01-000	EA	Dead Bolt - Entry Door
6	039979-01-000	EA	Plate - Inside Lock - Includes Inside Handle
7	079733-04-T03	EA	Window Asm - Picture - 17" x 25" - Black (w/o inside frame)
8	069640-06-000	FT	Ribbon Sealer - 5/16" Bead x 15
9	002309-02-000	FT	Spline - Glass - 1/8" Black
10	002181-06-000	EA	Glass - Picture Window - 1/8" x 16 25" x 24" - Gray
11	057609-03-000	EA	Inside Frame - Beige (not included in assembly)
12	002293-02-000	SF	Screen - Window - 26" - Charcoal
13	056795-01-000	FT	Seal Tape - 1/78" x 3/8" - Press On
14	078591-02-000	EA	Jamb Asm - Entrance Door
	051049-01-000	EA	Jamb - Entrance Door - Bottom
15	079086-01-000	EA	Slider - Screen Door - Light Oak Plastic
16	079012-01-T03	EA	Door Asm - Screen
17	079361-07-000	EA	Hinge - Entrance Door (3 used per door)
18	079087-01-000	EA	Cap - Screen Door - Light Oak Plastic
	009018-01-000	EA	Catch Asm - Single Roller w/Strike - Screen Door
	076231-01-000	EA	Spacer - Latch - Screen Door
	077437-01-000	EA	Strike - Roller Catch
	044582-06-000	EA	Drip Cap - Gray
	079278-01-000	EA	Seal - Mocket - Entrance Door
	073090-01-000	FT	Seal - Entrance Door
	075739-02-000	EA	Stiffener - Entrance Door - Beige
	075673-01-000	FT	Seal - Pile - Adhesive Back
	075571-01-000	FT	Seal - Sponge - Lazy "T" Shaped
	002294-01-000	FT	Spline - Black - 135 x 138 (Screen Door)
	063638-02-000	EA	Strike - Screen Door
	063729-04-000	EA	Rivnut - 10-32 UNF - 010-060
	075639-01-000	EA	Garnish - Radius - Entrance Door
	083205-01-000	EA	Deadbolt Lock - Press Fit - 5"
			Not illustrated

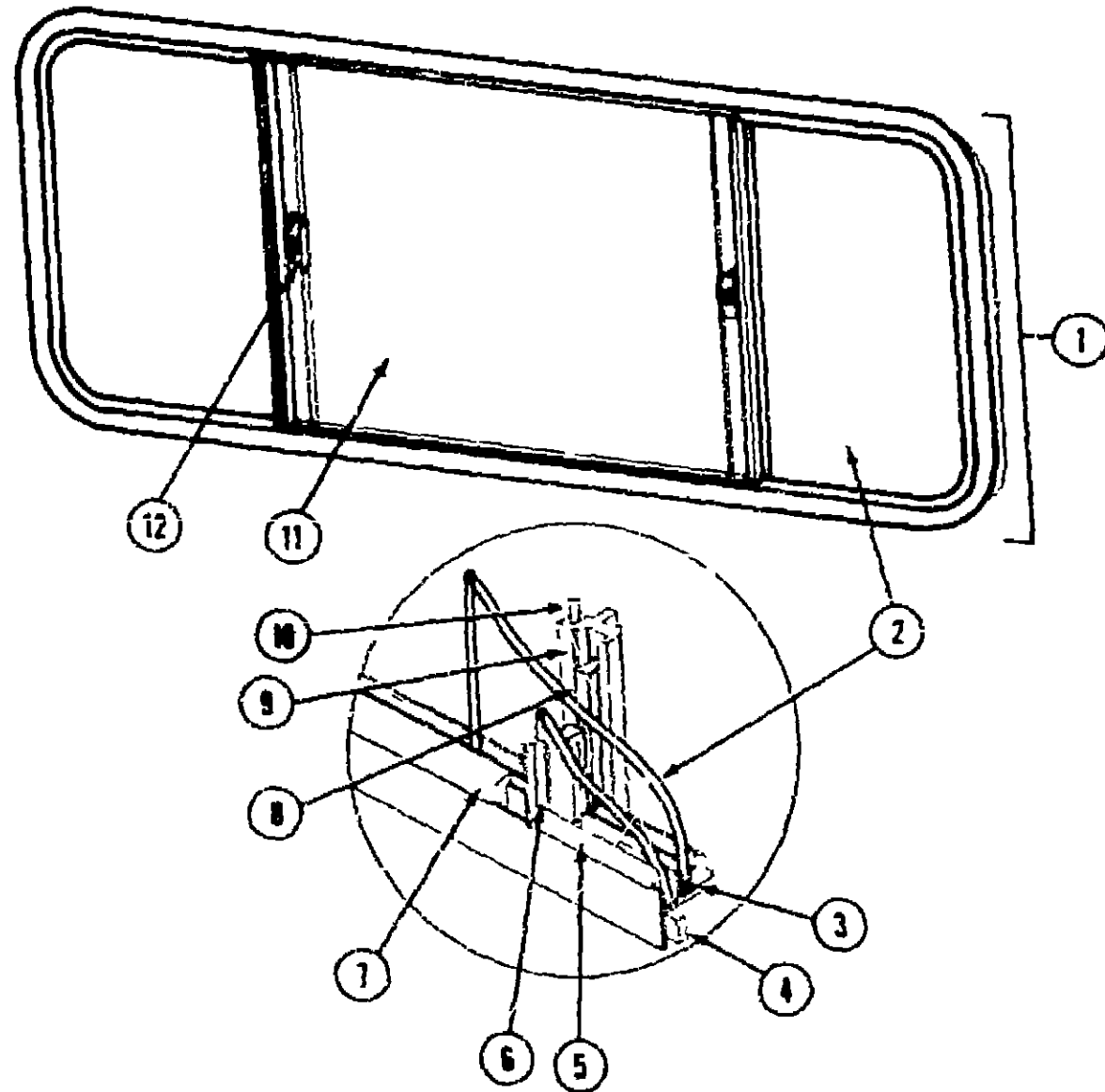
1987 ITASCA TABLE OF CONTENTS

IC/IF424RC	A-01 - C-02
IC/JN31RT	C-03 - E-16
ICN33RU	E-17 - H-06
ICP31PT	H-07 - J-16

1987 IC/JN31RT INDEX

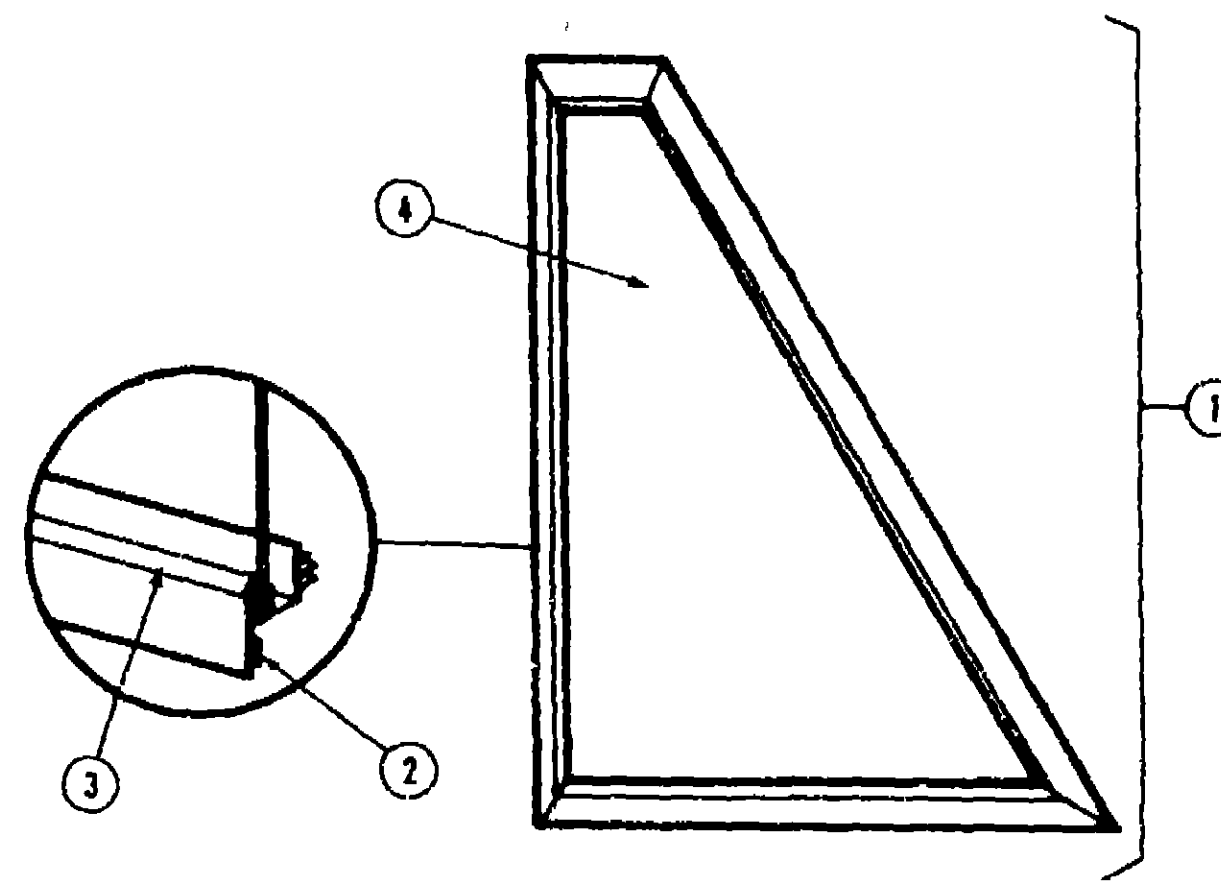
Floor Plan	C-03 - C-04
Accessories Group	C-05 - C-07
Bath Group	C-08 - C-09
Chassis Group	C-10 - C-12
Curtain Cushion & Pad Group	C-13 - C-22
Dinettes Group	C-23 - C-24
Driver's Compartment Group	D-01 - D-03
Electrical Group	D-04 - D-06
Exterior Body Group	D-07 - D-12
Galley Group	D-13 - D-15
Heating & Air Conditioning Group	D-16
Interior Finish Group	D-17 - D-19
LP Group	D-20
Lounge Group	D-21 - D-24
Water & Sewage Group	E-01 - E-02
Window Vent & Exterior Door Group	E-03 - E-16

WINDOW, VENT & EXTERIOR DOOR GROUP (CONTINUED)



Key	Part Number	U/M	Description
1	078269-01-T03	EA	Window Asm - Double Slider - 25" x 65" - Black (w/o inside frame)
	083122-05-000	EA	Inside Frame - Beige (not included in assembly)
2	061980-04-000	EA	Glass - Sliding - 1/8" x 24" x 21 3/4"
3	002324-02-000	FT	Channel - Weatherstrip - Glass Run - 1/8" Glass
4	069640-06-000	FT	Ribbon Sealer - 5/16" Bead x 15
5	002309-02-000	FT	Spline - Glass - 1/8" - Black
6	M69886-03-003	EA	Seal Holder w/Fin Seal - 23 1/8" - Black
7	057374-02-000	FT	Extr Vinyl - Window Seal - Black
8	073740-01-000	FT	Seal - Fin - Pile - 460
9	078562-04-000	EA	Mullion - Slider Window - Black
10	002296-02-000	FT	Spline - 130" Dia - Charcoal (Screen)
11	002188-05-000	EA	Glass - Stationary - 1/8" x 24" x 25 5/8"
12	047369-01-700	EA	Latch Kit - Window - Plastic w/Fastener
	079204-01-000	EA	Bracket - Mullion - Black
	002293-02-000	SF	Screen - Window - 26" - Charcoal
			No. illustrated

WINDOW, VENT & EXTERIOR DOOR GROUP (CONTINUED)



Key	Part Number	U/M	Description
1	079421-01-T03	EA	Window Asm - Front Slant - Passenger (w/o inside frame)
	079215-01-000	EA	Inside Frame - Front Slant - Beige (not included in assembly)
2	063640-01-000	FT	Tape - 1/4" Bead x 20
3	050216-02-000	FT	Spline - Glass - 1/8" Black
4	057656-04-000	EA	Glass - 19" x 28 1/2" x 26 1/2"
			Not illustrated

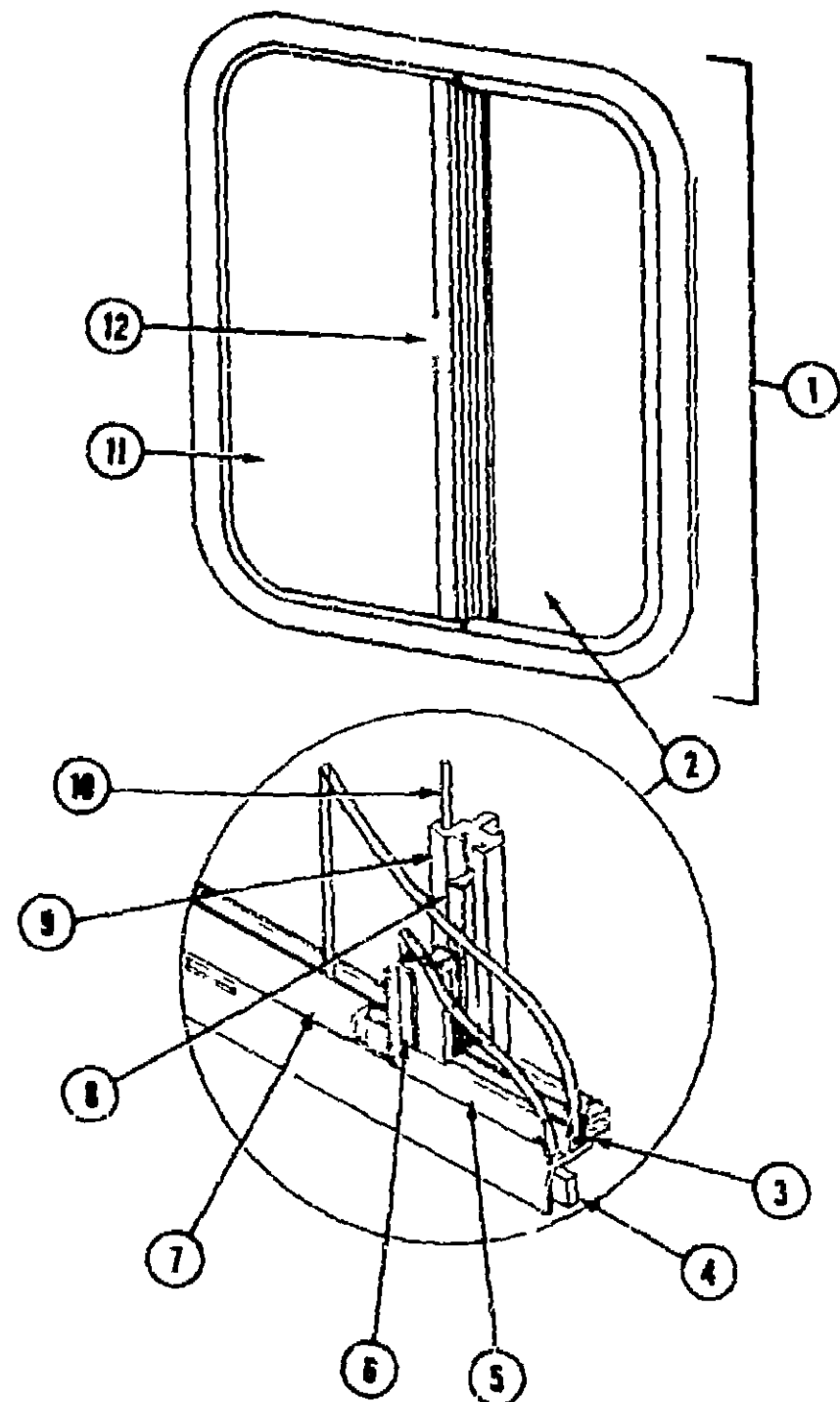
**1987 ITASCA
TABLE OF CONTENTS**

IC/IF424RC	A-01 - C-02
IC/JN31RT	C-03 - E-16
ICN33RU	E-17 - H-08
ICP31RT	H-07 - J-16

1987 IC/JN31RT INDEX

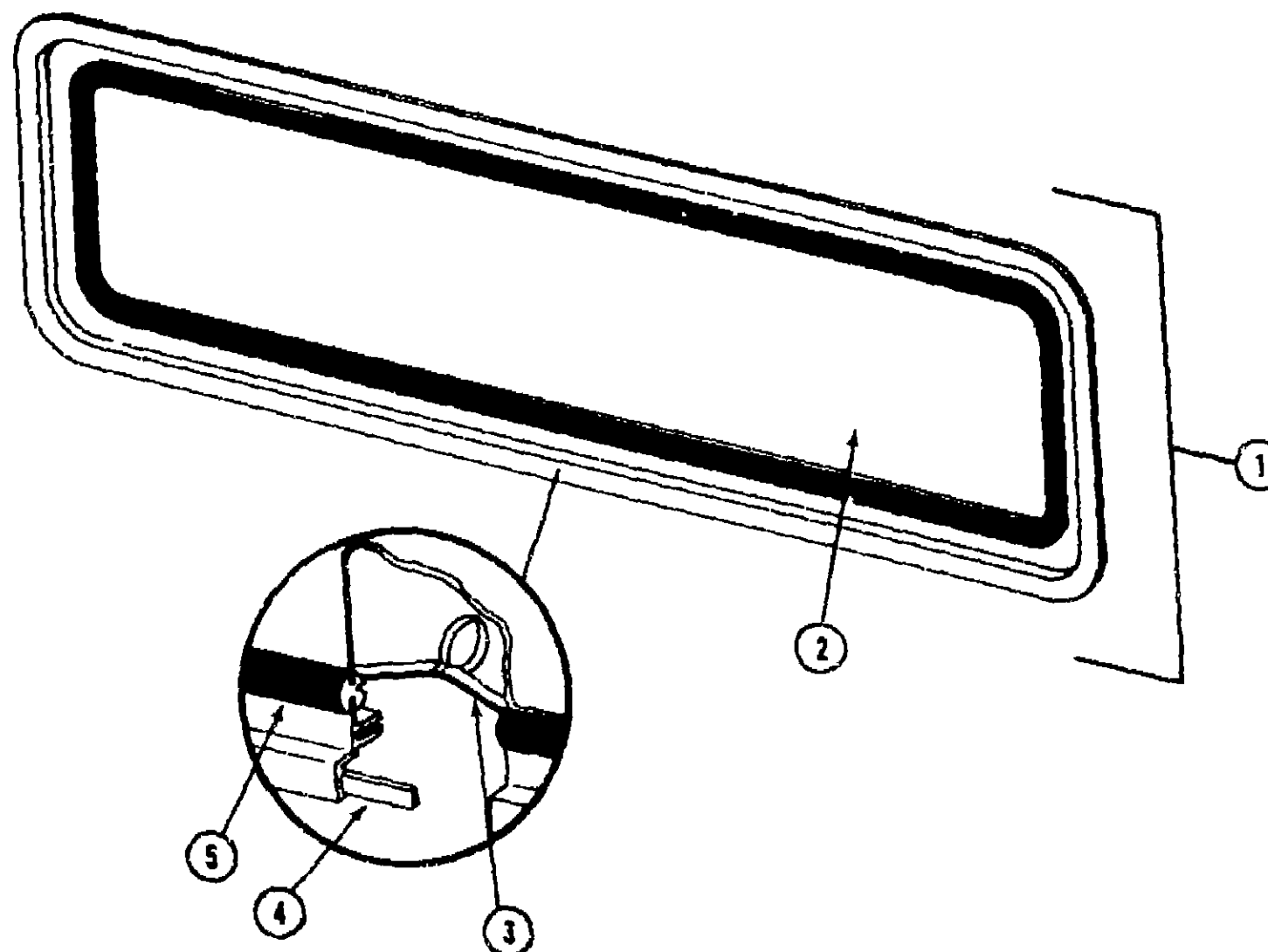
Floor Plan	C-03 - C-04
Accessory Group	C-05 - C-07
Bath Group	C-08 - C-09
Chassis Group	C-10 - C-12
Curtain Cushion & Pad Group	C-13 - C-22
Dinette Group	C-23 - C-24
Driver's Compartment Group	D-01 - D-03
Electrical Group	D-04 - D-06
Exterior Body Group	D-07 - D-12
Galley Group	D-13 - D-15
Heating & Air Conditioning Group	D-16
Interior Finish Group	D-17 - I-19
LP Group	D-20
Lounge Group	D-21 - D-24
Water & Sewage Group	E-01 - E-02
Window Vent & Exterior Door Group	E-03 - F-16

WINDOW, VENT & EXTERIOR DOOR GROUP (CONTINUED)



Key	Part Number	U/M	Description
1	078266-03-T03	EA	Window Asm - Left Single Glider - 20" x 25" - Black (w/o inside frame)
-	083122-03-000	EA	Inside Frame - Beige (not included in assembly)
2	081980-05-000	EA	Glass - Sliding - 1/8" x 19" x 13 68" - Gray
3	002324-02-000	FT	Channel - Weatherstrip - Glass Run - 1/8" Glass
4	069840-06-000	FT	Ribbon Sealer - 5 15" Bead - 15
5	002309-02-000	FT	Spline - Glass - 1/8" - Black
6	M69885-03-011	EA	Seal Holder w/Fin Seal - 1/8" - Black
7	057374-02-000	FT	Extr Vinyl - Window Seal - Black
8	073740-01-000	FT	Seal - Fin - Pile - 460"
9	079562-02-000	EA	Inside Mullion - Slider Window - Black
10	002298-02-000	FT	Spline - 1/30" Dia - Charcoal (Screen)
11	081984-03-000	EA	Glass - Stationary
12	047369-01-700	EA	Latch K1 - Window - Plastic w/Fastener
	002292-02-000	SF	Screen - Window - 20" - Charcoal
			Not illustrated

WINDOW, VENT & EXTERIOR DOOR GROUP (CONTINUED)



Key	Part Number	U/M	Description
1	078528-01-T03	EA	Window Asm - Escape (w/o inside frame)
-	074816-01-000	EA	Inside Frame - Escape Window - Beige (not included in assembly)
2	002174-02-000	EA	Glass - 1/8" x 19 61" x 44 82
3	002285-01-000	FT	Filler - Weatherstrip - Black
4	069640-01-000	FT	Tape - 2" Bead x 45
5	002282-01-000	FT	Weatherstrip - Window 125" Black
-	006199-01-000	EA	Label - Ex 1 - Escape Window
-			Not illustrated

1987 FASCA
TABLE OF CONTENTS

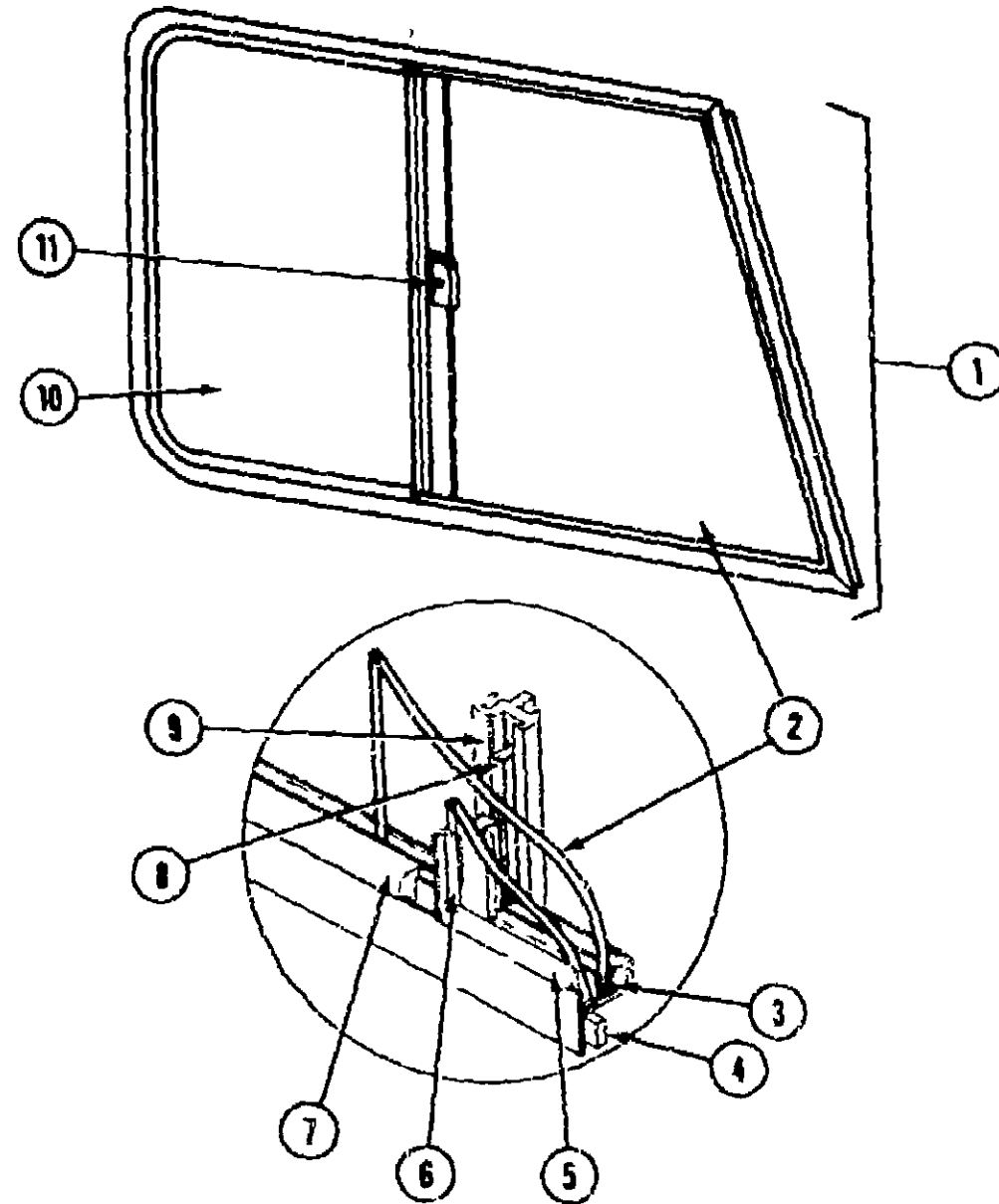
IC/IF424RC
IC/JN31RT
ICN33RU
ICP31RT

A-01 - C-02
C-03 - E-16
E-17 - H-08
H-07 - J-16

1987 IC/JN31RT INDEX

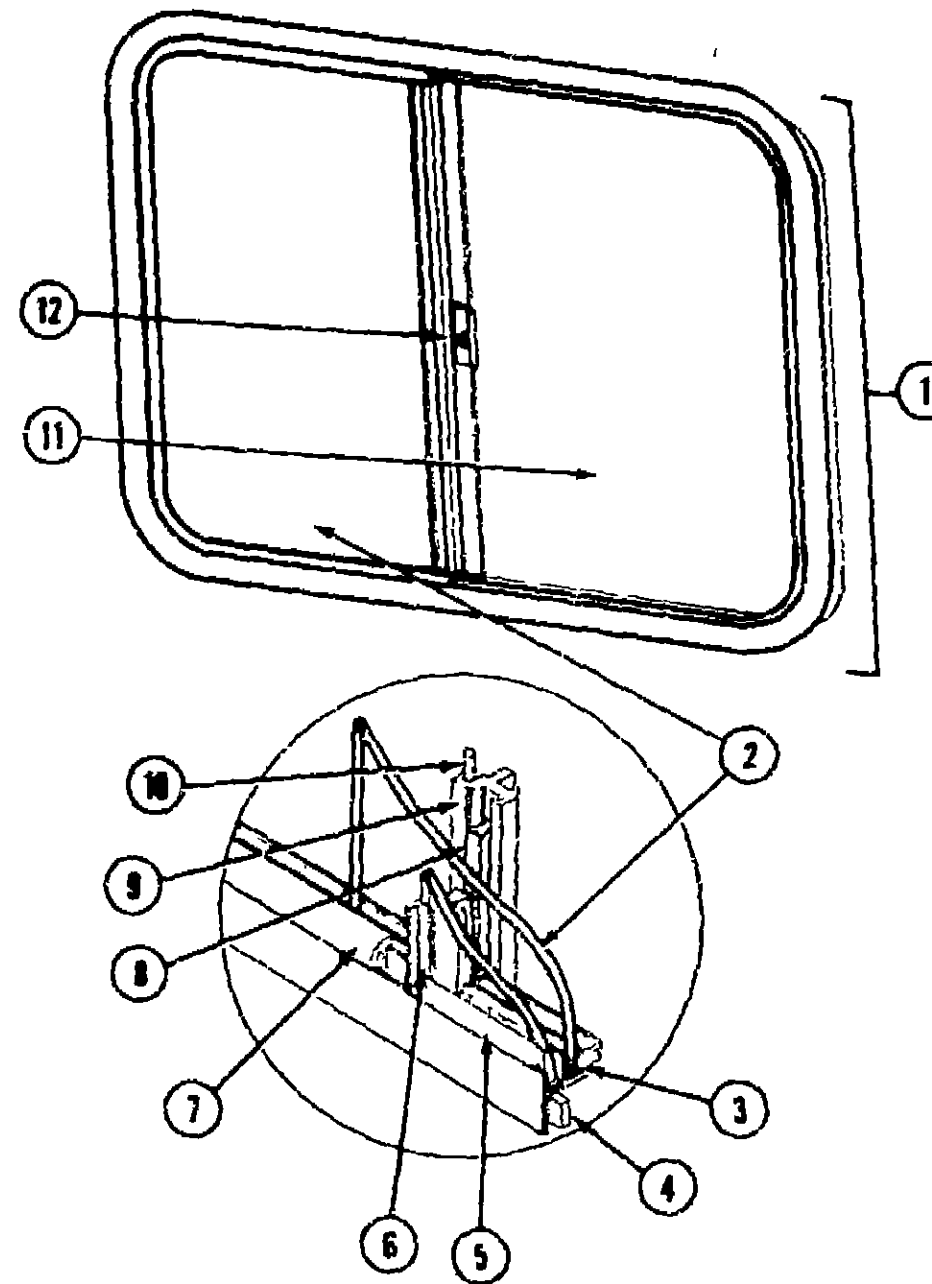
Floor Plan	C-03 - C-04
Accessories Group	C-05 - C-07
Bath Group	C-08 - C-09
Chassis Group	C-10 - C-12
Curtain Cushion & Pad Group	C-13 - C-22
Dinette Group	C-23 - C-24
Driver's Compartment Group	D-01 - D-03
Electrical Group	D-04 - D-06
Exterior Body Group	D-07 - D-12
Galley Group	D-13 - D-15
Heating & Air Conditioning Group	D-16
Interior Finish Group	D-17 - D-19
L ^o Group	D-20
Lounge Group	D-21 - D-24
Water & Sewage Group	E-01 - E-02
Window Vent & Exterior Door Group	E-03 - E-16

WINDOW, VENT & EXTERIOR DOOR GROUP (CONTINUED)



Key	Part Number	U/M	Description
1	082057-01-U04	EA	Window Asm - Front Slant Slider - Passenger (w/o inside frame)
	079573-01-T03	EA	Inside Frame - Slant Slider - Passenger (not included in assembly)
2	057856-03-000	EA	Glass - .19" x 28 11" x 27" - Stationary (Passenger)
3	042077-01-000	FT	Channel - Weatherstrip - 3/16 Glass
4	089840-01-000	FT	Ribbon Sealer - 1/4 Bead x 20
5	050216-02-000	FT	Window Seal - 19" - Glass
6	002388-03-203	EA	Seal Holder w/Fin Seal - 27 12" - Black
7	057374-02-000	FT	Extr Rubber - Window Seal - Black
8	073740-01-000	FT	Seal - Fin - Pile - 460"
9	078562-07-000	EA	Mullion - Slider Window - Black
10	002298-02-000	FT	Spline - 130 Dia - Charcoal (Screen)
11	081980-06-000	EA	Glass - 19" x 28 11" x 14 88 Sliding
	079204-01-000	EA	Bracket - Mullion - Black
	079574-01-T03	EA	Slider Screen Asm - Passenger
	079574-02-T03	EA	Slider Screen Asm - Driver
	002291-02-000	SF	Screen - Window - 15" Charcoal
	016310-03-000	EA	Handle - Slider Screen - Black
	047388-01-700	EA	Latch Kit - Window - Plastic w/Fastener
			Not illustrated

WINDOW, VENT & EXTERIOR DOOR GROUP (CONTINUED)



Key	Part Number	U/M	Description
1	078286-04-T03	EA	Window Asm - Left Single Slider - 20 x 25" - Black (w/o inside frame)
	083122-05-000	EA	Inside Frame - Beige (not include in assembly)
2	081980-02-000	EA	Glass - Sliding - 1/8" x 22" x 13 68 - Gray
3	002324-02-000	FT	Channel - Weatherstrip - Glass Run - 1/8 Glass
4	089840-06-000	FT	Ribbon Sealer - 5 16" Bead x 15
5	002308-02-000	FT	Spline - Glass - 1/8 - Black
6	M18025-03-000	EA	Seal Holder w/Fin Seal - 1/8" - Black
7	057374-02-000	FT	Extr Vinyl - Window Seal - Black
8	073740-01-000	FT	Seal - Fin - Pile - 460
9	078562-03-000	EA	Inside Mullion - Slider Window - Black
10	002298-02-000	FT	Spline - 130" Dia - Charcoal (Screen)
11	081984-01-000	EA	Glass - Stationary
12	047389-01-700	EA	Latch Kit - Window - Plastic w/Fastener
	023713-02-000	EA	Weephole Cover - Black Plastic
	002293-02-000	SF	Screen - Window - 26 Charcoal
			Not illustrated

**1987 ITASCA
TABLE OF CONTENTS**

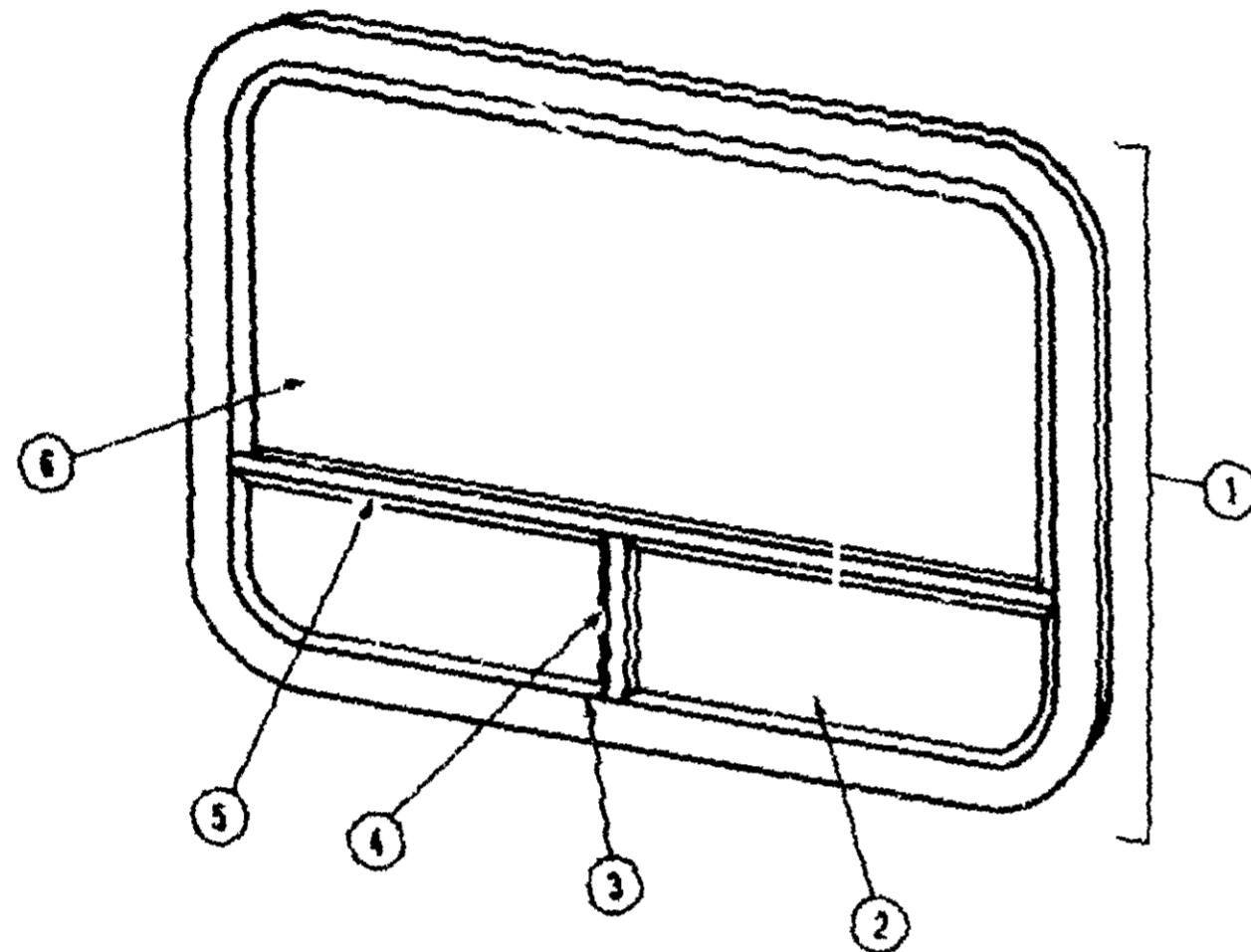
IC/IF424RC
IC/JN31RT
ICN33RU
ICP31RT

A-01 - C-02
C-03 - E-16
E-17 - H-08
H-07 - J-16

1987 IC/JN31RT INDEX

Floor Plan	C-03 - C-04
Accessories Group	C-05 - C-07
Bath Group	C-08 - C-09
Chassis Group	C-10 - C-12
Curtain Cushion & Pad Group	C-13 - C-22
Dinette Group	C-23 - C-24
Driver's Compartment Group	D-01 - D-03
Electrical Group	D-04 - D-06
Exterior Body Group	D-07 - D-12
Galley Group	D-13 - D-15
Heating & Air Conditioning Group	D-16
Interior Finish Group	D-17 - D-19
LP Group	D-20
Lounge Group	D-21 - D-24
Water & Sewage Group	E-01 - E-02
Window Vent & Exterior Door Group	E-03 - E-16

WINDOW, VENT & EXTERIOR DOOR GROUP (CONTINUED)



Key	Part Number	U/M	Description
1	085354-02-W07	EA	Window Asm - Double Tipout (w/o inside frame)
	081822-06-000	EA	Inside Frame - Black (not included in assembly)
2	084068-04-000	EA	Glass - 1/8" x 9 24" x 30 38" - Tipout
	084581-01-W07	EA	Screen Asm - Tipout - Right
	084581-02-W07	EA	Screen Asm - Tipout - Left
3	084067-01-000	FT	Seal - "e" - Sponge Rubber
4	084154-01-000	EA	Mullion - Vertical - Black
	084064-01-000	FT	Bulb Seal - Double - Sponge Rubber
5	083112-05-000	EA	Mullion - Horizontal - Black
	081357-01-000	FT	Foam Seal - Vinyl
6	081298-11-000	EA	Glass - 1/8" x 61 77" x 20 55" - Stationary
	002291-02-000	SF	Screen - 16" Window
	002298-02-000	FT	Spline - 130" Dia - Charcoal (Screen)
	081243-01-000	EA	Clip - Screen - Plastic
	080918-01-000	EA	Spring - Torque Tube - Right
	080918-02-000	EA	Spring - Torque Tube - Left
	035302-01-000	EA	Operating Mech - Right
	035302-02-000	EA	Operating Mech - Left
	Not illustrated		

1987 ITASCA
TABLE OF CONTENTS

IC/IF424RC	A-01 - C-02
IC/JN31RT	C-03 - E-18
ICN339U	E-17 - H-08
ICP31RT	H-07 - J-16

1987 IC/JN31RT INDEX

Floor Plan	C-03 - C-04
Accessories Group	C-05 - C-07
Bath Group	C-08 - C-09
Chassis Group	C-10 - C-12
Curtain Cushion & Pad Group	C-13 - C-22
Dinette Group	C-23 - C-24
Driver's Compartment Group	D-01 - D-03
Electrical Group	D-04 - D-06
Exterior Body Group	D-07 - D-12
Galley Group	D-13 - D-15
Heating & Air Conditioning Group	D-16
Interior Finish Group	D-17 - D-19
Lb Group	D-20
Lounge Group	D-21 - D-24
Water & Sewage Group	E-01 - E-02
Window Vent & Exterior Door Group	E-03 - E-18