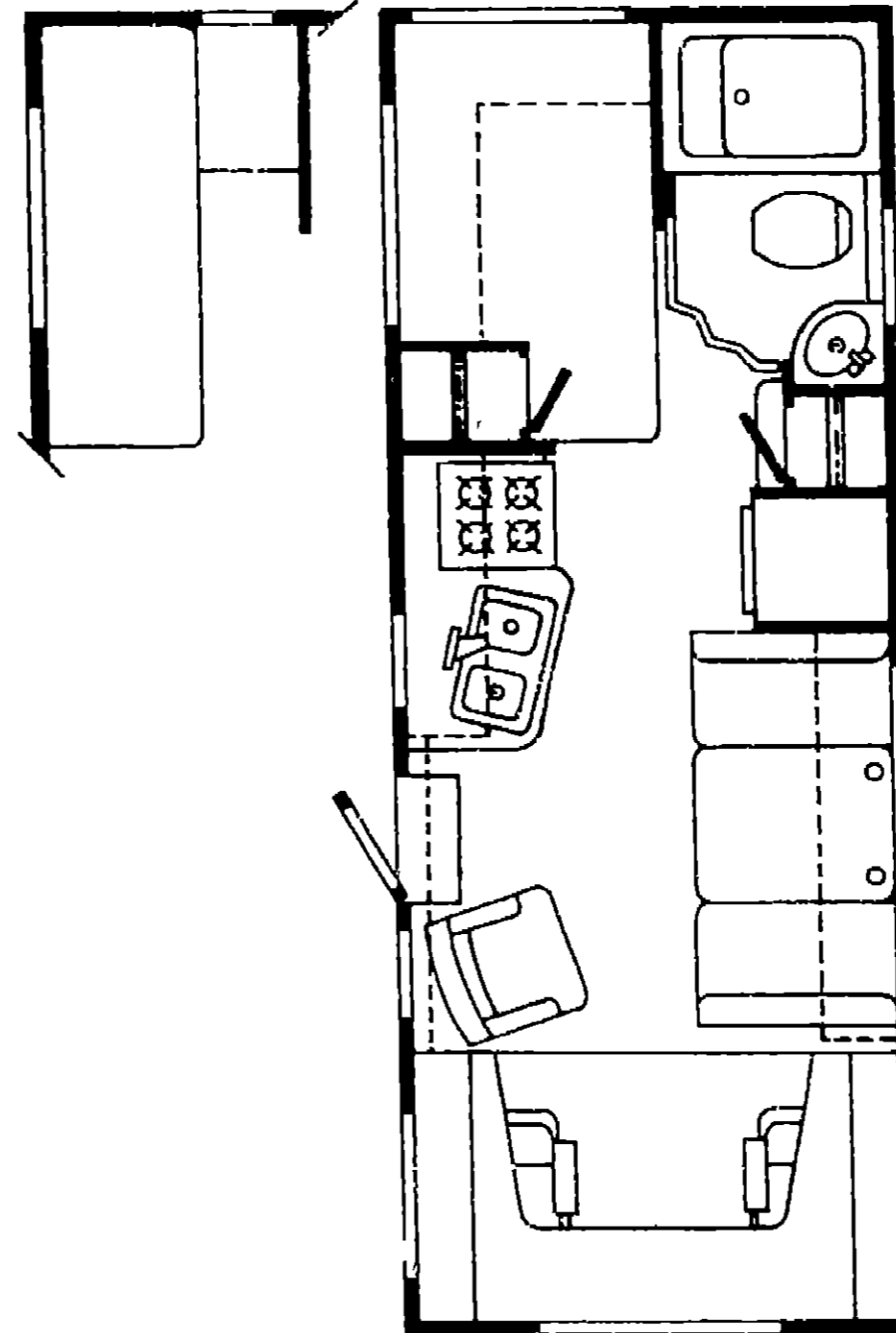


# 1987 IC/IF424RC



## 1987 ITASCA TABLE OF CONTENTS

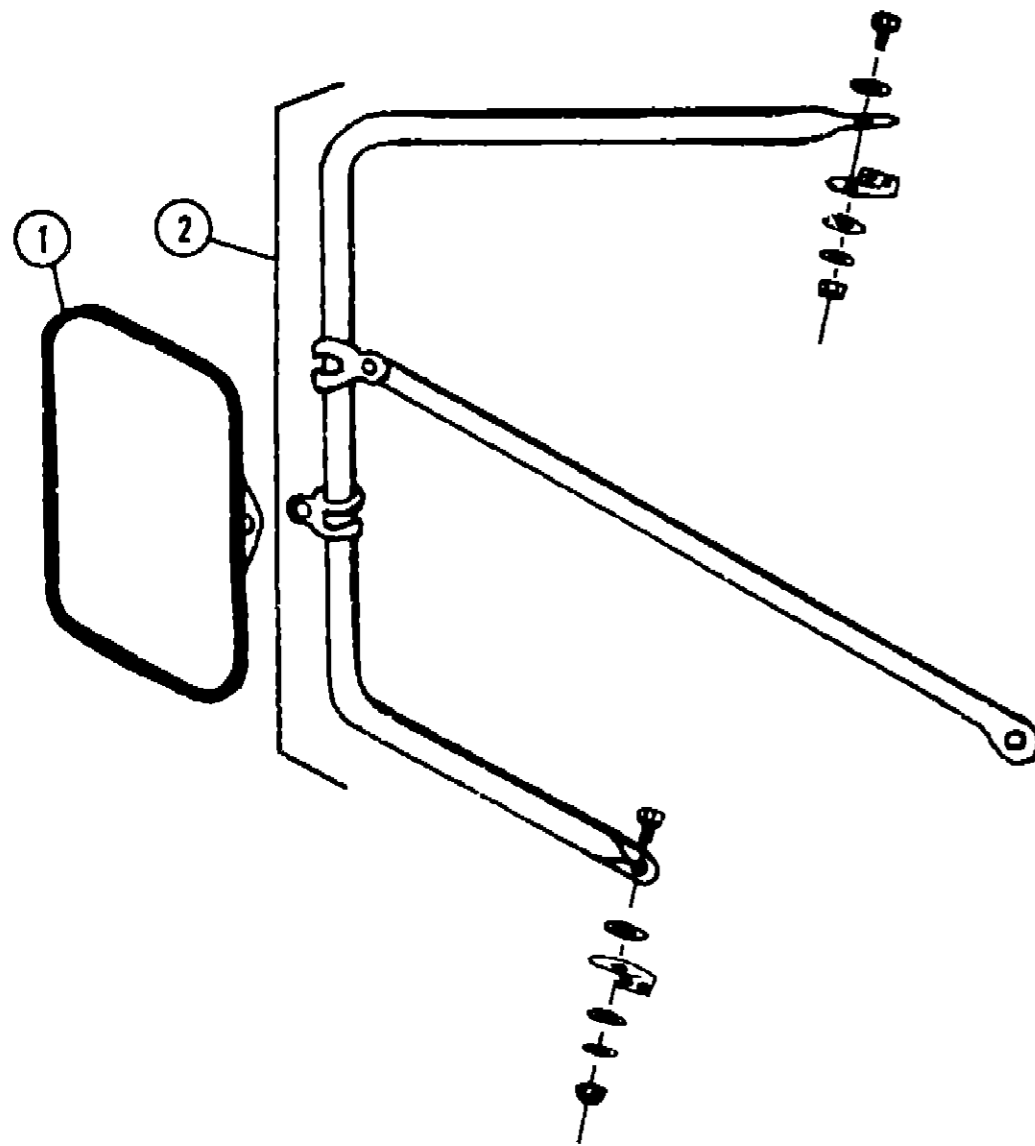
IC/IF424RC  
IC/JN31RT  
ICN33RU  
ICP31RT

A-01 - C-02  
C-03 - E-16  
E-17 - H-06  
H-07 - J-16

### 1987 IC/IF424RC INDEX

Floor Plan	A-01 - A-02
Accessories Group	A-03 - A-05
Bath Group	A-06 - A-07
Chassis Group	A-08 - A-09
Curtain Cushion & Pad Group	A-10 - A-17
Dinette Group	A-18
Driver's Compartment Group	A-19 - A-21
Electrical Group	A-22 - A-23
Exterior Body Group	A-24 - B-04
Galley Group	B-05 - G-06
Heating & Air Conditioning Group	B-07
Interior Finish Group	B-08 - B-09
LP Group	B-10
Lounge Group	B-11
Water & Sewage Group	B-12 - B-13
Window Vent & Exterior Door Group	B-14 - C-02

## ACCESSORIES GROUP



EXTERIOR MIRRORS

Key	Part Number	U/M	Description
1	049347-01-000	EA	Mirror Head - 7 1/2 x 10 1/2 - Stainless Steel
2	062047-01-000	EA	Arm - West Coast Mirror - Stainless Steel
2	062047-02-000	EA	Arm - West Coast Mirror - Off White
	006043-01-000	EA	Mirror - Convex - Adhesive Back
	Not illustrated		

### WHEEL COVER & MOUNTING HARDWARE

Key	Part Number	U/M	Description
	083181-01-000	EA	Wheel Cover - 16 (Set/4) (Ford)
	083181-01-700	EA	Wheel Cover - 16 (1) (Ford)
	083181-02-000	EA	Wheel Cover - 16 5 (Set/4) (Chevy)
	083181-02-700	EA	Wheel Cover - 16 (1) (Chevy)

## ACCESSORIES GROUP (CONTINUED)

### MISCELLANEOUS ACCESSORIES

Key	Part Number	U/M	Description
	054185-26-000	EA	Owners Manual - 1987 Itasca & Winnebago
	076319-01-000	EA	Antenna - TV Roof Mount - 44 5 Mast
	081242-01-000	EA	Connector - 90° - Coaxial
	064089-01-000	EA	Mud Flap - Rubber - Black (Front)
	017516-01-000	EA	Mud Flap w/Holes - 14 x 18 - Black (Bark)
	041944-03-000	EA	Fire Extinguisher
	081779-01-000	EA	Microwave/Convection Oven - Sharp
	081459-01-000	EA	Bracket Asm - Microwave - Right
	081459-07-000	EA	Bracket Asm - Microwave - Left
	082876-01-000	EA	Baffle - Microwave
	081555-01-T03	EA	Trim Asm - Microwave Oven
	081456-01-000	EA	Angle Asm - Microwave Oven - Right
	081456-02-000	EA	Angle Asm - Microwave Oven - Left
	081016-01-T03	EA	Ladder Asm
	081026-01-T03	EA	Rack Asm - Right
	081026-02-T03	EA	Rack Asm - Left
	067130-01-000	EA	Ladder Step
	076980-02-000	EA	End Cap - Ladder Step
	080866-01-000	EA	Stand Off - Rack & Ladder Asm
	067165-01-000	EA	Bracket - Mounting - Rack & Ladder
	083219-03-000	EA	Mat - Front - Brown - Passenger (Ford)
	083219-04-000	EA	Mat - Front - Brown - Driver (Ford)
	083218-03-000	EA	Mat - Front - Brown - Passenger (Chevy)
	083218-04-000	EA	Mat - Front - Brown - Driver (Chevy)
	040069-01-000	EA	Mat - Entrance Door - Black
	081075-02-000	EA	Mat - Entrance Door - Brown
	044860-01-000	EA	Mat - Stepwell - Drivers - Black (Chevy)
	044860-02-000	EA	Mat - Stepwell - Passenger - Black (Chevy)
	072852-01-000	EA	Smoke Detector w/9 Volt Battery
	086269-01-000	EA	Picture - Decorative
	086779-01-000	EA	Clock - 8 25 x 8 25
	079665-01-000	EA	Clock - 9 x 9
	006069-01-000	EA	Key Case - Leather
	080208-01-000	EA	Lug Wrench (Chevy)
	080208-02-000	EA	Leverage Bar - Lug Wrench
	006113-01-000	EA	Jack - Hydraulic - 6 Ton - w/Handle
	079799-01-000	EA	Tire Cover Asm - Off White - Plastic
	M02047-01-T95	EA	Panel Asm - Tire Cover Door
	075461-01-000	EA	Electric Step Asm w/Light

The illustrated parts breakdown for this item is provided on the Common Items Fiche

### CHROME WHEEL LINERS

Key	Part Number	U/M	Description
	085741-02-000	EA	Wheel Liners (Set of 4) 16 5 - Chevy
	085741-02-701	EA	Axle Cover - 16 5 Front - Chevy
	085741-02-702	EA	Axle Cover - 16 5 Rear - Chevy
	085741-02-710	EA	Lug Nut Cover - Chevy
	085741-05-000	EA	Wheel Liners (Set of 4) 16 4 - Ford
	085741-05-701	EA	Axle Cover - 16 5 - Front - Ford
	085741-05-702	EA	Axle Cover - 16 5 - Rear - Ford
	085741-05-710	EA	Lug Nut Cover - Ford

## 1987 ITASCA TABLE OF CONTENTS

IC/IF424RC	A-01 - C-02
IC/JN31RT	C-03 - E-16
ICN33RU	E-17 - H-06
ICP31RT	H-07 - J-16

## 1987 IC/IF424RC INDEX

Floor Plan	A-01 - A-02
Accessories Group	A-03 - A-05
Bath Group	A-06 - A-07
Chassis Group	A-08 - A-09
Curtain Cushion & Pad Group	A-10 - A-17
Dinette Group	A-18
Driver's Compartment Group	A-19 - A-21
Electrical Group	A-22 - A-23
Exterior Body Group	A-24 - B-04
Galley Group	B-05 - G-06
Heating & Air Conditioning Group	B-07
Interior Finish Group	B-08 - B-09
LP Group	B-10
Lounge Group	B-11
Water & Sewage Group	B-12 - B-13
Window Vent & Exterior Door Group	B-14 - C-02

## ACCESSORIES GROUP (CONTINUED)

### RADIO & RELATED COMPONENTS

Key	Part Number	U/M	Description
	067084-01-000	EA	Radio - AM/FM Stereo - w/Cassette - Electronic
	067683-01-000	EA	Radio - AM/FM - w/Cassette - Audiovox - AVX3000
	007004-01-000	EA	Antenna - Radio Cab Mount
	064792-01-000	EA	Grille - Speaker - 5 25 - w/Mesh - Brown
	074482-02-000	EA	Radio - AM/FM/MPX - w/Cassette - Audiovox - HCC565
	073430-02-000	EA	Radio - AM/FM/MPX - w/Cassette - Electronic Tune - Audiovox - HCC1150
	074979-01-000	EA	Speaker Cover Protector - Plastic (Chevy)
	064792-01-000	EA	Speaker - Grill - Brown
	073431-01-000	EA	Speaker - 5 25 - 3/Way (Pair)
	064791-01-000	EA	Speaker - Recessed - 5 25
	073741-01-000	EA	Speaker - 4 x 6" - Oval (Chevy)
	079385-02-000	EA	Radio Mounting Kit (Ford)

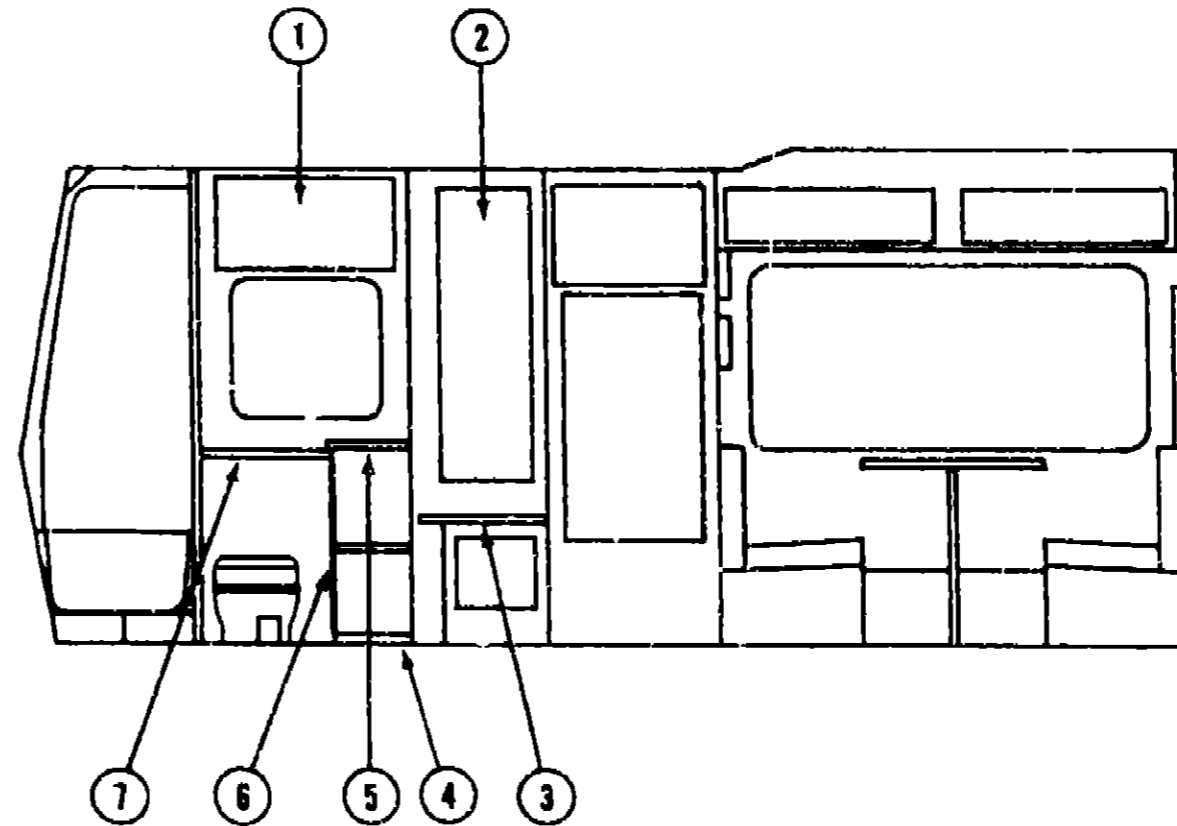
### GENERATORS & COMPONENTS

Key	Part Number	U/M	Description
	054429-01-000	EA	Generator - Onan - 4 0 kw
	079654-03-000	EA	Generator - Emerald - 4 0 kw
	052168-01-000	EA	Generator - Onan - 4 25 kw
	069229-01-000	EA	Generator - Kohler - 4 5 kw
	701629-02-000	EA	Installation Package
	024732-01-016	EA	Tailpipe - 1 5 O D x 43 50
	067753-01-000	EA	Muffler - Generator - w/Spark Arrestor - Nelson
	061364-01-000	EA	Muffler - Generator - Emerald
	007067-01-000	EA	Insulation - Fiberglass - 1

### OPTIONAL FOG LAMP & COMPONENTS

Key	Part Number	U/M	Description
	079941-01-000	EA	Lamp Asm - Fog w/Cover - Amber
	079941-01-700	EA	Lamp Asm - Fog - Set of 2
	079941-01-701	EA	Lens and Cover Only
	079941-01-702	EA	Switch - Fog Lights
	079941-01-703	EA	Solenoid
	079941-01-704	EA	Switch Plate - For Switch
	079941-01-705	EA	Lens Only
	079941-01-706	EA	Cover Only

## BATH GROUP



### BATH CABINERY

Key	Part Number	U/M	Description
1	061535-01-W30	EA	Door Asm w/Mirror - Medicine Cabinet - 29 4 x 15 5 - w/o Hardware
	076073-01-000	EA	Cabinet Asm - Medicine - Almond
	076387-01-000	EA	Bracket - Medicine Cabinet
2	M81501-48-W30	EA	Door Asm w/Mirror - Wardrobe - 46 1 x 16 1 - w/o Hardware
3	M02447-01-W24	EA	Countertop Asm - Wardrobe
4	M81548-01-W24	EA	Cabinet Asm - Lavatory - w/o Countertop or Door
5	M02406-01-W24	EA	Countertop Asm - Lavatory Cabinet
5	M02406-01-W25	EA	Countertop Asm - Lavatory Cabinet
5	M02406-01-W26	EA	Countertop Asm - Lavatory Cabinet
6	M81501-A8-W30	EA	Door Asm - Lavatory - 23 8 x 13 4 - Raised Panel - w/o Hardware
6	M84953-54-W24	EA	Door Asm - 23 8 x 11 96 - w/o Hardware
7	M02473-01-W24	EA	Countertop Asm - Pipe Cover
7	M02473-01-W25	EA	Countertop Asm - Pipe Cover
7	M02473-01-W26	EA	Countertop Asm - Pipe Cover
	060224-01-000	EA	Door Asm - Folding - 46" x 75
	060224-01-700	EA	Latch & Catch Asm - Folding Door
			Not illustrated

## 1987 ITASCA TABLE OF CONTENTS

IC/IF424RC	A-01 - C-02
IC/JN31RT	C-03 - E-16
ICN33RU	E-17 - H-06
ICP31RT	H-07 - J-16

## 1987 IC/IF424RC INDEX

Floor Plan	A-01 - A-02
Accessories Group	A-03 - A-05
Bath Group	A-06 - A-07
Chassis Group	A-08 - A-09
Curtain Cushion & Pad Group	A-10 - A-17
Dinette Group	A-18
Driver's Compartment Group	A-19 - A-21
Electrical Group	A-22 - A-23
Exterior Body Group	A-24 - B-04
Galley Group	B-05 - G-06
Heating & Air Conditioning Group	B-07
Interior Finish Group	B-08 - B-09
LP Group	B-10
Lounge Group	B-11
Water & Sewage Group	B-12 - B-13
Window Vent & Exterior Door Group	B-14 - C-02

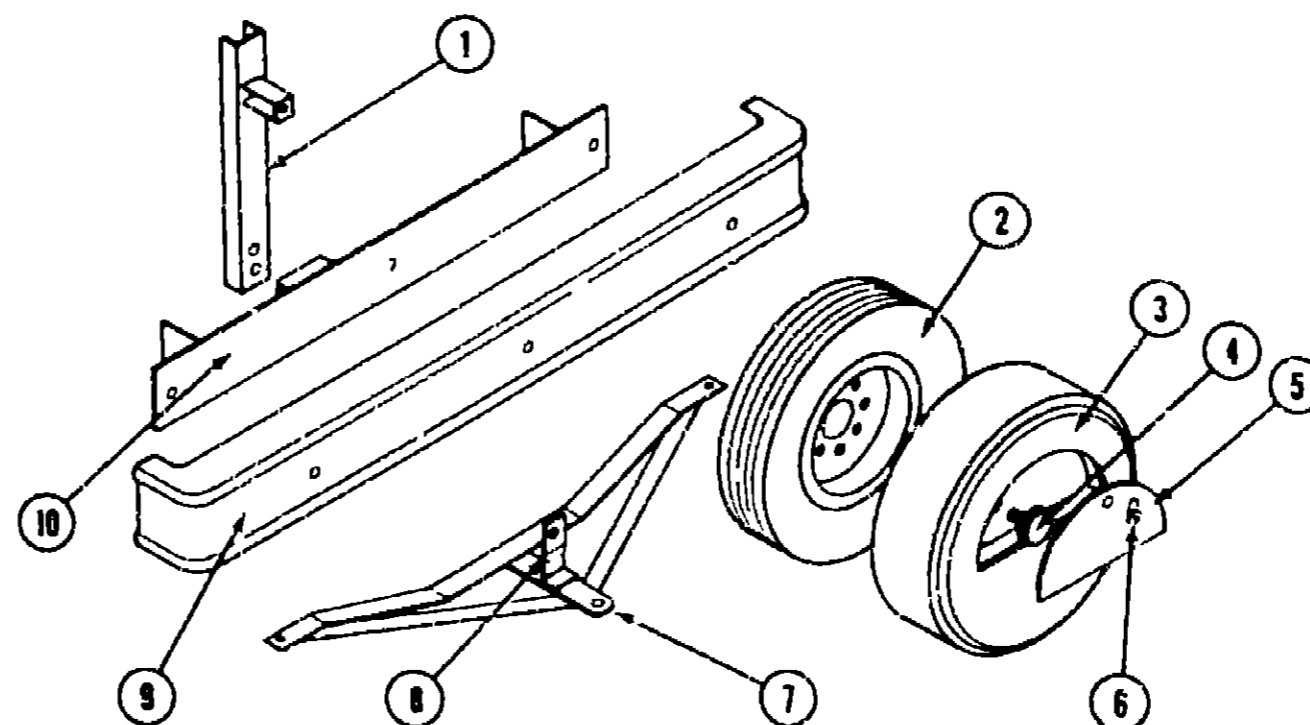
**BATH GROUP (CONTINUED)**

**BATH HARDWARE**

Key	Part Number	U/M	Description
	M01817-01-T03	EA	Bathtub Asm w/Strainer
	075242-03-000	EA	Faucet - Tub & Shower
	075240-03-000	EA	Faucet - Lavatory
	011048-02-000	EA	Shower Head - w/60 Hose
	075806-01-000	EA	Shower Panel - Faucet Plastic
	066729-01-000	EA	Strainer - Bathtub Asm
	066435-01-000	EA	Nut Strainer - Plastic - Bathtub Asm
	066436-01-000	EA	Slip Nut - 1 5" Tail Piece - Bathtub Asm
	069735-01-000	EA	Washer - Tail Piece - 1 5 - Plastic - Bathtub Asm
	011089-03-000	EA	Tailpiece - 1 5 x 1 75 - Plastic - Bathtub Asm
	060257-01-000	EA	Shroud - Bathtub Asm - Off White
	058713-01-000	EA	Sink - Oval - Ivory Plastic
	011083-01-000	EA	Tail Piece w/Stopper - 1 25 x 5 - Plastic - Sink
	063740-01-000	EA	Toilet - Thetford - Aqua Magic - IV High
	009134-01-000	EA	Tissue Holder
	075454-02-000	EA	Towel Ring
	058331-05-000	EA	Mirror - Tempered Glass - 12" x 26
	058331-04-000	EA	Mirror - Tempered Glass - 12" x 42
	009089-01-000	EA	Clip - Mirror
	057671-01-000	EA	Screw Cover - #8 - Antique White
	066433-01-000	EA	Cup Hook Bright
	050712-04-000	EA	Handle - Door Shower - Off White
	060224-04-000	EA	Track - Folding Door - S" Curve
	009112-01-000	EA	Flange - 1 Closet Rod

The illustrated parts breakdown for this item is provided on the Common Items Fiche

**CHASSIS GROUP**



**SPARE TIRE HITCH & REAR BUMPER**

Key	Part Number	U/M	Description
1	079027-01-000	EA	Bracket Asm - Tire Carrier
2	037291-03-000	EA	Tire - 8 x 16 5 - Polyester
3	079799-01-000	EA	Cover - Spare Tire - Off White Plastic
4	064082-02-000	EA	Bolt - Plastic Retainer - Wheel Cover
5	M02047-01-T95	EA	Door - Tire Cover - Off White Plastic
6	077408-02-000	EA	Lock Asm - Key Type
7	064833-03-000	EA	Hitch Asm - Trailer (Ford)
7	064833-02-000	EA	Hitch Asm - Trailer (Chevy)
8	064824-02-000	EA	Support - Trailer Hitch
9	048474-01-000	EA	Bumper - Rear - Chromed
10	064601-03-000	EA	Bracket Asm - Frame to Bumper (Ford)
10	064601-01-000	EA	Bracket Asm - Frame to Bumper (Chevy)

**1987 ITASCA  
TABLE OF CONTENTS**

IC/IF424RC	A-01 - C-02
IC/JN31RT	C-03 - E-16
ICN33RU	E-17 - H-06
ICP31RT	H-07 - J 16

**1987 IC/IF424RC INDEX**

Floor Plan	A-01 - A-02
Accessories Group	A-03 - A-05
Bath Group	A-06 - A-07
Chassis Group	A-08 - A-09
Curtain Cushion & Pad Group	A-10 - A-17
Dinette Group	A-18
Driver's Compartment Group	A-19 - A-21
Electrical Group	A-22 - A 23
Exterior Body Group	A-24 - B-04
Galley Group	B 05 - G-06
Heating & Air Conditioning Group	B-07
Interior Finish Group	B-08 - B-09
LP Group	B 10
Lounge Group	B-11
Water & Sewage Group	B-12 - B-13
Window Vent & Exterior Door Group	B-14 C-02

## CHASSIS GROUP (CONTINUED)

### MISCELLANEOUS CHASSIS

Key	Part Number	U/M	Description
	047441-01-000	EA	Battery Terminal - Horizontal Lug
	075723-01-000	EA	Block - Switch - Spacer w/o Holes
	059540-01-000	EA	Bracket - License Plate
	051697-01-000	EA	Bracket - Battery Tie Down - 6 9
	007125-01-000	EA	Clamp Asm - Muffler - 2 50
	010497-01-000	EA	Clamp - Closed - 5/8 I D
	007161-01-000	EA	Clamp - Hose - Spring Type 112
	062401-01-000	EA	Clamp - Hose - Wormgear - 22 I D - 1 I D
	062401-02-000	EA	Clamp - Hose - Wormgear - 1 56 I D - 2 5" I D
	062401-04-000	EA	Clamp - Hose - Wormgear - 69 I D - 1 25 I D
	062401-06-000	EA	Clamp - Hose - Wormgear - 22 I D - 62 I D
	023146-01-000	EA	Clamp - Screw Type - 4
	061938-01-000	EA	Compartment - LP - Regulator
	007131-01-000	EA	Hanger - Tail Pipe
	024138-01-000	FT	Hose - Fuel - 5/16 I D SAE 30RI
	066732-01-000	FT	Hose - Fuel Fill - 62 I D
	007111-02-000	EA	Hose - Fuel Fill - 2 00 I D
	006113-01-000	EA	Jack - Hydraulic - 6 Ton - w/Handle
	080208-02-000	EA	Leverage Bar - Lug Wrench
	080208-01-000	EA	Lug Wrench (Chevy)
	017516-01-000	EA	Mud Flap w/Holes - 14 x 18" - Black
	079942-05-000	EA	Shock Absorber - Stabilizer - Front (Ford)
	079942-06-000	EA	Shock Absorber - Stabilizer - Rear (Ford)
	079942-03-000	EA	Shock Absorber - Stabilizer - Front (Chevy)
	079942-04-000	EA	Shock Absorber - Stabilizer - Rear (Chevy)
	064089-01-000	EA	Splash Guard - Black Rubber
	077848-01-000	EA	Step Asm - Entry
	052431-01-000	EA	Tray - Luggage
	057724-01-000	EA	Wheelwell - Plastic
	008343-01-000	EA	Wire Tie 6

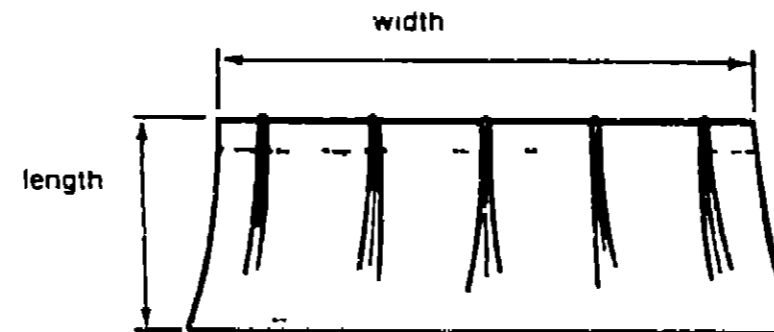
NOTE Remainder of exhaust components available from Chassis Service Center

## CURTAIN, CUSHION & PAD GROUP

### NOTICE

In order to assist our Parts Sales Dept. in providing interior software items please include the serial number and the color code number from the vehicle certification label when ordering. This label is located on the left sidewall at the end of the dash (A-Body) or on the driver's door latch plate (C-Body).

An example of a color code number is P31 which designates an overall color scheme of a particular unit. The color listed after the item description on the microfiche indicates the overall unit color. Order the item you desire according to unit color code.



### NOTE

Use this illustration when determining length and width measurements for curtains. You will note the width measurement is taken on the top of the curtain with the curtain fully extended. The length measurement is taken from top to bottom.

### CURTAIN & CUSHION HARDWARE

Key	Part Number	U/M	Description
	039175-02-000	EA	Bracket - Curtain Rod - Cafe
	039175-05-000	EA	Bracket - Curtain Rod - Center
	082228-03-000	EA	Bracket - Curtain Rod - Right
	082228-04-000	EA	Bracket - Curtain Rod - Left
	056003-02-000	EA	Bracket - Drapery Retainer - Left
	056003-01-000	EA	Bracket - Drapery Retainer - Right
	082139-02-000	EA	Bracket - Hold Down - Blind
	084434-01-000	EA	Bracket - Roller Shade - 1 3 8"
	079798-03-000	EA	Bracket Asm - Curtain Rod - Right
	079798-04-000	EA	Bracket Asm - Curtain Rod - Left
	080730-03 700	EA	Handle Kit - Recliner
	080731-02-000	EA	Hinge - Recliner - Slave
	083170-01-000	EA	Installation Bracket - Blind - Right - Clear
	083170-02-000	EA	Installation Bracket - Blind - Left - Clear
	083170-03-000	EA	Installation Bracket - Blind - Right
	083170-04-000	EA	Installation Bracket - Blind - Left
	082139-01-000	EA	Bracket - Hold Down - Blinds - Right
	082139-03-000	EA	Bracket - Hold Down - Blinds - Left
	056784-02-000	EA	Pull - Window Shade - Antique Brass
	083730-02-000	EA	Recliner - Seat Back
	039175-01-000	EA	Rod - Cafe Curtain - Extension 48 x 84
	048394-01-000	YD	Tape Hook - 1 x 50 yd - Beige
	029096-05-000	YD	Tape Hook - 50 - Velcro - Beige
	048395-01-000	YD	Tape Loop - 1 x 50 YD - Beige
	029090-01-000	FT	Tie - Drapery - Clear Vinyl
	056116-01-000	EA	Track - Curtain - Brown Plastic

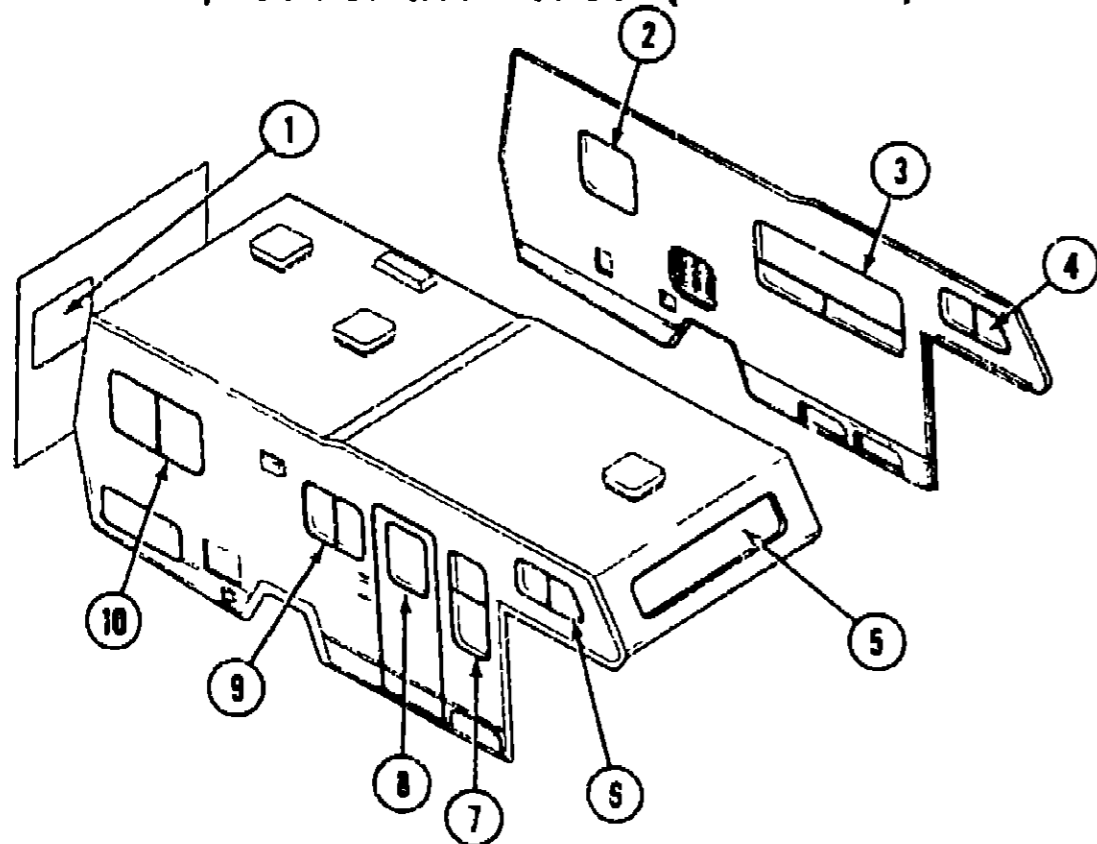
## 1987 ITASCA TABLE OF CONTENTS

IC/IF424RC	A-01 - C-02
IC/JN31RT	C-03 - E-16
ICN33RU	E-17 - H-06
ICP31RT	H-07 - J-16

### 1987 IC/IF424RC INDEX

Floor Plan	A-01 - A-02
Accessories Group	A-03 - A-05
Bath Group	A-06 - A-07
Chassis Group	A-08 - A-09
Curtain, Cushion & Pad Group	A-10 - A-17
Dinette Group	A-18
Driver's Compartment Group	A-19 - A-21
Electrical Group	A-22 - A-23
Exterior Body Group	A-24 - B-04
Galley Group	B-05 - G-06
Heating & Air Conditioning Group	B-07
Interior Finish Group	B-08 - B-09
LP Group	B-10
Lounge Group	B-11
Water & Sewage Group	B-12 - B-13
Window Vent & Exterior Door Group	B-14 - C-02

**CURTAIN, CUSHION & PAD GROUP (CONTINUED)**



**CURTAIN, SHADES, VALANCES & TIEBACKS**

Key	Part Number	U/M	Description
1	079558-23-W24	EA	Valance Asm - Gathered - 5 x 75
1	079558-23-W25	EA	Valance Asm - Gathered - 5 x 75
1	079558-23-W26	EA	Valance Asm - Gathered - 5 x 75
1	079559-12-W24	EA	Curtain Asm - Gathered - 31 x 24
1	079559-12-W25	EA	Curtain Asm - Gathered - 31 x 24
1	079559-12-W26	EA	Curtain Asm - Gathered - 31 x 24"
1	084755-06-W24	EA	Shade Asm - Ivory Linen - 33 25 (Used before 10-20-86)
1	084755-06-W25	EA	Shade Asm - Ivory Linen - 33 25 (Used before 10-20-86)
1	084755-06-W26	EA	Shade Asm - Ivory Linen - 33 25 (Used before 10-20-86)
1	084755-06-WA4	EA	Shade Asm - Parchment Linen - 33 25 (Used after 10-19-86)
1	084755-06-WA5	EA	Shade Asm - Parchment Linen - 33 25 (Used after 10-19-86)
1	084755-06-WA8	EA	Shade Asm - Parchment Linen - 33 25 (Used after 10-19-86)
	066226-17-W24	EA	Curtain Asm - Rod Top - 10 x 26
	066226-17-W25	EA	Curtain Asm - Rod Top - 10 x 26
	066226-17-W26	EA	Curtain Asm - Rod Top - 10 x 26
2	079558-14-W30	EA	Valance Asm - Gathered - 5 x 75 (W24)
2	079558-14-W31	EA	Valance Asm - Gathered - 5 x 75 (W25)
2	079558-14-W32	EA	Valance Asm - Gathered - 5 x 75 (W26)
2	079559-07-W24	EA	Curtain Asm - Gathered - 27 5 x 20
2	079559-07-W25	EA	Curtain Asm - Gathered - 27 5 x 20
2	079559-07-W26	EA	Curtain Asm - Gathered - 27 5 x 20
2	084755-06-W24	EA	Shade Asm - Ivory Linen - 33 25 (Used before 10-20-86)
2	084755-06-W25	EA	Shade Asm - Ivory Linen - 33 25 (Used before 10-20-86)
2	084755-06-W26	EA	Shade Asm - Ivory Linen - 33 25 (Used before 10-20-86)
2	084755-06-WA4	EA	Shade Asm - Parchment Linen - 33 25 (Used after 10-19-86)
2	084755-06-WA5	EA	Shade Asm - Parchment Linen - 33 25 (Used after 10-19-86)
2	084755-06-WA8	EA	Shade Asm - Parchment Linen - 33 25 (Used after 10-19-86)
3	079558-13-W30	EA	Valance Asm - Gathered - 5 x 140" (W24)
3	079558-13-W31	EA	Valance Asm - Gathered - 5 x 140 (W25)
3	079558-13-W32	EA	Valance Asm - Gathered - 5 x 140 (W26)
3	079559-15-W30	EA	Curtain Asm - Gathered - 36 x 44 (W24)
3	079559-15-W31	EA	Curtain Asm - Gathered - 36 x 44 (W25)
3	079559-15-W32	EA	Curtain Asm - Gathered - 36 x 44 (W26)

\* Parts used on the Bunk House Option (Not illustrated)

**CURTAIN, CUSHION & PAD GROUP (CONTINUED)**

**CURTAIN, SHADES, VALANCES & TIEBACKS (CONT)**

Key	Part Number	U/M	Description
3	084755-02-W24	EA	Shade Asm - Ivory Linen - 67 25 (Used before 10-20-86)
3	074755-02-W25	EA	Shade Asm - Ivory Linen - 67 25 (Used before 10-20-86)
3	074755-02-W26	EA	Shade Asm - Ivory Linen - 67 25 (Used before 10-20-86)
3	084755-02-WA4	EA	Shade Asm - Parchment Linen - 67 25 (Used after 10-19-86)
3	084755-02-WA5	EA	Shade Asm - Parchment Linen - 67 25" (Used after 10-19-86)
3	084755-02-WA8	EA	Shade Asm - Parchment Linen - 67 25" (Used after 10-19-86)
3	085304-16-000	EA	Blind - Pleated - 65 x 33" Drop (W24)
3	085304-20-000	EA	Blind - Pleated - 65 x 33 Drop (W25)
3	085304-17-000	EA	Blind - Pleated - 65 x 33 Drop (W26)
4	073323-33-W17	EA	Curtain Asm w/Rod Top & Bottom - 17 5 x 24 (W24)
4	073323-33-W25	EA	Curtain Asm w/Rod Top & Bottom - 17 5 x 24 (W25)
4	073323-33-W19	EA	Curtain Asm w/Rod Top & Bottom - 17 5 x 24 (W26)
4	073323-34-W17	EA	Curtain Asm w/Rod Top & Bottom - 17 5 x 18 Left (W24)
4	073323-34-W25	EA	Curtain Asm w/Rod Top & Bottom - 17 5 x 18 Left (W25)
4	073323-34-W26	EA	Curtain Asm w/Rod Top & Bottom - 17 5 x 18 Left (W26)
5	073323-32-W17	EA	Curtain Asm w/Rod Top & Bottom - 19 5 x 30 (W24)
5	073323-32-W25	EA	Curtain Asm w/Rod Top & Bottom - 19 5 x 30 (W25)
5	073323-32-W19	EA	Curtain Asm w/Rod Top & Bottom - 19 5 x 30 (W26)
6	073323-33-W17	EA	Curtain Asm w/Rod Top & Bottom - 17 5 x 18 (W24)
6	073323-33-W25	EA	Curtain Asm w/Rod Top & Bottom - 17 5 x 18 (W25)
6	083323-33-W19	EA	Curtain Asm w/Rod Top & Bottom - 17 5" x 18 (W26)
6	073323-35-W17	EA	Curtain Asm w/Rod Top & Bottom - 17 5 x 18 Right (W24)
6	073323-35-W25	EA	Curtain Asm w/Rod Top & Bottom - 17 5 x 18 Right (W25)
6	073323-35-W19	EA	Curtain Asm w/Rod Top & Bottom - 17 5 x 18 Right (W26)
7	085190-05-W06	EA	Curtain Asm w/Darts - 45 x 10 (W24)
7	085190-05-W25	EA	Curtain Asm w/Darts - 45 x 10 (W25)
7	085190-05-W05	EA	Curtain Asm w/Darts - 45 x 10 (W26)
7	080824-06-W24	FA	Valance Asm - Padded
7	080824-06-W25	EA	Valance Asm - Padded
7	080824-06-W26	EA	Valance Asm - Padded
7	084755-12-W24	EA	Shade Asm - Ivory Linen - 19 25 x 52 (Used before 10-20-86)
7	084755-12-W25	EA	Shade Asm - Ivory Linen - 19 25 x 52 (Used before 10-20-86)
7	084755-12-W26	EA	Shade Asm - Ivory Linen - 19 25 x 52 (Used before 10-20-86)
7	084755-12-WA4	EA	Shade - Parchment Linen - 19 25 x 52 (W24) (Used after 10-19-86)
7	084755-12-WA5	EA	Shade - Parchment Linen - 19 25 x 52 (W25) (Used after 10-19-86)
7	084755-12-WA8	EA	Shade - Parchment Linen - 19 25 x 52 (W26) (Used after 10-19-86)
7	085304-01-000	EA	Blind - Pleated - 19 x 42 5 (W24)
7	085304-05-000	EA	Blind - Pleated - 19 x 42 5 (W25)
7	085304-02-000	EA	Blind - Pleated - 19 x 42 5 (W26)
8	084755-04-W30	EA	Shade Asm - Ivory Linen - 24 25 x 40 (W24) (Used before 10-20-86)
8	084755-04-W31	EA	Shade Asm - Ivory Linen - 24 25 x 40 (W25) (Used before 10-20-86)
8	084755-04-W32	EA	Shade Asm - Ivory Linen - 24 25 x 40 (W26) (Used before 10-20-86)
8	084755-04-WA4	EA	Shade - Parchment Linen - 24 25 x 40 (W24) (Used after 10-19-86)
8	084755-04-WA5	EA	Shade - Parchment Linen - 24 25 x 40 (W25) (Used after 10-19-86)
8	084755-04-WA8	EA	Shade - Parchment Linen - 24 25 x 40 (W26) (Used after 10-19-86)
9	079558-14-W30	EA	Valance Asm w/Gathers - 5 x 60 (W24)
9	079558-14-W31	EA	Valance Asm w/Gathers - 5 x 60 (W25)
9	079558-14-W32	EA	Valance Asm w/Gathers - 5 x 60" (W26)
9	084755-01-W24	EA	Shade Asm - Ivory Linen - 28 25 x 48 (Used before 10-20-86)
9	084755-01-W25	EA	Shade Asm - Ivory Linen - 28 25 x 48 (Used before 10-20-86)
9	084755-01-W26	EA	Shade Asm - Ivory Linen - 28 25 x 48 (Used before 10-20-86)
9	084755-01-WA6	EA	Shade - Parchment Linen - 28 25" x 48 (W24) (Used after 10-19-86)
9	084755-01-WA5	EA	Shade - Parchment Linen - 28 25 x 48 (W25) (Used after 10-19-86)
9	084755-01-WA8	EA	Shade - Parchment Linen - 28 25 x 48 (W26) (Used after 10-19-86)
10	079558-22-W24	EA	Valance Asm - Gathered - 5 x 95
10	079558-22-W25	EA	Valance Asm - Gathered - 5 x 96
10	079558-22-W26	EA	Valance Asm - Gathered - 5 x 96
10	079559-11-W30	EA	Curtain Asm - Gathered - 32 x 41 (W24)
10	079559-11-W31	EA	Curtain Asm - Gathered - 32 x 41 (W25)
10	079559-11-W32	EA	Curtain Asm - Gathered - 32 x 41 (W26)

**1987 ITASCA  
TABLE OF CONTENTS**

IC/IF424RC	A-01 - C-02
IC/JN31RT	C-03 - E-16
ICN33RU	E-17 - H-08
ICP31RT	H-07 - J-16

**1987 IC/IF424RC INDEX**

Floor Plan	A-01 - A-02
Accessories Group	A-03 - A-05
Bath Group	A-06 - A-07
Chassis Group	A-08 - A-09
Curtain Cushion & Pad Group	A-10 - A-17
Dinette Group	A-18
Driver's Compartment Group	A-19 - A-21
Electrical Group	A-22 - A-23
Exterior Body Group	A-24 - B-04
Galley Group	B-05 - G-06
Heating & Air Conditioning Group	B-07
Interior Finish Group	B-08 - B-09
LP Group	B-10
Lounge Group	B-11
Water & Sewage Group	B-12 - B-13
Window Vent & Exterior Door Group	B-14 - C-02

**CURTAIN, CUSHION & PAD GROUP (CONTINUED)**

**CURTAIN, SHADES, VALANCES & TIEBACKS (CONT)**

Key	Part Number	U/M	Description
10	084755-13-W24	EA	Shade Asm - Ivory Linen - 47 25" (Used before 10-20-86)
10	084755-13-W25	EA	Shade Asm - Ivory Linen - 47 25" (Used before 10-20-86)
10	084755-13-W26	EA	Shade Asm - Ivory Linen - 47 25" (Used before 10-20-86)
10	084755-13-WA4	EA	Shade Asm - Parchment Linen - 47 25 (W24) (Used after 10-19-86)
10	084755-13-WA5	EA	Shade Asm - Parchment Linen - 47 5 (W25) (Used after 10-19-86)
10	084755-13-WA8	EA	Shade Asm - Parchment Linen - 47 5 (W25) (Used after 10-19-86)
	079558-23-W24	EA	Valance Asm - Gathered - 5 x 75
	079558-23-W25	EA	Valance Asm - Gathered - 5 x 75
	079558-23-W26	EA	Valance Asm - Gathered - 5 x 75
	079559-16-W24	EA	Curtain Asm - Gathered - 25 x 24
	079559-16-W25	EA	Curtain Asm - Gathered - 25 x 21
	079559-16-W26	EA	Curtain Asm - Gathered - 25 x 24
	084755-10-W24	EA	Shade Asm - Ivory Linen - 40 25 (Used before 10-20-86)
	084755-10-W25	EA	Shade Asm - Ivory Linen - 40 25 (Used before 10-20-86)
	084755-10-W26	EA	Shade Asm - Ivory Linen - 40 25 (Used before 10-20-86)
	084755-10-WA4	EA	Shade Asm - Parchment Linen - 40 25 (W24) (Used before 10-19-86)
	084755-10-WA5	EA	Shade Asm - Parchment Linen - 40 25 (W25) (Used before 10-19-86)
	084755-10-WA8	EA	Shade Asm - Parchment Linen - 40 25 (W26) (Used before 10-19-86)
	073295-04-W06	EA	Curtain w/Snaps - Front Wraparound - 23 x 64 (2 required)
	077591-03-W06	EA	Curtain w/Velcro Top - Bunk Privacy - 70 x 50 - Passenger
	077591-03-W25	EA	Curtain w/Velcro Top - Bunk Privacy - 70 x 50 - Passenger
	077591-03-W05	EA	Curtain w/Velcro Top - Bunk Privacy - 70 x 50 - Passenger
	077591-04-W06	EA	Curtain w/Velcro Top - Bunk Privacy - 70 x 50 - Driver
	077591-04-W25	EA	Curtain w/Velcro Top - Bunk Privacy - 70 x 50 - Driver
	077591-04-W05	EA	Curtain w/Velcro Top - Bunk Privacy - 70 x 50 - Driver
	086121-02-000	EA	Liner - Shower Curtain - 62 x 40 - Plastic
	073260-24-W17	EA	Tie Back Asm - 2 x 14 - Drapery (W24)
	073260-24-W25	EA	Tie Back Asm - 2 x 14 - Drapery (W25)
	073260-24-W19	EA	Tie Back Asm - 2 x 14 - Drapery (W26)
	085283-01-000	EA	Bracket - Hold Back - Clear

Not illustrated  
Parts used on the bunk house option (not illustrated)



Key	Part Number	U/M	Description
1	029130-01-000	EA	Socket - Snap Fastener
2	029155-01-000	EA	Cap - Snap - 156" Dia x 17 Barrel
3	029156-01-000	EA	Socket - Snap Fastener
4	029092-01-000	EA	Stud - Nickel Finish
5	029093-01-000	EA	Eyelet - Nickel Finish

**CURTAIN, CUSHION & PAD GROUP (CONTINUED)**

**FABRICS & CARPETS**

Key	Part Number	U/M	Description
	077498-89-000	YD	Fabric w/Pattern - Upholstery - Main - Jasmine (W24)
	077498-90-000	YD	Fabric w/Pattern - Upholstery - Main - Garnet (W25)
	077498-88-000	YD	Fabric w/Pattern - Upholstery - Main - Jute (W26)
	077498-B2-000	YD	Fabric w/Pattern - Upholstery Accent - Juniper (W24)
	077498-B3-000	YD	Fabric w/Pattern - Upholstery Accent - Brick - (W25)
	077498-B4-000	YD	Fabric w/Pattern - Upholstery Accent - Madder (W26)
	077498-A1-000	YD	Fabric - Upholstery Accent - Plain - Blue (W24)
	077498-A2-000	YD	Fabric - Upholstery Accent - Plain - Garnet (W25)
	077498-A8-000	YD	Fabric - Upholstery Accent - Plain - Wine (W26)
	072333-38-000	YD	Fabric - Drapery - Melba (W24)
	072333-40-000	YD	Fabric - Drapery - Raisin (W25)
	072333-37-000	YD	Fabric - Drapery - Mauve (W26)
	069729-44-000	YD	Fabric - Bedspread - Covington #2 (W24)
	069729-45-000	YD	Fabric - Bedspread - Covington #1b (W25)
	069729-46-000	YD	Fabric - Bedspread - Covington #3 (W26)
	084415-11-000	YD	Braid Trim - Pull Shades - Blue Jade (W24)
	084415-15-000	YD	Braid Trim - Pull Shades - Rust (W25)
	084415-13-000	YD	Braid Trim - Pull Shades - Mauve (W26)
	052659-05-T03	FT	Trim Asm - Accent - Buckskin
	079680-01-000	YD	Vinyl - Expanded - 26 oz - Buckskin
	070578-05-W30	EA	Button Asm - #30 - Bedspread Fabric (W24)
	070578-05-W31	EA	Button Asm - #30 - Bedspread Fabric (W25)
	070578-05-W32	EA	Button Asm - #30 - Bedspread Fabric (W26)
	070578-04-W24	EA	Button Asm - #30 - Accent Fabric (W24)
	070578-04-W25	EA	Button Asm - #30 - Accent Fabric (W25)
	070578-04-W26	EA	Button Asm - #30 - Accent Fabric (W26)
	078155-01-000	EA	Strap Asm - Cushion
	081280-21-W24	EA	End Cap Asm - Overhead - Dinette - Vinyl
	081280-19-W24	EA	End Cap Asm - Overhead - Galley - Vinyl
	081280-16-W24	EA	End Cap Asm - Overhead - Shirt Closet - Left - Vinyl
	081280-13-W24	EA	End Cap Asm - Overhead - Shirt Closet - Right - Vinyl
	081280-22-W24	EA	End Cap Asm - Overhead - Entrance Door - Vinyl
	081519-01-W24	EA	Pad Asm - Dinette - Front
	081519-01-W25	EA	Pad Asm - Dinette - Front
	081519-01-W26	EA	Pad Asm - Dinette - Front
	081519-02-W24	EA	Pad Asm - Dinette - Rear
	081519-02-W25	EA	Pad Asm - Dinette - Rear
	081519-02-W26	EA	Pad Asm - Dinette - Rear
	077463-08-W24	EA	Panel Asm - Headboard - Twin
	077463-08-W25	EA	Panel Asm - Headboard - Twin
	077463-08-W26	EA	Panel Asm - Headboard - Twin
	077463-09-W24	EA	Panel Asm - Headboard - Double
	077463-09-W25	EA	Panel Asm - Headboard - Double
	077463-09-W26	EA	Panel Asm - Headboard - Double
	069885-12-W24	EA	Cover w/Pocket - Motor
	069885-12-W25	EA	Cover w/Pocket - Motor
	069885-12-W26	EA	Cover w/Pocket - Motor

**1987 ITASCA  
TABLE OF CONTENTS**

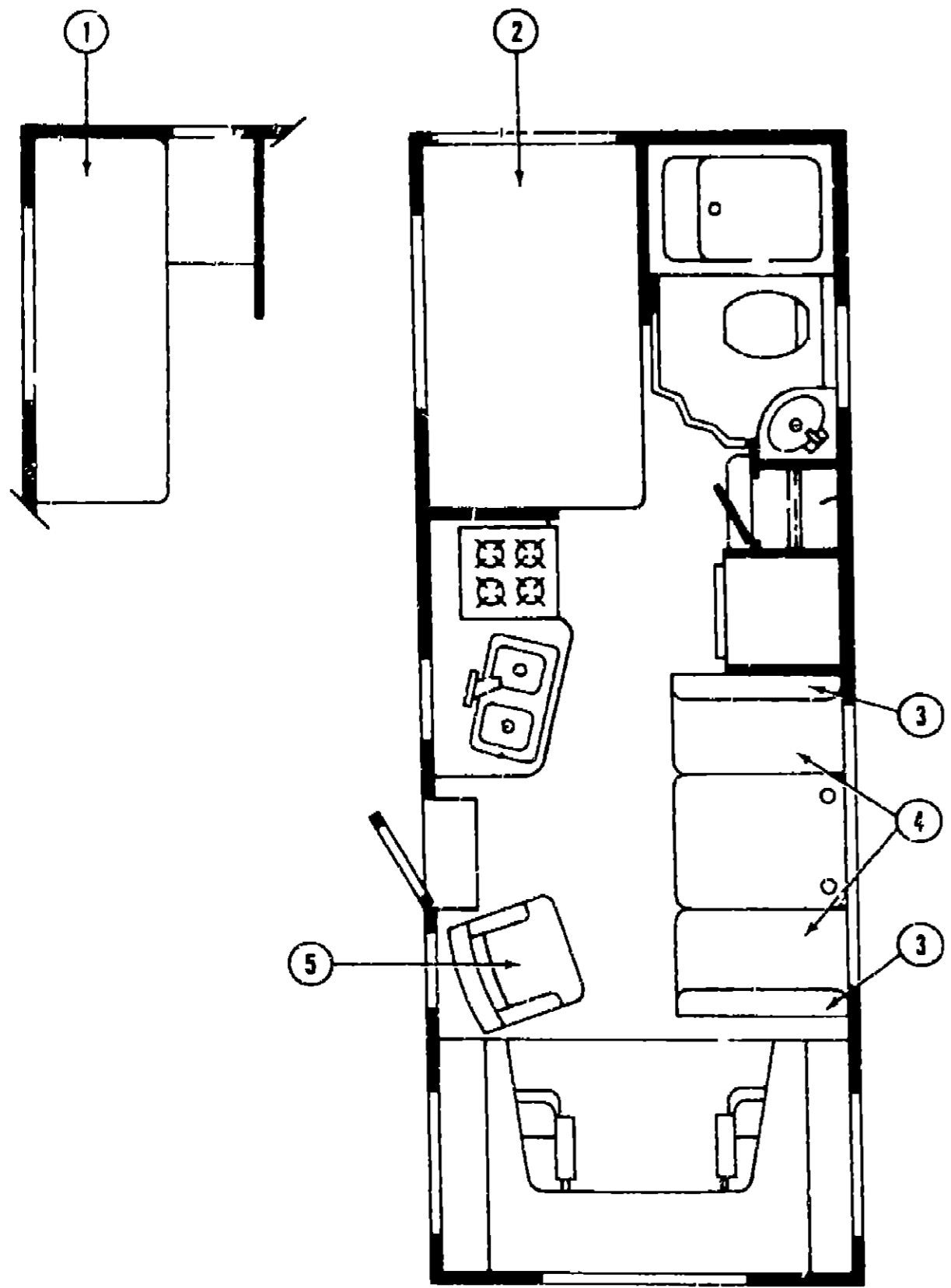
IC/IF424RC	A-01 - C-02
IC/JN31RT	C-03 - E-16
ICN3JRU	E-17 - H-08
ICP31RT	H-07 - J-16

**1987 IC/IF424RC INDEX**

Floor Plan	A-01 - A-02
Accessories Group	A-03 - A-05
Bath Group	A-06 - A-07
Chassis Group	A-08 - A-09
Curtain Cushion & Pad Group	A-10 - A-17
Dinette Group	A-18
Driver's Compartment Group	A-19 - A-21
Electrical Group	A-22 - A-23
Exterior Body Group	A-24 - B-04
Galley Group	B-05 - G-06
Heating & Air Conditioning Group	B-07
Interior Finish Group	B-08 - B-09
LP Group	B-10
Lounge Group	B-11
Water & Sewage Group	B-12 - B-13
Window Vent & Exterior Door Group	B-14 - C-02

**CURTAIN, CUSHION & PAD GROUP (CONTINUED)**

**CURTAIN, CUSHION & PAD GROUP (CONTINUED)**



**REAR BUNK CUSHIONS**

Key	Part Number	U/M	Description
1	073519-03-W24	EA	Mattress Cushion Asm - Rear Bunk - 29 x 75.5 x 4.5
1	073519-03-W25	EA	Mattress Cushion Asm - Rear Bunk - 29 x 75.5 x 4.5
1	073519-03-W26	EA	Mattress Cushion Asm - Rear Bunk - 29 x 75.5 x 4.5
	M73519-03-W24	EA	Cover - Rear Bunk Cushion - 29 x 75.5 x 4.5
	M73519-03-W25	EA	Cover - Rear Bunk Cushion - 29 x 75.5 x 4.5
	M73519-03-W26	EA	Cover - Rear Bunk Cushion - 29 x 75.5 x 4.5

**DOUBLE BED MATTRESS**

Key	Part Number	U/M	Description
2	083496-02-000	EA	Mattress - Foam - 48 x 75 x 7
2	0774/b-02-000	EA	Mattress - Innerspring - 48 x 75 x 7.75
	081969-06-W24	EA	Bedsprad - Double Bed
	081969-06-W25	EA	Bedsprad - Double Bed
	081968-06-W26	EA	Bedsprad - Double Bed
	081997-01-W30	EA	Pillow Sham - 30 x 26 (W24)
	081997-01-W31	EA	Pillow Sham - 30 x 26 (W25)
	081997-01-W32	EA	Pillow Sham - 30 x 25 (W26)

**DINETTE CUSHION**

Key	Part Number	U/M	Description
3	081998-77-W24	EA	Cushion Asm - Dinette Back - 19.25 x 38 x 5
3	081998-77-W25	EA	Cushion Asm - Dinette Back - 19.25 x 38 x 5
3	081998-77-W26	EA	Cushion Asm - Dinette Back - 19.25 x 38 x 5"
	M81998-77-W24	EA	Cover Asm - Dinette Back Curtain - 19.25 x 38" x 5
	M81998-77-W25	EA	Cover Asm - Dinette Back Curtain - 19.25 x 38 x 5
	M81998-77-W26	EA	Cover Asm - Dinette Back Curtain - 19.25 x 38' x 5
4	081998-78-W24	EA	Cushion Asm - Dinette Bottom - 17.5 x 38 x 5
4	081998-78-W25	EA	Cushion Asm - Dinette Bottom - 17.5 x 38 x 5
4	081998-78-W26	EA	Cushion Asm - Dinette Bottom - 17.5" x 38 x 5
	M81998-78-W24	EA	Cover Asm - Dinette Bottom Cushion - 17.5 x 38" x 5
	M81998-78-W25	EA	Cover Asm - Dinette Bottom Cushion - 17.5 x 38 x 5
	M81998-78-W26	EA	Cover Asm - Dinette Bottom Cushion - 17.5 x 38 x 5

**CELEBRITY SWIVEL CHAIR**

Key	Part Number	U/M	Description
5	085059-01-W30	EA	Chair Asm w/Pillow Back - Swivel (W24)
5	085059-01-W31	EA	Chair Asm w/Pillow Back - Swivel (W25)
5	085059-01-W32	EA	Chair Asm w/Pillow Back - Swivel (W26)
	085187-01-W30	EA	Skirt Asm - Swivel Chair (W24)
	085187-01-W31	EA	Skirt Asm - Swivel Chair (W25)
	085187-01-W32	EA	Skirt Asm - Swivel Chair (W26)
	035036-01-000	EA	Plate - Til. & Swivel - Swivel Chair
	035036-04-000	EA	Base w/Legs - Swivel Chair
	035036-05-000	EA	Extension - 7 - Swivel Chair

**FRONT OVERHEAD BUNK CUSHIONS**

Key	Part Number	U/M	Description
	084753-05-W24	EA	Cushion Asm - Front Bunk
	084753-05-W25	EA	Cushion Asm - Front Bunk
	084753-05-W26	EA	Cushion Asm - Front Bunk
	M84753-05-W24	EA	Cover Asm - Front Bunk Cushion
	M84753-05-W25	EA	Cover Asm - Front Bunk Cushion
	M84753-05-W26	EA	Cover Asm - Front Bunk Cushion
	084753-06-W24	EA	Cushion Asm - Front Bunk - U-Shaped
	084753-06-W25	EA	Cushion Asm - Front Bunk - U-Shaped
	084753-06-W26	EA	Cushion Asm - Front Bunk - U-Shaped
	M84753-06-W24	EA	Cover Asm - Front Bunk Cushion - U-Shaped
	M84753-06-W25	EA	Cover Asm - Front Bunk Cushion - U Shaped
	M84753-06-W26	EA	Cover Asm - Front Bunk Cushion - U-Shaped

**1987 ITASCA  
TABLE OF CONTENTS**

IC/IF424RC	A-01 - C-02
IC/JN31RT	C-03 - E-16
ICN33RU	E-17 - H-06
ICP31RT	H-07 - J-16

**1987 IC/IF424RC INDEX**

Floor Plan	A-01 - A-02
Accessories Group	A-03 - A-05
Bath Group	A-06 - A-07
Chassis Group	A-08 - A-09
Curtain, Cushion & Pad Group	A-10 - A-17
Dinette Group	A-18
Driver's Compartment Group	A-19 - A-21
Electrical Group	A-22 - A-23
Exterior Body Group	A-24 - B-04
Galley Group	B-05 - G-06
Heating & Air Conditioning Group	B-07
Interior Finish Group	B-08 - B-09
LP Group	B-10
Lounge Group	B-11
Water & Sewage Group	B-12 - B-13
Window Vent & Exterior Door Group	B-14 - C-02



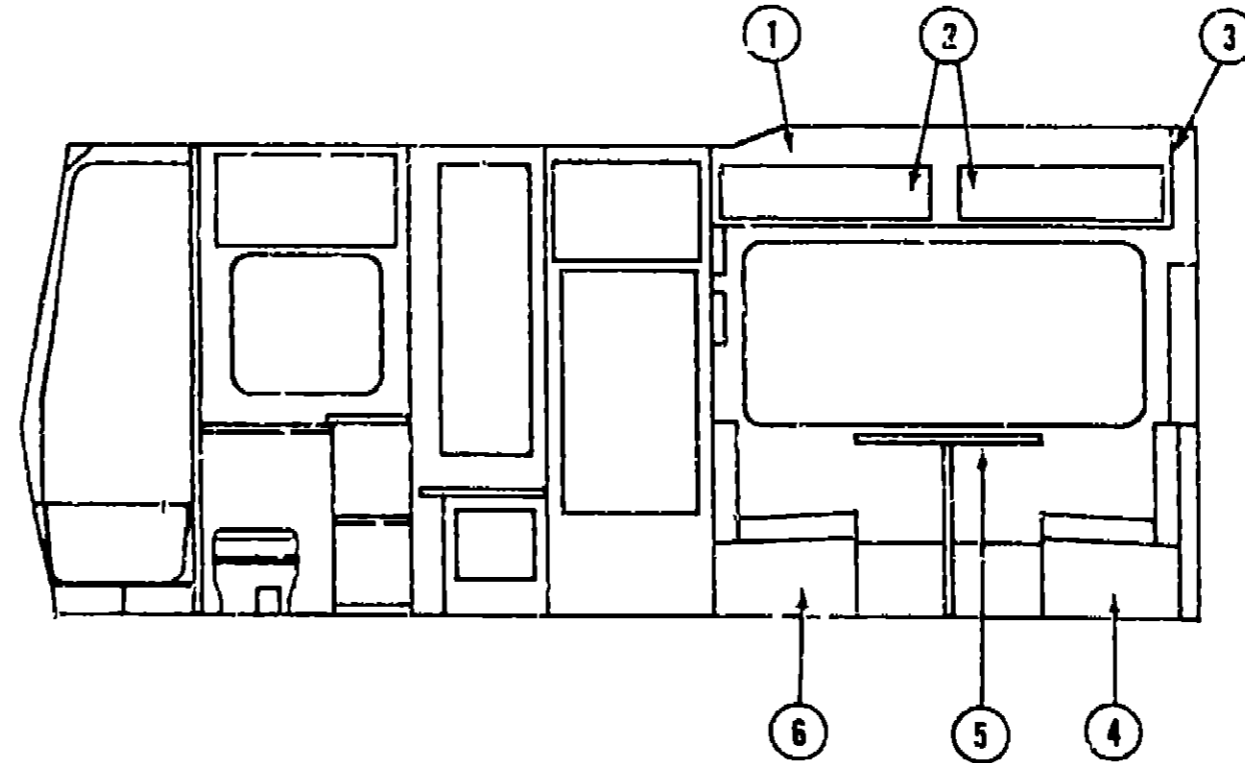
**CURTAIN, CUSHION & PAD GROUP (CONTINUED)**

**BUCKET SEATS**

Key	Part Number	U/M	Description
	084191-02-W24	EA	Seat Asm - Comet I
	084191-02-W25	EA	Seat Asm - Comet I
	084191-02-W26	EA	Seat Asm - Comet I
	M01864-23-W24	EA	Cover Asm - Seat Cushion
	M01864-23-W25	EA	Cover Asm - Seat Cushion
	M01864-21-W26	EA	Cover Asm - Seat Cushion
	M01864-24-W24	EA	Cover Asm - Back Cushion
	M01864-24-W25	EA	Cover Asm - Back Cushion
	M01864-23-W26	EA	Cover Asm - Back Cushion
	083909-04-W24	EA	Seat Asm - Straton w/Right Armrest
	083909-04-W25	EA	Seat Asm - Straton w/Right Armrest
	083909-08-W26	EA	Seat Asm - Straton w/Right Armrest
	M01864-25-W24	EA	Cover Asm - Seat Cushion
	M01864-25-W25	EA	Cover Asm - Seat Cushion
	M01864-27-W26	EA	Cover Asm - Seat Cushion
	M01864-26-W24	EA	Cover Asm - Back Cushion
	M01864-26-W25	EA	Cover Asm - Back Cushion
	M01864-28-W26	EA	Cover Asm - Back Cushion
	083909-13-W24	EA	Seat Asm - Straton w/Right Armrest
	083909-13-W25	EA	Seat Asm - Straton w/Right Armrest
	083909-11-W26	EA	Seat Asm - Straton w/Right Armrest
	M01864-35-W24	EA	Cover Asm - Seat Cushion
	M01864-35-W25	EA	Cover Asm - Seat Cushion
	M01864-33-W26	EA	Cover Asm - Seat Cushion
	M01864-36-W24	EA	Cover Asm - Back Cushion
	M01864-36-W25	EA	Cover Asm - Back Cushion
	M01864-34-W26	EA	Cover Asm - Back Cushion
	080243-23-W24	EA	Armrest Asm - Right
	080243-23-W25	EA	Armrest Asm - Right
	080243-25-W26	EA	Armrest Asm - Right
	M80243-23-W24	EA	Cover Asm - Armrest
	M80243-23-W25	EA	Cover Asm - Armrest
	M80243-25-W26	EA	Cover Asm - Armrest
	083909-05-W24	EA	Seat Asm - Straton w/Left Armrest
	083909-05-W25	EA	Seat Asm - Straton w/Left Armrest
	083909-09-W26	EA	Seat Asm - Straton w/Left Armrest
	M01864-25-W24	EA	Cover Asm - Seat Cushion
	M01864-25-W25	EA	Cover Asm - Seat Cushion
	M01864-27-W26	EA	Cover Asm - Seat Cushion
	M01864-26-W24	EA	Cover Asm - Back Cushion
	M01864-26-W25	EA	Cover Asm - Back Cushion
	M01864-28-W26	EA	Cover Asm - Back Cushion
	083909-14-W24	EA	Seat Asm - Straton w/Left Armrest
	083909-14-W25	EA	Seat Asm - Straton w/Left Armrest
	083909-12-W26	EA	Seat Asm - Straton w/Left Armrest
	M01864-35-W24	EA	Cover Asm - Seat Cushion
	M01864-35-W25	EA	Cover Asm - Seat Cushion
	M01864-33-W26	EA	Cover Asm - Seat Cushion
	M01864-36-W24	EA	Cover Asm - Back Cushion
	M01864-36-W25	EA	Cover Asm - Back Cushion
	M01864-34-W26	EA	Cover Asm - Back Cushion
	080243-24-W24	EA	Armrest Asm - Left
	080243-24-W25	EA	Armrest Asm - Left
	080243-26-W26	EA	Armrest Asm - Left
	M80243-24-W24	EA	Cover Asm - Armrest
	M80243-24-W25	EA	Cover Asm - Armrest
	M80243-26-W26	EA	Cover Asm - Armrest
	085268-01-W24	EA	Headrest Asm - Straton Seat
	085268-01-W25	EA	Headrest Asm - Straton Seat
	085268-02-W26	EA	Headrest Asm - Straton Seat
	M85268-01-W24	EA	Cover Asm - Headrest
	M85268-01-W25	EA	Cover Asm - Headrest
	M85268-02-W26	EA	Cover Asm - Headrest

These parts were used on units produced before 9-24-86

**DINETTE GROUP**



Key	Part Number	U/M	Description
1	M81739-03-W24	EA	Cabinet Asm - Dinette Overhead - w/o Doors or Hardware
1	M81739-04-W24	EA	Cabinet Asm - Dinette Overhead - w/o Doors or Hardware
2	M84956-02-W24	EA	Door Asm - Dinette Overhead - w/o Hardware
2	M81523-02-W04	EA	Door Asm - Dinette Overhead - Raised Panel - w/o Hardware
3	081280-21-W24	EA	Pad Asm - End Cap - Dinette Overhead - Vinyl
4	M02487-01-W24	EA	Cabinet Asm - Dinette Seat - w/o Door or Hardware
	M02486-01-W24	EA	Cabinet Asm - Dinette Back
5	M02115-09-U17	EA	Table Asm - Dinette - w/o Hardware
6	M02489-01-W24	EA	Cabinet Asm - Dinette Seat - w/o Door or Hardware
	M02488-01-W24	EA	Cabinet Asm - Dinette Back
	050200-05-000	EA	Bracket - Upper Wall Mount - 23 5
	052201-06-000	EA	Bracket - Table Mount - 23
	024275-05-000	EA	RoJ - Table Lift - 8 x 23 5 - Beige
	024283-07-000	EA	Bracket - Lower Wall Mount - 22 12 - Beige
	024276-17-000	EA	Leg Asm - Table - Tan
	064050-02-000	EA	Hinge - Table Leg
	024282-01-000	EA	Brace - Table Leg
	024283-01-000	EA	Clip - 1 O D Tubc
	049493-05-000	EA	Catch - Table Leg - Mounts on Floor - Tan
	064781-03-000	EA	Cup Holder - 3 47 O D x 2 75 I D x 1 5 - Tan
			Not illustrated

The illustrated parts breakdown for this item is provided on the Common Items Fiche

**1987 ITASCA  
TABLE OF CONTENTS**

IC/IF424RC	A-01 - C-02
IC/JN31RT	C-01 - E-16
ICN33RU	E-17 - H-06
ICP31RT	H-07 - J-16

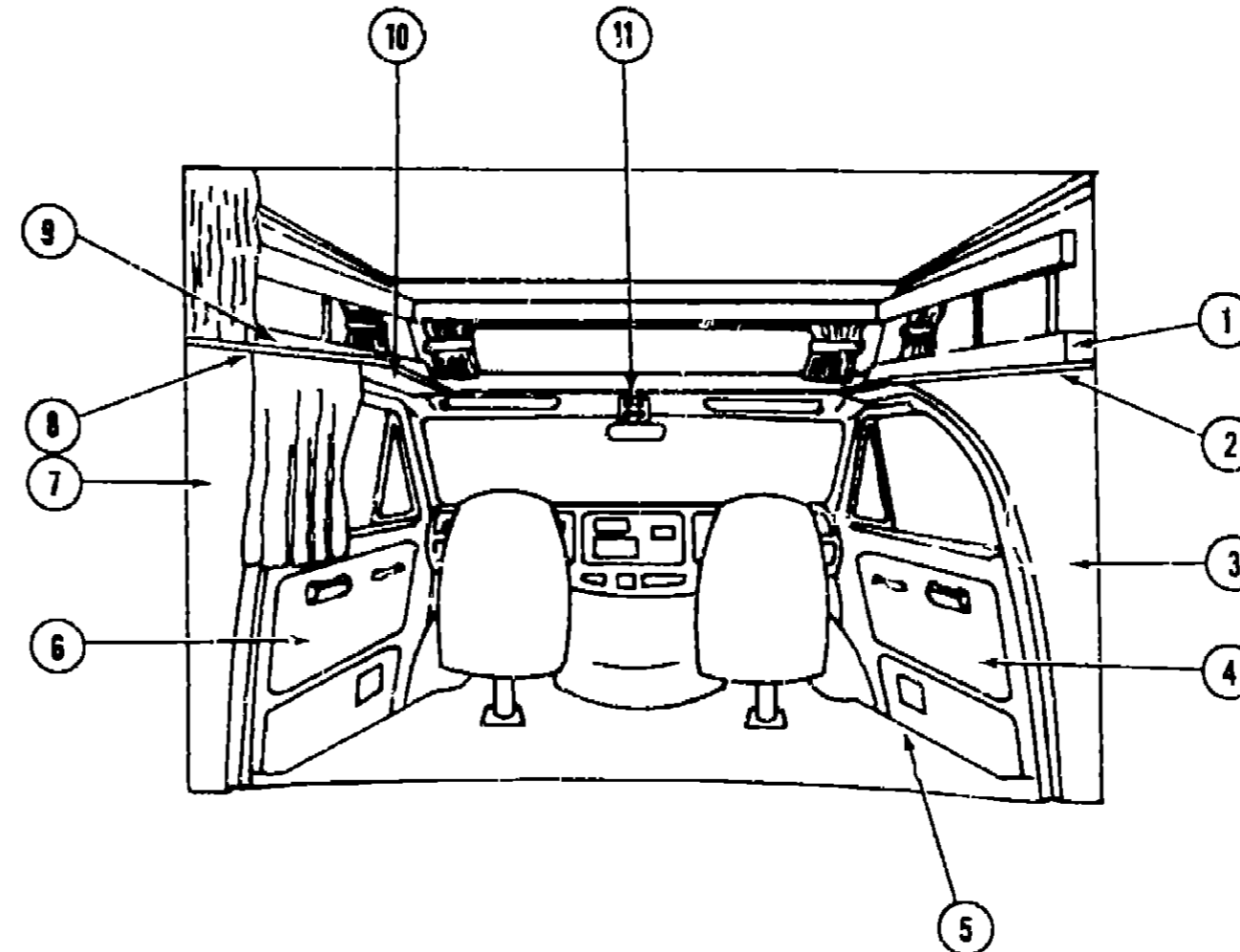
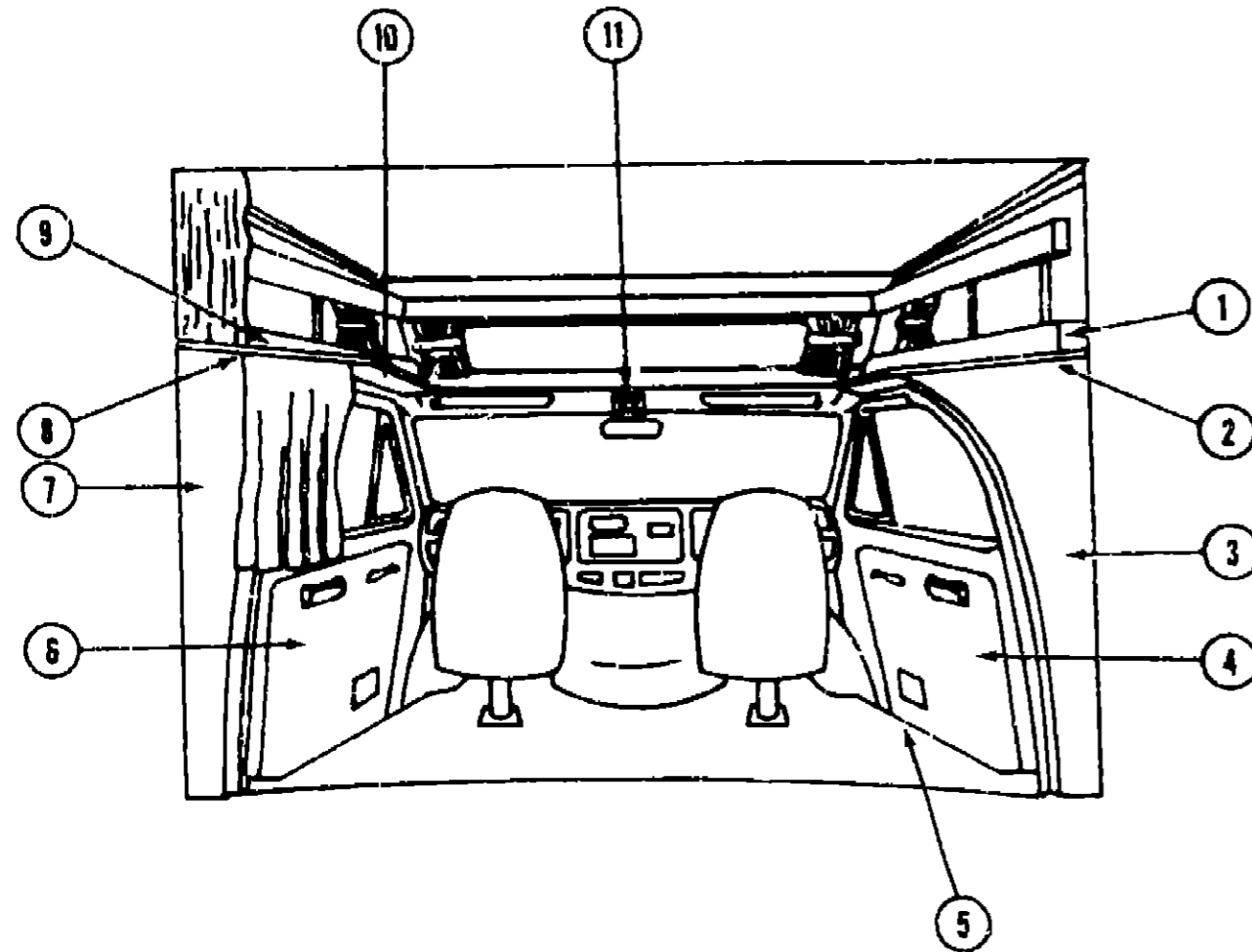
**1987 IC/IF424RC INDEX**

Floor Plan	A-01 - A-02
Accessories Group	A-03 - A-05
Bath Group	A-06 - A-07
Chassis Group	A-08 - A-09
Curtain Cushion & Pad Group	A-10 - A-17
Dinette Group	A-18
Driver's Compartment Group	A-19 - A-21
Electrical Group	A-22 - A-23
Exterior Body Group	A-24 - B-04
Galley Group	B-05 - G-05
Heating & Air Conditioning Group	B-07
Interior Finish Group	B-08 - G-09
LP Group	B-10
Lounge Group	B-11
Water & Sewage Group	B-12 - B-13
Window Vent & Exterior Door Group	B-14 - C-02

### DRIVER'S COMPARTMENT GROUP

### DRIVER'S COMPARTMENT GROUP (CONTINUED)

### 1987 ITASCA TABLE OF CONTENTS



IC/IF424RC  
IC/JN31RT  
ICN33RU  
ICP31RT

A-01 - C-02  
C-03 - F-16  
E-17 - H-06  
H-07 - J-16

#### MISCELLANEOUS DRIVER'S COMPARTMENT COMPONENTS (FORD)

Key	Part Number	U/M	Description
1	087012-01-W04	EA	Cabinet Asm - Headboard
2	079528-02-W04	EA	Panel Asm - Sleeper Board - w/o Vinyl
	079800-01-000	EA	Trim - Front Sleeper Board - Aluminum - Off White
	080742-01-000	FT	Trim - Vinyl Insert - Front Sleeper Board
3	M82066-01-W24	EA	Panel Asm - Wingwall Transition - Inner Passenger
4	NOTE	EA	Side Panel - Cab Door - Passenger
5	083219-03-000	EA	Door Step Mat - Passenger - Brown - Ford
	083219-04-000	EA	Door Step Mat - Driver - Brown - Ford
6	NOTE	EA	Panel Asm - Cab Door - Driver - Beige
7	M82066-02-W24	EA	Panel Asm - Wingwall Transition - Inner Driver
8	082069-01-W24	EA	Accent Trim - Dark Sandrift Vinyl
9	087012-01-W04	EA	Cabinet Asm - Headboard
10	083431-01-U01*	EA	Headliner Asm - Overhead Bunk
11	M01298-01-000	EA	Console - Overhead - 7.5 x 6.14 - Black
	024461-01-000	EA	Switch - Battery
	024462-01-000	EA	Switch - Battery Condition
	024976-01-000	EA	Switch - Generator w/o Circuit Board
	031035-02-000	EA	Gauge - Generator Hourmeter
	024459-04-000	EA	Gauge - Voltmeter
	024459-02-000	EA	Bracket - Mounting - Voltmeter Gauge

Not illustrated

This part is supplied by your Ford Dealer

#### MISCELLANEOUS DRIVER'S COMPARTMENT COMPONENTS (CHEVY)

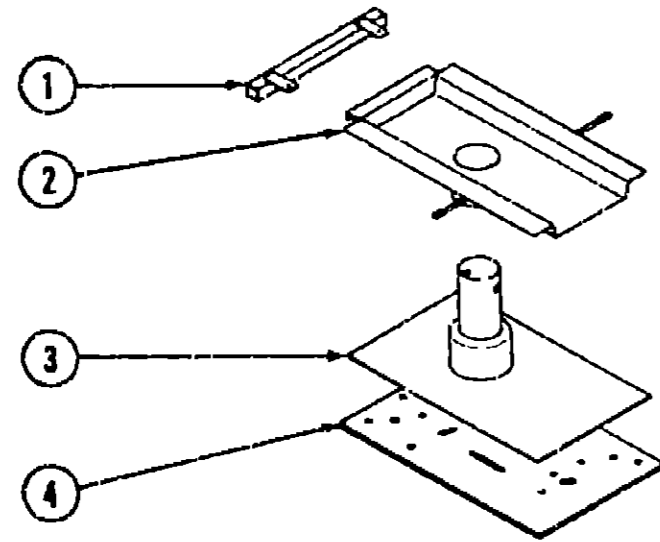
Key	Part Number	U/M	Description
1	087012-01-W04	EA	Cabinet Asm - Headboard
2	079528-01-W04	EA	Panel Asm - Sleeper Board - w/o Vinyl
	079800-01-000	EA	Trim - Front - Sleeper Board
3	M82554-04-W24	EA	Panel Asm - Wingwall Transition - Inner Passenger
4	059491-01-W24	EA	Side Panel - Cab Door - Passenger
4	059491-01-W25	EA	Side Panel - Cab Door - Passenger
4	059491-01-W26	EA	Side Panel - Cab Door - Passenger
5	080359-01-000	EA	Door Step Mat - Passenger & Driver
6	059492-01-W24	EA	Side Panel - Cab Door - Driver
6	059492-01-W25	EA	Side Panel - Cab Door - Driver
6	059492-01-W26	EA	Side Panel - Cab Door - Driver
7	M82554-05-W24	EA	Panel Asm - Wingwall Transition - Inner - Driver
8	082069-01-W24	EA	Accent Trim - Dark Sandrift Vinyl
9	087012-01-W04	EA	Cabinet Asm - Headboard
10	084591-01-U01	EA	Headliner Asm - Overhead Bunk - Vinyl
11	M01298-03-000	EA	Console - Overhead - 7.5 x 6.14 - Beige
	024461-01-000	EA	Switch - Battery
	024462-01-000	EA	Switch - Battery Condition
	024976-01-000	EA	Switch - Generator w/o Circuit Board
	031035-02-000	EA	Gauge - Generator Hourmeter
	024459-04-000	EA	Gauge - Voltmeter
	024459-02-000	EA	Bracket - Mounting - Voltmeter Gauge

Not illustrated

#### 1987 IC/IF424RC INDEX

Floor Plan	A-01 - A-02
Accessories Group	A-03 - A-05
Bath Group	A-06 - A-07
Chassis Group	A-08 - A-09
Curtain Cushion & Pad Group	A-10 - A-17
Dinette Group	A-18
Driver's Compartment Group	A-19 - A-21
Electrical Group	A-22 - A-23
Exterior Body Group	A-24 - B-01
Galley Group	B-05 - G-06
Heating & Air Conditioning Group	B-07
Interior Finish Group	B-08 - B-09
LP Group	B-10
Lounge Group	B-11
Water & Sewage Group	B-12 - B-13
Window Vent & Exterior Door Group	B-14 - C-02

**DRIVER'S COMPARTMENT GROUP (CONTINUED)**



**BUCKET SEAT PEDestal & SEAT BELTS**

Key	Part Number	U/M	Description
1	069585-29-000	EA	Bar - Seat Belt - 20
2	069585-27-000	EA	Plate - Top - Pedestal Asm - Bucket Seat
2	069585-20-000	EA	Plate - Top - Pedestal Asm - Power Seat
3	069585-03-000	EA	Plate - Sub - Pedestal Asm - Bucket Seat
3	069585-18-000	EA	Plate - Sub - Pedestal Asm - Power Seat
4	069585-02-000	EA	Plate - Base - Pedestal Asm - Bucket Seat
	081373-02-000	EA	Seat Power
	056271-02-000	EA	Belt Asm - Seat - 2 x 72 - Black
	007021-01-000	EA	Belt Asm - Seat - 2 x 90 - Black
	041322-01-000	EA	Washer - Flat 15/32 I D x 2 3/8 O D Seat Belt
	057759-01-000	EA	Bracket - Seat Belt Washer
	069246-01-000	EA	Adjuster Asm - Seat - w/Lock
	069246-02-000	EA	Adjuster Asm - Seat - w/o Lock
	080730-02-000	EA	Recliner Drive - Driver
	080730-01-000	EA	Recliner Drive - Passenger
			Not illustrated

**ELECTRICAL GROUP**

**BULBS**

Key	Part Number	U/M	Description
	008220-01-000	EA	Bulb - 12V - 25W
	008103-01-000	EA	Bulb - 53
	009213-01-000	EA	Bulb - 57
	008214-01-000	EA	Bulb - 67
	036196-01-000	EA	Bulb - 194
	008215-01-000	EA	Bulb - 1003
	067479-01-000	EA	Bulb - 1076
	063614-01-000	EA	Bulb - 1139
	008218-01-000	EA	Bulb - 1141
	037935-01-000	EA	Bulb - 1157
	056288-02-000	EA	Bulb - 9431808 - Dome Light

**FUSES & CIRCUIT BREAKERS**

Key	Part Number	U/M	Description
	008211-01-000	EA	Circuit Breaker - 6 Amp - 12 Volt
	033573-02-000	EA	Circuit Breaker - 15 Amp - 12 Volt - w/Mount
	033573-01-000	EA	Circuit Breaker - 20 Amp - 12 Volt - w/Mount
	044466-03-000	EA	Circuit Breaker - 25 Amp - 12 Volt - w/Mount
	008268-01-000	EA	Circuit Breaker - 30 Amp - 12 Volt - w/Mount
	083209-01-000	EA	Circuit Breaker - 15 Amp - 120 Volt
	083209-05-000	EA	Circuit Breaker - 20 Amp - 120 Volt
	083209-04-000	EA	Circuit Breaker - 30 Amp - 120 Volt
	071280-01-000	EA	Circuit Breaker Blank
	050283-02-000	EA	Circuit Breaker Buss Bar
	083209-08-000	EA	Circuit Breaker - Blank

**INTERIOR LIGHT**

Key	Part Number	U/M	Description
	072353-08-000	EA	Reading Light - 350° Swivel - Brass
	033508-02-000	EA	Light - Dome - Ivory - 1 Bulb - US
	033509-02-000	EA	Light - Dome - Ivory - 2 Bulb - US
	078474-02-000	EA	Light - Fluorescent - 12V - 18 - Almond
	061424-01-000	EA	Light - 12V Receptacle - Aisle - IP
	007309-01-000	EA	Light - Step Well
	077026-01-000	EA	Lens - Courtesy Light - Clear
	058032-01-000	EA	Lamp Asm - 2 Bulb - Chrome

**EXTERIOR LIGHTS**

Key	Part Number	U/M	Description
	058032-01-000	EA	Tail Lamp Asm - 2 Bulb - Chrome - Driver/Passenger
	073844-01-000	EA	Lamp Asm - License
	059540-01-000	EA	Bracket - License Plate
	012405-03-000	EA	Base - Rectangular Clearance Light
	042405-01-000	EA	Lens - Clearance Light - Red w/Reflex
	042405-02-000	EA	Lens - Clearance Light - Amber w/Reflex
	048817-01-000	EA	Assist Handle Asm w/Light
	079941-01-000	EA	Lamp Asm - w/Cover - Fog - Amber
	086280-01-000	EA	Light - Dome - Surface - No Switch
	08250-02-000	EA	Light Asm - Cab Marker - Red
	062740-04-000	EA	Wedge - Taillamp - Off White - Plastic
	062742-04-000	EA	Wedge - Taillamp - Off White - Plastic - w/License Bracket

**MISCELLANEOUS ELECTRICAL COMPONENTS**

Key	Part Number	U/M	Description
	008188-01-000	EA	Solenoid - Dual Battery - Relay
	083208-01-000	EA	Control Center - 120 Amp w/Charger

**1987 ITASCA  
TABLE OF CONTENTS**

IC/IF424RC	A-01 - C-02
IC/JN31RT	C-03 - E-16
ICN33RU	E-17 - H-06
ICP31RT	H-07 - J-16

**1987 IC/IF424RC INDEX**

Floor Plan	A-01 - A-02
Accessories Group	A-03 - A-05
Bath Group	A-06 - A-07
Chassis Group	A-08 - A-09
Curtain Cushion & Pad Group	A-10 - A-17
Dinette Group	A-18
Driver's Compartment Group	A-19 - A-21
Electrical Group	A-22 - A-23
Exterior Body Group	A-24 - B-04
Galley Group	B-05 - G-06
Heating & Air Conditioning Group	B-07
Interior Finish Group	B-08 - B-09
LP Group	B-10
Lounge Group	B-11
Water & Sewage Group	B-12 - B-13
Window Vent & Exterior Door Group	B-14 - C-02

**ELECTRICAL GROUP (CONTINUED)**

**WIRE SWITCHES & RECEPTACLES**

Key	Part Number	U/M	Description
	008058-01-000	EA	Adapter - Power Cord
	008288-01-000	EA	Box - Electrical - 3 x 3 5 - Plastic
	008289-01-000	EA	Box - Electrical - 4 x 4 - 1/2 & 3/4 Steel - UL
	058049-01-000	EA	Box - Electrical - 2" x 3 x 2 25 - Steel
	041953-01-000	EA	Conduit Convolute Slit 5 ID
	058028-01-000	EA	Connector - Frgtail - Clear Nylon
	008314-01-000	EA	Connector - Wire Nut - Gray
	008311-01-000	EA	Connector - Wire Nut - Red
	031968-01-000	EA	Contact Plug - Brass Tin Plated
	031967-01-000	EA	Contact - Receptacle
	008054-01-000	EA	Cord - Power 10-3 30 Amp - 25 - UL
	069238-01-000	EA	Cover - Electrical Box - 4 x 4
	084077-02-000	EA	Cover Plate - Receptacle - Ground Fault Interrupter - Brown
	008164-01-000	EA	Cover Plate - Switch - Brown
	008294-01-000	EA	Cover - Flat Blank - 4" x 4 - Steel - US
	008277-01-000	EA	Fuse Holder - Panel Mount - Black
	064599-01-000	FA	Housing Asm - Trailer Pin
	064450-01-000	EA	Housing Asm - Trailer Plug
	064398-01-000	EA	Housing Asm - Trailer Receptacle
	054532-01-000	EA	Housing Pin - 6 Position
	054532-02-000	CA	Housing Pin - 4 Position
	046885-01-000	EA	Plaque - Mounting Switch
	075736-01-000	EA	Receptacle/Cover Asm - Gray (Exterior)
	058708-01-000	EA	Receptacle - Duplex - Brown
	084076-02-000	EA	Receptacle - Ground Fault Interrupter - 125 Volt - Brown
	024924-02-000	EA	Receptacle - Power Cord
	058707-01-000	CA	Receptacle - Single - Brown
	075723-01-000	EA	Switch - Block Spacer - w/o Holes
	075723-02-000	EA	Switch - Block Spacer - w/Holes
	077942-01-000	EA	Switch - Dummy - Black
	077942-02-000	EA	Switch - Dummy - Brown
	056264-01-000	EA	Switch - Leaf Actuator
	081066-01-000	EA	Switch - 2 Gang - 2 Switch
	079362-01-000	EA	Switch Plate - 3 Gang - 2 Switches
	079363-01-000	EA	Switch Plate - Single - w/Switches
	079364-01-000	EA	Switch - On/Off Rocker - Brown
	008195-01-000	EA	Switch - Push Button - 12 Volt
	034404-01-000	EA	Switch - Off Low Med High - Black (Evans 306)
	047443-02-000	EA	Terminal 250 Receptacle - 12-10 AWG
	008348-01-000	EA	Terminal Ring - 2 - w/3/8 Stud
	008331-01-000	FA	Terminal Ring - 4 - w/3/8 Stud
	008328-01-000	EA	Terminal Ring - 12/10 Wire
	054865-01-000	EA	Wire Asm - Generator Switch
	008028-01-000	FT	Wire - 18 5 Bonded - Blue/Red/Yellow/Orange/White
	008024-01-000	FT	Wire - 18 5 Bonded - Orange/White/Yellow/Blue/Brown
	008025-01-000	FT	Wire - 18 5 Bonded - Orange/White/Yellow/Blue/Green
	008026-01-000	FT	Wire w/Ground Romex - 12/2

**EXTERIOR BODY GROUP**

**MISCELLANEOUS EXTERNALLY MOUNTED PARTS**

Key	Part Number	U/M	Description
	083558-01-000	EA	Plumbing Seal - Roof Vent - 1 5
	048817-01-000	EA	Assist Handle - w/Light
	048817-01-700	EA	Lens - Assist Handle
	010230-02-000	EA	Fill - City Water - Recessed - Off White
	087659-04-000	EA	Fill - City Water - Off White
	06240-03-000	EA	Fill - City Water - Lockable - Off White
	072447-02-000	EA	Shroud - Fuel Fill
	079384-01-700	EA	Hardware Set - Running Board (Chevy)
	079384-01-701	EA	Tread - Running Boards (Set of 4) (Chevy)
	079384-01-702	EA	Trim - Wheel Lip - Chrome (Chevy)
	079384-03-000	EA	Running Board - Right (Chevy)
	079384-04-000	EA	Running Board - Left (Chevy)
	079384-07-000	EA	Bracket - Running Board Mounting (Chevy)
	079384-02-700	EA	Hardware Set - Running Board (Ford)
	079384-02-701	EA	Tread - Running Board (Ford)
	079384-02-702	EA	Trim - Wheel Lip - Chrome (Ford)
	079384-02-703	EA	Trim - Wheel Lip - Chrome - 9 (Ford)
	079384-05-000	EA	Running Board - Right (Ford)
	079384-06-000	EA	Running Board - Left (Ford)
	079384-09-000	EA	Bracket - Rear - Z (Ford)
	079384-10-000	EA	Bracket - Front - Z (Ford)
	080359-01-000	EA	Plate - Stepwell (Chevy)
	080359-02-000	EA	Plate - Stepwell (Ford)

**SEALANTS & ADHESIVES**

Key	Part Number	U/M	Description
	004020-01-000	QT	Adhesive - ABS Cement (Plastic Fittings)
	002337-01-000	EA	Adhesive - 1300 Tube - 3M (Windows)
	004005-02-000	GL	Adhesive - Swifts - Glue (Sidewalls)
	053766-07-000	EA	Bedding Compound - Tube - Beige (Exterior)
	053766-06-000	EA	Bedding Compound - Tube - Clear (Window)
	053766-08-000	EA	Bedding Compound - Tube - Gray (Exterior)
	053766-05-000	EA	Bedding Compound - Tube - Gray (Sidewalls to Floor)
	053766-02-000	EA	Bedding Compound - Tube - Off White (Exterior)
	002328-02-000	EA	Block - Rubber Spacer (Windshield)
	004336-01-000	EA	Caulk - Latex - Golden Walnut (Sidewalls)
	077967-01-000	EA	Sealant - Acrylic Latex - Tube - Off White (Interior Sealant)
	034552-04-000	EA	Sealant - Silicone - Beige
	034552-02-000	EA	Sealant - Silicone - Clear
	034552-01-000	EA	Sealant - Silicone - Dark Gray
	034552-06-000	EA	Sealant - Silicone - Off White
	069637-01-000	EA	Sealant - Weatherban 404 - Tube - White (Door Caulk)
	072889-01-000	EA	Sealant - Urethane - Black (Windshield)
	069640-01-000	FT	Sealer Ribbon - 25 Bead x 20
	069640-02-000	FT	Sealer Ribbon - 5 x 125 x 30
	069640-03-000	FT	Sealer Ribbon - 75 x 125 x 30
	069640-04-000	FT	Sealer Ribbon - 2 x 09 x 45 (P Series)
	069640-05-000	FT	Sealer Ribbon - 2 5 x 09 x 50
	069640-06-000	FT	Sealer Ribbon - 5/16 Bead x 15
	069640-07-000	FT	Sealer Ribbon - 2 x 3/32 x 30
	002316-01-000	FT	Sealer Tape - 3/32 x 3/8 - White (Window)
	002707-01-000	FT	Sealer Tape - 5/16 x 3/4
	002707-02-000	FT	Sealer Tape - 5/16 x 1/2
	040545-01-000	GL	Sealer - Seam Weld
	053752-01-000	EA	Seam Sealer - Tube - Aluminum (Roof)
	063642-01-000	FT	Tape - Adhesive - 10 mm x 1 5 Wide
	038886-01-000	EA	Tape - Butyl - 31 x 31 x 148 (Windshield)
	076322-01-000	FT	Tape - Foam - Double Coated - 025 x 1 (Fiberglass Sidewall Seams)
	076322-02-000	FT	Tape - Foam - Double Coated - 045 x 1 (Fiberglass Sidewall Seams)
	009200-01-000	EA	Tape - Furnace - 1 5
	002825-01-000	FT	Weather Striping (Roof Vent)

**1987 ITASCA  
TABLE OF CONTENTS**

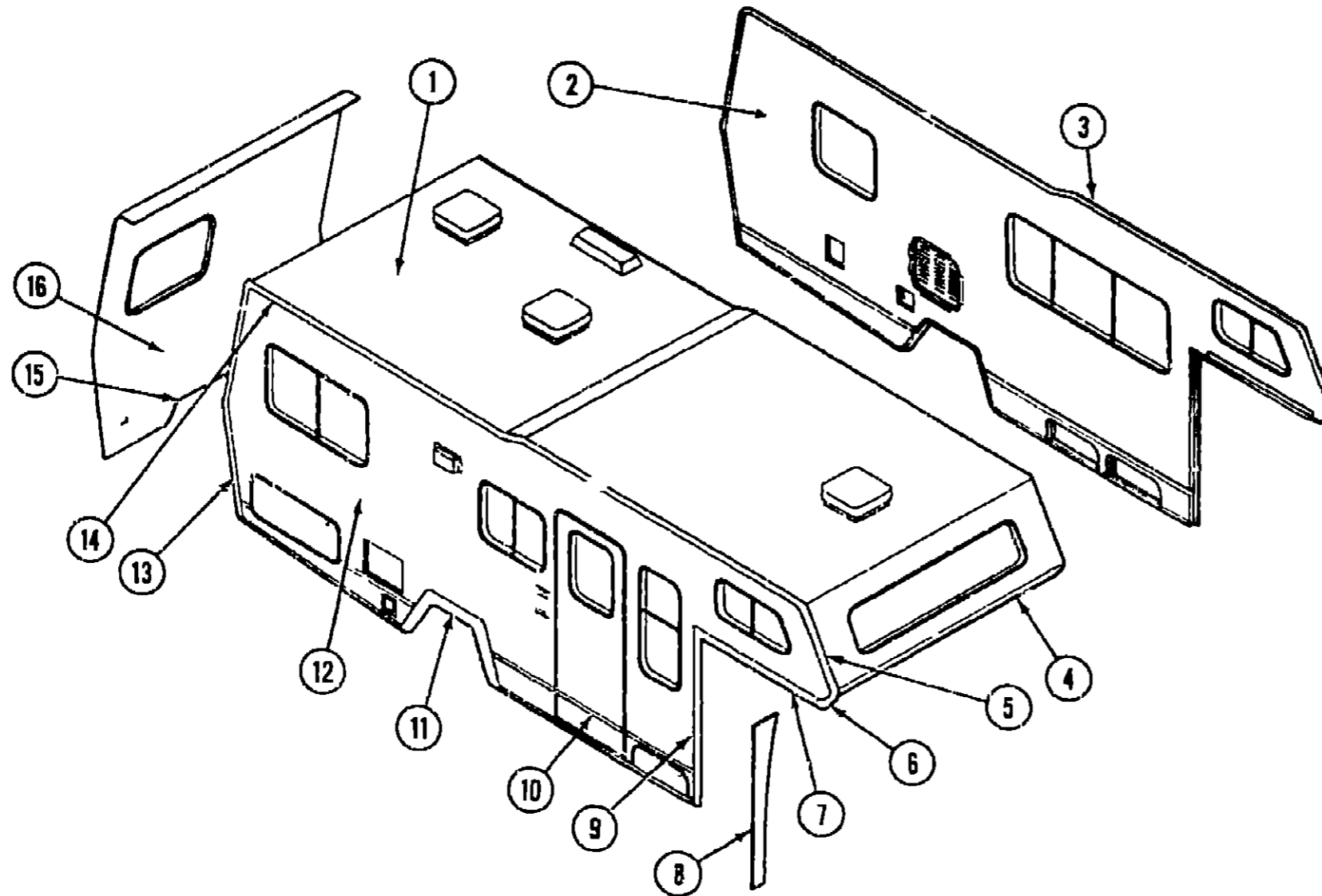
IC/IF424RC	A-01 - C-02
IC/JN31RT	C-03 - E-16
ICN33RU	E-17 - H-06
ICP31RT	H-07 - J-16

**1987 IC/IF424RC INDEX**

Floor Plan	A-01	A-02
Accessories Group	A-03	A-05
Bath Group	A-06	A-07
Chassis Group	A-08	A-09
Curtain Cushion & Pad Group	A-10	A-17
Dinette Group		A-18
Driver's Compartment Group	A-19	A-21
Electrical Group	A-22	A-23
Exterior Body Group	A-24	B-04
Galley Group	B-05	G-06
Heating & Air Conditioning Group		B-07
Interior Finish Group	B-08	J-09
LP Group		B-10
Lounge Group		B-11
Water & Sewage Group	B-12	B-13
Window Vent & Exterior Door Group	B-14	C-02

# EXTERIOR BODY GROUP (CONTINUED)

## EXTERIOR BODY PANELS



## 1987 ITASCA TABLE OF CONTENTS

IC/IF424RC  
IC/JN31RT  
ICN33RU  
ICP31RT

A-01 - C-02  
C-03 - E-16  
E-17 - H-06  
H-07 - J-16

## 1987 IC/IF424RC INDEX

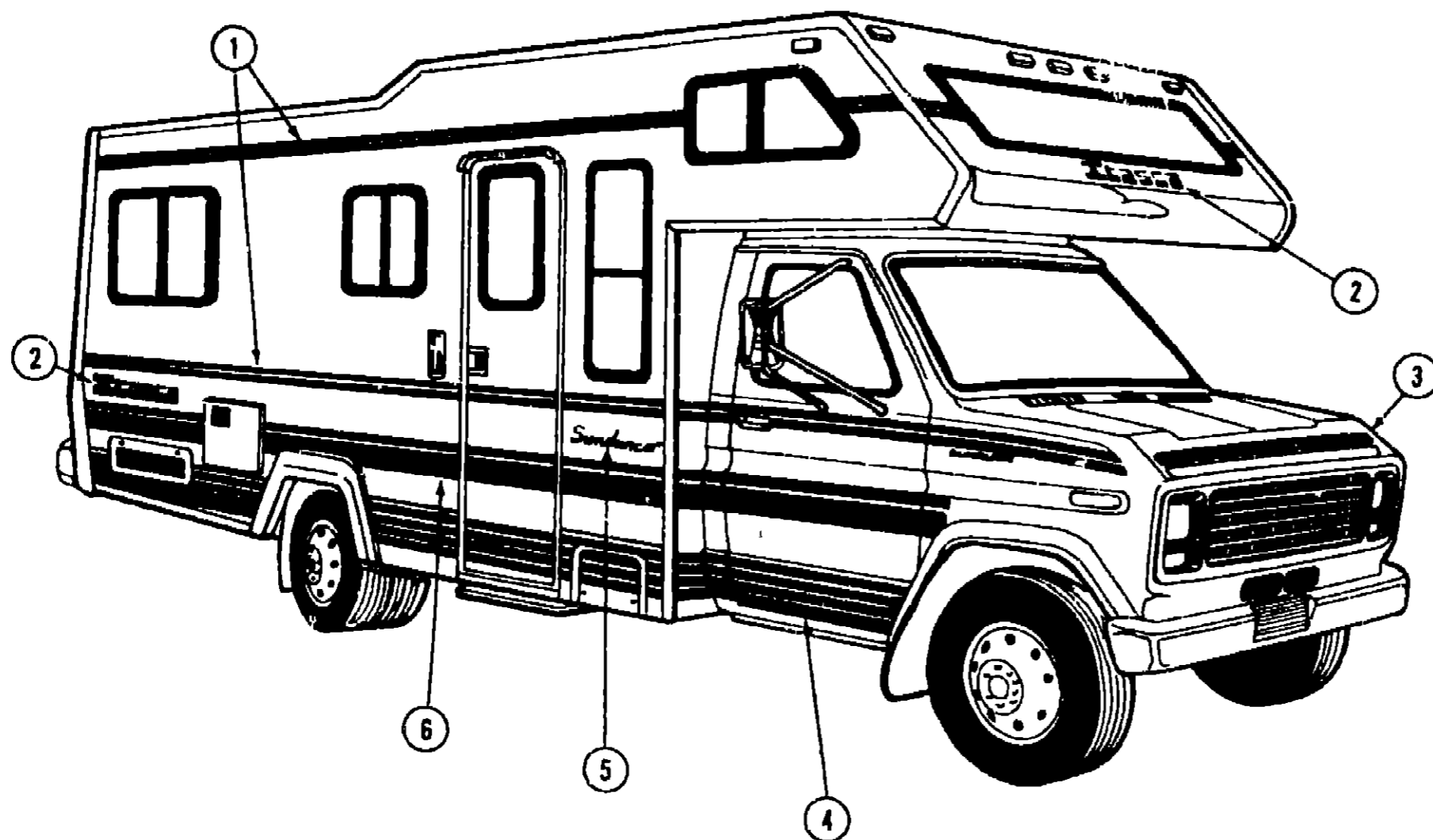
Floor Plan	A-01 - A-02
Accessories Group	A-03 - A-05
Bath Group	A-06 - A-07
Chassis Group	A-08 - A-09
Curtain Cushion & Pad Group	A-10 - A-17
Dinette Group	A-18
Driver's Compartment Group	A-19 - A-21
Electrical Group	A-22 - A-23
Exterior Body Group	A-24 - B-04
Galley Group	B-05 - G-06
Heating & Air Conditioning Group	B-07
Interior Finish Group	B-08 - B-09
LP Group	B-10
Lounge Group	B-11
Water & Sewage Group	B-12 - B-13
Window Vent & Exterior Door Group	B-14 - C-02

Key	Part Number	U/M	Description
1	M86746-01-W04	EA	Roof Asm
	M76177-01-700	EA	Roof Section - Cab Over To First Seam
2	M86750-01-W24	EA	Sidewall Asm - Driver
2	M86750-01-W25	EA	Sidewall Asm - Driver
2	M86750-01-W26	EA	Sidewall Asm - Driver
3	076802-08-000	EA	Trim - Contour - Upper Front - Driver - Off White
	076802-07-000	EA	Trim - Contour - Upper Front - Passenger - Off White
4	039644-08-000	EA	Trim - Sleeper Board - Front - Off White
5	085490-01-000	EA	Trim - Contour - Front - Passenger - Off White
	085490-02-000	EA	Trim - Contour - Front - Driver - Off White
6	086889-01-000	EA	Trim - Front Radius - Passenger - Off White
	086889-02-000	EA	Trim - Front Radius - Driver - Off White
7	076975-05-000	EA	Trim - Wingwall - Passenger - Off White
	076975-06-000	EA	Trim - Wingwall - Driver - Off White
8	M82343-01-U01	EA	Wingwall Asm - Passenger
	M82343-02-U01	EA	Wingwall Asm - Driver
9	076975-03-000	EA	Trim - Wingwall Transition - Passenger - Off White
	076975-04-000	EA	Trim - Wingwall Transition - Driver - Off White
10	002444-01-001	FA	Feature Strip - w/o Insert - Extr - 14 - Brown
	009731-01-000	EA	End Cap - Feature Strip
			Not Illustrated

Key	Part Number	U/M	Description
11	075189-01-000	EA	Trim - Wheel Well - Rear Passenger - Off White
	075189-02-000	EA	Trim - Wheelwell - Rear Driver - Off White
	080266-06-000	CA	Trim - Wheelwell - Rear Passenger - Extrusion
	080266-07-000	EA	Trim - Wheelwell - Rear Driver - Extrusion
12	M86748-01-W24	EA	Sidewall Asm - Passenger
12	M86748-01-W25	EA	Sidewall Asm - Passenger
12	M86748-01-W26	EA	Sidewall Asm - Passenger
13	076805-01-000	EA	Trim - Contour - Rear Passenger - Off White
	076805-02-000	EA	Trim - Contour - Rear Driver - Off White
14	077339-09-000	EA	Trim - Contour - Upper Rear Passenger - Off White
	077339-10-000	EA	Trim - Contour - Upper Rear Driver - Off White
15	074966-02-000	FA	Trim - Backwall - Lower - Passenger or Driver
16	M82383-01-W24	EA	Backwall Asm
	002365-01-001	EA	U Channel - Extrusion - 1 x 18'
	072776-01-001	EA	U Channel - Extrusion - 1 7/8 x 18'
	077514-04-001	EA	Fiberglass Sheet - 48 08 x 259 - Mesa - Off White
	077517-04-002	EA	Fiberglass Sheet - 48 08 x 60 - Mesa - Off White
	001054-01-011	EA	Alum - No Design - 48 x 96 - Off White
	000863-01-000	SF	Styrofoam - 75 x 24' x 96'
	000870-01-000	SF	Styrofoam - 15 x 24 x 96
	000870-03-000	SF	Styrofoam - 1 3/4 x 48 x 96
			Not Illustrated

## EXTERIOR BODY GROUP (CONTINUED)

### LABELS, DECALS & EXTERIOR PAINT



## 1987 ITASCA TABLE OF CONTENTS

IC/IF424RC  
IC/JN31RT  
ICN33RU  
ICP31RT

A-01 - C-02  
C-03 - E-16  
E-17 - H-06  
H-07 - J-16

### 1987 IC/IF424RC INDEX

Floor Plan	A-01 - A-02
Accessories Group	A-03 - A-05
Bath Group	A-06 - A-07
Chassis Group	A-08 - A-09
Curtain, Cushion & Pad Group	A-10 - A-17
Dinette Group	A-18
Driver's Compartment Group	A-19 - A-21
Electrical Group	A-22 - A-23
Exterior Body Group	A-24 - B-04
Galley Group	B-05 - G-06
Heating & Air Conditioning Group	B-07
Interior Finish Group	B-08 - B-09
LP Group	B-10
Lounge Group	B-11
Water & Sewage Group	B-12 - B-13
Window Vent & Exterior Door Group	B-14 - C-02

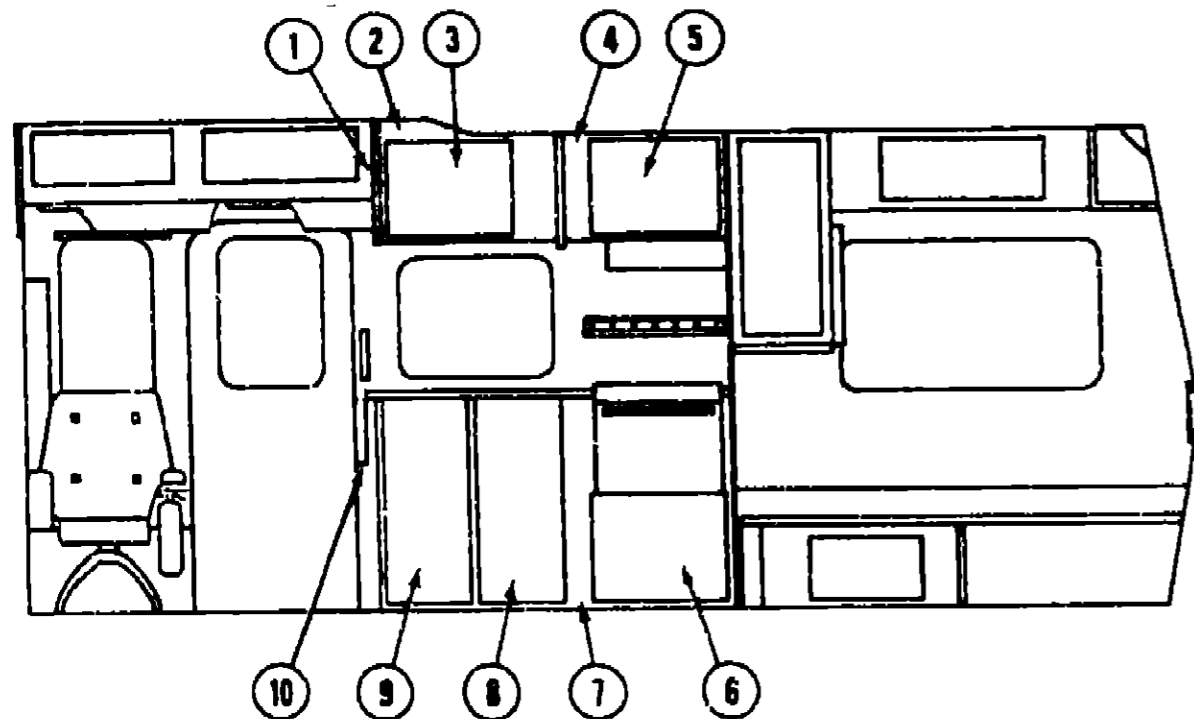
Key	Part Number	U/M	Description
1	065217-D0-000	FT	Film - Multistripe - 18 x 150 - Light Green/Dark Green (W24)
1	065217-C8-000	FT	Film - Multistripe - 18 x 150 - Gray/Rust (W25)
1	065217-C9-000	FT	Film - Multistripe - 18 x 150 - Gray/Burgundy (W26)
2	078191-01-000	EA	Decal - Logo - "Itasca"
3	078831-32-000	FT	Decal - Striping - 2 x 150 - Lt Green (W24)
3	078831-33-000	FT	Decal - Striping - 2 x 150 - Gray (W25 W26)
	078831-31-000	FT	Decal - Striping - 2 x 150 - Dark Green (W24)
	078831-30-000	FT	Decal - Striping - 2 x 150 - Rust (W25)
	078831-29-000	FT	Decal - Striping - 2 x 150 - Burgundy (W26)
4	078196-16-000	EA	Film - Multistripe - 7 02" x 150 - Lt Green (W24)
4	078196-17-000	EA	Film - Multistripe - 7 02" x 150 - Gray (W25 W26)
5	078851-02-000	EA	Decal - Logo - Sundancer
6	065217-C7-000	FT	Film - Multistripe - 6 x 150 - Dark Green (W24)
6	065217-C8-000	FT	Film - Multistripe - 6 x 150 - Rust (W25)
6	065217-C5-000	FT	Film - Multistripe - 6 x 150 - Burgundy (W26)
	084075-01-000	EA	Decal - by Winnebago Industries
	068383-01-000	EA	Label - Diesel Fuel
	006195-01-000	EA	Label - Electrical Test
	047731-01-000	EA	Label - Emergency Exit
	006199-01-000	EA	Label - Exit - Escape Window
	057467-04-000	EA	Label - Exterior Loading Limit
	064378-01-000	EA	Label - Flying "W" w/Thermo Panel
	061417-01-000	EA	Label - Fuel

B-3

Key	Part Number	U/M	Description
	006196-01-000	EA	Label - Gas Test
	054531-01-000	EA	Label - LP Gas Only
	040944-01-000	EA	Label - Open - Entrance Door
	006015-01-000	EA	Label - Patent Motor Home
	056259-01-000	EA	Label - Safety Check List
	006064-01-000	EA	Label - Seat - w/o Seat Belts
	006187-01-000	EA	Label - Sewage
	006006-01-000	EA	Label - Thermo Panel - 2 1/4' x 2 1/4'
	075221-01-000	EA	Label - Trailer Hitch Capacity
	075220-01-000	EA	Label - Warning - Exterior Load Limit
	077956-01-000	EA	Label - Warning - Smoke Detector
	050225-01-000	EA	Label - Warning - Smoke Vent - US
	006188-01-000	EA	Label - Waste Water
	006197-01-000	EA	Label - Water Test
	072863-01-000	EA	Nameplate - Diesel - 6 2L
	006062-01-000	EA	Tag - Electrical - 110 Volt Connection
	006040-01-000	EA	Tag - Gas - Refueling Warning
	044486-03-000	EA	Paint - Beige Acrylic Enamel - 16 oz Aerosol (7633A Dupont)
	045681-03-000	EA	Paint - Gloss Black - Acrylic Enamel - 16 oz Aerosol (99 Dupont)
	058637-05-000	EA	Paint - Gray Acrylic Enamel - 16 oz Aerosol (71537 Dupont)
	041561-03-000	EA	Paint - Off White Acrylic Enamel - 16 oz Aerosol (45396A Dupont)
	074559-01-000	EA	Label - LPG 3.3 x 175 (Calif Code)
			Not Illustrated

B-4

## GALLEY GROUP



**GALLEY CABINETRY**

Key	Part Number	U/M	Description
1	081280-19-W24	EA	Pad Asm - End Cap - Galley Overhead - Vinyl
2	062340-04 W24	EA	Cabinet Asm - Galley Overhead - w/o Doors or Hardware
3	M81523-02 W24	EA	Door Asm - Galley Overhead - Raised Panel - w/o Hardware
3	M84956-02-W24	EA	Door Asm - Galley Overhead - w/o Hardware
4	081460-01-W30	EA	Cabinet Asm - Galley Overhead - w/o Door or Hardware
5	M81523-01-W30	EA	Door Asm - Galley Overhead - Raised Panel - w/o Hardware
5	M84956-01-W24	EA	Door Asm - Galley Overhead - Microwave - w/o Hardware
6	M84957-03-W24	EA	Door Asm - Galley Cabinet - Furnace - w/o Hardware
7	M82339-05-W24	EA	Cabinet Asm - Galley - w/o Countertop Doors Drawers or Hardware
	M82339-06-W24	EA	Cabinet Asm - Galley w/o Countertop Doors Drawers or Hardware
	M82184-07-W24	EA	Drawer Asm - Galley Cabinet - w/o Hardware
	M02503-01-W24	EA	Countertop Asm - Galley
8	M81501-03-W30	EA	Door Asm - Galley Cabinet - 33 4 x 14 3 - Raised Panel - w/o Hardware
8	M84953-03-W30	EA	Door Asm - Galley - w/o Hardware
9	M81501-02-W30	EA	Door Asm - Galley Cabinet - 33 4 x 14 3 - Raised Panel - w/o Hardware
9	M84953-02-W24	EA	Door Asm - Galley - w/o Hardware
10	080812-03-W24	EA	Extension Asm - Galley
	077404-01-000	EA	Drawer - Plastic - 20 x 12 7
	M81502-04-W30	EA	Door Asm - Refrigerator Cabinet - 18 6 x 11 8 - Left - Raised Panel - w/o Hardware
	M81502-03-W30	EA	Door Asm - Refrigerator Cabinet - 18 6 x 11 8 - Right - Raised Panel - w/o Hardware
	M84954-04 W24	EA	Door Asm - Refrigerator Cabinet - Left - w/o Hardware
	M84954-03-W24	EA	Door Asm - Refrigerator Cabinet - Right - w/o Hardware

Not illustrated  
Parts used with Microwave Option

## GALLEY GROUP (CONTINUED)

### GALLEY HARDWARE & APPLIANCES

Key	Part Number	U/M	Description
	079352-01-000	EA	Hood - Range - Non-Powered w/Light - Almond
	079353-01-000	EA	Hood - Range - Powered w/Monitor - Almond - US
	084878-01-000	EA	Duct - Hood Range
	055282-02-000	EA	Range w/Small Oven - 4 Burner - Almond - Magic Chef
	055282-02-700	EA	Frame - Door - Upper
	055282-02-701	EA	Frame - Door - Lower
	055282-02-702	EA	Glass - Door Front
	055282-02-703	EA	Panel Door - Black
	081374-01-000	EA	Range Top - 4 Burner - Almond
	064473-02-000	EA	Refrigerator - AC/DC/Gas - Norcold 6 - 776-EG3
	084879-02-000	EA	Refrigerator - AC/DC/Gas - Norcold 8 8663
	784880-02-000	EA	Refrigerator - 3 Way - Norcold 10 - 8783
	054450-01-000	EA	Level - Refrigerator
	081379-01-000	EA	Microwave Oven - Sharp - Conv. Cook
	081459-01-000	EA	Bracket Asm - Microwave - Right
	081459-07-000	EA	Bracket Asm - Microwave - Left
	081555-01-703	EA	Trim Ring - Microwave
	081456-01-000	EA	Angle Asm - Microwave - Right
	081456-02-000	EA	Angle Asm - Microwave - Left
	082876-01-000	EA	Baffle - Microwave
	068615-01-000	EA	Sink - Stainless Steel - Double w/Bolts
	011053-01-000	EA	Faucet - Swing Spout - 8 - US
	011053-02-000	EA	Faucet - Swing Spout - 8 - CSA
	011053-01-700	EA	Aerator - Swing Spout Faucet
	066437-01-000	EA	Strainer w/Basket - Sink
	081530-01-W07	EA	Sink Cover - Large
	009049-01-000	EA	Support - Drop Leaf Table
	009059-01-000	EA	Hinge - 2 - Gold - Drop Leaf Table
	074490-02-T03	EA	Spice Rack - Oak
	074491-02-T03	EA	Magazine Rack - Oak
	074981-01-000	EA	Cutting Board - Maple
	058334-01-000	EA	Wastebasket - 9 3/4 x 7 x 10 - White
	058478-01-000	EA	Support - Wastebasket - Metal - Door Mount
	059777-02-000	EA	Hinge - Cabinet Door - Antique Light Brass
	047744-01-000	EA	Kit - Drawer Guide - Plastic
	077409-01-000	EA	Slide - Drawer - 20 75 - Plastic
	077404-01-000	EA	Drawer - 20 x 12 70 - Plastic
	066435-01-000	EA	Nut Strainer
	011083-01-000	EA	Plug - 1 1/4 x 5 - w/Stopper
	039873-01-700	EA	Door Catch & Strike - Nylon & Spring Steel
	009021-01-000	EA	Catch - Nylon
	009021-02-000	EA	Strike - Spring Steel
	086263-01-000	EA	Pull - Polished Brass & Oak Inlay
	084435-01-000	EA	Knob - Decorative Cabinet

The illustrated parts breakdown for this item is provided on the Common Items Fiche

## 1987 ITASCA TABLE OF CONTENTS

IC/IF424RC	A-01 - C-02
IC/JN31RT	C-03 - E-16
ICN33RU	E-17 - H-06
ICP31RT	H-07 - J-16

## 1987 IC/IF424RC INDEX

Floor Plan	A-01 - A-02
Accessories Group	A-03 - A-05
Bath Group	A-06 - A-07
Chassis Group	A-08 - A-09
Curtain Cushion & Pad Group	A-10 - A-17
Dirette Group	A-18
Driver's Compartment Group	A-19 - A-21
Electrical Group	A-22 - A-23
Exterior Body Group	A-24 - B-04
Galley Group	B-05 - B-06
Heating & Air Conditioning Group	B-07
Interior Finish Group	B-08 - B-09
LP Group	B-10
Lounge Group	B-11
Water & Sewage Group	B-12 - B-13
Window Vent & Exterior Door Group	B-14 - C-02



## HEATING & AIR CONDITIONING GROUP

### AUTOMOTIVE HEATER & AIR CONDITIONER (CHEVY)

Key	Part Number	U/M	Description
	081051-01-000	EA	A/C - Compressor Mount Package - 350 C I D
	072343-05-000	EA	A/C - Compressor/Clutch - Sankyo 510
	073716-01-000	EA	A/C - Condensor Asm - C" - Tube O
	073716-01-700	EA	Coil Condenser
	073716-01-701	EA	Receiver Drier
	073716-01-702	EA	Hose Assy #6
	073716-01-703	EA	Hose Assy #8
	074027-01-000	EA	A/C - Evaporator Asm - Cutaway
	074027-01-700	EA	Motor
	074027-01-701	EA	Hose Liquid #6
	074027-01-702	EA	Hose Suction #10
	074027-01-703	EA	Louver Only
	074027-01-704	EA	Escutcheon
	074027-01-705	EA	Thermostat
	074027-01-706	EA	Knob - Temperature
	074027-01-707	EA	Knob - Air
	074027-01-708	EA	Solenoid - Vacuum Switch
	074027-01-709	EA	Center Louver Escutcheon
	074027-01-710	EA	Coil - Evaporator
	074027-01-711	EA	Blower Wheel
	074027-01-712	EA	Blower Housing
	074027-02-700	EA	Evaporator - Coil
	007108-01-000	FT	Hose - Heater - 5/8 I D SAE 20R
	084405-01-000	EA	Rear Heater Asm
	062401-04-000	EA	Clamp - Worm Drive - 69 - 1 25 I D
	084404-01-000	EA	Switch - Fan Rear Heater

### AUTOMOTIVE HEATER & AIR CONDITIONER (FORD)

Key	Part Number	U/M	Description
	079373-03-000	EA	A/C - Compressor Mount Package - 460 C I D
	072343-05-000	EA	A/C - Compressor/Clutch - Sankyo 709
	086782-01-000	EA	A/C - Condensor Asm - C - Tube O
	073716-01-700	EA	Coil Condenser
	073716-01-701	EA	Receiver Drier
	073716-01-702	EA	Hose Assy #6
	073716-01-703	EA	Hose Assy #8
	086781-01-000	EA	A/C - Evaporator Asm - Cutaway
	007108-01-000	FT	Hose - Heater - 5/8 I D SAE 20R
	084405-01-000	EA	Rear Heater Asm
	062401-04-000	EA	Clamp - Worm Drive - 69 - 1 25 I D
	084404-01-000	EA	Switch - Fan - Rear Heater

### FURNACES & ROOF AIR CONDITIONER

Key	Part Number	U/M	Description
	075696-01-000	EA	Furnace - 34 000 BTU - w/Direct Ignition - NT-34S
	075695-01-000	EA	Furnace - 24 000 BTU - w/Direct Ignition - NT-24S
	009198-01-000	FT	Duct - Flexible - 4' I D x 25
	056464-01-000	EA	Register - 4' Dia - Plastic - w/Damper
	056462-02-000	EA	Register - 4' Dia - Plastic - w/o Damper
	009200-01-000	EA	Tape - Furnace 1 1/2
	010326-01-000	EA	Adapter - Flare - w/Cone Gasket
	023146-01-000	EA	Clamp - Screw Type - 4
	073743-01-000	EA	Shroud Asm - Ceiling - Inside - Roof Air Cool Only - 13 500 BTU
	073744-01-000	EA	Shroud Asm - Ceiling - Inside - Roof Air Heat & Cool - 13 500 BTU
	073742-01-000	EA	Air Conditioner - 110 Volt & Roof Mount - 13 500 BTU Rotary

The illustrated parts breakdown for this item is provided on the Common Items Fiche

## INTERIOR FINISH GROUP

### PANELING & LAMINATE

Key	Part Number	U/M	Description
	074497-09-000	SF	Paneling - Decor - Classique Tweed/Sand - 48" x 84 (28 SF) (Wall)
	074496-73-000	SF	Paneling - Decor - Jade Frost - 48 x 84 (28 SF) (Galley) (W24)
	074496-75-000	SF	Paneling - Decor - Rose - 48 x 84 (28 SF) (Galley) (W25 W26)
	074496-66-000	SF	Paneling - Decor - Jade Frost - 48 x 84 (28 SF) (Wet Bath) (W24)
	074496-68-000	SF	Paneling - Decor - Rose - 48 x 84 (28 SF) (Wet Bath) (W25 W26)
	074497-07-000	SF	Paneling - Pebble Beach - 48" x 96 (32 SF) (Ceiling)
	074498-16-000	SF	Plastic Laminate - Apricot Blush - 48 x 96" (32 SF) (Bath) (W24)
	074498-17-000	SF	Plastic Laminate - Maple Nut - 48 x 96 (32 SF) (Bath) (W25)
	074498-15-000	SF	Plastic Laminate - Blush - 48 x 96 (32 SF) (Bath) (W26)
	074498-13-000	SF	Plastic Laminate - Sand Quadrus - 48" x 96 (32 SF) (Galley & Dinette)
	074498-20-000	SF	Plastic Laminate - Regal Oak - 48 x 96 (32 SF) (Nightstand)
	076325-16-000	FT	Molding - Edge Band - Regal Oak 1 15/16 x 3/32

### INTERIOR MOLDING TRIM

Key	Part Number	U/M	Description
	042357-11-000	FT	Molding - Radius Corner - Oak
	022992-08-000	FT	Molding - Reverse Cove - Champagne White
	079653-04-000	EA	Molding - Batt Strip - Kerfed - Light Oak
	069733-70-000	EA	Batt Strip - Regal Oak - 8 (Cabinets)
	069733-66-000	EA	Batt Strip - Classique Tweed/Sand (Wall)
	069733-71-000	EA	Batt Strip - Winne - 8 (Galley & Bath)
	069733-74-000	EA	Batt Strip - Winne - 8 (Wet Bath)
	069733-62-000	EA	Batt Strip - Pebble Beach - 8 (Ceiling)
	070504-01-000	FT	U-Channel - 065 - Light Brown
	070504-06-000	FT	U-Channel - 815 - Regal Oak
	009778-07-000	FT	U-Channel - 1 - Regal Oak
	002774-02-001	EA	Trim - Carpet - 192
	009767-06-000	FT	Welting - Beige
	083620-01-000	FT	T-Molding - Grady Brown
	024700-17-000	EA	Cover - Rollbar - Sidewall - Beige
	009809-17-000	FT	Corner Molding - Plastic - 1 - Regal Oak
	009812-17-000	FT	Corner Molding - Plastic - 1/2 - Regal Oak
	074045-01-000	EA	Plug 1/2 Dia - Oak
	041746-01-000	FT	Vinyl - Extr Bubble Seal

### FABRICS & CARPETS

Key	Part Number	U/M	Description
	077498-89-000	YD	Fabric w/Pattern - Upholstery - Main - Jasmine (W24)
	077498-90-000	YD	Fabric w/Pattern - Upholstery - Main - Garnet (W25)
	077498-88-000	YD	Fabric w/Pattern - Upholstery - Main - Jute (W26)
	077498-B2-000	YD	Fabric w/Pattern - Upholstery - Accent - Juniper (W24)
	077498-B3-000	YD	Fabric w/Pattern - Upholstery - Accent - Brick (W25)
	077498-B4-000	YD	Fabric w/Pattern - Upholstery - Accent - Madder (W26)
	077498-A1-000	YD	Fabric - Upholstery Accent - Plain - Blue (W24)
	077498-A2-000	YD	Fabric - Upholstery Accent - Plain - Garnet (W25)
	077498-A8-000	YD	Fabric - Upholstery Accent - Plain - Wine (W26)
	072333-38-000	YD	Fabric - Drapery - Melba (W24)
	072333-40-000	YD	Fabric - Drapery - Raisin (W25)
	072333-37-000	YD	Fabric - Drapery - Mauve (W26)
	069729-44-000	YD	Fabric - Bedspread - Covington #2 (W24)
	069729-45-000	YD	Fabric - Bedspread - Covington #16 (W25)
	069729-46-000	YD	Fabric - Bedspread - Covington #3 (W26)
	084415-11-000	YD	Braid Trim - Pull Shades - Blue Jade (W24)
	084415-15-000	YD	Braid Trim - Pull Shades - Rust (W25)
	084415-13-000	YD	Braid Trim - Pull Shades - Mauve (W26)
	052859-05-T03	FT	Trim Asm - Accent - Buckskin
	052880-01-000	YD	Vinyl - Expanded - 26 oz - Buckskin
	072860-57-000	YD	Carpet - French Court (W24)
	072860-58-000	YD	Carpet - Champagne (W25 W26)

## 1987 ITASCA TABLE OF CONTENTS

IC/IF424RC	A-01 - C-02
IC/JN31RT	C-03 - E-18
ICN33RU	E-17 - H-06
ICP31RT	H-07 - J 16

## 1987 IC/IF424RC INDEX

Floor Plan	A-01 - A-02
Accessories Group	A-03 - A-05
Bath Group	A-06 - A-07
Chassis Group	A-08 - A-09
Curtain Cushion & Pad Group	A-10 - A-17
Dinette Group	A-18
Driver's Compartment Group	A-19 - A-21
Electrical Group	A-22 - A-23
Exterior Body Group	A-24 - B-04
Galley Group	B-05 - B-06
Heating & Air Conditioning Group	B-07
Interior Finish Group	B-08 - B-09
LP Group	B-10
Lounge Group	B-11
Water & Sewage Group	B-12 - B-13
Window Vent & Exterior Door Group	B-14 - C-02



## INTERIOR FINISH GROUP (CONTINUED)

### CABINETS & TABLE HARDWARE

Key	Part Number	U/M	Description
	053200-05-000	EA	Bracket - Upper Wall Mount - 23 5 - Beige
	024281-07-000	EA	Bracket - Lower Wall Mount - 22 12 - Beige
	024276-17-000	EA	Leg Asm - Table - 26 5 - Tan
	064050-02-000	EA	Hinge - Table Leg
	024282-01-000	EA	Brace - Table Leg
	049493-05-000	EA	Catch - Table Leg - Mounts on Floor - Tan
	009112-01-000	EA	Flange - 1 - Chrome - Closet Rod
	077409-01-000	EA	Slide - Drawer - Plastic - 20 75
	009049-01-000	EA	Table Support - Drop Leaf
	009059-01-000	EA	Hinge - 2 - Drop Leaf Table - Gold
	076312-01-000	EA	Mesh - Grille - 13 8 x 8 8 - Gold Aluminum
	009021-01-000	EA	Catch - Nylon - Furnace Door
	009021-02-000	EA	Strike - Nylon Catch - Furnace Door
	074493-02-000	EA	Support - Sprung Door
	075680-01-000	EA	Clothes Rod - Adjustable - 27 x 36
	084435-01-000	EA	Knob - Decorative Cabinet
	059777-02-000	EA	Hinge - Light Brass
	009016-01-000	EA	Catch - Elbow - Spring Loaded
	077461-01-000	EA	Cover - Strike
	086263-01-000	EA	Pull - Polished Brass
	084435-01-000	EA	Knob - Polished Brass
	075687-02-000	EA	Knob - Bath Door
	084466-02-000	EA	Slide Asm - Drawer - Right
	084466-03-000	EA	Slide Asm - Drawer - Left
	084466-04-000	EA	Slide Asm - Cabinet - Right
	084466-05-000	EA	Slide Asm - Cabinet - Left
	084451-01-000	EA	Catch - TV Shelf - Brass

The illustrated parts breakdown for this item is provided on the Common Items Fiche

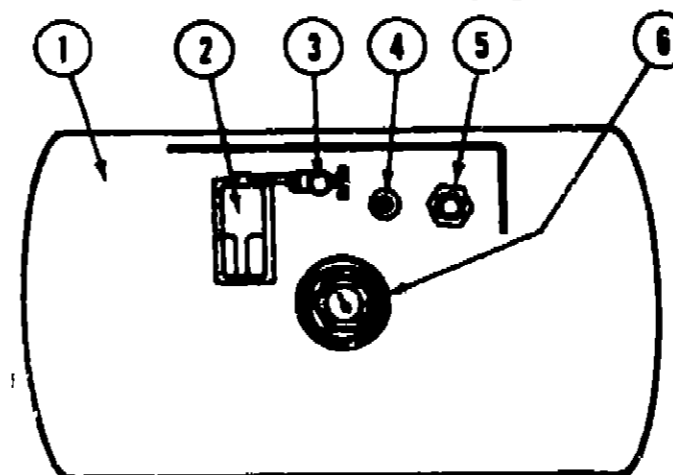
### CURTAIN & CUSHION HARDWARE

Key	Part Number	U/M	Description
	085283-01-000	EA	Bracket - Hold Back - Blinds
	056003-12-000	EA	Bracket - Drapery Retainer - Left
	056003-01-000	EA	Bracket - Drapery Retainer - Right
	079798-03-000	EA	Bracket Asm - Curtain Rod - Right
	079798-04-000	EA	Bracket Asm - Curtain Rod - Left
	079619-01-000	EA	Bracket - Tie Back
	009107-01-000	EA	Guide - Nylon Snap - Curtain
	087253-01-000	EA	Pull - Window Shade - Clear
	056115-01-000	YD	Tape - Clear Plastic - w/Guide
	048394-02-000	YD	Tape Hook - 75 x 50 YD - Beige
	048395-02-000	YD	Tape Loop - 75 x 50 YD - Beige
	079090-01-000	FT	Tie - Drapery - Clear Vinyl
	056116-01-000	FT	Track - Curtain - Brown Plastic

### MISCELLANEOUS PARTS

Key	Part Number	U/M	Description
	053552-02-T03	EA	Handle Asm - Interior Assist - Vinyl
	041944-03-000	EA	Fire Extinguisher
	084472-01-000	EA	Holder - Fire Extinguisher
	054185-26-000	EA	Owners Manual - 1987 Itasca & Winnebago
	040069-01-000	EA	Door Mat - 10 1/2 x 26 - Black Rubber
	086269-01-000	EA	Pictures - Decor

## LP GROUP



Key	Part Number	U/M	Description
1	074142-01-000	EA	Tank Asm - LP - Frame Mount - 80 Pound - 13 x 44
1	080450-01-000	EA	Tank Asm - LP - Frame Mount - 42 Pound - 13 x 24
-	065741-01-000	EA	Detector - LP Gas Leak - Marshalltown Instruments
2	081938-01-000	EA	Compartment - LP Regulator
	076301-01-000	EA	Regulator - Two Stage - US (Dual)
	076301-02-000	EA	Regulator - Two Stage - CSA (Dual)
3	040421-01-703	EA	Valve - Vapor Relief
4	040421-01-700	EA	Gauge - Liquid Level - 20% LP
5	040421-01-701	EA	Valve - Filler - LP
	040421-01-702	EA	Cap - Plastic Fill Valve
6	040421-01-707	EA	Gauge - Float - w/Visible Dial
	040421-01-706	EA	Dial - Visible Face - Float Gauge (Tank w/o Electric Transmitter)
	040440-01-000	EA	Dial - Transmitter - 0 - 90 Ohm (Float Gauge)
	045703-01-000	EA	Hose Asm - LP - 3/8 I.D. x 24 - US
	045703-02-000	EA	Hose Asm - LP - 3/8 I.D. x 24 - CSA
	045703-03-000	EA	Hose Asm - LP - 3/8 I.D. x 18 - US
	045703-04-000	EA	Hose Asm - LP - 3/8 I.D. x 14 - CSA
	065959-01-000	EA	Housing - LP Gauge
	065742-01-000	EA	Tee - 3/8 x 3/8 x 3/8 FPT
	068046-01-000	EA	Conversion Kit - LP - Onan Generator
			Not illustrated

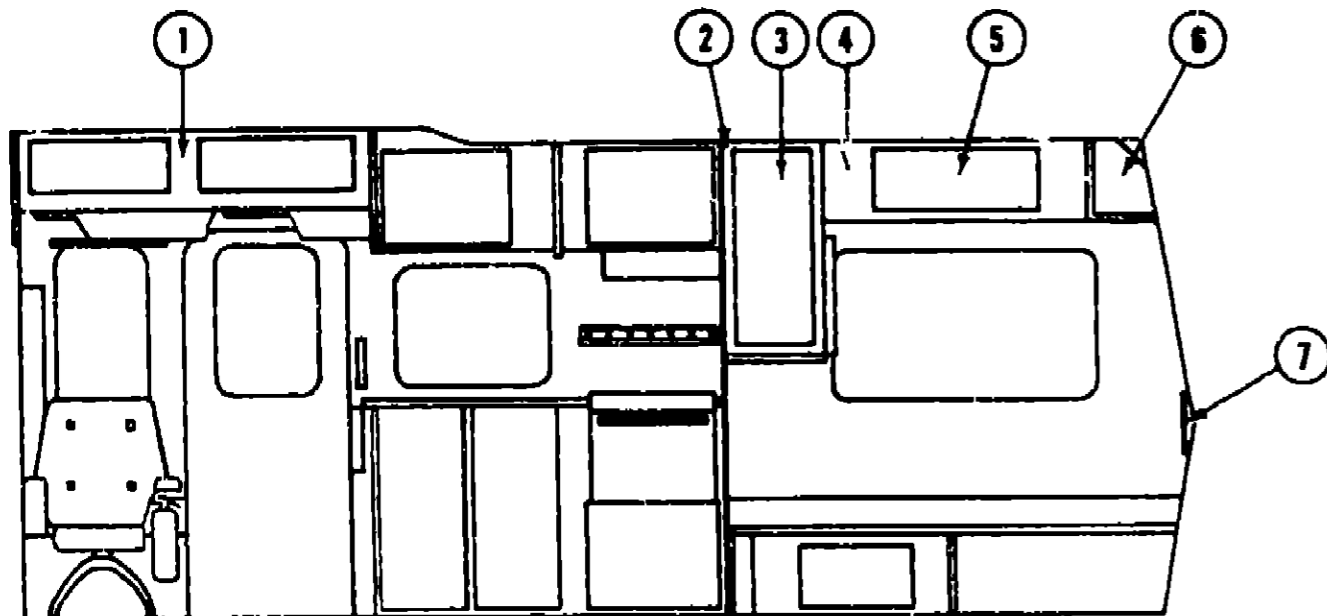
## 1987 ITASCA TABLE OF CONTENTS

IC/IF424RC	A-01 - C-02
IC/JN31RT	C-03 - E-16
ICN33RU	E-17 - H-06
ICP31RT	H-07 - J-16

## 1987 IC/IF424RC INDEX

Floor Plan	A-01 - A-02
Accessories Group	A-03 - A-05
Bath Group	A-06 - A-07
Chassis Group	A-08 - A-09
Curtain, Cushion & Pad Group	A-10 - A-17
Dinette Group	A-18
Driver's Compartment Group	A-19 - A-21
Electrical Group	A-22 - A-23
Exterior Body Group	A-24 - B-04
Galley Group	B-05 - B-06
Heating & Air Conditioning Group	B-07
Interior Finish Group	B-08 - B-09
LP Group	B-10
Lounge Group	B-11
Water & Sewage Group	B-12 - B-13
Window Vent & Exterior Door Group	B-14 - C-02

**LOUNGE GROUP**



**LOUNGE CABINETRY**

Key	Part Number	U/M	Description
1	082341-02 W24	EA	Cabinet Asm - Overhead - Entrance
	077663-04-W24	EA	Glass Holder - Overhead Cabinet
2	M81735-01-W24	EA	Cabinet Asm - Overhead Shirt Closet - w/o Door or Hardware
3	M81503-03-W30	EA	Door Asm - Overhead Cabinet - Raised Panel - w/o Hardware
3	M84957-03-W24	EA	Door Asm - Overhead Cabinet - w/o Hardware
	081280-13-W24	EA	Pad Asm - End Cap - Shirt Closet - Vinyl
4	081734-01 W24	EA	Cabinet Asm - Overhead Rear - w/o Doors or Hardware
5	M81503-02 W30	EA	Door Asm - Overhead Cabinet - Raise Panel - w/o Hardware
5	M84955-02-W24	EA	Door Asm - Overhead Cabinet - w/o Hardware
6	081731-01 W24	EA	Cabinet Asm - Overhead Rear - w/o Doors or Hardware
7	077463-16-W24	EA	Head Asm - Double Bed
7	077463-16-W25	EA	Head Asm - Double Bed
7	077463-16-W26	EA	Head Asm - Double Bed
	M81501-15-W30	EA	Door Asm - Double Bed 17 6 x 10 9 - Raised Panel - w/o Hardware
	M84953-11-W24	EA	Door Asm - Double Bed - w/o Hardware
	M81537-01 W24	EA	Cabinet Asm - Nightstand - w/o Countertop
	M02472-01-W24	EA	Countertop Asm - Nightstand
	M78971-03-W24	EA	Drawer Asm - Nightstand Cabinet - 13 5 x 19 6 - w/o Hardware
			Not Illustrated
			* Parts for bunkhouse option (not illustrated)

**WATER & SEWAGE GROUP**

**HOLDING TANKS & WATER HEATER**

Key	Part Number	U/M	Description
	074510-03-000	EA	Tank Asm - Water - 16 Gallon
	074510-01-000	EA	Tank - Water - 16 Gallon - w/o Fitting
	053520-05-000	EA	Tank Asm - Water - 20 Gallon
	053520-01-000	EA	Tank - Water - 20 Gallon - w/o Fitting
	074870-01-000	EA	Tank - Holding - 30 Gallon - w/o Fitting
	074861-01-000	EA	Tank - Holding - 35 Gallon - w/o Fitting
	051391-01-000	EA	Water Heater - w/o Motor Aid - Atwood - G6A-3
	051391-03-000	EA	Water Heater - w/Motor Aid - Atwood - G6A-3A
	051393-01-000	EA	Water Heater - w/Motor Aid - G6A-3A

The illustrated parts breakdown for this item is provided on the Common Items Fiche

**PLUMBING & REPAIR PARTS**

Key	Part Number	U/M	Description
	033302-02-000	EA	Adapter Asm - SWVC Strain - 1 1/2
	010326-01-000	EA	Adapter - Flare - w/Cone Gasket
	062422-01-000	EA	Adapter - Hose Offset - Reducer - 3 x 1 1/2
	052954-01-000	EA	Adapter - Hose Cone - 3/8 or 1/2 Plastic
	010224-01-000	EA	Adapter - Plastic - 3/8 MPT x 3/8 Barb
	044927-01-000	EA	Adapter - Plastic - 1 1/4 MPT x 1 1/4 Barb
	031602-02-000	EA	Adapter - Plastic - 1 1/2 H x FPT
	062417-01-000	EA	Adapter Termination - 3
	004020-01-000	QT	Adhesive - ABS Cement
	011048-04-000	EA	Breaker - Vacuum - 1/8 MPT - Nylon
	010121-01-000	CA	Bushing - Plastic - 1 1/2 S x 1 1/4 H
	010122-01-000	EA	Bushing - Plastic - 1 1/2 S x 1 1/4 T
	010123-01-000	EA	Bushing - Plastic - 2S x 1 1/2 H
	036522-02-000	EA	Cap - Brass - 1/2 Flare
	062415-01-000	EA	Cap - Sewer - 3
	052959-02-000	EA	Connector - 1/2 F x 1/2 MPT - Plastic
	052959-03-000	EA	Connector - 1/2 F x 3/8 MPT - Plastic
	011091-02-000	EA	Continuous Waste - Double Sink - 11 7/8 - US
	053874-01-000	EA	Continuous Waste Asm - Double Sink - CSA
	078406-01-000	EA	Coupler Rubber - 3 x 3
	052960-01-000	EA	Drain Valve - 1/2 F x 1/2 F - Plastic
	010000-01-000	EA	Elbow - Plastic - 1/8 BD x 1 1/4 x 45° H x H
	010005-01-000	EA	Elbow - Plastic - 1/16 BD x 1 1/2
	010006-01-000	EA	Elbow - Plastic - 1/8 BD x 1 1/2 x 45° H x H
	010008-01-000	EA	Elbow - Plastic - 1/4 BD x 1 1/2 x 90° Left
	010051-01-000	EA	Elbow - ST - Plastic - 1/8 BD x 1 1/2 x 45°
	010219-01-000	EA	Elbow - 1 1/4 Barb x 1 1/4 MPT x 90°
	031111-01-000	EA	Elbow - Plastic - 1/4 BD x 1 1/4 x 90° Left
	034250-01-000	EA	Elbow - Plastic - 1/4 BD x 1 1/2 x 90° x H x H
	035539-01-000	EA	Elbow - Plastic - 3/8 MPT x 3/8 Barb
	052957-01-000	EA	Elbow - Plastic - 1/2 F x 3/8 MPT
	052957-02-000	EA	Elbow - Plastic - 1/2 F x 1/2 MPT (In Tank Filter)
	059536-01-000	EA	Elbow - 1 1/4 Slip Joint Ends
	065120-01-000	EA	Elbow - Plastic - Swivel - 50
	070924-01-000	EA	Elbow - Plastic - Swivel - 1/2 MPT x 1/2 FP
	077954-01-000	EA	Filter/Screen (In Water Tank)
	039647-02-000	EA	Filter - Water Pump - 1/2 MPT
	039647-03-000	EA	Filter - Water Pump - 1/2 Flare
	010147-01-000	EA	Flange - Closet - 4' F x 3' FPT - US
	010147-02-000	EA	Flange - Closet - 4' F x 3' FPT - CSA
	079381-01-000	FT	Flexible Tubing - 1 1/4 ID x 10,
	061607-01-000	EA	Grommet - Holding Tank Coupler - 1 1/2
	061607-02-000	EA	Grommet - Holding Tank Coupler - 3
	062419-02-000	EA	Handle - Extension - w/o Adapter
	052961-01-000	EA	Header - 1/2 F x 1/2 F x 1/2 F x 1/2 F
	046524-01-000	EA	Kit - Holding Tank Fittings - Blank Tank
	046524-01-000	EA	Kit - Water Tank Fittings - Blank Tank
	052953-01-000	EA	Nut - Facuet - 1/2 Tube x 1/2 FPT
	052952-01-000	EA	Nut - 1/2 F - Plastic

The illustrated parts breakdown for this item is provided on the Common Items Fiche

**1987 ITASCA  
TABLE OF CONTENTS**

IC/IF424RC	A-01	C-02
IC/JN31RT	C-03	E-16
ICN33RU	E-17	H-08
ICP31RT	H-07	J-16

**1987 IC/IF424RC INDEX**

Floor Plan	A-01 - A-02
Accessories Group	A-03 - A-05
Bath Group	A-06 - A-07
Chassis Group	A-08 - A-09
Curtain Cushion & Pad Group	A-10 - A-17
Dinette Group	A-18
Driver's Compartment Group	A-19 - A-21
Electrical Group	A-22 - A-23
Exterior Body Group	A-24 - B-04
Galley Group	B-05 - B-06
Heating & Air Conditioning Group	B-07
Interior Finish Group	B-08 - B-09
LP Group	B-10
Lounge Group	B-11
Water & Sewage Group	B-12 - B-13
Window Vent & Exterior Door Group	B-14 - C-02

**WATER & SEWAGE GROUP (CONTINUED)**

**PLUMBING & REPAIR PARTS (CONT)**

Key	Part Number	U/M	Description
	011086-03-000	EA	P-Trap - 1 1/4' Plastic - US
	011086-02-000	EA	P-Trap - 1 1/4' Plastic - CSA
	053335-01-000	EA	P-Trap - Plastic - 1 1/4 H x H - w/Union - CSA
	010197-01-000	FT	Pipe - Plastic - 3 x 240 - Black
	045729-01-000	EA	Pump - Water - 2 8 G P M - Direct Drive - Shurflo - US
	010201-01-000	EA	Sewer Pipe - 3" x 8 w/Clamp
	042969-02-000	EA	Soldered Fittings - Plastic - 1/2 FPT (In Tank Fitter)
	042969-03-000	EA	Soldered Fittings - Plastic - 1/4 NPT
	042969-04-000	EA	Soldered Fittings - Plastic - 3/8 FPT
	011069-02-000	EA	Tailpiece - 1 1/2" x 1 1/4' x 4 - Brass
	010071-01-000	EA	Tee - Plastic - 1 1/2 x H x H x H
	010072-01-000	EA	Tee - Plastic - 1 1/2 H x 1 1/4 H x 1 1/2 H
	010079-01-000	EA	Tee - Plastic - 1 1/2 H x 1 1/2 H x 1 1/4 H
	046172-01-000	EA	Tee - Plastic - 3/8 B x 3/8 B x 3/8 MPT
	052955-01-000	EA	Tee - Plastic - 1/2 F x 1/2 F x 1/2 MPT
	052956-01-000	EA	Tee - Plastic - 1/2 F x 1/2 MPT x 1/2 F
	052958-01-000	EA	Tee - Plastic - 1/2 F x 1/2 F x 1/2 F
	010133-01-000	EA	Trap Adapter - Plastic - 1 1/2 H x MPT
	039800-01-000	FT	Tubing - Polybutyl - 1/2 O D (Water Line)
	074346-02-000	FT	Tubing - Vinyl - 1/2 O D (Water Line)
	072346-01-000	EA	Valve Asm - 3 Ell w/2' Socket
	062418-02-000	EA	Valve - 1 1/2 - w/Handle
	062418-02-000	EA	Valve - 3 - w/o Handle
	052960-01-000	EA	Valve - Line Drain - 1/2 F x 1/2 F
	052962-01-000	EA	Valve - Stool - 90° - 1/2 F x 3/8 MPT
	010073-01-000	EA	Wye - Plastic - 1 1/2 x 45 H x H
	067200-01-000	EA	Filter - Water Purification
	067200-02-000	EA	Cartridge - Water Purification

The illustrated parts breakdown for this item is provided on the Common Items Fiche

**WINDOW, VENT & EXTERIOR DOOR GROUP**

**VENTS**

Key	Part Number	U/M	Description
	055218-01-000	EA	Cover Asm - Roof Vent
	084073-04-000	EA	Base - Refrigerator Vent - Off White
	084073-03-000	EA	Roof Vent - Refrigerator - Off White
	048835-01-000	EA	Vent Asm - Roof - Non-Powered - w/o Screen - Aluminum
	048789-01-000	EA	Vent Asm - Roof - Powered - w/o Screen - Aluminum
	078785-01-T03	EA	Screen Asm - Roof Vent - Powered
	078786-01-T03	EA	Screen Asm - Roof Vent - Non Powered
	084878-01-000	EA	Vent - Range Hood - Sidewall - Straight (Duct)
	084616-01-000	EA	Shroud - Range Hood Vent - Off White (Outside)

The illustrated parts breakdown for this item is provided on the Common Items Fiche

**ACCESS DOORS**

Key	Part Number	U/M	Description
	079455-04-T95	EA	Door Asm - Battery - 9 x 21 7
	079455-02-U01	EA	Door Asm - Storage - 9 5 x 21 7
	M01883-01-T95	EA	Door Asm - Generator
	079455-03-U01	EA	Door Asm - LP - 9 5 x 21 7
	M02047-01-T95	EA	Door Panel Asm - Tire Cover
	079578-02-T95	EA	Door Asm - Luggage - Off White
	078969-02-T03	EA	Door Asm - Refrigerator Access - w/Twist Lock - Off White
	052009-01-000	EA	Door Asm - Water Heater - Off White
	052473-01-000	EA	Door Asm - Sewage
	078010-03-000	EA	Door - Fuel Fill - Off White
	063742-01-000	EA	Door - Power Cord - Off White
	052424-01-000	EA	Jamb - Power Cord/Fuel Fill Door - Off White
	054543-01-000	EA	Hatch - Power Cord Door
	052181-01-000	EA	Baffle - Generator Door
	054530-01-000	EA	Door Holder
	041312-01-000	EA	Seal - Bulb - 'E' Section
	042442-01-000	EA	Lock Asm - Twist Type
	009003-01-000	EA	Lock Asm - Twist Type - w/Clip (Battery Door)
	047305-01-000	EA	Lock Asm - Key Type w/Clip - Metal (LP)
	077408-01-000	EA	Lock Asm - Key Type
	079366-01-000	EA	Lock Asm - Key Type
	079927-01-000	EA	Lock Asm - Twist Type
	052951-01-000	EA	Clip - Twist Lock - Retainer
	042441-01-000	EA	Lock Asm - Key Type
	052950-01-700	EA	Lock Asm - Twist Type - White

**ACCESS PANEL HARDWARE**

Key	Part Number	U/M	Description
	072917-02-000	EA	Rod - Hood Prop
	062628-01-000	EA	Clip - Prop Rod
	058833-01-000	EA	Bracket - Prop Rod
	073340-01-000	EA	Hinge - Access Panel - Passenger
	073340-02-000	EA	Hinge - Access Panel - Drivers
	058860-01-000	EA	Bracket - Hinge Asm - Hood - Drivers
	058860-02-000	EA	Bracket - Hinge Asm - Hood - Passenger
	R77006-68-721	EA	Cable - Release (Access Panel)
	074178-01-000	EA	Bracket - Cable Release - Inside
	R77007-01-950	EA	Striker - Hood Latch
	R77006-59-931	EA	Latch - Hood
	R77006-38-499	EA	Spring
	R77006-19-765	EA	Cable Sheath
	073333-01-000	EA	Bracket - Latch Support
	073337-01-000	EA	Brace Latch - Hood
	073341-01-000	EA	Bracket - Hood Latch
	058786-02-000	EA	Bolt - Hood Adjusting - 5/16 x 18 x 1 1/4

**1987 ITASCA  
TABLE OF CONTENTS**

IC/IF424RC	A-01 - C-02
IC/JN31RT	C-03 - E-18
ICN33PU	E-17 - H-06
ICP31RT	H-07 - J-16

**1987 IC/IF424RC INDEX**

Floor Plan	A-01 - A-02
Accessories Group	A-03 - A-05
Bath Group	A-06 - A-07
Chassis Group	A-08 - A-09
Curtain Cushion & Pad Group	A-10 - A-17
Dinette Group	A-18
Driver's Compartment Group	A-19 - A-21
Electrical Group	A-22 - A-23
Exterior Body Group	A-24 - B-04
Galley Group	B-05 - B-06
Heating & Air Conditioning Group	B-07
Interior Finish Group	B-08 - B-09
LP Group	B-10
Lounge Group	B-11
Water & Sewage Group	B-12 - B-13
Window Vent & Exterior Door Group	B-14 - C-02

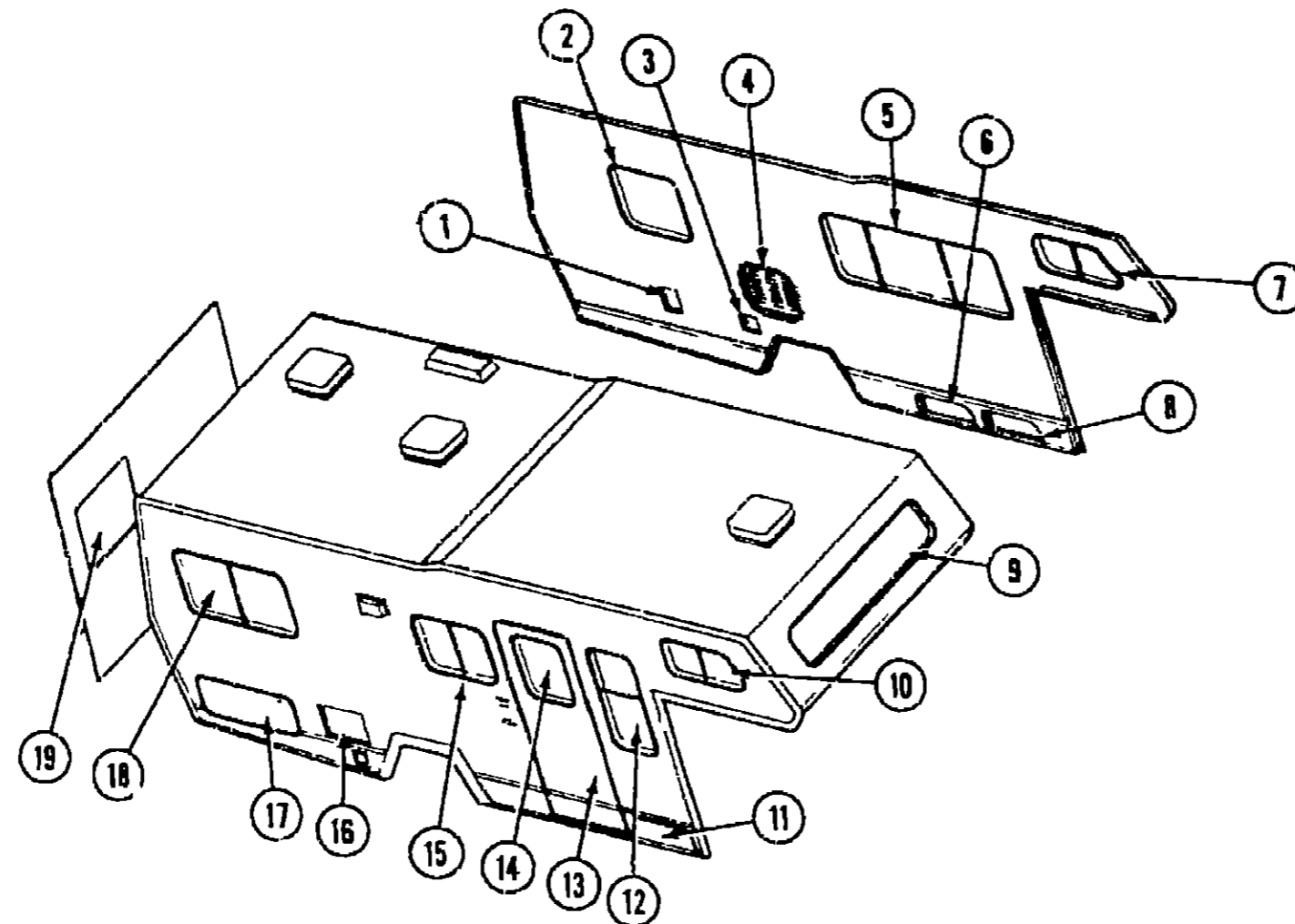
# WINDOW, VENT & EXTERIOR DOOR GROUP (CONTINUED)

## WINDOWS & ACCESS DOORS

### 1987 ITASCA TABLE OF CONTENTS

IC/IF 424RC  
IC/J 424RT  
ICN 424R  
IC 424R

A-01 - C-02  
C-03 - E-16  
E-17 - H-06  
H-07 - J-16



Key	Part Number	U/M	Description
1	078010-03-000	EA	Door Asm - Fuel Fill
2	079729-02-T03	EA	Window Asm - Escape
3	063742-01-000	EA	Door - Power Cord
4	078969-02-T95	EA	Door Asm - Refrigerator Access
4	064104-03-000	EA	Door Asm - Refrigerator Access (Smaller)
5	078269-02-W24	EA	Window Asm - Double Slider
6	079455-02-T95	EA	Door Asm - Storage
7	086227-02-000	EA	Window Asm - Bunk - Slant Slider - Left
	086228-02-000	EA	Inside Frame (not included in assembly)
8	079445-03-T95	EA	Door Asm - LP
9	078533-01-T03	EA	Window Asm - Front Picture
10	086227-01-000	EA	Window Asm - Bunk - Slant Slider - Right
	086228-01-000	EA	Inside Frame (not included in assembly)
11	079455-04-T95	EA	Door Asm - Battery
12	078453-01-T03	EA	Window Asm - Vertical Slider

Key	Part Number	U/M	Description
13	079733-04-T03	EA	Window Asm - Picture
14	M01870-02-W04	EA	Door Asm - Entrance
15	078266-02-T03	EA	Window Asm - Single Slider
16	052009-01-000	EA	Door Asm - Water Heater
17	079578-02-T95	EA	Door Asm - Luggage
17	M01885-01-T95	EA	Door Asm - Generator
18	078446-05-T03	EA	Window Asm - Single Slider
	078266-01-T03	EA	Window Asm - Single Slider
19	079415-01-T03	EA	Window Asm - Escape
	079733-01-T03	EA	Window Asm - Picture

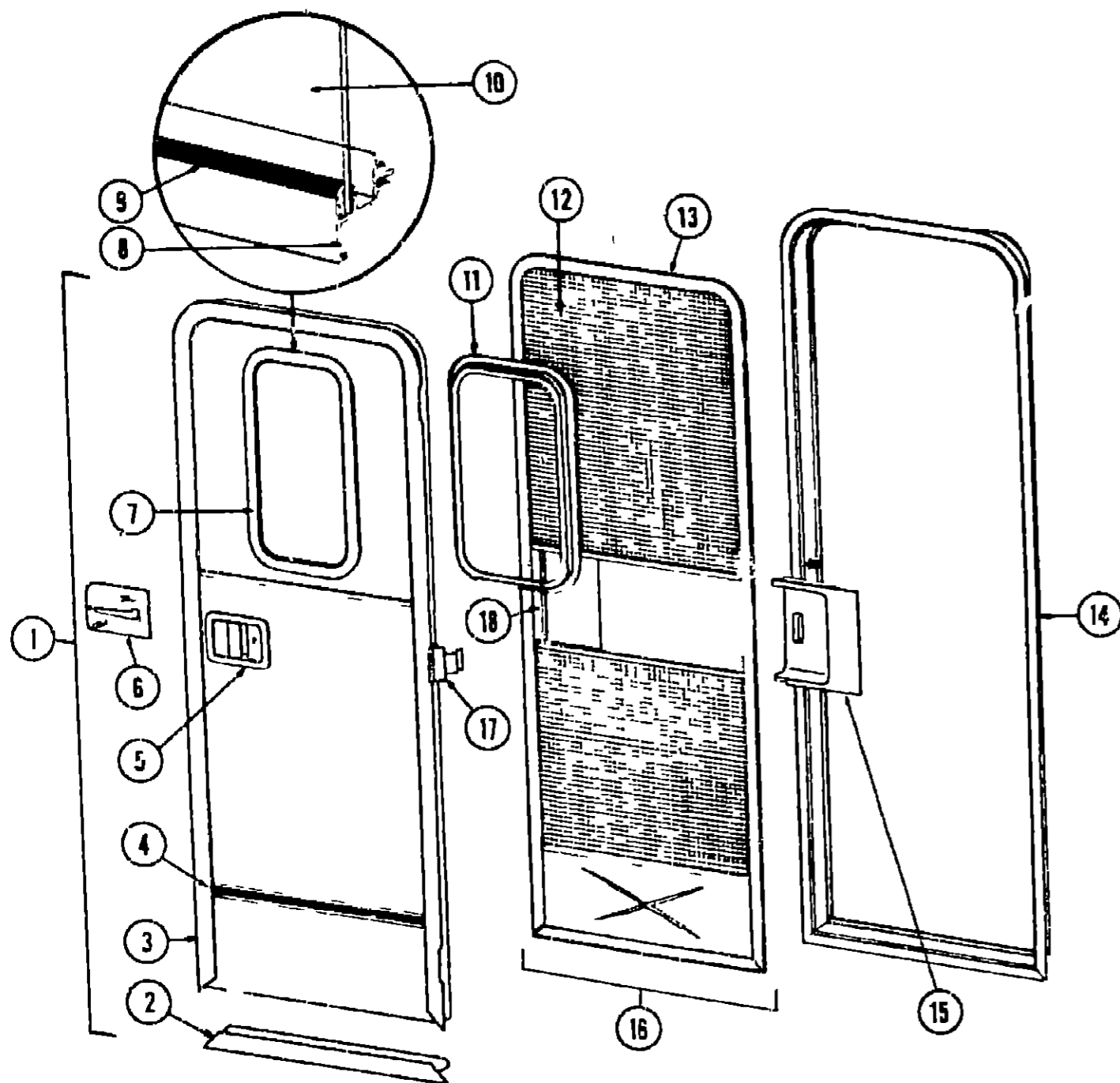
Parts for bunkhouse option (not illustrated)

### 1987 IC/IF424RC INDEX

Floor Plan	A-01 - A-02
Accessories Group	A-03 - A-05
Bath Group	A-06 - A-07
Chassis Group	A-08 - A-09
Curtain, Cushion & Pad Group	A-10 - A-17
Dinette Group	A-18
Driver's Compartment Group	A-19 - A-21
Electrical Group	A-22 - A-23
Exterior Body Group	A-24 - B-04
Galley Group	B-05 - B-06
Heating & Air Conditioning Group	B-07
Interior Finish Group	B-08 - B-09
LP Group	B-10
Lounge Group	B-11
Water & Sewage Group	B-12 - B-13
Window, Vent & Exterior Door Group	B-14 - C-02

# WINDOW, VENT & EXTERIOR DOOR GROUP (CONTINUED)

## ENTRANCE & SCREEN DOOR



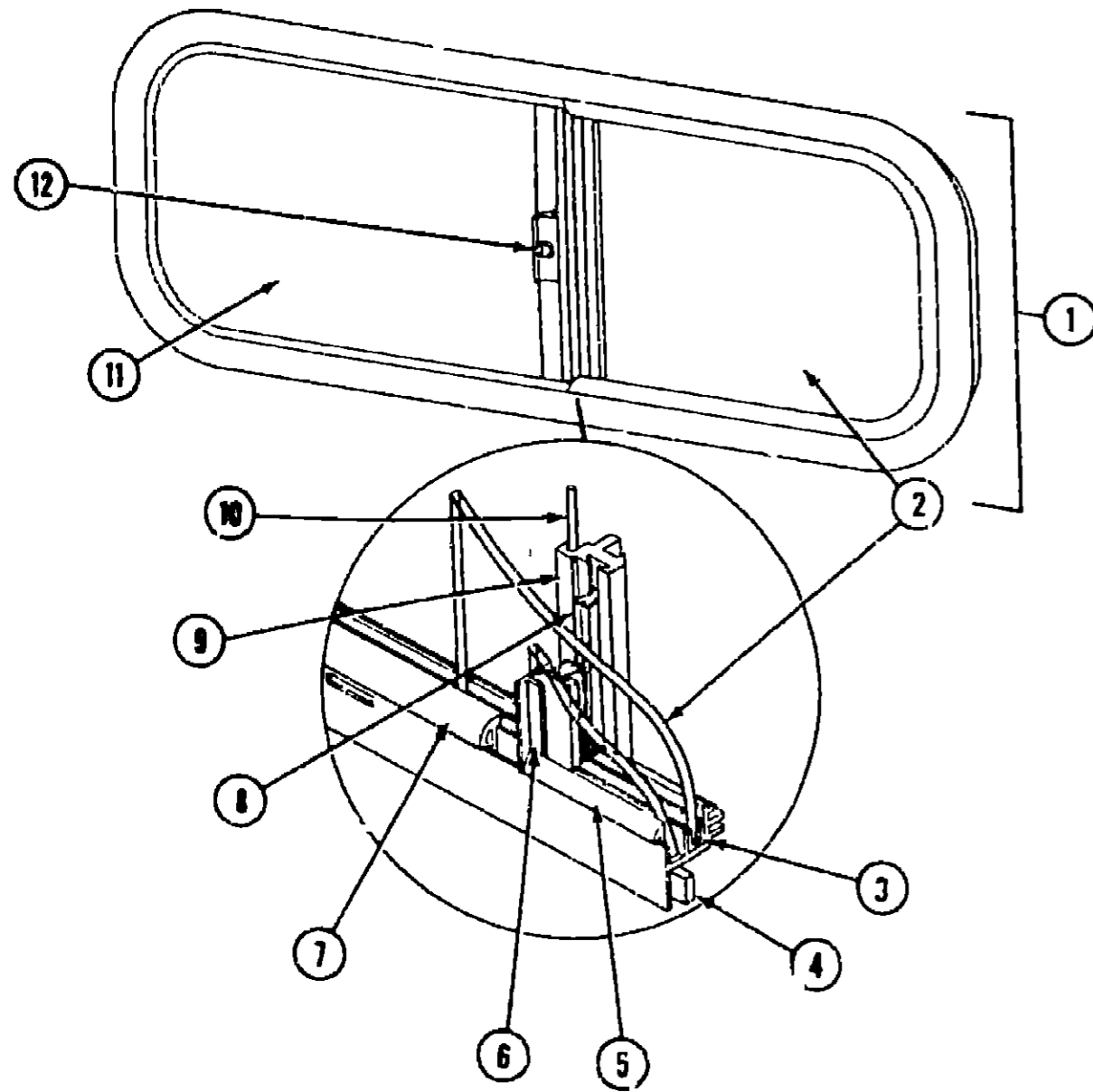
Key	Part Number	U/M	Description
1	M01870-02-W04	EA	Door Asm - Radius Entry w/Screen Door
2	077996-01-000	EA	Frame - Entry Door (Bottom Portion Only)
3	078002-02-000	EA	Frame - Entry Door (Except Bottom Portion)
4	059578-03-000	EA	Feature Strip w/o Insert - Extr - 14 - Brown
	001030-02-003	EA	Insert - Feature Strip - 17 - Stucco - Off White
	009731-01-000	EA	End Cap - Feature Strip
5	045107-05-000	EA	Paddle Asm - Door Lock - Exterior
	045017-05-700	EA	Lock Cylinder w/Keys - Lynor
	039539-01-000	EA	Striker Bolt - Entry Door
	039540-01-000	EA	Latch Claw - Entry Door
	039738-01-000	EA	Dead Bolt - Entry Door
	063205-01-000	EA	Dead Bolt - Press Fit
	079173-01-000	EA	Gasket - Deadbolt - Exterior
6	039979-01-000	EA	Plate - Inside Lock - Includes Inside Handle
7	079733-04-T03	EA	Window Asm - Picture - 17 x 25 - Black (w/o inside frame)
8	069640-06-000	FT	Ribbon Sealer - 5/16 Bead x 15
9	002309-02-000	FT	Spline - Glass - 1/8 Black
10	002181-06-000	EA	Glass - Picture Window - 1/8 x 16 25 x 24 - Gray
11	068752-01-000	EA	Inside Frame - Beige (not included in assembly)
12	002293-02-000	SF	Screen - Window - 26 Charcoal
13	056795-01-000	FT	Seal Tape - 1/8 x 3/8 - Press On
14	078591-03-000	EA	Jamb Asm - Entrance Door
	051048-01-000	EA	Jamb - Entrance Door - Bottom
15	079086-02-000	EA	Slider - Screen Door - Light Oak Plastic
16	079012-01-U01	EA	Door Asm - Screen
17	079361-05-000	EA	Hinge - Entrance Door (3 used per door)
18	079081-01-000	EA	Cap - Screen Door - Light Oak Plastic
	009016-01-000	EA	Catch - Elbow - Spring Loaded - Screen Door
	076231-01-000	EA	Spacer - Latch - Screen Door
	077437-02-000	EA	Strike - Roller Catch
	058025-02-000	EA	Clip - Roller Latch Catch
	044582-02-000	EA	Drip Cap - Off White
	079278-01-000	EA	Seal - Mocket - Entrance Door
	073090-01-000	FT	Seal - Entrance Door
	075739-01-000	EA	Stiffener - Entrance Door - Off White
	075673-01-000	FT	Seal - Pile - Adhesive Back
	075671-01-000	FT	Seal - Sponge - Lazy 'T' Shaped
	002294-01-000	FT	Spline - Black - 135 x 138 (Screen Door)
	079087-02-000	EA	Strike - Screen Door
	063729-04-000	EA	Rivnut - 10-32 UNF - 010 080
	075639-01-000	EA	Garnish - Radius - Entrance Door
			Not illustrated

## 1987 ITASCA TABLE OF CONTENTS

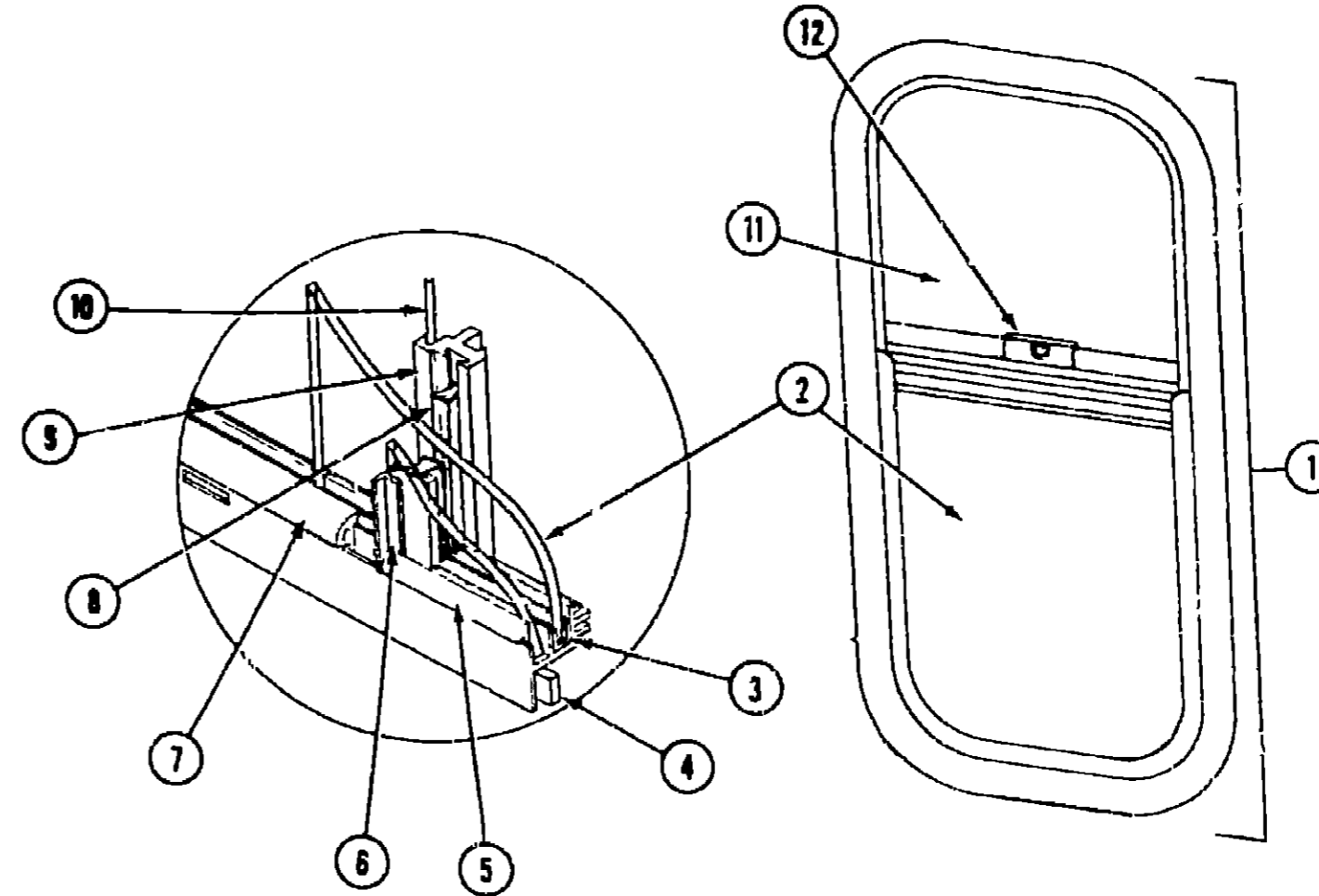
IC/IF424RC	A-01 - C-02
IC/JN31RT	C-03 - E-16
ICN33RU	E-17 - H-06
ICP31RT	H-07 - J-16

## 1987 IC/IF424RC INDEX

Floor Plan	A-01 - A-02
Accessories Group	A-03 - A-05
Bath Group	A-06 - A-07
Chassis Group	A-08 - A-09
Curtain Cushion & Pad Group	A-10 - A-17
Dinette Group	A-18
Driver's Compartment Group	A-19 - A-21
Electrical Group	A-22 - A-23
Exterior Body Group	A-24 - B-04
Galley Group	B-05 - B-06
Heating & Air Conditioning Group	B-07
Interior Finish Group	B-08 - B-09
LP Group	B-10
Lounge Group	B-11
Water & Sewage Group	B-12 - B-13
Window Vent & Exterior Door Group	B-14 - C-02



Key	Part Number	U/M	Description
1	078466-01-T03	EA	Window Asm - Single Slider - Black (w/o inside frame)
	083122-01-000	EA	Inside Frame - Beige (not included in assembly)
2	081980-03-000	EA	Glass - Slider - 1/8" x 22" x 13.68"
3	002324-02-000	FT	Channel - Weatherstrip - Glass Run - 1/8" Glass
4	069640-06-000	FT	Ribbon Sealer - 5/16" Bead x 15"
5	002309-02-000	FT	Spline - Glass - 1/8" Material - Black
6	M69886-03-007	EA	Seal Holder w/Fin Seal - Black
7	057374-02-000	FT	Extr Rubber - Window Seal - Black
8	073740-01-000	FT	Seal - Fin - Pile - 460"
9	078562-01-000	EA	Mullion - Slider Window - Black
10	002298-02-000	FT	Spline - 130 Dia - Charcoal (Screen)
11	081984-02-000	EA	Glass - Stationary - 1/8" x 22" x 16.53"
12	047369-01-700	EA	Latch Kit - Window - Plastic w/Fastener
	002291-02-000	SF	Screen Window 16 - Charcoal
	079204-01-000	EA	Bracket - Mullion - Black
	Not illustrated		



Key	Part Number	U/M	Description
1	078453-01 T03	EA	Window Asm - Vertical Slider - 37" x 15" - Black (w/o inside frame)
	083122-01-000	EA	Inside Frame - Beige (not included in assembly)
2	081980-03-000	EA	Glass - Slider - 1/8" x 14.4" x 19"
3	002324-02-000	FT	Channel - Weatherstrip - Glass Run - 1/8" Glass
4	069640-06-000	FT	Ribbon Sealer - 5/16" Bead x 15"
5	002309-02-000	FT	Spline - Glass - 1/8" Material - Black
6	M69886-03-007	EA	Seal Holder w/Fin Seal - Black
7	057374-02-000	FT	Extr Ribbon - Window Seal - Black
8	073740-01-000	FT	Seal - Fin - Pile - 460"
9	078562-01-000	EA	Mullion - Slider Window - Black
10	002298-02-000	FT	Spline - 130 Dia - Charcoal (Screen)
11	081984-02-000	EA	Glass - Stationary - 1/8" x 14.4" x 19"
12	047369-01-700	EA	Latch Kit - Window - Plastic w/Fastener
	079204-01-000	EA	Bracket - Mullion - Black
	002291-02-000	SF	Screen - Window 16 - Charcoal
	Not illustrated		

1987 ITASCA  
TABLE OF CONTENTS

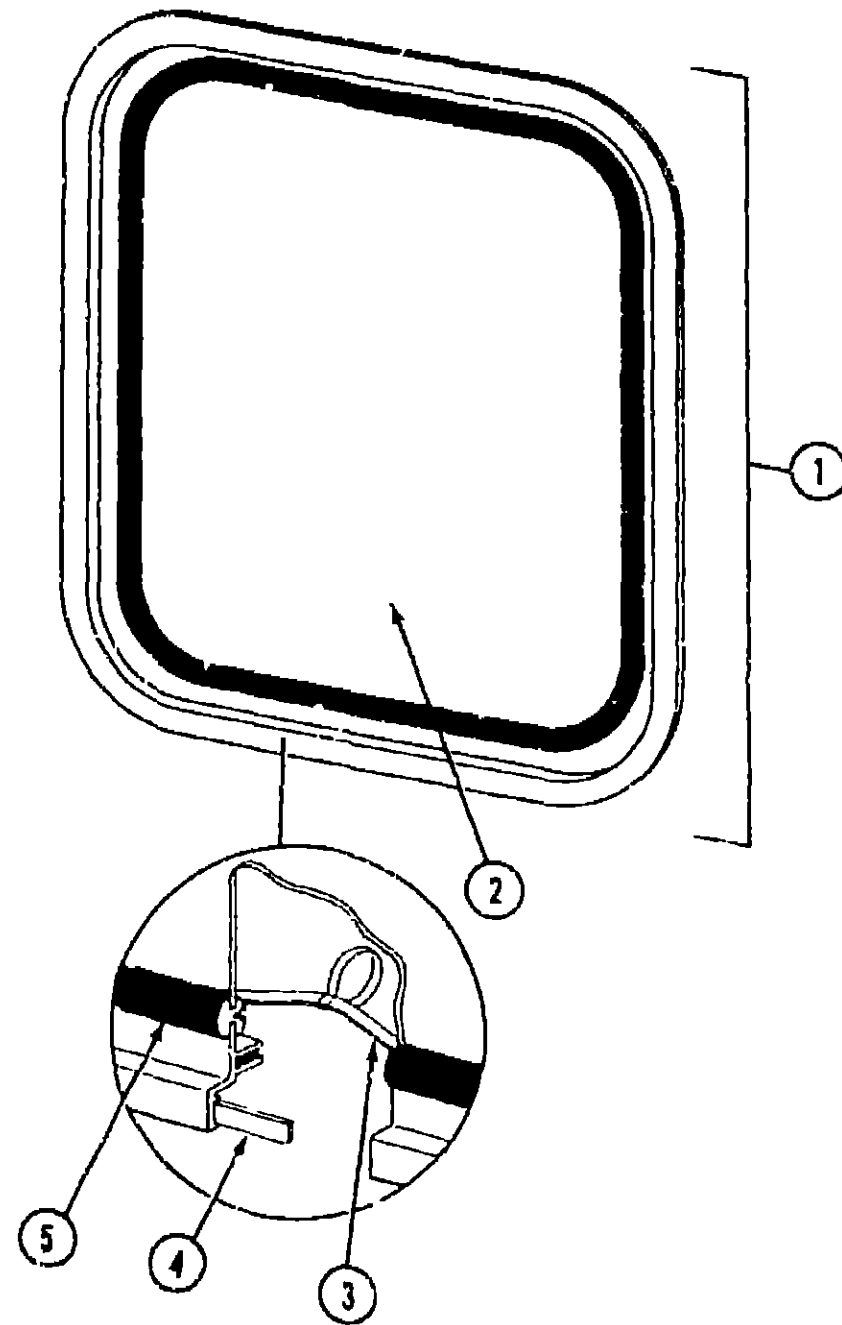
IC/IF424RC  
IC/JN31RT  
ICN33RU  
ICP31RT

A-01 - C-02  
C-03 - E-16  
E-17 - H-06  
H-07 - J-16

1987 IC/IF424RC INDEX

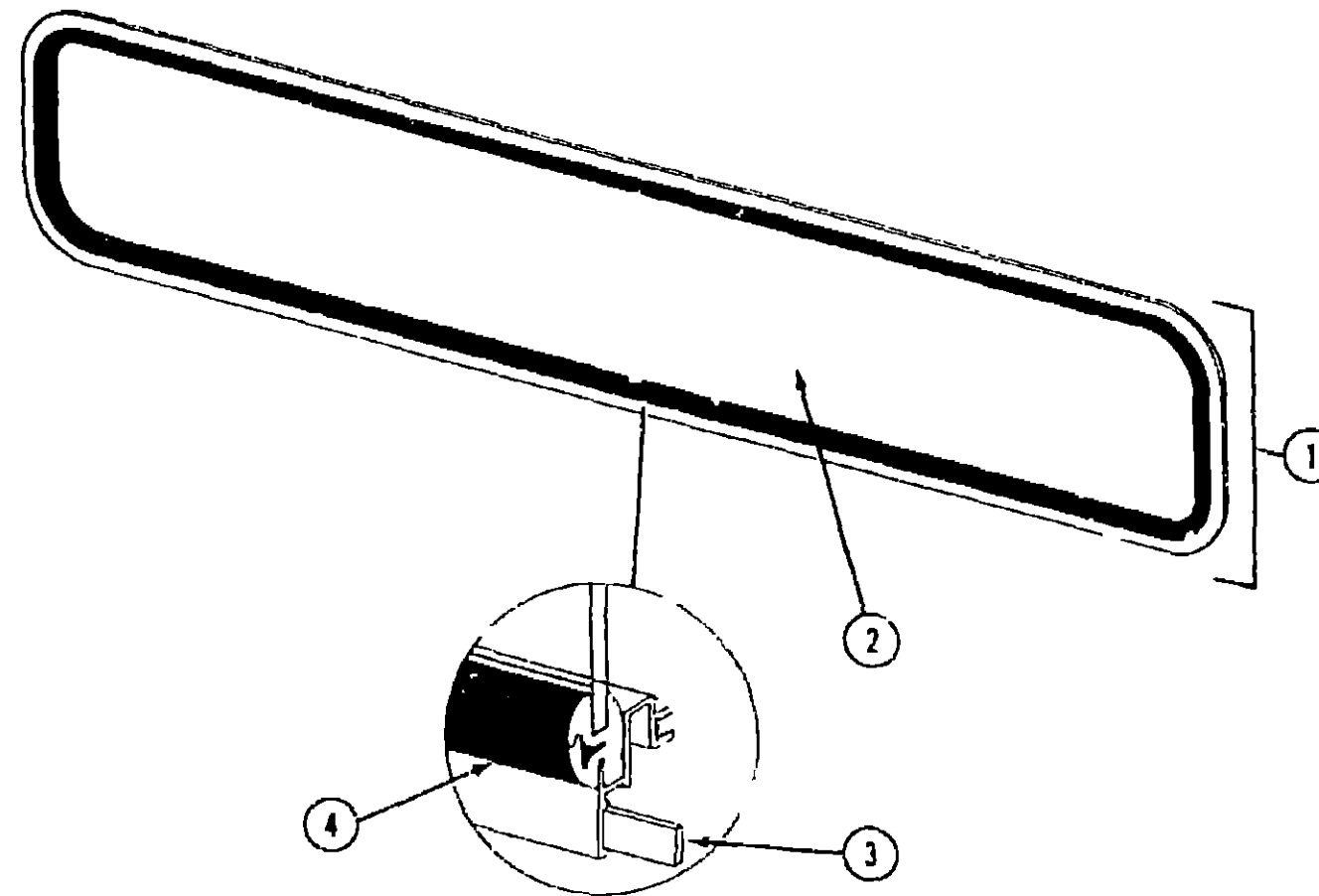
Floor Plan	A-01	A-02
Accessories Group	A-03	A-05
Bath Group	A-06	A-07
Chassis Group	A-08	A-09
Curtain, Cushion & Pad Group	A-10	A-17
Dinette Group		A-18
Driver's Compartment Group	A-19	A-21
Electrical Group	A-22	A-23
Exterior Body Group	A-24	B-04
Galley Group	B-05	B-06
Heating & Air Conditioning Group		B-07
Interior Finish Group	B-08	B-09
LP Group		B-10
Lounge Group		B-11
Water & Sewage Group	B-12	B-13
Window Vent & Exterior Door Group	B-14	C-02

**WINDOW, VENT & EXTERIOR DOOR GROUP (CONTINUED)**



Key	Part Number	U/M	Description
1	079729-02-T03	EA	Window Asm - Rear Escape - 22.5 x 24.5 - Black (w/o inside frame)
	079771-01-000	EA	Inside Frame (not included in assembly)
2	041392-03-000	EA	Glass - 1/8 x 21.6 x 19.6
3	002285-01-000	FT	Filler - Weatherstrip - Black
4	069640-05-000	FT	Ribbon Sealer - 5/16" Bead x 15
5	002282-01-000	FT	Weatherstrip - 125" Window
	006199-01-000	EA	Label - Exit - Escape Window
			Not illustrated

**WINDOW, VENT & EXTERIOR DOOR GROUP (CONTINUED)**



Key	Part Number	U/M	Description
1	078533-01-T03	EA	Window Asm - Front Picture - 14 x 69 - Black (w/o inside frame)
	041938-01-000	EA	Inside Frame - Black (not included in assembly)
2	002200-02-000	EA	Glass - TP - Picture Window
3	069640-06-000	FT	Ribbon Sealer - 5/16" Bead x 15
4	002281-01-000	FT	Weatherstrip - Self Seal 06 Panel x 3/16 - Black
			Not illustrated

**1987 ITASCA  
TABLE OF CONTENTS**

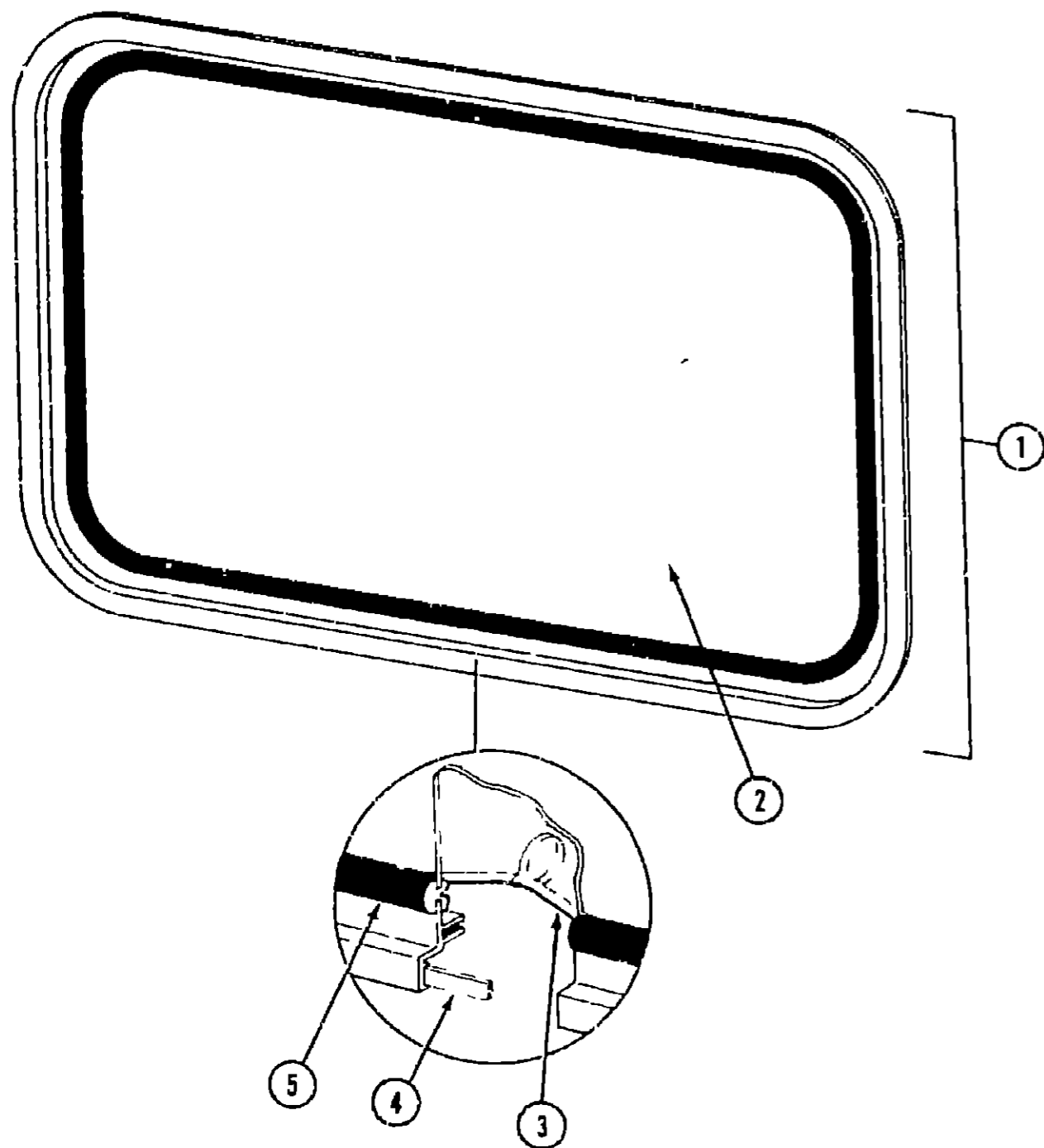
IC/IF424RC  
IC/JN31RT  
ICN33RU  
ICP31RT

A-01 - C-02  
C-03 - E-16  
E-17 - H-06  
H-07 - J-16

**1987 IC/IF424RC INDEX**

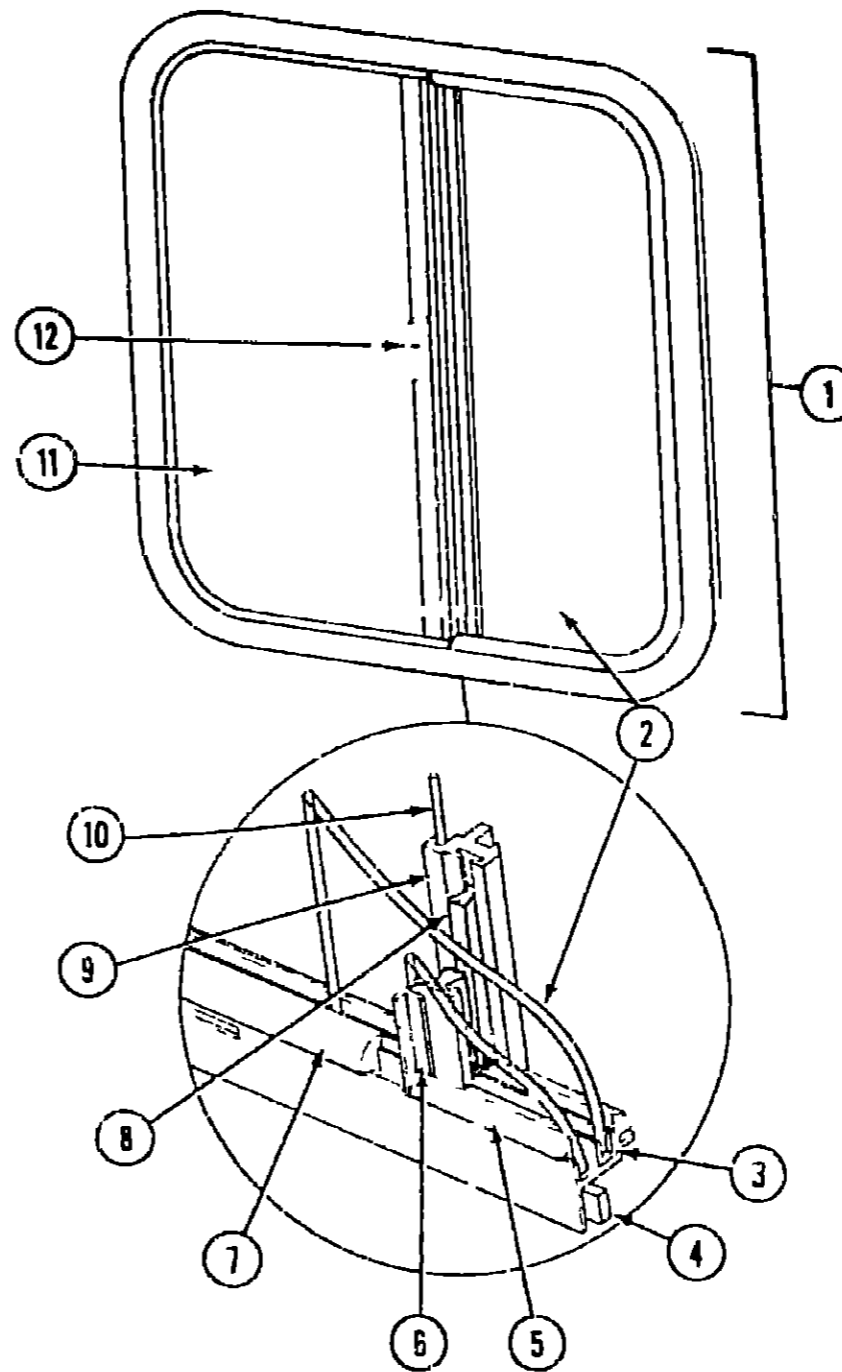
Floor Plan	A-01 - A-02
Accessories Group	A-03 - A-05
Bath Group	A-06 - A-07
Chassis Group	A-08 - A-09
Curtain, Cushion & Pad Group	A-10 - A-17
DINETTE Group	A-18
Driver's Compartment Group	A-19 - A-21
Electrical Group	A-22 - A-23
Exterior Body Group	A-24 - B-04
Galley Group	B-05 - B-06
Heating & Air Conditioning Group	B-07
Interior Finish Group	B-08 - B-09
LP Group	B-10
Lounge Group	B-11
Water & Sewage Group	B-12 - B-13
Window Vent & Exterior Door Group	B-14 - C-02

**WINDOW, VENT & EXTERIOR DOOR GROUP (CONTINUED)**



Key	Part Number	U/M	Description
1	079415-01-T03	EA	Window Asm - Rear Escape - 23 x 29 - Black (w/o inside frame)
	020749-05-000	EA	Inside Frame - Beige (not included in assembly)
2	002174-02-000	EA	Glass - 1/8 x 19.6 x 25.9
3	002285-01-000	FT	Filler - Weatherstrip - Black
4	069640-05-000	FT	Ribbon Sealer 5/16 Bead x 15
5	002282-01-000	FT	Weatherstrip - 1.25 Window
	006199-01-000	EA	Label - Exit - Escape Window
			Not illustrated

**WINDOW, VENT & EXTERIOR DOOR GROUP (CONTINUED)**



Key	Part Number	U/M	Description
1	078266-02-T03	EA	Window Asm - Single Slider (w/o inside frame)
	083122-03-000	EA	Inside Frame - Beige (not included in assembly)
2	081980-05-000	EA	Glass - Sliding - 1/8' x 19 x 13.68
3	002324-02-000	FT	Channel - Weatherstrip - Glass Run - 1/8 Glass
4	069640-06-000	FT	Ribbon Sealer 5/16 Bead x 15
5	002309-02-000	FT	Spline - Glass 1/8' Material Black
6	M69806-03-011	EA	Seal Holder w/Fin Seal - Black
7	057374-02-000	FT	Extr Rubber - Window Seal - Black
8	073740-01-000	FT	Seal - Fin Pile - 460'
9	078562-02-000	EA	Mullion - Slider Window - Black
10	002298-02-000	SF	Spline - 130 Dia - Charcoal (Screen)
11	081984-03-000	EA	Glass - Stationary - 1/8 x 19 x 12.30
12	047369-01-700	EA	Latch Kit - Window - Plastic w/Fastener
	079204-01-000	EA	Bracket - Mullion - Black
	002291-02-000	SF	Screen - Window 16 - Charcoal
			Not illustrated

**1987 ITASCA  
TABLE OF CONTENTS**

IC/IF424RC  
IC/JN31RT  
ICN33RU  
ICP31RT

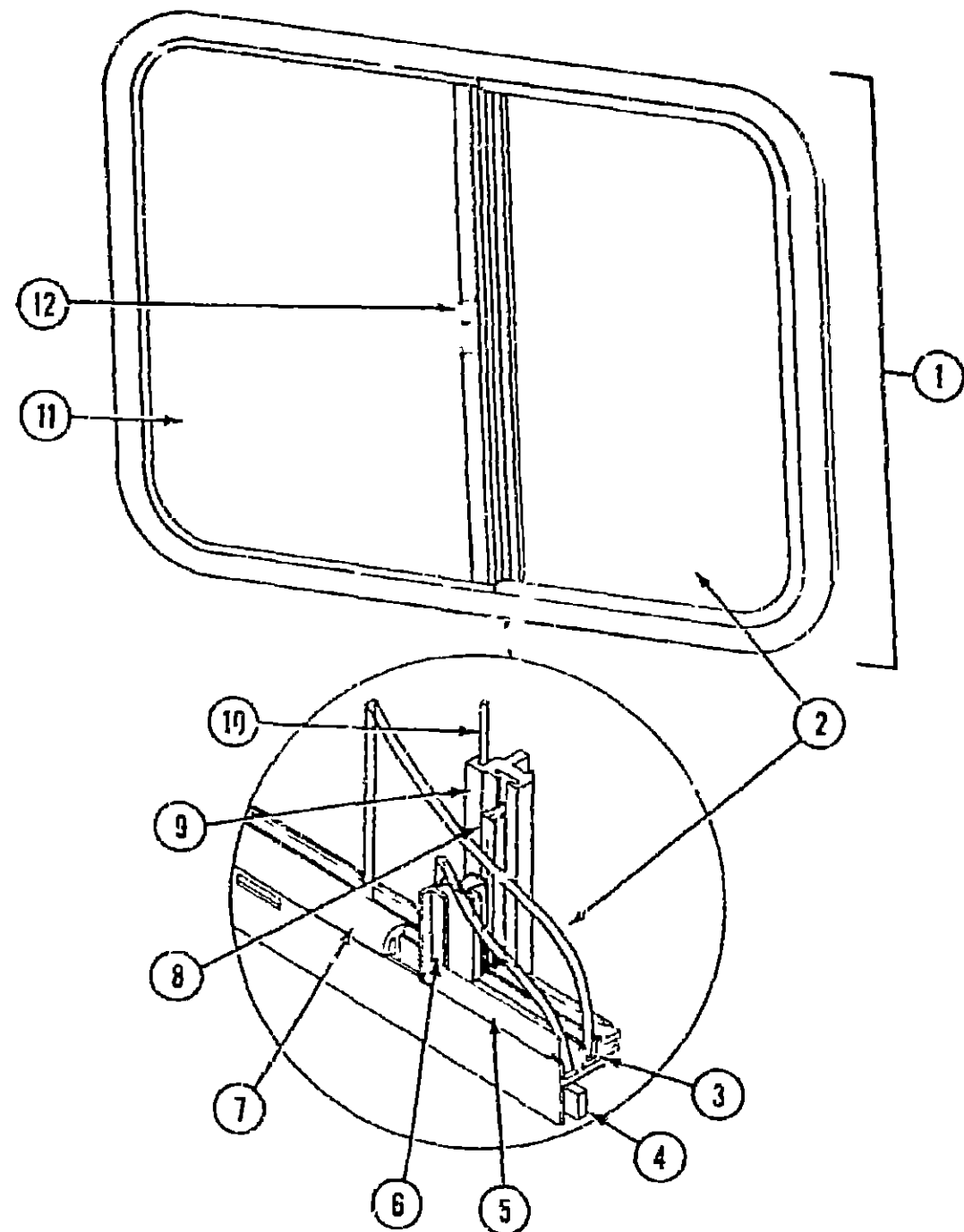
A-01 - C-02  
C-03 - E 16  
E-17 - H-06  
H-07 - J 16

**1987 IC/IF424RC INDEX**

Floor Plan	A 01 - A-02
Accessories Group	A 03 - A 05
Bath Group	A-06 - A-07
Chassis Group	A-08 - A-09
Curtain Cushion & Pad Group	A-10 - A 11
Dinette Group	A-18
Driver's Compartment Group	A 19 - A-21
Electrical Group	A-22 - A-23
Exterior Body Group	A-24 - B-04
Galley Group	B-05 - B-06
Heating & Air Conditioning Group	B-07
Interior Finish Group	B-08 - B 09
LP Group	B 10
Lounge Group	B 11
Water & Sewage Group	B-12 - B 13
Window Vent & Exterior Door Group	B 14 - C-02

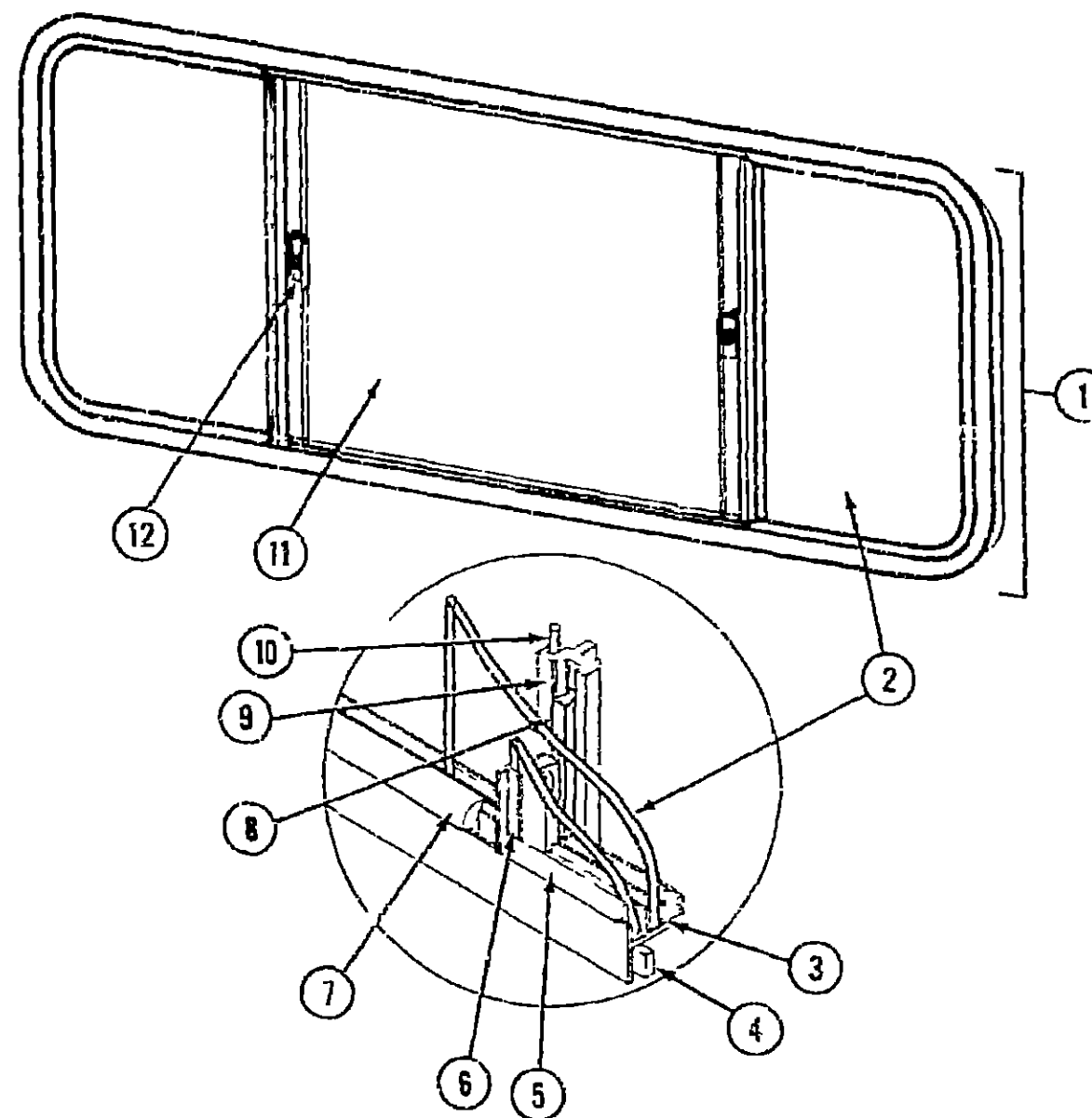


WINDOW, VENT & EXTERIOR DOOR GROUP (CONTINUED)



Key	Part Number	U/M	Description
1	078266-05 T03	EA	Window Asm - Single Slider - Black (w/o inside frame)
	083122-07-000	EA	Inside Frame - Beige (not included in assembly)
2	081980-04-000	EA	Glass - Sliding - 1/8" x 24" x 21 03
3	002324-02-000	FT	Channel - Weatherstrip - Glass Run - 1/8" Glass
4	069640-06-000	FT	Ribbon Sealer - 5/16" Bead x 15
5	002309-02-000	FT	Spline - Glass - 1/8" Material - Black
6	M69886-03-003	EA	Seal Holder w/Fin Seal - Black
7	057374-02-000	FT	Extr Rubber - Window Seal - Black
8	073740-01-000	FT	Seal - Fin - Pile - 460"
9	078562-C-000	EA	Mullion - Slider Window - Black
10	002298-02-000	FT	Spline - 130" Dia Charcoal (Screen)
11	081984-02-000	EA	Glass - Stationary - 1/8" x 14 4" x 19
12	047369-01-700	EA	Latch Kit - Window - Plastic w/Fastener
	079204-01-000	EA	Bracket - Mullion - Black
	002293-02-000	SF	Screen - Window 26" - Charcoal (Screen)
			Not illustrated

WINDOW, VENT & EXTERIOR DOOR GROUP (CONTINUED)



Key	Part Number	U/M	Description
1	078269-02-W24	EA	Window Asm - Double Slider (w/o inside frame)
	083122-17-000	EA	Inside Frame - Beige (not included in assembly)
2	081980-07-000	EA	Glass - Sliding - 1/8" x 30 7" x 20 3" - Gray
3	002324-02-000	FT	Channel - Weatherstrip - Glass
4	069640-06-000	FT	Ribbon Sealer - 5/16" Bead x 15
5	002309-02-000	FT	Spline - Glass - 1/8" Material - Black
6	018025-11-000	EA	Seal Holder - 1/8" Glass - Black
7	057374-02-000	FT	Extr Vinyl - Window Seal - Black
8	073740-01-000	FT	Seal - Fin - Pile - 460"
9	084170-08-000	EA	Mullion - Slider Window - Black
	002293-02-000	SF	Screen - Window - 26" - Charcoal
10	002298-02-000	FT	Spline - 130" Dia - Charcoal (Screen)
11	002188-07-000	EA	Glass - Stationary 1/8" x 30 7" x 24 8"
12	047369-01-700	EA	Latch Kit - Window - Plastic w/fastener
			Not illustrated

1987 ITASCA  
TABLE OF CONTENTS

IC/IF424RC  
IC/JN31RT  
ICN33RU  
ICP31RT

A-01 - C-02  
C-03 - E-16  
E-17 - H-06  
H-07 - J-16

1987 IC/IF424RC INDEX

Floor Plan	A-01 - A-02
Accessories Group	A-03 - A-05
Bath Group	A-06 - A-07
Chassis Group	A-08 - A-09
Curtain Cushion & Pad Group	A-10 - A-17
Dinette Group	A-18
Driver's Compartment Group	A-19 - A-21
Electrical Group	A-22 - A-23
Exterior Body Group	A-24 - B-04
Galley Group	B-05 - B-06
Heating & Air Conditioning Group	B-07
Interior Finish Group	B-08 - B-09
LP Group	B-10
Lounge Group	B-11
Water & Sewage Group	B-12 - B-13
Window Vent & Exterior Door Group	B-14 - C-02