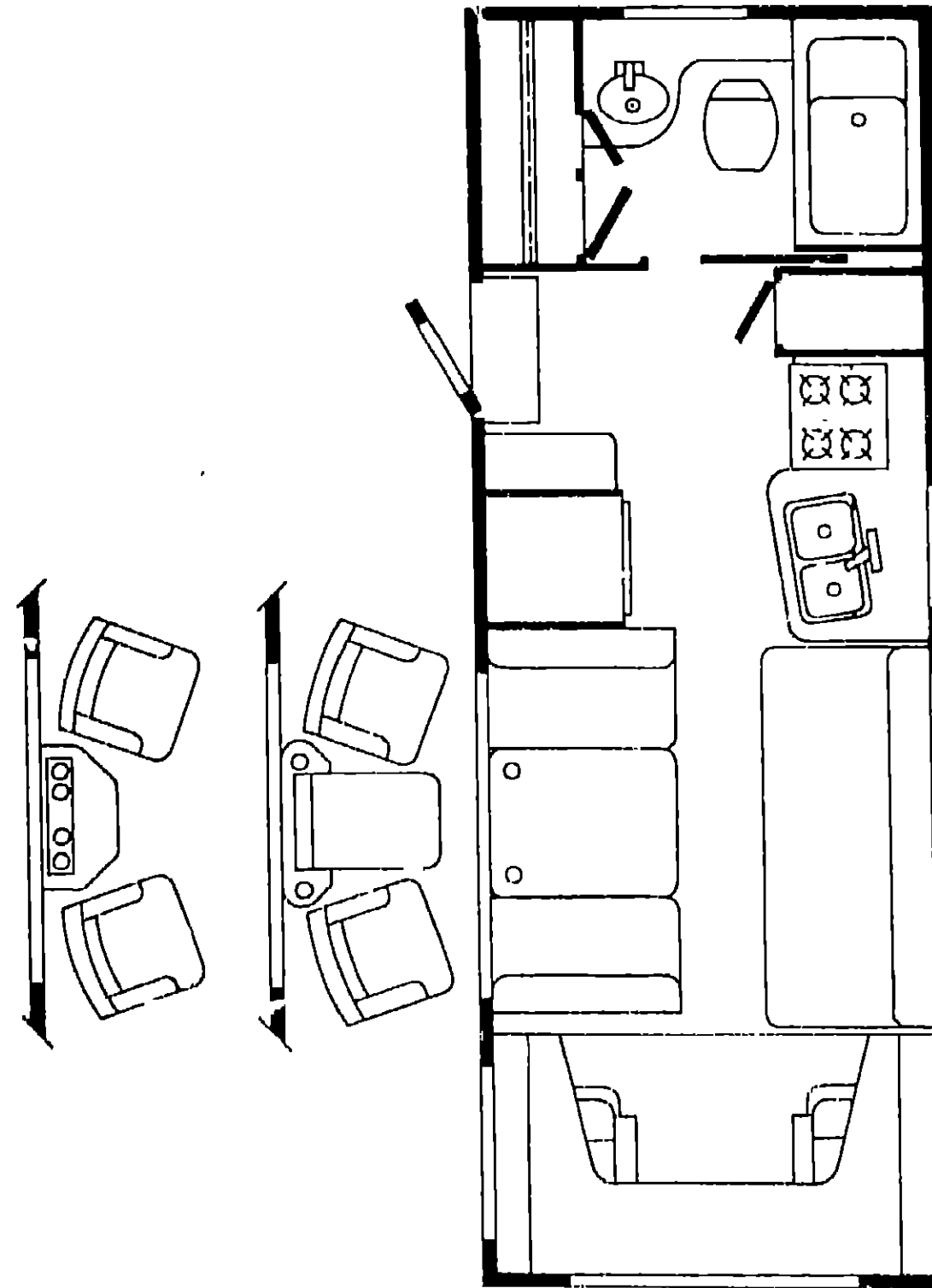


1987 IC/IF424RB



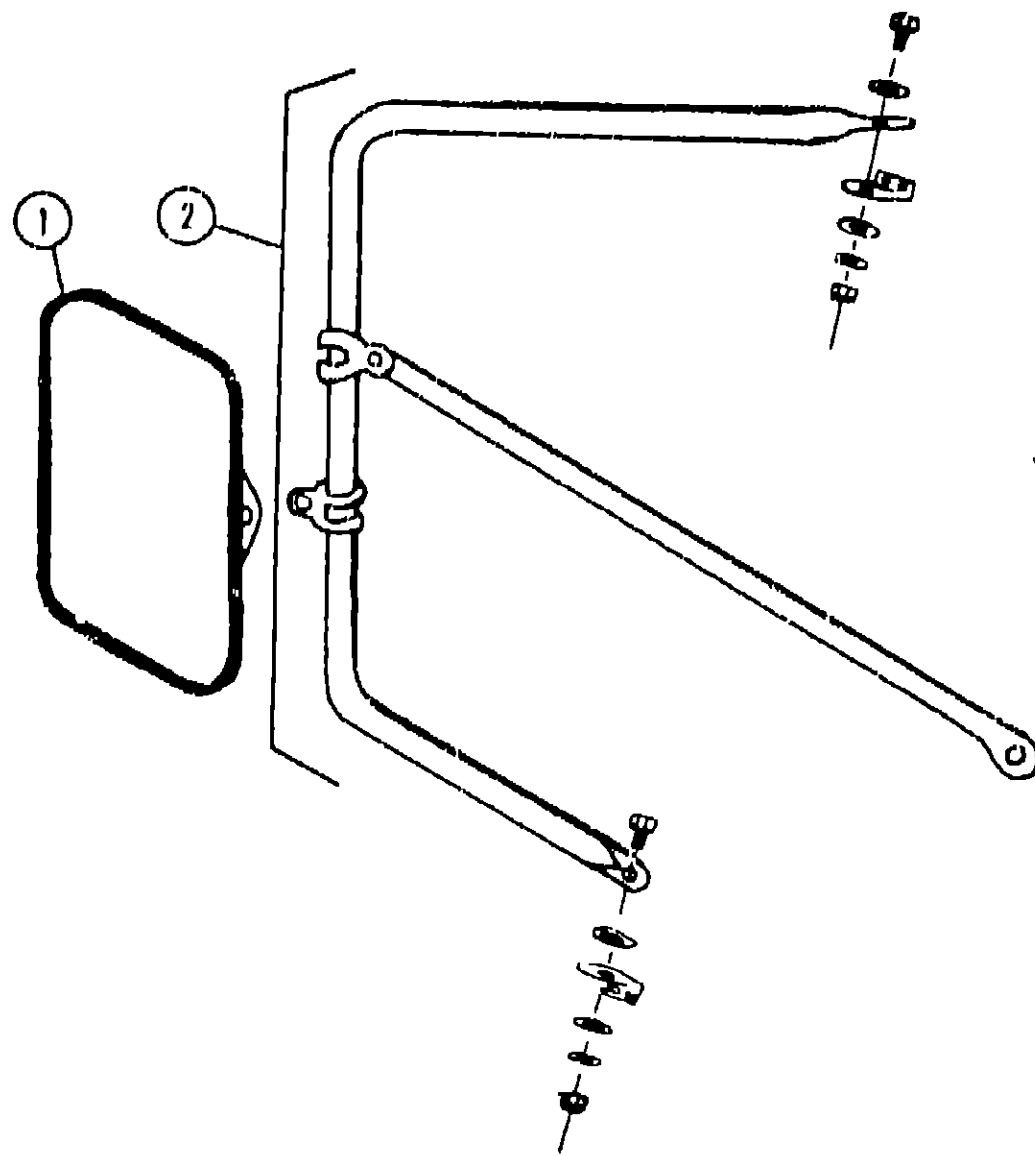
1987 ITASCA TABLE OF CONTENTS

IC420RG	A-01 - B-22
IC/IF424RB	R-23 - D-22
ICN27RU	D-23 - G-08
ICP28RU	G-07 - I-18
ICP34RU	I-19 - L-04

1987 IC/IF424RB INDEX

Floor Plan	B-23 - B-24
Accessories Group	C-01 - C-03
Bath Group	C-04 - C-05
Chassis Group	C-06 - C-07
Curtain, Cushion & Pad Group	C-08 - C-15
Dinette Group	C-16 - C-17
Driver's Compartment Group	C-18 - C-20
Electrical Group	C-21 - C-22
Interior Body Group	C-23 - D-04
Galley Group	D-05 - D-08
Heating & Air Conditioning Group	D-07
Interior Finish Group	D-08 - D-09
LP Group	D-10
Lounge Group	L-11
Water & Sewage Group	D-12 - D-13
Window, Vent & Exterior Door Group	D-14 - D-22

ACCESSORIES GROUP



EXTERIOR MIRRORS

Key	Part Number	U/M	Description
1	049347-01-000	EA	Mirror Head - 7 1/2 x 10 1/2 - Stainless Steel
2	062047-01-000	EA	Arm - West Coast Mirror - Stainless Steel
2	062047-02-000	EA	Arm - West Coast Mirror - Off White
.	006043-01-000	EA	Mirror - Convex - Adhesive Back
.			Not illustrated

WHEEL COVER & MOUNTING HARDWARE

Key	Part Number	U/M	Description
	083181-01-000	EA	Wheel Cover - 16" (Set/4) (Ford)
	083181-01-700	EA	Wheel Cover - 16" (1) (Ford)
	083181-02-000	EA	Wheel Cover - 16.5" (Set/4) (Chevy)
	083181-02-700	EA	Wheel Cover - 16.5" (1) (Chevy)

GENERATORS & COMPONENTS

Key	Part Number	U/M	Description
	079654-04-000	EA	Generator - Emerald - 4.0 kw
	701629-02-000	EA	Installation Package
	079654-05-000	EA	Tailpipe - Emerald - 4.0 kw
	082272-01-000	EA	Muffler - Generator - Emerald
	007067-01-000	EA	Insulation - Fiberglass - 1"
	007125-01-000	EA	Clamp Asm. - Muffler - 1.62"
	007125-04-000	EA	Clamp Asm. - Muffler - 1.12"

ACCESSORIES GROUP (CONTINUED)

MISCELLANEOUS ACCESSORIES

Key	Part Number	U/M	Description
	054185-26-000	EA	Owners Manual - 1987 - Itasca & Winnobago
**	076319-01-000	EA	Antenna - TV Roof Mount - 44.5" Mast
	004009-01-000	EA	Mud Flap - Rubber - Black (Front)
	017516-01-000	EA	Mud Flap w/Holes - 14" x 18" - Black (Back)
	041944-03-000	EA	Fire Extinguisher
	041944-02-000	EA	Holder - Fire Extinguisher
	081370-01-000	EA	Microwave/Convection Oven - Sharp
	081459-01-000	EA	Bracket Asm. - Microwave - Right
	081459-07-000	EA	Bracket Asm. - Microwave - Left
	082876-01-000	EA	Ballie - Microwave
	081555-01-T03	EA	Trim Asm. - Microwave Oven
	081456-01-000	EA	Angle Asm. - Microwave Oven - Right
	081456-02-000	EA	Angle Asm. - Microwave Oven - Left
	081016-01-T03	EA	Ladder Asm.
	081026-01-T03	EA	Rack Asm. - Right
	081026-02-T03	EA	Rack Asm. - Left
	067130-01-000	EA	Ladder Step
	076980-02-000	EA	End Cap - Ladder Step
	080866-01-000	EA	Stand Off - Rack & Ladder Asm.
	067165-01-000	EA	Bracket - Mounting - Rack & Ladder
	083219-03-000	EA	Mat - Front - Brown - Passenger (Ford)
	083219-04-000	EA	Mat - Front - Brown - Driver (Ford)
	083218-04-000	EA	Mat - Front - Brown - Passenger (Chevy)
	083218-03-000	EA	Mat - Front - Brown - Driver (Chevy)
	040069-01-000	EA	Mat - Entrance Door - Black
	081075-02-000	EA	Mat - Entrance Door - Brown
	044860-01-000	EA	Mat - Stepwell - Drivers - Black (Chevy)
	044860-02-000	EA	Mat - Stepwell - Passenger - Black (Chevy)
	072852-01-000	EA	Smoke Detector w/9 Volt Battery
	036779-01-000	EA	Clock - 8 25" x 8 25"
	J79665-01-000	EA	Clock - 9" x 9"
	006069-01-000	EA	Key Case - Leather
	080208-01-000	EA	Lug Wrench (Chevy)
	080208-02-000	EA	Leverage Bar - Lug Wrench
	006113-01-000	EA	Jack - Hydraulic - 6 Ton - w/Handle
	J79165-01-U10	EA	Tire Cover Asm. - Off White - Plastic
	073942-05-000	EA	Shock Absorber - Stabilizer - Front
	079942-06-000	EA	Shock Absorber - Stabilizer - Rear
	088746-01-000	EA	Electric Step Asm. - Black
**	075461-01-000	EA	Electric Step Asm. w/Light
**	The illustrated parts breakdown for this item is provided on the Common Items Fiche		

RADIO & RELATED COMPONENTS

Key	Part Number	U/M	Description
	087684-01-000	EA	Radio - AM/FM Stereo - w/Cassette - Electronic
	087683-01-000	EA	Radio - AM/FM - w/Cassette - Audiovox - AVX3000
	007004-01-000	EA	Antenna - Radio - Cab Mount
	064792-01-000	EA	Grille - Speaker - 5 25" - w/Mesh - Brown
	073430-02-000	EA	Radio - AM/FM/MPX - w/Cassette - Electronic Tune - Audiovox - HCC1150
	074979-01-000	EA	Speaker Cover Protector - Plastic (Chevy)
	064792-01-000	EA	Speaker - Grill - Brown
	073431-01-000	EA	Speaker - 5 25 - 3/Way (Pair)
	064791-01-000	EA	Speaker - Recessed - 5 25"
	073741-01-000	EA	Speaker - 4" x 6" - Oval (Chevy)
	079385-02-000	EA	Radio Mounting Kit (Ford)

**1987 ITASCA
TABLE OF CONTENTS**

IC420RG	A-01 - B-22
IC/IF424RB	B-23 - D-22
ICN27RU	D-23 - G-06
ICP28RU	G-07 - I-10
ICP34RU	I-19 - L-04

1987 IC/IF424RB INDEX

Floor Plan	B-23 - B-24
Accessories Group	C-01 - C-03
Bath Group	C-04 - C-05
Chassis Group	C-06 - C-07
Curtain, Cushion & Pad Group	C-08 - C-15
Dinette Group	C-16 - C-17
Driver's Compartment Group	C-18 - C-20
Electrical Group	C-21 - C-22
Exterior Body Group	C-23 - D-04
Galley Group	D-05 - D-06
Heating & Air Conditioning Group	D-07
Interior Finish Group	D-08 - D-09
LP Group	D-10
Lounge Group	D-11
Water & Sewage Group	D-12 - D-13
Window, Vent & Exterior Door Group	D-14 - D-22

ACCESSORIES GROUP (CONTINUED)

CHROME WHEEL LINERS

Key	Part Number	U/M	Description
	085741-02-000	EA	Wheel Liners (Set of 4) 16.5" - Chevy
	085741-02-701	EA	Axle Cover - 16.5" Front - Chevy
	085741-02-702	EA	Axle Cover - 16.5" Rear - Chevy
	085741-02-710	EA	Lug Nut Cover - Chevy
	085741-05-000	EA	Wheel Liners (Set of 4) 16.5" - Ford
	085741-05-701	EA	Axle Cover - 16.5" - Front - Ford
	085741-05-702	EA	Axle Cover - 16.5" - Rear - Ford
	085741-05-710	EA	Lug Nut Cover - Ford

OPTIONAL FOG LAMP & COMPONENTS

Key	Part Number	U/M	Description
	079941-01-000	EA	Lamp Asm - Fog w/Cover - Amber
	079941-01-700	EA	Lamp Asm. - Fog - Set of 2
	070941-01-701	EA	Lens and Cover Only
	079941-01-702	EA	Switch - Fog Lights
	079941-01-703	EA	Solenoid
	079941-01-704	EA	Switch Plate - For Switch
	079941-01-705	EA	Lens Only
	079941-01-706	EA	Cover Only

BATH GROUP

BATH CABINETRY

Key	Part Number	U/M	Description
	M82428-02-W24	EA	Cabinet Asm. - Lavatory - w/o Countertop, Doors or Drawer
	M02556-01-W24	EA	Countertop Asm. - Lavatory Cabinet
	M02556-01-W25	EA	Countertop Asm. - Lavatory Cabinet
	M02556-01-W26	EA	Countertop Asm. - Lavatory Cabinet
	M84953-25-W24	EA	Door Asm. - Lavatory - 26.7" x 14.3" - w/o Hardware
†	M81501-54-W30	EA	Door Asm. - Lavatory - 26.7" x 14.3" - w/o Hardware
	081897-01-W24	EA	Drawer Face - Lavatory - w/o Hardware
	076073-01-000	EA	Cabinet Asm. - Medicine - 15.4" x 29.4" - Almond
	081535-01-W30	EA	Door Asm. - Medicine Cabinet - 16.1" x 30.1" - w/o Hardware
	M84953-28-W24	EA	Door Asm. - Wardrobe Cabinet - 59" x 16.1" - w/o Hardware
†	M81601-57-W30	EA	Door Asm. - Wardrobe Cabinet - 59" x 16.1" - w/o Hardware
	M84953-27-W24	EA	Door Asm. - Wardrobe Cabinet - 39.5" x 12.8" - w/o Hardware
†	M81501-56-W30	EA	Door Asm. - Wardrobe Cabinet - 39.5" x 12.8" - w/o Hardware
	077251-01-000	EA	Drawer - Tillout - Plastic
	082441-01-W24	EA	Door Complete - Sliding
	M81507-08-W24	EA	Door Asm. Furnace - 12.7" x 17.7" - w/o Hardware
†	Used in Unit Produced after 12/1/86		

1987 ITASCA TABLE OF CONTENTS

IC420RG	A-01 - B-22
IC/IF424RB	B-23 - D-22
ICN27RU	D-23 - G-06
ICP28RU	G-07 - I-18
ICP34RU	I-19 - L-04

1987 IC/IF424RB INDEX

Floor Plan	B-23 - B-24
Accessories Group	C-01 - C-03
Bath Group	C-04 - C-05
Chassis Group	C-06 - C-07
Curtain, Cushion & Pad Group	C-08 - C-15
Dinette Group	C-16 - C-17
Driver's Compartment Group	C-18 - C-20
Electrical Group	C-21 - C-22
Exterior Body Group	C-23 - D-04
Galley Group	D-05 - D-06
Heating & Air Conditioning Group	D-07
Interior Finish Group	D-08 - D-09
LP Group	D-10
Lounge Group	D-11
Water & Sewage Group	D-12 - D-13
Window Vent & Exterior Door Group	D-14 - D-22

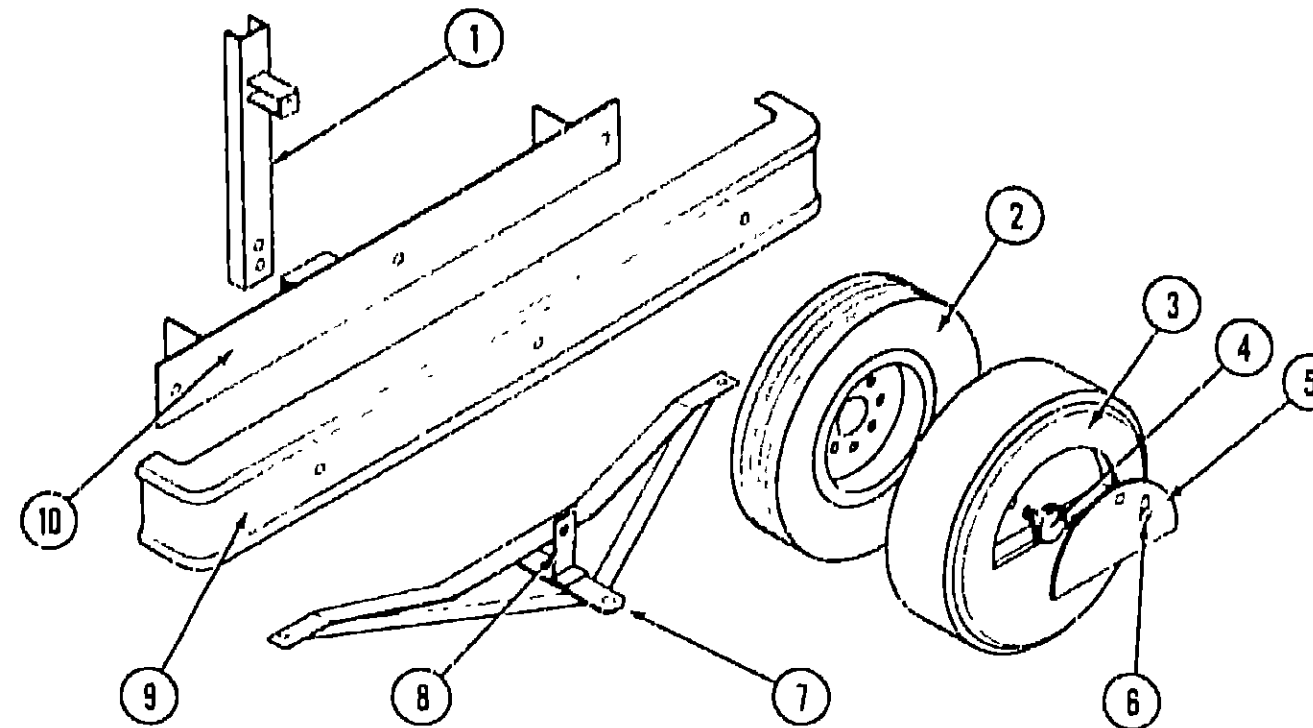
BATH GROUP (CONTINUED)

BATH HARDWARE

Key	Part Number	U/M	Description
	M01817-01-T03	EA	Bathtub Asm. w/Strainer
	075242-03-000	EA	Faucet - Tub & Shower - Brass
	075240-03-000	EA	Faucet - Lavatory - Brass
**	011048-02-000	EA	Shower Head - w/60" Hose
	011048-04-000	EA	Vacuum Breaker - 1/8 MPT - Nylon - Shower Head
	075606-01-000	EA	Shower Panel - Faucet - Plastic
**	066729-01-000	EA	Strainer - Bathtub Asm.
	066435-01-000	EA	Nut Strainer - Plastic - Bathtub Asm.
	066436-01-000	EA	Slip Nut - 1.5" Tall Piece - Bathtub Asm.
	069735-01-000	EA	Washer - Tail Piece - 1 5" - Plastic - Bathtub Asm.
	011069-03-000	EA	Tailpiece - 1 5" x 1.75" - Plastic
	080257-01-000	EA	Shroud - Bathtub Asm - Off White
	058713-01-000	EA	Sink - Oval - Ivory Plastic
	011083-01-000	EA	Tail Piece w/Stopper - 1 25" x 5" - Plastic - Sink
	063740-01-000	EA	Toilet - Thetford - Aqua Magic - IV High
	063740-01-700	EA	Lever - Water - Thetford
	063740-01-701	EA	Lever - Flush - Thetford
	063740-01-702	EA	Cover - Seat - Thetford
	063740-01-703	EA	Fitting - Thetford
	063740-01-704	EA	Fitting - Retainer - Thetford
	063740-01-705	EA	Seat - Ivory - Thetford
	063740-01-706	EA	Bolt Package - Closet - Thetford
	063740-01-707	EA	Flange Seal - Closet - Thetford
	063740-01-708	EA	Seal - Flow Control - Thetford
	063740-01-709	EA	Seal - Flow Control - Thetford
	063740-01-710	EA	Link - Thetford
	063740-01-711	EA	Spring - Return Lever - Thetford
	063740-01-712	EA	Ball - Thetford
	063740-01-713	EA	Seal - Ball Valve to Bowl
	063740-01-714	EA	Valve Asm. - Water
	063740-01-715	EA	Seat & Cover Asm
	063740-01-716	EA	Seat & Cover Asm
	009134-01-000	EA	Tissue Holder
	075454-02-000	EA	Towel Ring - Bright Brass
	085498-01-000	EA	Trim - Shower Door - Bottom
	085499-01-000	EA	Trim - Shower Door - Side
	085500-01-000	EA	Trim - Shower Door - Top
	058331-01-000	EA	Mirror - Tempered Glass - 19" x 26"
	058331-05-000	EA	Mirror - Tempered Glass - 12" x 26"
	058331-04-000	EA	Mirror - Tempered Glass - 12" x 42"
	009089-01-000	EA	Clip - Mirror
	057671-01-000	EA	Screw Cover - #8 - Antique White
	059777-02-000	EA	Hinge - Light Brass
	064467-01-000	EA	Guide - Wall Mount - Sliding Door
	009156-01-000	EA	Hanger - Sliding Door
	058034-02-000	EA	Latch Door w/o Lock - Sliding Door
	075153-01-000	EA	End Cap - Cover - Beige
	075149-05-000	EA	Track - 57" - Sliding Door
	075145-04-000	EA	Cover - Track - 32" - Sliding Door
	009112-01-000	EA	Flange - Clothes Rod - 1"

** The illustrated parts breakdown for this item is provided on the Common Items Fiche

CHASSIS GROUP



SPARE TIRE, HITCH & REAR BUMPER

Key	Part Number	U/M	Description
1	079027-01-000	EA	Bracket Asm - Tire Carrier
2	037291-03-000	EA	Tire - 8 x 16 5 - Polyester
3	079799-01-000	EA	Cover - Spare Tire - Off White Plastic
4	064082-02-000	EA	Bolt - Plastic Retainer - Wheel Cover
5	M02047-01-T95	EA	Door - Tire Cover - Off White Plastic
6	077408-02-000	EA	Lock Asm - Key Type
7	064833-03-000	EA	Hitch Asm - Trailer (Ford)
7	064833-02-000	EA	Hitch Asm - Trailer (Chevy)
8	064824-02-000	EA	Support - Trailer Hitch
9	048474-01-000	EA	Bumper - Rear - Chromed
10	064601-03-000	EA	Bracket Asm - Frame to Bumper (Ford)
10	064601-01-000	EA	Bracket Asm - Frame to Bumper (Chevy)

1987 ITASCA TABLE OF CONTENTS

IC420RG	A-01 - B-22
IC/IF424RB	B-23 - D-22
ICN27RIJ	D-23 - G-06
ICP28RIJ	G-07 - I-18
ICP34RU	I-19 - L-04

1987 IC/IF424RB INDEX

Floor Plan	B-23 - B-24
Accessories Group	C-01 - C-03
Bath Group	C-04 - C-05
Chassis Group	C-06 - C-07
Curtain Cushion & Pad Group	C-08 - C-15
Dinette Group	C-16 - C-17
Driver's Compartment Group	C-18 - C-20
Electrical Group	C-21 - C-22
Exterior Body Group	C-23 - D-04
Galley Group	D-05 - D-06
Heating & Air Conditioning Group	D-07
Interior Finish Group	D-08 - D-09
LP Group	D-10
Lounge Group	D-11
Water & Sewage Group	D-12 - D-13
Window, Vent & Exterior Door Group	D-14 - D-22

CHASSIS GROUP (CONTINUED)

Key	Part Number	U/M	Description
	047441-01-000	EA	Battery Terminal - Horizontal Lug
	076723-01-000	EA	Block - Switch - Spacer w/o Holes
	059540-01-000	EA	Bracket - License Plate
	051697-01-000	EA	Bracket - Battery Tie Down - 6 9"
	007125-01-000	EA	Clamp Asm. - Muffler - 2 50"
	010497-01-000	EA	Clamp - Closed - 5/8 I.D.
	007161-01-000	EA	Clamp - Hose - Spring Type 112
	062401-01-000	EA	Clamp - Hose - Wormgear - 22" I.D. - 1" I.D.
	062401-02-000	EA	Clamp - Hose - Wormgear - 1.56" I.D. - 2.5" I.D.
	062401-04-000	EA	Clamp - Hose - Wormgear - 69" I.D. - 1.25" I.D.
	062401-06-000	EA	Clamp - Hose - Wormgear - 22" I.D. - 62" I.D.
	023146-01-000	EA	Clamp - Screw Type - 4"
	081938-01-000	EA	Compartment - LP - Regulator
	007131-01-000	EA	Hanger - Tail Pipe
	024138-01-000	FT	Hose - Fuel - 5/16" I.D. SAE 30RI
	066732-01-000	FT	Hose - Fuel Fill - 62 I.D.
	007111-02-000	EA	Hose - Fuel Fill - 2.00 I.D.
	006113-01-000	EA	Jack - Hydraulic - 6 Ton - w/Handle
	080208-02-000	EA	Leverage Bar - Lug Wrench
	080208-01-000	EA	Lug Wrench (Chevy)
	017516-01-000	EA	Mud Flap w/Holes - 14" x 18" - Black
	079942-05-000	EA	Shock Absorber - Stabilizer - Front (Ford)
	079942-06-000	EA	Shock Absorber - Stabilizer - Rear (Ford)
	079942-03-000	EA	Shock Absorber - Stabilizer - Front (Chevy)
	079942-04-000	EA	Shock Absorber - Stabilizer - Rear (Chevy)
	064089-01-000	EA	Splash Guard - Black Rubber
	077848-01-000	EA	Step Asm - Entry
	052431-01-000	EA	Tray - Luggage
	057724-01-000	EA	Wheelwell - Plastic
	008343-01-000	EA	Wire Tie - 6'

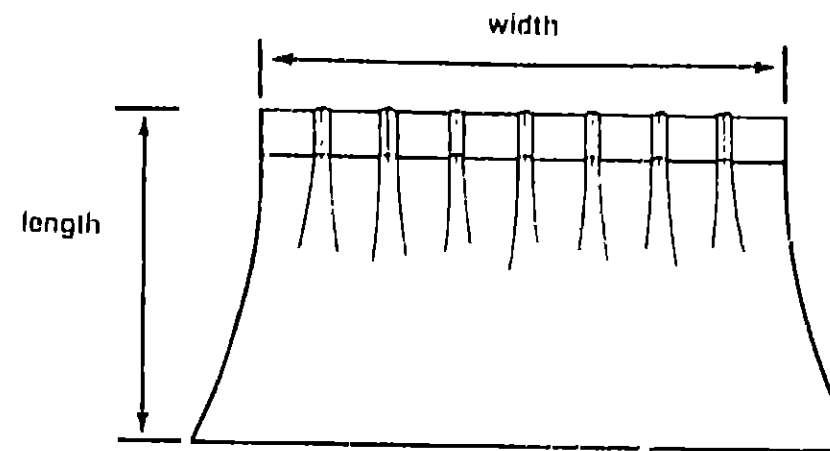
NOTE: Remainder of exhaust components available from Chassis, Service Center

CURTAIN, CUSHION & PAD GROUP

NOTICE

In order to assist our Parts Sales Dept. in providing interior software items, please include the serial number and the color code number from the vehicle certification label when ordering. This label is located on the left sidewall at the end of the dash (A-Body), or on the driver's door latch plate (C-Body).

An example of a color code number is F31, which designates an overall color scheme of a particular unit. The color listed after the item description on the microfiche, indicates the overall unit color. Order the item you desire according to unit color code.

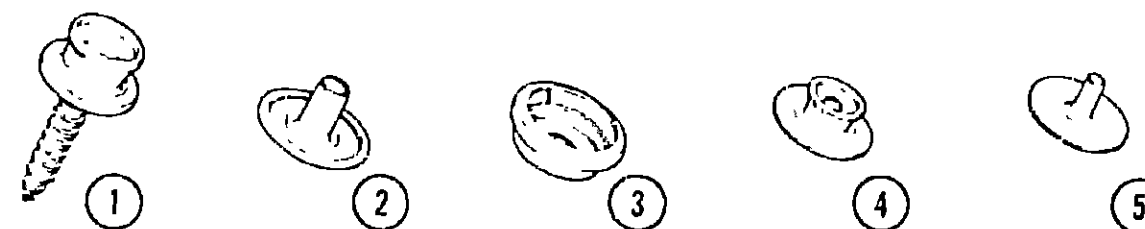


NOTE.

Use this illustration when determining length and width measurements for curtains. You will note the width measurement is taken on the top of the curtain with the curtain fully extended. The length measurement is taken from top to bottom.

1987 ITASCA TABLE OF CONTENTS

IC420RG	A-01 - B-22
IC/IF424RB	B-23 - D-22
ICN27RU	D-23 - G-08
ICP28RU	G-07 - I-18
ICP34RU	I-19 - L-04



Key	Part Number	U/M	Description
1	029130-01-000	EA	Socket - Snap Fastener
2	029155-01-000	EA	Cap - Snap - 156" Dia x 17" Barrel
3	029156-01-000	EA	Socket - Snap Fastener
4	029092-01-000	EA	Stud - Nickel Finish
5	029093-01-000	EA	Eyelet - Nickel Finish

1987 IC/IF424RB INDEX

Floor Plan	B-23 - B-24
Accessories Group	C-01 - C-03
Bath Group	C-04 - C-05
Chassis Group	C-06 - C-07
Curtain, Cushion & Pad Group	C-08 - C-15
Dinette Group	C-16 - C-17
Driver's Compartment Group	C-18 - C-20
Electrical Group	C-21 - C-22
Exterior Body Group	C-23 - D-04
Galley Group	D-05 - D-06
Heating & Air Conditioning Group	D-07
Interior Finish Group	D-08 - D-09
LP Group	D-10
Lounge Group	D-11
Water & Sewage Group	D-12 - D-13
Window, Vent & Exterior Door Group	D-14 - D-22

CURTAIN, CUSHION & PAD GROUP (CONTINUED)

FABRICS & CARPETS

Key	Part Number	U/M	Description
	077498-89-000	YD	Fabric w/Pattern - Upholstery - Main - Jasmine (W24)
	077498-90-000	YD	Fabric w/Pattern - Upholstery - Main - Garnet (W25)
	077498-88-000	YD	Fabric w/Pattern - Upholstery - Main - Jute (W26)
	077498-B2-000	YD	Fabric w/Pattern - Upholstery Accent - Juniper (W24)
	077498-B3-000	YD	Fabric w/Pattern - Upholstery Accent - Brick - (W25)
	077498-B4-000	YD	Fabric w/Pattern - Upholstery Accent - Madder (W26)
	077498-A1-000	YD	Fabric - Upholstery Accent - Plain - Blue (W24)
	077498-A2-000	YD	Fabric - Upholstery Accent - Plain - Garnet (W25)
	077498-A0-000	YD	Fabric - Upholstery Accent - Plain - Wine (W26)
	072333-38-000	YD	Fabric - Drapery - Melba (W24)
	072333-40-000	YD	Fabric - Drapery - Raisin (W25)
	072333-37-000	YD	Fabric - Drapery - Mauve (W26)
	084415-11-000	YD	Braid Trim - Pull Shades - Blue Jade (W24)
	084415-15-000	YD	Braid Trim - Pull Shades - Rust (W25)
	084415-13-000	YD	Braid Trim - Pull Shades - Mauve (W26)
	080742-01-000	FT	Trim Asm. - Accent - Buckskin
	079680-01-000	YD	Vinyl - Expanded - 26 oz - Buckskin
	070578-04-W24	EA	Button Asm - #30 - Accent Fabric (W24)
	070578-04-W25	EA	Button Asm - #30 - Accent Fabric (W25)
	070578-04-W26	EA	Button Asm. - #30 - Accent Fabric (W26)
	078155-01-000	EA	Strip Asm. - Cushion
	081280-21-W24	EA	End Cap Asm. - Overhead - Dinette - Vinyl
	081519-01-W24	EA	Pad Asm - Dinette - Front
	081519-01-W25	EA	Pad Asm - Dinette - Front
	081519-01-W26	EA	Pad Asm - Dinette - Front
	081519-02-W24	EA	Pad Asm - Dinette - Rear
	081519-02-W25	EA	Pad Asm. - Dinette - Rear
	081519-02-W26	EA	Pad Asm - Dinette - Rear
	069885-12-W24	EA	Cover w/Pocket - Motor (Ford)
	069885-12-W25	EA	Cover w/Pocket - Motor (Ford)
	069885-12-W26	EA	Cover w/Pocket - Motor (Ford)
	M74891-01-W24	EA	Cover - Motor Cover (Chevy)
	M74891-01-W25	EA	Cover - Motor Cover (Chevy)
	M74891-01-W26	EA	Cover - Motor Cover (Chevy)

CURTAIN, CUSHION & PAD GROUP (CONTINUED)

CURTAIN & CUSHION HARDWARE

Key	Part Number	U/M	Description
	039175-02-000	EA	Bracket - Curtain Rod - Cafe
	039175-05-000	EA	Bracket - Curtain Rod - Center
	082228-03-000	EA	Bracket - Curtain Rod - Right
	082228-04-000	EA	Bracket - Curtain Rod - Left
	056003-02-000	EA	Bracket - Drapery Retainer - Left
	056003-01-000	EA	Bracket - Drapery Retainer - Right
	082139-02-000	EA	Bracket - Hold Down - Blind
	084434-01-000	EA	Bracket - Roller Shade - 1 3/8"
	079798-03-000	EA	Bracket Asm. - Curtain Rod - Right
	079798-04-000	EA	Bracket Asm - Curtain Rod - Left
	080730-03-700	EA	Handle Kit - Recliner
	080731-02-000	EA	Hinge - Recliner - Slave
	083170-01-000	EA	Installation Bracket - Blind - Right - Clear
	083170-02-000	EA	Installation Bracket - Blind - Left - Clear
	083170-03-000	EA	Installation Bracket - Blind - Right
	083170-04-000	EA	Installation Bracket - Blind - Left
	082139-01-000	EA	Bracket - Hold Down - Blinds - Right
	082139-03-000	EA	Bracket - Hold Down - Blinds - Left
	056784-02-000	EA	Pull - Window Shade - Antique Brass
	083730-02-000	EA	Recliner - Seat Back
	039175-01-000	EA	Rod - Cafe Curtain - Extension 48" x 84"
	048394-01-000	YD	Tape Hook - 1" x 50 Yd - Beige
	029096-05-000	YD	Tape Hook - 50" - Velcro - Beige
	048395-01-000	YD	Tape Loop - 1" x 50 Yd - Beige
	029090-01-000	FT	Tie - Drapery - Clear Vinyl
	056116-01-000	EA	Track - Curtain - Brown Plastic

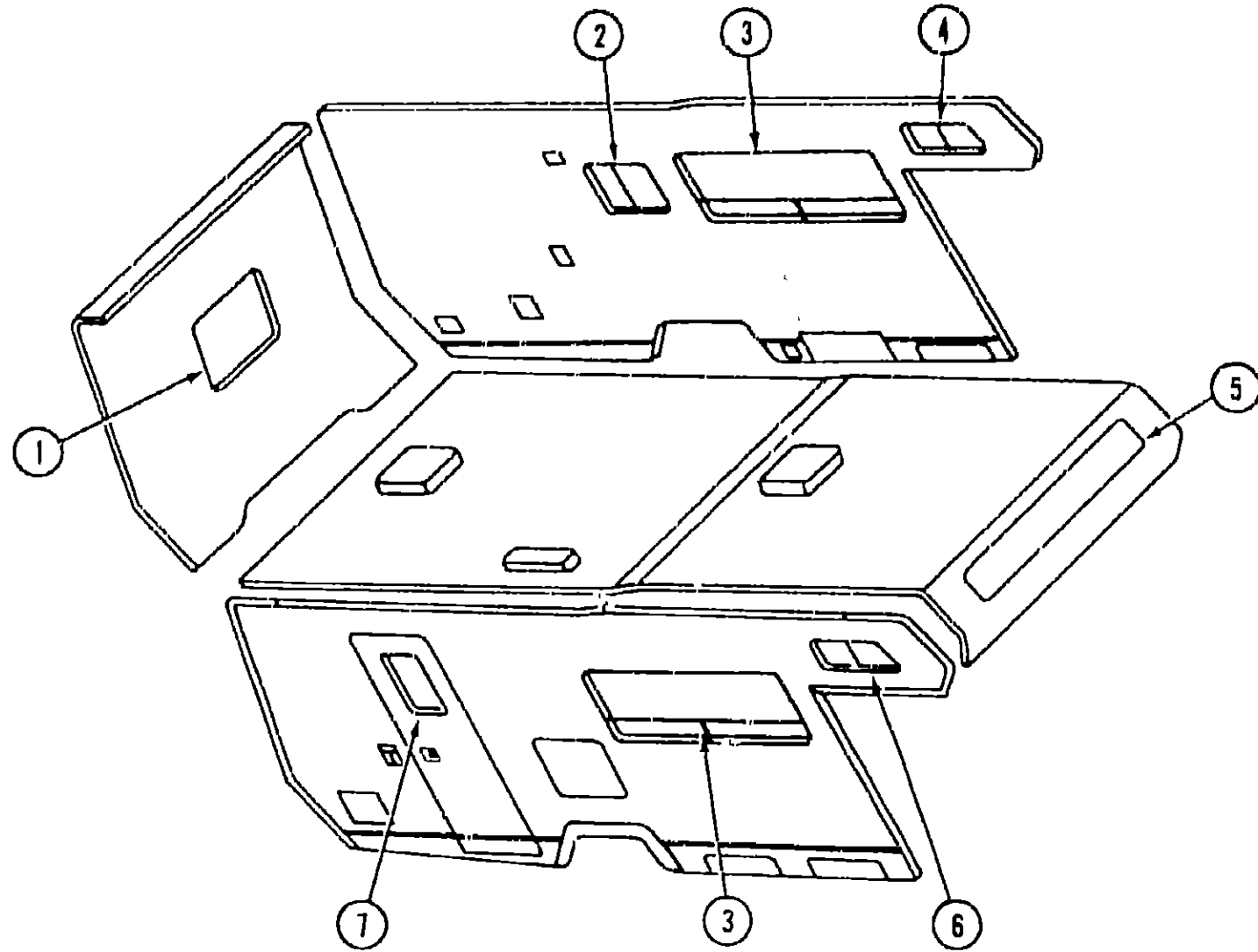
**1987 ITASCA
TABLE OF CONTENTS**

IC420RG	A-01 - B-22
IC/IF424HB	B-23 - D-22
ICN27RU	D-23 - G-06
ICP28RU	G-07 - I-18
ICP34RU	I-19 - L-04

1987 IC/IF424RB INDEX

Floor Plan	B-23 - B-24
Accessories Group	C-01 - C-03
Bath Group	C-04 - C-05
Chassis Group	C-06 - C-07
Curtain, Cushion & Pad Group	C-08 - C-15
Dinette Group	C-16 - C-17
Driver's Compartment Group	C-18 - C-20
Electrical Group	C-21 - C-22
Exterior Body Group	C-23 - D-04
Galley Group	D-05 - D-06
Heating & Air Conditioning Group	D-07
Interior Finish Group	D-08 - D-09
LP Group	D-10
Lounge Group	D-11
Water & Sewage Group	D-12 - D-13
Window, Vent & Exterior Door Group	D-14 - D-22

CURTAIN, CUSHION & PAD GROUP (CONTINUED)



CURTAIN, SHADES, VALANCES & TIEBACKS

Key	Part Number	U/M	Description
1	079558-15-W30	EA	Valance Asm - 5" x 40" - Gathered (W24)
1	079558-15-W31	EA	Valance Asm - 5" x 40" - Gathered (W25)
1	079558-15-W32	EA	Valance Asm - 5" x 40" - Gathered (W26)
1	079559-14-W24	EA	Curtain Asm - 26" x 20" - Gathered
1	079559-14-W25	EA	Curtain Asm - 26" x 20" - Gathered
1	079559-14-W26	EA	Curtain Asm - 26" x 20" - Gathered
1	084755-06-W24	EA	Shade Asm - Linen - 33.25"
1	084755-06-W25	EA	Shade Asm - Linen - 33.25"
1	084755-06-W26	EA	Shade Asm - Linen - 33.25"
†1	084755-06-WA4	EA	Shade Asm - Linen - 33.25" (W24)
†1	084755-06-WA5	EA	Shade Asm - Linen - 33.25" (W25)
†1	084755-06-WA8	EA	Shade Asm - Linen - 33.25" (W26)
2	M81977-20-W24	EA	Valance Asm - 28"
2	M81977-20-W25	EA	Valance Asm - 28"
2	M81977-20-W26	EA	Valance Asm - 28"
2	084755-18-W24	EA	Shade Asm - Linen - 27.5"
2	084755-18-W25	EA	Shade Asm - Linen - 27.5"
2	084755-18-W26	EA	Shade Asm - Linen - 27.5"
†2	084755-18-WA4	EA	Shade Asm - Linen - 27.5" (W24)
†2	084755-18-WA5	EA	Shade Asm - Linen - 27.5" (W25)
†2	084755-18-WA8	EA	Shade Asm - Linen - 27.5" (W26)
†	Used in units produced after 10/20/86		

CURTAIN, CUSHION & PAD GROUP (CONTINUED)

CURTAIN, SHADES, VALANCES & TIEBACKS (CONT.)

Key	Part Number	U/M	Description
3	079558-13-W30	EA	Valance Asm - 5" x 140" - Gathered (W24)
3	079558-13-W31	EA	Valance Asm - 5" x 140" - Gathered (W25)
3	079558-13-W32	EA	Valance Asm - 5" x 140" - Gathered (W26)
3	079559-15-W30	EA	Curtain Asm - 36" x 44" - Gathered (W24)
3	079559-15-W31	EA	Curtain Asm - 36" x 44" - Gathered (W25)
3	079559-15-W32	EA	Curtain Asm - 36" x 44" - Gathered (W26)
3	084755-02-W24	EA	Shade Asm - Linen - 67.25"
3	084755-02-W25	EA	Shade Asm - Linen - 67.25"
3	084755-02-W26	EA	Shade Asm - Linen - 67.25"
†3	084755-02-WA4	EA	Shade Asm - Linen - 67.25" (W24)
†3	084755-02-WA5	EA	Shade Asm - Linen - 67.25" (W25)
†3	084755-02-WA8	EA	Shade Asm - Linen - 67.25" (W26)
3	085304-16-000	EA	Blind - Pleated - 65" x 33" Drop (W24)
3	085304-20-000	EA	Blind - Pleated - 65" x 33" Drop (W25)
3	085304-17-000	EA	Blind - Pleated - 65" x 33" Drop (W26)
4	073323-33-W17	EA	Curtain Asm - Rod Top & Bottom - 17.5" x 24" (W24)
4	073323-33-W25	EA	Curtain Asm - Rod Top & Bottom - 17.5" x 24"
4	073323-33-W19	EA	Curtain Asm - Rod Top & Bottom - 17.5" x 24" (W26)
4	073323-34-W17	EA	Curtain Asm - Left - Rod Top & Bottom - 17.5" x 24" (W24)
4	073323-34-W25	EA	Curtain Asm - Left - Rod Top & Bottom - 17.5" x 24"
4	073323-34-W19	EA	Curtain Asm - Left - Rod Top & Bottom - 17.5" x 24" (W26)
5	073323-32-W17	EA	Curtain Asm - Rod Top & Bottom - 19.5" x 30" (W24)
5	073323-32-W25	EA	Curtain Asm - Rod Top & Bottom - 19.5" x 30"
5	073323-32-W19	EA	Curtain Asm - Rod Top & Bottom - 19.5" x 30" (W26)
6	073323-33-W17	EA	Curtain Asm - Rod Top & Bottom - 17.5" x 24" (W24)
6	073323-33-W25	EA	Curtain Asm - Rod Top & Bottom - 17.5" x 24"
6	073323-33-W19	EA	Curtain Asm - Rod Top & Bottom - 17.5" x 24" (W26)
6	073323-35-W17	EA	Curtain Asm - Right - Rod Top & Bottom - 17.5" x 24" (W24)
6	073323-35-W25	EA	Curtain Asm - Right - Rod Top & Bottom - 17.5" x 24"
6	073323-35-W19	EA	Curtain Asm - Right - Rod Top & Bottom - 17.5" x 24" (W26)
7	079558-14-W30	EA	Valance Asm - 5" x 75" - Gathered (W24)
7	079558-14-W31	EA	Valance Asm - 5" x 75" - Gathered (W25)
7	079558-14-W32	EA	Valance Asm - 5" x 75" - Gathered (W26)
7	084755-04-W30	EA	Shade Asm - Linen - 24.25" (W24)
7	084755-04-W31	EA	Shade Asm - Linen - 24.25" (W25)
7	084755-04-W01	EA	Shade Asm - Linen - 24.25" (W26)
†7	084755-04-WA4	EA	Shade Asm - Linen - 24.25" (W24)
†7	084755-04-WA5	EA	Shade Asm - Linen - 24.25" (W24)
†7	084755-04-WA8	EA	Shade Asm - Linen - 24.25" (W24)
*	073295-04-W06	EA	Curtain w/Snaps - Front Wraparound - 23" x 64" (2 required)
*	077591-03-W06	EA	Curtain w/Velcro Top - Bunk Privacy - 70" x 50" - Passenger
*	077591-03-W25	EA	Curtain w/Velcro Top - Bunk Privacy - 70" x 50" - Passenger
*	077591-03-W05	EA	Curtain w/Velcro Top - Bunk Privacy - 70" x 50" - Passenger
*	077591-04-W06	EA	Curtain w/Velcro Top - Bunk Privacy - 70" x 50" - Driver
*	077591-04-W25	EA	Curtain w/Velcro Top - Bunk Privacy - 70" x 50" - Driver
*	077591-04-W05	EA	Curtain w/Velcro Top - Bunk Privacy - 70" x 50" - Driver
*	086121-02-000	EA	Liner - Shower - Curtain - 62" x 40" - Plastic
*	073260-24-W17	EA	Tie Back Asm - 2" x 14" - Drapery (W24)
*	073260-24-W25	EA	Tie Back Asm - 2" x 14" - Drapery (W25)
*	073260-24-W19	EA	Tie Back Asm - 2" x 14" - Drapery (W26)
*	073260-23-W06	EA	Tie Back Asm - 3" x 18" (W24)
*	073260-23-W25	EA	Tie Back Asm - 3" x 18"
*	073260-23-W05	EA	Tie Back Asm - 3" x 18" (W26)
*	085283-01-000	EA	Bracket - Hold Back - Clear
†	Used in units produced after 10/20/86		

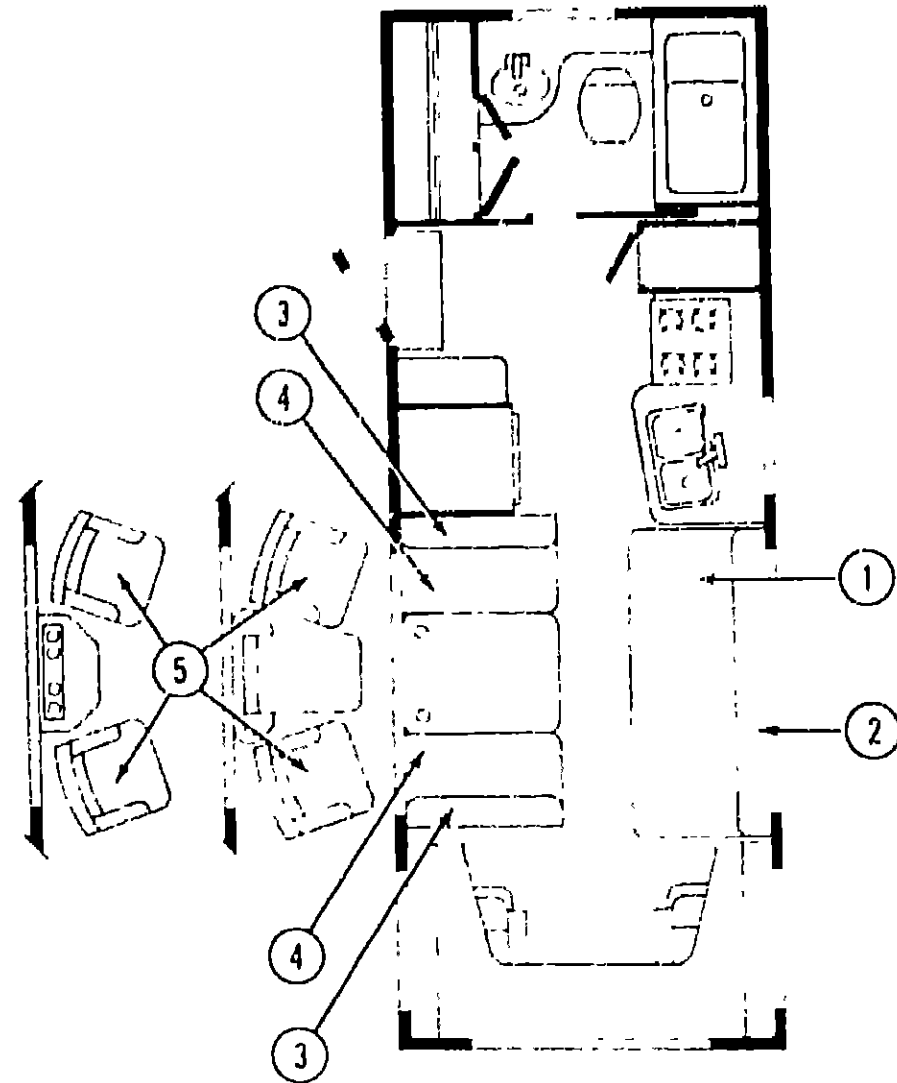
**1987 ITASCA
TABLE OF CONTENTS**

IC420RG	A-01 - B-22
IC/IF424RB	B-23 - D-22
ICN27RU	D-23 - G-06
ICP28RU	G-07 - I-18
ICP34RU	I-19 - L-04

1987 IC/IF424RB INDEX

Floor Plan	B-23 - B-24
Accessories Group	C-01 - C-03
Bath Group	C-04 - C-05
Chassis Group	C-06 - C-07
Curtain, Cushion & Pad Group	C-08 - C-15
Dinette Group	C-16 - C-17
Driver's Compartment Group	C-18 - C-20
Electrical Group	C-21 - C-22
Exterior Body Group	C-23 - D-04
Galley Group	D-05 - D-06
Heating & Air Conditioning Group	D-07
Interior Finish Group	D-08 - D-09
LP Group	D-10
Lounge Group	D-11
Water & Sewage Group	D-12 - D-13
Window, Vent & Exterior Door Group	D-14 - D-22

CURTAIN, CUSHION & PAD GROUP (CONTINUED)



3-PILLOW BED

Key	Part Number	U/M	Description
1	073630-06-W24	EA	Cushion Asm - 3 Pillow - Back
1	073630-06-W25	EA	Cushion Asm - 3 Pillow - Back
1	073630-06-W26	EA	Cushion Asm - 3 Pillow - Back
	M73630-06-W24	EA	Cover Asm - 3 Pillow - Back
	M73630-06-W25	EA	Cover Asm - 3 Pillow - Back
	M73630-06-W26	EA	Cover Asm - 3 Pillow - Back
2	073631-07-W24	EA	Cushion Asm - 3 Pillow - Seat
2	073631-07-W25	EA	Cushion Asm - 3 Pillow - Seat
2	073631-07-W26	EA	Cushion Asm - 3 Pillow - Seat
	M73631-07-W24	EA	Cover Asm - 3 Pillow - Seat
	M73631-07-W25	EA	Cover Asm - 3 Pillow - Seat
	M73631-07-W26	EA	Cover Asm - 3 Pillow - Seat
	M02423-05-W24	EA	Trim Panel - 3 Pillow Bed - Front
	M02423-05-W25	EA	Trim Panel - 3 Pillow Bed - Front
	M02423-05-W26	EA	Trim Panel - 3 Pillow Bed - Front

CURTAIN, CUSHION & PAD GROUP (CONTINUED)

DINETTE CUSHION

Key	Part Number	U/M	Description
3	081998-77-W24	EA	Cushion Asm - Dinette Back - 19.25" x 38" x 5"
3	081998-77-W25	EA	Cushion Asm - Dinette Back - 19.25" x 38" x 5"
3	081998-77-W26	EA	Cushion Asm - Dinette Back - 19.25" x 38" x 5"
	M81998-77-W24	EA	Cover Asm - Dinette Back Curtain - 19.25" x 38" x 5"
	M81998-77-W25	EA	Cover Asm - Dinette Back Curtain - 19.25" x 38" x 5"
	M81998-77-W26	EA	Cover Asm - Dinette Back Curtain - 19.25" x 38" x 5"
4	081998-78-W24	EA	Cushion Asm - Dinette Bottom - 17.5" x 38" x 5"
4	081998-78-W25	EA	Cushion Asm - Dinette Bottom - 17.5" x 38" x 5"
4	081998-78-W26	EA	Cushion Asm - Dinette Bottom - 17.5" x 38" x 5"
	M81998-78-W24	EA	Cover Asm - Dinette Bottom Cushion - 17.5" x 38" x 5"
	M81998-78-W25	EA	Cover Asm - Dinette Bottom Cushion - 17.5" x 38" x 5"
	M81998-78-W26	EA	Cover Asm - Dinette Bottom Cushion - 17.5" x 38" x 5"

CELEBRITY SWIVEL CHAIR

Key	Part Number	U/M	Description
5	085059-01-W30	EA	Chair Asm, w/Pillow Back - Swivel
5	085059-01-W31	EA	Chair Asm, w/Pillow Back - Swivel
5	085059-01-W32	EA	Chair Asm, w/Pillow Back - Swivel
	085187-01-W30	EA	Skirt Asm - Swivel Chair
	085187-01-W25	EA	Skirt Asm - Swivel Chair
	085187-01-W32	EA	Skirt Asm - Swivel Chair
	035036-01-000	EA	Plate - Tilt & Swivel - Swivel Chair
†	088245-02-000	EA	Plate - Tilt & Swivel - Swivel Chair
	035036-04-000	EA	Base w/Legs - Swivel Chair
	035036-05-000	EA	Extension - 7" - Swivel Chair
††	088245-01-000	EA	Base w/Legs - Swivel Chair
††	088245-02-000	EA	Extension - 5" - Swivel Chair
†			Used in units produced after 3/1/87
††			Used in units produced after 2/28/87.

FRONT OVERHEAD BUNK CUSHIONS

Key	Part Number	U/M	Description
	084753-05-W24	EA	Cushion Asm - Front Bunk
	084753-05-W25	EA	Cushion Asm - Front Bunk
	084753-05-W26	EA	Cushion Asm - Front Bunk
	M84753-05-W24	EA	Cover Asm - Front Bunk Cushion
	M84753-05-W25	EA	Cover Asm - Front Bunk Cushion
	M84753-05-W26	EA	Cover Asm - Front Bunk Cushion
	084753-06-W24	EA	Cushion Asm - Front Bunk - U-Shaped
	084753-06-W25	EA	Cushion Asm - Front Bunk - U-Shaped
	084753-06-W26	EA	Cushion Asm - Front Bunk - U-Shaped
	M84753-06-W24	EA	Cover Asm - Front Bunk Cushion - U-Shaped
	M84753-06-W25	EA	Cover Asm - Front Bunk Cushion - U-Shaped
	M84753-06-W26	EA	Cover Asm - Front Bunk Cushion - U-Shaped

**1987 ITASCA
TABLE OF CONTENTS**

IC420RG	A-01 - B-22
IC/IF424RB	B-22 - D-22
ICN27RU	D-23 - G-06
ICP28RU	G-07 - I-18
ICP34RU	I-19 - L-04

1987 IC/IF424RB INDEX

Floor Plan	B-23 - B-24
Accessories Group	C-01 - C-03
Bath Group	C-04 - C-05
Chassis Group	C-06 - C-07
Curtain, Cushion & Pad Group	C-08 - C-15
Dinette Group	C-16 - C-17
Driver's Compartment Group	C-18 - C-20
Electrical Group	C-21 - C-22
Exterior Body Group	C-23 - D-04
Galley Group	D-05 - D-06
Heating & Air Conditioning Group	D-07
Interior Finish Group	D-08 - D-09
LP Group	D-10
Lounge Group	D-11
Water & Sewage Group	D-12 - D-13
Window, Vent & Exterior Door Group	D-14 - D-22

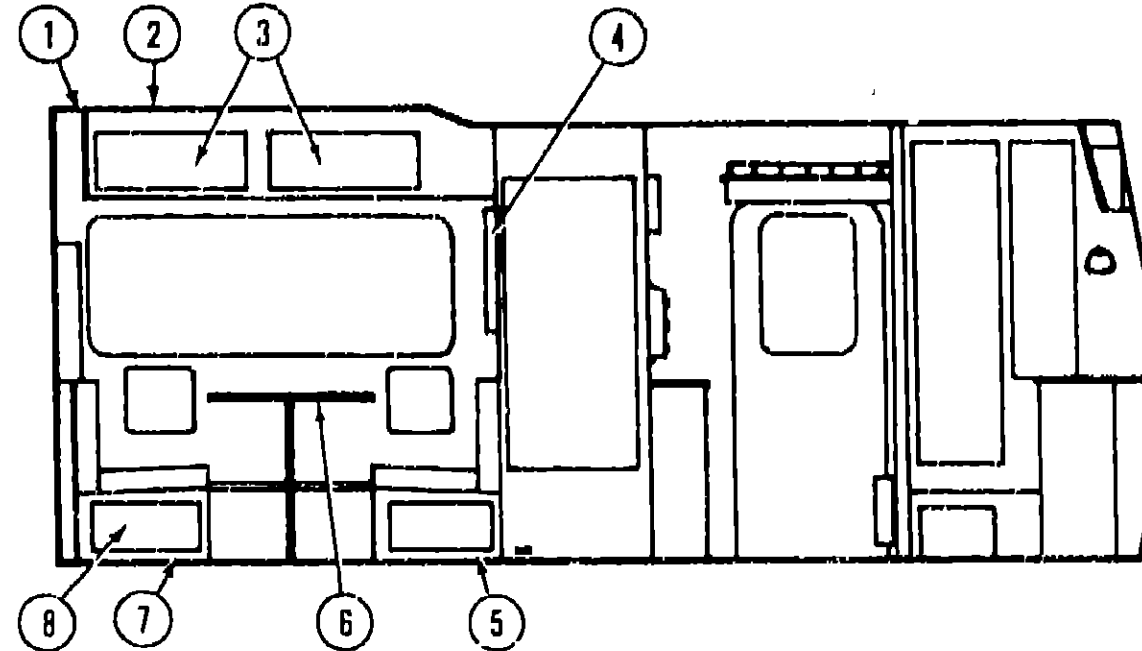
CURTAIN, CUSHION & PAD GROUP (CONTINUED)

BUCKET SEATS

Key	Part Number	U/M	Description
	084191-02-W24	EA	Seat Asm - Comet I
	084191-02-W25	EA	Seat Asm - Comet I
	084191-02-W26	EA	Seat Asm - Comet I
	M01864-23-W24	EA	Cover Asm - Seat Cushion
	M01864-23-W25	EA	Cover Asm - Seat Cushion
	M01864-21-W26	EA	Cover Asm - Seat Cushion
	M01864-24-W24	EA	Cover Asm - Back Cushion
	M01864-24-W25	EA	Cover Asm - Back Cushion
	M01864-23-W26	EA	Cover Asm - Back Cushion
	083909-04-W24	EA	Seat Asm - Straton w/Right Armrest
	083909-04-W25	EA	Seat Asm - Straton w/Right Armrest
	083909-08-W26	EA	Seat Asm - Straton w/Right Armrest
	M01864-25-W24	EA	Cover Asm - Seat Cushion
	M01864-25-W25	EA	Cover Asm - Seat Cushion
	M01864-27-W26	EA	Cover Asm - Seat Cushion
	M01864-26-W24	EA	Cover Asm - Back Cushion
	M01864-26-W25	EA	Cover Asm - Back Cushion
	M01864-28-W26	EA	Cover Asm - Back Cushion
	083909-13-W24	EA	Seat Asm - Straton w/Right Armrest
	083909-13-W25	EA	Seat Asm - Straton w/Right Armrest
	083909-11-W26	EA	Seat Asm - Straton w/Right Armrest
	M01864-35-W24	EA	Cover Asm - Seat Cushion
	M01864-35-W25	EA	Cover Asm - Seat Cushion
	M01864-33-W26	EA	Cover Asm - Seat Cushion
	M01864-36-W24	EA	Cover Asm - Back Cushion
	M01864-36-W25	EA	Cover Asm - Back Cushion
	M01864-34-W26	EA	Cover Asm - Back Cushion
	080243-23-W24	EA	Armrest Asm - Right
	080243-23-W25	EA	Armrest Asm - Right
	080243-25-W26	EA	Armrest Asm - Right
	M80243-23-W24	EA	Cover Asm - Armrest
	M80243-23-W25	EA	Cover Asm - Armrest
	M80243-25-W26	EA	Cover Asm - Armrest
	083909-05-W24	EA	Seat Asm - Straton w/Left Armrest
	083909-05-W25	EA	Seat Asm - Straton w/Left Armrest
	083909-09-W26	EA	Seat Asm - Straton w/Left Armrest
	M01864-25-W24	EA	Cover Asm - Seat Cushion
	M01864-25-W25	EA	Cover Asm - Seat Cushion
	M01864-27-W26	EA	Cover Asm - Seat Cushion
	M01864-26-W24	EA	Cover Asm - Back Cushion
	M01864-26-W25	EA	Cover Asm - Back Cushion
	M01864-28-W26	EA	Cover Asm - Back Cushion
	083909-14-W24	EA	Seat Asm - Straton w/Left Armrest
	083909-14-W25	EA	Seat Asm - Straton w/Left Armrest
	083909-12-W26	EA	Seat Asm - Straton w/Left Armrest
	M01864-35-W24	EA	Cover Asm - Seat Cushion
	M01864-35-W25	EA	Cover Asm - Seat Cushion
	M01864-33-W26	EA	Cover Asm - Seat Cushion
	M01864-36-W24	EA	Cover Asm - Back Cushion
	M01864-36-W25	EA	Cover Asm - Back Cushion
	M01864-34-W26	EA	Cover Asm - Back Cushion
	080243-24-W24	EA	Armrest Asm - Left
	080243-24-W25	EA	Armrest Asm - Left
	080243-26-W26	EA	Armrest Asm - Left
	M80243-24-W24	EA	Cover Asm - Armrest
	M80243-24-W25	EA	Cover Asm - Armrest
	M80243-26-W26	EA	Cover Asm - Armrest
	085268-01-W24	EA	Headrest Asm - Straton Seat
	085268-01-W25	EA	Headrest Asm - Straton Seat
	085268-02-W26	EA	Headrest Asm - Straton Seat
	M85268-01-W24	EA	Cover Asm - Headrest
	M85268-01-W25	EA	Cover Asm - Headrest
	M85268-02-W26	EA	Cover Asm - Headrest

• These parts were used on units produced before 9-24-86

DINETTE GROUP



Key	Part Number	U/M	Description
1	081280-18-W24	EA	Pad Asm - End Cap - Dinette Overhead - Vinyl
2	M82444-03-W24	EA	Cabinet Asm - Dinette Overhead - w/o Doors or Hardware
3	M84956-03-W24	EA	Door Asm - Dinette Overhead - 15 83" x 11 61" - w/o Hardware
†3	M81523-03-W24	EA	Door Asm - Dinette Overhead - 15 83" x 11 61" - w/o Hardware
4	084357-02-W24	EA	Shelf Asm - TV w/o Plug
5	M02175-05-W24	EA	Cabinet Asm - Dinette Seat - w/o Door or Hardware
	M02174-01-W30	EA	Cabinet Asm - Dinette Back
6	M81299-01-W24	EA	Table Asm - Dinette - w/o Hardware
7	M02175-04-W24	EA	Cabinet Asm - Dinette Seat - w/o Door or Hardware
	M02174-03-W30	EA	Cabinet Asm - Dinette Rack
8	M84953-06-W24	EA	Door Asm - Dinette Seat
†8	M81501-10-W30	EA	Door Asm - Dinette Seat
	074493-01-000	EA	Support - Sprung Door Asm - Overhead Cabinet
	053200-05-000	EA	Bracket - Upper Wall Mount - 23 5" - Beige
	053201-06-000	EA	Bracket - Table Mount - 23" - Beige
	024275-05-000	EA	Rod - Table Lift - 8" x 23.5" - Beige
	024281-07-000	EA	Bracket - Lower Wall Mount - 22.12" - Beige
	024276-17-000	EA	Leg Asm - Table - 26 75" - Tan
	064050-02-000	EA	Hinge - Table Leg - Tan
	024282-01-000	EA	Brace - Table Leg
	024283-01-000	EA	Clip - 1" O D Tube
	049493-05-000	EA	Catch - Table Leg - Mounts on Floor - Tan
	064781-02-000	EA	Cup Holder - 3 47" O D x 2 75" I D x 1 5" - Beige
			Not illustrated
			The illustrated parts breakdown for this item is provided on the Common Items Fiche
†			Used in units produced after 12/2/86

**1987 ITASCA
TABLE OF CONTENTS**

IC420RG	A-01 - B-22
IC/IF424RB	B-23 - D-22
ICN27RU	D-23 - G-06
ICP28RU	G-07 - I-18
ICP34RU	I-19 - L-04

1987 IC/IF424RB INDEX

Floor Plan	B-23 - B-24
Accessories Group	C-01 - C-03
Bath Group	C-04 - C-05
Chassis Group	C-06 - C-07
Curtain, Cushion & Pad Group	C-08 - C-15
Dinette Group	C-16 - C-17
Driver's Compartment Group	C-18 - C-20
Electrical Group	C-21 - C-22
Exterior Body Group	C-23 - D-04
Galley Group	D-05 - D-06
Heating & Air Conditioning Group	D-07
Interior Finish Group	D-08 - D-09
LP Group	D-10
Lounge Group	D-11
Water & Sewage Group	D-12 - D-13
Window, Vent & Exterior Door Group	D-14 - D-22

DINETTE GROUP (CONTINUED)

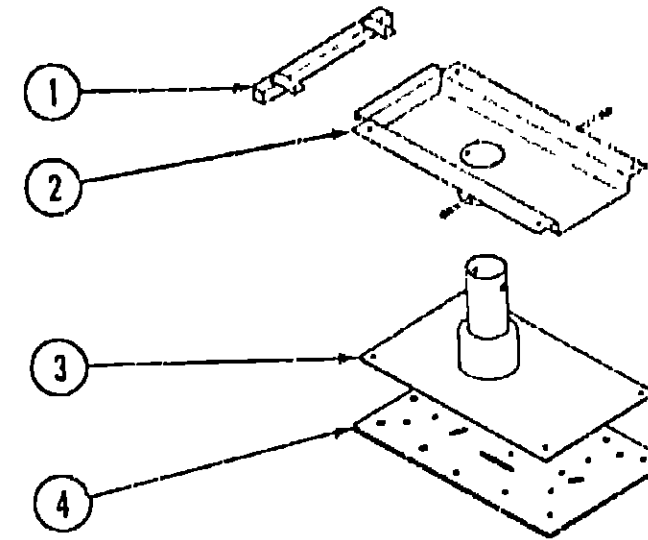
SWIVEL CHAIRS W/PULLOUT TABLE OPTION

Key	Part Number	U/M	Description
	M81727-01-W24	EA	Cabinet Asm. - Pullout - w/o Hardware
	M02415-01-W30	EA	Countertop - Pullout Table
	M02414-01-W30	EA	Countertop - Pullout Table - Cupholder
	M02416-01-W30	EA	Countertop - Pullout Table - TV Shelf
	M02417-01-W30	EA	Countertop - Pullout Table - Cover - w/o Hinge
	080728-01-000	EA	Handle Asm. - Pullout Table
	009040-02-000	EA	Leg Asm. - Table - 27 5" - Chrome - Pedestal
	062046-01-000	EA	Clip - Pedestal Leg
	009040-03-000	EA	Base - Table - Mounts on Table - Pedestal
	041194-01-000	EA	Base - Table - Mounts on Floor - Pedestal
	079606-03-U04	EA	Magazine Rack Asm.

ICE MAKER & CABINETS

Key	Part Number	U/M	Description
	M81720-01-W30	EA	Cabinet Asm. - Ice maker - w/o Countertop
	M02438-01-W30	EA	Countertop Asm. - Ice maker
	M02439-01-W30	EA	Countertop Asm - Ice maker Pullout
	074489 02-W30	EA	Beverage Holder w/Tray - Oak
**	076799-01-000	EA	Ice Maker - Black Glass
	077841-01-000	EA	Bracket - Tie Down - Ice Maker - Right
	077841-02-000	EA	Bracket - Tie Down - Ice Maker - Left
**	The illustrated parts breakdown for this item is provided on the Common Items Fiche		

DRIVER'S COMPARTMENT GROUP



BUCKET SEAT PEDESTAL & SEAT BELTS

Key	Part Number	U/M	Description
1	069585-29-000	EA	Bar - Seat Belt - 20"
2	069585-27-000	EA	Plate - Top - Pedestal Asm. - Bucket Seat
2	069585-20-000	EA	Plate - Top - Pedestal Asm - Power Seat
3	069585-03-000	EA	Plate - Sub - Pedestal Asm - Bucket Seat
3	069585-18-000	EA	Plate - Sub - Pedestal Asm - Power Seat
4	069585-02-000	EA	Plate - Base - Pedestal Asm - Bucket Seat
*	081373-02-000	EA	Seat - Power
*	056271-02-000	EA	Belt Asm - Seat - 2" x 72" - Black
*	007021-01-000	EA	Belt Asm - Seat - 2" x 90" - Black
*	041322-01-000	EA	Washer - Flat 15/32" I D x 2 3/8" O D. - Seat Belt
*	057759-01-000	EA	Bracket - Seat Belt Washer
*	069246-01-000	EA	Adjuster Asm - Seat - w/Lock
*	069246-02-000	EA	Adjuster Asm - Seat - w/o Lock
*	080730-02-000	EA	Recliner Drive - Driver
*	080730-01-000	EA	Recliner Drive - Passenger
*	Not illustrated		

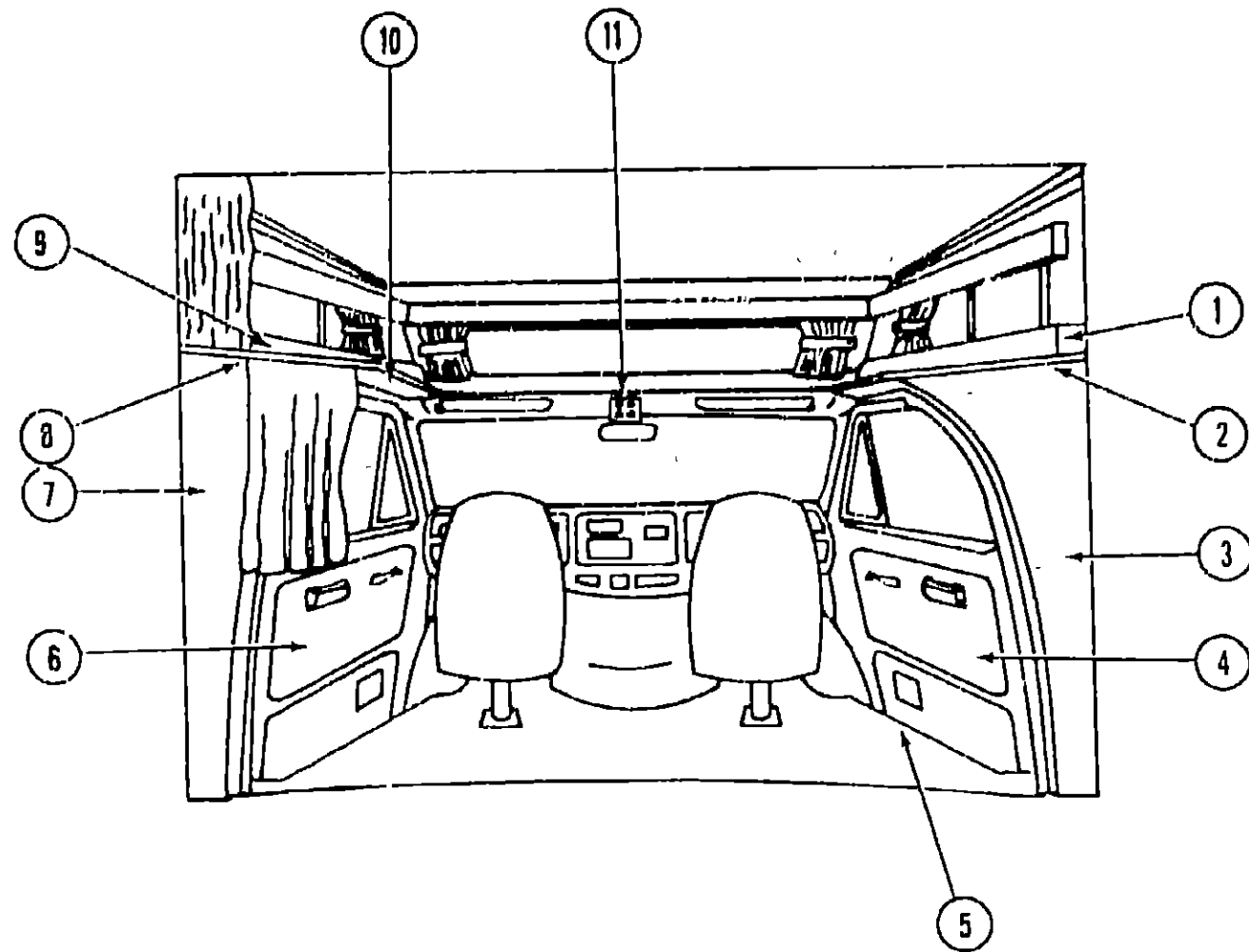
1987 ITASCA TABLE OF CONTENTS

IC420RG	A-01 - B-22
IC/IF424RB	B-23 - D-22
ICN27HU	D-23 - G-06
ICP28RU	G-07 - I-18
ICP34RU	I-19 - L-04

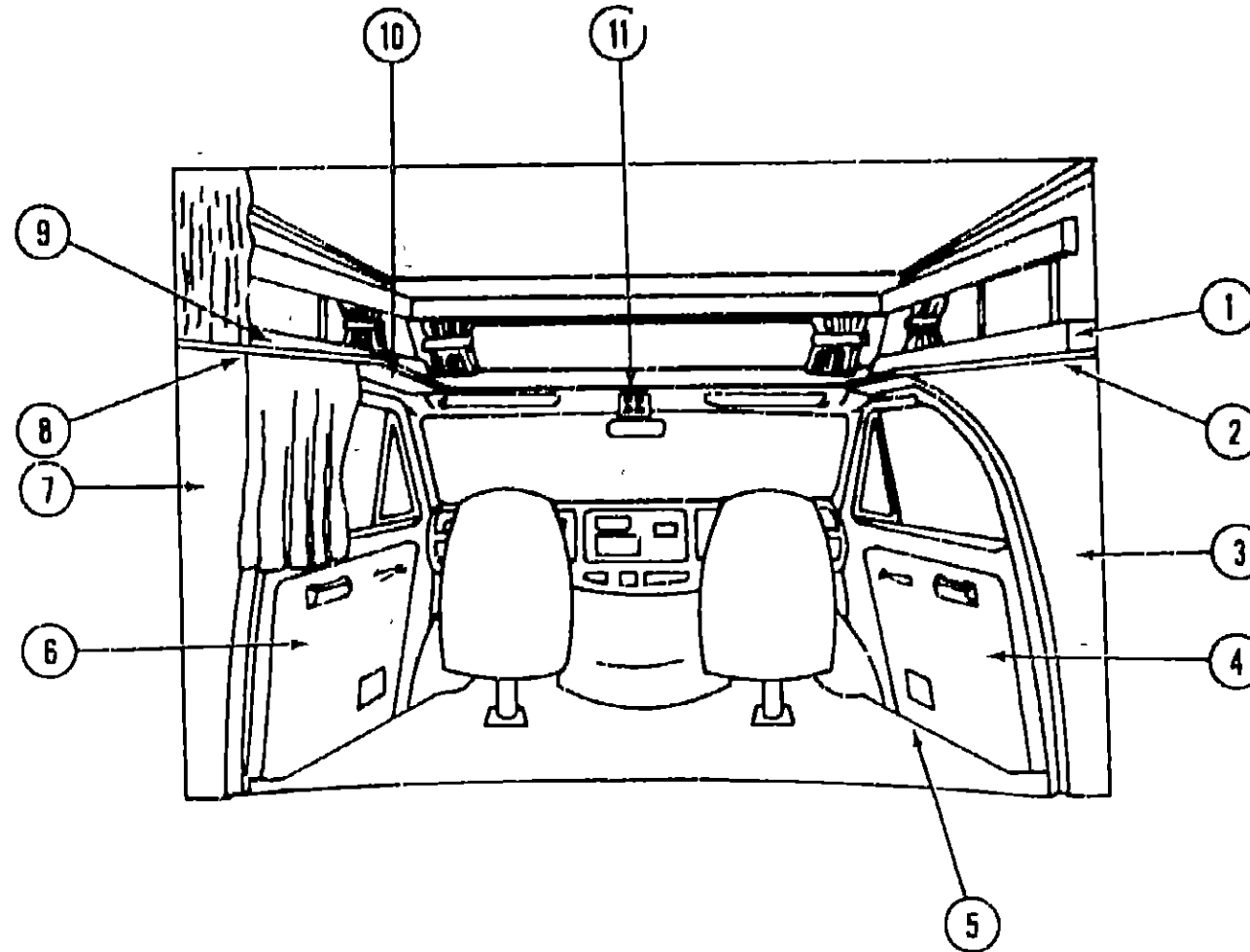
1987 IC/IF424RB INDEX

Floor Plan	B-23 - B-24
Accessories Group	C-01 - C-03
Bath Group	C-04 - C-05
Chassis Group	C-06 - C-07
Curtain, Cushion & Pad Group	C-08 - C-15
Dinette Group	C-16 - C-17
Driver's Compartment Group	C-18 - C-20
Electrical Group	C-21 - C-22
Exterior Body Group	C-23 - D-04
Galley Group	D-05 - D-06
Heating & Air Conditioning Group	D-07
Interior Finish Group	D-08 - D-09
LP Group	D-10
Lounge Group	D-11
Water & Sewage Group	D-12 - D-13
Window, Vent & Exterior Door Group	D-14 - D-22

DRIVER'S COMPARTMENT GROUP (CONTINUED)



DRIVER'S COMPARTMENT GROUP (CONTINUED)



**1987 ITASCA
TABLE OF CONTENTS**

IC420RG
IC/IF424RB
ICN27RU
ICP28RU
ICP34RU

A-01 - B-22
B-23 - D-22
D-23 - G-00
G-07 - I-18
I-19 - L-04

MISCELLANEOUS DRIVER'S COMPARTMENT COMPONENTS (CHEVY)

Key	Part Number	U/M	Description
1	087012-01-W24	EA	Cabinet Asm - Headboard
2	M81652-01-W04	EA	Panel Asm - Sleeper Board - w/o Vinyl
	079800-01-000	EA	Trim - Front - Sleeper Board
	080742-01-000	FT	Trim Vinyl Insert - Front Sleeper Board
3	M82554-04-W24	EA	Panel Asm. - Wingwall Transition - Inner Passenger
4	059491-01-W24	EA	Side Panel - Cab Door - Passenger
4	059491-01-W25	EA	Side Panel - Cab Door - Passenger
4	059491-01-W26	EA	Side Panel - Cab Door - Passenger
5	080359-01-000	EA	Door Step Mat - Passenger & Driver
6	059492-01-W24	EA	Side Panel - Cab Door - Driver
6	059492-01-W25	EA	Side Panel - Cab Door - Driver
6	059492-01-W26	EA	Side Panel - Cab Door - Driver
7	M82554-05-W24	EA	Panel Asm - Wingwall Transition - Inner - Driver
8	062069-01-W24	EA	Accent Trim - Dark Sandrift Vinyl
9	087012-01-W24	EA	Cabinet Asm - Headboard
10	084591-01-U01	EA	Headliner Asm - Overhead Bunk - Vinyl
11	M01298-03-000	EA	Console - Overhead - 7 5" x 6 14" - Beige
	024461-01-000	EA	Switch - Battery
	024462-01-000	EA	Switch - Battery Condition
	024976-01-000	EA	Switch - Generator w/o Circuit Board
	031035-02-000	EA	Gauge - Generator Hourmeter
	024459-04-000	EA	Gauge - Voltmeter
	024459-02-000	EA	Bracket - Mounting - Voltmeter Gauge
			Not illustrated

MISCELLANEOUS DRIVER'S COMPARTMENT COMPONENTS (FORD)

Key	Part Number	U/M	Description
1	087012-01-W24	EA	Cabinet Asm. - Headboard
2	M81652-01-W04	EA	Panel Asm - Sleeper Board - w/o Vinyl
	079800-01-000	EA	Trim - Front Sleeper Board - Aluminum - Off White
	080742-01-000	FT	Trim - Vinyl Insert - Front Sleeper Board
3	M82066-01-W24	EA	Panel Asm. - Wingwall Transition - Inner Passenger
**4	NOTE	EA	Side Panel - Cab Door - Passenger
5	083219-03-000	EA	Door Step Mat - Passenger - Brown - Ford
	083219-04-000	EA	Door Step Mat - Driver - Brown - Ford
**6	NOTE	EA	Panel Asm - Cab Door - Driver - Beige
7	M82066-02-W24	EA	Panel Asm - Wingwall Transition - Inner Driver
8	082069-01-W24	EA	Accent Trim - Dark Sandrift Vinyl
9	087012-01-W24	EA	Cabinet Asm. - Headboard
10	M83431-01-U01	EA	Headliner Asm - Overhead Bunk
11	M01298-01-000	EA	Console - Overhead - 7 5" x 6.14"
	024461-01-000	EA	Switch - Battery
	024462-01-000	EA	Switch - Battery Condition
	024976-01-000	EA	Switch - Generator w/o Circuit Board
	031035-01-000	EA	Gauge - Generator Hourmeter
	024459-03-000	EA	Gauge - Voltmeter
			Not illustrated
**			This part is supplied by your Ford Dealer

1987 IC/IF424RB INDEX

Floor Plan	B-23 - B-24
Accessories Group	C-01 - C-03
Bath Group	C-04 - C-05
Chassis Group	C-06 - C-07
Curtain, Cushion & Pad Group	C-08 - C-15
Dinette Group	C-16 - C-17
Driver's Compartment Group	C-18 - C-20
Electrical Group	C-21 - C-22
Exterior Body Group	C-23 - D-04
Galley Group	D-05 - D-06
Heating & Air Conditioning Group	D-07
Interior Finish Group	D-08 - D-09
LP Group	D-10
Lounge Group	D-11
Water & Sewage Group	D-12 - D-13
Window Vent & Exterior Door Group	D-14 - D-22

ELECTRICAL GROUP

BULBS

Key	Part Number	U/M	Description
	008220-01-000	EA	Bulb - 12V - 75W
	008103-01-000	EA	Bulb - 53
	008213-01-000	EA	Bulb - 57
	008214-01-000	EA	Bulb - 67
	030196-01-000	EA	Bulb - 194
	008215-01-000	EA	Bulb - 1003
	067479-01-000	EA	Bulb - 1076
	063914-01-000	EA	Bulb - 1139
	008218-01-000	EA	Bulb - 1141
	037935-01-000	EA	Bulb - 1157
	056288-02-000	EA	Bulb - 9431808 - Dome Light

FUSES & CIRCUIT BREAKERS

Key	Part Number	U/M	Description
	008211-01-000	EA	Circuit Breaker - 6 Amp. - 12 Volt
	033573-02-000	EA	Circuit Breaker - 15 Amp - 12 Volt - w/Mount
	033573-01-000	EA	Circuit Breaker - 20 Amp - 12 Volt - w/Mount
	044466-03-000	EA	Circuit Breaker - 25 Amp - 12 Volt - w/Mount
	008268-01-000	EA	Circuit Breaker - 30 Amp - 12 Volt - w/Mount
	083209-01-000	EA	Circuit Breaker - 15 Amp - 120 Volt
	083209-05-000	EA	Circuit Breaker - 20 Amp - 120 Volt
	083209-04-000	EA	Circuit Breaker - 30 Amp - 120 Volt
	071280-01-000	EA	Circuit Breaker Blank
	050283-02-000	EA	Circuit Breaker - Buss Bar
	083209-08-000	EA	Circuit Breaker - Blank

INTERIOR LIGHT

Key	Part Number	U/M	Description
	033508-02-000	EA	Light - Dome - Ivory - 1 Bulb - US
	033509-02-000	EA	Light - Dome - Ivory - 2 Bulb - US
	078424-02-000	EA	Light - Fluorescent - 12V - 18' - Almond
	061424-01-000	EA	Light - 12V Receptacle - Artic - IP
	007309-01-000	EA	Light - Step Well
	077026-01-000	EA	Lens - Courtesy Light - Clear

EXTERIOR LIGHTS

Key	Part Number	U/M	Description
	058032-01-000	EA	Tail Lamp Asm - 2 Bulb - Chrome - Driver/Passenger
	073844-01-000	EA	Lamp Asm - License
	076795-01-000	EA	Light Asm. - License - GM912368
	059540-01-000	EA	Bracket - License Plate
	062405-03-000	EA	Base - Rectangular Clearance Light
	042405-01-000	EA	Lens - Clearance Light - Red w/Reflex
	075459-04-000	EA	Tail Lamp Asm - Red (Black)
	075459-05-000	EA	Tail Lamp Asm - Amber (Black)
	075459-06-000	EA	Tail Lamp Asm - Backup/Reflex (Black)
	042405-02-000	EA	Lens - Clearance Light - Amber w/Reflex
	048817-01-000	EA	Assist Handle Asm. w/Light
	079941-01-000	EA	Lamp Asm - w/Cover - Fog - Amber
	086280-01-000	EA	Light - Dome - Surface - No Switch
	081250-02-000	EA	Light Asm - Cab Marker - Red

MISCELLANEOUS ELECTRICAL COMPONENTS

Key	Part Number	U/M	Description
	047338-03-000	EA	Isolator - Dual Battery - 70 Amp
	008188-01-000	EA	Solenoid - Dual Battery - Relay
	083208-01-000	EA	Control Center - 120 Amp w/Charger

ELECTRICAL GROUP (CONTINUED)

WIRE, SWITCHES & RECEPTACLES

Key	Part Number	U/M	Description
	008058-01-000	EA	Adapter - Power Cord
	008288-01-000	EA	Box - Electrical - 3" x 3.5" - Plastic
	008289-01-000	EA	Box - Electrical - 4" x 4" - 1/2 & 3/4 Steel - UL
	058049-01-000	EA	Box - Electrical - 2" x 3" x 2.25" - Steel
	041953-01-000	EA	Conduit - Convolute Silt - .5" I.D.
	058028-01-000	EA	Connector - Pigtail - Clear Nylon
	008314-01-000	EA	Connector - Wire Nut - Gray
	008311-01-000	EA	Connector - Wire Nut - Red
	031968-01-000	EA	Contact Plug - Brass - Tin Plated
	031967-01-000	EA	Contact - Receptacle
	008054-01-000	EA	Cord - Power - 10-3 30 Amp - 25' - UL
	069238-01-000	EA	Cover - Electrical Box - 4" x 4"
	084077-02-000	EA	Cover Plate - Receptacle - Ground Fault Interrupter - Brown
	008164-01-000	EA	Cover Plate - Switch - Brown
	008294-01-000	EA	Cover - Flat Blank - 4" x 4" - Steel - US
	008277-01-000	EA	Fuse Holder - Panel Mount - Black
	064399-01-000	EA	Housing Asm - Trailer Pin
	064450-01-000	EA	Housing Asm. - Trailer Plug
	064398-01-000	EA	Housing Asm. - Trailer Receptacle
	054532-01-000	EA	Housing Pin - 6 Position
	054532-02-000	EA	Housing Pin - 4 Position
	046885-01-000	EA	Plaque - Mounting Switch
	075736-01-000	EA	Receptacle/Cover Asm. - Gray (Exterior)
	058708-01-000	EA	Receptacle - Duplex - Brown
	084076-02-000	EA	Receptacle - Ground Fault Interrupter - 125 Volt - Brown
	024924-02-000	EA	Receptacle - Power Cord
	058707-01-000	EA	Receptacle - Single - Brown
	075723-01-000	EA	Switch - Block Spacer - w/o Holes
	075723-02-000	EA	Switch - Block Spacer - w/Holes
	077942-01-000	EA	Switch - Dummy - Black
	077942-02-000	EA	Switch - Dummy - Brown
	056264-01-000	EA	Switch - Leaf Actuator
	081066-01-000	EA	Switch - 2 Gang - 2 Switch
	079362-01-000	EA	Switch Plate - 3 Gang - 2 Switches
	079363-01-000	EA	Switch Plate - Single - w/Switches
	079364-01-000	EA	Switch - On/Off Rocker - Brown
	008195-01-000	EA	Switch - Push Button - 12 Volt
	047443-02-000	EA	Terminal - .250 Receptacle - 12-10 AWG
	008348-01-000	EA	Terminal Ring - 2 - w/3/8 Stud
	008331-01-000	EA	Terminal Ring - 4 - w/3/8 Stud
	008328-01-000	EA	Terminal Ring - 12/10 Wire
	054865-01-000	EA	Wire Asm. - Generator Switch
	008028-01-000	FT	Wire - 18 5 Bonded - Blue/Red/Yellow/Orange/White
	008024-01-000	FT	Wire - 18 5 Bonded - Orange/White/Yellow/Blue/Brown
	008025-01-000	FT	Wire - 18 5 Bonded - Orange/White/Yellow/Blue/Green
	008026-01-000	FT	Wire w/Ground - Romex - 12/2

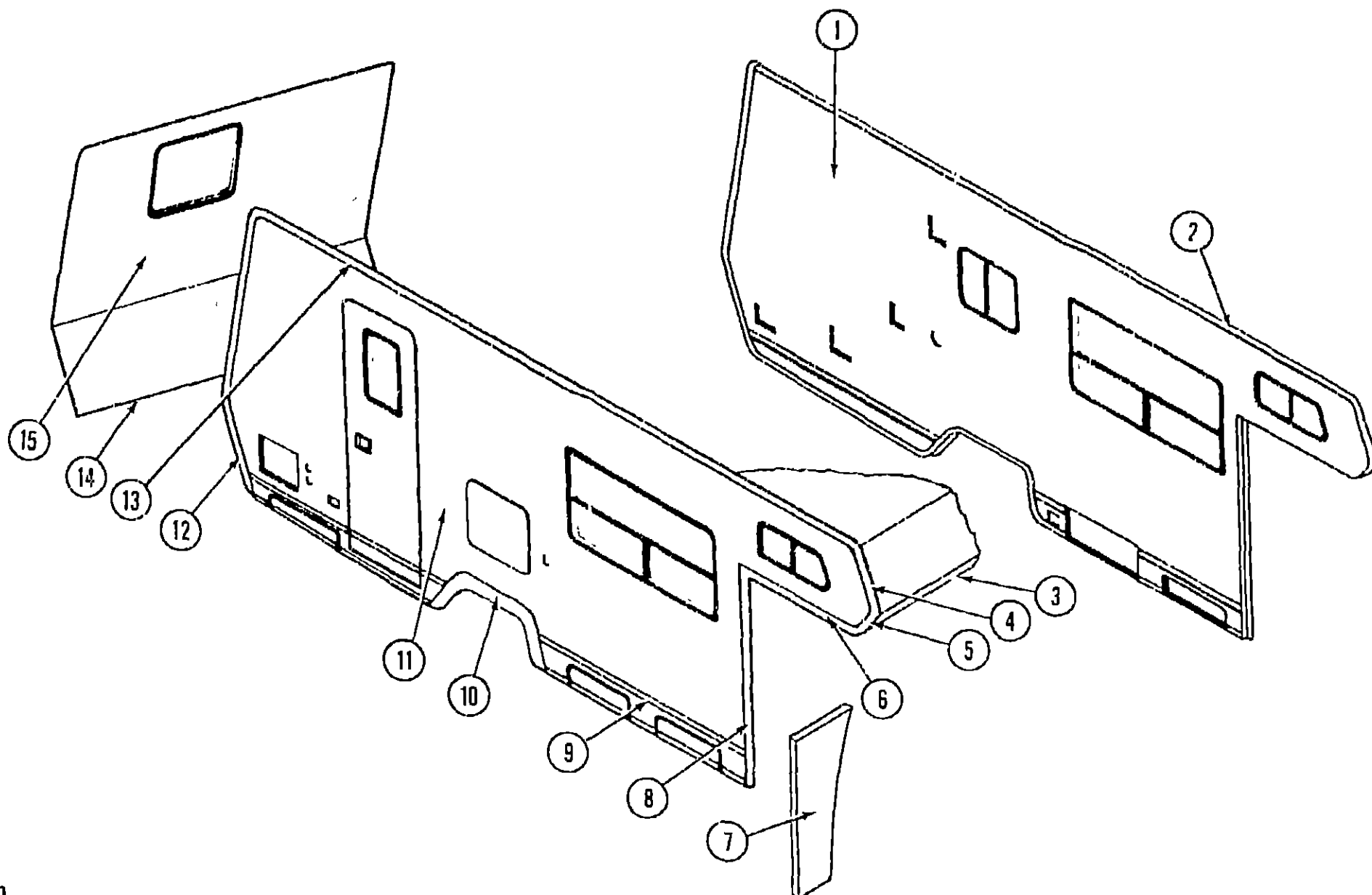
1987 ITASCA TABLE OF CONTENTS

IC420RG	A-01 - B-22
IC/IF424RB	B-23 - D-22
ICN27RU	D-23 - G-06
ICP28RU	G-07 - I-18
ICP34RU	I-19 - L-04

1987 IC/IF424RB INDEX

Floor Plan	B-23 - B-24
Accessories Group	C-01 - C-03
Bath Group	C-04 - C-05
Chassis Group	C-06 - C-07
Curtain, Cushion & Pad Group	C-08 - C-15
Dinette Group	C-16 - C-17
Driver's Compartment Group	C-18 - C-20
Electrical Group	C-21 - C-22
Exterior Body Group	C-23 - D-04
Galley Group	D-05 - D-06
Heating & Air Conditioning Group	D-07
Interior Finish Group	D-08 - D-09
LP Group	D-10
Lounge Group	D-11
Water & Sewage Group	D-12 - D-13
Window, Vent & Exterior Door Group	D-14 - D-22

EXTERIOR BODY GROUP
EXTERIOR BODY PANELS



1987 ITASCA
TABLE OF CONTENTS

IC420RG	A-01 - B-22
IC/IF424RB	B-23 - D-22
ICN27RU	D-23 - G-06
ICP28RU	G-07 - I-18
ICP34RU	I-19 - L-04

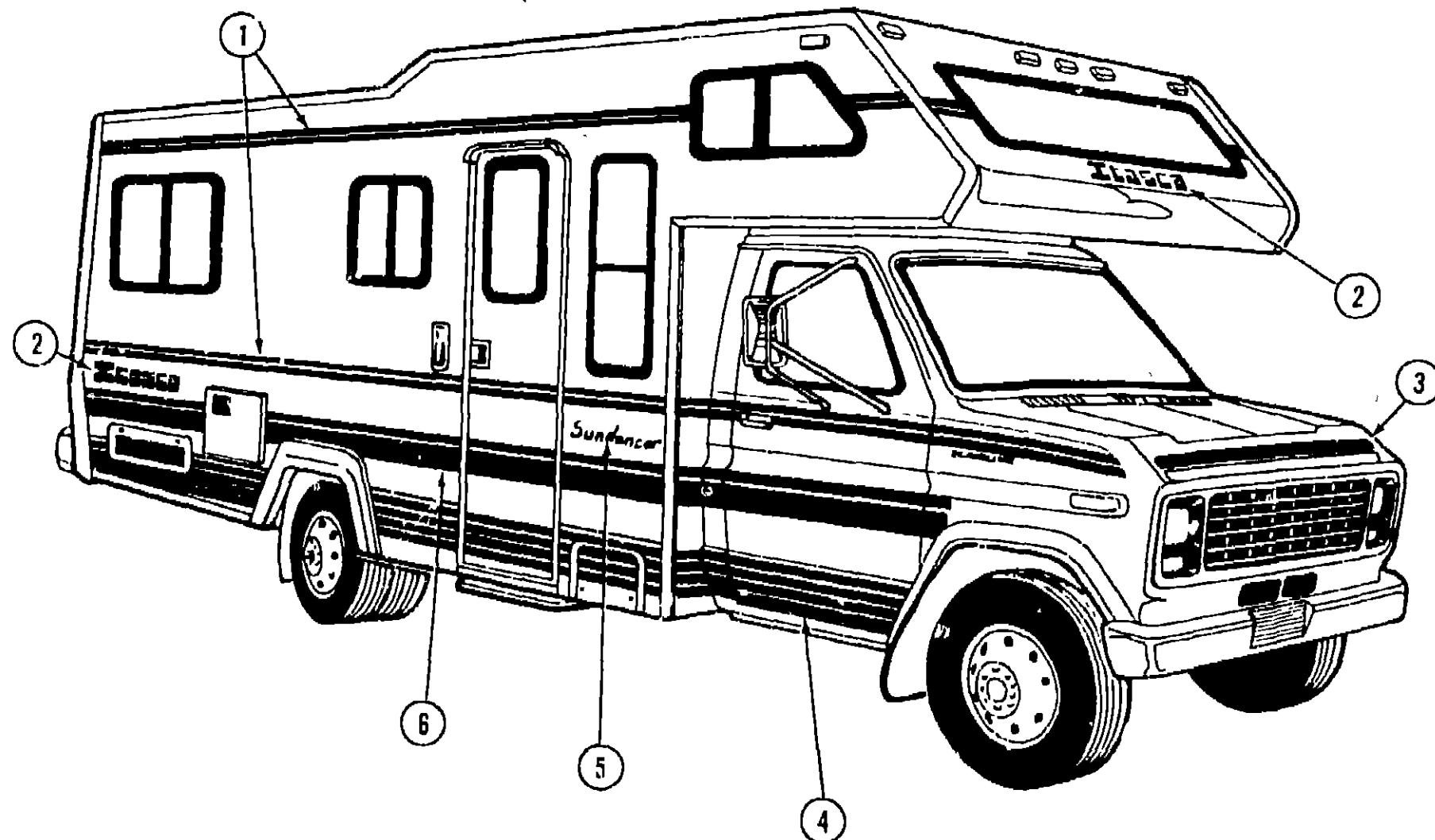
Key	Part Number	U/M	Description
.	M86741-01-W04	EA	Roof Asm.
.	M76177-01-700	EA	Roof Section - Cab Over To First Seam
1	M86745-01-W24	EA	Sidewall Asm - Driver
1	M86745-01-W25	EA	Sidewall Asm - Driver
1	M86745-01-W26	EA	Sidewall Asm - Driver
2	076802-08-000	EA	Trim - Contour - Upper Front - Driver - Off White
.	076802-07-000	EA	Trim - Contour - Upper Front - Passenger - Off White
3	039644-08-000	EA	Trim - Sleeper Board - Front - Off White
4	085490-01-000	EA	Trim - Contour - Front - Passenger - Off White
.	085490-02-000	EA	Trim - Contour - Front - Driver - Off White
5	086889-01-000	EA	Trim - Front Radius - Passenger - Off White
.	086889-02-000	EA	Trim - Front Radius - Driver - Off White
6	076975-05-000	EA	Trim - Wingwall - Passenger - Off White
.	076975-06-000	EA	Trim - Wingwall - Driver - Off White
7	M82343-01-U01	EA	Wingwall Asm - Passenger (Chevy)
.	M82343-02-U01	EA	Wingwall Asm - Driver (Chevy)
7	M81653-01-U01	EA	Wingwall Asm - Passenger (Ford)
.	M81653-02-U01	EA	Wingwall Asm - Driver (Ford)
8	076975-03-000	EA	Trim - Wingwall Transition - Passenger - Off White
.	076975-04-000	EA	Trim - Wingwall Transition - Driver - Off White
9	059576-05-000	EA	Feature Strip - w/o Insert - Extr - 14'8" - Off White
.	009731-01-000	EA	End Cap - Feature Strip
.	001030-02-000	EA	Insert - Feature Strip - 17' - Stucco - Off White
.			Not illustrated

Key	Part Number	U/M	Description
10	075189-01-000	EA	Trim - Wheel Well - Rear Passenger - Off White
.	075189-02-000	EA	Trim - Wheelwell - Rear Driver - Off White
.	052671-09-000	EA	Trim - Wheelwell - Rear Passenger - Extrusion
.	052671-10-000	EA	Trim - Wheelwell - Rear Driver - Extrusion
11	M86743-01-W24	EA	Sidewall Asm - Passenger
11	M86743-01-W25	EA	Sidewall Asm - Passenger
11	M86743-01-W26	EA	Sidewall Asm - Passenger
12	076805-01-000	EA	Trim - Contour - Rear Passenger - Off White
.	076805-02-000	EA	Trim - Contour - Rear Driver - Off White
13	077339-07-000	EA	Trim - Contour - Upper Rear Passenger - Off White
.	077339-08-000	EA	Trim - Contour - Upper Rear Driver - Off White
14	074966-02-000	EA	Trim - Backwall - Lower - Passenger or Driver
15	M82397-01-W24	EA	Backwall Asm
15	M82397-01-W25	EA	Backwall Asm
15	M82397-01-W26	EA	Backwall Asm
.	002365-01-001	EA	U-Channel - Extrusion - 1" x 18'
.	002776-01-001	EA	U-Channel - Extrusion - 1 7/8" x 16'
.	077517-19-700	EA	Fiberglass Sheet - 48 08" x 293" - Mesa - Off White
.	001054-01-011	EA	Alum - No Design - 48" x 96" - Off White
.	000868-01-000	SF	Styrofoam - 75" x 24" x 96"
.	000870-01-000	SF	Styrofoam - 1.5" x 24" x 96"
.	000870-03-000	SF	Styrofoam - 1 3/4" x 48" x 96"
.			Not illustrated

1987 IC/IF424RB INDEX

Floor Plan	B-23 - B-24
Accessories Group	C-01 - C-03
Bath Group	C-04 - C-05
Chassis Group	C-06 - C-07
Curtain, Cushion & Pad Group	C-08 - C-15
Dinette Group	C-16 - C-17
Driver's Compartment Group	C-18 - C-20
Electrical Group	C-21 - C-22
Exterior Body Group	C-23 - D-04
Galley Group	D-05 - D-06
Heating & Air Conditioning Group	D-07
Interior Finish Group	D-08 - D-09
LP Group	D-10
Lounge Group	D-11
Water & Sewage Group	D-12 - D-13
Window, Vent & Exterior Door Group	D-14 - D-22

EXTERIOR BODY GROUP (CONTINUED)
LABELS, DECALS & EXTERIOR PAINT



1987 ITASCA
TABLE OF CONTENTS

IC420RG	A-01 - B-22
IC/IF424RB	B-23 - D-22
ICN27RU	D-23 - G-06
ICP2BRU	G-07 - I-18
ICP34RU	I-19 - L-04

Key	Part Number	U/M	Description
1	065217-D0-000	FT	Film - Multistripe - 1 8" x 150' - Light Green/Dark Green (W24)
1	065217-C8-000	FT	Film - Multistripe - 1 8" x 150' - Gray/Rust (W25)
1	065217-C9-000	FT	Film - Multistripe - 1.8" x 150' - Gray/Burgundy (W26)
2	078191-01-000	EA	Decal - Logo - "Itasca"
3	078831-32-000	FT	Decal - Striping - 2" x 150' - Lt. Green (W24)
3	078831-33-000	FT	Decal - Striping - 2" x 150' - Gray (W25, W26)
	078831-31-000	FT	Decal - Striping - 2" x 150' - Dark Green (W24)
	078831-30-000	FT	Decal - Striping - 2" x 150' - Rust (W25)
	078831-29-000	FT	Decal - Striping - 2" x 150' - Burgundy (W26)
4	078196-16-000	EA	Film - Multistripe - 7.02" x 150' - Lt. Green (W24)
4	078196-17-000	EA	Film - Multistripe - 7.02" x 150' - Gray (W25, W26)
5	078851-02-000	EA	Decal - Logo - "Sundancer"
6	065217-C7-000	FT	Film - Multistripe - 6" x 150' - Dark Green (W24)
6	065217-C8-000	FT	Film - Multistripe - 6" x 150' - Rust (W25)
6	065217-C5-000	FT	Film - Multistripe - 6" x 150' - Burgundy (W26)
	084075-01-000	EA	Decal - "by Winnebago Industries"
	068383-01-000	EA	Label - Diesel Fuel
	006195-01-000	EA	Label - Electrical Test
	047731-01-000	EA	Label - Emergency Exit
	006199-01-000	EA	Label - Exit - Escape Window
	057487-04-000	EA	Label - Exterior Loading Limit
	064378-01-000	EA	Label - Flying "W" w/Thermo Panel
	061417-01-000	EA	Label - Fuel

D-1

Key	Part Number	U/M	Description
	006198-01-000	EA	Label - Gas Test
	054531-01-000	EA	Label - LP Gas Only
	040944-01-000	EA	Label - Open - Entrance Door
	006015-01-000	EA	Label - Patent Motor Home
	058259-01-000	EA	Label - Safety Check List
	006064-01-000	EA	Label - Seal - w/o Sent Bolts
	006187-01-000	EA	Label - Sewage
	006006-01-000	EA	Label - Thermo Panel - 2 1/4" x 2 1/4"
	075221-01-000	EA	Label - Trailer Hitch Capacity
	075220-01-000	EA	Label - Warning - Exterior Load Limit
	077956-01-000	EA	Label - Warning - Smoke Detector
	050225-01-000	EA	Label - Warning - Smoke Vent - US
	006188-01-000	FA	Label - Waste Water
	006197-01-000	CA	Label - Water Test
	072863-01-000	EA	Nameplate - Diesel - 6 2L
	006062-01-000	EA	Tag - Electrical - 110 Volt Connection
	006040-01-000	EA	Tag - Gas - Refueling Warning
	044486-03-000	EA	Paint - Beige Acrylic Enamel - 16 oz. Aerosol (7633A Dupont)
	045681-03-000	EA	Paint - Gloss Black - Acrylic Enamel - 16 oz. Aerosol (99 Dupont)
	058637-05-000	EA	Paint - Gray Acrylic Enamel - 16 oz. Aerosol (71537 Dupont)
	041561-03-000	EA	Paint - Off White Acrylic Enamel - 16 oz. Aerosol (45396A Dupont)
	074559-01-000	EA	Label - "LPG" 3 3" x 1 75" (Calif. Code)
			Not illustrated

D-2

1987 IC/IF424RB INDEX

Floor Plan	B-23 - B-24
Accessories Group	C-01 - C-03
Bath Group	C-04 - C-05
Chassis Group	C-06 - C-07
Curtain, Cushion & Pad Group	C-08 - C-15
Dinette Group	C-16 - C-17
Driver's Compartment Group	C-18 - C-20
Electrical Group	C-21 - C-22
Exterior Body Group	C-23 - D-04
Galley Group	D-05 - D-06
Heating & Air Conditioning Group	D-07
Interior Finish Group	D-08 - D-09
LP Group	D-10
Lounge Group	D-11
Water & Sewage Group	D-12 - D-13
Window, Vent & Exterior Door Group	D-14 - D-22

EXTERIOR BODY GROUP (CONTINUED)

ACCESS PANEL HARDWARE

Key	Part Number	U/M	Description
	072917-02-000	EA	Rod - Hood Prop
	062628-01-000	EA	Clip - Prop Rod
	058833-01-000	EA	Bracket - Prop Rod
	073340-01-000	EA	Hinge - Access Panel - Passenger
	073340-02-000	EA	Hinge - Access Panel - Drivers
	058960-01-000	EA	Bracket - Hinge Asm. - Hood - Drivers
	058960-02-000	EA	Bracket - Hinge Asm. - Hood - Passenger
	R77006-68-721	EA	Cable - Release (Access Panel)
	074178-01-000	EA	Bracket - Cable Release - Inside
	R77007-01-950	EA	Striker - Hood Latch
	R77006-59-931	EA	Latch - Hood
	R77006-38-499	EA	Spring
	R77006-19-765	EA	Cable Sheath
	073333-01-000	EA	Bracket - Latch Support
	073337-01-000	EA	Brace Latch - Hood
	073341-01-000	EA	Bracket - Hood Latch
	058786-02-000	EA	Bolt - Hood Adjusting - 5/16" x 18 x 1 1/4"

MISCELLANEOUS EXTERNALLY MOUNTED PARTS

Key	Part Number	U/M	Description
	083558-01-000	EA	Plumbing Seal - Roof Vent - 1 5
	048817-01-000	EA	Assist Handle - w/Light
	048817-01-700	EA	Lens - Assist Handle
	010230-02-000	EA	Fill - City Water - Recessed - Off White
	087659-04-000	EA	Fill - City Water - Off White
	081240-03-000	EA	Fill - City Water - Lockable - Off White
	072447-02-000	EA	Shroud - Fuel Fill
	079384-01-700	EA	Hardware Set - Running Board (Chevy)
	079384-01-701	EA	Tread - Running Boards (Set of 4) (Chevy)
	079384-01-702	EA	Trim - Wheel Lip - Chrome (Chevy)
	079384-03-000	EA	Running Board - Right (Chevy)
	079384-04-000	EA	Running Board - Left (Chevy)
	079384-07-000	EA	Bracket - Running Board Mounting (Chevy)
	079384-02-700	EA	Hardware Set - Running Board (Ford)
	079384-02-701	EA	Tread - Running Board (Ford)
	079384-02-702	EA	Trim - Wheel Lip - Chrome (Ford)
	079384-02-703	EA	Trim - Wheel Lip - Chrome - 9' (Ford)
	079384-05-000	EA	Running Board - Right (Ford)
	079384-06-000	EA	Running Board - Left (Ford)
	079384-09-000	EA	Bracket - Rear - Z (Ford)
	079384-10-000	EA	Bracket - Front - Z (Ford)
	080359-01-000	EA	Plate - Stopwall (Chevy)
	080359-02-000	EA	Plate - Stepwell (Ford)

EXTERIOR BODY GROUP (CONTINUED)

SEALANTS & ADHESIVES

Key	Part Number	U/M	Description
	004020-01-000	QT	Adhesive - ABS Cement (Plastic Fittings)
	002337-01-000	EA	Adhesive - 1300 Tube - 2M (Windows)
	004005-02-000	GL	Adhesive - Swifts - Glue (Sidewalls)
	053766-07-000	EA	Bedding Compound - Tube - Beige (Exterior)
	053766-06-000	EA	Bedding Compound - Tube - Clear (Window)
	053766-08-000	EA	Bedding Compound - Tube - Gray (Exterior)
	053766-05-000	EA	Bedding Compound - Tube - Gray (Sidewalls to Floor)
	053766-02-000	EA	Bedding Compound - Tube - Off White (Exterior)
	002328-02-000	EA	Block - Rubber Spacer (Windshield)
	004336-01-000	EA	Caulk - Latex - Golden Walnut (Sidewalls)
	077967-01-000	EA	Sealant - Acrylic Latex - Tube - Off White (Interior Sealant)
	034552-04-000	EA	Sealant - Silicone - Beige
	034552-02-000	EA	Sealant - Silicone - Clear
	034552-07-000	EA	Sealant - Silicone - Dark Gray
	034552-06-000	EA	Sealant - Silicone - Off White
	069637-01-000	EA	Sealant - Weatherban 404 - Tube - White (Door Caulk)
	072889-01-000	EA	Sealant - Urethane - Black (Windshield)
	059640-01-000	FT	Sealer Ribbon - .25" Bead x 20'
	069640-02-000	FT	Sealer Ribbon - .5" x .125" x 30'
	069640-03-000	FT	Sealer Ribbon - .75" x .125" x 30'
	069640-04-000	FT	Sealer Ribbon - 2" x .09" x 45' (P Series)
	069640-05-000	FT	Sealer Ribbon - 2.5" x .09" x 50'
	069640-08-000	FT	Sealer Ribbon - 5/16" Bead x 15'
	069640-07-000	FT	Sealer Ribbon - 2" x 3/32" x 30'
	002316-01-000	FT	Sealer Tape - 3/32" x 3/8" - White (Window)
	002707-01-000	FT	Sealer Tape - 5/16" x 3/4"
	002707-02-000	FT	Sealer Tape - 5/16" x 1/2"
	040545-01-000	GL	Sealer - Seam Weld
	053752-04-000	EA	Seam Sealer - Tube - Aluminum (Roof)
	063642-01-000	FT	Tape - Adhesive - .10 mm. x 1.5" Wide
	038886-01-000	EA	Tape - Butyl - 31" x .31" x 148" (Windshield)
	076322-01-000	FT	Tape - Foam - Double Coated - 025 x 1" (Fiberglass Sidewall Seams)
	076322-02-000	FT	Tape - Foam - Double Coated - 045 x 1" (Fiberglass Sidewall Seams)
	009200-01-000	EA	Tape - Furnace - 1 5"
	002825-01-000	FT	Weather Striping (Roof Vent)

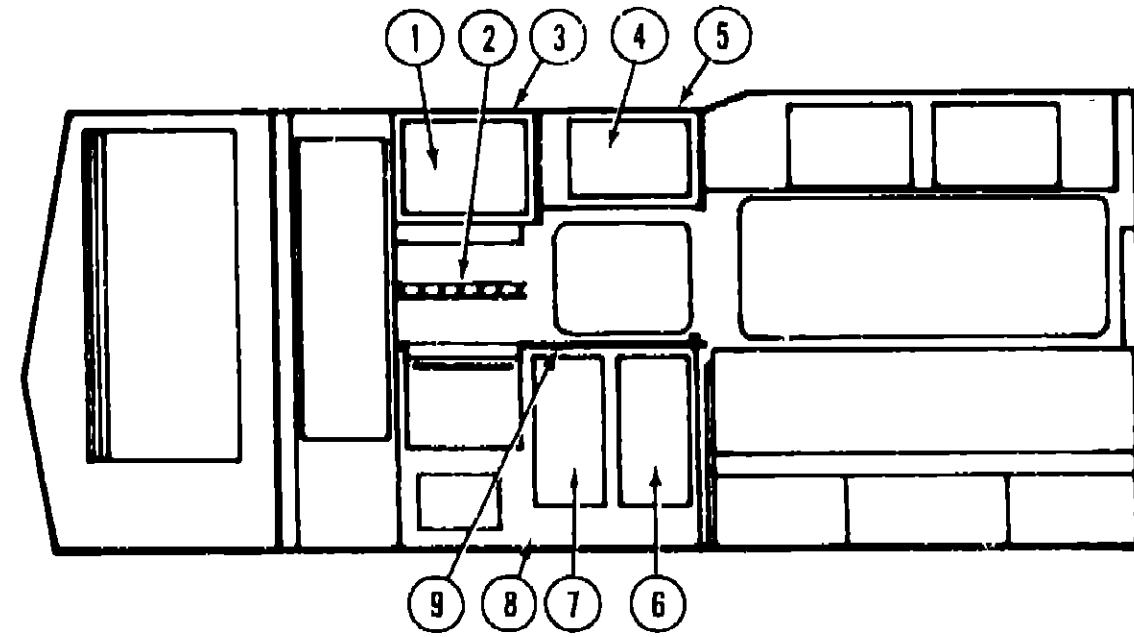
**1987 ITASCA
TABLE OF CONTENTS**

IC420RG	A-01 - B-22
IC/IF424RB	B-23 - D-22
ICN27RU	D-23 - G-06
ICP28RU	G-07 - I-18
ICP34RU	I-19 - L-04

1987 IC/IF424RB INDEX

Floor Plan	B-23 - B-24
Accessories Group	C-01 - C-03
Bath Group	C-04 - C-05
Chassis Group	C-06 - C-07
Curtain, Cushion & Pad Group	C-08 - C-15
Dinette Group	C-16 - C-17
Driver's Compartment Group	C-18 - C-20
Electrical Group	C-21 - C-22
Exterior Body Group	C-23 - D-04
Galley Group	D-05 - D-06
Heating & Air Conditioning Group	D-07
Interior Finish Group	D-08 - D-09
LP Group	D-10
Lounge Group	D-11
Water & Sewage Group	D-12 - D-13
Window, Vent & Exterior Door Group	D-14 - D-22

GALLEY GROUP



GALLEY CABINETRY

Key	Part Number	U/M	Description
11	M81523-01-W30	EA	Door Asm. - Galley Overhead - 16.7" x 23.9" - w/o Hardware
1	M84956-01-W24	EA	Door Asm. - Galley Overhead - 16.7" x 23.9" - w/o Hardware
2	074490-02-W24	EA	Spice Rack Asm. - Oak
3	081460-03-W30	EA	Cabinet Asm. - Galley Overhead - w/o Doors or Hardware
14	M81523-02-W24	EA	Door Asm. - Galley Overhead - 25.4" x 27.16" - w/o Hardware
4	M84956-02-W24	EA	Door Asm. - Galley Overhead - 25.4" x 27.16" - w/o Hardware
5	083073-01-W24	EA	Cabinet Asm. - Galley Overhead - w/o Door or Hardware
16	M81501-02-W30	EA	Door Asm. - Galley Cabinet - 33.3" x 14.29" - w/o Hardware
6	M84953-02-W24	EA	Door Asm. - Galley Cabinet - 33.3" x 14.29" - w/o Hardware
7	M84953-03-W30	EA	Door Asm. - Galley Cabinet - 33.3" x 14.29" - w/o Hardware
17	M81501-03-W30	EA	Door Asm. - Galley Cabinet - 33.3" x 14.29" - w/o Hardware
8	M82447-01-W24	EA	Cabinet Asm. - Galley - w/o Countertop, Doors, Drawers or Hardware
9	M02558-01-W24	EA	Countertop Asm. - Galley
1*	M81502-06-W30	EA	Door Asm. - Refrigerator Cabinet - Front - 19.6" x 11.8" - w/o Hardware
1*	M81502-05-W30	EA	Door Asm. - Refrigerator Cabinet - Rear - 19.6" x 11.8" - w/o Hardware
*	M84954-06-W24	EA	Door Asm. - Refrigerator Cabinet - Front - 19.6" x 11.8" - w/o Hardware
*	M84954-05-W24	EA	Door Asm. - Refrigerator Cabinet - Rear - 19.6" x 11.8" - w/o Hardware
1*	M81501-55-W30	EA	Door Asm. - Pantry - 54.75" x 14.29" - w/o Hardware
*	M84953-26-W24	EA	Door Asm. - Pantry - 54.75" x 14.29" - w/o Hardware
*	077404-01-000	EA	Drawer - Plastic - 20" x 12.7"
*	M82184-01-W04	EA	Drawer Asm. - Storage (Used with Microwave Option)
*			Not illustrated
			Used in units produced after 12/1/86.

GALLEY GROUP (CONTINUED)

GALLEY HARDWARE & APPLIANCES

Key	Part Number	U/M	Description
	079352-01-000	EA	Hood - Range - Non-Powered w/Light - Almond
**	079353-01-000	EA	Hood - Range - Powered w/Monitor - Almond - US
	055282-02-000	EA	Range w/Small Oven - 4 Burner - Almond - Magic Chef
	055282-02-700	EA	Top - Main - 4 Burner - Almond
	081374-01-000	EA	Range Top - 4 Burner - Almond
	081374-01-700	EA	Trim - Top Right Cabinet
	081374-01-701	EA	Trim - Top Left Cabinet
	081374-01-702	EA	Panel - Manifold Warm Black
	081374-01-703	EA	Trim - Top Rear - Cabinet
	081374-01-704	EA	Guard Fabric
	081379-01-000	EA	Oven - Microwave/Convection - Sharp
	081456-01-000	EA	Angle Asm. - Microwave - Right
	081456-02-000	EA	Angle Asm. - Microwave - Left
	081459-01-000	EA	Bracket Asm. - Microwave - Right
	081459-07-000	EA	Bracket Asm. - Microwave - Left
	081555-01-T03	EA	Trim Asm. - Microwave
	081587-01-000	EA	Bracket - Tie Down - Range - Right
	081587-02-000	EA	Bracket - Tie Down - Range - Left
**	064473-02-000	EA	Refrigerator - AC/DC/Case - 6' - 776-EG3
	084879-01-000	EA	Refrigerator - AC/DC/Case - 6' - 776-EG3
	084879-01-700	EA	Cooling Unit - For #8663
	084879-01-701	EA	Gasket - Lower Door
	084879-01-702	EA	Handle - Lower Door
	084879-01-703	EA	Cabinet Asm. - Foamed
	084879-01-704	EA	Liner - Lower Door - Foamed w/Frame
	084879-01-705	EA	Panel Holder - Lower Door
**	068615-01-000	EA	Sink - Stainless Steel - Double w/Bolts
**	011053-01-000	EA	Faucet - Swing Spout - 8" - US
**	011053-02-000	EA	Faucet - Swing Spout - 6" - CSA
**	011053-01-700	EA	Aerator - Swing Spout Faucet
	066437-01-000	EA	Strainer w/Basket - Sink
	081530-01-W07	EA	Sink Cover - Large - Beige Crescent
	009059-01-000	EA	Hinge - 2" - Gold - Drop Leaf Table
	074490-02-T03	EA	Spice Rack - Oak
	074491-02-T03	EA	Magazine Rack - Oak
	074981-01-000	EA	Cutting Board - Maple
	058334-01-000	EA	Wastebasket - 9 3/4" x 7" x 10" - White
	058478-01-000	EA	Support - Wastebasket - Metal - Door Mount
	059777-02-000	EA	Hinge - Cabinet Door - Light Brass
	086263-01-000	EA	Pull - Polished Brass
	039873-01-000	EA	Latch w/Strike - Cabinet Door
	047744-01-000	EA	Kit - Drawer Guide - Plastic
	077409-01-000	EA	Slide - Drawer - 20.75" - Plastic
	077404-01-000	EA	Drawer - 20" x 12.70" - Plastic
	066435-01-000	EA	Nut Strainer
	011083-01-000	EA	Plug - 1 1/4" x 5" - w/Stopper
**			The illustrated parts breakdown for this item is provided on the Common Items Fiche

**1987 ITASCA
TABLE OF CONTENTS**

IC420RG	A-01 - B-22
IC/IF424RB	B-23 - D-22
ICN27RU	D-23 - G-06
ICP28RU	G-07 - I-18
ICP34RU	I-19 - L-04

1987 IC/IF424RB INDEX

Floor Plan	B-23 - B-24
Accessories Group	C-01 - C-03
Bath Group	C-04 - C-05
Chassis Group	C-06 - C-07
Curtain, Cushion & Pad Group	C-08 - C-15
Dinette Group	C-16 - C-17
Driver's Compartment Group	C-18 - C-20
Electrical Group	C-21 - C-22
Exterior Body Group	C-23 - D-04
Galley Group	D-05 - D-08
Heating & Air Conditioning Group	D-07
Interior Finish Group	D-08 - D-09
LP Group	D-10
Lounge Group	D-11
Water & Sewage Group	D-12 - D-13
Window, Vent & Exterior Door Group	D-14 - D-22

HEATING & AIR CONDITIONING GROUP

AUTOMOTIVE HEATER & AIR CONDITIONER

Key	Part Number	U/M	Description
	081051-01-000	EA	A/C - Compressor Mount Package - 350 C I D (Chevy)
	072343-01-000	EA	A/C - Compressor/Clutch - Sankyo 510
†	072343-05-000	EA	A/C - Compressor/Clutch - Sankyo 709
	073716-01-000	EA	A/C - Condenser Asm - "C" - Tube O
	073716-01-700	EA	Coil - Condenser
	073716-01-701	EA	Hose Discharge
	073716-01-702	EA	Hose Asm. #6
	073716-01-703	EA	Hose Asm #8
	073716-01-704	EA	Receiver Drier - C-Body
	073716-02-700	EA	O Ring - Condenser Coil
	086781-01-000	EA	Evaporator Asm. - A/C (Ford)
	074027-01-000	EA	Evaporator Asm. - A/C (Chevy)
	074027-01-700	EA	Motor
	074027-01-701	EA	Hose - Liquid #6
	074027-01-702	EA	Hose - Suction #10
	074027-01-703	EA	Louver
	074027-01-704	EA	Escutcheon
	074027-01-705	EA	Thermostat
	074027-01-706	EA	Knob - Temperature
	074027-01-707	EA	Knob - Air
	074027-01-708	EA	Solenoid Vacuum Switch
	074027-01-709	EA	Center Louver Escutcheon
	074027-01-710	EA	Coil - Evaporator
	074027-01-711	EA	Blower Wheel
	074027-01-712	EA	Blower Housing
	007108-01-000	FT	Hose - Heater - 5/8" I.D SAE 20R
	049401-01-000	EA	Rear Heater
	062401-04-000	EA	Clamp - Worm Drive - .69" - 1 25" I.D

† Used in unit produced after 2/15/86

FURNACES & ROOF AIR CONDITIONER

Key	Part Number	U/M	Description
**	075696-01-000	EA	Furnace - 34,000 BTU - w/Direct Ignition - NT-34S
**	075695-01-000	EA	Furnace - 24,000 BTU - w/Direct Ignition - NT-24S
	009198-01-000	FT	Duct - Flexible - 4" I.D x 25'
	056464-01-000	EA	Register - 4" Dia - Plastic - w/Damper
	056462-02-000	EA	Register - 4" Dia - Plastic - w/o Damper
	009200-01-000	EA	Tape - Furnace - 1 1/2"
	010326-01-000	EA	Adapter - Flare - w/Cone Gasket
	023146-01-000	EA	Clamp - Screw Type - 4"
**	073743-01-000	EA	Shroud Asm - Ceiling - Inside - Roof Air Cool Only - 13,500 BTU
**	073744-01-000	EA	Shroud Asm - Ceiling - Inside - Roof Air Heat & Cool - 13,500 BTU
**	073742-01-000	EA	Air Conditioner - 110 Volt & Roof Mount - 13,500 BTU Rotary

** The illustrated parts breakdown for this item is provided on the Common Items Fiche

INTERIOR FINISH GROUP

PANELING & LAMINATE

Key	Part Number	U/M	Description
	074497-09-000	SF	Paneling - Decor - Classique Tweed/Sand - 48" x 84" (28 SF) (Wall)
	074496-73-000	SF	Paneling - Decor - Jade Frost - 48" x 84" (28 SF) (Galley) (W24)
	074496-75-000	SF	Paneling - Decor - Rose - 48" x 84" (28 SF) (Galley) (W25, W26)
	074496-66-000	SF	Paneling - Decor - Jade Frost - 48" x 84" (28 SF) (Wet Bath) (W24)
	074496-68-000	SF	Paneling - Decor - Rose - 48" x 84" (28 SF) (Wet Bath) (W25, W26)
	074497-07-000	SF	Paneling - Pebble Beach - 48" x 96" (32 SF) (Ceiling)
	074498-16-000	SF	Plastic Laminate - Apricot Blush - 48" x 96" (32 SF) (Bath) (W24)
	074498-17-000	SF	Plastic Laminate - Maplenut - 48" x 96" (32 SF) (Bath) (W25)
	074498-15-000	SF	Plastic Laminate - Blush - 48" x 96" (32 SF) (Bath) (W26)
	074498-13-000	SF	Plastic Laminate - Sand Quadrus - 48" x 96" (32 SF) (Galley & Dinette)
	074498-20-000	SF	Plastic Laminate - Regal Oak - 48" x 96" (32 SF) (Nightstand)
	076325-16-000	FT	Molding - Edge Band - Regal Oak - 1 15/16" x 030"

INTERIOR MOLDING TRIM

Key	Part Number	U/M	Description
	042357-11-000	FT	Molding - Radius Corner - Oak
	022992-08-000	FT	Molding - Reverse Cove - Champagne White
	079653-04-000	EA	Molding - Ball Strip - Kerfed - Light Oak
	069733-70-000	EA	Ball Strip - Regal Oak - 8' (Cabinets)
	069733-66-000	EA	Ball Strip - Classique Tweed/Sand (Wall)
	069733-71-000	EA	Ball Strip - Winne - 8' (Galley & Bath)
	069733-74-000	EA	Ball Strip - Winne - 8' (Wet Bath)
	069733-62-000	EA	Ball Strip - Pebble Beach - 8' (Ceiling)
	070504-01-000	FT	U-Channel - .065 - Light Brown
	070504-06-000	FT	U-Channel - .015 - Regal Oak
	009778-07-000	FT	U-Channel - .1" - Regal Oak
	002774-02-001	EA	Trim - Carpet - 192"
	009767-06-000	FT	Wetling - Belge
	083620-01-000	FT	T-Molding - Grady Brown
	024700-17-000	EA	Cover - Rollbar - Sidewall - Belge
	009809-17-000	FT	Corner Molding - Plastic - 1" - Regal Oak
	009812-17-000	FT	Corner Molding - Plastic - 1/2" - Regal Oak
	074045-01-000	EA	Plug - 1/2" Dia - Oak
	041746-01-000	FT	Vinyl - Extr - Bubble Seal

CURTAIN & CUSHION HARDWARE

Key	Part Number	U/M	Description
	085283-01-000	EA	Bracket - Hold Back - Blinds
	056003-02-000	EA	Bracket - Drapery Retainer - Left
	056003-01-000	EA	Bracket - Drapery Retainer - Right
	079798-03-000	EA	Bracket Asm. - Curtain Rod - Right
	079798-04-000	EA	Bracket Asm. - Curtain Rod - Left
	079819-01-000	EA	Bracket - Tie Back
	009107-01-000	EA	Guide - Nylon Snap - Curtain
	087253-01-000	EA	Pull - Window Shade - Clear
	056115-01-000	YD	Tape - Clear Plastic - w/Guide
	048394-02-000	YD	Tape Hook - .75" x 50 YD - Belge
	048395-02-000	YD	Tape Loop - 75" x 50 YD - Belge
	029090-01-000	FT	Tie - Drapery - Clear Vinyl
	056116-01-000	FT	Track - Curtain - Brown Plastic

MISCELLANEOUS PARTS

Key	Part Number	U/M	Description
	053552-02-003	EA	Handle Asm. - Interior Assist - Vinyl
	041944-03-000	EA	Fire Extinguisher
	084472-01-000	EA	Holder - Fire Extinguisher
	054185-26-000	EA	Owners Manual - 1987 Itasca & Winnebago
	040069-01-000	EA	Door Mat - 10 1/2" x 26" - Black Rubber
	086269-01-000	EA	Pictures - Decor

1987 ITASCA TABLE OF CONTENTS

IC420RG	A-01 - B-22
IC/IF424RB	B-23 - D-22
ICN27RU	D-23 - G-06
ICP28RU	G-07 - I-18
ICP34RU	I-19 - L-04

1987 IC/IF424RB INDEX

Floor Plan	B-23 - B-24
Accessories Group	C-01 - C-03
Bath Group	C-04 - C-05
Chassis Group	C-06 - C-07
Curtain, Cushion & Pad Group	C-08 - C-15
Dinette Group	C-16 - C-17
Driver's Compartment Group	C-18 - C-20
Electrical Group	C-21 - C-22
Exterior Body Group	C-23 - D-04
Galley Group	D-05 - D-06
Heating & Air Conditioning Group	D-07
Interior Finish Group	D-08 - D-09
LP Group	D-10
Lounge Group	D-11
Water & Sewage Group	D-12 - D-13
Window, Vent & Exterior Door Group	D-14 - D-22

INTERIOR FINISH GROUP (CONTINUED)

CABINETS & TABLE HARDWARE

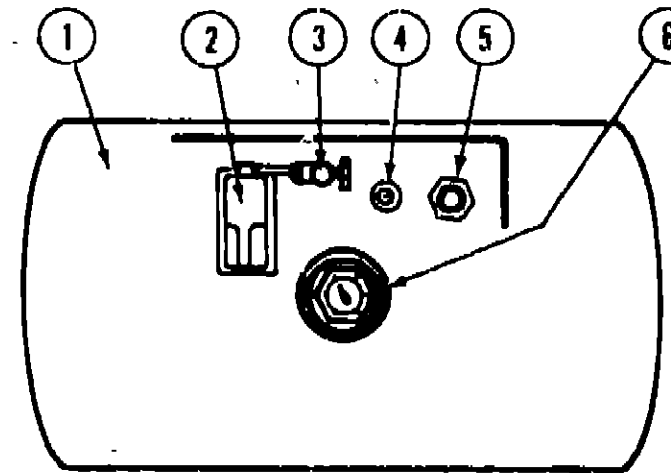
Key	Part Number	U/M	Description
	053200-05-000	EA	Bracket - Upper Wall Mount - 23 5" - Beige
	024281-07-000	EA	Bracket - Lower Wall Mount - 22 12" - Beige
	024276-17-000	EA	Leg Asm - Table - 26 5' - Tan
	064050-02-000	EA	Hinge - Table Leg
**	024282-01-000	EA	Brace - Table Leg
	049493-05-000	EA	Catch - Table Leg - Mounts on Floor - Tan
	009112-01-000	EA	Flange - 1" Chrome - Closet Rod
	077409-01-000	EA	Slide - Drawer - Plastic - 20 75"
	009049-01-000	EA	Table Support - Drop Leaf
	009059-01-000	EA	Hinge - 2" - Drop Leaf Table - Gold
	076312-01-000	EA	Mesh - Grille - 13 8" x 8 8" - Gold Aluminum
	009021-01-000	EA	Catch - Nylon - Furnace Door
	009021-02-000	EA	Strike - Nylon Catch - Furnace Door
	074493-02-000	EA	Support - Spring Door
	075680-01-000	EA	Clothes Rod - Adjustable - 27" x 36"
	084435-01-000	EA	Knob - Decorative Cabinet
	059777-02-000	EA	Hinge - Light Brass
	009016-01-000	EA	Catch - Elbow - Spring Loaded
	077461-01-000	EA	Cover - Strike
	086263-01-000	EA	Pull - Polished Brass
	084435-01-000	EA	Knob - Polished Brass
	075687-02-000	EA	Knob - Bath Door
	084466-02-000	EA	Slide Asm - Drawer - Right
	084466-03-000	EA	Slide Asm - Drawer - Left
	084466-04-000	EA	Slide Asm - Cabinet - Right
	084466-05-000	EA	Slide Asm - Cabinet - Left
**	084451-01-000	EA	Catch - TV Shelf - Brass

** The illustrated parts breakdown for this item is provided on the Common Items Fiche

FABRICS & CARPETS

Key	Part Number	U/M	Description
	077498-89-000	YD	Fabric w/Pattern - Upholstery - Main - Jasmine (W24)
	077498-90-000	YD	Fabric w/Pattern - Upholstery - Main - Garnet (W25)
	077498-88-000	YD	Fabric w/Pattern - Upholstery - Main - Jute (W26)
	077498-B2-000	YD	Fabric w/Pattern - Upholstery - Accent - Juniper (W24)
	077498-B3-000	YD	Fabric w/Pattern - Upholstery - Accent - Brick (W25)
	077498-B4-000	YD	Fabric w/Pattern - Upholstery - Accent - Madder (W26)
	077498-A1-000	YD	Fabric - Upholstery Accent - Plain - Blue (W24)
	077498-A2-000	YD	Fabric - Upholstery Accent - Plain - Garnet (W25)
	077498-A8-000	YD	Fabric - Upholstery Accent - Plain - Wine (W26)
	072333-38-000	YD	Fabric - Drapery - Melba (W24)
	072333-40-000	YD	Fabric - Drapery - Raisin (W25)
	072333-37-000	YD	Fabric - Drapery - Mauve (W26)
	069729-44-000	YD	Fabric - Bedspread - Covington #2 (W24)
	069729-45-000	YD	Fabric - Bedspread - Covington #18 (W25)
	069729-46-000	YD	Fabric - Bedspread - Covington #3 (W26)
	084415-11-000	YD	Braid Trim - Pull Shades - Blue Jade (W24)
	084415-15-000	YD	Braid Trim - Pull Shades - Rust (W25)
	084415-13-000	YD	Braid Trim - Pull Shades - Mauve (W26)
	052859-05-T03	FT	Trim Asm - Accent - Buckskin
	079680-01-000	YD	Vinyl - Expanded - 26 oz - Buckskin
	072860-57-000	YD	Carpet - French Court (W24)
	072860-58-000	YD	Carpet - Champagne (W25, W26)

LP GROUP



Key	Part Number	U/M	Description
	074142-01-000	EA	Tank Asm. - LP - Frame Mount - 80 Pound - 13" x 44"
	080450-01-000	EA	Tank Asm. - LP - Frame Mount - 42 Pound - 13" x 24"
*	065741-01-000	EA	Detector - LP Gas Leak - Marshalltown Instruments
2	081938-01-000	EA	Compartment - LP Regulator
*	076301-01-000	EA	Regulator - Two Stage - US (Dual)
*	076301-02-000	EA	Regulator - Two Stage - CSA (Dual)
3	040421-01-703	EA	Valve - Vapor Relief
4	040421-01-700	EA	Gauge - Liquid Level - 20% LP
5	040421-01-701	EA	Valve - Filler - LP
*	040421-01-702	EA	Cap - Plastic Fill Valve
6	040421-01-707	EA	Gauge - Float - w/Visible Dial
*	040421-01-706	EA	Dial - Visible Face - Float Gauge (Tank w/o Electric Transmitter)
*	040440-01-000	EA	Dial - Transmitter - 0 - 90 Ohm (Float Gauge)
*	045703-01-000	EA	Hose Asm - LP - 3/8" I D x 24" - US
*	045703-02-000	EA	Hose Asm. - LP - 3/8" I D x 24" - CSA
*	045703-03-000	EA	Hose Asm - LP - 3/8" I D x 18" - US
*	045703-04-000	EA	Hose Asm - LP - 3/8" I D. x 14" - CSA
*	065959-01-000	EA	Housing - LP Gauge
*	065742-01-000	EA	Tee - 3/8 F x 3/8 F x 25 FPT
*	068046-01-000	EA	Conversion Kit - LP - Onan Generator
			Not illustrated

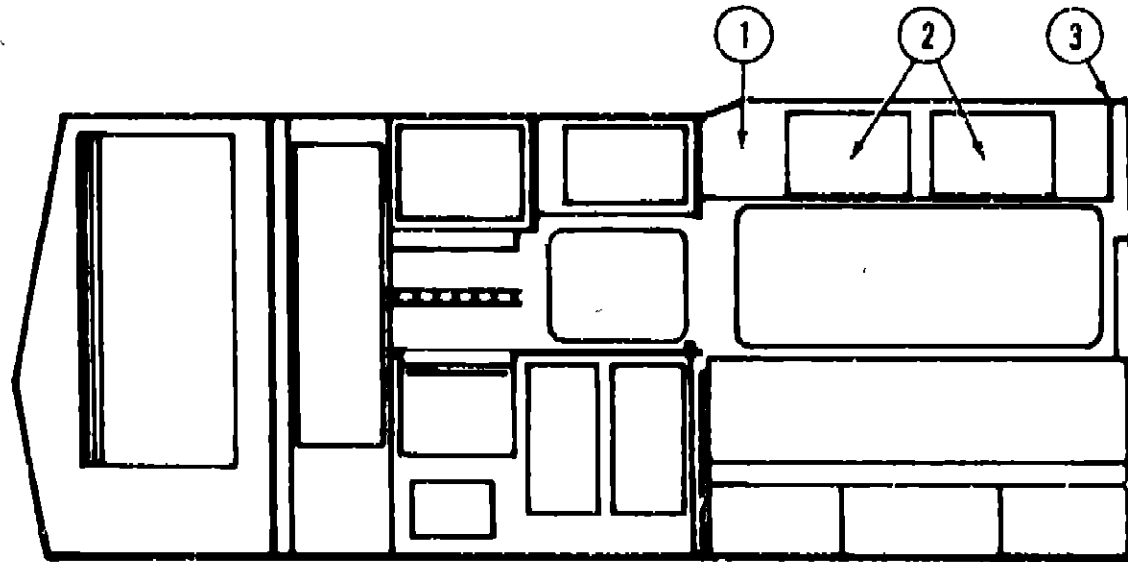
1987 ITASCA TABLE OF CONTENTS

IC420RG	A-01 - B-22
IC/IF424RB	B-23 - D-22
ICN27RU	D-23 - G-06
ICP28RU	G-07 - I-18
ICP34RU	I-19 - L-04

1987 IC/IF424RB INDEX

Floor Plan	B-23 - B-24
Accessories Group	C-01 - C-03
Bath Group	C-04 - C-05
Chassis Group	C-06 - C-07
Curtain, Cushion & Pad Group	C-08 - C-15
Dinette Group	C-16 - C-17
Driver's Compartment Group	C-18 - C-20
Electrical Group	C-21 - C-22
Exterior Body Group	C-23 - D-04
Galley Group	D-05 - D-06
Heating & Air Conditioning Group	D-07
Interior Finish Group	D-08 - D-09
LP Group	D-10
Lounge Group	D-11
Water & Sewage Group	D-12 - D-13
Window, Vent & Exterior Door Group	D-14 - D-22

LOUNGE GROUP



SPRUNG COUCH

Key	Part Number	U/M	Description
1	M82445-04-W24	EA	Cabinet Asm. - Overhead - Driver - w/o Doors or Hardware
12	M81523-03-W24	EA	Door Asm. - Overhead Cabinet - 15.83" x 11 61" - w/o Hardware
2	M84956-03-W24	EA	Door Asm. - Overhead Cabinet - 15.83" x 11 61" - w/o Hardware
3	081280-21-W24	EA	Pad Asm. - End Cap - Overhead Cabinet - Vinyl
*	081299-01-W24	EA	Table Asm. - Pedestal - w/o Hardware
*	009040-02-000	EA	Leg - Pedestal Table - 27 5" x 2 25" - Chrome
*	041194-01-000	EA	Base - Table - Mounts in Floor
*	009040-03-000	EA	Base - Table - Mounts on Table
*	062046-01-000	EA	Clip - Pedestal Leg
*	057468-02-000	EA	Base Asm. - 3 Pillow Bed - Right Side
*	057468-03-000	EA	Base Asm. - 3 Pillow Bed - Left Side
*	057468-04-000	EA	Spacers - Base Asm. - 3 Pillow Bed
*	057469-05-000	EA	Leg Asm. - 3 Pillow Bed - Left or Right
*			Not illustrated
†			Used in units produced after 12/1/86

SWIVEL CHAIR BASE

Key	Part Number	U/M	Description
*	035036-04-000	EA	Base - Swivel Chair
*	035036-05-000	EA	Extension - 7" - Swivel Chair
*	088245-01-000	EA	Base - Swivel Chair
*	088245-05-000	EA	Extension - 5" - Swivel Chair
*			Used in units produced after 2/28/87.

WATER & SEWAGE GROUP

HOLDING TANKS & WATER HEATER

Key	Part Number	U/M	Description
	077989-01-000	EA	Tank - Water - 35 Gallon - w/o Fitting
	074870-01-000	EA	Tank - Holding - 30 Gallon - w/o Fitting
	075298-01-000	EA	Tank - Holding - 37 Gallon - w/o Fitting
**	051391-01-000	EA	Water Heater - w/o Motor Aid - Atwood - G6A-3
**	051391-03-000	EA	Water Heater - w/Motor Aid - Atwood - G6A-3A
**	051393-01-000	EA	Water Heater - w/Motor Aid - G6A-3A
**			The illustrated parts breakdown for this item is provided on the Common Items Fiche

PLUMBING & REPAIR PARTS

Key	Part Number	U/M	Description
	033302-02-000	EA	Adapter Asm. - SWVC Strain - 1 1/2"
	010326-01-000	EA	Adapter - Flare - w/Cone Gasket
	062422-01-000	EA	Adapter - Hose Offset - Reducer - 3" x 1 1/2"
	052954-01-000	EA	Adapter - Hose Cone - 3/8 or 1/2 - Plastic
	010224-01-000	EA	Adapter - Plastic - 3/8 MPT x 3/8 Barb
	044927-01-000	EA	Adapter - Plastic - 1 1/4" MPT x 1 1/4 Barb
	031602-02-000	EA	Adapter - Plastic - 1 1/2 H x FPT
	062417-01-000	EA	Adapter - Termination - 3"
	004020-01-000	QT	Adhesive - ABS Cement
**	011048-04-000	EA	Breaker - Vacuum - 1/8 MPT - Nylon
**	010121-01-000	EA	Bushing - Plastic - 1 1/2 S x 1 1/4 H
	010122-01-000	EA	Bushing - Plastic - 1 1/2 S x 1 1/4 T
	010123-01-000	EA	Bushing - Plastic - 2S x 1 1/2 H
	036522-02-000	EA	Cap - Brass - 1/2 Flare
	062415-01-000	EA	Cap - Sewer - 3"
	052959-02-000	EA	Connector - 1/2 F x 1/2 MPT - Plastic
	052959-03-000	EA	Connector - 1/2 F x 3/8 MPT - Plastic
	011091-02-000	EA	Continuous Waste - Double Sink - 11 7/8" - US
	053874-01-000	EA	Continuous Waste Asm. - Double Sink - CSA
	078408-01-000	EA	Coupler Rubber - 3" x 3"
	052960-01-000	EA	Drain Valve - 1/2 F x 1/2 F - Plastic
	010000-01-000	EA	Elbow - Plastic - 1/8 BD x 1 1/4 x 45° H x H
	010005-01-000	EA	Elbow - Plastic - 1/16 BD x 1 1/2
	010006-01-000	EA	Elbow - Plastic - 1/8 BD x 1 1/2 x 45° H x H
	010008-01-000	EA	Elbow - Plastic - 1/4 BD x 1 1/2 x 90° Left
	010051-01-000	EA	Elbow - ST - Plastic - 1/8 BD x 1 1/2 x 45°
	010210-01-000	EA	Elbow - 1 1/4 Barb x 1 1/4 MPT x 90°
	031111-01-000	EA	Elbow - Plastic - 1/4 BD x 1 1/4 x 90° Left
	034250-01-000	EA	Elbow - Plastic - 1/4 BD x 1 1/2 x 90° x H x H
	035539-01-000	EA	Elbow - Plastic - 3/8 MPT x 3/8 Barb
	052957-01-000	EA	Elbow - Plastic - 1/2 F x 3/8 MPT
	052957-02-000	EA	Elbow - Plastic - 1/2 F x 1/2 MPT (In Tank Filter)
	059536-01-000	EA	Elbow - 1 1/4 - Slip Joint Ends
	065120-01-000	EA	Elbow - Plastic - Swivel - 50
	070924-01-000	EA	Elbow - Plastic - Swivel - 1/2 MPT x 1/2 FP
	077954-02-000	EA	Filter/Screen (In Water Tank)
	039647-02-000	EA	Filter - Water Pump - 1/2" MPT
	039647-03-000	EA	Filter - Water Pump - 1/2" Flare
	010147-01-000	EA	Flange - Closet - 4" F x 3" FPT - US
	010147-02-000	EA	Flange - Closet - 4" F x 3" FPT - CSA
	079381-01-000	FT	Flexible Tubing - 1 1/4 I.D. x 10'
	061607-01-000	EA	Grommet - Holding Tank Coupler - 1 1/2"
	061607-02-000	EA	Grommet - Holding Tank Coupler - 3"
	062419-02-000	EA	Handle - Extension - w/6" Adapter
	052961-01-000	EA	Header - 1/2 F x 1/2 F x 1/2 F x 1/2 F
**	046524-01-000	EA	Kit - Holding Tank Fittings - Blank Tank
**	046524-01-000	EA	Kit - Water Tank Fittings - Blank Tank
	052953-01-000	EA	Nut - Facuet - 1/2 Tube x 1/2 FPT
	052952-01-000	EA	Nut - 1/2 F - Plastic
**			The illustrated parts breakdown for this item is provided on the Common Items Fiche

1987 ITASCA TABLE OF CONTENTS

IC420RG	A-01 - B-22
IC/IF424RB	B-23 - D-22
ICN27RU	D-23 - G-06
ICP28RU	G-07 - I-18
ICP34RU	I-19 - L-04

1987 IC/IF424RB INDEX

Floor Plan	B-23 - B-24
Accessories Group	C-01 - C-03
Bath Group	C-04 - C-05
Chassis Group	C-06 - C-07
Curtain, Cushion & Pad Group	C-08 - C-15
Dinette Group	C-16 - C-17
Driver's Compartment Group	C-18 - C-20
Electrical Group	C-21 - C-22
Exterior Body Group	C-23 - D-04
Galley Group	D-05 - D-06
Heating & Air Conditioning Group	D-07
Interior Finish Group	D-08 - D-09
L.P. Group	D-10
Lounge Group	D-11
Water & Sewage Group	D-12 - D-13
Window, Vent & Exterior Door Group	D-14 - D-22

WATER & SEWAGE GROUP (CONTINUED)

PLUMBING & REPAIR PARTS (CONT.)

Key	Part Number	U/M	Description
**	011066-03-000	EA	P-Trap - 1 1/4" Plastic - US
**	011066-02-000	EA	P-Trap - 1 1/4" Plastic - CSA
	053335-01-000	EA	P-Trap - Plastic - 1 1/4 H x H - w/Union - CSA
	010197-01-000	FT	Pipe - Plastic - 3" x 240" - Black
	045729-01-000	EA	Pump - Water - 2 8 G P M - Direct Drive - Shurflo - US
**	010201-01-000	EA	Sewer Hose - 3" x 8' w/Clamp
	042989-02-000	EA	Spinweld Fittings - Plastic - 1/2 FPT (In Tank Fitter)
	042989-03-000	EA	Spinweld Fittings - Plastic - 1/4 NPT
	042989-04-000	EA	Spinweld Fittings - Plastic - 3/8 FPT
	011069-02-000	EA	Tailpiece - 1 1/2" x 1 1/4" x 4" - Brass
	010071-01-000	EA	Tee - Plastic - 1 1/2 x H x H x H
	010072-01-000	EA	Tee - Plastic - 1 1/2 H x 1 1/4 H x 1 1/2 H
**	010079-01-000	EA	Tee - Plastic - 1 1/2 H x 1 1/2 H x 1 1/4 H
	046172-01-000	EA	Tee - Plastic - 3/8 B x 3/8 B x 3/8 MPT
	052955-01-000	EA	Tee - Plastic - 1/2 F x 1/2 F x 1/2 MPT
	052956-01-000	EA	Tee - Plastic - 1/2 F x 1/2 MPT x 1/2 F
	052958-01-000	EA	Tee - Plastic - 1/2 F x 1/2 F x 1/2 F
**	010133-01-000	EA	Trap Adapter - Plastic - 1 1/2 H x MPT
	039800-01-000	FT	Tubing - Polybutyl - 1/2 O D. (Water Line)
	074348-02-000	FT	Tubing - Vinyl - 1/2 O D. (Water Line)
	072346-01-000	EA	Valve Asm - 3" Ell - w/2" Socket
	062418-02-000	EA	Valve - 1 1/2" - w/Handle
	062418-02-000	EA	Valve - 3" - w/o Handle
	052960-01-000	EA	Valve - Line Drain - 1/2 F x 1/2 F
	052962-01-000	EA	Valve - Stool - 90° - 1/2 F x 3/8 MPT
	010073-01-000	EA	Wye - Plastic - 1 1/2 x 45 H x H
	087200-01-000	EA	Filter - Water Purification
	087200-02-000	EA	Cartridge - Water Purification

** The illustrated parts breakdown for this item is provided on the Common Items Fiche.

WINDOWS, VENTS & EXTERIOR DOOR GROUP

ACCESS DOORS

Key	Part Number	U/M	Description
	079455-04-T95	EA	Door Asm - Storage - 9 5" x 21.7" (two key locks)
	079455-02-T95	EA	Door Asm - Storage - 9 5" x 21.7" (two twist, one key lock)
	M79321-01-T03	EA	Door Asm - Generator
	079455-03-T95	EA	Door Asm - LP - 9 5" x 21.7" (two twist locks)
	079149-01-T03	EA	Door Asm - Luggage - Off White
	078969-01-T95	EA	Door Asm - Refrigerator Access - w/1 wlst Lock - Off White
	084104-03-000	EA	Door Asm - Refrigerator Access - Half Door
	052009-01-000	EA	Door Asm - Water Heater - Off White
	052423-01-000	EA	Door - Sewage Hose - Off White
	085969-01-000	EA	Outlet Extension - Sewage
	075730-01-000	EA	End Cap - Sewage Hose
	078010-03-000	EA	Door - Fuel Fill - Off White
	063742-01-000	EA	Door - Power Cord - Off White
	052424-01-000	EA	Jamb - Power Cord/Fuel Fill Door - Off White
	054543-01-000	EA	Hatch - Power Cord Door
	052181-01-000	EA	Baffle - Generator Door
	041312-01-000	EA	Seal - Bulb - "E" Section
	083615-06-000	EA	Door Holder - Off White Plastic
	042442-01-000	EA	Lock Asm - Twist Type - 90° Rotation - 1.5 Latch - .6 Depth
	009003-01-000	EA	Lock Asm - Twist Type - w/Clip (Battery Door)
	079366-03-000	EA	Lock Asm - Key Type - 90° Rotation - 1.3 Latch - 2.1 Depth
	079927-03-000	EA	Lock Asm - Twist Type - 1.3 Latch - 1.9 Depth
	052951-01-000	EA	Clip - Twist Lock - Retainer
	079366-04-000	EA	Lock Asm - Key Type - 90° Rotation - 1.3 Latch - 1.9 Depth
	047305-01-000	EA	Lock Asm - Key Type - 90° Rotation - 1.5 Latch - 1.12 Depth
	079388-01-000	EA	Latch - Quarter Turn - Push Button
	079388-02-000	EA	Receptacle - Latch - Quarter Turn
	079388-03-000	EA	Nut - Latch Retaining - Quarter Turn
	079388-04-000	EA	Retainer - Latch - Quarter Turn

VENTS

Key	Part Number	U/M	Description
	084073-03-000	EA	Cover - Refrigerator Vent
	084073-04-000	EA	Brace Asm - Roof Vent - Refrigerator
	084616-01-000	EA	Shroud - Range Hood Vent - Off White Plastic
	084878-01-000	EA	Vent - Stovehood - Outside - Mill Finish
**	048835-01-000	EA	Vent Asm - Roof - Non-Powered - w/o Screen - Aluminum
**	048789-01-000	EA	Vent Asm - Roof - Powered - w/o Screen - Aluminum
	078786-01-T03	EA	Screen Asm - Roof Vent - Non-Powered
	078785-01-T03	EA	Screen Asm - Roof Vent - Powered

** The illustrated parts breakdown for this is provided on the Common Items Fiche.

**1987 ITASCA
TABLE OF CONTENTS**

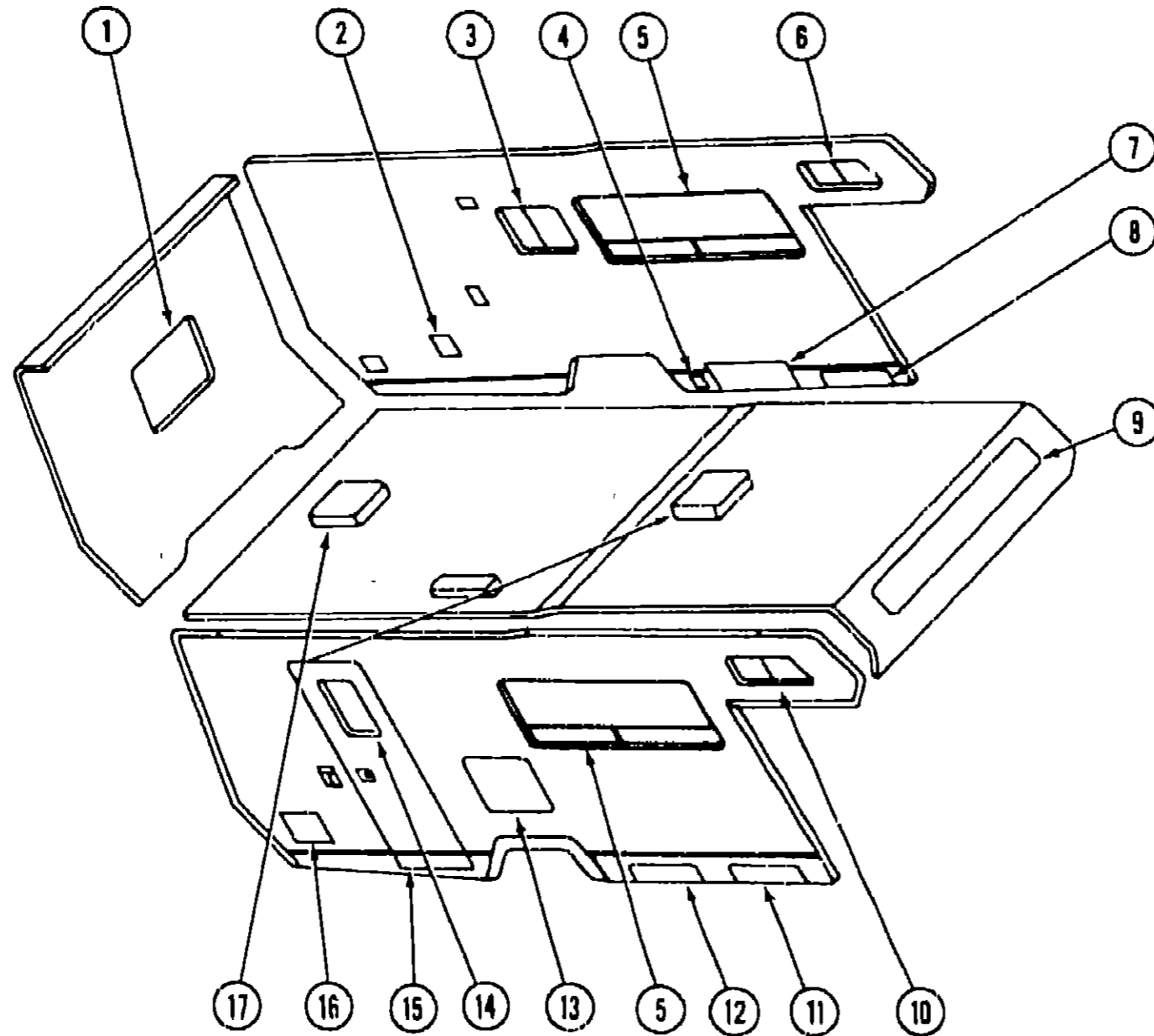
IC420RG	A-01 - B-22
IC/IF424RB	B-23 - D-22
ICN27RU	D-23 - G-06
ICP28RU	G-07 - I-18
ICP34RU	I-19 - L-04

1987 IC/IF424RB INDEX

Floor Plan	B-23 - B-24
Accessories Group	C-01 - C-03
Bath Group	C-04 - C-05
Chassis Group	C-06 - C-07
Curtain, Cushion & Pad Group	C-08 - C-15
Dinette Group	C-16 - C-17
Driver's Compartment Group	C-18 - C-20
Electrical Group	C-21 - C-22
Exterior Body Group	C-23 - D-04
Galley Group	D-05 - D-06
Heating & Air Conditioning Group	D-07
Interior Finish Group	D-08 - D-09
LP Group	D-10
Lounge Group	D-11
Water & Sewage Group	D-12 - D-13
Window, Vent & Exterior Door Group	D-14 - D-22

WINDOW, VENT & EXTERIOR DOOR GROUP (CONTINUED)

WINDOWS & ACCESS DOORS



Key	Part Number	U/M	Description
1	079415-01-T03	EA	Window Asm. - Escape
2	078010-03-000	EA	Door Asm. - Fuel Fill
3	078266-03-T03	EA	Window Asm. - Single Slider
4	078960-01-T95	EA	Door Asm. - Power Cord
5	085354-02-W07	EA	Window Asm. - Double Tipout
6	086227-02-000	EA	Window Asm. - Bunk - Slant Slider - Left
*	086228-02-000	EA	Frame - Inside - Left Bunk - Slant Slider
7	079149-01-T03	EA	Door Asm. - Luggage
7	M79321-01-T03	EA	Door Asm. - Generator
8	079455-04-T95	EA	Door Asm. - Storage
9	078533-01-T03	EA	Window Asm. - Front Picture

Key	Part Number	U/M	Description
10	086227-01-000	EA	Window Asm. - Bunk - Slant Slider - Right
*	086228-01-000	EA	Frame - Inside - Right Bunk - Slant Slider
11	079455-03-T95	EA	Door Asm. - LP
12	079455-02-T95	EA	Door Asm. - Storage
13	078969-02-T95	EA	Door Asm. - Refrigerator Access
13	084104-03-000	EA	Door Asm. - Refrigerator Access - Half Door
14	079733-04-T03	EA	Window Asm. - Picture
15	M01870-03-W04	EA	Door Asm. - Radius Entry w/Screen Door
16	052009-01-000	EA	Door Asm. - Water Heater - Off White
17	048835-01-000	EA	Vent Asm. - Roof - Non-Powered - w/o Screen - Alum
17	048789-01-000	EA	Vent Asm. - Roof - Powered - w/o Screen - Alum
*			Not illustrated

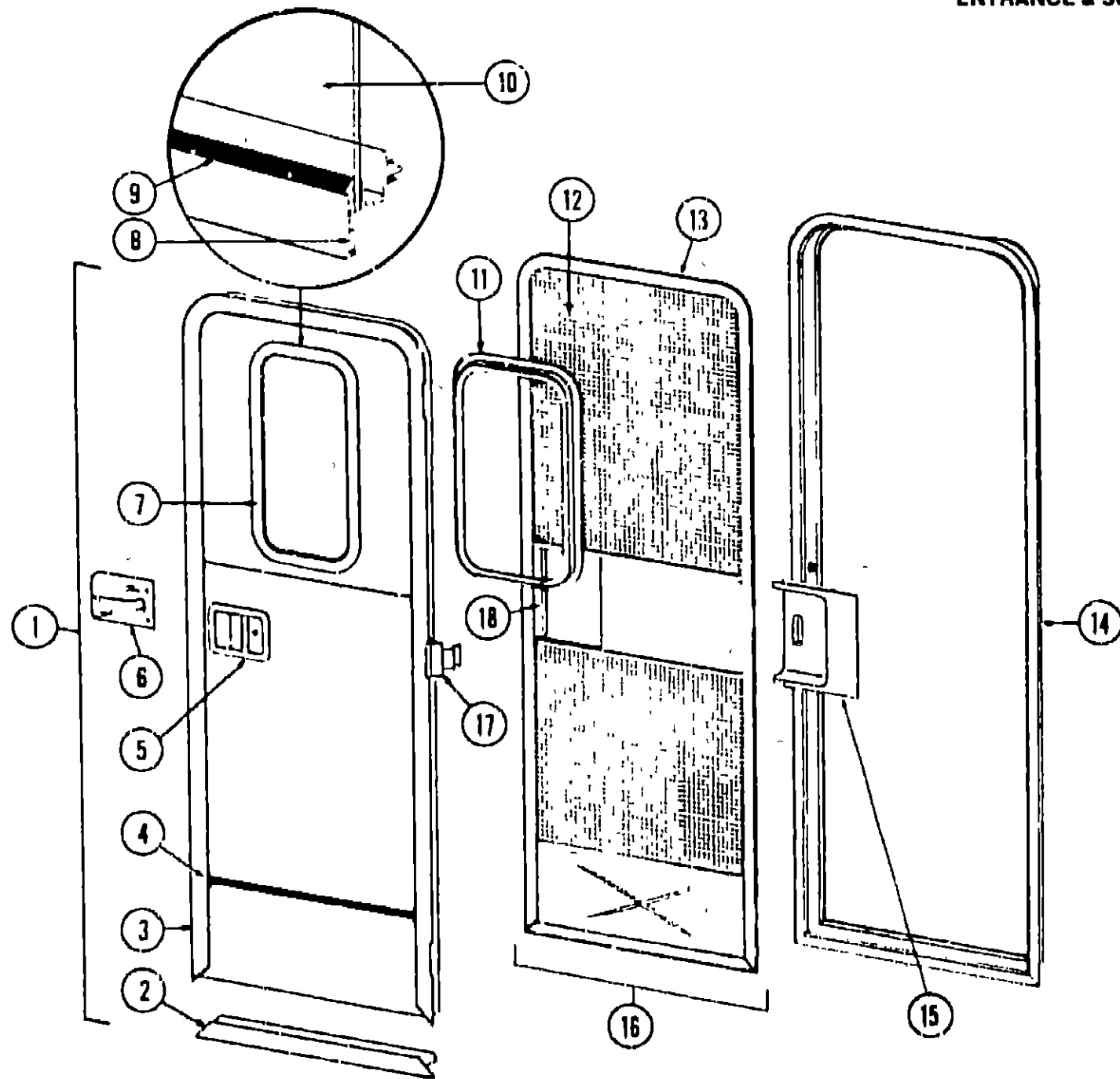
1987 ITASCA TABLE OF CONTENTS

IC420RG	A-01 - B-22
IC/IF424RB	B-23 - L-22
ICN27RU	D-23 - G-06
ICP28RU	G-07 - I-18
ICP34RU	I-19 - L-04

1987 IC/IF424RB INDEX

Floor Plan	B-23 - B-24
Accessories Group	C-01 - C-03
Bath Group	C-04 - C-05
Chassis Group	C-06 - C-07
Curtain, Cushion & Pad Group	C-08 - C-16
Dinette Group	C-16 - C-17
Driver's Compartment Group	C-18 - C-20
Electrical Group	C-21 - C-22
Exterior Body Group	C-23 - D-04
Galley Group	D-05 - D-06
Heating & Air Conditioning Group	D-07
Interior Finish Group	D-08 - D-09
LP Group	D-10
Lounge Group	D-11
Water & Sewage Group	D-12 - D-13
Window, Vent & Exterior Door Group	D-14 - D-22

WINDOW, VENT & EXTERIOR DOOR GROUP (CONTINUED)
ENTRANCE & SCREEN DOOR



Key	Part Number	U/M	Description
1	M01870-02-W01	EA	Door Asm - Radius Entry w/Screen Door - w/o Window
2	077998-01-000	EA	Frame - Entry Door (Bottom Portion Only)
3	078000-02-000	EA	Frame - Entry Door (Except Bottom Portion)
4	059576-05-000	EA	Feature Strip w/o Insert - Extr - 14" - Off White
	001030-02-003	EA	Insert - Feature Strip - 17" - Stucco - Off White
	009731-01-000	EA	End Cap - Feature Strip
5	045017-05-000	EA	Paddle Asm - Door Lock - Exterior
	045017-05-700	EA	Lock Cylinder w/Keys - Lynor
	039539-01-000	EA	Striker Bolt - Entry Door
	039540-01-000	EA	Latch Claw - Entry Door
	029728-01-000	EA	Dead Bolt - Entry Door
	083205-01-000	EA	Dead Bolt - Press Fit
6	039979-01-000	EA	Plate - Inside Lock - Includes Inside Handle
	052186-01-000	EA	Lock Asm. - Complete - Lynor
7	079733-04-TJ3	EA	Window Asm. - Picture - 17" x 25" - Black (w/o inside frame)
8	069640-06-000	FT	Ribbon Sealer - 5/16" Bead x 15'
9	002303-02-000	FT	Sppline - Glass - 1/8" Black
10	073113-01-000	EA	Glass - Picture Window - 1/8" x 16 25" x 24" - Gray
11	067609-03-000	EA	Inside Frame - Beige (not included in assembly)
12	002293-02-000	SF	Screen - Window - 26" - Charcoal
13	056795-02-000	FT	Seal Tape - 1/8" x 3/8" - Press On
14	078591-03-000	EA	Jamb Asm. - Entrance Door
	051049-01-000	EA	Jamb - Entrance Door - Bottom
15	079086-02-000	EA	Slider - Screen Door - Light Oak Plastic
16	079012-01-U01	EA	Door Asm. - Screen
17	079361-08-000	EA	Hinge - Entrance Door (3 used per door)
18	079087-02-000	EA	Cap - Screen Door - Light Oak Plastic
	009016-01-000	EA	Catch - Elbow - Spring Loaded - Screen Door
	039863-01-000	EA	Catch Asm. - Single Roller w/Strike - Screen Door
	076231-01-000	EA	Spacer - Latch - Screen Door
	077437-02-000	EA	Strike - Roller Catch
	058025-02-000	EA	Clip - Roller Latch Catch
	044582-02-000	EA	Drip Cap - Off White
	079278-01-000	EA	Seal - Mocket - Entrance Door
	073090-01-000	FT	Seal - Entrance Door
	075739-01-000	EA	Stiffener - Entrance Door - Off White
	075673-01-000	FT	Seal - Pile - Adhesive Back
	075671-01-000	FT	Seal - Sponge - Lazy "T" Shaped
	002294-01-000	FT	Sppline - Black - .135 x 138 (Screen Door)
	079087-02-000	EA	Strike - Screen Door
	063729-04-000	EA	Rivnut - 10-32 UNF - 010 - 080
	075639-06-000	EA	Garnish - Radius - Entrance Door
			Not Illustrated

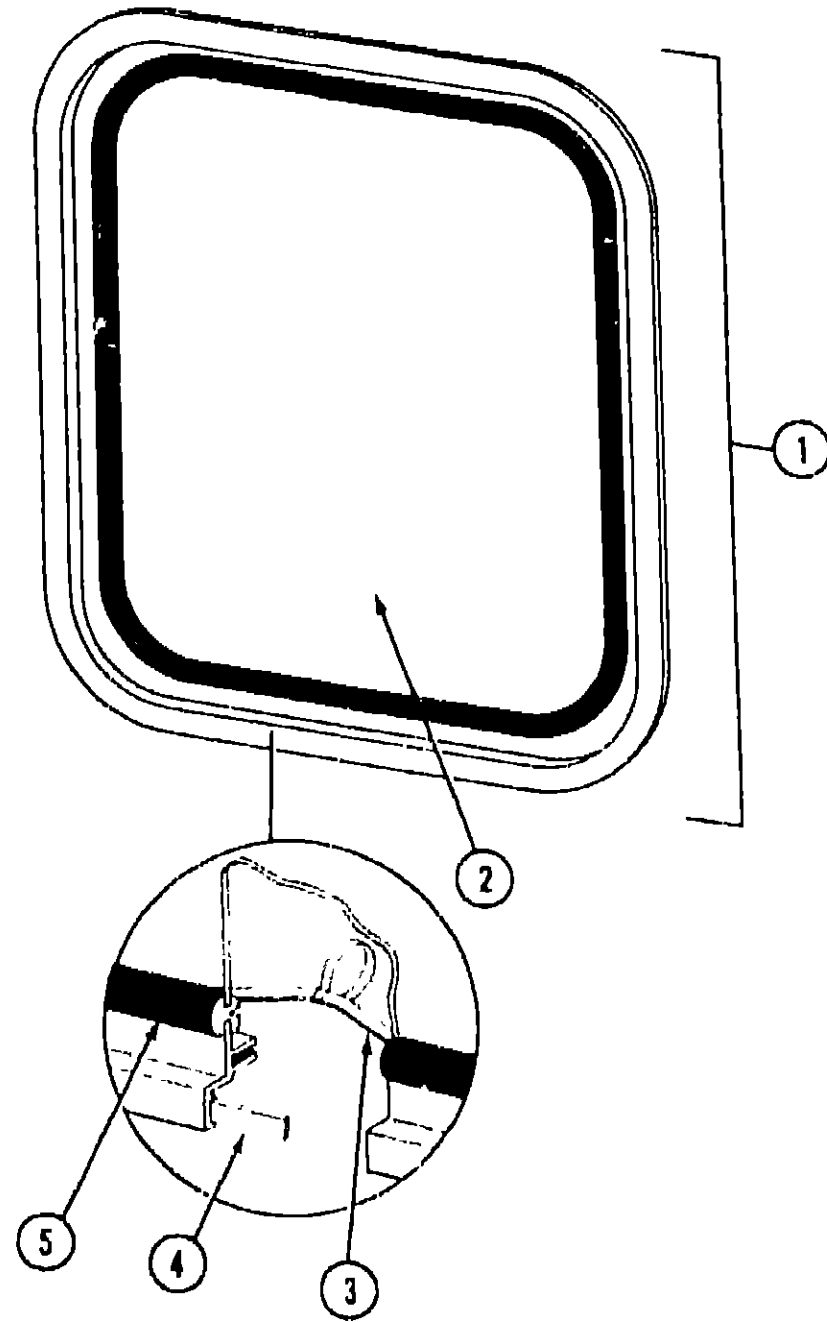
**1987 ITASCA
TABLE OF CONTENTS**

IC420RG	A-01 - B-22
IC/IF424RB	B-23 - D-22
ICN27RU	D-23 - G-06
ICP22RU	G-07 - I-18
ICP34RU	I-19 - L-04

1987 IC/IF424RB INDEX

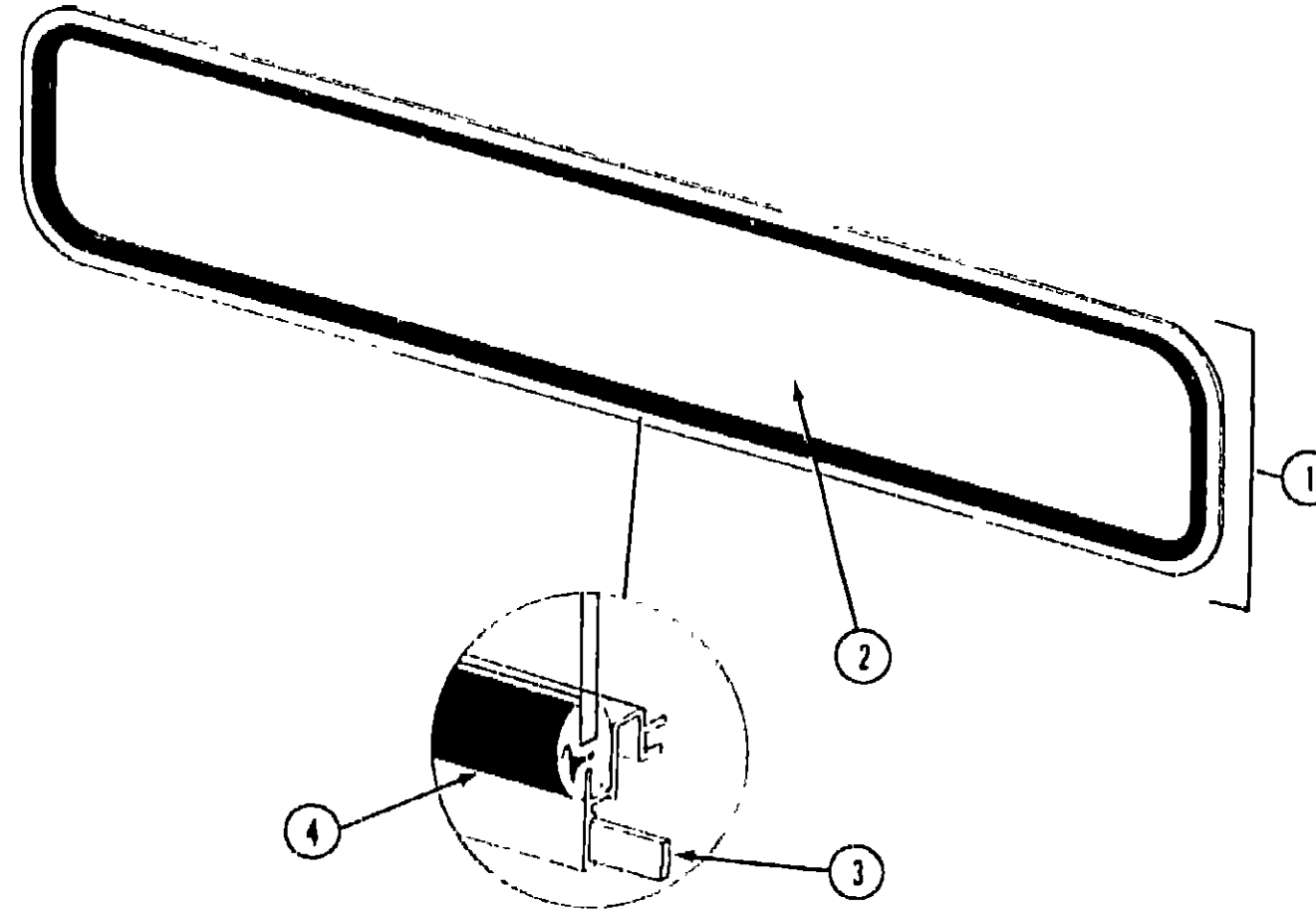
Floor Plan	B-23 - B-24
Accessories Group	C-01 - C-03
Bath Group	C-04 - C-05
Chassis Group	C-06 - C-07
Curtain, Cushion & Pad Group	C-08 - C-15
Dinette Group	C-16 - C-17
Driver's Compartment Group	C-18 - C-20
Electrical Group	C-21 - C-22
Exterior Body Group	C-23 - D-04
Galley Group	D-05 - D-06
Heating & Air Conditioning Group	D-07
Interior Finish Group	D-08 - D-09
LP Group	D-10
Lounge Group	D-11
Water & Sewage Group	D-12 - D-13
Window, Vent & Exterior Door Group	D-14 - D-22

WINDOW, VENT & EXTERIOR DOOR GROUP (CONTINUED)



Key	Part Number	U/M	Description
1	079415-01-T03	EA	Window Asm - Rear Escape - 23" x 29" - Black (w/o inside frame)
.	020749-05-000	EA	Inside Frame - Beige (not included in assembly)
2	002174-02-000	EA	Glass - 1/8" x 19 6" x 25 9"
3	002285-01-000	FT	Filler - Weatherstrip - Black
4	069640-05-000	FT	Ribbon Sealer - 5/16" Bead x 15'
5	002282-01-000	FT	Weatherstrip - 1 25" Window
.	006199-01-000	EA	Label - Exit - Escape Window
.	Not illustrated		

WINDOW, VENT & EXTERIOR DOOR GROUP (CONTINUED)



Key	Part Number	U/M	Description
1	078533-01-T03	EA	Window Asm. - Front Picture - 14" x 69" - Black (w/o inside frame)
.	041938-04-000	EA	Inside Frame - Black (not included in assembly)
2	002200-02-000	EA	Glass - TP - Picture Window
3	069640-06-000	FT	Ribbon Sealer - 5/16" Bead x 15'
4	002281-01-000	FT	Weatherstrip - Self Seal - 06" Panel x 3/16" - Black
.	Not illustrated		

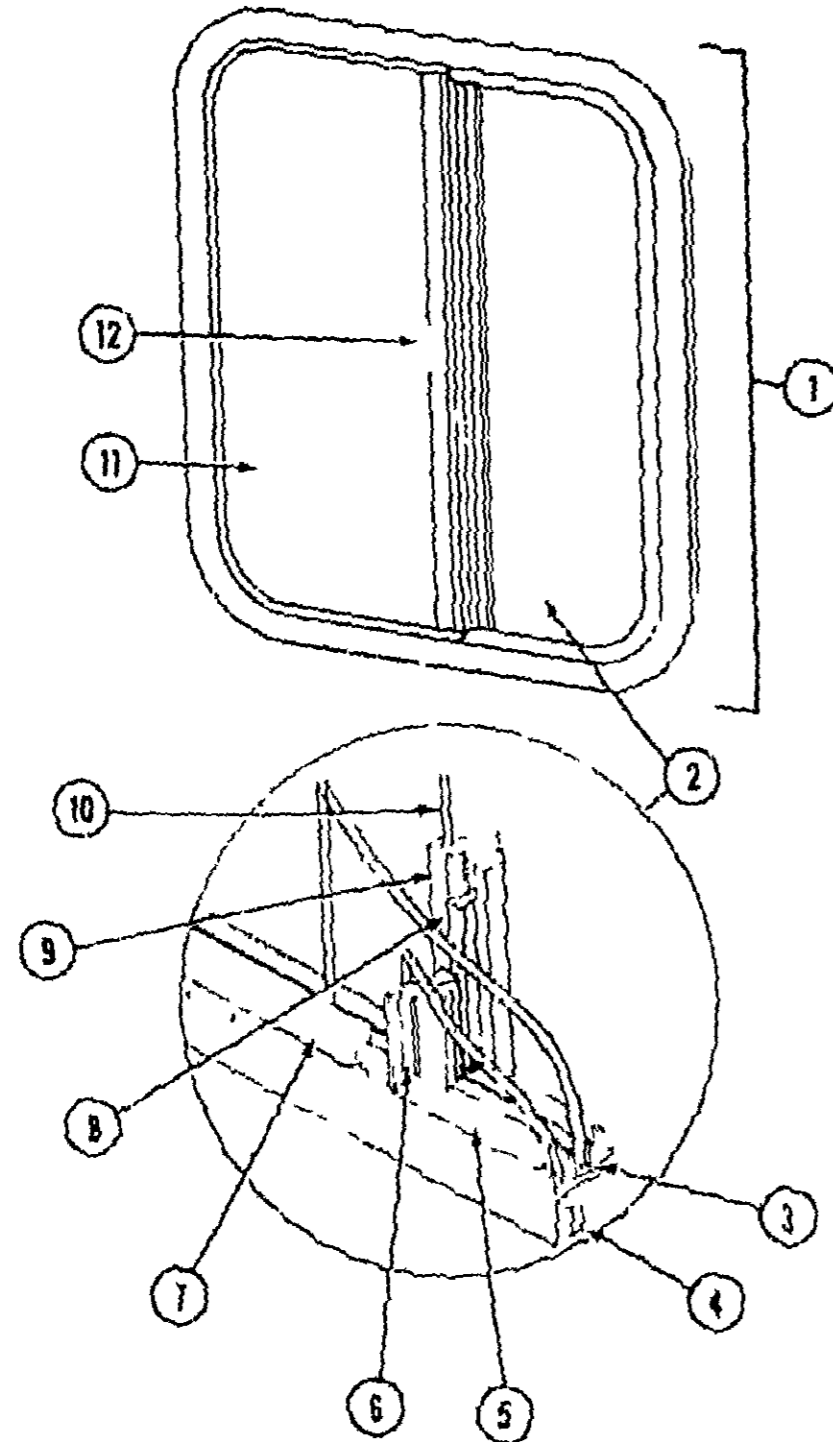
**1987 ITASCA
TABLE OF CONTENTS**

IC420RG	A-01 - B-22
IC/IF424RB	B-23 - D-22
ICN27RU	D-23 - G-06
ICP28RU	G-07 - I-18
ICP34RU	I-19 - L-04

1987 IC/IF424RB INDEX

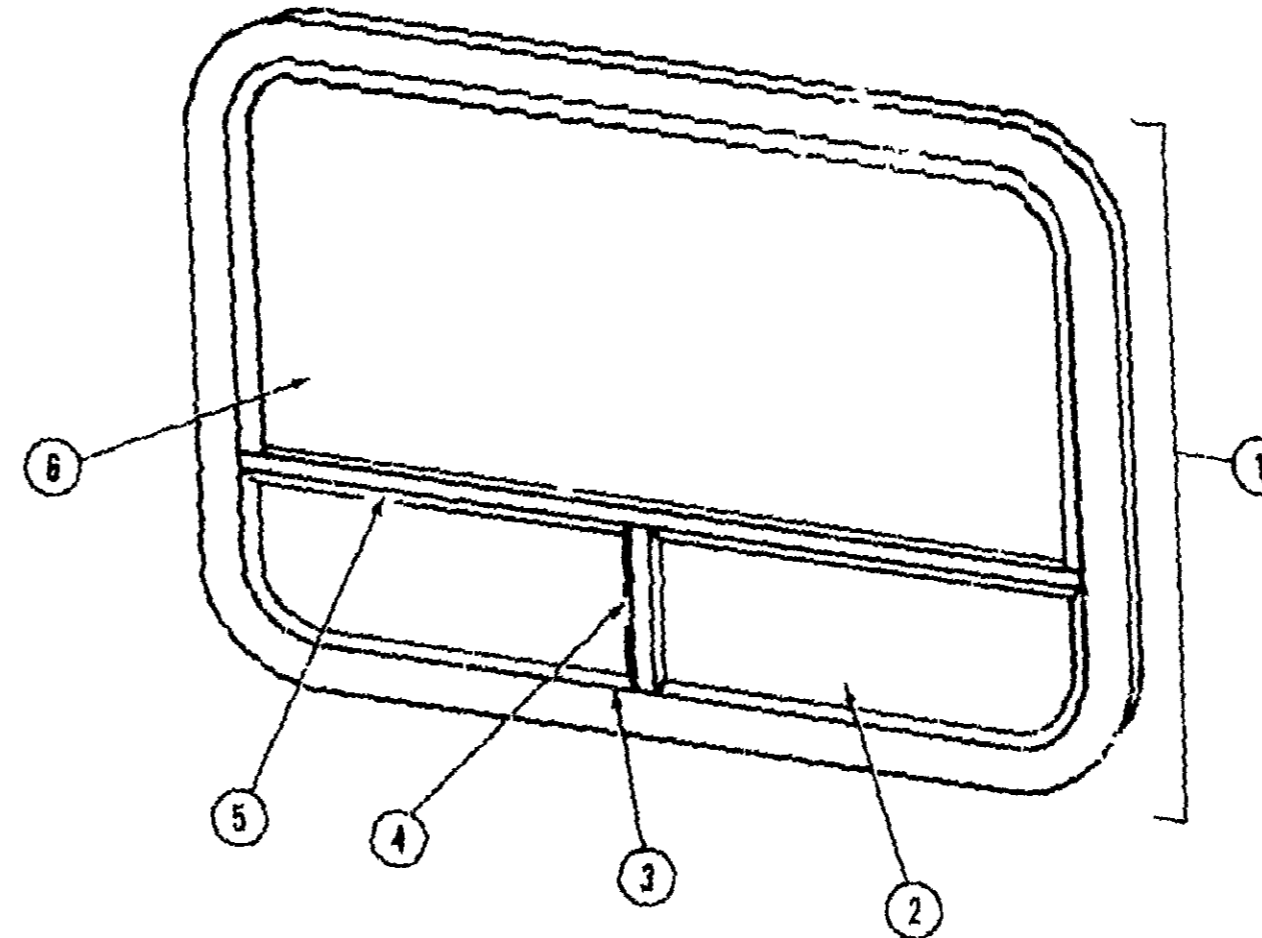
Floor Plan	B-23 - B-24
Accessories Group	C-01 - C-03
Bath Group	C-04 - C-05
Chassis Group	C-06 - C-07
Curtain, Cushion & Pad Group	C-08 - C-15
Dinette Group	C-16 - C-17
Driver's Compartment Group	C-18 - C-20
Electrical Group	C-21 - C-22
Exterior Body Group	C-23 - D-04
Galley Group	D 05 - D-06
Heating & Air Conditioning Group	D-07
Interior Finish Group	D-08 - D 09
LP Group	D-10
Lounge Group	D-11
Water & Sewage Group	D-12 - D-13
Window, Vent & Exterior Door Group	D-14 - D-22

WINDOW, VENT & EXTERIOR DOOR GROUP (CONTINUED)



Key	Part Number	U/M	Description
1	078268 03 703	EA	Window Asm - Single Slitter (w/o inside frame)
1	003122 03-000	EA	Inside Frame - Beige (not included in assembly)
2	081980 05 000	EA	Glass Sliding 1/8' x 19' x 13 5/8
3	002324 02 000	FT	Channel Weatherstrip Glass Run - 1/8 Glass
4	069640 06 000	FT	Ribbon Sealer 5/16" Bead x 16
5	002309 0-000	FT	Spline - Glass - 1/8 Material - Black
6	M69886 03 011	EA	Seal Holder w/Fin Seal - Black
7	057374 02-000	FT	Extr Rubber Window Seal - Black
8	073740 01-000	FT	Seal - Fin - Pile - 460
9	084170 02 000	EA	Mullion Slider Window Black
10	002298 02-000	FT	Spline - 130 Dia Charcoal (Screen)
11	081984 03 000	EA	Glass - Stationary - 1/8 x 19 x 12 30'
12	047369 01-700	EA	Latch Kit - Window - Plastic w/Fastener
	079204 01 000	EA	Bracket Mullion Black
	002292-02 000	SF	Screen - Window, 20 Charcoal
			Not illustrated

WINDOW, VENT & EXTERIOR DOOR GROUP (CONTINUED)



Key	Part Number	U/M	Description
1	085354 02 W07	EA	Window Asm - Double Tipout (w/o inside frame)
1	084153 06 000	EA	Inside Frame - Black (not included in assembly)
2	024088 04 000	EA	Glass - 1/8' x 9 24' x 30 19 Tipout
1	084581 01-W07	EA	Screen Asm Tipout - Right
1	084581 02 W07	EA	Screen Asm - Tipout - Left
3	084067 01 000	FT	Seal P - Sponge Rubber
4	084154 01-000	EA	Mullion - Vertical Black
1	084066 01 000	FT	Bulb Seal - Double Sponge Rubber
5	083112 05 000	EA	Mullion Horizontal Black
1	081357 01-000	FT	Foam Seal - Vinyl
6	081239 11 000	EA	Glass - 1/8' x 61 7' x 20 5 Stationary
1	002291 02 000	SF	Screen - 16' Window
1	002298 02 000	FT	Spline - 130 Dia - Charcoal (Screen)
1	0E1243 01 000	EA	Clip - Screen Plastic
1	080918 01 000	EA	Spring Torque Tube Right
1	080918 02 000	EA	Spring Torque Tube Left
1	035302 01-000	EA	Operating Mech - Right
1	035302 02 000	EA	Operating Mech - Left
			Not illustrated

1987 ITASCA
TABLE OF CONTENTS

IC420RG	A 01 - B 22
IC/IF424RB	B 23 - G-27
ICN27RU	D 23 - G 06
ICP28RU	G 07 - I-18
ICP34RU	I 19 - L-04

1987 IC/IF424RB INDEX

Floor Plan	B 23 - B 24
Accessories Group	C 01 C 03
Bath Group	C 04 C 05
Chassis Group	C 06 C 07
Curtain Cushion & Pad Group	C-08 C 15
Dinette Group	C-10 - C 17
Driver's Compartment Group	C-18 - C 20
Electrical Group	C 21 C 22
Exterior Body Group	C-23 D 04
Galley Group	D 05 D 06
Heating & Air Conditioning Group	D 07
Interior Finish Group	D 08 - D 09
LP Group	D 10
Lounge Group	D 11
Water & Sewage Group	D-12 D 13
Window, Vent & Exterior Door Group	D 14 D 22