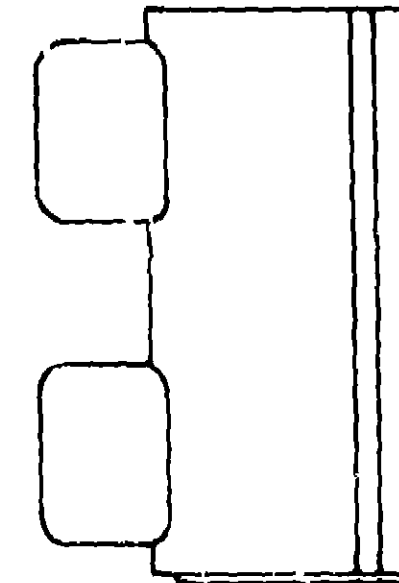
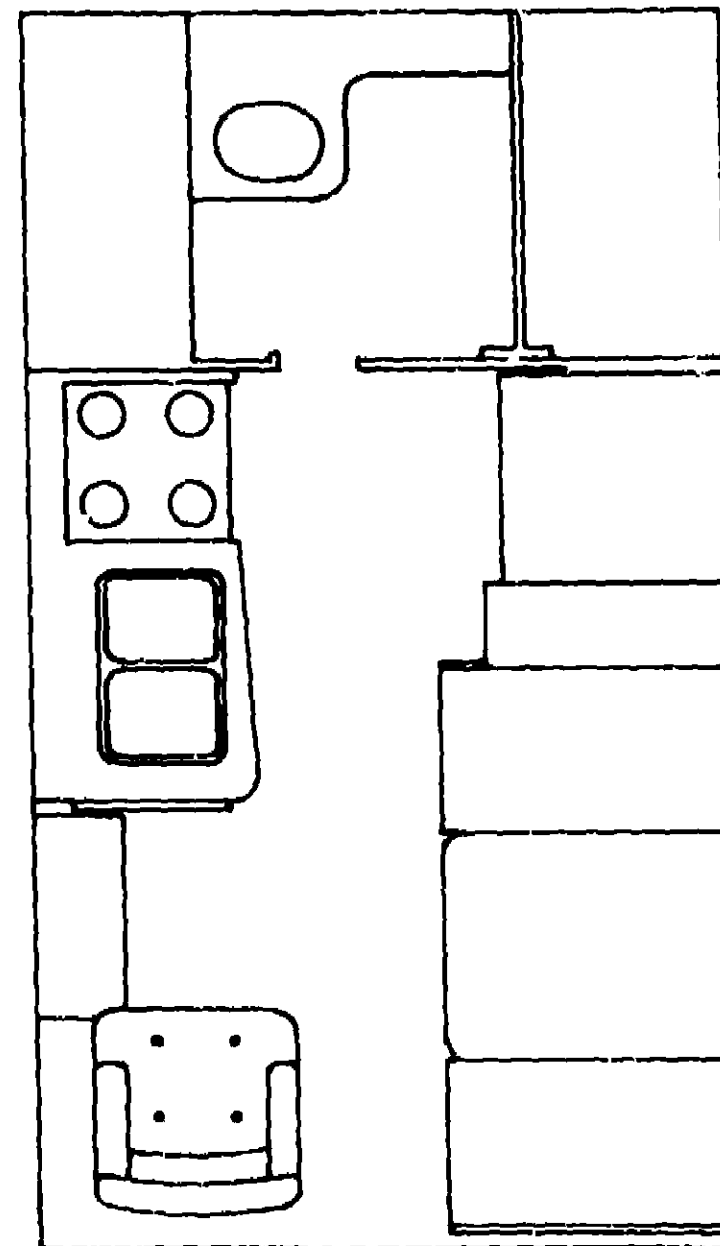


1987 IC/IF421RB



1987 ITASCA TABLE OF CONTENTS

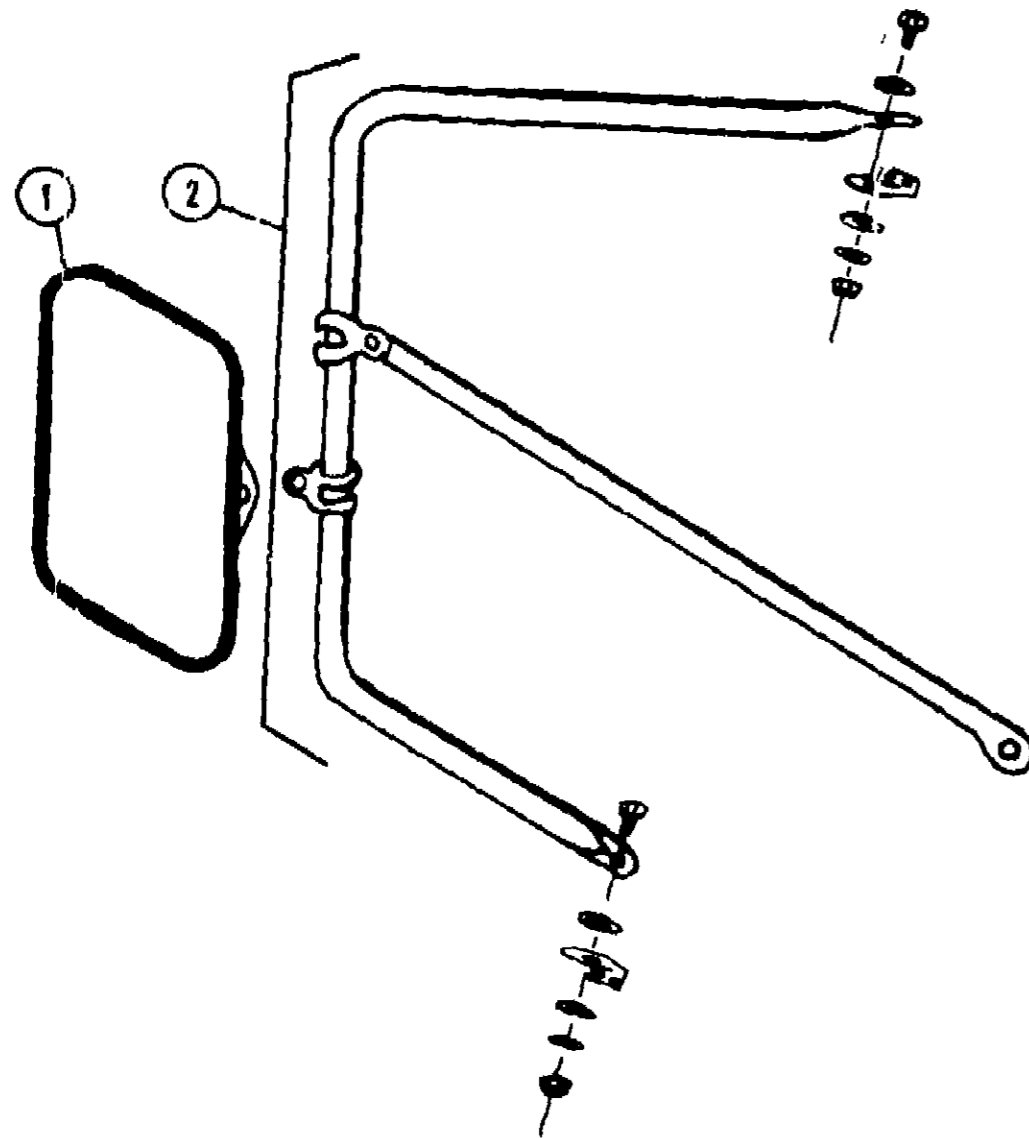
IT319RK
IC/IF421RB

A-01 - B-16
B-17 D 15

1987 IC/IF421RB INDEX

Floor Plan	B-17 - B-18
Accessories Group	B-19 B 21
Bath Group	B-22
Chassis Group	B 23 - B-24
Curtain, Cushion & Pad Group	C-01 - C-07
Dinette Group	C-08 - C-09
Driver's Compartment Group	C-10 - C-12
Electrical Group	C 13 C-14
Exterior Body Group	C 15 - C-20
Galley Group	C 21 - C-22
Heating & Air Conditioning Group	C-23
Interior Finish Group	C 24 - D-01
LP Group	D-02
Lounge Group	D-03
Water & Sewage Group	D-04 - D-05
Window Vent & Exterior Door Group	D-06 - D-15

ACCESSORIES GROUP



EXTERIOR MIRRORS

Key	Part Number	U/M	Description
1	04934 01 000	EA	Mirror Head - 7 1/2 x 10 1/2 Stainless Steel
2	06204 01 000	EA	Arm - West Coast Mirror - Stainless Steel
2	06204 02 000	FA	Arm - West Coast Mirror - Off White
	00604 01 000	EA	Mirror - Convex - Adhesive Back
Not illustrated			

WHEEL COVER & MOUNTING HARDWARE

Key	Part Number	U/M	Description
	083181 01-000	FA	Wheel Cover 16" (Set/4) (Ford)
	083181 01 700	EA	Wheel Cover 16" (1) (Ford)
	083181 02 000	EA	Wheel Cover 16 5" (Set/4) (Chevy)
	083181 02 700	EA	Wheel Cover 16 5" (1) (Chevy)

ACCESSORIES GROUP (CONTINUED)

RADIO & RELATED COMPONENTS

Key	Part Number	U/M	Description
	087684-01-000	EA	Radio - AM/FM Stereo - w/Cassette - Electronic
	087683-01-000	EA	Radio - AM/FM - w/Cassette - Audiovox - AVX3000
	007004-01-000	EA	Antenna - Radio - Cab Mount
	064792-01-000	EA	Grille - Speaker - 5 25 - w/Mesh - Brown
	073430 02-000	EA	Radio - AM/FM/MPX - w/Cassette - Electronic Tune - Audiovox - HCC1150
	074979-01-000	EA	Speaker Cover Protector - Plastic (Chevy)
	064792 01-000	EA	Speaker - Grill - Brown
	073431-01 000	EA	Speaker - 5 25 - 3/Way (Pair)
	064791-01-000	EA	Speaker - Recessed - 5 25'
	073741-01-000	EA	Speaker - 4' x 6' Oval (Chevy)
	079385-02-000	EA	Radio Mounting Kit (Ford)

GENERATORS & COMPONENTS

Key	Part Number	U/M	Description
	079654-04-000	EA	Generator - Emerald - 4 0 kw
	701629-02-000	EA	Installation Package
	079654-05-000	EA	Tailpipe - Emerald - 4 0 kw
	082272-01 000	EA	Muffler - Generator - Emerald
	007067 01-000	EA	Insulation - Fiberglass - 1'
	007125 01-000	FA	Clamp Asm - Muffler - 1 62
	007125 04-000	EA	Clamp Asm - Muffler - 1 12

CHROME WHEEL LINERS

Key	Part Number	U/M	Description
	085741 02-000	EA	Wheel Liners (Set of 4) 16 5" - Chevy
	085741-02-701	EA	Axle Cover - 16 5" Front - Chevy
	085741-02-702	EA	Axle Cover - 16 5" Rear - Chevy
	085741-02 710	EA	Lug Nut Cover - Chevy
	085741 05-000	EA	Wheel Liners (Set of 4) 16 5" Ford
	085741 05 701	EA	Axle Cover - 16 5" - Front - Ford
	085741 05 702	EA	Axle Cover - 16 5" - Rear - Ford
	085741 05 710	EA	Lug Nut Cover - Ford

OPTIONAL FOG LAMP & COMPONENTS

Key	Part Number	U/M	Description
	079941-01-000	EA	Lamp Asm - Fog w/Cover Amber
	079941-01-700	EA	Lamp Asm, Fog - Set of 2
	079941 01 701	EA	Lens and Cover Only
	079941 01 702	EA	Switch - Fog Lights
	079941 01-703	EA	Solenoid
	079941 01 704	EA	Switch Plate - For Switch
	079941 01 705	EA	Lens Only
	079911 01 706	EA	Cover Only

**1987 ITASCA
TABLE OF CONTENTS**

IT319RK	A-01 - B-16
IC/IF421RB	B-17 - D-15

1987 IC/IF421RB INDEX

Floor Plan	B-17 - B 18
Accessories Group	B-19 - B 21
Bath Group	B 22
Chassis Group	B-23 - B 24
Curtain, Cushion & Pad Group	C-01 - C-07
Dinette Group	C-08 - C 09
Driver's Compartment Group	C-10 - C 12
Electrical Group	C 13 C 14
Exterior Body Group	C-15 C 20
Galley Group	C-21 C 22
Heating & Air Conditioning Group	C 23
Interior Finish Group	C-24 D 01
LP Group	D 02
Lounge Group	D 03
Water & Sewage Group	D-04 D 05
Window, Vent & Exterior Door Group	D 06 - D 15

ACCESSORIES GROUP (CONTINUED)

MISCELLANEOUS ACCESSORIES

Key	Part Number	U/M	Description
	054185 26-000	EA	Owners Manual - 1987 Itasca & Winnebago
	076319-01-000	EA	Antenna - TV Roof Mount - 44 5 Mast
	064089-01-000	EA	Mud Flap Rubber - Black (Front)
	017518 01-000	EA	Mud Flap w/Holes - 14" x 18" - Black (Back)
	041944-03-000	EA	Fire Extinguisher
	041944-02-000	EA	Holder - Fire Extinguisher
	081379-01-000	EA	Microwave/Convection Oven - Sharp
	081459 01-000	EA	Bracket Asm - Microwave - Right
	081459-07-000	EA	Bracket Asm - Microwave Left
	082876-01-000	EA	Baffle - Microwave
	081555-01-T03	EA	Trim Asm Microwave Oven
	081456-01-000	EA	Angle Asm - Microwave Oven - Right
	081456-02-000	EA	Angle Asm - Microwave Oven - Left
	081016-01-T03	EA	Ladder Asm
	081026 01-T03	EA	Rack Asm - Right
	081026-02-T03	EA	Rack Asm - Left
	067130 01-000	EA	Ladder Step
	076980-02 000	EA	End Cap - Ladder Step
	080866-01 000	EA	Stand Off - Rack & Ladder Asm
	067165-01 000	EA	Bracket - Mounting Rack & Ladder
	083219 03 000	EA	Mat - Front - Brown Passenger (Ford)
	083219-04 000	EA	Mat - Front - Brown - Driver (Ford)
	083218 04-000	EA	Mat - Front - Brown - Passenger (Chevy)
	083218 03 000	EA	Mat - Front - Brown - Driver (Chevy)
	040069 01 000	EA	Mat - Entrance Door - Black
	081075 02 000	EA	Mat - Entrance Door Brown
	044860 01-000	EA	Mat Stepwell - Drivers Black (Chevy)
	044860 02-000	EA	Mat - Stepwell - Passenger Black (Chevy)
	072852 01 000	EA	Smoke Detector w/9 Volt Battery
	086779 01 000	EA	Clock - 8 25 x 8 25
	079665 01 000	EA	Clock - 9' x 9
	006069 01 000	EA	Key Case - Leather
	080208 01 000	EA	Lug Wrench (Chevy)
	080208 02 000	EA	Leverage Bar - Lug Wrench
	006113 01-000	EA	Jack - Hydraulic - 6 Ton - w/Handle
	079165 01 U10	EA	Tire Cover Asm Off White - Plastic
	079942 05 000	EA	Shock Absorber Stabilizer - Front
	079942 08 000	EA	Shock Absorber Stabilizer - Rear
	088748-01 000	EA	Electric Step Asm Black
	075461 01 000	EA	Electric Step Asm w/Light

The illustrated parts breakdown for this item is provided on the Common Items Fiche

BATH GROUP

BATH CABINERY

Key	Part Number	U/M	Description
	M82428-06 W24	EA	Cabinetry Asm - Lavatory - w/o Doors, Countertop or Hardware
	M82428 06-V/25	EA	Cabinetry Asm Lavatory - w/o Doors Countertop or Hardware
	M82428 06-W26	EA	Cabinetry Asm - Lavatory - w/o Doors Countertop, or Hardware
	M02556-01-W24	EA	Countertop Asm - Lavatory
	M02556-01-W25	EA	Countertop Asm - Lavatory
	M02556-01 W26	EA	Countertop Asm - Lavatory
	081893-02-W24	EA	Face Asm - Lavatory - w/o Hardware
	077251 01 000	EA	Drawer - Tiltout Plastic
	M81501-54 W30	EA	Door Asm - Lavatory Cabinet - 26 7' x 14 3" - w/o Hardware
	076073 01 000	EA	Cabinet Asm - Medicine - w/o Doors or Hardware
	081535-01-U30	EA	Door Asm - Medicine Cabinet - 45 5 x 15 5 w/o Hardware w/Mirror
	065890 03 W24	EA	Door Asm - Sliding - w/o Hardware
	058034 02 000	EA	Latch Door w/o Lock
	M81501-74-W30	EA	Door Asm - Wardrobe - 39 5 x 12 8 w/o Hardware
	M81501 73 W30	EA	Door Asm - Wardrobe - 53 9 x 16 1 - w/o Hardware

BATH HARDWARE

Key	Part Number	U/M	Description
	M01817 01-T03	EA	Bathtub Asm w/Strainer
	075242 03 000	EA	Faucet - Tub & Shower - Brass
	075240 03-000	EA	Faucet - Lavatory
	011040 02 000	EA	Shower Head - w/60' Hose
	075606 01-000	EA	Shower Panel - Faucet Plastic
	066729 01-000	EA	Strainer - Bathtub Asm
	080257 01-000	EA	Shroud - Bathtub Asm - Off White
	066435 01-000	EA	Nut Strainer Plastic Bathtub Asm
	066436-01 000	EA	Slip Nut - 1 5 Tall Piece Bathtub Asm
	069735 01 000	EA	Washer - Tail Piece 1 5" - Plastic - Bathtub Asm
	011069 02 000	EA	Tailpiece - 1 5 x 1 25' x 4 Brass - Bathtub Asm
	058713 01 000	EA	Sink - Oval - Ivory Plastic
	011083 01-000	EA	Tail Piece w/Stopper 1 25' x 5' Plastic - Sink
	039341-02 000	EA	Toilet - Ivory
	075452 02 000	EA	Tissue Holder
	075454 02 000	EA	Towel Ring
	058331 05 000	EA	Mirror Tempered Glass 12' x 26
	058331 04-000	EA	Mirror Tempered Glass 12' x 42'
	009089 01 000	EA	Clip - Mirror
	057671 01 000	EA	Screw Cover - #8 Antique White
	085498 01 000	EA	Trim - Shower Door - Bottom - Beige
	085499 01-000	EA	Trim - Shower Door - Sides Beige
	085500 01-000	EA	Trim - Shower Door - Top - Beige
	086121 02 000	EA	Curtain Asm - Shower - Liner 62 x 40
	009136 01 000	EA	Ring - Shower Curtain
	075680-01-000	EA	Rod - Clothes - Adjustable
	009112 01 000	EA	Flange - 1' Closet Rod
	075453 02 000	EA	Bar - Towel - 18 Brass
	009089 01 000	EA	Clip - Mirror
	042438 01 000	EA	Dowel - Wood - 1 00 Dia x 4'
	009156 01-000	EA	Hanger - Sliding Door
	084467-01-000	EA	Guide Wall Mount - Sliding Door
	075149 04 000	EA	Track 54 2" Sliding Door
	075153 01 000	EA	End Cap Cover - Beige

* The illustrated parts breakdown for this item is provided on the Common Items Fiche

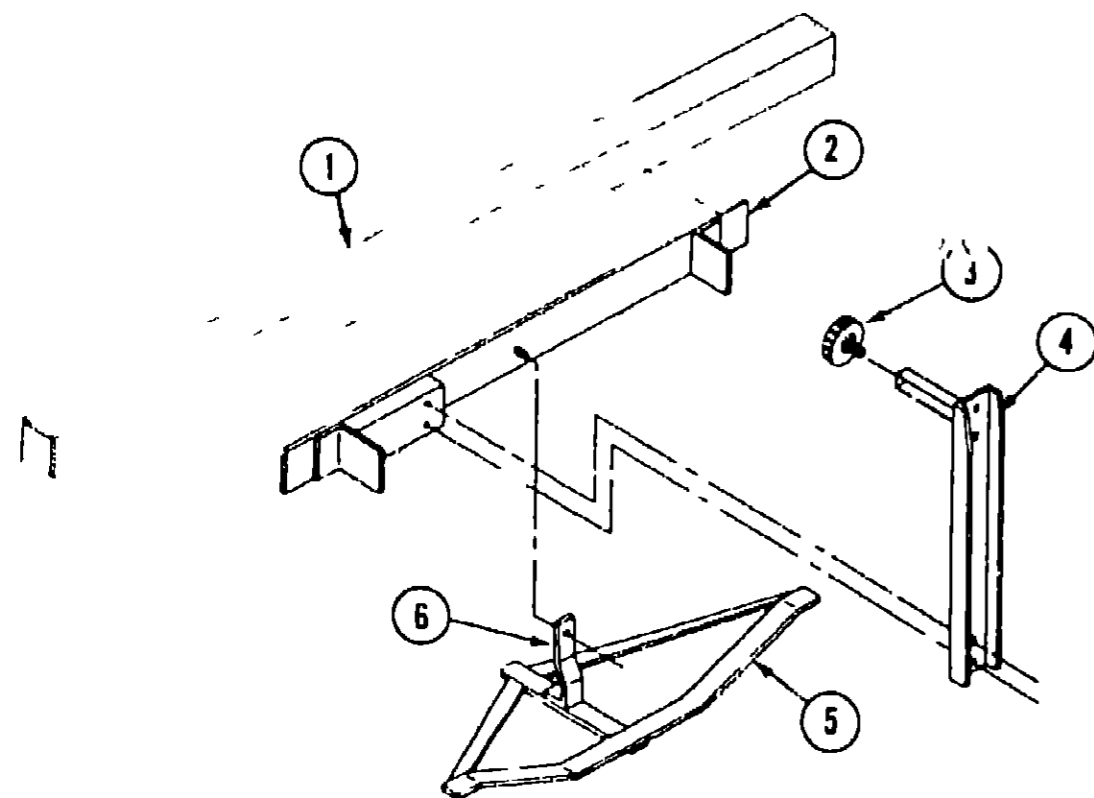
1987 ITASCA TABLE OF CONTENTS

IT319RK	A-01 - B-16
IC/IF421RB	B-17 - D 15

1987 IC/IF421RB INDEX

Floor Plan	B 17 - B 18
Accessories Group	B 19 - B 21
Bath Group	B-22
Chassis Group	B-23 - B 24
Curtain, Cushion & Pad Group	C 01 - C 07
Dinette Group	C 08 - C 09
Drivers Compartment Group	C 10 - C-12
Electrical Group	C 13 - C-14
Exterior Body Group	C-15 - C-20
Galley Group	C-21 - C-22
Heating & Air Conditioning Group	C 23
Interior Finish Group	C 24 - D 01
LP Group	D 02
Lounge Group	D 03
Water & Sewage Group	D 04 - D 05
Window Vent & Exterior Door Group	D 06 - D 15

CHASSIS GROUP



SPARE TIRE, REAR BUMPER & TRAILER HITCH

Key	Part Number	U/M	Description
1	064602 01 000	EA	Bumper Asm Square - 92 Off White
	022150 01 000	EA	Bracket - Bumper - Rear
	039779 01 000	EA	Cap Rubber - 4" x 4
2	064601 03 000	EA	Bracket Asm - Bumper - Ford
2	064601 01 000	EA	Bracket Asm - Bumper Chevy
3	064082 02 000	EA	Nut Tire Cover Retainer - Delmet
4	079027 01 000	EA	Bracket Asm - Tire Cover
	079799 01 000	EA	Cover - Tire Plastic - Off White
	M02047 01 T95	EA	Door - Tire Cover - Plastic
	077408 02 000	CA	Lock Asm Key Type
5	064833 02 000	EA	Trailer Hitch Asm
	064399 01 000	EA	Housing Asm - Trailer Pin
6	064824 02 000	CA	Support - Trailer Hitch
*			Not Illustrated

CHASSIS GROUP (CONTINUED)

WHEELS & TIRES

Key	Part Number	U/M	Description
	083617 01-000	EA	Wheel - 6 x 16 (Ford)
	062400 02-000	EA	Wheel - 6.00 x 16.5 - 8 Hole (Chevy)
	070917-02 000	EA	Tire - Radial - Metric - Michelin (Ford)
	037291-01-000	EA	Tire - 8' x 16.5 - 8 Ply Polyester (Chevy)
	057665 01-000	EA	Tire - 8.75 x 16.5 - Radial White Sidewall (Chevy)
	051377 01 000	EA	Valve Stem Asm - TR500
	077030 01 000	EA	Extension - Valve Stem - 1.25

Key	Part Number	U/M	Description
	047441 01 000	EA	Battery Terminal - Horizontal Lug
	075723 01 000	EA	Block Switch Spacer w/o Holes
	059540 01 000	EA	Bracket License Plate
	051697 01 000	EA	Bracket - Battery Tie Down 69
	007125 01-000	EA	Clamp Asm - Muller - 2.50
	010497 01 000	EA	Clamp - Closed - 5/8 I.D.
	007161 01 000	EA	Clamp - Hose - Spring Type 112
	062401 01 000	EA	Clamp - Hose - Wormgear - 22' I.D. 1' I.D.
	062401 02 000	EA	Clamp - Hose - Wormgear - 1.56" I.D. - 2.5" I.D.
	062401 04 000	EA	Clamp - Hose - Wormgear 69' I.D. 1.25" I.D.
	062401 06 000	EA	Clamp - Hose - Wormgear 22' I.D. 62' I.D.
	023146 01-000	EA	Clamp - Screw Type - 4'
	081938 01 000	EA	Compartment LP - Regulator
	007131 01 000	EA	Hanger - Tall Pipe
	024138 01 000	FT	Hose - Fuel 5/16 I.D. SAE 30RI
	666732 01 000	FT	Hose - Fuel Fill - 62' I.D.
	007111 02 000	EA	Hose - Fuel Fill - 2.00 I.D.
	006113 01 000	EA	Jack Hydraulic 6 Ton w/Handle
	080208 02 000	EA	Leverage Bar Lug Wrench
	080208 01 000	EA	Lug Wrench (Chevy)
	017516 01 000	EA	Mud Flap w/Holes 14' x 18' Black
	079942 05-000	EA	Shock Absorber Stabilizer Front (Ford)
	079942 06 000	EA	Shock Absorber - Stabilizer Rear (Ford)
	079942 03 000	EA	Shock Absorber - Stabilizer - Front (Chevy)
	079942 04 000	EA	Shock Absorber - Stabilizer - Rear (Chevy)
	064089 01 000	EA	Splash Guard Black Rubber
	077848 01 000	EA	Step Asm Entry
	057724 01 000	EA	Wheelwell Plastic
	008343 01 000	EA	Wire Tie - 6'

NOTE Remainder of exhaust components available from Chassis Service Center

1987 ITASCA TABLE OF CONTENTS

IT319RK
IC/IF421RB

A 01 - B 16
B-17 - D 15

1987 IC/IF421RB INDEX

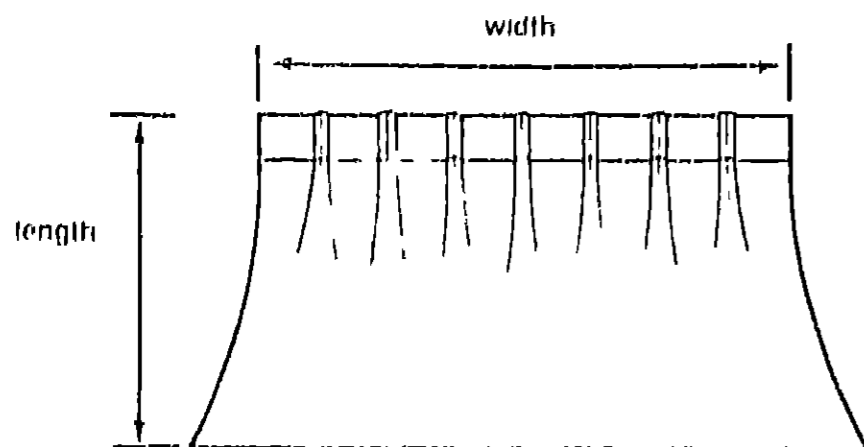
Floor Plan	B-17 - B-18
Accessories Group	B-19 - B-21
Bath Group	B-22
Chassis Group	B-23 - B-24
Curtain, Cushion & Pad Group	C-01 - C-07
Dinette Group	C-08 - C-09
Driver's Compartment Group	C-10 - C-12
Electrical Group	C-13 - C-14
Exterior Body Group	C-15 - C-20
Galley Group	C-21 - C-22
Heating & Air Conditioning Group	C-23
Interior Finish Group	C-24 - D-01
LP Group	D-02
Lounge Group	D-03
Water & Sewage Group	D-04 - D-05
Window, Vent & Exterior Door Group	D-06 - D-15

CURTAIN, CUSHION & PAD GROUP

NOTICE

In order to assist our Parts Sales Dept. in providing interior software items, please include the serial number and the color code number from the vehicle certification label when ordering. This label is located on the left sidewall at the end of the dash (A Body), or on the driver's door latch plate (C Body).

An example of a color code number is P31, which designates an overall color scheme of a particular unit. The color listed after the item description on the interoffice, indicates the overall unit color. Order the item you desire according to unit color code.



NOTE

Use this illustration when determining length and width measurements for curtains. You will note the width measurement is taken on the top of the curtain with the curtain fully extended. The length measurement is taken from top to bottom.

CURTAIN & CUSHION HARDWARE

Key	Part Number	U/M	Description
	039175-02 000	EA	Bracket - Curtain Rod - Cafe
	039175 05 000	EA	Bracket - Curtain Rod - Center
	082228 03-000	EA	Bracket - Curtain Rod - Right
	082228 04 000	EA	Bracket - Curtain Rod - Left
	056003 02-000	EA	Bracket - Drapery Retainer - Left
	056003 01-000	EA	Bracket - Drapery Retainer - Right
	082139-02 000	EA	Bracket - Hold Down - Blind
	084434 01-000	EA	Bracket - Roller Shade - 1 3/8
	079798 03 000	EA	Bracket Asm - Curtain Rod - Right
	079798 04-000	EA	Bracket Asm - Curtain Rod - Left
	072708 04-000	EA	Frame - Fold Down Couch
	M80906 01 000	EA	Frame Asm - Seat Back & Spring
	080730 01 700	EA	Handle Kit - Recliner
	080731-02-000	EA	Hinge - Recliner - Slave
	083170 01 000	EA	Installation Bracket - Blind - Right
	083170 02-000	EA	Installation Bracket - Blind - Left
	056784 02-000	EA	Pull Window Shade - Antique Brass
	083730 02 000	EA	Recliner - Seat Back
	039175-01-000	EA	Rod - Cafe Curtain - Extension 48 x 84
	048394 01-000	YD	Tape Hook - 1 x 50 yd Beige
	029096 05-000	YD	Tape Hook - 50 - Velcro - Beige
	048395 01-000	YD	Tape Loop - 1' x 50 YD Beige
	029090 01-000	FT	Tie - Drapery - Clear Vinyl
	056116 01-000	EA	Track - Curtain - Brown Plastic

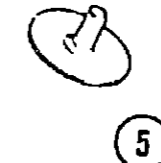
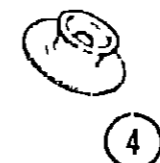
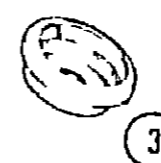
CURTAIN, CUSHION & PAD GROUP (CONTINUED)

FABRICS & CARPETS

Key	Part Number	U/M	Description
	077498 80 000	YD	Fabric w/Pattern - Upholstery - Main - Jasmine (W24)
	077498 90 000	YD	Fabric w/Pattern - Upholstery - Main - Garnet (W25)
	077498 88 000	YD	Fabric w/Pattern - Upholstery - Main - Jade (W26)
	077498 87 000	YD	Fabric w/Pattern - Upholstery - Accent - Juniper (W24)
	077498 83 000	YD	Fabric w/Pattern - Upholstery - Accent - Brick - (W25)
	077498 84 000	YD	Fabric w/Pattern - Upholstery - Accent - Madder (W26)
	077498 A1 000	YD	Fabric - Upholstery - Accent - Plain - Blue (W24)
	077498 A2 000	YD	Fabric - Upholstery - Accent - Plain - Garnet (W25)
	077498 A8 000	YD	Fabric - Upholstery - Accent - Plain - Wine (W26)
	072333 38 000	YD	Fabric - Drapery - Malibu (W24)
	072333 40 000	YD	Fabric - Drapery - Rialto (W25)
	072333 37 000	YD	Fabric - Drapery - Mauve (W26)
	084415 11-000	YD	Braid Trim - Pull Shades - Blue Jade (W24)
	084415-15 000	YD	Braid Trim - Pull Shades - Rust (W25)
	084415 13 000	YD	Braid Trim - Pull Shades - Mauve (W26)
	080742 01 000	FT	Trim Asm. - Accent - Buckskin
	078080 01 000	YD	Vinyl - Expanded 28 oz - Buckskin
	070578 01 W24	EA	Button Asm. - #30 - Accent Fabric (W24)
	070578 04 W25	EA	Button Asm. - #30 - Accent Fabric (W25)
	070578 04 W26	EA	Button Asm. - #30 - Accent Fabric (W26)
	078155 01 000	EA	Strap Asm. - Cushion
	081280 21 W24	EA	End Cap Asm. - Overhead Dinette - Vinyl
	081519 01 W21	EA	Pad Asm. - Dinette - Front
	081519 01 W25	EA	Pad Asm. - Dinette - Front
	081519 01-W26	EA	Pad Asm. - Dinette - Front
	081519 02 W24	EA	Pad Asm. - Dinette - Rear
	081519 02 W25	EA	Pad Asm. - Dinette - Rear
	081519 02 W26	EA	Pad Asm. - Dinette - Rear
	069885 12-W24	EA	Cover w/Pocket - Motor (Ford)
	069885 12-W25	EA	Cover w/Pocket - Motor (Ford)
	069885 12 W26	EA	Cover w/Pocket - Motor (Ford)
	M74891-01-W24	EA	Cover - Motor Cover (Chevy)
	M74891-01 W25	EA	Cover - Motor Cover (Chevy)
	M74891 01-W26	EA	Cover - Motor Cover (Chevy)



Key	Part Number	U/M	Description
1	029130 01-000	EA	Socket - Snap Fastener
2	029155 01-000	EA	Cap - Snap 156 Dia x 17' Barrel
3	029156 01 000	EA	Socket - Snap Fastener
4	029092-01-000	EA	Stud - Nickel Finish
5	029093 01 000	EA	Eyelet - Nickel Finish



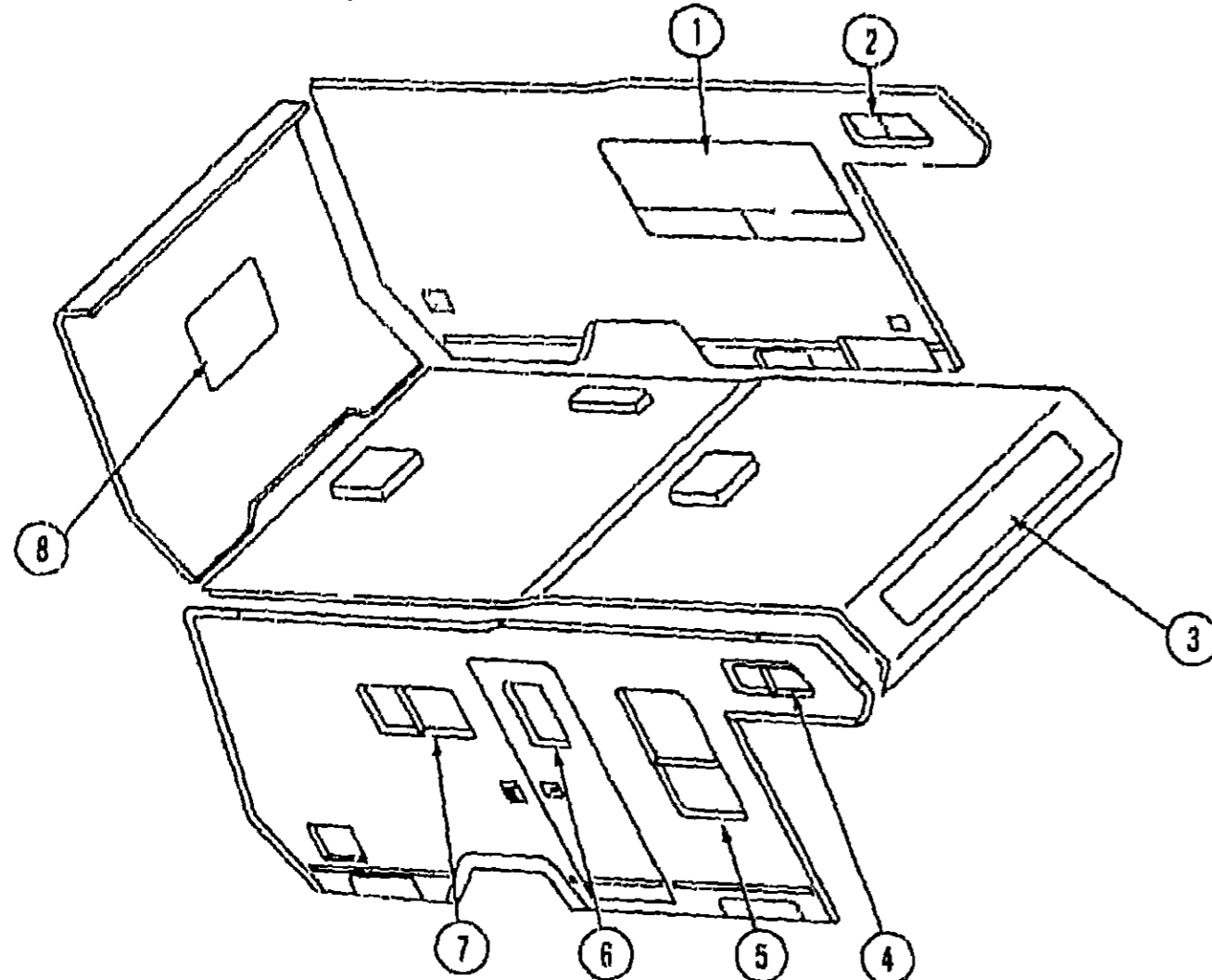
**1987 ITASCA
TABLE OF CONTENTS**

IG310RK	A 01 - B-16
IC/IF421RB	B 17 - U 16

1987 IC/IF421RB INDEX

Floor Plan	B 17 - B-18
Accessories Group	B 19 - B-21
Bath Group	B 22
Chassis Group	B 23 - B-24
Curtain, Cushion & Pad Group	C 01 - C-07
Dinette Group	C 08 - C 09
Driver's Compartment Group	C 10 - C-12
Electrical Group	C 13 - C-14
Exterior Body Group	C 15 - C-20
Galley Group	C-21 - C-22
Heating & Air Conditioning Group	C-23
Interior Finish Group	C-24 - D-01
LP Group	D-02
Lounge Group	D-03
Water & Sewage Group	D 04 - D 05
Window Vent & Exterior Door Group	D-06 - D-15

CURTAIN, CUSHION & PAD GROUP (CONTINUED)



CURTAINS, SHADES, VALANCES & TIEBACKS

Key	Part Number	U/M	Description
1	079559-15 W30	EA	Curtain Asm w/Snap Top - 36' x 44' (W24)
1	079559-15 W31	EA	Curtain Asm w/Snap Top - 36' x 44' (W25)
1	079559-15 W32	EA	Curtain Asm w/Snap Top - 36' x 44' (W26)
1	079558-13 W30	EA	Valance Asm - Gathered - 5' x 140' (W24)
1	079558-13 W31	EA	Valance Asm - Gathered - 5' x 140' (W25)
1	079558-13 W32	EA	Valance Asm - Gathered - 5' x 140' (W26)
1	084755-02 W24	EA	Shade Asm - 67 25" - Linen
1	084755-02-W25	EA	Shade Asm - 67 25" - Linen
1	084755-02 W26	EA	Shade Asm - 67 25" - Linen
†1	084755-02 WA4	EA	Shade Asm - 67 25" - Linen (W24)
†1	084755-02-WA5	EA	Shade Asm - 67 25" - Linen (W25)
†1	084755-02 WA8	EA	Shade Asm - 67 25" - Linen (W26)
1	085304-16 000	EA	Blinds Pleated - 65' x 33' Drop (W24)
1	085304-20 000	EA	Blinds Pleated - 65' x 33' Drop (W25)
1	085304-17 000	EA	Blinds - Pleated - 65' x 33' Drop (W26)
2	073323-33 W17	EA	Curtain Asm - w/Rod Top & Bottom - 17 5' x 24' (W24)
2	073323-33 W25	EA	Curtain Asm - w/Rod Top & Bottom - 17 5' x 24'
2	073323-33 W19	EA	Curtain Asm - w/Rod Top & Bottom - 17 5' x 24' (W26)
2	073323-34 W17	EA	Curtain Asm - w/Rod Top & Bottom - 17 5' x 24' - Front (W24)
2	073323-34 W25	EA	Curtain Asm - w/Rod Top & Bottom - 17 5' x 24' - Front
2	073323-34 W19	EA	Curtain Asm - w/Rod Top & Bottom - 17 5' x 24' - Front (W26)
3	073323-32 W17	EA	Curtain Asm - w/Rod Top & Bottom - 19 5' x 30' (W24)
3	073323-32 W25	EA	Curtain Asm - w/Rod Top & Bottom - 19 5' x 30'
3	073323-32 W19	EA	Curtain Asm - w/Rod Top & Bottom - 19 5' x 30' (W26)

† Used in units produced after 10/20/86

CURTAIN, CUSHION & PAD GROUP (CONTINUED)

CURTAINS, SHADES, VALANCES & TIEBACKS (CONT.)

Key	Part Number	U/M	Description
4	073323-33 W17	EA	Curtain Asm - w/Rod Top & Bottom - 17 5' x 24' (W24)
4	073323-33 W25	EA	Curtain Asm - w/Rod Top & Bottom - 17 5' x 24'
4	073323-33 W19	EA	Curtain Asm - w/Rod Top & Bottom - 17 5' x 24' (W26)
4	073323-35 W17	EA	Curtain Asm - w/Rod Top & Bottom - 17 5' x 24' - Front (W24)
4	073323-35 W25	EA	Curtain Asm - w/Rod Top & Bottom - 17 5' x 24' - Front
4	073323-35 W19	EA	Curtain Asm - w/Rod Top & Bottom - 17 5' x 24' - Front (W26)
5	085190-15 W08	EA	Curtain Asm - w/Dart Top - 46" x 10' (W24)
5	085190-15 W25	EA	Curtain Asm - w/Dart Top - 46" x 10'
5	085190-15 W05	EA	Curtain Asm - w/Dart Top - 45" x 10' (W26)
5	080824-08 W24	EA	Valance Asm - Entrance/Lounge
5	080824-08 W25	EA	Valance Asm - Entrance/Lounge
5	080824-08 W26	EA	Valance Asm - Entrance/Lounge
5	084755-12 W24	EA	Shade Asm - 19 25" - Linen
5	084755-12 W25	EA	Shade Asm - 19 25" - Linen
5	084755-12 W28	EA	Shade Asm - 19 25" - Linen
†5	084755-12 WA4	EA	Shade Asm - 19 25" - Linen
†5	084755-12 WA5	EA	Shade Asm - 19 25" - Linen
†5	084755-12 WA8	EA	Shade Asm - 19 25" - Linen
5	085304-01 000	EA	Blinds - Pleated - 19' x 42 5" Drop (W21)
5	085304-05 000	EA	Blinds - Pleated - 19' x 42 5" Drop (W25)
5	085304-02 000	EA	Blinds - Pleated - 19' x 42 5" Drop (W26)
6	084755-04 W30	EA	Shade Asm - 24 25" - Linen (W24)
6	084755-04 W31	EA	Shade Asm - 24 25" - Linen (W25)
6	084755-04 W05	EA	Shade Asm - 24 25" - Linen (W26)
†6	084755-04 WA4	EA	Shade Asm - 24 25" - Linen (W24)
†6	084755-04 WA5	EA	Shade Asm - 24 25" - Linen (W25)
†6	084755-04 WA8	EA	Shade Asm - 24 25" - Linen (W26)
7	M81977-20 W24	EA	Valance Asm - 28
7	M81977-20 W25	EA	Valance Asm - 28
7	M81977-20 W26	EA	Valance Asm - 28
7	084755-18 W24	EA	Shade Asm - 27 5" - Linen
7	084755-18 W25	EA	Shade Asm - 27 5" - Linen
7	084755-18 W26	EA	Shade Asm - 27 5" - Linen
†7	084755-18 WA4	EA	Shade Asm - 27 5" - Linen
†7	084755-18 WA5	EA	Shade Asm - 27 5" - Linen
†7	084755-18 WA8	EA	Shade Asm - 27 5" - Linen
8	079559-14 W24	EA	Curtain Asm - 26' x 20' Gathered
8	079559-14 W25	EA	Curtain Asm - 26' x 20' Gathered
8	079559-14 W26	EA	Curtain Asm - 26' x 20' Gathered
8	079558-15 W30	EA	Valance Asm - 5' x 40' - Gathered (W24)
8	079558-15 W31	EA	Valance Asm - 5' x 40' - Gathered (W25)
8	079558-15 W32	EA	Valance Asm - 5' x 40' - Gathered (W26)
8	084755-11 W24	EA	Shade Asm - 32' - Linen
8	084755-11-W25	EA	Shade Asm - 32' - Linen
8	084755-11 W26	EA	Shade Asm - 32' - Linen
†8	084755-11-WA4	EA	Shade Asm - 32' - Linen (W24)
†8	084755-11 WA5	EA	Shade Asm - 32' - Linen (W25)
†8	084755-11 WA8	EA	Shade Asm - 32' - Linen (W26)
	086121-02 000	EA	Curtain Asm - Shower Liner
	073295-04 W06	EA	Curtain w/Snap - Wraparound - 23' x 64' (2 required)
	073295-04 W25	EA	Curtain w/Snap - Wraparound - 23' x 64' (2 required)
	073295-04 W05	EA	Curtain w/Snap - Wraparound - 23' x 64' (2 required)
	073260-24 W17	EA	Tie Back Asm - 2' x 14' (W24)
	073260-24 W25	EA	Tie Back Asm - 2' x 14' (W25)
	073260-24 W19	EA	Tie Back Asm - 2' x 14' (W26)
	077591-03 W06	EA	Curtain w/Velcro Top - Bunk Privacy - 70' x 50' - Passenger (W24)
	077591-03 W25	EA	Curtain w/Velcro Top - Bunk Privacy - 70' x 50' - Passenger (W25)
	077591-03 W05	EA	Curtain w/Velcro Top - Bunk Privacy - 70' x 50' - Passenger (W26)
	077591-04 W24	EA	Curtain w/Velcro Top - Bunk Privacy - 70' x 50' - Driver
	077591-04 W25	EA	Curtain w/Velcro Top - Bunk Privacy - 70' x 50' - Driver
	077591-04 W05	EA	Curtain w/Velcro Top - Bunk Privacy - 70' x 50' - Driver (W26)
	085283-01-000	EA	Hold Back - Clear Plastic

† Used in units produced after 10/20/86

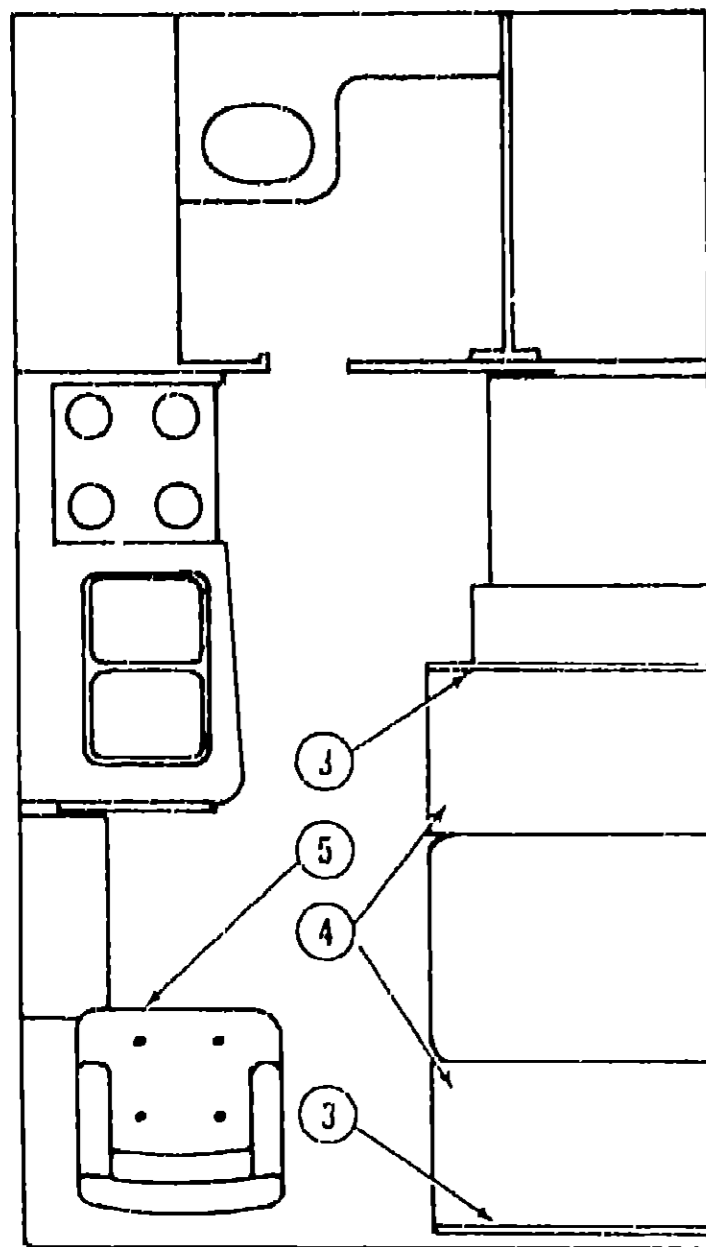
**1987 ITASCA
TABLE OF CONTENTS**

IT319RK	A 01 - B 16
IC/IF421RB	B-17 - D 15

1987 IC/IF421RB INDEX

Floor Plan	B-17 - B 18
Accessories Group	B-19 B 21
Bath Group	B-22
Chassis Group	B-23 B 24
Curtain Cushion & Pad Group	C 01 - C-07
Dinette Group	C 08 C-09
Driver's Compartment Group	C-10 - C 12
Electrical Group	C-13 C-14
Exterior Body Group	C-15 C 20
Galley Group	C-21 - C-22
Heating & Air Conditioning Group	C 23
Interior Finish Group	C-24 D-01
LP Group	D 02
Lounge Group	D 03
Water & Sewage Group	D 04 D-05
Window Vent & Exterior Door Group	D-06 - D-15

CURTAIN, CUSHION & PAD GROUP (CONTINUED)



SPRUNG COUCH (OPTION)

Key	Part Number	U/M	Description
1	072431-13-W24	EA	Cushion Asm - 3 Pillows - Seat
1	072431-13 W25	EA	Cushion Asm - 3 Pillows - Seat
1	072431-13-W26	EA	Cushion Asm - 3 Pillows - Seat
	M724J1-12-W24	EA	Cover Asm - 3 Pillow - Seat
	M72431-12 W25	EA	Cover Asm - 3 Pillow Seat
	M72431-12-W26	EA	Cover Asm - 3 Pillow - Seat
2	072432-13 W24	EA	Cushion Asm - 3 Pillow - Back
2	072432 13-W25	EA	Cushion Asm - 3 Pillow Back
2	072432 13-W.6	EA	Cushion Asm - 3 Pillow Back
	M72432-12 W24	EA	Cover Asm - 3 Pillow - Back
	M72432-12-W25	EA	Cover Asm - 3 Pillow - Back
	M72432-12 W26	EA	Cover Asm - 3 Pillow - Back

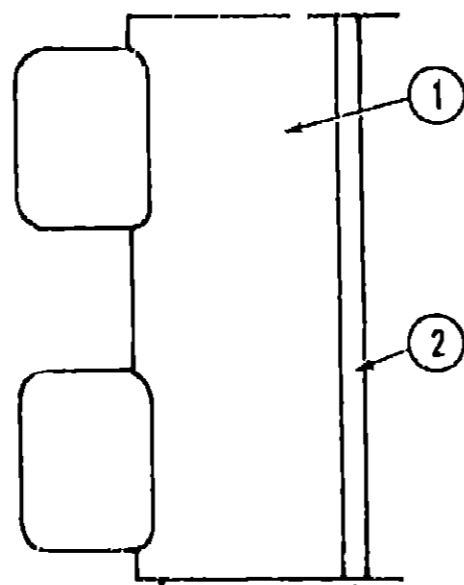
CURTAIN, CUSHION & PAD GROUP (CONTINUED)

DINETTE CUSHION

Key	Part Number	U/M	Description
3	081998 7/ W24	EA	Cushion Asm Dinette Back - 19 25" x 38" x 5"
3	081998-77 W25	EA	Cushion Asm, Dinette Back 19 25" x 38" x 5"
3	081998 77 W26	EA	Cushion Asm, - Dinette Back - 19 25" x 38" x 5"
	M81998-77 W24	EA	Cover Asm Dinette Back Curtain 19 25" x 38" x 5"
	M81998 77 W25	EA	Cover Asm Dinette Back Curtain 19 25" x 38" x 5"
	M81998 77 W26	EA	Cover Asm Dinette Back Curtain - 19 25" x 38" x 5"
4	081998 78 W24	EA	Cushion Asm Dinette Bottom - 17 5" x 38" x 5"
4	081998 78 W25	EA	Cushion Arm Dinette Bottom - 17 5" x 38" x 5"
4	081998 78 W26	EA	Cushion Asm, Dinette Bottom - 17 5" x 38" x 5"
	M81998-78 W24	EA	Cover Asm - Dinette Bottom Cushion 17 5" x 38" x 5"
	M81998 78 W25	EA	Cover Asm Dinette Bottom Cushion 17 5" x 38" x 5"
	M81998 78 W26	EA	Cover Asm Dinette Bottom Cushion 17 5" x 38" x 5"

CELEBRITY SWIVEL CHAIR

Key	Part Number	U/M	Description
5	085059 01 W30	EA	Chair Asm w/Pillow Back - Swivel
5	085059 01-W31	EA	Chair Asm w/Pillow Back - Swivel
5	085059 01 W32	EA	Chair Asm w/Pillow Back Swivel
	085187-01-W30	EA	Skirt Asm - Swivel Chair
	085187-01 W31	EA	Skirt Asm Swivel Chair
	085187 01 W32	EA	Skirt Asm - Swivel Chair
	035036 01 000	EA	Plate - Tilt & Swivel - Swivel Chair
	035036 04 000	EA	Base w/Legs - Swivel Chair
	035036 06-000	EA	Extension - 5' Swivel Chair
†	088245-01 000	EA	Base w/Legs - Swivel Chair
†	088245 02-000	EA	Plate - Tilt w/Lock
†	088245 05-000	EA	Extension 5' Chair
†	Used in units produced after 3/1/87		



FRONT OVERHEAD BUNK CUSHIONS

Key	Part Number	U/M	Description
	084753 05 W24	EA	Cushion Asm Front Bunk
	084753 05 W25	EA	Cushion Asm - Front Bunk
	084753-05 W26	EA	Cushion Asm - Front Bunk
	M84753-05 W24	EA	Cover Asm - Front Bunk Cushion
	M84753 05-W25	EA	Cover Asm - Front Bunk Cushion
	M84753 05 W26	EA	Cover Asm - Front Bunk Cushion
	084753 06 W24	EA	Cushion Asm Front Bunk - U Shaped
	084753 06 W25	EA	Cushion Asm Front Bunk - U Shaped
	084753 06 W26	EA	Cushion Asm - Front Bunk - U Shaped
	M84753 06 W24	EA	Cover Asm - Front Bunk Cushion - U Shaped
	M84753 06-W25	EA	Cover Asm - Front Bunk Cushion - U-Shaped
	M84753 06-W26	EA	Cover Asm - Front Bunk Cushion U Shaped

**1987 ITASCA
TABLE OF CONTENTS**

IT319RK
IC/IF421RB

A 01 - B 16
B 17 - D 16

1987 IC/IF421RB INDEX

Floor Plan	B 17 - B-18
Accessories Group	B-19 - B 21
Bath Group	B 22
Chassis Group	B 23 - B 24
Curtain, Cushion & Pad Group	C 01 - C-07
Dinette Group	C 08 - C 09
Driver's Compartment Group	C 10 - C-12
Electrical Group	C 13 - C-14
Exterior Body Group	C 15 - C 20
Galley Group	C 21 - C 22
Heating & Air Conditioning Group	C-23
Interior Finish Group	C 24 - D 01
LP Group	D 02
Lounge Group	D 03
Water & Sewage Group	D 04 - D-05
Window Vent & Exterior Door Group	D 06 - D 15

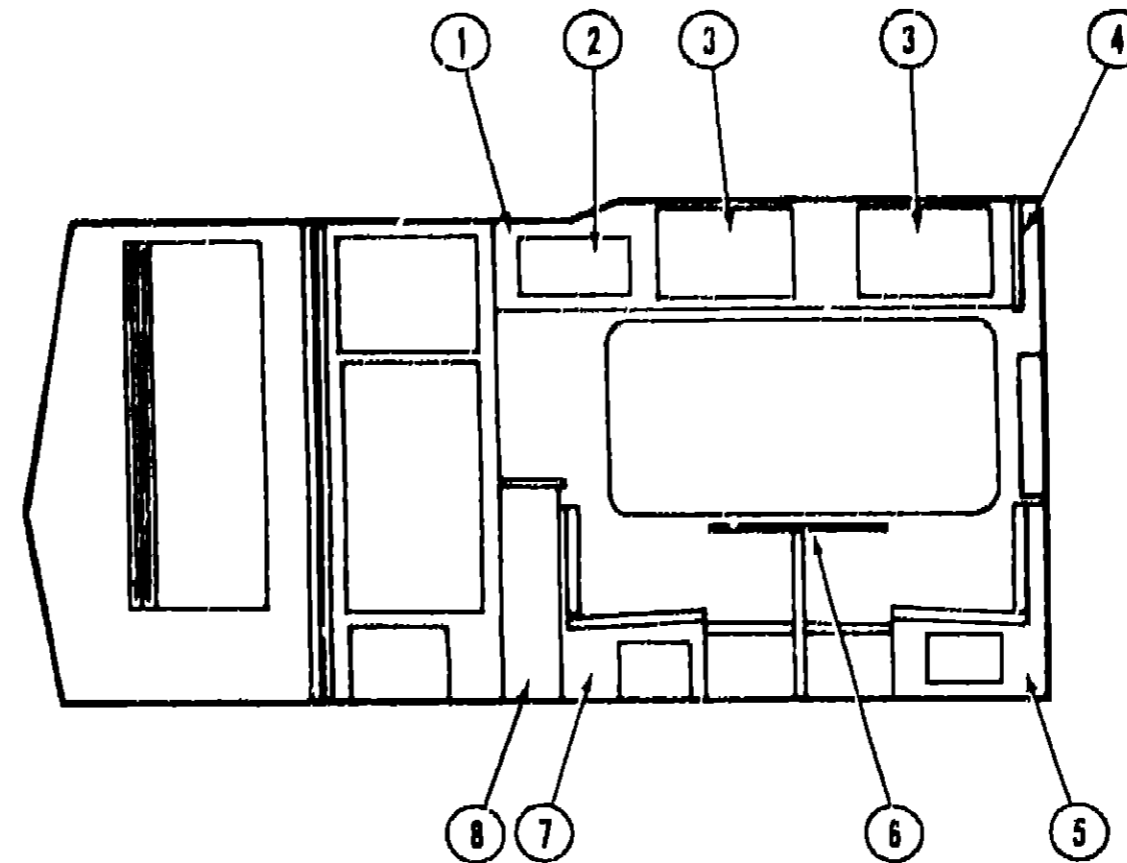
CURTAIN, CUSHION & PAD GROUP (CONTINUED)

BUCKET SEATS

Key	Part Number	U/M	Description
	084191 02 W24	EA	Seat Asm - Comet I
	084191 02 W25	FA	Seat Asm - Comet I
	084191 02 W26	EA	Seat Asm - Comet I
	M01864 23 W24	EA	Cover Asm - Seat Cushion
	M01864 23 W25	EA	Cover Asm - Seat Cushion
	M01864 21 W26	EA	Cover Asm - Seat Cushion
	M01864 24 W24	EA	Cover Asm - Back Cushion
	M01864 24 W25	EA	Cover Asm - Back Cushion
	M01864 23 W26	EA	Cover Asm - Back Cushion
	083909 04 W24	EA	Seat Asm - Straton w/Right Armrest
	083909 04 W25	EA	Seat Asm - Straton w/Right Armrest
	083909 08 W26	EA	Seat Asm - Straton w/Right Armrest
	M01864 25 W24	EA	Cover Asm - Seat Cushion
	M01864 25 W25	FA	Cover Asm - Seat Cushion
	M01864 27 W26	EA	Cover Asm - Seat Cushion
	M01864 26 W24	EA	Cover Asm - Back Cushion
	M01864 26 W25	EA	Cover Asm - Back Cushion
	M01864 28 W26	EA	Cover Asm - Back Cushion
	083909 13 W24	EA	Seat Asm - Straton w/Right Armrest
	083909 13 W25	EA	Seat Asm - Straton w/Right Armrest
	083909 11 W26	EA	Seat Asm - Straton w/Right Armrest
	M01864 35 W24	EA	Cover Asm - Seat Cushion
	M01864 35 W25	EA	Cover Asm - Seat Cushion
	M01864 33 W26	EA	Cover Asm - Seat Cushion
	M01864 36 W24	EA	Cover Asm - Back Cushion
	M01864 36 W25	EA	Cover Asm - Back Cushion
	M01864 34 W26	EA	Cover Asm - Back Cushion
	080243 23 W24	EA	Armrest Asm - Right
	080243 23 W25	EA	Armrest Asm - Right
	080243 25 W26	EA	Armrest Asm - Right
	M80243 23 W24	EA	Cover Asm - Armrest
	M80243-23 W25	EA	Cover Asm - Armrest
	M80243 25 W26	EA	Cover Asm - Armrest
	083909 05 W24	EA	Seat Asm - Straton w/Left Armrest
	083909-05 W25	EA	Seat Asm - Straton w/Left Armrest
	083909 09 W26	EA	Seat Asm - Straton w/Left Armrest
	M01864 25 W24	EA	Cover Asm - Seat Cushion
	M01864 25 W25	EA	Cover Asm - Seat Cushion
	M01864 27 W26	EA	Cover Asm - Seat Cushion
	M01864 26 W24	EA	Cover Asm - Back Cushion
	M01864 26 W25	EA	Cover Asm - Back Cushion
	M01864 28 W26	EA	Cover Asm - Back Cushion
	083909 14 W24	EA	Seat Asm - Straton w/Left Armrest
	083909 14 W25	EA	Seat Asm - Straton w/Left Armrest
	083909 12 W26	EA	Seat Asm - Straton w/Left Armrest
	M01864-35 W24	EA	Cover Asm - Seat Cushion
	M01864 35 W25	EA	Cover Asm - Seat Cushion
	M01864-33 W26	EA	Cover Asm - Seat Cushion
	M01864 36 W24	EA	Cover Asm - Back Cushion
	M01864 36 W25	EA	Cover Asm - Back Cushion
	M01864 34-W26	EA	Cover Asm - Back Cushion
	080243 24 W24	EA	Armrest Asm - Left
	080243 24 W25	EA	Armrest Asm - Left
	080243-26 W26	EA	Armrest Asm - Left
	M80243 24 W24	EA	Cover Asm - Armrest
	M80243 24 W25	EA	Cover Asm - Armrest
	M80243 26 W26	EA	Cover Asm - Armrest
	085268 01 W24	EA	Headrest Asm - Straton Seat
	085268-01 W25	EA	Headrest Asm - Straton Seat
	085268 02 W26	EA	Headrest Asm - Straton Seat
	M85268 01 W24	EA	Cover Asm - Headrest
	M85268-01-W25	EA	Cover Asm - Headrest
	M85268 02-W26	EA	Cover Asm - Headrest

These parts were used on units produced before 9-24-86

DINETTE GROUP



Key	Part Number	U/M	Description
1	M83131 03 W24	EA	Cabinet Asm - Dinette Overhead - w/o Doors or Hardware
†1	M83131-04 W24	EA	Cabinet Asm - Dinette Overhead - w/o Doors or Hardware
2	M84956 06 W24	EA	Door Asm - Dinette Overhead - 11' 25" x 20' 55" - w/o Hardware
†2	M88304 A2 W24	EA	Door Asm - Dinette Overhead - 11' x 21' 85" - w/o Hardware
3	M84956 02 W24	EA	Door Asm - Dinette Overhead - 15' 3" x 27' 2" - w/o Hardware
†3	M88304 B4 W24	EA	Door Asm - Dinette Overhead - 14' 4" x 26' 8" - w/o Hardware
4	081280-21 W24	EA	Pad Asm - End Cap - Dinette Overhead - Vinyl
5	M02174 01 W30	EA	Cabinet Asm - Dinette Seat Back
5	M02175-02 W30	EA	Cabinet Asm - Dinette Seat Bottom - w/o Door or Hardware
††	M84953 06 W24	EA	Door Asm - Dinette Seat - 19' x 10' - w/o Hardware
	M81501-10 W30	EA	Door Asm - Dinette Seat - 19' x 10' - w/o Hardware
†	M88304 21 W89	EA	Door Asm - Dinette Seat - 19' x 10' - w/o Hardware
6	M81299 01 W24	EA	Table Asm - Dinette - w/o Hardware
7	M02549 01-W24	EA	Cabinet Asm - Dinette Seat Back - w/o Hardware
7	M02550 01 W24	EA	Cabinet Asm - Dinette Seat Bottom - w/o Hardware
8	079676-01 W24	EA	Cabinet Asm - Hamper - w/o Countertop
	M02069-01 W24	EA	Countertop Asm - Hamper
	M02068 01 W24	FA	Countertop Asm - Hamper - Flip Up
	053200-05-000	EA	Bracket - Upper Wall Mount - 23' 5"
	053201-06-000	EA	Bracket - Table Mount - 23'
	024275-05 000	EA	Rod - Table Lift - 8' x 23' 5"
	024281-07 000	EA	Bracket - Lower Wall Mount
	024276 17-000	EA	Leg Asm - Table
	064050-02 000	EA	Hinge - Table Leg
	024282-01 000	EA	Brace - Table Leg
	024283-01-000	EA	Clip - 1" O.D. Tube
	049493 05-000	EA	Catch - Table Leg - Mounts on Floor
	064781 03-000	EA	Cup Holder - 3.47" O.D. x 2.75" I.D. x 1.5"
	016604-02-000	EA	Angle Brace - Seat - 2.5' - Brown

The illustrated parts breakdown for this item is provided on the Common Items Fiche

- † Used in units produced after 4/7/87
- †† Used in units produced before 12/2/86

**1987 ITASCA
TABLE OF CONTENTS**

IT319RK
IC/IF421RB

A 01 - B 16
B 17 - D 15

1987 IC/IF421RB INDEX

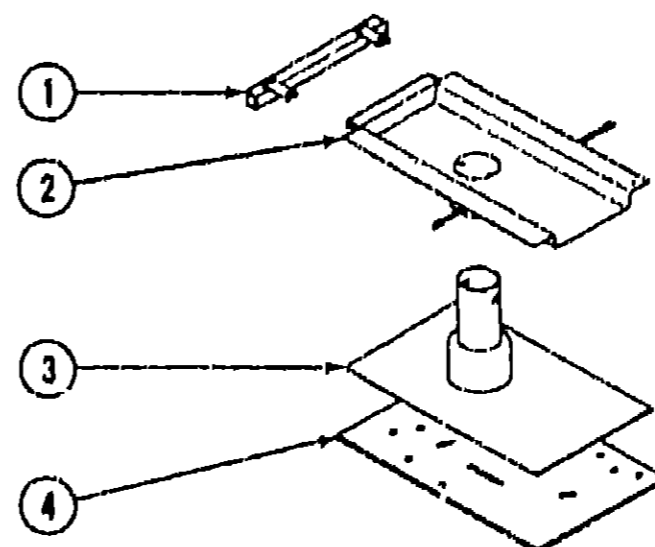
Floor Plan	B-17 - B 18
Accessories Group	B-19 B-21
Bath Group	B-22
Chassis Group	B-23 B 24
Curtain, Cushion & Pad Group	C-01 C 07
Dinette Group	C-08 - C-09
Driver's Compartment Group	C-10 - C-12
Electrical Group	C-13 - C-14
Exterior Body Group	C-15 - C 20
Galley Group	C-21 - C 22
Heating & Air Conditioning Group	C 23
Interior Finish Group	C 24 - D-01
LP Group	D-02
Lounge Group	D-03
Water & Sewage Group	D-04 - D-05
Window Vent & Exterior Door Group	D 15 D 16

DINETTE GROUP (CONTINUED)

SPRUNG COUCH (OPTION)

Key	Part Number	U/M	Description
	081298 01 W24	EA	Table Asm. - Pedestal
	009040 03 000	EA	Base Table Raised
	041194 01 000	EA	Base - Table Flush Mount
	009040 06 000	EA	Leg Pedestal Table 27 5 Tan
	062046 01 000	EA	Clip - Pedestal Table Leg
	082936-01 U04	EA	Support Table
	057472 01 000	EA	Clip - Panel
	077968 01 000	EA	Nylon Retainer
	076840 01 000	EA	Shock Cord Asm
	072708 04 000	EA	Frame Fold Down Couch

DRIVER'S COMPARTMENT GROUP



**1987 ITASCA
TABLE OF CONTENTS**

IT319RK
IC/IF421RB

A-01 - B 16
B 17 - D-15

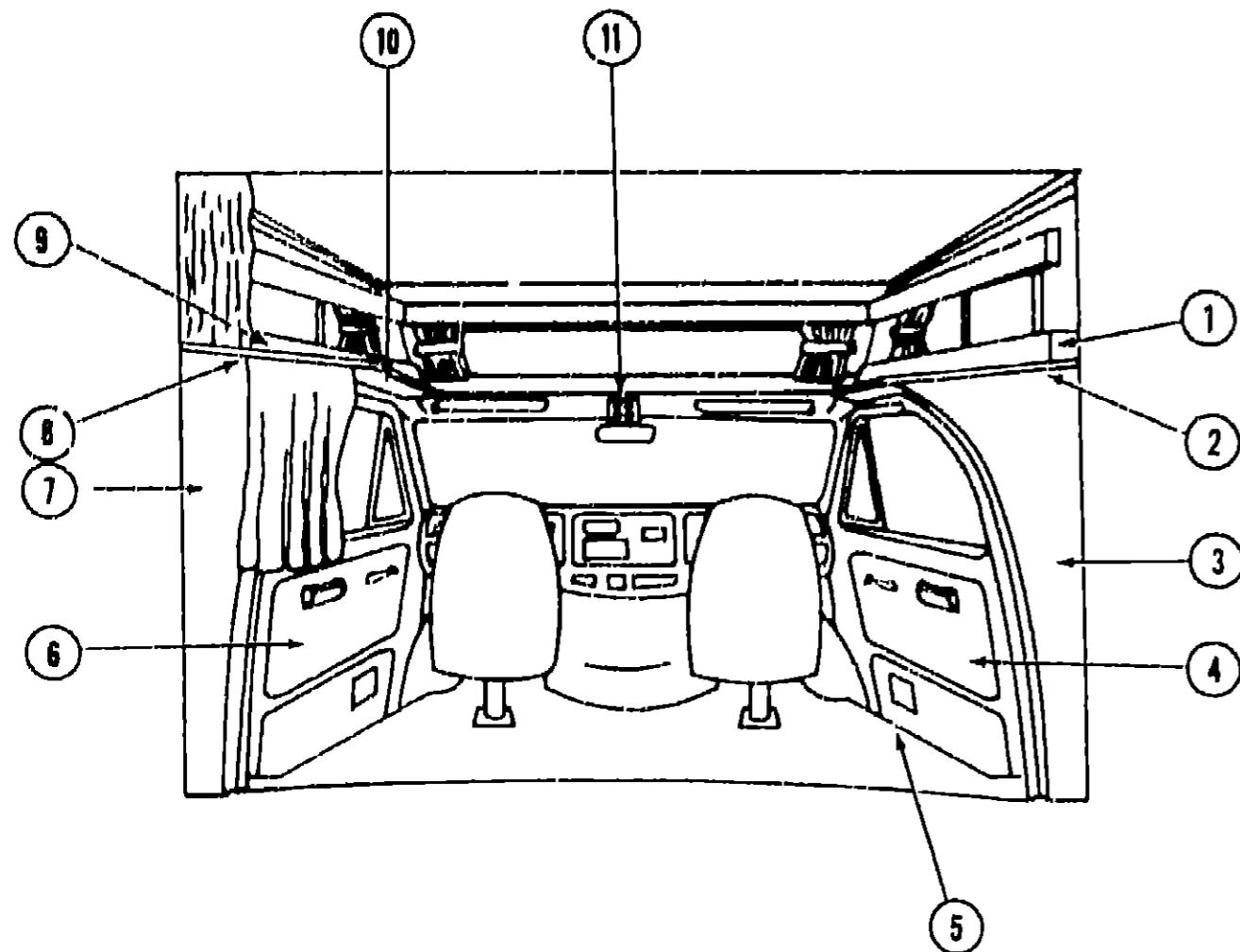
BUCKET SEAT PEDESTAL & SEAT BELTS

Key	Part Number	U/M	Description
1	069585 29 000	EA	Bar - Seat Belt 20"
2	069585 27-000	EA	Plate Top - Pedestal Asm - Bucket Seat
2	069585 20-000	EA	Plate Top - Pedestal Asm - Power Seat
3	069585 03 000	EA	Plate Sub - Pedestal Asm Bucket Seat
3	069585-18 000	EA	Plate - Sub - Pedestal Asm Power Seat
4	069585 02-000	EA	Plate - Base Pedestal Asm - Bucket Seat
	081373 02-000	EA	Seat - Power
	058271-02 000	EA	Belt Asm - Seat - 2 x 72 - Black
	007021 01 000	EA	Belt Asm - Seat - 2" x 90 - Black
	041322 01 000	EA	Washer - Flat 15/32 I D x 2 3/8 O D - Seat Belt
	057759-01 000	EA	Bracket - Seat Belt Washer
	069246 01 000	EA	Adjuster Asm - Seat - w/Lock
	063246 02 000	EA	Adjuster Asm - Seat - w/o Lock
	080730 02 000	EA	Recliner Drive - Driver
	080730 01 000	EA	Recliner Drive Passenger
	Not illustrated		

1987 IC/IF421RB INDEX

Floor Plan	B-17 - B 18
Accessories Group	B-19 - B-21
Bath Group	B 22
Chassis Group	B 23 - B-24
Curtain Cushion & Pad Group	C 01 - C-07
Dinette Group	C 08 - C-09
Driver's Compartment Group	C-10 - C-12
Electrical Group	C-13 - C-14
Exterior Body Group	C-15 - C-20
Galley Group	C-21 - C-22
Heating & Air Conditioning Group	C-23
Interior Finish Group	C-24 - D-01
LP Group	D-02
Lounge Group	D-03
Water & Sewage Group	D-04 D-05
Window Vent & Exterior Door Group	D-06 - D-15

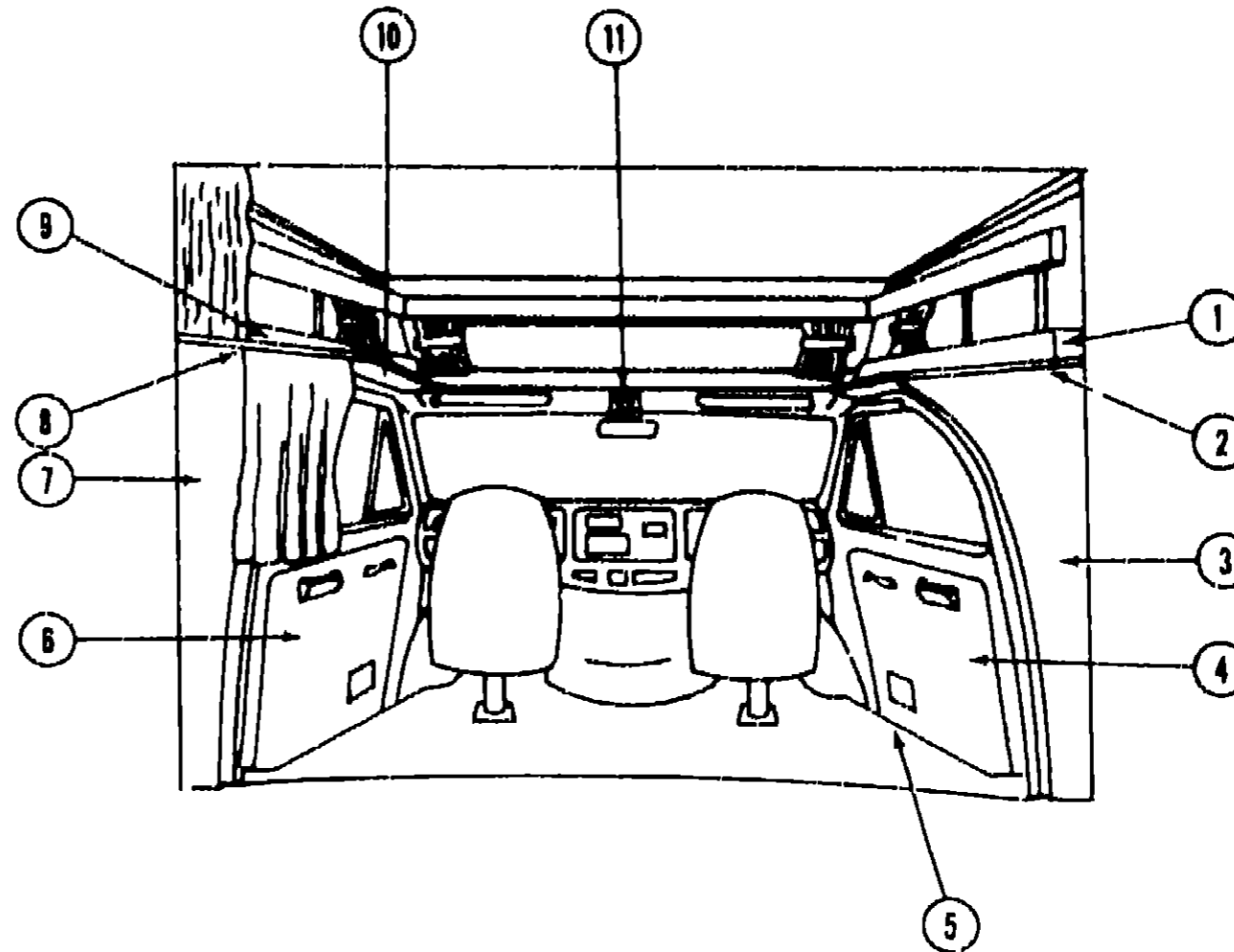
DRIVER'S COMPARTMENT GROUP (CONTINUED)



MISCELLANEOUS DRIVER'S COMPARTMENT COMPONENTS (CHEVY)

Key	Part Number	U/M	Description
1	087012 01-W24	EA	Cabinet Asm - Headboard
2	M81652-01-W04	EA	Panel Asm - Sleeper Board - w/o Vinyl
	079800 01 000	EA	Trim - Front Sleeper Board
	080742 01 000	FT	Trim Vinyl Insert - Front Sleeper Board
3	M82554 04-W24	EA	Panel Asm - Wingwall Transition - Inner Passenger
4	059491-01-W24	EA	Side Panel - Cab Door - Passenger
4	059491-01-W25	EA	Side Panel - Cab Door - Passenger
4	059491-01-W26	FA	Side Panel - Cab Door - Passenger
5	080359-01 000	EA	Door Step Mat - Passenger & Driver
6	059492 01-W24	EA	Side Panel - Cab Door - Driver
6	059492-01-W25	EA	Side Panel - Cab Door - Driver
6	059492 01-W26	EA	Side Panel - Cab Door - Driver
7	M82554 05 W24	EA	Panel Asm - Wingwall Transition - Inner - Driver
8	082069-01-W24	EA	Accent Trim - Dark Sandrift Vinyl
9	087012-01-W24	EA	Cabinet Asm - Headboard
10	084591-01-U01	EA	Headliner Asm - Overhead Bunk - Vinyl
11	M01298-03 000	EA	Console - Overhead - 7.5 x 6.14 - Beige
	024461-01-000	EA	Switch - Battery
	024462-01-000	EA	Switch - Battery Condition
	024976-01-000	EA	Switch - Generator w/o Circuit Board
	031035-02-000	FA	Gauge - Generator Hourmeter
	024459 04 000	EA	Gauge - Voltmeter
	024459-02-000	EA	Bracket - Mounting - Voltmeter Gauge
			Not illustrated

DRIVER'S COMPARTMENT GROUP (CONTINUED)



MISCELLANEOUS DRIVER'S COMPARTMENT COMPONENTS (FORD)

Key	Part Number	U/M	Description
1	087012 01-W24	EA	Cabinet Asm - Headboard
2	M81652 01-W04	EA	Panel Asm - Sleeper Board - w/o Vinyl
	079800-01-000	EA	Trim - Front Sleeper Board - Aluminum - Off White
	080742-01-000	FT	Trim - Vinyl Insert - Front Sleeper Board
3	M82066 01-W24	EA	Panel Asm - Wingwall Transition - Inner Passenger
4	NOTE	EA	Side Panel - Cab Door - Passenger
5	083219 03-000	FA	Door Step Mat - Passenger - Brown - Ford
	083219-04 000	EA	Door Step Mat - Driver - Brown - Ford
6	NOTE	EA	Panel Asm - Cab Door - Driver - Beige
7	M82066-02-W24	EA	Panel Asm - Wingwall Transition - Inner Driver
8	082069 01 W24	EA	Accent Trim - Dark Sandrift Vinyl
9	087012-01 W24	EA	Cabinet Asm - Headboard
10	083431 01-U01	EA	Headliner Asm - Overhead Bunk
11	M01298-01-000	EA	Console - Overhead - 7.5 x 6.14
	024461-01-000	EA	Switch - Battery
	024462-01-000	EA	Switch - Battery Condition
	024976-01-000	EA	Switch - Generator w/o Circuit Board
	031035-01-000	EA	Gauge - Generator Hourmeter
	024459-03-000	EA	Gauge - Voltmeter

This part is supplied by your Ford Dealer

**1987 ITASCA
TABLE OF CONTENTS**

IT319RK
IC/IF421RB

A-01 B-16
B 17 D 15

1987 IC/IF421RB INDEX

Floor Plan	B-17 - B 18
Accessories Group	B-19 B 21
Bath Group	B 22
Chassis Group	B 23 - B 24
Curtain Cushion & Pad Group	C-01 - C-07
Dinette Group	C 08 - C 09
Driver's Compartment Group	C-10 - C-12
Electrical Group	C 13 - C-14
Exterior Body Group	C 15 - C-20
Galley Group	C-21 - C-22
Heating & Air Conditioning Group	C-23
Interior Finish Group	C 24 - D-01
LP Group	D 02
Lounge Group	D-03
Water & Sewage Group	D-04 - D-05
Window Vent & Exterior Door Group	D 06 - D-15

ELECTRICAL GROUP

BULBS

Key	Part Number	U/M	Description
	008220 01 000	EA	Bulb - 12V 25W
	008103 01 000	EA	Bulb 63
	008213 01 000	EA	Bulb - 67
	008214 01 000	EA	Bulb - 67
	038196 01 000	EA	Bulb - 104
	008215 01 000	EA	Bulb 1003
	067479 01 000	EA	Bulb 1070
	063914 01 000	EA	Bulb 1139
	008218 01 000	EA	Bulb 1141
	037935 01 000	EA	Bulb 1157
	056288 02 000	EA	Bulb 9431608

FUSES & CIRCUIT BREAKERS

Key	Part Number	U/M	Description
	008233 01-000	EA	Fuse - 6 Amp 12 Volt
	008234 01-000	EA	Fuse 10 Amp, - 12 Volt
	008235-01-000	EA	Fuse 15 Amp - 12 Volt
	062901 02 000	EA	Fuse 5 Amp Automotive
	062901 05 000	EA	Fuse - 15 Amp, - Automotive
	008211-01 000	EA	Circuit Breaker - 6 Amp - 12 Volt
	008208 01 000	EA	Circuit Breaker - 40 Amp 12 Volt
	033573 02-000	EA	Circuit Breaker - 15 Amp 12 Volt - w/Mount
	033573-01-000	EA	Circuit Breaker - 20 Amp 12 Volt w/Mount
	044466-03-000	EA	Circuit Breaker - 25 Amp - 12 Volt - w/Mount
	008268 01 000	EA	Circuit Breaker - 30 Amp - 12 Volt - w/Mount
	083209 01-000	EA	Circuit Breaker - 15 Amp 120 Volt
	083210 02-000	EA	Circuit Breaker - 15 Amp - 120 Volt (Ground Fault Interrupter)
	075735-02-000	EA	Circuit Breaker 15 Amp - 120 Volt (Ground Fault Interrupter)
	071279 07 000	EA	Circuit Breaker - 20/20 Amp 120 Volt
	071279 05 000	EA	Circuit Breaker - 20 Amp - 120 Volt
	083209 03-000	EA	Circuit Breaker - 15/20 Amp 120 Volt
	083209 05 000	EA	Circuit Breaker - 20 Amp - 120 Volt
	083209-04 000	EA	Circuit Breaker 30 Amp 120 Volt
	082122-01-000	EA	Circuit Breaker - 30 Amp 12 Volt
	083209 08 000	EA	Circuit Breaker Blank
	050283 02-000	EA	Circuit Breaker - Buss Bar

INTERIOR LIGHT

Key	Part Number	U/M	Description
	065202-03-000	EA	Lamp - Decor - Wall - Brass - 2 Bulb
	033508 02 000	EA	Light - Dome - Ivory - 1 Bulb - US
	033508 03 000	EA	Light - Dome Ivory - 1 Bulb CSA
	033509 02 000	EA	Light - Dome Ivory - 2 Bulb - US
	078424-02 000	EA	Light - Florescent - 12V
	086280 01-000	EA	Light - Surface Mount - 12V
	061424 01-000	EA	Light - 12V Receptacle Aisle - IP
	007309 01 000	EA	Light - Step Well
	072353-07-000	EA	Light - Reading - High Intensity - Jensen Almond
	068937 04 000	EA	Light - Dome Surface - No Switch
	086280-01 000	EA	Light - Surface Mount 12 Volt

MISCELLANEOUS ELECTRICAL COMPONENTS

Key	Part Number	U/M	Description
	008188-01-000	EA	Solenoid - Dual Battery - Relay
	083208-01-000	EA	Convertor - 120 Amp w/ charger
	083208 01 000	EA	Control Center 32A - 120V/12V
	082686-01-000	EA	Lamp Table - Brass w/Wood
	082686-02-000	EA	Shade Table Lamp

ELECTRICAL GROUP (CONTINUED)

WIRE, SWITCHES & RECEPTACLES

Key	Part Number	U/M	Description
	008058 01 000	EA	Adapter - Power Cord
	008288 01 000	EA	Box - Electrical - 3" x 3 5" Plastic
	008289 01-000	EA	Box - Electrical - 4" x 4" - 1/2 & 3/4 Steel - UL
	058049 01 000	EA	Box - Electrical - 2" x 3" x 2.25" - Steel
	041953 01 000	EA	Conduit Convolute Sill 5" ID
	008353 01 000	EA	Connector - Clamping - 3/8 Cable UL & CSA
	058028 01-000	EA	Connector Pigtail - Clear Nylon
	008311 01 000	EA	Connector - Wire Nut Red
	031988 01-000	FA	Contact Plug - Brass - Tin Plated
	031987 01 000	EA	Contact Receptacle
	008054-01-000	EA	Cord Power - 10 3 30 Amp - 25' UL
	008052 01 000	EA	Cord Power 10 3 30 Amp 25 CSA
	068238 01-000	EA	Cover - Electrical Box - 4" x 4
	008164 01-000	EA	Cover Plate - Switch Brown
	008294 01-000	EA	Cover - Flat Blank - 4' x 4 Steel - US
	008277 01-000	EA	Fuse Holder - Panel Mount Black
	064399 01 000	EA	Housing Asm - Trailer Pin
	064450 01 000	EA	Housing Asm - Trailer Plug
	064398-01-000	FA	Housing Asm - Trailer Receptacle
	054532 01 000	EA	Housing Pin - 6 Position
	046885-01 000	EA	Plaque - Mounting Switch
	075736-02-000	CA	Receptacle/Cover Asm Off White (Exterior)
	058708 01 000	EA	Receptacle Duplex Brown
	058708 02 000	CA	Receptacle - Duplex - Ivory
	053126 02 000	EA	Receptacle - Ground Fault Interrupter - 125 Volt Ivory
	024924-02-000	EA	Receptacle - Power Cord
	058707 01 000	EA	Receptacle - Single - Brown
	063912 01-000	EA	Relay - Canister SPDT w/Ground
	075723 01 000	EA	Switch - Block Spacer - w/o Holes
	075723-02-000	EA	Switch - Block Spacer w/Holes
	056264-01 000	EA	Switch - Leaf Actuator
	079362 01 000	EA	Switch Plate - 3 Gang - 2 Switches
	079363-01 000	EA	Switch Plate - Single - w/Switches
	079364-01 000	EA	Switch - On/Off Rocker Brown
	008195 01 000	EA	Switch Push Button - 12 Volt
	008163-01-000	EA	Switch Toggle - Brown
	047443-02-000	EA	Terminal - #50 Receptacle - 12-10 AWG
	008348-01 000	EA	Terminal Ring - 2 - w/3/8 Stud
	008331-01-000	EA	Terminal Ring - 4 - w/3/8 Stud
	008928-01-000	EA	Terminal Ring - 12/10 Wire
	008028-01-000	FT	Wire 18 5 Bonded - Blue/Red/Yellow/Orange/White
	008024 01-000	FT	Wire - 18 5 Bonded - Orange/White/Yellow/Blue/Brown
	008025-01 000	FT	Wire 18 5 Bonded - Orange/White/Yellow/Blue/Green
	008026 01-000	FT	Wire w/Ground - Romex - 12/2

EXTERIOR LIGHTS

Key	Part Number	U/M	Description
	058032 01-000	EA	Tall Lamp Asm - 2 Bulb - Chrome - Driver/Passenger
	059540 01-000	EA	Bracket License Plate
	062742-04-000	EA	Wedge Tall Lamp w/License Plate - Left - Off White
	062740-04-000	EA	Wedge - Tall Lamp - Right - Off White
	042405 03 000	EA	Base - Rectangular Clearance Light
	042405-01-000	EA	Lens - Clearance Light - Red w/Reflex
	042405-04-000	EA	Lens - Clearance Light - Red w/o Reflex
	042405-02-000	EA	Lens - Clearance Light - Amber w/Reflex
	042405-05-000	EA	Lens - Clearance Light - Amber w/o Reflex
	048817-01-000	EA	Assist Handle Asm w/Light
	041332-02 000	EA	Reflector - Self Adhesive

1987 ITASCA TABLE OF CONTENTS

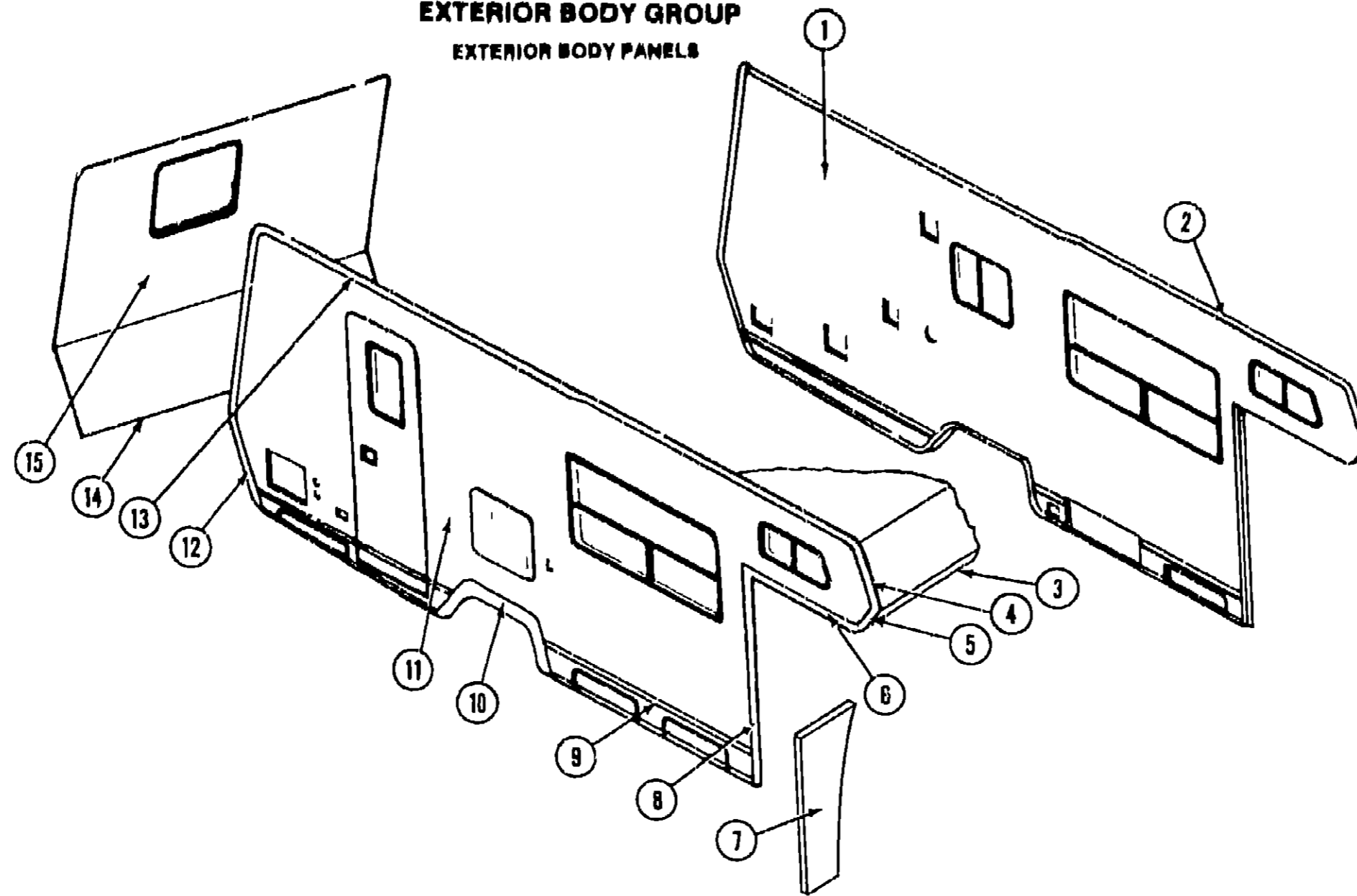
IT319RK	A-01 - B-16
IC/IF421RB	B 17 - D-15

1987 IC/IF421RB INDEX

Floor Plan	B-17 - B 18
Accessories Group	B 19 - B 21
Bath Group	B-22
Chassis Group	B-23 - B-24
Curtain Cushion & Pad Group	C-01 - C-07
Dinette Group	C 08 - C-09
Driver's Compartment Group	C-10 - C-12
Electrical Group	C-13 - C-14
Exterior Body Group	C-15 - C 20
Galley Group	C-21 - C 22
Heating & Air Conditioning Group	C-23
Interior Finish Group	C-24 - D-01
LP Group	D-02
Lounge Group	D-03
Water & Sewage Group	D 04 - D-05
Window Vent & Exterior Door Group	D-06 D-15

EXTERIOR BODY GROUP

EXTERIOR BODY PANELS



1987 ITASCA TABLE OF CONTENTS

IT318RK
IC/IF421RB

A-01 - B 16
B 17 - D-15

Key	Part Number	U/M	Description
	M86325-01-W04	EA	Roof Asm
	M76177-01-700	CA	Roof Section Cab Over To First Seam
1	M86313 01 W24	EA	Sidewall Asm - Driver
1	M86313 01 W25	EA	Sidewall Asm - Driver
1	M86313 01 W26	EA	Sidewall Asm - Driver
2	076802-02-000	EA	Trim - Contour - Upper Front - Driver - Off White
	076802-07-000	EA	Trim - Contour - Upper Front - Passenger - Off White
3	039644-08-000	EA	Trim - Sleeper Board - Front - Off White
4	085490-01-000	EA	Trim - Contour - Front - Passenger - Off White
	085490 02-000	EA	Trim - Contour - Front - Driver - Off White
5	086889-01-000	EA	Trim - Front Radius - Passenger - Off White
	086889-02-000	EA	Trim - Front Radius - Driver - Off White
6	076975-05-000	EA	Trim - Wingwall - Passenger - Off White
	076975 06-000	EA	Trim - Wingwall - Driver - Off White
7	M82343-01-U01	EA	Wingwall Asm - Passenger (Chevy)
	M82343-02-U01	EA	Wingwall Asm - Driver (Chevy)
7	M81653-01-U01	EA	Wingwall Asm - Passenger (Ford)
	M81653-02-U01	EA	Wingwall Asm - Driver (Ford)
8	076975 03-000	EA	Trim - Wingwall Transition - Passenger - Off White
	076975-04-000	EA	Trim - Wingwall Transition - Driver - Off White
9	059576-05-001	EA	Feature Strip - w/o Insert - Extr - 14 8 - Off White
	009731-01-000	EA	End Cap - Feature Strip
	001030-02-003	EA	Insert - Feature Strip - 17 - Stucco - Off White
	Not illustrated		

C-15

Key	Part Number	U/M	Description
10	075189-03-000	EA	Trim - Wheel Well - Rear Passenger - Off White
	075189 04-000	EA	Trim - Wheelwell - Rear Driver - Off White
	080266 05-000	FA	Trim - Wheelwell - Rear Passenger - Extrusion
	000265 02-000	EA	Trim - Wheelwell - Rear Driver - Extrusion
11	M86312-01-W24	EA	Sidewall Asm - Passenger
11	M86312-01-W25	EA	Sidewall Asm - Passenger
11	M85312-01-W26	EA	Sidewall Asm - Passenger
12	076805-01-000	EA	Trim - Contour - Rear Passenger - Off White
	076805 02-000	EA	Trim - Contour - Rear Driver - Off White
13	077339 11-000	EA	Trim - Contour - Upper Rear Passenger - Off White
	077339 12-000	EA	Trim - Contour - Upper Rear Driver - Off White
14	074966-02-000	EA	Trim - Backwall - Lower - Passenger or Driver
15	M82397-01 W24	EA	Backwall Asm
15	M82397-01-W25	EA	Backwall Asm
15	M82397 01 W26	EA	Backwall Asm
	002365 01-001	EA	U Channel - Extrusion - 1 x 18
	002776-01-001	EA	U-Channel - Extrusion - 1 75 x 16
	077517-19-700	EA	Fiberglass Sheet - 48 08 x 293 Mesa - Off White
	001054 01-011	EA	Alum - No Design - 48 x 96' - Off White
	000868 01-000	SF	Styrofoam - 75 x 24 x 96
	000870-01-000	SF	Styrofoam - 15 x 24 x 96
	000870-03-000	SF	Styrofoam - 1 34' x 48 x 96
	Not illustrated		

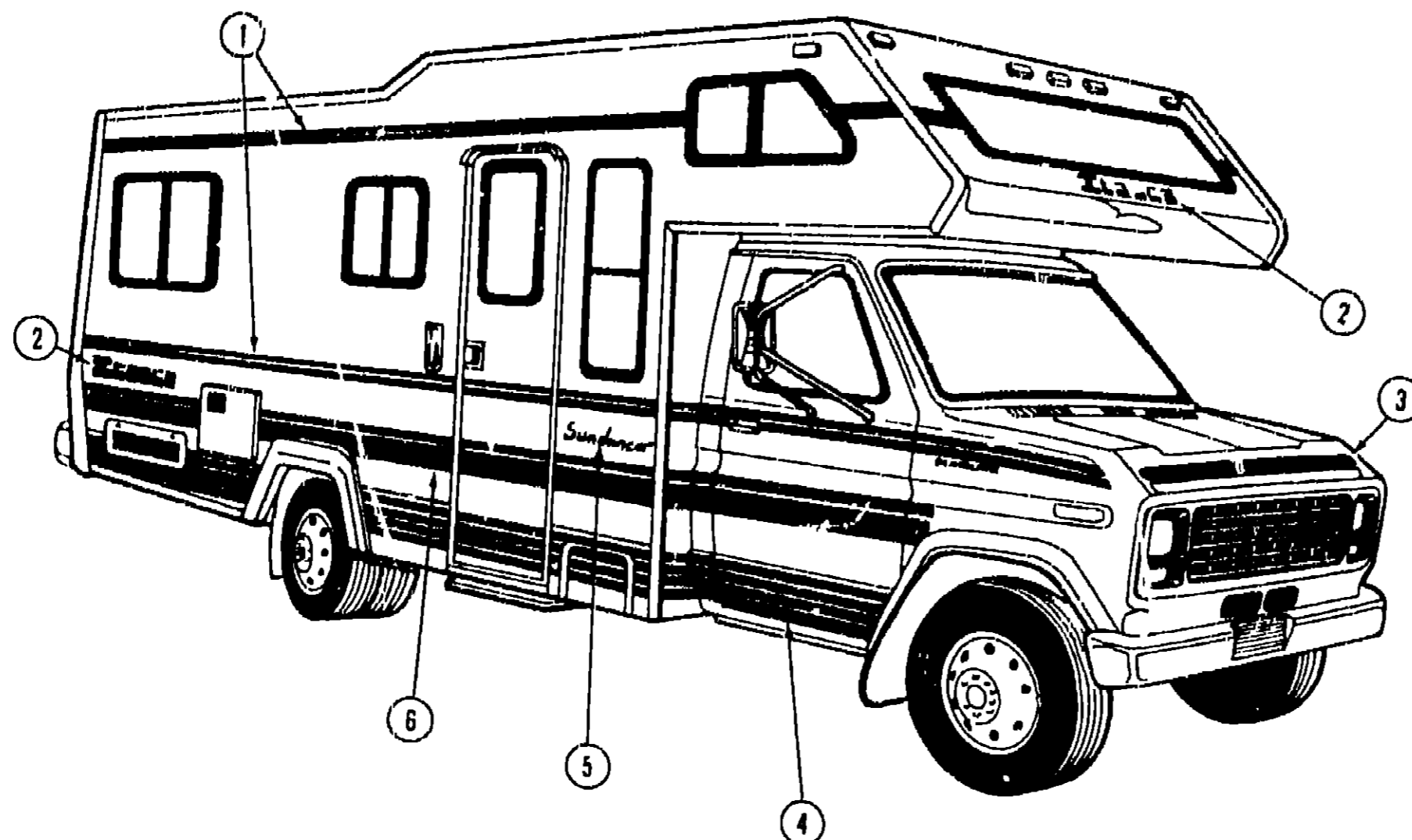
C-16

1987 IC/IF421RB INDEX

Floor Plan	B-17 - B-18
Accessories Group	B 19 - B 21
Bath Group	B-22
Chassis Group	B 23 - B-24
Curtain, Cushion & Pad Group	C-01 - C-07
Dinette Group	C-08 - C-09
Driver's Compartment Group	C-10 - C-12
Electrical Group	C-13 - C-14
Exterior Body Group	C-15 - C-20
Galley Group	C-21 - C-22
Heating & Air Conditioning Group	C-23
Interior Finish Group	C 24 - D 01
LP Group	D 02
Lounge Group	D-03
Water & Sewage Group	D 04 - D-05
Window Vent & Exterior Door Group	D-06 - D 15

EXTERIOR BODY GROUP (CONTINUED)

LABELS, DECALS & EXTERIOR PAINT



1987 ITASCA TABLE OF CONTENTS

IT318RK
IC/IF421RB

A-01 - B 18
B-17 - D 15

1987 IC/IF421RB INDEX

Floor Plan	B 17 - B-18
Accessories Group	B 19 - B-21
Bath Group	B-22
Chassis Group	B 23 - B-24
Curtain, Cushion & Pad Group	C-01 - C-07
Dinette Group	C-08 - C-09
Driver's Compartment Group	C-10 - C-12
Electrical Group	C-13 - C-14
Exterior Body Group	C 15 - C 20
Galley Group	C 21 - C-22
Heating & Air Conditioning Group	C-23
Interior Finish Group	C-24 - D-01
LP Group	D-02
Lounge Group	D-03
Water & Sewage Group	D-04 - D-05
Window Vent & Exterior Door Group	D-06 - D-15

Key	Part Number	U/M	Description
1	065217-D0 000	FT	Film - Multistripe - 1 8 x 150 - Light Green/Dark Green (W24)
1	065217 C8 000	FT	Film - Multistripe - 1 8 x 150 - Gray/Rust (W25)
1	065217-C9-000	FT	Film - Multistripe - 1 8 x 150 - Gray/Burgundy (W26)
2	078191-01 000	EA	Decal - Logo Itasca
3	078831-32-000	FT	Decal - Striping 2 x 150 - Lt Green (W24)
3	078831-33-000	FT	Decal - Striping 2 x 150 - Gray (W25 W26)
	078831-31 000	FT	Decal - Striping - 2 x 150 - Dark Green (W24)
	078831 30 000	FT	Decal - Striping 2 x 150 - Rust (W25)
	078831-29 000	FT	Decal - Striping - 2 x 150 - Burgundy (W26)
4	078196-16 000	EA	Film - Multistripe - 7 02' x 150 Lt Green (W24)
4	078196 17-000	EA	Film - Multistripe - 7 02' x 150 - Gray (W25 W26)
5	078851-02-000	EA	Decal - Logo Sundancer
6	065217-C7-000	FT	Film - Multistripe - 6 x 150 - Dark Green (W24)
6	065217-C6-000	FT	Film - Multistripe 6 x 150 - Rust (W25)
6	065217-C5 000	FT	Film - Multistripe - 6 x 150 Burgundy (W26)
	084075 01 000	EA	Decal - by Winnebago Industries
	068383-01-000	EA	Label - Diesel Fuel
	006195-01-000	EA	Label - Electrical Test
	047731-01 000	EA	Label - Emergency Exit
	006199-01-000	EA	Label - Exit Escape Window
	057467 04-000	EA	Label - Exterior Loading Limit
	064378-01-000	EA	Label - Flying W w/Thermo Panel
	061417-01-000	EA	Label - Fuel

Key	Part Number	U/M	Description
	006196 01 000	EA	Label - Gas Test
	054531-01 000	EA	Label - LP Gas Only
	040944 01-000	EA	Label - Open Entrance Door
	006015-01 000	EA	Label - Patent Motor Home
	056259 01-000	EA	Label - Safety Check List
	006064 01 000	EA	Label - Seat - w/o Seat Belts
	006187-01-000	EA	Label - Sewage
	006006 01 000	EA	Label - Thermo Panel - 2 1/4 x 2 1/4
	075221 01-000	EA	Label - Trailer Hitch Capacity
	075220 01 000	EA	Label - Warning Exterior Load Limit
	077956 01-000	EA	Label - Warning Smoke Detector
	050225-01-000	EA	Label - Warning - Smoke Vent US
	006188-01-000	EA	Label - Waste Water
	006197-01-000	EA	Label - Water Test
	072863-01-000	EA	Nameplate - Diesel - 6 2L
	006062-01 000	EA	Tag - Electrical - 110 Volt Connection
	006040 01 000	EA	Tag - Gas - Refueling Warning
	044486 03-000	EA	Paint - Beige Acrylic Enamel - 16 oz Aerosol (7633A Dupont)
	045681-03-000	EA	Paint - Gloss Black - Acrylic Enamel - 16 oz Aerosol (99 Dupont)
	058637 05-000	EA	Paint - Gray Acrylic Enamel - 16 oz. Aerosol (71537 Dupont)
	041561-03-000	EA	Paint - Off White Acrylic Enamel - 16 cz Aerosol (45396A Dupont)
	074559-01-000	EA	Label - LPG 13 x 175 (Calif Code)
			Not illustrated

EXTERIOR BODY GROUP (CONTINUED)

MISCELLANEOUS EXTERNALLY MOUNTED PARTS

Key	Part Number	U/M	Description
	083558 01-000	EA	Plumbing Seal Roof Vent - 1 5
	048817 01 000	EA	Assist Handle w/Light
	048817 01 700	EA	Lens - Assist Handle
	010230 02 000	CA	Fill - City Water - Recessed - Off White
	087859 04 000	EA	Fill - City Water - Off White
	081240 03-000	EA	Fill - City Water - Lockable Off White
	072447 02 000	EA	Shroud - Fuel Fill
	079384 01 700	EA	Hardware Set - Running Board (Chevy)
	079384 01 701	CA	Tread - Running Boards (Set of 4) (Chevy)
	079384 01-702	CA	Trim Wheel Lip Chrome (Chevy)
	079384 03 000	EA	Running Board - Right (Chevy)
	079384 04 000	CA	Running Board - Left (Chevy)
	079384 07 000	EA	Bracket - Running Board Mounting (Chevy)
	079384 02 700	EA	Hardware Set - Running Board (Ford)
	079384 02-701	EA	Tread - Running Board (Ford)
	079384 02 702	EA	Trim - Wheel Lip - Chrome (Ford)
	079384 02 703	EA	Trim - Wheel Lip - Chrome - 9' (Ford)
	079384 05-000	EA	Running Board Right (Ford)
	079384 06 000	EA	Running Board Left (Ford)
	079384 09 000	EA	Bracket - Rear - Z (Ford)
	079384 10 000	EA	Bracket - Front - Z (Ford)
	080359 01-000	EA	Plate - Stepwell (Chevy)
	080359 02 000	EA	Plate - Stepwell (Ford)

LABELS & EXTERIOR PAINT

Key	Part Number	U/M	Description
	065748-01-000	EA	Label - Caution - Battery Charging
	068383-01-000	CA	Label Diesel Fuel
	006195 01 000	EA	Label Electrical Test
	047731 01 000	EA	Label - Emergency Exit
	003199-01-000	EA	Label - Exit - Escape Window
	057467-04 000	EA	Label - Exterior Loading Limit
	064378 01-000	EA	Label - Flying W w/The mo Panel
	061417 01-000	EA	Label - Fuel
	087207-02-000	EA	Label - Fuel Cap Removal
	006190-01-000	EA	Label - Gas Test
	054531-01-000	EA	Label - LP Gas Only
	073998 01-000	EA	Label - LPG Odor Warning
	040944 01-000	EA	Label - Open - Entrance Door
	006015 01-000	EA	Label - Patent Motor Home
	056259-01-000	EA	Label - Safety Check List
	006064-01-000	EA	Label - Seat - w/o Seat Belts
	006187-01 000	EA	Label - Sewage
	006006-01 000	EA	Label - Thermo Panel 2 1/4 x 2 1/4
	075221 01-000	EA	Label - Trailer Hitch Capacity
	088249-01-000	EA	Label - Warning - Electric Step
	075220-01-000	EA	Label - Warning - Exterior Load Limit
	050225-01-000	EA	Label - Warning - Stove Vent - US
	079966-01-000	EA	Label - Warning - Slowed Motion
	006188-01 000	EA	Label - Waste Water
	006197-01-000	EA	Label - Water Test
	072863 01 000	EA	Nameplate - Diesel - 6 2L
	006062-01 000	EA	Tag - Electrical - 110 Volt Connection
	006040 01-000	EA	Tag - Gas - Refueling Warning
	044486-03-000	EA	Paint - Beige Acrylic Enamel 16 oz Aerosol (7633A Dupont)
	045681-03-000	EA	Paint - Gloss Black Acrylic Enamel - 16 oz Aerosol (99 Dupont)
	058637-05-000	EA	Paint - Gray Acrylic Enamel 16 oz Aerosol (71537 Dupont)
	041561-03-000	EA	Paint - Off White Acrylic Enamel - 16 oz Aerosol (45396A Dupont)
	074559-01-000	EA	Label LPG - 3 3 x 175 - (Calif Code)

EXTERIOR BODY GROUP (CONTINUED)

SEALANTS & ADHESIVES

Key	Part Number	U/M	Description
	004020-01 000	QT	Adhesive - ABS Cement (Plastic Fittings)
	002337 01 000	EA	Adhesive - 1300 Tube - 3M (Windows)
	004005 02 000	GL	Adhesive - Swifta - Glue (Sidewalls)
	053766 07 000	EA	Bedding Compound - Tube - Beige (Exterior)
	053766 06 000	EA	Bedding Compound - Tube - Clear (Window)
	053766 08 000	EA	Bedding Compound - Tube - Gray (Exterior)
	053766-05 000	EA	Bedding Compound - Tube - Gray (Sidewalls to Floor)
	053766 02 000	EA	Bedding Compound - Tube - Off White (Exterior)
	002328-02 000	EA	Block - Rubber Spacer (Windshield)
	004336 01-000	CA	Caulk Latex - Golden Walnut (Sidewalls)
	077887 01-000	EA	Sealant Acrylic Latex - Tube Off White (Interior Sealant)
	034552-04 000	EA	Sealant - Silicone Beige
	034552-02 000	EA	Sealant - Silicone Clear
	034552 07 000	EA	Sealant - Silicone - Dark Gray
	034552-06 000	EA	Sealant - Silicone - Off White
	069637 01 000	EA	Sealant - Weatherban 404 - Tube - White (Door Caulk)
	072889 01 000	EA	Sealant - Urethane - Black (Windshield)
	069640 01 000	FT	Sealer Ribbon - 25" Bead x 20
	069640 02 000	FT	Sealer Ribbon 5" x 125" x 30
	069640 03 000	FT	Sealer Ribbon - 75" x 125" x 30'
	069640-04 000	FT	Sealer Ribbon 2" x 09' x 45' (P Series)
	069640 05 000	FT	Sealer Ribbon - 2 5' x 09' x 50
	069640 06 000	FT	Sealer Ribbon - 5/16' Bead x 15
	069640 07 000	FT	Sealer Ribbon - 2' x 3/32' x 30
	002316 01-000	FT	Sealer Tape 3/32' x 3/8 White (Window)
	002707-01-000	FT	Sealer Tape - 5/16' x 3/4
	002707-02 000	FT	Sealer Tape - 5/16' x 1/2
	040545 01 000	GL	Sealer - Seam Weld
	053752 04 000	EA	Seam Sealer - Tube - Aluminum (Roof)
	063842 01 000	FT	Tape - Adhesive - 10 mm, x 1 5 Wide
	038886 01-000	EA	Tape Butyl - 31' x 31 x 148 (Windshield)
	076322-01 000	FT	Tape Foam - Double Coated - 025 x 1' (Fiberglass Sidewall Seams)
	076322 02 000	FT	Tape Foam - Double Coated 045 x 1' (Fiberglass Sidewall Seams)
	009200-01 000	EA	Tape - Furnace - 1 5
	002825-01 000	FT	Weather Striping (Roof Vent)

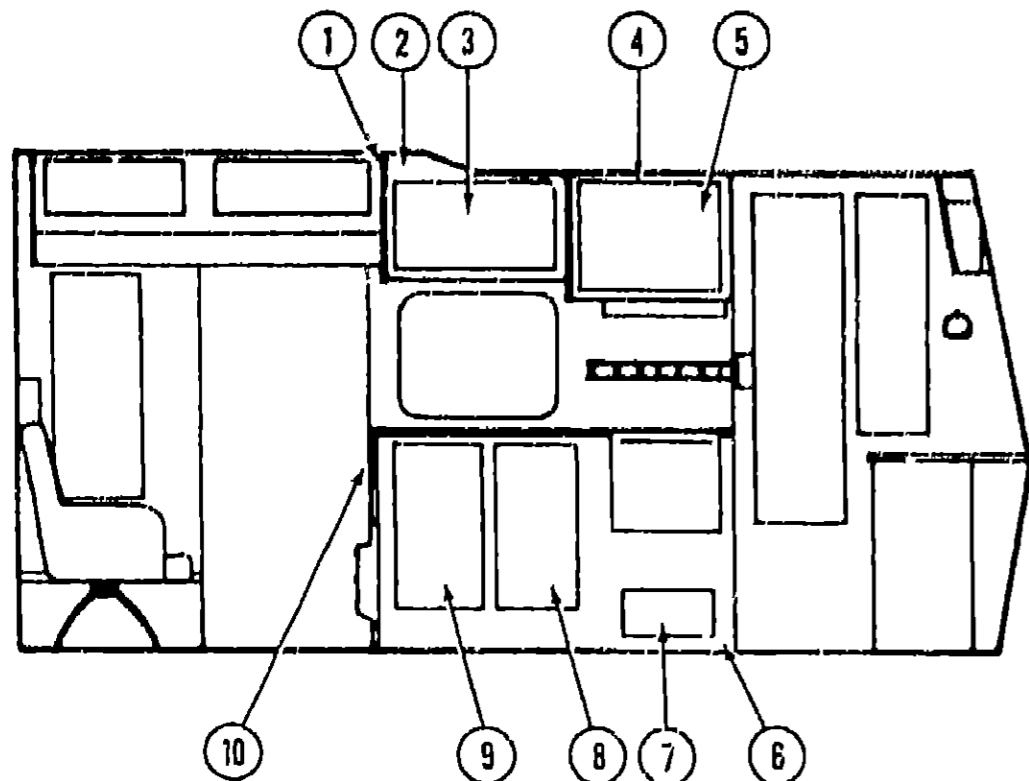
**1987 ITASCA
TABLE OF CONTENTS**

17319RK	A 01 - B-16
IC/IF421RB	B 17 - D 15

1987 IC/IF421RB INDEX

Floor Plan	B-17 - B-18
Accessories Group	B-19 - B-21
Bath Group	B-22
Chassis Group	B-23 - B-24
Curtain Cushion & Pad Group	C-01 - C-07
Dinette Group	C-08 - C-09
Driver's Compartment Group	C-10 - C-12
Electrical Group	C-13 - C-14
Exterior Body Group	C-15 - C-20
Galley Group	C-21 C 22
Heating & Air Conditioning Group	C 23
Interior Finish Group	C 24 - D-01
LP Group	D 02
Lounge Group	D 03
Water & Sewage Group	D 04 - D-05
Window Vent & Exterior Door Group	D 06 - D 15

GALLEY GROUP



GALLEY CABINTRY

Key	Part Number	U/M	Description
1	081280 19 W24	EA	Pad Asm End Cap - Galley Overhead Left - Vinyl
2	083137 03 W24	EA	Cabinet Asm - Galley Overhead - w/o Doors or Hardware
†2	083137-04 W24	EA	Cabinet Asm - Galley Overhead w/o Doors or Hardware
††2	M83137 04-W24	EA	Cabinet Asm - Galley Overhead - w/o Doors or Hardware
3	M84956 02 W24	EA	Door Asm - Galley Overhead - w/o Hardware
†3	M81523 02 W24	EA	Door Asm - Galley Overhead - w/o Hardware
††3	M88304 84 W24	EA	Door Asm - Galley Overhead - w/o Hardware
4	081460 24 W24	EA	Cabinet Asm - Microwave Cabinet - w/o Door or Hardware
†4	081460 01-W30	EA	Cabinet Asm - Microwave Cabinet - w/o Door or Hardware
††4	M81460 01-W24	EA	Cabinet Asm - Microwave Cabinet - w/o Door or Hardware
5	M84956 01-W24	EA	Door Asm - Microwave Cabinet - w/o Hardware
†5	M81523 01-W30	EA	Door Asm - Microwave Cabinet - w/o Hardware
††5	M88304 12 W89	EA	Door Asm - Microwave Cabinet w/o Hardware
6	M83136 01-W24	EA	Cabinet Asm - Galley - w/o Doors or Countertop
6	M83136 03 W24	EA	Cabinet Asm - Galley - w/o Doors or Countertop
	M02553 01 W24	EA	Countertop Asm - Galley
7	M84953 41-W24	EA	Door Asm - Galley - Lower Right - w/o Hardware
†7	M81501 75-W30	EA	Door Asm - Galley - Lower Right w/o Hardware
††7	M88304-05-W24	EA	Door Asm - Galley - Lower Right - w/o Hardware
	M82184 07-W24	EA	Drawer Asm - Galley Cabinet w/o Hardware
8	M84953-02-W24	EA	Door Asm - Galley Cabinet - w/o Hardware
†8	M81501-02-W30	EA	Door Asm - Galley Cabinet - w/o Hardware
††8	M88304-14 W89	EA	Door Asm - Galley Cabinet - w/o Hardware
9	M84953-03 W30	EA	Door Asm - Galley Cabinet - w/o Hardware
†9	M81501-03-W30	EA	Door Asm - Galley Cabinet - w/o Hardware
††9	M88304-13-W89	EA	Door Asm - Galley Cabinet - w/o Hardware
10	080812-03 W24	EA	Extension Asm Galley Countertop - w/o Hardware
	M84954-05 W24	EA	Door Asm - Refrigerator Cabinet - Right - w/o Hardware
†	M81502 06-W30	EA	Door Asm - Refrigerator Cabinet - Right - w/o Hardware
	M84954 05 W24	EA	Door Asm - Refrigerator Cabinet Left - w/o Hardware
†	M81502 05 W30	EA	Door Asm - Refrigerator Cabinet Left - w/o Hardware
††	M88304-A0 W24	EA	Door Asm - Refrigerator Cabinet - w/o Hardware

Not illustrated

† Used in units produced after 12/2/86

†† Used in units produced after 4/7/87

GALLEY GROUP (CONTINUED)

GALLEY HARDWARE & APPLIANCES

Key	Part Number	U/M	Description
	079352 01 000	EA	Hood Range Non Powered w/Light - Almond
	079357 01 000	EA	Hood - Range - Powered w/Monitor - Almond US
	079354 03 000	EA	Spicer Hood Range 385"
	055282 04 000	EA	Range w/Small Oven - 4 Burner - Almond - Magic Chef
	055282 02-700	EA	Top Main - Almond
	055282 01-700	EA	Frame - Door Upper
	055282 01 701	EA	Frame - Door Lower
	055282 01 702	EA	Glass - Door Front
	055282 01 703	EA	Panel Door - Black
	081374 01 000	EA	Range Top - 4 Burner Almond
	081374 01-700	EA	Trim - Cab Top - Right
	081374 01-701	EA	Trim - Cab Top - Left
	081374 01 702	EA	Manifold Panel - Black
	081374 01-703	EA	Trim - Top - Rear
	081374 01 704	EA	Guard Fabric
	084473 02 000	EA	Refrigerator - AC/DC/Gas - Norcold 6 778 FG3
	084879 01-000	EA	Refrigerator - AC/DC/Gas - Norcold 8
	084879 01 700	EA	Cooling Unit
	084879 01-701	EA	Gasket - Lower Door
	084879 01 702	EA	Handle - Lower Door
	084879 01-703	EA	Foamed Cabinet Asm
	084879 01 704	EA	Foamed Lower Door Liner w/Frame
	084879 01 705	EA	Panel Holder - Lower Door
	054450 01 000	EA	Level Refrigerator
	081379 01 000	EA	Microwave Oven - Sharp - Convection
	081459 08 000	EA	Bracket Asm - Microwave - Right
	081459 02 000	EA	Bracket Asm - Microwave - Left
	081555-01-T03	EA	Trim Ring - Microwave
	081456 01-000	EA	Angle Asm - Microwave Right
	081456 02 000	EA	Angle Asm - Microwave - Left
	082876 01 000	EA	Baffle - Microwave
	068015 01 000	EA	Sink - Stainless Steel Double w/Bolts
	011053 01 000	EA	Faucet - Swing Spout - 8 - US
	011053 02 000	EA	Faucet - Swing Spout - 8' - CSA
	011053-01-700	EA	Aerator - Swing Spout Faucet
	066437-01-000	EA	Strainer w/Basket Sink
	081530-01 U07	EA	Sink Cover Large
	09049 01 000	EA	Support - Drop Leaf Table
	009059 01-000	EA	Hinge - 2 Gold Drop Leaf Table
	04490-02-W24	EA	Splice Racl - Oak
	04491-02 W24	EA	Rack Asm - Magazine
	074981-01-000	EA	Cutting Board - Maple
	08334 01-000	EA	Wastebasket - 9 3/4 x 7' x 10 - White
	08478 01-000	EA	Bracket - Wastebasket Support
	09777-02-000	EA	Hinge - Cabinet Door - Light Brass
	07405-01-000	EA	Slide Drawer - 20 75 - Plastic
	077404 01 000	EA	Drawer - 20 x 12 70 Plastic
	066435-01-000	EA	Nut Strainer
	011083 01-000	EA	Plug - 1 1/4 x 5 w/Stopper
	063440-01-000	EA	Strainer w/Rubber Washer

This illustrated parts breakdown for this item is provided on the Common Items Fiche

**1987 ITASCA
TABLE OF CONTENTS**

IT310RK
IC/IF421RB

A 01 - B 18
B 17 - D-15

1987 IC/IF421RB INDEX

Floor Plan	B 17 - B-18
Accessories Group	B-19 - B-21
Bath Group	B-22
Chassis Group	B-23 - B 24
Curtain, Cushion & Pad Group	C-01 - C-07
Dinette Group	C-08 - C-09
Driver's Compartment Group	C-10 - C-12
Electrical Group	C-13 - C-14
Exterior Body Group	C-15 - C-20
Galley Group	C-21 - C-22
Heating & Air Conditioning Group	C-23
Interior Finish Group	C-24 - D 01
LP Group	D-02
Lounge Group	D-03
Water & Sewage Group	D-04 D-05
Window Vent & Exterior Door Group	D 06 - D 15

HEATING & AIR CONDITIONING GROUP

AUTOMOTIVE HEATER & AIR CONDITIONER (CHEVY)

Key	Part Number	U/M	Description
	081051-01 000	FA	A/C Compressor Mount Package 350 CID
	072343 05 000	EA	A/C Compressor/Clutch Sankyo 510
	073716 01 000	FA	A/C - Condenser Asm 'C' Tube O
	073716 01 700	EA	Coil Condenser
	073716-01 701	EA	Receiver Drier
	073716 01 702	EA	Hose Assy #6
	073716 01-703	FA	Hose Assy #8
	074027 01 000	FA	A/C - Evaporator Asm Cutaway
	074027 01-700	EA	Motor
	074027-01-701	FA	Hose Liquid #6
	074027 01-702	EA	Hose Suction #10
	074027-01-703	EA	Louver Only
	074027-01-704	EA	Escutcheon
	074027-01-705	EA	Thermostat
	074027 01-706	EA	Knob - Temperature
	074027 01 707	EA	Knob - Air
	074027 01 708	EA	Solenoid - Vacuum Switch
	074027 01 709	EA	Center Louver Escutcheon
	074027 01 710	EA	Coil - Evaporator
	074027 01 711	EA	Blower Wheel
	074027-01 712	EA	Blower Housing
	074027 02 700	EA	Evaporator Coil
	007108 01 000	FT	Hose - Heater - 5/8 I D SAE 20R
	084405 01 000	EA	Rear Heater Asm
	062401 04 000	EA	Clamp - Worm Drive - 69 - 1 25 I D
	084404 01-000	EA	Switch Fan Rear Heater

FURNACES & ROOF AIR CONDITIONER

Key	Part Number	U/M	Description
	075696 01 000	EA	Furnace - 34 000 BTU w/Direct Ignition - NT-34S
	075695 01-000	EA	Furnace - 24 000 BTU w/Direct Ignition NT 24S
	009198 01-000	FT	Duct - Flexible - 4 I D x 25
	056464 01-000	EA	Register - 4 Dia - Plastic w/Damper
	056462 02-000	EA	Register - 4 Dia - Plastic - w/o Damper
	009200 01 000	EA	Tape - Furnace - 1 1/2
	010326 01 000	EA	Adapter Flare - w/Cone Gasket
	023146 01-000	EA	Clamp - Screw Type - 4
	073743 01-000	EA	Shroud Asm - Ceiling - Inside - Roof Air Cool Only - 13 500 BTU
	073744 01 000	EA	Shroud Asm - Ceiling - Inside - Roof Air Heat & Cool - 13 500 BTU
	073742 01 000	EA	Air Conditioner - 110 Volt & Roof Mount - 13 500 BTU Rotary

The illustrated parts breakdown for this item is provided on the Common Items Fiche

AUTOMOTIVE HEATER & AIR CONDITIONER (FORD)

Key	Part Number	U/M	Description
	079373 03 000	EA	A/C Compressor Mount Package - 460 CID
	072343-05 000	EA	A/C - Compressor/Clutch - Sankyo 709
	086782 01-000	EA	A/C - Condenser Asm - C - Tube O
	073716 01 700	EA	Coil Condenser
	073716-01-701	EA	Receiver Drier
	073716 01-702	EA	Hose Assy #6
	073716 01 703	EA	Hose Assy #8
	086781-01 000	EA	A/C - Evaporator Asm - Cutaway
	007108 01 000	FT	Hose - Heater 5/8 I D SAE 20R
	084405 01 000	EA	Rear Heater Asm
	062401-04-000	EA	Clamp - Worm Drive 69 - 1 25 I D
	084404-01 000	EA	Switch Fan - Rear Heater

INTERIOR FINISH GROUP

PANELING & LAMINATE

Key	Part Number	U/M	Description
	074497 08 000	SF	Paneling - Decor Classique Two-Tone/Wood - 48" x 84" (28 SF) (Wall)
	074498 73 000	SF	Paneling - Decor Jade Frost 48" x 84" (28 SF) (Galley) (W24)
	074496 78 000	SF	Paneling - Decor - Rose - 48" x 84" (28 SF) (Galley) (W25, W28)
	074498 86 000	SF	Paneling - Decor Jade Frost 48" x 84" (28 SF) (Wet Bath) (W24)
	074496 88 000	SF	Paneling - Decor - Rose - 48" x 84" (28 SF) (Wet Bath) (W25, W28)
	074497 07 000	SF	Paneling - Pebble Beach - 48" x 96" (32 SF) (Ceiling)
	074498 18 000	SF	Plastic Laminate - Apricot Blush 48" x 96" (32 SF) (Bath) (W24)
	074498 17 000	SI	Plastic Laminate - Maple - 48" x 96" (32 SF) (Bath) (W25)
	074498 15 000	SI	Plastic Laminate - Blush - 48" x 96" (32 SF) (Bath) (W26)
	074498 13 000	SF	Plastic Laminate - Sand Quadras - 48" x 96" (32 SF) (Galley & Dinette)
	074498 20 000	SF	Plastic Laminate - Regal Oak 48" x 96" (32 SF) (Nightstand)
	076725 18 000	FT	Molding Edge Band - Regal Oak - 1 15/16" x 030"

INTERIOR MOLDING TRIM

Key	Part Number	U/M	Description
	042357 11 000	FT	Molding Radius Corner Oak
	022992 08 000	FT	Molding - Reverse Cove - Champagne White
	079653 04 000	EA	Molding - Batt Strip - Kerfed - Light Oak
	069733 70 000	EA	Batt Strip - Regal Oak - 8' (Cabinets)
	069733 68 000	EA	Batt Strip - Classique Tweed/Sand (Wall)
	069733 71-000	EA	Batt Strip - Winne - 8 (Galley & Bath)
	069733 74 000	EA	Batt Strip - Winne - 8 (Wet Bath)
	069733 62 000	EA	Batt Strip - Pebble Beach - 8 (Ceiling)
	070504 01-000	FT	U Channel - 065 Light Brown
	070504 08 000	FT	U Channel 815 - Regal Oak
	009778 07 000	FT	U Channel - 1' Regal Oak
	002774 02 001	EA	Trim Carpet - 192
	009767 06-000	FT	Welting Beige
	083620 01 000	FT	T Molding Grady Brown
	024700 17 000	EA	Cover - Rollbar - Sidewall Beige
	009809 17 000	FT	Corner Molding Plastic - 1 Regal Oak
	009812-17-000	FT	Corner Molding Plastic - 1/2 - Regal Oak
	074045 01-000	EA	Plug - 1/2 Dia - Oak
	041746 01-000	FT	Vinyl - Extr - Bubble Seal

CURTAIN & CUSHION HARDWARE

Key	Part Number	U/M	Description
	085283 01-000	EA	Bracket Hold Back - Blinds
	056003 02 000	EA	Bracket Drapery Retainer - Left
	056003 01 000	EA	Bracket - Drapery Retainer - Right
	079798-03 000	EA	Bracket Asm - Curtain Rod - Right
	079798-04-000	EA	Bracket Asm - Curtain Rod Left
	079619 01-000	EA	Bracket - Tie Back
	009107-01-000	EA	Guide - Nylon Snap - Curtain
	087253 01-000	EA	Pull Window Shade - Clear
	056115-01-000	YD	Tape - Clear Plastic w/Guide
	048394-02-000	YD	Tape Hook - 75 x 50 YD - Beige
	048395 02-000	YD	Tape Loop 75 x 50 YD - Beige
	029090-01-000	FT	Tie - Drapery - Clear Vinyl
	056116-01-000	FT	Track - Curtain - Brown Plastic

MISCELLANEOUS PARTS

Key	Part Number	U/M	Description
	053552-02-T03	EA	Handle Asm - Interior Assist - Vinyl
	041944-03-000	EA	Fire Extinguisher
	084472-01-000	EA	Holder Fire Extinguisher
	054185-26-000	EA	Owners Manual 1987 Itasca & Winnebago
	040069 01-000	EA	Door Mat - 10 1/2 x 26 - Black Rubber
	086269 01-000	EA	Pictures - Decor

1987 ITASCA TABLE OF CONTENTS

IT310RK
IC/IF421RD

A 01 - B 16
D 17 - D 16

1987 IC/IF421RB INDEX

Floor Plan	B-17 - B-18
Accessories Group	B-19 - B-21
Bath Group	B 22
Chassis Group	B-23 - B-24
Curtain Cushion & Pad Group	C-01 - C 07
Dinette Group	C 08 - C 09
Driver's Compartment Group	C-10 - C-12
Electrical Group	C-13 - C-14
Exterior Body Group	C 15 - C-20
Galley Group	C-21 - C-22
Heating & Air Conditioning Group	C 23
Interior Finish Group	C 24 - D 01
LP Group	D 02
Lounge Group	D 03
Water & Sewage Group	D 04 - D 05
Window Vent & Exterior Door Group	D 06 - D 15

INTERIOR FINISH GROUP (CONTINUED)

CABINETRY & TABLE HARDWARE

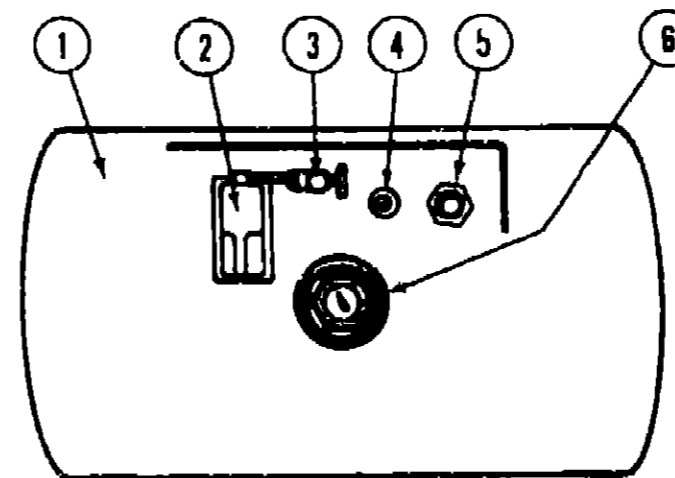
Key	Part Number	U/M	Description
	053200 05-000	EA	Bracket - Upper Wall Mount - 23 5 - Beige
	024281-07-000	EA	Bracket - Lower Wall Mount - 22 12 - Beige
	024276 17-000	EA	Leg Asm Table - 26 5 - Tan
	064050-02-000	EA	Hinge - Table Leg
	024282-01-000	EA	Bracc - Table Leg
	049493 05 000	EA	Catch - Table Leg - Mounts on Floor Tan
	009112-01-000	EA	Flange 1 Chrome - Closet Rod
	077409-01-000	EA	Slide - Drawer - Plastic - 20 75
	009049 01-000	EA	Table Support - Drop Leaf
	009059 01-000	EA	Hinge - 2 - Drop Leaf Table - Gold
	076312-01-000	EA	Mesh - Grille 13 8 x 8 8' - Gold Aluminum
	009021-01-000	EA	Catch - Nylon - Furnace Door
	009021-02-000	EA	Strike - Nylon Catch Furnace Door
	074493-02 000	EA	Support - Sprung Door
	075680 01-000	EA	Clothes Rod Adjustable 27 x 36
	084435 01-000	EA	Knob - Decorative Cabinet
	059777 02 000	EA	Hinge - Light Brass
	009016 01-000	EA	Catch - Elbow - Spring Loaded
	077461-01-000	EA	Cover - Strike
	086263-01-000	EA	Pull Polished Brass
	084435 01-000	EA	Knob - Polished Brass
	075687-02 000	EA	Knob - Bath Door
	084466 02-000	EA	Slide Asm - Drawer - Right
	084466 03-000	EA	Slide Asm - Drawer - Left
	084466 04-000	EA	Slide Asm - Cabinet - Right
	084466 05-000	EA	Slide Asm - Cabinet - Left
	084451-01-000	EA	Catch - TV Shelf - Brass

The illustrated parts breakdown for this item is provided on the Common Items Fiche

FABRICS & CARPETS

Key	Part Number	U/M	Description
	077498 89-000	YD	Fabric w/Pattern - Upholstery - Main - Jasmine (W24)
	077498-90 000	YD	Fabric w/Pattern - Upholstery - Main - Garnet (W25)
	077498-88 000	YD	Fabric w/Pattern - Upholstery - Main - Jute (W26)
	077498-B2-000	YD	Fabric w/Pattern - Upholstery - Accent - Juniper (W24)
	077498 B3 000	YD	Fabric w/Pattern - Upholstery - Accent - Brick (W25)
	077498 B4 000	YD	Fabric w/Pattern - Upholstery - Accent - Madder (W26)
	077498-A1-000	YD	Fabric - Upholstery Accent - Plain - Blue (W24)
	077498-A2-000	YD	Fabric Upholstery Accent - Plain - Garnet (W25)
	077498-AB 000	YD	Fabric Upholstery Accent - Plain - Wine (W26)
	072333 38 000	YD	Fabric Drapery - Melba (W24)
	072333 40 000	YD	Fabric - Drapery - Raisin (W25)
	072333 37-000	YD	Fabric - Drapery - Mauve (W26)
	069729 41 000	YD	Fabric - Bedspread Covington #2 (W24)
	069729 45 000	YD	Fabric Bedspread Covington #16 (W25)
	069729 46 000	YD	Fabric Bedspread - Covington #3 (W26)
	084415-11-000	YD	Braid Trim - Pull Shades - Blue Jade (W24)
	084415 15 000	YD	Braid Trim - Pull Shades - Rust (W25)
	084415 13 000	YD	Braid Trim - Pull Shades - Mauve (W26)
	052859 05-T03	FT	Trim Asm. - Accent - Buckskin
	079680 01 000	YD	Vinyl Expanded - 26 oz Buckskin
	072860-57 000	YD	Carpet - French Court (W24)
	072860 58 000	YD	Carpet - Champagne (W25 W26)

LP GROUP



Key	Part Number	U/M	Description
1	080450-01 000	EA	Tank Asm - LP Frame Mount - 42 Pound 13 x 24
	065741 01-000	EA	Detector - LP Gas Leak - Marshalltown Instruments
2	076277 01 000	EA	Cover - LP Regulator - Front (Dual)
	076278-01 000	EA	Cover - LP Regulator - Back (Dual)
	076301-01-000	EA	Regulator - Two Stage - US (Dual)
	076301-02-000	EA	Regulator Two Stage - CSA (Dual)
3	040421 01-703	EA	Valve - Vapor Relief
4	040421 01-700	EA	Gauge Liquid Level 20% LP
5	040421 01 701	EA	Valve - Filler - LP
	040421-01-702	EA	Cap - Plastic Fill Valve
6	040421-01-707	EA	Gauge - Float - w/Visible Dial
	040421-01-706	EA	Dial - Visible Face - Float Gauge (Tank w/o Electric Transmitter)
	040440 01-000	EA	Dial Transmitter 0 - 90 Ohm (Float Gauge)
	045703 01-000	EA	Hose Asm LP - 3/8 ID x 24 - US
	045703 02 000	EA	Hose Asm - LP - 3/8 ID x 24 - CSA
	045703 03 000	EA	Hose Asm LP 3/8 ID x 18 - US
	045703 04 000	EA	Hose Asm - LP 3/8 ID x 14' - CSA
	065959 01 000	EA	Housing - LP Gauge
	065742 01 000	EA	Tee 38 F x 39 F x 25 FPT
			Not Illustrated

1987 ITASCA TABLE OF CONTENTS

IT319RK
IC/IF421RB

A-01 - B-16
B 17 - D-15

1987 IC/IF421RB INDEX

Floor Plan	B-17 - B 18
Accessories Group	B 19 - B 21
Bath Group	B-22
Chassis Group	B-23 - B-24
Curtain, Cushion & Pad Group	C-01 - C-07
Dinette Group	C-08 - C-09
Driver's Compartment Group	C-10 - C-12
Electrical Group	C-13 - C-14
Exterior Body Group	C-15 - C-20
Galley Group	C 21 - C 22
Heating & Air Conditioning Group	C-23
Interior Finish Group	C 24 - D-01
LP Group	D-02
Lounge Group	D-03
Water & Sewage Group	D-04 - D-05
Window Vent & Exterior Door Group	D-06 - D 15

LOUNGE GROUP

CORNER CABINERY

Key	Part Number	U/M	Description
	M80801 02 W24	EA	Cabinet Asm - Overhead - Entrance Door
	081280 20 W24	EA	Pad Asm - End Cap - Entrance Overhead - Vinyl
	077663 03-W24	EA	Glass Holder - Overhead

WATER & SEWAGE GROUP

HOLDING TANKS & WATER HEATER

Key	Part Number	U/M	Description
	077989-03-000	EA	Tank Asm - Water - 32 Gallon
	077989-01-000	EA	Tank - Water - 35 Gallon - w/o Fitting
	080492-01-000	EA	Tank - Aux Holding - 21 Gallon - w/o Fitting
	054033-01-000	EA	Tank - Main Holding - 32 Gallon - w/o Fitting
	051391-01-000	EA	Water Heater - w/o Motor Aid - Alwood - G6A-3
	051391-03-000	EA	Water Heater - w/Motor Aid - Alwood - G6A-3A
	051393-01-000	EA	Water Heater - w/Motor Aid - Direct Ignition - G6A-3A

The illustrated parts breakdown for this item is provided on the Common Items Fiche

1987 ITASCA TABLE OF CONTENTS

IT319RK
IC/IF421RB

A-01 - B-16
B-17 - D-15

PLUMBING & REPAIR PARTS

Key	Part Number	U/M	Description
	010323 01-000	EA	Adapter - Brass - 3/8 F x 1/2 MPT
	010326 01-000	EA	Adapter - Flare - w/Cone Gasket
	062422 01-000	EA	Adapter - Hose Offset - Reducer - 3 x 1 1/2
	052954-01-000	EA	Adapter - Nose Cone - 3/8 or 1/2 - Plastic
	010224 01-000	EA	Adapter - Plastic - 3/8 MPT x 3/8 Barb
	044927-01-000	EA	Adapter - Plastic - 1 1/4" MPT x 1 1/4 Barb
	004020 01-000	QT	Adhesive - ABS Cement
	010121 01-000	EA	Bushing - Plastic - 1 1/2 S x 1 1/4 H
	010122 01-000	EA	Bushing - Plastic - 1 1/2 S x 1 1/4 T
	036522-02-000	EA	Cap - Brass - 1/2 Flare
	052959 03-000	EA	Connector - 1/2 F x 3/8 MPT - Plastic
	011091-02-000	EA	Continuous Waste - Double Sink - 11 7/8 - US
	053874 01-000	EA	Continuous Waste Asm - Double Sink - CSA
	078408-01-000	EA	Coupler Rubber - 3' x 3
	052960 01-000	EA	Drain Valve - 1/2 F x 1/2 F - Plastic
	010006 01-000	EA	Elbow - Plastic - 1/8 BD x 1 1/2 x 45° H x H
	010008 01-000	EA	Elbow - Plastic - 1/4 BD x 1 1/2 x 90° Left
	010051-01-000	EA	Elbow - ST - Plastic - 1/8 BD x 1 1/2 x 45°
	058342-01-000	EA	Elbow - ST - Plastic - 1/8 BD x 1 1/4 x 45°
	010009 01-000	EA	Elbow - ST - Plastic - 1/4 BD x 1 1/2 x 90°
	031111 01-000	EA	Elbow - Plastic - 1/4 BD x 1 1/4 x 90° Left
	034250 01-000	EA	Elbow - Plastic - 1/4 BD x 1 1/2 x 90° x H x H
	052957 01-000	EA	Elbow - Plastic - 1/2 F x 3/8 MPT
	052957 02-000	EA	Elbow - Plastic - 1/2 F x 1/2 MPT (In Tank Filter)
	065120 01-000	EA	Elbow - Plastic - Swivel - 50
	070924 01-000	EA	Elbow - Plastic - Swivel - 1/2 MPT x 1/2 FP
	077954 01-000	EA	Filter/Screen (In Water Tank)
	039647 03-000	EA	Filter - Water Pump - 1/2" Flare
	010147 01-000	EA	Flange - Closet - 4" F x 3" FPT - US
	079381-01-000	FT	Flexible Tubing - 1 1/4 I.D. x 10'
	077953 01-000	EA	Grommet - Edge Liner - 1"
	061607 01-000	EA	Grommet - Holding Tank Coupler - 1 1/2'
	061607 02-000	EA	Grommet - Holding Tank Coupler - 3"
	052961-01-000	EA	Header - 1/2 F, 1/2 F x 1/2 F x 1/2 F
	046524 01-000	EA	Kit - Holding Tank Fittings - Blank Tank
	046524 01-000	EA	Kit - Water Tank Fittings - Blank Tank
	052953 01-000	EA	Nut - Faucet - 1/2 Tube x 1/2 FPT
	052952 01-000	EA	Nut - 1/2 F - Plastic

The illustrated parts breakdown for this item is provided on the Common Items Fiche

1987 IC/IF421RB INDEX

Floor Plan	B-17 - B-18
Accessories Group	B-19 - B-21
Bath Group	B-22
Chassis Group	B-23 - B-24
Curtain Cushion & Pad Group	C-01 - C-07
Dinette Group	C-08 - C-09
Driver's Compartment Group	C-10 - C-12
Electrical Group	C-13 - C-14
Exterior Body Group	C-15 - C-20
Galley Group	C-21 - C-22
Heating & Air Conditioning Group	C-23
Interior Finish Group	C-24 - D-01
LP Group	D-02
Lounge Group	D-03
Water & Sewage Group	D-04 - D-05
Window Vent & Exterior Door Group	D-06 - D-15

WATER & SEWAGE GROUP (CONTINUED)

PLUMBING & REPAIR PARTS (CONT)

Key	Part Number	U/M	Description
	010166-01-000	EA	Plug - Plastic - 1 1/4
	010197-01-000	FT	Pipe - Plastic - 3 x 240 - Black
	045729-01-000	EA	Pump - Water - 2 8 G P M - Direct Drive - Shurflo US
	042989-02-000	EA	Spinweld Fittings - Plastic - 1/2 FPT (In Tank Fitter)
	042989-03-000	EA	Spinweld Fittings - Plastic - 1/4 NPT
	042989-04-000	EA	Spinweld Fittings - Plastic - 3/8 FPT
	011069-02-000	FA	Tailpiece - 1 1/2 x 1 1/4' x 4 Brass
	010071-01-000	EA	Tee - Plastic 1 1/2 x H x H x H
	010079-01-000	EA	Tee - Plastic 1 1/2 H x 1 1/2 H x 1 1/4 H
	052955-01-000	EA	Tee - Plastic - 1/2 F x 1/2 F x 1/2 MPT
	052956-01-000	EA	Tee - Plastic - 1/2 F x 1/2 F x 1/2 F
	039800-01-000	FT	Tubing - Polybutyl - 1/2 O D (Water Line)
	074462 02-000	FT	Tubing - Vinyl - 3/8 I D
	062421-01-000	EA	Valve - 1 1/2 - w/Handle
	078842 01-000	EA	Valve - 3' w/o Handle
	052960 01-000	EA	Valve - Line Drain - 1/2 F x 1/2 F
	069735-01 000	EA	Washer - Tailpiece - 1 5 Plastic
	010073-01-000	EA	Wye - Plastic - 1 1/2 x 45 H x H

The illustrated parts breakdown for this item is provided on the Common Items Fiche

WINDOW, VENT & EXTERIOR DOOR GROUP

VENTS

Key	Part Number	U/M	Description
	055218-01-000	EA	Cover Asm - Roof Vent
	084073-04-000	EA	Base - Refrigerator Vent - Off White
	084073-03-000	EA	Roof Vent - Refrigerator - Off White
	048835-01-000	EA	Vent Asm - Roof - Non Powered - w/o Screen - Aluminum
	048789-01-000	EA	Vent Asm - Roof Powered - w/o Screen - Aluminum
	079355-08-000	EA	Vent Stovehood Outside - Off White
	078785-01 T03	EA	Screen Asm - Roof Vent - Powered
	078786-01-T03	EA	Screen Asm - Roof Vent - Non Powered
	084878 01-000	EA	Vent - Hood Range - Sidewall - Straight
	084816-01-000	EA	Shroud - Hood Range Vent - Off White

The illustrated parts breakdown for this item is provided on the Common Items Fiche

ACCESS DOOR HARDWARE

Key	Part Number	U/M	Description
	052474 01-000	EA	Jamb - Power Cord/Fuel Fill Door - Off White
	054543-01-000	EA	Hatch - Power Cord Door
	052181 01-000	EA	Baffle - Generator Door
	054530-01-000	EA	Door Holder
	083615-01-000	EA	Door Stop Plastic
	041312-01-000	EA	Seal Bulb E Section
	079368 01 000	FT	Seal Access Door
	042442 01 000	EA	Lock Asm - Twist Type
	009003-01 000	EA	Lock Asm - Twist Type - w/Clip (Battery Door)
	047305-01-000	EA	Lock Asm - Key Type w/Clip - Metal (I P)
	077408 02-000	EA	Lock Asm - Key Type
	079366-02-000	EA	Lock Asm Key Type
	079927-03-000	EA	Lock Asm - Twist Type
	052951-01-000	EA	Clip - Twist Lock Retainer
	052950-01 700	EA	Lock Asm - Twist Type - White
	079246 01 000	EA	Jamb Asm - Generator Door

**1987 ITASCA
TABLE OF CONTENTS**

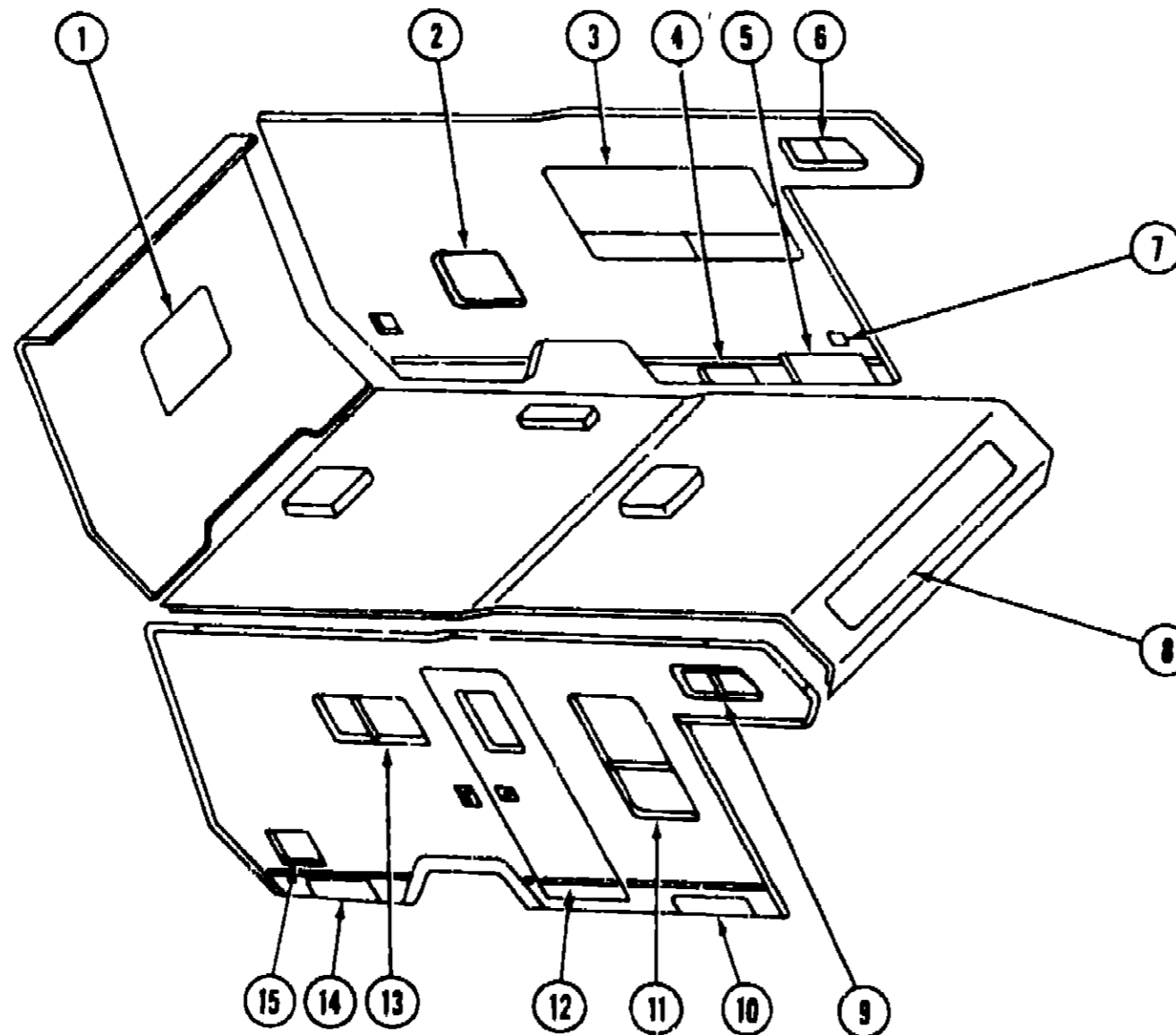
IT319RK	A-01 - B-16
IC/IF421RB	B-17 - D-15

1987 IC/IF421RB INDEX

Floor Plan	B 17 - B-18
Accessories Group	B 19 - B-21
Finish Group	B 22
Chassis Group	B 23 - B 24
Curtain, Cushion & Pad Group	C-01 - C-07
Dinette Group	C-08 - C-09
Driver's Compartment Group	C-10 - C 12
Electrical Group	C-13 - C-14
Exterior Body Group	C 15 - C 20
Galley Group	C-21 - C 22
Heating & Air Conditioning Group	C 23
Interior Finish Group	C 24 - D-01
LP Group	D-02
Lounge Group	D-03
Water & Sewage Group	D-04 - D-05
Window, Vent & Exterior Door Group	D 06 - D-15

WINDOW, VENT & EXTERIOR DOOR GROUP (CONTINUED)

WINDOWS & ACCESS DOORS



1987 ITASCA TABLE OF CONTENTS

IT319AK
IC/IF421RB

A-01 - B-16
B-17 - D-15

1987 IC/IF421RB INDEX

Floor Plan	B-17 - B-18
Accessories Group	B-19 - B-21
Bath Group	B-22
Chassis Group	B-23 - B-24
Curtain, Cushion & Pad Group	C-01 - C-07
Dinette Group	C-08 - C-09
Driver's Compartment Group	C-10 - C-12
Electrical Group	C-13 - C-14
Exterior Body Group	C-15 - C-20
Galley Group	C-21 - C-22
Heating & Air Conditioning Group	C-23
Interior Finish Group	C-24 - D-01
LP Group	D-02
Lounge Group	D-03
Water & Sewage Group	D-04 - D-05
Window, Vent & Exterior Door Group	D-06 - D-15

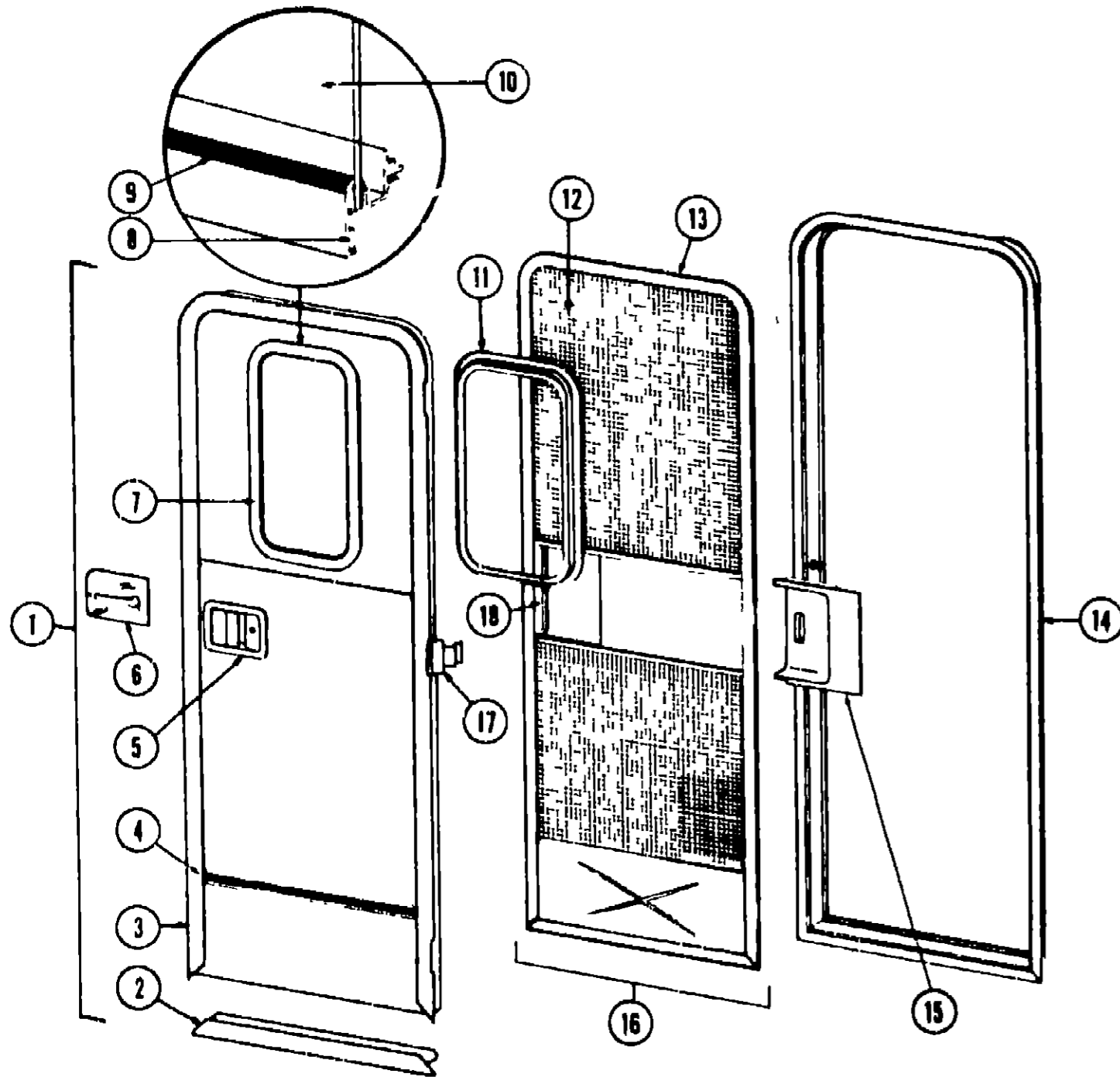
Key	Part Number	U/M	Description
1	079415-01 T03	EA	Window Asm - Escape
2	078969-02 T95	EA	Door Asm - Refrigerator Access
†2	084104 03 000	EA	Door Asm - Refrigerator Access - Half Door
†	084103 03 000	EA	Jamb - Refrigerator Door - Half Door
3	078264 02 W24	EA	Window Asm - Double Slider
4	079455 06 T95	EA	Door Asm - Storage
5	M79721 01-T03	EA	Door Asm - Generator
5	079149 01 T03	EA	Door Asm - Luggage
6	086227 02-000	EA	Window Asm - Bunk
7	083742 01 000	EA	Door Asm - Power Cord
8	078533 01 T03	EA	Window Asm - Front Bunk
9	086227 01 000	EA	Window Asm - Bunk
10	079455 03 T95	EA	Door Asm - LP
11	078453 01 T03	EA	Window Asm - Vertical Slider
12	M01870 02 W04	EA	Door Asm - Entry w/Screen Door
	M01870 06 U01	EA	Door Asm - Entry w/Screen Door w/o Window
	079733-04-T03	EA	Window Asm, - Picture
13	078266 02 T03	EA	Window Asm - Slider
14	083264 01 U01	EA	Door Asm - Storage
15	052009-01 000	EA	Door Asm - Water Heater
	078010 03 000	EA	Door - Fuel Fill - Off White

Not illustrated

† Used in units produced after 11/10/86

WINDOW, VENT & EXTERIOR DOOR GROUP (CONTINUED)

ENTRANCE & SCREEN DOOR



Key	Part Number	U/M	Description
1	M01870-06 U01	EA	Door Asm - Radius Entry w/Screen Door w/o Window
1	M01870-02 W04	EA	Door Asm - Radius Entry w/Screen Door
2	077998-01-000	EA	Frame - Entry Door (Bottom Portion Only)
3	078002-02-000	EA	Frame - Entry Door (Except Bottom Portion)
4	059576-03-000	EA	Feature Strip w/o Insert - Extr - 14 - Brown
	001030-02-003	EA	Insert - Feature Strip - 17 - Stucco - Off White
	009731-01-000	EA	End Cap - Feature Strip
5	041107-05-000	EA	Paddle Asm, - Door Lock Exterior
	045017-05-700	EA	Lock Cylinder w/Keys - Lynor
	039539-01-000	EA	Striker Bolt - Entry Door
	039540-01-000	EA	Latch Claw - Entry Door
	039738-01-000	EA	Dead Bolt - Entry Door
	083205-01-000	EA	Dead Bolt - Press Fit
	079173-01-000	EA	Gasket - Deadbolt - Exterior
6	039979-01-000	EA	Plate - Inside Lock - Includes Inside Handle
7	079733-04-T03	EA	Window Asm Picture - 17 x 25 - Black (w/o inside frame)
8	069840-06-000	FT	Ribbon Sealer - 5/16 Bead x 15
9	002309-02-000	FT	Spline - Glass - 1/8" Black
10	002181-06-000	EA	Glass - Picture Window - 1/8' x 16 25' x 24" - Gray
11	068752-01-000	EA	Inside Frame Beige (not included in assembly)
12	002293-02-000	SF	Screen Window - 26 - Charcoal
13	056795-01-000	FT	Seal Tape 1/8 x 3/8" - Press On
14	078591-03-000	EA	Jamb Asm - Entrance Door
	051049-01-000	EA	Jamb - Entrance Door - Bottom
15	079086-02-000	EA	Slider - Screen Door - Light Oak Plastic
16	079012-01-U01	EA	Door Asm - Screen
17	079361-05-000	EA	Hinge - Entrance Door (3 used per door)
18	079081-01-000	EA	Cap - Screen Door Light Oak Plastic
	009016-01-000	EA	Catch - Elbow - Spring Loaded Screen Door
	076231-01-000	EA	Spacer - Latch - Screen Door
	077437-02-000	EA	Strike - Roller Catch
	058025-02-000	EA	Clip - Roller Latch Catch
	044582-02-000	EA	Drip Cap - Off White
	079278-01-000	EA	Seal - Mocket Entrance Door
	073090-01-000	FT	Seal Entrance Door
	075739-01-000	EA	Stiffener Entrance Door - Off White
	075073-01-000	FT	Seal - Pile Adhesive Back
	075871-01-000	FT	Seal - Sponge - Lazy 'T' Shaped
	002294-01-000	FT	Spline Black - 135 x 138 (Screen Door)
	079087-02-000	EA	Strike Screen Door
	063729-04-000	EA	Rivnut - 10 32 UNF - 010 080
	075639-01-000	EA	Garnish - Radius - Entrance Door
			Not Illustrated

1987 ITASCA TABLE OF CONTENTS

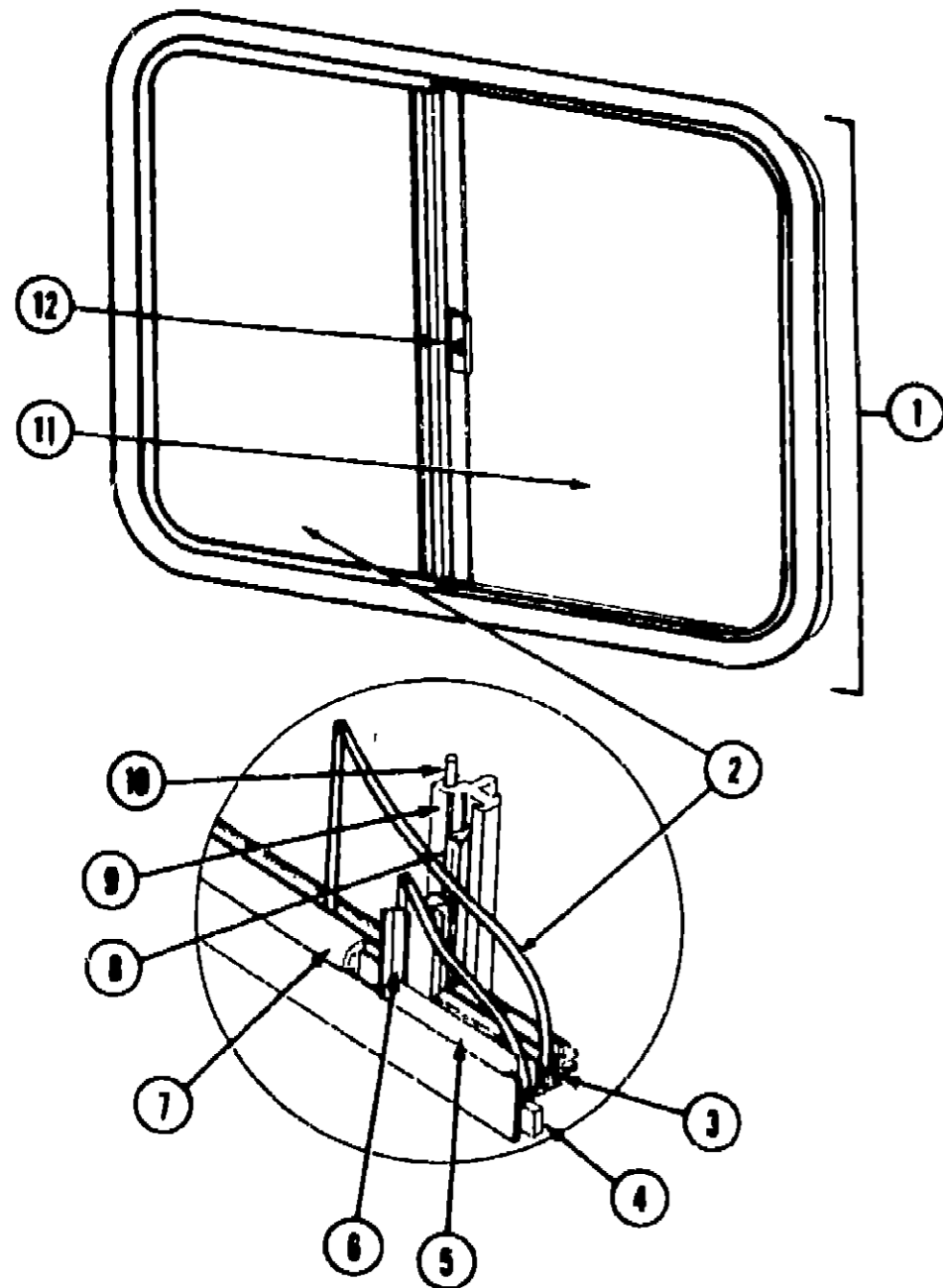
IT319RK
IC/IF421RB

A-01 - B-16
B-17 - D-15

1987 IC/IF421RB INDEX

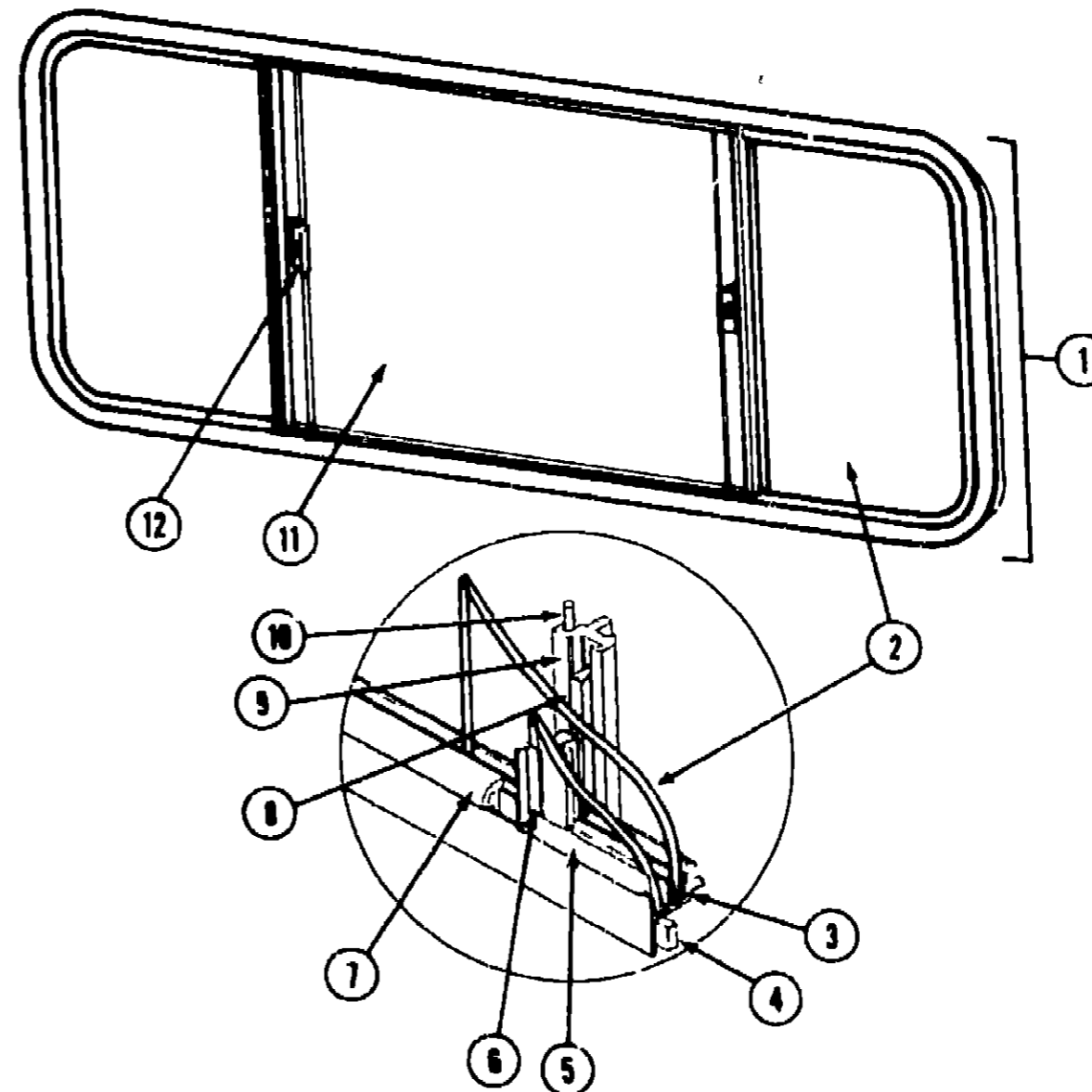
Floor Plan	B 17 - B-18
Accessories Group	B 19 - B-21
Bath Group	B-22
Chassis Group	B 23 - B-24
Curtain, Cushion & Pad Group	C-01 - C-07
Dinette Group	C-08 - C-09
Driver's Compartment Group	C 10 - C-12
Electrical Group	C-13 - C-14
Exterior Body Group	C 15 - C 20
Galley Group	C 21 - C 22
Heating & Air Conditioning Group	C-23
Interior Finish Group	C-24 - D-01
LP Group	D-02
Lounge Group	D-03
Water & Sewage Group	D-04 - D-05
Window Vent & Exterior Door Group	D-06 - D 15

WINDOW, VENT & EXTERIOR DOOR GROUP (CONTINUED)



Key	Part Number	U/M	Description
1	078266-02-T03	EA	Window Asm - Single Slider (w/o inside frame)
	083122-03-000	EA	Inside Frame - Beige (not included in assembly)
2	081980 05-000	EA	Glass - Sliding - 1/8" x 19' x 13 6/8'
3	002324 02 000	FT	Channel - Weatherstrip - Glass Run 1/8" Glass
4	089840-06-000	FT	Ribbon Sealer 5/16" Bead x 15'
5	002309-02-000	FT	Spline - Glass - 1/8" Material - Black
6	M69886-03-011	EA	Seal Holder w/Fin Seal - Black
7	057374-02-000	FT	Extr Rubber Window Seal - Black
8	07J740-01 000	FT	Seal Fin - Pile - 480'
9	078582-02-000	EA	Mullion - Slider Window - Black
10	002298 02-000	SF	Spline - 130 Dia - Charcoal (Screen)
11	081984-03-000	EA	Glass Stationary 1/8" x 19' x 12 3/8'
12	047369 01-700	EA	Latch Kit - Window - Plastic w/Fastener
	079204-01-000	EA	Bracket - Mullion - Black
	002291-02-000	SF	Screen - Window 18" - Charcoal
			Not illustrated

WINDOW, VENT & EXTERIOR DOOR GROUP (CONTINUED)



Key	Part Number	U/M	Description
1	078269-02 W24	EA	Window Asm, - Double Slider (w/o inside frame)
	083122 17-000	EA	Inside Frame - Black (not included in assembly)
2	081980 07-000	FA	Glass Sliding - 1/8" x 30 7/8" x 20 3/8" - Gray
3	002324-02-000	FT	Channel - Weatherstrip - Glass
4	089840-06-000	FT	Ribbon Sealer 5/16" Bead x 15'
5	002309-02-000	FT	Spline - Glass 1/8" Material - Black
6	018025 11-000	EA	Seal Holder - 1/8" Glass - Black
7	057374-02-000	FT	Extr Vinyl - Window Seal - Black
8	073740-01,000	FT	Seal - Fin Pile - 480'
9	084170-08-000	EA	Mullion - Slider Window - Black
	002293-02-000	SF	Screen - Window 26" - Charcoal
10	002298-02-000	FT	Spline - 130 Dia - Charcoal (Screen)
11	002188-07-000	EA	Glass Stationary 1/8" x 30 7/8" x 24 8/8"
12	047369-01-700	EA	Latch Kit - Window - Plastic w/Fastener
			Not illustrated

**1987 ITASCA
TABLE OF CONTENTS**

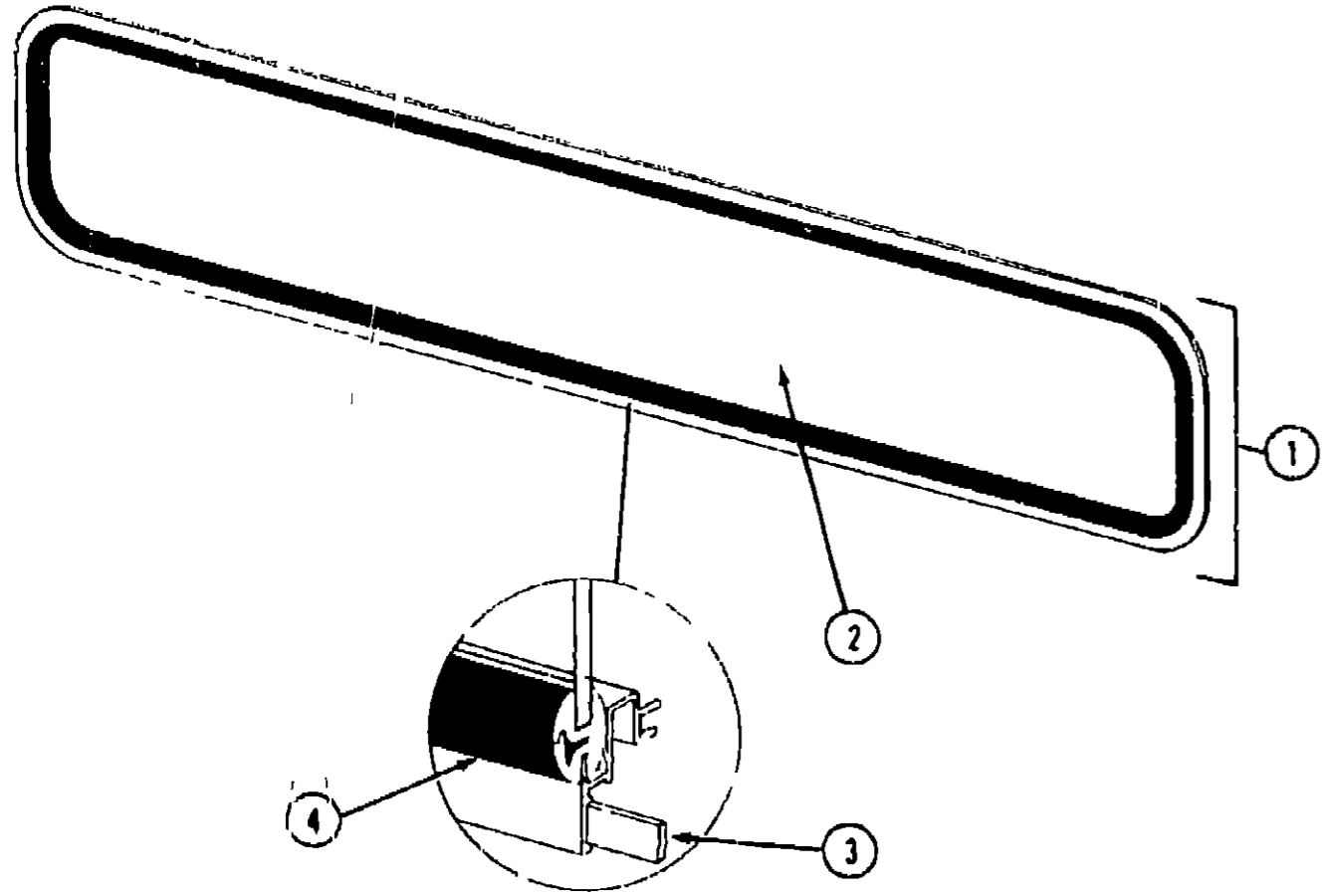
IT319RK
IC/IF421RB

A-01 - B-16
B-17 - D-15

1987 IC/IF421RB INDEX

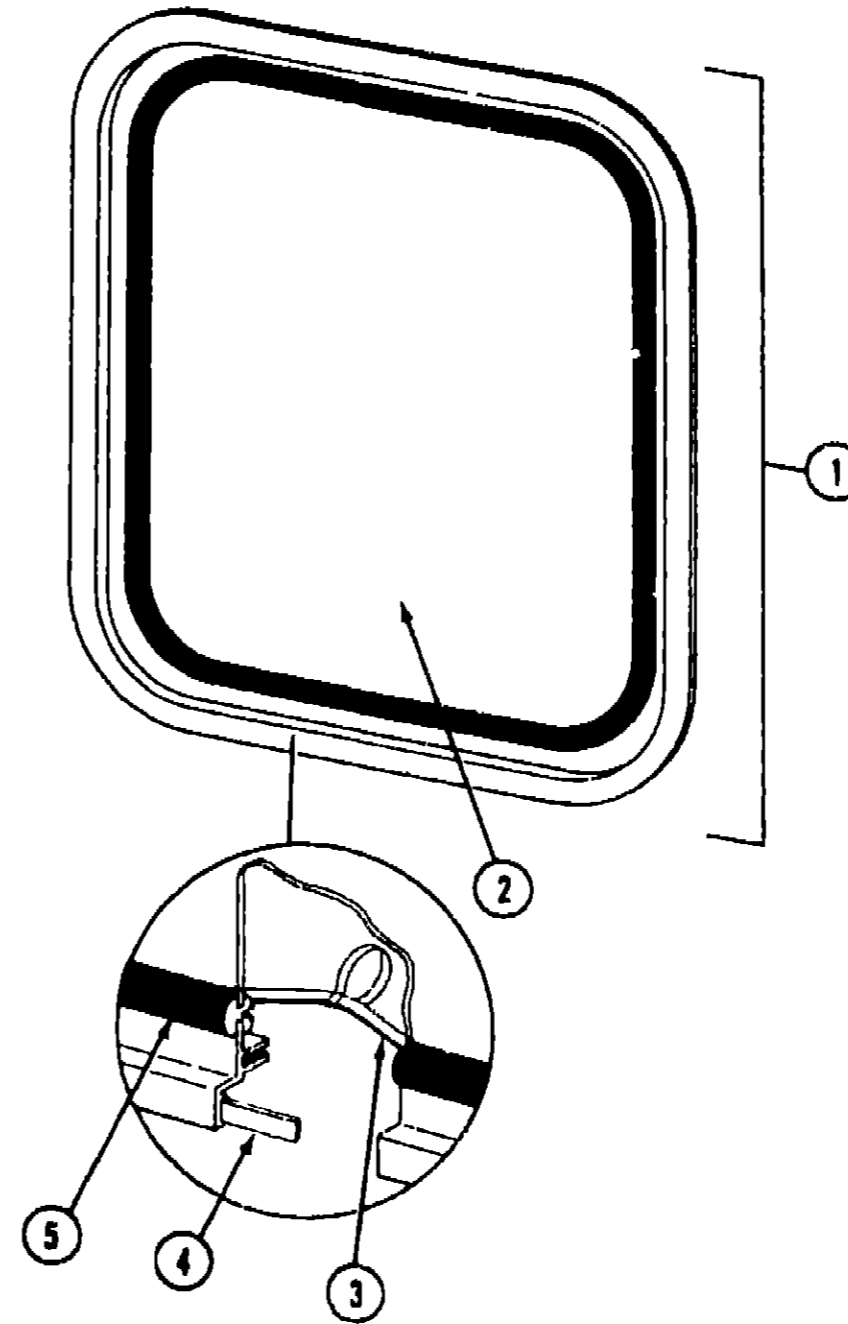
Floor Plan	B-17 - B-18
Accessories Group	B-19 - B-21
Bath Group	B-22
Chassis Group	B-23 - B-24
Curtain, Cushion & Pad Group	C-01 - C-07
Dinette Group	C-08 - C-09
Driver's Compartment Group	C-10 - C-12
Electrical Group	C-13 - C-14
Exterior Body Group	C-15 - C-20
Galley Group	C-21 - C-22
Heating & Air Conditioning Group	C-23
Interior Finish Group	C-24 - D-01
LP Group	D-02
Lounge Group	D-03
Water & Sewage Group	D-04 - D-05
Window, Vent & Exterior Door Group	D-06 - D-15

WINDOW, VENT & EXTERIOR DOOR GROUP (CONTINUED)



Key	Part Number	U/M	Description
1	078533 01-T0.1 041938-04-001	EA	Window Asm - Front Picture - 14" x 69" - Black (w/o inside frame)
2	002200 02 000	EA	Inside Frame - Black (not included in assembly)
3	069640 08 010	FT	Glass - TP - Picture Window
4	002281 01-01.0 Not illustrated	FT	Ribbon Sealer - 5/16" Bead x 15"
		FT	Weatherstrip Self Seal 08" Panel x 3/16" - Black

WINDOW, VENT & EXTERIOR DOOR GROUP (CONTINUED)



Key	Part Number	U/M	Description
1	079415-01-T03 020749-05-000	EA	Window Asm - Rear Escape - 23" x 29" Black (w/o inside frame)
2	002174-02-000	EA	Inside Frame - Beige (not included in assembly)
3	002285-01-000	FA	Glass - 1/8" x 19 6" x 25 9"
4	069640-05-000	FT	Filler - Weatherstrip - Black
5	002282-01-000	FT	Ribbon Sealer - 5/16" Bead x 15"
*	006199-01-000 Not illustrated	FT	Weatherstrip - 1 25" Window
		EA	Label Exit - Escape Window

**1987 ITASCA
TABLE OF CONTENTS**

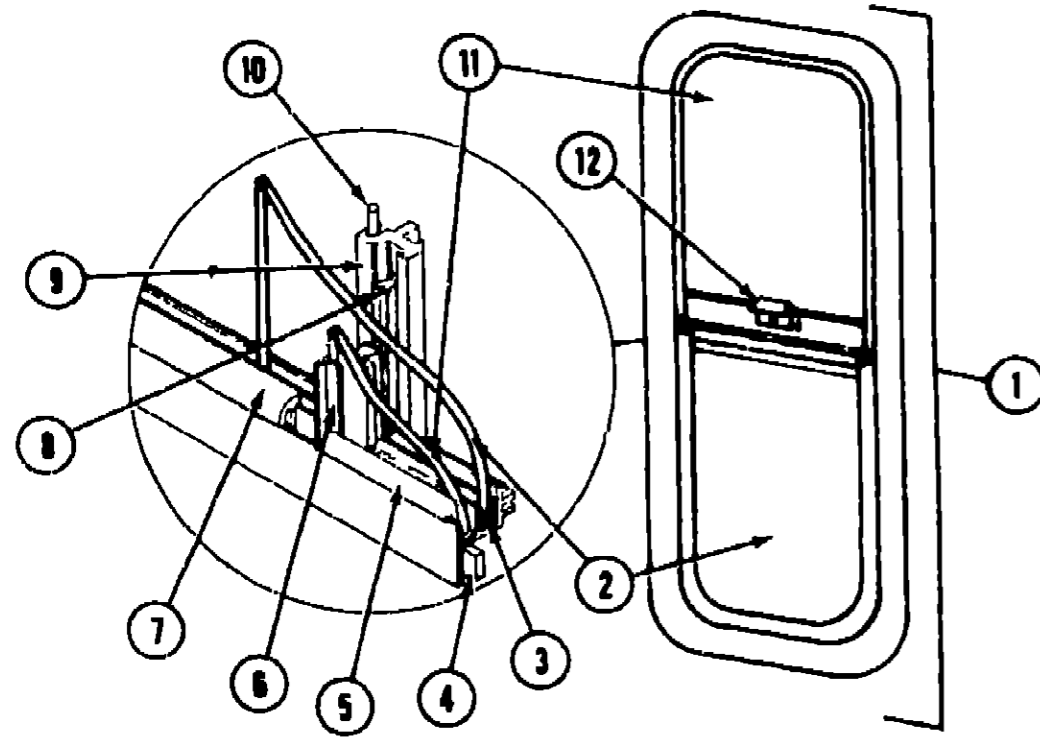
IT319RK
IC/IF421RB

A-01 - B-16
B-17 - D-15

1987 IC/IF421RB INDEX

Floor Plan	B 17 - B-18
Accessories Group	B 19 - B-21
Bath Group	B-22
Chassis Group	B 23 - B-24
Curtain, Cushion & Pad Group	C-01 - C-07
Dinette Group	C-08 C-09
Driver's Compartment Group	C-10 - C-12
Electrical Group	C-13 - C-14
Exterior Body Group	C-15 - C-20
Galley Group	C-21 - C-22
Heating & Air Conditioning Group	C-23
Interior Finish Group	C-24 - D-01
LP Group	D-02
Lounge Group	D-03
Water & Sewage Group	D-04 - D-05
Window Vent & Exterior Door Group	D-06 - D 15

WINDOW, VENT & EXTERIOR DOOR GROUP (CONTINUED)



Key	Part Number	U/M	Description
1	078453-01-T03	EA	Window Asm - Vertical Slider - 37' x 15' - Black (w/o inside frame)
	083122-01-000	EA	Inside Frame - Beige (not included in assembly)
2	081980-03-000	EA	Glass - Slider - 1/8' x 14 4' x 19'
3	002324-02-000	FT	Channel - Weatherstrip - Glass Run 1/8 Glass
4	069840-06-000	FT	Ribbon Sealer - 5/16" Bead x 15'
5	002309-02 000	FT	Spline - Glass - 1/8" Material - Black
6	M69886-03-007	EA	Seal Holder w/Fin Seal - Black
7	057374-02 000	FT	Extr Rubber - Window Seal - Black
8	073740-01-000	FT	Seal Fin - Pile - 460'
9	078582-01-000	EA	Mullion - Slider Window - Black
10	002298-02-000	FT	Spline - 130' Dia - Charcoal (Screen)
11	081984 02 000	EA	Glass - Stationary - 1/8' x 14 4' x 19'
12	047369-01 700	EA	Latch Kit - Window - Plastic w/Fastener
	U79204 01 000	EA	Bracket Mullion Black
	002291-02 000	SF	Screen - Window 16' - Charcoal
	Not illustrated		

**1987 ITASCA
TABLE OF CONTENTS**

IT319RK
IC/IF421RB

A-01 - B-16
B-17 - D-15

1987 IC/IF421RB INDEX

Floor Plan	B-17 - B-18
Accessories Group	B-19 - B-21
Bath Group	B-22
Chassis Group	B-23 - B-24
Curtain Cushion & Fad Group	C-01 - C-07
Dinette Group	C-08 - C-09
Driver's Compartment Group	C-10 - C-12
Electrical Group	C-13 - C-14
Exterior Body Group	C-15 - C-20
Galley Group	C-21 - C-22
Heating & Air Conditioning Group	C-23
Interior Finish Group	C-24 - D-01
LP Group	D-02
Lounge Group	D-03
Water & Sewage Group	D-04 - D-05
Window, Vent & Exterior Door Group	D-06 - D-15