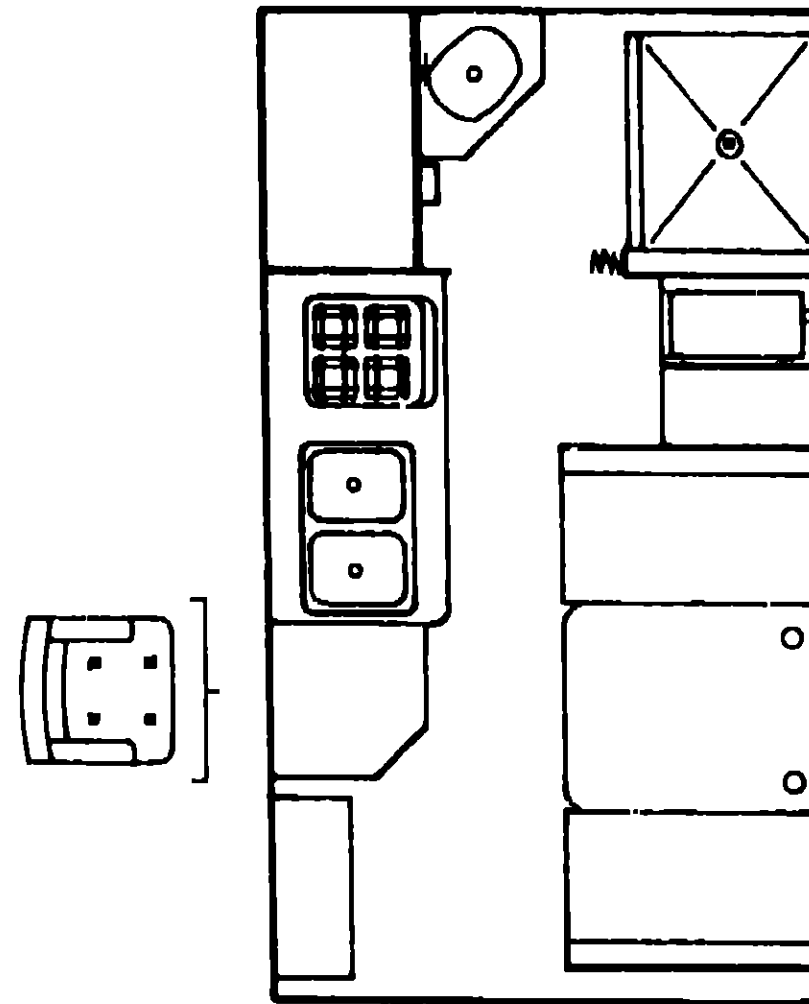


# 1986 WT319RB



## 1986 WINNEBAGO TABLE OF CONTENTS

WT319RB	A-01 - B-16
WC/WF421RB	B-17 - D-18
WC424RB	D-19 - F-20

### 1986 WT319RB INDEX

Floor Plan	A-01 - A-02
Accessories Group	A-03
Bath Group	A-04
Chassis Group	A-05
Curtain, Cushion & Pad Group	A-06 - A-09
Dinette Group	A-10
Driver's Compartment Group	A-11
Electrical Group	A-12 - A-14
Exterior Body Group	A-15 - A-21
Galley Group	A-22 - A-23
Heating & Air Conditioning Group	A-24
Interior Finish Group	B-01 - B-02
LP Group	B-03
Lounge Group	B-04
Water & Sewage Group	B-05 - B-06
Window, Vent & Exterior Door Group	B-07 - B-16

## ACCESSORIES GROUP

### MISCELLANEOUS ACCESSORIES

Key	Part Number	U/M	Description
	054185-22-000	EA	Owners Manual - 1986 - Itasca & Winnebago
**	084438-01-000	EA	Speed Control Package - Electric Dana
	041944-03-000	EA	Fire Extinguisher - 5 BC
	084472-01-000	EA	Recessed Holder - Fire Extinguisher
	073J14-01-000	EA	Wheel Cover - 14" (Mag Type)
	072852-01-000	EA	Smoke Detector w/9 Volt Battery
	006069-01-000	EA	Key Case - Leather
	007038-01-000	EA	Door Mat - 10.5" x 26" - Black Rubber
	084445-01-000	EA	Mirror Asm. - Exterior - Right Hand
	084445-02-000	EA	Mirror Asm. - Exterior - Left Hand
**	The illustrated parts breakdown for this item is provided on the Common Items Fiche.		

## BATH GROUP

Key	Part Number	U/M	Description
	M84673-01-U28	EA	Cabinet Asm. - Lavatory - w/o Countertop, Doors or Drawer
	M02912-01-U28	EA	Countertop Asm. - Lavatory Cabinet - Noyamar
	M02912-01-U29	EA	Countertop Asm. - Lavatory Cabinet - Wilsonart
	M84665-15-U28	EA	Door Asm. - Lavatory - w/o Hardware
	084991-01-U28	EA	Cabinet Asm. - Medicine - w/o Door
	M84674-01-U28	EA	Door Asm. - Medicine Cabinet - w/Mirror - w/o Hardware
	M84665-13-U28	EA	Door Asm. - Wardrobe Cabinet - w/o Hardware
	042488-04-000	EA	Door Asm. - Folding - Walnut

### BATH HARDWARE

Key	Part Number	U/M	Description
	M02630-03-U28	EA	Shower Pan
	011056-02-000	EA	Faucet - Lavatory
	011059-01-000	EA	Faucet - Shower
	009, 12-01-000	EA	Flange - 1" Closet Rod
	011048-02-000	EA	Shower Head - w/60" Hose
	075608-01-000	EA	Shower Panel - Faucet Plastic
	068729-01-000	EA	Strainer - Shower
	068435-01-000	EA	Nut Strainer - Plastic
	068438-01-000	EA	Slip Nut - 1.5" Tail Piece
	069732-01-000	EA	Washer - Tail Piece - 1.5" - Plastic
	011069-03-000	EA	Tailpiece - 1.5" x 1.25" x 4" - Brass
	058713-01-000	EA	Sink - Oval - Ivory Plastic
	011083-01-000	EA	Tail Piece w/Stopper - 1.25" x 5" - Plastic - Sink
	063740-01-000	EA	Toilet - Thetford - Aqua Magic IV - Ivory
	009134-01-000	EA	Tissue Holder
	009133-01-000	EA	Towel Bar - 12" Plastic
	059783-01-000	EA	Clothes Rod - Slotted Aluminum - 7'
	058331-05-000	EA	Mirror - Tempered Glass - 12" x 26"
	057671-01-000	EA	Screw Cover - #8 - Antique White

## 1986 WINNEBAGO TABLE OF CONTENTS

WT319RB	A-01 - B-16
WC/WF421RB	B-17 - D-18
WC421RB	D-19 - F-20

## 1986 WT319RB INDEX

Floor Plan	A-01 - A-02
Accessories Group	A-03
Bath Group	A-04
Chassis Group	A-05
Curtain, Cushion & Pad Group	A-06 - A-09
Dinette Group	A-10
Driver's Compartment Group	A-11
Electrical Group	A-12 - A-14
Exterior Body Group	A-15 - A-21
Galley Group	A-22 - A-23
Heating & Air Conditioning Group	A-24
Interior Finish Group	B-01 - B-02
LP Group	B-03
Lounge Group	B-04
Water & Sewage Group	B-05 - B-06
Window, Vent & Exterior Door Group	B-07 - B-16

## CHASSIS GROUP

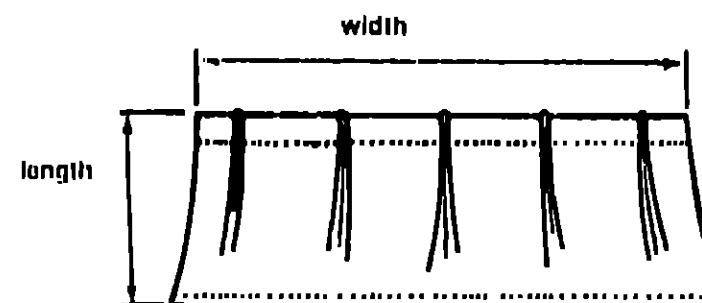
Key	Part Number	U/M	Description
	084690-01-000	EA	Tailpipe Extension - 2"
	007125-06-000	EA	Clamp Asm. - Muffler - 2.25"
	010497-01-000	EA	Clamp - Closed - 5/8 I.D.
	007161-01-000	EA	Clamp - Hose - Spring Type 112
	062401-01-000	EA	Clamp - Hose - Wormgear - .22" I.D. - 1" I.D.
	062401-02-000	EA	Clamp - Hose - Wormgear - 1.56" I.D. - 2.5" I.D.
	062401-03-000	EA	Clamp - Hose - Wormgear - .25" I.D. - 1" I.D.
	062401-04-000	EA	Clamp - Hose - Wormgear - .69" I.D. - 1.25" I.D.
	062401-05-000	EA	Clamp - Hose - Wormgear - 2" I.D. - 3" I.D.
	062401-06-000	EA	Clamp - Hose - Wormgear - .22" I.D. - 62" I.D.
	084622-01-000	EA	Bumper Asm. - Rear - Black

## CURTAIN, CUSHION & PAD GROUP

### NOTICE

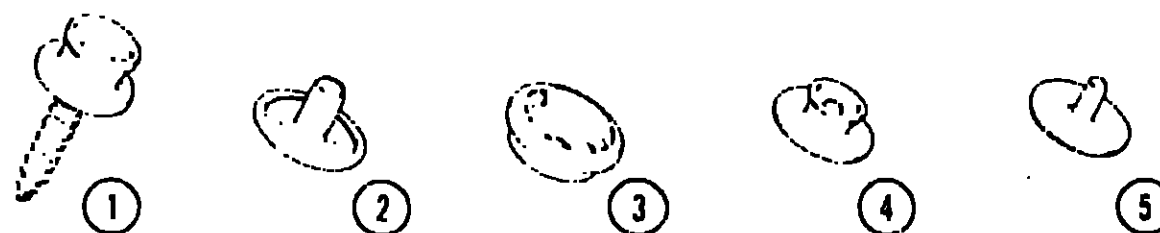
In order to assist our Parts Sales Dept. in providing interior software items, please include the serial number and the color code number from the vehicle certification label when ordering. This label is located on the left sidewall at the end of the dash (A-Body), or on the driver's door latch plate (C-Body).

An example of a color code number is P31, which designates an overall color scheme of a particular unit. The color listed after the item description on the microfiche, indicates the overall unit color. Order the item you desire according to unit color code.



#### NOTE:

Use this illustration when determining length and width measurements for curtains. You will note the width measurement is taken on the top of the curtain with the curtain fully extended. The length measurement is taken from top to bottom.



Key	Part Number	U/M	Description
1	029130-01-000	EA	Socket - Snap Fastener
2	029155-01-000	EA	Cap - Snap - .156" Dia. x 17" Barrel
3	029156-01-000	EA	Socket - Snap Fastener
4	029092-01-000	EA	Stud - Nickel Finish
5	029093-01-000	EA	Eyelet - Nickel Finish

### CURTAIN & CUSHION HARDWARE

Key	Part Number	U/M	Description
	039175-02-000	EA	Bracket - Curtain Rod
	039175-05-000	EA	Bracket - Curtain Rod - Center
	039175-03-000	EA	Curtain Rod - Extension - 28" x 48"
	039175-01-000	EA	Curtain Rod - Extension - 48" x 84"
	009107-01-000	EA	Guide - Nylon Snap - Curtain
	056784-02-000	EA	Pull - Window Shade - Antique Brass
	078155-01-000	EA	Strap Asm. - Cushion Snap
	056115-01-000	YD	Tape - Clear Plastic - w/Guides
	048394-01-000	YD	Tape Hook - 1" x 50 yd - Beige
	029096-05-000	YD	Tape Hook - .50" - Velcro - Beige
	048395-01-000	YD	Tape Loop - 1" x 50 YD - Beige
	029090-01-000	FT	Tie - Drapery - Clear Vinyl
	009701-01-000	EA	Carrier - Curtain L Rod
	009702-01-000	EA	End Stop - Curtain L Rod

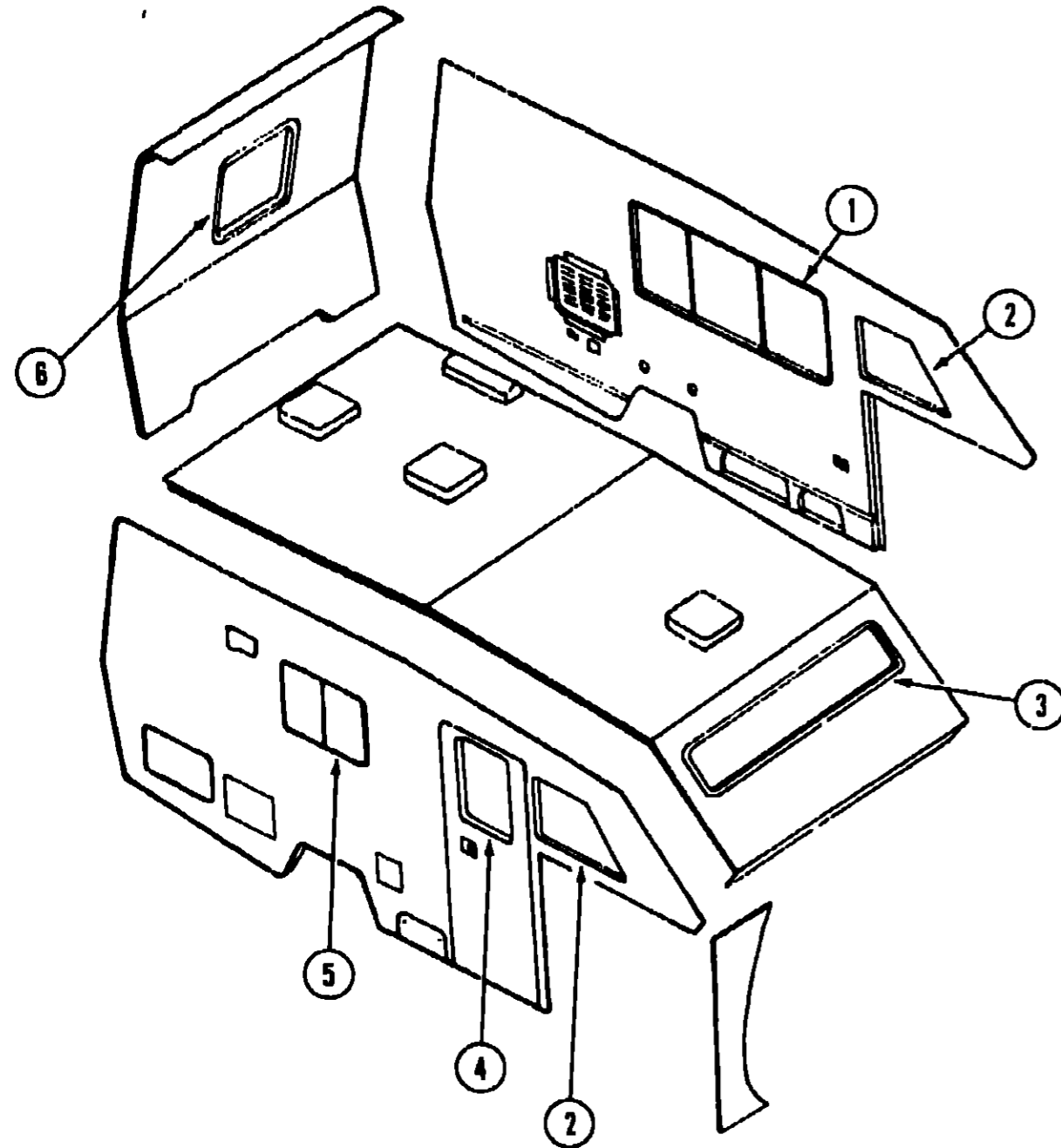
## 1986 WINNEBAGO TABLE OF CONTENTS

WT319RB	A-01 - B-16
WC/WF421RB	B-17 - D-18
WC424RB	D-19 - F-20

## 1986 WT319RB INDEX

Floor Plan	A-01 - A-02
Accessories Group	A-03
Bath Group	A-04
Chassis Group	A-05
Curtain, Cushion & Pad Group	A-06 - A-09
Dinette Group	A-10
Driver's Compartment Group	A-11
Electrical Group	A-12 - A-14
Exterior Body Group	A-15 - A-21
Galley Group	A-22 - A-23
Heating & Air Conditioning Group	A-24
Interior Finish Group	B-01 - B-02
LP Group	B-03
Lounge Group	B-04
Water & Sewage Group	B-05 - B-06
Window, Vent & Exterior Door Group	B-07 - B-16

**CURTAIN, CUSHION & PAD GROUP (CONTINUED)**



Key	Part Number	U/M	Description
1	066226-11-U28	EA	Curtain Asm. - 30" x 22" - Beige
1	066226-11-U29	EA	Curtain Asm. - 30" x 22" - Brown
1	066226-13-U28	EA	Curtain Valance Asm. - 4" x 75" - Beige
1	066226-13-U29	EA	Curtain Valance Asm. - 4" x 75" - Brown
1	084755-02-U28	EA	Pull Shade Asm. - 67.25" - Beige
1	084755-02-U29	EA	Pull Shade Asm. - 67.25" - Brown
2	073323-31-U28	EA	Curtain Asm. - 17.5" x 30" - Beige
2	073323-31-U29	EA	Curtain Asm. - 17.5" x 30" - Brown
3	073323-29-U28	EA	Curtain Asm. - 19.5" x 51" - Beige
3	073323-29-U29	EA	Curtain Asm. - 19.5" x 51" - Brown
4	073304-36-U28	EA	Curtain Asm. - 34" x 37" - Beige
4	073304-36-U29	EA	Curtain Asm. - 34" x 37" - Brown
5	066226-10-U28	EA	Curtain Asm. - 22.5" x 10" - Beige
5	066226-10-U29	EA	Curtain Asm. - 22.5" x 10" - Brown
5	066226-12-U28	EA	Curtain Valance Asm. - 4" x 40" - Beige
5	066226-12-U29	EA	Curtain Valance Asm. - 4" x 40" - Brown
5	084755-01-U28	EA	Pull Shade Asm. - 28.5" x 30" - Beige
5	084755-01-U29	EA	Pull Shade Asm. - 28.5" x 30" - Brown
6	084755-01-U28	EA	Pull Shade Asm. - 28.5" x 30" - Beige
6	084755-01-U29	EA	Pull Shade Asm. - 28.5" x 30" - Brown
.	076892-03-U28	EA	Curtain Asm. - Blackout - 35" x 55" - Beige
.	076892-03-U29	EA	Curtain Asm. - Blackout - 35" x 55" - Brown
.	073260-04-U28	EA	Tieback Asm. - 3" x 14"
.	073260-04-U29	EA	Tieback Asm. - 3" x 14"
.	073260-10-U28	EA	Tieback Asm. - 3" x 16"
.	073260-10-U29	EA	Tieback Asm. - 3" x 16"
.			Not illustrated

**FABRICS, TRIMS & PADS**

Key	Part Number	U/M	Description
	072333-33-000	YD	Fabric - Drapery - Rose Dust (U28)
	072333-32-000	YD	Fabric - Drapery - Peach (U29)
	077498-47-000	YD	Fabric w/Pattern - Upholstery (Delight - Multi) (U28)
	077498-46-000	YD	Fabric w/Pattern - Upholstery (Indian Brown) (U29)
	077498-44-000	YD	Fabric - Upholstery Accent (Desert Sand) (U28)
	077498-43-000	YD	Fabric - Upholstery Accent (Burntumber) (U29)
	077498-60-000	YD	Fabric - Upholstery (Tie Backs) (Taupe) (U28)
	077498-59-000	YD	Fabric - Upholstery (Tie Backs) (Camel Hair) (U29)
	052859-07-U28	FT	Accent Trim (Dinette Seat Back)
	052859-07-U29	FT	Accent Trim (Dinette Seat Back)
	079680-02-000	YD	Expanded Vinyl - 26 oz. Sandrift
	071127-10-U07	EA	Button Asm. - #30 Round (Taupe) (U28)
	071127-10-U08	EA	Button Asm. - #30 Round (Camel Hair) (U29)
	078155-01-U00	EA	Strap Asm. - Cushion
	079349-01-U07	YD	Welt Asm. - Accent (Taupe)
	079349-01-U08	YD	Welt Asm. - Accent (Camel Hair)
	086120-01-U28	EA	Pad Asm. - Map Pocket - 12" x 16" (Taupe)
	086120-01-U29	EA	Pad Asm. - Map Pocket - 12" x 16" (Camel Hair)

**FRONT OVERHEAD BUNK CUSHIONS**

Key	Part Number	U/M	Description
	084753-01-U28	EA	Cushion Asm. - Front Bunk - 52" x 81" x 4" - Beige
	084753-01-U29	EA	Cushion Asm. - Front Bunk - 52" x 81" x 4" - Brown
	M84753-01-U28	EA	Cover Asm. - Front Bunk - 52" x 81" x 4" - Beige
	M84753-01-U29	EA	Cover Asm. - Front Bunk - 52" x 81" x 4" - Brown
	084753-02-U28	EA	Cushion Asm. - Front Bunk - 24" x 41" x 4" - U Shaped - Beige
	084753-02-U29	EA	Cushion Asm. - Front Bunk - 24" x 41" x 4" - U Shaped - Brown
	M84753-02-U28	EA	Cover Asm. - Front Bunk - 24" x 41" x 4" - U Shaped - Beige
	M84753-02-U29	EA	Cover Asm. - Front Bunk - 24" x 41" x 4" - U Shaped - Brown

**CURTAIN, CUSHION & PAD GROUP (CONTINUED)**

**CURTAIN, VALANCES, SHADES & TIEBACKS**

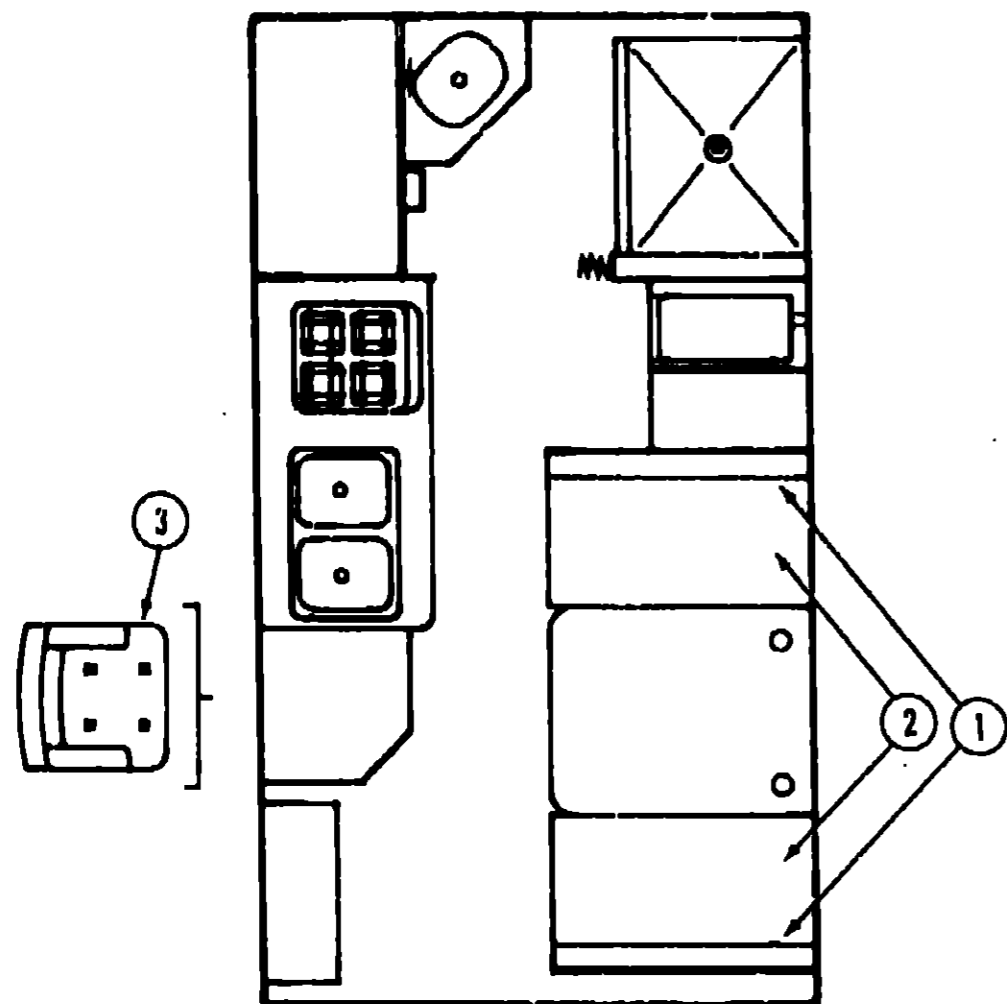
**1986 WINNEBAGO  
TABLE OF CONTENTS**

WT319RB	A-01 - B-16
WC/WF421RB	B-17 - D-18
WC424RB	D-19 - F-20

**1986 WT319RB INDEX**

Floor Plan	A-01 - A-02
Accessories Group	A-03
Bath Group	A-04
Chassis Group	A-05
Curtain, Cushion & Pad Group	A-06 - A-09
Dinette Group	A-10
Driver's Compartment Group	A-11
Electrical Group	A-12 - A-14
Exterior Body Group	A-15 - A-21
Galley Group	A-22 - A-23
Heating & Air Conditioning Group	A-24
Interior Finish Group	B-01 - B-02
LP Group	B-03
Lounge Group	B-04
Water & Sewage Group	B-05 - B-06
Window, Vent & Exterior Door Group	B-07 - B-16

**CURTAIN, CUSHION & PAD GROUP (CONTINUED)**



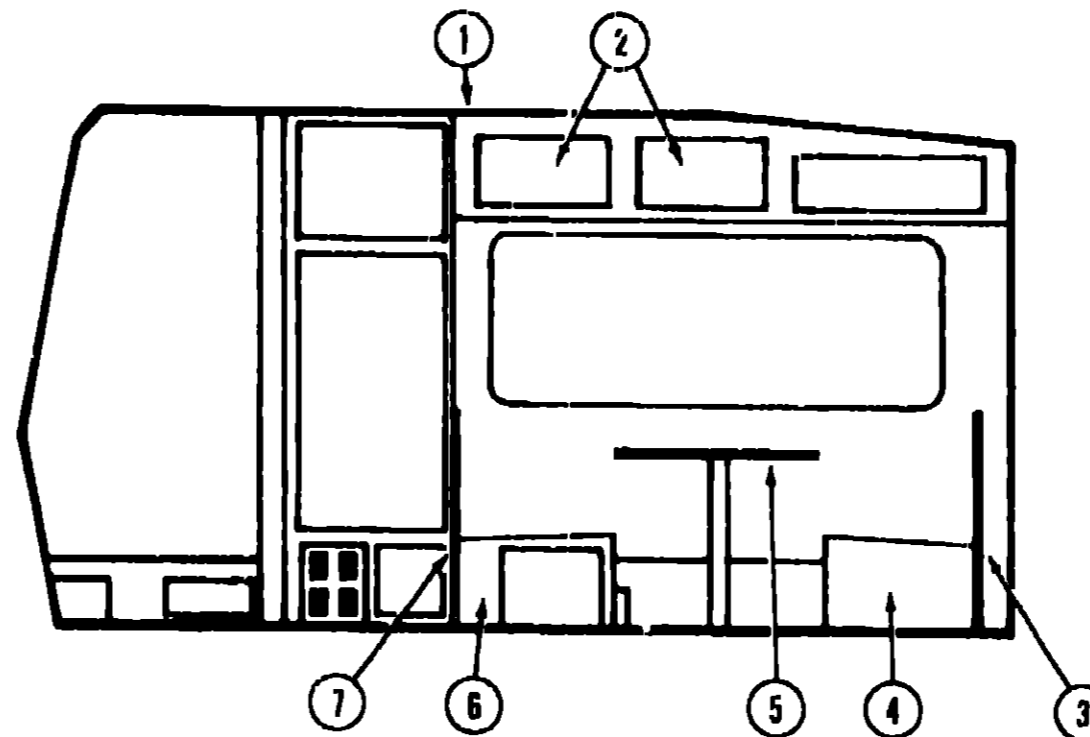
**DINETTE CUSHION**

Key	Part Number	U/M	Description
1	081998-52-U28	EA	Cushion Asm. - Dinette Back - 19.25" x 38" x 5" - Beige
1	081998-52-U29	EA	Cushion Asm. - Dinette Back - 19.25" x 38" x 5" - Brown
	M81998-52-U28	EA	Cover Asm. - Dinette Back Cushion - 19.25" x 38" x 5" - Beige
	M81998-52-U29	EA	Cover Asm. - Dinette Back Cushion - 19.25" x 38" x 5" - Brown
2	081998-53-U28	EA	Cushion Asm. - Dinette Bottom - 17.5" x 38" x 5" - Beige
2	081998-53-U29	EA	Cushion Asm. - Dinette Bottom - 17.5" x 38" x 5" - Brown
	M81998-53-U28	EA	Cover Asm. - Dinette Bottom Cushion - 17.5" x 38" x 5" - Beige
	M81938-53-U29	EA	Cover Asm. - Dinette Bottom Cushion - 17.5" x 38" x 5" - Brown

**SWIVEL CHAIR**

Key	Part Number	U/M	Description
3	084754-03-U28	EA	Chair Asm. w/Pillow Back - Swivel - Beige
3	084754-03-U29	EA	Chair Asm. w/Pillow Back - Swivel - Brown
	035036-01-000	EA	Plate - Tilt & Swivel - Swivel Chair
	035036-04-000	EA	Base w/Legs - Swivel Chair
	935936-05-000	EA	Extension - 7" - Swivel Chair

**DINETTE GROUP**



**CONVENTIONAL DINETTE & OVERHEAD CABINERY**

Key	Part Number	U/M	Description
1	084662-01-U28	EA	Cabinet Asm. - Dinette Overhead - w/o Doors or Hardware
2	M84665-19-U28	EA	Door Asm. - Dinette Overhead - w/o Hardware
3	M02913-01-U28	EA	Cabinet Asm. - Dinette Back
4	M02914-01-U28	EA	Cabinet Asm. - Dinette Seat
5	M02115-09-U03	EA	Table Asm. - Dinette - w/o Hardware
6	M02914-02-U28	EA	Cabinet Asm. - Dinette Seat
7	M02913-02-U28	EA	Cabinet Asm. - Dinette Back
	081518-01-U01	EA	Dinette Seat
	074493-02-000	EA	Support - Sprung Door Asm. - Overhead Cabinet
	053200-01-000	EA	Bracket - Upper Wall Mount - 23.5" - Brown
	053201-01-000	EA	Bracket - Table Mount - 23"
	024275-08-000	EA	Rod - Table Lift - 8" x 23.5" - Brown
	024281-03-000	EA	Bracket - Lower Wall Mount - 22.12" - Brown
	024276-14-000	EA	Leg Asm. - Table - 26.75" - Brown
	064050-01-000	EA	Hinge - Table Leg
	024282-01-000	EA	Brace - Table Leg
	024283-01-000	EA	Clip - 1" O.D. Tube
	049493-02-000	EA	Catch - Table Leg - Mounts on Floor - Brown
	064781-02-000	EA	Cup Holder - 3.47" O.D. x 2.75" I.D. x 1.5" - Beige
			Not illustrated

**1986 WINNEBAGO  
TABLE OF CONTENTS**

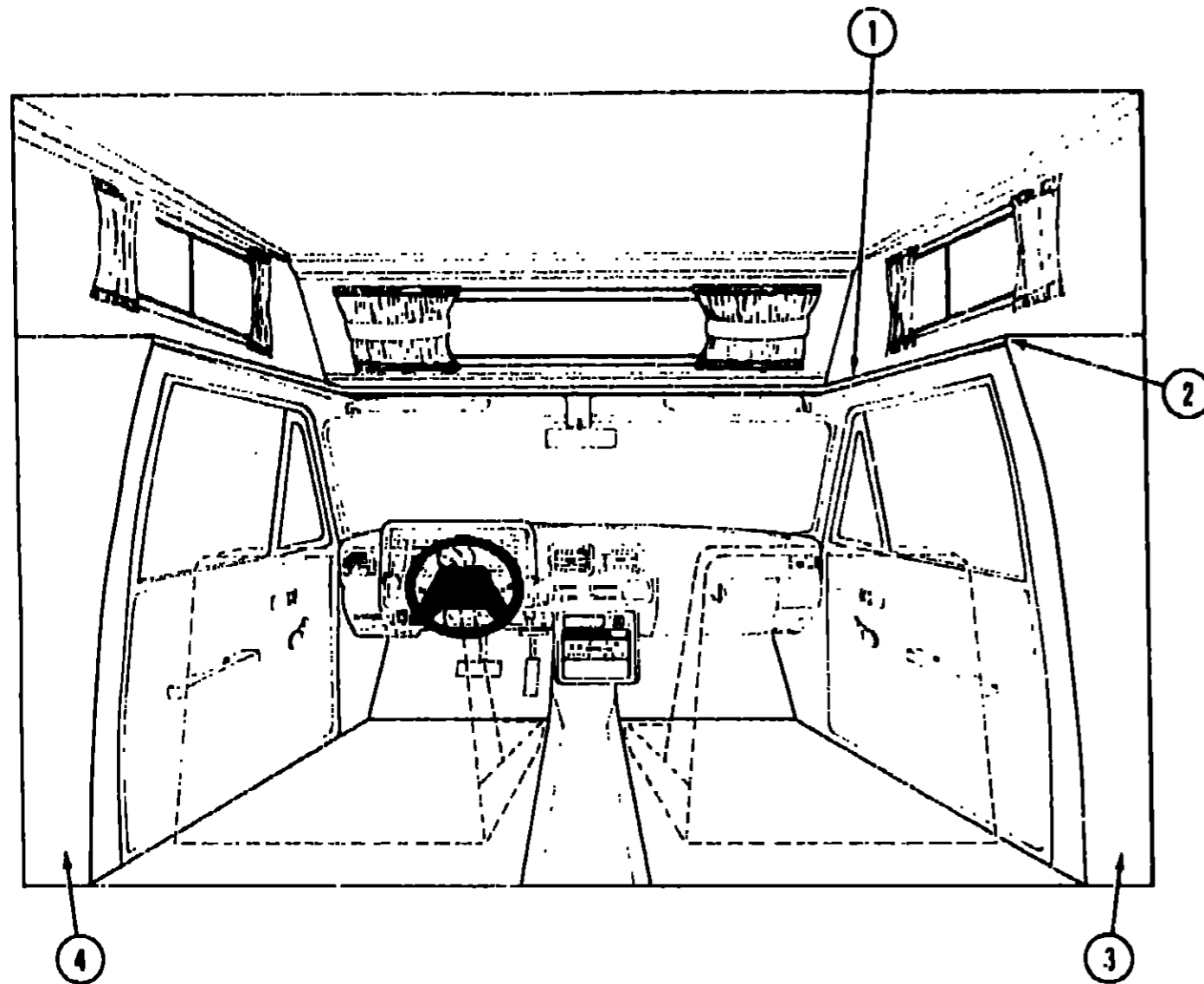
WT319RB  
WC/WF421RB  
WC424RB

A-01 - B-16  
B-17 - D-18  
D-19 - F-20

**1986 WT319RB INDEX**

Floor Plan	A-01 - A-02
Accessories Group	A-03
Bath Group	A-04
Chassis Group	A-05
Curtain, Cushion & Pad Group	A-06 - A-09
Dinette Group	A-10
Driver's Compartment Group	A-11
Electrical Group	A-12 - A-14
Exterior Body Group	A-15 - A-21
Galley Group	A-22 - A-23
Heating & Air Conditioning Group	A-24
Interior Finish Group	B-01 - B-02
LP Group	B-03
Lounge Group	B-04
Water & Sewage Group	B-05 - B-06
Window, Vent & Exterior Door Group	B-07 - B-16

## DRIVERS GROUP



### MISCELLANEOUS DRIVER'S COMPARTMENT COMPONENTS

Key	Part Number	U/M	Description
1	M84656-01-U28	EA	Panel Asm. - Sleeper Board w/o Vinyl
2	079800-02-000	EA	Trim - Front - Sleeper Board
3	M84568-01-U28	EA	Panel Asm. - Wingwall Transition - Inner - Passenger
3	M84568-01-U29	EA	Panel Asm. - Wingwall Transition - Inner - Passenger
4	M84568-02-U29	EA	Panel Asm. - Wingwall Transition - Inner - Drivers
4	M84568-02-U28	EA	Panel Asm. - Wingwall Transition - Inner - Driver

## ELECTRICAL GROUP

### WIRE, SWITCHES & RECEPTACLES

Key	Part Number	U/M	Description
	008058-01-000	EA	Adapter - Power Cord
	008288-01-000	EA	Box - Electrical - 3" x 3.5" - Plastic
	008289-01-000	EA	Box - Electrical - 4" x 4" - 1/2 & 3/4 Steel - UL
	008289-02-000	EA	Box - Electrical - 4" x 4" - 1/2 & 3/4 Steel - CSA
	058040-01-000	EA	Box - Electrical - 2" x 3" x 2.25" - Steel
	008353-01-000	EA	Connector - Clamping - 3/8 Cable - UL & CSA
	058028-01-000	EA	Connector - Pigtail - Clear Nylon
	008314-01-000	EA	Connector - Wire Nut - Gray
	008311-01-000	EA	Connector - Wire Nut - Red
	031968-01-000	EA	Contact Plug - Brass - Tin Plated
	031907-01-000	EA	Contact - Receptacle
	008054-01-000	EA	Cord - Power - 10-3 30 Amp - 25' - UL
	069238-02-000	EA	Cover - Electrical Box - 4" x 4"
	058048-01-000	EA	Cover - Electrical Box - 4.5" x 2.75" - Rain Tight (Exterior)
	024571-03-000	EA	Cover Plate - Receptacle - Jumbo - Brown Plastic
	024571-04-000	EA	Cover Plate - Receptacle - Jumbo - Ivory Plastic
	008104-01-000	EA	Cover Plate - Switch - Brown
	008294-01-000	EA	Cover - Flat Blank - 4" x 4" - Steel - US
	008250-01-000	EA	Fuse Holder - In Line - 10 Amp.
	008250-02-000	EA	Fuse Holder - In Line - 15 Amp.
	008277-01-000	EA	Fuse Holder - Panel Mount - Black
	054532-01-000	EA	Housing Pin - 6 Position
	046885-01-000	EA	Plaque - Mounting Switch
	084077-02-000	EA	Receptacle Cover - GF1 - Brown
	058708-01-000	EA	Receptacle - Duplex - Brown
	008157-01-000	EA	Receptacle - Duplex - Brown (Exterior Backwall)
	058708-01-000	EA	Receptacle - Duplex - Brown
	084078-02-000	EA	Receptacle - Ground Fault Interrupter - 125 Volt - Ivory
	024924-02-000	EA	Receptacle - Power Cord
	058707-01-000	EA	Receptacle - Single - Brown
	063912-01-000	EA	Relay - Canister SPDT w/Ground
	008188-01-000	EA	Solenoid Relay - 3 Terminal
	075723-01-000	EA	Switch - Block Spacer - w/o Holes
	075723-02-000	EA	Switch - Block Spacer - w/Holes
	008162-01-000	EA	Switch - Double Toggle - Brown
	077942-02-000	EA	Switch - Dummy - Brown
	056264-01-000	EA	Switch - Leaf Actuator
	081066-01-000	EA	Switch Plate 2 Gang - 2 Switches
	079363-01-000	EA	Switch Plate - Single - w/Switches
	079364-01-000	EA	Switch - On/Off Rocker - Brown
	008195-01-000	EA	Switch - Push Button - 12 Volt
	008183-01-000	EA	Switch - Toggle - Brown
	047443-02-000	EA	Terminal - .250 Receptacle - 12 - 10 AWG
	035417-01-000	EA	Terminal - Pin Receptacle - .125 Dia.
	008348-01-000	EA	Terminal Ring - 2 - w/3/8 Stud
	008331-01-000	EA	Terminal Ring - 4 - w/3/8 Stud
	008328-01-000	EA	Terminal Ring - 12/10 Wire
	008028-01-000	FT	Wire - 18.5 Bonded - Blue/Red/Yellow/Orange/White
	008024-01-000	FT	Wire - 18.5 Bonded - Orange/White/Yellow/Blue/Brown
	008025-01-000	FT	Wire - 18.5 Bonded - Orange/White/Yellow/Blue/Green
	008026-01-000	FT	Wire w/Ground - Romex - 12/2

## 1986 WINNEBAGO TABLE OF CONTENTS

WT319RB	A-01 - B-18
WC/WF421RB	B-17 - D-18
WC424RB	D-19 - F-20

## 1986 WT319RB INDEX

Floor Plan	A-01 - A-02
Accessories Group	A-03
Bath Group	A-04
Chassis Group	A-05
Curtain, Cushion & Pad Group	A-06 - A-09
Dinette Group	A-10
Driver's Compartment Group	A-11
Electrical Group	A-12 - A-14
Exterior Body Group	A-15 - A-21
Galley Group	A-22 - A-23
Heating & Air Conditioning Group	A-24
Interior Finish Group	B-01 - B-02
LP Group	B-03
Lounge Group	B-04
Water & Sewage Group	B-05 - B-06
Window, Vent & Exterior Door Group	B-07 - B-16

**ELECTRICAL GROUP (CONTINUED)**

**EXTERIOR LIGHTS**

Key	Part Number	U/M	Description
	081838-02-000	EA	Tail Lamp Asm. - 2 Bulb - Chrome - Driver/Passenger
	088432-01-000	EA	Light Bracket - License Plate
	081838-03-000	EA	Bezel - Tail Lamp - Driver/Passenger
	042405-03-000	EA	Base - Rectangular Clearance Light
	042405-01-000	EA	Lens - Clearance Light - Red w/Reflex
	042405-04-000	EA	Lens - Clearance Light - Red w/o Reflex
	042405-02-000	EA	Lens - Clearance Light - Amber w/Reflex
	042405-05-000	EA	Lens - Clearance Light - Amber w/o Reflex
	008089-01-000	EA	Porch Light - Recessed

**INTERIOR LIGHT**

Key	Part Number	U/M	Description
	033508-02-000	EA	Light - Dome - Ivory - 1 Bulb - US
	033509-02-000	EA	Light - Dome - Ivory - 2 Bulb - US
	081424-01-000	EA	Light - 12V Receptacle - Aisle - 1P
	007309-01-000	EA	Light - Step Well
	065202-03-000	EA	Decor Wall Lamp - Bright Brass
	065201-02-000	EA	Lamp Shade - Parchment Fabric

**FUSES & CIRCUIT BREAKERS**

Key	Part Number	U/M	Description
	008233-01-000	EA	Fuse - 8 Amp. - 12 Volt
	008234-01-000	EA	Fuse - 10 Amp. - Volt
	046893-01-000	EA	Fuse - 13 Amp. - 12 Volt
	008235-01-000	EA	Fuse - 15 Amp. - 12 Volt
	008236-01-000	EA	Fuse - 20 Amp. - 12 Volt
	003248-01-000	EA	Fuse - 30 Amp. - 110 Volt - AGU
	008252-01-000	EA	Fuse - 50 Amp. - 110 Volt
	056473-02-000	EA	Fuse - 5 Amp. - Slow Blow
	056473-01-000	EA	Fuse - 6 1/4 Amp. - Slow Blow
	062901-02-000	EA	Fuse - 5 Amp. - Automotive
	062901-05-000	EA	Fuse - 15 Amp. - Automotive
	008211-01-000	EA	Circuit Breaker - 6 Amp. - 12 Volt
	008208-01-000	EA	Circuit Breaker - 40 Amp. - 12 Volt
	033573-02-000	EA	Circuit Breaker - 15 Amp. - 12 Volt - w/Mount
	033573-01-000	EA	Circuit Breaker - 20 Amp. - 12 Volt - w/Mount
	044466-03-000	EA	Circuit Breaker - 25 Amp. - 12 Volt - w/Mount
	008268-01-000	EA	Circuit Breaker - 30 Amp. - 12 Volt - w/Mount
	040051-01-000	EA	Circuit Breaker - 20 Amp. - 110 Volt - TQL
	008297-01-000	EA	Circuit Breaker - 120 Amp. - TQL
	008293-01-000	EA	Circuit Breaker - 130 Amp. - TQL
	083209-01-000	EA	Circuit Breaker - 15 Amp. - 120 Volt
	083209-05-000	EA	Circuit Breaker - 20 Amp. - 120 Volt
	071279-04-000	EA	Circuit Breaker - 30 Amp. - 120 Volt
	071279-02-000	EA	Circuit Breaker - 15/15 Amp. - 120 Volt
	071279-03-000	EA	Circuit Breaker - 15/20 Amp. - 120 Volt
	071279-01-000	EA	Circuit Breaker - 15/30 Amp. - 120 Volt
	071279-06-000	EA	Circuit Breaker - 30/15 Amp. - 120 Volt
	071280-01-000	EA	Circuit Breaker Blank
	050283-02-000	EA	Circuit Breaker - Bus Bar

**ELECTRICAL GROUP (CONTINUED)**

**BULBS**

Key	Part Number	U/M	Description
	008220-01-000	EA	Bulb - 12V - 25W
	008103-01-000	EA	Bulb - 53
	008213-01-000	EA	Bulb - 57
	008214-01-000	EA	Bulb - 67
	038196-01-000	EA	Bulb - 194
	008216-01-000	EA	Bulb - 1003
	067470-01-000	EA	Bulb - 1078
	063914-01-000	EA	Bulb - 1130
	008218-01-000	EA	Bulb - 1141
	037935-01-000	EA	Bulb - 1157
	037936-01-000	EA	Bulb - 1157A
	056288-02-000	EA	Bulb - 9431808

**MISCELLANEOUS ELECTRICAL COMPONENTS**

Key	Part Number	U/M	Description
	008188-01-000	EA	Solenoid - Duml Battery - Relay
	084454-01-000	EA	Control Center - 25 Amp. - 120 Volt/12 Volt

**1986 WINNEBAGO  
TABLE OF CONTENTS**

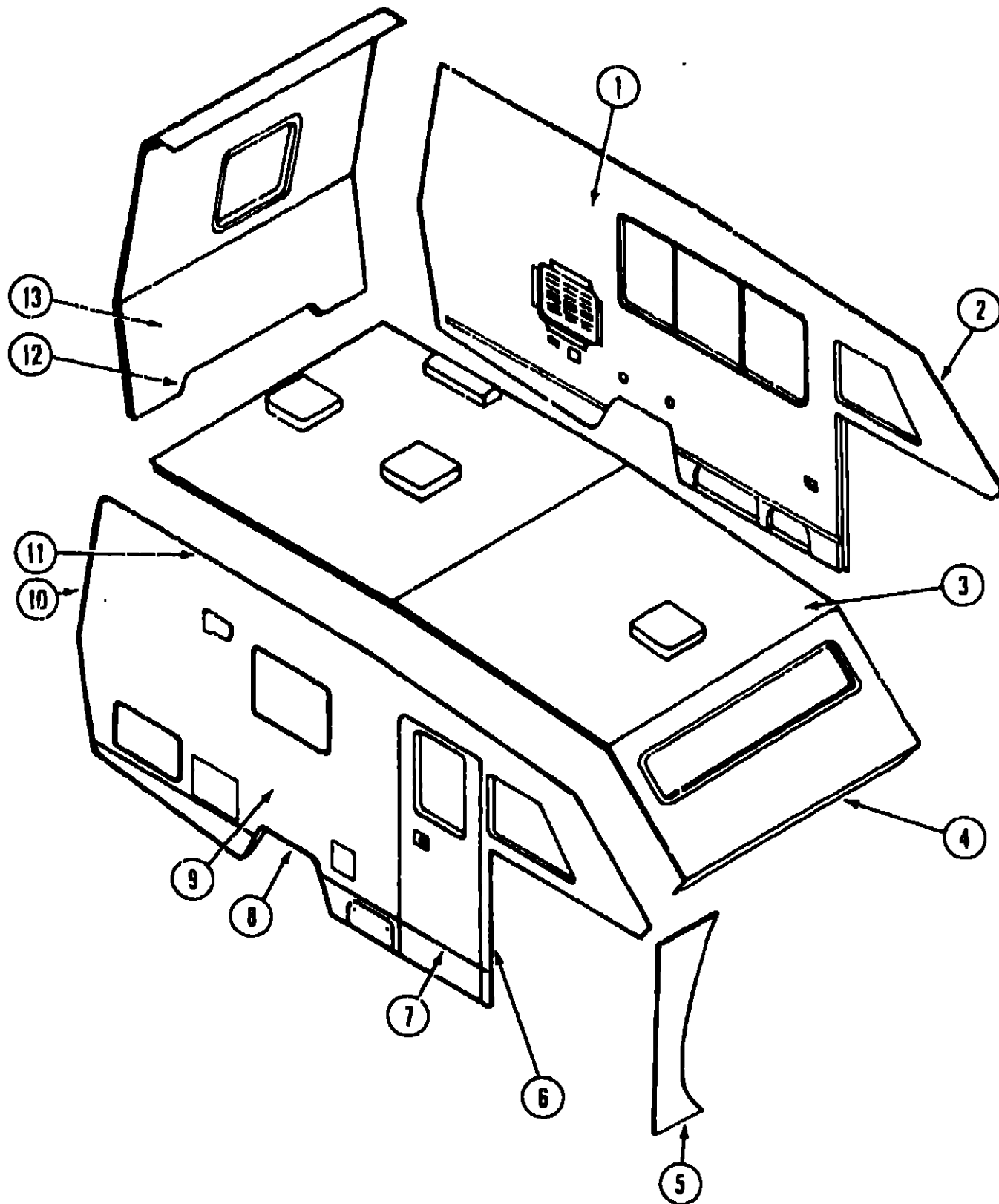
WT319RB	A-01 - B-16
WC/WF421RB	B-17 - D-18
WC424RB	D-19 - F-20

**1986 WT319RB INDEX**

Floor Plan	A-01 - A-02
Accessories Group	A-03
Bath Group	A-04
Chassis Group	A-05
Curtain, Cushion & Pad Group	A-06 - A-09
Dinette Group	A-10
Driver's Compartment Group	A-11
Electrical Group	A-12 - A-14
Exterior Body Group	A-15 - A-21
Galley Group	A-22 - A-23
Heating & Air Conditioning Group	A-24
Interior Finish Group	B-01 - B-02
LP Group	B-03
Lounge Group	B-04
Water & Sewage Group	B-05 - B-06
Window, Vent & Exterior Door Group	B-07 - B-16

## EXTERIOR BODY GROUP

### EXTERIOR BODY PANELS & TRIM



Key	Part Number	U/M	Description
1	M84042-01-U28	EA	Sidewall Asm. - Driver (U28)
2	084441-03-000	EA	Trim - Contour - Upper Front - Driver - Off White
	084441-04-000	EA	Trim - Contour - Upper Front - Passenger - Off White
3	M84644-01-U28	EA	Roof Asm. (U28)
4	039644-07-000	EA	Trim - Sleeper Board - Front - Off White
5	M84655-01-U28	EA	Wingwall Asm. - Passenger
	M84655-02-U28	EA	Wingwall Asm. - Driver
6	085005-01-000	EA	Trim - Wingwall Transition - Passenger - Off White
	085005-02-000	EA	Trim - Wingwall Transition - Driver - Off White
7	059576-05-000	EA	Feature Strip - w/o Insert - Extr. - 14' - Off White
	001030-02-100	EA	Insert - Feature Strip - 17' - Off White
	009731-01-000	EA	End Cap - Feature Strip
8	084440-01-000	EA	Trim - Wheel Well - Rear Passenger - Off White
	084440-02-000	EA	Trim - Wheel Well - Rear Driver - Off White
9	M84638-01-U28	EA	Sidewall Asm. - Passenger
9	M84638-01-U29	EA	Sidewall Asm. - Passenger
10	084725-01-000	EA	Trim - Contour - Rear Passenger - Off White
	084725-02-000	EA	Trim - Contour - Rear Driver - Off White
11	085006-01-000	EA	Trim - Contour - Upper - Left or Right
12	085004-01-000	EA	Trim - Backwall - Lower - Passenger or Driver
13	M84648-01-U28	EA	Backwall Asm. (U28)
	002365-01-001	EA	U-Channel - Extrusion - 1" x 18'
	002776-01-001	EA	U-Channel - Extrusion - 1.75" x 16'
	009717-01-002	EA	Drip Rail - 19'
	039155-28-006	EA	Alum. - Mesa II - .024" x 48" x 360" - Off White
	039155-28-003	EA	Alum. - Mesa II - .024" x 36" x 360" - Off White
	039155-28-007	EA	Alum. - Mesa II - .024" x 12" x 360" - Off White
	001054-01-011	EA	Alum. - No Design - 48" x 96" - Off White
	000868-01-000	SF	Styrofoam - .75" x 24" x 96"
	000870-01-000	SF	Styrofoam - 1.5" x 24" x 96"
	000870-03-000	SF	Styrofoam - 1.34" x 48" x 96"
			Not illustrated

## 1986 WINNEBAGO TABLE OF CONTENTS

WT319RB  
V/C/WF421RB  
VC424RB

A-01 - B-16  
B-17 - D-18  
D-19 - F-20

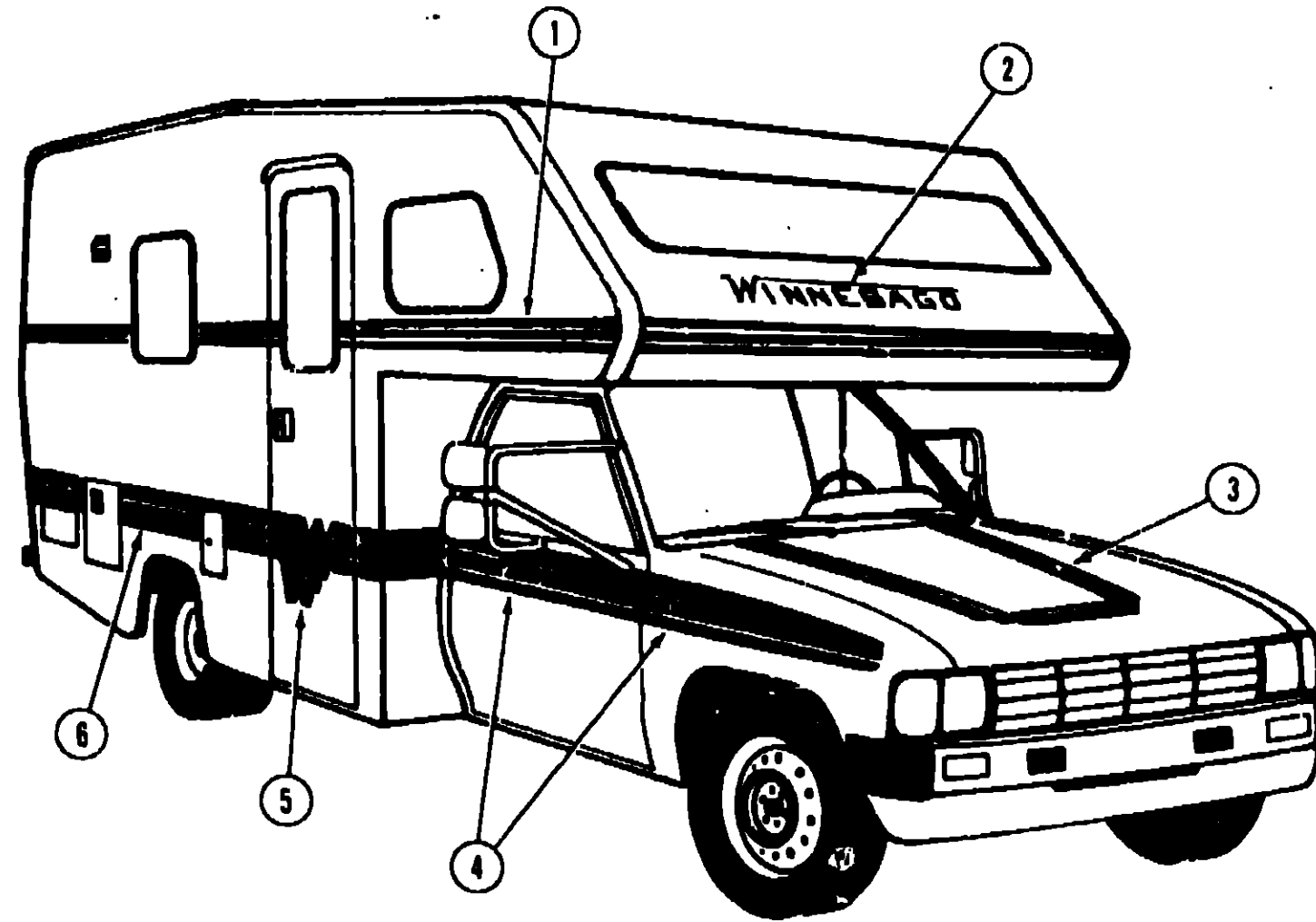
## 1986 WT319RB INDEX

Floor Plan	A-01 - A-02
Accessories Group	A-03
Bath Group	A-04
Chassis Group	A-05
Curtain, Cushion & Pad Group	A-06 - A-09
Dinette Group	A-10
Driver's Compartment Group	A-11
Electrical Group	A-12 - A-14
Exterior Body Group	A-15 - A-21
Galley Group	A-22 - A-23
Heating & Air Conditioning Group	A-24
Interior Finish Group	B-01 - B-02
LP Group	B-03
Lounge Group	B-04
Water & Sewage Group	B-05 - B-06
Window, Vent & Exterior Door Group	B-07 - B-16



## EXTERIOR BODY GROUP (CONTINUED)

### DECALS & FILM STRIPE



Key	Part Number	U/M	Description
1	069245-A3-000	FT	Film - Multi-Stripe - Brown/Light Brown/Light Green (U28)
1	069245-A4-000	FT	Film - Multi-Stripe - Burgundy/Sunset/Red Cedar (U29)
2	050313-22-000	EA	Decal - Logo - "Winnebago" - Chrome
3	069245-A7-000	FT	Film - Multi-Stripe - Brown/Light Brown/Light Green (U28)
3	069245-A8-000	FT	Film - Multi-Stripe - Burgundy/Sunset/Red Cedar (U29)
4	084437-01-000	EA	Decal Striping - Door/Fender - Brown/Light Brown/Light Green (U28) Right
4	084437-03-000	EA	Decal Striping - Door/Fender - Burgundy/Sunset/Red Cedar (U29) Right
4	084437-02-000	EA	Decal Striping - Door/Fender - Brown/Light Brown/Light Green (U28) Left
4	084437-04-000	EA	Decal Striping - Door/Fender - Burgundy/Sunset/Red Cedar (U29) Left
5	084439-01-000	EA	Decal - Flying "W" - Brown/Light Brown/Light Green (U28) Right
5	084439-03-000	EA	Decal - Flying "W" - Burgundy/Sunset/Red Cedar (U29) Right
5	084439-02-000	EA	Decal - Flying "W" - Brown/Light Brown/Light Green (U28) Left
5	084439-04-000	EA	Decal - Flying "W" - Burgundy/Sunset/Red Cedar (U29) Left
6	069245-A5-000	FT	Film - Multi-Stripe - Brown/Light Brown/Light Green (U28)
6	069245-A6-000	FT	Film - Multi-Stripe - Burgundy/Sunset/Red Cedar (U29)
.			Not illustrated

## 1986 WINNEBAGO TABLE OF CONTENTS

WT319RB  
WC/WF421RB  
WC424RB

A-01 - B-18  
B-17 - D-18  
D-19 - F-20

## 1986 WT319RB INDEX

Floor Plan	A-01 - A-02
Accessories Group	A-03
Bath Group	A-04
Chassis Group	A-05
Curtain, Cushion & Pad Group	A-06 - A-09
Dinette Group	A-10
Driver's Compartment Group	A-11
Electrical Group	A-12 - A-14
Exterior Body Group	A-15 - A-21
Galley Group	A-22 - A-23
Heating & Air Conditioning Group	A-24
Interior Finish Group	B-01 - B-02
LP Group	B-03
Lounge Group	B-04
Water & Sewage Group	B-05 - B-06
Window, Vent & Exterior Door Group	B-07 - B-16

**EXTERIOR BODY GROUP (CONTINUED)**

Key	Part Number	U/M	Description
	006199-01-000	EA	Label - Exit - Escape Window
	047731-01-000	EA	Label - Emergency Exit
	057467-04-000	EA	Label - Exterior Loading Limit
	079966-01-000	EA	Label - Warning - Stowed - Motion
	064378-01-000	EA	Label - Flying "W" w/Thermo Panel
	061417-01-000	EA	Label - Fuel
	065748-01-000	EA	Label - Caution - Battery Charging
	006190-01-000	EA	Label - Gas Test
	054531-01-000	EA	Label - LP Gas Only
	040944-01-000	EA	Label - Open - Entrance Door
	006015-01-000	EA	Label - Patent Motor Home
	056259-01-000	EA	Label - Safety Check List
	006064-01-000	EA	Label - Seat - w/o Seat Belts
	006187-01-000	EA	Label - Sewage
	006006-01-000	EA	Label - Thermo Panel - 2 1/4" x 2 1/4"
	075220-01-000	EA	Label - Warning - Exterior Load Limit
	050225-01-000	EA	Label - Warning - Stove Vent - US
	006188-01-000	EA	Label - Waste Water
	006197-01-000	EA	Label - Water Test
	006062-01-000	EA	Tag - Electrical - 110 Volt Connection
	006040-01-000	EA	Tag - Gas - Refueling Warning
	044486-03-000	EA	Paint - Beige Acrylic Enamel - 16 oz. Aerosol (7633A Dupont)
	045681-03-000	EA	Paint - Gloss Black - Acrylic Enamel - 16 oz. Aerosol (99 Dupont)
	058637-05-000	EA	Paint - Gray Acrylic Enamel - 16 oz. Aerosol (71537 Dupont)
	041561-03-000	EA	Paint - Off White Acrylic Enamel - 16 oz. Aerosol (45396A Dupont)
	074559-01-000	EA	Label "LPG" - 3.3" x 1.75" - Calif. Code

**MISCELLANEOUS EXTERNALLY MOUNTED PARTS**

Key	Part Number	U/M	Description
	083558-01-000	EA	Plumbing Seal - Roof Vent - 1.5" - w/Cap
	010230-02-000	EA	Fill - City Water - Recessed - Off White
	081240-03-000	EA	Water Fill - Lockable - Off White
	072447-01-000	EA	Shroud - Fuel Fill
	078040-01-000	EA	Shroud - Fuel Fill - Upper
	054530-01-000	EA	Door Stop
	038327-01-000	EA	Tape - Antislip - 2" x 60'

**EXTERIOR BODY GROUP (CONTINUED)**

**INTERIOR/EXTERIOR SCREWS & FASTENERS**

Key	Part Number	U/M	Description
	005200-01-000	EA	Bolt - Round Head - Square Neck w/SST Cap - 7/16" - 14 x 1 1/4"
	058279-01-000	EA	Clip - Mounting - Front Panel
	035628-01-000	EA	Fastener - Blind Wall Nut - 1.05" x .38"
	000D15-06-00B	EA	Nut - Hex - 3/8" x 24 - Zinc
	005081-01-000	EA	Nut - Speed - C Type - #8 Screw
	000G54-04-20B	EA	Screw 1/4 - 20 x 1 1/4" PTH - Zinc
	000G54-04-22B	EA	Screw 1/4 - 20 x 1 3/8" PTH - Zinc
	000G53-04-06B	EA	Screw 1/4 - Machine - 20 x 3/8" PTH - Zinc
	000G13-06-12P	EA	Screw #8 - 20 x 3/4" PFH - Dark Brown
	000G13-06-28X	EA	Screw #8 - 20 x 3/4" PFH - Gray
	000G13-06-16R	EA	Screw #6 - 20 x 1" PFH - Beige
	000G11-07-08B	EA	Screw #7 - 19 x 1/2" PPH - Zinc
	000G12-08-12M	EA	Screw #8 - 18 x 3/4" POH - Gray
	000G11-08-12R	EA	Screw #8 - 18 x 3/4" PPH - Beige
	000G11-08-12X	EA	Screw #8 - 18 x 3/4" PPH - Gray
	000G11-08-12B	EA	Screw #8 - 18 x 3/4" PPH - Zinc
	000G39-08-12R	EA	Screw #8 - 18 x 3/4" SDPH - Beige
	000G66-08-12M	EA	Screw #8 - 18 x 3/4" SDPH - Gray
	000G11-08-16R	EA	Screw #8 - 18 x 1" PFH - Gray
	000G66-08-16R	EA	Screw #8 - 18 x 1" SDPH - Beige
	000G12-08-28R	EA	Screw #8 - 18 x 1 3/4" POH - Beige
	000G36-08-08E	EA	Screw #8 - 32 x 1/2" PFH - Chrome
	000G39-08-08B	EA	Screw #8 - Self Drilling - 18 x 1/2" PPH - Zinc
	000G39-08-12B	EA	Screw #8 - Self Drilling - 18 x 3/4" PPH - Zinc
	000G39-08-12R	EA	Screw #8 - Self Drilling - 18 x 3/4" PPH - Beige
	000G39-08-16R	EA	Screw #8 - Self Drilling - 18 x 1" PPH - Beige
	000G39-08-16T	EA	Screw #8 - Self Drilling - 18 x 1" PPH - Black
	000G39-08-16P	EA	Screw #8 - Self Drilling - 18 x 1" PPH - Dark Brown
	000G39-08-16X	EA	Screw #8 - Self Drilling - 18 x 1" PPH - Gray
	000G39-08-16E	EA	Screw #8 - Self Drilling - 18 x 1" PPH - Chrome
	000G64-08-16M	EA	Screw #8 - Self Drilling - 18 x 1" SDPH - Gray
	000G67-10-08B	EA	Screw #10 - 12 x 1/2" PPH - Zinc
	000G67-10-10R	EA	Screw #10 - 12 x 5/8" PPH - Beige
	000G67-10-16P	EA	Screw #10 - 12 x 1" PPH - Dark Brown
	000G67-10-16B	EA	Screw #10 - 12 x 1" PPH - Zinc
	000G67-10-20B	EA	Screw #10 - 12 x 1 1/4" - PPH - Zinc
	000G67-10-24B	EA	Screw #10 - 12 x 1 1/2" PPH - Zinc
	049465-04-000	EA	Screw #10 - 16 x 1" POH - w/Washer - Beige
	049465-05-000	EA	Screw #10 - 16 x 1" POH - w/Washer - Gray
	000G12-10-24E	EA	Screw #10 - 16 x 1 1/2" POH - Chrome
	000G11-10-08D	EA	Screw #10 - 16 x 1/2" PPH - Dark Brown
	000G11-10-12R	EA	Screw #10 - 16 x 3/4" PPH - Beige
	000G11-10-12S	EA	Screw #10 - 16 x 3/4" PPH - Off White
	000G11-10-12B	EA	Screw #10 - 16 x 3/4" PPH - Zinc
	000G11-10-16B	EA	Screw #10 - 16 x 1" PPH - Zinc
	000G11-10-40B	EA	Screw #10 - 16 x 2 1/2" PPH - CAD
	000G19-10-12B	EA	Screw #10 - Machine - 32 TPI x 3/4"
	075908-01-000	EA	Screw #10 - Machine - 32 x .56" PTH - Zinc
	000G19-10-20B	EA	Screw #10 - Machine - 32 x 1 1/4" PPH - Zinc
	000G39-12-12E	EA	Screw #10 - Self Drilling - 14 x 3/4" PPH - Chrome
	000G39-10-10R	EA	Screw #10 - Self Drilling - 16 x .62" PPH - Beige
	000G39-10-12R	EA	Screw #10 - Self Drilling - 16 x 3/4" PPH - Beige
	000G39-10-12P	EA	Screw #10 - Self Drilling - 16 x 3/4" PPH - Dark Brown
	000G56-12-48C	EA	Screw #12 - Wood - 11 x 3" POH - CAD

**1986 WINNEBAGO  
TABLE OF CONTENTS**

WT319RB	A-01 - B-16
WC/WF421RB	B-17 - D-18
WC424RB	D-19 - F-20

**1986 WT319RB INDEX**

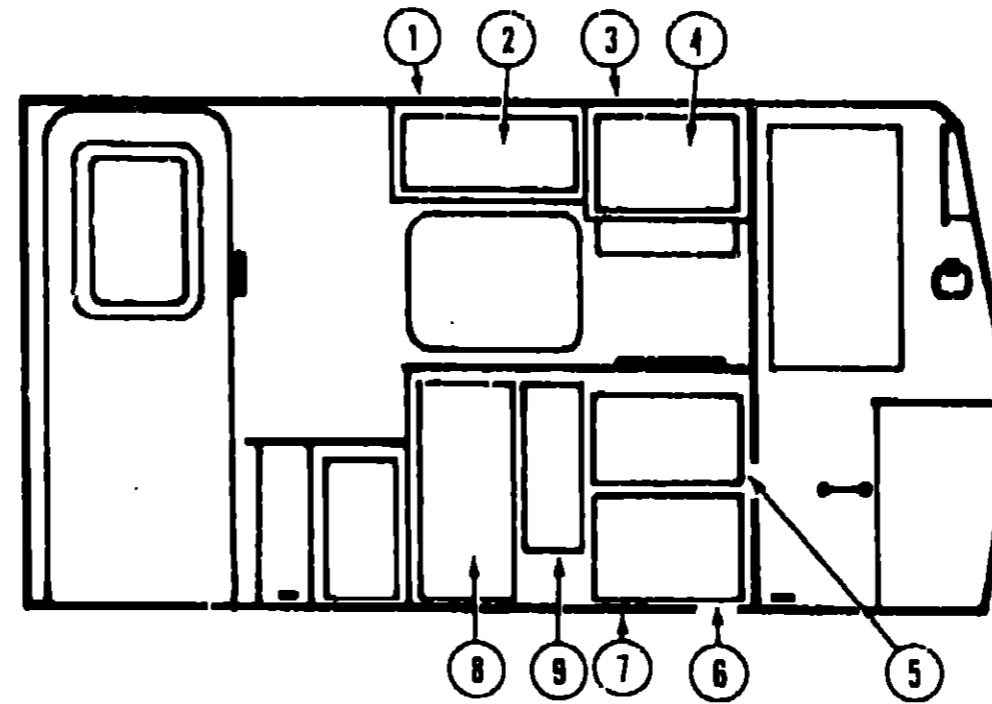
Floor Plan	A-01 - A-02
Accessories Group	A-03
Bath Group	A-04
Chassis Group	A-05
Curtain, Cushion & Pad Group	A-06 - A-09
Dinette Group	A-10
Driver's Compartment Group	A-11
Electrical Group	A-12 - A-14
Exterior Body Group	A-15 - A-21
Galley Group	A-22 - A-23
Heating & Air Conditioning Group	A-24
Interior Finish Group	B-01 - B-02
LP Group	B-03
Lounge Group	B-04
Water & Sewage Group	B-05 - B-06
Window, Vent & Exterior Door Group	B-07 - B-16

# EXTERIOR BODY GROUP (CONTINUED)

## SEALANTS & ADHESIVES

Key	Part Number	U/M	Description
	004020-01-000	QT	Adhesive - ABS Cement (Plastic Fittings)
	002337-01-000	EA	Adhesive - 1300 Tube - 3M (Windows)
	004005-02-000	GL	Adhesive - Swifts - Glue (Sidewalls)
	053766-07-000	EA	Bedding Compound - Tube - Beige (Exterior)
	053766-06-000	EA	Bedding Compound - Tube - Clear (Window)
	053766-08-000	EA	Bedding Compound - Tube - Gray (Exterior)
	053766-05-000	EA	Bedding Compound - Tube - Gray (Sidewalls to Floor)
	053766-02-000	EA	Bedding Compound - Tube - Off White (Exterior)
	002328-02-000	EA	Block - Rubber Spacer (Windshield)
	004336-01-000	EA	Caulk - Latex - Golden Walnut (Sidewalls)
	072891-02-000	QT	Primer - Glass - Black
	072891-01-000	QT	Primer - Glass - Clear
	035024-01-000	EA	Primer - Glass - Clear - Windshield
	072890-01-000	QT	Primer - Metal - Black
	035023-01-000	GL	Primer - Metal - Windshield
	077967-01-000	EA	Sealant - Acrylic Latex - Tube - Off White (Interior Sealant)
	034552-04-000	EA	Sealant - Silicone - Beige
	034552-02-000	EA	Sealant - Silicone - Clear
	034552-07-000	EA	Sealant - Silicone - Dark Gray
	034552-06-000	EA	Sealant - Silicone - Off White
	069637-01-000	EA	Sealant - Weatherban 404 - Tube - White (Door Caulk)
	072889-01-000	EA	Sealant - Urethane - Black (Windshield)
	069640-01-000	FT	Sealer Ribbon - .25" Bead x 20'
	069640-02-000	FT	Sealer Ribbon - .5" x .125" x 30'
	069640-03-000	FT	Sealer Ribbon - .75" x .125" x 30'
	069640-04-000	FT	Sealer Ribbon - 2" x .09" x 45' (P Series)
	069640-05-000	FT	Sealer Ribbon - 2.5" x .09" x 50'
	069640-06-000	FT	Sealer Ribbon - 5/16" Bead x 15'
	069640-07-000	FT	Sealer Ribbon - 2" x 3/32" x 30'
	002316-01-000	FT	Sealer Tape - 3/32" x 3/8" - White (Window)
	002707-01-000	FT	Sealer Tape - 5/16" x 3/4"
	002707-02-000	FT	Sealer Tape - 5/16" x 1/2"
	040545-01-000	GL	Sealer - Seam Weld
	053752-04-000	EA	Seam Sealer - Tube - Aluminum (Roof)
	063642-01-000	FT	Tape - Adhesive - .10 mm. x 1.5" Wide
	038886-01-000	EA	Tape - Butyl - .31" x .31" x 148" (Windshield)
	076322-01-000	FT	Tape - Foam - Double Coated - .025 x 1" (Fiberglass Sidewall Seams)
	076322-02-000	FT	Tape - Foam - Double Coated - .045 x 1" (Fiberglass Sidewall Seams)
	009200-01-000	EA	Tape - Furnace - 1.5"
	002825-01-000	FT	Weather Striping (Roof Vent)

## GALLEY GROUP



## GALLEY CABINETRY

Key	Part Number	U/M	Description
1	084664-01-U28	EA	Cabinet Asm. Galley Overhead - w/o Doors or Hardware
2	M84665-01-U28	EA	Door Asm. - Galley Overhead - w/o Hardware
3	084748-01-U28	EA	Cabinet Asm. - Galley Overhead - w/o Doors or Hardware
4	M84665-03-U28	EA	Door Asm. - Galley Overhead - w/o Hardware
5	M84665-33-U28	EA	Door Asm. - Galley - w/o Hardware
6	M84665-35-U28	EA	Door Asm. - Galley Cabinet - w/o Hardware
7	M84663-01-U28	EA	Cabinet Asm. - Galley - w/o Countertop, Doors, Drawers or Hardware
	M02919-01-U28	EA	Countertop Asm. - Galley
	077404-01-000	EA	Drawer - Plastic - 20" x 12.7"
8	M84665-05-U28	EA	Door Asm. - Galley - w/o Hardware
9	M84665-07-U28	EA	Door Asm. - Galley - w/o Hardware
			Not illustrated

## 1986 WINNEBAGO TABLE OF CONTENTS

WT319RB	A-01 - B-16
WC/WF421RB	B-17 - D-18
WC424RB	D-19 - F-20

## 1986 WT319RB INDEX

Floor Plan	A-01 - A-02
Accessories Group	A-03
Bath Group	A-04
Chassis Group	A-05
Curtain, Cushion & Pad Group	A-06 - A-09
Dinette Group	A-10
Driver's Compartment Group	A-11
Electrical Group	A-12 - A-14
Exterior Body Group	A-15 - A-21
Galley Group	A-22 - A-23
Heating & Air Conditioning Group	A-24
Interior Finish Group	B-01 - B-02
LP Group	B-03
Lounge Group	B-04
Water & Sewage Group	B-05 - B-06
Window, Vent & Exterior Door Group	B-07 - B-16

## GALLEY GROUP (CONTINUED)

### GALLEY HARDWARE & APPLIANCES

Key	Part Number	U/M	Description
	054450-01-000	EA	Level - Refrigerator
	068815-01-000	EA	Sink - Stainless Steel - Double w/Bolts
**	011053-01-700	EA	Faucet - Swing Spout - 8" - US
**	011053-01-700	EA	Aerator - Swing Spout Faucet
	066432-01-000	EA	STainer w/Basket - Sink
	084435-01-000	EA	Decorative Pull Knob - Cabinet
	074493-02-000	EA	Door Support - Sprung
	052932-01-M10	EA	Hinge Kit - Cabinet Door - Antique Brass
	039873-01-700	EA	Door Catch & Strike - Nylon & Spring Steel
	047744-01-000	EA	Kit - Drawer Guide - Plastic
	077409-01-000	EA	Slide - Drawer - 20.75" - Plastic
	077404-01-000	EA	Drawer - 20" x 12.70" - Plastic
	066435-01-000	EA	Nut Stainer
	011083-01-000	EA	Plug - 1 1/4" x 5" - w/Stopper
	079352-01-000	EA	Hood - Stove - Non-Power w/Light
	079353-01-000	EA	Hood - Stove - Powered w/Monitor Panel
	084426-01-000	EA	Range Top - 4 Burner
	084616-01-000	EA	Vent Shroud Range Hood
	064473-01-000	EA	Refrigerator - 2 Way - 6' EG2
	064473-01-700	EA	Flame Viewer
	064473-01-701	EA	System - Cooling
	064473-01-702	EA	Orifice
	064473-01-703	EA	Heater
	064473-01-704	EA	Control Panel
	064473-01-705	EA	Control Panel Insert
	064473-01-706	EA	Fins
	064473-01-707	EA	Fin Cover
	064473-01-708	EA	Top Breaker Strip - Coffee
	064473-01-709	EA	Evaporator - Door - Coffee
	064473-01-710	EA	Bottom Trim - Coffee
	064473-01-711	EA	RH Breaker Strip - Coffee
	064473-01-712	EA	LF Breaker Strip - Coffee
	064473-01-713	EA	Short Shelf
	064473-01-714	EA	Crisper Cover
	064473-01-715	EA	Long Shelf
	064473-01-716	EA	Crisper - Coffee
	064473-01-717	EA	Hinge Pins
	064473-01-718	EA	Decorative Strip
	064473-01-719	EA	Liner Foamed Asm.
	064473-01-720	EA	Diary Keeper
	064473-01-721	EA	Door Gasket
	064473-01-722	EA	Connector Rod
	064473-01-723	EA	Door Rail
	064473-01-724	EA	Door Trim Asm
	064473-01-725	EA	Door Asm.
	064473-01-726	EA	Door Frame
	064473-01-727	EA	Crisper F/2 Dr. Model

\*\* The illustrated parts breakdown for this item is provided on the Common Items Fiche

## HEATING & AIR CONDITIONING GROUP

### FURNACES & ROOF AIR CONDITIONER

Key	Part Number	U/M	Description
	084444-01-000	EA	Furnace - 12,000 BTU
	069834-01-723	EA	Thermostat - Wall Mount
	009198-01-000	FT	Duct - Flexible - 4" I.D. x 25'
	058484-01-000	EA	Register - 4" Dia. - Plastic - w/Damper
	058482-02-000	EA	Register - 4" Dia. - Plastic - w/o Damper
	009200-01-000	EA	Tape - Furnace - 1 1/2"
	010328-01-000	EA	Adapter - Flare - w/Cono Gasket
	023146-01-000	EA	Clamp - Screw Type - 4"
	076304-01-000	EA	Shroud Asm. - Ceiling - Inside - Roof Air Cool Only
	073744-01-000	EA	Shroud Adm. - Ceiling - Inside - Roof Air Heat & Cool
**	076303-01-000	EA	Air Conditioner - 110 Volt & Roof Mount - 7,100 BTU Rotary

\*\* The illustrated parts breakdown for this item is provided on the Common Items Fiche.

## 1986 WINNEBAGO TABLE OF CONTENTS

WT319RB	A-01 - B-16
WC/WF421RE	B-17 - D-18
WC424RB	D-19 - F-20

## 1986 WT319RB INDEX

Floor Plan	A-01 - A-02
Accessories Group	A-03
Bath Group	A-04
Chassis Group	A-05
Curtain, Cushion & Pad Group	A-06 - A-09
Dinette Group	A-10
Driver's Compartment Group	A-11
Electrical Group	A-12 - A-14
Exterior Body Group	A-15 - A-21
Galley Group	A-22 - A-23
Heating & Air Conditioning Group	A-24
Interior Finish Group	B-01 - B-02
LP Group	B-03
Lounge Group	B-04
Water & Sewage Group	B-05 - B-06
Window, Vent & Exterior Door Group	B-07 - B-16

## INTERIOR FINISH GROUP

### CABINETRY & TABLE HARDWARE

Key	Part Number	U/M	Description
	053200-01-000	EA	Bracket - Upper Wall Mount - 23.5" - Brown
	053201-01-000	EA	Bracket - Table Mount - 23"
	024275-08-000	EA	Rod - Table Lift - 8" x 23.5" - Brown
	024281-03-000	EA	Bracket - Lower Wall Mount - 22.12" - Brown
	024276-14-000	EA	Leg Asm. - Table - 26.5" - Brown
	064050-01-000	EA	Hinge - Table Leg
**	024282-01-000	EA	Brace - Table Leg
**	024283-01-000	EA	Clip - 1" O.D. Tube
	049493-02-000	EA	Catch - Table Leg - Mounts on Floor - Brown
	075680-01-000	EA	Clothes Rod - Adjustable - 27" x 35"
	009112-01-000	EA	Flange - 1" - Chrome - Closet Rod
	077409-01-000	EA	Slide - Drawer - Plastic - 20.75"
	053331-01-000	EA	Hinge - Antique Brass
	009059-02-000	EA	Hinge - 2" - Brass
**	047744-01-000	EA	Kit - Drawer Glide
	057671-01-000	EA	Screw Cover - #8 - Off White
	009150-01-000	EA	Warp Guard - 64"
	009021-01-000	EA	Catch - Nylon - Furnace Door
	009021-02-000	EA	Strike - Nylon Catch - Furnace Door
	074493-02-000	EA	Support - Sprung - Door
	066433-01-000	EA	Hook - Cup - Bright
**	084435-01-000	EA	Cabinet Knob - Decorative

\*\* The illustrated parts breakdown for this item is provided on the Common Items Fiche.

### CURTAIN & CUSHION HARDWARE

Key	Part Number	U/M	Description
	039175-02-000	EA	Bracket - Curtain Rod
	039175-05-000	EA	Bracket - Curtain Rod - Center
	039175-03-000	EA	Curtain Rod - Extension - 28" x 48"
	009701-01-000	EA	Carrier - Curtain L Rod
	009702-01-000	EA	End Stop - Curtain L Rod
	039175-01-000	EA	Curtain Rod - Extension - 48" x 84"
	009107-01-000	EA	Guide - Nylon Snap - Curtain
	056784-02-000	EA	Pull - Window Shade - Antique Brass
	078155-01-000	EA	Strap Asm. - Cushion Snap
	056115-01-000	YD	Tape - Clear Plastic - w/Guides
	048394-01-000	YD	Tape Hook - 1" x 50 YD - Beige
	029096-05-000	YD	Tape Hook - .50" Velcro - Beige
	048395-01-000	YD	Tape Loop - 1" x 50 YD - Beige
	029090-01-000	FT	Tie - Drapery - Clear Vinyl

### MISCELLANEOUS PARTS

Key	Part Number	U/M	Description
	053552-02-T03	EA	Handle Asm. - Interior Assist - Medium Almond Vinyl
	041944-03-000	EA	Fire Extinguisher - w/Bracket
	054185-24-000	EA	Owner's Manual - 1986 Itasca & Winnebago
	007038-01-000	EA	Door Mat - 10 1/2" x 26" - Black Rubber
	057671-01-000	EA	Cover - #8 Screw - Antique White

## INTERIOR FINISH GROUP (CONTINUED)

### INTERIOR MOLDING & TRIM

Key	Part Number	U/M	Description
	009812-15-000	FT	Molding - Plastic - Outside Corner - 1/2"
	042357-09-000	FT	Molding - Radius Corner - 7" - Sunset Oak
	022992-01-000	FT	Molding - Reverse Cove - White
	022992-09-000	FT	Molding - Reverse Cove - Grady Brown
	069733-52-000	EA	Batt Strip - Fleuri - 8' (Wet Bath)
	069733-56-000	EA	Batt Strip - Satinesque Beige 8' (Wall)
	069733-62-000	EA	Batt Strip - Pebble Beach - 8' (Ceiling)
	067733-63-000	EA	Batt Strip - Branches in Bloom/Multi - 8' (Galley) (U28)
	069733-64-000	EA	Batt Strip - Branches in Bloom/Earth (Galley) (U29)
	079653-01-000	EA	Batt Strip - Sunset Oak (Lavatory)
	070504-01-000	FT	U-Channel - .065" - Light Brown
	070504-03-000	FT	U-Channel - .815" - Grady Brown
	009778-04-000	FT	U-Channel - 1" - Grady Brown
	009767-06-000	FT	Welting - Beige
	009767-07-000	FT	Welting - Grady Brown
	041746-01-000	FT	Vinyl - Extr. - Bubble Seal
	021241-01-000	FT	Vinyl - Extr. - White (Wingwall)
	080742-01-000	FT	Vinyl Trim - Sleeper Board

### PANELING & COUNTERTOP MATERIAL

Key	Part Number	U/M	Description
	074497-03-000	SF	Paneling - Sunset Oak - 48" x 84" (28 SF) (Cabinets)
	074496-24-000	SF	Paneling - Decor - Fleuri - 48" x 84" (28 SF) (Bath)
	074496-40-000	SF	Paneling - Decor - Branches in Bloom/Multi - 48" x 84" (28 SF) (Galley) (U28)
	074496-41-000	SF	Paneling - Decor - Branches in Bloom/Earth - 48" x 84" (28 SF) (Galley) (U29)
	074497-07-000	SF	Paneling - Pebble Beach - 48" x 96" (32 SF) (Ceiling)
	074497-06-000	SF	Paneling - Satinesque Beige - 48" x 84" (28 SF) (Wall)
	074498-11-000	SF	Plastic Laminate - Fawn - 48" x 96" (32 SF) (Dinette & Bath) (U29)
	074498-11-019	EA	Plastic Laminate - Fawn - 1.19" x 96"
	074498-14-000	SF	Plastic Laminate - Sage Green - 48" x 96" (32 SF) (Dinette & Bath) (U28)
	074498-14-019	EA	Plastic Laminate - Sage Green - 1.19" x 96"
	074498-13-000	SF	Plastic Laminate - Sand Quadrus - 48" x 96" (32 SF) (Galley)
	074498-13-019	EA	Plastic Laminate - Sand Quadrus - 1.19" x 96"
	076325-01-000	FT	Molding - Edge Band - Harbor Oak - 1 5/16" x .030"

### FABRICS & CARPET

Key	Part Number	U/M	Description
	072333-33-000	YD	Fabric - Drapery - Rose Dust (U28)
	072333-32-000	YD	Fabric - Drapery - Peach (U29)
	077498-47-000	YD	Fabric w/Pattern - Upholstery (Delight - Multi) (U28)
	077498-46-000	YD	Fabric w/Pattern - Upholstery (Indian Brown) (U29)
	077498-44-000	YD	Fabric - Upholstery Accent (Desert Sand) (U28)
	077498-43-000	YD	Fabric - Upholstery Accent (Burntumber) (U29)
	077498-60-000	YD	Fabric - Upholstery (Tie Backs) (Taupe) (U28)
	077498-59-000	YD	Fabric - Upholstery (Tie Backs) (Camel Hair) (U29)
	052859-07-U28	FT	Accent Trim (Dinette Seat Back)
	052859-07-U29	FT	Accent Trim (Dinette Seat Back)
	079680-02-000	YD	Expanded Vinyl - 26 oz. Sandrift
	072860-49-000	YD	Carpet - Aqua (U28)
	072860-50-000	YD	Carpet - Melon (U29)

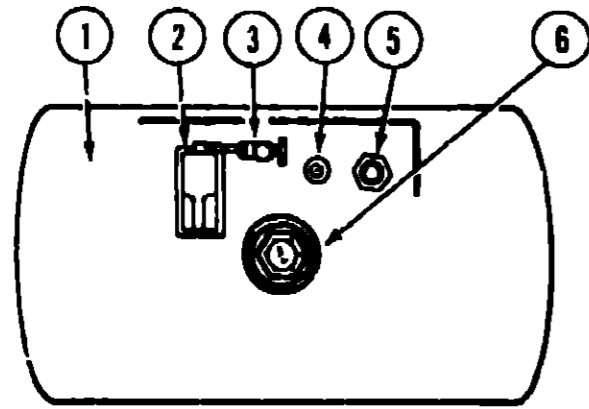
## 1986 WINNEBAGO TABLE OF CONTENTS

WT319RB	A-01 - B-18
WC/WF421RB	B-17 - D-18
WC424RB	D-19 - F-20

## 1986 WT319RB INDEX

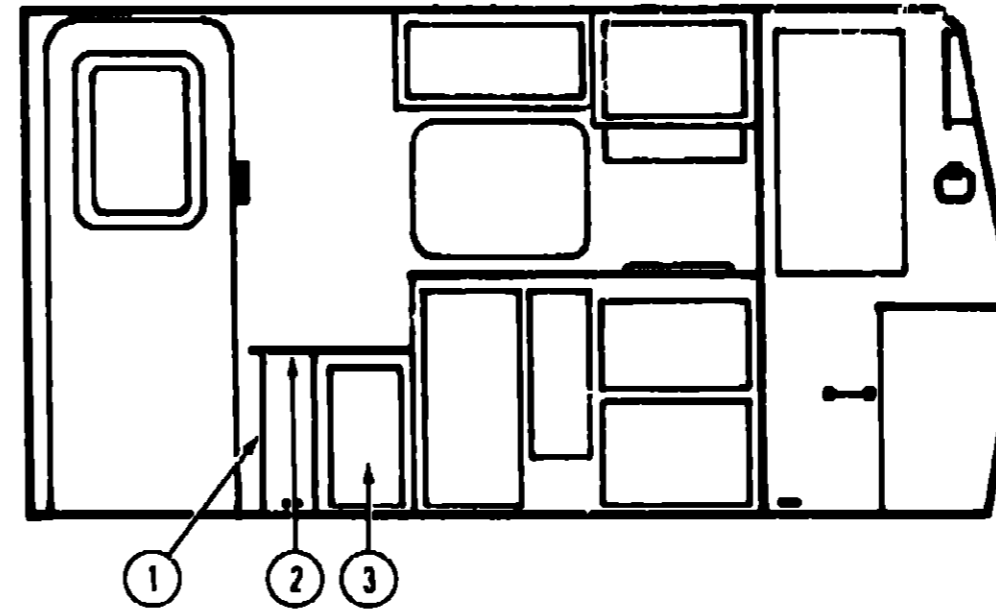
Floor Plan	A-01 - A-02
Accessories Group	A-03
Bath Group	A-04
Chassis Group	A-05
Curtain, Cushion & Pad Group	A-06 - A-09
Dinette Group	A-10
Driver's Compartment Group	A-11
Electrical Group	A-12 - A-14
Exterior Body Group	A-15 - A-21
Galley Group	A-22 - A-23
Heating & Air Conditioning Group	A-24
Interior Finish Group	B-01 - B-02
LP Group	B-03
Lounge Group	B-04
Water & Sewage Group	B-05 - B-06
Window, Vent & Exterior Door Group	B-07 - B-16

**LP GROUP**



Key	Part Number	U/M	Description
1	074140-01-000	EA	Tank Asm. - LP - Frame Mount - 28 Pound - 10" x 23"
•	065741-01-000	EA	Detector - LP Gas Leak - Marshalltown Instruments
2	081938-01-000	EA	Cover - LP Regulator
•	076301-01-000	EA	Regulator - Two Stage - US (Dual)
3	040421-01-703	EA	Valve - Vapor Relief
4	040421-01-700	EA	Gauge - Liquid Level - 20% LP
5	040421-01-701	EA	Valve - Filler - LP
•	040421-01-702	EA	Cap - Plastic Fill Valve
6	040421-01-707	EA	Gauge - Float - w/Visible Dial
•	040421-01-706	EA	Dial - Visible Face - Float Gauge (Tank w/c Electric Transmitter)
•	040440-01-000	EA	Dial - Transmitter - 0 - 90 Ohm (Float Gauge)
•	045703-01-000	EA	Hose Asm. - LP - 3/8" I.D. x 24"
•	065742-01-000	EA	Tee - .38 F x .39 F x .25 FPT
•			Not illustrated

**LOUNGE GROUP**



**STORAGE CABINET**

Key	Part Number	U/M	Description
1	M84583-01-U28	EA	Cabinet Asm.
2	M02924-01-U28	EA	Countertop Asm.
3	M84665-21-U28	EA	Door Asm. - 22" x 12" - w/o Hardware

**SWIVEL CHAIR OPTION**

Key	Part Number	U/M	Description
	084754-03-U28	EA	Chair Asm. - Swivel - Beige
	084754-03-U29	EA	Chair Asm. - Swivel - Brown
	035036-01-000	EA	Plate - Tilt & Swivel Chair
	035036-04-000	EA	Base w/Legs - Swivel Chair
	035036-05-000	EA	Extention - 7" - Swivel Chair

**1986 WINNEBAGO  
TABLE OF CONTENTS**

WT319RB  
WC/WF421RB  
WC424RB

A-01 - B-16  
B-17 - D-18  
D-19 - F-20

**1986 WT319RB INDEX**

Floor Plan	A-01 - A-02
Accessories Group	A-03
Bath Group	A-04
Chassis Group	A-05
Curtain, Cushion & Pad Group	A-06 - A-09
Dinette Group	A-10
Driver's Compartment Group	A-11
Electrical Group	A-12 - A-14
Exterior Body Group	A-15 - A-21
Galley Group	A-22 - A-23
Heating & Air Conditioning Group	A-24
Interior Finish Group	B-01 - B-02
LP Group	B-03
Lounge Group	B-04
Water & Sewage Group	B-05 - B-06
Window, Vent & Exterior Door Group	B-07 - B-16

**WATER & SEWAGE GROUP**

**PLUMBING & REPAIR PARTS**

Key	Part Number	U/M	Description
	033302-02-000	EA	Adapter Asm. - SWVC Strain - 1 1/2"
	010326-01-000	EA	Adapter - Flare - w/Cone Gasket
	062422-01-000	EA	Adapter - Hose Offset - Reducer - 3" x 1 1/2"
	052954-01-000	EA	Adapter - Hose Cone - 3/8 x 1/2 - Plastic
	010224-01-000	EA	Adapter - Plastic - 3/8 MPT x 3/8 Barb
	044927-01-000	EA	Adapter - Plastic - 1 1/4 MPT x 1 1/4 Barb
	031602-02-000	EA	Adapter - Plastic - 1 1/2 H x FPT
	062416-01-000	EA	Adapter - Termination - 3"
	004020-01-000	QT	Adhesive - ABS Cement
	011048-04-000	EA	Breaker - Vacuum - 1/8 MPT - Nylon
**	010121-01-000	EA	Bushing - Plastic - 1 1/2 S x 1 1/4 H
	010122-01-000	EA	Bushing - Plastic - 1 1/2 S x 1 1/4 T
	010123-01-000	EA	Bushing - Plastic 2 S x 1 1/2 H
	036522-02-000	EA	Cap - Brass - 1/2 Flare
	075730-01-000	EA	Cap - Sewer - 3"
	052959-02-000	EA	Connector - 1/2 F x 1/2 MPT - Plastic
	052959-03-000	EA	Connector - 1/2 F x 3/8 MPT - Plastic
	011091-02-000	EA	Continuous Waste - Double Sink - 11 7/8" - US
	078406-01-000	EA	Coupler Rubber - 3" x 3"
	052960-01-000	EA	Drain Valve - 1/2 F x 1/2 F - Plastic
	010000-01-000	EA	Elbow - Plastic - 1/8 BD x 1 1/4 x 45° H x H
	010005-01-000	EA	Elbow - Plastic - 1/16 BD x 1 1/2
	010006-01-000	EA	Elbow - Plastic - 1/8 BD x 1 1/2 x 45° H x H
	010008-01-000	EA	Elbow - Plastic - 1/4 BD x 1 1/2 x 90° Left
	010051-01-000	EA	Elbow - ST - Plastic - 1/8 BD x 1 1/2 x 45°
	010219-01-000	EA	Elbow - 1 1/4 Barb x 1 1/4 MPT x 90°
	031111-01-000	EA	Elbow - Plastic - 1/4 BD x 1 1/4 x 90° Left
	034250-01-000	EA	Elbow - Plastic - 1/4 BD x 1 1/2 x 90° x H x H
	035539-01-000	EA	Elbow - Plastic - 3/8 MPT x 3/8 Barb
	052957-01-000	EA	Elbow - Plastic - 1/2 F x 3/8 MPT
	052957-02-000	EA	Elbow - Plastic - 1/2 F x 1/2 MPT (In Tank Filter)
	059525-01-000	EA	Elbow - 1 1/4 - Slip Joint Ends
	065120-01-000	EA	Elbow - Plastic - Swivel - .50
	070924-01-000	EA	Elbow - Plastic - Swivel - 1/2 MPT x 1/2 FP
	077954-01-000	EA	Filter/Screen (In Water Tank)
	039647-02-000	EA	Filter - Water Pump - 1/2" MPT
	039647-03-000	EA	Filter - Water Pump - 1/2" Flare
	063641-01-000	EA	Flange - Closet - 4" F x 4" FPT - US
	079381-01-000	FT	Flexible Tubing - 1 1/4 I.D. x 10'
	061607-01-000	EA	Grommet - Holding Tank Coupler - 1 1/2"
	061607-02-000	EA	Grommet - Holding Tank Coupler - 3"
	052961-01-000	EA	Header - 1/2 F x 1/2 F x 1/2 F x 1/2 F
**	046524-01-000	EA	Kit - Holding Tank Fittings - Blank Tank
**	046524-02-000	EA	Kit - Water Tank Fittings - Blank Tank
	052953-01-000	EA	Nut - Faucet - 1/2 Tube x 1/2 FPT
	052952-01-000	EA	Nut - 1/2 F - Plastic
**	011066-03-000	EA	P-Trap - 1 1/4" Plastic - US
	010197-01-000	FT	Pipe - Plastic - 3" x 240" - Black
	045729-01-000	EA	Pump - Water - 2.8 G.P.M. - Direct Drive - Shurflo - US
**	010201-01-000	EA	Sewer Hose - 3" x 8" w/Clamp
	042989-02-000	EA	Spinweld Fittings - Plastic - 1/2 FPT (In Tank Filter)
	042989-03-000	EA	Spinweld Fittings - Plastic - 1/4 NPT
	042989-04-000	EA	Spinweld Fittings - Plastic 3/8 FPT

\*\* The illustrated parts breakdown for this item is provided on the Common Items Fiche.

**WATER & SEWAGE GROUP (CONTINUED)**

**PLUMBING & REPAIR PARTS (CONT.)**

Key	Part Number	U/M	Description
	011069-02-000	EA	Tailpiece - 1 1/2" x 1 1/4" x 4" - Brass
	010071-01-000	EA	Tee - Plastic - 1 1/2 x H x H x H
	010072-01-000	EA	Tee - Plastic - 1 1/2 H x 1 1/4 H x 1 1/2 H
**	010079-01-000	EA	Tee - Plastic - 1 1/2 H x 1 1/2 H x 1 1/4 H
	046172-01-000	EA	Tee - Plastic - 3/8 B x 3/8 B x 3/8 MPT
	052955-01-000	EA	Tee - Plastic - 1/2 F x 1/2 F x 1/2 MPT
	052956-01-000	EA	Tee - Plastic - 1/2 F x 1/2 MPT x 1/2 F
	052958-01-000	EA	Tee - Plastic - 1/2 F x 1/2 F x 1/2 F
**	010333-01-000	EA	Trap Adapter - Plastic - 1 1/2 H x MPT
	039800-01-000	FT	Tubing - Polybutyl - 1/2 O.D. (Water Line)
	079381-01-000	FT	Tubing - Flexible - Smooth - 1.25 I.D.
	074462-02-000	FT	Tubing - Vinyl - 3/8 I.D.
	062421-01-000	EA	Valve - 1 1/2" - w/Handle
	062418-02-000	EA	Valve - 3" - w/o Handle
	052960-01-000	EA	Valve - Line Drain - 1/2 F x 1/2 F
	052962-01-000	EA	Valve - Stool - 90° - 1/2 F x 3/8 MPT
	010073-01-000	EA	Wye - Plastic - 1 1/2 x 45 H x H
	078842-01-000	EA	Valve - 3" x 1.5" Tee - w/Handle
	079968-01-000	EA	Vent - Mechanical Trap Arm

**HOLDING TANKS & WATER HEATER**

Key	Part Number	U/M	Description
	M02458-41-000	EA	Tank Asm. - Water - 14 Gallon - w/Fittings
	074300-01-000	EA	Tank - Holding - 13 Gallon - w/o Fittings - Waste Water
	M02458-39-000	EA	Tank - Holding - 14 Gallon - w/o Fittings - Sewage
	051391-02-000	EA	Water Heater - w/o Motor Aid - Atwood - G4-SM

**1986 WINNEBAGO  
TABLE OF CONTENTS**

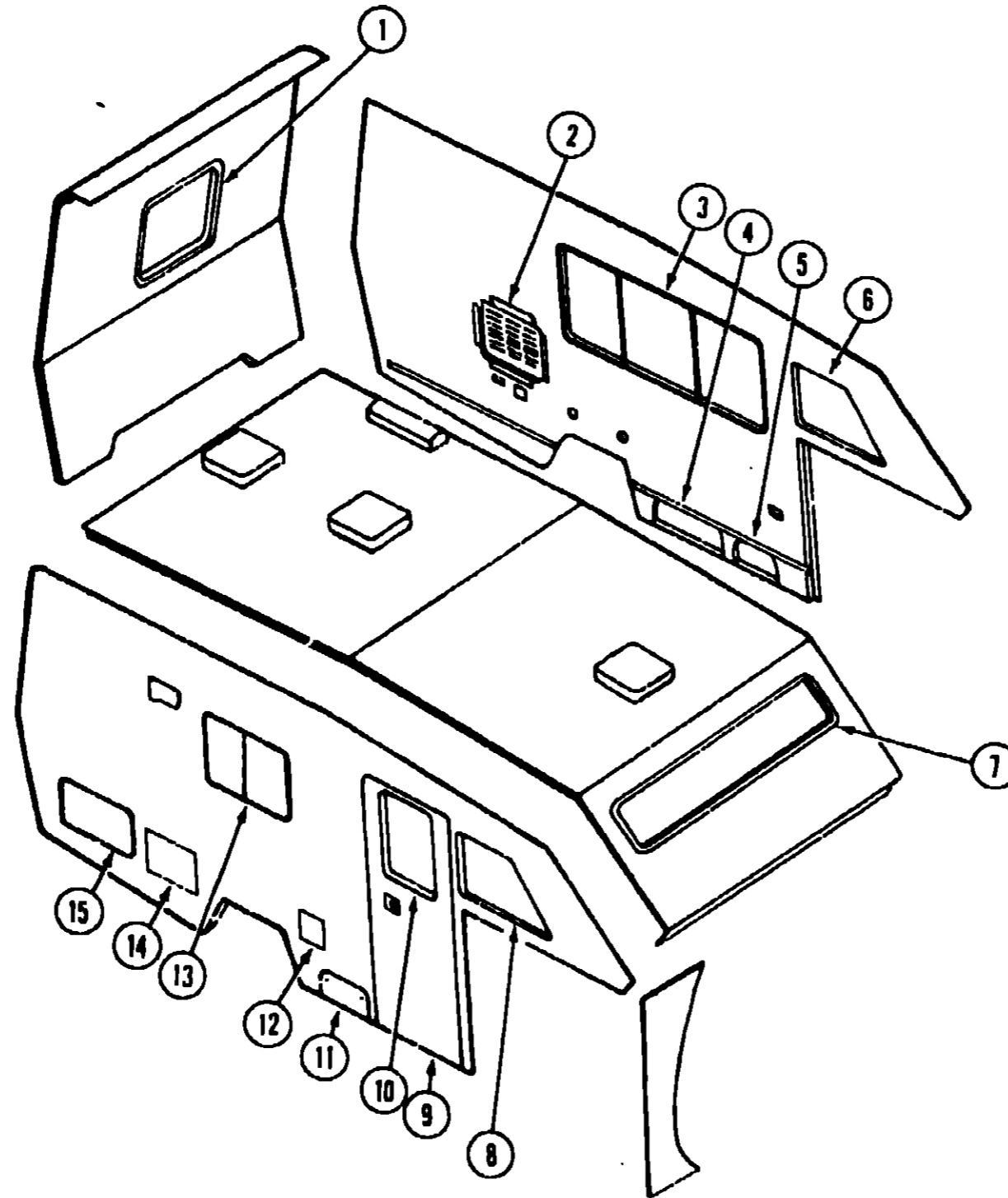
WT319RB	A-01 - B-16
WC/WF421RB	B-17 - D-18
WC424RB	D-19 - F-20

**1986 WT319RB INDEX**

Floor Plan	A-01 - A-02
Accessories Group	A-03
Bath Group	A-04
Chassis Group	A-05
Curtain, Cushion & Pad Group	A-06 - A-09
Dinette Group	A-10
Driver's Compartment Group	A-11
Electrical Group	A-12 - A-14
Exterior Body Group	A-15 - A-21
Galley Group	A-22 - A-23
Heating & Air Conditioning Group	A-24
Interior Finish Group	B-01 - B-02
LP Group	B-03
Lounge Group	B-04
Water & Sewage Group	B-05 - B-06
Window, Vent & Exterior Door Group	B-07 - B-16

# WINDOW, VENTS & EXTERIOR DOOR GROUP

## WINDOWS & ACCESS DOORS



Key	Part Number	U/M	Description
1	079729-02-T03	EA	Window Asm. - Escape
2	078969-02-T95	EA	Door Asm. - Refrigerator Access
3	078269-01-T03	EA	Window Asm. - Double Slider
4	084574-02-U28	EA	Door Asm. - LP
5	084574-01-U28	EA	Door Asm. - Storage
	009426-02-000	EA	Power Cord Hatch
6	078272-02-T03	EA	Window Asm. - Bunk Slant Slider
7	078533-01-T03	EA	Window Asm. - Front Bunk
8	078272-01-T03	EA	Window Asm. - Bunk Slant Slider
9	M01870-11-U28	EA	Door Asm. - Radius Entry w/Screen Door - w/o Window
9	M01870-08-U28	EA	Door Asm. - Radius Entry w/o Screen Door - w/Window
9	M01870-10-U28	EA	Door Asm. - Radius Entry w/Screen Door - w/Window
10	073143-01-000	EA	Window Asm. - Picture
11	084574-03-U28	EA	Door Asm. - Battery
12	078010-03-000	EA	Door Asm. - Fuel Fill
13	078266-02-T03	EA	Window Asm. - Slider
14	052009-01-000	EA	Door Asm. - Water Heater
15	079578-04-U28	EA	Door Asm. - Storage
			Not illustrated

## 1986 WINNEBAGO TABLE OF CONTENTS

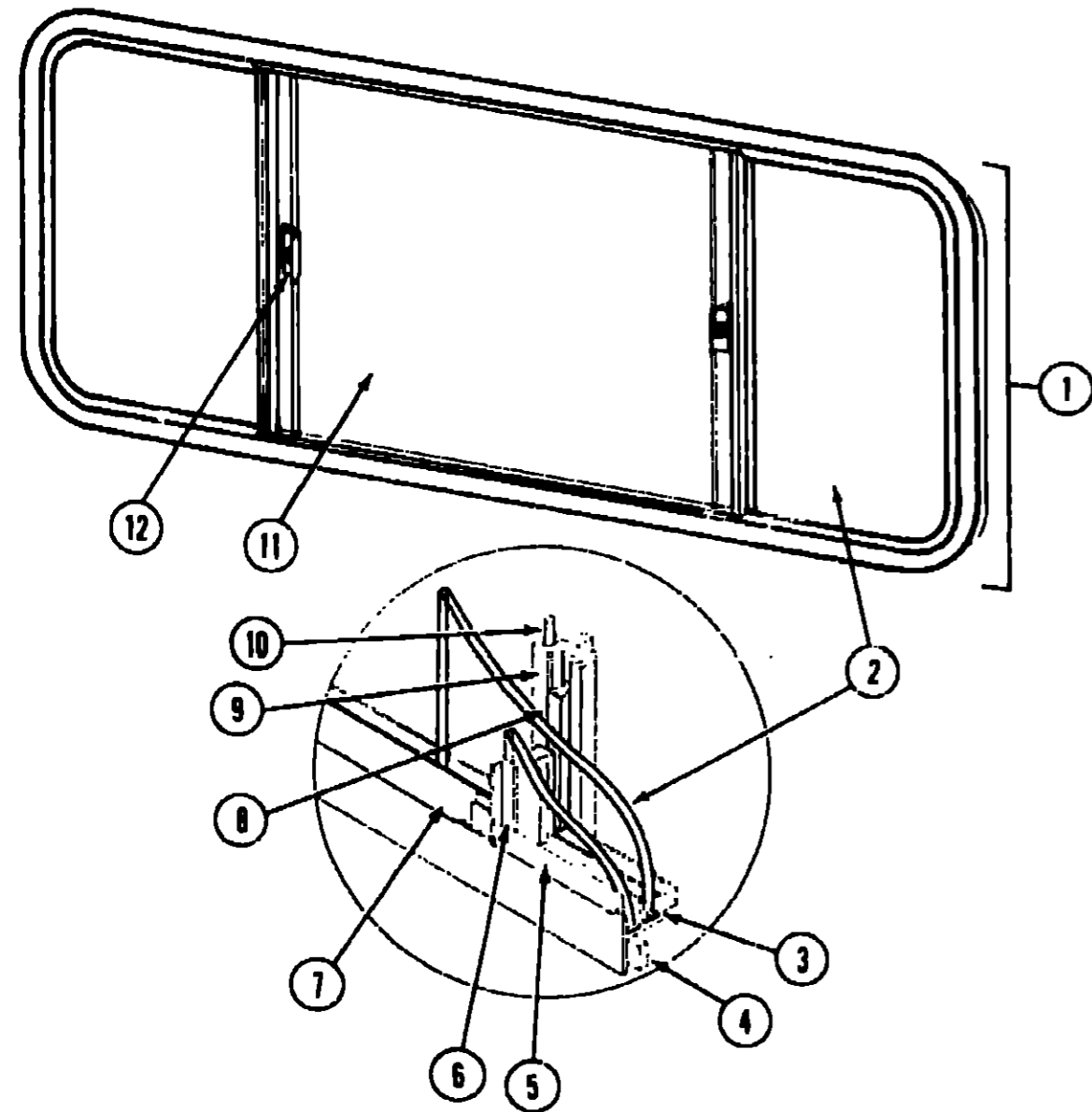
WT319RB	A-01 - B-16
WC/WF421RB	B-17 - D-18
WC424RB	D-19 - F-20

## 1986 WT319RB INDEX

Floor Plan	A-01 - A-02
Accessories Group	A-03
Bath Group	A-04
Chassis Group	A-05
Curtain, Cushion & Pad Group	A-06 - A-09
Dinette Group	A-10
Driver's Compartment Group	A-11
Electrical Group	A-12 - A-14
Exterior Body Group	A-15 - A-21
Galley Group	A-22 - A-23
Heating & Air Conditioning Group	A-24
Interior Finish Group	B-01 - B-02
LP Group	B-03
Lounge Group	B-04
Water & Sewage Group	B-05 - B-06
Window, Vent & Exterior Door Group	B-07 - B-16

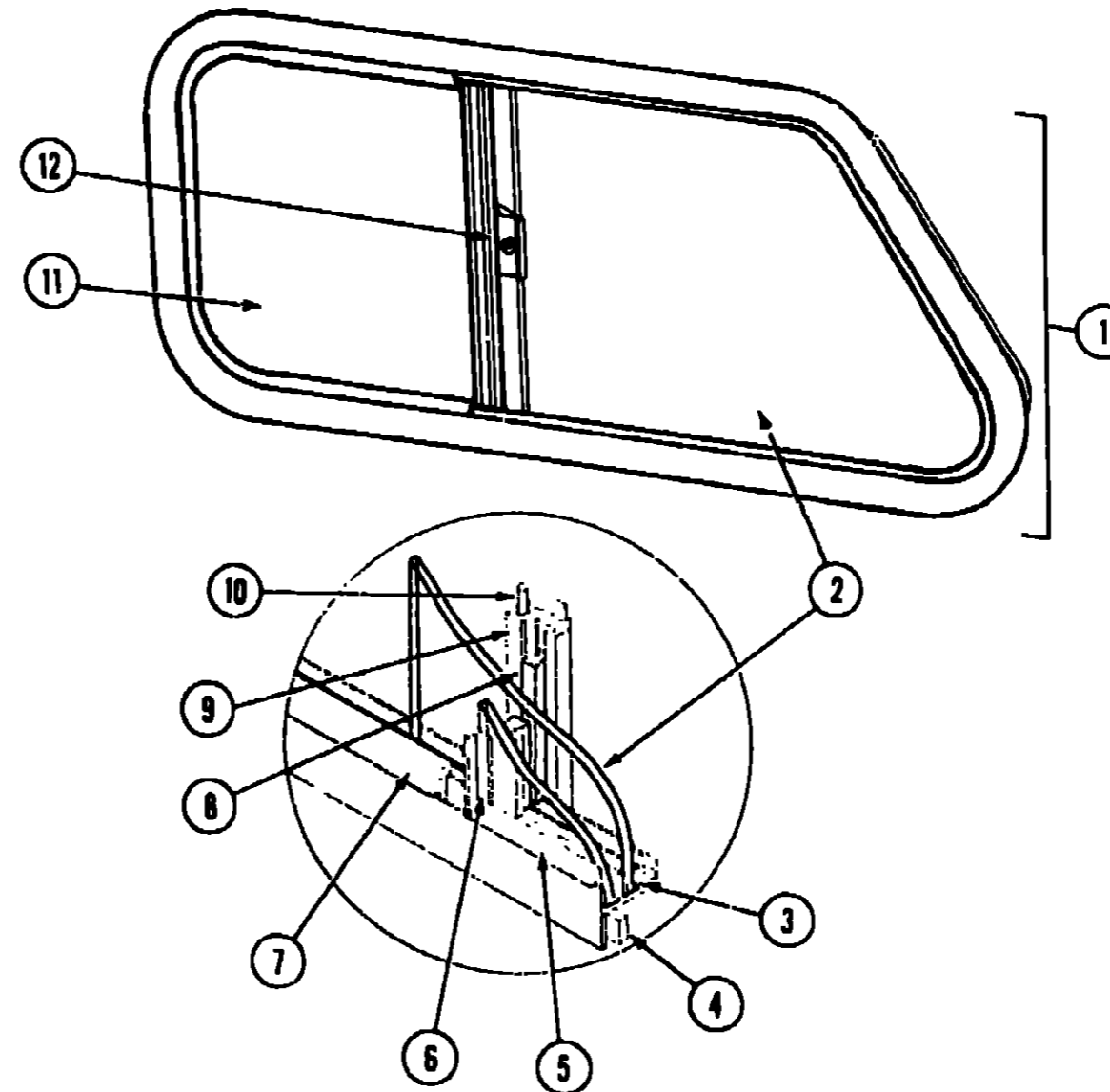


**WINDOW, VENT & EXTERIOR DOOR GROUP (CONTINUED)**



Key	Part Number	U/M	Description
1	078269-01-T03	EA	Window Asm. - Double Slider - 25" x 65" - Black (w/o inside frame)
	083122-09-000	EA	Inside Frame - Beige (not included in assembly)
2	081980-04-000	EA	Glass - Sliding - 1/8" x 24" x 21.3"
3	002324-02-000	FT	Channel - Weatherstrip - Glass Run - 1/8" Glass
4	069640-06-000	FT	Ribbon Sealer - 5/16" x 15'
5	002309-02-000	FT	Spline - Glass - 1/8" - Black
6	M69886-03-003	EA	Seal Holder w/Fin Seal - 23.19" - Black
7	057374-02-000	FT	Extr. Vinyl - Window Seal - Black
8	073740-01-000	FT	Seal - Fin - Pile - .460"
9	084170-04-000	EA	Mullion - Slider Window - Black
10	002298-02-000	FT	Spline - .130" Dia. - Charcoal (Screen)
11	002188-05-000	EA	Glass - Stationary - 1/8" x 24" x 25.5"
12	047369-01-700	EA	Latch Kit - Window - Plastic w/Fastener
	079204-01-000	EA	Bracket - Mullion - Black
	002293-02-000	SF	Screen - Window - 26" - Charcoal
			Not illustrated

**WINDOW, VENT & EXTERIOR DOOR GROUP (CONTINUED)**



Key	Part Number	U/M	Description
1	078272-01-T03	EA	Window Asm. - Bunk - Single Slider - Right
	083121-01-000	EA	Inside Frame - Brown (not included in assembly) Right
1	078272-02-T03	EA	Window Asm. - Bunk - Single Slider - Left
	083121-03-000	EA	Inside Frame - Brown (not included in assembly) Left
2	081980-01-000	EA	Glass - Sliding - 1/8" x 11.98" x 11.98"
3	002324-02-000	FT	Channel - Weatherstrip - Glass Run - 1/8" Glass
4	069640-06-000	FT	Ribbon Sealer - 5/16" Bead x 15'
5	002309-02-000	FT	Spline - Glass - 1/8" Material - Black
6	M69886-03-005	EA	Seal Holder w/Fin Seal - Black
7	057374-02-000	FT	Extr. Rubber - Window Seal - Black
8	073740-01-000	FT	Seal - Fin - Pile - .460"
9	084170-05-000	EA	Mullion - Slider Window - Black
10	002298-02-000	FT	Spline - .130" Dia. - Charcoal (Screen)
11	081983-01-000	EA	Glass - Stationary - 1/8" x 11.98" x 19.42"
12	047369-01-700	EA	Latch Kit - Window - Plastic w/Fastener
	002293-01-000	SF	Screen - Window - 16" - Charcoal
	079204-01-000	EA	Bracket - Mullion - Black
			Not illustrated

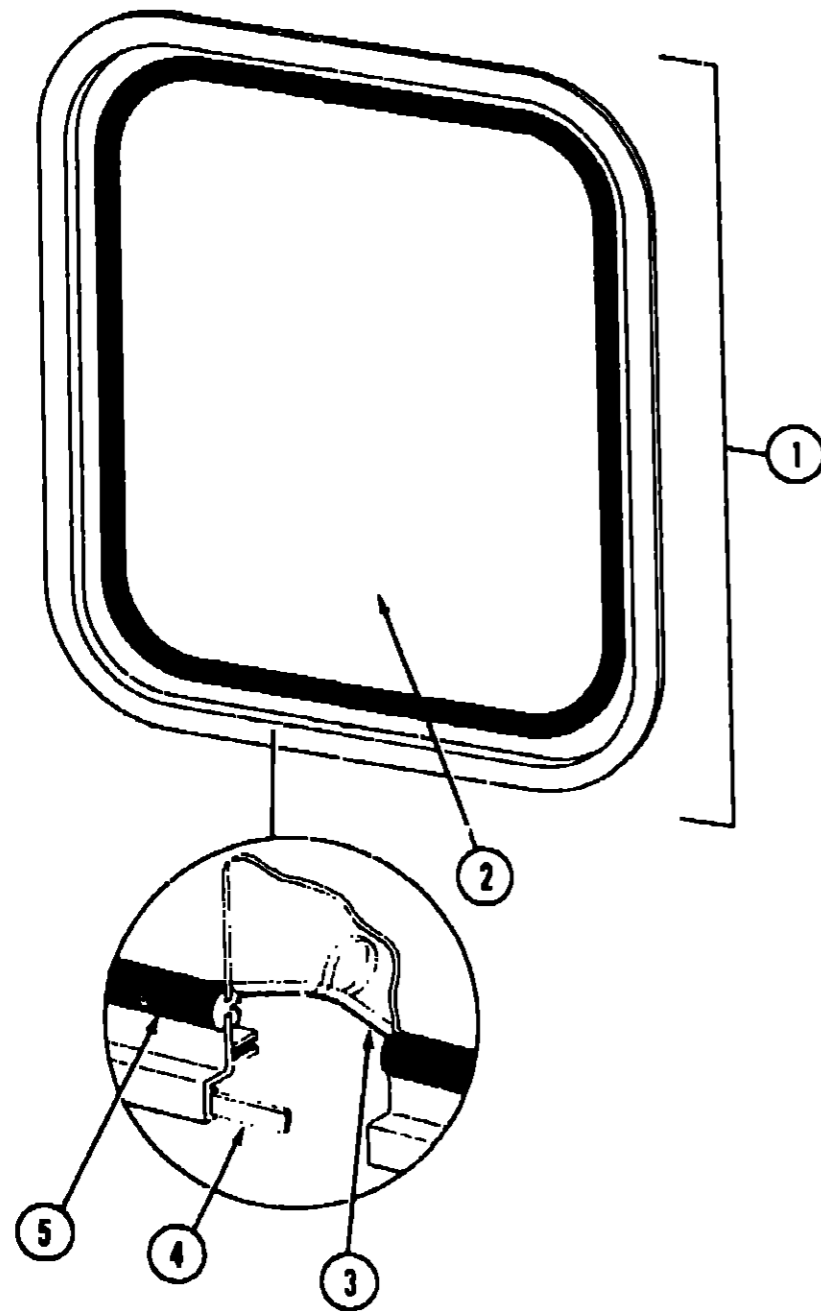
**1986 WINNEBAGO  
TABLE OF CONTENTS**

WT319RB	A-01 - B-16
WC/WF421RB	B-17 - D-18
WC424RB	D-19 - F-20

**1986 WT319RB INDEX**

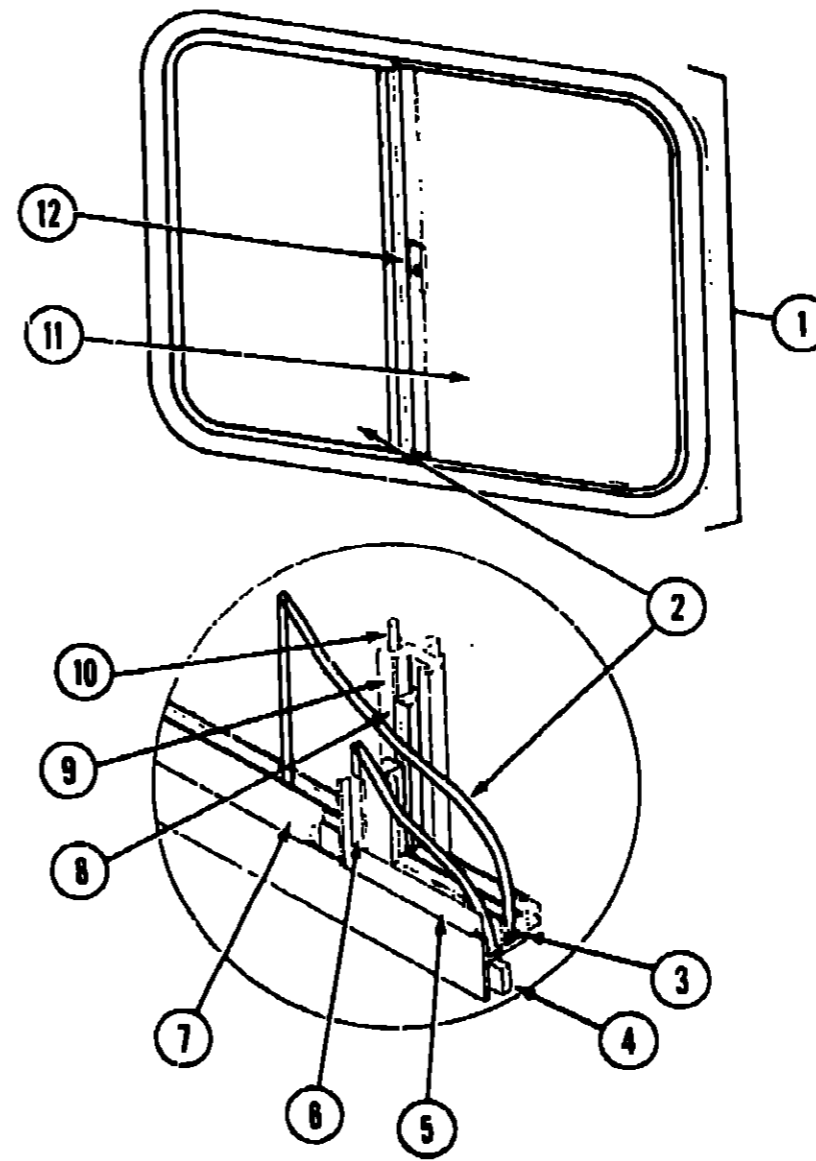
Floor Plan	A-01 - A-02
Accessories Group	A-03
Bath Group	A-04
Chassis Group	A-05
Curtain, Cushion & Pad Group	A-06 - A-09
Dinette Group	A-10
Driver's Compartment Group	A-11
Electrical Group	A-12 - A-14
Exterior Body Group	A-15 - A-21
Galley Group	A-22 - A-23
Heating & Air Conditioning Group	A-24
Interior Finish Group	B-01 - B-02
LP Group	B-03
Lounge Group	B-04
Water & Sewage Group	B-05 - B-06
Window, Vent & Exterior Door Group	B-07 - B-16

**WINDOW, VENT & EXTERIOR DOOR GROUP (CONTINUED)**



Key	Part Number	U/M	Description
1	079729-02-T03	EA	Window Asm. - Rear Escape - 22.5" x 24.5" - Black (w/o inside frame)
•	020749-07-000	EA	Inside Frame (not included in assembly)
2	041392-03-000	EA	Glass - 1/8" x 21.6" x 19.6"
3	002285-01-000	FT	Filler - Weatherstrip - Black
4	069640-05-000	FT	Ribbon Sealer - 5/16" Bead x 15'
5	002282-01-000	FT	Weatherstrip - 125" Window
•	006199-01-000	EA	Label - Exit - Escape Window
•			Not illustrated

**WINDOW, VENT & EXTERIOR DOOR GROUP (CONTINUED)**



Key	Part Number	U/M	Description
1	078266-02-T03	EA	Window Asm. - Single Slider (w/o inside frame)
•	083122-03-000	EA	Inside Frame - Beige (not included in assembly)
2	081980-05-000	EA	Glass - Sliding - 1/8" x 19" x 13.68"
3	002324-02-000	FT	Channel - Weatherstrip - Glass Run - 1/8" Glass
4	069640-05-000	FT	Ribbon Sealer - 5/16" Bead x 15'
5	002309-02-000	FT	Spline - Glass - 1/8" Material - Black
6	M69886-03-011	EA	Seal Holder w/Fin Seal - Black
•	057374-02-000	FT	Extr. Rubber - Window Seal - Black
8	073740-01-000	FT	Seal - Fin - Pile - .460"
9	084170-02-000	EA	Mullion - Slider Window - Black
10	002298-02-000	SF	Spline - .130" Dia. - Charcoal (Screen)
11	081984-03-000	EA	Glass - Stationary - 1/8" x 19" x 12.30"
12	047369-01-700	EA	Latch Kit - Window - Plastic w/Fastener
•	079204-01-000	EA	Bracket - Mullion - Black
•	002291-02-000	SF	Screen - Window - 16" - Charcoal
•			Not illustrated

**1986 WINNEBAGO  
TABLE OF CONTENTS**

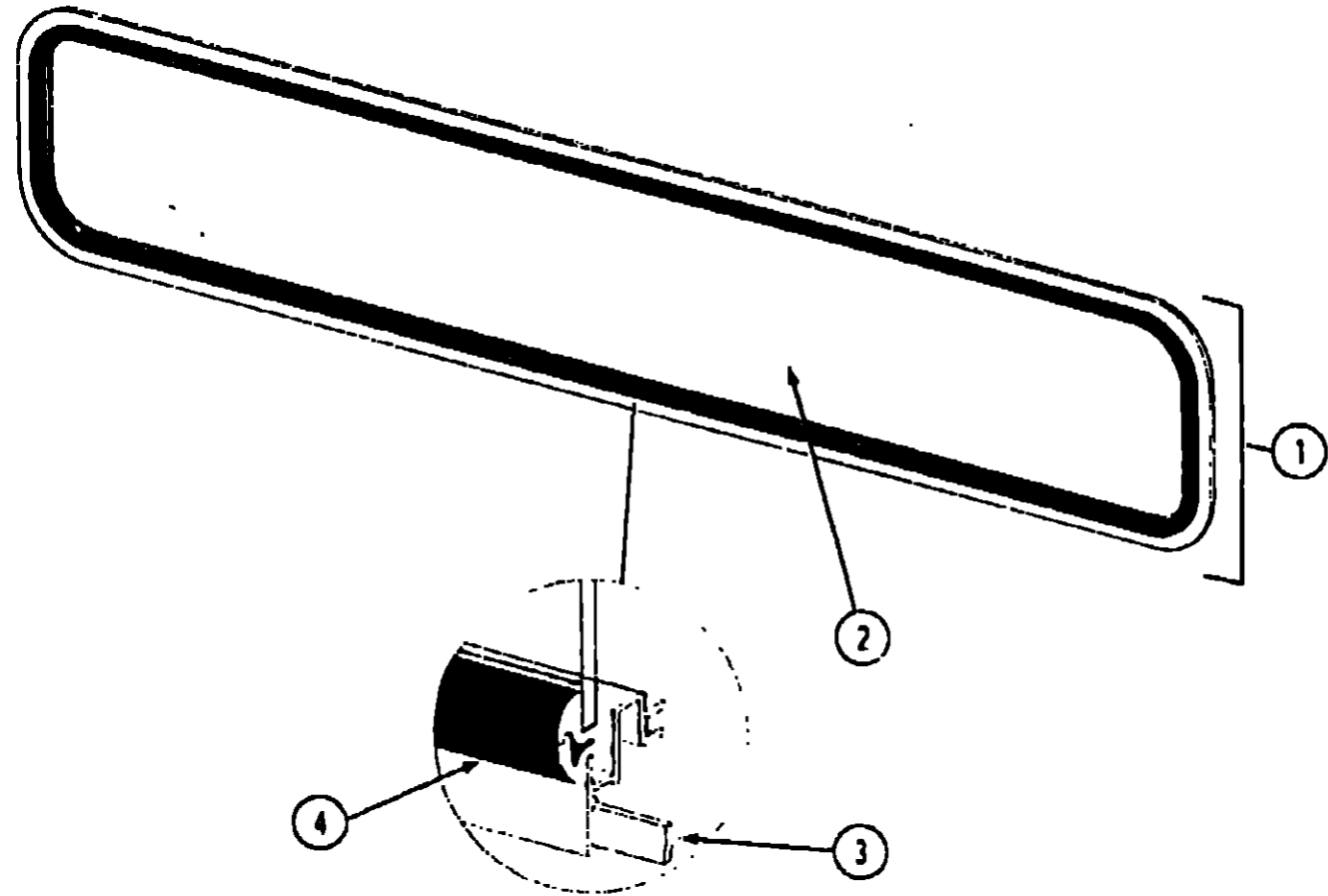
WT319RB  
WC/WF421RB  
WC424RB

A-01 - B-16  
B-17 - D-18  
D-19 - F-20

**1986 WT319RB INDEX**

Floor Plan	A-01 - A-02
Accessories Group	A-03
Bath Group	A-04
Chassis Group	A-05
Curtain, Cushion & Pad Group	A-06 - A-09
Dinette Group	A-10
Driver's Compartment Group	A-11
Electrical Group	A-12 - A-14
Exterior Body Group	A-15 - A-21
Galley Group	A-22 - A-23
Heating & Air Conditioning Group	A-24
Interior Finish Group	B-01 - B-02
LP Group	B-03
Lounge Group	B-04
Water & Sewage Group	B-05 - B-06
Window, Vent & Exterior Door Group	B-07 - B-16

**WINDOW, VENT & EXTERIOR DOOR GROUP (CONTINUED)**



Key	Part Number	U/M	Description
1	078533-01-T03	EA	Window Asm. - Front Picture - 14" x 69" - Black (w/o inside frame)
*	041938-03-000	EA	Inside Frame - Beige (not included in assembly)
2	002200-02-000	EA	Glass - TP - Picture Window
3	069640-06-000	FT	Ribbon Sealer - 5/16" Bead x 15'
4	002281-01-000	FT	Weatherstrip - Self Seal - 06" Panel x 3/16" - Black
*	Not illustrated		

**WINDOW, VENT & EXTERIOR DOOR GROUP (CONTINUED)**

**ACCESS DOORS & HARDWARE**

Key	Part Number	U/M	Description
	079578-04-U28	EA	Door Asm. - Storage (Passenger Side)
	084574-01-U28	EA	Door Asm. (Drivers Side)
	084574-02-U28	EA	Door Asm. (LP)
	078969-02-T95	EA	Door Asm. - Refrigerator Access - w/Twist Lock - Off White
	052009-01-000	EA	Door Asm. - Water Heater - Off White
	052423-01-000	EA	Door - Sewage Hose - Off White
	075726-01-000	EA	Outlet Extension - Sewage
	075730-01-000	EA	End Cap - Sewage Hose
	078010-03-000	EA	Door Asm. - Fuel Fill - Off White
	084574-03-000	EA	Door - Battery - Off White
	052424-01-000	EA	Jamb - Power Cord Door - Off White
	009426-02-000	EA	Hatch - Power Cord Door
	054530-01-000	EA	Door Holder
	041312-01-000	EA	Seal - Bulb - 'e' Section
	042442-01-000	EA	Lock Asm. - Twist Type
	047305-01-000	EA	Lock Asm. - Key Type w/Clip - Metal (LP)
	079366-02-000	EA	Lock Asm. - Key Type (Storage)
	052951-01-000	EA	Clip Twist Lock - Retainer
	042441-01-000	EA	Lock Asm. - Key Type (Fuel Fill)
	052950-01-700	EA	Lock Asm. - Twist Type - White (Refrigerator)

**VENTS**

Key	Part Number	U/M	Description
	055218-01-000	EA	Cover Asm. - Roof Vent
**	048835-01-000	EA	Vent Asm. - Roof - Non-Powered - w/o Screen - Aluminum
**	048789-01-000	EA	Vent Asm. - Roof - Powered - w/o Screen - Aluminum
	065103-01-000	EA	Roof Base - Refrigerator
	065103-02-000	EA	Roof Cap - Refrigerator
	084878-09-000	EA	Vent - Range Hood
**	The illustrated parts breakdown for this item is provided on the Common Items Fiche.		

**1986 WINNEBAGO  
TABLE OF CONTENTS**

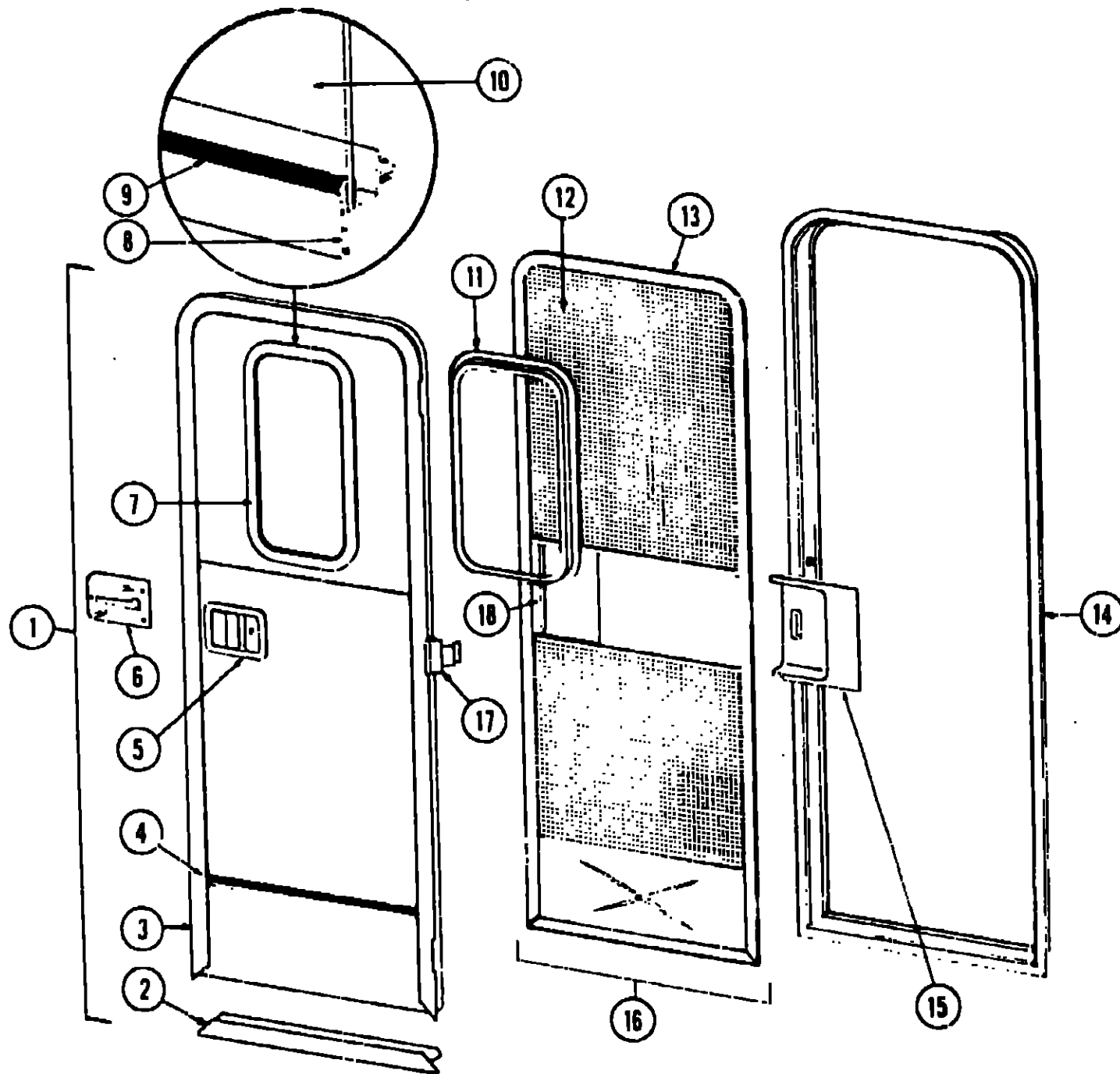
WT319RB	A-01 - B-16
WC/WF421RB	B-17 - D-18
WC424RB	D-19 - F-20

**1986 WT319RB INDEX**

Floor Plan	A-01 - A-02
Accessories Group	A-03
Bath Group	A-04
Chassis Group	A-05
Curtain, Cushion & Pad Group	A-06 - A-09
Dinette Group	A-10
Driver's Compartment Group	A-11
Electrical Group	A-12 - A-14
Exterior Body Group	A-15 - A-21
Galley Group	A-22 - A-23
Heating & Air Conditioning Group	A-24
Interior Finish Group	B-01 - B-02
LP Group	B-03
Lounge Group	B-04
Water & Sewage Group	B-05 - B-06
Window, Vent & Exterior Door Group	B-07 - B-16

# WINDOW, VENT & EXTERIOR DOOR GROUP (CONTINUED)

## ENTRANCE & SCREEN DOOR



Key	Part Number	U/M	Description
1	M01870-08-U28	EA	Door Asm. - Radius Entry - w/Window - w/o Screen Door
1	M01870-10-U28	EA	Door Asm. - Radius Entry - w/Window - w/Screen Door
1	M01870-11-U28	EA	Door Asm. - Radius Entry - w/o Window - w/Screen Door
2	077998-01-000	EA	Frame - Entry Door (Bottom Portion Only)
3	078000-02-000	EA	Frame - Entry Door (Except Bottom Portion)
4	059576-05-000	EA	FEature Strip w/o Insert - Extr. - 14" - Off White
	001030-02-100	EA	Insert - Feature Strip - 17' - Off White
	009731-01-000	EA	End Cap - Feature Strip
5	045017-05-000	EA	Paddle Asm. - Door Lock - Exterior
	045017-05-700	EA	Lock Cylinder w/Keys - Lynor
	039539-01-000	EA	Striker Bolt - Entry Door
	039540-01-000	EA	Latch Claw - Entry Door
	039738-01-000	EA	Dead Bolt - Entry Door
6	039979-01-000	EA	Plate - Inside Lock - Includes Inside Handle
	052186-01-000	EA	Lock Asm. - Complete - Lynor
7	079733-04-T03	EA	Window Asm. - Picture - Black (w/o inside frame)
8	069640-06-000	FT	Ribbon Sealer - 5/16" Bead x 15'
9	002309-02-000	FT	Spilne - Glass - 1/8" Black
10	002181-06-000	EA	Glass - Picture Window - 1/8" x 16.25" x 24" - Gray
11	067609-03-000	EA	Inside Frame - Beige (not included in assembly)
12	002293-02-000	SF	Screen - Window - 26" - Charcoal
13	056795-01-000	FT	Seal Tape - 1/8" x 3/8" - Press On
14	078591-03-000	EA	Jamb Asm. - Entrance Door
	051049-01-000	EA	Jamb - Entrance Door - Bottom
15	079086-02-000	EA	Slider - Screen Door - Plastic
16	079012-01-U01	EA	Door Asm. - Screen
17	079361-05-000	EA	Hinge - Entrance Door (3 used per door)
18	015581-02-000	EA	Cap - Screen Door - Plastic
	009016-01-000	EA	Catch - Elbow - Spring Loaded - Screen Door
	039863-01-000	EA	Catch Asm. - Single Roller w/Strike - Screen Door
	076231-01-000	EA	Spacer - Latch - Screen Door
	077437-02-000	EA	Strike - Roller Catch
	058025-02-000	EA	Clip - Roller Latch Catch
	044582-02-000	EA	Drip Cap - Off White
	079278-01-000	EA	Seal - Mocket - Entrance Door
	073090-01-000	FT	Seal - Entrance Door
	075739-01-000	EA	Stiffener - Entrance Door - Off White
	075673-01-000	FT	Seal - Pile - Adhesive Back
	075671-01-000	FT	Seal - Sponge - Lazy "T" Shaped
	002294-01-000	FT	Spilno - Black - .135" x .138" (Screen Door)
	063638-02-000	EA	Strike - Screen Door
	063729-04-000	EA	Rivnut - 10-32 UNF - .010 - .080
	075639-01-000	EA	Garnish - Radius - Entrance Door
			Not illustrated

## 1986 WINNEBAGO TABLE OF CONTENTS

WT319RB	A-01 - B-16
WC/WF421RB	B-17 - D-18
WC424RB	D-19 - F-20

## 1986 WT319RB INDEX

Floor Plan	A-01 - A-02
Accessories Group	A-03
Bath Group	A-04
Chassis Group	A-05
Curtain, Cushion & Pad Group	A-06 - A-09
Dinette Group	A-10
Driver's Compartment Group	A-11
Electrical Group	A-12 - A-14
Exterior Body Group	A-15 - A-21
Galley Group	A-22 - A-23
Heating & Air Conditioning Group	A-24
Interior Finish Group	B-01 - B-02
LP Group	B-03
Lounge Group	B-04
Water & Sewage Group	B-05 - B-06
Window, Vent & Exterior Door Group	B-07 - B-16