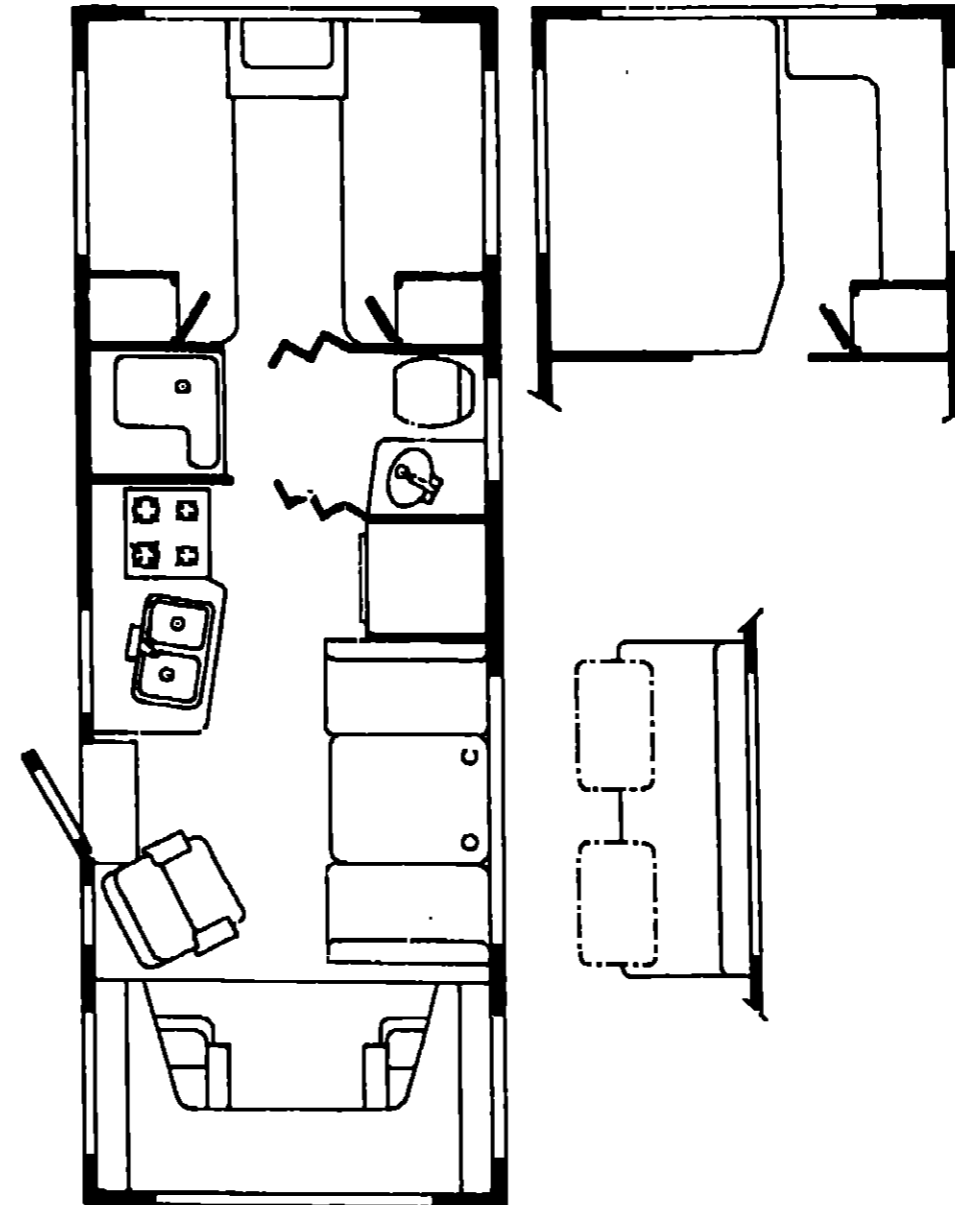


**1986 WINNEBAGO
TABLE OF CONTENTS**

WF426RT
WCN26RH
WCN23RG
WCP26ET

A-01 - C-04
C-05 - E-10
E-11 - G-24
H-01 - J-03

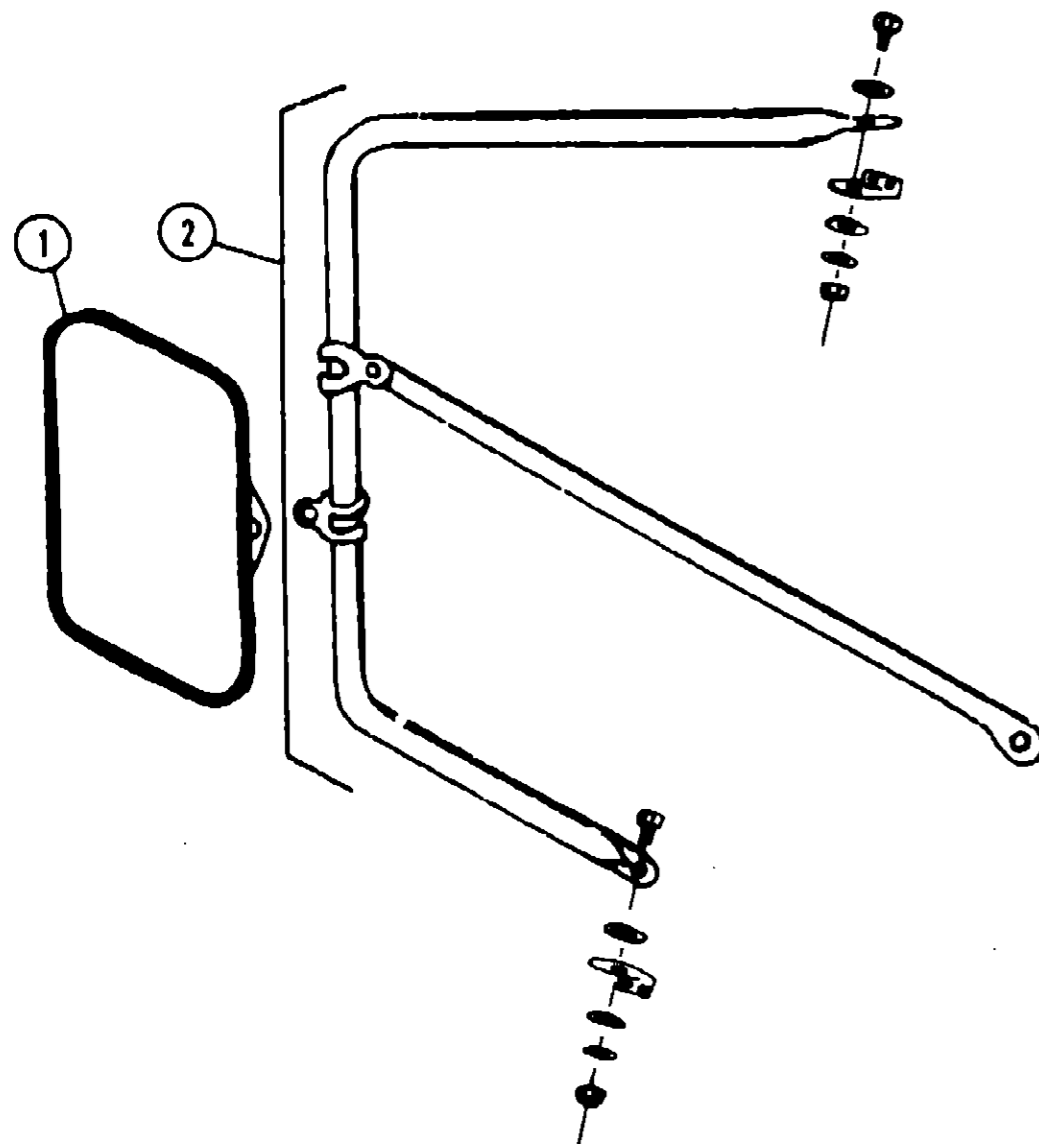
**1986
WF426RT**



1986 WF426RT INDEX

Floor Plan	A-01 - A-02
Accessories Group	A-03 - A-05
Bath Group	A-06 - A-07
Chassis Group	A-08 - A-09
Curtain, Cushion & Pad Group	A-10 - A-16
Dinette Group	A-17
Driver's Compartment Group	A-18 - A-19
Electrical Group	A-20 - A-22
Exterior Body Group	A-23 - B-04
Galley Group	B-05 - B-06
Heating & Air Conditioning Group	B-07
Interior Finish Group	B-08 - B-10
LP Group	B-11
Lounge Group	B-12 - B-13
Water & Sewage Group	B-14 - B-15
Window, Vent & Exterior Door Group	B-16 - C-04

ACCESSORIES GROUP



EXTERIOR MIRRORS

Key	Part Number	U/M	Description
1	049347-01-000	EA	Mirror Head - 7 1/2 x 10 1/2 - Stainless Steel
2	062047-01-000	EA	Arm - West Coast Mirror - Stainless Steel
2	062047-02-000	EA	Arm - West Coast Mirror - Off White
.	006043-01-000	EA	Mirror - Convex - Adhesive Back
.	Not illustrated		

WHEEL COVER & MOUNTING HARDWARE

Key	Part Number	U/M	Description
	083181-01-000	EA	Wheel Cover - 16" (Set/4)
	083181-01-700	EA	Wheel Cover - 16" (1)
	083181-04-702	EA	Nut - Cover - 16.5"
	083181-04-703	EA	Cap - Center - Chrome

ACCESSORIES GROUP (CONTINUED)

GENERATORS & COMPONENTS

Key	Part Number	U/M	Description
	052188-01-000	EA	Generator - Onan - 4.25 kw
	079854-05-000	EA	Generator - 4.0 kw - Emerald
	079854-05-000	EA	Pipe & Accessories - 4.0 kw - Emerald
	701829-02-000	EA	Installation Package
	024732-01-018	EA	Tailpipe - 1.5" O.D. x 43.50"
	079856-01-000	EA	Muffler - Generator - 4.0 Emerald - Nelson

MISCELLANEOUS ACCESSORIES

Key	Part Number	U/M	Description
	054185-24-000	EA	Owners Manual - 1986 - Itasca & Winnebago
	706053-02-000	EA	Antenna - TV Skyliner w/6" Shaft - Braund Delux
	076319-01-000	EA	Antenna - TV Roof Mount - 44.5" Mast
	076319-02-000	EA	Antenna - TV Roof Mount - 23.5" Mast
	076319-03-000	EA	Cable - Coaxial 1000' - 75 OHM
	076319-04-000	EA	Connector & Ferrule
	076319-05-000	EA	Wallplate - Power Supply - Ivory
	076319-06-000	EA	Adapter - Cable Roof Plate
	076319-07-000	EA	Wallplate - Power Supply - Brown
	076319-08-000	EA	Wallplate - Receptacle - Ivory
	076319-09-000	EA	Wallplate - Receptacle - Brown
	064089-01-000	EA	Mud Flap - Rubber - Black
	017516-01-000	EA	Mud Flap w/Holes - 14" x 18" - Black
	064089-01-000	EA	Splash Guard - Black Rubber
	041944-03-000	EA	Fire Extinguisher - w/Bracket - 5BC
	041944-02-000	EA	Bracket - Fire Extinguisher
	081379-01-000	EA	Microwave/Convection Oven - Sharp
	081459-01-000	EA	Bracket Asm. - Microwave - Right
	081459-02-000	EA	Bracket Asm. - Microwave - Left
	082876-01-000	EA	Baffle - Microwave
	081555-01-T03	EA	Trim Asm. - Microwave Oven
	081456-01-000	EA	Angle Asm. - Microwave Oven - Right
	081456-02-000	EA	Angle Asm. - Microwave Oven - Left
	081016-01-T03	EA	Ladder Asm.
	081016-01-700	EA	Rack Asm.
	067130-01-000	EA	Ladder Step
	076980-02-000	EA	End Cap - Ladder Step
	067125-01-000	EA	Stand Off - Rack & Ladder Asm.
	067165-01-000	EA	Bracket - Mounting - Rack & Ladder
	083206-01-000	EA	Mat Stepwell - Black - Right
	083206-02-000	EA	Mat Stepwell - Black - Left
	081075-01-000	EA	Mat - Entrance - "Winnebago"
	072852-01-000	EA	Smoke Detector w/9 Volt Battery
	079664-02-000	EA	Weather Center - 8.5" x 8.5"
	079664-01-000	EA	Clock - 8.5" x 8.5"
	006069-01-000	EA	Key Case - Leather
	069580-01-000	EA	Lug Wrench - 1" x 1.25" x 16.3"
	069580-02-000	EA	Leverage Bar - 22" - Lug Wrench
	006113-01-000	EA	Jack - Hydraulic - 6 Ton - w/Handle
	022756-01-000	EA	Cover - Roof Air Conditioner - Plastic
	079799-01-000	EA	Tire Cover Asm. - Off White - Plastic
	M02047-01-T95	EA	Panel Asm. - Tire Cover Door
	079941-01-000	EA	Lamp Asm. - Fog w/Cover - Amber
	079942-05-000	EA	Shock Absorber - Stabilizer - Front
	079942-06-000	EA	Shock Absorber - Stabilizer - Rear

**1986 WINNEBAGO
TABLE OF CONTENTS**

WF426RT	A-01 - C-04
WCN26RH	C-05 - E-10
WCN23RG	E-11 - G-24
WCP26ET	H-01 - J-03

1986 WF426RT INDEX

Floor Plan	A-01 - A-02
Accessories Group	A-03 - A-05
Bath Group	A-06 - A-07
Chassis Group	A-08 - A-09
Curtain, Cushion & Pad Group	A-10 - A-16
Dinette Group	A-17
Driver's Compartment Group	A-18 - A-19
Electrical Group	A-20 - A-22
Exterior Body Group	A-23 - B-04
Galley Group	B-05 - B-06
Heating & Air Conditioning Group	B-07
Interior Finish Group	B-08 - B-10
LP Group	B-11
Lounge Group	B-12 - B-13
Water & Sewage Group	B-14 - B-15
Window, Vent & Exterior Door Group	B-16 - C-04

ACCESSORIES GROUP (CONTINUED)

ELECTRIC STEP ASSEMBLY

Key	Part Number	U/M	Description
	075461-01-000	EA	Electric Step Asm. w/Light
	075461-01-700	EA	Motor
	041250-01-000	EA	Door Switch
	075461-01-704	EA	Under Step Control Unit
	075461-01-705	EA	4-Way Plug (Dash End)
	075461-01-706	EA	Kill Switch
	075461-01-707	EA	Step Light
	075461-01-708	EA	4-Way Plug (Control Box End)
	075461-01-709	EA	90 Degree Plug
	075461-01-710	EA	Gear
	075461-01-711	EA	Drive Link
	076241-01-000	EA	Support Asm. - Step
	075723-02-000	EA	Block - Switch Spacer w/Holes

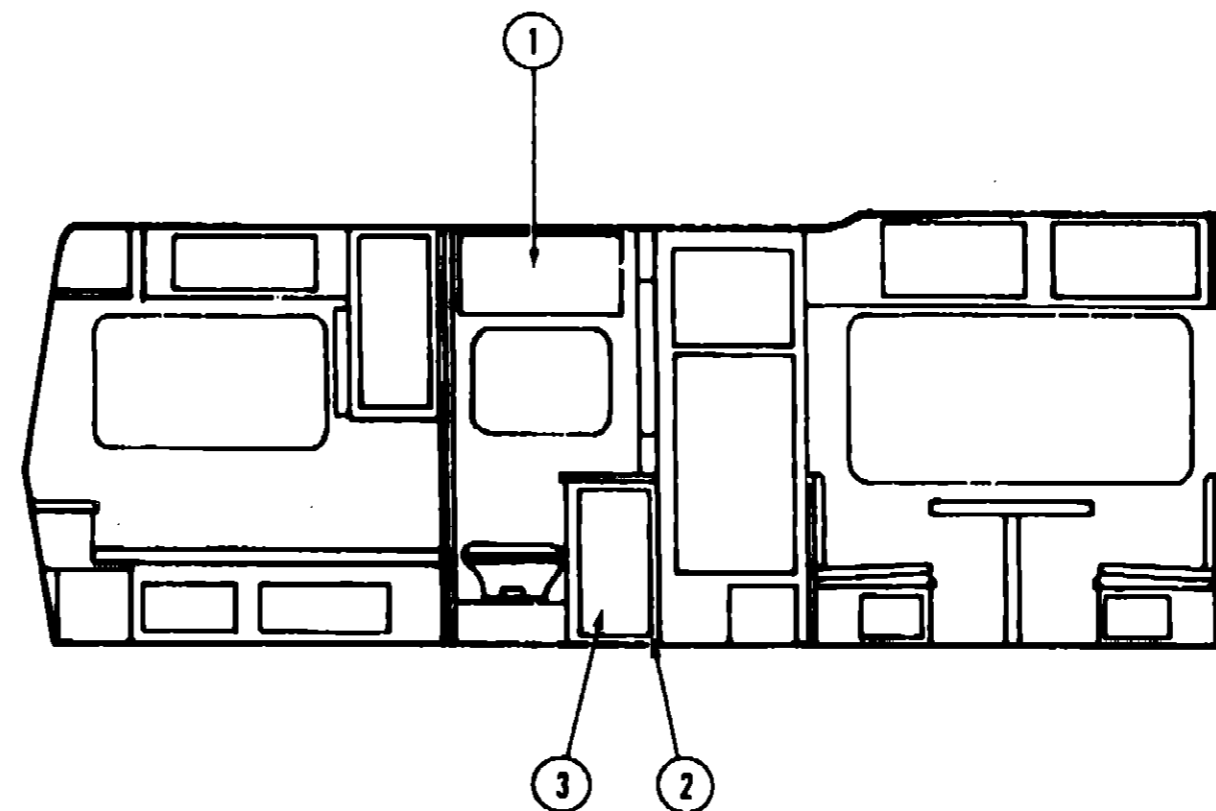
CHROME WHEEL LINERS

Key	Part Number	U/M	Description
	081608-05-000	EA	Cover - Lug Nut - Chrome Liner
	081608-06-000	EA	Ring - Spiral - Chrome Liner
	081608-07-000	EA	Cover - Rear Axle - Chrome Liner
	081608-08-000	EA	Cover - Front Axle - Chrome Liner
	081608-09-000	EA	Liner - Front Wheel - Chrome
	081608-10-000	EA	Liner - Rear Wheel - Cover

RADIO & RELATED COMPONENTS

Key	Part Number	U/M	Description
	007004-01-000	EA	Antenna - Radio - Cab Mount
	061792-01-000	EA	Grille - Speaker - 5.25" - w/Mesh - Brown
	074482-01-000	EA	Radio - AM/FM/MPX - w/Cassette - Audiovox - HCC565
	073430-01-000	EA	Radio - AM/FM/MPX - w/Cassette - Electronic Tune - Audiovox - HCC1200
	074979-01-000	EA	Speaker Cover Protector - Plastic
	073431-01-000	EA	Speaker - 5.25 - 3/Way (Pair)
	064791-01-000	EA	Speaker - Recessed - 5.25"
	079385-02-000	EA	Radio - Mounting Kit - Ford

BATH GROUP



BATH CABINETRY

Key	Part Number	U/M	Description
1	081535-01-U01	EA	Door Asm. - Medicine Cabinet - Mirror
•	076073-01-000	EA	Cabinet Asm. - Medicine - Almond
•	076387-01-000	EA	Bracket - Medicine Cabinet
2	M83934-01-U01	EA	Cabinet Asm. - Lavatory - w/o Door, Drawer or Hardware
•	M02666-01-U01	EA	Countertop Asm. - Lavatory Cabinet (U02)
•	M02666-01-U03	EA	Countertop Asm. - Lavatory Cabinet
3	M81501-61-U01	EA	Door Asm. - Lavatory Cabinet
•	081894-03-U10	EA	Drawer Asm. - Lavatory Cabinet
•	080224-03-000	EA	Door Asm. - w/Latch - Folding
•	Not illustrated		

**1986 WINNEBAGO
TABLE OF CONTENTS**

WF426RT
WCN26RH
WCN23RG
WCP26ET

A-01 - C-04
C-05 - E-10
E-11 - G-24
H-01 - J-03

1986 WF426RT INDEX

Floor Plan	A-01 - A-02
Accessories Group	A-03 - A-05
Bath Group	A-06 - A-07
Chassis Group	A-08 - A-09
Curtain, Cushion & Pad Group	A-10 - A-16
Dinette Group	A-17
Driver's Compartment Group	A-18 - A-19
Electrical Group	A-20 - A-22
Exterior Body Group	A-23 - B-04
Galley Group	B-05 - B-06
Heating & Air Conditioning Group	B-07
Interior Finish Group	B-08 - B-10
LP Group	B-11
Lounge Group	B-12 - B-13
Water & Sewage Group	B-14 - B-15
Window, Vent & Exterior Door Group	B-16 - C-04

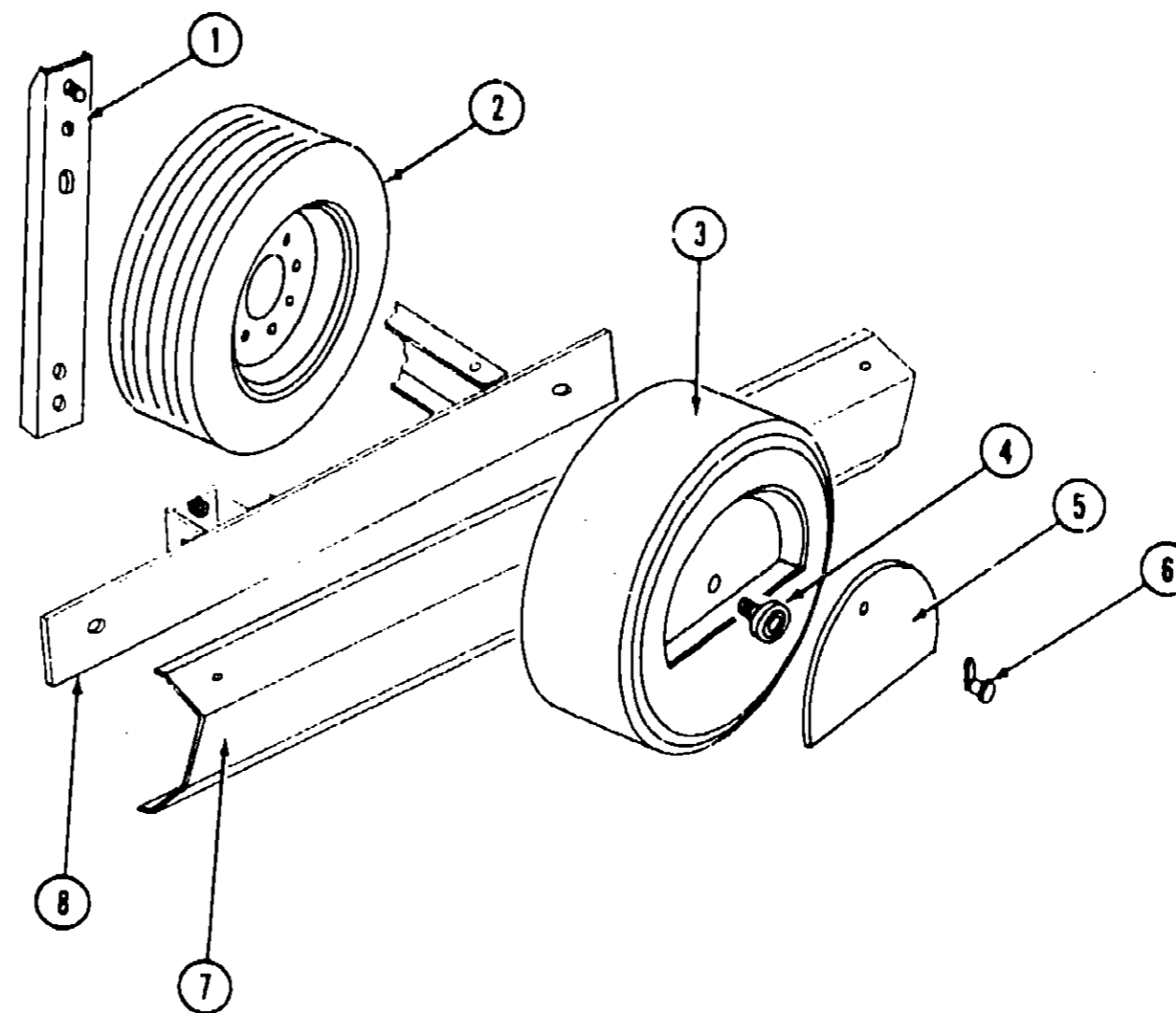
BATH GROUP (CONTINUED)

BATH HARDWARE

Key	Part Number	U/M	Description
	M01817-01-T03	EA	Bathtub Asm. w/Strainer
	075241-03-000	EA	Faucet - Tub & Shower
	075240-03-000	EA	Faucet - Lavatory
**	011048-02-000	EA	Shower Head - w/60" Hose
	011048-04-000	EA	Vacuum Breaker - 1/8 MPT - Nylon - Shower Head
	075806-01-000	EA	Shower Panel - Faucet Plastic
**	086729-01-000	EA	Strainer - Bathtub Asm.
	086435-01-000	EA	Nut Strainer - Plastic - Bathtub Asm.
	086436-01-000	EA	Slip Nut - 1.5" Tail Piece - Bathtub Asm.
	089735-01-000	EA	Washer - Tail Piece - 1.5" - Plastic - Bathtub Asm.
	011069-02-000	EA	Tailpiece - 1.5" x 1.25" x 4" - Brass - Bathtub Asm.
	080256-03-000	EA	Shroud - Bathtub Asm. - Off White
	058713-01-000	EA	Sink - Oval - Ivory Plastic
	011083-01-000	EA	Tail Piece w/Stopper - 1.25" x 5" - Plastic - Sink
**	064076-01-000	EA	Toilet - Ivory
	075452-02-000	EA	Tissue Holder
	075453-02-U01	EA	Towel Rack Bar
	075454-02-000	EA	Towel Ring
	075603-01-000	EA	Threshold - Track Shower Door - Beige
	079235-01-000	EA	Header - Track - Shower Door - Beige
	079234-01-000	EA	Jamb - Shower Door - Rear - Beige
	079234-02-000	EA	Jamb - Shower Door - Front - Beige
	058331-01-000	EA	Mirror - Tempered Glass - 19" x 26"
	058331-05-000	EA	Mirror - Tempered Glass - 12" x 26"
	058331-14-000	EA	Mirror - Tempered Glass - 14" x 12.7"
	009089-01-000	EA	Clip - Mirror
	057671-01-000	EA	Screw Cover - #8 - Antique White
	059777-01-000	EA	Hinge - Antique Brass
	080508-01-000	EA	Panel - Skylite - Inner
	080507-01-000	EA	Panel - Skylite - Outer
	050712-04-000	EA	Handle - Door Shower - Off White
	080224-14-000	EA	Track - Folding Door - "S" Curve - Front
	080224-16-000	EA	Track - Folding Door - Rear
	084384-01-U01	EA	Curtain Asm. - Shower w/Ruffle

** The illustrated parts breakdown for this item is provided on the Common Items Fiche.

CHASSIS GROUP



SPARE TIRE & REAR BUMPER

Key	Part Number	U/M	Description
1	079027-01-000	EA	Bracket Asm. - Tire Carrier
2	070917-02-000	EA	Tire - Radial - Michelin
2	057664-04-000	EA	Tire - 8.75" x 16.5" - WSW Radial
*	083617-01-000	EA	Rim - Wheel - 16.00" x 6.00" - 8 Hole - Ford
*	051377-01-000	EA	Valve Stem Asm. - TR500
3	079799-01-000	EA	Tire Cover - Off White - Plastic
4	064082-02-000	EA	Nut - Retaining - Wheel Cover
5	079763-02-000	EA	Door Panel - Tire Cover - Off White
6	077408-01-000	EA	Lock Asm. - Key Type
7	048474-01-000	EA	Bumper - Rear - Chrome
8	064601-03-000	EA	Bracket - Bumper Mount
*			Not illustrated

1986 WINNEBAGO TABLE OF CONTENTS

WF426RT	A-01 - C-04
WCN26RH	C-05 - E-10
WCN23RG	E-11 - G-24
WCP26ET	H-01 - J-03

1986 WF426RT INDEX

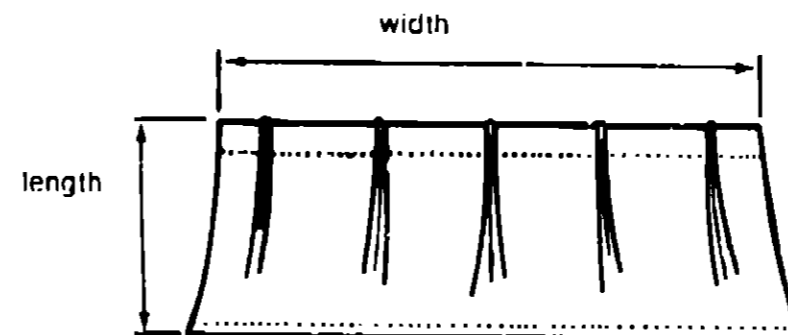
Floor Plan	A-01 - A-02
Accessories Group	A-03 - A-05
Bath Group	A-06 - A-07
Chassis Group	A-08 - A-09
Curtain, Cushion & Pad Group	A-10 - A-16
Dinette Group	A-17
Driver's Compartment Group	A-18 - A-19
Electrical Group	A-20 - A-22
Exterior Body Group	A-23 - B-04
Galley Group	B-05 - B-06
Heating & Air Conditioning Group	B-07
Interior Finish Group	B-08 - B-10
LP Group	B-11
Lounge Group	B-12 - B-13
Water & Sewage Group	B-14 - B-15
Window, Vent & Exterior Door Group	B-16 - C-04

Key	Part Number	U/M	Description
	047441-01-000	EA	Battery Terminal - Horizontal Lug
	075723-01-000	EA	Block - Switch - Spacer w/o Holes
	059540-01-000	EA	Bracket - License Plate
	051697-01-000	EA	Bracket - Battery Tie Down - 6.9"
	022150-01-000	EA	Bracket - Bumper Rear
	007125-07-000	EA	Clamp Asm. - Muffler - 1.62"
	007125-01-000	EA	Clamp Asm. - Muffler - 2.50"
	010497-01-000	EA	Clamp - Closed - 5/8 I.D.
	007161-01-000	EA	Clamp - Hose - Spring Type 112
	062401-01-000	EA	Clamp - Hose - Wormgear - .22" I.D. - 1" I.D.
	062401-02-000	EA	Clamp - Hose - Wormgear - 1.56" I.D. - 2.5" I.D.
	062401-03-000	EA	Clamp - Hose - Wormgear - .25" I.D. - 1" I.D.
	062401-04-000	EA	Clamp - Hose - Wormgear - .69" I.D. - 1.25" I.D.
	062401-05-000	EA	Clamp - Hose - Wormgear - 2" I.D. - 3" I.D.
	062401-06-000	EA	Clamp - Hose - Wormgear - .22" I.D. - .62" I.D.
	023146-01-000	EA	Clamp - Screw Type - 4"
	024490-01-000	EA	Compartment - Power Cord - Black Plastic
	073220-02-000	EA	Gas Cap - Non-Locking
	007131-01-000	EA	Hanger - Tail Pipe
	024138-01-000	FT	Hose - Fuel - 5/16" I.D. SAE 30RI
	086732-01-000	FT	Hose - Fuel Fill - .62 I.D.
	007111-02-000	EA	Hose - Fuel Fill - 2.00 I.D.
	006113-01-000	EA	Jack - Hydraulic - 6 Ton - w/Handle
	069580-02-000	EA	Leverage Bar - 22" - Lug Wrench
	069580-01-000	EA	Lug Wrench - 1" x 1.25" x 16.3"
	017516-01-000	EA	Mud Flap w/Holes - 14" x 18" - Black
	074483-01-000	EA	Retainer Nut - Snap In - Speed Control
	079942-05-000	EA	Shock Absorber - Stabilizer - Front
	079942-06-000	EA	Shock Absorber - Stabilizer - Rear
	064089-01-000	EA	Splash Guard - Black Rubber
	080449-01-000	EA	Step Asm. - Entry
	077971-01-000	EA	Tray - Aux. Battery
	052431-01-000	EA	Tray - Luggage
	074481-01-000	EA	Valve Asm. - Switch - Speed Control
	057724-01-000	EA	Wheelwell - Plastic
	008343-01-000	EA	Wire Tie - 6"
	076241-01-000	EA	Support Asm. - Step
	080359-02-000	EA	Step Well Plate - Ford

NOTICE

In order to assist our Parts Sales Dept. in providing interior software items, please include the serial number and the color code number from the vehicle certification label when ordering. This label is located on the left sidewall at the end of the dash (A-Body), or on the driver's door latch plate (C-Body).

An example of a color code number is P31, which designates an overall color scheme of a particular unit. The color listed after the item description on the microfiche, indicates the overall unit color. Order the item you desire according to unit color code.



NOTE:

Use this illustration when determining length and width measurements for curtains. You will note the width measurement is taken on the top of the curtain with the curtain fully extended. The length measurement is taken from top to bottom.

CURTAIN & CUSHION HARDWARE

Key	Part Number	U/M	Description
	075477-02-000	EA	Bracket - Blinds Retainer
	092228-01-000	EA	Bracket - Curtain Rod - Right
	082228-02-000	EA	Bracket - Curtain Rod - Left
	056003-02-000	EA	Bracket - Drapery Retainer - Left
	056003-01-000	EA	Bracket - Drapery Retainer - Right
	075477-03-000	EA	Bracket - Hold Down - Blind
	056001-01-000	EA	Bracket - Shade - Left
	056002-01-000	EA	Bracket - Shade - Right
	039175-01-000	EA	Curtain Rod - Extension - 48" x 84"
	009107-01-000	EA	Guide - Nylon Snap - Curtain
	056784-01-000	EA	Pull - Window Shade - Antique Brass
	056115-01-000	YD	Tape - Clear Plastic - w/Guides
	048394-01-000	YD	Tape Hook - 1" x 25 yd - Beige
	029096-05-000	YD	Tape Hook - .50" - Velcro - Beige
	048395-01-000	YD	Tape Loop - 1" x 25 YD - Beige
	029090-01-000	FT	Tie - Drapery - Clear Vinyl
	056116-01-000	EA	Track - Curtain - Brown Plastic
	053272-01-000	EA	Track - Curtain - 16'
	076827-01-000	EA	Bracket - Curtain - Wovenwood - Right
	076827-02-000	EA	Bracket - Curtain - Wovenwood - Left
	079793-03-000	EA	Bracket Asm. - Curtain Rod - Right
	079798-04-000	EA	Bracket Asm. - Curtain Rod - Left
	082249-01-000	EA	Bracket - Blinds - Beige - Right
	082249-02-000	EA	Bracket - Blinds - Beige - Left
	079619-01-000	EA	Bracket - Tie Down

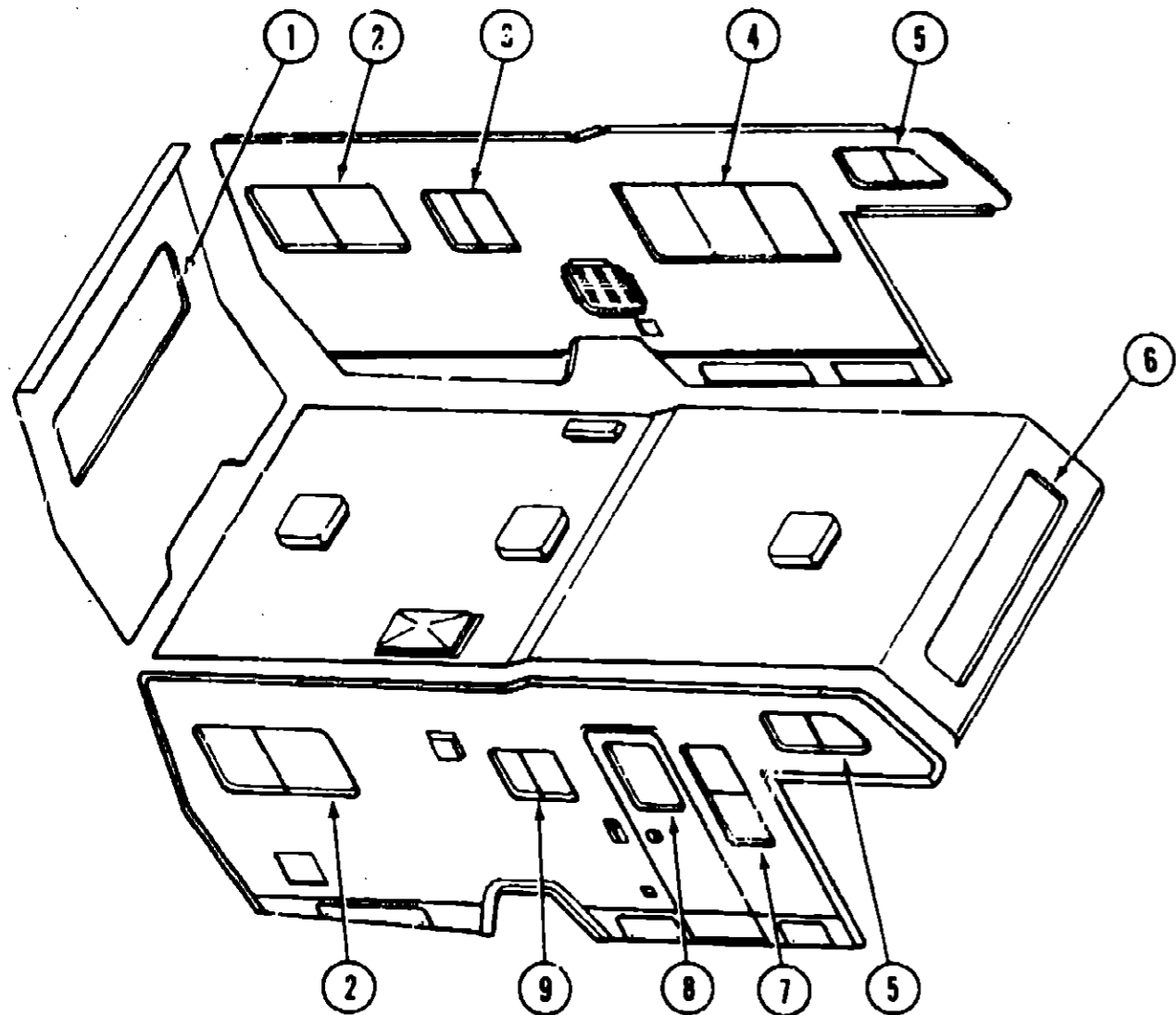
**1986 WINNEBAGO
TABLE OF CONTENTS**

WF426RT	A-01 - C-04
WCN26RH	C-05 - E-10
WCN23RG	E-11 - G-24
WCP26ET	H-01 - J-03

1986 WF426RT INDEX

Floor Plan	A-01 - A-02
Accessories Group	A-03 - A-05
Bath Group	A-06 - A-07
Chassis Group	A-08 - A-09
Curtain, Cushion & Pad Group	A-10 - A-16
Dinette Group	A-17
Driver's Compartment Group	A-18 - A-19
Electrical Group	A-20 - A-22
Exterior Body Group	A-23 - B-04
Galley Group	B-05 - B-06
Heating & Air Conditioning Group	B-07
Interior Finish Group	B-08 - B-10
LP Group	B-11
Lounge Group	B-12 - B-13
Water & Sewage Group	B-14 - B-15
Window, Vent & Exterior Door Group	B-16 - C-04

CURTAIN, CUSHION & PAD GROUP (CONTINUED)



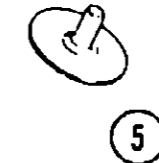
CURTAINS, SHADES, VALANCES & TIEBACKS

Key	Part Number	U/M	Description
1	079559-03-U01	EA	Curtain Asm. w/Gathers - 32" x 41"
**1	079559-03-U90	EA	Curtain Asm. w/Gathers - 32" x 41" (U01, U02)
**1	079559-03-U91	EA	Curtain Asm. w/Gathers - 32" x 41" (U03)
1	079558-04-U04	EA	Valance Asm. w/Gathers - 6" x 140"
**1	079558-04-U90	EA	Valance Asm. w/Gathers - 6" x 140" (U01, U02)
**1	079558-04-U91	EA	Valance Asm. w/Gathers - 6" x 140" (U03)
1	082119-09-000	EA	Shade - Vinyl - 72.25" x 42"
2	079559-03-U01	EA	Curtain Asm. w/Gathers - 32" x 41"
**2	079559-03-U90	EA	Curtain Asm. w/Gathers - 32" x 41" (U01, U02)
**2	079559-03-U91	EA	Curtain Asm. w/Gathers - 32" x 41" (U03)
2	079558-03-U01	EA	Valance Asm. w/Gathers - 6" x 95"
**2	079558-03-U90	EA	Valance Asm. w/Gathers - 6" x 95" (U01, U02)
**2	069558-03-U91	EA	Valance Asm. w/Gathers - 6" x 95" (U03)
2	082119-13-000	EA	Shade - Vinyl - 47.25" x 38"
3	082176-02-U04	EA	Valance Asm. - Padded (U01, U03)
3	082176-02-U05	EA	Valance Asm. - Padded (U02)
3	082118-46-000	EA	Blind - 28" x 26" Drop (U01)
3	082118-47-000	EA	Blind - 32" x 26" Drop (U02)
3	082118-48-000	EA	Blind - 32" x 26" Drop (U03)
4	079542-10-U01	EA	Curtain Asm. w/Darts - 35" x 16"
4	079542-10-U02	EA	Curtain Asm. w/Darts - 35" x 16"
4	079542-10-U03	EA	Curtain Asm. w/Darts - 35" x 16"
4	M81977-15-U01	EA	Valance Asm. - Padded (U03)
4	M81977-15-U02	EA	Valance Asm. - Padded
4	082118-61-000	EA	Blind - 65" x 34" Drop (U01)
4	082118-62-000	EA	Blind - 65" x 34" Drop (U02)
4	082118-63-000	EA	Blind - 65" x 34" Drop (U03)
**	Parts used on the units produced after 5/5/86.		

CURTAIN, CUSHION & PAD GROUP (CONTINUED)

CURTAINS, SHADES, VALANCES & TIEBACKS (CONT.)

Key	Part Number	U/M	Description
†	079543-15-U04	EA	Curtain Asm. - 35" x 12" (Woven Wood) (U01, U03)
†	079543-15-U05	EA	Curtain Asm. - 35" x 12" (Woven Wood) (U02)
†	082127-49-000	EA	Shade - Woven Wood - 85" x 35" Drop (U01)
†	082127-50-000	EA	Shade - Woven Wood - 85" x 35" Drop (U02)
†	082127-51-000	EA	Shade - Woven Wood - 85" x 35" Drop (U03)
5	079558-06-U01	EA	Valance Asm. w/Gathers - 8" x 75"
5	079558-06-U02	EA	Valance Asm. w/Gathers - 8" x 75"
5	079558-06-U03	EA	Valance Asm. w/Gathers - 8" x 75"
5	082119-04-000	EA	Shade - Vinyl - 33.25" x 30"
†	079558-08-U01	EA	Valance Asm. w/Gathers - 8" x 160" - (Woven Wood) (U03)
†	079558-08-U02	EA	Valance Asm. w/Gathers - 8" x 160" - (Woven Wood)
6	079558-09-U01	EA	Valance Asm. w/Gathers - 8" x 175"
6	079558-09-U02	EA	Valance Asm. w/Gathers - 8" x 175"
6	079558-09-U03	EA	Valance Asm. w/Gathers - 8" x 175"
6	082119-10-000	EA	Shade - Vinyl - 75.25" x 30"
†	079558-10-U01	EA	Valance Asm. w/Gathers - 8" x 150" (Woven Wood) (U03)
†	079558-10-U02	EA	Valance Asm. w/Gathers - 8" x 150" (Woven Wood)
7	073251-32-U01	EA	Curtain Asm. w/Tape Top - 45" x 9"
7	073251-32-U02	EA	Curtain Asm. w/Tape Top - 45" x 9"
7	073251-32-U03	EA	Curtain Asm. w/Tape Top - 45" x 9"
7	080824-05-U01	EA	Valance Asm. - Padded (U03)
7	080824-05-U02	EA	Valance Asm. - Padded
7	082118-37-000	EA	Blind - 19" x 44" Drop (U01)
7	082118-38-000	EA	Blind - 19" x 44" Drop (U02)
7	082118-39-000	EA	Blind - 19" x 44" Drop (U03)
†	082126-07-000	EA	Shade - Woven Wood - 19" x 46" Drop (U01)
†	082126-08-000	EA	Shade - Woven Wood - 19" x 46" Drop (U02)
†	082126-09-000	EA	Shade - Woven Wood - 19" x 46" Drop (U03)
8	082119-02-000	EA	Shade - Vinyl - 24.25" x 40"
9	M81977-05-U01	EA	Valance Asm. - Padded (U03)
9	M81977-05-U02	EA	Valance Asm. - Padded
9	082118-43-000	EA	Blind - 27" x 22" Drop (U01)
9	082118-44-000	EA	Blind - 27" x 22" Drop (U02)
9	082118-45-000	EA	Blind - 27" x 22" Drop (U03)
•	073295-02-U01	EA	Curtain w/Snaps - Front Wraparound - 23" x 64" (2 required)
•	077591-03-U01	EA	Curtain w/Velcro Top - Bunk Privacy - 70" x 50" - Passenger
•	077591-04-U01	EA	Curtain w/Velcro Top - Bunk Privacy - 70" x 50" - Driver
•	073260-17-U01	EA	Tie Back Asm. - 4" x 18" - Bedspread
**	073260-17-U90	EA	Tie Back Asm. - 4" x 18" - Bedspread (U01, U03)
**	073260-17-U91	EA	Tie Back Asm. - 4" x 18" - Bedspread (U02)
•	073260-16-U04	EA	Tie Back Asm. - 3" x 20" - Accent (U01, U03)
•	073260-16-U05	EA	Tie Back Asm. - 3" x 20" - Accent (U02)
•	057534-01-000	EA	Tie Back Asm. - 6" - Clear Plastic
•	057534-04-000	EA	Tie Back Asm. - 20" - Clear Plastic
•	Not illustrated		
**	Parts used on units produced after 5/5/86.		
†	Parts used on the Woven Wood Option.		



Key	Part Number	U/M	Description
1	029130-01-000	EA	Socket - Snap Fastener
2	029155-01-000	EA	Cap - Snap - .156" Dia. x 17" Barrel
3	029156-01-000	EA	Socket - Snap Fastener
4	029092-01-000	EA	Stud - Nickel Finish
5	029093-01-000	EA	Eyelet - Nickel Finish

**1986 WINNEBAGO
TABLE OF CONTENTS**

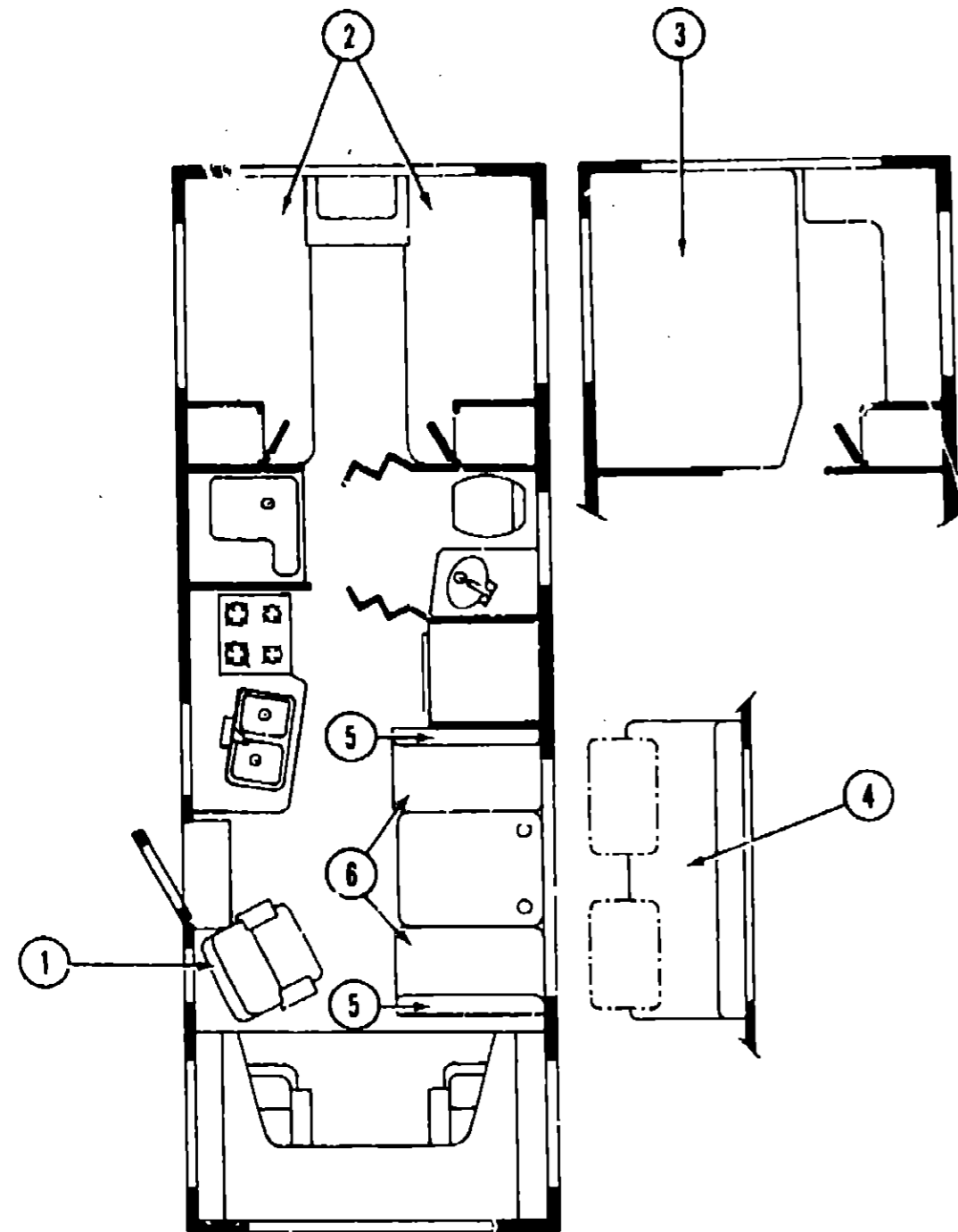
WF426RT
WGN26RH
WGN23RG
WCP26ET

A-01 - C-04
C-05 - E-10
E-11 - G-24
H-01 - J-03

1986 WF426RT INDEX

Floor Plan	A-01 - A-02
Accessories Group	A-03 - A-05
Bath Group	A-06 - A-07
Chassis Group	A-08 - A-09
Curtain, Cushion & Pad Group	A-10 - A-16
Dinette Group	A-17
Driver's Compartment Group	A-18 - A-19
Electrical Group	A-20 - A-22
Exterior Body Group	A-23 - B-04
Galley Group	B-05 - B-06
Heating & Air Conditioning Group	B-07
Interior Finish Group	B-08 - B-10
LP Group	B-11
Lounge Group	B-12 - C-13
Water & Sewage Group	B-14 - B-15
Window, Vent & Exterior Door Group	B-16 - C-04

CURTAIN, CUSHION & PAD GROUP (CONTINUED)



SWIVEL CHAIR

Key	Part Number	U/M	Description
1	073518-16-U01	EA	Chair Asm. w/Pillow Back - Swivel - Beige
1	073518-15-U02	EA	Chair Asm. w/Pillow Back - Swivel - Rose
1	073518-15-U03	EA	Chair Asm. w/Pillow Back - Swivel - Spruce
.	075174-02-U01	EA	Skirt Asm. - Swivel Chair - Beige (U03)
.	075174-02-U02	EA	Skirt Asm. - Swivel Chair - Rose
.	035036-01-000	EA	Plate - Tilt & Swivel - Swivel Chair
.	035036-04-000	EA	Base w/Legs - Swivel Chair
.	035036-05-000	EA	Extension - 7" - Swivel Chair
.			Not illustrated

CURTAIN, CUSHION & PAD GROUP (CONTINUED)

TWIN BED MATTRESS

Key	Part Number	U/M	Description
2	083496-01-000	EA	Mattress - Foam - 33" x 75" - Winnebago
2	077478-04-000	EA	Mattress - Interspring - 33" x 75" - Sealy
.	081969-04-U04	EA	Bedspread - Twin Bed - Multi-Stripe
.	081969-09-U01	EA	Bedspread - Twin Bed - Parchment
**	081969-04-U90	EA	Bedspread - Twin Bed (U01, U02)
**	081969-04-U91	EA	Bedspread - Twin Bed (U03)
.	081997-01-U01	EA	Pillow Sham - 30" x 26" - Multi-Stripe
.	081997-02-U01	EA	Pillow Sham - 30" x 26" - Parchment
**	081997-01-U90	EA	Pillow Sham - 30" x 26" (U01, U02)
.	081997-01-L'91	EA	Pillow Sham - 30" x 26" (U03)
.			Parts used on units produced from 10/7/86 thru 5/4/86.
**			Parts used on units produced after 5/5/86.

DOUBLE BED MATTRESS

Key	Part Number	U/M	Description
3	083496-05-000	EA	Mattress - Foam - 43" x 75" - Winnebago
3	079369-02-000	EA	Mattress - Interspring - 54" x 75" - Sealy
.	081969-10-U04	EA	Bedspread - Double Bed - Multi-Stripe
.	081969-10-U01	EA	Bedspread - Double Bed - Parchment
**	081969-14-U90	EA	Bedspread - Double Bed (U01, U02)
**	081969-14-U91	EA	Bedspread - Double Bed (U03)
.	081997-01-U01	EA	Pillow Sham - 30" x 26" - Multi-Stripe
.	081997-02-U01	EA	Pillow Sham - 30" x 26" - Parchment
**	081997-01-U90	EA	Pillow Sham - 30" x 26" (U01, U02)
**	081997-01-U91	EA	Pillow Sham - 30" x 26" (U03)
.			Parts used on units produced from 10/7-86 thru 5/4/86.
**			Parts used on units produced after 5/5/86.

MAGIC BED OPTION

Key	Part Number	U/M	Description
4	079448-04-U04	EA	Bed Asm. - 3 Pillow (U01)
4	079448-04-U05	EA	Bed Asm. - 3 Pillow (U02)
4	079448-04-U06	EA	Bed Asm. - 3 Pillow (U03)
.	081998-17-U04	EA	Pillow Asm. - 16" x 23" x 5" (U01)
.	081998-17-U05	EA	Pillow Asm. - 16" x 23" x 5" (U02)
.	081998-17-U06	EA	Pillow Asm. - 16" x 23" x 5" (U03)
.	M81998-17-U04	EA	Cover Asm. - Pillow (U01)
.	M81998-17-U05	EA	Cover Asm. - Pillow (U02)
.	M81998-17-U06	EA	Cover Asm. - Pillow (U03)

DINETTE CUSHION

Key	Part Number	U/M	Description
5	081998-01-U01	EA	Cushion Asm. - Dinette Back - 19.25" x 38" x 5" - Beige
5	081998-01-U02	EA	Cushion Asm. - Dinette Back - 19.25" x 38" x 5" - Rose
5	081998-01-U03	EA	Cushion Asm. - Dinette Back - 19.25" x 38" x 5" - Spruce
.	M81998-01-U01	EA	Cover Asm. - Dinette Back Curtain - 19.25" x 38" x 5" - Beige
.	M81998-01-U02	EA	Cover Asm. - Dinette Back Curtain - 19.25" x 38" x 5" - Rose
.	M81998-01-U03	EA	Cover Asm. - Dinette Back Curtain - 19.25" x 38" x 5" - Spruce
6	081998-02-U01	EA	Cushion Asm. - Dinette Bottom - 17.5" x 38" x 5" - Beige
6	081998-02-U02	EA	Cushion Asm. - Dinette Bottom - 17.5" x 38" x 5" - Rose
6	081998-02-U03	EA	Cushion Asm. - Dinette Bottom - 17.5" x 38" x 5" - Spruce
.	M81998-02-U01	EA	Cover Asm. - Dinette Bottom Cushion - 17.5" x 38" x 5" - Beige
.	M81998-02-U02	EA	Cover Asm. - Dinette Bottom Cushion - 17.5" x 38" x 5" - Rose
.	M81998-02-U03	EA	Cover Asm. - Dinette Bottom Cushion - 17.5" x 38" x 5" - Spruce

**1986 WINNEBAGO
TABLE OF CONTENTS**

WF426RT	A-01 - C-04
WCN26RH	C-05 - E-10
WCN23RG	E-11 - G-24
WCP26ET	H-01 - J-03

1986 WF426RT INDEX

Floor Plan	A-01 - A-02
Accessories Group	A-03 - A-05
Bath Group	A-06 - A-07
Chassis Group	A-08 - A-09
Curtain, Cushion & Pad Group	A-10 - A-16
Dinette Group	A-17
Driver's Compartment Group	A-18 - A-19
Electrical Group	A-20 - A-22
Exterior Body Group	A-23 - B-04
Galley Group	B-05 - B-06
Heating & Air Conditioning Group	B-07
Interior Finish Group	B-08 - B-10
LP Group	B-11
Lounge Group	B-12 - B-13
Water & Sewage Group	B-14 - B-15
Window, Vent & Exterior Door Group	B-16 - C-04

CURTAIN, CUSHION & PAD GROUP (CONTINUED)

FRONT OVERHEAD BUNK CUSHIONS

Key	Part Number	U/M	Description
	073310-05-U01	EA	Cushion Asm. - Front Bunk - Two Fold - 24.5" x 29.5" x 78" x 4" - Beige
	073310-04-U02	EA	Cushion Asm. - Front Bunk - Two Fold - 24.5" x 29.5" x 78" x 4" - Rose
	073310-04-U03	EA	Cushion Asm. - Front Bunk - Two Fold - 24.5" x 29.5" x 78" x 4" - Spruce
	M73310-05-U01	EA	Cover Asm. - Front Bunk Cushion - Two Fold - Beige
	M73310-04-U02	EA	Cover Asm. - Front Bunk Cushion - Two Fold - Rose
	M73310-04-U03	EA	Cover Asm. - Front Bunk Cushion - Two Fold - Spruce

FABRICS, TRIMS & PADS

Key	Part Number	U/M	Description
	072333-25-000	YD	Fabric - Drapery - Beige (U01)
	072333-26-000	YD	Fabric - Drapery - Rose (U02)
	072333-27-000	YD	Fabric - Drapery - Spruce (U03)
	077498-62-000	YD	Fabric w/Pattern - Upholstery - Beige (U01)
	077498-63-000	YD	Fabric w/Pattern - Upholstery - Rose (U02)
	077498-64-000	YD	Fabric w/Pattern - Upholstery - Spruce (U03)
	077498-75-000	YD	Fabric w/Pattern - Upholstery Accent - Rose (U02)
	077498-74-000	YD	Fabric w/Pattern - Upholstery Accent - Spruce (U03)
	077498-73-000	YD	Fabric - Upholstery Accent - Plain (U01, U03)
	077498-72-000	YD	Fabric - Upholstery Accent - Plain - (U02)
	069729-43-000	YD	Fabric - Bedspread/Drapery - Multi-Stripe
	072333-21-000	YD	Fabric - Bedspread - Parchment
	069729-41-000	YD	Fabric - Bedspread/Drapery - Earth (U01, U02)
	069729-36-000	YD	Fabric - Bedspread - Seafoam (U03)
	072333-24-000	YD	Fabric - Drapery - Seafoam (U03)
	038421-01-000	YD	Fabric - Mattress Ticking
	052859-01-T03	FT	Trim Asm. - Accent - Sandrift
	052859-05-T03	FT	Trim Asm. - Accent - Buckskin
	079680-01-000	YD	Vinyl - Expanded - 26 oz. - Buckskin
	079680-02-000	YD	Vinyl - Expanded - 26 oz. - Sandrift
	070578-04-U01	EA	Button Asm. - Screw Stud - #30 - Beige (U03)
	070578-04-U02	EA	Button Asm. - Screw Stud - #30 - Rose
	070578-05-U01	EA	Button Asm. - Screw Stud - #30 - Bedspread - Multi-Stripe
	070578-07-U01	EA	Button Asm. - Round Hook Back - #30 - Bedspread - Parchment
	071127-10-U01	EA	Button Asm. - Square - #65 - Beige (U03)
	071127-10-U02	EA	Button Asm. - Square - #65 - Rose
	069748-05-000	EA	Button Back - Square - #65
	078155-01-000	EA	Strap Asm. - Cushion
	079144-02-000	EA	Strap Asm. - Bunk
	081280-03-U01	EA	Pad Asm. - End Cap - Dinette - Overhead - Vinyl
	081280-06-U01	EA	Pad Asm. - End Cap - Galley - Overhead - Vinyl
	081280-07-U01	EA	Pad Asm. - End Cap - Shirt Closet Cabinet - Vinyl
	081280-08-U01	EA	Pad Asm. - End Cap - Entrance Door - Vinyl
	081519-01-U01	EA	Pad Asm. - Dinette - Front - Beige (U03)
	081519-01-U02	EA	Pad Asm. - Dinette - Front - Rose
	081519-02-U01	EA	Pad Asm. - Dinette - Rear - Beige (U03)
	081519-02-U02	EA	Pad Asm. - Dinette - Rear - Rose
	069885-12-U01	EA	Cover w/Pocket - Motor - Beige (U03)
	069885-12-U02	EA	Cover w/Pocket - Motor - Rose
	082081-01-U01	EA	Cover Asm. - Vinyl - Wingwall - Driver
	082081-03-U01	EA	Cover Asm. - Vinyl - Wingwall - Passenger
	082070-02-U01	EA	Pad Asm. - Door - Passenger - Beige (U03)
	082070-02-U02	EA	Pad Asm. - Door - Passenger - Rose
	082070-03-U01	EA	Pad Asm. - Door - Driver - Beige (U03)
	082070-03-U02	EA	Pad Asm. - Door - Driver - Rose
	077463-06-U01	EA	Pad Asm. - Headboard - Double Bed

The part was used on units produced before 5/5/86.

CURTAIN, CUSHION & PAD GROUP (CONTINUED)

BUCKET SEATS

Key	Part Number	U/M	Description
	079300-01-U01	EA	Seat Asm. - Vinyl - Beige (U01)
	079300-02-U01	EA	Seat Asm. - Vinyl - Rose (U02)
	079300-02-U03	EA	Seat Asm. - Vinyl - Spruce (U03)
	M01862-01-U01	EA	Cover Asm. - Seat Bottom - Vinyl - Beige (U01)
	M01862-03-U01	EA	Cover Asm. - Seat Bottom - Vinyl - Rose (U02)
	M01862-03-U03	EA	Cover Asm. - Seat Bottom - Vinyl - Spruce (U03)
	M01862-02-U01	EA	Cover Asm. - Seat Back - Vinyl - Beige (U01)
	M01862-04-U01	EA	Cover Asm. - Seat Back - Vinyl - Rose (U02)
	M01862-04-U03	EA	Cover Asm. - Seat Back - Vinyl - Spruce (U03)
	078804-10-U01	EA	Seat Asm. - Granduer w/Left Armrest - Beige (U01)
	078804-12-U02	EA	Seat Asm. - Granduer w/Left Armrest - Rose (U02)
	078804-12-U03	EA	Seat Asm. - Granduer w/Left Armrest - Spruce (U03)
	M01863-07-U01	EA	Cover Asm. - Bucket Seat Bottom - Beige (U01)
	M01863-03-U01	EA	Cover Asm. - Bucket Seat Bottom - Rose (U02)
	M01863-03-U03	EA	Cover Asm. - Bucket Seat Bottom - Spruce (U03)
	M01863-08-U01	EA	Cover Asm. - Bucket Seat Back - Beige (U01)
	M01863-04-U01	EA	Cover Asm. - Bucket Seat Back - Rose (U02)
	M01863-04-U03	EA	Cover Asm. - Bucket Seat Back - Spruce (U03)
	078804-09-U01	EA	Seat Asm. - Granduer w/Right Armrest - Beige (U01)
	078804-11-U02	EA	Seat Asm. - Granduer w/Right Armrest - Rose (U02)
	078804-11-U03	EA	Seat Asm. - Granduer w/Right Armrest - Spruce (U03)
	M01863-05-U01	EA	Cover Asm. - Bucket Seat Bottom - Beige (U01)
	M01863-03-U01	EA	Cover Asm. - Bucket Seat Bottom - Rose (U02)
	M01863-03-U03	EA	Cover Asm. - Bucket Seat Bottom - Spruce (U03)
	M01863-06-U01	EA	Cover Asm. - Bucket Seat Back - Beige (U01)
	M01863-04-U01	EA	Cover Asm. - Bucket Seat Back - Rose (U02)
	M01863-04-U03	EA	Cover Asm. - Bucket Seat Back - Spruce (U03)
	080243-08-U01	EA	Armrest Asm. - Right - Beige (U01)
	080243-10-U01	EA	Armrest Asm. - Right - Rose (U02)
	080243-10-U03	EA	Armrest Asm. - Right - Spruce (U03)
	080243-07-U01	EA	Armrest Asm. - Left - Beige (U01)
	080243-09-U01	EA	Armrest Asm. - Left - Rose (U02)
	080243-09-U03	EA	Armrest Asm. - Left - Spruce (U03)
	M80243-02-U04	EA	Cover Asm. - Armrest - Right - Beige (U01)
	M80243-04-U01	EA	Cover Asm. - Armrest - Right - Rose (U02)
	M80243-04-U03	EA	Cover Asm. - Armrest - Right - Spruce (U03)
	M80243-01-U01	EA	Cover Asm. - Armrest - Left - Beige (U01)
	M80243-03-U01	EA	Cover Asm. - Armrest - Left - Rose (U02)
	M80243-03-U03	EA	Cover Asm. - Armrest - Left - Spruce (U03)
	080242-02-U04	EA	Headrest Asm. - Beige (U01)
	080242-02-U05	EA	Headrest Asm. - Rose (U02)
	080242-02-U06	EA	Headrest Asm. - Spruce (U03)
	M80242-02-U04	EA	Cover Asm. - Headrest - Beige (U01)
	M80242-02-U05	EA	Cover Asm. - Headrest - Rose (U02)
	M80242-02-U06	EA	Cover Asm. - Headrest - Spruce (U03)

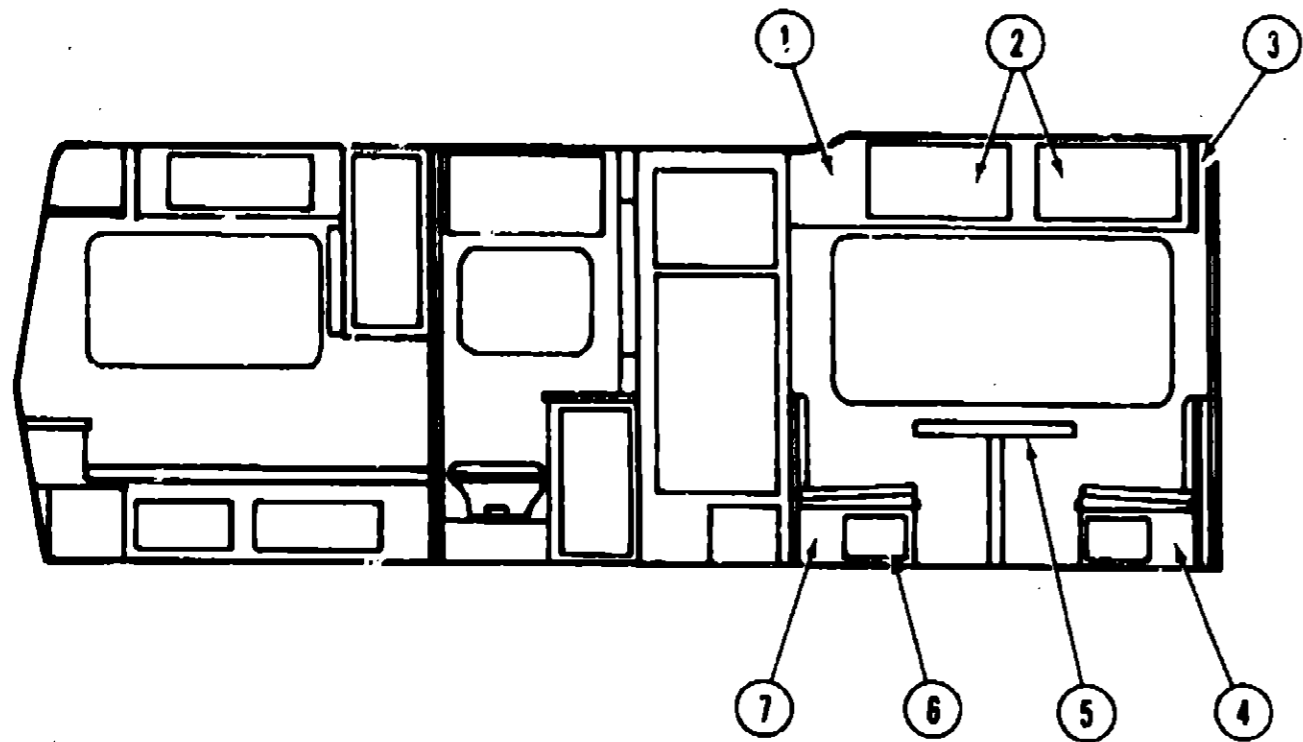
**1986 WINNEBAGO
TABLE OF CONTENTS**

WF426RT	A-01 - C-04
WCN26RH	C-05 - E-10
WCN23RG	E-11 - G-24
WCP26ET	H-01 - J-03

1986 WF426RT INDEX

Floor Plan	A-01 - A-02
Accessories Group	A-03 - A-05
Bath Group	A-06 - A-07
Chassis Group	A-08 - A-09
Curtain, Cushion & Pad Group	A-10 - A-16
Dinette Group	A-17
Driver's Compartment Group	A-18 - A-19
Electrical Group	A-20 - A-22
Exterior Body Group	A-23 - B-04
Galley Group	B-05 - B-06
Heating & Air Conditioning Group	B-07
Interior Finish Group	B-08 - B-10
LP Group	B-11
Lounge Group	B-12 - B-13
Water & Sewage Group	B-14 - B-15
Window, Vent & Exterior Door Group	B-16 - C-04

DINETTE GROUP

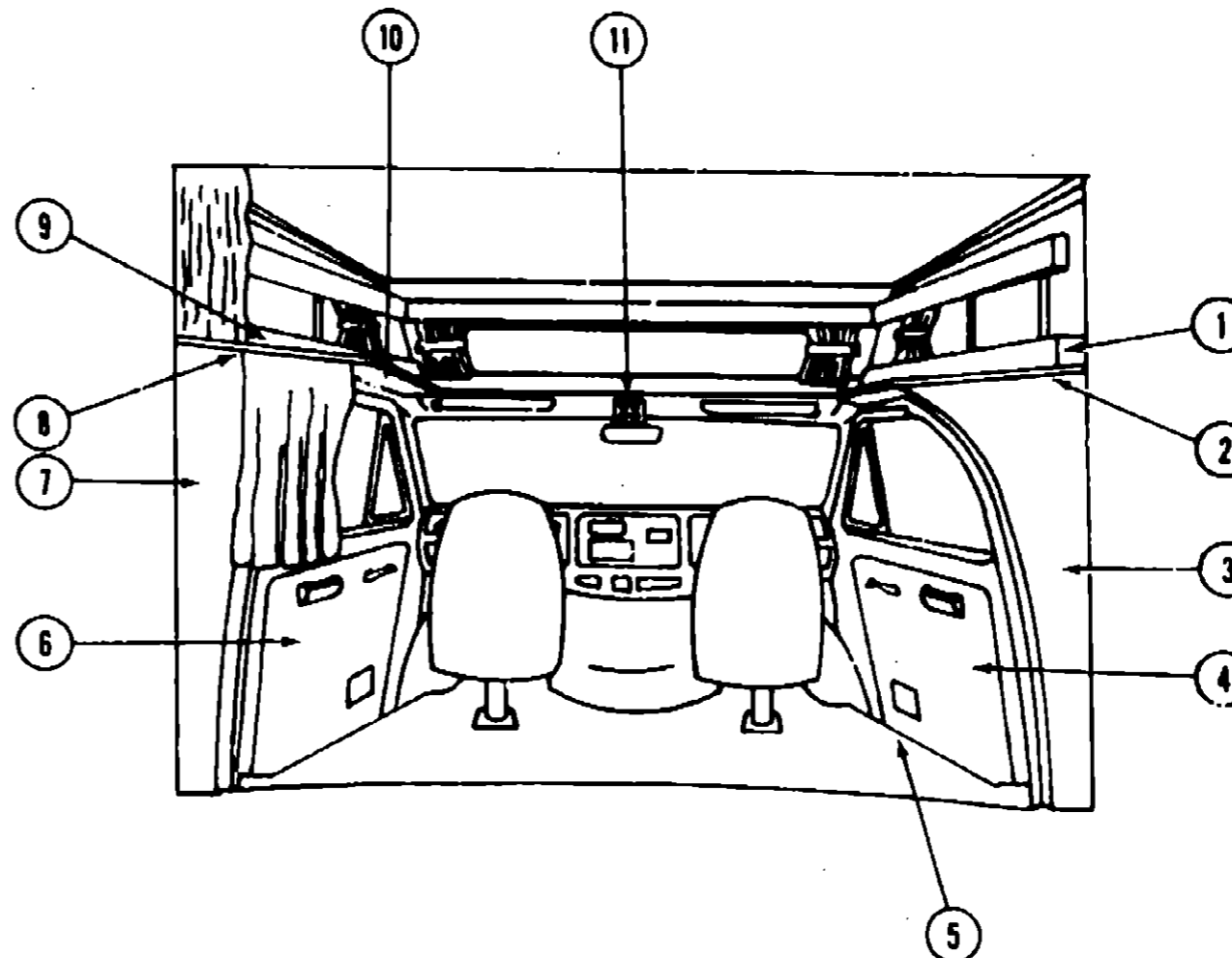


Key	Part Number	U/M	Description
1	083929-01-U01	EA	Cabinet Asm. - Dinette Overhead - w/o Doors or Hardware
2	M81523-02-U01	EA	Door Asm. - Dinette Overhead - w/o Hardware
3	081280-03-U01	EA	Pad Asm. - End Cap - Dinette Overhead - Vinyl
4	M02175-02-U01	EA	Cabinet Asm. - Dinette Seat - w/o Door or Hardware
5	M02174-01-U01	EA	Cabinet Asm. - Dinette Back
6	081298-02-T03	EA	Table Asm. - Dinette - w/o Hardware
7	M81501-10-U01	EA	Door Asm. - Dinette Seat - Front & Rear
8	M02174-03-U01	EA	Cabinet Asm. - Dinette Back
9	M02175-04-U01	EA	Cabinet Asm. - Dinette Seat - w/o Door or Hardware
10	074493-01-000	EA	Support - Sprung Door Asm. - Overhead Cabinet
11	053200-05-000	EA	Bracket - Upper Wall Mount - 23.5" - Beige
12	053201-03-000	EA	Bracket - Table Mount - 23"
13	024275-08-000	EA	Rod - Table Lift - 3" x 23.5" - Brown
14	024281-03-000	EA	Bracket - Lower Wall Mount - Table Lift - Beige
15	024276-14-000	EA	Leg Asm. - Table - 26.75" - Brown
16	064050-01-000	EA	Hinge - Table Leg
17	024282-01-000	EA	Brace - Table Leg
18	024283-01-000	EA	Clip - 1" O.D. Tube
19	049493-02-000	EA	Catch - Table Leg - Mounts on Floor - Brown
20	064781-03-000	EA	Cup Holder - 3.47" O.D. x 2.75" I.D. x 1.5" - Brown
21	Not illustrated		
22	The illustrated parts breakdown for this item is provided on the Common Items Fiche.		

MAGIC BED W/TABLE OPTION

Key	Part Number	U/M	Description
1	079448-04-U04	EA	Bed Asm. - 3 Pillow (U01)
2	079448-04-U05	EA	Bed Asm. - 3 Pillow (U02)
3	079448-04-U06	EA	Bed Asm. - 3 Pillow (U03)
4	081298-02-T03	EA	Table Asm. - Pedestal
5	009040-04-000	EA	Leg - Pedestal Table - 27.50"
6	009040-03-000	EA	Base - Table - Raised
7	041194-01-000	EA	Base - Table - Flush Mount
8	062046-01-000	EA	Clip - Pedestal Table

DRIVER'S COMPARTMENT GROUP



MISCELLANEOUS DRIVER'S COMPARTMENT COMPONENTS

Key	Part Number	U/M	Description
1	082068-03-U01	EA	Cabinet Asm. - Headboard - Passenger
2	M81652-01-U01	EA	Panel Asm. - Sleeper Board - w/o Vinyl
3	M82068-01-U01	EA	Panel Asm. - Wingwall Transition - Inner Passenger
4	NOTE	EA	Side Panel - Cab Door - Passenger
5	083206-01-000	EA	Door Step Mat - Passenger - Black Rubber
6	083206-02-000	EA	Door Step Mat - Driver - Black Rubber
7	NOTE	EA	Panel Asm. - Cab Door - Driver
8	M82066-02-U01	EA	Panel Asm. - Wingwall Transition - Inner Driver
9	082069-01-U01	EA	Accent Trim - Dark Sandrift Vinyl
10	082068-04-U01	EA	Cabinet Asm. - Headboard Driver
11	079800-01-000	EA	Headliner Asm. - Overhead Bunk - Vinyl
12	M01298-01-000	EA	Console - Overhead - 7.5" x 6.14" - Black
13	056288-01-000	EA	Dome Light Asm.
14	056288-02-000	EA	Bulb - Dome Light Asm.
15	056288-03-000	EA	Housing - Dome Light Asm.
16	056288-04-000	EA	Lens - Dome Light Asm.
17	056288-05-000	EA	Clip - Dome Light Asm.
18	083219-01-000	EA	Floor Mat - "Winnebago" - Front - Right
19	083219-02-000	EA	Floor Mat - "Winnebago" - Front - Left
20	024461-01-000	EA	Switch - Battery
21	024462-01-000	EA	Switch - Battery Condition
22	024976-01-000	EA	Switch - Generator w/o Circuit Board
23	031035-01-000	EA	Gauge - Generator Hourmeter
24	024459-03-000	EA	Gauge - Voltmeter
25	024459-02-000	EA	Bracket - Mounting - Voltmeter Gauge
26	Not illustrated		
27	This part is supplied by your Ford Dealer		

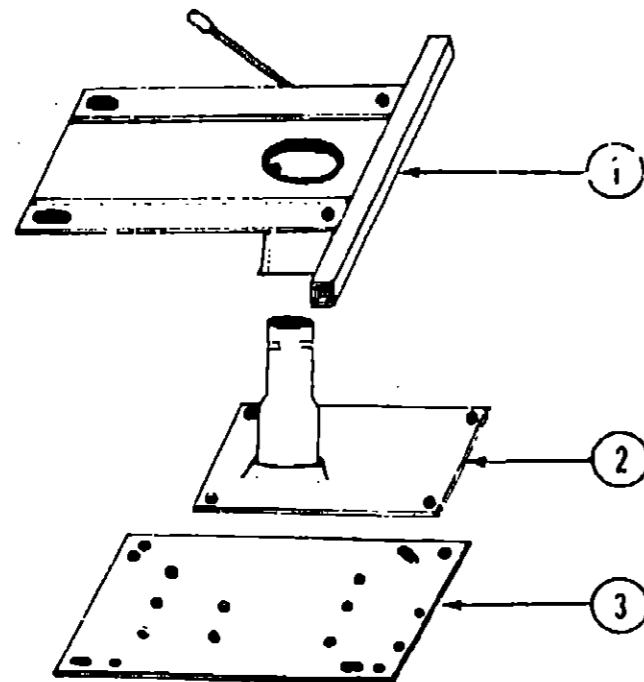
**1986 WINNEBAGO
TABLE OF CONTENTS**

WF426RT
WCN26RH
WCN23RG
WCP26ET

A-01 - C-04
C-05 - E-10
E-11 - G-24
H-01 - J-03

1986 WF426RT INDEX

Floor Plan	A-01 - A-02
Accessories Group	A-03 - A-05
Bath Group	A-06 - A-07
Chassis Group	A-08 - A-09
Curtain, Cushion & Pad Group	A-10 - A-16
Dinette Group	A-17
Driver's Compartment Group	A-18 - A-19
Electrical Group	A-20 - A-22
Exterior Body Group	A-23 - B-04
Galley Group	B-05 - B-06
Heating & Air Conditioning Group	B-07
Interior Finish Group	B-08 - B-10
LP Group	B-11
Lounge Group	B-12 - B-13
Water & Sewage Group	B-14 - B-15
Window, Vent & Exterior Door Group	B-16 - C-04



BUCKET SEAT PEDESTAL & SEAT BELTS

Key	Part Number	U/M	Description
1	069585-04-000	EA	Plate - Top - Pedestal Asm. - Bucket Seat
1	069585-19-000	EA	Plate - Top - Pedestal Asm. - Power Seat
2	069585-03-000	EA	Plate - Sub - Pedestal Asm. - Bucket Seat
2	069585-18-000	EA	Plate - Sub - Pedestal Asm. - Power Seat
3	069585-02-000	EA	Plate - Base - Pedestal Asm. - Bucket Seat
	081373-02-000	EA	Seat - Power
	069585-05-000	EA	Hardware Kit - Bolt/Acorn Nut - 4 ea. - Pedestal Asm.
	056271-02-000	EA	Belt Asm. - Seat - 2" x 72" - Black
	007021-01-000	EA	Belt Asm. - Seat - 2" x 90" - Black
	041322-01-000	EA	Washer - Flat 15/32" I.D. x 2 3/8" O.D. - Seat Belt
	057759-01-000	EA	Bracket - Seat Belt Washer
	069246-01-000	EA	Adjuster Asm. - Seat - w/Lock
	069246-02-000	EA	Adjuster Asm. - Seat - w/o Lock
	080730-01-000	EA	Recliner Drive - Right
	080730-02-000	EA	Recliner Drive - Left
	068601-05-700	EA	Hand Wheel Kit - Recliner Drive
	069585-27-000	EA	Top Plate - Pedestal
	069585-29-000	EA	Bar - Seat Belt - 20"
			Not illustrated

WIRE, SWITCHES & RECEPTACLES

Key	Part Number	U/M	Description
	008058-01-000	EA	Adapter - Power Cord
	008288-01-000	EA	Box - Electrical - 3" x 3.5" - Plastic
	008289-01-000	EA	Box - Electrical - 4" x 4" - 1/2 & 3/4 Steel - UL
	008289-02-000	EA	Box - Electrical - 4" x 4" - 1/2 & 3/4 Steel - CSA
	058049-01-000	EA	Box - Electrical - 2" x 3" x 2.25" - Steel
	041953-01-000	EA	Conduit - Convolute Silt - .5" I.D.
	008353-01-000	EA	Connector - Clamping - 3/8 Cable - UL & CSA
	058028-01-000	EA	Connector - Pigtail - Clear Nylon
	008314-01-000	EA	Connector - Wire Nut - Gray
	008311-01-000	EA	Connector - Wire Nut - Red
	031968-01-000	EA	Contact Plug - Brass - Tin Plated
	031967-01-000	EA	Contact - Receptacle
	008054-01-000	EA	Cord - Power - 10-3 30 Amp. - 25' - UL
	008052-01-000	EA	Cord - Power - 10-3 30 Amp. - 25' - CSA
	069238-01-000	EA	Cover - Electrical Box - 4" x 4"
	058048-01-000	EA	Cover - Electrical Box - 4.5" x 2.75" - Rain Tight (Exterior)
	024571-03-000	EA	Cover Plate - Receptacle - Jumbo - Brown Plastic
	024571-04-000	EA	Cover Plate - Receptacle - Jumbo - Ivory Plastic
	008164-01-000	EA	Cover Plate - Switch - Brown
	008294-01-000	EA	Cover - Flat Blank - 4" x 4" - Steel - US
	008294-02-000	EA	Cover - Flat Blank - 4" x 4" - Steel - CSA
	008250-01-000	EA	Fuse Holder - In Line - 10 Amp.
	008250-02-000	EA	Fuse Holder - In Line - 15 Amp.
	008277-01-000	EA	Fuse Holder - Panel Mount - Black
	064399-01-000	EA	Housing Asm. - Trailer Pin
	064450-01-000	EA	Housing Asm. - Trailer Plug
	064398-01-000	EA	Housing Asm. - Trailer Receptacle
	054532-01-000	EA	Housing Pin - 6 Position
	046885-01-000	EA	Plaque - Mounting Switch
	075736-02-000	EA	Receptacle/Cover Asm. - Off White (Exterior)
	058708-01-000	EA	Receptacle - Duplex - Brown
	008157-01-000	EA	Receptacle - Duplex - Brown (Exterior Backwall)
	058708-02-000	EA	Receptacle - Duplex - Ivory
	053126-01-000	EA	Receptacle - Ground Fault Interrupter - 125 Volt - Ivory
	024924-02-000	EA	Receptacle - Power Cord
	058707-01-000	EA	Receptacle - Single - Brown
	063912-01-000	EA	Relay - Canister SPDT w/Ground
	075723-01-000	EA	Switch - Block Spacer - w/o Holes
	075723-02-000	EA	Switch - Block Spacer - w/Holes
	008162-01-000	EA	Switch - Double Toggle - Brown
	077942-02-000	EA	Switch - Dummy - Brown
	056264-01-000	EA	Switch - Leaf Actuator
	079362-01-000	EA	Switch Plate - 3 Gang - 2 Switches
	079363-01-000	EA	Switch Plate - Single - w/Switches
	079364-01-000	EA	Switch - On/Off Rocker - Brown
	008195-01-000	EA	Switch - Push Button - 12 Volt
	008163-01-000	EA	Switch - Toggle - Brown
	006050-01-000	EA	TV Jack - Ivory
	047443-02-000	EA	Terminal - .250 Receptacle - 12-10 AWG
	035417-01-000	EA	Terminal - Pin Receptacle - .125 Dia.
	008348-01-000	EA	Terminal Ring - 2 - w/3/8 Stud
	008331-01-000	EA	Terminal Ring - 4 - w/3/8 Stud
	008328-01-000	EA	Terminal Ring - 12/10 Wire
	054865-01-000	EA	Wire Asm. - Generator Switch
	008028-01-000	FT	Wire - 18.5 Bonded - Blue/Red/Yellow/Orange/White
	008024-01-000	FT	Wire - 18.5 Bonded - Orange/White/Yellow/Blue/Brown
	008025-01-000	FT	Wire - 18.5 Bonded - Orange/White/Yellow/Blue/Green
	008026-01-000	FT	Wire w/Ground - Romex - 12/2

**1986 WINNEBAGO
TABLE OF CONTENTS**

WF426RT	A-01 - C-04
WCN26RH	C-05 - E-10
WCN23RG	E-11 - G-24
WCP26ET	H-01 - J-03

1986 WF426RT INDEX

Floor Plan	A-01 - A-02
Accessories Group	A-03 - A-05
Bath Group	A-06 - A-07
Chassis Group	A-08 - A-09
Curtain, Cushion & Pad Group	A-10 - A-16
DINETTE Group	A-17
Driver's Compartment Group	A-18 - A-19
Electrical Group	A-20 - A-22
Exterior Body Group	A-23 - B-04
Galley Group	B-05 - B-06
Heating & Air Conditioning Group	B-07
Interior Finish Group	B-08 - B-10
LP Group	B-11
Lounge Group	B-12 - B-13
Water & Sewage Group	B-14 - B-15
Window, Vent & Exterior Door Group	B-16 - C-04

ELECTRICAL GROUP (CONTINUED)

BULBS

Key	Part Number	U/M	Description
	008220-01-000	EA	Bulb - 12V - 25W
	008103-01-000	EA	Bulb - 53
	008213-01-000	EA	Bulb - 57
	008214-01-000	EA	Bulb - 67
	036198-01-000	EA	Bulb - 194
	008215-01-000	EA	Bulb - 1003
	067479-01-000	EA	Bulb - 1076
	063914-01-000	EA	Bulb - 1139
	008218-01-000	EA	Bulb - 1141
	037935-01-000	EA	Bulb - 1157
	056288-02-000	EA	Bulb - 9431808
Key	Part Number	U/M	Description
	008233-01-000	EA	Fuse - 6 Amp. - 12 Volt
	008234-01-000	EA	Fuse - 10 Amp. - 12 Volt
	048893-01-000	EA	Fuse - 13 Amp. - 12 Volt
	008235-01-000	EA	Fuse - 15 Amp. - 12 Volt
	008236-01-000	EA	Fuse - 20 Amp. - 12 Volt
	008248-01-000	EA	Fuse - 30 Amp. - 110 Volt - AGU
	008252-01-000	EA	Fuse - 50 Amp. - 110 Volt
	056473-02-000	EA	Fuse - 5 Amp. - Slow Blow
	056473-01-000	EA	Fuse - 6 1/4 Amp. - Slow Blow
	062901-02-000	EA	Fuse - 5 Amp. - Automotive
	062901-05-000	EA	Fuse - 15 Amp. - Automotive
	008211-01-000	EA	Circuit Breaker - 6 Amp. - 12 Volt
	008208-01-000	EA	Circuit Breaker - 40 Amp. - 12 Volt
	033573-02-000	EA	Circuit Breaker - 15 Amp. - 12 Volt - w/Mount
	033573-01-000	EA	Circuit Breaker - 20 Amp. - 12 Volt - w/Mount
	044466-03-000	EA	Circuit Breaker - 25 Amp. - 12 Volt - w/Mount
	008268-01-000	EA	Circuit Breaker - 30 Amp. - 12 Volt - w/Mount
	040051-01-000	EA	Circuit Breaker - 20 Amp. - 110 Volt - TQL
	008297-01-000	EA	Circuit Breaker - 120 Amp. - TQL
	008293-01-000	EA	Circuit Breaker - 130 Amp. - TQL
	075735-02-000	EA	Circuit Breaker - 15 Amp. - 120 Volt (Ground Fault Interrupter)
	071279-05-000	EA	Circuit Breaker - 20 Amp. - 120 Volt
	071279-04-000	EA	Circuit Breaker - 30 Amp. - 120 Volt
	071279-02-000	EA	Circuit Breaker - 15/15 Amp. - 120 Volt
	071279-03-000	EA	Circuit Breaker - 15/20 Amp. - 120 Volt
	071279-01-000	EA	Circuit Breaker - 15/30 Amp. - 120 Volt
	071279-06-000	EA	Circuit Breaker - 30/15 Amp. - 120 Volt
	071280-01-000	EA	Circuit Breaker Blank

ELECTRICAL GROUP (CONTINUED)

EXTERIOR LIGHTS

Key	Part Number	U/M	Description
	058032-01-000	EA	Tail Lamp Asm. - 2 Bulb - Chrome - Driver/Passenger
	059540-01-000	EA	Bracket - License Plate
	062742-04-000	EA	Wedge - Tail Lamp w/License Plate - Left - Off White
	062740-04-000	EA	Wedge - Tail Lamp - Right - Off White
	042405-03-000	EA	Base - Rectangular Clearance Light
	042405-01-000	EA	Lens - Clearance Light - Red w/Reflex
	042405-04-000	EA	Lens - Clearance Light - Red w/o Reflex
	042405-02-000	EA	Lens - Clearance Light - Amber w/Reflex
	042405-05-000	EA	Lens - Clearance Light - Amber w/o Reflex
	048817-01-000	EA	Assist Handle Asm. w/Light
	079941-01-000	EA	Lamp Asm. - w/Cover - Fog - Amber

INTERIOR LIGHT

Key	Part Number	U/M	Description
	033508-02-000	EA	Light - Dome - Ivory - 1 Bulb - US
	033508-03-000	EA	Light - Dome - Ivory - 1 Bulb - CSA
	033509-02-000	EA	Light - Dome - Ivory - 2 Bulb - US
	033509-03-000	EA	Light - Dome - Ivory - 2 Bulb - CSA
	078424-02-000	EA	Light - Florescent - 12V
	061424-01-000	EA	Light - 12V Receptacle - Aisle - IP
	007309-01-000	EA	Light - Step Well
	072353-07-000	EA	Light - Reading - Single - 360° Swivel - Tan
	056288-01-000	EA	Light - Dome (Driver's Compartment)
	056288-04-000	EA	Lens - Dome Light (Driver's Compartment)
	082686-01-000	EA	Lamp - Table - Brass w/Wood
	082686-02-000	EA	Shade - Table Lamp
	082169-01-000	EA	Light - Make-up - 5 Bulb

MISCELLANEOUS ELECTRICAL COMPONENTS

Key	Part Number	U/M	Description
	008188-01-000	EA	Solenoid - Dual Battery - Relay
	083208-01-000	EA	Convertor - 120 Amp. w/Charger
	071278-01-000	EA	Control Center - 32 Amp.
	071278-01-700	EA	Door w/Catch - Brown
	071278-01-701	EA	Converter Module
	071278-01-702	EA	Label - 45 Amp.
	071278-01-703	EA	Catch - Door

**1986 WINNEBAGO
TABLE OF CONTENTS**

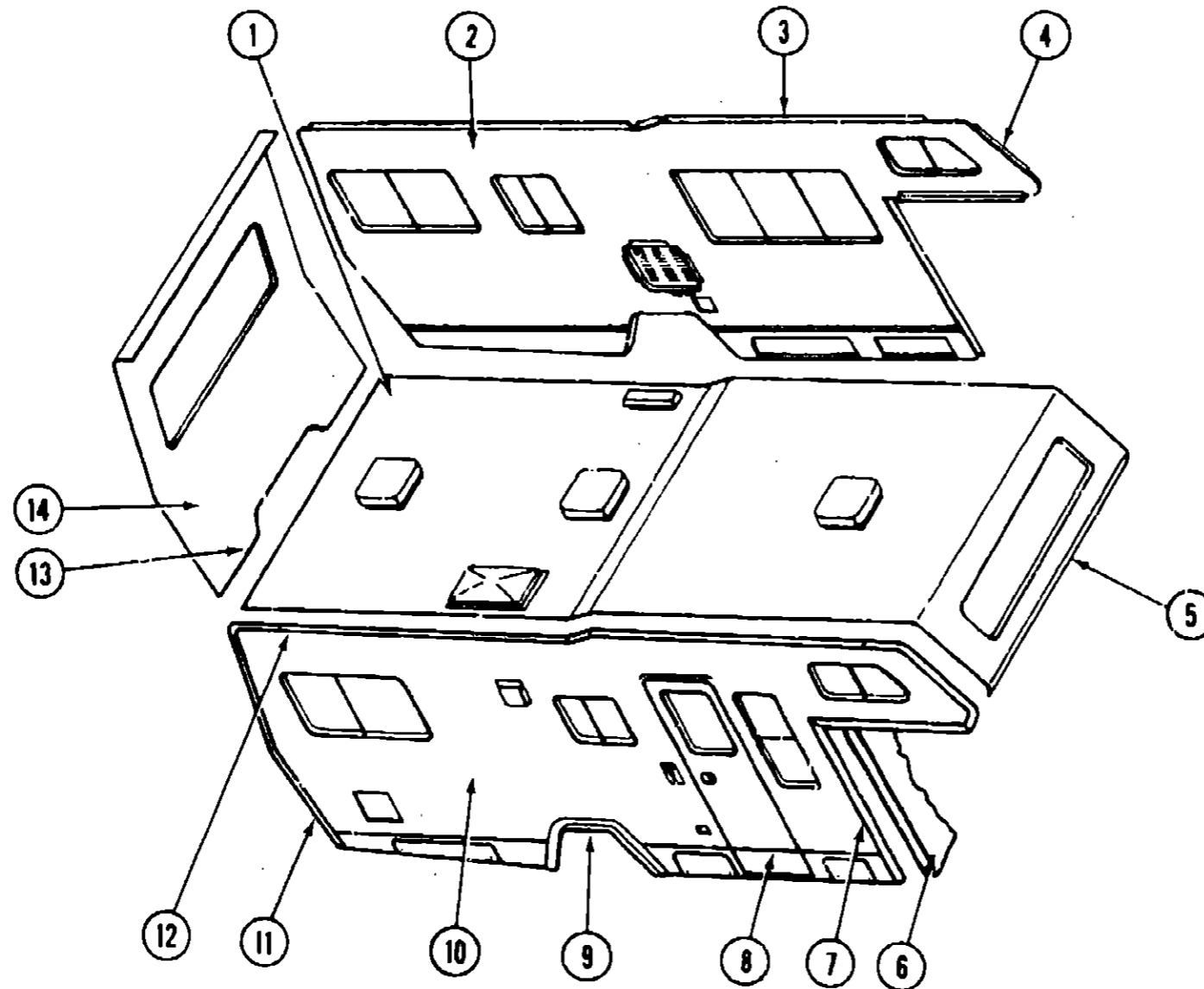
WF426RT	A-01 - C-04
WCN26RH	C-05 - E-10
WCN23RG	E-11 - G-24
WCP26ET	H-01 - J-03

1986 WF426RT INDEX

Floor Plan	A-01 - A-02
Accessories Group	A-03 - A-05
Bath Group	A-06 - A-07
Chassis Group	A-08 - A-09
Curtain, Cushion & Pad Group	A-10 - A-16
Dinette Group	A-17
Driver's Compartment Group	A-18 - A-19
Electrical Group	A-20 - A-22
Exterior Body Group	A-23 - B-04
Galley Group	B-05 - B-06
Heating & Air Conditioning Group	B-07
Interior Finish Group	B-08 - B-10
LP Group	B-11
Lounge Group	B-12 - B-13
Water & Sewage Group	B-14 - B-15
Window, Vent & Exterior Door Group	B-16 - C-04

EXTERIOR BODY GROUP

EXTERIOR BODY PANELS



1986 WINNEBAGO TABLE OF CONTENTS

WF426RT
WCN26RH
WCN23RG
WCP26ET

A-01 - C-17
C-05 - E-10
E-11 - G-24
H-01 - J-03

1986 WF426RT INDEX

Floor Plan	A-01 - A-02
Accessories Group	A-03 - A-05
Bath Group	A-06 - A-07
Chassis Group	A-08 - A-09
Curtain, Cushion & Pad Group	A-10 - A-16
Dinette Group	A-17
Driver's Compartment Group	A-18 - A-19
Electrical Group	A-20 - A-22
Exterior Body Group	A-23 - B-04
Galley Group	B-05 - B-06
Heating & Air Conditioning Group	B-07
Interior Finish Group	B-08 - B-10
L.P. Group	B-11
Lounge Group	B-12 - B-13
Water & Sewage Group	B-14 - B-15
Window, Vent & Exterior Door Group	B-16 - C-04

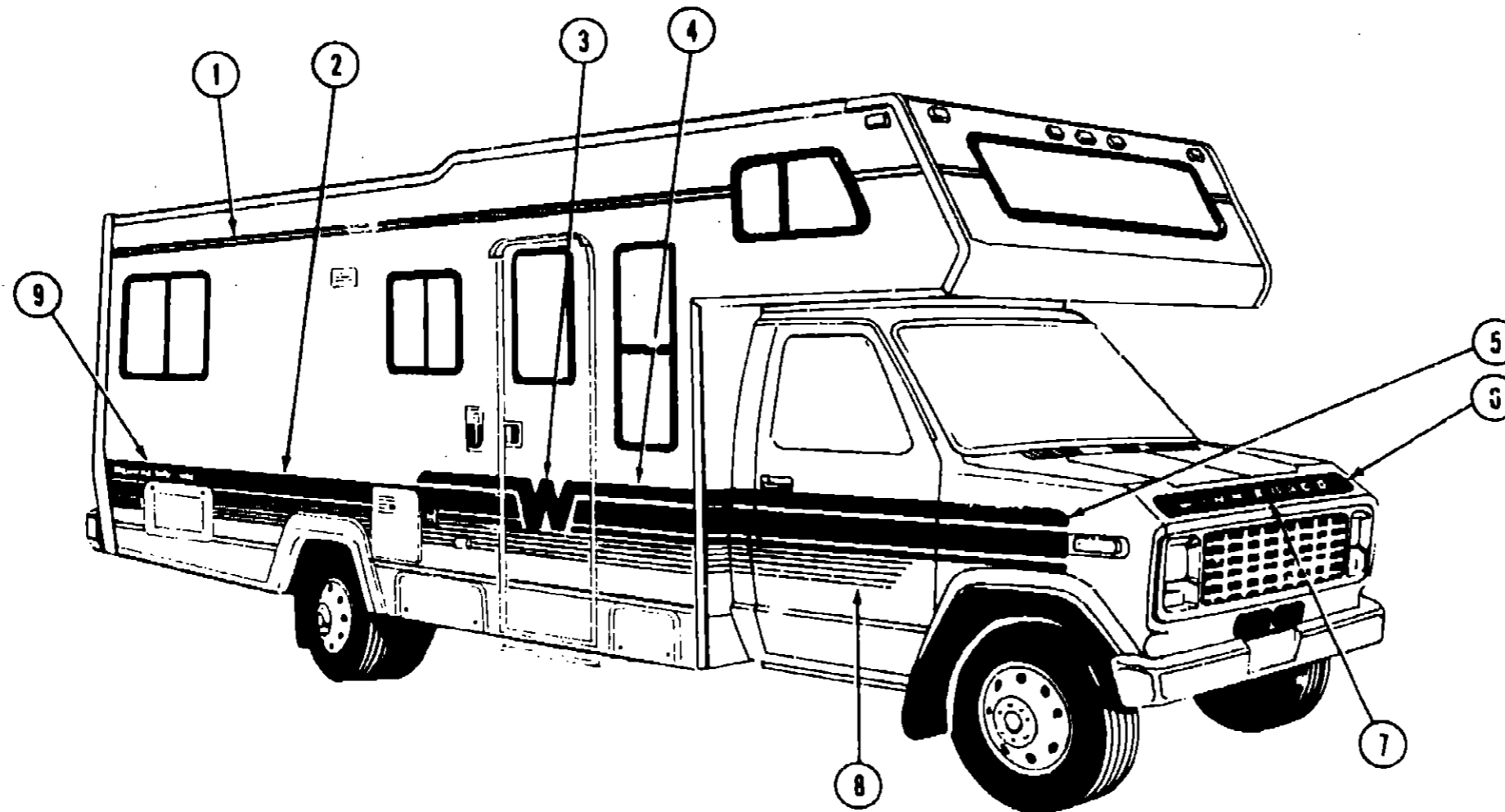
Key	Part Number	U/M	Description
1	M83883-01-U01	EA	Roof Asm.
.	M76177-01-700	EA	Roof Section - Cab Over To First Seam
**2	M83834-01-U01	EA	Sidewall Asm. - Driver
**2	M83834-01-U02	EA	Sidewall Asm. - Driver
**2	M83834-01-U03	EA	Sidewall Asm. - Driver
3	076802-06-000	EA	Trim - Contour - Upper Front - Driver - Off White
.	076802-05-000	EA	Trim - Contour - Upper Front - Passenger - Off White
4	076828-02-000	EA	Trim - Contour - Sleeper - Driver - Off White
.	076828-01-000	EA	Trim - Contour - Sleeper - Passenger - Off White
5	039644-08-00	EA	Trim - Sleeper Board - Front - Off White
6	M81653-01-U01	EA	Wingwall Asm. - Passenger
.	M81653-02-U01	EA	Wingwall Asm. - Driver
7	076975-03-000	EA	Trim - Wingwall Transition - Passenger - Off White
.	076975-04-000	EA	Trim - Wingwall Transition - Driver - Off White
8	002444-01-001	EA	Feature Strip - w/o Insert - Extr. - 14' - Brown
.	009731-01-000	EA	End Cap - Feature Strip
9	075189-01-000	EA	Trim - Wheel Well - Rear Passenger - Off White
.	075189-02-000	EA	Trim - Wheelwell - Rear Driver - Off White
.	080266-06-000	EA	Trim - Wheelwell - Rear Passenger - Extrusion
.	080266-07-000	EA	Trim - Wheelwell - Rear Driver - Extrusion

Key	Part Number	U/M	Description
**10	M83857-01-U01	EA	Sidewall Asm. - Passenger
**10	M83857-01-U02	EA	Sidewall Asm. - Passenger
**10	M83857-01-U03	EA	Sidewall Asm. - Passenger
11	076805-01-000	EA	Trim - Contour - Rear Passenger - Off White
.	076805-02-000	EA	Trim - Contour - Rear Driver - Off White
12	077339-05-000	EA	Trim - Contour - Upper Rear Passenger - Off White
.	077339-06-000	EA	Trim - Contour - Upper Rear Driver - Off White
13	074966-02-000	EA	Trim - Backwall - Lower - Passenger or Driver
**14	M81600-01-U01	EA	Backwall Asm.
.	002365-01-001	EA	U-Channel - Extrusion - 1" x 18'
.	002778-01-001	EA	U-Channel - Extrusion - 1.75" x 16'
.	077514-04-001	EA	Fiberglass Sheet - 48.08" x 259" - Mesa - Off White
.	077517-04-002	EA	Fiberglass Sheet - 48.08" x 60" - Mesa - Off White
.	001054-01-011	EA	Alum. - No Design - 48" x 96" - Off White
.	000868-01-000	SF	Styrofoam - .75" x 24" x 96"
.	000870-01-000	SF	Styrofoam - 1.5" x 24" x 96"
.	000870-03-000	SF	Styrofoam - 1.34" x 48" x 96"
.			Not illustrated

** Note: These parts must be accompanied by a manufacturing date when ordered.

EXTERIOR BODY GROUP (CONTINUED)

LABELS, DECALS & EXTERIOR PAINT



1986 WINNEBAGO TABLE OF CONTENTS

WF426RT
WCN26RH
WCN23RG
WCP26ET

A-01 - C-04
C-05 - E-10
E-11 - G-24
H-01 - J-03

1986 WF426RT INDEX

Floor Plan	A-01 - A-02
Accessories Group	A-03 - A-05
Bath Group	A-06 - A-07
Chassis Group	A-08 - A-09
Curtain, Cushion & Pad Group	A-10 - A-16
Dinette Group	A-17
Driver's Compartment Group	A-18 - A-19
Electrical Group	A-20 - A-22
Exterior Body Group	A-23 - B-04
Galley Group	B-05 - B-06
Heating & Air Conditioning Group	B-07
Interior Finish Group	B-08 - B-10
LP Group	B-11
Lounge Group	B-12 - B-13
Water & Sewage Group	B-14 - B-15
Window, Vent & Exterior Door Group	B-16 - C-04

Key	Part Number	U/M	Description
1	065217-90-000	FT	Film - Multi-Stripe - Light Brown/Brown (U01)
1	065217-89-000	FT	Film - Multi-Stripe - Rust/Burgundy (U02)
1	065217-88-000	FT	Film - Multi-Stripe - Light Green/Green (U03)
2	065217-87-000	FT	Film - Multi-Stripe - Light Brown/Brown (U01)
2	065217-86-000	FT	Film - Multi-Stripe - Rust/Burgundy (U02)
2	065217-85-000	FT	Film - Multi-Stripe - Light Green/Green (U03)
3	079351-06-000	EA	Decal Flying "W" - Brown (U01)
3	079351-05-000	EA	Decal Flying "W" - Burgundy (U02)
3	079351-04-000	EA	Decal Flying "W" - Green (U03)
4	078831-14-000	FT	Decal - Stripling - Light Brown (U01)
4	078831-13-000	FT	Decal - Stripling - Rust (U02)
4	078831-12-000	FT	Decal - Stripling - Light Green (U03)
5	081942-05-000	EA	Decal - Fender - Passenger - Light Brown (U01)
5	081942-03-000	EA	Decal - Fender - Passenger - Rust (U02)
5	081942-01-000	EA	Decal - Fender - Passenger - Light Green (U03)
5	081942-06-000	EA	Decal - Fender - Driver - Light Brown (U01)
5	081942-04-000	EA	Decal - Fender - Driver - Rust (U02)
5	081942-02-000	EA	Decal - Fender - Driver - Light Green (U03)
6	081940-03-000	EA	Decal - Hood - Light Brown (U01)
6	081940-02-000	EA	Decal - Hood - Rust (U02)
6	081940-01-000	EA	Decal - Hood - Light Green (U03)
7	069745-03-000	EA	Decal - "Winnie" - 1.25"
7	069745-04-000	EA	Decal - "Bago" - 1.25"
8	076791-10-000	FT	Film - Multi-Stripe - Brown (U01)
8	076791-09-000	FT	Film - Multi-Stripe - Burgundy (U02)
8	076791-08-000	FT	Film - Multi-Stripe - Green (U03)
9	075478-01-000	EA	Decal - Logo - "Minnie Winnie"
9	050313-22-000	EA	Decal - Logo - "Winnebago" - Chrome

Key	Part Number	U/M	Description
•	068383-01-000	EA	Label - Diesel Fuel
•	006195-01-000	EA	Label - Electrical Test
•	047731-01-000	EA	Label - Emergency Exit
•	006199-01-000	EA	Label - Exit - Emergency Window
•	057467-04-000	EA	Label - Exterior Loading Limit
•	064378-01-000	EA	Label - Flying "W" w/Thermo Panel
•	061417-01-000	EA	Label - Fuel
•	008196-01-000	EA	Label - Gas Test
•	054531-01-000	EA	Label - LP Gas Only
•	040944-01-000	EA	Label - Open - Entrance Door
•	006015-01-000	EA	Label - Patent Motor Home
•	056259-01-000	EA	Label - Safety Check List
•	006064-01-000	EA	Label - Seat - w/o Seat Belts
•	006187-01-000	EA	Label - Sewage
•	006006-01-000	EA	Label - Thermo Panel - 2 1/4" x 2 1/4"
•	075221-01-000	EA	Label - Trailer Hitch Capacity
•	075220-01-000	EA	Label - Warning - Exterior Load Limit
•	077956-01-000	EA	Label - Warning - Smoke Detector
•	050225-01-000	EA	Label - Warning - Stove Vent - US
•	006188-01-000	EA	Label - Waste Water
•	006197-01-000	EA	Label - Water Test
•	072863-01-000	EA	Nameplate - Diesel - 6.2L
•	006062-01-000	EA	Tag - Electrical - 110 Volt Connection
•	006040-01-000	EA	Tag - Gas - Refueling Warning
•	044486-03-000	EA	Paint - Beige Acrylic Enamel - 16 oz. Aerosol (7633A Dupont)
•	045681-03-000	EA	Paint - Gloss Black - Acrylic Enamel - 16 oz. Aerosol (99 Dupont)
•	058637-05-000	EA	Paint - Gray Acrylic Enamel - 16 oz. Aerosol (71537 Dupont)
•	041561-03-000	EA	Paint - Off White Acrylic Enamel - 16 oz. Aerosol (45396A Dupont)
•	074559-01-000	EA	Label "LPG" - 3.3" x 1.75" - (Calif. Code)
•			Not illustrated

B-1

B-2

EXTERIOR BODY GROUP (CONTINUED)

MISCELLANEOUS EXTERNALLY MOUNTED PARTS

Key	Part Number	U/M	Description
	083558-01-000	EA	Plumbing Seal - Roof Vent - 1.5
	048817-01-000	EA	Assist Handle - w/Light
	048817-01-700	EA	Lens - Assist Handle
	010230-02-000	EA	Fill - City Water - Recessed - Off White
	081240-03-000	EA	Water Fill - Lockable - White
	063303-04-000	EA	Shroud - Fuel Fill - Lower
	072447-02-000	EA	Shroud - Fuel Fill
	078021-01-000	EA	Shroud - Fill Neck
	079384-02-000	EA	Running Board Set - w/Wheel Flares
	079384-02-700	EA	Hardware Set - Running Board
	079384-02-701	EA	Riser - Molding Trim
	079384-02-702	EA	Wheel Trim - Chrome

SEALANTS & ADHESIVES

Key	Part Number	U/M	Description
	004020-01-000	QT	Adhesive - ABS Cement (Plastic Fittings)
	002337-01-000	EA	Adhesive - 1300 Tube - 3M (Windows)
	004005-02-000	GL	Adhesive - Swifts - Glue (Sidewalls)
	053766-07-000	EA	Bedding Compound - Tube - Beige (Exterior)
	053766-06-000	EA	Bedding Compound - Tube - Clear (Window)
	053766-05-000	EA	Bedding Compound - Tube - Gray (Exterior)
	053766-05-000	EA	Bedding Compound - Tube - Gray (Sidewalls to Floor)
	053766-02-000	EA	Bedding Compound - Tube - Off White (Exterior)
	002328-02-000	EA	Block - Rubber Spacer (Windshield)
	004356-01-000	EA	Caulk - Latex - Golden Walnut (Sidewalls)
	072891-02-000	QT	Primer - Glass - Black
	072891-01-000	QT	Primer - Glass - Clear
	035024-01-000	EA	Primer - Glass - Clear - Windshield
	072890-01-000	QT	Primer - Metal - Black
	035023-01-000	GL	Primer - Metal - Windshield
	077967-01-000	EA	Sealant - Acrylic Latex - Tube - Off White (Interior Sealant)
	034552-04-000	EA	Sealant - Silicone - Beige
	034552-02-000	EA	Sealant - Silicone - Clear
	034552-07-000	EA	Sealant - Silicone - Dark Gray
	034552-06-000	EA	Sealant - Silicone - Off White
	069837-01-000	EA	Sealant - Weatherban 404 - Tube - White (Door Caulk)
	072889-01-000	EA	Sealant - Urethane - Black (Windshield)
	069640-01-000	FT	Sealer Ribbon - .25" Bead x 20'
	069640-02-000	FT	Sealer Ribbon - .5" x .125" x 30'
	069640-03-000	FT	Sealer Ribbon - .75" x .125" x 30'
	069640-04-000	FT	Sealer Ribbon - 2" x .09" x 45' (P Series)
	069640-05-000	FT	Sealer Ribbon - 2.5" x .09" x 50'
	069640-06-000	FT	Sealer Ribbon - 5/16" Bead x 15'
	069640-07-000	FT	Sealer Ribbon - 2" x 3/32" x 30'
	002316-01-000	FT	Sealer Tape - 3/32" x 3/8" - White (Window)
	002707-01-000	FT	Sealer Tape - 5/16" x 3/4"
	002707-02-000	FT	Sealer Tape - 5/16" x 1/2"
	040545-01-000	GL	Sealer - Seam Weld
	053752-04-000	EA	Seam Sealer - Tube - Aluminum (Roof)
	063642-01-000	FT	Tape - Adhesive - 10 mil. x 1.5" Wide
	038885-01-000	EA	Tape - Butyl - 31" x .31" x 148" (Windshield)
	076322-01-000	FT	Tape - Foam - Double Coated - .025 x 1" (Fiberglass Sidewall Seams)
	076322-02-000	FT	Tape - Foam - Double Coated - .045 x 1" (Fiberglass Sidewall Seams)
	009200-01-000	EA	Tape - Furnace - 1.5"
	002825-01-000	FT	Weather Striping (Roof Vent)

EXTERIOR BODY GROUP (CONTINUED)

INTERIOR/EXTERIOR SCREWS & FASTENERS

Key	Part Number	U/M	Description
	005200-01-000	EA	Bolt - Round Head - Square Neck w/SST Cap - 7/16" - 14 x 1 1/4"
	058279-01-000	EA	Clip - Mounting - Front Panel
	035628-01-000	EA	Fastener - Blind Well Nut - 1.05" x .38"
	000D15-06-00B	EA	Nut - Hex - 3/8" x 24 - Zinc
	005081-01-000	EA	Nut - Speed - C Type - #8 Screw
	000G54-04-20B	EA	Screw 1/4 - 20 x 1 1/4" PTH - Zinc
	000G54-04-22B	EA	Screw 1/4 - 20 x 1 3/8" PTH - Zinc
	000G53-04-06B	EA	Screw 1/4 - Machine - 20 x 3/8" PTH - Zinc
	000G13-06-12P	EA	Screw #6 - 20 x 3/4" PPH - Dark Brown
	000G13-06-28X	EA	Screw #6 - 20 x 3/4" PFH - Gray
	000G13-06-16R	EA	Screw #6 - 20 x 1" PFH - Beige
	000G11-07-08B	EA	Screw #7 - 19 x 1/2" PPH - Zinc
	000G12-08-12M	EA	Screw #8 - 18 x 3/4" POH - Gray
	000G11-08-12R	EA	Screw #8 - 18 x 3/4" PPH - Beige
	000G11-08-12X	EA	Screw #8 - 18 x 3/4" PPH - Gray
	000G11-08-12B	EA	Screw #8 - 18 x 3/4" PPH - Zinc
	000G39-08-12R	EA	Screw #8 - 18 x 3/4" SDPH - Beige
	000G66-08-12M	EA	Screw #8 - 18 x 3/4" SDPH - Gray
	000G11-08-16R	EA	Screw #8 - 18 x 1" PFH - Gray
	000G66-08-16R	EA	Screw #8 - 18 x 1" SDPH - Beige
	000G12-08-28R	EA	Screw #8 - 18 x 1 3/4" POH - Beige
	000G36-08-08E	EA	Screw #8 - 32 x 1/2" PFH - Chrome
	000G39-08-08B	EA	Screw #8 - Self Drilling - 18 x 1/2" PPH - Zinc
	000G39-08-12B	EA	Screw #8 - Self Drilling - 18 x 3/4" PPH - Zinc
	000G39-08-12R	EA	Screw #8 - Self Drilling - 18 x 3/4" PPH - Beige
	000G39-08-16R	EA	Screw #8 - Self Drilling - 18 x 1" PPH - Beige
	000G39-08-16T	EA	Screw #8 - Self Drilling - 18 x 1" PPH - Black
	000G39-08-16P	EA	Screw #8 - Self Drilling - 18 x 1" PPH - Dark Brown
	000G39-08-16X	EA	Screw #8 - Self Drilling - 18 x 1" PPH - Gray
	000G39-08-16E	EA	Screw #8 - Self Drilling - 18 x 1" PPH - Chrome
	000G64-06-16M	EA	Screw #8 - Self Drilling - 18 x 1" SDPH - Gray
	000G67-10-08B	EA	Screw #10 - 12 x 1/2" PPH - Zinc
	000G67-10-10R	EA	Screw #10 - 12 x 5/8" PPH - Beige
	000G67-10-16P	EA	Screw #10 - 12 x 1" PPH - Dark Brown
	000G67-10-16B	EA	Screw #10 - 12 x 1" PPH - Zinc
	000G67-10-20B	EA	Screw #10 - 12 x 1 1/4" - PPH - Zinc
	000G67-10-24B	EA	Screw #10 - 12 x 1 1/2" PPH - Zinc
	049465-04-000	EA	Screw #10 - 16 x 1" POH - w/Washer - Beige
	049465-05-000	EA	Screw #10 - 16 x 1" POH - w/Washer - Gray
	000G12-10-24E	EA	Screw #10 - 16 x 1 1/2" POH - Chrome
	000G11-10-08D	EA	Screw #10 - 16 x 1/2" PPH - Dark Brown
	000G11-10-12R	EA	Screw #10 - 16 x 3/4" PPH - Beige
	000G11-10-12S	EA	Screw #10 - 16 x 3/4" PPH - Off White
	000G11-10-12B	EA	Screw #10 - 16 x 3/4" PPH - Zinc
	000G11-10-16B	EA	Screw #10 - 16 x 1" PPH - Zinc
	000G11-10-40B	EA	Screw #10 - 16 x 2 1/2" PPH - CAD
	000G19-10-12B	EA	Screw #10 - Machine - 32 TPI x 3/4"
	075908-01-000	EA	Screw #10 - Machine - 32 x .56" PTH - Zinc
	000G19-10-20B	EA	Screw #10 - Machine - 32 x 1 1/4" PPH - Zinc
	000G39-12-12E	EA	Screw #10 - Self Drilling - 14 x 3/4" PPH - Chrome
	000G39-10-10R	EA	Screw #10 - Self Drilling - 16 x .62" PPH - Beige
	000G39-10-12R	EA	Screw #10 - Self Drilling - 16 x 3/4" PPH - Beige
	000G39-10-12P	EA	Screw #10 - Self Drilling - 16 x 3/4" PPH - Dark Brown
	000G56-12-48C	EA	Screw #12 - Wood - 11 x 3" POH - CAD

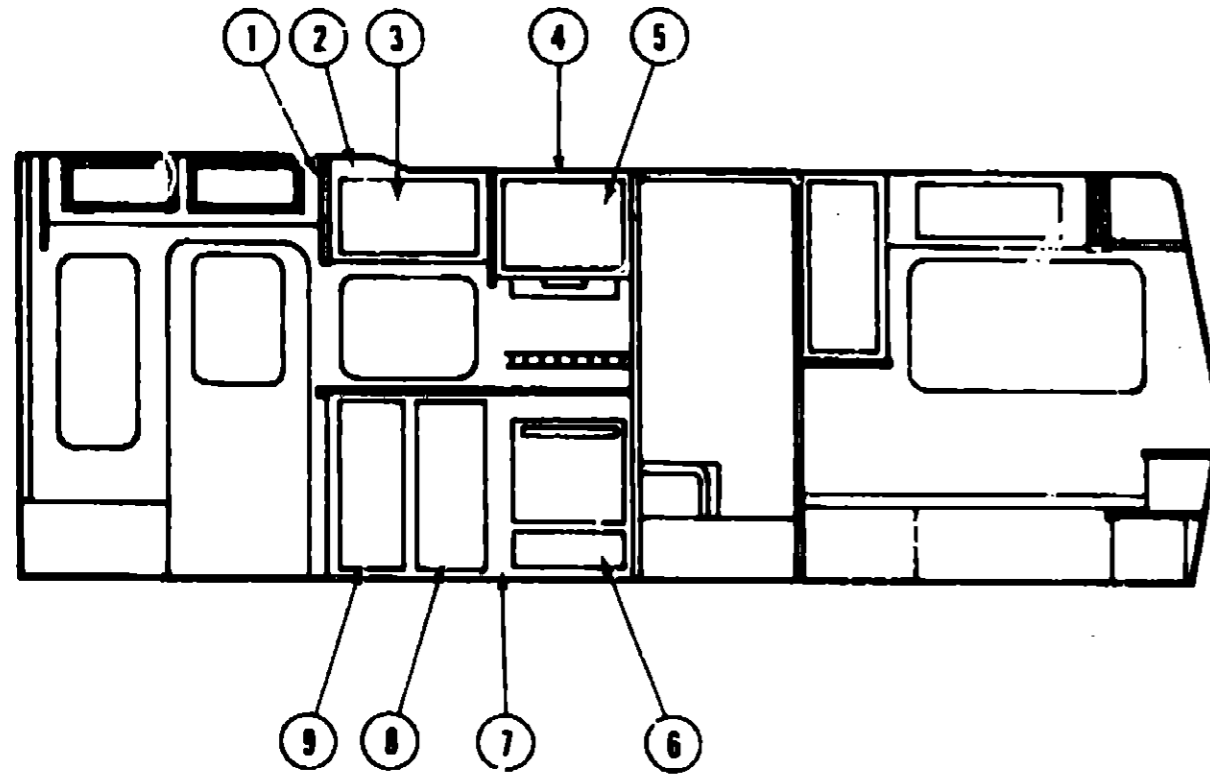
**1986 WINNEBAGO
TABLE OF CONTENTS**

WF426RT	A-01 - C-04
WCN26RH	C-05 - E-10
WCN23RG	E-11 - G-24
WCP26ET	H-01 - J-03

1986 WF426RT INDEX

Floor Plan	A-01 - A-02
Accessories Group	A-03 - A-05
Bath Group	A-06 - A-07
Chassis Group	A-08 - A-09
Curtain, Cushion & Pad Group	A-10 - A-16
Dinette Group	A-17
Driver's Compartment Group	A-18 - A-19
Electrical Group	A-20 - A-22
Exterior Body Group	A-23 - B-04
Galley Group	B-05 - B-06
Heating & Air Conditioning Group	B-07
Interior Finish Group	B-08 - B-10
LP Group	B-11
Lounge Group	B-12 - B-13
Water & Sewage Group	B-14 - B-15
Window, Vent & Exterior Door Group	B-16 - C-04

GALLEY GROUP



GALLEY CABINETRY

Key	Part Number	U/M	Description
1	081280-06-U01	EA	Pad Asm. - End Cap - Galley Overhead - Vinyl
2	083916-01-U01	EA	Cabinet Asm. - Galley Overhead - w/o Doors or Hardware
3	M81523-02-U01	EA	Door Asm. - Galley Overhead - w/o Hardware
4	081581-03-U01	EA	Cabinet Asm. - Galley Overhead - w/o Door or Hardware
5	M81523-01-U01	EA	Door Asm. - Galley Overhead - w/o Hardware
6	M81507-02-U01	EA	Door Asm. - Galley Cabinet - Furnace - w/o Hardware
7	M83886-01-U01	EA	Cabinet Asm. - Galley - w/o Countertop, Doors, Drawers or Hardware
**	M83886-03-U01	EA	Cabinet Asm. - Galley - w/o Countertop, Doors, Drawers, or Hardware
**	M82184-01-U01	EA	Drawer Asm. - Galley Cabinet - w/o Hardware
*	M02635-01-U01	EA	Countertop Asm. - Galley
8	M81501-03-U01	EA	Door Asm. - Galley Cabinet - w/o Hardware
9	M81501-02-U01	EA	Door Asm. - Galley Cabinet - w/o Hardware
*	077404-01-000	EA	Drawer - Plastic - 20" x 12.7"

* Not illustrated

**Parts used with Microwave Option

GALLEY GROUP (CONTINUED)

GALLEY HARDWARE & APPLIANCES

Key	Part Number	U/M	Description
	079352-01-000	EA	Hood - Range - Non-Powered w/Light - Almond
**	079353-01-000	EA	Hood - Range - Powered w/Monitor - Almond - US
	079353-02-000	EA	Hood - Range - Powered w/Monitor - Almond - CSA
	075470-04-000	EA	Duct Extension - Hood Range
	055282-02-000	EA	Range w/Small Oven - 4 Burner - Almond - Magic Chef
	055282-02-700	EA	Frame - Door - Upper
	055282-02-701	EA	Frame - Door - Lower
	055282-02-702	EA	Glass - Door Front
	055282-02-703	EA	Panel Door - Black
	081374-01-000	EA	Range Top - 4 Burner - Almond
	081374-01-700	EA	Trim - Cab Top - Right
	081374-01-701	EA	Trim - Cab Top - Left
	081374-01-702	EA	Manifold Panel - Black
	081374-01-703	EA	Top Trim - Rear
	081374-01-704	EA	Fabric - Guard
**	064473-02-000	EA	Refrigerator - AC/DC/Gas - Norcold 6' - 776-EG3
**	075217-01-000	EA	Refrigerator - AC/DC/Gas - Norcold 8' - 838-EG3
**	075218-01-000	EA	Refrigerator - 3 Way - 10' Norcold
	054450-01-000	EA	Level - Refrigerator
	081379-01-000	EA	Microwave Oven - Sharp - Convection
	081459-01-000	EA	Bracket Asm. - Microwave - Right
	081459-02-000	EA	Bracket Asm. - Microwave - Left
	081555-01-T03	EA	Trim Ring - Microwave
	081456-01-000	EA	Angle Asm. - Microwave - Right
	081456-02-000	EA	Angle Asm. - Microwave - Left
	082876-01-000	EA	Baffle - Microwave
	075922-04-000	EA	Air Exhaust Duct - Microwave
	068615-01-000	EA	Sink - Stainless Steel - Double w/Bolts
**	011053-01-000	EA	Faucet - Swing Spout - 8" - US
**	011053-02-000	EA	Faucet - Swing Spout - 8" - CSA
**	011053-01-700	EA	Aerator - Swing Spout Faucet
	066437-01-000	EA	Strainer w/Basket - Sink
	081530-01-000	EA	Sink Cover - Large
	009049-01-000	EA	Support - Drop Leaf Table
	009059-01-000	EA	Hinge - 2" - Gold - Drop Leaf Table
	074490-01-000	EA	Spice Rack - Oak
	074491-01-000	EA	Magazine Rack - Oak
	074981-01-000	EA	Cutting Board - Maple
	058334-01-000	EA	Wastebasket - 9 3/4" x 7" x 10" - White
	058478-01-000	EA	Support - Wastebasket - Metal - Door Mount
	059777-01-000	EA	Hinge - Cabinet Door - Antique Brass
**	057898-01-000	EA	Hidden Latch w/Strike - Cabinet Door
	047744-01-000	EA	Kit - Drawer Guide - Plastic
	077409-01-000	EA	Slide - Drawer - 20.75" - Plastic
	077404-01-000	EA	Drawer - 20" x 12.70" - Plastic
	060435-01-000	EA	Nut Strainer
	011083-01-000	EA	Plug - 1 1/4" x 5" - w/ Stopper

** The illustrated parts breakdown for this item is provided on the Common Items Fiche.

1986 WINNEBAGO TABLE OF CONTENTS

WF426RT	A-01 - C-04
WCN26RH	C-05 - E-10
WCN23RG	E-11 - G-24
WCP26ET	H-01 - J-03

1986 WF426RT INDEX

Floor Plan	A-01 - A-02
Accessories Group	A-03 - A-05
Bath Group	A-06 - A-07
Chassis Group	A-08 - A-09
Curtain, Cushion & Pad Group	A-10 - A-16
Dinette Group	A-17
Driver's Compartment Group	A-18 - A-19
Electrical Group	A-20 - A-22
Exterior Body Group	A-23 - B-04
Galley Group	B-05 - B-06
Heating & Air Conditioning Group	B-07
Interior Finish Group	B-08 - B-10
LP Group	B-11
Lounge Group	B-12 - B-13
Water & Sewage Group	B-14 - B-15
Window, Vent & Exterior Door Group	B-16 - C-04

HEATING & AIR CONDITIONING GROUP

AUTOMOTIVE HEATER & AIR CONDITIONER

Key	Part Number	U/M	Description
	079373-03-000	EA	A/C - Compressor Mount Package - 460 Gas
	072343-01-000	EA	A/C - Compressor/Clutch - Sankyo 510
	073716-01-000	EA	A/C - Condensor Asm. - "C" - Tube O
	073716-01-700	EA	Coil Condenser
	073716-01-701	EA	Receiver Drier
	073716-01-702	EA	Hose Assy. #6
	073716-01-703	EA	Hose Assy. #8
	079372-01-000	EA	A/C - Evaporator Asm. - Cutaway
	079372-01-700	EA	Evaporator Coil
	079372-01-701	EA	Expansion Valve
	079372-01-702	EA	Blower
	079372-01-703	EA	Blower Motor
	079372-01-704	EA	Motor Mount
	079372-01-705	EA	Blower Wheel
	079372-01-706	EA	Hose Assy. #6 - Liquid
	079372-01-707	EA	Hose Assy. #10 - Suction
	072341-01-716	EA	Valve Discharge
	072341-01-704	EA	Valve Section
	079372-01-708	EA	Thermostat
	079372-01-709	EA	Blower Switch
	079372-01-710	EA	Decal - Control Panel
	079372-01-711	EA	Plenum
	079372-01-712	EA	Lower
	079372-01-713	EA	Harness Wiring
	079372-01-714	EA	Switch - Snap Action
	079372-01-715	EA	Power - Jumper
	079372-01-716	EA	Plate - Control
	079372-01-717	EA	Valve - Clamp
	079372-01-718	EA	Lower - Escutcheon
	079372-01-719	EA	Lower - Escutcheon - Assy.
	007108-01-000	FT	Hose - Heater - 5/8" I.D. SAE 20R
	084405-01-000	EA	Rear Heater Asm.
	062401-04-000	EA	Clamp - Worm Drive - .69" - 1.25 I.D.

FURNACES & ROOF AIR CONDITIONER

Key	Part Number	U/M	Description
**	075696-01-000	EA	Furnace - 34,000 BTU - w/Direct Ignition - NT-34S
**	075695-01-000	EA	Furnace - 24,000 BTU - w/Direct Ignition - NT-24S
	009198-01-000	FT	Duct - Flexible - 4" I.D. x 25'
	056464-01-000	EA	Register - 4" Dia. - Plastic - w/Damper
	056462-02-000	EA	Register - 4" Dia. - Plastic - w/o Damper
	009200-01-000	EA	Tape - Furnace - 1 1/2"
	010326-01-000	EA	Adapter - Flare - w/Cone Gasket
	023146-01-000	EA	Clamp - Screw Type - 4"
**	073743-01-000	EA	Shroud Asm. - Ceiling - Inside - Roof Air Cool Only - 13,500 BTU
**	073744-01-000	EA	Shroud Asm. - Ceiling - Inside - Roof Air Heat & Cool - 13,500 BTU
**	073742-01-000	EA	Air Conditioner - 110 Volt & Roof Mount - 13,500 BTU Rotary

** The illustrated parts breakdown for this item is provided on the Common Items Fiche.

INTERIOR FINISH GROUP

INTERIOR MOLDING & TRIM

Key	Part Number	U/M	Description
	009812-15-000	EA	Molding - Plastic - Outside Corner - 1/2"
	042357-09-000	FT	Molding - Radius Corner - 7' Elm
	022992-01-000	FT	Molding - Reverse Cove - White
	022992-09-000	FT	Molding - Reverse Cove - Grady Brown
	069733-37-000	EA	Batt Strip - Sunset Oak - 8' (Lounge)
	069733-57-000	EA	Batt Strip - Encore - 8" (Bedroom & Bath)
	069733-62-000	EA	Batt Strip - Pebble Beach - 8' (Ceiling)
	067733-61-000	EA	Batt Strip - Threads - 8' (Galley)
	070504-01-000	FT	U-Channel - .065" - Light Brown
	070504-02-000	FT	U-Channel - .815" - Light Brown
	070504-03-000	FT	U-Channel - .815" - Grady Brown
	009778-04-000	FT	U-Channel - 1" - Grady Brown
	009815-03-000	FT	T-Molding - .75" - Light Brown
	009815-04-000	FT	T-Molding - .75" - Grady Brown
	075249-01-000	EA	Rail Asm. - Plain - 72"
	075250-01-000	EA	Corner Post - 1" x 1" x 2 1/2" - Oak
	078026-21-T03	EA	Trim - Valance - 82"
	002774-02-001	EA	Trim - Carpet - 192"
	009767-06-000	FT	Wetling - Beige
	009767-07-000	FT	Wetling - Grady Brown
	074045-01-000	EA	Plug - 1/2" Dia. - Oak
	041746-01-000	FT	Vinyl - Extr. - Bubble Seal

* This part was used on units produced before 5/5/86.

CABINETS & TABLE HARDWARE

Key	Part Number	U/M	Description
	053200-05-000	EA	Bracket - Upper Wall Mount - 23.5" - Beige
**	053201-03-000	EA	Bracket - Table Mount - 23"
	024275-08-000	EA	Rod - Table Lift - 8" x 23.5" - Brown
	024281-07-000	EA	Bracket - Lower Wall Mount - 22.12" - Beige
	024276-14-000	EA	Leg Asm. - Table - 26.5" - Brown
**	064050-01-000	EA	Hinge - Table Leg
**	024282-01-000	EA	Brace - Table Leg
**	024283-01-000	EA	Clip - 1" O.D. Tube
**	049493-02-000	EA	Catch - Table Leg - Mounts on Floor - Brown
**	057898-01-000	EA	Latch - Hidden - Cabinet Door w/Strike
	009112-01-000	EA	Flange - 1" - Chrome - Closet Rod
	077409-01-000	EA	Slide - Drawer - Plastic - 20.75"
	009049-01-000	EA	Table Support - Drop Leaf
	053331-01-000	EA	Hinge - Antique Brass
	009059-01-000	EA	Hinge - 2" - Drop Leaf Table - Gold
	009059-02-000	EA	Hinge - 2" - Brass
**	047744-01-000	EA	Kit - Drawer Glide
	057671-01-000	EA	Screw Cover - #8 - Off White
	072369-02-000	EA	Mesh - Grille - 13.80" x 8.80" - Gold Aluminum
	009150-01-000	EA	Warp Guard - 64"
	009021-01-000	EA	Catch - Nylon - Furnace Door
**	009021-02-000	EA	Strike - Nylon Catch - Furnace Door
**	041939-01-000	EA	Hinge Kit - Double Acting - Overhead Door
	074493-02-000	EA	Support - Sprung - Door
	066433-01-000	EA	Hook - Cup - Bright
	058034-02-000	EA	Latch - Door w/o Lock - Sliding Door
	075687-02-000	EA	Knob - Bath Door
	075680-01-000	EA	Clothes Rod - Adjustable - 27" x 36"
	064467-01-000	EA	Guide - Wall Mount - Door Pocket
	076767-03-000	EA	Cable Asm. - SST (TV Table)
	078212-01-000	EA	Pull - Brass w/Dark Oak - Cabinet
	077461-01-000	EA	Cover - Strike

** The illustrated parts breakdown for this item is provided on the Common Items Fiche.

1986 WINNEBAGO TABLE OF CONTENTS

WF426RT	A-01 - C-04
WCN26RH	C-05 - E-10
WCN23RG	E-11 - G-24
WCP26ET	H-01 - J-03

1986 WF426RT INDEX

Floor Plan	A-01 - A-02
Accessories Group	A-03 - A-05
Bath Group	A-06 - A-07
Chassis Group	A-08 - A-09
Curtain, Cushion & Pad Group	A-10 - A-16
Dinette Group	A-17
Driver's Compartment Group	A-18 - A-19
Electrical Group	A-20 - A-22
Exterior Body Group	A-23 - B-04
Galley Group	B-05 - B-06
Heating & Air Conditioning Group	B-07
Interior Finish Group	B-08 - B-10
LP Group	B-11
Lounge Group	B-12 - B-13
Water & Sewage Group	B-14 - B-15
Window, Vent & Exterior Door Group	B-16 - C-04

INTERIOR FINISH GROUP (CONTINUED)

PANELING & COUNTERTOP MATERIAL

Key	Part Number	U/M	Description
	074496-03-000	SF	Paneling - Decor - Sunset Oak - 48" x 84" (28 SF) (Cabinets & Wall)
	074496-31-000	SF	Paneling - Decor - Encore - 48" x 84" (28 SF) (Bedroom & Bath)
	074496-38-000	SF	Paneling - Decor - Paw Paw - Plum - 48" x 84" (28 SF) (Galley) (U01, U02)
	074496-39-000	SF	Paneling - Decor - Paw Paw - Pine - 48" x 84" (28 SF) (Galley) (U03)
	074497-07-000	SF	Paneling - Pebble Beach - 48" x 96" (32 SF) (Ceiling)
	074498-05-000	SF	Plastic Laminate - Sunset Oak - 48" x 96" (32 SF) (Nightstand)
	074498-05-019	EA	Plastic Laminate - Sunset Oak - 1.19" x 96"
	076325-04-000	FT	Molding - Edge Band - Sunset Oak - 1 5/16" x .030"
	074498-08-000	SF	Plastic Laminate - Fawn - 48" x 96" (32 SF) (Dinette Table) (U01, U02)
	074498-08-019	EA	Plastic Laminate - Fawn - 1.19" x 96"
	076325-08-000	FT	Molding - Edge Band - Fawn - 1 5/16" x .030"
	074498-14-000	SF	Plastic Laminate - Sage Green - 48" x 96" (32 SF) (Dinette Table) (U03)
	074498-14-019	EA	Plastic Laminate - Sage Green - 1.19" x 96"
	076325-10-000	FT	Molding - Edge Band - Sage Green - 1 5/16" x .030"
	074496-06-000	SF	Plastic Laminate - Beige Crescent - 48" x 96" (32 SF) (Galley)
	074498-06-019	EA	Plastic Laminate - Beige Crescent - 1.19" x 96"

The part was used on units produced before 5/5/86.

FABRICS & CARPET

Key	Part Number	U/M	Description
	072333-25-000	YD	Fabric - Drapery - Toast (U01)
	072333-26-000	YD	Fabric - Drapery - Mauve (U02)
	072333-27-000	YD	Fabric - Drapery - Teal (U03)
	077498-62-000	YD	Fabric w/Pattern - Main - Truffle (U01)
	077498-63-000	YD	Fabric w/Pattern - Main - Rosewood (U02)
	077498-64-000	YD	Fabric w/Pattern - Main - Spruce (U03)
	077498-75-000	YD	Fabric w/Pattern - Accent - Primrose (U02)
	077498-74-000	YD	Fabric w/Pattern - Accent - Sagebrush (U03)
	077498-75-000	YD	Fabric - Upholstery Accent - Plain - Truffle (U01, U03)
	077498-72-000	YD	Fabric - Upholstery Accent - Plain - Rosewood (U02)
	069729-43-000	YD	Fabric - Bedspread/Drapery - Encore (Striped)
	072333-21-000	YD	Fabric - Bedspread - Parchment
	068729-41-000	YD	Fabric - Bedspread/Drapery - Earth (U01, U02)
	063729-36-000	YD	Fabric - Bedspread - Seafoam (U03)
	072333-24-000	YD	Fabric - Drapery - Seafoam (U03)
	038421-01-000	YD	Fabric - Mattress Ticking
	029012-01-000	BF	Foam - Rolled - 3/8"
	079680-01-000	YD	Vinyl - Expanded - 26 oz. - Buckskin
	079680-02-000	YD	Vinyl - Expanded - 26 oz. - Dark Sandrift
	072860-43-000	YD	Carpet - Beige (U01)
	072860-44-000	YD	Carpet - Red/Brown (U02)
	072860-45-000	YD	Carpet - Green/Blue (U03)

INTERIOR FINISH GROUP (CONTINUED)

MISCELLANEOUS PARTS

Key	Part Number	U/M	Description
	053552-02-T03	EA	Handle Asm. - Interior Assist - Medium Almond Vinyl
	041944-03-000	EA	Fire Extinguisher - w/Bracket
	054185-24-000	EA	Owner's Manual - 1986 Itasca & Winnebago
	007038-01-000	EA	Door Mat - 10 1/2" x 26" - Black Rubber
	075907-01-000	EA	Picture - Decor - Assorted Grasses

CURTAIN & CUSHION HARDWARE

Key	Part Number	U/M	Description
	052327-05-009	EA	Track - Curtain - 76" - Beige
	056116-01-000	FT	Track - Curtain - Brown Plastic
	075477-02-000	EA	Bracket - Blinds Retainer
	075477-03-000	EA	Bracket - Hold Down - Blinds
	082228-01-000	EA	Bracket - Curtain Rod - Right
	082228-02-000	EA	Bracket - Curtain Rod - Left
	056003-02-000	EA	Bracket - Drapery Retainer - Left
	056003-01-000	EA	Bracket - Drapery Retainer - Right
	056001-01-000	EA	Bracket - Shade - Left
	056002-01-000	EA	Bracket - Shade - Right
	076827-01-000	EA	Bracket - Curtain - Woven Wood - Right
	076827-02-000	EA	Bracket - Curtain - Woven Wood - Left
	079798-03-000	EA	Bracket Asm. - Curtain Rod - Right
	079798-04-000	EA	Bracket Asm. - Curtain Rod - Left
	082249-01-000	EA	Bracket - Blinds - Beige - Right
	082249-02-000	EA	Bracket - Blinds - Beige - Left
	079619-01-000	EA	Bracket - Tie Down
	039175-01-000	EA	Curtain Rod - Extension - 48" x 84"
	009107-01-000	EA	Guide - Nylon Snap - Curtain
	056784-01-000	EA	Pull - Window Shade - Antique Brass
	056115-01-000	YD	Tape - Clear Plastic - w/Gulde
	048394-01-000	YD	Tape - Hook - 1" x 25 YD - Beige
	029096-05-000	YD	Tape Hook - .50" - Velcro - Beige
	048395-01-000	YD	Tape Loop - 1" x 25 YD - Beige
	029090-01-000	FT	Tie - Drapery - Clear Vinyl

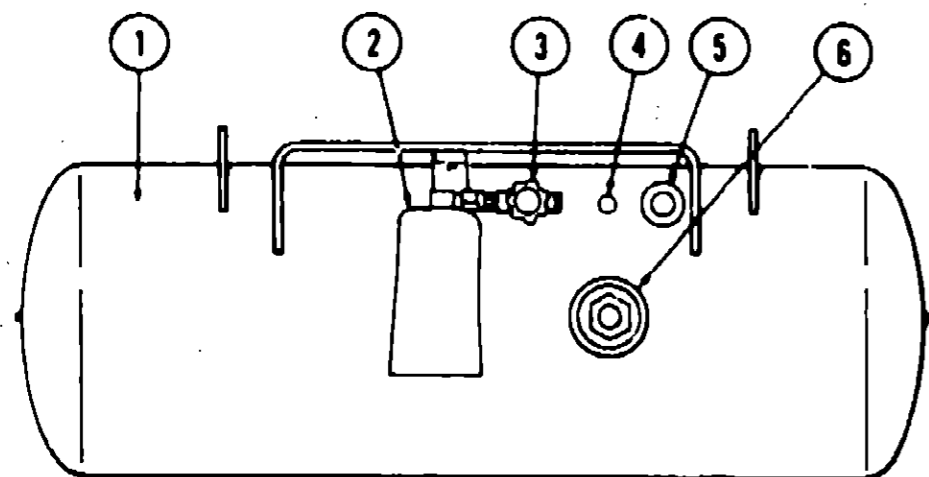
**1986 WINNEBAGO
TABLE OF CONTENTS**

WF426RT	A-01 - C-04
WCN26RH	C-05 - E-10
WCN23RG	E-11 - G-24
WCP26ET	H-01 - J-03

1986 WF426RT INDEX

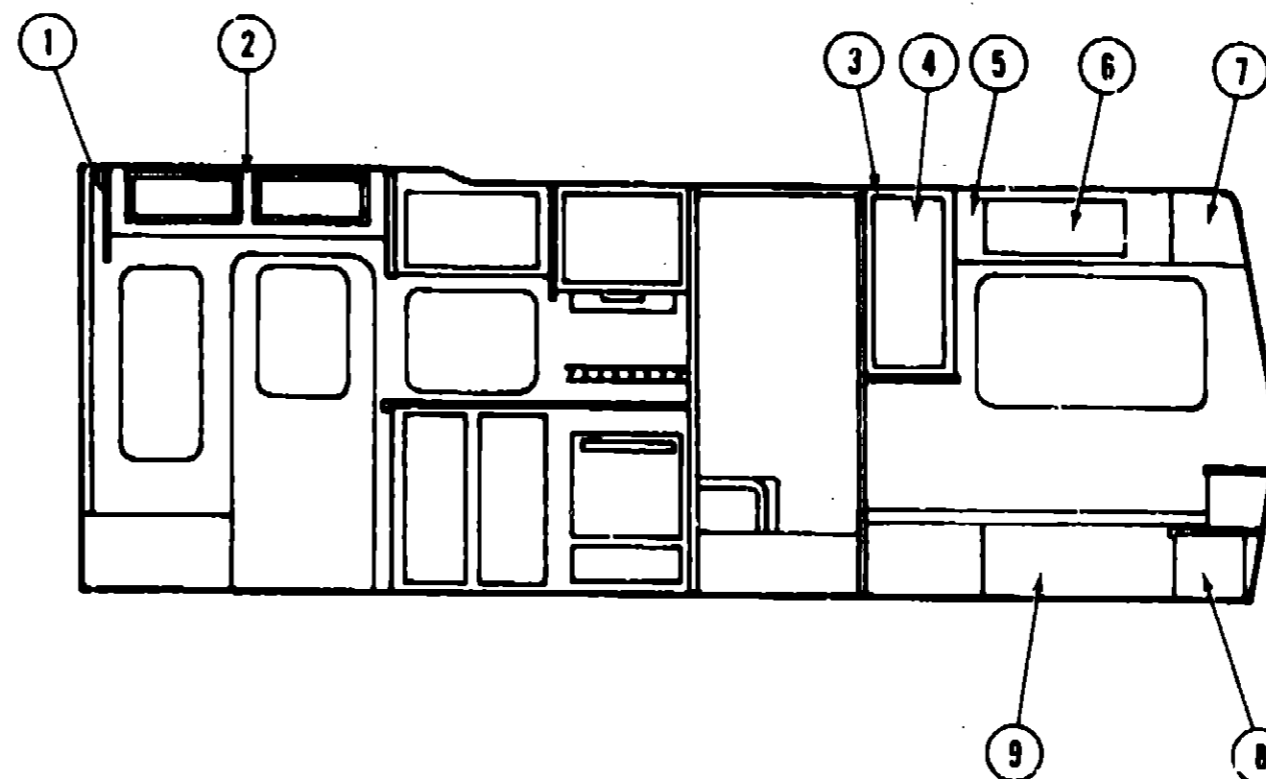
Floor Plan	A-01 - A-02
Accessories Group	A-03 - A-05
Bath Group	A-06 - A-07
Chassis Group	A-08 - A-09
Curtain, Cushion & Pad Group	A-10 - A-16
Dinette Group	A-17
Driver's Compartment Group	A-18 - A-19
Electrical Group	A-20 - A-22
Exterior Body Group	A-23 - B-04
Galley Group	B-05 - B-06
Heating & Air Conditioning Group	B-07
Interior Finish Group	B-08 - B-10
LP Group	B-11
Lounge Group	B-12 - B-13
Water & Sewage Group	B-14 - B-15
Window, Vent & Exterior Door Group	B-16 - C-04

LP GROUP



Key	Part Number	U/M	Description
1	081637-01-000	EA	Tank Asm. - LP - 68 PounG - 14" x 32"
1	080450-01-000	EA	Tank Asm. - LP - Frame Mount - 42 Pound - 13" x 24"
•	065741-01-000	EA	Detector - LP Gas Leak - Marshalltown Instruments
2	076277-01-000	EA	Cover - LP Regulator - Front (Dual)
•	076278-01-000	EA	Cover - LP Regulator - Back (Dual)
•	076301-01-000	EA	Regulator - Two Stage - US (Dual)
•	076301-02-000	EA	Regulator - Two Stage - CSA (Dual)
3	040421-01-703	EA	Valve - Vapor Relief
4	040421-01-700	EA	Gauge - Liquid Level - 20% LP
5	040421-01-701	EA	Valve - Filler - LP
•	040421-01-702	EA	Cap - Plastic Fill Valve
6	040421-01-707	EA	Gauge - Float - w/Visible Dial
•	040421-01-706	EA	Dial - Visible Face - Float Gauge (Tank w/o Electric Transmitter)
•	040440-01-000	EA	Dial - Transmitter - 0 - 90 Ohm (Float Gauge)
•	045703-01-000	EA	Hose Asm. - LP - 3/8" I.D. x 24" - US
•	045703-02-000	EA	Hose Asm. - LP - 3/8" I.D. x 24" - CSA
•	045703-03-000	EA	Hose Asm. - LP - 3/8" I.D. x 18" - US
•	045703-04-000	EA	Hose Asm. - LP - 3/8" I.D. x 14" - CSA
•	065959-01-000	EA	Housing - LP Gauge
•	065742-01-000	EA	Tee - .38 F x .39 F x .25 FPT
•	068046-01-000	EA	Conversion Kit - LP - Onan Generator
•	Not illustrated		

LOUNGE GROUP



LOUNGE CABINETRY W/TWIN BED

Key	Part Number	U/M	Description
1	081280-17-U01	EA	Pad Asm. - End Cap - Entrance Overhead - Vinyl
2	083933-01-U01	EA	Cabinet Asm. - Entrance
•	077663-04-000	EA	Cup Holder - Entrance Overhead
3	M83948-01-U01	EA	Cabinet Asm. - Right Shirt Closet - w/o Door or Hardware
•	M83949-01-U01	EA	Cabinet Asm. - Left Shirt Closet - w/o Door or Hardware
4	M81501-03-U01	EA	Door Asm. - Right Shirt Closet - w/o Hardware
•	M81501-02-U01	EA	Door Asm. - Left Shirt Closet - w/o Hardware
•	081280-13-U01	EA	Pad Asm. - End Cap - Right Shirt Closet - Vinyl
•	081280-16-U01	EA	Pad Asm. - End Cap - Left Shirt Closet - Vinyl
5	083931-01-U01	EA	Cabinet Asm. - Right Rear Overhead - w/o Door or Hardware
•	083930-01-U01	EA	Cabinet Asm. - Left Rear Overhead - w/o Door or Hardware
6	M81503-02-U01	EA	Door Asm. - Rear Overheads - w/o Hardware
7	M83932-01-U01	EA	Cabinet Asm. - Rear Overhead - w/o Door or Hardware
8	M83903-01-U01	EA	Cabinet Asm. - Nightstand - w/o Doors, Countertop or Hardware
•	M81501-03-U01	EA	Door Asm. - Nightstand - w/o Hardware
•	M02670-01-U01	EA	Countertop Asm. - Nightstand - Top
•	M02671-01-U01	EA	Countertop Asm. - Nightstand - Bottom
9	M83901-01-U01	EA	Cabinet Asm. - Twin Bed - Right
•	M83900-02-U01	EA	Cabinet Asm. - Twin Bed - Left
•	M81501-10-U01	EA	Door Asm. - Twin Bed Cabinet - Rear
•	M81501-11-T03	EA	Door Asm. - Twin Bed Cabinet - Front
•	Not illustrated		

1986 WINNEBAGO TABLE OF CONTENTS

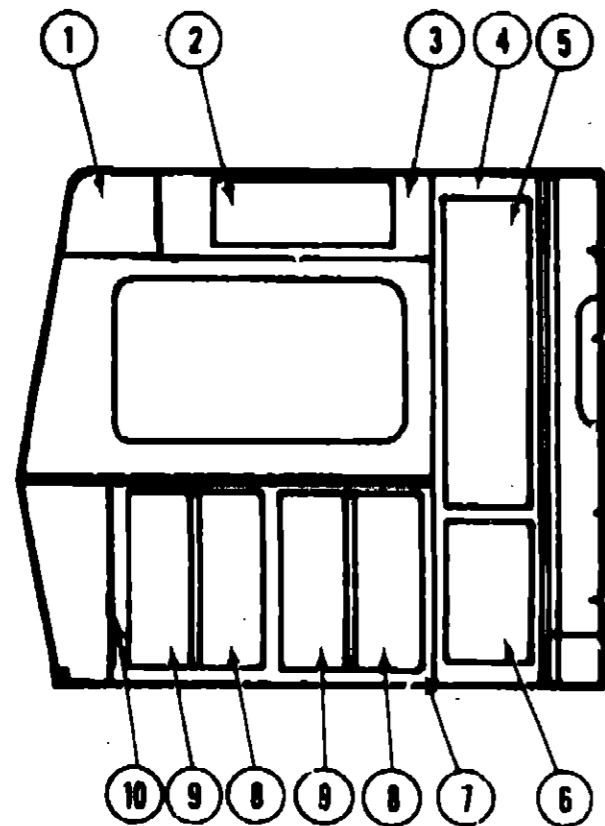
WF426RT
WCN26RH
WCN23RG
WCP26ET

A-01 - C-04
C-05 - E-10
E-11 - G-24
H-01 - J-03

1986 WF426RT INDEX

Floor Plan	A-01 - A-02
Accessories Group	A-03 - A-05
Bath Group	A-06 - A-07
Chassis Group	A-08 - A-09
Curtain, Cushion & Pad Group	A-10 - A-16
Dinette Group	A-17
Driver's Compartment Group	A-18 - A-19
Electrical Group	A-20 - A-22
Exterior Body Group	A-23 - B-04
Galley Group	B-05 - B-06
Heating & Air Conditioning Group	B-07
Interior Finish Group	B-08 - B-10
LP Group	B-11
Lounge Group	B-12 - B-13
Water & Sewage Group	B-14 - B-15
Window, Vent & Exterior Door Group	B-16 - C-04

LOUNGE GROUP (CONTINUED)



DOUBLE BED OPTION

Key	Part Number	U/M	Description
1	M83932-01-U01	EA	Cabinet Asm. - Rear Overhead - w/o Door or Hardware
2	M81503-02-U01	EA	Door Asm. - Rear Overheads - w/o Hardware
3	M83930-01-U01	EA	Cabinet Asm. - Left Rear Overhead - w/o Doors or Hardware
4	M83977-01-U01	EA	Cabinet Asm. - Wardrobe - w/o Doors or Hardware
5	M81501-95-U01	EA	Door Asm. - Wardrobe Cabinet - w/o Hardware
6	M81501-94-U01	EA	Door Asm. - Wardrobe Cabinet - w/o Hardware
7	M83946-01-U01	EA	Cabinet Asm. - Vanity - w/o Doors or Hardware
8	M02667-01-U01	EA	Countertop Asm. - Vanity
8	M81502-07-U01	EA	Door Asm. - Vanity Cabinet - w/o Hardware
8	M81502-08-U01	EA	Door Asm. - Vanity Cabinet - w/o Hardware
10	M81501-97-U01	EA	Door Asm. - Vanity Cabinet - w/o Hardware
			Not Illustrated

WATER & SEWAGE GROUP

HOLDING TANKS & WATER HEATER

Key	Part Number	U/M	Description
	045195-01-000	EA	Tank - Water - 30 Gallon
	045195-02-000	EA	Tank Asm. - Water - 35 Gallon - w/o Fittings
	083041-01-000	EA	Tank - Holding - 30 Gallon - w/o Fittings - Waste Water
	075298-01-000	EA	Tank - Holding - 37 Gallon - w/o Fittings - Sewage
**	051391-01-000	EA	Water Heater - w/o Motor Aid - Atwood - G6A-3
**	051391-03-000	EA	Water Heater - w/Motor Aid - Atwood - G6A-3E
**	051393-01-000	EA	Water Heater - w/Motor Aid - Direct Ignition - Atwood - GH6-3E
**	The illustrated parts breakdown for this item is provided on the Common Items Fiche.		

PLUMBING & REPAIR PARTS

Key	Part Number	U/M	Description
	033302-02-000	EA	Adapter Asm. - SWVC Strain - 1 1/2"
	010326-01-000	EA	Adapter - Flare - w/Cone Gasket
	062422-01-000	EA	Adapter - Hose Offset - Reducer - 3" x 1 1/2"
	052954-01-000	EA	Adapter - Hose Cone - 3/8 or 1/2 - Plastic
	010224-01-000	EA	Adapter - Plastic - 3/8 MPT x 3/8 Barb
	044927-01-000	EA	Adapter - Plastic - 1 1/4" MPT x 1 1/4 Barb
	031802-02-000	EA	Adapter - Plastic - 1 1/2 H x FPT
	062417-01-000	EA	Adapter - Termination - 3"
	004020-01-000	QT	Adhesive - ABS Cement
**	011048-04-000	EA	Breaker - Vacuum - 1/8 MPT - Nylon
**	010121-01-000	EA	Bushing - Plastic - 1 1/2 S x 1 1/4 H
	010122-01-000	EA	Bushing - Plastic - 1 1/2 S x 1 1/4 T
	010123-01-000	EA	Bushing - Plastic - 2S x 1 1/2 H
	036522-02-000	EA	Cap - Brass - 1/2 Flare
	062415-01-000	EA	Cap - Sewer - 3"
	052959-02-000	EA	Connector - 1/2 F x 1/2 MPT - Plastic
	052959-03-000	EA	Connector - 1/2 F x 3/8 MPT - Plastic
	052991-02-000	EA	Continuous Waste - Double Sink - 11 7/8" - US
	053874-01-000	EA	Continuous Waste Asm. - Double Sink - CSA
	078406-01-000	EA	Coupler Rubber - 3" x 3"
	052930-01-000	EA	Drain Valve - 1/2 F x 1/2 F - Plastic
	010000-01-000	EA	Elbow - Plastic - 1/8 BD x 1 1/4 x 45° H x H
	010005-01-000	EA	Elbow - Plastic - 1/16 BD x 1 1/2
	010006-01-000	EA	Elbow - Plastic - 1/8 BD x 1 1/2 x 45° H x H
	010008-01-000	EA	Elbow - Plastic - 1/4 BD x 1 1/2 x 90° Left
	010051-01-000	EA	Elbow - ST - Plastic - 1/8 BD x 1 1/2 x 45°
	010219-01-000	EA	Elbow - 1 1/4 Barb x 1 1/4 MPT x 90°
	031111-01-000	EA	Elbow - Plastic - 1/4 BD x 1 1/4 x 90° Left
	034250-01-000	EA	Elbow - Plastic - 1/4 BD x 1 1/2 x 90° x H x H
	035539-01-000	EA	Elbow - Plastic - 3/8 MPT x 3/8 Barb
	052657-01-000	EA	Elbow - Plastic - 1/2 F x 3/8 MPT
	052957-02-000	EA	Elbow - Plastic - 1/2 F x 1/2 MPT (In Tank Filter)
	059536-01-000	EA	Elbow - 1 1/4 - Slip Joint Ends
	065120-01-000	EA	Elbow - Plastic - Swivel - .50
	070924-01-000	EA	Elbow - Plastic - Swivel - 1/2 MPT x 1/2 FP
	077954-01-000	EA	Filter/Screen (In Water Tank)
	039647-02-000	EA	Filter - Water Pump - 1/2" MPT
	039847-03-000	EA	Filter - Water Pump - 1/2" Flare
	010147-01-000	EA	Flange - Closet - 4" F x 3" FPT - US
	010147-02-000	EA	Flange - Closet - 4" F x 3" FPT - CSA
	079381-01-000	FT	Flexible Tubing - 1 1/4 I.D. x 10'
	061607-01-000	EA	Grommet - Holding Tank Coupler - 1 1/2"
	061607-02-000	EA	Grommet - Holding Tank Coupler - 3"
	062419-02-000	EA	Handle - Extension - w/6" Adapter
	052981-01-000	EA	Header - 1/2 F x 1/2 F x 1/2 F x 1/2 F
**	048524-01-000	EA	Kit - Holding Tank Fittings - Blank Tank
**	048524-01-000	EA	Kit - Water Tank Fittings - Blank Tank
	052953-01-000	EA	Nut - Faucet - 1/2 Tube x 1/2 FPT
	052952-01-000	EA	Nut - 1/2 F - Plastic

** The illustrated parts breakdown for this item is provided on the Common Items Fiche

**1986 WINNEBAGO
TABLE OF CONTENTS**

WF426RT	A-01 - C-04
WCN26RH	C-05 - E-10
WCN23RG	E-11 - G-24
WCP26ET	H-01 - J-03

1986 WF426RT INDEX

Floor Plan	A-01 - A-02
Accessories Group	A-03 - A-05
Bath Group	A-06 - A-07
Chassis Group	A-08 - A-09
Curtain, Cushion & Pad Group	A-10 - A-16
Dinette Group	A-17
Driver's Compartment Group	A-18 - A-19
Electrical Group	A-20 - A-22
Exterior Body Group	A-23 - B-04
Galley Group	B-05 - B-06
Heating & Air Conditioning Group	B-07
Interior Finish Group	B-08 - B-10
LP Group	B-11
Lounge Group	B-12 - B-13
Water & Sewage Group	B-14 - B-15
Window, Vent & Exterior Door Group	B-16 - C-04

WATER & SEWAGE GROUP (CONTINUED)

PLUMBING & REPAIR PARTS (CONT.)

Key	Part Number	U/M	Description
..	011066-03-000	EA	P-Trap - 1 1/4" Plastic - US
..	011066-02-000	EA	P-Trap - 1 1/4" Plastic - CSA
	053335-01-000	EA	P-Trap - Plastic - 1 1/4 H x H - w/Union - CSA
	010197-01-000	FT	Pipe - Plastic - 3" x 240" - Black
	045729-01-000	EA	Pump - Water - 2.8 G.P.M. - Direct Drive - Shurflo - US
	045729-02-000	EA	Pump - Water - 2.8 G.P.M. - Direct Drive - Shurflo - CSA
..	010201-01-000	EA	Sewer Hose - 3" x 8' w/Clamp
	042989-02-000	EA	Spinweld Fittings - Plastic - 1/2 FPT (In Tank Fitter)
	042989-03-000	EA	Spinweld Fittings - Plastic - 1/4 NPT
	042989-04-000	EA	Spinweld Fittings - Plastic - 3/8 FPT
	011069-02-000	EA	Tailpiece - 1 1/2" x 1 1/4" x 4" - Brass
	010071-01-000	EA	Tee - Plastic - 1 1/2 x H x H x H
	010072-01-000	EA	Tee - Plastic - 1 1/2 H x 1 1/4 H x 1 1/2 H
..	010079-01-000	EA	Tee - Plastic - 1 1/2 H x 1 1/2 H x 1 1/4 H
	046172-01-000	EA	Tee - Plastic - 3/8 B x 3/8 B x 3/8 MPT
	052955-01-000	EA	Tee - Plastic - 1/2 F x 1/2 F x 1/2 MPT
	052956-01-000	EA	Tee - Plastic - 1/2 F x 1/2 MPT x 1/2 F
	052958-01-000	EA	Tee - Plastic - 1/2 F x 1/2 F x 1/2 F
..	010133-01-000	EA	Trap Adapter - Plastic - 1 1/2 H x MPT
	039800-01-000	FT	Tubing - Polybutyl - 1/2 O.D. (Water Line)
	074346-02-000	FT	Tubing - Vinyl - 1/2 O.D. (Water Line)
	072346-01-000	EA	Valve Asm. - 3" Ell - w/2" Socket
	062418-02-000	EA	Valve - 1 1/2" - w/Handle
	062418-02-000	EA	Valve - 3" - w/o Handle
	052960-01-000	EA	Valve - Line Drain - 1/2 F x 1/2 F
	052962-01-000	EA	Valve - Stool - 90° - 1/2 F x 3/8 MPT
..	010073-01-000	EA	Wye - Plastic - 1 1/2 x 45 H x H

.. The illustrated parts breakdown for this item is provided on the Common Items Fiche.

WINDOW, VENT & EXTERIOR DOOR GROUP

ACCESS DOORS

Key	Part Number	U/M	Description
	079455-07-U01	EA	Door Asm. - Storage - 9.5" x 30"
	079455-01-T95	EA	Door Asm. - Storage - 9.5" x 17"
	081787-01-U01	EA	Door Asm. - Storage
	M79321-01-T03	EA	Door Asm. - Generator
	079455-03-U01	EA	Door Asm. - LP - 9.5" x 21.7"
	M02047-01-T95	EA	Door Panel Asm. - Tire Cover
	079149-01-T03	EA	Door Asm. - Luggage - Off White
	078969-02-T95	EA	Door Asm. - Refrigerator Access - w/Twist Lock - Off White
	052009-01-000	EA	Door Asm. - Water Heater - Off White
	052423-01-000	EA	Door Asm. - Sewage
	076010-03-000	EA	Door - Fuel Fill - Off White
	063742-01-000	EA	Door - Power Cord - Off White
	052424-01-000	EA	Jamb - Power Cord/Fuel Fill Door - Off White
	054543-01-000	EA	Hatch - Power Cord Door
	052181-01-000	EA	Raffle - Generator Door
	079246-01-000	EA	Jamb Asm. - Generator Door - Off White
	054530-01-000	EA	Door Holder
	041312-01-000	EA	Seal - Bulb - "E" Section
	042442-01-000	EA	Lock Asm. - Twist Type
	009003-01-000	EA	Lock Asm. - Twist Type - w/Clip (Battery Door)
	047305-01-000	EA	Lock Asm. - Key Type w/Clip - Metal (LP)
	077408-01-000	EA	Lock Asm. - Key Type
	079386-01-000	EA	Lock Asm. - Key Type
	079927-01-000	EA	Lock Asm. - Twist Type
	052951-01-000	EA	Clip - Twist Lock - Retainer
	042441-01-000	EA	Lock Asm. - Key Type
	052950-01-700	EA	Lock Asm. - Twist Type - White

VENTS

Key	Part Number	U/M	Description
	071290-02-000	EA	Cover - Refrigerator Vent - 11 5/8" x 24 3/4" - Galvanized Steel
	071290-01-000	EA	Frame Asm. - Refrigerator Vent - 7.5" x 26.5" - Galvanized Steel
..	048835-01-000	EA	Vent Asm. - Roof - Non-Powered - w/o Screen - Aluminum
..	048789-01-000	EA	Vent Asm. - Roof - Powered - w/o Screen - Aluminum
	064469-02-000	EA	Vent Asm. - Roof - Powered - w/o Screen - 14" x 14" - CSA
	078785-01-T03	EA	Screen Asm. - Roof Vent - Powered
	078786-01-T03	EA	Screen Asm. - Roof Vent - Non-Powered
	077487-01-000	EA	Skylight - Fixed Dome (Bath)
	077902-01-000	EA	Collar - Skylight
	080508-01-000	EA	Panel - Skylight - Inner
	080507-01-000	EA	Panel - Skylight - Outer
	055218-01-000	EA	Cover Asm. - Roof Vent
	084616-01-000	EA	Shroud - Vent - Range Hood
..	084878-01-000	EA	Vent - Hood Range - Sidewall

.. The illustrated parts breakdown for this item is provided on the Common Items Fiche.

**1986 WINNEBAGO
TABLE OF CONTENTS**

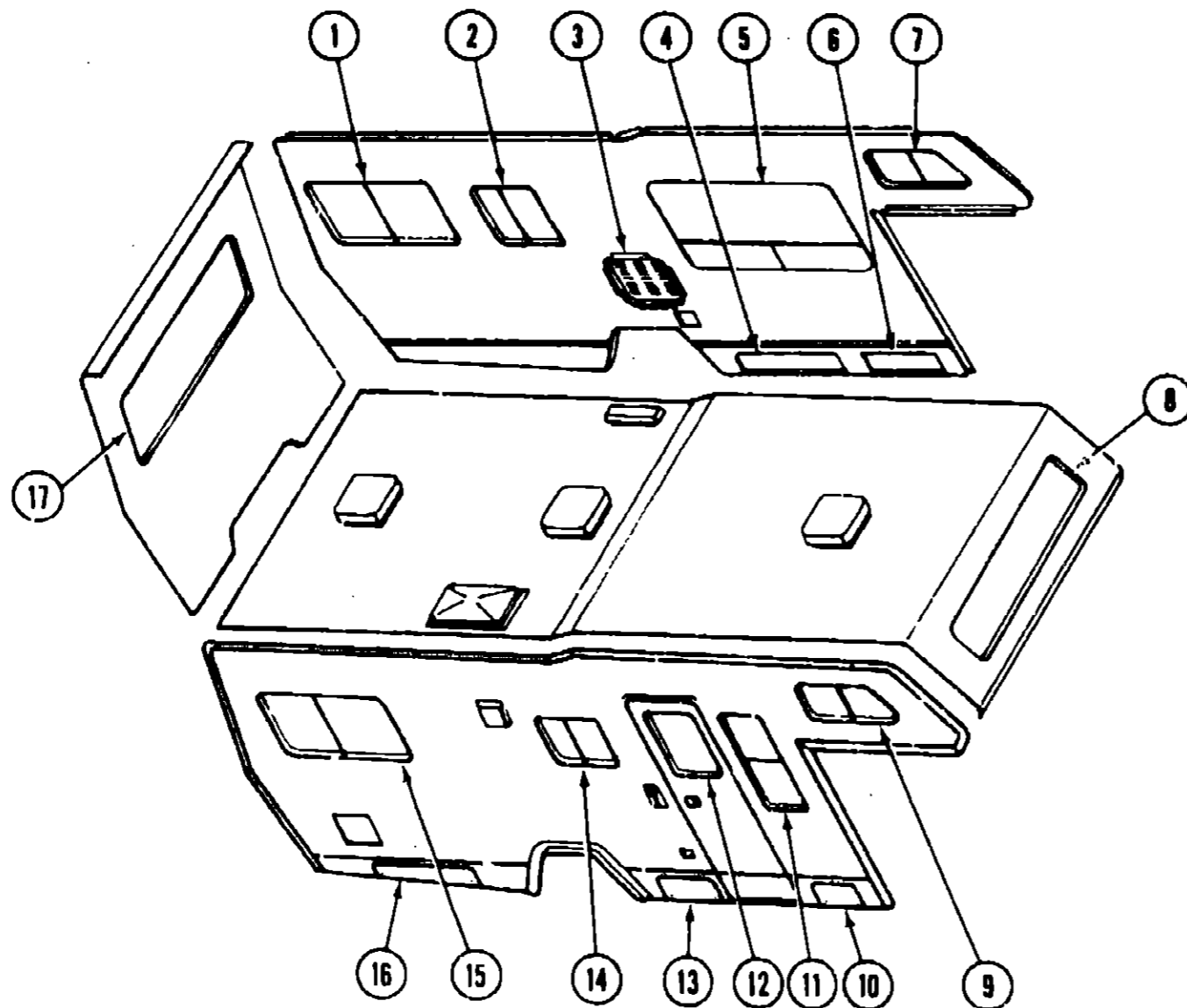
WF426RT	A-01 - C-04
WCN26RH	C-05 - E-10
WCN23RG	E-11 - G-24
WCP26ET	H-01 - J-03

1986 WF426RT INDEX

Floor Plan	A-01 - A-02
Accessories Group	A-03 - A-05
Bath Group	A-06 - A-07
Chassis Group	A-08 - A-09
Curtain, Cushion & Pad Group	A-10 - A-16
Dinette Group	A-17
Driver's Compartment Group	A-18 - A-19
Electrical Group	A-20 - A-22
Exterior Body Group	A-23 - B-04
Galley Group	B-05 - B-06
Heating & Air Conditioning Group	B-07
Interior Finish Group	B-08 - B-10
LP Group	B-11
Lounge Group	B-12 - B-13
Water & Sewage Group	B-14 - B-15
Window, Vent & Exterior Door Group	B-16 - C-04

WINDOW, VENT & EXTERIOR DOOR GROUP (CONTINUED)

WINDOWS & ACCESS DOORS



1986 WINNEBAGO TABLE OF CONTENTS

WF426RT
WCN26RH
WCN23RG
WCP26ET

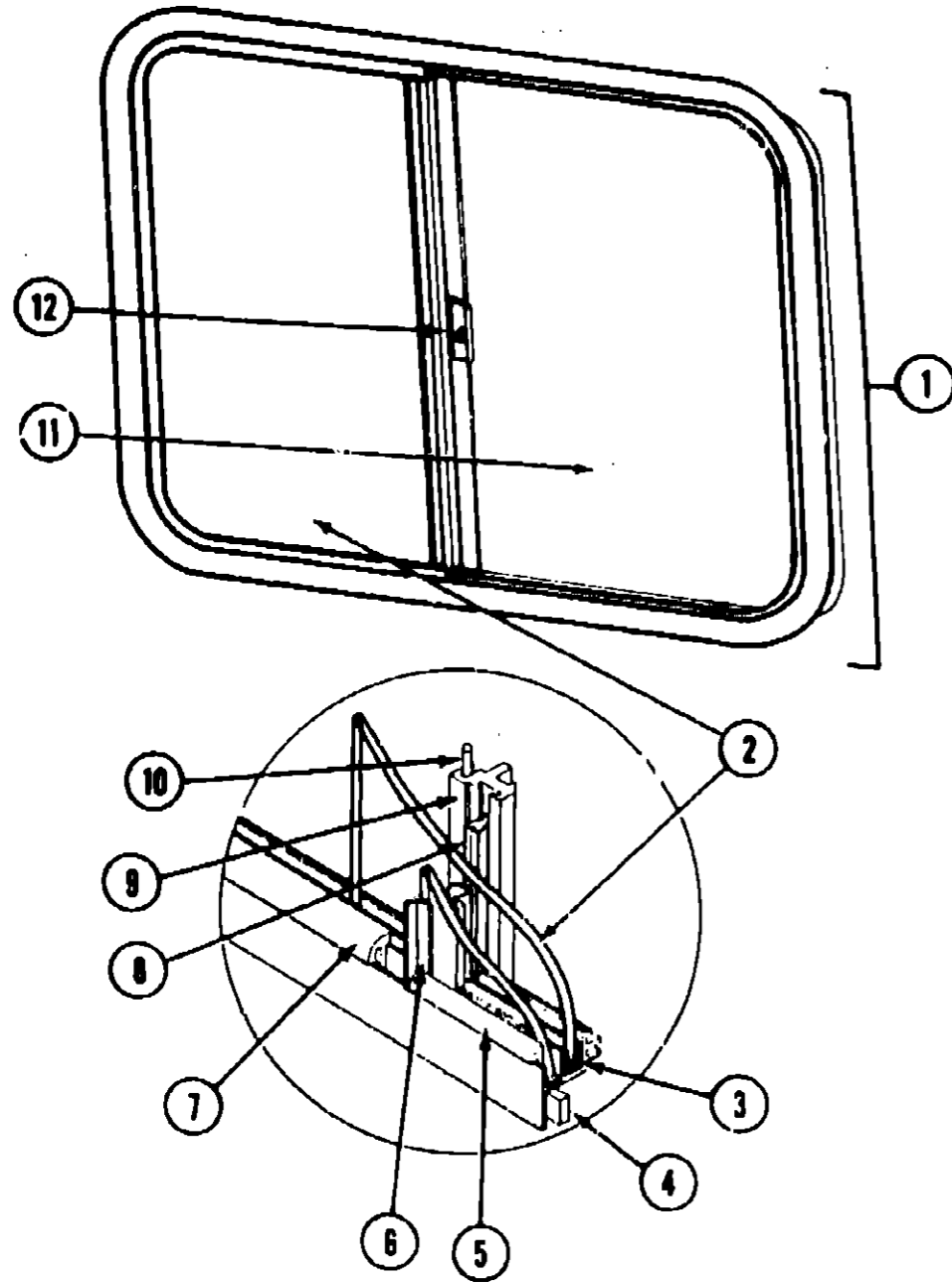
A-01 - C-04
C-05 - E-10
E-11 - G-24
H-01 - J-03

1986 WF426RT INDEX

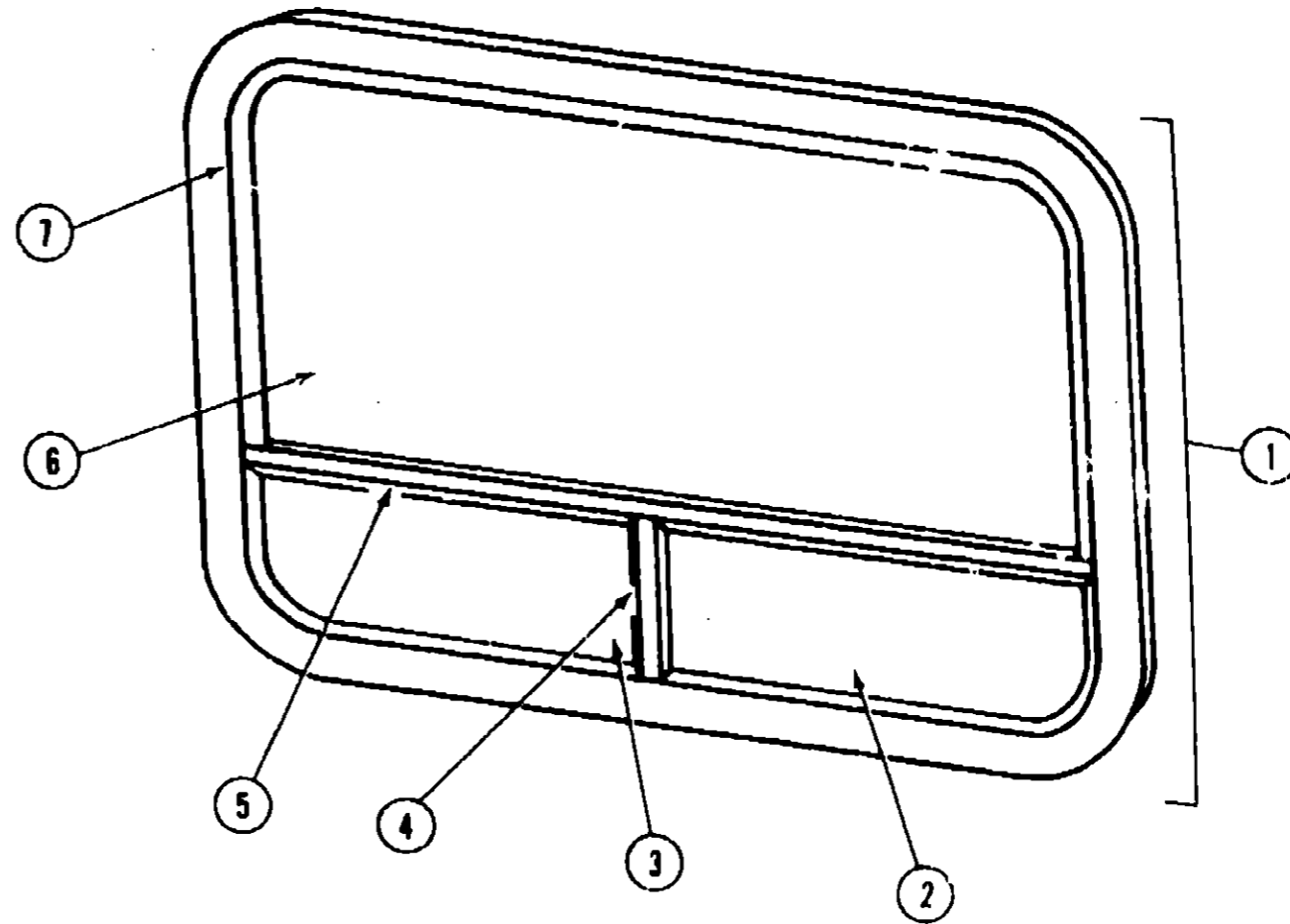
Floor Plan	A-01 - A-02
Accessories Group	A-03 - A-05
Bath Group	A-06 - A-07
Chassis Group	A-08 - A-09
Curtain, Cushion & Pad Group	A-10 - A-16
Dinette Group	A-17
Driver's Compartment Group	A-18 - A-19
Electrical Group	A-20 - A-22
Exterior Body Group	A-23 - B-04
Galley Group	B-05 - B-06
Heating & Air Conditioning Group	B-07
Interior Finish Group	B-08 - B-10
LP Group	B-11
Lounge Group	B-12 - B-13
Water & Sewage Group	B-14 - B-15
Window, Vent & Exterior Door Group	B-16 - C-04

Key	Part Number	U/M	Description
1	078266-06-T03	EA	Window Asm. - Single Slider - Left
2	078266-03-T03	EA	Window Asm. - Single Slider
3	078969-02-T95	EA	Door Asm. - Refrigerator Access
4	079455-07-U01	EA	Door Asm. - Storage
5	081568-02-U01	EA	Window Asm. - Double
6	079149-01-T03	EA	Door Asm. - Luggage
7	078272-02-T03	EA	Window Asm. - Bunk - Slant Slider - Left
8	078533-01-T03	EA	Window Asm. - Front Picture

Key	Part Number	U/M	Description
9	078272-01-T03	EA	Window Asm. - Bunk - Slant Slider - Right
10	079455-01-T95	EA	Door Asm. - Storage
11	078453-01-T03	EA	Window Asm. - Vertical Slider
12	079733-04-T03	EA	Window Asm. - Picture
13	079455-03-U01	EA	Door Asm. - LP
14	078266-02-T03	EA	Window Asm. - Single Slider
15	078266-05-T03	EA	Window Asm. - Single Slider - Right
16	081787-01-U01	EA	Door Asm. - Storage
17	078536-01-T03	EA	Window Asm. - Rear Escape



Key	Part Number	U/M	Description
1	078266-06-T03	EA	Window Asm. - Single Slider - Left (w/o inside frame)
1	078266-05-T03	EA	Window Asm. - Single Slider - Right (w/o inside frame)
.	083122-08-000	EA	Inside Frame - Brown (not included in assembly)
2	081980-04-000	EA	Glass - Sliding - 1/8" x 24" x 21.03"
3	002324-02-000	FT	Channel - Weatherstrip - Glass Run - 1/8" Glass
4	068640-06-000	FT	Ribbon Sealer - 5/16" Bead x 15"
5	002309-02-000	FT	Spline - Glass - 1/8" Material - Black
6	M80886-03-003	EA	Seal Holder w/Fin Seal - Black
7	057374-02-000	FT	Extr. Rubber - Window Seal - Black
8	073740-01-000	FT	Seal - Fin - Pile - .460"
9	078562-04-000	EA	Mullion - Slider Window - Black
10	002298-02-000	FT	Spline - .130" Dia. Charcoal (Screen)
11	081984-05-000	EA	Glass - Stationary - 1/8" x 24" x 23.49"
12	047369-01-700	EA	Latch Kit - Window - Plastic w/Fastener
.	079204-01-000	EA	Bracket - Mullion - Black
.	002293-02-000	SF	Screen - Window 26" - Charcoal (Screen)
.			Not illustrated



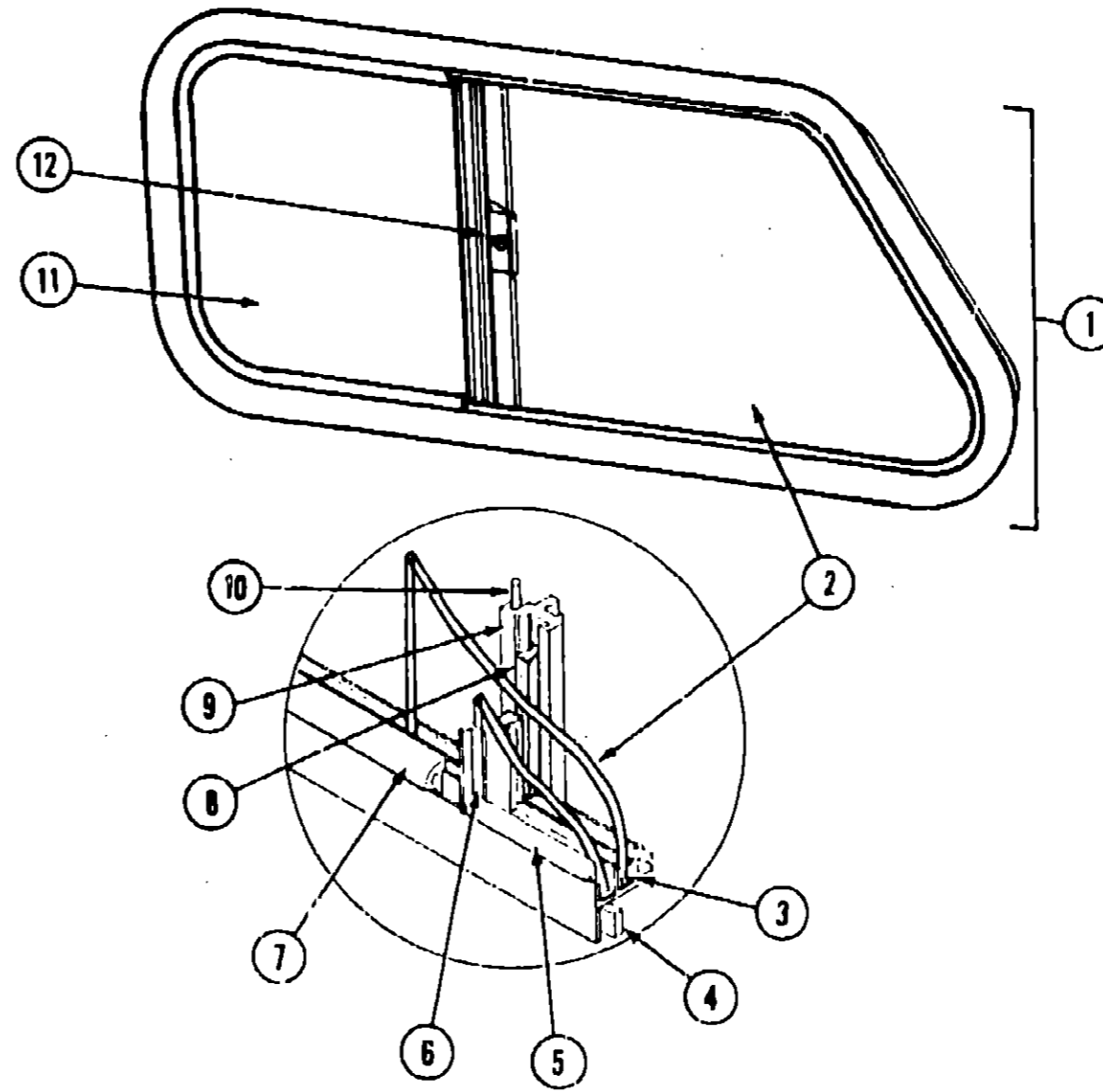
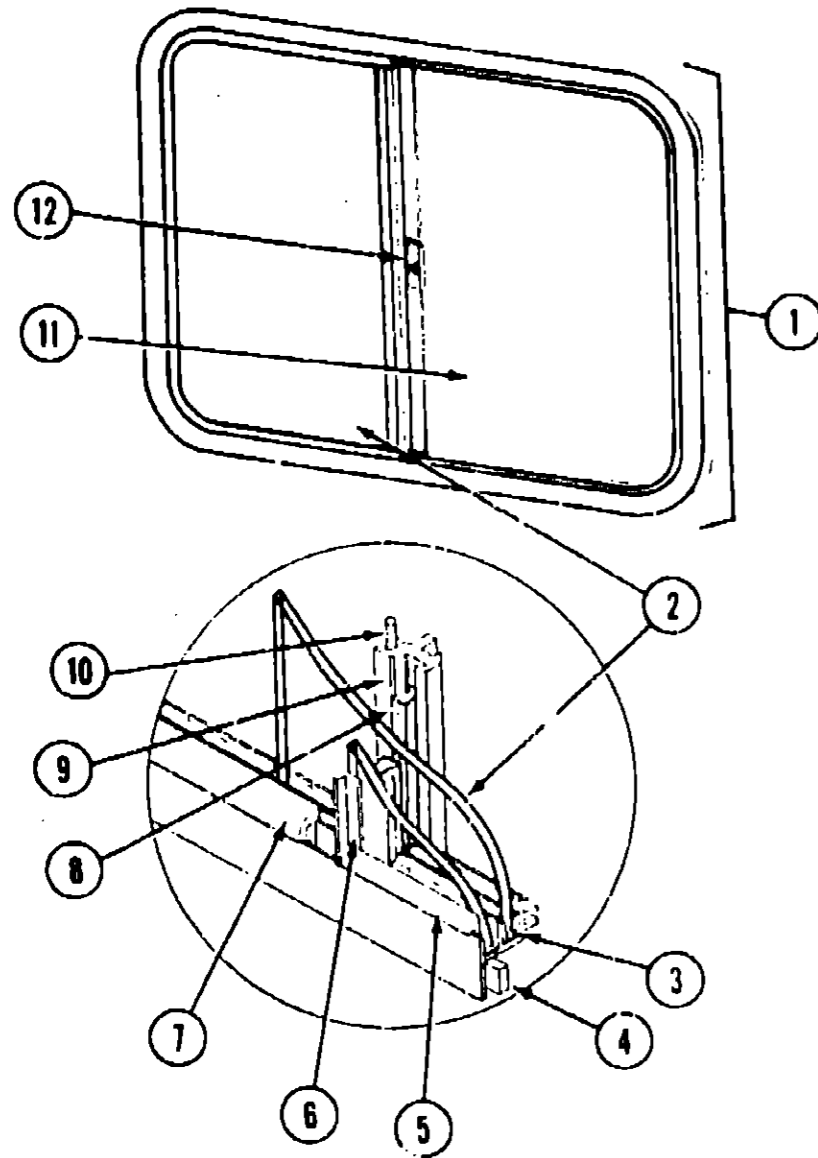
Key	Part Number	U/M	Description
1	081568-02-U01	EA	Window Asm. - 62" x 31" - Double Tipout
.	081822-06-000	EA	Inside Frame - Black (not included in assembly)
2	081434-01-U01	EA	Window Asm. - Tipout - Right Hand
3	081434-02-U01	EA	Window Asm. - Tipout - Left Hand
.	081239-07-000	EA	Glass - Tipout - 1/8" x 30" x 8 3/4" - Left or Right
4	083112-05-000	EA	Mullion - Black
5	081814-01-000	EA	Mullion - Black
.	081422-01-U01	EA	Screen Asm. - Tipout - Right Hand
.	081422-02-U01	EA	Screen Asm. - Tipout - Left Hand
.	081243-01-000	EA	Screen Clip - Plastic - Black
.	035302-01-000	EA	Operating Mech - Right Hand
.	035302-02-000	EA	Operating Mech - Left Hand
6	081239-11-000	EA	Glass - Stationary - 1/8" x 61 3/4" x 20 1/2"
7	083180-01-000	EA	Window Seal
.	081357-01-000	EA	Bulb Seal (Tipout)
.	081359-01-000	EA	Window Seal (Tipout)
.			Not illustrated

1966 WINNEBAGO
TABLE OF CONTENTS

WF426HT	A-01 - C-04
WCN26RH	C-05 - E-10
WCN23RG	E-11 - G-24
WCP26ET	H-01 - J-03

1966 WF426RT INDEX

Floor Plan	A-01 - A-02
Accessories Group	A-03 - A-05
Bath Group	A-06 - A-07
Chassis Group	A-08 - A-09
Curtain, Cushion & Pad Group	A-10 - A-16
Dinette Group	A-17
Driver's Compartment Group	A-18 - A-19
Electrical Group	A-20 - A-22
Exterior Body Group	A-23 - B-04
Galley Group	B-05 - B-06
Heating & Air Conditioning Group	B-07
Interior Finish Group	B-08 - B-10
LP Group	B-11
Lounge Group	B-12 - B-13
Water & Sewage Group	B-14 - B-15
Window, Vent & Exterior Door Group	B-16 - C-04



**1986 WINNEBAGO
TABLE OF CONTENTS**

WF426RT
WCN26RH
WCN23RG
WCP26ET

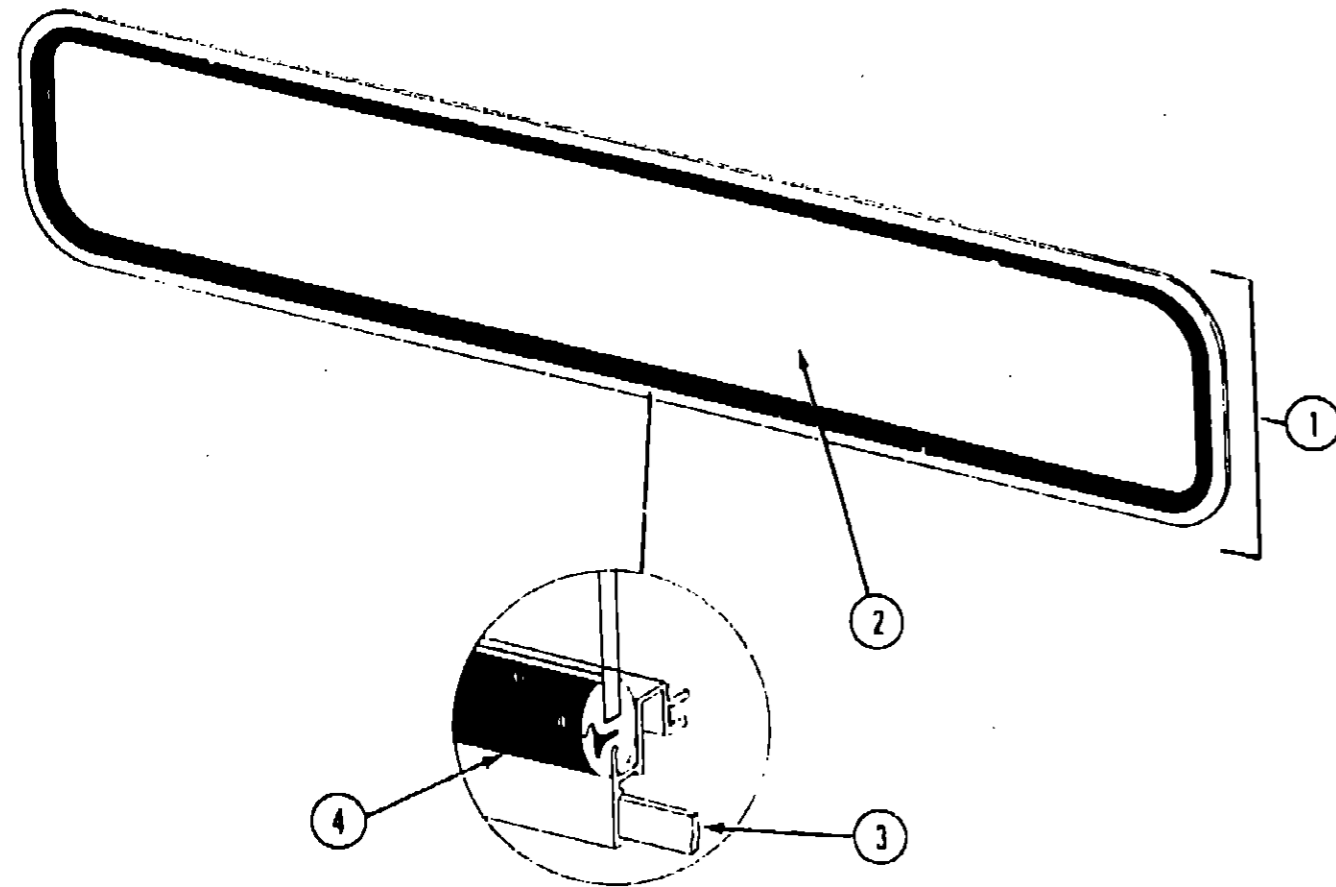
A-01 - C-04
C-05 - E-10
E-11 - G-24
H-01 - J-03

Key	Part Number	U/M	Description
1	078266-02-T03	EA	Window Asm. - Single Slider (w/o inside frame)
.	083122-04-000	EA	Inside Frame - Brown (not included in assembly)
2	081980-05-000	EA	Glass - Sliding - 1/8" x 19" x 13.68"
3	002324-02-000	FT	Channel - Weatherstrip - Glass Run - 1/8" Glass
4	069640-06-000	FT	Ribbon Sealer - 5/16" Bead x 15'
5	002309-02-000	FT	Spline - Glass - 1/8" Material - Black
6	M69886-03-011	EA	Seal Holder w/Fin Seal - Black
7	057374-02-000	FT	Extr. Rubber - Window Seal - Black
8	073740-01-000	FT	Seal - Fin - Pile - .460"
9	078562-02-000	EA	Mullion - Slider Window - Black
10	002298-02-000	SF	Spline - .130" Dia. - Charcoal (Screen)
11	081984-03-000	EA	Glass - Stationary - 1/8" x 19" x 12.30"
12	047369-01-700	EA	Latch Kit - Window - Plastic w/Fastener
.	079204-01-000	EA	Bracket - Mullion - Black
.	002291-02-000	SF	Screen - Window 16" - Charcoal
.			Not Illustrated

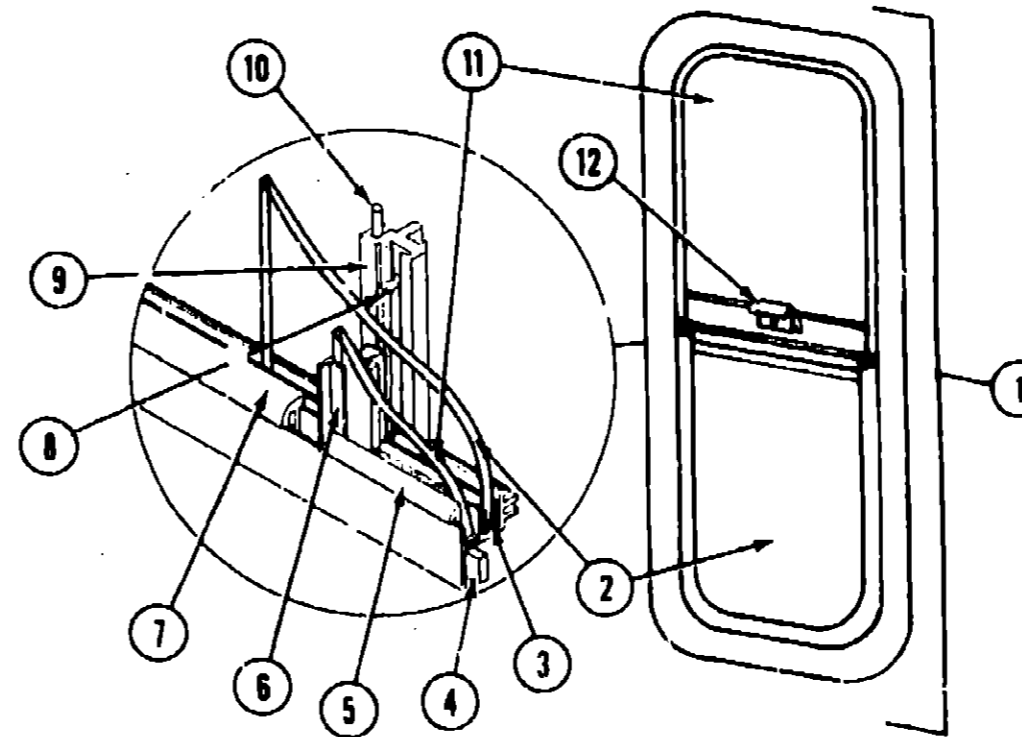
Key	Part Number	U/M	Description
1	078272-01-T03	EA	Window Asm. - Bunk - Single Slider - Right (w/o inside frame)
.	083121-02-000	EA	Inside Frame - Brown (not included in assembly)
1	078272-02-T03	EA	Window Asm. - Bunk - Single Slider - Left (w/o inside frame)
.	083121-04-000	EA	Inside Frame - Brown (not included in assembly)
2	081980-01-000	EA	Glass - Sliding - 1/8" x 11.98" x 11.98"
3	002324-02-000	FT	Channel - Weatherstrip - Glass Run - 1/8" Glass
4	069640-06-000	FT	Ribbon Sealer - 5/16" Bead x 15'
5	002309-02-000	FT	Spline - Glass - 1/8" Material - Black
6	M69886-03-005	EA	Seal Holder w/Fin Seal - Black
7	057374-02-000	FT	Extr. Rubber - Window Seal - Black
8	073740-01-000	FT	Seal - Fin - Pile - .460"
9	078562-05-000	EA	Mullion - Slider Window - Black
10	002298-02-000	FT	Spline - .130" Dia. - Charcoal (Screen)
11	081983-01-000	EA	Glass - Stationary - 1/8" x 11.98" x 19.42"
12	047369-01-700	EA	Latch Kit - Window - Plastic w/Fastener
.	002293-01-000	SF	Screen - Window 18" - Charcoal
.	079204-01-000	EA	Bracket - Mullion - Black
.			Not Illustrated

1986 WF426RT INDEX

Floor Plan	A-01 - A-02
Accessories Group	A-03 - A-05
Bath Group	A-06 - A-07
Chassis Group	A-08 - A-09
Curtain, Cushion & Pad Group	A-10 - A-16
Dinette Group	A-17
Driver's Compartment Group	A-18 - A-19
Electrical Group	A-20 - A-22
Exterior Body Group	A-23 - B-04
Galley Group	B-05 - B-06
Heating & Air Conditioning Group	B-07
Interior Finish Group	B-08 - B-10
LP Group	B-11
Lounge Group	B-12 - B-13
Water & Sewage Group	B-14 - B-15
Window, Vent & Exterior Door Group	B-16 - C-04



Key	Part Number	U/M	Description
1	078533-01-T03	EA	Window Asm. - Front Picture - 14" x 69" - Black (w/o Inside frame)
•	041938-01-000	EA	Inside Frame - Brown (not included in assembly)
2	002200-02-000	EA	Glass - TP - Picture Window
3	069340-06-000	FT	Ribbon Sealant - 5/16" Bead x 15'
4	002281-01-000	FT	Weatherstrip - Self Seal - .06" Panel x 3/16" - Black
•			Not Illustrated



Key	Part Number	U/M	Description
1	078453-01-T03	EA	Window Asm. - Vertical Slider - 37" x 15" - Black (w/o inside frame)
•	083122-02-000	EA	Inside Frame - Brown (not included in assembly)
2	081980-03-000	EA	Glass - Slider - 1/8" x 14.4" x 19"
3	002324-02-000	FT	Channel - Weatherstrip - Glass Run - 1/8" Glass
4	069040-06-000	FT	Ribbon Sealant - 5/16" Bead x 15'
5	002309-02-000	FT	Spline - Glass - 1/8" Material - Black
6	M69886-03-007	EA	Seal Holder w/Fin Seal - Black
7	057374-02-000	FT	Extr. Ribbon - Window Seal - Black
8	073740-01-000	FT	Seal - Fin - Pile - .460"
9	078582-01-000	EA	Mullion - Slider Window - Black
10	002298-02-000	FT	Spline - .130" Dia. - Charcoal (Screen)
11	081984-02-000	EA	Glass - Stationary - 1/8" x 14.4" x 19"
12	047369-01-700	EA	Latch Kit - Window - Plastic w/Fastener
•	079204-01-000	EA	Bracket - Mullion - Black
•	002291-02-000	SF	Screen - Window 16" - Charcoal
•			Not Illustrated

1986 WINNEBAGO
TABLE OF CONTENTS

WF426RT
WCN26RH
WCN23RG
WCP26ET

A-01 - C-04
C-05 - E-10
E-11 - G-24
H-01 - J-03

1986 WF426RT INDEX

Floor Plan	A-01 - A-02
Accessories Group	A-03 - A-05
Bath Group	A-06 - A-07
Chassis Group	A-08 - A-09
Curtain, Cushion & Pad Group	A-10 - A-16
Dinette Group	A-17
Driver's Compartment Group	A-18 - A-19
Electrical Group	A-20 - A-22
Exterior Body Group	A-23 - B-04
Galle, Group	B-05 - B-08
Heating & Air Conditioning Group	B-07
Interior Finish Group	B-08 - B-10
LP Group	B-11
Lounge Group	B-12 - B-13
Water & Sewage Group	B-14 - B-16
Window, Vent & Exterior Door Group	B-16 - C-04

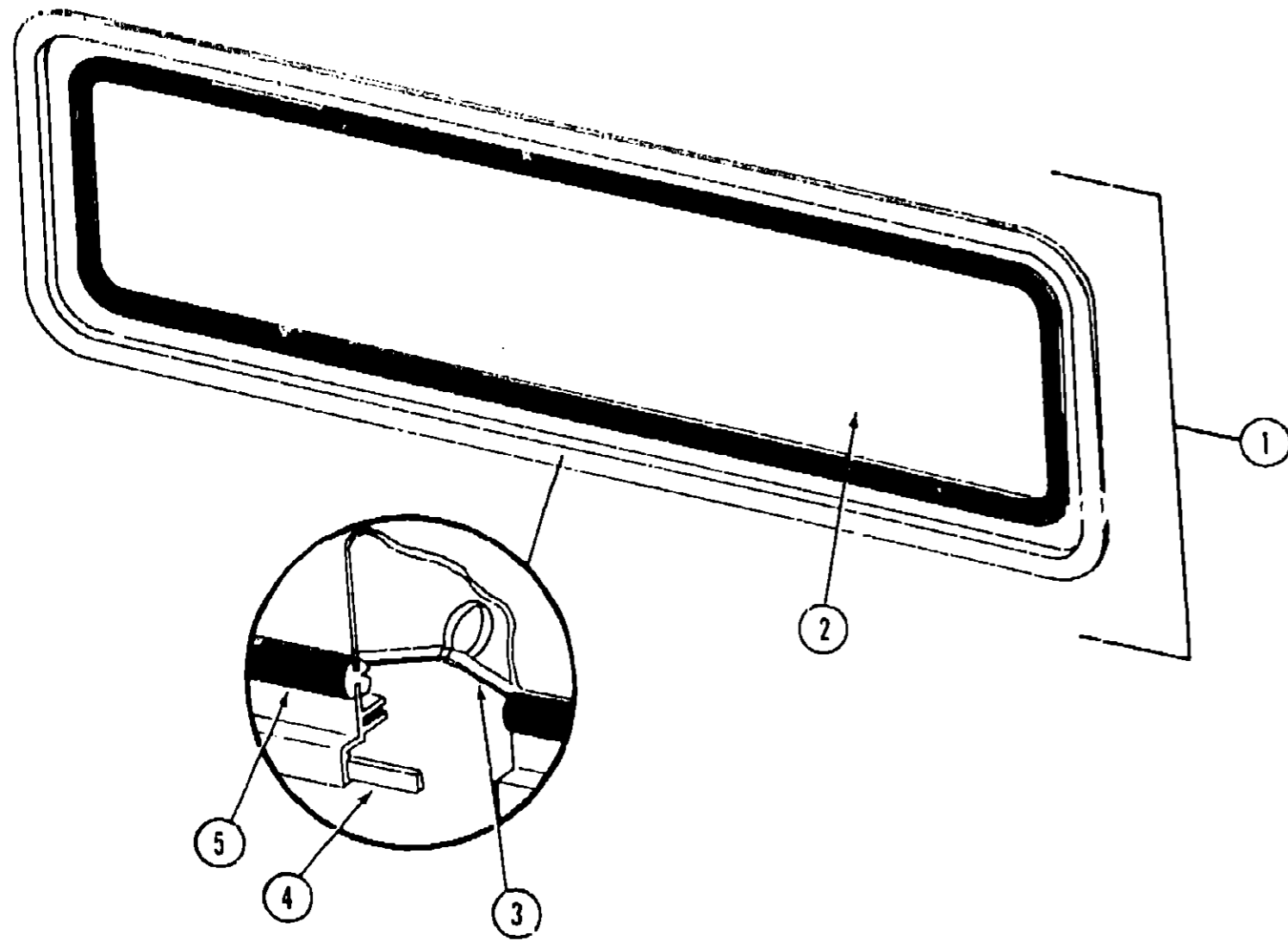
WINDOW, VENT & EXTERIOR DOOR GROUP (CONTINUED)

WINDOW, VENT & EXTERIOR DOOR GROUP (CONTINUED)

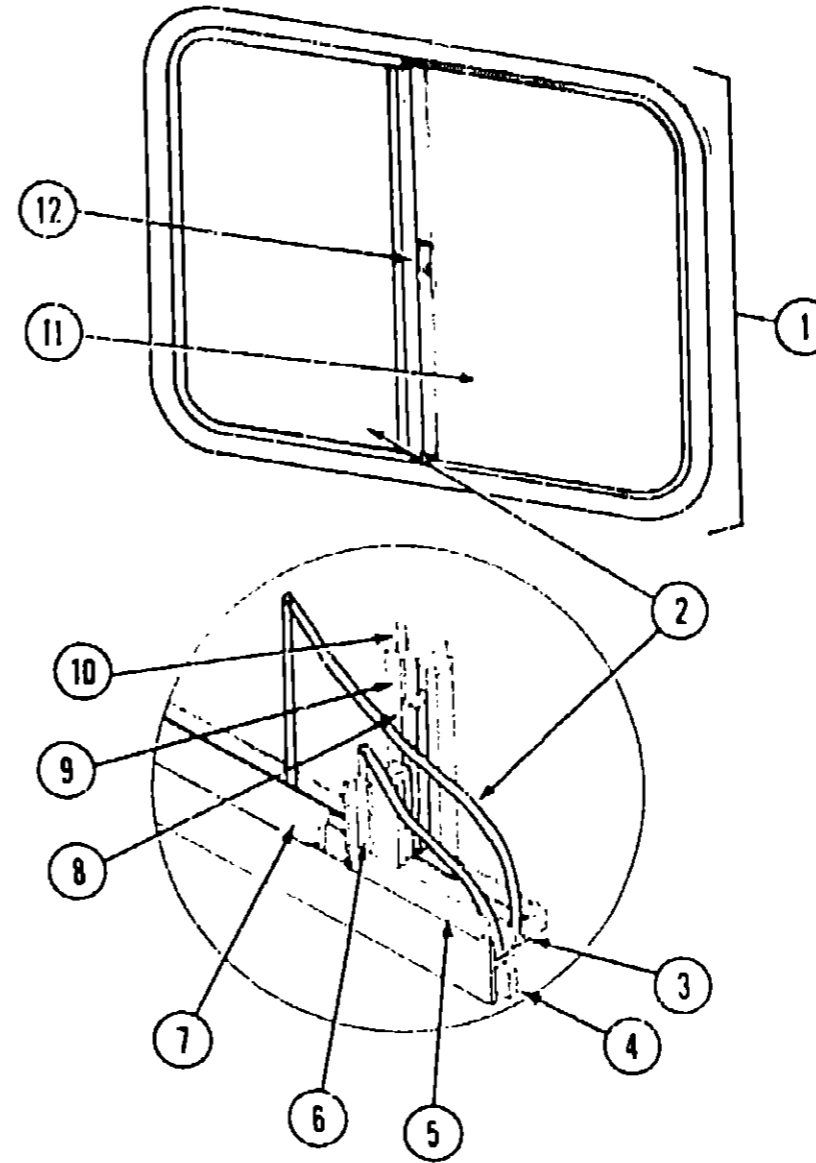
**1986 WINNEBAGO
TABLE OF CONTENTS**

WF426RT
WCN26RH
WCN23RG
WCP28ET

A-01 - C-04
C-05 - E-10
E-11 - G-24
H-01 - J-03



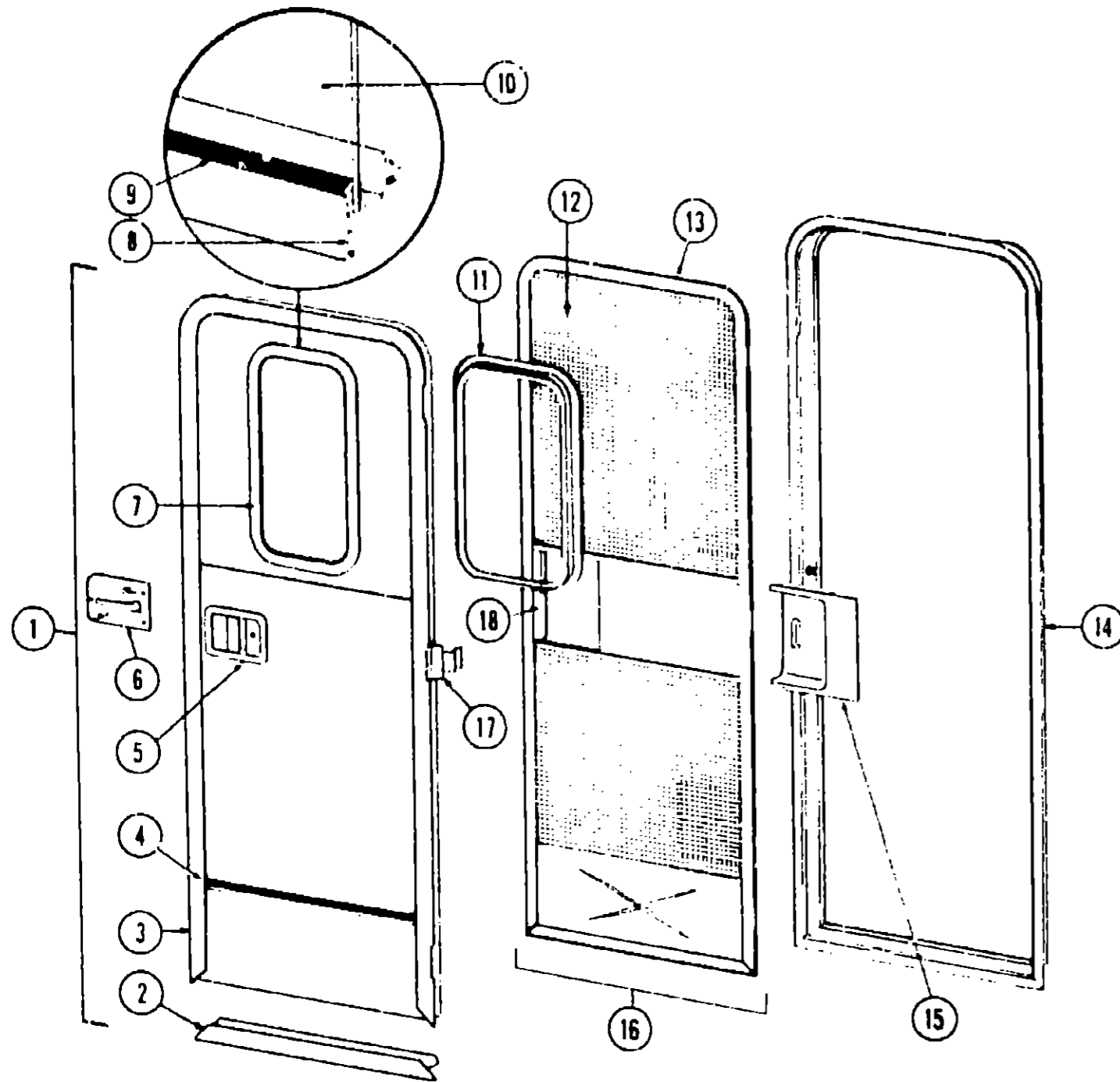
Key	Part Number	U/M	Description
1	078536-01-T03	EA	Window Asm. - Rear Escape - 23" x 68" - Black (w/o inside frame)
*	042027-11-000	EA	Inside Frame (not included in assembly)
2	002178-01-000	EA	Glass - 1/8" x 19.61" x 64.80"
3	002285-01-000	FT	Filler - Weatherstrip - Black
4	069640-05-000	FT	Ribbon Sealer - 5/16" Bead x 15'
5	002282-01-000	FT	Weatherstrip - .125" Window
*	006199-01-000	EA	Label - Exit - Escape Window
*			Not illustrated



Key	Part Number	U/M	Description
1	079266-03-T03	EA	Window Asm. - Single Slider - Black (w/o inside frame)
*	083122-06-000	EA	Inside Frame - Brown (not included in assembly)
2	081980-05-000	EA	Glass - Slider - 1/8" x 19" x 13.68"
3	002324-02-000	FT	Channel - Weatherstrip - Glass Run - 1/8" Glass
4	069640-06-000	FT	Ribbon Sealer - 5/16" Bead x 15'
5	002309-02-000	FT	Spline - Glass - 1/8" Material - Black
6	M69886-03-011	EA	Seal Holder w/Fin Seal - Black
7	047273-01-000	FT	Extr. Rubber - Window Seal - Black
8	073740-01-000	FT	Seal - Fin - Pile - .460"
9	078562-02-000	EA	Mullion - Slider Window - Black
10	002298-02-000	FT	Spline - .130" Dia. - Charcoal (Screen)
11	081984-03-000	EA	Glass - Stationary - 1/8" x 19" x 12.3"
12	047369-01-700	EA	Latch Kit - Window - Plastic w/Fastener
*	002292-02-000	SF	Screen - Window 20" - Charcoal
*	079204-01-000	EA	Bracket - Mullion - Black
*			Not illustrated

1986 WF426RT INDEX

Floor Plan	A-01 - A-02
Accessories Group	A-03 - A-05
Bath Group	A-06 - A-07
Chassis Group	A-08 - A-09
Curtain, Cushion & Pad Group	A-10 - A-16
Dinette Group	A-17
Driver's Compartment Group	A-18 - A-19
Electrical Group	A-20 - A-22
Exterior Body Group	A-23 - B-04
Galley Group	B-05 - B-06
Heating & Air Conditioning Group	B-07
Interior Finish Group	B-08 - B-10
LP Group	B-11
Lounge Group	B-12 - B-13
Water & Sewage Group	B-14 - B-15
Window, Vent & Exterior Door Group	B-16 - C-04



ENTRANCE & SCREEN DOOR

Key	Part Number	U/M	Description
1	M01870-02-U01	EA	Door Asm. - Radius Entry w/Screen Door - w/o Window
1	M01870-07-T03	EA	Door Asm. - Radius Entry w/Screen Door
2	077998-01-000	EA	Frame - Entry Door (Bottom Portion Only)
3	078002-02-000	EA	Frame - Entry Door (Except Bottom Portion)
4	058578-03-000	EA	Feature Strip w/o Insert - Extr. - 14" - Brown
	001030-02-003	EA	Insert - Feature Strip - 17" - Stucco - Off White
	009731-01-000	EA	End Cap - Feature Strip
5	045107-05-000	EA	Paddle Asm. - Door Lock - Exterior
	045017-05-700	EA	Lock Cylinder w/Keys - Lynor
	039539-01-000	EA	Striker Bolt - Entry Door
	039540-01-000	EA	Latch Claw - Entry Door
	029728-01-000	EA	Dead Bolt - Entry Door
	083205-01-000	EA	Dead Bolt - Press Fit
6	039979-01-000	EA	Plate - Inside Lock - Includes Inside Handle
	052188-01-000	EA	Lock / Jam - Complete - Lynor
7	079733-04-T03	EA	Window Asm. - Picture - 17" x 25" - Black (w/o inside frame)
8	069640-06-000	FT	Ribbon Sealer - 5/16" Bead x 15'
9	002309-02-000	FT	Spline - Glass - 1/8" Black
10	073113-01-000	EA	Glass - Picture Window - 1/8" ± 16.25" x 24" - Gray
11	068752-01-000	EA	Inside Frame - Beige (not included in assembly)
12	002293-02-000	SF	Screen - Window - 26" - Charcoal
13	056795-02-000	FT	Seal Tape - 1/8" x 3/8" - Press On
14	078591-03-000	EA	Jamb Asm. - Entrance Door
	051049-01-000	EA	Jamb - Entrance Door - Bottom
15	079086-02-000	EA	Slider - Screen Door - Light Oak Plastic
16	079012-01-U01	EA	Door Asm. - Screen
17	079361-05-000	EA	Hinge - Entrance Door (3 used per door)
18	079081-01-000	EA	Cap - Screen Door - Light Oak Plastic
	009016-01-000	EA	Catch - Elbow - Spring Loaded - Screen Door
	039863-01-000	EA	Catch Asm. - Single Roller w/Strike - Screen Door
	076231-01-000	EA	Spacer - Latch - Screen Door
	077437-02-000	EA	Strike - Roller Catch
	058025-02-000	EA	Clip - Roller Latch Catch
	044582-02-000	EA	Drip Cap - Off White
	079278-01-000	EA	Seal - Mocket - Entrance Door
	073090-01-000	FT	Seal - Entrance Door
	075739-01-000	EA	Stiffener - Entrance Door - Off White
	075673-01-000	FT	Seal - Pile - Adhesive Back
	075671-01-000	FT	Seal - Sponge - Lazy "T" Shaped
	002294-01-000	FT	Spline - Black - .135 x .138 (Screen Door)
	079087-02-000	EA	Strike - Screen Door
	063729-04-000	EA	Rivnut - 10-32 UNF - 010 - 080
	075639-01-000	EA	Garnish - Radius - Entrance Door
			Not illustrated

1986 WINNEBAGO
TABLE OF CONTENTS

WF426RT	A-01 - C-04
WCN26RH	C-05 - E-10
WCN23RG	E-11 - Q-24
WCP26ET	H-01 - J-03

1986 WF426RT INDEX

Floor Plan	A-01 - A-02
Accessories Group	A-03 - A-05
Bath Group	A-06 - A-07
Chassis Group	A-08 - A-09
Curtain, Cushion & Pad Group	A-10 - A-16
Dinette Group	A-17
Driver's Compartment Group	A-18 - A-19
Electrical Group	A-20 - A-22
Exterior Body Group	A-23 - B-04
Galley Group	B-05 - B-06
Heating & Air Conditioning Group	B-07
Interior Finish Group	B-08 - B-10
LP Group	B-11
Lounge Group	B-12 - B-13
Water & Sewage Group	B-14 - B-15
Window, Vent & Exterior Door Group	B-16 - C-04