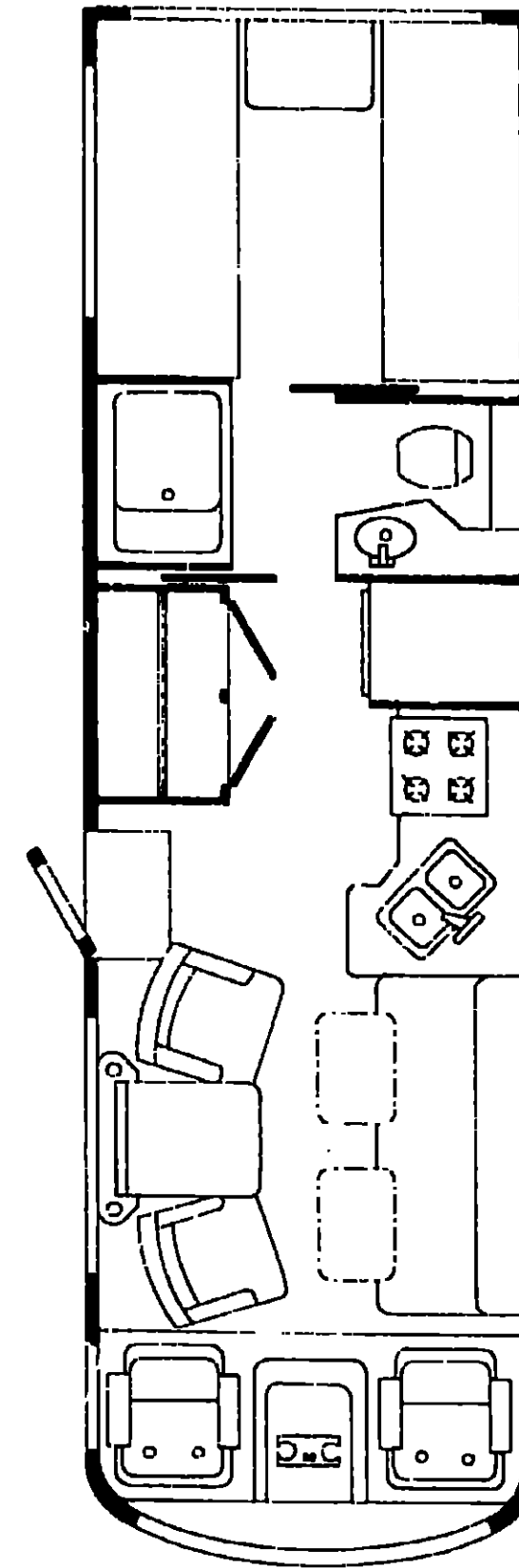
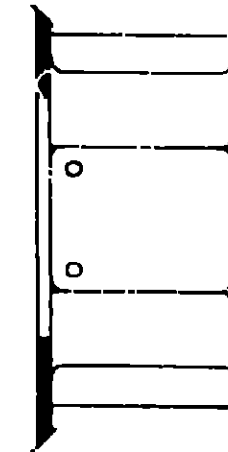
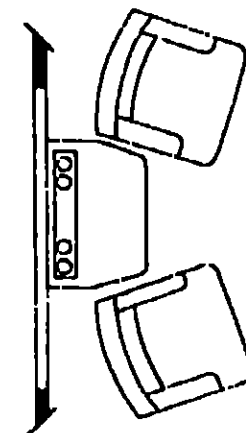
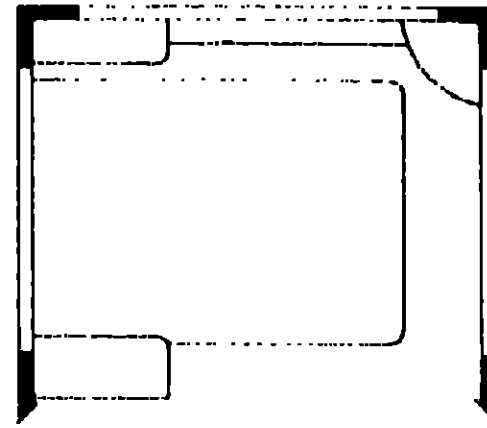


1986 WCP31RT



1986 WINNEBAGO TABLE OF CONTENTS

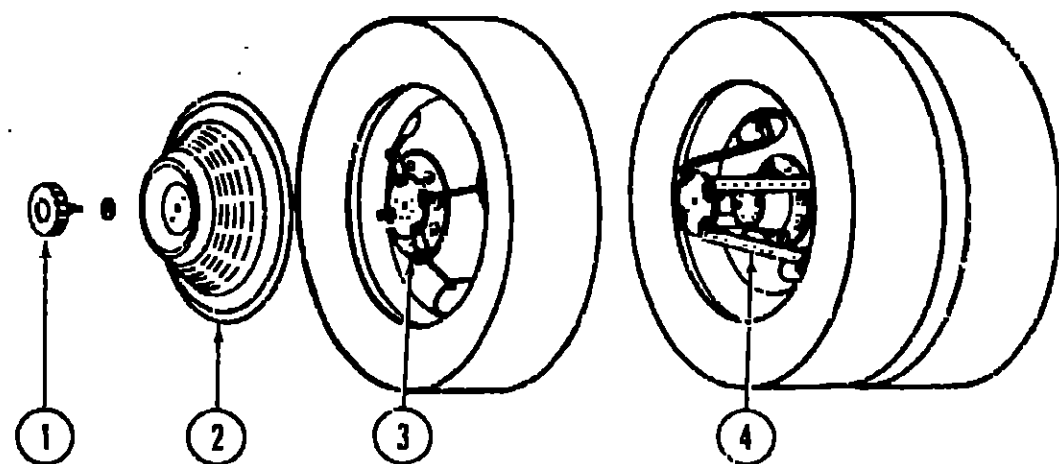
WC/WF424RS
WCN27RT
WCP31RT
WCP34RU

A-01 - C-12
C-13 - E-22
E-23 - H-10
H-11 - J-22

1986 WCP31RT INDEX

Floor Plan	E-23 - E-24
Accessories Group	F-01 - F-04
Bath Group	F-05
Chassis Group	F-06 - F-10
Curtain, Cushion & Pad Group	F-11 - F-18
Dinette Group	F-19 - F-20
Driver's Compartment Group	F-21 - F-24
Electrical Group	G-01 - G-03
Exterior Body Group	G-04 - G-11
Galley Group	G-12 - G-13
Heating & Air Conditioning Group	G-14 - G-15
Interior Finish Group	G-16 - G-18
LP Group	G-19
Lounge Group	G-20 - G-21
Water & Sewage Group	G-22
Window, Vent & Exterior Door Group	G-23 - H-10

ACCESSORIES GROUP



WHEEL COVER & MOUNTING HARDWARE

Key	Part Number	U/M	Description
1	064082-02-000	EA	Retaining Nut - Delmet - Wheel Cover
2	073426-02-700	EA	Wheel Cover - Bolt On - 19 5" - Delmet (1)
2	083181-03-700	EA	Wheel Cover - Clip On - 19 5" - Delmet (1)
3	073426-05-700	EA	Retention Bracket Asm - Wheel Cover Support - Heavy Duty - Front (1)
4	083181-04-700	EA	Retainer Kit - 19 5" Clip On - Delmet (1)
4	073426-05-701	EA	Retention Bracket Asm - Wheel Cover Support - Heavy Duty - Rear (1)
4	073426-05-000	EA	Retention Bracket Asm - Wheel Cover Support - Heavy Duty (Set-4)
**	031396-02-000	EA	Wheel Cover - 19 5" - Clip On

* Not illustrated

** The illustrated parts breakdown for this item is provided on the Common Items Fiche

GENERATORS & COMPONENTS

Key	Part Number	U/M	Description
**	054429-01-000	EA	Generator - Onan - 4.0 kw
**	069229-01-000	EA	Generator - Kohler - 4.5 kw
**	054433-01-000	EA	Generator - Onan - 6.5 kw
**	051911-01-000	EA	Generator - Kohler - 7.000 kw - US
**	053756-01-000	EA	Generator - Kohler - 7.000 kw - CSA
**	701629-01-000	EA	Kohler Installation Package
**	701629-02-000	EA	Onan Installation Package
**	024732-01-016	EA	Tailpipe - 1 5" O D x 43 5"
**	067753-01-000	EA	Muffler - Generator - w. Spark Arrestor - Nelson
**	052431-01-000	EA	Tray - Luggage Compartment
**	068046-01-000	EA	Conversion Kit - LP - Onan Generator

** The illustrated parts breakdown for this item is provided on the Common Items Fiche

RADIO & RELATED COMPONENTS

Key	Part Number	U/M	Description
	077069-01-000	EA	Antenna - Radio
	031105-01-700	EA	Holder - Antenna - Radio - Upper
	064791-01-000	EA	Speaker - Recessed - 5 25"
	064792-01-000	EA	Grille - Speaker - 5 25" - w Mesh - Brown
	071741-01-000	EA	Speaker - 4" x 6" - Oval
	073431-01-000	EA	Speaker - 5 25" - 3 Way (Pair)
	074979-01-000	EA	Speaker Cover Protector - Plastic
	075903-01-000	EA	Radio - AM-FM MPX - w Cassette
	075904-01-000	EA	Radio - AM-FM Stereo Cassette - Electric Tuning

ACCESSORIES GROUP (CONTINUED)

MISCELLANEOUS ACCESSORIES

Key	Part Number	U/M	Description
	054185-24-000	EA	Owners Manual - 1986 - Itasca & Winnebago
	076319-01-000	EA	Antenna - TV - (Wineguard Antenna) - 14 5" Mast
	076319-01-700	EA	RVSA Sensor - Antenna
	076319-01-701	EA	Elevating Gear
	076319-01-702	EA	Shaft Elevating Asm
	076319-01-703	EA	Nylon Bearing - 5"
	076319-01-704	EA	Nylon Bearing
	076319-01-705	EA	Nylon Bearing
	076319-01-706	EA	Elevating Crank - w/Set Screw
	076319-03-000	EA	Cable - Coaxial - 1000' - 75 OHM
	076319-04-000	EA	Connector & Ferrule
	076319-05-000	EA	Wallplate/Power Supply - Ivory
	076319-06-000	EA	Adaptor - Cable Roof Plate
	076319-07-000	EA	Wallplate/Power Supply - Brown
	076319-08-000	EA	Wallplate/Receptacle - Ivory
	076319-09-000	EA	Wallplate/Receptacle - Brown
	076319-10-000	EA	Ferrule
	076319-11-000	EA	Adaptor - Coax w/Splitter
	017516-02-000	EA	Mud Flap - Black - 14" x 12" - Front
	017516-01-000	EA	Mud Flap - Black - 14" x 18" w/Holes - Rear
	041944-02-000	EA	Fire Extinguisher Bracket
	041944-03-000	EA	Fire Extinguisher - 5 BC
	079665-01-000	EA	Clock - 9" x 9" - Round Face
	079665-02-000	EA	Weather Center
	076840-01-000	EA	Shock Cord Asm
	072852-01-000	EA	Smoke Detector w 9 Volt Battery
	006069-01-000	EA	Key Case - Leather
	007038-01-000	EA	Door Mat - 10 5" x 26" - Black Rubber
	081072-01-000	EA	Door Mat - Front - Right - Brown
	081074-01-000	EA	Door Mat - Front - Left - Brown
	081075-01-000	EA	door Mat - Entrance - Brown
	080202-01-000	EA	Lug Wrench
	080208-02-000	EA	Leverage Bar - Lug Wrench
	063708-01-000	EA	Cover - Air Conditioning - Vinyl
	006113-01-000	EA	Jack - Hydraulic - 6 Ton - w Handle
	036420-02-000	EA	Defroster Fan - 6" - 2 Speed
	079942-01-000	EA	Shock Absorber - Stabilizer - Front
	079942-02-000	EA	Shock Absorber - Stabilizer - Rear
	079942-07-000	EA	Bracket - Mounting - Stabilizer
	084086-01-000	EA	Air Spring Bellows - Rear Axle (Pair)

EXTERIOR MIRRORS

Key	Part Number	U/M	Description
	077051-03-000	EA	Mirror Asm - Exterior - Right
	077051-04-000	EA	Mirror Asm - Exterior - Left (Universal)
	077074-01-000	EA	Gasket - Side Mirror - Left or Right

1986 WINNEBAGO TABLE OF CONTENTS

WC-WF424RS	A-01 - C-12
WCN27RT	C-13 - E-22
WCP31RT	E-23 - H-10
WCP34RU	H-11 - J-22

1986 WCP31RT INDEX

Floor Plan	E-23 - E-24
Accessories Group	F-01 - F-04
Bath Group	F-05
Chassis Group	F-06 - F-10
Curtain, Cushion & Pad Group	F-11 - F-18
Dinette Group	F-19 - F-20
Driver's Compartment Group	F-21 - F-24
Electrical Group	G-01 - G-03
Exterior Body Group	G-04 - F-11
Galley Group	G-12 - G-13
Heating & Air Conditioning Group	G-14 - G-15
Interior Finish Group	G-16 - G-19
LP Group	G-19
Lounge Group	G-20 - G-21
Water & Sewage Group	G-22
Window, Vent & Exterior Door Group	G-23 - H-10

ACCESSORIES GROUP (CONTINUED)

OPTIONAL ELECTRIC STEP & COMPONENTS

Key	Part Number	U/M	Description
	075461-01-000	EA	Step Asm - Electric (Kwikel)
	075461-01-700	EA	Motor
	041250-01-000	EA	Door Switch
	075461-01-704	EA	Under Step Control Unit
	075461-01-705	EA	4-Way Plug (Dash End)
	075461-01-706	EA	Kill Switch
	075461-01-707	EA	Step Light
	075461-01-708	EA	4-Way Plug (Control Box End)
	075461-01-709	EA	90° Plug
	075461-01-710	EA	Gear
	075461-01-711	EA	Drive Link

OPTIONAL RACK & LADDER & COMPONENTS

Key	Part Number	U/M	Description
	080997-03-T03	EA	Ladder Asm - Lower
	080999-03-T03	EA	Ladder Asm - Upper
	081026-05-T03	EA	Rack Asm - Right
	081026-06-T03	EA	Rack Asm - Left
	081055-01-000	EA	Spring Grip - Internal
	081056-01-000	EA	Pin - Quick Release
	038327-01-000	EA	Tape - Anti-Slip - 2" x 60'

STYLIZED ALUMINUM WHEELS & COMPONENTS

Key	Part Number	U/M	Description
	077042-01-000	EA	Wheel - Polished Aluminum - 19 5/8" x 6" - Front
	077042-02-000	EA	Wheel - Polished Aluminum - 19 5/8" x 6" - Rear
	077043-01-000	EA	Lug Nut - 2 Piece - Cone Seat & Flange
	077044-01-000	EA	Chrome Cover - Lug Nut - w Skirt
	077045-01-000	EA	Chrome Cover - Front Axle - 2 Piece
	077045-02-000	EA	Chrome Cover - Rear Axle - 2 Piece
	078260-02-000	EA	Pouch - Wrench - 11" x 11"
	077030-02-000	EA	Valve Stem Extension - 1.25'

OPTIONAL WHEEL LINERS & COMPONENTS (CHROME)

Key	Part Number	U/M	Description
	081608-01-000	EA	Cover - Rear Axle - Chrome Liner
	081608-02-000	EA	Cover - Front Axle - Chrome Liner
	081606-03-000	EA	Liner - Front Wheel - Chrome Liner
	081608-04-000	EA	Liner - Rear Wheel - Chrome Liner
	081608-05-000	EA	Lug Nut Cover - Chrome Liner
	081608-06-000	EA	Spiral Ring - Chrome Liner

OPTIONAL MICROWAVE/CONVECTION OVEN & COMPONENTS

Key	Part Number	U/M	Description
	091379-01-000	EA	Microwave Convection Oven - Sharp
	081459-05-000	EA	Bracket Asm - Microwave - Right
	081459-06-000	EA	Bracket Asm - Microwave - Left
	081456-01-000	EA	Angle Asm - Microwave - Right
	081456-02-000	EA	Angle Asm - Microwave - Left
	081555-01-T03	EA	Turn Asm - Microwave
	082876-01-000	EA	Baffle Asm - Microwave

ACCESSORIES GROUP (CONTINUED)

OPTIONAL SPEED CONTROL & COMPONENTS

Key	Part Number	U/M	Description
	083212-02-000	EA	Control Switch
	083212-01-000	EA	Speed Control Package - Electric Gas - Dana
	083212-01-700	EA	Regulator Asm - Electric
	083212-01-701	EA	Carburetor Lever
	083212-01-702	EA	Harness Asm (Main Wiring)
	083212-01-703	EA	Servo Asm - Mount Ready
	083212-01-704	EA	Switch - Stop Lamp - Cruise Release
	083212-01-705	EA	Valve Asm - Switch - Speed Control
	083212-02-000	EA	Control Switch & Lever Asm

OPTIONAL FOG LAMP & COMPONENTS

Key	Part Number	U/M	Description
	079941-01-000	EA	Lamp Asm - Fog w Cover - Amber
	079941-01-700	EA	Lamp Asm - Fog - Set of 2
	079941-01-701	EA	Lens and Cover Only
	079941-01-702	EA	Switch - Fog Lights
	079941-01-703	EA	Solenoid
	079941-01-704	EA	Switch Plate - For Switch

OPTIONAL AIR HORN & COMPONENTS

Key	Part Number	U/M	Description
	077497-01-000	EA	Air Horn Kit - Twin Chromed
	077497-01-700	EA	Solenoid - Air Horns Air Tank
	077497-01-701	EA	Compressor Switch - Air Horn
	077497-01-702	EA	Toggle Switch - Air Horn
	077497-01-703	EA	Air Tank - Air Horn
	077497-01-704	EA	Compressor w Switch - Air Horn
	063912-01-000	EA	Relay Canister - w Ground - Air Horn

OPTIONAL STEERING WHEEL

Key	Part Number	U/M	Description
	080752-05-000	EA	Steering Wheel - Custom
	080752-06-000	EA	Hub Adapter - Steering Wheel
	080752-07-000	EA	Button - Horn - w Wire
	080752-08-000	EA	Screw - Custom Steering Wheel

OPTIONAL VACUUM CLEANER & COMPONENTS

Key	Part Number	U/M	Description
	055285-01-000	EA	Vacuum Cleaner - Built In - Tevis Campbell
	055285-01-700	EA	Accessories Kit - Standard - Tevis Campbell
	055285-01-701	EA	Filter - 10 per Consumer Package - Tevis Campbell
	055285-01-702	EA	Hose - Vacuum Cleaner - 20'
	055285-01-703	EA	Reg Tool
	055285-01-704	EA	Crevise Tool
	055285-01-705	EA	Upholstery Tool
	055285-01-706	EA	Wand Set (2 Piece)

**1986 WINNEBAGO
TABLE OF CONTENTS**

WC/WF424RS	A-01 - C-12
WCN27RT	C-13 - E-22
WCP31RT	E-23 - H-10
WCP34RU	H-11 - J-22

1986 WCP34RU INDEX

Floor Plan	H-11 - H-12
Accessories Group	H-13 - H-16
Bath Group	H-17 - H-18
Chassis Group	H-19 - H-23
Curtain, Cushion & Pad Group	H-24 - I-07
Dinette Group	I-08 - I-09
Driver's Compartment Group	I-10 - I-14
Electrical Group	I-15 - I-18
Exterior Body Group	I-19 - J-02
Galley Group	J-03 - J-04
Heating & Air Conditioning Group	J-05 - J-06
Interior Finish Group	J-07 - J-08
LP Group	J-09
Lounge Group	J-10
Water & Sewage Group	J-11
Window, Vent & Exterior Door Group	J-12 - J-22

BATH GROUP

BATH & WARDROBE CABINETS

Key	Part Number	U/M	Description
	M82935-01-U07	EA	Cabinet Asm - Lavatory w/o Countertop, Doors or Hardware
	M02508-01-U07	EA	Countertop Asm - Lavatory - Sage Green
	M02508-01-U08	EA	Countertop Asm - Lavatory - Cayenne
	M02508-01-U09	EA	Countertop Asm - Lavatory - Fawn
	M81501-52-U07	EA	Door Asm - Lavatory Cabinet - w/o Hardware (Hamper)
	081893-01-U09	EA	Drawer Face - Tilt Out
	077251-01-000	EA	Tilt Out Drawer - Plastic
	M81501-51-U07	EA	Door Asm - Lavatory Cabinet (Lower)
	070504-01-000	EA	U-Channel - Tilt Out Drawer
	076073-01-000	EA	Cabinet Asm - Medicine - Metal - Almond - w/o Door or Hardware
	078276-01-U09	EA	Door Asm - Metal Medicine Cabinet w-Mirror - w/o Hardware
	083404-01-U07	EA	Door Asm - Sliding - Front - w/o Latch - Empire Walnut
	082934-01-U07	EA	Door Asm - Sliding - Rear - w/o Latch - Empire Walnut
	M81501-25-U09	EA	Door Asm - Wardrobe Cabinet - Upper - w/o Hardware
	M81501-26-U09	EA	Door Asm - Wardrobe Cabinet - Lower Left - w/o Hardware
	M81507-04-U07	EA	Door Asm - Wardrobe Cabinet - Lower Right - w/o Hardware

BATH & WARDROBE HARDWARE

Key	Part Number	U/M	Description
	075240-03-000	EA	Faucet - Lavatory
	075242-03-000	EA	Faucet - Tub & Shower
	058713-01-000	EA	Sink Oval - Ivory Plastic
	M01817-01-T03	EA	Bathtub Asm - w-Strainer
	075541-03-000	EA	Bathtub Shroud Asm
	009059-01-000	EA	Hinge - 2" Gold
	059777-01-000	EA	Hinge - Antique Brass
	077523-01-000	EA	Latch Asm - Cabinet Door
	039873-01-700	EA	Nylon Catch & Spring Steel Strike
	075606-01-000	EA	Panel - Shower Faucet
	011083-01-000	EA	Tail Piece 1 25" x 5" - Plastic - w Stopper
	011048-02-000	EA	Shower Head - w 60" Hose
	066729-01-000	EA	Strainer - Shower Pan & Tub
	066436-01-000	EA	Slip Nut - 1 5" Tail Piece - Bathtub
	066435-01-000	EA	Nut - Strainer - Plastic
	075452-02-000	EA	Holder - Tissue
	075680-01-000	EA	Clothes Rod - Adjustable
	075453-02-000	EA	Bar - Towel Rack
	075454-02-000	EA	Towel Ring - Brass
	058034-02-000	EA	Latch - Sliding Door
	009156-01-000	EA	Hanger - Sliding Door
	064467-01-000	EA	Guide - Sliding Door - Bottom Door Guide
	076997-03-000	EA	Sliding Door Track - Mounts to Channel - Brown (Front)
	077349-02-000	EA	Sliding Door Channel - Mounts to Wall - Brown (Rear)
	075153-02-000	EA	Cap - Sliding Door Track (Front)
	076997-02-000	EA	Sliding Door Track - Mounts To Channel - Brown (Rear)
	077349-01-000	EA	Sliding Door Channel - Mount To Wall - Brown (Rear)
	062906-02-000	EA	Shower Door Asm
	009112-01-000	EA	Flange - 1" Closet Rod
	057671-01-000	EA	Screw Cover (No. 8)
	058331-08-000	EA	Mirror - Tempered Glass - 24" x 30"
	058331-05-000	EA	Mirror - Tempered Glass - 12" x 26"
	058331-04-000	EA	Mirror - Tempered Glass - 12" x 42"
	009089-01-000	EA	Mirror Clip
	071632-01-000	EA	Hamper Bag - Fabric
	074550-01-000	EA	Hamper Bag Guide - Right
	074550-02-000	EA	Hamper Bag Guide - Left
	039341-02-000	EA	Toilet - Theiford - Aqua Magic - Ivory - 8420 SH
	081614-01-000	EA	Soap Dish
	075451-01-000	EA	Storage Rack - White Wire
	075451-02-000	EA	Clip - Storage Rack

CHASSIS GROUP

MISCELLANEOUS

Key	Part Number	U/M	Description
	081057-01-000	EA	Alternator Kit - 105 Amp - w. Regulator
	081057-01-700	EA	Brush Assembly
	081057-01-702	EA	Condenser
	081057-01-703	EA	Inside Bearing Spacer
	081057-01-704	EA	Front Bearing
	081057-01-705	EA	Outside Bearing Spacer
	081057-01-706	EA	Pulley
	081057-01-707	EA	Diode -
	081057-01-708	EA	Diode -
	081057-01-709	EA	Stator (105 H D)
	081057-01-710	EA	Rotor
	081057-01-711	EA	Ground Terminal Kit
	081057-01-712	EA	Battery Terminal Kit
	081057-01-713	EA	Rear Bearing
	081057-03-000	EA	Alternator - 105 Amp - Wide Belt
	081057-03-700	EA	Pulley - Wide Belt
	076010-01-000	EA	Door Asm & Upper Shroud - Fuel Fill
	063303-04-000	EA	Shroud - Fuel Fill - Lower (Floor)
	078037-01-000	EA	Shroud - Fuel Fill - Inside
	075758-01-000	EA	Wheel Well - Plastic - Rear - Left Right
	065450-04-000	EA	Battery Tie Down - Plastic Coated
	077848-01-000	EA	Step Asm - Entry
	047441-01-000	EA	Battery Terminal - Horizontal Lug
	077479-02-000	EA	Battery Terminal Boot
	020167-03-000	EA	Dirt Guard - Wheel Well
	007374-04-000	EA	Tire - 8R19 5X2A - Michelin
	007321-02-000	EA	Tire - 8 00 x 19 5 - 8 Ply - Tubeless
	022655-05-000	EA	Tailpipe - 2 5" x 32"
	007131-01-000	EA	Tailpipe Hanger
	007125-07-000	EA	Clamp Anus - Muffler - 2 5"
	Remainder of exhaust components available from chassis service center		

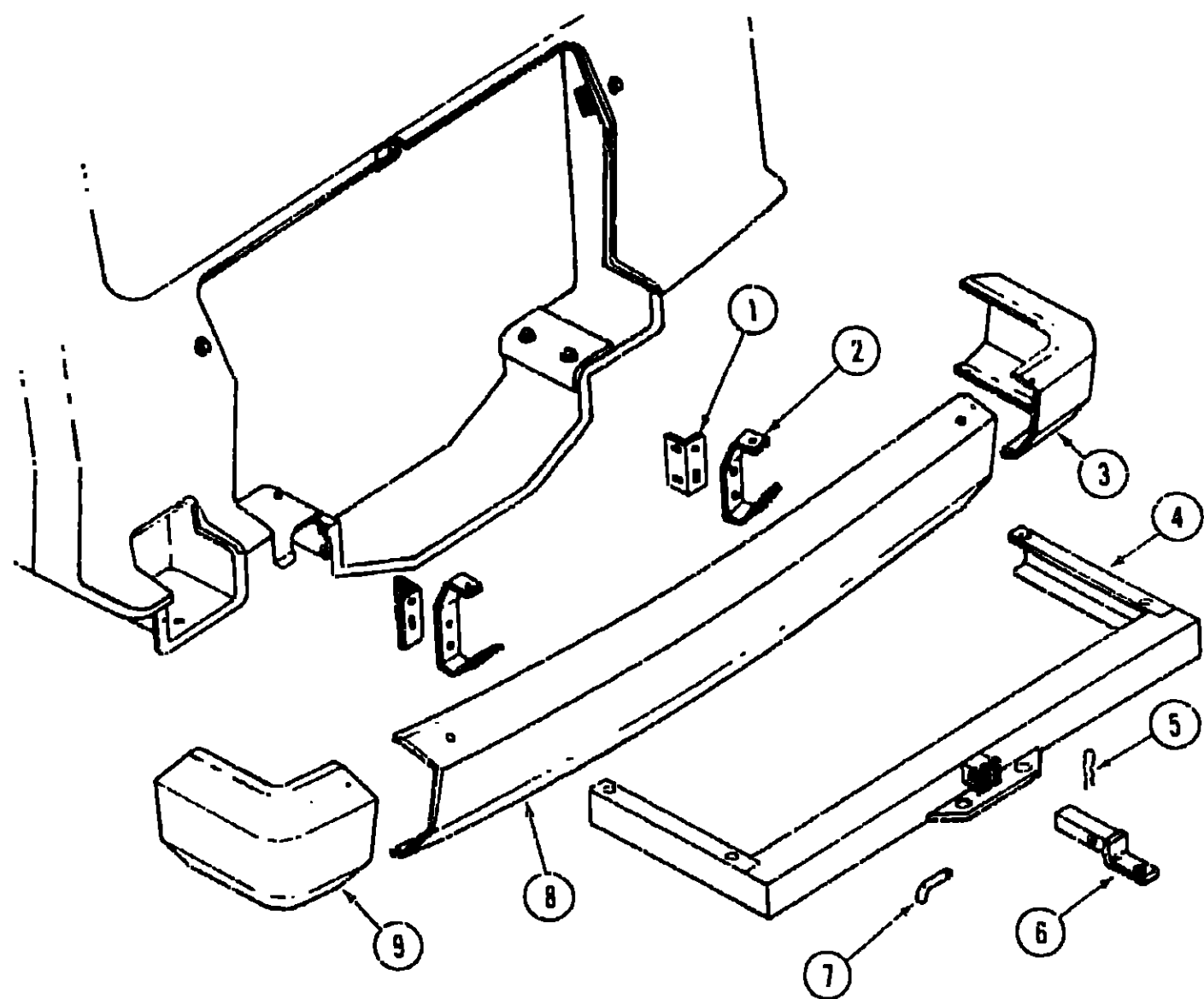
1986 WINNEBAGO TABLE OF CONTENTS

WC WF424RS	A-01 - C-12
WCN27RT	C-13 - E-22
WCP31RT	E-23 - H-10
WCP34RU	H-11 - J-22

1986 WCP31RT INDEX

Floor Plan	E-23 - E-24
Accessories Group	F-01 - F-04
Bath Group	F-05
Chassis Group	F-06 - F-10
Curtain, Cushion & Pad Group	F-11 - F-18
Dinette Group	F-19 - F-20
Driver's Compartment Group	F-21 - F-24
Electrical Group	G-01 - G-03
Exterior Body Group	G-04 - G-11
Galley Group	G-12 - G-13
Heating & Air Conditioning Group	G-14 - G-15
Interior Finish Group	G-16 - G-18
LP Group	G-19
Lounge Group	G-20 - G-21
Water & Sewage Group	G-22
Window, Vent & Exterior Door Group	G-23 - H-10

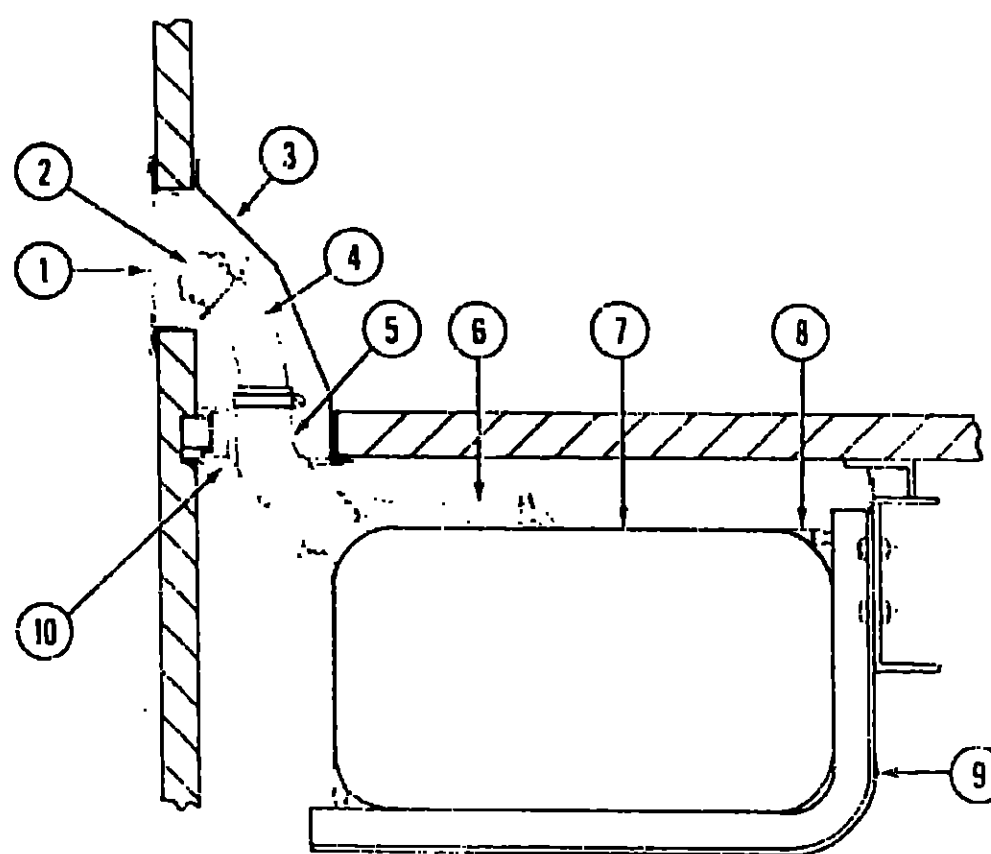
CHASSIS GROUP (CONTINUED)



REAR BUMPER & HITCH

Key	Part Number	U/M	Description
1	076558-01-000	EA	Bracket to Frame - Rear Bumper
2	077855-01-000	EA	Bracket to Bumper - Rear
3	077330-05-000	EA	Bumper End - Right Rear
4	077617-01-000	EA	Hitch Asm - w/o Drawbar
5	034513-01-000	EA	Spring Pin - Hitch - 3 16" Wire
6	077613-01-000	EA	Drawbar Asm
7	034512-01-000	EA	Locking Pin - Drawbar
8	077851-01-000	EA	Bumper - Rear - Plain
8	077851-04-000	EA	Bumper - Rear - Chrome
9	077220-06-000	EA	Bumper - End - Left Rear
.	005200-01-000	EA	Carriage Bolt - Chrome - 7 16" x 14 x 1 1/4"
.			Not illustrated

CHASSIS GROUP (CONTINUED)



AUXILIARY FUEL FILL

Key	Part Number	U/M	Description
1	078010-01-000	EA	Door Asm & Upper Shroud - Fuel Fill
2	073220-02-000	EA	Cap - Fuel Fill
3	078032-01-000	EA	Shroud - Fuel Fill - Inside
4	075914-02-000	EA	Neck Asm - Upper Fuel Fill
5	077398-01-000	EA	Hose - Fuel - Formed 2" I D
6	066732-01-000	FT	Hose - Fuel - 62" I D - Vent
7	075685-01-000	EA	Tank - Fuel - 30 Gallon
8	075232-02-000	EA	Strap Asm - Fuel Tank - T-Bolt Ends
9	075685-01-000	EA	Bracket - Fuel Tank Mounting
10	063303-04-000	EA	Shroud - Fuel Fill - Lower
.	057038-08-000	EA	Sending Unit - Fuel - 90 Ohm
.	080212-01-000	EA	Valve Asm - Fuel Select - 6 Port
.			Not illustrated

**1986 WINNEBAGO
TABLE OF CONTENTS**

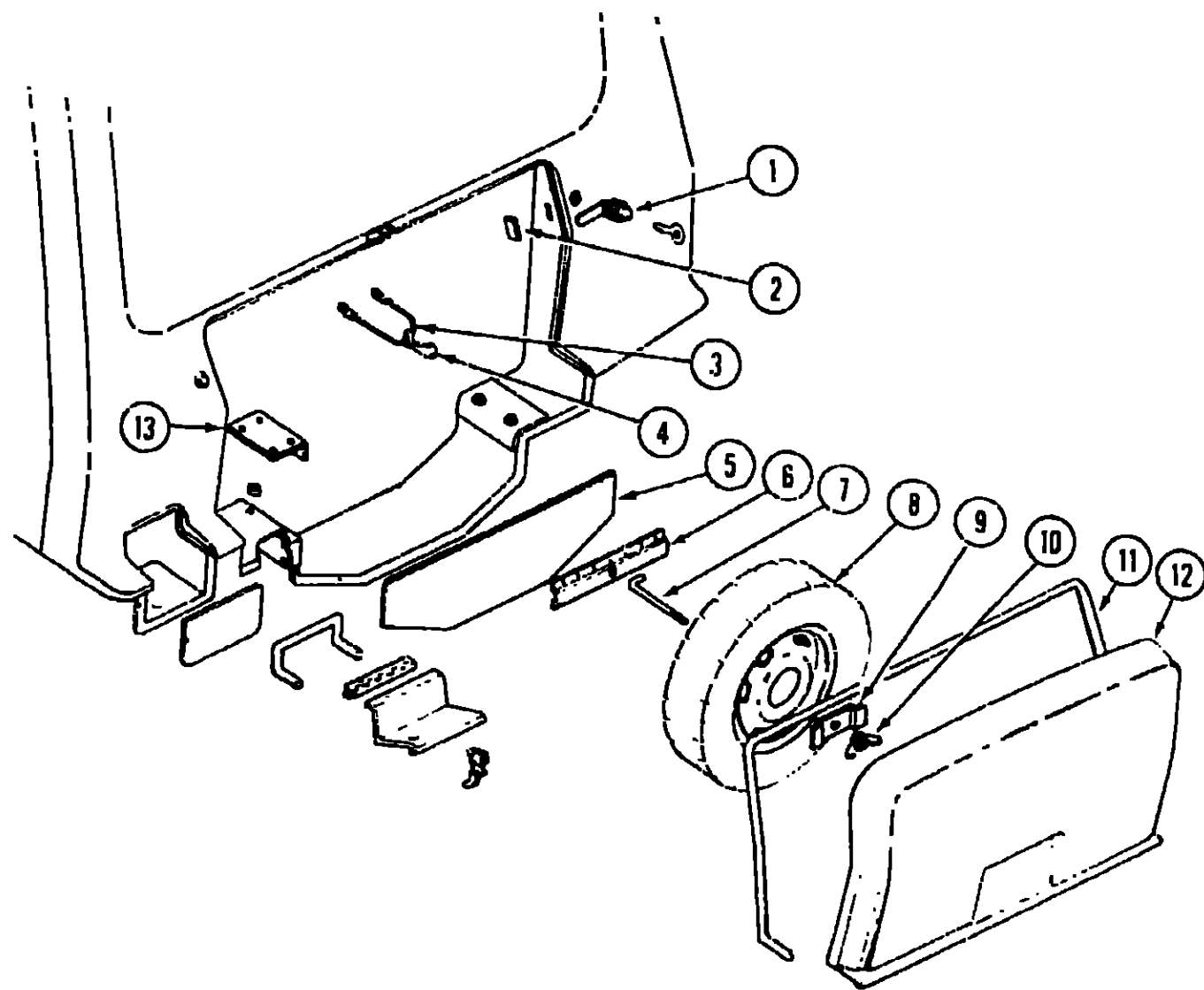
WC-WF424RS
WCN27R1
WCP31RT
WCP34RU

A-01 - C-12
C-13 - E-22
E-23 - H-10
H-11 - J-22

1986 WCP31RT INDEX

Floor Plan	E-23 - E-24
Accessories Group	F-01 - F-04
Bath Group	F-05
Chassis Group	F-06 - F-10
Curtain, Cushion & Pad Group	F-11 - F-18
Dinette Group	F-19 - F-20
Driver's Compartment Group	F-21 - F-24
Electrical Group	G-01 - G-03
Exterior Body Group	G-04 - G-11
Galley Group	G-12 - G-13
Heating & Air Conditioning Group	G-14 - G-15
Interior Finish Group	G-16 - G-18
LP Group	G-19
Lounge Group	G-20 - G-21
Water & Sewage Group	G-22
Window, Vent & Exterior Door Group	G-23 - H-10

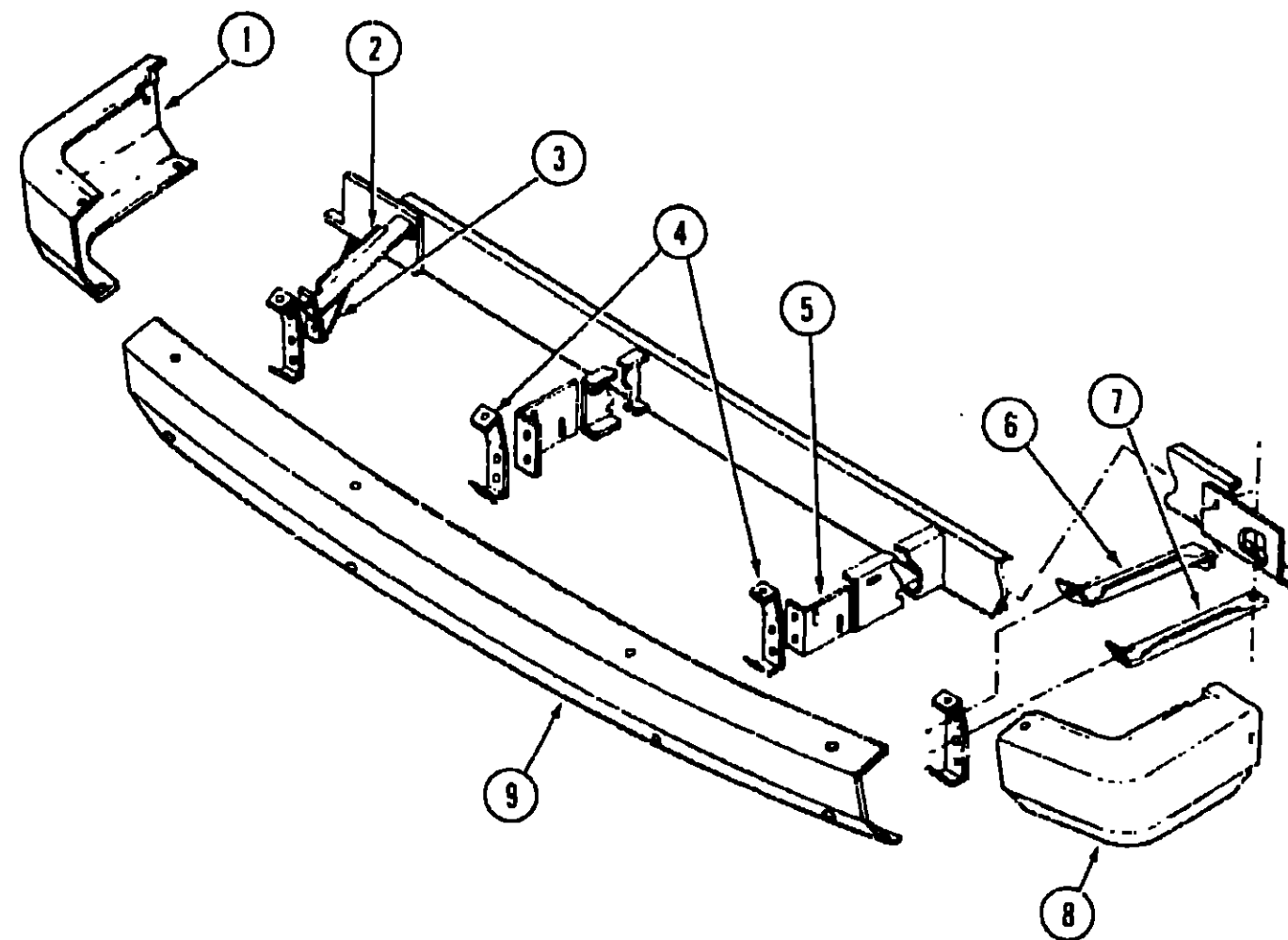
CHASSIS GROUP (CONTINUED)



SPARE TIRE & COMPARTMENT

Key	Part Number	U/M	Description
1	077408-01-000	EA	Lock Asm - Key Type
2	077941-01-000	EA	Rubber Seal - Flat w Slit
3	076767-02-000	EA	Cable Asm
4	072463-01-000	EA	Spring Hook - 1/2"
5	077395-01-000	EA	Shield - Spare Tire
6	077403-01-000	EA	Support Bracket - Spare Tire
7	077411-01-000	EA	Retaining Rod - Spare Tire
8	007324-04-000	EA	Tire - 8 00 x 19 5 - 8 Ply - Tubeless - XZA - Michelin
9	077399-01-000	EA	Retainer - Spare Tire
10	064091-01-000	EA	Wing Nut - 3/8" - Spare Tire
11	073090-01-000	FT	Weather Seal
12	MO1990-03-U07	EA	Cover - Spare Tire - Beige
13	077400-01-000	EA	Support - Spare Tire

CHASSIS GROUP (CONTINUED)



FRONT BUMPER

Key	Part Number	U/M	Description
1	075767-01-000	EA	Bumper End - Beige - Right Front
2	077852-01-000	EA	Brace - Upper Right - Front Bumper
3	077854-01-000	EA	Brace - Lower Right - Front Bumper
4	077852-01-000	EA	Bracket - Bumper - Front
5	076527-01-000	EA	Bracket to Frame - Front Bumper
6	077853-02-000	EA	Brace - Upper Left - Front Bumper
7	077854-02-000	EA	Brace - Lower Left - Front Bumper
8	075767-03-000	EA	Bumper End - Beige - Left Front
9	077850-06-000	EA	Bumper - Front - Gray
9	077850-07-000	EA	Bumper - Front - Chrome
.	005200-01-000	EA	Carriage Bolt - Chrome - 7/16" x 1 1/4"
.	Not illustrated		

**1986 WINNEBAGO
TABLE OF CONTENTS**

WC/WF424RS
WCN27RT
WCP31RT
WCP34RU

A-01 - C-12
C-13 - E-22
E-23 - H-10
H-11 - J-22

1986 WCP31RT INDEX

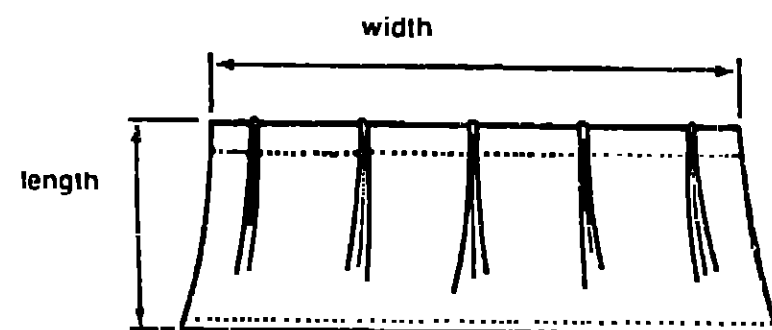
Floor Plan	E-23 - E-24
Accessories Group	F-01 - F-04
Bath Group	F-05
Chassis Group	F-06 - F-10
Curtain Cushion & Pad Group	F-11 - F-18
Dinette Group	F-19 - F-20
Driver's Compartment Group	F-21 - F-24
Electrical Group	G-01 - G-03
Exterior Body Group	G-04 - G-11
Galley Group	G-12 - G-13
Heating & Air Conditioning Group	G-14 - G-15
Interior Finish Group	G-16 - G-18
LF Group	G-19
Lounge Group	G-20 - G-21
Water & Sewage Group	G-22
Window Vent & Exterior Door Group	G-23 - H-10

CURTAIN, CUSHION & PAD GROUP

NOTICE

In order to assist our Parts Sales Dept. in providing interior software items, please include the serial number and the color code number from the vehicle certification label when ordering. This label is located on the left sidewall at the end of the dash (A-Body), or on the driver's door latch plate (C-Body).

An example of a color code number is P31, which designates an overall color scheme of a particular unit. The color listed after the item description on the microfiche, indicates the overall unit color. Order the item you desire according to unit color code.



NOTE:

Use this illustration when determining length and width measurements for curtains. You will note the width measurement is taken on the top of the curtain with the curtain fully extended. The length measurement is taken from top to bottom.

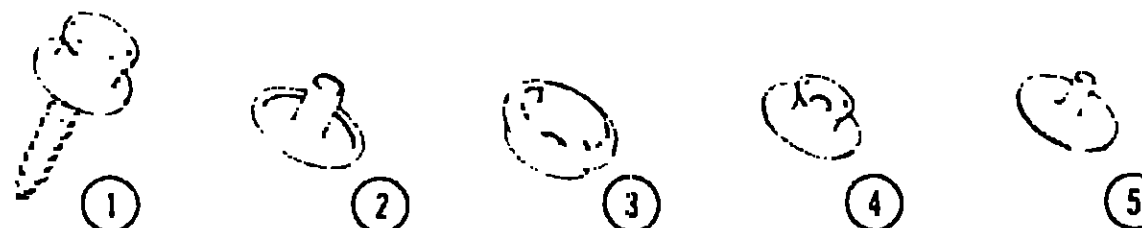
CURTAIN HARDWARE

Key	Part Number	U/M	Description
	056116-01-000	EA	Track - Curtain - Brown - Plastic
	077046-01-000	EA	Track - Curtain - Front Wraparound - Passenger
	077046-02-000	EA	Track - Curtain - Front Wraparound - Drivers
	056001-01-000	EA	Bracket - Shade - Left
	056002-01-000	EA	Bracket - Shade - Right
	056003-01-000	EA	Bracket - Drapery Retainer - Right
	056003-02-000	EA	Bracket - Drapery Retainer - Left
	056003-03-000	EA	Bracket - Drapery Retainer - Universal
	056784-01-000	EA	Pull - Window Shade - Antique Brass
	039175-01-000	EA	Curtain Rod - Ext 48" - 84"
	039175-03-000	EA	Curtain Rod - Ext 28" - 48"
	039175-04-000	EA	Curtain Rod - Ext 16" - 28"
	039175-02-000	EA	Bracket - Curtain Rod
	056115-02-000	YD	Tape - Clear Plastic - w Guides
	048294-01-000	YD	Tape Hook - 1" x 25 YD - Beige (Velcro)
	048395-01-000	YD	Tape Loop - 1" x 25 YD - Beige (Velcro)
	075477-01-000	EA	Bracket Installation - Blinds
	075477-03-000	EA	Bracket Hold Down - Blinds

CURTAIN, CUSHION & PAD GROUP (CONTINUED)

FABRICS

Key	Part Number	U/M	Description
	077498-47-000	YD	Fabric - Upholstery - Blue (U07)
	077498-46-000	YD	Fabric - Upholstery - Brown (U08)
	077498-48-000	YD	Fabric - Upholstery - Rose (U09)
	077498-44-000	YD	Fabric - Upholstery/Accent (Drapery & Seat Covers) Beige (U07)
	077498-43-000	YD	Fabric - Upholstery/Accent (Drapery & Seat Covers) Brown (U08)
	077498-45-000	YD	Fabric - Upholstery/Accent (Drapery & Seat Covers) Rose (U09)
	077498-60-000	YD	Fabric - Upholstery/Plain Accent - Beige (U07)
	077498-59-000	YD	Fabric - Upholstery/Plain Accent - Brown (U08)
	077498-61-000	YD	Fabric - Upholstery/Plain Accent - Rose (U09)
	069729-36-000	YD	Fabric - Bedspread - Beige (U07)
	069729-31-000	YD	Fabric - Bedspread - Brown (U08)
	069729-24-000	YD	Fabric - Bedspread - Rose (U09)
	072333-24-000	YD	Fabric - Bedspread Accent (Headboard, Valance) Beige (U07)
	072333-31-000	YD	Fabric - Bedspread Accent (Headboard, Valance) Brown (U08)
	072333-23-000	YD	Fabric - Bedspread Accent (Headboard, Valance) Rose (U09)
	072333-21-000	YD	Fabric - Drapery - Parchment
	069649-02-000	YD	Vinyl - Expanded (End Caps) Teak
	038421-01-000	YD	Fabric - Mattress Ticking
	081607-02-000	YD	Fabric - Headline - Sandstone



Key	Part Number	U/M	Description
1	029130-01-000	EA	Socket - Snap Fastener
2	029155-01-000	EA	Cap - Snap - .156" Dia x 17" Barrel
3	029156-01-000	EA	Socket - Snap Fastener
4	029092-01-000	EA	Stud - Nickel Finish
5	029093-01-000	EA	Eyelet - Nickel Finish

FRONT OVERHEAD BUNK CUSHIONS

Key	Part Number	U/M	Description
	079145-02-000	EA	Cushion Asm - Front Bunk - 30" x 72" x 4"
	M79145-02-000	EA	Cover - Front Bunk Cushion - 30" x 72" x 4"

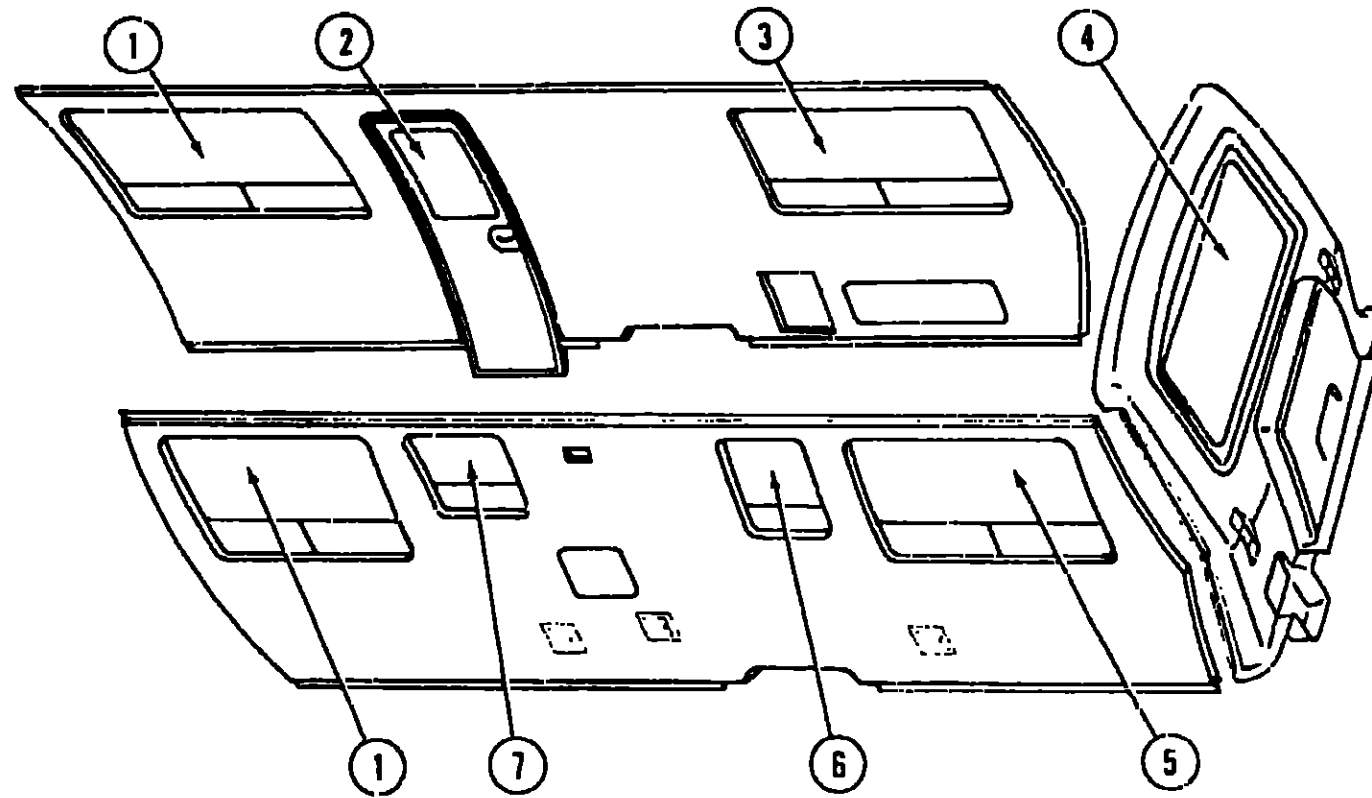
1986 WINNEBAGO TABLE OF CONTENTS

WC/WF424RS	A-01 - C-12
WCN27RT	C-13 - E-22
WCP31RT	E-23 - H-10
WCP34RU	H-11 - J-22

1986 WCP31RT INDEX

Floor Plan	E-23 - E-24
Accessories Group	F-01 - F-04
Bath Group	F-05
Chassis Group	F-06 - F-10
Curtain, Cushion & Pad Group	F-11 - F-18
Dinette Group	F-19 - F-20
Driver's Compartment Group	F-21 - F-24
Electrical Group	G-01 - G-03
Exterior Body Group	G-04 - G-11
Galley Group	G-12 - G-13
Heating & Air Conditioning Group	G-14 - G-15
Interior Finish Group	G-16 - G-18
LP Group	G-19
Lounge Group	G-20 - G-21
Water & Sewage Group	G-22
Window, Vent & Exterior Door Group	G-23 - H-10

CURTAIN, CUSHION & PAD GROUP (CONTINUED)



CURTAINS, VALANCES, SHADES & TIEBACKS

Key	Part Number	U/M	Description
1	084269-01-U07	EA	Curtain w/Dart & Snap Top - Pleat Bottom - 37.5" x 15" - Beige
1	084269-01-U08	EA	Curtain w/Dart & Snap Top - Pleat Bottom - 37.5" x 15" - Brown
1	084269-01-U09	EA	Curtain w/Dart & Snap Top - Pleat Bottom - 37.5" x 15" - Rose
1	077444-03-U07	EA	Curtain w/Tape Top & Bottom - 37.5" x 15" - Beige
1	077444-03-U08	EA	Curtain w/Tape Top & Bottom - 37.5" x 15" - Brown
1	077444-03-U09	EA	Curtain w/Tape Top & Bottom - 37.5" x 15" - Rose
1	082126-13-000	EA	Woven Wood Shade - 64.5" Wide x 36" (U07)
1	082126-14-000	EA	Woven Wood Shade - 64.5" Wide x 36" (U08)
1	082126-15-000	EA	Woven Wood Shade - 64.5" Wide x 36" (U09)
2	M77188-02-U07	EA	Valance Asm - 43" x 31.6" - Beige
2	M77188-02-U08	EA	Valance Asm - 43" x 31.6" - Brown
2	M77188-02-U09	EA	Valance Asm - 43" x 31.6" - Rose
2	082119-34-000	EA	Shade Asm - Fabric - 22.25" x 40" (U07)
2	082119-35-000	EA	Shade Asm - Fabric - 22.25" x 40" (U08)
2	082119-36-000	EA	Shade Asm - Fabric - 22.25" x 40" (U09)
3	077444-11-U07	EA	Curtain w/Darts - 37.5" x 15" - Bedspread - Beige
3	077444-11-U08	EA	Curtain w/Darts - 37.5" x 15" - Bedspread - Brown
3	077444-11-U09	EA	Curtain w/Darts - 37.5" x 15" - Bedspread - Rose
3	084269-02-U07	EA	Curtain w/Dart & Snap Top - Pleat Bottom - 37.5" x 15" - Beige
3	084269-02-U08	EA	Curtain w/Dart & Snap Top - Pleat Bottom - 37.5" x 15" - Brown
3	084269-02-U09	EA	Curtain w/Dart & Snap Top - Pleat Bottom - 37.5" x 15" - Rose
3	082120-28-000	EA	Shade Asm - Fabric - 64.25" x 48" (U07)
3	082120-30-000	EA	Shade Asm - Fabric - 64.25" x 48" (U08)
3	082120-29-000	EA	Shade Asm - Fabric - 64.25" x 48" (U09)

CURTAIN, CUSHION & PAD GROUP (CONTINUED)

CURTAINS, VALANCES SHADES & TIEBACKS (CONT.)

Key	Part Number	U/M	Description
4	077444-12-U07	EA	Curtain w/Darts - 35.5" x 15" - Bedspread - Beige
4	077444-12-U08	EA	Curtain w/Darts - 35.5" x 15" - Bedspread - Brown
4	077444-12-U09	EA	Curtain w/Darts - 35.5" x 15" - Bedspread - Rose
4	084269-03-U07	EA	Curtain w/Dart & Snap Top - Pleat Bottom - 37.5" x 15" - Beige
4	084269-03-U08	EA	Curtain w/Dart & Snap Top - Pleat Bottom - 37.5" x 15" - Brown
4	084269-03-U09	EA	Curtain w/Dart & Snap Top - Pleat Bottom - 37.5" x 15" - Rose
4	M01626-02-U07	EA	Valance Asm. - Bedspread (Double Bed) - Beige
4	M01626-02-U08	EA	Valance Asm. - Bedspread (Double Bed) - Brown
4	M01626-02-U09	EA	Valance Asm. - Bedspread (Double Bed) - Rose
4	M01624-02-U07	EA	Valance Asm. - Bedspread (Twin Bed) - Beige
4	M01624-02-U08	EA	Valance Asm. - Bedspread (Twin Bed) - Brown
4	M01624-02-U09	EA	Valance Asm. - Bedspread (Twin Bed) - Rose
4	082120-25-000	EA	Shade Asm - Fabric - 61.25" x 48" (U07)
4	082120-27-000	EA	Shade Asm. - Fabric - 61.25" x 48" (U08)
4	082120-26-000	EA	Shade Asm. - Fabric - 61.25" x 48" (U09)
5	077444-11-U07	EA	Curtain w/Darts - 37.5" x 15" - Bedspread - Beige
5	077444-11-U08	EA	Curtain w/Darts - 37.5" x 15" - Bedspread - Brown
5	077444-11-U09	EA	Curtain w/Darts - 37.5" x 15" - Bedspread - Rose
5	084269-02-U07	EA	Curtain w/Dart & Snap Top - Pleat Bottom - 37.5" x 15" - Beige
5	084269-02-U08	EA	Curtain w/Dart & Snap Top - Pleat Bottom - 37.5" x 15" - Brown
5	084269-02-U09	EA	Curtain w/Dart & Snap Top - Pleat Bottom - 37.5" x 15" - Rose
5	M01627-02-U07	EA	Valance Asm. - Bedspread (Double Bed) - Beige
5	M01627-02-U08	EA	Valance Asm. - Bedspread (Double Bed) - Brown
5	M01627-02-U09	EA	Valance Asm. - Bedspread (Double Bed) - Rose
5	082120-28-000	EA	Shade Asm - Fabric - 64.25" x 48" (U07)
5	082120-30-000	EA	Shade Asm. - Fabric - 64.25" x 48" (U08)
5	082120-29-000	EA	Shade Asm - Fabric - 64.25" x 48" (U09)
6	073251-27-U07	EA	Curtain w/Tape Top - 31.5" x 9" - Beige
6	073251-27-U08	EA	Curtain w/Tape Top - 31.5" x 9" - Brown
6	073251-27-U09	EA	Curtain w/Tape Top - 31.5" x 9" - Rose
6	082118-90-000	EA	Blinds - Bath
7	082118-90-000	EA	Blinds - Galley
	073304-31-U09	EA	Curtain w/Snaps - Front Wraparound - Passenger Side
	073304-32-U09	EA	Curtain w/Snaps - Front Wraparound - Driver Side
	077591-01-U09	EA	Curtain w/Velcro Top - 52" x 40" - Blackout
	077591-02-U09	EA	Curtain w/Velcro Top - 52" x 42" - Blackout
	073260-16-U07	EA	Tie Back Asm. - 3" x 20" - Beige
	073260-16-U08	EA	Tie Back Asm. - 3" x 20" - Brown
	073260-16-U09	EA	Tie Back Asm. - 3" x 20" - Rose
	057534-05-000	EA	Tie Back Asm - Vinyl - 6" - Brown
	057534-01-000	EA	Tie Back - Clear Plastic - 6"
	057534-03-000	EA	Tie Back - Clear Plastic - 7.5"
	057534-04-000	EA	Tie Back - Clear Plastic - 20"
			Not illustrated

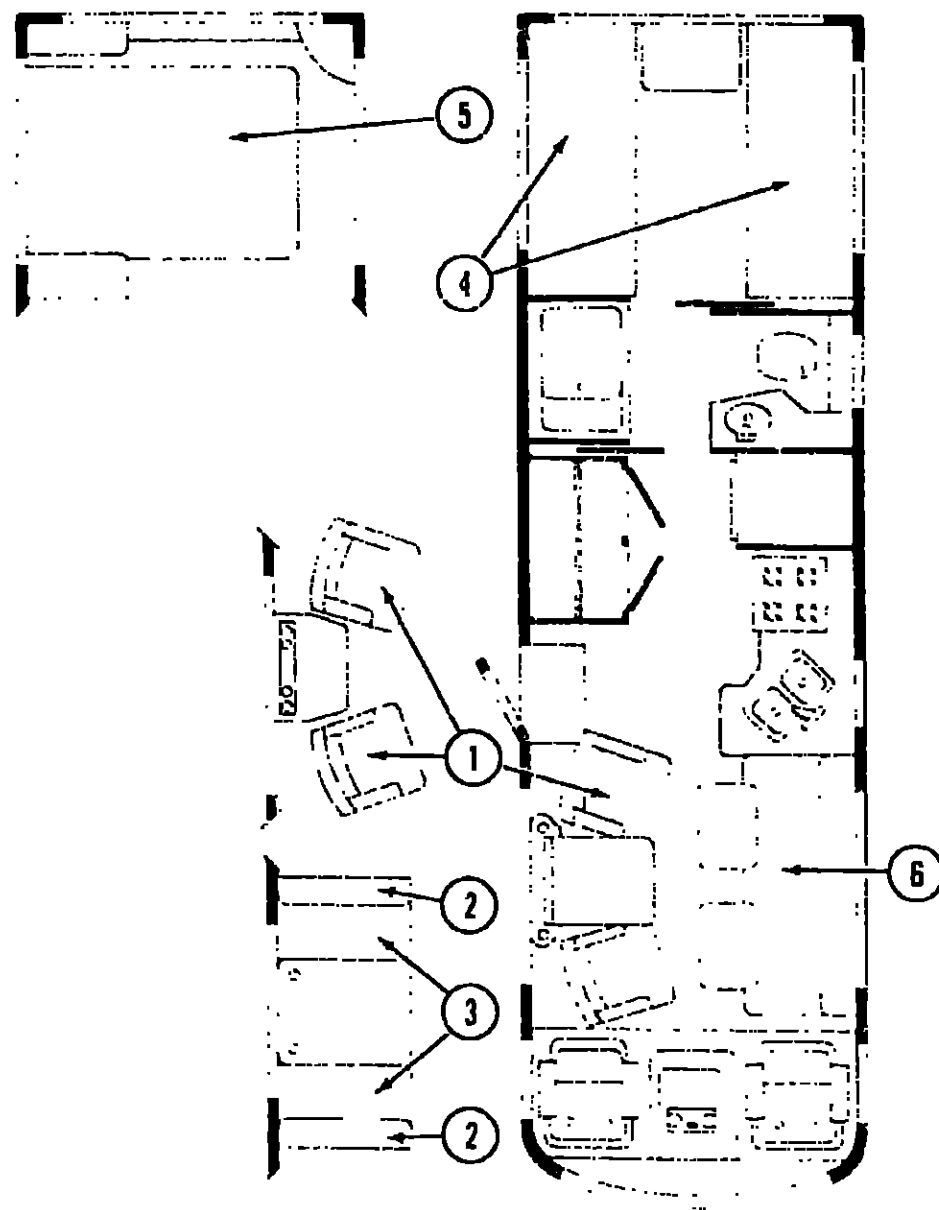
**1986 WINNEBAGO
TABLE OF CONTENTS**

WC/WF424RS	A-01 - C-12
WCN27RT	C-13 - E-22
WCP31RT	E-23 - H-10
WCP34RU	H-11 - J-22

1986 WCP31RT INDEX

Floor Plan	E-23 - E-24
Accessories Group	F-01 - F-04
Bath Group	F-05
Chassis Group	F-06 - F-10
Curtain, Cushion & Pad Group	F-11 - F-18
Dinette Group	F-19 - F-20
Driver's Compartment Group	F-21 - F-24
Electrical Group	G-01 - G-03
Exterior Body Group	G-04 - G-11
Galley Group	G-12 - G-13
Heating & Air Conditioning Group	G-14 - G-15
Interior Finish Group	G-16 - G-18
LP Group	G-19
Lounge Group	G-20 - G-21
Water & Sewage Group	G-22
Window, Vent & Exterior Door Group	G-23 - H-10

CURTAIN, CUSHION & PAD GROUP (CONTINUED)



SWIVEL CHAIRS

Key	Part Number	U/M	Description
1	073518-18-U07	EA	Chair Asm. w/Pillow Back - Swivel - Beige
1	073518-18-U08	EA	Chair Asm. w/Pillow Back - Swivel - Brown
1	073518-18-U09	EA	Chair Asm. w/Pillow Back - Swivel - Rose
	075174-03-U07	EA	Skirt Asm. - Swivel Chair - Beige
	075174-03-U08	EA	Skirt Asm. - Swivel Chair - Brown
	075174-03-U09	EA	Skirt Asm. - Swivel Chair - Rose
	035036-01-000	EA	Plate - Tilt & Swivel - Swivel Chair
	035036-05-000	EA	Extension - 7" - Swivel Chair
	035036-04-000	EA	Base w/Legs - Swivel Chair

CURTAIN, CUSHION & PAD GROUP (CONTINUED)

DINETTE CUSHIONS

Key	Part Number	U/M	Description
2	081998-50-U07	EA	Cushion - Dinette Back - 19.25" x 36" x 5" - Angled - Beige
2	081998-50-U08	EA	Cushion - Dinette Back - 19.25" x 36" x 5" - Angled - Brown
2	081998-50-U09	EA	Cushion - Dinette Back - 19.25" x 36" x 5" - Angled - Rose
	M81998-50-U07	EA	Cover - Dinette Back - 19.25" x 36" x 5" - Angled - Beige
	M81998-50-U08	EA	Cover - Dinette Back - 19.25" x 36" x 5" - Angled - Brown
	M81998-50-U09	EA	Cover - Dinette Back - 19.25" x 36" x 5" - Angled - Rose
2	081998-23-U07	EA	Cushion - Dinette Back - 19.25" x 36" x 5" - Beige
2	081998-23-U08	EA	Cushion - Dinette Back - 19.25" x 36" x 5" - Brown
2	081998-23-U09	EA	Cushion - Dinette Back - 19.25" x 36" x 5" - Rose
	M81998-23-U07	EA	Cover - Dinette Back Cushion - 19.25" x 36" x 5" - Beige
	M81998-23-U08	EA	Cover - Dinette Back Cushion - 19.25" x 36" x 5" - Brown
	M81998-23-U09	EA	Cover - Dinette Back Cushion - 19.25" x 36" x 5" - Rose
3	081998-24-U07	EA	Cushion - Dinette Bottom - 17.5" x 36" x 5" - Beige
3	081998-24-U08	EA	Cushion - Dinette Bottom - 17.5" x 36" x 5" - Brown
3	081998-24-U09	EA	Cushion - Dinette Bottom - 17.5" x 36" x 5" - Rose
	M81998-24-U07	EA	Cover - Dinette Bottom Cushion - 17.5" x 36" x 5" - Beige
	M81998-24-U08	EA	Cover - Dinette Bottom Cushion - 17.5" x 36" x 5" - Brown
	M81998-24-U09	EA	Cover - Dinette Bottom Cushion - 17.5" x 36" x 5" - Rose

SINGLE & DOUBLE BED

Key	Part Number	U/M	Description
4	077478-04-000	EA	Mattress - Inner Spring - 33" x 75"
5	077478-03-000	EA	Mattress - Inner Spring - 54" x 75"
	081969-04-U07	EA	Bedspread - Twin Fitted (U07)
	081969-04-U08	EA	Bedspread - Twin Fitted (U08)
	081969-04-U09	EA	Bedspread - Twin Fitted (U09)
	081969-05-U07	EA	Bedspread - Double Fitted (U07)
	081969-05-U08	EA	Bedspread - Double Fitted (U08)
	081969-05-U09	EA	Bedspread - Double Fitted (U09)
	077463-08-U07	EA	Headboard Asm. - Twin - Beige
	077463-08-U08	EA	Headboard Asm. - Twin - Brown
	077463-08-U09	EA	Headboard Asm. - Twin - Rose
	077463-09-U07	EA	Headboard Asm. - Double - Beige
	077463-09-U08	EA	Headboard Asm. - Double - Brown
	077463-09-U09	EA	Headboard Asm. - Double - Rose
	081997-01-U07	EA	Pillow Sham - 30" x 26" - Beige
	081997-01-U08	EA	Pillow Sham - 30" x 26" - Brown
	081997-01-U09	EA	Pillow Sham - 30" x 26" - Rose

3 PILLOW COUCH

Key	Part Number	U/M	Description
6	079448-04-U07	EA	3 Pillow Couch - Beige
6	079448-04-U08	EA	3 Pillow Couch - Brown
6	079448-04-U09	EA	3 Pillow Couch - Rose
	081998-17-U07	EA	Cushion - 3 Pillow Couch - Beige
	081998-17-U08	EA	Cushion - 3 Pillow Couch - Brown
	081998-17-U09	EA	Cushion - 3 Pillow Couch - Rose
	M81998-17-U07	EA	Cover - 3 Pillow Couch - Beige
	M81998-17-U08	EA	Cover - 3 Pillow Couch - Brown
	M81998-17-U09	EA	Cover - 3 Pillow Couch - Rose

**1986 WINNEBAGO
TABLE OF CONTENTS**

WC/WF424RS	A-01 - C-12
WCN27RT	C-13 - E-22
WCP31RT	E-23 - H-10
WCP34RU	H-11 - J-22

1986 WCP31RT INDEX

Floor Plan	E-23 - E-24
Accessories Group	F-01 - F-04
Bath Group	F-05
Chassis Group	F-06 - F-10
Curtain, Cushion & Pad Group	F-11 - F-18
Dinette Group	F-19 - F-20
Driver's Compartment Group	F-21 - F-24
Electrical Group	G-01 - G-03
Exterior Body Group	G-04 - G-11
Galley Group	G-12 - G-13
Heating & Air Conditioning Group	G-14 - G-15
Interior Finish Group	G-16 - G-18
LP Group	G-19
Lounge Group	G-20 - G-21
Water & Sewage Group	G-22
Window, Vent & Exterior Door Group	G-23 - H-10

CURTAIN, CUSHION & PAD GROUP (CONTINUED)

BUCKET SEATS

Key	Part Number	U/M	Description
	078804-13-U07	EA	Seat Asm. - Single Bucket - w/Armrests & Headrest - Beige
	078804-13-U08	EA	Seat Asm. - Single Bucket - w/Armrests & Headrest - Brown
	078804-13-U09	EA	Seat Asm. - Single Bucket - w/Armrests & Headrest - Rose
	M01863-04-U07	EA	Cover - Back - Single Bucket - Beige
	M01863-04-U08	EA	Cover - Back - Single Bucket - Brown
	M01863-04-U09	EA	Cover - Back - Single Bucket - Rose
	M01863-03-U07	EA	Cover - Bottom - Single Bucket - Beige
	M01863-03-U08	EA	Cover - Bottom - Single Bucket - Brown
	M01863-03-U09	EA	Cover - Bottom - Single Bucket - Rose
	071126-13-U07	EA	Skirt - Single Bucket - Beige
	071126-13-U08	EA	Skirt - Single Bucket - Brown
	071126-13-U09	EA	Skirt - Single Bucket - Rose
	079281-03-U07	EA	Seat Asm. - Double Bucket w/Armrests & Headrest - Beige
	079281-03-U08	EA	Seat Asm. - Double Bucket w/Armrests & Headrest - Brown
	079281-03-U09	EA	Seat Asm. - Double Bucket w/Armrests & Headrest - Rose
	M01874-02-U07	EA	Cover - Back - Double Bucket - Beige
	M01874-02-U08	EA	Cover - Back - Double Bucket - Brown
	M01874-02-U09	EA	Cover - Back - Double Bucket - Rose
	M01874-01-U07	EA	Cover - Bottom - Double Bucket - Beige
	M01874-01-U08	EA	Cover - Bottom - Double Bucket - Brown
	M01874-01-U09	EA	Cover - Bottom - Double Bucket - Rose
	071690-05-U07	EA	Skirt - Double Bucket - Beige
	071690-05-U08	EA	Skirt - Double Bucket - Brown
	071690-05-U09	EA	Skirt - Double Bucket - Rose
	080243-09-U07	EA	Armrest Asm. - Right - Beige
	080243-09-U08	EA	Armrest Asm. - Right - Brown
	080243-09-U09	EA	Armrest Asm. - Right - Rose
	080243-10-U07	EA	Armrest Asm. - Left - Beige
	080243-10-U08	EA	Armrest Asm. - Left - Brown
	080243-10-U09	EA	Armrest Asm. - Left - Rose
	M80243-03-U07	EA	Cover - Armrest - Beige
	M80243-03-U08	EA	Cover - Armrest - Brown
	M80243-03-U09	EA	Cover - Armrest - Rose
	M81243-04-U07	EA	Cover - Armrest - Left - Beige
	M81243-04-U08	EA	Cover - Armrest - Left - Brown
	M81243-04-U09	EA	Cover - Armrest - Left - Rose
	080243-04-U07	EA	Armrest Asm. - Left - Double Bucket - Beige
	080243-04-U08	EA	Armrest Asm. - Left - Double Bucket - Brown
	080243-04-U09	EA	Armrest Asm. - Left - Double Bucket - Rose
	M80243-04-U07	EA	Cover - Armrest - Left - Double Bucket - Beige
	M80243-04-U08	EA	Cover - Armrest - Left - Double Bucket - Brown
	M80243-04-U09	EA	Cover - Armrest - Left - Double Bucket - Rose
	080242-07-U07	EA	Headrest Asm. - Beige
	080242-07-U08	EA	Headrest Asm. - Brown
	080242-07-U09	EA	Headrest Asm. - Rose
	M80242-07-U07	EA	Headrest Cover - Beige
	M80242-07-U08	EA	Headrest Cover - Brown
	M80242-07-U09	EA	Headrest Cover - Rose

TRIM PADS

Key	Part Number	U/M	Description
	077123-29-000	EA	Insert - Upper Passenger Door - 2 5" x 6 25" - Beige (U07)
	077123-31-000	EA	Insert - Upper Passenger Door - 2 5" x 6 25" - Brown (U08)
	077123-33-000	EA	Insert - Upper Passenger Door - 2 5" x 6 25" - Rose (U09)
	077123-30-000	EA	Insert - Upper Drivers Door - 2 5" x 6 25" - Beige (U07)
	077123-32-000	EA	Insert - Upper Drivers Door - 2 5" x 6 25" - Brown (U08)
	077123-34-000	EA	Insert - Upper Drivers Door - 2 5" x 6 25" - Rose (U09)
	077124-29-000	EA	Insert - Lower Passenger Door - 14 2" x 28 25" - Beige (U07)
	077124-31-000	EA	Insert - Lower Passenger Door - 14 2" x 28 25" - Brown (U08)
	077124-33-000	EA	Insert - Lower Passenger Door - 14 2" x 28 25" - Rose (U09)
	077124-30-000	EA	Insert - Lower Drivers Door - 14 2" x 28 25" - Beige (U07)
	077124-32-000	EA	Insert - Lower Drivers Door - 14 2" x 28 25" - Brown (U08)
	077124-34-000	EA	Insert - Lower Drivers Door - 14 2" x 28 25" - Rose (U09)

CURTAIN, CUSHION & PAD GROUP (CONTINUED)

TRIM PADS (CONT.)

Key	Part Number	U/M	Description
	077125-29-000	EA	Insert - Map Pocket - Passenger Door - 5.75" x 7.6" - Beige (U07)
	077125-31-000	EA	Insert - Map Pocket - Passenger Door - 5.75" x 7.6" - Brown (U08)
	077125-33-000	EA	Insert - Map Pocket - Passenger Door - 5.75" x 7.6" - Rose (U09)
	077125-30-000	EA	Insert - Map Pocket - Drivers Door - 5.75" x 7.6" - Beige (U07)
	077125-32-000	EA	Insert - Map Pocket - Drivers Door - 5.75" x 7.6" - Brown (U08)
	077125-34-000	EA	Insert - Map Pocket - Drivers Door - 5.75" x 7.6" - Rose (U09)
	077614-79-000	EA	Insert - Double Bed - Roof Cove - 9.25" x 69.75" - Beige (U07)
	077614-80-000	EA	Insert - Double Bed - Roof Cove - 9.25" x 69.75" - Brown (U08)
	077614-64-000	EA	Insert - Double Bed - Roof Cove - 9.25" x 69.75" - Rose (U09)
	077614-67-000	EA	Insert - Entrance Door - Roof Cove - 9.25" x 35" - Beige (U07)
	077614-68-000	EA	Insert - Entrance Door - Roof Cove - 9.25" x 35" - Brown (U08)
	077614-62-000	EA	Insert - Entrance Door - Roof Cove - 9.25" x 35" - Rose (U09)
	077641-67-000	EA	Insert - TT Chair Lounge - 12" x 16" - Beige (U07)
	077641-68-000	EA	Insert - TT Chair Lounge - 12" x 16" - Brown (U08)
	077641-61-000	EA	Insert - TT Chair Lounge - 12" x 16" - Rose (U09)
	077641-75-000	EA	Insert - Dinette Lounge - 12" x 12" - Beige (U07)
	077641-76-000	EA	Insert - Dinette Lounge - 12" x 12" - Brown (U08)
	077641-59-000	EA	Insert - Dinette Lounge - 12" x 12" - Rose (U09)
	077130-15-000	EA	Insert - Front Center Overhead - 19.5" x 4" - Beige (U07)
	077130-16-000	EA	Insert - Front Center Overhead - 19.5" x 4" - Brown (U08)
	077130-14-000	EA	Insert - Front Center Overhead - 19.5" x 4" - Rose (U09)
	077131-29-000	EA	Insert - Front Overhead (Sunvisor) Right - 2.8" x 23.2" - Beige (U07)
	077131-31-000	EA	Insert - Front Overhead (Sunvisor) Right - 2.8" x 23.2" - Brown (U08)
	077131-27-000	EA	Insert - Front Overhead (Sunvisor) Right - 2.8" x 23.2" - Rose (U09)
	077131-30-000	EA	Insert - Front Overhead (Sunvisor) Left - 2.8" x 23.2" - Beige (U07)
	077131-32-000	EA	Insert - Front Overhead (Sunvisor) Left - 2.8" x 23.2" - Brown (U08)
	077131-28-000	EA	Insert - Front Overhead (Sunvisor) Left - 2.8" x 23.2" - Rose (U09)
	077126-15-000	EA	Insert - Side Upper - Drivers - 2.6" x 3.14" - Beige (U07)
	077126-16-000	EA	Insert - Side Upper - Drivers - 2.6" x 3.14" - Brown (U08)
	077126-14-000	EA	Insert - Side Upper - Drivers - 2.6" x 3.14" - Rose (U09)
	077128-15-000	EA	Insert - Side Upper - Passenger - 2.6" x 17.1" - Beige (U07)
	077128-16-000	EA	Insert - Side Upper - Passenger - 2.6" x 17.1" - Brown (U08)
	077128-14-000	EA	Insert - Side Upper - Passenger - 2.6" x 17.1" - Rose (U09)
	077127-15-000	EA	Insert - Side Lower - Drivers - 9.3" x 21.3" - Beige (U07)
	077127-16-000	EA	Insert - Side Lower - Drivers - 9.3" x 21.3" - Brown (U08)
	077127-14-000	EA	Insert - Side Lower - Drivers - 9.3" x 21.3" - Rose (U09)
	077129-26-000	EA	Insert - Side Lower - Passenger - 9.2" x 28" - Beige (U07)
	077129-25-000	EA	Insert - Side Lower - Passenger - 9.2" x 28" - Brown (U08)
	077129-14-000	EA	Insert - Side Lower - Passenger - 9.2" x 28" - Rose (U09)
	077133-15-000	EA	Insert - Lower Bunk - 22.5" x 67.1" - Beige (U07)
	077133-16-000	EA	Insert - Lower Bunk - 22.5" x 67.1" - Brown (U08)
	077133-17-000	EA	Insert - Lower Bunk - 22.5" x 67.1" - Rose (U09)
	077132-15-000	EA	Insert - Bunk - Rear - 8.75" x 74.5" - Beige (U07)
	077132-16-000	EA	Insert - Bunk - Rear - 8.75" x 74.5" - Brown (U08)
	077132-17-000	EA	Insert - Bunk - Rear - 8.75" x 74.5" - Rose (U09)
	077513-15-000	EA	Insert - Bunk - Rear Upper - 5" x 56" - Beige (U07)
	077513-16-000	EA	Insert - Bunk - Rear Upper - 5" x 56" - Brown (U08)
	077513-17-000	EA	Insert - Bunk - Rear Upper - 5" x 56" - Rose (U09)
	079144-01-U07	EA	Bunk Pull Strap - Beige
	079144-01-U08	EA	Bunk Pull Strap - Brown
	079144-01-U09	EA	Bunk Pull Strap - Rose
	077968-01-000	EA	Pad Retainers - Plastic
	081711-06-U07	EA	Pad Asm. - Dinette Seat - Front - Beige
	081711-06-U08	EA	Pad Asm. - Dinette Seat - Front - Brown
	081711-06-U09	EA	Pad Asm. - Dinette Seat - Front - Rose
	081711-05-U07	EA	Pad Asm. - Dinette Seat - Rear - Beige
	081711-05-U08	EA	Pad Asm. - Dinette Seat - Rear - Brown
	081711-05-U09	EA	Pad Asm. - Dinette Seat - Rear - Rose
	081519-05-U07	EA	Pad Asm. - Dinette Seat - Front - Angled - Beige
	081519-05-U08	EA	Pad Asm. - Dinette Seat - Front - Angled - Brown
	081519-05-U09	EA	Pad Asm. - Dinette Seat - Front - Angled - Rose
	081519-06-U07	EA	Pad Asm. - Dinette Seat - Rear - Angled - Beige
	081519-06-U08	EA	Pad Asm. - Dinette Seat - Rear - Angled - Brown
	081519-06-U09	EA	Pad Asm. - Dinette Seat - Rear - Angled - Rose

**1986 WINNEBAGO
TABLE OF CONTENTS**

WC/WF424RS	A-01 - C-12
WCN27RT	C-13 - E-22
WCP31RT	E-23 - H-10
WCP34RU	H-11 - J-22

1986 WCP31RT INDEX

Floor Plan	E-23 - E-24
Accessories Group	F-01 - F-04
Bath Group	F-05
Chassis Group	F-06 - F-10
Curtain, Cushion & Pad Group	F-11 - F-18
Dinette Group	F-19 - F-20
Driver's Compartment Group	F-21 - F-24
Electrical Group	G-01 - G-03
Exterior Body Group	G-04 - G-11
Galley Group	G-12 - G-13
Heating & Air Conditioning Group	G-14 - G-15
Interior Finish Group	G-16 - G-18
LP Group	G-19
Lounge Group	G-20 - G-21
Water & Sewage Group	G-22
Window, Vent & Exterior Door Group	G-23 - H-10

DINETTE GROUP

SWIVEL CHAIRS W/PULLOUT TABLE

Key	Part Number	U/M	Description
	M02414-01-U09	EA	Countertop Asm. - Cup Holder - w/o Hinge & Cover
	M02417-01-U09	EA	Countertop Asm. - Cover
	M81727-02-U07	EA	Table Asm. - Fold Out
	M02416-01-U09	EA	Countertop Asm. T.V. Table
	079606-01-U17	EA	Magazine Rack Asm
	079921-01-000	EA	Nylon Roller w/Shaft
	080728-01-000	EA	Handle - Recessed - Brown Plastic
	081848-01-U07	EA	Cabinet Asm - Overhead - w/o Doors or Hardware
	M81503-05-U09	EA	Door Asm. - Overhead - w/o Hardware
	076548-02-U07	EA	Pad Asm. - Overhead Cabinet - Front
	076548-01-U07	EA	Pad Asm. - Overhead Cabinet - Rear
	035036-04-000	EA	Base w/Leg - Swivel Chair
	035036-05-000	EA	Extension - 7" - Swivel Chair
**	NOTE	EA	Swivel Chairs
**	See Curtain, Cushion & Pad Group		

OPTIONAL SWIVEL CHAIRS & ICE MAKER

Key	Part Number	U/M	Description
	M82087-01-U07	EA	Cabinet Asm - Ice Maker
	M02493-01-U07	EA	Countertop Asm. - Ice Maker - Empire Walnut
	M02494-01-U07	EA	Slideout Table
	078238-08-U04	EA	Access Panel
	074489-02-U07	EA	Beverage Holder - w. Tray
**	NOTE	EA	Swivel Chairs
	076799-01-000	EA	Ice Maker - Black Glass
	076799-01-700	EA	Door Frame
	076799-01-701	EA	Handle
	076799-01-702	EA	Outer Door Panel
	076799-01-703	EA	Name Plate
	076799-01-704	EA	Pivot Hinge & Top Screw
	076799-01-705	EA	Pivot Hinge - Bottom
	076799-01-706	EA	Grille C Vinyl Coated
	076799-01-707	EA	Water Line Connection
	076799-01-708	EA	Chain & Lock Pin
	076799-01-709	EA	Trim Kit
	076799-01-710	EA	Gear
	076799-01-711	EA	Motor
	076799-01-712	EA	Cam
	076799-01-713	EA	Switch - S P D T
	076799-01-714	EA	Switch - Linet
	076799-01-715	EA	Switch - S P D T
	076799-01-716	EA	Solenoid Valve
	076799-01-717	EA	Fan Motor
	076799-01-718	EA	Fan Blade
	076799-01-719	EA	Control
	076799-01-720	EA	Relay
	076799-01-721	EA	Overload
	076799-01-722	EA	Water Line Conn
	076799-01-723	EA	Compressor - Tecumseh
	076799-01-724	EA	Overload - Tecumseh
	076799-01-725	EA	Relay - Tecumseh
	076799-01-726	EA	Dryer
	076799-01-727	EA	Compressor
**	See Curtain, Cushion & Pad Group		

DINETTE GROUP (CONTINUED)

OPTIONAL DINETTE & COMPONENTS

Key	Part Number	U/M	Description
	081848-11-U07	EA	Cabinet Asm. - Overhead - w/o Doors or Hardware
	081503-05-U09	EA	Door Asm. - Overhead - w/o Hardware
	076548-02-U07	EA	Pad Asm. - Overhead Cabinet - Front
	076548-01-U07	EA	Pad Asm. - Overhead Cabinet - Rear
	M81501-36-U09	EA	Door Asm. - Dinette Seat Cabinet - w/o Hardware
	M02513-01-U07	EA	Cabinet Asm. - Dinette Seat - Right - w/o Door or Hardware
	M02513-02-U07	EA	Cabinet Asm. - Dinette Seat - Left - w/o Door or Hardware
	M02512-02-U07	EA	Cabinet Asm. - Dinette Seat Back - Left
	M02512-01-U07	EA	Cabinet Asm. - Dinette Seat Back - Right
	M02650-01-U07	EA	Cabinet Asm - Dinette Seat - Right - w/o Door or Hardware (Angled)
	M02650-02-U07	EA	Cabinet Asm - Dinette Seat - Left - w/o Door or Hardware (Angled)
	M02651-01-U07	EA	Cabinet Asm - Dinette Seat Back - Left (Angled)
	M02651-02-U07	EA	Cabinet Asm. - Dinette Seat Back - Right (Angled)
	M81299-04-U07	EA	Table Asm. - Dinette - w/o Hardware
	053200-05-000	EA	Bracket - Upper Wall Mount - 23 5" - Beige
	053201-03-000	EA	Bracket - Table Mount - 23"
	024275-05-000	EA	Rod - Table Lift - 8" x 23 5" - Beige
	024276-14-000	EA	Leg Asm. - Table - 26 75" - Brown
	024281-07-000	EA	Bracket - Lower Wall Mount - 22 12" - Beige
	024282-01-000	EA	Brace - Table Leg
	024283-01-000	EA	Clip - 1" O.D Tube
	049493-02-000	EA	Catch - Table Leg - Mount on Floor - Brown
	064050-01-000	EA	Hinge - Table Leg
	064781-03-000	EA	Cup Holder - 3 5" x 1 5"
	082098-01-000	EA	Cabinet Asm - Heat Duct Cover

1986 WINNEBAGO TABLE OF CONTENTS

WC/WF424RS	A-01 - C-12
WCN27RT	C-13 - E-22
WCP31RT	E-23 - H-10
WCP34RU	H-11 - J-22

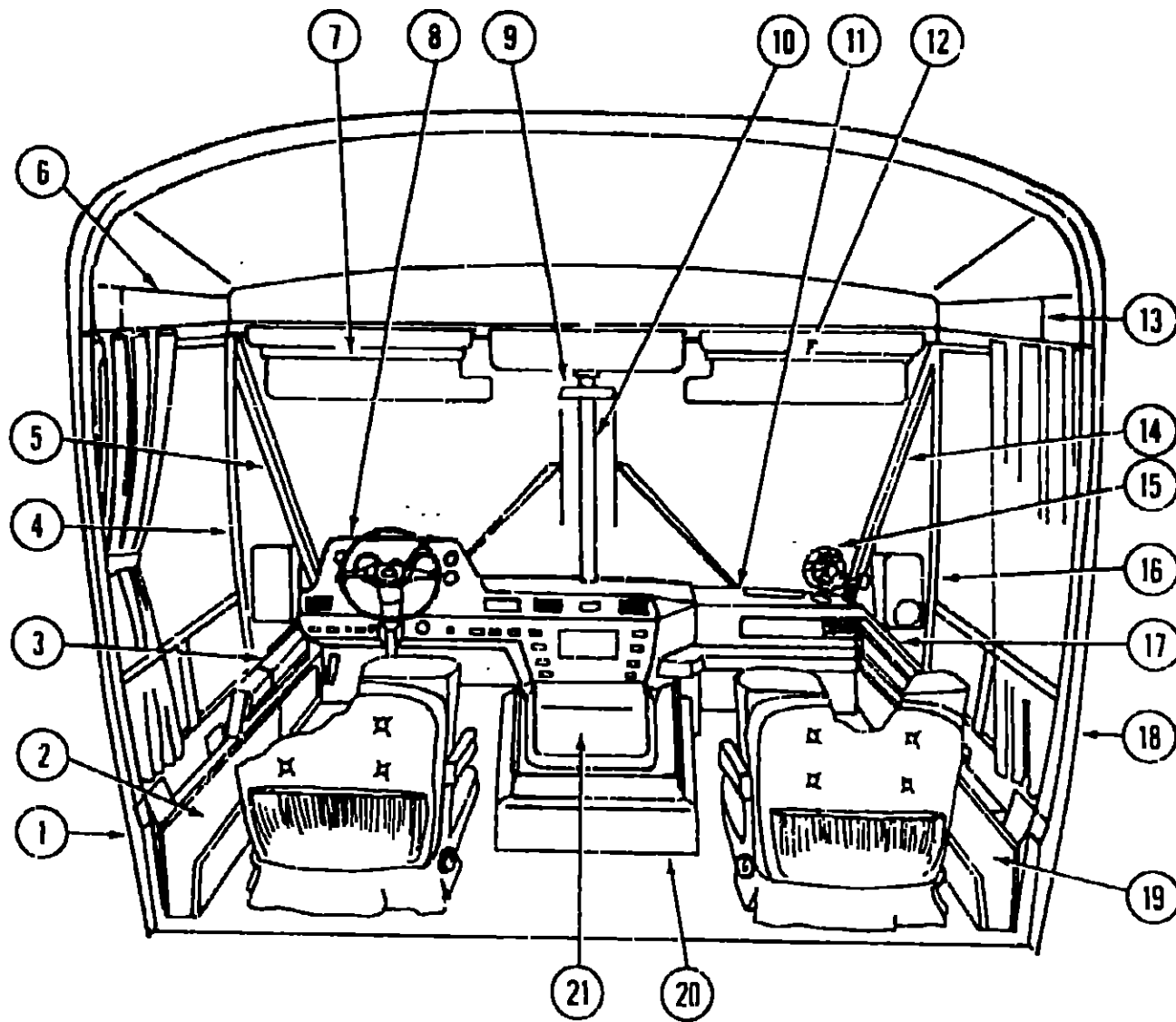
1986 WCP31RT INDEX

Floor Plan	E-23 - E-24
Accessories Group	F-01 - F-04
Bath Group	F-05
Chassis Group	F-06 - F-10
Curtain, Cushion & Pad Group	F-11 - F-18
Dinette Group	F-19 - F-20
Driver & Compartment Group	F-21 - F-24
Electrical Group	G-01 - G-03
Exterior Body Group	G-04 - F-11
Galley Group	G-12 - G-13
Heating & Air Conditioning Group	G-14 - G-15
Interior Finish Group	G-16 - G-18
LP Group	G-19
Lounge Group	G-20 - G-21
Water & Sewage Group	G-22
Window Vent & Exterior Door Group	G-23 - H-10

DRIVERS COMPARTMENT GROUP

DRIVER'S COMPARTMENT GROUP (CONTINUED)

MISCELLANEOUS DRIVER'S COMPARTMENT COMPONENTS (CONT.)



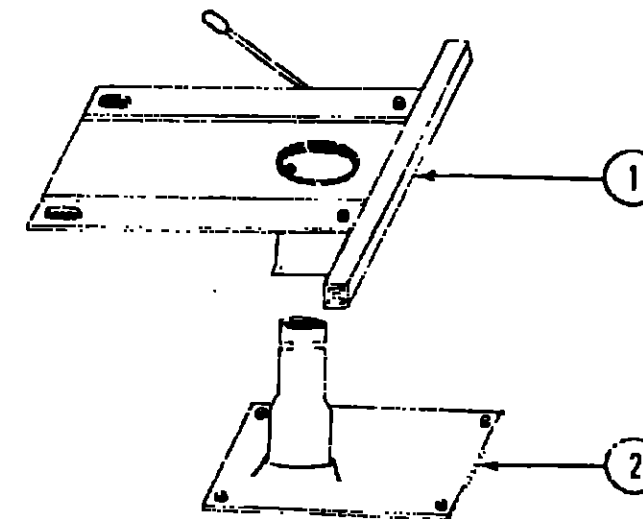
Key	Part Number	U/M	Description
12	082286-03-U07	EA	Sunvisor Asm. - Vinyl - w/Mirror - Beige
13	077110-01-000	EA	Trim Cover - w/Bunk - Right - Beige
14	077112-01-000	EA	Trim - Windshield - Interior - "A" Post - Right - Beige
15	036420-02-000	EA	Defroster Fan
16	077113-01-000	EA	Trim Panel - Hinge Pillar - Beige
17	077115-01-000	EA	Trim - Side Panel - Front - Beige
18	077111-01-000	EA	Trim Panel - Passenger Side - Beige
19	077117-01-000	EA	Trim - Side Panel - Door - Beige
20	075939-01-000	EA	Motor Cover
21	076729-01-000	EA	Beverage Tray (Plastic) - Beige
.	077431-01-000	EA	Beverage Tray - Cherry
.	052367-01-000	EA	Cigarette Lighter
.	007021-01-000	EA	Belt Asm. - Seat - 2" x 90" - Black
.	056271-02-000	EA	Belt Asm. - Seat - 2" x 72" - Black
.			Not illustrated

1986 WINNEBAGO TABLE OF CONTENTS

WC/WF424RS	A-01 - C-12
WCN27RT	C-13 - E-22
WCP31RT	E-23 - H-10
WCP34RU	H-11 - J-22

MISCELLANEOUS DRIVER'S COMPARTMENT COMPONENTS

Key	Part Number	U/M	Description
1	077111-02-000	EA	Trim Panel - Drivers Side - Beige
2	077117-02-000	EA	Trim - Side Panel - Door - Beige
3	077116-01-000	EA	Trim - Side Panel - Front - Beige
4	077113-02-000	EA	Trim Panel - Hinge Pillar - Beige
5	077112-02-000	EA	Trim - Windshield - Interior - "A" Post - Left - Beige
6	077110-02-000	EA	Trim Cover - w/Bunk - Left - Beige
7	082286-01-U04	EA	Sunvisor Asm. - Drivers - Vinyl - Beige
8	077469-01-000	EA	Dash Panel - Left Upper
9	040714-01-000	EA	Mirror - Inside - Rearview - Glare Proof
.	067490-01-000	EA	Button - Mirror - Rearview - Support
.	079926-01-000	EA	Lamp - Flex Arm
10	077114-01-000	EA	Trim Panel - Pillar - Center - Beige
.	024990-02-000	EA	Outlet - Defroster w/Swivel - 2" Dark Brown
.	076783-01-000	EA	Louver Asm. - A/C Adjustable
11	077470-01-000	EA	Dash Panel - Right Hand



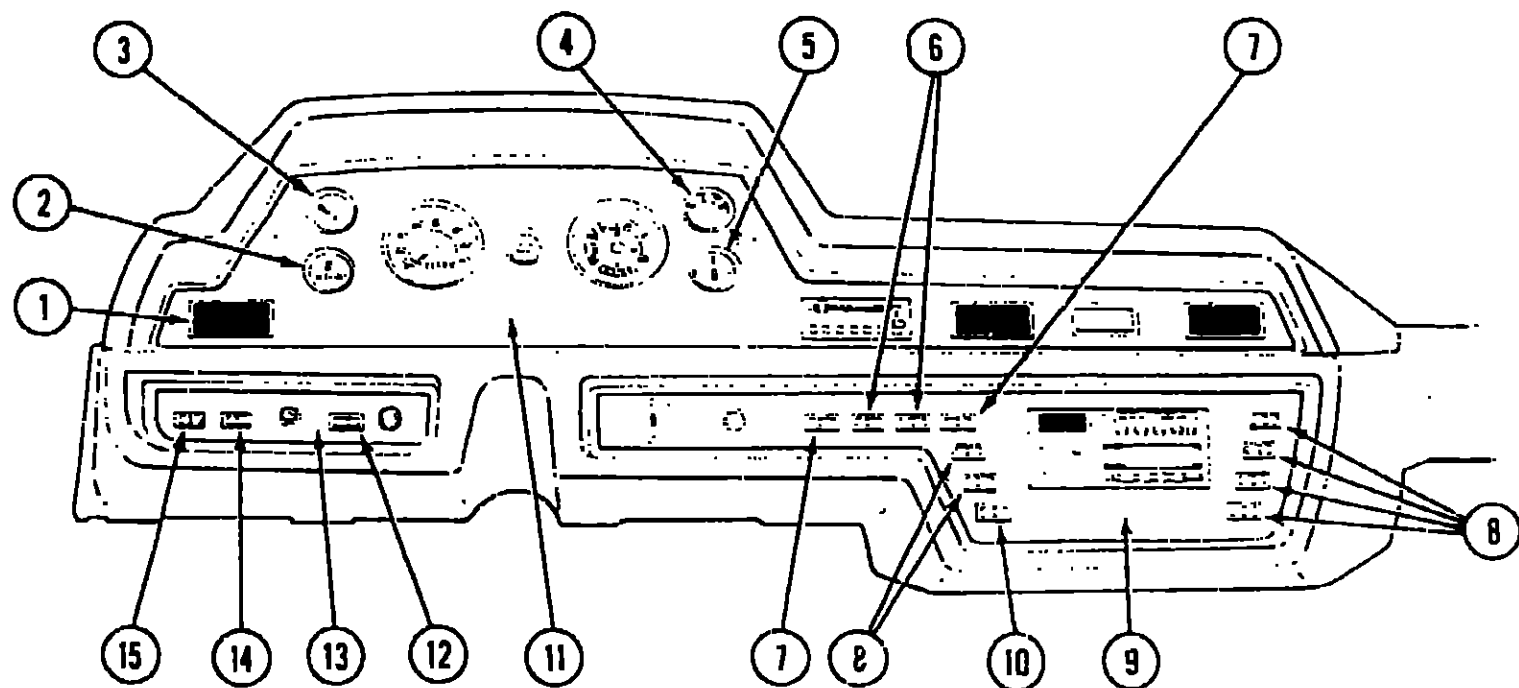
BUCKET SEAT PEDESTAL & SEAT BELTS

Key	Part Number	U/M	Description
1	069585-04-000	EA	Plate - Top - Pedestal Asm - Single Bucket Seat
1	069565-19-000	EA	Plate - Top - Pedestal Asm - Powered Seat
1	069585-10-000	EA	Plate - Top - Pedestal Asm - Double Bucket Seat
2	069585-08-000	EA	Plate - Sub - Pedestal Asm. - Bucket Seat
.	069585-05-000	EA	Hardware Kit - Bolt/Acorn Nut - 4 ea - Pedestal Asm.
.	007019-01-000	EA	Belt Asm - Seat - 2" x 84" - Black
.	007021-01-000	EA	Belt Asm - Seat - 2" x 90" - Black
.	056271-02-000	EA	Belt Asm - Seat - 2" x 72" - Black
.	069246-01-000	EA	Adjuster Asm - Seat - w/Lock
.	069246-02-000	EA	Adjuster Asm - Seat - w/o Lock
.	081373-02-000	EA	Power Seat Adjustment Asm - w Frame
.	081373-02-700	EA	Switch Asm Package
.	081737-02-701	EA	Harness Asm - Left
.	081737-02-702	EA	Harness Asm - Right
.	081737-02-703	EA	Horizontal Adjustment Package
.	081737-02-704	EA	Vertical Adjustment Package
.			Not illustrated

1986 WCP31RT INDEX

Floor Plan	E-23 - E-24
Accessories Group	F-01 - F-04
Bath Group	F-05
Chassis Group	F-06 - F-10
Curtain, Cushion & Pad Group	F-11 - F-18
Dinette Group	F-19 - F-20
Driver's Compartment Group	F-21 - F-24
Electrical Group	G-01 - G-03
Exterior Body Group	G-04 - F-11
Galley Group	G-12 - G-13
Heating & Air Conditioning Group	G-14 - G-15
Interior Finish Group	G-16 - G-18
LP Group	G-19
Lounge Group	G-20 - G-21
Water & Sewage Group	G-22
Window Vent & Exterior Door Group	G-23 - H-10

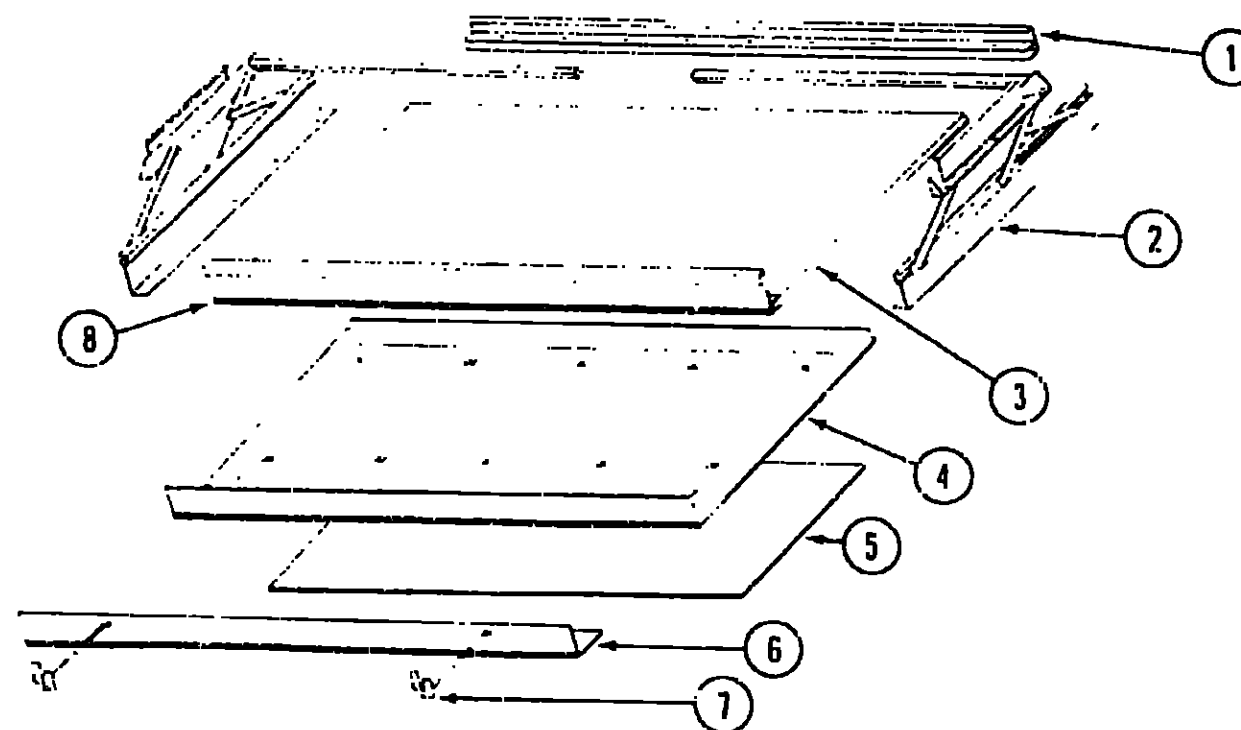
DRIVER'S COMPARTMENT GROUP (CONTINUED)



DASH SWITCHES AND GAUGES

Key	Part Number	U/M	Description
1	076783-02-000	EA	Louver Asm. - A/C Adjustable
2	031035-02-000	EA	Gauge - Hourmeter - Generator
3	024460-04-000	EA	Gauge - Vacuum
4	024459-04-000	EA	Gauge - Voltmeter
5	076761-01-000	EA	Gauge - Auxiliary Fuel
6	076759-05-000	EA	Switch - 3 Position
7	076759-04-000	EA	Switch - 3 Position
8	076759-01-000	EA	Switch - 2 Position
9	076217-01-000	EA	Instrument Panel - Lower
10	076800-01-000	EA	Switch w/Thermometer
11	076216-01-000	EA	Instrument Panel - Upper
12	076759-07-000	EA	Switch - 2 Position
13	076218-01-000	EA	Instrument Panel - Lower Left
14	076759-02-000	EA	Switch - 2 Position
15	076759-03-000	EA	Switch - 3 Position
.	081369-01-000	EA	Electronic Dash Cluster
.	081369-04-000	EA	Bezel - Electronic Dash
.	081369-08-000	EA	Wiring Harness - Electronic Dash
.	Used with Electronic Dash Option		

DRIVER'S COMPARTMENT GROUP (CONTINUED)



FRONT BUNK & HARDWARE

Key	Part Number	U/M	Description
1	081155-01-000	EA	Bunk Rail - Front - Brown
2	076760-02-000	EA	Bunk Supports - Overhead - Complete
.	077110-01-000	EA	Cover - Bunk Support - Right
.	077110-02-000	EA	Cover - Bunk Support - Left
3	081110-01-T07	EA	Bunkboard Asm - w-Rails - Brown
4	077121-01-000	EA	Trim Panel - Front Bunk
5	077133-15-000	EA	Bunk Insert - Lower - Beige
5	077133-15-000	EA	Bunk Insert - Lower - Brown
5	077133-15-000	EA	Bunk Insert - Lower - Rose
6	077132-15-000	EA	Bunk Insert - Rear - Beige
6	077132-13-000	EA	Bunk Insert - Rear - Brown
6	077132-16-000	EA	Bunk Insert - Rear - Rose
.	077513-15-000	EA	Bunk Insert - Rear Upper (Mounts to Roof) Beige
.	077513-16-000	EA	Bunk Insert - Rear Upper (Mounts to Roof) Brown
.	077513-13-000	EA	Bunk Insert - Rear Upper (Mounts to Roof) Rose
.	077140-01-U07	EA	Trim Board Asm - Rear Upper (Mounts to Roof) Beige
.	077140-01-U08	EA	Trim Board Asm - Rear Upper (Mounts to Roof) Brown
.	077140-01-U09	EA	Trim Board Asm - Rear Upper (Mounts to Roof) Rose
7	0425-11-05-000	EA	Latch Asm - w Strike - Brass
8	081154-01-000	EA	Bunk Rail - Rear - Brown
.	Not illustrated		

**1986 WINNEBAGO
TABLE OF CONTENTS**

WC/WF424RS
WGN27RT
WCP31RT
WCP34RU

A-01 - C-12
C-13 - E-22
E-23 - H-10
H-11 - J-22

1986 WCP31RT INDEX

Floor Plan	E-23 - E-24
Accessories Group	F-01 - F-04
Bath Group	F-05
Chassis Group	F-06 - F-10
Curtain, Cushion & Pad Group	F-11 - F-18
Dinette Group	F-19 - F-20
Driver's Compartment Group	F-21 - F-24
Electrical Group	G-01 - G-03
Exterior Body Group	G-04 - F-11
Galley Group	G-12 - G-13
Heating & Air Conditioning Group	G-14 - G-15
Interior Finish Group	G-16 - G-18
LP Group	G-19
Lounge Group	G-20 - G-21
Water & Sewage Group	G-22
Window, Vent & Exterior Door Group	G-23 - H-10

ELECTRICAL GROUP

BULBS

Key	Part Number	U/M	Description
	037936-01-000	EA	Bulb - 1157A
	037935-01-000	EA	Bulb - 1157
	063914-01-000	EA	Bulb - 1139
	008103-01-000	EA	Bulb - 53
	008213-01-000	EA	Bulb - 57
	008214-01-000	EA	Bulb - 67
	008215-01-000	EA	Bulb - 1003
	008216-01-000	EA	Bulb - 1034
	008217-01-000	EA	Bulb - 1073
	008218-01-000	EA	Bulb - 1141
	008220-01-000	EA	Bulb - 12V - 25W
	036196-01-000	EA	Bulb - 194
	067479-01-000	EA	Bulb - 1076 - 12V - 1.80 Amp

FUSES AND CIRCUIT BREAKERS

Key	Part Number	U/M	Description
	063912-01-000	EA	Relay Canister - w Ground (Bosch)
	056473-02-000	EA	Fuse - Slow Blow - 5 Amp - 32 Volt Capacity
	056473-01-000	EA	Fuse - Slow Blow - 6 1/4 Amp
	008233-01-000	EA	Fuse - 12 Volt - 6 Amp
	008234-01-000	EA	Fuse - 12 Volt - 10 Amp
	046893-01-000	EA	Fuse - 12 Volt - 13 Amp
	008235-01-000	EA	Fuse - 12 Volt - 15 Amp
	008236-01-000	EA	Fuse - 12 Volt - 20 Amp
	008240-01-000	EA	Fuse - 110 Volt - 30 Amp - AGU
	008252-01-000	EA	Fuse - 110 Volt - 50 Amp
	062901-02-000	EA	Fuse - Automotive - 5 Amp
	062901-05-000	EA	Fuse - Automotive - 15 Amp
	044466-03-000	EA	Circuit Breaker - 12 Volt - 25 Amp - DC
	008208-01-000	EA	Circuit Breaker - 12 Volt - 40 Amp
	008211-01-000	EA	Circuit Breaker - 12 Volt - 6 Amp
	008268-01-000	EA	Circuit Breaker - 12 Volt - 30 Amp w Mount
	033573-02-000	EA	Circuit Breaker - 12 Volt - 15 Amp w Mount
	033573-01-000	EA	Circuit Breaker - 12 Volt - 20 Amp w Mount
	040051-01-000	EA	Circuit Breaker - 110 Volt - 20 Amp TOL
	071279-01-000	EA	Circuit Breaker - 120 Volt - 15 Amp
	008273-03-000	EA	Circuit Breaker - 15 20 Amp TOL
	008299-01-000	EA	Circuit Breaker - 115 Amp TOL
	008297-01-000	EA	Circuit Breaker - 120 Amp TOL
	008293-01-000	EA	Circuit Breaker - 130 Amp TOL
	071279-02-000	EA	Circuit Breaker - 15 15 Amp - 120 Volt
	071279-03-000	EA	Circuit Breaker - 15 20 Amp - 120 Volt
	071279-04-000	EA	Circuit Breaker - 30 Amp - 120 Volt
	075735-02-000	EA	Circuit Breaker - GF 115 Amp - 120 Volt
	071279-05-000	EA	Circuit Breaker - 20 Amp - 120 Volt
	071279-06-000	EA	Circuit Breaker - 30 15 Amp - 120 Volt
	071279-07-000	EA	Circuit Breaker - 20 20 Amp - 120 Volt
	071280-01-000	EA	Circuit Breaker Blank
	077817-01-000	EA	Box - Circuit Breaker - 20 Amp
	050283-01-000	EA	Bar - Buss - 3 Position
	050283-02-000	EA	Buss Bar Circuit Breaker
	083209-01-000	EA	Circuit Breaker - 15 Amp - 120 Volt
	083209-02-000	EA	Circuit Breaker - 15 15 Amp - 120 Volt
	083209-03-000	EA	Circuit Breaker - 15 20 Amp - 120 Volt
	083209-04-000	EA	Circuit Breaker - 30 Amp - 120 Volt
	083209-05-000	EA	Circuit Breaker - 20 Amp - 120 Volt
	083209-06-000	EA	Circuit Breaker - 30 15 Amp - 120 Volt
	083209-07-000	EA	Circuit Breaker - 20 20 Amp - 120 Volt
	083209-08-000	EA	Circuit Breaker - Blank
	083210-01-000	EA	Circuit Breaker - GFI - 20 Amp - 120 Volt
	083210-02-000	EA	Circuit Breaker - GFI - 15 Amp - 120 Volt

ELECTRICAL GROUP (CONTINUED)

WIRES, SWITCHES & RECEPTACLES

Key	Part Number	U/M	Description
	000024-01-000	FT	Wire - 18 5 Bonded - Orange-White Yellow Blue-Brown
	008025-01-000	FT	Wire - 18 5 Bonded - Orange-White Yellow Blue-Green
	008026-01-000	FT	Wire - 18 5 Bonded - Blue-Red Yellow-Orange-White
	008026-01-000	FT	Wire - 12? - Romex w Ground
	041953-01-000	FT	Conduit - Convolute Slt - 5' 1 D
	008277-01-000	EA	Holder - Fuse - Black - Panel Mount
	008054-01-000	EA	Cord - Power - 10-3 30 Amp - 25' - UL
	008057-01-000	EA	Cord - Power - 10-3 30 Amp - 25' - CSA
	024571-01-000	EA	Cover Plate - Receptacle - Jumbo Plastic - Brown
	024571-04-000	EA	Cover Plate - Receptacle - Jumbo Plastic - Ivory
	008160-01-000	EA	Cover Plate - Receptacle - Plastic - Ivory
	008164-01-000	EA	Cover Plate - Switch - Brown
	076319-09-000	EA	TV Wall Plate Receptacle - Brown (Winegard Antenna)
	076319-07-000	EA	TV Wall Plate - Power Supply - Brown (Winegard Antenna)
	074151-01-000	EA	Switch Plate - On/Off - Jensen
	058028-01-000	EA	Connector - Pigtail - Clear - Nylon
	008162-02-000	EA	Switch - Double Toggle - Ivory
	008162-01-000	EA	Switch - Double Toggle - Brown
	008163-01-000	EA	Switch - Toggle Brown
	056264-01-000	EA	Switch - Leaf Actuator
	074007-01-000	EA	Switch - Intermittent - Windshield Wiper
	063912-01-000	EA	Relay - Canister Spot w Ground
	069238-01-000	EA	Cover - Electrical - 4 x 4 Box
	008058-01-000	EA	Adaptor - Power Cord
	024924-02-000	EA	Receptacle - Power Cord
	058707-01-000	EA	Receptacle - Single - Brown
	058708-01-000	EA	Receptacle - Duplex - Brown
	058708-02-000	EA	Receptacle - Duplex - Ivory
	075736-03-000	EA	Receptacle Cover - Exterior - Bronze
	008294-01-000	EA	Cover - Steel - Flat Blank - 4 x 4
	008288-01-000	EA	Box - Electrical - Plastic - 3 x 3 1/2
	008289-01-000	EA	Box - Electrical - Steel - 4 x 4 - 1 2 & 3 4 UL
	058049-01-000	EA	Box - Electrical - 2' 3' x 7 7/8 - Steel
	064398-01-000	EA	Housing Asm - Trailer Receptacle
	064399-01-000	EA	Housing Asm - Trailer Pin
	064450-01-000	EA	Housing Asm - Trailer Plug
	035417-01-000	EA	Terminal - Pin Receptacle - 125 Dia
	054532-01-000	EA	Housing Pin - 6 Position
	054532-02-000	EA	Housing Pin - 4 Position
	054532-04-000	EA	Housing Pin - 12 Position
	054532-05-000	EA	Housing Socket - 12 Position
	031968-01-000	EA	Contact - Plug - Brass - Tin Plated
	073937-01-000	EA	Switch - Roof Air - A/C Selector - 3 Deck Rotary
	074151-01-000	EA	Switch - Rocker
	062037-01-000	EA	Housing - Auto Fuse - Natural
	062037-02-000	EA	Housing - Auto Fuse - Green
	062037-03-000	EA	Housing - Auto Fuse - Black
	062037-04-000	EA	Housing - Auto Fuse - Blue
	062037-05-000	EA	Housing - Auto Fuse - Gray
	062037-06-000	EA	Housing - Auto Fuse - Brown
	062037-07-000	EA	Housing - Auto Fuse - Red
	076759-01-000	EA	Switch - SPST - Lock Lock
	076759-02-000	EA	Switch - SPST - Mom On Lock (NO)
	076759-03-000	EA	Switch - SPST - Lock Lock Lock
	076759-04-000	EA	Switch - SPDT - Mom Lock Mom
	076759-05-000	EA	Switch - SPDT - Lock Lock Mom
	076759-06-000	EA	Switch - Dummy
	076759-07-000	EA	Switch - SPST - Mom Off Lock (NC)

1986 WINNEBAGO TABLE OF CONTENTS

WC-W142JRS	A-01 - C-12
WCN27RT	C-13 - E-22
WCP31RT	E-23 - H-10
WCP34RU	H-11 - J-22

1986 WCP31RT INDEX

Floor Plan	E-23 - E-24
Accessories Group	F-01 - F-04
Bath Group	F-05
Chassis Group	F-06 - F-10
Curtain, Cushion & Pad Group	F-11 - F-18
Dinette Group	F-19 - F-20
Driver's Compartment Group	F-21 - F-24
Electrical Group	G-01 - G-03
Exterior Body Group	G-04 - F-11
Galley Group	G-12 - G-13
Heating & Air Conditioning Group	G-14 - G-15
Interior Finish Group	G-16 - G-18
LP Group	G-19
Lounge Group	G-20 - G-21
Water & Sewage Group	G-22
Window, Vent & Exterior Door Group	G-23 - H-10

ELECTRICAL GROUP (CONTINUED)

EXTERIOR LIGHTS

Key	Part Number	U/M	Description
	075458-02-000	EA	Light Asm - Rear Side Marker - Red
	075458-01-000	EA	Light Asm - Side Marker - Amber
	075458-03-000	EA	Socket Asm - Side Marker
	075459-01-000	EA	Lamp Asm - Taillight - Red
	075459-02-000	EA	Lamp Asm - Taillight - Amber
	075459-03-000	EA	Lamp Asm - Taillight - Back up w Reflex
	008069-01-000	EA	Light - Porch - Recessed
	079941-01-000	EA	Fog Lamps - w Cover
	051057-01-000	EA	Searchlight - Power Driven
	076795-01-000	EA	Light Asm - License
	075660-01-000	EA	Lamp Asm - Side Marker - Amber
	075660-02-000	EA	Lamp Asm - Side Marker - Red
	081237-01-000	EA	Light Asm - Cab Marker - Amber
	081237-02-000	EA	Light Asm - Cab Marker - Red

INTERIOR LIGHTS

Key	Part Number	U/M	Description
	033508-02-000	EA	Light - Dome - Ivory - 1 Bulb - US
	033508-03-000	EA	Light - Dome - Ivory - 1 Bulb - CSA
	033509-02-000	EA	Light - Dome - Ivory - 2 Bulb - US
	033509-03-000	EA	Light - Dome - Ivory - 2 Bulb - CSA
	061424-01-000	EA	Light - 12 V Receptacle - Aisle - IP
	065202-03-000	EA	Wall Lamp - Decor - 2 Bulb - Bright Brass
	065202-06-000	EA	Wall Lamp - Decor - 2 Bulb - Bright Brass - 10
	065201-02-000	EA	Lamp Shade - Fabric - Parchment - Wall Lamp
	077026-01-000	EA	Lens - Courtesy Light - Clear - Front Door Panels
	078424-02-000	EA	Light - Fluorescent 12V - 18"
	079926-01-000	EA	Lamp - Flexible Arm
	082686-01-000	EA	Table Lamp - Bright Brass & Wood
	082686-02-000	EA	Lamp Shade - Table Lamp

MISCELLANEOUS ELECTRICAL COMPONENTS

Key	Part Number	U/M	Description
	063739-01-000	EA	Battery - 12 Volt - 80 Amp - Gould
	008188-01-000	EA	Solenoid - Dual Battery - Relay
	024459-04-000	EA	Gauge - Voltmeter - w o Bracket
	031035-02-000	EA	Gauge - Hourmeter - Generator
	024460-04-000	EA	Gauge - Vacuum - w o Bracket
	008343-01-000	EA	Wire Tie - Plastic - 6"
	052367-01-000	EA	Lighter Asm - Cigarette
	036420-02-000	EA	Fan - 6" Defroster - 2 Speed
	083208-02-000	EA	Control Center - 45 Amp - 120 Volt 12 Volt
	083208-03-000	EA	Control Center - 45 Amp - 12 Volt 120 Volt

WINDSHIELD WIPER & WASHER

Key	Part Number	U/M	Description
**	056000-02-000	EA	Washer Asm - Windshield - w/o Nozzles
	072472-04-000	EA	Arm - Windshield Wiper - 29" - Black
**	049464-03-000	EA	Blade - Windshield Wiper - 20" - Black
	067188-01-000	EA	Crank Stud - Wiper
	067190-01-000	EA	Shaft & Pivot Asm - Wiper
	067192-01-000	EA	Connecting Link Asm - Drivers Side
	067193-01-000	EA	Connecting Link Asm - Passenger Side
	067191-02-700	EA	Wiper Motor Asm
	074007-02-000	EA	Switch - Wiper Delay

** The illustrated parts breakdown for this item is provided on the Common Items Fiche

EXTERIOR BODY GROUP

INTERIOR/EXTERIOR SCREWS & FASTENERS

Key	Part Number	U/M	Description
	005200-01-000	EA	Bolt - Round Head - Square Neck w SST Cap - 7/16" - 14 x 1 1/4"
	058279-01-000	EA	Clip - Mounting - Front Panel
	035628-01-000	EA	Fastener - Blind Well Nut - 1.05" x .38"
	000D15-06-000	EA	Nut - Hex - 3/8" x 24 - Zinc
	005081-01-000	EA	Nut - Speed - C Type - #8 Screw
	000G54-04-200	EA	Screw 1/4 - 20 x 1 1/4" PTH - Zinc
	000G54-04-22R	EA	Screw 1/4 - 20 x 1 3/8" PTH - Zinc
	000G53-04-06R	EA	Screw 1/4 - Machine - 20 x 3/8" PTH - Zinc
	000G13-06-12P	EA	Screw #6 - 20 x 3/4" PFH - Dark Brown
	000G13-06-28X	EA	Screw #6 - 20 x 3/4" PFH - Gray
	000G13-06-16R	EA	Screw #6 - 20 x 1" PFH - Beige
	000G11-07-08R	EA	Screw #7 - 19 x 1-2" PPH - Zinc
	000G12-08-12M	EA	Screw #8 - 18 x 3/4" POH - Gray
	000G11-08-12R	EA	Screw #8 - 18 x 3/4" PPH - Beige
	000G11-08-12X	EA	Screw #8 - 18 x 3/4" PPH - Gray
	000G11-08-12B	EA	Screw #8 - 18 x 3/4" PPH - Zinc
	000G19-08-12R	EA	Screw #8 - 18 x 3/4" SDPH - Beige
	000G66-08-12M	EA	Screw #8 - 18 x 3/4" SDPH - Gray
	000G11-08-16R	EA	Screw #8 - 18 x 1" PFH - Gray
	000G66-08-16R	EA	Screw #8 - 18 x 1" SDPH - Beige
	000G12-08-28R	EA	Screw #8 - 18 x 1 3/4" POH - Beige
	000G36-08-08E	EA	Screw #8 - 32 x 1-2" PFH - Chrome
	000G39-08-08B	EA	Screw #8 - Self Drilling - 18 x 1 1/2" PPH - Zinc
	000G39-08-12B	EA	Screw #8 - Self Drilling - 18 x 3/4" PPH - Zinc
	000G39-08-12R	EA	Screw #8 - Self Drilling - 18 x 3/4" PPH - Beige
	000G39-08-16R	EA	Screw #8 - Self Drilling - 18 x 1" PPH - Beige
	000G39-08-15T	EA	Screw #8 - Self Drilling - 18 x 1" PPH - Black
	000G39-08-16P	EA	Screw #8 - Self Drilling - 18 x 1" PPH - Dark Brown
	000G39-08-16X	EA	Screw #8 - Self Drilling - 18 x 1" PPH - Gray
	000G39-08-16E	EA	Screw #8 - Self Drilling - 18 x 1" PPH - Chrome
	000G64-08-16M	EA	Screw #8 - Self Drilling - 18 x 1" SDPH - Gray
	000G67-10-08B	EA	Screw #10 - 12 x 1-2" PPH - Zinc
	000G67-10-10R	EA	Screw #10 - 12 x 5/8" PPH - Beige
	000G67-10-16P	EA	Screw #10 - 12 x 1" PPH - Dark Brown
	000G67-10-16B	EA	Screw #10 - 12 x 1" PPH - Zinc
	000G67-10-20B	EA	Screw #10 - 12 x 1 1/4" PPH - Zinc
	000G67-10-24B	EA	Screw #10 - 12 x 1 1/2" PPH - Zinc
	049465-04-000	EA	Screw #10 - 16 x 1" POH - w Washer - Beige
	049465-05-000	EA	Screw #10 - 16 x 1" POH - w Washer - Gray
	000G12-10-24C	EA	Screw #10 - 16 x 1 1/2" POH - Chrome
	000G11-10-08D	EA	Screw #10 - 16 x 1-2" PPH - Dark Brown
	000G11-10-12R	EA	Screw #10 - 16 x 3/4" PPH - Beige
	000G11-10-12S	EA	Screw #10 - 16 x 3/4" PPH - Off White
	000G11-10-12B	EA	Screw #10 - 16 x 3/4" PPH - Zinc
	000G11-10-16B	EA	Screw #10 - 16 x 1" PPH - Zinc
	000G11-10-40B	EA	Screw #10 - 16 x 2 1/2" PPH - CAD
	000G19-10-12B	EA	Screw #10 - Machine - 32 TPI x 3/4"
	075908-01-000	EA	Screw #10 - Machine - 32 x 56" PTH - Zinc
	000G19-10-20B	EA	Screw #10 - Machine - 32 x 1 1/4" PPH - Zinc
	000G39-12-12E	EA	Screw #10 - Self Drilling - 14 x 3/4" PPH - Chrome
	000G39-10-10R	EA	Screw #10 - Self Drilling - 16 x 62" PPH - Beige
	000G39-10-12R	EA	Screw #10 - Self Drilling - 16 x 3/4" PPH - Beige
	000G39-10-12P	EA	Screw #10 - Self Drilling - 16 x 3/4" PPH - Dark Brown
	000G56-12-48C	EA	Screw #12 - Wood - 11 x 3" POH - CAD

1986 WINNEBAGO TABLE OF CONTENTS

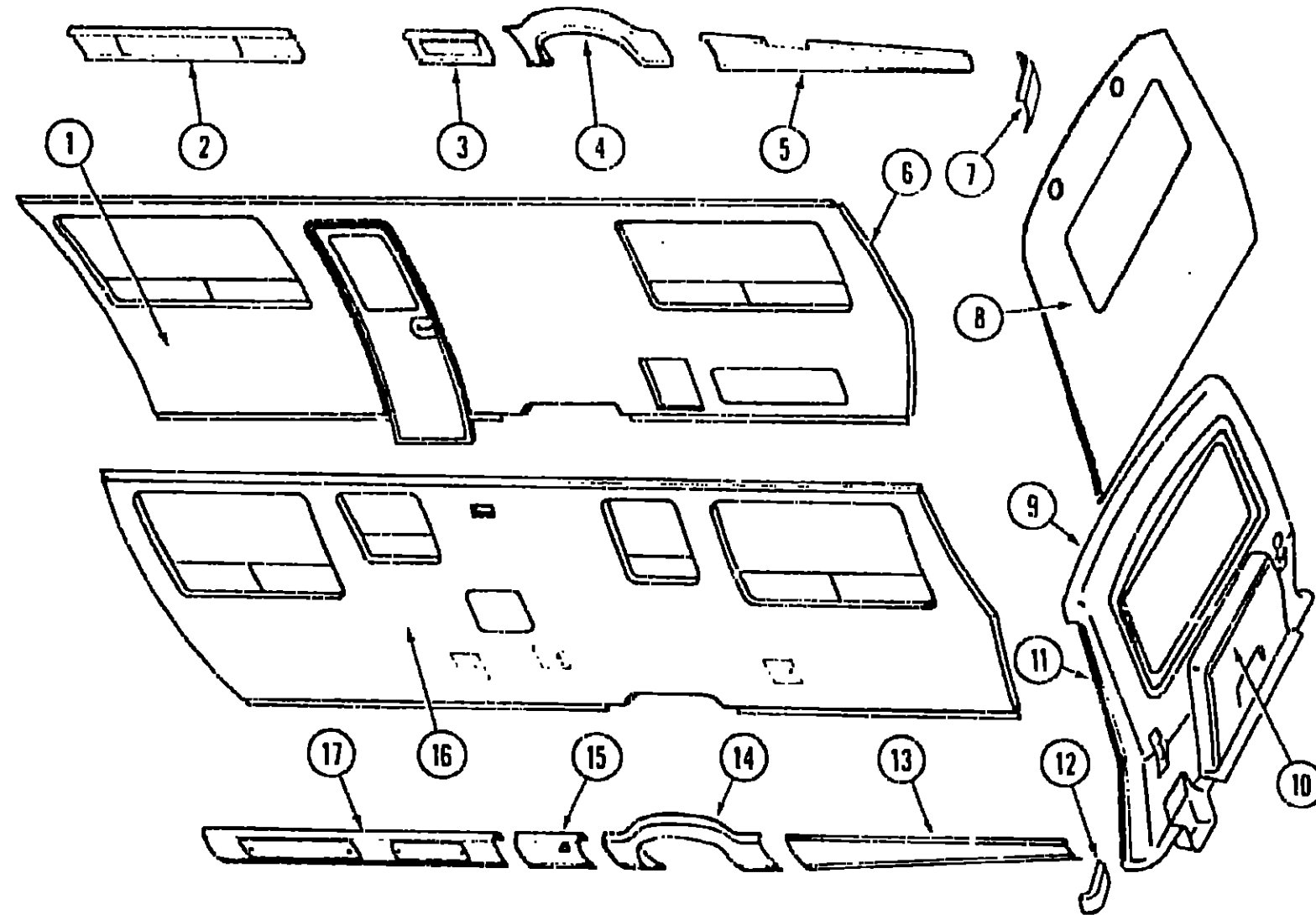
WC WF424RS	A-01 - C-12
WCN27RT	C-13 - E-22
WCP31RT	E-23 - H-10
WCP34RU	H-11 - J-22

1986 WCP31RT INDEX

Floor Plan	E-23 - E-24
Accessories Group	F-01 - F-04
Bath Group	F-05
Chassis Group	F-06 - F-10
Curtain, Cushion & Pad Group	F-11 - F-18
Dinette Group	F-19 - F-20
Driver's Compartment Group	F-21 - F-24
Electrical Group	G-01 - G-03
Exterior Body Group	G-04 - F-11
Galley Group	G-12 - G-13
Heating & Air Conditioning Group	G-14 - G-15
Interior Finish Group	G-16 - G-18
LP Group	G-19
Lounge Group	G-20 - G-21
Water & Sewage Group	G-22
Window, Vent & Exterior Door Group	G-23 - H-10

EXTERIOR BODY GROUP (CONTINUED)

EXTERIOR BODY PANELS



Key	Part Number	U/M	Description
1	M82817-01-U07	EA	Sidewall Asm - Right
1	M82817-01-U08	EA	Sidewall Asm - Right
1	M82817-01-U09	EA	Sidewall Asm - Right
2	M02586-08-U07	EA	Valance Panel - Right Front
3	M02586-09-U07	EA	Valance Panel - (Right)
3	M02586-03-U07	EA	Valance Panel - Entrance Door
4	082925-01-U07	EA	Wheelwell Trim - Rear - Beige
5	M02586-10-U07	EA	Valance Panel - Right Rear
6	073502-07-000	EA	Fiberglass Trim - Right Rear - Beige
7	077330-05-000	EA	Bumper End - Rear Right
8	077141-01-U09	EA	Backwall Asm
9	076233-01-000	EA	Rear Cap Panel - Beige
10	077395-01-000	EA	Spare Tire Shield

Key	Part Number	U/M	Description
11	073502-08-000	EA	Fiberglass Trim - Rear Left - Beige
12	077330-06-000	EA	Bumper End - Rear Left
13	M02586-13-U07	EA	Valance Panel - Left Rear
14	082925-01-U07	EA	Wheelwell Trim - Rear - Beige
15	M02586-12-U07	EA	Valance Panel - Left Center
16	M82765-01-U07	EA	Sidewall Asm - Left
16	M82765-01-U08	EA	Sidewall Asm - Left
16	M82765-01-U09	EA	Sidewall Asm - Left
17	M02586-11-U07	EA	Valance Panel - Left Front
•	M82929-01-U07	EA	Roof Asm - Beige
•	073505-06-000	EA	Roof Trim - 180" - Beige
•	076515-01-000	EA	Inside Trim - Wheelwell - Rear - Left Right - Steel
•	077412-01-000	EA	Trim Cap - Rear Upper Right Corner - Sidewall
•	077412-02-000	EA	Trim Cap - Rear Upper Left Corner - Sidewall
•			Not illustrated

1986 WINNEBAGO TABLE OF CONTENTS

WC/WF424RS
WCN27RT
WCP31RT
WCP34RU

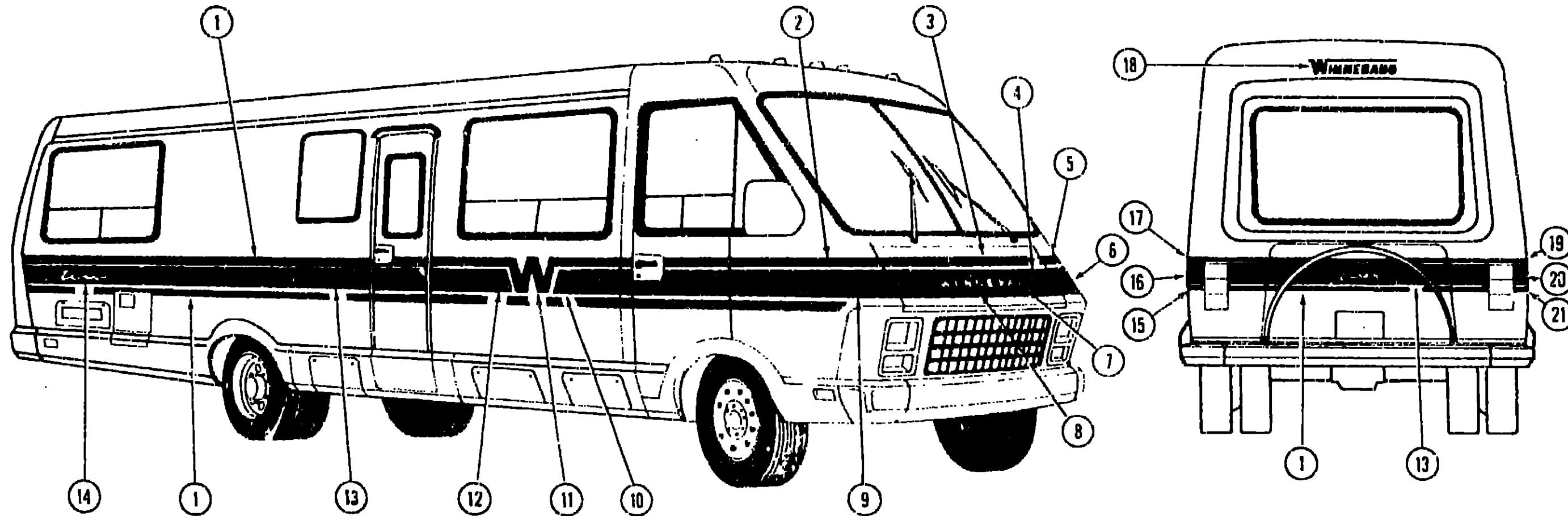
A-01 - C-12
C-13 - E-22
E-23 - H-10
H-11 - J-22

1986 WCP31RT INDEX

Floor Plan	E-23 - E-24
Accessories Group	F-01 - F-04
Bath Group	F-05
Chassis Group	F-06 - F-10
Curtain Cushion & Pad Group	F-11 - F-18
Dinette Group	F-19 - F-20
Driver's Compartment Group	F-21 - F-24
Electrical Group	G-01 - G-03
Exterior Body Group	G-04 - F-11
Galley Group	G-12 - G-13
Heating & Air Conditioning Group	G-14 - G-15
Interior Finish Group	G-16 - G-18
LP Group	G-19
Lounge Group	G-20 - G-21
Water & Sewage Group	G-22
Window Vent & Exterior Door Group	G-23 - H-10

EXTERIOR BODY GROUP (CONTINUED)

DECALS & FILM STRIPE



1986 WINNEBAGO
TABLE OF CONTENTS

WC WF424RS
WCN27RT
WCP31RT
WCP34RU

A-01 - C-12
C-13 - E-22
E-23 - H-10
H-11 - J-22

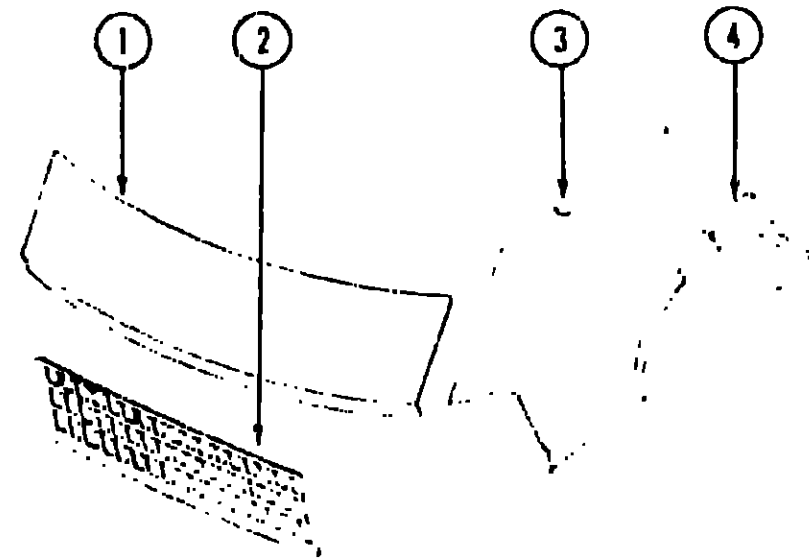
Key	Part Number	U/M	Description
1	069245-68-000	FT	Film Stripe - Brown Metallic (U07, U08)
1	069245-69-000	FT	Film Stripe - Red Brown Metallic (U09)
2	076350-16-000	EA	Decal - Right Upper Fender - Brown Metallic (U07, U08)
2	076350-18-000	EA	Decal - Right Upper Fender - Red Brown Metallic (U09)
3	069245-70-000	FT	Film Stripe - Upper Hood - Brown Metallic (U07, U08)
3	069245-71-000	FT	Film Stripe - Upper Hood - Red Brown Metallic (U09)
4	0764349-07-000	EA	Decal - Lower Hood - Dark Green Metallic (U07)
4	0764349-08-000	EA	Decal - Lower Hood - Rust Metallic (U08)
4	0764349-09-000	EA	Decal - Lower Hood - Light Brown Metallic (U09)
5	076350-15-000	EA	Decal - Left Upper Fender - Brown Metallic (U07, U08)
5	076350-17-000	EA	Decal - Left Upper Fender - Red Brown Metallic (U09)
6	076348-13-000	EA	Decal - Left Lower Fender - Dark Green Metallic (U07)
6	076348-15-000	EA	Decal - Left Lower Fender - Rust Metallic (U08)
6	076348-17-000	EA	Decal - Left Lower Fender - Light Brown Metallic (U09)
7	069745-04-000	EA	Decal - "Bago"
8	069745-03-000	EA	Decal - "Winnie"
9	076348-14-000	EA	Decal - Right Lower Fender - Dark Green Metallic (U07)
9	076348-16-000	EA	Decal - Right Lower Fender - Rust Metallic (U08)
9	076348-18-000	EA	Decal - Right Lower Fender - Light Brown Metallic (U09)
10	073719-28-000	EA	Decal - Right "W" Surround - Dark Green Metallic (U07)
10	073719-30-000	EA	Decal - Right "W" Surround - Rust Metallic (U08)
10	073719-32-000	EA	Decal - Right "W" Surround - Light Brown Metallic (U09)
11	073725-10-000	EA	Decal - "W" Brown Metallic (U07, U08)
11	073725-11-000	EA	Decal - "W" Red Brown Metallic (U09)

Key	Part Number	U/M	Description
12	073719-27-000	EA	Decal - Left "W" Surround - Dark Green Metallic (U07)
12	073719-29-000	EA	Decal - Left "W" Surround - Rust Metallic (U08)
12	073719-31-000	EA	Decal - Left "W" Surround - Light Brown Metallic (U09)
13	069245-65-000	FT	Film Stripe - Dark Green Metallic (U07)
13	069245-66-000	FT	Film Stripe - Rust Metallic (U08)
13	069245-67-000	FT	Film Stripe - Light Brown Metallic (U09)
14	076754-01-000	EA	Decal - "Elandan" - Chrome
15	076752-15-000	EA	Decal - Left Lower Corner - Brown Metallic (U07, U08)
15	076752-17-000	EA	Decal - Left Lower Corner - Red Brown Metallic (U09)
16	076751-13-000	EA	Decal - Left Center Corner - Dark Green Metallic (U07)
16	076751-15-000	EA	Decal - Left Center Corner - Rust Metallic (U08)
16	076751-17-000	EA	Decal - Left Center Corner - Light Brown Metallic (U09)
17	076753-15-000	EA	Decal - Left Upper Corner - Brown Metallic (U07, U08)
17	076753-17-000	EA	Decal - Left Upper Corner - Light Brown Metallic (U09)
18	050313-22-000	EA	Decal - "Winnebago" - Chrome
19	076753-16-000	EA	Decal - Right Upper Corner - Brown Metallic (U07, U08)
19	076753-18-000	EA	Decal - Right Upper Corner - Red Brown Metallic (U09)
20	076751-14-000	EA	Decal - Right Center Corner - Dark Green Metallic (U07)
20	076751-16-000	EA	Decal - Right Center Corner - Rust Metallic (U08)
20	076751-18-000	EA	Decal - Right Center Corner - Light Brown Metallic (U09)
21	076752-16-000	EA	Decal - Right Lower Corner - Brown Metallic (U07, U08)
21	076752-18-000	EA	Decal - Right Lower Corner - Light Brown Metallic (U09)

1986 WCP31RT INDEX

Floor Plan	E-23 - E-24
Accessories Group	F-01 - F-04
Bath Group	F-05
Chassis Group	F-06 - F-10
Curtain, Cushion & Pad Group	F-11 - F-18
Drivette Group	F-19 - F-20
Driver's Compartment Group	F-21 - F-24
Electrical Group	G-01 - G-05
Exterior Body Group	G-04 - F-11
Galley Group	G-12 - G-13
Heating & Air Conditioning Group	G-14 - G-15
Interior Finish Group	G-16 - G-18
LP Group	G-19
Lounge Group	G-20 - G-21
Water & Sewage Group	G-22
Window, Vent & Exterior Door Group	G-23 - H-10

EXTERIOR BODY GROUJP (CONTINUED)



EXTERIOR BODY PANELS (CAB)

Key	Part Number	U/M	Description
1	077229-01-000	EA	Hood Panel
2	076777-02-000	EA	Grill Panel - Gray
2	076777-01-000	EA	Grill - Panel - Chrome
3	075757-03-000	EA	Fender Panel - Front Left
•	075757-01-000	EA	Fender Panel - Front Right
4	075759-03-000	EA	Fender Panel - Rear Left
•	075759-01-000	EA	Fender Panel - Rear Right
•	058786-02-000	EA	Hood Bolt - Adjusting
•	R77006-38-499	EA	Spring - Hood Latch Cable
•	077257-03-000	EA	Hinge Asm - Hood - Right
•	077257-04-000	EA	Hinge Asm - Hood - Left
•	077252-01-000	EA	Hinge Pin - Stainless Steel
•	077407-01-000	EA	Bracket - Hood Release Cable
•	070907-01-000	EA	Headlamp Capsule Asm - High-Low Beam - Left or Right
•	076911-01-000	EA	Headlamp Bezel - Chrome - Right Hand
•	076911-02-000	EA	Headlamp Bezel - Chrome - Left Hand
•	076911-03-000	EA	Headlamp Bezel - Gray - Right Hand
•	076911-04-000	EA	Headlamp Bezel - Gray - Left Hand
•	075767-01-000	EA	Bumper End - Plastic - Passenger Side - Beige
•	075767-03-000	EA	Bumper End - Plastic - Drivers Side - Beige
•	076345-01-000	EA	Lamp Asm - Park Turn - Amber - Left or Right
•	M01615-01-000	EA	Roof Cap - Front Cab
•			Not illustrated

MISCELLANEOUS EXTERNALLY MOUNTED PARTS

Key	Part Number	U/M	Description
	083558-01-000	EA	Plumbing Seal - Roof Vent - 1 1/2" - Covered
	010230-03-000	EA	Fill - City Water - Recessed - Beige
	081240-01-000	EA	Water Fill - Lockable - Beige

EXTERIOR BODY GROUP (CONTINUED)

LABELS & EXTERIOR PAINT

Key	Part Number	U/M	Description
	068393-01-000	EA	Label - Diesel Fuel
	006195-01-000	EA	Label - Electrical Test
	047731-01-000	EA	Label - Emergency Exit
	006199-01-000	EA	Label - Exit - Escape Window
	057467-04-000	EA	Label - Exterior Loading Limit
	064378-01-000	EA	Label - Flying 'W' w-Thermo Panel
	061417-01-000	EA	Label - Fuel
	006196-01-000	EA	Label - Gas Test
	054531-01-000	EA	Label - LP Gas Only
	040944-01-000	EA	Label - Open - Entrance Door
	006015-01-000	EA	Label - Patent Motor Home
	056259-01-000	EA	Label - Safety Check List
	006064-01-000	EA	Label - Seat - w.o Seat Belts
	006187-01-000	EA	Label - Sewage
	006006-01-000	EA	Label - Thermo Panel - 2 1/4' x 2 1/4'
	075271-01-000	EA	Label - Trailer Hitch Capacity
	075220-01-000	EA	Label - Warning - Exterior Load Limit
	050225-01-000	EA	Label - Warning - Stove Vent - US
	006188-01-000	EA	Label - Waste Water
	006197-01-000	EA	Label - Water Test
	072863-01-000	EA	Nameplate - Diesel - 6 2L
	006062-01-000	EA	Tag - Electrical - 110 Volt Connection
	006040-01-000	EA	Tag - Gas - Refueling Warning
	044486-03-000	EA	Paint - Beige Acrylic Enamel - 16 oz Aerosol (7633A Dupont)
	045681-03-000	EA	Paint - Gloss Black - Acrylic Enamel - 16 oz Aerosol (99 Dupont)
	058637-05-000	EA	Paint - Gray Acrylic Enamel - 16 oz Aerosol (71537 Dupont)
	041561-03-000	EA	Paint - Off White Acrylic Enamel - 16 oz Aerosol (45396A Dupont)
	074559-01-000	EA	Label "LPG" - 3 3" x 1 75" - (Calif. Code)

SHEET FIBERGLASS, ALUMINUM & STYROFOAM

Key	Part Number	U/M	Description
	076054-31-001	EA	Fiberglass Sheet - 47 6" x 313" - Beige - Smooth (Roof)
	044487-01-001	EA	Alum - Mill Finish - No Design (Roof) - 96" x 360"
	000868-01-000	SF	Styrofoam - 3 4" x 24" x 96"
	000870-01-000	SF	Styrofoam - 1 1/2" x 24" x 96"
	000870-02-000	SF	Styrofoam - 1 1/2" x 48" x 96"
	081395-01-700	EA	Fiberglass Partical Board Sheet - 70 2" x 320 5" - Beige

**1986 WINNEBAGO
TABLE OF CONTENTS**

WC/WF424RS	A-01 - C-12
WCN27RT	C-13 - E-22
WCP31RT	E-23 - H-10
WCP34RU	H-11 - J-22

1986 WCP31RT INDEX

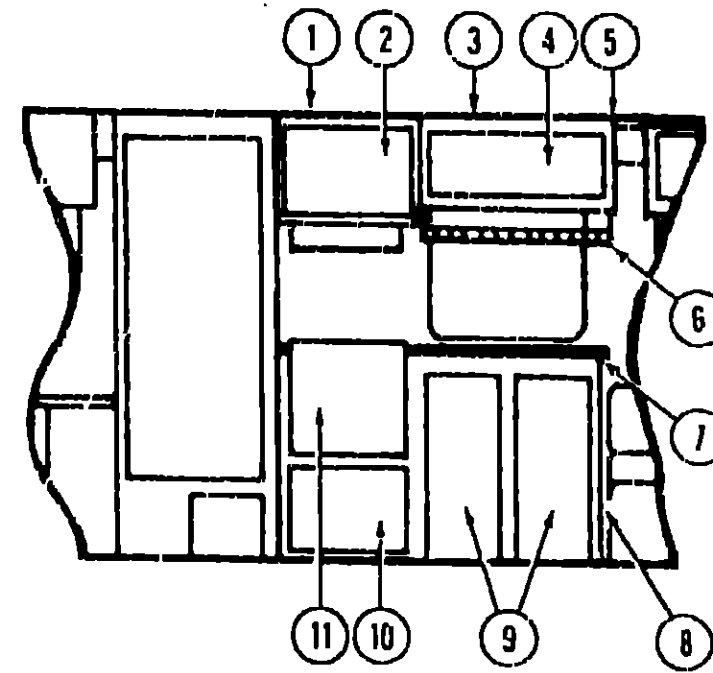
Floor Plan	E-23 - E-24
Accessories Group	F-01 - F-04
Bath Group	F-05
Chassis Group	F-06 - F-10
Curtain, Cushion & Pad Group	F-11 - F-18
Dinette Group	F-19 - F-20
Driver's Compartment Group	F-21 - F-24
Electrical Group	G-01 - G-03
Exterior Body Group	G-04 - F-11
Galley Group	G-12 - G-13
Heating & Air Conditioning Group	G-14 - G-15
Interior Finish Group	G-16 - G-18
LP Group	G-19
Lounge Group	G-20 - G-21
Water & Sewage Group	G-22
Window, Vent & Exterior Door Group	G-23 - H-10

EXTERIOR BODY GROUP (CONTINUED)

SEALANTS & ADHESIVES

Key	Part Number	U/M	Description
	004020-01-000	OT	Adhesive - ABS Cement (Plastic Fittings)
	002337-01-000	EA	Adhesive - 1300 Tube - 3M (Windows)
	004005-02-000	GL	Adhesive - Swifit - Glue (Sidewalls)
	053766-07-000	EA	Bedding Compound - Tube - Beige (Exterior)
	053766-06-000	EA	Bedding Compound - Tube - Clear (Window)
	053766-08-000	EA	Bedding Compound - Tube - Gray (Exterior)
	053766-05-000	EA	Bedding Compound - Tube - Gray (Sidewalls to Floor)
	053766-02-000	EA	Bedding Compound - Tube - Off White (Exterior)
	062328-02-000	EA	Block - Rubber Spacer (Windshield)
	004336-01-000	EA	Caulk - Latex - Golden Walnut (Sidewalls)
	072891-02-000	OT	Primer - Glass - Black
	072891-01-000	OT	Primer - Glass - Clear
	035024-01-000	EA	Primer - Glass - Clear - Windshield
	072890-01-000	OT	Primer - Metal - Black
	035023-01-000	GL	Primer - Metal - Windshield
	077967-01-000	EA	Sealant - Acrylic Latex - Tube - Off White (Interior Sealant)
	034552-04-000	EA	Sealant - Silicone - Beige
	034552-02-000	EA	Sealant - Silicone - Clear
	034552-07-000	EA	Sealant - Silicone - Dark Gray
	034552-06-000	EA	Sealant - Silicone - Off White
	069637-01-000	EA	Sealant - Weatherban 404 - Tube - White (Door Caulk)
	072889-01-000	EA	Sealant - Urethane - Black (Windshield)
	069640-01-000	FT	Sealer Ribbon - 25" Bead x 20'
	069640-02-000	FT	Sealer Ribbon - 5" x 125" x 30'
	069640-03-000	FT	Sealer Ribbon - 75" x 125" x 30'
	069640-04-000	FT	Sealer Ribbon - 2" x 09' x 45' (P Series)
	069640-05-000	FT	Sealer Ribbon - 2 5/8" x 09' x 50'
	069640-06-000	FT	Sealer Ribbon - 5 1/8" Bead x 15'
	069640-07-000	FT	Sealer Ribbon - 2" x 3 3/8" x 30'
	002316-01-000	FT	Sealer Tape - 3 3/8" x 3 8" - White (Window)
	002707-01-000	FT	Sealer Tape - 5 1/8" x 3 4"
	002707-02-000	FT	Sealer Tape - 5 1/8" x 1 7/8"
	040545-01-000	GL	Sealer - Seam Weld
	053752-04-000	EA	Seam Sealer - Tube - Aluminum (Roof)
	063642-01-000	FT	Tape - Adhesive - 10 mm x 1 5/8" Wide
	038886-01-000	EA	Tape - Butyl - 31" x 31" x 148" (Windshield)
	076322-01-000	FT	Tape - Foam - Double Coated - 025 x 1" (Fiberglass Sidewall Seams)
	076322-02-000	FT	Tape - Foam - Double Coated - 045 x 1" (Fiberglass Sidewall Seams)
	009200-01-000	EA	Tape - Furnace - 1 5/8"
	002825-01-000	FT	Weather Striping (Roof Vent)

GALLEY GROUP



GALLEY CABINETRY

Key	Part Number	U/M	Description
1	082198-03-U07	EA	Cabinet Asm - Range Overhead - w o Doors or Hardware
2	M81523-08-U07	EA	Door Asm - Range Overhead - w o Hardware - Rear
3	082189-01-U07	EA	Cabinet Asm - Galley Overhead - w o Doors or Hardware
4	M81523-05-U07	EA	Door Asm - Galley Overhead - w o Hardware
5	076548-01-U07	EA	End Cap - Galley Overhead
6	076570-01-U07	EA	Spice Rack Asm
7	M02497-01-U07	EA	Countertop Asm - Galley Cabinet
8	M82816-01-U07	EA	Cabinet Asm - Galley - w o Doors, Drawers, Countertop or Hardware
9	M81501-50-U07	EA	Door Asm - w o Hardware
10	M81501-34-U09	EA	Door Asm - Galley Cabinet - w o Hardware
11	M82184-05-U07	EA	Drawer Asm - Galley Storage (Microwave Option)

GALLEY HARDWARE

Key	Part Number	U/M	Description
	081530-01-U07	EA	Sink Cover - Large - Beige Crescent
	068615-01-000	EA	Sink - Stainless Steel - Double w/ Folds
**	011053-01-000	EA	Faucet - Swing Spout - 8" - US
**	011053-02-000	EA	Faucet - Swing Spout - 8" - CSA
	066437-01-000	EA	Strainer w Basket - Sink
**	011053-01-700	EA	Aerator - Swing Spout Faucet
	058334-01-000	EA	Wastebasket - 9 3/4" x 7" x 10" - White Rubbermaid
	058478-01-000	EA	Support - Wastebasket
	077409-01-000	EA	Drawer Slide - Plastic - 20.75"
	077404-01-000	EA	Drawer - Plastic - 20" x 12 7/8"
	075451-01-000	EA	Storage Rack - Canned Goods
	075451-02-000	EA	Storage Rack Clip - White
	037688-01-000	EA	Drawer Rail - V Guide
	039873-01-700	EA	Door Catch & Strike - Nylon & Spring Steel
**	059777-01-000	EA	Hinge - Cabinet Door - Antique Brass
	074981-01-000	EA	Cutting Board - Maple
	054450-01-000	EA	Level - Refrigerator
	078212-01-000	EA	Door Pull - Polished Brass & Oak Inlay
	074493-02-000	EA	Door Support - Sprung
**	The illustrated parts breakdown for this item is provided on the Common Items Fiche		

**1986 WINNEBAGO
TABLE OF CONTENTS**

WC-WF42-IRS	A-01 - C-12
WCN27RT	C-13 - E-22
WCP31RT	E-23 - H-10
WCP31RU	H-11 - J-22

1986 WCP31RT INDEX

Floor Plan	E-23 - E-24
Accessories Group	F-01 - F-04
Bath Group	F-05
Chassis Group	F-06 - F-10
Curtain, Cushion & Pad Group	F-11 - F-18
Dinette Group	F-19 - F-20
Driver's Compartment Group	F-21 - F-24
Electrical Group	G-01 - G-03
Exterior Body Group	G-04 - F-11
Galley Group	G-12 - G-13
Heating & Air Conditioning Group	G-14 - G-15
Interior Finish Group	G-16 - G-18
LP Group	G-19
Lounge Group	G-20 - G-21
Water & Sewage Group	G-22
Window, Vent & Exterior Door Group	G-23 - H-10

GALLEY GROUP (CONTINUED)

GALLEY HARDWARE & APPLIANCES (CONT.)

Key	Part Number	U/M	Description
	075218-01-000	EA	Refrigerator - 3-Way - 10' Norcold
	075218-01-700	EA	Gasket - Freezer Door
	075218-01-701	EA	Gasket - Refrigerator Door
	075218-01-702	EA	Connector Rod
	075218-01-703	EA	Frame Asm
	075218-01-704	EA	Cabinet - Urethane
	075218-01-705	EA	Breaker Strip - Bottom
	075218-01-707	EA	Divider - Front
	075218-01-708	EA	Cable - Wiring
	075218-01-709	EA	Door Liner Asm - Foamed
	075218-01-710	EA	Door Liner Asm - Foamed - Lower
	064782-02-000	EA	Range - 4 Burner - Almond Top
	064782-01-700	EA	Frame - Upper Glass
	064782-01-701	EA	Glass - Outside
	064782-01-702	EA	Panel - Door - Black
	064782-01-703	EA	Trim - Cabinet - Right
	064782-01-704	EA	Trim - Cabinet - Left
	064782-01-705	EA	Washer - Door Handle
	064782-02-700	EA	Top - 4 Burner - Almond
	064782-02-701	EA	Deflector - Plate - Black
	064782-02-702	EA	Trim - Cabinet - Right - Black
	064782-02-703	EA	Trim - Cabinet - Left - Black
	064782-02-704	EA	Trim - Glass - Lower Outside - Black
	064782-02-705	EA	Handle - Oven Door - Black
	064782-02-706	EA	Trim - Vertical - Black
	064782-02-707	EA	Panel - Manifold
	064782-02-708	EA	Mercury Valve
	713045-01-740	EA	Cover - Stovetop Bifold - Magic Chef
	081374-01-000	EA	Range Top - 4 Burner - Almond
	081374-01-700	EA	Trim - Cabinet - Top Right
	081374-01-701	EA	Trim - Cabinet - Top Left
	081374-01-702	EA	Panel - Manifold - Warm Black
	081374-01-703	EA	Trim - Top Rear
	081374-01-704	EA	Guard - Fabric
	023111-01-000	EA	Blender - Built-in

GALLEY APPLIANCES

Key	Part Number	U/M	Description
	079353-01-000	EA	Hood - Stove - w Monitor - Almond - US
	079353-01-700	EA	Test Connector
	079353-01-701	EA	Fan Blade
	079353-01-702	EA	Filter & Lens
	079353-01-703	EA	Motor
	079353-01-704	EA	Circuit Board - Tanks
	072351-02-700	EA	Clock - Digital - LVS
	075470-01-702	EA	Switch - On Off
	075470-01-703	EA	Switch - On - Momentary
	075470-01-704	EA	Switch - On Off On - Fan Motor
	075470-01-705	EA	Switch - On Off On - Momentary
	075470-01-707	EA	Bulb - #912
	079353-01-705	EA	Monitor Panel Asm - w Face
	079353-01-706	EA	Housing - Vent Hood - w Wires
	079353-01-707	EA	Face Plate - Black

HEATING & AIR CONDITIONING GROUP

AUTOMOTIVE HEATER & AIR CONDITIONER

Key	Part Number	U/M	Description
	080426-02-000	EA	Heater Evaporator Asm - w Pressure Sensor Switch - A R A
	072342-01-000	EA	Condensor Asm - A R A
	072342-03-000	EA	Condensor Asm - w Fans & High Temp Sensor Switch - A R A
	072342-04-000	EA	Condensor Asm - w High Temp Sensor Switch - A R A
	072342-03-700	EA	Coil - Condenser
	072342-03-701	EA	Receiver - Drier
	072342-03-702	EA	Condenser Fan & Seal Asm
	072342-03-703	EA	Condenser Fan
	072342-03-704	EA	Bracket - Condenser Mounting
	072342-03-705	EA	Switch - Temperature
	072343-01-000	EA	Compressor Clutch - A R A
	072343-04-000	EA	Compressor Clutch - w Rear Mounted Valves - A R A
	072344-01-000	EA	Package - Compressor Mount
	072344-02-000	EA	Package - Rear Valve Compressor - Mount Brackets
	049401-01-000	EA	Heater Asm - Rear - Auxiliary
	049401-01-700	EA	Valve - Water Control (Aux Heater)
	049401-01-701	EA	Control Cable (Aux Heater)
	049401-01-702	EA	Motor Asm (Aux Heater)
	049401-01-703	EA	Heater Core (Aux Heater)
	049401-01-704	EA	Switch - Aux Heater
	049401-01-705	EA	Valve - 3 Port - 2 Way
	049401-01-706	EA	Knob - Heater
	049401-01-708	EA	Wire Asm
	049401-01-709	EA	Wire Asm
	049401-01-710	EA	Wire Asm
	049401-01-711	EA	Knob - Switch
	050906-01-000	EA	Control Panel - Brown (Aux Rear Heater)

FURNACES & ROOF AIR CONDITIONER

Key	Part Number	U/M	Description
**	078182-03-000	EA	Furnace - 30,000 BTU - w Direct Ignition
	078182-01-000	EA	Furnace - 20,000 BTU - w Electric UL
	078182-03-000	EA	Furnace - 30,000 BTU - w Electric, UL
	078182-04-000	EA	Furnace - 20,000 BTU - w Electric, CGA
	078182-06-000	EA	Furnace - 30,000 BTU - w Electric, CGA
	078182-07-000	EA	Connector - Side Duct
	078182-01-700	EA	Casing
	078182-01-701	EA	Sight Glass - Small
	078182-01-702	EA	Sight Glass Retainer Small
	078182-01-703	EA	Sight Glass - Large
	078182-01-704	EA	Sight Glass Gasket
	078182-01-705	EA	Burner Box Liner
	078182-01-706	EA	Liner Cover
	078182-01-707	EA	Heat Chamber Collar - 2 Required
	078182-01-708	EA	Heat Chamber
	078182-01-709	EA	Air Adjustment Bracket
	078182-01-710	EA	Pilot Ignitor Asm - w Orifice
	078182-01-711	EA	Pilot Orifice - 014
	078182-01-712	EA	Gasket Set - Heat Chamber
	078182-01-714	EA	Plug - Bottom
	078182-01-715	EA	Control Access Box
	078182-01-716	EA	Motor 90020 w Gasket Set
	078182-01-717	EA	Motor 90030 w Gasket Set
	078182-01-718	EA	Gasket Set
	078182-01-719	EA	Blower Wheel
	078182-01-720	EA	Air Prover Switch
	078182-01-721	EA	Motor Mounting Grommet (3 required)
	078182-01-722	EA	Blower Wheel - Comb Air
	078182-01-723	EA	Burner Head
	078182-01-724	EA	Burner Head Gasket

** The illustrated parts breakdown for this item is provided on the Common Items Fiche

1986 WINNEBAGO TABLE OF CONTENTS

WC/WF424RS	A-01 - C-12
WCN27RT	C-13 - E-22
WCP31RT	E-23 - H-10
WCP34RLI	H-11 - J-22

1986 WCP31RT INDEX

Floor Plan	E-23 - E-24
Accessories Group	F-01 - F-04
Bath Group	F-05
Chassis Group	F-06 - F-10
Curtain, Cushion & Pad Group	F-11 - F-18
Dinette Group	F-19 - F-20
Driver's Compartment Group	F-21 - F-24
Electrical Group	G-01 - G-03
Exterior Body Group	G-04 - F-11
Galley Group	G-12 - G-13
Heating & Air Conditioning Group	G-14 - G-15
Interior Finish Group	G-16 - G-18
LP Group	G-19
Lounge Group	G-20 - G-21
Water & Sewage Group	G-22
Window, Vent & Exterior Door Group	G-23 - H-10

HEATING & AIR CONDITIONING GROUP (CONTINUED)

FURNACES & ROOF AIR CONDITIONER (CONT.)

Key	Part Number	U/M	Description
	078182-01-726	EA	Pre-Mix Chamber
	078182-01-727	EA	Gasket - Burner Pipe
	078182-01-728	EA	Air Shutter Disc
	078182-01-729	EA	Air Shutter Rod
	078182-01-730	EA	Gas Control - SGL Oper
	078182-01-731	EA	Burner Pipe
	078182-01-732	EA	Main Orifice - 90020
	078182-01-733	EA	Main Orifice - 90030
	078182-01-734	EA	Limit Switch - Auto - 1906 90020
	078182-01-735	EA	Limit Switch - Auto - 2100 90030
	078182-01-736	EA	Shutoff Valve
	078182-01-737	EA	Blower Relay - Time Delay
	078182-01-738	EA	Ignition Module Board
	078182-01-739	EA	Vent Assembly
	078182-01-740	EA	Thermostat - Wall
	009198-01-000	FT	Duct - Flexible - 4" ID x 25
	056464-01-000	EA	Register - 4" Dia - Plastic - w/ Damper
	056464-02-000	EA	Register - 4" Dia - Plastic - w/o Damper
	009200-01-000	EA	Tape - Furnace - 1 1/2"
**	023146-01-000	EA	Clamp Screw Type - 4"
**	081606-03-000	EA	Shroud Asm - Ceiling - Inside - Roof Air Cool Only - 13,500 BTU - Coleman
**	081606-04-000	EA	Shroud Asm - Ceiling - Inside - Roof Air Heat and Cool - 13,500 BTU - Coleman
	081606-01-000	EA	Air Conditioner - 110 Volt - Roof Mount - 13,500 BTU Rotary
	081606-01-700	EA	Shroud - Beige - w/o Decals
	081606-01-701	EA	Decal - Delta TX
	081606-01-702	EA	Overload
	081606-01-703	EA	Motor - 115 Volt - 2.8 Amps - 60 HZ
	081606-01-704	EA	Decal (Off-Fan-Cool)
	081606-01-705	EA	Decal (Off-Fan-Cool-Heat)
	081606-01-706	EA	Control Asm
	081606-01-707	EA	Heat Element (1600 Watts 120 Volts - AC)
	081606-01-708	EA	Limit Switch (Open 160 C 110)
	081606-01-709	EA	Decal (Delta T)
	081606-01-710	EA	Motor - 115 Volts - 2.1 Amps - 1.6 HP 3000
	081606-01-711	EA	Blower Wheel - 3 1/8" x 3 1/8"
	081606-01-712	EA	Ceiling Shroud (Ivory)
	081606-01-713	EA	Conduit & Wiring Asm
	081606-01-714	EA	Delta T Decal Package
	081606-02-000	EA	A/C - Roof - 13,500 BTU - Delta TX
**	081606-02-700	EA	Shroud (Gray Gray) - w/o Decal

** The illustrated parts breakdown for this item is provided on the Common Items Fiche

INTERIOR FINISH GROUP

PANELING & COUNTERTOP MATERIALS

Key	Part Number	U/M	Description
	079666-01-000	SF	Paneling - Cedar Board - 48" x 96"
	074497-05-000	SF	Paneling - Iowa Cherry - 48" x 84" (Cabinets)
	074497-06-000	SF	Paneling - Satinesque - 48" x 84"
	074496-40-000	SF	Paneling - Decor - Stauffer Blossom - Galley & Bath - 48" x 84" (U07)
	077496-41-000	SF	Paneling - Decor - Stauffer Blossom - Galley & Bath - 48" x 84" (U08)
	077496-42-000	SF	Paneling - Decor - Stauffer Blossom - Galley & Bath - 48" x 84" (U09)
	074498-13-000	SF	Plastic Laminate - Beige Crescent (Nightstand)
	074498-09-000	SF	Plastic Laminate - Gray Kontrac
	076325-09-000	FT	Edge Molding - Cherry - Galley & Tabletops
	074498-14-000	SF	Plastic Laminate - Sage Green (U07) (Bath, Dinette)
	074498-11-019	EA	Plastic Laminate - Cayenne (U08) (Bath, Dinette)
	074498-08-000	SF	Plastic Laminate - Fawn (U09) (Bath, Dinette)
	076325-10-000	FT	Edge Molding - Sage Green (U07) (Bath, Dinette)
	076325-12-000	FT	Edge Molding - Cayenne (U08) (Bath, Dinette)
	076325-08-000	FT	Edge Molding - Fawn (U09) (Bath, Dinette)

INTERIOR MOLDINGS & TRIM

Key	Part Number	U/M	Description
	074045-01-000	EA	Oak Plug - 50" Dia
	075400-09-U09	EA	Oak Railing - 52"
	075400-10-U09	EA	Oak Railing - 62"
	075400-11-U09	EA	Oak Railing - 68"
	009815-16-000	FT	Molding - Outside Corner - 50" - Cherry
	009809-16-000	FT	Molding - Outside Corner - 1" - Cherry
	042357-10-000	FT	Molding - Outside Corner - Cherry
	009767-06-000	FT	Wiring - Beige
	009767-09-000	FT	Wiring - Cherry
	009815-06-000	FT	T-Molding - 75" - Cherry
	022992-08-000	FT	Molding - Reverse Cove - Champagne White
	022992-09-000	FT	Molding - Reverse Cove - Grady Brown
	070504-05-000	FT	U-Channel - 815" - Cherry
	070504-01-000	FT	U-Channel - 65" - Light Brown
	009778-06-000	FT	U-Channel - 1" - Cherry
	069733-56-000	EA	Batt Strip - Satinesque Beige (Wall) 8'
	069733-55-000	EA	Batt Strip - Cherry (Wall) 8'
	069733-63-000	EA	Batt Strip - Stauffer Blossoms - 8' (U07)
	069733-64-000	EA	Batt Strip - Stauffer Blossoms - 8' (U08)
	069733-65-000	EA	Batt Strip - Stauffer Blossoms - 8' (U09)
	081521-01-001	EA	Molding Retainer - Aluminum - 16'
	073321-34-000	EA	Wall Trim - Carpet

MISCELLANEOUS PARTS

Key	Part Number	U/M	Description
	053552-02-U09	EA	Handle Asm - Interior Assist - Medium Almond Vinyl
	041944-03-000	EA	Fire Extinguisher - 5 BC
	054185-24-000	EA	Owner's Manual - Itasca - Winnebago
	007038-01-000	EA	Door Mat - Black Rubber - 10 1/2" x 26"
	081072-01-000	EA	Door Mat - Front Right - Brown "Winnebago"
	081074-01-000	EA	Door Mat - Front Left - Brown "Winnebago"
	081075-01-000	EA	Door Mat - Entrance - Brown "Winnebago"
	065201-02-000	EA	Lamp Shade - Fabric - Parchment
	076312-01-U09	EA	Mesh - Gold Aluminum - 7 3/8" x 6 7/8"

1986 WINNEBAGO TABLE OF CONTENTS

WC-WF424RS	A-01 - C-12
WCN27RT	C-13 - E-22
WCP31RT	E-23 - H-10
WCP34RU	H-11 - J-22

1986 WCP31RT INDEX

Floor Plan	E-23 - E-24
Accessories Group	F-01 - F-04
Bath Group	F-05
Chassis Group	F-06 - F-10
Curtain, Cushion & Pad Group	F-11 - F-18
Dinette Group	F-19 - F-20
Driver's Compartment Group	F-21 - F-24
Electrical Group	G-01 - G-03
Exterior Body Group	G-04 - F-11
Galley Group	G-12 - G-13
Heating & Air Conditioning Group	G-14 - G-15
Interior Finish Group	G-16 - G-18
LP Group	G-19
Lounge Group	G-20 - G-21
Water & Sewage Group	G-22
Window, Vent & Exterior Door Group	G-23 - H-10

INTERIOR FINISH GROUP (CONTINUED)

CABINETS & TABLE HARDWARE

Key	Part Number	U/M	Description
	053200-05-000	EA	Bracket - Upper Wall Mount - Beige - 23 5"
**	053201-01-000	EA	Bracket - Table Mount - 23"
	024275-05-000	EA	Rod - Table Lift - 8" x 23 5" - Beige
	024281-07-000	EA	Bracket - Lower Wall Mount - Beige - 22 12"
	024276-14-000	EA	Leg Asm. - Table - 29.5" - Brown
	064050-01-000	EA	Hinge - Table Leg
**	024202-01-000	EA	Brace - Table Leg
**	024283-01-000	EA	Clip - 1" O.D Tube
	049493-02-000	EA	Catch - Table Leg - Mounts on Floor - Brown
	009112-01-000	EA	Flange - 1" Chrome - Closet Rod
	077409-01-000	EA	Slide - Drawer - Plastic
**	037688-01-000	FT	Nail - Drawer
	076312-01-000	EA	Mesh - Grille - Brass - 7 3" x 6 8" (Rear Lounge)
	039873-01-700	EA	Nylon Catch & Spring Steel Strike
	009050-01-000	EA	Warp Guard - 64"
	009051-01-000	EA	Warp Guard - 48"
**	059777-01-000	EA	Hinge - Cabinet Door - Antique Brass
	074493-02-000	EA	Overhead Door Support - Sprung
**	078212-01-000	EA	Door Pull - Polished Brass & Oak Inlay

The illustrated parts breakdown for this item is provided on the Common Items Fiche

FABRICS & CARPET

Key	Part Number	U/M	Description
	077498-47-000	YD	Fabric - Upholstery - Beige (U07)
	077498-46-000	YD	Fabric - Upholstery - Brown (U08)
	077498-48-000	YD	Fabric - Upholstery - Rose (U09)
	077498-44-000	YD	Fabric - Upholstery/Accent (Drapery & Seat Covers) Beige (U07)
	077498-43-000	YD	Fabric - Upholstery/Accent (Drapery & Seat Covers) Brown (U08)
	077498-45-000	YD	Fabric - Upholstery/Accent (Drapery & Seat Covers) Rose (U09)
	077498-60-000	YD	Fabric - Upholstery/Plain Accent - Beige (U07)
	077498-59-000	YD	Fabric - Upholstery/Plain Accent - Brown (U08)
	077498-61-000	YD	Fabric - Upholstery/Plain Accent - Rose (U09)
	069729-36-000	YD	Fabric - Bedspread - Beige (U07)
	069729-31-000	YD	Fabric - Bedspread - Brown (U08)
	069729-21-000	YD	Fabric - Bedspread - Rose (U09)
	072333-24-000	YD	Fabric - Bedspread Accent (Headboard, Valance) Beige (U07)
	069729-31-000	YD	Fabric - Bedspread Accent (Headboard, Valance) Brown (U08)
	072333-23-000	YD	Fabric - Bedspread Accent (Headboard, Valance) Rose (U09)
	072333-21-000	YD	Fabric - Drapery - Parchment
	069649-02-000	YD	Vinyl - Expanded (End Caps) Teak
	072860-49-000	SY	Carpet - Beige (U07)
	072860-50-000	SY	Carpet - Brown (U08)
	072860-42-000	SY	Carpet - Rose (U09)
	075233-01-000	SY	Carpet - Pad 3-8" Foam
	038421-01-000	YD	Fabric - Mattress Ticking
	081607-02-000	YD	Fabric - Headliner - Sandstone

INTERIOR FINISH GROUP (CONTINUED)

CURTAIN HARDWARE

Key	Part Number	U/M	Description
	056116-01-000	EA	Track - Curtain - Brown - Plastic
	077046-01-000	EA	Track - Curtain - Front Wraparound - Passenger
	077046-02-000	EA	Track - Curtain - Front Wraparound - Drivers
	056001-01-000	EA	Bracket - Shade - Left
	056002-01-000	EA	Bracket - Shade - Right
	056003-01-000	EA	Bracket - Drapery Retainer - Right
	056003-02-000	EA	Bracket - Drapery Retainer - Left
	056003-03-000	EA	Bracket - Drapery Retainer - Universal
	056784-02-000	EA	Pull - Window Shade - Antique Brass
	039175-02-000	EA	Bracket - Curtain Rod
	056115-01-000	YD	Tape - Clear Plastic - w/Guides
	048394-01-000	YD	Tape Hood - 1" x 25 YD - Beige (Velcro)
	049385-01-000	YD	Tape Loop - 1" x 25 YD - Beige (Velcro)

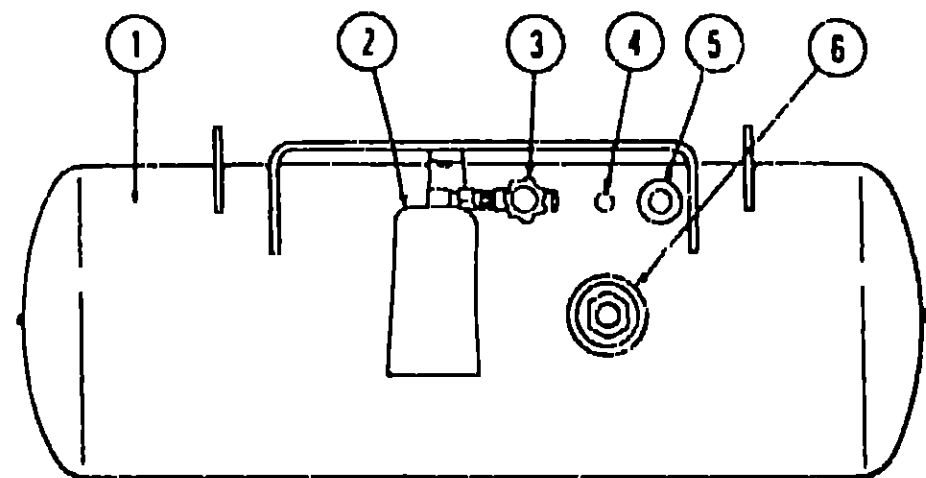
**1986 WINNEBAGO
TABLE OF CONTENTS**

WC/WF424RS	A-01 - C-12
WCN27RT	C-13 - E-22
WCP31RT	E-23 - H-10
WCP34RU	H-11 - J-22

1986 WCP31RT INDEX

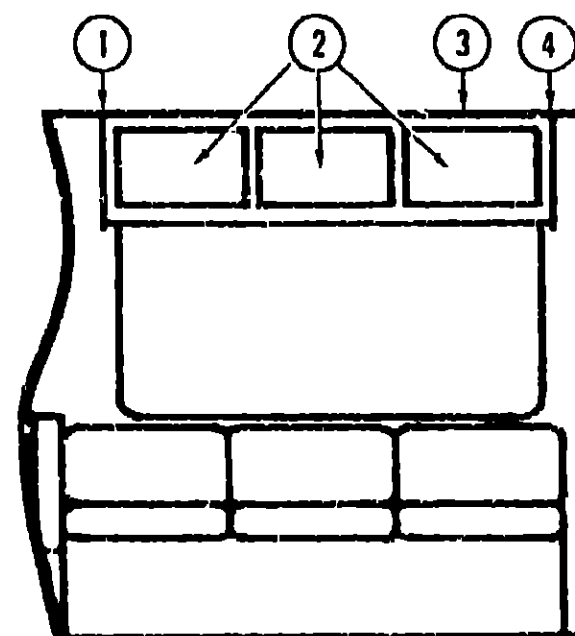
Floor Plan	E-23 - E-24
Accessories Group	F-01 - F-04
Bath Group	F-05
Chassis Group	F-06 - F-10
Curtain, Cushion & Pad Group	F-11 - F-18
Dinette Group	F-19 - F-20
Driver's Compartment Group	F-21 - F-24
Electrical Group	G-01 - G-03
Exterior Body Group	G-04 - F-11
Galley Group	G-12 - G-13
Heating & Air Conditioning Group	G-14 - G-15
Interior Finish Group	G-16 - G-18
LP Group	G-19
Lounge Group	G-20 - G-21
Water & Sewage Group	G-22
Window, Vent & Exterior Door Group	G-23 - H-10

LP GROUP



Key	Part Number	U/M	Description
1	074142-01-000	EA	Tank Asm - LP - Frame Mount - 80 Pound - 13" x 44"
2	081938-01-000	EA	Compartment - LP Regulator
.	076301-01-000	EA	Regulator - Two Stage - LP Gas
3	040421-01-703	EA	Valve - Vapor Relief
4	040421-01-700	EA	Gauge - Liquid Level - 20% LP
5	040421-01-701	EA	Valve - Filler - LP
.	040421-01-702	EA	Cap - Plastic Fill Valve
6	040421-01-707	EA	Gauge - Float - w Visible Dial - 80 Pound Tank
.	040421-01-706	EA	Dial - Visible Face - Float Gauge (Tank w o Electric Transmitter)
.	040440-01-000	EA	Dial - Transmitter - 0-90 Ohm (Float Gauge)
.	045703-01-000	EA	Hose Asm - LP - 3/8" I.D. x 24" - US
.	045703-02-000	EA	Hose Asm - LP - 3/8" I.D. x 24" - CSA
.	045703-03-000	EA	Hose Asm - LP - 3/8" I.D. x 18" - US
.	045703-04-000	EA	Hose Asm - LP - 3/8" I.D. x 14" - CSA
.	065741-01-000	EA	Gauge - Diaphragm Pressure - Test Leak
.			Not illustrated

LOUNGE GROUP



FRONT LOUNGE CABINETRY

Key	Part Number	U/M	Description
1	076548-02-U07	EA	Pad Asm - End Cap - Front Lounge Overhead - Teak Vinyl - Rear
2	M81503-05-U09	EA	Door Asm - Overhead Cabinet - 11 3/4" x 28" - w.o Hardware
3	081848-03-U07	EA	Cabinet Asm - Front Lounge Overhead - w/o Doors or Hardware
4	076548-01-U07	EA	Pad Asm - End Cap - Front Lounge Overhead - Teak Vinyl - Front
.	081298-01-U09	EA	Table Asm - Pedestal
.	009040-03-000	EA	Base - Raised - Pedestal Table
.	041194-01-000	EA	Base - Flush - Pedestal Table
.	009640-04-000	EA	Leg - 27 5/8" - Brown - Pedestal Table
.	062046-01-000	EA	Clip - Storage - Pedestal Leg
.	076840-01-000	EA	Shock Cord
.			Not illustrated

**1986 WINNEBAGO
TABLE OF CONTENTS**

WC/WF424RS	A-01 - C-12
WCN27RT	C-13 - E-22
WCP31RT	E-23 - H-10
WCP34RU	H-11 - J-22

1986 WCP31RT INDEX

Floor Plan	E-23 - E-24
Accessories Group	F-01 - F-04
Bath Group	F-05
Chassis Group	F-06 - F-10
Curtain, Cushion & Pad Group	F-11 - F-18
Dinette Group	F-19 - F-20
Driver's Compartment Group	F-21 - F-24
Electrical Group	G-01 - G-03
Exterior Body Group	G-04 - F-11
Galley Group	G-12 - G-13
Heating & Air Conditioning Group	G-14 - G-15
Interior Finish Group	G-16 - G-18
LP Group	G-19
Lounge Group	G-20 - G-21
Water & Sewage Group	G-22
Window, Vent & Exterior Door Group	G-23 - H-10

LOUNGE GROUP (CONTINUED)

DOUBLE BED W/NIGHT STAND

Key	Part Number	U/M	Description
	081848-09-U07	EA	Cabinet Asm - Overhead - Rear - Passenger Side
	M82099-01-U09	EA	Cabinet Asm - Nightstand - Front Wall - w/o Countertop
	M01568-01-U09	EA	Countertop Asm - Nightstand - Front Wall - Empire Walnut
	082100-01-U07	EA	Cabinet Asm - Nightstand - Rear Wall - w/o Countertop
	M01567-01-U09	EA	Countertop Asm - Nightstand - Rear Wall - Empire Walnut
	M81953-01-U09	EA	Cabinet Asm - Double Bed Base
	M78921-02-U09	EA	Drawer - Nightstand Cabinet - 8" x 20"
	083018-01-U07	EA	Table Asm - Rear Corner
	077434-U3-000	EA	Rear Left Overhead Trim - Plastic Cove

TWIN BED & OVERHEAD CABINETY

Key	Part Number	U/M	Description
	081848-09-U07	EA	Cabinet Asm - Overhead - Rear - Passenger Side
	081848-07-U07	EA	Cabinet Asm - Overhead - Rear - Drivers Side
	M01503-05-U09	EA	Door Asm - Rear Overhead Cabinet - w/o Hardware
	M02609-01-U07	EA	Countertop Asm - Nightstand Top
	M02608-01-U07	EA	Countertop Asm - Nightstand Base
	M83441-01-U07	EA	Cabinet Asm - w/o Door & Countertop
	081710-01-000	EA	Drawer Slide
	M81501-88-U07	EA	Door Asm - Nightstand Cabinet - w/o Hardware
	M81957-01-U09	EA	Cabinet Asm - Twin Bed - Left
	M81956-01-U09	EA	Cabinet Asm - Twin Bed - Right
	M81543-01-U07	EA	Shelf Asm - Fold Down TV Stand

WATER & SEWAGE GROUP

PLUMBING AND REPAIR PARTS

Key	Part Number	U/M	Description
	045729-01-000	EA	Pump - Water - 2.8 GPM - Direct Drive - Shurflo - US
	045729-02-000	EA	Pump - Water - 2.8 GPM - Direct Drive - Shurflo - CSA
	039647-02-000	E	Filter - Water Pump - 1/2" MPT
	039647-03-000	EA	Filter - Water Pump - 1/2" Flare
	052959-03-000	EA	Connector - 1/2 F x 3/8 MPT - Plastic
	052960-01-000	EA	Drain Valve - 1/2 F x 1/2 F - Plastic
**	046524-02-000	EA	Kit - Water Tank Fittings - Blank Tank
**	010079-01-000	EA	Tee - Plastic - 1 1/2 H x 1 1/2 H x 1 1/4 H
**	010121-01-000	EA	Bushing - Plastic - 1 1/2 S x 1 1/4 H
**	010133-01-000	EA	Trap Adapter - Plastic - 1 1/2 H x MPT
**	052954-01-000	EA	Adapter - Nose Cone - 5/8 or 1/2 - Plastic
**	010201-01-000	EA	Sewer Hose - 3" x 8' w/ Clamp
**	050780-01-000	EA	Coupler Rubber - 3" x 3"
	062415-01-000	EA	Cap - Sewer - 3"
	062416-01-000	EA	Hose Adapter - 3"
	062417-01-000	EA	Adapter - Termination - 3"
	062418-01-000	EA	Valve - 3" - w/ Handle
**	062421-01-000	EA	Valve - 1 1/2" - w/ Handle
**	011066-01-000	EA	P-Trap - 1 1/4" - Plastic
	010071-01-000	EA	Tee - Plastic - 1 1/2" x H x H x H
	010072-01-000	EA	Tee - Plastic - 1 1/2" H x 1 1/4 H x 1 1/2 H
	052956-01-000	EA	Tee - Plastic - 1/2 F x 1/2 MPT x 1/2 F
	052958-01-000	EA	Tee - Plastic - 1/2 F x 1/2 F x 1/2 F
**	053335-01-000	EA	P-Trap - Plastic - 1 1/4 H x H - w/ Union
	011091-01-000	EA	Waste - Continuous - Double Sink - 11 7/8"
	061607-01-000	EA	Grommet - Holding Tank Coupler - 1 1/2"
	061607-02-000	EA	Grommet - Holding Tank Coupler - 3"
	010000-01-000	EA	Elbow - Plastic - 1 1/8 BD x 1 1/4" x 45° H x H
	010006-01-000	EA	Elbow - Plastic - 1 1/8 BD x 1 1/2 x 45° H x H
	010051-01-000	EA	Elbow - ST - Plastic - 1 1/8 BD x 1 1/2 x 45°
	010219-01-000	EA	Elbow - 1 1/4 Barb x 1 1/4 MPT x 90°
	034250-01-000	EA	Elbow - Plastic - 1/4 BD x 1 1/2 x 90° H x H
	052957-01-000	EA	Elbow - Plastic - 1/2 F x 3/8 MPT
	052957-02-000	EA	Elbow - Plastic - 1/2 F x 1/2 MPT
	065120-01-000	EA	Elbow - Plastic - Swivel - .50"
	070924-01-000	EA	Elbow - Plastic - Swivel - 1/2 MPT x 1 1/2 FP
	010123-01-000	EA	Bushing - Plastic - 2S x 1 1/2 H
	033302-02-000	EA	Adapter Asm - SWVC Strain - 1 1/2"
	072346-01-000	EA	Valve Asm - 3" Ell - w/ 2" Socket
	039800-01-000	FT	Tubing - Polybutyl - 1/2 O.D. (Water Line)
	044928-01-000	FT	Flexible Tubing - 1 1/4 I.D.
	004020-01-000	QT	Adhesive - ABS Cement
	077954-01-000	EA	Filter/Screen - Plastic Water Tank
	042989-02-000	EA	Plastic Fitting - Spinweld (Filter Screen)
	062422-01-000	EA	Adapter - Hose Offset - Reducer - 3" x 1 1/2"
	052962-01-000	EA	Valve - Stool - 90° x 1/2 F x 3/8 MPT
	010147-01-000	EA	Flange - Closet - 4" F x 3" FFT
	010224-01-000	EA	Adapter - Plastic - 3/8 MPT x 3/8 Barb
	007108-01-000	EA	Hose - Heater - 5/8"
**	The illustrated parts breakdown for this item is provided on the Common Items Fiche		

HOLDING TANKS & WATER HEATERS

Key	Part Number	U/M	Description
	076625-01-000	EA	Tank - Water - 54 Gallon - w/o Fittings
	076574-01-000	EA	Tank - Waste Water - 28 Gallon - w/o Fittings
	081185-01-000	EA	Tank - Waste Water #2 - 21 Gallon - w/o Fittings
	081149-01-000	EA	Tank - Sewage - 28 Gallon - w/o Fittings
**	051393-01-000	EA	Water Heater - w/ Motor Aid - GH6-3E
**	051391-03-000	EA	Water Heater - w/ Electronic Ignition
**	The illustrated parts breakdown for this item is provided on the Common Items Fiche		

**1986 WINNEBAGO
TABLE OF CONTENTS**

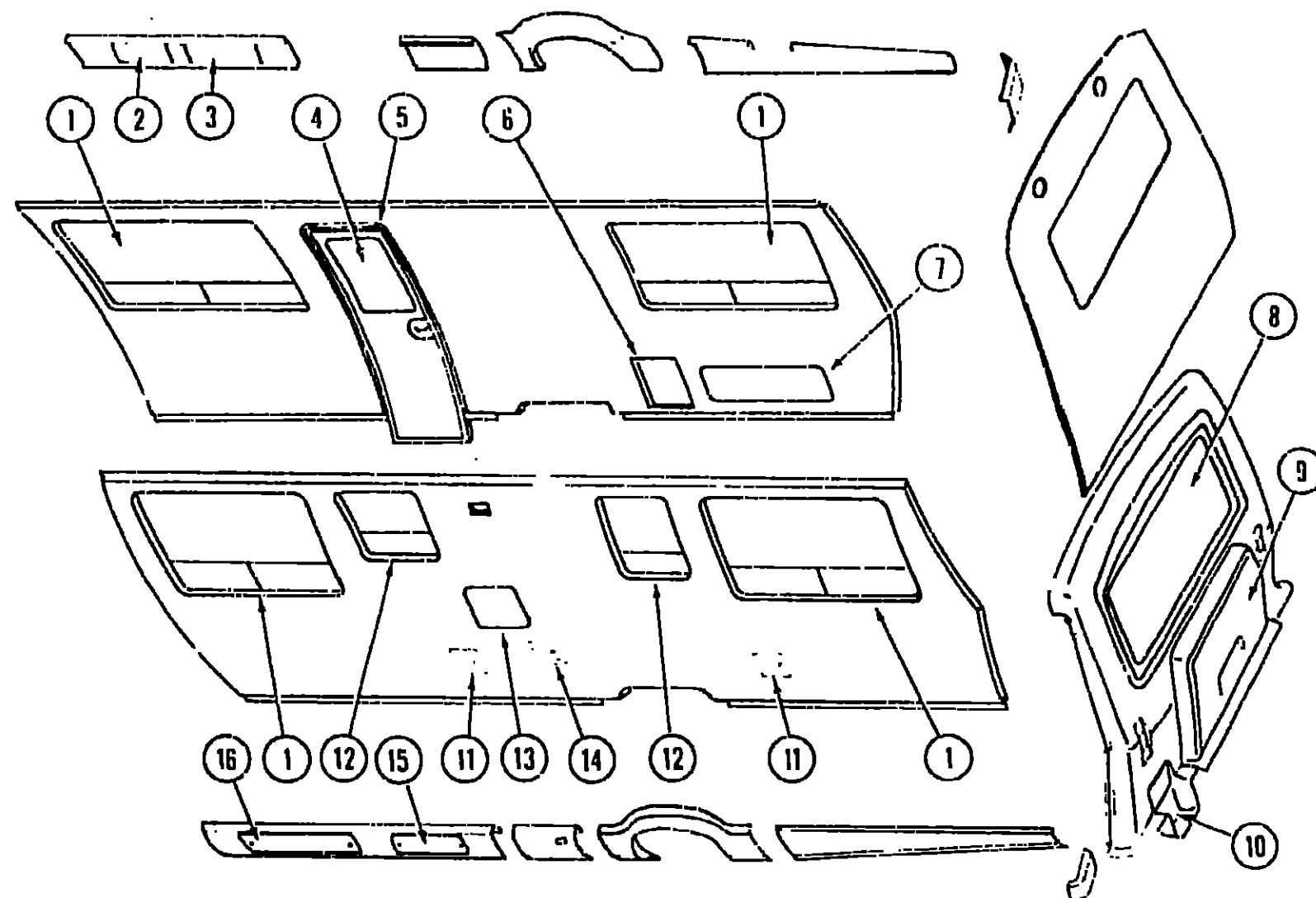
WC/WF424RS	A-01 - C-12
WCN27RT	C-13 - E-22
WCP31RT	E-23 - H-10
WCP34RU	H-11 - J-22

1986 WCP31RT INDEX

Floor Plan	E-23 - E-24
Accessories Group	F-01 - F-04
Bath Group	F-05
Chassis Group	F-06 - F-10
Curtain, Cushion & Pad Group	F-11 - F-18
Dinette Group	F-19 - F-20
Driver's Compartment Group	F-21 - F-24
Electrical Group	G-01 - G-03
Exterior Body Group	G-04 - F-11
Galley Group	G-12 - G-13
Heating & Air Conditioning Group	G-14 - G-15
Interior Finish Group	G-16 - G-18
LP Group	G-19
Lounge Group	G-20 - G-21
Water & Sewage Group	G-22
Window, Vent & Exterior Door Group	G-23 - H-10

WINDOW, VENT & EXTERIOR DOOR GROUP

WINDOWS & ACCESS DOORS



Key	Part Number	U/M	Description
1	081568-01-U07	EA	Window Asm. - Crankout (w/o inside frame)
2	083095-02-U07	EA	Door Asm - Storage - w/Twist & Key Lock - Beige
3	083095-04-U07	EA	Door Asm - LP
4	079733-04-T03	EA	Window Asm. - Picture (w/o inside frame)
5	M80949-01-U07	EA	Door Asm - Entrance - Beige
6	052209-02-000	EA	Door Asm. - Water Heater
7	077343-03-000	EA	Door Asm - Luggage - Beige
7	M77343-01-000	EA	Door Asm - Generator - Beige
8	J76648-01-000	EA	Window Asm - Rear Escape (w/o inside frame)
9	076232-01-000	EA	Spare Tire Door Cover - Beige
10	077137-01-000	EA	Door - Sewer Hose Compartment - Beige

Key	Part Number	U/M	Description
11	078010-01-000	EA	Door Asm. - Fuel Fill (See Access Doors)
12	081570-01-U07	EA	Window Asm - Crankout (w/o inside frame)
13	059247-05-000	EA	Door Asm - Refrigerator Access - Beige
14	078960-02-T03	EA	Door Asm. - Power Cord (See Access Doors)
15	083095-01-U07	EA	Door Asm. - Storage Compartment w/Locks - 41 8"
16	083095-02-U07	EA	Door Asm - Storage Compartment w/Locks - 19 5"
	M78469-02-000	EA	Window Asm. - Driver Door (w/o inside frame)
	077209-02-000	EA	Inside Frame - Driver Door Window - Black
	M78469-01-000	EA	Window Asm - Passenger Door (w/o inside frame)
	077209-01-000	EA	Inside Frame - Passenger Door Window - Black
			Not illustrated

1986 WINNEBAGO TABLE OF CONTENTS

WC.WF424RS
WCN27RT
WCP31RT
WCI34RU

A-01 - C-12
C-13 - E-22
E-23 - H-10
H-11 - J-22

1986 WCP31RT INDEX

Floor Plan	E-23 - E-24
Accessories Group	F-01 - F-04
Bath Group	F-05
Chassis Group	F-06 - F-10
Curtain, Cushion & Pad Group	F-11 - F-18
Dinette Group	F-19 - F-20
Driver's Compartment Group	F-21 - F-24
Electrical Group	G-01 - G-03
Exterior Body Group	G-04 - F-11
Galley Group	G-12 - G-13
Heating & Air Conditioning Group	G-14 - G-15
Interior Finish Group	G-16 - G-18
LP Group	G-19
Lounge Group	G-20 - G-21
Water & Sewage Group	G-22
Window, Vent & Exterior Door Group	G-23 - H-10

WINDOW, VENT & EXTERIOR DOOR GROUP (CONTINUED)

WINDSHIELD & VENT WINDOWS

Key	Part Number	U/M	Description
	074887-01-000	EA	Glass - Windshield - Passenger
	074887-02-000	EA	Glass - Windshield - Drivers
	076671-03-000	EA	Glass - Front Corner - Drivers
	076671-04-000	EA	Glass - Front Corner - Passenger
	083179-01-000	FT	Reveal Molding - Windshield - Passenger - Driver
	083178-01-000	FT	Reveal Molding - Windshield (Center) - Front Corner Glass
	076844-02-000	EA	T-Cap Reveal Molding - Windshield Center
	076841-02-000	EA	Cap - Reveal Molding - Front Corner Glass - Upper
	076842-02-000	EA	Cap - Reveal Molding - Front Corner Glass - Lower
	072869-04-000	GL	Sealant - Windshield
	072891-01-000	QT	Primer - Windshield - Clear
	072892-01-000	QT	Primer - Windshield - Black
	072890-01-000	QT	Primer - Metal - Black
	072889-01-000	EA	Sealant - Reveal Molding - Black

ACCESS DOORS

Key	Part Number	U/M	Description
	077343-03-000	EA	Door Asm. - Luggage - Beige
	083095-02-U07	EA	Door Asm. - Storage - Insulated - Beige
	083095-04-U07	EA	Door Asm. - LP
	083095-01-U07	EA	Door Asm. - Storage - Insulated - Beige
	059247-05-000	EA	Door Asm. - Refrigerator Access - Beige
	076232-01-000	EA	Door Asm. - Spare Tire Compartment - Beige
	M77343-01-000	EA	Door Asm. - Generator - Beige
	052009-02-000	EA	Door Asm. - Water Heater - Beige
	076859-01-000	EA	Water Heater Shroud - Beige
	077344-01-000	EA	Baffle - Generator Door
	077137-01-000	EA	Door - Hose Compartment - Beige
	052424-02-000	EA	Jamb - Power Cord/Fuel Fill Door - Beige
	063742-02-000	EA	Door - Power Cord - Beige
	054543-02-000	EA	Hatch - Power Cord Door - Beige
	083615-01-000	EA	Door Holder - Beige Plastic
	077392-01-000	EA	Strike Asm. (Tire Cover)
	041312-01-000	FT	Door Seal e-Section - Rubber
	078010-01-000	EA	Door - Fuel Fill - Beige
	079368-01-000	FT	Seal - Bulb
	009003-01-000	EA	Lock Asm. - Twist Type - w/Clip (Generator)
	042442-02-000	EA	Lock Asm. - Twist Type - 90° Rotation - 1.95" Latch - 1.27" Depth
	047305-01-700	EA	Lock Asm. - Key Type - 90° Rotation - 1.0" Latch - 1.12" Depth
	047408-01-000	EA	Lock Asm. - Key Type - 90° Rotation - 2.5" Latch - 1" Depth
	047486-01-000	EA	Lock Asm. - Key Type - 90° Rotation - .56" Latch - 1.66" Depth
	047486-02-000	EA	Lock Asm. - Key Type - 90° Rotation - .56" Latch - 1.18" Depth

WINDOW, VENT & EXTERIOR DOOR GROUP (CONTINUED)

VENTS & DOMES

Key	Part Number	U/M	Description
	071290-02-000	EA	Cover - Refrigerator Vent - 11 5/8" x 24 3/4" - Galv. Steel
	071290-01-000	EA	Roof Base - Refrigerator Vent - 7 5" x 26 5" - Galv. Steel
	079355-13-000	EA	Vent - Stovehood - Outside - Beige
	077487-01-000	EA	Skylight - Fixed Dome (Bath)
	077902-01-000	EA	Collar - Skylight
	075056-01-000	EA	Vent Asm. - Roof - Non-Powered - w/o Screen
	078786-01-T03	EA	Screen Asm. - Roof - Non-Powered
	064469-06-000	EA	Vent - Power Roof - 14 x 14 - 12 Volt - Off White - Jensen (Bath) - US
	064469-02-000	EA	Vent - Power Roof - 14 x 14 - 12 Volt - Off White - Jensen (Bath) - CSA
	064469-03-000	EA	Vent - Power Roof - 12 Volt - UL
	064469-03-700	EA	Switch - On/Off/On
	064469-03-701	EA	Switch - Rocker - On/Off
	064469-03-702	EA	Lid - Vent - White
	064469-03-703	EA	Screen Frame/Light Assembly
	064469-03-704	EA	Screw - 10-24
	064469-03-705	EA	Garnish - Vent - 2 5" Wide
	064469-03-706	EA	Lift Mechanism
	064469-03-707	EA	Motor Lift
	064469-03-708	EA	Gear Drive
	064469-03-709	EA	Gear - Motor Pinion
	064469-03-710	EA	Lens - Light w/o Switch Holes
	064469-04-000	EA	Vent - Non-Power Roof - 12 Volt - Jensen (Bath) - UL
	064469-05-000	EA	Vent - Non-Power Roof - 12 Volt - Jensen (Bath) - CSA
	064470-01-000	EA	Vent - Roof - 14" x 14" - Off White
	009439-01-000	EA	Crank - Roof Vent
	009439-03-000	EA	Extension - 9" - Roof Vent
	009439-05-000	EA	Knob - Roof Vent - Black
	009439-06-000	EA	Extension - 9" Black - Roof Vent
	083558-01-000	EA	Collar - Vent Pipe - Covered - 1 5"

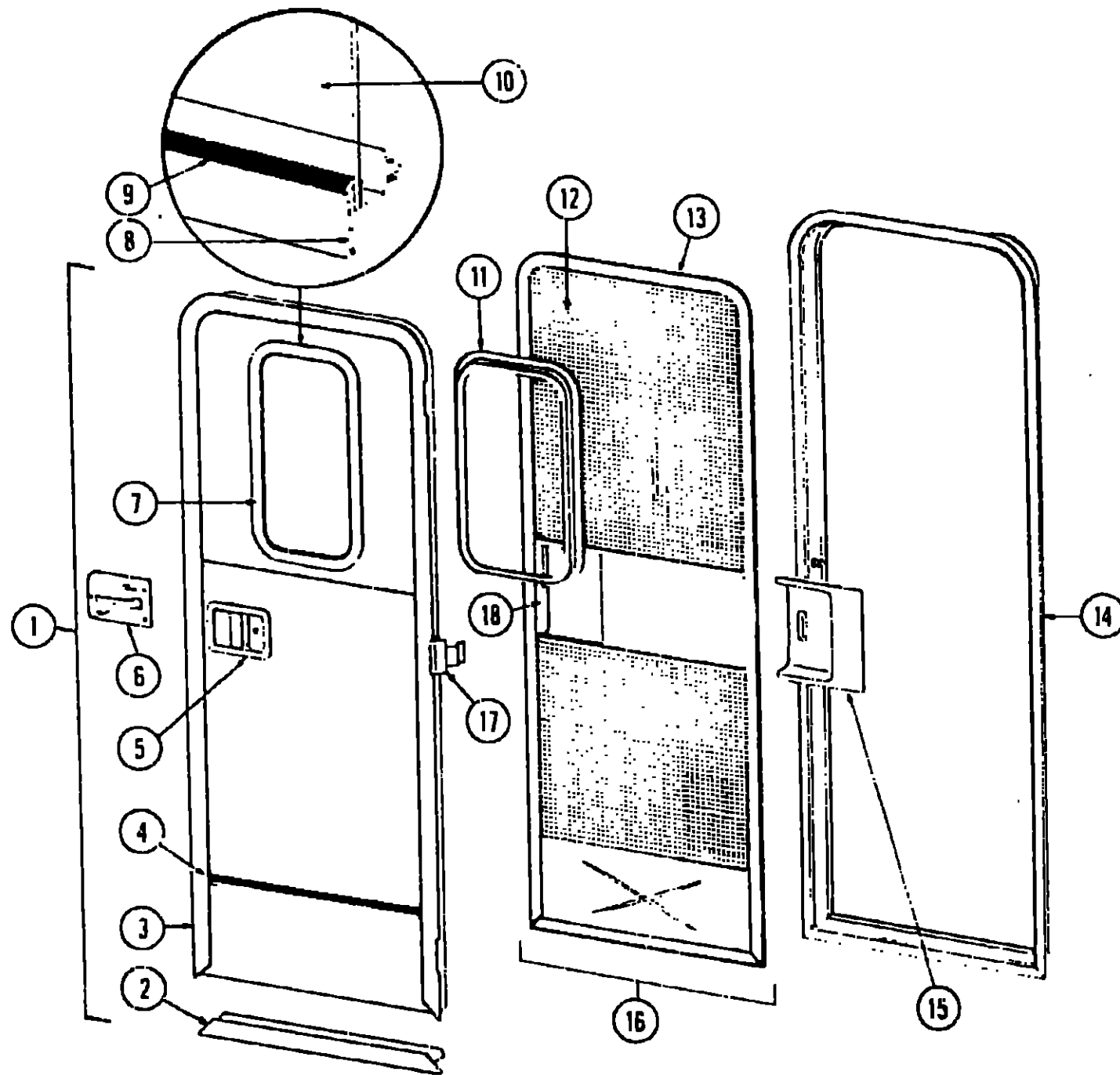
**1986 WINNEBAGO
TABLE OF CONTENTS**

WC/WF424RS	A-01 - C-12
WCN27RT	C-13 - E-22
WCP31RT	E-23 - H-10
WCP34RU	H-11 - J-22

1986 WCP31RT INDEX

Floor Plan	E-23 - E-24
Accessories Group	F-01 - F-04
Bath Group	F-05
Chassis Group	F-06 - F-10
Curtain, Cushion & Pad Group	F-11 - F-18
Dinette Group	F-19 - F-20
Driver's Compartment Group	F-21 - F-24
Electrical Group	G-01 - G-03
Exterior Body Group	G-04 - F-11
Galley Group	G-12 - G-13
Heating & Air Conditioning Group	G-14 - G-15
Interior Finish Group	G-16 - G-18
LP Group	G-19
Lounge Group	G-20 - G-21
Water & Sewage Group	G-22
Window, Vent & Exterior Door Group	G-23 - H-10

WINDOW, VENT & EXTERIOR DOOR GROUP (CONTINUED)



ENTRANCE DOOR

Key	Part Number	U/M	Description
1	M80949-01-U07	EA	Door Asm. - Radius Entry w/Screen Door - Fiberglass - Beige
2	076929-01-000	EA	Trim - Entrance Door - Lower
3	076936-01-000	EA	Trim - Entrance Door - Side
4	076726-01-000	EA	Strike Cover
5	076928-01-000	EA	Trim - Entrance Door Upper
6	076947-03-000	EA	Jamb Asm. (w/o Bottom Portion)
7	076942-01-000	EA	Jamb Asm. (Bottom Portion Only)
8	080948-01-U07	EA	Screen Door - Complete
9	076727-01-000	EA	Slider - Screen Door - Light Oak Plastic
10	002293-02-000	SF	Screen - 26" Charcoal
11	063638-02-000	EA	Strike - Screen Door
12	079733-04-T03	EA	Window Asm. - Picture (w/o inside frame)
13	002181-06-000	EA	Glass - .115" x 16 25" x 24"
14	067609-03-000	EA	Inside Window Frame - Beige
15	M02586-03-U07	EA	Valance Panel - Lower Outside - Entrance Door
16	076720-02-000	EA	Hinge Asm. - Upper - Beige
17	076719-02-000	EA	Hinge Asm. - Lower - Beige
18	076838-01-000	EA	Hinge Shim
	076810-01-000	EA	Gasket - Hinge Shim
	009126-02-000	EA	Assist Handle - Black
	R77040-01-538	EA	Door Handle - Exterior
	R77007-05-374	EA	Gasket - Exterior Handle
	R77006-50-261	EA	Door Handle - Interior
	073303-01-000	EA	Latch Asm. - Inner
	076728-01-000	EA	Panel Trim - Light Oak - Plastic
	R77013-48-168	EA	Lock Bolt
	084429-03-000	EA	Cylinder & Key Set
	083551-01-000	FT	Sponge Seal - Lazy T Shape
	075673-01-000	FT	Seal - Pile - Adhesive Back
	083205-01-000	EA	Deadbolt - 5" Press Fit
	079173-01-000	EA	Gasket - Deadbolt
	009016-01-000	EA	Catch - Elbow - Spring Loaded
	R77013-48-166	EA	Striker - Entrance Door
			Not illustrated

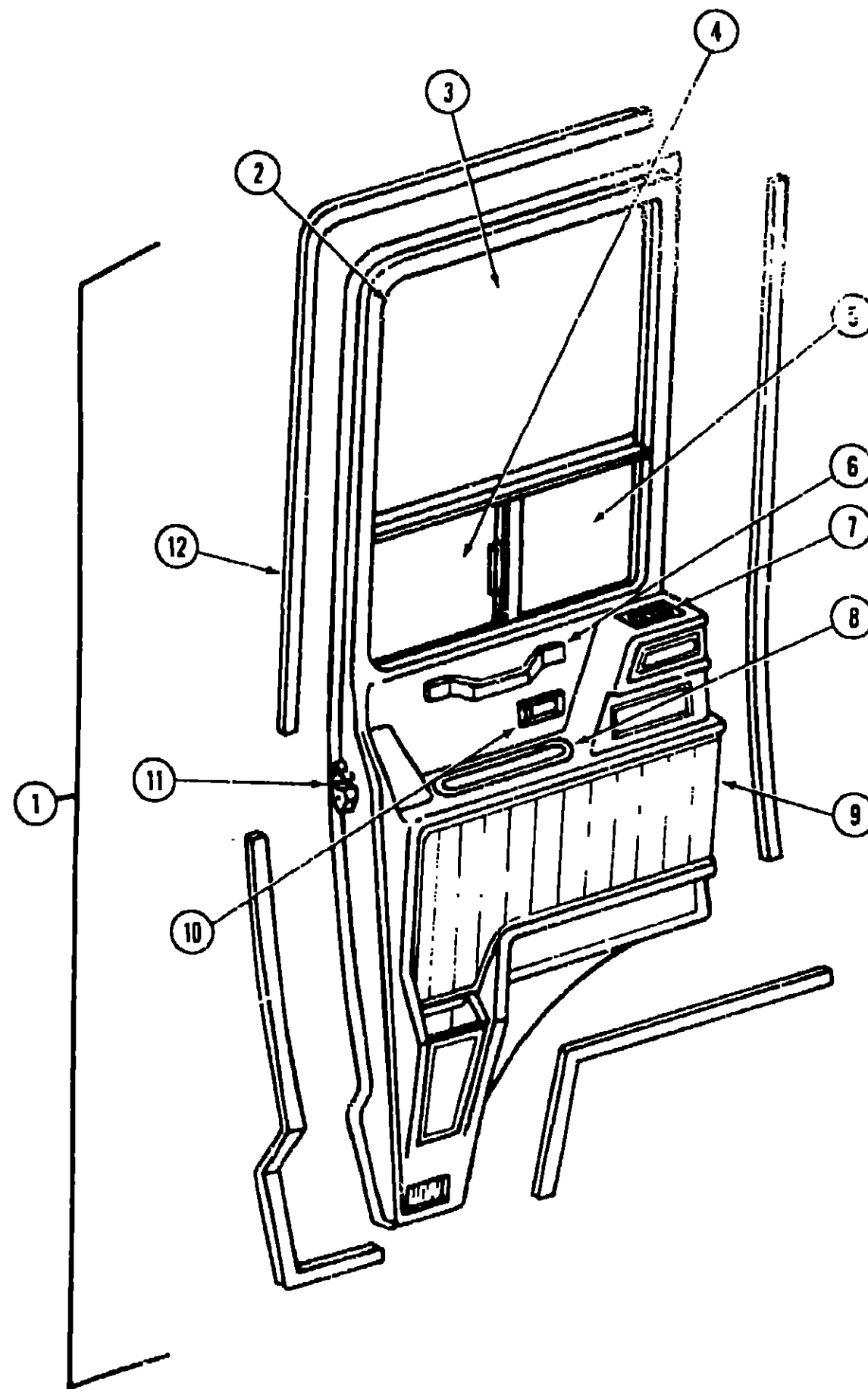
1986 WINNEBAGO
TABLE OF CONTENTS

WC/WF424RS	A-01 - C-12
WCN27RT	C-13 - E-22
WCP31RT	E-23 - H-10
WCP34RU	H-11 - J-22

1986 WCP31RT INDEX

Floor Plan	E-23 - E-24
Accessories Group	F-01 - F-04
Bath Group	F-05
Chassis Group	F-06 - F-10
Curtain, Cushion & Pad Group	F-11 - F-18
Dinette Group	F-19 - F-20
Driver's Compartment Group	F-21 - F-24
Electrical Group	G-01 - G-03
Exterior Body Group	G-04 - F-11
Galley Group	G-12 - G-13
Heating & Air Conditioning Group	G-14 - G-15
Interior Finish Group	G-16 - G-18
LP Group	G-19
Lounge Group	G-20 - G-21
Water & Sewage Group	G-22
Window, Vent & Exterior Door Group	G-23 - H-10

WINDOW, VENT & EXTERIOR DOOR GROUP (CONTINUED)



DRIVER & PASSENGER CAB DOORS

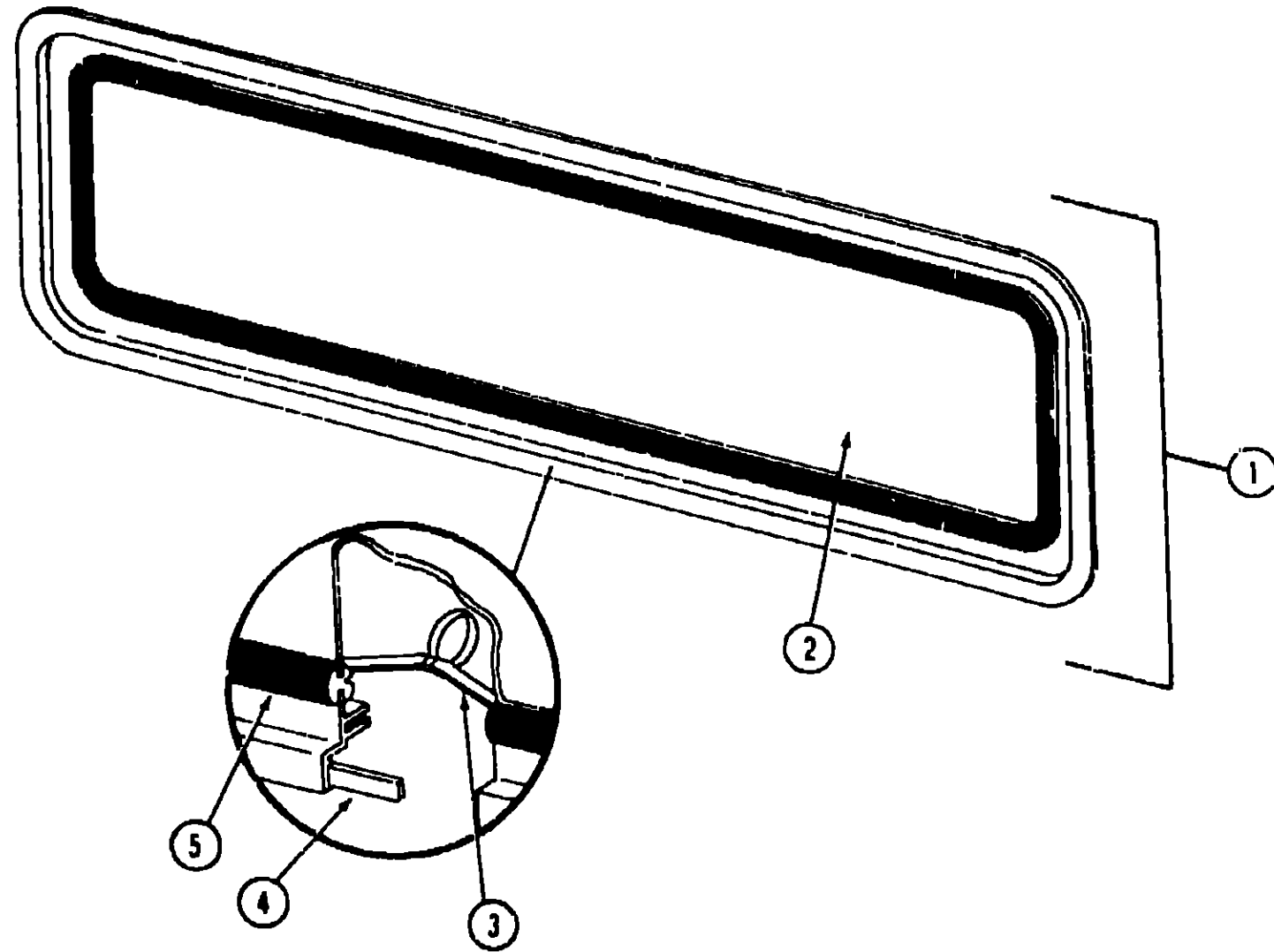
Key	Part Number	U/M	Description
1	M01596-03-U07	EA	Door Complete - Drivers
1	M01596-03-U08	EA	Door Complete - Drivers
1	M01596-03-U09	EA	Door Complete - Drivers
.	M01595-03-U07	EA	Door Complete - Passenger
.	M01595-03-U08	EA	Door Complete - Passenger
.	M01595-03-U09	EA	Door Complete - Passenger
2	M78469-01-000	EA	Window Asm - Drivers Door - w/Support
.	M78469-02-000	EA	Window Asm - Drivers Door - w/Support
.	077209-01-000	EA	Inside Frame Asm - Window - Passenger
.	077209-02-000	EA	Inside Frame Asm - Window - Driver
3	077036-01-000	EA	Glass - 19" x 28 9" x 22"
4	078379-01-000	EA	Glass - 19" x 15" x 9 3" - w/Hole
5	077378-01-000	EA	Glass - 19" x 15" x 9 3"
.	077224-03-000	EA	Window Mullion - Horizontal - Passenger
.	077224-04-000	EA	Window Mullion - Horizontal - Driver
.	077226-01-000	EA	Window Mullion - Vertical - Passenger
.	077226-02-000	EA	Window Mullion - Vertical - Driver
.	M02389-53-001	EA	Seal Holder - w/Fin Seal
.	042077-01-000	FT	Channel - Weatherstrip - Glass
.	041928-02-000	EA	Seal - Window Channel
.	050216-02-000	EA	Spline - Vinyl Glass - 19 Black
6	061400-05-000	EA	Assist Strap - 12" - w/Woodgrain
7	076783-01-000	EA	Louver/Bezel Asm - Black - 2"
.	075671-01-000	FT	Sponge Seal - Lazy T Shape
.	076542-01-000	EA	Control Rod - Right Hand Latch
.	076543-01-000	EA	Control Rod - Right Hand Lock
.	076542-02-000	EA	Control Rod - Left Hand Latch
.	076543-02-000	EA	Control Rod - Left Hand Lock
.	077167-01-000	EA	Door Prop Rod - Passenger
.	077167-02-000	EA	Door Prop Rod - Drivers
8	077118-01-000	EA	Storage Tray - Door Panel - Beige
.	077179-01-000	EA	Hose Adapter - 2" - Snap In
.	077000-01-000	EA	Socket Asm - w/8" Pigtail Leads
9	077117-02-000	EA	Door Panel - Front Inner - Driver
.	077117-01-000	EA	Door Panel - Front Inner - Passenger
.	063836-03-000	EA	Assist Handle - Beige Steel Tube
10	R77006-50-261	EA	Door Handle - Interior - Right
10	R77006-50-326	EA	Door Handle - Interior - Left
.	R77040-01-53R	EA	Door Handle - Exterior
.	R77007-05-374	EA	Gasket - Door Handle - Exterior
11	R77013-48-168	EA	Latch Asm - Right
11	R77013-48-167	EA	Latch Asm - Left
.	R77007-62-747	EA	Latch Asm - Inner - Right
.	R77007-62-746	EA	Latch Asm - Inner - Left
12	076813-01-000	FI	Seal - Entrance Door (Glue On)
.	R77007-04-136	EA	Lock Bracket
.	000963-01-000	EA	Arm - Lock Control
.	R77030-67-257	EA	Spline Pine
.	R77007-73-327	EA	Cylinder & Key
.	R77006-04-355	EA	Control Link
.	064580-02-000	EA	Check Strap - Front Door - 7"
.	064219-01-000	EA	Retainer - Check Strap - Front Door
.	R77013-48-165	EA	Striker - Door - Left
.	R77013-48-166	EA	Striker - Door - Right
.	001632-01-000	FT	Bulb Seal - Cab Door - w/Wire Channel
.	075245-01-000	EA	Hinge - Cab Door
.	001905-01-000	EA	Control Knob (Lock/Unlock) Right
.	001905-02-000	EA	Control Knob (Lock/Unlock) Left
.			Not Illustrated

1986 WINNEBAGO TABLE OF CONTENTS

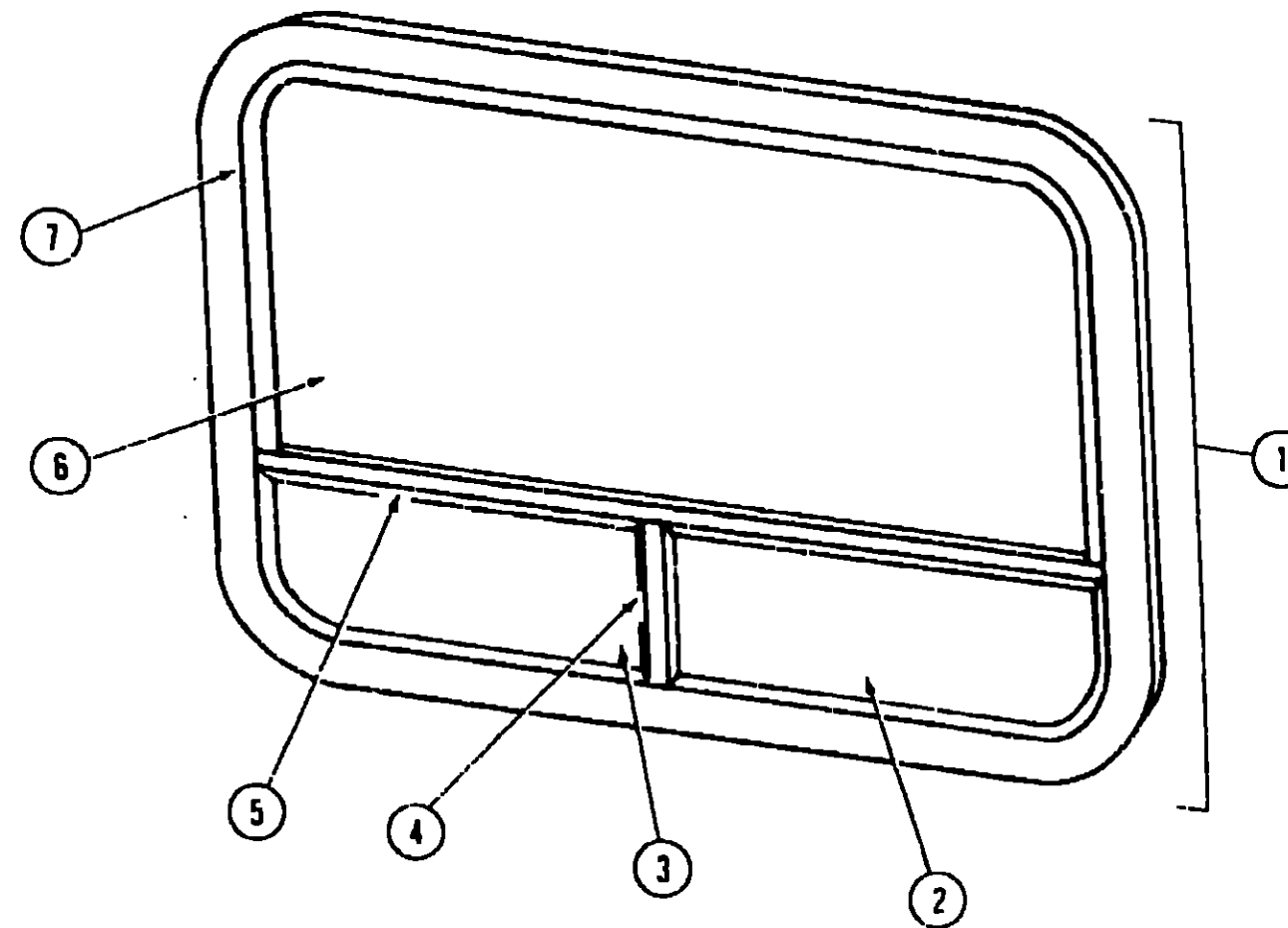
WC/WF424RS	A-01 - C-12
WCN27RT	C-13 - E-22
WCP31RT	E-23 - H-10
WCP34RU	H-11 - J-22

1986 WCP31RT INDEX

Floor Plan	E-23 - E-24
Accessories Group	F-01 - F-04
Bath Group	F-05
Chassis Group	F-06 - F-10
Curtain, Cushion & Pad Group	F-11 - F-18
Dinette Group	F-19 - F-20
Driver's Compartment Group	F-21 - F-24
Electrical Group	G-01 - G-03
Exterior Body Group	G-04 - F-11
Galley Group	G-12 - G-13
Heating & Air Conditioning Group	G-14 - G-15
Interior Finish Group	G-16 - G-18
LP Group	G-19
Lounge Group	G-20 - G-21
Water & Sewage Group	G-22
Window Vent & Exterior Door Group	G-23 - H-10



Key	Part Number	U/M	Description
1	076648-01-000	EA	Window Asm - Escape (w/o inside frame)
•	076650-01-000	EA	Inside Frame - Escape Window - Brown (not included in assembly)
2	076337-01-000	EA	Glass - 1 8" x 28 7" x 55 7"
3	002285-01-000	FT	Filler - Weatherstrip - Black
4	069640-04-000	F1	Tape - 2" Bead x 45'
5	002282-01-000	FT	Weatherstrip - Window - 125" Black
•	006199-01-000	EA	Label - Exit - Escape Window
•			Not illustrated



Key	Part Number	U/M	Description
1	081568-01-UD7	EA	Window Asm - 62" x 31" - Double Tipout (w/o inside frame)
•	081822-05-000	EA	Inside Frame - Black (not included in assembly)
2	081434-01-UD1	EA	Window Asm - Lower - Tipout - Right Hand
3	081434-02-UD1	EA	Window Asm - Lower - Tipout - Left Hand
•	081239-07-000	EA	Glass - Tipout - 1 8" x 30" x 8 3 4" - Left or Right
4	083112-05-000	EA	Mullion - Black
5	081814-01-000	EA	Mullion - Black
•	081422-01-UD1	EA	Screen Asm - Tipout - Right Hand
•	081422-02-UD1	EA	Screen Asm - Tipout - Left Hand
•	081243-01-000	EA	Screen Clip - Plastic - Black
•	035302-01-000	EA	Operating Mech - Right Hand
•	035302-02-000	EA	Operating Mech - Left Hand
6	081239-02-000	EA	Glass - Stationary - 1 8" x 61 7" x 23"
7	083180-01-000	EA	Window Seal
•	081357-01-000	EA	Bulb Seal (Tipout)
•	081359-01-000	EA	Window Seal (Tipout)
•			Not illustrated

1986 WINNEBAGO
TABLE OF CONTENTS

WC/WF424RS
WCN27RT
WCP31RT
WCP34RU

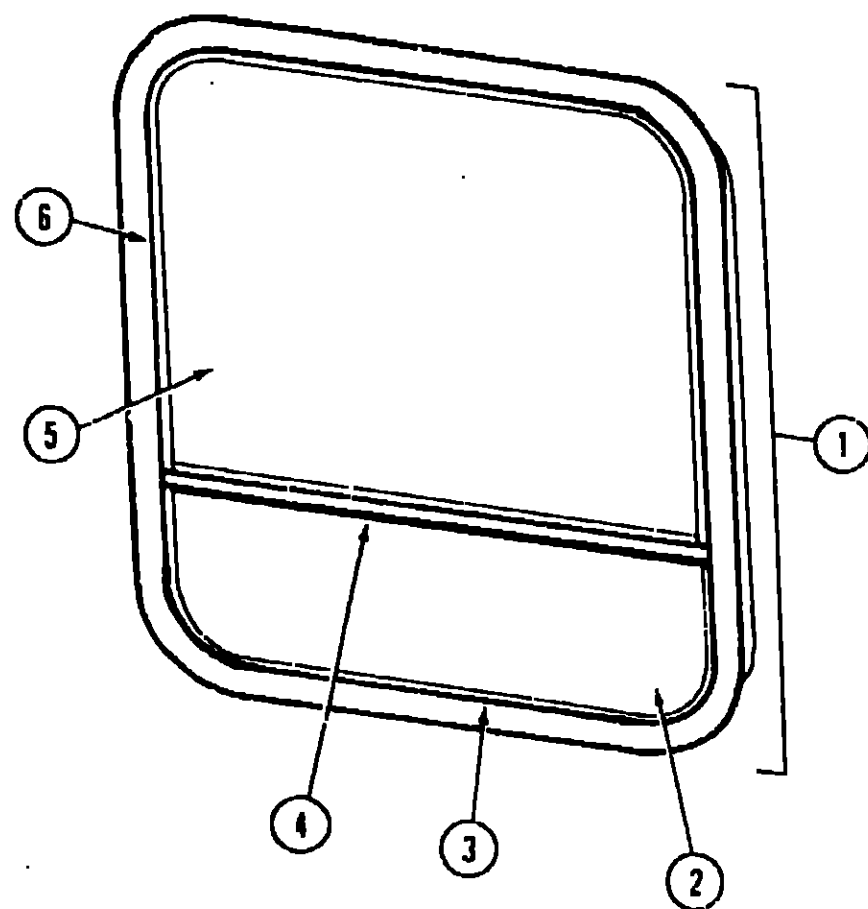
A-01 - C-12
C-13 - E-22
E-23 - H-10
H-11 - J-22

1986 WCP31RT INDEX

Floor Plan	E-23 - E-24
Accessories Group	F-01 - F-04
Bath Group	F-05
Chassis Group	F-06 - F-10
Curtain Cushion & Pad Group	F-11 - F-18
Dinette Group	F-19 - F-20
Driver's Compartment Group	F-21 - F-24
Electrical Group	G-01 - G-03
Exterior Body Group	G-04 - G-11
Galley Group	G-12 - G-13
Heating & Air Conditioning Group	G-14 - G-15
Interior Finish Group	G-16 - G-18
LP Group	G-19
Lounge Group	G-20 - G-21
Water & Sewage Group	G-22
Window Vent & Exterior Door Group	G-23 - H-10

1986 WINNEBAGO
TABLE OF CONTENTS

WC/WF424RS	A-01 - C-12
WCN27RT	C-13 - E-22
WCP31RT	E-23 - H-10
WCP34RU	H-11 - J-22



Key	Part Number	U/M	Description
1	081570-01-U07	EA	Window Asm - Single - Left (w o inside frame)
.	081822-01-000	EA	Inside Frame - Black (not included in assembly)
2	081433-01-U07	EA	Window Asm (Tipout)
.	081239-06-000	EA	Glass - 18" x 25" x 8 7/8" (Tipout)
.	081471-01-U07	EA	Screen Asm - Left (Tipout)
3	081357-01-000	FT	Bulb Seal (Tipout)
.	081359-01-000	FT	Window Seal (Tipout)
4	083112-01-000	EA	Mullion - Horizontal - Black
5	081239-01-000	EA	Glass - 19" x 25 7/8" x 17" - Stationary
6	083180-01-000	FT	Window Seal (Stationary)
.	035302-02-000	EA	Operating Mech - Left Hand
.	081243-01-000	EA	Screen Clip - Plastic - Black
.	002291-02-000	SF	Screen - Window - 16" - Charcoal
.	002298-02-000	FT	Spline - 130" Dia - Charcoal (Screen)
.	076778-03-000	EA	Rivet - Plastic Pin Drive - Black
.	081354-01-000	CA	Sleeve - Torque Tube
.	083150-03-000	EA	Tube Asm - Torque - Right
.			Not illustrated

1986 WCP31RT INDEX

Floor Plan	E-23 - E-24
Accessories Group	F-01 - F-04
Bath Group	F-05
Chassis Group	F-06 - F-10
Curtain, Cushion & Pad Group	F-11 - F-18
Dinette Group	F-19 - F-20
Driver's Compartment Group	F-21 - F-24
Electrical Group	G-01 - G-03
Exterior Body Group	G-04 - G-11
Galley Group	G-12 - G-13
Heating & Air Conditioning Group	G-14 - G-15
Interior Finish Group	G-16 - G-18
LP Group	G-19
Lounge Group	G-20 - G-21
Water & Sewage Group	G-22
Window, Vent & Exterior Door Group	G-23 - H-10