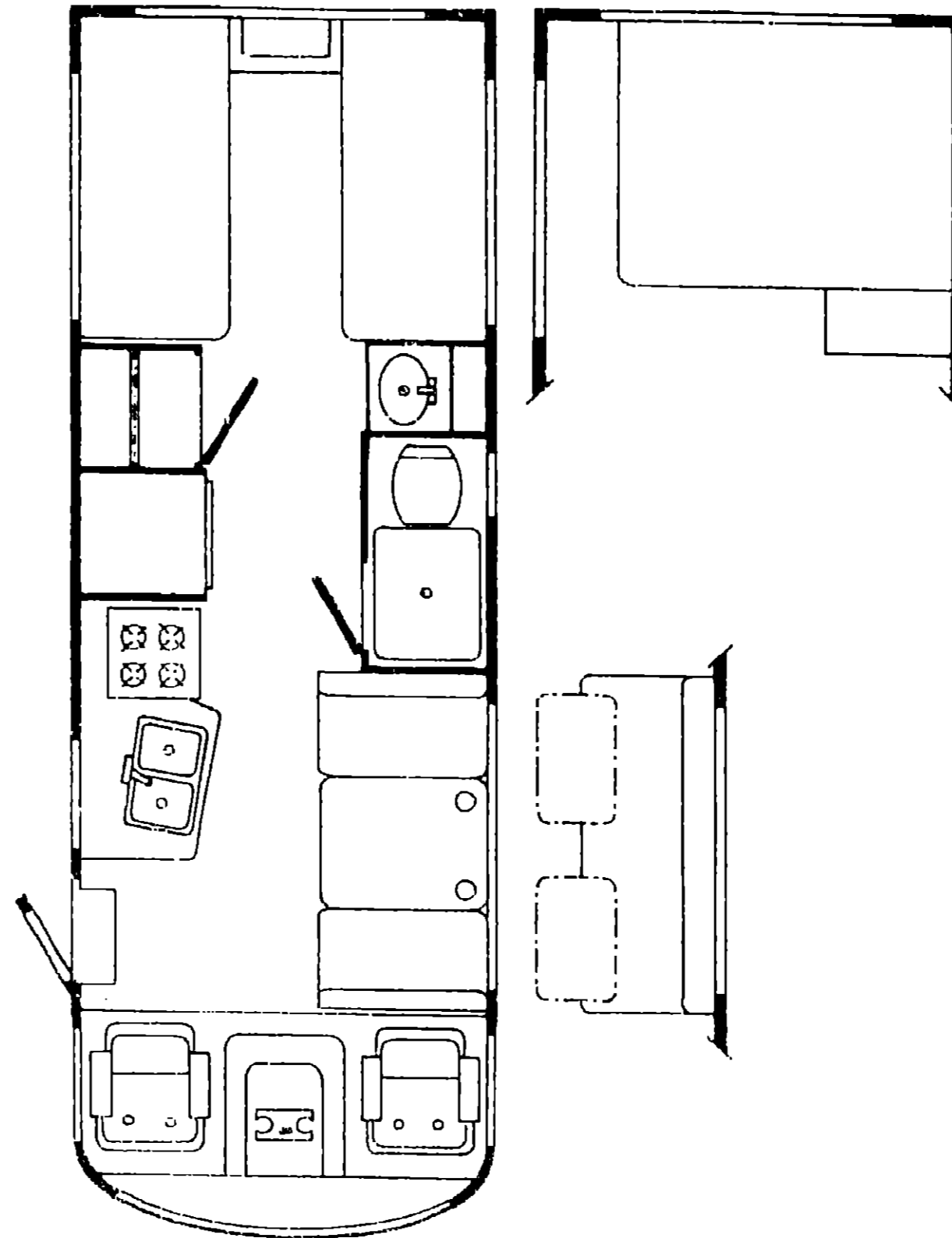


1986 WCP26ET



1986 WINNEBAGO TABLE OF CONTENTS

WF42CR7	A-01 - C-04
WCN26RH	C-05 - E-10
WCN23RG	E-11 - G-24
WCP26ET	H-01 - J-03

1986 WCP26ET INDEX

Floor Plan	H-01 - H-02
Accessories Group	H-03 - H-04
Bath Group	H-05
Chassis Group	H-06 - H-09
Curtain, Cushion & Pad Group	H-10 - H-15
Dinette Group	H-16
Driver's Compartment Group	H-17 - H-20
Electrical Group	H-21 - H-23
Exterior Body Group	H-24 - I-06
Galley Group	I-07 - I-08
Heating & Air Conditioning Group	I-09 - I-10
Interior Finish Group	I-11 - I-12
LP Group	I-13
Lounge Group	I-14
Water & Sewage Group	I-15 - I-16
Window, Vent & Exterior Door Group	I-17 - J-03

ACCESSORIES GROUP

EXTERIOR MIRRORS

Key	Part Number	U/M	Description
	077051-03-000	EA	Mirror Asm. - Exterior - Right
	077051-04-000	EA	Mirror Asm. - Exterior - Left (Drivers)
	077074-01-000	EA	Gasket - Side Mirror - Left or Right

GENERATORS & COMPONENTS

Key	Part Number	U/M	Description
	079654-03-000	EA	Generator - Onan/Emerald - 4.0 kw
	701629-02-000	EA	Onan Installation Package
	064455-01-016	EA	Tailpipe - 1.5" O.D. x 43.5"
	063151-01-000	EA	Muffler - Generator
	068046-01-000	EA	Conversion Kit - LP - Onan Generator

RADIO & RELATED COMPONENTS

Key	Part Number	U/M	Description
	077069-01-000	EA	Antenna - Radio
	031105-01-700	EA	Holder - Antenna - Radio - Upper
	064791-01-000	EA	Speaker - Recessed - 5.25"
	064792-01-000	EA	Grille - Speaker - 5.25" - w/Mesh - Brown
	073741-01-000	EA	Speaker - 4" x 6" - Oval
	073431-01-000	EA	Speaker - 5.25" - 3 Way (Pair)
	074979-01-000	EA	Speaker Cover Protector - Plastic
	075903-01-000	EA	Radio - AM/FM MPX - w/Cassette
	075904-01-000	EA	Radio - AM/FM Stereo Cassette - Electric Tuning

OPTIONAL ELECTRIC STEP & COMPONENTS

Key	Part Number	U/M	Description
	075461-01-000	EA	Step Asm - Electric (Kwikkee)
	075461-01-700	EA	Motor
	041250-01-000	EA	Door Switch
	075461-01-704	EA	Under Step Control Unit
	075461-01-705	EA	4-Way Plug (Dash End)
	075461-01-706	EA	Kill Switch
	075461-01-707	EA	Step Light
	075461-01-708	EA	4-Way Plug (Control Box End)
	075461-01-709	EA	90° Plug
	075461-01-710	EA	Gear
	075461-01-711	EA	Drive Link

OPTIONAL WHEEL LINERS & COMPONENTS (CHROME)

Key	Part Number	U/M	Description
	081608-07-000	EA	Cover - Rear Axle - Chrome Liner
	081608-08-000	EA	Cover - Front Axle - Chrome Liner
	081608-09-000	EA	Liner - Front Wheel - Chrome Liner
	081608-10-000	EA	Liner - Rear Wheel - Chrome Liner
	081608-05-000	EA	Lug Nut Cover - Chrome Lines
	091608-06-000	EA	Spiral Ring - Chrome Liners

OPTIONAL MICROWAVE/CONVECTION OVEN & COMPONENTS

Key	Part Number	U/M	Description
	081379-01-000	EA	Microwave/Convection Oven - Sharp
	081459-05-000	EA	Bracket Asm - Microwave - Right
	081459-06-000	EA	Bracket Asm - Microwave - Left
	081456-01-000	EA	Angle Asm - Microwave - Right
	081456-02-000	EA	Angle Asm - Microwave - Left
	081555-01-T03	EA	Trim Asm - Microwave
	082876-01-000	EA	Baffle Asm - Microwave

ACCESSORIES GROUP (CONTINUED)

OPTIONAL FOG LAMP & COMPONENTS

Key	Part Number	U/M	Description
	079941-01-000	EA	Lamp Asm. - Fog w/Cover - Amber
	079941-01-700	EA	Lamp Asm - Fog - Set of 2
	079941-01-701	EA	Lens and Cover Only
	079941-01-702	EA	Switch - Fog Lights
	079941-01-703	EA	Solenoid
	079941-01-704	EA	Switch Plate - For Switch

OPTIONAL STEERING WHEEL

Key	Part Number	U/M	Description
	080752-05-000	EA	Steering Wheel - Custom
	080752-06-000	EA	Hub Adapter - Steering Wheel
	080752-07-000	EA	Button - Horn - w/Wire
	080752-08-000	EA	Screw - Custom Steering Wheel

MISCELLANEOUS ACCESSORIES

Key	Part Number	U/M	Description
	054185-24-000	EA	Owners Manual - 1986 - Itasca & Winnetago
	076319-01-000	EA	Antenna - TV - (Wineguard Antenna) 44 5" Mast
	076319-01-700	EA	RVSA Sensor - Antenna
	076319-01-701	EA	Elevating Gear
	076319-01-702	EA	Shaft Elevating Asm
	076319-01-703	EA	Nylon Bearing - 5"
	076319-01-704	EA	Nylon Bearing
	076319-01-705	EA	Nylon Bearing
	076319-01-706	EA	Elevating Crank - w/Set Screw
	076319-03-000	EA	Cable - Coaxial - 1000' - 75 OHM
	076319-04-000	EA	Connector & Ferrule
	076319-05-000	EA	Wallplate/Power Supply - Ivory
	076319-06-000	EA	Adaptor - Cable Roof Plate
	076319-07-000	EA	Wallplate/Power Supply - Brown
	076319-08-000	EA	Wallplate/Receptacle - Ivory
	076319-09-000	EA	Wallplate/Receptacle - Brown
	076319-10-000	EA	Ferrule
	076319-11-000	EA	Adaptor - Coax w/Splitter
	017510-02-000	EA	Mud Flap - Black - 14" x 12" - Front
	017516-01-000	EA	Mud Flap - Black - 14" x 18" w/Holes - Rear
	041944-02-000	EA	Fire Extinguisher Bracket
	041944-03-000	EA	Fire Extinguisher - 5 BC
	076840-01-000	EA	Shock Cord Asm
	072852-01-000	EA	Smoke Detector w/9 Volt Battery
	006069-01-000	EA	Key Case - Leather
	007038-01-000	EA	Door Mat - 10 5" x 26" - Black Rubber
	081072-01-000	EA	Door Mat - Front - Right - Brown
	081074-01-000	EA	Door Mat - Front - Left - Brown
	081075-01-000	EA	Door Mat - Entrance - Brown
	080208-01-000	EA	Lug Wrench
	080208-02-000	EA	Leverage Bar - Lug Wrench
	063708-01-000	EA	Cover - Air Conditioning - Vinyl
	006113-01-000	EA	Jack - Hydraulic - 6 Ton - w/Handle
	036420-02-000	EA	Defroster Fan - 6" - 2 Speed
	083181-01-700	EA	Wheel Cover - Clip On - 16" - Delmet (1)
	083212-01-000	EA	Speed Control Package - Electric - Dana

** The illustrated parts breakdown for this item is provided on the Common Items Fiche

1986 WINNEBAGO TABLE OF CONTENTS

WF426RT	A-01 - C-04
WCN26RH	C-05 - E-10
WCN23FG	E-11 - G-24
WCP26ET	H-01 - J-03

1986 WCP26ET INDEX

Floor Plan	H-01 - H-02
Accessories Group	H-03 - H-04
Bath Group	H-05
Chassis Group	H-06 - H-09
Curtain, Cushion & Pad Group	H-10 - H-15
Dinette Group	H-16
Driver's Compartment Group	H-17 - H-20
Electrical Group	H-21 - H-23
Exterior Body Group	H-24 - I-06
Galley Group	I-07 - I-08
Heating & Air Conditioning Group	I-09 - I-10
Interior Finish Group	I-11 - I-12
LP Group	I-13
Lounge Group	I-14
Water & Sewage Group	I-15 - I-16
Window, Vent & Exterior Door Group	I-17 - J-03

BATH GROUP

BATH & WARDROBE CABINETRY

Key	Part Number	U/M	Description
	M83964-01-U25	EA	Cabinet Asm. - Lavatory w/o Countertop, Doors or Hardware
	M02672-01-U25	EA	Countertop Asm. - Lavatory - Fawn (U26)
	M02672-01-U27	EA	Countertop Asm. - Lavatory - Sage Green
	M82424-01-U25	EA	Door Asm. - Lavatory Cabinet - w/o Hardware (Upper)
	M81501-A7-U25	EA	Door Asm. - Lavatory Cabinet (Lower)
	M81501-A4-U25	EA	Door Asm. - Wardrobe Cabinet - Upper - w/o Hardware
	M81501-A5-U25	EA	Door Asm. - Wardrobe Cabinet - Lower - w/o Hardware

BATH & WARDROBE HARDWARE

Key	Part Number	U/M	Description
	075240-03-000	EA	Faucet - Lavatory
	075241-03-000	EA	Faucet - Shower
	075606-01-000	EA	Panel - Shower Faucet
	058713-01-000	EA	Sink Oval - Ivory Plastic
	M02630-02-U25	EA	Shower Pan Asm. - w/Strainer
	009059-01-000	EA	Hinge - 2" Gold
	059777-01-000	EA	Hinge - Antique Brass
	075687-02-000	EA	Knob Asm. - Bath Door
	039873-01-700	EA	Nylon Catch & Spring Steel Strike
	011063-01-000	EA	Tail Piece 1.25" x 5" - Plastic - w/Stopper
	011048-02-000	EA	Shower Head - w/60" Hose
	066729-01-000	EA	Strainer - Shower Pan & Tub
	066436-01-000	EA	Slip Nut - 1.5" Tail Piece - Bathtub
	066435-01-000	EA	Nut - Strainer - Plastic
	075452-02-000	EA	Holder - Tissue
	075453-02-000	EA	Bar - Towel Rack
	075454-02-000	EA	Towel Ring - Brass
	057671-01-000	EA	Screw Cover (No. 8)
	058331-01-000	EA	Mirror - Tempered Glass - 19" x 26"
	058331-05-000	EA	Mirror - Tempered Glass - 12" x 26"
	058331-04-000	EA	Mirror - Tempered Glass - 12" x 42"
	083204-02-000	EA	Mirror Button - Retainer
**	064076-01-000	EA	Toilet - Thetford - Aqua IV - Ivory - 8420 SH
	081614-01-000	EA	Soap Dish
	072871-01-000	EA	Pull - Flush - Chrome
	078551-06-000	EA	Track - Divider Curtain - Front & Rear - 67 3/2"
	077404-01-000	EA	Drawer - Wardrobe - 20" x 12.7" - Plastic
	077409-01-000	EA	Slide - Drawer - 20 7/5" - Plastic
	084257-01-U25	EA	Shelf Asm. - Bath

** The illustrated parts breakdown for this item is provided on the Common Items Fiche.

CHASSIS GROUP

MISCELLANEOUS

Key	Part Number	U/M	Description
	081057-01-000	EA	Alternator Kit - 105 Amp - w/Regulator
	081057-01-700	EA	Brush Assembly
	081057-01-702	EA	Condenser
	081057-01-703	EA	Inside Bearing Spacer
	081057-01-704	EA	Front Bearing
	081057-01-705	EA	Outside Bearing Spacer
	081057-01-706	EA	Pulley
	081057-01-707	EA	Diode +
	081057-01-708	EA	Diode -
	081057-01-709	EA	Stator (105 H.D.)
	081057-01-710	EA	Rotor
	081057-01-711	EA	Ground Terminal Kit
	081057-01-712	EA	Battery Terminal Kit
	081057-01-713	EA	Rear Bearing
	081057-03-000	EA	Alternator - 105 Amp. - Wide Belt
	081057-03-700	EA	Pulley - Wide Belt
	078010-01-000	EA	Door Asm. & Upper Shroud - Fuel Fill
	083578-01-000	EA	Boot - Fuel Fill
	078032-01-000	EA	Shroud - Fuel Fill - Inside
	084177-01-000	EA	Wheel Well - Plastic - Rear - Left/Right
	065450-04-000	EA	Battery Tie Down - Plastic Coated
	077848-01-000	EA	Step Asm. - Entry
	047441-01-000	EA	Battery Terminal - Horizontal Lug
	077479-02-000	EA	Battery Terminal Boot
	020167-03-000	EA	Dirt Guard - Wheel Well
	050273-02-000	EA	Tire - 7.50 x 16 - XCA Radial - Tubeless - Michelin
	040546-01-000	EA	Tire - 7.50 x 16 - 8 Ply - Tubed
	007131-01-000	EA	Tailpipe Hanger
	007125-07-000	EA	Clamp Ams. - Muffler - 2.5"
	* Remainder of exhaust components available from chassis service center		

1986 WINNEBAGO TABLE OF CONTENTS

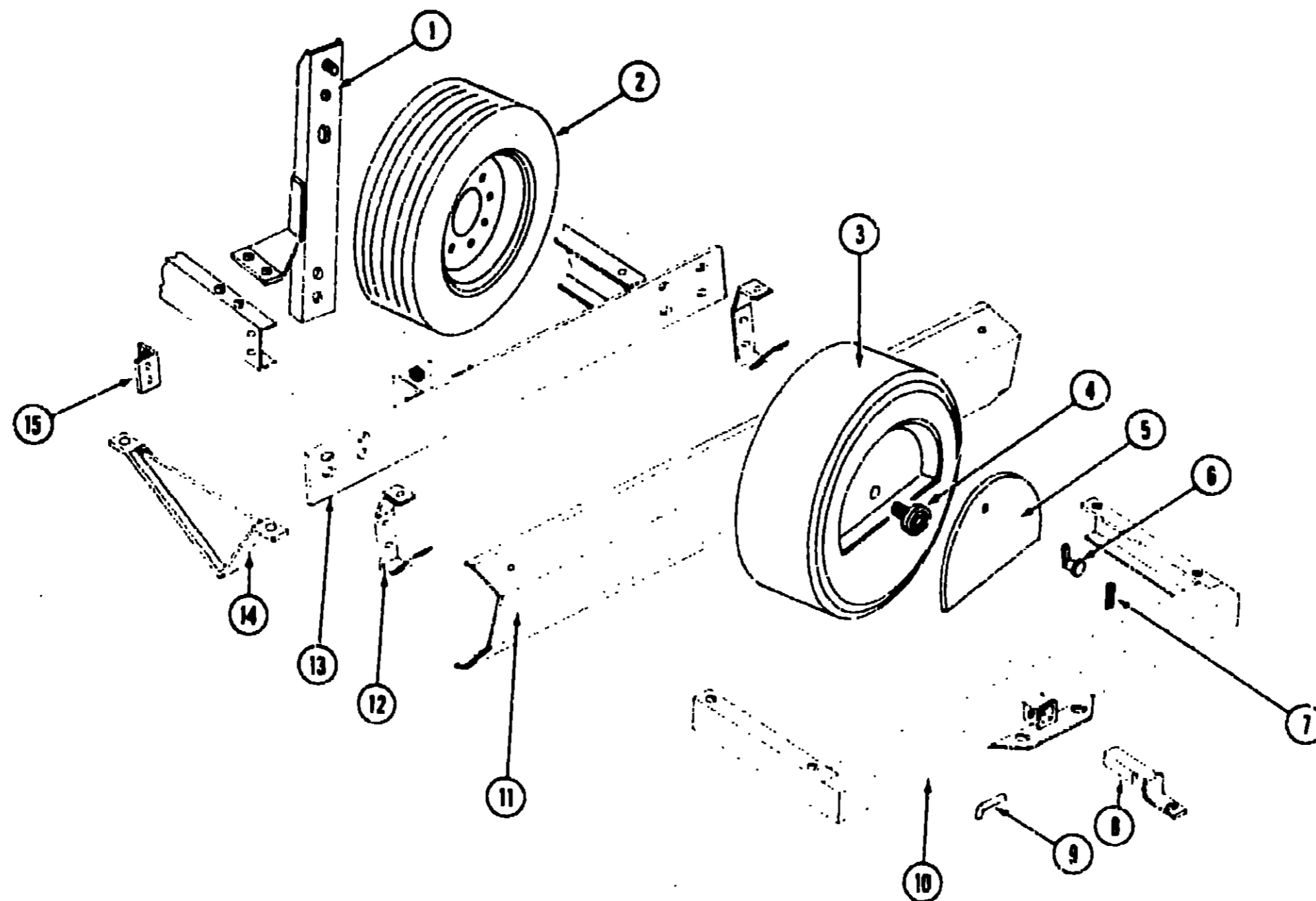
WF426RT	A-01 - C-04
WCN26RH	C-05 - E-10
WCN23RG	E-11 - G-24
WCP26ET	H-01 - J-03

1986 WCP26ET INDEX

Floor Plan	H-01 - H-02
Accessories Group	H-03 - H-04
Bath Group	H-05
Chassis Group	H-06 - H-09
Curtain, Cushion & Pad Group	H-10 - H-15
Dinette Group	H-16
Driver's Compartment Group	H-17 - H-20
Electrical Group	H-21 - H-23
Exterior Body Group	H-24 - I-06
Galley Group	I-07 - I-08
Heating & Air Conditioning Group	I-09 - I-10
Interior Finish Group	I-11 - I-12
I.P. Group	I-13
Lounge Group	I-14
Water & Sewage Group	I-15 - I-16
Window, Vent & Exterior Door Group	I-17 - J-03

CHASSIS GROUP (CONTINUED)

SPARE TIRE, REAR BUMPER & HITCH



Key	Part Number	U/M	Description
1	080378-02-000	EA	Bracket - U-Channel - Tire Carrier
2	040546-01-000	EA	Tire - 7.50 x 16 - 8 Ply
3	079762-01-000	EA	Tire Cover - Beige Plastic
4	064082-02-000	EA	Nut - Tire Cover Retainer - Delmet
5	M02047-01-T03	EA	Door - Tire Cover - Beige Plastic
6	077408-01-000	EA	Lock Asm - Key Type
7	034513-01-000	EA	Pin - Hitch - 3/16" Wire
8	077613-01-000	EA	Drawbar - Ball Mount
9	034512-01-000	EA	Locking Pin - Drawbar
10	077617-01-700	EA	Hitch Asm - w/o Drawbar
11	078584-01-000	EA	Bumper - Rear - Primed
	084614-01-000	EA	Bumper End - Right
	084614-02-000	EA	Bumper End - Left
12	078670-02-000	EA	Bracket to Bumper - Rear
13	079129-02-000	EA	Bracket to Frame - Rear Bumper
14	083376-01-000	EA	Skid Plate Asm
15	078668-01-000	EA	Support Angle - Rear Bumper Support to Frame
	005200-01-000	EA	Bumper Bolt - 7/16" - 14 x 1 1/4
			Not illustrated

1988 WINNEBAGO TABLE OF CONTENTS

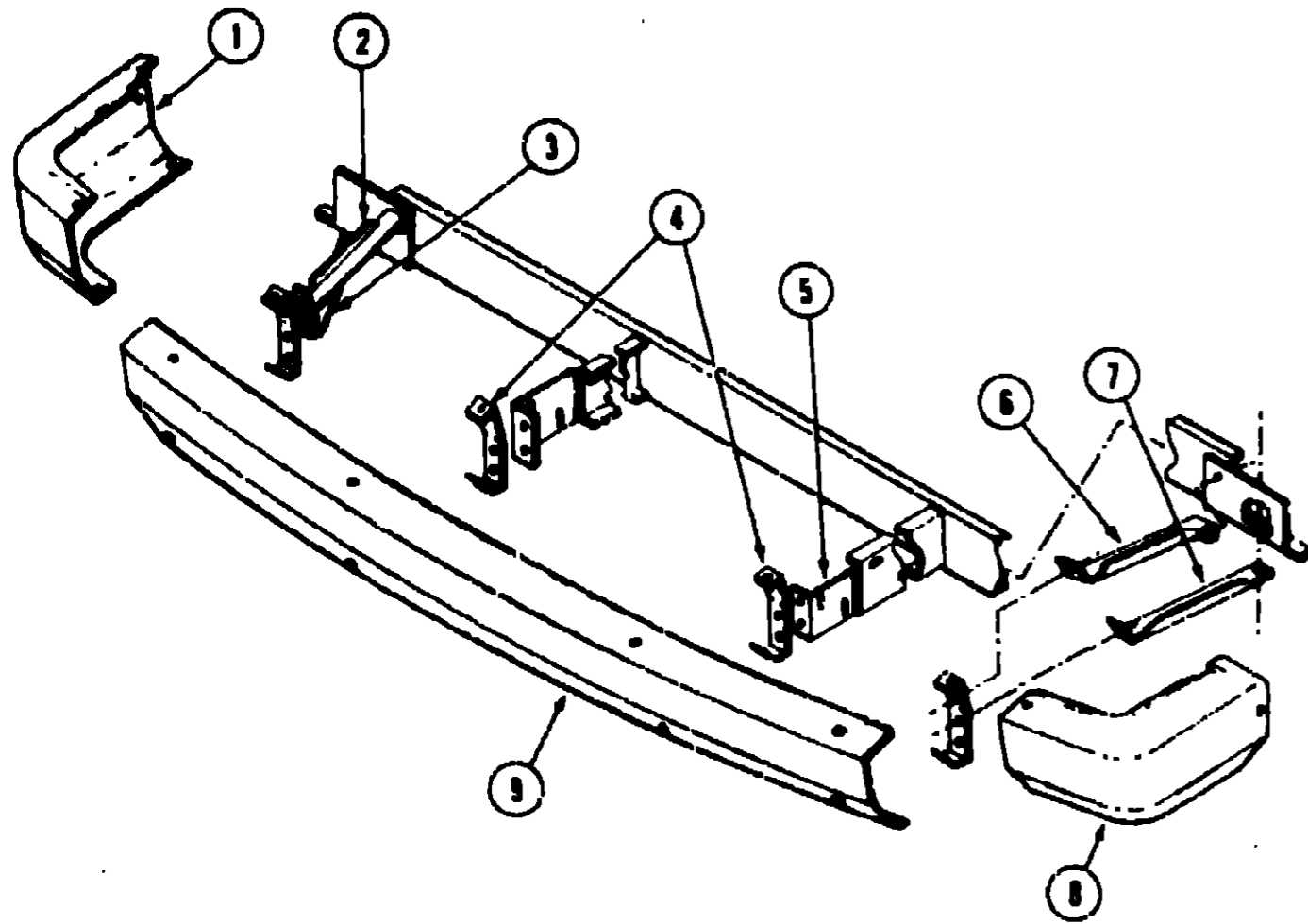
WF426RT
WCN26RH
WCN23RG
WCP26ET

A-01 - C-04
C-05 - E-10
E-11 - G-24
H-01 - J-03

1988 WCP26ET INDEX

Floor Plan	H-01 - H-02
Accessories Group	H-03 - H-04
Bath Group	H-05
Chassis Group	H-06 - H-09
Curtain, Cushion & Pad Group	H-10 - H-15
Dinette Group	H-16
Driver's Compartment Group	H-17 - H-20
Electrical Group	H-21 - H-23
Exterior Body Group	H-24 - I-06
Galley Group	I-07 - I-08
Heating & Air Conditioning Group	I-09 - I-10
Interior Finish Group	I-11 - I-12
LP Group	I-13
Lounge Group	I-14
Water & Sewage Group	I-15 - I-16
Window, Vent & Exterior Door Group	I-17 - J-03

CHASSIS GROUP (CONTINUED)



FRONT BUMPER

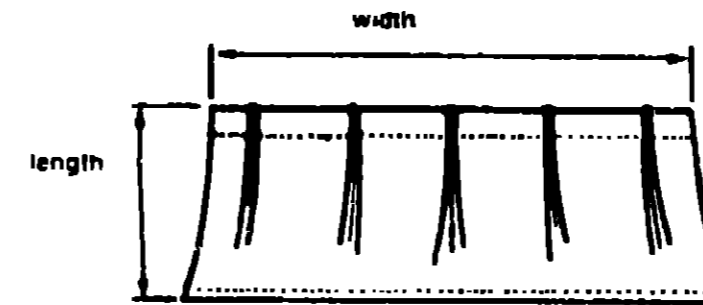
Key	Part Number	U/M	Description
1	075767-01-000	EA	Bumper End - Beige - Right Front
2	077853-01-000	EA	Brace - Upper Right - Front Bumper
3	077854-01-000	EA	Brace - Lower Right - Front Bumper
4	077852-01-000	EA	Bracket - Bumper - Front
5	076527-01-000	EA	Bracket to Frame - Front Bumper
6	077853-02-000	EA	Brace - Upper Left - Front Bumper
7	077854-02-000	EA	Brace - Lower Left - Front Bumper
8	075767-03-000	EA	Bumper End - Beige - Left Front
9	077850-02-000	EA	Bumper - Front - Beige
	077850-07-000	EA	Bumper - Front - Chrome
	005200-01-000	EA	Carriage Bolt - Chrome - 7-16" x 1-4 x 1-4"
			Not illustrated

CURTAIN CUSHION & PAD GROUP

NOTICE

In order to assist our Parts Sales Dept. in providing interior software items, please include the serial number and the color code number from the vehicle certification label when ordering. This label is located on the left sidewall at the end of the dash (A-Body), or on the driver's door latch plate (C-Body).

An example of a color code number is P31, which designates an overall color scheme of a particular unit. The color listed after the item description on the microfiche, indicates the overall unit color. Order the item you desire according to unit color code.



NOTE

Use this illustration when determining length and width measurements for curtains. You will note the width measurement is taken on the top of the curtain with the curtain fully extended. The length measurement is taken from top to bottom.



Key	Part Number	U/M	Description
1	029130-01-000	EA	Socket - Snap Fastener
2	029155-01-000	EA	Cap - Snap - 156" Dia x 17" Barrel
3	029156-01-000	EA	Socket - Snap Fastener
4	029092-01-000	EA	Stud - Nickel Finish
5	029093-01-000	EA	Eyelet - Nickel Finish

1986 WINNEBAGO TABLE OF CONTENTS

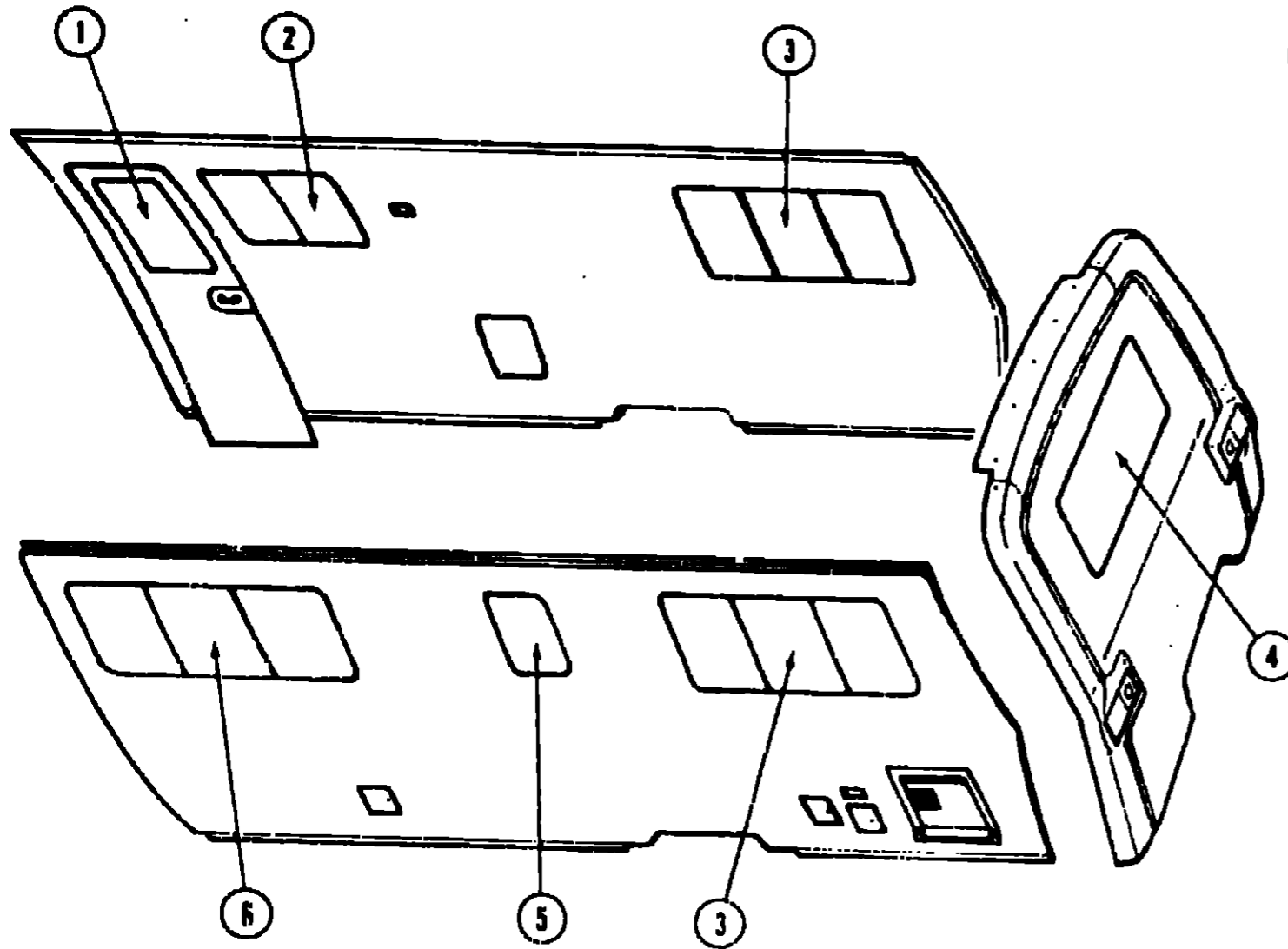
WF426RT
WCN26RH
WCN23RG
WCP26ET

A-01 - C-04
C-05 - E-10
E-11 - G-24
H-01 - J-03

1986 WCP26ET INDEX

Floor Plan	H-01 - H-02
Accessories Group	H-03 - H-04
Bath Group	H-05
Chassis Group	H-06 - H-09
Curtain, Cushion & Pad Group	H-10 - H-15
Dinette Group	H-16
Driver's Compartment Group	H-17 - H-20
Electrical Group	H-21 - H-23
Exterior Body Group	H-24 - I-06
Galley Group	I-07 - I-08
Heating & Air Conditioning Group	I-09 - I-10
Interior Finish Group	I-11 - I-12
LP Group	I-13
Lounge Group	I-14
Water & Sewage Group	I-15 - I-16
Window, Vent & Exterior Door Group	I-17 - J-03

CURTAIN, CUSHION & PAD GROUP (CONTINUED)



CURTAINS, VALANCES, SHADES & TIEBACKS

Key	Part Number	U/M	Description
1	M77188-02-U25	EA	Valance Asm - Entrance Door - Beige, Spruce (U27)
1	M77188-02-U26	EA	Valance Asm - Entrance Door - Rose
1	082119-02-000	EA	Shade Asm. - Vinyl - 24.25" x 40" Drop (U25, U26, U27)
2	M77188-12-U25	EA	Valance Asm. - Galley - Beige
2	M77188-12-U26	EA	Valance Asm. - Galley - Rose
2	M77188-12-U27	EA	Valance Asm. - Galley - Spruce
2	082119-06-000	EA	Shade Asm - Vinyl - 28.25" x 38" Drop (U25, U26, U27)
3	079558-11-U25	EA	Valance Asm - Gathered - 6" x 120" (U26, U27)
3	082119-03-000	EA	Shade Asm - Vinyl - 60.25" x 38" Drop (U25, U26, U27)
3	079559-05-U25	EA	Curtain - Gathered - 32" x 41" (U26, U27)
4	079558-12-U25	EA	Valance Asm - Gathered - 6" x 140" (U26, U27)
4	082119-14-000	EA	Shade Asm - Vinyl - 53.25" x 38" Drop (U25, U26, U27)
4	079559-05-U25	EA	Curtain - Gathered - 32" x 41" (U26, U27)
5	084261-01-U25	EA	Valance Asm - Bath
5	082119-12-000	EA	Shade Asm - Vinyl - 21.25" x 38" Drop (U25, U26, U27)

CURTAIN, CUSHION & PAD GROUP (CONTINUED)

CURTAINS, VALANCE SHADES & TIEBACKS (CONT.)

Key	Part Number	U/M	Description
6	M77188-20-U25	EA	Valance Asm. - Lounge - Beige, Spruce (U27)
6	M77188-20-U26	EA	Valance Asm. - Lounge - Rose
6	082119-05-000	EA	Shade Asm. - Vinyl - 25" x 45" Drop (U25, U26, U27)
6	084260-04-U25	EA	Curtain w/Darts Top - Pleat Bottom - Beige, Spruce (U27)
6	084260-04-U26	EA	Curtain w/Darts Top - Pleat Bottom - Rose
.	073304-29-U01	EA	Curtain Asm. - Room Divider - 64" x 40"
.	077591-05-U04	EA	Curtain Asm. - Bunk/Blackout - Velcro Top - Right - 60" x 50"
.	077591-08-U04	EA	Curtain Asm. - Bunk/Blackout - Velcro Top - Left - 60" x 50"
.	073304-31-U09	EA	Curtain w/Snaps - Front Wraparound - Passenger Side
.	073304-32-U09	EA	Curtain w/Snaps - Front Wraparound - Driver Side
.	084481-01-U00	EA	Curtain Asm. - Shower
.	057534-03-000	EA	Tie Back - Clear Plastic - 7.5"
.	073280-10-U04	EA	Tie Back Asm. - 3" x 20" - Beige, Spruce (U25, U26)
.	073280-16-U05	EA	Tie Back Asm. - 3" x 20" - Rose (U26)
.	073280-22-U25	EA	Tie Back Asm. - 4" x 18" - Gathered (U26, U27)
.			Not illustrated

CURTAIN HARDWARE

Key	Part Number	U/M	Description
	056116-01-000	EA	Track - Curtain - Brown - Plastic
	077046-01-000	EA	Track - Curtain - Front Wraparound - Passenger
	077046-02-000	EA	Track - Curtain - Front Wraparound - Drivers
	082677-01-000	EA	Bracket - Shade
	056003-01-000	EA	Bracket - Drapery Retainer - Right
	056003-02-000	EA	Bracket - Drapery Retainer - Left
	056003-03-000	EA	Bracket - Drapery Retainer - Universal
	056784-02-000	EA	Pull - Window Shade - Antique Brass
	039175-01-000	EA	Curtain Rod - Ext. 48" - 64"
	039175-03-000	EA	Curtain Rod - Ext. 28" - 48"
	039175-04-000	EA	Curtain Rod - Ext. 16" - 28"
	079798-03-000	EA	Bracket - Curtain Rod - Right
	079798-04-000	EA	Bracket - Curtain Rod - Left
	056115-02-000	YD	Tape - Clear Plastic - w/Guides
	048394-01-000	YD	Tape Hook - 1" x 25 YD - Beige (Velcro)
	048395-01-000	YD	Tape Loop - 1" x 25 YD - Beige (Velcro)

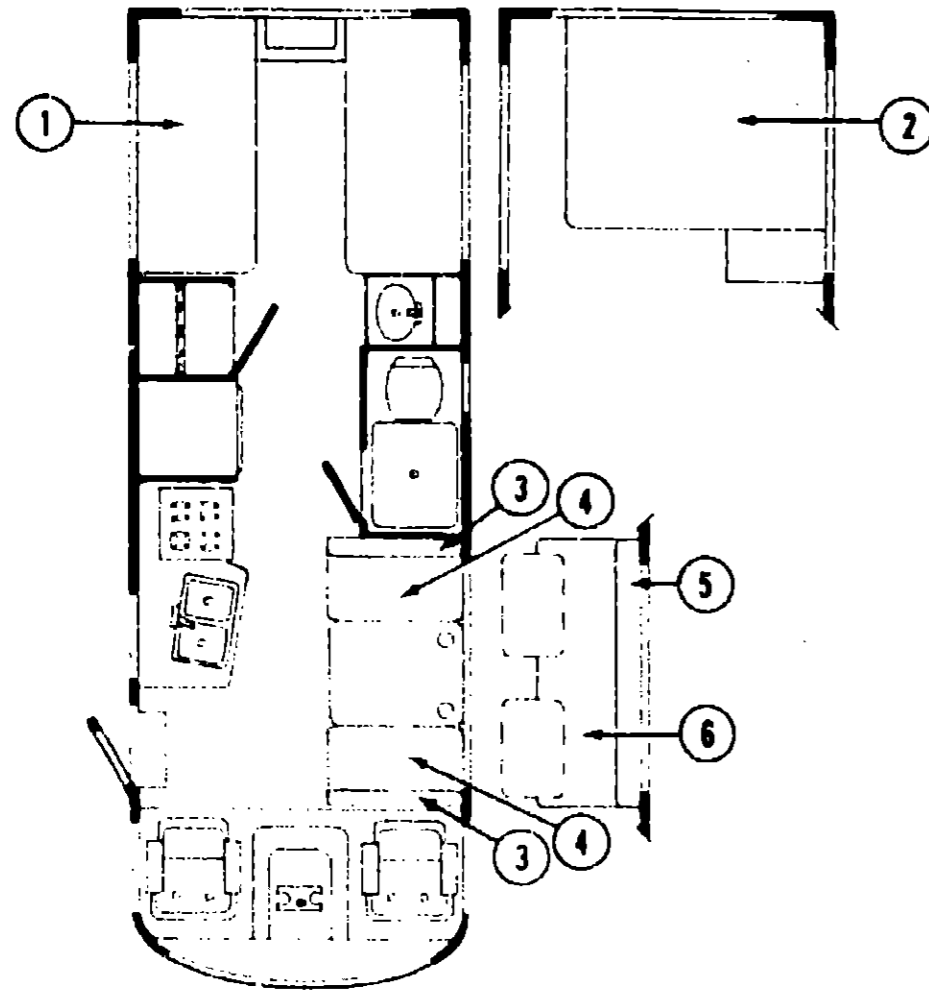
**1986 WINNEBAGO
TABLE OF CONTENTS**

WF426RT	A-01 - C-04
WCN26RH	C-05 - E-10
WCN23RG	E-11 - G-24
WCP26ET	H-01 - J-03

1986 WCP26ET INDEX

Floor Plan	H-01 - H-02
Accessories Group	H-03 - H-04
Bath Group	H-05
Chassis Group	H-06 - H-09
Curtain, Cushion & Pad Group	H-10 - H-15
Dinette Group	H-16
Driver's Compartment Group	H-17 - H-20
Electrical Group	H-21 - H-23
Exterior Body Group	H-24 - I-06
Galley Group	I-07 - I-08
Heating & Air Conditioning Group	I-09 - I-10
Interior Finish Group	I-11 - I-12
LP Group	I-13
Lounge Group	I-14
Water & Sewage Group	I-15 - I-16
Window, Vent & Exterior Door Group	I-17 - J-03

CURTAIN, CUSHION & PAD GROUP (CONTINUED)



SINGLE & QUEEN BED

Key	Part Number	U/M	Description
1	083496-01-000	EA	Mattress - Foam - 33" x 75" - 7"
1	077478-04-000	EA	Mattress - Inner Spring - 33" x 75" x 7.5" - Sealy
2	093496-04-000	EA	Mattress - Foam - 60" x 75" - 7"
2	077478-05-000	EA	Mattress - Inner Spring - 60" x 75" - 7.5" - Sealy
	081969-04-U04	EA	Bedsprad - Twin Fitted - 33" (U25, U26, U27)
	081969-08-U04	EA	Bedsprad - Queen Fitted - 60" (U25, U26, U27)
	081907-01-U01	EA	Pillow Sham - Quilted - 30" x 26" (U25, U26, U27)
	077463-05-U01	EA	Headboard Asm. - Twin (U25, U26, U27)
	J77463-07-U01	EA	Headboard Asm. - Queen (U25, U26, U27)

DINETTE CUSHIONS

Key	Part Number	U/M	Description
3	081998-01-U01	EA	Cushion - Dinette Back - 19.25" x 38" x 5" - Angled - Beige (U25)
3	081998-01-U02	EA	Cushion - Dinette Back - 19.25" x 38" x 5" - Angled - Rose (U26)
3	081998-01-U03	EA	Cushion - Dinette Back - 19.25" x 38" x 5" - Angled - Spruce (U27)
	M81998-01-U01	EA	Cover - Dinette Back - 19.25" x 38" x 5" - Angled - Beige (U25)
	M81998-01-U02	EA	Cover - Dinette Back - 19.25" x 38" x 5" - Angled - Rose (U26)
	M81998-01-U03	EA	Cover - Dinette Back - 19.25" x 38" x 5" - Angled - Spruce (U27)
4	081998-02-U01	EA	Cushion - Dinette Bottom - 17.5" x 38" x 5" - Beige (U25)
4	081998-02-U02	EA	Cushion - Dinette Bottom - 17.5" x 38" x 5" - Rose (U26)
4	081998-02-U03	EA	Cushion - Dinette Bottom - 17.5" x 38" x 5" - Spruce (U27)
	M81998-02-U01	EA	Cover - Dinette Bottom Cushion - 17.5" x 38" x 5" - Beige (U25)
	M81998-02-U02	EA	Cover - Dinette Bottom Cushion - 17.5" x 38" x 5" - Rose (U26)
	M81998-02-U03	EA	Cover - Dinette Bottom Cushion - 17.5" x 38" x 5" - Spruce (U27)

CURTAIN, CUSHION & PAD GROUP (CONTINUED)

3 PILLOW COUCH

Key	Part Number	U/M	Description
5	073630-07-U04	EA	Cushion Asm. - 3 Pillow Back - Beige (U25)
5	073630-07-U05	EA	Cushion Asm. - 3 Pillow Back - Rose (U26)
5	073630-07-U06	EA	Cushion Asm. - 3 Pillow Back - Spruce (U27)
	M73630-07-U04	EA	Cover - 3 Pillow Back - Beige (U25)
	M73630-07-U05	EA	Cover - 3 Pillow Back - Rose (U26)
	M73630-07-U06	EA	Cover - 3 Pillow Back - Spruce (U27)
6	073630-08-U04	EA	Cushion Asm. - 3 Pillow Bottom - Beige (U25)
6	073630-08-U05	EA	Cushion Asm. - 3 Pillow Bottom - Rose (U26)
6	073630-08-U06	EA	Cushion Asm. - 3 Pillow Bottom - Spruce (U27)
	M73630-08-U04	EA	Cover - 3 Pillow Bottom - Beige (U25)
	M73630-08-U05	EA	Cover - 3 Pillow Bottom - Rose (U26)
	M73630-08-U06	EA	Cover - 3 Pillow Bottom - Spruce (U27)

FRONT OVERHEAD BUNK CUSHIONS

Key	Part Number	U/M	Description
	079145-02-000	EA	Cushion Asm. - Front Bunk - 30" x 72" x 4"
	M79145-02-000	EA	Cover - Front Bunk Cushion - 30" x 72" x 4"

BUCKET SEATS

Key	Part Number	U/M	Description
	084191-02-U25	EA	Seat Asm. - Single Bucket - Comet I - Beige, Spruce (U27)
	084191-02-U26	EA	Seat Asm. - Single Bucket - Comet I - Rose (U26)
	M01864-24-U25	EA	Cover - Back - Single Bucket - Comet I - Beige, Spruce (U27)
	M01864-24-U26	EA	Cover - Back - Single Bucket - Comet I - Rose (U26)
	M01864-23-U25	EA	Cover - Bottom - Single Bucket - Comet I - Beige, Spruce (U27)
	M01864-23-U26	EA	Cover - Bottom - Single Bucket - Comet I - Rose (U26)
	078804-07-U01	EA	Seat Asm. - Single Bucket - w/Armrests & Headrest - Beige, Spruce (U25, U27)
	078804-08-U04	EA	Seat Asm. - Single Bucket - w/Armrests & Headrest - Rose (U26)
	M01863-02-U01	EA	Cover - Back - Single Bucket - Beige, Spruce (U25, U27)
	M01863-04-U01	EA	Cover - Back - Single Bucket - Rose (U26)
	M01863-01-U01	EA	Cover - Bottom - Single Bucket - Beige, Spruce (U25, U27)
	M01863-03-U01	EA	Cover - Bottom - Single Bucket - Rose (U26)
	071126-16-U01	EA	Skirt - Single Bucket - Beige, Spruce (U25, U27)
	071126-13-U04	EA	Skirt - Single Bucket - Rose (U26)
	080243-07-U01	EA	Armrest Asm. - Right - Beige, Spruce (U25, U27)
	080243-09-U01	EA	Armrest Asm. - Right - Rose (U26)
	080243-08-U01	EA	Armrest Asm. - Left - Beige, Spruce (U25, U27)
	080243-10-U01	EA	Armrest Asm. - Left - Rose (U26)
	M80243-01-U01	EA	Cover - Armrest - Right - Beige, Spruce (U25, U27)
	M80243-03-U01	EA	Cover - Armrest - Right - Rose (U26)
	M80243-02-U04	EA	Cover - Armrest - Left - Beige, Spruce (U25, U27)
	M80243-04-U01	EA	Cover - Armrest - Left - Rose (U26)
	080242-04-U01	EA	Headrest Asm. - Beige, Spruce (U25, U27)
	080242-05-U04	EA	Headrest Asm. - Rose (U26)
	M80242-01-U04	EA	Headrest Cover - Beige, Spruce (U25, U27)
	M80242-02-U04	EA	Headrest Cover - Rose (U26)

**1986 WINNEBAGO
TABLE OF CONTENTS**

WF426RT	A-01 - C-04
WCN26RH	C-05 - E-10
WCN23RG	E-11 - G-24
WCP26ET	H-01 - J-03

1986 WCP26ET INDEX

Floor Plan	H-01 - H-02
Accessories Group	H-03 - H-04
Bath Group	H-05
Chassis Group	H-06 - H-09
Curtain, Cushion & Pad Group	H-10 - H-15
Dinette Group	H-16
Driver's Compartment Group	H-17 - H-20
Electrical Group	H-21 - H-23
Exterior Body Group	H-24 - I-06
Galley Group	I-07 - I-08
Heating & Air Conditioning Group	I-09 - I-10
Interior Finish Group	I-11 - I-12
LP Group	I-13
Lounge Group	I-14
Water & Sewage Group	I-15 - I-16
Window, Vent & Exterior Door Group	I-17 - J-03

CURTAIN, CUSHION & PAD GROUP (CONTINUED)

TRIM PADS

Key	Part Number	U/M	Description
	077123-42-000	EA	Insert - Upper Drivers Door - 2.5" x 6.25" - Beige, Spruce (U25, U27)
	077123-44-000	EA	Insert - Upper Drivers Door - 2.5" x 6.25" - Rose (U26)
	077124-42-000	EA	Insert - Lower Drivers Door - 14.2" x 28.25" - Beige, Spruce (U25, U27)
	077124-44-000	EA	Insert - Lower Drivers Door - 14.2" x 28.25" - Rose (U26)
	077125-42-000	EA	Insert - Map Pocket - Drivers Door - 5.75" x 7.6" - Beige, Spruce (U25, U27)
	077125-44-000	EA	Insert - Map Pocket - Drivers Door - 5.75" x 7.6" - Rose (U26)
	077130-21-000	EA	Insert - Front Center Overhead - 19.5" x 4" - Beige, Spruce (U25, U27)
	077130-22-000	EA	Insert - Front Center Overhead - 19.5" x 4" - Rose (U26)
	077131-41-000	EA	Insert - Front Overhead (Sunvisor) Right - 2.8" x 23.2" - Beige, Spruce (U25, U27)
	077131-43-000	EA	Insert - Front Overhead (Sunvisor) Right - 2.8" x 23.2" - Rose (U26)
	077131-42-000	EA	Insert - Front Overhead (Sunvisor) Left - 2.8" x 23.2" - Beige, Spruce (U25, U27)
	077131-44-000	EA	Insert - Front Overhead (Sunvisor) Left - 2.8" x 23.2" - Rose (U26)
	077128-21-000	EA	Insert - Side Upper - Drivers - 2.6" x 3.14" - Beige, Spruce (U25, U27)
	077128-22-000	EA	Insert - Side Upper - Drivers - 2.6" x 3.14" - Rose (U26)
	077128-21-000	EA	Insert - Side Upper - Passenger - 2.6" x 17.1" - Beige, Spruce (U25, U27)
	077128-22-000	EA	Insert - Side Upper - Passenger - 2.6" x 17.1" - Rose (U26)
	077127-21-000	EA	Insert - Side Lower - Drivers - 9.3" x 21.3" - Beige, Spruce (U25, U27)
	077127-22-000	EA	Insert - Side Lower - Drivers - 9.3" x 21.3" - Rose (U26)
	077129-27-000	EA	Insert - Side Lower - Passenger - 9.2" x 28" - Beige, Spruce (U25, U27)
	077129-28-000	EA	Insert - Side Lower - Passenger - 9.2" x 28" - Rose (U26)
	079144-02-T03	EA	Bunk Pull Strap - Beige
	081519-01-U01	EA	Pad Asm. - Dinette Seat - Front - Angled - Beige, Spruce (U25, U27)
	081519-01-U02	EA	Pad Asm. - Dinette Seat - Front - Angled - Rose (U26)
	081519-02-U01	EA	Pad Asm. - Dinette Seat - Rear - Angled - Beige, Spruce (U25, U27)
	081519-02-U02	EA	Pad Asm. - Dinette Seat - Rear - Angled - Rose (U26)

FABRICS

Key	Part Number	U/M	Description
	077498-62-000	YD	Fabric - Upholstery - Beige (U25)
	077498-63-000	YD	Fabric - Upholstery - Rose (U26)
	077498-64-000	YD	Fabric - Upholstery - Spruce (U27)
	077498-75-000	YD	Fabric - Upholstery/Accent (Drapery & Seat Covers) - Beige, Spruce (U25, U27)
	077498-74-000	YD	Fabric - Upholstery/Accent (Drapery & Seat Covers) - Rose (U26)
	077498-73-000	YD	Fabric - Upholstery/Plain Accent - Beige, Spruce (U25, U27)
	077498-72-000	YD	Fabric - Upholstery/Plain Accent - Rose (U26)
	069729-43-000	YD	Fabric - Bedspread - (U25, U26, U27)
	072333-21-000	YD	Fabric - Drapery - Parchment
	079580-02-000	YD	Vinyl - Expanded (End Caps) Sandrift
	038421-01-000	YD	Fabric - Mattress Ticking

DINETTE GROUP

DINETTE & COMPONENTS

Key	Part Number	U/M	Description
	M81501-A6-U25	EA	Door Asm. - Dinette Seat Cabinet - Front - w/o Hardware
	M02854-01-U25	EA	Cabinet Asm. - Dinette Seat - Right - w/o Door or Hardware
	M02854-02-U25	EA	Cabinet Asm. - Dinette Seat - Left - w/o Door or Hardware
	M02846-02-U25	EA	Cabinet Asm. - Dinette Seat Back - Left
	M02846-01-U25	EA	Cabinet Asm. - Dinette Seat Back - Right
	M81299-01-U01	EA	Table Asm. - Dinette - w/o Hardware - Fawn (U26)
	M81299-01-U03	EA	Table Asm. - Dinette - w/o Hardware - Sage Green
	053200-05-000	EA	Bracket - Upper Wall Mount - 23.5" - Beige
	053201-01-000	EA	Bracket - Table Mount - 23"
	024275-03-000	EA	Rod - Table Lift - 8" x 23.5" - Brown
	024276-14-000	EA	Leg Asm. - Table - 29.5" - Brown
	024281-03-000	EA	Bracket - Lower Wall Mount - 22.12" - Brown
	024282-01-000	EA	Brace - Table Leg
	024283-01-000	EA	Clip - 1" O.D. Tube
	049493-02-000	EA	Catch - Table Leg - Mount on Floor - Brown
	064050-01-000	EA	Hinge - Table Leg
	064781-03-000	EA	Cup Holder - 3.5" x 1.5"

COUCH EXCHANGE DINETTE

Key	Part Number	U/M	Description
	081298-01-U04	EA	Table Asm. - Pedestal
	009040-04-000	EA	Leg - Pedestal - Brown
	081800-02-U25	EA	Panel Asm. - Couch End - Right
	081827-01-U25	EA	Panel Asm. - Couch End - Left
	M02423-06-U25	EA	Panel Asm. - Couch Front (U27)
	M02423-06-U26	EA	Panel Asm. - Couch Front
	081922-01-000	EA	Frame Asm. - Couch - Right
	081922-02-000	EA	Frame Asm. - Couch - Left
	081922-03-000	EA	Bars - Spacer - Couch - 74.75"
	081922-04-000	EA	Hardware Kit - Couch

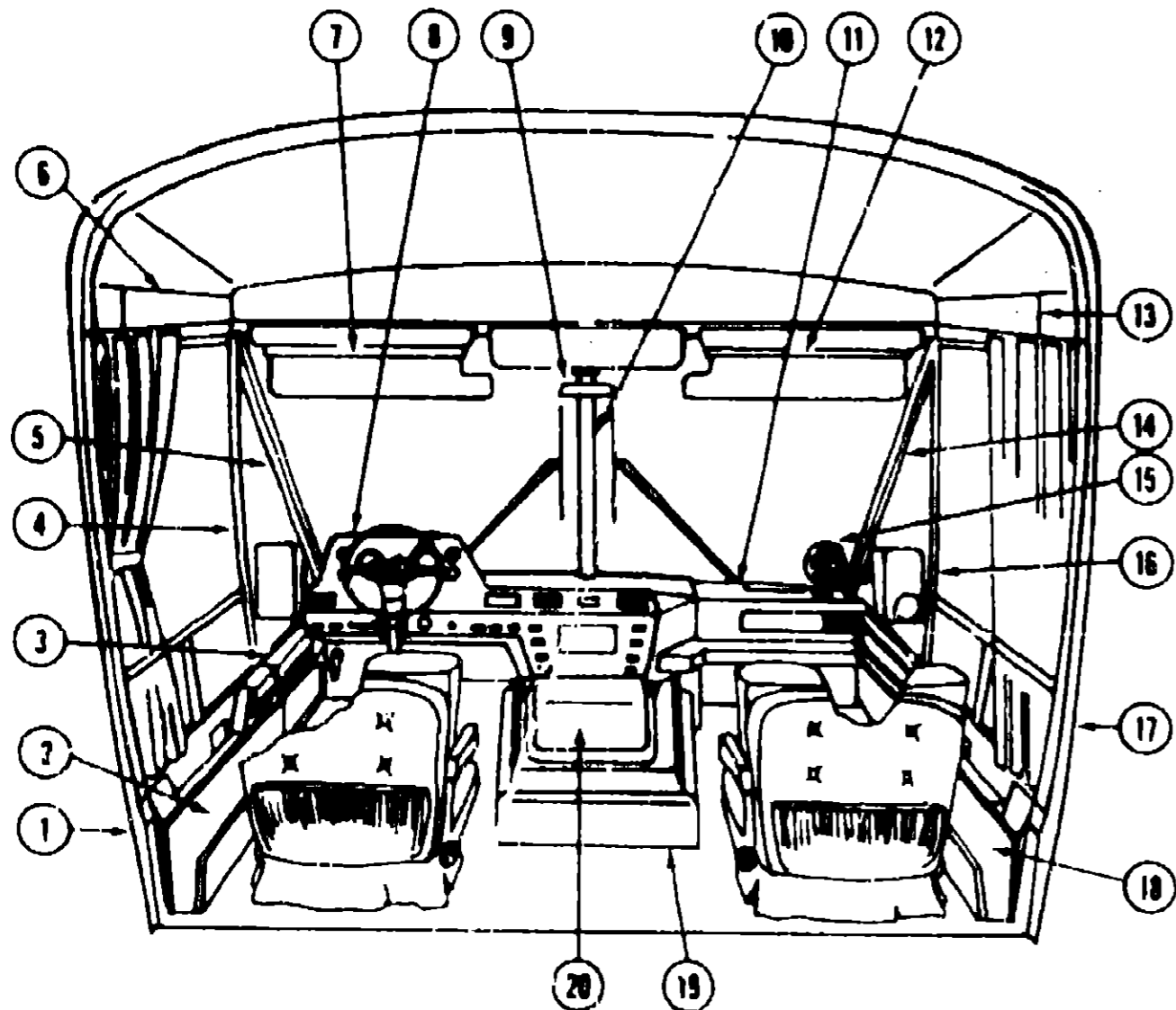
1986 WINNEBAGO TABLE OF CONTENTS

WF428RT	A-01 - C-04
WCN26RH	C-05 - E-10
WCN23RG	E-11 - G-24
WCP26ET	H-01 - J-03

1986 WCP26ET INDEX

Floor Plan	H-01 - H-02
Accessories Group	H-03 - H-04
Bath Group	H-05
Chassis Group	H-06 - H-09
Curtain, Cushion & Pad Group	H-10 - H-15
Dinette Group	H-16
Driver's Compartment Group	H-17 - H-20
Electrical Group	H-21 - H-23
Exterior Body Group	H-24 - I-06
Galley Group	I-07 - I-08
Heating & Air Conditioning Group	I-09 - I-10
Interior Finish Group	I-11 - I-12
LP Group	I-13
Lounge Group	I-14
Water & Sewage Group	I-15 - I-16
Window, Vent & Exterior Door Group	I-17 - J-03

DRIVERS COMPARTMENT GROUP



MISCELLANEOUS DRIVER'S COMPARTMENT COMPONENTS

Key	Part Number	U/M	Description
1	077111-02-000	EA	Trim Panel - Drivers Side - Beige
1	084612-01-000	EA	Trim Panel - B Pillar - Beige
2	077117-02-000	EA	Trim - Side Panel - Door - Beige
2	084611-04-000	EA	Trim - Side Panel - Beige
3	084611-04-000	EA	Trim - Side Panel - Front - Beige
4	077113-02-000	EA	Trim Panel - Hinge Pillar - Beige
5	077112-02-000	EA	Trim - Windshield - Interior - "A" Post - Left - Beige
6	077110-06-000	EA	Trim Cover - Left - Beige
7	082206-01-U04	EA	Sunvisor Asm - Drivers - Vinyl - Beige
8	077469-01-000	EA	Dash Panel - Left Upper
9	040714-01-000	EA	Mirror - Inside - Rearview - Glare Proof
.	067490-01-000	EA	Button - Mirror - Rearview - Support
.	079926-01-000	EA	Lamp - Flex Arm
10	077114-01-000	EA	Trim Panel - Pillar - Center - Beige
.	024990-02-000	EA	Outlet - Defroster w/Swivel - 2" Dark Brown
.	076783-01-000	EA	Louver Asm - A/C Adjustable
11	077470-01-000	EA	Dash Panel - Right Hand

DRIVER'S COMPARTMENT GROUP (CONTINUED)

MISCELLANEOUS DRIVER'S COMPARTMENT COMPONENTS (CONT.)

Key	Part Number	U/M	Description
12	082206-03-U25	EA	Sunvisor Asm. - w/Mirror - Vinyl - Beige
13	077110-05-000	EA	Trim Cover - Right - Beige
14	077112-01-000	EA	Trim - Windshield - Interior - "A" Post - Right - Beige
15	036420-02-000	EA	Defroster Fan
16	077113-01-000	EA	Trim Panel - Hinge Pillar - Beige
17	084612-01-000	EA	Trim Panel - Passenger Side - Beige
18	084611-03-000	EA	Trim - Side Panel - Beige
19	075939-01-000	EA	Motor Cover
20	M01638-01-U25	EA	Beverage Tray Asm. - Beige Plastic & Oak
20	076729-01-000	EA	Beverage Tray (Plastic) - Beige (Optional)
.	077431-03-000	EA	Beverage Tray - Insert (Optional)
.	052367-01-000	EA	Cigarette Lighter
.	007021-01-000	EA	Belt Asm. - Seat - 2" x 90" - Black
.	056271-02-000	EA	Belt Asm. - Seat - 2" x 72" - Black
.	076372-02-U25	EA	Battery Door - Used w/Drivers Door Option
.	076240-01-000	EA	Battery Door Inner - Used w/Drivers Door Option
.	084115-01-000	EA	Gasket - Battery Cover
.	084168-01-000	EA	Cover - Battery - Beige Plastic
.	084113-01-000	EA	Lock - Battery Door - 1/4 Turn Post
.	084113-02-000	EA	Lock Pos: Retainer - Split Ring
.	084113-03-000	EA	Lock Receptacle - Battery Door
.			Not Illustrated

FRONT BUNK & HARDWARE

Key	Part Number	U/M	Description
	081155-01-000	EA	Bunk Rail - Front - Brown
	076760-02-000	EA	Bunk Supports - Overhead - Complete
	077110-01-000	EA	Cover - Bunk Support - Right
	077110-02-000	EA	Cover - Bunk Support - Left
	081717-02-U25	EA	Bunkboard Asm.
	077140-03-U25	EA	Trim Panel - Front Bunk
	042541-04-000	EA	Latch Asm. - w/o Strike - Brass
	042541-05-000	EA	Striker - Brass
	081154-01-000	EA	Bunk Rail - Rear - Brown

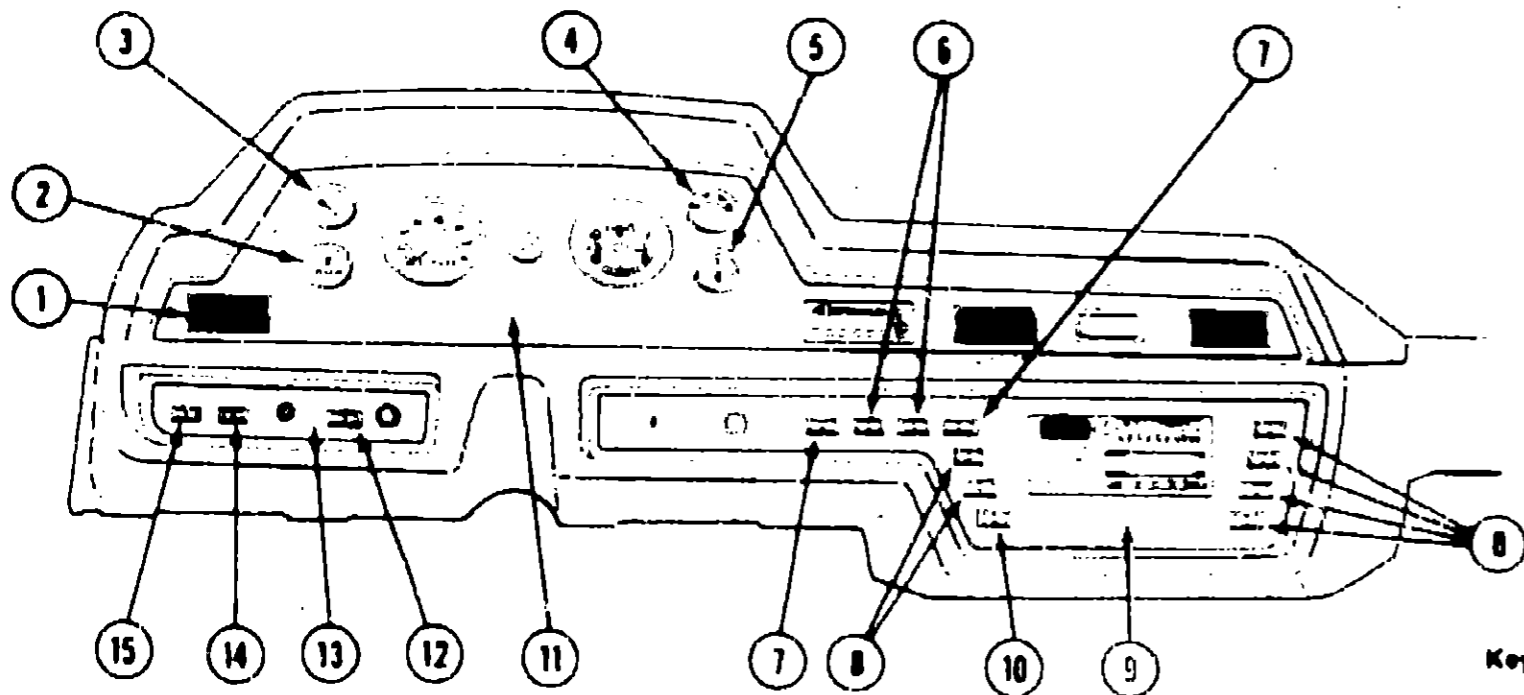
**1986 WINNEBAGO
TABLE OF CONTENTS**

WF426RT	A-01 - C-04
WCN26RH	C-05 - E-10
WCN23RG	E-11 - G-24
WCP26ET	H-01 - J-03

1986 WCP26ET INDEX

Floor Plan	H-01 - H-02
Accessories Group	H-03 - H-04
Bath Group	H-05
Chassis Group	H-06 - H-09
Curtain, Cushion & Pad Group	H-10 - H-15
Dinette Group	H-16
Driver's Compartment Group	H-17 - H-20
Electrical Group	H-21 - H-23
Exterior Body Group	I-24 - I-06
Galley Group	I-07 - I-08
Heating & Air Conditioning Group	I-09 - I-10
Interior Finish Group	I-11 - I-12
LP Group	I-13
Lounge Group	I-14
Water & Sewage Group	I-15 - I-16
Window, Vent & Exterior Door Group	I-17 - J-03

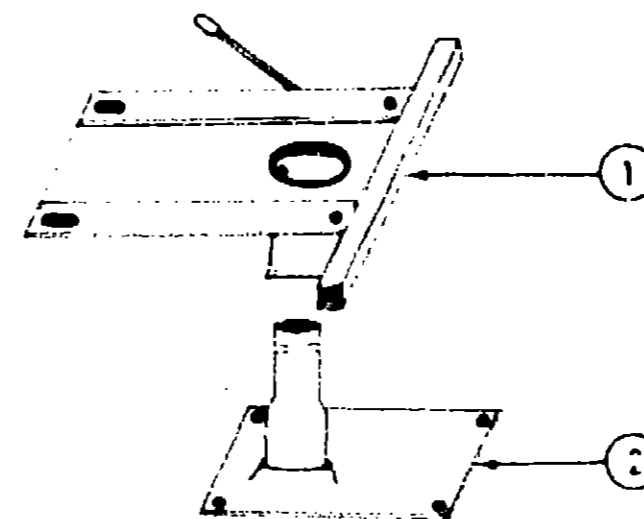
DRIVER'S COMPARTMENT GROUP (CONTINUED)



DASH SWITCHES AND GAUGES

Key	Part Number	U/M	Description
1	076783-02-000	EA	Louver Asm. - A/C Adjustable
2	031035-02-000	EA	Gauge - Hourmeter - Generator
3	024460-04-000	EA	Gauge - Vacuum
4	024459-04-000	EA	Gauge - Voltmeter
5	076761-01-000	EA	Gauge - Auxiliary Fuel
6	076759-05-000	EA	Switch - 3 Position
7	076759-04-000	EA	Switch - 3 Position
8	076759-01-000	EA	Switch - 2 Position
9	076217-04-000	EA	Instrument Panel - Lower
10	076800-01-000	EA	Switch w/Thermometer
11	076216-01-000	EA	Instrument Panel - Upper
12	076759-07-000	EA	Switch - 2 Position
13	076218-01-000	EA	Instrument Panel - Lower Left
14	076759-02-000	EA	Switch - 2 Position
15	076759-03-000	EA	Switch - 3 Position

DRIVER'S COMPARTMENT GROUP (CONTINUED)



BUCKET SEAT PEDESTAL & SEAT BELTS

Key	Part Number	U/M	Description
1	069585-04-000	EA	Plate - Top - Pedestal Asm - Single Bucket Seat
1	069585-19-000	EA	Plate - Top - Pedestal Asm - Powered Seat
1	069585-10-000	EA	Plate - Top - Pedestal Asm - Double Bucket Seat
2	069585-08-000	EA	Plate - Sub - Pedestal Asm - Bucket Seat
	069585-05-000	EA	Hardware Kit - Bolt Acorn Nut - 4 ea - Pedestal Asm
	007019-01-000	EA	Belt Asm - Seat - 2" x 84" - Black
	007021-01-000	EA	Belt Asm - Seat - 2" x 90" - Black
	056271-02-000	EA	Belt Asm - Seat - 2" x 72" - Black
	069246-01-000	EA	Adjuster Asm - Seat - w Lock
	069246-02-000	EA	Adjuster Asm - Seat - w o Lock
	081373-02-000	EA	Power Seat Adjustment Asm - w/Frame
	081373-02-700	EA	Switch Asm Package
	081737-02-701	EA	Harness Asm - Left
	081737-02-702	EA	Harness Asm - Right
	081737-02-703	EA	Horizontal Adjustment Package
	081737-02-704	EA	Vertical Adjustment Package
			Not illustrated

**1986 WINNEBAGO
TABLE OF CONTENTS**

WF426RT
WCN26RH
WCN23RG
WCP26ET

A-01 - C-04
C-05 - E-10
E-11 - G-24
H-01 - J-03

1986 WCP26ET INDEX

Floor Plan	H-01 - H-02
Accessories Group	H-03 - H-04
Bath Group	H-05
Chassis Group	H-06 - H-09
Curtain, Cushion & Pad Group	H-10 - H-15
Dinette Group	H-16
Driver's Compartment Group	H-17 - H-20
Electrical Group	H-21 - H-23
Exterior Body Group	H-24 - I-06
Galley Group	I-07 - I-08
Heating & Air Conditioning Group	I-09 - I-10
Interior Finish Group	I-11 - I-12
LP Group	I-13
Lounge Group	I-14
Water & Sewage Group	I-15 - I-16
Window Vent & Exterior Door Group	I-17 - J-03

ELECTRICAL GROUP

BULBS

Key	Part Number	U/M	Description
	037936-01-000	EA	Bulb - 1157A
	037935-01-000	EA	Bulb - 1157
	063914-01-000	EA	Bulb - 1139
	008103-01-000	EA	Bulb - 53
	008213-01-000	EA	Bulb - 57
	008214-01-000	EA	Bulb - 67
	008215-01-000	EA	Bulb - 1003
	008216-01-000	EA	Bulb - 1034
	008217-01-000	EA	Bulb - 1073
	008218-01-000	EA	Bulb - 1141
	008220-01-000	EA	Bulb - 12V - 25W
	036196-01-000	EA	Bulb - 194
	067479-01-000	EA	Bulb - 1076 - 12V - 1.80 Amp.

FUSES AND CIRCUIT BREAKERS

Key	Part Number	U/M	Description
	063912-01-000	EA	Relay Canister - w/ Ground (Bosch)
	056473-02-000	EA	Fuse - Slow Blow - 5 Amp. - 32 Volt Capacity
	056473-01-000	EA	Fuse - Slow Blow - 6 1/4 Amp
	008233-01-000	EA	Fuse - 12 Volt - 6 Amp
	008234-01-000	EA	Fuse - 12 Volt - 10 Amp
	046893-01-000	EA	Fuse - 12 Volt - 13 Amp
	008235-01-000	EA	Fuse - 12 Volt - 15 Amp
	008236-01-000	EA	Fuse - 12 Volt - 20 Amp
	008248-01-000	EA	Fuse - 110 Volt - 30 Amp - AGU
	008252-01-000	EA	Fuse - 110 Volt - 50 Amp
	062901-02-000	EA	Fuse - Automotive - 5 Amp
	062901-05-000	EA	Fuse - Automotive - 15 Amp
	044466-03-000	EA	Circuit Breaker - 12 Volt - 25 Amp - DC
	008208-01-000	EA	Circuit Breaker - 12 Volt - 40 Amp
	008211-01-000	EA	Circuit Breaker - 12 Volt - 6 Amp
	008268-01-000	EA	Circuit Breaker - 12 Volt - 30 Amp w/ Mount
	033573-02-000	EA	Circuit Breaker - 12 Volt - 15 Amp w/ Mount
	033573-01-000	EA	Circuit Breaker - 12 Volt - 20 Amp w/ Mount
	040051-01-000	EA	Circuit Breaker - 110 Volt - 20 Amp TQL
	071279-01-000	EA	Circuit Breaker - 120 Volt - 15 Amp
	008273-03-000	EA	Circuit Breaker - 15/20 Amp TQL
	008299-01-000	EA	Circuit Breaker - 115 Amp TQL
	008297-01-000	EA	Circuit Breaker - 120 Amp TQL
	008293-01-000	EA	Circuit Breaker - 130 Amp TQL
	071279-02-000	EA	Circuit Breaker - 15/15 Amp - 120 Volt
	071279-03-000	EA	Circuit Breaker - 15/20 Amp - 120 Volt
	071279-04-000	EA	Circuit Breaker - 30 Amp - 120 Volt
	075735-02-000	EA	Circuit Breaker - GF 115 Amp - 120 Volt
	071279-05-000	EA	Circuit Breaker - 20 Amp - 120 Volt
	071279-06-000	EA	Circuit Breaker - 30/15 Amp - 120 Volt
	071279-07-000	EA	Circuit Breaker - 20/20 Amp - 120 Volt
	071280-01-000	EA	Circuit Breaker Blank
	077817-01-000	EA	Box - Circuit Breaker - 20 Amp
	050283-01-000	EA	Bar - Buss - 3 Position
	050283-02-000	EA	Buss Bar Circuit Breaker
	083209-01-000	EA	Circuit Breaker - 15 Amp - 120 Volt
	083209-02-000	EA	Circuit Breaker - 15/15 Amp - 120 Volt
	083209-03-000	EA	Circuit Breaker - 15/20 Amp - 120 Volt
	083209-04-000	EA	Circuit Breaker - 30 Amp - 120 Volt
	083209-05-000	EA	Circuit Breaker - 20 Amp - 120 Volt
	083209-06-000	EA	Circuit Breaker - 30/15 Amp - 120 Volt
	083209-07-000	EA	Circuit Breaker - 20/20 Amp - 120 Volt
	083209-08-000	EA	Circuit Breaker - Blank
	083210-01-000	EA	Circuit Breaker - GFI - 20 Amp - 120 Volt
	083210-02-000	EA	Circuit Breaker - GFI - 15 Amp - 120 Volt

ELECTRICAL GROUP (CONTINUED)

WIRES, SWITCHES & RECEPTACLES

Key	Part Number	U/M	Description
	008024-01-000	FT	Wire - 18.5 Bonded - Orange/White/Yellow/Blue/Brown
	008025-01-000	FT	Wire - 18.5 Bonded - Orange/White/Yellow/Blue/Green
	008026-01-000	FT	Wire - 18.5 Bonded - Blue/Red/Yellow/Orange/White
	008026-01-000	FT	Wire - 122 - Romex w/ Ground
	041953-01-000	FT	Conduit - Convolute Slit - 5" I.D
	008277-01-000	EA	Holder - Fuse - Black - Panel Mount
	008054-01-000	EA	Cord - Power - 10-3 30 Amp. - 25' - UL
	008052-01-000	EA	Cord - Power - 10-3 30 Amp. - 25' - CSA
	024571-03-000	EA	Cover Plate - Receptacle - Jumbo Plastic - Brown
	024571-04-000	EA	Cover Plate - Receptacle - Jumbo Plastic - Ivory
	008160-01-000	EA	Cover Plate - Receptacle - Plastic - Ivory
	008164-01-000	EA	Cover Plate - Switch - Brown
	076319-09-000	EA	TV Wall Plate/Receptacle - Brown (Winegard Antenna)
	076319-07-000	EA	TV Wall Plate - Power Supply - Brown (Winegard Antenna)
	074151-01-000	EA	Switch Plate - On/Off - Jensen
	058028-01-000	EA	Connector - Pigtail - Clear - Nylon
	008162-02-000	EA	Switch - Double Toggle - Ivory
	008162-01-000	EA	Switch - Double Toggle - Brown
	008163-01-000	EA	Switch - Toggle Brown
	056264-01-000	EA	Switch - Leaf Actuator
	074007-02-000	EA	Switch - Intermittent - Windshield Wiper
	063912-01-000	EA	Relay - Canister Spot w/ Ground
	069238-01-000	EA	Cover - Electrical - 4 x 4 Box
	008058-01-000	EA	Adaptor - Power Cord
	024924-02-000	EA	Receptacle - Power Cord
	058707-01-000	EA	Receptacle - Single - Brown
	058708-01-000	EA	Receptacle - Duplex - Brown
	058708-02-000	EA	Receptacle - Duplex - Ivory
	075736-03-000	EA	Receptacle Cover - Exterior - Beige
	008294-01-000	EA	Cover - Steel - Flat Blank - 4" x 4"
	008288-01-000	EA	Box - Electrical - Plastic - 3" x 3 5/8"
	008289-01-000	EA	Box - Electrical - Steel - 4 x 4 - 1-2 & 3-4 UL
	058049-01-000	EA	Box - Electrical - 2" 3" x 2 25" - Steel
	064398-01-000	EA	Housing Asm - Trailer Receptacle
	064399-01-000	EA	Housing Asm - Trailer Pin
	064450-01-000	EA	Housing Asm - Trailer Plug
	035417-01-000	EA	Terminal - Pin Receptacle - 125 Dia
	054532-01-000	EA	Housing Pin - 6 Position
	054532-02-000	EA	Housing Pin - 4 Position
	054532-04-000	EA	Housing Pin - 12 Position
	054532-05-000	EA	Housing Socket - 12 Position
	031968-01-000	EA	Contact - Plug - Brass - Tin Plated
	073937-01-000	EA	Switch - Roof Air - A/C Selector - 3 Deck Rotary
	074151-01-000	EA	Switch - Rocker
	062037-01-000	EA	Housing - Auto Fuse - Natural
	062037-02-000	EA	Housing - Auto Fuse - Green
	062037-03-000	EA	Housing - Auto Fuse - Black
	062037-04-000	EA	Housing - Auto Fuse - Blue
	062037-05-000	EA	Housing - Auto Fuse - Gray
	062037-06-000	EA	Housing - Auto Fuse - Brown
	062037-07-000	EA	Housing - Auto Fuse - Red
	076759-01-000	EA	Switch - SPST - Lock Lock
	076759-02-000	EA	Switch - SPST - Mom On/ Lock (NO)
	076759-03-000	EA	Switch - SPST - Lock Lock Lock
	076759-04-000	EA	Switch - SPDT - Mom Lock Mom
	076759-05-000	EA	Switch - SPDT - Lock Lock Mom
	076759-06-000	EA	Switch - Dummy
	076759-07-000	EA	Switch - SPST - Mom Off Lock (NC)

1986 WINNEBAGO TABLE OF CONTENTS

WF426RT	A-01 - C-04
WCN26RH	C-05 - E-10
WCN23RG	E-11 - G-24
WCP26ET	H-01 - J-03

1986 WCP26ET INDEX

Floor Plan	H-01 - H-02
Accessories Group	H-03 - H-04
Bath Group	H-05
Chassis Group	H-06 - H-09
Curtain, Cushion & Pad Group	H-10 - H-15
Dinette Group	H-16
Driver's Compartment Group	H-17 - H-20
Electrical Group	H-21 - H-23
Exterior Body Group	H-24 - I-06
Galley Group	I-07 - I-08
Heating & Air Conditioning Group	I-09 - I-10
Interior Finish Group	I-11 - I-12
I.P. Group	I-13
Lounge Group	I-14
Water & Sewage Group	I-15 - I-16
Window, Vent & Exterior Door Group	I-17 - J-03

ELECTRICAL GROUP (CONTINUED)

EXTERIOR LIGHTS

Key	Part Number	U/M	Description
	058032-01-000	EA	Lamp Asm. - Taillight - Two Bulbs
	007309-02-000	EA	Lamp Asm. - License Plate
	083120-02-000	EA	Bracket - License
	008089-01-000	EA	Light - Porch - Recessed
	079941-01-000	EA	Fog Lamps - w/Cover
	051057-01-000	EA	Searchlight - Power Driven
	075860-01-000	EA	Lamp Asm. - Side Marker - Amber
	075880-02-000	EA	Lamp Asm. - Side Marker - Red
	081237-01-000	EA	Light Asm. - Cab Marker - Amber
	081237-02-000	EA	Light Asm. - Cab Marker - Red

INTERIOR LIGHTS

Key	Part Number	U/M	Description
	033508-02-000	EA	Light - Dome - Ivory - 1 Bulb - US
	033508-03-000	EA	Light - Dome - Ivory - 1 Bulb - CSA
	033508-02-000	EA	Light - Dome - Ivory - 2 Bulb - US
	033509-03-000	EA	Light - Dome - Ivory - 2 Bulb - CSA
	061424-01-000	EA	Light - 12 V Receptacle - Aisle - IP
	077026-01-000	EA	Lens - Courtesy Light - Clear - Front Door Panels
	078424-02-000	EA	Light - Fluorescent 12V - 18"
	079926-01-000	EA	Lamp - Flexible Arm
	082686-01-000	EA	Table Lamp - Bright Brass & Wood
	082686-02-000	EA	Lamp Shade - Table Lamp

MISCELLANEOUS ELECTRICAL COMPONENTS

Key	Part Number	U/M	Description
	063739-01-000	EA	Battery - 12 Volt - 80 Amp. Gould
	008188-01-000	EA	Solenoid - Dual Battery - Relay
	024459-04-000	EA	Gauge - Voltmeter - w/o Bracket
	031035-02-000	EA	Gauge - Hourmeter - Generator
	024460-04-000	EA	Gauge - Vacuum - w/o Bracket
	008343-01-000	EA	Wire Tie - Plastic - 6"
	052367-01-000	EA	Lighter Asm. - Cigarette
	036420-02-000	EA	Fan - 6' Defroster - 2 Speed
	083208-01-000	EA	Control Center - 32 Amp - 120 Volt/12 Volt

WINDSHIELD WIPER & WASHER

Key	Part Number	U/M	Description
**	056000-02-000	EA	Washer Asm. - Windshield - w/o Nozzles
**	072472-04-000	EA	Arm - Windshield Wiper - 29" - Black
**	049464-03-000	EA	Blade - Windshield Wiper - 20" Black
	067188-01-000	EA	Crank Stud - Wiper
	067190-01-000	EA	Shaft & Pivot Asm. - Wiper
	067192-01-000	EA	Connecting Link Asm. - Drivers Side
	067193-01-000	EA	Connecting Link Asm. - Passenger Side
	067191-02-700	EA	Wiper Motor Asm.
**	074007-02-000	EA	Switch - Wiper Delay

** The illustrated parts breakdown for this item is provided on the Common Items Fiche

EXTERIOR BODY GROUP

INTERIOR/EXTERIOR SCREWS & FASTENERS

Key	Part Number	U/M	Description
	005200-01-000	EA	Bolt - Round Head - Square Neck w/SST Cap - 7/16" - 14 x 1 1/4"
	058279-01-000	EA	Clip - Mounting - Front Panel
	035628-01-000	EA	Fastener - Blind Well Nut - 1.05" x .38"
	000D15-06-008	EA	Nut - Hex - 3/8" x 24 - Zinc
	005081-01-000	EA	Nut - Speed - C Type - #8 Screw
	000G54-04-208	EA	Screw 1/4 - 20 x 1 1/4" PTH - Zinc
	000G54-04-228	EA	Screw 1/4 - 20 x 1 3/8" PTH - Zinc
	000G53-04-008	EA	Screw 1/4 - Machine - 20 x 3/8" PTH - Zinc
	000G13-06-12P	EA	Screw #6 - 20 x 3/4" PFH - Dark Brown
	000G13-06-28X	EA	Screw #6 - 20 x 3/4" PFH - Gray
	000G13-06-16R	EA	Screw #6 - 20 x 1" PFH - Beige
	000G11-07-08B	EA	Screw #7 - 19 x 1/2" PPH - Zinc
	000G12-08-12M	EA	Screw #8 - 18 x 3/4" POH - Gray
	000G11-08-12R	EA	Screw #8 - 18 x 3/4" PPH - Beige
	000G11-08-12X	EA	Screw #8 - 18 x 3/4" PPH - Gray
	000G11-08-12B	EA	Screw #8 - 18 x 3/4" PPH - Zinc
	000G39-08-12R	EA	Screw #8 - 18 x 3/4" SDPH - Beige
	000G86-08-12M	EA	Screw #8 - 18 x 3/4" SDPH - Gray
	000G11-08-16R	EA	Screw #8 - 18 x 1" PFH - Gray
	000G88-08-16R	EA	Screw #8 - 18 x 1" SDPH - Beige
	000G12-08-28R	EA	Screw #8 - 18 x 1 3/4" POH - Beige
	000G36-08-08E	EA	Screw #8 - 32 x 1/2" PFH - Chrome
	000G39-08-08B	EA	Screw #8 - Self Drilling - 18 x 1/2" PPH - Zinc
	000G53-08-12B	EA	Screw #8 - Self Drilling - 18 x 3/4" PPH - Zinc
	000G39-08-12R	EA	Screw #8 - Self Drilling - 18 x 3/4" PPH - Beige
	000G39-08-16R	EA	Screw #8 - Self Drilling - 18 x 1" PPH - Beige
	000G39-08-16T	EA	Screw #8 - Self Drilling - 18 x 1" PPH - Black
	000G39-08-16P	EA	Screw #8 - Self Drilling - 18 x 1" PPH - Dark Brown
	000G39-08-16X	EA	Screw #8 - Self Drilling - 18 x 1" PPH - Gray
	000G39-08-16E	EA	Screw #8 - Self Drilling - 18 x 1" PPH - Chrome
	000G64-08-16M	EA	Screw #8 - Self Drilling - 18 x 1" SDPH - Gray
	000G67-10-08B	EA	Screw #10 - 12 x 1/2" PPH - Zinc
	000G87-10-10R	EA	Screw #10 - 12 x 5/8" PPH - Beige
	000G67-10-16P	EA	Screw #10 - 12 x 1" PPH - Dark Brown
	000G67-10-16B	EA	Screw #10 - 12 x 1" PPH - Zinc
	000G67-10-20B	EA	Screw #10 - 12 x 1 1/4" - PPH - Zinc
	000G67-10-24B	EA	Screw #10 - 12 x 1 1/2" PPH - Zinc
	049465-04-000	EA	Screw #10 - 16 x 1" POH - w/Washer - Beige
	049465-05-000	EA	Screw #10 - 16 x 1" POH - w/Washer - Gray
	000G12-10-24E	EA	Screw #10 - 16 x 1 1/2" POH - Chrome
	000G11-10-08D	EA	Screw #10 - 16 x 1/2" PPH - Dark Brown
	000G11-10-12R	EA	Screw #10 - 16 x 3/4" PPH - Beige
	000G11-10-12S	EA	Screw #10 - 16 x 3/4" PPH - Off White
	000G11-10-12B	EA	Screw #10 - 16 x 3/4" PPH - Zinc
	000G11-10-16B	EA	Screw #10 - 16 x 1" PPH - Zinc
	000G11-10-40B	EA	Screw #10 - 16 x 2 1/2" PPH - CAD
	000G19-10-12B	EA	Screw #10 - Machine - 32 TPI x 3/4"
	075908-01-000	EA	Screw #10 - Machine - 32 x 5/8" PTH - Zinc
	000G19-10-20B	EA	Screw #10 - Machine - 32 x 1 1/4" PPH - Zinc
	000G39-12-12E	EA	Screw #10 - Self Drilling - 14 x 3/4" PPH - Chrome
	000G39-10-10R	EA	Screw #10 - Self Drilling - 16 x 62" PPH - Beige
	000G39-10-12R	EA	Screw #10 - Self Drilling - 16 x 3/4" PPH - Beige
	000G39-10-12P	EA	Screw #10 - Self Drilling - 16 x 3/4" PPH - Dark Brown
	000G56-12-48C	EA	Screw #12 - Wood - 11 x 3" POH - CAD

MISCELLANEOUS EXTERNALLY MOUNTED PARTS

Key	Part Number	U/M	Description
	063558-01-000	EA	Plumbing Seal - Roof Vent - 1 1/2" - Covered
	010230-03-000	EA	Fill - City Water - Recessed - Beige
	081240-01-000	EA	Water Fill - Lockable - Beige

1986 WINNEBAGO TABLE OF CONTENTS

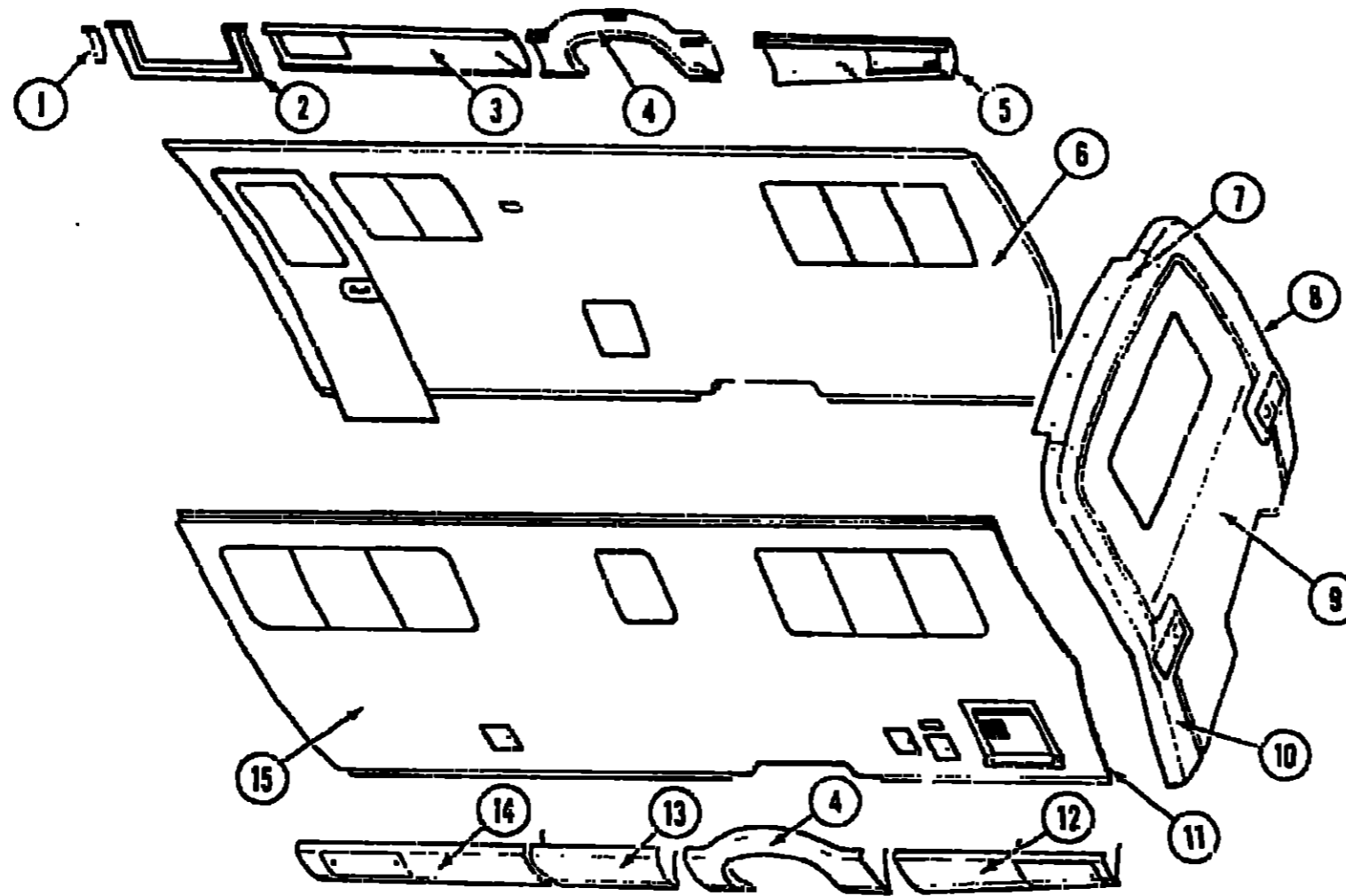
WF426RT	A-01 - C-04
WCN26RH	C-05 - E-10
WCN23RG	E-11 - G-24
WCP26ET	H-01 - J-03

1986 WCP26ET INDEX

Floor Plan	H-01 - H-02
Accessories Group	H-03 - H-04
Bath Group	H-05
Chassis Group	H-06 - H-09
Curtain, Cushion & Pad Group	H-10 - H-15
Dinette Group	H-16
Driver's Compartment Group	H-17 - H-20
Electrical Group	H-21 - H-23
Exterior Body Group	H-24 - I-06
Galley Group	I-07 - I-08
Heating & Air Conditioning Group	I-09 - I-10
Interior Finish Group	I-11 - I-12
Lit Group	I-13
Lounge Group	I-14
Water & Sewage Group	I-15 - I-16
Window, Vent & Exterior Door Group	I-17 - J-03

EXTERIOR BODY GROUP (CONTINUED)

EXTERIOR BODY PANELS



1986 WINNEBAGO TABLE OF CONTENTS

WF426RT
WCN26RH
WCN23RG
WCP26ET

A-01 - C-04
C-05 - E-10
E-11 - G-24
H-01 - J-03

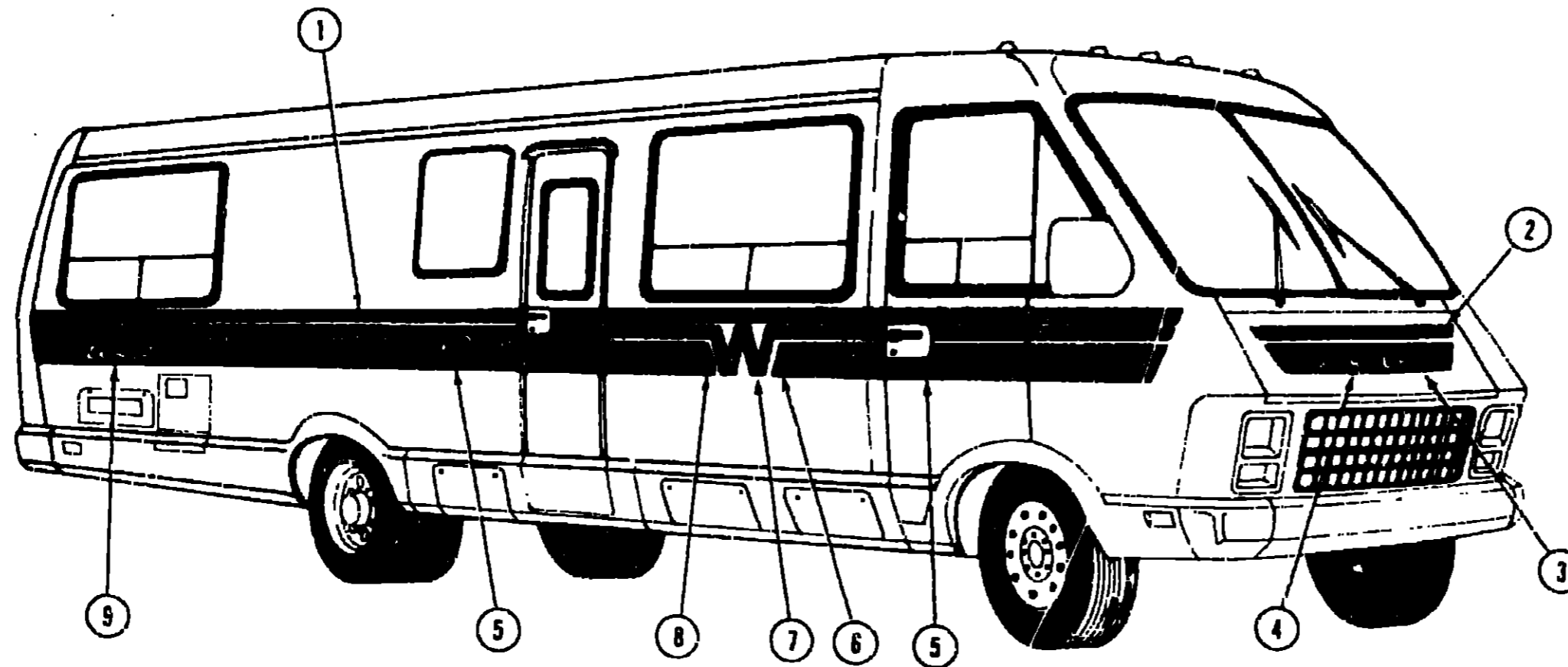
1986 WCP26ET INDEX

Floor Plan	H-01 - H-02
Accessories Group	H-03 - H-04
Bath Group	H-05
Chassis Group	H-06 - H-09
Curtain, Cushion & Pad Group	H-10 - H-15
Dinette Group	H-16
Driver's Compartment Group	H-17 - H-20
Electrical Group	H-21 - H-23
Exterior Body Group	H-24 - I-06
Galley Group	I-07 - I-08
Heating & Air Conditioning Group	I-09 - I-10
Interior Finish Group	I-11 - I-12
LP Group	I-13
Lounge Group	I-14
Water & Sewage Group	I-15 - I-16
Window, Vent & Exterior Door Group	I-17 - J-03

Key	Part Number	U/M	Description
1	M02586-25-U25	EA	Valance Panel - Right Front
2	M02586-03-U07	EA	Valance Panel - Entrance Door
3	M02586-20-U25	EA	Valance Panel - Right Center
4	082925-01-U07	EA	Wheelwell Trim - Rear - Beige
5	M02586-21-U25	EA	Valance Panel - Right Rear
6	M83896-01-U25	EA	Sidewall Asm. - Right (U26)
6	M83896-01-U27	EA	Sidewall Asm. - Right
7	M02679-03-U25	EA	Trim Asm. - Top Rear - Beige Plastic
	077412-01-000	EA	Trim Cap - Right Rear Top - Beige Plastic
	077412-02-000	EA	Trim Cap - Left Rear Top - Beige Plastic
8	M02679-01-U25	EA	Trim Asm. - Right Rear - Beige Plastic
9	083851-01-U25	EA	Backwall Asm
10	M02679-02-U25	EA	Trim Asm. - Left Rear - Beige Plastic
11	073502-08-000	EA	Trim - Plastic Rear Cap - Left - Beige
	073502-07-000	EA	Trim - Plastic Rear Cap - Right - Beige
			Not illustrated

Key	Part Number	U/M	Description
12	M02586-26-U25	EA	Valance Panel - Left Rear - w/o Generator
12	M02586-24-U25	EA	Valance Panel - Left Rear - w/Generator
13	M02586-23-U25	EA	Valance Panel - Left Center
14	M02586-22-U25	EA	Valance Panel - Left Front
15	M83899-01-U25	EA	Sidewall Asm - Left
	M84208-01-U25	EA	Roof Asm.
	073505-06-000	EA	Roof Trim - 180" - Beige
	076515-02-000	EA	Inside Trim - Wheelwell - Rear - Left/Right - Steel
	M01615-01-000	EA	Roof Cap - Front Roof Cab - Beige
			Not illustrated

EXTERIOR BODY GROUP (CONTINUED)



**1986 WINNEBAGO
TABLE OF CONTENT'S**

WF426PT
WCN26RH
WCN23RG
WCP26ET

A-01 - C-04
C-05 - E-10
E-11 - G-24
H-01 - J-03

DECALS & FILM STRIPE

Key	Part Number	U/M	Description
1	069245-66-000	FT	Film Stripe - 1.69" - Red Brown Metallic (U25, U26)
1	059245-62-000	FT	Film Stripe - 1.69" - Brown Metallic (U27)
2	069245-71-000	FT	Film Stripe - 1.97" - Red Brown Metallic (U25, U26)
2	069245-64-000	FT	Film Stripe - 1.97" - Brown Metallic (U27)
3	069745-04-000	EA	Decal - "Bago"
4	069745-03-000	EA	Decal - "Winnie"
5	069245-67-000	FT	Film Stripe - 6" - Light Brown Metallic (U25, U26)
5	069245-65-000	FT	Film Stripe - 6" - Green Metallic (U27)
6	073719-32-000	EA	Decal - Right "W" Surround - Light Brown Metallic (U25, U26)
6	073719-28-000	EA	Decal - Right "W" Surround - Dark Green Metallic (U27)
7	073725-11-000	EA	Decal - "W" - Red Brown Metallic (U25, U26)
7	073725-10-000	EA	Decal - "W" - Brown Metallic (U27)
8	073719-31-000	EA	Decal - Left "W" Surround - Light Brown Metallic (U25, U26)
8	073719-27-000	EA	Decal - Left "W" Surround - Dark Green (U27)
9	076754-01-000	EA	Decal - "Elandan" - Chrome
-	050313-22-000	EA	Decal - "Winnebago" - Chrome
-			Not illustrated

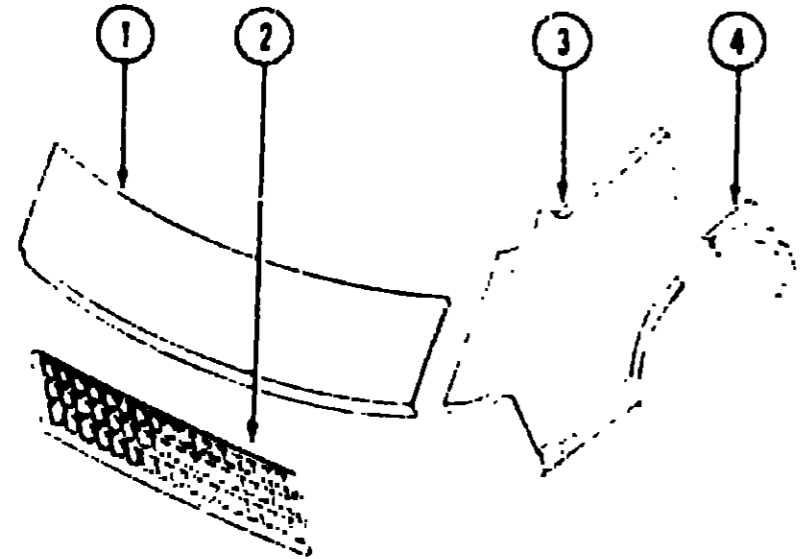
LABELS & EXTERIOR PAINT

Key	Part Number	U/M	Description
	068383-01-000	EA	Label - Diesel Fuel
	006195-01-000	EA	Label - Electrical Test
	047731-01-000	EA	Label - Emergency Exit
	006199-01-000	EA	Label - Exit - Escape Window
	057467-04-000	EA	Label - Exterior Loading Limit
	064378-01-000	EA	Label - Flying "W" w Thermo Panel
	061417-01-000	EA	Label - Fuel
	006196-01-000	EA	Label - Gas Test
	054531-01-000	EA	Label - LP Gas Only
	040944-01-000	EA	Label - Open - Entrance Door
	006015-01-000	EA	Label - Patent Motor Home
	056259-01-000	EA	Label - Safety Check List
	006064-01-000	EA	Label - Seat - w/o Seat Belts
	006187-01-000	EA	Label - Sewage
	006006-01-000	EA	Label - Thermo Panel - 2 1/4" x 2 1/4"
	075221-01-000	EA	Label - Trailer Hatch Capacity
	075220-01-000	EA	Label - Warning - Exterior Load Limit
	050225-01-000	EA	Label - Warning - Stove Vent - US
	006198-01-000	EA	Label - Waste Water
	006197-01-000	EA	Label - Water Test
	072863-01-000	EA	Nameplate - Diesel - 6.2L
	006062-01-000	EA	Tag - Electrical - 110 Volt Connection
	006040-01-000	EA	Tag - Gas - Refueling Warning
	044486-03-000	EA	Paint - Bage Acrylic Enamel - 16 oz Aerosol (7633A Dupont)
	045681-03-000	EA	Paint - Gloss Black - Acrylic Enamel - 16 oz Aerosol (99 Dupont)
	058637-05-000	EA	Paint - Gray Acrylic Enamel - 16 oz Aerosol (71537 Dupont)
	041561-03-000	EA	Paint - Off White Acrylic Enamel - 16 oz Aerosol (45396A Dupont)
	074559-01-000	EA	Label "LPG" - 3.3" x 1.75" - (Caution Code)

1986 WCP26ET INDEX

Floor Plan	H-01 - H-02
Accessories Group	H-03 - H-04
Bath Group	H-05
Chassis Group	H-06 - H-09
Curtain, Cushion & Pad Group	H-10 - H-15
Dinette Group	H-16
Driver's Compartment Group	H-17 - H-20
Electrical Group	H-21 - H-23
Exterior Body Group	H-24 - I-06
Galley Group	I-07 - I-08
Heating & Air Conditioning Group	I-09 - I-10
Interior Finish Group	I-11 - I-12
LP Group	I-13
Lounge Group	I-14
Water & Sewage Group	I-15 - I-16
Window, Vent & Exterior Door Group	I-17 - J-03

EXTERIOR BODY GROUP (CONTINUED)



EXTERIOR BODY PANELS (CA8)

Key	Part Number	U/M	Description
1	077229-01-000	EA	Hood Panel
2	076777-02-000	EA	Grill Panel - Gray
2	076777-01-000	EA	Grill - Panel - Chrome
3	075757-03-000	EA	Fender Panel - Front Left
3	084240-02-U25	EA	Fender Panel - Front Left - Used w/Door Option
•	075757-01-000	EA	Fender Panel - Front Right
4	075759-03-000	EA	Fender Panel - Rear Left
•	075759-01-000	EA	Fender Panel - Rear Right
•	058786-02-000	EA	Hood Bolt - Adjusting
•	R77006-38-499	EA	Spring - Hood Latch Cable
•	077257-03-000	EA	Hinge Asm. - Hood - Right
•	077257-04-000	EA	Hinge Asm. - Hood - Left
•	077252-01-000	EA	Hinge Pin - Stainless Steel
•	077407-01-000	EA	Bracket - Hood Release Cable
•	070907-01-000	EA	Headlamp Capsule Asm. - High/Low Beam - Left or Right
•	076911-01-000	EA	Headlamp Bezel - Chrome - Right Hand
•	076911-02-000	EA	Headlamp Bezel - Chrome - Left Hand
•	076911-03-000	EA	Headlamp Bezel - Unfinished - Right Hand
•	076911-04-000	EA	Headlamp Bezel - Unfinished - Left Hand
•	075767-01-000	EA	Bumper End - Plastic - Passenger Side - Beige
•	075767-03-000	EA	Bumper End - Plastic - Drivers Side - Beige
•	076345-01-000	EA	Lamp Asm. - Park/Turn - Amber - Left or Right
•	M01615-01-000	EA	Roof Cap - Front Cab
•			Not illustrated

SHEET FIBERGLASS, ALUMINUM & STYROFOAM

Key	Part Number	U/M	Description
	000868-01-000	SF	Styrofoam - 3/4" x 24" x 96"
	000870-01-000	SF	Styrofoam - 1 1/2" x 24" x 96"
	000970-02-000	SF	Styrofoam - 1 1/2" x 48" x 96"
	000870-04-000	SF	Styrofoam - 1.34" x 24" x 96"
	000670-03-000	SF	Styrofoam - 1 3/4" x 48" x 96"
	000870-05-000	SF	Styrofoam - 5" x 24" x 96"
	044487-01-001	EA	Alum. - Mill Finish - No Design - 96" x 360"
	091054-01-041	EA	Alum. - Off White - Sheet - 48" x 360"
	076054-31-001	EA	Fiberglass Sheet - 47 6" x 31 3" - Beige - Smooth

EXTERIOR BODY GROUP (CONTINUED)

SEALANTS & ADHESIVES

Key	Part Number	U/M	Description
	004020-01-000	QT	Adhesive - ABS Cement (Plastic Fittings)
	002337-01-000	EA	Adhesive - 1300 Tube - 3M (Windows)
	004005-02-000	GL	Adhesive - Swifts - Glue (Sidewalls)
	053766-07-000	EA	Bedding Compound - Tube - Beige (Exterior)
	053766-06-000	EA	Bedding Compound - Tube - Clear (Window)
	053766-08-000	EA	Bedding Compound - Tube - Gray (Exterior)
	053766-05-000	EA	Bedding Compound - Tube - Gray (Sidewalls to Floor)
	053766-02-000	EA	Bedding Compound - Tube - Off White (Exterior)
	002328-02-000	EA	Block - Rubber Spacer (Windshield)
	004336-01-000	EA	Caulk - Latex - Golden Walnut (Sidewalls)
	072891-02-000	QT	Primer - Glass - Black
	072891-01-000	QT	Primer - Glass - Clear
	035024-01-000	EA	Primer - Glass - Clear - Windshield
	072890-01-000	QT	Primer - Metal - Black
	035023-01-000	GL	Primer - Metal - Windshield
	077967-01-000	EA	Sealant - Acrylic Latex - Tube - Off White (Interior Sealant)
	034552-04-000	EA	Sealant - Silicone - Beige
	034552-02-000	EA	Sealant - Silicone - Clear
	034552-07-000	EA	Sealant - Silicone - Dark Gray
	034552-06-000	EA	Sealant - Silicone - Off White
	069637-01-000	EA	Sealant - Weatherban 404 - Tube - White (Door Caulk)
	072889-01-000	EA	Sealant - Urethane - Black (Windshield)
	069640-01-000	FT	Sealer Ribbon - 25" Bead x 20'
	069640-02-000	FT	Sealer Ribbon - .5" x .125" x 30'
	069640-03-000	FT	Sealer Ribbon - .75" x .125" x 30'
	069640-04-000	FT	Sealer Ribbon - 2" x .09" x 45' (P Series)
	069640-05-000	FT	Sealer Ribbon - 2.5" x .09" x 50'
	069640-06-000	FT	Sealer Ribbon - 5/16" Bead x 15'
	069640-07-000	FT	Sealer Ribbon - 2" x 3/32" x 30'
	002316-01-000	FT	Sealer Tape - 3 3/2" x 3 8" - White (Window)
	002707-01-000	FT	Sealer Tape - 5 1/6" x 3 4"
	002707-02-000	FT	Sealer Tape - 5 1/6" x 1 2"
	040545-01-000	GL	Sealer - Seam Weld
	053752-04-000	EA	Seam Sealer - Tube - Aluminum (Roof)
	063642-01-000	FT	Tape - Adhesive - 10 mm x 1 5" Wide
	038885-01-000	EA	Tape - Butyl - .31" x 31" x 149" (Windshield)
	076322-01-000	FT	Tape - Foam - Double Coated - .025 x 1" (Fiberglass Sidewall Seams)
	076322-02-000	FT	Tape - Foam - Double Coated - .045 x 1" (Fiberglass Sidewall Seams)
	009200-01-000	EA	Tape - Furnace - 1 5"
	002825-01-000	FT	Weather Striping (Roof Vent)

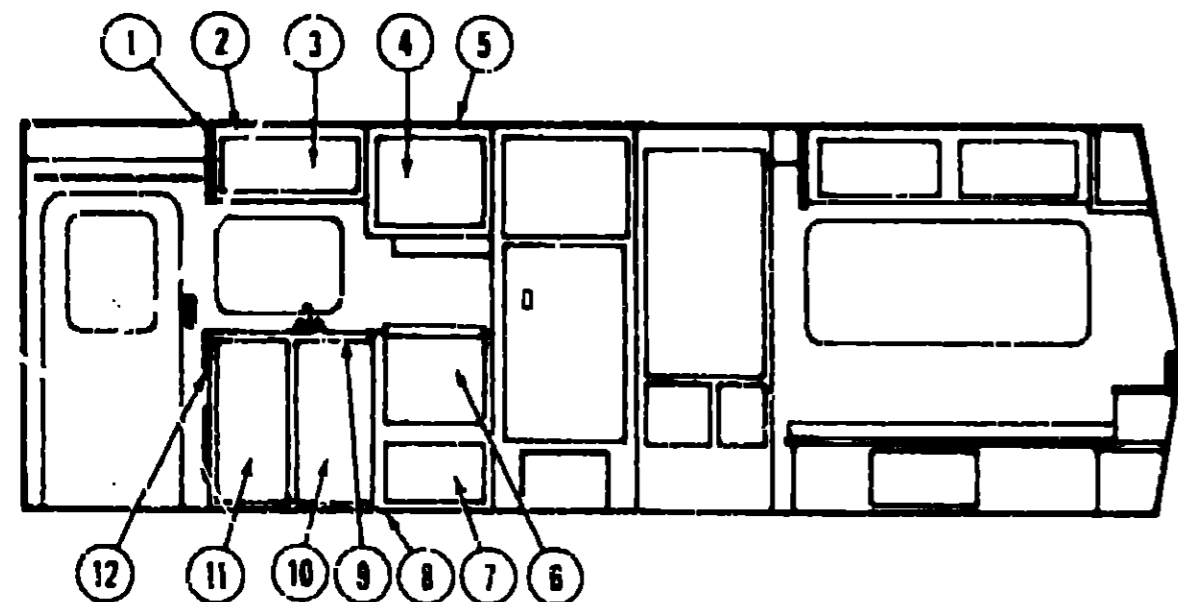
1988 WINNEBAGO TABLE OF CONTENTS

WF426RT	A-01 - C-04
WCN26RH	C-05 - E-10
WCN23RG	E-11 - G-24
WCP26ET	H-01 - J-03

1986 WCP26ET INDEX

Floor Plan	H-01 - H-02
Accessories Group	H-03 - H-04
Bath Group	H-05
Chassis Group	H-06 - H-09
Curtain, Cushion & Pad Group	H-10 - H-15
Dinette Group	H-16
Driver's Compartment Group	H-17 - H-20
Electrical Group	H-21 - H-23
Exterior Body Group	H-24 - I-06
Galley Group	I-07 - I-08
Heating & Air Conditioning Group	I-09 - I-10
Interior Finish Group	I-11 - I-12
LP Group	I-13
Lounge Group	I-14
Water & Sewage Group	I-15 - I-16
Window, Vent & Exterior Door Group	I-17 - J-03

GALLEY GROUP



GALLEY CABINETRY

Key	Part Number	U/M	Description
1	083993-01-U25	EA	End Cap - Galley Overhead
2	083968-01-U25	EA	Cabinet Asm - Galley Overhead - w/o Doors or Hardware
3	M81503-10-U25	EA	Door Asm - Galley Overhead - w/o Hardware
4	M81523-10-U25	EA	Door Asm - Range Overhead - w/o Hardware - Rear
5	083969-01-U25	EA	Cabinet Asm. - Range Overhead - w/o Doors or Hardware
6	M81501-A3-U25	EA	Door Asm - Used w/ Microwave
7	M81501-A2-U25	EA	Door Asm - Galley Cabinet - w/o Hardware - Lower
8	M83890-01-U25	EA	Cabinet Asm - Galley - w/o Doors, Drawers, Countertop or Hardware
9	M02640-01-U25	EA	Countertop Asm - Galley Cabinet
10	M81501-99-U25	EA	Door Asm - Galley Cabinet - w/o Hardware - Rear
11	M81501-A0-U25	EA	Door Asm - Galley Cabinet - w/o Hardware - Front
12	086812-03-U01	EA	Galley Counter Extension

GALLEY HARDWARE

Key	Part Number	U/M	Description
	081530-01-U07	EA	Sink Cover - Large - Berge Crescent
	068615-01-000	EA	Sink - Stainless Steel - Double w/Bo'ts
**	011053-01-000	EA	Faucet - Swing Spout - 8" - US
**	011053-02-000	EA	Faucet - Swing Spout - 8" - CSA
	066437-01-000	EA	Strainer w/Basket - Sink
**	011053-01-700	EA	Aerator - Swing Spout Faucet
	058334-01-000	EA	Wastebasket - 9 3/4" x 7" x 10" - White Rubbermaid
	058476-01-000	EA	Support - Wastebasket
	077409-01-000	EA	Drawer Side - Plastic - 20 7/8"
	077404-01-000	EA	Drawer - Plastic - 20" x 12 7/8"
	039873-01-700	EA	Door Catch & Strike - Nylon & Spring Steel
**	059777-01-000	EA	Hinge - Cabinet Door - Antique Brass
	074981-01-000	EA	Cutting Board - Maple
	054450-01-000	EA	Level - Refrigerator
	078212-01-000	EA	Door Pull - Polished Brass & Oak Inlay
	074493-02-000	EA	Door Support - Sprung
**	The illustrated parts breakdown for this item is provided on the Common Items Fiche		

GALLEY GROUP (CONTINUED)

GALLEY APPLIANCES

Key	Part Number	U/M	Description
**	075218-01-000	EA	Refrigerator - 3-Way - 10' Norcold
**	064473-02-000	EA	Refrigerator - 3-Way - 6' Norcold
**	075217-01-000	EA	Refrigerator - 3-Way - 8' Norcold
	064782-02-000	EA	Range - 4 Burner - Almond Top
	064782-01-700	EA	Frame - Upper Glass
	064782-01-701	EA	Glass - Outside
	064782-01-702	EA	Panel - Door - Black
	064782-01-703	EA	Trim - Cabinet - Right
	064782-01-704	EA	Trim - Cabinet - Left
	064782-01-705	EA	Washer - Door Handle
	064782-02-700	EA	Top - 4 Burner - Almond
	064782-02-701	EA	Deflector - Plate - Black
	064782-02-702	EA	Trim - Cabinet - Right - Black
	064782-02-703	EA	Trim - Cabinet - Left - Black
	064782-02-704	EA	Trim - Glass - Lower Outside - Black
	064782-02-705	EA	Handle - Oven Door - Black
	064782-02-706	EA	Trim - Vertical - Black
	064782-02-707	EA	Panel - Manifold
	064782-02-708	EA	Mercury Valve
	749045-01-740	EA	Cover - Stovetop Bifold - Magic Chef
	081374-01-000	EA	Range Top - 4 Burner - Almond
	081374-01-700	EA	Trim - Cabinet - Top Right
	081374-01-701	EA	Trim - Cabinet - Top Left
	081374-01-702	EA	Panel - Manifold - Warm Black
	081374-01-703	EA	Trim - Top Rear
	081374-01-704	EA	Guard - Fabric
**	079353-01-000	EA	Hoed - Stove - w/Monitor - Almond - US
**	The illustrated parts breakdown for this item is provided on the Common Items Fiche.		

1986 WINNEBAGO TABLE OF CONTENTS

WF426RT	A-01 - C-04
WCN26RH	C-05 - E-10
WCN23RG	E-11 - G-24
WCP26ET	H-01 - J-03

1986 WCP26ET INDEX

Floor Plan	H-01 - H-02
Accessories Group	H-03 - H-04
Bath Group	H-05
Chassis Group	H-06 - H-09
Curtain, Cushion & Pad Group	H-10 - H-15
Dinette Group	H-16
Driver's Compartment Group	H-17 - H-20
Electrical Group	H-21 - H-23
Exterior Body Group	H-24 - I-06
Galley Group	I-07 - I-08
Heating & Air Conditioning Group	I-09 - I-10
Interior Finish Group	I-11 - I-12
LP Group	I-13
Lounge Group	I-14
Water & Sewage Group	I-15 - I-16
Window, Vent & Exterior Door Group	I-17 - J-03

HEATING & AIR CONDITIONING GROUP

AUTOMOTIVE HEATER & AIR CONDITIONER

Key	Part Number	U/M	Description
	090426-01-000	EA	Heater/Evaporator Asm - w/Pressure Sensor Switch - A R A
	072342-01-000	EA	Condensor Asm - A R A
	072342-03-000	EA	Condensor Asm - w/Fans & High Temp Sensor Switch - A R A
	072342-04-000	EA	Condensor Asm - w/High Temp Sensor Switch - A R A
	072342-03-700	EA	Coil - Condenser
	072342-03-701	EA	Receiver - Drier
	072342-03-702	EA	Condenser Fan & Seal Asm.
	072342-03-703	EA	Condenser Fan
	072342-03-704	EA	Bracket - Condenser Mounting
	072342-03-705	EA	Switch - Temperature
	072343-01-000	EA	Compressor/Clutch - A R A
	072343-04-000	EA	Compressor/Clutch - w/Rear Mounted Valves - A R A
	072344-01-000	EA	Package - Compressor Mount
	072344-02-000	EA	Package - Rear Valve Compressor - Mount Brackets
	049401-01-000	EA	Heater Asm - Rear - Auxiliary
	049401-01-700	EA	Valve - Water Control (Aux. Heater)
	049401-01-701	EA	Control Cable (Aux. Heater)
	049401-01-702	EA	Motor Asm (Aux. Heater)
	049401-01-703	EA	Heater Core (Aux. Heater)
	049401-01-704	EA	Switch (Aux. Heater)
	049401-01-705	EA	Valve - 3 Port - 2 Way
	049401-01-706	EA	Knob - Heater
	049401-01-708	EA	Wire Asm
	049401-01-709	EA	Wire Asm
	049401-01-710	EA	Wire Asm
	049401-01-711	EA	Knob - Switch
	058906-01-000	EA	Control Panel - Brown (Aux. Rear Heater)

HEATING & AIR CONDITIONING GROUP (CONTINUED)

FURNACES & ROOF AIR CONDITIONER

Key	Part Number	U/M	Description
	078182-01-000	EA	Furnace - 20,000 BTU - w/Electric LIL
	078182-03-000	EA	Furnace - 30,000 BTU - w/Electric, UL
	078182-04-000	EA	Furnace - 20,000 BTU - w/Electric, CGA
	078182-06-000	EA	Furnace - 30,000 BTU - w/Electric, CGA
	078182-07-000	EA	Connector - Side Duct
	078182-01-700	EA	Casing
	078182-01-701	EA	Sight Glass - Small
	078182-01-702	EA	Sight Glass Retainer Small
	078182-01-703	EA	Sight Glass - Large
	078182-01-704	EA	Sight Glass Gasket
	078182-01-705	EA	Burner Box Liner
	078182-01-706	EA	Liner Cover
	078182-01-707	EA	Heat Chamber Collar - 2 Required
	078182-01-708	EA	Heat Chamber
	078182-01-709	EA	Air Adjustment Bracket
	078182-01-710	EA	Pilot Ignitor Asm. - w-Orifice
	078182-01-711	EA	Pilot Orifice - 014
	078182-01-712	EA	Gasket Set - Heat Chamber
	078182-01-714	EA	Plug - Bottom
	078182-01-715	EA	Control Access Box
	078182-01-716	EA	Motor 90020 w Gasket Set
	078182-01-717	EA	Motor 90030 w/Gasket Set
	078182-01-718	EA	Gasket Set
	078182-01-719	EA	Blower Wheel
	078182-01-720	EA	Air Prover Switch
	078182-01-721	EA	Motor Mounting Grommet (3 required)
	078182-01-722	EA	Blower Wheel - Comb Air
	078182-01-723	EA	Burner Head
	078182-01-724	EA	Burner Head Gasket
	078182-01-726	EA	Pre-Mix Chamber
	078182-01-727	EA	Gasket - Burner Pipe
	078182-01-728	EA	Air Shutter Disc
	078182-01-729	EA	Air Shutter Rod
	078182-01-730	EA	Gas Control - SGL Oper
	078182-01-731	EA	Burner Pipe
	078182-01-732	EA	Main Orifice - 90020
	078182-01-733	EA	Main Orifice - 90030
	078182-01-734	EA	Limit Switch - Auto - 1906 90020
	078182-01-735	EA	Limit Switch - Auto - 2100 90030
	078182-01-736	EA	Shutoff Valve
	078182-01-737	EA	Blower Relay - Time Delay
	078182-01-738	EA	Ignition Module Board
	078182-01-739	EA	Vent Assembly
	078182-01-740	EA	Thermostat - Wall
	009198-01-000	FT	Duct - Flexible - 4" I.D. x 25
	056464-01-000	EA	Register - 4" Dia - Plastic - w Damper
	056464-02-000	EA	Register - 4" Dia - Plastic - w c Damper
	009200-01-000	EA	Tape - Furnace - 1 1/2"
	023146-01-000	EA	Clamp Screw Type - 4"
**	073743-01-000	EA	Shroud Asm - Ceiling - inside - Roof Air Cool Only - 13,500 BTU - Coleman
**	073742-01-000	EA	Air Conditioner - 110 Volt - Roof Mount - 13,500 BTU Rotary
**			The illustrated parts breakdown for this item is provided on the Common Items Fiche

1986 WINNEBAGO TABLE OF CONTENTS

WF426RT	A-01 - C-04
WCN26RH	C-05 - E-10
WCN23RG	E-11 - G-24
WCP26ET	H-01 - J-03

1986 WCP2SET INDEX

Floor Plan	H-01 - H-02
Accessories Group	H-03 - H-04
Bath Group	H-05
Chassis Group	H-06 - H-09
Curtain, Cushion & Pad Group	H-10 - H-15
Dinette Group	H-16
Driver's Compartment Group	H-17 - H-20
Electrical Group	H-21 - H-23
Exterior Body Group	H-24 - I-06
Galley Group	I-07 - I-08
Heating & Air Conditioning Group	I-09 - I-10
Interior Finish Group	I-11 - I-12
LP Group	I-13
Lounge Group	I-14
Water & Sewage Group	I-15 - I-16
Window, Vent & Exterior Door Group	I-17 - J-03

INTERIOR FINISH GROUP

PANELING & COUNTERTOP MATERIALS

Key	Part Number	U/M	Description
	077496-30-000	SF	Paneling - Wet Bath Back Splash
	074497-03-000	SF	Paneling - Sunset Oak - 48" x 84"
	074497-07-000	SF	Paneling - Pebble Beach - 48" x 84" Ceiling
	074496-35-000	SF	Paneling - Decor - Galley - 48" x 84" (U25, U26)
	077496-39-000	SF	Paneling - Decor - Galley - 48" x 84" (U27)
	074498-06-000	SF	Plastic Laminate - Beige Crescent (Galley)
	074498-05-000	SF	Plastic Laminate - Sunset Oak
	076325-04-000	FT	Edge Molding - Sunset Oak
	074498-14-000	SF	Plastic Laminate - Sage Green (U27) (Bath, Dinette)
	074498-08-000	SF	Plastic Laminate - Fawn (U25, U26) (Bath, Dinette)
	076325-10-000	FT	Edge Molding - Sage Green (U27) (Bath, Dinette)
	076325-08-000	FT	Edge Molding - Fawn (U25, 26) (Bath, Dinette)

INTERIOR MOLDINGS & TRIM

Key	Part Number	U/M	Description
	009812-15-000	FT	Molding - Outside Corner - 50" - Brown
	009809-15-000	FT	Molding - Outside Corner - 1" - Brown
	042357-09-000	FT	Molding - Outside Corner - Sunset Oak
	009767-06-000	FT	Wetling - Beige
	009767-07-000	FT	Wetling - Brown
	009815-04-000	FT	T-Molding - .75" - Brown
	022992-08-000	FT	Molding - Reverse Cove - Champagne White
	022992-09-000	FT	Molding - Reverse Cove - Grady Brown
	070504-03-000	FT	U-Channel - .815" - Brown
	070504-01-000	FT	U-Channel - .65" - Light Brown
	009778-04-000	FT	U-Channel - 1" - Brown
	069733-62-000	EA	Batt Strip - Pebble Beach 8'
	069733-37-000	EA	Batt Strip - Sunset Oak (Wall) 8'
	069733-61-000	EA	Batt Strip - Neutral (Galley) - 8'
	069733-57-000	EA	Batt Strip - Wet Bath - 8'
	081521-01-001	EA	Molding Retainer - Aluminum - 16'
	081156-41-000	EA	Wall Trim - Carpet - 78" - Brown

FABRICS & CARPET

Key	Part Number	U/M	Description
	077498-62-000	YD	Fabric - Upholstery - Beige (U25)
	077498-63-000	YD	Fabric - Upholstery - Rose (U26)
	077498-64-000	YD	Fabric - Upholstery - Spruce (U27)
	077498-75-000	YD	Fabric - Upholstery/Accent (Drapery & Seat Covers) Beige/Spruce (U25, U27)
	077498-74-000	YD	Fabric - Upholstery/Accent (Drapery & Seat Covers) Rose (U26)
	077498-73-000	YD	Fabric - Upholstery/Plain Accent - Beige/Spruce (U25, U27)
	077498-72-000	YD	Fabric - Upholstery/Plain Accent - Rose (U26)
	069729-43-000	YD	Fabric - Bedspread - (U25, U26, U27)
	072333-21-000	YD	Fabric - Drapery - Parchment
	079680-02-000	YD	Vinyl - Expanded (End Caps) Sandril
	072860-43-000	SY	Carpet - Beige (U25)
	072860-44-000	SY	Carpet - Rose (U26)
	072860-45-000	SY	Carpet - Spruce (U27)
	075233-01-000	SY	Carpet - Pad 3/8" Foam
	038421-01-000	YD	Fabric - Mattress Ticking

INTERIOR FINISH GROUP (CONTINUED)

MISCELLANEOUS PARTS

Key	Part Number	U/M	Description
	053552-02-U09	EA	Handle Asm. - Interior Assist - Medium Almond Vinyl
	041944-03-000	EA	Fire Extinguisher - 5 BC
	054185-24-000	EA	Owner's Manual - Itasca - Winnebago
	007038-01-000	EA	Door Mat - Black Rubber - 10 1/2" x 26"
	081072-01-000	EA	Door Mat - Front Right - Brown "Winnebago"
	081074-01-000	EA	Door Mat - Front Left - Brown "Winnebago"
	081075-01-000	EA	Door Mat - Entrance - Brown "Winnebago"
	076312-01-U09	EA	Mesh - Gold Aluminum - 7.38" x 6.75"

CABINETS & TABLE HARDWARE

Key	Part Number	U/M	Description
	053200-05-000	EA	Bracket - Upper Wall Mount - Beige - 23 5"
**	053201-01-000	EA	Bracket - Table Mount - 23"
	024275-03-000	EA	Rod - Table Lift - 8" x 23 5" - Brown
	024281-03-000	EA	Bracket - Lower Wall Mount - Brown - 22 12"
	024276-14-000	EA	Leg Asm. - Table - 29 5" - Brown
	064050-01-000	EA	Hinge - Table Leg
**	024282-01-000	EA	Brace - Table Leg
**	024283-01-000	EA	Clip - 1" O.D. Tube
	049493-02-000	EA	Catch - Table Leg - Mounts on Floor - Brown
	009112-01-000	EA	Flange - 1" Chrome - Closet Rod
	077409-01-000	EA	Slide - Drawer - Plastic
**	037688-01-000	FT	Rail - Drawer
	076312-01-000	EA	Mesh - Grille - Brass - 7 3" x 6 8" (Rear Lounge)
	039873-01-700	EA	Nylon Catch & Spring Steel Strike
	009050-01-000	EA	Warp Guard - 64"
	009051-01-000	EA	Warp Guard - 48"
**	059777-01-000	EA	Hinge - Cabinet Door - Antique Brass
	074493-02-000	EA	Overhead Door Support - Spring
	078212-01-000	EA	Door Pull - Polished Brass & Oak Inlay
**	075687-02-000	EA	Knob - Bath Door
** The illustrated parts breakdown for this item is provided on the Common Items Fiche			

CURTAIN HARDWARE

Key	Part Number	U/M	Description
	056116-01-000	EA	Track - Curtain - Brown - Plastic
	077046-01-000	EA	Track - Curtain - Front Wraparound - Passenger
	077046-02-000	EA	Track - Curtain - Front Wraparound - Drivers
	082677-01-000	EA	Bracket - Shade
	056003-01-000	EA	Bracket - Drapery Retainer - Right
	056003-02-000	EA	Bracket - Drapery Retainer - Left
	056003-03-000	EA	Bracket - Drapery Retainer - Universal
	056784-02-000	EA	Pull - Window Shade - Antique Brass
	079798-03-000	EA	Bracket - Curtain Rod - Right
	079798-04-000	EA	Bracket - Curtain Rod - Left
	056115-01-000	YD	Tape - Clear Plastic - w Guides
	048394-01-000	YD	Tape Hood - 1" x 25 YD - Beige (Velcro)
	049385-01-000	YD	Tape Loop - 1" x 25 YD - Beige (Velcro)

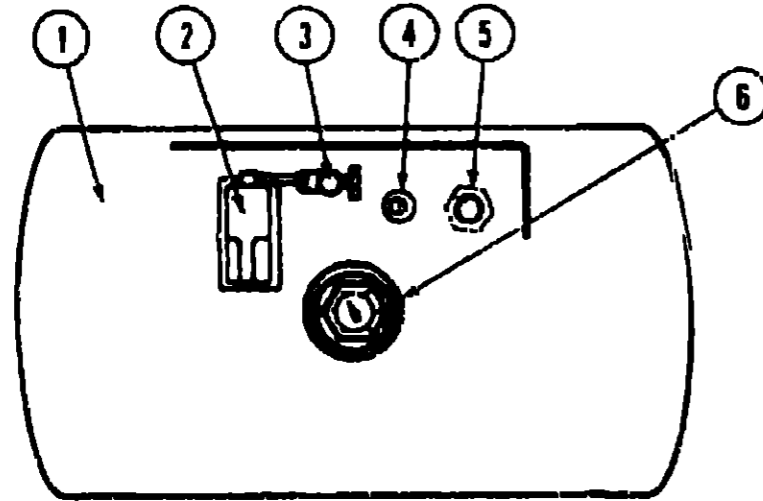
1988 WINNEBAGO TABLE OF CONTENTS

WF426RT	A-01 - C-04
WCN26RH	C-05 - E-10
WCN23RG	E-11 - G-24
WCP26ET	H-01 - J-03

1986 WCP26ET INDEX

Floor Plan	H-01 - H-02
Accessories Group	H-03 - H-04
Bath Group	H-05
Chassis Group	H-06 - H-09
Curtain, Cushion & Pad Group	H-10 - H-15
Dinette Group	H-16
Driver's Compartment Group	H-17 - H-20
Electrical Group	H-21 - H-23
Exterior Body Group	H-24 - I-06
Galley Group	I-07 - I-08
Heating & Air Conditioning Group	I-09 - I-10
Interior Finish Group	I-11 - I-12
LP Group	I-13
Lounge Group	I-14
Water & Sewage Group	I-15 - I-16
Window, Vent & Exterior Door Group	I-17 - J-03

LP GROUP



Key	Part Number	U/M	Description
1	080450-01-000	EA	Tank Asm. - LP — Frame Mount - 42 Pound - 13" x 24"
•	080450-01-700	EA	Fill Valve - LP
2	081938-01-000	EA	Compartment - LP Regulator
•	076301-01-000	EA	Regulator - Two Stage - LP Gas
3	040421-01-703	EA	Valve - Vapor Relief
4	040421-01-700	EA	Gauge - Liquid Level - 20" LP
5	040421-01-701	EA	Valve - Filler - LP
•	040421-01-702	EA	Cap - Plastic Fill Valve
6	040421-01-707	EA	Gauge - Float - w Visible Dial - 80 Pound Tank
•	040421-01-706	EA	Dial - Visible Face - Float Gauge (Tank w/o Electric Transmitter)
•	040440-01-000	EA	Dial - Transmitter - 0-90 Ohm (Float Gauge)
•	045703-01-000	EA	Hose Asm. - LP - 3/8" I.D. x 24" - US
•	045703-02-000	EA	Hose Asm. - LP - 3/8" I.D. x 24" - CSA
•	045703-03-000	EA	Hose Asm. - LP - 3/6" I.D. x 18" - US
•	045703-04-000	EA	Hose Asm. - LP - 3/8" I.D. x 14" - CSA
•	065741-01-000	EA	Gauge - Diaphragm Pressure - Test Leak
•			Not illustrated

LOUNGE GROUP

QUEEN BED W/NIGHT STAND

Key	Part Number	U/M	Description
	083959-01-U25	EA	Cabinet Asm. - Rear Overhead - w/o Doors or Hardware
	M81503-09-U25	EA	Door Asm. - Rear Overhead - w/o Hardware
	M83966-01-U25	EA	Cabinet Asm. - Nightstand - w/o Countertop, Doors or Hardware
	M02674-01-U25	EA	Countertop Asm. - Nightstand
	M81501-A7-U25	EA	Door Asm. - Nightstand - w/o Hardware
	077404-01-000	EA	Drawer - Plastic - 20" x 12 7"
	077409-01-000	EA	Slide - Drawer - Plastic - 20.75"
	M83963-01-U25	EA	Cabinet Asm. - Queen Bed Base
	M81501-A1-U25	EA	Door Asm. - Queen Bed - w/o Hardware

TWIN BED & OVERHEAD CABINETS

Key	Part Number	U/M	Description
	083960-01-U25	EA	Cabinet Asm. - Rear Overhead - Passenger Side - w/o Doors or Hardware
	083960-02-U25	EA	Cabinet Asm. - Rear Overhead - Drivers Side - w/o Doors or Hardware
	083959-01-U25	EA	Cabinet Asm. - Rear Overhead - Backwall - w/o Door or Hardware
	M81503-09-U25	EA	Door Asm. - Rear Overhead Cabinet - w/o Hardware
	M83441-01-U13	EA	Cabinet Asm. - Nightstand - w/o Door or Hardware
	M02609-01-U04	EA	Countertop Asm. - Nightstand - Top
	M02608-01-U04	EA	Countertop Asm. - Nightstand - Base
	M81501-A3-U13	EA	Door Asm. - Nightstand - w/o Hardware
	081710-01-000	EA	Slide - Drawer - Plastic
	077404-01-000	EA	Drawer - Plastic - 20" x 12 7"
	M83961-01-U25	EA	Cabinet Asm. - Twin Bed - Right
	M83962-01-U25	EA	Cabinet Asm. - Twin Bed - Left
	084357-01-U04	EA	TV Shelf Asm

1986 WINNEBAGO TABLE OF CONTENTS

WF426RT	A-01 - C-04
WCN26RH	C-05 - E-10
WCN23PG	E-11 - G-24
WCP26ET	H-01 - J-03

1986 WCP26ET INDEX

Floor Plan	H-01 - H-02
Accessories Group	H-03 - H-04
Bath Group	H-05
Chassis Group	H-06 - H-09
Curtain, Cushion & Pad Group	H-10 - H-15
Dinette Group	H-16
Driver's Compartment Group	H-17 - H-20
Electrical Group	H-21 - H-23
Exterior Body Group	H-24 - I-06
Galley Group	I-07 - I-08
Heating & Air Conditioning Group	I-09 - I-10
Interior Finish Group	I-11 - I-12
LP Group	I-13
Lounge Group	I-14
Water & Sewage Group	I-15 - I-16
Window, Vent & Exterior Door Group	I-17 - J-03

WATER & SEWAGE GROUP

PLUMBING AND REPAIR PARTS

Key	Part Number	U/M	Description
	045729-01-000	EA	Pump - Water - 2.8 G.P.M. - Direct Drive - Shurflo - US
	045729-02-000	EA	Pump - Water - 2.8 G.P.M. - Direct Drive - Shurflo - CSA
	039647-02-000	EA	Filter - Water Pump - 1/2" MPT
	039647-03-000	EA	Filter - Water Pump - 1/2" Flare
	052959-03-000	EA	Connector - 1/2 F x 3/8 MPT - Plastic
	052980-01-000	EA	Drain Valve - 1/2 F x 1/2 F - Plastic
**	046524-02-000	EA	Kit - Water Tank Fittings - Blank Tank
**	010079-01-000	EA	Tee - Plastic - 1 1/2 H x 1 1/2 H x 1 1/4 H
**	010121-01-000	EA	Bushing - Plastic - 1 1/2 S x 1 1/4 H
**	010133-01-000	EA	Trap Adapter - Plastic - 1 1/2 H x MPT
**	052954-01-000	EA	Adapter - Nose Cone - 5/8 or 1/2 - Plastic
**	010201-01-000	EA	Sewer Hose - 3" x 8" w/Clamp
**	050780-01-000	EA	Coupler Rubber - 3" x 3"
	062415-01-000	EA	Cap - Sewer - 3"
	062416-01-000	EA	Hose Adapter - 3"
	062417-01-000	EA	Adapter - Termination - 3"
	062418-01-000	EA	Valve - 3" - w/Handle
	062421-01-000	EA	Valve - 1 1/2" - w/Handle
**	011066-01-000	EA	P-Trap - 1 1/4" - Plastic
	010071-01-000	EA	Tee - Plastic - 1 1/2" x H x H x H
	010072-01-000	EA	Tee - Plastic - 1 1/2" H x 1 1/4 H x 1 1/2 H
	052956-01-000	EA	Tee - Plastic - 1/2 F x 1/2 MPT x 1/2 F
	052958-01-000	EA	Tee - Plastic - 1/2 F x 1/2 F x 1/2 F
**	053335-01-000	EA	P-Trap - Plastic - 1 1/4 H x H - w/Union
**	011091-01-000	EA	Waste - Continuous - Double Sink - 11 7/8"
	061607-01-000	EA	Grommet - Holding Tank Coupler - 1 1/2"
	061607-02-000	EA	Grommet - Holding Tank Coupler - 3"
	010000-01-000	EA	Elbow - Plastic - 1/8 BD x 1 1/4" x 45° H x H
	010006-01-000	EA	Elbow - Plastic - 1/8 BD x 1 1/2 x 45° H x H
	010051-01-000	EA	Elbow - ST - Plastic - 1/8 BD x 1 1/2 x 45°
	010219-01-000	EA	Elbow - 1 1/4 Barb x 1 1/4 MPT x 90°
	034250-01-000	EA	Elbow - Plastic - 1/4 BD x 1 1/2 x 90° H x H
	052957-01-000	EA	Elbow - Plastic - 1/2 F x 3/8 MPT
	052957-02-000	EA	Elbow - Plastic - 1/2 F x 1/2 MPT
	065120-01-000	EA	Elbow - Plastic - Swivel - 50"
	070924-01-000	EA	Elbow - Plastic - Swivel - 1/2 MPT x 1/2 FP
	010123-01-000	EA	Bushing - Plastic - 2S x 1 1/2 H
	033302-02-000	EA	Adapter Asm. - SWVC Strain - 1 1/2"
	072346-01-000	EA	Valve Asm. - 3" Ell - w/2" Socket
	039800-01-000	FT	Tubing - Polybutyl - 1/2 O D (Water Line)
	044928-01-000	FT	Flexible Tubing - 1 1/4 I.D.
	004020-01-000	QT	Adhesive - ABS Cement
	077954-01-000	EA	Filter/Screen - Plastic Water Tank
	042989-02-000	EA	Plastic Fitting - Spinweld (Filter/Screen)
	062422-01-000	EA	Adapter - Hose Offset - Reducer - 3" x 1 1/2"
	052952-01-000	EA	Valve - Stop - 90° - 1/2 F x 3/8 MPT
	010147-01-000	EA	Flange - Closet - 4" F x 3" FPT
	010224-01-000	EA	Adapter - Plastic - 3/8 MPT x 3/8 Barb
**	007108-01-000	EA	Hose - Heater - 5.8"

HOLDING TANKS & WATER HEATERS

Key	Part Number	U/M	Description
	078252-31-000	EA	Tank - Water - 40 Gallon - w/o Fittings
	M02458-30-000	EA	Tank - Waste Water - 18 Gallon - w/o Fittings
	M02458-29-000	EA	Tank - Sewage - 30 Gallon - w/o Fittings
	M02458-31-000	EA	Tank - Sewage - 25 Gallon - w/o Fittings
**	051393-01-000	EA	Water Heater - w/Motor Aid - GH6-3E
**	051391-03-000	EA	Water Heater - w/Electronic Ignition

The illustrated parts breakdown for this item is provided on the Common Items Fiche

WINDOW, VENT & EXTERIOR DOOR GROUP

WINDSHIELD & VENT WINDOWS

Key	Part Number	U/M	Description
	074887-01-000	EA	Glass - Windshield - Passenger
	074887-02-000	EA	Glass - Windshield - Drivers
	076671-01-000	EA	Glass - Front Corner - Drivers
	076671-02-000	EA	Glass - Front Corner - Passenger
	092179-01-000	FT	Reveal Molding - Windshield - Passenger - Driver
	093178-01-000	FT	Reveal Molding - Windshield (Center) - Front Corner Glass
	076844-02-000	EA	T-Cap Reveal Molding - Windshield Center
	076841-02-000	EA	Cap - Reveal Molding - Front Corner Glass - Upper
	076842-02-000	EA	Cap - Reveal Molding - Front Corner Glass - Lower
	072889-04-000	GL	Sealant - Windshield
	072891-01-000	QT	Primer - Windshield - Clear
	072892-01-000	QT	Primer - Windshield - Black
	072890-01-000	QT	Primer - Metal - Black
	072889-01-000	EA	Sealant - Reveal Molding - Black

ACCESS DOORS

Key	Part Number	U/M	Description
	084353-02-U25	EA	Door Asm. - Luggage - Beige
	083095-03-U25	EA	Door Asm. - Storage - Insulated - Beige
	064354-01-U25	EA	Door Asm. - LP
	083095-01-U07	EA	Door Asm. - Storage - Insulated - Beige
	084141-04-U25	EA	Door Asm. - Refrigerator Access - Beige
	076232-01-000	EA	Door Asm. - Spare Tire Compartment - Beige
	084353-01-U25	EA	Door Asm. - Generator - Beige
	052009-02-000	EA	Door Asm. - Water Heater - Beige
	076859-01-000	EA	Water Heater Shroud - Beige
	052423-02-000	EA	Door - Hose Compartment - Beige
	052424-02-000	EA	Jamb - Power Cord/Fuel Fill Door - Beige
	063742-02-000	EA	Door - Power Cord - Beige
	054543-02-000	EA	Hatch - Power Cord Door - Beige
	083615-01-000	EA	Door Holder - Beige Plastic
	041312-01-000	FT	Door Seal e-Section - Rubber
	078010-01-000	EA	Door - Fuel Fill - Beige
	079368-01-000	FT	Seal - Bulb
	009003-01-000	EA	Lock Asm. - Twist Type - w/Clip (Generator)
	042442-02-000	EA	Lock Asm. - Twist Type - 90° Rotation - 1 95" Latch - 1.27" Depth
	047305-01-700	EA	Lock Asm. - Key Type - 90° Rotation - 1 0" Latch - 1 12" Depth
	047408-01-000	EA	Lock Asm. - Key Type - 90° Rotation - 2.5" Latch - 1" Depth
	047486-01-000	EA	Lock Asm. - Key Type - 90° Rotation - 56" Latch - 1 66" Depth
	047466-02-000	EA	Lock Asm. - Key Type - 90° Rotation - 56" Latch - 1 18" Depth

VENTS & DOMES

Key	Part Number	U/M	Description
	071290-02-000	EA	Cover - Refrigerator Vent - 11 5/8" x 24 3/4" - Galv. Steel
	071290-01-000	EA	Roof Base - Refrigerator Vent - 7 5" x 26 5" - Galv. Steel
	079355-13-000	EA	Vent - Stovehood - Outside - Beige
	077487-01-000	EA	Skylight - Fixed Dome (Bath)
	077902-01-000	EA	Collar - Skylight
	075056-01-000	EA	Vent Asm. - Roof - Non-Powered - w/o Screen
	078786-01-T03	EA	Screen Asm. - Roof - Non-Powered
	079537-01-000	EA	Vent - Powered
	078785-01-T03	EA	Screen Asm. - Roof - Powered
	009439-01-000	EA	Crank - Roof Vent
	009439-03-000	EA	Extension - 9" - Roof Vent
	009439-05-000	EA	Knob - Roof Vent - Black
	009439-06-000	EA	Extension - 9" Black - Roof Vent
	083558-01-000	EA	Collar - Vent Pipe - Covered - 1 5"

1986 WINNEBAGO TABLE OF CONTENTS

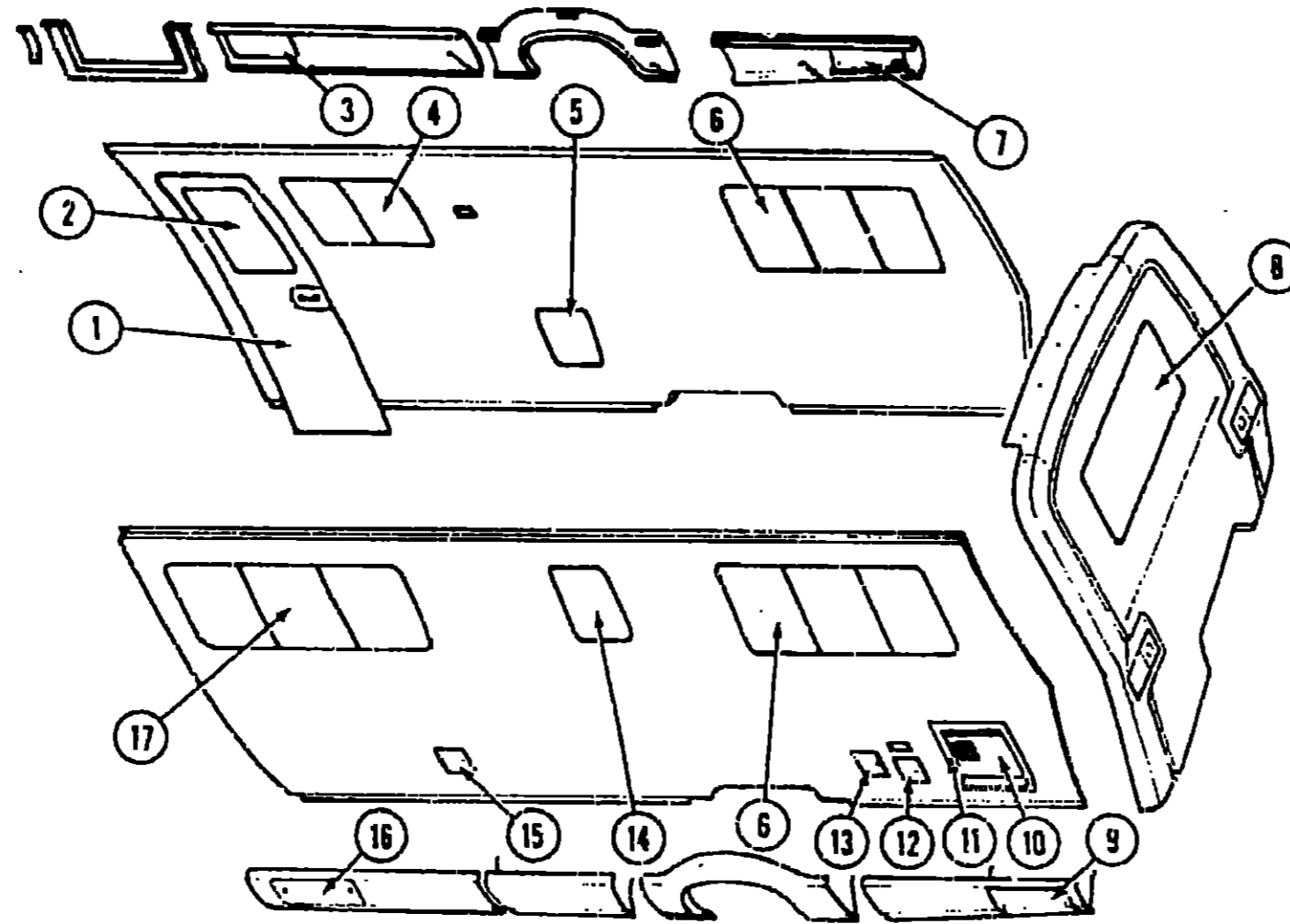
WF425RT	A-01 - C-04
WCN26RH	C-05 - E-10
WCN23RG	E-11 - G-24
WCP26ET	H-01 - J-03

1986 WCP26ET INDEX

Floor Plan	H-01 - H-02
Accessories Group	H-03 - H-04
Bath Group	H-05
Chassis Group	H-06 - H-09
Curtain, Cushion & Pad Group	H-10 - H-15
Dinette Group	H-16
Driver's Compartment Group	H-17 - H-20
Electrical Group	H-21 - H-23
Exterior Body Group	H-24 - I-06
Galley Group	I-07 - I-08
Heating & Air Conditioning Group	I-09 - I-10
Interior Finish Group	I-11 - I-12
LP Group	I-13
Lounge Group	I-14
Water & Sewage Group	I-15 - I-16
Window Vent & Exterior Door Group	I-17 - J-03

WINDOW, VENT & EXTERIOR DOOR GROUP (CONTINUED)

WINDOWS & ACCESS DOORS



Key	Part Number	U/M	Description
1	M02681-01-U25	EA	Door Asm. - Radius Entry w/o Screen Door - Fiberglass - Beige
1	M90949-01-U25	EA	Door Asm. - Radius Entry w/Screen Door - Fiberglass - Beige
2	079733-04-T03	EA	Window Asm. - Picture (w/o inside frame)
3	083095-03-U25	EA	Door Asm. - Storage - w/Twist & Key Locks - Beige - 33 9"
4	078266-02-T03	EA	Window Asm. - Single Slider
5	084141-04-U25	EA	Door Asm. - Refrigerator Access - Beige
6	078271-01-T03	EA	Window Asm. - Center Slider
7	084354-01-U25	EA	Door Asm. - LP Access - Beige
8	078528-01-T03	EA	Window Asm. - Rear Escape
9	084353-01-U25	EA	Door Asm. - Generator w/Louvers
9	084353-02-U25	EA	Door Asm. - Storage
10	052009-02-000	EA	Door Asm. - Water Heater - Beige
11	076859-01-000	EA	Shroud - Water Heater - Beige
12	052423-02-000	EA	Door Asm. - Sewer Hose - Beige
13	076010-01-000	EA	Door Asm. - Fuel Fill - Beige
14	078453-02-U25	EA	Window Asm. - Vertical Slider
15	063742-02-000	EA	Door Asm. - Power Cord - Beige
16	083095-01-1107	EA	Door Asm. - Storage - w/Twist & Key Locks - Beige
17	078269-01-T03	EA	Window Asm. - Double Slider

1986 WINNEBAGO TABLE OF CONTENTS

WF426RT
WCN26RH
WCN23RG
WCP26ET

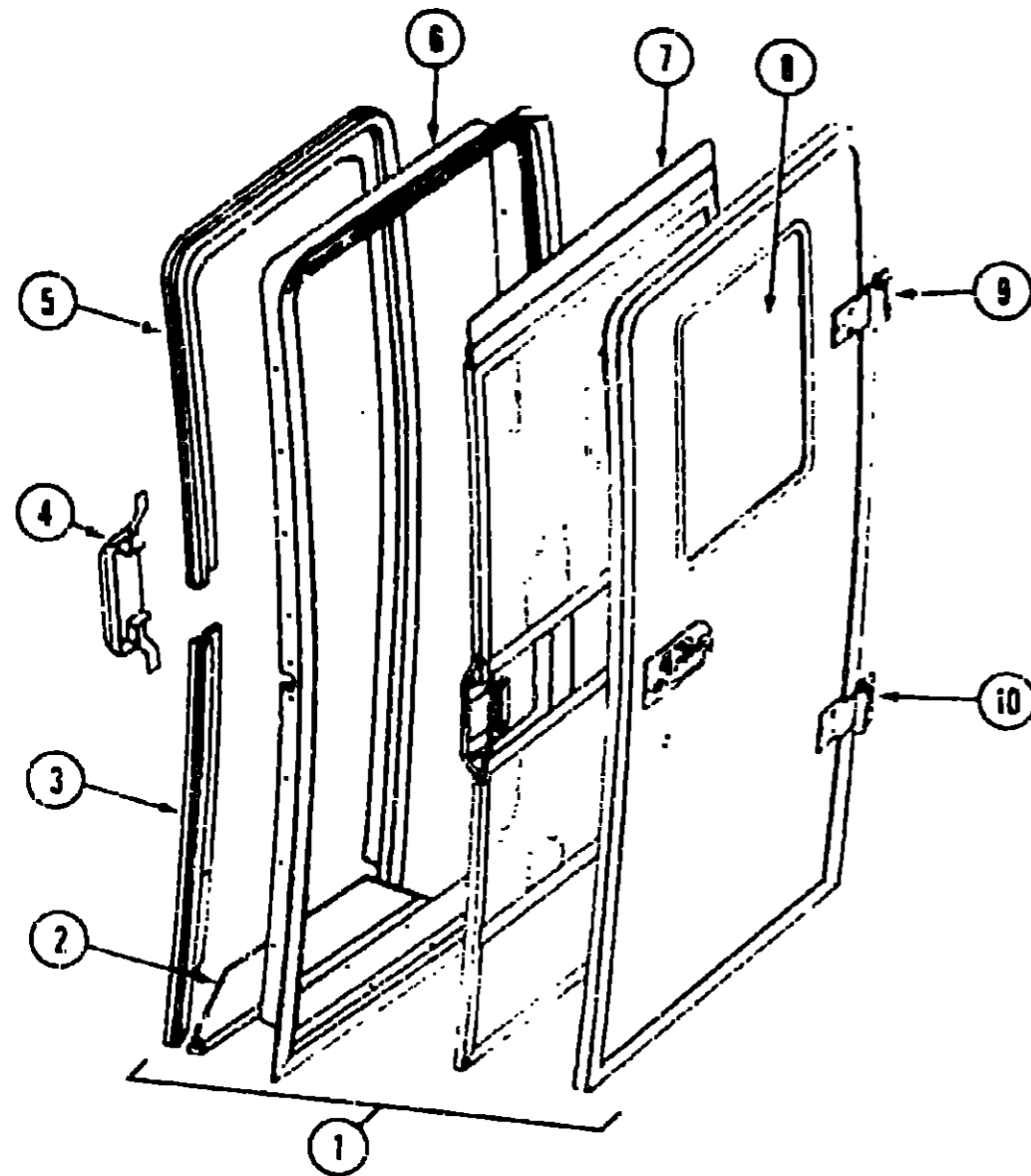
A-01 - C-04
C-05 - E-10
E-11 - G-24
H-01 - J-03

1986 WCP26ET INDEX

Floor Plan	H-01 - H-02
Accessories Group	H-03 - H-04
Bath Group	H-05
Chassis Group	H-06 - H-09
Curtain, Cushion & Pad Group	H-10 - H-15
Dinette Group	H-16
Driver's Compartment Group	H-17 - H-20
Electrical Group	H-21 - H-23
Exterior Body Group	H-24 - I-06
Galley Group	I-07 - I-08
Heating & Air Conditioning Group	I-09 - I-10
Interior Finish Group	I-11 - I-12
LP Group	I-13
Lounge Group	I-14
Water & Sewage Group	I-15 - I-16
Window, Vent & Exterior Door Group	I-17 - J-03

WINDOW, VENT & EXTERIOR DOOR GROUP (CONTINUED)

ENTRANCE DOOR



Key	Part Number	U/M	Description
1	M80949-01-U125	EA	Door Asm. - Radius Entry w/Screen Door - Fiberglass - Beige
2	076929-01-000	EA	Trim - Entrance Door - Lower
3	076935-01-000	EA	Trim - Entrance Door - Side
4	076726-01-000	EA	Strike Cover
5	076928-01-000	EA	Trim - Entrance Door Upper
6	076947-03-000	EA	Jamb Asm. (w/o Bottom Portion)
	076942-01-000	EA	Jamb Asm. (Bottom Portion Only)
7	080948-01-U07	EA	Screen Door - Complete
	076727-01-000	EA	Slider - Screen Door - Light Oak Plastic
	002293-02-000	SF	Screen - 26" Charcoal
	063638-02-000	EA	Strike - Screen Door
8	079733-04-T03	EA	Window Asm - Picture (w/o inside frame)
	002181-06-000	EA	Glass - .115" x 16.25" x 24"
	067609-03-000	EA	Inside Window Frame - Beige
	M02586-03-U07	EA	Valance Panel - Lower Outside - Entrance Door
9	076720-02-000	EA	Hinge Asm. - Upper - Beige
10	076719-02-000	EA	Hinge Asm - Lower - Beige
	076838-01-000	EA	Hinge Shim
	076810-01-000	EA	Gasket - Hinge Shim
	009126-02-000	EA	Assist Handle - Black
	R77040-01-538	EA	Door Handle - Exterior
	R77007-05-374	EA	Gasket - Exterior Handle
	R77006-50-261	EA	Door Handle - Interior
	073303-01-000	EA	Latch Asm - Inner
	076728-01-000	EA	Panel Trim - Light Oak - Plastic
	R77013-48-168	EA	Lock Bolt
	084429-03-000	EA	Cylinder & Key Set
	083551-01-000	FT	Sponge Seal - Lazy T Shape
	075673-01-000	FT	Seal - Pile - Adhesive Back
	083205-01-000	EA	Deadbolt - 5" Press Fit
	079173-01-000	EA	Gasket - Deadbolt
	009016-01-000	EA	Catch - Elbow - Spring Loaded
	R77013-48-166	EA	Striker - Entrance Door
			Not illustrated

1986 WINNEBAGO TABLE OF CONTENTS

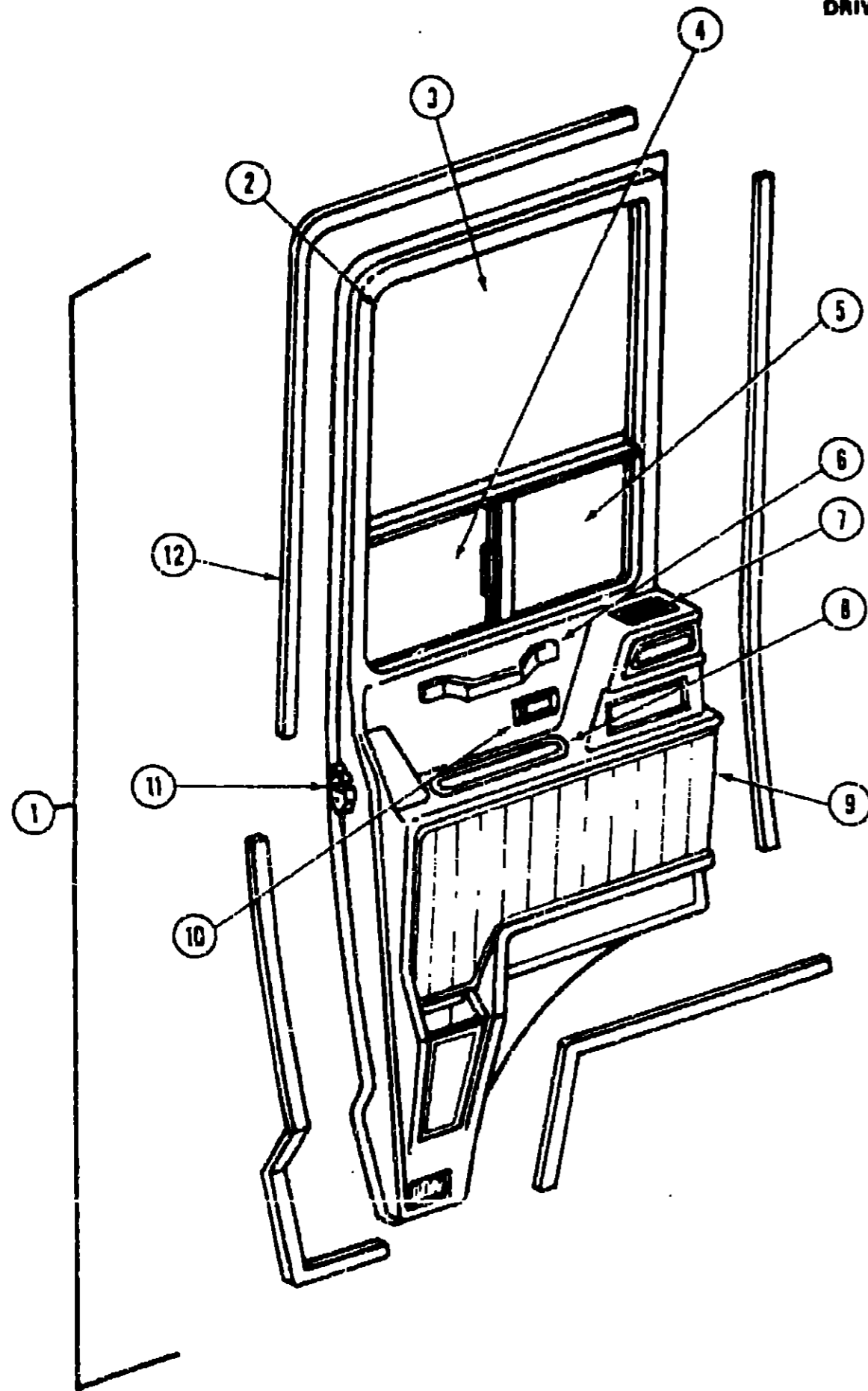
WF426RT	A-01 - C-04
WCN26RH	C-05 - E-10
WCN23RG	E-11 - G-24
WCP26ET	H-01 - J-03

1986 WCP26ET INDEX

Floor Plan	H-01 - H-02
Accessories Group	H-03 - H-04
Bath Group	H-05
Chassis Group	H-06 - H-09
Curtain, Cushion & Pad Group	H-10 - H-15
Dinette Group	H-16
Driver's Compartment Group	H-17 - H-20
Electrical Group	H-21 - H-23
Exterior Body Group	H-24 - I-06
Galley Group	I-07 - I-08
Heating & Air Conditioning Group	I-09 - I-10
Interior Finish Group	I-11 - I-12
LP Group	I-13
Lounge Group	I-14
Water & Sewage Group	I-15 - I-16
Window, Vent & Exterior Door Group	I-17 - J-03

WINDOW, VENT & EXTERIOR DOOR GROUP (CONTINUED)

DRIVER & PASSENGER CAB DOORS



Key	Part Number	U/M	Description
1	M01596-03-U25	EA	Door Complete - Drivers
1	M01596-03-U08	EA	Door Complete - Drivers
1	M01596-03-U09	EA	Door Complete - Drivers
2	M78469-01-000	EA	Window Asm. - Passenger - w/Support
	M78469-02-000	EA	Window Asm. - Drivers - w/Support
	077209-02-000	EA	Inside Frame Asm. - Window - Driver Door - Used w/Door
	084712-01-000	EA	Inside Frame Asm. - Window - Passenger Side - Used w/o Door
	084712-02-000	EA	Inside Frame Asm. - Window - Drivers Side - Used w/o Door
3	077036-01-000	EA	Glass - 19" x 28 9" x 22"
4	078379-01-000	EA	Glass - 19" x 15" x 9.3" - w/Hole
5	077378-01-000	EA	Glass - 19" x 15" x 9.3"
	077224-03-000	EA	Window Mullion - Horizontal - Passenger
	077224-04-000	EA	Window Mullion - Horizontal - Driver
	077226-01-000	EA	Window Mullion - Vertical - Passenger
	077226-02-000	EA	Window Mullion - Vertical - Driver
	M02389-53-001	EA	Seal Holder - w/Fin Seal
	042077-01-000	FT	Channel - Weatherstrip - Glass
	041928-02-000	EA	Seal - Window Channel
	050216-02-000	EA	Spline - Vinyl Glass - .19 Black
6	061400-05-000	EA	Assist Strap - 12" - w/Woodgrain
7	076783-01-000	EA	Louver/Bezel Asm. - Black - 2"
	075671-01-000	FT	Sponge Seal - Lazy T Shape
	076542-01-000	EA	Control Rod - Right Hand Latch
	076543-01-000	EA	Control Rod - Right Hand Lock
	076542-02-000	EA	Control Rod - Left Hand Latch
	076543-02-000	EA	Control Rod - Left Hand Lock
	077167-01-000	EA	Door Prop Rod - Passenger
	077167-02-000	EA	Door Prop Rod - Drivers
8	077118-01-000	EA	Storage Tray - Door Panel - Beige
	077179-01-000	EA	Hose Adapter - 2" - Snap In
	077000-01-000	EA	Socket Asm. - w/8" Pigtail Leads
9	077117-02-000	EA	Door Panel - Front Inner - Driver
	077117-01-000	EA	Door Panel - Front Inner - Passenger
	063886-03-000	EA	Assist Handle - Beige Steel Tube
10	R77006-50-261	EA	Door Handle - Interior - Right
10	R77006-50-326	EA	Door Handle - Interior - Left
	R77040-01-538	EA	Door Handle - Exterior
	R77007-05-374	EA	Gasket - Door Handle - Exterior
11	R77013-48-168	EA	Latch Asm. - Right
11	R77013-48-167	EA	Latch Asm. - Left
	R77007-62-747	EA	Latch Asm. - Inner - Right
	R77007-62-746	EA	Latch Asm. - Inner - Left
12	076913-01-000	FT	Seal - Entrance Door (Glue On)
	R77007-04-136	EA	Lock Bracket
	080963-01-000	EA	Arm - Lock Control
	R77030-67-257	EA	Spline Pine
	R77007-73-327	EA	Cylinder & Key
	R77006-64-355	EA	Control Lin.
	064580-02-000	EA	Check Strap - Front Door - 7"
	064219-01-000	EA	Retainer - Check Strap - Front Door
	R77013-48-165	EA	Striker - Door - Left
	R77013-48-166	EA	Striker - Door - Right
	081632-01-000	FT	Bulb Seal - Cab Door - w/Wire Channel
	075245-01-000	EA	Hinge - Cab Door
	081905-01-000	EA	Control Knob (Lock/Unlock) Right
	081905-02-000	EA	Control Knob (Lock/Unlock) Left
			Not illustrated

1988 WINNEBAGO TABLE OF CONTENTS

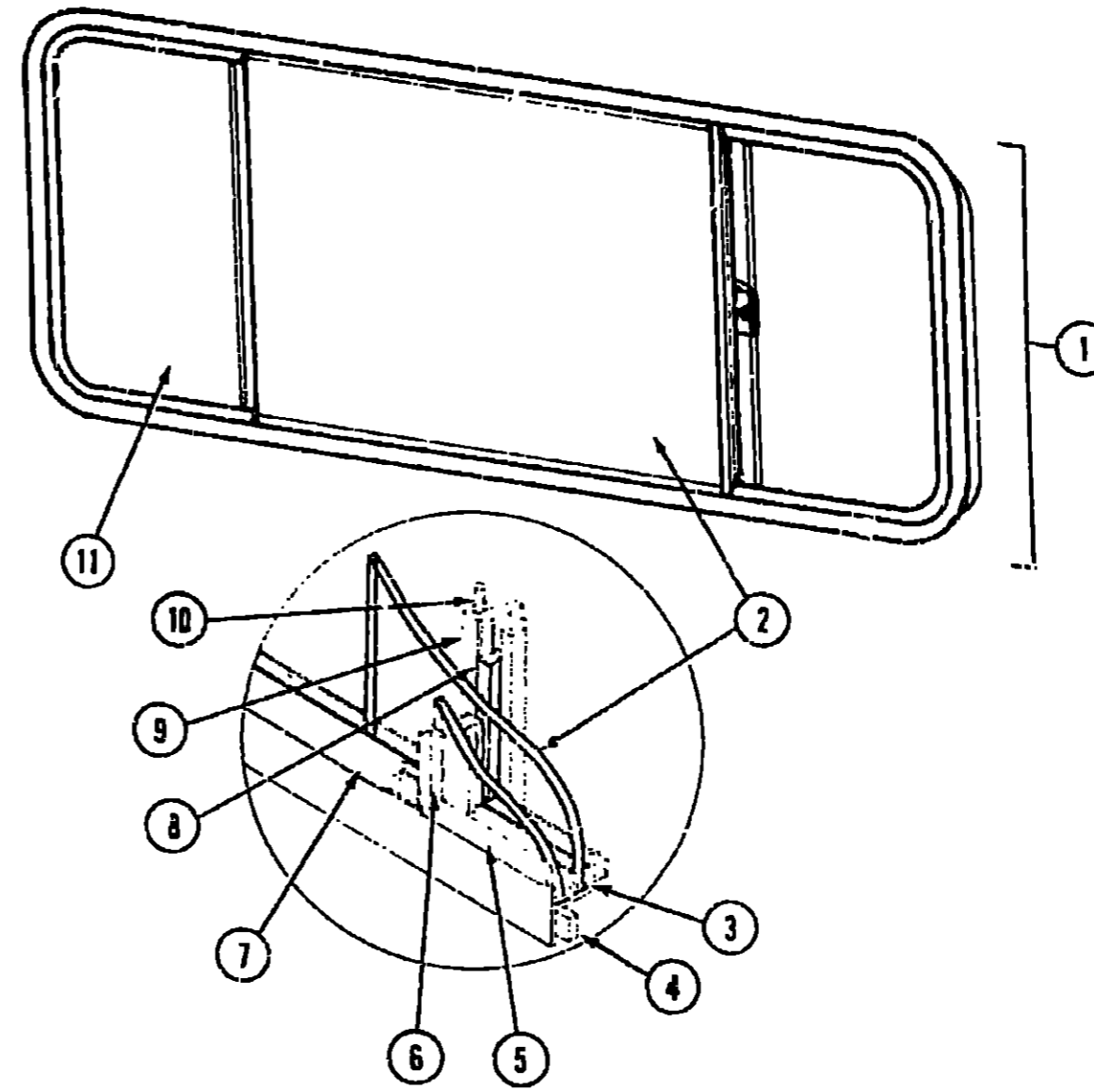
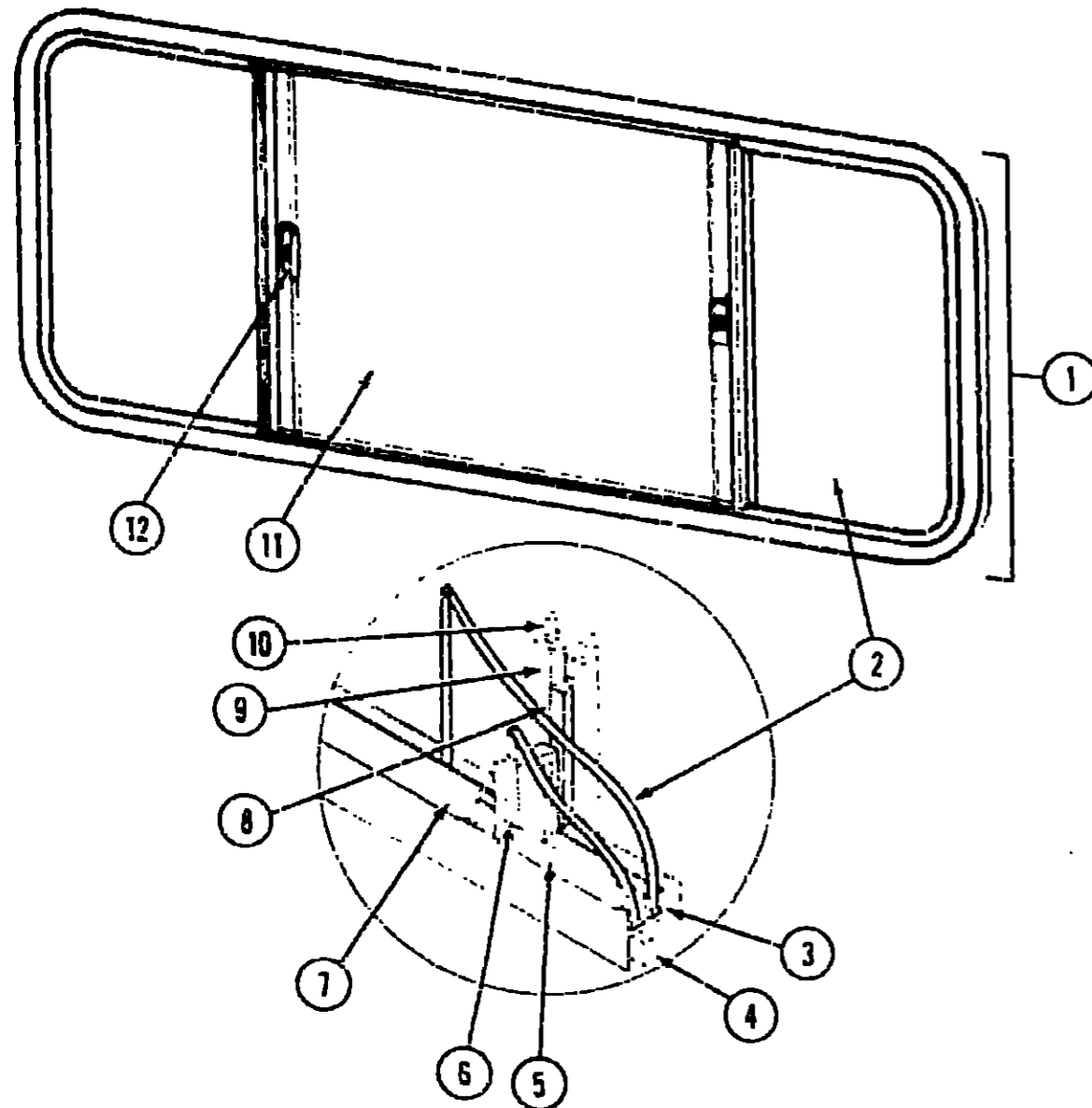
WF426RT	A-01 - C-04
WCN26RH	C-05 - E-10
WCN23RG	E-11 - G-24
WCP26ET	H-01 - J-03

1986 WCP26ET INDEX

Floor Plan	H-01 - H-02
Accessories Group	H-03 - H-04
Bath Group	H-05
Chassis Group	H-06 - H-09
Curtain, Cushion & Pad Group	H-10 - H-15
Dinette Group	H-16
Driver's Compartment Group	H-17 - H-20
Electrical Group	H-21 - H-23
Exterior Body Group	H-24 - I-06
Galley Group	I-07 - I-08
Heating & Air Conditioning Group	I-09 - I-10
Interior Finish Group	I-11 - I-12
LP Group	I-13
Lounge Group	I-14
Water & Sewage Group	I-15 - I-16
Window, Vent & Exterior Door Group	I-17 - J-03

WINDOW, VENT & EXTERIOR DOOR GROUP (CONTINUED)

WINDOW, VENT & EXTERIOR DOOR GROUP (CONTINUED)



Key	Part Number	U/M	Description
1	078269-01-T03	EA	Window Asm - Double Slider - 25" x 65" - Black (w/o inside frame)
•	083122-10-000	EA	Inside Frame - Beige (not included in assembly)
2	081980-04-000	EA	Glass - Sliding - 1/8" x 24" x 21.3"
3	002324-02-000	FT	Channel - Weatherstrip - Glass Run - 1/8" Glass
4	069640-05-000	FT	Ribbon Sealer - 5/16" x 15'
5	002309-02-000	FT	Spline - Glass - 1/8" - Black
6	M69886-03-003	EA	Seal Holder w/Fin Seal - 23.19" - Black
7	057374-02-000	FT	Extr. Vinyl - Window Seal - Black
8	073740-01-000	FT	Seal - Fin - Pile - .460"
9	078562-04-000	EA	Mullion - Slider Window - Black
10	002298-02-000	FT	Spline - .130" Dia - Charcoal (Screen)
11	002188-05-000	EA	Glass - Stationary - 1/8" x 24" x 25.5"
12	047369-01-700	EA	Latch Kit - Window - Plastic w/Fastener
•	079204-01-000	EA	Bracket - Mullion - Black
•	002293-02-000	SF	Screen - Window - 26" - Charcoal
•			Not illustrated

Key	Part Number	U/M	Description
1	078271-01-T03	EA	Window Asm - Center Slider (w/o inside frame)
•	083122-12-000	EA	Inside Frame - Center slider - Brown (not included in assembly)
2	066727-02-000	EA	Glass - Sliding - 1/8" x 25.5" - 24"
3	002324-02-000	FT	Channel - Weatherstrip - Glass Run - 1/8" Glass
4	069640-05-000	FT	Ribbon Sealer - 5/16" Bead x 15'
5	002309-02-000	FT	Spline - Glass - 1/8" Material - Black
6	M69886-03-003	EA	Seal Holder w/Fin Seal - Black
7	057374-02-000	FT	Extr. Rubber - Window Seal - Black
8	073740-01-000	FT	Seal - Fin Pile - .460"
9	078562-04-000	EA	Mullion - Slider Window - Black
10	002298-02-000	FT	Spline - .130" Dia - Charcoal (Screen)
11	081984-07-000	EA	Glass - Stationary - 1/8" x 24" - 16.5"
•	079204-01-000	EA	Bracket - Mullion - Black
•	047369-01-700	EA	Latch Kit - Window - Plastic w/Fastener
•	002293-02-000	SF	Screen - Window - 26" - Charcoal
•			Not illustrated

1986 WINNEBAGO
TABLE OF CONTENTS

WF426RT	A-01 - C-04
WCN26RH	C-05 - E-10
WCN23RG	E-11 - G-24
WCP26ET	H-01 - J-03

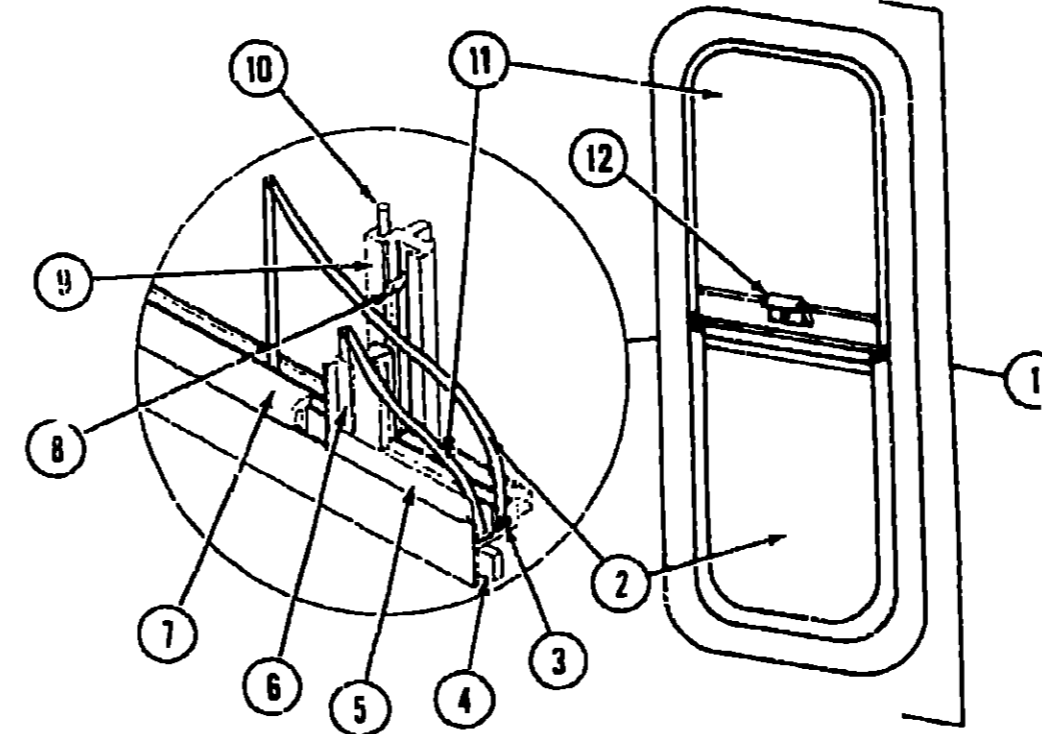
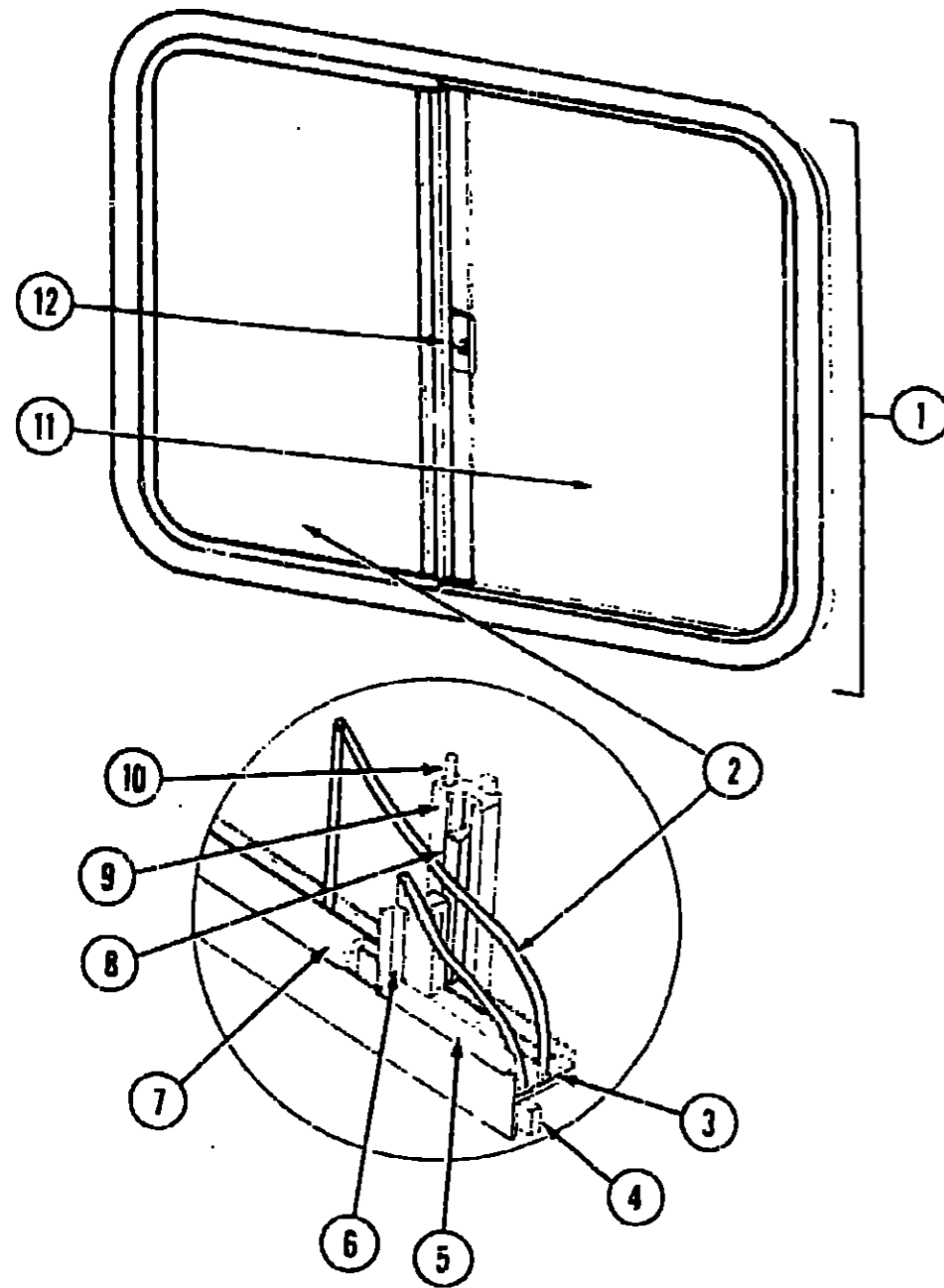
1986 WCP26ET INDEX

Floor Plan	H-01 - H-02
Accessories Group	H-03 - H-04
Bath Group	H-05
Chassis Group	H-06 - H-09
Curtain, Cushion & Pad Group	H-10 - H-15
Dinette Group	H-16
Driver's Compartment Group	H-17 - H-20
Electrical Group	H-21 - H-23
Exterior Body Group	H-24 - I-06
Galley Group	I-07 - I-08
Heating & Air Conditioning Group	I-09 - I-10
Interior Finish Group	I-11 - I-12
LP Group	I-13
Lounge Group	I-14
Water & Sewage Group	I-15 - I-16
Window, Vent & Exterior Door Group	I-17 - J-03

1986 WINNEBAGO
TABLE OF CONTENTS

W-426RT
W-26RH
WLN23RG
WCP26ET

A-01 - C-04
C-05 - E-10
E-11 - G-24
H-01 - J-03

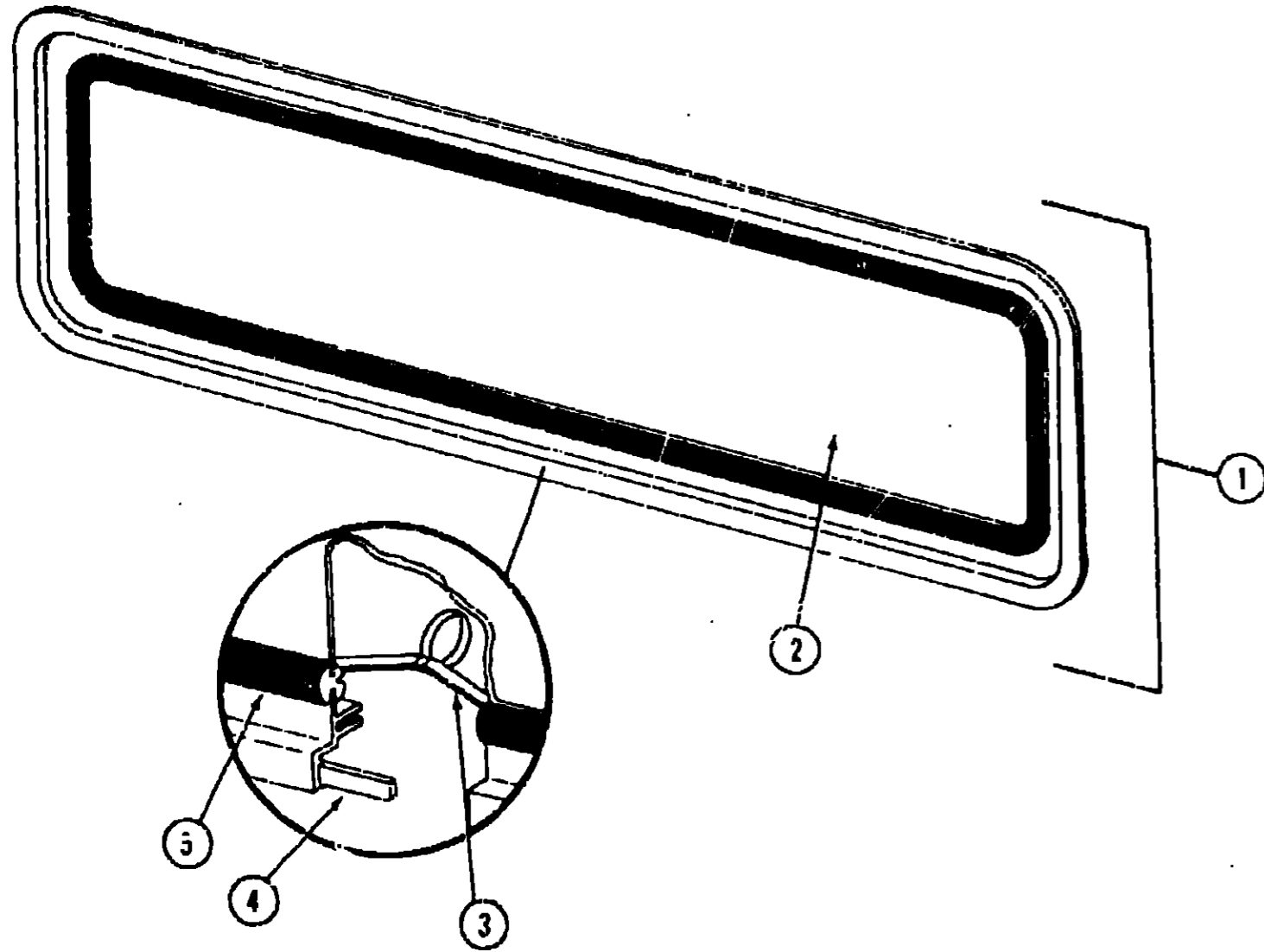


Key	Part Number	U/M	Description
1	078266-02-T03	EA	Window Asm - Single Slider (w/o inside frame)
.	083122-03-000	EA	Inside Frame - Beige (not included in assembly)
2	081980-05-000	EA	Glass - Sliding - 1/8" x 19" x 13.68"
3	002324-02-000	FT	Channel - Weatherstrip - Glass Run - 1/8" Glass
4	069640-06-000	FT	Ribbon Sealer - 5/16" Bead x 15'
5	002309-02-000	FT	Spline - Glass - 1/8" Material - Black
6	M69886-03-011	EA	Seal Holder w/Fin Seal - Black
7	057374-02-000	FT	Extr. Rubber - Window Seal - Black
8	073740-01-000	FT	Seal - Fin - Pile - .460"
9	084170-02-000	EA	Mullion - Slider Window - Black
10	002298-02-000	SF	Spline - .130" Dia - Charcoal (Screen)
11	081984-03-000	EA	Glass - Stationary - 1/8" x 19" x 12.30"
12	047369-01-700	EA	Latch Kit - Window - Plastic w/Fastener
.	079204-01-000	EA	Bracket - Mullion - Black
.	002292-02-000	SF	Screen - Window 20" - Charcoal
.	Not illustrated		

Key	Part Number	U/M	Description
1	078453-02-U25	EA	Window Asm. - Vertical Slider - 37" x 15" - Black (w/o inside frame)
.	083122-13-000	EA	Inside Frame - Beige (not included in assembly)
2	081981-01-000	EA	Glass - Slider
3	002324-02-000	FT	Channel - Weatherstrip - Glass Run - 1/8" Glass
4	069640-06-000	FT	Ribbon Sealer - 5/16" Bead x 15'
5	002309-02-000	FT	Spline - Glass - 1/8" Material - Black
6	M18025-04-000	EA	Seal Holder w/Fin Seal - Black
7	057374-02-000	FT	Extr. Rubber - Window Seal - Black
8	073740-01-000	FT	Seal - Fin - Pile - .460"
9	084170-06-000	EA	Mullion - Slider Window - Black
10	002298-02-000	FT	Spline - .130" Dia - Charcoal (Screen)
11	081984-04-000	EA	Glass - Stationary - 1/8" x 17.4" x 11.5"
12	047369-01-700	EA	Latch Kit - Window - Plastic w/Fastener
.	079204-01-000	EA	Bracket - Mullion - Black
.	002292-02-000	SF	Screen - Window 20" - Charcoal
.	Not illustrated		

1986 WCP26ET INDEX

Floor Plan	H-01 - H-02
Accessories Group	H-03 - H-04
Bath Group	H-05
Chassis Group	H-06 - H-09
Curtain, Cushion & Pad Group	H-10 - H-15
Dinette Group	H-16
Driver's Compartment Group	H-17 - H-20
Electrical Group	H-21 - H-23
Exterior Body Group	H-24 - I-06
Galley Group	I-07 - I-08
Heating & Air Conditioning Group	I-09 - I-10
Interior Finish Group	I-11 - I-12
LP Group	I-13
Lounge Group	I-14
Water & Sewage Group	I-15 - I-16
Window, Vent & Exterior Door Group	I-17 - J-03



Key	Part Number	U/M	Description
1	078528-01-T03	EA	Window Asm - Escape - 23" x 68" - Black (w/o inside frame)
.	074816-04-000	EA	Inside Frame - Escape Window - Brown (not included in assembly)
2	002174-02-000	EA	Glass - 1/8" x 19 6" x 44 8"
3	002285-01-000	FT	Filler - Weatherstrip - Black
4	069640-01-000	FT	Tape - 1/4" Bead x 20'
5	002282-01-000	FT	Weatherstrip - Window - 125" Black
.	006199-01-000	EA	Label - Exit - Escape Window
.	Not illustrated		

1986 WINNEBAGO
TABLE OF CONTENTS

WF426RT	A-01 - C-04
WCN26RH	C-05 - E-10
WCN23RG	E-11 - G-24
WCP26ET	H-01 - J-03

1986 WCP26ET INDEX

Floor Plan	H-01 - H-02
Accessories Group	H-03 - H-04
Bath Group	H-05
Chassis Group	H-06 - H-09
Curtain, Cushion & Pad Group	H-10 - H-15
Dinette Group	H-16
Driver's Compartment Group	H-17 - H-20
Electrical Group	H-21 - H-23
Exterior Body Group	H-24 - I-06
Galley Group	I-07 - I-08
Heating & Air Conditioning Group	I-09 - I-10
Interior Finish Group	I-11 - I-12
LP Group	I-13
Lounge Group	I-14
Water & Sewage Group	I-15 - I-16
Window, Vent & Exterior Door Group	I-17 - J-03