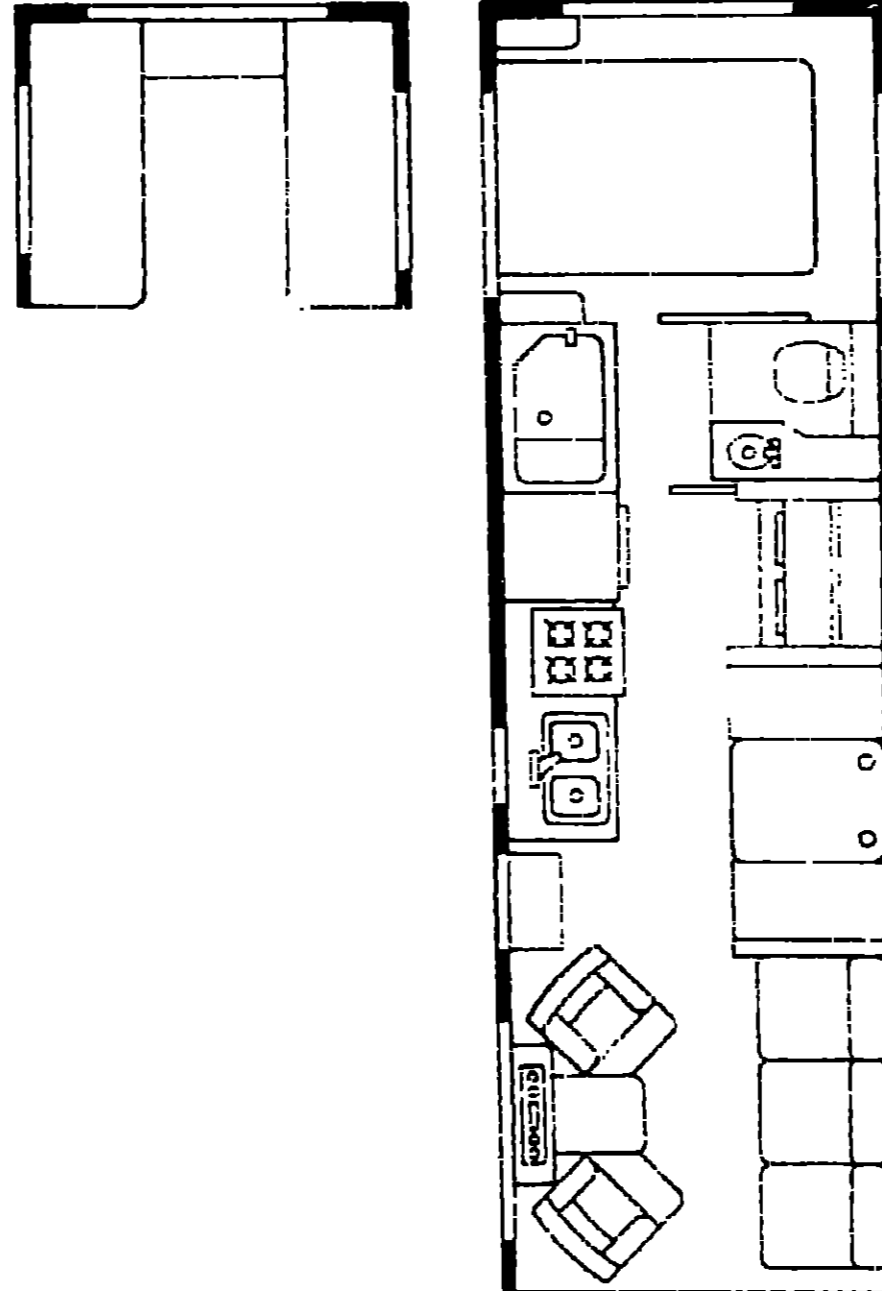


1986 WCN33RU



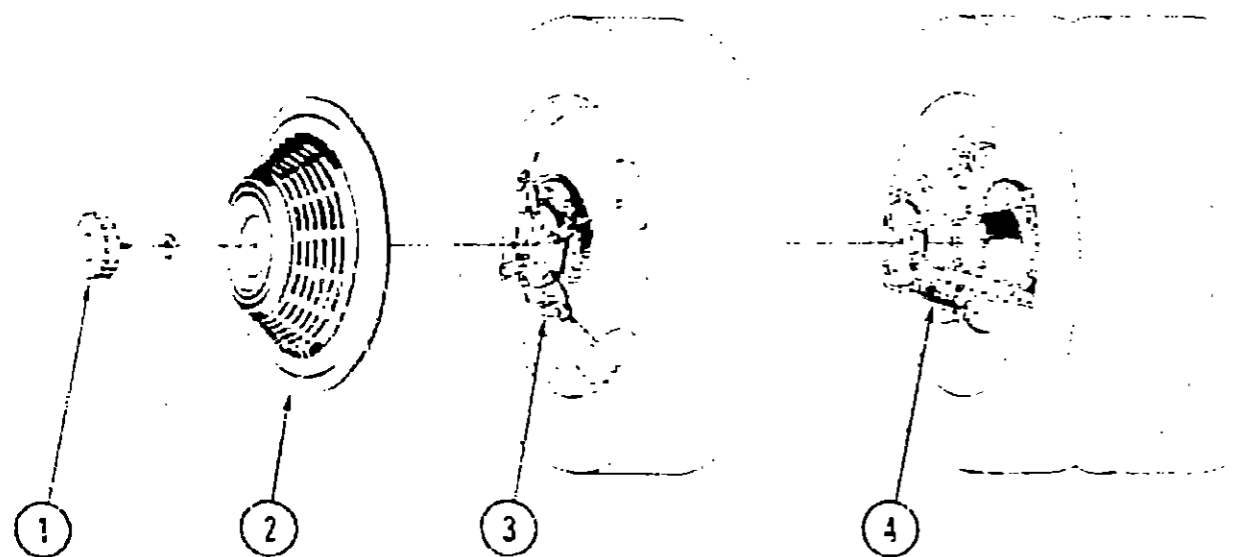
1986 WINNEBAGO TABLE OF CONTENTS

INTRODUCTION	A-01
ABBREVIATIONS	A-01
ALPHABETICAL INDEX	A-02 - A-04
WF428RU	A-05 - C-08
WCN27RU	C-09 - E-16
WCN31RT	E-17 - H-06
WCN33RU	H-07 - J-20

1986 WCN33RU INDEX

Floor Plan	H-07 - H-08
Accessories Group	H-09 - H-11
Bath Group	H-12
Chassis Group	H-13 - H-19
Curtain, Cushion & Pad Group	H-20 - I-02
Dinette Group	I-03
Driver's Compartment Group	I-04 - I-06
Electrical Group	I-07 - I-10
Exterior Body Group	I-11 - I-17
Gate Group	I-18 - I-20
Heating & Air Conditioning Group	I-21 - I-22
Interior Finish Group	I-23 - J-01
LP Group	J-02
Lounge Group	J-03 - J-04
Water & Sewage Group	J-05 - J-06
Window, Vent & Exterior Light Group	J-07 - J-20

ACCESSORIES GROUP



WHEEL COVER & MOUNTING HARDWARE

Key	Part Number	U/M	Description
1	064082-02-000	EA	Retaining Nut - Delmet - Wheel Cover
2	073426-02-700	EA	Wheel Cover - Bolt On - 19.5" - Delmet (1)
2	082181-03-700	EA	Wheel Cover - Clip On - 19.5" - Delmet (1)
3	073426-05-700	EA	Retention Bracket Asm - Wheel Cover Support - Heavy Duty - Front (1)
*	083181-04-700	EA	Retainer Kit - 19.5" Clip On - Delmet (1)
4	073426-05-701	EA	Retention Bracket Asm - Wheel Cover Support - Heavy Duty - Rear (1)
*	073426-05-000	EA	Retention Bracket Asm - Wheel Cover Support - Heavy Duty (Set 4)
*			Not Illustrated

RADIO & RELATED COMPONENTS

Key	Part Number	U/M	Description
	031105-01-000	EA	Antenna - Radio - Side Mount
	031105-01-700	EA	Antenna Holder - Radio - Upper
	075903-01-000	EA	Radio - AM FM MPX w/ Cassette
	075904-01-000	EA	Radio - AM FM MPX w/ Cassette - Electronic Tuning
	074979-01-000	EA	Speaker Cover Protector - Plastic
	073741-03-000	EA	Speaker - 4" x 6" - Oval
	073431-01-000	EA	Speaker - 5.25" - 3 Way (Pair)
	064791-01-000	EA	Speaker - Recessed - 5.25"
	064792-01-000	EA	Grille - Speaker - 5.25" - w/ Mesh - Brown

ELECTRIC STEP ASSEMBLY

Key	Part Number	U/M	Description
	075461-01-000	EA	Electric Step Asm. w/ Light
	075461-01-700	EA	Motor
	041250-01-000	EA	Door Switch
	075451-01-704	EA	Under Step Control Unit
	075451-01-705	EA	4-Way Plug (Dash End)
	075451-01-706	EA	Kit - Switch
	075461-01-707	EA	Step Light
	075461-01-708	EA	4-Way Plug (Control Box End)
	075461-01-709	EA	90 Degree Plug
	075461-01-710	EA	Gear
	075461-01-711	EA	Drive Link
	075241-01-000	EA	Support Asm. - Step
	075723-02-000	EA	Block - Support Spacer w/ Holes

ACCESSORIES GROUP (CONTINUED)

MISCELLANEOUS ACCESSORIES

Key	Part Number	U/M	Description
	054135-24-000	EA	Owners Manual - 1986 - Itasca & Winnebago
	076319-01-000	EA	Antenna - TV Roof Mount - 44.5" Mast
	076319-03-000	FT	Cable - Coaxial 1000' 75 OHM
	076319-04-000	EA	Connector & Ferrule
	076319-05-000	EA	Wallplate - Power Supply - Ivory
	076319-05-000	EA	Adapter - Cable Roof Plate
	076319-07-000	EA	Wallplate - Power Supply - Brown
	076319-08-000	EA	Wallplate - Receptacle - Ivory
	076319-09-000	EA	Wallplate - Receptacle - Brown
	017516-01-000	EA	Mud Flap w/ Holes - 14" x 16" - Black
	041944-03-000	EA	Fire Extinguisher - 5BC
	041944-02-000	EA	Bracket - Fire Extinguisher
	031379-01-000	EA	Microwave Convection Oven - Sharp
	081459-03-000	EA	Bracket Asm. - Microwave - Right
	081459-04-000	EA	Bracket Asm. - Microwave - Left
	081456-01-000	EA	Angle Asm. - Microwave - Right
	081456-02-000	EA	Angle Asm. - Microwave - Left
	081555-01-T03	EA	Trim Asm. - Microwave
	082976-01-000	EA	Baffle Asm. - Microwave
	081016-02-T03	EA	Ladder Asm
	067165-01-000	EA	Mounting Bracket - Luggage Carrier and Ladder
	081114-01-000	EA	End Cap - Ladder Step
	067125-01-000	EA	Stand Off - Rack & Ladder Asm
	031016-01-700	EA	Luggage Carrier Assembly
	072366-01-000	EA	Speed Control Package - Electric - Diesel - Dana
	072365-01-700	EA	Hex Filings
	072365-01-701	EA	Cable Only
	072366-01-702	EA	Vacuum Regulator
	072366-01-703	EA	Control Switch & Lever Asm
	069629-01-000	EA	Speed Control Package - Electric Dana
	069629-01-700	EA	Regulator Asm - Electric
	069629-01-701	EA	Vacuum Valve & Electric Switch
	069629-01-702	EA	Control Switch & Lever Asm
	069629-01-703	EA	Harness Asm (Main Wiring)
	069629-01-704	EA	Generator Signal
	069629-01-705	EA	Adapter Key
	074481-01-000	EA	Valve Asm. - Switch - Speed Control
	074483-01-000	EA	Retainer Nut - Snap On - Speed Control
	072852-01-000	EA	Smoke Detector w/ 9 Volt Battery
	079664-02-000	EA	Weather Center - 8.5" x 8.5"
	079664-01-000	EA	Clock - 8.5" x 8.5"
	006069-01-000	EA	Key Case - Leather
	007039-01-000	EA	Door Mat - 10.5" x 26" - Black Rubber
	081075-01-000	EA	Door Mat - Entrance - Winnebago
	081201-01-000	EA	Door Mat - Left Front - Winnebago
	081202-01-000	EA	Door Mat - Right Front - Winnebago
	080208-01-000	EA	Lug Wrench
	080208-02-000	EA	Leverage Bar - Lug Wrench
	005113-01-000	EA	Jack - Hydraulic - 5 Ton - w/ Handle
	053708-01-000	EA	Cover - Roof Air Conditioner - White Vinyl
	079942-01-000	EA	Shock Absorber - Stabilizer - Front
	079942-02-000	EA	Shock Absorber - Stabilizer - Rear
	079942-07-000	EA	Bracket - Mounting - Stabilizer
	055285-01-000	EA	Vacuum Cleaner - Built In - Tevis Campbell
	055285-01-700	EA	Accessories Kit - Standard - Tevis Campbell
	055285-01-701	EA	Filter - 10 per Consumer Package - Tevis Campbell
	055285-01-702	EA	Hose - Vacuum Cleaner - 20'
	055285-01-703	EA	Rug Tool
	055285-01-704	EA	Crevice Tool
	055285-01-705	EA	Upolstery Tool
	055285-01-706	EA	Wands - Set (2-piece)

1986 WINNEBAGO TABLE OF CONTENTS

INTRODUCTION	A-01
ABBREVIATIONS	A-01
ALPHABETICAL INDEX	A-02 - A-04
WF426RU	A-05 - C-03
WCN27RU	C-09 - E-16
WCN31RT	E-17 - H-06
WCN33RU	H-07 - J-20

1986 WCN33RU INDEX

Floor Plan	H-07 - H-08
Accessories Group	H-09 - H-11
Bath Group	H-12
Chassis Group	H-13 - H-19
Curtain, Cushion & Pad Group	H-20 - I-02
Dineite Group	I-03
Driver's Compartment Group	I-04 - I-06
Electrical Group	I-07 - I-10
Exterior Body Group	I-11 - I-17
Galley Group	I-18 - I-20
Heating & Air Conditioning Group	I-21 - I-22
Interior Finish Group	I-23 - J-01
LP Group	J-02
Lounge Group	J-03 - J-04
Water & Sewage Group	J-05 - J-06
Window, Vent & Exterior Door Group	J-07 - J-20

ACCESSORIES GROUP (CONTINUED)

MISCELLANEOUS ACCESSORIES (Cont.)

Key	Part Number	U/M	Description
	079941-01-000	EA	Lamp Asm - Fog w. Cover - Amber
	079941-01-700	EA	Lamp Asm - Fog - Set of 2
	079941-01-701	EA	Lens and Cover only
	079941-01-702	EA	Switch - Fog Lights
	079941-01-703	EA	Solenoid
	079941-01-704	EA	Switch Plate - For Switch
	023111-01-000	EA	Blender - Built In
	077497-01-000	EA	Air Horn Kit - Twin Chromed
	077497-01-700	EA	Solenoid - Air Horns Air Tank
	077497-01-701	EA	Compressor Switch - Air Horn
	077497-01-702	EA	Toggle Switch - Air Horn
	077497-01-703	EA	Air Tank - Air Horn
	077497-01-704	EA	Compressor w. Switch - Air Horn
	063912-01-000	EA	Relay Canister - w. Ground - Air Horn

CHROME WHEEL LINERS

Key	Part Number	U/M	Description
	051608-01-000	EA	Cover - Rear Axle - Chrome Liner
	051608-02-000	EA	Cover - Front Axle - Chrome Liner
	081608-03-000	EA	Liner - Front Wheel - Chrome Liner
	081608-04-000	EA	Liner - Rear Wheel - Chrome Liner
	081608-05-000	EA	Lug Nut Cover - Chrome Liner
	081608-06-000	EA	Spiral Ring - Chrome Liner

GENERATORS & COMPONENTS

Key	Part Number	U/M	Description
	054429-01-000	EA	Generator - Onan - 4.0 kw
	052168-01-000	EA	Generator - Onan - 4.25 kw
	054433-01-000	EA	Generator - Onan - 6.5 kw
	069229-01-000	EA	Generator - Kohler - 4.5 kw
	051911-01-000	EA	Generator - Kohler - 7.0 kw
	701629-02-000	EA	Installation Package
	024732-01-016	EA	Tailpipe - 1.5" O.D. x 43.50"
	067752-01-000	EA	Muffler - Generator - w. Spark Arrestor - Nelson
	007067-01-000	EA	Insulation - Fiberglass - 1"

EXTERIOR MIRRORS

Key	Part Number	U/M	Description
	049347-01-000	EA	Mirror Head - 7 1/2" x 10 1/2"
	049348-03-000	EA	Arm - Low Mount Mirror - Black
	049944-04-000	EA	Bracket - Mirror - Outside - Black
	077965-01-000	EA	Mirror - Wide Angle - Stainless Steel - Passenger
	077966-02-000	EA	Mirror - Wide Angle - Stainless Steel - Driver
	077965-01-700	EA	Mirror - Convex - 6" x 6 1/2"
	066043-01-000	EA	Mirror - Convex - Adhesive Back

BATH GROUP

BATH CABINETRY

Key	Part Number	U/M	Description
	M81304-03-004	EA	Cabinet Asm - Lavatory - w/o Countertop, Doors or Drawers
	M02162-01-004	EA	Countertop Asm - Lavatory Cabinet - Fawn (U04, U05)
	M02162-01-006	EA	Countertop Asm - Lavatory Cabinet - Sage Green (U06)
	M81501-12-004	EA	Door Asm - Hamper - w/o Hardware
	M81501-13-004	EA	Door Asm - Lavatory Cabinet
	091894-03-U10	EA	Tilt Out - Drawer Asm - Lavatory
	076073-01-000	EA	Cabinet Asm - Medicine - 15 1/2" x 29 1/2" - Almond
	081535-01-004	EA	Door Asm - Medicine Cabinet - w. Mirror
	058331-05-000	EA	Mirror - 12" x 25" - Medicine Cabinet Door
	M82757-01-004	EA	Door Asm - Wardrobe Cabinet - Lower - w/o Hardware
	M61501-31-U01	EA	Door Asm - Wardrobe Cabinet - Upper - w/o Hardware
	M02460-01-004	EA	Countertop Asm - Wardrobe - Sunset Oak
	M02153-01-004	EA	Countertop Asm - Pipe Cover - Fawn (U04, U05)
	M02153-01-006	EA	Countertop Asm - Pipe Cover - Sage Green (U06)
	080224-02-000	EA	Folding Door - Front - 74" x 36"
	080224-05-000	EA	Track - Front Folding Door - 29 5/8"
	080224-03-000	EA	Folding Door - Rear - 35" x 77 5/8"
	080224-07-000	EA	Track - Rear Folding Door - S Curve
	080224-01-700	EA	Latch & Catch Asm. - Folding Door
	081630-01-004	EA	Door Asm - Sliding - w/o Hardware
	079657-01-000	EA	Door Asm - Folding Shower - Plastic

BATH HARDWARE

Key	Part Number	U/M	Description
	M01817-01-T03	EA	Bathtub Asm w. Strainer
	075242-03-000	EA	Faucet - Tub & Shower - Brass
	075240-03-000	EA	Faucet - Lavatory - Brass
**	011048-02-000	EA	Shower Head - w. 60" Hose
	011048-04-000	EA	Vacuum Breaker - 1/8 MPT - Nylon - Shower Head
	075605-01-000	EA	Shower Panel - Faucet - Plastic
**	056729-01-000	EA	Strainer - Bathtub Asm
	056435-01-000	EA	Nut Strainer - Plastic - Bathtub Asm
	056436-01-000	EA	Slip Nut - 1 1/2" Tail Piece - Bathtub Asm
	069735-01-000	EA	Washer - Tail Piece - 1 1/2" - Plastic - Bathtub Asm
	011069-02-000	EA	Tailpiece - 1 1/2" x 1 1/2" x 1/2" - Brass - Bathtub Asm
	080256-01-000	EA	Shroud - Bathtub Asm - Off White
	053713-01-000	EA	Sink - Oval - Ivory Plastic
	039341-02-000	EA	Toilet - Theford - Aqua Magic - Ivory - 8420SH
	075452-02-000	EA	Tissue Holder - Brass
	075453-02-000	EA	Towel Bar - 18" - Brass
	075454-02-000	EA	Towel Ring - Brass
	079235-01-000	EA	Header - Track - Shower Door - Beige
	079234-01-000	EA	Jamb - Shower Door - Rear - Beige
	079234-02-000	EA	Jamb - Shower Door - Front - Beige
	058331-05-000	EA	Mirror - Tempered Glass - 12" x 26"
	058331-04-000	EA	Mirror - Tempered Glass - 12" x 42"
	059571-01-000	EA	Screw Cover - #8 - Antique White
	059777-01-000	EA	Hinge - Antique Brass
	054467-01-000	EA	Guide - Wall Mount - Sliding Door
	009156-01-000	EA	Hanger - Sliding Door
	058034-02-000	EA	Latch Door w. Lock - Sliding Door
	075153-01-000	EA	End Cap - Cover - Beige
	075140-06-000	EA	Track - 59 7/8" - Sliding Door
	075145-09-000	EA	Cover - Track - 59 7/8" - Sliding Door
	066433-01-000	EA	Hook - Cup - Bright
	075680-01-000	EA	Rod - Clothes - Adjustable
	009112-01-000	EA	Flange - 1" - Clothes Rod
	071632-01-000	EA	Bag - Hamper - 49" - w. Elastic
	080224-05-000	EA	Track - Folding Door - 29 5/8" - Straight

** The illustrated parts break down for this item is provided on the Common Items Fiche

1986 WINNEBAGO TABLE OF CONTENTS

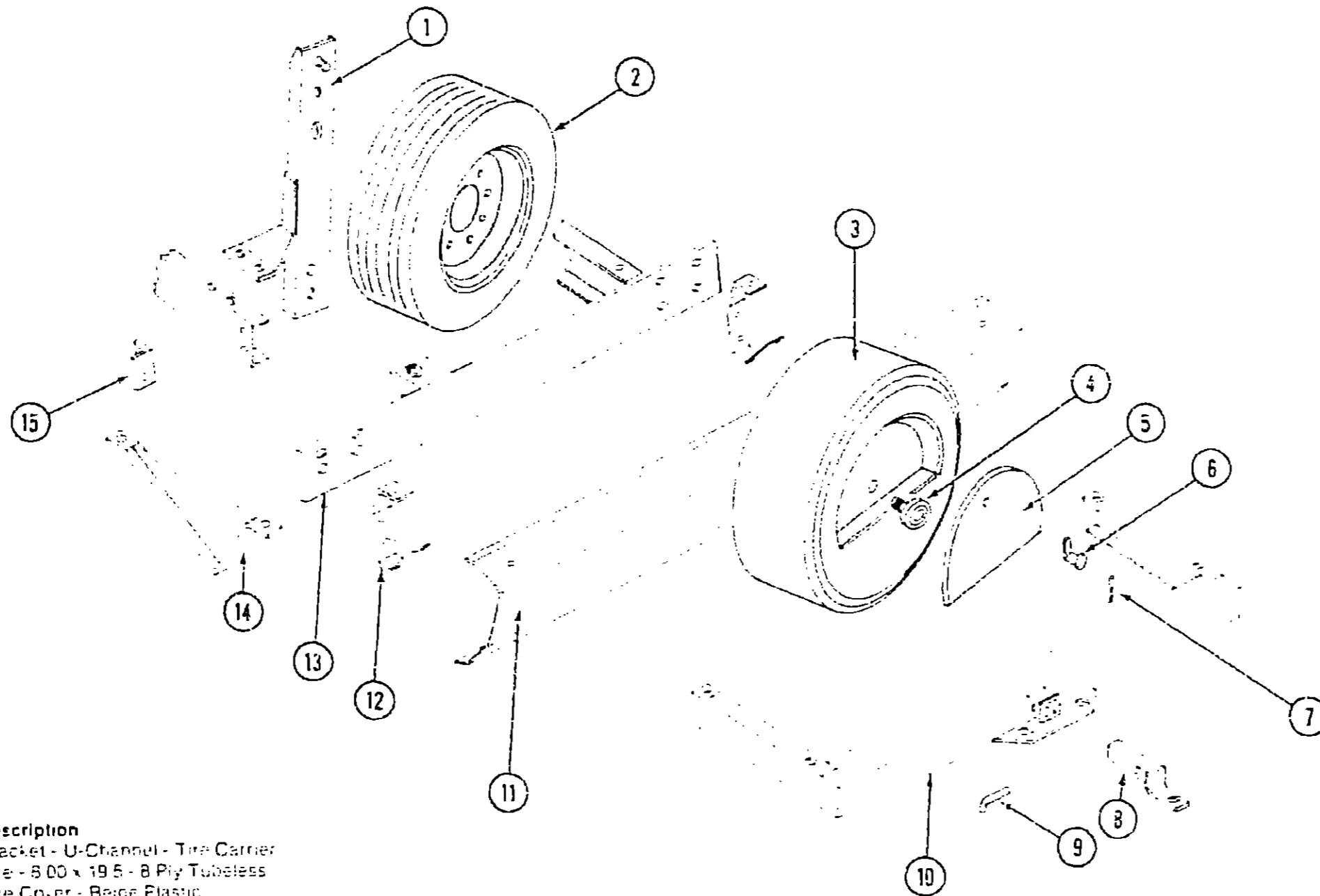
INTRODUCTION	A-01
ABBREVIATIONS	A-01
ALPHABETICAL INDEX	A-02 - A-04
WF426RU	A-05 - C-08
WCN27RU	C-09 - E-16
WCN31RT	E-17 - H-05
WCN33RU	H-07 - J-20

1986 WCN33RU INDEX

Floor Plan	H-07 - H-08
Accessories Group	H-09 - H-11
Bath Group	H-12
Chassis Group	H-13 - H-19
Curtain, Cushion & Pad Group	H-20 - I-02
Dinette Group	I-03
Driver's Compartment Group	I-04 - I-05
Electrical Group	I-07 - I-10
Exterior Body Group	I-11 - I-17
Galley Group	I-18 - I-20
Heating & Air Conditioning Group	I-21 - I-22
Interior Finish Group	I-23 - J-01
LP Group	J-02
Lounge Group	J-03 - J-04
Water & Sewage Group	J-05 - J-06
Window, Vent & Exterior Door Group	J-07 - J-20

CHASSIS GROUP

SPARE TIRE, HITCH & REAR BUMPER



Key	Part Number	U/M	Description
1	080378-02-000	EA	Bracket - U-Channel - Tire Carrier
2	007321-02-000	EA	Tire - 8.00 x 19.5 - 8 Ply Tubeless
3	079762-01-000	EA	Tire Cover - Beige Plastic
4	064032-02-000	EA	Nut - Tire Cover Retainer - Delmet
5	M52047-01-T03	EA	Door - Tire Cover - Beige Plastic
6	077498-01-000	EA	Lock Asm - Key Type
7	034510-01-000	EA	Pin - Hitch - 3 16" Wire
8	077613-01-000	EA	Drawbar - Ball Mount
9	034512-01-000	EA	Locking Pin - Drawbar
10	077617-01-700	EA	Hitch Asm - w/o Drawbar
11	078584-01-000	EA	Bumper - Rear - Primed
12	078584-08-000	EA	Bumper - Rear - Chromed
	NOTE	EA	Bumper Ends (See Exterior Body Group)
13	078570-02-000	EA	Bracket to Bumper - Rear
14	079129-02-000	EA	Bracket to Frame - Rear Bumper
15	053376-01-000	EA	Skid Plate Asm
	078668-01-000	EA	Support Angle - Rear Bumper Support to Frame
	005200-01-000	EA	Bumper Bolt - 7 16" - 14 x 1 1/4
			Not Illustrated

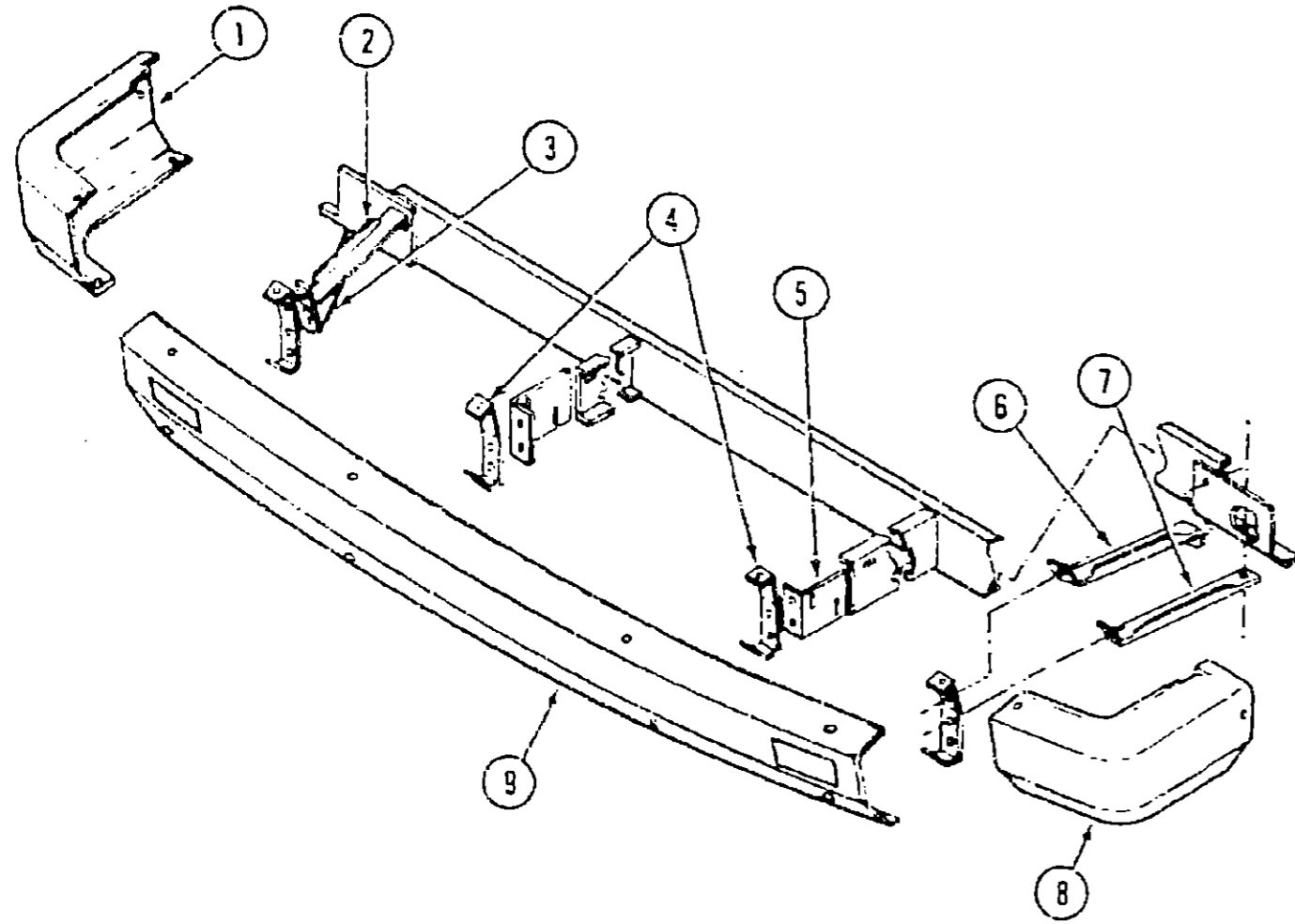
1986 WINNEBAGO TABLE OF CONTENTS

INTRODUCTION	A-01
ABBREVIATIONS	A-01
ALPHABETICAL INDEX	A-02 - A-04
WF425RU	A-05 - C-08
WCN27RU	C-09 - E-16
WCN31RT	E-17 - H-06
WCN33RU	H-07 - J-20

1986 WCN33RU INDEX

Floor Plan	H-07 - H-08
Accessories Group	H-09 - H-11
Bath Group	H-12
Chassis Group	H-13 - H-18
Curtain, Cushion & Pad Group	H-20 - H-22
Dinette Group	I-03
Driver's Compartment Group	I-04 - I-06
Electrical Group	I-07 - I-10
Exterior Body Group	I-11 - I-17
Galley Group	I-18 - I-20
Heating & Air Conditioning Group	I-21 - I-22
Interior Finish Group	I-23 - J-01
LP Group	J-02
Lounge Group	J-03 - J-04
Water & Sewage Group	J-05 - J-06
Window, Vent & Exterior Door Group	J-07 - J-20

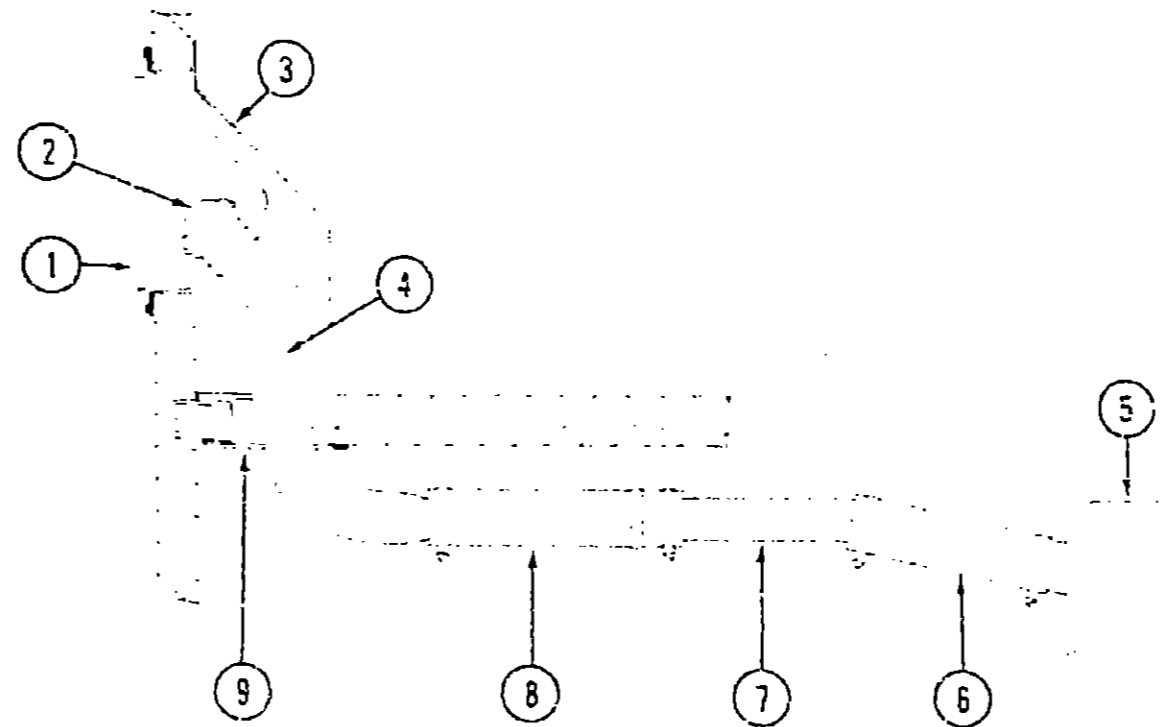
CHASSIS GROUP (CONTINUED)



FRONT BUMPER

Key	Part Number	U.M.	Description
1	076577-01-000	EA	Bumper End - Beige - Right Front
2	076002-01-000	EA	Brace - Upper Right - Front Bumper
3	076005-01-000	EA	Brace - Lower Right - Front Bumper
4	077652-01-000	EA	Bracket to Bumper - Front
5	076527-01-000	EA	Bracket to Frame - Front Bumper
6	076002-02-000	EA	Brace - Upper Left - Front Bumper
7	076003-02-000	EA	Brace - Lower Left - Front Bumper
8	076577-02-000	EA	Bumper End - Beige - Left Front
9	077650-04-000	EA	Bumper - Front - Primer
9	077650-09-000	EA	Bumper - Front - Chrome
-	006200-01-000	EA	Carrage Bolt - Chrome - 7/16" x 1/4" x 1 1/4"
-			Not Illustrated

CHASSIS GROUP (CONTINUED)



MAIN FUEL TANK

Key	Part Number	U.M.	Description
1	076010-04-000	EA	Door Asm. & Upper Shroud - Fuel Fill - Beige
2	073220-02-000	EA	Cap - Fuel Fill
3	072447-01-000	EA	Shroud - Fuel Fill - Inside
4	075227-01-000	EA	Neck Asm. - Upper Fuel Fill
5	076230-01-000	EA	Tank - Fuel - 60 Gallon
6	007111-03-002	EA	Hose - Fuel - 1.75" x 6.62'
7	075228-01-000	EA	Neck Asm. - Lower Fuel Fill
8	007111-03-001	EA	Hose - Fuel - 1.75" x 9.7'
9	063303-04-000	EA	Shroud - Fuel Fill - Lower

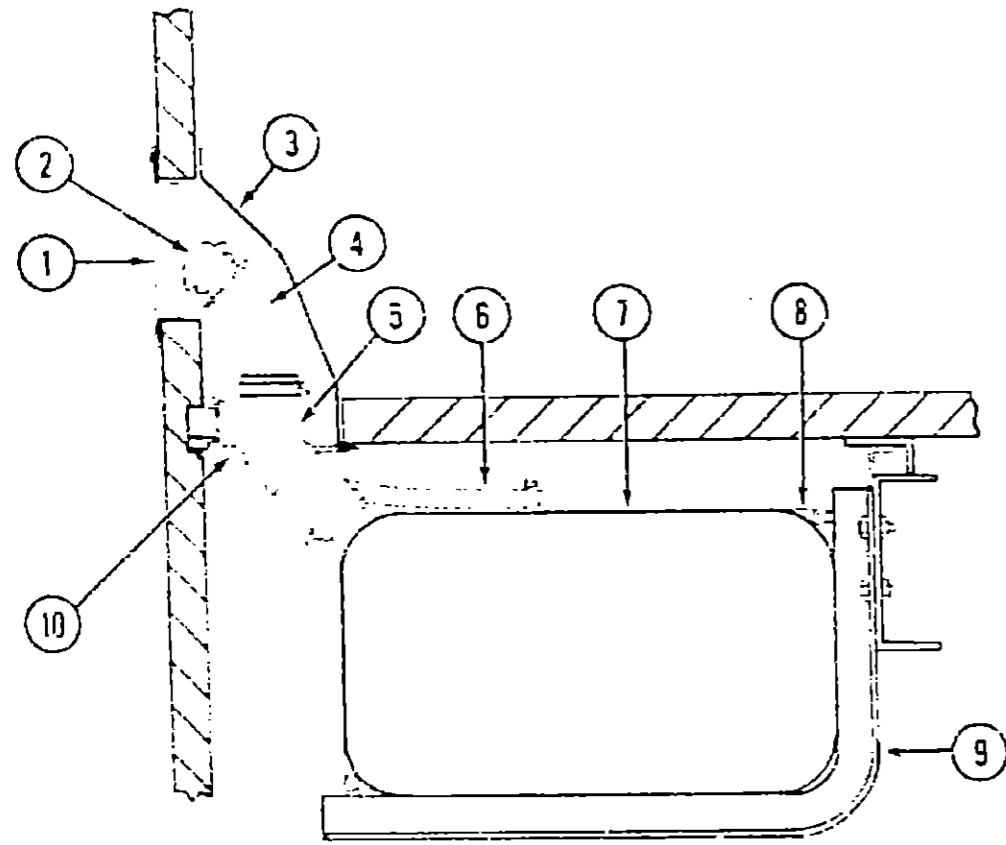
1986 WINNEBAGO TABLE OF CONTENTS

INTRODUCTION	A-01
ABBREVIATIONS	A-01
ALPHABETICAL INDEX	A-02 - A-04
WF426RU	A-05 - C-08
WCN27RU	C-09 - E-16
WCN31RT	E-17 - H-06
WCN33RU	H-07 - J-20

1985 WCN33RU INDEX

Floor Plan	H-07 - H-08
Accessories Group	H-09 - H-11
Bath Group	H-12
Chassis Group	H-13 - H-15
Curtain, Cushion & Pad Group	H-20 - I-02
Dinette Group	I-03
Driver's Compartment Group	I-04 - I-06
Electrical Group	I-07 - I-10
Exterior Body Group	I-11 - I-17
Galley Group	I-18 - I-20
Heating & Air Conditioning Group	I-21 - I-22
Interior Finish Group	I-23 - J-01
LP Group	J-02
Lounge Group	J-03 - J-04
Water & Sewage Group	J-05 - J-06
Window, Vent & Exterior Door Group	J-07 - J-20

CHASSIS GROUP (CONTINUED)



AUXILIARY FUEL FILL

Key	Part Number	U/M	Description
1	075010-04-000	EA	Door Asm. & Upper Shroud - Fuel Fill - Beige
2	073220-02-000	EA	Cap - Fuel Fill
3	075830-01-000	EA	Shroud - Fuel Fill - Inside
4	075914-01-000	EA	Neck Asm. - Upper Fuel Fill
5	075684-01-000	EA	Hose - Fuel - Formed 45° 2" I.D.
6	065732-01-000	FT	Hose - Fuel - 62" I.D. - Vent
7	075666-01-000	EA	Tank - Fuel - 30 Gallon
8	075232-02-000	EA	Strap Asm. - Fuel Tank - T-Belt Ends
9	075555-01-000	EA	Bracket - Fuel Tank Mounting
10	063303-05-000	EA	Shroud - Fuel Fill - Lower
	075200-01-000	EA	Gasket - Fuel Fill
	079807-01-000	EA	Plate - Changeover Valve
	080212-01-000	EA	Valve - Changeover - Fuel Select 6 Port
			Not Illustrated

CHASSIS GROUP (CONTINUED)

MISCELLANEOUS CHASSIS

Key	Part Number	U/M	Description
	081057-01-000	EA	Alternator Kit - 105 Amp
	081057-01-700	EA	Brush Assembly
	081057-01-701	EA	Diode Bridge
	081057-01-702	EA	Condenser
	081057-01-703	EA	Inside Bearing Spacer
	081057-01-704	EA	Front Bearing
	081057-01-705	EA	Outside Bearing Spacer
	061057-01-706	EA	Fulley
	081057-01-707	EA	Diode -
	081057-01-708	EA	Diode -
	081057-01-709	EA	Stator (105 H D)
	081057-01-710	EA	Rotor
	081057-01-711	EA	Ground Terminal Kit
	081057-01-712	EA	Battery Terminal Kit
	081057-01-713	EA	Rear Bearing
	081057-02-000	EA	Regulator Kit - 105 Amp
	081057-03-000	EA	Alternator - 105 Amp. Wide Belt
	062401-04-000	EA	Clamp - Hose - Wormgear - 69" I.D. - 1.25" I.D.
	062401-05-000	EA	Clamp - Hose - Wormgear - 2" I.D. - 3" I.D.
	062401-06-000	EA	Clamp - Hose - Wormgear - 22" I.D. - 62" I.D.
	023146-01-000	EA	Clamp - Screw Type - 4"
	024490-01-000	EA	Compartment - Power Cord - Black Plastic
	071656-01-000	EA	Cover - Radiator - Rear
	060722-01-000	EA	Cover - Radiator - Rear Back (Fan Shroud)
	020167-03-000	EA	Dirt Guard - Rear Wheel
	007131-01-000	EA	Hanger - Tail Pipe
	024138-01-000	FT	Hose - Fuel - 5 1/2" I.D. SAE 30RI
	066732-01-000	FT	Hose - Fuel Fill - 62 I.D.
	007111-02-000	EA	Hose - Fuel Fill - 2.00 I.D.
	007111-01-000	EA	Hose - Fuel Fill - 2.25 I.D.
	006113-01-000	EA	Jack - Hydraulic - 6 Ton - w/ Handle
	060208-02-000	EA	Leverage Bar - 22" - Lug Wrench
	060208-01-000	EA	Lug Wrench
	081201-01-000	EA	Mat - Stepwell - Driver - Brown & Tan
	081202-01-000	EA	Mat - Stepwell - Passenger - Brown & Tan
	017516-01-000	EA	Mud Flap w/ Holes - 14" x 18" - Black
	074483-01-000	EA	Retainer Nut - Snap In - Speed Control
	054953-01-000	EA	Rim - Wheel - 19 5/8" x 6 7/8" - 8 Hole
	057036-06-000	EA	Sending Unit Fuel - 90 OHM - Main
	057038-08-000	EA	Sending Unit Fuel - 90 OHM - Aux
	075146-01-000	EA	Shield - Heat Muffler
	079942-01-000	EA	Shock Absorber - Stabilizer - Front
	079942-02-000	EA	Shock Absorber - Stabilizer - Rear
	079942-07-000	EA	Bracket - Mounting Stabilizer
	063977-04-000	EA	Step Asm. - Driver Door
	077548-01-000	EA	Step Asm. - Entry
	076241-01-000	EA	Support Asm. - Electric Step
	065963-02-000	EA	Switch - Fuel - Change Over
	061411-03-000	EA	Tailpipe Extension - 2 25" x 10 5
	007321-01-000	EA	Tire - 8 00" x 19 5 - 8 Ply Poly
	007324-04-000	EA	Tire - 8 00" x 19 5 - Michelin
	045594-01-000	EA	Tray - Battery
	052431-01-000	EA	Tray - Luggage
	051377-01-000	EA	Valve Stem Asm. - TR500
	055374-01-000	EA	Wheelwell - Plastic
	008343-01-000	EA	Wire Tie - 6"
	080752-05-000	EA	Steering Wheel - Custom
	080752-06-000	EA	Hub Adapter - Steering Wheel
	080752-07-000	EA	Horn Button - w/ Wire
	080752-08-000	EA	Screw - Custom Steering Wheel

**1986 WINNEBAGO
TABLE OF CONTENTS**

INTRODUCTION	A-01
ABBREVIATIONS	A-01
ALPHABETICAL INDEX	A-02 - A-04
WF426RU	A-05 - C-08
WCN27RU	C-09 - E-16
WCN31RT	E-17 - H-06
WCN33RU	H-07 - J-20

1986 WCN33RU INDEX

Floor Plan	H-07 - H-08
Accessories Group	H-09 - H-11
Bath Group	H-12
Chassis Group	H-13 - H-19
Curtain, Cushion & Pad Group	H-20 - I-02
Dinette Group	I-03
Driver's Compartment Group	I-04 - I-06
Electrical Group	I-07 - I-10
External Body Group	I-11 - I-17
Galley Group	I-18 - I-20
Heating & Air Conditioning Group	I-21 - I-22
Interior Finish Group	I-23 - J-01
LP Group	J-02
Lounge Group	J-03 - J-04
Water & Sewage Group	J-05 - J-06
Window, Vent & Exterior Door Group	J-07 - J-20

CHASSIS GROUP (CONTINUED)

MISCELLANEOUS CHASSIS (Cont.)

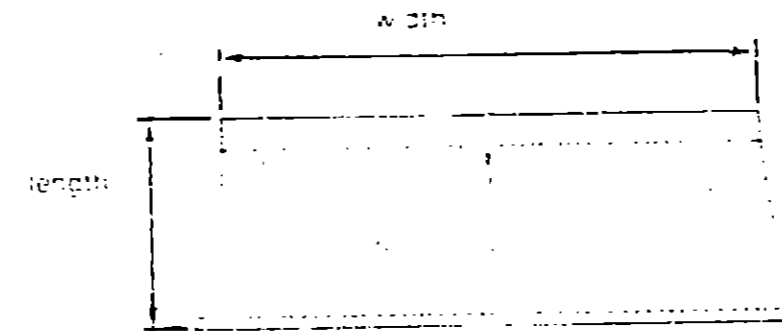
Key	Part Number	U/M	Description
	047441-01-000	EA	Battery Terminal - Horizontal Lug
	075723-01-000	EA	Block - Switch - Spacer w/o Holes
	072359-01-000	EA	Bottle - Coolant Expansion
	064093-01-000	EA	Box - Luggage
	075231-01-000	EA	Bracket Asm. - Fuel Tank Hanger
	051697-01-000	EA	Bracket - Battery Tie Down - 6.9"
	065451-02-000	EA	Bracket - Battery Tie Down - 10.82"
	065451-03-000	EA	Bracket - Battery Tie Down - 14"
	007125-07-000	EA	Clamp Asm. - Muffler - 1.62"
	007125-01-000	EA	Clamp Asm. - Muffler - 2.50"
	010497-01-000	EA	Clamp - Close - 5.8 I.D.
	007161-01-000	EA	Clamp - Hose - Spring Type 112
	062401-01-000	EA	Clamp - Hose - Wormgear - 22" I.D. x 1" I.D.
	052401-02-000	EA	Clamp - Hose - Wormgear - 1.56" I.D. - 2.5" I.D.
	062401-03-000	EA	Clamp - Hose - Wormgear - 2.5" I.D. - 1" I.D.

CURTAIN, CUSHION & PAD GROUP

NOTICE

In order to assist our Parts Sales Dept. in providing interior software items, please include the serial number and the color code number from the vehicle certification label when ordering. This label is located on the left sidewall at the end of the dash (A-Body), or on the driver's door latch plate (C-Body).

An example of a color code number is P31, which designates an overall color scheme of a particular unit. The color listed after the item description on the microfiche, indicates the overall unit color. Order the item you desire according to unit color code.



NOTE

Use this illustration when determining length and width measurements for curtains. You will note the width measurement is taken on the top of the curtain with the curtain fully extended. The length measurement is taken from top to bottom.

1986 WINNEBAGO TABLE OF CONTENT'S

INTRODUCTION	A-01
ABBREVIATIONS	A-01
ALPHABETICAL INDEX	A-02 - A-04
WF426RU	A-05 - C-08
WCN27RU	C-09 - E-16
WCN31RT	E-17 - H-06
WCN33RU	H-07 - J-20

CURTAIN & CUSHION HARDWARE

Key	Part Number	U/M	Description
	079793-03-000	EA	Bracket Asm. - Curtain Rod - Right
	079793-04-000	EA	Bracket Asm. - Curtain Rod - Left
	082139-02-000	EA	Bracket - Hold Down - Blind
	079793-03-000	EA	Bracket - Bedroom Valance - Right - Beige
	079793-04-000	EA	Bracket - Bedroom Valance - Left - Beige
	079732-04-000	EA	Track - Curtain - 12" - Beige - Bottom
	009107-01-000	EA	Guide - Curtain - Bottom
	029120-01-000	EA	Snap Socket - Curtain Bottom
	082249-01-000	EA	Bracket - Blind - Top Right
	082249-02-000	EA	Bracket - Blind - Top Left
	082117-04-000	EA	Bracket - Blinds Installation
	029120-01-000	EA	Snap Socket - Tie Back
	079519-01-000	EA	Bracket - Tie Back
	055001-01-000	EA	Bracket - Shade - Left
	055002-01-000	EA	Bracket - Shade - Right
	056784-01-000	EA	Part - Window Shade - Antique Brass
	056115-01-000	YD	Tape - Clear Plastic - w/ Guides
	048394-01-000	YD	Tape Hook - 1" x 50 yd - Beige
	029086-05-000	YD	Tape Hook - 50' - Melcro - Beige
	045395-01-000	YD	Tape Loop - 1" x 50 YD - Beige
	029000-01-000	FT	Tie - Drapery - Clear Vinyl
	056116-01-000	EA	Track - Curtain - Brown Plastic - Top
	079940-01-000	EA	Track - Curtain - Wraparound - Right
	079940-02-000	EA	Track - Curtain - Wraparound - Left

1986 WCN33RU INDEX

Floor Plan	H-07 - H-08
Accessories Group	H-09 - H-11
Bath Group	H-12
Chassis Group	H-13 - H-19
Curtain, Cushion & Pad Group	H-20 - I-02
Dinette Group	I-03
Driver's Compartment Group	I-04 - I-06
Electrical Group	I-07 - I-10
Exterior Body Group	I-11 - I-17
Galley Group	I-18 - I-20
Heating & Air Conditioning Group	I-21 - I-22
Interior Finish Group	I-23 - J-01
LP Group	J-02
Lounge Group	J-03 - J-04
Water & Sewage Group	J-05 - J-06
Window, Vent & Exterior Door Group	J-07 - J-10

CURTAIN, CUSHION & PAD GROUP (CONTINUED)



Key	Part Number	U:M	Description
1	029130-01-000	EA	Socket - Snap Fastener
2	029155-01-000	EA	Cap - Snap - .155" Dia x 17" Barrel
3	029155-01-000	EA	Socket - Snap Fastener
4	029092-01-000	EA	Stud - Nickel Finish
5	090093-01-000	EA	Eyelet - Nickel Finish

FABRICS & TRIMS

Key	Part Number	U:M	Description
	077495-02-000	YD	Fabric - Main w/ Stripe - Beige (U04)
	077495-03-000	YD	Fabric - Main w/ Stripe - Rose (U05)
	077495-04-000	YD	Fabric - Main w/ Stripe - Spruce (U06)
	077495-75-000	YD	Fabric - Patterned Accent - Rose (U05)
	077495-74-000	YD	Fabric - Patterned Accent - Spruce (U06)
	077495-73-000	YD	Fabric - Plain Accent - Beige & Spruce (U04, U05)
	077495-72-000	YD	Fabric - Plain Accent - Rose (U05)
	069729-43-000	YD	Fabric - Bedroom Drapery - Multi-color (U04, U05, U06)
	072333-21-000	YD	Fabric - Bedroom Drapery - Parchment (U04, U05, U06)
	072333-21-000	YD	Fabric - Wraparound & Backout - Parchment (U04, U05, U06)
	072333-25-000	YD	Fabric - Drapery - Beige (U04)
	072333-26-000	YD	Fabric - Drapery - Rose (U05)
	072333-27-000	YD	Fabric - Drapery - Spruce (U06)
	036421-02-000	YD	Fabric - Mattress Ticking - Beige Brown
	052659-01-T03	FT	Trim Asm - Accent - Sandrift
	052659-06-T03	FT	Trim Asm - Accent - Buckskin
	079560-01-000	YD	Vinyl - Expanded - 26 oz - Buckskin (U04, U05, U06)
	079560-02-000	YD	Vinyl - Expanded - 26 oz - Sandrift (U04, U05, U06)
	057550-03-T03	EA	Button Asm - Nail - #36 - 7 5/8" Shank - Vinyl
	057550-05-T03	EA	Button Asm - Nail - #36 - 3 5/8" Shank - Vinyl
	070573-07-U01	EA	Button Asm - Screw Stud - #30 - Beige (U04)
	070573-07-U02	EA	Button Asm - Screw Stud - #30 - Rose (U05)
	070573-07-U03	EA	Button Asm - Screw Stud - #30 - Spruce (U06)
	070573-06-T03	EA	Button Asm - Screw Stud - #30 - Buckskin
	071127-10-U01	EA	Button Asm - Round - #65 - Beige (U04)
	071127-10-U02	EA	Button Asm - Round - #65 - Rose (U05)
	071127-10-U03	EA	Button Asm - Round - #65 - Spruce (U06)
	071127-09-000	EA	Button Asm - #55 - Mattress Ticking
	069748-05-000	EA	Hook Back - #65 - Nylon Square
	057093-01-T03	EA	Button Asm - Nail Back - #68 - Vinyl - Buckskin
	078155-01-000	EA	Strap Asm - Cushion
	079144-02-T03	EA	Strap Asm - Bunk
	081519-01-U01	EA	Pad Asm - Dinette - Front - Beige & Spruce (U04, U05)
	081519-01-U02	EA	Pad Asm - Dinette - Front - Rose (U05)
	081519-02-U01	EA	Pad Asm - Dinette - Rear - Beige & Spruce (U04, U05)
	081519-02-U02	EA	Pad Asm - Dinette - Rear - Rose (U05)
	077641-02-000	EA	Pad Asm - Swivel Chair - 15" x 12" - Beige & Spruce (U04, U05)
	077641-03-000	EA	Pad Asm - Swivel Chair - 15" x 12" - Rose (U05)

CURTAIN, CUSHION & PAD GROUP (CONTINUED)

BUCKET SEATS

Key	Part Number	U:M	Description
	079300-01-U01	EA	Seat Asm - Vinyl - Beige (U04)
	079300-02-U01	EA	Seat Asm - Vinyl - Rose (U05)
	079300-02-U03	EA	Seat Asm - Vinyl - Spruce (U06)
	M01662-01-U01	EA	Cover Asm - Seat Bottom - Vinyl - Beige (U04)
	M01662-02-U01	EA	Cover Asm - Seat Bottom - Vinyl - Rose (U05)
	M01662-03-U03	EA	Cover Asm - Seat Bottom - Vinyl - Spruce (U06)
	M01662-02-U01	EA	Cover Asm - Seat Back - Vinyl - Beige (U04)
	M01662-04-U01	EA	Cover Asm - Seat Back - Vinyl - Rose (U05)
	M01662-04-U03	EA	Cover Asm - Seat Back - Vinyl - Spruce (U06)
	078804-07-U01	EA	Seat Asm - Grandeur - Beige (U04)
	078804-08-U01	EA	Seat Asm - Grandeur - Rose (U05)
	078804-08-U03	EA	Seat Asm - Grandeur - Spruce (U06)
	M01663-01-U01	EA	Cover Asm - Bucket Seat Bottom - Beige (U04)
	M01663-03-U01	EA	Cover Asm - Bucket Seat Bottom - Rose (U05)
	M01663-03-U03	EA	Cover Asm - Bucket Seat Bottom - Spruce (U06)
	M01663-02-U01	EA	Cover Asm - Bucket Seat Back - Beige (U04)
	M01663-04-U01	EA	Cover Asm - Bucket Seat Back - Rose (U05)
	M01663-04-U03	EA	Cover Asm - Bucket Seat Back - Spruce (U06)
	079261-02-U04	EA	Seat Asm - Double Bucket - Beige (U04)
	079261-01-U05	EA	Seat Asm - Double Bucket - Rose (U05)
	079261-01-U06	EA	Seat Asm - Double Bucket - Spruce (U06)
	M01674-03-U04	EA	Cover Asm - Bucket Seat Bottom - Double Bucket - Beige (U04)
	M01674-01-U04	EA	Cover Asm - Bucket Seat Bottom - Double Bucket - Rose (U05)
	M01674-01-U06	EA	Cover Asm - Bucket Seat Bottom - Double Bucket - Spruce (U06)
	M01674-04-U04	EA	Cover Asm - Bucket Seat Back - Double Bucket - Beige (U04)
	M01674-01-U05	EA	Cover Asm - Bucket Seat Back - Double Bucket - Rose (U05)
	M01674-02-U06	EA	Cover Asm - Bucket Seat Back - Double Bucket - Spruce
	080243-07-U04	EA	Armrest Asm - Left - Beige (U04) - Double Bucket
	080243-04-U04	EA	Armrest Asm - Left - Rose (U05) - Double Bucket
	080243-04-U06	EA	Armrest Asm - Left - Spruce (U06) - Double Bucket
	080242-01-U04	EA	Headrest Asm - Beige (U04) - Double Bucket
	080242-02-U04	EA	Headrest Asm - Rose (U05) - Double Bucket
	080242-02-U06	EA	Headrest Asm - Spruce (U06) - Double Bucket
	080243-07-U01	EA	Armrest Asm - Right - Beige (U04)
	080243-09-U01	EA	Armrest Asm - Right - Rose (U05)
	080243-09-U03	EA	Armrest Asm - Right - Spruce (U06)
	080243-08-U01	EA	Armrest Asm - Left - Beige (U04)
	080243-10-U01	EA	Armrest Asm - Left - Rose (U05)
	080243-10-U03	EA	Armrest Asm - Left - Spruce (U06)
	M80243-01-U01	EA	Cover Asm - Armrest - Right - Beige (U04)
	M80243-03-U01	EA	Cover Asm - Armrest - Right - Rose (U05)
	M80243-03-U03	EA	Cover Asm - Armrest - Right - Spruce (U06)
	M80243-02-U04	EA	Cover Asm - Armrest - Left - Beige (U04)
	M80243-04-U01	EA	Cover Asm - Armrest - Left - Rose (U05)
	M80243-04-U03	EA	Cover Asm - Armrest - Left - Spruce (U06)
	080242-04-U01	EA	Headrest Asm - Beige (U04)
	080242-05-U04	EA	Headrest Asm - Rose (U05)
	080242-05-U06	EA	Headrest Asm - Spruce (U06)
	M80242-01-U04	EA	Cover Asm - Headrest - Beige (U04)
	M80242-02-U04	EA	Cover Asm - Headrest - Rose (U05)
	M80242-02-U06	EA	Cover Asm - Headrest - Spruce (U06)
	071125-16-U01	EA	Skirt Asm - Single Bucket - Beige (U04)
	071125-13-U04	EA	Skirt Asm - Single Bucket - Rose (U05)
	071125-13-U06	EA	Skirt Asm - Single Bucket - Spruce (U06)
	071690-04-U01	EA	Skirt Asm - Double Bucket - Beige (U04)
	071690-05-U04	EA	Skirt Asm - Double Bucket - Rose (U05)
	071690-05-U06	EA	Skirt Asm - Double Bucket - Spruce

**1986 WINNEBAGO
TABLE OF CONTENTS**

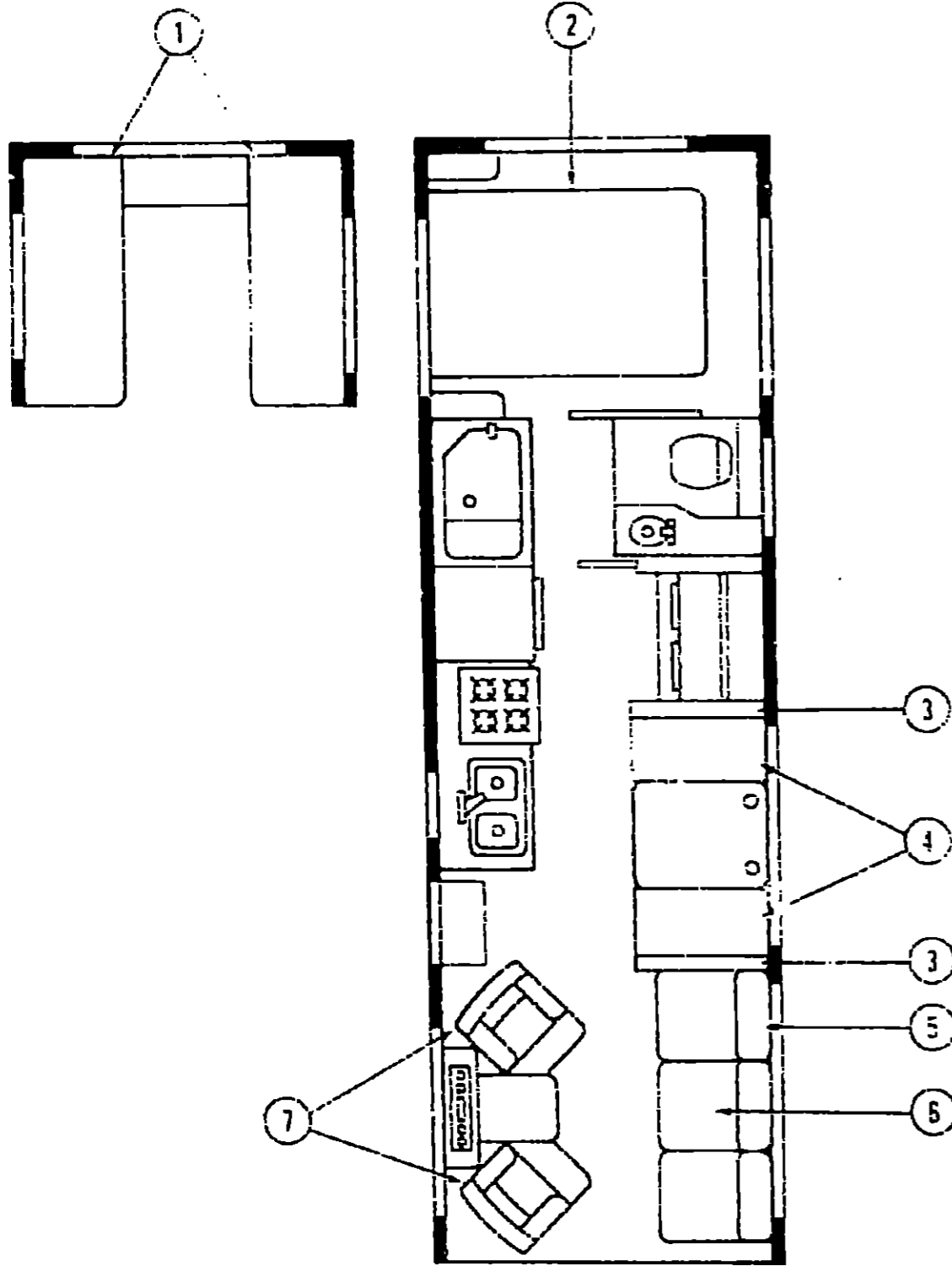
INTRODUCTION	A-01
ABBREVIATIONS	A-01
ALPHABETICAL INDEX	A-02 - A-04
WF426RU	A-05 - C-03
WCN27RU	C-09 - E-16
WCN31RT	E-17 - H-05
WCN33RU	H-07 - J-20

1986 WCN33RU INDEX

Floor Plan	H-07 - H-08
Accessories Group	H-09 - H-11
Bath Group	H-12
Chassis Group	H-13 - H-19
Curtain, Cushion & Pad Group	H-20 - I-02
Dinette Group	I-03
Driver's Compartment Group	I-04 - I-05
Electrical Group	I-07 - I-10
Exterior Body Group	I-11 - I-17
Galley Group	I-18 - I-20
Heating & Air Conditioning Group	I-21 - I-22
Interior Finish Group	I-23 - J-01
LP Group	J-02
Lounge Group	J-03 - J-04
Water & Sewage Group	J-05 - J-06
Window, Vent & Exterior Door Group	J-07 - J-20

CURTAIN, CUSHION & PAD GROUP (CONTINUED)

CURTAIN, CUSHION & PAD GROUP (CONTINUED)



SINGLE & DOUBLE BED MATTRESS

Key	Part Number	U/M	Description
1	051996-01-000	EA	Mattress - Foam - 33" x 75" x 7"
1	077478-04-000	EA	Mattress - Interlocking - 33" x 75" x 7 7/8" - Sealy
2	051996-03-000	EA	Mattress - Foam - 54" x 75" x 7"
2	077478-03-000	EA	Mattress - Interlocking - 54" x 75" x 7 7/8" - Sealy
	051999-05-U04	EA	Bedspread - 54" x 75" x 10" Ruffle (U04, U05, U06) Multi-colored
	051999-11-U01	EA	Bedspread - 54" x 75" x 10" Ruffle (U04, U05, U06) Beige
	051999-04-U04	EA	Bedspread - 33" x 75" x 10" Multi-colored (U04, U05, U06)
	051999-03-U01	EA	Bedspread - 33" x 75" x 10" Beige (U04, U05, U06)
	051997-01-U01	EA	Pillow Sham - 30" x 26" - Multi-colored (U04, U05, U06)
	051997-02-U01	EA	Pillow Sham - 30" x 26" - Beige (U04, U05, U06)

DINETTE CUSHION

Key	Part Number	U/M	Description
3	051998-01-U01	EA	Cushion Asm - Dinette Back - 19 25" x 35" x 5" - Beige (U04)
3	051998-01-U02	EA	Cushion Asm - Dinette Back - 19 25" x 35" x 5" - Rose (U05)
3	051998-01-U03	EA	Cushion Asm - Dinette Back - 19 25" x 35" x 5" - Spruce (U06)
	M51998-01-U01	EA	Cover Asm - Dinette Back Cushion - 19 25" x 35" x 5" - Beige (U04)
	M51998-01-U02	EA	Cover Asm - Dinette Back Cushion - 19 25" x 35" x 5" - Rose (U05)
	M51998-01-U03	EA	Cover Asm - Dinette Back Cushion - 19 25" x 35" x 5" - Spruce (U06)
4	051998-02-U01	EA	Cushion Asm - Dinette Bottom - 17 5" x 35" x 5" - Beige (U04)
4	051998-02-U02	EA	Cushion Asm - Dinette Bottom - 17 5" x 35" x 5" - Rose (U05)
4	051998-02-U03	EA	Cushion Asm - Dinette Bottom - 17 5" x 35" x 5" - Spruce (U06)
	M51998-02-U01	EA	Cover Asm - Dinette Bottom Cushion - 17 5" x 35" x 5" - Beige (U04)
	M51998-02-U02	EA	Cover Asm - Dinette Bottom Cushion - 17 5" x 35" x 5" - Rose (U05)
	M51998-02-U03	EA	Cover Asm - Dinette Bottom Cushion - 17 5" x 35" x 5" - Spruce (U06)

3 PILLOW COUCH

Key	Part Number	U/M	Description
5	051998-17-U04	EA	Pillow Asm - 16" x 23" x 5" - Beige
5	051998-17-U05	EA	Pillow Asm - 16" x 23" x 5" - Rose
5	051998-17-U06	EA	Pillow Asm - 16" x 23" x 5" - Spruce
	M51998-17-U04	EA	Cover Asm - Pillow - 16" x 23" x 5" - Beige
	M51998-17-U05	EA	Cover Asm - Pillow - 16" x 23" x 5" - Rose
	M51998-17-U06	EA	Cover Asm - Pillow - 16" x 23" x 5" - Spruce
6	079448-04-U04	EA	Seat Asm - #55 - Beige
6	079448-04-U05	EA	Seat Asm - #55 - Rose
6	079448-04-U06	EA	Seat Asm - #55 - Spruce
	M79448-04-U04	EA	Cover Asm - Seat - Beige
	M79448-04-U05	EA	Cover Asm - Seat - Rose
	M79448-04-U06	EA	Cover Asm - Seat - Spruce

SWIVEL CHAIR

Key	Part Number	U/M	Description
7	073515-15-U01	EA	Chair Asm w/ Pillow Back - Swivel - Beige (U04)
7	073515-15-U02	EA	Chair Asm w/ Pillow Back - Swivel - Rose (U05)
7	073515-15-U03	EA	Chair Asm w/ Pillow Back - Swivel - Spruce (U06)
	075174-15-U01	EA	Seat Asm - Swivel Chair - Beige (U04)
	075174-15-U02	EA	Seat Asm - Swivel Chair - Rose (U05)
	075174-15-U03	EA	Seat Asm - Swivel Chair - Spruce (U06)
	035036-01-000	EA	Plate - Top & Swivel Chair
	035036-04-000	EA	Base w/ Legs - Swivel Chair
	035036-05-000	EA	Extension - T - Swivel Chair

FRONT BUNK

Key	Part Number	U/M	Description
	079145-04-000	EA	Cushion Asm - Front Bunk - 44" x 34" x 7 7/8"
	M79145-04-000	EA	Cover Asm - Front Bunk Cushion - 44" x 34" x 7 7/8"
	079145-02-T03	EA	Bunk Strap - Vinyl

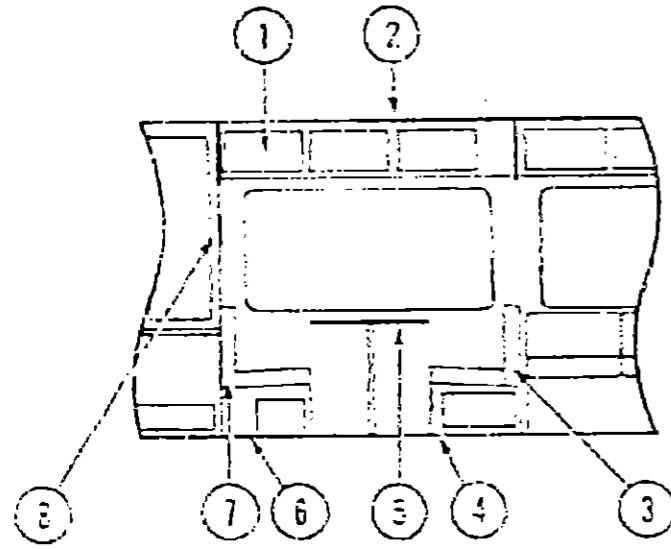
**1986 WINNEBAGO
TABLE OF CONTENTS**

INTRODUCTION	A-01
ABBREVIATIONS	A-01
ALPHABETICAL INDEX	A-02 - A-04
WF425RU	A-05 - C-08
WCN2TRU	C-09 - E-16
WCN31RT	E-17 - H-06
WCN33RU	H-07 - J-20

1986 WCN33RU INDEX

Floor Plan	H-07 - H-08
Accessories Group	H-09 - H-11
Bath Group	H-12
Chassis Group	H-13 - H-19
Curtain, Cushion & Pad Group	H-20 - I-02
Dinette Group	I-03
Trucks Compartment Group	I-04 - I-06
Electrical Group	I-07 - I-10
Exterior Body Group	I-11 - I-17
Gate Group	I-18 - I-20
Heating & Air Conditioning Group	I-21 - I-22
Interior Finish Group	I-23 - J-01
LP Group	J-02
Lounge Group	J-03 - J-04
Water & Sewage Group	J-05 - J-06
Walls, Windows & Exterior Door Group	J-07 - J-22

DINETTE GROUP



CONVENTIONAL DINETTE & OVERHEAD CABINETRY

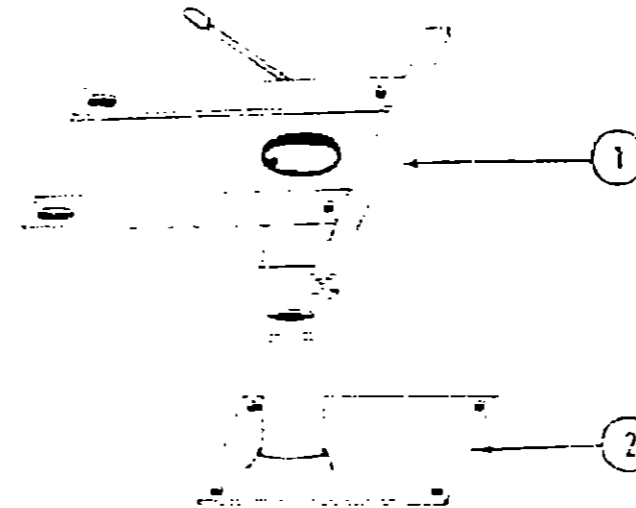
Key	Part Number	U/M	Description
-	M51503-01-T03	EA	Door Asm - Dinette Overhead w/o Hardware
-	021502-11-004	EA	Cabinet Asm - Dinette Overhead - w/o Doors or Hardware
-	M00174-01-U01	EA	Cabinet Asm - Dinette Back - Front
-	M10175-02-001	EA	Cabinet Asm - Dinette Seat - w/o Doors or Hardware
-	M10175-03-001	EA	Table Asm - Dinette - w/o Hardware (UCB)
-	M00175-03-002	EA	Table Asm - Dinette - w/o Hardware (UCB)
-	M00175-03-001	EA	Cabinet Asm - Dinette Seat - Rear - w/o Doors or Hardware
-	M00174-03-001	EA	Cabinet Asm - Dinette Back - Rear
-	075907-02-000	EA	Picture & Frames - 8" x 10" - Assorted Glasses
-	114499-12-000	EA	Support - Spring Door Asm - Overhead Cabinet
-	030104-03-001	EA	Bracket - Upper Wall Mount - 22" - Beige
-	030104-03-000	EA	Bracket - Table Mount - 22"
-	034176-03-000	EA	Pod - Table Leg - 8" x 28.5" - Beige
-	034176-03-001	EA	Bracket - Lower Wall Mount - 22" x 12" - Beige
-	034176-03-001	EA	Leg Asm - Table - 16.75" - Brown
-	044060-01-000	EA	Slider - Table Leg
-	034230-01-000	EA	Slider - Table Leg
-	034330-01-000	EA	Slider - Table Leg
-	034994-02-001	EA	Slider - Table Leg - Mount on Floor - Brown
-	034994-02-000	EA	Slider - Table Leg - Mount on Floor - Beige

Key	Part Number	U/M	Description
-	069555-04-000	EA	Plate - Top - Pedestal Asm - Single Bucket Seat
-	069555-19-000	EA	Plate - Top - Pedestal Asm - Powered Seat
-	069555-10-000	EA	Plate - Top - Pedestal Asm - Double Bucket Seat
-	069555-05-000	EA	Plate - Sub - Pedestal Asm - Bucket Seat
-	069555-05-000	EA	Hardware Kit - Bolt - Adjust Nut - Head - Pedestal Asm
-	007019-01-000	EA	Seat Asm - Seat - 8" x 54" - Black
-	007021-01-000	EA	Seat Asm - Seat - 10" x 50" - Black
-	056071-01-000	EA	Seat Asm - Seat - 8" x 10" - Black
-	059046-01-000	EA	Adjuster Asm - Seat - w/ Lock
-	059046-02-000	EA	Adjuster Asm - Seat - w/o Lock
-	091379-01-000	EA	Power Seat Adjustment Asm - w/ Frame
-	091379-01-000	EA	Switch Asm - Package
-	091379-01-001	EA	Harness Asm - Left
-	091379-01-002	EA	Harness Asm - Right
-	091379-02-000	EA	Horizontal Adjustment Package
-	091379-02-001	EA	Vertical Adjustment Package
-	-	-	Not Illustrated

Key	Part Number	U/M	Description
-	076760-02-000	EA	Overhead Bunk - Hardware
-	076760-03-000	EA	Overhead Bunk - Hardware
-	051717-01-U04	EA	Bed Asm - Front Bunk
-	079144-02-000	EA	Bunk Strap
-	047941-04-000	EA	Latch Asm - w/o Straps - Brass
-	042941-03-000	EA	Latch Strap - Brass
-	076085-01-T03	EA	Panel Asm - Front Bunk
-	060855-01-000	EA	Side Trim - Right Front - Upper
-	060855-19-000	EA	Side Trim - Right Front - Upper
-	060855-01-000	EA	Side Trim - Right Front - Lower
-	060855-05-000	EA	Side Trim - Right Front - Lower
-	060855-02-000	EA	Side Trim - Left Front - Upper
-	060855-05-000	EA	Side Trim - Left Front - Upper
-	060855-02-000	EA	Side Trim - Left Front - Lower
-	060855-05-000	EA	Side Trim - Left Front - Lower

* Used after 9-03-85

DRIVER'S COMPARTMENT



BUCKET SEAT PEDESTAL & SEAT BELTS

U/M	Description
EA	Plate - Top - Pedestal Asm - Single Bucket Seat
EA	Plate - Top - Pedestal Asm - Powered Seat
EA	Plate - Top - Pedestal Asm - Double Bucket Seat
EA	Plate - Sub - Pedestal Asm - Bucket Seat
EA	Hardware Kit - Bolt - Adjust Nut - Head - Pedestal Asm
EA	Seat Asm - Seat - 8" x 54" - Black
EA	Seat Asm - Seat - 10" x 50" - Black
EA	Seat Asm - Seat - 8" x 10" - Black
EA	Adjuster Asm - Seat - w/ Lock
EA	Adjuster Asm - Seat - w/o Lock
EA	Power Seat Adjustment Asm - w/ Frame
EA	Switch Asm - Package
EA	Harness Asm - Left
EA	Harness Asm - Right
EA	Horizontal Adjustment Package
EA	Vertical Adjustment Package

FRONT BUNK & PULL DOWN STORAGE

U/M	Description
EA	Overhead Bunk - Hardware
EA	Overhead Bunk - Hardware
EA	Bed Asm - Front Bunk
EA	Bunk Strap
EA	Latch Asm - w/o Straps - Brass
EA	Latch Strap - Brass
EA	Panel Asm - Front Bunk
EA	Side Trim - Right Front - Upper
EA	Side Trim - Right Front - Upper
EA	Side Trim - Right Front - Lower
EA	Side Trim - Right Front - Lower
EA	Side Trim - Left Front - Upper
EA	Side Trim - Left Front - Upper
EA	Side Trim - Left Front - Lower
EA	Side Trim - Left Front - Lower

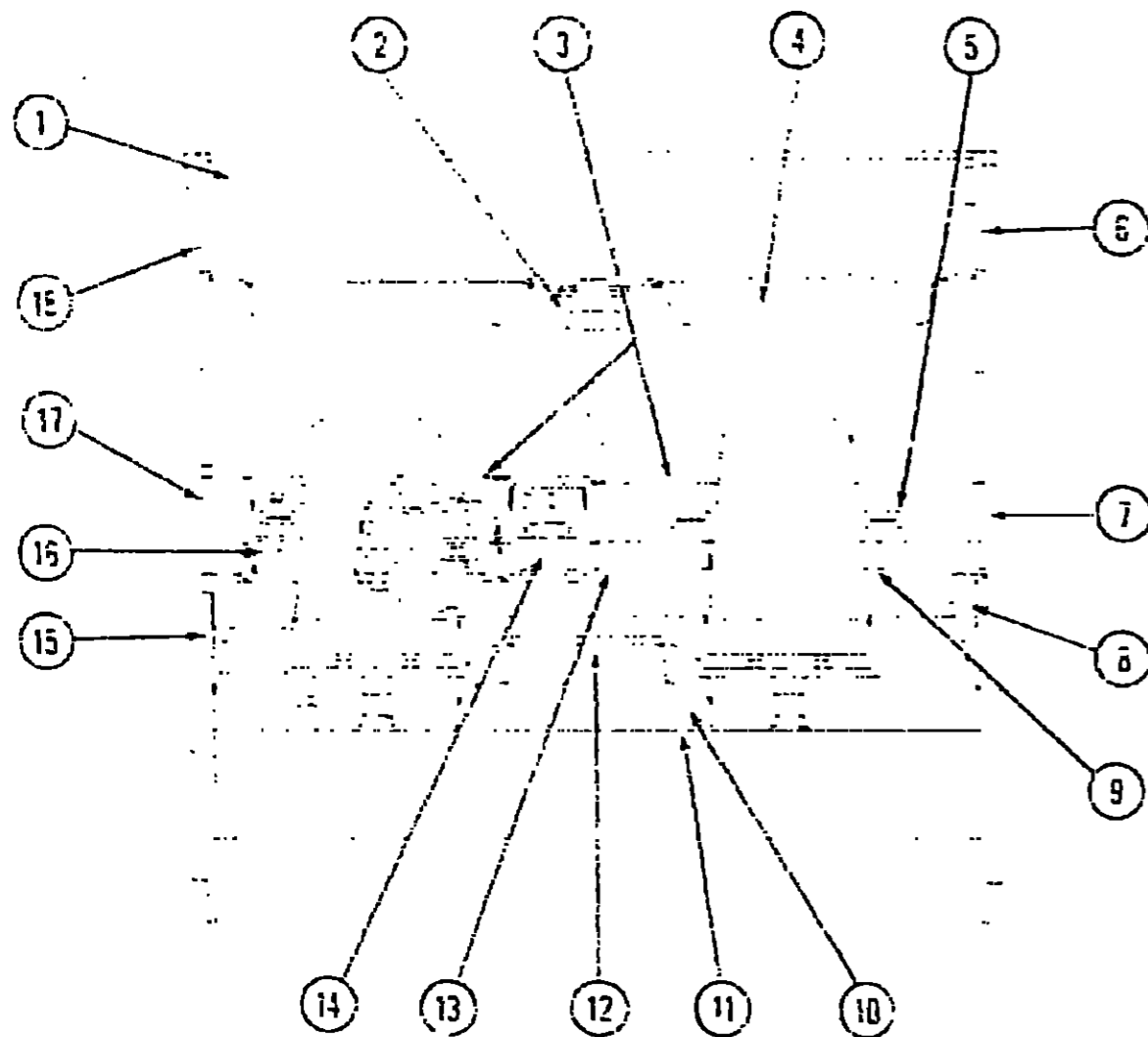
1986 WINNEBAGO TABLE OF CONTENTS

INTRODUCTION	A-01
ABBREVIATIONS	A-04
ALPHABETICAL INDEX	A-03 - A-04
WFA16RU	A-05 - A-06
WON2TRU	C-09 - E-16
WON3TRU	E-17 - H-06
WON33RU	H-07 - J-03

1986 WCN33RU INDEX

Floor Plan	H-07 - H-08
Apparel Group	H-09 - H-11
Bath Group	H-12
Chassis Group	H-13 - H-19
Curtain, Cushion, & Pad Group	H-20 - I-02
Dinette Group	I-03
Driver's Compartment Group	I-04 - I-05
Electrical Group	I-07 - I-10
Exterior Body Group	I-11 - I-17
Galley Group	I-18 - I-20
Heating & Air Conditioning Group	I-21 - I-22
Interior Finish Group	I-23 - J-01
LP Group	J-02
Lounge Group	J-03 - J-04
Water & Sewage Group	J-05 - J-06
Window, Vent & Exterior Door Group	J-07 - J-20

DRIVER'S COMPARTMENT GROUP (CONTINUED)



MISCELLANEOUS DRIVER'S COMPARTMENT COMPONENTS

Key	Part Number	U.M.	Description
1	050055-02-T03	EA	Header Trim Asm - Upper
2	053217-01-U04	EA	Cabinet Asm - Front Overhead - w/o Burn
3	046714-01-T03	EA	Mirror - Inside Rear View - w/ Button Support
4	M03113-12-T03	EA	Dash Asm - Complete - w/ Gauges & Switches
5	079069-01-000	EA	Dash Pad - Passenger - Brown
6	079068-01-000	EA	Dash Pad - Drivers - Brown
7	021993-02-000	EA	Cupset - Demister w/ Switch - E - Dark Brown
8	052265-01-U04	EA	Sunvisor Asm - Right
9	052266-02-U04	EA	Sunvisor Asm - Left
10	031917-01-000	EA	Cup - Sunvisor - Black Plastic
11	039044-01-000	EA	Lower Asm - Air Conditioning Adjustable
12	050365-03-000	EA	Side Trim - Right Front - Upper w/o Burn
13	038916-01-U04	EA	Cabinet Asm - Front Overhead - Right w/o Burn
14	050366-03-000	EA	Side Trim - Right Front - Lower w/o Burn
15	019414-06-000	EA	Pad - Snowal Trim - Passenger - Vinyl
16	072511-01-000	EA	Side Panel - Passenger - Plastic
17	059467-04-T03	EA	Pad - Map Pocket - Passenger - Vinyl
18	030219-01-000	EA	Glove Compartment Door
19	073693-01-000	EA	Glove Compartment Box - Back Fiberglass
20	009119-01-000	EA	Glove Compartment Twist Lock
21	004595-01-000	EA	Glove Compartment Hinge
22	034309-01-000	EA	Glove Compartment Chain - Door
23	075929-01-000	EA	Motor Cover - Fiberglass
24	075554-01-000	EA	Mounting Bracket - Motor Cover
25	039623-01-000	EA	Sec - Engine Cover - Neoprene
26			Not Illustrated
27			NOTE: To be special ordered only

DRIVER'S COMPARTMENT GROUP (CONTINUED)

MISCELLANEOUS DRIVER'S COMPARTMENT COMPONENTS (CONT.)

Key	Part Number	U.M.	Description
12	052218-01-000	EA	Beverage Tray
13	023834-01-000	EA	Panel - Knee Kick - Bottom of Dash
14	075005-03-000	EA	Base - Entertainment Center - w/ Radio & Generator Switch
15	075006-03-000	EA	Base - Entertainment Center - w/ Radio
16	059193-05-000	EA	Side Panel - Drivers - Plastic
17	054409-02-000	EA	Panel - Drivers Door - Inner - Plastic
18	059467-03-T03	EA	Pad - Map Pocket - Drivers - Vinyl
19	046556-03-000	EA	Asst. Tray - Chrome
20	071668-01-000	EA	Base - Control Panel
21	071669-03-000	EA	Base - Control Panel - Aux. Fuel
22	076551-01-000	EA	Trim - Instrument Panel - Front - Passenger
23	076552-01-000	EA	Trim - Instrument Panel - Front - Driver
24	052357-01-000	EA	Cigarette Lighter Asm - 12 Volt
25	037341-01-000	EA	Base - Cigarette Lighter
26	031424-01-000	EA	Lamp Asm - Main Gauge
27	031423-02-000	EA	Assist Strap - 12 - Medium Almond
28	059414-05-000	EA	Pad - Snowal Trim - Driver - Vinyl
29	030355-04-000	EA	Side Trim - Left Front - Upper w/o Burn
30	030356-04-000	EA	Side Trim - Left Front - Lower w/o Burn
31	030345-02-U04	EA	Cabinet Asm - Front Overhead - Left w/o Burn
32	034250-01-000	EA	Support - Dimmer Switch - w/o Holes
33	076579-01-000	EA	Windshield Trim - Interior - Lower - Passenger
34	076578-02-000	EA	Windshield Trim - Interior - Upper - Driver
35	079763-01-000	EA	Windshield Trim - Center
36	079205-01-000	EA	Windshield Trim - Interior - Post - Passenger
37	079206-02-000	EA	Windshield Trim - Interior - Post - Driver
38	079245-01-000	EA	Steering Column Boot - Vinyl
39			Not Illustrated

DASH SWITCHES & GAUGES

Key	Part Number	U.M.	Description
	024461-01-000	EA	Switch - Battery
	024462-01-000	EA	Switch - Battery Condition
	024463-02-000	EA	Switch - Battery - Dual Boost
	024464-01-000	EA	Switch - Washer
	024465-01-000	EA	Switch - Fuel
	024467-01-000	EA	Switch - Wiper
	024276-01-000	EA	Switch - Generator w/o Circuit Board
	074907-01-000	EA	Switch - Intermittent - Windshield Wiper
	024469-04-000	EA	Gauge - Voltmeter
	024468-04-000	EA	Gauge - Vacuum
	024460-02-000	EA	Mounting Bracket - Vacuum Gauge
	031035-02-000	EA	Gauge - Generator Hourmeter

ELECTRONIC INSTRUMENT PANEL (OPTION)

Key	Part Number	U.M.	Description
	NOTE		
	071668-04-000	EA	Base - Electronic - Instrument Panel
	071669-05-000	EA	Base - Electronic - Instrument Panel - Aux. Fuel
	030124-01-000	EA	Base - Shoked Insert - Electronic Instrument Panel
	075005-03-000	EA	Base - Entertainment Center - w/ Radio - Burn
	075006-03-000	EA	Base - Entertainment Center - w/ Radio & Generator Switch - Black

NOTE: This item available from our Chrisler Sales Center

1986 WINNEBAGO TABLE OF CONTENTS

INTRODUCTION	A-01
ABBREVIATIONS	A-01
ALPHABETICAL INDEX	A-02 - A-04
WF425RU	A-05 - C-05
WON33RU	C-09 - E-16
WON31RT	E-17 - H-05
WON33RU	H-07 - J-20

1986 WCN33RU INDEX

Floor Plan	H-07 - H-05
Accessories Group	H-09 - H-11
Bath Group	H-12
Cassis Group	H-13 - H-19
Curtain, Cushion & Pad Group	H-20 - I-02
Dinette Group	I-03
Driver's Compartment Group	I-04 - I-06
Electrical Group	I-07 - I-10
Exterior Body Group	I-11 - I-17
Galley Group	I-18 - I-20
Heating & Air Conditioning Group	I-21 - I-22
Interior Finish Group	I-23 - J-01
LP Group	J-02
Lounge Group	J-03 - J-04
Water & Sewage Group	J-05 - J-06
Window, Vent & Exterior Door Group	J-07 - J-20

ELECTRICAL GROUP

BULBS

Key	Part Number	U/M	Description
	002120-01-000	EA	Bulb - 12V - 25W
	002121-01-000	EA	Bulb - 50
	002122-01-000	EA	Bulb - 57
	002123-01-000	EA	Bulb - 67
	002124-01-000	EA	Bulb - 75
	002125-01-000	EA	Bulb - 100
	002126-01-000	EA	Bulb - 100
	002127-01-000	EA	Bulb - 1075
	002128-01-000	EA	Bulb - 1150
	002129-01-000	EA	Bulb - 1151
	002130-01-000	EA	Bulb - 1157
	002131-02-000	EA	Bulb - 2431200 - Dome Light
	002132-01-000	EA	Bulb - Make-up Light

FUSES & CIRCUIT BREAKERS

Key	Part Number	U/M	Description
	002233-01-000	EA	Fuse - 5 Amp - 12 Volt
	002234-01-000	EA	Fuse - 10 Amp - 12 Volt
	002235-01-000	EA	Fuse - 15 Amp - 12 Volt
	002236-01-000	EA	Fuse - 20 Amp - 12 Volt
	002237-01-000	EA	Fuse - 30 Amp - 12 Volt
	002238-01-000	EA	Fuse - 50 Amp - 110 Volt - AGU
	002239-01-000	EA	Fuse - 50 Amp - 110 Volt
	002240-02-000	EA	Fuse - 5 Amp - Slow Blow
	002241-01-000	EA	Fuse - 5.1 Amp - Slow Blow
	002242-02-000	EA	Fuse - 5 Amp - Automotive
	002243-05-000	EA	Fuse - 15 Amp - Automotive
	002244-01-000	EA	Circuit Breaker - 5 Amp - 12 Volt
	002245-01-000	EA	Circuit Breaker - 10 Amp - 12 Volt
	002246-02-000	EA	Circuit Breaker - 15 Amp - 12 Volt - w Mount
	002247-01-000	EA	Circuit Breaker - 20 Amp - 12 Volt - w Mount
	002248-03-000	EA	Circuit Breaker - 25 Amp - 12 Volt - w Mount
	002249-01-000	EA	Circuit Breaker - 30 Amp - 12 Volt - w Mount
	002250-01-000	EA	Circuit Breaker - 20 Amp - 110 Volt - TOL
	002251-01-000	EA	Circuit Breaker - 100 Amp - TOL
	002252-01-000	EA	Circuit Breaker - 150 Amp - TOL
	002253-02-000	EA	Circuit Breaker - 15 Amp - 120 Volt - Ground Fault Interrupter
	002254-04-000	EA	Circuit Breaker - 20 Amp - 120 Volt
	002255-02-000	EA	Circuit Breaker - 15.15 Amp - 120 Volt
	002256-02-000	EA	Circuit Breaker - 15.20 Amp - 120 Volt
	002257-01-000	EA	Circuit Breaker - 15.50 Amp - 120 Volt
	002258-05-000	EA	Circuit Breaker - 30.15 Amp - 120 Volt
	002259-01-000	EA	Circuit Breaker - 5 Amp
	002260-02-000	EA	Circuit Breaker - Bus Bar
	002261-07-000	EA	Circuit Breaker - 20.20 - 120 Volt
	002262-01-000	EA	Circuit Breaker - 15 Amp - 120 Volt
	002263-02-000	EA	Circuit Breaker - 15.15 Amp - 120 Volt
	002264-03-000	EA	Circuit Breaker - 15.20 Amp - 120 Volt
	002265-04-000	EA	Circuit Breaker - 15.50 Amp - 120 Volt
	002266-05-000	EA	Circuit Breaker - 30.15 Amp - 120 Volt
	002267-01-000	EA	Circuit Breaker - GF1 - 20 Amp - 120 Volt
	002268-02-000	EA	Circuit Breaker - GF1 - 15 Amp - 120 Volt

ELECTRICAL GROUP (CONTINUED)

WIRE, SWITCHES & RECEPTACLES

Key	Part Number	U/M	Description
	002355-01-000	EA	Adapter - Power Cord
	002356-01-000	EA	Box - Electrical - 3 x 3.5 - Plastic
	002357-01-000	EA	Box - Electrical - 4 x 4 - 1.2 x 3.4 Side - UL
	002358-02-000	EA	Box - Electrical - 4 x 4 - 1.2 x 3.4 Side - CSA
	002359-01-000	EA	Box - Electrical - 3 x 3 - 2.25 - Steel
	002360-01-000	EA	Cord - Conductor - 1 - 5 ID
	002361-01-000	EA	Connector - Clamping - 3.5 Cable - UL & CSA
	002362-01-000	EA	Connector - Polar - Clear Nylon
	002363-01-000	EA	Connector - Wire Nut - Gray
	002364-01-000	EA	Connector - Wire Nut - Red
	002365-01-000	EA	Contact Plug - Brass - T. Paled
	002366-01-000	EA	Contact - Receptacle
	002367-01-000	EA	Cord - Power - 10-3 30 Amp - 25 - UL
	002368-01-000	EA	Cord - Power - 10-3 30 Amp - 25 - CSA
	002369-01-000	EA	Cover - Electrical Box - 4 x 4
	002370-01-000	EA	Cover - Electrical Box - 4.5 x 3.75 - Pan Tight - Exterior
	002371-02-000	EA	Cover Plate - Receptacle - Jumbo - Brown - Plastic
	002372-04-000	EA	Cover Plate - Receptacle - Jumbo - Iron - Plastic
	002373-01-000	EA	Cover Plate - Switch - Brown
	002374-01-000	EA	Cover - Flat Blank - 4 x 4 - Steel - US
	002375-02-000	EA	Cover - Flat Blank - 4 x 4 - Steel - CSA
	002376-01-000	EA	Fuse Holder - In Line - 10 Amp
	002377-02-000	EA	Fuse Holder - In Line - 15 Amp
	002378-01-000	EA	Fuse Holder - Panel Mount - Black
	002379-01-000	EA	Housing Asm - Trailer Plug
	002380-01-000	EA	Housing Asm - Trailer Receptacle
	002381-01-000	EA	Housing Pn - 6 Position
	002382-01-000	EA	Plate - Mounting Switch
	002383-01-000	EA	Receptacle Cover Asm - Gray - Exterior
	002384-01-000	EA	Receptacle - Duplex - Brown
	002385-01-000	EA	Receptacle - Duplex - Brown - Exterior Backwash
	002386-02-000	EA	Receptacle - Duplex - Low
	002387-01-000	EA	Receptacle - Ground Fault Interrupter - 125 Volt - Low
	002388-02-000	EA	Receptacle - Power Cord
	002389-01-000	EA	Receptacle - Single - Brown
	002390-01-000	EA	Relay - Contact SPDT & Ground
	002391-01-000	EA	Switch - Black Spacer - w Holes
	002392-02-000	EA	Switch - Black Spacer - w Holes
	002393-01-000	EA	Switch - Double Toggle - Brown
	002394-02-000	EA	Switch - Dummy - Brown
	002395-01-000	EA	Switch - Leaf Actuator
	002396-01-000	EA	Switch - 2 Gang - 2 Switches
	002397-01-000	EA	Switch Plate - 3 Gang - 3 Switches
	002398-01-000	EA	Switch Plate - Single - w 5 Holes
	002399-01-000	EA	Switch - On Off Rocker - Brown
	002400-01-000	EA	Switch - Plug Switch - 12 Volt
	002401-01-000	EA	Switch - Toggle - Brown
	002402-01-000	EA	Terminal - Low
	002403-02-000	EA	Terminal - 200 Receptacle - 12-10 AWG
	002404-01-000	EA	Terminal - Pin Receptacle - 125 Dia
	002405-01-000	EA	Terminal Ring - 2 - w 3 Holes
	002406-01-000	EA	Terminal Ring - 4 - w 3 Holes
	002407-01-000	EA	Terminal Ring - 12.10 Wire
	002408-01-000	EA	Wire Asm - Generator Switch
	002409-01-000	FT	Wire - 18.5 Bundled - Blue Red Yellow Orange White
	002410-01-000	FT	Wire - 18.5 Bundled - Orange White Yellow Blue Green
	002411-01-000	FT	Wire - 18.5 Bundled - Orange White Yellow Blue Green
	002412-01-000	FT	Wire - 18.5 Bundled - Orange White Yellow Blue Green
	002413-01-000	FT	Wire - 18.5 Bundled - Orange White Yellow Blue Green

**1986 WINNEBAGO
TABLE OF CONTENTS**

INTRODUCTION	A-01
ABBREVIATIONS	A-01
ALPHABETICAL INDEX	A-02 - A-04
WF423RU	A-05 - C-05
WCN33RU	C-06 - E-16
WCN31RT	E-17 - H-25
WCN33RU	H-27 - J-20

1986 WCN33RU INDEX

Floor Pan	H-07 - H-08
Accessories Group	H-09 - H-11
Bath Group	H-12
Chassis Group	H-13 - H-19
Curtain, Cushion & Pad Group	H-20 - H-22
Coffee Group	I-03
Drivers Compartment Group	I-04 - I-06
Electrical Group	I-07 - I-17
Exterior Body Group	I-18 - I-19
Galley Group	I-20 - I-23
Heating & Air Conditioning Group	I-24 - I-27
Interior Finish Group	I-28 - I-31
LP Group	J-02
Lounge Group	J-03 - J-04
Water & Sewage Group	J-05 - J-08
Window, Vent & Exterior Door Group	J-09 - J-20

ELECTRICAL GROUP (CONTINUED)

INTERIOR LIGHT

Key	Part Number	U M	Description
	033702-03-000	EA	Lamp - Decor - Wa - Bright Brass - 2 Bulbs
	033703-03-000	EA	Light - Dome - Ivory - 1 Bulb - US
	033706-03-000	EA	Light - Dome - Ivory - 1 Bulb - CSA
	033709-03-000	EA	Light - Dome - Ivory - 2 Bulbs - US
	033709-03-000	EA	Light - Dome - Ivory - 2 Bulbs - CSA
	075424-02-000	EA	Light - Fluorescent - 12V - 18" - Amber
	051424-01-000	EA	Light - 12V Fluorescent - 18" - IP
	007302-01-000	EA	Light - Step Meter
	002353-07-000	EA	Light - Reading - Double - 360° Swivel - Tan
	072357-03-000	EA	Light - Reading - Single - 360° Swivel - Amber
	052937-02-000	EA	Dome Light - Surface - w/ Switch
	056288-03-000	EA	Housing - Dome Light
	057288-04-000	EA	Lens - Dome Light
	056288-05-000	EA	Cir - Dome Light
	051530-01-000	EA	Light - Make-up
	052588-01-000	EA	Lamp - Decor - Table - Brass w/ Wood
	052588-02-000	EA	Shade - Table Lamp
	052201-02-000	EA	Shade - Patchment - 2 Bulbs - LATO

EXTERIOR LIGHTS

Key	Part Number	U M	Description
	037309-01-000	EA	Light - License Plate
	051635-01-000	EA	Tail Lamp Asm - 2 Bulbs - Disc - Trim
	051635-01-700	EA	Lens - Tail Lamp - Red
	091635-01-701	EA	Lens - Tail Lamp - Red & Back Lin
	042405-01-000	EA	Lens - Rectangular - Front - Reflex
	042405-02-000	EA	Lens - Rectangular - Amber w/ Reflex
	042405-03-000	EA	Base - Rectangular Side Marker Light
	002089-01-000	EA	Light - Front - Recessed
	079764-01-000	EA	Mounting Bracket - Right Front Turn Signal - Gray
	079764-02-000	EA	Mounting Bracket - Left Front Turn Signal - Gray
	079764-03-000	EA	Mounting Bracket - Right Front Turn Signal - Beige
	079764-04-000	EA	Mounting Bracket - Left Front Turn Signal - Beige
	053123-01-000	EA	Bracket - License Plate - Rear
	049185-01-000	EA	Headlight Capsule Asm - High Low Beam - Driver
	049185-01-000	EA	Headlight Capsule Asm - High Low Beam - Passenger
	049187-01-000	EA	Headlight Capsule Asm - High Beam - Driver
	049185-01-000	EA	Headlight Capsule Asm - High Beam - Passenger
	051250-02-000	EA	Light Asm - Clearance - Red
	051250-01-000	EA	Light Asm - Clearance - Amber

ELECTRICAL GROUP (CONTINUED)

WINDSHIELD WIPERS & WASHER

Key	Part Number	U M	Description
**	057000-02-000	EA	Washer Asm - Windshield
**	057653-01-000	EA	Arm - Windshield Wiper - 18" - Back
	057191-03-000	EA	Motor Asm - Windshield Wiper - 2 Speed
	057192-01-000	EA	Link Asm - Connecting - Left
	057193-01-000	EA	Link Asm - Connecting - Right
**	049284-03-000	EA	Wiper - Windshield - 20" - 20" - Back
**	057192-01-000	EA	Washer and Fluit Asm
	074007-01-000	EA	Washer - Wiper Delay
	057474-01-000	EA	Wiper Asm
**	The illustrated parts breakdown for this item is provided on the Common Items Page		

MISCELLANEOUS ELECTRICAL COMPONENTS

Key	Part Number	U M	Description
	047358-03-000	EA	Isolator - Dual Battery - 7.5 Amp
	005188-01-000	EA	Separator - Dual Battery - Rear
	052951-01-000	EA	Sending Unit Kit - Water
	048512-02-000	EA	Refrigerator Sensor - Refrigerator Alarm
	055221-02-000	EA	Lamp Shade - Fabric - Patchment
	053205-02-000	EA	Control Center - 45 Amp

**1986 WINNEBAGO
TABLE OF CONTENTS**

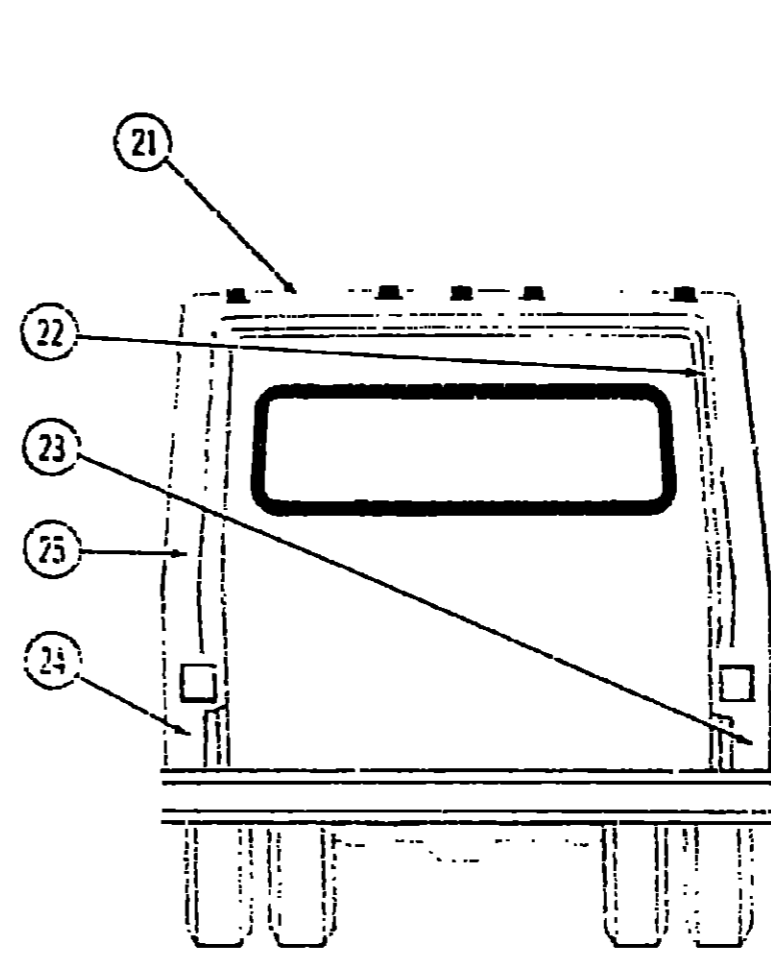
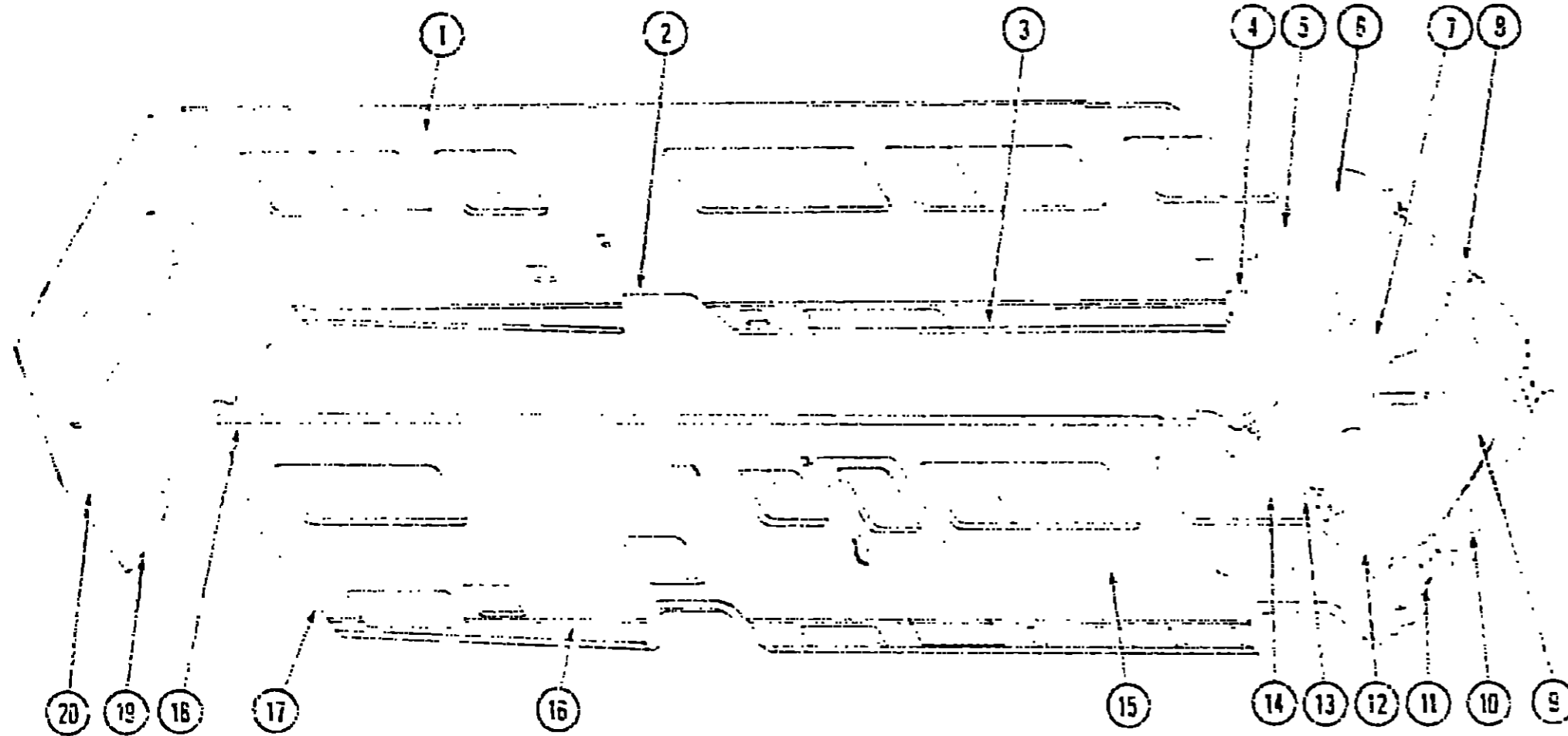
INTRODUCTION	A-01
ABBREVIATIONS	A-01
ALPHABETICAL INDEX	A-02 - A-04
W5428RU	A-05 - C-05
W5428RU	C-09 - E-16
W5431RT	E-17 - H-06
W5432RU	H-07 - J-22

1986 WCN33RU INDEX

Floor Plan	H-07 - H-09
Accessories Group	H-09 - H-11
Bath Group	H-12
Closets Group	H-13 - H-19
Curtain, Cushion & Pad Group	H-20 - I-02
Dinette Group	I-03
Drivers Compartment Group	I-04 - I-05
Electrical Group	I-07 - I-10
Exterior Body Group	I-11 - I-17
Galley Group	I-18 - I-20
Heating & Air Conditioning Group	I-21 - I-22
Interior Finish Group	I-23 - J-01
LP Group	J-02
Lounge Group	J-03 - J-04
Water & Sewage Group	J-05 - J-06
Window, Vent & Exterior Door Group	J-07 - J-23

EXTERIOR BODY GROUP

EXTERIOR BODY PANELS



1986 WINNEBAGO TABLE OF CONTENTS

INTRODUCTION	A-01
ABBREVIATIONS	A-01
ALPHABETICAL INDEX	A-02 - A-04
WF425RU	A-05 - C-03
WCN2TRU	C-04 - E-16
WCN31PT	E-17 - H-06
WCN33RU	H-07 - J-20

1986 WCN33RU INDEX

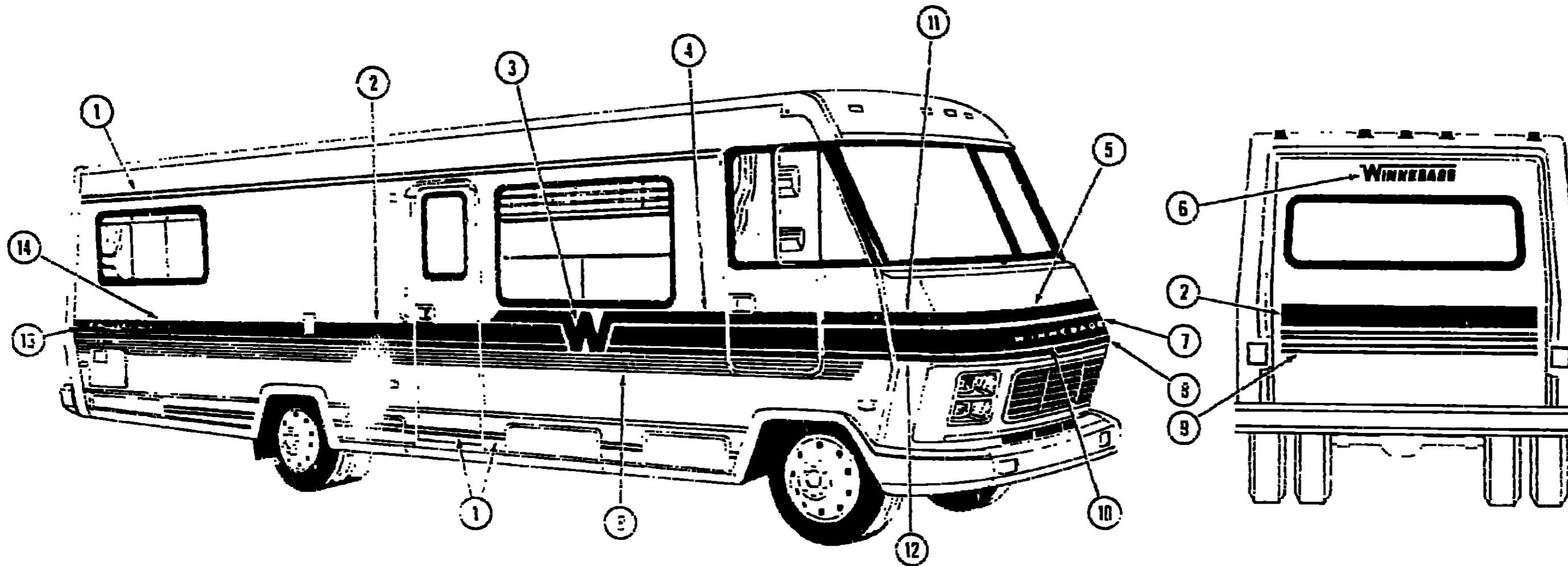
Floor Plan	H-07 - H-08
Accessories Group	H-09 - H-11
Bath Group	H-12
Chest Group	H-13 - H-19
Curtain, Cushion & Pad Group	H-20 - H-22
Exterior Group	H-23
Driver's Compartment Group	H-04 - H-06
Electrical Group	H-07 - H-10
Exterior Body Group	H-11 - H-17
Galley Group	H-18 - H-20
Heating & Air Conditioning Group	H-21 - H-22
Interior Finish Group	H-23 - J-01
LP Group	J-02
Lounge Group	J-03 - J-04
Water & Sewage Group	J-05 - J-07
Window, Vent & Exterior Door Group	J-07 - J-20

Key	Part Number	U M	Description
1	M82310-01-U04	EA	Sidewall Asm - Driver
1	M82310-01-U05	EA	Sidewall Asm - Driver
1	M82310-01-U06	EA	Sidewall Asm - Driver
2	058467-01-000	EA	Trim - Wheel Well - Rear - U Channel - Driver or Passenger
1	075070-01-000	EA	Trim - Wheel Well - Rear - Plastic - Passenger
1	075070-03-000	EA	Trim - Wheel Well - Rear - Plastic - Driver
3	072639-01-001	EA	Extr - Rocker Panel - 216
4	072647-02-000	EA	Trim - Wheel Well - Front - U Channel - Driver or Passenger
1	076556-01-000	EA	Trim - Wheel Well - Front - Plastic - Passenger
1	076556-03-000	EA	Trim - Wheel Well - Front - Plastic - Driver
5	076559-01-000	EA	Trim - Roof Front Cap
6	M01899-01-T03	EA	Cap - Over Windshield - Beige
7	076676-02-000	EA	Trim - Molding - Windshield - Center
8	079215-02-000	EA	Trim - Contour - Windshield - Driver
1	077944-02-000	EA	Trim - Molding - Windshield - Upper
1	077945-02-000	EA	Trim - Molding - Windshield - Lower
1	079760-04-000	EA	Headlamp Bezel - Driver
9	075281-01-T03	EA	Access Panel - Window
10	078591-01-T03	EA	Grille Asm
11	079760-03-000	EA	Headlamp Bezel - Passenger
1	073305-01-000	EA	Screw Asm - Headlamp - Adjusting
1	049359-01-000	EA	Setting - Headlamp Retainer
1	062007-01-000	EA	Headlamp Guard
12	M01115-10-T03	EA	Panel Asm - Front Stroud (includes access panel)
13	079215-01-000	EA	Trim - Contour - Windshield - Passenger
1	077944-01-000	EA	Trim - Molding - Windshield - Upper
1	079245-01-000	EA	Trim - Molding - Windshield - Lower
14	079224-01-000	EA	Trim - Fiberglass Panel - Passenger - Beige
1	079224-02-000	EA	Trim - Fiberglass Panel - Driver - Beige

Key	Part Number	U M	Description
15	M82311-01-U04	EA	Sidewall Asm - Passenger
15	M82311-01-U05	EA	Sidewall Asm - Passenger
15	M82311-01-U06	EA	Sidewall Asm - Passenger
16	059576-03-000	EA	Feature Strip - Extr Beige - 14" x 4" - Insert
1	009731-01-000	EA	End Cap - Feature Strip - Insert
1	007050-10-000	EA	Insert - Feature Strip - Beige - 17"
17	076502-15-000	EA	Trim - Passenger - Rear - Beige
1	076502-20-000	EA	Trim - Driver - Rear - Beige
18	076503-16-000	EA	Trim - Sidewall - Upper - Driver or Passenger - Beige
19	050406-05-000	EA	Trim - Back wall - Lower - Driver or Passenger
1	082312-01-U04	EA	Roof Asm
20	082354-01-U04	EA	Backwall Asm
21	M01899-02-000	EA	Trim - Rear - Center Upper - Plastic - Beige
22	052455-01-000	EA	Trim - Rear - Upper Passenger - Plastic - Beige
23	052457-01-000	EA	Trim - Rear - Lower Passenger - Plastic - Beige
24	M01899-02-000	EA	Trim - Rear - Lower Driver - Plastic - Beige
25	082457-02-000	EA	Trim - Rear - Upper Driver - Plastic - Beige
1	076577-01-000	EA	Bumper End Cap - Front Passenger Hand - Beige
1	076577-02-000	EA	Bumper End Cap - Front Driver Hand - Beige
1	076578-01-000	EA	Bumper End Cap - Rear Passenger - Beige
1	076578-02-000	EA	Bumper End Cap - Rear Driver - Beige
1	077517-10-001	EA	Fiberglass Sidewall Skin - 45 1/2" x 37 1/2" - Mesa
1	077517-10-002	EA	Fiberglass Sidewall Skin - 45 1/2" x 36" - Mesa
1	001018-01-024	EA	Alum - Beige - No Design - 45" x 96"
1	044467-01-001	EA	Alum - Mult Finish - No Design (Roof) - 85" x 300"
1	000669-01-000	SP	Styrofoam - 75" x 24" x 96"
1	000670-01-000	SP	Styrofoam - 150" x 24" x 96"
1	000670-03-000	SP	Styrofoam - 134" x 48" x 96"
1			Not Illustrated

EXTERIOR BODY GROUP (CONTINUED)

DECALS, LABELS & EXTERIOR PAINT



1986 WINNEBAGO TABLE OF CONTENTS

INTRODUCTION:	A-01
ABBREVIATIONS:	A-01
ALPHABETICAL INDEX:	A-02 - A-04
WF426RU	A-05 - C-03
WCN27RU	C-09 - E-16
WCN31RT	E-17 - H-05
WCN33RU	H-07 - J-03

Key	Part Number	U/M	Description
1	055017-01-000	FT	Film - Mustangpe - Light Brown/Brown (UC4)
1	055017-02-000	FT	Film - Mustangpe - Rust Burgundy (UC5)
1	055017-03-000	FT	Film - Mustangpe - Light Green/Green (UC6)
2	055017-07-000	FT	Film - Mustangpe - Light Brown/Brown (UC4)
2	055017-08-000	FT	Film - Mustangpe - Rust Burgundy (UC5)
2	055017-09-000	FT	Film - Mustangpe - Light Green/Green (UC6)
3	079099-05-000	EA	Decal - Flying W - Rust (UC5)
3	079099-06-000	EA	Decal - Flying W - Green (UC6)
4	079099-07-000	EA	Decal - Flying W - Rust (UC5)
4	079099-08-000	EA	Decal - Flying W - Green (UC6)
4	079099-09-000	EA	Decal - Flying W - Rust (UC5)
4	079099-10-000	EA	Decal - Flying W - Green (UC6)
5	079099-11-000	EA	Decal - Flying W - Rust (UC5)
5	079099-12-000	EA	Decal - Flying W - Green (UC6)
6	079099-13-000	EA	Decal - Flying W - Rust (UC5)
6	079099-14-000	EA	Decal - Flying W - Green (UC6)
7	079099-15-000	EA	Decal - Flying W - Rust (UC5)
7	079099-16-000	EA	Decal - Flying W - Green (UC6)
8	079099-17-000	EA	Decal - Flying W - Rust (UC5)
8	079099-18-000	EA	Decal - Flying W - Green (UC6)
9	079099-19-000	EA	Decal - Flying W - Rust (UC5)
9	079099-20-000	EA	Decal - Flying W - Green (UC6)
10	079099-21-000	EA	Decal - Flying W - Rust (UC5)
10	079099-22-000	EA	Decal - Flying W - Green (UC6)
11	079099-23-000	EA	Decal - Flying W - Rust (UC5)
11	079099-24-000	EA	Decal - Flying W - Green (UC6)
12	079099-25-000	EA	Decal - Flying W - Rust (UC5)
12	079099-26-000	EA	Decal - Flying W - Green (UC6)
13	079099-27-000	EA	Decal - Flying W - Rust (UC5)
13	079099-28-000	EA	Decal - Flying W - Green (UC6)
14	079099-29-000	EA	Decal - Flying W - Rust (UC5)
14	079099-30-000	EA	Decal - Flying W - Green (UC6)
15	079099-31-000	EA	Decal - Flying W - Rust (UC5)
15	079099-32-000	EA	Decal - Flying W - Green (UC6)

Key	Part Number	U/M	Description
13	059745-03-000	EA	Decal - "Winnebago"
13	059745-04-000	EA	Decal - "Bambi"
11	079099-01-000	EA	Decal - Corner - Brown (UC4)
11	079099-02-000	EA	Decal - Corner - Rust (UC5)
11	079099-03-000	EA	Decal - Corner - Light Green (UC6)
12	050763-07-000	EA	Decal - Lower Corner - Brown (UC4)
12	050763-08-000	EA	Decal - Lower Corner - Burgundy (UC5)
12	050763-09-000	EA	Decal - Lower Corner - Green (UC6)
12	050763-10-000	EA	Decal - Lower Corner - Rust (UC5)
12	050763-11-000	EA	Decal - Lower Corner - Green (UC6)

1986 WCN33RU INDEX

Floor Pan	H-07 - H-08
Accessories Group	H-09 - H-11
Bath Group	H-12
Cross Group	H-13 - H-19
Curtain, Cushion & Pad Group	H-20 - I-02
Dinette Group	I-03
Driver's Compartment Group	I-04 - I-06
Electrical Group	I-07 - I-10
Exterior Body Group	I-11 - I-17
Galley Group	I-18 - I-20
Heating & Air Conditioning Group	I-21 - I-22
Interior Finish Group	I-23 - J-01
LP Group	J-02
Lounge Group	J-03 - J-04
Water & Sewage Group	J-05 - J-06
Windshield Vent & Entrance Door Group	J-07 - J-09

EXTERIOR BODY GROUP (CONTINUED)

INTERIOR-EXTERIOR SCREWS & FASTENERS

Key	Part Number	U/M	Description
	000220-01-000	EA	Bolt - Round Head - Square Neck w SST Cap - 7/16" - 1 1/4" L
	000279-01-000	EA	Clip - Mounting - Front Fender
	000523-01-000	EA	Fastener - Blind Weld Nut - 1/2" x 3/8"
	000D15-04-000	EA	Nut - Hex - 3/8" x 3/4" Zinc
	000531-01-000	EA	Nut - Spaced - C Type - #8 Screw
	000354-04-000	EA	Screw 1/4 - 20 x 1 1/4" PTH - Zinc
	000354-04-000	EA	Screw 1/4 - 20 x 1 3/8" PTH - Zinc
	000353-04-000	EA	Screw 1/4 - Machine - 20 x 3/8" PTH - Zinc
	000G13-06-10P	EA	Screw #6 - 18 x 3/4" PFH - Dark Brown
	000G13-06-20X	EA	Screw #6 - 18 x 3/4" PFH - Gra.
	000G13-06-16P	EA	Screw #6 - 18 x 3/4" PFH - Beige
	000G11-07-08H	EA	Screw #7 - 19 x 1/2" PFH - Zinc
	000G10-08-12M	EA	Screw #8 - 18 x 3/4" PCH - Gra.
	000G11-08-12R	EA	Screw #8 - 18 x 3/4" PFH - Beige
	000G11-08-12X	EA	Screw #8 - 18 x 3/4" PFH - Gra.
	000G11-08-12B	EA	Screw #8 - 18 x 3/4" PFH - Zinc
	000G09-09-12R	EA	Screw #8 - 18 x 3/4" SDPH - Beige
	000G09-09-12M	EA	Screw #8 - 18 x 3/4" SDPH - Gra.
	000G11-09-16R	EA	Screw #8 - 18 x 1" PFH - Gra.
	000G10-09-16R	EA	Screw #8 - 18 x 1" SDPH - Beige
	000G10-09-20R	EA	Screw #8 - 18 x 1 1/2" PCH - Beige
	000G09-09-08E	EA	Screw #8 - Self Drilling - 18 x 1" PFH - Zinc
	000G09-09-08B	EA	Screw #8 - Self Drilling - 18 x 1" PFH - Zinc
	000G09-09-12B	EA	Screw #8 - Self Drilling - 18 x 1" PFH - Beige
	000G09-09-16R	EA	Screw #8 - Self Drilling - 18 x 1" PFH - Beige
	000G09-09-16T	EA	Screw #8 - Self Drilling - 18 x 1" PFH - Black
	000G09-09-16P	EA	Screw #8 - Self Drilling - 18 x 1" PFH - Dark Brown
	000G09-09-16X	EA	Screw #8 - Self Drilling - 18 x 1" PFH - Gra.
	000G09-09-16E	EA	Screw #8 - Self Drilling - 18 x 1" PFH - Chrome
	000G04-09-16M	EA	Screw #8 - Self Drilling - 18 x 1" SDPH - Gra.
	000G67-10-08B	EA	Screw #10 - 12 x 1/2" PFH - Zinc
	000G67-10-10R	EA	Screw #10 - 12 x 3/8" PFH - Beige
	000G67-10-16P	EA	Screw #10 - 12 x 1" PFH - Dark Brown
	000G67-10-16B	EA	Screw #10 - 12 x 1" PFH - Zinc
	000G67-10-20B	EA	Screw #10 - 12 x 1 1/2" - PFH - Zinc
	000G67-10-24B	EA	Screw #10 - 12 x 1 1/2" PFH - Zinc
	049466-04-000	EA	Screw #10 - 18 x 1" PCH - w Washer - Beige
	049466-05-000	EA	Screw #10 - 18 x 1" PCH - w Washer - Gra.
	000G10-10-24E	EA	Screw #10 - 18 x 1 1/2" PCH - Chrome
	000G11-10-08D	EA	Screw #10 - 18 x 1/2" PFH - Dark Brown
	000G11-10-12R	EA	Screw #10 - 18 x 3/4" PFH - Beige
	000G11-10-12S	EA	Screw #10 - 18 x 3/4" PFH - Off White
	000G11-10-12B	EA	Screw #10 - 18 x 3/4" PFH - Zinc
	000G11-10-16B	EA	Screw #10 - 18 x 1" PFH - Zinc
	000G11-10-40P	EA	Screw #10 - 18 x 2 1/2" PFH - CAD
	000G15-10-12B	EA	Screw #10 - Machine - 32 TPI x 3/4"
	075925-01-000	EA	Screw #10 - Machine - 32 x 5/8" PTH - Zinc
	000G19-10-08B	EA	Screw #10 - Machine - 32 x 1 1/4" PFH - Zinc
	000G09-10-12E	EA	Screw #10 - Self Drilling - 18 x 3/4" PFH - Chrome
	000G09-10-10P	EA	Screw #10 - Self Drilling - 18 x 3/4" PFH - Beige
	000G09-10-12P	EA	Screw #10 - Self Drilling - 18 x 3/4" PFH - Beige
	000G09-10-16P	EA	Screw #10 - Self Drilling - 18 x 3/4" PFH - Dark Brown
	000G06-12-48C	EA	Screw #10 - Wood - 1" x 2" PCH - CAD

EXTERIOR BODY GROUP (CONTINUED)

SEALANTS & ADHESIVES

Key	Part Number	U/M	Description
	004020-01-000	QT	Adhesive - ABS Cement (Plastic Fittings)
	022337-01-000	EA	Adhesive - 1300 Tape - 3M (Windows)
	004005-02-000	GL	Adhesive - Suits - Glue (Sidewalls)
	053769-07-000	EA	Bedding Compound - Tube - Beige (Exterior)
	053769-06-000	EA	Bedding Compound - Tube - Clear (Window)
	053769-03-000	EA	Bedding Compound - Tube - Gray (Exterior)
	053769-05-000	EA	Bedding Compound - Tube - Gray (Sewals to Floor)
	053769-02-000	EA	Bedding Compound - Tube - Off White (Exterior)
	002325-02-000	EA	Block - Rubber Spacer (Windshield)
	00436-01-000	EA	Caulk - Latex - Golden Walnut (Sidewalls)
	072591-02-000	QT	Primer - Glass - Black
	072591-01-000	QT	Primer - Glass - Clear
	035024-01-000	EA	Primer - Glass - Clear - Windshield
	072593-01-000	QT	Primer - Metal - Black
	035023-01-000	GL	Primer - Metal - Windshield
	071987-01-000	EA	Sealant - Acrylic Latex - Tube - Off White (Interior Sealant)
	034552-04-000	EA	Sealant - Silicone - Beige
	034552-02-000	EA	Sealant - Silicone - Clear
	034552-07-000	EA	Sealant - Silicone - Dark Gray
	034552-05-000	EA	Sealant - Silicone - Off White
	069537-01-000	EA	Sealant - Weathercan 404 - Tube - White (Door Caulk)
	072389-01-000	EA	Sealant - Urethane - Black (Window Edge)
	069540-01-000	FT	Sealer Ribbon - 25' Bead x 30'
	069540-02-000	FT	Sealer Ribbon - 5' x 125' x 30'
	069540-03-000	FT	Sealer Ribbon - 75' x 125' x 30'
	069540-04-000	FT	Sealer Ribbon - 2' x 69' x 45' (P Series)
	069540-05-000	FT	Sealer Ribbon - 25' x 29' x 50'
	069540-06-000	FT	Sealer Ribbon - 5' 15' Bead x 15'
	069540-07-000	FT	Sealer Ribbon - 2' x 3' 30' x 30'
	002316-01-000	FT	Sealer Tape - 3' 32' x 3' 5' - White (Window)
	002707-01-000	FT	Sealer Tape - 5' 16' x 3' 4'
	002707-02-000	FT	Sealer Tape - 5' 16' x 1' 2'
	042545-01-000	GL	Sealer - Steam Weld
	053762-04-000	EA	Seam Sealer - Tube - Aluminum (Roof)
	053642-01-000	FT	Tape - Adhesive - 10 mm x 1 1/2" Wide
	039886-01-000	EA	Tape - Butyl - 31' x 31' x 145' (Windshield)
	076322-01-000	EA	Tape - Foam - Double Coated - 025 x 1" (Fiberglass Sidewall Seams)
	076322-02-000	FT	Tape - Foam - Double Coated - 045 x 1" (Fiberglass Sidewall Seams)
	009200-01-000	EA	Tape - Furnace - 1.5"
	002325-01-000	FT	Weather Striping (Roof Vent)

MISCELLANEOUS EXTERNALLY MOUNTED PARTS

Key	Part Number	U/M	Description
**	011129-01-000	EA	Flashing Seal - Roof Vent - 1.5"
	009126-01-000	EA	Assist Handle - Chrome
	010230-03-000	EA	Fill - Cold Water - Recessed - Beige
	055506-02-000	EA	Water Fill - Lockable - Beige

** The illustrated parts breakdown for this item is provided on the Common Items Fiche

**1986 WINNEBAGO
TABLE OF CONTENTS**

INTRODUCTION	A-01
ABBREVIATIONS	A-01
ALPHABETICAL INDEX	A-02 - A-04
WF438RU	A-05 - C-06
WCN27RL	C-09 - E-16
WCN31RT	E-17 - H-06
WCN33RU	H-07 - J-20

1986 WCN33RU INDEX

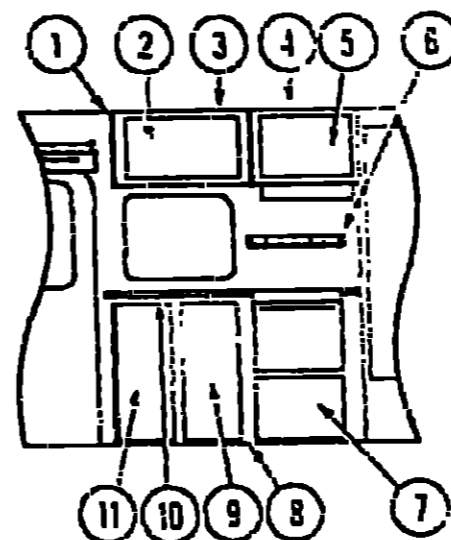
Floor Plan	H-07 - H-09
Accessories Group	H-09 - H-11
Bath Group	H-12
Chassis Group	H-13 - H-19
Curtain, Cushion & Pad Group	H-20 - I-02
Dinette Group	I-03
Driver's Compartment Group	I-04 - I-06
Electrical Group	I-07 - I-10
Exterior Body Group	I-11 - I-17
Galley Group	I-18 - I-20
Heating & Air Conditioning Group	I-21 - I-22
Interior Finish Group	I-23 - J-01
LP Group	J-02
Lounge Group	J-03 - J-04
Water & Sewage Group	J-05 - J-06
Window, Vent & Exterior Door Group	J-07 - J-20

EXTERIOR BODY GROUP (CONTINUED)

LABELS & EXTERIOR PAINT

Key	Part Number	U M	Description
	755753-01-000	EA	Label - Diesel Fuel
	075195-01-000	EA	Label - Electrical Test
	047731-01-000	EA	Label - Emergency Exit
	005193-01-000	EA	Label - Exit - Escape Window
	057467-04-000	EA	Label - Exterior Loading Limit
	094378-01-000	EA	Label - Filing W. w Thermo Panel
	077555-01-000	EA	Label - Warning Smoke Detector
	051437-01-000	EA	Label - Fuel
	008190-01-000	EA	Label - Gas Test
	054531-01-000	EA	Label - LP Gas Only
	040544-01-000	EA	Label - Open - Entrance Door
	006015-01-000	EA	Label - Patent Motor Home
	055759-01-000	EA	Label - Safety Check List
	005064-01-000	EA	Label - Seat - w o Seat Belts
	005157-01-000	EA	Label - Sewage
	005006-01-000	EA	Label - Thermo Panel - 21 1/4 x 21 1/4
	075221-01-000	EA	Label - Trailer Hitch Capacity
	075220-01-000	EA	Label - Warning - Exterior Load Limit
	040225-01-000	EA	Label - Warning - Stove Vent - US
	006155-01-000	EA	Label - Waste Water
	005197-01-000	EA	Label - Water Test
	072563-01-000	EA	Nameplate - Diesel - 5 DL
	006062-01-000	EA	Tag - Electrical - 110 Volt Connection
	006040-01-000	EA	Tag - Gas - Refueling Warning
	044465-03-000	EA	Paint - Bronze Acrylic Enamel - 16 oz Aerosol (7533A Dupont)
	045531-03-000	EA	Paint - Gloss Black - Acrylic Enamel - 16 oz Aerosol (39 Dupont)
	045537-05-000	EA	Paint - Gray Acrylic Enamel - 16 oz Aerosol (71537 Dupont)
	041551-03-000	EA	Paint - Off White Acrylic Enamel - 16 oz Aerosol (45325A Dupont)
	074559-01-000	EA	Label - LPG - 33 x 175 - Calif Code

GALLEY GROUP



GALLEY CABINETRY

Key	Part Number	U M	Description
1	051320-04-U04	EA	Pad Asm - End Cap - Galley Overhead - Vinyl
2	M51523-04-T03	EA	Door Asm - Galley Overhead - w o Hardware
3	081656-07-U04	EA	Cabinet Asm - Galley Overhead - w o Doors or Hardware
4	081460-05-U04	EA	Cabinet Asm - Galley Overhead - w o Hardware
5	M51523-01-U01	EA	Door Asm - Galley Overhead - w o Hardware
6	074490-02-T03	EA	Spice Rack - Oak
7	M51507-05-U04	EA	Door Asm - Furnace w Mesh Insert - w o Hardware
*	072359-14-000	EA	Mesh Insert - Furnace Door - 22 x 12 - Gold
8	M92456-01-U04	EA	Cabinet Asm - Galley - w o Doors Drawers Countertop or Hardware
**	M52455-03-U04	EA	Cabinet Asm - Galley - w o Doors Drawers Countertop or Hardware
**	M92154-03-T03	EA	Drawer Asm - Galley Cabinet - w o Hardware
9	M51501-03-U01	EA	Door Asm - Galley Cabinet - Right - w o Hardware
10	M02452-01-U04	EA	Countertop Asm - Galley Cabinet
11	M51501-02-U01	EA	Door Asm - Galley Cabinet - Left - w o Hardware
*	000912-02-U01	EA	Extension Asm - Galley

* Not illustrated

**Used with microwave option

1986 WINNEBAGO TABLE OF CONTENTS

INTRODUCTION	A-01
ABBREVIATIONS	A-01
ALPHABETICAL INDEX	A-01 - A-04
W426RU	A-05 - C-15
W426RU	C-16 - E-15
W433RT	E-17 - H-05
W433RU	H-07 - J-20

1986 W433RU INDEX

Floor Plan	H-07 - H-09
Accessories Group	H-09 - H-11
Bath Group	H-12
Chassis Group	H-13 - H-19
Curain, Curtain & Pad Group	H-20 - I-02
Dinette Group	I-03
Drawers Compartment Group	I-04 - I-06
Electrical Group	I-07 - I-10
Exterior Body Group	I-11 - I-17
Galley Group	I-18 - I-20
Heating & Air Conditioning Group	I-21 - I-22
Interior Finish Group	I-23 - J-01
LP Group	J-02
Lounge Group	J-03 - J-04
Water & Sewage Group	J-05 - J-06
Window Vent & Exterior Door Group	J-07 - J-20

GALLEY GROUP (CONTINUED)

GALLEY HARDWARE & APPLIANCES

Key	Part Number	U/M	Description
	079353-01-000	EA	Hood - Range - Powered w/ Monitor - Almond - US
	079353-01-700	EA	Test Connector
	079353-01-701	EA	Fan Blade
	079353-01-702	EA	Filter & Lens
	079353-01-703	EA	Motor
	079353-01-704	EA	Circuit Board - Fan
	079353-02-000	EA	Hood - Range - Powered w/ Monitor - Almond - CSA
	079355-05-000	EA	Duct Extension - Hood Range
	081374-01-000	EA	Range Top - 4 Burner - Almond - Magic Chef
	081374-02-000	EA	Range & Stove Oven - 4 Burner - Almond - Magic Chef
	081374-01-700	EA	Trim - Cabinet - Top Right
	081374-01-701	EA	Trim - Cabinet - Top Left
	081374-01-702	EA	Panel - Mantle & Wall - Back
	081374-01-703	EA	Trim - Top - Rear
	081374-01-704	EA	Guard - Fan
	084782-02-700	EA	Top - Mantle - 4 Burner - Almond
	084782-02-701	EA	Extractor Fan - Back
	084782-02-702	EA	Trim - Cabinet - Right - Back
	084782-02-703	EA	Trim - Cabinet - Left - Back
	084782-02-704	EA	Trim - Lower Outside Glass - Back
	084782-02-705	EA	Handle - Oven Door - Back
	084782-02-706	EA	Vertical Trim - Back
	084782-02-707	EA	Panel - Mantle
	084782-02-708	EA	Valve - Mercury
	075217-01-000	EA	Refrigerator - AC DC Gas - Norcold B - F35-EG2
	075217-01-700	EA	Stair Asm. - Door - & Trim
	075217-01-701	EA	Gasket - Freezer Door
	075217-01-702	EA	Frame Asm. - Door
	075217-01-703	EA	Trim - Decor. - Top & Bottom
	075217-01-704	EA	Gasket - Refrig. w/ Door
	075217-01-705	EA	Cabinet Asm. - Urethane
	075217-01-707	EA	Burner - Light - DC
	075217-01-708	EA	Socket - Lamp
	075217-01-710	EA	Evaporator Asm.
	075217-01-711	EA	Breaker Strip - Top
	075217-01-713	EA	Crisper Drawer
	075217-01-714	EA	Thermostat Asm.
	075217-01-715	EA	Knob - Thermostat
	075217-01-716	EA	Front Distrib. Asm.
	075217-01-717	EA	Switch - Manual
	075217-01-718	EA	Light Switch
	075217-01-719	EA	Electrow Board
	075217-01-720	EA	Heater
	075217-01-721	EA	Lamp - Incandescent - Amber
	075217-01-722	EA	Lamp - Incandescent - Green
	075217-01-723	EA	Lamp - Incandescent - Red
	075217-01-724	EA	Lamp - Incandescent - Blue
	075217-01-725	EA	Rocker Switch - #615028
	075217-01-726	EA	Interface Board
	075217-01-729	EA	Relay - Gas Plug
	075217-01-730	EA	Cover - Interface Board
	075217-01-731	EA	Fitting - Copper
	075217-01-732	EA	Valve - Gas
	075217-01-733	EA	Nipple
	075217-01-734	EA	Fitting - Inlet
	075217-01-735	EA	Shut-Off Cook
	075217-01-736	EA	Fuse - 3 Amp
	075217-01-738	EA	Ignition Electrode
	075217-01-739	EA	Sensing Electrode
	075217-01-737	EA	Control Module
	075217-01-738	EA	Rocker Switch - #615029
	075217-01-739	EA	Heater

GALLEY GROUP (CONTINUED)

GALLEY HARDWARE & APPLIANCES (CONT.)

Key	Part Number	U/M	Description
	075217-01-740	EA	Screw #6 - 22 x 2.5
	075217-01-741	EA	Wing - Nut #6 - 32
	075217-01-742	EA	Hex Nut
	075217-01-743	EA	Block - 20'
	075217-01-744	EA	Case - Wiring
	075217-01-745	EA	Liner Asm. - Foamed - Door
	075217-01-746	EA	Bar/Asm.
	075217-01-747	EA	Liner Asm. - Foamed - Lower - Door
	075217-01-000	EA	Refrigerator - 3 Way - 10 Norcold
	075218-01-700	EA	Gasket - Freezer Door
	075218-01-701	EA	Gasket - Refrigerator Door
	075218-01-702	EA	Connector Rod
	075218-01-703	EA	Frame Asm.
	075218-01-704	EA	Cabinet - Urethane
	075218-01-706	EA	Breaker Strip - Bottom
	075218-01-707	EA	Door - Front
	075218-01-708	EA	Case - Wiring
	075218-01-709	EA	Door Liner Asm. - Foamed
	075218-01-710	EA	Door Liner Asm. - Foamed - Lower
	084450-01-000	EA	Level - Refrigerator
	081379-01-000	EA	Microwave Connection Oven - Shared
	081459-03-000	EA	Bracket Asm. - Microwave - Right
	081459-04-000	EA	Bracket Asm. - Microwave - Left
	081459-01-000	EA	Angle Asm. - Microwave Right
	081459-02-000	EA	Angle Asm. - Microwave Left
	081455-01-703	EA	Trim Ring - Microwave
	082872-01-000	EA	Air Exhaust Duct - Microwave
	023111-01-000	EA	Blender - Electric
	055815-01-000	EA	Sink - Stainless Steel - Double w/ Boils
**	011053-01-000	EA	Faucet - Swing Spout - B - US
**	011053-02-000	EA	Faucet - Swing Spout - B - CSA
**	011053-01-700	EA	erator - Swing Spout Faucet
	065437-01-000	EA	Strainer w/ Basket - Sink
	081430-01-001	EA	Sink Cover - Large
	009049-01-000	EA	Support - Drop Leaf Table
	029039-01-000	EA	Tring - 2 - Gold - Drop Leaf Table
	074490-02-705	EA	Spice Rack - Oak
	074991-01-000	EA	Cutting Board - Maple
	055334-01-000	EA	Wastebasket - 9 3/4 x 7 x 10 - White
	055877-01-000	EA	Support - Wastebasket - Metal
	059777-01-000	EA	Knobs - Cabinet Door - Antique Brass
	009001-01-000	EA	Catch - Nylon - Cabinet Door
	009001-02-000	EA	Slide - Spring Steel - Cabinet Door
	077409-01-000	EA	Slider - Drawer - 20 T5 - Plastic
	077404-01-000	EA	Drawer - 20 x 12 T5 - Plastic
	065435-01-000	EA	Nut Strainer
	011053-01-000	EA	Plug - 1 1/4 x 5 - w/ Stopper

** The illustrated parts measurement for the items cited on the Common Items Fiche

**1986 WINNEBAGO
TABLE OF CONTENTS**

INTRODUCTION	A-01
ABBREVIATIONS	A-01
ALPHABETICAL INDEX	A-02 - A-04
W/FACERU	A-05 - A-06
W/CN33RU	B-09 - B-19
W/CN33AT	B-20 - B-25
W/CN335U	B-26 - B-30

1986 WCN33RU INDEX

Floor Plan	H-07 - H-08
Accessories Group	H-09 - H-11
Bath Group	H-12
Chassis Group	H-13 - H-19
Curtain, Cushion & Pad Group	H-20 - H-22
Dinette Group	H-23
Drawer Compartment Group	H-24 - H-26
Electrical Group	H-27 - H-32
Exterior Body Group	H-33 - H-37
Galley Group	H-38 - H-42
Heating & Air Conditioning Group	H-43 - H-44
Interior Finish Group	H-45 - H-51
LP Group	H-52
Lounge Group	H-53 - H-54
Water & Sewage Group	H-55 - H-56
Window, Vent & Exterior Door Group	H-57 - H-60

HEATING & AIR CONDITIONING GROUP

FURNACE & ROOF AIR CONDITIONER

Key	Part Number	U/M	Description
	074466-01-700	EA	Furnace - 45,000 BTU - w Direct Ignition
	074466-01-701	EA	Electrode Asm - #230780
	074466-01-702	EA	Relay - Time Delay
	074466-01-703	EA	Blower Wheel - Room Air - Clockwise
	074466-01-704	EA	Motor - Motor & Paddle Asm
	074466-01-705	EA	Motor
	074466-01-706	EA	Wheel - Combustion
	074466-01-707	EA	Blower Wheel - Room Air - Counter Clockwise
	074466-01-708	EA	Bushing - Blower
	074466-01-709	EA	Gasket - Combustion Air Crossover
	074466-01-710	EA	Gasket - Blower Motor - 2 1/8 Dia
	074466-01-711	EA	Bushing - Motor Mounting
	074466-01-712	EA	Gasket - Combustion Air Housing
	074466-01-713	EA	Thermostat
	074466-01-714	EA	Vent - Tube Asm
	074466-01-715	EA	Valve - Power
	074466-01-716	EA	Electrode Asm - #030578
	074466-01-717	EA	Valve - Thermostat
	074466-01-718	EA	Valve - 12 Volt - L.P. Gas Only
	074466-01-719	EA	Cap Nut Asm
	074466-01-720	EA	Pipe - Gas Inlet
	059648-01-001	EA	Connector - 4" Duct
	009188-01-000	EA	Duct - Flexible - 4" I.D. x 25'
	058484-01-000	EA	Register - 4" Dia - Plastic - w Damper
	058484-02-000	EA	Register - 4" Dia - Plastic - w Damper
	009250-01-000	EA	Tape - Fiberglass - 1 1/2"
	003748-01-000	EA	Clamp - Screw Type - 4"
	073743-01-000	EA	Shroud Asm - Ceiling - Inside - Roof Air - 13,500 BTU - Cool Only
	073744-01-000	EA	Shroud Asm - Ceiling - Inside - Roof Air - 13,500 BTU - Heat & Cool
	073742-01-000	EA	Air Conditioner - 110 Volt - Roof Mount - 13,500 BTU - Polar
	073742-01-700	EA	Decal - Package - Left & Right - Exterior
	073742-01-701	EA	Selector Switch - 6 Terminal
	073742-01-702	EA	Decal - Cool Only
	073742-01-703	EA	Decal - Heat & Cool
	073742-01-704	EA	Decal - Thermostat - TSP

AUXILIARY HEATER ASSEMBLY

Key	Part Number	U/M	Description
	049401-01-000	EA	Heater Asm - Heat - Auxiliary
	049401-01-700	EA	Valve - Heater Control
	049401-01-701	EA	Control Cable
	049401-01-702	EA	Motor Asm
	049401-01-703	EA	Heater Core
	049401-01-704	EA	Switch
	056909-01-000	EA	Control Panel - Brown
	056909-01-000	EA	Bracket - Side Mount - Motor Asm
	076012-01-000	EA	Mesh - Grate - 7 3/8 x 6 7/8 - Gold Anodized

HEATING & AIR CONDITIONING GROUP (CONTINUED)

AUTOMOTIVE HEATER & AIR CONDITIONER

Key	Part Number	U/M	Description
	072341-04-000	EA	Heater Evaporator Asm
	072341-01-700	EA	Wheel - w Retainer & Index Cir
	072341-01-701	EA	Core - Heater
	072341-01-702	EA	Coil - Evaporator
	072341-01-703	EA	Valve - Expansion
	072341-01-704	EA	Valve - Suction
	072341-01-705	EA	Switch - Pressure - Low Cut Out
	072341-01-706	EA	Resistor
	072341-01-707	EA	Thermostat
	072341-01-708	EA	Motor - Vacuum
	R07025-01-029	EA	Relay - Glow Plug
	072341-01-710	EA	Control Asm - Heater A/C
	072341-01-711	EA	Cable - Bowden - 12'
	072341-01-712	EA	Switch - Vacuum
	072341-01-713	EA	Switch - Jumper Control
	072341-01-714	EA	Valve - Heater - Water Flow Control
	072341-01-715	EA	Escape & Lower Adapter Asm
	072341-01-716	EA	Discharge Valve - 1/2"
	072341-05-000	EA	Duct & Control Kit
	072342-01-000	EA	Condenser Asm
	072342-02-000	EA	Receiver Drier - Condenser Asm
	072342-03-000	EA	Compressor Clutch
	072344-01-000	EA	Package - Compressor Mount
	074026-01-000	EA	Package - Compressor Mount - 6 Z/L Diesel
	039044-01-000	EA	Lower Asm - A/C Adjustable
	007076-01-700	FT	Hose - Flexible PVC - 1 1/2" I.D.
	007081-01-700	FT	Hose - Flexible PVC - 2 1/2" I.D.
	007126-01-000	FT	Hose - Heater - 5/8" I.D. SAE 20R2
	062421-04-000	EA	Clamp - Worm Drive - 1/2" - 1 1/2" I.D.
	010227-01-000	EA	Tee - Plastic - Barb 5/8" or 3/4" Hose

**1986 WINNEBAGO
TABLE OF CONTENTS**

INTRODUCTION	A-01
ABBREVIATIONS	A-01
ALPHABETICAL INDEX	A-02 - A-04
WFA26RU	A-05 - C-06
WON27RU	C-09 - E-16
WON31RT	E-17 - H-09
WON33RU	H-07 - I-20

1986 WON33RU INDEX

Body Plan	H-07 - H-09
Accessories Group	H-09 - H-11
Bath Group	H-12
Chassis Group	H-13 - H-18
Curtain, Cushion & Pad Group	H-20 - H-22
Dinette Group	H-23
Drivers Compartment Group	H-24 - H-25
Electrical Group	H-27 - H-30
Exterior Body Group	H-31 - H-37
Galley Group	H-38 - H-40
Heating & Air Conditioning Group	H-41 - H-42
Interior Finish Group	H-43 - H-61
LP Group	H-62
Lounge Group	H-63 - H-64
Water & Sewage Group	H-65 - H-66
Window, Vent & Exterior Door Group	H-67 - H-69

INTERIOR FINISH GROUP

CURTAIN & CUSHION HARDWARE

Key	Part Number	U/M	Description
	079799-03-000	EA	Bracket Asm - Curtain Rod - Right
	079799-04-000	EA	Bracket Asm - Curtain Rod - Left
	082139-03-000	EA	Bracket - Hold Down - Beige
	079799-03-000	EA	Bracket - Bedroom Valance - Right - Beige
	079799-04-000	EA	Bracket - Bedroom Valance - Left - Beige
	079799-04-000	EA	Track - Curtain - 12' - Beige - Bottom
	079799-04-000	EA	Guide - Curtain - Bottom
	009100-01-000	EA	Snap Socket - Curtain Bottom
	082149-01-000	EA	Bracket - Blind - Top Right
	082149-02-000	EA	Bracket - Blind - Top Left
	082117-04-000	EA	Bracket - Blind Installation
	009100-01-000	EA	Snap Socket - Tie Back
	079919-01-000	EA	Bracket - Tie Back
	056201-01-000	EA	Bracket - Shade - Left
	056202-01-000	EA	Bracket - Shade - Right
	056784-01-000	EA	Roll - Window Shade - Antique Brass
	056715-01-000	YD	Tape - Clear Plastic - W/Glides
	049394-01-000	YD	Tape Hook - 1" x 50' - Beige
	009294-05-000	YD	Tape Hook - 50' - Valve - Beige
	049395-01-000	YD	Tape Loop - 1" x 50' - Beige
	009393-01-000	BT	Tie - Drapery - Clear Vinyl
	056116-01-000	EA	Track - Curtain - Wraparound - Top
	079916-01-000	EA	Track - Curtain - Wraparound - Right
	079916-02-000	EA	Track - Curtain - Wraparound - Left

FABRICS & CARPET

Key	Part Number	U/M	Description
	077491-03-000	YD	Fabric - Main w/ Stripes - Beige - U04
	077499-03-000	YD	Fabric - Main w/ Stripes - Rose - U05
	077499-04-000	YD	Fabric - Main w/ Stripes - Spruce - U06
	077499-05-000	YD	Fabric - Patterned Accent - Rose - U05
	077499-04-000	YD	Fabric - Patterned Accent - Spruce - U06
	077499-03-000	YD	Fabric - Plain Accent - Beige & Spruce - U04 - U06
	077499-02-000	YD	Fabric - Plain Accent - Rose - U05
	069729-43-000	YD	Fabric - Bedroom Drapery - Multi-color - U04 - U05 - U06
	070333-01-000	YD	Fabric - Bedroom Drapery - Parchment - U04 - U05 - U06
	070333-01-000	YD	Fabric - Wraparound & Backout - Parchment - U04 - U05 - U06
	070333-02-000	YD	Fabric - Drapery - Beige - U04
	070333-03-000	YD	Fabric - Drapery - Rose - U05
	070333-04-000	YD	Fabric - Drapery - Spruce - U06
	035473-02-000	YD	Fabric - Mattress Ticking - Beige/Brown
	052959-01-000	BT	Trim Asm - Accent - Sandrift
	067959-05-000	BT	Trim Asm - Accent - Buckskin
	079980-01-000	YD	Vinyl - Expanded - 25' - Buckskin - U04 - U05 - U06
	079980-02-000	YD	Vinyl - Expanded - 25' - Sandrift - U04 - U05 - U06
	079401-01-000	YD	Fabric - Mattress Ticking
	019710-01-000	BT	Roam - Beige - 9' 8"
	079980-01-000	YD	Vinyl - Expanded - 25' - Buckskin - Beige
	079980-02-000	YD	Vinyl - Expanded - 25' - Sandrift
	070600-48-000	YD	Carpet - Beige - U04
	070600-44-000	YD	Carpet - Red/Brown - U05
	070600-45-000	YD	Carpet - Green/Blue - U06
	070600-01-000	YD	Carpet Red - 9' 8" Roam

INTERIOR FINISH GROUP (CONTINUED)

PANELING & LAMINATE

Key	Part Number	U/M	Description
	074497-04-000	EA	Paneling - Scripps Oak Sand - 48' x 84' - 28 SF - Wall
	074499-01-000	EA	Paneling - Decor - Beige - 48' x 84' - 28 SF - Bedroom & Bath
	074499-02-000	EA	Paneling - Decor - Raw Pine - 48' x 84' - 28 SF - Gallery - U04 - U05
	074499-03-000	EA	Paneling - Decor - Raw Pine - 48' x 84' - 28 SF - Gallery - U06
	074497-07-000	EA	Paneling - Beige Beach - 48' x 84' - 28 SF - Ceiling
	074497-08-000	EA	Paneling - Sunset Oak - 48' x 84' - 28 SF - Ceiling
	074499-05-000	EA	Plastic Laminate - Beige/Crescent - Gallery
	074499-06-000	EA	Plastic Laminate - Tawn - Bath & Dressing - U04 - U05
	074499-14-000	EA	Plastic Laminate - Sage Green - Bath & Dressing - U06
	074499-05-019	EA	Plastic Laminate - Sunset Oak - Nightstand & Table Tops
	074499-08-019	EA	Plastic Laminate - Edge Band - Beige/Crescent - 1/2" x 96"
	074499-14-019	EA	Plastic Laminate - Edge Band - Tawn - 1/2" x 96" - U04 - U05
	074499-14-019	EA	Plastic Laminate - Edge Band - Sage Green - 1/2" x 96" - U06
	074499-05-019	EA	Plastic Laminate - Edge Band - Sunset Oak - 1/2" x 96"

CABINETS & TABLE HARDWARE

Key	Part Number	U/M	Description
	059200-05-000	EA	Bracket - Copper Wall Mount - 23 1/2" - Beige
**	059201-03-000	EA	Bracket - Table Mount - 23"
	034976-05-000	EA	Roll - Table Linen - 8' x 10 1/2' - Beige
	004931-07-000	EA	Bracket - Lower Wall Mount - 22 1/2" - Beige
	024276-14-000	EA	Leg Asm - Table - 28 1/2" - Brown
	011050-01-000	EA	Knock - Table Leg
**	024262-01-000	EA	Brace - Table Leg
*	024269-01-000	EA	Cap - 1" O.D. Tube
	049499-02-000	EA	Catch - Table Lvs - Mount on Floor - Brown
**	057699-01-000	EA	Latch - Upper Cabinet Door w/ Strike
	009112-01-000	EA	Range - 1" - Chrome - Closet Rod
	077499-01-000	EA	Slide - Drawer - Pastel - 20 1/2"
	009049-01-000	EA	Table Support - Drop Leaf
	069777-01-000	EA	Knock - Antique Brass
	009059-01-000	EA	Range - 2" - Drop Leaf Table - Gold
	009059-02-000	EA	Knock - 1" - Brass
**	047744-01-000	EA	Slide - Drawer Guide
	064467-01-000	EA	Knock - Wall Mount - Drill Pocket
	079970-01-000	EA	Roll - Antique Brass - w/ Oak
	076767-03-000	EA	Cap - Asm - 55" TV Table
	009116-01-000	EA	Roll - Catch - Spring Loaded
	051674-01-000	EA	Roll - Slide - Antique Brass
	151671-01-000	EA	Roll - Cover - 1/2" - Off White
	072569-07-000	EA	Mesh - Grill - 21 1/2" x 12" - Gold Aluminum
	009151-01-000	EA	Ward Guard - 84"
	009101-01-000	EA	Catch - Nylon - Turnate Door
**	009101-02-000	EA	Strike - Nylon - Catch - Turnate Door
**	059777-01-000	EA	Knock - Cabinet Door - Antique Brass
	074499-02-000	EA	Support - Shower - Door
	066433-01-000	EA	Knock - Cup - Bright
	065034-02-000	EA	Latch - Door w/ Lock
	079980-01-000	EA	Clothes Rod - Adjustable - 27' x 1 1/2"
	073302-01-000	EA	Slide Drawer - 15" - Left
	073309-02-000	EA	Slide Drawer - 15" - Right
	073306-03-000	EA	Slide Drawer - 16" - Left
	073307-04-000	EA	Slide Drawer - 16" - Right
	078012-01-000	EA	Roll - Chrome - Brass Oak
	079921-01-000	EA	Roll - Nylon w/ Sheet - Roll Out Table

** The illustrated parts breakdown for this item is provided on the Common Items Page.

**1986 WINNEBAGO
TABLE OF CONTENTS**

INTRODUCTION	A-01
ABBREVIATIONS	A-01
ALPHABETICAL INDEX	A-02 - A-04
WFC165L	A-05 - A-08
WGN07RL	C-09 - E-16
WGN08RT	E-17 - E-18
WGN03RU	H-07 - H-20

1986 WCN33RU INDEX

Floor Plan	H-07 - H-08
Accessories Group	H-09 - H-11
Bath Group	H-12
Closets Group	H-13 - H-19
Curtain, Cushion & Pad Group	H-20 - H-22
Dishes Group	H-23
Drivers Compartment Group	H-24 - H-25
Electrical Group	H-26 - H-30
Exterior Body Group	H-31 - H-37
Galley Group	H-38 - H-42
Heating & Air Conditioning Group	H-43 - H-44
Interior Finish Group	H-45 - H-51
LP Group	H-52
Lounge Group	H-53 - H-54
Water & Sewage Group	H-55 - H-56
Window, Vent & Exterior Door Group	H-57 - H-60

INTERIOR FINISH GROUP (CONTINUED)

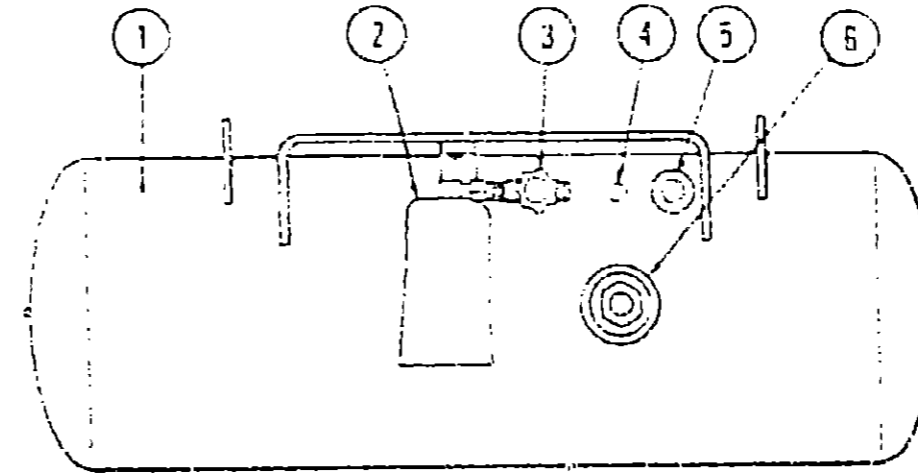
INTERIOR MOLDING & TRIM

Key	Part Number	U/M	Description
	074709-21-000	EA	Cover - Sidewall Roll Bar - Beige
	081031-01-001	EA	Molding w. Holes - Corner - 18"
	042357-09-000	FT	Molding - Radius Corner - T. Elm
	022992-05-000	FT	Molding - Reverse Cove - White
	072992-09-000	FT	Molding - Reverse Cove - Grady Brown
	059737-37-000	EA	Batt Strip - Sunset Oak - 8" Bedroom
	059739-42-000	EA	Batt Strip - Sparrows Sand - 8" Wall
	059733-52-000	EA	Batt Strip - Pebble Beach - 8" Ceiling
	067733-57-000	EA	Batt Strip - Encore - 8" Galley & Bath
	076504-01-000	FT	U-Channel - 815 - Light Brown
	076504-02-000	FT	U-Channel - 815 - Light Brown
	076504-03-000	FT	U-Channel - 815 - Grady Brown
	009778-04-000	FT	U-Channel - 1 - Grady Brown
	009815-03-000	FT	T-Molding - 75 - Light Brown
	009815-04-000	FT	T-Molding - 75 - Grady Brown
	076325-04-000	FT	T-Molding - 1 5/16 - Sunset Oak
	077840-01-T03	EA	Molding - Wall Cap - 56 - Vinyl Covered - Sunset Oak
	077858-01-000	EA	Grommet - 1 - Hole Liner
	075249-01-000	EA	Rail Asm - Plain - T21
	075028-21-T03	EA	Trim - Valance - 80
	002774-01-001	EA	Trim - Carpet - 192
	073321-01-000	EA	Trim - Carpet - Wt
	052659-05-T03	FT	Accent Trim - Buckskin
	052659-06-T03	FT	Accent Trim - Dark Sandrift
	071241-01-000	FT	Vinyl - Extr - White
	059352-01-000	FT	Insert - Vinyl - Style & Rail
	009757-06-000	FT	Wetling - Beige
	009757-07-000	FT	Wetling - Grady Brown
	074045-01-000	EA	Plug - 1 1/2" Dia - Oak
	042356-01-000	EA	Plug - 3/8" - Mangony
	041746-01-000	FT	Vinyl - Extr - Bubble Seal

MISCELLANEOUS PARTS

Key	Part Number	U/M	Description
	053552-02-T03	EA	Handle Asm - Interior Assist - Medium Almond Vinyl
	041944-03-000	EA	Fire Extinguisher - 8BC
	041944-02-000	EA	Bracket - Fire Extinguisher
	054165-24-000	EA	Owner's Manual - 1986 Itasca & Winnebago
	007033-01-000	EA	Door Mat - 19 1/2" x 28" - Black Rubber
	075907-02-000	EA	Picture - Decor - Assorted Grasses
	063251-02-000	EA	Lamp Shade - Fabric - Parchment
	082856-02-000	EA	Shade - Table Lamp

LP GROUP



Key	Part Number	U/M	Description
1	074142-01-000	EA	Tank Asm - LP - Frame Mount - 50 Pound - 13" x 44"
1	055741-01-000	EA	Detector - LP Gas Leak - Marshalltown Instruments
2	051935-01-000	EA	Compartment - LP Regulator
1	076301-01-000	EA	Regulator - Two Stage - US - Dual
1	076301-02-000	EA	Regulator - Two Stage - CSA - Dual
3	040421-01-703	EA	Valve - Vapor Relief
4	040421-01-700	EA	Gauge - Liquid Level - 20% LP
5	040421-01-701	EA	Valve - Filler - LP
1	040421-01-702	EA	Cap - Plastic Fill Valve
6	040421-01-707	EA	Gauge - Float - w. Visible Dia
1	040421-01-705	EA	Dial - Visible Float - Float Gauge (Tank w/o Electric Transmitter)
1	040440-01-000	EA	Dial - Transmitter - 0 - 90 Ohm (Float Gauge)
1	045703-01-000	EA	Hose Asm - LP - 3/8" I.D. x 24" - US
1	045703-02-000	EA	Hose Asm - LP - 3/8" I.D. x 24" - CSA
1	045703-02-000	EA	Hose Asm - LP - 3/8" I.D. x 18" - US
1	045703-04-000	EA	Hose Asm - LP - 3/8" I.D. x 14" - CSA
1	055742-01-000	EA	Tee - 3/8 F x 3/8 F x 25 FFT
1	Not Illustrated		

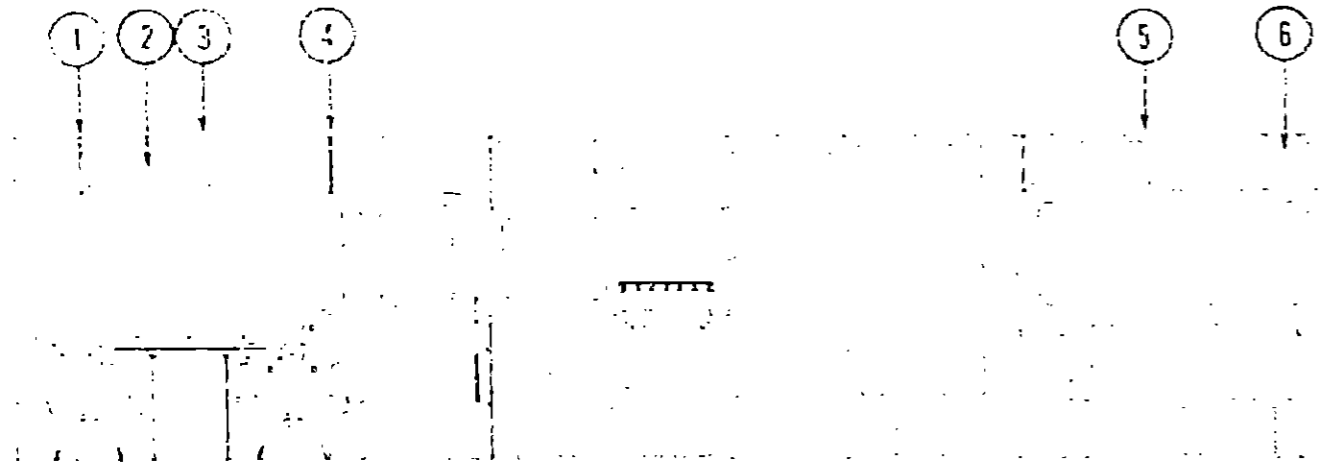
1986 WINNEBAGO TABLE OF CONTENTS

INTRODUCTION	A-01
ABBREVIATIONS	A-07
ALPHABETICAL INDEX	A-02 - A-04
W.F.128RU	A-05 - C-05
W.CN27RU	C-09 - E-16
W.CN31RT	E-17 - H-05
W.CN33RU	H-07 - J-20

1986 WCN33RU INDEX

Floor Plan	H-07 - H-08
Accessories Group	H-09 - H-11
Bath Group	H-12
Chassis Group	H-13 - H-19
Curtain, Cushion & Pad Group	H-20 - I-02
Dinette Group	I-03
Driver's Compartment Group	I-04 - I-06
Electrical Group	I-07 - I-10
Exterior Body Group	I-11 - I-17
Galley Group	I-18 - I-20
Heating & Air Conditioning Group	I-21 - I-22
Interior Finish Group	I-23 - J-01
LP Group	J-02
Lounge Group	J-03 - J-04
Water & Sewage Group	J-05 - J-06
Window, Vent & Exterior Door Group	J-07 - J-20

LOUNGE GROUP



LOUNGE OVERHEAD CABINERY

Key	Part Number	U/M	Description
1	081325-02-T03	EA	Pad Asm - End Cap - Front Overhead - Vinyl
2	M81503-05-U04	EA	Door Asm - Overhead Cabinet - w/o Hardware
3	081550-01-U04	EA	Cabinet Asm - Front Overhead - Passenger - w/o Doors or Hardware
4	081302-03-U04	EA	Cabinet Asm - Front Overhead - Driver - w/o Doors or Hardware
5	M81325-01-T03	EA	Pad - End Cap - Front Overhead - Vinyl
6	081730-01-U04	EA	Cabinet Asm - Rear Overhead - Passenger - w/o Doors or Hardware
7	081730-02-U04	EA	Cabinet Asm - Rear Overhead - Driver - w/o Doors or Hardware
8	M81503-06-U04	EA	Door Asm - Rear Overhead - Driver or Passenger - w/o Hardware
9	081302-03-U04	EA	Cabinet Asm - Rear Overhead - Backwall - w/o Doors or Hardware
10	M81503-06-U04	EA	Door Asm - Rear Overhead - Backwall - w/o Hardware
*			Not Illustrated

ENTERTAINMENT CENTER & ICEMAKER

Key	Part Number	U/M	Description
	M81720-01-U04	EA	Cabinet Asm - Ice Maker - w/o Countertop
	M02433-01-U04	EA	Countertop Asm - Ice Maker
	M02439-01-U04	EA	Countertop Asm - Ice Maker Pullout
	074463-02-T03	EA	Beverage Holder w/ Tray - Oak
	075606-03-U04	EA	Magazine Rack Asm
	076739-01-000	EA	Ice Maker - Black Glass
	077841-01-000	EA	Bracket - Tie Down - Ice Maker - Right
	077841-02-000	EA	Bracket - Tie Down - Ice Maker - Left

TWIN BED CABINERY

Key	Part Number	U/M	Description
	M81849-01-U04	EA	Cabinet Asm - 3 Door Nightstand - w/o Doors or Hardware
	M81501-23-T03	EA	Door Asm - 3 Door Nightstand - Upper
	M81502-10-T03	EA	Door Asm - 3 Door Nightstand - Lower Left
	M81502-09-T03	EA	Door Asm - 3 Door Nightstand - Lower Right
	M02178-01-T03	EA	Countertop Asm - 3 Door Nightstand - Upper
	M02177-01-T03	EA	Countertop Asm - 3 Door Nightstand - Lower
	M83441-01-U04	EA	Cabinet Asm - 1 Door Nightstand - w/o Doors or Hardware
	M81501-93-U04	EA	Door Asm - 1 Door Nightstand - Lower
	M02609-01-U04	EA	Countertop Asm - 1 Door Nightstand - Upper
	M02605-01-U04	EA	Countertop Asm - 1 Door Nightstand - Lower
	081721-01-U04	EA	Cabinet Asm - Twin Bed - Right Sidewall
	M81722-01-U04	EA	Cabinet Asm - Twin Bed - Left Sidewall
	M81501-30-T03	EA	Door Asm - Twin Bed
	077463-05-U04	EA	Headboard Asm - Twin Bed - Parchment

LOUNGE GROUP (CONTINUED)

DOUBLE BED W NIGHTSTAND

Key	Part Number	U/M	Description
	081724-01-U04	EA	Cabinet Asm - Nightstand - w/o Countertop (Rear)
	M02476-01-U04	EA	Countertop Asm - Nightstand
	081723-01-U04	EA	Cabinet Asm - Nightstand - w/o Countertop (Front)
	M02477-01-U04	EA	Countertop Asm - Nightstand
	077463-05-U04	EA	Headboard Asm - Parchment

SWIVEL CHAIRS W PULLOUT TABLE

Key	Part Number	U/M	Description
	M81727-03-U04	EA	Cabinet Asm - Pullout Table
	M02415-01-U04	EA	Table Asm - Pullout
	M02416-01-U04	EA	Countertop Asm - Pullout Table
	M02414-01-U04	EA	Top - Cupholder - Pullout Table
	M02417-01-U04	EA	Top - Cupholder - Hinged Lid - Pullout Table
	075606-03-U04	EA	Magazine Rack
	080515-01-T03	EA	Handle - Pullout Table
	079921-01-000	EA	Roller - Nylon - w/ Shaft
	035036-01-000	EA	Plate - Top & Swivel
	035036-04-000	EA	Base w/ Leg - Swivel Chair
	035036-05-000	EA	Extension - 7" - Swivel Chair

1986 WINNEBAGO TABLE OF CONTENTS

INTRODUCTION	A-01
ABBREVIATIONS	A-01
ALPHABETICAL INDEX	A-02 - A-04
WFA26RU	A-05 - C-03
WCN27RU	C-09 - E-16
WCN31RT	E-17 - H-06
WCN33RU	H-07 - J-20

1986 WCN33RU INDEX

Floor Plan	H-07 - H-08
Accessories Group	H-09 - H-11
Bath Group	H-12
Chassis Group	H-13 - H-19
Curtain, Cushion & Pad Group	H-20 - I-02
Dinette Group	I-03
Driver's Compartment Group	I-04 - I-06
Electrical Group	I-07 - I-10
Exterior Body Group	I-11 - I-17
Galley Group	I-18 - I-20
Heating & Air Conditioning Group	I-21 - I-22
Interior Finish Group	I-23 - J-01
LP Group	J-02
Lounge Group	J-03 - J-04
Water & Sewage Group	J-05 - J-16
Window, Vent & Exterior Door Group	J-07 - J-20

WATER & SEWAGE GROUP

PLUMBING & REPAIR PARTS

Key	Part Number	U:M	Description
	033302-02-000	EA	Adapter Asm - SWVC Strain - 1 1/2"
	010026-01-000	EA	Adapter - Flare - w Cone Gasket
	052422-01-000	EA	Adapter - Hose Offset - Reducer - 3" x 1 1/2"
	052954-01-000	EA	Adapter - Hose Cone - 3/8 or 1/2 - Plastic
	010224-01-000	EA	Adapter - Plastic - 3/8 MPT x 3/8 Barb
	044927-01-000	EA	Adapter - Plastic - 1 1/4" MPT x 1 1/4 Barb
	031602-02-000	EA	Adapter - Plastic - 1 1/2 H x FPT
	052417-01-000	EA	Adapter - Termination - 3"
	004020-01-000	OT	Adhesive - ABS Cement
	011040-04-000	EA	Breaker - Vacuum - 1/8 MPT - Nylon
**	010121-01-000	EA	Bushing - Plastic - 1 1/2 S x 1 1/4 H
	010122-01-000	EA	Bushing - Plastic - 1 1/2 S x 1 1/4 T
	010123-01-000	EA	Bushing - Plastic - 2S x 1 1/2 H
	036522-02-000	EA	Cap - Brass - 1/2 Flare
	052415-01-000	EA	Cap - Sewer - 3"
	052959-02-000	EA	Connector - 1/2 F x 1/2 MPT - Plastic
	052959-03-000	EA	Connector - 1/2 F x 3/8 MPT - Plastic
	011051-02-000	EA	Continuous Waste - Double Sink - 11 7/8" - US
	053674-01-000	EA	Continuous Waste Asm - Double Sink - CSA
	076406-01-000	EA	Coupler Rubber - 3" x 3"
	052950-01-000	EA	Drain Valve - 1/2 F x 1/2 F - Plastic
	010000-01-000	EA	Elbow - Plastic - 1/8 BD x 1 1/4 x 45° H x H
	010005-01-000	EA	Elbow - Plastic - 1/16 BD x 1 1/2
	010006-01-000	EA	Elbow - Plastic - 1/8 BD x 1 1/2 x 45° H x H
	010008-01-000	EA	Elbow - Plastic - 1/4 BD x 1 1/2 x 90° Left
	010051-01-000	EA	Elbow - ST - Plastic - 1/8 BD x 1 1/2 x 45°
	010219-01-000	EA	Elbow - 1 1/4 Barb x 1 1/4 MPT x 90°
	031111-01-000	EA	Elbow - Plastic - 1/4 BD x 1 1/4 x 90° Left
	034250-01-000	EA	Elbow - Plastic - 1/4 BD x 1 1/2 x 90° H x H
	035539-01-000	EA	Elbow - Plastic - 3/8 MPT x 3/8 Barb
	052957-01-000	EA	Elbow - Plastic - 1/2 F x 3/8 MPT
	052957-02-000	EA	Elbow - Plastic - 1/2 F x 1/2 MPT (In Tank Filter)
	059536-01-000	EA	Elbow - 1 1/4 - Slip Joint Ends
	055120-01-000	EA	Elbow - Plastic - Swivel - 50°
	070924-01-000	EA	Elbow - Plastic - Swivel - 1/2 MPT x 1/2 FP
	077954-01-000	EA	Filter Screen (In Water Tank)
	029647-02-000	EA	Filter - Water Pump - 1/2" MPT
	039647-03-000	EA	Filter - Water Pump - 1/2" Flare
	010147-01-000	EA	Flange - Closet - 4" F x 3" FPT - US
	010147-02-000	EA	Flange - Closet - 4" F x 3" FPT - CSA
	079351-01-000	FT	Flexible Tubing - 1 1/4 ID x 10'
	061607-01-000	EA	Grommet - Holding Tank Coupler - 1 1/2"
	061607-02-000	EA	Grommet - Holding Tank Coupler - 3"
	052419-02-000	EA	Handle - Extension - w 5" Adapter
	052961-01-000	EA	Header - 1/2 F x 1/2 F x 1/2 F x 1/2 F
**	045524-01-000	EA	Kit - Holding Tank Fittings - Blank Tank
**	046524-02-000	EA	Kit - Water Tank Fittings - Blank Tank
	052953-01-000	EA	Nut - Faucet - 1/2 Tube x 1/2 FPT
	052952-01-000	EA	Nut - 1/2 F - Plastic
**	011065-03-000	EA	P-Trap - 1 1/4" Plastic - US
**	011065-02-000	EA	P-Trap - 1 1/4" Plastic - CSA
	053335-01-000	EA	P-Trap - Plastic - 1 1/4 H x H - w Union - CSA
	010197-01-000	EA	Pipe - Plastic - 3" x 240" - Black
	045729-01-000	EA	Pump - Water - 2 3/8 G.P.M. - Direct Drive - Shurflo - US
	045729-02-000	EA	Pump - Water - 2 3/8 G.P.M. - Direct Drive - Shurflo - CSA
**	010201-01-000	EA	Sewer Hose - 3" x 8' w Clamp
	042989-02-000	EA	Spinweld Fittings - Plastic - 1/2 FPT (In Tank Filter)
	042989-03-000	EA	Spinweld Fittings - Plastic - 1/4 NPT
	042989-04-000	EA	Spinweld Fittings - Plastic - 3/8 FPT
**	011059-02-000	EA	Tailpiece - 1 1/2 x 1 1/4 x 4" - Brass

WATER & SEWAGE GROUP (CONTINUED)

PLUMBING & REPAIR PARTS (CONT.)

Key	Part Number	U:M	Description
	010071-01-000	EA	Tee - Plastic - 1 1/2 x H x H x H
	010072-01-000	EA	Tee - Plastic - 1 1/2 H x 1 1/4 H x 1 1/2 H
**	010079-01-000	EA	Tee - Plastic - 1 1/2 H x 1 1/2 H x 1 1/4 H
	046172-01-000	EA	Tee - Plastic - 3/8 B x 3/8 B x 3/8 MPT
	052955-01-000	EA	Tee - Plastic - 1/2 F x 1/2 F x 1/2 MPT
	052956-01-000	EA	Tee - Plastic - 1/2 F x 1/2 MPT x 1/2 F
	052958-01-000	EA	Tee - Plastic - 1/2 F x 1/2 F x 1/2 F
**	010133-01-000	EA	Trap Adapter - Plastic - 1 1/2 H x MPT
	059500-01-000	FT	Tubing - Polybutyl - 1/2 O.D. (Water Line)
	079351-01-000	FT	Tubing - Flexible - Smooth - 1 1/2 ID
	074462-02-000	FT	Tubing - Vinyl - 3/8 ID
	079346-01-000	EA	Valve Asm - 3" Ell - w 2" Socket
	062421-01-000	EA	Valve - 1 1/2" - w Handle
	052416-02-000	EA	Valve - 3" - w/o Handle
	052960-01-000	EA	Valve - Line Drain - 1/2 F x 1/2 F
	052962-01-000	EA	Valve - Stock - 90° - 1/2 F x 3/8 MPT
	010073-01-000	EA	Wye - Plastic - 1 1/2 x 45 H x H

** The illustrated parts breakdown for this item is provided on the Common Items Fiche

HOLDING TANKS & WATER HEATERS

Key	Part Number	U:M	Description
	0601275-17-000	EA	Tank Asm - Water - 45 Gallon - w Fittings
	072444-01-000	EA	Tank Asm - Water - 47 Gallon - w/o Fittings
	0601275-71-000	EA	Tank Asm - Water - 20 Gallon - w Fittings
	053520-01-000	EA	Tank Asm - Water - 20 Gallon - w/o Fittings
	061805-01-000	EA	Tank - Holding - 40 Gallon - w/o Fittings - Waste Water
	074175-01-000	EA	Tank Asm - Holding - 44 Gallon - w/o Fittings - Sewage
**	051391-01-000	EA	Water Heater - w Motor Aid - Atwood - G6A-3
**	051391-03-000	EA	Water Heater - w Motor Aid - Atwood - G6A-3E
**	051393-01-000	EA	Water Heater - w Motor Aid - Direct Ignitor - Atwood - GH5-3E

** The illustrated parts breakdown for this item is provided on the Common Items Fiche

1986 WINNEBAGO TABLE OF CONTENTS

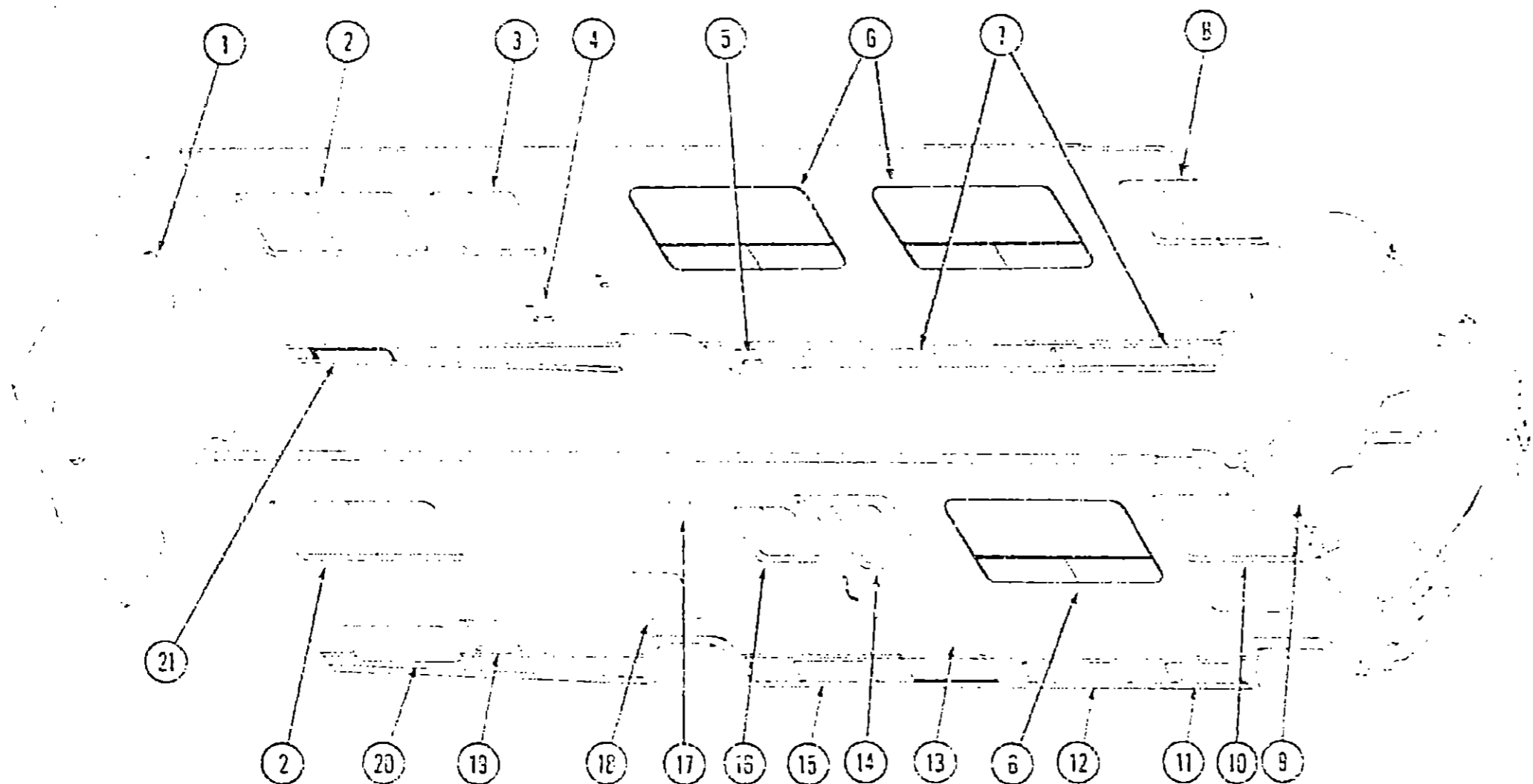
INTRODUCTION	A-01
ABBREVIATIONS	A-01
ALPHABETICAL INDEX	A-02 - A-04
WF426RU	A-05 - C-06
WCN27RU	C-09 - E-16
WCN31RT	E-17 - H-06
WCN33PU	H-07 - J-20

1986 WCN33RU INDEX

Floor Plan	H-07 - H-08
Accessories Group	H-09 - H-11
Bath Group	H-12
Chassis Group	H-13 - H-19
Curtain, Cushion & Pad Group	H-20 - I-02
Dinette Group	I-03
Driver's Compartment Group	I-04 - I-06
Electrical Group	I-07 - I-10
Exterior Body Group	I-11 - I-17
Galley Group	I-18 - I-20
Heating & Air Conditioning Group	I-21 - I-22
Interior Finish Group	I-23 - J-01
LP Group	J-02
Lounge Group	J-03 - J-04
Water & Sewage Group	J-05 - J-06
Window, Vent & Exterior Door Group	J-07 - J-20

WINDOW, VENT & EXTERIOR DOOR GROUP

WINDOWS & ACCESS DOORS



1986 WINNEBAGO TABLE OF CONTENTS

INTRODUCTION	A-01
ABBREVIATIONS	A-01
ALPHABETICAL INDEX	A-02 - A-04
WF436RU	A-05 - C-06
WCN27RU	C-09 - E-10
WCN31RT	E-17 - H-06
WCN33RU	H-07 - J-20

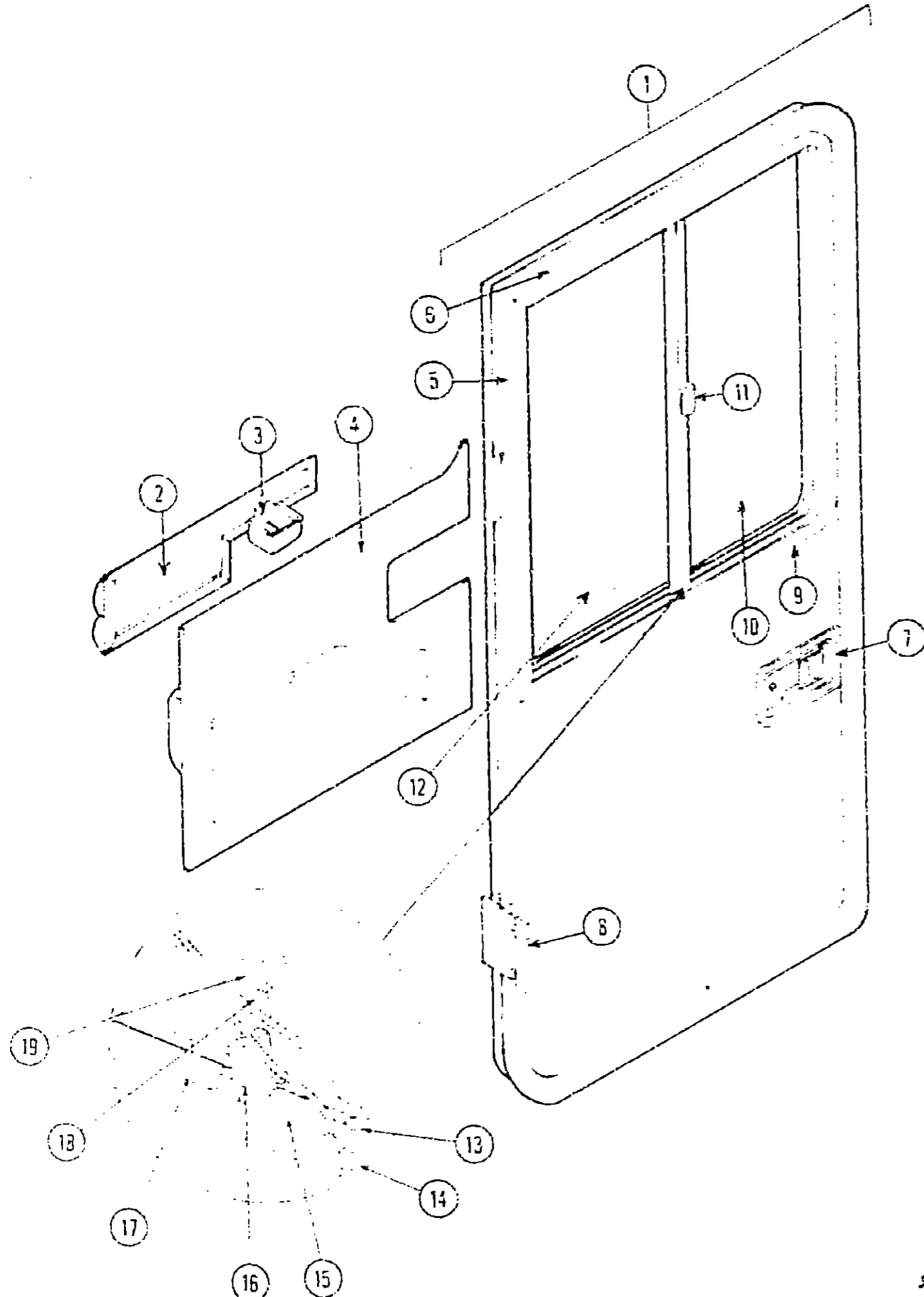
Key	Part Number	U.M	Description
1	078535-01-T03	EA	Window Asm - Escape
2	078271-01-T03	EA	Window Asm - Single Slider
3	078265-04-T03	EA	Window Asm - Single Slider
4	NOTE	EA	Door Asm - Fuel Fill (See Access Doors)
5	NOTE	EA	Door Asm - Power Cord (See Access Doors)
6	081566-02-U01	EA	Window Asm - Double Tipout
7	078435-03-T03	EA	Door Asm - Luggage
8	082057-02-U04	EA	Window Asm - Slant Slider
9	077675-01-000	EA	Glass - Windshield - Passenger
*	077675-02-000	EA	Glass - Windshield - Driver
10	082057-01-U04	EA	Window Asm - Slant Slider
11	079436-01-T03	EA	Door Asm - Access
12	079435-02-T03	EA	Door Asm - Luggage
13	M01870-01-T03	EA	Door Asm - Entrance
14	079733-04-T03	EA	Window Asm - Picture
15	079435-03-T03	EA	Door Asm - Access
16	078266-02-T03	EA	Window Asm - Single Slider
17	078969-03-T03	EA	Door Asm - Refrigerator Access
18	079355-05-000	EA	Vent - Stovehood
19	052009-02-000	EA	Door Asm - Water Heater
20	079578-02-T03	EA	Door Asm - Luggage
20	M01883-01-T03	EA	Door Asm - Generator
21	081349-04-U04	EA	Door Asm - Storage
*			Not Illustrated

1986 WCN33RU INDEX

Floor Plan	H-07 - H-08
Accessories Group	H-09 - H-11
Bath Group	H-12
Chassis Group	H-13 - H-15
Curtain, Cushion & Pad Group	H-20 - I-02
Dinette Group	I-03
Driver's Compartment Group	I-04 - I-06
Electrical Group	I-07 - I-10
Exterior Body Group	I-11 - I-17
Galley Group	I-18 - I-20
Heating & Air Conditioning Group	I-21 - I-22
Interior Finish Group	I-23 - J-01
LP Group	J-02
Lounge Group	J-03 - J-04
Water & Sewage Group	J-05 - J-06
Window, Vent & Exterior Door Group	J-07 - J-20

WINDOW, VENT & EXTERIOR DOOR GROUP (CONTINUED)

DRIVER & PASSENGER CAB DOORS



Key	Part Number	U/M	Description
1	079674-01-109	EA	Door Asm - Driver - Beige
1	079674-02-709	EA	Door Asm - Passenger - Beige
2	064038-03-000	EA	Pad Asm - Trim - Beige Vinyl - Drivers Door
2	064038-04-000	EA	Pad Asm - Trim - Beige Vinyl - Passenger
3	061400-05-000	EA	Assist Strap - 12" - Beige Vinyl
3	046886-03-000	EA	Ash Tray Asm - Chrome
4	064499-02-000	EA	Panel - Driver Door - Inner - Light Oak Plastic
4	064499-03-000	EA	Panel - Passenger Door - Inner - Light Oak Plastic
5	079214-01-000	EA	Door Frame - Front - Beige - Drivers Door
5	079214-02-000	EA	Door Frame - Front - Beige - Passenger Door
6	079250-01-000	EA	Door Frame - Rear - Beige - Drivers Door
6	079250-02-000	EA	Door Frame - Rear - Beige - Passenger Door
7	045017-06-000	EA	Paddle Asm - Door Lock - Drivers
7	045017-08-000	EA	Paddle Asm - Door Lock - Exterior - Passenger
7	045017-05-700	EA	Lock Cylinder w/Keys - Lynch
7	039979-02-000	EA	Inside Plate - Door Lock - w/ Inside Handle
7	039540-02-000	EA	Latch Claw - Entry Door Lock
7	039738-01-000	EA	Deadbolt - Entrance Door Lock
7	039532-01-000	EA	Strike Bolt - Entrance Door Jamb Mount
7	063124-02-000	EA	Plate - Striker - 3 1/4" x 1" - Black
7	076135-01-000	EA	Jamb - Driver Door - Front
7	079249-07-000	EA	Jamb - Driver Door - Rear
7	076135-01-000	EA	Jamb - Passenger Door - Front
7	079249-06-000	EA	Jamb - Passenger Door - Rear
7	064164-01-000	EA	Drip Cap - Driver Door
7	063768-01-000	EA	Soil Plate
8	063993-01-000	EA	Hinge Asm - Driver Door - Beige
8	063993-06-000	EA	Hinge Asm - Passenger Door - Beige
7	063109-02-000	EA	Strap - Drivers Door
7	064580-01-000	EA	Check Strap - Driver Door - Seat Belt Washing
7	064219-01-000	EA	Retainer - Driver Door Check Strap
7	063885-03-000	EA	Assist Handle - Beige Steel Tube (2 required per door)
7	064075-01-000	EA	Bulb Seal - 145
9	079101-02-700	EA	Window Asm - Driver Door - Black w/ inside handle
9	079101-01-700	EA	Window Asm - Passenger Door - Black w/ inside handle
7	079577-02-700	EA	Inside Frame - w/ Slider Screen - Driver Door - Beige
7	079577-01-700	EA	Inside Frame - w/ Slider Screen - Passenger Door - Beige
7	079574-03-700	EA	Slider Screen Asm - Right Door
7	079574-04-700	EA	Slider Screen Asm - Left Door
10	057867-04-000	EA	Glass - 19" x 25 1/2" x 12 25
11	147389-01-700	EA	Latch - Window - Plastic w/ Fastener
12	062165-03-000	EA	Glass - 19" x 28 1/2" x 12" - Stationary
13	010714-02-000	FT	Channel - Weatherstrip - Glass
14	074640-06-000	FT	Ribbon Sealer - 1/4" Bead x 20
15	060176-02-000	EA	Spline - Glass - 19" Material - Black
16	007659-02-000	EA	Seat Holder w/ Fin Seal - 23 19 1/2" - Black
17	041925-07-000	FT	Ext. Vinyl - Window Seal - Black
18	073740-01-000	FT	Seal - Fin - Plug - 460
19	076562-07-000	EA	Inside Mullion - Slider Window - Black
7	002298-02-000	FT	Spline - 130 Dia - Charcoal (Screens)
7	023713-02-000	EA	Weatherstrip Cover - Black Plastic
7	002293-02-000	SF	Screen - Window - 26 1/2" Charcoal
7	063977-03-000	EA	Step Asm - Single - Driver
7	063997-05-000	EA	Step Asm - Single - Passenger
7			Not Illustrated

1986 WINNEBAGO TABLE OF CONTENTS

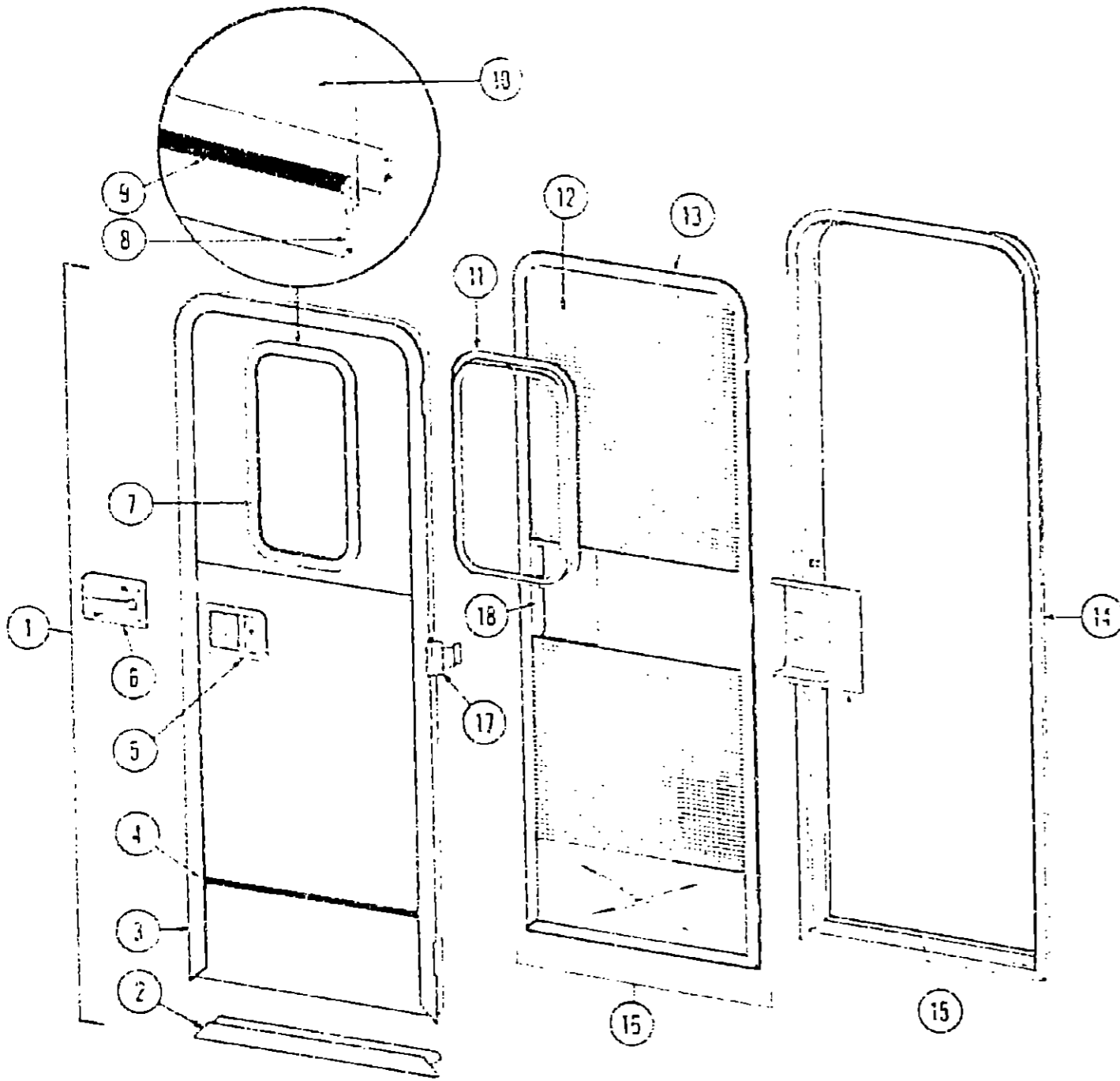
INTRODUCTION	A-01
ABBREVIATIONS	A-01
ALPHABETICAL INDEX	A-02 - A-04
WF428RU	A-05 - C-08
WCN27RU	C-09 - E-16
WCN31RT	E-17 - H-05
WCN33RU	H-07 - J-20

1986 WCN33RU INDEX

Floor Plan	H-07 - H-06
Accessories Group	H-09 - H-11
Bath Group	H-12
Chassis Group	H-13 - H-19
Curtain, Cushion & Pad Group	H-20 - I-02
Dinette Group	I-03
Drivers Compartment Group	I-04 - I-06
Electrical Group	I-07 - I-10
Exterior Body Group	I-11 - I-17
Galley Group	I-18 - I-20
Heating & Air Conditioning Group	I-21 - I-22
Interior Finish Group	I-23 - J-01
LP Group	J-02
Lounge Group	J-03 - J-04
Water & Sewage Group	J-05 - J-15
Window, Vent & Exterior Door Group	J-17 - J-20

WINDOW, VENT & EXTERIOR DOOR GROUP (CONTINUED)

ENTRANCE & SCREEN DOOR



Key	Part Number	U.M.	Description
1	M01870-01-T03	EA	Door Asm - Radius Entry w Screen Door
2	077993-02-000	EA	Frame - Entry Door (Bottom Portion Only)
3	076663-02-000	EA	Frame - Entry Door (Except Bottom Portion)
4	059576-05-000	EA	Feature Strip w/o Insert - Extr - 14"
5	001030-02-004	EA	Insert - Feature Strip - 17 - Stucco - Off White
6	009731-01-000	EA	End Cap - Feature Strip
7	045017-05-000	EA	Paddle Asm - Door Lock - Exterior
8	045017-05-700	EA	Lock Cylinder w/Keys - Lynor
9	039559-01-000	EA	Striker Bolt - Entry Doors
10	039540-01-000	EA	Latch Claw - Entry Door
11	078448-01-000	EA	Dead Bolt - Entry Door
12	039979-01-000	EA	Plate - Inside Lock - Includes Inside Handle
13	052185-01-000	EA	Lock Asm - Complete - Lynor
14	079733-04-T03	EA	Window Asm - Picture - 17" x 25" - Black w/o inside frame
15	009640-05-000	FT	Ribbon Sealer - 5.16" Bead x 15"
16	002309-02-000	FT	Spine - Glass - 1.8" Black
17	002151-05-000	EA	Glass - Picture Window - 1.8" x 16.25" x 24" - Gray
18	057602-03-000	EA	inside Frame - Beige (not included in assembly)
19	002293-02-000	SF	Screen - Window - 26" - Charcoal
20	055705-01-000	FT	Seal Tape - 1.8" x 3.5" - Press On
21	078591-01-000	EA	Jamb Asm - Entrance Door
22	051049-01-000	EA	Jamb - Entrance Door - Bottom
23	015580-02-000	EA	Slider - Screen Door - Light Oak Plastic
24	079012-01-T02	EA	Door Asm - Screen
25	079361-02-000	EA	Hinge - Entrance Door (3 used per door)
26	015581-02-000	EA	Cap - Screen Door - Light Oak Plastic
27	009016-01-000	EA	Catch - Elbow - Spring Loaded - Screen Door
28	039553-01-000	EA	Catch Asm - Single Roller w Strike - Screen Door
29	076231-01-000	EA	Spacer - Latch - Screen Door
30	077437-01-000	EA	Strike - Roller Catch
31	044552-01-000	EA	Drip Cap - Beige
32	079278-01-000	EA	Seal - Mocket - Entrance Door
33	073090-01-000	FT	Seal - Entrance Door
34	075739-02-000	EA	Stiffener - Entrance Door - Beige
35	075673-01-000	FT	Seal - Pile - Adhesive Back
36	075671-01-000	FT	Seal - Sponge - Lazy "T" Shaped
37	002294-01-000	FT	Spine - Black - 135 x 135 (Screen Door)
38	063639-01-000	EA	Strike - Screen Door
39	063729-04-000	EA	Radius - 10 J.M.N.F. - 010 - 020
40	075539-01-000	EA	Garnish - Radius - Entrance Door
41	063205-01-000	EA	Deadbolt Lock
42	079173-01-000	EA	Gasket - Deadbolt
43			Not illustrated

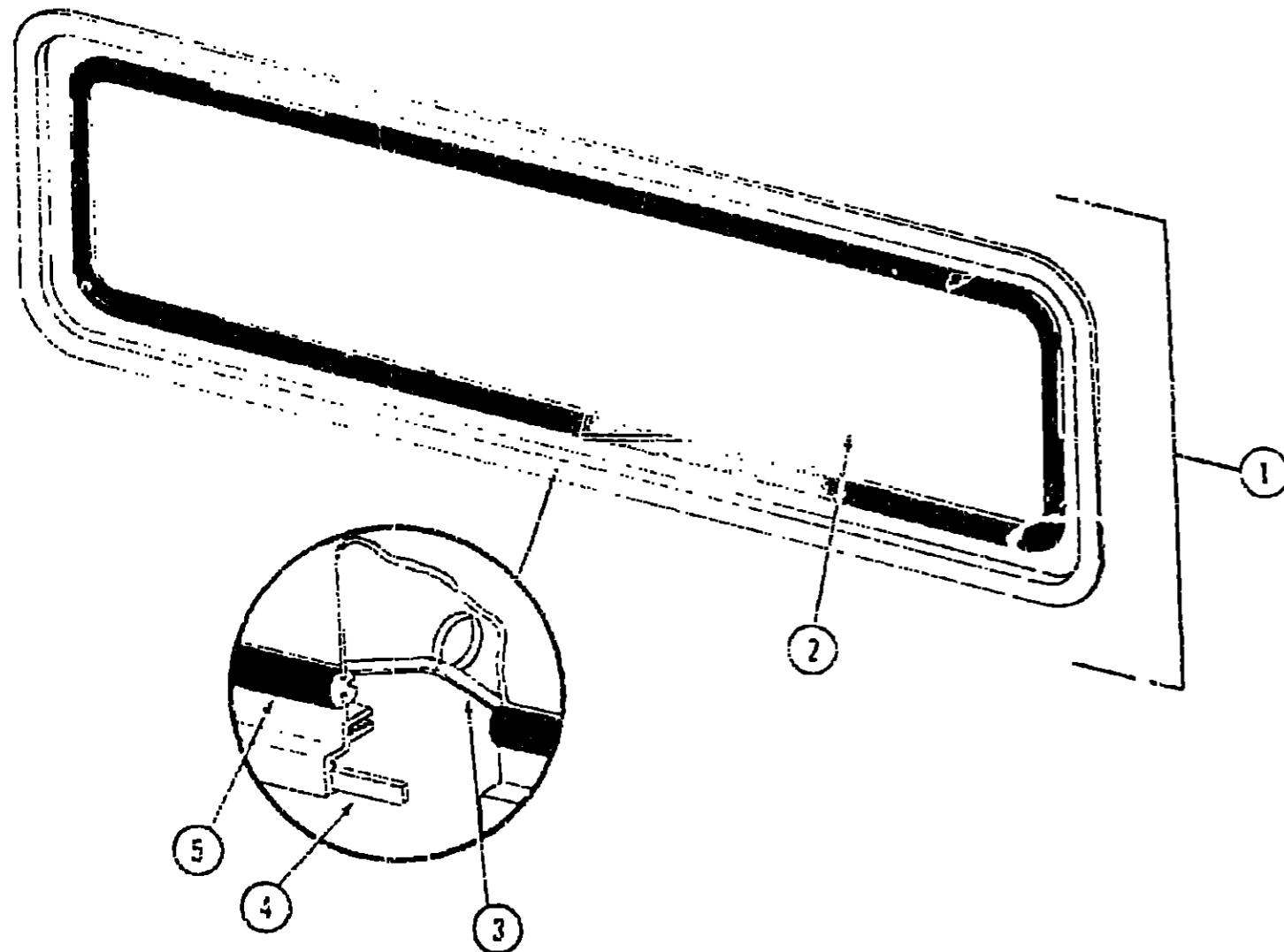
1986 WINNEBAGO TABLE OF CONTENTS

INTRODUCTION	A-01
ABBREVIATIONS	A-01
ALPHABETICAL INDEX	A-02 - A-04
WF426RU	A-05 - C-08
WCN27RU	C-09 - E-10
WCN31RT	E-11 - M-05
WCN33RU	H-07 - J-20

1986 WCN33RU INDEX

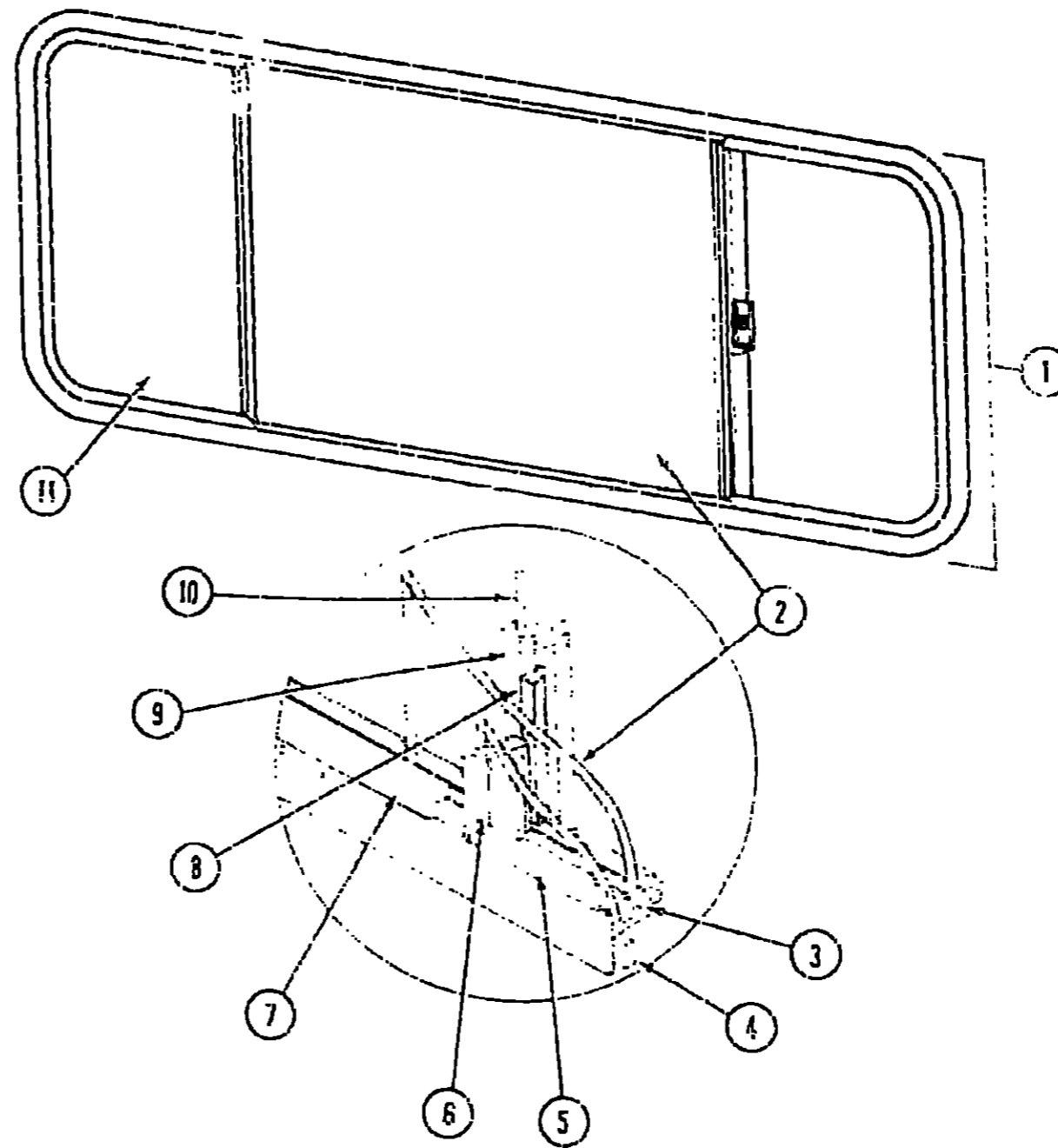
Floor Plan	H-07 - H-08
Accessories Group	H-09 - H-11
Bath Group	H-12
Chassis Group	H-13 - H-19
Curtain, Cushion & Pad Group	H-20 - I-02
Disette Group	I-03
Driver's Compartment Group	I-04 - I-05
Electrical Group	I-07 - I-10
Exterior Body Group	I-11 - I-17
Galley Group	I-18 - I-20
Heating & Air Conditioning Group	I-21 - I-22
Interior Finish Group	I-23 - J-01
LP Group	J-02
Lounge Group	J-03 - J-04
Water & Sewage Group	J-05 - J-06
Window, Vent & Exterior Door Group	J-07 - J-20

WINDOW, VENT & EXTERIOR DOOR GROUP (CONTINUED)



Key	Part Number	U/M	Description
1	076530-01-T03	EA	Window Asm - Escape - 23" x 69" - Black w/o inside frame
*	042027-11-000	EA	Inside Frame - Escape Window - Brown (not included in assembly)
2	002176-01-000	EA	Glass - 1 6" x 19 61" x 64 80
3	002265-01-000	FT	Filler - Weatherstrip - Black
4	059640-01-000	FT	Tap - 1 4" Bead x 20
5	002282-01-000	FT	Weatherstrip - Window - 125" Black
*	008199-01-000	EA	Label - Exit - Escape Window
*			Not illustrated

WINDOW, VENT & EXTERIOR DOOR GROUP (CONTINUED)



Key	Part Number	U/M	Description
1	076271-01-T03	EA	Window Asm - Single Slider - 25" x 55" - Black w/o inside frame
*	057609-15-000	EA	Inside Frame - Beige (not included in assembly)
2	056726-01-000	EA	Glass - Stationary - 1 6" x 16 5" x 24
3	056727-02-000	EA	Glass - Sliding - 1 8" x 25 5" x 24"
4	002324-02-000	FT	Channel - Weatherstrip - Glass
5	052640-01-000	FT	Tap - 1 4" Bead x 20
6	057374-02-000	FT	Ext. Vinyl - Window Seal - Black
7	002309-02-000	FT	Spline - Glass - 1 3" Material - Black
8	159656-03-003	EA	Outside Mullion - 23 19" - Black
9	059496-02-000	EA	Inside Mullion - Slider Window - Black
10	047369-01-700	EA	Latch Kit - Window - Plastic w/ Fastener
*	023713-02-000	EA	Weephole Cover - Black Plastic
*	002193-02-000	SF	Screen - Window - 26" - Charcoal
*	002296-02-000	FT	Spline - 130 Dia - Charcoal (Screen)
*	073740-01-000	FT	Seal - Fin - Pile - 460
*	041928-02-000	FT	Seal - Window Channel
*			Not illustrated

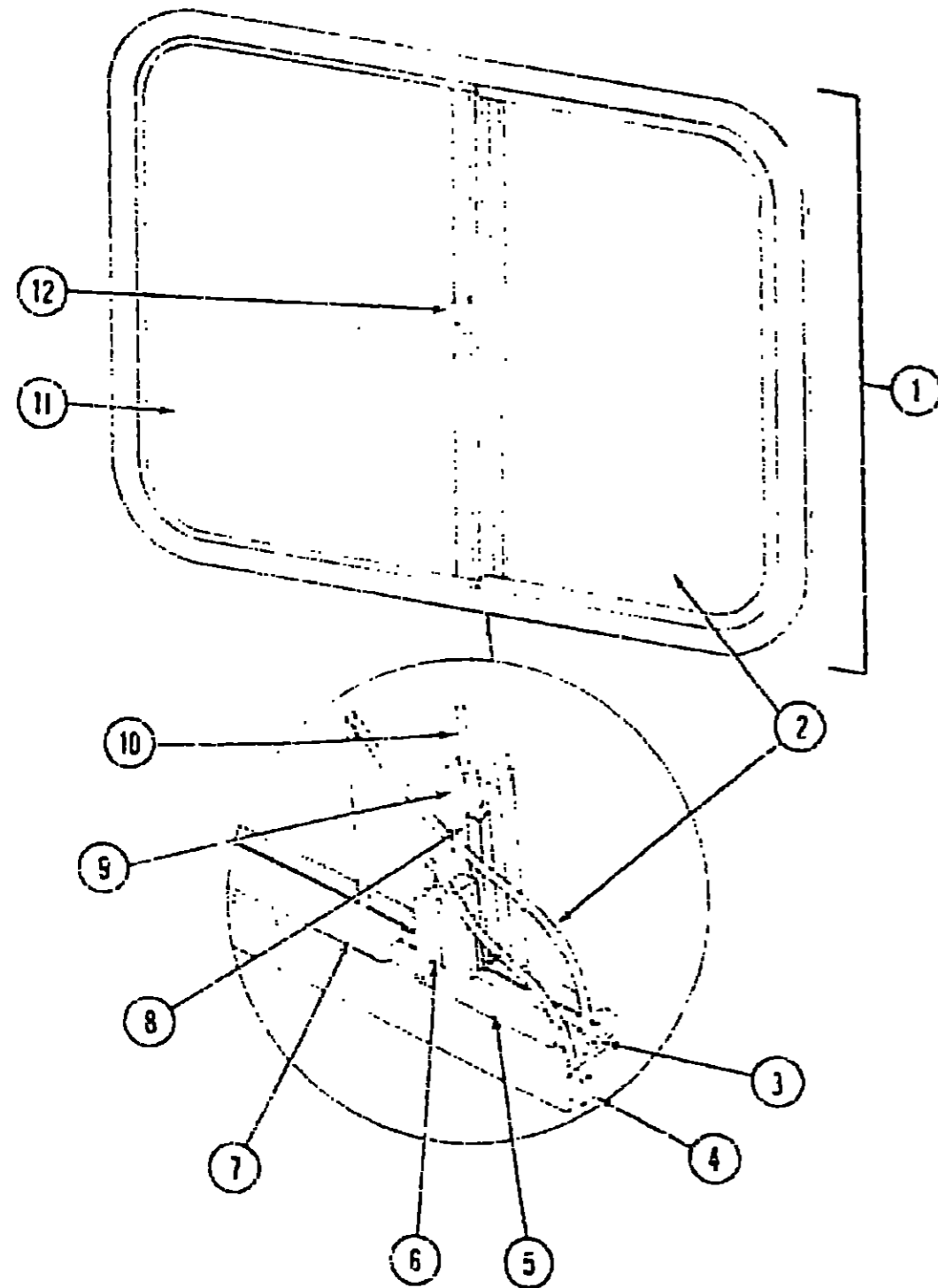
1986 WINNEBAGO
TABLE OF CONTENTS

INTRODUCTION	A-01
ABBREVIATIONS	A-01
ALPHABETICAL INDEX	A-02 - A-04
WF426RU	A-05 - C-08
WCN27RU	C-09 - E-16
WCN31RT	E-17 - H-16
WCN33RU	H-07 - J-20

1986 WCN33RU INDEX

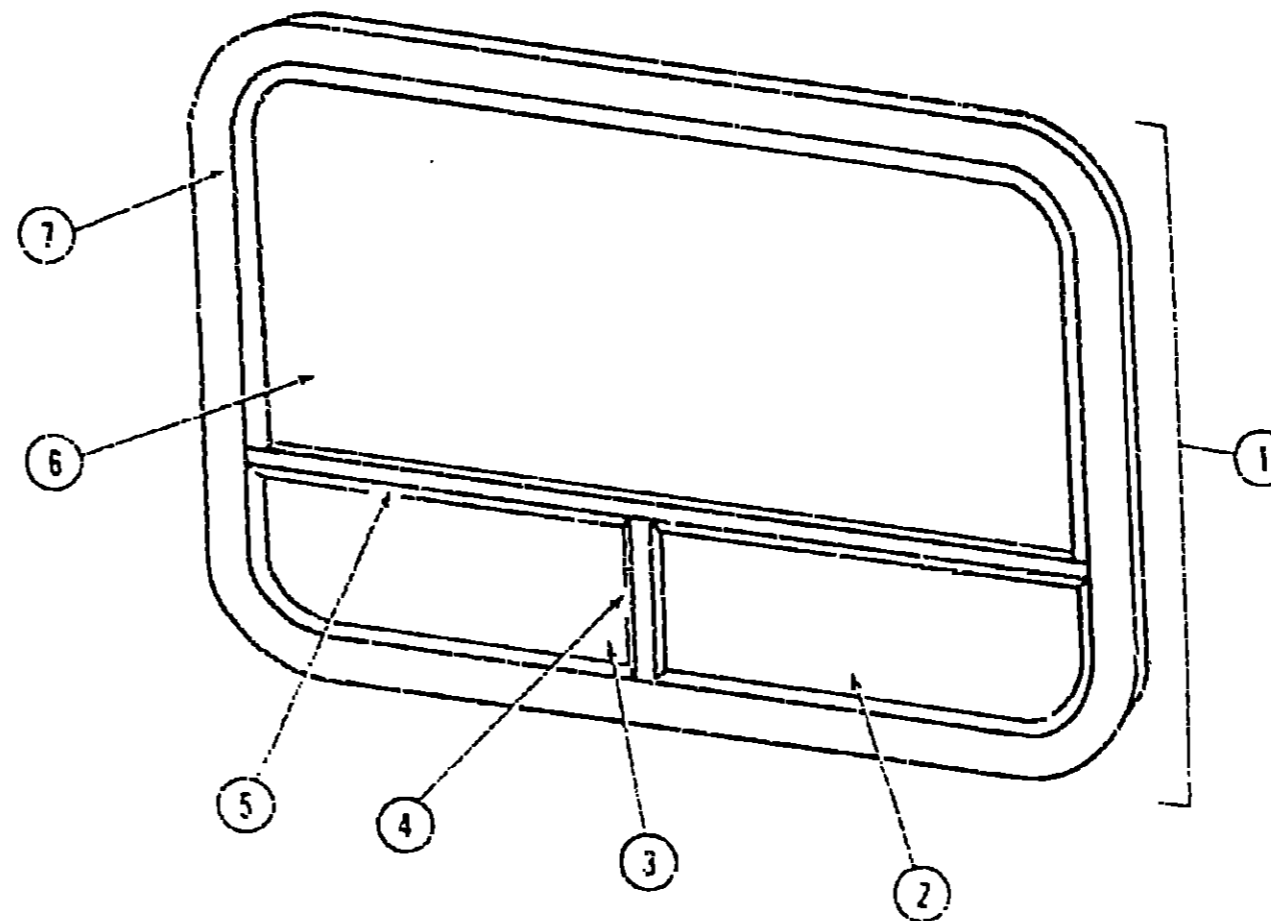
Floor Plan	H-07 - H-08
Accessories Group	H-09 - H-11
Bath Group	H-12
Chassis Group	H-13 - H-19
Curtain, Cushion & Pad Group	H-20 - I-02
Dinette Group	I-03
Driver's Compartment Group	I-04 - I-05
Electrical Group	I-07 - I-10
Exterior Body Group	I-11 - I-17
Galley Group	I-18 - I-20
Heating & Air Conditioning Group	I-21 - I-22
Interior Finish Group	I-23 - J-01
LP Group	J-02
Lounge Group	J-03 - J-04
Water & Sewage Group	J-05 - J-06
Window, Vent & Exterior Door Group	J-07 - J-20

WINDOW, VENT & EXTERIOR DOOR GROUP (CONTINUED)



Key	Part Number	U/M	Description
1	078266-04-103	EA	Window Asm - Left Single Slider - 23" x 29" - Black (w. o. inside frame)
1	083122-05-000	EA	Inside Frame - Beige (not included in assembly)
2	081950-02-100	EA	Glass - Sliding - 1 3/4" x 22" x 13 5/8"
3	022324-02-000	FT	Channel - Weatherstrip - Glass Run - 1 5/8" Glass
4	069640-06-000	FT	Ribbon Seal - 3 1/8" Bead x 15'
5	062309-02-000	FT	Spline - Glass - 1 5/8" - Black
6	M15025-03-001	EA	Seal Holder w. Fin Seal - 1 5/8" - Black
7	037374-02-000	FT	Extr. Vinyl - Window Seal - Black
8	078740-01-000	FT	Seal - Fin - Pile - 450'
9	078562-03-000	EA	Inside Mullion - Slider Window - Black
10	022298-02-000	FT	Spline - 130" Dia - Charcoal (Screen)
11	081984-01-000	EA	Glass - Stationary
12	047369-01-700	EA	Latch Kit - Window - Plastic w. Fastener
1	022293-02-000	SF	Screen - Window - 25" - Charcoal
-	Not illustrated		

WINDOW, VENT & EXTERIOR DOOR GROUP (CONTINUED)



Key	Part Number	U/M	Description
1	051565-02-L01	EA	Window Asm - 62" x 31" - Double Tipout
1	081822-06-000	EA	Inside Frame - Black (not included in assembly)
2	081434-01-U01	EA	Window Asm - Tipout - Right Hand
2	081434-02-U01	EA	Window Asm - Tipout - Left Hand
3	081239-07-000	EA	Glass - Tipout - 1 3/4" x 30" x 5 3/4" - Left or Right
4	083112-05-000	EA	Mullion - Black
5	081814-01-000	EA	Mullion - Black
6	081422-01-U01	EA	Screen Asm - Tipout - Right Hand
6	081422-02-L01	EA	Screen Asm - Tipout - Left Hand
7	081243-01-000	EA	Screen Clip - Plastic - Black
7	035302-01-000	EA	Operating Mech - Right Hand
7	035302-02-000	EA	Operating Mech - Left Hand
8	081239-11-000	EA	Glass - Stationary - 1 3/4" x 51 3/4" x 20 1/2"
7	083160-01-000	EA	Window Seal
7	081057-01-000	EA	Bulb Seal (Tipout)
7	091359-01-000	EA	Window Seal (Tipout)
-	Not illustrated		

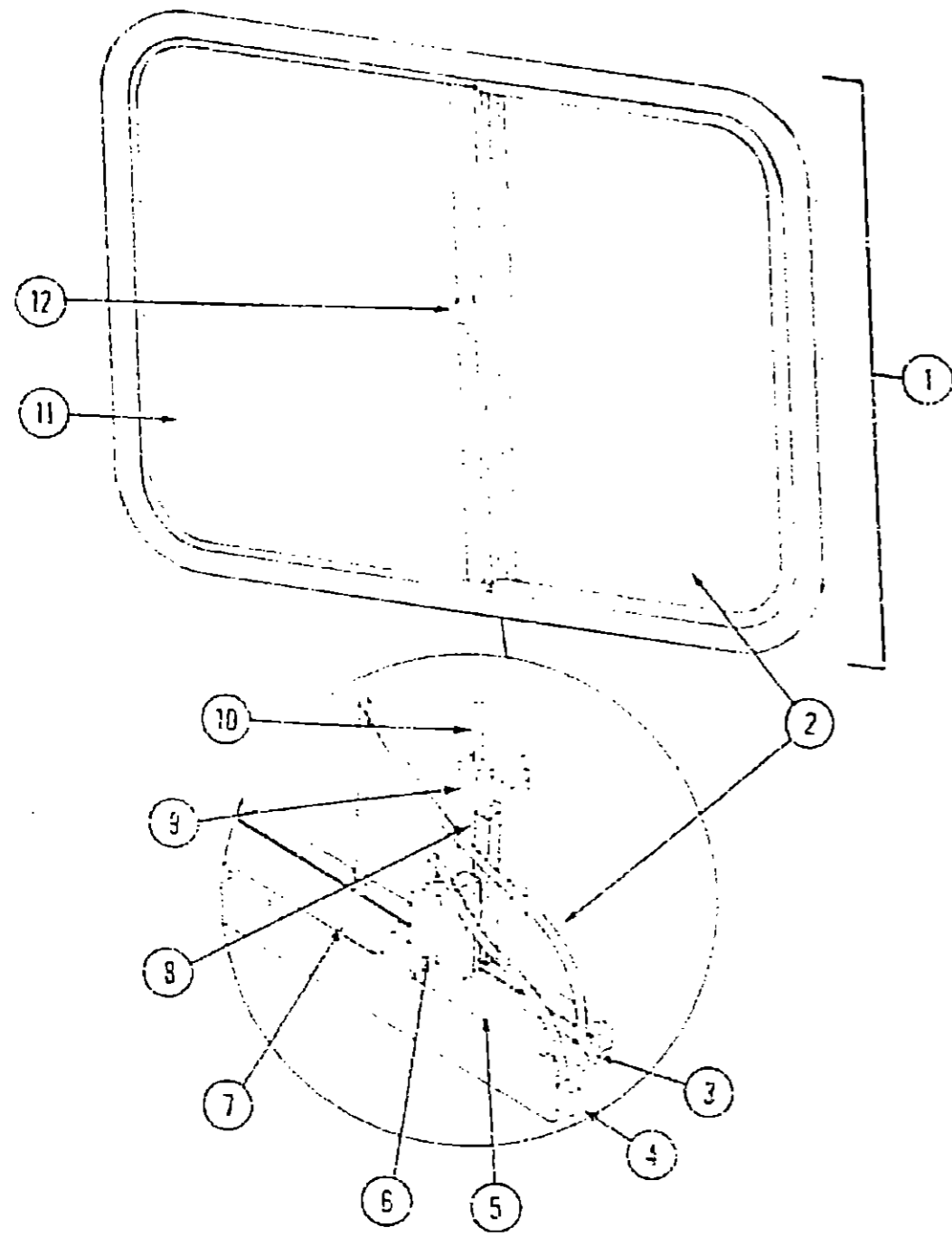
1986 WINNEBAGO
TABLE OF CONTENTS

INTRODUCTION	A-01
ABBREVIATIONS	A-01
ALPHABETICAL INDEX	A-02 - A-04
W7-25RU	A-05 - C-08
WCN27RU	C-09 - E-16
WCN31RT	E-17 - H-05
WCN33RU	H-07 - J-20

1986 WCN33RU INDEX

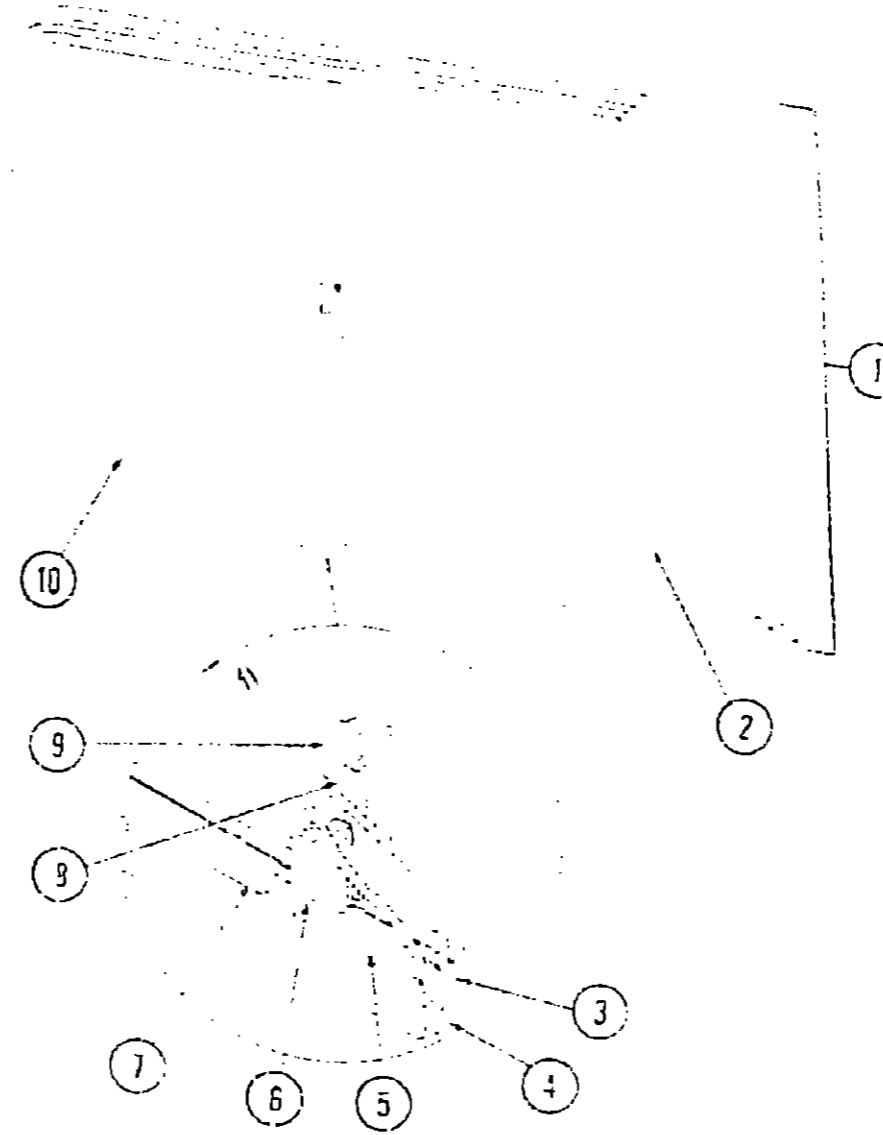
Floor Plan	H-07 - H-08
Accessories Group	H-09 - H-11
Bath Group	H-12
Chassis Group	H-13 - H-19
Curtain Cushion & Pad Group	H-20 - I-02
Dinette Group	I-03
Driver's Compartment Group	I-04 - I-06
Electrical Group	I-07 - I-10
Exterior Body Group	I-11 - I-17
Galley Group	I-18 - I-20
Heating & Air Conditioning Group	I-21 - I-22
Interior Finish Group	I-23 - J-01
LP Group	J-02
Lounge Group	J-03 - J-04
Water & Sewage Group	J-05 - J-06
Window, Vent & Exterior Door Group	J-07 - J-20

WINDOW, VENT & EXTERIOR DOOR GROUP (CONTINUED)



Key	Part Number	U/M	Description
1	082657-01-U04	EA	Window Asm - Right Single Slider - 20" x 25" - Black (w. outside frame)
2	082057-02-U04	EA	Inside Frame - Beige (not included in assembly)
3	062467-01-000	EA	Glass - Sliding - 1 5/8" x 19 1/4" x 2 3/8"
4	062467-01-000	EA	Channel - Weatherstrip - Glass Run - 1 5/8" Glass
5	069540-05-000	EA	Ribbon Sealer - 5/16" Bead x 15
6	002309-02-000	EA	Spline - Glass - 1 5/8" - Black
7	M69586-03-011	EA	Seal Holder w. Fin Seal - 18 1/2" - Black
8	067374-02-000	EA	Extr. Vinyl - Window Seal - Black
9	013740-01-000	EA	Seal - Fin - 450 P/y
10	073562-02-000	EA	Inside Mullion - Slider Window - Black
11	002298-02-000	EA	Spline - 130" Dia - Charcoal (Screen)
12	061954-03-000	EA	Glass - Stationary - 1 5/8" x 19 1/4" x 12 3/8"
	047269-01-700	EA	Latch Kit - Window - Plastic w. Fastener
	002293-02-000	SF	Screen - Window - 26" - Charcoal
			Not illustrated

WINDOW, VENT & EXTERIOR DOOR GROUP (CONTINUED)



Key	Part Number	U/M	Description
1	082057-01-U04	EA	Window Asm - Front Slant Slider - Passenger (w. inside frame)
2	082057-02-U04	EA	Window Asm - Front Slant Slider - Driver (w. inside frame)
3	062467-01-000	EA	Inside Frame - Slant Slider - Passenger (not included in assembly) w. Screen
4	062467-01-000	EA	Inside Frame - Slant Slider - Passenger (not included in assembly) w. Screen
5	062467-01-000	EA	Inside Frame - Slant Slider - Driver (not included in assembly) w. Screen
6	057656-03-000	EA	Glass - 19" x 25 1/2" x 27" - Stationary (Passenger)
7	057676-05-000	EA	Glass - 19" x 25 1/2" x 27" - Stationary (Driver)
8	042077-01-000	EA	Channel - Weatherstrip - 3 1/8" Glass
9	069540-01-000	EA	Ribbon Sealer - 1 1/4" Bead x 20
10	050216-02-000	EA	Window Seal - 19" - Glass
11	002389-03-203	EA	Seal Holder w. Fin Seal - 27 1/2" - Black
12	057374-02-000	EA	Window Seal - Channel - 3 1/8" Glass
13	073740-01-000	EA	Seal - Fin - P/y - 450
14	073562-02-000	EA	Mullion - Slider Window - Black
15	002298-02-000	EA	Spline - 130" Dia - Charcoal (Screen)
16	051980-05-000	EA	Glass - 19" x 28 1/2" x 14 5/8" - Sliding
17	079204-01-000	EA	Bracket - Mullion - Black
18	079574-01-T03	EA	Slider Screen Asm - Passenger
19	079574-02-T03	EA	Slider Screen Asm - Driver
20	002292-02-000	SF	Screen - Window - 20" - Charcoal
21	016310-03-000	EA	Handle - Slider Screen - Black
			Not illustrated

1986 WINNEBAGO
TABLE OF CONTENTS

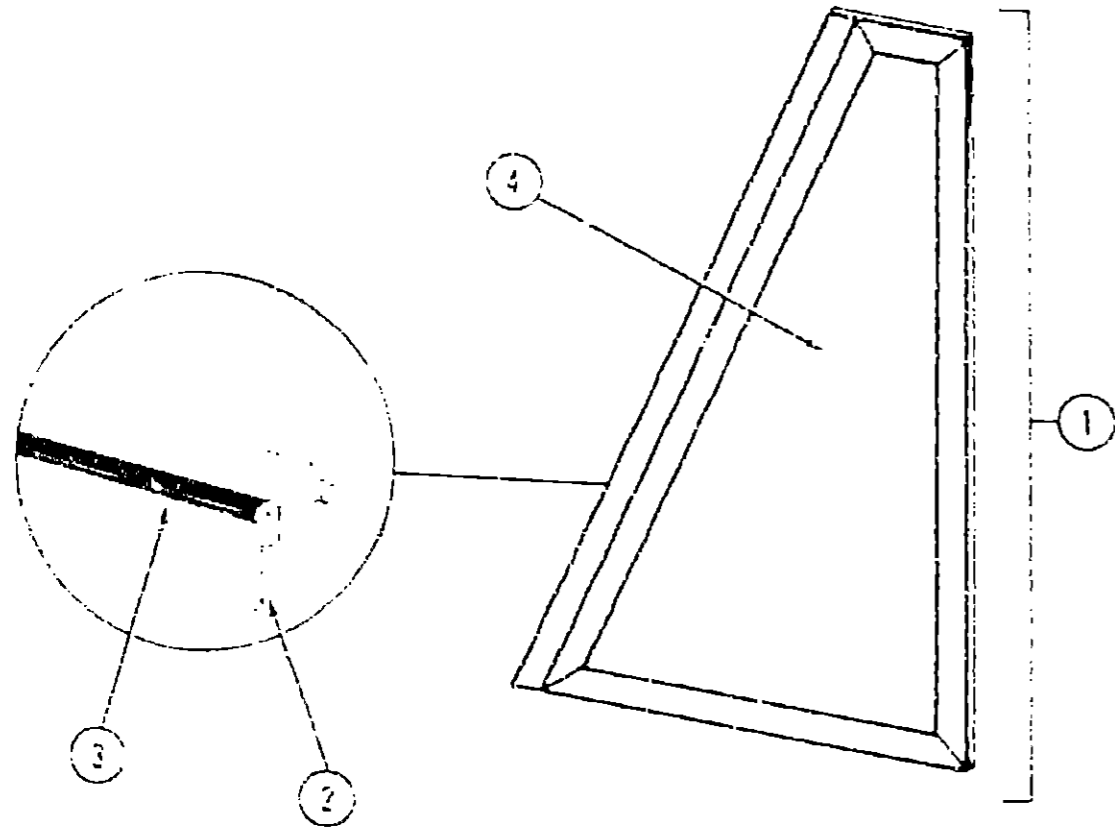
INTRODUCTION	A-01
ABBREVIATIONS	A-01
ALPHABETICAL INDEX	A-02 - A-04
WF426RU	A-05 - C-06
WCN27RU	C-09 - E-16
WCN31RT	E-17 - H-05
WCN33RU	H-07 - J-20

1986 WCN33RU INDEX

Floor Plan	H-07 - H-08
Accessories Group	H-09 - H-11
Bath Group	H-12
Chassis Group	H-13 - H-19
Curtain, Cushion & Pad Group	H-20 - I-02
Dinette Group	I-03
Driver's Compartment Group	I-04 - I-06
Electrical Group	I-07 - I-10
Exterior Body Group	I-11 - I-17
Galley Group	I-18 - I-20
Heating & Air Conditioning Group	I-21 - I-22
Interior Finish Group	I-23 - J-01
LP Group	J-02
Lounge Group	J-03 - J-04
Water & Sewage Group	J-05 - J-06
Window, Vent & Exterior Door Group	J-07 - J-20

WINDOW, VENT & EXTERIOR DOOR GROUP (CONTINUED)

WINDOW, VENT & EXTERIOR DOOR GROUP (CONTINUED)



Key	Part Number	U-M	Description
1	079421-01-T03	EA	Window Asm - Front Slant - Passenger (w/o inside frame)
1	079421-02-T03	EA	Window Asm - Front Slant - Drivers (w/o inside frame)
1	079215-01-000	EA	Inside Frame - Front Slant - Passenger - Beige (not included in assembly)
1	079215-02-000	EA	Inside Frame - Front Slant - Drivers - Beige (not included in assembly)
2	009640-01-000	FT	Tape - 1/4" Bead x 20
3	002309-02-000	FT	Splice - Glass - 1/8" - Black
4	057666-04-000	EA	Glass - 19" x 28 1/2" x 13.95
*			Not illustrated

WINDSHIELD

Key	Part Number	U-M	Description
	077675-01-000	EA	Glass - Windshield - Passenger
	077675-02-000	EA	Glass - Windshield - Driver
	072659-01-000	EA	Sealer Tape
	072690-01-000	QT	Primer - Metal Prep
	072691-01-000	QT	Primer - Glass Prep - Clear
	072692-01-000	QT	Primer - Glass Prep - Black
	059291-01-000	FT	Edge Molding - Windshield Glass
	002326-02-000	EA	Block - Windshield Spacer
	077944-01-000	EA	Revel Molding - Upper Right
	077944-02-000	EA	Revel Molding - Upper Left
	077945-01-000	EA	Revel Molding - Lower Right
	077945-02-000	EA	Revel Molding - Lower Left
	076676-02-000	EA	Revel Molding - T-Cap
	079225-01-000	EA	Trim Molding - Windshield Post - Right
	079225-02-000	EA	Trim Molding - Windshield Post - Left

ACCESS DOORS

Key	Part Number	U-M	Description
	079435-02-T03	EA	Door Asm - Storage - 9.5" x 34.5" - Beige
	079435-03-T03	EA	Door Asm - Storage - 9.5" x 45" - Beige
	079576-02-T03	EA	Door Asm - Luggage - 13.75" x 35.95" - Beige
	079436-01-T03	EA	Door Asm - Storage - 9.5" x 25.3" - Beige
	079436-03-T03	EA	Door Asm - Storage - 9.5" x 25.3" - Beige
	M01863-01-T03	EA	Door Asm - Generator w/o Baffle
	078962-02-T03	EA	Door Asm - Refrigerator Access - w/ Twist Lock - Beige
	052009-02-000	EA	Door Asm - Water Heater - Beige
	052423-02-000	EA	Door - Sewage Hose - Beige
	075726-01-000	EA	Outlet Extension - Sewage
	175730-01-000	EA	End Cap - Sewage Hose
	178010-04-000	EA	Door - Fuel Fill - Beige
	053742-02-000	EA	Door - Power Cord - Beige
	052423-02-000	EA	Jamb - Power Cord Full Piv. Door - Beige
	054543-02-000	EA	Hatch - Power Cord Door
	052181-03-000	EA	Baffle - Generator Door
	054530-01-000	EA	Door Holder
	041312-01-000	EA	Seal - Bule - El Section
	042442-01-000	EA	Lock Asm - Twist Type
	009003-01-000	EA	Lock Asm - Twist Type - w/ Clip
	077408-01-000	EA	Lock Asm - Key Type
	079366-01-000	EA	Lock Asm - Key Type
	079927-01-000	EA	Lock Asm - Twist Type
	052951-01-000	EA	Clip - Twist Lock - Retainer
	042441-01-000	EA	Lock Asm - Key Type
	052950-01-700	EA	Lock Asm - Twist Type - White

VENTS

Key	Part Number	U-M	Description
	071290-01-000	EA	Base - Refrigerator Vent
	071290-02-000	EA	Cover - Refrigerator Vent - 11.5.6" x 24.3.4" - Galvanized Steel
	055218-01-000	EA	Cover Asm - Roof Vent
	071290-01-000	EA	Frame Asm - Refrigerator Vent - 7.5" x 26.5" - Galvanized Steel
	079355-05-000	EA	Vent - Stovehood - Outside - Beige
	075050-01-000	EA	Vent Asm - Roof - Non-Powered - w/o Screen
	078765-01-T03	EA	Screen Asm - Roof Vent
	079537-01-000	EA	Vent Asm - Roof - Powered - w/o Screen
	080507-01-000	EA	Skylight - Outside Panel
	050508-01-000	EA	Skylight - Inside Panel
	030258-01-000	EA	Trim - Skylight

1986 WINNEBAGO
TABLE OF CONTENTS

INTRODUCTION	A-01
ABBREVIATIONS	A-01
ALPHABETICAL INDEX	A-02 - A-04
WF426RU	A-05 - C-08
WCN27RU	C-09 - E-15
WCN31RT	E-17 - H-06
WCN33RU	H-07 - J-20

1986 WCM03RU INDEX

Floor Plan	H-07 - H-08
Accessories Group	H-09 - H-11
Bath Group	H-12
Chassis Group	H-13 - H-19
Curtain, Cushion & Pad Group	H-20 - I-02
Dinette Group	I-03
Driver's Compartment Group	I-04 - I-06
Electrical Group	I-07 - I-10
Exterior Body Group	I-11 - I-17
Galley Group	I-18 - I-20
Heating & Air Conditioning Group	I-21 - I-22
Interior Finish Group	I-23 - J-01
LP Group	J-02
Lounge Group	J-03 - J-04
Water & Sewage Group	J-05 - J-06
Window, Vent & Exterior Door Group	J-07 - J-20