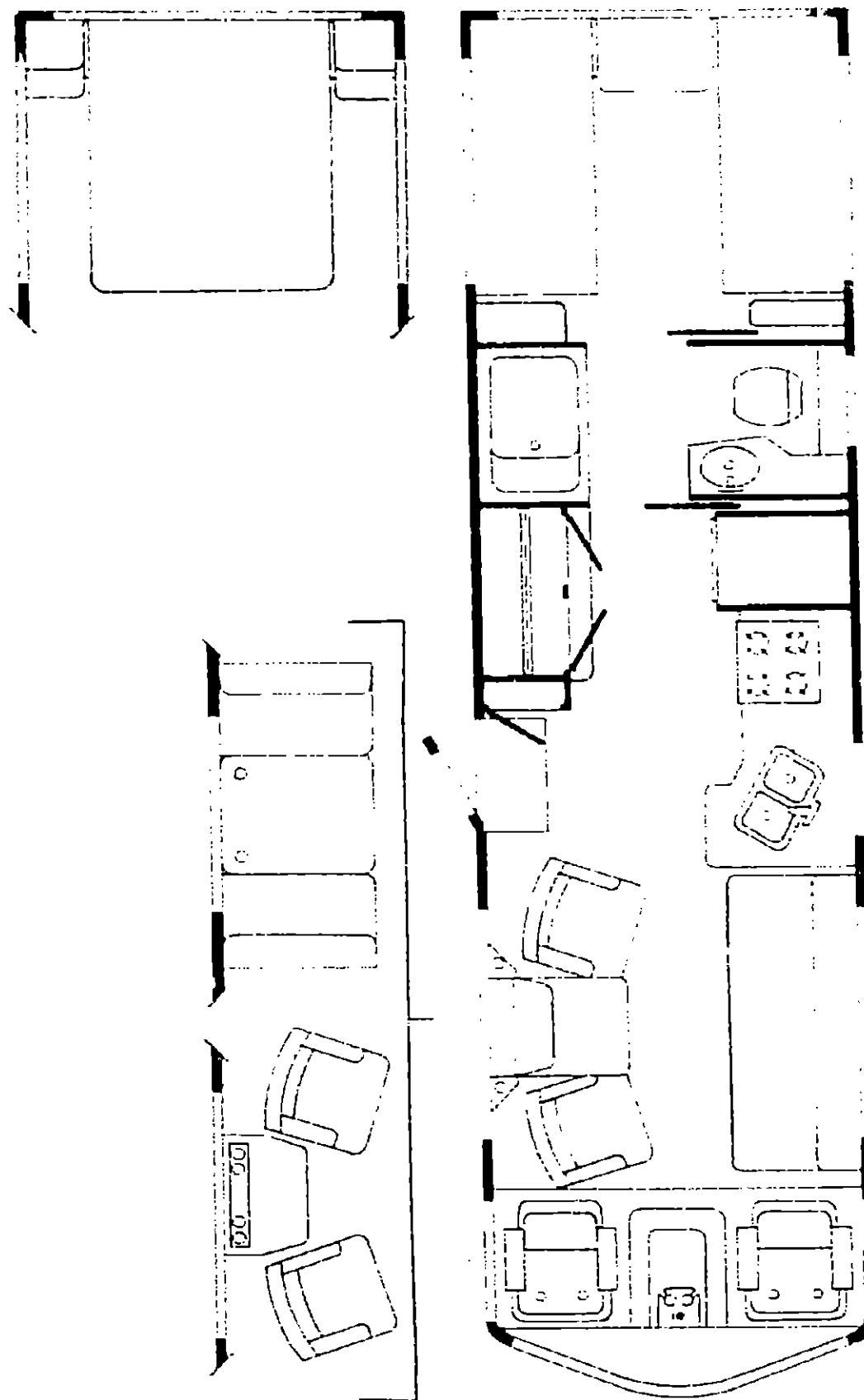


1986 WCN31RT



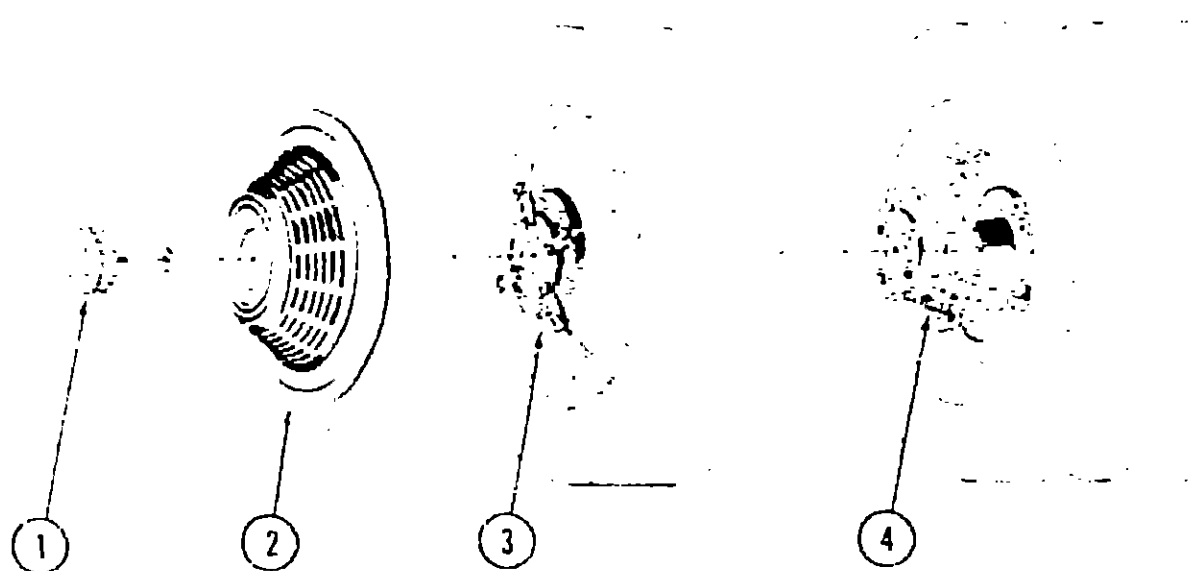
1986 WINNEBAGO TABLE OF CONTENTS

INTRODUCTION	A-01
ABBREVIATIONS	A-01
ALPHABETICAL INDEX	A-02 - A-04
WF426RU	A-05 - C-05
WCN27RU	C-09 - E-16
WCN31RT	E-17 - H-06
WCN33RU	H-07 - J-20

1986 WCN31RT INDEX

Floor Plan	E-17 - E-18
Accessories Group	E-19 - E-21
Bath Group	E-22 - E-23
Chassis Group	E-24 - F-06
Curtain, Cushion & Pad Group	F-07 - F-13
Dinette Group	F-14 - F-15
Driver's Compartment Group	F-16 - F-18
Electrical Group	F-19 - F-22
Exterior Body Group	F-23 - G-05
Galley Group	G-06 - G-08
Heating & Air Conditioning Group	G-09 - G-10
Interior Finish Group	G-11 - G-13
LP Group	G-14
Lounge Group	G-15
Water & Sewage Group	G-16 - G-17
Window, Vent & Exterior Door Group	G-18 - H-06

ACCESSORIES GROUP



WHEEL COVER & MOUNTING HARDWARE

Key	Part Number	U/M	Description
1	064082-02-000	EA	Retaining Nut - Delmat - Wheel Cover
2	073426-02-700	EA	Wheel Cover - Bolt On - 19 5" - Delmat (1)
2	083181-03-700	EA	Wheel Cover - Clip On - 19 5" - Delmat (1)
3	073426-05-700	EA	Retention Bracket Asm. - Wheel Cover Support - Heavy Duty - Front (1)
3	083181-04-700	EA	Retainer Kit - 19 5" Clip On - Delmat (1)
4	073426-05-701	EA	Retention Bracket Asm. - Wheel Cover Support - Heavy Duty - Rear (1)
4	073426-05-000	EA	Retention Bracket Asm. - Wheel Cover Support - Heavy Duty (Set 4)
			Not Illustrated

CHROME WHEEL LINERS

Key	Part Number	U/M	Description
	081608-01-000	EA	Cover - Rear Axle - Chrome Liner
	081608-02-000	EA	Cover - Front Axle - Chrome Liner
	081608-03-000	EA	Liner - Front Wheel - Chrome Liner
	081608-04-000	EA	Liner - Rear Wheel - Chrome Liner
	081608-05-000	EA	Lug Nut Cover - Chrome Lines
	081608-06-000	EA	Spiral Ring - Chrome Liners

RADIO & RELATED COMPONENTS

Key	Part Number	U/M	Description
	031105-01-000	EA	Antenna - Radio - Side Mount
	031105-01-700	EA	Antenna Holder - Radio - Upper
	075903-01-000	EA	Radio - AM FM MPX w. Cassette
	075904-01-000	EA	Radio - AM FM MPX w. Cassette - Electronic Tuning
	074979-01-000	EA	Speaker Cover Protector - Plastic
	073741-02-000	EA	Speaker - 4" x 6" - Oval
	073431-01-000	EA	Speaker - 5 25" - 3 Way (Pair)
	064791-01-000	EA	Speaker - Recessed - 5 25"
	064792-01-000	EA	Grille - Speaker - 5 25" - w. Mesh - Brown

ACCESSORIES GROUP (CONTINUED)

MISCELLANEOUS ACCESSORIES

Key	Part Number	U/M	Description
	054155-24-000	EA	Owners Manual - 1986 - Itasca & Winnebago
	076319-01-000	EA	Antenna - TV Roof Mount - 44 5" Mast
	076319-03-000	FT	Cable - Coaxial 1000' 75 OHM
	076319-04-000	EA	Connector & Ferrule
	076319-05-000	EA	Wallplate - Power Supply - Ivory
	076319-06-000	EA	Adapter - Cable Roof Plate
	076319-07-000	EA	Wallplate - Power Supply - Brown
	076319-08-000	EA	Wallplate - Receptacle - Ivory
	076319-09-000	EA	Wallplate - Receptacle - Brown
	017516-01-000	EA	Mud Flap w. Holes - 14" x 18" - Black
	041944-03-000	EA	Fire Extinguisher - 5BC
	041944-02-000	EA	Bracket - Fire Extinguisher
	081379-01-000	EA	Microwave Convection Oven - Sharp
	081459-03-000	EA	Bracket Asm. - Microwave - Right
	081459-04-000	EA	Bracket Asm. - Microwave - Left
	081456-01-000	EA	Angle Asm. - Microwave - Right
	081456-02-000	EA	Angle Asm. - Microwave - Left
	081555-01-703	EA	Trim Asm. - Microwave
	032676-01-000	EA	Baffle Asm. - Microwave
	031016-02-703	EA	Ladder Asm.
	067165-01-000	EA	Mounting Bracket - Luggage Carrier and Ladder
	081114-01-000	EA	End Cap - Ladder Step
	067125-01-000	EA	Stand Off - Rack & Ladder Asm.
	031016-01-700	EA	Luggage Carrier Assembly
	072366-01-000	EA	Speed Control Package - Electric - Diesel - Dana
	072366-01-700	EA	Hex Fittings
	072366-01-701	EA	Cable Only
	072366-01-702	EA	Vacuum Regulator
	072366-01-703	EA	Control Switch & Lever Asm.
	069629-01-000	EA	Speed Control Package - Electric Dana
	069629-01-700	EA	Regulator Asm. - Electric
	069629-01-701	EA	Vacuum Valve & Electric Switch
	069629-01-702	EA	Control Switch & Lever Asm.
	069629-01-703	EA	Harness Asm. (Main Wiring)
	069629-01-704	EA	Generator Signal
	069629-01-705	EA	Adapter Key
	074481-01-000	EA	Valve Asm. - Switch - Speed Control
	074483-01-000	EA	Retainer Nut - Snap On - Speed Control
	072652-01-000	EA	Smoke Detector w. 9 Volt Battery
	079664-02-000	EA	Weather Center - 5 5" x 8 5"
	079664-01-000	EA	Clock - 8 5" x 8 5"
	006069-01-000	EA	Key Case - Leather
	007036-01-000	EA	Door Mat - 10 5" x 26" - Black Rubber
	081075-01-000	EA	Door Mat - Entrance - Winnebago
	081201-01-000	EA	Door Mat - Left Front - Winnebago
	081202-01-000	EA	Door Mat - Right Front - Winnebago
	060203-01-000	EA	Lug Wrench
	080208-02-000	EA	Leverage Bar - Lug Wrench
	006113-01-000	EA	Jack - Hydraulic - 6 Ton - w. Handle
	063706-01-000	EA	Cover - Roof Air Conditioner - White Vinyl
	079942-01-000	EA	Shock Absorber - Stabilizer - Front
	079942-02-000	EA	Shock Absorber - Stabilizer - Rear
	079942-07-000	EA	Bracket - Mounting - Stabilizer
	055285-01-000	EA	Vacuum Cleaner - Built In - Tevis Campbell
	055285-01-700	EA	Accessories Kit - Standard - Tevis Campbell
	055285-01-701	EA	Filter - 10 per Consumer Package - Tevis Campbell
	055285-01-702	EA	Hose - Vacuum Cleaner - 20'
	055285-01-703	EA	Rug Tool
	055285-01-704	EA	Crevice Tool
	055285-01-705	EA	Upholstery Tool
	055285-01-706	EA	Wands - Set (2-piece)

1986 WINNEBAGO TABLE OF CONTENTS

INTRODUCTION	A-01
ABBREVIATIONS	A-01
ALPHABETICAL INDEX	A-02 - A-04
WF426RU	A-05 - C-03
WCN27RU	C-03 - E-16
WCN31RT	E-17 - H-06
WCN33RU	H-07 - J-20

1986 WCN31RT INDEX

Floor Plan	E-17 - E-18
Accessories Group	E-19 - E-21
Bath Group	E-22 - E-23
Chassis Group	E-24 - F-06
Curtain, Cushion & Pad Group	F-07 - F-13
Dinette Group	F-14 - F-15
Driver's Compartment Group	F-16 - F-18
Electrical Group	F-19 - F-22
Exterior Body Group	F-23 - G-05
Galley Group	G-06 - G-08
Heating & Air Conditioning Group	G-09 - G-10
Interior Finish Group	G-11 - G-13
LP Group	G-14
Lounge Group	G-15
Water & Sewage Group	G-16 - G-17
Window, Vent & Exterior Door Group	G-18 - H-06

ACCESSORIES GROUP (CONTINUED)

MISCELLANEOUS ACCESSORIES (Cont.)

Key	Part Number	U/M	Description
	079941-01-000	EA	Lamp Asm - Fog w. Cover - Amber
	079941-01-700	EA	Lamp Asm - Fog - Set of 2
	079941-01-701	EA	Lens and Cover only
	079941-01-702	EA	Switch - Fog Lights
	079941-01-703	EA	Solenoid
	079941-01-704	EA	Switch Plate - Fog Switch
	023111-01-000	EA	Blender - Built In
	077497-01-000	EA	Air Horn Kit - Twin Chromed
	077497-01-700	EA	Solenoid - Air Horns Air Tank
	077497-01-701	EA	Compressor Switch - Air Horn
	077497-01-702	EA	Toggle Switch - Air Horn
	077497-01-703	EA	Air Tank - Air Horn
	077497-01-704	EA	Compressor w Switch - Air Horn
	061912-01-000	EA	Relay Canister - w Ground - Air Horn

ELECTRIC STEP ASSEMBLY

Key	Part Number	U/M	Description
	075461-01-000	EA	Electric Step Asm. w Light
	075461-01-700	EA	Motor
	041250-01-000	EA	Door Switch
	075461-01-704	EA	Under Step Control Unit
	075461-01-705	EA	4-Way Plug (Dash End)
	075461-01-706	EA	Kill Switch
	075461-01-707	EA	Step Light
	075461-01-708	EA	4-Way Plug (Control Box End)
	075461-01-709	EA	90 Degree Plug
	075461-01-710	EA	Gear
	075461-01-711	EA	Drive Link
	075241-01-000	EA	Support Asm - Step
	075723-02-000	EA	Block - Support Spacer w Holes

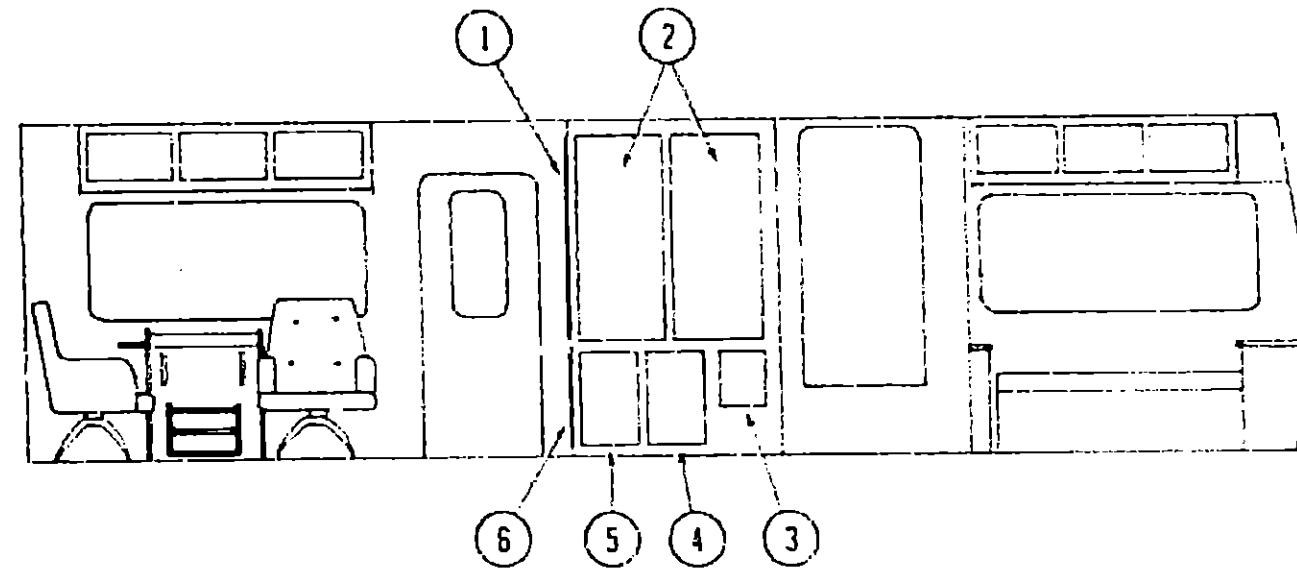
GENERATORS & COMPONENTS

Key	Part Number	U/M	Description
	054429-01-000	EA	Generator - Onan - 4.0 kw
	052168-01-000	EA	Generator - Onan - 4.25 kw
	054435-01-000	EA	Generator - Onan - 6.5 kw
	059229-01-000	EA	Generator - Kohler - 4.5 kw
	051911-01-000	EA	Generator - Kohler - 7.0 kw
	701629-02-000	EA	Installation Package
	024732-01-016	EA	Tailpipe - 1.5" O.D. x 43.50"
	067753-01-000	EA	Muffler - Generator - w Spark Arrestor - Nelson
	007057-01-000	EA	Insulation - Fiberglass - 1"

EXTERIOR MIRRORS

Key	Part Number	U/M	Description
	049347-01-000	EA	Mirror Head - 7 1/2" x 10 1/2"
	049348-03-000	EA	Arm - Low Mount Mirror - Black
	049944-04-000	EA	Bracket - Mirror - Outside - Black
	077966-01-000	EA	Mirror - Wide Angle - Stainless Steel - Passenger
	077966-02-000	EA	Mirror - Wide Angle - Stainless Steel - Driver
	077966-01-700	EA	Mirror - Convex - 6" x 6 1/2"
	006043-01-000	EA	Mirror - Convex - Adhesive Back

BATH GROUP



WARDROBE CABINERY

Key	Part Number	U/M	Description
1	M82424-03-U04	EA	Door Asm - Wardrobe Cabinet - Upper - w Hardware
*	063224-02-000	EA	Glass - Wardrobe Door
*	081471-12-T03	EA	Glass Holder - Wardrobe Cabinet - 4 Hole
2	M81501-16-T03	EA	Door Asm - Wardrobe Cabinet - Upper - w Hardware
3	M81501-20-T03	EA	Door Asm - Wardrobe Cabinet - Lower - w Hardware
4	M81501-18-T03	EA	Door Asm - Wardrobe Cabinet - Lower - w Hardware
5	M81501-19-T03	EA	Door Asm - Wardrobe Cabinet - Lower - w Hardware
6	M81501-22-T03	EA	Door Asm - Wardrobe Cabinet - Lower - w Hardware
*	081471-11-T03	EA	Glass Holder - Wardrobe Cabinet - 5 Hole
*	M02124-01-T02	EA	Countertop - Wardrobe
*	077404-01-000	EA	Drawer - Plastic - 20" x 12 7/8"
*	077403-01-000	EA	Slide - Plastic Drawer
*	081646-01-000	EA	Storage Rack - White Wire
*	075451-02-000	EA	Clip - Storage Rack
*	Not Illustrated		

1986 WINNEBAGO TABLE OF CONTENTS

INTRODUCTION	A-01
ABBREVIATIONS	A-01
ALPHABETICAL INDEX	A-02 - A-04
W426RU	A-05 - C-05
WCN27RU	C-09 - E-16
WCN31RT	E-17 - H-08
WCN33RU	H-07 - J-09

1986 WCN31RT INDEX

Floor Plan	E-10 - E-18
Accessories Group	E-19 - E-21
Bath Group	E-22 - E-23
Chassis Group	E-24 - E-65
Curtain, Cushion & Pad Group	F-07 - F-13
Dinette Group	F-14 - F-15
Driver's Compartment Group	F-16 - F-18
Electrical Group	F-19 - F-22
Exterior Body Group	F-23 - G-05
Galley Group	G-06 - G-08
Heating & Air Conditioning Group	G-09 - G-10
Interior Finish Group	G-11 - G-13
LP Group	G-14
Lounge Group	G-15
Water & Sewage Group	G-16 - G-17
Window, Vent & Exterior Door Group	G-18 - H-06

BATH GROUP (CONTINUED)

BATH CABINETRY

Key	Part Number	U/M	Description
	041145-01-001	EA	Cabinet Asm - Lavatory - w/ 2 Compart. Drawers/Drawer
	041145-01-004	EA	Cabinet - Lavatory - Lavatory Cabinet
	041145-01-005	EA	Cabinet Asm - Lavatory - w/ 2 Compart. w/ Hardware
	041145-01-006	EA	Cabinet Asm - Lavatory - w/ 2 Compart.
	041145-01-007	EA	Draw Asm - Mirror
	041145-01-008	EA	Draw Asm - Lavatory - w/ Hardware
	041145-01-009	EA	Top of Draw - Plastic
	041145-01-010	EA	Cabinet Asm - Mirror - 12 1/2 x 29 1/2 x 2 1/2
	041145-01-011	EA	Front Asm - Mirror - Cabinet - 29 1/2 x 15 1/2 - w/ Hardware
	041145-01-012	EA	Compartment Asm - Top Cover
	041145-01-013	EA	Draw Asm - Storage - Front - w/ Hardware
	041145-01-014	EA	Draw Asm - Storage - Rear - w/ Hardware
	041145-01-015	EA	Draw Asm - Mirror - Storage Door
	041145-01-016	EA	Draw Asm - Storage - Shower - Plastic

BATH HARDWARE

Key	Part Number	U/M	Description
	041145-01-017	EA	Battled Arm - w/ Stud
	041145-01-018	EA	Flange - Top & Bottom - Brass
	041145-01-019	EA	Flange - Lavatory - Brass
	041145-01-020	EA	Shower Head - w/ 60" Hose
	041145-01-021	EA	Valve - Shower - 1/2" MPT - 1/2" In. - Shower Head
	041145-01-022	EA	Shower Panel - Faucet - Plastic
	041145-01-023	EA	Strainer - Bathing Asm
	041145-01-024	EA	Nut - Strainer - Plastic - Bathing Asm
	041145-01-025	EA	Sub Nut - 1/8" Dia. - Bathing Asm
	041145-01-026	EA	Washer - Top Piece - 1/8" Dia. - Bathing Asm
	041145-01-027	EA	Top Piece - 1/8" x 1/2" x 1/4" - Bathing Asm
	041145-01-028	EA	Strap - Bathing Asm - Off Axle
	041145-01-029	EA	Strap - Cloth - Body - Plastic
	041145-01-030	EA	Trivet - Thorford - Aqua Mag. - 1/2" Dia. - 6420SH
	041145-01-031	EA	Tissue Holder - Brass
	041145-01-032	EA	Towel Bar - 18" - Brass
	041145-01-033	EA	Towel Ring - Brass - w/ Mounting Hardware
	041145-01-034	EA	Header - Track - Shower Door - Beige
	041145-01-035	EA	Jamb - Shower Door - Rear - Beige
	041145-01-036	EA	Jamb - Shower Door - Front - Beige
	041145-01-037	EA	Mirror - Tempered Glass - 18" x 18"
	041145-01-038	EA	Mirror - Tempered Glass - 12" x 18"
	041145-01-039	EA	Mirror - Tempered Glass - 12" x 42"
	041145-01-040	EA	Screen Cover - 48" - Antique Brass
	041145-01-041	EA	Hinge - Antique Brass
	041145-01-042	EA	Guide - Wall Mount - Shower Door
	041145-01-043	EA	Hanger - Shower Door
	041145-01-044	EA	Latch Door - 1/2" Dia. - Shower Door
	041145-01-045	EA	End Cap - Cover - Beige
	041145-01-046	EA	Track - 69 1/2" - Shower Door
	041145-01-047	EA	Cover - Track - 69 1/2" - Shower Door
	041145-01-048	EA	Hook - Cup - Bright
	041145-01-049	EA	Rod - Clothes - Adjuster -
	041145-01-050	EA	Flange - 1" - Clothes Rod
	041145-01-051	EA	End - Hammer - 49" - w/ Elastic
	041145-01-052	EA	Bracket - Medicine Cabinet

* The illustrated parts breakdown for this item is provided on the Common Items Page.

CHASSIS GROUP

MISCELLANEOUS CHASSIS

Key	Part Number	U/M	Description
	041145-01-053	EA	Battery Terminal - Honda - Star-Lug
	041145-01-054	EA	Bracket - Battery - Star-Lug - 1/4"
	041145-01-055	EA	Battery - Charge Expansion
	041145-01-056	EA	Battery - 12V
	041145-01-057	EA	Bracket Asm - Fuel Tank - Passenger
	041145-01-058	EA	Bracket - Battery - Top Down - 69"
	041145-01-059	EA	Bracket - Battery - Top Down - 10 1/2"
	041145-01-060	EA	Bracket - Battery - Top Down - 14"
	041145-01-061	EA	Camp Asm - M/Mer - 1 1/2"
	041145-01-062	EA	Camp Asm - M/Mer - 2 1/2"
	041145-01-063	EA	Camp - Cover - 5 1/2"
	041145-01-064	EA	Camp - Hose - Spring Top - 1 1/2"
	041145-01-065	EA	Camp - Hose - Spring Top - 2 1/2" ID - 1 1/2" ID
	041145-01-066	EA	Camp - Hose - Spring Top - 1 1/2" ID - 2 1/2" ID
	041145-01-067	EA	Camp - Hose - Spring Top - 2 1/2" ID - 3 1/2" ID
	041145-01-068	EA	Adjuster - 105 Amp
	041145-01-069	EA	Bush Assembly
	041145-01-070	EA	Cable Bridge
	041145-01-071	EA	Condenser
	041145-01-072	EA	Inside Bearing Spacer
	041145-01-073	EA	Front Bearing
	041145-01-074	EA	Outside Bearing Spacer
	041145-01-075	EA	Pin
	041145-01-076	EA	Diode
	041145-01-077	EA	Diode
	041145-01-078	EA	Strap - 105 AFD
	041145-01-079	EA	Pin
	041145-01-080	EA	Ground Terminal - 1"
	041145-01-081	EA	Battery Terminal - 1"
	041145-01-082	EA	Rear Bearing
	041145-01-083	EA	Regulator - 105 Amp
	041145-01-084	EA	Alternator - 105 Amp - V-Wire Exit
	041145-01-085	EA	Camp - Hose - Spring Top - 59" ID - 1 1/2" ID
	041145-01-086	EA	Camp - Hose - Spring Top - 2 1/2" ID - 3 1/2" ID
	041145-01-087	EA	Camp - Hose - Spring Top - 22" ID - 62" ID
	041145-01-088	EA	Camp - Hose - Spring Top - 4"
	041145-01-089	EA	Cover - Radiator - Rear
	041145-01-090	EA	Cover - Radiator - Rear Back (Fan Shroud)
	041145-01-091	EA	Dirt Guard - Rear Wheel
	041145-01-092	EA	Hanger - Tail Pipe
	041145-01-093	FT	Hose - Fuel Fill - 5 1/2" ID - SAE 30RF1
	041145-01-094	FT	Hose - Fuel Fill - 62" ID
	041145-01-095	EA	Hose - Fuel Fill - 2 00" ID
	041145-01-096	EA	Hose - Fuel Fill - 2 25" ID
	041145-01-097	EA	Jack - Hydraulic - 6 Ton - w/ Handle
	041145-01-098	EA	Leverage Bar - 22" - Lug Wrench
	041145-01-099	EA	Lug Wrench
	041145-01-100	EA	Mat - Stepwell - Driver - Brown & Tan
	041145-01-101	EA	Mat - Stepwell - Passenger - Brown & Tan
	041145-01-102	EA	Mud Flap w/ Holes - 14" x 18" - Black
	041145-01-103	EA	Retainer Nut - Snap In - Speed Control
	041145-01-104	EA	Rim - Wheel - 19 1/2" x 6 7/8" - 6 Hole
	041145-01-105	EA	Sending Unit Fuel - 90 OHM - Main
	041145-01-106	EA	Sending Unit Fuel - 90 OHM - Aux
	041145-01-107	EA	Shield - Heat Muffler
	041145-01-108	EA	Shock Absorber - Stabilizer - Front
	041145-01-109	EA	Shock Absorber - Stabilizer - Rear
	041145-01-110	EA	Bracket - Mounting Stabilizer
	041145-01-111	EA	Step Asm - Driver Door
	041145-01-112	EA	Step Asm - Entry

**1986 WINNEBAGO
TABLE OF CONTENTS**

INTRODUCTION	A-01
ABBREVIATIONS	A-01
ALPHABETICAL INDEX	A-02 - A-04
WFA30RU	A-05 - C-04
WGN31RU	C-09 - E-16
WGN31RT	E-17 - H-06
WGN30RU	H-07 - J-20

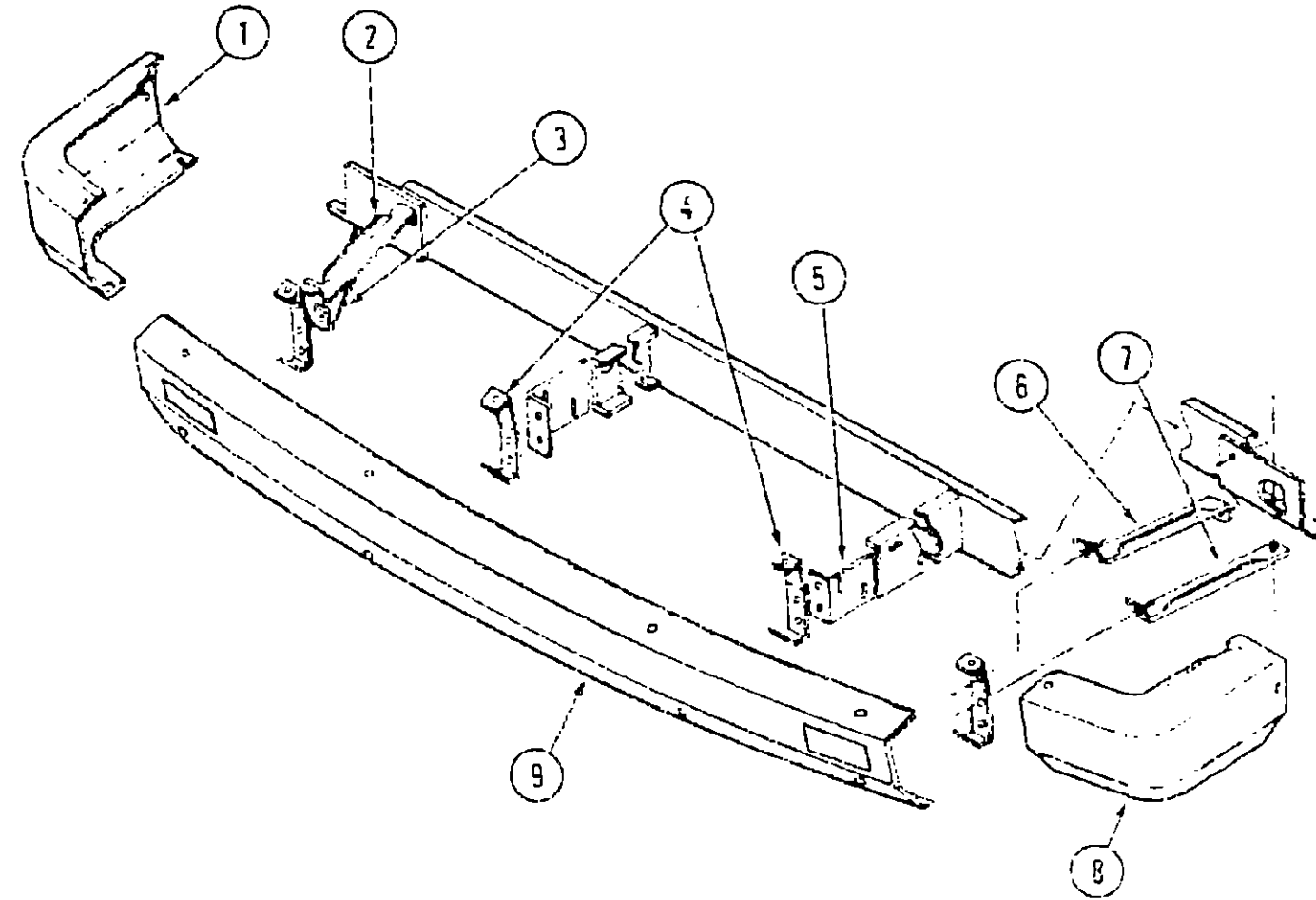
1986 WCN31RT INDEX

Floor Plan	E-17 - E-18
Accessories Group	E-19 - E-21
Bath Group	E-22 - E-23
Chassis Group	E-24 - F-06
Curtain, Cushion & Pad Group	F-07 - F-13
Drivette Group	F-14 - F-15
Driver's Compartment Group	F-16 - F-18
Electrical Group	F-19 - F-22
Exterior Body Group	F-23 - G-05
Galley Group	G-06 - G-08
Heating & Air Conditioning Group	G-09 - G-10
Interior Finish Group	G-11 - G-13
LP Group	G-14
Lounge Group	G-15
Water & Sewage Group	G-16 - G-17
Window, Vent & Exterior Door Group	G-18 - H-06

CHASSIS GROUP (CONTINUED)

MISCELLANEOUS CHASSIS (Cont.)

Key	Part Number	U-M	Description
	076241-01-000	EA	Support Asm. - Electric Ster.
	063985-02-000	EA	Switch - Fuel - Change Over
	061411-03-000	EA	Tarpole Extension - 2.25' x 10.5'
	007321-01-000	EA	Tire - 2.00' x 12.5 - 8 P.V. Poly.
	007324-04-000	EA	Tire - 8.00' x 12.5 - Michelin
	048594-01-000	EA	Tray - Battery
	052431-01-000	EA	Tray - Luggage
	951377-01-000	EA	Valve Stem Asm. - TR500
	055374-01-000	EA	Wheelwell - Plastic
	008343-01-000	EA	Wire Tie - 6
	080752-05-000	EA	Steering Wheel - Custom
	080752-06-000	EA	Hub Adapter - Steering Wheel
	080752-07-000	EA	Horn Button - w. Wire
	080752-08-000	EA	Screw - Custom Steering Wheel



FRONT BUMPER

Key	Part Number	U-M	Description
1	076274-01-000	EA	Bumper End - Right - Right Front
2	076200-01-000	EA	Bracket Upper Right - Right Bumper
3	076203-01-000	EA	Bracket Lower Right - Right Bumper
4	076204-01-000	EA	Bracket Upper Left - Front Bumper
5	076207-01-000	EA	Bracket Lower Left - Front Bumper
6	076201-02-000	EA	Bracket Upper Left - Front Bumper
7	076203-02-000	EA	Bracket Lower Left - Front Bumper
8	076207-02-000	EA	Bumper End - Right - Left Front
9	076204-02-000	EA	Bumper - Front - Plastic
1	076203-01-000	EA	Bumper - Front - Chrome
1	076207-01-000	EA	Bracket - Bolt - Chrome - 1/2" x 1/4" x 1 1/2"

CHASSIS GROUP (CONTINUED)

1986 WINNEBAGO TABLE OF CONTENTS

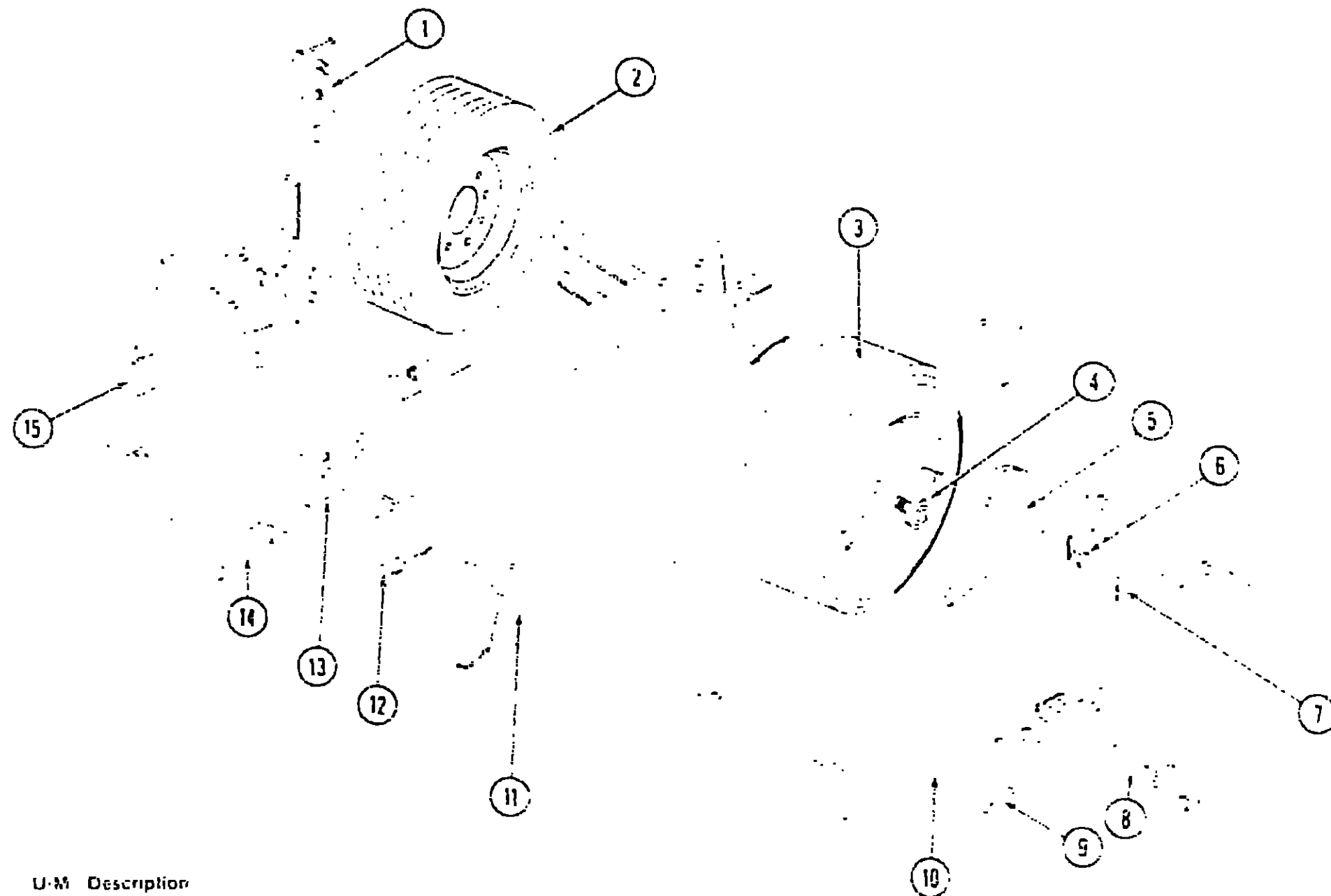
INTRODUCTION	A-01
ABBREVIATIONS	A-02
ALPHABETICAL INDEX	A-03 - A-04
WF426RU	A-05 - C-06
WON31RU	C-07 - E-15
WON31RT	E-17 - H-25
WON33RU	H-27 - J-27

1986 WCN31RT INDEX

Front Panel	E-17 - E-18
Accessories Group	E-19 - E-21
Bath Group	E-22 - E-23
Chassis Group	E-24 - E-28
Custom Cushion & Pad Group	E-29 - E-31
Driver Group	F-01 - F-02
Driver Compartment Group	F-03 - F-04
Electric Group	F-05 - F-07
Exterior Body Group	F-08 - F-13
Gas Group	G-01 - G-02
Heating & Air Conditioning Group	G-03 - G-07
Interior Amenities Group	G-08 - G-11
LP Group	G-12
Lighting Group	G-13
Water & Sewer Group	G-14 - G-17
Window Unit & Exterior Door Group	G-18 - H-01

CHASSIS GROUP (CONTINUED)

SPARE TIRE, HITCH & REAR BUMPER



Key	Part Number	U-M	Description
1	100190000000	EA	Bracket, Chassis Tire Corner
2	100190000000	EA	Tube, Tire, 18" x 7.5" x 1.75"
3	100190000000	EA	Tire Cover, Bright Light
4	100190000000	EA	Nut, Tire Cover Retainer, Plastic
5	100190000000	EA	Clamp, Tire Cover Retainer, Plastic
6	100190000000	EA	Cap, Tire Cover Retainer, Plastic
7	100190000000	EA	Bracket, Hitch, 2" x 2"
8	100190000000	EA	Bracket, Hitch, 2" x 2"
9	100190000000	EA	Bracket, Hitch, 2" x 2"
10	100190000000	EA	Bracket, Hitch, 2" x 2"
11	100190000000	EA	Bracket, Hitch, 2" x 2"
12	100190000000	EA	Bracket, Hitch, 2" x 2"
13	100190000000	EA	Bracket, Hitch, 2" x 2"
14	100190000000	EA	Bracket, Hitch, 2" x 2"
15	100190000000	EA	Bracket, Hitch, 2" x 2"

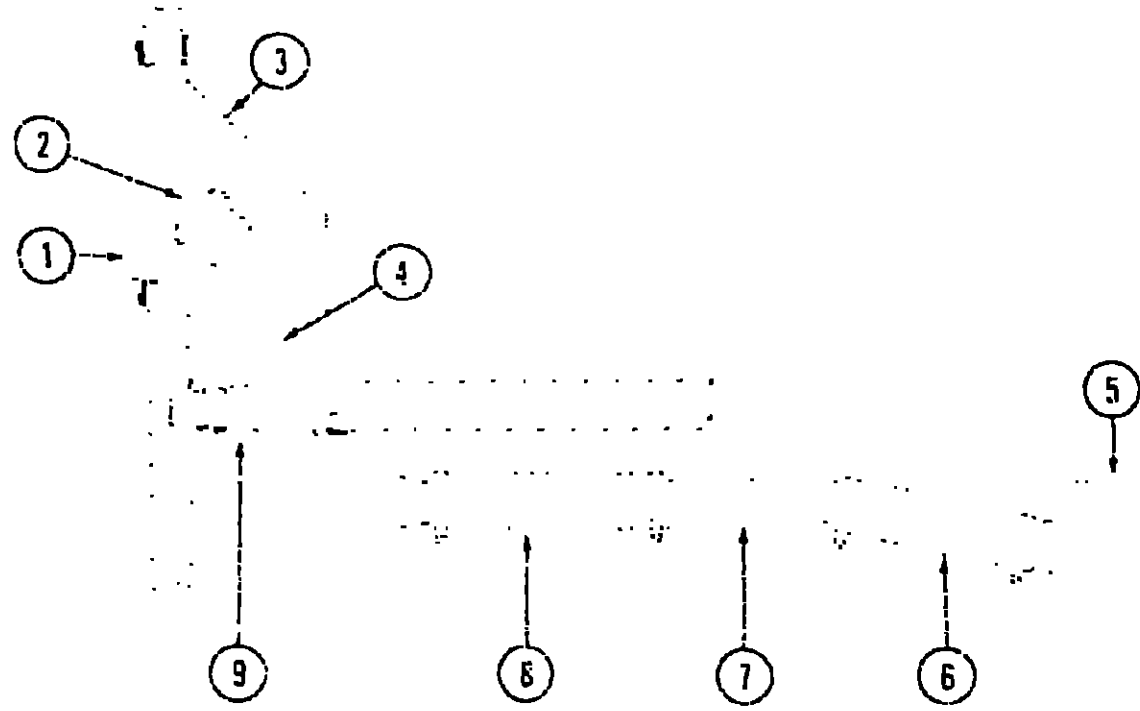
1986 WINNEBAGO TABLE OF CONTENTS

INTRODUCTION	A-01
ABBREVIATIONS	A-01
ALPHABETICAL INDEX	A-02 - A-04
WF406RU	A-05 - C-08
WCN3TRU	C-09 - E-16
WCN31RT	E-17 - H-08
WCN33RU	H-09 - J-06

1986 WCN31RT INDEX

Front End	E-17 - E-18
Aluminum Group	E-19 - E-21
Body Group	E-22 - E-24
Chassis Group	E-25 - E-26
Cupola, Generator & Fuel Group	E-27 - E-28
Drum Group	E-29 - E-30
Drum, Generator Group	E-31 - E-32
Electrical Group	E-33 - E-34
Exterior Body Group	E-35 - E-36
Generator Group	G-01 - G-02
Hitching & Air Conditioning Group	G-03 - G-04
Interior Body Group	G-05 - G-06
Light Group	G-07 - G-08
Locker Group	G-09 - G-10
Motor & Power Group	G-11 - G-12
Roof, Awning & Exterior Equipment Group	G-13 - G-14

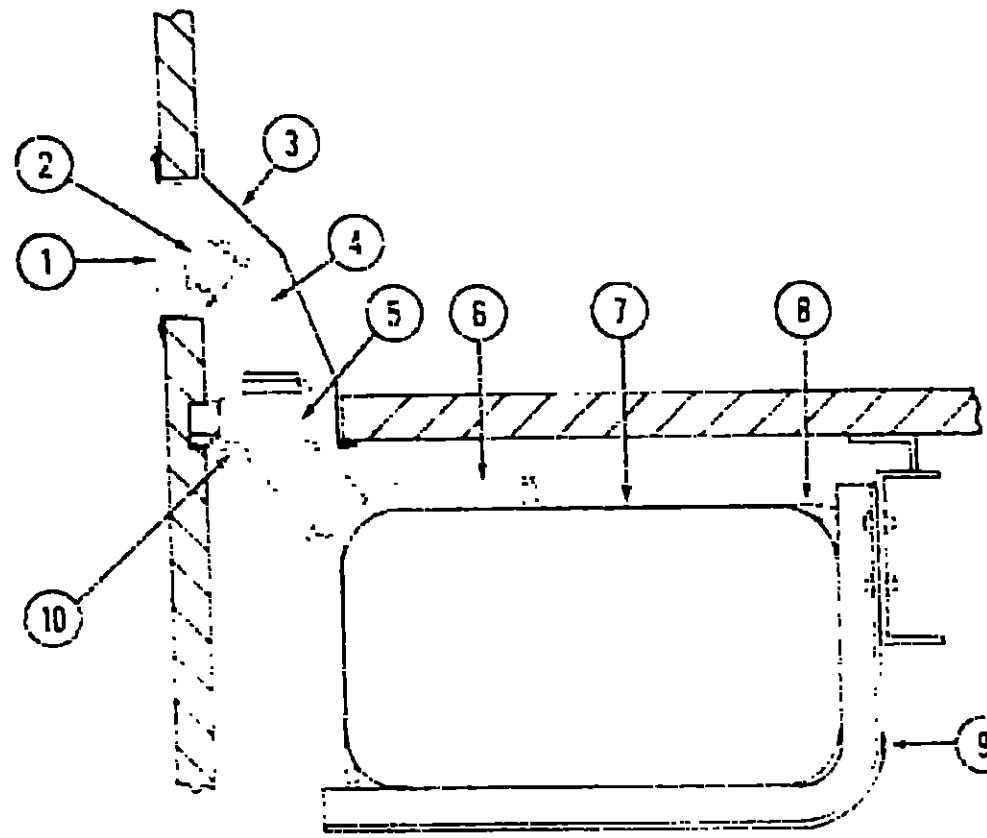
CHASSIS GROUP (CONTINUED)



MAIN FUEL TANK

Key	Part Number	U M	Description
1	075116-01-000	EA	Body Assm & Upper Straws - Fuel Tank - Bridge
2	075220-00-000	EA	Cap - Fuel Tank
3	075447-01-000	EA	Straws - Fuel Tank - Inside
4	075357-01-000	EA	Neck Assm - Upper Fuel Tank
5	075230-00-000	EA	Tube - Fuel - 6 1/2 Gal - 1/2"
6	075131-03-000	EA	Hose - Fuel - 1/2" ID x 1/2" OD
7	075125-01-000	EA	Neck Assm - Lower Fuel Tank
8	075131-01-000	EA	Hose - Fuel - 1/2" ID x 1/2" OD
9	075393-04-000	EA	Straws - Fuel Tank - Lower

CHASSIS GROUP (CONTINUED)



AUXILIARY FUEL FILL

Key	Part Number	U M	Description
1	075010-04-000	EA	Body Assm & Upper Straws - Fuel Tank - Bridge
2	075120-00-000	EA	Cap - Fuel Tank
3	075447-01-000	EA	Straws - Fuel Tank - Inside
4	075357-01-000	EA	Neck Assm - Upper Fuel Tank
5	075230-00-000	EA	Tube - Fuel - 6 1/2 Gal - 1/2"
6	075131-03-000	EA	Hose - Fuel - 1/2" ID x 1/2" OD
7	075125-01-000	EA	Neck Assm - Lower Fuel Tank
8	075131-01-000	EA	Hose - Fuel - 1/2" ID x 1/2" OD
9	075393-04-000	EA	Straws - Fuel Tank - Lower
10	075000-01-000	EA	Plate - Fuel Tank Mounting
11	075000-01-000	EA	Plate - Fuel Tank Mounting
12	075000-01-000	EA	Plate - Fuel Tank Mounting
13	075000-01-000	EA	Plate - Fuel Tank Mounting
14	075000-01-000	EA	Plate - Fuel Tank Mounting
15	075000-01-000	EA	Plate - Fuel Tank Mounting
16	075000-01-000	EA	Plate - Fuel Tank Mounting
17	075000-01-000	EA	Plate - Fuel Tank Mounting
18	075000-01-000	EA	Plate - Fuel Tank Mounting
19	075000-01-000	EA	Plate - Fuel Tank Mounting
20	075000-01-000	EA	Plate - Fuel Tank Mounting

**1986 WINNEBAGO
TABLE OF CONTENTS**

INTRODUCTION	A-01
ABBREVIATIONS	A-01
ALPHABETICAL INDEX	A-02 - A-03
WF426RU	A-05 - C-08
WCN27RU	C-09 - E-16
WCN31RT	E-17 - H-05
WCN33RU	H-07 - J-20

1986 WCN31RT INDEX

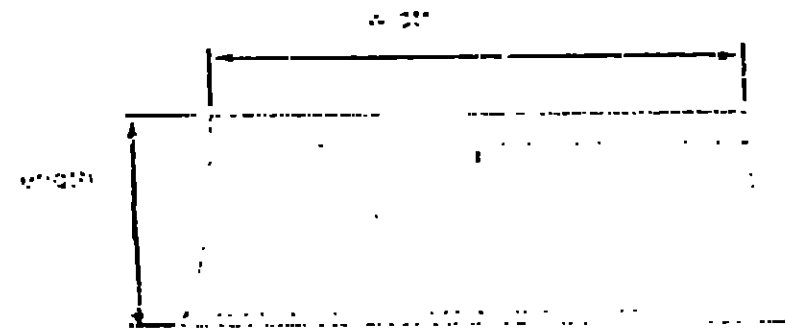
Floor Plan	E-17 - E-18
Accessories Group	E-19 - E-21
Bath Group	F-22 - F-23
Chassis Group	E-24 - F-07
Clutch, Cushion & Pad Group	F-07 - F-10
Dormer Group	F-14 - F-15
Driver's Compartment Group	F-16 - F-18
Electrical Group	F-19 - F-20
Exterior Body Group	F-25 - G-05
Gallery Group	G-15 - G-18
Heating & Air Conditioning Group	G-19 - G-21
Interior Finish Group	G-11 - G-13
LP Group	G-14
Lounge Group	G-15
Water & Sewage Group	G-16 - G-17
Window, Vent & Exterior Coat Group	G-18 - H-05

CURTAIN, CUSHION & PAD GROUP

NOTICE

In order to assist our Parts Sales Dept. in providing interior software items, please include the window number and the color code number from the vehicle certification label when ordering. This shape is located on the left sidewall at the end of the dash (A-Body) or on the driver's door latch plate (C-Body).

An example of a color code number is P31, which designates an overall color scheme of a particular unit. The color listed after the item description on the microfilm indicates the curtain unit color. Order the item you desire according to unit color code.



NOTE

Use this illustration when determining length and width measurements for curtains. You will note the width measurement is taken on the top of the curtain with the curtain fully extended. The length measurement is taken from top to bottom.

CURTAIN & CUSHION HARDWARE

Key	Part Number	U/M	Description
	072798-03-000	EA	Bracket Asm - Curtain Rod - Right
	072798-04-000	EA	Bracket Asm - Curtain Rod - Left
	082139-03-000	EA	Bracket - Blind Draw - Blind
	072798-03-000	EA	Bracket - Bedroom Valance - Right - Beige
	072798-04-000	EA	Bracket - Bedroom Valance - Left - Beige
	072767-04-000	EA	Track - Curtain - 12' - Beige - Bottom
	009107-01-000	EA	Guide - Curtain - Bottom
	029130-01-000	EA	Shut Socket - Curtain Bottom
	082049-01-000	EA	Bracket - Blind - Top Right
	081249-02-000	EA	Bracket - Blind - Top Left
	082117-04-078	EA	Bracket - Blind - Installer
	009130-01-000	EA	Shut Socket - Tie Back
	072019-01-000	EA	Bracket - Tie Back
	056307-03-000	EA	Bracket - Shade - Left
	056302-04-000	EA	Bracket - Shade - Right
	056784-01-000	EA	Rod - Window Shade - Aluminum Brass
	068115-01-000	YD	Tape - Cover Plastic - W/Glue
	048194-01-000	YD	Tape Hole - 1/2" Dia - Beige
	009096-05-078	YD	Tape Hole - 3/8" Dia - Beige
	048395-01-000	YD	Tape Hole - 1/2" Dia - Beige
	009096-01-000	PT	Tie - Plastic - Covering
	056116-01-000	EA	Track - Curtain - Brown Plastic - Top
	072946-01-000	EA	Track - Curtain - W/cover - Right
	072946-02-000	EA	Track - Curtain - W/cover - Left

CURTAIN, CUSHION & PAD GROUP (CONTINUED)

FABRICS & TRIMS

Key	Part Number	U/M	Description
	077498-62-000	YD	Fabric - Main w/Stripe - Beige - U04
	077498-63-000	YD	Fabric - Main w/Stripe - Rose - U05
	077498-64-000	YD	Fabric - Main w/Stripe - Spruce - U06
	077498-75-000	YD	Fabric - Patterned Accent - Rose - U05
	077498-76-000	YD	Fabric - Patterned Accent - Spruce - U06
	077498-73-000	YD	Fabric - Plain Accent - Beige & Spruce - U04 - U06
	077498-72-000	YD	Fabric - Plain Accent - Rose - U05
	069729-43-000	YD	Fabric - Bedroom Drapery - Multi-color - U04 - U05 - U06
	072333-21-000	YD	Fabric - Bedroom Drapery - Parchment - U04 - U05 - U06
	072333-21-000	YD	Fabric - W/bedroom & Bed-out - Parchment - U04 - U05 - U06
	072333-25-000	YD	Fabric - Drapery - Spruce - U06
	072333-26-000	YD	Fabric - Drapery - Rose - U05
	072333-27-000	YD	Fabric - Drapery - Spruce - U06
	038421-02-000	YD	Fabric - Mattress Topper - Beige - Brown
	052559-01-703	PT	Trim Asm - Accent - Sandrift
	052559-06-703	PT	Trim Asm - Accent - Blue - Oak
	072680-01-000	YD	Trim - Expanded - 25' x 2 - Buckle - U04 - U05 - U06
	072680-02-000	YD	Trim - Expanded - 25' x 2 - Sandrift - U04 - U05 - U06
	057550-03-703	EA	Button Asm - Nylon - #36 - Tie - Spine - Vinyl
	057550-05-703	EA	Button Asm - Nylon - #36 - Tie - Spine - Vinyl
	072678-07-000	EA	Button Asm - Screw Stud - #30 - Beige - U04
	072678-07-000	EA	Button Asm - Screw Stud - #30 - Rose - U05
	072678-07-000	EA	Button Asm - Screw Stud - #30 - Spruce - U06
	072678-07-000	EA	Button Asm - Screw Stud - #30 - Blue - Oak
	071127-10-000	EA	Button Asm - Round - #65 - Beige - U04
	071127-10-000	EA	Button Asm - Round - #65 - Blue - U05
	071127-10-000	EA	Button Asm - Round - #65 - Spruce - U06
	071127-10-000	EA	Button Asm - #30 - Mattress Topper
	082048-05-000	EA	Hook Back - #55 - Nylon Square
	082048-05-000	EA	Button Asm - Tie Back - #67 - Vinyl - Buckle - U04
	072156-01-000	EA	Strip Asm - Curtain
	072144-01-000	EA	Strip Asm - Blind
	082139-03-000	EA	Pad Asm - Double - Front - Beige & Spruce - U04 - U06
	082139-04-000	EA	Pad Asm - Double - Front - Rose - U05
	082139-05-000	EA	Pad Asm - Double - Front - Beige & Spruce - U04 - U06
	082139-06-000	EA	Pad Asm - Double - Front - Blue - Oak - U05
	072946-01-000	EA	Pad Asm - Single - Chair - 18' x 12' - Beige & Spruce - U04 - U06
	072946-02-000	EA	Pad Asm - Single - Chair - 18' x 12' - Rose - U05

FRONT BUNK

Key	Part Number	U/M	Description
	072156-01-000	EA	Strip Asm - Curtain - Front - Beige & Spruce - U04 - U06
	072144-01-000	EA	Strip Asm - Blind - Front - Beige & Spruce - U04 - U06
	072144-01-000	EA	Strip Asm - Blind - Front - Blue - Oak - U05

**1986 WINNEBAGO
TABLE OF CONTENTS**

INTRODUCTION	A-01
ABBREVIATIONS	A-01
ALPHABETICAL INDEX	A-02 - A-24
WFA26RU	A-05 - C-08
WCN27RU	C-09 - E-16
WCN31RT	E-17 - H-26
WCN33PU	H-27 - J-20

1986 WCN31RT INDEX

Floor Plan	E-17 - E-18
Accessories Group	E-19 - E-21
Bath Group	E-22 - E-23
Chassis Group	E-24 - E-25
Curtain, Cushion & Pad Group	F-07 - F-13
Dinette Group	F-14 - F-15
Driver's Compartment Group	F-16 - F-18
Electrical Group	F-19 - F-20
Exterior Body Group	F-22 - G-05
General Group	G-06 - G-08
Heating & Air Conditioning Group	G-09 - G-10
Interior Finish Group	G-11 - G-15
LP Gas	G-16
Luggage Group	G-17
Water & Sewage Group	G-18 - G-19
Window Units & Exterior Door Group	G-20 - H-04

CURTAIN, CUSHION & PAD GROUP (CONTINUED)

CURTAIN, CUSHION & PAD GROUP (CONTINUED)

SINGLE, DOUBLE, & QUEEN BEDS

Key	Part Number	U-M	Description
1	077478-03-000	EA	Mattress - Innerspring - 50" x 75" x 7.5" - Seaw
1	083495-04-000	EA	Mattress - Foam - 60" x 75" x 7"
1	077478-02-000	EA	Mattress - Innerspring - 45" x 75" x 7.5" - Seaw
1	083495-02-000	EA	Mattress - Foam - 48" x 75" x 7"
2	077478-04-000	EA	Mattress - Innerspring - 33" x 75" x 7.5" - Seaw
2	083495-01-000	EA	Mattress - Foam - 33" x 75" x 7"
	081969-13-U01	EA	Bedspread - 60" x 75" x 10" Ruffle - Parchment (U04 U05 U06)
	081969-12-U01	EA	Bedspread - 48" x 75" x 10" Ruffle - Parchment (U04 U05 U06)
	081969-09-U01	EA	Bedspread - 33" x 75" x 10" Ruffle - Parchment (U04 U05 U06)
	081969-08-U01	EA	Bedspread - 60" x 75" x 10" Ruffle - Multi-strip (U04 U05 U06)
	081969-06-U01	EA	Bedspread - 48" x 75" x 10" Ruffle - Multi-strip (U04 U05 U06)
	081969-04-U01	EA	Bedspread - 33" x 75" x 10" Ruffle - Multi-strip (U04 U05 U06)
	081997-07-U01	EA	Pillow Sham - 30" x 26" - Parchment (U04 U05 U06)
	081997-01-U01	EA	Pillow Sham - 30" x 26" - Multi-strip (U04 U05 U06)

3 PILLOW COUCH

Key	Part Number	U-M	Description
3	081995-17-U04	EA	Pillow Arm - 16" x 23" x 5" - Beige
3	081995-17-U05	EA	Pillow Arm - 16" x 23" x 5" - Rose
3	081995-17-U06	EA	Pillow Arm - 16" x 23" x 5" - Spruce
	081995-17-U04	EA	Cover Arm - Pillow - 16" x 23" x 5" - Beige
	081995-17-U05	EA	Cover Arm - Pillow - 16" x 23" x 5" - Rose
	081995-17-U06	EA	Cover Arm - Pillow - 16" x 23" x 5" - Spruce
4	079449-04-U04	EA	Back Arm - 40" - Beige
4	079449-04-U05	EA	Back Arm - 40" - Rose
4	079449-04-U06	EA	Back Arm - 40" - Spruce
	079449-04-U04	EA	Cover Arm - Seat - Beige
	079449-04-U05	EA	Cover Arm - Seat - Rose
	079449-04-U06	EA	Cover Arm - Seat - Spruce

SWIVEL CHAIR

Key	Part Number	U-M	Description
5	073515-15-U01	EA	Chair Arm w/ Fwd Back - Swivel - Beige (U04)
5	073515-15-U02	EA	Chair Arm w/ Fwd Back - Swivel - Rose (U05)
5	073515-15-U03	EA	Chair Arm w/ Fwd Back - Swivel - Spruce (U06)
	073515-15-U01	EA	Seat Arm - Swivel Chair - Beige (U04)
	073515-15-U02	EA	Seat Arm - Swivel Chair - Rose (U05)
	073515-15-U03	EA	Seat Arm - Swivel Chair - Spruce (U06)
	085096-04-U01	EA	Base w/ Legs - Swivel Chair
	085096-04-U02	EA	Backrest - Swivel Chair

DINETTE CUSHION

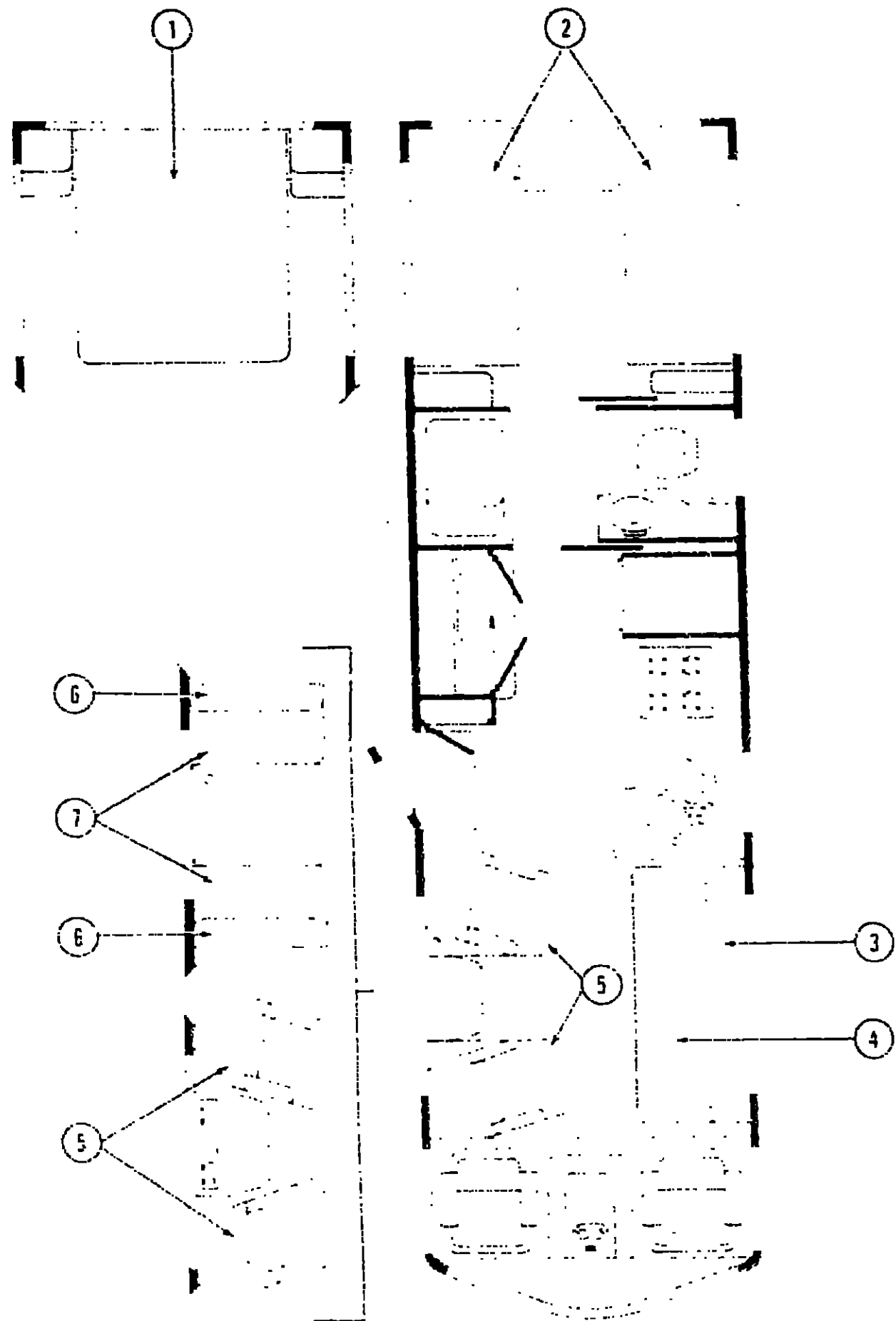
Key	Part Number	U-M	Description
6	081998-01-U01	EA	Cushion Arm - Dinette Back - 19" x 35" x 5" - Beige (U04)
6	081998-01-U02	EA	Cushion Arm - Dinette Back - 19" x 35" x 5" - Rose (U05)
6	081998-01-U03	EA	Cushion Arm - Dinette Back - 19" x 35" x 5" - Spruce (U06)
	081998-01-U01	EA	Cover Arm - Dinette Back Cushion - 19" x 35" x 5" - Beige (U04)
	081998-01-U02	EA	Cover Arm - Dinette Back Cushion - 19" x 35" x 5" - Rose (U05)
	081998-01-U03	EA	Cover Arm - Dinette Back Cushion - 19" x 35" x 5" - Spruce (U06)
7	081998-02-U01	EA	Cushion Arm - Dinette Bottom - 17.5" x 35" x 5" - Beige (U04)
7	081998-02-U02	EA	Cushion Arm - Dinette Bottom - 17.5" x 35" x 5" - Rose (U05)
7	081998-02-U03	EA	Cushion Arm - Dinette Bottom - 17.5" x 35" x 5" - Spruce (U06)
	081998-02-U01	EA	Cover Arm - Dinette Bottom Cushion - 17.5" x 35" x 5" - Beige (U04)
	081998-02-U02	EA	Cover Arm - Dinette Bottom Cushion - 17.5" x 35" x 5" - Rose (U05)
	081998-02-U03	EA	Cover Arm - Dinette Bottom Cushion - 17.5" x 35" x 5" - Spruce (U06)

**1986 WINNEBAGO
TABLE OF CONTENTS**

INTRODUCTION	A-01
ABBREVIATIONS	A-01
ALPHABETICAL INDEX	A-02 - A-04
WF426RU	A-05 - C-05
WCN27RU	C-09 - E-16
WCN31RT	E-17 - H-06
WCN33RU	H-07 - J-30

1986 WCN31RT INDEX

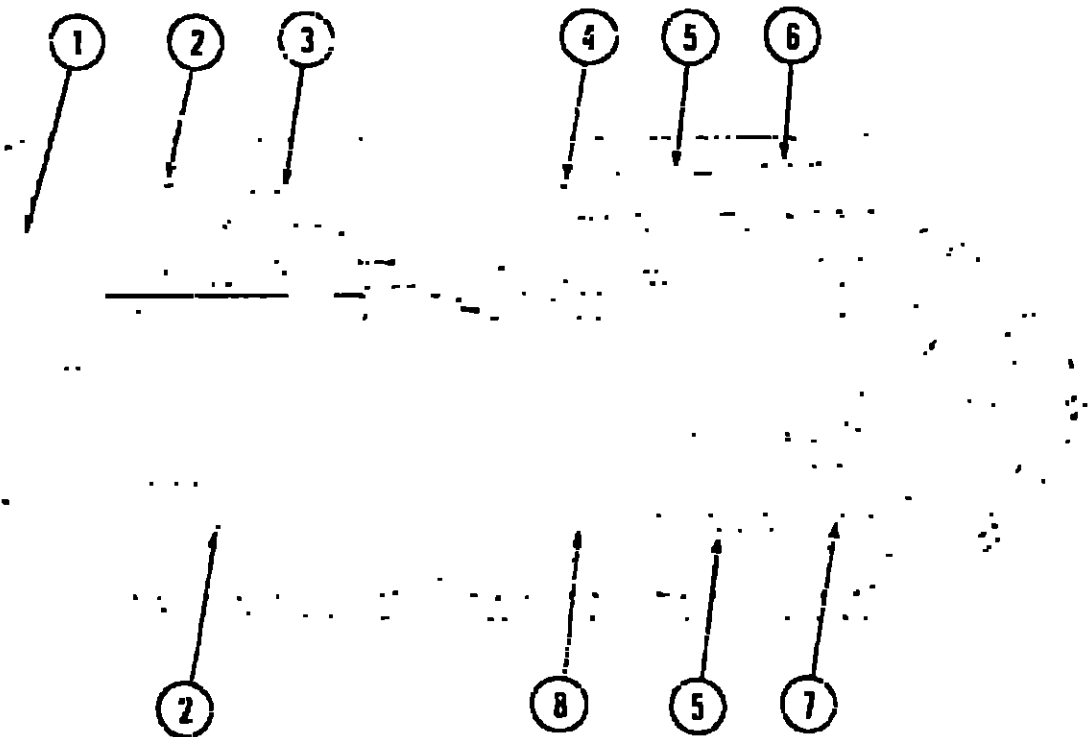
Floor Plan	E-17 - E-18
Accessories Group	E-19 - E-21
Bath Group	E-22 - E-23
Chassis Group	E-24 - F-06
Curtain, Cushion & Pad Group	F-07 - F-13
Dinette Group	F-14 - F-15
Driver's Compartment Group	F-16 - F-18
Electrical Group	F-19 - F-22
Exterior Body Group	F-23 - G-05
Furniture Group	G-06 - G-08
Heating & Air Conditioning Group	G-09 - G-10
Interior Finish Group	G-11 - G-13
LP Group	G-14
Luggage Group	G-15
Water & Sewage Group	G-16 - G-17
Wind, W. Vent & Exterior Body Group	G-18 - H-06



CURTAIN, CUSHION & PAD GROUP (CONTINUED)

CURTAIN, CUSHION & PAD GROUP (CONTINUED)

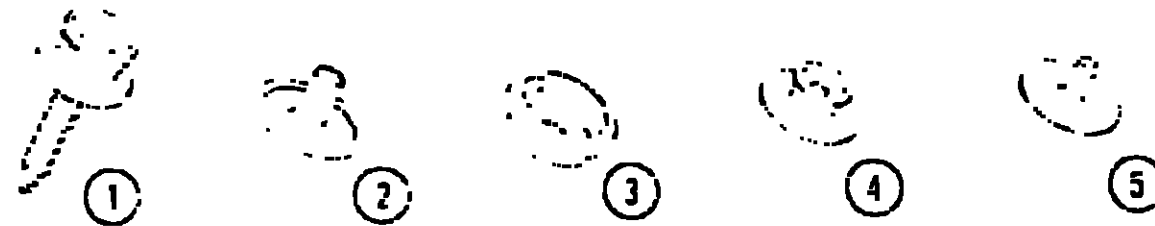
CURTAINS, VALANCES, SHADES & TIEBACKS (CONT.)



CURTAINS, VALANCES, SHADES & TIEBACKS

Key	Part Number	U/M	Description
1	075559-03-U01	EA	Curtain & Gathers - 32' x 41' - U04 U05 U06
1	079555-03-U04	EA	Valance Asm. & Gathers - 5' x 120' (U04 U05 U06)
1	082119-14-000	EA	Shade - Fabric - 53 25' x 33' (U04 U05 U06)
2	079559-03-U01	EA	Curtain & Gathers - 32' x 41' (U04 U05 U06)
2	079559-04-U04	EA	Valance Asm. & Gathers - 5' x 140' (U04 U05 U06)
2	082119-15-000	EA	Shade - Fabric - 62 25' x 32' (U04 U05 U06)
3	057534-01-U01	EA	Valance Asm. - Padded - Beige Spruce (U04 U06)
1	082176-01-L02	EA	Valance Asm. - Padded - Rose (U05)
3	082119-52-000	EA	Blinds - 32' x 16' Drop (U04)
3	082119-53-000	EA	Blinds - 32' x 16' Drop (U05)
3	082119-54-000	EA	Blinds - 32' x 16' Drop (U06)
4	M81977-05-U04	EA	Valance Asm. - Padded - Beige Spruce (U04 U06)
4	M81977-05-U05	EA	Valance Asm. - Padded - Rose (U05)
4	082119-49-000	EA	Blinds - 32' x 22' Drop (U04)
4	082119-44-000	EA	Blinds - 32' x 22' Drop (U05)
4	082119-45-000	EA	Blinds - 32' x 22' Drop (U06)
4	079542-10-U01	EA	Curtain w/ Darts - 35' x 16' - Beige (U04)
4	079542-10-U02	EA	Curtain w/ Darts - 35' x 16' - Rose (U05)
5	079542-10-U03	EA	Curtain & Darts - 35' x 16' - Spruce (U06)
5	M81977-15-L04	EA	Valance Asm. - Padded - Beige Spruce (U04 U06)
5	M81977-15-U05	EA	Valance Asm. - Padded - Rose (U05)
5	082119-61-U01	EA	Blinds - 65' x 34' Drop - Beige (U04)
5	082119-62-U02	EA	Blinds - 65' x 34' Drop - Rose (U05)
5	082119-63-U03	EA	Blinds - 65' x 34' Drop - Spruce (U06)
5	079543-15-U04	EA	Curtain & Flat Top - 35' x 12' - Woven Wood - Beige Spruce (U04 U05)
5	079543-15-U05	EA	Curtain & Flat Top - 35' x 12' - Woven Wood - Rose (U05)
5	082107-49-000	EA	Shade Asm. - Woven Wood - 65' x 35' Drop - Beige (U04)
5	082107-50-000	EA	Shade Asm. - Woven Wood - 65' x 35' Drop - Rose (U05)
5	082107-51-000	EA	Shade Asm. - Woven Wood - 65' x 35' Drop - Spruce (U06)
5	077534-02-U04	EA	Curtain w/ Shade - Front Wraparound - 32 5' x 35' - Left
5	077534-03-U04	EA	Curtain w/ Shade - Front Wraparound - 32 5' x 35' - Right
5	M81977-12-L04	EA	Valance Asm. - Padded - Beige Spruce (U04 U06)
5	M81977-12-U05	EA	Valance Asm. - Padded - Rose (U05)
5	082119-01-000	EA	Shade - Fabric - 144' x 41' (U04 U05 U06)

Key	Part Number	U/M	Description
•	077591-05-U04	EA	Curtain w/ Velcro Top - Bunk Privacy - 60' x 50" - Passenger
•	077591-05-U04	EA	Curtain w/ Velcro Top - Bunk Privacy - 60' x 50" - Driver
•	073260-17-U01	EA	Tie Back Asm. - 4' x 18" - Beige (U04, U05, U06)
•	073260-16-U04	EA	Tie Back Asm. - 3' x 20" - Accent - Beige Spruce (U04, U06)
•	073260-16-U05	EA	Tie Back Asm. - 3' x 20" - Accent - Rose (U05)
•	057534-01-000	EA	Tie Back Asm. - 6' - Clear Plastic
•	057534-03-000	EA	Tie Back Asm. - 7.5' - Clear Plastic
•	057534-04-000	EA	Tie Back Asm. - 20' - Clear Plastic
•	Not illustrated		



Key	Part Number	U/M	Description
1	029130-01-000	EA	Socket - Snap Fastener
2	029155-01-000	EA	Cap - Snap - 156 Dia x 17 Barrel
3	029155-01-000	EA	Socket - Snap Fastener
4	029099-01-000	EA	Stud - Nickel Finish
5	029093-01-000	EA	Eyelet - Nickel Finish

**1986 WINNEBAGO
TABLE OF CONTENTS**

INTRODUCTION	A-01
ABBREVIATIONS	A-01
ALPHABETICAL INDEX	A-02 - A-04
WF426RU	A-05 - C-03
WCN27RU	C-09 - E-16
WCN31RT	E-17 - H-05
WCN33RU	H-07 - J-20

1986 WCN31RT INDEX

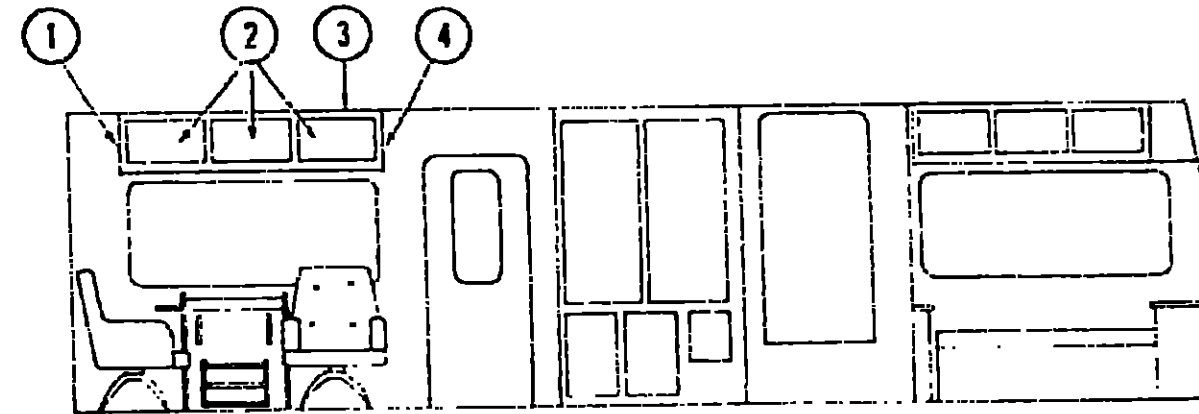
Floor Plan	E-17 - E-18
Accessories Group	E-19 - E-21
Bath Group	E-22 - E-23
Chassis Group	E-24 - F-06
Curtain, Cushion & Pad Group	F-07 - F-13
Dinette Group	F-14 - F-15
Driver's Compartment Group	F-16 - F-18
Electrical Group	F-19 - F-22
Exterior Body Group	F-23 - G-05
Galley Group	G-06 - G-09
Heating & Air Conditioning Group	G-09 - G-10
Interior Finish Group	G-11 - G-13
LP Group	G-14
Lounging Group	G-15
Water & Sewage Group	G-16 - G-17
Window, Vent & Exterior Door Group	G-18 - H-06

CURTAIN, CUSHION & PAD GROUP (CONTINUED)

DINETTE GROUP

BUCKET SEATS

Key	Part Number	U/M	Description
	079300-01-U01	EA	Seat Asm - Vinyl - Beige (U04)
	079300-02-U01	EA	Seat Asm - Vinyl - Rose (U05)
	079300-02-U03	EA	Seat Asm - Vinyl - Spruce (U06)
	M01862-01-U01	EA	Cover Asm - Seat Bottom - Vinyl - Beige (U04)
	M01862-05-U01	EA	Cover Asm - Seat Bottom - Vinyl - Rose (U05)
	M01862-05-U03	EA	Cover Asm - Seat Bottom - Vinyl - Spruce (U06)
	M01862-02-U01	EA	Cover Asm - Seat Back - Vinyl - Beige (U04)
	M01862-04-U01	EA	Cover Asm - Seat Back - Vinyl - Rose (U05)
	M01862-04-U03	EA	Cover Asm - Seat Back - Vinyl - Spruce (U06)
	078504-07-U01	EA	Seat Asm - Grandeur - Beige (U04)
	078504-08-U04	EA	Seat Asm - Grandeur - Rose (U05)
	078504-08-U05	EA	Seat Asm - Grandeur - Spruce (U06)
	M01863-01-U01	EA	Cover Asm - Bucket Seat Bottom - Beige (U04)
	M01863-01-U01	EA	Cover Asm - Bucket Seat Bottom - Rose (U05)
	M01863-03-U03	EA	Cover Asm - Bucket Seat Bottom - Spruce (U06)
	M01863-02-U01	EA	Cover Asm - Bucket Seat Back - Beige (U04)
	M01863-04-U01	EA	Cover Asm - Bucket Seat Back - Rose (U05)
	M01863-04-U03	EA	Cover Asm - Bucket Seat Back - Spruce (U06)
	079291-02-U04	EA	Seat Asm - Double Bucket - Beige (U04)
	079281-01-U05	EA	Seat Asm - Double Bucket - Rose (U05)
	079281-01-U06	EA	Seat Asm - Double Bucket - Spruce (U06)
	M01874-03-U04	EA	Cover Asm - Bucket Seat Bottom - Double Bucket - Beige (U04)
	M01874-01-U04	EA	Cover Asm - Bucket Seat Bottom - Double Bucket - Rose (U05)
	M01874-01-U06	EA	Cover Asm - Bucket Seat Bottom - Double Bucket - Spruce (U06)
	M01874-04-U04	EA	Cover Asm - Bucket Seat Back - Double Bucket - Beige (U04)
	M01874-01-U05	EA	Cover Asm - Bucket Seat Back - Double Bucket - Rose (U05)
	M01874-02-U06	EA	Cover Asm - Bucket Seat Back - Double Bucket - Spruce
	080243-02-U04	EA	Armrest Asm - Left - Beige (U04) - Double Bucket
	080243-04-U04	EA	Armrest Asm - Left - Rose (U05) - Double Bucket
	080243-04-U05	EA	Armrest Asm - Left - Spruce (U06) - Double Bucket
	080242-01-U04	EA	Headrest Asm - Beige (U04) - Double Bucket
	080242-02-U04	EA	Headrest Asm - Rose (U05) - Double Bucket
	080242-02-U06	EA	Headrest Asm - Spruce (U06) - Double Bucket
	080243-07-U01	EA	Armrest Asm - Right - Beige (U04)
	080243-09-U01	EA	Armrest Asm - Right - Rose (U05)
	080243-09-U03	EA	Armrest Asm - Right - Spruce (U06)
	080243-08-U01	EA	Armrest Asm - Left - Beige (U04)
	080243-10-U01	EA	Armrest Asm - Left - Rose (U05)
	080243-10-U03	EA	Armrest Asm - Left - Spruce (U06)
	M80243-01-U01	EA	Cover Asm - Armrest - Right - Beige (U04)
	M80243-03-U01	EA	Cover Asm - Armrest - Right - Rose (U05)
	M80243-03-U03	EA	Cover Asm - Armrest - Right - Spruce (U06)
	M80243-02-U04	EA	Cover Asm - Armrest - Left - Beige (U04)
	M80243-04-U01	EA	Cover Asm - Armrest - Left - Rose (U05)
	M80243-04-U03	EA	Cover Asm - Armrest - Left - Spruce (U06)
	080242-01-U01	EA	Headrest Asm - Beige (U04)
	080242-01-U04	EA	Headrest Asm - Rose (U05)
	080242-05-U05	EA	Headrest Asm - Spruce (U06)
	M80242-01-U04	EA	Cover Asm - Headrest - Beige (U04)
	M80242-02-U04	EA	Cover Asm - Headrest - Rose (U05)
	M80242-02-U06	EA	Cover Asm - Headrest - Spruce (U06)
	071126-16-U01	EA	Skirt Asm - Single Bucket - Beige (U04)
	071126-13-U04	EA	Skirt Asm - Single Bucket - Rose (U05)
	071126-13-U06	EA	Skirt Asm - Single Bucket - Spruce (U06)
	071690-04-U01	EA	Skirt Asm - Double Bucket - Beige (U04)
	071690-05-U04	EA	Skirt Asm - Double Bucket - Rose (U05)
	071690-05-U06	EA	Skirt Asm - Double Bucket - Spruce



SWIVEL CHAIR DINETTE & OVERHEAD CABINERY

Key	Part Number	U/M	Description
1	081325-02-T03	EA	Pad Asm - End Cap - Front Overhead - Left - Vinyl
2	M81503-01-T03	EA	Door Asm - Overhead Cabinet - w/o Hardware
3	081550-10-U04	EA	Cabinet Asm - Front Overhead - Passenger - w/o Doors or Hardware
4	081550-12-U04	EA	Cabinet Asm - Front Overhead - Driver - w/o Doors or Hardware
5	081325-01-T03	EA	Pad Asm - End Cap - Front Overhead - Right - Vinyl
6	M79602-01-T03	EA	Cabinet Asm - Pullout Table
7	M01937-01-T03	EA	Table Asm - Pullout
8	M01939-01-T03	EA	Countertop Asm - Pullout Table
9	M01936-01-T03	EA	Top - Cupholder - Pullout Table
10	079606-01-T03	EA	Magazine Rack
11	080515-01-T03	EA	Handle - Pullout Table
12	035036-01-000	EA	Plate - Tilt & Swivel
13	035035-04-000	EA	Base w/ Leg - Swivel Chair
14	035036-05-000	EA	Extension - T - Swivel Chair
15	081295-02-T03	EA	Table Asm - Pedestal
16	009040-03-000	EA	Base - Table - Mount on Table
17	009040-04-000	EA	Leg - Pedestal Table
18	041194-01-000	EA	Base - Table - Flush Mount on Floor
19			Not Illustrated

**1986 WINNEBAGO
TABLE OF CONTENTS**

INTRODUCTION	A-01
ABBREVIATIONS	A-01
ALPHABETICAL INDEX	A-02 - A-04
WF426RU	A-05 - C-08
WCN27RU	C-09 - E-16
WCN31RT	E-17 - H-05
WCN33RU	H-07 - J-20

1986 WCN31RT INDEX

Floor Plan	E-17 - E-18
Accessories Group	E-19 - E-21
Bath Group	E-22 - E-23
Chassis Group	E-24 - F-05
Curtain, Cushion & Pad Group	F-07 - F-13
Dinette Group	F-14 - F-15
Driver's Compartment Group	F-16 - F-18
Electrical Group	F-19 - F-22
Exterior Body Group	F-23 - G-05
Galley Group	G-06 - G-08
Heating & Air Conditioning Group	G-09 - G-10
Interior Finish Group	G-11 - G-13
LP Group	G-14
Lounge Group	G-15
Water & Sewage Group	G-16 - G-17
Window, Vent & Exterior Door Group	G-18 - H-05

DINETTE GROUP (CONTINUED)

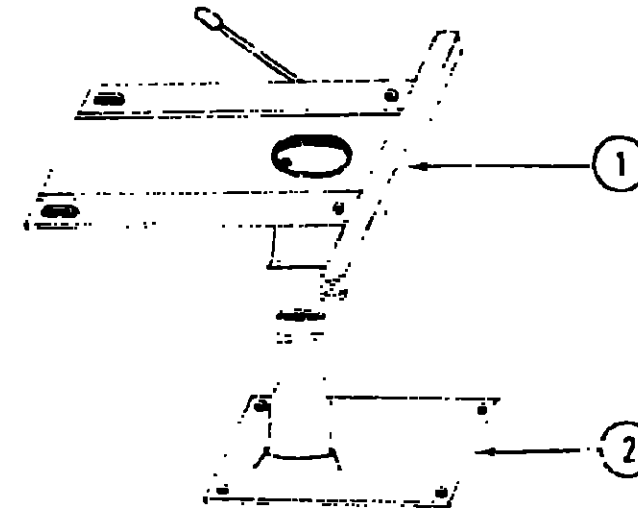
SWIVEL CHAIRS & ICEMAKER (OPTION)

Key	Part Number	U/M	Description
	M77805-02-T03	EA	Cabinet Asm - Ice Maker - w. o Countertop
	M01645-01-T09	EA	Countertop Asm - Ice Maker
	M01647-01-T09	EA	Countertop Asm - Ice Maker Pullout
	074469-02-T03	EA	Beverage Holder w. Tray - Oak
	075799-01-000	EA	Ice Maker - Black Glass
	077841-01-000	EA	Bracket - Tie Down - Ice Maker - Right
	077841-02-000	EA	Bracket - Tie Down - Ice Maker - Left

DINETTE CABINETRY & HARDWARE (OPTION)

Key	Part Number	U/M	Description
	M02174-02-U04	EA	Cabinet Asm - Dinette Back - Right
	M02174-03-U04	EA	Cabinet Asm - Dinette Back - Left
	M02175-01-U04	EA	Cabinet Asm - Dinette Seat - Right w. o Door
	M02175-04-U01	EA	Cabinet Asm - Dinette Seat - Left - w. o Door
	M02115-11-T03	EA	Table - Dinette - w. o Hardware
	M81501-10-U01	EA	Door Asm - Left - Dinette Seat - w. o Hardware
	M81501-11-T03	EA	Door Asm - Right - Dinette Seat - w. o Hardware
	052201-03-000	EA	Hanger - Table - 23"
	074493-01-000	EA	Support - Spring Door Asm - Overhead Cabinet
	053200-05-000	EA	Bracket - Upper Wall Mount - 23 5" - Beige
	053201-03-000	EA	Bracket - Table Mount - 23"
	024275-05-000	EA	Rod - Table Lift - 8" x 23 5" - Beige
	024281-07-000	EA	Bracket - Lower Wall Mount - 22 1/2" - Beige
	024276-14-000	EA	Leg Asm - Table - 26 7/8" - Brown
	064050-01-000	EA	Hinge - Table Leg
	024262-01-000	EA	Brace - Table Leg
	024253-01-000	EA	Clip - 1" O.D. Tube
	049493-03-000	EA	Catch - Table Leg - Mounts on Floor
	064751-03-000	EA	Cup Holder - 3 1/2" O.D. x 2 7/8" I.D. x 1 1/2"

DRIVER'S COMPARTMENT GROUP



BUCKET SEAT PEDESTAL & SEAT BELTS

Key	Part Number	U/M	Description
1	069585-04-000	EA	Plate - Top - Pedestal Asm - Single Bucket Seat
1	069585-19-000	EA	Plate - Top - Pedestal Asm - Powered Seat
1	069585-10-000	EA	Plate - Top - Pedestal Asm - Double Bucket Seat
2	069585-08-000	EA	Plate - Sub - Pedestal Asm - Bucket Seat
*	059585-05-000	EA	Hardware Kit - Bolt Acorn Nut - 4 ea - Pedestal Asm
*	007019-01-000	EA	Belt Asm - Seat - 2" x 84" - Black
*	007021-01-000	EA	Belt Asm - Seat - 2" x 90" - Black
*	056271-01-000	EA	Belt Asm - Seat - 2" x 72" - Black
*	069246-01-000	EA	Adjuster Asm - Seat - w. Lock
*	069246-02-000	EA	Adjuster Asm - Seat - w. o Lock
*	081373-02-000	EA	Power Seat Adjustment Asm - w. Frame
*	081373-02-700	EA	Switch Asm - Package
*	081737-02-701	EA	Harness Asm - Left
*	081737-02-702	EA	Harness Asm - Right
*	091737-02-703	EA	Horizontal Adjustment Package
*	081737-02-704	EA	Vertical Adjustment Package
*			Not illustrated

FRONT BUNK & PULL DOWN STORAGE

Key	Part Number	U/M	Description
*	076760-02-000	EA	Overhead Bunk Hardware
*	076760-03-000	EA	Overhead Bunk Hardware
	081717-01-U04	EA	Bed Asm - Front Bunk
	079144-02-000	EA	Bunk Strap
	042541-04-000	EA	Latch Asm - w. o Strike - Brass
	042541-05-000	EA	Latch Strike - Brass
	076535-01-T03	EA	Panel Asm - Front Bunk
*	080855-01-000	EA	Side Trim - Right Front - Upper
*	080855-06-000	EA	Side Trim - Right Front - Upper
*	080855-01-000	EA	Side Trim - Right Front - Lower
*	080855-05-000	EA	Side Trim - Right Front - Lower
*	080855-02-000	EA	Side Trim - Left Front - Upper
*	080855-05-000	EA	Side Trim - Left Front - Upper
*	080855-02-000	EA	Side Trim - Left Front - Lower
*	080855-05-000	EA	Side Trim - Left Front - Lower

* Used after 9-23-85

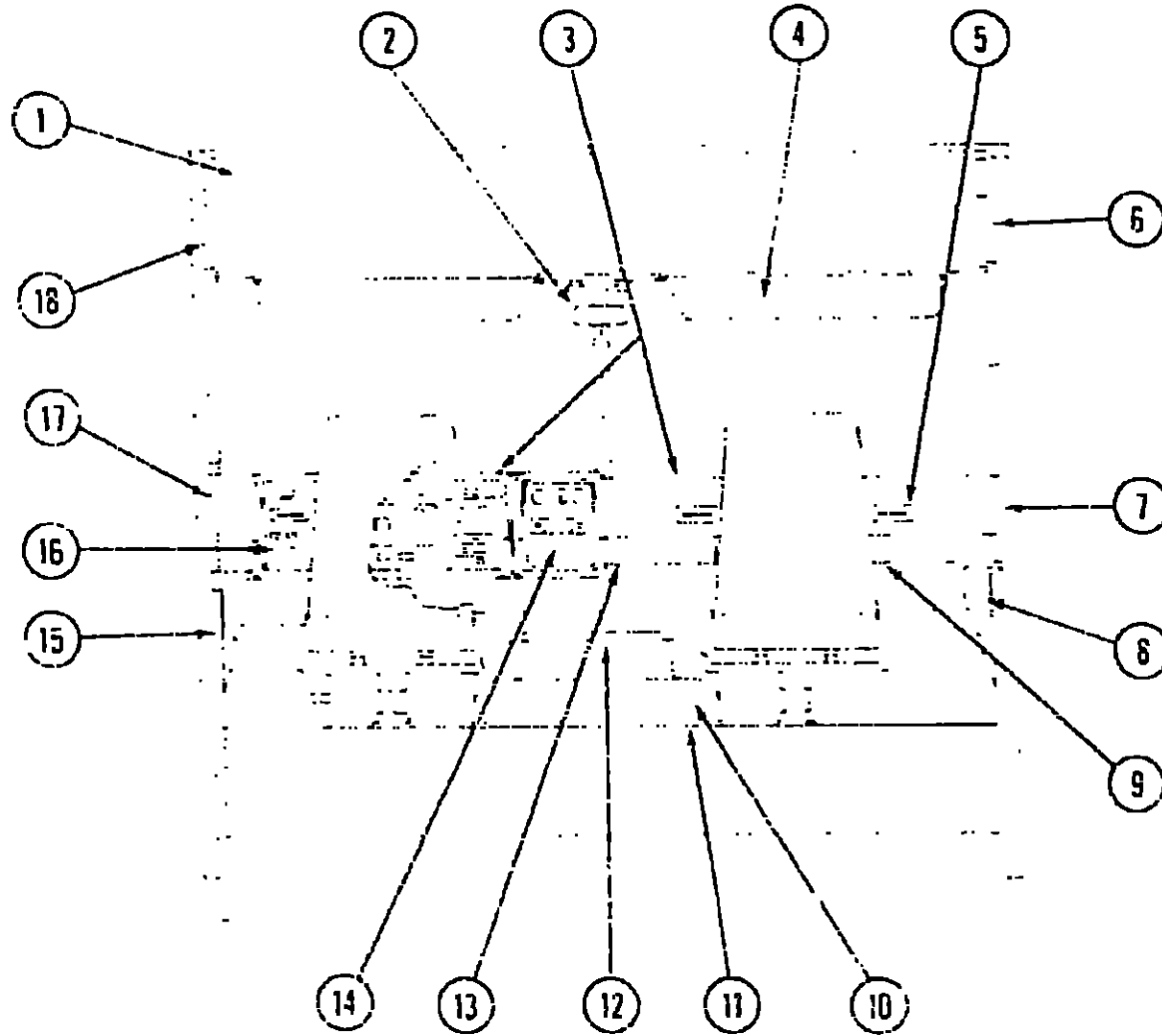
1986 WINNEBAGO TABLE OF CONTENTS

INTRODUCTION	A-01
ABBREVIATIONS	A-01
ALPHABETICAL INDEX	A-02 - A-04
WF426RU	A-05 - C-05
WCN27RU	C-09 - E-16
WCN31RT	E-17 - H-06
WCN33RU	H-07 - J-20

1986 WCN31RT INDEX

Floor Plan	E-17 - E-18
Accessories Group	E-19 - E-21
Bath Group	E-22 - E-23
Chassis Group	F-24 - F-06
Curtain, Cushion & Pad Group	F-07 - F-13
Dinette Group	F-14 - F-15
Driver's Compartment Group	F-16 - F-18
Electrical Group	F-19 - F-22
Exterior Body Group	F-23 - G-05
Galley Group	G-06 - G-08
Heating & Air Conditioning Group	G-09 - G-10
Interior Finish Group	G-11 - G-13
LP Group	G-14
Lounge Group	G-15
Water & Sewage Group	G-16 - G-17
Window, Vent & Exterior Door Group	G-18 - H-06

DRIVER'S COMPARTMENT GROUP (CONTINUED)



MISCELLANEOUS DRIVER'S COMPARTMENT COMPONENTS

Key	Part Number	U/M	Description
1	080085-02-000	EA	Header Trim Asm - Upper
2	083917-01-004	EA	Cabinet Asm - Front Overhead - w/o Bunk
3	040714-01-700	EA	Mirror - Inside Rear View - w Button Support
4	001113-12-103	EA	Dash Asm - Complete - w Gauges & Switches
5	079089-01-000	EA	Dash Pad - Passenger - Brown
6	079089-01-002	EA	Dash Pad - Drivers - Brown
7	024990-02-000	EA	Outlet - Defroster w. Switch - 2 - Dash - Brown
8	082266-01-004	EA	Sunvisor Asm - Right
9	082266-02-004	EA	Sunvisor Asm - Left
10	081917-01-000	EA	Cap - Sunvisor - Black Plastic
11	029044-01-000	EA	Leveller Asm - Air Conditioning Adjustable
12	080855-03-000	EA	Side Trim - Right Front - Upper w/o Bunk
13	083918-01-004	EA	Cabinet Asm - Front Overhead - Right - w/o Bunk
14	080856-03-000	EA	Side Trim - Right Front - Lower w/o Bunk
15	059414-05-000	EA	Pad - Sidewall Trim - Passenger - Vinyl
16	078511-01-000	EA	Side Panel - Passenger - Plastic
17	059467-04-103	EA	Pad - Map Pocket - Passenger - Vinyl
18	023219-01-010	EA	Glove Compartment Door
19	023892-01-000	EA	Glove Compartment Box - Black Fiberglass
20	023115-01-000	EA	Glove Compartment Twist Lock
21	024595-01-000	EA	Glove Compartment Hinge
22	034309-01-000	EA	Glove Compartment Chain - Door
23	075909-01-000	EA	Motor Cover - Fiberglass
24	075904-01-000	EA	Mounting Bracket - Motor Cover
25	035625-01-000	FT	Seal - Engine Cover - Neoprene
26			Not illustrated
27			NOTE: To be special ordered only.

DRIVER'S COMPARTMENT GROUP (CONTINUED)

MISCELLANEOUS DRIVER'S COMPARTMENT COMPONENTS (CONT.)

Key	Part Number	U/M	Description
12	080216-01-000	EA	Beverage Tray
13	023834-01-000	EA	Panel - Knee Kick - Bottom of Dash
14	076006-03-000	EA	Bezel - Entertainment Center - w Radio & Generator Switch
14	076006-02-000	EA	Bezel - Entertainment Center - w Radio
15	059198-05-000	EA	Side Panel - Drivers - Plastic
15	064495-02-000	EA	Panel - Drivers Door - Inner - Plastic
15	059467-03-103	EA	Pad - Map Pocket - Driver's - Vinyl
16	046886-03-000	EA	Asn Tray - Chrome
16	071668-01-000	EA	Bezel - Control Panel
16	071658-03-000	EA	Bezel - Control Panel - (Aux Fuel)
16	078591-01-000	EA	Trim - Instrument Panel - Front - Passenger
16	078552-01-000	EA	Trim - Instrument Panel - Front - Driver
16	052367-01-000	EA	Cigarette Lighter Asm - 12 Volt
16	097041-01-000	EA	Bezel - Cigarette Lighter
16	061424-01-000	EA	Lamp Asm - Map Gauge
16	061400-05-000	EA	Assist Strap - 12" - Medium Almond
17	059414-05-000	EA	Pad - Sidewall Trim - Driver - Vinyl
18	030855-04-000	EA	Side Trim - Left Front - Upper (w/o Bunk)
18	080856-04-000	EA	Side Trim - Left Front - Lower (w/o Bunk)
18	083918-02-004	EA	Cabinet Asm - Front Overhead - Left - w/o Bunk
18	054250-01-000	EA	Support - Dimmer Switch - w/o Holes
18	076573-01-000	EA	Windshield Trim - Interior - Upper - Passenger
18	078579-02-000	EA	Windshield Trim - Interior - Upper - Driver
18	079765-01-000	EA	Windshield Trim - Center
18	079206-01-000	EA	Windshield Trim - Interior - Post - Passenger
18	079206-02-000	EA	Windshield Trim - Interior - Post - Driver
18	079245-01-000	EA	Steering Column Boot - Vinyl
18			Not illustrated

DASH SWITCHES & GAUGES

Key	Part Number	U/M	Description
	024461-01-000	EA	Switch - Battery
	024462-01-000	EA	Switch - Battery Condition
	024464-02-000	EA	Switch - Battery - Dual Boost
	024464-01-000	EA	Switch - Washer
	024465-01-000	EA	Switch - Fuel
	024467-01-000	EA	Switch - Wiper
	024976-01-000	EA	Switch - Generator w/o Circuit Breaker
	074097-01-000	EA	Switch - Intermittent - Windshield Wiper
	024459-04-000	EA	Gauge - Voltmeter
	024460-04-000	EA	Gauge - Vacuum
	024460-02-000	EA	Mounting Bracket - Vacuum Gauge
	021035-02-000	EA	Gauge - Generator Hourmeter

ELECTRONIC INSTRUMENT PANEL (OPTION)

Key	Part Number	U/M	Description
	NOTE	EA	Electronic Instrument Panel
	071608-04-000	EA	Bezel - Electronic - Instrument Panel
	071608-06-000	EA	Bezel - Electronic - Instrument Panel (Aux Fuel)
	082124-01-000	EA	Bezel - Smoked Insert - Electronic Instrument Panel
	076006-05-000	EA	Bezel - Entertainment Center - w Radio - Black
	076006-07-000	EA	Bezel - Entertainment Center - w Radio & Generator Switch - Black

NOTE: This item available from your Chrysler Service Center.

1986 WINNEBAGO TABLE OF CONTENTS

INTRODUCTION	A-01
ABBREVIATIONS	A-01
ALPHABETICAL INDEX	A-02 - A-04
WF426RU	A-05 - C-03
WCN27RU	C-09 - E-16
WCN31RT	E-17 - H-05
WCN33RU	H-07 - J-20

1986 WCN31RT INDEX

Floor Plan	F-17 - E-18
Accessories Group	E-19 - E-21
Bath Group	E-22 - E-23
Chassis Group	E-24 - F-05
Curtain, Cushion & Pad Group	F-07 - F-13
Dinette Group	F-14 - F-15
Driver's Compartment Group	F-16 - F-18
Electrical Group	F-19 - F-22
Exterior Body Group	F-23 - G-05
Galley Group	G-06 - G-08
Heating & Air Conditioning Group	G-09 - G-10
Interior Finish Group	G-11 - G-13
LP Group	G-14
Lounge Group	G-15
Water & Sewage Group	G-16 - G-17
Window, Vent & Exterior Door Group	G-18 - H-05

ELECTRICAL GROUP

RULES

Key	Part Number	U/M	Description
	005220-01-000	EA	Bulb - 12V - 25W
	009103-01-000	EA	Bulb - 53
	009213-01-000	EA	Bulb - 57
	009314-01-000	EA	Bulb - 57
	0096196-01-000	EA	Bulb - 194
	009215-01-000	EA	Bulb - 1003
	007479-01-000	EA	Bulb - 1076
	003914-01-000	EA	Bulb - 1139
	003718-01-000	EA	Bulb - 1141
	007935-01-000	EA	Bulb - 1157
	056286-02-000	EA	Bulb - 9431805 - Dome Light
	091633-01-000	EA	Bulb - Make-up Light

FUSES & CIRCUIT BREAKERS

Key	Part Number	U/M	Description
	008232-01-000	EA	Fuse - 6 Amp - 12 Volt
	008234-01-000	EA	Fuse - 10 Amp - 12 Volt
	046693-01-000	EA	Fuse - 13 Amp - 12 Volt
	008235-01-000	EA	Fuse - 15 Amp - 12 Volt
	008236-01-000	EA	Fuse - 20 Amp - 12 Volt
	008248-01-000	EA	Fuse - 30 Amp - 110 Volt - AGU
	006252-01-000	EA	Fuse - 50 Amp - 110 Volt
	056473-02-000	EA	Fuse - 5 Amp - Slow Blow
	056473-01-000	EA	Fuse - 6 1/4 Amp - Slow Blow
	062901-02-000	EA	Fuse - 5 Amp - Automotive
	062901-05-000	EA	Fuse - 15 Amp - Automotive
	008211-01-000	EA	Circuit Breaker - 6 Amp - 12 Volt
	005208-01-000	EA	Circuit Breaker - 40 Amp - 12 Volt
	033573-02-000	EA	Circuit Breaker - 15 Amp - 12 Volt - w. Mount
	033573-01-000	EA	Circuit Breaker - 20 Amp - 12 Volt - w. Mount
	044456-03-000	EA	Circuit Breaker - 25 Amp - 12 Volt - w. Mount
	008269-01-000	EA	Circuit Breaker - 30 Amp - 12 Volt - w. Mount
	040051-01-000	EA	Circuit Breaker - 20 Amp - 110 Volt - TCL
	008297-01-000	EA	Circuit Breaker - 120 Amp - TOL
	008295-01-000	EA	Circuit Breaker - 130 Amp - TOL
	075735-02-000	EA	Circuit Breaker - 15 Amp - 120 Volt (Ground Fault Interrupter)
	071279-05-000	EA	Circuit Breaker - 20 Amp - 120 Volt
	071279-04-000	EA	Circuit Breaker - 30 Amp - 120 Volt
	071279-03-000	EA	Circuit Breaker - 15 1/2 Amp - 120 Volt
	071279-02-000	EA	Circuit Breaker - 15 20 Amp - 120 Volt
	071279-01-000	EA	Circuit Breaker - 30 15 Amp - 120 Volt
	071280-01-000	EA	Circuit Breaker - Blank
	050283-02-000	EA	Circuit Breaker - Bus Bar
	071279-07-000	EA	Circuit Breaker - 20 20 - 120 Volt
	063209-01-000	EA	Circuit Breaker - 15 Amp - 120 Volt
	063209-02-000	EA	Circuit Breaker - 15 15 Amp - 120 Volt
	063209-03-000	EA	Circuit Breaker - 15 20 Amp - 120 Volt
	063209-04-000	EA	Circuit Breaker - 30 Amp - 120 Volt
	063209-05-000	EA	Circuit Breaker - 20 Amp - 120 Volt
	063209-06-000	EA	Circuit Breaker - 30 15 Amp - 120 Volt
	063210-01-000	EA	Circuit Breaker - GFI - 20 Amp - 120 Volt
	063210-02-000	EA	Circuit Breaker - GFI - 15 Amp - 120 Volt

ELECTRICAL GROUP (CONTINUED)

WIRE, SWITCHES & RECEPTACLES

Key	Part Number	U/M	Description
	009058-01-000	EA	Adapter - Power Cord
	008288-01-000	EA	Box - Electrical - 3" x 3 1/2" - Plastic
	008289-01-000	EA	Box - Electrical - 4" x 4" - 1 2 & 3 4 Steel - UL
	008289-02-000	EA	Box - Electrical - 4" x 4" - 1 2 & 3 4 Steel - CSA
	058049-01-000	EA	Box - Electrical - 2' x 3" x 2 25" - Steel
	041953-01-000	EA	Conduit - Convolute Silt - 5" I.D.
	008353-01-000	EA	Connector - Clamping - 3 9 Cable - UL & CSA
	058028-01-000	EA	Connector - Pigtail - Clear Nylon
	008314-01-000	EA	Connector - Wire Nut - Gray
	008311-01-000	EA	Connector - Wire Nut - Red
	031968-01-000	EA	Contact Plug - Brass - Tin Plated
	031967-01-000	EA	Contact - Receptacle
	008054-01-000	EA	Cord - Power - 10-3 30 Amp - 25' - UL
	008052-01-000	EA	Cord - Power - 10-3 30 Amp - 25' - CSA
	069239-01-000	EA	Cover - Electrical Box - 4" x 4"
	058048-01-000	EA	Cover - Electrical Box - 4 5/8" x 2 7/8" - Rain Tight (Exterior)
	024571-03-000	EA	Cover Plate - Receptacle - Jumbo - Brown Plastic
	024571-04-000	EA	Cover Plate - Receptacle - Jumbo - Ivory Plastic
	008164-01-000	EA	Cover Plate - Switch - Brown
	008294-01-000	EA	Cover - Flat Blank - 4" x 4" - Steel - US
	008294-02-000	EA	Cover - Flat Blank - 4" x 4" - Steel - CSA
	008250-01-000	EA	Fuse Holder - In Line - 10 Amp
	008250-02-000	EA	Fuse Holder - In Line - 15 Amp
	008277-01-000	EA	Fuse Holder - Panel Mount - Black
	064399-01-000	EA	Housing Asm - Trailer Pin
	064450-01-000	EA	Housing Asm - Trailer Plug
	064399-01-000	EA	Housing Asm - Trailer Receptacle
	054532-01-000	EA	Housing Pin - 6 Position
	046685-01-000	EA	Plate - Mounting Switch
	075736-01-000	EA	Receptacle Cover Asm - Gray (Exterior)
	068709-01-000	EA	Receptacle - Duplex - Brown
	008157-01-000	EA	Receptacle - Duplex - Brown (Exterior Backwall)
	056709-02-000	EA	Receptacle - Duplex - Ivory
	053126-01-000	EA	Receptacle - Ground Fault Interrupter - 125 Volt - Ivory
	024224-02-000	EA	Receptacle - Power Cord
	056707-01-000	EA	Receptacle - Single - Brown
	053912-01-000	EA	Relay - Camstar SPDT w. Ground
	075723-01-000	EA	Switch - Black Spacer - w. 6 Holes
	075723-02-000	EA	Switch - Black Spacer - w. 4 Holes
	008162-01-000	EA	Switch - Double Toggle - Brown
	077942-02-000	EA	Switch - Dummy - Brown
	056264-01-000	EA	Switch - Leaf Actuator
	081086-01-000	EA	Switch - 2 Gang - 2 Switch
	079362-01-000	EA	Switch Plate - 3 Gang - 2 Switches
	079264-01-000	EA	Switch Plate - Single - w. Switches
	079264-01-000	EA	Switch - On/Off Rocker - Brown
	008185-01-000	EA	Switch - Push Button - 12 Volt
	008163-01-000	EA	Switch - Toggle - Brown
	005050-01-000	EA	TV Jack - Ivory
	047443-02-000	EA	Terminal - 250 Receptacle - 12-10 AWG
	038417-01-000	EA	Terminal - Pin Receptacle - 125 Dia
	008346-01-000	EA	Terminal Ring - 2 - w. 3 8 Stud
	008331-01-000	EA	Terminal Ring - 4 - w. 3 8 Stud
	008328-01-000	EA	Terminal Ring - 12 10 Wire
	054855-01-000	EA	Wire Asm - Generator Switch
	008023-01-000	FT	Wire - 18 5 Bonded - Blue Red Yellow Orange Wt 14
	008024-01-000	FT	Wire - 18 5 Bonded - Orange White Yellow Blue Brown
	008025-01-000	FT	Wire - 18 5 Bonded - Orange White Yellow Blue Green
	008026-01-000	FT	Wire w. Ground - Romex - 12 0

1986 WINNEBAGO TABLE OF CONTENTS

INTRODUCTION	A-01
ABBREVIATIONS	A-01
ALPHABETICAL INDEX	A-02 - A-04
WF426RU	A-05 - C-08
WCN27RU	C-09 - E-16
WCN31RT	E-17 - H-06
WCN33RU	H-07 - J-20

1986 WCN31RT INDEX

Floor Plan	E-17 - E-18
Accessories Group	E-19 - E-21
Bath Group	E-22 - E-23
Chassis Group	E-24 - F-05
Curtain, Cushion & Pad Group	F-07 - F-13
Dinette Group	F-14 - F-15
Drawers Compartment Group	F-16 - F-18
Electrical Group	F-19 - F-22
Exterior Body Group	F-23 - G-05
Galley Group	G-06 - G-09
Heating & Air Conditioning Group	G-09 - G-10
Interior Finish Group	G-11 - G-13
LP Group	G-14
Lounge Group	G-15
Water & Sewage Group	G-16 - G-17
Window Vent & Exterior Door Group	G-18 - H-06

ELECTRICAL GROUP (CONTINUED)

INTERIOR LIGHT

Key	Part Number	U/M	Description
	065202-03-000	EA	Lamp - Decor - Wall - Bright Brass - 2 Bulb
	033505-02-000	EA	Light - Dome - Ivory - 1 Bulb - US
	033508-03-000	EA	Light - Dome - Ivory - 1 Bulb - CSA
	033509-02-000	EA	Light - Dome - Ivory - 2 Bulb - US
	023509-03-000	EA	Light - Dome - Ivory - 2 Bulb - CSA
	076424-02-000	EA	Light - Fluorescent - 12V - 18" - Almond
	051424-01-000	EA	Light - 12V Receptacle - Aisle - IP
	007309-01-000	EA	Light - Strip Wall
	072353-07-000	EA	Light - Reading - Double - 360° Swivel - Tan
	072353-03-000	EA	Light - Reading - Single - 360° Swivel - Almond
	056937-02-000	EA	Dome Light - Surface - w/o Switch
	056288-03-000	EA	Housing - Dome Light
	056288-04-000	EA	Lens - Dome Light
	056288-05-000	EA	Clip - Dome Light
	051653-01-000	EA	Light - Make-up
	082626-01-000	EA	Lamp - Decor - Table - Brass w. Wood
	082626-02-000	EA	Shade - Table Lamp
	045201-02-000	EA	Shade - Parchment - 2 Bulbs - Lamp
	051909-01-000	EA	Light Strip - 18" Clear Plastic

EXTERIOR LIGHTS

Key	Part Number	U/M	Description
	007309-01-000	EA	Light - License Plate
	081625-01-000	EA	Tail Lamp Asm - 2 Bulb - Black Trim
	081639-01-000	EA	Lens - Tail Lamp - Red
	051639-01-000	EA	Lens - Tail Lamp - Red w/ Red Lin
	042405-01-000	EA	Lens - Rectangular - Red - Reflex
	042405-02-000	EA	Lens - Rectangular - Amber - Reflex
	042405-03-000	EA	Base - Rectangular Side Marker Light
	008089-01-000	EA	Light - Porch - Recessed
	079764-01-000	EA	Mounting Bracket - Right Front Turn Signal - Gray
	079764-02-000	EA	Mounting Bracket - Left Front Turn Signal - Gray
	079764-03-000	EA	Mounting Bracket - Right Front Turn Signal - Bronze
	079764-04-000	EA	Mounting Bracket - Left Front Turn Signal - Bronze
	053120-01-000	EA	Bracket - License Plate - Gray
	049185-01-000	EA	Headlight Capsule Asm - High Low Beam - Driver
	049185-01-000	EA	Headlight Capsule Asm - High Low Beam - Passenger
	049187-01-000	EA	Headlight Capsule Asm - High Beam - Driver
	049185-01-000	EA	Headlight Capsule Asm - High Beam - Passenger
	051250-02-000	EA	Light Asm - Clearance - Red
	081250-01-000	EA	Light Asm - Clearance - Amber

WINDSHIELD WIPERS & WASHER

Key	Part Number	U/M	Description
**	056000-02-000	EA	Washer Asm - Windshield
**	057653-01-000	EA	Arm - Windshield Wiper - 18" - Black
**	067191-02-000	EA	Motor Asm - Windshield Wiper - 2 Speed
**	067192-01-000	EA	Link Asm - Connecting - Left
**	067193-01-000	EA	Link Asm - Connecting - Right
**	049464-03-000	EA	Blade - Windshield Wiper - 20" - Black
**	067190-01-000	EA	Shaft and Pulley Asm
**	074007-01-000	EA	Switch - Wiper Delay
**	057474-01-000	EA	Wiper Asm

** The illustrated parts breakdown for this item is provided on the Common Items Fiche

ELECTRICAL GROUP (CONTINUED)

MISCELLANEOUS ELECTRICAL COMPONENTS

Key	Part Number	U/M	Description
	047338-03-000	EA	Isolator - Dual Battery - 70 Amp
	008182-01-000	EA	Solenoid - Dual Battery - Relay
	039961-01-000	EA	Sending Unit Kit - Gemac
	049812-12-000	EA	Refrigerator Sensor - Refrigerator Alarm
	065201-02-000	EA	Lamp Shade - Fabric - Parchment
	063206-02-000	EA	Control Center - 45 Amp

1986 WINNEBAGO TABLE OF CONTENTS

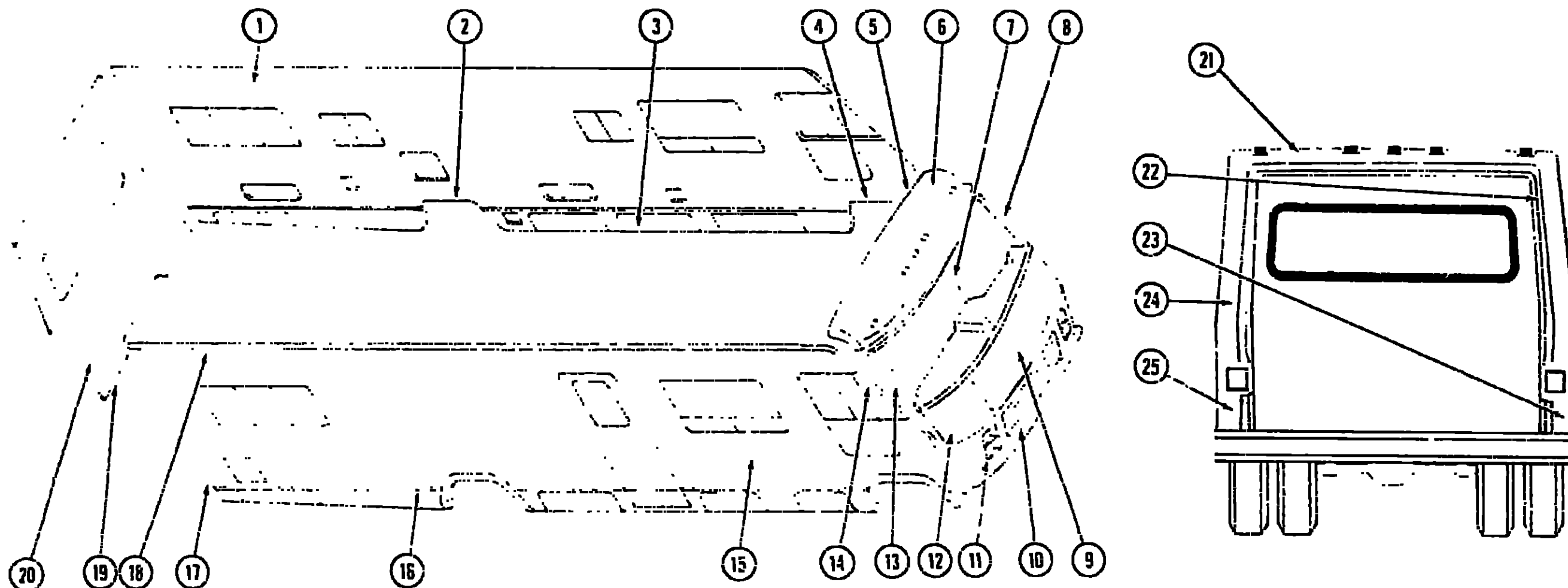
INTRODUCTION	A-01
ABBREVIATIONS	A-01
ALPHABETICAL INDEX	A-02 - A-04
WF426RU	A-05 - C-05
WCN27RU	C-09 - E-16
WCN31RT	E-17 - H-26
WCN33RI	H-07 - J-20

1986 WCN31RT INDEX

Floor Plan	E-17 - E-18
Accessories Group	E-19 - E-21
Bath Group	E-22 - F-23
Chassis Group	E-24 - F-05
Curtain Cushion & Pad Group	F-07 - F-13
Dinette Group	F-14 - F-15
Driver's Compartment Group	F-16 - F-15
Electrical Group	F-19 - F-22
Exterior Body Group	F-23 - G-05
Garage Group	G-06 - G-08
Heating & Air Conditioning Group	G-09 - G-10
Interior Finish Group	G-11 - G-13
LP Group	G-14
Lounge Group	G-15
Water & Sewage Group	G-16 - G-17
Window Vent & Fabric or Duct Group	G-18 - H-06

EXTERIOR BODY GROUP

EXTERIOR BODY PANELS



1986 WINNEBAGO TABLE OF CONTENTS

INTRODUCTION	A-01
ABBREVIATIONS	A-01
ALPHABETICAL INDEX	A-02 - A-04
WF426RU	A-05 - C-08
WCN27RU	C-09 - E-16
WCN31RT	E-17 - H-06
WCN33RU	H-07 - J-20

Key	Part Number	U M	Description
1	M83660-01-U04	EA	Sidewall Asm - Left
1	M83660-01-U05	EA	Sidewall Asm - Left
1	M81660-01-U00	EA	Sidewall Asm - Left
2	U89487-07-000	EA	Trim - Wheel Well - Rear - U Channel - Driver or Passenger
3	075077-01-000	EA	Trim - Wheel Well - Rear - Plastic - Passenger
4	075070-03-001	EA	Trim - Wheel Well - Rear - Plastic - Driver
5	075639-01-001	EA	Ext - Rocker Panel - 216
6	073647-02-000	EA	Trim - Wheel Well - Front - U Channel - Driver or Passenger
7	078556-01-000	EA	Trim - Wheel Well - Front - Plastic - Passenger
8	078556-03-000	EA	Trim - Wheel Well - Front - Plastic - Driver
9	075180-01-000	EA	Trim - Roof Front Cap
10	M71499-01-703	EA	Cap - Over Windshield - Beige
11	076075-02-000	EA	Trim - Molding - Windshield - Center
12	076075-03-000	EA	Trim - Molding - Windshield - Driver
13	077044-02-000	EA	Trim - Molding - Windshield - Lower
14	077044-03-000	EA	Trim - Molding - Windshield - Lower
15	077050-02-000	EA	Cap - Rear Molding
16	078750-04-000	EA	Headlamp Bezel - Driver
17	078750-03-703	EA	Access Panel - w hardware
18	078691-01-703	EA	Grip Arm
19	078750-03-000	EA	Headlamp Bezel - Passenger
20	078338-01-000	EA	Screw Asm - Headlamp - Adjusting
21	049059-01-000	EA	Spring - Headlamp Retainer
22	020107-01-000	EA	Headlamp Guard
23	M31115-01-703	EA	Panel Asm - Front Shroud - includes access panel
24	079176-01-000	EA	Trim - Contour - Windshield - Passenger
25	077044-01-000	EA	Trim - Molding - Windshield Upper
26	079946-01-000	EA	Trim - Molding - Windshield Lower
27	079234-01-000	EA	Trim - Front End Panel - Passenger - Beige
28	079234-02-000	EA	Trim - Front End Panel - Driver - Beige

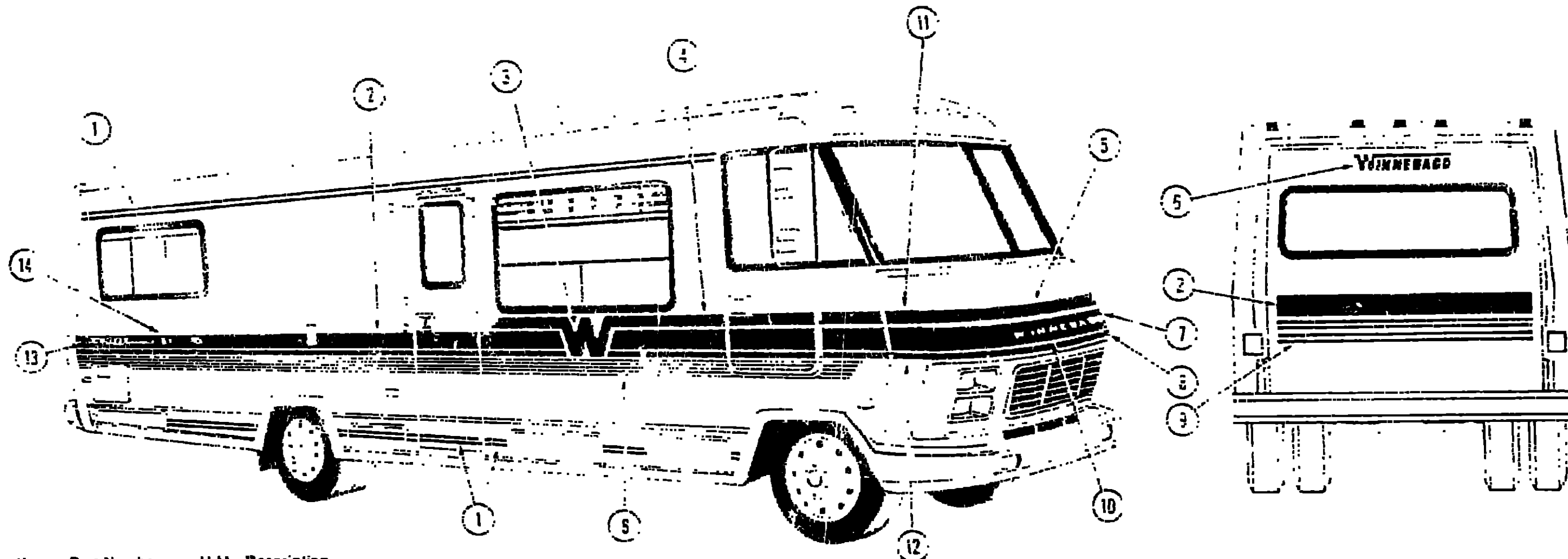
Key	Part Number	U M	Description
15	M51470-01-U04	EA	Sidewall Asm - Right
16	M31470-01-U05	EA	Sidewall Asm - Right
17	M51470-01-U06	EA	Sidewall Asm - Right
18	069576-05-000	EA	Feature Strip - Ext Beige - 14 - w 3 Insert
19	009731-01-000	EA	End Cap - Feature Strip Insert
20	001030-12-100	EA	Insert - Feature Strip - Beige - 17
21	073502-19-000	EA	Trim - Right Rear - Beige
22	073502-20-000	EA	Trim - Left Rear - Beige
23	075600-06-000	EA	Trim - Sidewall - Upper - Driver or Passenger - Beige
24	060406-05-000	EA	Trim - Backwall - Lower - Driver or Passenger
25	060762-01-U04	EA	Rear Asm
26	061650-01-U04	EA	Sidewall Asm
27	M81690-02-000	EA	Trim - Rear - Center Upper - Beige - Beige
28	061456-01-000	EA	Trim - Rear - Upper Passenger - Plastic - Beige
29	060457-01-000	EA	Trim - Rear - Lower Passenger - Plastic - Beige
30	060456-02-000	EA	Trim - Rear - Upper Driver - Plastic - Beige
31	060457-02-000	EA	Trim - Rear - Lower Driver - Plastic - Beige
32	078577-01-000	EA	Butter End Cap - Front Passenger - Beige - Beige
33	078577-02-000	EA	Butter End Cap - Front Driver - Beige - Beige
34	076078-01-000	EA	Butter End Cap - Rear Passenger - Beige
35	076078-02-000	EA	Butter End Cap - Rear Driver - Beige
36	077070-01-000	EA	Frontpass Sidewall Strip - 44 x 10 - 376 - Mesa
37	077070-02-000	EA	Frontpass Sidewall Strip - 44 x 12 - 15 - Mesa
38	077070-03-000	EA	Alum - Beige - No Drains - 45 x 95
39	044467-01-U01	EA	Alum - M - Finish - No Drains - 45 x 95
40	000666-01-000	SP	Styl - 150 - 150 - 150
41	000670-01-000	SP	Styl - 150 - 150 - 150
42	000670-02-000	SP	Styl - 150 - 150 - 150
43	000670-03-000	SP	Styl - 150 - 150 - 150
44	000670-04-000	SP	Styl - 150 - 150 - 150
45	000670-05-000	SP	Styl - 150 - 150 - 150
46	000670-06-000	SP	Styl - 150 - 150 - 150
47	000670-07-000	SP	Styl - 150 - 150 - 150
48	000670-08-000	SP	Styl - 150 - 150 - 150
49	000670-09-000	SP	Styl - 150 - 150 - 150
50	000670-10-000	SP	Styl - 150 - 150 - 150
51	000670-11-000	SP	Styl - 150 - 150 - 150
52	000670-12-000	SP	Styl - 150 - 150 - 150
53	000670-13-000	SP	Styl - 150 - 150 - 150
54	000670-14-000	SP	Styl - 150 - 150 - 150
55	000670-15-000	SP	Styl - 150 - 150 - 150
56	000670-16-000	SP	Styl - 150 - 150 - 150
57	000670-17-000	SP	Styl - 150 - 150 - 150
58	000670-18-000	SP	Styl - 150 - 150 - 150
59	000670-19-000	SP	Styl - 150 - 150 - 150
60	000670-20-000	SP	Styl - 150 - 150 - 150
61	000670-21-000	SP	Styl - 150 - 150 - 150
62	000670-22-000	SP	Styl - 150 - 150 - 150
63	000670-23-000	SP	Styl - 150 - 150 - 150
64	000670-24-000	SP	Styl - 150 - 150 - 150
65	000670-25-000	SP	Styl - 150 - 150 - 150
66	000670-26-000	SP	Styl - 150 - 150 - 150
67	000670-27-000	SP	Styl - 150 - 150 - 150
68	000670-28-000	SP	Styl - 150 - 150 - 150
69	000670-29-000	SP	Styl - 150 - 150 - 150
70	000670-30-000	SP	Styl - 150 - 150 - 150
71	000670-31-000	SP	Styl - 150 - 150 - 150
72	000670-32-000	SP	Styl - 150 - 150 - 150
73	000670-33-000	SP	Styl - 150 - 150 - 150
74	000670-34-000	SP	Styl - 150 - 150 - 150
75	000670-35-000	SP	Styl - 150 - 150 - 150
76	000670-36-000	SP	Styl - 150 - 150 - 150
77	000670-37-000	SP	Styl - 150 - 150 - 150
78	000670-38-000	SP	Styl - 150 - 150 - 150
79	000670-39-000	SP	Styl - 150 - 150 - 150
80	000670-40-000	SP	Styl - 150 - 150 - 150
81	000670-41-000	SP	Styl - 150 - 150 - 150
82	000670-42-000	SP	Styl - 150 - 150 - 150
83	000670-43-000	SP	Styl - 150 - 150 - 150
84	000670-44-000	SP	Styl - 150 - 150 - 150
85	000670-45-000	SP	Styl - 150 - 150 - 150
86	000670-46-000	SP	Styl - 150 - 150 - 150
87	000670-47-000	SP	Styl - 150 - 150 - 150
88	000670-48-000	SP	Styl - 150 - 150 - 150
89	000670-49-000	SP	Styl - 150 - 150 - 150
90	000670-50-000	SP	Styl - 150 - 150 - 150
91	000670-51-000	SP	Styl - 150 - 150 - 150
92	000670-52-000	SP	Styl - 150 - 150 - 150
93	000670-53-000	SP	Styl - 150 - 150 - 150
94	000670-54-000	SP	Styl - 150 - 150 - 150
95	000670-55-000	SP	Styl - 150 - 150 - 150
96	000670-56-000	SP	Styl - 150 - 150 - 150
97	000670-57-000	SP	Styl - 150 - 150 - 150
98	000670-58-000	SP	Styl - 150 - 150 - 150
99	000670-59-000	SP	Styl - 150 - 150 - 150
100	000670-60-000	SP	Styl - 150 - 150 - 150

1986 WCN31RT INDEX

Floor Plan	E-17 - E-18
Accessories Group	E-19 - E-21
Bath Group	E-22 - E-23
Chassis Group	E-24 - F-06
Curtain Cushion & Pad Group	F-07 - F-13
Dinette Group	F-14 - F-15
Driver's Compartment Group	F-16 - F-18
Electrical Group	F-19 - F-22
Exterior Body Group	F-23 - G-05
Galley Group	G-06 - G-08
Heating & Air Conditioning Group	G-09 - G-10
Interior Finish Group	G-11 - G-13
LP Group	G-14
Lounge Group	G-15
Water & Sewage Group	G-16 - G-17
Window Vent & Exterior Door Group	G-18 - H-06

EXTERIOR BODY GROUP (CONTINUED)

DECALS & EXTERIOR PAINT



1986 WINNEBAGO
TABLE OF CONTENTS

APPLY DECALS	A-1
APPLY PAINT	A-2
EXTERIOR DECALS	A-3
APPLY EXTERIOR PAINT	A-4
WHEELS	A-5
EXTERIOR LIGHTS	A-6
WARRANTY	B-1
INDEX	B-2

Key	Part Number	U-M	Description
...
...
...
...
...
...
...
...
...
...
...
...
...
...
...
...
...
...
...
...
...
...
...
...
...
...

Key	Part Number	U M	Description
...
...
...
...
...
...
...
...
...
...
...
...
...
...
...
...
...
...
...
...
...
...

1986 WCN31RT INDEX

Body Panel	E-12-E-18
Accessories Group	E-19-E-21
Belt Group	E-22-E-23
Door Group	E-24-E-27
Front Quarter & Front Glass	E-28-E-29
Front Panel	E-30-E-31
Exterior Light Group	E-32-E-33
Exterior Panel Group	E-34-E-35
Exterior Trim Group	E-36-E-37
Grille Group	E-38-E-39
Heating & Air Conditioning Group	E-40-E-41
Interior Panel Group	E-42-E-43
LPG Group	E-44
Roof Group	E-45
Skirt & Fridge Group	E-46-E-47
Window, Unit & Exterior Door Group	E-48-E-50

HEATING & AIR CONDITIONING GROUP

HEATING & AIR CONDITIONING GROUP (CONTINUED)

FURNACE & ROOF AIR CONDITIONER

Key	Part Number	U M	Description
	017621-01-001	EA	Flue Gas Valve - BTU - w/ Pilot Ignition
	017622-01-001	EA	Thermocouple
	017623-01-001	EA	Electrical Panel
	017624-01-001	EA	Vertical Air
	017625-01-001	EA	Horizontal Air
	017626-01-001	EA	Motor - 1/2 HP
	017627-01-001	EA	Motor - 1/2 HP
	017628-01-001	EA	Motor - 1/2 HP
	017629-01-001	EA	Motor - 1/2 HP
	017630-01-001	EA	Motor - 1/2 HP
	017631-01-001	EA	Motor - 1/2 HP
	017632-01-001	EA	Motor - 1/2 HP
	017633-01-001	EA	Motor - 1/2 HP
	017634-01-001	EA	Motor - 1/2 HP
	017635-01-001	EA	Motor - 1/2 HP
	017636-01-001	EA	Motor - 1/2 HP
	017637-01-001	EA	Motor - 1/2 HP
	017638-01-001	EA	Motor - 1/2 HP
	017639-01-001	EA	Motor - 1/2 HP
	017640-01-001	EA	Motor - 1/2 HP
	017641-01-001	EA	Motor - 1/2 HP
	017642-01-001	EA	Motor - 1/2 HP
	017643-01-001	EA	Motor - 1/2 HP
	017644-01-001	EA	Motor - 1/2 HP
	017645-01-001	EA	Motor - 1/2 HP
	017646-01-001	EA	Motor - 1/2 HP
	017647-01-001	EA	Motor - 1/2 HP
	017648-01-001	EA	Motor - 1/2 HP
	017649-01-001	EA	Motor - 1/2 HP
	017650-01-001	EA	Motor - 1/2 HP
	017651-01-001	EA	Motor - 1/2 HP
	017652-01-001	EA	Motor - 1/2 HP
	017653-01-001	EA	Motor - 1/2 HP
	017654-01-001	EA	Motor - 1/2 HP
	017655-01-001	EA	Motor - 1/2 HP
	017656-01-001	EA	Motor - 1/2 HP
	017657-01-001	EA	Motor - 1/2 HP
	017658-01-001	EA	Motor - 1/2 HP
	017659-01-001	EA	Motor - 1/2 HP
	017660-01-001	EA	Motor - 1/2 HP
	017661-01-001	EA	Motor - 1/2 HP
	017662-01-001	EA	Motor - 1/2 HP
	017663-01-001	EA	Motor - 1/2 HP
	017664-01-001	EA	Motor - 1/2 HP
	017665-01-001	EA	Motor - 1/2 HP
	017666-01-001	EA	Motor - 1/2 HP
	017667-01-001	EA	Motor - 1/2 HP
	017668-01-001	EA	Motor - 1/2 HP
	017669-01-001	EA	Motor - 1/2 HP
	017670-01-001	EA	Motor - 1/2 HP
	017671-01-001	EA	Motor - 1/2 HP
	017672-01-001	EA	Motor - 1/2 HP
	017673-01-001	EA	Motor - 1/2 HP
	017674-01-001	EA	Motor - 1/2 HP
	017675-01-001	EA	Motor - 1/2 HP
	017676-01-001	EA	Motor - 1/2 HP
	017677-01-001	EA	Motor - 1/2 HP
	017678-01-001	EA	Motor - 1/2 HP
	017679-01-001	EA	Motor - 1/2 HP
	017680-01-001	EA	Motor - 1/2 HP
	017681-01-001	EA	Motor - 1/2 HP
	017682-01-001	EA	Motor - 1/2 HP
	017683-01-001	EA	Motor - 1/2 HP
	017684-01-001	EA	Motor - 1/2 HP
	017685-01-001	EA	Motor - 1/2 HP
	017686-01-001	EA	Motor - 1/2 HP
	017687-01-001	EA	Motor - 1/2 HP
	017688-01-001	EA	Motor - 1/2 HP
	017689-01-001	EA	Motor - 1/2 HP
	017690-01-001	EA	Motor - 1/2 HP
	017691-01-001	EA	Motor - 1/2 HP
	017692-01-001	EA	Motor - 1/2 HP
	017693-01-001	EA	Motor - 1/2 HP
	017694-01-001	EA	Motor - 1/2 HP
	017695-01-001	EA	Motor - 1/2 HP
	017696-01-001	EA	Motor - 1/2 HP
	017697-01-001	EA	Motor - 1/2 HP
	017698-01-001	EA	Motor - 1/2 HP
	017699-01-001	EA	Motor - 1/2 HP
	017700-01-001	EA	Motor - 1/2 HP

AUTOMOTIVE HEATER & AIR CONDITIONER

Key	Part Number	U M	Description
	017341-04-001	EA	Heater Evaporator Asm
	017342-04-001	EA	Vacuum Motor - Front
	017343-04-001	EA	Vacuum Motor - Rear
	017344-04-001	EA	Relay
	017345-04-001	EA	Electrical Coil
	017346-04-001	EA	Blower Motor - #8
	017347-04-001	EA	Blower Motor - #10
	017348-04-001	EA	Blower Motor
	017349-04-001	EA	Blower Wheel
	017350-04-001	EA	Duct & Control Kit
	017351-04-001	EA	Condenser Asm
	017352-04-001	EA	Receiver Drier - Condenser Asm
	017353-04-001	EA	Compressor Clutch
	017354-04-001	EA	Package - Compressor Mount
	017355-04-001	EA	Package - Compressor Mount - 5.2 L Diesel
	017356-04-001	EA	Lower Arm - A/C Adjustable
	017357-04-001	FT	Hose - Flexible PVC - 2 1/2" ID
	017358-04-001	FT	Hose - Flexible PVC - 2 1/2" ID
	017359-04-001	FT	Hose - Heater - 5 1/2" ID SAE 20R3
	017360-04-001	EA	Clamp - Worm Drive - 09 - 1 1/2" ID
	017361-04-001	EA	Tee - Plastic - Barb 5/8" or 3/4" Hoss
	017362-04-001	EA	Cone - Evaporator

AUXILIARY HEATER ASSEMBLY

Key	Part Number	U M	Description
	049401-01-001	EA	Heater Asm - Rear - Aux - 311
	049402-01-001	EA	Valve - Heater Control
	049403-01-001	EA	Control Cable
	049404-01-001	EA	Motor Asm
	049405-01-001	EA	Heater Core
	049406-01-001	EA	Switch
	049407-01-001	EA	Control Panel - Brown
	049408-01-001	EA	Bracket - Side Mount - Motor Asm
	049409-01-001	EA	Mesh - Grate - 7 1/2" x 6 7/8" - Grid Aluminum

1986 WINNEBAGO TABLE OF CONTENTS

INTRODUCTION	A-01
ABBREVIATIONS	A-01
ALPHABETICAL INDEX	A-02 - A-04
W/FABER	A-05 - A-06
W/CNTRU	C-09 - E-16
W/CN31RT	E-17 - E-20
W/CN31AU	F-07 - G-03

1986 WCN31RT INDEX

Floor Plan	E-17 - E-18
Accessories Group	E-19 - E-21
Bath Group	E-22 - E-23
Chassis Group	E-24 - F-05
Curtain, Cushion & Pad Group	F-07 - F-13
Dinette Group	F-14 - F-15
Driver's Compartment Group	F-16 - F-18
Electrical Group	F-19 - F-20
Exterior Body Group	F-23 - G-02
Galley Group	G-05 - G-08
Heating & Air Conditioning Group	G-09 - G-10
Interior Finish Group	G-11 - G-13
LP Group	G-14
Lounge Group	G-15
Water & Sewage Group	G-16 - G-17
Window, Vent & Exterior Door Group	G-18 - H-05

INTERIOR FINISH GROUP

CURTAIN & CUSHION HARDWARE

Key	Part Number	U M	Description
	074994-01-000	EA	Bracket-Asm - Curtain Rod - Right
	074994-02-000	EA	Bracket-Asm - Curtain Rod - Left
	074994-12-000	EA	Bracket - Hold Down - Blind
	074994-03-000	EA	Bracket - Bedroom Valance - Right - Beige
	074994-04-000	EA	Bracket - Bedroom Valance - Left - Beige
	074994-05-000	EA	Track - Curtain - 12' - Beige - Bottom
	074994-06-000	EA	Guide - Curtain - Bottom
	074994-07-000	EA	Shut-Solect - Curtain Bottom
	074994-08-000	EA	Bracket - Blind - Top Right
	074994-09-000	EA	Bracket - Blind - Top Left
	074994-10-000	EA	Bracket - Blind Installation
	074994-11-000	EA	Shut-Solect - Tie Back
	074994-12-000	EA	Bracket - Tie Back
	074994-13-000	EA	Bracket - Shade - Left
	074994-14-000	EA	Bracket - Shade - Right
	074994-15-000	EA	Flux - Window Shade - Anticlim Brass
	074994-16-000	YD	Tape - Clear Plastic - w. Goggles
	074994-17-000	YD	Tape Hook - 1" x 50' - Beige
	074994-18-000	YD	Tape Hook - 50' - Yellow - Beige
	074994-19-000	YD	Tape Hook - 1" x 50' - Beige
	074994-20-000	FT	Top - Drapery - Clear Vinyl
	074994-21-000	EA	Track - Curtain - Brown Plastic - Top
	074994-22-000	EA	Track - Curtain - Wraparound - Right
	074994-23-000	EA	Track - Curtain - Wraparound - Left

PANELING & LAMINATE

Key	Part Number	U M	Description
	074497-04-000	SF	Paneling - Scrimshaw Sand - 48" x 84" - 108 SF - Wall
	074497-05-000	SF	Paneling - Decor - Rosette - 48" x 84" - 108 SF - Bedroom & Bath
	074497-06-000	SF	Paneling - Decor - Paw Print - 48" x 84" - 108 SF - Garage U04 U05
	074497-07-000	SF	Paneling - Decor - Petit Beach - 48" x 84" - 108 SF - Garage
	074497-08-000	SF	Paneling - Sunset Oak - 48" x 84" - 108 SF - Cabinets
	074497-09-000	SF	Plastic Laminate - Beige Crested - Garage
	074497-10-000	SF	Plastic Laminate - Fawn - Bath & Dressing U04 U05
	074497-11-000	SF	Plastic Laminate - Sage Green - Bath & Dressing U05
	074497-12-000	SF	Plastic Laminate - Sunset Oak - Nightstand & Table Tops
	074497-13-000	EA	Plastic Laminate - Edge Band - Beige Crested - 1 9/16" x 95'
	074497-14-000	EA	Plastic Laminate - Edge Band - Fawn - 1 9/16" x 95' - U04 U05
	074497-15-000	EA	Plastic Laminate - Edge Band - Sage Green - 1 9/16" x 95' - U04
	074497-16-000	EA	Plastic Laminate - Edge Band - Sunset Oak - 1 9/16" x 95'

MISCELLANEOUS PARTS

Key	Part Number	U M	Description
	053552-02-T03	EA	Hande Asm - Inter. of Assist - Medium Almond Vinyl
	041944-03-000	EA	Fire Extinguisher - FBC
	041944-02-000	EA	Bracket - Fire Extinguisher
	054155-24-000	EA	Owners Manual - 1986 Masca & Winnebago
	007035-01-000	EA	Door Mat - 10' 1/2" x 26" - Black Rubber
	075507-02-000	EA	Picture - Decor - Assorted Grasses
	055201-02-000	EA	Lamp Shade - Fabric - Parchment
	082686-02-000	EA	Shade - Table Lamp

INTERIOR FINISH GROUP (CONTINUED)

FABRICS & CARPET

Key	Part Number	U M	Description
	077499-60-000	YD	Fabric - Main w. Stripes - Beige - U04
	077499-63-000	YD	Fabric - Main w. Stripes - Rose - U05
	077499-64-000	YD	Fabric - Main w. Stripes - Spruce - U06
	077499-75-000	YD	Fabric - Patterned Accent - Rose - U05
	077499-74-000	YD	Fabric - Patterned Accent - Spruce - U06
	077499-73-000	YD	Fabric - Plain Accent - Beige & Spruce - U04 U05
	077499-72-000	YD	Fabric - Plain Accent - Rose - U05
	089709-42-000	YD	Fabric - Bedroom Drapery - Multi-color - U04 U05 U06
	070333-21-000	YD	Fabric - Bedroom Drapery - Parchment - U04 U05 U06
	070333-21-000	YD	Fabric - Wraparound & Black-out - Parchment - U04 U05 U06
	070333-25-000	YD	Fabric - Drapery - Beige - U04
	070333-26-000	YD	Fabric - Drapery - Rose - U05
	070333-27-000	YD	Fabric - Drapery - Spruce - U06
	088421-02-000	YD	Fabric - Mattress Ticking - Beige Brown
	082859-01-T03	FT	Trim Asm - Accent - Sandrift
	082859-02-T03	FT	Trim Asm - Accent - Buckskin
	079880-01-000	YD	Vinyl - Expanded - 28 oz - Buckskin - U04 U05 U06
	079880-02-000	YD	Vinyl - Expanded - 28 oz - Sandrift - U04 U05 U06
	088421-01-000	YD	Fabric - Mattress Ticking
	029012-01-000	BF	Fram - Roped - 3 8
	079880-01-000	YD	Vinyl - Expanded - 28 oz - Buckskin - Beige
	079880-02-000	YD	Vinyl - Expanded - 28 oz - Dark Sandrift
	071887-42-000	YD	Carpet - Beige - U04
	071887-44-000	YD	Carpet - Slate Gray - Beige Brown - U05
	072860-45-000	YD	Carpet - Green Blue - U05
	075233-01-000	YD	Carpet Pad - 3 8 - Foam

INTERIOR MOLDING & TRIM

Key	Part Number	U M	Description
	084707-01-000	EA	Cover - Sideload Roll Bar - Beige
	081521-01-001	EA	Molding - Windows - Corner - 1 1/2
	042357-09-000	FT	Molding - Radius Corner - 7 1/2
	022890-05-000	FT	Molding - Reverse Cove - White
	022890-09-000	FT	Molding - Reverse Cove - Gray Brown
	069733-37-000	EA	Ball Strip - Sunset Oak - 5 - Bedroom
	069733-40-000	EA	Ball Strip - Scrimshaw Sand - 5 - Wall
	069733-62-000	EA	Ball Strip - Petite Beach - 6 - Ceiling
	067733-67-000	EA	Ball Strip - Encore - 6 - Garage & Bath
	071504-01-000	FT	U-Channel - B15 - Light Brown
	070804-02-000	FT	U-Channel - B15 - Light Brown
	070804-03-000	FT	U-Channel - B15 - Grady Brown
	009775-04-000	FT	U-Channel - 1 - Gray Brown
	009815-03-000	FT	T-Molding - 7 1/2 - Light Brown
	009815-04-000	FT	T-Molding - 7 1/2 - Grady Brown
	076325-04-000	FT	T-Molding - 1 1/2 1/2 - Sunset Oak
	077540-01-T03	EA	Molding - Wall Cap - 95' - Vinyl Covered - Sunset Oak
	077953-01-000	EA	Grommet - 1 - Hole Liner
	075249-01-000	EA	Roll Asm - Plain - 12
	078076-21-T03	EA	Trim - Valance - 62
	002771-02-001	EA	Trim - Carpet - 192
	073321-01-000	EA	Trim - Carpet - Wall
	052839-05-T03	FT	Accent Trim - Buckskin
	052859-05-T03	FT	Accent Trim - Dark Sandrift
	021241-01-000	FT	Vinyl - Extr. - White
	059352-01-000	FT	Insert - Vinyl - Style & Rail
	009767-06-000	FT	Wetling - Beige
	009767-07-000	FT	Wetling - Grady Brown
	074045-01-000	EA	Plug - 1 3/4" Dia - Oak
	042355-01-000	EA	Plug - 3 5/8" - Manogany
	041746-01-000	FT	Vinyl - Extr. - Supple Seal

**1986 WINNEBAGO
TABLE OF CONTENTS**

INTRODUCTION	A-01
ABBREVIATIONS	A-01
ALPHABETICAL INDEX	A-02 - A-04
WF425RU	A-05 - C-08
WCN2TRU	C-09 - E-16
WCN31RT	E-17 - H-05
WCN33RU	H-07 - J-20

1986 WCN31RT INDEX

Floor Plan	E-17 - E-18
Accessories Group	E-19 - E-21
Bath Group	E-22 - E-23
Chassis Group	E-24 - F-08
Curtain, Cushion & Pad Group	F-07 - F-17
Dinette Group	F-14 - F-15
Driver's Compartment Group	F-16 - F-18
Electrical Group	F-19 - F-22
Exterior Body Group	F-23 - G-05
Galley Group	G-05 - G-06
Heating & Air Conditioning Group	G-09 - G-10
Interior Finish Group	G-11 - G-13
LP Group	G-14
Lounge Group	G-15
Water & Sewage Group	G-16 - G-17
Window Vent & Exterior Door Group	G-18 - H-06

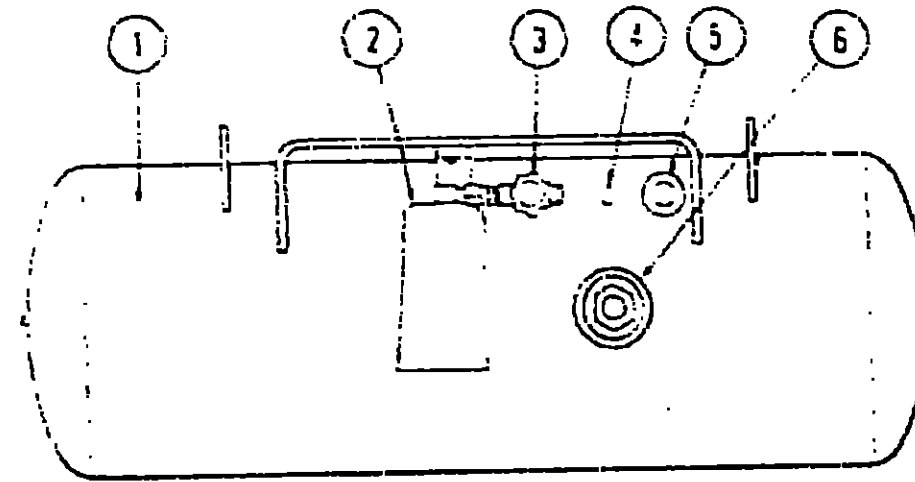
INTERIOR FINISH GROUP (CONTINUED)

CABINETS & TABLE HARDWARE

Key	Part Number	U M	Description
	053000-01-000	EA	Bracket - Upper Wall Mount - 23 1/2" - Beige
**	053200-01-000	EA	Bracket - Table Mount - 23"
	054275-05-000	EA	Foot - Table Leg - 8" x 23 1/2" - Beige
	054280-07-000	EA	Bracket - Lower Wall Mount - 23 1/2" - Beige
	054276-14-000	EA	Leg Asm - Table - 26 1/2" - Br. Wd.
	054286-01-000	EA	Hinge - Table Leg
**	054281-01-000	EA	Bracket - Table Leg
**	054283-01-000	EA	Cap - 1" O.D. Tube
	054490-02-000	EA	Crown - Table Leg - Mounts on Floor - Brown
**	055200-01-000	EA	Latch - Hidden - Cabinet Door w. Strike
	054100-01-000	EA	Flange - 1 1/2" Dia. - 1/8" Thick - Offset Peg
	057200-01-000	EA	Slide - Drawer - Plastic - 20 1/2"
	050040-01-000	EA	Table Support - Drop Leaf
	050070-01-000	EA	Hinge - Antique Brass
	050050-01-000	EA	Hinge - 2" - Drop Leaf Table - Gold
	050050-02-000	EA	Hinge - 2" - Brass
**	047740-01-000	EA	Kit - Drawer Glide
	054460-01-000	EA	Glides - Wall Mount - Door Pocket
	057800-01-000	EA	Roller - Antique Brass - w. Cap
	057780-01-000	EA	Cap - Ass'y - SST - TV Table
	059000-01-000	EA	Eyelet - Catch - Spring Loaded
	051600-01-000	EA	Bolt - Slide - Antique Brass
	057670-01-000	EA	Screen Cover - #5 - Off White
	050000-01-000	EA	Mesh - Grate - 21 1/2" x 12 1/2" - Gold Aluminum
	050150-01-000	EA	Ward Guard - #4
	050000-01-000	EA	Catch - Nylon - Furnace Door
	050000-02-000	EA	Strike - Nylon Corn - Furnace Door
**	059070-01-000	EA	Hinge - Cabinet Door - Antique Brass
	054490-02-000	EA	Support - Spring - Door
	056400-01-000	EA	Knob - Cup - Bright
	058000-01-000	EA	Latch - Door w. Lock
	056600-01-000	EA	Clothes Rod - Adjustable - 27" x 36"
	053005-01-000	EA	Slide Drawer - 15" - Left
	053005-02-000	EA	Slide Drawer - 15" - Right
	053005-03-000	EA	Slide Cabinet - 15" - Left
	053005-04-000	EA	Slide Cabinet - 15" - Right
	058010-01-000	EA	Roller - Cabinet - Brass Cap
	054900-01-000	EA	Roller - Nylon w. Sheet - Pull Out Table

** The illustrated parts break-down for this item is provided on the Common Items Fiche.

LP GROUP



Key	Part Number	U M	Description
1	074140-01-000	EA	Tank Asm - LP - Frame Mount - 50 Pound - 13" x 44"
1	055740-01-000	EA	Detector - LP Gas Leak - Marshmallow Instruments
2	081900-01-000	EA	Compartment - LP Regulator
1	076300-01-000	EA	Regulator - Two Stage - L/S - Dual
1	076300-02-000	EA	Regulator - Two Stage - CSA - Dual
3	040420-01-700	EA	Valve - Vapor Relief
4	040420-01-700	EA	Gauge - Liquid Level - 20" LP
5	040420-01-700	EA	Valve - Filter - LP
1	040420-01-700	EA	Cap - Plastic Fill Valve
6	040420-01-700	EA	Gauge - Float - w. Visible Dial
1	040420-01-700	EA	Dial - Visible Face - Float Gauge - Tank w. Electric Transmitter
1	040420-01-000	EA	Dial - Transmitter - 0 - 90 Cent. - Float Gauge
1	045700-01-000	EA	Hose Asm - LP - 3/8" ID x 24' - US
1	045700-02-000	EA	Hose Asm - LP - 3/8" ID x 24' - CSA
1	045700-03-000	EA	Hose Asm - LP - 3/8" ID x 18' - US
1	045700-04-000	EA	Hose Asm - LP - 3/8" ID x 14' - CSA
1	055740-01-000	EA	Tee - 3/8" x 3/8" x 3/8" FPT
1	Not Illustrated		

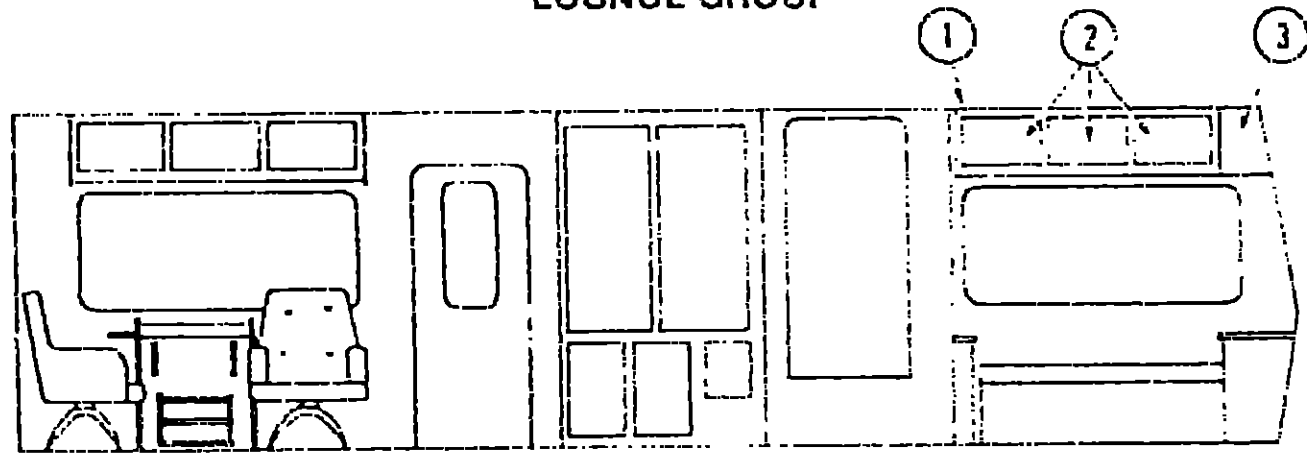
1986 WINNEBAGO TABLE OF CONTENTS

INTRODUCTION	A-01
ABBREVIATIONS	A-01
ALPHABETICAL INDEX	A-02 - A-04
WFA20RU	A-05 - C-08
WCN2TRU	C-09 - E-16
WCN31RT	E-17 - H-05
WCN33RU	H-07 - J-20

1986 WCN31RT INDEX

Floor Plan	E-17 - E-18
Accessories Group	E-19 - E-21
Bath Group	E-22 - E-23
Chassis Group	E-24 - F-06
Curtain, Cushion & Pad Group	F-07 - F-13
DINETTE Group	F-14 - F-15
Driver's Compartment Group	F-16 - F-18
Electrical Group	F-19 - F-22
Exterior Body Group	F-23 - G-05
Galley Group	G-06 - G-08
Heating & Air Conditioning Group	G-09 - G-10
Interior Finish Group	G-11 - G-13
LP Group	G-14
Lounge Group	G-15
Water & Sewage Group	G-16 - G-17
Window, Vent & Entry or Door Group	G-18 - H-05

LOUNGE GROUP



LOUNGE OVERHEAD CABINETRY

Key	Part Number	U/M	Description
1	081970-03-T03	EA	Cabinet Asm - Lounge Overhead - Passenger - w. 0 Doors or Hardware
1	081970-01-T03	EA	Cabinet Asm - Lounge Overhead - Driver - w. 0 Doors or Hardware
2	M81503-01-T03	EA	Door Asm - Overhead Cabinets - w. 0 Hardware
3	051308-09-U04	EA	Cabinet Asm - Rear Overhead - w. 0 Doors or Hardware
*	M81503-04-T03	EA	Door Asm - Rear Overhead - w. 0 Hardware
*			Not illustrated

QUEEN BED CABINETRY

Key	Part Number	U/M	Description
	081707-05-U04	EA	Cabinet Asm - Rear Overhead - w. 0 Doors or Hardware
	M81503-02-U01	EA	Door Asm - Rear Overhead - w. 0 Hardware
	M81759-01-T03	EA	Cabinet Asm - Nightstand - Passenger
	M02159-01-T03	EA	Countertop Asm - Nightstand - Top
	M02159-02-T03	EA	Countertop Asm - Nightstand - Bottom
	M81760-01-T03	EA	Cabinet Asm - Nightstand - Driver - w. 0 Hardware
	M02160-01-T03	EA	Countertop Asm - Nightstand - Bottom
	M02160-02-T03	EA	Countertop Asm - Nightstand - Top
	M76921-04-U04	EA	Drawer Asm - Nightstand - w. 0 Hardware
	M81501-30-T03	EA	Door Asm - Queen Bed - w. 0 Hardware

TWIN BED CABINETRY

Key	Part Number	U/M	Description
	M81549-01-U04	EA	Cabinet Asm - 3 Door Nightstand - w. 0 Doors or Hardware
	M81501-33-T03	EA	Door Asm - 3 Door Nightstand - Upper
	M81502-10-T03	EA	Door Asm - 3 Door Nightstand - Lower Left
	M81502-09-T03	EA	Door Asm - 3 Door Nightstand - Lower Right
	M02178-01-T03	EA	Countertop Asm - 3 Door Nightstand - Upper
	M02177-01-T03	EA	Countertop Asm - 3 Door Nightstand - Lower
	M83441-01-U04	EA	Cabinet Asm - 1 Door Nightstand - w. 0 Doors or Hardware
	M81501-93-U04	EA	Door Asm - 1 Door Nightstand - Lower
	M02609-01-U04	EA	Countertop Asm - 1 Door Nightstand - Upper
	M02609-01-U04	EA	Countertop Asm - 1 Door Nightstand - Lower
	081721-01-U04	EA	Cabinet Asm - Twin Bed - Right Sidewall
	M81722-01-U04	EA	Cabinet Asm - Twin Bed - Left Sidewall
	M81501-39-T03	EA	Door Asm - Twin Bed
	077483-05-U01	EA	Headboard Asm - Twin Bed - Parchment

WATER & SEWAGE GROUP

PLUMBING & REPAIR PARTS

Key	Part Number	U/M	Description
	033302-09-000	EA	Adapter Asm - SWWC Strain - 1 1/2"
	010326-01-000	EA	Adapter - Flare - w. O-Ring Gasket
	062427-01-000	EA	Adapter - Hose Offset - Reducer - 3" x 1 1/2"
	052954-01-000	EA	Adapter - Hose Cone - 3/8 or 1/2" - Plastic
	010324-01-000	EA	Adapter - Plastic - 3/8 MPT x 3/8 BVC
	044927-01-000	EA	Adapter - Plastic - 1 1/4" MPT x 1 1/4 Barb
	031622-02-000	EA	Adapter - Plastic - 1 1/2 H x FPT
	062417-01-000	EA	Adapter - Termination - 3"
	034020-01-000	QT	Adhesive - ABS Cement
	011046-04-000	EA	Breaker - Vacuum - 1/2 MPT - Nylon
**	010121-01-000	EA	Bushing - Plastic - 1 1/2 S x 1 1/4 H
	010122-01-000	EA	Bushing - Plastic - 1 1/2 S x 1 1/4 T
	010123-01-000	EA	Bushing - Plastic - 2 S x 1 1/2 H
	036523-02-000	EA	Cap - Brass - 1/2 Flare
	075730-01-000	EA	Cap - Sewer - 3"
	062959-02-000	EA	Connector - 1/2 F x 1/2 MPT - Plastic
	052959-03-000	EA	Connector - 1/2 F x 3/8 MPT - Plastic
	011091-02-000	EA	Continuous Waste - Double Sink - 11 7/8" - US
	063574-01-000	EA	Continuous Waste Asm - Double Sink - CSA
	075426-01-000	EA	Counter Rubber - 3" x 3"
	062950-01-000	EA	Drain Valve - 1/2 F x 1/2 F - Plastic
	010000-01-000	EA	Elbow - Plastic - 1/2 BD x 1 1/4 x 45° H x H
	010005-01-000	EA	Elbow - Plastic - 1 1/2 BD x 1 1/2
	010006-01-000	EA	Elbow - Plastic - 1 1/2 BD x 1 1/2 x 45° H x H
	010009-01-000	EA	Elbow - Plastic - 1 1/4 BD x 1 1/2 x 90° Left
	010011-01-000	EA	Elbow - ST - Plastic - 1/2 BD x 1 1/2 x 45°
	010019-01-000	EA	Elbow - 1 1/4 Barb x 1 1/4 MPT x 90°
	031111-01-000	EA	Elbow - Plastic - 1 1/2 BD x 1 1/4 x 90° Left
	014250-01-000	EA	Elbow - Plastic - 1 1/4 BD x 1 1/2 x 90° H x H
	035539-01-000	EA	Elbow - Plastic - 3/8 F x 3/8 Barb
	062957-01-000	EA	Elbow - Plastic - 1/2 F x 3/8 MPT
	062957-02-000	EA	Elbow - Plastic - 1/2 F x 1/2 MPT (In Tank Filter)
	069536-01-000	EA	Elbow - 1 1/4" Slip Joint Elbow
	065120-01-000	EA	Elbow - Plastic - Sewer - 50"
	070924-01-000	EA	Elbow - Plastic - Sewer - 1 1/2 MPT x 1 1/2 FP
	077954-01-000	EA	Filter Screen (In Water Tank)
	039647-02-000	EA	Filter - Water Pump - 1/2" MPT
	039647-03-000	EA	Filter - Water Pump - 1/2" Flare
	010147-01-000	EA	Flange - Closet - 4" F x 3" FPT - US
	010147-02-000	EA	Flange - Closet - 4" F x 3" FPT - CSA
	078381-01-000	FT	Flexible Tubing - 1 1/4 I.D. x 10'
	061607-01-000	EA	Grommet - Holding Tank Coupler - 1 1/2"
	061607-02-000	EA	Grommet - Holding Tank Coupler - 3"
	062419-02-000	EA	Handle - Extension - w. 6" Adapter
	052461-01-000	EA	Header - 1/2 F x 1/2 F x 1/2 F x 1/2 F
**	046524-01-000	EA	Kit - Holding Tank Fittings - Blank Tank
**	046524-03-000	EA	Kit - Water Tank Fittings - Blank Tank
	062953-01-000	EA	Nut - Faucet - 1/2 Tube x 1/2 FPT
	052952-01-000	EA	Nut - 1/2 F - Plastic
**	011056-03-000	EA	P-Trap - 1 1/4" Plastic - US
**	011056-02-000	EA	P-Trap - 1 1/4" Plastic - CSA
	053335-01-000	EA	P-Trap - Plastic - 1 1/4 H x H - w. Union - CSA
	010197-01-000	EA	Pipe - Plastic - 3" x 240" - Black
	045729-01-000	EA	Pump - Water - 2.8 G.P.M. - Direct Drive - Shutoff - US
	045729-02-000	EA	Pump - Water - 2.8 G.P.M. - Direct Drive - Shutoff - CSA
**	010201-01-000	EA	Sewer hose - 3" x 5' w. Clamp
	042959-02-000	EA	Spinweld Fittings - Plastic - 1/2 FPT (In Tank Filter)
	042959-03-000	EA	Spinweld Fittings - Plastic - 1/2 NPT
	042959-04-000	EA	Spinweld Fittings - Plastic - 3/8 FPT
	011069-02-000	EA	Tailpiece - 1 1/2" x 1 1/4" x 4" - Brass

** The illustrated parts breakdown for this item is provided on the Common Items Fiche

1986 WINNEBAGO TABLE OF CONTENTS

INTRODUCTION	A-01
ABBREVIATIONS	A-01
ALPHABETICAL INDEX	A-02 - A-04
W/F425RU	A-05 - C-06
W/CN27RU	C-09 - E-16
W/CN31RT	E-17 - H-06
W/CN33RU	H-07 - J-20

1986 WCN31RT INDEX

Floor Plan	E-17 - E-18
Accessories Group	E-19 - E-21
Bath Group	E-22 - E-23
Chassis Group	E-24 - F-06
Curtain, Cushion & Pad Group	F-07 - F-13
Dinette Group	F-14 - F-15
Driver's Compartment Group	F-16 - F-19
Electrics Group	F-19 - F-22
Exterior Body Group	F-23 - G-05
Galley Group	G-06 - G-08
Heating & Air Conditioning Group	G-09 - G-10
Interior Finish Group	G-11 - G-13
LP Group	G-14
Lounge Group	G-15
Water & Sewage Group	G-16 - G-17
Window, Vent & Exterior Door Group	G-18 - H-06

WATER & SEWAGE GROUP (CONTINUED)

PLUMBING & REPAIR PARTS (CGNT.)

Key	Part Number	U M	Description
	019071-01-000	EA	Tee - Plastic - 1 1/2" x 1 1/2" x 1 1/2" MPT
	019072-01-000	EA	Tee - Plastic - 1 1/2" x 1 1/4" x 1 1/2" H
**	019073-01-000	EA	Tee - Plastic - 1 1/2" H x 1 1/2" H x 1 1/4" H
	040172-01-000	EA	Tee - Plastic - 3/8" B x 3/8" B x 3/8" MPT
	052975-01-000	EA	Tee - Plastic - 1 1/2" F x 1 1/2" F x 1 1/2" MPT
	052976-01-000	EA	Tee - Plastic - 1 1/2" F x 1 1/2" MPT x 1 1/2" F
**	019074-01-000	EA	Trap Adapter - Plastic - 1 1/2" H x MPT
	019075-01-000	FT	Tubing - Polybutyl - 1/2" O.D. - Water Line
	079081-01-000	FT	Tubing - Flexible - Smooth - 1/2" I.D.
	079082-01-000	FT	Tubing - Vinyl - 3/4" I.D.
	079083-01-000	EA	Valve Asm - 3/8" E - w 2" Socket
	079084-01-000	EA	Valve - 1 1/2" - w Handle
	079085-01-000	EA	Valve - 3" - w Handle
	052950-01-000	EA	Valve - Line Drain - 1 1/2" F x 1 1/2" F
	052962-01-000	EA	Valve - Stop - 90° - 1 1/2" F x 3/8" MPT
	079073-01-000	EA	Wye - Plastic - 1 1/2" x 45° H x H

** The illustrated parts breakdown for this item is provided on the Common Items Fiche.

HOLDING TANKS & WATER HEATERS

Key	Part Number	U M	Description
	0101275-03-000	EA	Tank Asm - Water - 45 Gallon - w Fittings
	051169-01-000	EA	Tank Asm - Water - 45 Gallon - w Fittings
	0101275-01-000	EA	Tank Asm - Water - 21 Gallon - w Fittings
	051185-01-000	EA	Tank Asm - Water - 21 Gallon - w Fittings
	076574-01-000	EA	Tank - Holding - 40 Gallon - w Fittings - Waste Water
	051149-01-000	EA	Tank Asm - Holding - 44 Gallon - w Fittings - Sewage
**	051391-01-000	EA	Water Heater - w Motor Aid - Atwood - G6A-3
**	051391-03-000	EA	Water Heater - w Motor Aid - Atwood - G6A-3E
**	051393-01-000	EA	Water Heater - w Motor Aid - Direct Ignition - Atwood - G6A-3E

** The illustrated parts breakdown for this item is provided on the Common Items Fiche.

WINDOW, VENT & EXTERIOR DOOR

ACCESS DOORS

Key	Part Number	U M	Description
	079149-02-000	EA	Door Asm - Storage - 23 1/2"
	079435-02-000	EA	Door Asm - Storage - 25 1/2" - Beige
	079435-04-000	EA	Door Asm - Storage - 42" - Beige
	079435-01-000	EA	Door Asm - Storage - 25"
	079435-01-000	EA	Door Asm - Storage - 30 3/4" - Beige
	079435-01-000	EA	Door Asm - Storage - 30 3/4" - Beige
	051349-01-000	EA	Door Asm - Storage - 25 1/2" - Beige
	051349-02-000	EA	Door Asm - Storage - Passenger - Beige
	079321-02-000	EA	Door Asm - Storage - Driver - Beige
	079321-02-000	EA	Door Asm - Generator - Beige
	079321-04-000	EA	Door Asm - Refrigerator Access - Beige
	057009-03-000	EA	Door - Water Heater - Beige
	052423-02-000	EA	Door - Sewer Hose - Beige
	075730-01-000	EA	Outlet Extension - Sewage
	075730-01-000	EA	End Cap - Sewage Hose
	075010-04-000	EA	Door - Fuel Fill - Beige
	063742-02-000	EA	Door - Power Cord - Beige
	054424-02-000	EA	Jamb - Power Cord Fuel Fill - Beige
	054543-02-000	EA	Hatch - Power Cord
	054530-01-000	EA	Door Holder
	041312-01-000	EA	Seal - Bulk - E1 Section
	042440-01-000	EA	Lock Asm - Twist Type
	059003-01-000	EA	Lock Asm - Twist Type - w Chic
	047305-01-000	EA	Lock Asm - Key Type w Chic - Metal
	077405-01-000	EA	Lock Asm - Key Type
	079305-01-000	EA	Lock Asm - Key Type
	079927-01-000	EA	Lock Asm - Twist Type
	052951-01-000	EA	Chic - Twist Lock - Retainer
	042441-01-000	EA	Lock Asm - Key Type
	052950-01-000	EA	Lock Asm - Twist Type - White

VENTS

Key	Part Number	U M	Description
	071290-01-000	EA	Base - Refrigerator Vent
	071290-02-000	EA	Cover - Refrigerator Vent - 11 5/8" x 24 3/4" - Galvanized Steel
	055215-01-000	EA	Cover Asm - Roof Vent
	071290-01-000	EA	Frame Asm - Refrigerator Vent - 7 5/8" x 26 5/8" - Galvanized Steel
	079355-02-000	EA	Vent - Stovehood - Outside - Beige
	075055-01-000	EA	Vent Asm - Roof - Non-Powered - w Screen
	048535-01-000	EA	Vent Asm - Roof - Non-Powered
	079537-01-000	EA	Vent Asm - Roof - Powered - w Screen
	050507-01-000	EA	Skylight - Outside Panel
	050505-01-000	EA	Skylight - Inside Panel
	050255-01-000	EA	Collar - Skylight
	050262-01-000	EA	Shroud - Power Vent - Inner
	078785-01-000	EA	Screen Asm - Roof Vent
	075766-01-000	EA	Screen Asm - Roof Vent - Non-Powered

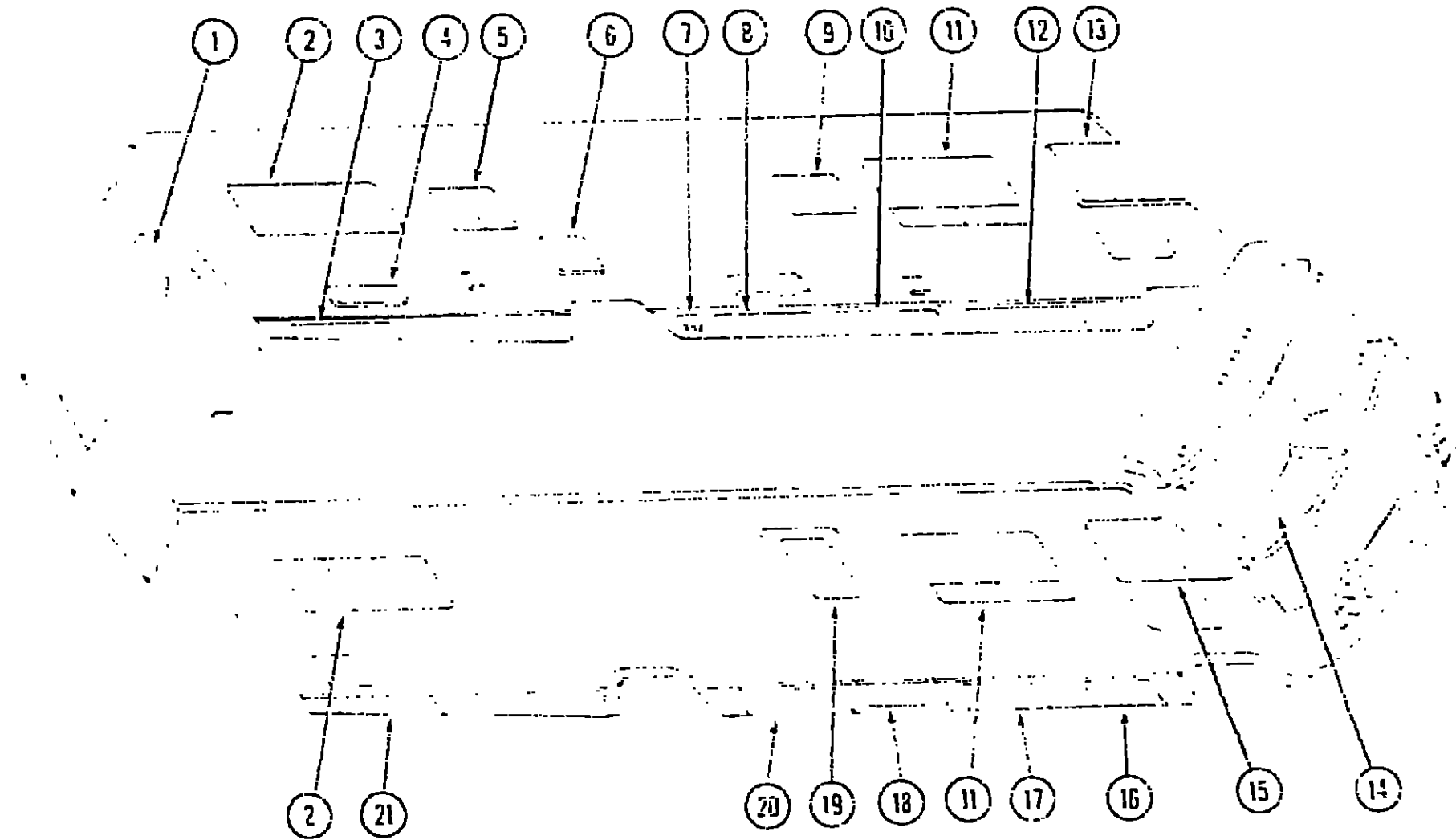
1986 WINNEBAGO TABLE OF CONTENTS

INTRODUCTION	A-01
ABBREVIATIONS	A-01
ALPHABETICAL INDEX	A-02 - A-04
AF426RU	A-05 - C-05
WCN31RT	C-09 - E-16
WCN31RT	E-17 - H-05
WCN33RU	H-07 - J-20

1986 WCN31RT INDEX

Floor Plan	E-17 - E-19
Accessories Group	E-19 - E-21
Bath Group	E-22 - E-23
Chassis Group	E-24 - F-05
Curtain, Cushion & Pad Group	F-07 - F-13
Dinette Group	F-14 - F-15
Driver's Compartment Group	F-16 - F-18
Electrical Group	F-19 - F-22
Exterior Body Group	F-23 - G-05
Galley Group	G-05 - G-08
Heating & Air Conditioning Group	G-09 - G-10
Interior Finish Group	G-11 - G-13
LP Group	G-14
Lounge Group	G-15
Water & Sewage Group	G-16 - G-17
Window, Vent & Exterior Door Group	G-18 - H-05

WINDOW, VENT & EXTERIOR DOOR GROUP (CONTINUED)



1986 WINNEBAGO
TABLE OF CONTENTS

INTRODUCTION	A-01
ABBREVIATIONS	A-02
ALPHABETICAL INDEX	A-03 - A-04
WFA26RU	A-05 - C-05
WON27RU	C-06 - E-16
WON31RT	E-17 - F-09
WON33RU	F-10 - J-01

1986 WCN31RT INDEX

Floor Pan	E-17 - E-18
Accessories Group	E-19 - E-21
Bath Group	E-22 - E-23
Chest Group	E-24 - F-05
Curtain, Curtain & Pad Group	F-07 - F-13
Dinette Group	F-14 - F-15
Driver's Compartment Group	F-16 - F-18
Electrical Group	F-19 - F-22
Exterior Body Group	F-23 - G-04
Galley Group	G-05 - G-08
Heating & Air Conditioning Group	G-09 - G-10
Interior Finish Group	G-11 - G-13
LP Group	G-14
Lounge Group	G-15
Water & Sewage Group	G-16 - G-17
Window, Vent & Exterior Door Group	G-18 - H-05

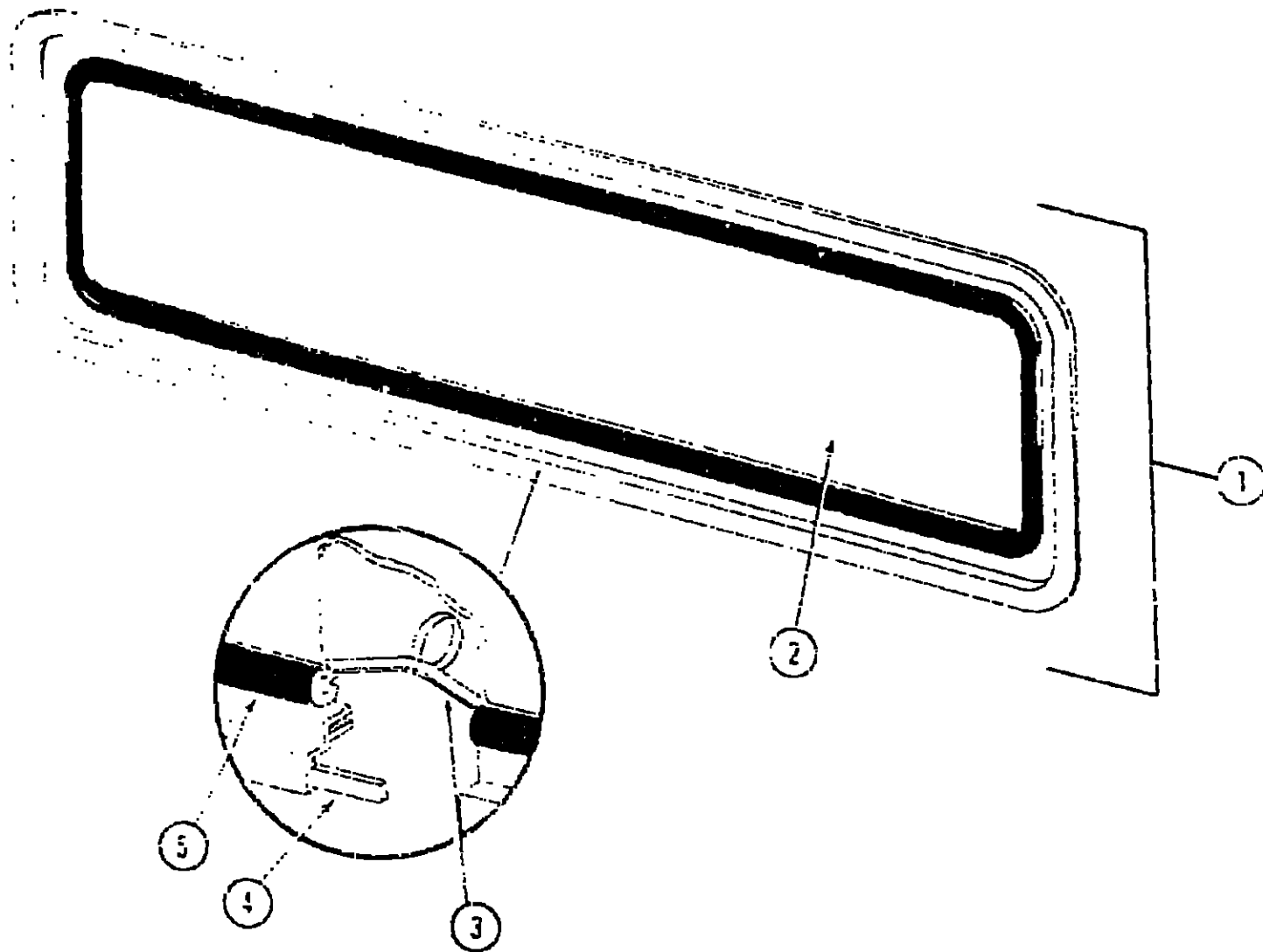
WINDOWS & ACCESS DOOR

Key	Part Number	U/M	Description
1	075525-01-T03	EA	Window Asm - Escape
2	078269-01-T03	EA	Window Asm - Double Slider
3	081349-02-T03	EA	Door Asm - Storage
4	079578-01-T03	EA	Door Asm - Storage
5	078265-04-T03	EA	Window Asm - Slider
6	078969-04-T03	EA	Door Asm - Refrigerator Access
7	NOTE	EA	Door Asm - Power Comp (See Access Doors)
8	079435-04-T03	EA	Door Asm - Storage
9	078265-03-T03	EA	Window Asm - Slider
10	079435-02-T03	EA	Door Asm - Storage
11	081559-02-L01	EA	Window Asm - Awning
12	079321-02-T03	EA	Door Asm - Generator
13	079145-02-T03	EA	Door Asm - Luggage
14	082057-02-U04	EA	Window Asm - Slant Slider
15	077675-01-000	EA	Glass - Windshield - Passenger
16	077675-02-000	EA	Glass - Windshield - Driver
17	082057-01-U04	EA	Window Asm - Slant Slider
18	079436-01-T03	EA	Door Asm - Storage
19	079436-03-T03	EA	Door Asm - Storage
20	M01370-01-T03	EA	Door Asm - Entrance
21	079733-04-T03	EA	Window Asm - Picture
22	079435-01-T03	EA	Door Asm - Storage
23	081349-01-T03	EA	Door Asm - Storage

WINDSHIELD

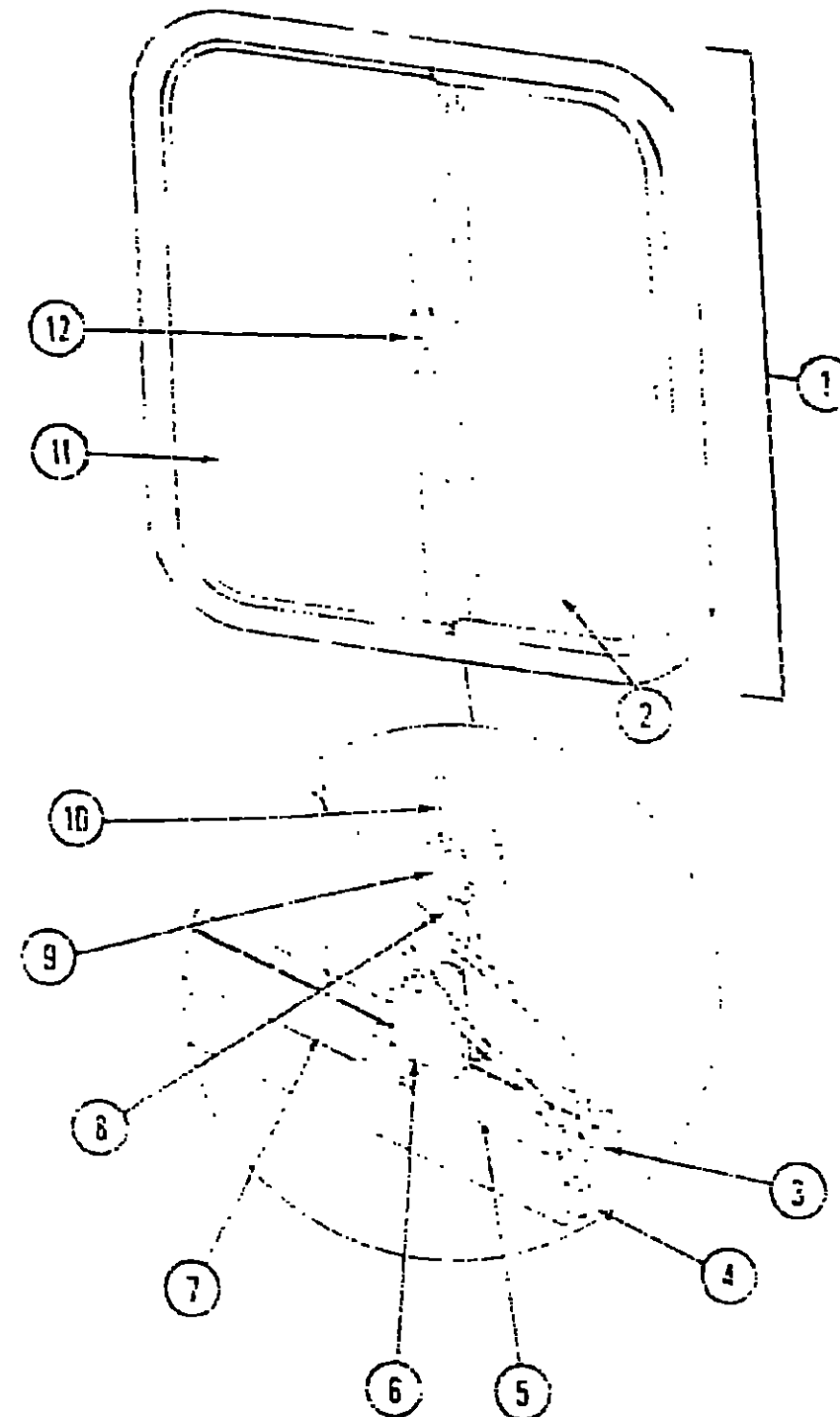
Key	Part Number	U/M	Description
	077675-01-000	EA	Glass - Windshield - Passenger
	077675-02-000	EA	Glass - Windshield - Driver
	072859-01-000	EA	Sealer Tape
	072893-01-000	QT	Primer - Metal Prep
	072891-01-000	QT	Primer - Glass Prep - Clear
	072892-01-000	QT	Primer - Glass Prep - Black
	055291-01-000	FT	Edge Molding - Windshield Glass
	002326-02-000	EA	Block - Windshield Spacer
	077844-01-000	EA	Revel Molding - Upper Right
	077844-02-000	EA	Revel Molding - Upper Left
	077945-01-000	EA	Revel Molding - Lower Right
	077945-02-000	EA	Revel Molding - Lower Left
	078576-02-000	EA	Revel Molding - T-Car
	079225-01-000	EA	Trim Molding - Windshield Post - Right
	079225-02-000	EA	Trim Molding - Windshield Post - Left

WINDOW, VENT & EXTERIOR DOOR GROUP (CONTINUED)



Key	Part Number	U/M	Description
1	078268-01-700	EA	Window Asm - Escape Window - Beige
2	074816-01-000	EA	Inside Frame - Escape Window - Beige (not included in assembly)
3	002295-01-000	EA	Glass - 1' 8" x 19' 6" x 1/4" - Black
4	069640-01-000	FT	Extr. Weatherstrip - Black
5	072282-01-000	FT	Tape - C Bead x 45
6	055189-01-000	EA	Latch - Exit - Escape Window
7	Not illustrated		

WINDOW, VENT & EXTERIOR DOOR GROUP (CONTINUED)



Key	Part Number	U/M	Description
1	078268-01-700	EA	Window Asm - Left Single Slider - 20" x 25" - Black (w/inside frame)
2	052122-03-000	EA	Inside Frame - Beige (not included in assembly)
3	081980-02-000	EA	Glass - Sliding - 1' 8" x 22" x 1/4" - Gray
4	002295-02-000	FT	Channel - Weatherstrip - Glass Run - 1" 8" Glass
5	069640-06-000	FT	Ribbon Sealer - 3/16" Bead x 15
6	002295-02-000	FT	Spline - Glass - 1" 8" - Black
7	M18029-02-000	EA	Seal holder w/ Fin Seal - 1" 8" - Black
8	057374-02-000	FT	Extr. Vinyl - Window Seal - Black
9	073740-01-000	FT	Seal - Fin - Pile - 460
10	075562-03-000	EA	Inside Mullion - Slider Window - Black
11	002295-02-000	FT	Spline - 1/2" Dia - Charcoal (Screen)
12	047369-01-700	EA	Glass - Stationary
13	023713-02-000	EA	Latch Kit - Window - Plastic w/ Fastener
14	023713-02-000	EA	Weather Cover - Black Plastic
15	002295-02-000	SF	Screen - Window - 25" - Charcoal
16	Not illustrated		

1986 WINNEBAGO
TABLE OF CONTENTS

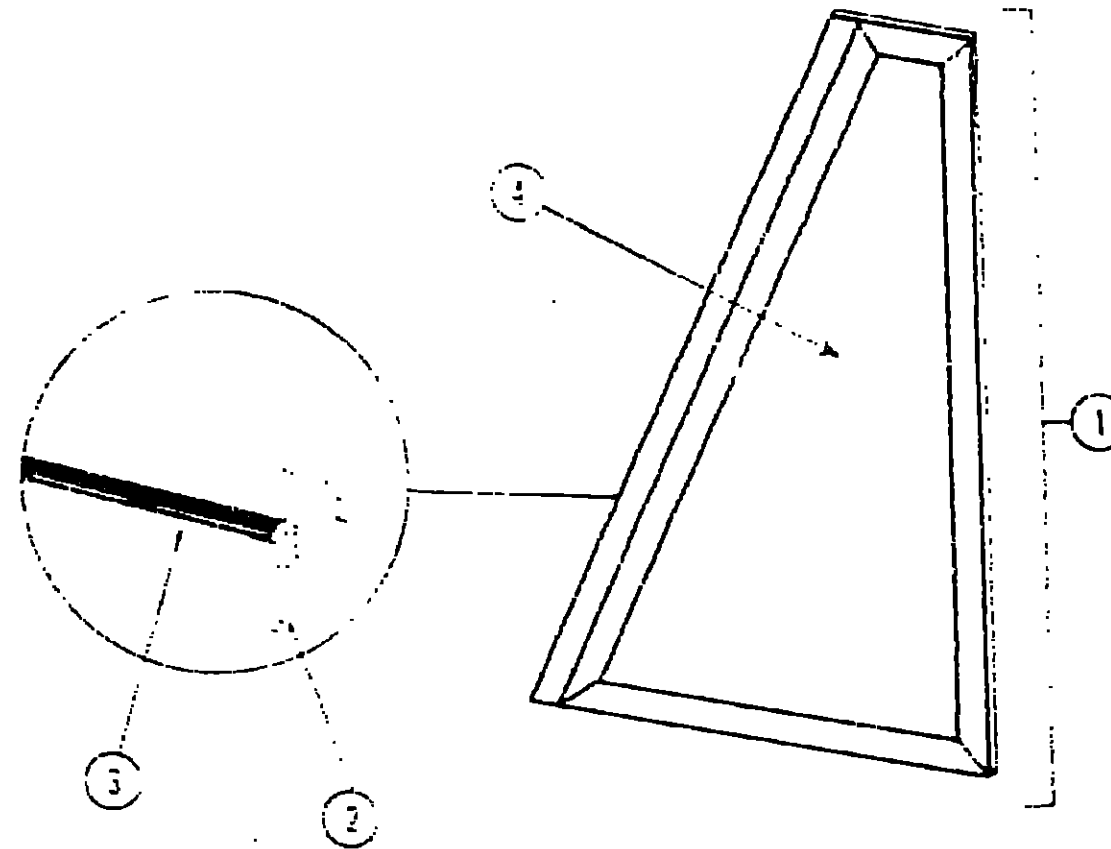
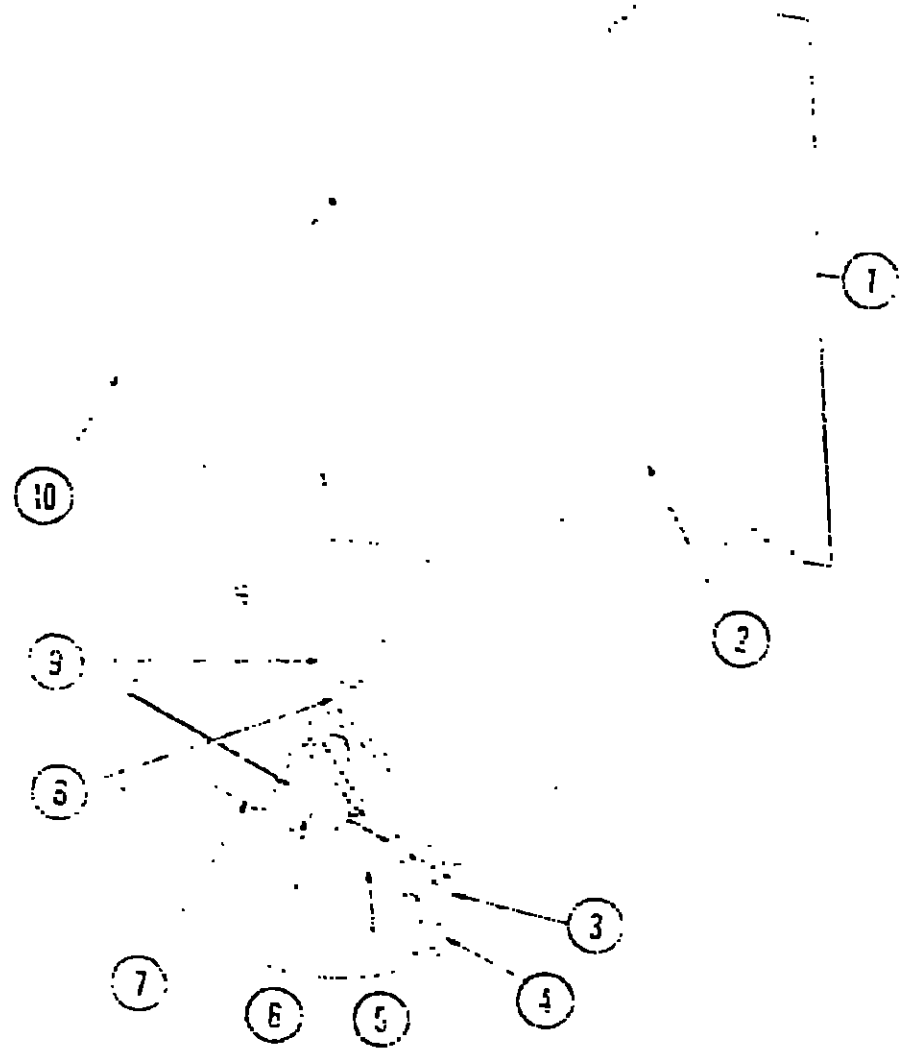
INTRODUCTION	A-01
ABBREVIATIONS	A-01
ALPHABETICAL INDEX	A-02 - A-04
WATER	A-05 - C-05
WINDSTAY	C-06 - E-12
WINDSTOP	E-13 - H-07
WINDSTOP	H-08 - J-01

1986 WCN31RT INDEX

Floor Plan	E-17 - E-18
Accessories Group	E-19 - E-21
Bath Group	E-22 - E-23
Chests Group	E-24 - F-05
Custom Cushion & Pad Group	F-07 - F-13
Dinette Group	F-14 - F-15
Driver's Compartment Group	F-16 - F-17
Electrical Group	F-18 - F-2
Exterior Body Group	F-23 - G-05
Cave Group	G-06 - G-08
Heating & Air Conditioning Group	G-09 - G-10
Interior Finish Group	G-11 - G-13
LP Group	G-14
Lounge Group	G-15
Water & Sewage Group	G-16 - G-17
Window, Vent & Exterior Door Group	G-18 - H-02

1985 WINNEBAGO
TABLE OF CONTENTS

INTRODUCTION	A-01
ABBREVIATIONS	A-01
ALPHABETICAL INDEX	A-02 - A-04
WFA05RU	A-05 - C-03
WJN07RU	C-04 - E-16
WJN31RT	F-17 - H-06
WJN33RU	H-07 - J-00

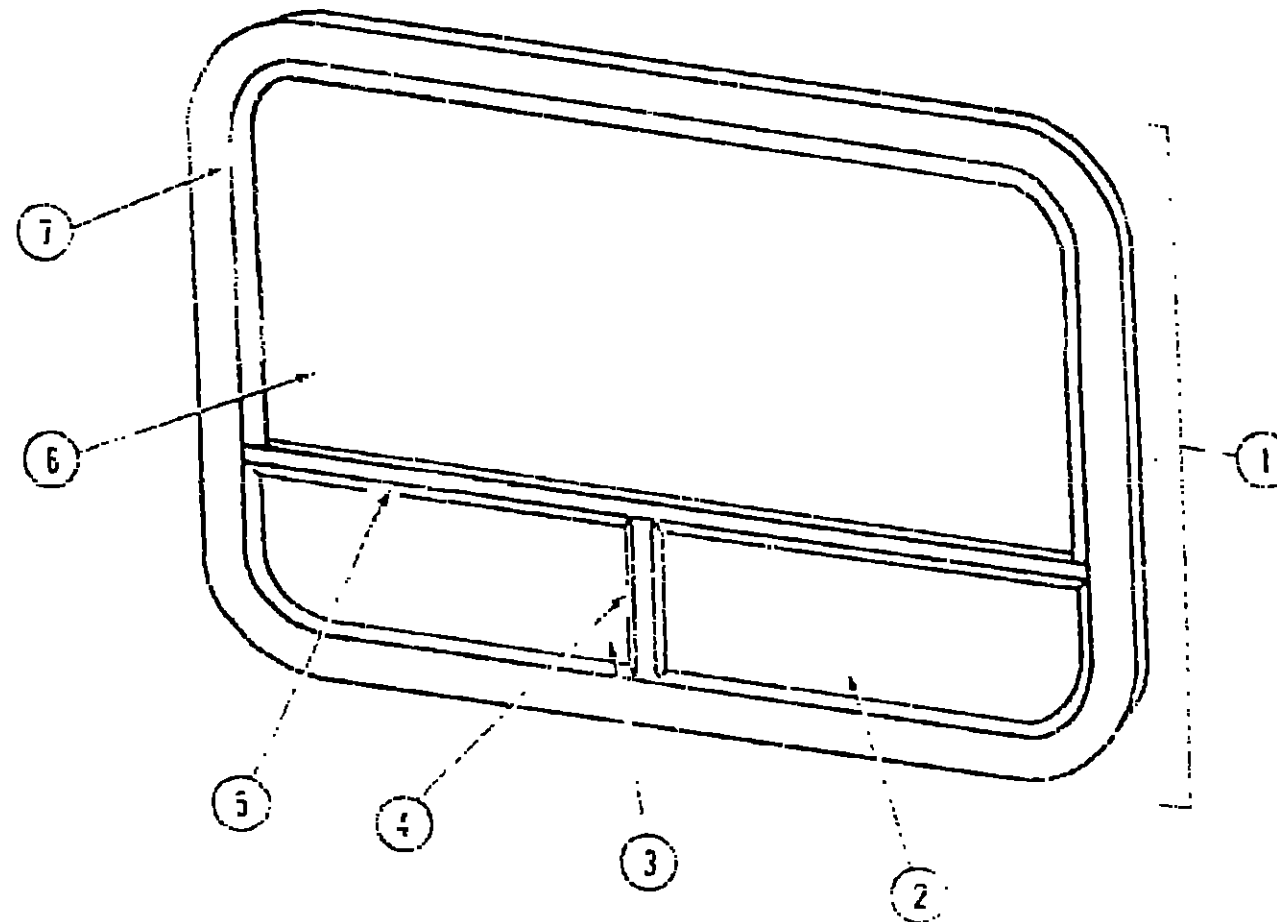
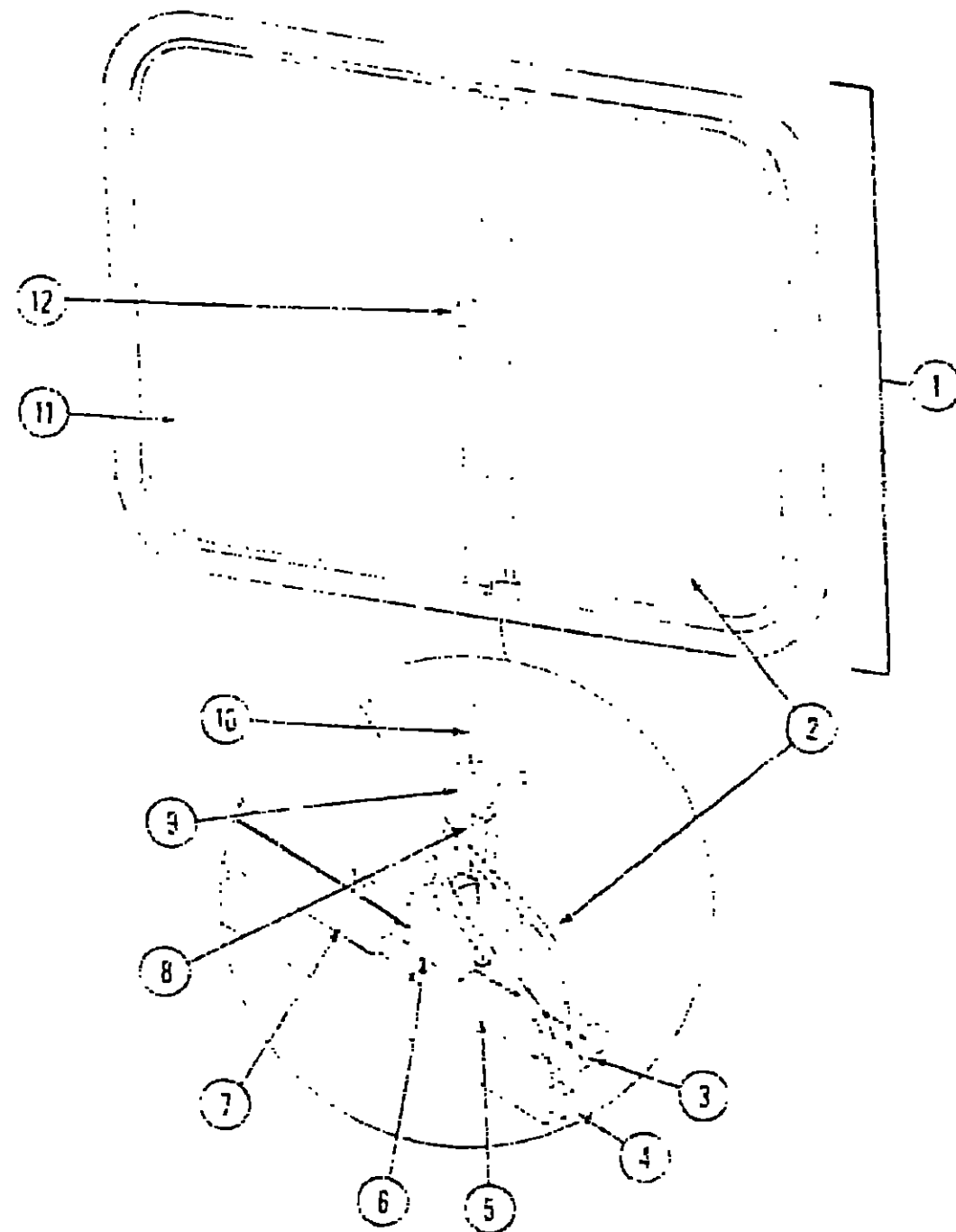


Key	Part Number	U M	Description
1	062057-01-004	EA	Window Asm - Front Slant Slider - Passenger (w/o inside frame)
1	062057-02-004	EA	Window Asm - Front Slant Slider - Driver (w/o inside frame)
1	062467-01-000	EA	Inside Frame - Slant Slider - Passenger (not included in assembly)
1	062467-02-000	EA	Inside Frame - Slant Slider - Driver (not included in assembly)
2	057658-03-000	EA	Glass - 19' x 26 11' x 27' - Stationary (Passenger)
2	057676-05-000	EA	Glass - 19' x 26 11' x 27' - Stationary (Driver)
3	049077-01-000	FT	Channel - Weatherstrip - 3 1/8" Glass
4	065640-01-000	FT	Ribbon Seal - 1 1/4" Bead x 20"
5	110216-02-000	FT	Window Seal - 19' - Glass
6	000359-03-203	EA	Seal Holder w/ Fin Seal - 27 1/2' - Black
7	057374-02-000	FT	Extr. Rubber - Window Seal - Black
8	073740-01-000	FT	Seal - Fin - Pk - 400
9	076562-07-000	EA	Mullion - Slant Window - Black
1	002295-03-000	FT	Spine - 100' Dia - Charcoal (Screen)
10	051950-06-000	EA	Glass - 19' x 26 11' x 14 5/8' - Sliding
1	079204-01-000	EA	Bracket - Mullion - Black
1	079574-01-T03	EA	Slider Screen Asm - Passenger
1	079574-02-T03	EA	Slider Screen Asm - Driver
1	002290-02-000	SF	Screen - Window - 20' - Charcoal
1	016310-03-000	EA	Handle - Slider Screen - Black
1	Not Illustrated		

Key	Part Number	U M	Description
1	079421-01-T03	EA	Window Asm - Front Slant - Passenger (w/o inside frame)
1	079421-02-T03	EA	Window Asm - Front Slant - Driver (w/o inside frame)
1	079016-01-070	EA	Inside Frame - Front Slant - Passenger - Beige (not included in assembly)
1	079216-02-000	EA	Inside Frame - Front Slant - Driver - Beige (not included in assembly)
2	065640-01-000	FT	Take - 1 1/4" Bead x 20"
3	002295-03-000	FT	Spine - Glass - 1 1/8' - Black
4	057655-04-000	EA	Glass - 19' x 26 11' x 13 9/16'
1	Not Illustrated		

1986 WCN31RT INDEX

Front Panel	E-17 - E-18
Accessories Group	E-19 - E-21
Bath Group	E-22 - E-23
Chassis Group	E-24 - F-06
Curtain, Cushion & Pad Group	F-07 - F-13
Dinette Group	F-14 - F-15
Driver's Compartment Group	F-16 - F-18
Electrical Group	F-19 - F-22
Exterior Body Group	F-23 - G-05
Galley Group	G-06 - G-08
Heating & Air Conditioning Group	G-09 - G-10
Interior Finish Group	G-11 - G-13
LP Group	G-14
Lounge Group	G-15
Water & Sewage Group	G-16 - G-17
Window, Vent & Exterior Door Group	G-18 - H-06



1986 WINNEBAGO
TABLE OF CONTENTS

INTRODUCTION	A-01
ABBREVIATIONS	A-01
ALPHABETICAL INDEX	A-02 - A-04
WFA22FRU	A-05 - C-06
WON3TRU	C-09 - E-10
WON31RT	E-17 - H-06
WON33FRU	H-07 - J-20

1986 WCN31RT INDEX

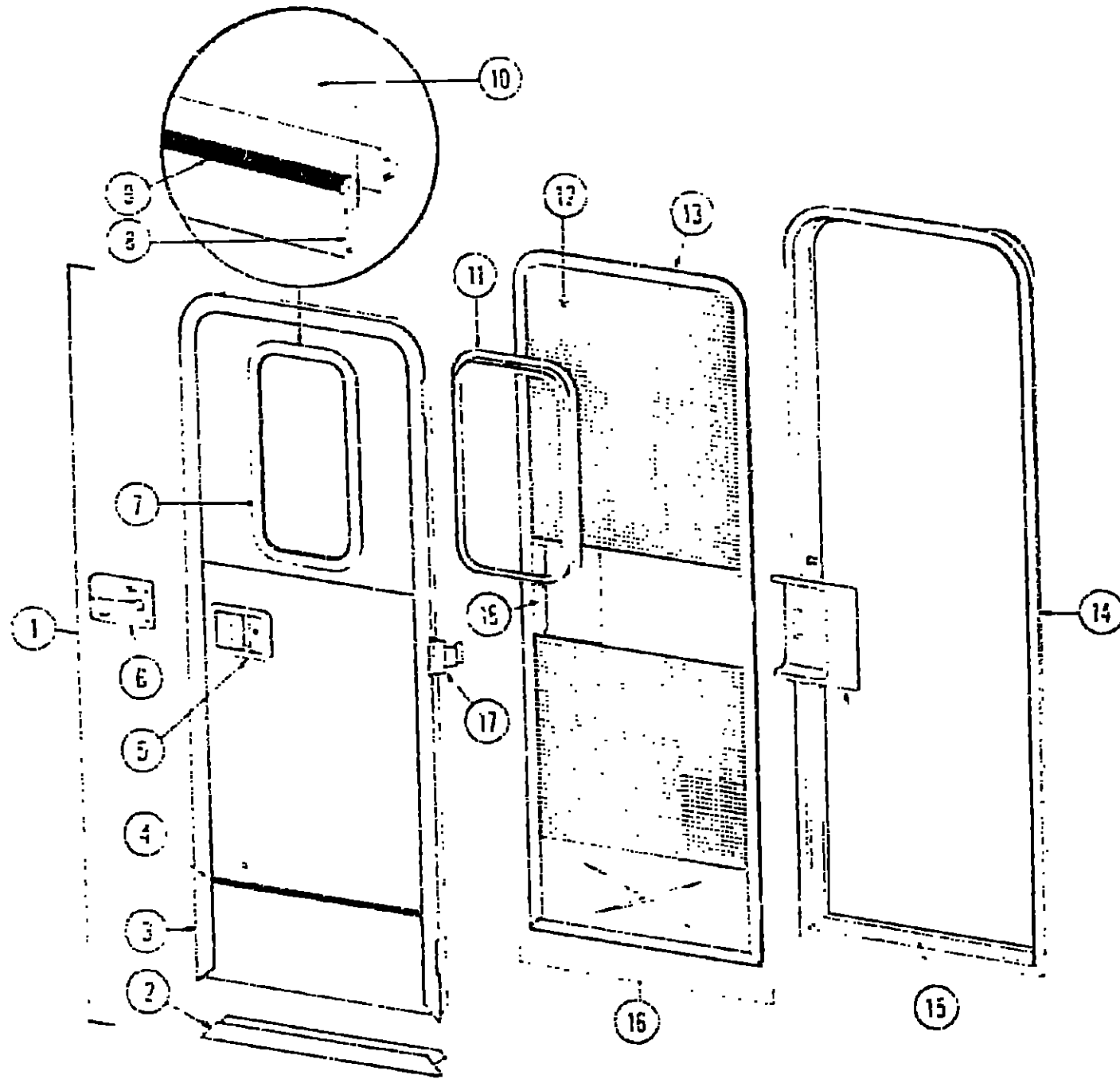
Front Panel	E-17 - E-18
Accessories Group	E-19 - E-21
Bath Group	E-22 - E-23
Chassis Group	E-24 - F-06
Control, Cushion & Pad Group	F-07 - F-13
Diagrams Group	F-14 - F-15
Driver's Compartment Group	F-16 - F-18
Electrical Group	F-19 - F-22
Exterior Body Group	F-23 - G-05
Galley Group	G-06 - G-08
Heating & Air Conditioning Group	G-09 - G-10
Interior Finish Group	G-11 - G-13
LP Group	G-14
Lounge Group	G-15
Water & Sewage Group	G-16 - G-17
Window, Vent & Exterior Door Group	G-18 - H-06

Key	Part Number	U-M	Description
1	051858-02-000	EA	Window Assy - Left Single Slider - 22 1/4 x 29 - Black w/ chrome frame
1	051222-02-000	EA	Inside Frame - Seal not included in assembly
2	051858-02-000	EA	Glass - Single - 1 5/8 x 22 1/4 x 13 1/8 - Gray
3	000004-02-000	FT	Channel - Weatherstrip - Glass Run - 1 5/8 Glass
4	019640-02-000	FT	Ribbon Sealer - 5 1/8 Bead - 1 1/2"
5	002329-02-000	FT	Spine - Glass - 1 5/8 - Black
6	0118075-02-000	EA	Seal holder w/ Fin Seal - 1 5/8 - Black
7	051274-02-000	FT	Extr Vinyl - Window Seal - Black
8	003740-01-000	FT	Seal - Fin - Ple - 450
9	075560-02-000	EA	Inside Mullion - Slider Window - Black
10	000005-02-000	FT	Screen - 100 Dia - Charcoal Screen
11	051854-02-000	EA	Glass - Slider Assy
12	047059-02-000	EA	Latch Kit - Window - Plastic w/ Fastener
1	000793-02-000	SE	Screen - Window - 35 - Charcoal
1	Not Illustrated		

Key	Part Number	U-M	Description
1	051858-02-000	EA	Window Assy - 22 1/4 x 31 - 22 1/4 x 29
1	051858-02-000	EA	Inside Frame - Black - Not Illustrated
2	051854-02-000	EA	Window Assy - Topout - Right Hand
3	051854-02-000	EA	Window Assy - Topout - Left Hand
4	051222-02-000	EA	Glass - Topout - 1 5/8 x 31 x 5 1/8 - Left or Right
4	051222-02-000	EA	Mullion - Black
5	051854-02-000	EA	Mullion - Black
1	051422-01-000	EA	Screen Assy - Topout - Right Hand
1	051422-01-000	EA	Screen Assy - Topout - Left Hand
1	051043-01-000	EA	Screen Dia - Plastic - Black
1	005002-01-000	EA	Operating Mech - Right Hand
1	005002-01-000	EA	Operating Mech - Left Hand
6	051222-02-000	EA	Glass - Slider - 1 5/8 x 31 1/4 x 13 1/8
7	051274-02-000	EA	Window Seal
1	051257-02-000	EA	Bulk Seal - Topout
1	051858-02-000	EA	Window Seal - Topout
1	Not Illustrated		

WINDOW, VENT & EXTERIOR DOOR GROUP (CONTINUED)

ENTRANCE & SCREEN DOOR



Key	Part Number	U M	Description
1	M01870-01-T03	EA	Door Asm - Radius Entry w/ Screen Door
2	077955-02-000	EA	Frame - Entry Door (Bottom Portion Only)
3	075853-02-000	EA	Frame - Entry Door (Except Bottom Portion)
4	059576-09-000	EA	Feature Strip w/ Insert - Entry - 14
5	001030-02-004	EA	Insert - Feature Strip - 17 - Stucco - Off White
6	009731-01-000	EA	End Cap - Feature Strip
7	045017-05-000	EA	Handle Asm - Door Lock - Exterior
8	046017-05-700	EA	Lock Cylinder w/ Keys - Lynor
9	009539-01-000	EA	Striker Bolt - Entry Doors
10	009540-01-000	EA	Latch Claw - Entry Door
11	039735-01-000	EA	Dead Bolt - Entry Door
12	039979-01-000	EA	Plate - Inside Lock - Includes Inside Handle
13	052126-01-000	EA	Lock Asm - Complete - Lynor
14	079733-04-T03	EA	Window Asm - Picture - 17' x 25' - Black (w/ inside frame)
15	009540-06-000	FT	Radius Spacer - 5' 16" Bead x 15
16	009539-02-000	FT	Spine - Glass - 1 5' Black
17	002181-06-000	EA	Glass - Picture Window - 1 5' x 16 25' x 24' - Gray
18	057509-03-000	EA	Inside Frame - Beige (not included in assembly)
19	052293-02-000	EF	Screen - Window - 20' - Charcoal
20	056795-01-000	FT	Seal Tape - 1 5' x 3 3/4' - Press On
21	078591-01-000	EA	Jamb Asm - Entrance Door
22	051049-01-000	EA	Jamb - Entrance Door - Bottom
23	079066-01-000	EA	Slider - Screen Door - Light Oak Plastic
24	079012-07-T02	EA	Door Asm - Screen
25	079067-02-000	EA	Hinge - Entrance Door (3 used per door)
26	079067-01-000	EA	Cap - Screen Door - Light Oak Plastic
27	049016-01-000	EA	Catch - Elbow - Spring Loaded - Screen Door
28	039653-01-000	EA	Catch Asm - Single Roller w/ Strike - Screen Door
29	075231-01-000	EA	Spacer - Latch - Screen Door
30	077437-02-000	EA	Strike - Roller Catch
31	058025-02-000	EA	Cup - Roller Latch Catch
32	044590-06-000	EA	Drill Cap - Gray
33	079278-01-000	EA	Seal - Mocket - Entrance Door
34	075020-01-000	FT	Seal - Entrance Door
35	075739-02-000	EA	Stiffener - Entrance Door - Beige
36	075673-01-000	FT	Seal - Pre - Adhesive Bar
37	075671-01-000	FT	Seal - Sponge - Latex T-Shape
38	002224-01-000	FT	Spine - Black - 135 x 136 (Screen Door)
39	053658-02-000	EA	Strike - Screen Door
40	053729-04-000	EA	Radius - 10-32 UNF - 010 - 350
41	075639-01-000	EA	Garnish - Radius - Entrance Door
42	063205-01-000	EA	Deadbolt - Press Kit - 5
43	079173-01-000	EA	Gasket - Deadbolt - Exterior
	Not Illustrated		

1986 WINNEBAGO TABLE OF CONTENTS

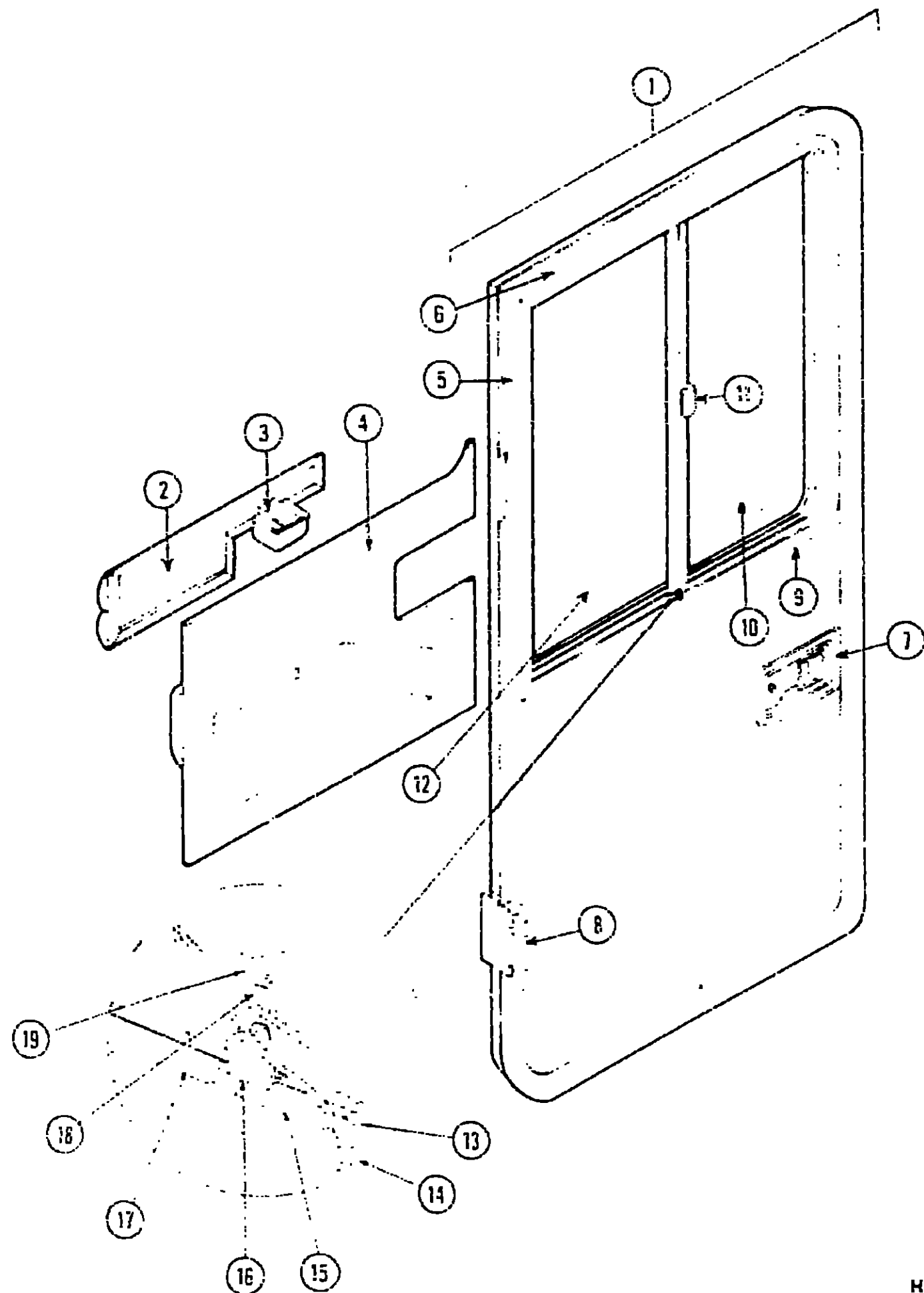
INTRODUCTION	A-01
ABBREVIATIONS	A-01
ALPHABETICAL INDEX	A-02 - A-04
WF425RU	A-05 - C-05
WCN27RU	C-09 - E-16
WCN31RT	E-17 - H-05
WCN33RU	H-07 - J-20

1986 WCN31RT INDEX

Floor Plan	E-17 - E-10
Accessories Group	E-19 - E-21
Bath Group	E-22 - E-23
Chassis Group	E-24 - F-06
Curtain, Cushion & Pad Group	F-07 - F-13
Dinette Group	F-14 - F-15
Driver's Compartment Group	F-16 - F-15
Electrical Group	F-19 - F-22
Exterior Body Group	F-23 - G-05
Galley Group	G-06 - G-09
Heating & Air Conditioning Group	G-09 - G-10
Interior Finish Group	G-11 - G-13
LP Group	G-14
Lounge Group	G-15
Water & Sewage Group	G-16 - G-17
Window, Vent & Exterior Door Group	G-18 - H-05

WINDOW, VENT & EXTERIOR DOOR GROUP (CONTINUED)

DRIVER & PASSENGER CAB DOORS



Key	Part Number	U M	Description
1	079624-01-T09	EA	Door Asm - Driver - Beige
1	079624-02-T09	EA	Door Asm - Passenger - Beige
2	064668-03-000	EA	Pad Asm - Trim - Beige Vinyl - Drivers Door
2	064668-04-000	EA	Pad Asm - Trim - Beige Vinyl - Passenger
2	061409-05-000	EA	Assist Strap - 12" - Beige Vinyl
3	046886-03-000	EA	Ash Tray, Asm - Chrome
4	064499-02-000	EA	Panel - Driver Door - Inner - Light Oak Plastic
4	064499-03-000	EA	Panel - Passenger Door - Inner - Light Oak Plastic
5	079214-01-000	EA	Door Frame - Front - Beige - Drivers Door
5	079214-02-000	EA	Door Frame - Front - Beige - Passenger Door
5	079250-01-000	EA	Door Frame - Rear - Beige - Drivers Door
5	079250-02-000	EA	Door Frame - Rear - Beige - Water Jan Door
7	045017-05-000	EA	Paddle Asm - Door Lock - Drivers
7	045017-06-000	EA	Paddle Asm - Door Lock - Exterior - Passenger
7	045017-05-T00	EA	Lock Cylinder w/ Keys - Lndr
7	039979-03-000	EA	Inside Plate - Door Lock - w/ Inside Handle
7	039549-02-000	EA	Latch Draw - Entry Door Lock
7	039738-01-000	EA	Dropout - Entrance Door Lock
7	039559-01-000	EA	Strike Bolt - Entrance Door Jamb Mount
7	063124-02-000	EA	Plate - Striker - 8" x 4" x 1/2" - Black
7	079135-02-000	EA	Jamb - Driver Door - Front
7	079249-01-000	EA	Jamb - Driver Door - Rear
7	078136-01-000	EA	Jamb - Passenger Door - Front
7	079249-06-000	EA	Jamb - Passenger Door - Rear
7	064184-01-000	EA	Drop Cap - Driver Door
7	063765-01-000	EA	Str Plate
8	063993-01-000	EA	Hinge Asm - Driver Door - Beige
8	063993-05-000	EA	Hinge Asm - Passenger Door - Beige
8	066109-02-000	EA	Strap - Drivers Door
8	064580-01-000	EA	Check Strap - Driver Door - Seat Belt Webbing
8	064219-01-000	EA	Retainer - Driver Door Check Strap
8	063586-03-000	EA	Assist Handle - Beige Steel Tube (2 required per door)
8	064075-01-000	EA	Bulb Seal - 145"
9	079101-02-T03	EA	Window Asm - Driver Door - Black w/o inside frames
9	079101-01-T03	EA	Window Asm - Passenger Door - Black w/o inside frames
9	079577-02-T03	EA	Inside Frame - w/ Slider Screen - Driver Door - Beige
9	079577-01-T03	EA	Inside Frame - w/ Slider Screen - Passenger Door - Beige
9	079574-03-T03	EA	Slider Screen Asm - Right Door
9	079574-04-T03	EA	Slider Screen Asm - Left Door
10	067657-04-000	EA	Glass - 19" x 23 11" x 12 25
11	047359-01-700	EA	Latch - Window - Plastic w/ Fastener
12	002185-05-000	EA	Glass - 19" x 23 11" x 12" - Stationary
13	002324-02-000	FT	Channel - Weatherstrip - Glass
14	065640-05-000	FT	Ribbon Sealer - 1/4" Bead x 20
15	050216-02-000	EA	Spine - Glass - 19" Material - Black
16	002389-03-000	EA	Seal Holder w/ Fin Seal - 23 19" - Black
17	041928-02-000	FT	Extr Vinyl - Window Seal - Black
15	073740-01-000	FT	Seal - Fin - Pile - 460
17	078562-07-000	EA	Inside Mullion - Slider Window - Black
17	002295-02-000	FT	Spine - 130 Dia - Charcoal Screen
17	023713-02-000	EA	Weatherhole Cover - Black Plastic
17	002292-02-000	SF	Screen - Window - 26" - Charcoal
17	063977-03-000	EA	Step Asm - Single - Driver
17	063997-05-000	EA	Step Asm - Single - Passenger
17			Not Illustrated

1986 WINNEBAGO TABLE OF CONTENTS

INTRODUCTION	A-01
ABBREVIATIONS	A-01
ALPHABETICAL INDEX	A-02 - A-04
WATER	A-05 - C-03
WINDSTRO	C-02 - E-16
WINDSTRT	E-17 - H-05
WINDSTPU	H-07 - J-20

1986 WCN31RT INDEX

Floor Plan	E-17 - E-18
Accessories Group	E-19 - E-21
Bath Group	E-22 - E-23
Chassis Group	E-24 - F-06
Curtain Cushion & Pad Group	F-07 - F-13
Director Group	F-14 - F-15
Driver's Compartment Group	F-16 - F-16
Electrical Group	F-19 - F-22
Exterior Body Group	F-23 - G-05
Galley Group	G-06 - G-08
Heating & Air Conditioning Group	G-09 - G-10
Interior Finish Group	G-11 - G-13
LP Group	G-14
Lounge Group	G-15
Water & Sewage Group	G-16 - G-17
Window, Vent & Exterior Door Group	G-18 - H-06