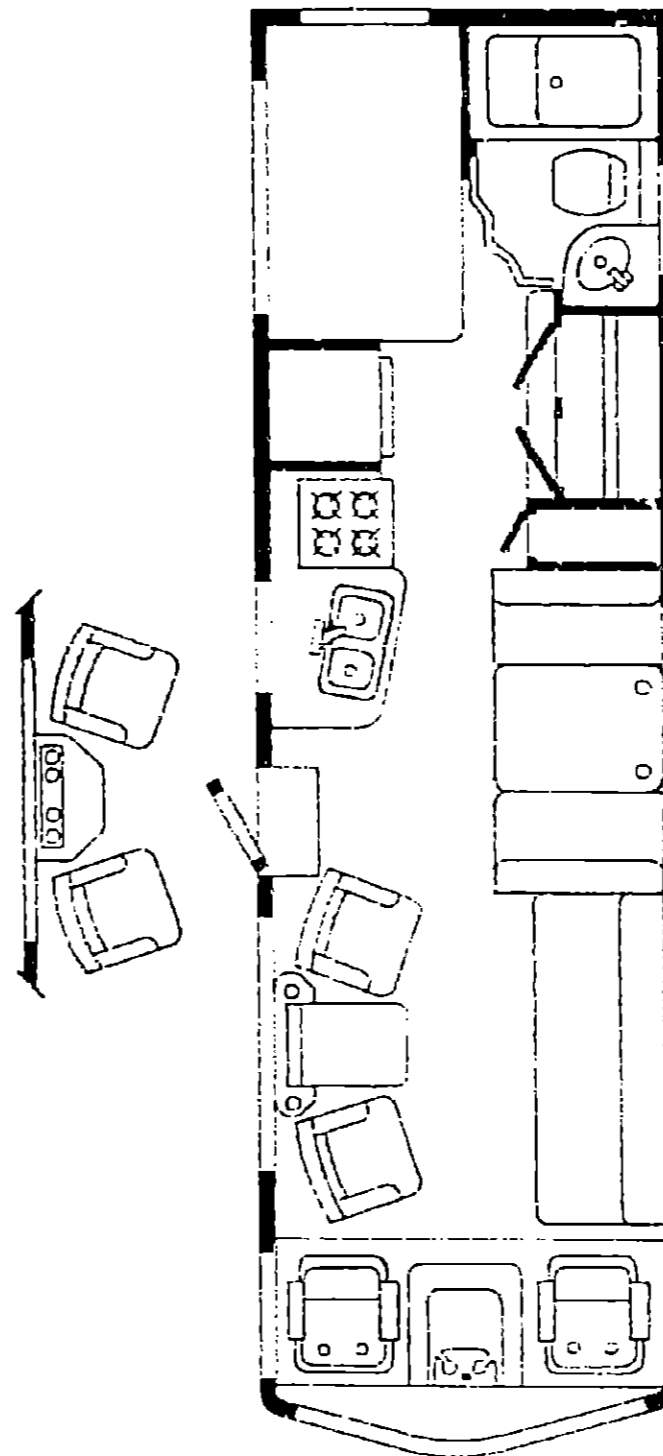


1986 WCN30RC



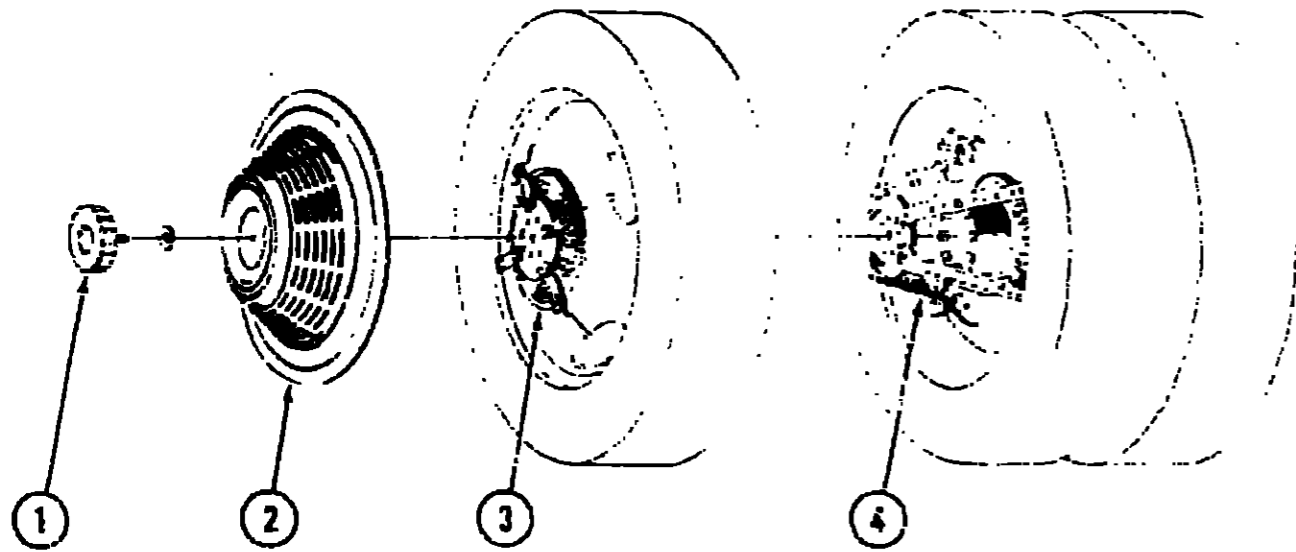
1986 WINNEBAGO TABLE OF CONTENTS

WC/WF424RC	A-01 - C-08
WC420RG	C-09 - E-12
WCN22RC	E-13 - G-24
WCN30RC	H-01 - J-10

1986 WCN30RC INDEX

Floor Plan	H-01 - H-02
Accessories Group	H-03 - H-06
Bath Group	H-07 - H-08
Chassis Group	H-09 - H-12
Curtain, Cushion & Pad Group	H-13 - H-15
Dinette Group	H-19
Driver's Compartment Group	H-20 - H-22
Electrical Group	H-23 - I-01
Exterior Body Group	I-02 - I-07
Galley Group	I-08 - I-10
Heating & Air Conditioning Group	I-11 - I-12
Interior Finish Group	I-13 - I-15
LP Group	I-16
Lounge Group	I-17 - I-18
Water & Sewage Group	I-19 - I-20
Window, Vent & Exterior Door Group	I-21 - J-10

ACCESSORIES GROUP



WHEEL COVER & MOUNTING HARDWARE

Key	Part Number	U/M	Description
1	064082-02-000	EA	Retaining Nut - Delmet - Wheel Cover
2	073426-02-700	EA	Wheel Cover - Bolt On - 19.5" - Delmet (1)
3	073425-05-700	EA	Retention Bracket Asm. - Wheel Cover Support - Heavy Duty - Front (1)
4	073426-05-701	EA	Retention Bracket Asm. - Wheel Cover Support - Heavy Duty - Rear (1)
.	073426-05-000	EA	Retention Bracket Asm. - Wheel Cover Support - Heavy Duty (Set/4)
.	083181-03-000	EA	Wheel Cover - 19.5" - Clip On - (Set/4)
.	093181-03-700	EA	Wheel Cover - 19.5" - Clip On - (1)
.	083181-04-000	EA	Retainer Kit - 19.5" - Wheel Cover - Clip On (Set/4)
.			Not illustrated

RADIO & RELATED COMPONENTS

Key	Part Number	U/M	Description
	031105-01-000	EA	Antenna - Radio - Side Mount
	031105-01-700	EA	Antenna Holder - Radio - Upper
	064792-01-000	EA	Grille - Speaker - 5.25" - w/Mesh - Brown
	075903-01-000	EA	Radio - AM/FM/MPX w/Cassette
	075904-01-000	EA	Radio - AM/FM/MPX w/Cassette - Electronic Tuning
	074979-01-000	EA	Speaker Cover Protector - Plastic
	073741-02-000	EA	Speaker - 4" x 5" - Oval
	073431-01-000	EA	Speaker - 5.25 - 3/Way (Pair)
	064791-01-000	EA	Speaker - Recessed - 5.25"

OPTIONAL ELECTRIC STEP & COMPONENTS

Key	Part Number	U/M	Description
	075461-01-000	EA	Electric Step Asm. w/Light
	075461-01-700	EA	Motor
	041250-01-000	EA	Door Switch
	075461-01-704	EA	Under Step Control Unit
	075461-01-705	EA	4-Way Plug (Dash End)
	075461-01-706	EA	Kill Switch
	075461-01-707	EA	Step Light
	075461-01-708	EA	4-Way Plug (Control Box End)
	075461-01-709	EA	90 Degree Plug
	075461-01-710	EA	Gear
	075461-01-711	EA	Drive Link

H-3

ACCESSORIES GROUP (CONTINUED)

GENERATORS & COMPONENTS

Key	Part Number	U/M	Description
	054429-01-000	EA	Generator - Onan - 4.0 kw
	052168-01-000	EA	Generator - Onan - 4.25 kw
	054433-01-000	EA	Generator - Onan - 6.5 kw
	069229-01-000	EA	Generator - Kohler - 1.5 kw - CSA
	051911-01-000	EA	Generator - Kohler - 7.0 kw - CSA
	701629-02-000	EA	Installation Package
	024732-01-016	EA	Tailpipe - 1.5" O.D. x 43.50"
	081364-01-000	EA	Muffler - Generator - w/Spark Arrestor - Nelson
	007067-01-000	EA	Insulation - Fiberglass - 1"

OPTIONAL MICROWAVE & COMPONENTS

Key	Part Number	U/M	Description
	081379-01-000	EA	Microwave Oven - Convection - Sharp
	081459-03-000	EA	Bracket Asm. - Microwave - Right
	081459-04-000	EA	Bracket Asm. - Microwave - Left
	081555-01-000	EA	Trim Ring - Microwave
	082876-01-000	EA	Baffle - Microwave
	081456-01-000	EA	Angle Asm. - Microwave - Right
	081456-02-000	EA	Angle Asm. - Microwave - Left

OPTIONAL SPEED CONTROL & COMPONENTS

Key	Part Number	U/M	Description
	069629-01-000	EA	Speed Control Package - Electric Dana
	069629-01-700	EA	Regulator Asm. - Electric
	069629-01-701	EA	Vacuum Valve & Electric Switch
	069629-01-702	EA	Control Switch & Lever Asm
	069629-01-703	EA	Harness Asm (Main Wiring)
	069629-01-704	EA	Generator Signal
	069629-01-705	EA	Adapter Key
	083212-01-000	EA	Speed Control Package - Electric - Chevy
	083212-01-700	EA	Regulator Assembly
	083212-01-701	EA	Lever - Carburetor
	083212-01-702	EA	Wiring Harness - Main
	083212-01-703	EA	Servo Assembly
	083212-01-704	EA	Cruise Release - Stop Lamp
	083212-01-705	EA	Valve - Release Only
	083212-02-000	EA	Switch - Speed Control - "A" Body

OPTIONAL VACUUM CLEANER & COMPONENTS

Key	Part Number	U/M	Description
	055285-01-000	EA	Vacuum Cleaner - Built In - Tevis Campbell
	055285-01-700	EA	Accessories Kit - Standard - Tevis Campbell
	055285-01-701	EA	Filter - 10 per Consumer Package - Tevis Campbell
	055285-01-702	EA	Hose - Vacuum Cleaner - 20'
	055285-01-703	EA	Rug Tool
	055285-01-704	EA	Crevice Tool
	055285-01-705	EA	Upholstery Tool
	055285-01-706	EA	Wand Set (2 piece)

OPTIONAL AIR HORN & COMPONENTS

Key	Part Number	U/M	Description
	077497-01-000	EA	Horn Kit - Air - Chrome - Twin
	077497-01-700	EA	Solenoid Air Tank
	077497-01-701	EA	Switch - Compressor
	077497-01-702	EA	Switch - Toggle w/Wire
	077497-01-703	EA	Tank - Air
	077497-01-704	EA	Compressor w/Switch
	078239-01-000	EA	Plate - Label - Horn

H-4

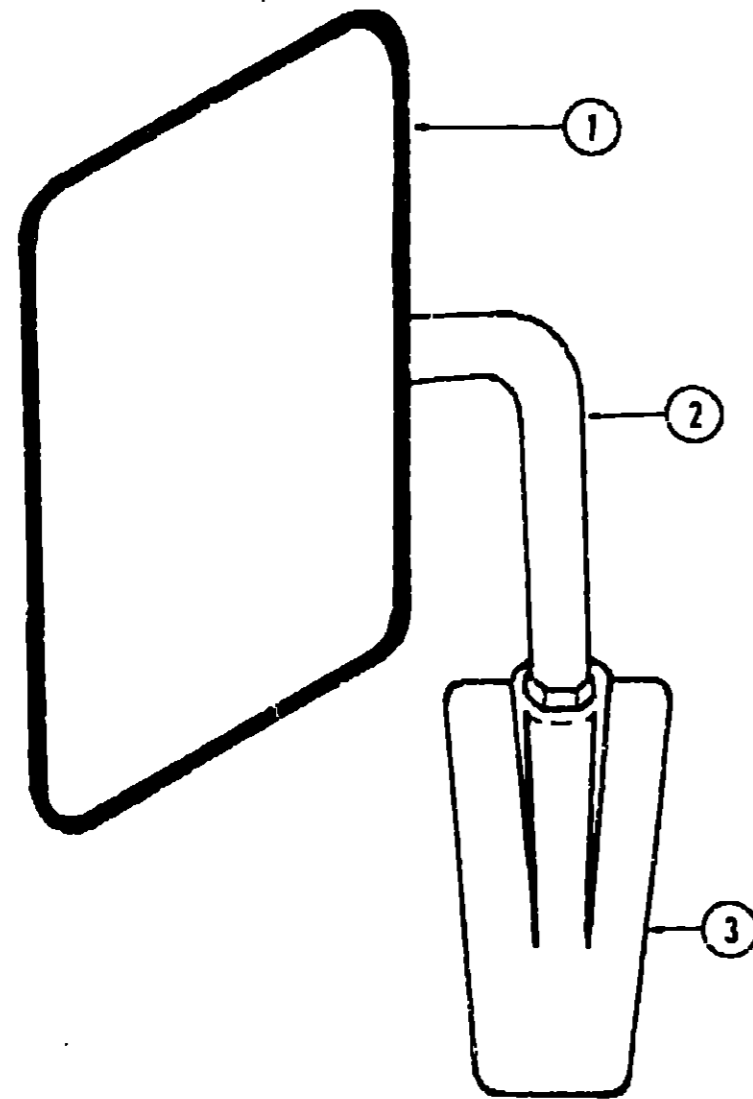
1986 WINNEBAGO TABLE OF CONTENTS

WC/WF424RC	A-01 - C-08
WC420RG	C-09 - E-12
WCN22RC	E-13 - G-24
WCN30RC	H-01 - J-10

1986 WCN30RC INDEX

Floor Plan	H-01 - H-02
Accessories Group	H-03 - H-06
Bath Group	H-07 - H-08
Chassis Group	H-09 - H-12
Curtain, Cushion & Pad Group	H-13 - H-18
Dinette Group	H-19
Driver's Compartment Group	H-20 - H-22
Electrical Group	H-23 - I-01
Exterior Body Group	I-02 - I-07
Galley Group	I-08 - I-10
Heating & Air Conditioning Group	I-11 - I-12
Interior Finish Group	I-13 - I-15
LP Group	I-16
Lounge Group	I-17 - I-18
Water & Sewage Group	I-19 - I-20
Window, Vent & Exterior Door Group	I-21 - J-10

ACCESSORIES GROUP (CONTINUED)



EXTERIOR MIRRORS

Key	Part Number	U/M	Description
1	049347-01-000	EA	Mirror Head - 7 1/2" x 10 1/2"
2	049348-03-000	EA	Arm - Low Mount Mirror - Black
3	049944-04-000	EA	Bracket - Mirror - Outside - Black
.	077966-01-000	EA	Mirror - Wide Angle - Stainless Steel - Passenger
.	077966-02-000	EA	Mirror - Wide Angle - Stainless Steel - Driver
.	006043-01-000	EA	Mirror - Convex - Adhesive Back
.	Not illustrated		

ACCESSORIES GROUP (CONTINUED)

MISCELLANEOUS ACCESSORIES

Key	Part Number	U/M	Description
	054165-24-000	EA	Owners Manual - 1986 - Itasca & Winnebago
	706053-02-000	EA	Antenna - TV Skyliner w.6" Shaft - Braund Delux
	076319-01-000	EA	Antenna - TV Roof Mount - 44.5" Mast
	076319-02-000	EA	Antenna - TV Roof Mount - 23.5" Mast
	076319-03-000	FT	Cable - Coaxial - 75 OHM
	076319-04-000	EA	Connector & Ferrule
	076319-05-000	EA	Wallplate - Power Supply - Ivory
	076319-06-000	EA	Adapter - Cable Roof Plate
	076319-07-000	EA	Wallplate - Power Supply - Brown
	076319-08-000	EA	Wallplate - Receptacle - Ivory
	076319-09-000	EA	Wallplate - Receptacle - Brown
	017516-01-000	EA	Mud Flap w/Holes - 14" x 18" - Black
	041944-03-000	EA	Fire Extinguisher - 5BC
	041944-02-000	EA	Bracket - Fire Extinguisher
	072952-01-000	EA	Smoke Detector w/9 Volt Battery
	079664-02-000	EA	Weather Center - 8.5" x 8.5"
	079664-01-000	EA	Clock - 8.5" x 8.5"
	006059-01-000	EA	Key Case - Leather
	007038-01-000	EA	Door Mat - 10.5" x 26" - Black Rubber
	081075-01-000	EA	Floor Mat - Entrance - Winnebago - Tan
	081201-01-000	EA	Floor Mat - Front - Winnebago - Right - Tan
	081202-01-000	EA	Floor Mat - Front - Winnebago - Left - Tan
	030208-01-000	EA	Lug Wrench
	080208-02-000	EA	Leverage Bar - Lug Wrench
	006113-01-000	EA	Jack - Hydraulic - 5 Ton - w. Handle
	080752-05-000	EA	Custom Steering Wheel
	080752-06-000	EA	Adapter - Hub - Custom Steering Wheel
	080752-07-000	EA	Button - Horn - Custom Steering Wheel
	080752-08-000	EA	Screw - Custom Steering Wheel

OPTIONAL FOG LIGHT & COMPONENTS

Key	Part Number	U/M	Description
	079941-01-000	EA	Lamp Asm - Fog w. Cover - Amber
	079941-01-700	EA	Lamp Asm. - Fog (Set 2)
	079941-01-701	EA	Lens - Cover Only
	079941-01-702	EA	Switch - Fog Lights
	079941-01-703	EA	Solenoid
	079941-01-704	EA	Plate - Switch

OPTIONAL WHEEL LINERS & COMPONENTS (CHROME)

Key	Part Number	U/M	Description
	081608-01-000	EA	Cover - Rear Axle
	081608-02-000	EA	Cover - Front Axle
	081608-03-000	EA	Liner - Front Wheel
	081608-04-000	EA	Liner - Rear Wheel
	081608-05-000	EA	Cover - Lug Nut
	081608-06-000	EA	Ring - Spiral

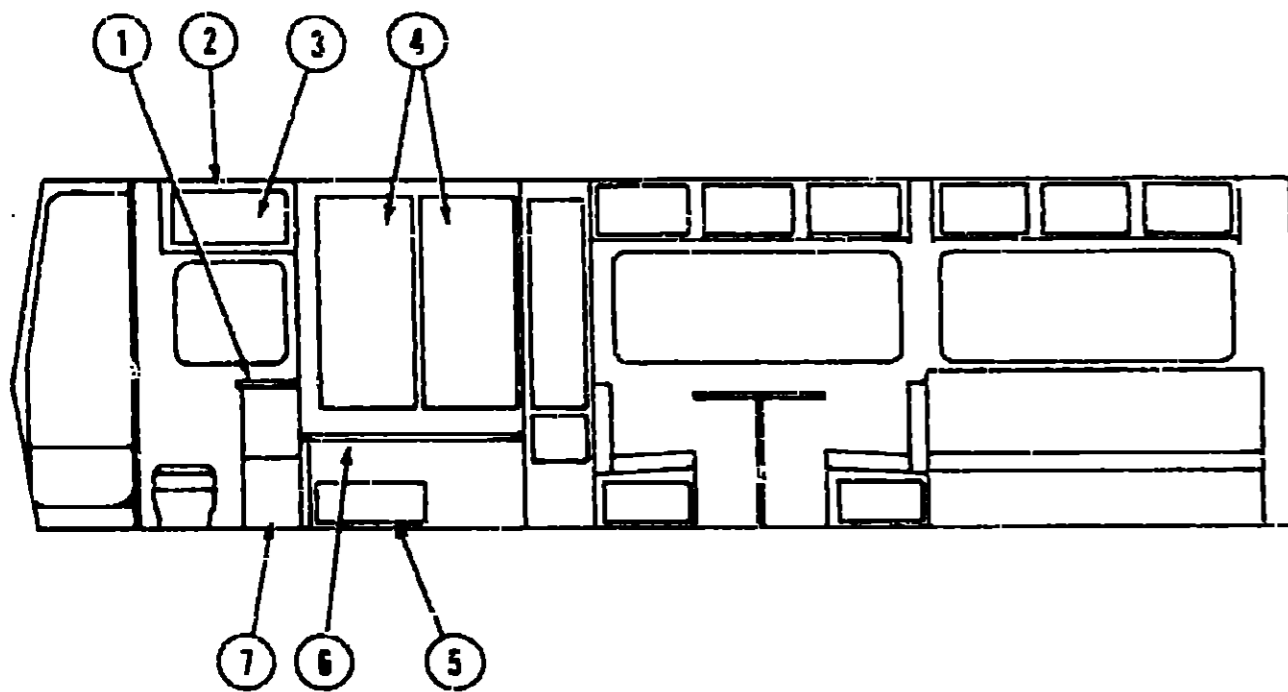
**1986 WINNEBAGO
TABLE OF CONTENTS**

WC/WF424RC	A-01 - C-08
WC420HG	C-09 - E-12
WCN22RC	E-13 - G-24
WCN30RC	H-01 - J-10

1986 WCN30RC INDEX

Floor Plan	H-01 - H-02
Accessories Group	H-03 - H-06
Bath Group	H-07 - H-08
Chassis Group	H-09 - H-12
Curtain, Cushion & Pad Group	H-13 - H-18
Dinette Group	H-19
Driver's Compartment Group	H-20 - H-22
Electrical Group	H-23 - I-01
Exterior Body Group	I-02 - I-07
Galley Group	I-08 - I-10
Heating & Air Conditioning Group	I-11 - I-12
Interior Finish Group	I-13 - I-15
LP Group	I-16
Lounge Group	I-17 - I-18
Water & Sewage Group	I-19 - I-20
Window, Vent & Exterior Door Group	I-21 - J-10

BATH GROUP



BATH & WARDROBE CABINETRY

Key	Part Number	U/M	Description
1	M02406-01-U04	EA	Countertop Asm. - Lavatory Cabinet
2	076073-01-000	EA	Cabinet Asm. - Medicine - w/o Doors or Hardware
3	076073-01-700	EA	Latch - Medicine Cabinet
4	076387-01-000	EA	Bracket - Medicine Cabinet
5	081535-01-U04	EA	Door Asm. - Medicine Cabinet w/Mirror - w/o Hardware
6	M81501-16-T03	EA	Door Asm. - Wardrobe - 50.1" x 20.6" - w/o Hardware
7	M81501-11-T03	EA	Door Asm. - Wardrobe - 25.1" x 10.0" - w/o Hardware
8	081508-01-U04	EA	Drawer Asm. - 19.0" x 20.8" - Wardrobe Cabinet
9	M02543-01-U04	EA	Countertop Asm. - Wardrobe
10	M81548-03-U04	EA	Cabinet Asm. - Lavatory - w/o Countertop or Hardware
11	M81501-17-U04	EA	Door Asm. - Lavatory - 23.8" x 12" - w/o Hardware
12	080224-01-000	EA	Door Asm. - Folding - 46" x 75"
13	080224-01-700	EA	Latch & Catch - Asm
14			Not illustrated

BATH GROUP (CONTINUED)

BATH & WARDROBE HARDWARE

Key	Part Number	U/M	Description
	M01817-01-T03	EA	Bathtub Asm. w/Strainer
	075242-03-000	EA	Faucet - Tub & Shower - Brass
	075240-03-000	EA	Faucet - Lavatory - Brass
**	011048-02-000	EA	Shower Head - w:60" Hose
	011048-04-000	EA	Vacuum Breaker - 1/8 MPT - Nylon - Shower Head
	075606-01-000	EA	Shower Panel - Faucet - Plastic
**	066729-01-000	EA	Strainer - Bathtub Asm.
	066435-01-000	EA	Nut Strainer - Plastic - Bathtub Asm
	066436-01-000	EA	Slip Nut - 1.5" Tail Piece - Bathtub Asm
	069735-01-000	EA	Washer - Tail Piece - 1.5" - Plastic - Bathtub Asm
	011069-02-000	EA	Tailpiece - 1.5" x 1.25" x .4" - Brass - Bathtub Asm
	080257-02-000	EA	Shroud - Bathtub Asm. - Off White
	058713-01-000	EA	Sink - Oval - Ivory Plastic
	039341-02-000	EA	Toilet - Thetford - Aqua Magic - Ivory - 8420SH
	009134-01-000	EA	Tissue Holder
	075454-02-000	EA	Towel Ring - Brass w/Mounting Hardware
	079657-01-000	EA	Door Asm. - Shower
	079235-01-000	EA	Header - Track - Shower Door - Beige
	079234-01-000	EA	Jamb - Shower Door - Rear - Beige
	079234-02-000	EA	Jamb - Shower Door - Front - Beige
	058331-05-000	EA	Mirror - Tempered Glass - 12" x 26"
	058331-04-000	EA	Mirror - Tempered Glass - 12" x 42"
	009089-01-000	EA	Clip - Mirror
	057671-01-000	EA	Screw Cover - #8 - Antique White
	059777-01-000	EA	Hinge - Antique Brass
	060224-04-000	EA	Track - Folding Door - 90°
	075680-01-000	EA	Rod - Clothes - Adjustable
	009112-01-000	EA	Flange - 1" - Clothes Rod
	M81520-01-U04	EA	Pantry Asm. - Pullout
	082129-01-000	EA	Slide Asm. - Pantry - w/Bracket
	082129-02-000	EA	Slide Asm. - Pantry - w/Bracket - Opp
	076097-01-000	EA	Bracket - Catch Pantry
	076098-01-000	EA	Slide Bracket - Pantry
	075451-01-000	EA	Storage Rack - Canned Goods
	075451-02-000	EA	Storage Rack - Clip - White
**	The illustrated parts breakdown for this item is provided on the Common Items Fiche		

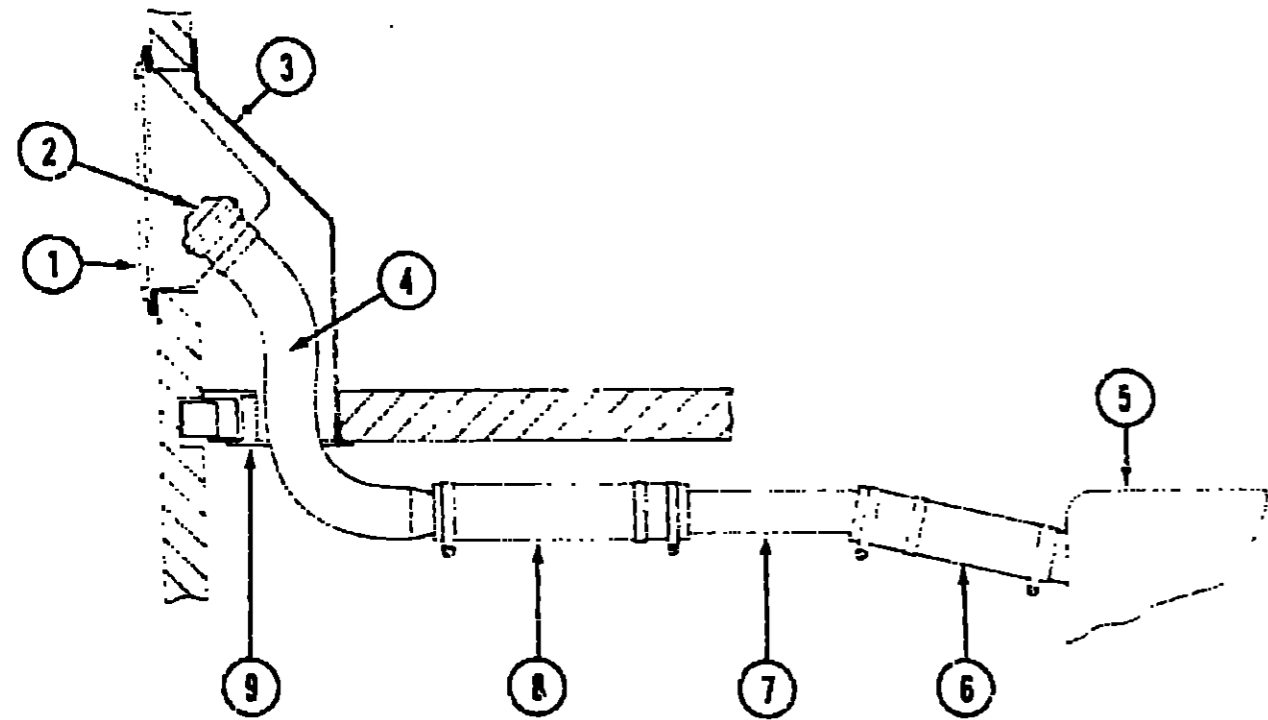
1986 WINNEBAGO TABLE OF CONTENTS

WC-WF424RC	A-01 - C-08
WC420RG	C-09 - E-12
WCN22RC	E-13 - G-24
WCN30RC	H-01 - J-10

1986 WCN30RC INDEX

Floor Plan	H-01 - H-02
Accessories Group	H-03 - H-06
Bath Group	H-07 - H-08
Chassis Group	H-09 - H-12
Curtain, Cushion & Pad Group	H-13 - H-18
Dinette Group	H-19
Driver's Compartment Group	H-20 - H-22
Electrical Group	H-23 - I-01
Exterior Body Group	I-02 - I-07
Galley Group	I-05 - I-10
Heating & Air Conditioning Group	I-11 - I-12
Interior Finish Group	I-13 - I-15
LP Group	I-16
Lounge Group	I-17 - I-18
Water & Sewage Group	I-19 - I-20
Window, Vent & Exterior Door Group	I-21 - J-10

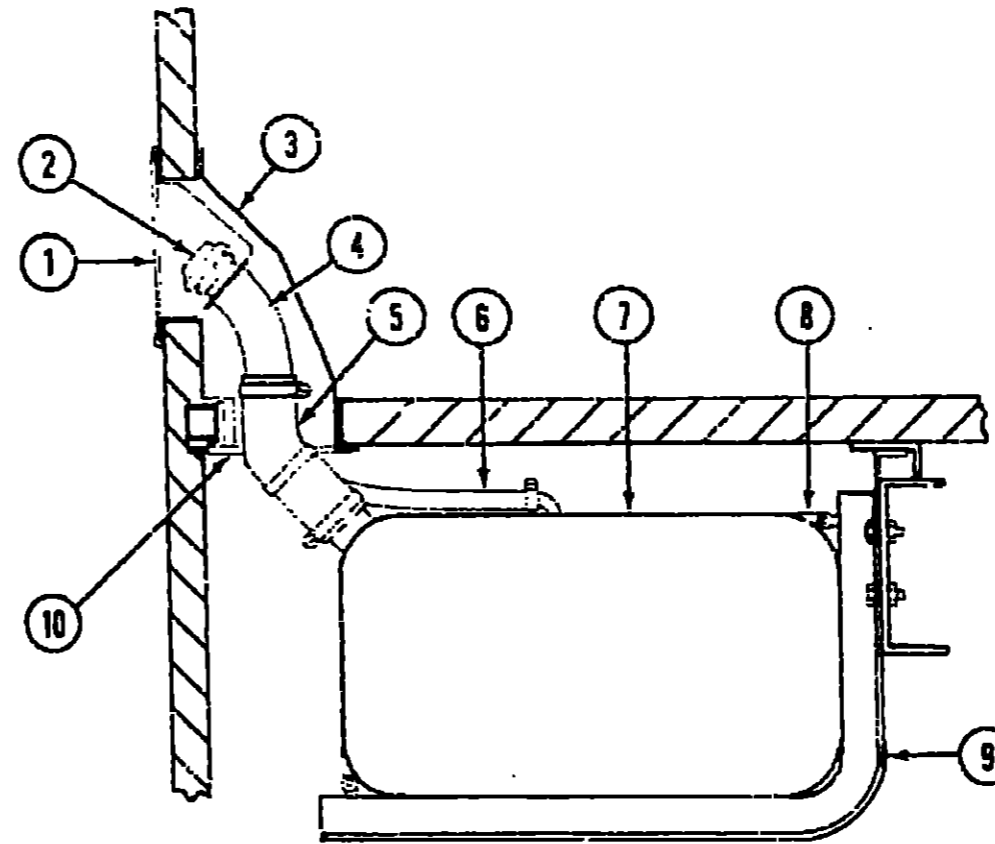
CHASSIS GROUP



MAIN FUEL FILL

Key	Part Number	U/M	Description
1	078010-04-000	EA	Door Asm. & Upper Shroud - Fuel Fill - Beige
2	073220-02-000	EA	Cap - Fuel Fill
3	072447-01-000	EA	Shroud - Fuel Fill - Inside
4	075227-01-000	EA	Neck Asm. - Upper Fuel Fill
5	075230-01-000	EA	Tank - Fuel - 60 Gallon
6	007111-03-002	EA	Nose - Fuel - 1.75" x 6.62"
7	075228-01-000	EA	Neck Asm. - Lower Fuel Fill
8	007111-03-001	EA	Hose - Fuel - 1.75" x 9.7"
9	063303-04-000	EA	Shroud - Fuel Fill - Lower

CHASSIS GROUP (CONTINUED)



AUXILIARY FUEL FILL

Key	Part Number	U/M	Description
1	078010-04-000	EA	Door Asm. & Upper Shroud - Fuel Fill - Beige
*	078200-01-000	EA	Gasket - Fuel Fill Door
2	073220-02-000	EA	Cap - Fuel Fill
3	075830-01-000	EA	Shroud - Fuel Fill - Inside
4	075914-02-000	EA	Neck Asm. - Upper Fuel Fill
5	075684-02-000	EA	Hose - Fuel - Formed 45° 2" I.D.
6	066732-01-000	FT	Hose - Fuel - .62" I.D. - Vent
7	075666-01-000	EA	Tank - Fuel - 30 Gallon
8	075232-02-000	EA	Strap Asm. - Fuel Tank - T-Bolt Ends
9	075685-01-000	EA	Bracket - Fuel Tank Mounting
10	063303-05-000	EA	Shroud - Fuel Fill - Lower
*			Not illustrated

1986 WINNEBAGO TABLE OF CONTENTS

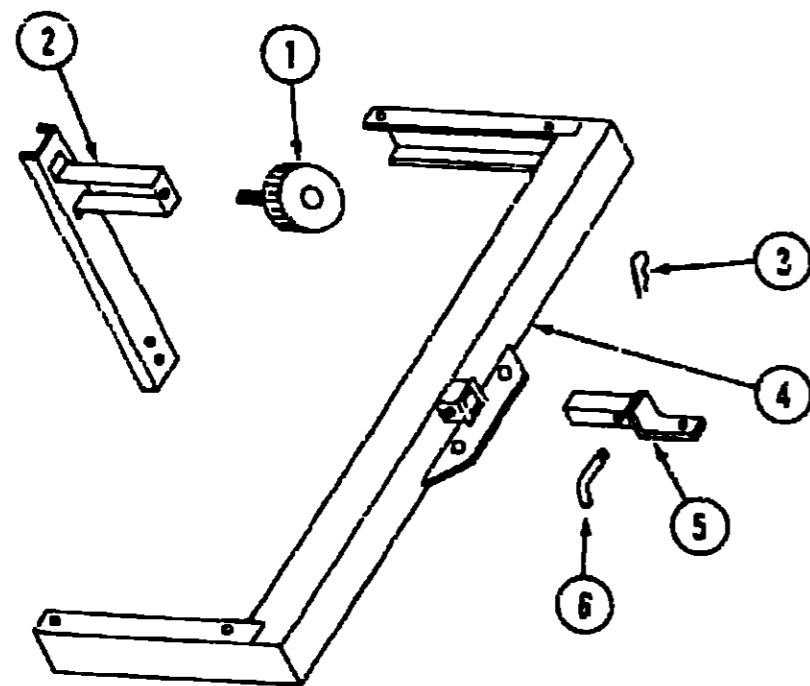
WC/WF424RC
WC420RG
WCN22RC
WCN30RC

A-01 - C-08
C-09 - E-12
E-13 - G-24
H-01 - J-10

1986 WCN30RC INDEX

Floor Plan	H-01 - H-02
Accessories Group	H-03 - H-06
Bath Group	H-07 - H-09
Chassis Group	H-09 - H-12
Curtain, Cushion & Pad Group	H-13 - H-18
Dinette Group	H-19
Driver's Compartment Group	H-20 - H-22
Electrical Group	H-23 - I-01
Exterior Body Group	I-02 - I-07
Galley Group	I-08 - I-10
Heating & Air Conditioning Group	I-11 - I-12
Interior Finish Group	I-13 - I-15
LP Group	I-16
Lounge Group	I-17 - I-18
Water & Sewage Group	I-19 - I-20
Window, Vent & Exterior Door Group	I-21 - J-10

CHASSIS GROUP (CONTINUED)



SPARE TIRE CARRIER & TRAILER HITCH

Key	Part Number	U/M	Description
1	064082-02-000	EA	Retaining Nut - Delmet
2	080378-02-000	EA	Bracket Asm. - Tire Carrier
3	079762-01-000	EA	Tire Cover Asm. - Beige
4	M02047-01-T03	EA	Panel Asm. - Door - Tire Carrier
5	034513-01-000	EA	Pin - Hitch - 3/16" Wire
6	077617-01-000	EA	Drawbar Asm.
	077613-01-000	EA	Drawbar - Ball Mount
	034512-01-000	EA	Locking Pin - Drawbar
			Not Illustrated

WHEELS & TIRES

Key	Part Number	U/M	Description
	007324-04-000	EA	Tire - 8.00" x 19.5" - Michelin
	007324-06-000	EA	Tire - 8.00" x 19.5" - White Sidewall - Radial
	007321-02-000	EA	Tire - 8.00" x 19.5" - 8 Ply - Goodrich
	052377-01-000	EA	Valve Stem Asm. - TR500
	064953-01-000	EA	Wheel - 19.5" x 6.75"
	055374-01-000	EA	Wheelwell - Plastic

CHASSIS GROUP (CONTINUED)

OPTIONAL ALTERNATOR & COMPONENTS

Key	Part Number	U/M	Description
	081057-01-000	EA	Alternator Kit - 105 Amp. w/Regulator
	081057-01-700	EA	Brush Asm.
	081057-01-701	EA	Diode Bridge
	081057-01-702	EA	Condenser
	081057-01-703	EA	Inside Bearing Spacer
	081057-01-704	EA	Front Bearing
	081057-01-705	EA	Outside Bearing Spacer
	081057-01-706	EA	Pulley
	081057-01-707	EA	Diode (x)
	081057-01-709	EA	Stator - 105 Amp.
	081057-01-710	EA	Rotor
	081057-01-711	EA	Ground Terminal Kit
	081057-01-712	EA	Battery Terminal Kit
	081057-01-713	EA	Rear Bearing

MISCELLANEOUS

Key	Part Number	U/M	Description
	047441-01-000	EA	Battery Terminal - Horizontal Lug
	051697-01-000	EA	Bracket - Battery Tie Down - 6.9"
	077852-01-000	EA	Bracket - Front Bumper
	079129-02-000	EA	Bracket Asm. - Rear Bumper
	077850-C4-000	EA	Bumper - Front
	078584-01-000	EA	Bumper - Front
	077850-03-000	EA	Bumper - Front - Chrome
	078584-03-000	EA	Bumper - Rear - Chrome
	078002-01-000	EA	Brace - Bumper - Upper - Passenger
	078002-02-000	EA	Brace - Bumper - Upper - Driver
	078003-01-000	EA	Brace - Bumper - Lower - Passenger
	078003-02-000	EA	Brace - Bumper - Lower - Driver
	076527-01-000	EA	Support - Bumper
	007125-04-000	EA	Clamp Asm. - Muffler - 1.12"
	010497-01-000	EA	Clamp - Close - 5.8 I.D.
	007161-01-000	EA	Clamp - Hose - Spring Type 112
	062401-01-000	EA	Clamp - Hose - Wormgear - .22" I.D. x 1" I.D.
	062401-02-000	EA	Clamp - Hose - Wormgear - 1.56" I.D. - 2.5" I.D.
	062401-03-000	EA	Clamp - Hose - Wormgear - .25" I.D. - 1" I.D.
	062401-04-000	EA	Clamp - Hose - Wormgear - .69" I.D. - 1.25" I.D.
	062401-05-000	EA	Clamp - Hose - Wormgear - 2" I.D. - 3" I.D.
	062401-06-000	EA	Clamp - Hose - Wormgear - 22" I.D. - .62" I.D.
	023146-01-000	EA	Clamp - Screw Type - 4"
	024490-01-000	FA	Compartment - Power Cord - Black Plastic
	071656-01-000	EA	Cover - Radiator - Rear
	071657-01-000	EA	Cover - Radiator - Rear Back (Fan Shroud)
	080722-01-000	EA	Cover - Radiator - Back
	020167-03-000	EA	Dirt Guard - Rear Wheel
	073220-02-000	EA	Gas Cap - Non-Locking
	024138-01-000	FT	Hose - Fuel - 5/16" I.D. SAE 30RI
	080208-02-000	EA	Leverage Bar - 22" - Lug Wrench
	080208-01-000	EA	Lug Wrench - 1" x 1.25" x 16.3"
	044860-01-000	EA	Mat - Stepwell - Driver - Black
	044860-02-000	EA	Mat - Stepwell - Passenger - Black
	017516-01-000	EA	Mud Flap w/Holes - 14" x 18" - Black
	079942-01-000	EA	Shock Absorber - Stabilizer - Front
	079942-02-000	EA	Shock Absorber - Stabilizer - Rear
	079942-07-000	EA	Bracket - Mounting Stabilizer
	077848-01-000	EA	Step Asm. - Entry
	051411-03-000	EA	Tailpipe Extension - 2.25" x 10.5"
	043594-01-000	EA	Tray - Battery
	008343-01-000	EA	Wire Tie - 6"

**1986 WINNEBAGO
TABLE OF CONTENTS**

WC/WF424RC	A-01 - C-08
WC420RG	C-09 - E-12
WCN22RC	E-13 - G-24
WCN30RC	H-01 - J-10

1986 WCN30RC INDEX

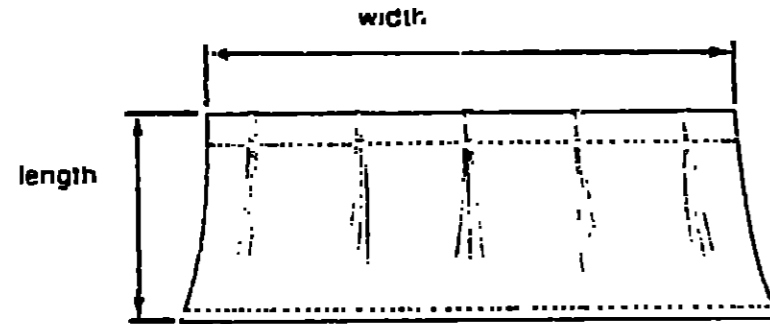
Floor Plan	H-01 - H-02
Accessories Group	H-03 - H-06
Bath Group	H-07 - H-08
Chassis Group	H-09 - H-12
Curtain, Cushion & Pad Group	H-13 - H-18
Dinette Group	H-19
Driver's Compartment Group	H-20 - H-22
Electrical Group	H-23 - I-01
Exterior Body Group	I-02 - I-07
Galley Group	I-08 - I-10
Heating & Air Conditioning Group	I-11 - I-12
Interior Finish Group	I-13 - I-15
LP Group	I-16
Lounge Group	I-17 - I-18
Water & Sewage Group	I-19 - I-20
Window, Vent & Exterior Door Group	I-21 - J-10

CURTAIN, CUSHION & PAD GROUP

NOTICE

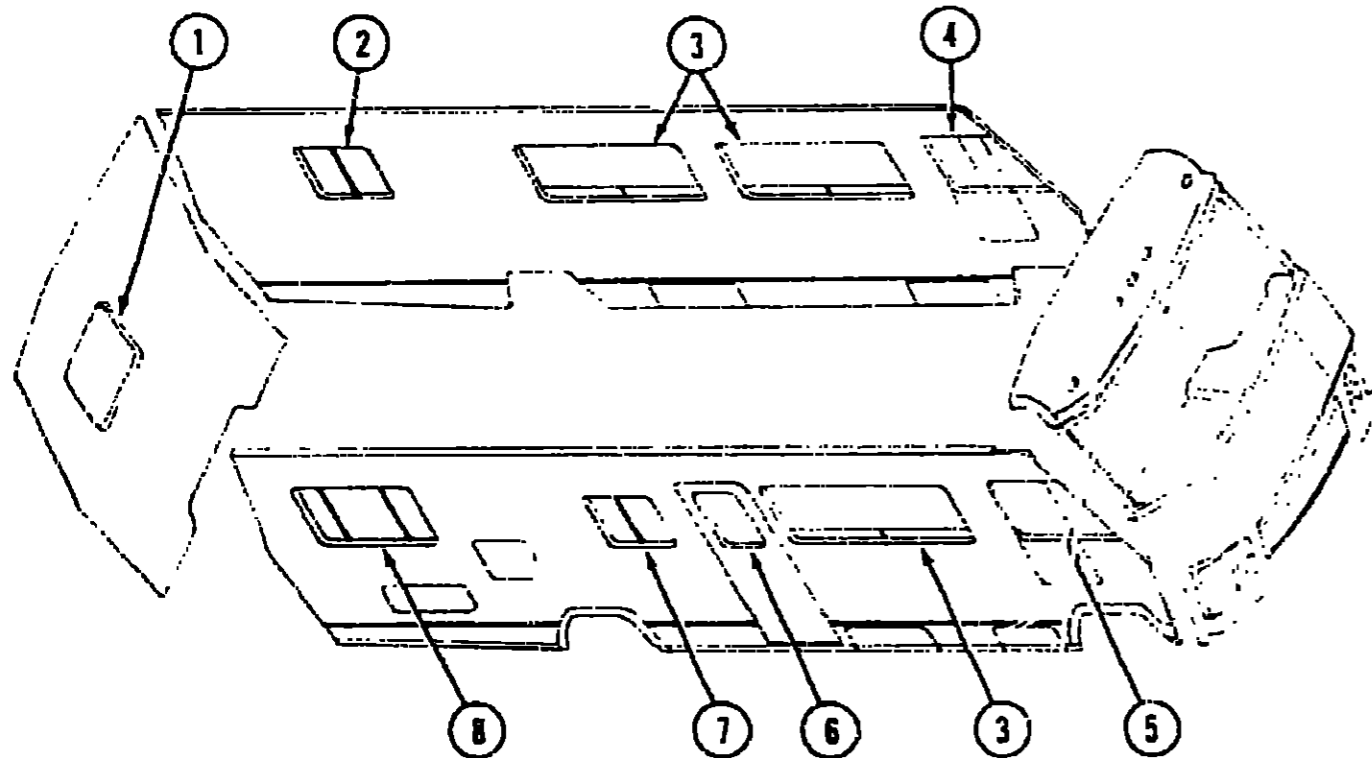
In order to assist our Parts Sales Dept. in providing interior software items, please include the serial number and the color code number from the vehicle certification label when ordering. This label is located on the left sidewall at the end of the dash (A-Body), or on the driver's door latch plate (C-Body).

An example of a color code number is P31, which designates an overall color scheme of a particular unit. The color listed after the item description on the microfiche, indicates the overall unit color. Order the item you desire according to unit color code.



NOTE:

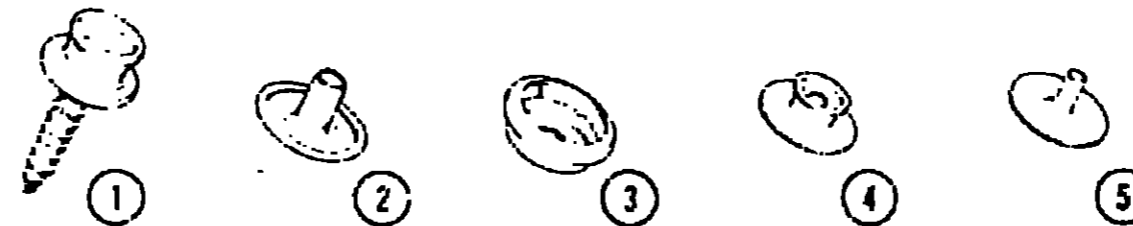
Use this illustration when determining length and width measurements for curtains. You will note the width measurement is taken on the top of the curtain with the curtain fully extended. The length measurement is taken from top to bottom.



CURTAIN, CUSHION & PAD GROUP (CONTINUED)

CURTAINS, SHADES, VALANCES & TIEBACK

Key	Part Number	U/M	Description
1	079559-04-U04	EA	Curtain Asm. w/Gathers - 32" x 24"
1	079558-04-U04	EA	Valance Asm. w/Gathers - 6" x 95"
1	082119-07-000	EA	Shade - Vinyl - 33.25" x 50"
2	082176-01-U01	EA	Valance Asm. - Padded (U04, U06)
2	082176-01-U02	EA	Valance Asm. - Padded (U05)
2	082118-52-000	EA	Blind - 32" x 26" Drop - Beige (U04)
2	082118-53-000	EA	Blind - 32" x 26" Drop - Rose (U05)
2	082118-54-000	EA	Blind - 32" x 26" Drop - Spruce (U06)
3	079542-10-U01	EA	Curtain Asm. w/Darts - 35" x 16" (U04)
3	079542-10-U02	EA	Curtain Asm. w/Darts - 35" x 16" (U05)
3	079542-10-U03	EA	Curtain Asm. w/Darts - 35" x 16" (U06)
3	M81977-15-U01	EA	Valance Asm. - Padded (U04, U06)
3	M81977-15-U02	EA	Valance Asm. - Padded (U05)
3	082118-61-000	EA	Blind - 6.5" x 34" Drop - Beige (U04)
3	082118-62-000	EA	Blind - 6.5" x 34" Drop - Rose (U05)
3	082118-63-000	EA	Blind - 6.5" x 34" Drop - Spruce (U06)
**	032127-49-000	EA	Shade - Woven Wood - 65" x 35" Drop - Beige (U04)
**	082127-50-000	EA	Shade - Woven Wood - 65" x 35" Drop - Rose (U05)
**	082127-51-000	EA	Shade - Woven Wood - 65" x 35" Drop - Spruce (U06)
**	079543-13-U04	EA	Curtain Asm. - 35" x 16" (Woven Wood) (U06)
**	079543-13-U05	EA	Curtain Asm. - 35" x 16" (Woven Wood)
4	073304-32-U09	EA	Front Wraparound Curtain - 32.5" x 86" - Snap Top - Left
5	073304-31-U09	EA	Front Wraparound Curtain - 32.5" x 86" - Snap Top - Right
*	077591-06-U04	EA	Blackout Curtain - 60" x 50" - Velcro Top - Left
*	077591-05-U04	EA	Blackout Curtain - 60" x 50" - Velcro Top - Right
6	M81977-12-U04	EA	Valance Asm. - Padded (U05)
6	M81977-12-U05	EA	Valance Asm. - Padded
6	082119-02-000	EA	Shade - Vinyl - 24.25" x 40"
7	M81977-05-U01	EA	Valance Asm. - Padded (U04, U06)
7	M81977-05-U02	EA	Valance Asm. - Padded (U05)
7	082118-13-000	EA	Blind - 27" x 22" Drop - Beige (U04)
7	082118-44-000	EA	Blind - 27" x 22" Drop - Rose (U05)
7	082118-45-000	EA	Blind - 27" x 22" Drop - Spruce (U06)
8	079559-03-U01	EA	Curtain Asm. w/Gathers - 32" x 41"
8	079558-03-U01	EA	Valance Asm. w/Gathers - 6" x 95"
8	082119-03-000	EA	Shade - Vinyl - 60.25" x 38"
*	073260-17-U01	EA	Tieback Asm. - Bedspread - 4" x 18"
*	073260-16-U04	EA	Tieback Asm. - Accent - 3" x 20" (U06)
*	073260-16-U05	EA	Tieback Asm. - Accent - 3" x 20"
*	057534-04-000	EA	Tieback Asm. - Clear - 20"
*	057534-01-000	EA	Tieback Asm. - Clear - 6"
*			Not illustrated
**			Parts used in the Woven Wood option!



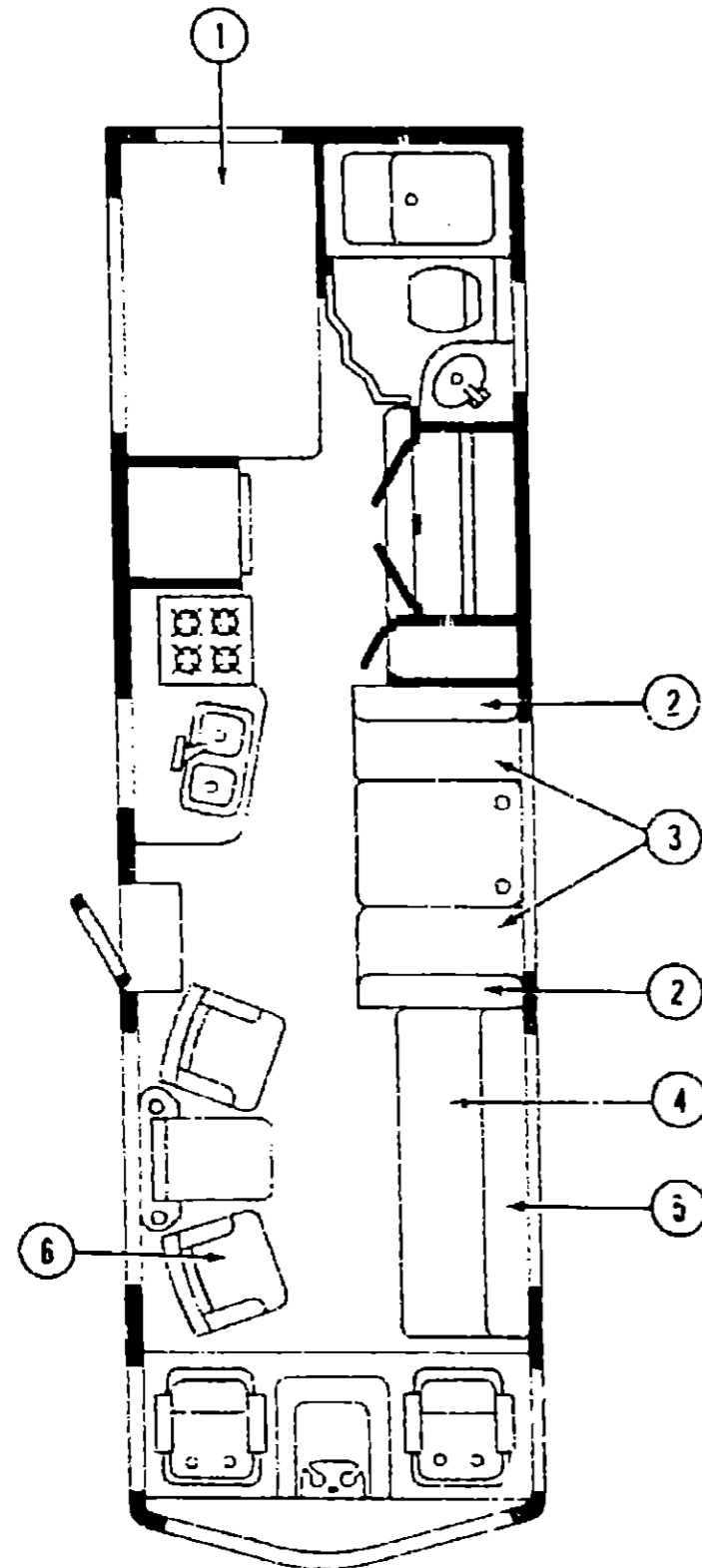
Key	Part Number	U/M	Description
1	029130-01-000	EA	Socket - Snap Fastener
2	029155-01-000	EA	Cap - Snap - .155" Dia x 17" Barrel
3	029156-01-000	EA	Socket - Snap Fastener
4	029092-01-000	EA	Stud - Nickel Finish
5	029093-01-000	EA	Eyelet - Nickel Finish

1986 WINNEBAGO TABLE OF CONTENTS

WC/WF424RC	A-01 - C-08
WC420RG	C-09 - E-12
WCN22RC	E-13 - G-24
WCN30RC	H-01 - J-10

1986 WCN30RC INDEX

Floor Plan	H-01 - H-02
Accessories Group	H-03 - H-06
Bath Group	H-07 - H-08
Chassis Group	H-09 - H-12
Curtain, Cushion & Pad Group	H-13 - H-18
Dinette Group	H-19
Driver's Compartment Group	H-20 - H-22
Electrical Group	H-23 - I-01
Exterior Body Group	I-02 - I-07
Galley Group	I-08 - I-10
Heating & Air Conditioning Group	I-11 - I-12
Interior Finish Group	I-13 - I-15
LP Group	I-16
Lounge Group	I-17 - I-19
Water & Sewage Group	I-19 - I-20
Window, Vent & Exterior Door Group	I-21 - J-10



DOUBLE BED MATTRESS

Key	Part Number	U/M	Description
1	077478-02-000	EA	Mattress - Inner Spring - Sealy - 48" x 75"
	081969-06-U01	EA	Bedsread - Double Bed - Multi-Stripe
	081969-12-U01	EA	Bedsread - Double Bed - Parchment
	081997-01-U01	EA	Pillow Sham - 30" x 26" - Multi-Stripe
	081997-02-U01	EA	Pillow Sham - 30" x 26" - Parchment
	Parts used on units produced after 10-7-85.		

DINETTE CUSHIONS

Key	Part Number	U/M	Description
2	081998-01-U01	EA	Cushion Asm. - Dinette Back - 19.2" x 38" x 5" - Beige (U04)
2	081998-01-U02	EA	Cushion Asm. - Dinette Back - 19.2" x 38" x 5" - Rose (U05)
2	081998-01-U03	EA	Cushion Asm. - Dinette Back - 19.2" x 38" x 5" - Spruce (U06)
	M81998-01-U01	EA	Cover Asm. - Dinette Back Cushion - Beige (U04)
	M81998-01-U02	EA	Cover Asm. - Dinette Back Cushion - Rose (U05)
	M81998-01-U03	EA	Cover Asm. - Dinette Back Cushion - Spruce (U06)
3	081998-02-U01	EA	Cushion Asm. - Dinette Seat - 17.5" x 38" x 5" - Beige (U04)
3	081998-02-U02	EA	Cushion Asm. - Dinette Seat - 17.5" x 38" x 5" - Rose (U05)
3	081998-02-U03	EA	Cushion Asm. - Dinette Seat - 17.5" x 38" x 5" - Spruce (U06)
	M81998-02-U01	EA	Cover Asm. - Dinette Seat Cushion - Beige (U04)
	M81998-02-U02	EA	Cover Asm. - Dinette Seat Cushion - Rose (U05)
	M81998-02-U03	EA	Cover Asm. - Dinette Seat Cushion - Spruce (U06)

CONTINENTAL BED

Key	Part Number	U/M	Description
4	079448-04-U04	EA	Bed Asm. - Continental - 3-Pillow - Beige
4	079448-04-U05	EA	Bed Asm. - Continental - 3-Pillow - Rose
4	079448-04-U06	EA	Bed Asm. - Continental - 3-Pillow - Spruce
5	081997-17-U04	EA	Pillow Asm. - 16" x 23" x 5" - Beige
5	081997-17-U05	EA	Pillow Asm. - 16" x 23" x 5" - Rose
5	081997-17-U06	EA	Pillow Asm. - 16" x 23" x 5" - Spruce
	M81997-17-U04	EA	Cover Asm. - Pillow - Beige
	M81997-17-U05	EA	Cover Asm. - Pillow - Rose
	M81997-17-U06	EA	Cover Asm. - Pillow - Spruce

SWIVEL CHAIRS

Key	Part Number	U/M	Description
6	073518-16-U01	EA	Chair Asm. w/Pillow Back - Swivel - Beige (U04)
6	073518-15-U02	EA	Chair Asm. w/Pillow Back - Swivel - Rose (U05)
6	073518-15-U03	EA	Chair Asm. w/Pillow Back - Swivel - Spruce (U06)
	075174-02-U01	EA	Skirt Asm. - Swivel Chair (U04, U05)
	075174-02-U02	EA	Skirt Asm. - Swivel Chair (U05)
	035036-01-000	EA	Plate - Tilt & Swivel - High Base
	035036-03-000	EA	Extension - 7" - Swivel Chair
	035036-04-000	EA	Base w/Legs - Swivel Chair
	Not illustrated		

FRONT BUNK

Key	Part Number	U/M	Description
	075145-04-000	EA	Cushion Asm. - Front Bunk - 4" x 34" x 78"
	M79145-04-000	EA	Cover Asm. - Front Bunk Cushion - 4" x 34" x 78"

1986 WINNEBAGO
TABLE OF CONTENTS

WC/WF424RC	A-01 - C-08
WC420RG	C-09 - E-12
WCN22RC	E-13 - G-24
WCN30RC	H-01 - J-10

1986 WC1130RC INDEX

Floor Plan	H-01 - H-02
Accessories Group	H-03 - H-06
Bath Group	H-07 - H-08
Chassis Group	H-09 - H-12
Curtain, Cushion & Pad Group	H-13 - H-18
Dinette Group	H-19
Driver's Compartment Group	H-20 - H-22
Electrical Group	H-23 - I-01
Exterior Body Group	I-02 - I-07
Galley Group	I-08 - I-10
Heating & Air Conditioning Group	I-11 - I-12
Interior Finish Group	I-13 - I-15
LP Group	I-15
Lounge Group	I-17 - I-18
Water & Sewage Group	I-19 - I-20
Window, Vent & Exterior Door Group	I-21 - J-10

CURTAIN, CUSHION & PAD GROUP (CONTINUED)

BUCKET SEATS

Key	Part Number	U/M	Description
	079300-01-U01	EA	Seat Asm. - Vinyl - Beige (U04)
	079300-02-U01	EA	Seat Asm. - Vinyl - Rose (U05)
	079300-02-U03	EA	Seat Asm. - Vinyl - Spruce (U06)
	M01862-01-U01	EA	Cover Asm. - Seat Bottom - Vinyl - Beige (U04)
	M01862-03-U01	EA	Cover Asm. - Seat Bottom - Vinyl - Rose (U05)
	M01862-03-U03	EA	Cover Asm. - Seat Bottom - Vinyl - Spruce (U06)
	M01862-02-U01	EA	Cover Asm. - Seat Back - Vinyl - Beige (U04)
	M01862-04-U01	EA	Cover Asm. - Seat Back - Vinyl - Rose (U05)
	M01862-04-U03	EA	Cover Asm. - Seat Back - Vinyl - Spruce (U06)
	078804-07-U01	EA	Seat Asm. - Granduer - Beige (U04)
	078804-06-U04	EA	Seat Asm. - Granduer - Rose (U05)
	078804-08-U06	EA	Seat Asm. - Granduer - Spruce (U06)
	M01863-01-U01	EA	Cover Asm. - Granduer Seat Bottom - Beige (U04)
	M01863-03-U01	EA	Cover Asm. - Granduer Seat Bottom - Rose (U05)
	M01863-03-U03	EA	Cover Asm. - Granduer Seat Bottom - Spruce (U06)
	M01863-02-U01	EA	Cover Asm. - Granduer Seat Back - Beige (U04)
	M01863-04-U01	EA	Cover Asm. - Granduer Seat Back - Rose (U05)
	M01863-04-U03	EA	Cover Asm. - Granduer Seat Back - Spruce (U06)
	071126-16-U01	EA	Skirt Asm. - Granduer Bucket Seat - Beige (U04)
	071126-13-U04	EA	Skirt Asm. - Granduer Bucket Seat - Rose (U05)
	071126-13-U06	EA	Skirt Asm. - Granduer Bucket Seat - Spruce (U06)
	080243-07-U01	EA	Armrest Asm. - Right - Beige (U04)
	080243-09-U01	EA	Armrest Asm. - Right - Rose (U05)
	080243-09-U03	EA	Armrest Asm. - Right - Spruce (U06)
	080243-05-U01	EA	Armrest Asm. - Left - Beige (U04)
	080243-10-U01	EA	Armrest Asm. - Left - Rose (U05)
	080243-10-U03	EA	Armrest Asm. - Left - Spruce (U06)
	M80243-01-U01	EA	Cover Asm. - Armrest - Right - Beige (U04)
	M80243-03-U01	EA	Cover Asm. - Armrest - Right - Rose (U05)
	M80243-03-U03	EA	Cover Asm. - Armrest - Right - Spruce (U06)
	M80243-02-U01	EA	Cover Asm. - Armrest - Left - Beige (U04)
	M80243-04-U01	EA	Cover Asm. - Armrest - Left - Rose (U05)
	M80243-04-U03	EA	Cover Asm. - Armrest - Left - Spruce (U06)
	080242-04-U01	EA	Headrest Asm. - Beige (U04)
	080242-05-U04	EA	Headrest Asm. - Rose (U05)
	080242-05-U06	EA	Headrest Asm. - Spruce (U06)
	M80242-01-U04	EA	Cover Asm. - Headrest - Beige (U04)
	M80242-02-U04	EA	Cover Asm. - Headrest - Rose (U05)
	M80242-02-U06	EA	Cover Asm. - Headrest - Spruce (U06)
	079281-02-U04	EA	Seat Asm. - Double Bucket - Beige (U04)
	079281-01-U04	EA	Seat Asm. - Double Bucket - Rose (U05)
	079281-01-U06	EA	Seat Asm. - Double Bucket - Spruce (U06)
	M01874-03-U04	EA	Cover Asm. - Double Bucket - Bottom - Beige (U04)
	M01874-01-U04	EA	Cover Asm. - Double Bucket - Bottom - Rose (U05)
	M01874-01-U06	EA	Cover Asm. - Double Bucket - Bottom - Spruce (U06)
	M01874-04-U04	EA	Cover Asm. - Double Bucket - Back - Beige (U04)
	M01874-02-U04	EA	Cover Asm. - Double Bucket - Back - Rose (U05)
	M01874-02-U06	EA	Cover Asm. - Double Bucket - Back - Spruce (U06)
	071E90-04-U01	EA	Skirt Asm. - Double Bucket - Beige (U04)
	071653-05-U04	EA	Skirt Asm. - Double Bucket - Rose (U05)
	071690-05-U06	EA	Skirt Asm. - Double Bucket - Spruce (U06)
	080243-02-U04	EA	Armrest Asm. - Double Bucket - Beige (U04)
	080243-04-U04	EA	Armrest Asm. - Double Bucket - Rose (U05)
	080243-04-U06	EA	Armrest Asm. - Double Bucket - Spruce (U06)
	M80243-02-U04	EA	Cover Asm. - Armrest - Beige (U04)
	M80243-04-U01	EA	Cover Asm. - Armrest - Rose (U05)
	7A52243-04-U06	EA	Cover Asm. - Armrest - Spruce (U06)
	080242-01-U04	EA	Headrest Asm. - Double Bucket - Beige (U04)
	080242-02-U04	EA	Headrest Asm. - Double Bucket - Rose (U05)
	080242-02-U06	EA	Headrest Asm. - Double Bucket - Spruce (U06)
	M80242-01-U04	EA	Cover Asm. - Headrest - Double Bucket - Beige (U04)
	M80242-02-U04	EA	Cover Asm. - Headrest - Double Bucket - Rose (U05)
	M80242-02-U06	EA	Cover Asm. - Headrest - Double Bucket - Spruce (U06)

CURTAIN, CUSHION & PAD GROUP (CONTINUED)

FABRICS, TRIMS & PADS

Key	Part Number	U/M	Description
	072333-25-000	YD	Fabric - Drapery - Beige (U04)
	072333-26-000	YD	Fabric - Drapery - Rose (U05)
	072333-27-000	YD	Fabric - Drapery - Spruce (U06)
	077498-62-000	YD	Fabric w/Pattern - Upholstery - Beige (U04)
	077498-63-000	YD	Fabric w/Pattern - Upholstery - Rose (U05)
	077498-64-000	YD	Fabric w/Pattern - Upholstery - Spruce (U06)
	077498-75-000	YD	Fabric w/Pattern - Upholstery Accent - Rose (U05)
	077498-74-000	YD	Fabric w/Pattern - Upholstery Accent - Spruce (U06)
	077498-73-000	YD	Fabric - Upholstery Accent - Plain (U04, U06)
	077498-72-000	YD	Fabric - Upholstery Accent - Plain (U05)
	069723-43-000	YD	Fabric - Bedspread/Drapery - Multi-Strips
	072333-21-000	YD	Fabric - Bedspread - Parchment
	038421-01-000	YD	Fabric - Mattress Ticking
	052859-01-T03	FT	Trim Asm. - Accent - Sandrift
	052859-05-T03	FT	Trim Asm. - Accent - Buckskin
	079680-01-000	YD	Vinyl - Expanded - 26 oz. - Buckskin
	079680-02-000	YD	Vinyl - Expanded - 26 oz. - Sandrift
	070578-06-T03	EA	Button Asm. - #30 - Vinyl
	057093-01-T03	EA	Button Asm. - #60 - Vinyl
	057550-03-T03	EA	Button Asm. - Nail - Vinyl
	071127-09-000	EA	Button Asm. - #36 - Hook Back
	071127-10-U01	EA	Button Asm. - #30 - Beige (U04, U06)
	071127-10-U02	EA	Button Asm. - #30 - Rose (U05)
	078155-01-000	EA	Strap Asm. - Cushion
	079144-02-000	EA	Strap Asm. - Bunk
	081320-04-U04	EA	End Cap Asm. - Galley Overhead - Vinyl
	081325-01-T03	EA	End Cap Asm. - Lounge Overhead - Right - Vinyl
	081325-02-T03	EA	End Cap Asm. - Lounge Overhead - Left - Vinyl
	081519-01-U01	EA	Pad Asm. - Dinette - Front - Beige (U04, U06)
	081519-01-U02	EA	Pad Asm. - Dinette - Front - Rose (U05)
	081519-02-U01	EA	Pad Asm. - Dinette - Rear - Beige (U04, U06)
	081519-02-U02	EA	Pad Asm. - Dinette - Rear - Rose (U05)
	059467-03-T03	EA	Pad - Map Pocket - Drivers
	059467-04-T03	EA	Pad - Map Pocket - Passenger
	077463-06-U01	EA	Pad Asm. - Headboard - Double Bed

CURTAIN HARDWARE

Key	Part Number	U/M	Description
	079798-03-000	EA	Bracket Asm. - Curtain Rod - Right
	079798-04-000	EA	Bracket Asm. - Curtain Rod - Left
	082249-01-000	EA	Bracket - Blinds - Beige - Right
	082249-02-000	EA	Bracket - Blinds - Beige - Left
	056001-01-000	EA	Bracket - Shade - Left
	056002-01-000	EA	Bracket - Shade - Right
	056003-01-000	EA	Bracket - Drapery Retainer - Right
	056003-02-000	EA	Bracket - Drapery Retainer - Left
	079619-01-000	EA	Bracket - Tie Back
	056704-01-000	EA	Pull - Shade - Antique Brass
	081381-01-000	EA	Swivel - Strap - Curtain Track
	048394-01-000	EA	Tape Hook - 1" x 50 YD - Beige
	029095-03-000	EA	Tape Hook - 1" - Black (Velcro)
	029095-05-000	EA	Tape Hook - .50" - Beige (Velcro)
	048395-01-000	EA	Tape Loop - 1" x 50 YD - Beige
	029094-04-000	EA	Tape Loop - 1" - Black (Velcro)
	029094-05-000	EA	Tape Loop - .50" - Beige (Velcro)
	079946-01-000	EA	Track - Curtain - Wraparound - Right
	079946-02-000	EA	Track - Curtain - Wraparound - Left
	056116-01-000	FT	Track - Curtain - Brown - Plastic
	078551-03-000	EA	Track - Curtain - Beige - 42"

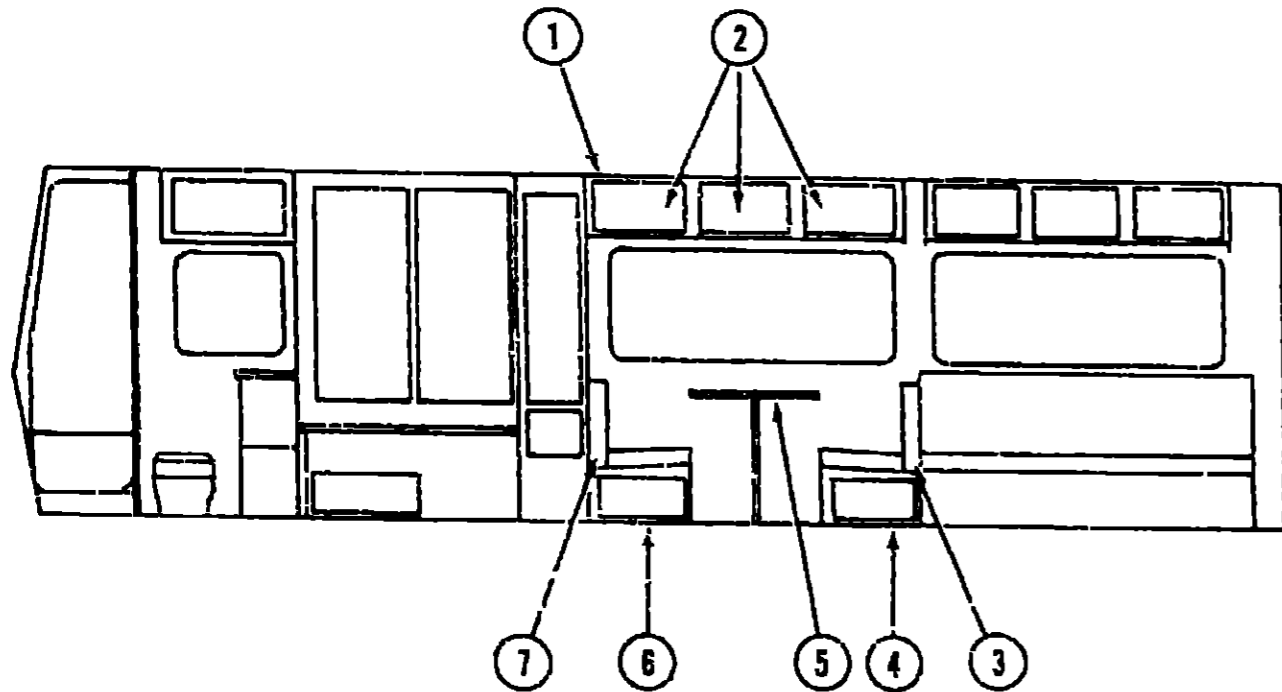
**1986 WINNEBAGO
TABLE OF CONTENTS**

WC/WF424RC	A-01 - C-08
WC42CRG	C-09 - E-12
WCN22RC	E-13 - G-24
WCN30RC	H-01 - J-10

1986 WCN30RC INDEX

Floor Plan	H-01 - H-02
Accessories Group	H-03 - H-06
Bath Group	H-07 - H-08
Chassis Group	H-09 - H-12
Curtain, Cushion & Pad Group	H-13 - H-18
Dinette Group	H-19
Driver's Compartment Group	H-20 - H-22
Electrical Group	H-23 - I-01
Exterior Body Group	I-02 - I-07
Galley Group	I-08 - I-10
Heating & Air Conditioning Group	I-11 - I-12
Interior Finish Group	I-13 - I-15
LP Group	I-16
Lounge Group	I-17 - I-18
Water & Sewage Group	I-19 - I-20
Window, Vent & Exterior Door Group	I-21 - J-10

DINETTE GROUP



CONVENTIONAL DINETTE & OVERHEAD CABINERY

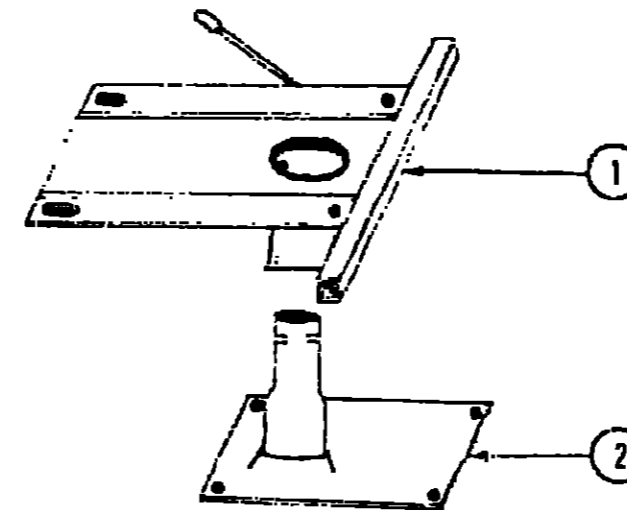
Key	Part Number	U/M	Description
1	081550-06-T03	EA	Cabinet Asm. - Dinette Overhead - w/o Doors or Hardware
•	081325-01-T03	EA	Pad Asm. - End Cap - Dinette Overhead - Vinyl
2	M81503-01-T03	EA	Door Asm. - Dinette Overhead - 14.1" x 18.5" - w/o Hardware
3	M02174-01-U01	EA	Cabinet Asm. - Dinette Back - Right
4	M02175-02-L02	EA	Cabinet Asm. - Dinette Seat - Right - w/o Doors or Hardware
•	MB1501-10-U01	EA	Door Asm. - Dinette Seat - Right or Left - 19.1" x 10.1" - w/o Hardware
5	MB1299-01-U01	EA	Table Asm. - Dinette - w/o Hardware
6	M02175-04-U01	EA	Cabinet Asm. - Dinette Seat - Left - w/o Doors or Hardware
7	M02174-04-U04	EA	Cabinet Asm. - Dinette Back - Left
•	053200-05-000	EA	Bracket - Upper Wall Mount - 23.5" - Beige
•	053201-03-000	EA	Bracket - Table Mount - 23"
•	024275-05-000	EA	Foot - Table Lift - 8" x 23.5" - Beige
•	024281-07-000	EA	Bracket - Lower Wall Mount - 22.12" - Beige
•	024276-14-000	EA	Leg Asm. - Table - 23.5" - Brown
•	064050-01-000	EA	Hinge - Table Leg
•	024282-01-000	EA	Brace - Table Leg
•	024283-01-000	EA	Clip - 1" O.D. Tube
•	049493-02-000	EA	Catch - Table Leg - Mounts on Floor - Brown
•	064781-01-000	EA	Cup Holder - 3.47" O.D. x 2.75" I.D. x 1.5"
•			Not illustrated

** The illustrated parts breakdown for this item is provided on the Common Items Fiche

DRIVER'S COMPARTMENT GROUP

DASH SWITCHES & GAUGES

Key	Part Number	U/M	Description
	024461-01-000	EA	Switch - Battery
	024452-01-000	EA	Switch - Battery Corrosion
	024464-02-000	EA	Switch - Battery - Dual Boost
	024464-01-000	EA	Switch - Washer
	024465-01-000	EA	Switch - Fuel
	056963-02-000	EA	Switch - Fuel Change Over
	024467-01-000	EA	Switch - Wiper
	024976-01-000	EA	Switch - Generator w/o Circuit Board
	074007-02-000	EA	Switch - Intermittent - Windshield Wiper
	024459-04-000	EA	Gauge - Voltmeter
	024460-04-000	EA	Gauge - Vacuum
	024460-02-000	EA	Mounting Bracket - Vacuum Gauge
	031035-02-000	EA	Gauge - Generator Hourmeter
	072363-01-000	EA	Water Detector Probe - Fuel Line
	072364-01-000	EA	Water Detector Module - Fuel Line



BUCKET SEAT PEDESTAL & SEAT BELTS

Key	Part Number	U/M	Description
1	069585-04-000	EA	Plate - Top - Pedestal Asm. - Single Bucket Seat
1	069585-10-000	EA	Plate - Top - Pedestal Asm. - Double Bucket Seat
1	069585-19-000	EA	Plate - Top - Flat (Power Seat)
2	069585-08-000	EA	Plate - Sub - Pedestal Asm. - Bucket Seat
2	069585-15-000	EA	Plate - Sub - Vertical - 4.5" NOM (Power Seat)
•	069585-05-000	EA	Hardware Kit - Bolt/Acorn Nut - 4 ea. - Pedestal Asm.
•	079467-04-000	EA	Loose Part Kit
•	007019-01-000	EA	Belt Asm. - Seat - 2" x 84" - Black
•	007021-01-000	EA	Belt Asm. - Seat - 2" x 90" - Black
•	056271-02-000	EA	Belt Asm. - Seat - 2" x 72" - Black
•	057759-01-000	EA	Bracket - Seat Belt - Washer
•	069246-01-000	EA	Adjuster Asm. - Seat - w/Lock
•	069246-02-000	EA	Adjuster Asm. - Seat - w/o Lock
•	091373-02-000	EA	Seat - Power - 6 Way
•			Not illustrated

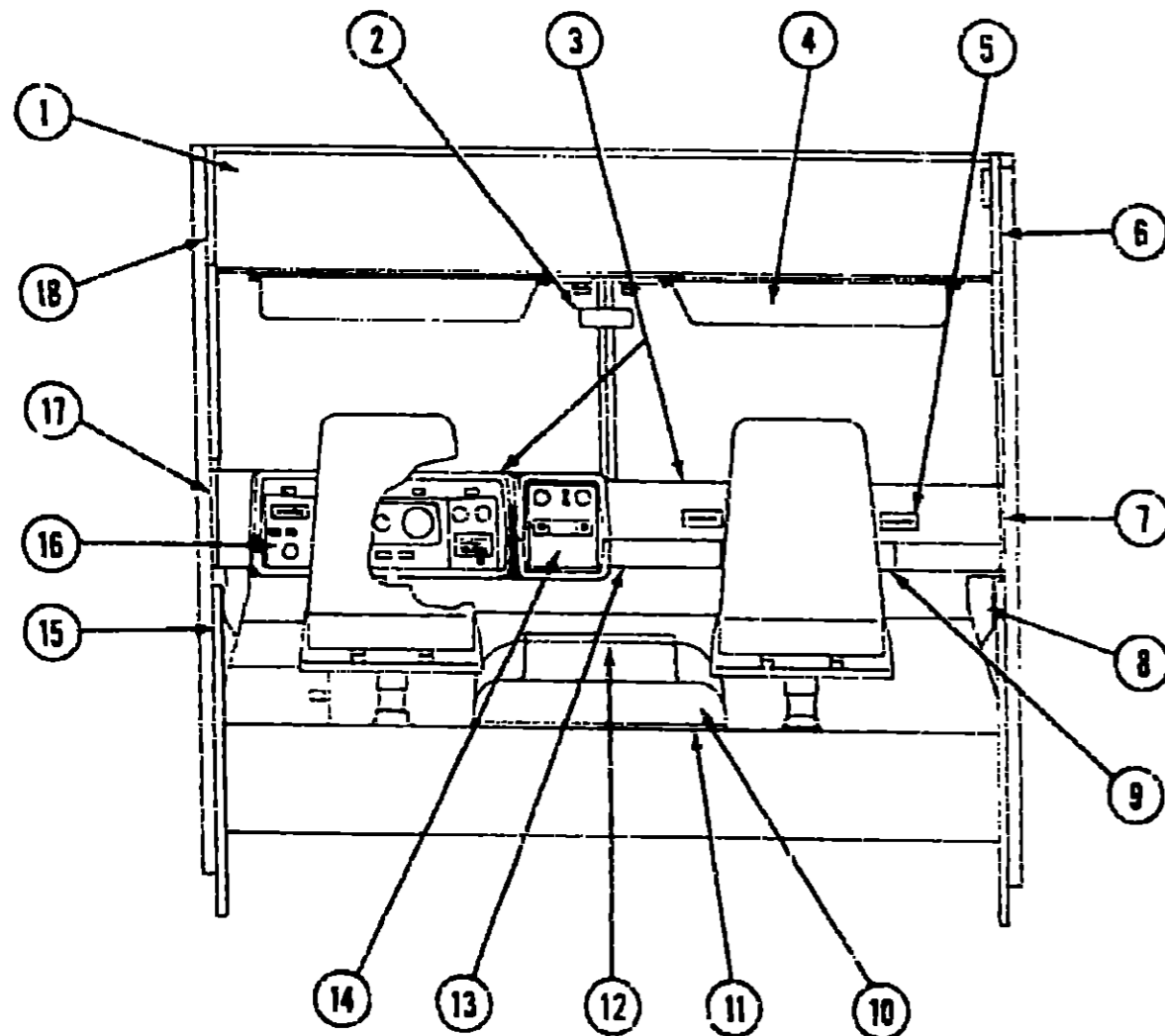
1986 WINNEBAGO TABLE OF CONTENTS

WC/WF424RC	A-01 - C-02
WC420RG	C-09 - E-12
WCN22RC	E-13 - G-24
WCN30RC	H-01 - J-10

1986 WCN30RC INDEX

Floor Plan	H-01 - H-02
Accessories Group	H-03 - H-06
Bath Group	H-07 - H-08
Chassis Group	H-09 - H-12
Curain, Cushion & Pad Group	H-13 - H-18
Dinette Group	H-19
Driver's Compartment Group	H-20 - H-22
Electrical Group	H-23 - I-01
Exterior Body Group	I-02 - I-07
Galley Group	I-08 - I-10
Heating & Air Conditioning Group	I-11 - I-12
Interior Finish Group	I-13 - I-15
LP Group	I-16
Lounge Group	I-17 - I-18
Water & Sewage Group	I-19 - I-20
Window, Vent & Exterior Door Group	I-21 - J-10

DRIVER'S COMPARTMENT GROUP



MISCELLANEOUS DRIVER'S COMPARTMENT COMPONENTS

Key	Part Number	U/M	Description
1	080085-02-T03	EA	Header Trim Asm. - Upper
.	083917-01-U04	EA	Cabinet Asm. - Front Overhead
.	083918-01-U04	EA	Cabinet Asm. - Front Overhead - Right (w/o Bunk)
.	083918-02-U04	EA	Cabinet Asm. - Front Overhead - Left (w/o Bunk)
2	040714-01-700	EA	Mirror - Inside Rear View - w/Button Support
**2	M01113-12-T03	EA	Dash Asm. - Complete - w/Gauges & Switches
.	079089-01-000	EA	Dash Pad - Passenger - Brown
.	079088-01-000	EA	Dash Pad - Drivers - Brown
.	024990-01-000	EA	Outlet - Defroster w/Swivel - 2" - Tan
4	082286-03-U04	EA	Sunvisor Asm. w/Mirror - Passenger
.	082286-01-U04	EA	Sunvisor Asm. - Driver
.	081917-01-000	EA	Clip - Sunvisor - Black
5	039044-01-000	EA	Lower Asm. - Air Conditioning Adjustable
6	080855-03-000	EA	Side Trim - Front - Upper (w/o Bunk)
.	080855-05-000	EA	Side Trim - Front - Upper (w/Bunk)
.	080856-03-000	EA	Side Trim - Front - Lower (w/o Bunk)
.	080856-05-000	EA	Side Trim - Front - Lower (w/Bunk)
7	059414-06-000	EA	Pad - Sidewall Trim - Passenger - Vinyl
8	072811-01-000	EA	Side Panel - Passenger - Plastic
.	054499-03-000	EA	Panel - Passenger Door - Inner - Plastic
.	059467-04-T03	EA	Pad - Map Pocket - Passenger - Vinyl
9	022219-01-000	EA	Glove Compartment Door
.	023892-01-000	EA	Glove Compartment Box - Black Fiberboard
.	009118-01-000	EA	Glove Compartment Twist Lock
.	024598-01-000	EA	Glove Compartment Hinge
.	034009-01-000	EA	Glove Compartment Chain - Door
.			Not illustrated

** NOTE: To be special ordered only.

DRIVER'S COMPARTMENT GROUP (CONTINUED)

MISCELLANEOUS DRIVER'S COMPARTMENT COMPONENTS (CONT.)

Key	Part Number	U/M	Description
10	075939-01-000	EA	Motor Cover - Fiberglass
.	075564-01-000	EA	Mounting Bracket - Motor Cover
.	075554-02-000	EA	Bracket - Mounting - Motor Cover
11	039623-01-000	FT	Seal - Engine Cover - Neoprene
12	080216-01-000	EA	Beverage Tray
13	023834-01-000	EA	Panel - Knee Kick - Bottom of Dash
14	076006-01-000	EA	Bezel - Entertainment Center - w/Radio & Generator Switch
14	076006-05-000	EA	Bezel - Entertainment Center - (used with electronic dash)
.		EA	Electronic Instrument Panel
.	082124-01-000	EA	Bezel - Instrument Panel - (used w/electronic dash)
15	059198-05-000	EA	Side Panel - Drivers - Plastic
15	064499-02-000	EA	Panel - Drivers Door - Inner - Plastic
.	059467-03-T03	EA	Pad - Map Pocket - Driver's - Vinyl
.	046886-03-000	EA	Ash Tray - Chrome
16	071668-01-000	EA	Bezel - Control Panel
16	071668-04-000	EA	Bezel - Control Panel - (used w/electronic dash)
.	078581-01-000	EA	Trim - Instrument Panel - Front - Passenger
.	078582-01-000	EA	Trim - Instrument Panel - Front - Driver
.	052367-01-000	EA	Cigarette Lighter Asm. - 12 Volt
.	007041-01-000	EA	Bezel - Cigarette Lighter
.	056288-01-000	EA	Dome Light Asm.
.	056288-02-000	EA	Bulb - Dome Light
.	056288-03-000	EA	Housing - Dome Light
.	056288-04-000	EA	Lens - Dome Light
.	056288-05-000	EA	Clip - Dome Light
.	061400-06-000	EA	Assist Strap - 12" - Medium Almond
17	059414-05-000	EA	Pad - Sidewall Trim - Driver - Vinyl
18	080855-04-000	EA	Side Trim - Front - Upper (w/o Bunk)
18	080855-06-000	EA	Side Trim - Front - Upper (w/Bunk)
.	080856-04-000	EA	Side Trim - Front - Lower (w/o Bunk)
.	080856-06-000	EA	Side Trim - Front - Lower (w/Bunk)
.	078245-01-000	EA	Boot - Rubber Steering Column
.	054250-02-000	EA	Support - Dimmer Switch - w/o Holes
.	078579-01-000	EA	Windshield Trim - Interior - Upper - Passenger
.	078579-02-000	EA	Windshield Trim - Interior - Upper - Driver
.	079765-01-000	EA	Windshield Trim - Center
.	079206-01-000	EA	Windshield Trim - Interior - Post - Passenger
.	079206-02-000	EA	Windshield Trim - Interior - Post - Driver
.			Not illustrated

NOTE: This item available from your Chrysler Service Center.

FRONT BUNK & PULL DOWN STORAGE

Key	Part Number	U/M	Description
	076760-03-000	EA	Overhead Bunk Hardware
	079131-01-T03	EA	Board Asm. - Trim Bunk
	079144-02-T03	EA	Bunk Strap
	042541-04-000	EA	Latch Asm. - w/o Strike - Brass
	042541-05-000	EA	Latch Strike - Brass
	079098-01-000	EA	Pivot Asm. - Spring Loaded - Right (Storage Area)
	079098-02-000	EA	Pivot Asm. - Spring Loaded - Left (Storage Area)
	078635-01-T03	EA	Panel Asm. - Front Bunk

1986 WINNEBAGO TABLE OF CONTENTS

WC WF424RC
WC 420RG
WCN22RC
WCN30RC

A-01 - C-08
C-09 - E-12
E-13 - G-24
H-01 - J-10

1986 WCN30RC INDEX

Floor Plan	H-01 - H-02
Accessories Group	H-03 - H-06
Bath Group	H-07 - H-08
Chassis Group	H-09 - H-12
Curtain, Cushion & Pad Group	H-13 - H-18
Dinette Group	H-19
Driver's Compartment Group	H-20 - H-22
Electrical Group	H-23 - I-01
Exterior Body Group	I-02 - I-07
Galley Group	I-08 - I-10
Heating & Air Conditioning Group	I-11 - I-12
Interior Finish Group	I-13 - I-15
LP Group	I-16
Lounge Group	I-17 - I-18
Water & Sewage Group	I-19 - I-20
Window, Vent & Exterior Door Group	I-21 - J-10

ELECTRICAL GROUP

WIRE, SWITCHES & RECEPTACLES

Key	Part Number	U/M	Description
	008288-01-000	EA	Box - Electrical - 3" x 3.5" - Plastic
	008289-01-000	EA	Box - Electrical - 4" x 4" - 1/2 & 3/4 Steel - UL
	008289-02-000	EA	Box - Electrical - 4" x 4" - 1/2 & 3/4 Steel - CSA
	058049-01-000	EA	Box - Electrical - 2" x 3" x 2.25" - Steel
	041953-01-000	FT	Conduit - Convoluted Slit - .5" I.D.
	008353-01-000	EA	Connector - Clamping - 3/8 Cable - UL & CSA
	058028-01-000	EA	Connector - Pigtail - Clear Nylon
	008314-01-000	EA	Connector - Wire Nut - Gray
	008311-01-000	EA	Connector - Wire Nut - Red
	031968-01-000	EA	Contact Plug - Brass - Tin Plated
	031967-01-000	EA	Contact - Receptacle
	008054-01-000	EA	Cord - Power - 10-3 30 Amp. - 25' - UL
	008052-01-000	EA	Cord - Power - 10-3 30 Amp. - 25' - CSA
	069238-01-000	EA	Cover - Electrical Box - 4" x 4"
	024571-03-000	EA	Cover Plate - Receptacle - Jumbo - Brown Plastic
	008294-01-000	EA	Cover - Flat Blank - 4" x 4" - Steel - US
	008294-02-000	EA	Cover - Flat Blank - 4" x 4" - Steel - CSA
	064399-01-000	EA	Housing Asm. - Trailer Pin
	064450-01-000	EA	Housing Asm. - Trailer Plug
	064398-01-000	EA	Housing Asm. - Trailer Receptacle
	054532-01-000	EA	Housing Pin - 6 Position
	075736-03-000	EA	Receptacle/Cover Asm. - Beige (Exterior)
	058708-01-000	EA	Receptacle - Duplex - Brown
	058708-02-000	EA	Receptacle - Duplex - Ivory
	024924-02-000	EA	Receptacle - Power Cord
	058707-01-000	EA	Receptacle - Single - Brown
	063912-01-000	EA	Relay - Canister SPDT w/Ground
	075723-01-000	EA	Switch - Block Spacer - w/o Holes
	075723-02-000	EA	Switch - Block Spacer - w/Holes
	077942-02-000	EA	Switch - Dummy - Brown
	055264-01-000	EA	Switch - Leaf Actuator
	079362-01-000	EA	Switch Plate - 3 Gang - 2 Switches
	079363-01-000	EA	Switch Plate - Single - w/Switches
	079364-01-000	EA	Switch - On/Off Rocker - Brown
	008195-01-000	EA	Switch - Push Button - 12 Volt
	047443-02-000	EA	Terminal - .250 Receptacle - 12-10 AWG
	008348-01-000	EA	Terminal Ring - 2 - w/3/8 Stud
	008331-01-000	EA	Terminal Ring - 4 - w/3/8 Stud
	008328-01-000	EA	Terminal Ring - 12/10 Wire
	008028-01-000	FT	Wire - 18.5 Bonded - Blue/Red/Yellow/Orange/White
	008025-01-000	FT	Wire - 18.5 Bonded - Orange/White/Yellow/Blue/Brown
	008025-01-000	FT	Wire - 18.5 Bonded - Orange/White/Yellow/Blue/Green
	008026-01-000	FT	Wire w/Ground - Romex - 12/2

INTERIOR LIGHT

Key	Part Number	U/M	Description
	065202-03-000	EA	Lamp - Decor - Wall - Brass - 2 Bulb
	065201-02-000	EA	Lamp Shade - Fabric - Parchment - Wall Lamp
	033508-02-000	EA	Light - Dome - Ivory - 1 Bulb - US
	033509-03-000	EA	Light - Dome - Ivory - 1 Bulb - CSA
	033509-02-000	EA	Light - Dome - Ivory - 2 Bulb - US
	033509-03-000	EA	Light - Dome - Ivory - 2 Bulb - CSA
	078424-02-000	EA	Light - Fluorescent - 12V
	061424-01-000	EA	Light - 12V Receptacle - Aisle - IP
	007309-01-000	EA	Light - Step Well
	072353-07-000	EA	Light - Reading - 360° Swivel - Tan
	068937-02-000	EA	Dome Light - Surface - w/o Switch

ELECTRICAL GROUP (CONTINUED)

EXTERIOR LIGHTS

Key	Part Number	U/M	Description
	081638-01-000	EA	Tail Lamp Asm. - Double - w/Black Trim
	081638-01-700	EA	Lens - Tail Lamp - Red
	081638-01-701	EA	Lens - Tail Lamp - Back Up
	042405-03-000	EA	Base - Rectangular Clearance Light
	081250-01-000	EA	Light Asm. - Cab Marker - Amber
	081250-02-000	EA	Light Asm. - Cab Marker - Red
	008089-01-000	EA	Light - Porch - Recessed
	079941-01-000	EA	Lamp Asm. - Fog - w/Amber Cover
	049185-01-000	EA	Headlight Capsule Asm. - High/Low Beam - Driver
	049186-01-000	EA	Headlight Capsule Asm. - High/Low Beam - Passenger
	049187-01-000	EA	Headlight Capsule Asm. - High Beam - Driver
	049188-01-000	EA	Headlight Capsule Asm. - High Beam - Passenger
	079764-03-000	EA	Mount - Turn Signal - Light - Right - Beige
	079764-04-000	EA	Mount - Turn Signal - Light - Left - Beige
	042405-02-000	EA	Lens - Amber Light w/Rellex
	042405-01-000	EA	Lens - Red Light w/Rellex

WINDSHIELD WIPERS & WASHER

Key	Part Number	U/M	Description
**	056000-02-000	EA	Washer Asm. - Windshield
**	057653-01-000	EA	Arm - Windshield Wiper - 18" - Black
**	067191-02-000	EA	Motor Asm. - Windshield Wiper - 2 Speed
**	067192-01-000	EA	Link Asm. - Connecting - Left
**	067193-01-000	EA	Link Asm. - Connecting - Right
**	049454-03-000	EA	Blade - Windshield Wiper - 20" - Black
**	067190-01-000	EA	Shaft and Pivot Asm.
**	074007-01-000	EA	Switch - Wiper Delay
**	057474-01-000	EA	Wiper Asm.
**	The illustrated parts breakdown for this item is provided on the Common Items Fiche		

MISCELLANEOUS ELECTRICAL COMPONENTS

Key	Part Number	U/M	Description
	047338-03-000	EA	Isolator - Dual Battery - 70 Amp
	003169-01-000	EA	Solenoid - Dual Battery - Relay
	063209-02-000	EA	Control Center - 45 Amp.

1986 WINNEBAGO TABLE OF CONTENTS

WC/WF424RC	A-01 - C-08
WC420RC	C-09 - E-12
WCN22RC	E-13 - G-24
WCN30HC	H-01 - J-10

1986 WCN30RC INDEX

Floor Plan	H-01 - H-02
Accessories Group	H-03 - H-06
Bath Group	H-07 - H-08
Chassis Group	H-09 - H-12
Curtain, Cushion & Pad Group	H-13 - H-18
Dinette Group	H-19
Driver's Compartment Group	H-20 - H-22
Electrical Group	H-23 - I-01
Exterior Body Group	I-02 - I-07
Galley Group	I-08 - I-10
Heating & Air Conditioning Group	I-11 - I-12
Interior Finish Group	I-13 - I-15
LP Group	I-16
Lounge Group	I-17 - I-18
Water & Sewage Group	I-19 - I-20
Window, Vent & Exterior Door Group	I-21 - J-10

ELECTRICAL GROUP (CONTINUED)

BULBS

Key	Part Number	U/M	Description
	008220-01-000	EA	Bulb - 12V - 25W
	008103-01-000	EA	Bulb - 53
	005213-01-000	EA	Bulb - 57
	008214-01-000	EA	Bulb - 67
	036196-01-000	EA	Bulb - 194
	008215-01-000	EA	Bulb - 1003
	067479-01-000	EA	Bulb - 1076
	063914-01-000	EA	Bulb - 1139
	008218-01-000	EA	Bulb - 1141
	037935-01-000	EA	Bulb - 1157
	056239-02-000	EA	Bulb - 9431903
	021633-01-700	EA	Bulb - Make Up Light

FUSES & CIRCUIT BREAKERS

Key	Part Number	U/M	Description
	003234-01-000	EA	Fuse - 10 Amp. - 12 Volt
	003235-01-000	EA	Fuse - 15 Amp. - 12 Volt
	072901-02-000	EA	Fuse - 5 Amp. - Automotive
	062901-05-000	EA	Fuse - 15 Amp. - Automotive
	003211-01-000	EA	Circuit Breaker - 6 Amp. - 12 Volt
	003203-01-000	EA	Circuit Breaker - 40 Amp. - 12 Volt
	033573-02-000	EA	Circuit Breaker - 15 Amp. - 12 Volt - w Mount
	033573-01-000	EA	Circuit Breaker - 20 Amp. - 12 Volt - w Mount
	044465-03-000	EA	Circuit Breaker - 25 Amp. - 12 Volt - w Mount
	005268-01-000	EA	Circuit Breaker - 30 Amp. - 12 Volt - w Mount
	003209-01-000	EA	Circuit Breaker - 15 Amp. - 120 Volt
	003210-02-000	EA	Circuit Breaker - 15 Amp. - 120 Volt (Ground Fault Interrupter)
	073735-02-000	EA	Circuit Breaker - 15 Amp. - 120 Volt (Ground Fault Interrupter)
	071279-05-000	EA	Circuit Breaker - 20 Amp. - 120 Volt
	071279-04-000	EA	Circuit Breaker - 30 Amp. - 120 Volt
	071279-03-000	EA	Circuit Breaker - 15-20 Amp. - 120 Volt
	003209-03-000	EA	Circuit Breaker - 15-20 Amp. - 120 Volt
	071279-01-000	EA	Circuit Breaker - 15-30 Amp. - 120 Volt
	003209-05-000	EA	Circuit Breaker - 20 Amp. - 120 Volt
	033209-04-000	EA	Circuit Breaker - 30 Amp. - 120 Volt
	003209-06-000	EA	Circuit Breaker - 30-15 Amp. - 120 Volt
	071279-06-000	EA	Circuit Breaker - 30-15 Amp. - 120 Volt
	071260-01-000	EA	Circuit Breaker Blank
	050253-02-000	EA	Circuit Breaker - Buss Bar

EXTERIOR BODY GROUP

ACCESS PANEL HARDWARE

Key	Part Number	U/M	Description
	072917-02-000	EA	Rod - Hood Prop
	062628-01-000	EA	Clip - Prop Rod
	058833-01-000	EA	Bracket - Prop Rod
	073340-01-000	EA	Hinge - Access Panel - Passenger
	073340-02-000	EA	Hinge - Access Panel - Drivers
	058950-01-000	EA	Bracket - Hinge Asm. - Hood - Drivers
	058950-02-000	EA	Bracket - Hinge Asm. - Hood - Passenger
	R77006-66-721	EA	Cable - Release (Access Panel)
	074178-01-000	EA	Bracket - Cable Release - Inside
	R77007-01-950	EA	Striker - Hood Latch
	R77006-59-931	EA	Latch - Hood
	R77006-35-499	EA	Spring
	R77006-19-765	EA	Cable Sheath
	073333-01-000	EA	Bracket - Latch Support
	073337-01-000	EA	Brace Latch - Hood
	073341-01-000	EA	Bracket - Hood Latch
	058766-02-000	EA	Bolt - Hood Adjusting - 5/16" x 18 x 1/4"

SEALANTS & ADHESIVES

Key	Part Number	U/M	Description
	004020-01-000	OT	Adhesive - ABS Cement (Plastic Fittings)
	002337-01-000	EA	Adhesive - 1300 Tube - 3M (Windows)
	004005-02-000	GL	Adhesive - Swifts - Glue (Sidewalls)
	053766-07-000	EA	Bedding Compound - Tube - Beige (Exterior)
	053766-05-000	EA	Bedding Compound - Tube - Clear (Window)
	053766-03-000	EA	Bedding Compound - Tube - Gray (Exterior)
	053766-05-000	EA	Bedding Compound - Tube - Gray (Sidewalls to Floor)
	053766-02-000	EA	Bedding Compound - Tube - Off White (Exterior)
	002325-02-000	EA	Block - Rubber Spacer (Windshield)
	004036-01-000	EA	Caulk - Latex - Golden Walnut (Sidewalls)
	072991-02-000	QT	Primer - Glass - Black
	072621-01-000	QT	Primer - Glass - Clear
	035024-01-000	EA	Primer - Glass - Clear - Windshield
	072990-01-000	QT	Primer - Metal - Black
	035023-01-000	GL	Primer - Metal - Windshield
	077957-01-000	EA	Sealant - Acrylic Latex - Tube - Off White (Interior Sealant)
	034552-04-000	EA	Sealant - Silicone - Beige
	034552-02-000	EA	Sealant - Silicone - Clear
	034552-07-000	EA	Sealant - Silicone - Dark Gray
	034552-05-000	EA	Sealant - Silicone - Off White
	059507-01-000	EA	Sealant - Weatherban 404 - Tube - White (Door Caulk)
	072809-01-000	EA	Sealant - Urethane - Black (Windshield)
	059640-01-000	FT	Sealer Ribbon - .25" Bead x 20'
	059640-02-000	FT	Sealer Ribbon - 5" x .125" x 30'
	069540-03-000	FT	Sealer Ribbon - 75" x .125" x 30'
	069640-04-000	FT	Sealer Ribbon - 2" x .09" x 45' (P Series)
	069640-05-000	FT	Sealer Ribbon - 2.5" x .09" x 50'
	069540-06-000	FT	Sealer Ribbon - 5/16" Bead x 15'
	069540-07-000	FT	Sealer Ribbon - 2" x 3/32" x 30'
	002316-01-000	FT	Sealer Tape - 3/32" x 3/8" - White (Window)
	002707-01-000	FT	Sealer Tape - 5/16" x 3/4"
	002707-02-000	FT	Sealer Tape - 5/16" x 1/2"
	040545-J1-000	GL	Sealer - Seam Weld
	053762-04-000	EA	Seam Sealer - Tube - Aluminum (Roof)
	063642-01-000	FT	Tape - Adhesive - .10 mm x 1.5" Wide
	036655-01-000	EA	Tape - Butyl - 31" x .31" x 145" (Windshield)
	076322-01-000	FT	Tape - Foam - Double Coated - .025 x 1" (Fiberglass Sidewall Seams)
	076322-02-000	FT	Tape - Foam - Double Coated - .045 x 1" (Fiberglass Sidewall Seams)
	009200-01-000	EA	Tape - Furnace - 1.5"
	002625-01-000	FT	Weather Striping (Roof Vent)

1986 WINNEBAGO TABLE OF CONTENTS

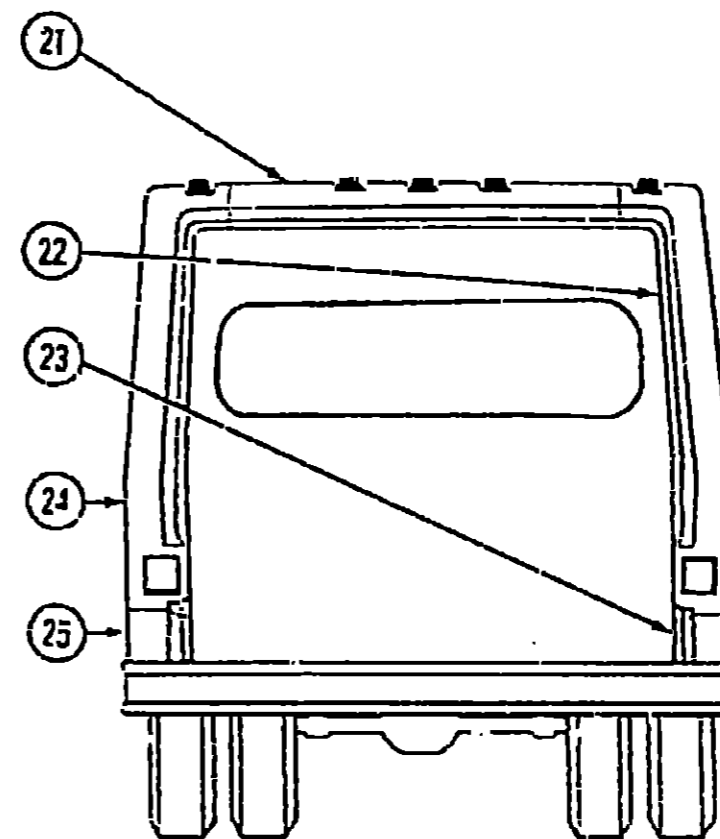
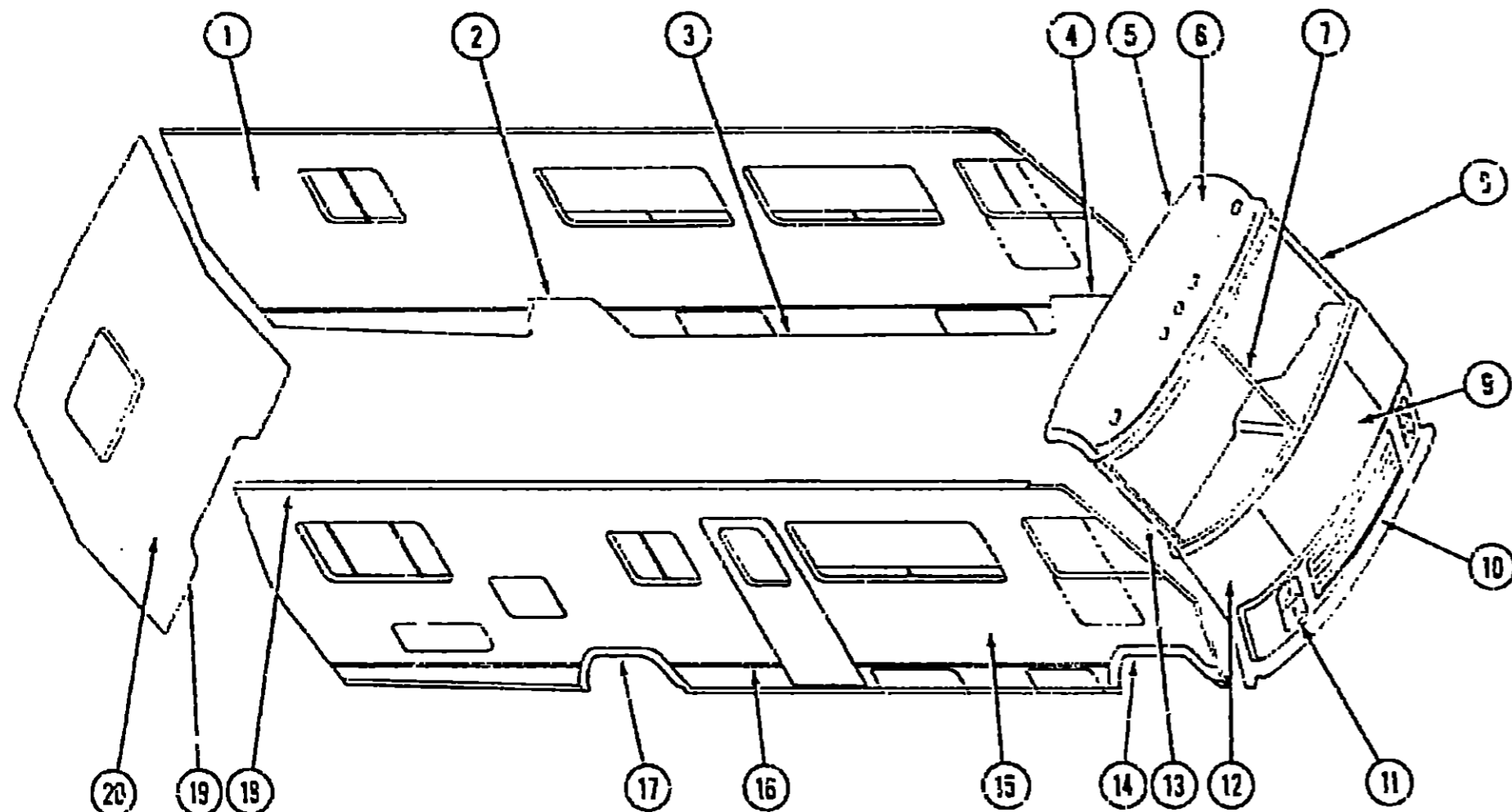
WC-WF24RC	A-01 - C-03
WC420RG	C-03 - E-12
WCN22RC	E-13 - G-24
WCN30RC	H-01 - J-10

1986 WCN30RC INDEX

Floor Plan	H-01 - H-02
Accessories Group	H-03 - H-06
Bath Group	H-07 - H-08
Chassis Group	H-09 - H-12
Curtain, Cushion & Pad Group	H-13 - H-18
Dinette Group	H-19
Driver's Compartment Group	H-20 - H-22
Electrical Group	H-23 - I-01
Exterior Body Group	I-02 - I-10
Galley Group	I-05 - I-07
Heating & Air Conditioning Group	I-11 - I-12
Interior Finish Group	I-13 - I-15
LP Group	I-16
Lounge Group	I-17 - I-18
Water & Sewage Group	I-19 - I-20
Window, Vent & Exterior Door Group	I-21 - J-10

EXTERIOR BODY GROUP (CONTINUED)

EXTERIOR BODY PANELS & TRIM



1986 WINNEBAGO TABLE OF CONTENTS

WC/WF424RC
WC420RG
WCN22RC
WCN30RC

A-01 - C-05
C-09 - E-12
E-13 - G-24
H-01 - J-10

Key	Part Number	U/M	Description
1	M52955-01-U04	EA	Sidewall Asm. - Driver
1	M82955-01-U05	EA	Sidewall Asm. - Driver
1	M82955-01-U05	EA	Sidewall Asm. - Driver
2	059457-07-000	EA	Trim - Wheel Well - Rear - U Channel - Driver or Passenger
	075070-01-000	EA	Trim - Wheel Well - Rear - Plastic - Passenger
	075070-03-000	EA	Trim - Wheel Well - Rear - Plastic - Driver
3	072639-01-001	EA	Extr. - Rocker Panel - 216"
4	073647-02-000	EA	Trim - Wheel Well - Front - U Channel - Driver or Passenger
	078556-01-000	EA	Trim - Wheel Well - Front - Plastic - Passenger
	078556-03-000	EA	Trim - Wheel Well - Front - Plastic - Driver
5	078550-01-000	EA	Trim - Roof Front Cap
6	M01599-01-T03	EA	Cap - Over Windshield - Beige
7	075576-02-000	EA	Trim - Molding - Windshield - Center
8	079225-02-000	EA	Trim - Contour - Windshield - Driver
	077944-02-000	EA	Trim - Molding - Windshield - Upper
	077945-02-000	EA	Trim - Molding - Windshield - Lower
	077952-02-000	EA	Cap - Reveal Molding
	079760-04-000	EA	Headlamp Bezel - Driver
9	078281-01-T03	EA	Access Panel - w. Hardware
10	078891-01-T03	EA	Grille Asm.
11	079760-03-000	EA	Headlamp Bezel - Passenger
	073308-01-000	EA	Screw Asm. - Headlamp - Adjusting
	049359-01-000	EA	Spring - Headlamp Retainer
	062207-01-000	EA	Headlamp Guard
12	M01115-10-T03	EA	Panel Asm. - Front Shroud (includes access panel)
13	079225-01-000	EA	Trim - Contour - Windshield - Passenger
	077944-01-000	EA	Trim - Molding - Windshield Upper
	079945-01-000	EA	Trim - Molding - Windshield - Lower
14	079224-01-000	EA	Trim - Fiberglass Panel - Passenger - Beige
	079224-02-000	EA	Trim - Fiberglass Panel - Driver - Beige

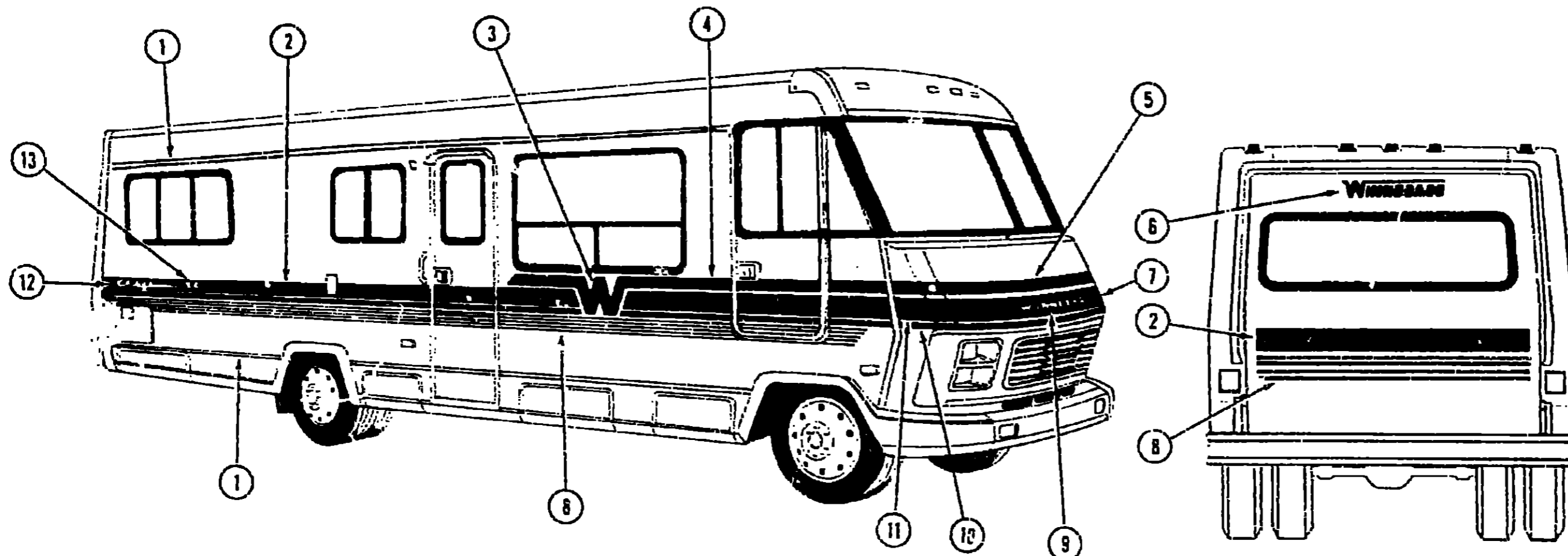
Key	Part Number	U/M	Description
15	M52954-01-U04	EA	Sidewall Asm. - Passenger
15	M82954-01-U05	EA	Sidewall Asm. - Passenger
15	M82954-01-U05	EA	Sidewall Asm. - Passenger
16	059576-08-000	EA	Feature Strip - Extr. Beige - 14' - w/o Insert
	009731-01-000	EA	End Cap - Feature Strip Insert
	001030-02-004	EA	Insert - Feature Strip - Off White - 17'
17	073502-19-000	EA	Trim - Passenger Rear - Beige
	073502-20-000	EA	Trim - Driver Rear - Beige
19	075500-04-000	EA	Trim - Sidewall - Upper - Driver or Passenger - Beige
19	050406-05-000	EA	Trim - Backwall - Lower - Driver or Passenger
	082923-01-U04	EA	Roof Asm.
20	082225-01-U04	EA	Backwall Asm.
21	M01893-02-000	EA	Trim - Rear - Center Upper - Plastic - Beige
22	082456-01-000	EA	Trim - Rear - Upper Passenger - Plastic - Beige
23	082457-01-000	EA	Trim - Rear - Lower Passenger - Plastic - Beige
24	M01594-02-000	EA	Trim - Rear - Lower Driver - Plastic - Beige
25	082457-02-000	EA	Trim - Rear - Upper Driver - Plastic - Beige
	078577-01-000	EA	Bumper End Cap - Front Passenger Hand - Beige
	078577-02-000	EA	Bumper End Cap - Front Driver Hand - Beige
	030815-01-T03	EA	Bumper End Cap - Rear Passenger - Beige
	050815-02-T03	EA	Bumper End Cap - Rear Driver - Beige
	077517-10-001	EA	Fiberglass Sidewall Skin - 46 1/2" x 378" - Mesa
	077517-10-002	EA	Fiberglass Sidewall Skin - 46 1/2" x 68" - Mesa
	001018-01-024	EA	Alum. - Beige - No Design - 45" x 95"
	044487-01-001	EA	Alum. - Mill Finish - No Design (Roof) - 95" x 350"
	000368-01-000	SF	Styrofoam - 75" x 24" x 96"
	000870-01-000	SF	Styrofoam - 1.50" x 24" x 95"
	000370-03-000	SF	Styrofoam - 1.34" x 48" x 95"
			Not Illustrated

1986 WCN30RC INDEX

Floor Plan	H-01 - H-02
Accessories Group	H-03 - H-05
Bath Group	H-07 - H-08
Chassis Group	H-09 - H-12
Curtain, Cushion & Pad Group	H-13 - H-16
Dinette Group	H-19
Driver's Compartment Group	H-20 - H-22
Electrical Group	H-23 - I-01
Exterior Body Group	I-02 - I-07
Galley Group	I-05 - I-10
Heating & Air Conditioning Group	I-11 - I-12
Interior Finish Group	I-13 - I-15
LP Group	I-16
Lounge Group	I-17 - I-18
Water & Sewage Group	I-19 - I-20
Window, Vent & Exterior Door Group	I-21 - J-10

EXTERIOR BODY GROUP (CONTINUED)

LABELS, DECALS & EXTERIOR PAINT



1986 WINNEBAGO TABLE OF CONTENTS

WC/WF424RC
WC420RG
WCN22RC
WCN30RC

A-01 - C-08
C-09 - E-12
E-13 - G-24
H-01 - J-10

Key	Part Number	U/M	Description
1	055217-93-000	FT	Film - Multi-stripe - Light Brown-Brown (U04)
1	065217-89-000	FT	Film - Multi-stripe - Rust-Burgundy (U05)
1	055217-88-000	FT	Film - Multi-stripe - Light Green-Green (U06)
2	065217-87-000	FT	Film - Multistripe - Light Brown-Brown (U04)
2	055217-86-000	FT	Film - Multistripe - Rust-Burgundy (U05)
2	055217-85-000	FT	Film - Multi-stripe - Light Green-Green (U06)
3	079351-05-000	EA	Decal - Flying W - Brown (U04)
3	079351-03-000	EA	Decal - Flying W - Burgundy (U05)
3	079351-04-000	EA	Decal - Flying W - Green (U06)
4	078831-14-000	FT	Decal Striping - Light Brown (U04)
4	078831-13-000	FT	Decal Striping - Rust (U05)
4	078831-12-000	FT	Decal Striping - Light Green (U06)
5	079103-07-000	EA	Decal - Hood - Light Brown (U04)
5	079103-08-000	EA	Decal - Hood - Rust (U05)
5	079103-09-000	EA	Decal - Hood - Light Green (U06)
*	078831-15-000	EA	Decal - Striping - 1.00 x 150" - Light Brown (U04)
*	078831-16-000	EA	Decal - Striping - 1.00 x 150" - Rust (U05)
*	078831-17-000	EA	Decal - Striping - 1.00 x 150" - Light Green (U06)
6	050313-22-000	EA	Decal Logo "Winnebago"
7	079099-08-000	EA	Decal - Upper Corner - Light Brown (U04)
7	079099-10-000	EA	Decal - Upper Corner - Rust (U05)
7	079099-12-000	EA	Decal - Upper Corner - Light Green (U06)
*	080763-08-000	EA	Decal - Lower Corner - Hood - Left - Brown (U04)
*	080763-10-000	EA	Decal - Lower Corner - Hood - Left - Rust (U05)
*	080763-12-000	EA	Decal - Lower Corner - Hood - Left - Green (U06)
8	076791-10-000	FT	Film - Multi-stripe - Brown (U04)
8	076791-09-000	FT	Film - Multi-stripe - Burgundy (U05)
8	076791-08-000	FT	Film - Multi-stripe - Green (U06)
9	069745-03-000	EA	Decal - "Winnie"
*	069745-04-000	EA	Decal - "Bago"
10	080763-07-000	EA	Decal - Lower Corner - Hood - Right - Brown (U04)
10	080763-09-000	EA	Decal - Lower Corner - Hood - Right - Burgundy (U05)
10	080763-11-000	EA	Decal - Lower Corner - Hood - Right - Green (U06)

Key	Part Number	U/M	Description
11	079099-07-000	EA	Decal - Upper Corner - Light Brown (U04)
11	079099-09-000	EA	Decal - Upper Corner - Rust (U05)
11	079099-11-000	EA	Decal - Upper Corner - Light Green (U06)
12	058719-02-000	EA	Decal Logo - "Chieftan"
13	073724-03-000	EA	Decal Logo - "30"
*	068333-01-000	EA	Label - Diesel Fuel
*	006195-01-000	EA	Label - Electrical Test
*	047731-01-000	EA	Label - Emergency Exit
*	006199-01-000	EA	Label - Exit - Escape Window
*	057467-04-000	EA	Label - Exterior Loading Limit
*	064378-01-000	EA	Label - Flying "W" w Thermo Panel
*	061417-01-000	EA	Label - Fuel
*	006195-01-000	EA	Label - Gas Test
*	054531-01-000	EA	Label - LP Gas Only
*	040944-01-000	EA	Label - Open - Entrance Door
*	006015-01-000	EA	Label - Patent Motor Home
*	056259-01-000	EA	Label - Safety Check List
*	006064-01-000	EA	Label - Seat - w o Seat Belts
*	006167-01-000	EA	Label - Sewage
*	006005-01-000	EA	Label - Thermo Panel - 2 1/4" x 2 1/4"
*	075221-01-000	EA	Label - Trailer Hitch Capacity
*	075220-01-000	EA	Label - Warning - Exterior Load Limit
*	077956-01-000	EA	Label - Warning - Smoke Detector
*	050225-01-000	EA	Label - Warning - Stove Vent - US
*	006168-01-000	EA	Label - Waste Water
*	006197-01-000	EA	Label - Water Test
*	072853-01-000	EA	Nameplate - Diesel - 6 2L
*	006062-01-000	EA	Tag - Electrical - 110 Volt Connection
*	006040-01-000	EA	Tag - Gas - Refueling Warning
*	044466-03-000	EA	Paint - Beige Acrylic Enamel - 16 oz. Aerosol (7633A Dupont)
*	045651-03-000	EA	Paint - Gloss Black - Acrylic Enamel - 16 oz. Aerosol (99 Dupont)
*	058637-05-000	EA	Paint - Gray Acrylic Enamel - 16 oz. Aerosol (71537 Dupont)
*	041561-03-000	EA	Paint - Off White Acrylic Enamel - 16 oz. Aerosol (45396A Dupont)
*	074559-01-000	EA	Label - "LPG" - 3 3/8" x 1 7/8" (Call. Code)
*			Not Illustrated

1986 WCN30RC INDEX

Floor Plan	H-01 - H-02
Accessories Group	H-03 - H-05
Bath Group	H-07 - H-08
Chassis Group	H-09 - H-12
Curtain, Cushion & Pad Group	H-13 - H-18
Dinette Group	H-19
Driver's Compartment Group	H-20 - H-22
Electrical Group	H-23 - I-01
Exterior Body Group	I-02 - I-07
Galley Group	I-08 - I-10
Heating & Air Conditioning Group	I-11 - I-12
Interior Finish Group	I-13 - I-15
LP Group	I-16
Lounge Group	I-17 - I-18
Water & Sewage Group	I-19 - I-20
Window, Vent & Exterior Door Group	I-21 - J-10

EXTERIOR BODY GROUP (CONTINUED)

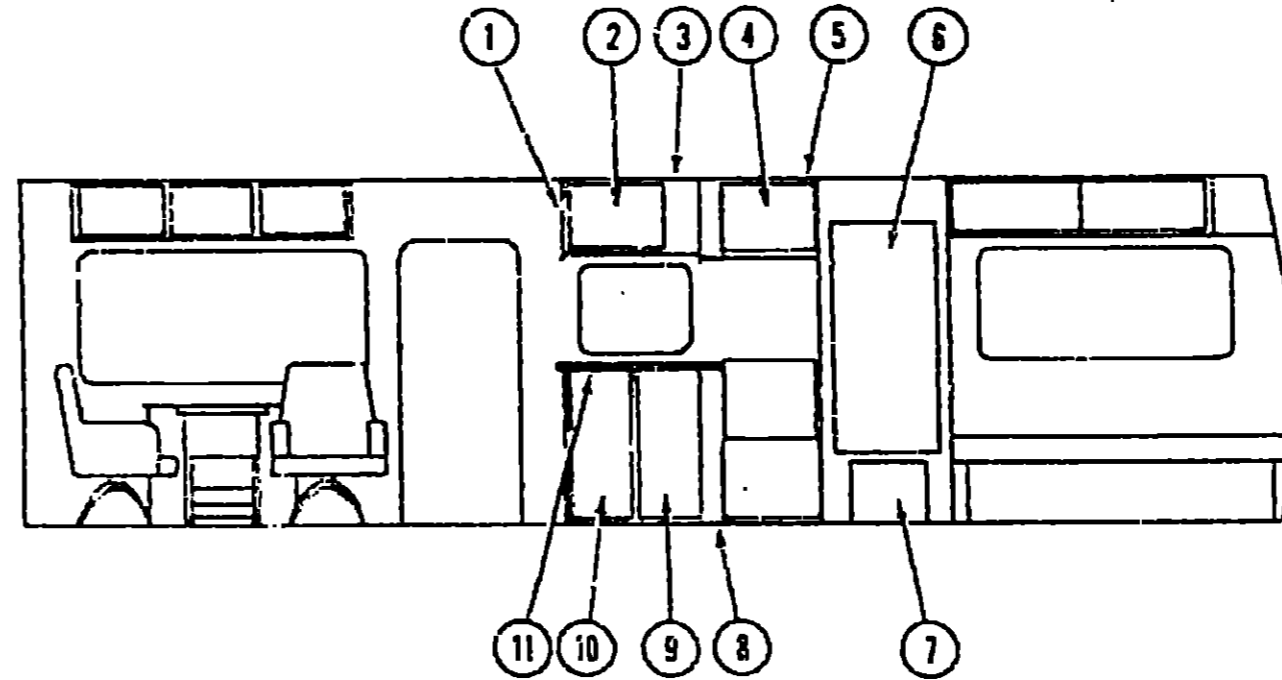
INTERIOR/EXTERIOR SCREWS & FASTENERS

Key	Part Number	U/M	Description
	005200-01-000	EA	Bolt - Round Head - Square Neck w SST Cap - 7/16" - 14 x 1 1/4"
	058279-01-000	EA	Clip - Mounting - Front Panel
	035628-01-000	EA	Fastener - Blind Well Nut - 1 05" x .35"
	000D15-05-008	EA	Nut - Hex - 3/8" x 24 - Zinc
	005081-01-000	EA	Nut - Speed - C Type - #8 Screw
	000G54-04-20B	EA	Screw 1/4 - 20 x 1 1/4" PTH - Zinc
	000G54-04-22B	EA	Screw 1/4 - 20 x 1 3/8" PTH - Zinc
	000G53-04-06B	EA	Screw 1/4 - Machine - 20 x 3/8" PTH - Zinc
	000G13-06-12P	EA	Screw #6 - 20 x 3/4" PFH - Dark Brown
	000G13-06-28X	EA	Screw #6 - 20 x 3/4" PFH - Gray
	000G13-06-16R	EA	Screw #6 - 20 x 1" PFH - Beige
	000G11-07-029	EA	Screw #7 - 19 x 1 2" PPH - Zinc
	000G12-08-12M	EA	Screw #8 - 18 x 3/4" POH - Gray
	000G11-09-12R	EA	Screw #8 - 18 x 3/4" PPH - Beige
	000G11-09-12X	EA	Screw #8 - 18 x 3/4" PPH - Gray
	000G11-09-12B	EA	Screw #8 - 18 x 3/4" PPH - Zinc
	000G39-05-12R	EA	Screw #8 - 15 x 3/4" SDPH - Beige
	000G56-08-121A	EA	Screw #8 - 18 x 3/4" SDPH - Gray
	000G11-08-16R	EA	Screw #8 - 18 x 1" PFH - Gray
	000G56-08-16R	EA	Screw #8 - 18 x 1" SDPH - Beige
	000G12-09-26R	EA	Screw #8 - 18 x 1 3/4" POH - Beige
	000G36-05-03E	EA	Screw #8 - 32 x 1 2" PFH - Chrome
	000G39-03-03B	EA	Screw #8 - Self Drilling - 18 x 1 2" PPH - Zinc
	000G39-05-12S	EA	Screw #8 - Self Drilling - 15 x 3/4" PPH - Zinc
	000G39-05-12R	EA	Screw #8 - Self Drilling - 18 x 3/4" PPH - Beige
	000G39-03-16R	EA	Screw #8 - Self Drilling - 18 x 1" PPH - Beige
	000G39-03-16T	EA	Screw #8 - Self Drilling - 18 x 1" PPH - Black
	000G39-03-16P	EA	Screw #8 - Self Drilling - 18 x 1" PPH - Dark Brown
	000G39-03-16X	EA	Screw #8 - Self Drilling - 15 x 1" PPH - Gray
	000G39-08-16E	EA	Screw #8 - Self Drilling - 18 x 1" PPH - Chrome
	000G84-02-16M	EA	Screw #8 - Self Drilling - 18 x 1" SDPH - Gray
	000G57-10-05B	EA	Screw #10 - 12 x 1/2" PPH - Zinc
	000G57-10-10R	EA	Screw #10 - 12 x 5/8" PPH - Beige
	000G57-10-16P	EA	Screw #10 - 12 x 1" PPH - Dark Brown
	000G57-10-16B	EA	Screw #10 - 12 x 1" PPH - Zinc
	000G57-10-20B	EA	Screw #10 - 12 x 1 1/4" PPH - Zinc
	000G57-10-21B	EA	Screw #10 - 12 x 1 1/2" PPH - Zinc
	049465-04-000	EA	Screw #10 - 16 x 1" POH - w Washer - Beige
	049465-05-000	EA	Screw #10 - 16 x 1" POH - w Washer - Gray
	000G12-10-24E	EA	Screw #10 - 16 x 1 1/2" POH - Chrome
	000G11-10-02D	EA	Screw #10 - 16 x 1/2" PPH - Dark Brown
	000G11-10-12R	EA	Screw #10 - 16 x 3/4" PPH - Beige
	000G11-10-12S	EA	Screw #10 - 16 x 3/4" PPH - Off White
	000G11-10-12B	EA	Screw #10 - 16 x 3/4" PPH - Zinc
	000G11-10-16B	EA	Screw #10 - 16 x 1" PPH - Zinc
	000G11-10-40B	EA	Screw #10 - 16 x 2 1/2" PPH - CAD
	000G19-10-12B	EA	Screw #10 - Machine - 32 TPI x 3/4"
	075903-01-000	EA	Screw #10 - Machine - 32 x 55" PTH - Zinc
	000G19-10-20B	EA	Screw #10 - Machine - 32 x 1 1/4" PPH - Zinc
	000G39-12-12E	EA	Screw #10 - Self Drilling - 14 x 3/4" PPH - Chrome
	000G39-10-10R	EA	Screw #10 - Self Drilling - 16 x .62" PPH - Beige
	000G39-10-12R	EA	Screw #10 - Self Drilling - 16 x 3/4" PPH - Beige
	000G39-10-12P	EA	Screw #10 - Self Drilling - 16 x 3/4" PPH - Dark Brown
	000G55-12-45C	EA	Screw #12 - Wood - 11 x 3" POH - CAD

MISCELLANEOUS EXTERNALLY MOUNTED PARTS

Key	Part Number	U/M	Description
	011129-01-000	EA	Plumbing Seal - Roof Vent - 1 5"
	009126-01-000	EA	Assist. Handle - Chrome
	091240-01-000	EA	Fill - City Water - Recessed - Beige
	058803-02-000	EA	Water Fill - Lockable - Beige

GALLEY GROUP



GALLEY CABINETRY

Key	Part Number	U/M	Description
	031320-04-U04	EA	Pad Asm. - End Cap - Galley Overhead - Vinyl
	M81523-04-T03	EA	Door Asm. - Galley Overhead - 15.7" x 26.4" - w/o Hardware
	031655-01-U04	EA	Cabinet Asm. - Galley Overhead - w/o Doors or Hardware
	M51503-01-T03	EA	Door Asm. - Galley Overhead - 12.8" x 21.9" - w/o Hardware
	031540-01-U04	EA	Cabinet Asm. - Galley Overhead - w/o Doors or Hardware
	M81507-06-U04	EA	Door Asm. - Refrigerator Cabinet - 14.1" x 18.5" - w/o Hardware
	M51501-53-U04	EA	Door Asm. - Galley Cabinet - 7.7" x 22.0" - w/o Hardware
	M82890-01-U04	EA	Cabinet Asm. - Galley - w/o Doors, Drawers, Countertop or Hardware
	M82890-02-U04	EA	Cabinet Asm. - Galley - w/o Doors, Drawers, Countertop or Hardware
	M81501-03-U01	EA	Door Asm. - Galley Cabinet - 33.4" x 14.3" - w/o Hardware
	M81501-02-U01	EA	Door Asm. - Galley Cabinet - 33.4" x 14.3" - w/o Hardware
	M02541-01-U04	EA	Countertop Asm. - Galley Cabinet
	M52184-03-T03	EA	Drawer Asm. - w/o Hardware
	* Parts for Microwave Option (not illustrated)		

1986 WINNEBAGO TABLE OF CONTENTS

WC4WF42RC
WC423RG
WCN22RC
WCN30RC

A-01 - C-08
C-09 - E-12
E-13 - G-24
H-01 - J-10

1986 WCN30RC INDEX

Floor Plan	H-01 - H-02
Accessories Group	H-03 - H-05
Bath Group	H-07 - H-08
Chassis Group	H-09 - H-12
Curtain Cushion & Pad Group	H-13 - H-18
Dinette Group	H-19
Driver's Compartment Group	H-20 - H-22
Electrical Group	H-23 - I-01
Exterior Body Group	I-02 - I-07
Galley Group	I-08 - I-10
Heating & Air Conditioning Group	I-11 - I-12
Interior Finish Group	I-13 - I-15
LP Group	I-16
Lounge Group	I-17 - I-18
Water & Sewage Group	I-19 - I-20
Window, Vent & Exterior Door Group	I-21 - J-10

GALLEY GROUP (CONTINUED)

GALLEY HARDWARE & APPLIANCES

Key	Part Number	U/M	Description
	079353-03-000	EA	Hood - Range - Powered w/ Monitor - Almond - US
	079353-03-700	EA	Water Pump LP Switch
	079353-03-701	EA	Tanks - Circuit Board
	079353-03-702	EA	Control Panel Asm. w/ Panel
	079353-03-703	EA	Vent - Hood
	079353-04-000	EA	Hood - Range - Powered w/ Monitor - Almond - USA
	075470-04-000	EA	Duct Extension - Hood Range
	079354-03-000	EA	Spacer - Hood Range
	064782-02-000	EA	Range w/ Small Oven - 4 Burner - Almond - Magic Chef
	064782-02-700	EA	Top - Main - 4 Burner - Almond
	064782-02-701	EA	Deflector Plate - Black
	064782-02-702	EA	Trim - Cabinet - Right - Black
	064782-02-703	EA	Trim - Cabinet - Left - Black
	064782-02-704	EA	Trim - Lower Outside Glass - Black
	067782-02-705	EA	Handle - Oven Door - Black
	064782-02-706	EA	Vertical Trim - Black
	064782-02-707	EA	Panel - Manifold
	064782-02-708	EA	Valve - Mercury
	064782-02-709	EA	Glass - Oven Door
	064782-02-710	EA	Clip - Glass Holder
	081374-01-000	EA	Range Top - 4 Burner - Almond
	081374-01-700	EA	Trim - Cab Top - Right
	081374-01-701	EA	Trim - Cab Top - Left
	081374-01-702	EA	Panel - Manifold - Warm Black
	081374-01-703	EA	Trim - Top Rear
	081374-01-704	EA	Guard - Fabric
	075217-01-000	EA	Refrigerator - AC/DC Gas - Norcold 8' - 838-EG3
	075217-01-700	EA	Shelf Asm. - Door - w/ Trim
	075217-01-701	EA	Gasket - Freezer Door
	075217-01-702	EA	Frame Asm. - Door
	075217-01-703	EA	Trim - Decor - Top & Bottom
	075217-01-704	EA	Gasket - Refrigerator Door
	075217-01-705	EA	Cabinet Asm. - Urethane
	075217-01-707	EA	Bulb - Light - DC
	075217-01-708	EA	Socket - Lamp
	075217-01-710	EA	Eyebrow Asm.
	075217-01-711	EA	Breaker Strip - Top
	075217-01-713	EA	Crisper Drawer
	075217-01-714	EA	Thermostat Asm.
	075217-01-715	EA	Knob - Thermostat
	075217-01-716	EA	Front Divider Asm.
	075217-01-717	EA	Switch - Humidity
	075217-01-718	EA	Light Switch
	075217-01-719	EA	Eyebrow Board
	075217-01-720	EA	Eyebrow
	075217-01-721	EA	Lamp - Indicator - Amber
	075217-01-722	EA	Lamp - Indicator - Green
	075217-01-723	EA	Lamp - Indicator - Red
	075217-01-724	EA	Lamp - Indicator - Blue
	075217-01-725	EA	Rocker Switch - #615255
	075217-01-726	EA	Interface Board
	R77005-81-129	EA	Relay - Glow Plug
	075217-01-728	EA	Cover - Interface Board
	075217-01-729	EA	Fitting - Outlet
	075217-01-730	EA	Valve - Gas
	075217-01-731	EA	Nozzle
	075217-01-732	EA	Fitting - Inlet
	075217-01-733	EA	Shut-Off Cock
	075217-01-734	EA	Fuse - 3 Amp
	075217-01-735	EA	Ignition Electrode
	075217-01-736	EA	Sensing Electrode
	075217-01-737	EA	Control Module
	075217-01-738	EA	Rocker Switch - #615259
	075217-01-739	EA	Heater

GALLEY GROUP (CONTINUED)

GALLEY HARDWARE & APPLIANCES (CONT.)

Key	Part Number	U/M	Description
	075217-01-740	EA	Screw #6 - 32 x 2.3 5"
	075217-01-741	EA	Wing - Nut #6 - 32
	075217-01-742	EA	Hex Nut
	075217-01-743	EA	Elbow - 90°
	075217-01-744	EA	Cable - Wiring
	075217-01-745	EA	Liner Asm. - Foamed - Door
	075217-01-746	EA	Baffle Asm.
	075217-01-747	EA	Liner Asm. - Foamed - Lower - Door
	075217-01-748	EA	Orifice
	075217-01-749	EA	Burner
	075218-01-000	EA	Refrigerator - 3 Way - 10' Norcold
	075218-01-700	EA	Gasket - Freezer Door
	075218-01-701	EA	Gasket - Refrigerator Door
	075218-01-702	EA	Connector Rod
	075218-01-703	EA	Frame Asm.
	075218-01-704	EA	Cabinet - Urethane
	075218-01-705	EA	Breaker Strip - Bottom
	075218-01-707	EA	Divider - Front
	075218-01-708	EA	Cable - Wiring
	075218-01-709	EA	Door Liner Asm. - Foamed
	075218-01-710	EA	Door Liner Asm. - Foamed - Lower
	075218-01-711	EA	Strip - Top Breaker - Left Hand
	075218-01-712	EA	Strip - Top Breaker - Right Hand
	054450-01-000	EA	Level - Refrigerator
	055225-01-000	EA	Tiedown Plate - Refrigerator
	051379-01-000	EA	Microwave Oven - Convection Oven - Sharp
	081459-03-000	EA	Bracket Asm. - Microwave - Right
	081459-04-000	EA	Bracket Asm. - Microwave - Left
	081456-01-000	EA	Angle Asm. - Microwave - Right
	081456-02-000	EA	Angle Asm. - Microwave - Left
	081555-01-000	EA	Trim Ring - Microwave
	082876-01-000	EA	Baffle - Microwave
	023111-01-000	EA	Blender - Built In
	052915-01-000	EA	Sink - Stainless Steel - Double w/ Bolts
**	011053-01-000	EA	Faucet - Swing Spout - 8" - US
**	011053-01-700	EA	Aerator - Swing Spout Faucet
	066437-01-000	EA	Strainer w/ Basket - Sink
	081530-01-001	EA	Sink Cover - Large - Almond Loom
	009049-01-000	EA	Support - Drop Leaf Table
	009059-01-000	EA	Hinge - 2" - Gold - Drop Leaf Table
	074490-01-000	EA	Spice Rack - Oak
	074491-01-000	EA	Magazine Rack - Oak
	074981-01-000	EA	Cutting Board - Maple
	058334-01-000	EA	Wastebasket - 9 3/4" x 7" x 10" - White
	059877-01-000	EA	Support - Wastebasket - Metal - Galley Mount
	058541-01-000	EA	Cover - Wastebasket
	047744-01-000	EA	Kit - Drawer Guide - Plastic
	077409-01-000	EA	Slider - Drawer - 20 7/8" - Plastic
	077404-01-000	EA	Drawer - 20" x 12.70" - Plastic
	073306-01-000	EA	Slide - Drawer - Full Extension - 18" - Left
	073306-02-000	EA	Slide - Drawer - Full Extension - 18" - Right
	073306-03-000	EA	Slide - Cabinet - Full Extension - 18" - Left
	073306-04-000	EA	Slide - Cabinet - Full Extension - 18" - Right
	066435-01-000	EA	Nut Strainer
	011083-01-000	EA	Plug - 1 1/4" x 5" - w/ Stopper
	M51520-01-004	EA	Pantry Asm. - Putout
	082129-01-000	EA	Slide Asm. - Pantry - w/ Bracket
	082129-02-000	EA	Slide Asm. - Pantry - w/ Bracket - Opp
	076097-01-000	EA	Bracket - Catch - Pantry
	076098-01-000	EA	Slide Bracket - Pantry
	075451-01-000	EA	Storage Rack - Canned Goods
	075451-02-000	EA	Storage Rack Clip - White

I-9

** The illustrated parts breakdown for this item is provided on the Common Items Fiche.

1986 WINNEBAGO TABLE OF CONTENTS

WCWF424RC	A-01 - C-08
WC420RG	C-09 - E-12
WCN22RC	E-13 - G-24
WCN30RC	H-01 - J-10

1986 WCN30RC INDEX

Floor Plan	H-01 - H-02
Accessories Group	H-03 - H-06
Bath Group	H-07 - H-08
Chassis Group	H-09 - H-12
Curtain, Cushion & Pad Group	H-13 - H-18
Dinette Group	H-19
Driver's Compartment Group	H-20 - H-22
Electrical Group	H-23 - I-01
Exterior Body Group	I-02 - I-07
Galley Group	I-08 - I-10
Heating & Air Conditioning Group	I-11 - I-12
Interior Finish Group	I-13 - I-15
LP Group	I-16
Lounge Group	I-17 - I-18
Water & Sewage Group	I-19 - I-20
Window, Vent & Exterior Door Group	I-21 - J-10

I-10

HEATING & AIR CONDITIONING GROUP

FURNACE & ROOF AIR CONDITIONER

Key	Part Number	U/M	Description
	075696-01-000	EA	Furnace - 34,000 BTU - w/ Direct Ignition - NT-34S
	074466-01-701	EA	Electrode Asm. - #230782
	074466-01-702	EA	Relay - Time Delay
	074466-01-703	EA	Blower Wheel - Room Air - Clockwise
	074466-01-704	EA	Microswitch & Paddle Asm
	074466-01-705	EA	Motor
	074466-01-706	EA	Wheel - Combustion
	074466-01-707	EA	Blower Wheel - Room Air - Counter Clockwise
	074466-01-708	EA	Bushing - Blower
	074466-01-709	EA	Gasket - Combustion Air Crossover
	074466-01-710	EA	Gasket - Blower Motor - 2 1/8" Dia
	074466-01-711	EA	Bushing - Motor Mounting
	074466-01-712	EA	Gasket - Combustion Air Housing
	074466-01-713	EA	Thermostat
	074466-01-714	EA	Vent - Tube Asm.
	074466-01-715	EA	Valve - Fenwell
	074466-01-716	EA	Electrode Asm. - #230932
	074466-01-717	EA	Wall - Thermostat
	074466-01-718	EA	Valve - 12 Volt - L.P. Gas Only
	074466-01-719	EA	Cabinet Asm.
	074466-01-720	EA	Pipe - Gas Inlet
	009198-01-000	EA	Duct - Flexible - 4" I.D. x 25'
	056464-01-000	EA	Register - 4" Dia. - Plastic - w/ Damper
	056464-02-000	EA	Register - 4" Dia. - Plastic - w/o Damper
	009200-01-000	EA	Tape - Furnace - 1 1/2"
	023146-01-000	EA	Clamp - Screw Type - 4"
	073743-01-000	EA	Shroud Asm. - Ceiling - Inside - Roof Air 13,500 BTU - Cool Only
	073744-01-000	EA	Shroud Asm. - Ceiling - Inside - Roof Air 13,500 BTU - Heat & Cool
	073742-01-000	EA	Air Conditioner - 110 Volt - Roof Mount - 13,500 BTU Rotary
	073742-01-700	EA	Decal Package - Left & Right (Exterior)
	073742-01-701	EA	Select Jr Switch (5 Terminal)
	073742-01-702	EA	Decal - Cool Only
	073742-01-703	EA	Decal - Heat & Cool
	073742-01-704	EA	Decal - Thermostat - TSR
	073742-01-705	EA	Impellor - 7" x 2 6" Wide

HEATING & AIR CONDITIONING GROUP (CONTINUED)

AUTOMOTIVE HEATER & AIR CONDITIONER

Key	Part Number	U/M	Description
	072341-07-000	EA	Heater Evaporator - w/o Duct Control
	072341-04-700	EA	Vacuum Motor - Front
	072341-04-701	EA	Vacuum Motor - Rear
	072341-04-702	EA	Relay
	072341-04-703	EA	Evaporator Coil
	072341-04-704	EA	Liquid Hose - #6
	072341-04-705	EA	Suction Hose - #10
	072341-04-706	EA	Blower Motor
	072341-04-707	EA	Blower Wheel
	072341-03-000	EA	Duct & Control Kit
	072342-03-000	EA	Condenser Asm
	073242-02-700	EA	Receiver Drier - Condenser Asm.
	072343-04-000	EA	Compressor Clutch
	072344-02-000	EA	Package - Compressor Mount
	074926-01-000	EA	Package - Compressor Mount - 6 2 L Diesel
	039044-01-000	EA	Louver Asm. - A/C Adjustable
	007076-01-700	FT	Hose - Flexible PVC - 2" I.D.
	007281-01-700	FT	Hose - Flexible PVC - 2 1/2" I.D.
	007105-01-000	FT	Hose - Heater - 5/8" I.D. SAE 20R3
	062401-04-000	EA	Clamp - Worm Drive - .69" - 1 25" I.D.
	010227-01-000	EA	Tee - Plastic - Barb 5/8" or 3/4" Hose
	072341-03-000	EA	Core - Evaporator

AUXILIARY HEATER ASSEMBLY

Key	Part Number	U/M	Description
	049401-01-000	EA	Heater Asm - Rear - Auxiliary
	049401-01-700	EA	Valve - Heater Control
	049401-01-701	EA	Control Cable
	049401-01-702	EA	Motor Asm
	049401-01-703	EA	Heater Core
	049401-01-704	EA	Switch
	049401-01-705	EA	Valve - 3 Port - 2 Way
	049401-01-706	EA	Knob - Heater
	049401-01-708	EA	Wire Asm.
	049401-01-709	EA	Wire Asm.
	049401-01-710	EA	Wire Asm.
	049401-01-711	EA	Knob - Switch
	058905-01-000	EA	Control Panel - Brown
	058993-01-000	EA	Bracket - Side Mount - Motor Aid
	076312-01-000	EA	Mesh - Grille - 7.35" x 6.75" - Gold Aluminum

1986 WINNEBAGO TABLE OF CONTENTS

WC/WF424RC	A-01 - C-06
WC420RG	C-09 - E-12
WCN22RC	E-13 - G-24
WCN30RC	H-01 - J-10

1986 WCN30RC INDEX

Floor Plan	H-01 - H-02
Accessories Group	H-03 - H-06
Bath Group	H-07 - H-09
Chassis Group	H-09 - H-12
Curtain, Cushion & Pad Group	H-13 - H-18
Dinette Group	H-19
Driver's Compartment Group	H-20 - H-22
Electrical Group	H-23 - I-01
Exterior Body Group	I-02 - I-07
Galley Group	I-05 - I-10
Heating & Air Conditioning Group	I-11 - I-12
Interior Finish Group	I-13 - I-15
LP Group	I-16
Lounge Group	I-17 - I-18
Water & Sewage Group	I-19 - I-20
Window, Vent & Exterior Door Group	I-21 - J-10

INTERIOR FINISH GROUP

INTERIOR MOLDING & TRIM

Key	Part Number	U/M	Description
	009812-15-000	EA	Molding - Plastic - Outside Corner - 1.2"
	042357-09-000	FT	Molding - Radius Corner - 7" Elm
	022992-01-000	FT	Molding - Reverse Cove - White
	022992-09-000	FT	Molding - Reverse Cove - Grady Brown
	069733-37-000	EA	Batt Strip - Sunset Oak - 8" (Lounge)
	069733-42-000	EA	Batt Strip - Scrimshaw Sand - 8" (Wall)
	069733-57-000	EA	Batt Strip - Encore - 5" (Bedroom)
	069733-62-000	EA	Batt Strip - Pebble Beach - 8" (Ceiling)
	069733-61-000	EA	Batt Strip - Threads - 8" (Galley)
	070504-01-000	FT	U-Channel - 065" - Light Brown
	070504-02-000	FT	U-Channel - 815" - Light Brown
	070504-03-000	FT	U-Channel - 815" - Grady Brown
	009778-04-000	FT	U-Channel - 1" - Grady Brown
	009815-03-000	FT	T-Molding - .75" - Light Brown
	009815-04-000	FT	T-Molding - .75" - Grady Brown
	075249-01-000	EA	Rail Asm. - Plain - 72"
	075250-01-000	EA	Corner Post - 1" x 1" x 2 1/2" - Oak
	078026-21-T03	EA	Trim - Valance - 82"
	002774-02-001	EA	Trim - Carpet - 192"
	009767-06-000	FT	Welting - Beige
	009767-01-000	FT	Welting - Grady Brown
	074045-01-000	EA	Plug - 1/2" Dia. - Oak
	041746-01-000	FT	Vinyl - Extr. - Bubble Seal

CABINETS & TABLE HARDWARE

Key	Part Number	U/M	Description
	053200-05-000	EA	Bracket - Upper Wall Mount - 25.5" - Beige
	024231-07-000	EA	Bracket - Lower Wall Mount - 22.12" - Beige
	024276-14-000	EA	Leg Asm. - Table - 26.5" - Brown
	064059-01-000	EA	Hinge - Table Leg
	024282-01-000	EA	Brace - Table Leg
	049493-02-000	EA	Catch - Table Leg - Mounts on Floor - Brown
	009112-01-000	EA	Flange - 1" - Chrome - Closet Rod
	077409-01-000	EA	Slide - Drawer - Plastic - 20.75"
	009049-01-000	EA	Table Support - Drop Leaf
	009059-01-000	EA	Hinge - 2" - Drop Leaf Table - Gold
	076312-01-000	EA	Mesh - Grille - 13.60" x 2.60" - Gold Aluminum
	009021-01-000	EA	Catch - Nylon - Furnace Door
	009021-02-000	EA	Strike - Nylon Catch - Furnace Door
	074493-02-000	EA	Support - Sprung - Door
	066433-01-000	EA	Hook - Cup - Bright
	056034-02-000	EA	Latch - Door w/o Lock - Sliding Door
	075680-01-000	EA	Clothes Rod - Adjustable - 27" x 36"
	054467-01-000	EA	Guide - Wall Mount - Door Pocket
	076212-01-000	EA	Pull - Brass w/ Dark Oak - Cabinet
	045565-02-000	EA	Spindle - Wood - 1.75" x 24" - Plain
	059777-01-000	EA	Hinge - Brass
	009016-01-000	EA	Catch - Elbow - Spring Loaded
	077461-01-000	EA	Cover - Strike
	051604-01-000	EA	Slide Bolt - Antique Brass
	076212-01-000	EA	Pull Cabinet - Brass Dark Oak
	050728-01-000	EA	Handle - Brown Plastic - Table
	079921-01-000	EA	Roller - Nylon w/ Shaft

INTERIOR FINISH GROUP (CONTINUED)

PANELING & COUNTERTOP MATERIAL

Key	Part Number	U/M	Description
	074497-03-000	SF	Paneling - Decor - Sunset Oak - 48" x 84" (28 SF) (Cabinets & Wall)
	074497-04-000	SF	Paneling - Decor - Scrimshaw Sand - 45" x 84" (Wall)
	074496-31-000	SF	Paneling - Decor - Encore - 48" x 84" (23 SF) (Bedroom & Bath)
	074496-36-000	SF	Paneling - Decor - Paw Paw - Plum - 48" x 84" (28 SF) (Galley) (U01, U02)
	074496-39-000	SF	Paneling - Decor - Paw Paw - Pine - 45" x 84" (28 SF) (Galley) (U03)
	074497-07-000	SF	Paneling - Pebble Beach - 45" x 96" (32 SF) (Ceiling)
	074498-05-000	SF	Plastic Laminate - Sunset Oak - 48" x 96" (32 SF) (Nightstand)
	074496-05-019	EA	Plastic Laminate - Sunset Oak - 1.19" x 96"
	076325-04-000	FT	Molding - Edge Band - Sunset Oak - 1.5/16" x .030"
	074498-09-000	SF	Plastic Laminate - Fawn - 48" x 96" (32 SF) (Dinette Table) (U01, U02)
	074498-08-019	EA	Plastic Laminate - Fawn - 1.19" x 96"
	076325-06-000	FT	Molding - Edge Band - Fawn - 1.5/16" x .030"
	074498-14-000	SF	Plastic Laminate - Sage Green - 48" x 96" (32 SF) (Dinette Table) (U03)
	074498-14-019	EA	Plastic Laminate - Sage Green - 1.19" x 96"
	076325-10-000	FT	Molding - Edge Band - Sage Green - 1.5/16" x .030"
	074498-03-000	SF	Plastic Laminate - Beige Crescent - 48" x 96" (32 SF) (Galley)
	074498-06-019	EA	Plastic Laminate - Beige Crescent - 1.19" x 96"
	076325-04-000	EA	Molding - Edge Band - Beige Crescent - 1.5/16" x .030"

FABRICS & CARPET

Key	Part Number	U/M	Description
	072333-25-000	YD	Fabric - Drapery - Toast (U01)
	072333-26-000	YD	Fabric - Drapery - Mauve (U02)
	072333-27-000	YD	Fabric - Drapery - Teal (U03)
	077498-62-000	YD	Fabric w/ Pattern - Main - Truffle (U01)
	077498-63-000	YD	Fabric w/ Pattern - Main - Rosewood (U02)
	077498-54-000	YD	Fabric w/ Pattern - Main - Spruce (U03)
	077498-75-000	YD	Fabric w/ Pattern - Accent - Timrose (U02)
	077498-74-000	YD	Fabric w/ Pattern - Accent - Sagebrush (U03)
	077498-73-000	YD	Fabric - Upholstery Accent - Plain - Truffle (U01, U03)
	077498-72-000	YD	Fabric - Upholstery Accent - Plain - Rosewood (U02)
	059729-43-000	YD	Fabric - Bedspread Drapery - Encore
	072333-21-000	YD	Fabric - Bedspread Drapery - Parchment
	038421-01-000	YD	Fabric - Mattress Ticking
	029912-01-000	BF	Foam - Rolled - 3 8
	079650-01-000	YD	Vinyl - Expanded - 26 oz. - Buckskin
	079650-02-000	YD	Vinyl - Expanded - 26 oz. - Dark Sandrift
	072860-43-000	YD	Carpet - Beige (U01)
	072860-44-000	YD	Carpet - Red-Brown (U02)
	072860-45-000	YD	Carpet - Green-Blue (U03)

1986 WINNEBAGO TABLE OF CONTENTS

WC/WF424RC	A-01 - C-08
WC420RG	C-09 - E-12
WCN22RC	E-13 - G-24
WCN30RC	H-01 - J-10

1986 WCN30RC INDEX

Floor Plan	H-01 - H-02
Accessories Group	H-03 - H-06
Bath Group	H-07 - H-08
Chassis Group	H-09 - H-12
Curtain, Cushion & Pad Group	H-13 - H-18
Dinette Group	H-19
Driver's Compartment Group	H-20 - H-22
Electrical Group	H-23 - I-01
Exterior Body Group	I-02 - I-07
Galley Group	I-08 - I-10
Heating & Air Conditioning Group	I-11 - I-12
Interior Finish Group	I-13 - I-15
LP Group	I-16
Lounge Group	I-17 - I-18
Water & Sewage Group	I-19 - I-20
Window, Vent & Exterior Door Group	I-21 - J-10

INTERIOR FINISH GROUP (CONTINUED)

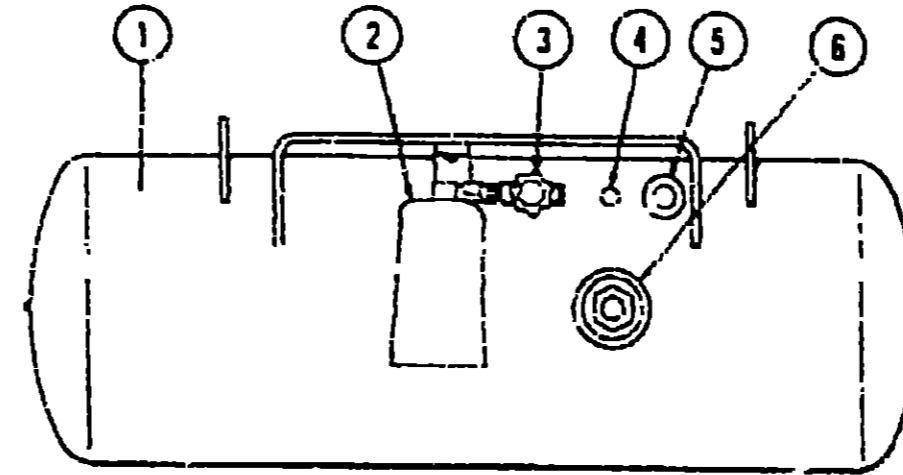
MISCELLANEOUS PARTS

Key	Part Number	U/M	Description
	053552-02-TG3	EA	Handle Asm. - Interior Assist - Medium Almond Vinyl
	041944-03-000	EA	Fire Extinguisher - w Bracket
	054185-24-000	EA	Owner's Manual - 1986 Itasca & Winnebago
	007038-01-000	EA	Door Mat - 10 1/2" x 26" - Black Rubber
	075907-02-000	EA	Picture - Decor - Assorted Grasses
	061075-01-000	EA	Floor Mat - Entrance - Winnebago
	061201-01-000	EA	Floor Mat - Front - Left - Winnebago
	031202-01-000	EA	Floor Mat - Front - Right - Winnebago
	065201-02-000	EA	Lamp Shade - Fabric - Parchment
	045595-02-000	EA	Wood Spindle - Galley - 1.75" x 24"

CURTAIN & CUSHION HARDWARE

Key	Part Number	U/M	Description
	082139-01-000	EA	Bracket - Hold Down - Blinds
	056003-02-000	EA	Bracket - Drapery Retainer - Left
	056003-01-000	EA	Bracket - Drapery Retainer - Right
	056001-01-000	EA	Bracket - Shade - Left
	056002-01-000	EA	Bracket - Shade - Right
	076827-01-000	EA	Bracket - Curtain - Woven Wood - Right
	076827-02-000	EA	Bracket - Curtain - Woven Wood - Left
	079795-03-000	EA	Bracket Asm. - Curtain Rod - Right
	079795-04-000	EA	Bracket Asm. - Curtain Rod - Left
	082249-01-000	EA	Bracket - Blinds - Beige - Right
	082249-02-000	EA	Bracket - Blinds - Beige - Left
	079519-01-000	EA	Bracket - Tie Back
	009107-01-000	EA	Guide - Nylon Strap - Curtain
	056784-01-000	EA	Pull - Window Shade - Antique Brass
	055115-01-000	YD	Tape - Clear Plastic - w Guide
	048394-01-000	YD	Tape - Hook - 1" x 25 YD - Beige
	029095-05-000	YD	Tape Hook - .50" - Velcro - Beige
	048395-01-000	YD	Tape Loop - 1" x 25 YD - Beige
	029090-01-000	FT	Tie - Drapery - Clear Vinyl
	055116-01-000	FT	Track - Curtain - Brown Plastic
	079446-01-000	EA	Track - Curtain - Wraparound - Right
	079446-02-000	EA	Track - Curtain - Wraparound - Left

LP GROUP



Key	Part Number	U/M	Description
1	074142-01-000	EA	Tank Asm. - LP - Frame Mount - 80 Pound - 13" x 44"
1	060421-01-000	EA	Tank Asm. - LP - 42 Pound - 13" x 24"
-	065741-01-000	EA	Detector - LP Gas Leak - Marshalltown Instruments
2	076277-01-000	EA	Cover - LP Regulator - Front (Dual)
-	076278-01-000	EA	Cover - LP Regulator - Back (Dual)
-	076301-01-000	EA	Regulator - Two Stage - US (Dual)
-	076301-02-000	EA	Regulator - Two Stage - CSA (Dual)
3	040421-01-703	EA	Valve - Vapor Relief
4	040421-01-709	EA	Gauge - Liquid Level - 20" LP
5	040421-01-701	EA	Valve - Filler - LP
-	040421-01-702	EA	Cap - Plastic Fill Valve
6	040421-01-707	EA	Gauge - Float - w Visible Dial
-	040421-01-706	EA	Dial - Visible Face - Float Gauge (Tank w/o Electric Transmitter)
-	040140-01-000	EA	Dial - Transmitter - 0 - 90 Ohm (Float Gauge)
-	045703-01-000	EA	Hose Asm. - LP - 3/8" I.D. x 24" - US
-	045703-02-000	EA	Hose Asm. - LP - 3/8" I.D. x 24" - CSA
-	045703-03-000	EA	Hose Asm. - LP - 3/8" I.D. x 18" - US
-	045703-04-000	EA	Hose Asm. - LP - 3/8" I.D. x 14" - CSA
-	065742-01-000	EA	Tee - 3/8 F x 3/8 F x 25 FPT
-			Not illustrated

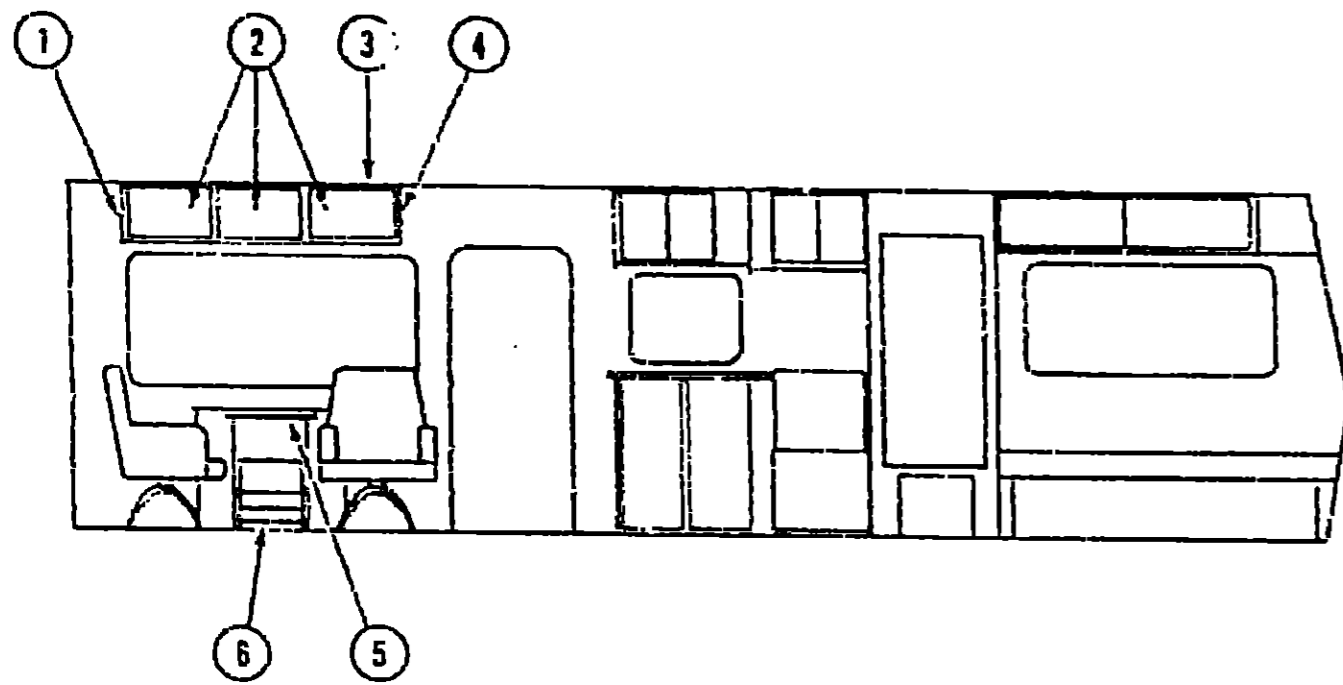
1986 WINNEBAGO TABLE OF CONTENTS

WC WF424RC	A-01 - C-03
WC420RG	C-03 - E-12
WCN22RC	E-13 - G-24
WCN30RC	H-01 - J-10

1986 WCN30RC INDEX

Floor Plan	H-01 - H-02
Accessories Group	H-03 - H-05
Bath Group	H-07 - H-08
Chassis Group	H-09 - H-12
Curtain, Cushion & Pad Group	H-13 - H-18
Dinette Group	H-19
Driver's Compartment Group	H-20 - H-22
Electrical Group	H-23 - I-01
Exterior Body Group	I-02 - I-07
Galley Group	I-08 - I-10
Heating & Air Conditioning Group	I-11 - I-12
Interior Finish Group	I-13 - I-15
LP Group	I-16
Lounge Group	I-17 - I-18
Water & Sewage Group	I-19 - I-20
Window, Vent & Exterior Door Group	I-21 - J-10

LOUNGE GROUP



FRONT LOUNGE & OVERHEAD CABINETRY

Key	Part Number	U/M	Description
1	031325-02-T03	EA	Pad Asm. - End Cap - Front Overhead - Left - Vinyl
2	M81503-01-T03	EA	Door Asm. - Overhead Cabinet - 12 6" x 21.9" - w/o Hardware
3	081550-03-U04	EA	Cabinet Asm. - Front Overhead - w/o Doors or Hardware - Right
4	031302-02-U04	EA	Cabinet Asm. - Front Overhead - w/o Doors or Hardware - Left
5	051325-01-T03	EA	Pad Asm. - End Cap - Front Overhead - Right - Vinyl
6	M31727-01-U01	EA	Table - Pullout - w/o Countertop or Hardware
	M02414-01-U04	EA	Countertop Asm. - Cupholder
	M02416-01-U04	EA	Countertop Asm. - TV Top
	M02415-01-U04	EA	Countertop Asm. - Table - Pullout
	074491-02-T03	EA	Rack - Magazine
			Not illustrated

LOUNGE GROUP (CONTINUED)



REAR LOUNGE & OVERHEAD CABINETRY

Key	Part Number	U/M	Description
1	M81503-01-T03	EA	Door Asm. - Rear Overhead - 12 6" x 21.9" - w/o Hardware
2	081535-03-U04	EA	Cabinet Asm. - Rear Overhead - w/o Doors or Hardware
3	031540-01-U04	EA	Cabinet Asm. - Rear Overhead - w/o Doors or Hardware
	M81501-15-U04	EA	Door Asm. - Double Bed - 17.6" x 10.9" - w/o Hardware
			Not illustrated

SWIVEL CHAIRS W/ICE MAKER (OPTION)

Key	Part Number	U/M	Description
	M81720-01-U04	EA	Cabinet Asm. - Ice Maker - w/o Countertop or Hardware
	M02438-01-U04	EA	Countertop Asm. - Ice Maker - w/o Hardware
	M02439-01-U04	EA	Countertop Asm. - Pullout Table - w/o Hardware
	074489-01-000	EA	Holder - Beverage Tray
	076799-01-030	EA	Ice Maker - Black Glass
	076799-01-700	EA	Frame Door
	076799-01-701	EA	Handle
	076799-01-702	EA	Door Panel - Outer
	076799-01-703	EA	Name Plate
	076799-01-704	EA	Hinge - Pivot - Top Screw
	076799-01-705	EA	Hinge - Pivot - Bottom
	076799-01-706	EA	Grille - "C" - Vinyl
	076799-01-707	EA	Connection - Water Line
	076799-01-708	EA	Chain & Lock Pin
	076799-01-709	EA	Trim Kit
	076799-01-710	EA	Gear
	076799-01-711	EA	Motor
	076799-01-712	EA	Cam
	076799-01-713	EA	Switch - SPDT
	076799-01-714	EA	Switch - Limit
	076799-01-715	EA	Switch - SPDT
	076799-01-716	EA	Valve - Solenoid
	076799-01-717	EA	Motor - Fan
	076799-01-718	EA	Blade - Fan
	076799-01-719	EA	Control
	076799-01-720	EA	Relay - Matsushita
	076799-01-721	EA	Overload - Matsushita
	076799-01-722	EA	Connection - Water Line
	076799-01-722	EA	Compressor - Tecumsel
	076799-01-724	EA	Overload - Tecumsel
	076799-01-725	EA	Relay - Tecumsel
	076799-01-726	EA	Dryer
	076799-01-727	EA	Compressor - Matsushita

1986 WINNEBAGO TABLE OF CONTENTS

WC/WF424RC
WC420RG
WCN22RC
WCN30RC

A-01 - C-08
C-09 - E-12
E-13 - G-24
H-01 - J-10

1986 WCN30RC INDEX

Floor Plan	H-01 - H-02
Accessories Group	H-03 - H-05
Bath Group	H-07 - H-08
Chassis Group	H-09 - H-12
Curtain, Cushion & Pad Group	H-13 - P-18
Dinette Group	H-19
Driver's Compartment Group	H-20 - H-22
Electrical Group	H-23 - I-01
Exterior Body Group	I-02 - I-07
Galley Group	I-05 - I-10
Heating & Air Conditioning Group	I-11 - I-12
Interior Finish Group	I-13 - I-15
LP Group	I-16
Lounge Group	I-17 - I-18
Water & Sewage Group	I-19 - I-20
Window, Vent & Exterior Door Group	I-21 - J-10

WATER & SEWAGE GROUP

PLUMBING & REPAIR PARTS

Key	Part Number	U/M	Description
	033302-02-000	EA	Adapter Asm. - SWVC Strain - 1 1/2"
	010325-01-000	EA	Adapter - Flare - w Cone Gasket
	062422-01-000	EA	Adapter - Hose Offset - Reducer - 3" x 1 1/2"
	052954-01-000	EA	Adapter - Hose Cone - 3/8 or 1/2 - Plastic
	010224-01-000	EA	Adapter - Plastic - 3/8 MPT x 3/8 Barb
	044927-01-000	EA	Adapter - Plastic - 1 1/4" MPT x 1 1/4 Barb
	031602-02-000	EA	Adapter - Plastic - 1 1/2 H x FPT
	011048-04-000	EA	Breaker - Vacuum - 1/8 MPT - Nylon
**	010121-01-000	EA	Bushing - Plastic - 1 1/2 S x 1 1/4 H
	010122-01-000	EA	Bushing - Plastic - 1 1/2 S x 1 1/4 T
	010123-01-000	EA	Bushing - Plastic - 2S x 1 1/2 H
	036522-02-000	EA	Cap - Brass - 1/2 Flare
	075730-01-000	EA	Cap - Sewer - 3"
	052959-02-000	EA	Connector - 1/2 F x 1/2 MPT - Plastic
	052959-03-000	EA	Connector - 1/2 F x 3/8 MPT - Plastic
	011091-02-000	EA	Continuous Waste - Double Sink - 11 7/8" - US
	053874-01-000	EA	Continuous Waste Asm. - Double Sink - CSA
	078406-01-000	EA	Coupler Rubber - 3" x 3"
	052960-01-000	EA	Drain Valve - 1/2 F x 1/2 F - Plastic
	010000-01-000	EA	Elbow - Plastic - 1/8 BD x 1 1/4 x 45° H x H
	010005-01-000	EA	Elbow - Plastic - 1/16 BD x 1 1/2
	010006-01-000	EA	Elbow - Plastic - 1/8 BD x 1 1/2 x 45° H x H
	010006-01-000	EA	Elbow - Plastic - 1/4 BD x 1 1/2 x 90° Left
	010051-01-000	EA	Elbow - ST - Plastic - 1/8 BD x 1 1/2 x 45°
	010219-01-000	EA	Elbow - 1 1/4 Barb x 1 1/4 MPT x 90°
	031111-01-000	EA	Elbow - Plastic - 1/4 BD x 1 1/4 x 90° Left
	034250-01-000	EA	Elbow - Plastic - 1/4 BD x 1 1/2 x 90° x H x H
	035539-01-000	EA	Elbow - Plastic - 3/8 MPT x 3/8 Barb
	052957-01-000	EA	Elbow - Plastic - 1/2 F x 3/8 MPT
	052957-02-000	EA	Elbow - Plastic - 1/2 F x 1/2 MPT (In Tank Filter)
	065120-01-000	EA	Elbow - Plastic - Swivel - 50
	070924-01-000	EA	Elbow - Plastic - Swivel - 1/2 MPT x 1/2 FP
	075726-01-000	EA	Extension Outlet - Sewer Hose
	077954-01-000	EA	Filter/Screen (In Water Tank)
	010147-01-000	EA	Flange - Closet - 4" F x 3" FPT - US
	010147-02-000	EA	Flange - Closet - 4" F x 3" FPT - CSA
	079381-01-000	FT	Flexible Tubing - 1 1/4 I.D. x 1/8"
	061607-01-000	EA	Grommet - Holding Tank Coupler - 1 1/2"
	061607-02-000	EA	Grommet - Holding Tank Coupler - 3"
	052951-01-000	EA	Header - 1/2 F x 1/2 F x 1/2 F x 1/2 F
	052953-01-000	EA	Nut - Faucet - 1/2 Tube x 1/2 FPT
	052952-01-000	EA	Nut - 1/2 F - Plastic
**	011065-03-000	EA	P-Trap - 1 1/4" Plastic - US
**	011065-02-000	EA	P-Trap - 1 1/4" Plastic - CSA
	053335-01-000	EA	P-Trap - Plastic - 1 1/4 H x H - w Union - CSA
	010197-01-000	EA	Pipe - Plastic - 3" x 240" - Black
	045723-01-000	EA	Pump - Water - 2 1/2 G.P.M. - Direct Drive - Shurfit - US
	045723-02-000	EA	Pump - Water - 2 1/2 G.P.M. - Direct Drive - Shurfit - CSA
**	010201-01-000	EA	Sewer Hose - 3" x 5' w Clamp
	042989-02-000	EA	Spinweld Fittings - Plastic - 1/2 FPT (In Tank Fitter)
	042989-03-000	EA	Spinweld Fittings - Plastic - 1/4 NPT
	042989-04-000	EA	Spinweld Fittings - Plastic - 3/8 FPT
	011059-02-000	EA	Tailpiece - 1 1/2" x 1 1/4" x 4" - Brass
	011059-03-000	EA	Tailpiece - 1 1/2" x 1 3/4" - Plastic

WATER & SEWAGE GROUP (CONTINUED)

PLUMBING & REPAIR PARTS (CONT.)

Key	Part Number	U/M	Description
	010071-01-000	EA	Tee - Plastic - 1 1/2 x H x H x H
	010072-01-000	EA	Tee - Plastic - 1 1/2 H x 1 1/4 H x 1 1/2 H
**	010579-01-000	EA	Tee - Plastic - 1 1/2 H x 1 1/2 H x 1 1/4 H
	052955-01-000	EA	Tee - Plastic - 1/2 F x 1/2 F x 1/2 MPT
	052956-01-000	EA	Tee - Plastic - 1/2 F x 1/2 MPT x 1/2 F
	052958-01-000	EA	Tee - Plastic - 1/2 F x 1/2 F x 1/2 F
	039600-01-000	FT	Tubing - Polybutyl - 1/2 O.D. (Water Line)
	079381-01-000	FT	Tubing - Flexible - Smooth - 1 25 I.D.
	074462-02-000	FT	Tubing - Vinyl - 3/8 I.D.
	072346-01-000	EA	Valve Asm. - 3" Ell - w 2" Socket
	062421-01-000	EA	Valve - 1 1/2" - w Handle
	052950-01-000	EA	Valve - Line Drain - 1/2 F x 1/2 F
	010073-01-000	EA	Wye - Plastic - 1 1/2 x 45 H x H
**	The illustrated parts breakdown for this is provided on the Common Items Fiche		

HOLDING TANKS & WATER HEATERS

Key	Part Number	U/M	Description
	075186-04-000	EA	Tank Asm - Water - 45 Gallon - w Fittings
	075186-01-000	EA	Tank - Water - 45 Gallon - w/o Fittings
	061805-01-000	EA	Tank - Holding - 40 Gallon - w/o Fittings - Waste Water
	074175-01-000	EA	Tank - Holding - 44 Gallon - w/o Fittings - Sewage
**	051391-01-000	EA	Water Heater - w/o Motor Aid - Atwood - G5A-3
**	051391-03-000	EA	Water Heater - w Motor Aid - Atwood - G6A-3E
**	051393-01-000	EA	Water Heater - w Motor Aid - Direct Ignition - Atwood - GH6-3E
**	The illustrated parts breakdown for this item is provided on the Common Items Fiche.		

1986 WINNEBAGO TABLE OF CONTENTS

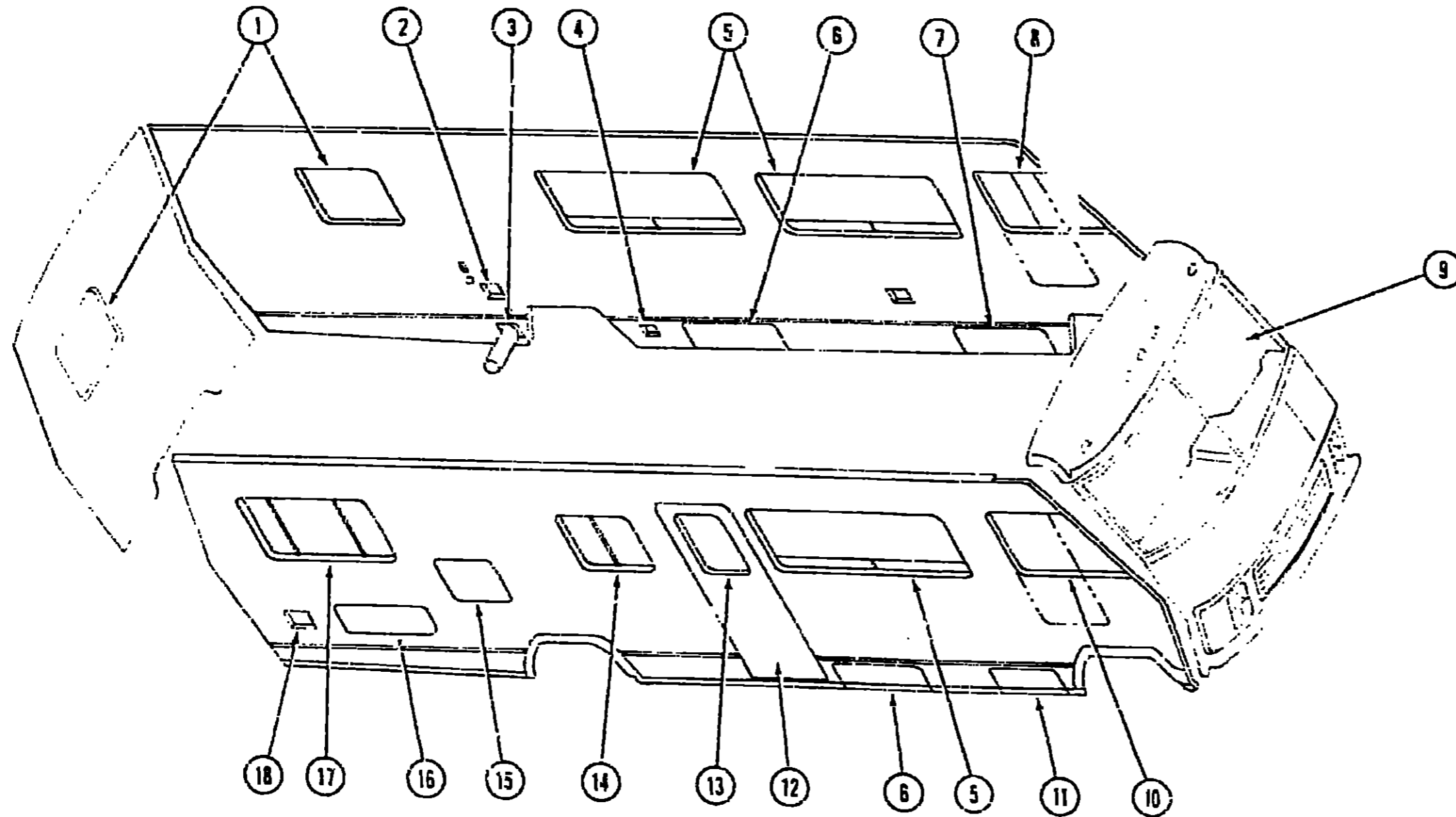
WCWF424RC	A-01 - C-05
WC420RC	C-09 - E-12
WCN22RC	E-13 - G-24
WCN30RC	H-01 - J-10

1986 WCN30RC INDEX

Floor Plan	H-01 - H-02
Accessories Group	H-03 - H-06
Bath Group	H-07 - H-08
Chassis Group	H-09 - H-12
Curtain, Cushion & Pad Group	H-13 - H-15
Dinette Group	H-19
Driver's Compartment Group	H-20 - H-22
Electrical Group	H-23 - I-01
Exterior Body Group	I-02 - I-07
Galley Group	I-08 - I-10
Heating & Air Conditioning Group	I-11 - I-12
Interior Finish Group	I-13 - I-15
LP Group	I-16
Lounge Group	I-17 - I-18
Water & Sewage Group	I-19 - I-20
Window, Vent & Exterior Door Group	I-21 - J-10

WINDOW, VENTS & EXTERIOR DOOR GROUP

WINDOWS & ACCESS DOORS



1986 WINNEBAGO TABLE OF CONTENTS

WC1WF424RC
WC420RG
WCN22RC
WCN30RC

A-01 - C-08
C-09 - E-12
E-13 - G-24
H-01 - J-10

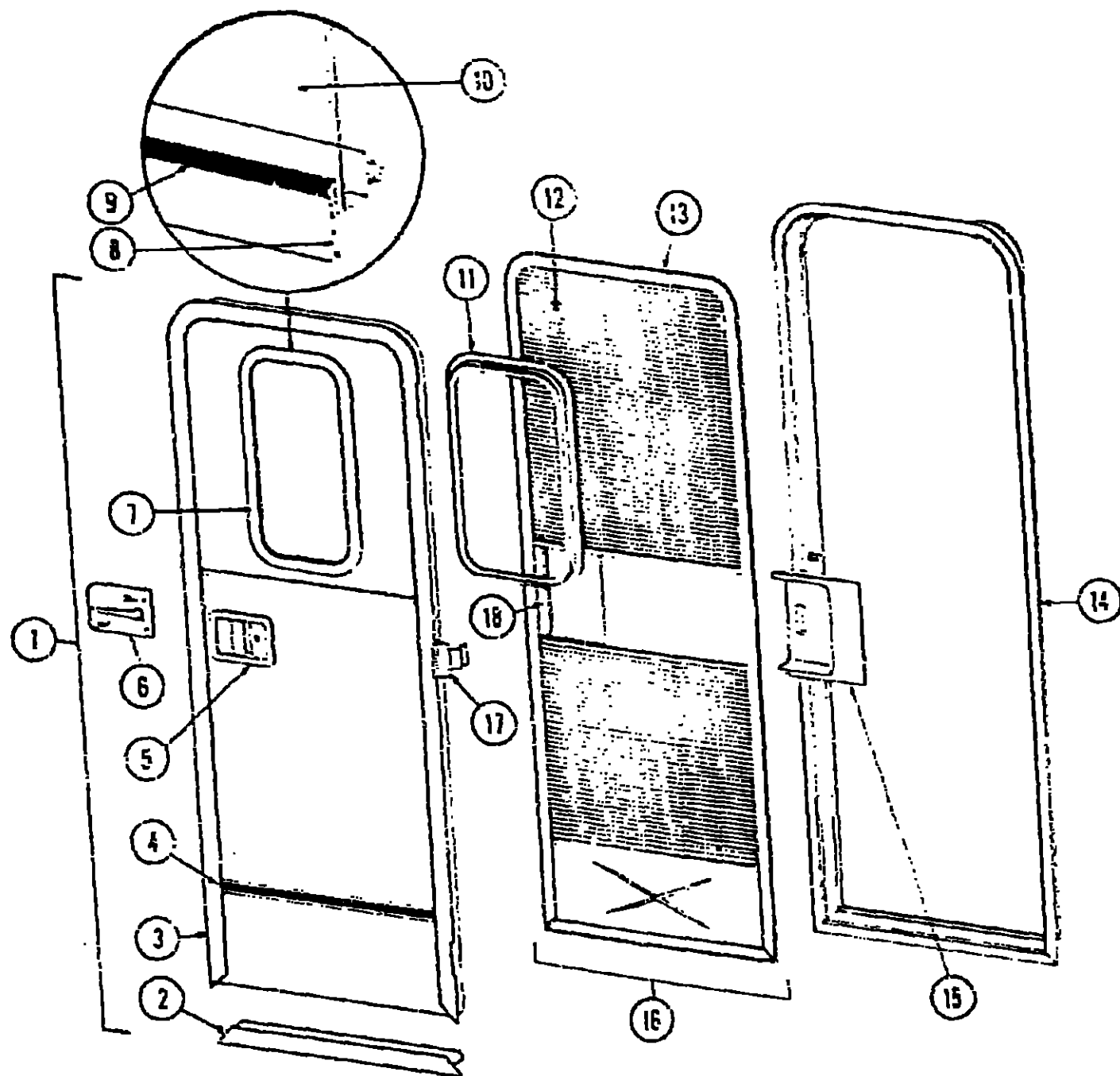
1986 WCN30RC INDEX

Floor Plan	H-01 - H-02
Accessories Group	H-03 - H-06
Bath Group	H-07 - H-08
Chassis Group	H-09 - H-12
Curtain, Cushion & Pad Group	H-13 - H-18
Dinette Group	H-19
Driver's Compartment Group	H-20 - H-22
Electrical Group	H-23 - I-01
Exterior Body Group	I-02 - I-07
Galley Group	I-08 - I-10
Heating & Air Conditioning Group	I-11 - I-12
Interior Finish Group	I-13 - I-15
LP Group	I-16
Lounge Group	I-17 - I-18
Water & Sewage Group	I-19 - I-20
Window, Vent & Exterior Door Group	I-21 - J-10

Key	Part Number	U/M	Description
1	078415-01-T03	EA	Window Asm - Escape
2	076010-04-000	EA	Door Asm - Fuel Fill
3	052423-02-000	EA	Door Asm - Sewer Hose
4	063742-02-000	EA	Door - Power Cord
5	091568-01-U06	EA	Window Asm - Double Tipout
6	079435-02-T03	EA	Door Asm - Luggage - Lower - 34.5"
7	079435-03-T03	EA	Door Asm - Luggage - Lower - 25.3"
8	082057-02-U04	EA	Window Asm - Slant Slider
9	077675-02-000	EA	Glass - Windshield - Left
10	077675-01-000	EA	Glass - Windshield - Right
11	052057-01-U04	EA	Window Asm - Slant Slider

Key	Part Number	U/M	Description
11	079436-01-T03	EA	Door Asm - Battery - 25.3"
12	M01870-01-T03	EA	Door Asm - Entry
13	079733-04-T03	EA	Window Asm - Picture
14	078265-02-T03	EA	Window Asm - Single Slider
15	078989-03-T03	EA	Door Asm - Refrigerator Access
16	079578-02-T03	EA	Door Asm - Luggage - 13.75" x 35.95"
17	M01633-01-T03	EA	Door Asm - Generator - w/o Battery
18	078271-01-T03	EA	Window Asm - Center Slider
19	052009-02-000	EA	Door Asm - Water Heater
-			Not illustrated

WINDOW, VENT & EXTERIOR DOOR GROUP (CONTINUED)



WINDOW, VENT & EXTERIOR DOOR GROUP (CONTINUED)

ENTRANCE & SCREEN DOOR

Key	Part Number	U/M	Description
1	001870-01-T03	EA	Door Asm - Radius Entry w Screen Door
2	077593-02-000	EA	Frame - Entry Door (Bottom Portion Only)
3	076863-02-000	EA	Frame - Entry Door (Except Bottom Portion)
4	059575-03-000	EA	Feature Strip w/o Insert - Extr. - 14"
5	001030-02-004	EA	Insert - Feature Strip - 17" - Stucco - Off White
6	009731-01-000	EA	End Cap - Feature Strip
7	045017-05-000	EA	Paddle Asm - Door Lock - Exterior
8	045017-05-700	EA	Lock Cylinder w Keys - Lyncor
9	039539-01-000	EA	Striker Bolt - Entry Doors
10	039549-01-000	EA	Latch Claw - Entry Door
11	039733-01-000	EA	Dead Bolt - Entry Door
12	039979-01-000	EA	Plate - Inside Lock - Includes Inside Handle
13	052186-01-000	EA	Lock Asm. - Complete - Lyncor
14	079733-04-T03	EA	Window Asm. - Picture - 17" x 26" - Black (w/o inside frame)
15	069640-06-000	FT	Ribbon Sealer - 5/16" Bead x 15'
16	002309-02-000	FT	Spline - Glass - 1.5" Black
17	002181-05-000	EA	Glass - Picture Window - 1 8" x 16 25" x 24" - Gray
18	067609-03-000	EA	Inside Frame - Beige (not included in assembly)
19	002293-02-000	SF	Screen - Window - 26" - Charcoal
20	056795-01-000	FT	Seal Tape - 1.6" x 3.6" - Press On
21	078591-01-000	EA	Jamb Asm. - Entrance Door
22	051049-01-000	EA	Jamb - Entrance Door - Bottom
23	079096-01-000	EA	Slider - Screen Door - Light Oak Plastic
24	079012-01-T03	EA	Door Asm - Screen
25	079361-05-000	EA	Hinge - Entrance Door (3 used per door)
26	079367-01-000	EA	Cap - Screen Door - Light Oak Plastic
27	009016-01-000	EA	Catch - Elbow - Spring Loaded - Screen Door
28	039563-01-000	EA	Catch Asm. - Single Roller w Strike - Screen Door
29	075231-01-000	EA	Spacer - Latch - Screen Door
30	077437-02-000	EA	Strike - Roller Catch
31	057025-02-000	EA	Clip - Roller Latch Catch
32	044582-01-000	EA	Drip Cap - Beige
33	079276-01-000	EA	Seal - Mocket - Entrance Door
34	073090-01-000	FT	Seal - Entrance Door
35	075739-02-000	EA	Stiffener - Entrance Door - Beige
36	075673-01-000	FT	Seal - Pile - Adhesive Back
37	075571-01-000	FT	Seal - Sponge - Lazy "T" Shaped
38	002294-01-000	FT	Spline - Black - .135" x .135" (Screen Door)
39	063638-02-000	EA	Strike - Screen Door
40	053729-04-000	EA	Nut - 10-32 UNF - .010 - DSD
41	075639-01-000	EA	Garnish - Radius - Entrance Door
42	093205-01-000	EA	Leadbolt - Press Kit - 5"
43	079173-01-000	EA	Gasket - Deadbolt - Exterior
	Not illustrated		

1986 WINNEBAGO
TABLE OF CONTENTS

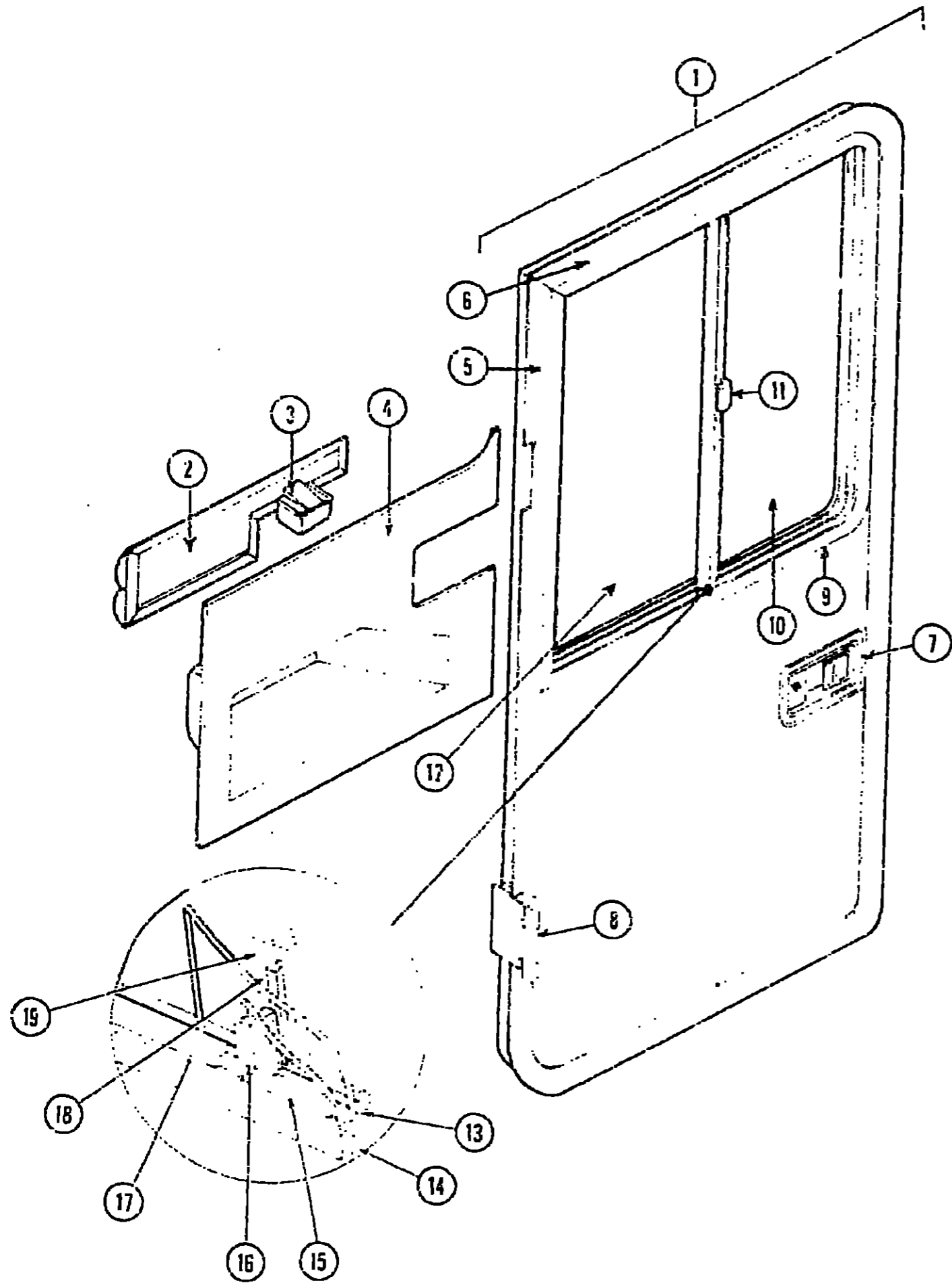
WC-WF424RC	A-01 - C-08
WC420RG	C-09 - E-12
WCN22RC	E-13 - G-24
WCN30RC	H-01 - J-10

1986 WCN30RC INDEX

Floor Plan	H-01 - H-02
Accessories Group	H-03 - H-06
Bath Group	H-07 - H-08
Chassis Group	H-09 - H-12
Curtain, Cushion & Pad Group	H-13 - H-18
Dinette Group	H-19
Driver's Compartment Group	H-20 - H-22
Electrical Group	H-23 - I-01
Exterior Body Group	I-02 - I-07
Galley Group	I-08 - I-10
Heating & Air Conditioning Group	I-11 - I-12
Interior Finish Group	I-13 - I-15
L.P. Group	I-16
Lounge Group	I-17 - I-18
Water & Sewage Group	I-19 - I-20
Window, Vent & Exterior Door Group	I-21 - J-10

WINDOW, VENT & EXTERIOR DOOR GROUP (CONTINUED)

WINDOW, VENT & EXTERIOR DOOR GROUP (CONTINUED)



DRIVER & PASSENGER CAB DOORS

Key	Part Number	U/M	Description
1	079624-01-T03	EA	Door Asm. - Driver - Beige
1	079624-02-T03	EA	Door Asm. - Passenger - Beige
2	064083-03-000	EA	Pad Asm. - Trim - Beige Vinyl - Drivers Door
2	064068-04-000	EA	Pad Asm. - Trim - Beige Vinyl - Passenger
	061400-06-000	EA	Assist Strap - 12" - Beige Vinyl
3	046886-02-000	EA	Ash Tray Asm. - Chrome
4	054499-02-000	EA	Panel - Driver Door - Inner - Light Oak Plastic
4	054499-03-000	EA	Panel - Passenger Door - Inner - Light Oak Plastic
5	079214-01-000	EA	Door Frame - Front - Beige - Drivers Door
6	079214-02-000	EA	Door Frame - Front - Beige - Passenger Door
6	079250-01-000	EA	Door Frame - Rear - Beige - Drivers Door
6	079250-02-000	EA	Door Frame - Rear - Beige - Passenger Door
7	045017-05-000	EA	Paddle Asm. - Door Lock - Drivers
7	045017-07-000	EA	Lock Cylinder w/Keys - Lynor
	039979-01-000	EA	Inside Plate - Door Lock - w/Inside Handle - Right
	039979-02-000	EA	Inside Plate - Door Lock - w/Inside Handle - Left
	039540-02-000	EA	Latch Claw - Entry Door Lock
	039738-01-000	EA	Deadbolt - Entrance Door Lock
	039539-01-000	EA	Strike Bolt - Entrance Door (Jamb Mount)
	063124-02-000	EA	Plate - Striker - 8 1/4" x 1" - Black
	078135-04-000	EA	Jamb - Driver Door - Front
	079249-07-000	EA	Jamb - Driver Door - Rear
	078135-01-000	EA	Jamb - Passenger Door - Front
	079249-08-000	EA	Jamb - Passenger Door - Rear
	064184-01-000	EA	Drip Cap - Driver Door
	064184-02-000	EA	Drip Cap - Passenger Door
	063768-01-000	EA	Sill Plate
8	063993-01-000	EA	Hinge Asm. - Driver Door - Beige
8	063993-06-000	EA	Hinge Asm. - Passenger Door - Beige
	066109-02-000	EA	Strap - Drivers Door
	064580-01-000	EA	Check Strap - Driver Door - Seat Belt Webbing
	064219-01-000	EA	Retainer - Driver Door Check Strap
	053886-03-000	EA	Assist Handle - Beige Steel Tube (2 required per door)
	064075-01-000	EA	Bulb Seal - 145"
9	079101-02-T03	EA	Window Asm. - Driver Door - Black (w.o inside frame)
9	079101-01-T03	EA	Window Asm. - Passenger Door - Black (w.o inside frame)
	079577-02-T03	EA	Inside Frame - w/Slider Screen - Driver Door - Beige
	079577-01-T03	EA	Inside Frame - w/Slider Screen - Passenger Door - Beige
	079574-03-T03	EA	Slider Screen Asm. - Right Door
	079574-04-T03	EA	Slider Screen Asm. - Left Door
10	057657-04-000	EA	Glass - 19" x 28 1/2" x 12 25"
11	047369-01-000	EA	Latch - Window - Plastic w/Fastener
12	002188-06-000	EA	Glass - 19" x 28 1/2" x 12" - Stationary
13	002324-02-000	FT	Channel - Weatherstrip - Glass
14	069540-05-000	FT	Ribbon Sealer - 1/4" Bead x 20"
15	050216-02-000	FT	Spline - Glass - 19" Material - Black
16	002389-03-000	EA	Seal Holder w/Fin Seal - 23 19" - Black
17	041928-02-000	FT	Extr. Vinyl - Window Seal - Black
18	073740-01-000	FT	Seal - Fin - Pile - .460"
19	072562-07-000	EA	Inside Mullion - Slider Window - Black
20	002293-02-000	FT	Spline - .130" Dia. - Charcoal (Screen)
	023713-02-000	EA	Weephole Cover - Black Plastic
	002293-02-000	SF	Screen - Window - 26" - Charcoal
	063977-03-000	EA	Step Asm. - Single - Driver
	063977-05-000	EA	Step Asm. - Single - Passenger
			Not illustrated

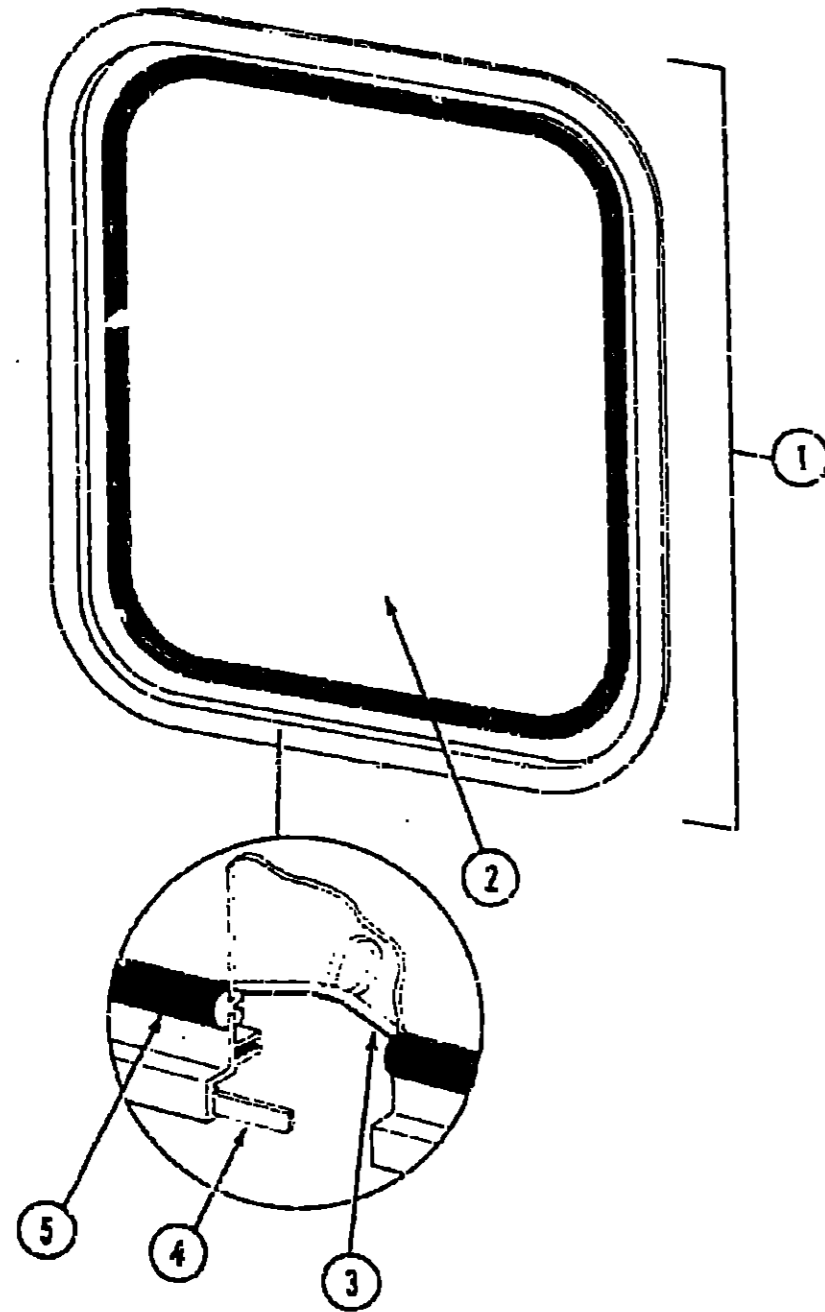
1986 WINNEBAGO
TABLE OF CONTENTS

WC/WF424RC	A-01 - C-03
WC420RG	C-09 - E-12
WCN22RC	E-13 - G-24
WCN30RC	H-01 - J-10

1986 WCN30RC INDEX

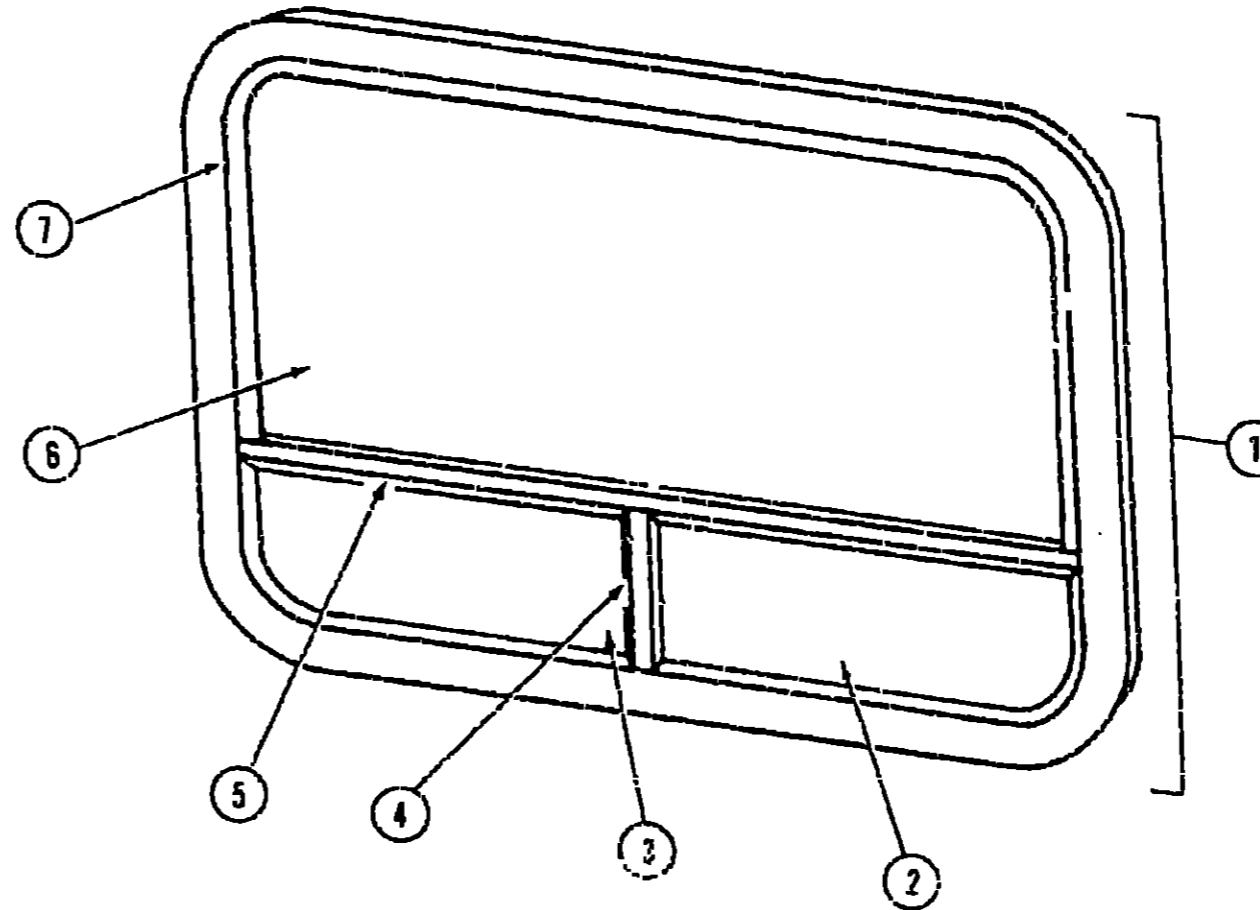
Floor Plan	H-01 - H-02
Accessories Group	H-03 - H-06
Bath Group	H-07 - H-08
Chassis Group	H-09 - H-12
Curtain, Cushion & Pad Group	H-13 - H-18
Dinette Group	H-19
Driver's Compartment Group	H-20 - H-22
Electrical Group	H-23 - I-01
Exterior Body Group	I-02 - I-07
Galley Group	I-08 - I-10
Heating & Air Conditioning Group	I-11 - I-12
Interior Finish Group	I-13 - I-15
LP Group	I-16
Lounge Group	I-17 - I-18
Water & Sewage Group	I-19 - I-20
Window, Vent & Exterior Door Group	I-21 - J-10

WINDOW, VENT & EXTERIOR DOOR GROUP (CONTINUED)



Key	Part Number	U/M	Description
1	079415-01-T03	EA	Window Asm - Escape (w/o inside frame)
•	020749-05-000	EA	Inside Frame - Escape Window - Beige (not included in assembly)
2	002174-01-000	EA	Glass - 1/8" x 19 61" x 25.92"
3	002285-01-000	FT	Filler - Weatherstrip - Black
4	069540-01-000	FT	Tape - 2" Bead x 45'
5	002282-01-000	FT	Weatherstrip - Window - .125" Black
•	006199-01-000	EA	Label - Exit - Escape Window
•			Not illustrated

WINDOW, VENT & EXTERIOR DOOR GROUP (CONTINUED)



Key	Part Number	U/M	Description
1	081568-02-U08	EA	Window Asm. - 62" x 51" - Double Tipout
•	081822-05-000	EA	Inside Frame - Black (not included in assembly)
2	081434-01-U01	EA	Window Asm. - Tipout - Right Hand
3	081434-02-U01	EA	Window Asm. - Tipout - Left Hand
•	081239-07-000	EA	Glass - Tipout - 1 9/8" x 30" x 8 3/4" - Left or Right
4	083112-05-000	EA	Mullion - Black
5	081814-01-000	EA	Mullion - Black
•	081422-01-U01	EA	Screen Asm - Tipout - Right Hand
•	081422-02-U01	EA	Screen Asm. - Tipout - Left Hand
•	081243-01-000	EA	Screen Clip - Plastic - Black
•	035302-01-000	EA	Operating Mech - Right Hand
•	035302-02-000	EA	Operating Mech - Left Hand
6	081239-11-000	EA	Glass - Stationary - 1/8" x 61 3/4" x 20 1/2"
7	083160-01-000	EA	Window Seal
•	081357-01-000	EA	Bulb Seal (Tipout)
•	081359-01-000	EA	Window Seal (Tipout)
•			Not illustrated

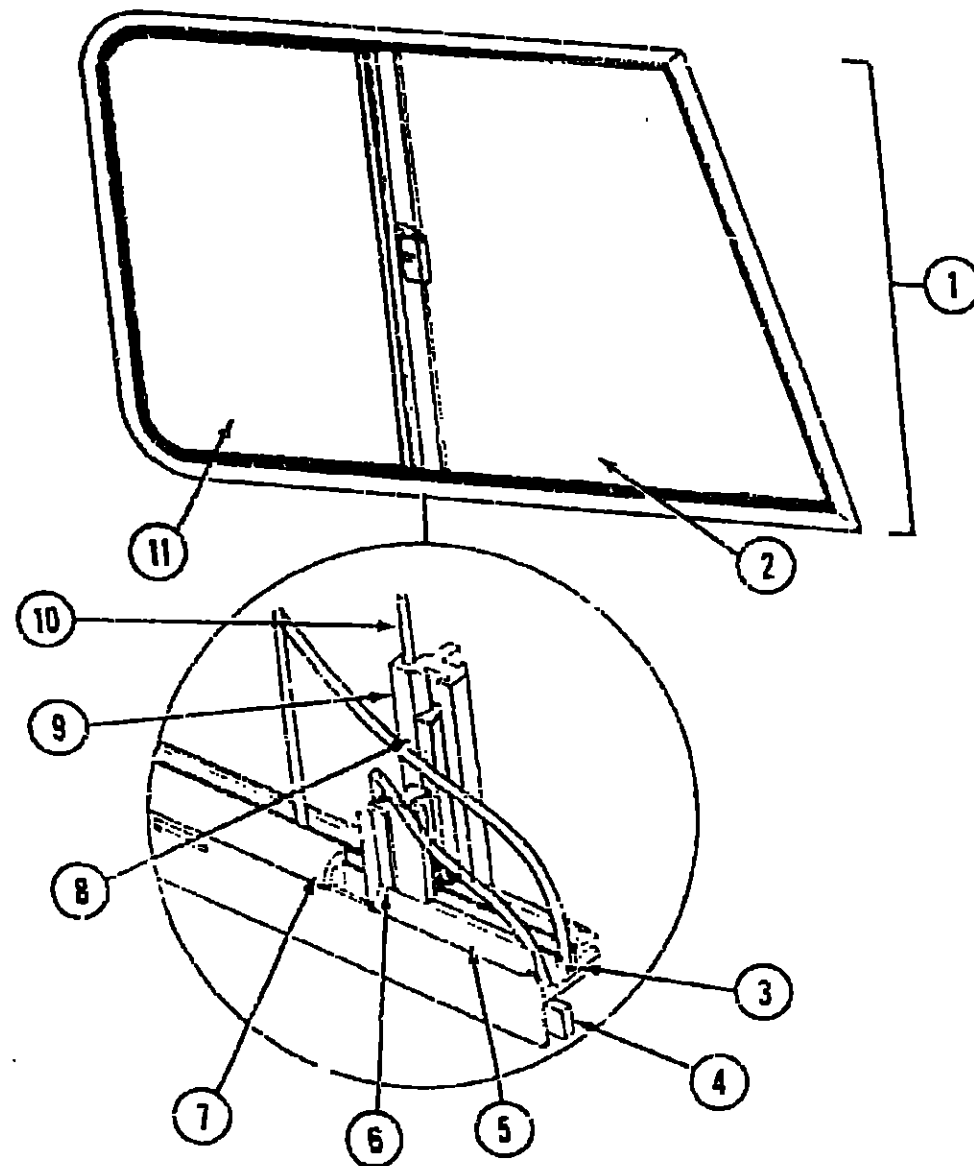
1986 WINNEBAGO
TABLE OF CONTENTS

WC/VF424RC	A-01 - C-05
WC423RC	C-09 - E-12
WCN22RC	E-13 - G-24
WCN30RC	H-01 - J-10

1986 WCN30RC INDEX

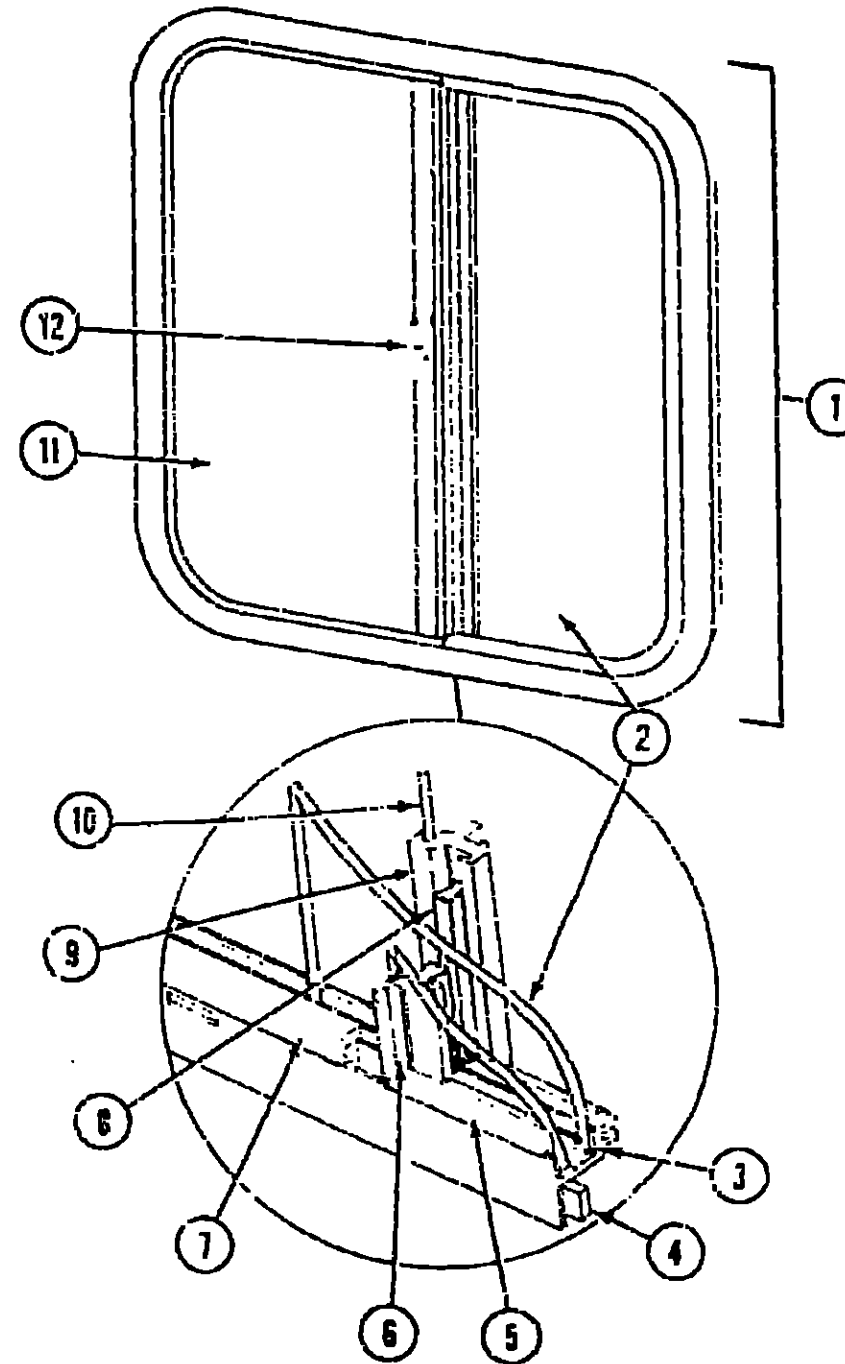
Floor Plan	H-01 - H-02
Accessories Group	H-03 - H-06
Bath Group	H-07 - H-08
Chassis Group	H-09 - H-12
Curtain, Cushion & Pad Group	H-13 - H-18
Dinette Group	H-19
Driver's Compartment Group	H-20 - H-22
Electrical Group	H-23 - I-01
Exterior Body Group	I-02 - I-07
Galley Group	I-08 - I-10
Heating & Air Conditioning Group	I-11 - I-12
Interior Finish Group	I-13 - I-15
LP Group	I-16
Lounge Group	I-17 - I-18
Water & Sewage Group	I-19 - I-20
Window, Vent & Exterior Door Group	I-21 - J-10

WINDOW, VENT & EXTERIOR DOOR GROUP (CONTINUED)



Key	Part Number	U/M	Description
1	082057-01-U04	EA	Window Asm. - Front Slant Slider - Passenger (w/o inside frame)
1	082057-02-U04	EA	Window Asm. - Front Slant Slider - Driver (w/o inside frame)
1	082056-01-U04	EA	Inside Frame - Slant Slider - Passenger (not included in assembly)
1	082055-02-U04	EA	Inside Frame - Slant Slider - Driver (not included in assembly)
2	057655-03-000	EA	Glass - .19" x 28.11" x 27" - Stationary (Passenger)
2	057676-05-000	EA	Glass - .19" x 28.11" x 27" - Stationary (Driver)
3	042077-01-000	FT	Channel - Weatherstrip - 3/16" Glass
4	069640-01-000	FT	Ribbon Sealer - 1/4" Bead x 20'
5	050216-02-000	FT	Window Seal - .19" - Glass
6	002389-03-203	EA	Seal Holder w/Fin Seal - 27.12" - Black
7	057374-02-000	FT	Extr. Rubber - Window Seal - Black
8	073740-01-000	FT	Seal - Fin - Pile - .460"
9	078562-07-000	EA	Mullion - Slider Window - Black
10	002298-02-000	FT	Spline - .130" Dia. - Charcoal (Screen)
11	081980-05-000	EA	Glass - .19" x 28.11" x 14.88" Sliding
1	079204-01-000	EA	Bracket - Mullion - Black
1	079574-01-T03	EA	Slider Screen Asm. - Passenger
1	079574-02-T03	EA	Slider Screen Asm. - Driver
1	002291-02-000	SF	Screen - Window - 16" - Charcoal
1	016310-03-000	EA	Handle - Slider Screen - Black
1	047369-01-700	EA	Latch Kit - Window - Plastic w/Fastener
1	Not illustrated		

WINDOW, VENT & EXTERIOR DOOR GROUP (CONTINUED)



Key	Part Number	U/M	Description
1	076266-02-T03	EA	Window Asm - Single Slider (w/o inside frame)
1	083122-04-000	EA	Inside Frame - Brown (not included in assembly)
2	081980-05-000	EA	Glass - Sliding - 1/8" x 19" x 13.68"
3	002324-02-000	FT	Channel - Weatherstrip - Glass Run - 1/8" Glass
4	069640-06-000	FT	Ribbon Sealer - 5/16" Bead x 15'
5	002309-02-000	FT	Spline - Glass - 1/8" Material - Black
6	M69886-03-011	EA	Seal Holder w/Fin Seal - Black
7	057374-02-000	FT	Extr. Rubber - Window Seal - Black
8	073740-01-000	FT	Seal - Fin - Pile - .460"
9	078562-02-000	EA	Mullion - Slider Window - Black
10	002298-02-000	SF	Spline - .130" Dia. - Charcoal (Screen)
11	081984-03-000	EA	Glass - Stationary - 1/8" x 19" x 12.30"
12	047369-01-700	EA	Latch Kit - Window - Plastic w/Fastener
1	079204-01-000	EA	Bracket - Mullion - Black
1	002291-02-000	SF	Screen - Window 16" - Charcoal
1	Not illustrated		

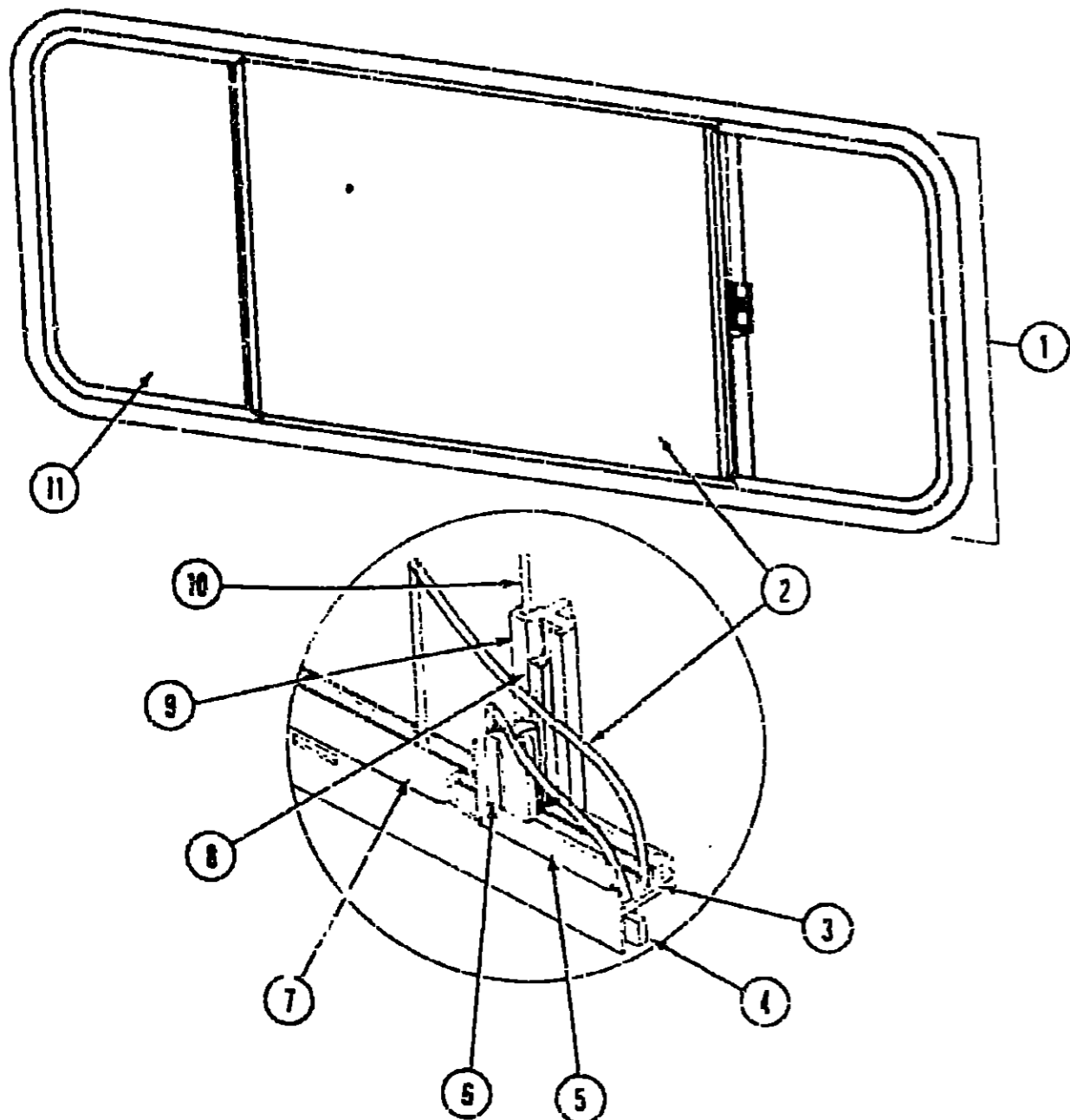
1986 WINNEBAGO
TABLE OF CONTENTS

WC/VF424RC	A-01 - C-08
WC420RG	C-09 - E-12
WCN22RC	E-13 - G-24
WCN30RC	H-01 - J-10

1986 WCN30RC INDEX

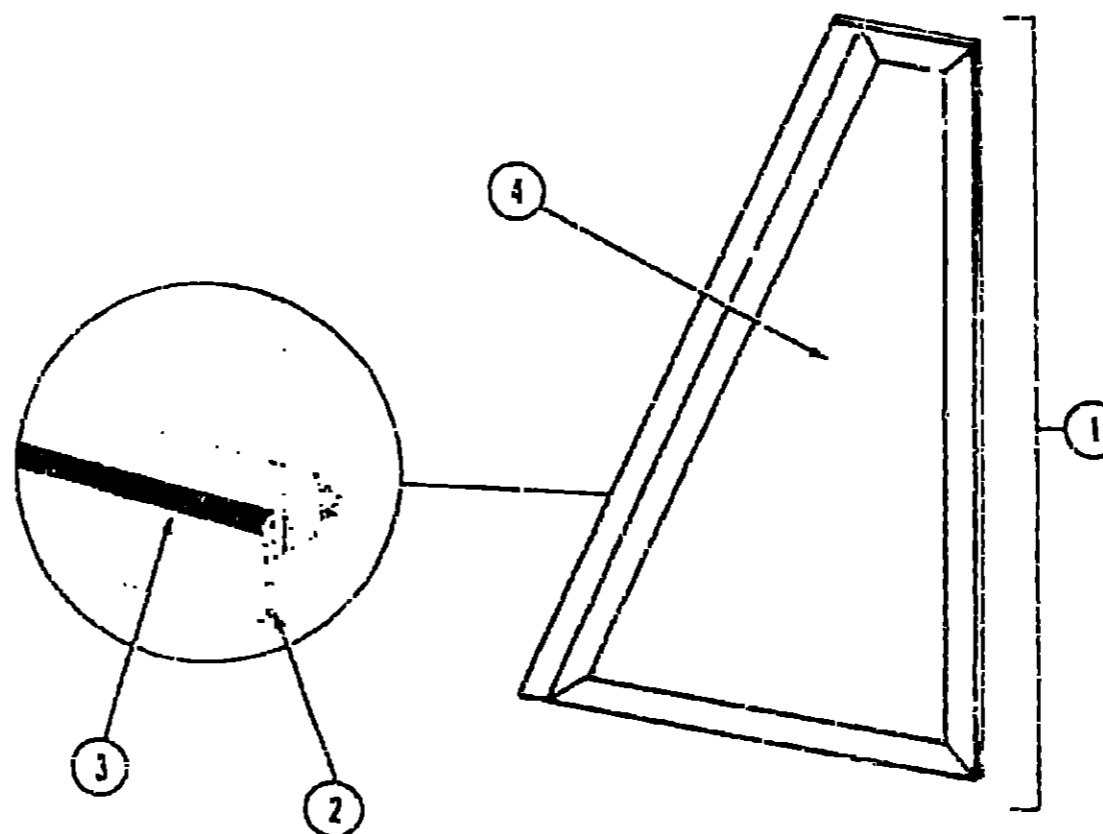
Floor Plan	H-01 - H-02
Accessories Group	H-03 - H-06
Bath Group	H-07 - H-08
Chassis Group	H-09 - H-12
Curtain, Cushion & Pad Group	H-13 - H-19
DINETTE Group	H-19
Driver's Compartment Group	H-20 - H-22
Electrical Group	H-23 - I-01
Exterior Body Group	I-02 - I-07
Galley Group	I-08 - I-10
Heating & Air Conditioning Group	I-11 - I-12
Interior Finish Group	I-13 - I-15
LP Group	I-16
Lounge Group	I-17 - I-18
Water & Sewage Group	I-19 - I-20
Window, Vent & Exterior Door Group	I-21 - J-10

WINDOW, VENT & EXTERIOR DOOR GROUP (CONTINUED)



Key	Part Number	U/M	Description
1	076271-01-T03	EA	Window Asm - Center Slider (w/o inside frame)
*	083122-11-000	EA	Inside Frame - Center Slide - Beige (not included in assembly)
2	066727-02-000	EA	Glass - Sliding - 1.8" x 25.5" x 24"
3	002324-02-000	FT	Channel - Weatherstrip - Glass Sliding - 1.6" Glass
4	069640-06-000	FT	Ribbon Sealer - 5/16" Bead x 15"
5	002309-02-000	FT	Spline - Glass - 1/8" Material - Black
6	M69886-03-003	EA	Seal Holder w/Fin Seal - Black
7	057374-02-000	FT	Extr Rubber - Window Seal - Black
8	073740-01-000	FT	Seal - Fin Pile - 460"
9	078562-02-000	EA	Mullion - Slider Window - Black
10	002298-02-000	FT	Spline - .130" Dia. - Charcoal (Screen)
11	081984-07-000	EA	Glass - Stationary - 1/8" x 24" x 16.5"
*	079204-01-000	EA	Bracket - Mullion - Black
*	047369-01-700	EA	Latch Kit - Window - Plastic w/Fastener
*	002293-02-000	SF	Screen - Window - 26" - Charcoal
*			Not illustrated

WINDOW, VENT & EXTERIOR DOOR GROUP (CONTINUED)



Key	Part Number	U/M	Description
1	079421-01-T03	EA	Window Asm. - Front Slant - Passenger (w/o inside frame)
1	079421-02-T03	EA	Window Asm. - Front Slant - Drivers (w/o inside frame)
*	079215-01-000	EA	Inside Frame - Front Slant - Passenger - Beige (not included in assembly)
*	079215-02-000	EA	Inside Frame - Front Slant - Drivers - Beige (not included in assembly)
2	069640-01-000	EA	Tape - 1/4" Bead x 20"
3	002309-02-000	EA	Spline - Glass - 1/8" - Black
4	057556-04-000	EA	Glass - 19" x 26.11" x 13.98"
*			Not illustrated

1966 WINNEBAGO
TABLE OF CONTENTS

WC/WF424RC
WC420HG
WCN22RC
WCN30RC

A-01 - C-08
C-09 - E-12
E-13 - G-24
H-01 - J-10

1966 WCN30RC INDEX

Floor Plan	H-01 - H-02
Accessories Group	H-03 - H-06
Bath Group	H-07 - H-08
Chassis Group	H-09 - H-12
Curtain, Cushion & Pad Group	H-13 - H-18
Dinette Group	H-19
Driver's Compartment Group	H-20 - H-22
Electrical Group	H-23 - I-01
Exterior Body Group	I-02 - I-07
Galley Group	I-08 - I-10
Heating & Air Conditioning Group	I-11 - I-12
Interior Finish Group	I-13 - I-15
LP Group	I-16
Lounge Group	I-17 - I-18
Water & Sewage Group	I-19 - I-20
Window, Vent & Exterior Door Group	I-21 - J-10

WINDOW, VENT & EXTERIOR DOOR GROUP (CONTINUED)

VENTS

Key	Part Number	U/M	Description
	071290-01-000	EA	Base - Refrigerator Vent
	071290-02-000	EA	Cover - Refrigerator Vent - 11 5/8" x 24 3/4" - Galvanized Steel
	055218-01-000	EA	Cover Asm. - Roof Vent
	071355-08-000	EA	Vent - Stovehood - Outside - Mill Finish
	075056-01-000	EA	Vent Asm. - Roof - Non-Powered - w/o Screen
	079537-01-000	EA	Vent Asm. - Roof - Powered - w/o Screen
	078786-01-T03	EA	Screen Asm. - Roof Vent - Non-Powered
	078786-01-T03	EA	Screen Asm. - Roof Vent - Powered
	079902-01-000	EA	Panel - Skylight - Inner
	050910-01-000	EA	Panel - Skylight - Outer
	091171-01-000	EA	Trim - Skylight

ACCESS DOOR HARDWARE

Key	Part Number	U/M	Description
	052181-03-000	EA	Baffle - Generator Door
	079368-01-000	EA	Door Seal - Bulb
	083515-01-000	EA	Door Stop - Plastic - Beige
	042442-01-000	EA	Lock Asm. - Twist Type (Power Cord Door)
	079927-01-000	EA	Lock Asm. - Twist Type (Luggage)
	009203-01-000	EA	Lock Asm. - Twist Type w/Clip (Generator)
	079366-01-000	EA	Lock Asm. - Key Type (Luggage)
	042441-01-000	EA	Lock Asm. - Key Type (Fuel Fill)
	077408-01-000	EA	Lock Asm. - Key Type (Tire Cover)
	078200-01-000	EA	Gasket - Fuel Fill Door
	051543-02-000	EA	Hatch - Power Cord
	052424-02-000	EA	Jamb - Fuel Fill/Power Cord - Beige
	079368-01-000	FT	Seal - Access Doors

**1985 WINNEBAGO
TABLE OF CONTENTS**

WC/WF424RC	A-01 - C-08
WC420RG	C-09 - E-12
WCN22RC	E-13 - G-24
WCN30RC	H-01 - J-10

1986 WCN30RC INDEX

Floor Plan	H-01 - H-02
Accessories Group	H-13 - H-06
Bath Group	H-17 - H-08
Chassis Group	H-19 - H-12
Curtain, Cushion & Pad Group	H-13 - H-18
Cinette Group	H-19
Driver's Compartment Group	H-20 - H-22
Electrical Group	H-23 - I-01
Exterior Body Group	I-02 - I-07
Galley Group	I-08 - I-10
Heating & Air Conditioning Group	I-11 - I-12
Interior Finish Group	I-13 - I-15
LP Group	I-16
Lounge Group	I-17 - I-18
Water & Sewage Group	I-19 - I-20
Window, Vent & Exterior Door Group	I-21 - J-10