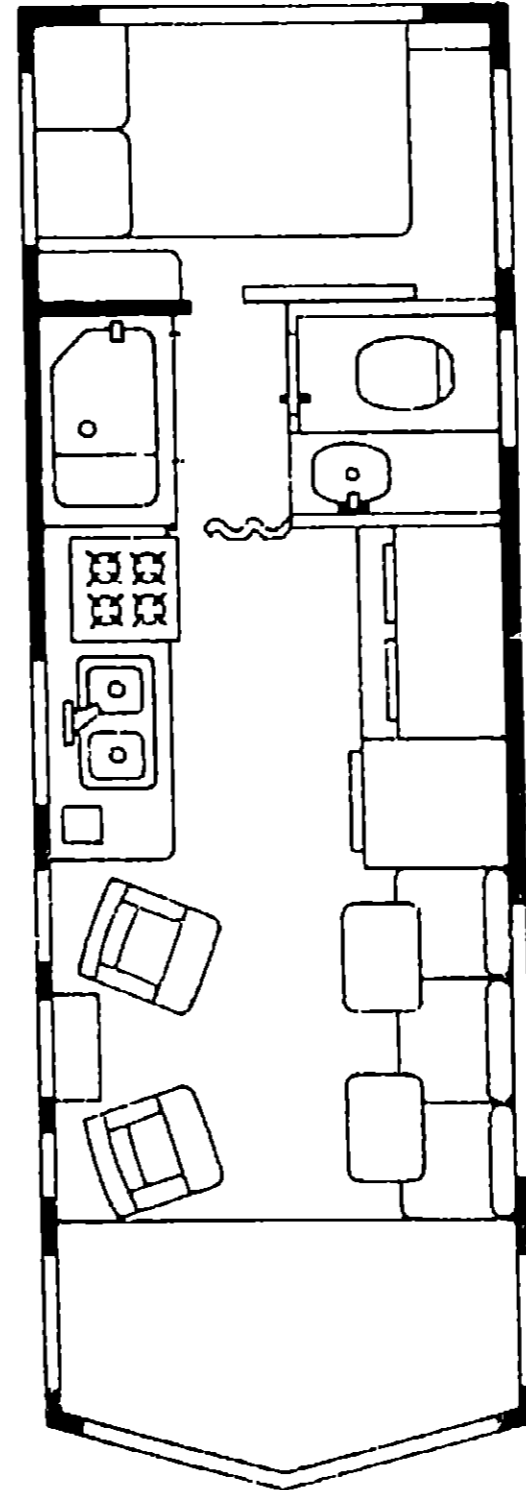


1986 WCN27RU



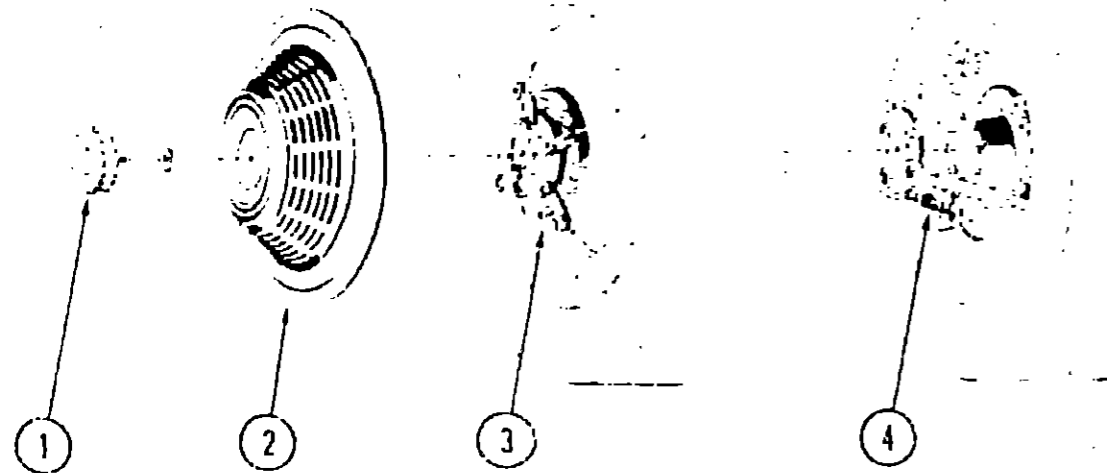
1986 WINNEBAGO TABLE OF CONTENTS

| | |
|--------------------|-------------|
| INTRODUCTION | A-01 |
| ABBREVIATIONS | A-01 |
| ALPHABETICAL INDEX | A-02 - A-04 |
| WF426RU | A-05 - C-08 |
| WCN27RU | C-09 - E-16 |
| WCN31RT | E-17 - H-05 |
| WCN33RU | H-07 - J-20 |

1986 WCN27RU INDEX

| | |
|------------------------------------|-------------|
| Floor Plan | C-09 - C-10 |
| Accessories Group | C-11 - C-14 |
| Bath Group | C-15 |
| Chassis Group | C-16 - C-17 |
| Curtain, Cushion & Pad Group | C-18 - C-23 |
| Dinette Group | C-24 |
| Driver's Compartment Group | D-01 - D-03 |
| Electrical Group | D-04 - D-06 |
| Exterior Body Group | D-07 - D-12 |
| Galley Group | D-13 - D-15 |
| Heating & Air Conditioning Group | D-16 - D-17 |
| Interior Finish Group | D-18 - D-20 |
| LP Group | D-21 |
| Lounge Group | D-22 |
| Water & Sewage Group | D-23 - D-24 |
| Window, Vent & Exterior Door Group | E-01 - E-16 |

ACCESSORIES GROUP



WHEEL COVER & MOUNTING HARDWARE

| Key | Part Number | U/M | Description |
|-----|---------------|-----|--|
| 1 | 064082-02-000 | EA | Retaining Nut - Delmat - Wheel Cover |
| 2 | 073426-01-700 | EA | Wheel Cover - Bolt On - 16" - Delmat (1) |
| 3 | 073426-04-700 | EA | Retention Bracket Asm - Wheel Cover Support - Heavy Duty - Front (1) |
| 4 | 073426-04-701 | EA | Retention Bracket Asm - Wheel Cover Support - Heavy Duty - Rear (1) |
| . | 073426-04-000 | EA | Retention Bracket Asm - Wheel Cover Support - Heavy Duty (Set-4) |
| . | 031396-04-000 | EA | Wheel Cover - 16" - Clip On - Delmat |
| . | 083181-01-000 | EA | Wheel Cover - 16" (Set-4) |
| . | 083181-01-700 | EA | Wheel Cover - 16" (1) |
| . | 031396-01-790 | EA | Clip - Wheel Cover - Delmat |
| . | | | Not illustrated |

RADIO & RELATED COMPONENTS

| Key | Part Number | U/M | Description |
|-----|---------------|-----|--|
| | 031105-01-000 | EA | Antenna - Radio - Side Mount |
| | 031105-01-700 | EA | Antenna Holder - Radio - Upper |
| | 064792-01-000 | EA | Grille - Speaker - 5.25" - w Mesh - Brown |
| | 075903-01-000 | EA | Radio - AM FM MPX w Cassette |
| | 075904-01-000 | EA | Radio - AM FM MPX w Cassette - Electronic Tuning |
| | 074979-01-000 | EA | Speaker Cover Protector - Plastic |
| | 073741-02-000 | EA | Speaker - 4" x 6" - Oval |
| | 073431-01-000 | EA | Speaker - 5.25 - 3 Way (Pair) |
| | 064791-01-000 | EA | Speaker - Recessed - 5.25" |

ELECTRIC STEP ASSEMBLY

| Key | Part Number | U/M | Description |
|-----|---------------|-----|--------------------------------|
| | 075461-01-000 | EA | Electric Step Asm w Light |
| | 075461-01-700 | EA | Motor |
| | 041250-01-000 | EA | Door Switch |
| | 075461-01-704 | EA | Under Step Control Unit |
| | 075461-01-705 | EA | 4-Way Plug (Dash End) |
| | 075461-01-706 | EA | Kill Switch |
| | 075461-01-707 | EA | Step Light |
| | 075461-01-708 | EA | 4-Way Plug (Control Box End) |
| | 075461-01-709 | EA | 90 Degree Plug |
| | 075461-01-710 | EA | Gear |
| | 075461-01-711 | EA | Drive Link |
| | 075241-01-000 | EA | Support Asm - Step |
| | 075723-02-000 | EA | Block - Support Spacer w Holes |

ACCESSORIES GROUP (CONTINUED)

MISCELLANEOUS ACCESSORIES

| Key | Part Number | U/M | Description |
|-----|---------------|-----|---|
| | 054185-24-000 | EA | Owners Manual - 1986 - Itasca & Winnebago |
| | 706053-02-000 | EA | Antenna - TV Skyliner w 6" Shaft - Braund Delux |
| | 076319-01-000 | EA | Antenna - TV Roof Mount - 44.5" Mast |
| | 076319-02-000 | EA | Antenna - TV Roof Mount - 23.5" Mast |
| | 076319-03-000 | FT | Cable - Coaxial - 75 OHM |
| | 076319-04-000 | EA | Connector & Ferrule |
| | 076319-05-000 | EA | Wallplate - Power Supply - Ivory |
| | 076319-06-000 | EA | Adapter - Cable Roof Plate |
| | 076319-07-000 | EA | Wallplate - Power Supply - Brown |
| | 076319-08-000 | EA | Wallplate - Receptacle - Ivory |
| | 076319-09-000 | EA | Wallplate - Receptacle - Brown |
| | 017516-01-000 | EA | Mud Flap w Holes - 14" x 18" - Black |
| | 041944-03-000 | EA | Fire Extinguisher - 5BC |
| | 041944-02-000 | EA | Bracket - Fire Extinguisher |
| | 081379-01-000 | EA | Microwave Oven - Convection - Sharp |
| | 081459-03-000 | EA | Bracket Asm - Microwave - Right |
| | 081459-04-000 | EA | Bracket Asm - Microwave - Left |
| | 081555-01-000 | EA | Trim Ring - Microwave |
| | 092876-01-000 | EA | Baffle - Microwave |
| | 081456-01-000 | EA | Angle Asm - Microwave - Right |
| | 081456-02-000 | EA | Angle Asm - Microwave - Left |
| | 069629-01-000 | EA | Speed Control Package - Electric Dana |
| | 069629-01-700 | EA | Regulator Asm - Electric |
| | 069629-01-701 | EA | Vacuum Valve & Electric Switch |
| | 069629-01-702 | EA | Control Switch & Lever Asm |
| | 069629-01-703 | EA | Harness Asm (Main Wiring) |
| | 069629-01-704 | EA | Generator Signal |
| | 069629-01-705 | EA | Adapter Key |
| | 083212-01-000 | EA | Speed Control Package - Electric - Chevy |
| | 083212-01-700 | EA | Regulator Assembly |
| | 083212-01-701 | EA | Lever - Carburetor |
| | 083212-01-702 | EA | Wiring Harness - Main |
| | 083212-01-703 | EA | Servo Assembly |
| | 083212-01-704 | EA | Cruise Release - Stop Lamp |
| | 083212-01-705 | EA | Valve - Release Only |
| | 083212-02-000 | EA | Switch - Speed Control - "A" Body |
| | 072852-01-000 | EA | Smoke Detector w 9 Volt Battery |
| | 079664-02-000 | EA | Weather Center - 8.5" x 8.5" |
| | 079664-01-000 | EA | Clock - 8.5" x 8.5" |
| | 006069-01-000 | EA | Key Case - Leather |
| | 007038-01-000 | EA | Door Mat - 10.5" x 26" - Black Rubber |
| | 081075-01-000 | EA | Floor Mat - Entrance - Winnebago - Tan |
| | 081201-01-000 | EA | Floor Mat - Front - Winnebago - Right - Tan |
| | 081202-01-000 | EA | Floor Mat - Front - Winnebago - Left - Tan |
| | 080208-01-000 | EA | Lug Wrench |
| | 080208-02-000 | EA | Leverage Bar - Lug Wrench |
| | 006113-01-000 | EA | Jack - Hydraulic - 6 Ton - w Handle |
| | 079941-01-000 | EA | Lamp Asm - Fog w Cover - Amber |
| | 055285-01-000 | EA | Vacuum Cleaner - Built In - Tevis Campbell |
| | 055285-01-700 | EA | Accessories Kit - Standard - Tevis Campbell |
| | 055285-01-701 | EA | Filter - 10 per Consumer Package - Tevis Campbell |
| | 055285-01-702 | EA | Hose - Vacuum Cleaner - 20' |
| | 055285-01-703 | EA | Rug Tool |
| | 055285-01-704 | EA | Crevice Tool |
| | 055285-01-705 | EA | Upholstery Tool |
| | 055285-01-706 | EA | Wand Set (2 piece) |

1986 WINNEBAGO TABLE OF CONTENTS

| | |
|--------------------|-------------|
| INTRODUCTION | A-01 |
| ABBREVIATIONS | A-01 |
| ALPHABETICAL INDEX | A-02 - A-04 |
| WF426RU | A-05 - C-08 |
| WCN27RU | C-09 - E-16 |
| WCN31RT | E-17 - H-06 |
| WCN33RU | H-07 - J-20 |

1986 WCN27RU INDEX

| | |
|------------------------------------|-------------|
| Floor Plan | C-09 - C-10 |
| Accessories Group | C-11 - C-14 |
| Bath Group | C-15 |
| Chassis Group | C-16 - C-17 |
| Curtain, Cushion & Pad Group | C-18 - C-23 |
| Dinette Group | C-24 |
| Driver's Compartment Group | D-01 - D-03 |
| Electrical Group | D-04 - D-06 |
| Exterior Body Group | D-07 - D-12 |
| Galley Group | D-13 - D-15 |
| Heating & Air Conditioning Group | D-16 - D-17 |
| Interior Finish Group | D-18 - D-20 |
| LP Group | D-21 |
| Lounge Group | D-22 |
| Water & Sewage Group | D-23 - D-24 |
| Window, Vent & Exterior Door Group | E-01 - E-16 |

ACCESSORIES GROUP (CONTINUED)

MISCELLANEOUS ACCESSORIES (CONT.)

| Key | Part Number | U/M | Description |
|-----|---------------|-----|---------------------------------------|
| | 080752-05-000 | EA | Custom Steering Wheel |
| | 080752-06-000 | EA | Adapter - Hub - Custom Steering Wheel |
| | 080752-07-000 | EA | Button - Horn - Custom Steering Wheel |
| | 080752-08-000 | EA | Screw - Custom Steering Wheel |
| | 077497-01-000 | EA | Horn Kit - Air - Chrome - Twin |
| | 077497-01-700 | EA | Solenoid Air Tank |
| | 077497-01-701 | EA | Switch - Compressor |
| | 077497-01-702 | EA | Switch - Toggle w/Wire |
| | 077497-01-703 | EA | Tank - Air |
| | 077497-01-704 | EA | Compressor w/Switch |
| | 078299-01-000 | EA | Plate - Label - Horn |

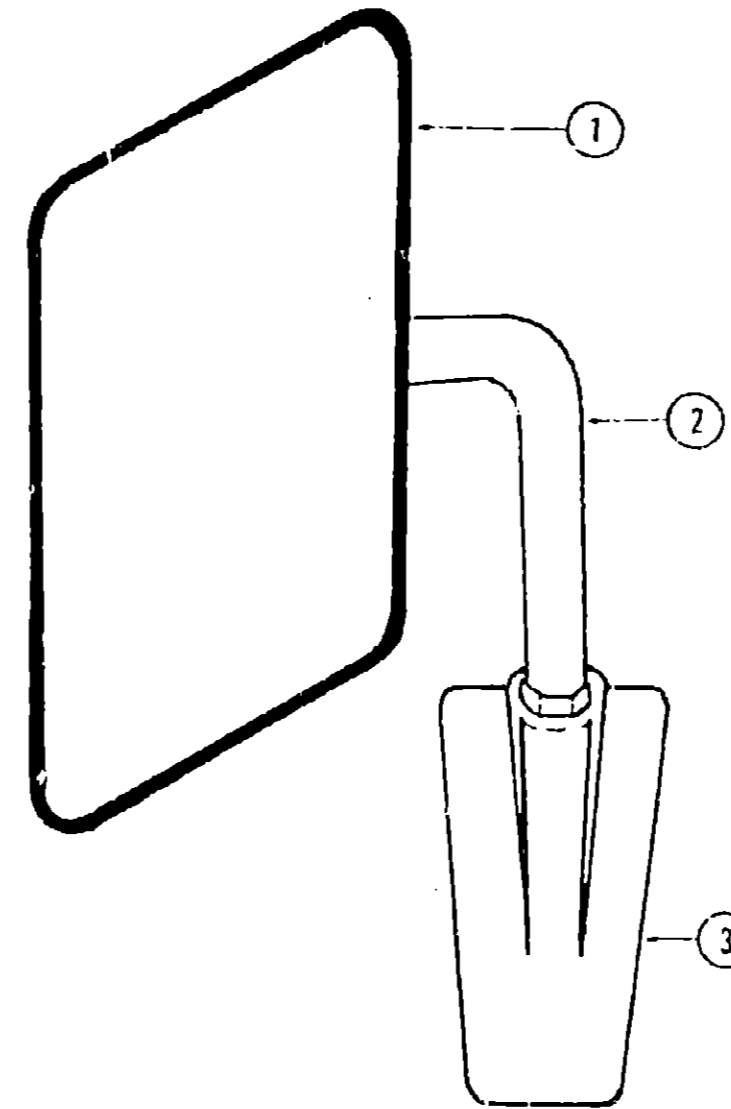
GENERATORS & COMPONENTS

| Key | Part Number | U/M | Description |
|-----|---------------|-----|-------------------------------------|
| | 079654-02-000 | EA | Generator - Onan - 4.0 kw - Emerald |
| | 052168-01-000 | EA | Generator - Onan - 4.25 kw |
| | 701629-02-000 | EA | Installation Package |
| | 024732-01-016 | EA | Tailpipe - 1.5" O.D. x 43.50" |
| | 081364-01-000 | EA | Muffler - Generator - Emerald |
| | 083151-01-000 | EA | Muffler - Generator - Emerald |
| | 083152-01-000 | EA | Exhaust Pipe - Generator |
| | 078045-01-000 | EA | Plate - Support - Generator |
| | 007067-01-000 | EA | Insulation - Fiberglass - 1" |

CHROME WHEEL LINERS

| Key | Part Number | U/M | Description |
|-----|---------------|-----|-----------------------------------|
| | 081608-05-000 | EA | Cover - Lug Nut - Chrome Liner |
| | 081608-06-000 | EA | Ring - Spiral - Chrome Liner |
| | 081608-07-000 | EA | Cover - Rear Axle - Chrome Liner |
| | 081608-08-000 | EA | Cover - Front Axle - Chrome Liner |
| | 081608-09-000 | EA | Liner - Front Wheel - Chrome |
| | 081608-10-000 | EA | Liner - Rear Wheel - Chrome |

ACCESSORIES GROUP (CONTINUED)



EXTERIOR MIRRORS

| Key | Part Number | U/M | Description |
|-----|---------------|-----|---|
| 1 | 049347-01-000 | EA | Mirror Head - 7 1/2" x 10 1/2" |
| 2 | 049348-03-000 | EA | Arm - Low Mount Mirror - Black |
| 3 | 049944-04-000 | EA | Bracket - Mirror - Outside - Black |
| * | 077066-01-000 | EA | Mirror - Wide Angle - Stainless Steel - Passenger |
| * | 077966-02-000 | EA | Mirror - Wide Angle - Stainless Steel - Driver |
| * | 006043-01-000 | EA | Mirror - Convex - Adhesive Back |
| * | | | Not illustrated |

1986 WINNEBAGO TABLE OF CONTENTS

| | |
|--------------------|-------------|
| INTRODUCTION | A-01 |
| ABBREVIATIONS | A-01 |
| ALPHABETICAL INDEX | A-02 - A-04 |
| WF426RU | A-05 - C-08 |
| WCN27RU | C-09 - E-16 |
| WCN31R1 | E-17 - H-06 |
| WCN33RU | H-07 - J-20 |

1986 WCN27RU INDEX

| | |
|------------------------------------|-------------|
| Floor Plan | C-09 - C-10 |
| Accessories Group | C-11 - C-14 |
| Bath Group | C-15 |
| Chassis Group | C-16 - C-17 |
| Curtain, Cushion & Pad Group | C-18 - C-23 |
| Dinette Group | C-24 |
| Driver's Compartment Group | D-01 - D-03 |
| Electrical Group | D-04 - D-06 |
| Exterior Body Group | D-07 - D-12 |
| Galley Group | D-13 - D-15 |
| Heating & Air Conditioning Group | D-16 - D-17 |
| Interior Finish Group | D-18 - D-20 |
| L.P. Group | D-21 |
| Lounge Group | D-22 |
| Water & Sewage Group | D-23 - D-24 |
| Window, Vent & Exterior Door Group | E-01 - E-16 |

BATH GROUP

BATH HARDWARE

| Key | Part Number | U/M | Description |
|-----|---------------|-----|---|
| | M01817-01-T02 | EA | Bathtub Asm. w. Strainer |
| | 074242-03-000 | EA | Faucet - Tub & Shower - Brass |
| | 075240-03-000 | EA | Faucet - Lavatory - Brass |
| ** | 011046-02-000 | EA | Shower Head - w. 60" Hose |
| | 011048-04-000 | EA | Vacuum Breaker - 1-2 MPT - Nylon - Shower Head |
| | 075606-01-000 | EA | Shower Panel - Faucet - Plastic |
| ** | 066779-01-000 | EA | Strainer - Bathtub Asm |
| | 066435-01-000 | EA | Nut Strainer - Plastic - Bathtub Asm |
| | 066436-01-000 | EA | Slip Nut - 1 5" Tail Piece - Bathtub Asm |
| | 069735-01-000 | EA | Washer - Tail Piece - 1 5" - Plastic - Bathtub Asm |
| | 011069-02-000 | EA | Tailpiece - 1 5" x 1 25" x 4" - Brass - Bathtub Asm |
| | 080256-03-000 | EA | Shroud - Bathtub Asm - Off White |
| | 058713-01-000 | EA | Sink - Oval - Ivory Plastic |
| | 039341-02-000 | EA | Toilet - Tretford - Aqua Magic - Ivory - 0420SH |
| | 075452-02-000 | EA | Tissue Holder - Brass |
| | 075453-02-000 | EA | Towel Bar - 18" - Brass |
| | 074454-02-000 | EA | Towel Ring - Brass w. Mounting Hardware |
| | 079235-01-000 | EA | Header - Track - Shower Door - Beige |
| | 079234-01-000 | EA | Jamb - Shower Door - Rear - Beige |
| | 079234-02-000 | EA | Jamb - Shower Door - Front - Beige |
| | 058331-01-000 | EA | Mirror - Tempered Glass - 19" x 26" |
| | 058331-05-000 | EA | Mirror - Tempered Glass - 12" x 26" |
| | 058331-04-000 | EA | Mirror - Tempered Glass - 12" x 42" |
| | 009089-01-000 | EA | Clip - Mirror |
| | 057671-01-000 | EA | Screw Cover - #8 - Antique White |
| | 059777-01-000 | EA | Hinge - Antique Brass |
| | 064467-01-000 | EA | Guide - Wall Mount - Sliding Door |
| | 009156-01-000 | EA | Hanger - Sliding Door |
| | 058034-02-000 | EA | Latch Door w/o Lock - Sliding Door |
| | 075153-01-000 | EA | End Cap - Cover - Beige |
| | 009156-01-000 | EA | Hanger - Sliding Door |
| | 075149-06-000 | EA | Track - 59 70" - Sliding Door |
| | 075145-09-000 | EA | Cover - Track - 59 70" - Sliding Door |
| | 060224-06-000 | EA | Track - Folding Door - 5" Curve |
| | 066433-01-000 | EA | Hook - Cup - Bright |
| | 075660-01-000 | EA | Rod - Clothes - Adjustable |
| | 009112-01-000 | EA | Flange - 1" - Clothes Rod |
| | 071632-01-000 | EA | Bag - Hamper - 49" - w. Elastic |
| | 076367-01-000 | EA | Bracket - Medicine Cabinet |

** The illustrated parts breakdown for this item is provided on the Common Items Fiche

BATH & WARDROBE CABINETRY

| Key | Part Number | U/M | Description |
|-----|---------------|-----|--|
| | M81304-01-U04 | EA | Cabinet Asm - Lavatory - w/o Countertop, Doors or Drawer |
| | M07162-01-U04 | EA | Countertop Asm - Lavatory Cabinet |
| | M81501-12-U04 | EA | Door Asm - Lavatory - Hamper - w/o Hardware |
| | M81501-13-U04 | EA | Door Asm - Lavatory - w/o Hardware |
| | 081894-03-U10 | EA | Drawer Asm - Lavatory - w/o Hardware |
| | 081535-03-U01 | EA | Door Asm - Fixed Wall Mirror |
| | 076073-01-000 | EA | Cabinet Asm - Medicine - Almond |
| | 081535-01-U04 | EA | Door Asm - Medicine Cabinet - w/o Hardware |
| | M02153-01-U04 | EA | Countertop Asm - Pipe Cover |
| | 080224-02-000 | EA | Door Asm - Folding - w/o Hardware |
| | 081830-01-U04 | EA | Door Asm - Sliding - w/o Hardware |
| | 079657-01-000 | EA | Door Asm - Folding - Shower - Plastic |
| | M81501-16-T03 | EA | Door Asm - Wardrobe Cabinet - w/o Hardware |
| | M81507-04-U04 | EA | Door Asm - Furnace - Wardrobe Cabinet - w/o Hardware |
| | 061509-03-U04 | EA | Drawer Asm - Wardrobe Cabinet - w/o Hardware |
| | 081314-11-000 | EA | Countertop Asm - Wardrobe Cabinet |

CHASSIS GROUP

MISCELLANEOUS

| Key | Part Number | U/M | Description |
|-----|---------------|-----|---|
| | 081057-01-000 | EA | Alternator Kit - 105 Amp w. Regulator |
| | 081057-01-700 | EA | Brush Asm |
| | 081057-01-701 | EA | Diode Bridge |
| | 081057-01-702 | EA | Condenser |
| | 081057-01-703 | EA | Inside Bearing Spacer |
| | 081057-01-704 | EA | Front Bearing |
| | 081057-01-705 | EA | Outside Bearing Spacer |
| | 081057-01-706 | EA | Pulley |
| | 081057-01-707 | EA | Diode (x1) |
| | 081057-01-709 | EA | Stator - 105 Amp |
| | 081057-01-710 | EA | Rotor |
| | 081057-01-711 | EA | Ground Terminal Kit |
| | 081057-01-712 | EA | Battery Terminal Kit |
| | 081057-01-713 | EA | Rear Bearing |
| | 047441-01-000 | EA | Battery Terminal - Horizontal Lug |
| | 064023-01-000 | EA | Box - Luggage |
| | 051697-01-000 | EA | Bracket - Battery Tie Down - 6 9" |
| | 077852-01-000 | EA | Bracket - Front Bumper |
| | 079129-02-000 | EA | Bracket Asm - Rear Bumper |
| | 077850-04-000 | EA | Bumper - Front - Plain |
| | 078584-01-000 | EA | Bumper - Front - Mill Finish |
| | 077850-09-000 | EA | Bumper - Front - Chrome |
| | 078584-08-000 | EA | Bumper - Rear - Chrome |
| | 078002-01-000 | EA | Brace - Bumper - Upper - Passenger |
| | 078002-02-000 | EA | Brace - Bumper - Upper - Driver |
| | 078003-01-000 | EA | Brace - Bumper - Lower - Passenger |
| | 078003-02-000 | EA | Brace - Bumper - Lower - Driver |
| | 007125-04-000 | EA | Clamp Asm - Muffler - 1 1/2" |
| | 010497-01-000 | EA | Clamp - Close - 5 8 I.D. |
| | 037161-01-000 | EA | Clamp - Hose - Spring Type 1 1/2" |
| | 062401-01-000 | EA | Clamp - Hose - Wormgear - 2 1/2" I.D. x 1 1/2" I.D. |
| | 062401-02-000 | EA | Clamp - Hose - Wormgear - 1 5/8" I.D. x 2 5/8" I.D. |
| | 062401-03-000 | EA | Clamp - Hose - Wormgear - 2 1/2" I.D. x 1 1/2" I.D. |
| | 062401-04-000 | EA | Clamp - Hose - Wormgear - 6 3/4" I.D. x 1 25/32" I.D. |
| | 062401-05-000 | EA | Clamp - Hose - Wormgear - 2" I.D. x 3" I.D. |
| | 062401-06-000 | EA | Clamp - Hose - Wormgear - 2 1/2" I.D. x 6 1/2" I.D. |
| | 023146-01-000 | EA | Clamp - Screw Type - 4" |
| | 024490-01-000 | EA | Compartment - Power Cord - Black Plastic |
| | 071656-01-000 | EA | Cover - Radiator - Rear |
| | 071657-01-000 | EA | Cover - Radiator - Rear Back (Fan Shroud) |
| | 080722-01-000 | EA | Cover - Radiator - Back |
| | 020167-03-000 | EA | Dirt Guard - Rear Wheel |
| | 073220-02-000 | EA | Gas Cap - Non-Locking |
| | 007131-01-000 | EA | Hanger - Tail Pipe |
| | 024138-01-000 | FT | Hose - Fuel - 5 16" I.D. SAE 30RI |
| | 006113-01-000 | EA | Jack - Hydraulic - 6 Ton - w. Handle |
| | 080208-02-000 | EA | Leverage Bar - 22" - Lug Wrench |
| | 080208-01-000 | EA | Lug Wrench - 1" x 1 25" x 16 3/4" |
| | 044660-01-000 | EA | Mat - Stepwell - Driver - Black |
| | 044660-02-000 | EA | Mat - Stepwell - Passenger - Black |
| | 017516-01-000 | EA | Mud Flap w. Holes - 14" x 16" - Black |
| | 079942-01-000 | EA | Shock Absorber - Stabilizer - Front |
| | 079942-02-000 | EA | Shock Absorber - Stabilizer - Rear |
| | 079942-07-000 | EA | Bracket - Mounting Stabilizer |
| | 077846-01-000 | EA | Step Asm - Entry |
| | 061411-03-000 | EA | Tailpipe Extension - 2 25" x 10 5/8" |
| | 048594-01-000 | EA | Tray - Battery |
| | 009342-01-000 | EA | Wire Tie - 6" |

1986 WINNEBAGO TABLE OF CONTENTS

| | |
|--------------------|-------------|
| INTRODUCTION | A-01 |
| ABBREVIATIONS | A-01 |
| ALPHABETICAL INDEX | A-02 - A-04 |
| WF426RU | A-05 - C-08 |
| WCN27RU | C-09 - E-16 |
| WCN31RT | E-17 - H-06 |
| WCN33RU | H-07 - J-20 |

1986 WCN27RU INDEX

| | |
|------------------------------------|-------------|
| Floor Plan | C-09 - C-10 |
| Accessories Group | C-11 - C-14 |
| Bath Group | C-15 |
| Chassis Group | C-16 - C-17 |
| Curtain, Cushion & Pad Group | C-18 - C-23 |
| Dinette Group | C-24 |
| Driver's Compartment Group | D-01 - D-03 |
| Electrical Group | D-04 - D-06 |
| Exterior Body Group | D-07 - D-10 |
| Galley Group | D-13 - D-15 |
| Heating & Air Conditioning Group | D-16 - D-17 |
| Interior Finish Group | D-18 - D-20 |
| LP Group | D-21 |
| Lounge Group | D-22 |
| Water & Sewage Group | D-23 - D-24 |
| Window, Vent & Exterior Door Group | E-01 - E-16 |

CHASSIS GROUP (CONTINUED)

SPARE TIRE CARRIER PARTS

| Key | Part Number | U/M | Description |
|-----|---------------|-----|--------------------------------|
| | 664089-01-000 | EA | Roll - Hook |
| | 664081-01-000 | EA | Nut - Wing |
| | 664178-02-000 | EA | Support Asm - Tire Carrier |
| | 664179-02-000 | EA | Carrier Asm - Tire |
| | 664225-02-000 | EA | Hold Down - Spare Tire Carrier |

WHEELS & TIRES

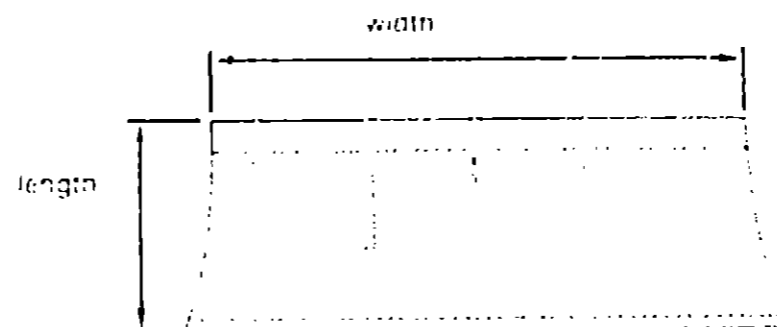
| Key | Part Number | U/M | Description |
|-----|---------------|-----|--|
| | 050273-02-000 | EA | Tire - 7.50" x 16" - Michelin |
| | 050273-03-000 | EA | Tire - 7.50" x 16" - White Sidewall - Radial |
| | 050546-03-000 | EA | Tire - 7.50" x 16" - 8 Ply - Goodyear |
| | 052377-01-000 | EA | Valve Stem Asm - TR500 |
| | 664962-02-000 | EA | Wheel - 16" x 6.00 |
| | 655080-01-000 | EA | Wheelwell - Plastic |

CURTAIN, CUSHION & PAD GROUP

NOTICE

In order to assist our Parts Sales Dept. in providing interior software items, please include the serial number and the color code number from the vehicle certification label when ordering. This label is located on the left sidewall at the end of the dash (A-Body) or on the driver's door latch plate (C-Body).

An example of a color code number is P31, which designates an overall color scheme of a particular unit. The color listed after the item description on the microfiche indicates the overall unit color. Order the item you desire according to unit color code.



NOTE

Use this illustration when determining length and width measurements for curtains. You will note the width measurement is taken on the top of the curtain with the curtain fully extended. The length measurement is taken from top to bottom.

FABRICS, TRIMS & PADS

| Key | Part Number | U/M | Description |
|-----|---------------|-----|--|
| | 072333-25-000 | YD | Fabric - Drapery - Beige (U04) |
| | 072333-26-000 | YD | Fabric - Drapery - Rose (U05) |
| | 072333-27-000 | YD | Fabric - Drapery - Spruce (U06) |
| | 077498-62-000 | YD | Fabric w. Pattern - Upholstery - Beige (U04) |
| | 077498-63-000 | YD | Fabric w. Pattern - Upholstery - Rose (U05) |
| | 077498-64-000 | YD | Fabric w. Pattern - Upholstery - Spruce (U06) |
| | 077498-75-000 | YD | Fabric w. Pattern - Upholstery - Accent - Rose (U05) |
| | 077498-74-000 | YD | Fabric w. Pattern - Upholstery - Accent - Spruce (U06) |
| | 077498-73-000 | YD | Fabric - Upholstery - Accent - Plain (U04, U05) |
| | 077498-72-000 | YD | Fabric - Upholstery - Accent - Plain (U05) |
| | 069729-43-000 | YD | Fabric - Bedspread - Drapery - Multi-Stripe |
| | 072373-21-000 | YD | Fabric - Bedspread - Parchment |
| | 038421-01-000 | YD | Fabric - Mattress Ticking |
| | 052559-01-T03 | FT | Trim Asm - Accent - Sandrift |
| | 052559-05-T03 | FT | Trim Asm - Accent - Buckskin |
| | 079680-01-000 | YD | Vinyl - Expanded - 26 oz - Buckskin |
| | 079680-02-000 | YD | Vinyl - Expanded - 26 oz - Sandrift |
| | 070578-06-T03 | EA | Button Asm - #30 - Vinyl |
| | 067093-01-T03 | EA | Button Asm - #60 - Vinyl |
| | 057550-03-T03 | EA | Button Asm - Nail - Vinyl |
| | 071127-09-000 | EA | Button Asm - #36 - Hook Back |
| | 071127-10-U01 | EA | Button Asm - #30 - Beige (U04, U06) |
| | 071127-10-U02 | EA | Button Asm - #30 - Rose (U05) |
| | 079155-01-000 | EA | Strap Asm - Cushion |
| | 079144-02-000 | EA | Strap Asm - Bunk |
| | 081325-01-T03 | EA | End Cap Asm - Overhead - Dinette - Vinyl |
| | 081519-01-U01 | EA | Pad Asm - Dinette - Front - Beige (U04, U06) |
| | 081519-01-U02 | EA | Pad Asm - Dinette - Front - Rose (U05) |
| | 081519-02-U01 | EA | Pad Asm - Dinette - Rear - Beige (U04, U06) |
| | 081519-02-U02 | EA | Pad Asm - Dinette - Rear - Rose (U05) |
| | 059467-05-U04 | EA | Pad - Map Pocket - Drivers |
| | 059467-06-U04 | EA | Pad - Map Pocket - Passenger |
| | 077463-17-U01 | EA | Pad Asm - Headboard - Double Bed |

**1986 WINNEBAGO
TABLE OF CONTENTS**

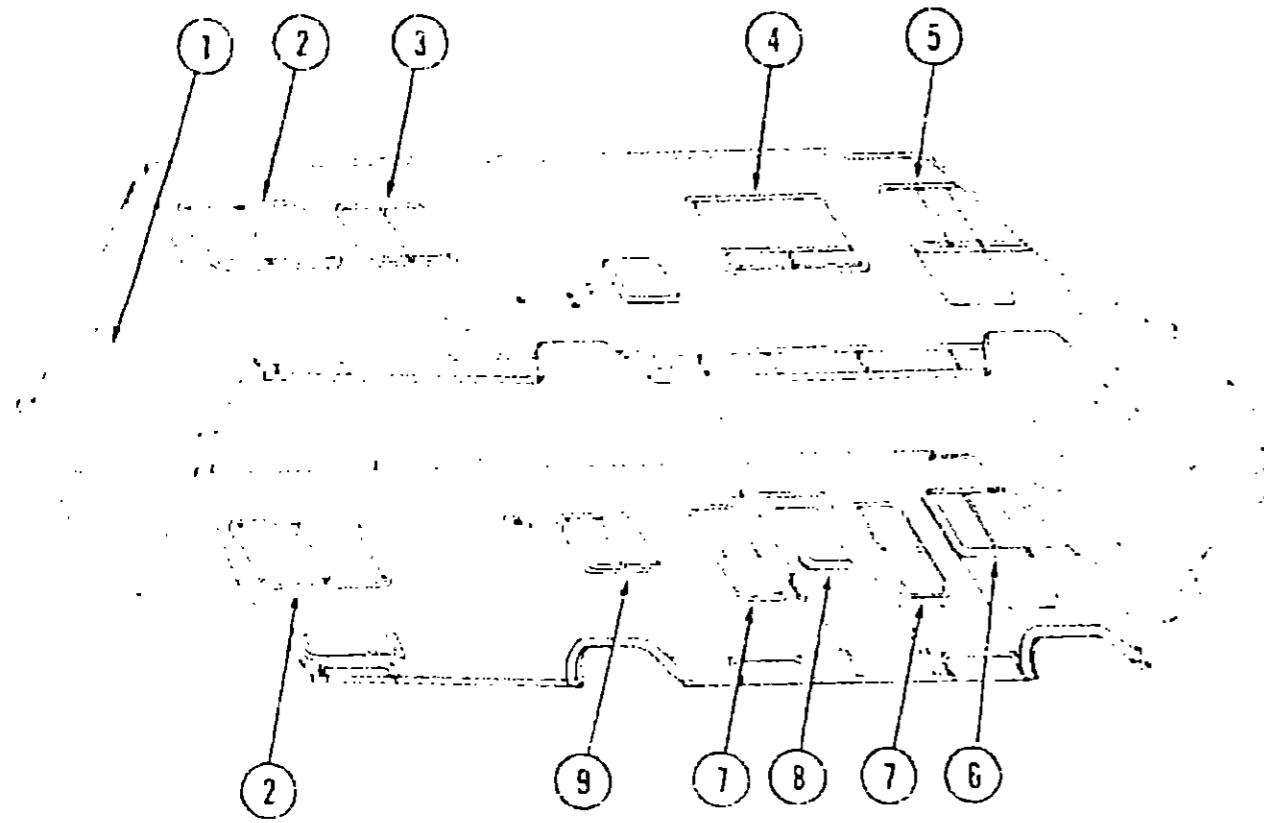
| | |
|--------------------|-------------|
| INTRODUCTION | A-01 |
| ABBREVIATIONS | A-01 |
| ALPHABETICAL INDEX | A-02 - A-04 |
| WF426RU | A-05 - C-08 |
| WCN27RU | C-09 - E-16 |
| WCN31RT | E-17 - H-06 |
| WCN33RU | H-07 - J-20 |

1986 WCN27RU INDEX

| | |
|------------------------------------|-------------|
| Floor Plan | C-09 - C-10 |
| Accessories Group | C-11 - C-14 |
| Bath Group | C-15 |
| Chassis Group | C-16 - C-17 |
| Curtain, Cushion & Pad Group | C-18 - C-23 |
| Dinette Group | C-24 |
| Driver's Compartment Group | D-01 - D-03 |
| Electrical Group | D-04 - D-06 |
| Exterior Body Group | D-07 - D-12 |
| Galley Group | D-13 - D-15 |
| Heating & Air Conditioning Group | D-16 - D-17 |
| Interior Finish Group | D-18 - D-20 |
| LP Group | D-21 |
| Lounge Group | D-22 |
| Water & Sewage Group | D-23 - D-24 |
| Window, Vent & Exterior Door Group | E-01 - E-16 |

CURTAIN, CUSHION & PAD GROUP (CONTINUED)

CURTAIN, CUSHION & PAD GROUP (CONTINUED)



CURTAINS, SHADES, VALANCES & TIEBACK

| Key | Part Number | U/M | Description |
|-----|---------------|-----|---|
| 1 | 079559-03-U01 | EA | Curtain Asm. w. Gathers - 32" x 41" |
| 1 | 079558-04-U01 | EA | Valance Asm. w. Gathers - 6" x 140" |
| 1 | 082119-09-000 | EA | Shade - Vinyl - 72" x 25" x 42" |
| 2 | 079559-03-U01 | EA | Curtain Asm. w. Gathers - 32" x 41" |
| 2 | 079558-03-U01 | EA | Valance Asm. w. Gathers - 6" x 95" |
| 2 | 082119-13-000 | EA | Shade - Vinyl - 47" x 25" x 36" |
| 3 | 082176-01-U01 | EA | Valance Asm. - Padded (U04 - U06) |
| 3 | 082176-01-U02 | EA | Valance Asm. - Padded (U05) |
| 3 | 082118-52-000 | EA | Blind - 32" x 26" Drop - Beige (U04) |
| 3 | 082118-53-000 | EA | Blind - 32" x 26" Drop - Rose (U05) |
| 4 | 082118-54-000 | EA | Blind - 32" x 26" Drop - Spruce (U06) |
| 4 | 079542-10-U01 | EA | Curtain Asm. w. Darts - 35" x 16" (U04) |
| 4 | 079542-10-U02 | EA | Curtain Asm. w. Darts - 35" x 16" (U05) |
| 4 | 079542-10-U03 | EA | Curtain Asm. w. Darts - 35" x 16" (U06) |
| 4 | M81977-15-U01 | EA | Valance Asm. - Padded (U04 - U06) |
| 4 | M81977-15-U02 | EA | Valance Asm. - Padded (U05) |
| 4 | 082118-61-000 | EA | Blind - 6.5" x 34" Drop - Beige (U04) |
| 4 | 082118-62-000 | EA | Blind - 6.5" x 34" Drop - Rose (U05) |
| 4 | 082118-63-000 | EA | Blind - 6.5" x 34" Drop - Spruce (U06) |
| 4 | M81977-15-U01 | EA | Valance Asm. - Padded (U03) |
| 4 | M81977-15-U02 | EA | Valance Asm. - Padded |

CURTAINS, SHADES, VALANCES & TIEBACKS (CONT.)

| Key | Part Number | U/M | Description |
|-----|--------------------------------------|-----|---|
| ** | 082127-49-000 | EA | Shade - Woven Wood - 65" x 35" Drop - Beige (U04) |
| ** | 082127-50-000 | EA | Shade - Woven Wood - 65" x 35" Drop - Rose (U05) |
| ** | 082127-51-000 | EA | Shade - Woven Wood - 65" x 35" Drop - Spruce (U06) |
| ** | 079543-15-U04 | EA | Curtain Asm. - 35" x 12" (Woven Wood) (U04) |
| ** | 079543-15-U05 | EA | Curtain Asm. - 35" x 12" (Woven Wood) |
| 5 | 073304-32-U09 | EA | Front Wraparound Curtain - 32.5" x 66" - Snap Top - Left |
| 6 | 073304-31-U09 | EA | Front Wraparound Curtain - 32.5" x 66" - Snap Top - Right |
| * | 077591-06-U04 | EA | Blackout Curtain - 60" x 50" - Velcro Top - Left |
| * | 077591-05-U04 | EA | Blackout Curtain - 60" x 50" - Velcro Top - Right |
| 7 | 073251-32-U01 | EA | Curtain w. Tape Top - 45" x 9" - Beige (U04) |
| 7 | 073251-32-U02 | EA | Curtain w. Tape Top - 45" x 9" - Rose (U05) |
| 7 | 073251-32-U03 | EA | Curtain w. Tape Top - 45" x 9" - Spruce (U06) |
| 7 | 082118-37-000 | EA | Blind - 19" x 44" Drop - Beige (U04) |
| 7 | 082118-38-000 | EA | Blind - 19" x 44" Drop - Rose (U05) |
| 7 | 082118-39-000 | EA | Blind - 19" x 44" Drop - Spruce (U06) |
| ** | 082126-07-000 | EA | Shade - Woven Wood - 19" x 46" Drop - Beige (U04) |
| ** | 082126-08-000 | EA | Shade - Woven Wood - 19" x 46" Drop - Rose (U05) |
| ** | 082126-09-000 | EA | Shade - Woven Wood - 19" x 46" Drop - Spruce (U06) |
| 8 | 080824-02-U04 | EA | Valance Asm. - Padded (U06) |
| 8 | 080824-02-U05 | EA | Valance Asm. - Padded |
| 8 | 082119-02-000 | EA | Shade - Vinyl - 24" x 25" x 40" |
| 9 | M81977-05-U01 | EA | Valance Asm. - Padded (U04 - U06) |
| 9 | M81977-05-U02 | EA | Valance Asm. - Padded (U05) |
| 9 | 082118-43-000 | EA | Blind - 27" x 22" Drop - Beige (U04) |
| 9 | 082118-44-000 | EA | Blind - 27" x 22" Drop - Rose (U05) |
| 9 | 082118-45-000 | EA | Blind - 27" x 22" Drop - Spruce (U06) |
| * | 073360-17-U01 | EA | Tieback Asm. - Bedspread - 4" x 16" |
| * | 073360-16-U04 | EA | Tieback Asm. - Accent - 3" x 20" (U04) |
| * | 073360-16-U05 | EA | Tieback Asm. - Accent - 3" x 20" |
| * | 057524-04-000 | EA | Tieback Asm. - Other - 20" |
| * | 057524-01-000 | EA | Tieback Asm. - Other - 6" |
| ** | Not illustrated | | |
| ** | Parts used in the Woven Wood option! | | |

CURTAIN HARDWARE

| Key | Part Number | U/M | Description |
|-----|---------------|-----|--------------------------------------|
| | 079796-03-000 | EA | Bracket Asm. - Curtain Rod - Right |
| | 079796-04-000 | EA | Bracket Asm. - Curtain Rod - Left |
| | 082249-01-000 | EA | Bracket - Blinds - Beige - Right |
| | 082249-02-000 | EA | Bracket - Blinds - Beige - Left |
| | 056001-01-000 | EA | Bracket - Shade - Left |
| | 056002-01-000 | EA | Bracket - Shade - Right |
| | 056003-01-000 | EA | Bracket - Drapery Retainer - Right |
| | 056003-02-000 | EA | Bracket - Drapery Retainer - Left |
| | 079619-01-000 | EA | Bracket - Tie Back |
| | 056784-01-000 | EA | Post - Shade - Antique Brass |
| | 051331-01-000 | EA | Swivel - Snap - Curtain Track |
| | 048384-01-000 | EA | Tape Hook - 1" x 50" YD - Beige |
| | 029096-03-000 | EA | Tape Hook - 1" - Black (Velcro) |
| | 029096-05-000 | EA | Tape Hook - 50" - Beige (Velcro) |
| | 048395-01-000 | EA | Tape Loop - 1" x 50" YD - Beige |
| | 029094-04-000 | EA | Tape Loop - 1" - Black (Velcro) |
| | 029094-05-000 | EA | Tape Loop - 50" - Beige (Velcro) |
| | 079946-01-000 | EA | Track - Curtain - Wraparound - Right |
| | 079946-02-000 | EA | Track - Curtain - Wraparound - Left |
| | 056116-01-000 | FT | Track - Curtain - Brown - Plastic |

**1986 WINNEBAGO
TABLE OF CONTENTS**

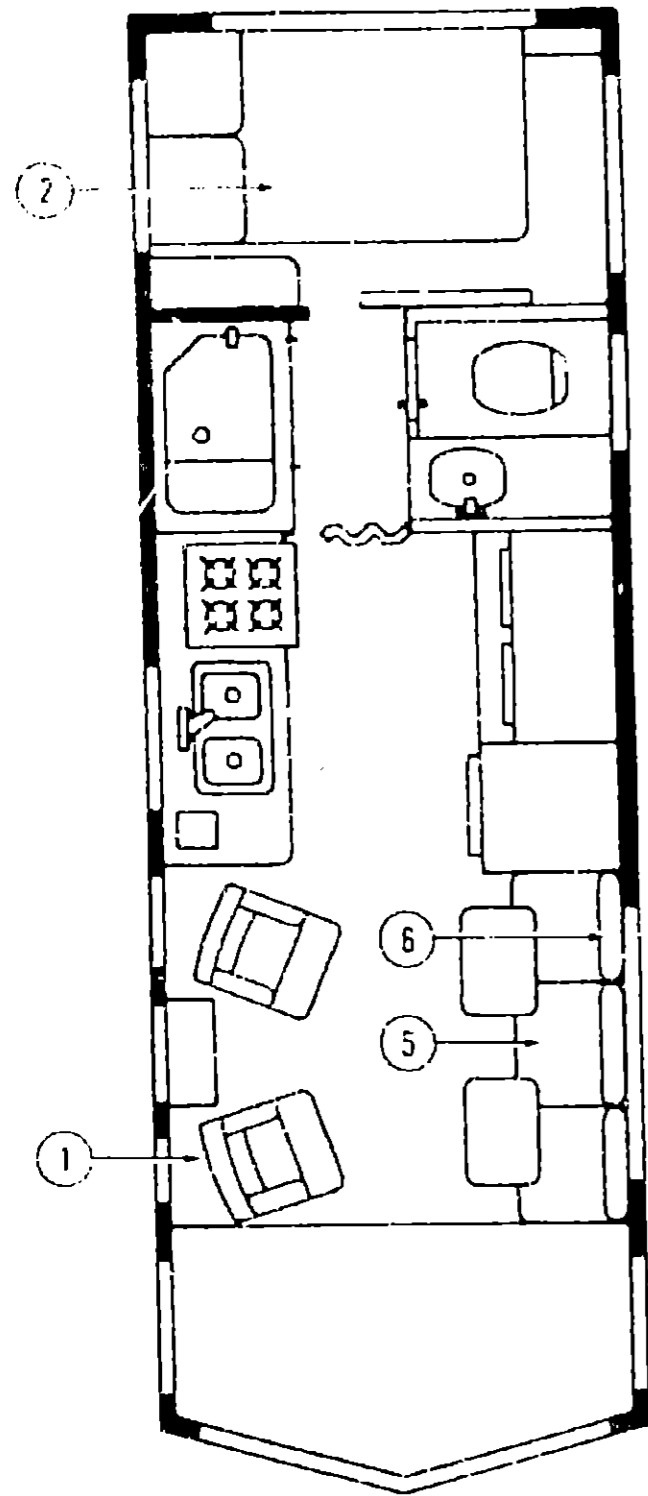
| | |
|--------------------|-------------|
| INTRODUCTION | A-01 |
| ABBREVIATIONS | A-01 |
| ALPHABETICAL INDEX | A-02 - A-04 |
| W.FA26RU | A-05 - C-02 |
| W.CN27RU | C-09 - E-10 |
| WCN31RT | E-17 - H-05 |
| W.CN33RU | H-07 - J-10 |

1986 WCN27RU INDEX

| | |
|------------------------------------|-------------|
| Floor Plan | C-09 - C-10 |
| Accessories Group | C-11 - C-14 |
| Bath Group | C-15 |
| Chassis Group | C-16 - C-17 |
| Curtain, Cushion & Pad Group | C-18 - C-23 |
| Dinette Group | C-24 |
| Driver's Compartment Group | D-01 - D-03 |
| Electrical Group | D-04 - D-06 |
| Exterior Body Group | D-07 - D-12 |
| Galley Group | D-13 - D-15 |
| Heating & Air Conditioning Group | D-16 - D-17 |
| Interior Finish Group | D-18 - D-20 |
| LP Group | D-21 |
| Lounge Group | D-22 |
| Water & Sewage Group | D-23 - D-24 |
| Window, Vent & Exterior Door Group | E-01 - E-10 |

CURTAIN, CUSHION & PAD GROUP (CONTINUED)

CURTAIN, CUSHION & PAD GROUP (CONTINUED)



SWIVEL CHAIRS

| Key | Part Number | U M | Description |
|-----|-----------------|-----|---|
| 1 | 073515-16-U01 | EA | Chair Asm. w. Pillow Back - Swivel - Base (U04) |
| 1 | 073515-15-U02 | EA | Chair Asm. w. Pillow Back - Swivel - Base (U05) |
| 1 | 073515-15-U03 | EA | Chair Asm. w. Pillow Back - Swivel - Spruce (U06) |
| 1 | 075174-03-U01 | EA | Skirt Asm. - Swivel Chair (U04 - U06) |
| 1 | 075174-00-U02 | EA | Skirt Asm. - Swivel Chair (U05) |
| 1 | 035026-01-000 | EA | Plate - Tilt & Swivel - High Base |
| 1 | 035026-05-000 | EA | Extension - Tilt - Swivel Chair |
| 1 | 035026-04-000 | EA | Base w. Legs - Swivel Chair |
| 1 | Not illustrated | | |

DOUBLE BED MATTRESS

| Key | Part Number | U M | Description |
|-----|--|-----|---|
| 2 | 077472-02-U01 | EA | Mattress - Inner Springs - 30" x 78" x 7 1/2" |
| 1 | 051995-02-U01 | EA | Bedspread - Double Bed - Matt. Strip |
| 1 | 051995-03-U01 | EA | Bedspread - Double Bed - Patterned |
| 1 | 051995-01-U01 | EA | Pillow Sham - 30" x 24" - Matt. Strip |
| 1 | 051995-02-U01 | EA | Pillow Sham - 30" x 24" - Patterned |
| 1 | Parts Illustrated in 1986 Winnebago Catalog 100-85 | | |

DINETTE CUSHIONS

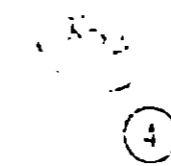
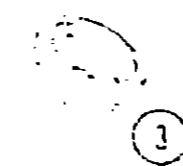
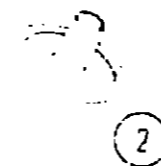
| Key | Part Number | U M | Description |
|-----|---------------|-----|---|
| 1 | 061995-01-U01 | EA | Chair Asm. - Dinette Back - 19 1/2" x 24" x 5" - Base (U04) |
| 1 | 061995-01-U02 | EA | Cushion Asm. - Dinette Back - 19 1/2" x 24" x 5" - Base (U04) |
| 1 | 061995-01-U03 | EA | Chair Asm. - Dinette Back - 19 1/2" x 24" x 5" - Spruce (U06) |
| 1 | 061995-01-U04 | EA | Cushion Asm. - Dinette Back - 19 1/2" x 24" x 5" - Base (U04) |
| 1 | 061995-01-U05 | EA | Chair Asm. - Dinette Back - Cushion - Base (U05) |
| 1 | 061995-01-U06 | EA | Chair Asm. - Dinette Back - Cushion - Spruce (U06) |
| 1 | 061995-02-U01 | EA | Cushion Asm. - Dinette Seat - 17 1/2" x 25" x 5" - Base (U04) |
| 1 | 061995-02-U02 | EA | Cushion Asm. - Dinette Seat - 17 1/2" x 25" x 5" - Base (U05) |
| 1 | 061995-02-U03 | EA | Chair Asm. - Dinette Seat - 17 1/2" x 25" x 5" - Spruce (U06) |
| 1 | 061995-02-U04 | EA | Cushion Asm. - Dinette Seat - Cushion - Base (U04) |
| 1 | 061995-02-U05 | EA | Chair Asm. - Dinette Seat - Cushion - Base (U05) |
| 1 | 061995-02-U06 | EA | Chair Asm. - Dinette Seat - Cushion - Spruce (U06) |

CONTINENTAL BED

| Key | Part Number | U M | Description |
|-----|---------------|-----|---|
| 3 | 079448-04-U04 | EA | Bed Asm. - Continental - 3-Piece - Base |
| 3 | 079448-04-U05 | EA | Bed Asm. - Continental - 3-Piece - Base |
| 3 | 079448-04-U06 | EA | Bed Asm. - Continental - 3-Piece - Spruce |
| 4 | 051997-12-U04 | EA | Pillow Asm. - 16" x 20" x 5" - Base |
| 4 | 051997-12-U05 | EA | Pillow Asm. - 16" x 20" x 5" - Base |
| 4 | 051997-12-U06 | EA | Pillow Asm. - 16" x 20" x 5" - Spruce |
| 4 | M81997-17-U04 | EA | Cover Asm. - Pillow - Base |
| 4 | M81997-17-U05 | EA | Cover Asm. - Pillow - Base |
| 4 | M81997-17-U06 | EA | Cover Asm. - Pillow - Spruce |

FRONT OVERHEAD BUNK CUSHIONS

| Key | Part Number | U M | Description |
|-----|---------------|-----|--|
| 1 | 029145-04-000 | EA | Cushion Asm. - Front Bunk - 34" x 16" x 4" |
| 1 | 029145-04-001 | EA | Cover Asm. - Front Bunk - Cushion - 34" x 16" x 4" |



| Key | Part Number | U M | Description |
|-----|---------------|-----|--------------------------------------|
| 1 | 029130-01-000 | EA | Socket - Snap Fastener |
| 2 | 029155-01-000 | EA | Cap - Snap - 155 - Dia. x 17 - Brass |
| 3 | 029156-01-000 | EA | Socket - Snap Fastener |
| 4 | 029090-01-000 | EA | Stud - Nickel Finish |
| 5 | 029093-01-000 | EA | Elbow - Nickel Finish |

**1986 WINNEBAGO
TABLE OF CONTENTS**

| | |
|------------------|-------------|
| INTRODUCTION | A-01 |
| ABBREVIATIONS | A-01 |
| ALPHABETIC INDEX | A-02 - A-04 |
| WF476RU | A-05 - C-08 |
| WCN27RU | D-03 - E-16 |
| WCN31RT | E-17 - F-16 |
| WCN33RU | F-07 - J-20 |

1986 WCN27RU INDEX

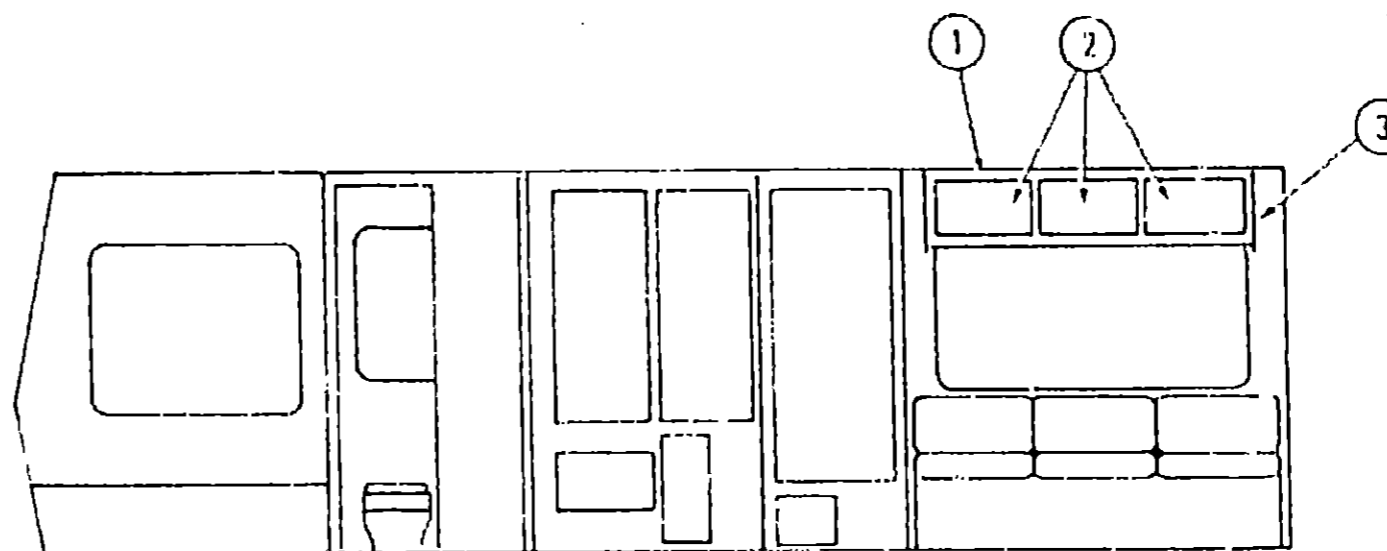
| | |
|------------------------------------|-------------|
| Floor Plan | C-09 - C-10 |
| Accessories Group | C-11 - C-14 |
| Bath Group | C-15 |
| Chassis Group | C-16 - C-17 |
| Curtain, Cushion & Pad Group | C-18 - C-23 |
| Dinette Group | C-24 |
| Driver's Compartment Group | D-01 - D-03 |
| Electrical Group | D-04 - D-05 |
| Exterior Body Group | D-07 - D-12 |
| Galley Group | D-13 - D-15 |
| Heating & Air Conditioning Group | D-16 - D-17 |
| Interior Finish Group | D-18 - D-20 |
| LP Group | D-21 |
| Lounge Group | D-22 |
| Water & Sewage Group | D-23 - D-24 |
| Window, Vent & Exterior Door Group | E-01 - E-16 |

CURTAIN, CUSHION & PAD GROUP (CONTINUED)

DINETTE GROUP

BUCKET SEATS

| Key | Part Number | U M | Description |
|-----|---------------|-----|---|
| | 027997-02-001 | EA | Seat Arm - Vinyl - Beige-U04 |
| | 027997-02-002 | EA | Seat Arm - Vinyl - Rose-U05 |
| | 027997-02-003 | EA | Seat Arm - Vinyl - Spruce-U06 |
| | M01997-01-001 | EA | Cover Asm - Seat Bottom - Vinyl - Beige-U04 |
| | M01997-01-002 | EA | Cover Asm - Seat Bottom - Vinyl - Rose-U05 |
| | M01997-01-003 | EA | Cover Asm - Seat Bottom - Vinyl - Spruce-U06 |
| | M01997-04-001 | EA | Cover Asm - Seat Back - Vinyl - Beige-U04 |
| | M01997-04-002 | EA | Cover Asm - Seat Back - Vinyl - Rose-U05 |
| | M01997-04-003 | EA | Cover Asm - Seat Back - Vinyl - Spruce-U06 |
| | 027997-01-001 | EA | Seat Asm - Grandeur - Beige-U04 |
| | 027997-01-002 | EA | Seat Asm - Grandeur - Rose-U05 |
| | 027997-01-003 | EA | Seat Asm - Grandeur - Spruce-U06 |
| | M01997-01-001 | EA | Cover Asm - Grandeur Seat Bottom - Beige-U04 |
| | M01997-01-002 | EA | Cover Asm - Grandeur Seat Bottom - Rose-U05 |
| | M01997-01-003 | EA | Cover Asm - Grandeur Seat Bottom - Spruce-U06 |
| | M01997-04-001 | EA | Cover Asm - Grandeur Seat Back - Beige-U04 |
| | M01997-04-002 | EA | Cover Asm - Grandeur Seat Back - Rose-U05 |
| | M01997-04-003 | EA | Cover Asm - Grandeur Seat Back - Spruce-U06 |
| | 027997-01-001 | EA | Seat Asm - Grandeur Bucket Seat - Beige-U04 |
| | 027997-01-002 | EA | Seat Asm - Grandeur Bucket Seat - Rose-U05 |
| | 027997-01-003 | EA | Seat Asm - Grandeur Bucket Seat - Spruce-U06 |
| | 027997-01-001 | EA | Armrest Asm - Right - Beige-U04 |
| | 027997-01-002 | EA | Armrest Asm - Right - Rose-U05 |
| | 027997-01-003 | EA | Armrest Asm - Right - Spruce-U06 |
| | 027997-01-001 | EA | Armrest Asm - Left - Beige-U04 |
| | 027997-01-002 | EA | Armrest Asm - Left - Rose-U05 |
| | 027997-01-003 | EA | Armrest Asm - Left - Spruce-U06 |
| | M01997-01-001 | EA | Cover Asm - Armrest - Right - Beige-U04 |
| | M01997-01-002 | EA | Cover Asm - Armrest - Right - Rose-U05 |
| | M01997-01-003 | EA | Cover Asm - Armrest - Right - Spruce-U06 |
| | M01997-04-001 | EA | Cover Asm - Armrest - Left - Beige-U04 |
| | M01997-04-002 | EA | Cover Asm - Armrest - Left - Rose-U05 |
| | M01997-04-003 | EA | Cover Asm - Armrest - Left - Spruce-U06 |
| | 027997-01-001 | EA | Headrest Asm - Beige-U04 |
| | 027997-01-002 | EA | Headrest Asm - Rose-U05 |
| | 027997-01-003 | EA | Headrest Asm - Spruce-U06 |
| | M01997-01-001 | EA | Cover Asm - Headrest - Beige-U04 |
| | M01997-01-002 | EA | Cover Asm - Headrest - Rose-U05 |
| | M01997-01-003 | EA | Cover Asm - Headrest - Spruce-U06 |
| | 027997-02-001 | EA | Seat Asm - Double Bucket - Beige-U04 |
| | 027997-02-002 | EA | Seat Asm - Double Bucket - Rose-U05 |
| | 027997-02-003 | EA | Seat Asm - Double Bucket - Spruce-U06 |
| | M01997-01-001 | EA | Cover Asm - Double Bucket - Bottom - Beige-U04 |
| | M01997-01-002 | EA | Cover Asm - Double Bucket - Bottom - Rose-U05 |
| | M01997-01-003 | EA | Cover Asm - Double Bucket - Bottom - Spruce-U06 |
| | M01997-04-001 | EA | Cover Asm - Double Bucket - Back - Beige-U04 |
| | M01997-04-002 | EA | Cover Asm - Double Bucket - Back - Rose-U05 |
| | M01997-04-003 | EA | Cover Asm - Double Bucket - Back - Spruce-U06 |
| | 027997-04-001 | EA | Seat Asm - Double Bucket - Beige-U04 |
| | 027997-04-002 | EA | Seat Asm - Double Bucket - Rose-U05 |
| | 027997-04-003 | EA | Seat Asm - Double Bucket - Spruce-U06 |
| | 027997-01-001 | EA | Armrest Asm - Double Bucket - Beige-U04 |
| | 027997-01-002 | EA | Armrest Asm - Double Bucket - Rose-U05 |
| | 027997-01-003 | EA | Armrest Asm - Double Bucket - Spruce-U06 |
| | M01997-01-001 | EA | Cover Asm - Armrest - Beige-U04 |
| | M01997-01-002 | EA | Cover Asm - Armrest - Rose-U05 |
| | M01997-01-003 | EA | Cover Asm - Armrest - Spruce-U06 |
| | 027997-01-001 | EA | Headrest Asm - Double Bucket - Beige-U04 |
| | 027997-01-002 | EA | Headrest Asm - Double Bucket - Rose-U05 |
| | 027997-01-003 | EA | Headrest Asm - Double Bucket - Spruce-U06 |
| | M01997-01-001 | EA | Cover Asm - Headrest - Double Bucket - Beige-U04 |
| | M01997-01-002 | EA | Cover Asm - Headrest - Double Bucket - Rose-U05 |
| | M01997-01-003 | EA | Cover Asm - Headrest - Double Bucket - Spruce-U06 |



**1986 WINNEBAGO
TABLE OF CONTENTS**

| | |
|--------------------|-------------|
| INTRODUCTION | A-01 |
| ABBREVIATIONS | A-01 |
| ALPHABETICAL INDEX | A-02 - A-04 |
| WF426RU | A-05 - C-08 |
| WCN27RU | C-09 - E-16 |
| WCN31RT | E-17 - H-06 |
| WCN33RU | H-07 - J-20 |

MAGIC BED & OVERHEAD CABINERY

| Key | Part Number | U M | Description |
|-----|---------------|-----|--|
| 1 | 021302-07-004 | EA | Cabinet Asm - Overhead - w/o Door or Hardware |
| 2 | M01503-01-103 | EA | Door Asm - Overhead - w/o Hardware |
| 3 | 021303-01-103 | EA | Pad Asm - End Cap - Overhead - Right - Beige Vinyl |
| - | 021295-01-004 | EA | Table Asm - w/o Hardware |
| - | 009040-01-000 | EA | Leg - Pedestal Table - 25.5" x 2.25" O.D. - Chrome |
| - | 009040-04-000 | EA | Pedestal Table - 2.25" O.D. x 27.5" - Brown |
| - | 009040-03-000 | EA | Base - Table Leg - Mounts on Table |
| - | 041194-01-000 | EA | Base - Table Leg - Mounts on Floor |
| - | 060048-01-000 | EA | Cup - Pedestal Leg |
| - | | | Not Illustrated |

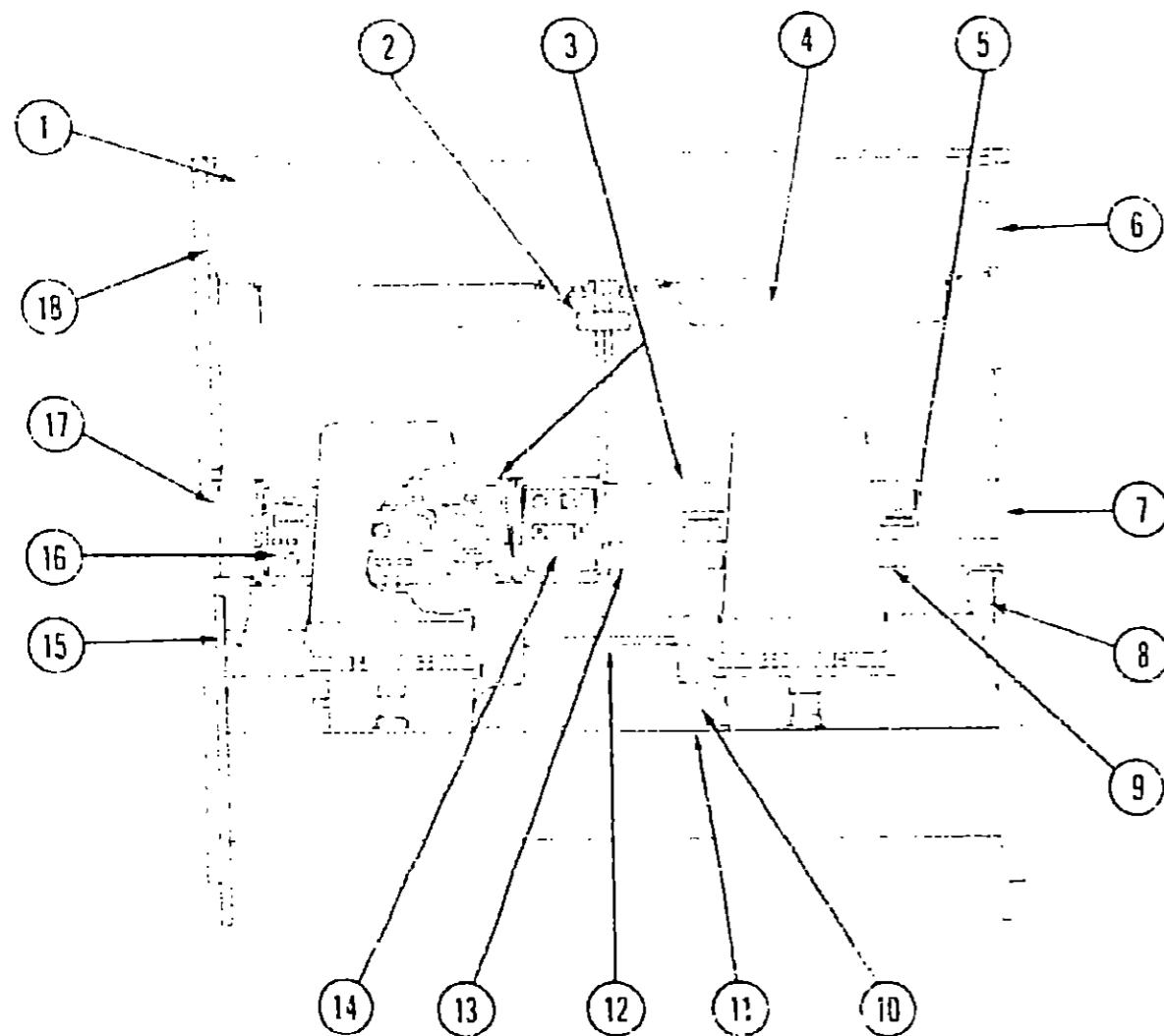
DINETTE (OPTION)

| Key | Part Number | U M | Description |
|-----|---------------|-----|--|
| | M01501-01-001 | EA | Door Asm - Dinette Seat Cabinet - Right - 10 1/2" x 19 1/2" - w/o Hardware |
| | M01501-02-001 | EA | Cabinet Asm - Dinette Seat - Front - w/o Door or Hardware |
| | M01501-04-001 | EA | Cabinet Asm - Dinette Seat - Rear - w/o Door or Hardware |
| | M01501-04-002 | EA | Cabinet Asm - Dinette Seat Back - Rear |
| | M01501-04-003 | EA | Cabinet Asm - Dinette Seat Back - Front |
| | M02115-02-001 | EA | Table Asm - Dinette - w/o Hardware |
| | 024200-05-000 | EA | Bracket - Upper Wall Mount - 23 5/8" - Beige |
| | 053201-03-000 | EA | Bracket - Table Mount - 23" |
| | 024275-05-000 | EA | Rod - Table Lift - 8" x 23 5/8" - Beige |
| | 024276-14-000 | EA | Leg Asm - Table - 29 5/8" - Brown |
| | 024261-07-000 | EA | Bracket - Lower Wall Mount - 22 1/2" - Beige |
| | 024282-01-000 | EA | Brace - Table Leg |
| | 024283-01-000 | EA | Clip - 1" O.D. Tube |
| | 049493-03-000 | EA | Catch - Table Leg - Mounts on Floor - Brown |
| | 064050-01-000 | EA | Hinge - Table Leg |
| | 064781-01-000 | EA | Cup Holder - Brown |

1986 WCN27RU INDEX

| | |
|------------------------------------|-------------|
| Floor Plan | C-09 - C-10 |
| Accessories Group | C-11 - C-14 |
| Bath Group | C-15 |
| Chassis Group | C-16 - C-17 |
| Curtain, Cushion & Pad Group | C-18 - C-23 |
| Dinette Group | C-24 |
| Driver's Compartment Group | D-01 - D-03 |
| Electrical Group | D-04 - D-06 |
| Exterior Body Group | D-07 - D-12 |
| Galley Group | D-13 - D-15 |
| Heating & Air Conditioning Group | D-16 - D-17 |
| Interior Finish Group | D-18 - D-20 |
| LP Group | D-21 |
| Lounge Group | D-22 |
| Water & Sewage Group | D-23 - D-24 |
| Window, Vent & Exterior Door Group | E-01 - E-16 |

DRIVER'S COMPARTMENT GROUP



MISCELLANEOUS DRIVER'S COMPARTMENT COMPONENTS

| Key | Part Number | U/M | Description |
|-----|---------------|-----|---|
| 1 | 080085-02-T03 | EA | Header Trim Asm - Upper |
| 1 | 083917-01-U04 | EA | Cabinet Asm - Front Overhead (w/o Bunk) |
| 1 | 083918-01-U04 | EA | Cabinet Asm - Front Overhead - Right (w/o Bunk) |
| 1 | 083918-02-U04 | EA | Cabinet Asm - Front Overhead - Left (w/o Bunk) |
| 2 | 040714-01-700 | EA | Mirror - Inside Rear View - w/ Button Support |
| 3 | M01113-12-T03 | EA | Dash Asm - Complete - w/ Gauges & Switches |
| 1 | 079089-01-000 | EA | Dash Pad - Passenger - Brown |
| 1 | 079086-01-000 | EA | Dash Pad - Drivers - Brown |
| 1 | 024990-02-000 | EA | Outlet - Defroster w/ Switch - 2 - Dark Brown |
| 4 | 082286-02-U04 | FA | Sunvisor Asm - Passenger |
| 1 | 082286-01-U04 | EA | Sunvisor Asm - Driver |
| 1 | 081917-01-000 | EA | Clip - Sunvisor - Black |
| 5 | 039044-01-000 | EA | Lower Asm - Air Conditioning Adjustable |
| 6 | 080855-02-000 | EA | Side Trim - Front - Upper (w/o Bunk) |
| 6 | 080855-05-000 | EA | Side Trim - Front - Upper (w/ Bunk) |
| 1 | 080856-03-000 | EA | Side Trim - Front - Lower (w/o Bunk) |
| 1 | 080856-05-000 | EA | Side Trim - Front - Lower (w/ Bunk) |
| 7 | 059414-06-000 | EA | Pad - Sidewall Trim - Passenger - Vinyl |
| 8 | 072811-01-000 | EA | Side Panel - Passenger - Plastic |
| 8 | 064499-03-000 | EA | Panel - Passenger Door - Inner - Plastic |
| 1 | 059467-04-T03 | EA | Pad - Map Pocket - Passenger - Vinyl |
| 9 | 022719-01-000 | EA | Glove Compartment Door |
| 1 | 023592-01-000 | EA | Glove Compartment Box - Black Fiberglass |
| 1 | 009118-01-000 | EA | Glove Compartment Twist Lock |
| 1 | 024598-01-000 | EA | Glove Compartment Hinge |
| 1 | 034309-01-000 | EA | Glove Compartment Chair - Door |

DRIVER'S COMPARTMENT GROUP (CONTINUED)

MISCELLANEOUS DRIVER'S COMPARTMENT COMPONENTS (CONT.)

| Key | Part Number | U/M | Description |
|-----|---------------|-----|--|
| 10 | 075939-01-000 | EA | Motor Cover - Fiberglass |
| 1 | 075564-01-000 | EA | Mounting Bracket - Motor Cover |
| 1 | 075564-02-000 | EA | Bracket - Mounting - Motor Cover |
| 11 | 039523-01-000 | FT | Seal - Engine Cover - Neoprene |
| 12 | 080216-01-000 | EA | Beverage Tray |
| 13 | 023634-01-000 | EA | Panel - Knee Kick - Bottom of Dash |
| 14 | 076006-01-000 | EA | Panel - Entertainment Center - w/ Radio & Generator Switch |
| 14 | 076006-05-000 | EA | Panel - Entertainment Center - (used with electronic dash) |
| 1 | Note | EA | Electronic Instrument Panel |
| 1 | 082124-01-000 | EA | Base - Instrument Panel - (used w/ electronic dash) |
| 15 | 059198-05-000 | EA | Side Panel - Drivers - Plastic |
| 15 | 064499-02-000 | EA | Panel - Drivers Door - Inner - Plastic |
| 1 | 059467-03-T03 | EA | Pad - Map Pocket - Drivers - Vinyl |
| 1 | 046886-03-000 | EA | Asst. Tray - Chrome |
| 16 | 071668-01-000 | EA | Base - Control Panel |
| 16 | 071668-04-000 | EA | Base - Control Panel - (used w/ electronic dash) |
| 1 | 078581-01-000 | EA | Trim - Instrument Panel - Front - Passenger |
| 1 | 078582-01-000 | EA | Trim - Instrument Panel - Front - Driver |
| 1 | 052567-01-000 | EA | Cigarette Lighter Asm - 12 Volt |
| 1 | 007341-01-000 | EA | Base - Cigarette Lighter |
| 1 | 060286-01-000 | EA | Dome Light Asm |
| 1 | 066288-02-000 | EA | Base - Dome Light |
| 1 | 066288-03-000 | EA | Housing - Dome Light |
| 1 | 066288-04-000 | EA | Lens - Dome Light |
| 1 | 066288-05-000 | EA | Cap - Dome Light |
| 1 | 061400-06-000 | EA | Assist Strap - 12 - Medium - 4' long |
| 17 | 059414-05-000 | EA | Pad - Sidewall Trim - Driver - Vinyl |
| 18 | 080855-04-000 | EA | Side Trim - Front - Upper (w/o Bunk) |
| 18 | 080855-06-000 | EA | Side Trim - Front - Upper (w/ Bunk) |
| 1 | 080856-04-000 | EA | Side Trim - Front - Lower (w/o Bunk) |
| 1 | 080856-06-000 | EA | Side Trim - Front - Lower (w/ Bunk) |
| 1 | 078245-01-000 | FA | Boot - Rubber Steering Column |
| 1 | 054250-02-000 | EA | Support - Dimmer Switch - w/o Holes |
| 1 | 078579-01-000 | EA | Windshield Trim - Interior - Upper - Passenger |
| 1 | 078579-02-000 | EA | Windshield Trim - Interior - Upper - Driver |
| 1 | 079765-01-000 | EA | Windshield Trim - Center |
| 1 | 079765-01-000 | EA | Windshield Trim - Interior - Post - Passenger |
| 1 | 079765-02-000 | EA | Windshield Trim - Interior - Post - Driver |

NOTE: This item available from your Chrysler Service Center.

DASH SWITCHES & GAUGES

| Key | Part Number | U/M | Description |
|-----|---------------|-----|--|
| | 024461-01-000 | EA | Switch - Battery |
| | 024462-01-000 | EA | Switch - Battery Condition |
| | 024464-02-000 | EA | Switch - Battery - Door Boost |
| | 024464-01-000 | EA | Switch - Washer |
| | 024465-01-000 | EA | Switch - Fuel |
| | 025563-02-000 | EA | Switch - Fuel Change Over |
| | 024467-01-000 | EA | Switch - Wiper |
| | 024478-01-000 | EA | Switch - Generator w/o Circuit Board |
| | 074707-02-000 | EA | Switch - Intermittent - Windshield Wiper |
| | 024469-04-000 | EA | Gauge - Voltmeter |
| | 024469-04-000 | EA | Gauge - Vacuum |
| | 024469-02-000 | EA | Mounting Bracket - Vacuum Gauge |
| | 021026-02-000 | EA | Gauge - Generator Hourmeter |
| | 072363-01-000 | EA | Water Detector Plug - Fuel Line |
| | 072364-01-000 | EA | Water Detector Module - Fuel Line |

1986 WINNEBAGO TABLE OF CONTENTS

| | |
|--------------------|-------------|
| INTRODUCTION | A-01 |
| ABBREVIATIONS | A-01 |
| ALPHABETICAL INDEX | A-02 - A-04 |
| WF426RU | A-05 - C-08 |
| WCN27RU | C-09 - E-16 |
| WCN31RT | E-17 - H-06 |
| WCN33RU | H-07 - J-20 |

1986 WCN27RU INDEX

| | |
|-----------------------------------|-------------|
| Floor Plan | C-09 - C-10 |
| Accessories Group | C-11 - C-14 |
| Bath Group | C-15 |
| Chassis Group | C-16 - C-17 |
| Curtain, Cushion & Pad Group | C-18 - C-23 |
| Dinette Group | C-24 |
| Driver's Compartment Group | D-01 - D-03 |
| Electrical Group | D-04 - D-06 |
| Exterior Body Group | D-07 - D-12 |
| Galley Group | D-13 - D-15 |
| Heating & Air Conditioning Group | D-16 - D-17 |
| Interior Finish Group | D-18 - D-20 |
| LP Group | D-21 |
| LP Gas Group | D-22 |
| Water & Sewage Group | D-23 - D-24 |
| Waste, Vent & Exterior Door Group | E-01 - E-16 |

DRIVER'S COMPARTMENT GROUP (CONTINUED)



BUCKET SEAT PEDestal & SEAT BELTS

| Key | Part Number | U/M | Description |
|-----|-----------------|-----|--|
| 1 | 069555-04-000 | EA | Plate - Top - Pedestal Asm - Single Bucket Seat |
| 1 | 069585-10-000 | EA | Plate - Top - Pedestal Asm - Double Bucket Seat |
| 1 | 069585-19-000 | EA | Plate - Top - Flat Power Seat |
| 2 | 069585-08-000 | EA | Plate - Sub - Pedestal Asm - Bucket Seat |
| 2 | 069585-15-000 | EA | Plate - Sub - Vertical - 4.5" NOM - Power Seat |
| 1 | 069585-05-000 | EA | Hardware Kit - Bolt Access Nut - 4 ea - Pedestal Asm |
| 1 | 079467-04-000 | EA | Loose Part Kit |
| 1 | 007819-01-000 | EA | Belt Asm - Seat - 2" x 54" - Black |
| 1 | 007011-01-000 | EA | Belt Asm - Seat - 2" x 90" - Black |
| 1 | 057011-01-000 | EA | Belt Asm - Seat - 2" x 72" - Black |
| 1 | 057759-01-000 | EA | Bracket - Seat Belt - Washer |
| 1 | 069046-01-000 | EA | Adjuster Asm - Seat - w/ Lock |
| 1 | 069046-02-000 | EA | Adjuster Asm - Seat - w/ Latch |
| 1 | 081373-02-000 | EA | Seat - Power - 6 Way |
| 1 | Not Illustrated | | |

FRONT BUNK & PULL DOWN STORAGE

| Key | Part Number | U/M | Description |
|-----|---------------|-----|--|
| | 076760-03-000 | EA | Overhead Bunk Hardware |
| | 079131-01-100 | EA | Board Asm - Top Bunk |
| | 079144-02-100 | EA | Bunk Strap |
| | 042541-04-000 | EA | Latch Asm - w/ Stroke - Brass |
| | 042541-05-000 | EA | Latch Stroke - Brass |
| | 079099-01-000 | EA | Pivot Asm - Spring Loaded - Right Storage Area |
| | 079099-02-000 | EA | Pivot Asm - Spring Loaded - Left Storage Area |
| | 079099-03-100 | EA | Panel Asm - Front Bunk |

ELECTRICAL GROUP

BULBS

| Key | Part Number | U/M | Description |
|-----|---------------|-----|----------------------|
| | 006220-01-000 | EA | Bulb - 12V - 25W |
| | 008103-01-000 | EA | Bulb - 53 |
| | 006213-01-000 | EA | Bulb - 57 |
| | 006214-01-000 | EA | Bulb - 67 |
| | 036196-01-000 | EA | Bulb - 194 |
| | 006215-01-000 | EA | Bulb - 1903 |
| | 067479-01-000 | EA | Bulb - 1076 |
| | 063914-01-000 | EA | Bulb - 1139 |
| | 003218-01-000 | EA | Bulb - 1141 |
| | 037935-01-000 | EA | Bulb - 1157 |
| | 056266-02-000 | EA | Bulb - 9431808 |
| | 081533-01-700 | EA | Bulb - Make Up Light |

FUSES & CIRCUIT BREAKERS

| Key | Part Number | U/M | Description |
|-----|---------------|-----|--|
| | 008234-01-000 | EA | Fuse - 10 Amp - 12 Volt |
| | 008235-01-000 | EA | Fuse - 15 Amp - 12 Volt |
| | 062901-02-000 | EA | Fuse - 5 Amp - Automotive |
| | 062901-05-000 | EA | Fuse - 15 Amp - Automotive |
| | 008211-01-000 | EA | Circuit Breaker - 6 Amp - 12 Volt |
| | 008206-01-000 | EA | Circuit Breaker - 40 Amp - 12 Volt |
| | 033513-02-000 | EA | Circuit Breaker - 15 Amp - 12 Volt - w/ Mount |
| | 033573-01-000 | EA | Circuit Breaker - 20 Amp - 12 Volt - w/ Mount |
| | 044466-03-000 | EA | Circuit Breaker - 25 Amp - 12 Volt - w/ Mount |
| | 008268-01-000 | EA | Circuit Breaker - 30 Amp - 12 Volt - w/ Mount |
| | 033209-01-000 | EA | Circuit Breaker - 15 Amp - 120 Volt |
| | 083210-02-000 | EA | Circuit Breaker - 15 Amp - 120 Volt (Ground Fault Interrupter) |
| | 073735-02-000 | EA | Circuit Breaker - 15 Amp - 120 Volt (Ground Fault Interrupter) |
| | 071279-05-000 | EA | Circuit Breaker - 20 Amp - 120 Volt |
| | 071279-04-000 | EA | Circuit Breaker - 30 Amp - 120 Volt |
| | 071279-03-000 | EA | Circuit Breaker - 15-20 Amp - 120 Volt |
| | 083209-03-000 | EA | Circuit Breaker - 15-20 Amp - 120 Volt |
| | 071279-01-000 | EA | Circuit Breaker - 15-30 Amp - 120 Volt |
| | 083209-05-000 | EA | Circuit Breaker - 20 Amp - 120 Volt |
| | 053209-04-000 | EA | Circuit Breaker - 30 Amp - 120 Volt |
| | 053209-05-000 | EA | Circuit Breaker - 30-15 Amp - 120 Volt |
| | 071279-06-000 | EA | Circuit Breaker - 30-15 Amp - 120 Volt |
| | 071260-01-000 | EA | Circuit Breaker Blank |
| | 050253-02-000 | EA | Circuit Breaker - Bus Bar |

**1986 WINNEBAGO
TABLE OF CONTENTS**

| | |
|--------------------|-------------|
| INTRODUCTION | A-01 |
| ABBREVIATIONS | A-01 |
| ALPHABETICAL INDEX | A-02 - A-04 |
| WF426RU | A-05 - C-08 |
| WCN27RU | C-09 - E-16 |
| WCN31RT | E-17 - H-06 |
| WCN33RU | H-07 - J-20 |

1986 WCN27RU INDEX

| | |
|------------------------------------|-------------|
| Floor Plan | C-09 - C-10 |
| Accessories Group | C-11 - C-14 |
| Bath Group | C-15 |
| Chassis Group | C-16 - C-17 |
| Curtain, Cushion & Pad Group | C-18 - C-23 |
| Dinette Group | C-24 |
| Driver's Compartment Group | D-01 - D-03 |
| Electrical Group | D-04 - D-06 |
| Exterior Body Group | D-07 - D-12 |
| Galley Group | D-13 - D-15 |
| Heating & Air Conditioning Group | D-16 - D-17 |
| Interior Finish Group | D-18 - D-20 |
| LP Group | D-21 |
| Lounge Group | D-22 |
| Water & Sewage Group | D-23 - D-24 |
| Wind w/ Vent & Exterior Door Group | E-01 - E-15 |

ELECTRICAL GROUP (CONTINUED)

WIRE, SWITCHES & RECEPTACLES

| Key | Part Number | U/M | Description |
|-----|---------------|-----|---|
| | 055183-01-000 | EA | Box - Electrical - 3" x 3 1/2" - Plastic |
| | 058269-01-000 | EA | Box - Electrical - 4" x 4" - 1 2 5 3 4 Steel - UL |
| | 058269-02-000 | EA | Box - Electrical - 4" x 4" - 1 2 & 3 4 Steel - CSA |
| | 058049-01-000 | EA | Box - Electrical - 2 1/2" x 2 25" - Steel |
| | 041953-01-000 | FT | Conduit - Convolute Slit - 5/8" ID |
| | 008343-01-000 | EA | Connector - Clamping - 3 # Cable - UL & CSA |
| | 058028-01-000 | EA | Connector - Pigtail - Clear Nylon |
| | 058114-01-000 | EA | Connector - Wire Nut - Gray |
| | 058211-01-000 | EA | Connector - Wire Nut - Red |
| | 031968-01-000 | EA | Contact Plug - Brass - Tin Plated |
| | 051967-01-000 | EA | Contact - Receptacle |
| | 006054-01-000 | EA | Cord - Power - 10-3 30 Amp - 25' - UL |
| | 006052-01-000 | EA | Cord - Power - 10 3 30 Amp - 25' - CSA |
| | 069236-01-000 | EA | Cover - Electrical Box - 4" x 4" |
| | 024471-02-000 | EA | Cover Plate - Receptacle - Jumbo - Brown Plastic |
| | 008294-01-000 | EA | Cover - Flat Blank - 4" x 4" - Steel - US |
| | 006294-02-000 | EA | Cover - Flat Blank - 4" x 4" - Steel - CSA |
| | 064399-01-000 | EA | Housing Asm - Trailer Pin |
| | 064450-01-000 | EA | Housing Asm - Trailer Plug |
| | 064796-01-000 | EA | Housing Asm - Trailer Receptacle |
| | 054532-01-000 | EA | Housing Pin - 6 Position |
| | 075736-02-000 | EA | Receptacle Cover Asm - Off White (Exterior) |
| | 058706-01-000 | EA | Receptacle - Duplex - Brown |
| | 058708-02-000 | EA | Receptacle - Duplex - Ivory |
| | 024924-02-000 | EA | Receptacle - Power Cord |
| | 058707-01-000 | EA | Receptacle - Single - Brown |
| | 063512-01-000 | EA | Relay - Canister SPDT w/ Ground |
| | 075723-01-000 | EA | Switch - Black Spacer - w/ 6 Holes |
| | 075723-02-000 | EA | Switch - Black Spacer - w/ 4 Holes |
| | 077042-02-000 | EA | Switch - Dummy - Brown |
| | 056264-01-000 | EA | Switch - Leaf Actuator |
| | 079762-01-000 | EA | Switch Plate - 3 Gang - 2 Switches |
| | 079763-01-000 | EA | Switch Plate - Single - w/ Switches |
| | 079764-01-000 | EA | Switch - On/Off Rocker - Brown |
| | 002195-01-000 | EA | Switch - Push Button - 12 Volt |
| | 042443-02-000 | EA | Terminal - 250 Receptacle - 12-10 AWG |
| | 008348-01-000 | EA | Terminal Ring - 2 - w/ 3 # Stud |
| | 008331-01-000 | EA | Terminal Ring - 4 - w/ 3 # Stud |
| | 008328-01-000 | EA | Terminal Ring - 12-10 Wire |
| | 008026-01-000 | FT | Wire - 18 5 Bonded - Blue-Red-Yellow-Orange-White |
| | 008024-01-000 | FT | Wire - 18 5 Bonded - Orange-White-Yellow-Blue-Brown |
| | 008023-01-000 | FT | Wire - 18 5 Bonded - Orange-White-Yellow-Blue-Green |
| | 008026-01-000 | FT | Wire w/ Ground - Romex - 12 2 |

INTERIOR LIGHT

| Key | Part Number | U/M | Description |
|-----|---------------|-----|--|
| | 065202-03-000 | EA | Lamp - Decor - Wall - Brass - 2 Bulb |
| | 065201-02-000 | EA | Lamp Shade - Fabric - Parchment - Wall Lamp |
| | 033508-02-000 | EA | Light - Dome - Ivory - 1 Bulb - US |
| | 033508-03-000 | EA | Light - Dome - Ivory - 1 Bulb - CSA |
| | 033509-02-000 | EA | Light - Dome - Ivory - 2 Bulb - US |
| | 033509-03-000 | EA | Light - Dome - Ivory - 2 Bulb - CSA |
| | 078424-02-000 | EA | Light - Fluorescent - 12V |
| | 071424-01-000 | EA | Light - 12V Receptacle - Aisle - IP |
| | 071109-01-000 | EA | Light - Step Well |
| | 072343-07-000 | EA | Light - Reading - 360° Swivel - Tall |
| | 072343-03-000 | EA | Light - Reading - Single - 360° Swivel - Air and |
| | 049037-02-000 | EA | Dome Light - Surface - w/ 6 Switch |
| | 081637-01-000 | EA | Light - Make Up |

ELECTRICAL GROUP (CONTINUED)

EXTERIOR LIGHTS

| Key | Part Number | U/M | Description |
|-----|---------------|-----|---|
| | 081638-01-000 | EA | Tail Lamp Asm - Double - w/ Black Trim |
| | 081638-01-700 | EA | Lens - Tail Lamp - Red |
| | 081636-01-701 | EA | Lens - Tail Lamp - Back Up |
| | 042405-03-000 | EA | Base - Rectangular Clearance Light |
| | 081850-01-000 | EA | Light Asm - Cab Marker - Amber |
| | 081850-02-000 | EA | Light Asm - Cab Marker - Red |
| | 008089-01-000 | EA | Light - Porch - Recessed |
| | 079941-01-000 | EA | Lamp Asm - Fog - w/ Amber Cover |
| | 049185-01-000 | EA | Headlight Capsule Asm - High/Low Beam - Driver |
| | 049186-01-000 | EA | Headlight Capsule Asm - High/Low Beam - Passenger |
| | 049187-01-000 | EA | Headlight Capsule Asm - High Beam - Driver |
| | 049188-01-000 | EA | Headlight Capsule Asm - High Beam - Passenger |
| | 079764-03-000 | EA | Mount - Turn Signal - Light - Right - Beige |
| | 079764-04-000 | EA | Mount - Turn Signal - Light - Left - Beige |
| | 042405-02-000 | EA | Lens - Amber Light w/ Reflex |
| | 042405-01-000 | EA | Lens - Red Light w/ Reflex |

WINDSHIELD WIPERS & WASHER

| Key | Part Number | U/M | Description |
|-----|---------------|-----|--|
| ** | 056000-02-000 | EA | Washer Asm - Windshield |
| ** | 057653-01-000 | EA | Arm - Windshield Wiper - 18" - Black |
| | 067191-02-000 | EA | Motor Asm - Windshield Wiper - 2 Speed |
| | 067192-01-000 | EA | Link Asm - Connecting - Left |
| | 067193-01-000 | EA | Link Asm - Connecting - Right |
| ** | 049464-03-000 | EA | Blade - Windshield Wiper - 20" - Black |
| ** | 067190-01-000 | EA | Shaft and Pivot Asm |
| | 074007-01-000 | EA | Switch - Wiper Delay |
| ** | 057474-01-000 | EA | Wiper Asm |

** The illustrated parts break down for this item is provided on the Common Items Fiche.

MISCELLANEOUS ELECTRICAL COMPONENTS

| Key | Part Number | U/M | Description |
|-----|---------------|-----|----------------------------------|
| | 047338-03-000 | EA | Isolator - Dual Battery - 70 Amp |
| | 008188-01-000 | EA | Solenoid - Dual Battery - Relay |
| | 083708-02-000 | EA | Control Center - 45 Amp |

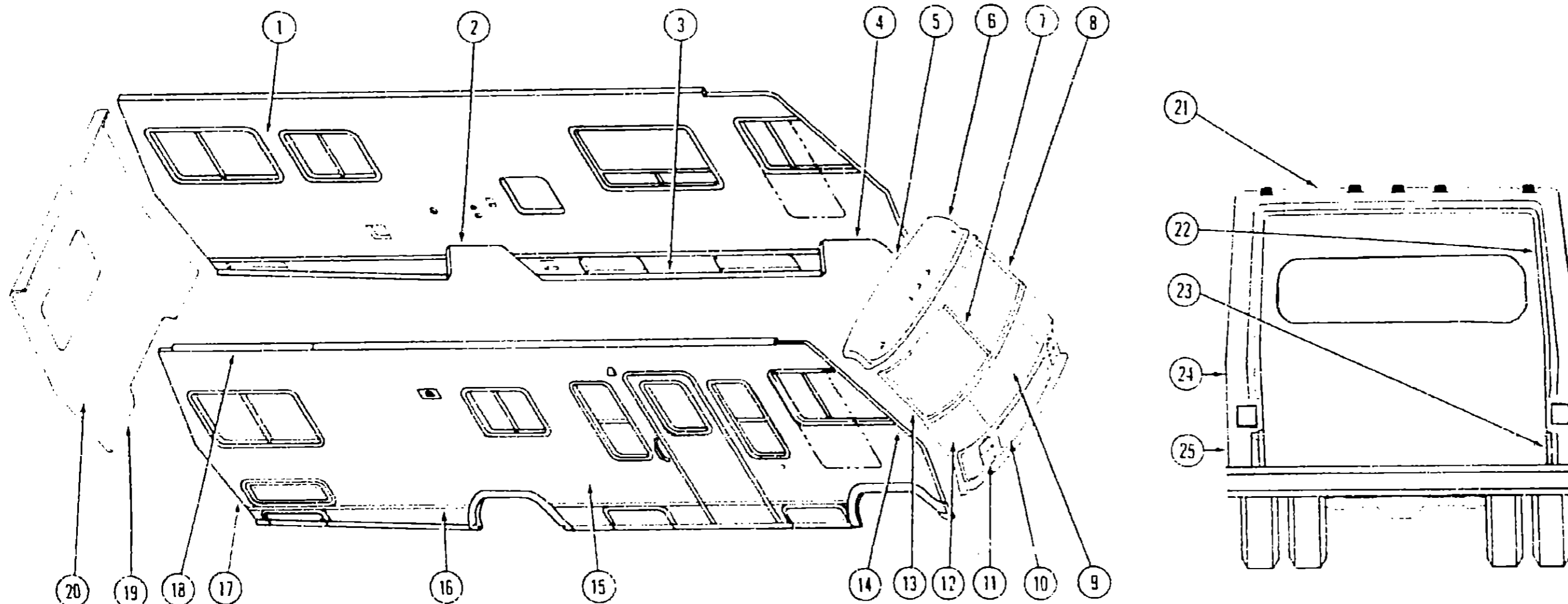
**1986 WINNEBAGO
TABLE OF CONTENTS**

| | |
|--------------------|-------------|
| INTRODUCTION | A-01 |
| ABBREVIATIONS | A-01 |
| ALPHABETICAL INDEX | A-02 - A-04 |
| WF426RU | A-05 - C-08 |
| WCN27RU | C-09 - E-16 |
| WCN31RT | E-17 - H-06 |
| WCN33RU | H-07 - J-20 |

1986 WCN27RU INDEX

| | |
|------------------------------------|-------------|
| Floor Plan | C-09 - C-10 |
| Accessories Group | C-11 - C-14 |
| Bath Group | C-15 |
| Chassis Group | C-16 - C-17 |
| Curtain, Cushion & Pad Group | C-18 - C-23 |
| Dinette Group | C-24 |
| Driver's Compartment Group | D-01 - D-02 |
| Electrical Group | D-04 - D-09 |
| Exterior Body Group | D-07 - D-12 |
| Galley Group | D-13 - D-16 |
| Heating & Air Conditioning Group | D-16 - D-17 |
| Interior Finish Group | D-18 - D-20 |
| LP Group | D-21 |
| Lounge Group | D-22 |
| Water & Sewage Group | D-23 - D-24 |
| Window, Vent & Exterior Door Group | E-01 - E-16 |

EXTERIOR BODY GROUP
EXTERIOR BODY PANELS



1986 WINNEBAGO
TABLE OF CONTENTS

| | |
|--------------------|-------------|
| INTRODUCTION | A-01 |
| ABBREVIATIONS | A-01 |
| ALPHABETICAL INDEX | A-02 - A-04 |
| WF426RU | A-05 - C-08 |
| WCN27RU | C-09 - E-16 |
| WCN31RT | E-17 - H-06 |
| WCN33RU | H-07 - J-20 |

| Key | Part Number | U-M | Description |
|-----|---------------|-----|---|
| 1 | M82078-01-U04 | EA | Sidewall Asm - Driver |
| 1 | M82078-01-U05 | EA | Sidewall Asm - Driver |
| 1 | M82078-01-U06 | EA | Sidewall Asm - Driver |
| 2 | 058467-02-000 | EA | Trim - Wheel Well - Rear - U Channel - Driver or Passenger |
| 2 | 075070-01-000 | EA | Trim - Wheel Well - Rear - Plastic - Passenger |
| 2 | 075070-03-000 | EA | Trim - Wheel Well - Rear - Plastic - Driver |
| 3 | 072639-01-001 | EA | Extr - Rocker Panel - 216" |
| 4 | 073647-02-000 | EA | Trim - Wheel Well - Front - U Channel - Driver or Passenger |
| 4 | 075556-01-000 | EA | Trim - Wheel Well - Front - Plastic - Passenger |
| 4 | 075556-03-000 | EA | Trim - Wheel Well - Front - Plastic - Driver |
| 5 | 075580-01-000 | EA | Trim - Roof Front Cap |
| 6 | M01593-01-T03 | EA | Cap - Over Windshield - Beige |
| 7 | 076676-02-000 | EA | Trim - Molding - Windshield - Center |
| 8 | 079225-02-000 | EA | Trim - Contour - Windshield - Driver |
| 8 | 077944-02-000 | EA | Trim - Molding - Windshield - Upper |
| 8 | 077945-02-000 | EA | Trim - Molding - Windshield - Lower |
| 8 | 077952-02-000 | EA | Cap - Reveal Molding |
| 8 | 079760-04-000 | EA | Headlamp Bezel - Driver |
| 9 | 078261-01-T03 | EA | Access Panel - w Hardware |
| 10 | 078891-01-T02 | EA | Grille Asm |
| 11 | 079760-03-000 | EA | Headlamp Bezel - Passenger |
| 11 | 072408-01-000 | EA | Screw Asm - Headlamp - Adjusting |
| 11 | 049359-01-000 | EA | Spring - Headlamp Retainer |
| 11 | 062707-01-000 | EA | Headlamp Guard |
| 12 | M01115-10-T03 | EA | Panel Asm - Front Shroud (includes access panels) |
| 13 | 079225-01-000 | EA | Trim - Contour - Windshield - Passenger |
| 13 | 077944-01-000 | EA | Trim - Molding - Windshield Upper |
| 13 | 077945-01-000 | EA | Trim - Molding - Windshield - Lower |
| 14 | 079224-01-000 | EA | Trim - Fiberglass Panel - Passenger - Beige |
| 14 | 079224-02-000 | EA | Trim - Fiberglass Panel - Driver - Beige |

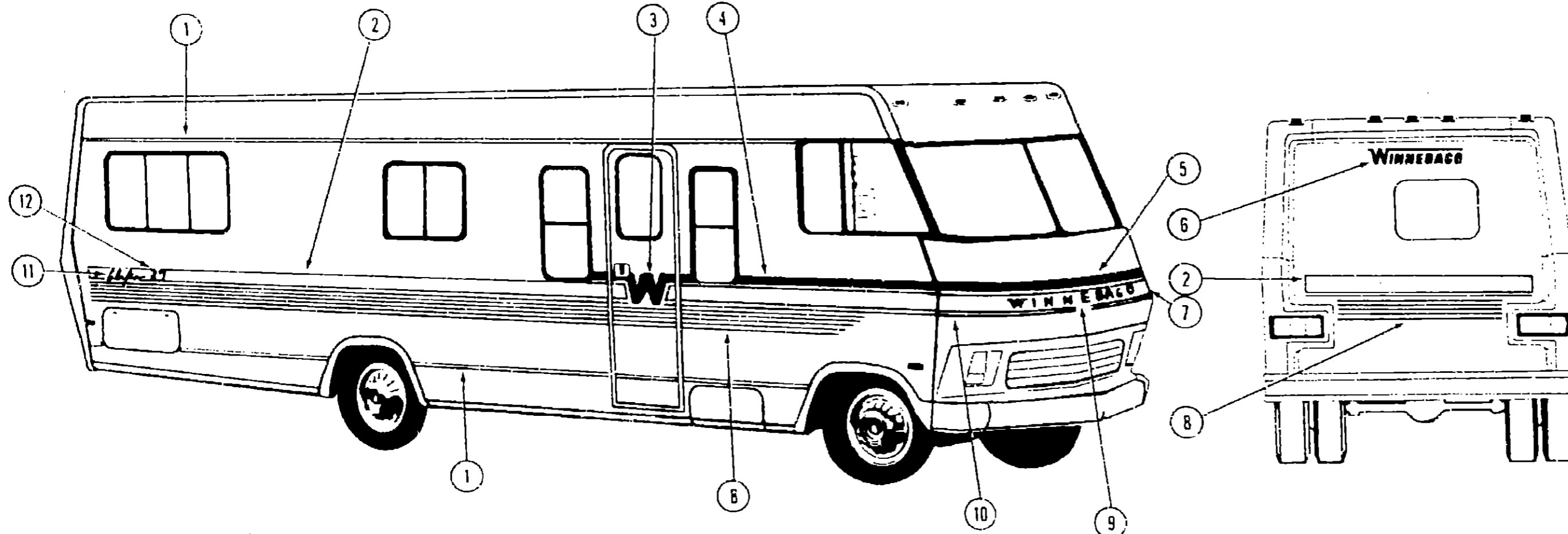
| Key | Part Number | U-M | Description |
|-----|---------------|-----|---|
| 15 | M82075-01-U04 | EA | Sidewall Asm - Passenger |
| 15 | M82075-01-U05 | EA | Sidewall Asm - Passenger |
| 15 | M82075-01-U06 | EA | Sidewall Asm - Passenger |
| 16 | 059576-08-000 | EA | Feature Strip - Extr Beige - 14" - w. G Insert |
| 16 | 009731-01-000 | EA | End Cap - Feature Strip Insert |
| 16 | 001030-02-004 | EA | Insert - Feature Strip - Off White - 17" |
| 17 | 073502-19-000 | EA | Trim - Passenger Rear - Beige |
| 17 | 073502-20-000 | EA | Trim - Driver Rear - Beige |
| 18 | 076600-04-000 | EA | Trim - Sidewall - Upper - Driver or Passenger - Beige |
| 19 | 050406-06-000 | EA | Trim - Back Wall - Lower - Driver or Passenger |
| 19 | 082036-01-U04 | EA | Roof Asm |
| 20 | 052024-01-U04 | EA | Back wall Asm |
| 21 | M01893-02-000 | EA | Trim - Rear - Center Upper - Plastic - Beige |
| 22 | 082456-01-000 | EA | Trim - Rear - Upper Passenger - Plastic - Beige |
| 23 | 082457-01-000 | EA | Trim - Rear - Lower Passenger - Plastic - Beige |
| 24 | M01694-02-000 | EA | Trim - Rear - Lower Driver - Plastic - Beige |
| 25 | 082457-02-000 | EA | Trim - Rear - Upper Driver - Plastic - Beige |
| 25 | 078577-01-000 | EA | Bumper End Cap - Front Passenger Hand - Beige |
| 25 | 078577-02-000 | EA | Bumper End Cap - Front Driver Hand - Beige |
| 25 | 083117-01-000 | EA | Bumper End Cap - Rear Passenger - Beige |
| 25 | 083117-02-000 | EA | Bumper End Cap - Rear Driver - Beige |
| 25 | 077517-10-001 | EA | Fiberglass Sidewall Skin - 46" x 375" - Mesa |
| 25 | 077517-10-002 | EA | Fiberglass Sidewall Skin - 46" x 68" - Mesa |
| 25 | 001018-01-024 | EA | Alum - Beige - No Design - 46" x 96" |
| 25 | 044487-01-001 | EA | Alum - Mid Finish - No Design (Roof) - 96" x 360" |
| 25 | 000666-01-000 | SF | Styrofoam - 75" x 24" x 96" |
| 25 | 000870-01-000 | SF | Styrofoam - 150" x 24" x 96" |
| 25 | 000870-03-000 | SF | Styrofoam - 134" x 48" x 96" |
| 25 | | | Not Illustrated |

1986 WCN27RU INDEX

| | |
|------------------------------------|-------------|
| Floor Plan | C-09 - C-10 |
| Accessories Group | C-11 - C-14 |
| Bath Group | C-15 |
| Chassis Group | C-16 - C-17 |
| Curtain, Cushion & Pad Group | C-18 - C-23 |
| Dinette Group | C-24 |
| Driver's Compartment Group | D-01 - D-03 |
| Electrical Group | D-04 - D-06 |
| Exterior Body Group | D-07 - D-12 |
| Galley Group | D-13 - D-15 |
| Heating & Air Conditioning Group | D-16 - D-17 |
| Interior Finish Group | D-18 - D-20 |
| LP Group | D-21 |
| Lounge Group | D-22 |
| Water & Sewage Group | D-23 - D-24 |
| Window, Vent & Exterior Door Group | E-01 - E-16 |

EXTERIOR BODY GROUP (CONTINUED)

LABELS, DECALS & EXTERIOR PAINT



1986 WINNEBAGO TABLE OF CONTENTS

| | |
|--------------------|-------------|
| INTRODUCTION | A-01 |
| ABBREVIATIONS | A-01 |
| ALPHABETICAL INDEX | A-02 - A-04 |
| WF425RU | A-05 - C-08 |
| WCN27RU | C-09 - E-16 |
| WCN31RT | E-17 - H-06 |
| WCN33RU | H-07 - J-20 |

| Key | Part Number | U/M | Description |
|-----|---------------|-----|--|
| 1 | 065217-90-000 | FT | Film - Multi-stripe - Light Brown/Brown (U04) |
| 1 | 065217-89-000 | FT | Film - Multi-stripe - Rust/Burgundy (U05) |
| 1 | 065217-88-000 | FT | Film - Multi-stripe - Light Green/Green (U06) |
| 2 | 065217-87-000 | FT | Film - Multistripe - Light Brown/Brown (U04) |
| 2 | 065217-86-000 | FT | Film - Multistripe - Rust/Burgundy (U05) |
| 2 | 065217-85-000 | FT | Film - Multi-stripe - Light Green/Green (U06) |
| 3 | 079351-06-000 | EA | Decal - Flying W - Brown (U04) |
| 3 | 079351-05-000 | EA | Decal - Flying W - Burgundy (U05) |
| 3 | 079351-04-000 | EA | Decal - Flying W - Green (U06) |
| 4 | 078831-14-000 | FT | Decal Striping - Light Brown (U04) |
| 4 | 078831-13-000 | FT | Decal Striping - Rust (U05) |
| 4 | 078831-12-000 | FT | Decal Striping - Light Green (U06) |
| 5 | 079100-07-000 | EA | Decal - Hood - Light Brown (U04) |
| 5 | 079100-08-000 | EA | Decal - Hood - Rust (U05) |
| 5 | 079100-09-000 | EA | Decal - Hood - Light Green (U06) |
| 7 | 078831-15-000 | EA | Decal - Striping - 1 00 x 150 - Light Brown (U04) |
| 7 | 078831-16-000 | EA | Decal - Striping - 1 00 x 150 - Rust (U05) |
| 7 | 078831-17-000 | EA | Decal - Striping - 1 00 x 150 - Light Green (U06) |
| 6 | 050313-22-000 | EA | Decal Logo - Winnebago |
| 7 | 079099-08-000 | EA | Decal - Upper Corner - Light Brown (U04) |
| 7 | 079099-10-000 | EA | Decal - Upper Corner - Rust (U05) |
| 7 | 079099-12-000 | EA | Decal - Upper Corner - Light Green (U06) |
| 7 | 080763-08-000 | EA | Decal - Lower Corner - Hood - Left - Brown (U04) |
| 7 | 080763-10-000 | EA | Decal - Lower Corner - Hood - Left - Rust (U05) |
| 7 | 080763-12-000 | EA | Decal - Lower Corner - Hood - Left - Green (U06) |
| 8 | 076791-10-000 | FT | Film - Multi-stripe - Brown (U04) |
| 8 | 076791-09-000 | FT | Film - Multi-stripe - Burgundy (U05) |
| 8 | 076791-08-000 | FT | Film - Multi-stripe - Green (U06) |
| 9 | 069745-03-000 | EA | Decal - Winnie |
| 9 | 069745-04-000 | EA | Decal - Badge |
| 10 | 080763-07-000 | EA | Decal - Lower Corner - Hood - Right - Brown (U04) |
| 10 | 080763-09-000 | EA | Decal - Lower Corner - Hood - Right - Burgundy (U05) |
| 10 | 080763-11-000 | EA | Decal - Lower Corner - Hood - Right - Green (U06) |

| Key | Part Number | U/M | Description |
|-----|---------------|-----|---|
| 11 | 079099-07-000 | EA | Decal - Upper Corner - Light Brown (U04) |
| 11 | 079099-09-000 | EA | Decal - Upper Corner - Rust (U05) |
| 11 | 079099-11-000 | EA | Decal - Upper Corner - Light Green (U06) |
| 12 | 058719-02-000 | EA | Decal Logo - Chief/Chief |
| 13 | 072724-07-000 | EA | Decal Logo - 27' |
| 1 | 068383-01-000 | EA | Label - Diesel Fuel |
| 1 | 006195-01-000 | EA | Label - Electrical Test |
| 1 | 047731-01-000 | EA | Label - Emergency Exit |
| 1 | 006199-01-000 | EA | Label - Exit - Escape Window |
| 1 | 057467-04-000 | EA | Label - Exterior Loading Limit |
| 1 | 064379-01-000 | EA | Label - Flying W w/ Thermo Panel |
| 1 | 061417-01-000 | EA | Label - Fuel |
| 1 | 006156-01-000 | EA | Label - Gas Test |
| 1 | 054521-01-000 | EA | Label - LP Gas Only |
| 1 | 040944-01-000 | EA | Label - Open - Entrance Door |
| 1 | 006015-01-000 | EA | Label - Patent Motor Home |
| 1 | 056259-01-000 | EA | Label - Safety Check List |
| 1 | 006064-01-000 | EA | Label - Seat - w/o Seat Belts |
| 1 | 006187-01-000 | EA | Label - Sewage |
| 1 | 006006-01-000 | EA | Label - Thermo Panel - 21 4" x 21 4" |
| 1 | 075221-01-000 | EA | Label - Trailer Hitch Capacity |
| 1 | 075270-01-000 | EA | Label - Warning - Exterior Load Limit |
| 1 | 077956-01-000 | EA | Label - Warning - Smoke Detector |
| 1 | 050225-01-000 | EA | Label - Warning - Stove Vent - US |
| 1 | 006189-01-000 | EA | Label - Waste Water |
| 1 | 006197-01-000 | EA | Label - Water Test |
| 1 | 072863-01-000 | EA | Nameplate - Diesel - 6.2L |
| 1 | 006062-01-000 | EA | Tag - Electrical - 110 volt Connection |
| 1 | 006040-01-000 | EA | Tag - Gas - Refueling Warning |
| 1 | 044486-03-000 | EA | Paint - Bridge Acrylic Enamel - 16 oz. Aerosol (7633A Dupont) |
| 1 | 045631-03-000 | EA | Paint - Gloss Black - Acrylic Enamel - 16 oz. Aerosol (99 Dupont) |
| 1 | 056637-05-000 | EA | Paint - Gray Acrylic Enamel - 16 oz. Aerosol (71537 Dupont) |
| 1 | 041561-03-000 | EA | Paint - Oil White Acrylic Enamel - 16 oz. Aerosol (45396A Dupont) |
| 1 | 074555-01-000 | EA | Label - LPG - 3.3' x 1.75' (Cat# Code) |
| 1 | | | Not Illustrated |

1986 WCN27RU INDEX

| | |
|------------------------------------|-------------|
| Floor Plan | C-09 - C-10 |
| Accessories Group | C-11 - C-14 |
| Bath Group | C-15 |
| Chassis Group | C-16 - C-17 |
| Curtain, Cushion & Pad Group | C-18 - C-23 |
| Dinette Group | C-24 |
| Driver's Compartment Group | D-01 - D-03 |
| Electrical Group | D-04 - D-06 |
| Exterior Body Group | D-07 - D-12 |
| Galley Group | D-13 - D-15 |
| Heating & Air Conditioning Group | D-16 - D-17 |
| Interior Finish Group | D-18 - D-20 |
| LP Group | D-21 |
| Lounge Group | D-22 |
| Water & Sewage Group | D-23 - D-24 |
| Window, Vent & Exterior Door Group | E-01 - E-16 |

EXTERIOR BODY GROUP (CONTINUED)
INTERIOR/EXTERIOR SCREWS & FASTENERS

| Key | Part Number | U/M | Description |
|-----|---------------|-----|--|
| | 005200-01-000 | EA | Bolt - Round Head - Square Neck w. SST Cap - 7 16" - 14 x 1 1/4" |
| | 058279-01-000 | EA | Clip - Mounting - Front Panel |
| | 035628-01-000 | EA | Fastener - Blind Well Nut - 1 05" x .38" |
| | 000D15-06-00B | EA | Nut - Hex - 3 8" x 24 - Zinc |
| | 005061-01-000 | EA | Nut - Speed - C Type - #8 Screw |
| | 000G54-04-20B | EA | Screw 1/4 - 20 x 1 1/4" PTH - Zinc |
| | 000G54-04-22B | EA | Screw 1/4 - 20 x 1 3/8" PTH - Zinc |
| | 000G53-04-06B | EA | Screw 1/4 - Machine - 20 x 3/8" PTH - Zinc |
| | 000G13-05-12P | EA | Screw #6 - 20 x 3/4" PFH - Dark Brown |
| | 000G13-05-28X | EA | Screw #6 - 20 x 3/4" PFH - Gray |
| | 000G13-05-16R | EA | Screw #6 - 20 x 1" PFH - Beige |
| | 000G11-07-08B | EA | Screw #7 - 19 x 1/2" PPH - Zinc |
| | 000G12-08-12M | EA | Screw #8 - 18 x 3/4" POH - Gray |
| | 000G11-08-12R | EA | Screw #8 - 18 x 3/4" PPH - Beige |
| | 000G11-08-12X | EA | Screw #8 - 18 x 3/4" PPH - Gray |
| | 000G11-09-12B | EA | Screw #8 - 18 x 3/4" PPH - Zinc |
| | 000G39-06-12R | EA | Screw #8 - 18 x 3/4" SDPH - Beige |
| | 000G56-08-12M | EA | Screw #8 - 18 x 3/4" SDPH - Gray |
| | 000G11-08-16R | EA | Screw #8 - 16 x 1" PFH - Gray |
| | 000G66-08-16R | EA | Screw #8 - 16 x 1" SDPH - Beige |
| | 000G12-08-28R | EA | Screw #8 - 16 x 1 3/4" POH - Beige |
| | 000G36-02-08E | EA | Screw #8 - 32 x 1/2" PFH - Chrome |
| | 000G39-08-08B | EA | Screw #8 - Self Drilling - 18 x 1 2" PPH - Zinc |
| | 000G39-08-12B | EA | Screw #8 - Self Drilling - 18 x 3/4" PPH - Zinc |
| | 000G39-08-12R | EA | Screw #8 - Self Drilling - 18 x 3/4" PPH - Beige |
| | 000G39-08-16R | EA | Screw #8 - Self Drilling - 18 x 1" PPH - Beige |
| | 000G39-03-16T | EA | Screw #8 - Self Drilling - 18 x 1" PPH - Black |
| | 000G39-08-16P | EA | Screw #8 - Self Drilling - 18 x 1" PPH - Dark Brown |
| | 000G39-06-16X | EA | Screw #8 - Self Drilling - 18 x 1" PPH - Gray |
| | 000G39-03-16E | EA | Screw #8 - Self Drilling - 18 x 1" PPH - Chrome |
| | 000G64-09-16M | EA | Screw #8 - Self Drilling - 18 x 1" SDPH - Gray |
| | 000G67-10-08B | EA | Screw #10 - 12 x 1 2" PPH - Zinc |
| | 000G67-10-10R | EA | Screw #10 - 12 x 5/8" PPH - Beige |
| | 000G67-10-16P | EA | Screw #10 - 12 x 1" PPH - Dark Brown |
| | 000G67-10-16R | EA | Screw #10 - 12 x 1" PPH - Zinc |
| | 000G67-10-20E | EA | Screw #10 - 12 x 1 1/4" - PPH - Zinc |
| | 000G67-10-24E | EA | Screw #10 - 12 x 1 1/2" PPH - Zinc |
| | 049465-04-000 | EA | Screw #10 - 16 x 1" POH - w Washer - Beige |
| | 049465-05-000 | EA | Screw #10 - 16 x 1" POH - w Washer - Gray |
| | 000G12-10-24E | EA | Screw #10 - 16 x 1 1/2" POH - Chrome |
| | 000G11-10-08D | EA | Screw #10 - 16 x 1 2" PPH - Dark Brown |
| | 000G11-10-12R | EA | Screw #10 - 16 x 3/4" PPH - Beige |
| | 000G11-10-12S | EA | Screw #10 - 16 x 3/4" PPH - Off White |
| | 000G11-10-12B | EA | Screw #10 - 16 x 3/4" PPH - Zinc |
| | 000G11-10-16B | EA | Screw #10 - 16 x 1" PPH - Zinc |
| | 000G11-10-40B | EA | Screw #10 - 16 x 2 1/2" PPH - CAD |
| | 000G19-10-12B | EA | Screw #10 - Machine - 32 TPI x 3/4" |
| | 075906-01-000 | EA | Screw #10 - Machine - 32 x 5/8" PTH - Zinc |
| | 000G19-10-20B | EA | Screw #10 - Machine - 32 x 1 1/4" PPH - Zinc |
| | 000G39-12-12E | EA | Screw #10 - Self Drilling - 14 x 3/4" PPH - Chrome |
| | 000G39-10-10R | EA | Screw #10 - Self Drilling - 16 x 3/4" PPH - Beige |
| | 000G39-10-12R | EA | Screw #10 - Self Drilling - 16 x 3/4" PPH - Beige |
| | 000G39-10-12P | EA | Screw #10 - Self Drilling - 16 x 3/4" PPH - Dark Brown |
| | 000G56-12-48C | EA | Screw #12 - Wood - 11 x 3" POH - CAD |

MISCELLANEOUS EXTERNALLY MOUNTED PARTS

| Key | Part Number | U/M | Description |
|-----|---------------|-----|--------------------------------------|
| | 011129-01-000 | EA | Plumbing Seal - Roof Vent - 1.5 |
| | 008125-01-000 | EA | Assist Handle - Chrome |
| | 081240-01-000 | EA | Fill - City Water - Recessed - Beige |
| | 059808-02-000 | EA | Water Fill - Lockable - Beige |
| | 072447-01-000 | EA | Shroud - Fuel Fill |
| | 063303-04-000 | EA | Shroud - Fuel Fill - Lower |

EXTERIOR BODY GROUP (CONTINUED)
SEALANTS & ADHESIVES

| Key | Part Number | U/M | Description |
|-----|---------------|-----|--|
| | 004020-01-000 | QT | Adhesive - ABS Cement (Plastic Fittings) |
| | 002337-01-000 | EA | Adhesive - 1300 Tube - 3M (Windows) |
| | 004005-02-000 | GL | Adhesive - Swifts - Glue (Sidewalls) |
| | 053766-07-000 | EA | Bedding Compound - Tube - Beige (Exterior) |
| | 053766-06-000 | EA | Bedding Compound - Tube - Clear (Window) |
| | 053766-08-000 | EA | Bedding Compound - Tube - Gray (Exterior) |
| | 053766-05-000 | EA | Bedding Compound - Tube - Gray (Sidewalls to Floor) |
| | 053766-02-000 | EA | Bedding Compound - Tube - Off White (Exterior) |
| | 002326-02-000 | EA | Block - Rubber Spacer (Windshield) |
| | 004336-01-000 | EA | Caulk - Latex - Golden Walnut (Sidewalls) |
| | 072891-02-000 | QT | Primer - Glass - Black |
| | 072891-01-000 | QT | Primer - Glass - Clear |
| | 035024-01-000 | EA | Primer - Glass - Clear - Windshield |
| | 072890-01-000 | QT | Primer - Metal - Black |
| | 035023-01-000 | GL | Primer - Metal - Windshield |
| | 077967-01-000 | EA | Sealant - Acrylic Latex - Tube - Off White (Interior Sealant) |
| | 034552-04-000 | EA | Sealant - Silicone - Beige |
| | 034552-02-000 | EA | Sealant - Silicone - Clear |
| | 034552-07-000 | EA | Sealant - Silicone - Dark Gray |
| | 034552-06-000 | EA | Sealant - Silicone - Off White |
| | 069637-01-000 | EA | Sealant - Weatherban 404 - Tube - White (Door Caulk) |
| | 072889-01-000 | EA | Sealant - Urethane - Black (Windshield) |
| | 069640-01-000 | FT | Sealer Ribbon - 25" Bead x 20' |
| | 069640-02-000 | FT | Sealer Ribbon - 5" x 125" x 30' |
| | 069640-03-000 | FT | Sealer Ribbon - 75" x 125" x 30' |
| | 069640-04-000 | FT | Sealer Ribbon - 2" x 09" x 45' (P Series) |
| | 069640-05-000 | FT | Sealer Ribbon - 2 5" x 03" x 50' |
| | 069640-06-000 | FT | Sealer Ribbon - 5 16" Bead x 15' |
| | 069640-07-000 | FT | Sealer Ribbon - 2" x 3 32" x 30' |
| | 002316-01-000 | FT | Sealer Tape - 3 32" x 3 8" - White (Window) |
| | 002707-01-000 | FT | Sealer Tape - 5 16" x 3 4" |
| | 002707-02-000 | FT | Sealer Tape - 5 16" x 1 2" |
| | 040545-01-000 | GL | Sealer - Seam Weld |
| | 053752-04-000 | EA | Seam Sealer - Tube - Aluminum (Roof) |
| | 063642-01-000 | FT | Tape - Adhesive - 10 mm x 1 5" Wide |
| | 038886-01-000 | EA | Tape - Butyl - 31" x 31" x 148" (Windshield) |
| | 076322-01-000 | FT | Tape - Foam - Double Coated - 025 x 1" (Fiberglass Sidewall Seams) |
| | 076322-02-000 | FT | Tape - Foam - Double Coated - 045 x 1" (Fiberglass Sidewall Seams) |
| | 039200-01-000 | EA | Tape - Furnace - 1 5" |
| | 002825-01-000 | FT | Weather Striping (Roof Vent) |

ACCESS PANEL HARDWARE

| Key | Part Number | U/M | Description |
|-----|---------------|-----|--|
| | 072917-02-000 | EA | Rod - Hood Prop |
| | 062628-01-000 | EA | Clip - Prop Rod |
| | 058633-01-000 | EA | Bracket - Prop Rod |
| | 073340-01-000 | EA | Hinge - Access Panel - Passenger |
| | 073340-02-000 | EA | Hinge - Access Panel - Drivers |
| | 058960-01-000 | EA | Bracket - Hinge Asm - Hood - Drivers |
| | 058950-02-000 | EA | Bracket - Hinge Asm - Hood - Passenger |
| | R77006-E8-721 | EA | Cable - Release (Access Panel) |
| | 074176-01-000 | EA | Bracket - Cable Release - Inside |
| | R77007-01-950 | EA | Striker - Hood Latch |
| | 079286-01-000 | EA | Latch - Hood |
| | R77006-38-499 | EA | Spring |
| | R77006-19-765 | EA | Cable Sheath |
| | 073533-01-000 | EA | Bracket - Latch Support |
| | 073337-01-000 | EA | Brace Latch - Hood |
| | 073341-01-000 | EA | Bracket - Hood Latch |
| | 058785-02-000 | EA | Bolt - Hood Adjusting - 5 16" - 1 1/4" |
| | 079007-01-000 | EA | Crossmember Asm - Latch - Hood |

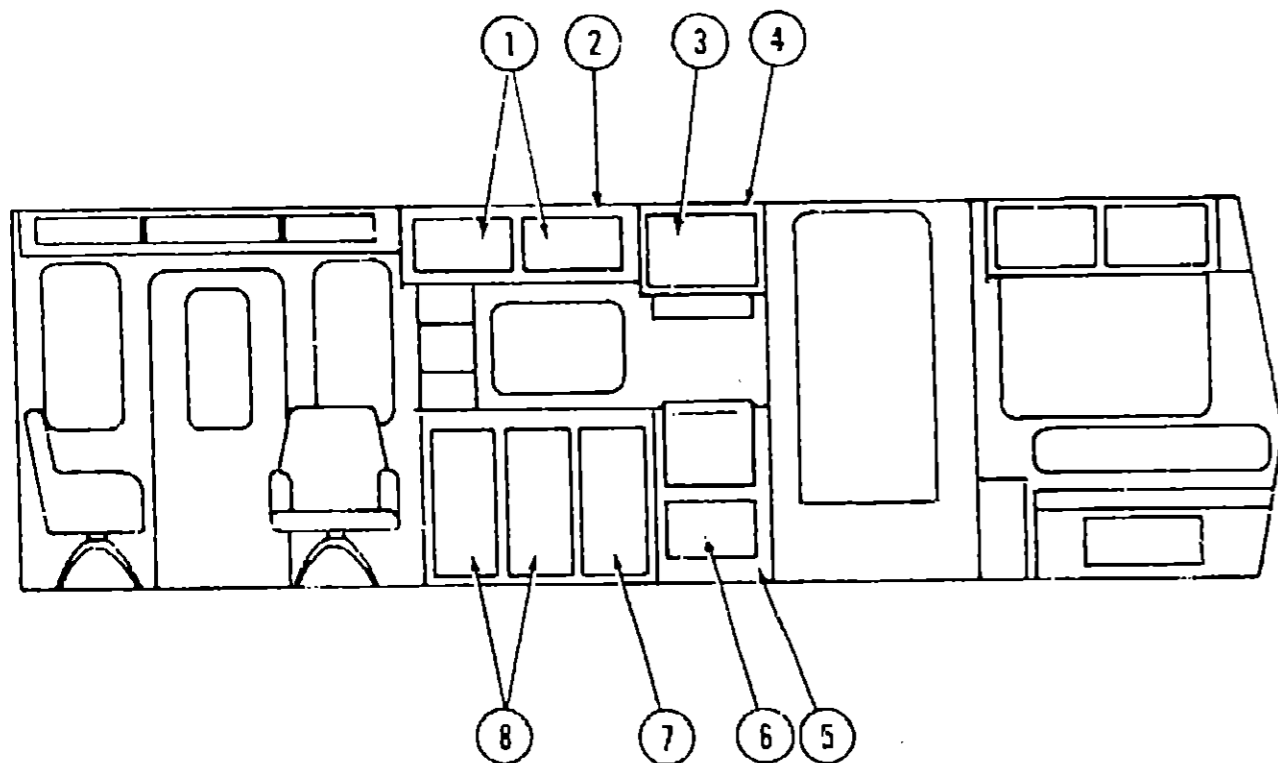
1986 WINNEBAGO
TABLE OF CONTENTS

| | |
|--------------------|-------------|
| INTRODUCTION | A-01 |
| ABBREVIATIONS | A-01 |
| ALPHABETICAL INDEX | A-02 - A-04 |
| WF426RU | A-05 - C-08 |
| WCN27RU | C-09 - E-16 |
| WCN31RT | E-17 - H-06 |
| WCN33RU | H-07 - J-20 |

1986 WCN27RU INDEX

| | |
|------------------------------------|-------------|
| Floor Plan | C-09 - C-10 |
| Accessories Group | C-11 - C-14 |
| Bath Group | C-15 |
| Chassis Group | C-16 - C-17 |
| Curtain, Cushion & Pad Group | C-16 - C-23 |
| Dinette Group | C-24 |
| Driver's Compartment Group | D-01 - D-03 |
| Electrical Group | D-04 - D-06 |
| Exterior Body Group | D-07 - D-12 |
| Galley Group | D-13 - D-15 |
| Heating & Air Conditioning Group | D-16 - D-17 |
| Interior Finish Group | D-18 - D-20 |
| LP Group | D-21 |
| Lounge Group | D-22 |
| Water & Sewage Group | D-23 - D-24 |
| Window, Vent & Exterior Door Group | E-01 - E-16 |

GALLEY GROUP



GALLEY CABINETRY

| Key | Part Number | U/M | Description |
|-----|---------------|-----|---|
| 1 | M81523-07-U04 | EA | Door Asm - Galley Overhead - w/o Hardware |
| 2 | 081777-01-U04 | EA | Cabinet Asm - Galley Overhead - w/o Doors or Hardware |
| 3 | M81523-01-U01 | EA | Door Asm - Galley Overhead - w/o Hardware |
| 4 | 081460-09-U04 | EA | Cabinet Asm - Galley Overhead - w/o Doors or Hardware |
| 5 | M81701-01-U04 | EA | Cabinet Asm - Galley - w/o Doors, Drawers or Countertop |
| ** | M81701-03-U04 | EA | Cabinet Asm - Galley - w/o Doors, Drawers or Countertop |
| * | M02431-01-U04 | EA | Countertop Asm - Galley Cabinet |
| ** | M82184-03-T03 | EA | Drawer Asm - Galley Cabinet - w/o Hardware |
| 6 | M81502-29-U04 | EA | Door Asm - Galley Cabinet - w/o Hardware |
| 7 | M81501-02-U01 | EA | Door Asm - Galley Cabinet - w/o Hardware |
| 8 | M81501-03-U01 | EA | Door Asm - Galley Cabinet - w/o Hardware |
| * | M81502-05-U04 | EA | Door Asm - Refrigerator Cabinet - Right - w/o Hardware |
| * | M81502-06-U04 | EA | Door Asm - Refrigerator Cabinet - Left - w/o Hardware |
| * | 045586-02-000 | EA | Wood Spindle - 1.75" x 24" |
| * | | | Not illustrated |
| ** | | | Used with microwave option |

GALLEY GROUP (CONTINUED)

GALLEY HARDWARE & APPLIANCES

| Key | Part Number | U/M | Description |
|-----|---------------|-----|--|
| | 079353-03-000 | EA | Hood - Range - Powered w/ Monitor - Almond - US |
| | 079353-03-700 | EA | Water Pump LP Switch |
| | 079353-03-701 | EA | Tanks - Circuit Board |
| | 079353-03-702 | EA | Control Panel Asm w/ Panel |
| | 079353-03-703 | EA | Vent - Hood |
| | 079353-04-000 | EA | Hood - Range - Powered w/ Monitor - Almond - USA |
| | 075470-04-000 | EA | Duct Extension - Hood Range |
| | 064782-02-000 | EA | Range w/ Small Oven - 4 Burner - Almond - Magic Chef |
| | 064782-02-700 | EA | Top - Main - 4 Burner - Almond |
| | 064782-02-701 | EA | Deflector Plate - Black |
| | 064782-02-702 | EA | Trim - Cabinet - Right - Black |
| | 064782-02-703 | EA | Trim - Cabinet - Left - Black |
| | 064782-02-704 | EA | Trim - Lower Outside Glass - Black |
| | 067782-02-705 | EA | Handle - Oven Door - Black |
| | 064782-02-706 | EA | Vertical Trim - Black |
| | 064782-02-707 | EA | Panel - Manifold |
| | 064782-02-708 | EA | Valve - Mercury |
| | 081374-01-000 | EA | Range Top - 4 Burner - Almond |
| | 064473-02-000 | EA | Refrigerator - AC DC Gas - Norcold - 6' - 776-EG3 |
| | 064473-02-700 | EA | Cooling Unit |
| | 064473-02-701 | EA | Frame - Door |
| | 064473-02-702 | EA | Breaker Strip - Left - Bronze |
| | 064473-02-703 | EA | Breaker Strip - Right - Bronze |
| | 064473-02-704 | EA | Breaker Strip - Top - Bronze |
| | 075217-01-090 | EA | Refrigerator - AC DC Gas - Norcold 8' - 638-EG3 |
| | 075217-01-700 | EA | Shell Asm - Door - w/ Trim |
| | 075217-01-701 | EA | Gasket - Freezer Door |
| | 075217-01-702 | EA | Frame Asm - Door |
| | 075217-01-703 | EA | Trim - Decor - Top & Bottom |
| | 075217-01-704 | EA | Gasket - Refrigerator Door |
| | 075217-01-706 | EA | Cabinet Asm - Urethane |
| | 075217-01-707 | EA | Bulb - Light - DC |
| | 075217-01-708 | EA | Socket - Lamp |
| | 075217-01-710 | EA | Eyebrow Asm |
| | 075217-01-711 | EA | Breaker Strip - Top |
| | 075217-01-713 | EA | Crisper Drawer |
| | 075217-01-714 | EA | Thermostat Asm |
| | 075217-01-715 | EA | Knob - Thermostat |
| | 075217-01-716 | EA | Front Divider Asm |
| | 075217-01-717 | EA | Switch - Humidity |
| | 075217-01-718 | EA | Light Switch |
| | 075217-01-719 | EA | Eyebrow Board |
| | 075217-01-720 | EA | Eyebrow |
| | 075217-01-721 | EA | Lamp - Indicator - Amber |
| | 075217-01-722 | EA | Lamp - Indicator - Green |
| | 075217-01-723 | EA | Lamp - Indicator - Red |
| | 075217-01-724 | EA | Lamp - Indicator - Blue |
| | 075217-01-725 | EA | Rocker Switch - #615258 |
| | 075217-01-726 | EA | Interface Board |
| | R77005-91-129 | EA | Relay - Glow Plug |
| | 075217-01-728 | EA | Cover - Interface Board |
| | 075217-01-729 | EA | Fitting - Outlet |
| | 075217-01-730 | EA | Valve - Gas |
| | 075217-01-731 | EA | Nipple |
| | 075217-01-732 | EA | Fitting - Inlet |
| | 075217-01-733 | EA | Shut-Off Cock |
| | 075217-01-734 | EA | Fuse - 3 Amp |
| | 075217-01-735 | EA | Ignitron Electrode |
| | 075217-01-736 | EA | Sensing Electrode |
| | 075217-01-737 | EA | Control Module |
| | 075217-01-738 | EA | Rocker Switch - #615259 |
| | 075217-01-739 | EA | Heater |

1986 WINNEBAGO TABLE OF CONTENTS

| | |
|--------------------|-----------|
| INTRODUCTION | A-01 |
| ABBREVIATIONS | A-01 |
| ALPHABETICAL INDEX | A-02 A-04 |
| WF426RU | A-05 C-08 |
| WCN27RU | C-09 E-16 |
| WCN31RT | E-17 H-06 |
| WCN33RU | H-07 J-20 |

1986 WCN27RU INDEX

| | |
|-----------------------------------|-------------|
| Floor Plan | C-09 - C-10 |
| Accessories Group | C-11 - C-14 |
| Bath Group | C-15 |
| Chassis Group | C-16 - C-17 |
| Curtain, Cushion & Pad Group | C-18 - C-23 |
| Dinette Group | C-24 |
| Driver's Compartment Group | D-01 - D-03 |
| Electrical Group | D-04 - D-06 |
| Exterior Body Group | D-07 - D-12 |
| Galley Group | D-13 - D-15 |
| Heating & Air Conditioning Group | D-16 - D-17 |
| Interior Finish Group | D-18 - D-20 |
| LP Group | D-21 |
| Lounge Group | D-22 |
| Water & Sewage Group | D-23 - D-24 |
| Window Vent & Exterior Door Group | E-01 - E-16 |

GALLEY GROUP (CONTINUED)

GALLEY HARDWARE & APPLIANCES (CONT.)

| Key | Part Number | U/M | Description |
|-----|---------------|-----|--|
| | 075217-01-740 | EA | Screw #6 - 32 x 2 3/8" |
| | 075217-01-741 | EA | Wing - Nut #6 - 32 |
| | 075217-01-742 | EA | Hex Nut |
| | 075217-01-743 | EA | Elbow - 90° |
| | 075217-01-744 | EA | Cable - Wiring |
| | 075217-01-745 | EA | Liner Asm. - Foamed - Door |
| | 075217-01-746 | EA | Baffle Asm |
| | 075217-01-747 | EA | Liner Asm - Foamed - Lower - Door |
| | 075218-01-000 | EA | Refrigerator - 3 Way - 10" Norcold |
| | 075218-01-700 | EA | Gasket - Freezer Door |
| | 075218-01-701 | EA | Gasket - Refrigerator Door |
| | 075218-01-702 | EA | Connector Rod |
| | 075218-01-703 | EA | Frame Asm |
| | 075218-01-704 | EA | Cabinet - Urethane |
| | 075218-01-705 | EA | Breaker Strip - Bottom |
| | 075218-01-707 | EA | Divider - Front |
| | 075218-01-708 | EA | Cable - Wiring |
| | 075218-01-709 | EA | Door Liner Asm. - Foamed |
| | 075218-01-710 | EA | Door Liner Asm. - Foamed - Lower |
| | 054450-01-000 | EA | Level - Refrigerator |
| | 065225-01-000 | EA | Tiedown Plate - Refrigerator |
| | 061379-01-000 | EA | Microwave Oven - Convection Oven - Sharp |
| | 081459-03-000 | EA | Bracket Asm. - Microwave - Right |
| | 081459-04-000 | EA | Bracket Asm. - Microwave - Left |
| | 081456-01-000 | EA | Angle Asm. - Microwave - Right |
| | 081456-02-000 | EA | Angle Asm. - Microwave - Left |
| | 081555-01-T03 | EA | Trim Ring - Microwave |
| | 082876-01-000 | EA | Baffle - Microwave |
| | 023111-01-000 | EA | Blender - Built In |
| | 068615-01-000 | EA | Sink - Stainless Steel - Double w. Bolts |
| | 011053-01-000 | EA | Faucet - Swing Spout - 8" - US |
| | 011053-01-700 | EA | Aerator - Swing Spout Faucet |
| | 066437-01-000 | EA | Strainer w. Basket - Sink |
| | 081530-01-UG1 | EA | Sink Cover - Large - Almond Loom |
| | 009049-01-000 | EA | Support - Drop Leaf Table |
| | 009059-01-000 | EA | Hinge - 2" - Gold - Drop Leaf Table |
| | 074490-01-000 | EA | Spice Rack - Oak |
| | 074491-01-000 | EA | Magazine Rack - Oak |
| | 074981-01-000 | EA | Cutting Board - Maple |
| | 058334-01-000 | EA | Wastebasket - 9 3/4" x 7" x 10" - White |
| | 059877-01-000 | EA | Support - Wastebasket - Metal - Galley Mount |
| | 059841-01-T03 | EA | Cover - Wastebasket |
| | 047744-01-000 | EA | Kit - Drawer Guide - Plastic |
| | 077409-01-000 | EA | Slider - Drawer - 20 7/8" - Plastic |
| | 077404-01-000 | EA | Drawer - 20" x 12 7/8" - Plastic |
| | 073306-01-000 | EA | Slide - Drawer - Full Extension - 18" - Left |
| | 073306-02-000 | EA | Slide - Drawer - Full Extension - 18" - Right |
| | 073306-03-000 | EA | Slide - Cabinet - Full Extension - 18" - Left |
| | 073306-04-000 | EA | Slide - Cabinet - Full Extension - 18" - Right |
| | 060435-01-000 | EA | Nut Strainer |
| | 011083-01-000 | EA | Plug - 1 1/4" x 5" - w Stopper |
| | 081520-01-U04 | EA | Pantry Asm. - Pullout |
| | 082129-01-000 | EA | Slide Asm. - Pantry - w Bracket |
| | 082129-02-000 | EA | Slide Asm. - Pantry - w Bracket - Opp |
| | 076097-01-000 | EA | Bracket - Catch - Pantry |
| | 076099-01-000 | EA | Slide Bracket - Pantry |
| | 075451-01-000 | EA | Storage Rack - Canned Goods |
| | 075451-02-000 | EA | Storage Rack Clip - White |

HEATING & AIR CONDITIONING GROUP

FURNACE & ROOF AIR CONDITIONER

| Key | Part Number | U/M | Description |
|-----|---------------|-----|--|
| | 075696-01-000 | EA | Furnace - 34,000 BTU - w Direct Ignition - NT-34S |
| | 075695-01-000 | EA | Furnace - 24,000 BTU - w Direct Ignition - NT-24S |
| | 074465-01-701 | EA | Electrode Asm. - #230782 |
| | 074466-01-702 | EA | Relay - Time Delay |
| | 074466-01-703 | EA | Blower Wheel - Room Air - Clockwise |
| | 074466-01-704 | EA | Microswitch & Paddle Asm |
| | 074466-01-705 | EA | Motor |
| | 074466-01-706 | EA | Wheel - Combustion |
| | 074466-01-707 | EA | Blower Wheel - Room Air - Counter Clockwise |
| | 074466-01-708 | EA | Bushing - Blower |
| | 074466-01-709 | EA | Gasket - Combustion Air Crossover |
| | 074466-01-710 | EA | Gasket - Blower Motor - 2 1/8" Dia |
| | 074466-01-711 | EA | Bushing - Motor Mounting |
| | 074466-01-712 | EA | Gasket - Combustion Air Housing |
| | 074466-01-713 | EA | Thermostat |
| | 074466-01-714 | EA | Vent - Tube Asm |
| | 074466-01-715 | EA | Valve - Fenwell |
| | 074466-01-716 | EA | Electrode Asm. - #230632 |
| | 074466-01-717 | EA | Wail - Thermostat |
| | 074466-01-718 | EA | Valve - 12 Volt L.P. Gas Only |
| | 074466-01-719 | EA | Cabinet Asm |
| | 074466-01-720 | EA | Pipe - Gas Inlet |
| | 069636-02-000 | EA | Connector - 4" Duct |
| | 009198-01-000 | EA | Duct - Flexible - 4" ID x 25' |
| | 056464-01-000 | EA | Register - 4" Dia - Plastic - w Damper |
| | 056464-02-000 | EA | Register - 4" Dia - Plastic - w/o Damper |
| | 009200-01-000 | EA | Tape - Furnace - 1 1/2" |
| | 023146-01-000 | EA | Clamp - Screw Type - 4" |
| | 073743-01-000 | EA | Shroud Asm. - Ceiling - Inside - Roof Air 13,500 BTU - Cool Only |
| | 073744-01-000 | EA | Shroud Asm. - Ceiling - Inside - Roof Air 13,500 BTU - Heat & Cool |
| | 073742-01-000 | EA | Air Conditioner - 110 Volt - Roof Mount - 13,500 BTU Rotary |
| | 073742-01-700 | EA | Decal Package - Left & Right (Exterior) |
| | 073742-01-701 | EA | Selector Switch (5 Terminal) |
| | 073742-01-702 | EA | Decal - Cool Only |
| | 073742-01-703 | EA | Decal - Heat & Cool |
| | 073742-01-704 | EA | Decal - Thermostat - TSP |

1986 WINNEBAGO TABLE OF CONTENTS

| | |
|--------------------|-------------|
| INTRODUCTION | A-01 |
| ABBREVIATIONS | A-01 |
| ALPHABETICAL INDEX | A-02 - A-04 |
| WF426RU | A-05 - C-06 |
| WCN27RU | C-09 - E-16 |
| WCN31RT | E-17 - H-06 |
| WCN33RU | H-07 - J-20 |

1986 WCN27RU INDEX

| | |
|------------------------------------|-------------|
| Floor Plan | C-09 - C-10 |
| Accessories Group | C-11 - C-14 |
| Bath Group | C-15 |
| Chassis Group | C-16 - C-17 |
| Curtain, Cushion & Pad Group | C-18 - C-23 |
| Dinette Group | C-24 |
| Driver's Compartment Group | D-01 - D-03 |
| Electrical Group | D-04 - D-06 |
| Exterior Body Group | D-07 - D-12 |
| Galley Group | D-13 - D-15 |
| Heating & Air Conditioning Group | D-16 - D-17 |
| Interior Finish Group | D-18 - D-20 |
| LP Group | D-21 |
| Lounge Group | D-22 |
| Water & Sewage Group | D-23 - D-24 |
| Window, Vent & Exterior Door Group | E-01 - E-16 |

HEATING & AIR CONDITIONING GROUP (CONTINUED)

AUTOMOTIVE HEATER & AIR CONDITIONER

| Key | Part Number | U/M | Description |
|-----|---------------|-----|---|
| | 072341-07-000 | EA | Heater Evaporator - w/o Duct Control |
| | 072341-04-000 | EA | Heater Evaporator Asm |
| | 072341-04-700 | EA | Vacuum Motor - Front |
| | 072341-04-701 | EA | Vacuum Motor - Rear |
| | 072341-04-702 | EA | Relay |
| | 072341-04-703 | FA | Evaporator Coil |
| | 072341-04-704 | EA | Liquid Hose - #6 |
| | 072341-04-705 | EA | Suction Hose - #10 |
| | 072341-04-706 | EA | Blower Motor |
| | 072341-04-707 | EA | Blower Wheel |
| | 072341-08-000 | EA | Duct & Control Kit |
| | 072342-03-000 | EA | Condenser Asm |
| | 072342-02-700 | EA | Receiver Drier - Condenser Asm |
| | 072343-04-000 | EA | Compressor Clutch |
| | 072344-01-000 | EA | Package - Compressor Mount |
| | 074026-01-000 | EA | Package - Compressor Mount - 6 2 L Diesel |
| | 039044-01-000 | EA | Louver Asm - A/C Adjustable |
| | 007075-01-700 | FT | Hose - Flexible PVC - 2" I.D. |
| | 007281-01-700 | FT | Hose - Flexible PVC - 2 1/2" I.D. |
| | 007108-01-000 | FT | Hose - Heater - 5 8" i.D. SAE 20R3 |
| | 062401-04-000 | EA | Clamp - Worm Drive - 59" - 1 25" I.D. |
| | 010227-01-000 | EA | Tee - Plastic - Barb 5 8" or 3 4" Hose |
| | 072341-03-000 | EA | Core - Evaporator |

AUXILIARY HEATER ASSEMBLY

| Key | Part Number | U/M | Description |
|-----|---------------|-----|---|
| | 049401-01-000 | EA | Heater Asm - Rear - Auxiliary |
| | 049401-01-700 | EA | Valve - Heater Control |
| | 049401-01-701 | EA | Control Cable |
| | 049401-01-702 | EA | Motor Asm |
| | 049401-01-703 | EA | Heater Core |
| | 049401-01-704 | EA | Switch |
| | 058905-01-000 | EA | Control Panel - Brown |
| | 058893-01-000 | EA | Bracket - Side Mount - Motor Aid |
| | 076312-01-000 | EA | Mesh - Grille - 7 3/8" x 6 7/8" - Gold Aluminum |

INTERIOR FINISH GROUP

INTERIOR MOLDING & TRIM

| Key | Part Number | U/M | Description |
|-----|---------------|-----|---|
| | 009812-15-000 | EA | Molding - Plastic - Outside Corner - 1 1/2" |
| | 042357-09-000 | FT | Molding - Radius Corner - 7" Elm |
| | 022992-01-000 | FT | Molding - Reverse Cove - White |
| | 022992-09-000 | FT | Molding - Reverse Cove - Grady Brown |
| | 069733-37-000 | EA | Batt Strip - Sunset Oak - 8" (Lounge) |
| | 069733-42-000 | EA | Batt Strip - Scrimshaw Sand - 8" (Wall) |
| | 069733-57-000 | EA | Batt Strip - Encore - 8" (Bedroom) |
| | 069733-62-000 | EA | Batt Strip - Pebble Beach - 8" (Ceiling) |
| | 069733-61-000 | EA | Batt Strip - Threads - 8" (Galley) |
| | 070504-01-000 | FT | U-Channel - .065" - Light Brown |
| | 070504-02-000 | FT | U-Channel - .815" - Light Brown |
| | 070504-03-000 | FT | U-Channel - .815" - Grady Brown |
| | 009778-04-000 | FT | U-Channel - 1" - Grady Brown |
| | 009815-03-000 | FT | T-Molding - .75" - Light Brown |
| | 009815-04-000 | FT | T-Molding - .75" - Grady Brown |
| | 075249-01-000 | EA | Rail Asm - Plain - 72" |
| | 075250-01-000 | EA | Corner Post - 1" x 1" x 2 1/2" - Oak |
| | 078026-21-T03 | EA | Trim - Valance - 82" |
| | 002774-02-001 | EA | Trim - Carpet - 192" |
| | 009767-06-000 | FT | Wetling - Beige |
| | 009767-07-000 | FT | Wetling - Grady Brown |
| | 074045-01-000 | EA | Plug - 1 2" Dia - Oak |
| | 041746-01-000 | FT | Vinyl - Extr - Bubble Seal |

CABINERY & TABLE HARDWARE

| Key | Part Number | U/M | Description |
|-----|---------------|-----|--|
| | 053200-05-000 | EA | Bracket - Upper Wall Mount - 23 5/8" - Beige |
| | 024281-07-000 | EA | Bracket - Lower Wall Mount - 22 1/2" - Beige |
| | 024276-14-000 | EA | Leg Asm - Table - 26 5/8" - Brown |
| | 064050-01-000 | EA | Hinge - Table Leg |
| ** | 024282-01-000 | EA | Brace - Table Leg |
| | 049493-02-000 | EA | Catch - Table Leg - Mounts on Floor - Brown |
| | 009112-01-000 | EA | Flange - 1" - Chrome - Closet Rod |
| | 077409-01-000 | EA | Slide - Drawer - Plastic - 20 7/8" |
| | 009049-01-000 | EA | Table Support - Drop Leaf |
| | 009059-01-000 | EA | Hinge - 2" - Drop Leaf Table - Gold |
| | 076312-01-000 | EA | Mesh - Grille - 13 80" x 8 80" - Gold Aluminum |
| | 009021-01-000 | EA | Catch - Nylon - Furnace Door |
| | 009021-02-000 | EA | Strike - Nylon Catch - Furnace Door |
| | 074493-02-000 | EA | Support - Spring - Door |
| | 066433-01-000 | EA | Hook - Cup - Bright |
| | 058034-02-000 | EA | Latch - Door w/o Lock - Sliding Door |
| | 075680-01-000 | EA | Clothes Rod - Adjustable - 27" x 36" |
| | 064467-01-000 | EA | Guide - Wall Mount - Door Pocket |
| | 078212-01-000 | EA | Pull - Brass w/ Dark Oak - Cabinet |
| | 045586-02-000 | EA | Spindle - Wood - 1 7/8" x 24" - Plain |
| | 059777-01-000 | EA | Hinge - Brass |
| | 009016-01-000 | EA | Catch - Elbow - Spring Loaded |
| | 077461-01-000 | EA | Cover - Strike |

** The illustrated parts break down for this item is provided on the Common Items Fiche

MISCELLANEOUS PARTS

| Key | Part Number | U/M | Description |
|-----|---------------|-----|--|
| | 053552-02-T03 | EA | Handle Asm - Interior Assist - Medium Almond Vinyl |
| | 041944-03-000 | EA | Fire Extinguisher - w/ Bracket |
| | 054185-24-000 | EA | Owner's Manual - 1986 Itasca & Winnebago |
| | 007038-01-000 | EA | Door Mat - 10 1/2" x 26" - Black Rubber |
| | 075907-02-000 | EA | Picture - Decor - Assorted Grasses |

1986 WINNEBAGO TABLE OF CONTENTS

| | |
|--------------------|-------------|
| INTRODUCTION | A-01 |
| ABBREVIATIONS | A-01 |
| ALPHABETICAL INDEX | A-02 - A-04 |
| WF426RU | A-05 - C-08 |
| WCN27RU | C-09 - E-16 |
| WCN31RT | E-17 - H-06 |
| WCN33RU | H-07 - J-20 |

1986 WCN27RU INDEX

| | |
|------------------------------------|-------------|
| Floor Plan | C-09 - C-10 |
| Accessories Group | C-11 - C-14 |
| Bath Group | C-15 |
| Chassis Group | C-16 - C-17 |
| Curtain Cushion & Pad Group | C-18 - C-23 |
| Dinette Group | C-24 |
| Driver's Compartment Group | D-01 - D-03 |
| Electrical Group | D-04 - D-06 |
| Exterior Body Group | D-07 - D-12 |
| Galley Group | D-13 - D-15 |
| Heating & Air Conditioning Group | D-16 - D-17 |
| Interior Finish Group | D-18 - D-20 |
| L.P. Group | D-21 |
| Lounge Group | D-22 |
| Water & Sewage Group | D-23 - D-24 |
| Window, Vent & Exterior Door Group | E-01 - E-16 |

INTERIOR FINISH GROUP (CONTINUED)

CURTAIN & CUSHION HARDWARE

| Key | Part Number | U/M | Description |
|-----|---------------|-----|--|
| | 082139-01-000 | EA | Bracket - Hold Down - Blinds |
| | 056003-02-000 | EA | Bracket - Drapery Retainer - Left |
| | 056003-01-000 | EA | Bracket - Drapery Retainer - Right |
| | 056001-01-000 | EA | Bracket - Shade - Left |
| | 056002-01-000 | EA | Bracket - Shade - Right |
| | 076827-01-000 | EA | Bracket - Curtain - Woven Wood - Right |
| | 076827-02-000 | EA | Bracket - Curtain - Woven Wood - Left |
| | 079798-03-000 | EA | Bracket Asm - Curtain Rod - Right |
| | 079798-04-000 | EA | Bracket Asm - Curtain Rod - Left |
| | 082249-01-000 | EA | Bracket - Blinds - Beige - Right |
| | 082249-02-000 | EA | Bracket - Blinds - Beige - Left |
| | 079519-01-000 | EA | Bracket - Tie Back |
| | 009107-01-000 | EA | Guide - Nylon Snap - Curtain |
| | 056784-01-000 | EA | Pull - Window Shade - Antique Brass |
| | 056115-01-000 | YD | Tape - Clear Plastic - w Guide |
| | 048394-01-000 | YD | Tape - Hook - 1" x 25 YD - Beige |
| | 029096-05-000 | YD | Tape Hook - 50" - Velcro - Beige |
| | 048395-01-000 | YD | Tape Loop - 1" x 25 YD - Beige |
| | 029090-01-000 | FT | Tie - Drapery - Clear Vinyl |
| | 056116-01-000 | FT | Track - Curtain - Brown Plastic |
| | 079446-01-000 | EA | Track - Curtain - Wraparound - Right |
| | 079446-02-000 | EA | Track - Curtain - Wraparound - Left |

PANELING & COUNTERTOP MATERIAL

| Key | Part Number | U/M | Description |
|-----|---------------|-----|---|
| | 074497-03-000 | SF | Paneling - Decor - Sunset Oak - 48" x 84" (28 SF) (Cabinets & Wall) |
| | 074497-04-000 | SF | Paneling - Decor - Scrimshaw Sand - 48" x 84" (Wall) |
| | 074496-31-000 | SF | Paneling - Decor - Encore - 48" x 84" (28 SF) (Bedroom & Bath) |
| | 074496-36-000 | SF | Paneling - Decor - Paw Paw - Plum - 48" x 84" (28 SF) (Galley) (U01, U02) |
| | 074496-39-000 | SF | Paneling - Decor - Paw Paw - Pine - 48" x 84" (28 SF) (Galley) (U03) |
| | 074497-07-000 | SF | Paneling - Pebble Beach - 48" x 96" (32 SF) (Coiling) |
| | 074498-05-000 | SF | Plastic Laminate - Sunset Oak - 48" x 96" (32 SF) (Nightstand) |
| | 074498-05-019 | EA | Plastic Laminate - Sunset Oak - 1 19" x 96" |
| | 076325-04-000 | FT | Molding - Edge Band - Sunset Oak - 1 5 16" x .030" |
| | 074498-08-000 | SF | Plastic Laminate - Fawn - 48" x 96" (32 SF) (Dinette Table) (U01, U02) |
| | 074498-08-019 | EA | Plastic Laminate - Fawn - 1 19" x 96" |
| | 076325-08-000 | FT | Molding - Edge Band - Fawn - 1 5 16" x .030" |
| | 074498-14-000 | SF | Plastic Laminate - Sage Green - 48" x 96" (32 SF) (Dinette Table) (U03) |
| | 074496-14-019 | EA | Plastic Laminate - Sage Green - 1 19" x 96" |
| | 076325-10-000 | FT | Molding - Edge Band - Sage Green - 1 5 16" x .030" |
| | 074496-06-000 | SF | Plastic Laminate - Beige Crescent - 48" x 96" (32 SF) (Galley) |
| | 074496-06-019 | EA | Plastic Laminate - Beige Crescent - 1 19" x 96" |

INTERIOR FINISH GROUP (CONTINUED)

FABRICS & CARPET

| Key | Part Number | U/M | Description |
|-----|---------------|-----|---|
| | 072333-25-000 | YD | Fabric - Drapery - Toast (U01) |
| | 072333-26-000 | YD | Fabric - Drapery - Mauve (U02) |
| | 072333-27-000 | YD | Fabric - Drapery - Teal (U03) |
| | 077496-62-000 | YD | Fabric w Pattern - Main - Truffle (U01) |
| | 077496-63-000 | YD | Fabric w Pattern - Main - Rosewood (U02) |
| | 077498-64-000 | YD | Fabric w Pattern - Main - Spruce (U03) |
| | 077498-75-000 | YD | Fabric w Pattern - Accent - Primrose (U02) |
| | 077496-74-000 | YD | Fabric w Pattern - Accent - Sagebrush (U03) |
| | 077496-73-000 | YD | Fabric - Upholstery Accent - Plain - Truffle (U01, U03) |
| | 077496-72-000 | YD | Fabric - Upholstery Accent - Plain - Rosewood (U02) |
| | 069729-43-000 | YD | Fabric - Bedspread Drapery - Encore |
| | 072333-21-000 | YD | Fabric - Bedspread Drapery - Parchment |
| | 038421-01-000 | YD | Fabric - Mattress Ticking |
| | 029012-01-000 | BF | Foam - Rolled - 3 8" |
| | 079680-01-000 | YD | Vinyl - Expanded - 26 oz - Buckskin |
| | 079680-02-000 | YD | Vinyl - Expanded - 26 oz - Dark Sandrift |
| | 072860-43-000 | YD | Carpet - Beige (U01) |
| | 072860-44-000 | YD | Carpet - Red Brown (U02) |
| | 072860-45-000 | YD | Carpet - Green Blue (U03) |

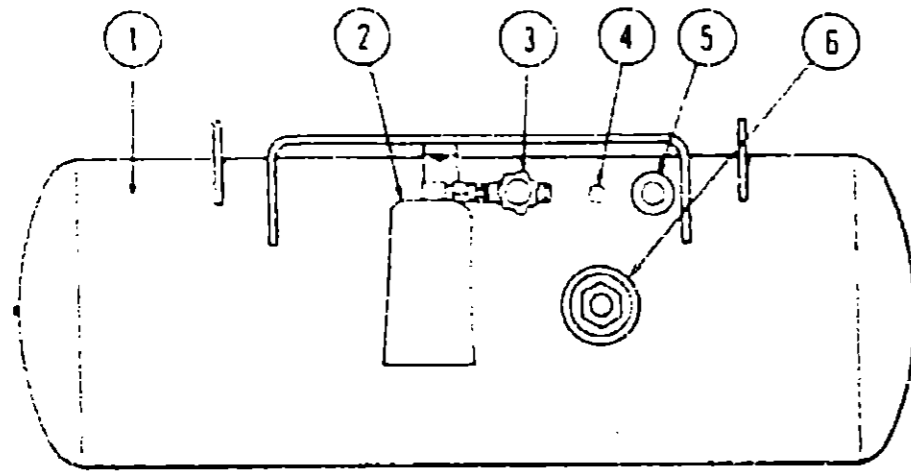
**1986 WINNEBAGO
TABLE OF CONTENTS**

| | |
|--------------------|-------------|
| INTRODUCTION | A-01 |
| ABBREVIATIONS | A-01 |
| ALPHABETICAL INDEX | A-02 - A-04 |
| WF426RU | A-05 - C-08 |
| WCN27RU | C-09 - E-16 |
| WCN31RT | E-17 - H-06 |
| WCN33RU | H-07 - J-20 |

1986 WCN27RU INDEX

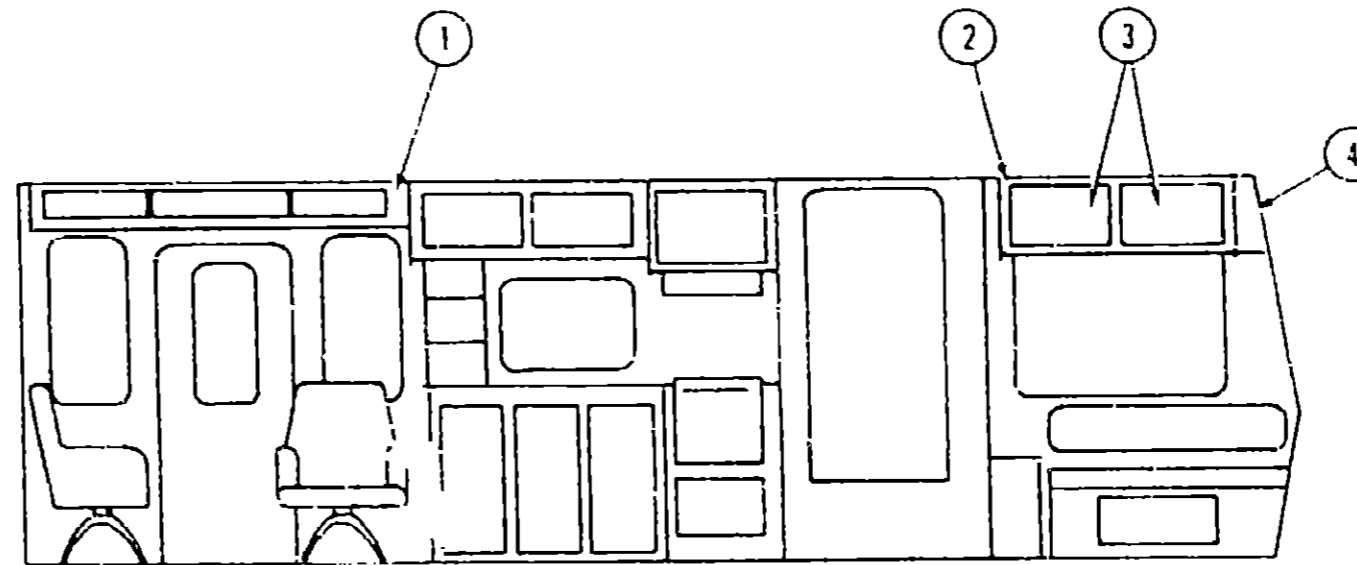
| | |
|------------------------------------|-------------|
| Floor Plan | C-09 - C-10 |
| Accessories Group | C-11 - C-14 |
| Bath Group | C-15 |
| Chassis Group | C-16 - C-17 |
| Curtain, Cushion & Pad Group | C-18 - C-23 |
| Dinette Group | C-24 |
| Driver's Compartment Group | D-01 - D-03 |
| Electrical Group | D-04 - D-06 |
| Exterior Body Group | D-07 - D-12 |
| Galley Group | D-13 - D-15 |
| Heating & Air Conditioning Group | D-16 - D-17 |
| Interior Finish Group | D-18 - D-20 |
| LP Group | D-21 |
| Lounge Group | D-22 |
| Water & Sewage Group | D-23 - D-24 |
| Window, Vent & Exterior Door Group | E-01 - E-16 |

LP GROUP



| Key | Part Number | U/M | Description |
|-----|---------------|-----|---|
| 1 | 074142-01-000 | EA | Tank Asm - LP - Frame Mount - 60 Pound - 13" x 44" |
| 1 | 080450-01-000 | EA | Tank Asm - LP - 42 Pound - 13" x 24" |
| * | 065741-01-000 | EA | Detector - LP Gas Leak - Marshalltown Instruments |
| 2 | 076277-01-000 | EA | Cover - LP Regulator - Front (Dust) |
| * | 076278-01-000 | EA | Cover - LP Regulator - Back (Dial) |
| * | 076301-01-000 | EA | Regulator - Two Stage - US (Dual) |
| * | 076301-02-000 | EA | Regulator - Two Stage - CSA (Dual) |
| 3 | 040421-01-703 | EA | Valve - Vapor Relief |
| 4 | 040421-01-700 | EA | Gauge - Liquid Level - 20" - LP |
| 5 | 040421-01-701 | EA | Valve - Filter - LP |
| * | 040421-01-702 | EA | Cap - Plastic Fill Valve |
| 6 | 040421-01-707 | EA | Gauge - Float - w. Visible Dial |
| * | 040421-01-706 | EA | Dial - Visible Face - Float Gauge (Tank w/o Electric Transmitter) |
| * | 040440-01-000 | EA | Dial - Transmitter - 0 - 90 Ohm (Float Gauge) |
| * | 045703-01-000 | EA | Hose Asm - LP - 3/8" I.D. x 24" - US |
| * | 045703-02-000 | EA | Hose Asm - LP - 3/8" I.D. x 24" - CSA |
| * | 045703-03-000 | EA | Hose Asm - LP - 3/32" I.D. x 18" - US |
| * | 045703-04-000 | EA | Hose Asm - LP - 3/8" I.D. x 18" - CSA |
| * | 065742-01-000 | EA | Tee - 3/8 F x 3/8 F x 25 FPT |
| * | | | Not illustrated |

LOUNGE GROUP



LOUNGE OVERHEAD CABINETRY

| Key | Part Number | U/M | Description |
|-----|---------------|-----|--|
| 1 | 082059-01-U04 | EA | Cabinet Asm - Overhead |
| 2 | M81313-01-U04 | EA | Cabinet Asm - Rear Overhead - Right Sidewall - w/o Doors or Hardware |
| 3 | M81503-04-T03 | EA | Door Asm - Rear Overhead Cabinets - w/o Hardware |
| 4 | M81308-01-U04 | EA | Cabinet Asm - Rear Overhead - Backwall - w/o Doors or Hardware |
| * | M81307-01-U04 | EA | Cabinet Asm - Rear Overhead - Left Sidewall - w/o Doors or Hardware |
| * | | | Not illustrated |

SWIVEL CHAIR HARDWARE

| Key | Part Number | U/M | Description |
|-----|---------------|-----|--------------------------------------|
| | 035036-01-000 | EA | Plate - Tilt & Swivel - Swivel Chair |
| | 035036-05-000 | EA | Extension - 7" - Swivel Chair |
| | 035036-04-000 | EA | Base w/ Legs - Swivel Chair |

DOUBLE BED W/NIGHT STAND

| Key | Part Number | U/M | Description |
|-----|---------------|-----|---|
| | 081312-01-U04 | EA | Cabinet Asm - Nightstand - w/o Countertop |
| | M02151-01-U04 | EA | Countertop Asm - Nightstand Cabinet |
| | M81501-14-U04 | EA | Door Asm - Double Bed Base - w/o Hardware |

1986 WINNEBAGO TABLE OF CONTENTS

| | |
|--------------------|-------------|
| INTRODUCTION | A-01 |
| ABBREVIATIONS | A-01 |
| ALPHABETICAL INDEX | A-02 - A-04 |
| WF426RU | A-05 - C-08 |
| WCN27RU | C-09 - E-16 |
| WCN31RT | E-17 - H-06 |
| WCN33RU | H-07 - J-20 |

1986 WCN27RU INDEX

| | |
|------------------------------------|-------------|
| Floor Plan | C-09 - C-10 |
| Accessories Group | C-11 - C-14 |
| Bath Group | C-15 |
| Chassis Group | C-16 - C-17 |
| Curtain, Cushion & Pad Group | C-18 - C-23 |
| Dinette Group | C-24 |
| Driver's Compartment Group | D-01 - D-03 |
| Electrical Group | D-04 - D-06 |
| Exterior Body Group | D-07 - D-12 |
| Galley Group | D-13 - D-15 |
| Heating & Air Conditioning Group | D-16 - D-17 |
| Interior Finish Group | D-18 - D-20 |
| LP Group | D-21 |
| Lounge Group | D-22 |
| Water & Sewage Group | D-23 - D-24 |
| Window, Vent & Exterior Door Group | E-01 - E-16 |

WATER & SEWAGE GROUP

PLUMBING & REPAIR PARTS

| Key | Part Number | U/M | Description |
|-----|---|-----|--|
| | 033992-02-000 | EA | Adapter Asm - SWVC Strain - 1 1/2" |
| | 010326-01-000 | EA | Adapter - Flare - w Cone Gasket |
| | 062422-01-000 | EA | Adapter - Hose Offset - Reducer - 3" x 1 1/2" |
| | 052954-01-000 | EA | Adapter - Hose Core - 3/8 or 1/2 - Plastic |
| | 010274-01-000 | EA | Adapter - Plastic - 3/8 MPT x 3/8 Barb |
| | 044977-01-000 | EA | Adapter - Plastic - 1 1/4" MPT x 1 1/4 Barb |
| | 031692-02-000 | EA | Adapter - Plastic - 1 1/2 H x FPT |
| | 011048-04-000 | EA | Breaker - Vacuum - 1/8 MPT - Nylon |
| ** | 010121-01-000 | EA | Bushing - Plastic - 1 1/2 S x 1 1/4 H |
| | 010122-01-000 | EA | Bushing - Plastic - 1 1/2 S x 1 1/4 T |
| | 010123-01-000 | EA | Bushing - Plastic - 2S x 1 1/2 H |
| | 036522-02-000 | EA | Cap - Brass - 1/2 Flare |
| | 075730-01-000 | EA | Cap - Sewer - 3" |
| | 052959-02-000 | EA | Connector - 1/2 F x 1/2 MPT - Plastic |
| | 052959-03-000 | EA | Connector - 1/2 F x 3/8 MPT - Plastic |
| | 011091-02-000 | EA | Continuous Waste - Double Sink - 11 7/8" - US |
| | 053874-01-000 | EA | Continuous Waste Asm - Double Sink - CSA |
| | 078496-01-000 | EA | Coupler Rubber - 3" x 2" |
| | 052960-01-000 | EA | Drain Valve - 1/2 F x 1/2 F - Plastic |
| | 010000-01-000 | EA | Elbow - Plastic - 1/8 BD x 1 1/4 x 45° H x H |
| | 010075-01-000 | EA | Elbow - Plastic - 1/16 BD x 1 1/2 |
| | 010066-01-000 | EA | Elbow - Plastic - 1/8 BD x 1 1/2 x 45° H x H |
| | 010008-01-000 | EA | Elbow - Plastic - 1/4 BD x 1 1/2 x 90° Left |
| | 010051-01-000 | EA | Elbow - ST - Plastic - 1/8 BD x 1 1/2 x 45° |
| | 010219-01-000 | EA | Elbow - 1 1/4 Barb x 1 1/4 MPT x 90° |
| | 031111-01-000 | EA | Elbow - Plastic - 1/4 BD x 1 1/4 x 90° Left |
| | 034250-01-000 | EA | Elbow - Plastic - 1/4 BD x 1 1/2 x 90° x H x H |
| | 025539-01-000 | EA | Elbow - Plastic - 3/8 MPT x 3/8 Barb |
| | 052957-01-000 | EA | Elbow - Plastic - 1/2 F x 3/8 MPT |
| | 052957-02-000 | EA | Elbow - Plastic - 1/2 F x 1/2 MPT (In Tank Filter) |
| | 065120-01-000 | EA | Elbow - Plastic - Swivel - 50° |
| | 070924-01-000 | EA | Elbow - Plastic - Swivel - 1/2 MPT x 1/2 FP |
| | 077954-01-000 | EA | Filter Screen - In Water Tank |
| | 010147-01-000 | EA | Flange - Closet - 4" F x 3" FPT - US |
| | 010147-02-000 | EA | Flange - Closet - 4" F x 3" FPT - CSA |
| | 079361-01-000 | FT | Flexible Tubing - 1 1/4 I.D. x 10' |
| | 061607-01-000 | EA | Grommet - Holding Tank Coupler - 1 1/2" |
| | 061607-02-000 | EA | Grommet - Holding Tank Coupler - 3" |
| | 052951-01-000 | EA | Header - 1/2 F x 1/2 F x 1/2 F x 1/2 F |
| | 052953-01-000 | EA | Nut - Faucet - 1/2 Tube x 1/2 FPT |
| | 052957-01-000 | EA | Nut - 1/2 F - Plastic |
| ** | 011066-03-000 | EA | P-Trap - 1 1/4" Plastic - US |
| ** | 011066-02-000 | EA | P-Trap - 1 1/4" Plastic - CSA |
| | 053335-01-000 | EA | P-Trap - Plastic - 1 1/4 H x H - w Union - CSA |
| | 010197-01-000 | EA | Pipe - Plastic - 3" x 240" - Black |
| | 045729-01-000 | EA | Pump - Water - 2 1/2 G.P.M. - Direct Drive - Shurflo - US |
| | 045729-02-000 | EA | Pump - Water - 2 1/2 G.P.M. - Direct Drive - Shurflo - CSA |
| ** | 010201-01-000 | EA | Sewer Hose - 3" x 8' w Clamp |
| | 042989-02-000 | EA | Spinweld Fittings - Plastic - 1/2 FPT (In Tank Filter) |
| | 042989-03-000 | EA | Spinweld Fittings - Plastic - 1/2 NPT |
| | 042989-04-000 | EA | Spinweld Fittings - Plastic - 3/8 FPT |
| | 011069-02-000 | EA | Telpiece - 1 1/2" x 1 1/4" x 4" - Brass |
| ** | The illustrated parts breakdown for this item is provided on the Common Items Fiche | | |

WATER & SEWAGE GROUP (CONTINUED)

PLUMBING & REPAIR PARTS (CONT.)

| Key | Part Number | U/M | Description |
|-----|--|-----|---|
| | 010071-01-000 | EA | Tee - Plastic - 1 1/2 x H x H x H |
| | 010072-01-000 | EA | Tee - Plastic - 1 1/2 H x 1 1/4 H x 1 1/2 H |
| ** | 010079-01-000 | EA | Tee - Plastic - 1 1/2 H x 1 1/2 H x 1 1/4 H |
| | 052955-01-000 | EA | Tee - Plastic - 1/2 F x 1/2 F x 1/2 MPT |
| | 052955-01-000 | EA | Tee - Plastic - 1/2 F x 1/2 MPT x 1/2 F |
| | 052958-01-000 | EA | Tee - Plastic - 1/2 F x 1/2 F x 1/2 F |
| | 039600-01-000 | FT | Tubing - Polybutyl - 1/2 O.D. (Water Line) |
| | 079381-01-000 | FT | Tubing - Flexible - Smooth - 1 1/2 I.D. |
| | 074462-02-000 | FT | Tubing - Vinyl - 3/8 I.D. |
| | 072346-01-000 | EA | Valve Asm - 3" Ell - w 2" Socket |
| | 062421-01-000 | EA | Valve - 1 1/2" - w Handle |
| | 052960-01-000 | EA | Valve - Line Drain - 1/2 F x 1/2 F |
| | 010073-01-000 | EA | Wye - Plastic - 1 1/2 x 45 H x H |
| ** | The illustrated parts breakdown for this is provided on the Common Items Fiche | | |

HOLDING TANKS & WATER HEATERS

| Key | Part Number | U/M | Description |
|-----|---|-----|--|
| | 075186-04-000 | EA | Tank Asm - Water - 45 Gallon - w Fittings |
| | 075186-01-000 | EA | Tank - Water - 45 Gallon - w Fittings |
| | 061605-01-000 | EA | Tank - Holding - 40 Gallon - w Fittings - Waste Water |
| | 074176-01-000 | EA | Tank - Holding - 44 Gallon - w Fittings - Sewage |
| ** | 051391-01-000 | EA | Water Heater - w Motor Aid - Atwood - G6A-3 |
| | 051391-03-000 | EA | Water Heater - w Motor Aid - Atwood - G6A-3E |
| ** | 051393-01-000 | EA | Water Heater - w Motor Aid - Direct Ignition - Atwood - GH6-3E |
| ** | The illustrated parts breakdown for this item is provided on the Common Items Fiche | | |

**1986 WINNEBAGO
TABLE OF CONTENTS**

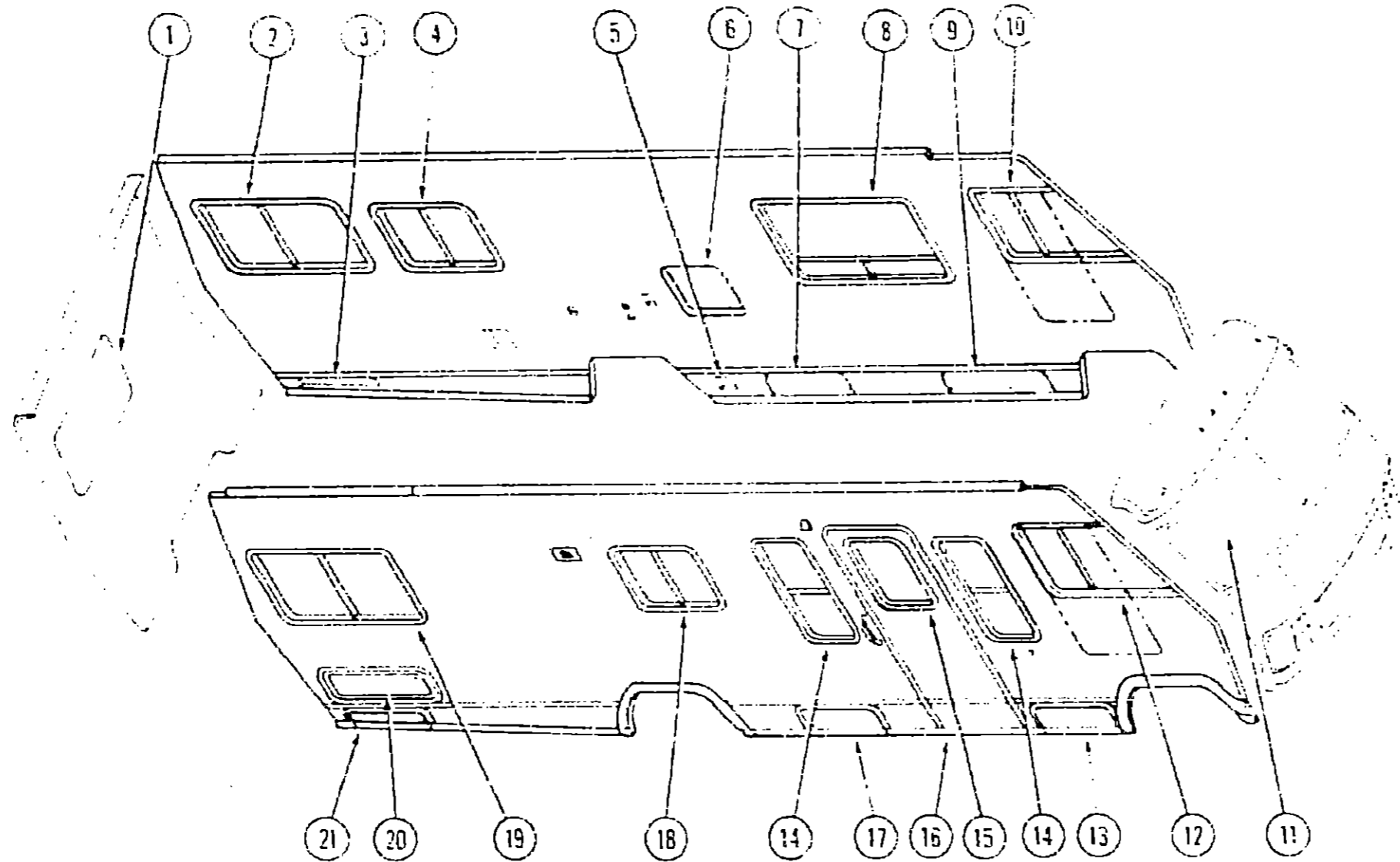
| | |
|--------------------|-------------|
| INTRODUCTION | A-01 |
| ABBREVIATIONS | A-01 |
| ALPHABETICAL INDEX | A-02 - A-04 |
| WF426RU | A-05 - C-08 |
| WCN27RU | C-09 - E-16 |
| WCN31RT | E-17 - H-06 |
| WCN33RU | H-07 - J-20 |

1986 WCN27RU INDEX

| | |
|------------------------------------|-------------|
| Floor Plan | C-09 - C-10 |
| Accessories Group | C-11 - C-14 |
| Bath Group | C-15 |
| Chassis Group | C-16 - C-17 |
| Curtain, Cushion & Pad Group | C-18 - C-23 |
| Dinette Group | C-24 |
| Driver's Compartment Group | D-01 - D-03 |
| Electrical Group | D-04 - D-06 |
| Exterior Body Group | D-07 - D-12 |
| Galley Group | D-13 - D-15 |
| Heating & Air Conditioning Group | D-16 - D-17 |
| Interior Finish Group | D-18 - D-20 |
| LP Group | D-21 |
| Lounge Group | D-22 |
| Water & Sewage Group | D-23 - D-24 |
| Window, Vent & Exterior Door Group | E-01 - E-16 |

WINDOW, VENTS & EXTERIOR DOOR GROUP

WINDOWS & ACCESS DOORS



1986 WINNEBAGO TABLE OF CONTENTS

| | |
|--------------------|-------------|
| INTRODUCTION | A-01 |
| ABBREVIATIONS | A-01 |
| ALPHABETICAL INDEX | A-02 - A-04 |
| W.F.27RU | A-05 - C-06 |
| W.CN27RU | C-09 - F-16 |
| W.CN21RU | E-17 - H-01 |
| W.CN23RU | H-02 - J-03 |

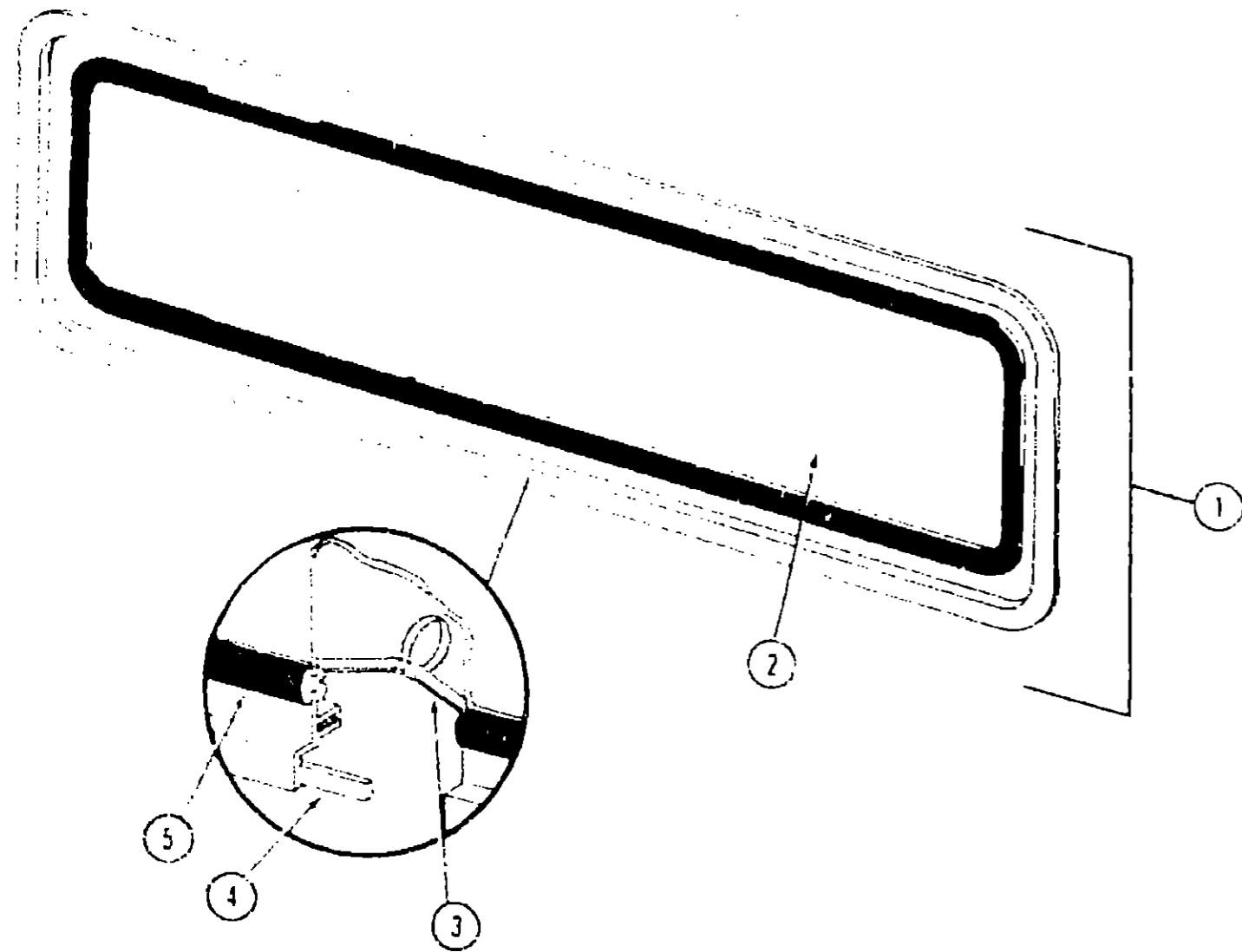
1986 WCN27RU INDEX

| | |
|------------------------------------|-------------|
| Floor Plan | C-09 - C-10 |
| Accessories Group | C-11 - C-14 |
| Bath Group | C-15 |
| Classis Group | C-16 - C-17 |
| Custom, Custom & Pad Group | C-18 - C-23 |
| Exterior Group | C-24 |
| Driver's Compartment Group | D-01 - D-03 |
| Electrical Group | D-04 - D-06 |
| Exterior Body Group | D-07 - D-10 |
| Galley Group | D-11 - D-15 |
| Heating & Air Conditioning Group | D-16 - D-17 |
| Interior Finish Group | D-18 - D-20 |
| LP Group | D-21 |
| Lounge Group | D-22 |
| Water & Sewage Group | D-23 - D-24 |
| Window, Vent & Exterior Door Group | E-01 - E-16 |

| Key | Part Number | U:M | Description |
|-----|---------------|-----|---|
| 1 | 078536-01-T03 | EA | Window Asm - Escape |
| 2 | 078266-05-T03 | EA | Window Asm - Single Slider |
| 3 | 081349-04-U04 | EA | Door Asm - Storage |
| 4 | 078266-04-T03 | EA | Window Asm - Single Slider |
| 5 | NOTE | EA | Door Asm - Power Cord Sewer Hose (See Access Doors) |
| 6 | 074869-04-T03 | EA | Door Asm - Refrigerator Access |
| 7 | 079221-02-T03 | EA | Door Asm - Generator |
| 7 | 079149-02-T03 | EA | Door Asm - Luggage |
| 8 | 061568-02-U01 | EA | Window Asm - Double |
| 9 | 079436-02-T03 | EA | Door Asm - Spare Tire Compartment |
| 10 | 582057-02-U04 | EA | Window Asm - Slant Slider - Driver |
| 10 | 079421-02-T03 | EA | Window Asm - Driver Door |
| 11 | 077675-01-000 | EA | Glass - Windshield - Passenger |
| 11 | 077675-02-000 | EA | Glass - Windshield - Driver |

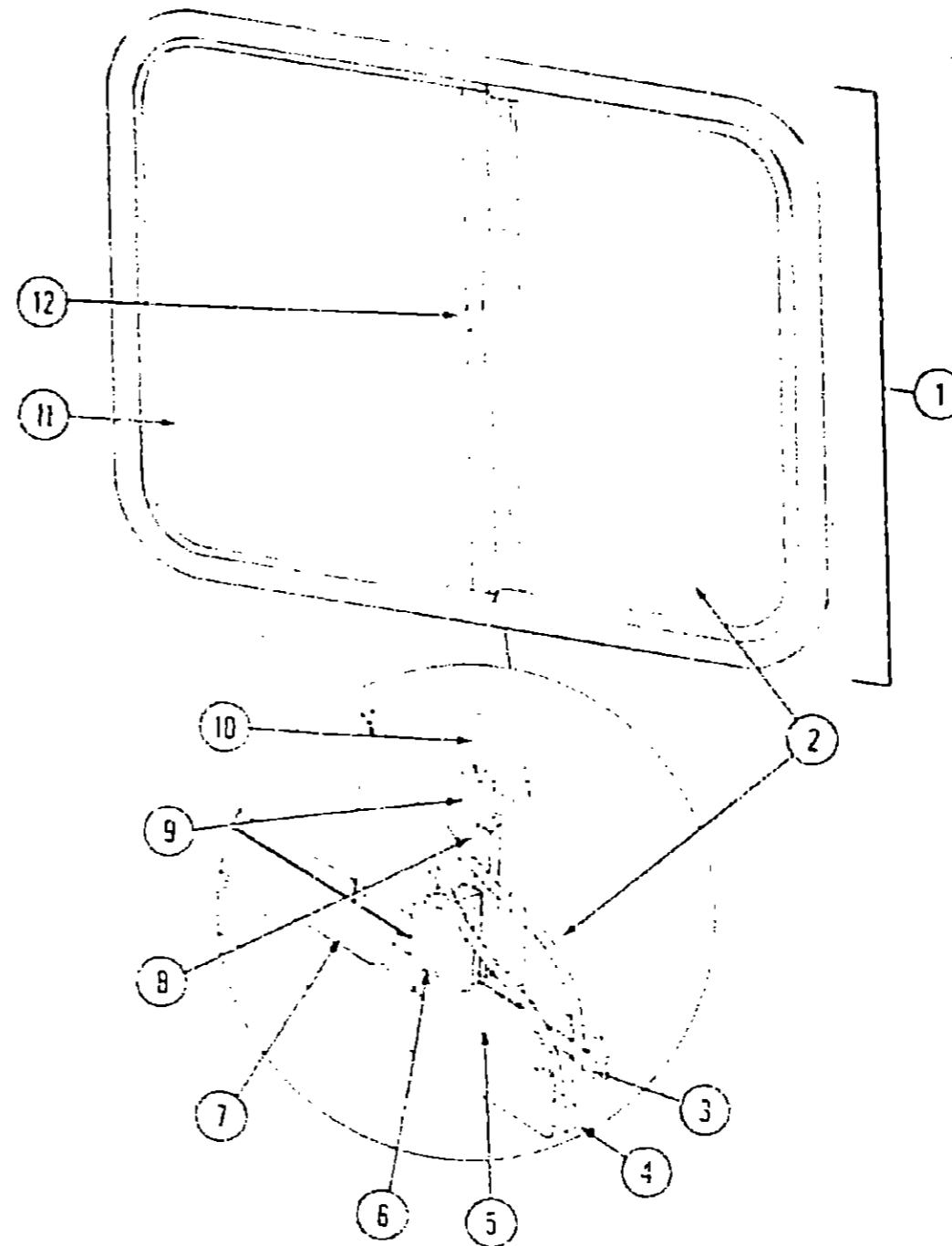
| Key | Part Number | U:M | Description |
|-----|---------------|-----|---------------------------------------|
| 12 | 082057-01-U04 | EA | Window Asm - Slant Slider - Passenger |
| 12 | 079421-01-T03 | EA | Window Asm - Passenger Door |
| 12 | 079436-01-T03 | EA | Door Asm - Battery |
| 14 | 078453-01-T03 | EA | Window Asm - Vertical Slider |
| 15 | 079733-04-T03 | EA | Window Asm - Picture |
| 16 | 001870-01-T03 | EA | Door Asm - Entrance |
| 17 | 079436-03-T03 | EA | Door Asm - Storage |
| 18 | 078166-02-T03 | EA | Window Asm - Single Slider |
| 19 | 078266-05-T03 | EA | Window Asm - Single Slider |
| 20 | 079578-01-T03 | EA | Door Asm - Storage |
| 21 | 081349-03-U04 | EA | Door Asm - Storage |

WINDOW, VENT & EXTERIOR DOOR GROUP (CONTINUED)



| Key | Part Number | U M | Description |
|-----|-----------------|-----|--|
| 1 | 078530-01-000 | EA | Window Frame - Escape Window - Inside Frame |
| 1 | 042007-05-000 | EA | Inside Frame - Escape Window - Bridge (not included in assembly) |
| 2 | 000179-01-000 | EA | Glass - 1.8' x 19.61' x 64.90 |
| 3 | 000165-01-000 | FT | Extr. Weatherstrip - Black |
| 4 | 069640-01-000 | FT | Top - 21 Bead x 45 |
| 5 | 002281-01-000 | FT | Weatherstrip - Window - 125 - Black |
| 5 | 005199-01-000 | EA | Latch - Exit - Escape Window |
| 5 | Not Illustrated | | |

WINDOW, VENT & EXTERIOR DOOR GROUP (CONTINUED)



| Key | Part Number | U M | Description |
|-----|-----------------|-----|--|
| 1 | 078266-05-000 | EA | Window Asm. - Right Single Slider - Black w/o inside frame |
| 1 | 078266-06-000 | EA | Window Asm. - Left Single Slider - Black w/o inside frame |
| 1 | 083122-07-000 | EA | Inside Frame - Bridge (not included in assembly) |
| 2 | 081980-04-000 | EA | Glass - Sliding - 1.8' x 24' x 21.03 |
| 3 | 002224-02-000 | FT | Channel - Weatherstrip - Glass Run - 1.8' Glass |
| 4 | 069540-06-000 | FT | Ribbon Sealer - 5.35' Bead x 15 |
| 5 | 002509-02-000 | FT | Spline - Glass - 1.8' Material - Black |
| 6 | 069686-03-000 | EA | Seal Holder w. Fin Seal - Black |
| 7 | 057374-02-000 | FT | Extr. Rubber - Window Seal - Black |
| 8 | 072740-01-000 | FT | Seal - Fin - Poly - 450 |
| 9 | 076667-04-000 | EA | Mullion - Slider Window - Black |
| 10 | 030296-02-000 | FT | Spline - 100 Dia Charcoal Screen |
| 11 | 051984-03-000 | EA | Glass - Stationary - 1.8' x 14.4' x 19 |
| 12 | 047269-01-000 | EA | Latch Kit - Window - Plastic w. Fastener |
| 1 | 079204-01-000 | EA | Bracket - Mullion - Black |
| 1 | 002293-02-000 | SF | Screen - Window 26 - Charcoal Screen |
| 1 | Not Illustrated | | |

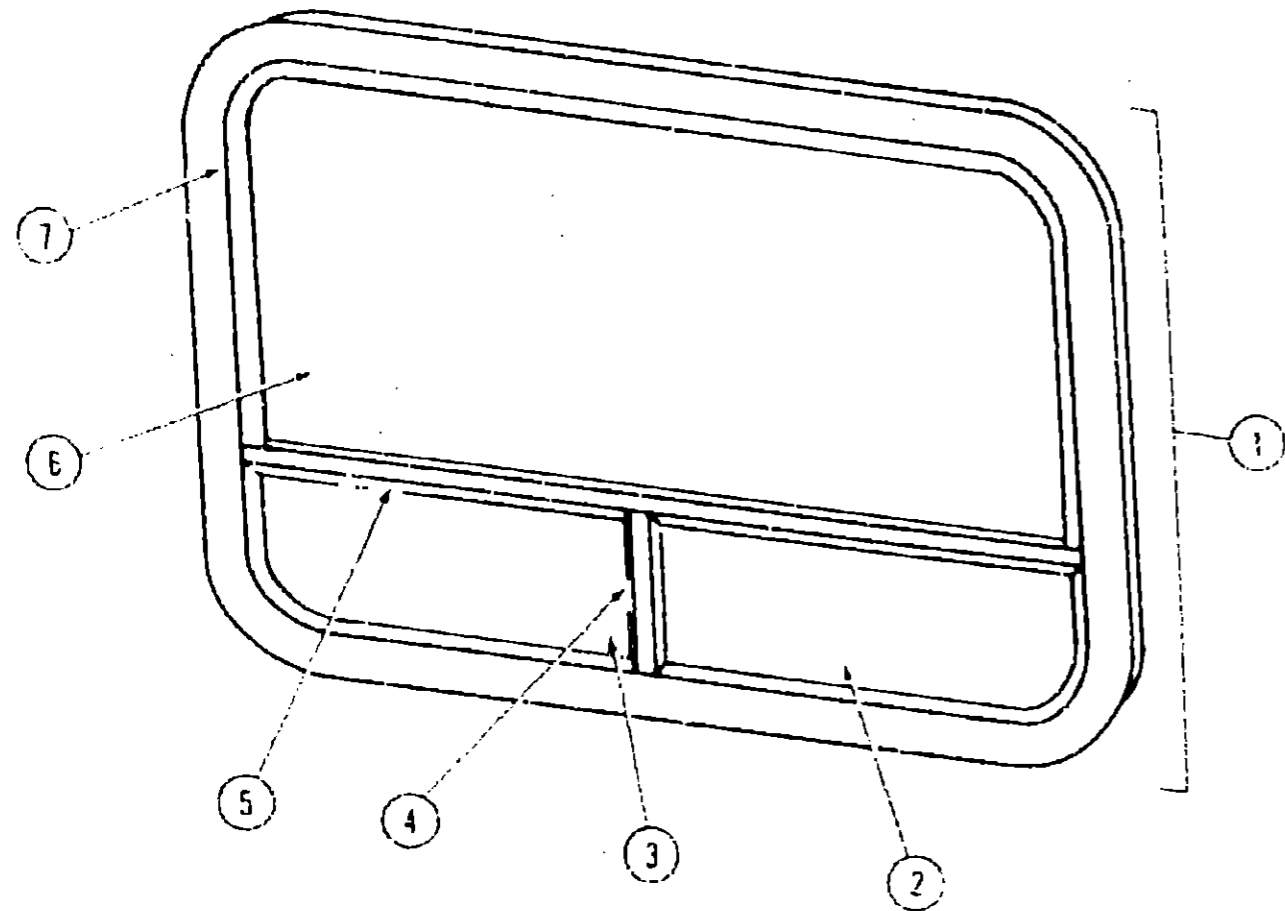
1986 WINNEBAGO
TABLE OF CONTENTS

| | |
|--------------------|-------------|
| INTRODUCTION | A-01 |
| ABBREVIATIONS | A-01 |
| ALPHABETICAL INDEX | A-01 - A-24 |
| WF406RU | A-05 - C-08 |
| WCN27RU | C-07 - E-16 |
| WCN31RT | E-17 - H-06 |
| WCN33RU | H-07 - J-07 |

1986 WCN27RU INDEX

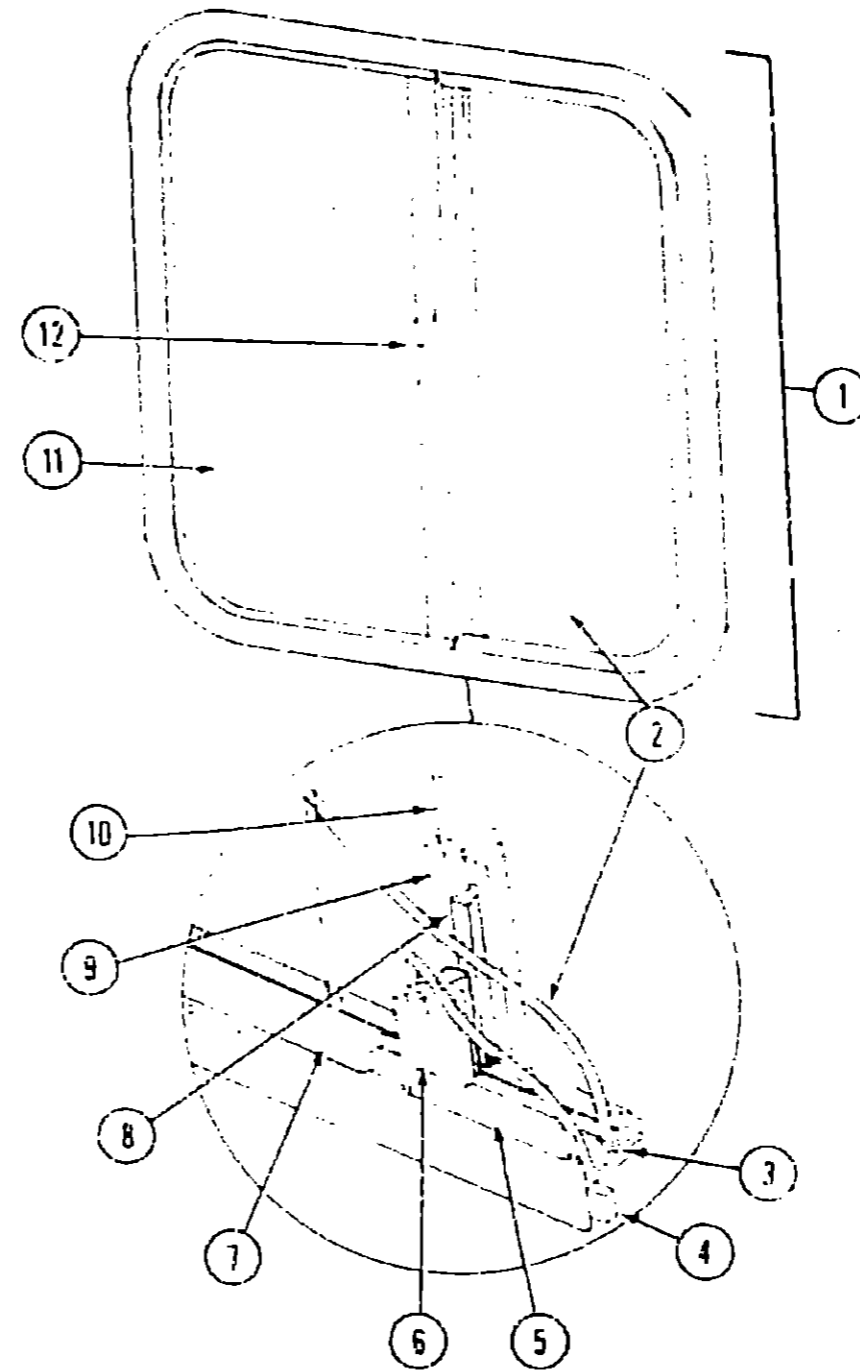
| | |
|------------------------------------|-------------|
| Floor Plan | C-09 - C-10 |
| Accessories Group | C-11 - C-14 |
| Bath Group | C-15 |
| Chassis Group | C-16 - C-17 |
| Curtain, Cushion & Pad Group | C-15 - C-23 |
| Dinette Group | C-24 |
| Driver's Compartment Group | D-01 - D-03 |
| Electrical Group | D-04 - D-06 |
| Exterior Body Group | D-07 - D-12 |
| Galley Group | D-13 - D-15 |
| Heating & Air Conditioning Group | D-16 - D-17 |
| Interior Finish Group | D-18 - D-20 |
| LP Group | D-21 |
| Lounge Group | D-22 |
| Water & Sewage Group | D-23 - D-24 |
| Window, Vent & Exterior Door Group | E-01 - E-16 |

WINDOW, VENT & EXTERIOR DOOR GROUP (CONTINUED)



| Key | Part Number | U/M | Description |
|-----|-----------------|-----|--|
| 1 | 081568-02-001 | EA | Window Asm - 62" x 31" - Double Tipout |
| 2 | 081622-05-000 | EA | Inside Frame - Black (not included in assembly) |
| 3 | 081434-01-001 | EA | Window Asm - Tipout - Right Hand |
| 3 | 081434-02-001 | EA | Window Asm - Tipout - Left Hand |
| 4 | 081239-07-000 | EA | Glass - Tipout - 1 8" x 30" x 5 3/4" - Left or Right |
| 4 | 081112-05-000 | EA | Mullion - Black |
| 5 | 081314-01-000 | EA | Mullion - Black |
| 6 | 081422-01-001 | EA | Screen Asm - Tipout - Right Hand |
| 6 | 081422-02-001 | EA | Screen Asm - Tipout - Left Hand |
| 6 | 081243-01-000 | EA | Screen Clip - Plastic - Black |
| 6 | 085302-01-000 | EA | Operating Mech - Right Hand |
| 6 | 085302-02-000 | EA | Operating Mech - Left Hand |
| 6 | 081239-11-000 | EA | Glass - Stationary - 1 8" x 61 3/4" x 20 1/2" |
| 7 | 083180-01-000 | EA | Window Seal |
| 7 | 081357-01-000 | EA | Bulb Seal (Tipout) |
| 7 | 081359-01-000 | EA | Window Seal (Tipout) |
| 7 | Not Illustrated | | |

WINDOW, VENT & EXTERIOR DOOR GROUP (CONTINUED)



| Key | Part Number | U/M | Description |
|-----|-----------------|-----|---|
| 1 | 073266-02-T03 | EA | Window Asm - Single Slider w/o inside frame |
| 1 | 083122-03-000 | EA | Inside Frame - Beige (not included in assembly) |
| 2 | 081930-05-000 | EA | Glass - Sliding - 1 8" x 19" x 13 6/8" |
| 3 | 002324-02-000 | FT | Channel - Weatherstrip - Glass Run - 1 8" Glass |
| 4 | 069540-05-000 | FT | Ribbon Sealer - 5 1/8" Bead x 15 |
| 5 | 002329-02-000 | FT | Spline - Glass - 1 8" Material - Black |
| 6 | 1759565-03-011 | EA | Seal Holder w/ Fin Seal - Black |
| 7 | 057374-02-000 | FT | Extr. Rubber - Window Seal - Black |
| 8 | 073740-01-000 | FT | Seal - Fin - Pie - 450" |
| 9 | 078552-02-000 | EA | Mullion - Slider Window - Black |
| 10 | 000298-02-000 | SF | Spline - 1/32" Dia - Charcoal (Screen) |
| 11 | 081984-03-000 | EA | Glass - Stationary - 1 8" x 15" x 12 3/8" |
| 12 | 047369-01-700 | EA | Latch Kit - Window - Plastic w/ Fastener |
| 7 | 079204-01-000 | EA | Bracket - Mullion - Black |
| 7 | 002291-02-000 | SF | Screen - Window 16" - Charcoal |
| 7 | Not Illustrated | | |

1986 WINNEBAGO
TABLE OF CONTENTS

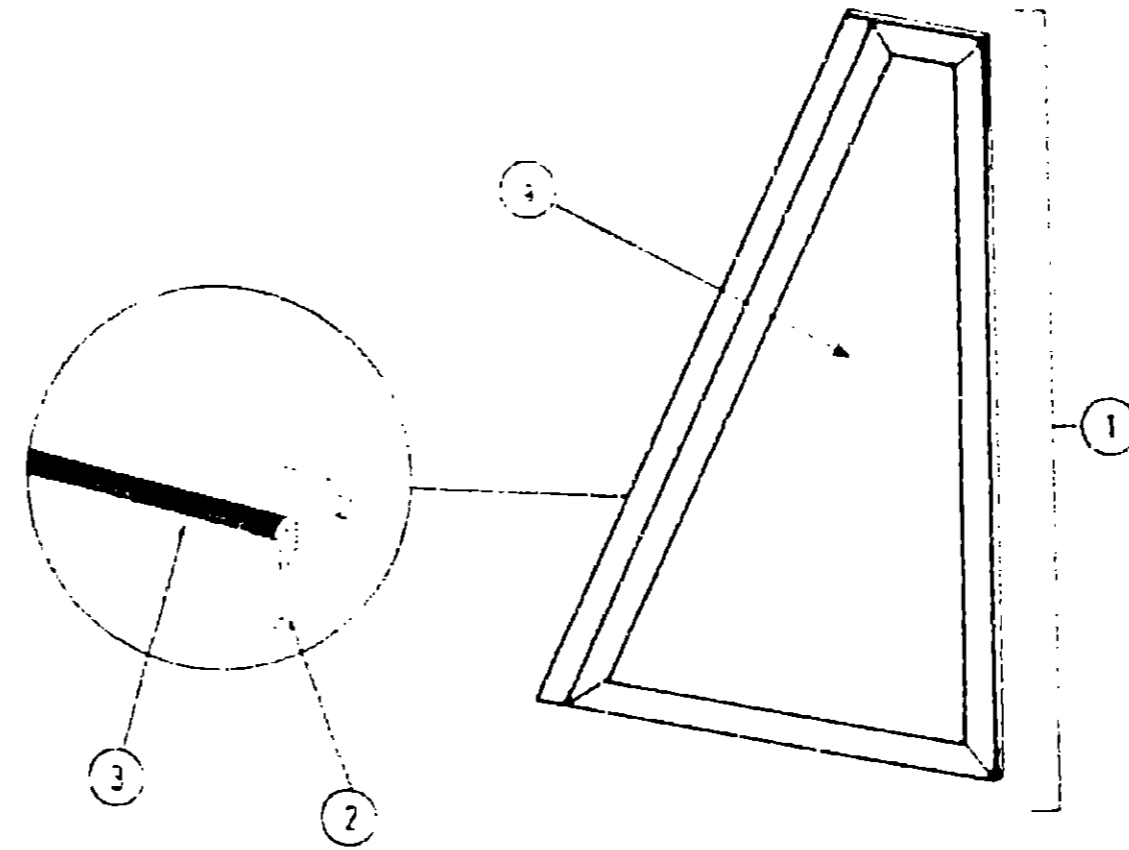
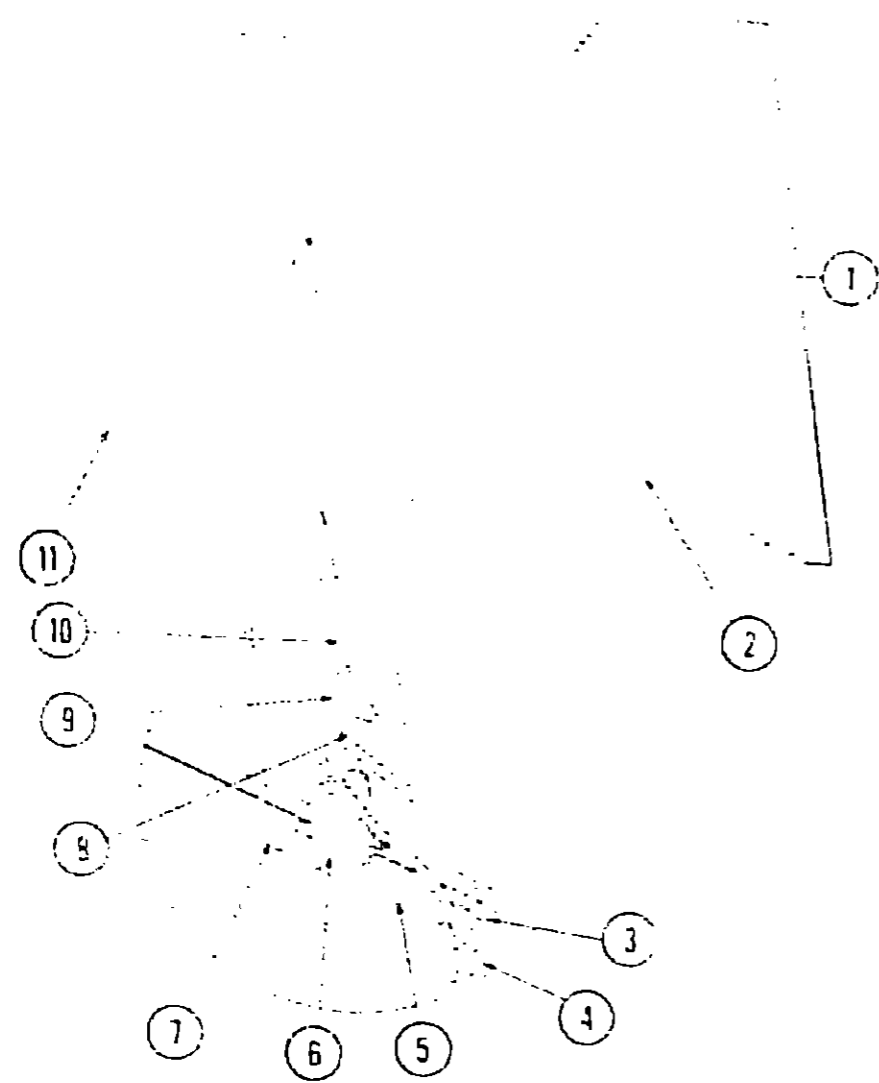
| | |
|--------------------|-------------|
| INTRODUCTION | A-01 |
| ABBREVIATIONS | A-01 |
| ALPHABETICAL INDEX | A-02 - A-04 |
| WE426RU | A-05 - C-08 |
| WCN27RU | C-09 - E-16 |
| WCN27RT | E-17 - H-06 |
| WCN33RU | H-07 - J-20 |

1986 WCN27RU INDEX

| | |
|------------------------------------|-------------|
| Floor Plan | C-09 - C-10 |
| Accessories Group | C-11 - C-14 |
| Bath Group | C-15 |
| Chassis Group | C-16 - C-17 |
| Curtain, Cushion & Pad Group | C-18 - C-23 |
| Dinette Group | C-24 |
| Driver's Compartment Group | D-01 - D-03 |
| Electrical Group | D-04 - D-06 |
| Exterior Body Group | D-07 - D-12 |
| Galley Group | D-13 - D-15 |
| Heating & Air Conditioning Group | D-16 - D-17 |
| Interior Finish Group | D-18 - D-20 |
| LP Group | D-21 |
| Lounge Group | D-22 |
| Water & Sewage Group | D-23 - D-24 |
| Window, Vent & Exterior Door Group | E-01 - E-16 |

WINDOW, VENT & EXTERIOR DOOR GROUP (CONTINUED)

WINDOW, VENT & EXTERIOR DOOR GROUP (CONTINUED)



1986 WINNEBAGO
TABLE OF CONTENTS

| | |
|--------------------|-------------|
| INTRODUCTION | A-01 |
| ABBREVIATIONS | A-01 |
| ALPHABETICAL INDEX | A-02 - A-04 |
| WF426RU | A-05 - C-08 |
| WCN27RU | C-09 - E-16 |
| WCN31RT | E-17 - H-06 |
| WCN33RU | H-07 - J-20 |

1986 WCN27RU INDEX

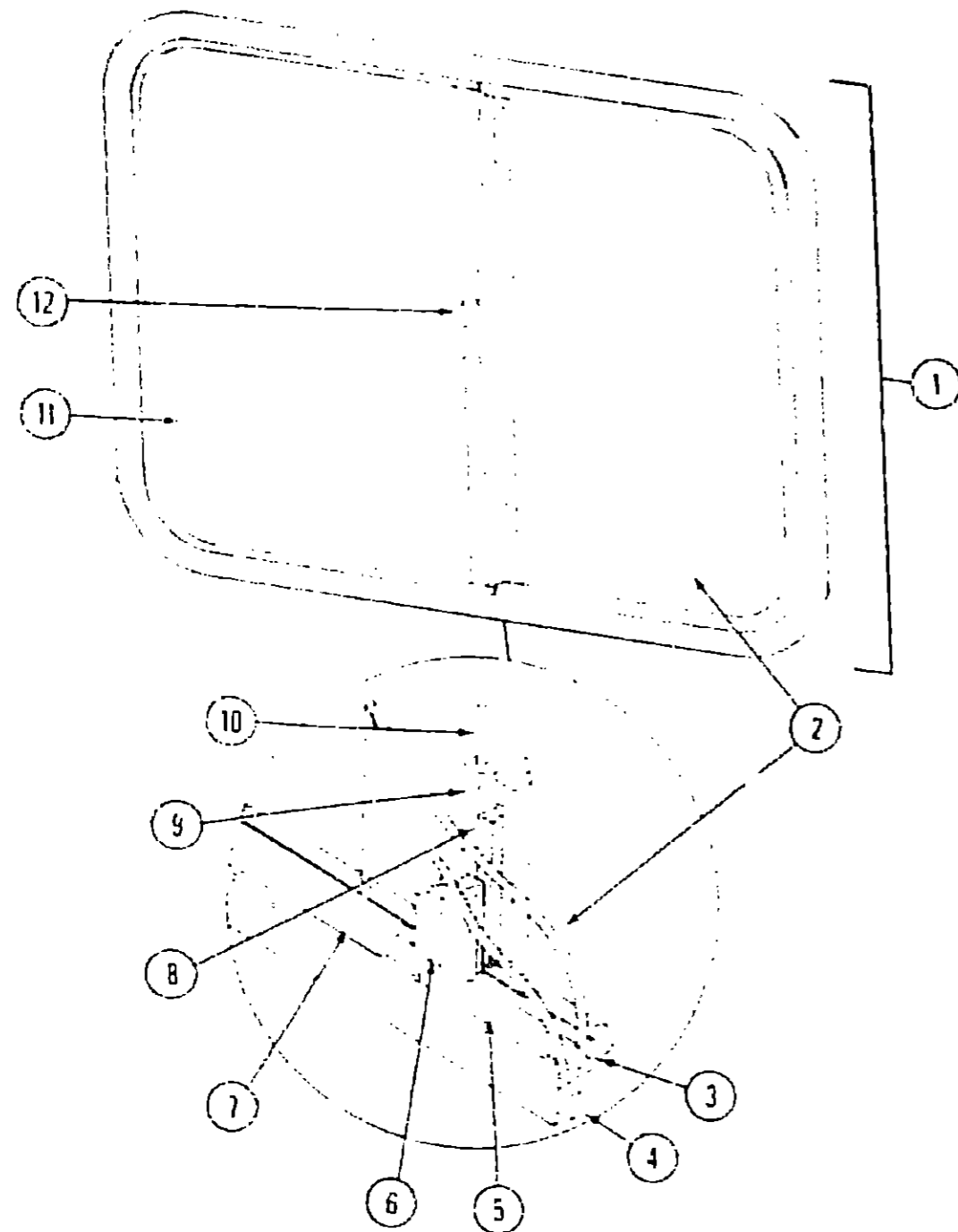
| | |
|------------------------------------|-------------|
| Floor Plan | C-09 - C-10 |
| Accessories Group | C-11 - C-14 |
| Bath Group | C-15 |
| Chassis Group | C-16 - C-17 |
| Curtain, Cushion & Pad Group | C-18 - C-23 |
| Drivette Group | C-24 |
| Driver's Compartment Group | D-01 - D-03 |
| Electrical Group | D-04 - D-06 |
| Exterior Body Group | D-07 - D-12 |
| Galley Group | D-13 - D-15 |
| Heating & Air Conditioning Group | D-16 - D-17 |
| Interior Finish Group | D-18 - D-20 |
| LF Group | D-21 |
| Lounge Group | D-22 |
| Water & Sewage Group | D-23 - D-24 |
| Window, Vent & Exterior Door Group | E-01 - E-16 |

| Key | Part Number | U-M | Description |
|-----|-----------------|-----|--|
| 1 | 080287-01-004 | EA | Window Asm - Front Slant Slider - Passenger (w. outside frame) |
| 1 | 081257-02-004 | EA | Window Asm - Front Slant Slider - Driver (w. outside frame) |
| 1 | 079573-01-101 | EA | Inside Frame - Slant Slider - Passenger (not included in assembly) |
| 1 | 079573-02-103 | EA | Inside Frame - Slant Slider - Driver (not included in assembly) |
| 2 | 057656-03-000 | EA | Glass - 19" x 26 1/2" x 27" - Stationary (Passenger) |
| 2 | 057676-03-000 | EA | Glass - 19" x 26 1/2" x 27" - Stationary (Driver) |
| 3 | 042077-01-000 | FT | Channel - Weatherstrip - 3/16" Glass |
| 4 | 069140-01-000 | FT | Ribbon Sealer - 1/4" Bead x 20' |
| 5 | 050216-02-000 | FT | Window Seal - 19" - Glass |
| 6 | 002362-03-203 | EA | Sealholder w. Fin Seal - 27 1/2" - Black |
| 7 | 057374-02-000 | FT | Extr. Rubber - Window Seal - Black |
| 8 | 073743-01-000 | FT | Seal - Fin - Pw - 460 |
| 9 | 076562-07-000 | EA | Mullion - Slider Window - Black |
| 10 | 002795-03-000 | FT | Spline - 130' Dia - Charcoal (Screen) |
| 11 | 081980-06-000 | EA | Glass - 19" x 26 1/2" x 14 5/8" Sliding |
| 1 | 079204-01-000 | EA | Bracket - Mullion - Black |
| 1 | 079574-01-103 | EA | Slant Screen Asm - Passenger |
| 1 | 079574-02-103 | EA | Slant Screen Asm - Driver |
| 1 | 002291-02-000 | SF | Screen - Window - 16" - Charcoal |
| 1 | 016210-03-000 | EA | Handle - Slant Screen - Black |
| 1 | 047369-01-700 | EA | Latch Kit - Window - Plastic w. Fastener |
| 1 | Not illustrated | | |

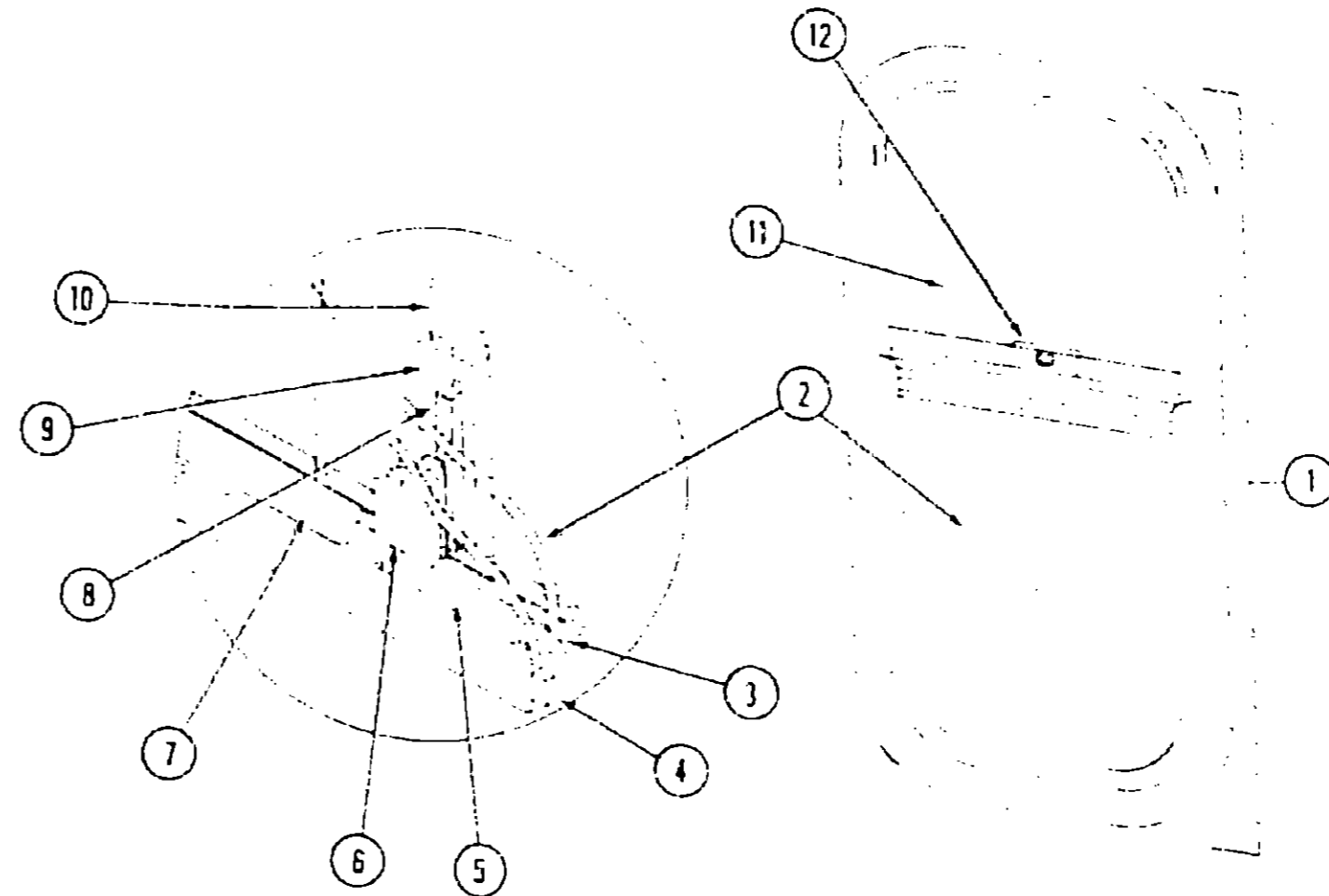
| Key | Part Number | U-M | Description |
|-----|-----------------|-----|---|
| 1 | 079421-01-T03 | EA | Window Asm - Front Slant - Passenger (w. outside frame) |
| 1 | 079421-02-T03 | EA | Window Asm - Front Slant - Driver (w. outside frame) |
| 1 | 079215-01-000 | EA | Inside Frame - Front Slant - Passenger - Beige (not included in assembly) |
| 1 | 079215-02-000 | EA | Inside Frame - Front Slant - Driver - Beige (not included in assembly) |
| 2 | 069540-01-000 | EA | Tap - 1/4" Bead x 20' |
| 3 | 002309-02-000 | EA | Spline - Glass - 1 E - Black |
| 4 | 057656-04-000 | EA | Glass - 19" x 26 1/2" x 19 9/8 |
| 1 | Not illustrated | | |

WINDOW, VENT & EXTERIOR DOOR GROUP (CONTINUED)

WINDOW, VENT & EXTERIOR DOOR GROUP (CONTINUED)



| Key | Part Number | U M | Description |
|-----|---------------|-----|---|
| 1 | 078266-04-703 | EA | Window Asm - Single Slider - Black - w/ outside frame |
| 1 | 083122-05-000 | EA | Inside Frame - Beige - not included in assembly |
| 2 | 081980-02-000 | EA | Glass - Slider - 1.8' x 22' x 13.68 |
| 3 | 002324-02-000 | FT | Channel - Weatherstrip - Glass Run - 1.8' Glass |
| 4 | 069640-06-000 | FT | Rubber Sealer - 5.16' Bead x 15 |
| 5 | 002309-02-000 | FT | Spline - Glass - 1.6' Material - Black |
| 6 | M18025-03-000 | EA | Seal Holder w/ Fin Seal - Black |
| 7 | 047373-01-000 | FT | Extr. Rubber - Window Seal - Black |
| 8 | 073740-01-000 | FT | Seal - Fin - Plug - 463 |
| 9 | 078562-03-000 | EA | Mullion - Slider Window - Black |
| 10 | 002298-02-000 | FT | Spline - 130' Dia - Charcoal (Screen) |
| 11 | 081984-01-000 | EA | Glass - Stationary - 1.8' x 22' x 10.52 |
| 12 | 047369-01-700 | EA | Latch Kit - Window - Plastic w/ Fastener |
| 1 | 002293-02-000 | SF | Screen - Window 16' - Charcoal |
| 1 | 079204-01-000 | EA | Bracket - Mullion - Black |
| 1 | | | Not illustrated |



| Key | Part Number | U M | Description |
|-----|---------------|-----|---|
| 1 | 078453-01-703 | EA | Window Asm - Vertical Slider - 37' x 15' - Black - w/ outside frame |
| 1 | 083122-01-000 | EA | Inside Frame - Beige - not included in assembly |
| 2 | 081980-03-000 | EA | Glass - Slider - 1.8' x 14.4' x 19' |
| 3 | 002324-02-000 | FT | Channel - Weatherstrip - Glass Run - 1.8' Glass |
| 4 | 069640-06-000 | FT | Rubber Sealer - 5.16' Bead x 15 |
| 5 | 002309-02-000 | FT | Spline - Glass - 1.6' Material - Black |
| 6 | M18025-03-000 | EA | Seal Holder w/ Fin Seal - Black |
| 7 | 057374-02-000 | FT | Extr. Rubber - Window Seal - Black |
| 8 | 073740-01-000 | FT | Seal - Fin - Plug - 463 |
| 9 | 078562-01-001 | EA | Mullion - Slider Window - Black |
| 10 | 002298-02-000 | FT | Spline - 130' Dia - Charcoal (Screen) |
| 11 | 081984-02-000 | EA | Glass - Stationary - 1.8' x 14.4' x 19' |
| 12 | 047369-01-700 | EA | Latch Kit - Window - Plastic w/ Fastener |
| 1 | 079204-01-000 | EA | Bracket - Mullion - Black |
| 1 | 002291-02-000 | SF | Screen - Window 16' - Charcoal |
| 1 | | | Not illustrated |

1986 WINNEBAGO
TABLE OF CONTENTS

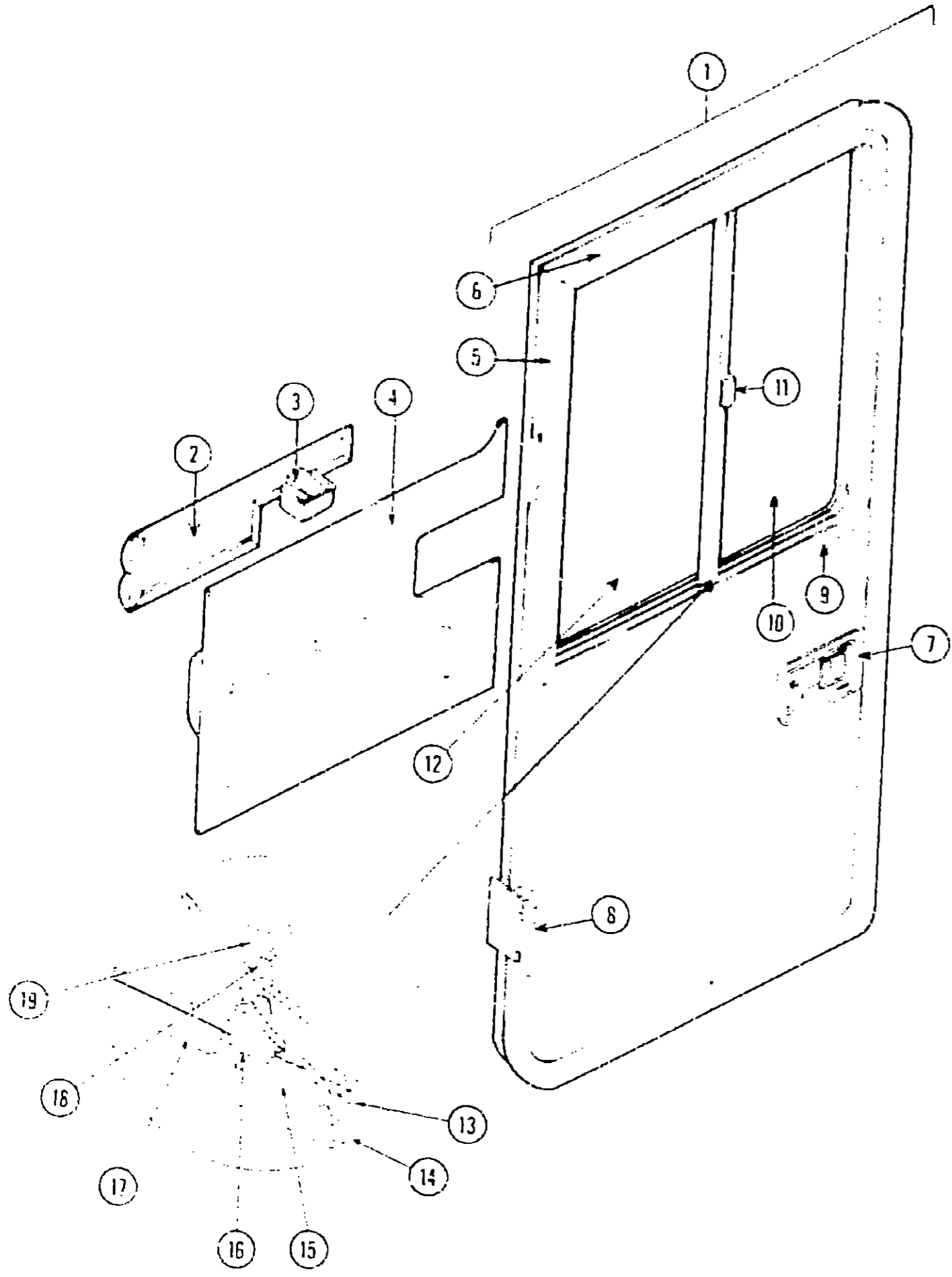
| | |
|--------------------|-------------|
| INTRODUCTION | A-01 |
| ABBREVIATIONS | A-01 |
| ALPHABETICAL INDEX | A-02 - A-04 |
| WF426RU | A-05 - C-09 |
| WCN27RU | C-09 - E-17 |
| WCN31RT | E-17 - H-02 |
| WCN33RU | H-02 - I-00 |

1986 WCN27RU INDEX

| | |
|------------------------------------|-------------|
| Floor Plan | C-09 - C-10 |
| Accessories Group | C-11 - C-14 |
| Bath Group | C-15 |
| Chassis Group | C-16 - C-17 |
| Curtain, Cushion & Pad Group | C-18 - C-24 |
| Dinette Group | C-24 |
| Driver's Compartment Group | D-01 - D-03 |
| Electrical Group | D-04 - D-06 |
| Exterior Body Group | D-07 - D-12 |
| Galley Group | D-13 - D-15 |
| Heating & Air Conditioning Group | D-16 - D-17 |
| Interior Finish Group | D-18 - D-20 |
| LP Group | D-21 |
| Lounge Group | D-22 |
| Water & Sewage Group | D-23 - D-24 |
| Window, Vent & Exterior Door Group | E-01 - E-16 |

WINDOW, VENT & EXTERIOR DOOR GROUP (CONTINUED)

WINDOW, VENT & EXTERIOR DOOR GROUP (CONTINUED)



DRIVER & PASSENGER CAB DOORS

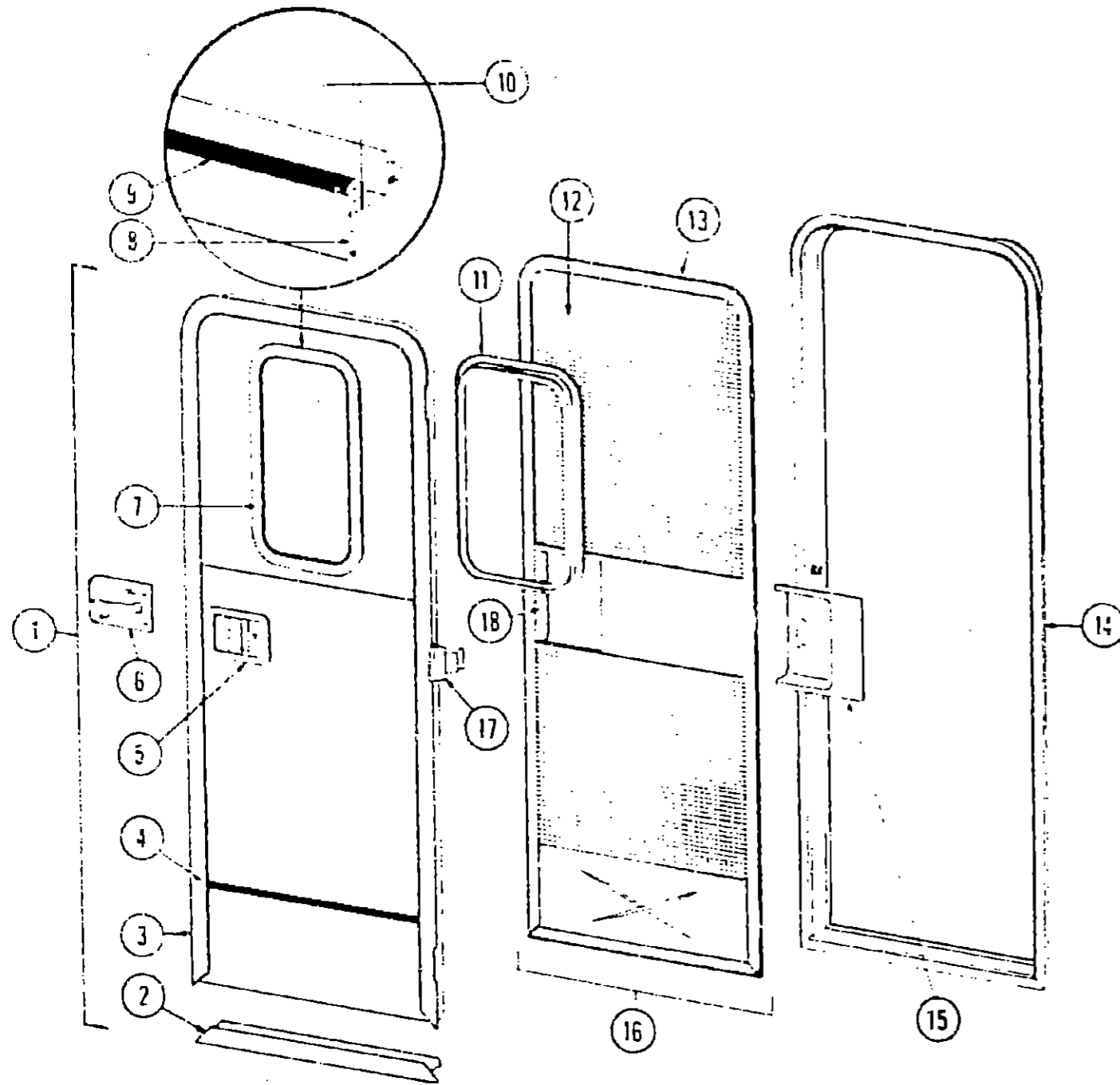
| Key | Part Number | U/M | Description |
|-----|----------------|-----|---|
| 1 | 079624-01-T03 | EA | Door Asm - Driver - Beige |
| 1 | 079624-02-T03 | EA | Door Asm - Passenger - Beige |
| 2 | 064065-03-000 | EA | Pad Asm - Trim - Beige Vinyl - Drivers Door |
| 2 | 064008-04-000 | EA | Pad Asm - Trim - Beige Vinyl - Passenger |
| 3 | 061400-05-000 | EA | Assist Strap - 12 - Beige Vinyl |
| 3 | 046826-03-000 | EA | Asn Tray Asm - Chrome |
| 4 | 064499-02-000 | EA | Panel - Driver Door - Inner - Light Oak Plastic |
| 4 | 064499-03-000 | EA | Panel - Passenger Door - Inner - Light Oak Plastic |
| 5 | 079214-01-000 | EA | Door Frame - Front - Beige - Drivers Door |
| 6 | 079214-02-000 | EA | Door Frame - Front - Beige - Passenger Door |
| 6 | 079250-01-000 | EA | Door Frame - Rear - Beige - Driver Door |
| 6 | 079250-02-000 | EA | Door Frame - Rear - Beige - Passenger Door |
| 7 | 045017-05-000 | EA | Paddle Asm - Door Lock - Drivers |
| 7 | 045017-07-000 | EA | Paddle Asm - Door Lock - Exterior - Passenger |
| 7 | 045017-05-700 | EA | Lock Cylinder w Keys - Lynor |
| 8 | 039979-01-000 | EA | Inside Plate - Door Lock - w Inside Handle - Right |
| 8 | 039979-02-000 | EA | Inside Plate - Door Lock - w Inside Handle - Left |
| 9 | 039540-02-000 | EA | Latch Claw - Entry Door Lock |
| 9 | 039735-01-000 | EA | Deadbolt - Entrance Door Lock |
| 9 | 039539-01-000 | EA | Strike Bolt - Entrance Door (Jamb Mount) |
| 9 | 063124-02-000 | EA | Plate - Striker - 8 1/2" x 1" - Black |
| 9 | 078135-02-000 | EA | Jamb - Driver Door - Front |
| 9 | 078249-07-000 | EA | Jamb - Driver Door - Rear |
| 9 | 078135-01-000 | EA | Jamb - Passenger Door - Front |
| 9 | 078249-06-000 | EA | Jamb - Passenger Door - Rear |
| 9 | 064164-01-000 | EA | Drip Cap - Driver Door |
| 9 | 064164-02-000 | EA | Drip Cap - Passenger Door |
| 9 | 063768-01-000 | EA | Sill Plate |
| 8 | 063993-01-000 | EA | Hinge Asm - Driver Door - Beige |
| 8 | 063993-06-000 | EA | Hinge Asm - Passenger Door - Beige |
| 9 | 066109-02-000 | EA | Strap - Driver's Door |
| 9 | 064560-01-000 | EA | Check Strap - Driver Door - Seat Belt Webbing |
| 9 | 064219-01-000 | EA | Retainer - Driver Door Check Strap |
| 9 | 063886-03-000 | EA | Assist Handle - Beige Steel Tube (2 required per door) |
| 9 | 064075-01-000 | EA | Bulb Seal - 145 |
| 9 | 079101-02-T03 | EA | Window Asm - Driver Door - Black (w o inside frame) |
| 9 | 079101-01-T03 | EA | Window Asm - Passenger Door - Black (w o inside frame) |
| 9 | 079577-02-T03 | EA | Inside Frame - w Slider Screen - Driver Door - Beige |
| 9 | 079577-01-T03 | EA | Inside Frame - w Slider Screen - Passenger Door - Beige |
| 9 | 079574-03-T03 | EA | Slider Screen Asm - Right Door |
| 9 | 079574-04-T03 | EA | Slider Screen Asm - Left Door |
| 10 | 057657-04-000 | EA | Glass - 19" x 28 1/2" x 12 25" |
| 11 | 047359-01-700 | EA | Latch - Window - Plastic w Fastener |
| 12 | 002158-06-000 | EA | Glass - 19" x 23 1/2" x 12 - Stationary |
| 13 | 002324-02-000 | FT | Channel - Weatherstrip - Glass |
| 14 | 069640-06-000 | FT | Ribbon Sealer - 1 1/2" Bead x 20' |
| 15 | 050216-02-000 | FT | Spine - Glass - 19" Material - Black |
| 16 | 002389-03-000 | EA | Seal Holder w Fin Seal - 23 19" - Black |
| 17 | 041926-02-000 | FT | Extr Vinyl - Window Seal - Black |
| 18 | 073740-01-000 | FT | Seal - Fin - Pile - 460' |
| 19 | 079562-07-000 | EA | Inside Mullion - Slider Window - Black |
| 19 | 0023713-02-000 | EA | Weephole Cover - Black Plastic |
| 19 | 002293-02-000 | SF | Screen - Window - 26" - Charcoal |
| 19 | 063977-03-000 | EA | Step Asm - Single - Driver |
| 19 | 063977-05-000 | EA | Step Asm - Single - Passenger |
| 19 | | | Not illustrated |

1986 WINNEBAGO
TABLE OF CONTENTS

| | |
|--------------------|-------------|
| INTRODUCTION | A-01 |
| ABBREVIATIONS | A-01 |
| ALPHABETICAL INDEX | A-02 - A-04 |
| WF426RU | A-05 - C-08 |
| WCN27RU | C-09 - E-16 |
| WCN31RT | E-17 - H-06 |
| WCN33RU | H-07 - J-20 |

1986 WCN27RU INDEX

| | |
|------------------------------------|-------------|
| Floor Plan | C-09 - C-10 |
| Accessories Group | C-11 - C-14 |
| Bath Group | C-15 |
| Chassis Group | C-16 - C-17 |
| Curtain, Cushion & Pad Group | C-18 - C-23 |
| Dinette Group | C-24 |
| Driver's Compartment Group | D-01 - D-03 |
| Electrical Group | D-04 - D-06 |
| Exterior Body Group | D-07 - D-12 |
| Galley Group | D-13 - D-15 |
| Heating & Air Conditioning Group | D-16 - D-17 |
| Interior Finish Group | D-18 - D-20 |
| LP Group | D-21 |
| Lounge Group | D-22 |
| Water & Sewage Group | D-23 - D-24 |
| Window, Vent & Exterior Door Group | E-01 - E-16 |



ENTRANCE & SCREEN DOOR

| Key | Part Number | U/M | Description |
|-----|----------------|-----|--|
| 1 | 1291870-01-T03 | EA | Door Asm - Radius Entry w/ Screen Door |
| 2 | 077998-02-000 | EA | Frame - Entry Door (Bottom Portion Only) |
| 3 | 076865-02-000 | EA | Frame - Entry Door (Except Bottom Portion) |
| 4 | 059576-06-000 | EA | Feature Strip w/ Insert - Extr - 14" |
| | 001030-02-004 | EA | Insert - Feature Strip - 17" - Stucco - Off White |
| | 009731-01-000 | EA | End Cap - Feature Strip |
| 5 | 045017-05-000 | EA | Paddle Asm - Door Lock - Exterior |
| | 045017-05-700 | EA | Lock Cylinder w/ Keys - Lyncor |
| | 039539-01-000 | EA | Striker Bolt - Entry Doors |
| | 039540-01-000 | EA | Latch Claw - Entry Door |
| | 039738-01-000 | EA | Dead Bolt - Entry Door |
| 6 | 039579-01-000 | EA | Plate - Inside Lock - Includes Inside Handle |
| | 052186-01-000 | EA | Lock Asm - Complete - Lyncor |
| 7 | 079733-04-T03 | EA | Window Asm - Picture - 17" x 26" - Black (w/ o inside frame) |
| 8 | 063640-06-000 | FT | Ribbon Sealer - 5' 16" Bead x 15" |
| 9 | 002300-02-000 | FT | Spline - Glass - 1 8" Black |
| 10 | 002181-06-000 | EA | Glass - Picture Window - 1 8" x 16 25" x 24" - Gray |
| 11 | 067609-03-000 | EA | Inside Frame - Beige (not included in assembly) |
| 12 | 002293-02-000 | SF | Screen - Window - 26" - Charcoal |
| 13 | 056795-01-000 | FT | Seal Tape - 1 8" x 3 6" - Press On |
| 14 | 078591-01-000 | EA | Jamb Asm - Entrance Door |
| | 051049-01-000 | EA | Jamb - Entrance Door - Bottom |
| 15 | 079036-01-000 | EA | Slider - Screen Door - Light Oak Plastic |
| 16 | 079012-01-T03 | EA | Door Asm - Screen |
| 17 | 079361-05-000 | EA | Hinge - Entrance Door (3 used per door) |
| 18 | 079057-01-000 | EA | Cap - Screen Door - Light Oak Plastic |
| | 009016-01-000 | EA | Catch - Elbow - Spring Loaded - Screen Door |
| | 039863-01-000 | EA | Catch Asm - Single Roller w/ Strike - Screen Door |
| | 076221-01-000 | EA | Spacer - Latch - Screen Door |
| | 077437-02-000 | EA | Strike - Roller Catch |
| | 058025-02-000 | EA | Clip - Roller Latch Catch |
| | 044582-06-000 | EA | Drip Cap - Gray |
| | 079278-01-000 | EA | Seat - Mocket - Entrance Door |
| | 073090-01-000 | FT | Seal - Entrance Door |
| | 075739-02-000 | EA | Stiffener - Entrance Door - Beige |
| | 075673-01-000 | FT | Seal - Pile - Adhesive Back |
| | 075671-01-000 | FT | Seal - Sponge - Lazy T Shaped |
| | 002294-01-000 | FT | Spline - Black - 1 35" x 1 38" (Screen Door) |
| | 063638-02-000 | EA | Strike - Screen Door |
| | 063729-04-000 | EA | Rivet - 10-32 UNF - 010 - 080 |
| | 075639-01-000 | EA | Garnish - Radius - Entrance Door |
| | 076448-01-000 | EA | Deadbolt - Press Kit - 5" |
| | 079173-01-000 | EA | Gasket - Deadbolt - Exterior |
| | | | Not illustrated |

1986 WINNEBAGO
TABLE OF CONTENTS

| | |
|--------------------|-------------|
| INTRODUCTION | A-01 |
| ABBREVIATIONS | A-01 |
| ALPHABETICAL INDEX | A-02 - A-04 |
| WF426RU | A-05 - C-03 |
| WCN27RU | C-09 - E-16 |
| WCN31RT | E-17 - H-06 |
| WCN33RU | H-07 - J-20 |

1986 WCN27RU INDEX

| | |
|------------------------------------|-------------|
| Floor Plan | C-09 - C-10 |
| Accessories Group | C-11 - C-14 |
| Bath Group | C-15 |
| Chassis Group | C-16 - C-17 |
| Curtain, Cushion & Pad Group | C-16 - C-23 |
| Dinette Group | C-24 |
| Driver's Compartment Group | D-01 - D-03 |
| Electrical Group | D-04 - D-06 |
| Exterior Body Group | D-07 - D-12 |
| Galley Group | D-13 - D-15 |
| Heating & Air Conditioning Group | D-16 - D-17 |
| Interior Finish Group | D-18 - D-20 |
| LP Group | D-21 |
| Lounge Group | D-22 |
| Water & Sewage Group | D-23 - D-24 |
| Window, Vent & Exterior Door Group | E-01 - E-16 |

WINDOW, VENT & EXTERIOR DOOR GROUP (CONTINUED)

VENTS

| Key | Part Number | U/M | Description |
|-----|---------------|-----|--|
| | 071290-01-000 | EA | Base - Refrigerator Vent |
| | 071290-02-000 | EA | Cover - Refrigerator Vent - 11 5/8" x 24 3/4" - Galvanized Steel |
| | 055216-01-000 | EA | Cover Asm - Roof Vent |
| | 079355-03-000 | EA | Vent - Stovehood - Outside - Beige |
| | 075056-01-000 | EA | Vent Asm - Roof - Non-Powered - w. o Screen |
| | 048835-01-000 | EA | Vent Asm - Roof - Non-Powered |
| | 079527-01-000 | EA | Vent Asm - Roof - Powered - w. o Screen |
| | 078786-01-103 | EA | Screen Asm - Roof Vent - Non-Powered |
| | 078785-01-103 | EA | Screen Asm - Roof Vent - Powered |
| | 077487-01-000 | EA | Skylight - Fixed Dome (Bath) |
| | 077902-01-000 | EA | Collar - Skylight |
| | 080508-01-000 | EA | Panel - Skylight - Inner |
| | 080507-01-000 | EA | Panel - Skylight - Outer |
| | 080258-01-000 | EA | Trim - Skylight |

ACCESS DOORS

| Key | Part Number | U/M | Description |
|-----|---------------|-----|--|
| | 079436-03-T03 | EA | Door Asm - Storage - 25 3/4" - Beige |
| | 079436-02-T03 | EA | Door Asm - Spare Tire Carrier - Beige |
| | 079578-01-T03 | EA | Door Asm - Storage - 30 3/4" - Beige |
| | 079436-01-T03 | EA | Door Asm - Battery - 25 3/4" - Beige |
| | 081349-03-T03 | EA | Door Asm - Storage - Passenger - Beige |
| | 081349-04-T03 | EA | Door Asm - Storage - Driver - Beige |
| | 079321-02-T03 | EA | Door Asm - Generator - Beige |
| | 079149-02-T03 | EA | Door Asm - Luggage - Beige |
| | 078959-04-T03 | EA | Door Asm - Refrigerator Access - Beige |
| | 052009-02-000 | EA | Door - Water Heater - Beige |
| | 052423-02-000 | EA | Door - Sewer Hose - Beige |
| | 075726-01-000 | EA | Outlet Extension - Sewage |
| | 075730-02-000 | EA | End Cap - Sewage Hose |
| | 078010-04-000 | EA | Door - Fuel Fill - Beige |
| | 063742-02-000 | EA | Door - Power Cord - Beige |
| | 052424-02-000 | EA | Jamb - Power Cord Sewage - Beige |
| | 054543-02-000 | EA | Hatch - Power Cord |
| | 054530-01-000 | EA | Door Holder |
| | 041312-01-000 | EA | Seal - Bulb - "E" Section |
| | 042442-01-000 | EA | Lock Asm - Twist Type |
| | 009003-01-000 | EA | Lock Asm - Twist Type - w. Clip |
| | 047305-01-000 | EA | Lock Asm - Key Type - w. Clip |
| | 077408-01-000 | EA | Lock Asm - Key Type |
| | 079366-01-000 | EA | Lock Asm - Key Type |
| | 079927-01-000 | EA | Lock Asm - Twist Type |
| | 042441-01-000 | EA | Lock Asm - Key Type |
| | 083223-01-000 | EA | Lock Asm - Key Type |
| | 063223-02-000 | EA | Lock Asm - Key Type |

1986 WINNEBAGO TABLE OF CONTENTS

| | |
|--------------------|-------------|
| INTRODUCTION | A-01 |
| ABBREVIATIONS | A-01 |
| ALPHABETICAL INDEX | A-02 - A-04 |
| WF421RU | A-05 - C-08 |
| WCN27RU | C-09 - E-16 |
| WCN31RT | E-17 - H-05 |
| WCN33RU | H-07 - J-20 |

1986 WCN27RU INDEX

| | |
|------------------------------------|-------------|
| Floor Plan | C-09 - C-10 |
| Accessories Group | C-11 - C-14 |
| Bath Group | C-15 |
| Chassis Group | C-16 - C-17 |
| Curtain, Cushion & Pad Group | C-18 - C-23 |
| Dinette Group | C-24 |
| Driver's Compartment Group | D-01 - D-03 |
| Electrical Group | D-04 - D-06 |
| Exterior Body Group | D-07 - D-12 |
| Galley Group | D-13 - D-15 |
| Heating & Air Conditioning Group | D-16 - D-17 |
| Interior Finish Group | D-18 - D-20 |
| LP Group | D-21 |
| Lounge Group | D-22 |
| Water & Sewage Group | D-23 - D-24 |
| Window, Vent & Exterior Door Group | E-01 - E-16 |