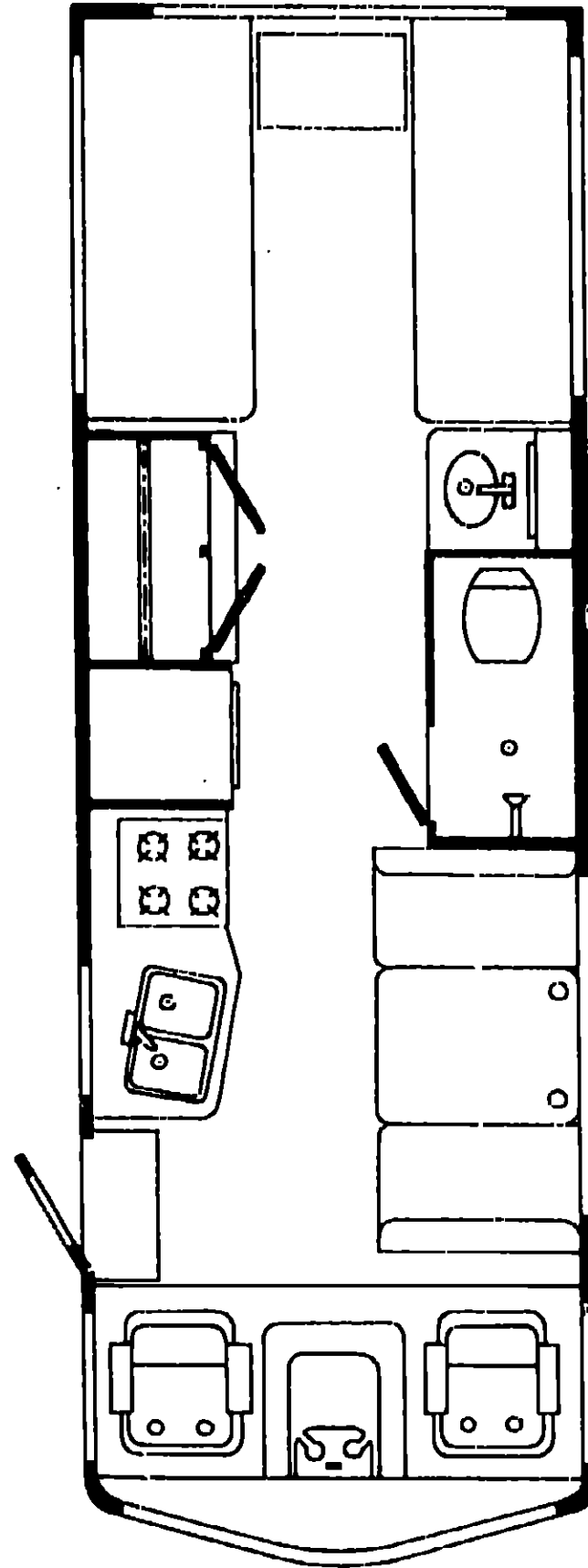
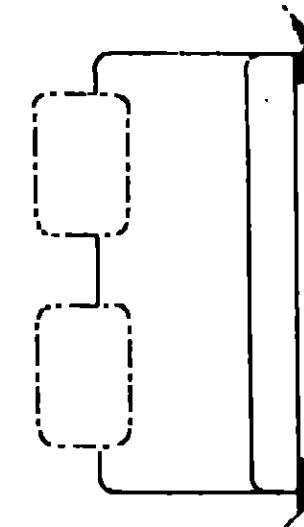
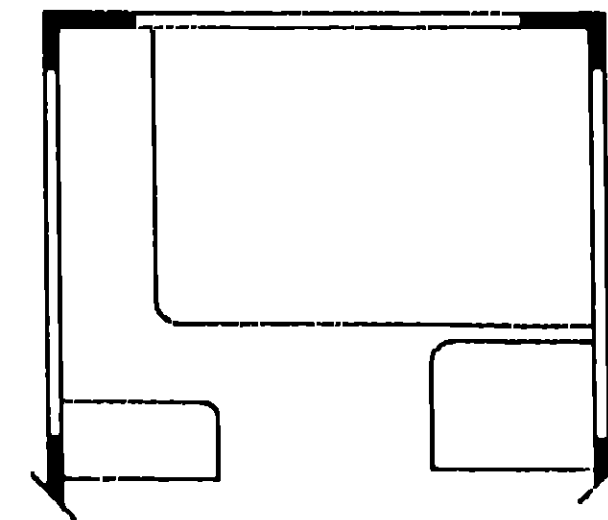


# 1986 WCN27RT



## 1986 WINNEBAGO TABLE OF CONTENTS

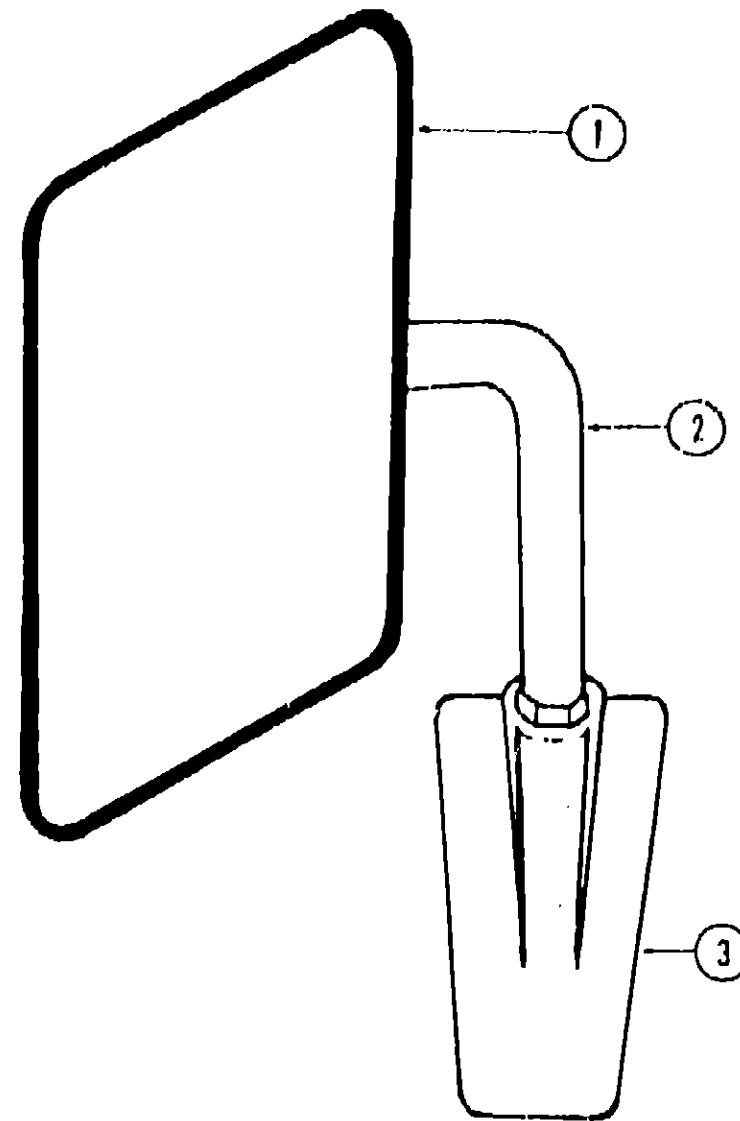
WC/WF424RS	A-01 - C-12
WCN27RT	C-13 - E-22
WCP31RT	E-23 - H-10
WCP34RU	H-11 - J-22



## 1986 WCN27RT INDEX

Floor Plan	C-13 - C-14
Accessories Group	C-15 - C-18
Bath Group	C-19
Chassis Group	C-20 - C-24
Curtain, Cushion & Pad Group	D-01 - D-06
Dinette Group	D-07
Driver's Compartment Group	D-08 - D-10
Electrical Group	D-11 - D-13
Exterior Body Group	D-14 - D-20
Galley Group	D-21 - D-23
Heating & Air Conditioning Group	D-24 - E-01
Interior Finish Group	E-02 - E-04
LP Group	E-05
Lounge Group	E-06
Water & Sewage Group	E-07 - E-08
Window, Vent & Exterior Door Group	E-09 - E-22

## ACCESSORIES GROUP



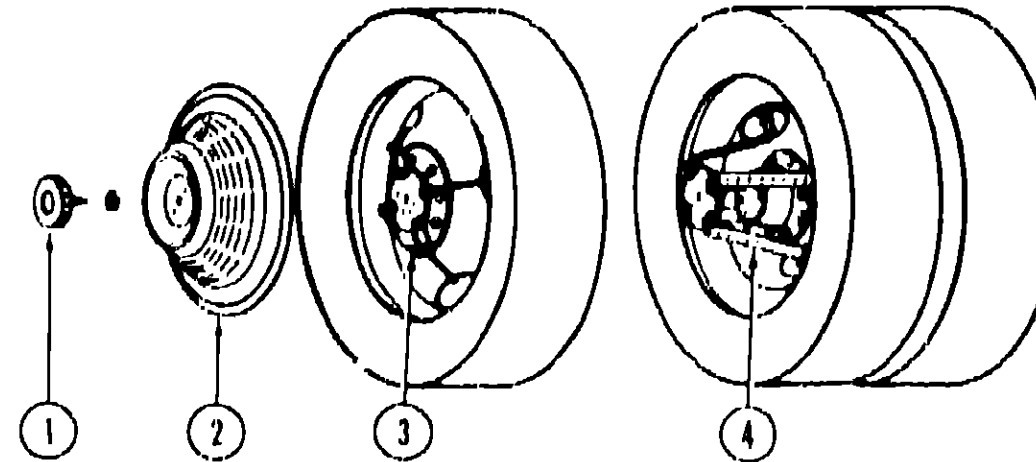
EXTERIOR MIRRORS

Key	Part Number	U/M	Description
1	049347-01-000	EA	Mirror Head - 7 1/2" x 10 1/2"
2	049348-03-000	EA	Arm - Low Mount Mirror - Black
3	049944-04-000	EA	Bracket - Mirror - Outside - Black
•	077966-01-000	EA	Mirror - Wide Angle - Stainless Steel - Passenger
•	077966-02-000	EA	Mirror - Wide Angle - Stainless Steel - Driver
•	006043-01-000	EA	Mirror - Convex - Adhesive Back
•			Not illustrated

### OPTIONAL MICROWAVE/CONVECTION OVEN & COMPONENTS

Key	Part Number	U/M	Description
	081379-01-000	EA	Microwave/Convection Oven - Sharp
	081459-03-000	EA	Bracket Asm. - Microwave - Right
	081459-04-000	EA	Bracket Asm. - Microwave - Left
	081456-01-000	EA	Angle Asm. - Microwave - Right
	081456-02-000	EA	Angle Asm. - Microwave - Left
	081555-01-103	EA	Trim Asm. - Microwave
	082876-01-000	EA	Baffle Asm. - Microwave

## ACCESSORIES GROUP (CONTINUED)



WHEEL COVER & MOUNTING HARDWARE

Key	Part Number	U/M	Description
1	064082-02-000	EA	Retaining Nut - Delmet - Wheel Cover
2	073426-01-700	EA	Wheel Cover - Bolt On - 16" - Delmet (1)
3	073426-04-700	EA	Retention Bracket Asm. - Wheel Cover Support - Heavy Duty - Front (1)
4	073426-04-701	EA	Retention Bracket Asm. - Wheel Cover Support - Heavy Duty - Rear (1)
•	073426-04-000	EA	Retention Bracket Asm. - Wheel Cover Support - Heavy Duty (Set/4)
•	031390-04-000	EA	Wheel Cover - 16" - Clip On - Delmet
•	083181-01-000	EA	Wheel Cover - 16" (Set/4)
•	083181-01-700	EA	Wheel Cover - 16" (1)
•	031396-01-790	EA	Clip - Wheel Cover - Delmet
•			Not illustrated

### RADIO & RELATED COMPONENTS

Key	Part Number	U/M	Description
	031105-01-000	EA	Antenna - Radio - Side Mount
	031105-01-700	EA	Antenna Holder - Radio - Upper
	064792-01-000	EA	Grille - Speaker - 5.25" - w/Mesh - Brown
	075903-01-000	EA	Radio - AM/FM/MPX w/Cassette
	075904-01-000	EA	Radio - AM/FM/MPX w/Cassette - Electronic Tuning
	074979-01-000	EA	Speaker Cover Protector - Plastic
	073741-02-000	EA	Speaker - 4" x 6" - Oval
	073431-01-000	EA	Speaker - 5.25 - 3/Way (Pair)
	064791-01-000	EA	Speaker - Recessed - 5.25"

### OPTIONAL ELECTRIC STEP & COMPONENTS

Key	Part Number	U/M	Description
	075461-01-000	EA	Electric Step Asm. w/Light
	075461-01-700	EA	Motor
	041250-01-000	EA	Door Switch
	075461-01-704	EA	Under Step Control Unit
	075461-01-705	EA	4-Way Plug (Dash End)
	075461-01-706	EA	Kill Switch
	075461-01-707	EA	Step Light
	075461-01-708	EA	4-Way Plug (Control Box End)
	075461-01-709	EA	90 Degree Plug
	075461-01-710	EA	Gear
	075461-01-711	EA	Drive Link

## 1986 WINNEBAGO TABLE OF CONTENTS

WC/WF424RS  
WCN27RT  
WCP31RT  
WCP34RU

A-01 - C-12  
C-13 - E-22  
E-23 - H-10  
H-11 - J-22

### 1986 WCN27RT INDEX

Floor Plan	C-13 - C-14
Accessories Group	C-15 - C-16
Bath Group	C-19
Chassis Group	C-20 - C-24
Curtain, Cushion & Pad Group	D-01 - D-06
Dinette Group	D-07
Driver's Compartment Group	D-08 - D-10
Electrical Group	D-11 - D-13
Exterior Body Group	D-14 - D-20
Galley Group	D-21 - D-23
Heating & Air Conditioning Group	D-24 - E-01
Interior Finish Group	E-02 - E-04
LP Group	E-05
Lounge Group	E-06
Water & Sewage Group	E-07 - E-08
Windows, Vent & Exterior Door Group	E-09 - E-22

**ACCESSORIES GROUP (CONTINUED)**

**OPTIONAL SPEED CONTROL & COMPONENTS**

Key	Part Number	U/M	Description
	083212-02-000	EA	Control Switch
	083212-01-000	EA	Speed Control Package - Electric Gas - Dana - Tan
	083212-01-700	EA	Regulator Asm. - Electric
	083212-01-701	EA	Carburetor Lever
	083212-01-702	EA	Harness Asm. (Main Wiring)
	083212-01-703	EA	Servo Asm. - Mount Ready
	083212-01-704	EA	Switch - Stop Lamp - Cruise Release
	083212-01-705	EA	Valve Asm. - Switch - Speed Control
	083212-04-000	EA	Speed Control - Electric Gas - Dana - Gray
	083212-04-701	EA	Main Wiring Harness
	083212-04-702	EA	Servo Asm. - Mount Ready
	083212-04-703	EA	Bracket - Servo Mounting
	083212-04-704	EA	Bracket - Servo Mounting

**OPTIONAL FOG LAMP & COMPONENTS**

Key	Part Number	U/M	Description
	079941-01-000	EA	Lamp Asm. - Fog w/Cover - Amber
	079941-01-700	EA	Lamp Asm. - Fog - Set of 2
	079941-01-701	EA	Lens and Cover Only
	079941-01-702	EA	Switch - Fog Lights
	079941-01-703	EA	Solenoid
	079941-01-704	EA	Switch Plate - For Switch

**OPTIONAL AIR HORN & COMPONENTS**

Key	Part Number	U/M	Description
	077497-01-000	EA	Air Horn Kit - Twin Chromed
	077497-01-700	EA	Solenoid - Air Horns Air Tank
	077497-01-701	EA	Compressor Switch - Air Horn
	077497-01-702	EA	Toggle Switch - Air Horn
	077497-01-703	EA	Air Tank - Air Horn
	077497-01-704	EA	Compressor w/Switch - Air Horn
	063912-01-000	EA	Relay Canister - w/Ground - Air Horn

**OPTIONAL STEERING WHEEL**

Key	Part Number	U/M	Description
	080752-05-000	EA	Steering Wheel - Custom
	080752-06-000	EA	Hub Adapter - Steering Wheel
	080752-07-000	EA	Button - Horn - w/Wire
	080752-08-000	EA	Screw - Custom Steering Wheel

**OPTIONAL VACUUM CLEANER & COMPONENTS**

Key	Part Number	U/M	Description
	055285-01-000	EA	Vacuum Cleaner - Built In - Tevis Campbell
	055285-01-700	EA	Accessories Kit - Standard - Tevis Campbell
	055285-01-701	EA	Filter - 10 per Consumer Package - Tevis Campbell
	055285-01-702	EA	Hose - Vacuum Cleaner - 20'
	055285-01-703	EA	Rug Tool
	055285-01-704	EA	Crevice Tool
	055285-01-705	EA	Upholstery Tool
	055285-01-706	EA	Wand Set (2 Piece)

**OPTIONAL RACK & LADDER**

Key	Part Number	U/M	Description
	081016-02-T03	EA	Ladder Asm
	081026-01-T03	EA	Rack Asm - Right
	081026-02-T03	EA	Rack Asm - Left
	038327-01-000	EA	Tape - Anti Slip - 2" x 60"

**ACCESSORIES GROUP (CONTINUED)**

**GENERATORS & COMPONENTS**

Key	Part Number	U/M	Description
	079854-03-000	EA	Generator - Orion - 4.0 kw - Emerald
	079854-05-000	EA	Pipe & Accessories Kit - Emerald
	079854-06-000	EA	Hinge Kit - Onan - Emerald
	701620-02-000	EA	Installation Package
	024732-01-010	EA	Tailpipe - 1.5" O.D. x 43.50"
	083152-01-000	EA	Exhaust Pipe - Generator
	078045-01-000	EA	Plate - Support - Generator
	007007-01-000	EA	Insulation - Fiberglass - 1"

**MISCELLANEOUS ACCESSORIES**

Key	Part Number	U/M	Description
	054185-24-000	EA	Owners Manual - 1986 - Itasca & Winnebago
	076319-01-000	EA	Antenna - TV (Winegard) - 44 5" Mast
	076319-01-700	EA	RVSA Sensor - Antenna
	076319-01-701	EA	Elevating Gear
	076319-01-702	EA	Shaft Elevating Asm
	076319-01-703	EA	Nylon Bearing 5"
	076319-01-704	EA	Nylon Bearing
	076319-01-705	EA	Nylon Bearing
	076319-01-706	EA	Elevating Crank - w/Set Screw
	076319-03-000	EA	Cable - Coaxial - 1000' - 75 OHM
	076319-04-000	EA	Connector & Ferrule
	076319-05-000	EA	Wallplate/Power Supply - Ivory
	076319-06-000	EA	Adapter - Cable Rod Plate
	076319-07-000	EA	Wallplate Power Supply - Brown
	076319-08-000	EA	Wallplate/Receptacle - Ivory
	076319-09-000	EA	Wallplate/Receptacle - Brown
	076319-10-000	EA	Ferrule
	076319-11-000	EA	Adapter - Coax w/Splitter
	017516-01-000	EA	Mud Flap w/Holes - 14" x 18" - Black
	041944-03-000	EA	Fire Extinguisher - 5BC
	041944-02-000	EA	Bracket - Fire Extinguisher
	036420-02-000	EA	Defroster Fan - 6" - 2 Speed
	072852-01-000	EA	Smoke Detector w/9 Volt Battery
	079664-02-000	EA	Weather Center - 8 5" x 8 5"
	079664-01-000	EA	Clock - 8 5" x 8 5"
	006069-01-000	EA	Key Case - Leather
	007038-01-000	EA	Door Mat - 10 5" x 26" - Black Rubber
	081075-01-000	EA	Floor Mat - Entrance - Winnebago - Tan
	081201-01-000	EA	Floor Mat - Front - Winnebago - Right - Tan
	081202-01-000	EA	Floor Mat - Front - Winnebago - Left - Tan
	080208-01-000	EA	Lug Wrench
	080208-02-000	EA	Leverage Bar - Lug Wrench
	006113-01-000	EA	Jack - Hydraulic - 6 Ton - w Handle
	076840-01-000	EA	Shock Cord Asm

**OPTIONAL CHROME WHEEL LINERS & COMPONENTS**

Key	Part Number	U/M	Description
	081608-05-000	EA	Cover - Lug Nut - Chrome Liner
	081608-06-000	EA	Ring - Spiral - Chrome Liner
	081608-07-000	EA	Cover - Rear Axle - Chrome Liner
	081608-08-000	EA	Cover - Front Axle - Chrome Liner
	081608-09-000	EA	Liner - Front Wheel - Chrome
	081608-10-000	EA	Liner - Rear Wheel - Chrome

**1986 WINNEBAGO  
TABLE OF CONTENTS**

WC/WF424RS	A-01 - C-12
WCN27RT	C-13 - E-22
WCP31RT	E-23 - H-10
WCP34RU	H-11 - J-22

**1986 WCN27RT INDEX**

Floor Plan	C-13 - C-14
Accessories Group	C-15 - C-18
Bath Group	C-19
Chassis Group	C-20 - C-24
Curtain, Cushion & Pad Group	D-01 - D-06
Dinette Group	D-07
Driver's Compartment Group	D-08 - D-10
Electrical Group	D-11 - D-13
Exterior Body Group	D-14 - D-20
Galley Group	D-21 - D-23
Heating & Air Conditioning Group	D-24 - E-01
Interior Finish Group	E-02 - E-04
LP Group	E-05
Lounge Group	E-06
Water & Sewage Group	E-07 - E-08
Window, Vent & Exterior Door Group	E-09 - E-22

## BATH GROUP

### BATH HARDWARE

Key	Part Number	U/M	Description
	M02830-01-U04	EA	Shower Pan Asm - w/Strainer
	075241-03-000	EA	Faucet - Shower - Brass
	075240-03-000	EA	Faucet - Lavatory - Brass
**	011048-02-000	EA	Shower Head - w/60" Hose
	011048-04-000	EA	Vacuum Breaker - 1/8 MPT - Nylon - Shower Head
	066440-01-000	EA	Strainer - Bathtub Asm
	066435-01-000	EA	Nut Strainer - Plastic - Bathtub Asm
	066436-01-000	EA	Slip Nut - 1 5" Tail Piece - Bathtub Asm
	066735-01-000	EA	Washer - Tail Piece - 1 5" - Plastic - Bathtub Asm
	011069-02-000	EA	Tailpiece - 1 5" x 1 25" x 4" - Brass - Bathtub Asm
	058713-01-000	EA	Sink - Oval - Ivory Plastic
	064076-01-000	EA	Toilet - Thetford - Aqua Magic - Ivory - Shorty
	075452-02-000	EA	Tissue Holder - Brass
	075453-02-000	EA	Towel Bar - 18" - Brass
	075454-02-000	EA	Towel Ring - Brass w/Mounting Hardware
	058331-01-000	EA	Mirror - Tempered Glass - 19" x 26"
	058331-05-000	EA	Mirror - Tempered Glass - 12" x 26"
	058331-04-000	EA	Mirror - Tempered Glass - 12" x 42"
	009089-01-000	EA	Clip - Mirror
	057671-01-000	EA	Screw Cover - #8 - Antique White
	059777-01-000	EA	Hinge - Antique Brass
	078551-09-000	EA	Track - 33 5" - Front Curtain Track
	078551-08-000	EA	Track - 48" - Rear Curtain Track
	075680-01-000	EA	Rod - Clothes - Adjustable
	009112-01-000	EA	Flange - 1" - Clothes Rod

\*\* The illustrated parts breakdown for this item is provided on the Common Items Fiche

### BATH & WARDROBE CABINETRY

Key	Part Number	U/M	Description
	M83359-01-U04	EA	Cabinet Asm - Lavatory - w/o Countertop, Doors, or Drawer
	M02617-01-U04	EA	Countertop Asm - Lavatory Cabinet - Fawn (U04 U05)
	M02617-01-U06	EA	Countertop Asm - Lavatory Cabinet - Sage Green (U06)
	M81501-91-U04	EA	Door Asm - Lavatory - Hamper - Lower - w/o Hardware
	M82124-01-U04	EA	Door Asm - Lavatory - Upper - w Mirror - w/o Hardware
	077404-01-000	EA	Drawer Asm - Lavatory - w/o Hardware
	077408-01-000	EA	Slide - Lavatory Drawer
	M83362-01-U04	EA	Door Asm - Bath - w/o Hardware
	M81501-31-U01	EA	Door Asm - Wardrobe Cabinet - Upper
	M81501-90-U04	EA	Door Asm - Wardrobe Cabinet - Lower Left
	M81501-89-U04	EA	Door Asm - Wardrobe Cabinet - Lower Right - w/o Hardware
	077404-01-000	EA	Drawer Asm - Wardrobe Cabinet - w/o Hardware
	M02615-01-U04	EA	Countertop Asm - Wardrobe Cabinet
	072871-01-000	EA	Pull - Chrome Flush Mount

## CHASSIS GROUP

### MISCELLANEOUS CHASSIS

Key	Part Number	U/M	Description
	047441-01-000	EA	Battery Terminal - Horizontal Lug
	075723-01-000	EA	Block - Switch - Spacer w/o Holes
	072350-01-000	EA	Bottle - Constant Expansion
	064053-01-000	EA	Box - Luggage
	005451-04-000	EA	Bracket - Battery Tie Down - 90 Amp
	007125-07-000	EA	Clamp Asm - Muffler - 1 62"
	010497-01-000	EA	Clamp - Closed - 5/8 I D
	007161-01-000	EA	Clamp - Hose - Spring Type - 1 12"
	002401-01-000	EA	Clamp - Hose - Wormgear - 22" I D x 1" I D
	062401-02-000	EA	Clamp - Hose - Wormgear - 1 56" I D - 2 5" I D
	062401-03-000	EA	Clamp - Hose - Wormgear - 25" I D - 1" I D
	062401-04-000	EA	Clamp - Hose - Wormgear - 69" I D - 1 25" I D
	062401-05-000	EA	Clamp - Hose - Wormgear - 2" I D - 3" I D
	062401-06-000	EA	Clamp - Hose - Wormgear - 22" I D - 62" I D
	023140-01-000	EA	Clamp - Screw Type - 4"
	024490-01-000	EA	Compartment - Power Cord - Black Plastic
	071650-01-000	EA	Cover - Radiator - Rear
	080722-01-000	EA	Cover - Radiator - Rear Back (Fan Shroud)
	020167-03-000	EA	Dirt Guard - Rear Wheel
	007131-01-000	EA	Hanger - Tail Pipe
	024138-01-000	FT	Hose - Fuel - 5/16" I D SAE 30FI
	066732-01-000	FT	Hose - Fuel Fill - 62 I D
	007111-02-000	EA	Hose - Fuel Fill - 2 00 I D
	007111-01-000	EA	Hose - Fuel Fill - 2 25 I D
	006113-01-000	EA	Jack - Hydraulic - 6 Ton - w/Handle
	080208-02-000	EA	Leverage Bar - 22" - Lug Wrench
	080208-01-000	EA	Lug Wrench
	081075-01-000	EA	Mat - Entrance Door - Brown & Tan
	081201-01-000	EA	Mat - Stepwell - Driver - Brown & Tan
	081202-01-000	EA	Mat - Stepwell - Passenger - Brown & Tan
	007038-01-000	EA	Mat - Entrance Door - Black
	017516-01-000	EA	Mud Flap w/Holes - 14" x 18" - Black
	057038-06-000	EA	Sending Unit Fuel - 90 OHM - Main
	053322-11-000	EA	Shield - Heat - Muffler
	079942-01-000	EA	Shock Absorber - Stabilizer - Front
	079942-02-000	EA	Shock Absorber - Stabilizer - Rear
	079942-07-000	EA	Bracket - Mounting Stabilizer
	063977-08-000	EA	Step Asm - Driver Door
	077848-01-000	EA	Step Asm - Entry - Pull Out
	076241-02-000	EA	Support Asm - Electric Step
	061411-03-000	EA	Tailpipe Extension - 2 25" x 10 5'
	055374-01-000	EA	Wheelwell - Plastic
	008343-01-000	EA	Wire Tie - 6"

Remainder of exhaust components available from service center

### OPTIONAL STEERING WHEEL & COMPONENTS

Key	Part Number	U/M	Description
	080752-05-000	EA	Steering Wheel - Custom
	080752-06-000	EA	Hub Adapter - Steering Wheel
	080752-07-000	EA	Horn Button - w/Wire
	080752-08-000	EA	Screw - Custom Steering Wheel

### WHEELS, TIRES AND COMPONENTS

Key	Part Number	U/M	Description
	064962-02-000	EA	Wheel - 16 x 6
	050272-03-000	EA	Tire - 7 5" x 16" - White Wall Radial - Goodyear
	051377-01-000	EA	Valve Stem - TR 500
	040546-03-000	EA	Tire - 7 5" x 16 - 8 Ply - Tube - Black Sidewall - Goodrich
	050273-02-000	EA	Tire - 7 5" x 16 - XCA T8 - Tubeless - Michelin

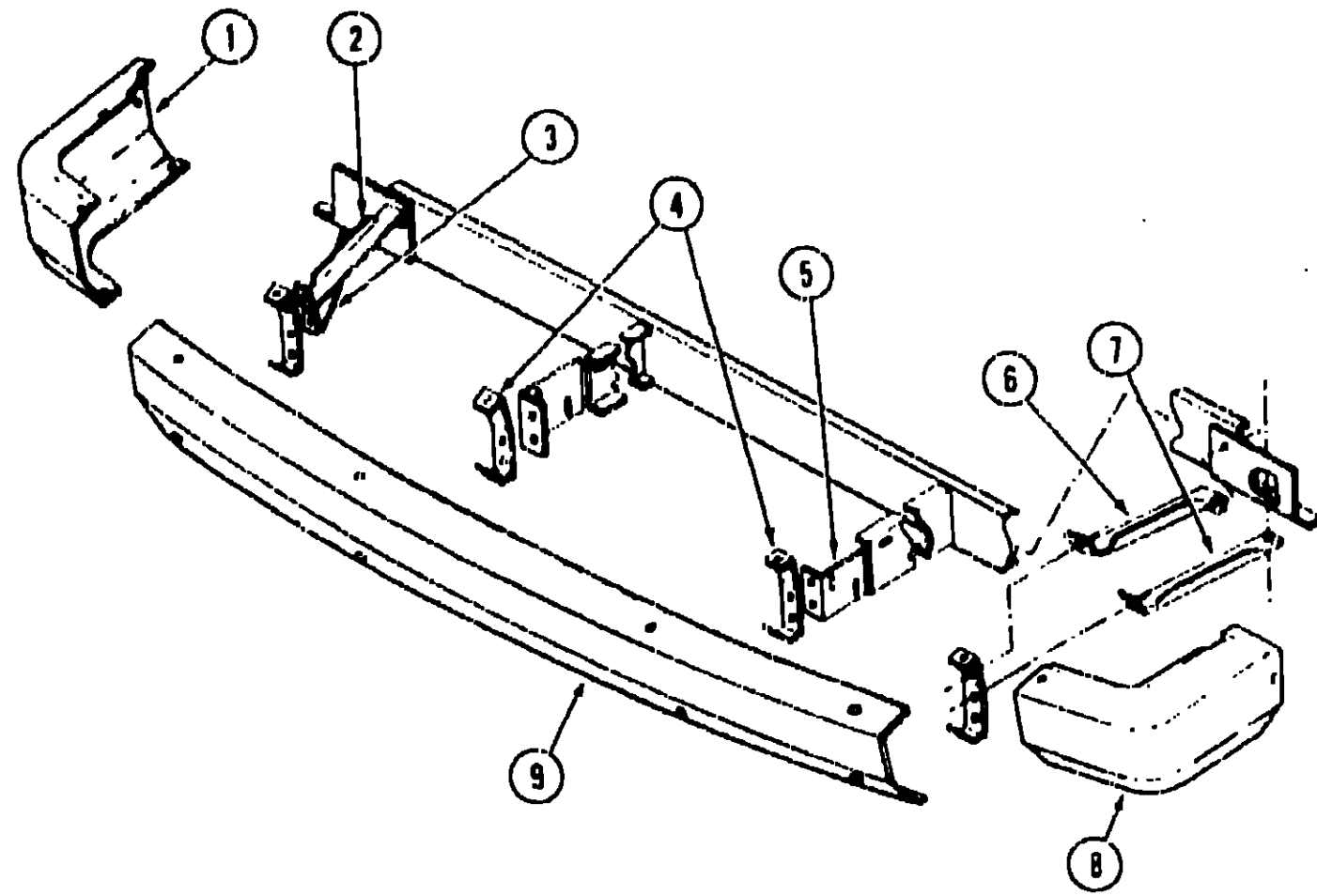
## 1986 WINNEBAGO TABLE OF CONTENTS

WC/WF424R3	A-01 - C-12
WCN27RT	C-13 - E-22
WCP31RT	E-23 - H-10
WCP31RU	I-11 - J-22

## 1986 WCN27RT INDEX

Floor Plan	C-13 - C-14
Accessories Group	C-15 - C-18
Bath Group	C-19
Chassis Group	C-20 - C-24
Curtain, Cushion & Pad Group	D-01 - D-06
Dinette Group	D-07
Driver's Compartment Group	D-08 - D-10
Electrical Group	D-11 - D-13
Exterior Body Group	D-14 - D-20
Galley Group	D-21 - D-23
Heating & Air Conditioning Group	D-24 - E-01
Interior Finish Group	E-02 - E-04
LP Group	E-05
Lounge Group	E-06
Water & Sewage Group	E-07 - E-08
Window, Vent & Exterior Door Group	E-09 - E-22

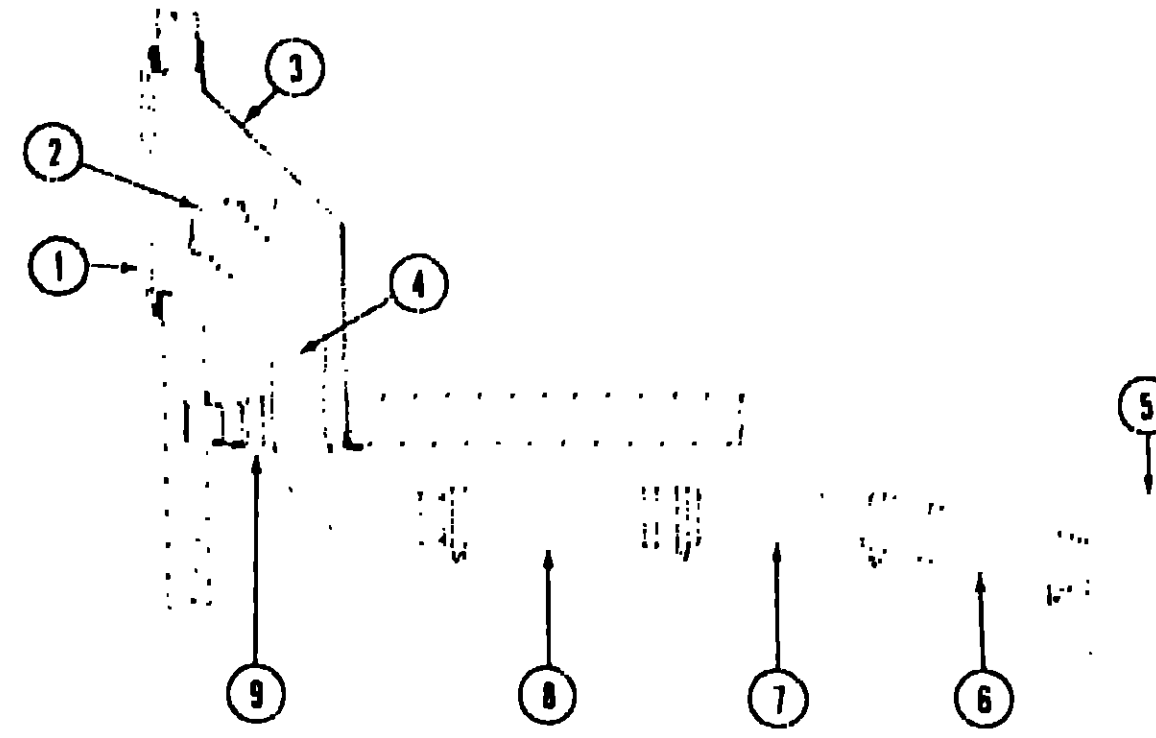
**CHASSIS GROUP (CONTINUED)**



**FRONT BUMPER**

Key	Part Number	U/M	Description
1	078577-01-000	EA	Bumper End - Beige - Right Front
2	078002-01-000	EA	Brace - Upper Right - Front Bumper
3	078003-01-000	EA	Brace - Lower Right - Front Bumper
4	077852-01-000	EA	Bracket to Bumper - Front
5	076527-01-000	EA	Bracket to Frame - Front Bumper
6	078002-02-000	EA	Brace - Upper Left - Front Bumper
7	078003-02-000	EA	Brace - Lower Left - Front Bumper
8	078577-02-000	EA	Bumper End - Beige - Left Front
9	077850-04-000	EA	Bumper - Front - Primed
9	077850-09-000	EA	Bumper - Front - Chrome
*	005200-01-000	EA	Carriage Bolt - Chrome - 7/16" x 14 x 1 1/4"
*			Not illustrated

**CHASSIS GROUP (CONTINUED)**



**MAIN FUEL TANK**

Key	Part Number	U/M	Description
1	078010-04-000	EA	Door Asm & Upper Shroud - Fuel Fill - Beige
2	072447-01-000	EA	Shroud - Fuel Fill - Inside
3	063303-04-000	EA	Shroud - Fuel Fill - Lower
*	083578-01-000	EA	Boot - Fuel Fill Shroud - Lower
*			Not illustrated

**OPTIONAL ALTERNATOR & COMPONENTS**

Key	Part Number	U/M	Description
	081057-01-000	EA	Alternator Kit - 105 Amp
	081057-01-700	EA	Brush Assembly
	081057-01-701	EA	Diode Bridge
	081057-01-702	EA	Condenser
	081057-01-703	EA	Inside Bearing Spacer
	081057-01-704	EA	Front Bearing
	081057-01-705	EA	Outside Bearing Spacer
	081057-01-706	EA	Pulley
	081057-01-707	EA	Diode -
	081057-01-708	EA	Diode -
	081057-01-709	EA	Stator (105 H.D.)
	081057-01-710	EA	Rotor
	081057-01-711	EA	Ground Terminal Kit
	081057-01-712	EA	Battery Terminal Kit
	081057-01-713	EA	Rear Bearing
	081057-02-000	EA	Regulator Kit - 105 Amp
	081057-03-000	EA	Alternator - 105 Amp Wide Belt

**1986 WINNEBAGO  
TABLE OF CONTENTS**

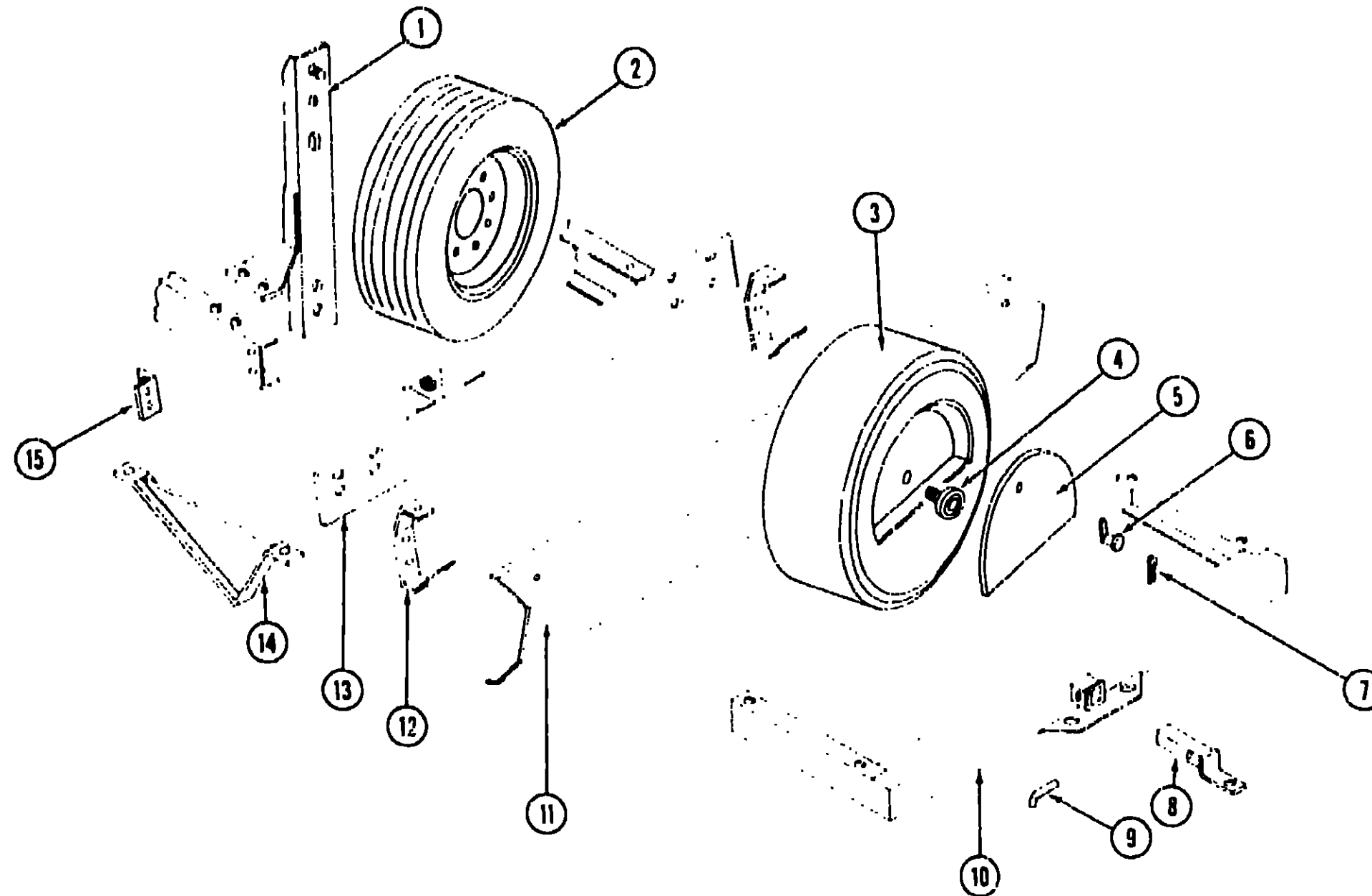
WC-WF42-IRS	A-01 - C-12
WCN27RT	C-13 - E-22
WC-P31RT	E-23 - H-10
WC-P34RU	H-11 - J-22

**1986 WCN27RT INDEX**

Floor Plan	C-13 - C-14
Accessories Group	C-15 - C-18
Bath Group	C-19
Chassis Group	C-20 - C-24
Curtain, Cushion & Pad Group	D-01 - D-06
Dinette Group	D-07
Driver's Compartment Group	D-08 - D-10
Electrical Group	D-11 - D-13
Exterior Body Group	D-14 - D-20
Galley Group	D-21 - D-23
Heating & Air Conditioning Group	D-24 - E-01
Interior Finish Group	E-02 - E-04
LP Group	E-05
Lounge Group	E-06
Water & Sewage Group	E-07 - E-08
Window Vent & Exterior Door Group	E-09 - E-22

# CHASSIS GROUP (CONTINUED)

## SPARE TIRE, HITCH & REAR BUMPER



Key	Part Number	U/M	Description
1	080378-02-000	EA	Bracket - U-Channel - Tire Carrier
2	040546-03-000	EA	Tire - 7.5" - 8 Ply Tube - Black Sidewall - Goodrich
3	079762-01-000	EA	Tire Cover - Beige Plastic
4	064082-02-000	EA	Nut - Tire Cover Retainer - Delmet
5	MJ2047-01-T03	EA	Door - Tire Cover - Beige Plastic
6	077408-01-000	EA	Lock Asm - Key Type
7	034513-01-000	EA	Pin - Hitch - 3/16" Wire
8	077613-01-000	EA	Drawbar - Ball Mount
9	034512-01-000	EA	Locking Pin - Drawbar
10	077617-01-700	EA	Hitch Asm - w.o Drawbar
11	078584-01-000	EA	Bumper - Rear - Primed
11	078584-08-000	EA	Bumper - Rear - Chromed
.	NOTE	EA	Bumper Ends (See Exterior Body Group)
12	078670-02-000	EA	Bracket to Bumper - Rear
13	079129-02-000	EA	Bracket to Frame - Rear Bumper
14	083376-01-000	EA	Skid Plate Asm
15	078668-01-000	EA	Support Angle - Rear Bumper Support to Frame
.	005200-01-000	EA	Bumper Bolt - 7/16" - 14 x 1 1/4
.			Not illustrated

# 1986 WINNEBAGO TABLE OF CONTENTS

WC/WF424RS  
WCN27RT  
WCP31RT  
WCP34RU

A-01 - C-12  
C-13 - E-22  
E-23 - H-10  
H-11 - J-22

## 1986 WCN27RT INDEX

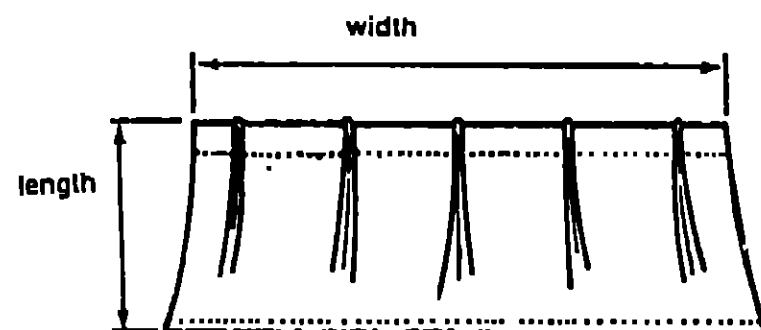
Floor Plan	C-13 - C-14
Accessories Group	C-15 - C-18
Bath Group	C-19
Chassis Group	C-20 - C-24
Curtain, Cushion & Pad Group	D-01 - D-06
Dinette Group	D-07
Driver's Compartment Group	D-08 - D-10
Electrical Group	D-11 - D-13
Exterior Body Group	D-14 - D-20
Galley Group	D-21 - D-23
Heating & Air Conditioning Group	D-24 - E-01
Interior Finish Group	E-02 - E-04
LP Group	E-05
Lounge Group	E-06
Water & Sewage Group	E-07 - E-08
Window, Vent & Exterior Door Group	E-09 - E-22

## CURTAIN, CUSHION & PAD GROUP

### NOTICE

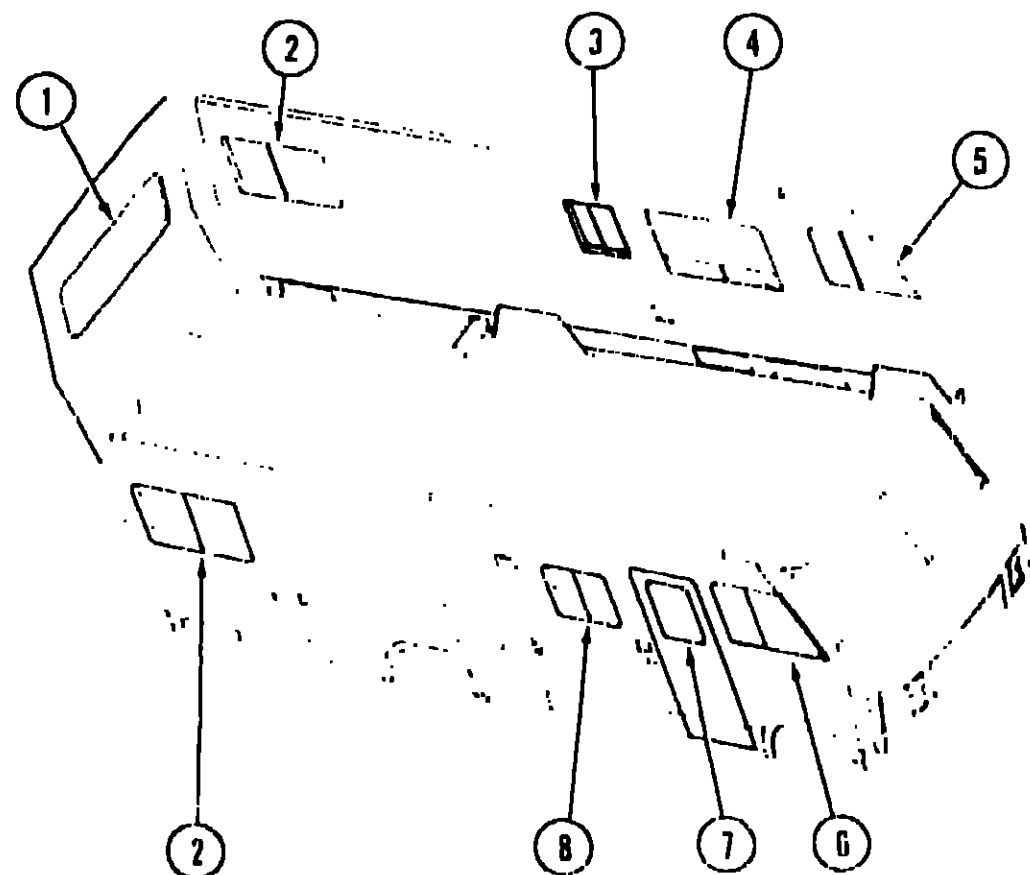
In order to assist our Parts Sales Dept. in providing interior software items, please include the serial number and the color code number from the vehicle certification label when ordering. This label is located on the left sidewall at the end of the dash (A-Body), or on the driver's door latch plate (C-Body).

An example of a color code number is P31, which designates an overall color scheme of a particular unit. The color listed after the item description on the microfiche, indicates the overall unit color. Order the item you desire according to unit color code.



### NOTE

Use this illustration when determining length and width measurements for curtains. You will note the width measurement is taken on the top of the curtain with the curtain fully extended. The length measurement is taken from top to bottom.



D-1

## CURTAIN, CUSHION & PAD GROUP (CONTINUED)

### CURTAINS, SHADES, VALANCES & TIEBACKS

Key	Part Number	U/M	Description
1	079559-03-U01	EA	Curtain Asm - w/Gathers - 32" x 41"
1	079558-04-U04	EA	Valance Asm - w/Gathers - 6" x 140"
1	082119-09-000	EA	Shade - Vinyl - 72.25" x 42"
2	079559-03-U01	EA	Curtain Asm - w/Gathers - 32" x 41"
2	079558-02-U01	EA	Valance Asm - w/Gathers - 6" x 120"
2	082119-03-000	EA	Shade - Vinyl - 60.25" x 38"
3	084261-02-U04	EA	Valance Asm - Unpadded
3	082119-04-000	EA	Shade - Vinyl - 30.25" x 30"
4	M81977-15-U04	EA	Valance Asm - Padded (U06)
4	M81977-15-U05	EA	Valance Asm - Padded
4	079542-10-U01	EA	Curtain Asm - Darted w/Velcro - 35" x 16" - Beige (U04)
4	079542-10-U02	EA	Curtain Asm - Darted w/Velcro - 35" x 16" - Rose (U05)
4	079542-10-U03	EA	Curtain Asm - Darted w/Velcro - 35" x 16" - Spruce (U06)
4	082118-61-000	EA	Blind - 65" x 34" Drop - Beige (U04)
4	082118-62-000	EA	Blind - 65" x 34" Drop - Rose (U05)
4	082118-63-000	EA	Blind - 65" x 34" Drop - Spruce (U06)
4	079543-15-U04	EA	Curtain Asm - Pleat Bottom - 35" x 12" (Woven Wood) (U06)
4	079543-15-U05	EA	Curtain Asm - Pleat Bottom - 35" x 12" (Woven Wood)
4	082127-49-000	EA	Shade - Woven Wood - 65" x 35" Drop - Beige (U04)
4	082127-50-000	EA	Shade - Woven Wood - 65" x 35" Drop - Rose (U05)
4	082127-51-000	EA	Shade - Woven Wood - 65" x 35" Drop - Spruce (U06)
5	073304-32-U09	EA	Front Wraparound Curtain - 32.5" x 86" - Snap Top - Left
6	073304-31-U09	EA	Front Wraparound Curtain - 32.5" x 86" - Snap Top - Right
•	077591-06-U04	EA	Blackout Curtain - 60" x 50" - Velcro Top - Left
•	077591-05-U04	EA	Blackout Curtain - 60" x 50" - Velcro Top - Right
7	M81977-12-U04	EA	Valance Asm - Entrance Door - Padded (U06)
7	M81977-12-U05	EA	Valance Asm - Entrance Door - Padded
7	082119-02-000	EA	Shade - Vinyl - 24.25" x 40"
8	M81977-05-U04	EA	Valance Asm - Padded (U06)
8	M81977-05-U05	EA	Valance Asm - Padded
8	082118-43-000	EA	Blind - 27" x 22" Drop - Beige (U04)
8	082118-44-000	EA	Blind - 27" x 22" Drop - Rose (U05)
8	082118-45-000	EA	Blind - 27" x 22" Drop - Spruce (U06)
•	073260-16-U04	EA	Tie Back Asm - Accent - 3" x 20" (U06)
•	073260-16-U05	EA	Tie Back Asm - Accent - 3" x 20"
•	073260-17-U01	EA	Tie Back Asm - Bedspread - 4" x 18"
•	073304-35-U01	EA	Curtain Asm - Front Divider - 64" x 50" - Snap Top
•	073304-29-U01	EA	Curtain Asm - Rear Divider - 64" x 40" - Snap Top
•	077591-05-U04	EA	Curtain Asm - Right Privacy - 60" x 50" - Velcro Top
•	077591-06-U04	EA	Curtain Asm - Left Privacy - 60" x 50" - Velcro Top
•	Not illustrated		



Key	Part Number	U/M	Description
1	029130-01-000	EA	Socket - Snap Fastener
2	029155-01-000	EA	Cap - Snap - 156" Dia x 17" Barrel
3	029156-01-000	EA	Socket - Snap Fastener
4	029092-01-000	EA	Stud - Nickel Finish
5	029093-01-000	EA	Eyelet - Nickel Finish

D-2

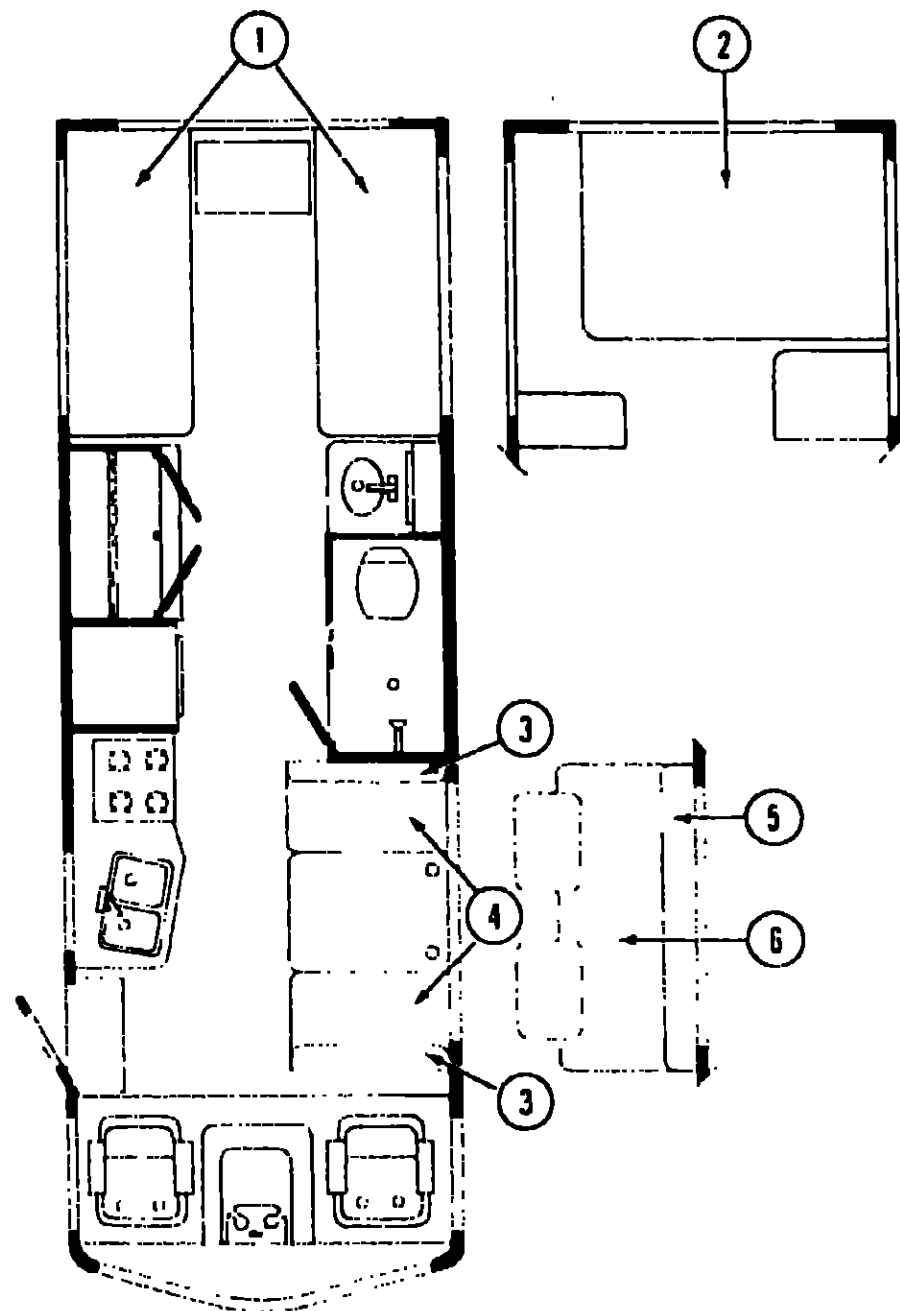
## 1986 WINNEBAGO TABLE OF CONTENTS

WC/WF424RS	A-01 - C-12
WCN27RT	C-13 - E-22
WCP31RT	E-23 - H-10
WCP34RU	H-11 - J-22

## 1986 WCN27RT INDEX

Floor Plan	C-13 - C-14
Accessories Group	C-15 - C-18
Bath Group	C-19
Chassis Group	C-20 - C-24
Curtain, Cushion & Pad Group	D-01 - D-06
Dinette Group	D-07
Driver's Compartment Group	D-08 - D-10
Electrical Group	D-11 - D-13
Exterior Body Group	D-14 - D-20
Galley Group	D-21 - D-23
Heating & Air Conditioning Group	D-24 - E-01
Interior Finish Group	E-02 - E-04
LP Group	E-05
Lounge Group	E-06
Water & Sewage Group	E-07 - E-08
Window, Vent & Exterior Door Group	E-09 - E-22

**CURTAIN, CUSHION & PAD GROUP (CONTINUED)**



**TWIN BED MATTRESS**

Key	Part Number	U/M	Description
1	077478-04-000	EA	Mattress - Inner Spring - Sealy - 33" x 75"
1	083496-01-000	EA	Mattress - Foam - 33" x 75"
	081969-09-U01	EA	Bedsprad - Twin Bed - 33" w/10" Ruffle
	081997-02-U01	EA	Pillow Sham - 30" x 26" - Multi-Stripe

**QUEEN BED MATTRESS OPTION**

Key	Part Number	U/M	Description
2	083496-04-000	EA	Mattress - Foam - 60" x 75"
2	077478-05-000	EA	Mattress - Innerspring - Sealy - 60" x 75"
	081969-13-U01	EA	Bedsprad - Double Bed - 60" w/10" Ruffle
	081997-02-U01	EA	Pillow Sham - 30" x 26" - Multi-Stripe

**CURTAIN, CUSHION & PAD GROUP (CONTINUED)**

**DINETTE CUSHIONS**

Key	Part Number	U/M	Description
3	081998-01-U01	EA	Cushion Asm. - Dinette Back - 19.2" x 38" x 5" - Beige (U04)
3	081998-01-U02	EA	Cushion Asm. - Dinette Back - 19.2" x 38" x 5" - Rose (U05)
3	081998-01-U03	EA	Cushion Asm. - Dinette Back - 19.2" x 38" x 5" - Spruce (U06)
	M81998-01-U01	EA	Cover Asm. - Dinette Back Cushion - Beige (U04)
	M81998-01-U02	EA	Cover Asm. - Dinette Back Cushion - Rose (U05)
	M81998-01-U03	EA	Cover Asm. - Dinette Back Cushion - Spruce (U06)
4	081998-02-U01	EA	Cushion Asm. - Dinette Seat - 17.5" x 38" x 5" - Beige (U04)
4	081998-02-U02	EA	Cushion Asm. - Dinette Seat - 17.5" x 38" x 5" - Rose (U05)
4	081998-02-U03	EA	Cushion Asm. - Dinette Seat - 17.5" x 38" x 5" - Spruce (U06)
	M81998-02-U01	EA	Cover Asm. - Dinette Seat Cushion - Beige (U04)
	M81998-02-U02	EA	Cover Asm. - Dinette Seat Cushion - Rose (U05)
	M81998-02-U03	EA	Cover Asm. - Dinette Seat Cushion - Spruce (U06)

**3 PILLOW COUCH OPTION**

Key	Part Number	U/M	Description
5	073630-07-U04	EA	Couch - 3 Pillow - Back - Beige
5	073630-07-U05	EA	Couch - 3 Pillow - Back - Rose
5	073630-07-U06	EA	Couch - 3 Pillow - Back - Spruce
	M73630-07-U04	EA	Cover Asm. - 3 Pillow Couch Back - Beige
	M73630-07-U05	EA	Cover Asm. - 3 Pillow Couch Back - Rose
	M73630-07-U06	EA	Cover Asm. - 3 Pillow Couch Back - Spruce
6	073631-08-U04	EA	Couch - 3 Pillow - Seat - Beige
6	073631-08-U05	EA	Couch - 3 Pillow - Seat - Rose
6	073631-08-U06	EA	Couch - 3 Pillow - Seat - Spruce
	M73631-08-U04	EA	Cover Asm. - 3 Pillow Couch Seat - Beige
	M73631-08-U05	EA	Cover Asm. - 3 Pillow Couch Seat - Rose
	M73631-08-U06	EA	Cover Asm. - 3 Pillow Couch Seat - Spruce

**CURTAIN HARDWARE**

Key	Part Number	U/M	Description
	079798-03-000	EA	Bracket Asm. - Curtain Rod - Right
	079798-04-000	EA	Bracket Asm. - Curtain Rod - Left
	082249-01-000	EA	Bracket - Blinds - Beige - Right
	082249-02-000	EA	Bracket - Blinds - Beige - Left
	056001-01-000	EA	Bracket - Shade - Left
	056002-01-000	EA	Bracket - Shade - Right
	056003-01-000	EA	Bracket - Drapery Retainer - Right
	056003-02-000	EA	Bracket - Drapery Retainer - Left
	079619-01-000	EA	Bracket - Tie Back
	056784-01-000	EA	Pull - Shade - Antique Brass
	081381-01-000	EA	Swivel - Snap - Curtain Track
	048394-01-000	EA	Tape Hook - 1" x 50 YD - Beige
	029096-03-000	EA	Tape Hook - 1" - Black (Velcro)
	029096-05-000	EA	Tape Hook - 50" - Beige (Velcro)
	048395-01-000	EA	Tape Loop - 1" x 50 YD - Beige
	029094-04-000	EA	Tape Loop - 1" - Black (Velcro)
	029094-05-000	EA	Tape Loop - 50" - Beige (Velcro)
	079946-01-000	EA	Track - Curtain - Wraparound - Right
	079946-02-000	EA	Track - Curtain - Wraparound - Left
	056116-01-000	FT	Track - Curtain - Brown - Plastic
	084151-01-000	EA	Track - Shower Curtain - Beige
	078551-09-000	EA	Track - Front Divider Curtain - 35.5" - Beige
	078551-08-000	EA	Track - Rear Divider Curtain - 48" - Beige

**1986 WINNEBAGO  
TABLE OF CONTENTS**

WC/WF424RS	A-01 - C-12
WCN27RT	C-13 - E-22
WCP31RT	E-23 - H-10
WCP34RU	H-11 - J-22

**1986 WCN27RT INDEX**

Floor Plan	C-13 - C-14
Accessories Group	C-15 - C-18
Bath Group	C-19
Chassis Group	C-20 - C-24
Curtain, Cushion & Pad Group	D-01 - D-06
Dinette Group	D-07
Driver's Compartment Group	D-08 - D-10
Electrical Group	D-11 - D-13
Exterior Body Group	D-14 - D-20
Galley Group	D-21 - D-23
Heating & Air Conditioning Group	D-24 - E-01
Interior Finish Group	E-02 - E-04
LP Group	E-05
Lounge Group	E-06
Water & Sewage Group	E-07 - E-08
Window Vent & Exterior Door Group	E-09 - E-22



**CURTAIN, CUSHION & PAD GROUP (CONTINUED)**

**BUCKET SEATS**

Key	Part Number	U/M	Description
	079300-01-U01	EA	Seat Asm. - Vinyl - Beige (U04)
	079300-02-U01	EA	Seat Asm. - Vinyl - Rose (U05)
	079300-02-U03	EA	Seat Asm. - Vinyl - Spruce (U06)
	M01862-01-U01	EA	Cover Asm. - Seat Bottom - Vinyl - Beige (U04)
	M01862-03-U01	EA	Cover Asm. - Seat Bottom - Vinyl - Rose (U05)
	M01862-03-U03	EA	Cover Asm. - Seat Bottom - Vinyl - Spruce (U06)
	M01862-02-U01	EA	Cover Asm. - Seat Back - Vinyl - Beige (U04)
	M01862-04-U01	EA	Cover Asm. - Seat Back - Vinyl - Rose (U05)
	M01862-04-U03	EA	Cover Asm. - Seat Back - Vinyl - Spruce (U06)
	078804-07-U01	EA	Seat Asm. - Granduer - Beige (U04)
	078804-08-U04	EA	Seat Asm. - Granduer - Rose (U05)
	078804-08-U06	EA	Seat Asm. - Granduer - Spruce (U06)
	M01863-01-U01	EA	Cover Asm. - Granduer Seat Bottom - Beige (U04)
	M01863-03-U01	EA	Cover Asm. - Granduer Seat Bottom - Rose (U05)
	M01863-03-U03	EA	Cover Asm. - Granduer Seat Bottom - Spruce (U06)
	M01863-02-U01	EA	Cover Asm. - Granduer Seat Back - Beige (U04)
	M01863-04-U01	EA	Cover Asm. - Granduer Seat Back - Rose (U05)
	M01863-04-U03	EA	Cover Asm. - Granduer Seat Back - Spruce (U06)
	071126-16-U01	EA	Skirt Asm. - Granduer Bucket Seat - Beige (U04)
	071126-13-U04	EA	Skirt Asm. - Granduer Bucket Seat - Rose (U05)
	071126-13-U06	EA	Skirt Asm. - Granduer Bucket Seat - Spruce (U06)
	080243-07-U01	EA	Armrest Asm. - Right - Beige (U04)
	080243-09-U01	EA	Armrest Asm. - Right - Rose (U05)
	080243-09-U03	EA	Armrest Asm. - Right - Spruce (U06)
	080243-08-U01	EA	Armrest Asm. - Left - Beige (U04)
	080243-10-U01	EA	Armrest Asm. - Left - Rose (U05)
	080243-10-U03	EA	Armrest Asm. - Left - Spruce (U06)
	M80243-01-U01	EA	Cover Asm. - Armrest - Right - Beige (U04)
	M80243-03-U01	EA	Cover Asm. - Armrest - Right - Rose (U05)
	M80243-03-U03	EA	Cover Asm. - Armrest - Right - Spruce (U06)
	M80243-02-U01	EA	Cover Asm. - Armrest - Left - Beige (U04)
	M80243-04-U01	EA	Cover Asm. - Armrest - Left - Rose (U05)
	M80243-04-U03	EA	Cover Asm. - Armrest - Left - Spruce (U06)
	080242-04-U01	EA	Headrest Asm. - Beige (U04)
	080242-05-U04	EA	Headrest Asm. - Rose (U05)
	080242-05-U06	EA	Headrest Asm. - Spruce (U06)
	M80242-01-U04	EA	Cover Asm. - Headrest - Beige (U04)
	M80242-02-U04	EA	Cover Asm. - Headrest - Rose (U05)
	M80242-02-U06	EA	Cover Asm. - Headrest - Spruce (U06)
	079281-02-U04	EA	Seat Asm. - Double Bucket - Beige (U04)
	079281-01-U04	EA	Seat Asm. - Double Bucket - Rose (U05)
	079281-01-U06	EA	Seat Asm. - Double Bucket - Spruce (U06)
	M01874-03-U04	EA	Cover Asm. - Double Bucket - Bottom - Beige (U04)
	M01874-01-U04	EA	Cover Asm. - Double Bucket - Bottom - Rose (U05)
	M01874-01-U06	EA	Cover Asm. - Double Bucket - Bottom - Spruce (U06)
	M01874-04-U04	EA	Cover Asm. - Double Bucket - Back - Beige (U04)
	M01874-02-U04	EA	Cover Asm. - Double Bucket - Back - Rose (U05)
	M01874-02-U06	EA	Cover Asm. - Double Bucket - Back - Spruce (U06)
	071690-04-U01	EA	Skirt Asm. - Double Bucket - Beige (U04)
	071690-05-U04	EA	Skirt Asm. - Double Bucket - Rose (U05)
	071690-05-U06	EA	Skirt Asm. - Double Bucket - Spruce (U06)
	080243-02-U04	EA	Armrest Asm. - Double Bucket - Beige (U04)
	080243-04-U01	EA	Armrest Asm. - Double Bucket - Rose (U05)
	080243-04-U06	EA	Armrest Asm. - Double Bucket - Spruce (U06)
	M80243-02-U04	EA	Cover Asm. - Armrest - Beige (U04)
	M80243-04-U01	EA	Cover Asm. - Armrest - Rose (U05)
	M80243-04-U06	EA	Cover Asm. - Armrest - Spruce (U06)
	080242-01-U04	EA	Headrest Asm. - Double Bucket - Beige (U04)
	080242-02-U04	EA	Headrest Asm. - Double Bucket - Rose (U05)
	080242-02-U06	EA	Headrest Asm. - Double Bucket - Spruce (U06)
	M80242-01-U04	EA	Cover Asm. - Headrest - Double Bucket - Beige (U04)
	M80242-02-U04	EA	Cover Asm. - Headrest - Double Bucket - Rose (U05)
	M80242-02-U06	EA	Cover Asm. - Headrest - Double Bucket - Spruce (U06)

**CURTAIN, CUSHION & PAD GROUP (CONTINUED)**

**FABRICS, TRIMS & PADS**

Key	Part Number	U/M	Description
	072333-25-000	YD	Fabric - Drapery - Beige (U04)
	072333-26-000	YD	Fabric - Drapery - Rose (U05)
	072333-27-000	YD	Fabric - Drapery - Spruce (U06)
	077498-62-000	YD	Fabric w/Pattern - Upholstery - Beige (U04)
	077498-63-000	YD	Fabric w/Pattern - Upholstery - Rose (U05)
	077498-64-000	YD	Fabric w/Pattern - Upholstery - Spruce (U06)
	077498-75-000	YD	Fabric w/Pattern - Upholstery Accent - Rose (U05)
	077498-74-000	YD	Fabric w/Pattern - Upholstery Accent - Spruce (U06)
	077498-73-000	YD	Fabric - Upholstery Accent - Plain (U04, U06)
	077498-72-000	YD	Fabric - Upholstery Accent - Plain (U05)
	069729-43-000	YD	Fabric - Bedspread/Drapery - Multi-Stripe
	072333-21-000	YD	Fabric - Bedspread - Parchment
	038421-01-000	YD	Fabric - Mattress Ticking
	052859-01-T03	FT	Trim Asm. - Accent - Sandrift
	052859-05-T03	FT	Trim Asm. - Accent - Buckskin
	079680-01-000	YD	Vinyl - Expanded - 26 oz - Buckskin
	079680-02-000	YD	Vinyl - Expanded - 26 oz - Sandrift
	070578-06-T03	EA	Button Asm. - #30 - Vinyl
	057093-01-T03	EA	Button Asm. - #60 - Vinyl
	057550-03-T03	EA	Button Asm. - Nail - Vinyl
	071127-09-000	EA	Button Asm. - #36 - Hook Back
	071127-10-U01	EA	Button Asm. - #30 - Beige (U04, U06)
	071127-10-U02	EA	Button Asm. - #30 - Rose (U05)
	078155-01-000	EA	Strap Asm. - Cushion
	079144-02-000	EA	Strap Asm. - Bunk
	081325-01-T03	EA	End Cap Asm. - Overhead - Dnette - Vinyl
	081519-01-U01	EA	Pad Asm. - Dinette - Front - Beige (U04, U06)
	081519-01-U02	EA	Pad Asm. - Dinette - Front - Rose (U05)
	081519-02-U01	EA	Pad Asm. - Dinette - Rear - Beige (U04, U06)
	081519-02-U02	EA	Pad Asm. - Dinette - Rear - Rose (U05)
	059467-05-U04	EA	Pad - Map Pocket - Drivers
	059467-06-U04	EA	Pad - Map Pocket - Passenger
	077463-17-U01	EA	Pad Asm. - Headboard - Double Bed
	077463-07-U01	EA	Pad Asm. - Headboard - Queen
	077463-05-U01	EA	Pad Asm. - Headboard - Twin

**FRONT OVERHEAD BUNK CUSHIONS**

Key	Part Number	U/M	Description
	079145-04-000	EA	Cushion Asm. - Front Bunk - 34" x 78" x 4"
	M79145-04-000	EA	Cover Asm. - Front Bunk Cushion - 34" x 78" x 4"

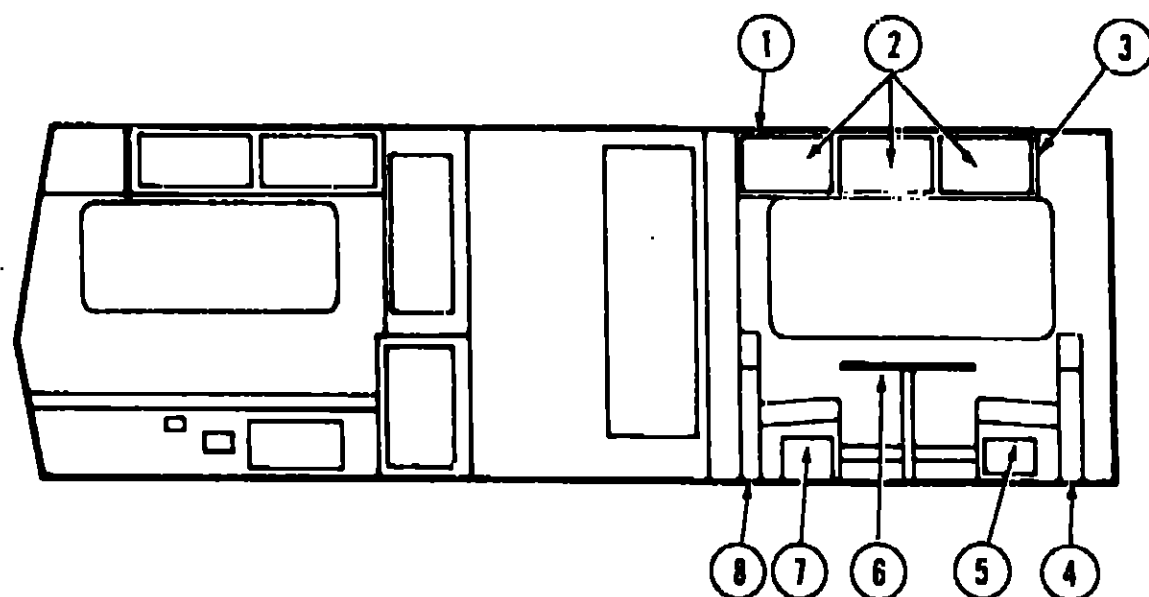
**1986 WINNEBAGO  
TABLE OF CONTENTS**

WC/WF424RS	A-01 - C-12
WCN27RT	C-13 - E-22
WCP31RT	E-23 - H-10
WCP34RU	H-11 - J-22

**1986 WCN27RT INDEX**

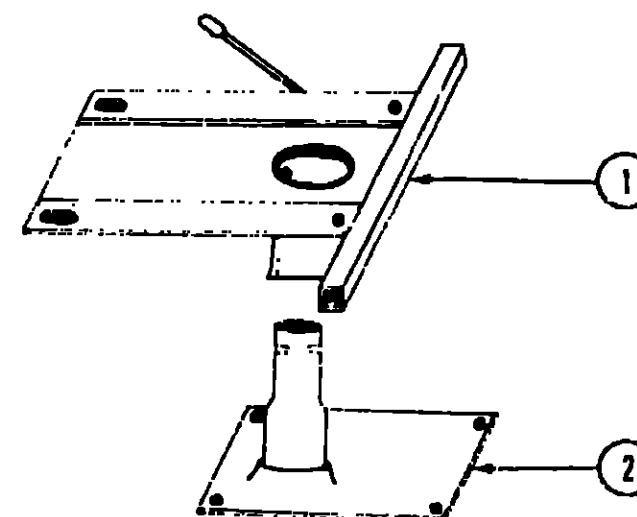
Floor Plan	C-13 - C-14
Accessories Group	C-15 - C-18
Bath Group	C-19
Chassis Group	C-20 - C-24
Curtain, Cushion & Pad Group	D-01 - D-06
Dinette Group	D-07
Driver's Compartment Group	D-08 - D-10
Electrical Group	D-11 - D-13
Exterior Body Group	D-14 - D-20
Galley Group	D-21 - D-23
Heating & Air Conditioning Group	D-24 - E-01
Interior Finish Group	E-02 - E-04
LP Group	E-05
Lounge Group	E-06
Water & Sewage Group	E-07 - E-08
Window Vent & Exterior Door Group	E-09 - E-22

## DINETTE GROUP



Key	Part Number	U/M	Description
1	081550-08-U04	EA	Cabinet Asm - Overhead - w/o Doors or Hardware
2	M81503-01-T03	EA	Door Asm - Overhead - w/o Hardware
3	081325-01-T03	EA	Pad Asm - End Cap - Overhead - Right
4	M02174-01-U01	EA	Cabinet Asm - Dinette Seat Back - Right
5	M02175-01-U04	EA	Cabinet Asm - Dinette Seat Base - Right
6	M81501-10-U01	EA	Door Asm - Dinette Seat Base - Right
6	M02115-09-U01	EA	Table Asm - w/o Hardware - Fawn (U04, U05)
6	M02115-09-U03	EA	Table Asm - w/o Hardware - Sage Green (U06)
7	M02625-01-U04	EA	Cabinet Asm - Dinette Seat Base - Left
8	M02626-01-U04	EA	Cabinet Asm - Dinette Seat Back - Left
	053200-01-000	EA	Bracket - Upper Wall Mount - 23 5" - Brown
	053201-01-000	EA	Bracket - Table Mount - 23" - Brown
	024275-05-000	EA	Rod - Table Lift - 8" x 23 5" - Beige
	024276-14-000	EA	Leg Asm - Table - 29 5" - Brown
	024281-07-000	EA	Bracket - Lower Wall Mount - 22 12" - Beige
	024282-01-000	EA	Brace - Table Leg
	024283-01-000	EA	Clip - 1" O D Tube
	049493-02-000	EA	Catch - Table leg - Mounts on Floor - Brown
	064050-01-000	EA	Hinge - Table Leg
	064781-02-000	EA	Cup Holder - Beige
			Not illustrated

## DRIVER'S COMPARTMENT GROUP



### BUCKET SEAT PEDESTAL & SEAT BELTS

Key	Part Number	U/M	Description
1	069585-04-000	EA	Plate - Top - Pedestal Asm - Single Bucket Seat
1	069585-19-000	EA	Plate - Top - Pedestal Asm - Powered Seat
1	069585-10-000	EA	Plate - Top - Pedestal Asm - Double Bucket Seat
2	069585-08-000	EA	Plate - Sub - Pedestal Asm - Bucket Seat
	069585-05-000	EA	Hardware Kit - Bolt/ Acorn Nut - 4 ea - Pedestal Asm
	007019-01-000	EA	Belt Asm - Seat - 2" x 84" - Black
	007021-01-000	EA	Belt Asm - Seat - 2" x 90" - Black
	056271-01-000	EA	Belt Asm - Seat - 2" x 72" - Black
	069246-01-000	EA	Adjuster Asm - Seat - w Lock
	069246-02-000	EA	Adjuster Asm - Seat - w/o Lock
	081373-02-000	EA	Power Seat Adjustment Asm - w Frame
	081373-02-700	EA	Switch Asm Package
	081737-02-701	EA	Harness Asm - Left
	081737-02-702	EA	Harness Asm - Right
	081737-02-703	EA	Horizontal Adjustment Package
	081737-02-704	EA	Vertical Adjustment Package
			Not illustrated

### DASH SWITCHES & GAUGES

Key	Part Number	U/M	Description
	024461-01-000	EA	Switch - Battery
	024462-01-000	EA	Switch - Battery Condition
	024464-02-000	EA	Switch - Battery - Dual Boost
	024464-01-000	EA	Switch - Washer
	024465-01-000	EA	Switch - Fuel
	024467-01-000	EA	Switch - Wiper
	024976-01-000	EA	Switch - Generator w/o Circuit Board
	074007-01-000	EA	Switch - Intermittent - Windshield Wiper
	024459-01-000	EA	Gauge - Voltmeter
	024460-01-000	EA	Gauge - Vacuum
	024460-02-000	EA	Mounting Bracket - Vacuum Gauge
	031034-02-000	EA	Gauge - Generator Hourmeter

## 1986 WINNEBAGO TABLE OF CONTENTS

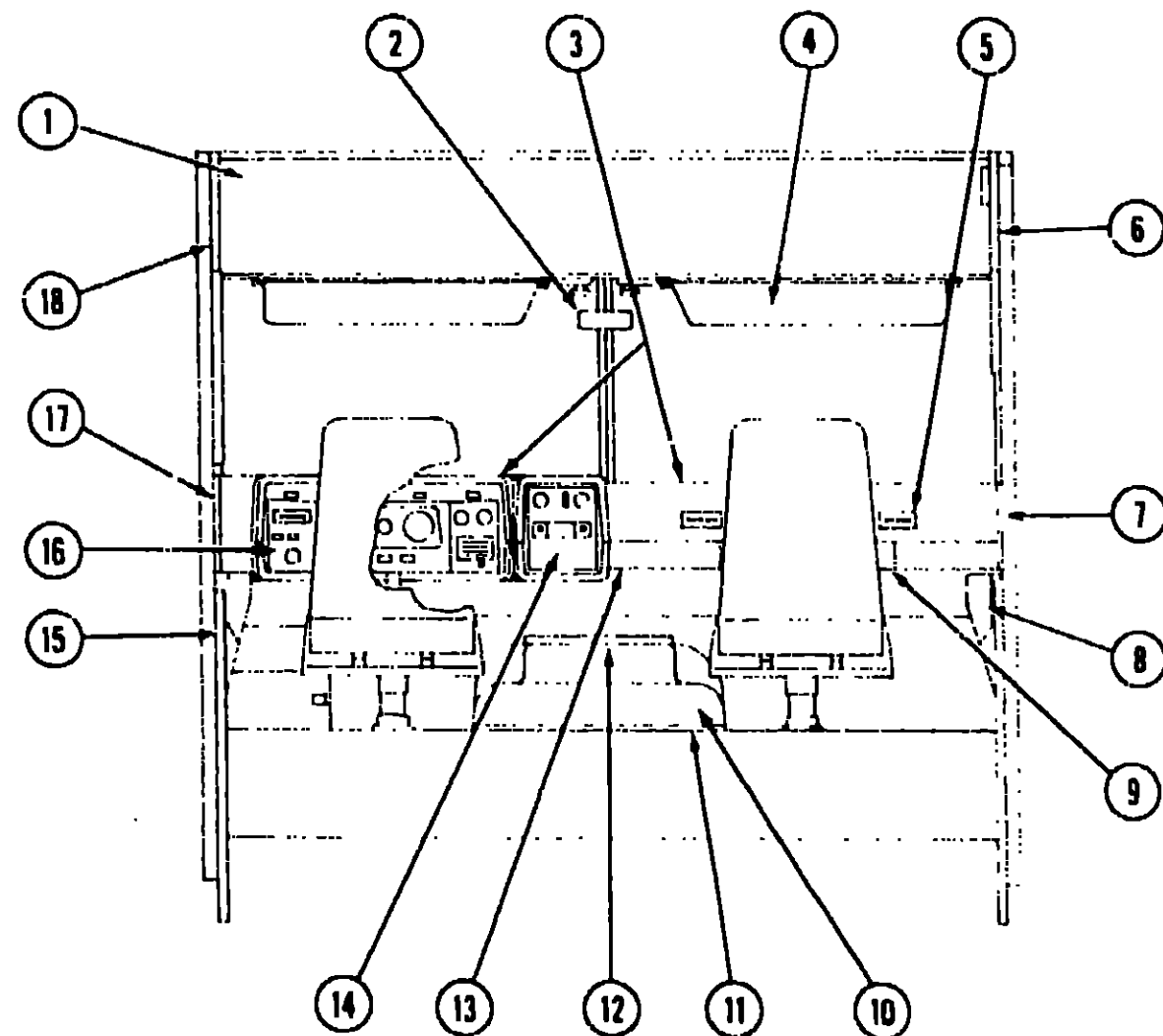
WC/WF424RS  
WCN27RT  
WCP31RT  
WCP34RU

A-01 - C-12  
C-13 - E-22  
E-23 - H-10  
H-11 - J-22

## 1986 WCN27RT INDEX

Floor Plan	C-13 - C-14
Accessories Group	C-15 - C-18
Bath Group	C-19
Chassis Group	C-20 - C-24
Curtain, Cushion & Pad Group	D-01 - D-06
Dinette Group	D-07
Driver's Compartment Group	D-08 - D-10
Electrical Group	D-11 - D-13
Exterior Body Group	D-14 - D-20
Galley Group	D-21 - D-23
Heating & Air Conditioning Group	D-24 - E-01
Interior Finish Group	E-02 - E-04
LP Group	E-05
Lounge Group	E-06
Water & Sewage Group	E-07 - E-08
Window, Vent & Exterior Door Group	E-09 - E-22

## DRIVER'S COMPARTMENT GROUP (CONTINUED)



MISCELLANEOUS DRIVER'S COMPARTMENT COMPONENTS

Key	Part Number	U/M	Description
1	080085-02-T03	EA	Header Trim Asm. - Upper
•	083917-C1-U04	EA	Cabinet Asm. - Front Overhead - w/o Bunk
2	040714-01-700	EA	Mirror - Inside Rear View - w/ Button Support
•	079089-01-000	EA	Dash Asm. - Complete - w/ Gauges & Switches
•	079088-01-000	EA	Dash Pad - Passenger - Brown
•	079088-01-000	EA	Dash Pad - Drivers - Brown
•	024990-02-000	EA	Outlet - Defroster w/ Swivel - 2" - Dark Brown
4	082286-01-U04	EA	Sunvisor Asm. - Right
•	082286-02-U04	EA	Sunvisor Asm. - Left
•	082286-03-U04	EA	Sunvisor Asm. - Right - w/ Mirror
•	081917-01-000	EA	Clip - Sunvisor - Black Plastic
5	039044-01-000	EA	Louver Asm. - Air Conditioning Adjustable
6	080855-03-000	EA	Side Trim - Right Front - Upper (w/o Bunk)
•	083918-01-U04	EA	Cabinet Asm. - Front Overhead - Right - w/o Bunk
•	080856-03-000	EA	Side Trim - Right Front - Lower (w/o Bunk)
7	059414-06-000	EA	Pad - Sidewall Trim - Passenger - Vinyl
8	072811-01-000	EA	Side Panel - Passenger - Plastic
•	059467-04-T03	EA	Pad - Map Pocket - Passenger - Vinyl
9	022219-01-000	EA	Glove Compartment Door
•	023892-01-000	EA	Glove Compartment Box - Black Fiberboard
•	009110-01-000	EA	Glove Compartment Twist Lock
•	024598-01-000	EA	Glove Compartment Hinge
•	034309-01-000	EA	Glove Compartment Cham - Door
10	075939-01-000	EA	Motor Cover - Fiberglass
•	075564-01-000	EA	Mounting Bracket - Motor Cover
11	039623-01-000	FT	Seal - Engine Cover - Neoprene

## DRIVER'S COMPARTMENT GROUP (CONTINUED)

MISCELLANEOUS DRIVER'S COMPARTMENT COMPONENTS (CCNT.)

Key	Part Number	U/M	Description
12	080216-01-000	EA	Beverage Tray
13	023834-01-000	EA	Panel - Knee Kick - Bottom of Dash
14	076006-03-000	EA	Bezel - Entertainment Center - w/ Radio & Generator Switch
•	076006-02-000	EA	Bezel - Entertainment Center - w/ Radio
15	059198-05-000	EA	Side Panel - Drivers - Plastic
•	064499-02-000	EA	Panel - Drivers Door - Inner - Plastic
•	059467-03-T03	EA	Pad - Map Pocket - Driver's - Vinyl
•	046886-03-000	EA	Ash Tray - Chrome
16	071668-01-000	EA	Bezel - Control Panel
•	071668-03-000	EA	Bezel - Control Panel - (Aux Fuel)
•	078581-01-000	EA	Trim - Instrument Panel - Front - Passenger
•	078582-01-000	EA	Trim - Instrument Panel - Front - Driver
•	052367-01-000	EA	Cigarette Lighter Asm. - 12 Volt
•	007041-01-000	EA	Bezel - Cigarette Lighter
•	061424-01-000	EA	Lamp Asm. - Map/Gauge
•	061400-06-000	EA	Assist Strap - 12" - Medium Almond
17	059414-05-000	EA	Pad - Sidewall Trim - Driver - Vinyl
18	080855-04-000	EA	Side Trim - Left Front - Upper (w/o Bunk)
•	080856-04-000	EA	Side Trim - Left Front - Lower (w/o Bunk)
•	083918-02-U04	EA	Cabinet Asm. - Front Overhead - Left - w/o Bunk
•	054250-01-000	EA	Support - Dimmer Switch - w/o Holes
•	078579-01-000	EA	Windshield Trim - Interior - Upper - Passenger
•	078579-02-000	EA	Windshield Trim - Interior - Upper - Driver
•	079765-01-000	EA	Windshield Trim - Center
•	079206-01-000	EA	Windshield Trim - Interior - Post - Passenger
•	079206-02-000	EA	Windshield Trim - Interior - Post - Driver
•	078245-01-000	EA	Steering Column Boot - Vinyl
•	Not illustrated		

NOTE To be special ordered only

FRONT BUNK & PULL DOWN STORAGE

Key	Part Number	U/M	Description
•	076760-02-000	EA	Overhead Bunk Hardware
•	076760-03-000	EA	Overhead Bunk Hardware
•	081717-01-U04	EA	Bed Asm. - Front Bunk
•	079144-02-T03	EA	Bunk Strap
•	042541-04-000	EA	Latch Asm. - w/o Strike - Brass
•	042541-05-000	EA	Latch Strike - Brass
•	080855-01-000	EA	Side Trim - Right Front - Upper
•	080855-06-000	EA	Side Trim - Right Front - Upper
•	080856-01-000	EA	Side Trim - Right Front - Lower
•	080856-05-000	EA	Side Trim - Right Front - Lower
•	080855-02-000	EA	Side Trim - Left Front - Upper
•	080855-06-000	EA	Side Trim - Left Front - Upper
•	080856-02-000	EA	Side Trim - Left Front - Lower
•	080856-00-000	EA	Side Trim - Left Front - Lower

\* Used after 9-23-85

ELECTRONIC INSTRUMENT PANEL (OPTION)

Key	Part Number	U/M	Description
	NOTE	EA	Electronic Instrument Panel
•	071668-04-000	EA	Bezel - Electronic - Instrument Panel
•	071668-06-000	EA	Bezel - Electronic - Instrument Panel (Aux Fuel)
•	082124-01-000	EA	Bezel - Smoked Insert - Electronic Instrument Panel
•	076006-06-000	EA	Bezel - Entertainment Center - w/ Radio - Black
•	076006-07-000	EA	Bezel - Entertainment Center - w/ Radio & Generator Switch - Black

NOTE This item available from your Chrysler Service Center

## 1986 WINNEBAGO TABLE OF CONTENTS

WC/WF424RS	A-01 - C-12
WCN27RT	C-13 - E-22
WCP31RT	E-23 - H-10
WCP34RU	H-11 - J-22

## 1986 WCN27RT INDEX

Floor Plan	C-13 - C-14
Accessories Group	C-15 - C-18
Bath Group	C-19
Chassis Group	C-20 - C-24
Curtain, Cushion & Pad Group	D-01 - D-06
Dinette Group	D-07
Driver's Compartment Group	D-08 - D-10
Electrical Group	D-11 - D-13
Exterior Body Group	D-14 - D-20
Galley Group	D-21 - D-23
Heating & Air Conditioning Group	D-24 - E-01
Interior Finish Group	E-02 - E-04
LP Group	E-05
Lounge Group	E-06
Water & Sewage Group	E-07 - E-08
Window, Vent & Exterior Door Group	E-09 - E-22

## ELECTRICAL GROUP

### BULBS

Key	Part Number	U/M	Description
	008220-01-000	EA	Bulb - 12V - 25W
	008103-01-000	EA	Bulb - 53
	008213-01-000	EA	Bulb - 57
	008214-01-000	EA	Bulb - 67
	036196-01-000	EA	Bulb - 194
	008215-01-000	EA	Bulb - 1003
	067479-01-000	EA	Bulb - 1076
	063914-01-000	EA	Bulb - 1139
	008218-01-000	EA	Bulb - 1141
	037935-01-000	EA	Bulb - 1157
	056288-02-000	EA	Bulb - 9431808 - Dome Light

### FUSES & CIRCUIT BREAKERS

Key	Part Number	U/M	Description
	008233-01-000	EA	Fuse - 6 Amp - 12 Volt
	008234-01-000	EA	Fuse - 10 Amp - 12 Volt
	046893-01-000	EA	Fuse - 13 Amp. - 12 Volt
	008235-01-000	EA	Fuse - 15 Amp - 12 Volt
	008236-01-000	EA	Fuse - 20 Amp - 12 Volt
	008248-01-000	EA	Fuse - 30 Amp. - 110 Volt - AGU
	008252-01-000	EA	Fuse - 50 Amp. - 110 Volt
	056473-02-000	EA	Fuse - 5 Amp - Slow Blow
	056473-01-000	EA	Fuse - 6 1/4 Amp. - Slow Blow
	062901-02-000	EA	Fuse - 5 Amp. - Automotive
	062901-05-000	EA	Fuse - 15 Amp. - Automotive
	008211-01-000	EA	Circuit Breaker - 6 Amp - 12 Volt
	008208-01-000	EA	Circuit Breaker - 40 Amp. - 12 Volt
	033573-02-000	EA	Circuit Breaker - 15 Amp - 12 Volt - w/Mount
	033573-01-000	EA	Circuit Breaker - 20 Amp. - 12 Volt - w/Mount
	044466-03-000	EA	Circuit Breaker - 25 Amp - 12 Volt - w/Mount
	008268-01-000	EA	Circuit Breaker - 30 Amp - 12 Volt - w/Mount
	040051-01-000	EA	Circuit Breaker - 20 Amp. - 110 Volt - TQL
	008297-01-000	EA	Circuit Breaker - 120 Amp - TQL
	008293-01-000	EA	Circuit Breaker - 130 Amp. - TQL
	075735-02-000	EA	Circuit Breaker - 15 Amp - 120 Volt (Ground Fault Interrupter)
	071279-05-000	EA	Circuit Breaker - 20 Amp - 120 Volt
	071279-04-000	EA	Circuit Breaker - 30 Amp. - 120 Volt
	071279-02-000	EA	Circuit Breaker - 15/15 Amp - 120 Volt
	071279-03-000	EA	Circuit Breaker - 15/20 Amp - 120 Volt
	071279-01-000	EA	Circuit Breaker - 15/30 Amp. - 120 Volt
	071279-06-000	EA	Circuit Breaker - 30/15 Amp - 120 Volt
	071280-01-000	EA	Circuit Breaker Blank
	050283-02-000	EA	Circuit Breaker - Bus Bar
	071279-07-000	EA	Circuit Breaker - 20/20 - 120 Volt
	083209-01-000	EA	Circuit Breaker - 15 Amp - 120 Volt
	083209-02-000	EA	Circuit Breaker - 15.15 Amp - 120 Volt
	083209-03-000	EA	Circuit Breaker - 15/20 Amp - 120 Volt
	083209-04-000	EA	Circuit Breaker - 30 Amp - 120 Volt
	083209-05-000	EA	Circuit Breaker - 20 Amp - 120 Volt
	083209-06-000	EA	Circuit Breaker - 30/15 Amp - 120 Volt
	083210-01-000	EA	Circuit Breaker - GFI - 20 Amp - 120 Volt
	083210-02-000	EA	Circuit Breaker - GFI - 15 Amp - 120 Volt

## ELECTRICAL GROUP (CONTINUED)

### WIRE, SWITCHES & RECEPTACLES

Key	Part Number	U/M	Description
	008058-01-000	EA	Adapter - Power Cord
	008288-01-000	EA	Box - Electrical - 3" x 3.5" - Plastic
	008289-01-000	EA	Box - Electrical - 4" x 4" - 1/2 & 3/4 Steel - UL
	008289-02-000	EA	Box - Electrical - 4" x 4" - 1/2 & 3/4 Steel - CSA
	058049-01-000	EA	Box - Electrical - 2" x 3" x 2.25" - Steel
	041953-01-000	EA	Conduit - Convoluted Slit - .5" I.D.
	008353-01-000	EA	Connector - Clamping - 3/8 Cable - UL & CSA
	058028-01-000	EA	Connector - Pigtail - Clear Nylon
	008314-01-000	EA	Connector - Wire Nut - Gray
	008311-01-000	EA	Connector - Wire Nut - Red
	031968-01-000	EA	Contact Plug - Brass - Tin Plated
	031967-01-000	EA	Contact - Receptacle
	008054-01-000	EA	Cord - Power - 10-3 30 Amp. - 25' - UL
	008052-01-000	EA	Cord - Power - 10-3 30 Amp. - 25' - CSA
	069238-01-000	EA	Cover - Electrical Box - 4" x 4"
	058048-01-000	EA	Cover - Electrical Box - 4 5" x 2 75" - Rain Tight (Exterior)
	024571-03-000	EA	Cover Plate - Receptacle - Jumbo - Brown Plastic
	024571-04-000	EA	Cover Plate - Receptacle - Jumbo - Ivory Plastic
	008164-01-000	EA	Cover Plate - Switch - Brown
	008294-01-000	EA	Cover - Flat Blank - 4" x 4" - Steel - US
	008294-02-000	EA	Cover - Flat Blank - 4" x 4" - Steel - CSA
	008250-01-000	EA	Fuse Holder - In Line - 10 Amp
	008250-02-000	EA	Fuse Holder - In Line - 15 Amp
	008277-01-000	EA	Fuse Holder - Panel Mount - Black
	064399-01-000	EA	Housing Asm. - Trailer Pin
	064450-01-000	EA	Housing Asm. - Trailer Plug
	064398-01-000	EA	Housing Asm. - Trailer Receptacle
	054532-01-000	EA	Housing Pin - 6 Position
	046885-01-000	EA	Plaque - Mounting Switch
	075736-01-000	EA	Receptacle/Cover Asm. - Gray (Exterior)
	058708-01-000	EA	Receptacle - Duplex - Brown
	008157-01-000	EA	Receptacle - Duplex - Brown (Exterior Backwall)
	058708-02-000	EA	Receptacle - Duplex - Ivory
	053126-01-000	EA	Receptacle - Ground Fault Interrupter - 125 Volt - Ivory
	024924-02-000	EA	Receptacle - Power Cord
	058707-01-000	EA	Receptacle - Single - Brown
	063912-01-000	EA	Relay - Canister SPDT w/Ground
	075723-01-000	EA	Switch - Block Spacer - w/o Holes
	075723-02-000	EA	Switch - Block Spacer - w/Holes
	008162-01-000	EA	Switch - Double Toggle - Brown
	077942-02-000	EA	Switch - Dummy - Brown
	056264-01-000	EA	Switch - Leaf Actuator
	081066-01-000	EA	Switch - 2 Gang - 2 Switch
	079362-01-000	EA	Switch Plate - 3 Gang - 2 Switches
	079363-01-000	EA	Switch Plate - Single - w/Switches
	079364-01-000	EA	Switch - On/Off Rocker - Brown
	008195-01-000	EA	Switch - Push Button - 12 Volt
	008103-01-000	EA	Switch - Toggle - Brown
	006050-01-000	EA	TV Jack - Ivory
	047443-02-000	EA	Terminal - 250 Receptacle - 12-10 AWG
	035417-01-000	EA	Terminal - Pin Receptacle - 125 Dia
	008348-01-000	EA	Terminal Ring - 2 - w 3/8 Stud
	008331-01-000	EA	Terminal Ring - 4 - w 3/8 Stud
	008328-01-000	EA	Terminal Ring - 12' 10 Wire
	054865-01-000	EA	Wire Asm. - Generator Switch
	008028-01-000	FT	Wire - 18 5 Bonded - Blue Red Yellow Orange/White
	008024-01-000	FT	Wire - 18 5 Bonded - Orange White/Yellow/Blue/Brown
	008025-01-000	FT	Wire - 18 5 Bonded - Orange White Yellow Blue Green
	008026-01-000	FT	Wire w Ground - Romex - 12/2

## 1986 WINNEBAGO TABLE OF CONTENTS

WC/WF424RS	A-01 - C-12
WCN27RT	C-13 - E-22
WCP31RT	E-23 - H-10
WCP34RU	H-11 - J-22

## 1986 WCN27RT INDEX

Floor Plan	C-13 - C-14
Accessories Group	C-15 - C-18
Bath Group	C-19
Chassis Group	C-20 - C-24
Curtain, Cushion & Pad Group	D-01 - D-06
Dinette Group	D-07
Driver's Compartment Group	D-08 - D-10
Electrical Group	D-11 - D-13
Exterior Body Group	D-14 - D-20
Galley Group	D-21 - D-23
Heating & Air Conditioning Group	D-24 - E-01
Interior Finish Group	E-02 - E-04
LP Group	E-05
Lounge Group	E-06
Water & Sewage Group	E-07 - E-08
Window, Vent & Exterior Door Group	E-09 - E-22

**ELECTRICAL GROUP (CONTINUED)****INTERIOR LIGHT**

Key	Part Number	U/M	Description
	065202-03-000	EA	Lamp - Decor - Wall - Bright Brass - 2 Bulb
	033508-02-000	EA	Light - Dome - Ivory - 1 Bulb - US
	033508-03-000	EA	Light - Dome - Ivory - 1 Bulb - CSA
	033509-02-000	EA	Light - Dome - Ivory - 2 Bulb - US
	033509-03-000	EA	Light - Dome - Ivory - 2 Bulb - CSA
	078424-02-000	EA	Light - Fluorescent - 12V - 18" - Almond
	061424-01-000	EA	Light - 12V Receptacle - Aisle - IP
	007309-01-000	EA	Light - Step Well
	072353-07-000	EA	Light - Reading - Double - 360° Swivel - Tan
	072353-03-000	EA	Light - Reading - Single - 360° Swivel - Almond
	068937-02-000	EA	Dome Light - Surface - w/o Switch
	056288-03-000	EA	Housing - Dome Light
	056288-04-000	EA	Lens - Dome Light
	056288-05-000	EA	Clip - Dome Light
	065201-02-000	EA	Shade - Parchment - 2 Bulbs - Lamp
	082686-01-000	EA	Lamp - Table - Brass w/Wood
	082686-02-000	EA	Shade - Table Lamp

**EXTERIOR LIGHTS**

Key	Part Number	U/M	Description
	007309-01-000	EA	Light - License Plate
	081638-01-000	EA	Tail Lamp Asm. - 2 Bulb - Black Trim
	081638-01-700	EA	Lens - Tail Lamp - Red
	081638-01-701	EA	Lens - Tail Lamp - Red w/Back Up
	042405-01-000	EA	Lens - Rectangular - Red w/Reflex
	042405-02-000	EA	Lens - Rectangular - Amber w/Reflex
	042405-03-000	EA	Base - Rectangular Side Marker Light
	008089-01-000	EA	Light - Porch - Recessed
	079764-01-000	EA	Mounting Bracket - Right Front Turn Signal - Gray
	079764-02-000	EA	Mounting Bracket - Left Front Turn Signal - Gray
	079764-03-000	EA	Mounting Bracket - Right Front Turn Signal - Beige
	079764-04-000	EA	Mounting Bracket - Left Front Turn Signal - Beige
	083120-01-000	EA	Bracket - License Plate - Rear
	049185-01-000	EA	Headlight Capsule Asm. - High/Low Beam - Driver
	049186-01-000	EA	Headlight Capsule Asm. - High/Low Beam - Passenger
	049187-01-000	EA	Headlight Capsule Asm. - High Beam - Driver
	049188-01-000	EA	Headlight Capsule Asm. - High Beam - Passenger
	081250-02-000	EA	Light Asm. - Clearance - Red
	081250-01-000	EA	Light Asm. - Clearance - Amber

**WINDSHIELD WIPERS & WASHER**

Key	Part Number	U/M	Description
**	056000-02-000	EA	Washer Asm. - Windshield
**	057653-01-000	EA	Arm - Windshield Wiper - 18" - Black
**	067191-02-000	EA	Motor Asm. - Windshield Wiper - 2 Speed
**	067192-01-000	EA	Link Asm. - Connecting - Left
**	067193-01-000	EA	Link Asm. - Connecting - Right
**	049464-03-000	EA	Blade - Windshield Wiper - 20" - Black
**	067190-01-000	EA	Shaft and Pivot Asm.
**	074007-01-000	EA	Switch - Wiper Delay
**	057474-01-000	EA	Wiper Asm.
**	The illustrated parts breakdown for this item is provided on the Common Items Fiche		

**MISCELLANEOUS ELECTRICAL COMPONENTS**

Key	Part Number	U/M	Description
	047338-03-000	EA	Isolator - Dual Battery - 70 Amp
	008188-01-000	EA	Solenoid - Dual Battery - Relay
	083208-03-000	EA	Control Center - 45 Amp

**EXTERIOR BODY GROUP****INTERIOR/EXTERIOR SCREWS & FASTENERS**

Key	Part Number	U/M	Description
	005200-01-000	EA	Bolt - Round Head - Square Neck w/SST Cap - 7/16" - 14 x 1 1/4"
	058279-01-000	EA	Clip - Mounting - Front Panel
	035628-01-000	EA	Fastener - Blind Well Nut - 1.05" x .38"
	000D15-06-00B	EA	Nut - Hex - 3/8" x 24 - Zinc
	005081-01-000	EA	Nut - Speed - C Type - #8 Screw
	000G54-04-20B	EA	Screw 1/4 - 20 x 1 1/4" PTH - Zinc
	000G54-04-22B	EA	Screw 1/4 - 20 x 1 3/8" PTH - Zinc
	000G53-04-06B	EA	Screw 1/4 - Machine - 20 x 3/8" PTH - Zinc
	000G13-06-12P	EA	Screw #6 - 20 x 3/4" PFH - Dark Brown
	000G13-06-28X	EA	Screw #6 - 20 x 3/4" PFH - Gray
	000G13-06-16R	EA	Screw #6 - 20 x 1" PFH - Beige
	000G11-07-08B	EA	Screw #7 - 19 x 1/2" PPH - Zinc
	000G12-08-12M	EA	Screw #8 - 18 x 3/4" POH - Gray
	000G11-08-12R	EA	Screw #8 - 18 x 3/4" PPH - Beige
	000G11-08-12X	EA	Screw #8 - 18 x 3/4" PPH - Gray
	000G11-08-12B	EA	Screw #8 - 18 x 3/4" PPH - Zinc
	000G39-08-12R	EA	Screw #8 - 18 x 3/4" SDPH - Beige
	000G66-08-12M	EA	Screw #8 - 18 x 3/4" SDPH - Gray
	000G11-08-16R	EA	Screw #8 - 18 x 1" PFH - Gray
	000G66-08-16R	EA	Screw #8 - 18 x 1" SDPH - Beige
	000G12-08-28R	EA	Screw #8 - 18 x 1 3/4" POH - Beige
	000G36-08-08E	EA	Screw #8 - 32 x 1/2" PFH - Chrome
	000G39-08-08B	EA	Screw #8 - Self Drilling - 18 x 1/2" PPH - Zinc
	000G39-08-12B	EA	Screw #8 - Self Drilling - 18 x 3/4" PPH - Zinc
	000G39-08-12R	EA	Screw #8 - Self Drilling - 18 x 3/4" PPH - Beige
	000G39-08-16R	EA	Screw #8 - Self Drilling - 18 x 1" PPH - Beige
	000G39-08-16T	EA	Screw #8 - Self Drilling - 18 x 1" PPH - Black
	000G39-08-16P	EA	Screw #8 - Self Drilling - 18 x 1" PPH - Dark Brown
	000G39-08-16X	EA	Screw #8 - Self Drilling - 18 x 1" PPH - Gray
	000G39-08-16E	EA	Screw #8 - Self Drilling - 18 x 1" PPH - Chrome
	000G64-08-16M	EA	Screw #8 - Self Drilling - 18 x 1" SDPH - Gray
	000G67-10-08B	EA	Screw #10 - 12 x 1/2" PPH - Zinc
	000G67-10-10R	EA	Screw #10 - 12 x 5/8" PPH - Beige
	000G67-10-16P	EA	Screw #10 - 12 x 1" PPH - Dark Brown
	000G67-10-16B	EA	Screw #10 - 12 x 1" PPH - Zinc
	000G67-10-20B	EA	Screw #10 - 12 x 1 1/4" PPH - Zinc
	000G67-10-24B	EA	Screw #10 - 12 x 1 1/2" PPH - Zinc
	049465-04-000	EA	Screw #10 - 16 x 1" POH - w/Washer - Beige
	049465-05-000	EA	Screw #10 - 16 x 1" POH - w/Washer - Gray
	000G12-10-24E	EA	Screw #10 - 16 x 1 1/2" POH - Chrome
	000G11-10-08D	EA	Screw #10 - 16 x 1/2" PPH - Dark Brown
	000G11-10-12R	EA	Screw #10 - 16 x 3/4" PPH - Beige
	000G11-10-12S	EA	Screw #10 - 16 x 3/4" PPH - Off White
	000G11-10-12B	EA	Screw #10 - 16 x 3/4" PPH - Zinc
	000G11-10-16B	EA	Screw #10 - 16 x 1" PPH - Zinc
	000G11-10-40B	EA	Screw #10 - 16 x 2 1/2" PPH - CAD
	000G19-10-12B	EA	Screw #10 - Machine - 32 TPI x 3/4"
	075908-01-000	EA	Screw #10 - Machine - 32 x 56" PTH - Zinc
	000G19-10-20B	EA	Screw #10 - Machine - 32 x 1 1/4" PPH - Zinc
	000G39-12-12E	EA	Screw #10 - Self Drilling - 14 x 3/4" PPH - Chrome
	000G39-10-10R	EA	Screw #10 - Self Drilling - 16 x .62" PPH - Beige
	000G39-10-12R	EA	Screw #10 - Self Drilling - 16 x 3/4" PPH - Beige
	000G39-10-12P	EA	Screw #10 - Self Drilling - 16 x 3/4" PPH - Dark Brown
	000G56-12-48C	EA	Screw #12 - Wood - 11 x 3" POH - CAD

**1986 WINNEBAGO  
TABLE OF CONTENTS**

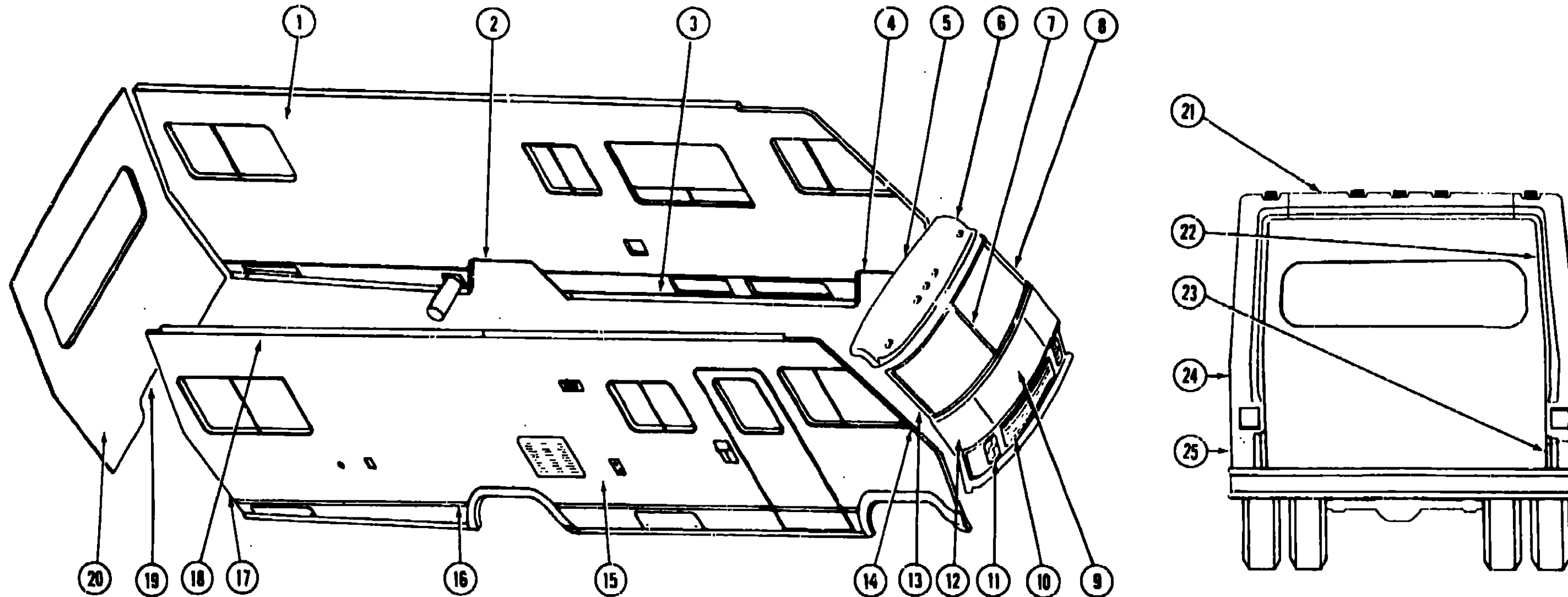
WC/WF424RS	A-01 - C-12
WCN27RT	C-13 - E-22
WCP31RT	E-23 - H-10
WCP34RU	H-11 - J-22

**1986 WCN27RT INDEX**

Floor Plan	C-13 - C-14
Accessories Group	C-15 - C-18
Bath Group	C-19
Chassis Group	C-20 - C-24
Curtain, Cushion & Pad Group	D-01 - D-06
Dinette Group	D-07
Driver's Compartment Group	D-08 - D-10
Electrical Group	D-11 - D-13
Exterior Body Group	D-14 - D-20
Galley Group	D-21 - D-23
Heating & Air Conditioning Group	D-24 - E-01
Interior Finish Group	E-02 - E-04
LP Group	E-05
Lounge Group	E-06
Water & Sewage Group	E-07 - E-08
Window, Vent & Exterior Door Group	E-09 - E-22

# EXTERIOR BODY GROUP (CONTINUED)

## EXTERIOR BODY PANELS



Key	Part Number	U/M	Description
1	M83349-01-U04	EA	Sidewall Asm - Driver
1	M83349-01-U05	EA	Sidewall Asm. - Driver
1	M83349-01-U06	EA	Sidewall Asm. - Driver
2	058487-07-000	EA	Trim - Wheel Well - Rear - U Channel - Driver or Passenger
	075070-01-000	EA	Trim - Wheel Well - Rear - Plastic - Passenger
	075070-03-000	EA	Trim - Wheel Well - Rear - Plastic - Driver
3	072639-01-001	EA	Extr. - Rocker Panel - 216"
4	073647-02-000	EA	Trim - Wheel Well - Front - U Channel - Driver or Passenger
	078556-01-000	EA	Trim - Wheel Well - Front - Plastic - Passenger
	078556-03-000	EA	Trim - Wheel Well - Front - Plastic - Driver
5	078580-01-000	EA	Trim - Roof/Front Cap
6	M01899-01-T03	EA	Cap - Over Windshield - Beige
7	076676-02-000	EA	Trim - Molding - Windshield - Center
8	079225-02-000	EA	Trim - Contour - Windshield - Driver
	077944-02-000	EA	Trim - Molding - Windshield - Upper
	077945-02-000	EA	Trim - Molding - Windshield - Lower
	077952-02-000	EA	Cap - Reveal Molding
	079760-04-000	EA	Headlamp Bezel - Driver
9	078569-01-T03	EA	Access Panel - w/Hardware
10	078891-01-T03	EA	Grille Asm
11	079760-03-000	EA	Headlamp Bezel - Passenger
	073308-01-000	EA	Screw Asm - Headlamp - Adjusting
	049359-01-000	EA	Spring - Headlamp Retainer
	062207-01-000	EA	Headlamp Guard
12	M01115-10-T03	EA	Panel Asm - Front Shroud (includes access panel)
13	079225-01-000	EA	Trim - Contour - Windshield - Passenger
	077944-01-000	EA	Trim - Molding - Windshield - Upper
	079945-01-000	EA	Trim - Molding - Windshield - Lower
14	079224-01-000	EA	Trim - Fiberglass Panel - Left & Right - Beige

Key	Part Number	U/M	Description
15	M83348-01-U04	EA	Sidewall Asm. - Passenger
15	M83348-01-U05	EA	Sidewall Asm. - Passenger
15	M83348-01-U06	EA	Sidewall Asm. - Passenger
16	050576-08-000	EA	Feature Strip - Extr. Beige - 14' - w/o Insert
	000731-01-000	EA	End Cap - Feature Strip Insert
	001030-12-002	EA	Insert - Feature Strip - Beige - 17'
17	073502-19-000	EA	Trim - Passenger Rear - Beige
	073502-20-000	EA	Trim - Driver Rear - Beige
18	078600-15-000	EA	Trim - Sidewall - Upper - Driver or Passenger - Beige
19	050406-08-000	EA	Trim - Backwall - Lower - Driver or Passenger
	083407-01-U04	EA	Roof Asm.
20	082084-01-U04	EA	Backwall Asm.
21	M01893-02-000	EA	Trim - Rear - Center Upper - Plastic - Beige
22	082456-01-000	EA	Trim - Rear - Upper Passenger - Plastic - Beige
23	082457-01-000	EA	Trim - Rear - Lower Passenger - Plastic - Beige
24	M01894-02-000	EA	Trim - Rear - Lower Driver - Plastic - Beige
25	082457-02-000	EA	Trim - Rear - Upper Driver - Plastic - Beige
	078577-01-000	EA	Bumper End Cap - Front Passenger Hand - Beige
	078577-02-000	EA	Bumper End Cap - Front Driver Hand - Beige
	080815-01-T03	EA	Bumper End Cap - Rear Passenger - Beige
	080815-02-T03	EA	Bumper End Cap - Rear Driver - Beige
	077517-10-001	EA	Fiberglass Sidewall Skin - 46 1/2" x 378" - Mesa
	077517-10-002	EA	Fiberglass Sidewall Skin - 46 1/2" x 68" - Mesa
	001018-01-024	EA	Alum. - Beige - No Design - 48" x 96"
	044487-01-001	EA	Alum. - Mill Finish - No Design (Roof) - 96" x 360"
	000868-01-000	SF	Styrofoam - .75" x 24" x 96"
	060870-01-000	SF	Styrofoam - 1.50" x 24" x 96"
	000870-03-000	SF	Styrofoam - 1.34" x 48" x 96"
			Not illustrated

## 1986 WINNEBAGO TABLE OF CONTENTS

WC/WF424RS  
WCN27RT  
WCP31RT  
WCP34RU

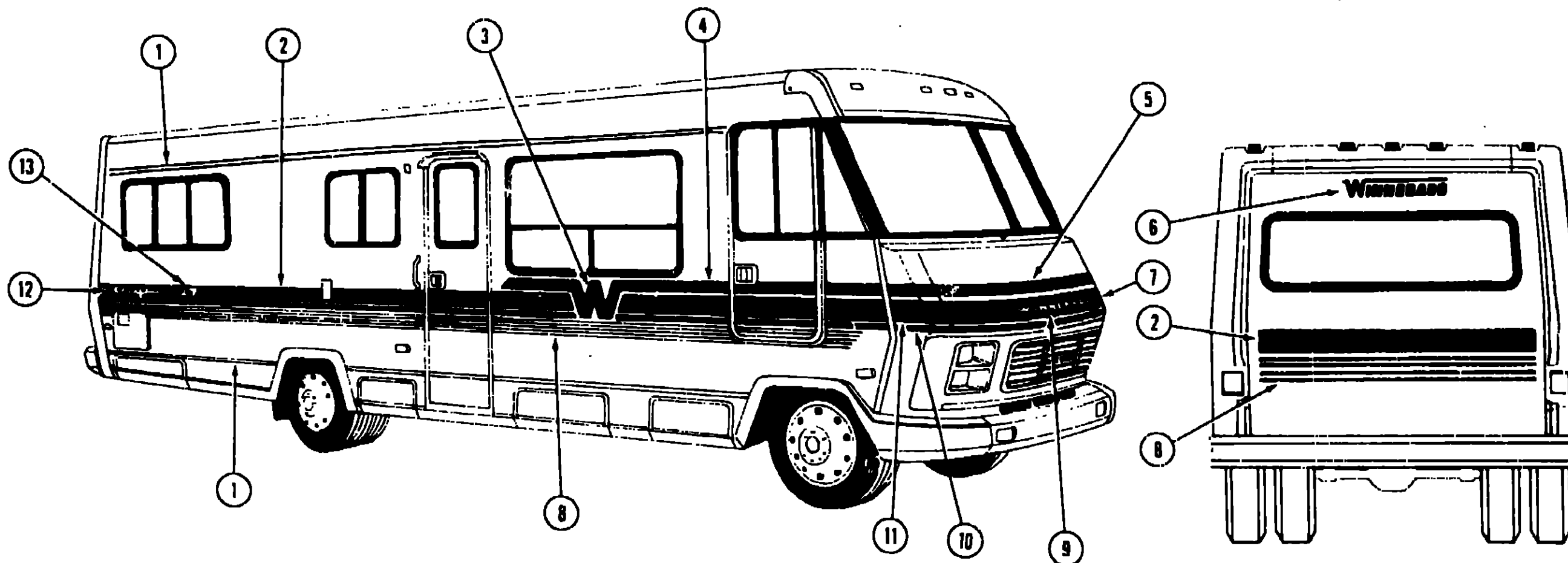
A-01 - C-12  
C-13 - E-22  
E-23 - H-10  
H-11 - J-22

## 1986 WCN27RT INDEX

Floor Plan	C-13 - C-14
Accessories Group	C-15 - C-18
Bath Group	C-19
Chassis Group	C-20 - C-24
Curtain, Cushion & Pad Group	D-01 - D-06
Dinette Group	D-07
Driver's Compartment Group	D-08 - D-10
Electrical Group	D-11 - D-13
Exterior Body Group	D-14 - D-20
Galley Group	D-21 - D-23
Heating & Air Conditioning Group	D-24 - E-01
Interior Finish Group	E-02 - E-04
LP Group	E-05
Lounge Group	E-06
Water & Sewage Group	E-07 - E-08
Window, Vent & Exterior Door Group	E-09 - E-22

## EXTERIOR BODY GROUP (CONTINUED)

### DECALS



## 1986 WINNEBAGO TABLE OF CONTENTS

WC/WF424RS  
WCN27RT  
WCP31RT  
WCP34RU

A-01 - C-12  
C-13 - E-22  
E-23 - H-10  
H-11 - J-22

Key	Part Number	U/M	Description
1	065217-90-000	FT	Film - Multi-stripe - Light Brown/Brown (U04)
1	065217-89-000	FT	Film - Multi-stripe - Rust/Burgundy (U05)
1	065217-88-000	FT	Film - Multi-stripe - Light Green/Green (U06)
2	065217-87-000	FT	Film - Multistripe - Light Brown/Brown (U04)
2	065217-86-000	FT	Film - Multistripe - Rust/Burgundy (U05)
2	065217-85-000	FT	Film - Multi-stripe - Light Green, Green (U06)
3	079351-06-000	EA	Decal - Flying W - Brown (U04)
3	079351-05-000	EA	Decal - Flying W - Burgundy (U05)
3	079351-04-000	EA	Decal - Flying W - Green (U06)
4	078831-14-000	FT	Decal Striping - Light Brown (U04)
4	078831-13-000	FT	Decal Striping - Rust (U05)
4	078831-12-000	FT	Decal Striping - Light Green (U06)
5	079100-07-000	EA	Decal - Hood - Light Brown (U04)
5	079100-08-000	EA	Decal - Hood - Rust (U05)
5	079100-09-000	EA	Decal - Hood - Light Green (U06)
.	078831-15-000	EA	Decal - Striping - 1 00 x 150' - Light Brown (U04)
.	078831-16-000	EA	Decal - Striping - 1 00 x 150' - Rust (U05)
.	078831-17-000	EA	Decal - Striping - 1 00 x 150' - Light Green (U06)
6	050313-22-000	EA	Decal Logo "Winnebago"

Key	Part	U/M	Description
7	079099-11-000	EA	Decal - Upper Corner - Light Brown (U04)
7	079099-10-000	EA	Decal - Upper Corner - Rust (U05)
7	079099-12-000	EA	Decal - Upper Corner - Light Green (U06)
.	080763-08-000	EA	Decal - Lower Corner - Hood - Left - Brown (U04)
.	080763-10-000	EA	Decal - Lower Corner - Hood - Left - Rust (U05)
.	080763-12-000	EA	Decal - Lower Corner - Hood - Left - Green (U06)
8	076791-10-000	FT	Film - Multi-stripe - Brown (U04)
8	076791-09-000	FT	Film - Multi-stripe - Burgundy (U05)
8	076791-08-000	FT	Film - Multi-stripe - Green (U06)
9	069745-03-000	EA	Decal - "Winnie"
.	069745-04-000	EA	Decal - "Bago"
10	080703-07-000	EA	Decal - Lower Corner - Hood - Right - Brown (U04)
10	080703-09-000	EA	Decal - Lower Corner - Hood - Right - Burgundy (U05)
10	080703-11-000	EA	Decal - Lower Corner - Hood - Right - Green (U06)
11	079099-07-000	EA	Decal - Upper Corner - Light Brown (U04)
11	079099-09-000	EA	Decal - Upper Corner - Rust (U05)
11	079099-11-000	EA	Decal - Upper Corner - Light Green (U06)
12	058719-02-000	EA	Decal Logo - "Chieftain"
13	073724-07-000	EA	Decal Logo - "27"
.			Not illustrated

## 1986 WCN27RT INDEX

Floor Plan	C-13 - C-14
Accessories Group	C-15 - C-18
Bath Group	C-19
Chassis Group	C-20 - C-24
Curtain, Cushion & Pad Group	D-01 - D-06
Dinette Group	D-07
Driver's Compartment Group	D-08 - D-10
Electrical Group	D-11 - D-13
Exterior Body Group	D-14 - D-20
Galley Group	D-21 - D-23
Heating & Air Conditioning Group	D-24 - E-01
Interior Finish Group	E-02 - E-04
LP Group	E-05
Lounge Group	E-06
Water & Sewage Group	E-07 - E-08
Window, Vent & Exterior Door Group	E-09 - E-22

**EXTERIOR BODY GROUP (CONTINUED)**

**ACCESS PANEL HARDWARE**

Key	Part Number	U/M	Description
	072917-02-000	EA	Rod - Hood Prop
	062628-01-000	EA	Clip - Prop Rod
	058833-01-000	EA	Bracket - Prop Rod
	073340-01-000	EA	Hinge - Access Panel - Passenger
	073340-02-000	EA	Hinge - Access Panel - Drivers
	058960-01-000	EA	Bracket - Hinge Asm. - Hood - Drivers
	058960-02-000	EA	Bracket - Hinge Asm. - Hood - Passenger
	R77006-68-721	EA	Cable - Release (Access Panel)
	074178-01-000	EA	Bracket - Cable Release - Inside
	R77007-01-950	EA	Striker - Hood Latch
	R77006-59-931	EA	Latch - Hood
	R77006-38-499	EA	Spring
	R77006-19-765	EA	Cable Sheath
	073333-01-000	EA	Bracket - Latch Support
	073337-01-000	EA	Brace Latch - Hood
	073341-01-000	EA	Bracket - Hood Latch
	058786-02-000	EA	Bolt - Hood Adjusting - 5/16" x 18 x 1 1/4"

**SEALANTS & ADHESIVES**

Key	Part Number	U/M	Description
	004020-01-000	QT	Adhesive - ABS Cement (Plastic Fittings)
	002337-01-000	EA	Adhesive - 1300 Tube - 3M (Windows)
	004005-02-000	GL	Adhesive - Swifts - Glue (Sidewalls)
	053766-07-000	EA	Bedding Compound - Tube - Beige (Exterior)
	053766-06-000	EA	Bedding Compound - Tube - Clear (Window)
	053766-08-000	EA	Bedding Compound - Tube - Gray (Exterior)
	053766-05-000	EA	Bedding Compound - Tube - Gray (Sidewalls to Floor)
	053766-02-000	EA	Bedding Compound - Tube - Off White (Exterior)
	002328-02-000	EA	Block - Rubber Spacer (Windshield)
	004336-01-000	EA	Caulk - Latex - Golden Walnut (Sidewalls)
	072991-02-000	QT	Primer - Glass - Black
	072891-01-000	QT	Primer - Glass - Clear
	035024-01-000	EA	Primer - Glass - Clear - Windshield
	072890-01-000	QT	Primer - Metal - Black
	035023-01-000	GL	Primer - Metal - Windshield
	077967-01-000	EA	Sealant - Acrylic Latex - Tube - Off White (Interior Sealant)
	034552-04-000	EA	Sealant - Silicone - Beige
	034552-02-000	EA	Sealant - Silicone - Clear
	034552-07-000	EA	Sealant - Silicone - Dark Gray
	034552-06-000	EA	Sealant - Silicone - Off White
	069637-01-000	EA	Sealant - Weatherban 404 - Tube - White (Door Caulk)
	072889-01-000	EA	Sealant - Urethane - Black (Windshield)
	069640-01-000	FT	Sealer Ribbon - 25" Bead x 20'
	069640-02-000	FT	Sealer Ribbon - 5" x 125" x 30'
	069640-03-000	FT	Sealer Ribbon - 75" x 125" x 30'
	069640-04-000	FT	Sealer Ribbon - 2" x 09" x 45' (P Series)
	069640-05-000	FT	Sealer Ribbon - 2 5/8" x 09" x 50'
	069640-06-000	FT	Sealer Ribbon - 5/16" Bead x 15'
	069640-07-000	FT	Sealer Ribbon - 2" x 3/32" x 30'
	002316-01-000	FT	Sealer Tape - 3/32" x 3/8" - White (Window)
	002707-01-000	FT	Sealer Tape - 5/16" x 3/4"
	002707-02-000	FT	Sealer Tape - 5/16" x 1 1/2"
	040545-01-000	GL	Sealer - Foam Weld
	053752-04-000	EA	Seam Sealer - Tube - Aluminum (Roof)
	063042-01-000	FT	Tape - Adhesive - .10 mm. x 1 5/8" Wide
	038886-01-000	EA	Tape - Butyl - 31" x 31" x 148" (Windshield)
	076322-01-000	FT	Tape - Foam - Double Coated - 025 x 1" (Fiberglass Sidewall Seams)
	076322-02-000	FT	Tape - Foam - Double Coated - 045 x 1" (Fiberglass Sidewall Seams)
	009200-01-000	EA	Tape - Furnace - 1 5/8"
	002825-01-000	FT	Weather Striping (Roof Vent)

**EXTERIOR BODY GROUP (CONTINUED)**

**LABELS & EXTERIOR PAINT**

Key	Part Number	U/M	Description
	068383-01-000	EA	Label - Diesel Fuel
	006195-01-000	EA	Label - Electrical Test
	047731-01-000	EA	Label - Emergency Exit
	006199-01-000	EA	Label - Exit - Escape Window
	057467-04-000	EA	Label - Exterior Loading Limit
	064378-01-000	EA	Label - Flying "W" w/Thermo Panel
	061417-01-000	EA	Label - Fuel
	006196-01-000	EA	Label - Gas Test
	054531-01-000	EA	Label - LP Gas Only
	040944-01-000	EA	Label - Open - Entrance Door
	006015-01-000	EA	Label - Patent Motor Home
	056259-01-000	EA	Label - Safety Check List
	006064-01-000	EA	Label - Seat - w/o Seat Belts
	006187-01-000	EA	Label - Sewage
	006006-01-000	EA	Label - Thermo Panel - 2 1/4" x 2 1/4"
	075221-01-000	EA	Label - Trailer Hitch Capacity
	075220-01-000	EA	Label - Warning - Exterior Load Limit
	050225-01-000	EA	Label - Warning - Stove Vent - LIS
	006188-01-000	EA	Label - Waste Water
	006197-01-000	EA	Label - Water Test
	072863-01-000	EA	Nameplate - Diesel - 6.2L
	006062-01-000	EA	Tag - Electrical - 110 Volt Connection
	006040-01-000	EA	Tag - Gas - Refueling Warning
	044486-03-000	EA	Paint - Beige Acrylic Enamel - 16 oz. Aerosol (7633A Dupont)
	045681-L3-000	EA	Paint - Gloss Black - Acrylic Enamel - 16 oz. Aerosol (99 Dupont)
	058637-05-000	EA	Paint - Gray Acrylic Enamel - 16 oz. Aerosol (71537 Dupont)
	041561-03-000	EA	Paint - Off White Acrylic Enamel - 16 oz. Aerosol (45396A Dupont)
	074559-01-000	EA	Label "LPG" - 3 3/4" x 1 7/8" - (Calif. Code)

**MISCELLANEOUS EXTERNALLY MOUNTED PARTS**

Key	Part Number	U/M	Description
	083558-01-000	EA	Plumbing Seal - Roof Vent - 1 5/8" - Covered
	048817-01-000	EA	Assist Handle - Chrome - w/Light
	081240-01-000	EA	Fill - City Water - Recessed - Lockable - Beige

**1986 WINNEBAGO  
TABLE OF CONTENTS**

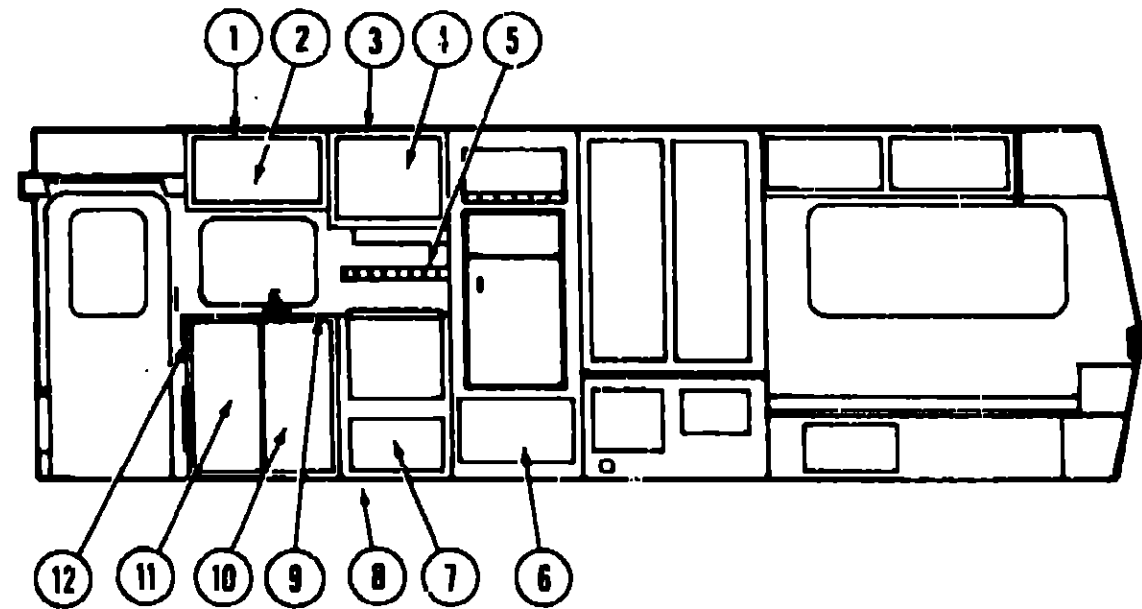
WC/WF424RS	A-01 - C-12
WCN27RT	C-13 - E-22
WCP31RT	E-23 - H-10
WCP34RU	H-11 - J-22

**1986 WCN27RT INDEX**

Floor Plan	C-13 - C-14
Accessories Group	C-15 - C-18
Bath Group	C-19
Chassis Group	C-20 - C-24
Curtain Cushion & Pad Group	D-01 - D-06
Dinette Group	D-07
Driver's Compartment Group	D-08 - D-10
Electrical Group	D-11 - D-13
Exterior Body Group	D-14 - D-20
Galley Group	D-21 - D-23
Heating & Air Conditioning Group	D-24 - E-01
Interior Finish Group	E-02 - E-04
LP Group	E-05
Lounge Group	E-06
Water & Sewage Group	E-07 - E-08
Window, Vent & Exterior Door Group	E-09 - E-22



## GALLEY GROUP



### GALLEY CABINETRY

Key	Part Number	U/M	Description
1	081656-07-U04	EA	Cabinet Asm - Galley Overhead - w/o Doors or Hardware
2	M81523-04-T03	EA	Door Asm. - Galley Overhead - w/o Hardware
3	081460-05-U04	EA	Cabinet Asm. - Microwave Overhead - w/o Doors or Hardware
4	M81523-01-U01	EA	Door Asm - Microwave Overhead - w/o Hardware
5	074490-02-T03	EA	Spice Rack Asm - Oak
6	M81501-92-U04	EA	Door Asm - Refrigerator Cabinet - w/o Hardware
7	M81507-02-U04	EA	Door Asm. - Furnace
8	M82564-01-U04	EA	Cabinet Asm - Galley - w/o Doors, Drawers, Hardware or Countertop
8	M82564-03-U04	EA	Cabinet Asm - Galley (Microwave Option) w/o Doors, Drawers, Hardware or Countertop
9	M02465-01-U04	EA	Countertop Asm - Galley Cabinet
10	M81501-03-U01	EA	Door Asm - Galley Cabinet - Right - w/o Hardware
11	M81501-02-U01	EA	Door Asm - Galley Cabinet - Left - w/o Hardware
12	080812-02-U01	EA	Galley Extension Asm
*	M82184-03-T03	EA	Drawer Asm - Galley (used with microwave option)
			Not illustrated

## GALLEY GROUP (CONTINUED)

### GALLEY HARDWARE & APPLIANCES

Key	Part Number	U/M	Description
	079353-03-000	EA	Hood - Stove - w/Monitor - Almond - US
	079353-01-700	EA	Test Connector
	079353-01-701	EA	Fan Blade
	079353-01-702	EA	Filter & Lens
	079353-01-703	EA	Motor
	079353-01-704	EA	Circuit Board - Tanks
	079351-02-700	EA	Clock - Digital - LVS
	075470-01-702	EA	Switch - On/Off
	075470-01-703	EA	Switch - On - Momentary
	075470-01-704	EA	Switch - On/Off/On - Fan Motor
	075470-01-705	EA	Switch - On/Off/On - Momentary
	075470-01-707	EA	Bulb - #912
	079353-01-705	EA	Monitor Panel Asm - w/Face
	079353-01-706	EA	Housing - Vent Hood - w/Wires
	079353-01-707	EA	Face Plate - Black
	064782-02-000	EA	Range w/Small Oven - 4 Burner - Almond - Magic Chef
	064782-02-700	EA	Top - Main - 4 Burner - Almond
	064782-02-701	EA	Deflector Plate - Black
	064782-02-702	EA	Trim - Cabinet - Right - Black
	064782-02-703	EA	Trim - Cabinet - Left - Black
	064782-02-704	EA	Trim - Lower Outside Glass - Black
	067782-02-705	EA	Handle - Oven Door - Black
	064782-02-706	EA	Vertical Trim - Black
	064782-02-707	EA	Panel - Manifold
	064782-02-708	EA	Valve - Mercury
	081374-01-000	EA	Range Top - 4 Burner - Almond
	081374-01-700	EA	Trim - Cabinet - Top Right
	081374-01-701	EA	Trim - Cabinet - Top Left
	081374-01-702	EA	Panel - Manifold - Warm Black
	081374-01-703	EA	Trim - Top Rear
	081374-01-704	EA	Guard - Fabric
	064473-02-000	EA	Refrigerator - AC/DC/Gas - Norcold - 6' - 776-EG3
	064473-02-700	EA	Cooling Unit
	064473-02-701	EA	Frame - Door
	064473-02-702	EA	Breaker Strip - Left - Bronze
	064473-02-703	EA	Breaker Strip - Right - Bronze
	064473-02-704	EA	Breaker Strip - Top - Bronze
	075217-01-000	EA	Refrigerator - AC/DC/Gas - Norcold 8' - 830-EG3
	075217-01-700	EA	Shell Asm - Door - w/Trim
	075217-01-701	EA	Gasket - Freezer Door
	075217-01-702	EA	Frame Asm. - Door
	075217-01-703	EA	Trim - Decor - Top & Bottom
	075217-01-704	EA	Gasket - Refrigerator Door
	075217-01-706	EA	Cabinet Asm - Urethane
	075217-01-707	EA	Bulb - Light - DC
	075217-01-708	EA	Socket - Lamp
	075217-01-710	EA	Eyebrow Asm
	075217-01-711	EA	Breaker Strip - Top
	075217-01-713	EA	Crisper Drawer
	075217-01-714	EA	Thermostat Asm
	075217-01-715	EA	Knob - Thermostat
	075217-01-716	EA	Front Divider Asm
	075217-01-717	EA	Switch - Humidity
	075217-01-718	EA	Light Switch
	075217-01-719	EA	Eyebrow Board
	075217-01-720	EA	Eyebrow
	075217-01-721	EA	Lamp - Indicator - Amber
	075217-01-722	EA	Lamp - Indicator - Green
	075217-01-723	EA	Lamp - Indicator - Red

## 1986 WINNEBAGO TABLE OF CONTENTS

WC/WF421RS	A-01 - C-12
WCN27RT	C-13 - E-22
WCP31RT	E-23 - H-10
WCP34RU	H-11 - J-22

## 1986 WCN27RT INDEX

Floor Plan	C-13 - C-14
Accessories Group	C-15 - C-18
Bath Group	C-19
Chassis Group	C-20 - C-24
Curtain, Cushion & Pad Group	D-01 - D-06
Dinette Group	D-07
Driver's Compartment Group	D-08 - D-10
Electrical Group	D-11 - D-13
Exterior Body Group	D-14 - D-20
Galley Group	D-21 - D-23
Heating & Air Conditioning Group	D-24 - E-01
Interior Finish Group	E-02 - E-04
LP Group	E-05
Lounge Group	E-06
Water & Sewage Group	E-07 - E-08
Window, Vent & Exterior Door Group	E-09 - E-22

## GALLEY GROUP (CONTINUED)

### GALLEY HARDWARE & APPLIANCES (CONT.)

Key	Part Number	U/M	Description
	075217-01-724	EA	Lamp - Indicator - Blue
	075217-01-725	EA	Rocker Switch - #615258
	075217-01-726	EA	Interface Board
	R77005-81-129	EA	Relay - Glow Plug
	075217-01-728	EA	Cover - Interface Board
	075217-01-729	EA	Fitting - Outlet
	075217-01-730	EA	Valve - Gas
	075217-01-731	EA	Nipple
	075217-01-732	EA	Fitting - Inlet
	075217-01-733	EA	Shut-Off Cock
	075217-01-734	EA	Fuse - 3 Amp.
	075217-01-735	EA	Ignition Electrode
	075217-01-736	EA	Sensing Electrode
	075217-01-737	EA	Control Module
	075217-01-738	EA	Rocker Switch - #615259
	075217-01-739	EA	Heater
	075217-01-740	EA	Screw #6 - 32 x 2 3/8"
	075217-01-741	EA	Wing - Nut #6 - 32
	075217-01-742	EA	Hex Nut
	075217-01-743	EA	Elbow - 90°
	075217-01-744	EA	Cable - Wiring
	075217-01-745	EA	Liner Asm. - Foamed - Door
	075217-01-746	EA	Baffle Asm.
	075217-01-747	EA	Liner Asm. - Foamed - Lower - Door
	054450-01-000	EA	Level - Refrigerator
	065225-01-000	EA	Tiedown Plate - Refrigerator
	081379-01-000	EA	Microwave Oven - Convection Oven - Sharp
	081459-03-000	EA	Bracket Asm. - Microwave - Right
	081459-04-000	EA	Bracket Asm. - Microwave - Left
	081456-01-000	EA	Angle Asm. - Microwave - Right
	081456-02-000	EA	Angle Asm. - Microwave - Left
	081555-01-T03	EA	Trim Ring - Microwave
	082876-01-000	EA	Baffle - Microwave
	023111-01-000	EA	Blender - Built In
	068615-01-000	EA	Sink - Stainless Steel - Double w/ Bolts
	011053-01-000	EA	Faucet - Swing Spout - 8" - US
	011053-01-700	EA	Aerator - Swing Spout Faucet
	066437-01-000	EA	Strainer w/Basket - Sink
	081530-01-U01	EA	Sink Cover - Large - Almond Loom
	009049-01-000	EA	Support - Drop Leaf Table
	009059-01-000	EA	Hinge - 2" - Gold - Drop Leaf Table
	074490-02-000	EA	Spice Rack - Oak
	074981-01-000	EA	Cutting Board - Maple
	058334-01-000	EA	Wastebasket - 9 3/4" x 7" x 10" - White
	059877-01-000	EA	Support - Wastebasket - Metal - Galley Mount
	047744-01-000	EA	Kit - Drawer Guide - Plastic
	077409-01-000	EA	Slider - Drawer - 20.75" - Plastic
	077404-01-000	EA	Drawer - 20" x 12.70" - Plastic
	073306-01-000	EA	Slide - Drawer - Full Extension - 18" - Left
	073306-02-000	EA	Slide - Drawer - Full Extension - 18" - Right
	073306-03-000	EA	Slide - Cabinet - Full Extension - 18" - Left
	073306-04-000	EA	Slide - Cabinet - Full Extension - 18" - Right
	066435-01-000	EA	Nut Strainer
	011083-01-000	EA	Plug - 1 1/4" x 5" - w/Stopper

## HEATING & AIR CONDITIONING GROUP

### FURNACE & ROOF AIR CONDITIONER

Key	Part Number	U/M	Description
	075695-01-000	EA	Furnace - 34,000 BTU - w/Direct Ignition - NT-34S
	075695-01-000	EA	Furnace - 24,000 BTU - w/Direct Ignition - NT-24S
	075695-01-700	EA	Thermostat
	075695-01-701	EA	Electrode Asm.
	075695-01-702	EA	Vent Cap Asm.
	075695-01-703	EA	Gas Pipe Inlet
	075695-01-704	EA	Manifold Asm
	075695-01-705	EA	Burner Asm
	075695-01-706	EA	Wheel - Room Air
	075695-01-707	EA	Motor
	075695-01-708	EA	Microswitch Asm. 24 Only
	075695-01-709	EA	Microswitch Asm. 30 & 34
	075695-01-710	EA	Cabinet - Front
	075695-01-711	EA	Cabinet Asm.
	075695-01-712	EA	Tube - Vent Cap Asm.
	075695-01-713	EA	Intake Tube - 7 1/4"
	069636-02-000	EA	Connector - 4" Duct
	009198-01-000	EA	Duct - Flexible - 4" I.D. x 25'
	056464-01-000	EA	Register - 4" Dia. - Plastic - w/Damper
	056464-02-000	EA	Register - 4" Dia. - Plastic - w/o Damper
	009200-01-000	EA	Tape - Furnace - 1 1/2"
	023146-01-000	EA	Clamp - Screw Type - 4"
	073743-01-000	EA	Shroud Asm. - Ceiling - Inside - Roof Air 13,500 BTU - Cool Only
	073744-01-000	EA	Shroud Asm. - Ceiling - Inside - Roof Air 13,500 BTU - Heat & Cool
	073742-01-000	EA	Air Conditioner - 110 Volt - Roof Mount - 13,500 BTU Rotary
	073742-01-700	EA	Decal Package - Left & Right (Exterior)
	073742-01-701	EA	Selector Switch (5 Terminal)
	073742-01-702	EA	Decal - Cool Only
	073742-01-703	EA	Decal - Heat & Cool
	073742-01-704	EA	Decal - Thermostat - TSR

## 1986 WINNEBAGO TABLE OF CONTENTS

WC/WF424RS	A-01 - C-12
WCN27RT	C-13 - E-22
WCP31RT	E-23 - H-10
WCP34RU	H-11 - J-22

## 1986 WCN27RT INDEX

Floor Plan	C-13 - C-14
Accessories Group	C-15 - C-18
Bath Group	C-19
Chassis Group	C-20 - C-24
Curtain, Cushion & Pad Group	D-01 - D-06
Dinette Group	D-07
Driver's Compartment Group	D-08 - D-10
Electrical Group	D-11 - D-13
Exterior Body Group	D-14 - D-20
Galley Group	D-21 - D-23
Heating & Air Conditioning Group	D-24 - E-01
Interior Finish Group	E-02 - E-04
LP Group	E-05
Lounge Group	E-06
Water & Sewage Group	E-07 - E-08
Window, Vent & Exterior Door Group	E-09 - E-22

## HEATING & AIR CONDITIONING GROUP (CONTINUED)

### AUTOMOTIVE HEATER & AIR CONDITIONER

Key	Part Number	U/M	Description
	072341-07-000	EA	Heater Evaporator - w/o Duct Control
	072341-04-000	EA	Heater/Evaporator Asm
	072341-04-700	EA	Vacuum Motor - Front
	072341-04-701	EA	Vacuum Motor - Rear
	072341-04-702	EA	Relay
	072341-04-703	EA	Evaporator Coil
	072341-04-704	EA	Liquid Hose - #6
	072341-04-705	EA	Suction Hose - #10
	072341-04-706	EA	Blower Motor
	072341-04-707	EA	Blower Wheel
	072341-08-000	EA	Duct & Control Kit
	072342-03-000	EA	Condenser Asm
	072342-02-700	EA	Receiver Drier - Condenser Asm
	072343-04-000	EA	Compressor/Clutch
	072344-01-000	EA	Package - Compressor Mount
	039044-01-000	EA	Louver Asm - A/C Adjustable
	007076-01-700	FT	Hose - Flexible PVC - 2" I.D.
	007281-01-700	FT	Hose - Flexible PVC - 2 1/2" I.D.
	007108-01-000	FT	Hose - Heater - 5/8" I.D. SAE 20R3
	062401-04-000	EA	Clamp - Worm Drive - 69' - 1 25" I.D.
	010227-01-000	EA	Tee - Plastic - Barb 5/8" or 3/4" Hose
	072341-03-000	EA	Core - Evaporator

### AUXILIARY HEATER ASSEMBLY

Key	Part Number	U/M	Description
	049401-01-000	EA	Heater Asm - Rear - Auxiliary
	049401-01-700	EA	Valve - Heater Control
	049401-01-701	EA	Control Cable
	049401-01-702	EA	Motor Asm
	049401-01-703	EA	Heater Core
	049401-01-704	EA	Switch
	058906-01-000	EA	Control Panel - Brown
	058893-01-000	EA	Bracket - Side Mount - Motor Aid
	076312-01-000	EA	Mesh - Grille - 7 3/8" x 6 7/8" - Gold Aluminum

## INTERIOR FINISH GROUP

### INTERIOR MOLDING & TRIM

Key	Part Number	U/M	Description
	009812-15-000	EA	Molding - Plastic - Outside Corner - 1 2"
	042357-09-000	FT	Molding - Radius Corner - 7' Elm
	022992-01-000	FT	Molding - Reverse Cove - White
	022992-09-000	FT	Molding - Reverse Cove - Grady Brown
	069733-37-000	EA	Ball Strip - Sunset Oak - 8' (Lounge)
	069733-42-000	EA	Ball Strip - Scumshaw Sand - 8' (Wall)
	069733-57-000	EA	Ball Strip - Encore - 8' (Bedroom)
	069733-62-000	EA	Ball Strip - Pebble Beach - 8' (Ceiling)
	069733-61-000	EA	Ball Strip - Threads - 8' (Galley)
	070504-01-000	FT	U-Channel - 065" - Light Brown
	070504-02-000	FT	U-Channel - 815" - Light Brown
	070504-03-000	FT	U-Channel - 815" - Grady Brown
	009776-04-000	FT	U-Channel - 1" - Grady Brown
	009815-03-000	FT	T-Molding - 75" - Light Brown
	009815-04-000	FT	T-Molding - 75" - Grady Brown
	075249-01-000	EA	Rail Asm - Plain - 72"
	075250-01-000	EA	Corner Post - 1" x 1" x 2 1/2" - Oak
	078026-21-T03	EA	Trim - Valance - 82"
	002774-02-001	EA	Trim - Carpet - 192"
	009767-06-000	FT	Wetling - Beige
	009767-07-000	FT	Wetling - Grady Brown
	074045-01-000	EA	Plug - 1 2" Dia - Oak
	041746-01-000	FT	Vinyl - Extruded - Bubble Seal

### CABINETRY & TABLE HARDWARE

Key	Part Number	U/M	Description
	053200-05-000	EA	Bracket - Upper Wall Mount - 23 5" - Beige
	024281-07-000	EA	Bracket - Lower Wall Mount - 22 1/2" - Beige
	024276-14-000	EA	Leg Asm - Table - 26 5" - Brown
	064050-01-000	EA	Hinge - Table Leg
**	024282-01-000	EA	Brace - Table Leg
	049493-02-000	EA	Catch - Table Leg - Mounts on Floor - Brown
	009112-01-000	EA	Flange - 1" - Chrome - Closet Rod
	077409-01-000	EA	Slide - Drawer - Plastic - 20 75"
	009049-01-000	EA	Table Support - Drop Leaf
	009059-01-000	EA	Hinge - 2" - Drop Leaf Table - Gold
	076312-01-000	EA	Mesh - Grille - 13 80" x 8 80" - Gold Aluminum
	009021-01-000	EA	Catch - Nylon - Furnace Door
	009021-02-000	EA	Strike - Nylon Catch - Furnace Door
	074493-02-000	EA	Support - Sprung - Door
	066433-01-000	EA	Hook - Cup - Bright
	058034-02-000	EA	Latch - Door w/o Lock - Sliding Door
	075680-01-000	EA	Clothes Rod - Adjustable - 27" x 36"
	064467-01-000	EA	Guide - Wall Mount - Door Pocket
	078212-01-000	EA	Pull - Brass w Dark Oak - Cabinet
	045506-02-000	EA	Spindle - Wood - 1 75" x 24" - Plain
	059777-01-000	EA	Hinge - Brass
	009016-01-000	EA	Catch - Elbow - Spring Loaded
	077461-01-000	EA	Cover - Strike

\*\* The illustrated parts breakdown for this item is provided on the Common Items Fiche

### MISCELLANEOUS PARTS

Key	Part Number	U/M	Description
	053552-02-T03	EA	Handle Asm - Interior Assist - Medium Almond Vinyl
	041944-03-000	EA	Fire Extinguisher - w Bracket
	054185-24-000	EA	Owner's Manual - 1986 Itasca & Winnebago
	007038-01-000	EA	Door Mat - 10 1/2" x 26" - Black Rubber
	075907-02-000	EA	Picture - Decor - Assorted Grasses

## 1986 WINNEBAGO TABLE OF CONTENTS

WC-WF424RS	A-01 - C-12
WCN27RT	C-13 - E-22
WCP31RT	E-23 - H-10
WCP34RU	H-11 - J-22

## 1986 WCN27RT INDEX

Floor Plan	C-13 - C-14
Accessories Group	C-15 - C-18
Bath Group	C-19
Chassis Group	C-20 - C-24
Curtain, Cushion & Pad Group	D-01 - D-06
Dinette Group	D-07
Driver's Compartment Group	D-08 - D-10
Electrical Group	D-11 - D-13
Exterior Body Group	D-14 - D-20
Galley Group	D-21 - D-23
Heating & Air Conditioning Group	D-24 - E-01
Interior Finish Group	E-02 - E-04
LP Group	E-05
Lounge Group	E-06
Water & Sewage Group	E-07 - E-08
Window, Vent & Exterior Door Group	E-09 - E-22

**INTERIOR FINISH GROUP (CONTINUED)**

**CURTAIN & CUSHION HARDWARE**

Key	Part Number	U/M	Description
	082139-01-000	EA	Bracket - Hold Down - Blinds
	056003-02-000	EA	Bracket - Drapery Retainer - Left
	056003-01-000	EA	Bracket - Drapery Retainer - Right
	056001-01-000	EA	Bracket - Shade - Left
	056002-01-000	EA	Bracket - Shade - Right
	076827-01-000	EA	Bracket - Curtain - Woven Wood - Right
	076827-02-000	EA	Bracket - Curtain - Woven Wood - Left
	079798-03-000	EA	Bracket Asm - Curtain Rod - Right
	079798-04-000	EA	Bracket Asm - Curtain Rod - Left
	082249-01-000	EA	Bracket - Blinds - Beige - Right
	082249-02-000	EA	Bracket - Blinds - Beige - Left
	079619-01-000	EA	Bracket - Tie Back
	009107-01-000	EA	Guide - Nylon Snap - Curtain
	056784-01-000	EA	Pull - Window Shade - Antique Brass
	056115-01-000	YD	Tape - Clear Plastic - w/Guide
	048394-01-000	YD	Tape - Hook - 1" x 25 YD - Beige
	029096-05-000	YD	Tape Hook - 50" - Velcro - Beige
	048395-01-000	YD	Tape Loop - 1" x 25 YD - Beige
	029090-01-000	FT	Tie - Drapery - Clear Vinyl
	056116-01-000	FT	Track - Curtain - Brown Plastic
	079446-01-000	EA	Track - Curtain - Wraparound - Right
	079446-02-000	EA	Track - Curtain - Wraparound - Left

**PANELING & COUNTERTOP MATERIAL**

Key	Part Number	U/M	Description
	074497-03-000	SF	Paneling - Decor - Sunset Oak - 48" x 84" (28 SF) (Cabinets & Wall)
	074497-04-000	SF	Paneling - Decor - Scrimshaw Sand - 48" x 84" (Wall)
	074496-31-000	SF	Paneling - Decor - Encore - 48" x 84" (28 SF) (Bedroom & Bath)
	074496-38-000	SF	Paneling - Decor - Paw Paw - Plum - 48" x 84" (28 SF) (Galley) (U04 U05)
	074496-39-000	SF	Paneling - Decor - Paw Paw - Pine - 48" x 84" (28 SF) (Galley) (U06)
	074497-07-000	SF	Paneling - Pebble Beach - 48" x 96" (32 SF) (Ceiling)
	074498-05-000	SF	Plastic Laminate - Sunset Oak - 48" x 96" (32 SF) (Nightstand)
	074498-05-019	EA	Plastic Laminate - Sunset Oak - 1 19" x 96"
	076325-04-000	FT	Molding - Edge Band - Sunset Oak - 1 5 16" x 030"
	074498-08-000	SF	Plastic Laminate - Fawn - 48" x 96" (32 SF) (Dinette Table) (U04 U05)
	074498-08-019	EA	Plastic Laminate - Fawn - 1 19" x 96"
	076325-08-000	FT	Molding - Edge Band - Fawn - 1 5 16" x 030"
	074498-14-000	SF	Plastic Laminate - Sage Green - 48" x 96" (32 SF) (Dinette Table) (U06)
	074498-14-019	EA	Plastic Laminate - Sage Green - 1 19" x 96"
	076325-10-000	FT	Molding - Edge Band - Sage Green - 1 5 16" x 030"
	074496-06-000	SF	Plastic Laminate - Beige Crescent - 48" x 96" (32 SF) (Galley)
	074496-06-019	EA	Plastic Laminate - Beige Crescent - 1 19" x 96"

**INTERIOR FINISH GROUP (CONTINUED)**

**FABRICS & CARPET**

Key	Part Number	U/M	Description
	072333-25-000	YD	Fabric - Drapery - Toast (U04)
	072333-26-000	YD	Fabric - Drapery - Mauve (U05)
	072333-27-000	YD	Fabric - Drapery - Teal (U06)
	077498-62-000	YD	Fabric w/Pattern - Main - Truffle (U04)
	077498-63-000	YD	Fabric w/Pattern - Main - Rosewood (U05)
	077498-64-000	YD	Fabric w/Pattern - Main - Spruce (U06)
	077498-75-000	YD	Fabric w/Pattern - Accent - Primrose (U05)
	077498-74-000	YD	Fabric w/Pattern - Accent - Sagebrush (U06)
	077498-73-000	YD	Fabric - Upholstery Accent - Plain - Truffle (U04, U06)
	077498-72-000	YD	Fabric - Upholstery Accent - Plain - Rosewood (U05)
	069729-43-000	YD	Fabric - Bedspread/Drapery - Encore
	074333-21-000	YD	Fabric - Bedspread/Drapery - Parchment
	038421-01-000	YD	Fabric - Mattress Ticking
	029012-01-000	BF	Foam - Rolled - 3 8"
	079680-01-000	YD	Vinyl - Expanded - 26 oz - Buckskin
	079680-02-000	YD	Vinyl - Expanded - 26 oz - Dark Sandrift
	072860-43-000	YD	Carpet - Beige (U04)
	072860-44-000	YD	Carpet - Red Brown (U05)
	072860-45-000	YD	Carpet - Green/Blue (U06)

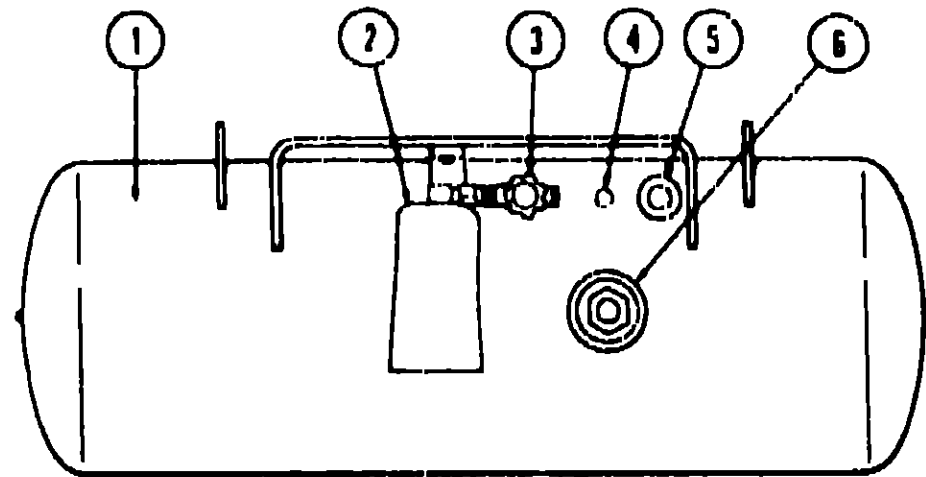
**1986 WINNEBAGO  
TABLE OF CONTENTS**

WC/WF424RS	A-01 - C-12
WCN27RT	C-13 - E-22
WCP31RT	E-23 - H-10
WCP34RU	H-11 - J-22

**1986 WCN27RT INDEX**

Floor Plan	C-13 - C-14
Accessories Group	C-15 - C-18
Bath Group	C-19
Chassis Group	C-20 - C-24
Curtain Cushion & Pad Group	D-01 - D-06
Dinette Group	D-07
Driver's Compartment Group	D-08 - D-10
Electrical Group	D-11 - D-13
Exterior Body Group	D-14 - D-20
Galley Group	D-21 - D-23
Heating & Air Conditioning Group	D-24 - E-01
Interior Finish Group	E-02 - E-04
LP Group	E-05
Lounge Group	E-06
Water & Sewage Group	E-07 - E-08
Window Vent & Exterior Door Group	E-09 - E-22

## LP GROUP



Key	Part Number	U/M	Description
1	074142-01-000	EA	Tank Asm - LP - Frame Mount - 80 Pound - 13" x 44"
1	080450-01-000	EA	Tank Asm - LP - 42 Pound - 13" x 24"
1	065741-01-000	EA	Detector - LP Gas Leak - Marshalltown Instruments
2	081938-01-000	EA	Cover - LP Regulator
1	076031-01-000	EA	Regulator - Two Stage - US
3	040421-01-703	EA	Valve - Vapor Relief
4	040421-01-700	EA	Gauge - Liquid Level - 20% LP
5	040421-01-701	EA	Valve - Filler - LP
1	040421-01-702	EA	Cap - Plastic Fill Valve
6	040421-01-707	EA	Gauge - Float - w Visible Dial
1	040421-01-706	EA	Dial - Visible Face - Float Gauge (Tank w o Electric Transmitter)
1	040440-01-000	EA	Dial - Transmitter - 0 - 90 Ohm (Float Gauge)
1	045703-01-000	EA	Hose Asm - LP - 3/8" I.D. x 24" - US
1	045703-02-000	EA	Hose Asm - LP - 3/8" I.D. x 24" - CSA
1	045703-03-000	EA	Hose Asm - LP - 3/8" I.D. x 18" - US
1	045703-04-000	EA	Hose Asm - LP - 3/8" I.D. x 14" - CSA
1	065742-01-000	EA	Tee - 3/8 F x 3/8 F x 25 FPT
1	Not illustrated		

## LOUNGE GROUP

### COUCH OPTION W/TABLES

Key	Part Number	U/M	Description
	081298-02-T03	EA	Table Asm - Pedestal
	019040-03-000	EA	Base - Raised - Mount on Table
	041194-01-000	EA	Base - Flush - Mount on Floor
	009040-04-000	EA	Leg - Pedestal Table - 27 5" - Brown
	081927-01-000	EA	Frame Asm - 3 Pillow Couch - Right
	081927-02-000	EA	Frame Asm - 3 Pillow Couch - Left
	081927-03-000	EA	Bars - Spacer - H - 74 75" - 3 Pillow Couch
	081927-04-000	EA	Hardware Kit - 3 Pillow Couch
	082527-01-U04	EA	Panel Asm - 3 Pillow Couch - Left End
	082527-01-U01	EA	Panel Asm - 3 Pillow Couch - Right End

### QUEEN BED OPTION W/NIGHT STAND

Key	Part Number	U/M	Description
	081308-07-U04	EA	Cabinet Asm - Rear Overhead - w/o Doors or Hardware
	M81503-04-T03	EA	Door Asm - Rear Overhead - w/o Hardware
	081730-05-U04	EA	Cabinet Asm - Left Rear Overhead - w/o Door or Hardware
	M81503-06-U04	EA	Door Asm - Left Rear Overhead - w/o Hardware
	081535-02-U04	EA	Mirror Asm - 45 47" x 15 47"
	M81543-02-U01	EA	T V Shelf - Fold Down
	M83465-01-U04	EA	Cabinet Asm - Nightstand - w/o Doors, Countertop or Hardware
	M02623-01-U04	EA	Countertop Asm - Nightstand
	M81501-54-U01	EA	Door Asm - Nightstand - w/o Hardware
	077404-01-000	EA	Drawer
	077409-01-000	EA	Slide - Drawer
	077463-07-U01	EA	Headboard Asm - Queen

### TWIN BED W/NIGHTSTAND

Key	Part Number	U/M	Description
	081730-06-U04	EA	Cabinet Asm - Right Rear Overhead - w/o Door or Hardware
	M81503-06-U04	EA	Door Asm - Right Rear Overhead - w/o Hardware
	081308-07-U04	EA	Cabinet Asm - Rear Overhead - w/o Doors or Hardware
	M81503-04-T03	EA	Door Asm - Rear Overhead - w/o Hardware
	081730-05-U04	EA	Cabinet Asm - Left Rear Overhead - w/o Doors or Hardware
	M81503-06-U04	EA	Door Asm - Left Rear Overhead - w/o Hardware
	M83424-01-U04	EA	Cabinet Asm - Twin Bed - Right - w/o Door or Hardware
	M83442-01-U04	EA	Cabinet Asm - Twin Bed - Left - w/o Door or Hardware
	M81501-30-T03	EA	Door Asm - Twin Bed - w/o Hardware
	076312-01-000	EA	Mesh - Gold Aluminum - 7 38" x 6 75"
	M83441-01-U04	EA	Cabinet Asm - Nightstand - w/o Doors, Countertop or Hardware
	M02608-01-U04	EA	Countertop Asm - Nightstand Base
	M02609-01-U04	EA	Countertop Asm - Nightstand Top
	M81501-93-U04	EA	Door Asm - Nightstand - w/o Hardware
	077404-01-000	EA	Drawer - Nightstand
	081710-01-000	EA	Slide - Nightstand Drawer
	077463-05-U01	EA	Headboard Asm - Twin Bed

## 1986 WINNEBAGO TABLE OF CONTENTS

WC/WF424RS	A-01 - C-12
WCN27RT	C-13 - E-22
WCP31RT	E-23 - H-10
WCP34RU	H-11 - J-22

## 1986 WCN27RT INDEX

Floor Plan	C-13 - C-14
Accessories Group	C-15 - C-18
Bath Group	C-19
Chassis Group	C-20 - C-24
Curtain, Cushion & Pad Group	D-01 - D-06
Dinette Group	D-07
Driver's Compartment Group	D-08 - D-10
Electrical Group	D-11 - D-13
Exterior Body Group	D-14 - D-20
Galley Group	D-21 - D-23
Heating & Air Conditioning Group	D-24 - E-01
Interior Finish Group	E-02 - E-04
LP Group	E-05
Lounge Group	E-06
Water & Sewage Group	E-07 - E-08
Window Vent & Exterior Door Group	E-09 - E-22

**WATER & SEWAGE GROUP**

**PLUMBING & REPAIR PARTS**

Key	Part Number	U/M	Description
	033307-02-000	EA	Adapter Asm - SWVC Strain - 1 1/2"
	010326-01-000	EA	Adapter - Flare - w Cone Gasket
	062422-01-000	EA	Adapter - Hose Offset - Reducer - 3" x 1 1/2"
	052954-01-000	EA	Adapter - Hose Cone - 3/8 or 1/2" - Plastic
	010224-01-000	EA	Adapter - Plastic - 3/8 MPT x 3/8 Barb
	044927-01-000	EA	Adapter - Plastic - 1 1/4" MPT x 1 1/4 Barb
	031602-02-000	EA	Adapter - Plastic - 1 1/2 H x FPT
	011048-04-000	EA	Breaker - Vacuum - 1/8 MPT - Nylon
**	010121-01-000	EA	Bushing - Plastic - 1 1/2 S x 1 1/4 H
	010122-01-000	EA	Bushing - Plastic - 1 1/2 S x 1 1/4 H
	010123-01-000	EA	Bushing - Plastic - 2S x 1 1/2 H
	036522-02-000	EA	Cap - Brass - 1/2 Flare
	075730-01-000	EA	Cap - Sewer - 3"
	052959-02-000	EA	Connector - 1/2 F x 1/2 MPT - Plastic
	052959-03-000	EA	Connector - 1/2 F x 3/8 MPT - Plastic
	011091-02-000	EA	Continuous Waste - Double Sink - 11 7/8" - US
	053874-01-000	EA	Continuous Waste Asm - Double Sink - CSA
	078406-01-000	EA	Coupler Rubber - 3" x 3"
	052960-01-000	EA	Drain Valve - 1/2 F x 1/2 F - Plastic
	010000-01-000	EA	Elbow - Plastic - 1/8 BD x 1 1/4 x 45° H x H
	010005-01-000	EA	Elbow - Plastic - 1/8 BD x 1 1/2
	010006-01-000	EA	Elbow - Plastic - 1/8 BD x 1 1/2 x 45° H x H
	010008-01-000	EA	Elbow - Plastic - 1/4 BD x 1 1/2 x 90° Left
	010051-01-000	EA	Elbow - ST - Plastic - 1/8 BD x 1 1/2 x 45°
	010219-01-000	EA	Elbow - 1 1/4 Barb x 1 1/4 MPT x 90°
	031111-01-000	EA	Elbow - Plastic - 1/4 BD x 1 1/4 x 90° Left
	034250-01-000	EA	Elbow - Plastic - 1/4 BD x 1 1/2 x 90° H x H
	035539-01-000	EA	Elbow - Plastic - 3/8 MPT x 3/8 Barb
	052957-01-000	EA	Elbow - Plastic - 1/2 F x 3/8 MPT
	052957-02-000	EA	Elbow - Plastic - 1/2 F x 1/2 MPT (In Tank Filter)
	065120-01-000	EA	Elbow - Plastic - Swivel - 50
	070924-01-000	EA	Elbow - Plastic - Swivel - 1/2 MPT x 1/2 FP
	077954-01-000	EA	Filter - Screen (In Water Tank)
	010147-01-000	EA	Flange - Closet - 4" F x 3" FPT - US
	010147-02-000	EA	Flange - Closet - 4" F x 3" FPT - CSA
	079381-01-000	FT	Flexible Tubing - 1 1/4 ID x 10'
	061607-01-000	EA	Grommet - Holding Tank Coupler - 1 1/2"
	061607-02-000	EA	Grommet - Holding Tank Coupler - 3"
	052961-01-000	EA	Header - 1/2 F x 1/2 F x 1/2 F x 1/2 F
	052953-01-000	EA	Nut - Faucet - 1/2 Tube x 1/2 FPT
	052952-01-000	EA	Nut - 1/2 F - Plastic
**	011066-03-000	EA	P-Trap - 1 1/4" Plastic - US
**	011066-02-000	EA	P-Trap - 1 1/4" Plastic - CSA
	053335-01-000	EA	P-Trap - Plastic - 1 1/4 H x H - w Union - CSA
	010197-01-000	EA	Pipe - Plastic - 3" x 240' - Black
	045729-01-000	EA	Pump - Water - 2 8 G P M - Direct Drive - Shurflo - US
	045729-02-000	EA	Pump - Water - 2 8 G P M - Direct Drive - Shurflo - CSA
**	010201-01-000	EA	Sewer Hose - 3" x 8' w Clamp
	042989-02-000	EA	Spinweld Fittings - Plastic - 1/2 FPT (In Tank Filter)
	042989-03-000	EA	Spinweld Fittings - Plastic - 1/4 NPT
	042989-04-000	EA	Spinweld Fittings - Plastic - 3/8 FPT
	011069-02-000	EA	Tailpiece - 1 1/2" x 1 1/4" x 4" - Brass
**	The illustrated parts breakdown for this item is provided on the Common Items Fiche		

**WATER & SEWAGE GROUP (CONTINUED)**

**PLUMBING & REPAIR PARTS (CONT.)**

Key	Part Number	U/M	Description
	010071-01-000	EA	Tee - Plastic - 1 1/2 x H x H x H
	010072-01-000	EA	Tee - Plastic - 1 1/2 H x 1 1/4 H x 1 1/2 H
**	010079-01-000	EA	Tee - Plastic - 1 1/2 H x 1 1/2 H x 1 1/4 H
	052955-01-000	EA	Tee - Plastic - 1/2 F x 1/2 F x 1/2 MPT
	052956-01-000	EA	Tee - Plastic - 1/2 F x 1/2 MPT x 1/2 F
	052958-01-000	EA	Tee - Plastic - 1/2 F x 1/2 F x 1/2 F
	039800-01-000	FT	Tubing - Polybutyl - 1/2 O D (Water Line)
	079381-01-000	FT	Tubing - Flexible - Smooth - 1 1/2 ID
	074462-02-000	FT	Tubing - Vinyl - 3/8 ID
	072346-01-000	EA	Valve Asm - 3" Ell - w 2" Socket
	062421-01-000	EA	Valve - 1 1/2" - w Handle
	052960-01-000	EA	Valve - Line Drain - 1/2 F x 1/2 F
	010073-01-000	EA	Wye - Plastic - 1 1/2 x 45 H x H
**	The illustrated parts breakdown for this is provided on the Common Items Fiche		

**HOLDING TANKS & WATER HEATERS**

Key	Part Number	U/M	Description
	M02458-18-000	EA	Tank Asm - Water - 40 Gallon - w Fittings
	078252-01-000	EA	Tank - Water - 40 Gallon - w/o Fittings
	083041-01-000	EA	Tank - Holding - 30 Gallon - w/o Fittings - Main
	083039-01-000	EA	Tank - Holding - 18 Gallon - w/o Fittings - Auxiliary #1
	083040-01-000	EA	Tank - Holding - 25 Gallon - w/o Fittings - Auxiliary #2
**	051391-01-000	EA	Water Heater - w/o Motor Aid - Atwood - G6A-3
**	051391-03-000	EA	Water Heater - w/o Motor Aid - Electric Ignition - Atwood - G6A-3E
**	051393-01-000	EA	Water Heater - Direct Ignition - Atwood - G6B-3E
**	The illustrated parts breakdown for this item is provided on the Common Items Fiche		

**1986 WINNEBAGO  
TABLE OF CONTENTS**

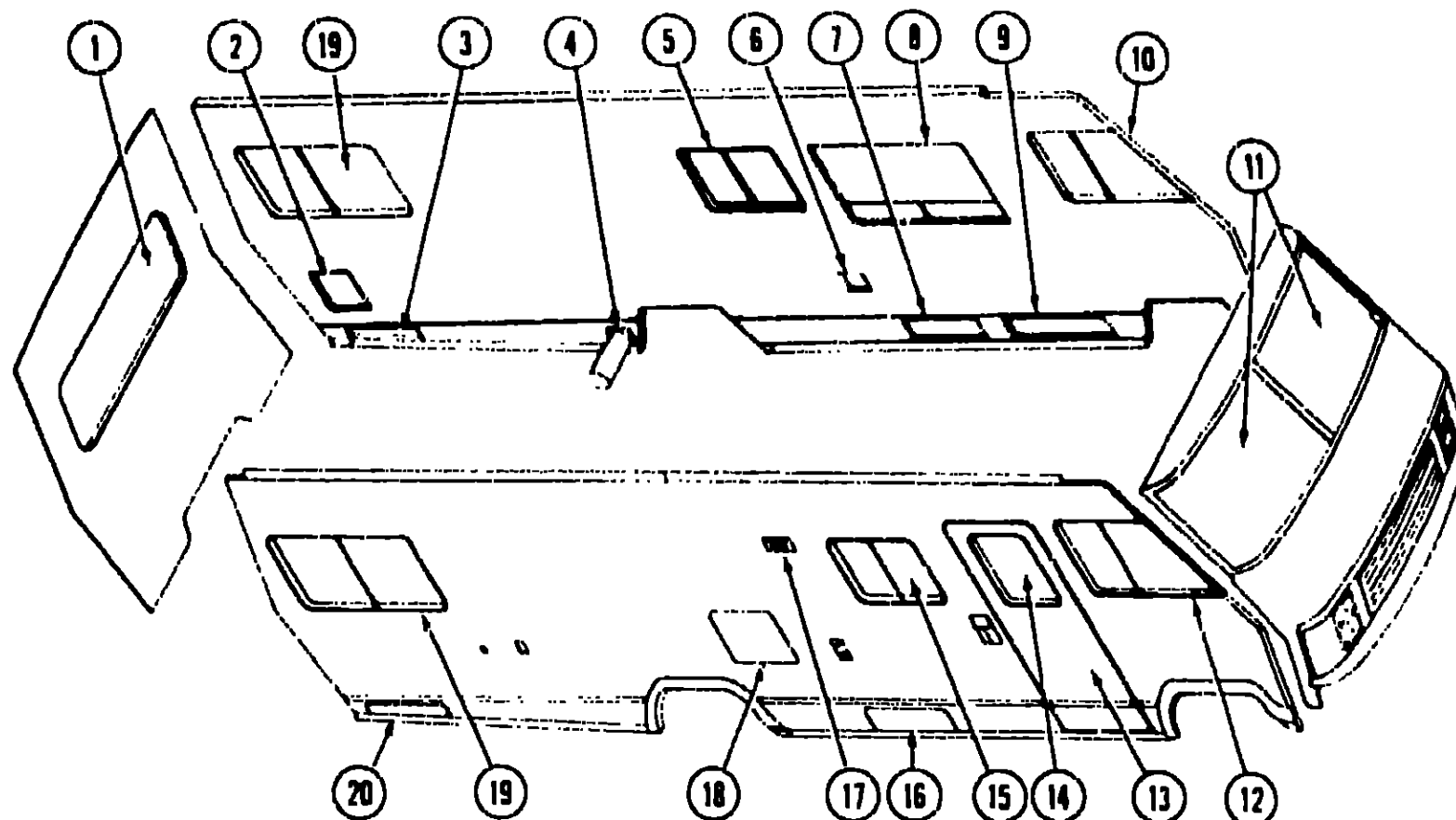
WC.WF424RS	A-01 - C-12
WCN27RT	C-13 - E-22
WCP31RT	E-23 - H-10
WCP34RU	H-11 - J-22

**1986 WCN27RT INDEX**

Floor Plan	C-13 - C-14
Accessories Group	C-15 - C-18
Bath Group	C-19
Chassis Group	C-20 - C-24
Curtain, Cushion & Pad Group	D-01 - D-06
Dinette Group	D-07
Driver's Compartment Group	D-08 - D-10
Electrical Group	D-11 - D-13
Exterior Body Group	D-14 - D-20
Galley Group	D-21 - D-23
Heating & Air Conditioning Group	D-24 - E-01
Interior Finish Group	E-02 - E-04
LP Group	E-05
Lounge Group	E-06
Water & Sewage Group	E-07 - E-08
Window, Vent & Exterior Door Group	E-09 - E-22

# WINDOW, VENTS & EXTERIOR DOOR GROUP

## WINDOWS & ACCESS DOORS



### 1986 WINNEBAGO TABLE OF CONTENTS

WC/WF424RS  
WCN27RT  
WCP31RT  
WCP34RU

A-01 - C-12  
C-13 - E-22  
E-23 - H-10  
H-11 - J-27

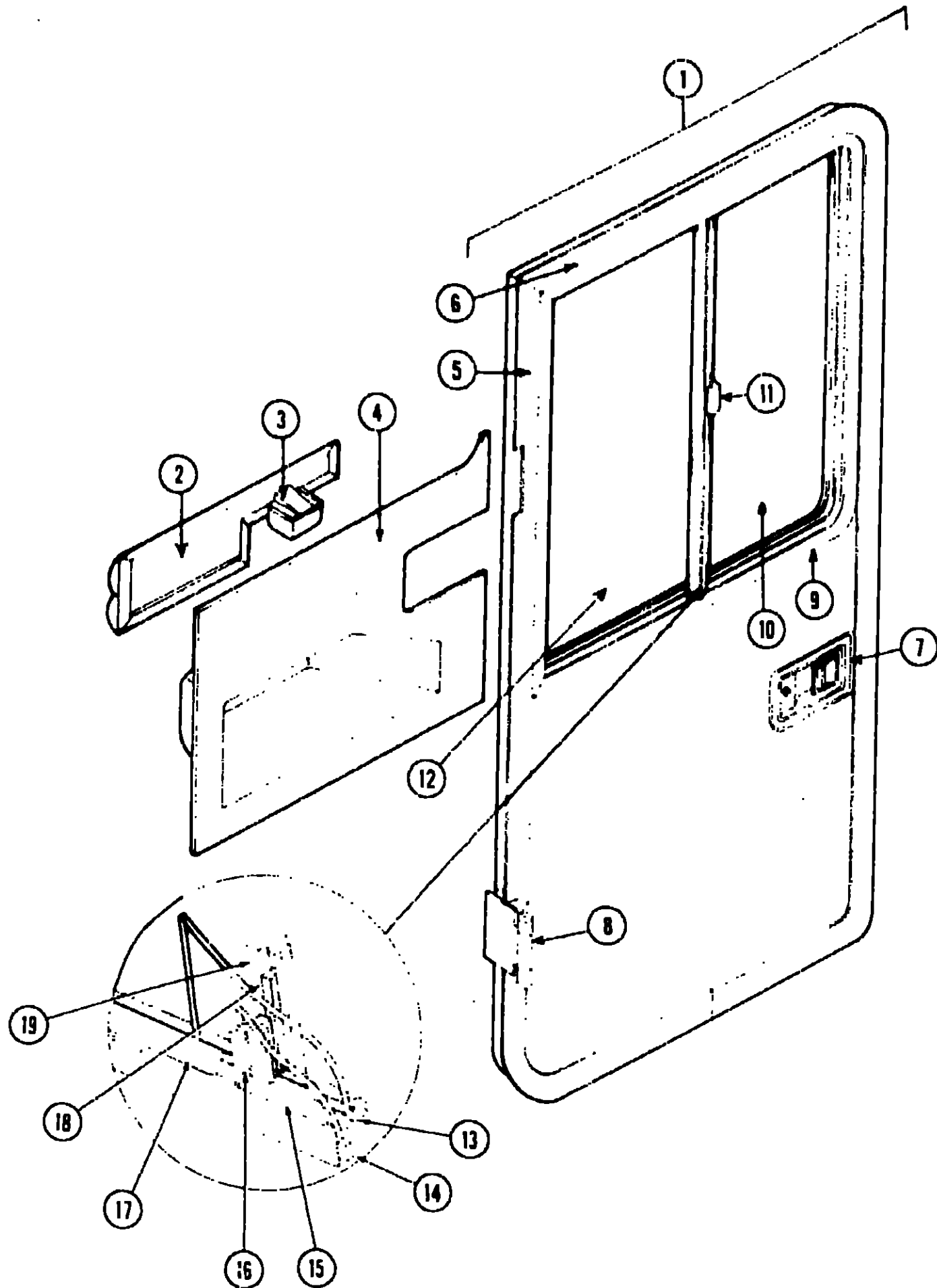
Key	Part Number	U/M	Description
1	078536-01-T03	EA	Window Asm - Escape
2	052009-02-000	EA	Door Asm - Water Heater - Beige
3	081349-06-U04	EA	Door Asm - Storage
4	052423-02-000	EA	Door Asm - Beige
5	078266-04-T03	EA	Window Asm - Single Slider
6	078960-02-T03	EA	Door Asm - Power Cord - w Hatch - Beige
7	079435-06-U04	EA	Door Asm - Storage - 20" Beige
8	081568-02-U01	EA	Window Asm - Double
9	079149-02-T03	EA	Door Asm - Storage
9	M79321-02-T03	EA	Door Asm - Generator
10	082057-02-U04	EA	Window Asm - Slant Slider - Driver
10	079421-02-T03	EA	Window Asm - Drivers Door
11	077675-01-000	EA	Glass - Windshield - Passenger
11	077675-02-000	EA	Glass - Windshield - Driver
12	082057-01-U04	EA	Window Asm - Slant Slider - Passenger
12	079421-01-T03	EA	Window Asm - Passengers Door
13	M01870-01-U04	EA	Door Asm - Entrance
14	079733-04-T03	EA	Window Asm - Picture - 17' x 25"
15	078266-02-T03	EA	Window Asm - Single Slider
16	079436-03-T03	EA	Door Asm - Storage - 25.3'
17	079355-09-000	EA	Vent - Range Hood - Beige
18	078969-03-T03	EA	Door Asm - Refrigerator - Beige
19	078271-01-T03	EA	Window Asm - Center Slider
20	081349-05-U04	EA	Door Asm - Storage

### 1986 WCN27RT INDEX

Floor Plan	C-13 - C-14
Accessories Group	C-15 - C-18
Bath Group	C-19
Chassis Group	C-20 - C-24
Curtain, Cushion & Pad Group	D-01 - D-06
Dinette Group	D-07
Driver's Compartment Group	D-08 - D-10
Electrical Group	D-11 - D-13
Exterior Body Group	D-14 - D-20
Galley Group	D-21 - D-23
Heating & Air Conditioning Group	D-24 - E-01
Interior Finish Group	E-02 - E-04
LP Group	E-05
Lounge Group	E-06
Water & Sewage Group	E-07 - E-08
Window, Vent & Exterior Door Group	E-09 - E-22

# WINDOW, VENT & EXTERIOR DOOR GROUP (CONTINUED)

## DRIVER & PASSENGER CAB DOORS



Key	Part Number	U/M	Description
1	070624-01-T03	EA	Door Asm - Driver - Beige
1	079624-02-T03	EA	Door Asm - Passenger - Beige
2	064088-03-000	EA	Pad Asm - Trim - Beige Vinyl - Drivers Door
2	064008-04-000	EA	Pad Asm - Trim - Beige Vinyl - Passenger
	061400-06-000	EA	Assist Strap - 12" - Beige Vinyl
3	046886-03-000	EA	Ash Tray Asm. - Chrome
4	064499-02-000	EA	Panel - Driver Door - Inner - Light Oak Plastic
4	064499-03-000	EA	Panel - Passenger Door - Inner - Light Oak Plastic
5	079214-01-000	EA	Door Frame - Front - Beige - Drivers Door
5	079214-02-000	EA	Door Frame - Front - Beige - Passenger Door
6	079250-01-000	EA	Door Frame - Rear - Beige - Drivers Door
6	079250-02-000	EA	Door Frame - Rear - Beige - Passenger Door
7	045017-05-000	EA	Paddle Asm - Door Lock - Drivers
7	045017-07-000	EA	Lock Cylinder w/Keys - Lynor
	039979-01-000	EA	Inside Plate - Door Lock - w/Inside Handle - Right
	039979-02-000	EA	Inside Plate - Door Lock - w/Inside Handle - Left
	039540-02-000	EA	Latch Claw - Entry Door Lock
	039738-01-000	EA	Deadbolt - Entrance Door Lock
	039539-01-000	EA	Strike Bolt - Entrance Door (Jamb Mount)
	063124-02-000	EA	Plate - Striker - 8 1/4" x 1" - Black
	078135-02-000	EA	Jamb - Driver Door - Front
	079249-07-000	EA	Jamb - Driver Door - Rear
	078135-01-000	EA	Jamb - Passenger Door - Front
	079249-08-000	EA	Jamb - Passenger Door - Rear
	064184-01-000	EA	Drip Cap - Driver Door
	064184-02-000	EA	Drip Cap - Passenger Door
	063768-01-000	EA	Sill Plate
8	063993-01-000	EA	Hinge Asm - Driver Door - Beige
8	063993-06-000	EA	Hinge Asm - Passenger Door - Beige
	066109-02-000	EA	Strap - Driver's Door
	064580-01-000	EA	Check Strap - Driver Door - Seat Belt Webbing
	064219-01-000	EA	Retainer - Driver Door Check Strap
	063886-03-000	EA	Assist Handle - Beige Steel Tube (2 required per door)
	064075-01-000	EA	Bulb Seal - 145"
9	079101-02-T03	EA	Window Asm - Driver Door - Black (w/o inside frame)
9	079101-01-T03	EA	Window Asm - Passenger Door - Black (w/o inside frame)
	079577-02-T03	EA	Inside Frame - w/Slider Screen - Driver Door - Beige
	079577-01-T03	EA	Inside Frame - w/Slider Screen - Passenger Door - Beige
	079574-03-T03	EA	Slider Screen Asm. - Right Door
	079574-04-T03	EA	Slider Screen Asm. - Left Door
10	057657-04-000	EA	Glass - 19" x 28.11" x 12.25"
11	047369-01-700	EA	Latch - Window - Plastic w/Fastener
12	002188-06-000	EA	Glass - 19" x 28.11" x 12" - Stationary
13	002124-02-000	FT	Channel - Weatherstrip - Glass
14	069640-06-000	FT	Ribbon Sealer - 1/4" Bead x 20'
15	050216-02-000	FT	Spline - Glass - 19" Material - Black
16	002389-03-000	EA	Seal Holder w/Fin Seal - 23.19" - Black
17	041928-02-000	FT	Extr Vinyl - Window Seal - Black
18	073740-01-000	FT	Seal - Fin - Pile - 460"
19	078562-07-000	EA	Inside Mullion - Slider Window - Black
	023713-02-000	EA	Weephole Cover - Black Plastic
	002293-02-000	SF	Screen - Window - 26" - Charcoal
	063977-03-000	EA	Step Asm - Single - Driver
	063977-05-000	EA	Step Asm - Single - Passenger
			Not illustrated

## 1986 WINNEBAGO TABLE OF CONTENTS

WC/WF424RS  
WCN27RT  
WCP31RT  
WCP34RU

A-01 - C-12  
C-13 - E-22  
E-23 - H-10  
H-11 - J-22

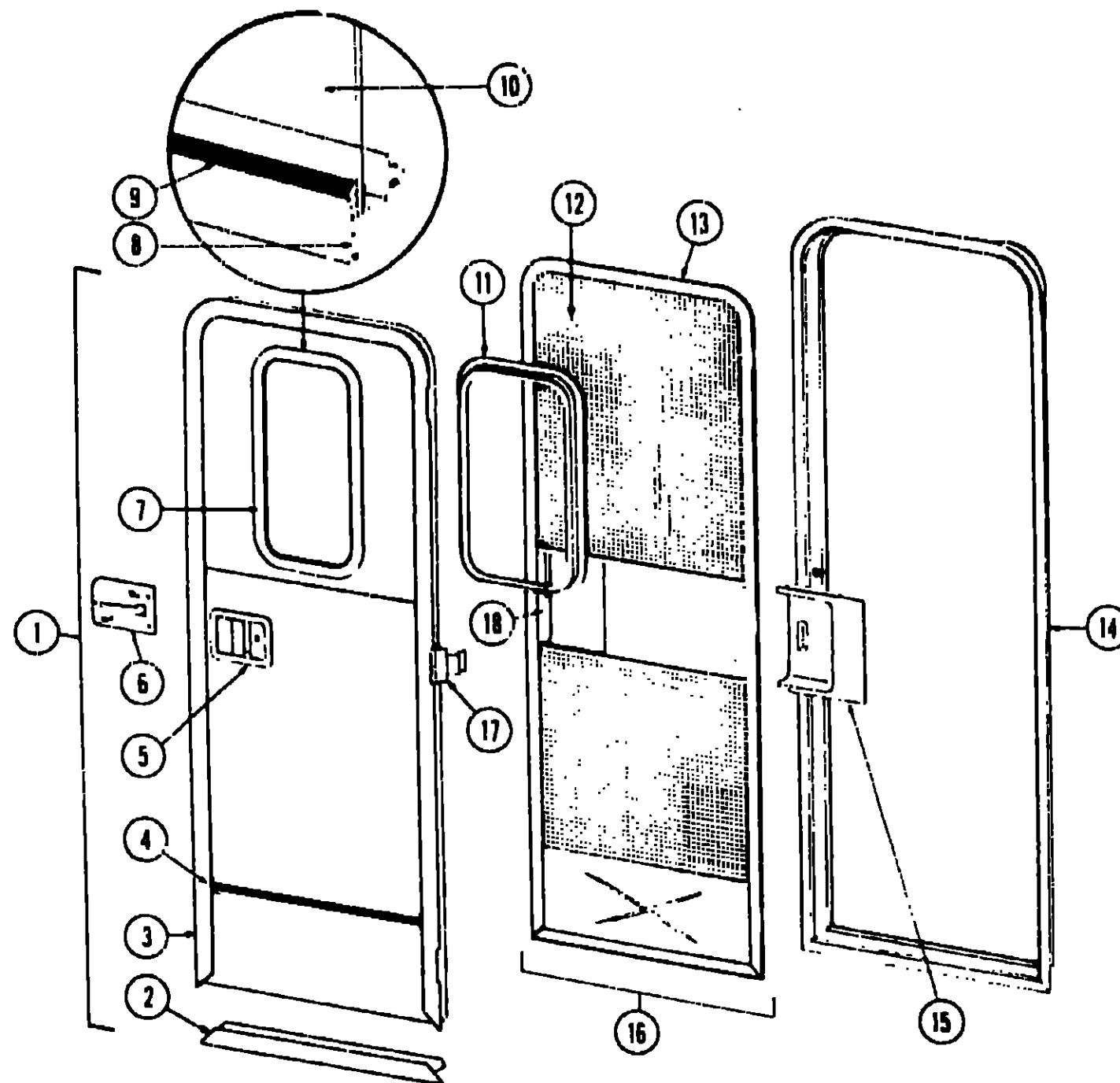
## 1986 WCN27RT INDEX

Floor Plan	C-13 - C-14
Accessories Group	C-15 - C-18
Bath Group	C-19
Chassis Group	C-20 - C-24
Curtain, Cushion & Pad Group	D-01 - D-06
Dinette Group	D-07
Driver's Compartment Group	D-08 - D-10
Electrical Group	D-11 - D-13
Exterior Body Group	D-14 - D-20
Galley Group	D-21 - D-23
Heating & Air Conditioning Group	D-24 - E-01
Interior Finish Group	E-02 - E-04
LP Group	E-05
Lounge Group	E-06
Water & Sewage Group	E-07 - E-08
Window, Vent & Exterior Door Group	E-09 - E-22



# WINDOW, VENT & EXTERIOR DOOR GROUP (CONTINUED)

## ENTRANCE & SCREEN DOOR



Key	Part Number	U/M	Description
1	M01870-01-U04	EA	Door Asm - Radius Entry w/Screen Door
2	077998-02-000	EA	Frame - Entry Door (Bottom Portion Only)
3	076883-02-000	EA	Frame - Entry Door (Except Bottom Portion)
4	059576-08-000	EA	Feature Strip w/o Insert - Extr
5	001030-12-000	EA	Insert - Feature Strip - 17" - Stucco - Beige
6	009731-01-000	EA	End Cap - Feature Strip
7	045017-05-000	EA	Paddle Asm - Door Lock - Exterior
8	045017-05-700	EA	Lock Cylinder w/Keys - Lynor
9	039539-01-000	EA	Striker Bolt - Entry Doors
10	039540-01-000	EA	Latch Claw - Entry Door
11	039738-01-000	EA	Dead Bolt - Entry Door
12	030979-01-000	EA	Plate - Inside Lock - Includes Inside Handle
13	052180-01-000	EA	Lock Asm - Complete - Lynor
14	079733-04-T03	EA	Window Asm - Picture - 17" x 26" - Black (w/o inside frame)
15	069840-06-000	FT	Ribbon Sealer - 5/16" Bead x 15'
16	002109-02-000	FT	Spline - Glass - 1/8" Black
17	002181-06-000	EA	Glass - Picture Window - 1/8" x 16 25" x 24" - Gray
18	067609-03-000	EA	Inside Frame - Beige (not included in assembly)
19	002293-02-000	SF	Screen - Window - 26" - Charcoal
20	058795-01-000	FT	Seal Tape - 1/8" x 3 8" - Press On
21	078591-01-000	EA	Jamb Asm - Entrance Door
22	051049-01-000	EA	Jamb - Entrance Door - Bottom
23	079086-01-000	EA	Slider - Screen Door - Light Oak Plastic
24	079012-01-T03	EA	Door Asm - Screen
25	079361-06-000	EA	Hinge - Entrance Door (3 used per door)
26	079087-01-000	EA	Cap - Screen Door - Light Oak Plastic
27	079087-01-000	EA	Catch - Elbow - Spring Loaded - Screen Door
28	039863-01-000	EA	Catch Asm - Single Roller w/Strike - Screen Door
29	076231-01-000	EA	Spacer - Latch - Screen Door
30	077437-02-000	EA	Strike - Roller Catch
31	058025-02-000	EA	Clip - Roller Latch Catch
32	044582-01-000	EA	Drip Cap - Beige
33	073090-01-000	FT	Seal - Entrance Door
34	075739-02-000	EA	Stiffener - Entrance Door - Beige
35	075673-01-000	FT	Seal - Pile - Adhesive Back
36	075671-01-000	FT	Spline - Black - 135" x 138" (Screen Door)
37	063638-02-000	EA	Strike - Screen Door
38	063729-04-000	EA	Rivnut - 10-32 UNF - 010 - 080
39	075639-01-000	EA	Garnish - Radius - Entrance Door
40	083205-01-000	EA	Deadbolt - Press Kit - 5"
41	079173-01-000	EA	Gasket - Deadbolt - Exterior
42			Not illustrated

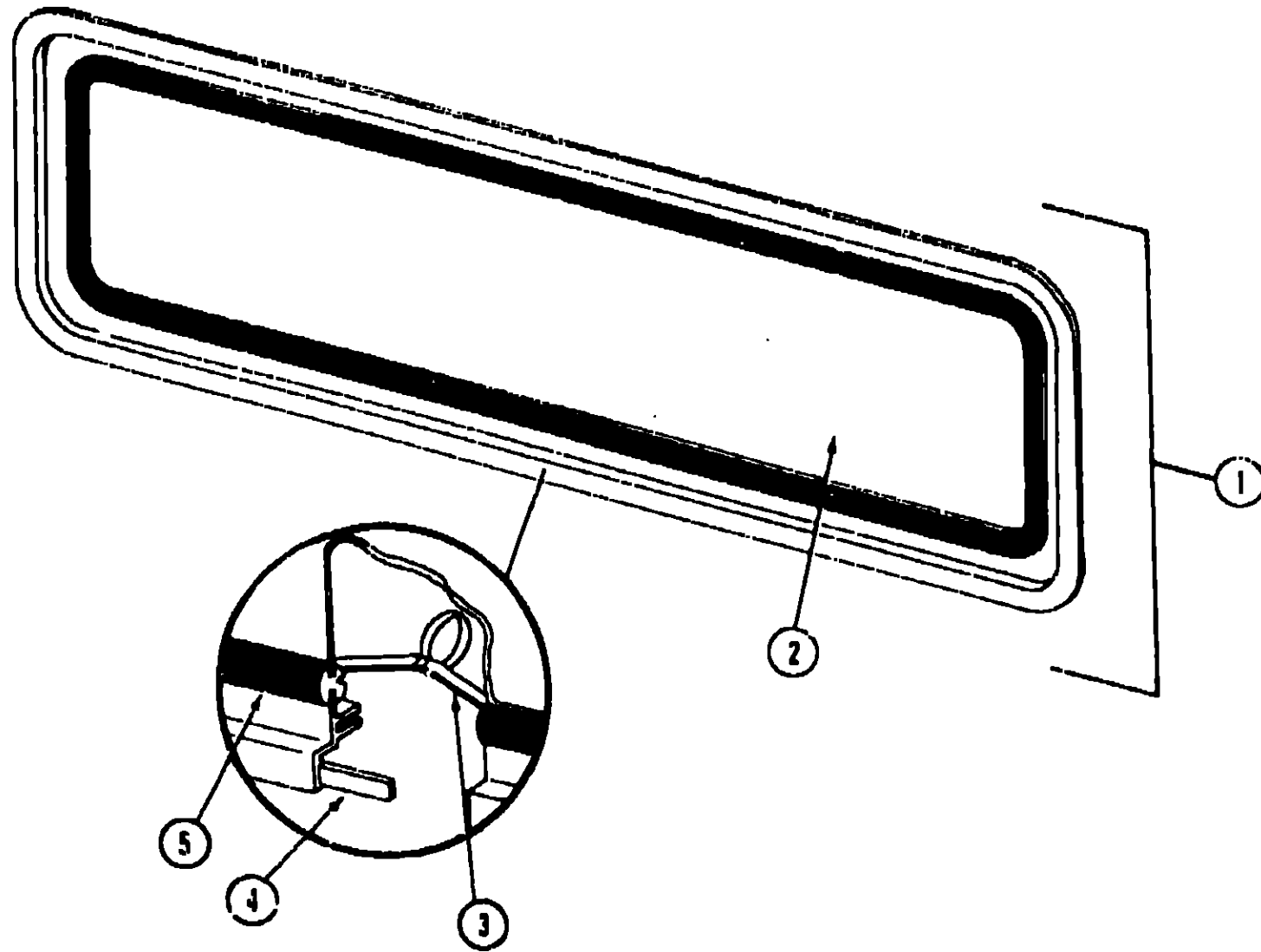
### 1986 WINNEBAGO TABLE OF CONTENTS

WC-WF12413	A-01 - C-12
WCN27RT	C-13 - E-22
WCP31RT	E-23 - H-10
WCP34RU	H-11 - J-22

### 1986 WCN27RT INDEX

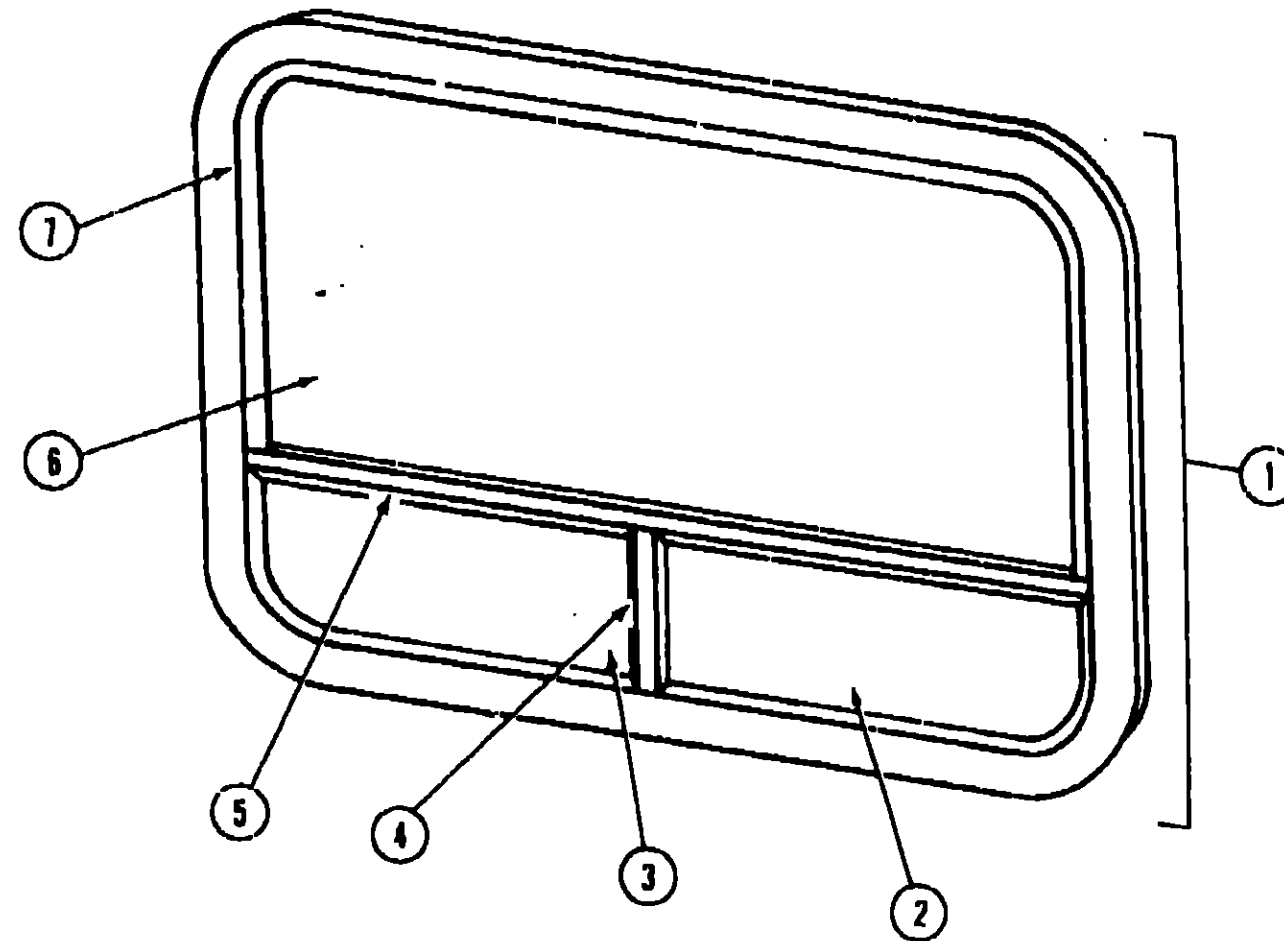
Floor Plan	C-13 - C-14
Accessories Group	C-15 - C-18
Bath Group	C-19
Chassis Group	C-20 - C-24
Curtain, Cushion & Pad Group	D-01 - D-06
Dinette Group	D-07
Driver's Compartment Group	D-08 - D-10
Electrical Group	D-11 - D-13
Exterior Body Group	D-14 - D-20
Galley Group	D-21 - D-23
Heating & Air Conditioning Group	D-24 - E-01
Interior Finish Group	E-02 - E-04
LP Group	E-05
Lounge Group	E-06
Water & Sewage Group	E-07 - E-08
Window, Vent & Exterior Door Group	E-09 - E-22

**WINDOW, VENT & EXTERIOR DOOR GROUP (CONTINUED)**



Key	Part Number	U/M	Description
1	078536-01-T03	EA	Window Asm. - Escape (w/o inside frame)
	042027-05-000	EA	Inside Frame - Escape Window - Beige (not included in assembly)
2	002178-01-000	EA	Glass - 1/8" x 19.61" x 64.80"
3	002285-01-000	FT	Filler - Weatherstrip - Black
4	069640-01-000	FT	Tape - 2" Bead x 45'
5	002282-01-000	FT	Weatherstrip - Window - 125" Black
	006199-01-000	EA	Label - Exit - Escape Window
			Not illustrated

**WINDOW, VENT & EXTERIOR DOOR GROUP (CONTINUED)**



Key	Part Number	U/M	Description
1	081568-02-U01	EA	Window Asm. - 62" x 31" - Double Tipout (w/o inside frame)
	084153-06-000	EA	Inside Frame - Black (not included in assembly)
2	081434-01-U01	EA	Window Asm. - Lower - Tipout - Right Hand
3	081434-02-U01	EA	Window Asm. - Lower - Tipout - Left Hand
	081239-07-000	EA	Glass - Tipout - 1/8" x 30" x 8 3/4" - Left or Right
4	083112-05-000	EA	Mullion - Black
5	081814-01-000	EA	Mullion - Black
	081422-01-U01	EA	Screen Asm. - Tipout - Right Hand
	031422-02-U01	EA	Screen Asm. - Tipout - Left Hand
	081243-01-000	EA	Screen Clip - Plastic - Black
	025302-01-000	EA	Operating Mech - Right Hand
	035302-02-000	EA	Operating Mech - Left Hand
6	081239-11-000	EA	Glass - Stationary - 1/8" x 61 3/4" x 20 1/2"
7	083180-01-000	EA	Window Seal
	081357-01-000	EA	Bulb Seal (Tipout)
	081359-01-000	EA	Window Seal (Tipout)
			Not illustrated

**1986 WINNEBAGO  
TABLE OF CONTENTS**

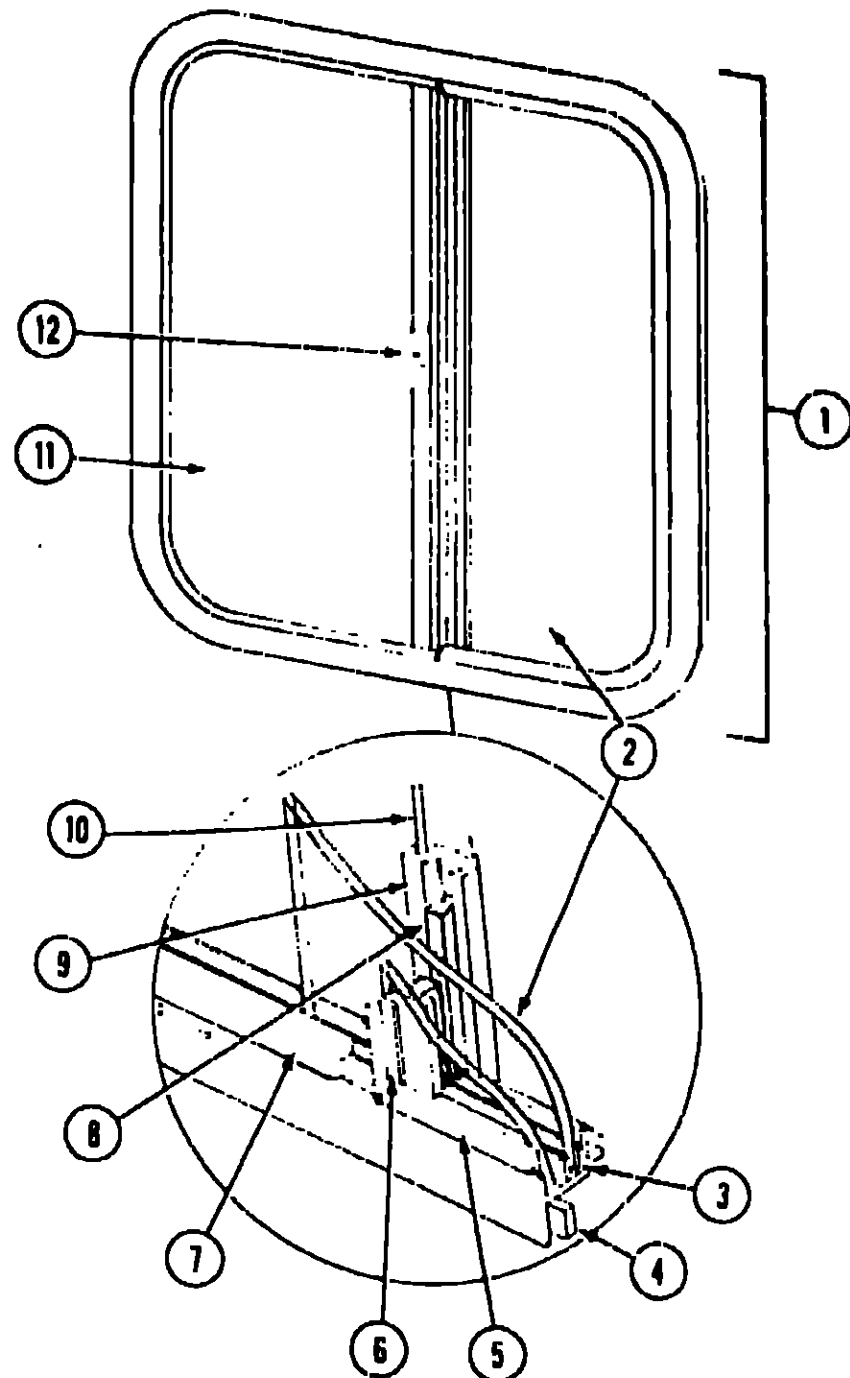
WC/WF424RS  
WCN27RT  
WCP31RT  
WCP34RU

A-01 - C-12  
C-13 - E-22  
E-23 - H-10  
H-11 - J-22

**1986 WCN27RT INDEX**

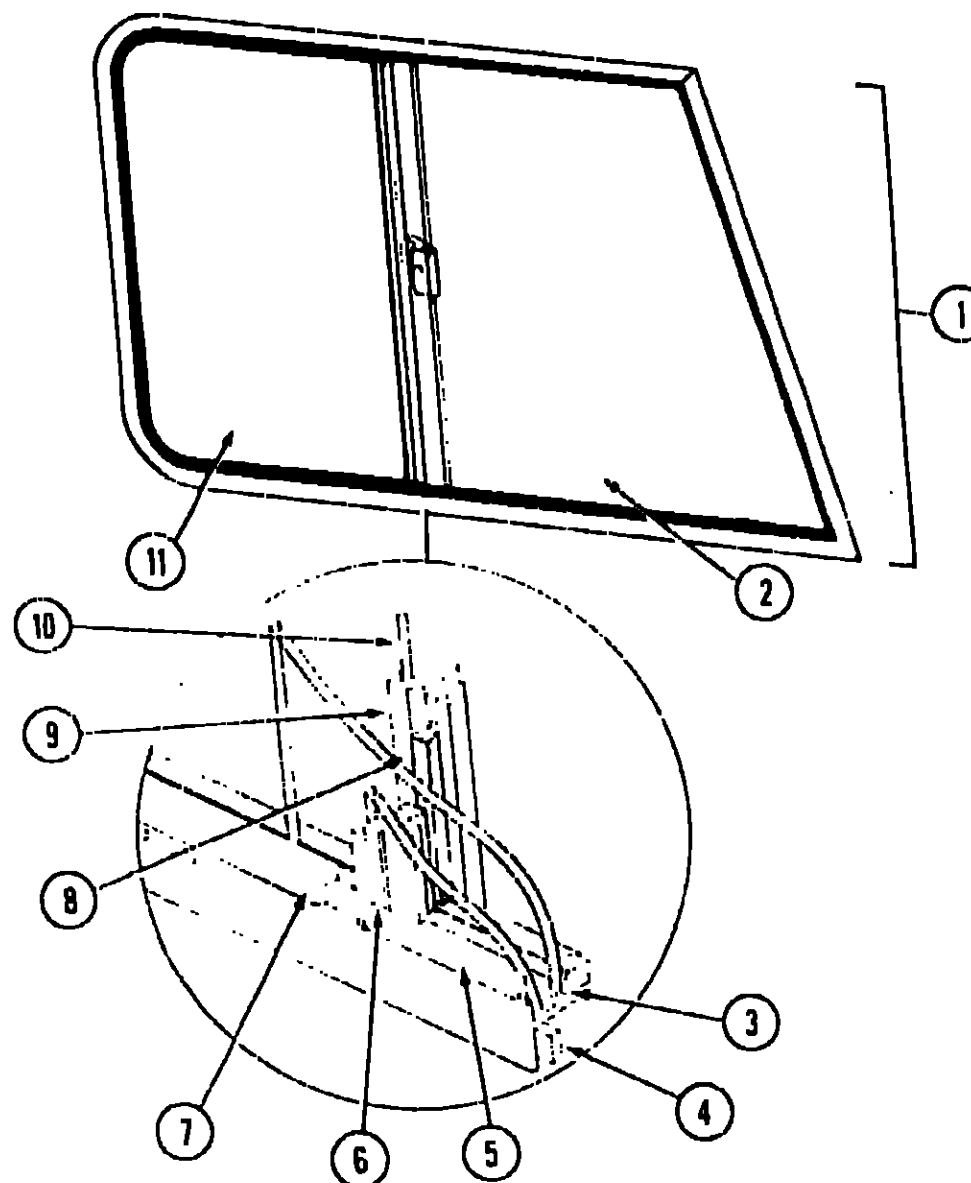
Floor Plan	C-13 - C-14
Accessories Group	C-15 - C-18
Bath Group	C-19
Chassis Group	C-20 - C-24
Curtain, Cushion & Pad Group	D-01 - D-06
Dinette Group	D-07
Driver's Compartment Group	D-08 - D-10
Electrical Group	D-11 - D-13
Exterior Body Group	D-14 - D-20
Galley Group	D-21 - D-23
Heating & Air Conditioning Group	D-24 - E-01
Interior Finish Group	E-02 - E-04
LP Group	E-05
Lounge Group	E-06
Water & Sewage Group	E-07 - E-08
Window, Vent & Exterior Door Group	E-09 - E-22

**WINDOW, VENT & EXTERIOR DOOR GROUP (CONTINUED)**



Key	Part Number	U/M	Description
1	078266-04-T03	EA	Window Asm - Single Slider - Black (w/o inside frame)
.	093122-06-000	EA	Inside Frame - Brown (not included in assembly)
2	081980-02-000	EA	Glass - Slider - 1/8" x 22" x 13 68"
3	002324-02-000	FT	Channel - Weatherstrip - Glass Run - 1/8" Glass
4	069640-06-000	FT	Ribbon Sealer - 5/16" Bead x 15'
5	002309-02-000	FT	Spline - Glass - 1/8" Material - Black
6	M18025-03-000	EA	Seal Holder w/Fin Seal - Black
7	047273-01-000	FT	Extr. Rubber - Window Seal - Black
8	073740-01-000	FT	Seal - Fin - Pile - .460"
9	078562-03-000	EA	Mullion - Slider Window - Black
10	002298-02-000	FT	Spline - .130" Dia. - Charcoal (Screen)
11	081984-01-000	EA	Glass - Stationary - 1/8" x 22" x 16 53"
12	047369-01-700	EA	Latch Kit - Window - Plastic w/Fastener
.	002293-02-000	SF	Screen - Window 26" - Charcoal
.	079204-01-000	EA	Bracket - Mullion - Black
.			Not illustrated

**WINDOW, VENT & EXTERIOR DOOR GROUP (CONTINUED)**



Key	Part Number	U/M	Description
1	082057-01-U04	EA	Window Asm - Front Slant Slider - Passenger (w/o inside frame)
1	082057-02-U04	EA	Window Asm - Front Slant Slider - Driver (w/o inside frame)
.	079573-01-T03	EA	Inside Frame - Slant Slider - Passenger (not included in assembly)
.	079573-02-T03	EA	Inside Frame - Slant Slider - Driver (not included in assembly)
2	057656-03-000	EA	Glass - .19" x 28.11" x 27" - Stationary (Passenger)
2	057676-05-000	EA	Glass - .19" x 28.11" x 27" - Stationary (Driver)
3	042077-01-000	FT	Channel - Weatherstrip - 3/16" Glass
4	069640-01-000	FT	Ribbon Sealer - 1/4" Bead x 20'
5	050216-02-000	FT	Window Seal - .19" - Glass
6	002389-03-203	EA	Seal Holder w/Fin Seal - 27 12" - Black
7	057374-02-000	FT	Extr. Rubber - Window Seal - Black
8	073740-01-000	FT	Seal - Fin - Pile - .460"
9	078562-07-000	EA	Mullion - Slider Window - Black
10	002298-02-000	FT	Spline - .130" Dia. - Charcoal (Screen)
11	081980-06-000	EA	Glass - .19" x 28.11" x 14.88" Sliding
.	079204-01-000	EA	Bracket - Mullion - Black
.	079574-01-T03	EA	Slider Screen Asm. - Passenger
.	079574-02-T03	EA	Slider Screen Asm. - Driver
.	002291-02-000	SF	Screen - Window - 16" - Charcoal
.	016310-03-000	EA	Handle - Slider Screen - Black
.	047369-01-700	EA	Latch Kit - Window - Plastic w/Fastener
.			Not illustrated

**1986 WINNEBAGO  
TABLE OF CONTENTS**

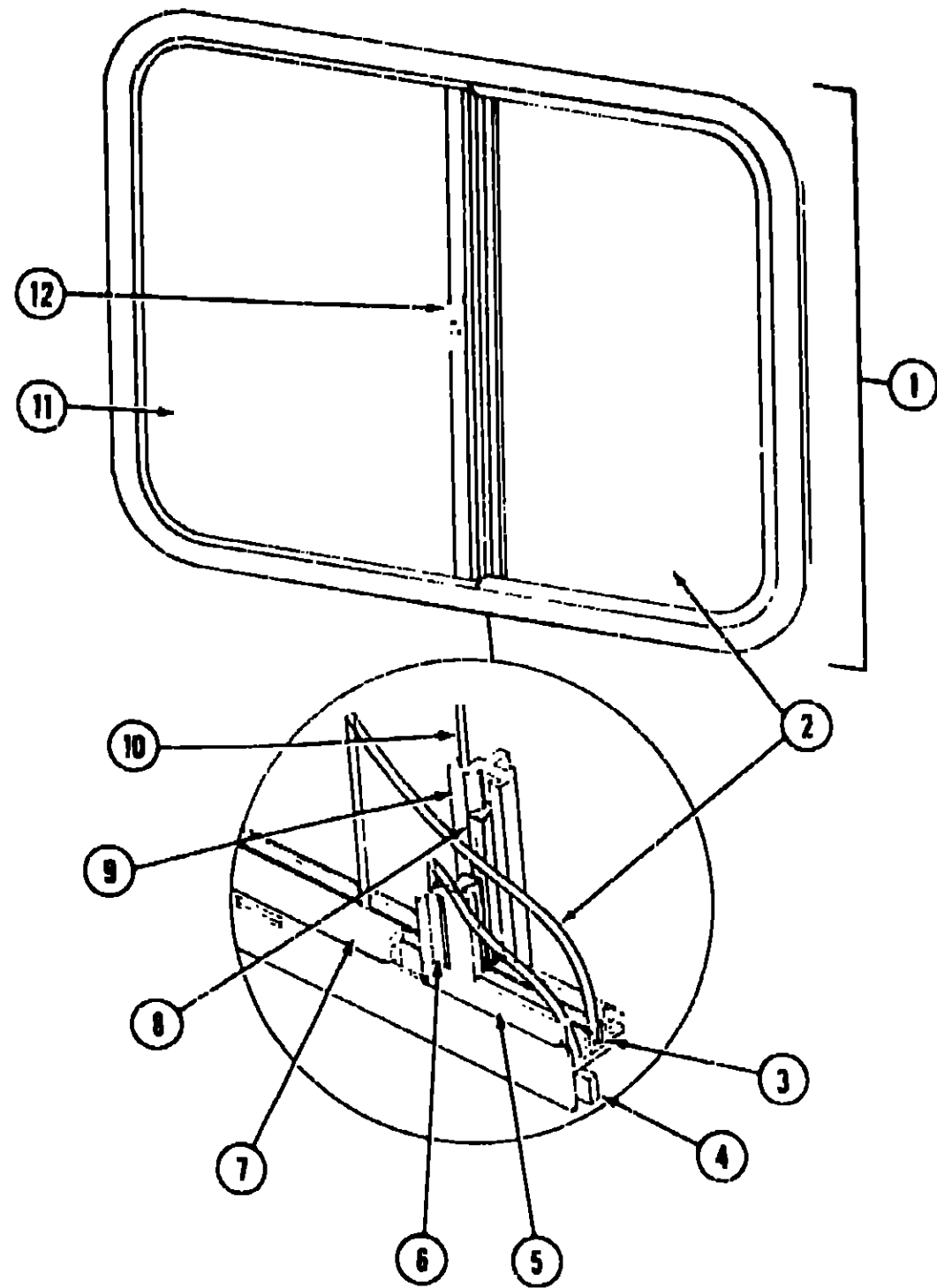
WC/WF424RS  
WCN27RT  
WCP31RT  
WCP31RU

A-01 - C-12  
C-13 - E-22  
E-23 - H-10  
H-11 - J-22

**1986 WCN27RT INDEX**

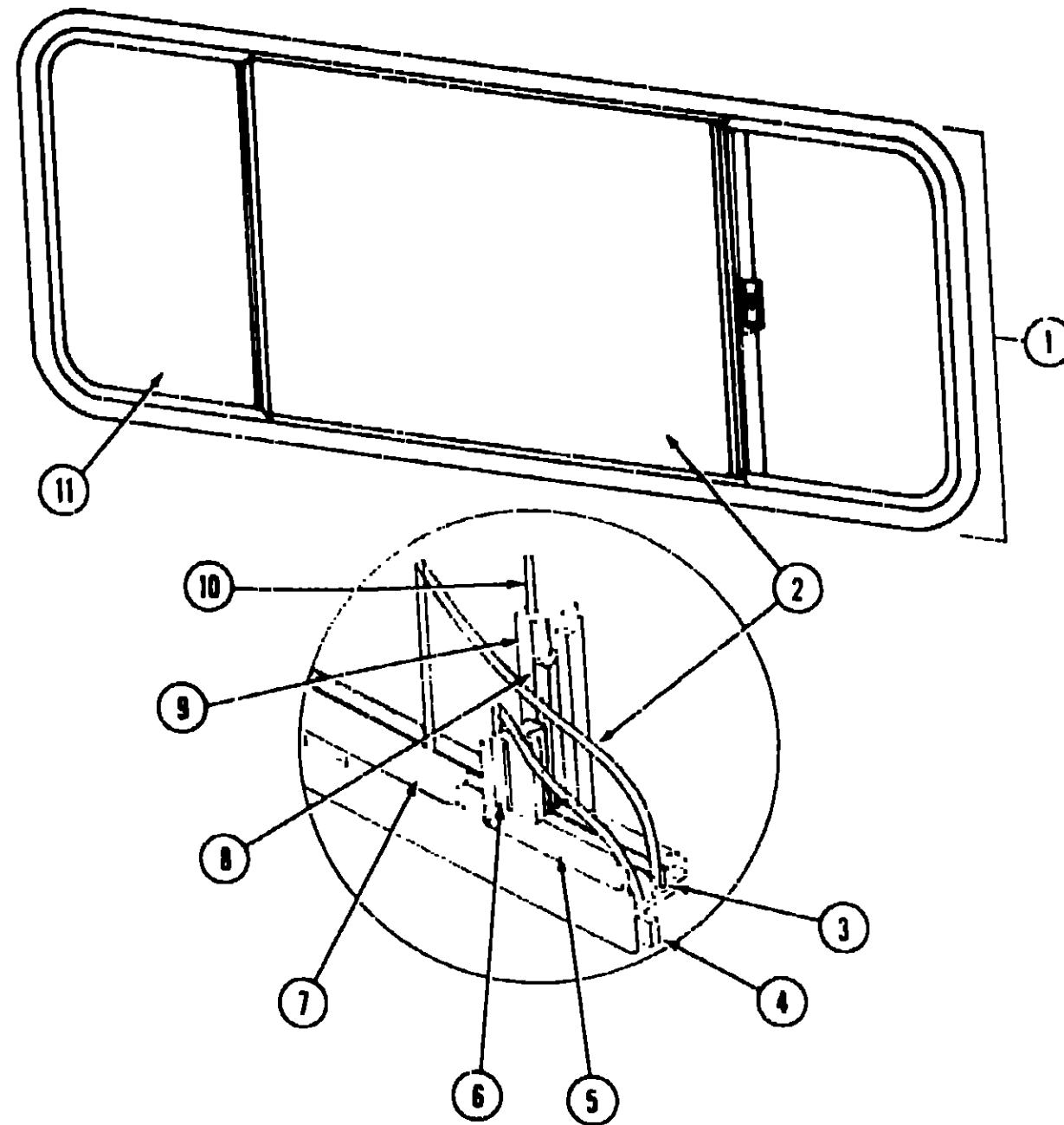
Floor Plan	C-13 - C-14
Accessories Group	C-15 - C-18
Bath Group	C-19
Chassis Group	C-20 - C-24
Curtain, Cushion & Pad Group	D-01 - D-06
Dinette Group	D-07
Driver's Compartment Group	D-08 - D-10
Electrical Group	D-11 - D-13
Exterior Body Group	D-14 - D-20
Galley Group	D-21 - D-23
Heating & Air Conditioning Group	D-24 - E-01
Interior Finish Group	E-02 - E-04
LP Group	E-05
Lounge Group	E-06
Water & Sewage Group	E-07 - E-08
Window, Vent & Exterior Door Group	E-09 - E-22

**WINDOW, VENT & EXTERIOR DOOR GROUP (CONTINUED)**



Key	Part Number	U/M	Description
1	078266-02-T03	EA	Window Asm. - Single Slider (w/o inside frame)
.	083122-04-000	EA	Inside Frame - Brown (not included in assembly)
2	081980-05-000	EA	Glass - Sliding - 1/8" x 19" x 13.68"
3	002324-02-000	FT	Channel - Weaterstrip - Glass Run - 1/8" Glass
4	069640-06-000	FT	Ribbon Sealer - 5/16" Bead x 15'
5	002309-02-000	FT	Spline - Glass - 1/8" Material - Black
6	M69886-03-011	EA	Seal Holder w/Fin Seal - Black
7	057374-02-000	FT	Extr. Rubber - Window Seal - Black
8	073740-01-000	FT	Seal - Fin - Pile - .460"
9	078562-02-000	EA	Mullion - Slider Window - Black
10	902298-02-000	SF	Spline - .130" Dia - Charcoal (Screen)
11	081984-03-000	EA	Glass - Stationary - 1/8" x 19" x 12.30"
12	047369-01-700	EA	Latch Kit - Window - Plastic w/Fastener
.	079204-01-000	EA	Bracket - Mullion - Black
.	002291-02-000	SF	Screen - Window 16" - Charcoal
.			Not illustrated

**WINDOW, VENT & EXTERIOR DOOR GROUP (CONTINUED)**



Key	Part Number	U/M	Description
1	078271-01-T03	EA	Window Asm. - Center Slider - Black (w/o inside frame)
.	083122-11-000	EA	Inside Frame - Beige (not included in assembly)
2	066727-02-000	EA	Glass - Slider - 1/8" x 24" x 25.5"
3	002324-02-000	FT	Channel - Weaterstrip - Glass Run - 1/8" Glass
4	069640-06-000	FT	Ribbon Sealer - 5/16" Bead x 15'
5	002309-02-000	FT	Spline - Glass - 1/8" Material - Black
6	M69886-03-003	EA	Seal Holder - w/Fin Seal - Black
7	057374-02-000	FT	Extr. Rubber - Window Seal - Black
8	073740-01-000	FT	Seal - Fin - Pile - .460"
9	084170-04-000	EA	Mullion - Slider Window - Black
10	902298-02-000	FT	Spline - .130" Dia - Charcoal (Screen)
11	081984-07-000	EA	Glass - Stationary - 1/8" x 16.53" x 24"
12	047369-01-700	EA	Latch Kit - Window - Plastic w/Fastener
.	079204-01-000	EA	Bracket - Mullion - Black
.	002293-02-000	SF	Screen - Window 26" - Charcoal
.			Not illustrated

**1986 WINNEBAGO  
TABLE OF CONTENTS**

WC/WF424RS  
WCN27RT  
WCP31RT  
WCP34RU

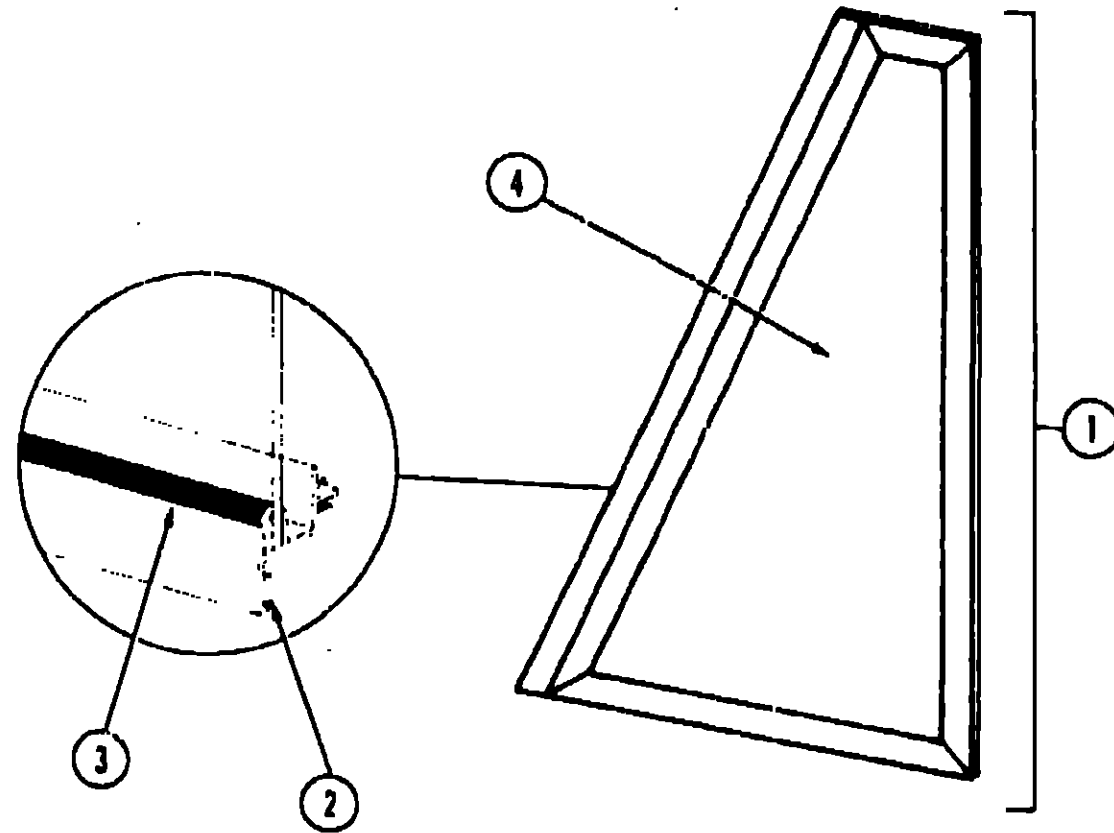
A-01 - C-12  
C-13 - E-22  
E-23 - H-10  
H-11 - J-22

**1986 WCN27RT INDEX**

Floor Plan	C-13 - C-14
Accessories Group	C-15 - C-18
Bath Group	C-19
Chassis Group	C-20 - C-24
Curtain, Cushion & Pad Group	D-01 - D-06
Dinette Group	D-07
Driver's Compartment Group	D-08 - D-10
Electrical Group	D-11 - D-13
Exterior Body Group	D-14 - D-20
Galley Group	D-21 - D-23
Heating & Air Conditioning Group	D-24 - E-01
Interior Finish Group	E-02 - E-04
LP Group	E-05
Lounge Group	E-06
Water & Sewage Group	E-07 - E-08
Window Vent & Exterior Door Group	E-09 - E-22

**WINDOW, VENT & EXTERIOR DOOR GROUP (CONTINUED)**

**WINDOW, VENT & EXTERIOR DOOR GROUP (CONTINUED)**



Key	Part Number	U/M	Description
1	079421-01-T03	EA	Window Asm. - Front Slant - Passenger (w/o inside frame)
1	079421-02-T03	EA	Window Asm. - Front Slant - Drivers (w/o inside frame)
•	079215-01-000	EA	Inside Frame - Front Slant - Passenger - Beige (not included in assembly)
•	079215-02-000	EA	Inside Frame - Front Slant - Drivers - Beige (not included in assembly)
2	069640-01-000	EA	Tape - 1/4" Bead x 20'
3	002309-02-000	EA	Spline - Glass - 1/8" - Black
4	057656-04-000	EA	Glass - .19" x 28.11" x 13.98"
•			Not illustrated

**VENTS**

Key	Part Number	U/M	Description
	071290-01-000	EA	Base - Refrigerator Vent
	071290-02-000	EA	Cover - Refrigerator Vent - 11 5/8" x 24 3/4" - Galvanized Steel
	055218-01-000	EA	Cover Asm. - Roof Vent
	079355-09-000	EA	Vent - Stovehood - Outside - 8 5" x 5 12" - Beige
	084616-02-000	EA	Vent - Stovehood - Outside - 9 08" x 5 8" - Beige
	075058-01-000	EA	Vent Asm. - Roof - Non-Powered - w/o Screen
	079537-01-000	EA	Vent Asm. - Roof - Powered - w/o Screen
	078786-01-T03	EA	Screen Asm. - Roof Vent - Non-Powered
	078785-01-T03	EA	Screen Asm. - Roof Vent - Powered
	080508-01-000	EA	Panel - Skylight - Inner
	080507-01-000	EA	Panel - Skylight - Outer
	080258-01-000	EA	Trim - Skylight

**ACCESS DOORS**

Key	Part Number	U/M	Description
	079436-03-T03	EA	Door Asm. - Storage - 25 3" - Beige
	079435-06-U04	EA	Door Asm. - Storage - Beige
	081349-05-U04	EA	Door Asm. - Storage - Passenger - Beige
	081349-06-U04	EA	Door Asm. - Storage - Driver - Beige
	M79321-02-T03	EA	Door Asm. - Generator - Beige
	079149-02-T03	EA	Door Asm. - Luggage - Beige
	078969-03-T03	EA	Door Asm. - Refrigerator Access - Beige
	052009-02-000	EA	Door - Water Heater - Beige
	052423-02-000	EA	Door - Sewer Hose - Beige
	075726-01-000	EA	Outlet Extension - Sewage
	075730-02-000	EA	End Cap - Sewage Hose
	078010-04-000	EA	Door - Fuel Fill - Beige
	063742-02-000	EA	Door - Power Cord - Beige
	052424-02-000	EA	Jamb - Power Cord/Sewage - Beige
	054543-02-000	EA	Hatch - Power Cord
	083615-01-000	EA	Door Holder - Beige Plastic
	041312-01-000	EA	Seal - Bulb - "E" Section
	042442-01-000	EA	Lock Asm. - Twist Type - 90° Rotation - 1.5" Latch - 6" Depth
	009003-01-000	EA	Lock Asm. - Twist Type - w/Clip (Battery Door)
	077408-01-000	EA	Lock Asm. - Key Type - 90° Rotation - 2 5" Latch - 1" Depth
	079366-01-000	EA	Lock Asm. - Key Type - 90° Rotation - 1.3" Latch - 2.1" Depth
	079927-01-000	EA	Lock Asm. - Twist Type - 1 3" Latch - 2 1" Depth
	052951-01-000	EA	Clip - Twist Lock - Retainer
	042441-01-000	EA	Lock Asm. - Key Type - 90° Rotation - 1.25" Latch - 6 Depth
	052950-01-700	EA	Lock Asm. - Twist Type - White - 90° Rotation - 1.5" Latch - 94" Depth

**WINDSHIELD**

Key	Part Number	U/M	Description
	077675-01-000	EA	Glass - Windshield - Passenger
	077675-02-000	EA	Glass - Windshield - Driver
	072889-01-000	EA	Sealer Tape
	072890-01-000	QT	Primer - Metal Prep
	072891-01-000	QT	Primer - Glass Prep - Clear
	072892-01-000	QT	Primer - Glass Prep - Black
	058291-01-000	FI	Edge Molding - Windshield Glass
	002328-02-000	EA	Block - Windshield Spacer
	077944-01-000	EA	Revel Molding - Upper Right
	077944-02-000	EA	Revel Molding - Upper Left
	077945-01-000	EA	Revel Molding - Lower Right
	077945-02-000	EA	Revel Molding - Lower Left
	076676-02-000	EA	Revel Molding - T-Cap
	079225-01-000	EA	Trim Molding - Windshield Post - Right
	079225-02-000	EA	Trim Molding - Windshield Post - Left

**1988 WINNEBAGO  
TABLE OF CONTENTS**

WC/WF424RS	A-01 - C-12
WCN27RT	C-13 - E-22
WCP31RT	E-23 - H-10
WCP34RU	H-11 - J-22

**1986 WCN27RT INDEX**

Floor Plan	C-13 - C-14
Accessories Group	C-15 - C-18
Bath Group	C-19
Chassis Group	C-20 - C-24
Curtain, Cushion & Pad Group	D-01 - D-06
Dinette Group	D-07
Driver's Compartment Group	D-08 - D-10
Electrical Group	D-11 - D-13
Exterior Body Group	D-14 - D-20
Galley Group	D-21 - D-23
Heating & Air Conditioning Group	D-24 - E-01
Interior Finish Group	E-02 - E-04
LP Group	E-05
Lounge Group	E-06
Water & Sewage Group	E-07 - E-08
Window Vent & Exterior Door Group	E-09 - E-22