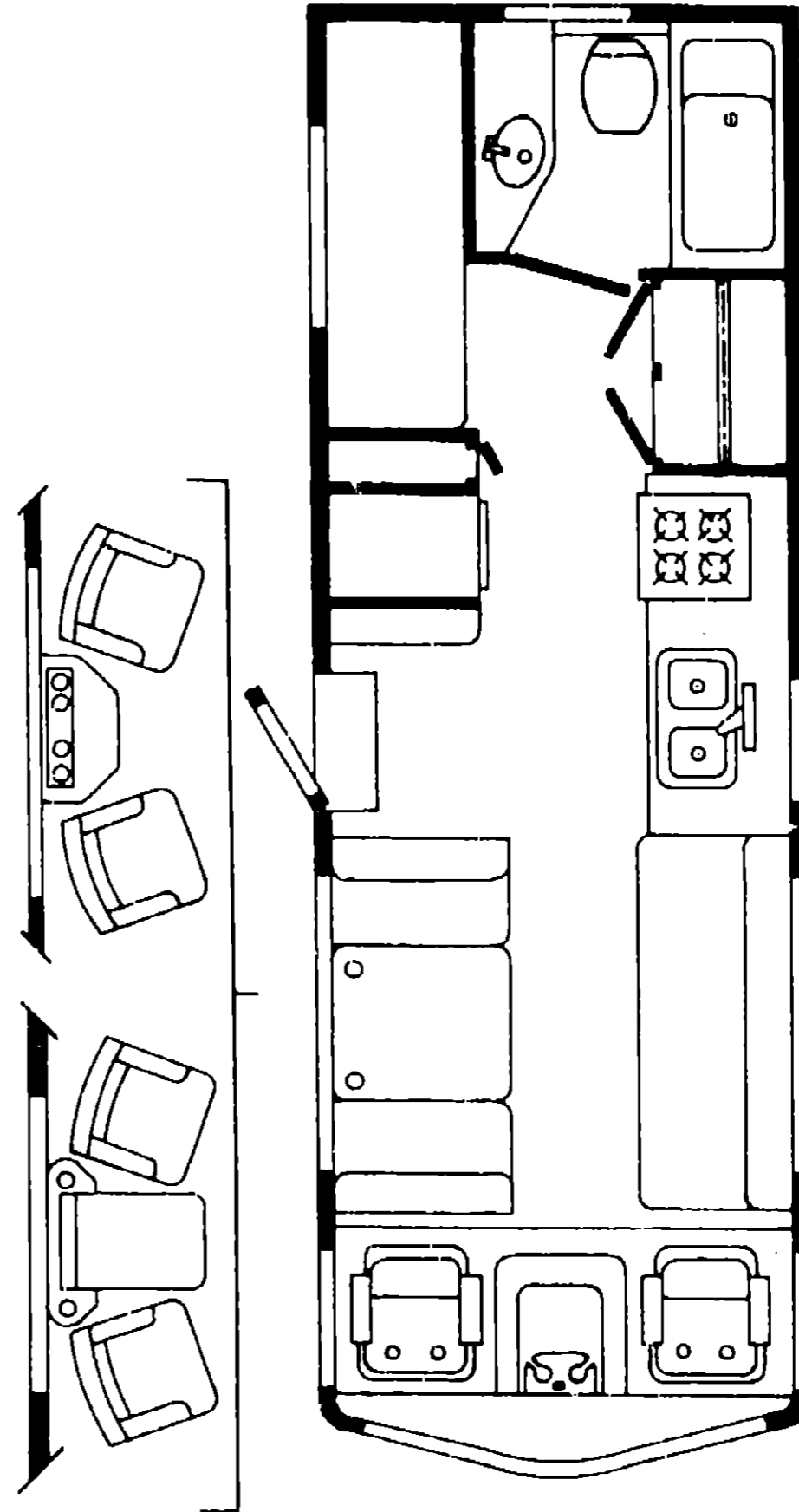


1986 WCN26RH



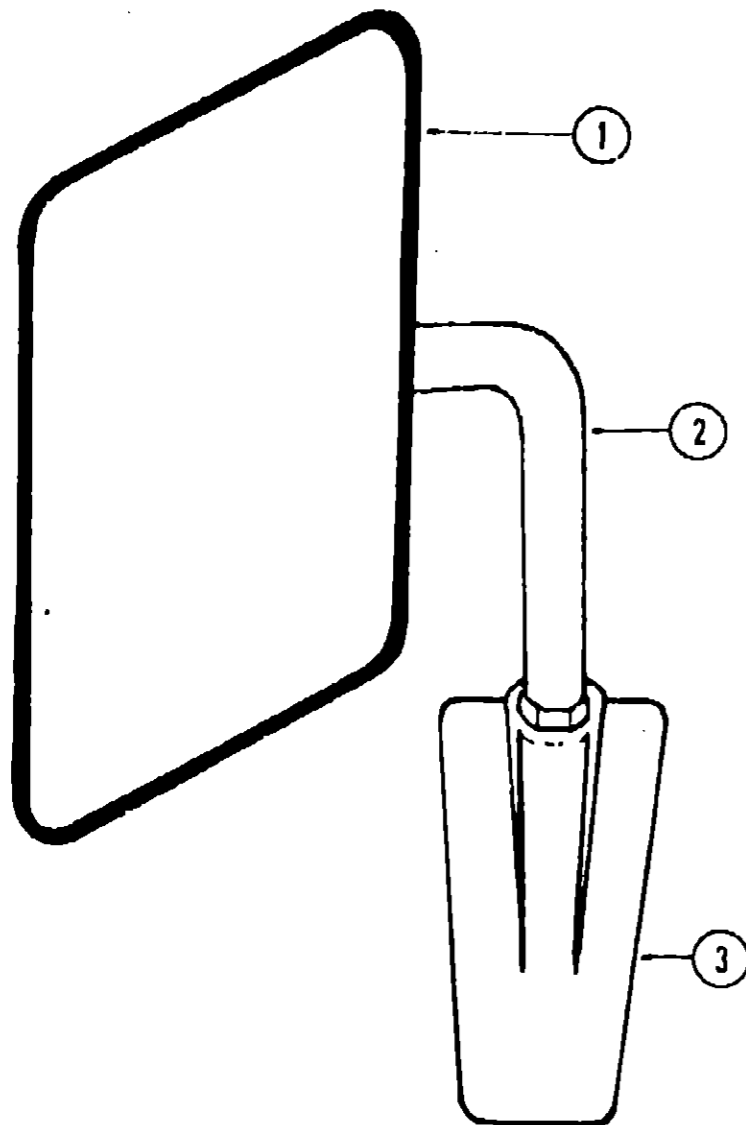
1986 WINNEBAGO TABLE OF CONTENTS

WF426RT	A-01 - C-04
WCN26RH	C-05 - E-10
WCN23RG	E-11 - G-24
WCP26ET	H-01 - J-03

1986 WCN26RH INDEX

Floor Plan	C-05 - C-06
Accessories Group	C-07 - C-09
Bath Group	C-10
Chassis Group	C-11 - C-12
Curtain, Cushion & Pad Group	C-13 - C-18
Dinette Group	C-19 - C-20
Driver's Compartment Group	C-21 - C-23
Electrical Group	C-24 - D-02
Exterior Body Group	D-03 - D-08
Galley Group	D-09 - D-10
Heating & Air Conditioning Group	D-11 - D-12
Interior Finish Group	D-13 - D-15
LP Group	D-16
Lounge Group	D-17 - D-18
Water & Sewage Group	D-19 - D-20
Window, Vent & Exterior Door Group	D-21 - E-10

ACCESSORIES GROUP



EXTERIOR MIRRORS

Key	Part Number	U/M	Description
1	049347-01-000	EA	Mirror Head - 7 1/2" x 10 1/2"
2	049348-03-000	EA	Arm - Low Mount Mirror - Black
3	049944-04-000	EA	Bracket - Mirror - Outside - Black
.	077966-01-000	EA	Mirror - Wide Angle - Stainless Steel - Passenger
.	077966-02-000	EA	Mirror - Wide Angle - Stainless Steel - Driver
.	006043-01-000	EA	Mirror - Convex - Adhesive Back
.			Not illustrated

OPTIONAL WHEEL LINERS & COMPONENTS (CHROME)

Key	Part Number	U/M	Description
	081608-07-000	EA	Cover - Rear Axle
	081608-08-000	EA	Cover - Front Axle
	081608-09-000	EA	Liner - Front Wheel
	081608-10-000	EA	Liner - Rear Wheel
	081608-05-000	EA	Cover - Lug Nut
	081608-06-000	EA	Ring - Spiral

ACCESSORIES GROUP (CONTINUED)

MISCELLANEOUS ACCESSORIES

Key	Part Number	U/M	Description
	054185-24-000	EA	Owners Manual - 1980 - Itasca & Winnebago
	706053-02-000	EA	Antenna - TV Skyliner w/8" Shaft - Braund Delux
	070319-01-000	EA	Antenna - TV Roof Mount - 44.5" Mast
	076319-01-700	EA	RVSA Sensor Antenna
	076319-01-701	EA	Elevating Gear
	076319-01-702	EA	Shaft - Elevating Asm.
	076319-01-703	EA	Nylon Bearing - 5"
	076319-01-704	EA	Nylon Bearing
	076319-01-705	EA	Nylon Bearing
	076319-01-706	EA	Elevating Crank w/Set Screw
	076319-02-000	EA	Antenna - TV Roof Mount - 23.5" Mast
	076319-03-000	FT	Cable - Coaxial - 75 OHM
	076319-04-000	EA	Connector & Ferrule
	076319-05-000	EA	Wallplate - Power Supply - Ivory
	076319-06-000	EA	Adnoter - Cable Roof Plate
	076319-07-000	EA	Wallplate - Power Supply - Brown
	076319-08-000	EA	Wallplate - Receptacle - Ivory
	076319-09-000	EA	Wallplate - Receptacle - Brown
	076319-11-000	EA	Adapter - Coax w/Splitter
	017516-01-000	EA	Mud Flap w/Holes - 14" x 18" - Black
	041944-03-000	EA	Fire Extinguisher - 5BC
	041944-02-000	EA	Bracket - Fire Extinguisher
	072852-01-000	EA	Smoke Detector w/9 Volt Battery
	079664-02-000	EA	Weather Center - 8.5" x 8.5"
	079564-01-000	EA	Clock - 8.5" x 8.5"
	006069-01-000	EA	Key Case - Leather
	007038-01-000	EA	Door Mat - 10.5" x 26" - Black Rubber
	081075-01-000	EA	Floor Mat - Entrance - Winnebago - Tan
	081201-01-000	EA	Floor Mat - Front - Winnebago - Right - Tan
	081202-01-000	EA	Floor Mat - Front - Winnebago - Left - Tan
	080208-01-000	EA	Lug Wrench
	080208-02-000	EA	Leverage Bar - Lug Wrench
	006113-01-000	EA	Jack - Hydraulic - 6 Ton - w/Handle
	080752-05-000	EA	Custom Steering Wheel
	080752-06-000	EA	Adapter - Hub - Custom Steering Wheel
	080752-07-000	EA	Button - Horn - Custom Steering Wheel
	080752-08-000	EA	Screw - Custom Steering Wheel
	081016-02-T03	EA	Ladder Asm.
	081026-01-T03	EA	Rack Asm. - Right
	081026-02-T03	EA	Rack Asm. - Left
	067125-01-000	EA	Stand-Off - Rack & Ladder Asm.
	067165-01-000	EA	Bracket Mounting - Rack & Ladder Asm.
	083212-04-000	EA	Speed Control - Electronic - Chevy
	083212-04-701	EA	Wiring Harness - Main
	083212-04-702	EA	Servo Asm. - Mounting Ready
	083212-04-703	EA	Bracket - Servo Mounting
	083212-04-704	EA	Bracket - Servo Mounting
	083212-02-000	EA	Speed Control - Switch
	079942-01-000	EA	Shock Absorber - Stabilizer - Front
	079942-02-000	EA	Shock Absorber - Stabilizer - Rear
	083181-01-000	EA	Wheel Cover - 16" - Clip On (Set/4)
	083181-01-700	EA	Wheel Cover - 16" - Clip On (1)

OPTIONAL FOG LIGHT & COMPONENTS

Key	Part Number	U/M	Description
	079941-01-000	EA	Lamp Asm. - Fog w/Cover - Amber
	079941-01-700	EA	Lamp Asm. - Fog (Set/2)
	079941-01-701	EA	Lens - Cover Only
	079941-01-702	EA	Switch - Fog Lights
	079941-01-703	EA	Solenoid
	079941-01-704	EA	Plate - Switch

**1986 WINNEBAGO
TABLE OF CONTENTS**

WF426RT	A-01 - C-04
WCN26RH	C-05 - E-10
WCN23RG	E-11 - G-24
WCP26ET	H-01 - J-03

1986 WCN26RH INDEX

Floor Plan	C-05 - C-06
Accessories Group	C-07 - C-09
Bath Group	C-10
Chassis Group	C-11 - C-12
Curtain, Cushion & Pad Group	C-13 - C-18
Dinette Group	C-19 - C-20
Driver's Compartment Group	C-21 - C-23
Electrical Group	C-24 - D-02
Exterior Body Group	D-03 - D-08
Galley Group	D-09 - D-10
Heating & Air Conditioning Group	D-11 - D-12
Interior Finish Group	D-13 - D-15
LP Group	D-16
Lounge Group	D-17 - D-18
Water & Sewage Group	D-19 - D-20
Window, Vent & Exterior Door Group	D-21 - E-10

ACCESSORIES GROUP (CONTINUED)

RADIO & RELATED COMPONENTS

Key	Part Number	U/M	Description
	031105-01-000	EA	Antenna - Radio - Side Mount
	031105-01-700	EA	Antenna Holder - Radio - Upper
	064792-01-000	EA	Grille - Speaker - 5.25" - w/Mesh - Brown
	075903-01-000	EA	Radio - AM/FM/MPX w/Cassette
	075904-01-000	EA	Radio - AM/FM/MPX w/Cassette - Electronic Tuning
	074979-01-000	EA	Speaker Cover Protector - Plastic
	073741-02-000	EA	Speaker - 4" x 6" - Oval
	073431-01-000	EA	Speaker - 5.25 - 3/Way (Pair)
	064791-01-000	EA	Speaker - Recessed - 5.25"

OPTIONAL ELECTRIC STEP & COMPONENTS

Key	Part Number	U/M	Description
	075461-01-000	EA	Electric Step Asm. w/Light
	075461-01-700	EA	Motor
	041250-01-000	EA	Door Switch
	075461-01-704	EA	Under Step Control Unit
	075461-01-705	EA	4-Way Plug (Dash End)
	075461-01-706	EA	Kill Switch
	075461-01-707	EA	Step Light
	075461-01-708	EA	4-Way Plug (Control Box End)
	075461-01-709	EA	90 Degree Plug
	075461-01-710	EA	Gear
	075461-01-711	EA	Drive Link

GENERATORS & COMPONENTS

Key	Part Number	U/M	Description
	054429-01-000	EA	Generator - Onan - 4.0 kw
	052168-01-000	EA	Generator - Onan - 4.25 kw
	069229-01-000	EA	Generator - Kohler - 4.5 kw
	701629-02-000	EA	Installation Package
	024732-01-016	EA	Tailpipe - 1.5" O.D. x 43.50"
	081364-01-000	EA	Muffler - Generator - w/Spark Arrestor - Nelson
	007067-01-000	EA	Insulation - Fiberglass - 1"

OPTIONAL MICROWAVE & COMPONENTS

Key	Part Number	U/M	Description
	081379-01-000	EA	Microwave Oven - Convection - Sharp
	081459-03-000	EA	Bracket Asm. - Microwave - Right
	081459-04-000	EA	Bracket Asm. - Microwave - Left
	081555-01-T03	EA	Trim Asm. - Microwave
	082876-01-000	EA	Baffle - Microwave
	081456-01-000	EA	Angle Asm. - Microwave - Right
	081456-02-000	EA	Angle Asm. - Microwave - Left

OPTIONAL AIR HORN & COMPONENTS

Key	Part Number	U/M	Description
	077497-01-000	EA	Horn Kit - Air - Chrome - Twin
	077497-01-700	EA	Solencid Air Tank
	077497-01-701	EA	Switch - Compressor
	077497-01-702	EA	Switch - Toggle w/Wire
	077497-01-703	EA	Tank - Air
	077497-01-704	EA	Compressor w/Switch
	078239-01-000	EA	Plate - Label - Horn

BATH GROUP

BATH & WARDROBE CABINETRY

Key	Part Number	U/M	Description
	M82435-01-U04	EA	Cabinet Asm. - Lavatory - w/o Countertop, Door, Drawer or Hardware
	M02566-01-U04	EA	Countertop Asm. - Lavatory Cabinet
	M81501-54-U01	EA	Door Asm. - Lavatory Cabinet - w/o Hardware
	M82184-03-T03	EA	Drawer Asm. - Lavatory Cabinet - w/o Hardware
	076073-01-000	EA	Cabinet Asm. - Medicine - w/o Door or Hardware
	076073-01-700	EA	Latch - Medicine Cabinet
	081535-01-U04	EA	Mirror Asm. - Medicine Cabinet
	M81501-63-U04	EA	Door Asm. - Wardrobe Cabinet - w/o Hardware
	M81501-64-U04	EA	Door Asm. - Wardrobe Cabinet - w/o Hardware
	077404-01-000	EA	Drawer Asm. - Plastic - Wardrobe Cabinet
	M82429-02-U04	EA	Door Asm. - Bathroom - w/o Latch
	081286-02-U04	EA	Frame Asm. - Mirror

BATH & WARDROBE HARDWARE

Key	Part Number	U/M	Description
	M01817-01-T03	EA	Bathtub Asm. w/Strainer
	075242-03-000	EA	Faucet - Tub & Shower - Brass
	075240-03-000	EA	Faucet - Lavatory - Brass
**	011048-02-000	EA	Shower Head - w/60" Hose
	011048-04-000	EA	Vacuum Breaker - 1/8 MPT - Nylon - Shower Head
	075606-01-000	EA	Shower Panel - Faucet - Plastic
**	066729-01-000	EA	Strainer - Bathtub Asm.
	066435-01-000	EA	Nut Strainer - Plastic - Bathtub Asm.
	066436-01-000	EA	Slip Nut - 1.5" Tail Piece - Bathtub Asm.
	069735-01-000	EA	Washer - Tail Piece - 1.5" - Plastic - Bathtub Asm.
	011069-02-000	EA	Tailpiece - 1.5" x 1.25" x 4" - Brass - Bathtub Asm.
	080257-02-000	EA	Shroud - Bathtub Asm. - Off White
**	058713-01-000	EA	Sink - Oval - Ivory Plastic
**	039341-02-000	EA	Toilet - Thelford - Aqua Magic - Ivory - 8420SH
	009134-01-000	EA	Tissue Holder
	075454-02-000	EA	Towel Ring - Brass w/Mounting Hardware
	081297-02-U04	EA	Rack Asm. - Towel
	079657-01-000	EA	Door Asm. - Shower
	079235-01-000	EA	Header - Track - Shower Door - Beige
	079234-01-000	EA	Jamb - Shower Door - Rear - Beige
	079234-02-000	EA	Jamb - Shower Door - Front - Beige
	058331-01-000	EA	Mirror - Tempered Glass - 19" x 26"
	058331-05-000	EA	Mirror - Tempered Glass - 12" x 26"
	058331-04-000	EA	Mirror - Tempered Glass - 12" x 42"
	009089-01-000	EA	Clip - Mirror
	057671-01-000	EA	Screw Cover - #8 - Antique White
	059777-01-000	EA	Hinge - Antique Brass
	080224-04-000	EA	Track - Folding Door - 90°
	075680-01-000	EA	Rod - Clothes - Adjustable
	009112-01-000	EA	Flange - 1" - Clothes Rod
	071632-01-000	EA	Bag - Hamper - 49" - Elastic

** The illustrated parts breakdown for this item is provided on the Common Items Fiche.

1986 WINNEBAGO TABLE OF CONTENTS

WF426RT	A-01 - C-04
WCN26RH	C-05 - E-10
WCN23RG	E-11 - G-24
WCP26ET	H-01 - J-03

1986 WCN26RH INDEX

Floor Plan	C-05 - C-06
Accessories Group	C-07 - C-09
Bath Group	C-10
Chassis Group	C-11 - C-12
Curtain, Cushion & Pad Group	C-13 - C-18
Dinette Group	C-19 - C-20
Driver's Compartment Group	C-21 - C-23
Electrical Group	C-24 - D-02
Exterior Body Group	D-03 - D-08
Galley Group	D-09 - D-10
Heating & Air Conditioning Group	D-11 - D-12
Interior Finish Group	D-13 - D-15
LP Group	D-16
Lounge Group	D-17 - D-18
Water & Sewage Group	D-19 - D-20
Window, Vent & Exterior Door Group	D-21 - E-10

CHASSIS GROUP

MISCELLANEOUS

Key	Part Number	U/M	Description
	047441-01-000	EA	Battery Terminal - Horizontal Lug
	063739-01-000	EA	Battery - 12 V Storage - Group 24
	051697-01-000	EA	Bracket - Battery Tie Down - 8.0"
	051697-04-000	EA	Bracket - Battery Tie Down - 9"
	077852-01-000	EA	Bracket - Front Bumper
	079129-02-000	EA	Bracket Asm. - Rear Bumper
	077850-04-000	EA	Bumper - Front - Plain
	078584-01-000	EA	Bumper - Rear
	077850-09-000	EA	Bumper - Front - Chrome
	078584-08-000	EA	Bumper - Rear - Chrome
	078002-01-000	EA	Brace - Bumper - Upper - Passenger
	078002-02-000	EA	Brace - Bumper - Upper - Driver
	078003-01-000	EA	Brace - Bumper - Lower - Passenger
	078003-02-000	EA	Brace - Bumper - Lower - Driver
	076527-01-000	EA	Support - Bumper
	078250-01-700	EA	Bumper Kit - Rubber - Front
	007125-04-000	EA	Clamp Asm. - Muffler - 1.12"
	010487-01-000	EA	Clamp - Close - 5/8 I.D.
	007161-01-000	EA	Clamp - Hose - Spring Type 112
	062401-01-000	EA	Clamp - Hose - Wormgear - .22" I.D. x 1" I.D.
	062401-02-000	EA	Clamp - Hose - Wormgear - 1.56" I.D. - 2.5" I.D.
	062401-03-000	EA	Clamp - Hose - Wormgear - .25" I.D. - 1" I.D.
	062401-04-000	EA	Clamp - Hose - Wormgear - .69" I.D. - 1.25" I.D.
	062401-05-000	EA	Clamp - Hose - Wormgear - 2" I.D. - 3" I.D.
	062401-06-000	EA	Clamp - Hose - Wormgear - .22" I.D. - .62" I.D.
	023146-01-000	EA	Clamp - Screw Type - 4"
	024490-01-000	EA	Compartment - Power Cord - Black Plastic
	071656-01-000	EA	Cover - Radiator - Rear
	071657-01-000	EA	Cover - Radiator - Rear Back (Fan Shroud)
	080722-01-000	EA	Cover - Radiator - Back
	020167-03-000	EA	Dirt Guard - Rear Wheel
	024138-01-000	FT	Hose - Fuel - 5/16" I.D. SAE 30RI
	080208-02-000	EA	Leverage Bar - 22" - Lug Wrench
	080208-01-000	EA	Lug Wrench - 1" x 1.25" x 16.3"
	017516-01-000	EA	Mud Flap w/Holes - 14" x 18" - Black
	079942-01-000	EA	Shock Absorber - Stabilizer - Front
	079942-02-000	EA	Shock Absorber - Stabilizer - Rear
	079942-07-000	EA	Bracket - Mounting Stabilizer
	077848-01-000	EA	Step Asm. - Pullout
	064225-02-000	EA	Hold Down - Spare Tire Carrier
	064179-01-000	EA	Tire Carrier - Side Compartment
	061411-03-000	EA	Tailpipe Extension - 2.25" x 10.5'
	048594-01-000	EA	Tray - Battery
	052431-01-000	EA	Tray - Luggage
	008343-01-000	EA	Wire Tie - 6"

CHASSIS GROUP (CONTINUED)

WHEELS & TIRES

Key	Part Number	U/M	Description
	050273-02-000	EA	Tire - 7.5" x 16" - Michelin
	050273-03-000	EA	Tire - 7.5" x 16" - White Sidewall - Radial
	040546-01-000	EA	Tire - 7.5" x 16" - R Ply - Goodrich
	051377-01-000	EA	Valve Stem Asm. - TR500
	064962-02-000	EA	Rim - Wheel - 8" x 16"
	077030-02-000	EA	Extension - Valve Stem - 1.25"
	055080-01-000	EA	Wheel Well - Plastic

OPTIONAL ALTERNATOR & COMPONENTS

Key	Part Number	U/M	Description
	081057-03-000	EA	Alternator Kit - 105 Amp.
	081057-01-700	EA	Brush Asm.
	081057-01-701	EA	Diode Bridge
	081057-01-702	EA	Condenser
	081057-01-703	EA	Inside Bearing Spacer
	081057-01-704	EA	Front Bearing
	081057-01-705	EA	Outside Bearing Spacer
	081057-03-700	EA	Pulley - Wide Belt
	081057-01-707	EA	Diode (x)
	081057-01-709	EA	Stator - 105 Amp.
	081057-01-710	EA	Rotor
	081057-01-711	EA	Ground Terminal Kit
	081057-01-712	EA	Battery Terminal Kit
	081057-01-713	EA	Rear Bearing
	081057-02-000	EA	Regulator Kit - 105 Amp.

1986 WINNEBAGO TABLE OF CONTENTS

WF426RT	A-01 - C-04
WCN26RH	C-05 - E-10
WCN23RG	E-11 - G-24
WCP26ET	H-01 - J-03

1986 WCN26RH INDEX

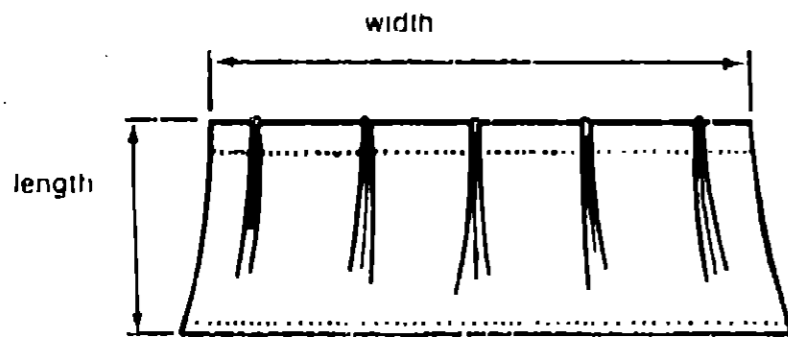
Floor Plan	C-05 - C-06
Accessories Group	C-07 - C-09
Bath Group	C-10
Chassis Group	C-11 - C-12
Curtain, Cushion & Pad Group	C-13 - C-18
Dinette Group	C-19 - C-20
Driver's Compartment Group	C-21 - C-23
Electrical Group	C-24 - D-02
Exterior Body Group	D-03 - D-08
Galley Group	D-09 - D-10
Heating & Air Conditioning Group	D-11 - D-12
Interior Finish Group	D-13 - D-15
LP Group	D-16
Lounge Group	D-17 - D-18
Water & Sewage Group	D-19 - D-20
Window, Vent & Exterior Door Group	D-21 - E-10

CURTAIN, CUSHION & PAD GROUP

NOTICE

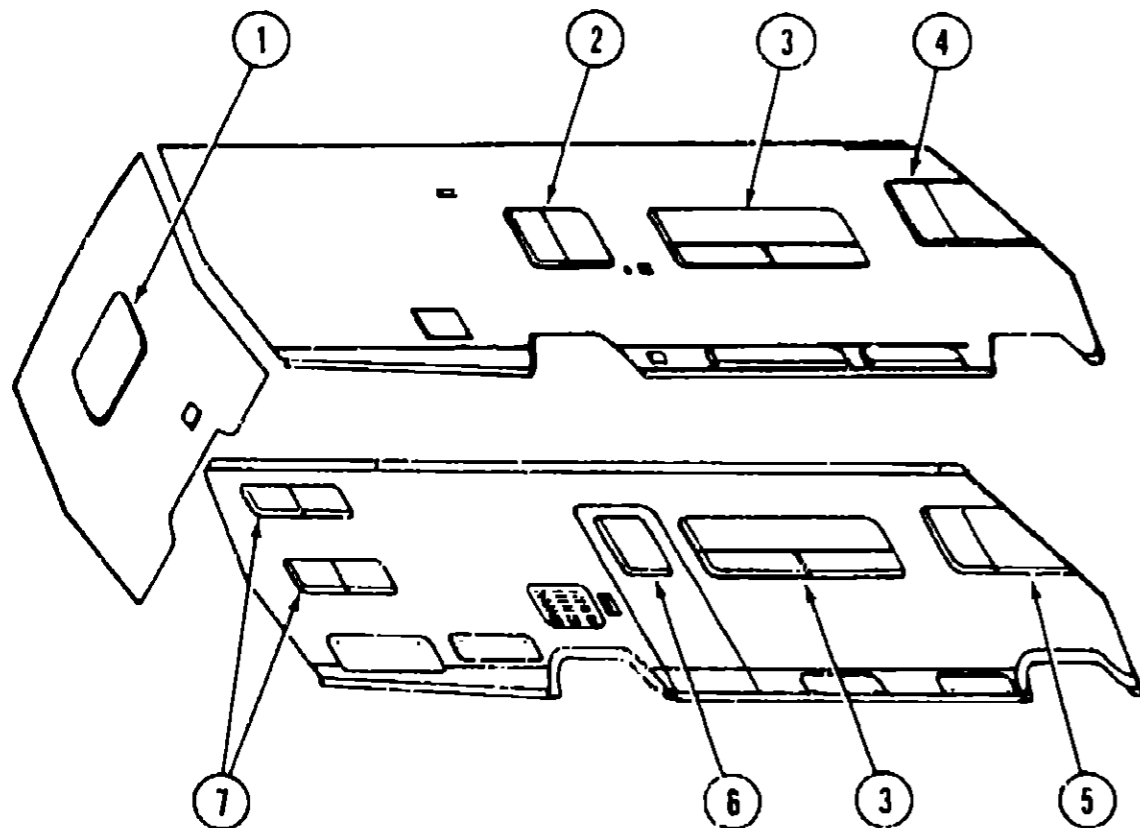
In order to assist our Parts Sales Dept. in providing interior software items, please include the serial number and the color code number from the vehicle certification label when ordering. This label is located on the left sidewall at the end of the dash (A-Body), or on the driver's door latch plate (C-Body).

An example of a color code number is P31, which designates an overall color scheme of a particular unit. The color listed after the item description on the microfiche, indicates the overall unit color. Order the item you desire according to unit color code.



NOTE:

Use this illustration when determining length and width measurements for curtains. You will note the width measurement is taken on the top of the curtain with the curtain fully extended. The length measurement is taken from top to bottom.



CURTAIN, CUSHION & PAD GROUP (CONTINUED)

CURTAINS, SHADES, VALANCES & TIEBACK

Key	Part Number	U/M	Description
1	082176-02-U04	EA	Valance Asm. - Padded (U06)
1	082176-02-U05	EA	Valance Asm. - Padded
1	082118-46-000	EA	Blind - 27" x 22" Drop - Beige (U04)
1	082118-47-000	EA	Blind - 27" x 22" Drop - Rose (U05)
1	082118-48-000	EA	Blind - 27" x 22" Drop - Spruce (U06)
2	M81977-05-U04	EA	Valance Asm. - Padded (U06)
2	M81977-05-U05	EA	Valance Asm. - Padded
2	082118-43-000	EA	Blind - 27" x 22" Drop - Beige (U04)
2	082118-44-000	EA	Blind - 27" x 22" Drop - Rose (U05)
2	082118-45-000	EA	Blind - 27" x 22" Drop - Spruce (U06)
3	M81977-15-U04	EA	Valance Asm. - Padded (U06)
3	M81977-15-U05	EA	Valance Asm. - Padded
3	079542-10-U01	EA	Curtain Asm. - w/Darts - 35" x 16" - Beige (U04)
3	079542-10-U02	EA	Curtain Asm. - w/Darts - 35" x 16" - Rose (U05)
3	079542-10-U03	EA	Curtain Asm. - w/Darts - 35" x 16" - Spruce (U06)
3	092118-61-000	EA	Blind - 65" x 34" Drop - Beige (U04)
3	082118-62-000	EA	Blind - 65" x 34" Drop - Rose (U05)
3	082118-63-000	EA	Blind - 65" x 34" Drop - Spruce (U06)
**	082127-49-000	EA	Shade - Woven Wood - 65" x 35" Drop - Beige (U04)
**	082127-50-000	EA	Shade - Woven Wood - 65" x 35" Drop - Rose (U05)
**	082127-51-000	EA	Shade - Woven Wood - 65" x 35" Drop - Spruce (U06)
**	079543-13-U04	EA	Curtain Asm. w/Pleated Bottom - 35" x 16" (Woven Wood) (U06)
**	079543-13-U05	EA	Curtain Asm. w/Pleated Bottom - 35" x 16" (Woven Wood)
4	073304-32-U04	EA	Curtain Asm. w/Snaps - Front Wraparound - 32.5" x 86" - Left
5	073304-31-U04	EA	Curtain Asm. w/Snaps - Front Wraparound - 32.5" x 86" - Right
.	077591-06-U04	EA	Curtain Asm. w/Velcro Top - 60" x 50" - Left
.	077591-05-U04	EA	Curtain Asm. w/Velcro Top - 60" x 50" - Right
6	082193-01-U01	EA	Valance Asm. - Entrance Door (U04, U06)
6	082193-01-U02	EA	Valance Asm. - Entrance Door (U05)
6	082119-02-000	EA	Shade - Vinyl - 24.25" x 40"
7	M81977-03-U04	EA	Valance Asm. - Padded (U06)
7	M81977-03-U05	EA	Valance Asm. - Padded
7	079542-02-U04	EA	Curtain Asm. w/Darts - 22" x 16"
7	079542-02-U05	EA	Curtain Asm. w/Darts - 22" x 16"
7	079542-02-U06	EA	Curtain Asm. w/Darts - 22" x 16"
7	082119-01-000	EA	Shade - Vinyl - 40.25" x 38"
.	073304-29-U01	EA	Curtain Asm. w/Snaps - 64" x 40" - Room Divider
.	073260-16-U04	EA	Tieback Asm. - 3" x 20" (U06)
.	073260-16-U05	EA	Tieback Asm. - 3" x 20"
.	057534-04-000	EA	Tieback Asm. - Clear - 20"
.	057534-01-000	EA	Tieback Asm. - Clear - 6"
.			Not illustrated
**			Parts used on the Woven Wood option.



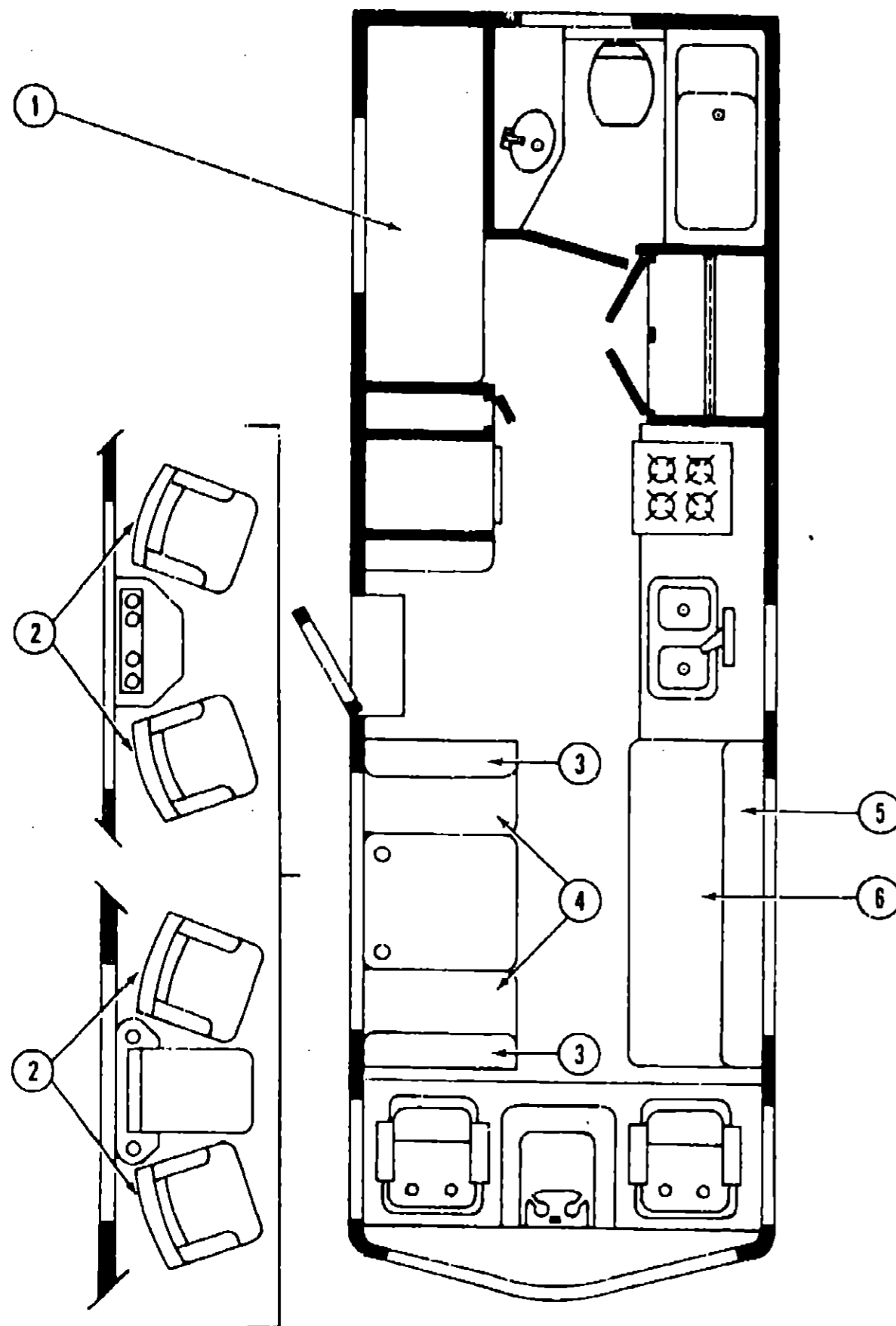
Key	Part Number	U/M	Description
1	029130-01-000	EA	Socket - Snap Fastener
2	029155-01-000	EA	Cap - Snap - .156" Dia. x 17" Barrel
3	029156-01-000	EA	Socket - Snap Fastener
4	029092-01-000	EA	Stud - Nickel Finish
5	029093-01-000	EA	Eyelet - Nickel Finish

1986 WINNEBAGO TABLE OF CONTENTS

WF426RT	A-01 - C-04
WCN26RH	C-05 - E-10
WCN23RG	E-11 - G-24
WCP26ET	H-01 - J-03

1986 WCN26RH INDEX

Floor Plan	C-05 - C-06
Accessories Group	C-07 - C-09
Bath Group	C-10
Chassis Group	C-11 - C-12
Curtain, Cushion & Pad Group	C-13 - C-18
Cinette Group	C-19 - C-20
Driver's Compartment Group	C-21 - C-23
Electrical Group	C-24 - D-02
Exterior Body Group	D-03 - D-08
Galley Group	D-09 - D-10
Heating & Air Conditioning Group	D-11 - D-12
Interior Finish Group	D-13 - D-15
LP Group	D-16
Lounge Group	D-17 - D-18
Water & Sewage Group	D-19 - D-20
Window, Vent & Exterior Door Group	D-21 - E-10



Key	Part Number	U/M	Description
1	073519-01-U01	EA	Cushion Asm. - Rear Bunk - 29" x 75.5" x 4.5" (U04)
1	073519-02-U01	EA	Cushion Asm. - Rear Bunk - 29" x 75.5" x 4.6" (U05)
1	073519-02-U03	EA	Cushion Asm. - Rear Bunk - 29" x 75.5" x 4.5" (U06)
	M73519-01-U01	EA	Cover Asm. - Rear Bunk Cushion - 29" x 75.5" x 4.5"
	M73519-02-U01	EA	Cover Asm. - Rear Bunk Cushion - 29" x 75.5" x 4.5"
	M73519-02-U03	EA	Cover Asm. - Rear Bunk Cushion - 29" x 75.5" x 4.5"

REAR BUNK CUSHIONS

SWIVEL CHAIRS

Key	Part Number	U/M	Description
2	073518-16-U01	EA	Chair Asm. w/Pillow Back - Swivel - Beige (U04)
2	073518-15-U02	EA	Chair Asm. w/Pillow Back - Swivel - Rose (U05)
2	073518-15-U03	EA	Chair Asm. w/Pillow Back - Swivel - Spruce (U06)
	075174-02-U01	EA	Skirt Asm. - Swivel Chair (U04, U06)
	075174-02-U02	EA	Skirt Asm. - Swivel Chair (U05)
	035036-01-000	EA	Plate - Tilt & Swivel - High Base
	035036-05-000	EA	Extension - 7" - Swivel Chair
	035036-04-000	EA	Base w/Legs - Swivel Chair
			Not Illustrated

DINETTE CUSHIONS

Key	Part Number	U/M	Description
3	081998-01-U01	EA	Cushion Asm. - Dinette Back - 19.2" x 38" x 5" - Beige (U04)
3	081998-01-U02	EA	Cushion Asm. - Dinette Back - 19.2" x 38" x 5" - Rose (U05)
3	081998-01-U03	EA	Cushion Asm. - Dinette Back - 19.2" x 38" x 5" - Spruce (U06)
	M81998-01-U01	EA	Cover Asm. - Dinette Back Cushion - Beige (U04)
	M81998-01-U02	EA	Cover Asm. - Dinette Back Cushion - Rose (U05)
	M81998-01-U03	EA	Cover Asm. - Dinette Back Cushion - Spruce (U06)
4	081998-02-U01	EA	Cushion Asm. - Dinette Seat - 17.5" x 38" x 5" - Beige (U04)
4	081998-02-U02	EA	Cushion Asm. - Dinette Seat - 17.5" x 38" x 5" - Rose (U05)
4	081998-02-U03	EA	Cushion Asm. - Dinette Seat - 17.5" x 38" x 5" - Spruce (U06)
	M81998-02-U01	EA	Cover Asm. - Dinette Seat Cushion - Beige (U04)
	M81998-02-U02	EA	Cover Asm. - Dinette Seat Cushion - Rose (U05)
	M81998-02-U03	EA	Cover Asm. - Dinette Seat Cushion - Spruce (U06)

SPRUNG COUCH CUSHIONS

Key	Part Number	U/M	Description
5	073630-07-U04	EA	Cushion Asm. - 3 Pillow Back - 15" x 76" x 5"
5	073630-07-U05	EA	Cushion Asm. - 3 Pillow Back - 15" x 76" x 5"
5	073630-07-U06	EA	Cushion Asm. - 3 Pillow Back - 15" x 76" x 5"
	M73630-07-U04	EA	Cover Asm. - 3 Pillow Back - 15" x 76" x 5"
	M73630-07-U05	EA	Cover Asm. - 3 Pillow Back - 15" x 76" x 5"
	M73630-07-U06	EA	Cover Asm. - 3 Pillow Back - 15" x 76" x 5"
6	073631-08-U04	EA	Cushion Asm. - 3 Pillow Seat - 23.5" x 76" x 5"
6	073631-08-U05	EA	Cushion Asm. - 3 Pillow Seat - 23.5" x 76" x 5"
6	073631-08-U06	EA	Cushion Asm. - 3 Pillow Seat - 23.5" x 76" x 5"
	M73631-08-U04	EA	Cover Asm. - 3 Pillow Seat - 23.5" x 76" x 5"
	M73631-08-U05	EA	Cover Asm. - 3 Pillow Seat - 23.5" x 76" x 5"
	M73631-08-U06	EA	Cover Asm. - 3 Pillow Seat - 23.5" x 76" x 5"
	M02423-03-U04	EA	Front Panel - Couch (U06)
	M02423-03-U05	EA	Front Panel - Couch

FRONT BUNK

Key	Part Number	U/M	Description
	079145-04-000	EA	Cushion Asm. - Front Bunk - 34" x 78" x 4"
	M79145-04-000	EA	Cover Asm. - Front Bunk Cushion - 34" x 78" x 4"

1986 WINNEBAGO
TABLE OF CONTENTS

WF426RT	A-01 - C-04
WCN26RH	C-05 - E-10
WCN23RG	E-11 - G-24
WCP26ET	H-01 - J-03

1986 WCN26RH INDEX

Floor Plan	C-05 - C-06
Accessories Group	C-07 - C-09
Bath Group	C-10
Chassis Group	C-11 - C-12
Curtain, Cushion & Pad Group	C-13 - C-13
Dinette Group	C-19 - C-20
Driver's Compartment Group	C-21 - C-23
Electrical Group	C-24 - D-02
Exterior Body Group	D-03 - D-08
Galley Group	D-09 - D-10
Heating & Air Conditioning Group	D-11 - D-12
Interior Finish Group	D-13 - D-15
LP Group	D-16
Lounge Group	D-17 - D-18
Water & Sewage Group	D-19 - D-20
Window, Vent & Exterior Door Group	D-21 - E-10

CURTAIN, CUSHION & PAD GROUP (CONTINUED)

BUCKET SEATS

Key	Part Number	U/M	Description
	079300-01-U01	EA	Seat Asm. - Vinyl - Beige (U04)
	079300-02-U01	EA	Seat Asm. - Vinyl - Rose (U05)
	079300-02-U03	EA	Seat Asm. - Vinyl - Spruce (U06)
	M01862-01-U01	EA	Cover Asm. - Seat Bottom - Vinyl - Beige (U04)
	M01862-03-U01	EA	Cover Asm. - Seat Bottom - Vinyl - Rose (U05)
	M01862-03-U03	EA	Cover Asm. - Seat Bottom - Vinyl - Spruce (U06)
	M01862-02-U01	EA	Cover Asm. - Seat Back - Vinyl - Beige (U04)
	M01862-04-U01	EA	Cover Asm. - Seat Back - Vinyl - Rose (U05)
	M01862-04-U03	EA	Cover Asm. - Seat Back - Vinyl - Spruce (U06)
	078804-07-U01	EA	Seat Asm. - Granduer - Beige (U04)
	078804-08-U04	EA	Seat Asm. - Granduer - Rose (U05)
	078804-08-U06	EA	Seat Asm. - Granduer - Spruce (U06)
	M01863-01-U01	EA	Cover Asm. - Granduer Seat Bottom - Beige (U04)
	M01863-03-U01	EA	Cover Asm. - Granduer Seat Bottom - Rose (U05)
	M01863-03-U03	EA	Cover Asm. - Granduer Seat Bottom - Spruce (U06)
	M01863-02-U01	EA	Cover Asm. - Granduer Seat Back - Beige (U04)
	M01863-04-U01	EA	Cover Asm. - Granduer Seat Back - Rose (U05)
	M01863-04-U03	EA	Cover Asm. - Granduer Seat Back - Spruce (U06)
	071126-16-U01	EA	Skirt Asm. - Granduer Bucket Seat - Beige (U04)
	071126-13-U04	EA	Skirt Asm. - Granduer Bucket Seat - Rose (U05)
	071126-13-U06	EA	Skirt Asm. - Granduer Bucket Seat - Spruce (U06)
	080243-07-U01	EA	Armrest Asm. - Right - Beige (U04)
	080243-09-U01	EA	Armrest Asm. - Right - Rose (U05)
	080243-09-U03	EA	Armrest Asm. - Right - Spruce (U06)
	080243-08-U01	EA	Armrest Asm. - Left - Beige (U04)
	080243-10-U01	EA	Armrest Asm. - Left - Rose (U05)
	080243-10-U03	EA	Armrest Asm. - Left - Spruce (U06)
	M80243-01-U01	EA	Cover Asm. - Armrest - Right - Beige (U04)
	M80243-03-U01	EA	Cover Asm. - Armrest - Right - Rose (U05)
	M80243-03-U03	EA	Cover Asm. - Armrest - Right - Spruce (U06)
	M80243-02-U01	EA	Cover Asm. - Armrest - Left - Beige (U04)
	M80243-04-U01	EA	Cover Asm. - Armrest - Left - Rose (U05)
	M80243-04-U03	EA	Cover Asm. - Armrest - Left - Spruce (U06)
	080242-04-U01	EA	Headrest Asm. - Beige (U04)
	080242-05-U04	EA	Headrest Asm. - Rose (U05)
	080242-05-U06	EA	Headrest Asm. - Spruce (U06)
	M80242-01-U04	EA	Cover Asm. - Headrest - Beige (U04)
	M80242-02-U04	EA	Cover Asm. - Headrest - Rose (U05)
	M80242-02-U06	EA	Cover Asm. - Headrest - Spruce (U06)
	079281-02-U04	EA	Seat Asm. - Double Bucket - Beige (U04)
	079281-01-U04	EA	Seat Asm. - Double Bucket - Rose (U05)
	079281-01-U06	EA	Seat Asm. - Double Bucket - Spruce (U06)
	M01874-03-U04	EA	Cover Asm. - Double Bucket - Bottom - Beige (U04)
	M01874-01-U04	EA	Cover Asm. - Double Bucket - Bottom - Rose (U05)
	M01874-01-U06	EA	Cover Asm. - Double Bucket - Bottom - Spruce (U06)
	M01874-04-U04	EA	Cover Asm. - Double Bucket - Back - Beige (U04)
	M01874-02-U04	EA	Cover Asm. - Double Bucket - Back - Rose (U05)
	M01874-02-U06	EA	Cover Asm. - Double Bucket - Back - Spruce (U06)
	071690-04-U01	EA	Skirt Asm. - Double Bucket - Beige (U04)
	071690-05-U04	EA	Skirt Asm. - Double Bucket - Rose (U05)
	071690-05-U06	EA	Skirt Asm. - Double Bucket - Spruce (U06)
	080243-02-U04	EA	Armrest Asm. - Double Bucket - Beige (U04)
	080243-04-U04	EA	Armrest Asm. - Double Bucket - Rose (U05)
	080243-04-U06	EA	Armrest Asm. - Double Bucket - Spruce (U06)
	M80243-02-U04	EA	Cover Asm. - Armrest - Beige (U04)
	M80243-04-U01	EA	Cover Asm. - Armrest - Rose (U05)
	M80243-04-U06	EA	Cover Asm. - Armrest - Spruce (U06)
	080242-01-U04	EA	Headrest Asm. - Double Bucket - Beige (U04)
	080242-02-U04	EA	Headrest Asm. - Double Bucket - Rose (U05)
	080242-02-U06	EA	Headrest Asm. - Double Bucket - Spruce (U06)
	M80242-01-U04	EA	Cover Asm. - Headrest - Double Bucket - Beige (U04)
	M80242-02-U04	EA	Cover Asm. - Headrest - Double Bucket - Rose (U05)
	M80242-02-U06	EA	Cover Asm. - Headrest - Double Bucket - Spruce (U06)

CURTAIN, CUSHION & PAD GROUP (CONTINUED)

CURTAIN HARDWARE

Key	Part Number	U/M	Description
	079798-03-000	EA	Bracket Asm. - Curtain Rod - Right
	079798-04-000	EA	Bracket Asm. - Curtain Rod - Left
	082248-01-000	EA	Bracket - Blinds - Beige - Right
	082248-02-000	EA	Bracket - Blinds - Beige - Left
	056001-01-000	EA	Bracket - Shade - Left
	056002-01-000	EA	Bracket - Shade - Right
	056003-01-000	EA	Bracket - Drapery Retainer - Right
	056003-02-000	EA	Bracket - Drapery Retainer - Left
	079618-01-000	EA	Bracket - Tie Back
	056784-01-000	EA	Pull - Shade - Antique Brass
	081381-01-000	EA	Swivel - Snap - Curtain Track
	048394-01-000	EA	Tape Hook - 1" x 50 YD - Beige
	029096-03-000	EA	Tape Hook - 1" - Black (Velcro)
	029096-05-000	EA	Tape Hook - .50" - Beige (Velcro)
	048395-01-000	EA	Tape Loop - 1" x 50 YD - Beige
	029094-04-000	EA	Tape Loop - 1" - Black (Velcro)
	029094-05-000	EA	Tape Loop - .50" - Beige (Velcro)
	079946-01-000	EA	Track - Curtain - Wraparound - Right
	079946-02-000	EA	Track - Curtain - Wraparound - Left
	056116-01-000	FT	Track - Curtain - Brown - Plastic
	078551-03-000	EA	Track - Curtain - Beige - 42"

FABRICS, TRIMS & PADS

Key	Part Number	U/M	Description
	072333-25-000	YD	Fabric - Drapery - Beige (U04)
	072333-26-000	YD	Fabric - Drapery - Rose (U05)
	072333-27-000	YD	Fabric - Drapery - Spruce (U06)
	077498-62-000	YD	Fabric w/Pattern - Upholstery - Beige (U04)
	077498-63-000	YD	Fabric w/Pattern - Upholstery - Rose (U05)
	077498-64-000	YD	Fabric w/Pattern - Upholstery - Spruce (U06)
	077498-75-000	YD	Fabric w/Pattern - Upholstery Accent - Rose (U05)
	077498-74-000	YD	Fabric w/Pattern - Upholstery Accent - Spruce (U06)
	077498-73-000	YD	Fabric - Upholstery Accent - Plain (U04, U06)
	077498-72-000	YD	Fabric - Upholstery Accent - Plain (U05)
	072333-21-000	YD	Fabric - Bedspread - Parchment
	038421-01-000	YD	Fabric - Mattress Ticking
	052859-01-T03	FT	Trim Asm. - Accent - Sandrift
	052859-05-T03	FT	Trim Asm. - Accent - Buckskin
	079680-01-000	YD	Vinyl - Expanded - 26 oz. - Buckskin
	079680-02-000	YD	Vinyl - Expanded - 26 oz. - Sandrift
	070578-06-T03	EA	Button Asm. - #30 - Vinyl
	057093-01-T03	EA	Button Asm. - #60 - Vinyl
	057550-03-T03	EA	Button Asm. - Nail - Vinyl
	071127-10-U01	EA	Button Asm. - #30 - Beige (U04, U06)
	071127-10-U02	EA	Button Asm. - #30 - Rose (U05)
	078155-01-000	EA	Strap Asm. - Cushion
	079144-02-T03	EA	Strap Asm. - Bunk
	081280-05-U04	EA	End Cap Asm. - Lounge Overhead - Vinyl
	081325-01-T03	EA	End Cap Asm. - Dinette/Lounge Overhead - Right - Vinyl
	081325-02-T03	EA	End Cap Asm. - Dinette/Lounge Overhead - Left - Vinyl
	077641-62-000	EA	Wall Pad - Swivel Chair Option (U04, U06)
	077641-63-000	EA	Wall Pad - Swivel Chair Option (U05)
	081519-01-U01	EA	Pad Asm. - Dinette - Front - Beige (U04, U06)
	081519-01-U02	EA	Pad Asm. - Dinette - Front - Rose (U05)
	081519-02-U01	EA	Pad Asm. - Dinette - Rear - Beige (U04, U06)
	081519-02-U02	EA	Pad Asm. - Dinette - Rear - Rose (U05)
	059467-03-T03	EA	Pad - Map Pocket - Drivers
	059467-04-T03	EA	Pad - Map Pocket - Passenger
	059414-05-000	EA	Pad - Sidewall Trim - Drivers - Vinyl
	059414-06-000	EA	Pad - Sidewall Trim - Passenger - Vinyl
	081320-03-U03	EA	End Cap Asm. - Galley Overhead - Vinyl

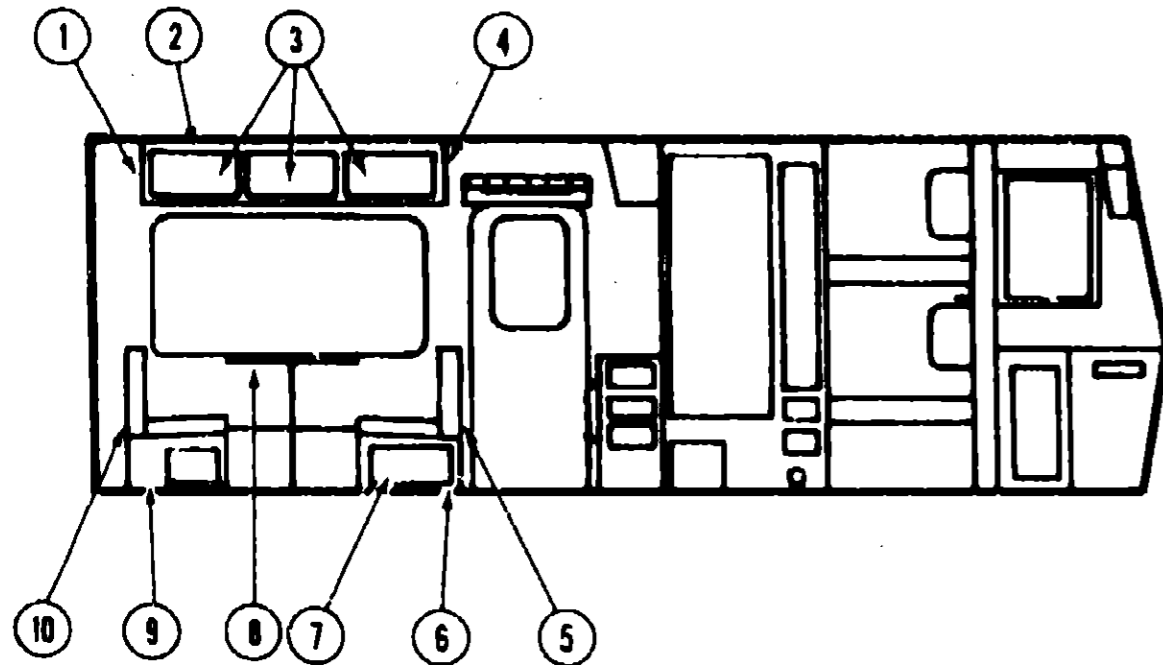
**1986 WINNEBAGO
TABLE OF CONTENTS**

WF426RT	A-01 - C-04
WCN26RH	C-05 - E-10
WCN23RG	E-11 - G-24
WCP26ET	H-01 - J-03

1986 WCN26RH INDEX

Floor Plan	C-05 - C-06
Accessories Group	C-07 - C-09
Bath Group	C-10
Chassis Group	C-11 - C-12
Curtain, Cushion & Pad Group	C-13 - C-18
Dinette Group	C-19 - C-20
Driver's Compartment Group	C-21 - C-23
Electrical Group	C-24 - D-02
Exterior Body Group	D-03 - D-08
Galley Group	D-09 - D-10
Heating & Air Conditioning Group	D-11 - D-12
Interior Finish Group	D-13 - D-15
LP Group	D-16
Lounge Group	D-17 - D-18
Water & Sewage Group	D-19 - D-20
Window, Vent & Exterior Door Group	D-21 - E-10

DINETTE GROUP



CONVENTIONAL DINETTE & OVERHEAD CABINETRY

Key	Part Number	U/M	Description
1	081325-02-T03	EA	Pad Asm. - End Cap - Dinette Overhead - Left - Vinyl
2	081302-13-U04	EA	Cabinet Asm. - Dinette Overhead - w/o Doors or Hardware
3	M81503-01-T03	EA	Door Asm. - Dinette Overhead - w/o Hardware
4	081325-01-T03	EA	Pad Asm. - End Cap - Dinette Overhead - Right - Vinyl
5	M02174-03-U04	EA	Cabinet Asm. - Dinette Back - Left
6	M02175-04-U01	EA	Cabinet Asm. - Dinette Seat - Left - w/o Door or Hardware
7	M81501-10-U01	EA	Door Asm. - Dinette Cabinet - w/o Hardware
8	M02115-09-U01	EA	Table Asm. - Dinette - w/o Hardware
9	M02175-01-U04	EA	Cabinet Asm. - Dinette Seat - Right - w/o Door or Hardware
10	M81501-11-T03	EA	Door Asm. - Dinette Seat - w/o Hardware
10	M02174-02-U04	EA	Cabinet Asm. - Dinette Back - Right
..	053200-05-000	EA	Bracket - Upper Wall Mount - 23.5" - Beige
..	053201-03-000	EA	Bracket - Table Mount - 23"
..	024275-05-000	EA	Rod - Table Lift - 8" x 23.5" - Beige
..	024281-07-000	EA	Bracket - Lower Wall Mount - 22.12" - Beige
..	024276-14-000	EA	Leg Asm. - Table - 29.5" - Brown
..	064050-01-000	EA	Hinge - Table Leg
..	024282-01-000	EA	Brace - Table Leg
..	024283-01-000	EA	Clip - 1" O.D. Tube
..	049493-02-000	EA	Catch - Table Leg - Mounts on Floor - Brown
..	064781-01-000	EA	Cup Holder - 3.47" O.D. x 2.75" I.D. x 1.5"
..			Not illustrated
..			The illustrated parts breakdown for this item is provided on the Common Items Fiche.

DINETTE GROUP (CONTINUED)

SWIVEL CHAIR & PULLOUT TABLE OPTION

Key	Part Number	U/M	Description
	M81727-03-U04	EA	Table Asm. - Pullout
	M02414-01-U04	EA	Countertop Asm. - Cupholder
	M02415-01-U04	EA	Countertop Asm. - Table - Pullout
	M02416-01-U04	EA	Countertop Asm. - TV Top
	M02417-01-U04	EA	Countertop Asm. - Pullout Table Cover
	079606-03-U04	EA	Rack Asm. - Magazine

SWIVEL CHAIRS & ICE MAKER OPTION

Key	Part Number	U/M	Description
	M81720-01-U04	EA	Cabinet Asm. - Ice Maker - w/o Countertop
	M02438-01-U04	EA	Countertop Asm. - Ice Maker
	M02439-01-U04	EA	Countertop Asm. - Ice Maker - Pullout
	074489-01-000	EA	Beverage Tray
	076799-01-000	EA	Ice Maker
	077841-01-000	EA	Bracket Tiedown - Ice Maker - Right
	077841-02-000	EA	Bracket Tiedown - Ice Maker - Left

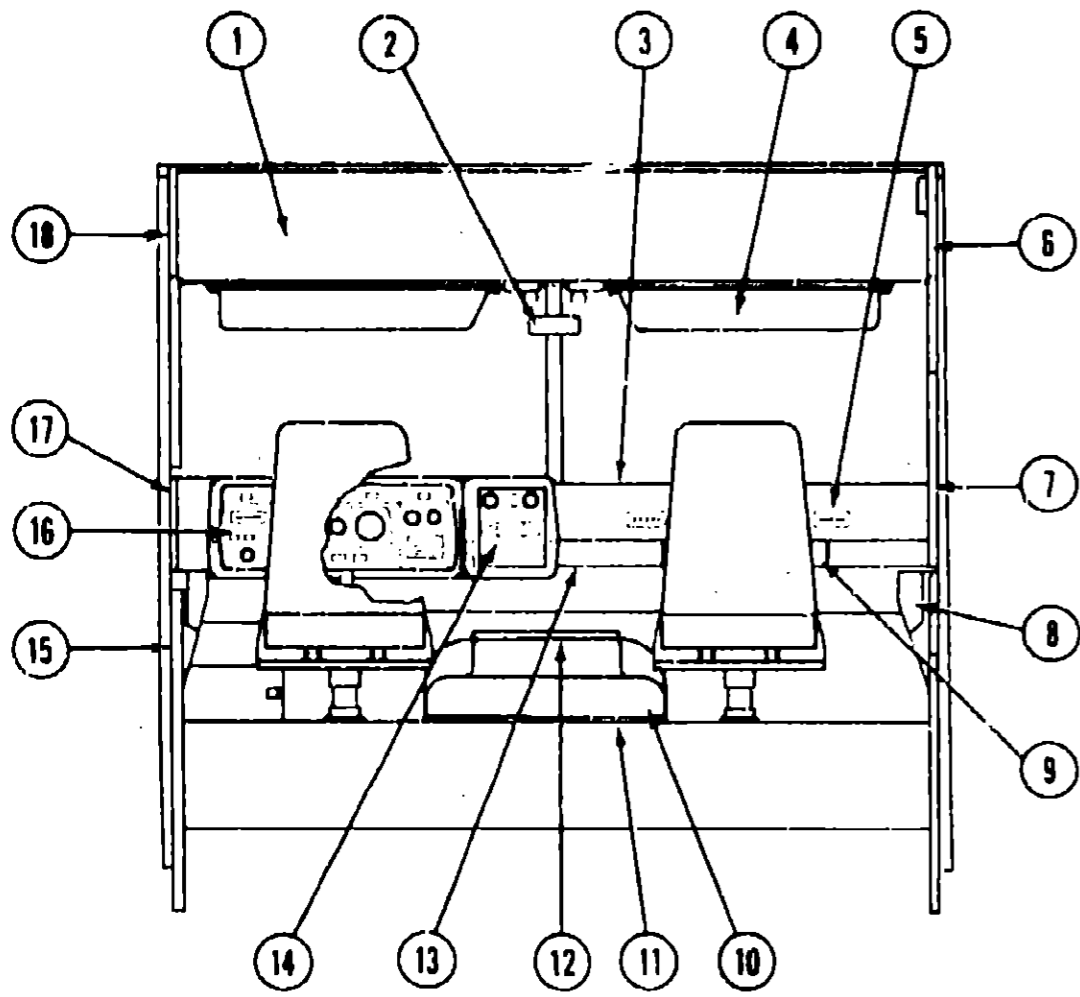
1986 WINNEBAGO TABLE OF CONTENTS

WF426RT	A-01 - C-04
WCN26RH	C-05 - E-10
WCN23RG	E-11 - G-24
WCP26ET	H-01 - J-03

1986 WCN26RH INDEX

Floor Plan	C-05 - C-06
Accessories Group	C-07 - C-09
Bath Group	C-10
Chassis Group	C-11 - C-12
Curtain, Cushion & Pad Group	C-13 - C-18
Dinette Group	C-19 - C-20
Driver's Compartment Group	C-21 - C-23
Electrical Group	C-24 - D-02
Exterior Body Group	D-03 - D-08
Galley Group	D-09 - D-10
Heating & Air Conditioning Group	D-11 - D-12
Interior Finish Group	D-13 - D-15
LP Group	D-16
Lounge Group	D-17 - D-18
Water & Sewage Group	D-19 - D-20
Window, Vent & Exterior Door Group	D-21 - E-10

DRIVER'S COMPARTMENT GROUP



MISCELLANEOUS DRIVER'S COMPARTMENT COMPONENTS

Key	Part Number	U/M	Description
1	080085-02-T03	EA	Header Trim Asm. - Upper
.	083917-01-U04	EA	Cabinet Asm. - Front Overhead
.	083918-01-U04	EA	Cabinet Asm. - Front Overhead - Right (w/o Bunk)
.	083918-02-U04	EA	Cabinet Asm. - Front Overhead - Left (w/o Bunk)
2	040714-01-700	EA	Mirror - Inside Rear View - w/Button Support
**3	M01113-12-T03	EA	Dash Asm. - Complete - w/Gauges & Switches
.	079089-01-000	EA	Dash Pad - Passenger - Brown
.	079088-01-000	EA	Dash Pad - Drivers - Brown
.	024990-01-000	EA	Outlet - Defroster w/Swivel - 2" - Tan
4	082286-03-U04	EA	Sunvisor Asm. w/Mirror - Passenger
.	083153-01-000	EA	Mirror - Sunvisor - 3.5" x 7"
.	082286-01-U04	EA	Sunvisor Asm. - Driver
.	081917-01-000	EA	Clip - Sunvisor - Black
5	039044-01-000	EA	Lower Asm. - Air Conditioning Adjustable
6	080855-03-000	EA	Side Trim - Front - Upper (w/o Bunk)
6	080855-05-000	EA	Side Trim - Front - Upper (w/Bunk)
.	080856-03-000	EA	Side Trim - Front - Lower (w/o Bunk)
.	080856-05-000	EA	Side Trim - Front - Lower (w/Bunk)
7	059414-06-000	EA	Pad - Sidewall Trim - Passenger - Vinyl
8	072811-01-000	EA	Side Panel - Passenger - Plastic
8	054499-03-000	EA	Panel - Passenger Door - Inner - Plastic
.	059467-04-T03	EA	Pad - Map Pocket - Passenger - Vinyl
9	022219-01-000	EA	Glove Compartment Door
.	023882-01-000	EA	Glove Compartment Box - Black Fiberboard
.	009118-01-000	EA	Glove Compartment Twist Lock
.	024588-01-000	EA	Glove Compartment Hinge
.	034309-01-000	EA	Glove Compartment Chain - Door
.			Not illustrated

** NOTE: To be special ordered only.

DRIVER'S COMPARTMENT GROUP (CONTINUED)

MISCELLANEOUS DRIVER'S COMPARTMENT COMPONENTS (CONT.)

Key	Part Number	U/M	Description
10	075939-01-000	EA	Motor Cover - Fiberglass
.	075564-01-000	EA	Mounting Bracket - Motor Cover
.	075564-02-000	EA	Bracket - Mounting - Motor Cover
11	039623-01-000	FT	Seal - Engine Cover - Neoprene
12	080218-01-000	EA	Beverage Tray
13	023834-01-000	EA	Panel - Knee Kick - Bottom of Dash
14	076006-01-000	EA	Bezel - Entertainment Center - Blank
14	076006-05-000	EA	Bezel - Entertainment Center - (used with electronic dash)
.	NOTE	EA	Electronic Instrument Panel
.	082124-01-000	EA	Bezel - Instrument Panel - (used w/electronic dash)
15	059198-05-000	EA	Side Panel - Drivers - Plastic
15	064499-02-000	EA	Panel - Drivers Door - Inner - Plastic
.	059467-03-T03	EA	Pad - Map Pocket - Driver's - Vinyl
.	016836-03-000	EA	Ash Tray - Chrome
16	071668-01-000	EA	Bezel - Control Panel
16	071668-04-000	EA	Bezel - Control Panel - (used w/electronic dash)
.	078581-01-000	EA	Trim - Instrument Panel - Front - Passenger
.	078582-01-000	EA	Trim - Instrument Panel - Front - Driver
.	052367-01-000	EA	Cigarette Lighter Asm. - 12 Volt
.	007041-01-000	EA	Bezel - Cigarette Lighter
.	056288-01-000	EA	Dome Light Asm.
.	056288-02-000	EA	Bulb - Dome Light
.	056288-03-000	EA	Housing - Dome Light
.	056288-04-000	EA	Lens - Dome Light
.	056288-05-000	EA	Clip - Dome Light
.	061400-06-000	EA	Assist Strap - 12" - Medium Almond
17	059414-05-000	EA	Pad - Sidewall Trim - Driver - Vinyl
18	080855-04-000	EA	Side Trim - Front - Upper (w/o Bunk)
18	080855-06-000	EA	Side Trim - Front - Upper (w/Bunk)
.	080856-04-000	EA	Side Trim - Front - Lower (w/o Bunk)
.	080856-06-000	EA	Side Trim - Front - Lower (w/Bunk)
.	078245-01-000	EA	Boot - Rubber Steering Column
.	054250-02-000	EA	Support - Dimmer Switch - w/o Holes
.	078579-01-000	EA	Windshield Trim - Interior - Upper - Passenger
.	078579-02-000	EA	Windshield Trim - Interior - Upper - Driver
.	079765-01-000	EA	Windshield Trim - Center
.	079206-01-000	EA	Windshield Trim - Interior - Post - Passenger
.	079206-02-000	EA	Windshield Trim - Interior - Post - Driver
.			Not illustrated

NOTE: This item available from your Chrysler Service Center.

DASH SWITCHES & GAUGES

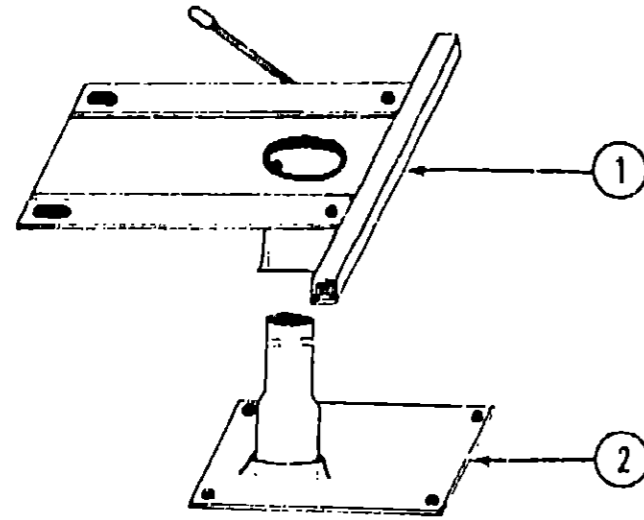
Key	Part Number	U/M	Description
	024461-01-000	EA	Switch - Battery
	024462-01-000	EA	Switch - Battery Condition
	024464-02-000	EA	Switch - Battery - Dual Boost
	024464-01-000	EA	Switch - Washer
	024465-01-000	EA	Switch - Fuel
	056963-02-000	EA	Switch - Fuel Change Over
	024467-01-000	EA	Switch - Wiper
	024976-01-000	EA	Switch - Generator w/o Circuit Board
	074007-02-000	EA	Switch - Intermittent - Windshield Wiper
	024459-04-000	EA	Gauge - Voltmeter
	024460-04-000	EA	Gauge - Vacuum
	024460-02-000	EA	Mounting Bracket - Vacuum Gauge
	031035-02-000	EA	Gauge - Generator Hourmeter
	072363-01-000	EA	Water Detector Probe - Fuel Line
	072364-01-000	EA	Water Detector Module - Fuel Line

**1986 WINNEBAGO
TABLE OF CONTENTS**

WF426RT	A-01 - C-04
WCN26RH	C-05 - E-10
WCN23RG	E-11 - G-24
WCP26ET	H-01 - J-03

1986 WCN26RH INDEX

Floor Plan	C-05 - C-06
Accessories Group	C-07 - C-09
Bath Group	C-10
Chassis Group	C-11 - C-12
Curtain, Cushion & Pad Group	C-13 - C-18
Dinette Group	C-19 - C-20
Driver's Compartment Group	C-21 - C-23
Electrical Group	C-24 - D-02
Exterior Body Group	D-03 - D-08
Galley Group	D-09 - D-10
Heating & Air Conditioning Group	D-11 - D-12
Interior Finish Group	D-13 - D-15
LP Group	D-16
Lounge Group	D-17 - D-18
Water & Sewage Group	D-19 - D-20
Window, Vent & Exterior Door Group	D-21 - E-10



BUCKET SEAT PEDESTAL & SEAT BELTS

Key	Part Number	U/M	Description
1	069585-27-000	EA	Plate - Top - Pedestal Asm. - Single Bucket Seat
1	069585-10-000	EA	Plate - Top - Pedestal Asm. - Double Bucket Seat
1	069585-19-000	EA	Plate - Top - Flat (Power Seat)
2	069585-08-000	EA	Plate - Sub - Pedestal Asm. - Bucket Seat
2	069585-15-000	EA	Plate - Sub - Vertical - 4.5" NOM (Power Seat)
.	069585-05-000	EA	Hardware Kit - Bolt/Acorn Nut - 4 ea. - Pedestal Asm.
.	079467-04-000	EA	Loose Part Kit
.	007019-01-000	EA	Belt Asm. - Seat - 2" x 84" - Black
.	007021-01-000	EA	Belt Asm. - Seat - 2" x 90" - Black
.	056271-02-000	EA	Belt Asm. - Seat - 2" x 72" - Black
.	057759-01-000	EA	Bracket - Seat Belt - Washer
.	069246-01-000	EA	Adjuster Asm. - Seat - w/Lock
.	069246-02-000	EA	Adjuster Asm. - Seat - w/o Lock
.	081373-02-000	EA	Seat - Power - 6 Way
.	069585-29-000	EA	Bar - Seat Belt - 20"
.	Not illustrated		

FRONT BUNK & PULL DOWN STORAGE

Key	Part Number	U/M	Description
	076760-03-000	EA	Overhead Bunk Hardware
	079144-02-T03	EA	Bunk Strap
	042541-04-700	EA	Latch Asm. Kit - w/o Strike - Brass
	042541-05-000	EA	Latch Strike - Brass
	079098-01-000	EA	Pivot Asm. - Spring Loaded - Right (Storage Area)
	079098-02-000	EA	Pivot Asm. - Spring Loaded - Left (Storage Area)
	078635-01-T03	EA	Panel Asm. - Front Bunk
	081717-01-U04	EA	Bed Asm. - Front Bunk - Vinyl

BULBS

Key	Part Number	U/M	Description
	008220-01-000	EA	Bulb - 12V - 25W
	008103-01-000	EA	Bulb - 53
	008213-01-000	EA	Bulb - 57
	008214-01-000	EA	Bulb - 67
	038196-01-000	EA	Bulb - 194
	008215-01-000	EA	Bulb - 1003
	067479-01-000	EA	Bulb - 1076
	063914-01-000	EA	Bulb - 1139
	008218-01-000	EA	Bulb - 1141
	037935-01-000	EA	Bulb - 1157
	056288-02-000	EA	Bulb - 9431808
	081633-01-700	EA	Bulb - Make Up Light

FUSES & CIRCUIT BREAKERS

Key	Part Number	U/M	Description
	008234-01-000	EA	Fuse - 10 Amp. - 12 Volt
	008235-01-000	EA	Fuse - 15 Amp. - 12 Volt
	062901-02-000	EA	Fuse - 5 Amp. - Automotive
	062901-05-000	EA	Fuse - 15 Amp. - Automotive
	008211-01-000	EA	Circuit Breaker - 6 Amp - 12 Volt
	008208-01-000	EA	Circuit Breaker - 40 Amp. - 12 Volt
	033573-02-000	EA	Circuit Breaker - 15 Amp. - 12 Volt - w/Mount
	033573-01-000	EA	Circuit Breaker - 20 Amp. - 12 Volt - w/Mount
	044466-03-000	EA	Circuit Breaker - 25 Amp. - 12 Volt - w/Mount
	008260-01-000	EA	Circuit Breaker - 30 Amp. - 12 Volt - w/Mount
	083209-01-000	EA	Circuit Breaker - 15 Amp. - 120 Volt
	083210-02-000	F.P.	Circuit Breaker - 15 Amp. - 120 Volt (Ground Fault Interrupter)
	073735-02-000	EA	Circuit Breaker - 15 Amp. - 120 volt (Ground Fault Interrupter)
	071279-05-000	EA	Circuit Breaker - 20 Amp. - 120 Volt
	071279-04-000	EA	Circuit Breaker - 30 Amp. - 120 Volt
	071279-03-000	EA	Circuit Breaker - 15/20 Amp. - 120 Volt
	083209-03-000	EA	Circuit Breaker - 15/20 Amp. - 120 Volt
	071279-01-000	EA	Circuit Breaker - 15/30 Amp. - 120 Volt
	083209-05-000	EA	Circuit Breaker - 20 Amp. - 120 Volt
	083209-04-000	EA	Circuit Breaker - 30 Amp. - 120 Volt
	083209-06-000	EA	Circuit Breaker - 30/15 Amp. - 120 Volt
	071279-06-000	EA	Circuit Breaker - 30/15 Amp. - 120 Volt
	071280-01-000	EA	Circuit Breaker Blank
	050283-02-000	EA	Circuit Breaker - Buss Bar

**1986 WINNEBAGO
TABLE OF CONTENTS**

WF426RT	A-01 - C-04
WCN26RH	C-05 - E-10
WCN23RG	E-11 - G-24
WCP26ET	H-01 - J-03

1986 WCN26RH INDEX

Floor Plan	C-05 - C-06
Accessories Group	C-07 - C-09
Bath Group	C-10
Chassis Group	C-11 - C-12
Curtain, Cushion & Pad Group	C-13 - C-18
Dinette Group	C-19 - C-20
Driver's Compartment Group	C-21 - C-23
Electrical Group	C-24 - D-C2
Exterior Body Group	D-03 - D-08
Galley Group	D-09 - D-10
Heating & Air Conditioning Group	D-11 - D-12
Interior Finish Group	D-13 - D-15
LP Group	D-16
Lounge Group	D-17 - D-18
Water & Sewage Group	D-19 - D-20
Window, Vent & Exterior Door Group	D-21 - E-10

ELECTRICAL GROUP (CONTINUED)

WIRE, SWITCHES & RECEPTACLES

Key	Part Number	U/M	Description
	008288-01-000	EA	Box - Electrical - 3" x 3.5" - Plastic
	008289-01-000	EA	Box - Electrical - 4" x 4" - 1/2 & 3/4 Steel - UL
	008289-02-000	EA	Box - Electrical - 4" x 4" - 1/2 & 3/4 Steel - CSA
	058049-01-000	EA	Box - Electrical - 2" x 3" x 2.25" - Steel
	041953-01-000	FT	Conduit - Convoluted Slit - .5" I.D.
	008353-01-000	EA	Connector - Clamping - 3/8 Cable - UL & CSA
	058028-01-000	EA	Connector - Pigtail - Clear Nylon
	008314-01-000	EA	Connector - Wire Nut - Gray
	002311-01-000	EA	Connector - Wire Nut - Red
	031968-01-000	EA	Contact Plug - Brass - Tin Plated
	031967-01-000	EA	Contact - Receptacle
	008054-01-000	EA	Cord - Power - 10-3 30 Amp. - 25' - UL
	008052-01-000	EA	Cord - Power - 10-3 30 Amp. - 25' - CSA
	069238-01-000	EA	Cover - Electrical Box - 4" x 4"
	024571-03-000	EA	Cover Plate - Receptacle - Jumbo - Brown Plastic
	008294-01-000	EA	Cover - Flat Blank - 4" x 4" - Steel - US
	008294-02-000	EA	Cover - Flat Blank - 4" x 4" - Steel - CSA
	064399-01-000	EA	Housing Asm. - Trailer Pin
	064450-01-000	EA	Housing Asm. - Trailer Plug
	064398-01-000	EA	Housing Asm. - Trailer Receptacle
	054532-02-000	EA	Housing Pin - 4 Position
	054532-03-000	EA	Housing Socket - 4 Position
	075738-03-000	EA	Receptacle/Cover Asm. - Beige (Exterior)
	058708-01-000	EA	Receptacle - Duplex - Brown
	058708-02-000	EA	Receptacle - Duplex - Ivory
	024024-02-000	EA	Receptacle - Power Cord
	058707-01-000	EA	Receptacle - Single - Brown
	063912-01-000	EA	Relay - Canister SPDT w/Ground
	075723-01-000	EA	Switch - Block Spacer - w/o Holes
	075723-02-000	EA	Switch - Block Spacer - w/Holes
	077942-02-000	EA	Switch - Dummy - Brown
	056264-01-000	EA	Switch - Leaf Actuator
	079362-01-000	EA	Switch Plate - 3 Gang - 2 Switches
	079363-01-000	EA	Switch Plate - Single - w/Switches
	079364-01-000	EA	Switch - On/Off Rocker - Brown
	008135-01-000	EA	Switch - Push Button - 12 Volt
	047443-02-000	EA	Terminal - .250 Receptacle - 12-10 AWG
	008348-01-000	EA	Terminal Ring - 2 - w/3/8 Stud
	008331-01-000	EA	Terminal Ring - 4 - w/3/8 Stud
	008328-01-000	EA	Terminal Ring - 12/10 Wire
	008028-01-000	FT	Wire - 18.5 Bonded - Blue/Red/Yellow/Orange/White
	008024-01-000	FT	Wire - 18.5 Bonded - Orange/White/Yellow/Blue/Brown
	008025-01-000	FT	Wire - 18.5 Bonded - Orange/White/Yellow/Blue/Green
	008026-01-000	FT	Wire w/Ground - Romex - 12/2

INTERIOR LIGHT

Key	Part Number	U/M	Description
	033508-02-000	EA	Light - Dome - Ivory - 1 Bulb - US
	033508-03-000	EA	Light - Dome - Ivory - 1 Bulb - CSA
	033509-02-000	EA	Light - Dome - Ivory - 2 Bulb - US
	033509-03-000	EA	Light - Dome - Ivory - 2 Bulb - CSA
	078424-02-000	EA	Light - Fluorescent - 12V
	061424-01-000	EA	Light - 12V Receptacle - Aisle - IP
	007309-01-000	EA	Light - Step Well
	072353-07-000	EA	Light - Reading - 360° Swivel - Tan

ELECTRICAL GROUP (CONTINUED)

EXTERIOR LIGHTS

Key	Part Number	U/M	Description
	081638-01-000	EA	Tail Lamp Asm. - Double - w/Black Trim
	081638-01-700	EA	Lens - Tail Lamp - Red
	081638-01-701	EA	Lens - Tail Lamp - Back Up
	042405-03-000	EA	Base - Rectangular Clearance Light
	081250-01-000	EA	Light Asm. - Cab Marker - Amber
	081250-02-000	EA	Light Asm. - Cab Marker - Red
	079941-01-000	EA	Lamp Asm. - Fog - w/Amber Cover
	049185-01-000	EA	Headlight Capsule Asm. - High/Low Beam - Driver
	049186-01-000	EA	Headlight Capsule Asm. - High/Low Beam - Passenger
	049187-01-000	EA	Headlight Capsule Asm. - High Beam - Driver
	049188-01-000	EA	Headlight Capsule Asm. - High Beam - Passenger
	079764-01-000	EA	Mount - Turn Signal - Light - Right - Gray
	079764-02-000	EA	Mount - Turn Signal - Light - Left - Gray
	079764-03-000	EA	Mount - Turn Signal - Light - Right - Beige
	079764-04-000	EA	Mount - Turn Signal - Light - Left - Beige
	042405-02-000	EA	Lens - Amber Light w/Reflex
	042405-01-000	EA	Lens - Red Light w/Reflex

WINDSHIELD WIPERS & WASHER

Key	Part Number	U/M	Description
**	056000-02-000	EA	Washer Asm. - Windshield
**	057653-01-000	EA	Arm - Windshield Wiper - 18" - Black
	067191-02-000	EA	Motor Asm. - Windshield Wiper - 2 Speed
	067192-01-000	EA	Link Asm. - Connecting - Left
	067193-01-000	EA	Link Asm. - Connecting - Right
**	049464-03-000	FA	Blade - Windshield Wiper - 20" - Black
**	067190-01-000	EA	Shaft and Pivot Asm.
	074007-02-000	EA	Switch - Wiper Delay
	057474-02-000	EA	Wiper Asm.
**	063971-01-000	EA	Support - Wiper Motor

The illustrated parts breakdown for this item is provided on the Common Items Fiche

MISCELLANEOUS ELECTRICAL COMPONENTS

Key	Part Number	U/M	Description
	047338-03-000	EA	Isolator - Dual Battery - 70 Amp.
	063739-01-000	EA	Battery - 12 Volt - 80 Amp. Gould
	008188-01-000	EA	Solenoid - Dual Battery - Relay
	083208-01-000	EA	Control Center - 32 Amp.

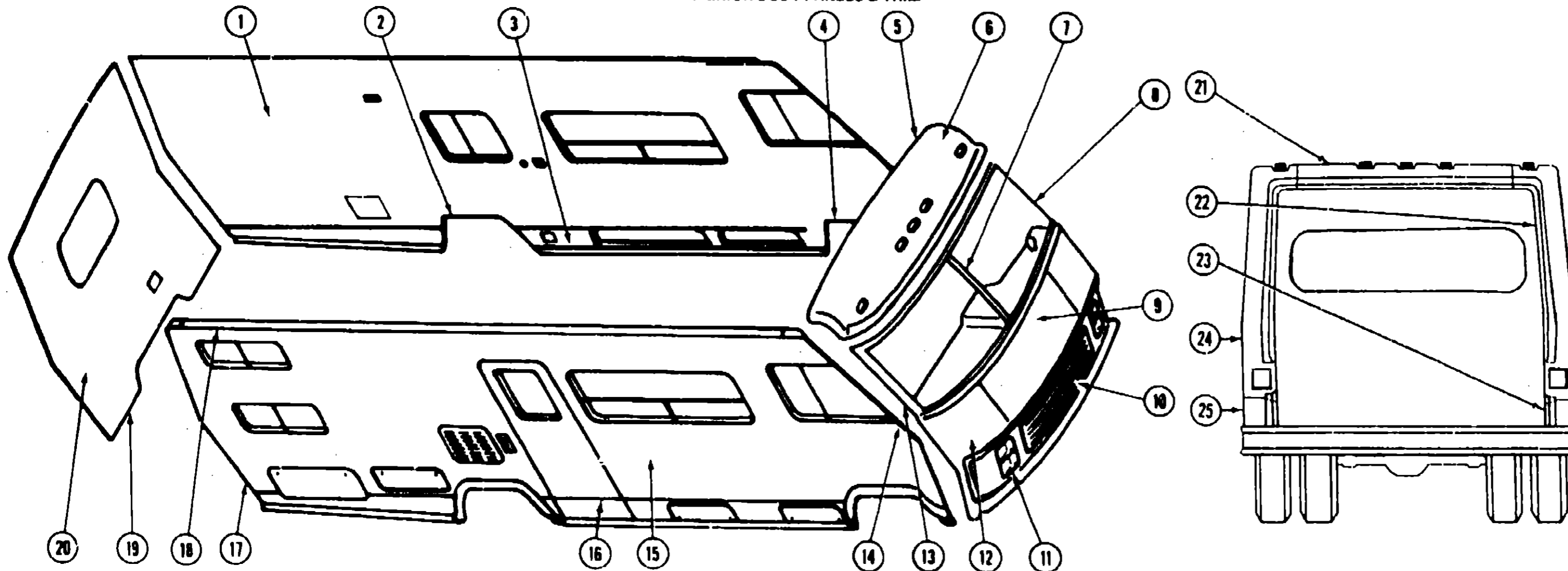
1986 WINNEBAGO TABLE OF CONTENTS

WF426RT	A-01 - C-04
WCN26RH	C-05 - E-10
WCN23RG	E-11 - G-24
WCP26ET	H-01 - J-03

1986 WCN26RH INDEX

Floor Plan	C-05 - C-06
Accessories Group	C-07 - C-09
Bath Group	C-10
Chassis Group	C-11 - C-12
Curtain, Cushion & Pad Group	C-13 - C-15
Dinette Group	C-19 - C-20
Driver's Compartment Group	C-21 - C-23
Electrical Group	C-24 - D-02
Exterior Body Group	D-03 - D-08
Galley Group	D-09 - D-10
Heating & Air Conditioning Group	D-11 - D-12
Interior Finish Group	D-13 - D-15
LP Group	D-16
Lounge Group	D-17 - D-18
Water & Sewage Group	D-19 - D-20
Window, Vent & Exterior Door Group	D-21 - E-10

**EXTERIOR BODY GROUP
EXTERIOR BODY PANELS & TRIM**



**1986 WINNEBAGO
TABLE OF CONTENTS**

WF426RT
WCN26RH
WCN23RG
WCP26ET

A-01 - C-04
C-05 - E-10
E-11 - G-24
H-01 - J-03

Key	Part Number	U/M	Description
1	M82967-01-U04	EA	Sidewall Asm. - Driver
1	M82967-01-U05	EA	Sidewall Asm. - Driver
1	M82967-01-U06	EA	Sidewall Asm. - Driver
2	058487-07-000	EA	Trim - Wheel Well - Rear - U Channel - Driver or Passenger
	075070-01-000	EA	Trim - Wheel Well - Rear - Plastic - Passenger
	075070-03-000	EA	Trim - Wheel Well - Rear - Plastic - Driver
3	079407-61-001	EA	Extr. - Rocker Panel - 216"
4	073647-02-000	EA	Trim - Wheel Well - Front - U Channel - Driver or Passenger
	078556-01-000	EA	Trim - Wheel Well - Front - Plastic - Passenger
	078556-03-000	EA	Trim - Wheel Well - Front - Plastic - Driver
5	078580-01-000	EA	Trim - Roof/Front Cap
6	M01899-01-T03	EA	Cap - Over Windshield - Beige
7	076676-02-000	EA	Trim - Molding - Windshield - Center
8	079225-02-000	EA	Trim - Contour - Windshield - Driver
	077944-02-000	EA	Trim - Molding - Windshield - Upper
	077945-02-000	EA	Trim - Molding - Windshield - Lower
	077952-02-000	EA	Cap - Reveal Molding
	079760-04-000	EA	Headlamp Bezel - Driver
9	078281-01-T03	EA	Access Panel - w/Hardware
10	078891-01-T03	EA	Grille Asm.
11	079760-03-000	EA	Headlamp Bezel - Passenger
	073308-01-000	EA	Screw Asm. - Headlamp - Adjusting
	049359-01-000	EA	Spring - Headlamp Retainer
	062207-01-000	EA	Headlamp Guard
12	M01115-10-T03	EA	Panel Asm. - Front Shroud (includes access panel)
13	079225-01-000	EA	Trim - Contour - Windshield - Passenger
	077944-01-000	EA	Trim - Molding - Windshield Upper
	079915-01-000	EA	Trim - Molding - Windshield - Lower
14	079224-01-000	EA	Trim - Fiberglass Panel - Passenger - Beige
	079224-02-000	EA	Trim - Fiberglass Panel - Driver - Beige

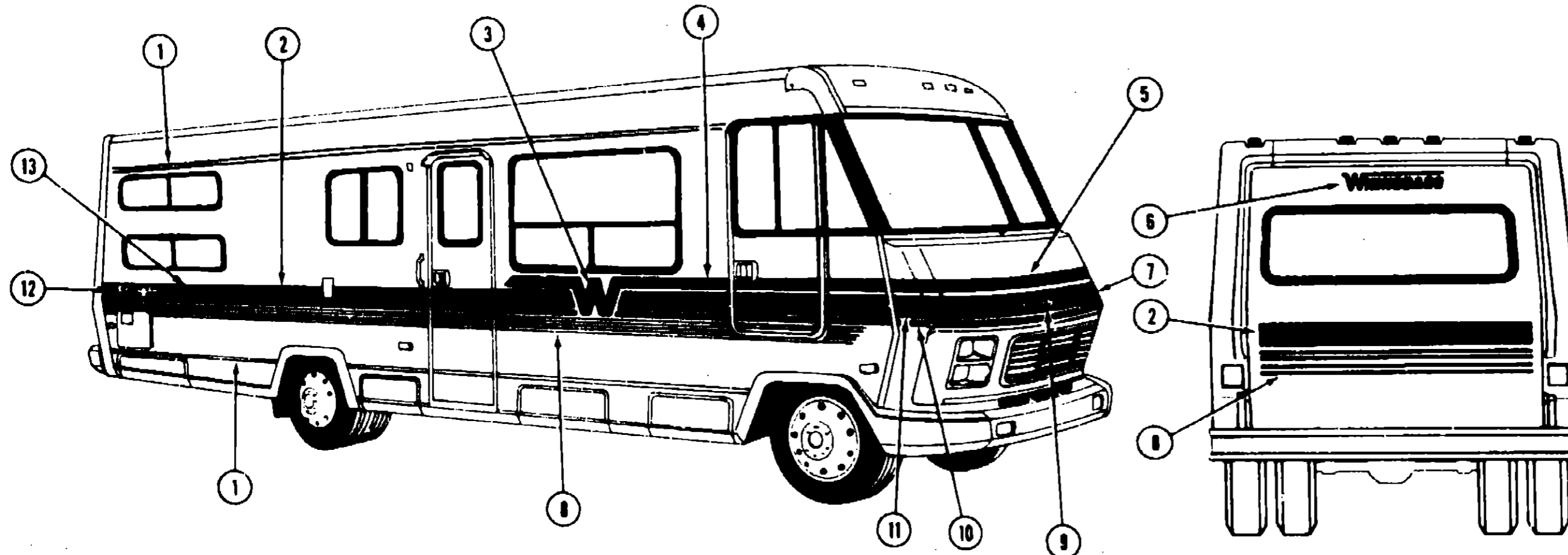
Key	Part Number	U/M	Description
15	M82966-01-U04	EA	Sidewall Asm. - Passenger
15	M82966-01-U05	EA	Sidewall Asm. - Passenger
15	M82966-01-U06	EA	Sidewall Asm. - Passenger
16	059576-08-000	EA	Feature Strip - Extr. Beige - 14' - w/o Insert
	009731-01-000	EA	End Cap - Feature Strip Insert
	001030-02-004	EA	Insert - Feature Strip - Off White - 17'
17	073502-19-000	EA	Trim - Passenger Rear - Beige
	073502-20-000	EA	Trim - Driver Rear - Beige
18	078600-01-000	EA	Trim - Sidewall - Upper - Driver or Passenger - Beige
19	050406-06-000	EA	Trim - Backwall - Lower - Driver or Passenger
	083015-01-U04	EA	Roof Asm
20	078913-01-U04	EA	Backwall Asm.
21	M01893-02-000	EA	Trim - Rear - Center Upper - Plastic - Beige
22	082456-01-000	EA	Trim - Rear - Upper Passenger - Plastic - Beige
23	082457-01-000	EA	Trim - Rear - Lower Passenger - Plastic - Beige
24	M01894-02-000	EA	Trim - Rear - Upper Driver - Plastic - Beige
25	082457-02-000	EA	Trim - Rear - Lower Driver - Plastic - Beige
	078577-01-000	EA	Bumper End Cap - Front Passenger Hand - Beige
	078577-02-000	EA	Bumper End Cap - Front Driver Hand - Beige
	083117-01-000	EA	Bumper End Cap - Rear Passenger - Beige
	083117-02-000	EA	Bumper End Cap - Rear Driver - Beige
	077517-10-001	EA	Fiberglass Sidewall Skin - 46 1/2" x 378" - Mesa
	077517-10-002	EA	Fiberglass Sidewall Skin - 46 1/2" x 68" - Mesa
	001018-01-024	EA	Alum. - Beige - No Design - 48" x 96"
	044487-01-001	EA	Alum. - Mill Finish - No Design (Roof) - 96" x 360"
	000868-01-000	SF	Styrofoam - 75" x 24" x 96"
	000870-01-000	SF	Styrofoam - 150" x 24" x 96"
	000870-03-000	SF	Styrofoam - 134" x 48" x 96"
			Not illustrated

1986 WCN26RH INDEX

Floor Plan	C-05 - C-08
Accessories Group	C-07 - C-09
Bath Group	C-10
Chassis Group	C-11 - C-12
Curtain, Cushion & Pad Group	C-13 - C-18
Dinette Group	C-19 - C-20
Driver's Compartment Group	C-21 - C-23
Electrical Group	C-24 - D-02
Exterior Body Group	D-03 - D-08
Galley Group	D-09 - D-10
Heating & Air Conditioning Group	D-11 - D-12
Interior Finish Group	D-13 - D-15
LP Group	D-16
Lounge Group	D-17 - D-18
Water & Sewage Group	D-19 - D-20
Window, Vent & Exterior Door Group	D-21 - E-10

EXTERIOR BODY GROUP (CONTINUED)

LABELS, DECALS & EXTERIOR PAINT



1986 WINNEBAGO TABLE OF CONTENTS

WF426RT
WCN26RH
WCN23RG
WCP26ET

A-01 - C-04
C-05 - E-10
E-11 - G-24
H-01 - J-03

Key	Part Number	U/M	Description
1	065217-90-000	FT	Film - Multi-stripe - Light Brown/Brown (U04)
1	065217-89-000	FT	Film - Multi-stripe - Rust/Burgundy (U05)
1	065217-88-000	FT	Film - Multi-stripe - Light Green/Green (U06)
2	065217-87-000	FT	Film - Multistripe - Light Brown/Brown (U04)
2	065217-86-000	FT	Film - Multistripe - Rust/Burgundy (U05)
2	065217-85-000	FT	Film - Multi-stripe - Light Green/Green (U06)
3	079351-06-000	EA	Decal - Flying W - Brown (U04)
3	079351-05-000	EA	Decal - Flying W - Burgundy (U05)
3	079351-04-000	EA	Decal - Flying W - Green (U06)
4	078831-14-000	FT	Decal Striping - Light Brown (U04)
4	078831-13-000	FT	Decal Striping - Rust (U05)
4	078831-12-000	FT	Decal Striping - Light Green (U06)
5	079100-07-000	EA	Decal - Hood - Light Brown (U04)
5	079100-06-000	EA	Decal - Hood - Rust (U05)
5	079100-09-000	EA	Decal - Hood - Light Green (U06)
*	078831-15-000	EA	Decal - Striping - 1.00 x 150' - Light Brown (U04)
*	078831-16-000	EA	Decal - Striping - 1.00 x 150' - Rust (U05)
*	078831-17-000	EA	Decal - Striping - 1.00 x 150' - Light Green (U06)
6	050313-22-000	EA	Decal Logo "Winnebago"
7	079099-08-000	EA	Decal - Upper Corner - Light Brown (U04)
7	079099-10-000	EA	Decal - Upper Corner - Rust (U05)
7	079099-12-000	EA	Decal - Upper Corner - Light Green (U06)
*	080763-08-000	EA	Decal - Lower Corner - Hood - Left - Brown (U04)
*	080763-10-000	EA	Decal - Lower Corner - Hood - Left - Rust (U05)
*	080763-12-000	EA	Decal - Lower Corner - Hood - Left - Green (U06)
8	076791-10-000	FT	Film - Multi-stripe - Brown (U04)
8	076791-09-000	FT	Film - Multi-stripe - Burgundy (U05)
8	076791-08-000	FT	Film - Multi-stripe - Green (U06)
9	069745-03-000	EA	Decal - "Winnie"
*	069745-04-000	EA	Decal - "Bago"
10	080763-07-000	EA	Decal - Lower Corner - Hood - Right - Brown (U04)
10	080763-09-000	EA	Decal - Lower Corner - Hood - Right - Burgundy (U05)
10	080763-11-000	EA	Decal - Lower Corner - Hood - Right - Green (U06)

Key	Part Number	U/M	Description
11	079099-07-000	EA	Decal - Upper Corner - Light Brown (U04)
11	079099-09-000	EA	Decal - Upper Corner - Rust (U05)
11	079099-11-000	EA	Decal - Upper Corner - Light Green (U06)
12	058719-02-000	EA	Decal Logo - "Chieftain"
13	073724-06-000	EA	Decal Logo - "26"
*	068383-01-000	EA	Label - Diesel Fuel
*	006195-01-000	EA	Label - Electrical Test
*	047731-01-000	EA	Label - Emergency Exit
*	006199-01-000	EA	Label - Exit - Escape Window
*	057467-04-000	EA	Label - Exterior Loading Limit
*	064378-01-000	EA	Label - Flying "W" w/Thermo Panel
*	061417-01-000	EA	Label - Fuel
*	006190-01-000	EA	Label - Gas Test
*	054531-01-000	EA	Label - LP Gas Only
*	040944-01-000	EA	Label - Open - Entrance Door
*	006015-01-000	EA	Label - Patent Motor Home
*	056259-01-000	EA	Label - Safety Check List
*	006064-01-000	EA	Label - Seat - w/o Seat Belts
*	006187-01-000	EA	Label - Sewage
*	006006-01-000	EA	Label - Thermo Panel - 2 1/4" x 2 1/4"
*	075221-01-000	EA	Label - Trailer Hitch Capacity
*	075220-01-000	EA	Label - Warning - Exterior Load Limit
*	077956-01-000	EA	Label - Warning - Smoke Detector
*	050225-01-000	EA	Label - Warning - Stove Vent - US
*	006188-01-000	EA	Label - Waste Water
*	006197-01-000	EA	Label - Water Test
*	072863-01-000	EA	Nameplate - Diesel - 6.2L
*	006062-01-000	EA	Tag - Electrical - 110 Volt Connection
*	006040-01-000	EA	Tag - Gas - Refueling Warning
*	044486-03-000	EA	Paint - Beige Acrylic Enamel - 16 oz. Aerosol (7633A Dupont)
*	045881-03-000	EA	Paint - Gloss Black - Acrylic Enamel - 16 oz. Aerosol (99 Dupont)
*	058837-05-000	EA	Paint - Gray Acrylic Enamel - 16 oz. Aerosol (71537 Dupont)
*	041561-03-000	EA	Paint - Off White Acrylic Enamel - 16 oz. Aerosol (45396A Dupont)
*	074559-01-000	EA	Label - "LPG" - 3 3/4" x 1 7/8" (Calif. Code)
*			Not illustrated

D-5

1986 WCN26RH INDEX

Floor Plan	C-05 - C-06
Accessories Group	C-07 - C-09
Bath Group	C-10
Chassis Group	C-11 - C-12
Curtain, Cushion & Pad Group	C-13 - C-18
Dinette Group	C-19 - C-20
Driver's Compartment Group	C-21 - C-23
Electrical Group	C-24 - D-02
Exterior Body Group	D-03 - D-08
Galley Group	D-09 - D-10
Heating & Air Conditioning Group	D-11 - D-12
Interior Finish Group	D-13 - D-15
LP Group	D-16
Lounge Group	D-17 - D-18
Water & Sewage Group	D-19 - D-20
Window, Vent & Exterior Door Group	D-21 - E-10

D-6

EXTERIOR BODY GROUP (CONTINUED)

INTERIOR/EXTERIOR SCREWS & FASTENERS

Key	Part Number	U/M	Description
	005200-01-000	EA	Bolt - Round Head - Square Neck w/SST Cap - 7/16" - 14 x 1 1/4"
	058279-01-000	EA	Clip - Mounting - Front Panel
	035828-01-000	EA	Fastener - Blind Well Nut - 1.05" x .38"
	000D15-06-008	EA	Nut - Hex - 3/8" x 24 - Zinc
	005081-01-000	EA	Nut - Speed - C Type - #8 Screw
	000G54-04-20B	EA	Screw 1/4 - 20 x 1 1/4" PTH - Zinc
	000G54-04-22B	EA	Screw 1/4 - 20 x 1 3/8" PTH - Zinc
	000G53-04-06B	EA	Screw 1/4 - Machine - 20 x 3/8" PTH - Zinc
	000G13-06-12P	EA	Screw #6 - 20 x 3/4" PFH - Dark Brown
	000G13-06-26X	EA	Screw #6 - 20 x 3/4" PFH - Gray
	000G13-06-16R	EA	Screw #6 - 20 x 1" PFH - Beige
	000G11-07-06B	EA	Screw #7 - 19 x 1/2" PPH - Zinc
	000G12-08-12M	EA	Screw #8 - 18 x 3/4" POH - Gray
	000G11-08-12R	EA	Screw #8 - 18 x 3/4" PPH - Beige
	000G11-08-12X	EA	Screw #8 - 18 x 3/4" PPH - Gray
	000G11-08-12B	EA	Screw #8 - 18 x 3/4" PPH - Zinc
	000G39-08-12R	EA	Screw #8 - 18 x 3/4" SDPH - Beige
	000G66-08-12H	EA	Screw #8 - 18 x 3/4" SDPH - Gray
	000G11-08-16R	EA	Screw #8 - 18 x 1" PFH - Gray
	000G66-08-16R	EA	Screw #8 - 18 x 1" SDPH - Beige
	000G12-08-26R	EA	Screw #8 - 18 x 1 3/4" POH - Beige
	000G36-08-09E	EA	Screw #8 - 32 x 1/2" PFH - Chrome
	000G39-08-08B	EA	Screw #8 - Self Drilling - 18 x 1/2" PPH - Zinc
	000G39-08-12B	EA	Screw #8 - Self Drilling - 18 x 3/4" PPH - Zinc
	000G39-08-12R	EA	Screw #8 - Self Drilling - 18 x 3/4" PPH - Beige
	000G39-08-16R	EA	Screw #8 - Self Drilling - 18 x 1" PPH - Beige
	000G39-08-18T	EA	Screw #8 - Self Drilling - 18 x 1" PPH - Black
	000G39-08-16P	EA	Screw #8 - Self Drilling - 18 x 1" PPH - Dark Brown
	000G39-08-16X	EA	Screw #8 - Self Drilling - 18 x 1" PPH - Chrome
	000G39-08-16E	EA	Screw #8 - Self Drilling - 18 x 1" PPH - Chrome
	000G64-08-16M	EA	Screw #8 - Self Drilling - 18 x 1" SDPH - Gray
	000G67-10-06B	EA	Screw #10 - 12 x 1/2" PPH - Zinc
	000G67-10-10R	EA	Screw #10 - 12 x 5/8" PPH - Beige
	000G67-10-16P	EA	Screw #10 - 12 x 1" PPH - Dark Brown
	000G67-10-16B	EA	Screw #10 - 12 x 1" PPH - Zinc
	000G67-10-20B	EA	Screw #10 - 12 x 1 1/4" - PPH - Zinc
	000G67-10-24B	EA	Screw #10 - 12 x 1 1/2" PPH - Zinc
	049465-04-000	EA	Screw #10 - 16 x 1" POH - w/Washer - Beige
	049465-05-000	EA	Screw #10 - 16 x 1" POH - w/Washer - Gray
	000G12-10-24E	EA	Screw #10 - 16 x 1 1/2" POH - Chrome
	000G11-10-06D	EA	Screw #10 - 16 x 1/2" PPH - Dark Brown
	000G11-10-12R	EA	Screw #10 - 16 x 3/4" PPH - Beige
	000G11-10-12S	EA	Screw #10 - 16 x 3/4" PPH - Off White
	000G11-10-12B	EA	Screw #10 - 16 x 3/4" PPH - Zinc
	000G11-10-16B	EA	Screw #10 - 16 x 1" PPH - Zinc
	000G11-10-40B	EA	Screw #10 - 16 x 2 1/2" PPH - CAD
	000G19-10-12B	EA	Screw #10 - Machine - 32 TPI x 3/4"
	075808-01-000	EA	Screw #10 - Machine - 32 x .56" PTH - Zinc
	000G19-10-20B	EA	Screw #10 - Machine - 32 x 1 1/4" PPH - Zinc
	000G39-12-12E	EA	Screw #10 - Self Drilling - 14 x 3/4" PPH - Chrome
	000G39-10-16R	EA	Screw #10 - Self Drilling - 16 x .62" PPH - Beige
	000G39-10-12R	EA	Screw #10 - Self Drilling - 16 x 3/4" PPH - Beige
	000G39-10-12P	EA	Screw #10 - Self Drilling - 16 x 3/4" PPH - Dark Brown
	000G56-12-48C	EA	Screw #12 - Wood - 11 x 3" POH - CAD

MISCELLANEOUS EXTERNALLY MOUNTED PARTS

Key	Part Number	U/M	Description
	063558-01-000	EA	Plumbing Seal - Roof Vent - 1 5"
	048817-01-000	EA	Assist Handle - Chrome
	010230-03-000	EA	Fill - City Water - Recessed - Beige
	061240-01-000	EA	Water Fill - Lockable - Beige
	078037-01-000	EA	Shroud - Fuel Fill - Upper
	078200-01-000	EA	Gasket - Fuel Fill

EXTERIOR BODY GROUP (CONTINUED)

SEALANTS & ADHESIVES

Key	Part Number	U/M	Description
	004020-01-000	QT	Adhesive - ABS Cement (Plastic Fittings)
	002337-01-000	EA	Adhesive - 1300 Tube - 3M (Windows)
	004005-02-000	GL	Adhesive - Swifts - Glue (Sidewalls)
	053766-07-000	EA	Bedding Compound - Tube - Beige (Exterior)
	053766-08-000	EA	Bedding Compound - Tube - Clear (Window)
	053766-08-000	EA	Bedding Compound - Tube - Gray (Exterior)
	053766-05-000	EA	Bedding Compound - Tube - Gray (Sidewalls to Floor)
	053766-02-000	EA	Bedding Compound - Tube - Off White (Exterior)
	002326-02-000	EA	Block - Rubber Spacer (Windshield)
	004336-01-000	EA	Caulk - Latex - Golden Walnut (Sidewalls)
	072891-02-000	QT	Primer - Glass - Black
	072891-01-000	QT	Primer - Glass - Clear
	035024-01-000	EA	Primer - Glass - Clear - Windshield
	072890-01-000	QT	Primer - Metal - Black
	035023-01-000	GL	Primer - Metal - Windshield
	077967-01-000	EA	Sealant - Acrylic Latex - Tube - Off White (Interior Sealant)
	034552-04-000	EA	Sealant - Silicone - Beige
	034552-02-000	EA	Sealant - Silicone - Clear
	034552-07-000	EA	Sealant - Silicone - Dark Gray
	034552-06-000	EA	Sealant - Silicone - Off White
	069837-01-000	EA	Sealant - Weatherban 404 - Tube - White (Door Caulk)
	072889-01-000	EA	Sealant - Urethane - Black (Windshield)
	069840-01-000	FT	Sealer Ribbon - .25" Bead x 20'
	069840-02-000	FT	Sealer Ribbon - .5" x 125" x 30'
	069840-03-000	FT	Sealer Ribbon - .75" x 125" x 30'
	069840-04-000	FT	Sealer Ribbon - 2" x .09" x 45' (P Series)
	069840-05-000	FT	Sealer Ribbon - 2.5" x .09" x 50'
	069840-06-000	FT	Sealer Ribbon - 5/16" Bead x 15'
	069840-07-000	FT	Sealer Ribbon - 2" x 3/32" x 30'
	002316-01-000	FT	Sealer Tape - 3/32" x 3/8" - White (Window)
	002707-01-000	FT	Sealer Tape - 5/16" x 3/4"
	002707-02-000	FT	Sealer Tape - 5/16" x 1/2"
	040545-01-000	GL	Sealer - Seam Weld
	053752-04-000	EA	Seam Sealer - Tube - Aluminum (Roof)
	063642-01-000	FT	Tape - Adhesive - .10 mm. x 1.5" Wide
	038886-01-000	EA	Tape - Butyl - .31" x .31" x 148" (Windshield)
	076322-01-000	FT	Tape - Foam - Double Coated - .025 x 1" (Fiberglass Sidewall Seams)
	076322-02-000	FT	Tape - Foam - Double Coated - .045 x 1" (Fiberglass Sidewall Seams)
	009200-01-000	EA	Tape - Furnace - 1.5"
	002825-01-000	FT	Weather Striping (Roof Vent)

ACCESS PANEL HARDWARE

Key	Part Number	U/M	Description
	072917-02-000	EA	Rod - Hood Prop
	062828-01-000	EA	Clip - Prop Rod
	058833-01-000	EA	Bracket - Prop Rod
	073340-01-000	EA	Hinge - Access Panel - Passenger
	073340-02-000	EA	Hinge - Access Panel - Drivers
	058980-01-000	EA	Bracket - Hinge Asm - Hood - Drivers
	058980-02-000	EA	Bracket - Hinge Asm - Hood - Passenger
	R77006-68-721	EA	Cable - Release (Access Panel)
	074178-01-000	EA	Bracket - Cable Release - Inside
	R77007-01-950	EA	Striker - Hood Latch
	079286-01-000	EA	Latch - Hood
	R77006-38-499	EA	Spring
	R77006-19-765	EA	Cable Sheath
	073333-01-000	EA	Bracket - Latch Support
	073337-01-000	EA	Brace Latch - Hood
	073341-01-000	EA	Bracket - Hood Latch
	058786-02-000	EA	Bolt - Hood Adjusting - 5/16" x 18 x 1 1/4"
	079007-01-000	EA	Crossmember Asm - Latch - Hood

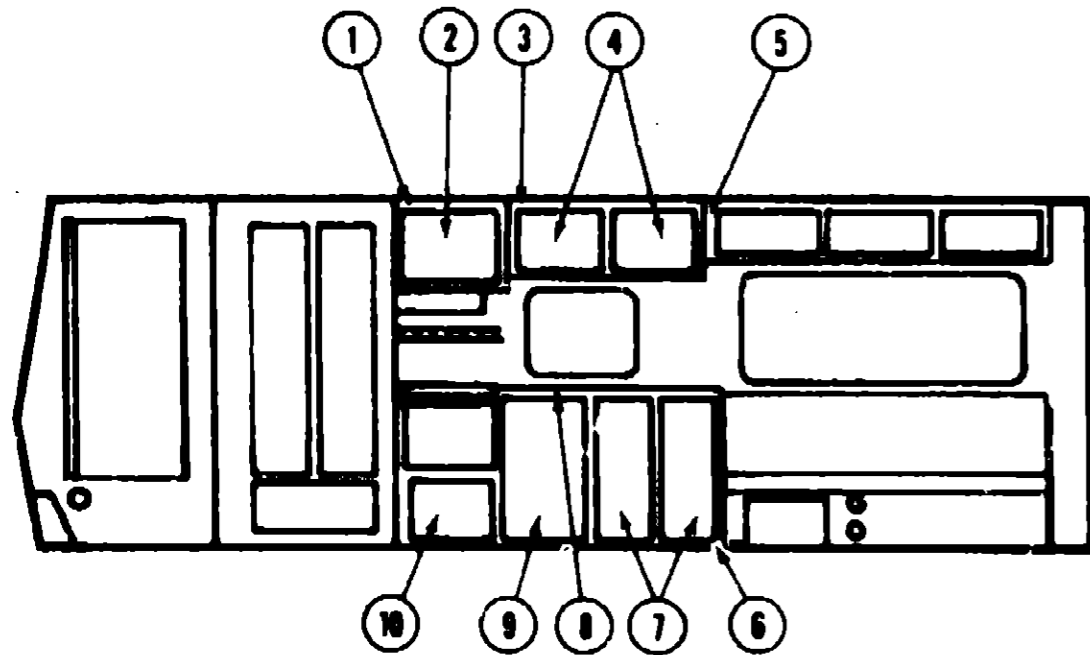
**1986 WINNEBAGO
TABLE OF CONTENTS**

WF426RT	A-01 - C-04
WCN26RH	C-05 - E-10
WCN23RG	E-11 - G-24
WCP26ET	H-01 - J-03

1986 WCN26RH INDEX

Floor Plan	C-05 - C-06
Accessories Group	C-07 - C-09
Bath Group	C-10
Chassis Group	C-11 - C-12
Curtain, Cushion & Pad Group	C-13 - C-18
Dinette Group	C-19 - C-20
Driver's Compartment Group	C-21 - C-23
Electrical Group	C-24 - D-02
Exterior Body Group	D-03 - D-06
Galley Group	D-09 - D-10
Heating & Air Conditioning Group	D-11 - D-12
Interior Finish Group	D-13 - D-15
LP Group	D-16
Lounge Group	D-17 - D-18
Water & Sewage Group	D-19 - D-20
Window, Vent & Exterior Door Group	D-21 - E-10

GALLEY GROUP



GALLEY CABINETRY

Key	Part Number	U/M	Description
1	081460-07-U04	EA	Cabinet Asm. - Microwave - w/o Doors or Hardware
2	M81523-01-U01	EA	Door Asm. - Microwave Cabinet - w/o Hardware
3	082423-01-U04	EA	Cabinet Asm. - Galley Overhead - w/o Doors or Hardware
4	M81523-07-U04	EA	Door Asm. - Galley Cabinet
5	081320-03-T03	EA	Pad Asm. - End Cap - Galley Overhead - Vinyl
6	M82439-01-U04	EA	Cabinet Asm. - Galley - w/o Doors or Hardware
**	M82439-03-U04	EA	Cabinet Asm. - Galley - w/o Doors, Drawer or Hardware
7	M81501-02-U01	EA	Door Asm. - Galley Cabinet - w/o Hardware
8	M02575-01-U04	EA	Countertop Asm. - Galley
9	M81501-03-U01	EA	Door Asm. - Galley Cabinet - w/o Hardware
10	M81533-04-U04	EA	Door Asm. - Furnace - w/o Hardware
**	082184-03-T03	EA	Drawer Asm. - w/o Hardware
.	M81502-05-U04	EA	Door Asm. - Refrigerator - Right
.	M81502-06-U04	EA	Door Asm. - Refrigerator - Left
.			Not illustrated
**			Parts for Microwave Option (not illustrated)

GALLEY GROUP (CONTINUED)

GALLEY HARDWARE & APPLIANCES

Key	Part Number	U/M	Description
**	079353-03-000	EA	Hood - Range - Powered w/Monitor - Almond - US
	079353-04-000	EA	Hood - Range - Powered w/Monitor - Almond - CSA
	075470-04-000	EA	Duct Extension - Hood Range
	079354-03-000	EA	Spacer - Hood Range
	064782-02-000	EA	Range w/Small Oven - 4 Burner - Almond - Magic Chef
	064782-02-700	EA	Top - Main - 4 Burner - Almond
	064782-02-701	EA	Deflector Plate - Black
	064782-02-702	EA	Trim - Cabinet - Right - Black
	064782-02-703	EA	Trim - Cabinet - Left - Black
	064782-02-704	EA	Trim - Lower Outside Glass - Black
	067782-02-705	EA	Handle - Oven Door - Black
	064782-02-706	EA	Vertical Trim - Black
	064782-02-707	EA	Panel - Manifold
	064782-02-708	EA	Valve - Mercury
	064782-02-709	EA	Glass - Oven Door
	064782-02-710	EA	Clip - Glass Holder
	081374-01-000	EA	Range Top - 4 Burner - Almond
	081374-01-700	EA	Trim - Cab Top - Right
	081374-01-701	EA	Trim - Cab Top - Left
	081374-01-702	EA	Panel - Manifold - Warm Black
	081374-01-703	EA	Trim - Top Rear
	081374-01-704	EA	Guard - Fabric
**	075217-01-000	EA	Refrigerator - AC/DC/Gas - Norcold 8' - 838-EG3
**	075218-01-000	EA	Refrigerator - 3 Way - 10' Norcold
	054450-01-000	EA	Level - Refrigerator
	065225-01-000	EA	Tiedown Plate - Refrigerator
	081379-01-000	EA	Microwave Oven - Convection Oven - Sharp
	081459-03-000	EA	Bracket Asm. - Microwave - Right
	081459-04-000	EA	Bracket Asm. - Microwave - Left
	081456-01-000	EA	Angle Asm. - Microwave - Right
	081456-02-000	EA	Angle Asm. - Microwave - Left
	081555-01-T03	EA	Trim Ring - Microwave
	082876-01-000	EA	Baffle - Microwave
	023111-01-000	EA	Blender - Built In
**	068615-01-000	EA	Sink - Stainless Steel - Double w/Bolts
**	011053-01-000	EA	Faucet - Swing Spout - 8" - US
**	011053-01-700	EA	Aerator - Swing Spout Faucet
	066437-01-000	EA	Strainer w/Basket - Sink
	081530-01-U01	EA	Sink Cover - Large - Almond Loom
	009049-01-000	EA	Support - Drop Leaf Table
	009059-01-000	EA	Hinge - 2" - Gold - Drop Leaf Table
	074490-01-000	EA	Spice Rack - Oak
	074491-01-000	EA	Magazine Rack - Oak
	074981-01-000	EA	Cutting Board - Maple
	058374-01-000	EA	Wastebasket - 9 3/4" x 7" x 10" - White
	059877-01-000	EA	Support - Wastebasket - Metal - Galley Mount
	083385-01-U04	EA	Cover - Wastebasket
	047744-01-000	EA	Kit - Drawer Guide - Plastic
	077409-01-000	EA	Slider - Drawer - 20.75" - Plastic
	077404-01-000	EA	Drawer - 20" x 12.70" - Plastic
	073306-01-000	EA	Slide - Drawer - Full Extension - 18" - Left
	073306-02-000	EA	Slide - Drawer - Full Extension - 18" - Right
	073306-03-000	EA	Slide - Cabinet - Full Extension - 18" - Left
	073306-04-000	EA	Slide - Cabinet - Full Extension - 18" - Right
	066435-01-000	EA	Nut Strainer
	011083-01-000	EA	Plug - 1 1/4" x 5" - w/Stopper
	M81520-01-U04	EA	Pantry Asm. - Pullout
	082129-01-000	EA	Slide Asm. - Pantry - w/Bracket
	082129-02-000	EA	Slide Asm. - Pantry - w/Bracket - Opp.
	078097-01-000	EA	Bracket - Catch - Pantry
	076098-01-000	EA	Slide Bracket - Pantry
	075451-01-000	EA	Storage Rack - Canned Goods
	075451-02-000	EA	Storage Rack Clip - White

** The illustrated parts breakdown for this item is provided on the Common Items Fiche.

1986 WINNEBAGO TABLE OF CONTENTS

WF426RT	A-01 - C-04
WCN26RH	C-05 - E-10
WCN23RG	E-11 - G-24
WCP26ET	H-01 - J-03

1986 WCN26RH INDEX

Floor Plan	C-05 - C-08
Accessories Group	C-07 - C-09
Bath Group	C-10
Chassis Group	C-11 - C-12
Curtain, Cushion & Pad Group	C-13 - C-18
Dinette Group	C-19 - C-20
Driver's Compartment Group	C-21 - C-23
Electrical Group	C-24 - D-02
Exterior Body Group	D-03 - D-08
Galley Group	D-09 - D-10
Heating & Air Conditioning Group	D-11 - D-12
Interior Finish Group	D-13 - D-15
I.P. Group	D-16
Lounge Group	D-17 - D-18
Water & Sewage Group	D-19 - D-20
Window, Vent & Exterior Door Group	D-21 - E-10

HEATING & AIR CONDITIONING GROUP

FURNACE & ROOF AIR CONDITIONER

Key	Part Number	U/M	Description
	078182-01-000	EA	Furnace - 20,000 BTU - w/Electric Ignition
	078182-01-700	EA	Casing
	078182-01-701	EA	Sight - Glass - Small
	078182-01-702	EA	Sight - Glass - Retainer - Small
	078182-01-703	EA	Sight - Glass - Large
	078182-01-704	EA	Sight - Glass - Gasket
	078182-01-705	EA	Burner Box Liner
	078182-01-706	EA	Liner Cover
	078182-01-707	EA	Heat Chamber Collar
	078182-01-708	EA	Heat Chamber
	078182-01-709	EA	Air Adjustment Bracket
	078182-01-710	EA	Ignitor Asm.
	078182-01-711	EA	Pilot Orifice
	078182-01-712	EA	Gasket Set - Heat Chamber
	078182-01-713	EA	Flue Box
	078182-01-714	EA	Plug Bottom
	078182-01-715	EA	Control Access Box
	078182-01-716	EA	Motor - 90020 - w/Gasket Set
	078182-01-717	EA	Motor - 90030 - w/Gasket Set
	078182-01-718	EA	Gasket Set
	078182-01-719	EA	Blower Wheel
	078182-01-720	EA	Air Prover Switch
	078182-01-721	EA	Grommet - Motor Mounting
	078182-01-722	EA	Blower wheel - Comb Air
	078182-01-723	EA	Burner Head
	078182-01-724	EA	Burner Head Gasket
	078182-01-725	EA	Burner Mounting Flange
	078182-01-726	EA	Pre-Mix Chamber
	078182-01-727	EA	Gasket - Burner Pipe
	078182-01-728	EA	Air Shutter Disc
	078182-01-729	EA	Air Shutter Rod
	078182-01-730	EA	Gas Control - Dual Operator
	078182-01-731	EA	Burner Pipe
	078182-01-732	EA	Main Orifice - 90020
	078182-01-733	EA	Main Orifice - 90030
	078182-01-734	EA	Auto Limit Switch 1906 - 90020
	078182-01-735	EA	Auto Limit Switch 2100 - 90030
	078182-01-736	EA	Shutoff Valve
	078182-01-737	EA	Blower Relay - Time Delay
	078182-01-738	EA	Ignition Module Board
	078182-01-739	EA	Vent Assembly - Complete
	078182-01-740	EA	Thermostat
	078182-01-741	EA	Limit Switch
	078182-03-000	EA	Furnace - 30,000 BTU - w/Electric Ignition
	078182-03-700	EA	Ignition Kit - 3 Stage (901 Series)
	078182-03-701	EA	Motor - 30,000 BTU (901 Series)
	009198-01-000	EA	Duct - Flexible - 4" I.D. x 25'
	056464-02-000	EA	Register - 4" Dia - Plastic - w/o Damper
	009200-01-000	EA	Tape - Furnace - 1 1/2"
	023146-01-000	EA	Clamp - Screw Type - 4"
**	073743-01-000	EA	Shroud Asm. - Ceiling - Inside - Roof Air 13,500 BTU - Cool Only
**	073744-01-000	EA	Shroud Asm. - Ceiling - Inside - Roof Air 13,500 BTU - Heat & Cool
**	073742-01-000	EA	Air Conditioner - 110 Volt - Roof Mount - 13,500 BTU Rotary
**	The illustrated parts breakdown for this item is provided on the Common Items Fiche.		

HEATING & AIR CONDITIONING GROUP (CONTINUED)

AUTOMOTIVE HEATER & AIR CONDITIONER

Key	Part Number	U/M	Description
	072341-04-000	EA	Heater Evaporator - w/o Duct Control
	072341-07-000	EA	Heater Evaporator - w/o Duct Control
	072341-04-700	EA	Vacuum Motor - Front
	072341-04-701	EA	Vacuum Motor - Rear
	072341-04-702	EA	Relay
	072341-04-703	EA	Evaporator Coil
	072341-04-704	EA	Liquid Hose - #8
	072341-04-705	EA	Suction Hose - #10
	072341-04-706	EA	Blower Motor
	072341-04-707	EA	Blower Wheel
	072341-08-000	EA	Duct & Control Kit
	072342-03-000	EA	Condensor Asm.
	073242-02-700	EA	Receiver Drier - Condenser Asm.
	072343-04-000	EA	Compressor/Clutch
	072344-02-000	EA	Package - Compressor Mount
	039044-01-000	EA	Louver Asm. - A/C Adjustable
	007076-01-700	FT	Hose - Flexible PVC - 2" I.D.
	007281-01-700	FT	Hose - Flexible PVC - 2 1/2" I.D.
	007108-01-000	FT	Hose - Heater - 5/8" I.D. SAE 20R3
	062401-04-000	EA	Clamp - Worm Drive - .69" - 1.25" I.D.
	010227-01-000	EA	Tee - Plastic - Barb 5/8" or 3/4" Hose
	072341-03-000	EA	Core - Evaporator

AUXILIARY HEATER ASSEMBLY

Key	Part Number	U/M	Description
	049401-01-000	EA	Heater Asm. - Rear - Auxiliary
	049401-01-700	EA	Valve - Heater Control
	049401-01-701	EA	Control Cable
	049401-01-702	EA	Motor Asm.
	049401-01-703	EA	Heater Core
	049401-01-704	EA	Switch
	049401-01-705	EA	Valve - 3 Port - 2 Way
	049401-01-706	EA	Knob - Heater
	049401-01-708	EA	Wire Asm.
	049401-01-709	EA	Wire Asm.
	049401-01-710	EA	Wire Asm.
	049401-01-711	EA	Knob - Switch
	058906-01-000	EA	Control Panel - Brown
	058893-01-000	EA	Bracket - Side Mount - Motor Aid
	076312-01-000	EA	Mesh - Grille - 7.38" x 6.75" - Gold Aluminum

1986 WINNEBAGO TABLE OF CONTENTS

WF426RT	A-01 - C-04
WCN26RH	C-05 - E-10
WCN23RG	E-11 - G-24
WCP26ET	H-01 - J-03

1986 WCN26RH INDEX

Floor Plan	C-05 - C-06
Accessories Group	C-07 - C-08
Bath Group	C-10
Chassis Group	C-11 - C-12
Curtain, Cushion & Pad Group	C-13 - C-18
Dinette Group	C-19 - C-20
Driver's Compartment Group	C-21 - C-23
Electrical Group	C-24 - D-02
Exterior Body Group	D-03 - D-08
Galley Group	D-09 - D-10
Heating & Air Conditioning Group	D-11 - D-12
Interior Finish Group	D-13 - D-15
LP Group	D-16
Lounge Group	D-17 - D-18
Water & Sewage Group	D-19 - D-20
Window, Vent & Exterior Door Group	D-21 - E-10

INTERIOR FINISH GROUP

INTERIOR MOLDING & TRIM

Key	Part Number	U/M	Description
	009812-15-000	EA	Molding - Plastic - Outside Corner - 1/2"
	042357-09-000	FT	Molding - Radius Corner - 7' Elm
	022992-01-000	FT	Molding - Reverse Cove - White
	022992-09-000	FT	Molding - Reverse Cove - Grady Brown
	069733-37-000	EA	Batt Strip - Sunset Oak - 8' (Lounge)
	069733-42-000	EA	Batt Strip - Scrimshaw Sand - 8' (Wall)
	069733-57-000	EA	Batt Strip - Encore - 8" (Bedroom)
	069733-62-000	EA	Batt Strip - Pebble Beach - 8' (Ceiling)
	069733-61-000	EA	Batt Strip - Threads - 8' (Galley)
	070504-01-000	FT	U-Channel - .065" - Light Brown
	070504-02-000	FT	U-Channel - .815" - Light Brown
	070504-03-000	FT	U-Channel - .815" - Grady Brown
	009778-04-000	FT	U-Channel - 1" - Grady Brown
	009815-03-000	FT	T-Molding - .75" - Light Brown
	009815-04-000	FT	T-Molding - .75" - Grady Brown
	075249-01-000	EA	Rail Asm. - Plain - 72"
	075250-01-000	EA	Corner Post - 1" x 1" x 2 1/2" - Oak
	078026-21-T03	EA	Trim - Valance - 82"
	002774-02-001	EA	Trim - Carpet - 192"
	009767-06-000	FT	Wetting - Beige
	009767-07-000	FT	Wetting - Grady Brown
	074045-01-000	EA	Plug - 1/2" Dia. - Oak
	041746-01-000	FT	Vinyl - Extr. - Bubble Seal

This part was used on units produced before 5/5/86.

CABINETS & TABLE HARDWARE

Key	Part Number	U/M	Description
	053200-05-000	EA	Bracket - Upper Wall Mount - 23.5" - Beige
	024281-07-000	EA	Bracket - Lower Wall Mount - 22.12" - Beige
	024276-14-000	EA	Leg Asm. - Table - 26.5" - Brown
	064050-01-000	EA	Hinge - Table Leg
	024282-01-000	EA	Brace - Table Leg
	049493-02-000	EA	Catch - Table Leg - Mounts on Floor - Brown
	009112-01-000	EA	Flange - 1" - Chrome - Closet Rod
	077409-01-000	EA	Slide - Drawer - Plastic - 20.75"
	009049-01-000	EA	Table Support - Drop Leaf
	009059-01-000	EA	Hinge - 2" - Drop Leaf Table - Gold
	078312-01-000	EA	Mesh - Grille - 13.80" x 8.80" - Gold Aluminum
	009021-01-000	EA	Catch - Nylon - Furnace Door
	009021-02-000	EA	Strike - Nylon Catch - Furnace Door
	074493-02-000	EA	Support - Sprung - Door
	066433-01-000	EA	Hook - Cup - Bright
	058034-02-000	EA	Latch - Door w/o Lock - Sliding Door
	075680-01-000	EA	Clothes Rod - Adjustable - 27" x 36"
	064467-01-000	EA	Guide - Wall Mount - Door Pocket
	078212-01-000	EA	Pull - Brass w/Dark Oak - Cabinet
	045586-02-000	EA	Spindle - Wood - 1.75" x 24" - Plain
	059777-01-000	EA	Hinge - Brass
	009016-01-000	EA	Catch - Elbow - Spring Loaded
	077461-01-000	EA	Cover - Strike
	061604-01-000	EA	Slide Bolt - Antique Brass
	078212-01-000	EA	Pull Cabinet - Brass/Dark Oak
	080728-01-000	EA	Handle - Brown Plastic - Table
	079921-01-000	EA	Roller - Nylon w/Shaft

INTERIOR FINISH GROUP (CONTINUED)

PANELING & COUNTERTOP MATERIAL

Key	Part Number	U/M	Description
	074497-03-000	SF	Paneling - Decor - Sunset Oak - 48" x 84" (28 SF) (Cabinets & Wall)
	074497-04-000	SF	Paneling - Decor - Scrimshaw Sand - 48" x 84" (Wall)
	074496-31-000	SF	Paneling - Decor - Encore - 48" x 84" (28 SF) (Bedroom & Bath)
	074496-36-000	SF	Paneling - Decor - Paw Paw - Plum - 48" x 84" (28 SF) (Galley) (U01, U02)
	074496-39-000	SF	Paneling - Decor - Paw Paw - Pine - 48" x 84" (28 SF) (Galley) (U03)
	074497-07-000	SF	Paneling - Pebble Beach - 48" x 96" (32 SF) (Ceiling)
	074498-05-000	SF	Plastic Laminate - Sunset Oak - 48" x 96" (32 SF) (Nightstand)
	074498-05-019	EA	Plastic Laminate - Sunset Oak - 1.19" x 96"
	078325-04-000	FT	Molding - Edge Band - Sunset Oak - 1 5/16" x .030"
	074498-08-000	SF	Plastic Laminate - Fawn - 48" x 96" (32 SF) (Dinette Table) (U01, U02)
	074498-08-019	EA	Plastic Laminate - Fawn - 1.19" x 96"
	076325-08-000	FT	Molding - Edge Band - Fawn - 1 5/16" x .030"
	074498-14-000	SF	Plastic Laminate - Sage Green - 48" x 96" (32 SF) (Dinette Table) (U03)
	074498-14-019	EA	Plastic Laminate - Sage Green - 1.19" x 96"
	078325-10-000	FT	Molding - Edge Band - Sage Green - 1 5/16" x .030"
	074498-06-000	SF	Plastic Laminate - Beige Crescent - 48" x 96" (32 SF) (Galley)
	074498-06-019	EA	Plastic Laminate - Beige Crescent - 1.19" x 96"
	076325-04-000	EA	Molding - Edge Band - Beige Crescent - 1 5/16" x .030"

This part was used on units produced before 5/5/86.

FABRICS & CARPET

Key	Part Number	U/M	Description
	072333-25-000	YD	Fabric - Drapery - Toast (U01)
	072333-26-000	YD	Fabric - Drapery - Mauve (U02)
	072333-27-000	YD	Fabric - Drapery - Teal (U03)
	077498-62-000	YD	Fabric w/Pattern - Main - Truffle (U01)
	077498-63-000	YD	Fabric w/Pattern - Main - Rosewood (U02)
	077498-64-000	YD	Fabric w/Pattern - Main - Spruce (U03)
	077498-75-000	YD	Fabric w/Pattern - Accent - Primrose (U02)
	077498-74-000	YD	Fabric w/Pattern - Accent - Sagebrush (U03)
	077498-73-000	YD	Fabric - Upholstery Accent - Plain - Truffle (U01, U03)
	077498-72-000	YD	Fabric - Upholstery Accent - Plain - Rosewood (U02)
	038421-01-000	YD	Fabric - Mattress Ticking
	029012-01-000	BF	Foam - Rolled - 3/8"
	079680-01-000	YD	Vinyl - Expanded - 26 oz. - Buckskin
	079680-02-000	YD	Vinyl - Expanded - 26 oz. - Dark Sandrift
	072860-43-000	YD	Carpet - Beige (U01)
	072860-44-000	YD	Carpet - Red/Brown (U02)
	072860-45-000	YD	Carpet - Green/Blue (U03)

**1986 WINNEBAGO
TABLE OF CONTENTS**

WF426RT	A-01 - C-04
WCN26RH	C-05 - E-10
WCN23RG	E-11 - G-24
WCP26ET	H-01 - J-03

1986 WCN26RH INDEX

Floor Plan	C-05 - C-06
Accessories Group	C-07 - C-09
Bath Group	C-10
Chassis Group	C-11 - C-12
Curtain, Cushion & Pad Group	C-13 - C-15
Dinette Group	C-19 - C-20
Driver's Compartment Group	C-21 - C-23
Electrical Group	C-24 - D-02
Exterior Body Group	D-03 - D-08
Galley Group	D-09 - D-10
Heating & Air Conditioning Group	D-11 - D-12
Interior Finish Group	D-13 - D-15
LP Group	D-16
Lounge Group	D-17 - D-18
Water & Sewage Group	D-19 - D-20
Window, Vent & Exterior Door Group	D-21 - E-10

INTERIOR FINISH GROUP (CONTINUED)

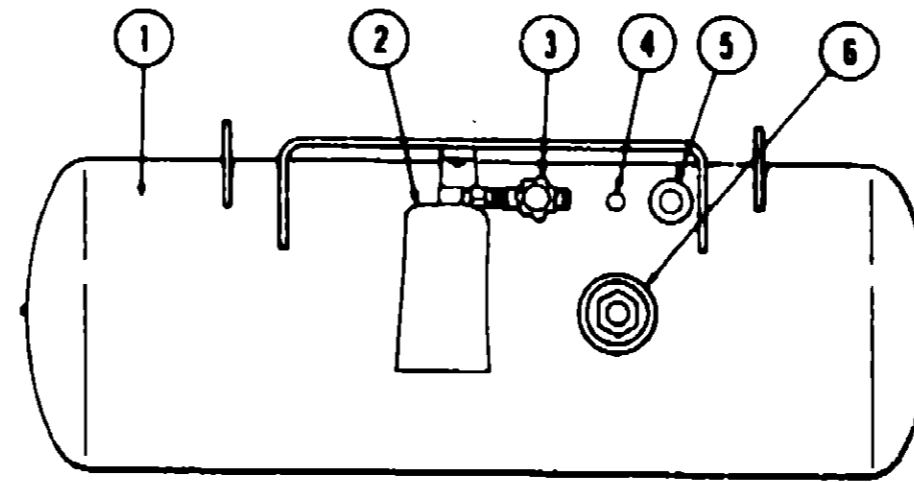
MISCELLANEOUS PARTS

Key	Part Number	U/M	Description
	053552-02-T03	EA	Handle Asm. - Interior Assist - Medium Almond Vinyl
	041844-03-000	EA	Fire Extinguisher - w/Bracket
	054185-24-000	EA	Owner's Manual - 1986 Itasca & Winnebago
	007038-01-000	EA	Door Mat - 10 1/2" x 28" - Black Rubber
	075907-02-000	EA	Picture - Decor - Assorted Grasses
	081075-01-000	EA	Floor Mat - Entrance - Winnebago
	081201-01-000	EA	Floor Mat - Front - Left - Winnebago
	081202-01-000	EA	Floor Mat - Front - Right - Winnebago
	075907-02-000	EA	Picture - Decor - Assorted Grasses

CURTAIN & CUSHION HARDWARE

Key	Part Number	U/M	Description
	082139-01-000	EA	Bracket - Hold Down - Blinds
	056003-02-000	EA	Bracket - Drapery Retainer - Left
	056003-01-000	EA	Bracket - Drapery Retainer - Right
	056001-01-000	EA	Bracket - Shade - Left
	056002-01-000	EA	Bracket - Shade - Right
	076827-01-000	EA	Bracket - Curtain - Woven Wood - Right
	076827-02-000	EA	Bracket - Curtain - Woven Wood - Left
	079798-03-000	EA	Bracket Asm. - Curtain Rod - Right
	079798-04-000	EA	Bracket Asm. - Curtain Rod - Left
	082249-01-000	EA	Bracket - Blinds - Beige - Right
	082249-02-000	EA	Bracket - Blinds - Beige - Left
	079819-01-000	EA	Bracket - Tie Back
	009107-01-000	EA	Guide - Nylon Snap - Curtain
	056784-01-000	EA	Pull - Window Shade - Antique Brass
	056115-01-000	YD	Tape - Clear Plastic - w/Guide
	048394-01-000	YD	Tape - Hook - 1" x 25 YD - Beige
	029096-05-000	YD	Tape Hook - .50" - Velcro - Beige
	048395-01-000	YD	Tape Loop - 1" x 25 YD - Beige
	029090-01-000	FT	Tie - Drapery - Clear Vinyl
	056116-01-000	FT	Track - Curtain - Brown Plastic
	079446-01-000	EA	Track - Curtain - Wraparound - Right
	079446-02-000	EA	Track - Curtain - Wraparound - Left

LP GROUP



Key	Part Number	U/M	Description
1	074142-01-000	EA	Tank Asm. - LP - Frame Mount - 80 Pound - 13" x 44"
1	080450-01-000	EA	Tank Asm. - LP - 42 Pound - 13" x 24"
*	065741-01-000	EA	Detector - LP Gas Leak - Marshalltown Instruments
2	076277-01-000	EA	Cover - LP Regulator - Front (Dual)
*	076278-01-000	EA	Cover - LP Regulator - Back (Dual)
*	076301-01-000	EA	Regulator - Two Stage - US (Dual)
*	076301-02-000	EA	Regulator - Two Stage - CSA (Dual)
3	040421-01-703	EA	Valve - Vapor Relief
4	040421-01-700	EA	Gauge - Liquid Level - 20% LP
5	040421-01-701	EA	Valve - Filler - LP
*	040421-01-702	EA	Cap - Plastic Fill Valve
6	040421-01-707	EA	Gauge - Float - w/Visible Dial
*	040421-01-706	EA	Dial - Visible Face - Float Gauge (Tank w/o Electric Transmitter)
*	040440-01-000	EA	Dial - Transmitter - 0 - 90 Ohm (Float Gauge)
*	045703-01-000	EA	Hose Asm. - LP - 3/8" I.D. x 24" - US
*	045703-02-000	EA	Hose Asm. - LP - 3/8" I.D. x 24" - CSA
*	045703-03-000	EA	Hose Asm. - LP - 3/8" I.D. x 18" - US
*	045703-04-000	EA	Hose Asm. - LP - 3/8" I.D. x 14" - CSA
*	065742-01-000	EA	Tee - 3/8 F x 3/8 F x 25 FPT
*			Not illustrated

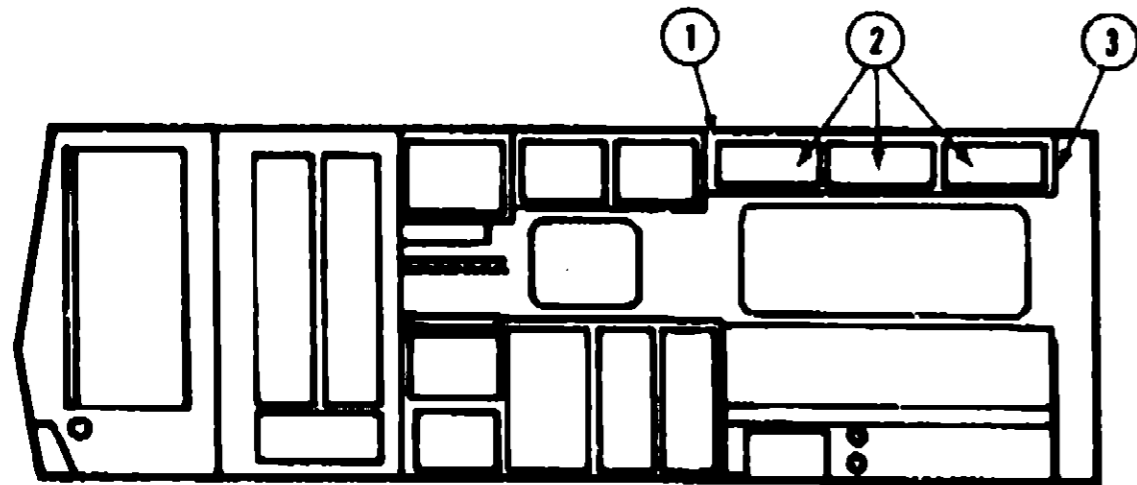
1986 WINNEBAGO TABLE OF CONTENTS

WF426RT	A-01 - C-04
WCN26RH	C-05 - E-10
WCN23RG	E-11 - G-24
WCP26ET	H-01 - J-03

1986 WCN26RH INDEX

Floor Plan	C-05 - C-06
Accessories Group	C-07 - C-09
Bath Group	C-10
Chassis Group	C-11 - C-12
Curtain, Cushion & Pad Group	C-13 - C-18
Dinette Group	C-19 - C-20
Driver's Compartment Group	C-21 - C-23
Electrical Group	C-24 - D-02
Exterior Body Group	D-03 - D-08
Galley Group	D-09 - D-10
Heating & Air Conditioning Group	D-11 - D-12
Interior Finish Group	D-13 - D-15
LP Group	D-16
Lounge Group	D-17 - D-18
Water & Sewage Group	D-19 - D-20
Window, Vent & Exterior Door Group	D-21 - E-10

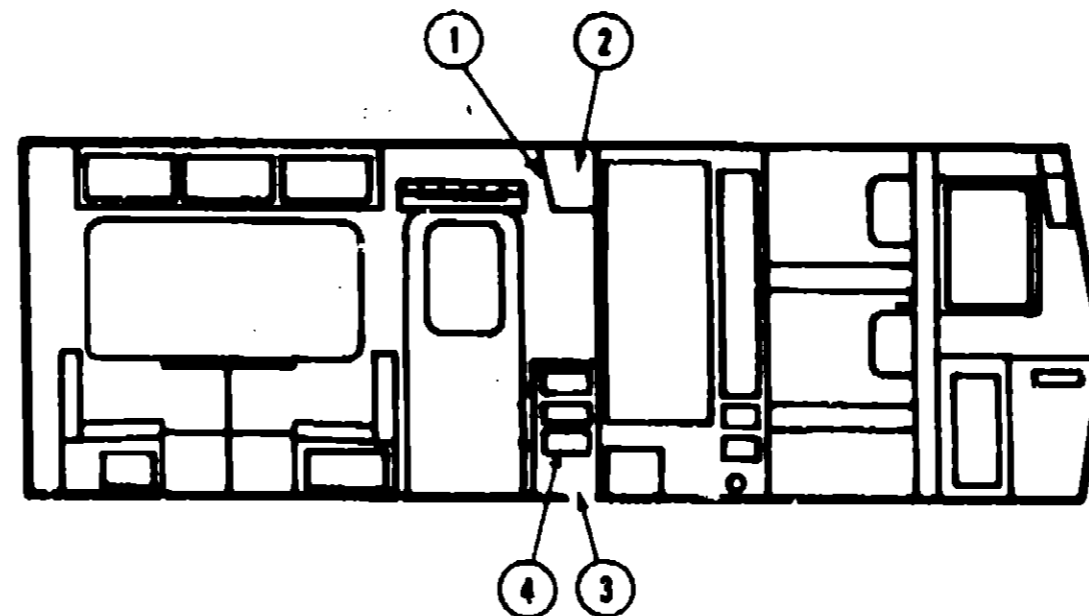
LOUNGE GROUP



FRONT LOUNGE & OVERHEAD CABINERY

Key	Part Number	U/M	Description
1	081302-01-U04	EA	Cabinet Asm. - Lounge Overhead - w/o Doors or Hardware
2	M81503-01-T03	EA	Door Asm. - Lounge Overhead - w/o Hardware
3	081325-01-T03	EA	Pad Asm. - End Cap - Vinyl
.	081298-02-T03	EA	Table Asm. - Pedestal - w/o Hardware
.	009040-02-000	EA	Leg - Pedestal Table - 27.5" x 2.25" O.D.
.	009040-03-000	EA	Base - Table - Mounts on Table
.	041194-01-000	EA	Base - Table - Mounts in Floor
.	082046-01-000	EA	Clip - Pedestal Leg
.	Not illustrated		

LOUNGE GROUP (CONTINUED)



NIGHTSTAND & OVERHEAD CABINERY

Key	Part Number	U/M	Description
1	M81503-07-U04	EA	Door Asm. - Nightstand Overhead - w/o Hardware
.	082431-01-U04	EA	Cabinet Asm. - Nightstand Overhead - w/o Doors or Hardware
2	081280-05-U04	EA	Pad Asm. - End Cap - Vinyl
3	M82430-01-U04	EA	Cabinet Asm. - Nightstand - w/o Drawers, Countertop or Hardware
.	M02560-01-U04	EA	Countertop Asm. - Nightstand
4	M78921-05-U04	EA	Drawer Asm. - Nightstand Cabinet
.	074481-01-000	EA	Magazine Rack - Oak
.	Not illustrated		

1988 WINNEBAGO TABLE OF CONTENTS

WF426RT
WCN26RH
WCN23RG
WCP26ET

A-01 - C-04
C-05 - E-10
E-11 - G-24
H-01 - J-03

1988 WCN26RH INDEX

Floor Plan	C-05 - C-06
Accessories Group	C-07 - C-09
Bath Group	C-10
Chassis Group	C-11 - C-12
Curtain, Cushion & Pad Group	C-13 - C-18
Dinette Group	C-19 - C-20
Driver's Compartment Group	C-21 - C-23
Electrical Group	C-24 - D-02
Exterior Body Group	D-03 - D-06
Galley Group	D-09 - D-10
Heating & Air Conditioning Group	D-11 - D-12
Interior Finish Group	D-13 - D-15
LP Group	D-16
Lounge Group	D-17 - D-18
Water & Sewage Group	D-19 - D-20
Window, Vent & Exterior Door Group	D-21 - E-10

WATER & SEWAGE GROUP

PLUMBING & REPAIR PARTS

Key	Part Number	U/M	Description
	033302-02-000	EA	Adapter Asm. - SWVC Strain - 1 1/2"
	010326-01-000	EA	Adapter - Flare - w/Cone Gasket
	062422-01-000	EA	Adapter - Hose Offset - Reducer - 3" x 1 1/2"
	052954-01-000	EA	Adapter - Hose Cone - 3/8 or 1/2 - Plastic
	010224-01-000	EA	Adapter - Plastic - 3/8 MPT x 3/8 Barb
	044627-01-000	EA	Adapter - Plastic - 1 1/4" MPT x 1 1/4 Barb
	031602-02-000	EA	Adapter - Plastic - 1 1/2 H x FPT
	011048-04-000	EA	Breaker - Vacuum - 1/8 MPT - Nylon
**	010121-01-000	EA	Bushing - Plastic - 1 1/2 S x 1 1/4 H
	010122-01-000	EA	Bushing - Plastic - 1 1/2 S x 1 1/4 T
	010123-01-000	EA	Bushing - Plastic - 2S x 1 1/2 H
	036522-02-000	EA	Cap - Brass - 1/2 Flare
	075730-01-000	EA	Cap - Sewer - 3"
	052959-02-000	EA	Connector - 1/2 F x 1/2 MPT - Plastic
	052959-03-000	EA	Connector - 1/2 F x 3/8 MPT - Plastic
	011091-02-000	EA	Continuous Waste - Double Sink - 11 "10" - US
	053874-01-000	EA	Continuous Waste Asm. - Double Sink - CSA
	078406-01-000	EA	Coupler Rubber - 3" x 3"
	052980-01-000	EA	Drain Valve - 1/2 F x 1/2 F - Plastic
	010000-01-000	EA	Elbow - Plastic - 1/8 BD x 1 1/4 x 45° H x H
	010006-01-000	EA	Elbow - Plastic - 1/16 BD x 1 1/2
	010008-01-000	EA	Elbow - Plastic - 1/8 BD x 1 1/2 x 45° H x H
	010008-01-000	EA	Elbow - Plastic - 1/4 BD x 1 1/2 x 90° Left
	010051-01-000	EA	Elbow - ST - Plastic - 1/8 BD x 1 1/2 x 45°
	010219-01-000	EA	Elbow - 1 1/4 Barb x 1 1/4 MPT x 90°
	031111-01-000	EA	Elbow - Plastic - 1/4 BD x 1 1/4 x 90° Left
	034250-01-000	EA	Elbow - Plastic - 1/4 BD x 1 1/2 x 90° x H x H
	035539-01-000	EA	Elbow - Plastic - 3/8 MPT x 3/8 Barb
	052957-01-000	EA	Elbow - Plastic - 1/2 F x 3/8 MPT
	052957-02-000	EA	Elbow - Plastic - 1/2 F x 1/2 MPT (In Tank Fitter)
	065120-01-000	EA	Elbow - Plastic - Swivel - .50
	070924-01-000	EA	Elbow - Plastic - Swivel - 1/2 MPT x 1/2 FP
	075726-01-000	EA	Extension Outlet - Sewer Hose
	077954-01-000	EA	Filter/Screen (In Water Tank)
	010147-01-000	EA	Flange - Closet - 4" F x 3" FPT - US
	010147-02-000	EA	Flange - Closet - 4" F x 3" FPT - CSA
	079381-01-000	FT	Flexible Tubing - 1 1/4 I.D. x 10'
	061607-01-000	EA	Grommet - Holding Tank Coupler - 1 1/2"
	061607-02-000	EA	Grommet - Holding Tank Coupler - 3"
	052961-01-000	EA	Header - 1/2 F x 1/2 F x 1/2 F x 1/2 F
	052953-01-000	EA	Nut - Faucet - 1/2 Tube x 1/2 FPT
	052952-01-000	EA	Nut - 1/2 F - Plastic
**	011066-03-000	EA	P-Trap - 1 1/4" Plastic - US
**	011066-02-000	EA	P-Trap - 1 1/4" Plastic - CSA
	053335-01-000	EA	P-Trap - Plastic - 1 1/4 H x H - w/Union - CSA
	010197-01-000	EA	Pipe - Plastic - 3" x 240" - Black
	045729-01-000	EA	Pump - Water - 2.8 G.P.M. - Direct Drive - Shurflo - US
	045729-02-000	EA	Pump - Water - 2.8 G.P.M. - Direct Drive - Shurflo - CSA
**	010201-01-000	EA	Sewer Hose - 3" x 8' w/Clamp
	042989-02-000	EA	Spinweld Fittings - Plastic - 1/2 FPT (In Tank Fitter)
	042989-03-000	EA	Spinweld Fittings - Plastic - 1/4 NPT
	042989-04-000	EA	Spinweld Fittings - Plastic - 3/8 FPT
	011069-02-000	EA	Tailpiece - 1 1/2" x 1 1/4" x 4" - Brass
**	011069-03-000	EA	Tailpiece - 1 1/2" x 1 3/4" - Plastic

** The illustrated parts breakdown for this item is provided on the Common Items Fiche

WATER & SEWAGE GROUP (CONTINUED)

PLUMBING & REPAIR PARTS (CONT.)

Key	Part Number	U/M	Description
	010071-01-000	EA	Tee - Plastic - 1 1/2 x H x H x H
	010072-01-000	EA	Tee - Plastic - 1 1/2 H x 1 1/4 H x 1 1/2 H
**	010079-01-000	EA	Tee - Plastic 1 1/2 H x 1 1/2 H x 1 1/4 H
	052955-01-000	EA	Tee - Plastic - 1/2 F x 1/2 F x 1/2 MPT
	052956-01-000	EA	Tee - Plastic - 1/2 F x 1/2 MPT x 1/2 F
	052958-01-000	EA	Tee - Plastic - 1/2 F x 1/2 F x 1/2 F
	039800-01-000	FT	Tubing - Polybutyl - 1/2 O.D. (Water Line)
	079381-01-000	FT	Tubing - Flexible - Smooth - 1.25 I.D.
	074462-02-000	FT	Tubing - Vinyl - 3/8 I.D.
	072346-01-000	EA	Valve Asm. - 3" Ell - w/2" Socket
	062421-01-000	EA	Valve - 1 1/2" - w/Handle
	052980-01-000	EA	Valve - Line Drain - 1/2 F x 1/2 F
	010073-01-000	EA	Wye - Plastic - 1 1/2 x 45 H x H

** The illustrated parts breakdown for this item is provided on the Common Items Fiche.

HOLDING TANKS & WATER HEATERS

Key	Part Number	U/M	Description
	075186-04-000	EA	Tank Asm. - Water - 45 Gallon - w/Fittings
	075186-01-000	EA	Tank Asm. - Water - 45 Gallon - w/o Fittings
	061805-01-000	EA	Tank - Holding - 40 Gallon - w/o Fittings - Waste Water
	074175-01-000	EA	Tank Asm. - Holding - 44 Gallon - w/o Fittings - Sewage
**	051391-01-000	EA	Water Heater - w/o Motor Aid - Atwood - G6A-3
**	051391-03-000	EA	Water Heater - w/Motor Aid - Atwood - G6A-3E
**	051393-01-000	EA	Water Heater - w/Motor Aid - Direct Ignition - Atwood - GH6-3E

** The illustrated parts breakdown for this item is provided on the Common Items Fiche.

1986 WINNEBAGO TABLE OF CONTENTS

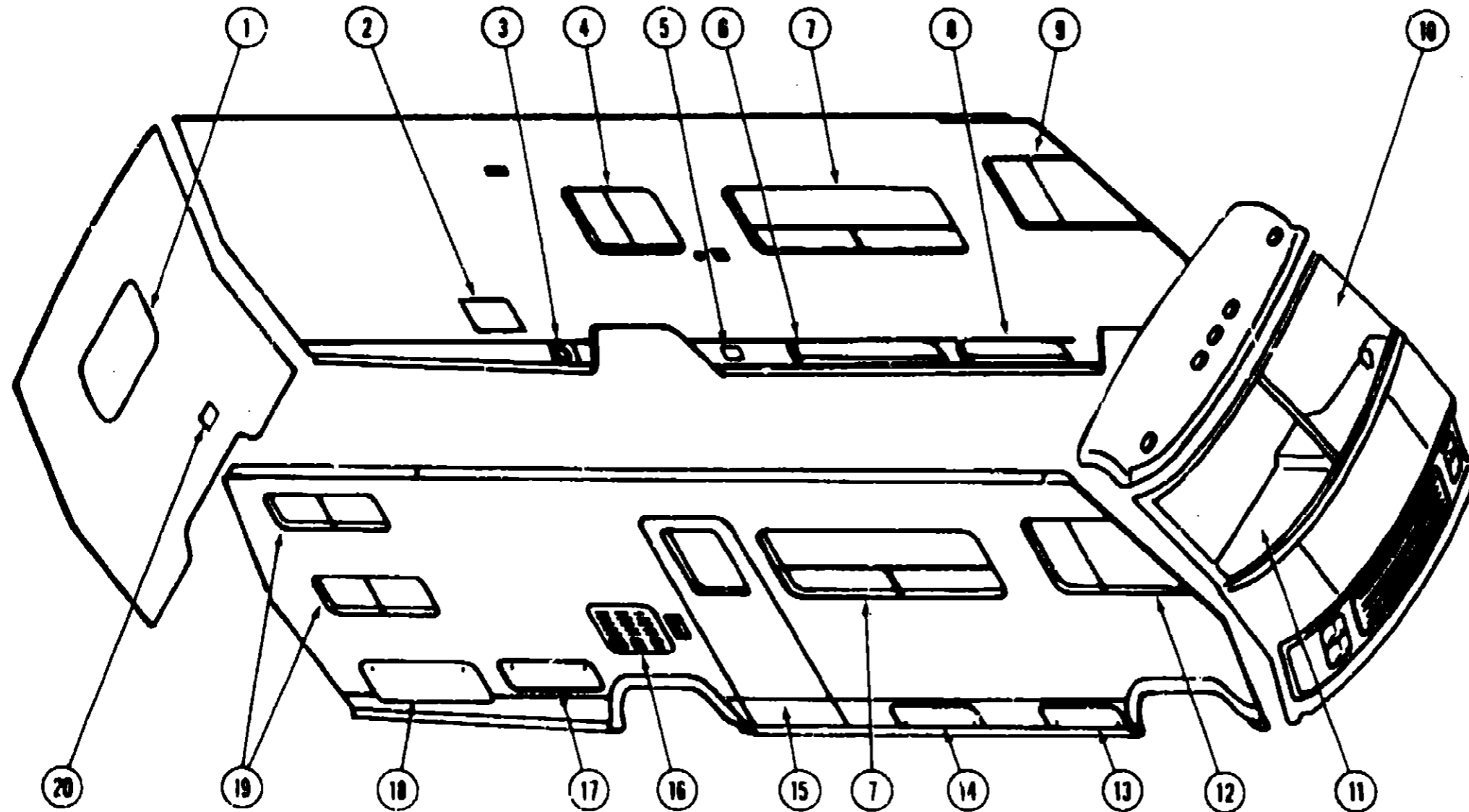
WF426RT	A-01 - C-04
WCN26RH	C-05 - E-10
WCN23RG	E-11 - G-24
WCP26ET	H-01 - J-03

1986 WCN26RH INDEX

Floor Plan	C-05 - C-06
Accessories Group	C-07 - C-09
Bath Group	C-10
Chassis Group	C-11 - C-12
Curtain, Cushion & Pad Group	C-13 - C-18
Dinette Group	C-19 - C-20
Driver's Compartment Group	C-21 - C-23
Electrical Group	C-24 - D-02
Exterior Body Group	D-03 - D-06
Galley Group	D-09 - D-10
Heating & Air Conditioning Group	D-11 - D-12
Interior Finish Group	D-13 - D-15
LP Group	D-16
Lounge Group	D-17 - D-18
Water & Sewage Group	D-19 - D-20
Window, Vent & Exterior Door Group	D-21 - E-10

WINDOW, VENT & EXTERIOR DOOR GROUP

WINDOWS & ACCESS DOORS



1986 WINNEBAGO TABLE OF CONTENTS

WF426RT
WCN26RH
WCN23RG
WCP26ET

A-01 - C-04
C-05 - E-10
E-11 - G-24
H-01 - J-03

1986 WCN26RH INDEX

Floor Plan	C-05 - C-06
Accessories Group	C-07 - C-09
Bath Group	C-10
Chassis Group	C-11 - C-12
Curtain, Cushion & Pad Group	C-13 - C-16
Dinette Group	C-19 - C-20
Driver's Compartment Group	C-21 - C-23
Electrical Group	C-24 - D-02
Exterior Body Group	D-03 - D-08
Galley Group	D-09 - D-10
Heating & Air Conditioning Group	D-11 - D-12
Interior Finish Group	D-13 - D-15
LP Group	D-16
Lounge Group	D-17 - D-18
Water & Sewage Group	D-19 - D-20
Window, Vent & Exterior Door Group	D-21 - E-10

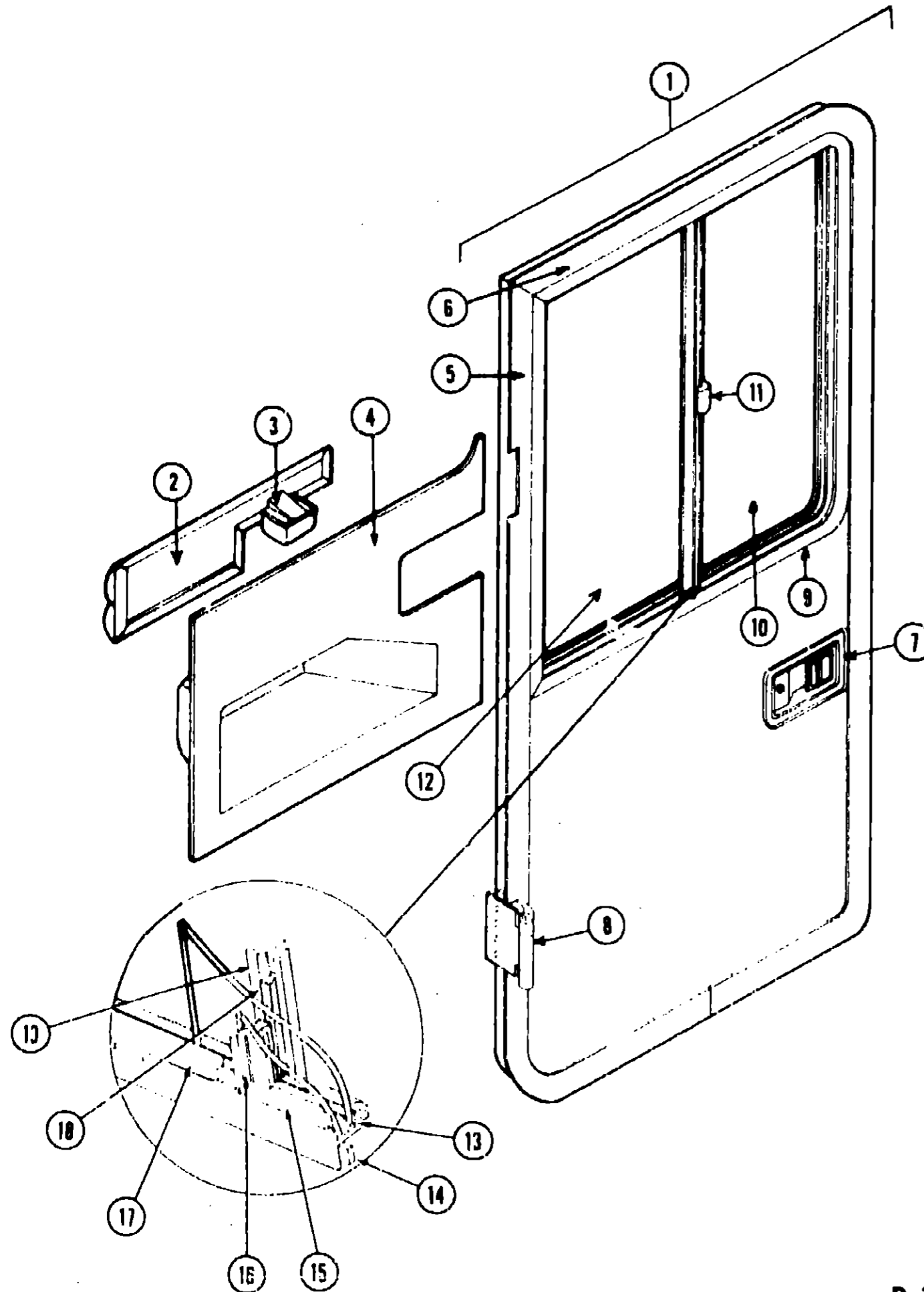
Key	Part Number	U/M	Description
1	079415-01-T03	EA	Window Asm. - Escape
2	052009-02-000	EA	Door Asm. - Water Heater
3	052423-02-000	EA	Door Asm. - Sewer Hose
4	078266-03-T03	EA	Window Asm. - Single Slider
5	063742-02-000	EA	Door Asm. - Power Cord
6	079435-03-T03	EA	Door Asm. - Luggage
6	M79321-01-T03	EA	Door Asm. - Generator
7	081566-02-U01	EA	Window Asm. - Double Tipout
8	079436-02-T03	EA	Door Asm. - Spare Tire Compartment
9	082057-02-U04	EA	Window Asm. - Slant Slider
10	077675-02-000	EA	Glass - Windshield - Left

Key	Part Number	U/M	Description
11	077675-01-000	EA	Glass - Windshield - Right
12	082057-01-U04	EA	Window Asm. - Slant Slider
13	079436-01-T03	EA	Door Asm. - Access (Battery)
14	079436-03-T03	EA	Door Asm. - Access
15	M01870-01-T03	EA	Door Asm. - Entrance
16	078969-03-T03	EA	Door Asm. - Refrigerator Access
17	079578-01-T03	EA	Door Asm. - Storage
18	079578-02-T03	EA	Door Asm. - Luggage
18	M01883-01-T03	EA	Door Asm. - Generator
19	078266-01-T03	EA	Window Asm. - Single Slider
20	078010-06-000	EA	Door Asm. - Fuel Fill

WINDOW, VENT & EXTERIOR DOOR GROUP (CONTINUED)

DRIVER & PASSENGER CAB DOORS

1986 WINNEBAGO TABLE OF CONTENTS



Key	Part Number	U/M	Description
1	079824-01-T03	EA	Door Asm. - Driver - Beige
1	079824-02-T03	EA	Door Asm. - Passenger - Beige
2	064088-03-000	EA	Pad Asm. - Trim - Beige Vinyl - Drivers Door
2	064008-04-000	EA	Pad Asm. - Trim - Beige Vinyl - Passenger
.	061400-06-000	EA	Assist Strap - 12" - Beige Vinyl
3	048886-03-000	EA	Ash Tray Asm. - Chrome
4	064499-02-000	EA	Panel - Driver Door - Inner - Light Oak Plastic
4	064499-03-000	EA	Panel - Passenger Door - Inner - Light Oak Plastic
5	079214-01-000	EA	Door Frame - Front - Beige - Drivers Door
5	079214-02-000	EA	Door Frame - Front - Beige - Passenger Door
6	079250-01-000	EA	Door Frame - Rear - Beige - Drivers Door
6	079250-02-000	EA	Door Frame - Rear - Beige - Passenger Door
7	045017-05-000	EA	Paddle Asm. - Door Lock - Drivers
.	045017-07-000	EA	Lock Cylinder w/Keys - Lynor
.	039979-01-000	EA	Inside Plate - Door Lock - w/inside Handle - Right
.	039979-02-000	EA	Inside Plate - Door Lock - w/inside Handle - Left
.	039540-02-000	EA	Latch Claw - Entry Door Lock
.	039738-01-000	EA	Deadbolt - Entrance Door Lock
.	039539-01-000	EA	Strike Bolt - Entrance Door (Jamb Mount)
.	063124-02-000	EA	Plate - Striker - 8 1/4" x 1" - Black
.	078135-04-000	EA	Jamb - Driver Door - Front
.	079249-07-000	EA	Jamb - Driver Door - Rear
.	078135-01-000	EA	Jamb - Passenger Door - Front
.	079249-08-000	EA	Jamb - Passenger Door - Rear
.	064184-01-000	EA	Drip Cap - Driver Door
.	064184-02-000	EA	Drip Cap - Passenger Door
.	063768-01-000	EA	Sill Plate
8	063993-01-000	EA	Hinge Asm. - Driver Door - Beige
8	063993-06-000	EA	Hinge Asm. - Passenger Door - Beige
.	066109-02-000	EA	Strap - Driver's Door
.	064580-01-000	EA	Check Strap - Driver Door - Seat Belt Webbing
.	064219-01-000	EA	Retainer - Driver Door Check Strap
.	063886-03-000	EA	Assist Handle - Beige Steel Tube (2 required per door)
.	064075-01-000	EA	Bulb Seal - 145"
9	079101-02-T03	EA	Window Asm. - Driver Door - Black (w/o inside frame)
9	079101-01-T03	EA	Window Asm. - Passenger Door - Black (w/o inside frame)
.	079577-02-T03	EA	Inside Frame - w/Slider Screen - Driver Door - Beige
.	079577-01-T03	EA	Inside Frame - w/Slider Screen - Passenger Door - Beige
.	079574-03-T03	EA	Slider Screen Asm. - Right Door
.	079574-04-T03	EA	Slider Screen Asm. - Left Door
10	057657-04-000	EA	Glass - .19" x 28.11" x 12.25"
11	047389-01-700	EA	Latch - Window - Plastic w/Fastener
12	002188-06-000	EA	Glass - .19" x 28.11" x 12" - Stationary
13	002324-02-000	FT	Channel - Weatherstrip - Glass
14	069640-06-000	FT	Ribbon Sealer - 1/4" Bead x 20'
15	050216-02-000	FT	Spline - Glass - .19" Material - Black
16	002389-03-000	EA	Seal Holder w/Fin Seal - 23.19" - Black
17	041928-02-000	FT	Extr. Vinyl - Window Seal - Black
18	073740-01-000	FT	Seal - Fin - Pile - .460"
19	078562-07-000	EA	Inside Mullion - Slider Window - Black
.	023713-02-000	EA	Weephole Cover - Black Plastic
.	002293-02-000	SF	Screen - Window - 26" - Charcoal
.	063977-08-000	EA	Step Asm. - Single - Driver
.	063977-05-000	EA	Step Asm. - Single - Passenger
.			Not illustrated

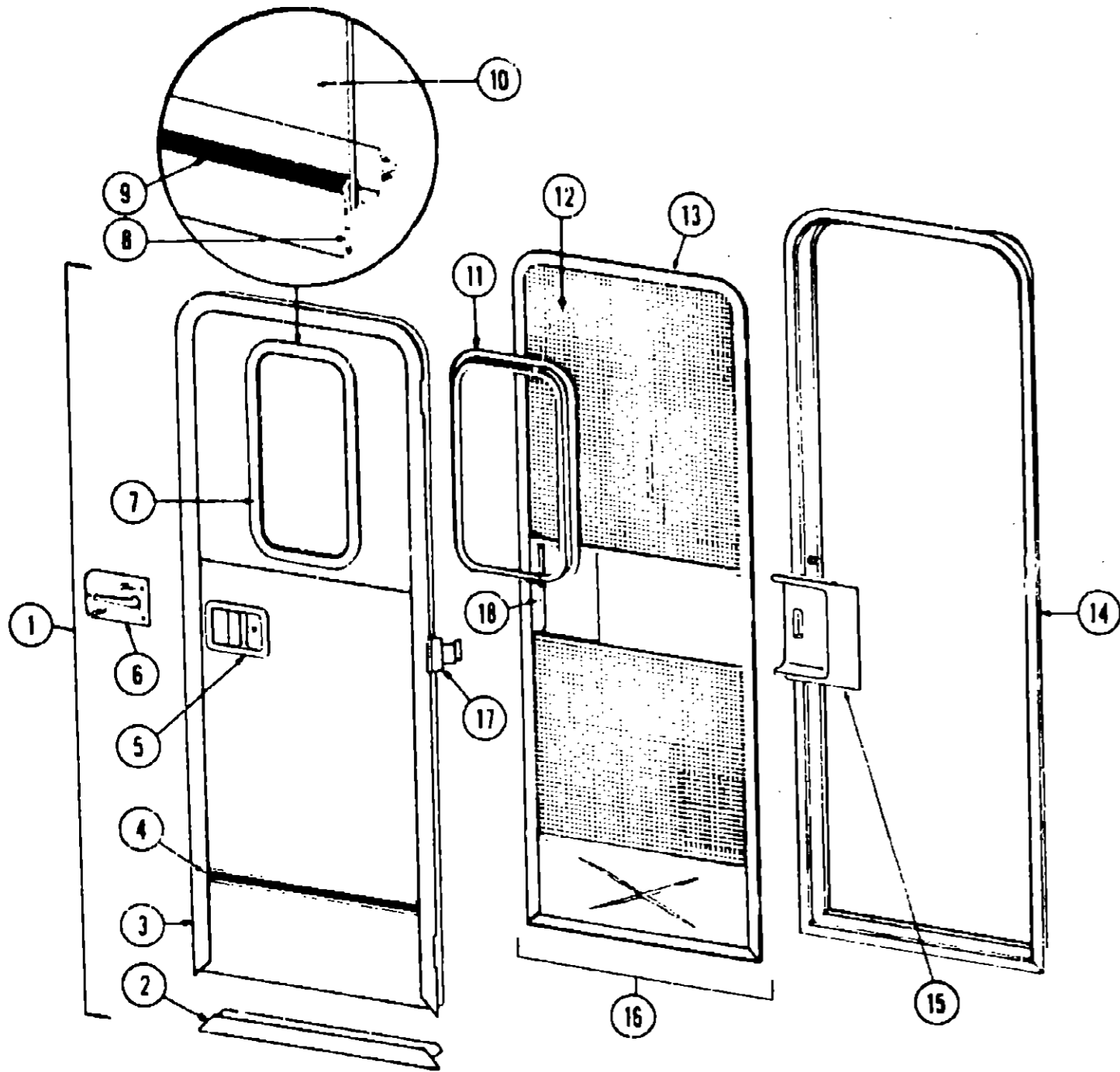
WF426RT
WCN26RH
WCN23RG
WCP26ET

A-01 - C-04
C-05 - E-10
E-11 - G-24
H-01 - J-03

1986 WCN26RH INDEX

Floor Plan	C-05 - C-06
Accessories Group	C-07 - C-09
Bath Group	C-10
Chassis Group	C-11 - C-12
Curtain, Cushion & Pad Group	C-13 - C-18
Dinette Group	C-19 - C-20
Driver's Compartment Group	C-21 - C-23
Electrical Group	C-24 - D-02
Exterior Body Group	D-03 - D-08
Galley Group	D-09 - D-10
Heating & Air Conditioning Group	D-11 - D-12
Interior Finish Group	D-13 - D-15
LP Group	D-16
Lounge Group	D-17 - D-18
Water & Sewage Group	D-19 - D-20
Window, Vent & Exterior Door Group	D-21 - E-10

WINDOW, VENT & EXTERIOR DOOR GROUP (CONTINUED)



ENTRANCE & SCREEN DOOR

Key	Part Number	U/M	Description
1	M01870-01-T03	EA	Door Asm. - Radius Entry w/Screen Door
2	077998-02-000	EA	Frame - Entry Door (Bottom Portion Only)
3	076863-02-000	EA	Frame - Entry Door (Except Bottom Portion)
4	059576-08-000	EA	Feature Strip w/o Insert - Extr. - 14"
	001030-02-004	EA	Insert - Feature Strip - 17" - Stucco - Off White
	009731-01-000	EA	End Cap - Feature Strip
5	045017-05-000	EA	Paddle Asm. - Door Lock - Exterior
	045017-05-700	EA	Lock Cylinder w/Keys - Lynor
	039539-01-000	EA	Striker Bolt - Entry Doors
	039540-01-000	EA	Latch Claw - Entry Door
	039738-01-000	EA	Dead Bolt - Entry Door
6	039979-01-000	EA	Plate - Inside Lock - Includes Inside Handle
	052186-01-000	EA	Lock Asm. - Complete - Lynor
7	079733-04-T03	EA	Window Asm. - Picture - 17" x 26" - Black (w/o inside frame)
8	069640-08-000	FT	Ribbon Sealer - 5/16" Bead x 15'
9	002309-02-000	FT	Spline - Glass - 1/8" Black
10	002181-06-000	EA	Glass - Picture Window - 1/8" x 16.25" x 24" - Gray
11	067609-03-000	EA	Inside Frame - Beige (not included in assembly)
12	002293-02-000	SF	Screen - Window - 26" - Charcoal
13	058795-01-000	FT	Seal Tape - 1/8" x 3/8" - Press On
14	078591-01-000	EA	Jamb Asm. - Entrance Door
	051049-01-000	EA	Jamb - Entrance Door - Bottom
15	079096-01-000	EA	Slider - Screen Door - Light Oak Plastic
16	079012-01-T03	EA	Door Asm. - Screen
17	079361-05-000	EA	Hinge - Entrance Door (3 used per door)
18	079087-01-000	EA	Cap - Screen Door - Light Oak Plastic
	009016-01-000	EA	Catch - Elbow - Spring Loaded - Screen Door
	039863-01-000	EA	Catch Asm. - Single Roller w/Strike - Screen Door
	076231-01-000	EA	Spacer - Latch - Screen Door
	077437-02-000	EA	Strike - Roller Catch
	057025-02-000	EA	Clip - Roller Latch Catch
	044582-01-000	EA	Drip Cap - Beige
	079278-01-000	EA	Seal - Mocket - Entrance Door
	073090-01-000	FT	Seal - Entrance Door
	075739-02-000	EA	Stiffener - Entrance Door - Beige
	075673-01-000	FT	Seal - Pile - Adhesive Back
	075671-01-000	FT	Seal - Sponge - Lazy "T" Shaped
	002294-01-000	FT	Spline - Black - .135" x .138" (Screen Door)
	063638-02-000	EA	Strike - Screen Door
	063729-04-000	EA	Rivnut - 10-32 UNF - .010 - .080
	075639-01-000	EA	Garnish - Radius - Entrance Door
	083205-01-000	EA	Deadbolt - Press Kit - 5"
	079173-01-000	EA	Gasket - Deadbolt - Exterior
			Not illustrated

1986 WINNEBAGO TABLE OF CONTENTS

WF426RT	A-01 - C-04
WCN26RH	C-05 - E-10
WCN23RG	E-11 - G-24
WCP26ET	H-01 - J-03

1986 WCN26RH INDEX

Floor Plan	C-05 - C-06
Accessories Group	C-07 - C-09
Bath Group	C-10
Chassis Group	C-11 - C-12
Curtain, Cushion & Pad Group	C-13 - C-18
Dinette Group	C-19 - C-20
Driver's Compartment Group	C-21 - C-23
Electrical Group	C-24 - D-02
Exterior Body Group	D-03 - D-08
Galley Group	D-09 - D-10
Heating & Air Conditioning Group	D-11 - D-12
Interior Finish Group	D-13 - D-15
LP Group	D-16
Lounge Group	D-17 - D-18
Water & Sewage Group	D-19 - D-20
Window, Vent & Exterior Door Group	D-21 - E-10

WINDOW, VENT & EXTERIOR DOOR GROUP (CONTINUED)

DRIVER DOOR W/ROLL-UP WINDOW

Key	Part Number	U/M	Description
	M82202-01-U13	EA	Door Asm. - w/Roll-Up Window - Passenger
	M82202-02-U13	EA	Door Asm. - w/Roll-Up Window - Driver
	084184-02-000	EA	Drip Cap - Cab Door - Passenger
	084184-01-000	EA	Drip Cap - Cab Door - Driver
	M02684-03-000	EA	Jamb Asm. - Cab Door - Passenger
	M02684-04-000	EA	Jamb Asm. - Cab Door - Driver
	083993-12-000	EA	Hinge Asm. - Passenger
	083993-10-000	EA	Hinge Asm. - Driver
	082150-01-000	FT	Seal - Sponge (Jamb)
	082150-02-000	FT	Seal - Sponge (Door)
	083731-01-000	EA	Cap - Push On - Zinc
	081400-06-000	EA	Assist Strap - Sandstone
	064219-01-000	EA	Retainer Strap - Driver Door
	066109-02-000	EA	Strap - Driver Door
	083733-01-000	EA	Bushing - Flange - Nylon
	083729-01-000	EA	Rivnut - 1/4 x 20 unc. - .030 - .125
	081903-01-000	EA	Shaft - Mounting Knob
	081905-01-000	EA	Knob - Control - Slide Bolt - Passenger
	081905-02-000	EA	Knob - Control - Slide Bolt - Driver
	081906-01-000	EA	Slide Bolt - Driver Door
	081907-01-000	EA	Regulator Asm. - Window - Passenger
	081907-02-000	EA	Regulator Asm. - Window - Driver
	081910-01-000	FT	Channel - Window - Sliding
	081912-01-000	EA	Weatherstrip - Rigid
	063886-09-000	EA	Assist Handle - Door
	075722-01-000	EA	Block - Switch - Spacer
	079215-01-000	EA	Frame Asm. - Front Slant Slider
	079421-01-T03	EA	Window Asm. - Front Slant Slider - Passenger
	079421-02-T03	EA	Window Asm. - Front Slant Slider - Driver
	073118-01-000	EA	Retainer - Attachment Plate
	073119-01-000	EA	Attachment Plate - Striker
	079561-01-000	EA	Shim - Strike - Cab Door
	050216-02-000	FT	Spline - Vinyl - Glass - .19
	057656-06-000	EA	Glas - .19" x 28.11" x 13.98"
	R77007-56-701	EA	Plate - Passenger Door Lock
	R77007-56-702	EA	Plate - Driver Door Lock
	R77040-01-538	EA	Door Handle
	R77007-05-374	EA	Plate - Door Handle Spacer
	R77006-50-326	EA	Door - Handle Inner - Driver
	R77006-50-261	EA	Door - Handle Inner - Passenger
	R77006-13-460	EA	Cap - Inner - Window Crank
	072035-01-000	EA	Crank - Hand - Glass Lift
	072036-02-000	EA	Cap - Crank - Hand
	073110-02-000	EA	Rod - Lock - Passenger
	073110-03-000	EA	Rod - Lock - Driver
	R77006-64-355	EA	Link - Door Handle - Control
	R77030-58-048	EA	Washer
	R77030-33-009	EA	Nut - w/Washer
	R77007-62-746	EA	Lock - Left Tumbler Assembly
	R77007-62-747	EA	Lock - Right Tumbler Assembly
	081488-01-000	EA	Glass - Door - Roll-Up
	083223-02-000	EA	Lock Asm. - Key Type (Set of 2)
	076542-03-000	EA	Rod Control - Latch - Passenger
	076542-04-000	EA	Rod Control - Latch - Driver

WINDOW, VENT & EXTERIOR DOOR GROUP (CONTINUED)

VENTS

Key	Part Number	U/M	Description
	084073-04-000	EA	Base - Refrigerator Vent
	084073-01-000	EA	Vent - Refrigerator Roof - Beige
	055218-01-000	EA	Cover Asm. - Roof Vent
	084878-01-000	EA	Vent - Range Hood - Sidewall
	079355-08-000	EA	Vent - Stovehood - Outside - Mill Finish
	075056-01-000	EA	Vent Asm. - Roof - Non-Powered - w/o Screen
	079537-01-000	EA	Vent Asm. - Roof - Powered - w/o Screen
	078786-01-T03	EA	Screen Asm. - Roof Vent - Non-Powered
	078785-01-T03	EA	Screen Asm. - Roof Vent - Powered
	079902-01-000	EA	Panel - Skylight - Inner
	080910-01-000	EA	Panel - Skylight - Outer
	081171-01-000	EA	Trim - Skylight

ACCESS DOOR HARDWARE

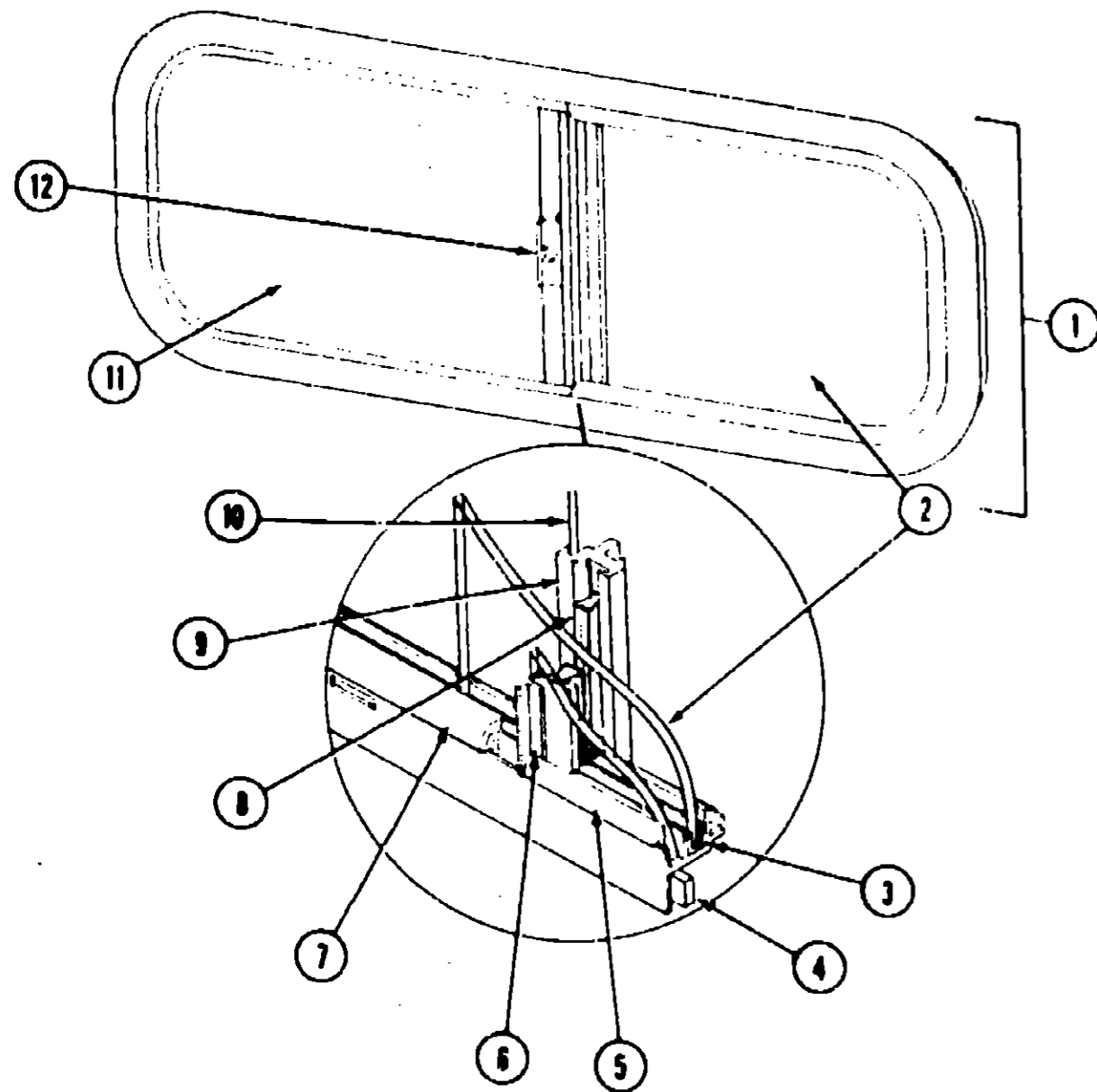
Key	Part Number	U/M	Description
	052181-03-000	EA	Baffle - Generator Door
	079368-01-000	EA	Door Seal - Bulb
	083815-01-000	EA	Door Stop - Plastic - Beige
	042442-01-000	EA	Lock Asm. - Twist Type (Power Cord Door)
	079927-01-000	EA	Lock Asm. - Twist Type (Luggage)
	009003-01-000	EA	Lock Asm. - Twist Type w/Clip (Generator)
	079366-01-000	EA	Lock Asm. - Key Type (Luggage)
	042441-01-000	EA	Lock Asm. - Key Type (Fuel Fill)
	083223-01-000	EA	Lock Asm. - Key Type (1 Only)
	083223-02-000	EA	Lock Asm. - Key Type (Set/2)
	079366-02-000	EA	Lock Asm. - Key Type (Access)
	078200-01-000	EA	Gasket - Fuel Fill Door
	054543-02-000	EA	Hatch - Power Cord
	052404-02-000	EA	Jamb - Fuel Fill/Power Cord - Beige
	079368-01-000	FT	Seal - Access Doors
	009118-01-000	EA	Lock Asm. - Twist w/Nut

**1986 WINNEBAGO
TABLE OF CONTENTS**

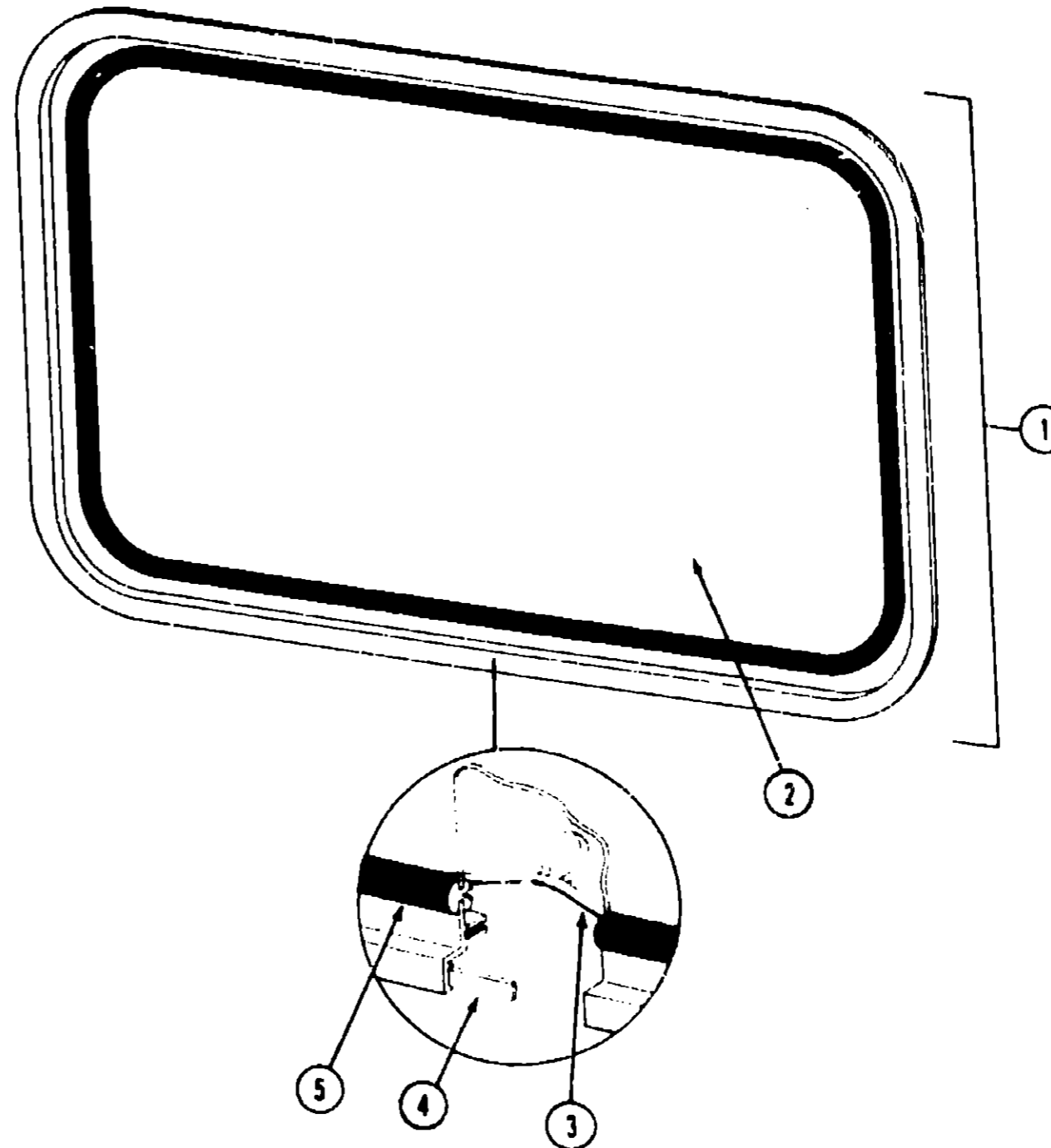
WF426RT	A-01 - C-04
WCN26RH	C-05 - E-10
WCN23RG	E-11 - G-24
WCP26ET	H-01 - J-03

1986 WCN26RH INDEX

Floor Plan	C-05 - C-06
Accessories Group	C-07 - C-09
Bath Group	C-10
Chassis Group	C-11 - C-12
Curtain, Cushion & Pad Group	C-13 - C-18
Dinette Group	C-19 - C-20
Driver's Compartment Group	C-21 - C-23
Electrical Group	C-24 - D-02
Exterior Body Group	D-03 - D-08
Galley Group	D-09 - D-10
Heating & Air Conditioning Group	D-11 - D-12
Interior Finish Group	D-13 - D-15
LP Group	D-16
Lounge Group	D-17 - D-18
Water & Sewage Group	D-19 - D-20
Window, Vent & Exterior Door Group	D-21 - E-10



Key	Part Number	U/M	Description
1	078206-01-T03	EA	Window Asm. - Slant Slider (w/o inside frame)
*	083122-01-000	EA	Inside Frame - Beige (not included in assembly)
2	081980-03-000	EA	Glass - Sliding - 1/8" x 14.4" x 19"
3	002324-02-000	FT	Channel - Weatherstrip - Glass Run - 1/8" Glass
4	069640-02-000	FT	Ribbon Sealer - 5/16" Bead x 15'
5	002308-02-000	FT	Spline - Glass - 1/8" Material - Black
6	M69886-03-007	EA	Seal Holder w/Fin Seal - Black
7	057374-02-000	FT	Extr. Rubber - Window Seal - Black
8	073740-01-000	FT	Seal - Fin - Pile - .460"
9	078562-01-000	EA	Mullion - Slider Window - Black
10	002298-02-000	SF	Spline - .130" Dia. - Charcoal (Screen)
11	081984-02-000	EA	Glass - Stationary - 1/8" x 14.40" x 19"
12	047369-01-700	EA	Latch Kit - Window - Plastic w/Fastener
*	079204-01-000	EA	Bracket - Mullion - Black
*	002291-02-000	SF	Screen - Window 16" - Charcoal
*	Not illustrated		



Key	Part Number	U/M	Description
1	079415-01-T03	EA	Window Asm. - Escape (w/o inside frame)
*	020749-05-000	EA	Inside Frame - Escape Window - Beige (not included in assembly)
2	002174-01-000	EA	Glass - 1/8" x 19.61" x 25.92"
3	002285-01-000	FT	Filler - Weatherstrip - Black
4	069640-01-000	FT	Tape - 2" Bead x 45'
5	002282-01-000	FT	Weatherstrip - Window - .125" Black
*	006199-01-000	EA	Label - Exit - Escape Window
*	Not illustrated		

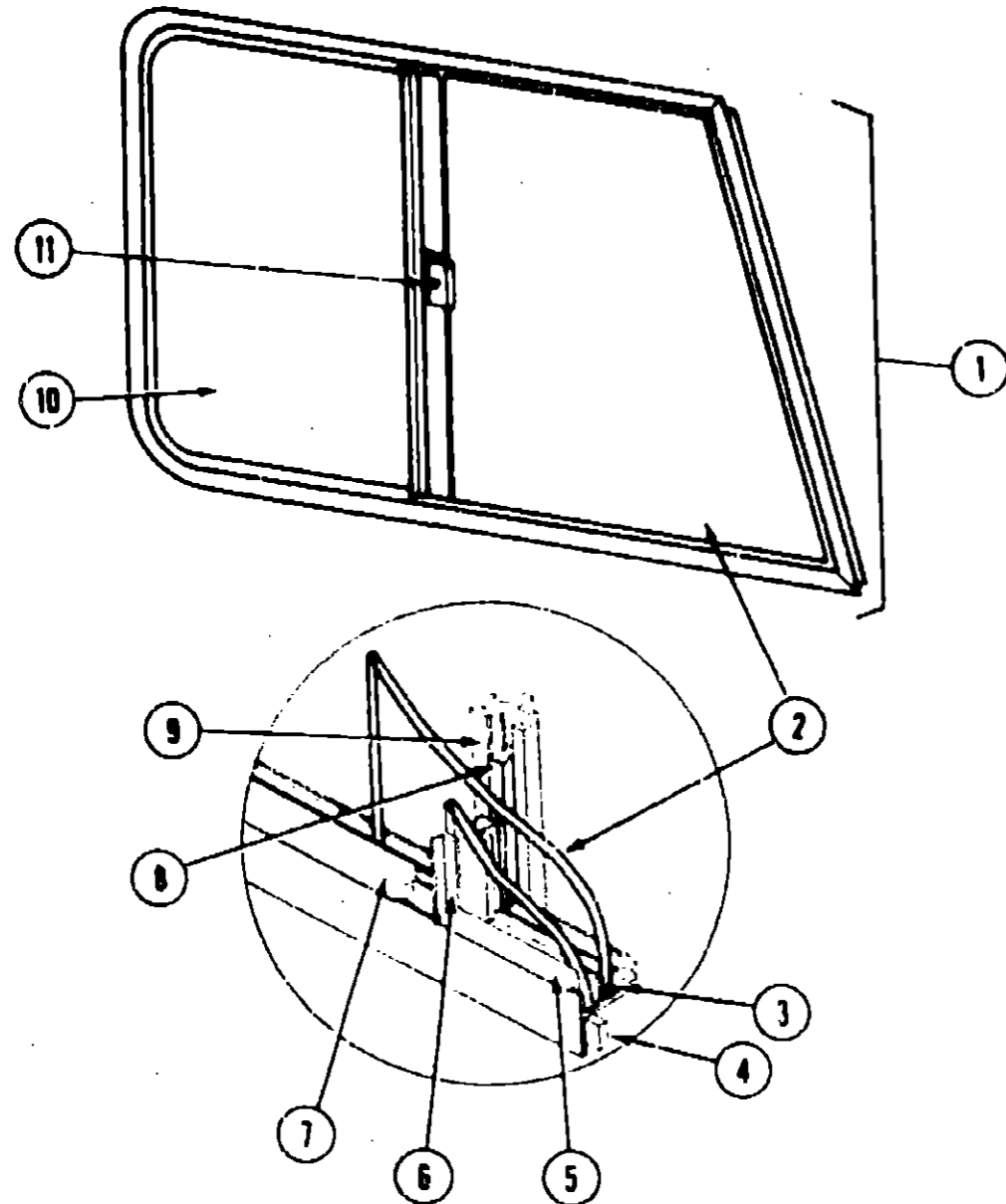
1986 WINNEBAGO
TABLE OF CONTENTS

WF426RT
WCN26RH
WCN23RG
WCP26ET

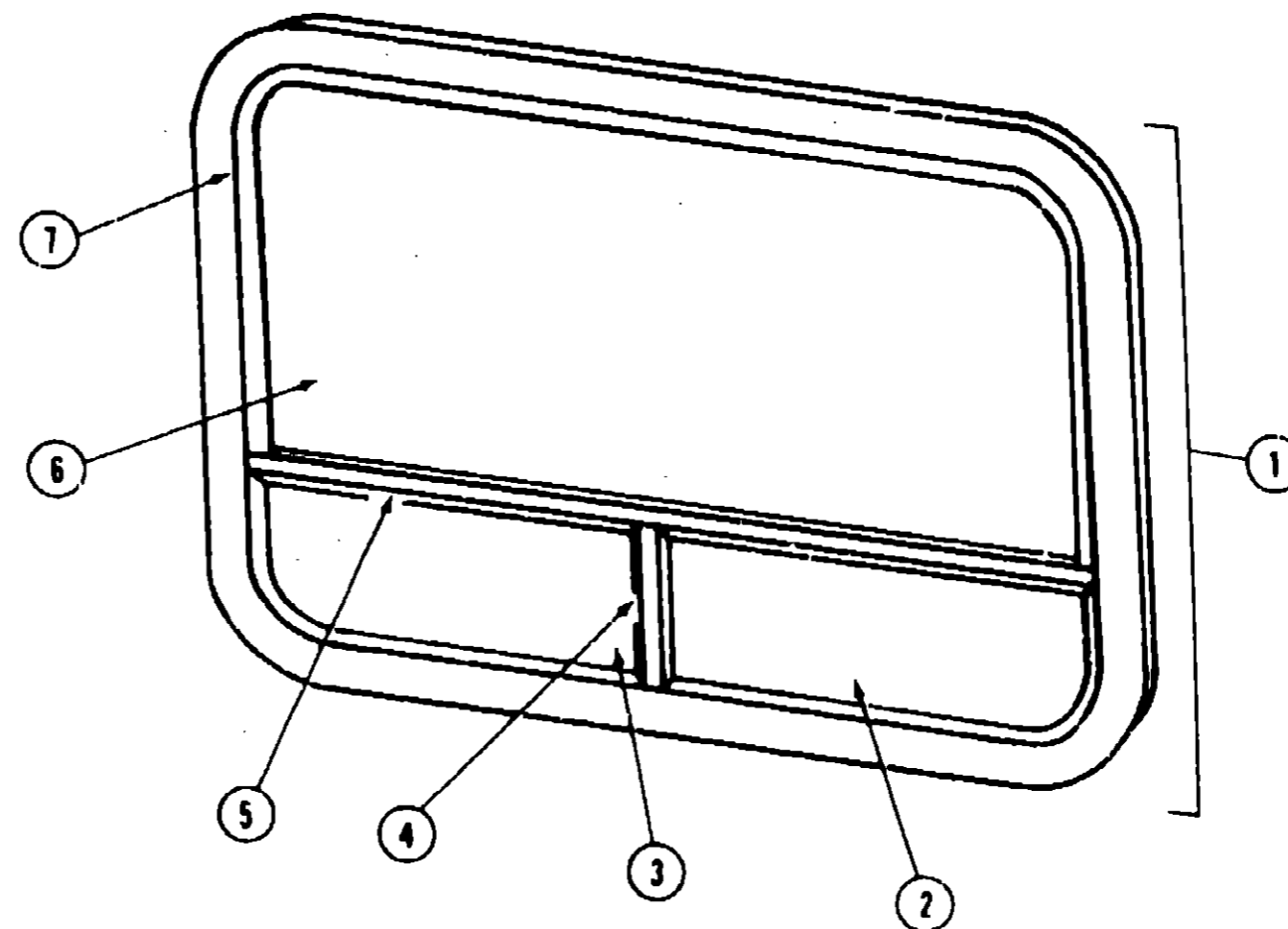
A-01 - C-04
C-05 - E-10
E-11 - G-24
H-01 - J-03

1986 WCN26RH INDEX

Floor Plan	C-05 - C-06
Accessories Group	C-07 - C-09
Bath Group	C-10
Chassis Group	C-11 - C-12
Curtain, Cushion & Pad Group	C-13 - C-18
Dinette Group	C-19 - C-20
Driver's Compartment Group	C-21 - C-23
Electrical Group	C-24 - D-02
Exterior Body Group	D-03 - D-08
Galley Group	D-09 - D-10
Heating & Air Conditioning Group	D-11 - D-12
Interior Finish Group	D-13 - D-15
LP Group	D-16
Lounge Group	D-17 - D-18
Water & Sewage Group	D-19 - D-20
Window, Vent & Exterior Door Group	D-21 - E-10



Key	Part Number	U/M	Description
1	082057-01-U04	EA	Window Asm. - Front Slant Slider - Passenger (w/o inside frame)
1	082057-02-U04	EA	Window Asm. - Front Slant Slider - Driver (w/o inside frame)
•	082056-01-U04	EA	Inside Frame - Slant Slider - Passenger (not included in assembly)
•	082056-02-U04	EA	Inside Frame - Slant Slider - Driver (not included in assembly)
2	057656-03-000	EA	Glass - .19" x 28.11" x 27" - Stationary (Passenger)
2	057676-05-000	EA	Glass - .19" x 28.11" x 27" - Stationary (Driver)
3	042077-01-000	FT	Channel - Weatherstrip - 3/16" Glass
4	069640-01-000	FT	Ribbon Sealer - 1/4" Bead x 20'
5	050216-02-000	FT	Window Seal - .19" - Glass
6	002389-03-203	EA	Seal Holder w/Fin Seal - 27.12" - Black
7	057374-02-000	FT	Extr. Rubber - Window Seal - Black
8	073740-01-000	FT	Seal - Fin - Pile - .460"
9	078562-07-000	EA	Mullion - Slider Window - Black
10	002298-02-000	FT	Spline - .130" Dia. - Charcoal (Screen)
11	081980-06-000	EA	Glass - .19" x 28.11" x 14.88" Sliding
•	079206-01-000	EA	Bracket - Mullion - Black
•	079574-01-T03	EA	Slider Screen Asm. - Passenger
•	079574-02-T03	EA	Slider Screen Asm. - Driver
•	002291-02-000	SF	Screen - Window - 16" - Charcoal
•	016310-03-000	EA	Handle - Slider Screen - Black
•	047369-01-700	EA	Latch Kit - Window - Plastic w/Fastener
•			Not illustrated



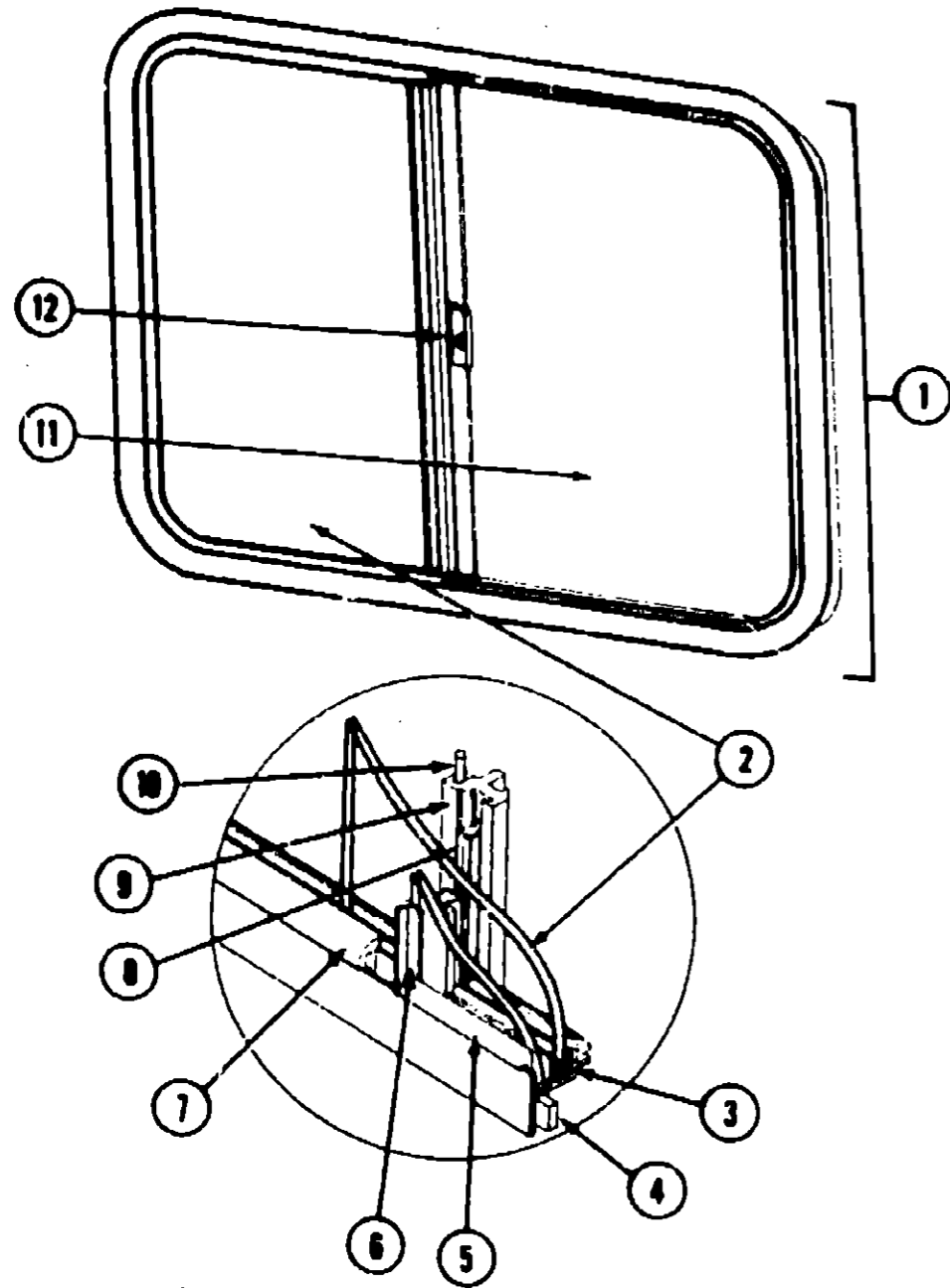
Key	Part Number	U/M	Description
1	081568-02-U01	EA	Window Asm. - Double Tipout
•	081822-06-000	EA	Inside Frame - Black (not included in assembly)
2	081434-01-U01	EA	Window Asm. - Tipout - Right Hand
3	081434-02-U01	EA	Window Asm. - Tipout - Left Hand
•	081239-07-000	EA	Glass - Tipout - 1/8" x 30" x 8 3/4" - Left or Right
4	083112-05-000	EA	Mullion - Black
5	081814-01-000	EA	Mullion - Black
•	081422-01-U01	EA	Screen Asm. - Tipout - Right Hand
•	081422-02-U01	EA	Screen Asm. - Tipout - Left Hand
•	081243-01-000	EA	Screen Clip - Plastic - Black
•	035302-01-000	EA	Operating Mech - Right Hand
•	035302-02-000	EA	Operating Mech - Left Hand
6	081239-11-000	EA	Glass - Stationary - 1/8" x 61 3/4" x 20 1/2"
7	083180-01-000	EA	Window Seal
•	081357-01-000	EA	Bulb Seal (Tipout)
•	081359-01-000	EA	Window Seal (Tipout)
•			Not illustrated

1986 WINNEBAGO
TABLE OF CONTENTS

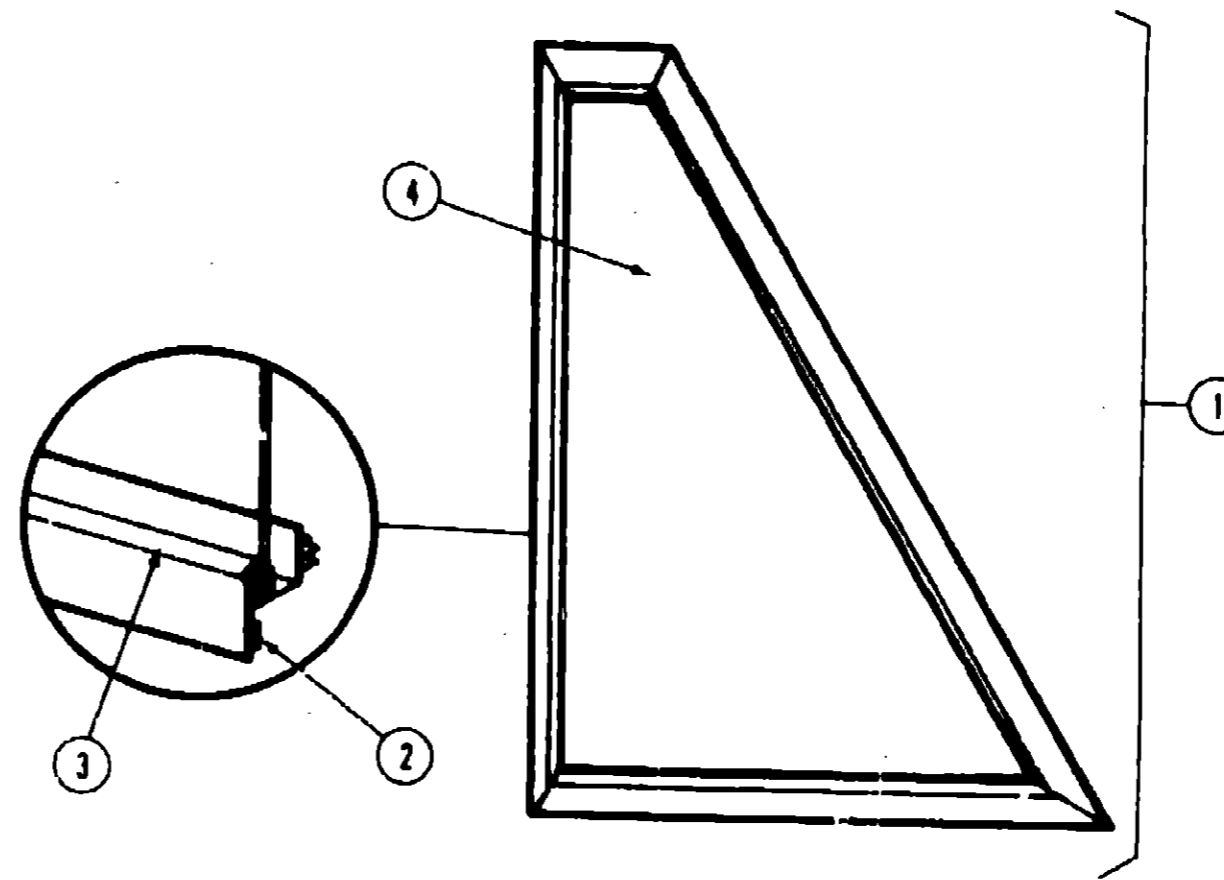
WF426RT	A-01 - C-04
WCN26RH	C-05 - E-10
WCN23RG	E-11 - G-24
WCP26ET	H-01 - J-03

1986 WCN26RH INDEX

Floor Plan	C-05 - C-08
Accessories Group	C-07 - C-09
Bath Group	C-10
Chassis Group	C-11 - C-12
Curtain, Cushion & Pad Group	C-13 - C-18
Dinette Group	C-19 - C-20
Driver's Compartment Group	C-21 - C-23
Electrical Group	C-24 - D-02
Exterior Body Group	D-03 - D-08
Galley Group	D-09 - D-10
Heating & Air Conditioning Group	D-11 - D-12
Interior Finish Group	D-13 - D-15
LP Group	D-16
Lounge Group	D-17 - D-18
Water & Sewage Group	D-19 - D-20
Window, Vent & Exterior Door Group	D-21 - E-10



Key	Part Number	U/M	Description
1	078266-03-T03	EA	Window Asm. - Single Slider (w/o inside frame)
.	083122-04-000	EA	Inside Frame - Brown (not included in assembly)
2	081980-05-000	EA	Glass - Sliding - 1/8" x 19" x 13.68"
3	002324-02-000	FT	Channel - Weaterstrip - Glass Run - 1/3" Glass
4	069640-06-000	FT	Ribbon Sealer - 5/16" Bead x 15'
5	002309-02-000	FT	Spline - Glass - 1/8" Material - Black
6	M69606-03-011	EA	Seal Holder w/Fin Seal - Black
7	057374-02-000	FT	Extr. Rubber - Window Seal - Black
8	073740-01-000	FT	Seal - Fin - Pile - .460"
9	078562-02-000	EA	Mullion - Slider Window - Black
10	002298-02-000	SF	Spline - .130" Dia. - Charcoal (Screen)
11	081984-03-000	EA	Glass - Stationary - 1/8" x 19" x 12.30"
12	047369-01-700	EA	Latch Kit - Window - Plastic w/Fastener
.	079204-01-000	EA	Bracket - Mullion - Black
.	002291-02-000	SF	Screen - Window 16" - Charcoal
.			Not illustrated



Key	Part Number	U/M	Description
1	079421-01-T03	EA	Window Asm. - Front Slant - Passenger (w/o inside frame)
1	079421-02-T03	EA	Window Asm. - Front Slant - Drivers (w/o inside frame)
.	079215-01-000	EA	Inside Frame - Front Slant - Passenger - Beige (not included in assembly)
.	079215-02-000	EA	Inside Frame - Front Slant - Drivers - Beige (not included in assembly)
2	069640-01-000	EA	Tape - 1/4" Bead x 20'
3	002309-02-000	EA	Spline - Glass - 1/8" - Black
4	057656-04-000	EA	Glass - 19" x 28.11" x 13.98"
.			Not illustrated

1986 WINNEBAGO
TABLE OF CONTENTS

WF426RT
WCN26RH
WCN23RG
WCP26ET

A-01 - C-04
C-05 - E-10
E-11 - G-24
H-01 - J-03

1986 WCN26RH INDEX

Floor Plan	C-05 - C-06
Accessories Group	C-07 - C-09
Bath Group	C-10
Chasals Group	C-11 - C-12
Curtain, Cushion & Pad Group	C-13 - C-18
Dinette Group	C-19 - C-20
Driver's Compartment Group	C-21 - C-23
Electrical Group	C-24 - D-02
Exterior Body Group	D-03 - D-08
Galley Group	D-09 - D-10
Heating & Air Conditioning Group	D-11 - D-12
Interior Finish Group	D-13 - D-15
LP Group	D-16
Lounge Group	D-17 - D-18
Water & Sewage Group	D-19 - D-20
Window, Vent & Exterior Door Group	D-21 - E-10