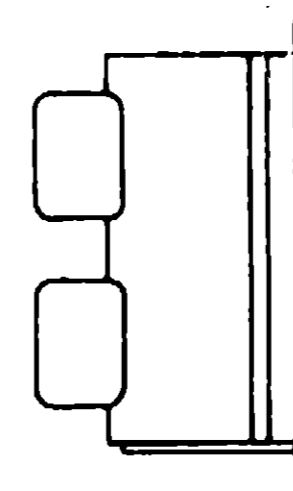
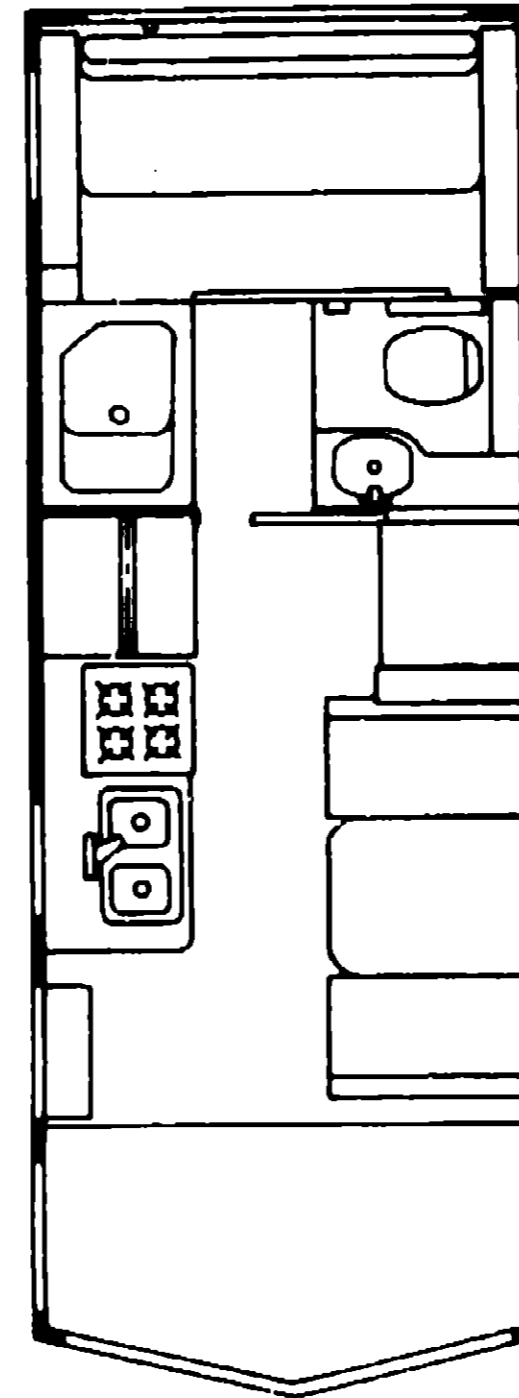
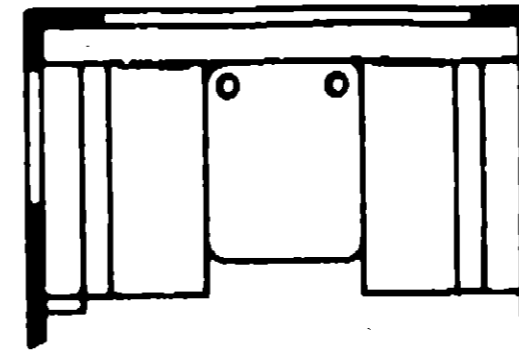


1986 WCN23RG



1986 WINNEBAGO TABLE OF CONTENTS

WF426RT
WCN26RH
WCN23RG
WCP26ET

A-01 - C-04
C-05 - E-10
E-11 - G-24
H-01 - J-03

1986 WCN23RG INDEX

Floor Plan	E-11 - E-12
Accessories Group	E-13 - E-15
Bath Group	E-16
Chassis Group	E-17 - E-20
Curtain, Cushion & Pad Group	E-21 - F-04
Dinette Group	F-05
Driver's Compartment Group	F-06 - F-08
Electrical Group	F-09 - F-11
Exterior Body Group	F-12 - F-19
Galley Group	F-20 - F-21
Heating & Air Conditioning Group	F-22
Interior Finish Group	F-23 - G-01
LP Group	G-02
Lounge Group	G-03 - G-04
Water & Sewage Group	G-05 - G-06
Window, Vent & Exterior Door Group	G-07 - G-24

ACCESSORIES GROUP

RADIO & RELATED COMPONENTS

Key	Part Number	U/M	Description
	031105-01-000	EA	Antenna - Radio - Side Mount
	031105-01-700	EA	Antenna Holder - Radio - Upper
	075803-01-000	EA	Radio - AM/FM/MPX w/Cassette
	075804-01-000	EA	Radio - AM/FM/MPX w/Cassette - Electronic Tuning
	074979-01-000	EA	Speaker Cover Protector - Plastic
	073741-02-000	EA	Speaker - 4" x 6" - Oval
	073431-01-000	EA	Speaker - 5.25 - 3/Way (Pair)
	064791-01-000	EA	Speaker - Recessed - 5.25"
	064792-01-000	EA	Grille - Speaker - 5.25" - w/Mesh - Brown

ELECTRIC STEP ASSEMBLY

Key	Part Number	U/M	Description
	075461-01-000	EA	Electric Step Asm. w/Light
	075461-01-700	EA	Motor
	041250-01-000	EA	Door Switch
	075461-01-704	EA	Under Step Control Unit
	075461-01-705	EA	4-Way Plug (Dash End)
	075461-01-706	EA	Kill Switch
	075461-01-707	EA	Step Light
	075461-01-708	EA	4-Way Plug (Control Box End)
	075461-01-709	EA	90 Degree Plug
	075461-01-710	EA	Gear
	075461-01-711	EA	Drive Link
	075241-01-000	EA	Support Asm. - Step
	075723-02-000	EA	Block - Support Spacer w/Holes

GENERATORS & COMPONENTS

Key	Part Number	U/M	Description
	054429-01-000	EA	Generator - Onan - 4.0 kw
	052168-01-000	EA	Generator - Onan - 4.25 kw
	068046-01-000	EA	LP Conversion Kit - Onan Generator
	072332-01-000	EA	Generator - Kohler - 4.5 kw LP
	068229-01-000	EA	Generator - Kohler - 4.5 kw
	701629-02-000	EA	Installation Package
	024732-01-016	EA	Tailpipe - 1.5" O.D. x 43.50"
	067753-01-000	EA	Muffler - Generator - w/Spark Arrestor - Nelson
	007067-01-000	EA	Insulation - Fiberglass - 1"

EXTERIOR MIRRORS

Key	Part Number	U/M	Description
	049347-01-000	EA	Mirror Head - 7 1/2" x 10 1/2"
	049348-03-000	EA	Arm - Low Mount Mirror - Black
	049944-04-000	EA	Bracket - Mirror - Outside - Black
	077966-01-000	EA	Mirror - Wide Angle - Stainless Steel - Passenger
	077966-02-000	EA	Mirror - Wide Angle - Stainless Steel - Driver
	077966-01-700	EA	Mirror - Convex - 6" x 6 1/2"
	006043-01-000	EA	Mirror - Convex - Adhesive Back
	701764-01-000	EA	Mirror Head - Convex - 6.5" x 6"
	701764-02-000	EA	Glass Mirror - Convex - 6.5" x 6"
	701764-03-000	EA	Clamp - Mirror Head - Mounting

ACCESSORIES GROUP (CONTINUED)

MISCELLANEOUS ACCESSORIES

Key	Part Number	U/M	Description
	054185-24-000	EA	Owners Manual - 1986 - Itasca & Winnebago
	076319-01-000	EA	Antenna - TV Roof Mount - 44.5" Mast
	076319-03-000	FT	Cable - Coaxial 1000' 75 OHM
	076319-04-000	EA	Connector & Ferrule
	076319-05-000	EA	Wallplate - Power Supply - Ivory
	076319-06-000	EA	Adapter - Cable Roof Plate
	076319-07-000	EA	Wallplate - Power Supply - Brown
	076319-08-000	EA	Wallplate - Receptacle - Ivory
	076319-09-000	EA	Wallplate - Receptacle - Brown
	017516-01-000	EA	Mud Flap w/Holes - 14" x 18" - Black
	041944-03-000	EA	Fire Extinguisher - 5BC
	041944-02-000	EA	Bracket - Fire Extinguisher
	081016-02-T03	EA	Ladder Asm.
	081026-01-T03	EA	Rack Asm. - Right
	081026-02-T03	EA	Rack Asm. - Left
	067165-01-000	EA	Mounting Bracket - Luggage Carrier and Ladder
	081114-01-000	EA	End Cap - Ladder Step
	067125-01-000	EA	Stand Off - Rack & Ladder Asm.
	064093-01-000	EA	Luggage Carrier Assembly
	039881-01-000	EA	Catch & Strike - Luggage Carrier
	072852-01-000	EA	Smoke Detector w/9 Volt Battery
	079664-02-000	EA	Weather Center - 8.5" x 8.5"
	079664-01-000	EA	Clock - 8.5" x 8.5"
	006069-01-000	EA	Key Case - Leather
	007038-01-000	EA	Door Mat - 10.5" x 26" - Black Rubber
	081075-01-000	EA	Door Mat - Entrance - Winnebago
	081201-01-000	EA	Door Mat - Left Front - Winnebago
	081202-01-000	EA	Door Mat - Right Front - Winnebago
	080208-01-000	EA	Lug Wrench
	080208-02-000	EA	Leverage Bar - Lug Wrench
	008113-01-000	EA	Jack - Hydraulic - 6 Ton - w/Handle
	063708-01-000	EA	Cover - Roof Air Conditioner - White Vinyl
	079942-01-000	EA	Shock Absorber - Stabilizer - Front
	079942-02-000	EA	Shock Absorber - Stabilizer - Rear
	083181-01-700	EA	Wheel Cover - Clip On - 16" - Delmet (1)
	083181-01-000	EA	Wheel Cover - Clip On - 16" - Delmet (4)

1986 WINNEBAGO TABLE OF CONTENTS

WF426RT	A-01 - C-04
WCN26RH1	C-05 - E-10
WCN23RG	E-11 - G-24
WCP26ET	H-01 - J-03

1986 WCN23RG INDEX

Floor Plan	E-11 - E-12
Accessories Group	E-13 - E-15
Bath Group	E-16
Chassis Group	E-17 - E-20
Curtain, Cushion & Pad Group	E-21 - F-04
Dinette Group	F-05
Driver's Compartment Group	F-06 - F-08
Electrical Group	F-09 - F-11
Exterior Body Group	F-12 - F-19
Galley Group	F-20 - F-21
Heating & Air Conditioning Group	F-22
Interior Finish Group	F-23 - G-01
LP Group	G-02
Lounge Group	G-03 - G-04
Water & Sewage Group	G-05 - G-06
Window, Vent & Exterior Door Group	G-07 - G-24

ACCESSORIES GROUP (CONTINUED)

OPTIONAL MICROWAVE/CONVECTION OVEN & COMPONENTS

Key	Part Number	U/M	Description
	081379-01-000	EA	Microwave/Convection Oven - Sharp
	081459-03-000	EA	Bracket Asm. - Microwave - Right
	081459-04-000	EA	Bracket Asm. - Microwave - Left
	081456-01-000	EA	Angle Asm. - Microwave - Right
	081456-02-000	EA	Angle Asm. - Microwave - Left
	081555-01-T03	EA	Trim Asm. - Microwave
	082876-01-000	EA	Baffle Asm. - Microwave

OPTIONAL SPEED CONTROL & COMPONENTS

Key	Part Number	U/M	Description
	083557-01-000	EA	Speed Control Package - Electric - Diesel - Dana
	083557-01-700	EA	Servo w/Cable Asm.
	083557-01-701	EA	Switch - Stop Lamp - Cruise Release
	083557-01-702	EA	Wire Harness Ext.
	083212-02-000	EA	Control Switch
**	083212-01-000	EA	Speed Control Package - Electric Gas - Dana
**	The illustrated parts breakdown for this item is provided on the Common Items Fiche.		

OPTIONAL FOG LAMP & COMPONENTS

Key	Part Number	U/M	Description
	079941-01-000	EA	Lamp Asm. - Fog w/Cover - Amber
	079941-01-700	EA	Lamp Asm. - Fog - Set of 2
	079941-01-701	EA	Lens and Cover only
	079941-01-702	EA	Switch - Fog Lights
	079941-01-703	EA	Solenoid
	079941-01-704	EA	Switch Plate - For Switch

OPTIONAL AIR HORN & COMPONENTS

Key	Part Number	U/M	Description
	077497-01-000	EA	Air Horn Kit - Twin Chromed
	077497-01-700	EA	Solenoid - Air Horns Air Tank
	077497-01-701	EA	Compressor Switch - Air Horn
	077497-01-702	EA	Toggle Switch - Air Horn
	077497-01-703	EA	Air Tank - Air Horn
	077497-01-704	EA	Compressor w/Switch - Air Horn
	083912-01-000	EA	Relay Canister - w/Ground - Air Horn

OPTIONAL STEERING WHEEL

Key	Part Number	U/M	Description
	080752-05-000	EA	Steering Wheel - Custom
	080752-06-000	EA	Hub Adapter - Steering Wheel
	080752-07-000	EA	Button - Horn - w/Wire
	080752-08-000	EA	Screw - Custom Steering Wheel

OPTIONAL CHROME WHEEL LINERS & COMPONENTS

Key	Part Number	U/M	Description
	081608-07-000	EA	Cover - Rear Axle - Chrome
	081608-08-000	EA	Cover - Front Axle - Chrome
	081608-09-000	EA	Liner - Front Wheel - Chrome
	081608-10-000	EA	Liner - Rear Wheel - Chrome
	081608-05-000	EA	Lug Nut Cover - Chrome
	081608-06-000	EA	Spiral Ring

BATH GROUP

BATH CABINETRY

Key	Part Number	U/M	Description
	M82823-01-U04	EA	Cabinet Asm. - Lavatory - w/o Countertop & Doors
	M02527-01-U04	EA	Countertop Asm. - Lavatory Cabinet - Fawn (U05)
	M02527-01-I106	EA	Countertop Asm. - Lavatory Cabinet - Sage Green
	M81501-96-U04	EA	Door Asm. - Lavatory Cabinet - Left - w/o Hardware
	M81501-42-T03	EA	Door Asm. - Lavatory Cabinet - Lower Right - w/o Hardware
	077251-01-000	EA	Drawer Asm. - Lavatory Cabinet
	078073-01-000	EA	Cabinet Asm. - Medicine - 15.4" x 29.4" - w/o Door - Almond
	081535-01-U04	EA	Door Asm. - Medicine Cabinet - w/Mirror - 12" x 26" - w/o Hardware
	M02522-01-U04	EA	Countertop Asm. - Pipe Cover - Fawn (U05)
	M02522-01-U06	EA	Countertop Asm. - Pipe Cover - Sage Green
	082417-01-U04	EA	Door Asm. - Bath - Front Sliding - w/o Hardware
	081830-01-U04	EA	Door Asm. - Bath - Rear Sliding - w/o Hardware
	079657-01-000	EA	Door Asm. - Shower - Plastic
	M81501-18-T03	EA	Door Asm. - Wardrobe - w/o Hardware
	M81501-07-U04	EA	Door Asm. - Furnace - Wardrobe Cabinet - w/o Hardware
	M01817-01-T03	EA	Bath Tub Asm. - w/Strainer
	080256-01-000	EA	Shroud - Shower
	080256-03-000	EA	Shroud - Shower - w/Skylight
	075242-03-000	EA	Faucet - Tub & Shower - Brass
**	011048-02-000	EA	Shower Head - w/60" Hose
	011048-04-000	EA	Vacuum Breaker - 1/8 MPT - Nylon - Shower Head
	075606-01-000	EA	Shower Panel - Faucet - Plastic
**	086729-01-000	EA	Strainer - Bathtub Asm.
	086435-01-000	EA	Nut - Strainer - Plastic
	086436-01-000	EA	Slip Nut - 1.5" Tail Piece
	089735-01-000	EA	Washer - Tail Piece - 1.5" - Plastic
	011069-02-000	EA	Tail Piece - 1.5" x 1.25" x 4" - Brass
	058713-01-000	EA	Sink - Oval - Ivory Plastic
	075240-03-000	EA	Faucet - Lavatory - Brass
	011083-01-000	EA	Tail Piece w/Stopper - 1.25" x 5" - Plastic - Sink
**	039341-02-000	EA	Toilet - Thetford - Aqua Magic - Ivory - 8420 SH
	075452-02-000	EA	Tissue Holder - Brass
	075453-02-000	EA	Towel Bar - 18" Brass
	064467-01-000	EA	Guide - Sliding Door - Mounts on Wall
	009156-01-000	EA	Hanger - Sliding Door
	075145-06-000	EA	Cover - Sliding Door Track - 54.2"
	075153-01-000	EA	Cover - End Cap - Sliding Door Track - Beige
	075149-04-000	EA	Track - Sliding Door - 54.2"
	058034-02-000	EA	Latch - Sliding Door - w/o Lock
	009112-01-000	EA	Flange - 1" Closet Rod
	075680-01-000	EA	Closet Rod - Adjustable
	058331-01-000	EA	Mirror - Tempered Glass - 19" x 26"
	058331-05-000	EA	Mirror - Tempered Glass - 12" x 26"
	009089-01-000	EA	Clip - Mirror
	057671-01-000	EA	Screw Cover - #8 - Antique White
	066433-01-000	EA	Cup Hook - Bright
	071632-01-000	EA	Hamper Bag - 49" - w/Elastic
	079235-01-000	EA	Header - Shower Door - Beige
	075603-01-000	EA	Threshold - Shower Door - Beige
	079234-01-000	EA	Jamb - Shower Door - Beige - Right
	079234-02-000	EA	Jamb - Shower Door - Beige - Left
	011069-03-000	EA	Tail Piece - 1 1/2" x 1 3/4" - Plastic
	076387-01-000	EA	Bracket - Medicine Cabinet
**	The illustrated parts breakdown for this item is provided on the Common Items Fiche		

1988 WINNEBAGO TABLE OF CONTENTS

WF426RT	A-01 - C-04
WCN26RH	C-05 - E-10
WCN23RG	E-11 - G-24
WCP26ET	H-01 - J-03

1988 WCN23RG INDEX

Floor Plan	E-11 - E-12
Accessories Group	E-12 - E-15
Bath Group	E-16
Chassis Group	E-17 - E-20
Curtain, Cushion & Pad Group	E-21 - F-04
Dinette Group	F-05
Drive's Compartment Group	F-06 - F-08
Electrical Group	F-09 - F-11
Exterior Body Group	F-12 - F-19
Galley Group	F-20 - F-21
Heating & Air Conditioning Group	F-22
Interior Finish Group	F-23 - G-01
LP Group	G-02
Lounge Group	G-03 - G-04
Water & Sewage Group	G-05 - G-06
Window, Vent & Exterior Door Group	G-07 - G-24

CHASSIS GROUP

MISCELLANEOUS CHASSIS

Key	Part Number	U/M	Description
	047441-01-000	EA	Battery Terminal - Horizontal Lug
	075723-01-000	EA	Block - Switch - Spacer w/o Holes
	072359-01-000	EA	Bottle - Coolant Expansion
	064093-01-000	EA	Box - Luggage
	075231-01-000	EA	Bracket Asm. - Fuel Tank Hanger
	051697-02-000	EA	Bracket - Battery Tie Down - 12"
	007125-07-000	EA	Clamp Asm. - Muffler - 1.62"
	007125-01-000	EA	Clamp Asm. - Muffler - 2.50"
	010497-01-000	EA	Clamp - Close - 5/8 I.D.
	007161-01-000	EA	Clamp - Hose - Spring Type 112
	062401-01-000	EA	Clamp - Hose - Wormgear - .22" I.D. x 1" I.D.
	062401-02-000	EA	Clamp - Hose - Wormgear - 1.56" I.D. - 2.5" I.D.
	062401-03-000	EA	Clamp - Hose - Wormgear - .25" I.D. - 1" I.D.
	062401-04-000	EA	Clamp - Hose - Wormgear - .69" I.D. - 1.25" I.D.
	062401-05-000	EA	Clamp - Hose - Wormgear - 2" I.D. - 3" I.D.
	062401-06-000	EA	Clamp - Hose - Wormgear - .22" I.D. - .62" I.D.
	023146-01-000	EA	Clamp - Screw Type - 4"
	024490-01-000	EA	Compartment - Power Cord - Black Plastic
	071656-01-000	EA	Cover - Radiator - Rear
	060722-01-000	EA	Cover - Radiator - Rear Back (Fan Shroud)
	020167-03-000	EA	Dirt Guard - Rear Wheel
	007131-01-000	EA	Hanger - Tail Pipe
	024138-01-000	FT	Hose - Fuel - 5/16" I.D. SAE 30RI
	066732-01-000	FT	Hose - Fuel Fill - .62 I.D.
	007111-02-000	EA	Hose - Fuel Fill - 2.00 I.D.
	007111-01-000	EA	Hose - Fuel Fill - 2.25 I.D.
	008113-01-000	EA	Jack - Hydraulic - 6 Ton - w/Handle
	060206-02-000	EA	Leverage Bar - 22" - Lug Wrench
	060206-01-000	EA	Lug Wrench
	017516-01-000	EA	Mud Flap w/Holes - 14" x 18" - Black
	074483-01-000	EA	Retainer Nut - Snap In - Speed Control
	064963-02-000	EA	Rim - Wheel - 16" x 6"
	050273-02-000	EA	Tire - 7.50 x 16 x CA T8 - Tubeless
	040546-01-000	EA	Tire - 7.50 x 16 - 8 Ply Poly
	040546-03-000	EA	Tire - 7.50 x 16 - 8 Ply - BSW Tube
	050273-03-000	EA	Tire - 7.50 x 16 - White Sidewall - Radial
	057036-09-000	EA	Sending Unit Fuel - 90 OHM - Aux.
	075146-01-000	EA	Shield - Heat Muffler
	079942-01-000	EA	Shock Absorber - Stabilizer - Front
	079942-02-000	EA	Shock Absorber - Stabilizer - Rear
	063977-04-000	EA	Step Asm. - Driver Door
	077848-01-000	EA	Step Asm. - Entry
	076241-01-000	EA	Support Asm. - Electric Step
	065963-02-000	EA	Switch - Fuel - Change Over
	061411-03-000	EA	Tailpipe Extension - 2.25" x 10.5"
	052431-01-000	EA	Tray - Luggage
	051377-01-000	EA	Valve Stem Asm. - TR500
	055080-01-000	EA	Wheelwell - Plastic
	008343-01-000	EA	Wire Tie - 6"
	081432-01-000	EA	Shroud - Main Fuel Fill - Inside

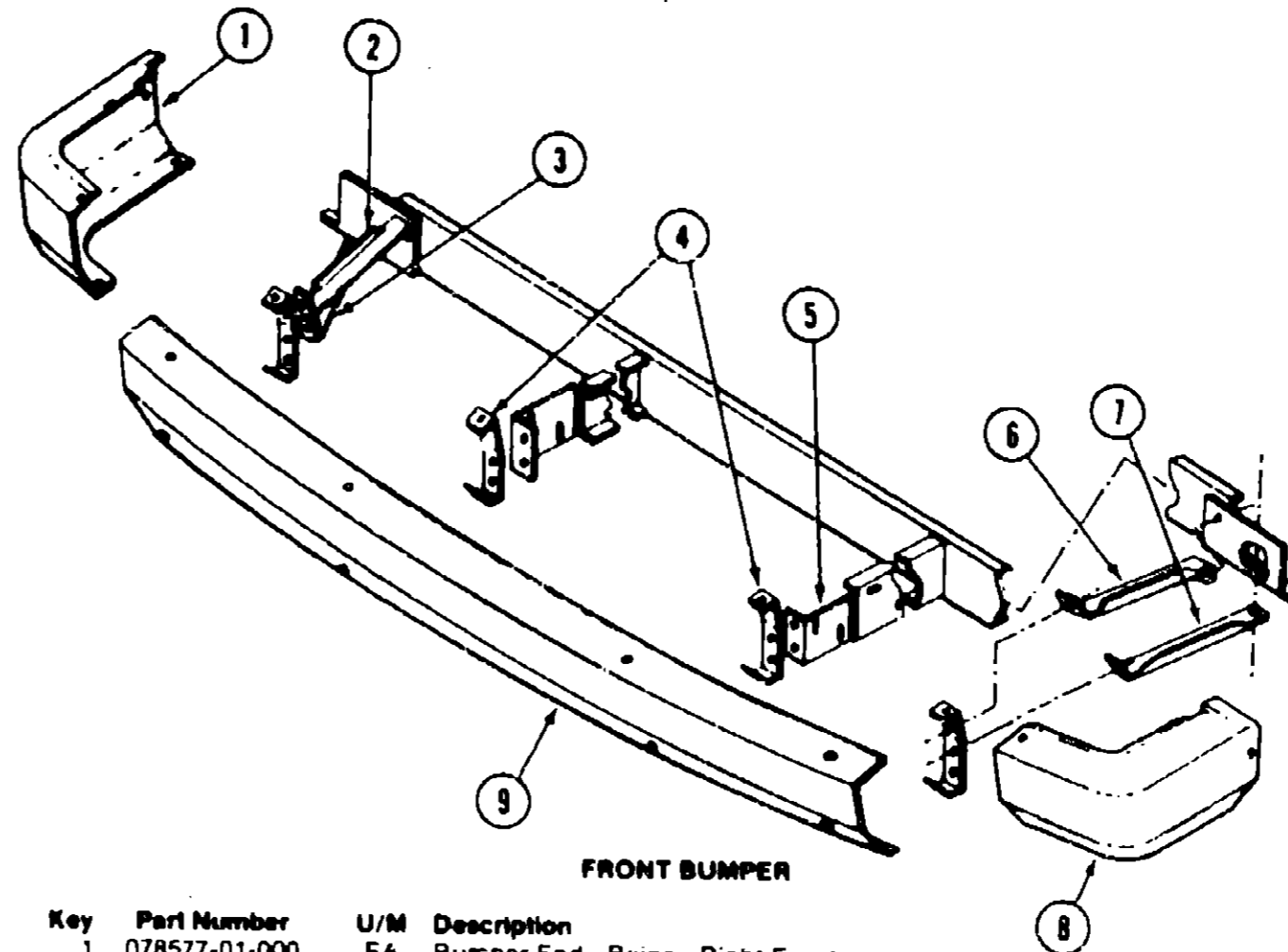
OPTIONAL STEERING WHEEL & COMPONENTS

Key	Part Number	U/M	Description
	080752-05-000	EA	Steering Wheel - Custom
	080752-06-000	EA	Hub Adapter - Steering Wheel
	080752-07-000	EA	Horn Button - w/Wire
	080752-08-000	EA	Screw - Custom Steering Wheel

CHASSIS GROUP (CONTINUED)

OPTIONAL 105 AMP ALTERNATOR & COMPONENTS

Key	Part Number	U/M	Description
	081057-01-000	EA	Alternator Kit - 105 Amp
	081057-01-700	EA	Brush Assembly
	081057-01-701	EA	Diode Bridge
	081057-01-702	EA	Condenser
	081057-01-703	EA	Inside Bearing Spacer
	081057-01-704	EA	Front Bearing
	081057-01-705	EA	Outside Bearing Spacer
	081057-01-706	EA	Pulley
	081057-01-707	EA	Diode
	081057-01-708	EA	Diode
	081057-01-709	EA	Stator (105 H.D.)
	081057-01-710	EA	Rotor
	081057-01-711	EA	Ground Terminal Kit
	081057-01-712	EA	Battery Terminal Kit
	081057-01-713	EA	Rear Bearing
	081057-02-000	EA	Regulator Kit - 105 Amp.
	081057-03-000	EA	Alternator - 105 Amp. Wide Belt



Key	Part Number	U/M	Description
1	078577-01-000	EA	Bumper End - Beige - Right Front
2	078002-01-000	EA	Brace - Upper Right - Front Bumper
3	078003-01-000	EA	Brace - Lower Right - Front Bumper
4	077852-01-000	EA	Bracket to Bumper - Front
5	076527-01-000	EA	Bracket to Frame - Front Bumper
6	078002-02-000	EA	Brace - Upper Left - Front Bumper
7	078003-02-000	EA	Brace - Lower Left - Front Bumper
8	078577-02-000	EA	Bumper End - Beige - Left Front
9	077850-04-000	EA	Bumper - Front - Chrome
9	077850-09-000	EA	Bumper - Front - Chrome
*	005200-01-000	EA	Carriage Bolt - Chrome - 7/16" x 14 x 1 1/4"
*			Not illustrated

1986 WINNEBAGO TABLE OF CONTENTS

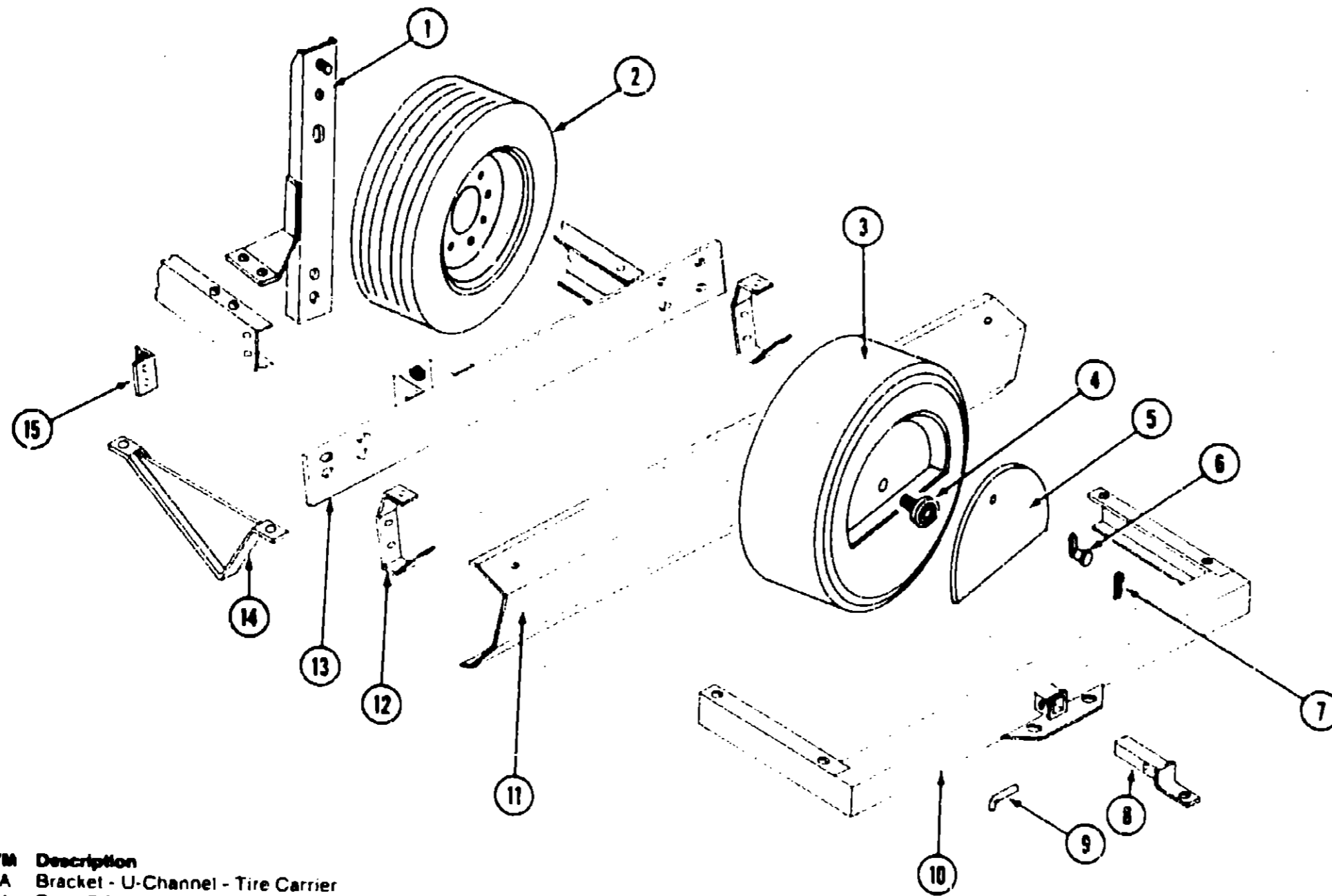
WF426RT	A-01 - C-04
WCN26RH	C-05 - E-10
WCN23RG	E-11 - G-24
WCP26ET	H-01 - J-03

1986 WCN23RG INDEX

Floor Plan	E-11 - E-12
Accessories Group	E-13 - E-15
Bath Group	E-16
Chassis Group	E-17 - E-20
Curtain, Cushion & Pad Group	E-21 - F-04
Dinette Group	F-05
Driver's Compartment Group	F-06 - F-08
Electrical Group	F-09 - F-11
Exterior Body Group	F-12 - F-19
Galley Group	F-20 - F-21
Heating & Air Conditioning Group	F-22
Interior Finish Group	F-23 - G-01
LP Group	G-02
Lounge Group	G-03 - G-04
Water & Sewage Group	G-05 - G-06
Window, Vent & Exterior Door Group	G-07 - G-24

CHASSIS GROUP (CONTINUED)

SPARE TIRE, HITCH & REAR BUMPER



Key	Part Number	U/M	Description
1	080378-02-000	EA	Bracket - U-Channel - Tire Carrier
2	040546-01-000	EA	Tire - 7.50 x 16 - 8 Ply Tubeless
3	079762-01-000	EA	Tire Cover - Beige Plastic
4	064082-02-000	EA	Nut - Tire Cover Retainer - Delmet
5	M02047-01-T03	EA	Door - Tire Cover - Beige Plastic
6	077408-01-000	EA	Lock Asm. - Key Type
7	034513-01-000	EA	Pin - Hitch - 3/16" Wire
8	077613-01-000	EA	Drawbar - Ball Mount
9	034512-01-000	EA	Locking Pin - Drawbar
10	077617-01-700	EA	Hitch Asm. - w/o Drawbar
11	078584-01-000	EA	Bumper - Rear - Primed
11	078584-08-000	EA	Bumper - Rear - Chromed
.	078578-01-000	EA	Bumper End - Right - Beige
.	078578-02-000	EA	Bumper End - Left - Beige
12	078670-02-000	EA	Bracket to Bumper - Rear
13	079129-02-000	EA	Bracket to Frame - Rear Bumper
14	083376-01-000	EA	Skid Plate Asm.
15	078668-01-000	EA	Support Angle - Rear Bumper Support to Frame
.	005200-01-000	EA	Bumper Bolt - 7/16" - 14 x 1 1/4
.			Not illustrated

1988 WINNEBAGO TABLE OF CONTENTS

WF426RT
WCN26RH
WCN23RG
WCP26ET

A-01 - C-04
C-05 - E-10
E-11 - G-24
H-01 - J-03

1988 WCN23RG INDEX

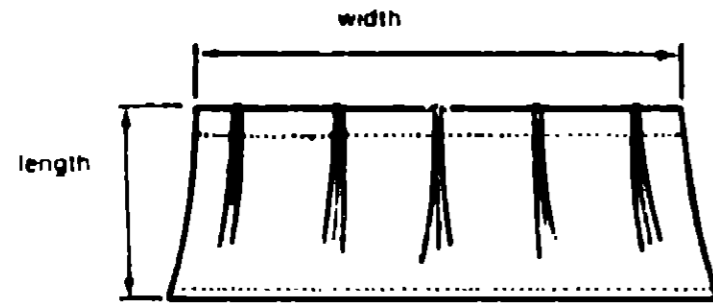
Floor Plan	E-11 - E-12
Accessories Group	E-13 - E-15
Bath Group	E-16
Chassis Group	E-17 - E-20
Curtain, Cushion & Pad Group	E-21 - F-04
Dinette Group	F-05
Driver's Compartment Group	F-06 - F-08
Electrical Group	F-09 - F-11
Exterior Body Group	F-12 - F-19
Galley Group	F-20 - F-21
Heating & Air Conditioning Group	F-22
Interior Finish Group	F-23 - G-01
LP Group	G-02
Lounge Group	G-03 - G-04
Water & Sewage Group	G-05 - G-06
Window, Vent & Exterior Door Group	G-07 - G-24

CURTAIN, CUSHION & PAD GROUP

NOTICE

In order to assist our Parts Sales Dept. in providing interior software items, please include the serial number and the color code number from the vehicle certification label when ordering. This label is located on the left sidewall at the end of the dash (A-Body), or on the driver's door latch plate (C-Body).

An example of a color code number is P31, which designates an overall color scheme of a particular unit. The color listed after the item description on the microfiche, indicates the overall unit color. Order the item you desire according to unit color code.



NOTE:

Use this illustration when determining length and width measurements for curtains. You will note the width measurement is taken on the top of the curtain with the curtain fully extended. The length measurement is taken from top to bottom.



Key	Part Number	U/M	Description
1	029130-01-000	EA	Socket - Snap Fastener
2	029155-01-000	EA	Cap - Snap - .156" Dia. x .17" Barrel
3	029156-01-000	EA	Socket - Snap Fastener
4	029092-01-000	EA	Stud - Nickel Finish
5	029093-01-000	EA	Eyelet - Nickel Finish

CURTAIN, CUSHION & PAD GROUP (CONTINUED)

FABRICS, TRIMS & PADS

Key	Part Number	U/M	Description
	072333-25-000	YD	Fabric - Drapery - Beige (U04)
	072333-26-000	YD	Fabric - Drapery - Rose (U05)
	072333-27-000	YD	Fabric - Drapery - Spruce (U06)
	077498-62-000	YD	Fabric w/Pattern - Upholstery - Beige (U04)
	077498-63-000	YD	Fabric w/Pattern - Upholstery - Rose (U05)
	077498-64-000	YD	Fabric w/Pattern - Upholstery - Spruce (U06)
	077498-75-000	YD	Fabric w/Pattern - Upholstery Accent - Rose (U05)
	077498-74-000	YD	Fabric w/Pattern - Upholstery Accent - Spruce (U06)
	077498-73-000	YD	Fabric - Upholstery Accent - Plain (U04, U06)
	077498-72-000	YD	Fabric - Upholstery Accent - Plain (U05)
	060729-43-000	YD	Fabric - Bedspread/Drapery - Multi-Stripe
	072333-21-000	YD	Fabric - Bedspread - Parchment
	038421-01-000	YD	Fabric - Mattress Ticking
	052859-01-T03	FT	Trim Asm. - Accent - Sandrift
	052859-05-T03	FT	Trim Asm. - Accent - Buckskin
	079680-01-000	YD	Vinyl - Expanded - 26 oz. - Buckskin
	079680-02-000	YD	Vinyl - Expanded - 26 oz. - Sandrift
	070578-06-T03	EA	Button Asm. - #30 - Vinyl
	057093-01-T03	EA	Button Asm. - #60 - Vinyl
	057550-03-T03	EA	Button Asm. - Nail - Vinyl
	071127-09-000	EA	Button Asm. - #36 - Hook Back
	071127-10-U01	EA	Button Asm. - #30 - Beige (U04, U06)
	071127-10-U02	EA	Button Asm. - #30 - Rose (U05)
	078155-01-000	EA	Strap Asm. - Cushion
	079144-02-000	EA	Strap Asm. - Bunk
	081325-01-T03	EA	End Cap Asm. - Overhead - Dinette - Vinyl
	081519-01-U01	EA	Pad Asm. - Dinette - Front - Beige (U04, U06)
	081519-01-U02	EA	Pad Asm. - Dinette - Front - Rose (U05)
	081519-02-U01	EA	Pad Asm. - Dinette - Rear - Beige (U04, U06)
	081519-02-U02	EA	Pad Asm. - Dinette - Rear - Rose (U05)
	081711-07-U04	EA	Pad Asm. - Rear Dinette - Right - Beige, Spruce (U06)
	081711-07-U05	EA	Pad Asm. - Rear Dinette - Right - Rose
	081711-08-U04	EA	Pad Asm. - Rear Dinette - Left - Beige, Spruce (U06)
	081711-08-U05	EA	Pad Asm. - Rear Dinette - Left - Rose

CURTAIN & CUSHION HARDWARE

Key	Part Number	U/M	Description
	056116-01-000	EA	Track - Curtain - Brown Plastic
	079946-01-000	EA	Track - Curtain - Front Wraparound - Right
	079946-02-000	EA	Track - Curtain - Front Wraparound - Left
	081362-01-000	EA	Bracket Asm. - Armrest - Right
	081362-02-000	EA	Bracket Asm. - Armrest - Left
	056001-01-000	EA	Bracket - Shade - Left
	056002-01-000	EA	Bracket - Shade - Right
	056003-01-000	EA	Bracket - Drapery Retainer - Right
	056003-02-000	EA	Bracket - Drapery Retainer - Left
	075477-21-000	EA	Bracket - Hold Down - Blinds
	009107-01-000	EA	Guide - Nylon Snap - Curtain
	056784-01-000	EA	Pull - Window Shade - Antique Brass
	056115-01-000	YD	Tape - Clear Plastic - w/Guides
	048394-01-000	YD	Tape Hook - 1" x 25 YD - Beige
	029096-03-000	EA	Tape Hook - 1.0" - Velcro - Black
	029096-05-000	EA	Tape Hook - .50" - Velcro - Beige
	048395-01-000	YD	Tape Loop - 1" x 25 YD - Beige
	029094-04-000	EA	Tape Loop - 1.0" - Velcro - Black
	029094-05-000	EA	Tape Loop - .50" - Velcro - Beige

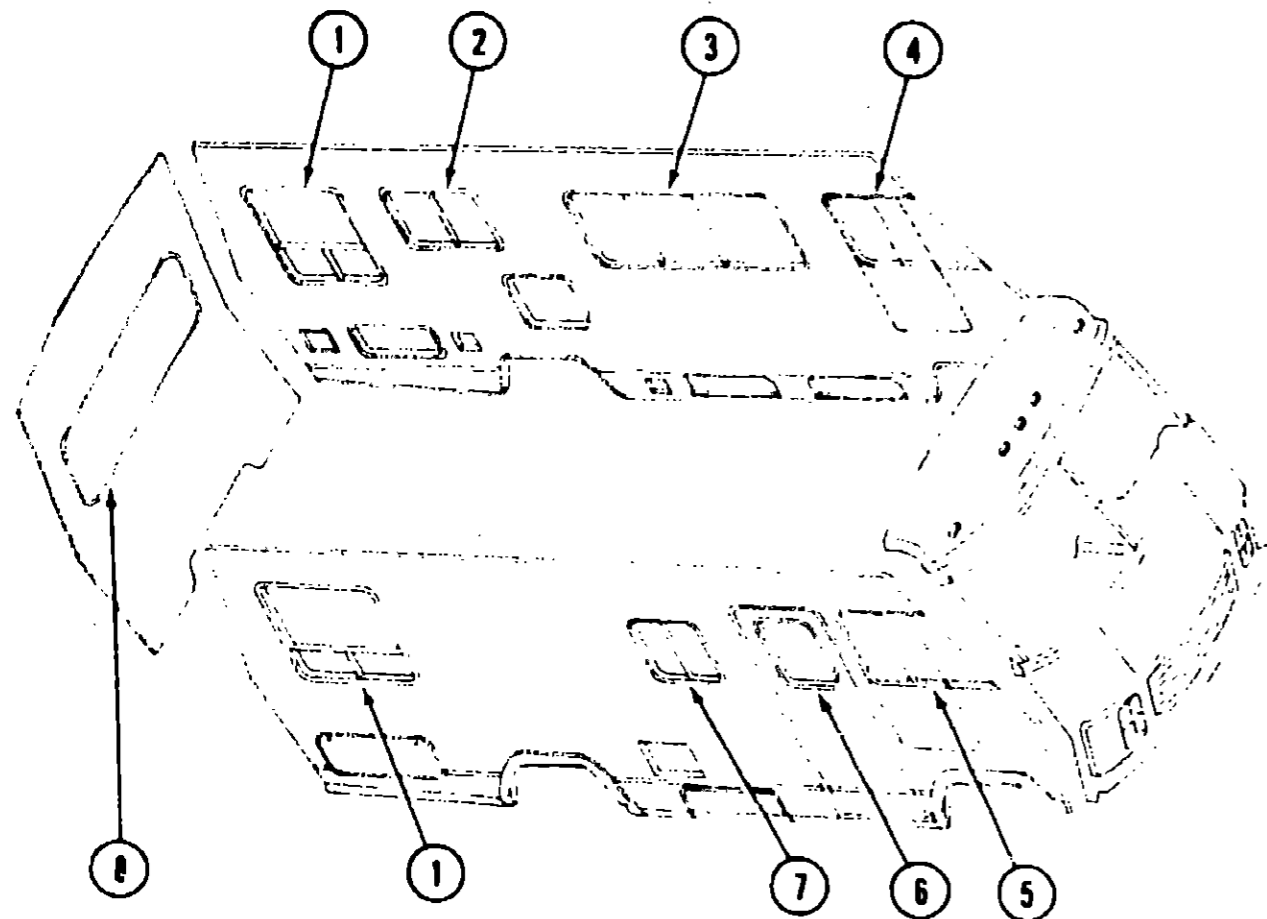
**1988 WINNEBAGO
TABLE OF CONTENTS**

WF426RT	A-01 - C-04
WCN26RH	C-05 - E-10
WCN23RG	E-11 - G-24
WCP26ET	H-01 - J-03

1988 WCN23RG INDEX

Floor Plan	E-11 - E-12
Accessories Group	E-13 - E-15
Bath Group	E-16
Chassis Group	E-17 - E-20
Curtain, Cushion & Pad Group	E-21 - F-04
Dinette Group	F-05
Driver's Compartment Group	F-06 - F-08
Electrical Group	F-09 - F-11
Exterior Body Group	F-12 - F-19
Galley Group	F-20 - F-21
Heating & Air Conditioning Group	F-22
Interior Finish Group	F-23 - G-01
LP Group	G-02
Lounge Group	G-03 - G-04
Water & Sewage Group	G-05 - G-06
Window, Vent & Exterior Door Group	G-07 - G-24

CURTAIN, CUSHION & PAD GROUP (CONTINUED)



CURTAINS, SHADES, VALANCES & TIEBACKS

Key	Part Number	U/M	Description
1	079542-05-U04	EA	Curtain w/Darts - 38.5" x 10" - Beige
1	079542-05-U05	EA	Curtain w/Darts - 38.5" x 10" - Rose
1	079542-05-U06	EA	Curtain w/Darts - 38.5" x 10" - Spruce
1	M82194-02-U04	EA	Valance Asm. - Padded - Passenger - Beige
1	M82194-02-U05	EA	Valance Asm. - Padded - Passenger - Rose
1	M82194-02-U06	EA	Valance Asm. - Padded - Passenger - Spruce
1	M82194-01-U04	EA	Valance Asm. - Padded - Driver - Beige
1	M82194-01-U05	EA	Valance Asm. - Padded - Driver - Rose
1	M82194-01-U06	EA	Valance Asm. - Padded - Driver - Spruce
1	082118-49-000	EA	Blind - 32" x 42" Drop - Beige (U04)
1	082118-50-000	EA	Blind - 32" x 42" Drop - Rose (U05)
1	082118-51-000	EA	Blind - 32" x 42" Drop - Spruce (U06)
1	079542-06-U04	EA	Curtain w/Darts - 38.5" x 10" Drop (Woven Wood) - Beige, Spruce (U06)
1	079542-06-U05	EA	Curtain w/Darts - 38.5" x 10" Drop (Woven Wood) - Rose
1	082127-37-000	EA	Shade Asm. - Woven Wood - 38" x 40" Drop - Beige (U04)
1	082127-38-000	EA	Shade Asm. - Woven Wood - 38" x 40" Drop - Rose (U05)
1	082127-39-000	EA	Shade Asm. - Woven Wood - 38" x 40" Drop - Spruce (U06)
2	082176-01-U01	EA	Valance Asm. - Padded - Beige, Spruce (U04, U06)
2	082176-01-U02	EA	Valance Asm. - Padded - Rose (U05)
2	082118-52-000	EA	Blinds - 32" x 26" Drop - Beige (U04)
2	082118-53-000	EA	Blinds - 32" x 26" Drop - Rose (U05)
2	082118-54-000	EA	Blinds - 32" x 26" Drop - Spruce (U06)

CURTAIN, CUSHION & PAD GROUP (CONTINUED)

CURTAIN, SHADES, VALANCES & TIEBACKS (CONT.)

Key	Part Number	U/M	Description
3	079542-10-U01	EA	Curtain w/Darts - 36" x 16" - Beige (U04)
3	079542-10-U02	EA	Curtain w/Darts - 36" x 16" - Rose (U05)
3	079542-10-U03	EA	Curtain w/Darts - 36" x 16" - Spruce (U06)
3	M81977-15-U04	EA	Valance Asm. - Padded - Beige
3	M81977-15-U05	EA	Valance Asm. - Padded - Rose
3	M81977-15-U06	EA	Valance Asm. - Padded - Spruce
3	082118-61-000	EA	Blind - 65" x 34" Drop - Beige (U04)
3	082118-62-000	EA	Blind - 65" x 34" Drop - Rose (U05)
3	082118-63-000	EA	Blind - 65" x 34" Drop - Spruce (U06)
3	079543-15-U04	EA	Curtain w/Snap Bottom - 30.5" x 18" (Woven Wood) - Beige, Spruce (U06)
3	079543-15-U05	EA	Curtain w/Snap Bottom - 30.5" x 18" (Woven Wood) - Rose
3	082127-49-000	EA	Shade Asm. - Woven Wood - 65" x 35" Drop - Beige (U04)
3	082127-50-000	EA	Shade Asm. - Woven Wood - 65" x 35" Drop - Rose (U05)
3	082127-51-000	EA	Shade Asm. - Woven Wood - 65" x 35" Drop - Spruce (U06)
4	073304-32-U04	EA	Curtain w/Snap Top - Front Wraparound - 32.5" x 86" (U05, U06)
5	073304-31-U04	EA	Curtain w/Snap Top - Front Wraparound - 32.5" x 86" (U05, U06)
.	077591-05-U04	EA	Curtain w/Velcro Top - Blackout - 60" x 50" - Right
.	077591-06-U04	EA	Curtain w/Velcro Top - Blackout - 60" x 50" - Left
6	M81977-12-U04	EA	Valance Asm. - Padded - Beige, Spruce (U06)
6	M81977-12-U05	EA	Valance Asm. - Padded - Rose
6	082119-02-000	EA	Shade Asm. - 24" x 40"
7	M81977-05-U04	EA	Valance Asm. - Padded - Beige
7	M81977-05-U05	EA	Valance Asm. - Padded - Rose
7	M81977-05-U06	EA	Valance Asm. - Padded - Spruce
7	082118-43-000	EA	Blind - 27" x 22" Drop - Beige (U04)
7	082118-44-000	EA	Blind - 27" x 22" Drop - Rose (U05)
7	082118-45-000	EA	Blind - 27" x 22" Drop - Spruce (U06)
8	079542-10-U01	EA	Curtain w/Darts - 35" x 16" - Beige (U04)
8	079542-10-U02	EA	Curtain w/Darts - 35" x 16" - Rose (U05)
8	079542-10-U03	EA	Curtain w/Darts - 35" x 16" - Spruce (U06)
8	M81977-09-U04	EA	Valance Asm. - Padded - Beige, Spruce (U06)
8	M81977-09-U05	EA	Valance Asm. - Padded - Rose
8	082118-64-000	EA	Blind - 71" x 29" Drop - Beige (U04)
8	082118-65-000	EA	Blind - 71" x 29" Drop - Rose (U05)
8	082118-66-000	EA	Blind - 71" x 29" Drop - Spruce (U06)
8	079542-07-U04	EA	Curtain w/Darts - 32" x 16" (Woven Wood) - Beige, Spruce (U06)
8	079542-07-U05	EA	Curtain w/Darts - 32" x 16" (Woven Wood) - Rose
8	082127-52-000	EA	Shade Asm. - Woven Wood - 71" x 30" Drop - Beige (U04)
8	082127-53-000	EA	Shade Asm. - Woven Wood - 71" x 30" Drop - Rose (U05)
8	082127-54-000	EA	Shade Asm. - Woven Wood - 71" x 30" Drop - Spruce (U06)
.	073260-16-U04	EA	Tie Back Asm. - 3" x 20" - Beige, Spruce (U06)
.	073260-16-U05	EA	Tie Back Asm. - 3" x 20" - Rose
.	057534-01-000	EA	Tie Back Asm. - 6" - Clear Plastic
.	057534-03-000	EA	Tie Back Asm. - 7.5" - Clear Plastic
.	057534-04-000	EA	Tie Back Asm. - 20" - Clear Plastic
.			Not illustrated

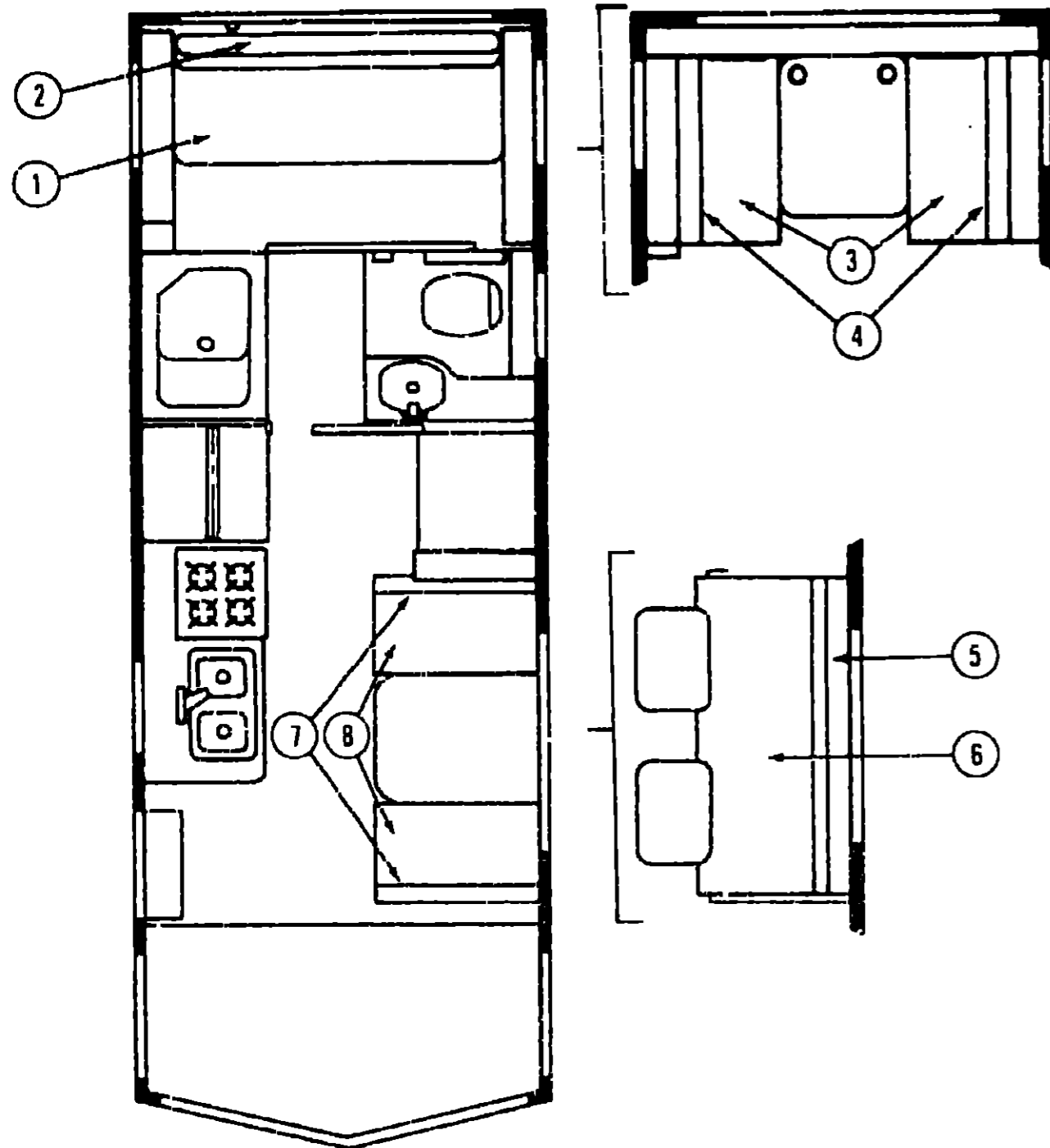
**1986 VINNEBAGO
TABLE OF CONTENTS**

WF426RT	A-01 - C-04
WCN26RH	C-05 - E-10
WCN23RG	E-11 - G-24
WCP26ET	H-01 - J-03

1986 WCN23RG INDEX

Floor Plan	E-11 - E-12
Accessories Group	E-13 - E-15
Bath Group	E-16
Chassis Group	E-17 - E-20
Curtain, Cushion & Pad Group	E-21 - F-04
Dinette Group	F-05
Driver's Compartment Group	F-06 - F-08
Electrical Group	F-09 - F-11
Exterior Body Group	F-12 - F-19
Galley Group	F-20 - F-21
Heating & Air Conditioning Group	F-22
Interior Finish Group	F-23 - G-01
LP Group	G-02
Lounge Group	G-03 - G-04
Water & Sewage Group	G-05 - G-06
Window, Vent & Exterior Door Group	G-07 - G-24

CURTAIN, CUSHION & PAD GROUP (CONTINUED)



CONVERTIBLE COUCH CUSHIONS

Key	Part Number	U/M	Description
1	072431-09-U04	EA	Cushion Asm. - 3 Pillow Seat - 23.5" x 76" x 5" - Beige
1	072431-09-U05	EA	Cushion Asm. - 3 Pillow Seat - 23.5" x 76" x 5" - Rose
1	072431-09-U06	EA	Cushion Asm. - 3 Pillow Seat - 23.5" x 76" x 5" - Spruce
	M72431-09-U04	EA	Cover Asm. - 3 Pillow Seat - 23.5" x 76" x 5" - Beige
	M72431-09-U05	EA	Cover Asm. - 3 Pillow Seat - 23.5" x 76" x 5" - Rose
	M72431-09-U06	EA	Cover Asm. - 3 Pillow seat - 23.5" x 76" x 5" - Spruce
2	072432-09-U04	EA	Cushion Asm. - 3 Pillow Back - 15" x 76" x 5" - Beige
2	072432-09-U05	EA	Cushion Asm. - 3 Pillow Back - 15" x 76" x 5" - Rose
2	072432-09-U06	EA	Cushion Asm. - 3 Pillow Back - 15" x 76" x 5" - Spruce
	M72432-09-U04	EA	Cover Asm. - 3 Pillow Back - 15" x 76" x 5" - Beige
	M72432-09-U05	EA	Cover Asm. - 3 Pillow Back - 15" x 76" x 5" - Rose
	M72432-09-U06	EA	Cover Asm. - 3 Pillow Back - 15" x 76" x 5" - Spruce

CURTAIN, CUSHION & PAD GROUP (CONTINUED)

REAR DINETTE CUSHIONS (OPTION)

Key	Part Number	U/M	Description
3	081998-19-U04	EA	Cushion Asm. - Rear Dinette Bottom - 17.5" x 44" x 5" - Beige
3	081998-19-U05	EA	Cushion Asm. - Rear Dinette Bottom - 17.5" x 44" x 5" - Rose
3	081998-19-U06	EA	Cushion Asm. - Rear Dinette Bottom - 17.5" x 44" x 5" - Spruce
	M81998-19-U04	EA	Cover Asm. - Rear Dinette Bottom - 17.5" x 44" x 5" - Beige
	M81998-19-U05	EA	Cover Asm. - Rear Dinette Bottom - 17.5" x 44" x 5" - Rose
	M81998-19-U06	EA	Cover Asm. - Rear Dinette Bottom - 17.5" x 44" x 5" - Spruce
4	081998-18-U04	EA	Cushion Asm. - Rear Dinette Back - 19.25" x 44" x 5" - Beige
4	081998-18-U05	EA	Cushion Asm. - Rear Dinette Back - 19.25" x 44" x 5" - Rose
4	081998-18-U06	EA	Cushion Asm. - Rear Dinette Back - 19.25" x 44" x 5" - Spruce
	M81998-18-U04	EA	Cover Asm. - Rear Dinette Back - 19.25" x 44" x 5" - Beige
	M81998-18-U05	EA	Cover Asm. - Rear Dinette Back - 19.25" x 44" x 5" - Rose
	M81998-18-U06	EA	Cover Asm. - Rear Dinette Back - 19.25" x 44" x 5" - Spruce

SPRUNG COUCH CUSHION (OPTION)

Key	Part Number	U/M	Description
5	073630-07-U04	EA	Cushion Asm. - 3 Pillow Back - 15" x 76" x 5" - Beige
5	073630-07-U05	EA	Cushion Asm. - 3 Pillow Back - 15" x 76" x 5" - Rose
5	073630-07-U06	EA	Cushion Asm. - 3 Pillow back - 15" x 76" x 5" - Spruce
	M73630-07-U04	EA	Cover Asm. - 3 Pillow Back - 15" x 76" x 5" - Beige
	M73630-07-U05	EA	Cover Asm. - 3 Pillow Back - 15" x 76" x 5" - Rose
	M73630-07-U06	EA	Cover Asm. - 3 Pillow Back - 15" x 76" x 5" - Spruce
6	073631-08-U04	EA	Cushion Asm. - 3 Pillow Seat - 23.5" x 76" x 5" - Beige
6	073631-08-U05	EA	Cushion Asm. - 3 Pillow Seat - 23.5" x 76" x 5" - Rose
6	073631-08-U06	EA	Cushion Asm. - 3 Pillow Seat - 23.5" x 76" x 5" - Spruce
	M73631-08-U04	EA	Cover Asm. - 3 Pillow Seat - 23.5" x 76" x 5" - Beige
	M73631-08-U05	EA	Cover Asm. - 3 Pillow Seat - 23.5" x 76" x 5" - Rose
	M73631-08-U06	EA	Cover Asm. - 3 Pillow Seat - 23.5" x 76" x 5" - Spruce

DINETTE CUSHIONS

Key	Part Number	U/M	Description
7	081998-01-U01	EA	Cushion Asm. - Angled Dinette Back - 19.25" x 38" x 5" - Beige (U04)
	081998-01-U02	EA	Cushion Asm. - Angled Dinette Back - 19.25" x 38" x 5" - Rose (U05)
7	081998-01-U03	EA	Cushion Asm. - Angled Dinette Back - 19.25" x 38" x 5" - Spruce (U06)
	M81998-01-U01	EA	Cover Asm. - Angled Dinette Back - 19.25" x 38" x 5" - Beige (U04)
	M81998-01-U02	EA	Cover Asm. - Angled Dinette Back - 19.25" x 38" x 5" - Rose (U05)
	M81998-01-U03	EA	Cover Asm. - Angled Dinette Back - 19.25" x 38" x 5" - Spruce (U06)
8	081998-02-U01	EA	Cushion Asm. - Dinette Bottom - 17.5" x 38" x 5" - Beige (U04)
8	081998-02-U02	EA	Cushion Asm. - Dinette Bottom - 17.5" x 38" x 5" - Rose (U05)
8	081998-02-U06	EA	Cushion Asm. - Dinette Bottom - 17.5" x 38" x 5" - Spruce (U06)
	M81998-02-U01	EA	Cover Asm. - Dinette Bottom - 17.5" x 38" x 5" - Beige (U04)
	M81998-02-U02	EA	Cover Asm. - Dinette Bottom - 17.5" x 38" x 5" - Rose (U05)
	M81998-02-U03	EA	Cover Asm. - Dinette Bottom - 17.5" x 38" x 5" - Spruce (U06)

**1986 WINNEBAGO
TABLE OF CONTENTS**

WF426RT	A-01 - C-04
WCN26RH	C-05 - E-10
WCN23RG	E-11 - G-24
WCP26ET	H-01 - J-03

1986 WCN23RG INDEX

Floor Plan	E-11 - E-12
Accessories Group	E-13 - E-15
Bath Group	E-16
Chassis Group	E-17 - E-20
Curtain, Cushion & Pad Group	E-21 - F-04
Dinette Group	F-05
Driver's Compartment Group	F-06 - F-08
Electrical Group	F-09 - F-11
Exterior Body Group	F-12 - F-19
Galley Group	F-20 - F-21
Heating & Air Conditioning Group	F-22
Interior Finish Group	F-23 - G-01
LP Group	G-02
Lounge Group	G-03 - G-04
Water & Sewage Group	G-05 - G-06
Window, Vent & Exterior Door Group	G-07 - G-24

CURTAIN, CUSHION & PAD GROUP (CONTINUED)

BUCKET SEATS

Key	Part Number	U/M	Description
	079300-01-U01	EA	Seat Asm. - Vinyl - Beige (U04)
	079300-02-U01	EA	Seat Asm. - Vinyl - Rose (U05)
	079300-02-U03	EA	Seat Asm. - Vinyl - Spruce (U06)
	M01862-01-U01	EA	Cover Asm. - Seat Bottom - Vinyl - Beige (U04)
	M01862-03-U01	EA	Cover Asm. - Seat Bottom - Vinyl - Rose (U05)
	M01862-03-U03	EA	Cover Asm. - Seat Bottom - Vinyl - Spruce (U06)
	M01862-02-U01	EA	Cover Asm. - Seat Back - Vinyl - Beige (U04)
	M01862-04-U01	EA	Cover Asm. - Seat Back - Vinyl - Rose (U05)
	M01862-04-U03	EA	Cover Asm. - Seat Back - Vinyl - Spruce (U06)
	078804-07-U01	EA	Seat Asm. - Granduer - Beige (U04)
	078804-08-U04	EA	Seat Asm. - Granduer - Rose (U05)
	078804-08-U06	EA	Seat Asm. - Granduer - Spruce (U06)
	M01863-01-U01	EA	Cover Asm. - Granduer Seat Bottom - Beige (U04)
	M01863-03-U01	EA	Cover Asm. - Granduer Seat Bottom - Rose (U05)
	M01863-03-U03	EA	Cover Asm. - Granduer Seat Bottom - Spruce (U06)
	M01863-02-U01	EA	Cover Asm. - Granduer Seat Back - Beige (U04)
	M01863-04-U01	EA	Cover Asm. - Granduer Seat Back - Rose (U05)
	M01863-04-U03	EA	Cover Asm. - Granduer Seat Back - Spruce (U06)
	071126-16-U01	EA	Skirt Asm. - Granduer Bucket Seat - Beige (U04)
	071126-13-U04	EA	Skirt Asm. - Granduer Bucket Seat - Rose (U05)
	071126-13-U06	EA	Skirt Asm. - Granduer Bucket Seat - Spruce (U06)
	080243-07-U01	EA	Armrest Asm. - Right - Beige (U04)
	080243-09-U01	EA	Armrest Asm. - Right - Rose (U05)
	080243-09-U03	EA	Armrest Asm. - Right - Spruce (U06)
	080243-08-U01	EA	Armrest Asm. - Left - Beige (U04)
	080243-10-U01	EA	Armrest Asm. - Left - Rose (U05)
	080243-10-U03	EA	Armrest Asm. - Left - Spruce (U06)
	M80243-01-U01	EA	Cover Asm. - Armrest - Right - Beige (U04)
	M80243-03-U01	EA	Cover Asm. - Armrest - Right - Rose (U05)
	M80243-03-U03	EA	Cover Asm. - Armrest - Right - Spruce (U06)
	M80243-02-U01	EA	Cover Asm. - Armrest - Left - Beige (U04)
	M80243-04-U01	EA	Cover Asm. - Armrest - Left - Rose (U05)
	M80243-04-U03	EA	Cover Asm. - Armrest - Left - Spruce (U06)
	080242-04-U01	EA	Headrest Asm. - Beige (U04)
	080242-05-U04	EA	Headrest Asm. - Rose (U05)
	080242-05-U06	EA	Headrest Asm. - Spruce (U06)
	M80242-01-U04	EA	Cover Asm. - Headrest - Beige (U04)
	M80242-02-U04	EA	Cover Asm. - Headrest - Rose (U05)
	M80242-02-U06	EA	Cover Asm. - Headrest - Spruce (U06)
	079281-02-U04	EA	Seat Asm. - Double Bucket - Beige (U04)
	079281-01-U04	EA	Seat Asm. - Double Bucket - Rose (U05)
	079281-01-U06	EA	Seat Asm. - Double Bucket - Spruce (U06)
	M01874-03-U04	EA	Cover Asm. - Double Bucket - Bottom - Beige (U04)
	M01874-01-U04	EA	Cover Asm. - Double Bucket - Bottom - Rose (U05)
	M01874-01-U06	EA	Cover Asm. - Double Bucket - Bottom - Spruce (U06)
	M01874-04-U04	EA	Cover Asm. - Double Bucket - Back - Beige (U04)
	M01874-02-U04	EA	Cover Asm. - Double Bucket - Back - Rose (U05)
	M01874-02-U06	EA	Cover Asm. - Double Bucket - Back - Spruce (U06)
	071690-04-U01	EA	Skirt Asm. - Double Bucket - Beige (U04)
	071690-05-U04	EA	Skirt Asm. - Double Bucket - Rose (U05)
	071690-05-U06	EA	Skirt Asm. - Double Bucket - Spruce (U06)
	080243-02-U04	EA	Armrest Asm. - Double Bucket - Beige (U04)
	080243-04-U04	EA	Armrest Asm. - Double Bucket - Rose (U05)
	080243-04-U06	EA	Armrest Asm. - Double Bucket - Spruce (U06)
	M80243-02-U04	EA	Cover Asm. - Armrest - Beige (U04)
	M80243-04-U01	EA	Cover Asm. - Armrest - Rose (U05)
	M80243-04-U06	EA	Cover Asm. - Armrest - Spruce (U06)
	080242-01-U04	EA	Headrest Asm. - Double Bucket - Beige (U04)
	080242-02-U04	EA	Headrest Asm. - Double Bucket - Rose (U05)
	080242-02-U06	EA	Headrest Asm. - Double Bucket - Spruce (U06)
	M80242-01-U04	EA	Cover Asm. - Headrest - Double Bucket - Beige (U04)
	M80242-02-U04	EA	Cover Asm. - Headrest - Double Bucket - Rose (U05)
	M80242-02-U06	EA	Cover Asm. - Headrest - Double Bucket - Spruce (U06)

CURTAIN, CUSHION & PAD GROUP (CONTINUED)

FRONT OVERHEAD BUNK CUSHIONS

Key	Part Number	U/M	Description
	079145-04-000	EA	Cushion Asm. - Front Bunk - 34" x 78" x 4"
	M79145-04-000	EA	Cover Asm. - Front Bunk Cushion - 34" x 78" x 4"

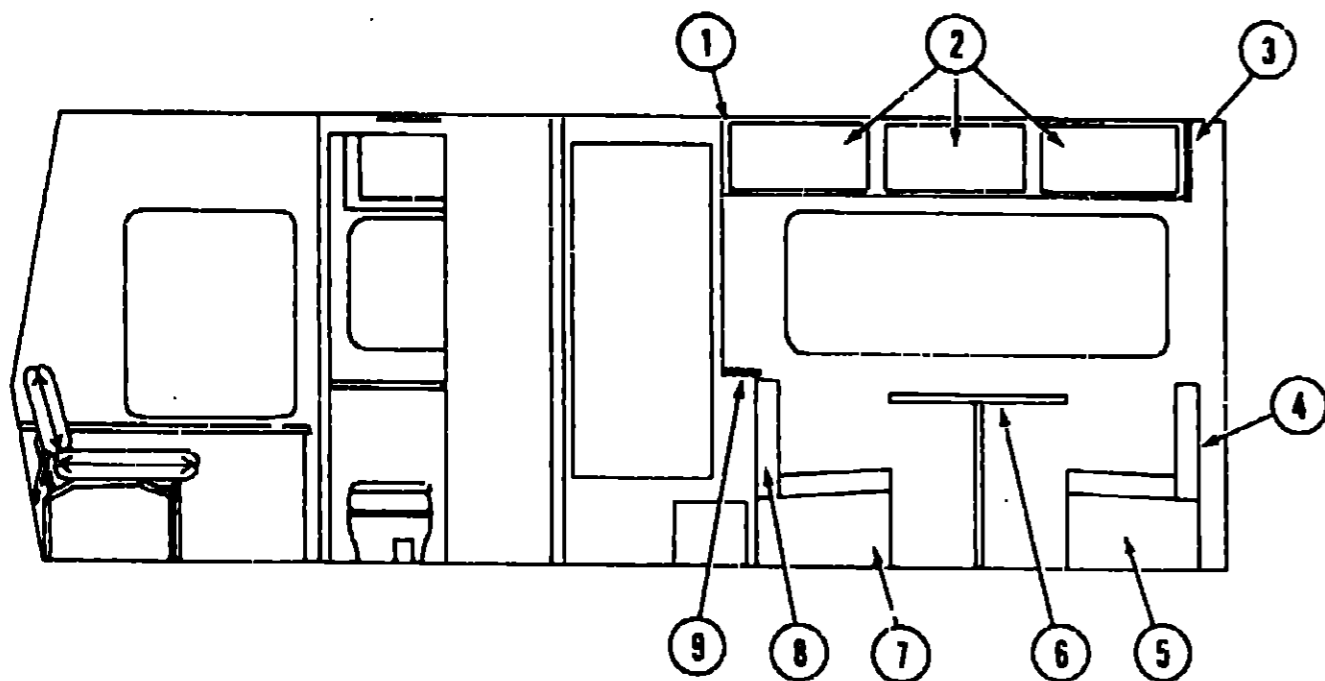
**1986 WINNEBAGO
TABLE OF CONTENTS**

WF426RT	A-01 - C-04
WCN26RH	C-05 - E-10
WCN23RG	E-11 - G-24
WCP26ET	H-01 - J-03

1986 WCN23RG INDEX

Floor Plan	E-11 - E-12
Accessories Group	E-13 - E-15
Bath Group	E-16
Chassis Group	E-17 - E-20
Curtain, Cushion & Pad Group	E-21 - F-04
Dinette Group	F-05
Driver's Compartment Group	F-06 - F-08
Electrical Group	F-09 - F-11
Exterior Body Group	F-12 - F-19
Galley Group	F-20 - F-21
Heating & Air Conditioning Group	F-22
Interior Finish Group	F-23 - G-01
I.P. Group	G-02
Lounge Group	G-03 - G-04
Water & Sewage Group	G-05 - G-06
Window Vent & Exterior Door Group	G-07 - G-24

DINETTE GROUP



CONVENTIONAL DINETTE & OVERHEAD CABINETRY

Key	Part Number	U/M	Description
1	M82419-01-U04	EA	Cabine: Asm. - Dinette Overhead - w/o Doors or Hardware
2	M81503-01-T03	EA	Door Asm. - Dinette Overhead - 21.8" x 12.8" - w/o Hardware
3	081325-01-T03	EA	Pad Asm. - End Cap - Dinette Overhead - Right - Sandril Vinyl
4	M02486-01-U01	EA	Cabinet Asm. - Dinette Back - Right
5	M02487-01-U04	EA	Cabinet Asm. - Dinette Seat - Right
6	M02115-09-U01	EA	Table Asm. - Dinette - w/o Hardware
7	M02489-01-U04	EA	Cabinet Asm. - Dinette Seat - Left
8	M02488-01-U01	EA	Cabinet Asm. - Dinette Back - Left
9	M02518-01-U04	EA	Countertop Asm. - Refrigerator
.	053200-05-000	EA	Bracket - Upper Wall Mount - 23 5"
.	053201-01-000	EA	Bracket - Table Mount - 23"
.	024275-05-000	EA	Rod - Table Lift - 8" x 23 5"
.	024281-07-000	EA	Bracket - Lower Wall Mount - 22 12"
.	024276-14-000	EA	Leg Asm. - Table - 29 5" - Brown
.	064050-01-000	EA	Hinge - Table Leg
.	024282-01-000	EA	Brace - Table Leg
.	024283-01-000	EA	Clip - 1" O D Tube
.	049493-02-000	EA	Catch - Table Leg - Mounts on Floor - Brown
.	064781-02-000	EA	Cup Holder - 3 47" O D x 2 75" I D x 1.5"
.			Not illustrated

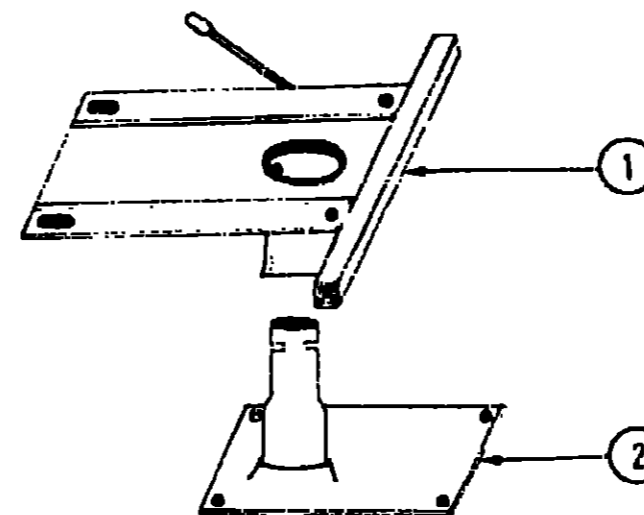
** The illustrated parts breakdown for this item is provided on the Common Items Fiche

SIDE COUCH W/TABLES (OPTION)

Key	Part Number	U/M	Description
	081299-02-T03	EA	Table Asm. - Pedestal - w/o Hardware - Harbor Oak
	009040-04-000	EA	Leg - Pedestal Table - 27 5" x 2 25" O D
	009040-03-000	EA	Base - Table - Mounts on Table
	041194-01-000	EA	Base - Table - Mounts in Floor
	062046-01-000	EA	Clip - Pedestal Leg
	081922-01-000	EA	Base Asm. - Couch - Right
	081922-02-000	EA	Base Asm. - Couch - Left
	081922-03-000	EA	Bars - Spacer - Couch Asm
	M75704-02-U04	EA	Panel Asm. - Front - Couch (U06)
	M75704-02-U05	EA	Panel Asm. - Front - Couch
	082522-01-U04	EA	Panel Asm. - Left - Couch
	082524-01-U04	EA	Panel Asm. - Right - Couch
	082409-01-U04	EA	Pad Asm. - Arm Rest - Couch
	082409-01-U05	EA	Pad Asm. - Arm Rest - Couch
	082409-01-U06	EA	Pad Asm. - Arm Rest - Couch

F-5

DRIVER'S COMPARTMENT



BUCKET SEAT PEDESTAL & SEAT BELTS

Key	Part Number	U/M	Description
1	069585-04-000	EA	Plate - Top - Pedestal Asm. - Single Bucket Seat
1	069585-10-000	EA	Plate - Top - Pedestal Asm. - Double Bucket Seat
1	069585-19-000	EA	Plate - Top - Flat (Power Seat)
2	069585-08-000	EA	Plate - Sub - Pedestal Asm. - Bucket Seat
2	069585-15-000	EA	Plate - Sub - Vertical - 4.5" NOM (Power Seat)
.	069585-05-000	EA	Hardware Kit - Bolt/Acorn Nut - 4 ea. - Pedestal Asm.
.	079467-04-000	EA	Loose Part Kit
.	007019-01-000	EA	Belt Asm. - Seat - 2" x 84" - Black
.	007021-01-000	EA	Belt Asm. - Seat - 2" x 90" - Black
.	056271-02-000	EA	Belt Asm. - Seat - 2" x 72" - Black
.	057759-01-000	EA	Bracket - Seat Belt - Washer
.	069246-01-000	EA	Adjuster Asm. - Seal - w/ Lock
.	069246-02-000	EA	Adjuster Asm. - Seal - w/o Lock
.	081373-02-000	EA	Seat - Power - 6 Way
.			Not illustrated

FRONT BUNK & PULL DOWN STORAGE

Key	Part Number	U/M	Description
	076760-03-000	EA	Overhead Bunk Hardware
	081717-01-U04	EA	Board Asm. - Trim Bunk
	079144-02-T03	EA	Bunk Strap
	042541-04-000	EA	Latch Asm. - w/o Strike - Brass
	042541-05-000	EA	Latch Strike - Brass

DASH SWITCHES & GAUGES

Key	Part Number	U/M	Description
	024461-01-000	EA	Switch - Battery
	024462-01-000	EA	Switch - Battery Condition
	024464-02-000	EA	Switch - Battery - Dual Boost
	024464-01-000	EA	Switch - Washer
	024465-01-000	EA	Switch - Fuel
	056963-02-000	EA	Switch - Fuel Change Over
	024467-01-000	EA	Switch - Wiper
	024976-01-000	EA	Switch - Generator w/o Circuit Board
	074007-02-000	EA	Switch - Intermittent - Windshield Wiper
	024459-04-000	EA	Gauge - Voltmeter
	024460-04-000	EA	Gauge - Vacuum
	024460-02-000	EA	Mounting Bracket - Vacuum Gauge
	031035-02-000	EA	Gauge - Generator Hourmeter
	072363-01-000	EA	Water Detector Probe - Fuel Line
	072364-01-000	EA	Water Detector Module - Fuel Line

F-6

1986 WINNEBAGO TABLE OF CONTENTS

WF426RT
WCN26RH
WCN23RG
WCP26ET

A-01 - C-04
C-05 - E-10
E-11 - G-24
H-01 - J-03

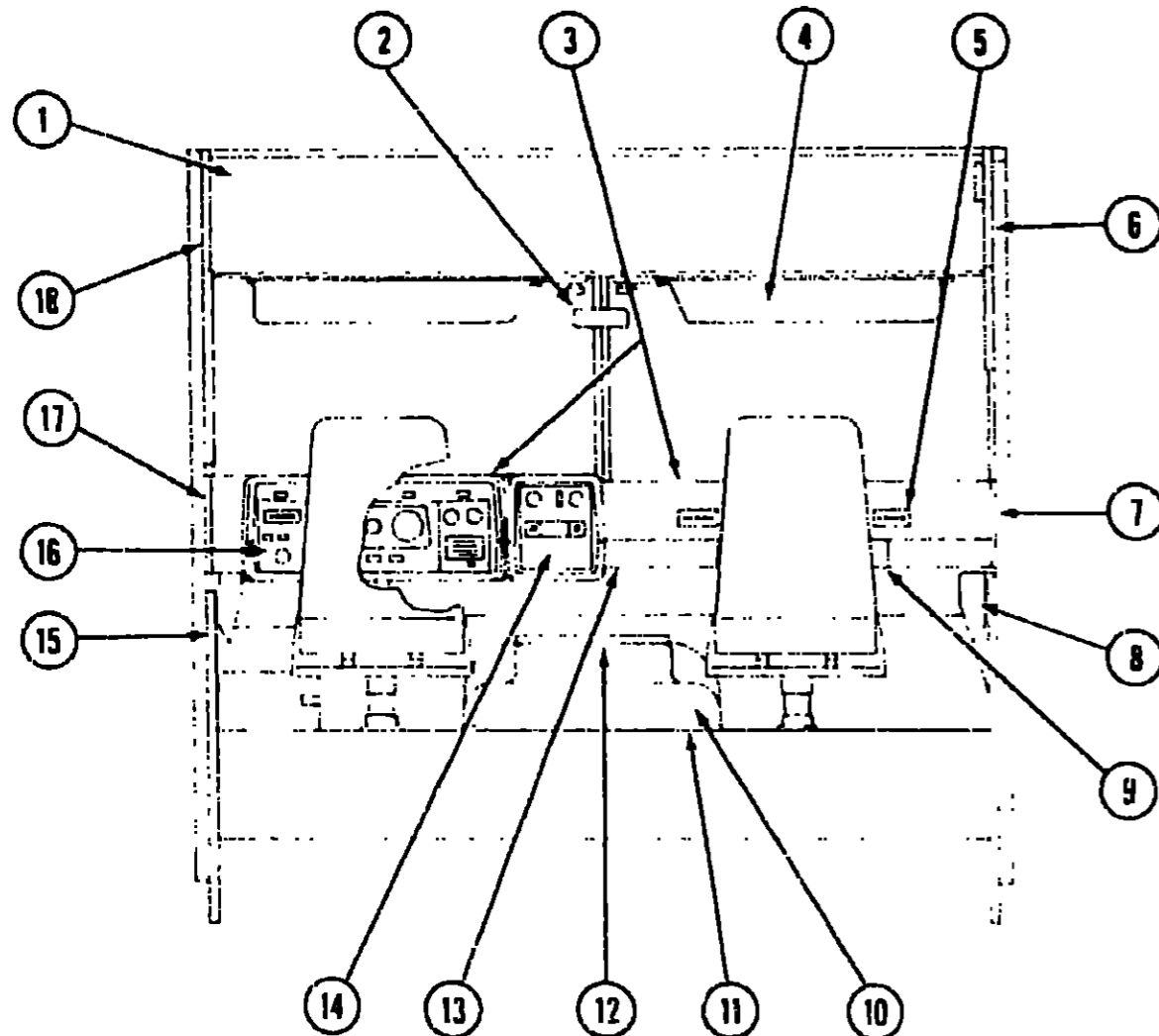
1986 WCN23RG INDEX

Floor Plan	E-11 - E-12
Accessories Group	E-13 - E-15
Bath Group	E-16
Chassis Group	E-17 - E-20
Curtain, Cushion & Pad Group	E-21 - F-04
Dinette Group	F-05
Driver's Compartment Group	F-06 - F-08
Electrical Group	F-09 - F-11
Exterior Body Group	F-12 - F-19
Galley Group	F-20 - F-21
Heating & Air Conditioning Group	F-22
Interior Finish Group	F-23 - G-01
LP Group	G-02
Lounge Group	G-03 - G-04
Water & Sewage Group	G-05 - G-06
Window, Vent & Exterior Door Group	G-07 - G-24

DRIVER'S COMPARTMENT GROUP (CONTINUED)

DRIVER'S COMPARTMENT GROUP (CONTINUED)

MISCELLANEOUS DRIVER'S COMPARTMENT COMPONENTS (CONT.)



MISCELLANEOUS DRIVER'S COMPARTMENT COMPONENTS

Key	Part Number	U/M	Description
1	080085-02-T03	EA	Header Trim Asm. - Upper
.	083917-01-U04	EA	Cabinet Asm - Front Overhead
.	083918-01-U04	EA	Cabinet Asm - Front Overhead - Right (w/o Bunk)
.	083918-02-U04	EA	Cabinet Asm. - Front Overhead - Left (w/o Bunk)
2	040714-01-700	EA	Mirror - Inside Rear View - w/Button Support
**3	M01113-12-T03	EA	Dash Asm - Complete - w/Gauges & Switches
.	079089-01-000	EA	Dash Pad - Passenger - Brown
.	079088-01-000	EA	Dash Pad - Drivers - Brown
.	024930-01-000	EA	Outlet - Defroster w/SWITCH - 2" - Tan
4	082286-03-U04	EA	Sunvisor Asm w/Mirror - Passenger
.	082286-01-U04	EA	Sunvisor Asm. - Driver
.	081917-01-000	EA	Clip - Sunvisor - Black
5	039044-01-000	EA	Louvar Asm - Air Conditioning Adjustable
6	080855-03-000	EA	Side Trim - Front - Upper (w/o Bunk)
.	080855-05-000	EA	Side Trim - Front - Upper (w/Bunk)
.	080856-03-000	EA	Side Trim - Front - Lower (w/o Bunk)
.	080856-05-000	EA	Side Trim - Front - Lower (w/Bunk)
7	059414-06-000	EA	Pad - Sidewall Trim - Passenger - Vinyl
8	072811-01-000	EA	Side Panel - Passenger - Plastic
8	064499-03-000	EA	Panel - Passenger Door - Inner - Plastic
.	059467-04-T03	EA	Pad - Map Pocket - Passenger - Vinyl
9	022219-01-000	EA	Glove Compartment Door
.	023892-01-000	EA	Glove Compartment Box - Black Fiberboard
.	009118-01-000	EA	Glove Compartment Twist Lock
.	024598-01-000	EA	Glove Compartment Hinge
.	034309-01-000	EA	Glove Compartment Chain - Door
.	Not illustrated		

Key	Part Number	U/M	Description
10	075939-01-000	EA	Motor Cover - Fiberglass
.	075584-01-000	EA	Mounting Bracket - Motor Cover
.	075584-02-000	EA	Bracket - Mounting - Motor Cover
11	039623-01-000	FT	Seal - Engine Cover - Neoprene
12	080216-01-000	EA	Beverage Tray
13	023834-01-000	EA	Panel - Knee Kick - Bottom of Dash
14	076006-01-000	EA	Bezel - Entertainment Center - w/Radio & Generator Switch
14	076006-05-000	EA	Bezel - Entertainment Center - (used with electronic dash)
.	NOTE	EA	Electronic Instrument Panel
.	082124-01-000	EA	Bezel - Instrument Panel - (used w/electronic dash)
15	059198-05-000	EA	Side Panel - Drivers - Plastic
15	064499-02-000	EA	Panel - Drivers Door - Inner - Plastic
.	059467-03-T03	EA	Pad - Map Pocket - Driver's - Vinyl
.	046886-03-000	EA	Ash Tray - Chrome
16	071668-01-000	EA	Bezel - Control Panel
16	071668-04-000	EA	Bezel - Control Panel - (used w/electronic dash)
.	078581-01-000	EA	Trim - Instrument Panel - Front - Passenger
.	078582-01-000	EA	Trim - Instrument Panel - Front - Driver
.	052367-01-000	EA	Cigarette Lighter Asm. - 12 Volt
.	007041-01-000	EA	Bezel - Cigarette Lighter
.	056288-01-000	EA	Dome Light Asm.
.	056288-02-000	EA	Bulb - Dome Light
.	056288-03-000	EA	Housing - Dome Light
.	056288-04-000	EA	Lens - Dome Light
.	056288-05-000	EA	Clip - Dome Light
.	061400-06-000	EA	Assist Strap - 12" - Medium Almond
17	059414-05-000	EA	Pad - Sidewall Trim - Driver - Vinyl
18	080855-04-000	EA	Side Trim - Front - Upper (w/o Bunk)
18	080855-06-000	EA	Side Trim - Front - Upper (w/Bunk)
.	080856-04-000	EA	Side Trim - Front - Lower (w/o Bunk)
.	080856-06-000	EA	Side Trim - Front - Lower (w/Bunk)
.	078245-01-000	EA	Boot - Rubber Steering Column
.	054250-02-000	EA	Support - Dimmer Switch - w/o Holes
.	078579-01-000	EA	Windshield Trim - Interior - Upper - Passenger
.	078579-02-000	EA	Windshield Trim - Interior - Upper - Driver
.	079765-01-000	EA	Windshield Trim - Center
.	079205-01-000	EA	Windshield Trim - Interior - Post - Passenger
.	079206-02-000	EA	Windshield Trim - Interior - Post - Driver
.	Not illustrated		

NOTE: This item available from your Chrysler Service Center

**1986 WINNEBAGO
TABLE OF CONTENTS**

WF426RT	A-01 - C-04
WCN26RH	C-05 - E-10
WCN23RG	E-11 - G-24
WCP26ET	H-01 - J-03

1986 WCN23RG INDEX

Finor Plan	E-11 - E-12
Accessories Group	E-13 - E-15
Bath Group	E-16
Chassis Group	E-17 - E-20
Curtain, Cushion & Pad Group	E-21 - F-04
Dinette Group	F-05
Driver's Compartment Group	F-06 - F-08
Electrical Group	F-09 - F-11
Exterior Body Group	F-12 - F-19
Galley Group	F-20 - F-21
Heating & Air Conditioning Group	F-22
Interior Finish Group	F-23 - G-01
LP Group	G-02
Lounge Group	G-03 - G-04
Water & Sewage Group	G-05 - G-08
Window, Vent & Exterior Door Group	G-07 - G-24

NOTE: To be special ordered only

ELECTRICAL GROUP

BULBS

Key	Part Number	U/M	Description
	008220-01-000	EA	Bulb - 12V - 25W
	008103-01-000	EA	Bulb - 53
	008213-01-000	EA	Bulb - 57
	008214-01-000	EA	Bulb - 67
	036196-01-000	EA	Bulb - 194
	008215-01-000	EA	Bulb - 1003
	067479-01-000	EA	Bulb - 1076
	063914-01-000	EA	Bulb - 1139
	008218-01-000	EA	Bulb - 1141
	037935-01-000	EA	Bulb - 1157
	056288-02-000	EA	Bulb - 9431806
	081633-01-700	EA	Bulb - Make Up Light

FUSES & CIRCUIT BREAKERS

Key	Part Number	U/M	Description
	008233-01-000	EA	Fuse - 6 Amp - 12 Volt
	008234-01-000	EA	Fuse - 10 Amp - 12 Volt
	046893-01-000	EA	Fuse - 13 Amp - 12 Volt
	008235-01-000	EA	Fuse - 15 Amp - 12 Volt
	008236-01-000	EA	Fuse - 20 Amp - 12 Volt
	008248-01-000	EA	Fuse - 30 Amp - 110 Volt - AGU
	008252-01-000	EA	Fuse - 50 Amp - 110 Volt
	056473-02-000	EA	Fuse - 5 Amp - Slow Blow
	056473-01-000	EA	Fuse - 6 1/4 Amp - Slow Blow
	062901-02-000	EA	Fuse - 5 Amp - Automotive
	062901-05-000	EA	Fuse - 15 Amp - Automotive
	008211-01-000	EA	Circuit Breaker - 6 Amp - 12 Volt
	008208-01-000	EA	Circuit Breaker - 40 Amp - 12 Volt
	033573-02-000	EA	Circuit Breaker - 15 Amp - 12 Volt - w/Mount
	033573-01-000	EA	Circuit Breaker - 20 Amp - 12 Volt - w/Mount
	044466-03-000	EA	Circuit Breaker - 25 Amp - 12 Volt - w/Mount
	008268-01-000	EA	Circuit Breaker - 30 Amp - 12 Volt - w/Mount
	063209-05-000	EA	Circuit Breaker - 20 Amp - 120 Volt
	083203-04-000	EA	Circuit Breaker - 30 Amp - 120 Volt
	083209-02-000	EA	Circuit Breaker - 15/15 Amp - 120 Volt
	083209-03-000	EA	Circuit Breaker - 15/20 Amp - 120 Volt
	083209-06-000	EA	Circuit Breaker - 15/30 Amp - 120 Volt
	083209-07-000	EA	Circuit Breaker - 20/20 Amp - 120 Volt
	083209-08-000	EA	Circuit Breaker Blank
	050283-02-000	EA	Circuit Breaker - Buss Bar

MISCELLANEOUS ELECTRICAL COMPONENTS

Key	Part Number	U/M	Description
	047338-03-000	EA	Isolator - Dual Battery - 70 Amp
	008188-01-000	EA	Solenoid - Dual Battery - Relay
	063739-01-000	EA	Battery - 12V - Storage
	039861-01-000	EA	Sending Unit Kit - Wemac
	067762-01-000	EA	Converter - 40 Amp w/Charger
	083208-01-000	EA	Control Center - 32 Amp

ELECTRICAL GROUP (CONTINUED)

INTERIOR LIGHT

Key	Part Number	U/M	Description
	065202-02-000	EA	Lamp - Decor - Wall - Brass - 2 Bulb
	033508-02-000	EA	Light - Dome - Ivory - 1 Bulb - US
	033508-03-000	EA	Light - Dome - Ivory - 1 Bulb - CSA
	033509-02-000	EA	Light - Dome - Ivory - 2 Bulb - US
	033509-03-000	EA	Light - Dome - Ivory - 2 Bulb - CSA
	078424-01-000	EA	Light - Fluorescent - 12V
	061424-01-000	EA	Light - 12V Receptacle - Aisle - IP
	007309-01-000	EA	Light - Step Well
	072353-01-000	EA	Light - Reading - Single - 360° Swivel - Silver
	072353-03-000	EA	Light - Reading - Single - 360° Swivel - Almond
	072353-04-000	EA	Light - Reading - Double - 360° Swivel - Silver
	068937-02-000	EA	Dome Light - Surface - w/o Switch
	065201-02-000	EA	Lamp Shade - Parchment Fabric - Wall Lamp
	065202-03-000	EA	Wall Lamp - Decor - 2 Bulb - Brass
	081633-01-000	EA	Lamp - Make-Up Light

EXTERIOR LIGHTS

Key	Part Number	U/M	Description
	007309-01-000	EA	Light - Step Well
	081638-01-000	EA	Tail Lamp Asm. - Double - Baick Trim
	081638-01-700	EA	Lens - Tail Lamp - Red
	081638-01-701	EA	Lens - Tail Lamp - Back Up
	042405-03-000	EA	Base - Rectangular Clearance Light
	079377-02-000	EA	Light - Clearance - Red
	042405-04-000	EA	Lens - Clearance Light - Red w/o Reflex
	079377-01-000	EA	Light - Clearance - Amber
	042405-05-000	EA	Light - Clearance Light - Amber w/o Reflex
	081250-01-000	EA	Light Asm. - Cab Marker - Amber
	081250-02-000	EA	Light Asm. - Cab Marker - Red
	008089-01-000	EA	Light - Porch - Recessed
	079941-01-000	EA	Lamp Asm. - Fog - w/Amber Cover
	059540-01-000	EA	Bracket - License Plate - Rear
	066432-01-000	EA	Light - Bracket - License Plate
	049185-01-000	EA	Headlight Capsule Asm. - High/Low Beam - Driver
	049186-01-000	EA	Headlight Capsule Asm. - High/Low Beam - Passenger
	049187-01-000	EA	Headlight Capsule Asm. - High Beam - Driver
	049188-01-000	EA	Headlight Capsule Asm. - High Beam - Passenger

WINDSHIELD WIPERS & WASHER

Key	Part Number	U/M	Description
**	056000-02-000	EA	Washer Asm. - Windshield
**	057653-01-000	EA	Arm - Windshield Wiper - 18" - Black
	067191-02-000	EA	Motor Asm. - Windshield Wiper - 2 Speed
	067192-01-000	EA	Link Asm. - Connecting - Left
	067193-01-000	EA	Link Asm. - Connecting - Right
**	049464-03-000	EA	Blade - Windshield Wiper - 20" - Black
**	067190-01-000	EA	Shaft & Pivot Asm
	074007-01-000	EA	Switch - Wiper Delay
**	057474-01-000	EA	Wiper Asm

** The illustrated parts breakdown for this item is provided on the Common Items Fiche.

1986 WINNEBAGO TABLE OF CONTENTS

WF426RT	A-01 - C-04
WCN26RH	C-05 - E-10
WCN23RG	E-11 - G-24
WCP26ET	H-01 - J-03

1986 WCN23RG INDEX

Floor Plan	E-11 - E-12
Accessories Group	E-13 - E-15
Bath Group	E-16
Chassis Group	E-17 - E-20
Curtain, Cushion & Pad Group	E-21 - F-04
Dinette Group	F-05
Driver's Compartment Group	F-06 - F-08
Electrical Group	F-09 - F-11
Exterior Body Group	F-12 - F-19
Galley Group	F-20 - F-21
Heating & Air Conditioning Group	F-22
Interior Finish Group	F-23 - G-01
LP Group	G-02
Lounge Group	G-03 - G-04
Water & Sewage Group	G-05 - G-06
Window, Vent & Exterior Door Group	G-07 - G-24

ELECTRICAL GROUP (CONTINUED)

WIRE, SWITCHES & RECEPTACLES

Key	Part Number	U/M	Description
	008057-01-000	EA	Adapter - Power Cord
	008288-01-000	EA	Box - Electrical - 3" x 3.5" - Plastic
	008289-01-000	EA	Box - Electrical - 4" x 4" - 1/2 & 3/4 Steel - UL
	008289-02-000	EA	Box - Electrical - 4" x 4" - 1/2 & 3/4 Steel - CSA
	058049-01-000	EA	Box - Electrical - 2" x 3" x 2.25" - Steel
	041953-01-000	EA	Conduit - Convoluted Slit - .5" I.D.
	008353-01-000	EA	Connector - Clamping - 3/8 Cable - UL & CSA
	058028-01-000	EA	Connector - Pigtail - Clear Nylon
	008314-01-000	EA	Connector - Wire Nut - Gray
	008311-01-000	EA	Connector - Wire Nut - Red
	031968-01-000	EA	Contact Plug - Brass - Tin Plated
	031967-01-000	EA	Contact - Receptacle
	009054-01-000	EA	Cord - Power - 10-3 30 Amp. - 25' - UL
	008052-01-000	EA	Cord - Power - 10-3 30 Amp. - 25' - CSA
	069238-01-000	EA	Cover - Electrical Box - 4" x 4"
	058048-01-000	EA	Cover - Electrical Box - 4.5" x 2.75" - Rain Tight (Exterior)
	024571-03-000	EA	Cover Plate - Receptacle - Jumbo - Brown Plastic
	024571-04-000	EA	Cover Plate - Receptacle - Jumbo - Ivory Plastic
	008164-01-000	EA	Cover Plate - Switch - Brown
	008294-01-000	EA	Cover - Flat Blank - 4" x 4" - Steel - US
	008294-02-000	EA	Cover - Flat Blank - 4" x 4" - Steel - CSA
	008250-01-000	EA	Fuse Holder - In Line - 10 Amp
	008250-02-000	EA	Fuse Holder - In Line - 15 Amp.
	008277-01-000	EA	Fuse Holder - Panel Mount - Black
	064399-01-000	EA	Housing Asm. - Trailer Pin
	064450-01-000	EA	Housing Asm. - Trailer Plug
	064398-01-000	EA	Housing Asm. - Trailer Receptacle
	054532-01-000	EA	Housing Pin - G Position
	046885-01-000	EA	Plaque - Mounting Switch
	075736-01-000	EA	Receptacle/Cover Asm. - Gray (Exterior)
	058708-01-000	EA	Receptacle - Duplex - Brown
	008157-01-000	EA	Receptacle - Duplex - Brown (Exterior Backwall)
	058708-02-000	EA	Receptacle - Duplex - Ivory
	053126-01-000	EA	Receptacle - Ground Fault Interrupter - 125 Volt - Ivory
	024924-02-000	EA	Receptacle - Power Cord
	058707-01-000	EA	Receptacle - Single - Brown
	063912-01-000	EA	Relay - Canister SPDT w/Ground
	075723-01-000	EA	Switch - Block Spacer - w/o Holes
	075723-02-000	EA	Switch - Block Spacer - w/Holes
	008162-01-000	EA	Switch - Double Toggle - Brown
	077942-02-000	EA	Switch - Dummy - Brown
	056264-01-000	EA	Switch - Leaf Actuator
	079362-01-000	EA	Switch Plate - 3 Gang - 2 Switches
	079363-01-000	EA	Switch Plate - Single - w/Switches
	079364-01-000	EA	Switch - On/Off Rocker - Brown
	008195-01-000	EA	Switch - Push Button - 12 Volt
	008163-01-000	EA	Switch - Toggle - Brown
	006050-01-000	EA	TV Jack - Ivory
	047443-02-000	EA	Terminal - .250 Receptacle - 12-10 AWG
	035417-01-000	EA	Terminal - Pin Receptacle - .125 Dia
	008348-01-000	EA	Terminal Ring - 2 - w/3/8 Stud
	008331-01-000	EA	Terminal Ring - 4 - w/3/8 Stud
	008328-01-000	EA	Terminal Ring - 12/10 Wire
	054865-01-000	EA	Wire Asm. - Generator Switch
	008028-01-000	FT	Wire - 18.5 Bonded - Blue/Red/Yellow/Orange/White
	008024-01-000	FT	Wire - 18.5 Bonded - Orange/White/Yellow/Blue/Brown
	008025-01-000	FT	Wire - 18.5 Bonded - Orange/White/Yellow/Blue/Green
	008026-01-000	FT	Wire w/Ground - Romex - 12/2

EXTERIOR BODY GROUP

EXTERIOR ALUMINUM & FIBERGLASS SKINS

Key	Part Number	U/M	Description
	077517-10-011	EA	Fiberglass - Sheet - 46.12" x 378" - Mesa
	077517-04-002	EA	Fiberglass - Sheet - 46.12" x 60" - Mesa
	001018-01-024	EA	Alum - No Design - 48" x 96"
	000868-01-000	SF	Styrofoam - .75" x 24" x 96"
	000870-01-000	SF	Styrofoam - 1.5" x 24" x 96"
	000870-03-000	SF	Styrofoam - 1.34" x 48" x 96"

MISCELLANEOUS EXTERNALLY MOUNTED PARTS

Key	Part Number	U/M	Description
	011129-01-000	EA	Plumbing Seal - Roof Vent - 1.5"
	009125-01-000	EA	Assist Handle - Chrome
	010230-03-000	EA	Fill - City Water - Recessed - Beige
	058808-02-000	EA	Water Fill - Lockable - Beige
	072447-01-000	EA	Shroud - Fuel Fill
	078200-01-000	EA	Gasket - Fuel Fill

ACCESS PANEL HARDWARE

Key	Part Number	U/M	Description
	072917-02-000	EA	Rod - Hood Prop
	062628-01-000	EA	Clip - Prop Rod
	058833-01-000	EA	Bracket - Prop Rod
	073340-01-000	EA	Hinge - Access Panel - Passenger
	073340-02-000	EA	Hinge - Access Panel - Drivers
	058960-01-000	EA	Bracket - Hinge Asm. - Hood - Drivers
	058960-02-000	EA	Bracket - Hinge Asm. - Hood - Passenger
	R77006-68-721	EA	Cable - Release (Access Panel)
	074178-01-000	EA	Bracket - Cable Release - Inside
	R77007-01-950	EA	Striker - Hood Latch
	R77006-59-931	EA	Latch - Hood
	R77006-38-499	EA	Spring
	R77006-19-765	EA	Cable Sheath
	073333-01-000	EA	Bracket - Latch Support
	073337-01-000	EA	Brace Latch - Hood
	073341-01-000	EA	Bracket - Hood Latch
	058786-02-000	EA	Bolt - Hood Adjusting - 5/16" x 18 x 1 1/4"

1986 WINNEBAGO TABLE OF CONTENTS

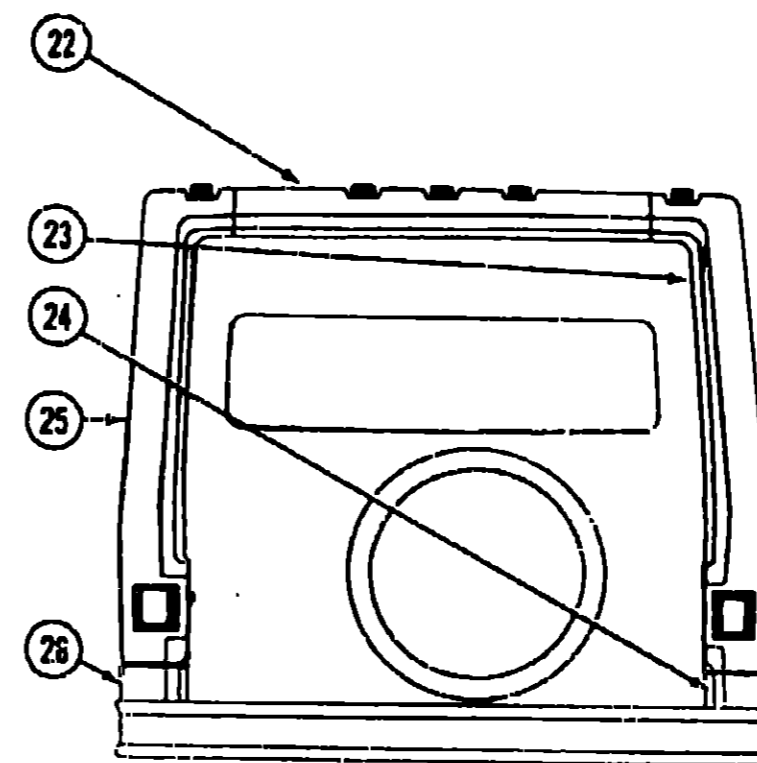
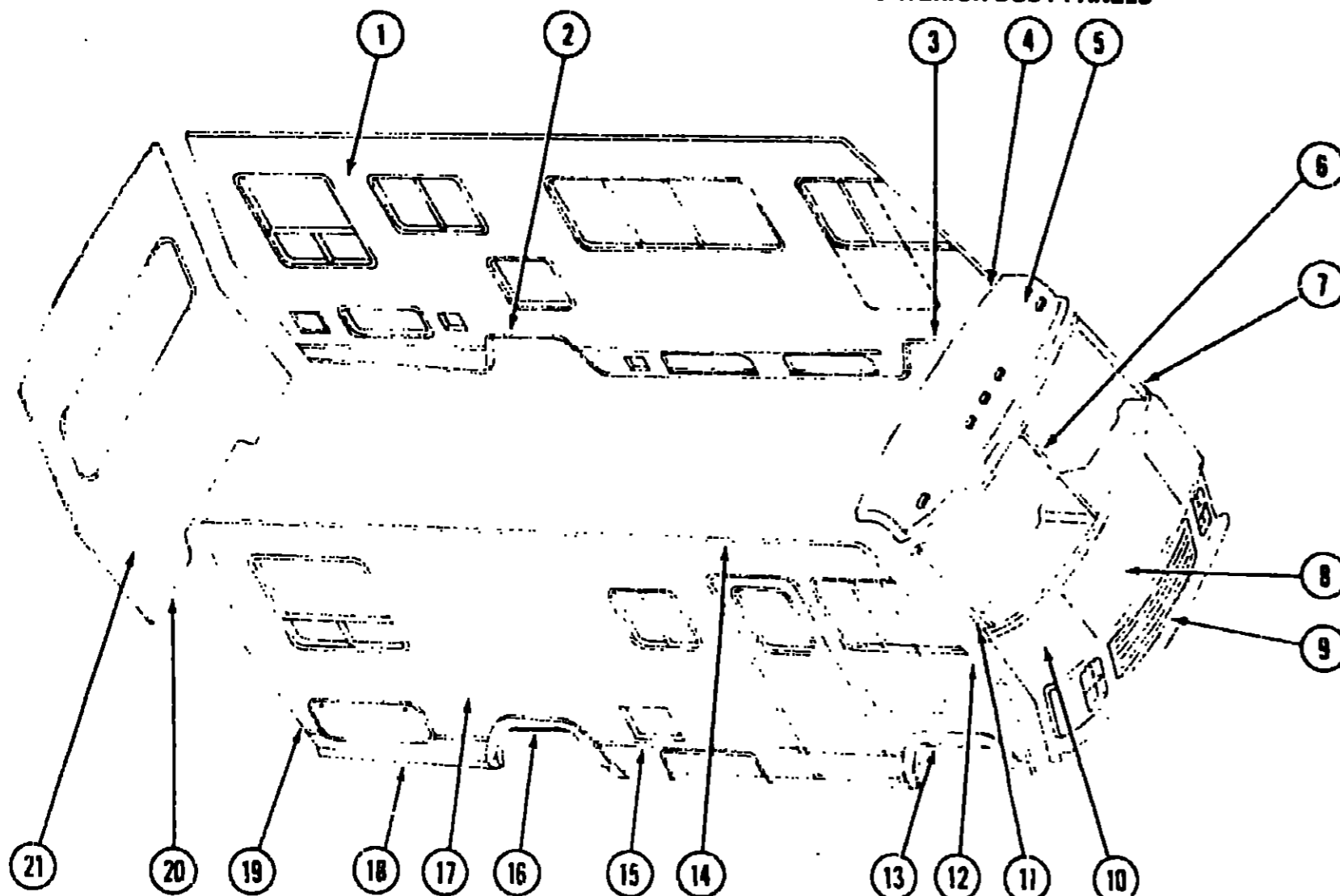
WF426RT	A-01 - C-04
WCN26RH	C-05 - E-10
WCN23RG	E-11 - G-24
WCP26ET	H-01 - J-03

1986 WCN23RG INDEX

Floor Plan	E-11 - E-12
Accessories Group	E-13 - E-15
Bath Group	E-16
Chassis Group	E-17 - E-20
Curtain, Cushion & Pad Group	E-21 - F-04
Dinette Group	F-05
Driver's Compartment Group	F-06 - F-08
Electrical Group	F-09 - F-11
Exterior Body Group	F-12 - F-19
Galley Group	F-20 - F-21
Heating & Air Conditioning Group	F-22
Interior Finish Group	F-23 - G-01
LP Group	G-02
Lounge Group	G-03 - G-04
Water & Sewage Group	G-05 - G-06
Window, Vent & Exterior Door Group	G-07 - G-24

EXTERIOR BODY GROUP (CONTINUED)

EXTERIOR BODY PANELS



Key	Part Number	U/M	Description
1	M82814-01-U04	EA	Sidewall Asm - Driver
1	M82814-01-U05	EA	Sidewall Asm - Driver
1	M82814-01-U06	EA	Sidewall Asm - Driver
2	058487-07-003	EA	Trim - Wheel Well - Rear - U Channel - Driver or Passenger
3	073647-02-000	EA	Trim - Wheel Well - Front - U Channel - Driver or Passenger
4	078580-01-000	EA	Trim - Roof/Front Cap
5	M01899-01-T03	EA	Cap - Over Windshield - Beige
6	076676-02-000	EA	Trim - Molding - Windshield - Center
7	079225-02-000	EA	Trim - Contour - Windshield - Driver
•	077944-02-000	EA	Trim - Molding - Windshield - Upper
•	077945-02-000	EA	Trim - Molding - Windshield - Lower
8	078281-01-T03	EA	Access Panel - w/Hardware
9	078891-01-T03	EA	Grille Asm
•	079760-02-000	EA	Headlamp Bezel - Driver
•	079760-01-000	EA	Headlamp Bezel - Passenger
•	073308-01-000	EA	Screw Asm - Headlamp - Adjusting
•	049359-01-000	EA	Spring - Headlamp Retainer
•	062207-01-000	EA	Headlamp Guard
10	M01115-10-T03	EA	Panel Asm - Front Shroud (includes access panel)
11	079225-01-000	EA	Trim - Contour - Windshield - Passenger
•	077944-01-000	EA	Trim - Molding - Windshield - Upper
•	079945-01-000	EA	Trim - Molding - Windshield - Lower
12	079224-01-000	EA	Trim - Fiberglass Panel - Passenger - Beige
•	079224-02-000	EA	Trim - Fiberglass Panel - Driver - Beige
13	078556-01-000	EA	Trim - Wheel Well - Front - Plastic - Passenger
•	078556-03-000	EA	Trim - Wheel Well - Front - Plastic - Driver

Key	Part Number	U/M	Description
14	078600-03-000	EA	Trim - Sidewall - Upper - Driver or Passenger - Beige
15	059576-08-000	EA	Feature Strip - Extr. Beige - 14" - w/o Insert
•	009731-01-000	EA	End Cap - Feature Strip Insert
•	001030-02-004	EA	Insert - Feature Strip - Off White - 17"
16	075070-01-000	EA	Trim - Wheel Well - Rear - Plastic - Passenger
•	075070-03-000	EA	Trim - Wheel Well - Rear - Plastic - Driver
17	M82812-01-U04	EA	Sidewall Asm - Passenger
17	M82812-01-U05	EA	Sidewall Asm - Passenger
17	M82812-01-U06	EA	Sidewall Asm - Passenger
18	072639-01-001	EA	Extr - Rocker Panel - 216"
19	073502-19-000	EA	Trim - Passenger Rear - Beige
•	073502-20-000	EA	Trim - Driver Rear - Beige
20	050406-06-000	EA	Trim - Backwall - Lower - Driver or Passenger
•	082884-01-U04	EA	Roof Asm
21	M82945-01-U04	EA	Backwall Asm
22	M01893-02-000	EA	Trim - Rear - Center Upper - Plastic - Beige
23	082456-01-000	EA	Trim - Rear - Upper Passenger - Plastic - Beige
24	082457-01-000	EA	Trim - Rear - Lower Passenger - Plastic - Beige
25	082457-02-000	EA	Trim - Rear - Upper Driver - Plastic - Beige
26	M01894-02-000	EA	Trim - Rear - w/License Plate Bracket - Lower Driver - Plastic - Beige
•	078577-01-000	EA	Bumper End Cap - Front - Passenger - Beige
•	078577-02-000	EA	Bumper End Cap - Front - Driver - Beige
•	080815-01-T03	EA	Bumper End Cap - Rear - Passenger - Beige
•	080815-02-T03	EA	Bumper End Cap - Rear - Driver - Beige
•	Not illustrated		

1986 WINNEBAGO TABLE OF CONTENTS

WF426RT
WCN26RH
WCN23RG
WCP26ET

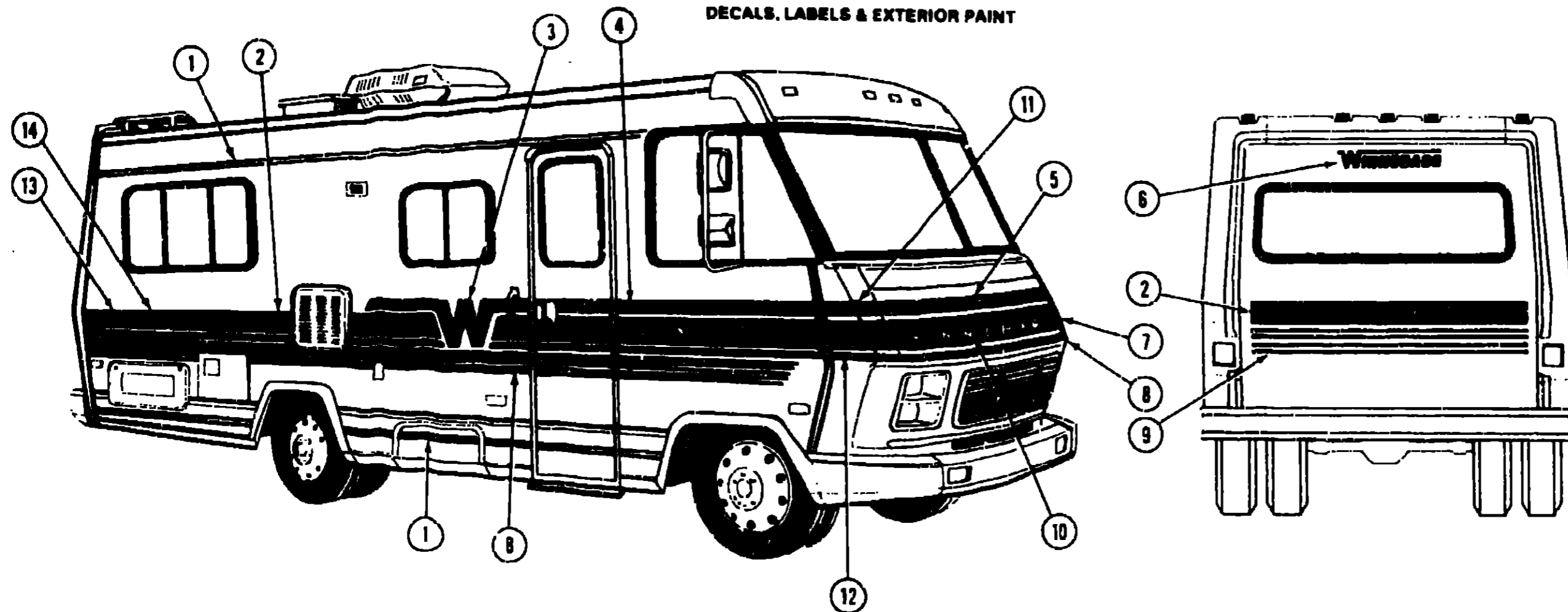
A-01 - C-04
C-05 - E-10
E-11 - G-24
H-01 - J-03

1986 WCN23RG INDEX

Floor Plan	E-11 - E-12
Accessories Group	E-13 - E-15
Bath Group	E-16
Chassis Group	E-17 - E-20
Curtain, Cushion & Pad Group	E-21 - F-04
Dinette Group	F-05
Driver's Compartment Group	F-06 - F-08
Electrical Group	F-09 - F-11
Exterior Body Group	F-12 - F-19
Galley Group	F-20 - F-21
Heating & Air Conditioning Group	F-22
Interior Finish Group	F-23 - G-01
LP Group	G-02
Lounge Group	G-03 - G-04
Water & Sewage Group	G-05 - G-06
Window, Vent & Exterior Door Group	G-07 - G-24

EXTERIOR BODY GROUP (CONTINUED)

DECALS, LABELS & EXTERIOR PAINT



1986 WINNEBAGO TABLE OF CONTENTS

WF426RT
WCN26RH
WCN23RG
WCP26ET

A-01 - C-04
C-05 - E-10
E-11 - G-24
H-01 - J-03

Key	Part Number	U/M	Description
1	065217-90-000	FT	Film - Multistripe - Light Brown/Brown (U04)
1	065217-89-000	FT	Film - Multistripe - Rust/Burgundy (U05)
1	065217-88-000	FT	Film - Multistripe - Light Green/Green (U06)
2	065217-87-000	FT	Film - Multistripe - Light Brown/Brown (U04)
2	065217-85-000	FT	Film - Multistripe - Rust/Burgundy (U05)
2	065217-85-000	FT	Film - Multistripe - Light Green/Green (U06)
3	079351-06-000	EA	Decal - Flying W - Light Brown (U04)
3	079351-05-000	EA	Decal - Flying W - Rust (U05)
3	079351-04-000	EA	Decal - Flying W - Green (U06)
4	078831-14-000	FT	Decal Striping - Light Brown (U04)
4	078831-13-000	FT	Decal Striping - Rust (U05)
4	078831-12-000	FT	Decal Striping - Green (U06)
5	079100-07-000	EA	Decal - Hood - Light Brown Metallic (U04)
5	079100-08-000	EA	Decal - Hood - Rust Metallic (U05)
5	079100-09-000	EA	Decal - Hood - Light Green Metallic (U06)
	078831-15-000	EA	Decal - Under Hood - Brown (U04)
	078831-16-000	EA	Decal - Under Hood - Rust (U05)
	078831-17-000	EA	Decal - Under Hood - Green (U06)
6	050313-21-000	EA	Decal Logo "Winnebago"
7	079099-08-000	EA	Decal - Corner - Light Brown (U04)
7	079099-10-000	EA	Decal - Corner - Light Rust (U05)
7	079099-12-000	EA	Decal - Corner - Light Green (U06)
8	080763-08-000	EA	Decal - Lower Corner - Brown (U04)
8	080763-10-000	EA	Decal - Lower Corner - Burgundy (U05)
8	080763-12-000	EA	Decal - Lower Corner - Green (U06)
9	076791-10-000	FT	Film - Multistripe - Brown (U04)
9	076791-09-000	FT	Film - Multistripe - Burgundy (U05)
9	076791-08-000	FT	Film - Multistripe - Green (U06)
	Not illustrated		

Key	Part Number	U/M	Description
10	069745-03-000	EA	Decal - "Winnie"
	069745-04-000	EA	Decal - "Bago"
11	079099-07-000	EA	Decal - Corner - Brown (U04)
11	079099-09-000	EA	Decal - Corner - Rust (U05)
11	079099-11-000	EA	Decal - Corner - Light Green (U06)
12	080763-07-000	EA	Decal - Lower Corner - Brown (U04)
12	080763-09-000	EA	Decal - Lower Corner - Burgundy (U05)
12	080763-11-000	EA	Decal - Lower Corner - Green (U06)
13	058719-02-000	EA	Decal Logo - "Chieftain"
14	073724-05-000	EA	Decal Logo - "23"

1986 WCN23RG INDEX

Floor Plan	E-11 - E-12
Accessories Group	E-13 - E-15
Bath Group	E-16
Chassis Group	E-17 - E-20
Curtain, Cushion & Pad Group	F-21 - F-04
Dinette Group	F-05
Driver's Compartment Group	F-05 - F-08
Electrical Group	F-09 - F-11
Exterior Body Group	F-12 - F-19
Galley Group	F-20 - F-21
Heating & Air Conditioning Group	F-22
Interior Finish Group	F-23 - G-01
LP Group	G-02
Lounge Group	G-03 - G-04
Water & Sewage Group	G-05 - G-06
Window Vent & Exterior Door Group	G-07 - G-24

EXTERIOR BODY GROUP (CONTINUED)

SEALANTS & ADHESIVES

Key	Part Number	U/M	Description
	004020-01-000	QT	Adhesive - ABS Cement (Plastic Fittings)
	002337-01-000	EA	Adhesive - 1300 Tube - 3M (Windows)
	004005-02-000	GL	Adhesive - Swifts - Glue (Sidewalls)
	053766-07-000	EA	Bedding Compound - Tube - Beige (Exterior)
	053766-06-000	EA	Bedding Compound - Tube - Clear (Window)
	053766-08-000	EA	Bedding Compound - Tube - Gray (Exterior)
	053766-05-000	EA	Bedding Compound - Tube - Gray (Sidewalls to Floor)
	053766-02-000	EA	Bedding Compound - Tube - Off White (Exterior)
	002328-02-000	EA	Block - Rubber Spacer (Windshield)
	004336-01-000	EA	Caulk - Latex - Golden Walnut (Sidewalls)
	072891-02-000	QT	Primer - Glass - Black
	072891-01-000	QT	Primer - Glass - Clear
	035024-01-000	EA	Primer - Glass - Clear - Windshield
	072890-01-000	QT	Primer - Metal - Black
	035023-01-000	GL	Primer - Metal - Windshield
	077967-01-000	EA	Sealant - Acrylic Latex - Tube - Off White (Interior Sealant)
	034552-04-000	EA	Sealant - Silicone - Beige
	034552-02-000	EA	Sealant - Silicone - Clear
	034552-07-000	EA	Sealant - Silicone - Dark Gray
	034552-06-000	EA	Sealant - Silicone - Off White
	069637-01-000	EA	Sealant - Weatherbar 404 - Tube - White (Door Caulk)
	072889-01-000	EA	Sealant - Urethane - Black (Windshield)
	069640-01-000	FT	Sealer Ribbon - 25" Bead x 20'
	069640-02-000	FT	Sealer Ribbon - 5" x 125" x 30'
	069640-03-000	FT	Sealer Ribbon - 75" x 125" x 30'
	069640-04-000	FT	Sealer Ribbon - 2" x 09" x 45' (P Series)
	069640-05-000	FT	Sealer Ribbon - 2.5" x 09" x 50'
	069640-06-000	FT	Sealer Ribbon - 5/16" Bead x 15'
	069640-07-000	FT	Sealer Ribbon - 2" x 3/32" x 30'
	002316-01-000	FT	Sealer Tape - 3/32" x 3/8" - White (Window)
	002707-01-000	FT	Sealer Tape - 5/16" x 3/4"
	002707-02-000	FT	Sealer Tape - 5/16" x 1/2"
	040545-01-000	GL	Sealer - Seam Weld
	053752-04-000	EA	Seam Sealer - Tube - Aluminum (Roof)
	063642-01-000	FT	Tape - Adhesive - .10 mm, x 1.5" Wide
	038886-01-000	EA	Tape - Butyl - 31" x .31" x 148" (Windshield)
	076322-01-000	FT	Tape - Foam - Double Coated - .025 x 1" (Fiberglass Sidewall Seams)
	076322-02-000	FT	Tape - Foam - Double Coated - .045 x 1" (Fiberglass Sidewall Seams)
	009200-01-000	EA	Tape - Furnace - 1.5"
	002825-01-000	FT	Weather Striping (Roof Vent)

EXTERIOR BODY GROUP (CONTINUED)

LABELS & EXTERIOR PAINT

Key	Part Number	U/M	Description
	068383-01-000	EA	Label - Diesel Fuel
	006195-01-000	EA	Label - Electrical Test
	047731-01-000	EA	Label - Emergency Exit
	006199-01-000	EA	Label - Exit - Escape Window
	057467-04-000	EA	Label - Exterior Loading Limit
	064378-01-000	EA	Label - Flying "W" w/Thermo Panel
	061417-01-000	EA	Label - Fuel
	006196-01-000	EA	Label - Gas Test
	054531-01-000	EA	Label - LP Gas Only
	040944-01-000	EA	Label - Open - Entrance Door
	006015-01-000	EA	Label - Patent Motor Home
	056259-01-000	EA	Label - Safety Check List
	006064-01-000	EA	Label - Seat - w/o Seat Belts
	006187-01-000	EA	Label - Sewage
	006006-01-000	EA	Label - Thermo Panel - 2 1/4" x 2 1/4"
	075221-01-000	EA	Label - Trailer Hitch Capacity
	075220-01-000	EA	Label - Warning - Exterior Load Limit
	050225-01-000	EA	Label - Warning - Stove Vent - Us
	006188-01-000	EA	Label - Waste Water
	005197-01-000	EA	Label - Water Test
	072863-01-000	EA	Nameplate - Diesel - 6 2L
	006062-01-000	EA	Tag - Electrical - 110 Volt Connection
	006040-01-000	EA	Tag - Gas - Refueling Warning
	044486-03-000	EA	Paint - Beige Acrylic Enamel - 16 oz Aerosol (7633 [®] Dupont)
	045681-03-000	EA	Paint - Gloss Black - Acrylic Enamel - 16 oz Aerosol (99 Dupont)
	058637-05-000	EA	Paint - Gray Acrylic Enamel - 16 oz Aerosol (71537 Dupont)
	041561-03-000	EA	Paint - Off White Acrylic Enamel - 16 oz Aerosol (45396A Dupont)
	074559-01-000	EA	Label "LPG" - 3.3" x 1.75" - (Calif Code)

1986 WINNEBAGO TABLE OF CONTENTS

WF426RT	A-01 - C-04
WCN26RH	C-05 - E-10
WCN23RG	E-11 - G-24
WCP26ET	H-01 - J-03

1986 WCN23RG INDEX

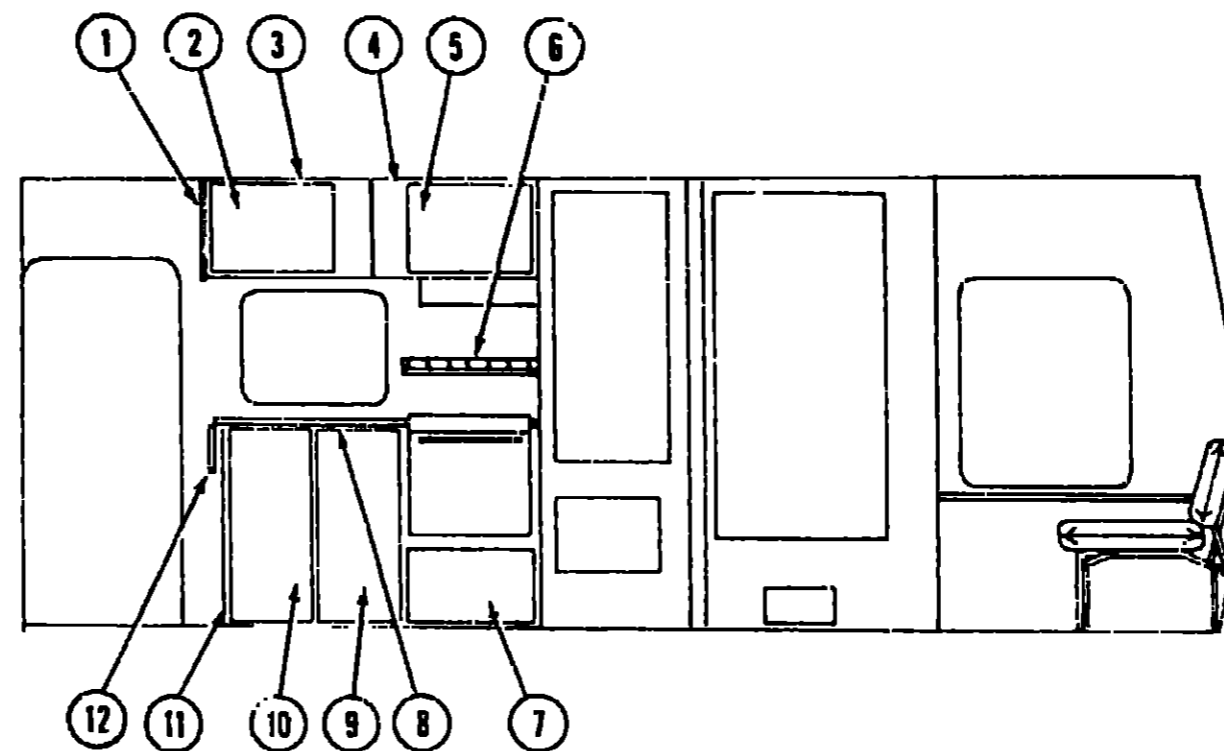
Floor Plan	E-11 - E-12
Accessories Group	E-13 - E-15
Bath Group	E-16
Chassis Group	E-17 - E-20
Curtain, Cushion & Pad Group	E-21 - F-04
Dinette Group	F-05
Driver's Compartment Group	F-06 - F-08
Electrical Group	F-09 - F-11
Exterior Body Group	F-12 - F-19
Galley Group	F-20 - F-21
Heating & Air Conditioning Group	F-22
Interior Finish Group	F-23 - G-01
LP Group	G-02
Lounge Group	G-03 - G-04
Water & Sewage Group	G-05 - G-06
Window, Vent & Exterior Door Group	G-07 - G-24

EXTERIOR BODY GROUP (CONTINUED)

INTERIOR/EXTERIOR SCREWS & FASTENERS

Key	Part Number	U/M	Description
	005200-01-000	EA	Bolt - Round Head - Square Neck w/SST Cap - 7/16" - 14 x 1 1/4"
	058279-01-000	EA	Clip - Mounting - Front Panel
	035628-01-000	EA	Fastener - Blind Well Nut - 1.05" x .38"
	000D15-06-00B	EA	Nut - Hex - 3/8" x 24 - Zinc
	005081-01-000	EA	Nut - Speed - C Type - #8 Screw
	000G54-04-20B	EA	Screw 1/4 - 20 x 1 1/4" PTH - Zinc
	000G54-04-22B	EA	Screw 1/4 - 20 x 1 3/8" PTH - Zinc
	000G53-04-06B	EA	Screw 1/4 - Machine - 20 x 3/8" PTH - Zinc
	000G13-06-12P	EA	Screw #6 - 20 x 3/4" PFH - Dark Brown
	000G13-06-28X	EA	Screw #6 - 20 x 3/4" PFH - Gray
	000G13-06-16R	EA	Screw #6 - 20 x 1" PFH - Beige
	000G11-07-08B	EA	Screw #7 - 19 x 1/2" PPH - Zinc
	000G12-08-12M	EA	Screw #8 - 18 x 3/4" POH - Gray
	000G11-08-12R	EA	Screw #8 - 18 x 3/4" PPH - Beige
	000G11-08-12X	EA	Screw #8 - 18 x 3/4" PPH - Gray
	000G11-08-12B	EA	Screw #8 - 18 x 3/4" PPH - Zinc
	000G39-03-12R	EA	Screw #8 - 18 x 3/4" SDPH - Beige
	000G66-08-12M	EA	Screw #8 - 18 x 3/4" SDPH - Gray
	000G11-08-16R	EA	Screw #8 - 18 x 1" PFH - Gray
	000G66-08-16R	EA	Screw #8 - 18 x 1" SDPH - Beige
	000G12-08-28R	EA	Screw #8 - 18 x 1 3/4" POH - Beige
	000G36-08-08E	EA	Screw #8 - 32 x 1/2" PFH - Chrome
	000G39-08-08B	EA	Screw #8 - Self Drilling - 18 x 1/2" PPH - Zinc
	000G39-08-12B	EA	Screw #8 - Self Drilling - 18 x 3/4" PPH - Zinc
	000G39-08-12R	EA	Screw #8 - Self Drilling - 18 x 3/4" PPH - Beige
	000G39-08-16R	EA	Screw #8 - Self Drilling - 18 x 1" PPH - Beige
	000G39-08-16T	EA	Screw #8 - Self Drilling - 18 x 1" PPH - Black
	000G39-08-16P	EA	Screw #8 - Self Drilling - 18 x 1" PPH - Dark Brown
	000G39-08-16X	EA	Screw #8 - Self Drilling - 18 x 1" PPH - Gray
	000G39-08-16E	EA	Screw #8 - Self Drilling - 18 x 1" PPH - Chrome
	000G64-08-16M	EA	Screw #8 - Self Drilling - 18 x 1" SDPH - Gray
	000G67-10-08B	EA	Screw #10 - 12 x 1/2" PPH - Zinc
	000G67-10-10R	EA	Screw #10 - 12 x 5/8" PPH - Beige
	000G67-10-16P	EA	Screw #10 - 12 x 1" PPH - Dark Brown
	000G67-10-16B	EA	Screw #10 - 12 x 1" PPH - Zinc
	000G67-10-20B	EA	Screw #10 - 12 x 1 1/4" - PPH - Zinc
	000G67-10-24B	EA	Screw #10 - 12 x 1 1/2" PPH - Zinc
	049465-04-000	EA	Screw #10 - 16 x 1" POH - w/Washer - Beige
	049465-05-000	EA	Screw #10 - 16 x 1" POH - w/Washer - Gray
	000G12-10-24E	EA	Screw #10 - 16 x 1 1/2" POH - Chrome
	000G11-10-08D	EA	Screw #10 - 16 x 1/2" PPH - Dark Brown
	000G11-10-12R	EA	Screw #10 - 16 x 3/4" PPH - Beige
	000G11-10-12S	EA	Screw #10 - 16 x 3/4" PPH - Off White
	000G11-10-12B	EA	Screw #10 - 16 x 3/4" PPH - Zinc
	000G11-10-16B	EA	Screw #10 - 16 x 1" PPH - Zinc
	000G11-10-40B	EA	Screw #10 - 16 x 2 1/2" PPH - CAD
	000G19-10-12B	EA	Screw #10 - Machine - 32 TPI x 3/4"
	075908-01-000	EA	Screw #10 - Machine - 32 x 56" PTH - Zinc
	000G19-10-20B	EA	Screw #10 - Machine - 32 x 1 1/4" PPH - Zinc
	000G39-12-12E	EA	Screw #10 - Self Drilling - 14 x 3/4" PPH - Chrome
	000G39-10-10R	EA	Screw #10 - Self Drilling - 16 x 62" PPH - Beige
	000G39-10-12R	EA	Screw #10 - Self Drilling - 16 x 3/4" PPH - Beige
	000G39-10-12P	EA	Screw #10 - Self Drilling - 16 x 3/4" PPH - Dark Brown
	000G56-12-48C	EA	Screw #12 - Wood - 11 x 3" POH - CAD

GALLEY GROUP



GALLEY CABINETRY

Key	Part Number	U/M	Description
1	081320-04-U04	EA	Pad Asm - End Cap - Galley Overhead - Almond Vinyl
2	M81523-04-T03	EA	Door Asm - Galley Overhead - w/o Hardware - Left
3	081656-05-U04	EA	Cabinet Asm - Galley Overhead - w/o Doors or Hardware
4	081460-05-U04	EA	Cabinet Asm - Galley Overhead - w/o Doors or Hardware
5	M81523-01-U01	EA	Door Asm - Galley Overhead - w/o Hardware - Left
6	074490-02-T03	EA	Spice Rack Asm - Oak
7	M81501-53-U04	EA	Door Asm - Galley Cabinet - w/o Hardware
8	M02533-01-U04	EA	Countertop Asm - Galley - Beige Crescent
9	M81501-03-U01	EA	Door Asm - Galley Cabinet - w/o Hardware
10	M81501-02-U01	EA	Door Asm - Galley Cabinet - Left - w/o Hardware
11	M82959-01-U04	EA	Cabinet Asm - Galley - w/o Countertop, Doors, Drawers or Hardware
	077404-01-000	EA	Drawer - 20" x 12 7/8" - Plastic
12	060812-02-U01	EA	Extension Asm - Galley - Almond Loom
	M81502-06-U04	EA	Door Asm - Refrigerator Cabinet - w/o Hardware - Left
	M81502-05-U04	EA	Door Asm - Refrigerator Cabinet - w/o Hardware - Right
			Not illustrated

1986 WINNEBAGO TABLE OF CONTENTS

WF-26RT
WCN26RH
WCN23RG
WCP26ET

A-01 - C-04
C-05 - E-10
E-11 - G-24
H-01 - J-03

1986 WCN23RG INDEX

Floor Plan	E-11 - E-12
Accessories Group	E-13 - E-15
Bath Group	E-16
Chassis Group	E-17 - E-20
Curtain, Cushion & Pad Group	E-21 - F-04
Dinette Group	F-05
Driver's Compartment Group	F-06 - F-08
Electrical Group	F-09 - F-11
Exterior Body Group	F-12 - F-19
Galley Group	F-20 - F-21
Heating & Air Conditioning Group	F-22
Interior Finish Group	F-23 - G-01
LP Group	G-02
Lounge Group	G-03 - G-04
Water & Sewage Group	G-05 - G-06
Window, Vent & Exterior Door Group	G-07 - G-24

GALLEY GROUP (CONTINUED)

GALLEY HARDWARE & APPLIANCES

Key	Part Number	U/M	Description
**	079353-01-000	EA	Hood - Range - Powered w/Monitor - Almond - US
	079354-03-000	EA	Spacer - Hood Range
	064782-02-000	EA	Range w/Small Oven - 4 Burner - Almond - Magic Chef
	064782-02-700	EA	Top - Main - 4 Burner - Almond
	064782-02-701	EA	Deflector Plate - Black
	064782-02-702	EA	Trim - Cabinet - Right - Black
	064782-02-703	EA	Trim - Cabinet - Left - Black
	064782-02-704	EA	Trim - Lower Outside Glass - Black
	057782-02-705	EA	Handle - Oven Door - Black
	064782-02-706	EA	Vertical Trim - Black
	064782-02-707	EA	Panel - Manifold
	064782-02-708	EA	Valve - Mercury
	064782-02-709	EA	Glass - Oven Door
	064782-02-710	EA	Clip - Glass Holder
	081374-01-000	EA	Range Top - 4 Burner - Almond
	081374-01-700	EA	Trim - Cab Top - Right
	081374-01-701	EA	Trim - Cab Top - Left
	081374-01-702	EA	Panel - Manifold - Warm Black
	081374-01-703	EA	Trim - Top Rear
	081374-01-704	EA	Guard - Fabric
**	064473-02-000	EA	Refrigerator - 3-Way - 6' - Norcold
**	075217-01-000	EA	Refrigerator - AC/DC/Gas - Norcold 8' - 838-EG3
**	075218-01-000	EA	Refrigerator - 3-Way - 10' Norcold
	054450-01-000	EA	Level - Refrigerator
	065225-01-000	EA	Tiedown Plate - Refrigerator
	081379-01-000	EA	Microwave Oven - Convection Oven - Sharp
	081459-03-000	EA	Bracket Asm - Microwave - Right
	081459-04-000	EA	Bracket Asm - Microwave - Left
	081456-01-000	EA	Angle Asm - Microwave - Right
	081456-02-000	EA	Angle Asm - Microwave - Left
	081555-01-T03	EA	Trim Ring - Microwave
	082876-01-000	EA	Baffle - Microwave
**	068615-01-000	EA	Sink - Stainless Steel - Double w/ Bolts
**	011053-01-000	EA	Faucet - Swing Spout - 8" - US
**	011053-01-700	EA	Aerator - Swing Spout Faucet
	066437-01-000	EA	Strainer w/ Basket - Sink
	081530-01-U01	EA	Sink Cover - Large - Almond Room
	009049-01-000	EA	Support - Drop Leaf Table
	009059-01-000	EA	Hinge - 2" - Gold - Drop Leaf Table
	074490-02-T03	EA	Spice Rack - Oak
	079606-03-U04	EA	Magazine Rack - Oak
	074981-01-000	EA	Cutting Board - Maple
	058334-01-000	EA	Wastebasket - 9 3/4" x 7" x 10" - White
	059877-01-000	EA	Support - Wastebasket - Metal - Galley Mount
	047744-01-000	EA	Kit - Drawer Guide - Plastic
	077409-01-000	EA	Slider - Drawer - 20 7/8" - Plastic
	077404-01-000	EA	Drawer - 20" x 12 7/8" - Plastic
	066435-01-000	EA	Nut Strainer
**	011093-01-000	EA	Plug - 1 1/4" x 5" - w/ Stopper

** The illustrated parts breakdown for this item is provided on the Common Items Fiche

HEATING & AIR CONDITIONING GROUP

AUXILIARY HEATER ASSEMBLY

Key	Part Number	U/M	Description
	049401-01-000	EA	Heater Asm - Rear - Auxiliary
	049401-01-700	EA	Valve - Heater Control
	049401-01-701	EA	Control Cable
	049401-01-702	EA	Motor Asm
	049401-01-703	EA	Heater Core
	049401-01-704	EA	Switch
	058906-01-000	EA	Control Panel - Brown
	058893-01-000	EA	Bracket - Side Mount - Motor Aid
	076312-01-000	EA	Mesh - Grille - 7.38" x 6.75" - Gold Aluminum

AUTOMOTIVE HEATER & AIR CONDITIONER

Key	Part Number	U/M	Description
	072341-04-000	EA	Heater/Evaporator Asm
	072341-07-000	EA	Heater/Evaporator Asm - w/Pressure Sensor Switch
	072341-04-700	EA	Vacuum Motor - Front
	072341-04-701	EA	Vacuum Motor - Rear
	072341-04-702	EA	Relay
	072341-04-703	EA	Evaporator Coil
	072341-04-704	EA	Liquid Hose - #6
	072341-04-705	EA	Suction Hose - #10
	072341-04-706	EA	Blower Motor
	072341-04-707	EA	Blower Wheel
	072341-06-000	EA	Duct & Control Kit
	072341-08-000	EA	Duct & Control Kit - Used w/Pressure Sensor System
	072342-01-000	EA	Condensor Asm
	072342-03-000	EA	Condensor Asm - w/Fans & High Temp Sensor/Switch
	072342-04-000	EA	Condensor Asm - w/High Temp Sensor/Switch - w/o Fans
	073242-02-700	EA	Receiver Drier - Condenser Asm
	072343-01-000	EA	Compressor/Clutch
	072343-04-000	EA	Compressor/Clutch - w/Rear Mounted Valves
	072344-01-000	EA	Package - Compressor Mount
	074026-01-000	EA	Package - Compressor Mount - 6 2 L Diesel
	039044-01-000	EA	Louver Asm - A/C Adjustable
	007076-01-700	FT	Hose - Flexible PVC - 2" I D
	007261-01-700	FI	Hose - Flexible PVC - 2 1/2" I D
	007108-01-000	FT	Hose - Heater - 5/8" I D SAE 20R3
	062401-04-000	EA	Clamp - Worm Drive - 63" - 1 25" I D
	010227-01-000	EA	Tee - Plastic - Barb 5/8" or 3/4" Hose
	072341-03-000	EA	Core - Evaporator

FURNACE & ROOF AIR CONDITIONER

Key	Part Number	U/M	Description
**	075696-01-000	EA	Furnace - 34,000 BTU - w/Direct Ignition - NT-34S
**	075695-01-000	EA	Furnace - 24,000 BTU - w/Direct Ignition - NT-24S
	069636-01-000	EA	Connector - 4" Duct
	009198-01-000	EA	Duct - Flexible - 4" I D x 25'
	056464-01-000	EA	Register - 4" Dia - Plastic - w/Damper
	056464-02-000	EA	Register - 4" Dia - Plastic - w/o Damper
	009200-01-000	EA	Tape - Furnace - 1 1/2"
	023146-01-000	EA	Clamp - Screw Type - 4"
**	073743-01-000	EA	Shroud Asm - Ceiling - Inside - Roof Air 13,500 BTU - Cool Only
**	073744-01-000	EA	Shroud Asm - Ceiling - Inside - Roof Air 13,500 BTU - Heat & Cool
**	073742-01-000	EA	Air Conditioner - 110 Volt - Roof Mount - 13,500 BTU Rotary

** The illustrated parts breakdown for this item is provided on the Common Items Fiche

1986 WINNEBAGO TABLE OF CONTENTS

WF426RT	A-01 - C-04
WCN26RH	C-05 - E-10
WCN23RG	E-11 - G-24
WCP26ET	H-01 - J-03

1986 WCN23RG INDEX

Floor Plan	E-11 - E-12
Accessories Group	E-13 - E-15
Bath Group	E-16
Chassis Group	E-17 - E-20
Curtain, Cushion & Pad Group	E-21 - F-04
Dinette Group	F-05
Driver's Compartment Group	F-06 - F-08
Electrical Group	F-09 - F-11
Exterior Body Group	F-12 - F-19
Galley Group	F-20 - F-21
Heating & Air Conditioning Group	F-22
Interior Finish Group	F-23 - G-01
LP Group	G-02
Lounge Group	G-03 - G-04
Water & Sewage Group	G-05 - G-06
Window, Vent & Exterior Door Group	G-07 - G-24

INTERIOR FINISH GROUP

INTERIOR MOLDING & TRIM

Key	Part Number	U/M	Description
	009812-15-000	EA	Molding - Plastic - Outside Corner - 1/2"
	042357-09-000	FT	Molding - Radius Corner - 7' Elm
	022992-01-000	FT	Molding - Reverse Cove - White
	022992-09-000	FT	Molding - Reverse Cove - Grady Brown
	069733-37-000	EA	Batt Strip - Sunset Oak - 8' (Lounge)
	069733-42-000	EA	Batt Strip - Scrimshaw Sand - 8' (Wall)
	069733-57-000	EA	Batt Strip - Encore - 8" (Bedroom)
	069733-62-000	EA	Batt Strip - Pebble Beach - 8' (Ceiling)
	069733-61-000	EA	Batt Strip - Threads - 8' (Galley)
	070504-01-000	FT	U-Channel - .065" - Light Brown
	070504-02-000	FT	U-Channel - .815" - Light Brown
	070504-03-000	FT	U-Channel - .815" - Grady Brown
	009778-04-000	FT	U-Channel - 1" - Grady Brown
	009815-03-000	FT	T-Molding - .75" - Light Brown
	009815-04-000	FT	T-Molding - .75" - Grady Brown
	075249-01-000	EA	Rail Asm. - Plain - 72"
	075250-01-000	EA	Corner Post - 1" x 1" x 2 1/2" - Oak
	076026-21-T02	EA	Trim - Valance - 82"
	002774-02-001	EA	Trim - Carpet - 192"
	009767-06-000	FT	Welting - Beige
	009767-07-000	FT	Welting - Grady Brown
	074045-01-000	EA	Plug - 1/2" Dia - Oak
	041746-01-000	FT	Vinyl - Extr. - Bubble Seal

CABINETS & TABLE HARDWARE

Key	Part Number	U/M	Description
	053200-05-000	EA	Bracket - Upper Wall Mount - 23.5" - Beige
	024281-07-000	EA	Bracket - Lower Wall Mount - 22.12" - Beige
	024276-14-000	EA	Leg Asm. - Table - 26.5" - Brown
	064050-01-000	EA	Hinge - Table Leg
	024282-01-000	EA	Brace - Table Leg
	049493-02-000	EA	Catch - Table Leg - Mounts on Floor - Brown
	009112-01-000	EA	Flange - 1" - Chrome - Closet Rod
	077409-01-000	EA	Slide - Drawer - Plastic - 20.75"
	009049-01-000	EA	Table Support - Drop Leaf
	009059-01-000	EA	Hinge - 2" - Drop Leaf Table - Gold
	076312-01-000	EA	Mesh - Grille - 13.80" x 8.80" - Gold Aluminum
	009021-01-000	EA	Catch - Nylon - Furnace Door
	009021-02-000	EA	Strike - Nylon Catch - Furnace Door
	074493-02-000	EA	Support - Sprung - Door
	066433-01-000	EA	Hook - Cup - Bright
	058034-02-000	EA	Latch - Door w/o Lock - Sliding Door
	075680-01-000	EA	Clothes Rod - Adjustable - 27" x 36"
	064467-01-000	EA	Guide - Wall Mount - Door Pocket
	078212-01-000	EA	Pull - Brass w/Dark Oak - Cabinet
	045586-02-000	EA	Spindle - Wood - 1.75" x 24" - Plain
	059777-01-000	EA	Hinge - Brass
	009016-01-000	EA	Catch - Elbow - Spring Loaded
	077461-01-000	EA	Cover - Strike
	061604-01-000	EA	Slide Bolt - Antique Brass
	078212-01-000	EA	Pull Cabinet - Brass - Dark Oak
	080728-01-000	EA	Handle - Brown Plastic - Table
	079921-01-000	EA	Roller - Nylon w/Shaft

INTERIOR FINISH GROUP (CONTINUED)

MISCELLANEOUS PARTS

Key	Part Number	U/M	Description
	053552-02-T03	EA	Handle Asm. - Interior Assist - Medium Almond Vinyl
	041944-03-000	EA	Fire Extinguisher - w/Bracket
	054185-24-000	EA	Owner's Manual - 1986 Itasca & Winnebago
	007038-01-000	EA	Door Mat - 10 1/2" x 26" - Black Rubber
	075907-02-000	EA	Picture - Decor - Assorted Grasses
	081075-01-000	EA	Floor Mat - Entrance - Winnebago
	081201-01-000	EA	Floor Mat - Front - Left - Winnebago
	081202-01-000	EA	Floor Mat - Front - Right - Winnebago
	G35201-02-000	EA	Lamp Shade - Fabric - Parchment

CURTAIN & CUSHION HARDWARE

Key	Part Number	U/M	Description
	082139-01-000	EA	Bracket - Hold Down - Blinds
	056003-02-000	EA	Bracket - Drapery Retainer - Left
	056003-01-000	EA	Bracket - Drapery Retainer - Right
	056001-01-000	EA	Bracket - Shade - Left
	056002-01-000	EA	Bracket - Shade - Right
	076627-01-000	EA	Bracket - Curtain - Woven Wood - Right
	076827-02-000	EA	Bracket - Curtain - Woven Wood - Left
	079798-03-000	EA	Bracket Asm. - Curtain Rod - Right
	079798-04-000	EA	Bracket Asm. - Curtain Rod - Left
	082249-01-000	EA	Bracket - Blinds - Beige - Right
	082249-02-000	EA	Bracket - Blinds - Beige - Left
	079619-01-000	EA	Bracket - Tie Back
	009107-01-000	EA	Guide - Nylon Snap - Curtain
	056784-01-000	EA	Pull - Window Shade - Antique Brass
	056115-01-000	YD	Tape - Clear Plastic - w/Guide
	048394-01-000	YD	Tape - Hook - 1" x 25 YD - Beige
	029096-05-000	YD	Tape Hook - .50" - Velcro - Beige
	048395-01-000	YD	Tape Loop - 1" x 25 YD - Beige
	029090-01-000	FT	Tie - Drapery - Clear Vinyl
	056116-01-000	FT	Track - Curtain - Brown Plastic
	079446-01-000	EA	Track - Curtain - Wraparound - Right
	079446-02-000	EA	Track - Curtain - Wraparound - Left

PANELING & COUNTERTOP MATERIAL

Key	Part Number	U/M	Description
	074497-03-000	SF	Paneling - Decor - Sunset Oak - 48" x 84" (28 SF) (Cabinets & Wall)
	074497-04-000	SF	Paneling - Decor - Scrimshaw Sand - 48" x 84" (Wall)
	074496-31-000	SF	Paneling - Decor - Encore - 48" x 84" (28 SF) (Bedroom & Bath)
	074496-38-000	SF	Paneling - Decor - Paw Paw - Plum - 48" x 84" (28 SF) (Galley) (U01, U02)
	074496-39-000	SF	Paneling - Decor - Paw Paw - Pine - 48" x 84" (28 SF) (Galley) (U03)
	074497-07-000	SF	Paneling - Pebble Beach - 48" x 96" (32 SF) (Ceiling)
	074498-05-000	SF	Plastic Laminates - Sunset Oak - 48" x 96" (32 SF) (Nightstand)
	074498-05-019	EA	Plastic Laminates - Sunset Oak - 1 1/2" x 96"
	076325-04-000	FT	Molding - Edge Band - Sunset Oak - 1 5/16" x .030"
	074498-08-000	SF	Plastic Laminates - Fawn - 48" x 96" (32 SF) (Dinette Table) (U01, U02)
	074498-08-019	EA	Plastic Laminates - Fawn - 1 1/2" x 96"
	076325-08-000	FT	Molding - Edge Band - Fawn - 1 5/16" x .030"
	074498-14-000	SF	Plastic Laminates - Sage Green - 48" x 96" (32 SF) (Dinette Table) (U03)
	074498-14-019	EA	Plastic Laminates - Sage Green - 1 1/2" x 96"
	076325-10-000	FT	Molding - Edge Band - Sage Green - 1 5/16" x .030"
	074498-06-000	SF	Plastic Laminates - Beige Crescent - 48" x 96" (32 SF) (Galley)
	074498-06-019	EA	Plastic Laminates - Beige Crescent - 1 1/2" x 96"
	076325-04-000	EA	Molding - Edge Band - Beige Crescent - 1 5/16" x .030"

1986 WINNEBAGO TABLE OF CONTENTS

WF426RT	A-01 - C-04
WCN26RH	C-05 - E-10
WCN23RG	E-11 - G-24
WCP26ET	H-01 - J-03

1986 WCN23RG INDEX

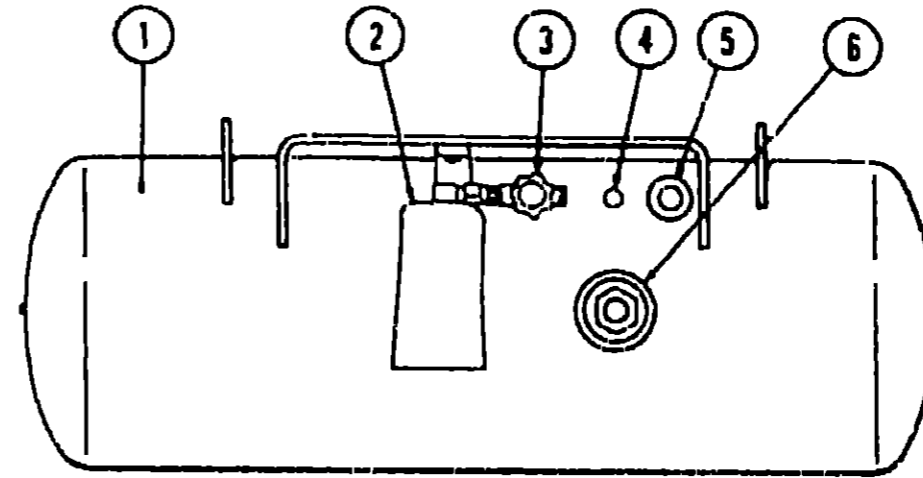
Floor Plan	E-11 - E-12
Accessories Group	E-13 - E-15
Bath Group	E-16
Chassis Group	E-17 - E-20
Curtain, Cushion & Pad Group	E-21 - F-04
Dinette Group	F-05
Driver's Compartment Group	F-06 - F-08
Electrical Group	F-09 - F-11
Exterior Body Group	F-12 - F-19
Galley Group	F-20 - F-21
Heating & Air Conditioning Group	F-22
Interior Finish Group	F-23 - G-01
LP Group	G-02
Lounge Group	G-03 - G-04
Water & Sewage Group	G-05 - G-06
Window, Vent & Exterior Door Group	G-07 - G-24

INTERIOR FINISH GROUP (CONTINUED)

FABRICS & CARPET

Key	Part Number	U/M	Description
	072333-25-000	YD	Fabric - Drapery - Toast (U01)
	072333-26-000	YD	Fabric - Drapery - Mauve (U02)
	072333-27-000	YD	Fabric - Drapery - Teal (U03)
	077498-62-000	YD	Fabric w/Pattern - Main - Truffle (U01)
	077498-63-000	YD	Fabric w/Pattern - Main - Rosewood (U02)
	077498-64-000	YD	Fabric w/Pattern - Main - Spruce (U03)
	077498-75-000	YD	Fabric w/Pattern - Accent - Primrose (U02)
	077498-74-000	YD	Fabric w/Pattern - Accent - Sagebrush (U03)
	077498-73-000	YD	Fabric - Upholstery Accent - Plain - Truffle (U01, U03)
	077498-72-000	YD	Fabric - Upholstery Accent - Plain - Rosewood (U02)
	059729-43-000	YD	Fabric - Bedspread/Drapery - Encore
	072333-21-000	YD	Fabric - Bedspread/Drapery - Parchment
	038421-01-000	YD	Fabric - Mattress Ticking
	029012-01-000	BF	Foam - Rolled - 3/8"
	079680-01-000	YD	Vinyl - Expanded - 26 oz. - Buckskin
	079680-02-000	YD	Vinyl - Expanded - 26 oz. - Dark Sandrift
	072860-43-000	YD	Carpet - Beige (U01)
	072860-44-000	YD	Carpet - Red/Brown (U02)
	072860-45-000	YD	Carpet - Green-Blue (U03)

LP GROUP



Key	Part Number	U/M	Description
1	074142-01-000	EA	Tank Asm - LP - Frame Mount - 80 Pound - 13" x 44"
1	080450-01-000	EA	Tank Asm - LP - Frame Mount - 42 Pound - 13" x 24"
*	065741-01-000	EA	Detector - LP Gas Leak - Marshalltown Instruments
2	081938-01-000	EA	Cover - Regulator - Two Stage
*	076301-01-000	EA	Regulator - Two Stage - US
*	076301-02-000	EA	Regulator - Two Stage - CSA
3	040421-01-703	EA	Valve - Vapor Relief
4	040421-01-700	EA	Gauge - Liquid Level - 20 ³ / ₈ LP
5	040421-01-701	EA	Valve - Filler - LP
*	040421-01-702	EA	Cap - Plastic Fill Valve
6	040421-01-707	EA	Gauge - Float - w/Visible Dial
*	065741-01-000	EA	Gauge - Diaphragm Pressure
*	040421-01-706	EA	Dial - Visible Face - Float Gauge (Tank w/o Electric Transmitter)
*	040440-01-000	EA	Dial - Transmitter - 0 - 90 Ohm (Float Gauge)
*	045703-01-000	EA	Hose Asm. - LP - 3/8" I.D. x 24" - US
*	045703-02-000	EA	Hose Asm. - LP - 3/8" I.D. x 24" - CSA
*	045703-03-000	EA	Hose Asm. - LP - 3/8" I.D. x 18" - US
*	045703-04-000	EA	Hose Asm. - LP - 3/8" I.D. x 14" - CSA
*	065742-01-000	EA	Tee - .38 F x .38 F x .25 FPT
*			Not illustrated

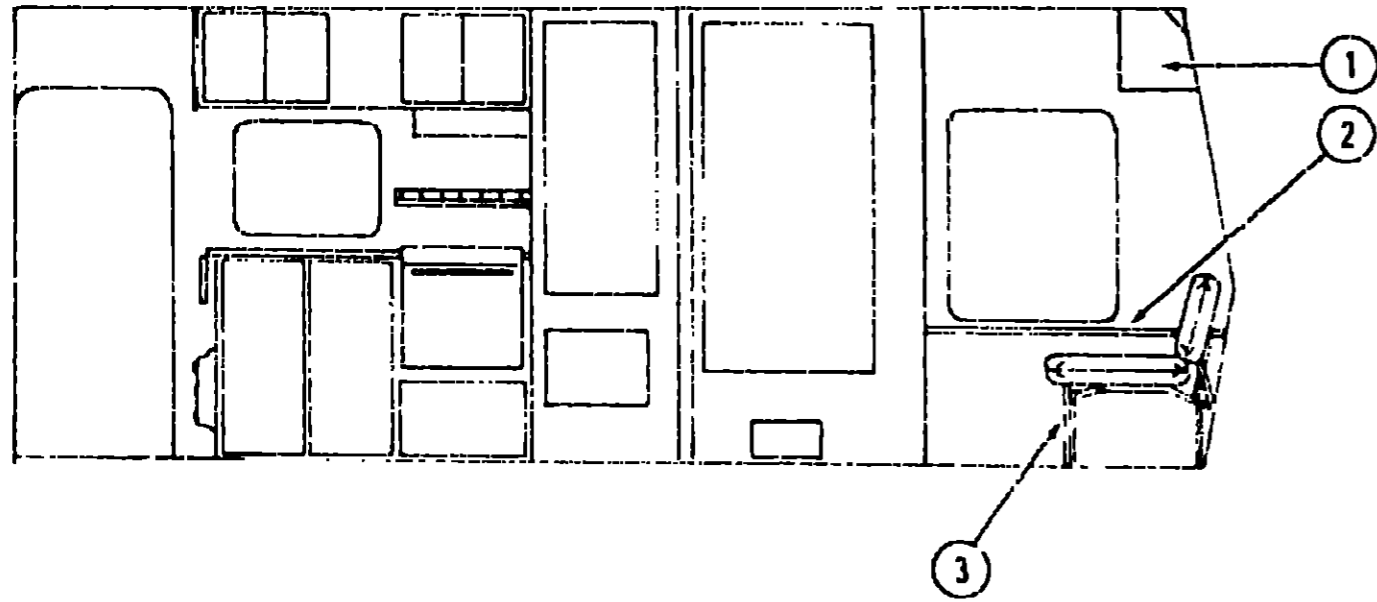
1986 WINNEBAGO TABLE OF CONTENTS

WF426RT	A-01 - C-04
WCN26RH	C-05 - E-10
WCN23RG	E-11 - G-24
WCP26ET	H-01 - J-03

1986 WCN23RG INDEX

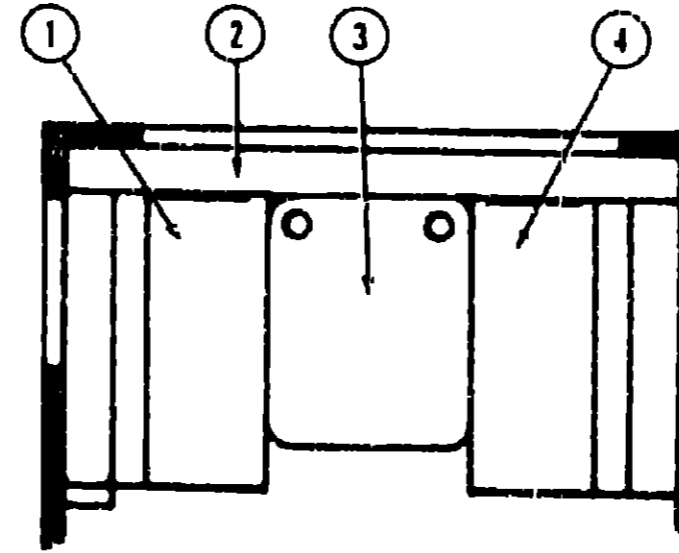
Floor Plan	E-11 - E-12
Accessories Group	E-13 - E-15
Bath Group	E-16
Chassis Group	E-17 - E-20
Curtain, Cushion & Pad Group	E-21 - F-04
Dinette Group	F-05
Driver's Compartment Group	F-06 - F-08
Electrical Group	F-09 - F-11
Exterior Body Group	F-12 - F-19
Galley Group	F-20 - F-21
Heating & Air Conditioning Group	F-22
Interior Finish Group	F-23 - G-01
LP Group	G-02
Lounge Group	G-03 - G-04
Water & Sewage Group	G-05 - G-06
Window, Vent & Exterior Door Group	G-07 - G-24

LOUNGE GROUP



Key	Part Number	U/M	Description
1	081707-01-U04	EA	Cabinet Asm - Overhead - w/o Doors or Hardware
	M81503-02-U01	EA	Door Asm - Overhead Cabinet - w/o Hardware
2	M02523-01-U04	EA	Countertop Asm - Hamper - Passenger - Harbor Oak
	082422-01-U04	EA	Cabinet Asm - Hamper - Passenger - w/o Countertops
	082061-01-U04	EA	Cabinet Asm - Hamper - Driver - w/o Countertop
	M02187-01-T03	EA	Countertop Asm - Hamper - Driver - Harbor Oak
3	M82412-01-U04	EA	Cabinet Asm - Couch - w/o Door or Hardware
	M81501-58-U04	EA	Door Asm - Couch - w/o Hardware
	072709-04-000	EA	Base Asm. - Couch
			Not illustrated

LOUNGE GROUP (CONTINUED)



REAR DINETTE (OPTION)

Key	Part Number	U/M	Description
1	M02515-02-U04	EA	Cabinet Asm - Dinette Seat - Left
	M02514-02-U04	EA	Cabinet Asm - Dinette Back - Left
2	M82414-01-U04	EA	Countertop Asm - Rear Dinette Shell - Harbor Oak
3	M81299-03-U01	EA	Table Asm. - Dinette - w/o Hardware - Harbor Oak
	081747-01-U04	EA	Spacer - Dinette Bed - Harbor Oak
	024276-14-000	EA	Leg Asm - Table - 29 5" - Brown
	024282-01-000	EA	Brace - Table Leg
	024283-01-000	EA	Clip - 1" O D - 1 1/2" O D Tube
	053201-03-000	EA	Bracket - Table Mount - 23"
	064050-01-000	EA	Hinge - Table Leg
	024275-05-000	EA	Rod - Table Lift - 8" x 23 5"
	024281-07-000	EA	Bracket - Lower Wall Mount - 22 1/2"
	049493-02-000	EA	Catch - Table Leg - Mounts on Floor
	053200-05-000	EA	Bracket - Upper Wall Mount - 23 5"
	064781-02-000	EA	Cup Holder - 3.47" O D x 2.75" I D x 1.5"
4	M02515-01-U04	EA	Cabinet Asm - Dinette Seat - Right
	M02514-01-U04	EA	Cabinet Asm - Dinette Back - Right
			Not illustrated

1986 WINNEBAGO TABLE OF CONTENTS

WF426RT
WCN26RH
WCN23RG
WCP26ET

A-01 - C-04
C-05 - E-10
E-11 - G-24
H-01 - J-03

1986 WCN23RG INDEX

Floor Plan	E-11 - E-12
Accessories Group	E-13 - E-15
Bath Group	E-16
Chassis Group	E-17 - E-20
Curtain, Cushion & Pad Group	E-21 - F-04
Dinette Group	F-05
Driver's Compartment Group	F-06 - F-08
Electrical Group	F-09 - F-11
Exterior Body Group	F-12 - F-19
Galley Group	F-20 - F-21
Heating & Air Conditioning Group	F-22
Interior Finish Group	F-23 - G-01
LP Group	G-02
Lounge Group	G-03 - G-04
Water & Sewage Group	G-05 - G-06
Window, Vent & Exterior Door Group	G-07 - G-24

WATER & SEWAGE GROUP

PLUMBING & REPAIR PARTS

Key	Part Number	U/M	Description
	033302-02-000	EA	Adapter Asm - SWVC Strain - 1 1/2"
	010326-01-000	EA	Adapter - Flare - w/Cone Gasket
	062422-01-000	EA	Adapter - Hose Offset - Reducer - 3" x 1 1/2"
	052954-01-000	EA	Adapter - Hose Cone - 3/8 or 1/2 - Plastic
	010224-01-000	EA	Adapter - Plastic - 3/8 MPT x 3/8 Barb
	044927-01-000	EA	Adapter - Plastic - 1 1/4" MPT x 1 1/4 Barb
	031602-02-000	EA	Adapter - Plastic - 1 1/2 H x FPT
	062417-01-000	EA	Adapter - Termination - 3"
	004020-01-000	OT	Adhesive - ABS Cement
	011048-04-000	EA	Breaker - Vacuum - 1/8 MPT - Nylon
**	010121-01-000	EA	Bushing - Plastic - 1 1/2 S x 1 1/4 H
	010122-01-000	EA	Bushing - Plastic - 1 1/2 S x 1 1/4 T
	010123-01-000	EA	Bushing - Plastic - 2S x 1 1/2 H
	036522-02-000	EA	Cap - Brass - 1/2 Flare
	062415-01-000	EA	Cap - Sewer - 3"
	052959-02-000	EA	Connector - 1/2 F x 1/2 MPT - Plastic
	052959-03-000	EA	Connector - 1/2 F x 3/8 MPT - Plastic
	011091-02-000	EA	Continuous Waste - Double Sink - 11 7/8" - US
	053874-01-000	EA	Continuous Waste Asm - Double Sink - CSA
	078406-01-000	EA	Coupler Rubber - 3" x 3"
	052960-01-000	EA	Drain Valve - 1/2 F x 1/2 F - Plastic
	010000-01-000	EA	Elbow - Plastic - 1/8 BD x 1 1/4 x 45° H x H
	010005-01-000	EA	Elbow - Plastic - 1/16 BD x 1 1/2
	010006-01-000	EA	Elbow - Plastic - 1/8 BD x 1 1/2 x 45° H x H
	010008-01-000	EA	Elbow - Plastic - 1/4 ED x 1 1/2 x 90° Left
	010051-01-000	EA	Elbow - ST - Plastic - 1/8 BD x 1 1/2 x 45°
	010219-01-000	EA	Elbow - 1 1/4 Barb x 1 1/4 MPT x 90°
	031111-01-000	EA	Elbow - Plastic - 1/4 BD x 1 1/4 x 90° Left
	034250-01-000	EA	Elbow - Plastic - 1/4 BD x 1 1/2 x 90° x H x H
	035539-01-000	EA	Elbow - Plastic - 3/8 MPT x 3/8 Barb
	052957-01-000	EA	Elbow - Plastic - 1/2 F x 3/8 MPT
	052957-02-000	EA	Elbow - Plastic - 1/2 F x 1/2 MPT (In Tank Filter)
	059536-01-000	EA	Elbow - 1 1/4 - Slip Joint Ends
	065120-01-000	EA	Elbow - Plastic - Swivel - 50
	070924-01-000	EA	Elbow - Plastic - Swivel - 1/2 MPT x 1/2 FP
	077954-01-000	EA	Filter/Screen (In Water Tank)
	039647-02-000	EA	Filter - Water Pump - 1/2" MPT
	039647-03-000	EA	Filter - Water Pump - 1/2" Flare
	010147-01-000	EA	Flange - Closet - 4" F x 3" FPT - US
	010147-02-000	EA	Flange - Closet - 4" F x 3" FPT - CSA
	079581-01-000	FT	Flexible Tubing - 1 1/4 I.D. x 10'
	061607-01-000	EA	Grommet - Holding Tank Coupler - 1 1/2"
	061607-02-000	EA	Grommet - Holding Tank Coupler - 3"
	062419-02-000	EA	Handle - Extension - w/6" Adapter
	052961-01-000	EA	Header - 1/2 F x 1/2 F x 1/2 F x 1/2 F
**	046524-01-000	EA	Kit - Holding Tank Fittings - Blank Tank
**	046524-02-000	EA	Kit - Water Tank Fittings - Blank Tank
	052953-01-000	EA	Nut - Faucet - 1/2 Tube x 1/2 FPT
	052952-01-000	EA	Nut - 1/2 F - Plastic
**	011066-03-000	EA	P-Trap - 1 1/4" Plastic - US
**	011066-02-000	EA	P-Trap - 1 1/4" Plastic - CSA
	053335-01-000	EA	P-Trap - Plastic - 1 1/4 H x H - w/Union - CSA
	010197-01-000	EA	Pipe - Plastic - 3" x 240" - Black
	045729-01-000	EA	Pump - Water - 2.8 G.P.M. - Direct Drive - Shurflo - US
	045729-02-000	EA	Pump - Water - 2.8 G.P.M. - Direct Drive - Shurflo - CSA
**	010201-01-000	EA	Sewer Hose - 3" x 8' w/Clamp
	042989-02-000	EA	Spinweld Fittings - Plastic - 1/2 FPT (In Tank Fitter)
	042989-03-000	EA	Spinweld Fittings - Plastic - 1/4 NPT
	042989-04-000	EA	Spinweld Fittings - Plastic - 3/8 FPT
	011069-02-000	EA	Tailpiece - 1 1/2" x 1 1/4" x 4" - Brass

** The illustrated parts breakdown for this item is provided on the Common Items Fiche.

WATER & SEWAGE GROUP (CONTINUED)

PLUMBING & REPAIR PARTS (CONT.)

Key	Part Number	U/M	Description
	010071-01-000	EA	Tee - Plastic - 1 1/2 x H x H x H
	010072-01-000	EA	Tee - Plastic - 1 1/2 H x 1 1/4 H x 1 1/2 H
**	010079-01-000	EA	Tee - Plastic 1 1/2 H x 1 1/2 H x 1 1/4 H
	046172-01-000	EA	Tee - Plastic - 3/8 B x 3/8 B x 3/8 MPT
	052955-01-000	EA	Tee - Plastic - 1/2 F x 1/2 F x 1/2 MPT
	052956-01-000	EA	Tee - Plastic - 1/2 F x 1/2 MPT x 1/2 F
	052958-01-000	EA	Tee - Plastic - 1/2 F x 1/2 F x 1/2 F
**	010133-01-000	EA	Trap Adapter - Plastic - 1 1/2 H x MPT
	039800-01-000	FT	Tubing - Polybutyl - 1/2 O.D. (Water Line)
	079381-01-000	FT	Tubing - Flexible - Smooth - 1 25 I.D.
	074462-02-000	FT	Tubing - Vinyl - 3/8 I.D.
	072346-01-000	EA	Valve Asm - 3" Ell - w/2" Socket
	062421-01-000	EA	Valve - 1 1/2" - w/Handle
	062418-02-000	EA	Valve - 3" - w/o Handle
	052960-01-000	EA	Valve - Line Drain - 1/2 F x 1/2 F
	052962-01-000	EA	Valve - Stool - 90° - 1/2 F x 3/8 MPT
	010073-01-000	EA	Wye - Plastic - 1 1/2 x 45 H x H

** The illustrated parts breakdown for this item is provided on the Common Items Fiche

HOLDING TANKS & WATER HEATERS

Key	Part Number	U/M	Description
	074510-03-000	EA	Tank Asm. - Water - 16 Gallon - w/Fittings (Dinette)
	M01275-43-000	EA	Tank Asm. - Water - 16 Gallon - w/Fittings (Couch)
	074510-01-000	EA	Tank - Water - 16 Gallon - w/o Fittings
	053520-05-000	EA	Tank Asm. - Water - 20 Gallon - w/Fittings (Dinette)
	M01275-42-000	EA	Tank Asm. - Water - 20 Gallon - w/Fittings (Couch)
	053520-01-000	EA	Tank - Water - 20 Gallon - w/o Fittings
	076845-01-000	EA	Tank Asm. - Waste Water - 20 Gallon - w/Fittings
	076845-01-000	EA	Tank - Waste Water - 20 Gallon - w/o Fittings
	076834-01-000	EA	Tank Asm. - Sewage - 40 Gallon - w/Fittings
	076834-01-000	EA	Tank - Sewage - 40 Gallon - w/o Fittings
**	051391-01-000	EA	Water Heater - w/o Motor Aid - G6A3
**	051391-03-000	EA	Water Heater - w/Electronic ignition - G6A-3E
**	051393-01-000	EA	Water Heater - w/Motor Aid - GH6-3E

** The illustrated parts breakdown for this item is provided on the Common Items Fiche.

1986 WINNEBAGO TABLE OF CONTENTS

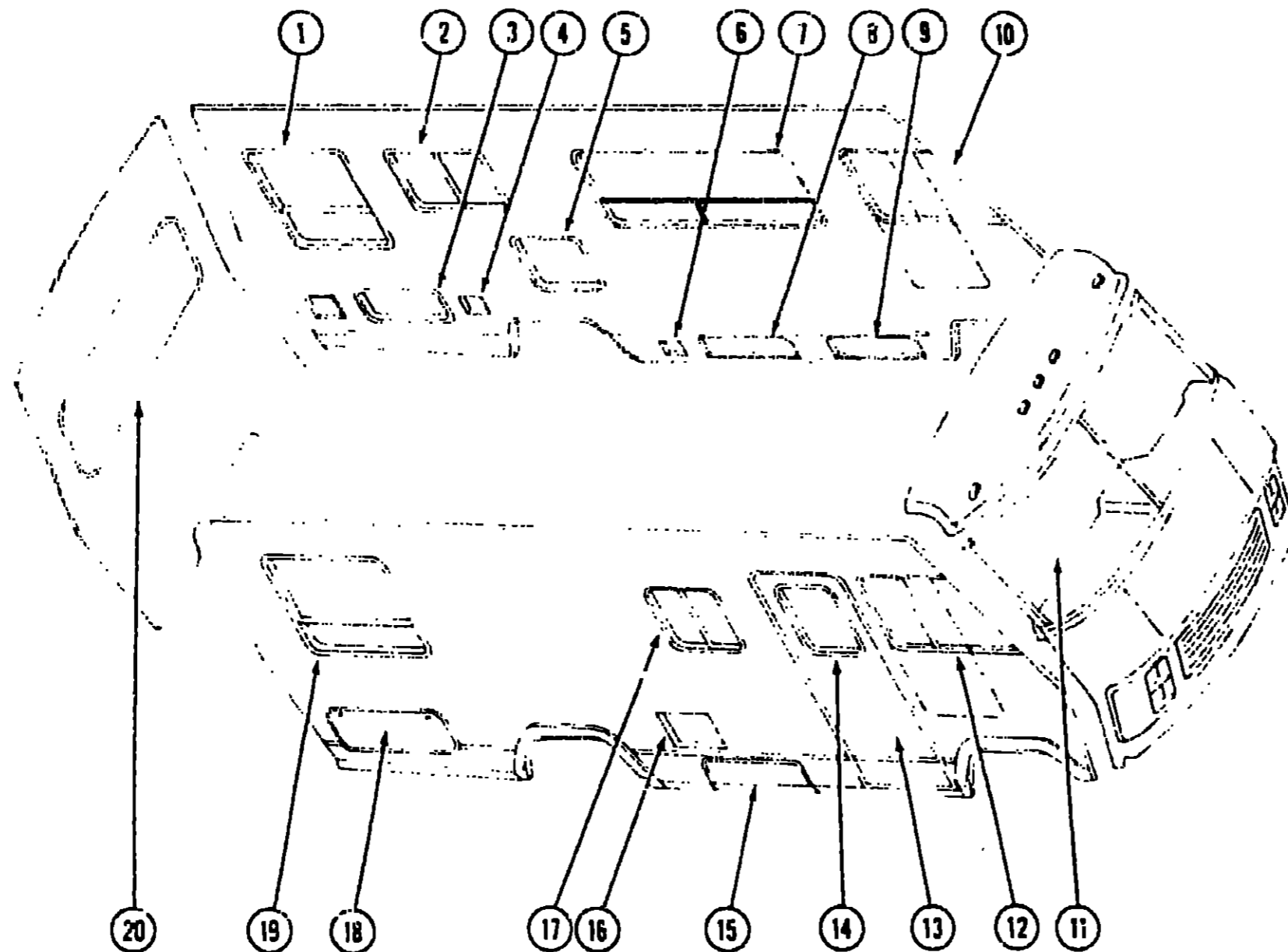
WF426RT	A-01 - C-04
WCN26RH	C-05 - E-10
WCN23RG	E-11 - G-24
WCP26ET	H-01 - J-03

1986 WCN23RG INDEX

Floor Plan	E-11 - E-12
Accessories Group	E-13 - E-15
Bath Group	E-16
Chassis Group	E-17 - E-20
Curtain, Cushion & Pad Group	E-21 - F-04
Dinette Group	F-05
Driver's Compartment Group	F-06 - F-08
Electrical Group	F-09 - F-11
Exterior Body Group	F-12 - F-19
Galley Group	F-20 - F-21
Heating & Air Conditioning Group	F-22
Interior Finish Group	F-23 - G-01
LP Group	G-02
Lounge Group	G-03 - G-04
Water & Sewage Group	G-05 - G-06
Window, Vent & Exterior Door Group	G-07 - G-24

WINDOWS, VENTS & EXTERIOR DOORS

WINDOWS & ACCESS DOORS



1986 WINNEBAGO TABLE OF CONTENTS

WF426RT
WCN26RH
WCN23RG
WCF26ET

A-01 - C-04
C-05 - E-10
E-11 - G-24
H-01 - J-03

1986 WCN23RG INDEX

Floor Plan	E-11 - E-12
Accessories Group	E-13 - E-15
Bath Group	E-16
Chassis Group	E-17 - E-20
Curtain, Cushion & Pad Group	E-21 - F-04
Dinette Group	F-05
Driver's Compartment Group	F-06 - F-08
Electrical Group	F-09 - F-11
Exterior Body Group	F-12 - F-19
Galley Group	F-20 - F-21
Heating & Air Conditioning Group	F-22
Interior Finish Group	F-23 - G-01
LP Group	G-02
Lounge Group	G-03 - G-04
Water & Sewage Group	G-05 - G-06
Window, Vent & Exterior Door Group	G-07 - G-24

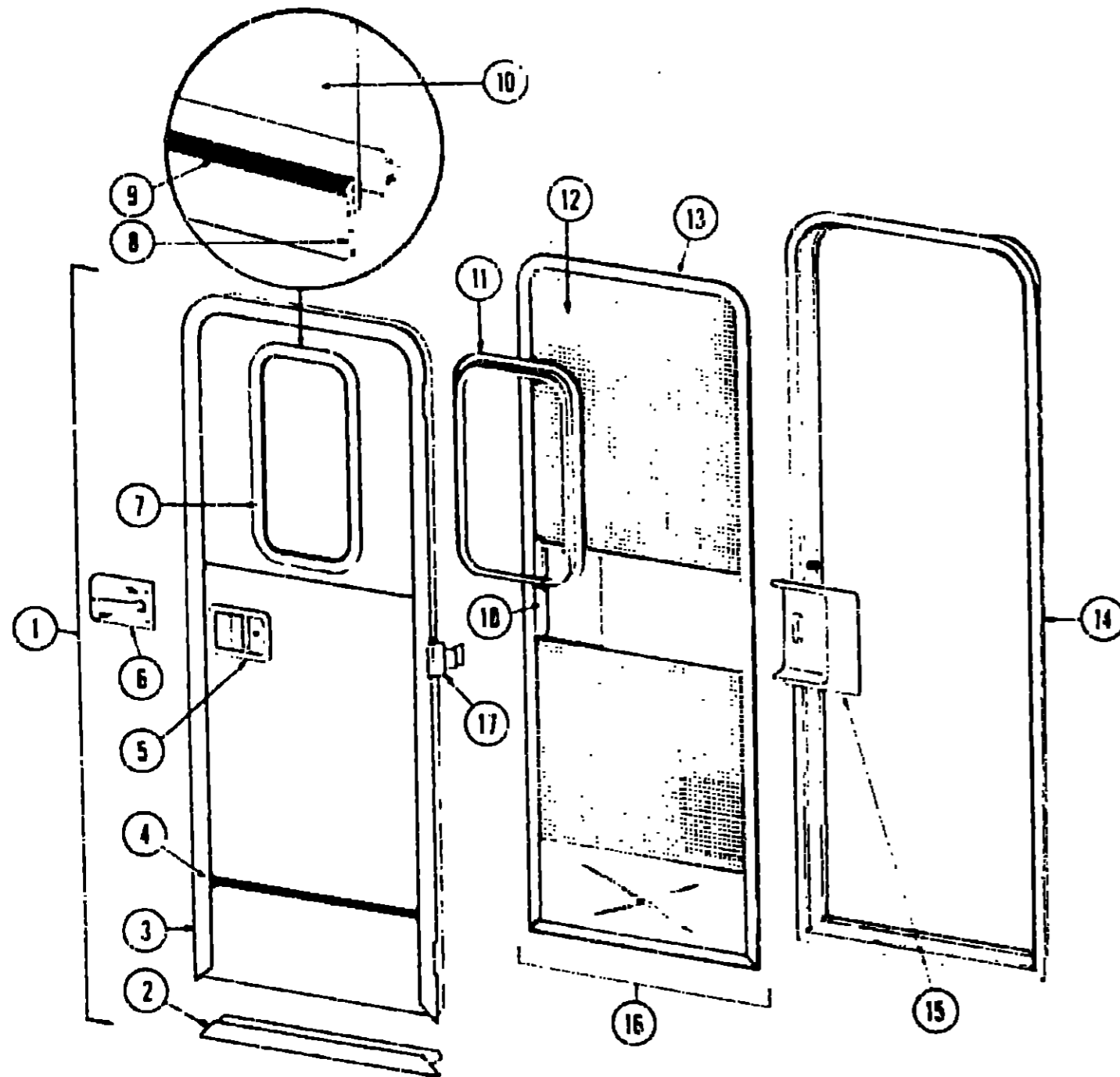
Key	Part Number	U/M	Description
1	081570-06-U07	EA	Window Asm - Single Tipout
2	078266-04-T03	EA	Window Asm - Single Slider
3	079578-01-T03	EA	Door Asm - Storage
4	078010-04-000	EA	Door Asm - Fuel Fill (See Access Door)
5	078969-04-T03	EA	Door Asm - Refrigerator Access
6	078960-02-T03	EA	Door Asm - Power Cord
7	081568-02-U01	EA	Window Asm - Double Tipout
8	079436-03-T03	EA	Door Asm - LP
9	079435-01-T03	EA	Door Asm - Access
10	082057-02-U04	EA	Window Asm - Left Front Slant Slider

Key	Part Number	U/M	Description
11	077675-01-000	EA	Glass - Windshield - Passenger
11	077675-02-000	EA	Glass - Windshield - Driver
12	082057-01-U04	EA	Window Asm - Right Front Slant Slider
13	M01870-31-T03	EA	Door Asm - Entrance w/Screen
14	079733-04-T03	EA	Window Asm - Picture
15	079435-02-T03	EA	Door Asm - Storage
16	052009-02-000	EA	Door Asm - Water Heater
17	078266-02-T03	EA	Window Asm - Single Slider
18	M01883-01-T03	EA	Door Asm - Generator
18	079578-02-T03	EA	Door Asm - Luggage
19	081570-05-U07	EA	Window Asm - Lower Slider
20	078536-01-T03	EA	Window Asm - Escape

WINDOW, VENT & EXTERIOR DOOR GROUP (CONTINUED)

ENTRANCE & SCREEN DOOR

1986 WINNEBAGO TABLE OF CONTENTS



Key	Part Number	U/M	Description
1	M01870-01-T03	EA	Door Asm. - Radius Entry w/Screen Door
2	077998-02-000	EA	Frame - Entry Door (Bottom Portion Only)
3	076863-02-000	EA	Frame - Entry Door (Except Bottom Portion)
4	059576-09-000	EA	Feature Strip w/o Insert - Extr. - 14"
	001030-02-004	EA	Insert - Feature Strip - 17" - Stucco - Off White
	009731-01-000	EA	End Cap - Feature Strip
5	045017-05-000	EA	Paddle Asm. - Door Lock - Exterior
	045017-05-700	EA	Lock Cylinder w/Keys - Lynor
	039530-01-000	EA	Striker Bolt - Entry Doors
	039540-01-000	EA	Latch Claw - Entry Door
	039738-01-000	EA	Dead Bolt - Entry Door
6	039979-01-000	EA	Plate - Inside Lock - Includes Inside Handle
	052186-01-000	EA	Lock Asm. - Complete - Lynor
7	079733-04-T03	EA	Window Asm. - Picture - 17" x 25" - Black (w/o inside frame)
8	069640-06-000	FT	Ribbon Sealer - 5/16" Bead x 15"
9	002309-02-000	FT	Spline - Glass - 1/8" Black
10	002181-06-000	EA	Glass - Picture Window - 1/8" x 16 25" x 24" - Gray
11	067609-03-000	EA	Inside Frame - Beige (not included in assembly)
12	002293-02-000	SF	Screen - Window - 26" - Charcoal
13	056795-01-000	FT	Seal Tape - 1/8" x 3/8" - Press On
14	078591-01-000	EA	Jamb Asm. - Entrance Door
	051049-01-000	EA	Jamb - Entrance Door - Bottom
15	079085-01-000	EA	Slider - Screen Door - Light Oak Plastic
16	079012-01-T03	EA	Door Asm. - Screen
17	079361-02-000	EA	Hinge - Entrance Door (3 used per door)
18	079087-01-000	EA	Cap - Screen Door - Light Oak Plastic
	009016-01-000	EA	Catch - Elbow - Spring Loaded - Screen Door
	039863-01-000	EA	Catch Asm. - Single Roller w/Strike - Screen Door
	076321-01-000	EA	Spacer - Latch - Screen Door
	077437-01-000	EA	Strike - Roller Catch
	056025-02-000	EA	Clip - Roller Latch Catch
	044582-01-000	EA	Drip Cap - Beige
	079278-01-000	EA	Seal - Mocket - Entrance Door
	073090-01-000	FT	Seal - Entrance Door
	075739-02-000	EA	Stiffener - Entrance Door - Beige
	075673-01-000	FT	Seal - Pile - Adhesive Back
	075671-01-000	FT	Seal - Sponge - Lazy "T" Shaped
	002294-01-000	FT	Spline - Black - .135" x .138" (Screen)
	063638-02-000	EA	Strike - Screen Door
	063729-04-000	EA	Rivnut - 10-32 UNF - .101-080
	075639-01-000	EA	Garnish - Radius - Entrance Door
	076448-01-000	EA	Deadbolt - Press Kit - 5"
			Not illustrated

WF426RT
WCN26RH
WCN23RG
WCP26ET

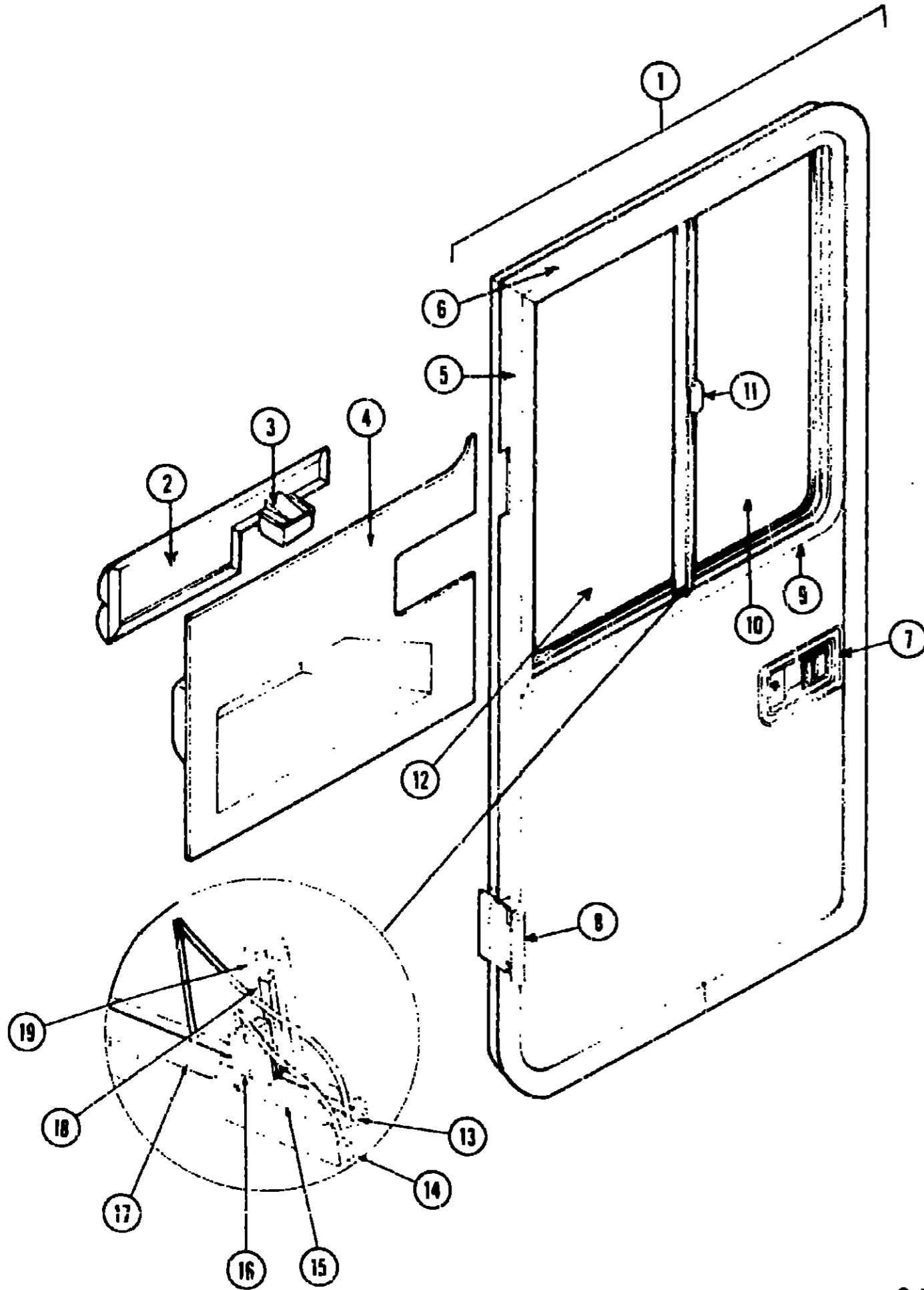
A-01 - C-04
C-05 - E-10
E-11 - G-24
H-01 - J-03

1986 WCN23RG INDEX

Floor Plan	E-11 - E-12
Accessories Group	E-13 - E-15
Bath Group	E-16
Chassis Group	E-17 - E-20
Curtain, Cushion & Pad Group	E-21 - F-04
Dinette Group	F-05
Driver's Compartment Group	F-06 - F-08
Electrical Group	F-09 - F-11
Exterior Body Group	F-12 - F-19
Galley Group	F-20 - F-21
Heating & Air Conditioning Group	F-22
Interior Finish Group	F-23 - G-01
LP Group	G-02
Lounge Group	G-03 - G-04
Water & Sewage Group	G-05 - G-06
Window, Vent & Exterior Door Group	G-07 - G-24

WINDOW, VENT & EXTERIOR DOOR GROUP (CONTINUED)

DRIVER & PASSENGER CAB DOORS



Key	Part Number	U/M	Description
1	079624-01-T03	EA	Door Asm. - Driver - Beige
1	079624-02-T03	EA	Door Asm. - Passenger - Beige
2	064088-03-000	EA	Pad Asm. - Trim - Beige Vinyl - Driver Door
2	064088-04-000	EA	Pad Asm. - Trim - Beige Vinyl - Passenger
	061400-06-000	EA	Assist Strap - 12" - Beige Vinyl
3	046886-03-000	EA	Ash Tray Asm. - Chrome
4	064499-02-000	EA	Panel - Driver Door - Inner - Light Oak Plastic
4	064499-03-000	EA	Panel - Passenger Door - Inner - Light Oak Plastic
5	079214-01-000	EA	Door Frame - Front - Beige - Driver Door
6	079214-02-000	EA	Door Frame - Front - Beige - Passenger Door
6	079250-01-000	EA	Door Frame - Rear - Beige - Driver Door
6	079250-02-000	EA	Door Frame - Rear - Beige - Passenger Door
7	045017-06-000	EA	Paddle Asm. - Door Lock - Driver
7	045017-08-000	EA	Paddle Asm. - Door Lock - Exterior - Passenger
	045017-05-700	EA	Lock Cylinder w/Keys - Lynor
	039979-02-000	EA	Inside Plate - Door Lock - w/Inside Handle
	039540-02-000	EA	Latch Claw - Entry Door Lock
	039738-01-000	EA	Deadbolt - Entrance Door Lock
	039539-01-000	EA	Strike Bolt - Entrance Door (Jamb Mount)
	063124-02-000	EA	Plate - Striker - 8 1/4" x 1" - Black
	079249-07-000	EA	Jamb - Driver Door - Rear
	079249-08-000	EA	Jamb - Passenger Door - Rear
	064184-02-000	EA	Drip Cap - Driver Door
	063768-01-000	EA	Sill Plate
8	063993-01-000	EA	Hinge Asm. - Driver Door - Beige
8	063993-06-000	EA	Hinge Asm. - Passenger Door - Beige
	066109-02-000	EA	Strap - Driver Door
	064580-01-000	EA	Check Strap - Driver Door - Seat Belt Webbing
	064219-01-000	EA	Retainer - Driver Door - Check Strap
	063886-03-000	EA	Assist Handle - Beige Steel Tube (2 required per door)
	064075-01-000	EA	Bulb Seal - 145"
9	079101-02-T03	EA	Window Asm. - Driver Door - Black (w/o inside frame)
9	079101-01-T03	EA	Window Asm. - Passenger Door - Black (w/o inside frame)
	079577-02-T03	EA	Inside Frame - w/Slider Screen - Driver Door - Beige
	079577-01-T03	EA	Inside Frame - w/Slider Screen - Passenger Door - Beige
	079574-03-T03	EA	Slider Screen Asm. - Passenger Door
	079574-04-T03	EA	Slider Screen Asm. - Driver Door
10	057657-04-000	EA	Glass - 19" x 28.11" x 12.25"
11	047369-01-700	EA	Latch - Window - Plastic w/Fastener
12	002188-06-000	EA	Glass - 19" x 28.11" x 12" - Stationary
13	002324-02-000	FT	Channel - Weatherstrip - Glass
14	069640-06-000	FT	Ribbon Sealer - 1/4" Bead x 20'
15	050216-02-000	FT	Spline - Glass - 19" Material - Black
16	002389-03-003	EA	Seal Holder w/Fin Seal - 23.19" - Black
17	041928-02-000	FT	Extr. Vinyl - Window Seal - Black
18	073740-01-000	FT	Seal - Fin - Pile - .400"
19	078562-07-000	EA	Inside Mullion - Slider Window - Black
20	002298-02-000	FT	Spline - .130" Dia - Charcoal (Screen)
	023713-02-000	EA	Weephole Cover - Black Plastic
	002293-02-000	SF	Screen - Window - 26" - Charcoal
	063977-03-000	EA	Step Asm. - Single - Driver
	063977-05-000	EA	Step Asm. - Single - Passenger
			Not illustrated

1986 WINNEBAGO TABLE OF CONTENTS

WF426RT
WCN26RH
WCN23RG
WCP25ET

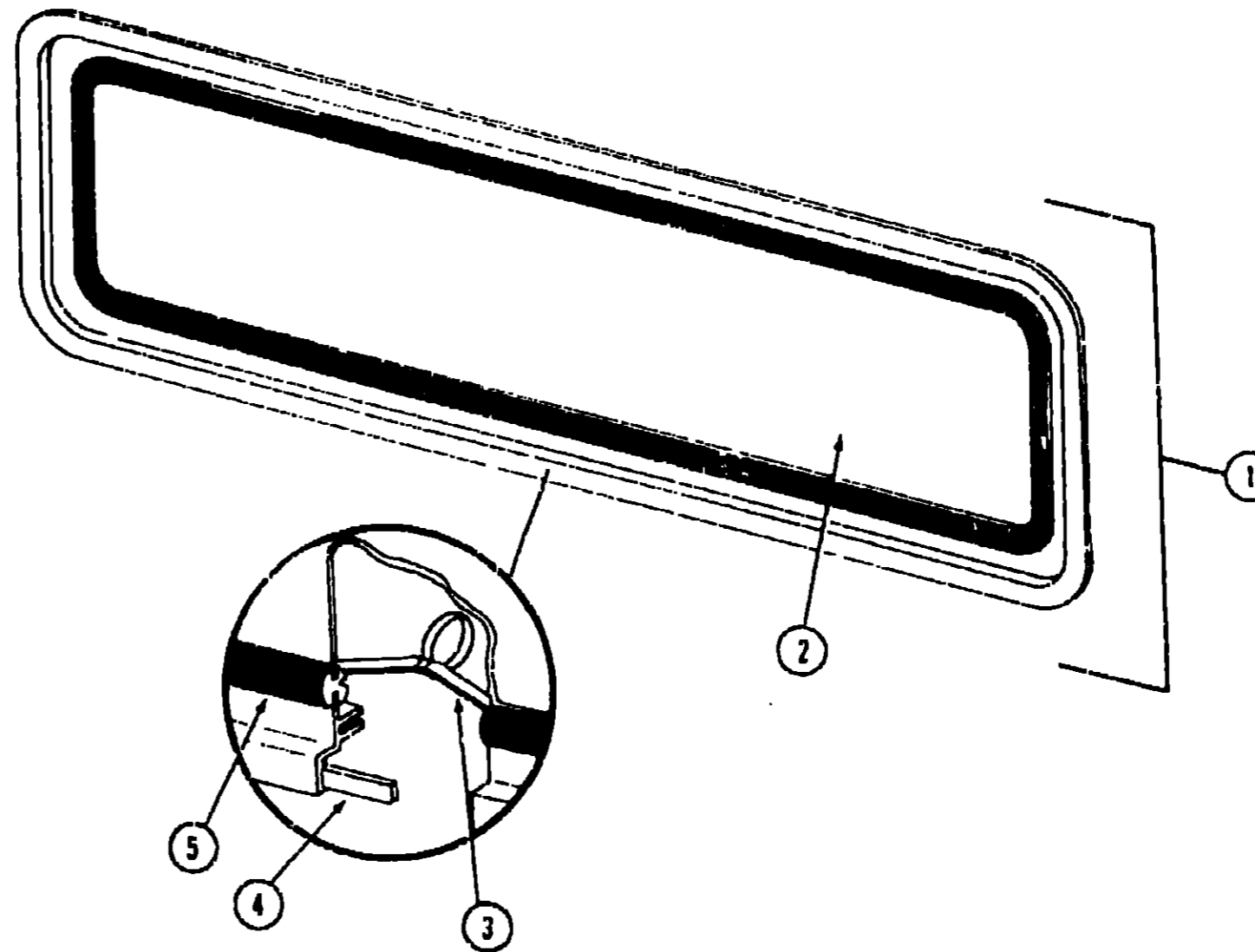
A-01 - C-04
C-05 - E-10
E-11 - G-24
H-01 - J-03

1986 WCN23RG INDEX

Floor Plan	E-11 - E-12
Accessories Group	E-13 - E-15
Bath Group	F-16
Chassis Group	E-17 - E-20
Curtain, Cushion & Pad Group	E-21 - F-04
Dinette Group	F-05
Driver's Compartment Group	F-06 - F-08
Electrical Group	F-09 - F-11
Exterior Body Group	F-12 - F-19
Galley Group	F-20 - F-21
Heating & Air Conditioning Group	F-22
Interior Finish Group	F-23 - G-01
LP Group	G-02
Lounge Group	G-03 - G-04
Water & Sewage Group	G-05 - G-06
Window, Vent & Exterior Door Group	G-07 - G-24

DRIVER DOOR W/ROLL-UP WINDOW

Key	Part Number	U/M	Description
	M82202-01-U04	EA	Door Asm - w/Roll-Up Window - Passenger
	M82202-02-U04	EA	Door Asm - w/Roll-Up Window - Driver
	064184-02-000	EA	Drip Cap - Cab Door - Passenger
	064184-01-000	EA	Drip Cap - Cab Door - Driver
	M02684-01-000	EA	Jamb Asm - Cab Door - Passenger
	M02684-02-000	EA	Jamb Asm - Cab Door - Driver
	063993-01-000	EA	Hinge Asm - Passenger
	063993-06-000	EA	Hinge Asm - Driver
	082150-01-000	FT	Seal - Sponge (Jamb)
	082150-02-000	FT	Seal - Sponge (Door)
	063731-01-000	EA	Cap - Push On - Zinc
	081400-06-000	EA	Assist Strap - Sandstone
	064219-01-000	EA	Retainer Strap - Driver Door
	066109-02-000	EA	Strap - Driver Door
	363733-01-000	EA	Bushing - Flange - Nylon
	063729-01-000	EA	Rivnut - 1/4 x 20 unc. - 030 - 125
	081903-01-000	EA	Shaft - Mounting Knob
	081905-01-000	EA	Knob - Control - Slide Bolt - Passenger
	081905-02-000	EA	Knob - Control - Slide Bolt - Driver
	081908-01-000	EA	Slide Bolt - Driver Door
	081907-01-000	EA	Regulator Asm - Window - Passenger
	081907-02-000	EA	Regulator Asm - Window - Driver
	081910-01-000	FT	Channel - Window - Sliding
	081912-01-000	EA	Weatherstrip - Ridgid
	063886-06-000	EA	Assist Handle - Door
	075722-01-000	EA	Block - Switch - Spacer
	079215-01-000	EA	Frame Asm - Front Slant Slider
	079421-01-T03	EA	Window Asm - Front Slant Slider - Passenger
	079421-02-T03	EA	Window Asm - Front Slant Slider - Driver
	073118-01-000	EA	Retainer - Attachment Plate
	073119-01-000	EA	Attachment Plate - Striker
	079561-01-000	EA	Shim - Strike - Cab Door
	050216-02-000	FT	Spline - Vinyl - Glass - 19
	057656-06-000	EA	Glas - 19" x 28 11" x 13 98"
	R77007-56-701	EA	Plate - Passenger Door Lock
	R77007-56-702	EA	Plate - Driver Door Lock
	R77040-01-538	EA	Door Handle
	R77007-05-374	EA	Plate - Door Handle Spacer
	R77006-50-326	EA	Door - Handle Inner - Driver
	R77006-50-261	EA	Door - Handle Inner - Passenger
	R77006-13-460	EA	Cap - Inner - Window Crank
	072035-01-000	EA	Crank - Hand - Glass Lift
	072036-02-000	EA	Cap - Crank - Hand
	073110-02-000	EA	Rod - Lock - Passenger
	073110-03-000	EA	Rod - Lock - Driver
	R77026-64-355	EA	Link - Door Handle - Control
	R77030-58-048	EA	Washer
	R77030-33-009	EA	Nut - w/Washer
	R77007-62-746	EA	Lock - Left Tumbler Assembly
	R77007-62-746	EA	Lock - Right Tumbler Assembly
	081488-01-000	EA	Glass - Door - Roll-Up
	083223-02-000	EA	Lock Asm - Key Type (Set of 2)
	076542-03-000	EA	Rod Control - Latch - Passenger
	076542-04-000	EA	Rod Control - Latch - Driver



Key	Part Number	U/M	Description
1	078536-01-T03	EA	Window Asm - Escape - 23" x 68" - Black (w/o inside frame)
-	042027-05-000	EA	Inside Frame - Escape Window - Beige (not included in assembly)
2	002178-01-000	EA	Glass - 1/8" x 19 61" x 64 80"
3	002285-01-000	FT	Filler - Weatherstrip - Black
4	069640-01-000	FT	Tape - 1/4" Bead x 20'
5	002282-01-000	FT	Weatherstrip - Window - 125" - Black
-	006199-01-000	EA	Label - Exit - Escape Window
-			Not illustrated

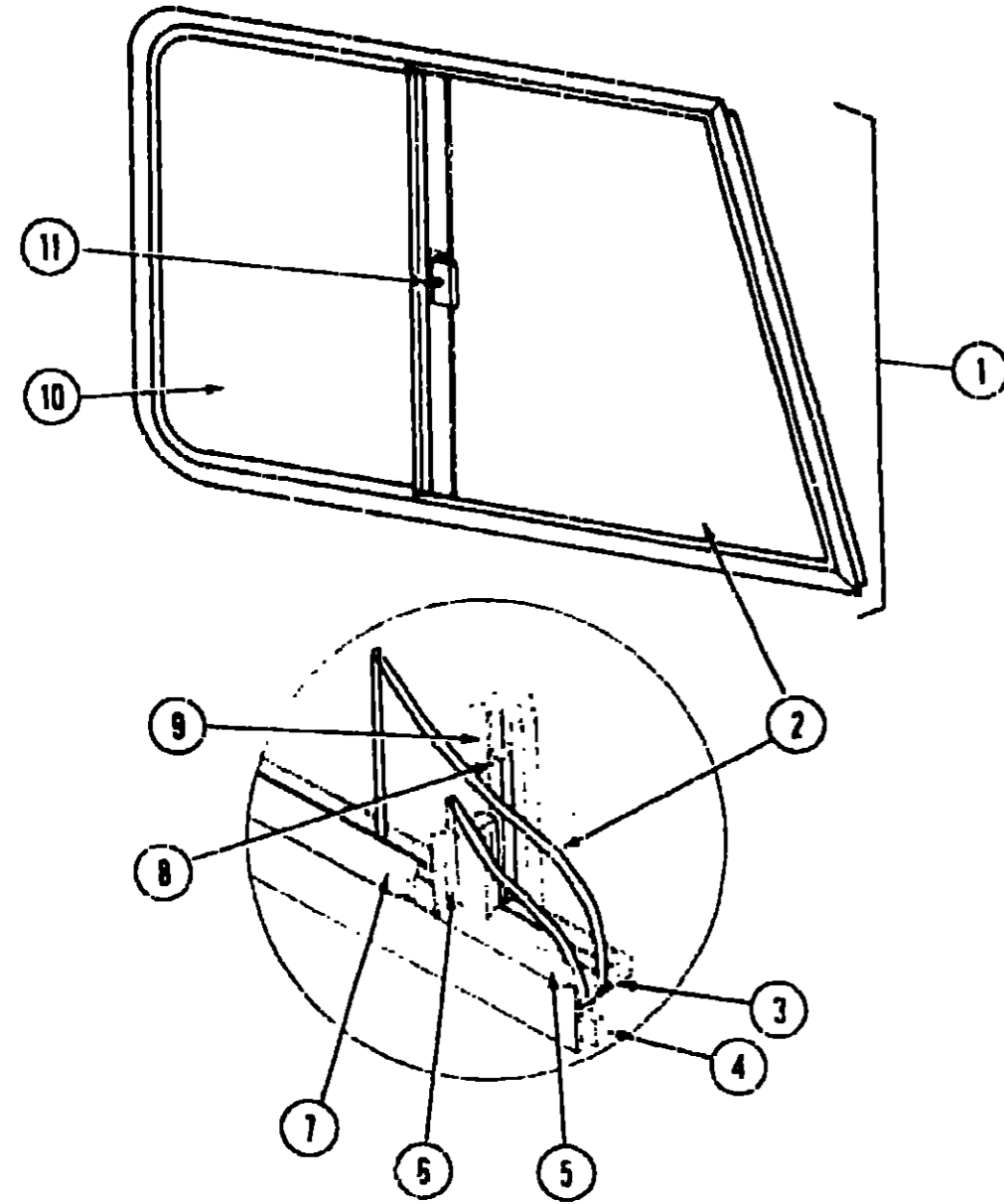
1986 WINNEBAGO
TABLE OF CONTENTS

WF426RT	A-01 - C-04
WCN26RH	C-05 - E-10
WCN23RG	E-11 - G-24
WCP26ET	H-01 - J-03

1986 WCN23RG INDEX

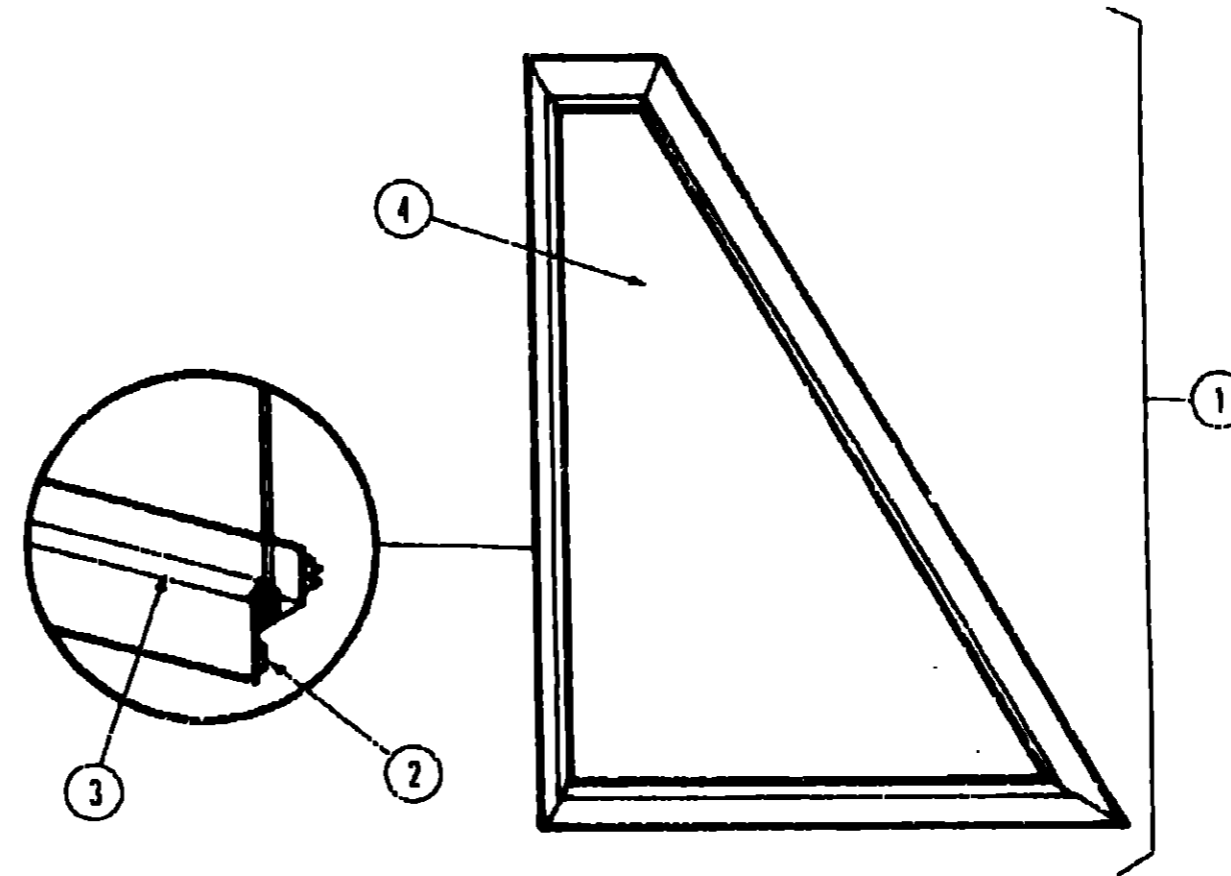
Floor Plan	E-11 - E-12
Accessories Group	E-13 - E-15
Bath Group	E-16
Chassis Group	E-17 - E-20
Curtain, Cushion & Pad Group	E-21 - F-04
Dinette Group	F-05
Driver's Compartment Group	F-06 - F-08
Electrical Group	F-09 - F-11
Exterior Body Group	F-12 - F-19
Galley Group	F-20 - F-21
Heating & Air Conditioning Group	F-22
Interior Finish Group	F-23 - G-01
LP Group	G-02
Lounge Group	G-03 - G-04
Water & Sewage Group	G-05 - G-06
Window, Vent & Exterior Door Group	G-07 - G-24

WINDOW, VENT & EXTERIOR DOOR GROUP (CONTINUED)



Key	Part Number	U/M	Description
1	082057-01-U04	EA	Window Asm - Front Slant Slider - Passenger (w/o inside frame)
1	082057-02-U04	EA	Window Asm - Front Slant Slider - Driver (w/o inside frame)
•	082467-01-000	EA	Inside Frame - Slant Slider - Passenger (not included in assembly)
•	082467-02-000	EA	Inside Frame - Slant Slider - Driver (not included in assembly)
2	057656-03-000	EA	Glass - .19" x 28.11" x 27" - Stationary (Passenger)
2	057676-05-000	EA	Glass - .19" x 28.11" x 27" - Stationary (Driver)
3	042077-01-000	FT	Channel - Weatherstrip - 3/16" Glass
4	069640-01-000	FT	Ribbon Sealer - 1/4" Bead x 20'
5	050216-02-000	FT	Window Seal - 19" - Glass
6	002309-03-203	EA	Seal Holder w/Fin Seal - 27.12" - Black
7	057374-02-000	FT	Extr. Rubber - Window Seal - Black
8	073740-01-000	FT	Seal - Fin - Pile - .460"
9	078562-07-000	EA	Mullion - Slider Window - Black
10	002298-02-000	FT	Spline - .130" Dia - Charcoal (Screen)
11	081980-06-000	EA	Glass - .19" x 28.11" x 14.88" - Sliding
•	079204-01-000	EA	Bracket - Mullion - Black
•	079574-01-T03	EA	Slider Screen Asm - Passenger
•	079574-02-T03	EA	Slider Screen Asm - Driver
•	078364-01-000	EA	Track - Slider Screen - Top
•	078365-01-000	EA	Track - Slider Screen - Bottom
•	002292-02-000	SF	Screen - Window - 20" - Charcoal
•	016310-03-000	EA	Handle - Slider Screen - Black
•	Not illustrated		

WINDOW, VENT & EXTERIOR DOOR GROUP (CONTINUED)



Key	Part Number	U/M	Description
1	079421-01-T03	EA	Window Asm - Front Slant - Passenger (w/o inside frame)
1	079421-02-T03	EA	Window Asm - Front Slant - Driver (w/o inside frame)
•	079215-01-000	EA	Inside Frame - Front Slant - Passenger - Beige (not included in assembly)
•	079215-02-000	EA	Inside Frame - Front Slant - Driver - Beige (not included in assembly)
2	069640-01-000	FT	Tape - 1/4" Bead x 20'
3	002309-02-000	FT	Spline - Glass - 1/8" - Black
4	057656-04-000	EA	Glass - .19" x 28.11" - 13.98"
•	Not illustrated		

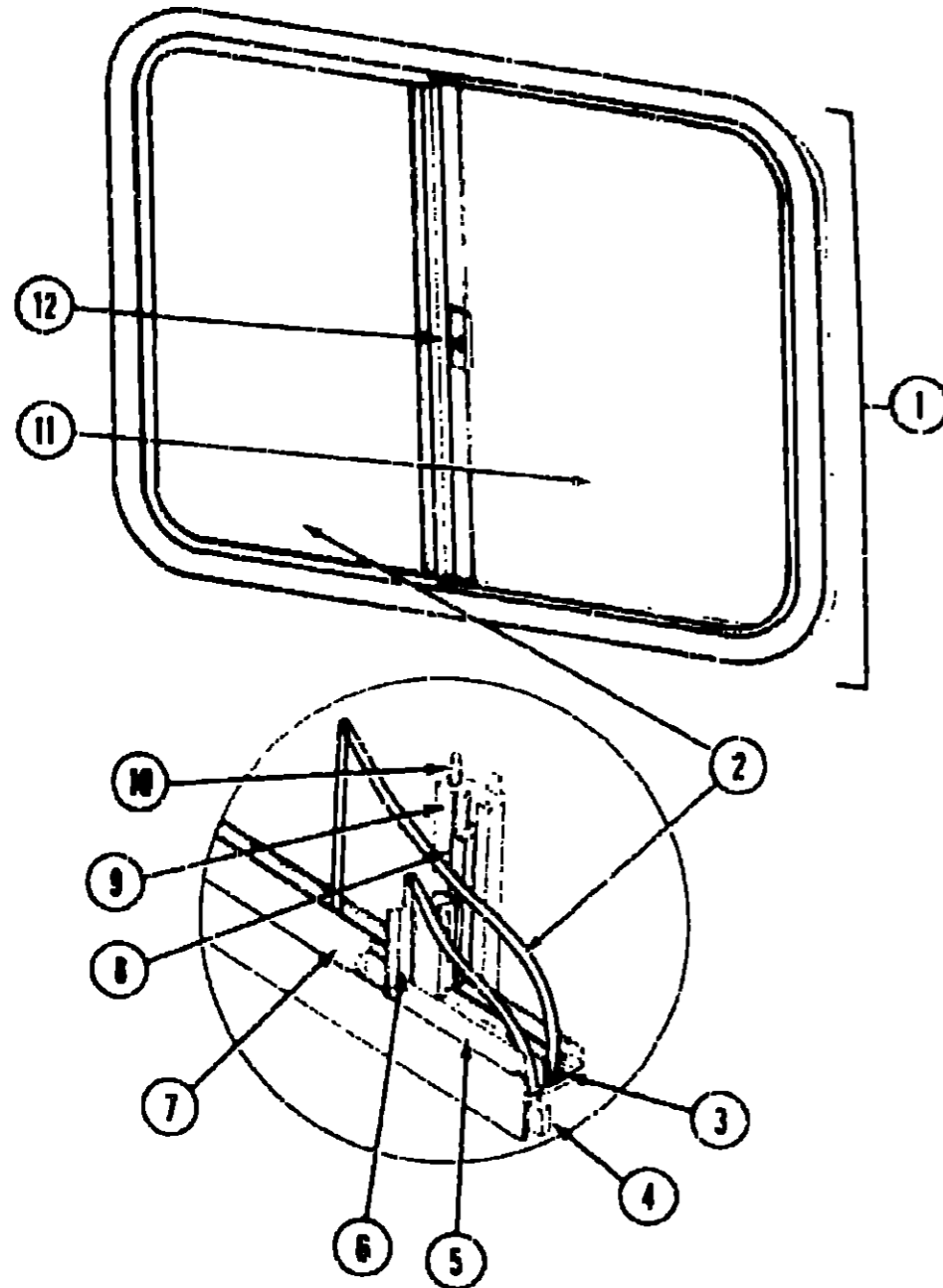
**1986 WINNEBAGO
TABLE OF CONTENTS**

WF426RT	A-01 - C-04
WCN26RH	C-05 - E-10
WCN23RG	E-11 - G-24
WCP26ET	H-01 - J-03

1986 WCN23RG INDEX

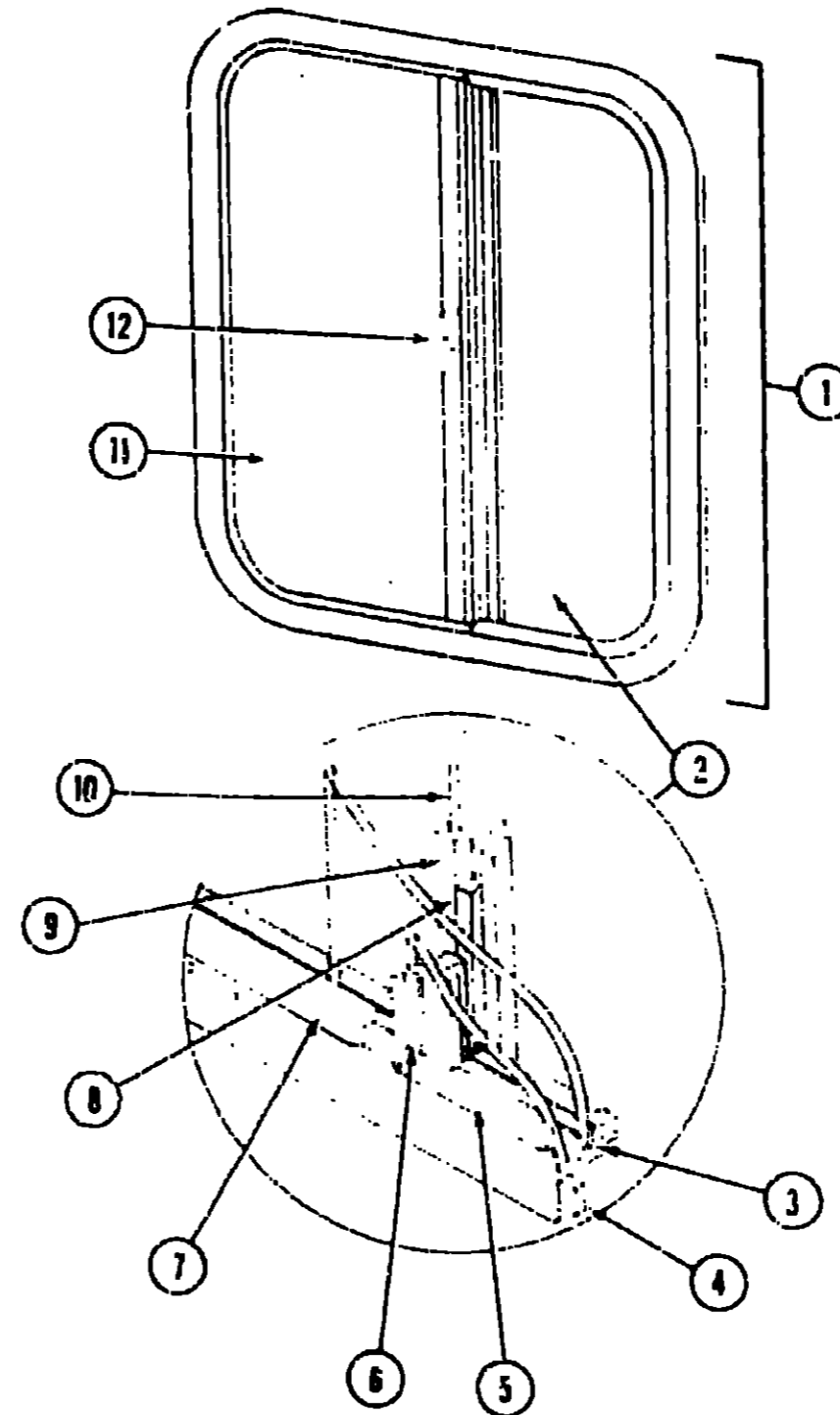
Floor Plan	E-11 - E-12
Accessories Group	F-13 - E-15
Bath Group	E-16
Chassis Group	E-17 - E-20
Curtain, Cushion & Pad Group	E-21 - F-04
Dinette Group	F-05
Driver's Compartment Group	F-06 - F-08
Electrical Group	F-09 - F-11
Exterior Body Group	F-12 - F-19
Galley Group	F-20 - F-21
Heating & Air Conditioning Group	F-22
Interior Finish Group	F-23 - G-01
LP Group	G-02
Lounge Group	G-03 - G-04
Water & Sewage Group	G-05 - G-06
Window, Vent & Exterior Door Group	G-07 - G-24

WINDOW, VENT & EXTERIOR DOOR GROUP (CONTINUED)



Key	Part Number	U/M	Description
1	078266-04-T03	EA	Window Asm - Left Single Slider - 23" x 23" - Black (w.o inside frame)
•	083122-03-000	EA	Inside Frame - Beige (not included in assembly)
2	081980-02-000	EA	Glass - Sliding - 1/8" x 22" x 13 5/8" - Gray
3	002324-02-000	FT	Channel - Weatherstrip - Glass Run - 1/8" Glass
4	069640-06-000	FT	Ribbon Sealer - 5 1/16" Bead x 15'
5	002309-02-000	FT	Spline - Glass - 1/8" - Black
6	M18025-03-000	EA	Seal Holder w/Fin Seal - 1/8" - Black
7	057374-02-000	FT	Extr Vinyl - Window Seal - Black
8	073740-01-000	FT	Seal - Fin - Pile - 460'
9	078562-03-000	EA	Inside Mullion - Slider Window - Black
10	002298-02-000	FT	Spline - 130" Dia - Charcoal (Screen)
11	081984-03-000	EA	Glass - Stationary
12	047369-01-700	EA	Latch Kit - Window - Plastic w/Fastener
•	002293-02-000	SF	Screen - Window - 26" - Charcoal
•			Not illustrated

WINDOW, VENT & EXTERIOR DOOR GROUP (CONTINUED)



Key	Part Number	U/M	Description
1	078266-02-T03	EA	Window Asm - Left Single Slider - Black (w.o inside frame)
•	083122-03-000	EA	Inside Frame - Beige (not included in assembly)
2	081980-05-000	EA	Glass - Sliding - 1/8" x 19" x 13 5/8" - Gray
3	002324-02-000	FT	Channel - Weatherstrip - Glass Run - 1/8" Glass
4	069640-06-000	FT	Ribbon Sealer - 5 1/16" Bead x 15'
5	002309-02-000	FT	Spline - Glass - 1/8" - Black
6	M69886-03-011	EA	Seal Holder w/Fin Seal - 1/8" - Black
7	057374-02-000	FT	Extr Vinyl - Window Seal - Black
8	073740-01-000	FT	Seal - Fin - Pile - 460"
9	078562-02-000	EA	Inside Mullion - Slider Window - Black
10	002298-02-000	FT	Spline - 130" Dia - Charcoal (Screen)
11	081984-03-000	EA	Glass - Stationary
12	047369-01-700	EA	Latch Kit - Window - Plastic w Fastener
•	002292-02-000	SF	Screen - Window - 20" - Charcoal
•			Not illustrated

**1986 WINNEBAGO
TABLE OF CONTENTS**

WF426RT
WCN26RH
WCN23RG
WCP26ET

A-01 - C-04
C-05 - E-10
E-11 - G-24
H-01 - J-03

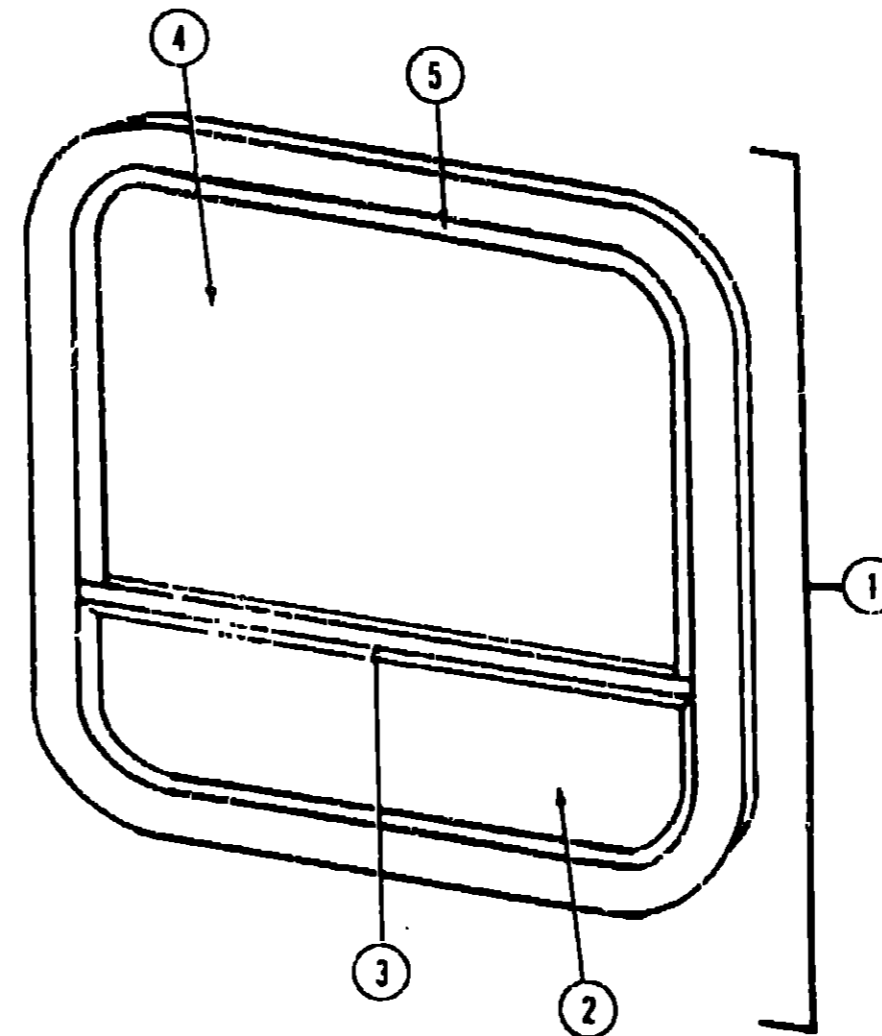
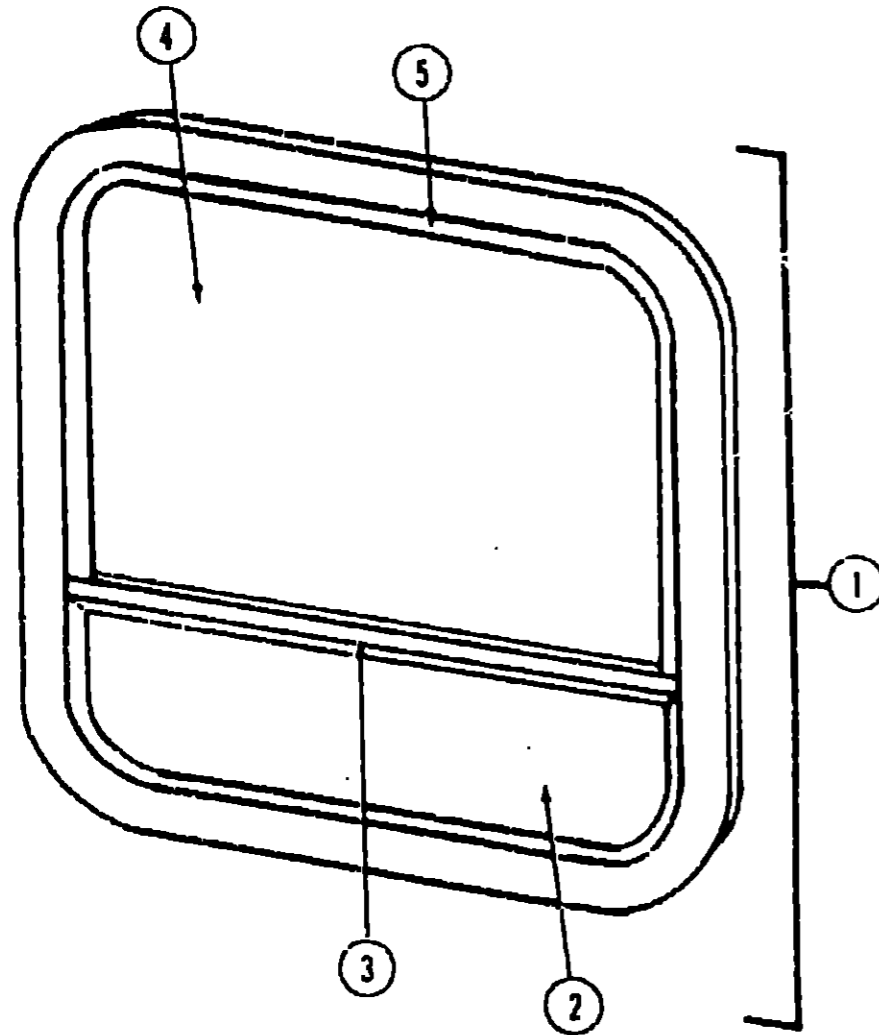
1986 WCN23RG INDEX

Floor Plan	E-11 - E-12
Accessories Group	E-13 - E-15
Bath Group	E-16
Chassis Group	E-17 - E-20
Curtain, Cushion & Pad Group	E-21 - F-04
Dinette Group	F-05
Driver's Compartment Group	F-06 - F-08
Electrical Group	F-09 - F-11
Exterior Body Group	F-12 - F-19
Galley Group	F-20 - F-21
Heating & Air Conditioning Group	F-22
Interior Finish Group	F-23 - G-01
LP Group	G-02
Lounge Group	G-03 - G-04
Water & Sewage Group	G-05 - G-06
Window, Vent & Exterior Door Group	G-07 - G-24

1986 WINNEBAGO
TABLE OF CONTENTS

WF426RT
WCN26RH
WCN23RG
WCP26ET

A-01 - C-04
C-05 - E-10
E-11 - G-24
H-01 - J-03



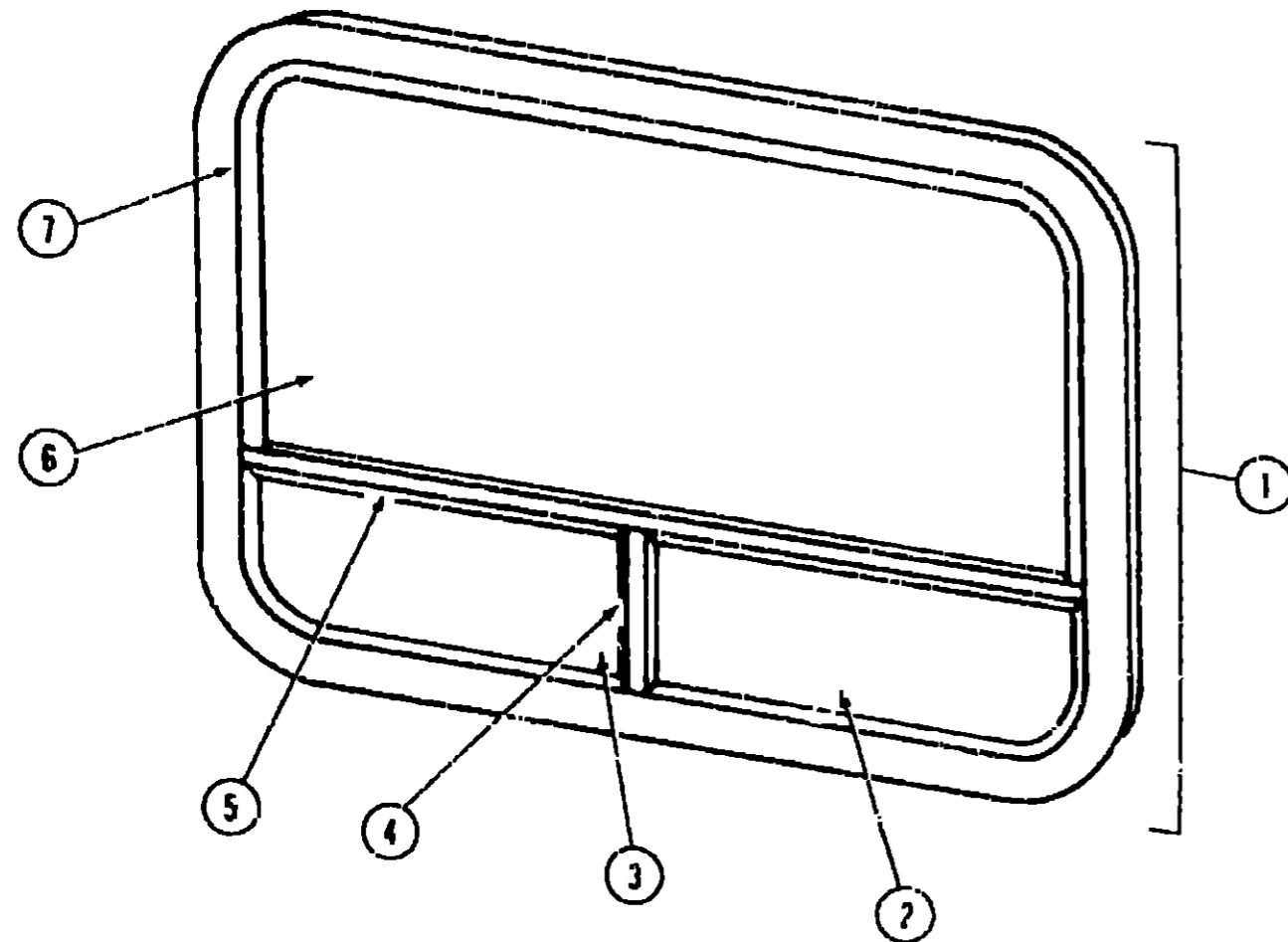
Key	Part Number	U/M	Description
1	081570-06-U07	EA	Window Asm - Single Tipout
.	081822-07-000	EA	Inside Frame - Black (not included in assembly)
2	081433-01-U07	EA	Window Asm - Tipout
.	081239-06-000	EA	Glass - Tipout - 1.8" x 25.07" x 8.7"
3	083112-01-000	EA	Mullion - Black
.	084580-06-W07	EA	Screen Asm. - Tipout
.	081243-01-000	EA	Screen Clip - Plastic - Black
.	035302-01-000	EA	Operating Mech
4	081239-12-000	EA	Glass - Stationary - 1.8" x 25.7" x 25.1"
5	083180-01-000	EA	Window Seal
.	081357-01-000	EA	Bulb Seal (Tipout)
.	081359-01-000	EA	Window Seal (Tipout)
.			Not illustrated

Key	Part Number	U/M	Description
1	081570-05-U07	EA	Window Asm - Single Tipout
.	081822-07-000	EA	Inside Frame - Black (not included in assembly)
2	081433-01-U07	EA	Window Asm. - Tipout
.	081239-06-000	EA	Glass - Tipout - 1.3" x 25.07" x 8.7"
3	083112-01-000	EA	Mullion - Black
.	084580-01-W07	EA	Screen Asm. - Tipout
.	081243-01-000	EA	Screen Clip - Plastic - Black
.	035302-02-000	EA	Operating Mech
4	081239-12-000	EA	Glass - Stationary - 1.8" x 25.7" x 25.1"
5	083180-01-000	EA	Window Seal
.	081357-01-000	EA	Bulb Seal (Tipout)
.	081359-01-000	EA	Window Seal (Tipout)

1986 WCN23RG INDEX

Floor Plan	E-11 - E-12
Accessories Group	E-13 - E-15
Bath Group	E-16
Chassis Group	E-17 - E-20
Curtain, Cushion & Pad Group	E-21 - F-04
Dinette Group	F-05
Driver's Compartment Group	F-06 - F-08
Electrical Group	F-09 - F-11
Exterior Body Group	F-12 - F-19
Galley Group	F-20 - F-21
Heating & Air Conditioning Group	F-22
Interior Finish Group	F-23 - G-01
LP Group	G-02
Lounge Group	G-03 - G-04
Water & Sewage Group	G-05 - G-06
Window, Vent & Exterior Door Group	G-07 - G-24

WINDOW, VENT & EXTERIOR DOOR GROUP (CONTINUED)



Key	Part Number	U/M	Description
1	081568-02-U01	EA	Window Asm - 62" x 31" - Double Tipout
2	081822-05-000	EA	Inside Frame - Black (not included in assembly)
3	081434-01-U01	EA	Window Asm - Lower Tipout - Right Hand
4	081434-02-U01	EA	Window Asm - Lower Tipout - Left Hand
5	081239-07-000	EA	Glass - Tipout - 1'8" x 30" x 8 3/4" - Left or Right
6	083112-05-000	EA	Mullion - Black
7	081814-01-000	EA	Mullion - Black
	081422-01-U01	EA	Screen Asm - Tipout - Right Hand
	081422-02-U01	EA	Screen Asm - Tipout - Left Hand
	081243-01-000	EA	Screen Clip - Plastic - Black
	035302-01-000	EA	Operating Mech - Right Hand
	035302-02-000	EA	Operating Mech - Left Hand
6	081239-11-000	EA	Glass - Stationary - 1'8" x 61 3/4" x 20 1/2"
7	083180-01-000	EA	Window Seal
	081357-01-000	EA	Bulb Seal (Tipout)
			Not Illustrated

**WINDOW, VENT & EXTERIOR DOOR GROUP (CONTINUED)
ACCESS DOORS**

Key	Part Number	U/M	Description
	078010-01-000	EA	Door - Fuel Fill - Beige
	078200-01-000	EA	Gasket - Fuel Fill
	079578-01-T03	EA	Door Asm - Storage - Beige
	079576-02-T03	EA	Door Asm - Luggage - Beige
	079435-01-T03	EA	Door Asm - Luggage - Beige
	079435-02-T03	EA	Door Asm - Luggage - Beige
	063951-01-000	EA	Door Asm - Battery (Interior) w/o Carpet
	079436-03-T03	EA	Door Asm - Storage - Beige
	1101883-01-T03	EA	Door Asm - Generator w/o Baffle
	078969-04-T03	EA	Door Asm - Refrigerator Access - Beige
	052009-02-000	EA	Door Asm - Water Heater - Beige
	075726-01-000	EA	Outlet Extension - Sewage
	075730-01-000	EA	End Cap - Sewage Hose
	052423-02-000	EA	Door - Sewage - Beige
	063742-02-000	EA	Door - Power Cord - Beige
	052424-02-000	EA	Jamb - Power Cord - Beige
	054543-02-000	EA	Hatch - Power Cord Door
	052181-03-000	EA	Baffle - Generator Door
	054530-01-000	EA	Door Holder
	083615-01-000	EA	Door Holder - Beige Plastic
	041312-01-000	EA	Seal - Bulb - "E" Section
	042442-01-000	EA	Lock Asm - Twist Type - 90° Rotation - 1.5" Latch - 6" Depth
	009003-01-000	EA	Lock Asm - Twist Type - w/Clip (Generator)
	047305-01-000	EA	Lock Asm - Key Type - 90° Rotation - 1.5" Latch - 1 1/2" Depth
	077408-01-000	EA	Lock Asm - Key Type - 90° Rotation - 2.5" Latch - 1" Depth
	079366-01-000	EA	Lock Asm - Key Type - 90° Rotation 1.3" Latch - 2 1" Depth
	079927-01-000	EA	Lock Asm - Twist Type - 1.3" Latch - 2 1" Depth
	042441-01-000	EA	Lock Asm - Key Type - 90° Rotation - 1.25" Latch - 6 2" Depth
	052951-01-000	EA	Clip - Twist Lock - Retainer
	009118-01-000	EA	Lock - Twist - w/Nut

VENTS

Key	Part Number	U/M	Description
	071290-01-000	EA	Base - Refrigerator Vent
	071290-02-000	EA	Cover - Refrigerator Vent - 11 5/8" x 24 3/4" - Galvanized Steel
	055218-01-000	EA	Cover Asm - Roof Vent
	071290-01-000	EA	Frame Asm - Refrigerator Vent - 7 5" x 26 5" - Galvanized Steel
	079355-10-000	EA	Vent - Stovehood - Outside - Gray
	075056-01-000	EA	Vent Asm - Roof - Non-Powered - w/o Screen
	048835-01-000	EA	Vent Asm - Roof - Non Powered
	079537-01-000	EA	Vent Asm - Roof - Powered - w/o Screen
	080507-01-000	EA	Skylight - Outside Panel
	080508-01-000	EA	Skylight - Inside Panel
	080258-01-000	EA	Collar - Skylight
	080262-01-000	EA	Shroud - Power Vent - Inner
	078785-01-T03	EA	Screen Asm - Roof Vent
	078786-01-T03	EA	Screen Asm - Roof Vent - Non Powered

**1986 WINNEBAGO
TABLE OF CONTENTS**

WF426RT	A-01 - C-04
WCN26RH	C-05 - E-10
WCN23RG	E-11 - G-24
WCP26ET	H-01 - J-03

1986 WCN23RG INDEX

Floor Plan	E-11 - E-12
Accessories Group	E-13 - E-15
Bath Group	E-16
Chassis Group	E-17 - E-20
Curtain, Cushion & Pad Group	E-21 - F-04
Dinette Group	F-05
Driver's Compartment Group	F-06 - F-08
Electrical Group	F-09 - F-11
Exterior Body Group	F-12 - F-19
Galley Group	F-20 - F-21
Heating & Air Conditioning Group	F-22
Interior Finish Group	F-23 - G-01
LP Group	G-02
Lounge Group	G-03 - G-04
Water & Sewage Group	G-05 - G-06
Window, Vent & Exterior Door Group	G-07 - G-24

WINDOW, VENT & EXTERIOR DOOR GROUP (CONTINUED)

WINDSHIELD

Key	Part Number	U/M	Description
	077675-01-000	EA	Glass - Windshield - Passenger
	077875-02-000	EA	Glass - Windshield - Driver
	072889-01-000	EA	Sealer Tape
	072890-01-000	QT	Primer - Metal Prep
	072891-01-000	QT	Primer - Glass Prep - Clear
	072892-01-000	QT	Primer - Glass Prep - Black
	058291-01-000	FT	Edge Molding - Windshield Glass
	002328-02-000	EA	Block - Windshield Spacer
	077944-01-000	EA	Revel Molding - Upper Right
	077944-02-000	EA	Revel Molding - Upper Left
	077945-01-000	EA	Revel Molding - Lower Right
	077945-02-000	EA	Revel Molding - Lower Left
	076676-02-000	EA	Revel Molding - T-Cap
	079225-01-000	EA	Trim Molding - Windshield Post - Right
	079225-02-000	EA	Trim Molding - Windshield Post - Left

1986 WINNEBAGO TABLE OF CONTENTS

WF426RT	A-01 - C-04
WCN26R4	C-05 - E-10
WCN23RG	E-11 - G-24
WCP26ET	H-01 - J-03

1986 WCN23RG INDEX

Floor Plan	E-11 - E-12
Accessories Group	E-13 - E-15
Bath Group	E-16
Chassis Group	E-17 - E-20
Curtain, Cushion & Pad Group	E-21 - F-04
Dinette Group	F-05
Driver's Compartment Group	F-06 - F-08
Electrical Group	F-09 - F-11
Exterior Body Group	F-12 - F-19
Galley Group	F-20 - F-21
Heating & Air Conditioning Group	F-22
Interior Finish Group	F-23 - G-01
LP Group	G-02
Lounge Group	G-03 - G-04
Water & Sewage Group	G-05 - G-06
Window, Vent & Exterior Door Group	G-07 - G-24