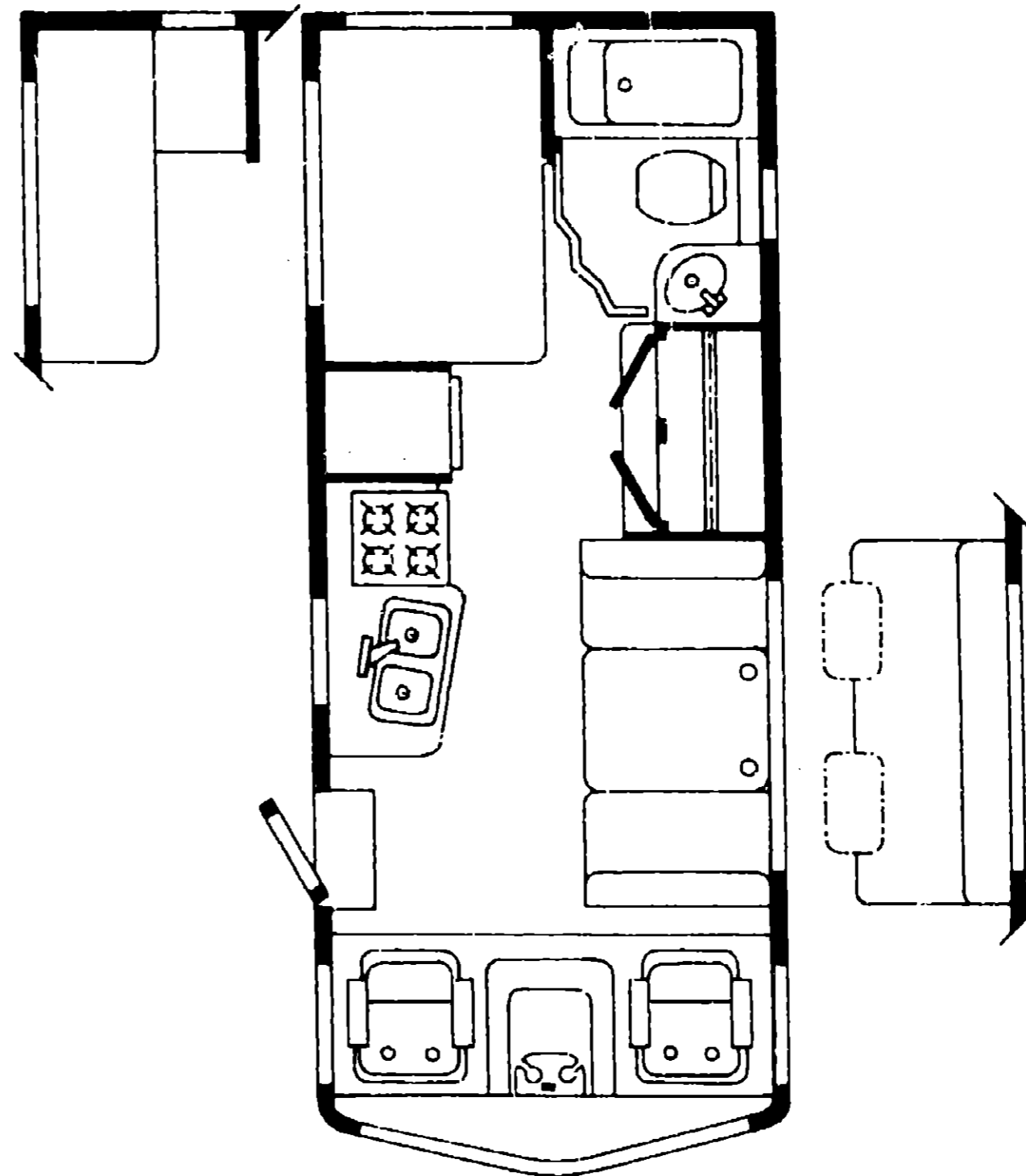


1986 WCN22RC



1986 WINNEBAGO TABLE OF CONTENTS

WC/WF424RC	A-01 - C-08
WC420RG	C-09 - E-12
WCN22RC	E-13 - G-24
WCN30RC	H-01 - J-10

1986 WCN22RC INDEX

Floor Plan	E-13 - E-14
Accessories Group	E-15 - E-17
Bath Group	E-18 - E-19
Chassis Group	E-20 - E-24
Curtain, Cushion & Pad Group	F-01 - F-07
Dinette Group	F-08
Driver's Compartment Group	F-09 - F-11
Electrical Group	F-12 - F-14
Exterior Body Group	F-15 - F-21
Galley Group	F-22 - F-24
Heating & Air Conditioning Group	G-01 - G-02
Interior Finish Group	G-03 - G-06
LP Group	G-07
Lounge Group	G-08
Water & Sewage Group	G-09 - G-10
Window, Vent & Exterior Door Group	G-11 - G-24

ACCESSORIES GROUP

RADIO & RELATED COMPONENTS

Key	Part Number	U/M	Description
	031105-01-000	EA	Antenna - Radio - Side Mount
	031105-01-700	EA	Antenna Holder - Radio - Upper
	075903-01-000	EA	Radio - AM/FM-MPX w/Cassette
	075904-01-000	EA	Radio - AM/FM-MPX w/Cassette - Electronic Tuning
	G74979-01-000	EA	Speaker Cover Protector - Plastic
	073741-02-000	EA	Speaker - 4" x 6" - Oval
	073431-01-000	EA	Speaker - 5 25 - 3-Way (Pair)
	064791-01-000	EA	Speaker - Recessed - 5 25"
	064792-01-000	EA	Grille - Speaker - 5.25" - w: Mesh - Brown

ELECTRIC STEP ASSEMBLY

Key	Part Number	U/M	Description
	075461-01-000	EA	Electric Step Asm. w/Light
	075461-01-700	EA	Motor
	041250-01-000	EA	Door Switch
	075461-01-704	EA	Under Step Control Unit
	075461-01-705	EA	4-Way Plug (Dash End)
	075461-01-706	EA	Kill Switch
	075461-01-707	EA	Step Light
	075461-01-708	EA	4-Way Plug (Control Box End)
	075461-01-709	EA	90 Degree Plug
	075461-01-710	EA	Gear
	075461-01-711	EA	Drive Link
	075241-01-000	EA	Support Asm. - Step
	075723-02-000	EA	Block - Support Spacer w/Holes

GENERATORS & COMPONENTS

Key	Part Number	U/M	Description
	054429-01-000	EA	Generator - Onan - 4.0 kw
	052168-01-000	EA	Generator - Onan - 4 25 kw
	068046-01-000	EA	LP Conversion Kit - Onan Generator
	072332-01-000	EA	Generator - Kohler - 4.5 kw LP
	069229-01-000	EA	Generator - Kohler - 4.5 kw
	701E29-02-000	EA	Installation Package
	024732-01-016	EA	Tailpipe - 1.5" O.D. x 43.50"
	067753-01-000	EA	Muffler - Generator - w: Spark Arrestor - Nelson
	007067-01-000	EA	Insulation - Fiberglass - 1"

EXTERIOR MIRRORS

Key	Part Number	U/M	Description
	049347-01-000	EA	Mirror Head - 7 1/2" x 10 1/2"
	049348-03-000	EA	Arm - Low Mount Mirror - Black
	049344-04-000	EA	Bracket - Mirror - Outside - Black
	077966-01-000	EA	Mirror - Wide Angle - Stainless Steel - Passenger
	077966-02-000	EA	Mirror - Wide Angle - Stainless Steel - Driver
	077966-01-700	EA	Mirror - Convex - 6" x 6 1/2"
	006043-01-000	EA	Mirror - Convex - Adhesive Back

OPTIONAL MICROWAVE/CONVECTION OVEN & COMPONENTS

Key	Part Number	U/M	Description
	081379-01-000	EA	Microwave/Convection Oven - Sharp
	081459-03-000	EA	Bracket Asm. - Microwave - Right
	081459-04-000	EA	Bracket Asm. - Microwave - Left
	081456-01-000	EA	Angle Asm. - Microwave - Right
	081456-02-000	EA	Angle Asm. - Microwave - Left
	081555-01-003	EA	Trim Asm. - Microwave
	082876-01-000	EA	Baffle Asm. - Microwave

ACCESSORIES GROUP (CONTINUED)

OPTIONAL SPEED CONTROL & COMPONENTS

Key	Part Number	U/M	Description
	083557-01-000	EA	Speed Control Package - Electric - Diesel - Dana
	083557-01-700	EA	Servo w/Cable Asm.
	083557-01-701	EA	Switch - Stop Lamp - Cruise Release
	083557-01-702	EA	Wire Harness Ext.
	083212-02-000	EA	Control Switch
	083212-01-000	EA	Speed Control Package - Electric Gas - Dana
	083212-01-700	EA	Regulator Asm. - Electric
	083212-01-701	EA	Carburetor Lever
	083212-01-702	EA	Harness Asm. (Main Wiring)
	083212-01-703	EA	Servo Asm. - Mount Ready
	083212-01-704	EA	Switch - Stop Lamp - Cruise Release
	083212-01-705	EA	Valve Asm. - Switch - Speed Control
	083212-02-000	EA	Control Switch & Lever Asm.

OPTIONAL FOG LAMP & COMPONENTS

Key	Part Number	U/M	Description
	079941-01-000	EA	Lamp Asm. - Fog w/Cover - Amber
	079941-01-700	EA	Lamp Asm. - Fog - Set of 2
	079941-01-701	EA	Lens and Cover only
	079941-01-702	EA	Switch - Fog Lights
	079941-01-703	EA	Solenoid
	079941-01-704	EA	Switch Plate - For Switch

OPTIONAL AIR HORN & COMPONENTS

Key	Part Number	U/M	Description
	077497-01-000	EA	Air Horn Kit - Twin Chromed
	077497-01-700	EA	Solenoid - Air Horns Air Tank
	077497-01-701	EA	Compressor Switch - Air Horn
	077497-01-702	EA	Toggle Switch - Air Horn
	077497-01-703	EA	Air Tank - Air Horn
	077497-01-704	EA	Compressor w/Switch - Air Horn
	063912-01-000	EA	Relay Canister - w/Ground - Air Horn

OPTIONAL STEERING WHEEL

Key	Part Number	U/M	Description
	080752-05-000	EA	Steering Wheel - Custom
	080752-05-000	EA	Hub Adapter - Steering Wheel
	080752-07-000	EA	Button - Horn - w/Wire
	030752-08-000	EA	Screw - Custom Steering Wheel

OPTIONAL CHROME WHEEL LINERS & COMPONENTS

Key	Part Number	U/M	Description
	081608-01-000	EA	Cover - Rear Axle - Chrome
	081608-08-000	EA	Cover - Front Axle - Chrome
	081608-09-000	EA	Liner - Front Wheel - Chrome
	081608-10-000	EA	Liner - Rear Wheel - Chrome
	081608-05-000	EA	Lug Nut Cover - Chrome
	081608-06-000	EA	Spiral Ring

1986 WINNEBAGO TABLE OF CONTENTS

WC/WF424RC	A-01 - C-08
WC420RG	C-09 - E-12
WCN22RC	E-13 - G-24
WCN30RC	H-01 - J-10

1986 WCN22RC INDEX

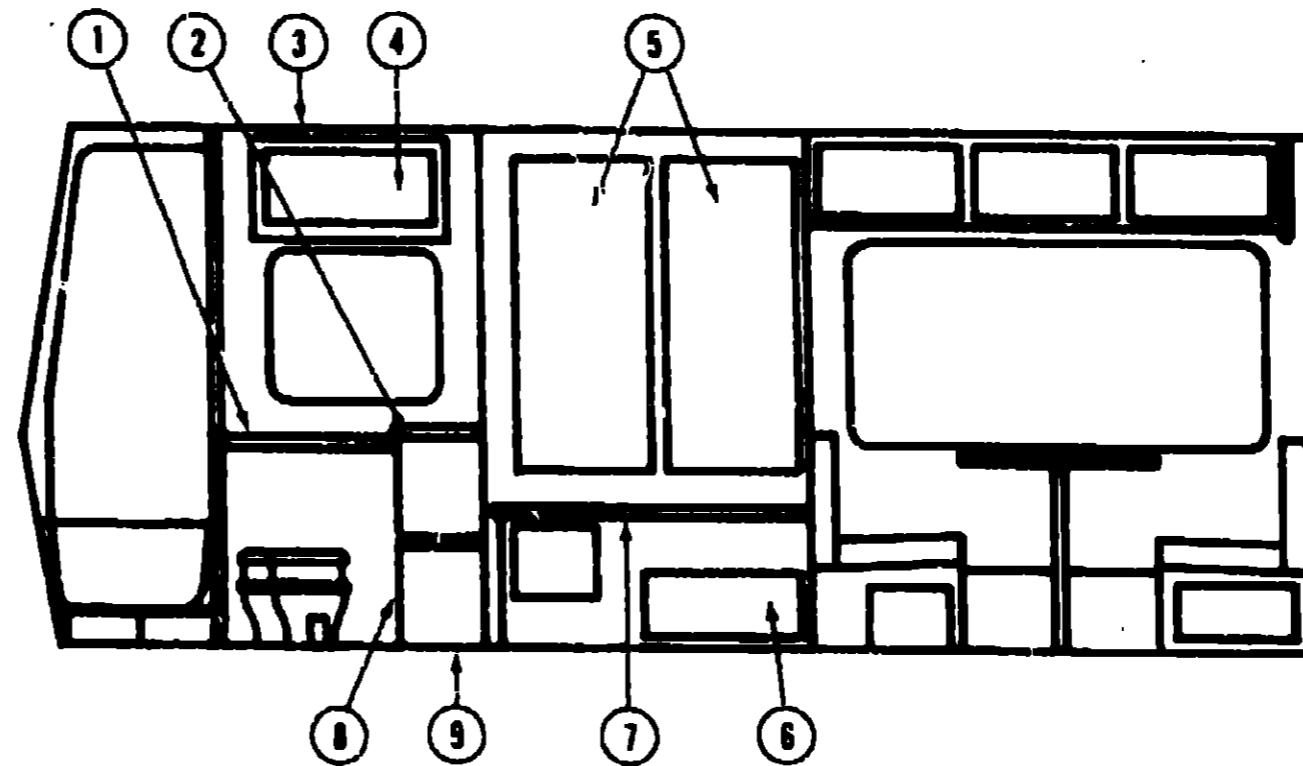
Floor Plan	E-13 - E-14
Accessories Group	E-15 - E-17
Bath Group	E-18 - E-19
Chassis Group	E-20 - E-24
Curtain, Cushion & Pad Group	F-01 - F-07
Dinette Group	F-08
Driver's Compartment Group	F-09 - F-11
Electrical Group	F-12 - F-14
Exterior Body Group	F-15 - F-21
Galley Group	F-22 - F-24
Heating & Air Conditioning Group	G-01 - G-02
Interior Finish Group	G-03 - G-06
LP Group	G-07
Lounge Group	G-08
Water & Sewage Group	G-09 - G-10
Window, Vent & Exterior Door Group	G-11 - G-24

ACCESSORIES GROUP (CONTINUED)

MISCELLANEOUS ACCESSORIES

Key	Part Number	U/M	Description
	054185-24-000	EA	Owners Manual - 1986 - Itasca & Winnebago
	076319-01-000	EA	Antenna - TV Roof Mount - 44.5" Mast
	076319-03-000	FT	Cable - Coaxial 1000' 75 OHM
	076319-04-000	EA	Connector & Ferrule
	076319-05-000	EA	Wallplate - Power Supply - Ivory
	076319-06-000	EA	Adapter - Cable Roof Plate
	076319-07-000	EA	Wallplate - Power Supply - Brown
	076319-08-000	EA	Wallplate - Receptacle - Ivory
	076319-09-000	EA	Wallplate - Receptacle - Brown
	017516-01-000	EA	Mud Flap w/Holes - 14" x 13" - Black
	041944-03-000	EA	Fire Extinguisher - 5BC
	041944-02-000	EA	Bracket - Fire Extinguisher
	081016-02-T03	EA	Ladder Asm
	081026-01-T03	EA	Rack Asm. - Right
	081026-02-T03	EA	Rack Asm. - Left
	067165-01-000	EA	Mounting Bracket - Luggage Carrier and Ladder
	081114-01-000	EA	End Cap - Ladder Step
	067125-01-000	EA	Stand Off - Rack & Ladder Asm
	064093-01-000	EA	Luggage Carrier Assembly
	039881-01-000	EA	Catch & Strike - Luggage Carrier
	072852-01-000	EA	Smoke Detector w/9 Volt Battery
	079664-02-000	EA	Weather Center - 8.5" x 8.5"
	079664-01-000	EA	Clock - 8.5" x 8.5"
	006069-01-000	EA	Key Case - Leather
	007038-01-000	EA	Door Mat - 10.5' x 26" - Black Rubber
	081075-01-000	EA	Door Mat - Entrance - Winnebago
	081201-01-000	EA	Door Mat - Left Front - Winnebago
	081202-01-000	EA	Door Mat - Right Front - Winnebago
	080208-01-000	EA	Lug Wrench
	080208-02-000	EA	Leverage Bar - Lug Wrench
	006113-01-000	EA	Jack - Hydraulic - 6 Ton - w/Handle
	063708-01-000	EA	Cover - Roof Air Conditioner - White Vinyl
	079942-01-000	EA	Shock Absorber - Stabilizer - Front
	079942-02-000	EA	Shock Absorber - Stabilizer - Rear
	079942-07-000	EA	Bracket - Mounting - Stabilizer
	083181-01-700	EA	Wheel Cover - Clip On - 16" - Delmet (1)
	083181-01-000	EA	Wheel Cover - Clip On - 16" - Delmet (4)

BATH GROUP



BATH CABINETRY

Key	Part Number	U/M	Description
1	M02198-01-U04	EA	Countertop Asm. - Pipe Cover - Fawn (U05)
1	M02198-01-U05	EA	Countertop Asm. - Pipe Cover - Sage Green
2	M02406-01-U04	EA	Countertop Asm. - Lavatory Cabinet - Fawn (U05)
2	M02406-01-U06	EA	Countertop Asm. - Lavatory Cabinet - Sage Green
.	076073-01-700	EA	Latch - Medicine Cabinet
3	076073-01-000	EA	Cabinet Asm. - Medicine - w/o Doors or Hardware
4	081535-01-U04	EA	Door Asm. - Medicine Cabinet - w/Mirror - w/o Hardware
5	M81501-16-T03	EA	Door Asm. - Wardrobe Cabinet - w/o Hardware
6	M81501-11-T03	EA	Door Asm. - Wardrobe Cabinet - w/o Hardware
7	M02426-01-U04	EA	Countertop Asm. - Wardrobe (used w/Conventional Dinette)
7	M02427-01-U04	EA	Countertop Asm. - Wardrobe (used w/Couch)
8	M81501-17-U04	EA	Door Asm. - Lavatory Cabinet
9	M81548-01-U04	EA	Cabinet Asm. - Lavatory - w/o Countertop, Door or Drawers
.	080224-01-000	EA	Door Asm. - Folding - w/o Hardware
.	075603-01-000	EA	Threshold - Bathroom Door
.	081505-01-U04	EA	Drawer Asm. - Wardrobe - 19.1" x 20.9"
.	Not illustrated		

1986 WINNEBAGO TABLE OF CONTENTS

WC/WF424RC	A-01 - C-08
WC420RG	C-09 - E-12
WCN22RC	E-13 - G-24
WCN30RC	H-01 - J-10

1986 WCN22RC INDEX

Floor Plan	E-13 - E-14
Accessories Group	E-15 - E-17
Bath Group	E-18 - E-19
Chassis Group	E-20 - E-24
Curtain, Cushion & Pad Group	F-01 - F-07
Dinette Group	F-08
Driver's Compartment Group	F-09 - F-11
Electrical Group	F-12 - F-14
Exterior Body Group	F-15 - F-21
Galley Group	F-22 - F-24
Heating & Air Conditioning Group	G-01 - G-02
Interior Finish Group	G-03 - G-06
LP Group	G-07
Lounge Group	G-08
Water & Sewage Group	G-09 - G-10
Window, Vent & Exterior Door Group	G-11 - G-24

BATH GROUP (CONTINUED)

BATH HARDWARE

Key	Part Number	U/M	Description
	M01217-01-T03	EA	Bathtub Asm. w/Strainer
	075242-03-000	EA	Faucet - Tub & Shower - Antique Brass
	075240-03-000	EA	Faucet - Lavatory - Antique Brass
**	011048-02-000	EA	Shower Head - w/60" Hose
	011049-04-000	EA	Vacuum Breaker - 1/8 MPT - Nylon - Shower Head
**	075606-01-000	EA	Shower Panel - Faucet - Plastic
	066729-01-000	EA	Strainer - Bathtub Asm.
	066435-01-000	EA	Nut Strainer - Plastic - Bathtub Asm.
	066436-01-000	EA	Slip Nut - 1.5" Tail Piece - Bathtub Asm.
	069735-01-000	EA	Washer - Tail Piece - 1.5" - Plastic - Bathtub Asm.
	011959-02-000	EA	Tailpiece - 1.5" x 1.25" x 4" - Brass - Bathtub Asm.
	080257-01-000	EA	Shroud - Bathtub Asm.
	058713-01-000	EA	Sink - Oval - Ivory Plastic
	039341-02-000	EA	Toilet - Thetford - Aqua Magic - Ivory - 8420SH
	009134-01-000	EA	Tissue Holder
	075454-02-000	EA	Towel Ring - Brass
	079235-01-000	EA	Header - Track - Shower Door - Beige
	079234-01-000	EA	Jamb - Shower Door - Rear - Beige
	079234-02-000	EA	Jamb - Shower Door - Front - Beige
	058331-05-000	EA	Mirror - Tempered Glass - 12" x 26"
	058331-04-000	EA	Mirror - Tempered Glass - 12" x 42"
	009089-01-000	EA	Clip - Mirror
	057671-01-000	EA	Screw Cover - #8 - Antique White
	059777-01-000	EA	Hinge - Antique Brass
	075680-01-000	EA	Rod - Clothes - Adjustable
	009112-01-000	EA	Flange - 1" - Clothes Rod
	080224-04-000	EA	Track - Folding Door - 90°
	080224-01-700	EA	Latch & Catch Asm.
	M81520-01-U04	EA	Pantry Asm. - w/o Racks
	074316-01-000	EA	Slide Asm. - Full Extension - Pantry (Pair)
	082129-01-000	EA	Slide Asm. - Pantry - Top
	082129-02-000	EA	Slide Asm. - Pantry - Bottom
	075451-01-000	EA	Storage Rack - Canned Goods
	075451-02-000	EA	Clip - Storage Rack - White
	061604-01-000	EA	Slide Bolt - Storage Rack - Antique Brass
	076097-01-000	EA	Bracket - Catch - Pantry
	076098-01-000	EA	Bracket - Slide - Pantry
	081508-01-U04	EA	Drawer Asm. - Wardrobe - 19 1/2" x 20 8"
	080910-01-000	EA	Panel - Outer Skylight
	077902-01-000	EA	Panel - Inner Skylight
**	081171-01-000	EA	Trim - Skylight - Outer

** The illustrated parts breakdown for this item is provided on the Common Items Fiche.

CHASSIS GROUP

MISCELLANEOUS CHASSIS

Key	Part Number	U/M	Description
	081057-01-000	EA	Alternator Kit - 105 Amp
	081057-01-703	EA	Brush Assembly
	081057-01-701	EA	Diode Bridge
	081057-01-702	EA	Condenser
	081057-01-703	EA	Inside Bearing Spacer
	081057-01-704	EA	Front Bearing
	081057-01-705	EA	Outside Bearing Spacer
	081057-01-706	EA	Pulley
	081057-01-707	EA	Diode -
	081057-01-708	EA	Diode -
	081057-01-709	EA	Stator (105 H.D.)
	081057-01-710	EA	Rotor
	081057-01-711	EA	Ground Terminal Kit
	081057-01-712	EA	Battery Terminal Kit
	081057-01-713	EA	Rear Bearing
	081057-02-000	EA	Regulator Kit - 105 Amp.
	081057-03-000	EA	Alternator - 105 Amp. Wide Belt
	081057-03-700	EA	Pulley - Wide Belt
	062401-04-000	EA	Clamp - Hose - Wormgear - 69" I.D. - 1.25" I.D.
	062401-05-000	EA	Clamp - Hose - Wormgear - 2" I.D. - 3" I.D.
	062401-06-000	EA	Clamp - Hose - Wormgear - .22" I.D. - .62" I.D.
	023146-01-000	EA	Clamp - Screw Type - 4"
	024490-01-000	EA	Compartment - Power Cord - Black Plastic
	071656-01-000	EA	Cover - Radiator - Rear
	080722-01-000	EA	Cover - Radiator - Rear Back (Fan Shroud)
	020167-03-000	EA	Dirt Guard - Rear Wheel
	007131-01-000	EA	Hanger - Tail Pipe
	024138-01-000	FT	Hose - Fuel - 5/16" I.D. SAE 30RI
	066732-01-000	FT	Hose - Fuel Fill - .62 I.D.
	007111-02-000	EA	Hose - Fuel Fill - 2 00 I.D.
	007111-01-000	EA	Hose - Fuel Fill - 2 25 I.D.
	017516-01-000	EA	Mud Flap w/Holes - 14" x 18" - Black
	064962-02-000	EA	Rim - Wheel - 16" x 6"
	075146-01-000	EA	Shield - Heat Muffler
	053322-08-000	EA	Heat Shield - Exhaust
	079942-01-000	EA	Shock Absorber - Stabilizer - Front
	079942-02-000	EA	Shock Absorber - Stabilizer - Rear
	079942-07-000	EA	Bracket - Mounting Stabilizer
	063977-03-000	EA	Step Asm. - Driver Door
	063977-08-000	EA	Step Asm. - Passenger Door
	077848-01-000	EA	Step Asm. - Entry
	076241-01-000	EA	Support Asm. - Electric Step
	065963-02-000	EA	Switch - Fuel - Change Over
	061411-03-000	EA	Tailpipe Extension - 2.25" x 10.5'
	081918-01-000	EA	Tailpipe Extension - 2.25" x 11.44'
	050273-02-000	EA	Tire - 7.5" x 16" - XCA - Tubeless
	040546-03-000	EA	Tire - 7.5" x 16" - 8 Ply - Tube - Polyester
	052431-02-000	EA	Tray - Luggage
	052431-01-000	EA	Tray - Luggage
	051377-01-000	EA	Valve Stem Asm. - TR500
	055374-01-000	EA	Wheelwell - Plastic
	008343-01-000	EA	Wire Tie - 6"

1986 WINNEBAGO TABLE OF CONTENTS

WC:WF424RC	A-01 - C-08
WC420RG	C-09 - E-12
WCN22RC	E-13 - G-24
WCN30RC	H-01 - J-10

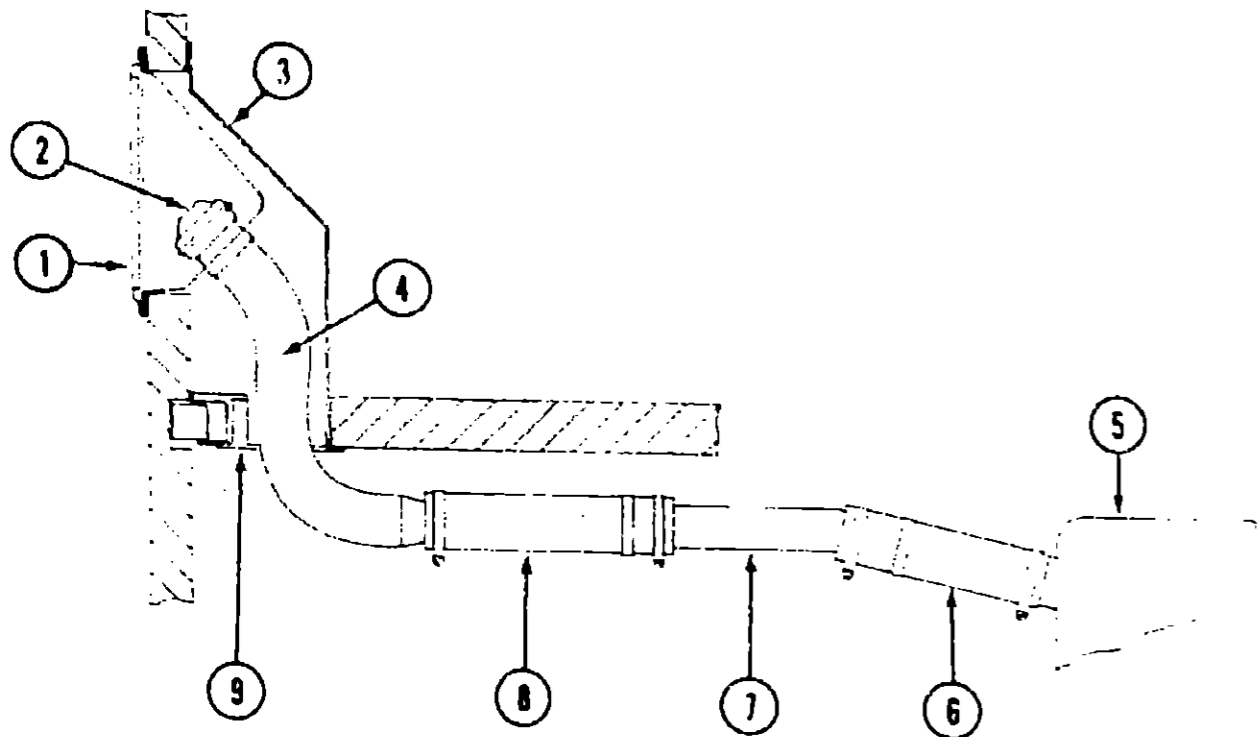
1986 WCN22RC INDEX

Floor Plan	E-13 - E-14
Accessories Group	E-15 - E-17
Bath Group	E-18 - E-19
Chassis Group	E-20 - E-24
Curtain, Cushion & Pad Group	F-01 - F-07
Dinette Group	F-08
Driver's Compartment Group	F-09 - F-11
Electrical Group	F-12 - F-14
Exterior Body Group	F-15 - F-21
Galley Group	F-22 - F-24
Heating & Air Conditioning Group	G-01 - G-02
Interior Finish Group	G-03 - G-06
LP Group	G-07
Lounge Group	G-08
Water & Sewage Group	G-09 - G-10
Window, Vent & Exterior Door Group	G-11 - G-24

CHASSIS GROUP (CONTINUED)

MISCELLANEOUS CHASSIS (Cont.)

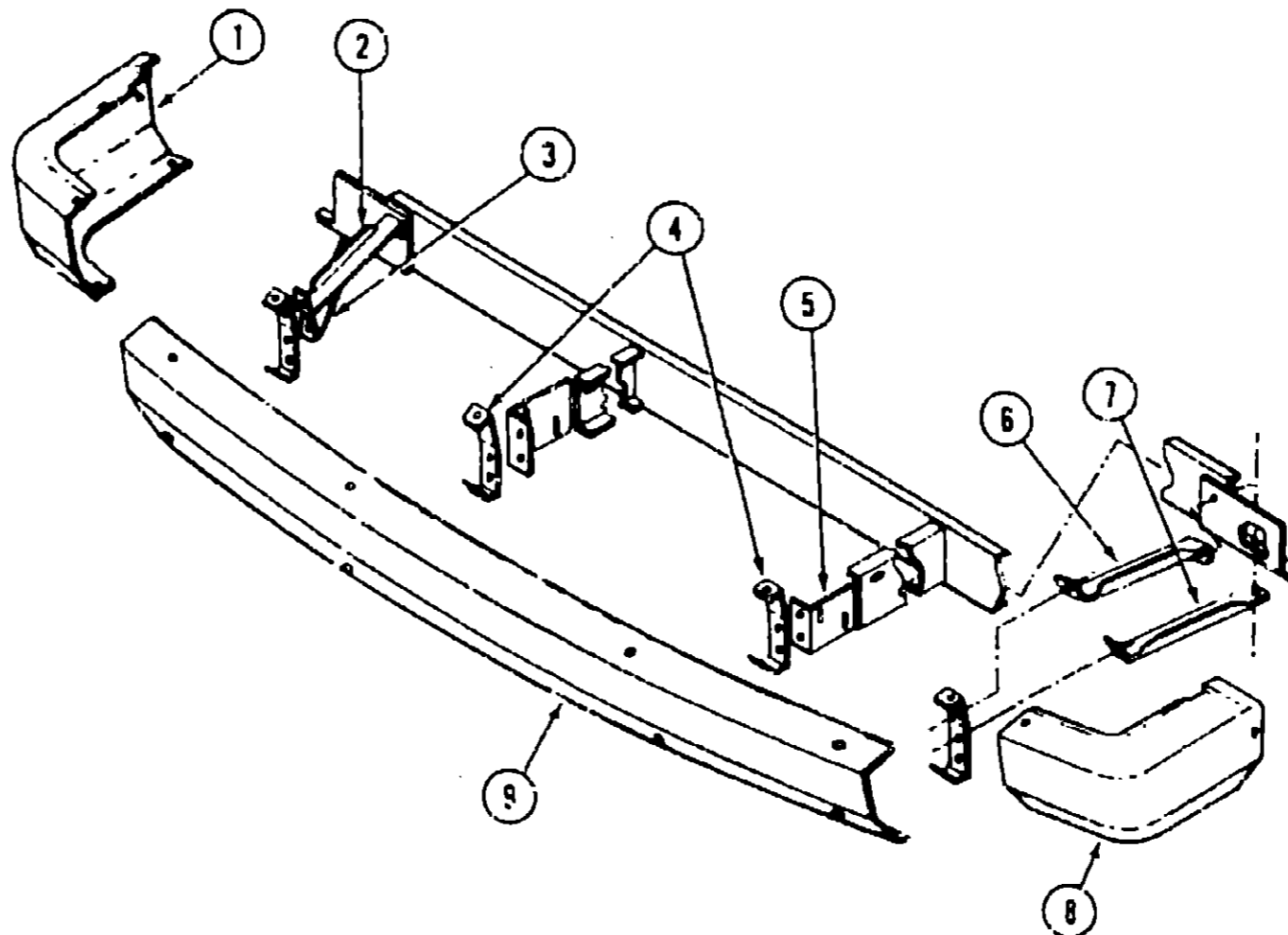
Key	Part Number	U/M	Description
	047441-01-000	EA	Battery Terminal - Horizontal Lug
	075723-01-000	EA	Block - Switch - Spacer w/o Holes
	072359-01-000	EA	Bottle - Coolant Expansion
	065450-04-000	EA	Bracket - Battery Tie Down
	007125-07-000	EA	Clamp Asm. - Muffler - 1.62"
	007125-01-000	EA	Clamp Asm. - Muffler - 2.50"
	010497-01-000	EA	Clamp - Close - 5/8 I.D.
	007161-01-000	EA	Clamp - Hose - Spring Type 112
	062401-01-000	EA	Clamp - Hose - Wormgear - .22" I.D. x 1" I.D.
	062401-02-000	EA	Clamp - Hose - Wormgear - 1.56" I.D. - 2.5" I.D.
	062401-03-000	EA	Clamp - Hose - Wormgear - .25" I.D. - 1" I.D.



MAIN FUEL TANK

Key	Part Number	U/M	Description
1	078010-04-000	EA	Door Asm. & Upper Shroud - Fuel Fill - Beige
2	073220-02-000	EA	Cap - Fuel Fill
3	072447-01-000	EA	Shroud - Fuel Fill - Inside
4	075227-01-000	EA	Neck Asm. - Upper Fuel Fill
4	075227-02-000	EA	Neck Asm. - Upper Fuel Fill - Diesel
4	075227-03-000	EA	Neck Asm. - Upper Fuel Fill - Calif. Gas
5	075230-01-000	EA	Tank - Fuel - 60 Gallon
6	007111-03-002	EA	Hose - Fuel - 1.75" x 6.62"
7	075228-01-000	EA	Neck Asm. - Lower Fuel Fill
8	007111-03-001	EA	Hose - Fuel - 1.75" x 9.7"
9	063303-04-000	EA	Shroud - Fuel Fill - Lower

CHASSIS GROUP (CONTINUED)



FRONT BUMPER

Key	Part Number	U/M	Description
1	078577-01-000	EA	Bumper End - Beige - Right Front
2	078002-01-000	EA	Brace - Upper Right - Front Bumper
3	078003-01-000	EA	Brace - Lower Right - Front Bumper
4	077852-01-000	EA	Bracket to Bumper - Front
5	076527-01-000	EA	Bracket to Frame - Front Bumper
6	078002-02-000	EA	Brace - Upper Left - Front Bumper
7	078003-02-000	EA	Brace - Lower Left - Front Bumper
8	078577-02-000	EA	Bumper End - Beige - Left Front
9	077850-04-000	EA	Bumper - Front - Primed
9	077850-09-000	EA	Bumper - Front - Chrome
.	005200-01-000	EA	Carriage Bolt - Chrome - 7/16" x 14 x 1 1/4"
.			Not illustrated

**1986 WINNEBAGO
TABLE OF CONTENTS**

WC-WF424RC
WC420RG
WCN22RC
WCN30RC

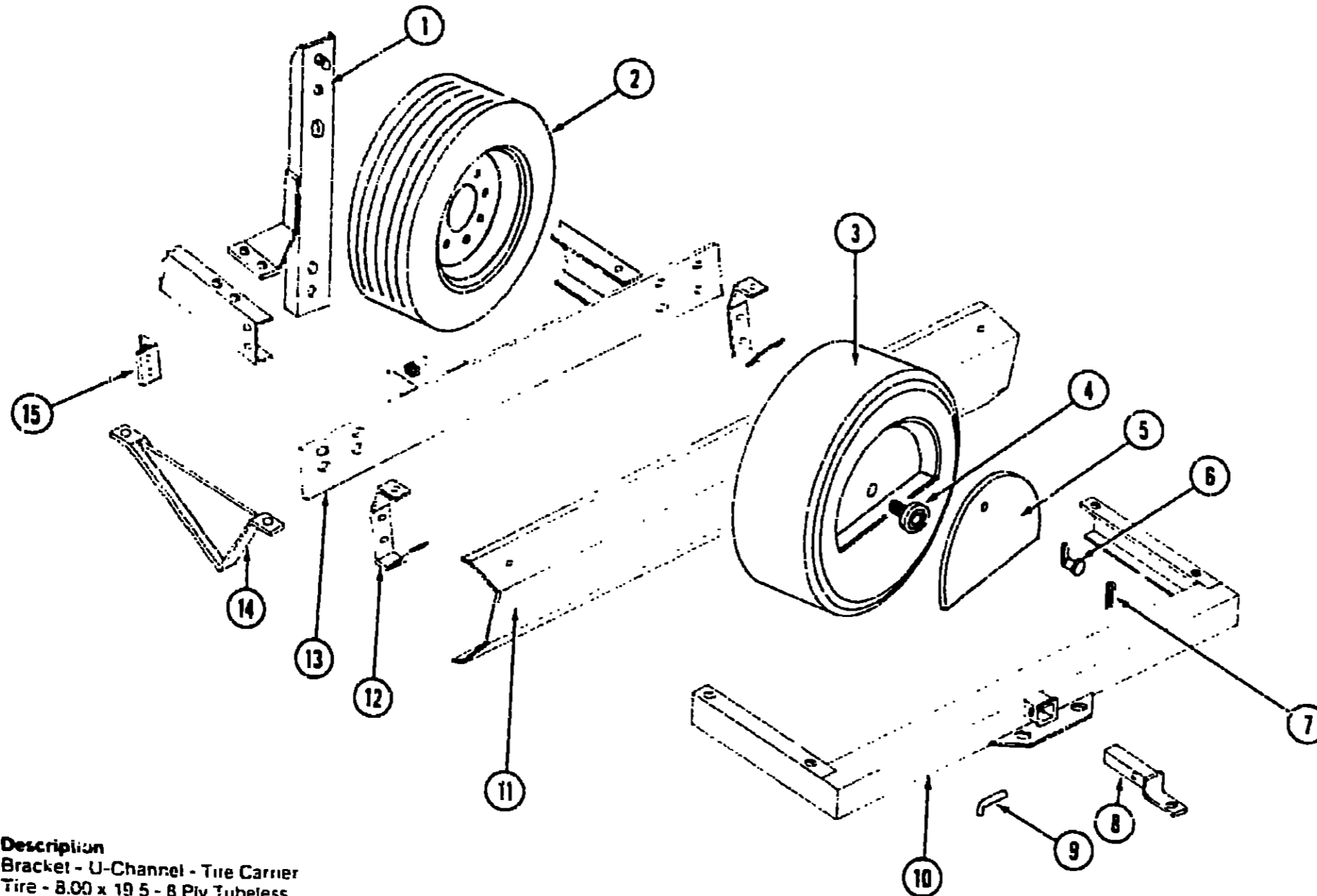
A-01 - C-08
C-09 - E-12
E-13 - G-24
H-01 - J-10

1986 WCN22RC INDEX

Floor Plan	E-13 - E-14
Accessories Group	E-15 - E-17
Bath Group	E-18 - E-19
Chassis Group	E-20 - E-24
Curtain, Cushion & Pad Group	F-01 - F-07
Dinette Group	F-08
Driver's Compartment Group	F-09 - F-11
Electrical Group	F-12 - F-14
Exterior Body Group	F-15 - F-21
Galley Group	F-22 - F-24
Heating & Air Conditioning Group	G-01 - G-02
Interior Finish Group	G-03 - G-06
LP Group	G-07
Lounge Group	G-08
Water & Sewage Group	G-09 - G-10
Window, Vent & Exterior Door Group	G-11 - G-24

CHASSIS GROUP (CONTINUED)

SPARE TIRE, HITCH & REAR BUMPER



Key	Part Number	U/M	Description
1	080378-02-000	EA	Bracket - U-Channel - Tire Carrier
2	007321-02-000	EA	Tire - 8.00 x 19.5 - 8 Ply Tubeless
3	079762-01-000	EA	Tire Cover - Beige Plastic
4	064082-02-000	EA	Nut - Tire Cover Retainer - Delmet
5	M02047-01-T03	EA	Door - Tire Cover - Beige Plastic
6	077408-01-000	EA	Lock Asm. - Key Type
7	034513-01-000	EA	Pin - Hitch - 3/16" Wire
8	077613-01-000	EA	Drawbar - Ball Mount
9	034512-01-000	EA	Locking Pin - Drawbar
10	077617-01-700	EA	Hitch Asm. - w/o Drawbar
11	078594-01-000	EA	Bumper - Rear - Primed
11	078584-08-000	EA	Bumper - Rear - Chromed
	NOTE	EA	Bumper Ends (See Exterior Body Group)
12	078670-02-000	EA	Bracket to Bumper - Rear
13	079129-02-000	EA	Bracket to Frame - Rear Bumper
14	083376-01-000	2A	Skid Plate Asm
15	078658-01-000	EA	Support Angle - Rear Bumper Support to Frame
	005200-01-000	EA	Bumper Bolt - 7/16" - 14 x 1 1/4
			Not illustrated

1986 WINNEBAGO TABLE OF CONTENTS

WC/WF424RC
WC/20RG
WCN22RC
WCN30RC

A-01 - C-08
C-09 - E-12
E-13 - G-24
H-01 - J-10

1986 WCN22RC INDEX

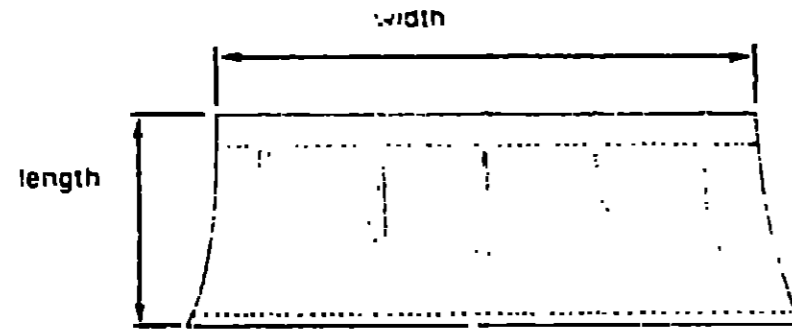
Floor Plan	E-13 - E-14
Accessories Group	E-15 - E-17
Bath Group	E-18 - E-19
Chassis Group	E-20 - E-24
Curtain, Cushion & Pad Group	F-01 - F-07
Dinette Group	F-08
Driver's Compartment Group	F-09 - F-11
Electrical Group	F-12 - F-14
Exterior Body Group	F-15 - F-21
Galley Group	F-22 - F-24
Heating & Air Conditioning Group	G-01 - G-02
Interior Finish Group	G-03 - G-06
LP Group	G-07
Lounge Group	G-08
Water & Sewage Group	G-09 - G-10
Window, Vent & Exterior Door Group	G-11 - G-24

CURTAIN, CUSHION & PAD GROUP

NOTICE

In order to assist our Parts Sales Dept. in providing interior software items, please include the serial number and the color code number from the vehicle certification label when ordering. This label is located on the left sidewall at the end of the dash (A-Body), or on the driver's door latch plate (C-Body).

An example of a color code number is P31, which designates an overall color scheme of a particular unit. The color listed after the item description on the microfiche, indicates the overall unit color. Order the item you desire according to unit color code



NOTE:

Use this illustration when determining length and width measurements for curtains. You will note the width measurement is taken on the top of the curtain with the curtain fully extended. The length measurement is taken from top to bottom.

CURTAIN & CUSHION HARDWARE

Key	Part Number	U/M	Description
	079798-03-000	EA	Bracket Asm. - Curtain Rod - Right
	079798-04-000	EA	Bracket Asm. - Curtain Rod - Left
	075477-02-000	EA	Bracket - Blinds Retainer
	039175-02-000	EA	Bracket - Curtain Rod
	039175-05-000	EA	Bracket - Curtain Rod - Center
	056003-02-000	EA	Bracket - Drapery Retainer - Left
	056003-01-000	EA	Bracket - Drapery Retainer - Right
	075477-21-000	EA	Bracket - Hold Down - Blind
	056001-01-000	EA	Bracket - Shade - Left
	056002-01-000	EA	Bracket - Shade - Right
	039175-01-000	EA	Curtain Rod - Extension - 48" x 84"
	009107-01-000	EA	Guide - Nylon Snap - Curtain
	056784-01-000	EA	Pull - Window Shade - Antique Brass
	056115-01-000	YD	Tape - Clear Plastic - w Guides
	048394-01-000	YD	Tape Hook - 1" x 50 yd - Beige
	029096-05-000	YD	Tape Hook - 50" - Velcro - Beige
	048395-01-000	YD	Tape Loop - 1" x 50 YD - Beige
	029090-01-000	FT	Tie - Drapery - Clear Vinyl
	056115-01-000	EA	Track - Curtain - Brown Plastic
	053272-01-000	EA	Track - Curtain - 16'
	079946-01-000	EA	Track - Curtain - Wraparound - Right
	079946-02-000	EA	Track - Curtain - Wraparound - Left

FRONT BUNK

Key	Part Number	U/M	Description
	079145-04-000	EA	Cushion Asm. - Front Bunk - 4" x 34" x 75"
	M79145-04-000	EA	Cover Asm. - Front Bunk Cushion - 4" x 34" x 78"
	079144-02-T03	EA	Bunk Strap - Vinyl

CURTAIN, CUSHION & PAD GROUP (CONTINUED)

FABRICS & TRIMS

Key	Part Number	U/M	Description
	077498-62-000	YD	Fabric - Main w/Stripe - Beige (U04)
	077498-63-000	YD	Fabric - Main w/Stripe - Rose (U05)
	077498-64-000	YD	Fabric - Main w/Stripe - Spruce (U06)
	077498-75-000	YD	Fabric - Patterned Accent - Rose (U05)
	077498-74-000	YD	Fabric - Patterned Accent - Spruce (U06)
	077498-73-000	YD	Fabric - Plain Accent - Beige & Spruce (U04, U06)
	077498-72-000	YD	Fabric - Plain Accent - Rose (U05)
	069729-43-000	YD	Fabric - Bedroom Drapery - Multi-color (U04, U05, U06)
	072333-21-000	YD	Fabric - Bedroom Drapery - Parchment (U04, U05, U06)
	072333-21-000	YD	Fabric - Wraparound & Blackout - Parchment (U04, U05, U06)
	072333-25-000	YD	Fabric - Drapery - Beige (U04)
	072333-26-000	YD	Fabric - Drapery - Rose (U05)
	072333-27-000	YD	Fabric - Drapery - Spruce (U06)
	038421-02-000	YD	Fabric - Mattress Ticking - Beige/Brown
	052859-01-T03	FT	Trim Asm. - Accent - Sandrift
	052859-05-T03	FT	Trim Asm. - Accent - Buckskin
	079680-01-000	YD	Vinyl - Expanded - 26 oz - Buckskin (U04, U05, U06)
	079680-02-000	YD	Vinyl - Expanded - 26 oz - Sandrift (U04, U05, U06)
	057550-03-T03	EA	Button Asm. - Nail - #36 - 7.8" Shank - Vinyl
	057550-05-T03	EA	Button Asm. - Nail - #36 - 3.8" Shank - Vinyl
	070578-07-U01	EA	Button Asm. - Screw Stud - #30 - Beige (U04)
	070578-07-U02	EA	Button Asm. - Screw Stud - #30 - Rose (U05)
	070578-07-U03	EA	Button Asm. - Screw Stud - #30 - Spruce (U06)
	070578-06-T03	EA	Button Asm. - Screw Stud - #30 - Buckskin
	071127-10-U01	EA	Button Asm. - Round - #65 - Beige (U04)
	071127-10-U02	EA	Button Asm. - Round - #65 - Rose (U05)
	071127-10-U03	EA	Button Asm. - Round - #65 - Spruce (U06)
	071127-09-000	EA	Button Asm. - #35 - Mattress Ticking
	069748-05-000	EA	Hook Back - #65 - Nylon Square
	057093-01-T03	EA	Button Asm. - Nail Back - #60 - Vinyl - Buckskin
	078155-01-000	EA	Strap Asm. - Cushion
	079144-02-T03	EA	Strap Asm. - Bunk
	081519-01-U01	EA	Pad Asm. - Dinette - Front - Beige & Spruce (U04, U06)
	081519-01-U02	EA	Pad Asm. - Dinette - Front - Rose (U05)
	081519-02-U01	EA	Pad Asm. - Dinette - Rear - Beige & Spruce (U04, U06)
	081519-02-U02	EA	Pad Asm. - Dinette - Rear - Rose (U05)
	077641-62-000	EA	Pad Asm. - Swivel Chair - 16" x 12" - Beige & Spruce (U04, U05)
	077641-63-000	EA	Pad Asm. - Swivel Chair - 16" x 12" - Rose (U05)

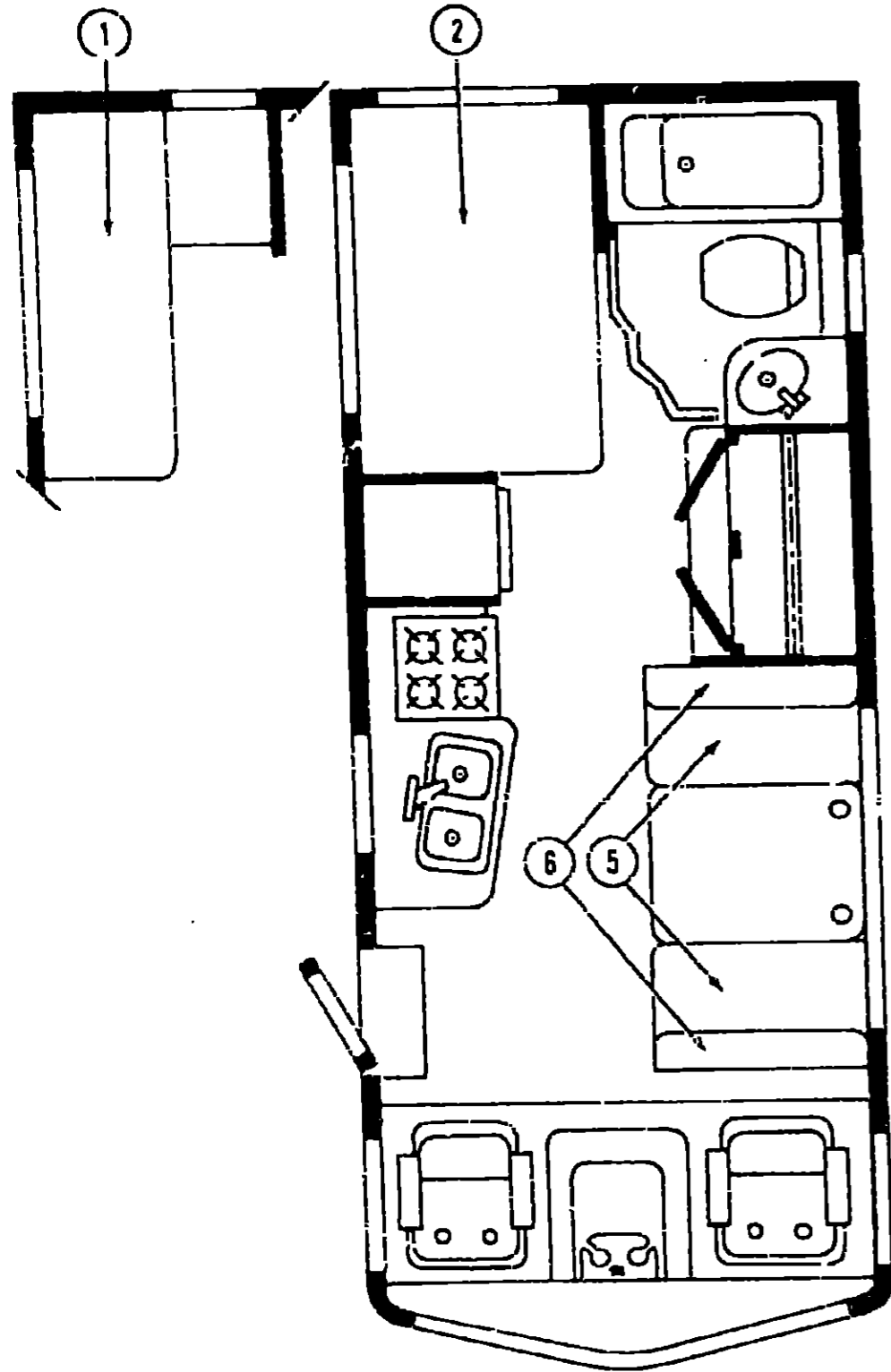
**1986 WINNEBAGO
TABLE OF CONTENTS**

WC-WF424RC	A-01 - C-09
WC420RG	C-09 - E-12
WCN22RC	E-13 - G-24
WCN30RC	H-01 - J-10

1986 WCN22RC INDEX

Floor Plan	E-13 - E-14
Accessories Group	E-15 - E-17
Bath Group	E-16 - E-19
Chassis Group	E-20 - E-24
Curtain, Cushion & Pad Group	F-01 - F-07
Dinette Group	F-08
Driver's Compartment Group	F-09 - F-11
Electrical Group	F-12 - F-14
Exterior Body Group	F-15 - F-21
Galley Group	F-22 - F-24
Heating & Air Conditioning Group	G-01 - G-02
Interior Finish Group	G-03 - G-06
LP Group	G-07
Lounge Group	G-08
Water & Sewage Group	G-09 - G-10
Window, Vent & Exterior Door Group	G-11 - G-24

CURTAIN, CUSHION & PAD GROUP (CONTINUED)



REAR BUNK CUSHIONS

Key	Part Number	U/M	Description
1	073519-01-U01	EA	Cushion - Rear Bunk - 29" x 75.5" x 4.5" - Beige (U04)
1	073519-02-U01	EA	Cushion - Rear Bunk - 29" x 75.5" x 4.5" - Rose (U05)
1	073519-02-U06	EA	Cushion - Rear Bunk - 29" x 75.5" x 4.5" - Spruce (U06)
	M73519-01-U01	EA	Cover - Rear Bunk Cushion - 29" x 75.5" x 4.5" - Beige (U04)
	M73519-02-U01	EA	Cover - Rear Bunk Cushion - 29" x 75.5" x 4.5" - Rose (U05)
	M73519-02-U06	EA	Cover - Rear Bunk Cushion - 29" x 75.5" x 4.5" - Spruce (U06)

CURTAIN, CUSHION & PAD GROUP (CONTINUED)

DOUBLE BED MATTRESS

Key	Part Number	U/M	Description
2	083496-02-000	EA	Mattress - Foam - 48" x 75" x 7"
2	077478-02-000	EA	Mattress - Inner Spring - Sealy - 48" x 75" x 7.75"
	081969-12-U01	EA	Beospread - 48" x 76" w/10 Ruffle (U04, U05, U06)
	81997-02-U01	EA	Pillow Sham - 30" x 25" (U04, U05, U06)

3 PILLOW COUCH

Key	Part Number	U/M	Description
3	081998-17-U04	EA	Pillow Asm - 16" x 23" x 5" - Beige
3	081998-17-U05	EA	Pillow Asm - 16" x 23" x 5" - Rose
3	081998-17-U06	EA	Pillow Asm - 16" x 23" x 5" - Spruce
	M81998-17-U04	EA	Cover Asm - Pillow - 15" x 23" x 5" - Beige
	M81998-17-U05	EA	Cover Asm - Pillow - 16" x 23" x 5" - Rose
	M81998-17-U06	EA	Cover Asm - Pillow - 16" x 23" x 5" - Spruce
4	079448-04-U04	EA	Bed Asm - #65 - Beige
4	079448-04-U05	EA	Bed Asm - #65 - Rose
4	079448-04-U06	EA	Bed Asm - #65 - Spruce
	M79448-04-U04	EA	Cover Asm - Seat - Beige
	M79448-04-U05	EA	Cover Asm - Seat - Rose
	M79448-04-U06	EA	Cover Asm - Seat - Spruce

DINETTE CUSHION

Key	Part Number	U/M	Description
5	081998-01-U01	EA	Cushion Asm - Dinette Back - 19.25" x 38" x 5" - Beige (U04)
5	081998-01-U02	EA	Cushion Asm - Dinette Back - 19.25" x 38" x 5" - Rose (U05)
5	081998-01-U03	EA	Cushion Asm - Dinette Back - 19.25" x 38" x 5" - Spruce (U06)
	M81998-01-U01	EA	Cover Asm - Dinette Back Cushion - 19.25" x 38" x 5" - Beige (U04)
	M81998-01-U02	EA	Cover Asm - Dinette Back Cushion - 19.25" x 38" x 5" - Rose (U05)
	M81998-01-U03	EA	Cover Asm - Dinette Back Cushion - 19.25" x 38" x 5" - Spruce (U06)
6	081998-02-U01	EA	Cushion Asm - Dinette Bottom - 17.5" x 38" x 5" - Beige (U04)
6	081998-02-U02	EA	Cushion Asm - Dinette Bottom - 17.5" x 38" x 5" - Rose (U05)
6	081998-02-U03	EA	Cushion Asm - Dinette Bottom - 17.5" x 38" x 5" - Spruce (U06)
	M81998-02-U01	EA	Cover Asm - Dinette Bottom Cushion - 17.5" x 38" x 5" - Beige (U04)
	M81998-02-U02	EA	Cover Asm - Dinette Bottom Cushion - 17.5" x 38" x 5" - Rose (U05)
	M81998-02-U03	EA	Cover Asm - Dinette Bottom Cushion - 17.5" x 38" x 5" - Spruce (U06)



Key	Part Number	U/M	Description
1	029133-01-000	EA	Socket - Snap Fastener
2	029155-01-000	EA	Cap - Snap - 1.56" Dia x 17" Barrel
3	029156-01-000	EA	Socket - Snap Fastener
4	029092-01-000	EA	Stud - Nickel Finish
5	029093-01-000	EA	Eyelet - Nickel Finish

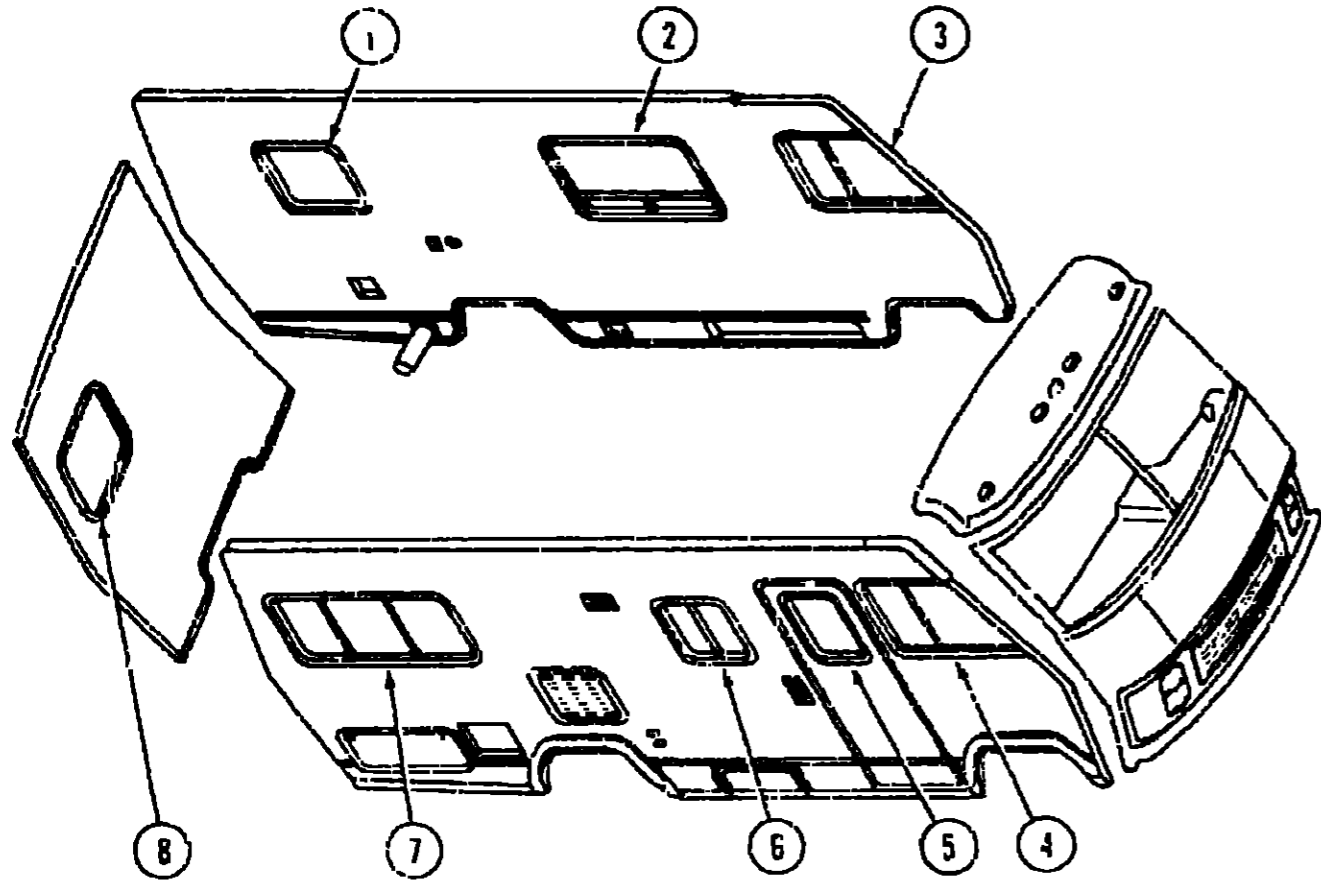
**1986 WINNEBAGO
TABLE OF CONTENTS**

WC:WF423RC	A-01 - C-08
WC420RG	C-09 - E-12
WCN22RC	E-13 - G-24
WCN36RC	H-01 - J-10

1986 WCN22RC INDEX

Floor Plan	E-13 - E-14
Accessories Group	E-15 - E-17
Bath Group	E-18 - E-19
Chassis Group	E-20 - E-24
Curtain, Cushion & Pad Group	F-01 - F-07
Dinette Group	F-08
Driver's Compartment Group	F-09 - F-11
Electrical Group	F-12 - F-14
Exterior Body Group	F-15 - F-21
Galley Group	F-22 - F-24
Heating & Air Conditioning Group	G-01 - G-02
Interior Finish Group	G-03 - G-06
LP Group	G-07
Lounge Group	G-08
Water & Sewage Group	G-09 - G-10
Window, Vent & Exterior Door Group	G-11 - G-24

CURTAIN, CUSHION & PAD GROUP (CONTINUED)



CURTAIN, SHADES, VALANCES & TIEBACKS

Key	Part Number	U/M	Description
1	062176-02-U04	EA	Valance Asm - Padded - Beige - Spruce (U05)
1	062176-02-U05	EA	Valance Asm - Padded - Rose
1	082118-45-000	EA	Blind - 28" x 26" Drop - Beige (U04)
1	082118-47-000	EA	Blind - 28" x 26" Drop - Rose (U05)
1	082118-48-000	EA	Blind - 28" x 26" Drop - Spruce (U06)
2	079542-10-U01	EA	Curtain w Darts - 35" x 16" - Beige (U04)
2	079542-10-U02	EA	Curtain w Darts - 35" x 16" - Rose (U05)
2	079542-10-U03	EA	Curtain w Darts - 35" x 16" - Spruce (U06)
2	M81977-15-U04	EA	Valance Asm - Padded - Beige - Spruce (U05)
2	M81977-15-U05	EA	Valance Asm - Padded - Rose
2	082118-61-000	EA	Blind - 65" x 34" Drop - Beige (U04)
2	082118-62-000	EA	Blind - 65" x 34" Drop - Rose (U05)
2	082118-63-000	EA	Blind - 65" x 34" Drop - Spruce (U06)
2	079543-15-U04	EA	Curtain - 35" x 12" (Woven Wood) - Beige - Spruce (U06)
2	079543-15-U05	EA	Curtain - 35" x 12" (Woven Wood) - Rose
2	082127-49-000	EA	Shade Asm - Woven Wood - 65" x 35" Drop - Beige (U04)
2	082127-50-000	EA	Shade Asm - Woven Wood - 65" x 35" Drop - Rose (U05)
2	082127-51-000	EA	Shade Asm - Woven Wood - 65" x 35" Drop - Spruce (U06)
3	073304-32-U09	EA	Curtain Asm w Snaps - Front Wraparound - 32.5" x 26" - Left
4	073304-31-U09	EA	Curtain Asm w Snaps - Front Wraparound - 32.5" x 26" - Right

CURTAIN, CUSHION & PAD GROUP (CONTINUED)

CURTAINS, SHADES, VALANCES & TIEBACKS

Key	Part Number	U/M	Description
5	M81977-12-U04	EA	Valance Asm - Entrance Door
5	M81977-12-U05	EA	Valance Asm - Entrance Door
5	082119-02-000	EA	Shade - 24 25" x 40" - Vinyl
6	M81977-05-U01	EA	Valance Asm - Padded - Beige - Spruce (U04, U06)
6	M81977-05-U02	EA	Valance Asm - Padded - Rose (U05)
6	082118-43-000	EA	Blind - 27" x 22" - Drop - Beige (U04)
6	082118-44-000	EA	Blind - 27" x 22" - Drop - Rose (U05)
6	082118-45-000	EA	Blind - 27" x 22" - Drop - Spruce (U06)
7	079559-03-U01	EA	Curtain w/Gathers - 32" x 41" - (U04, U05, U06)
7	079558-02-U01	EA	Valance Asm w Gathers - 6" x 120" - (U04, U05, U06)
7	082119-03-000	EA	Shade - 60 25" x 38" - (U04, U05, U06)
**	079542-02-U04	EA	Curtain w Darts - 22" x 16" - Beige
**	079542-02-U05	EA	Curtain w Darts - 22" x 16" - Rose
**	079542-02-U06	EA	Curtain w Darts - 22" x 16" - Spruce
**	M81977-03-U04	EA	Valance Asm - Padded - Beige - Spruce (U05)
**	M81977-03-U05	EA	Valance Asm - Padded - Rose
**	082119-01-000	EA	Shade - Vinyl - 40 25" x 38" - (U04, U05, U06)
8	079559-04-U04	EA	Curtain w/Gathers - 32" x 24" - (U05, U06)
8	079558-03-U01	EA	Valance Asm w Gathers - 6" x 95" - (U04, U05, U06)
8	082119-07-000	EA	Shade - 33 25" x 57" - (U04, U05, U06)
**	073251-30-U04	EA	Curtain w Tape Top - 26" x 8" - Beige
**	073251-30-U05	EA	Curtain w Tape Top - 26" x 8" - Rose
**	073251-30-U06	EA	Curtain w Tape Top - 26" x 8" - Spruce
**	M81977-06-U04	EA	Valance Asm - Padded - Beige - Spruce (U06)
**	M81977-06-U05	EA	Valance Asm - Padded - Rose
**	082119-08-000	EA	Shade - 14 25" x 36" (U04, U05, U06)
*	077591-05-U04	EA	Curtain w Velcro Top - Bunk Privacy - 60" x 50" - Passenger
*	077591-06-U04	EA	Curtain w Velcro Top - Bunk Privacy - 60" x 50" - Driver
*	073304-04-U04	EA	Curtain w Snap Top - Privacy - 64" x 53"
*	073260-16-U04	EA	Tie Back Asm - 3" x 20" - Accent - Beige - Spruce (U05)
*	073260-16-U05	EA	Tie Back Asm - 3" x 20" - Accent - Rose
*	057534-01-000	EA	Tie Back Asm - 6" - Clear Plastic
*	057534-03-000	EA	Tie Back Asm - 7.5" - Clear Plastic
*	057534-04-000	EA	Tie Back Asm - 20" - Clear Plastic
**			Parts for bunkhouse option (not illustrated)

**1986 WINNEBAGO
TABLE OF CONTENTS**

WC WF424RC	A-01 - C-08
WC420RG	C-09 - E-12
WCN22RC	E-13 - G-24
WCN30RC	H-01 - J-10

1986 WCN22RC INDEX

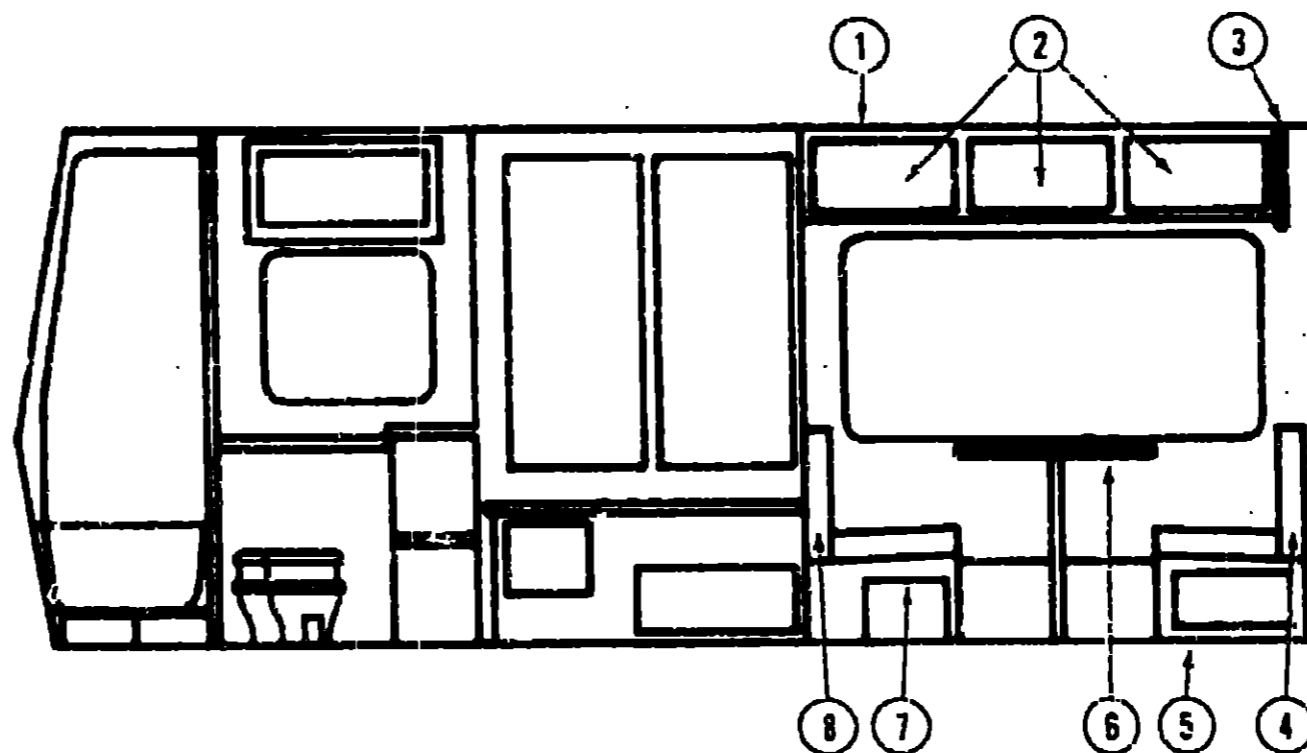
Floor Plan	E-13 - E-14
Accessories Group	E-15 - E-17
Bath Group	E-18 - E-19
Chassis Group	E-20 - E-24
Curtain, Cushion & Pad Group	F-01 - F-07
Dinette Group	F-08
Driver's Compartment Group	F-09 - F-11
Electrical Group	F-12 - F-14
Exterior Body Group	F-15 - F-21
Galley Group	F-22 - F-24
Heating & Air Conditioning Group	G-01 - G-02
Interior Finish Group	G-03 - G-06
LP Group	G-07
Lounge Group	G-08
Water & Sewage Group	G-09 - G-10
Window Vent & Exterior Door Group	G-11 - G-24

CURTAIN, CUSHION & PAD GROUP (CONTINUED)

BUCKET SEATS

Key	Part Number	U/M	Description
	079300-01-U01	EA	Seat Asm. - Vinyl - Beige (U04)
	079300-02-U01	EA	Seat Asm. - Vinyl - Rose (U05)
	079300-02-U03	EA	Seat Asm. - Vinyl - Spruce (U06)
	M01862-01-U01	EA	Cover Asm. - Seat Bottom - Vinyl - Beige (U04)
	M01862-03-U01	EA	Cover Asm. - Seat Bottom - Vinyl - Rose (U05)
	M01862-03-U03	EA	Cover Asm. - Seat Bottom - Vinyl - Spruce (U06)
	M01862-02-U01	EA	Cover Asm. - Seat Back - Vinyl - Beige (U04)
	M01862-04-U01	EA	Cover Asm. - Seat Back - Vinyl - Rose (U05)
	M01862-04-U03	EA	Cover Asm. - Seat Back - Vinyl - Spruce (U06)
	078804-07-U01	EA	Seat Asm. - Granduer - Beige (U04)
	078804-08-U04	EA	Seat Asm. - Granduer - Rose (U05)
	078804-08-U06	EA	Seat Asm. - Granduer - Spruce (U06)
	M01863-01-U01	EA	Cover Asm. - Bucket Seat Bottom - Beige (U04)
	M01863-03-U01	EA	Cover Asm. - Bucket Seat Bottom - Rose (U05)
	M01863-03-U03	EA	Cover Asm. - Bucket Seat Bottom - Spruce (U06)
	M01863-02-U01	EA	Cover Asm. - Bucket Seat Back - Beige (U04)
	M01863-04-U01	EA	Cover Asm. - Bucket Seat Back - Rose (U05)
	M01863-04-U03	EA	Cover Asm. - Bucket Seat Back - Spruce (U06)
	079281-02-U04	EA	Seat Asm. - Double Bucket - Beige (U04)
	079281-01-U05	EA	Seat Asm. - Double Bucket - Rose (U05)
	079281-01-U06	EA	Seat Asm. - Double Bucket - Spruce (U06)
	M01874-03-U04	EA	Cover Asm. - Bucket Seat Bottom - Double Bucket - Beige (U04)
	M01874-01-U04	EA	Cover Asm. - Bucket Seat Bottom - Double Bucket - Rose (U05)
	M01874-01-U06	EA	Cover Asm. - Bucket Seat Bottom - Double Bucket - Spruce (U06)
	M01874-04-U04	EA	Cover Asm. - Bucket Seat Back - Double Bucket - Beige (U04)
	M01874-01-U05	EA	Cover Asm. - Bucket Seat Back - Double Bucket - Rose (U05)
	M01874-02-U06	EA	Cover Asm. - Bucket Seat Back - Double Bucket - Spruce
	080243-02-U04	EA	Armrest Asm. - Left - Beige (U04) - Double Bucket
	080243-04-U04	EA	Armrest Asm. - Left - Rose (U05) Double Bucket
	080243-04-U06	EA	Armrest Asm. - Left - Spruce (U06) Double Bucket
	080242-01-U04	EA	Headrest Asm. - Beige (U04) Double Bucket
	080242-02-U04	EA	Headrest Asm. - Rose (U05) Double Bucket
	080242-02-U06	EA	Headrest Asm. - Spruce (U06) Double Bucket
	080243-07-U01	EA	Armrest Asm. - Right - Beige (U04)
	080243-09-U01	EA	Armrest Asm. - Right - Rose (U05)
	080243-09-U03	EA	Armrest Asm. - Right - Spruce (U06)
	080243-08-U01	EA	Armrest Asm. - Left - Beige (U04)
	080243-10-U01	EA	Armrest Asm. - Left - Rose (U05)
	080243-10-U03	EA	Armrest Asm. - Left - Spruce (U06)
	M80243-01-U01	EA	Cover Asm. - Armrest - Right - Beige (U04)
	M80243-03-U01	EA	Cover Asm. - Armrest - Right - Rose (U05)
	M80243-03-U03	EA	Cover Asm. - Armrest - Right - Spruce (U06)
	M80243-02-U04	EA	Cover Asm. - Armrest - Left - Beige (U04)
	M80243-04-U01	EA	Cover Asm. - Armrest - Left - Rose (U05)
	M80243-04-U03	EA	Cover Asm. - Armrest - Left - Spruce (U06)
	080242-04-U01	EA	Headrest Asm. - Beige (U04)
	080242-05-U04	EA	Headrest Asm. - Rose (U05)
	080242-05-U06	EA	Headrest Asm. - Spruce (U06)
	M80242-01-U04	EA	Cover Asm. - Headrest - Beige (U04)
	M80242-02-U04	EA	Cover Asm. - Headrest - Rose (U05)
	M80242-02-U06	EA	Cover Asm. - Headrest - Spruce (U06)
	071126-16-U01	EA	Skirt Asm. - Single Bucket - Beige (U04)
	071125-13-U04	EA	Skirt Asm. - Single Bucket - Rose (U05)
	071126-13-U06	EA	Skirt Asm. - Single Bucket - Spruce (U06)
	071690-04-U01	EA	Skirt Asm. - Double Bucket - Beige (U04)
	071690-05-U04	EA	Skirt Asm. - Double Bucket - Rose (U05)
	071690-05-U06	EA	Skirt Asm. - Double Bucket - Spruce

DINETTE GROUP



**1986 WINNEBAGO
TABLE OF CONTENTS**

WC WF424RC
WC420RG
WCN22RC
WCN30RC

A-01 - C-08
C-09 - E-12
E-13 - G-24
H-01 - J-10

CONVENTIONAL DINETTE & OVERHEAD CABINETRY

Key	Part Number	U/M	Description
1	081302-05-U04	EA	Cabinet Asm. - Dinette Overhead - w/o Doors or Hardware
2	M81503-01-T03	EA	Door Asm. - Dinette Overhead - w/o Hardware
3	081325-01-T03	EA	Pad Asm. - End Cap - Dinette Overhead - Front - Vinyl
4	M02174-01-U01	EA	Cabinet Asm. - Dinette Back - Right
5	M02175-02-U01	EA	Cabinet Asm. - Dinette Seat - Right - w/o Hardware
*	M81501-10-U01	EA	Door Asm. - Dinette Seat - w/o Hardware
6	M81299-01-U01	EA	Table Asm. - Dinette - w/o Hardware
7	M02175-04-U01	EA	Cabinet Asm. - Dinette Seat - Left - w/o Door or Hardware
8	M02174-03-U04	EA	Cabinet Asm. - Dinette Back - Left
*	053200-05-000	EA	Bracket - Upper Wall Mount - 23.5"
**	053201-03-000	EA	Bracket - Table Mount - 23"
*	024275-05-000	EA	Rod - Table Lift - 8" x 23.5" - Beige
*	024281-07-000	EA	Bracket - Lower Wall Mount - 22.12"
*	024276-14-000	EA	Leg Asm. - Table - 29.5"
**	064050-01-000	EA	Hinge - Table Leg
**	024282-01-000	EA	Brace - Table Leg
**	024283-01-000	EA	Clip - 1" O.D. Tube
*	049493-02-000	EA	Catch - Table Leg - Mounts on Floor
*	064781-02-000	EA	Cup Holder - 3.47" O.D. x 2.75" I.D. x 1.5"
**			The illustrated parts break-down for this item is provided on the Common Items Fiche

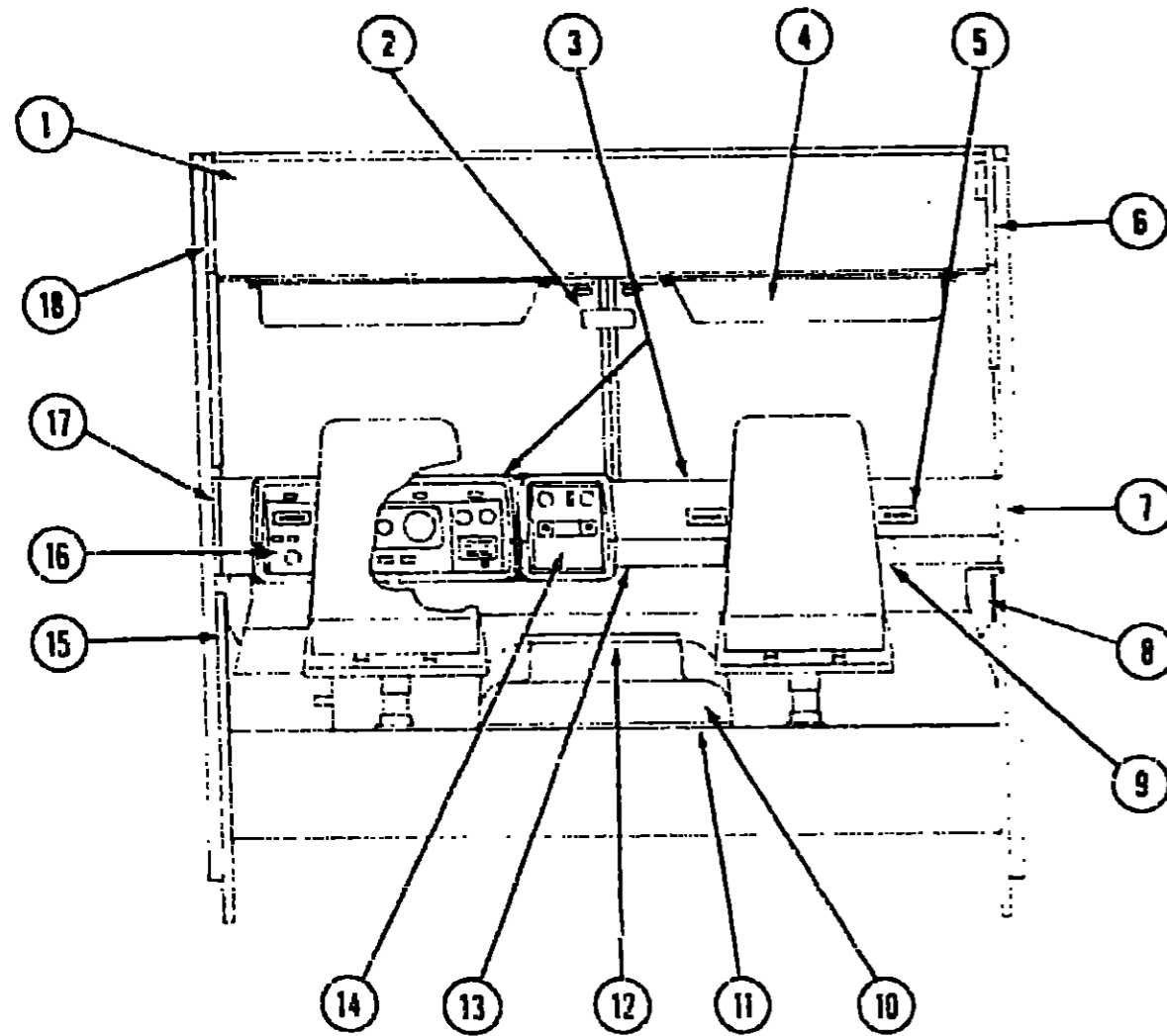
MAGIC BED W/TABLE (OPTION)

Key	Part Number	U/M	Description
	081298-02-T03	EA	Table Asm. - Pedestal - w/o Hardware - Harbor Oak
	009040-04-000	EA	Leg - Pedestal Table - 27.5" x 2.75" O.D. - Brown
	009040-03-000	EA	Base - Table - Mounts on Floor
	041194-01-000	EA	Base - Table - Mounts on Floor
	062046-01-000	EA	Clip - Pedestal Leg

1986 WCN22RC INDEX

Floor Plan	E-13 - E-14
Accessories Group	E-15 - E-17
Bath Group	E-18 - E-19
Chassis Group	E-20 - E-24
Curtain, Cushion & Pad Group	F-01 - F-07
Dinette Group	F-08
Driver's Compartment Group	F-09 - F-11
Electrical Group	F-12 - F-14
Exterior Body Group	F-15 - F-21
Galley Group	F-22 - F-24
Heating & Air Conditioning Group	G-01 - G-02
Interior Finish Group	G-03 - G-06
LP Group	G-07
Lounge Group	G-08
Water & Sewage Group	G-09 - G-10
Window, Vent & Exterior Door Group	G-11 - G-24

DRIVER'S COMPARTMENT



MISCELLANEOUS DRIVER'S COMPARTMENT COMPONENTS

Key	Part Number	U/M	Description
1	060085-02-T03	EA	Header Trim Asm - Upper
-	083917-01-U04	EA	Cabinet Asm - Front Overhead - w/o Bunk
2	040714-01-700	EA	Mirror - Inside Rear View - w/ Button Support
**3	M01113-12-T03	EA	Dash Asm - Complete - w/ Gauges & Switches
-	079089-01-000	EA	Dash Pad - Passenger - Brown
-	079088-01-000	EA	Dash Pad - Drivers - Brown
-	024990-02-000	EA	Outlet - Defroster w/ Swivel - 2" - Dark Brown
4	082266-01-U04	EA	Sunvisor Asm - Right
-	082266-02-U04	EA	Sunvisor Asm - Left
-	092266-03-U04	EA	Sunvisor Asm - Right - w/ Mirror
-	081917-01-000	EA	Clip - Sunvisor - Black Plastic
5	039044-01-000	EA	Louver Asm - Air Conditioning Adjustable
6	080855-03-000	EA	Side Trim - Right Front - Upper (w/o Bunk)
-	083918-01-U04	EA	Cabinet Asm - Front Overhead - Right - w/o Bunk
-	080856-03-000	EA	Side Trim - Right Front - Lower (w/o Bunk)
7	059414-05-000	EA	Pad - Sidewall Trim - Passenger - Vinyl
8	072811-01-000	EA	Side Panel - Passenger - Plastic
-	059467-04-T03	EA	Pad - Map Pocket - Passenger - Vinyl
9	022219-01-000	EA	Glove Compartment Door
-	023892-01-000	EA	Glove Compartment Box - Black Fiberboard
-	009118-01-000	EA	Glove Compartment Twist Lock
-	024595-01-000	EA	Glove Compartment Hinge
-	034309-01-000	EA	Glove Compartment Chain - Door
-			Not illustrated

** NOTE: To be special ordered only

DRIVER'S COMPARTMENT GROUP (CONTINUED)

MISCELLANEOUS DRIVER'S COMPARTMENT COMPONENTS (CONT.)

Key	Part Number	U/M	Description
10	075939-01-000	EA	Motor Cover - Fiberglass
-	075564-01-000	EA	Mounting Bracket - Motor Cover
11	039623-01-000	FT	Seal - Engine Cover - Neoprene
12	080216-01-000	EA	Beverage Tray
13	023834-01-000	EA	Panel - Knee Kick - Bottom of Dash
14	076006-03-000	EA	Bezel - Entertainment Center - w/ Radio & Generator Switch
14	076006-02-000	EA	Bezel - Entertainment Center - w/ Radio
15	059198-05-000	EA	Side Panel - Drivers - Plastic
15	064499-02-000	EA	Panel - Drivers Door - Inner - Plastic
-	059467-03-T03	EA	Pad - Map Pocket - Driver's - Vinyl
-	046886-03-000	EA	Ash Tray - Chrome
16	071668-01-000	EA	Bezel - Control Panel
16	071668-03-000	EA	Bezel - Control Panel - (Aux. Fuel)
-	078581-01-000	EA	Trim - Instrument Panel - Front - Passenger
-	076582-01-000	EA	Trim - Instrument Panel - Front - Driver
-	052367-01-000	EA	Cigarette Lighter Asm - 12 Volt
-	007041-01-000	EA	Bezel - Cigarette Lighter
-	061424-01-000	EA	Lamp Asm - Map Gauge
-	061400-06-000	EA	Assist Strap - 12" - Medium Almond
17	059414-05-000	EA	Pad - Sidewall Trim - Driver - Vinyl
18	080855-04-000	EA	Side Trim - Left Front - Upper (w/o Bunk)
-	080856-04-000	EA	Side Trim - Left Front - Lower (w/o Bunk)
-	083918-02-U04	EA	Cabinet Asm - Front Overhead - Left - w/o Bunk
-	054250-01-000	EA	Support - Dimmer Switch - w/o Holes
-	078579-01-000	EA	Windshield Trim - Interior - Upper - Passenger
-	078579-02-000	EA	Windshield Trim - Interior - Upper - Driver
-	079765-01-000	EA	Windshield Trim - Center
-	079206-01-000	EA	Windshield Trim - Interior - Post - Passenger
-	079206-02-000	EA	Windshield Trim - Interior - Post - Driver
-	078245-01-000	EA	Steering Column Boot - Vinyl
-			Not illustrated

DASH SWITCHES & GAUGES

Key	Part Number	U/M	Description
	024461-01-000	EA	Switch - Battery
	024462-01-000	EA	Switch - Battery Condition
	024464-02-000	EA	Switch - Battery - Dual Boost
	024464-01-000	EA	Switch - Washer
	024465-01-000	EA	Switch - Fuel
	024467-01-000	EA	Switch - Wiper
	024976-01-000	EA	Switch - Generator w/o Circuit Board
	074007-01-000	EA	Switch - Intermittent - Windshield Wiper
	024459-04-000	EA	Gauge - Voltmeter
	024460-04-000	EA	Gauge - Vacuum
	024460-02-000	EA	Mounting Bracket - Vacuum Gauge
	031035-02-000	EA	Gauge - Generator Hourmeter

ELECTRONIC INSTRUMENT PANEL (OPTION)

Key	Part Number	U/M	Description
	NOTE	EA	Electronic Instrument Panel
	071668-04-000	EA	Bezel - Electronic - Instrument Panel
	071668-05-000	EA	Bezel - Electronic - Instrument Panel (Aux. Fuel)
	082124-01-000	EA	Bezel - Smoked Insert - Electronic Instrument Panel
	076006-06-000	EA	Bezel - Entertainment Center - w/ Radio - Black
	076005-07-000	EA	Bezel - Entertainment Center - w/ Radio & Generator Switch - Black

NOTE: This item available from your Chrysler Service Center

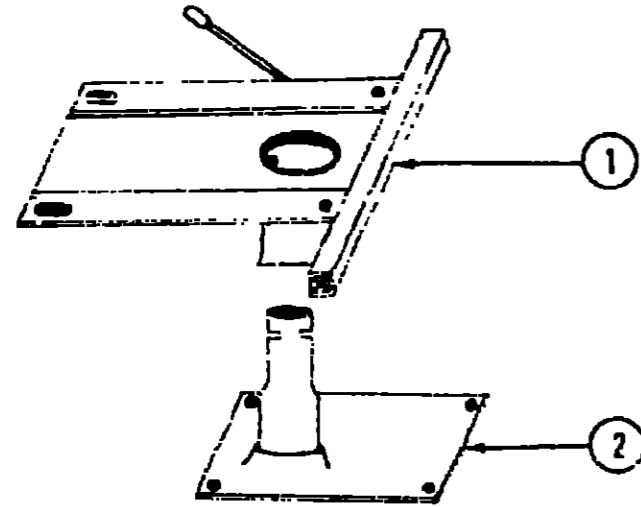
1986 WINNEBAGO TABLE OF CONTENTS

WC-WF424RC	A-01 - C-08
WC420RG	C-09 - E-12
WCN22RC	E-13 - G-24
WCN30RC	H-01 - J-10

1986 WCN22RC INDEX

Floor Plan	E-13 - E-14
Accessories Group	E-15 - E-17
Bath Group	E-18 - E-19
Chassis Group	E-20 - E-24
Curtain, Cushion & Pad Group	F-01 - F-07
Cinette Group	F-08
Driver's Compartment Group	F-09 - F-11
Electrical Group	F-12 - F-14
Exterior Body Group	F-15 - F-21
Galley Group	F-22 - F-24
Heating & Air Conditioning Group	G-01 - G-02
Interior Finish Group	G-03 - G-06
LP Group	G-07
Lounge Group	G-08
Water & Sewage Group	G-09 - G-10
Window, Vent & Exterior Door Group	G-11 - G-24

DRIVER'S COMPARTMENT GROUP (CONTINUED)



BUCKET SEAT PEDESTAL & SEAT BELTS

Key	Part Number	U/M	Description
1	069585-04-000	EA	Plate - Top - Pedestal Asm. - Single Bucket Seat
1	069585-19-000	EA	Plate - Top - Pedestal Asm. - Powered Seat
1	069585-1C-000	EA	Plate - Top - Pedestal Asm. - Double Bucket Seat
2	069585-08-000	EA	Plate - Sub - Pedestal Asm - Bucket Seat
*	069585-05-000	EA	Hardware Kit - Bolt/Acorn Nut - 4 ea - Pedestal Asm
*	007019-01-000	EA	Belt Asm - Seat - 2" x 84" - Black
*	007021-01-000	EA	Belt Asm - Seat - 2" x 90" - Black
*	056271-01-000	EA	Belt Asm - Seat - 2" x 72" - Black
*	069246-01-000	EA	Adjuster Asm - Seat - w. Lock
*	069246-02-000	EA	Adjuster Asm - Seat - w. o Lock
*	081373-02-000	EA	Power Seat Adjustment Asm - w. Frame
*	081373-02-700	EA	Switch Asm. Package
*	081737-02-701	EA	Harness Asm. - Left
*	081737-02-702	EA	Harness Asm. - Right
*	081737-02-703	EA	Horizontal Adjustment Package
*	081737-02-704	EA	Vertical Adjustment Package
*			Not illustrated

FRONT BUNK & PULL DOWN STORAGE

Key	Part Number	U/M	Description
*	076760-02-000	EA	Overhead Bunk Hardware
*	076760-03-000	EA	Overhead Bunk Hardware
*	081717-01-004	EA	Bed Asm - Front Bunk
*	079144-02-T03	EA	Bunk Strap
*	042541-04-000	EA	Latch Asm - w. o Strike - Brass
*	042541-05-000	EA	Latch Strike - Brass
*	080855-01-000	EA	Side Trim - Right Front - Upper
*	080855-05-000	EA	Side Trim - Right Front - Upper
*	080856-01-000	EA	Side Trim - Right Front - Lower
*	080856-05-000	EA	Side Trim - Right Front - Lower
*	080855-02-000	EA	Side Trim - Left Front - Upper
*	080855-06-000	EA	Side Trim - Left Front - Upper
*	080855-02-000	EA	Side Trim - Left Front - Lower
*	050856-06-000	EA	Side Trim - Left Front - Lower

* Used after 9-23-85

ELECTRICAL GROUP

BULBS

Key	Part Number	U/M	Description
	006220-01-000	EA	Bulb - 12V - 25W
	008103-01-000	EA	Bulb - 53
	008213-01-000	EA	Bulb - 57
	008214-01-000	EA	Bulb - 67
	036196-01-000	EA	Bulb - 194
	008215-01-000	EA	Bulb - 1003
	067479-01-000	EA	Bulb - 1076
	063914-01-000	EA	Bulb - 1139
	008218-01-000	EA	Bulb - 1141
	037935-01-000	EA	Bulb - 1157
	056289-02-000	EA	Bulb - 9431808 - Dome Light

FUSES & CIRCUIT BREAKERS

Key	Part Number	U/M	Description
	008233-01-000	EA	Fuse - 6 Amp. - 12 Volt
	008234-01-000	EA	Fuse - 10 Amp. - 12 Volt
	046893-01-000	EA	Fuse - 13 Amp. - 12 Volt
	008235-01-000	EA	Fuse - 15 Amp. - 12 Volt
	008236-01-000	EA	Fuse - 20 Amp. - 12 Volt
	008248-01-000	EA	Fuse - 30 Amp. - 110 Volt - AGU
	008252-01-000	EA	Fuse - 50 Amp. - 110 Volt
	056473-02-000	EA	Fuse - 5 Amp. - Slow Blow
	056473-01-000	EA	Fuse - 6 1/4 Amp. - Slow Blow
	062901-02-000	EA	Fuse - 5 Amp. - Automotive
	062901-05-000	EA	Fuse - 15 Amp. - Automotive
	008211-01-000	EA	Circuit Breaker - 6 Amp. - 12 Volt
	006208-01-000	EA	Circuit Breaker - 40 Amp. - 12 Volt
	033573-02-000	EA	Circuit Breaker - 15 Amp. - 12 Volt - w. Mount
	033573-01-000	EA	Circuit Breaker - 20 Amp. - 12 Volt - w. Mount
	044466-03-000	EA	Circuit Breaker - 25 Amp. - 12 Volt - w. Mount
	008268-01-000	EA	Circuit Breaker - 30 Amp. - 12 Volt - w. Mount
	040051-01-000	EA	Circuit Breaker - 20 Amp. - 110 Volt - TQL
	008297-01-000	EA	Circuit Breaker - 120 Amp. - TQL
	008293-01-000	EA	Circuit Breaker - 130 Amp. - TQL
	075735-02-000	EA	Circuit Breaker - 15 Amp. - 120 Volt (Ground Fault Interrupter)
	071279-05-000	EA	Circuit Breaker - 20 Amp. - 120 Volt
	071279-04-000	EA	Circuit Breaker - 30 Amp. - 120 Volt
	071279-02-000	EA	Circuit Breaker - 15/15 Amp. - 120 Volt
	071279-03-000	EA	Circuit Breaker - 15/20 Amp. - 120 Volt
	071279-01-000	EA	Circuit Breaker - 15/30 Amp. - 120 Volt
	071279-06-000	EA	Circuit Breaker - 30.15 Amp. - 120 Volt
	071280-01-000	EA	Circuit Breaker Blank
	050283-02-000	EA	Circuit Breaker - Buss Bar
	071279-07-000	EA	Circuit Breaker - 20/20 - 120 Volt
	083209-01-000	EA	Circuit Breaker - 15 Amp. - 120 Volt
	083209-02-000	EA	Circuit Breaker - 15/15 Amp. - 120 Volt
	063209-03-000	EA	Circuit Breaker - 15/20 Amp. - 120 Volt
	083209-04-000	EA	Circuit Breaker - 30 Amp. - 120 Volt
	083209-05-000	EA	Circuit Breaker - 20 Amp. - 120 Volt
	083209-06-000	EA	Circuit Breaker - 30/15 Amp. - 120 Volt
	063210-01-000	EA	Circuit Breaker - GFI - 20 Amp. - 120 Volt
	083210-02-000	EA	Circuit Breaker - GFI - 15 Amp. - 120 Volt

MISCELLANEOUS ELECTRICAL COMPONENTS

Key	Part Number	U/M	Description
	047338-03-000	EA	Isolator - Dual Battery - 70 Amp
	008188-01-000	EA	Solenoid - Dual Battery - Relay
	065201-02-000	EA	Lamp Shade - Fabric - Parchment
	083208-01-000	EA	Control Center - 32 Amp

**1986 WINNERAGO
TABLE OF CONTENTS**

WC/WF424RC	A-01 - C-08
WC420RG	C-09 - E-12
WCN22RC	E-13 - G-24
WCN30RC	H-01 - J-10

1986 WCN22RC INDEX

Floor Plan	E-13 - E-14
Accessories Group	E-15 - E-17
Bath Group	E-18 - E-19
Chassis Group	E-20 - E-24
Curtain, Cushion & Pad Group	F-01 - F-07
Dinette Group	F-08
Driver's Compartment Group	F-09 - F-11
Electrical Group	F-12 - F-14
Exterior Body Group	F-15 - F-21
Galley Group	F-22 - F-24
Heating & Air Conditioning Group	G-01 - G-02
Interior Finish Group	G-03 - G-06
LP Group	G-07
Lounge Group	G-08
Water & Sewage Group	G-09 - G-10
Window, Vent & Exterior Door Group	G-11 - G-24

ELECTRICAL GROUP (CONTINUED)

WIRE, SWITCHES & RECEPTACLES

Key	Part Number	U/M	Description
	006058-01-000	EA	Adapter - Power Cord
	008288-01-000	EA	Box - Electrical - 3" x 3 5/8" - Plastic
	008289-01-000	EA	Box - Electrical - 4" x 4" - 1/2 & 3/4 Steel - UL
	009289-02-000	EA	Box - Electrical - 4" x 4" - 1/2 & 3/4 Steel - CSA
	058049-01-000	EA	Box - Electrical - 2" x 3" x 2.25" - Steel
	041953-01-000	EA	Conduit - Convolute Slit - .5" I.D.
	008353-01-000	EA	Connector - Clamping - 3/8 Cable - UL & CSA
	058028-01-000	EA	Connector - Pigtail - Clear Nylon
	008314-01-000	EA	Connector - Wire Nut - Gray
	008311-01-000	EA	Connector - Wire Nut - Red
	031968-01-000	EA	Contact Plug - Brass - Tin Plated
	031967-01-000	EA	Contact - Receptacle
	008054-01-000	EA	Cord - Power - 10-3 30 Amp. - 25' - UL
	008052-01-000	EA	Cord - Power - 10-3 30 Amp. - 25' - CSA
	069238-01-000	EA	Cover - Electrical Box - 4" x 4"
	058048-01-000	EA	Cover - Electrical Box - 4 5/8" x 2.75" - Rain Tight (Exterior)
	024571-03-000	EA	Cover Plate - Receptacle - Jumbo - Brown Plastic
	024571-04-000	EA	Cover Plate - Receptacle - Jumbo - Ivory Plastic
	008164-01-000	EA	Cover Plate - Switch - Brown
	008294-01-000	EA	Cover - Flat Blank - 4" x 4" - Steel - US
	008294-02-000	EA	Cover - Flat Blank - 4" x 4" - Steel - CSA
	008250-01-000	EA	Fuse Holder - In Line - 10 Amp
	008250-02-000	EA	Fuse Holder - In Line - 15 Amp
	008277-01-000	EA	Fuse Holder - Panel Mount - Black
	064399-01-000	EA	Housing Asm. - Trailer Pin
	064450-01-000	EA	Housing Asm. - Trailer Plug
	064398-01-000	EA	Housing Asm. - Trailer Receptacle
	054532-01-000	EA	Housing Pin - 6 Position
	046385-01-000	EA	Plaque - Mounting Switch
	075736-01-000	EA	Receptacle Cover Asm. - Gray (Exterior)
	058709-01-000	EA	Receptacle - Duplex - Brown
	008157-01-000	EA	Receptacle - Duplex - Brown (Exterior Backwall)
	058709-02-000	EA	Receptacle - Duplex - Ivory
	053126-01-000	EA	Receptacle - Ground Fault Interrupter - 125 Volt - Ivory
	024924-02-000	EA	Receptacle - Power Cord
	058707-01-000	EA	Receptacle - Single - Brown
	063912-01-000	EA	Relay - Canister SPDT w/ Ground
	075723-01-000	EA	Switch - Block Spacer - w/o Holes
	075723-02-000	EA	Switch - Block Spacer - w Holes
	009162-01-000	EA	Switch - Double Toggle - Brown
	077942-02-000	EA	Switch - Dummy - Brown
	056264-01-000	EA	Switch - Leaf Actuator
	091066-01-000	EA	Switch - 2 Gang - 2 Switch
	079362-01-000	EA	Switch Plate - 3 Gang - 2 Switches
	079363-01-000	EA	Switch Plate - Single - w/ Switches
	079364-01-000	EA	Switch - On/Off Rocker - Brown
	008195-01-000	EA	Switch - Push Button - 12 Volt
	008163-01-000	EA	Switch - Toggle - Brown
	006050-01-000	EA	TV Jack - Ivory
	047443-02-000	EA	Terminal - 250 Receptacle - 12-10 AWG
	035417-01-000	EA	Terminal - Pin Receptacle - 125 Dia
	008348-01-000	EA	Terminal Ring - 2 - w/3-8 Stud
	008331-01-000	EA	Terminal Ring - 4 - w/3-8 Stud
	008328-01-000	EA	Terminal Ring - 12-10 Wire
	054865-01-000	EA	Wire Asm. - Generator Switch
	008028-01-000	FT	Wire - 18.5 Bonded - Blue/Red/Yellow/Orange/White
	008024-01-000	FT	Wire - 18.5 Bonded - Orange/White/Yellow/Blue/Brown
	008025-01-000	FT	Wire - 18.5 Bonded - Orange/White/Yellow/Blue/Green
	009026-01-000	FT	Wire w/ Ground - Romex - 12/2

ELECTRICAL GROUP (CONTINUED)

INTERIOR LIGHT

Key	Part Number	U/M	Description
	065202-03-000	EA	Lamp - Decor - Wall - Bright Brass - 2 Bulb
	033508-02-000	EA	Light - Dome - Ivory - 1 Bulb - US
	033508-03-000	EA	Light - Dome - Ivory - 1 Bulb - CSA
	033509-02-000	EA	Light - Dome - Ivory - 2 Bulb - US
	033509-03-000	EA	Light - Dome - Ivory - 2 Bulb - CSA
	078424-02-000	EA	Light - Fluorescent - 12V - 18" - Almond
	061424-01-000	EA	Light - 12V Receptacle - Aisle - IP
	007309-01-000	EA	Light - Step Well
	072353-07-000	EA	Light - Reading - Double - 360° Swivel - Tan
	072353-03-000	EA	Light - Reading - Single - 360° Swivel - Almond
	068937-02-000	EA	Dome Light - Surface - w/o Switch
	056288-03-000	EA	Housing - Dome Light
	056288-04-000	EA	Lens - Dome Light
	056288-05-000	EA	Clip - Dome Light
	065201-02-000	EA	Shade - Parchment - 2 Bulbs - Lamp

EXTERIOR LIGHTS

Key	Part Number	U/M	Description
	007309-01-000	EA	Light - License Plate
	081638-01-000	EA	Tail Lamp Asm. - 2 Bulb - Black Trim
	081638-01-700	EA	Lens - Tail Lamp - Red
	081638-01-701	EA	Lens - Tail Lamp - Red w/ Back Up
	042405-01-000	EA	Lens - Rectangular - Red w/ Reflex
	042405-02-000	EA	Lens - Rectangular - Amber w/ Reflex
	042405-03-000	EA	Base - Rectangular Side Marker Light
	008099-01-000	EA	Light - Porch - Recessed
	079764-01-000	EA	Mounting Bracket - Right Front Turn Signal - Gray
	079764-02-000	EA	Mounting Bracket - Left Front Turn Signal - Gray
	079764-03-000	EA	Mounting Bracket - Right Front Turn Signal - Beige
	079764-04-000	EA	Mounting Bracket - Left Front Turn Signal - Beige
	083120-01-000	EA	Bracket - License Plate - Rear
	049185-01-000	EA	Headlight Capsule Asm. - High/Low Beam - Driver
	049186-01-000	EA	Headlight Capsule Asm. - High/Low Beam - Passenger
	049187-01-000	EA	Headlight Capsule Asm. - High Beam - Driver
	049188-01-000	EA	Headlight Capsule Asm. - High Beam - Passenger
	081250-02-000	EA	Light Asm. - Clearance - Red
	081250-01-000	EA	Light Asm. - Clearance - Amber

WINDSHIELD WIPERS & WASHER

Key	Part Number	U/M	Description
**	056000-02-000	EA	Washer Asm. - Windshield
**	057653-01-000	EA	Arm - Windshield Wiper - 18" - Black
	067191-02-000	EA	Motor Asm. - Windshield Wiper - 2 Speed
	067192-01-000	EA	Link Asm. - Connecting - Left
	067193-01-000	EA	Link Asm. - Connecting - Right
**	049464-03-000	EA	Blade - Windshield Wiper - 20" - Black
**	067190-01-000	EA	Shaft and Pivot Asm.
	074007-01-000	EA	Switch - Wiper Delay
	057474-01-000	EA	Wiper Asm.
**	The illustrated parts breakdown for this item is provided on the Common Items Fiche		

1986 WINNEBAGO TABLE OF CONTENTS

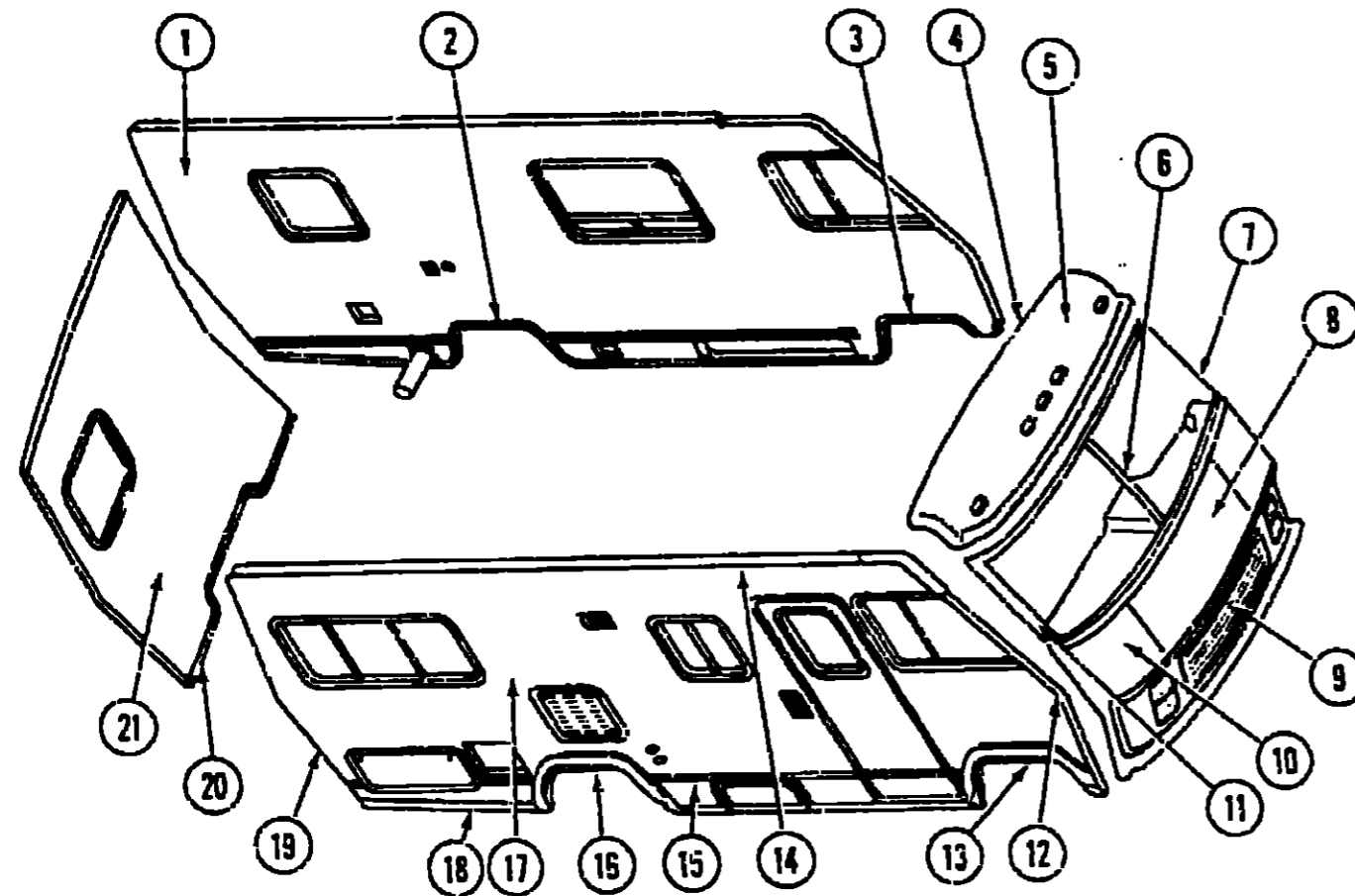
WC4WF424RC	A-01 - C-08
WC420RG	C-09 - E-12
WCN22RC	E-13 - G-24
WCN30RC	H-01 - J-10

1986 WCN22RC INDEX

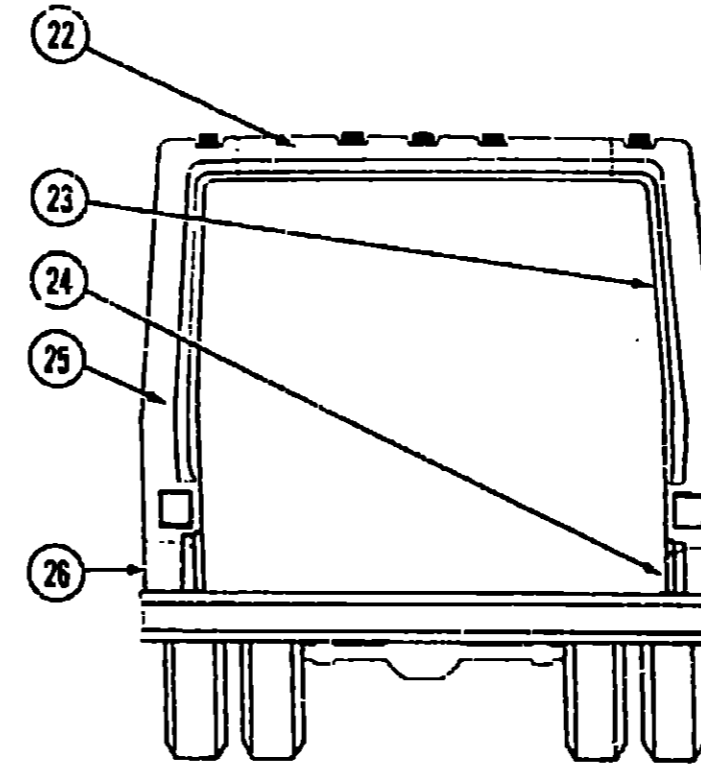
Floor Plan	E-13 - E-14
Accessories Group	E-15 - E-17
Bath Group	E-16 - E-19
Chassis Group	E-20 - E-24
Curtain, Cushion & Pad Group	F-01 - F-07
Dinette Group	F-08
Driver's Compartment Group	F-09 - F-11
Electrical Group	F-12 - F-14
Exterior Body Group	F-15 - F-21
Galley Group	F-22 - F-24
Heating & Air Conditioning Group	G-01 - G-02
Interior Finish Group	G-03 - G-06
LP Group	G-07
Lounge Group	G-08
Water & Sewage Group	G-09 - G-10
Window, Vent & Exterior Door Group	G-11 - G-24

EXTERIOR BODY GROUP

EXTERIOR BODY PANELS



Key	Part Number	U/M	Description
1	M82253-01-U04	EA	Sidewall Asm. - Driver
1	M82253-01-U05	EA	Sidewall Asm. - Driver
1	M82253-01-U06	EA	Sidewall Asm. - Driver
2	058487-07-000	EA	Trim - Wheel Well - Rear - U Channel - Driver or Passenger
3	073647-02-000	EA	Trim - Wheel Well - Front - U Channel - Driver or Passenger
4	078580-01-000	EA	Trim - Roof/Front Cap
5	M01899-01-T03	EA	Cap - Over Windshield - Beige
6	076676-02-000	EA	Trim - Molding - Windshield - Center
7	079225-02-000	EA	Trim - Contour - Windshield - Driver
	077944-02-000	EA	Trim - Molding - Windshield - Upper
	077945-02-000	EA	Trim - Molding - Windshield - Lower
8	076271-01-T03	EA	Access Panel - w. Hardware
9	078891-01-T03	EA	Grille Asm.
	079760-04-000	EA	Headlamp Bezel - Driver
	079760-03-000	EA	Headlamp Bezel - Passenger
	073308-01-000	EA	Screw Asm. - Headlamp - Adjusting
	049359-01-000	EA	Spring - Headlamp Retainer
	062207-01-000	EA	Headlamp Guard
10	M01115-10-T03	EA	Panel Asm - Front Shroud (includes access panel)
11	079225-01-000	EA	Trim - Contour - Windshield - Passenger
	077944-01-000	EA	Trim - Molding - Windshield - Upper
	079945-01-000	EA	Trim - Molding - Windshield - Lower
12	079224-01-000	EA	Trim - Fiberglass Panel - Passenger - Beige
	079224-02-000	EA	Trim - Fiberglass Panel - Driver - Beige
13	078556-01-000	EA	Trim - Wheel Well - Front - Plastic - Passenger
	078556-03-000	EA	Trim - Wheel Well - Front - Plastic - Driver
14	078600-06-000	EA	Trim - Sidewall - Upper - Driver or Passenger - Beige
15	059576-08-000	EA	Feature Strip - Extr. Beige - 14 - w. o Insert
	009731-01-000	EA	End Cap - Feature Strip Insert
	001030-12-002	EA	Insert - Feature Strip - Beige - 17'
16	075070-01-000	EA	Trim - Wheel Well - Rear - Plastic - Passenger
	075070-03-000	EA	Trim - Wheel Well - Rear - Plastic - Driver



Key	Part Number	U/M	Description
17	M82255-01-U04	EA	Sidewall Asm. - Passenger
17	M82255-01-U05	EA	Sidewall Asm. - Passenger
17	M82255-01-U06	EA	Sidewall Asm. - Passenger
18	072639-01-001	EA	Extr - Rocker Panel - 216"
19	073502-19-000	EA	Trim - Passenger Rear - Beige
	073502-20-000	EA	Trim - Driver Rear - Beige
20	050406-06-000	EA	Trim - Backwall - Lower - Driver or Passenger
	082379-01-U04	EA	Roof Asm.
21	082225-02-U04	EA	Backwall Asm - w/Double Bed
	082225-02-U04	EA	Backwall Asm - w/Bunk Bed
	072917-02-000	EA	Rod - Hood Prop
	072010-01-000	EA	Cable - Release (Access Panel)
	073611-01-000	EA	Striker - Hood Latch
	074178-01-000	EA	Bracket - Cable Release - Inside
	079267-01-000	EA	Latch - Hood
	072013-01-000	EA	Spring - Hood Release
	062628-31-000	EA	Clip - Prop Rod
	072011-01-000	EA	Cable Sheath
22	M01893-02-000	EA	Trim - Rear - Center Upper - Plastic - Beige
23	082455-01-000	EA	Trim - Rear - Upper Passenger - Plastic - Beige
24	082457-01-000	EA	Trim - Rear - Lower Passenger - Plastic - Beige
25	082457-02-000	EA	Trim - Rear - Upper Driver - Plastic - Beige
26	M01894-02-000	EA	Trim - Rear - w/License Plate Bracket - Lower Driver - Plastic - Beige
	078577-01-000	EA	Bumper End Cap - Front Passenger - Beige
	078577-02-000	EA	Bumper End Cap - Front Driver - Beige
	078578-01-000	EA	Bumper End Cap - Rear Passenger - Beige
	078578-02-000	EA	Bumper End Cap - Rear Driver - Beige
		EA	Not illustrated

1985 WINNEBAGO TABLE OF CONTENTS

WC-WF424RC
WC420RG
WCN22RC
WCN30RC

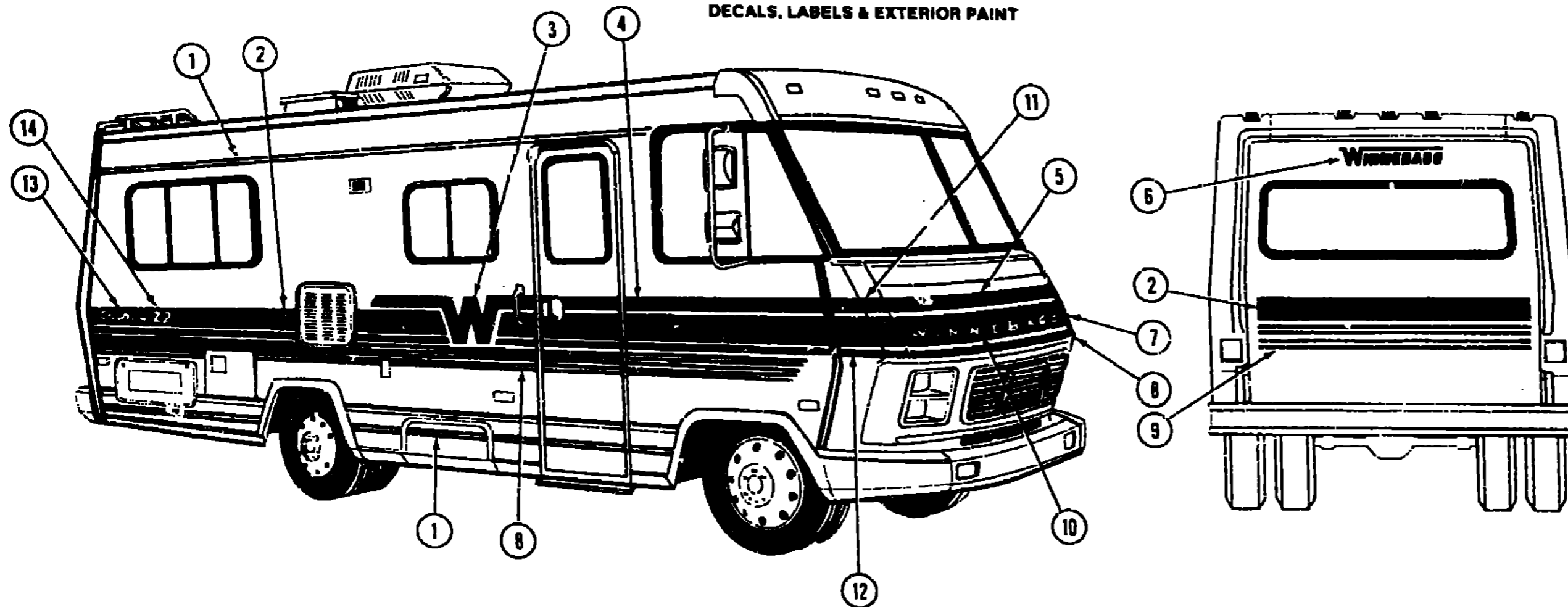
A-01 - C-08
C-09 - E-12
E-13 - G-24
H-01 - J-10

1986 WCN22RC INDEX

Floor Plan	E-13 - E-14
Accessories Group	E-15 - E-17
Bath Group	E-18 - E-19
Chassis Group	E-20 - E-24
Curtain, Cushion & Pad Group	F-01 - F-07
Dinette Group	F-08
Driver's Compartment Group	F-09 - F-11
Electrical Group	F-12 - F-14
Exterior Body Group	F-15 - F-21
Galley Group	F-22 - F-24
Heating & Air Conditioning Group	G-01 - G-02
Interior Finish Group	G-03 - G-06
LP Group	G-07
Lounge Group	G-08
Water & Sewage Group	G-09 - G-10
Window, Vent & Exterior Door Group	G-11 - G-24

EXTERIOR BODY GROUP (CONTINUED)

DECALS, LABELS & EXTERIOR PAINT



1986 WINNEBAGO TABLE OF CONTENTS

WC/WF424RC
WC420RG
WCN22RC
WCN30RC

A-01 - C-08
C-09 - E-12
E-13 - G-24
H-01 - J-10

Key	Part Number	U/M	Description
1	065217-90-000	FT	Film - Multistripe - Light Brown/Brown (U04)
1	065217-89-000	FT	Film - Multistripe - Rust/Burgundy (U05)
1	065217-88-000	FT	Film - Multistripe - Light Green/Green (U06)
2	065217-87-000	FT	Film - Multistripe - Light Brown/Brown (U04)
2	065217-86-000	FT	Film - Multistripe - Rust/Burgundy (U05)
2	065217-85-000	FT	Film - Multistripe - Light Green/Green (U06)
3	079351-06-000	EA	Decal - Flying W - Light Brown (U04)
3	079351-05-000	EA	Decal - Flying W - Rust (U05)
3	079351-04-000	EA	Decal - Flying W - Green (U06)
4	078831-14-000	FT	Decal Striping - Light Brown (U04)
4	078831-13-000	FT	Decal Striping - Rust (U05)
4	078831-12-000	FT	Decal Striping - Green (U06)
5	079100-07-000	EA	Decal - Hood - Light Brown Metallic (U04)
5	079100-08-000	EA	Decal - Hood - Rust Metallic (U05)
5	079100-09-000	EA	Decal - Hood - Light Green Metallic (U06)
-	078831-15-000	EA	Decal - Under Hood - Brown (U04)
-	078831-16-000	EA	Decal - Under Hood - Rust (U05)
-	078831-17-000	EA	Decal - Under Hood - Green (U06)
6	050313-21-000	EA	Decal Logo "Winnebago"
7	079099-08-000	EA	Decal - Corner - Light Brown (U04)
7	079099-10-000	EA	Decal - Corner - Light Rust (U05)
7	079099-12-000	EA	Decal - Corner - Light Green (U06)
8	080763-08-000	EA	Decal - Lower Corner - Brown (U04)
8	080763-10-000	EA	Decal - Lower Corner - Burgundy (U05)
8	080763-12-000	EA	Decal - Lower Corner - Green (U06)
9	076791-10-000	FT	Film - Multistripe - Brown (U04)
9	076791-09-000	FT	Film - Multistripe - Burgundy (U05)
9	076791-08-000	FT	Film - Multistripe - Green (U06)
-			Not illustrated

Key	Part Number	U/M	Description
10	069745-03-000	EA	Decal - "Winnie"
-	069745-04-000	EA	Decal - "Bago"
11	079099-07-000	EA	Decal - Corner - Brown (U04)
11	079099-09-000	EA	Decal - Corner - Rust (U05)
11	079099-11-000	EA	Decal - Corner - Light Green (U06)
12	080763-07-000	EA	Decal - Lower Corner - Brown (U04)
12	080763-09-000	EA	Decal - Lower Corner - Burgundy (U05)
12	080763-11-000	EA	Decal - Lower Corner - Green (U06)
13	058719-02-000	EA	Decal Logo - "Chieftain"
14	073724-04-000	EA	Decal Logo - "33"

1986 WCN22RC INDEX

Floor Plan	E-13 - E-14
Accessories Group	E-15 - E-17
Bath Group	E-18 - E-19
Chassis Group	E-20 - E-24
Curtain, Cushion & Pad Group	F-01 - F-07
Dinette Group	F-08
Driver's Compartment Group	F-09 - F-11
Electrical Group	F-12 - F-14
Exterior Body Group	F-15 - F-21
Galley Group	F-22 - F-24
Heating & Air Conditioning Group	G-01 - G-02
Interior Finish Group	G-03 - G-06
LP Group	G-07
Lounge Group	G-08
Water & Sewage Group	G-09 - G-10
Window, Vent & Exterior Door Group	G-11 - G-24

EXTERIOR BODY GROUP (CONTINUED)

ACCESS PANEL HARDWARE

Key	Part Number	U/M	Description
	072917-02-000	EA	Rod - Hood Prop
	062628-01-000	EA	Clip - Prop Rod
	058833-01-000	EA	Bracket - Prop Rod
	073340-01-000	EA	Hinge - Access Panel - Passenger
	073340-02-000	EA	Hinge - Access Panel - Drivers
	056960-01-000	EA	Bracket - Hinge Asm. - Hood - Drivers
	056960-02-000	EA	Bracket - Hinge Asm. - Hood - Passenger
	R77006-68-721	EA	Cable - Release (Access Panel)
	074178-01-000	EA	Bracket - Cable Release - Inside
	R77007-01-950	EA	Striker - Hood Latch
	R77006-59-931	EA	Latch - Hood
	R77006-38-499	EA	Spring
	R77006-19-765	EA	Cable Sheath
	073333-01-000	EA	Bracket - Latch Support
	073337-01-000	EA	Brace Latch - Hood
	073341-01-000	EA	Bracket - Hood Latch
	058786-02-000	EA	Bolt - Hood Adjusting - 5/16" x 18 x 1 1/4"

SEALANTS & ADHESIVES

Key	Part Number	U/M	Description
	004020-01-000	QT	Adhesive - ABS Cement (Plastic Fittings)
	002337-01-000	EA	Adhesive - 1300 Tube - 3M (Windows)
	004005-02-000	GL	Adhesive - Swifts - Glue (Sidewalls)
	053766-07-000	EA	Bedding Compound - Tube - Beige (Exterior)
	053766-06-000	EA	Bedding Compound - Tube - Clear (Window)
	053766-08-000	EA	Bedding Compound - Tube - Gray (Exterior)
	053766-05-000	EA	Bedding Compound - Tube - Gray (Sidewalls to Floor)
	053766-02-000	EA	Bedding Compound - Tube - Off White (Exterior)
	002328-02-000	EA	Block - Rubber Spacer (Windshield)
	004336-01-000	EA	Caulk - Latex - Golden Walnut (Sidewalls)
	072891-02-000	QT	Primer - Glass - Black
	072891-01-000	QT	Primer - Glass - Clear
	035024-01-000	EA	Primer - Glass - Clear - Windshield
	072890-01-000	QT	Primer - Metal - Black
	035023-01-000	GL	Primer - Metal - Windshield
	077967-01-000	EA	Sealant - Acrylic Latex - Tube - Off White (Interior Sealant)
	034552-04-000	EA	Sealant - Silicone - Beige
	034552-02-000	EA	Sealant - Silicone - Clear
	034552-07-000	EA	Sealant - Silicone - Dark Gray
	034552-06-000	EA	Sealant - Silicone - Off White
	069637-01-000	EA	Sealant - Weatherban 404 - Tube - White (Door Caulk)
	072889-01-000	EA	Sealant - Urethane - Black (Windshield)
	069640-01-000	FT	Sealer Ribbon - .25" Bead x 20'
	059640-02-000	FT	Sealer Ribbon - 5" x .125" x 30'
	059640-03-000	FT	Sealer Ribbon - 75" x .125" x 30'
	069640-04-000	FT	Sealer Ribbon - 2" x .09" x 45' (P Series)
	069640-05-000	FT	Sealer Ribbon - 2.5" x .09" x 50'
	069640-06-000	FT	Sealer Ribbon - 5/16" Bead x 15'
	069640-07-000	FT	Sealer Ribbon - 2" x 3/32" x 30'
	002316-01-000	FT	Sealer Tape - 3/32" x 3 8" - White (Window)
	002707-01-000	FT	Sealer Tape - 5/16" x 3/4"
	002707-02-000	FT	Sealer Tape - 5/16" x 1/2"
	040545-01-000	GL	Sealer - Seam Weld
	053752-04-000	EA	Seam Sealer - Tube - Aluminum (Roof)
	053542-01-000	FT	Tape - Adhesive - 10 mm x 1 5" Wide
	038886-01-000	EA	Tape - Butyl - .31" x .31" x 148" (Windshield)
	076322-01-000	FT	Tape - Foam - Double Coated - .025 x 1" (Fiberglass Sidewall Seams)
	076322-02-000	FT	Tape - Foam - Double Coated - .045 x 1" (Fiberglass Sidewall Seams)
	009200-01-000	EA	Tape - Furnace - 1 5"
	002825-01-000	FT	Weather Striping (Roof Vent)

EXTERIOR BODY GROUP (CONTINUED)

INTERIOR/EXTERIOR SCREWS & FASTENERS

Key	Part Number	U/M	Description
	005200-01-000	EA	Bolt - Round Head - Square Neck w/SST Cap - 7/16" - 14 x 1 1/4"
	058279-01-000	EA	Clip - Mounting - Front Panel
	035628-01-000	EA	Fastener - Blind Well Nut - 1.05" x .38"
	000D15-06-00B	EA	Nut - Hex - 3/8" x 24 - Zinc
	005081-01-000	EA	Nut - Speed - C Type - #8 Screw
	000G54-04-20B	EA	Screw 1/4 - 20 x 1 1/4" PTH - Zinc
	000G54-04-22B	EA	Screw 1/4 - 20 x 1 3/8" PTH - Zinc
	000G53-04-06B	EA	Screw 1/4 - Machine - 20 x 3/8" PTH - Zinc
	000G13-06-12P	EA	Screw #6 - 20 x 3/4" PFH - Dark Brown
	000G13-06-28X	EA	Screw #6 - 20 x 3/4" PFH - Gray
	000G13-06-16R	EA	Screw #6 - 20 x 1" PFH - Beige
	000G11-07-08B	EA	Screw #7 - 19 x 1/2" PPH - Zinc
	000G12-08-12M	EA	Screw #8 - 18 x 3/4" POH - Gray
	000G11-08-12R	EA	Screw #8 - 18 x 3/4" PPH - Beige
	000G11-08-12X	EA	Screw #8 - 18 x 3/4" PPH - Gray
	000G11-08-12B	EA	Screw #8 - 18 x 3/4" PPH - Zinc
	000G39-08-12R	EA	Screw #8 - 18 x 3/4" SDPH - Beige
	000G66-08-12M	EA	Screw #8 - 18 x 3/4" SDPH - Gray
	000G11-08-16R	EA	Screw #8 - 18 x 1" PFH - Gray
	000G66-08-16R	EA	Screw #8 - 18 x 1" SDPH - Beige
	000G12-08-28R	EA	Screw #8 - 18 x 1 3/4" POH - Beige
	000G36-08-08E	EA	Screw #8 - 32 x 1/2" PFH - Chrome
	000G39-08-03B	EA	Screw #8 - Self Drilling - 18 x 1/2" PPH - Zinc
	000G39-08-12B	EA	Screw #8 - Self Drilling - 18 x 3/4" PPH - Zinc
	000G39-08-12R	EA	Screw #8 - Self Drilling - 18 x 3/4" PPH - Beige
	000G39-08-16R	EA	Screw #8 - Self Drilling - 18 x 1" PPH - Beige
	000G39-08-16T	EA	Screw #8 - Self Drilling - 18 x 1" PPH - Black
	000G39-08-16P	EA	Screw #8 - Self Drilling - 18 x 1" PPH - Dark Brown
	000G39-08-16X	EA	Screw #8 - Self Drilling - 18 x 1" PPH - Gray
	000G39-08-16E	EA	Screw #8 - Self Drilling - 18 x 1" PPH - Chrome
	000G64-08-16M	EA	Screw #8 - Self Drilling - 18 x 1" SDPH - Gray
	000G67-10-08B	EA	Screw #10 - 12 x 1/2" PPH - Zinc
	000G67-10-10R	EA	Screw #10 - 12 x 5/8" PPH - Beige
	000G67-10-16P	EA	Screw #10 - 12 x 1" PPH - Dark Brown
	000G67-10-16B	EA	Screw #10 - 12 x 1" PPH - Zinc
	000G67-10-20B	EA	Screw #10 - 12 x 1 1/4" - PPH - Zinc
	000G67-10-24B	EA	Screw #10 - 12 x 1 1/2" PPH - Zinc
	049465-04-000	EA	Screw #10 - 16 x 1" POH - w/Washer - Beige
	049465-05-000	EA	Screw #10 - 16 x 1" POH - w/Washer - Gray
	000G12-10-24E	EA	Screw #10 - 16 x 1 1/2" POH - Chrome
	000G11-10-08B	EA	Screw #10 - 16 x 1/2" PPH - Dark Brown
	000G11-10-12R	EA	Screw #10 - 16 x 3/4" PPH - Beige
	000G11-10-12S	EA	Screw #10 - 16 x 3/4" PPH - Off White
	000G11-10-12B	EA	Screw #10 - 16 x 3/4" PPH - Zinc
	000G11-10-16B	EA	Screw #10 - 16 x 1" PPH - Zinc
	000G11-10-40B	EA	Screw #10 - 16 x 2 1/2" PPH - CAD
	000G19-10-12B	EA	Screw #10 - Machine - 32 TPI x 3/4"
	075908-01-000	EA	Screw #10 - Machine - 32 x 56" PTH - Zinc
	000G19-10-20B	EA	Screw #10 - Machine - 32 x 1 1/4" PPH - Zinc
	000G39-12-12E	EA	Screw #10 - Self Drilling - 14 x 3/4" PPH - Chrome
	000G39-10-10R	EA	Screw #10 - Self Drilling - 16 x 62" PPH - Beige
	000G39-10-12R	EA	Screw #10 - Self Drilling - 16 x 3/4" PPH - Beige
	000G39-10-12P	EA	Screw #10 - Self Drilling - 16 x 3/4" PPH - Dark Brown
	000G56-12-48C	EA	Screw #12 - Wood - 11 x 3" POH - CAD

1986 WINNEBAGO TABLE OF CONTENTS

WC/M F424RC	A-01 - C-08
WC420RG	C-09 - E-12
WCN22RC	E-13 - G-24
WCN30RC	H-01 - J-10

1986 WCN22RC INDEX

Floor Plan	E-13 - E-14
Accessories Group	E-15 - E-17
Bath Group	E-18 - E-19
Cnassis Group	E-20 - E-24
Curtain, Cushion & Pad Group	F-01 - F-07
Dinette Group	F-08
Driver's Compartment Group	F-09 - F-11
Electrical Group	F-12 - F-14
Exterior Body Group	F-15 - F-21
Galley Group	F-22 - F-24
Heating & Air Conditioning Group	G-01 - G-02
Interior Finish Group	G-03 - G-06
LP Group	G-07
Lounge Group	G-08
Water & Sewage Group	G-09 - G-10
Window, Vent & Exterior Door Group	G-11 - G-24

EXTERIOR BODY GROUP (CONTINUED)

LABELS & EXTERIOR PAINT

Key	Part Number	U/M	Description
	068383-01-000	EA	Label - Diesel Fuel
	006195-01-000	EA	Label - Electrical Test
	047731-01-000	EA	Label - Emergency Exit
	006199-01-000	EA	Label - Exit - Escape Window
	057467-04-000	EA	Label - Exterior Loading Limit
	064378-01-000	EA	Label - Flying "W" w/ Thermo Panel
	061417-01-000	EA	Label - Fuel
	006196-01-000	EA	Label - Gas Test
	054531-01-000	EA	Label - LP Gas Only
	040944-01-000	EA	Label - Open - Entrance Door
	006015-01-000	EA	Label - Patent Motor Home
	056259-01-000	EA	Label - Safety Check List
	006064-01-000	EA	Label - Seat - w/o Seat Belts
	006187-01-000	EA	Label - Sewage
	006006-01-000	EA	Label - Thermo Panel - 2 1/4" x 2 1/4"
	075221-01-000	EA	Label - Trailer Hitch Capacity
	075220-01-000	EA	Label - Warning - Exterior Load Limit
	050225-01-000	EA	Label - Warning - Stove Vent - US
	006188-C1-000	EA	Label - Waste Water
	006197-01-000	EA	Label - Water Test
	072863-01-000	EA	Nameplate - Diesel - 3.2L
	006062-01-000	EA	Tag - Electrical - 110 Volt Connection
	006040-01-000	EA	Tag - Gas - Refueling Warning
	044486-03-000	EA	Paint - Beige Acrylic Enamel - 16 oz. Aerosol (7533A Dupont)
	045681-03-000	EA	Paint - Gloss Black - Acrylic Enamel - 16 oz. Aerosol (99 Dupont)
	058637-05-000	EA	Paint - Gray Acrylic Enamel - 16 oz. Aerosol (71537 Dupont)
	041561-03-000	EA	Paint - Off White Acrylic Enamel - 16 oz. Aerosol (45396A Dupont)
	074559-01-000	EA	Label "LPG" - 3 3" x 1 75" - (Calif. Code)

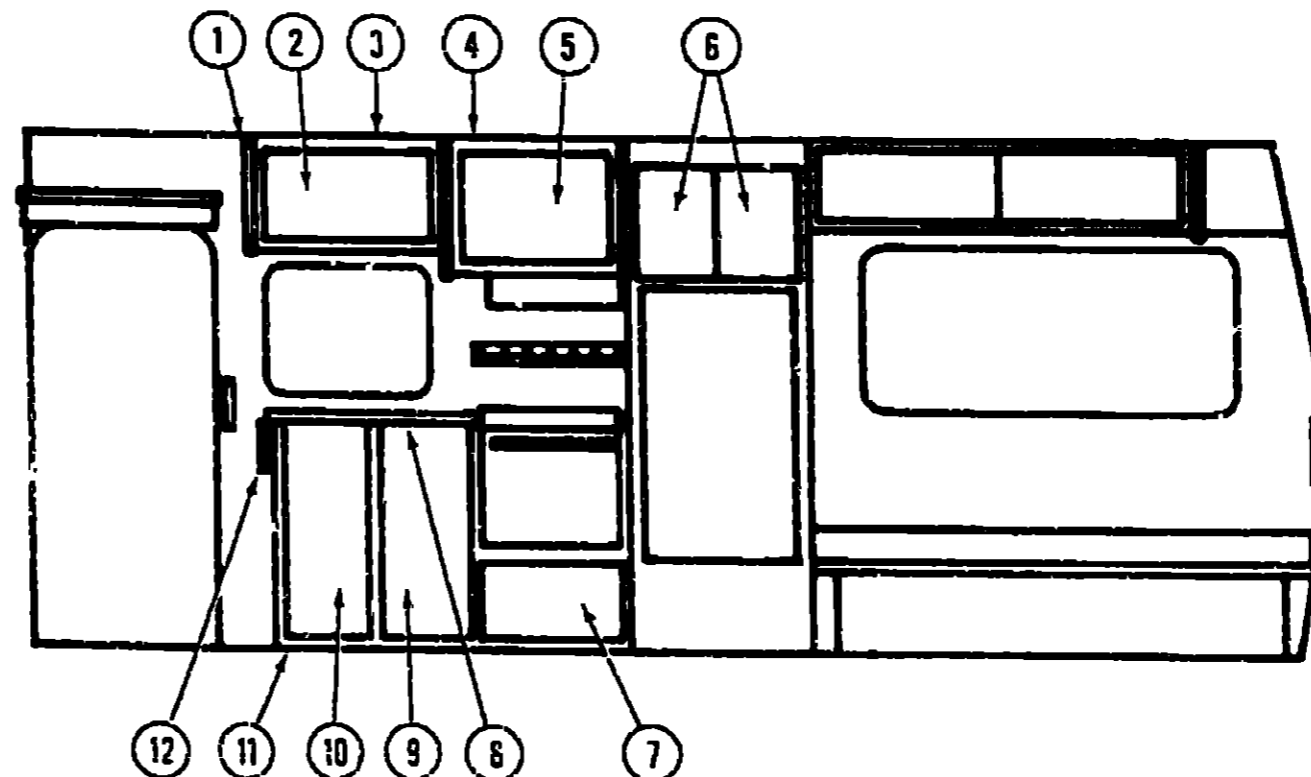
SHEET FIBERGLASS, ALUMINUM & STYROFOAM

Key	Part Number	U/M	Description
	077517-10-001	EA	Fiberglass - Sheet - 46.12" x 378" - Mesa
	077517-10-002	EA	Fiberglass - Sheet - 46.12" x 68" - Mesa
	001018-01-024	EA	Alum. - Beige - No Design - 48" x 96"
	044487-01-001	EA	Alum. - Mill Finish - No Design (Roof) - 96" x 360"
	000863-01-000	SF	Styrofoam - .75" x 24" x 96"
	000870-01-000	SF	Styrofoam - 1.50" x 24" x 96"
	000870-03-000	SF	Styrofoam - 1.34" x 48" x 96"

MISCELLANEOUS EXTERNALLY MOUNTED PARTS

Key	Part Number	U/M	Description
	083558-01-000	EA	Plumbing Seal - Roof Vent - 1 5" - Covered
	048817-01-000	EA	Assist Handle - w/ Light
	048817-01-700	EA	Leve - Assist Handle
	010230-03-000	EA	Fill - City Water - Recessed - Beige
	081240-01-000	EA	Water Fill - Lockable - Beige

GALLEY GROUP



GALLEY CABINETRY

Key	Part Number	U/M	Description
	1 081320-04-U04	EA	Pad Asm - End Cap - Galley Overhead - Almond Vinyl
	2 M81523-04-T03	EA	Door Asm. - Galley Overhead - w/o Hardware
	3 081655-01-U04	EA	Cabinet Asm. - Galley Overhead - w/o Doors or Hardware
	4 081460-05-U04	EA	Cabinet Asm. - Galley Overhead - w/o Doors or Hardware
	5 M81523-01-U01	EA	Door Asm. - Galley Overhead - 18 2" x 23 9" - w/o Hardware
	6 M81502-05-U04	EA	Door Asm. - Refrigerator Cabinet - 19 6" x 11 8" - w/o Hardware
	7 M81507-02-U04	EA	Door Asm. - Furnace - Galley Cabinet - 15 9" x 21 8" - w/ Gold Mesh
	072369-07-000	EA	Mesh - Furnace Grille - 21 5" x 12"
	8 M02465-01-U04	EA	Countertop Asm. - Galley - Beige Crescent
	9 M81501-03-U01	EA	Door Asm. - Galley Cabinet - w/o Hardware - Right
	10 M81501-02-U01	EA	Door Asm. - Galley Cabinet - w/o Hardware - Left
	M82184-03-T03	EA	Drawer Asm. - Galley Cabinet (used with microwave option)
	M62564-03-U04	EA	Cabinet Asm. - Galley - w/o Countertop, Doors, Drawers or Hardware (used with microwave option)
	11 M62564-01-U04	EA	Cabinet Asm. - Galley - w/o Countertop, Doors, Drawers or Hardware
	12 080812-01-U01	EA	Extension Asm. - Galley - Almond Loom
	077404-01-000	EA	Drawer - Plastic - 20" x 12 7"
			Not illustrated

**1986 WINNEBAGO
TABLE OF CONTENTS**

WC/WF424RC	A-01 - C-08
WC420RG	C-09 - E-12
WCN22RC	E-13 - G-24
WCN30RC	H-01 - J-10

1986 WCN22RC INDEX

Floor Plan	E-13 - E-14
Accessories Group	E-15 - E-17
Bath Group	E-18 - E-19
Chassis Group	E-20 - E-24
Curtain, Cushion & Pad Group	F-01 - F-07
Dinette Group	F-08
Driver's Compartment Group	F-09 - F-11
Electrical Group	F-12 - F-14
Exterior Body Group	F-15 - F-21
Galley Group	F-22 - F-24
Heating & Air Conditioning Group	G-01 - G-02
Interior Finish Group	G-03 - G-06
LP Group	G-07
Lounge Group	G-08
Water & Sewage Group	G-09 - G-10
Window, Vent & Exterior Door Group	G-11 - G-24

GALLEY GROUP (CONTINUED)

GALLEY HARDWARE & APPLIANCES

Key	Part Number	U/M	Description
	079353-01-000	EA	Hood - Range - Powered w/ Monitor - Almond - US
	079353-01-700	EA	Test Connector
	079353-01-701	EA	Fan Blade
	079353-01-702	EA	Filter & Lens
	079353-01-703	EA	Motor
	079353-01-704	EA	Circuit Board - Tanks
	079353-01-705	EA	Monitor Panel Asm. - w/ Face
	079353-01-706	EA	Vent Hood - Frame Only
	079353-02-000	EA	Hood - Range - Powered w/ Monitor - Almond - CSA
	079354-03-000	EA	Duct Extension - Range Hood - Beige
	081374-01-000	EA	Range Top - 4 Burner - Almond
	081374-01-700	EA	Trim - Cabinet Top - Right
	081374-01-701	EA	Trim - Cabinet Top - Left
	081374-01-702	EA	Panel - Manifold Warm - Black
	081374-01-703	EA	Trim Top - Rear
	081374-01-704	EA	Guard - Fabric
	064782-02-000	EA	Range w/ Small Oven - 4 Burner - Almond - Magic Chef
	064782-02-700	EA	Top - Main - 4 Burner - Almond
	064782-02-701	EA	Deflector Plate - Black
	064782-01-702	EA	Trim - Cabinet - Right - Black
	064782-02-703	EA	Trim - Cabinet - Left - Black
	064782-02-704	EA	Trim - Lower Outside Glass - Black
	057782-02-705	EA	Handle - Oven Door - Black
	064782-02-706	EA	Vertical Trim - Black
	064782-02-707	EA	Panel - Manifold
	064782-02-708	EA	Valve - Mercury
	064473-02-000	EA	Refrigerator - 3-Way - 4.9 Cu Ft - Norcold
	064473-02-700	EA	Cooling Unit - (Service Pak)
	064473-02-701	EA	Door Frame
	054473-02-702	EA	Breaker Strip - Left - Bronze
	054473-02-703	EA	Breaker Strip - Right - Bronze
	064473-02-704	EA	Breaker Strip - Top - Bronze
	075217-01-000	EA	Refrigerator - AC-DC Gas - Norcold 6' - 638-EG3
	075217-01-700	EA	Shelf Asm. - Door - w/ Trim
	075217-01-701	EA	Gasket - Freezer Door
	075217-01-702	EA	Frame Asm. - Door
	075217-01-703	EA	Trim - Decor - Top & Bottom
	075217-01-704	EA	Gasket - Refrigerator Door
	075217-01-706	EA	Cabinet Asm. - Urethane
	075217-01-707	EA	Bulb - Light - DC
	075217-01-708	EA	Socket - Lamp
	075217-01-710	EA	Eyebrow Asm
	075217-01-711	EA	Breaker Strip - Top
	075217-01-713	EA	Crisper Drawer
	075217-01-714	EA	Thermostat Asm
	075217-01-715	EA	Knob - Thermostat
	075217-01-716	EA	Front Divider Asm.
	075217-01-717	EA	Stat. - Humidity
	075217-01-718	EA	Light Switch
	075217-01-719	EA	Eyebrow Board
	075217-01-720	EA	Eyebrow
	075217-01-721	EA	Lamp - Indicator - Amber
	075217-01-722	EA	Lamp - Indicator - Green
	075217-01-723	EA	Lamp - Indicator - Red
	075217-01-724	EA	Lamp - Indicator - Blue
	075217-01-725	EA	Rocker Switch - #61525
	075217-01-726	EA	Interface Board
	R77005-81-129	EA	Relay - Glow Plug
	075217-01-728	EA	Cover - Interface Board
	075217-01-729	EA	Fittings - Outlet
	075217-01-730	EA	Valve - Gas

GALLEY GROUP (CONTINUED)

GALLEY HARDWARE & APPLIANCES (CONT.)

Key	Part Number	U/M	Description
	075217-01-731	EA	Nipple
	075217-01-732	EA	Fitting - Inlet
	075217-01-733	EA	Shut-Off Cock
	075217-01-734	EA	Fuse - 3 Amp.
	075217-01-735	EA	Ignition Electrode
	075217-01-736	EA	Sensing Electrode
	075217-01-737	EA	Control Module
	075217-01-738	EA	Rocker Switch - #61525
	075217-01-739	EA	Heater
	075217-01-740	EA	Screw #6 - 32 x 2 3/8"
	075217-01-741	EA	Wing - Nut #6 - 32
	075217-01-742	EA	Hex Nut
	075217-01-743	EA	Elbow - 90°
	075217-01-744	EA	Cable - Wiring
	075217-01-745	EA	Liner Asm. - Foamed - Door
	075217-01-746	EA	Baffle Asm
	075217-01-747	EA	Liner Asm. - Foamed - Lower - Door
	075218-01-000	EA	Refrigerator - 3 Way - 10' Norcold
	075218-01-700	EA	Gasket - Freezer Door
	075218-01-701	EA	Gasket - Refrigerator Door
	075218-01-702	EA	Connector Food
	075218-01-703	EA	Frame Asm.
	075218-01-704	EA	Cabinet - Urethane
	075218-01-705	EA	Breaker Strip - Bottom
	075218-01-707	EA	Divider - Front
	075218-01-708	EA	Cable - Wiring
	075218-01-709	EA	Door Liner Asm. - Foamed
	075218-01-710	EA	Door Liner Asm. - Foamed - Lower
	054450-01-000	EA	Level - Refrigerator
	081379-01-000	EA	Microwave Convection Oven - 5.5 cu ft
	091459-03-000	EA	Bracket Asm. - Microwave - Right
	081459-04-000	EA	Bracket Asm. - Microwave - Left
	081456-01-000	EA	Angle Asm. - Microwave - Right
	081456-02-000	EA	Angle Asm. - Microwave - Left
	081555-01-703	EA	Trim Asm. - Microwave
	082876-01-000	EA	Baffle Asm. - Microwave
	023111-01-000	EA	Blender - Built In
	068615-01-000	EA	Sink - Stainless Steel - Double w/ Bolts
	011053-01-000	EA	Faucet - Swing Spout - 8" - US
	011053-02-000	EA	Faucet - Swing Spout - 8" - CSA
	011053-01-700	EA	Aerator - Swing Spout Faucet
	066437-01-000	EA	Strainer w/ Basket - Sink
	081530-01-001	EA	Sink Cover - Large - Almond Loom
	009049-01-000	EA	Support - Drop Leaf Table
	009059-01-000	EA	Hinge - 2" - Gold - Drop Leaf Table
	074490-02-703	EA	Spice Rack - Oak
	079606-03-004	EA	Magazine Rack - Oak
	074981-01-000	EA	Cutting Board - Maple
	058034-01-000	EA	Wastebasket - 9 3/4" x 7" x 10" - White
	058478-01-000	EA	Support - Wastebasket - Metal - Door Mount
	059777-01-000	EA	Hinge - Cabinet Door - Antique Brass
	039973-01-000	EA	Latch w/ Strike - Cabinet Door
	078212-01-000	EA	Door Pull - Polished Brass w/ Oak Inlay
	047744-01-000	EA	Kit - Drawer Guide - Plastic
	077409-01-000	EA	Slider - Drawer - 20 7/8" - Plastic
	077404-01-000	EA	Drawer - 20" x 12 7/8" - Plastic
	066435-01-000	EA	Nut Stainer
	011083-01-000	EA	Plug - 1 1/4" x 5" - w/ Stopper

** The illustrated parts breakdown for this item is provided on the Common Items Fiche

1986 WINNEBAGO TABLE OF CONTENTS

WC/WF424RC	A-01 - C-08
WC420RG	C-09 - E-12
WCN22RC	E-13 - G-24
WCN30RC	H-01 - J-10

1986 WCN22RC INDEX

Floor Plan	E-13 - E-14
Accessories Group	E-15 - E-17
Bath Group	E-18 - E-19
Chassis Group	E-20 - E-24
Curtain, Cushion & Pad Group	F-01 - F-07
Dinette Group	F-08
Driver's Compartment Group	F-09 - F-11
Electrical Group	F-12 - F-14
Exterior Body Group	F-15 - F-21
Galley Group	F-22 - F-24
Heating & Air Conditioning Group	G-01 - G-02
Interior Finish Group	G-03 - G-06
LP Group	G-07
Lounge Group	G-08
Water & Sewage Group	G-09 - G-10
Window, Vent & Exterior Door Group	G-11 - G-24

HEATING & AIR CONDITIONING GROUP

AUXILIARY HEATER ASSEMBLY

Key	Part Number	U/M	Description
	049401-01-000	EA	Heater Asm - Rear - Auxiliary
	049401-01-700	EA	Valve - Heater Control
	049401-01-701	EA	Control Cable
	049401-01-702	EA	Motor Asst
	049401-01-703	EA	Heater Core
	049401-01-704	EA	Switch
	058905-01-000	EA	Control Panel - Brown
	058993-01-000	EA	Bracket - Side Mount - Motor Aid
	076312-01-000	EA	Mesh - Grille - 7.33" x 6.75" - Gold Aluminum

AUTOMOTIVE HEATER & AIR CONDITIONER

Key	Part Number	U/M	Description
	072341-04-000	EA	Heater Evaporator Asm
	072341-01-700	EA	Wheal - w Retainer & Index Clip
	072341-01-701	EA	Core - Heater
	072341-01-702	EA	Coil - Evaporator
	072341-01-703	EA	Valve - Expansion
	072341-01-704	EA	Valve - Suction
	072341-01-705	EA	Switch - Pressure - Low Cut Out
	072341-01-706	EA	Resistor
	072341-01-707	EA	Thermostat
	072341-01-708	EA	Motor - Vacuum
	R77005-81-129	EA	Relay - Glow Plug
	072341-01-710	EA	Control Asm - Heater & C
	072341-01-711	EA	Cable - Bowden - 72'
	072341-01-712	EA	Switch - Vacuum
	072341-01-713	EA	Switch - Jumper Control
	072341-01-714	EA	Valve - Heater - Water Flow Control
	072341-01-715	EA	Escape & Louver Adapter Asm
	072341-01-716	EA	Discharge Valve - 1.2"
	072341-06-000	EA	Duct & Control Kit
	072342-01-000	EA	Condenser Asm
	072342-02-700	EA	Receiver Drier - Condenser Asm
	072343-01-000	EA	Compressor Clutch
	072344-01-000	EA	Package - Compressor Mount
	074026-01-000	EA	Package - Compressor Mount - 6.2 L Diesel
	039044-01-000	EA	Louver Asm - A/C Adjustable
	007076-01-700	FT	Hose - Flexible PVC - 2" I.D.
	007281-01-700	FT	Hose - Flexible PVC - 2 1/2" I.D.
	007108-01-000	FT	Hose - Heater - 5 3/8" I.D. SAE 20R3
	062401-04-000	EA	Clamp - Worm Drive - 89' - 1.25" I.D.
	010227-01-000	EA	Tee - Plastic - Barb 5/8" or 3/4" Hose

HEATING & AIR CONDITIONING GROUP (CONTINUED)

FURNACE & ROOF AIR CONDITIONER

Key	Part Number	U/M	Description
	075695-01-000	EA	Furnace - 34,000 BTU - w Direct Ignition - NT-34S
	075695-01-000	EA	Furnace - 24,000 BTU - w Direct Ignition - NT-24S
	069324-01-723	EA	Thermostat - Furnace
	075695-01-701	EA	Electrode Asm - Furnace
	075695-01-702	EA	Vent Cap Asm - Furnace
	075695-01-703	EA	Gas Inlet Pipe - Furnace
	075695-01-704	EA	Manifold Asm - Furnace
	075695-01-705	EA	Burner Asm - Furnace
	075695-01-707	EA	Motor - NT-34S
	075695-01-708	EA	Micro Switch Asm - 24,000 BTU Furnace
	075695-01-709	EA	Micro Switch Asm - 34,000 BTU Furnace
	075695-01-710	EA	Cabinet Front
	075695-01-711	EA	Cabinet Asm
	069633-01-705	EA	Vent Package - Furnace - Suburban
	069636-01-000	EA	Connector - 4" Duct
	009199-01-000	EA	Duct - Flexible - 4" I.D. x 25'
	056464-01-000	EA	Register - 4" Dia - Plastic - w Damper
	056464-02-000	EA	Register - 4" Dia - Plastic - w Damper
	009200-01-000	EA	Yape - Furnace - 1 1/2"
	023146-01-000	EA	Clamp - Screw Type - 4"
	073743-01-000	EA	Shroud Asm - Ceiling - Inside - Roof Air 13,500 BTU - Cool Only
	073744-01-000	EA	Shroud Asm - Ceiling - Inside - Roof Air 13,500 BTU - Heat & Cool
	073742-01-010	EA	Air Conditioner - 110 Volt - Roof Mount - 13,500 BTU Primary
	073742-01-700	EA	Decal Package - Left & Right (Exterior)
	073742-01-701	EA	Selector Switch (5 Terminals)
	073742-01-702	EA	Decal - Cool Only
	073742-01-703	EA	Decal - Heat & Cool
	073742-01-704	EA	Decal - Thermostat - TSR

1986 WINNEBAGO TABLE OF CONTENTS

WC W424RC	A-01 - C-08
WC420RG	C-09 - E-12
WCN22RC	E-13 - G-24
WCN30RC	H-01 - J-10

1986 WCN22RC INDEX

Floor Plan	E-13 - E-14
Accessories Group	E-15 - E-17
Bath Group	E-18 - E-19
Chassis Group	E-20 - E-24
Curtain, Cushion & Pad Group	F-01 - F-07
Dinette Group	F-08
Driver's Compartment Group	F-09 - F-11
Electrical Group	F-12 - F-14
Exterior Body Group	F-15 - F-21
Galley Group	F-22 - F-24
Heating & Air Conditioning Group	G-01 - G-02
Interior Finish Group	G-03 - G-05
LP Group	G-07
Lounge Group	G-08
Water & Sewage Group	G-09 - G-10
Window, Vent & Exterior Door Group	G-11 - G-24

INTERIOR FINISH GROUP

CURTAIN & CUSHION HARDWARE

Key	Part Number	U/M	Description
	079798-03-000	EA	Bracket Asm - Curtain Rod - Right
	079798-04-000	EA	Bracket Asm - Curtain Rod - Left
	082139-02-000	EA	Bracket - Hold Down - Blind
	079798-03-700	EA	Bracket - Bedroom Valance - Right - Beige
	079798-04-000	EA	Bracket - Bedroom Valance - Left - Beige
	079782-04-000	EA	Track - Curtain - 12' - Beige - Bottom
	009107-01-000	EA	Guide - Curtain - Bottom
	029130-01-000	EA	Snap Socket - Curtain Bottom
	082249-01-000	EA	Bracket - Blind - Top Right
	082249-02-000	EA	Bracket - Blind - Top Left
	082117-04-000	EA	Bracket - Blinds Installation
	029130-01-000	EA	Snap Socket - Tie Back
	079619-01-000	EA	Bracket - Tie Back
	056001-01-000	EA	Bracket - Shade - Left
	056002-01-000	EA	Bracket - Shade - Right
	056784-01-000	EA	Pull - Window Shade - Antique Brass
	056115-01-000	YD	Tape - Clear Plastic - w Guides
	048394-01-000	YD	Tape Hook - 1" x 50 yd - Beige
	029026-05-000	YD	Tape Hook - 50' - Velcro - Beige
	048395-01-000	YD	Tape Loop - 1" x 50 YD - Beige
	029090-01-000	FT	Tie - Drapery - Clear Vinyl
	056116-01-000	EA	Track - Curtain - Brown Plastic - Top
	079946-01-000	EA	Track - Curtain - Wraparound - Right
	079946-02-000	EA	Track - Curtain - Wraparound - Left

PANELING & LAMINATE

Key	Part Number	U/M	Description
	074497-04-000	SF	Paneling - Scrimshaw Sand - 48" x 84" (28 SF) (Wall)
	074496-31-000	SF	Paneling - Decor - Reseda - 48" x 84" (28 SF) (Bedroom & Bath)
	074496-38-000	SF	Paneling - Decor - Paw Plum - 48" x 84" (28 SF) (Galley) U04 U05
	074496-39-000	SF	Paneling - Decor - Paw Pine - 48" x 84" (28 SF) (Galley) U06
	074497-07-000	SF	Paneling - Pebble Beach - 48" x 96" (32 SF) (Ceiling)
	074497-03-000	SF	Paneling - Sunset Oak - 48" x 84" (28 SF) (Cabinets)
	074496-06-000	SF	Plastic Laminate - Beige Crescent (Galley)
	074496-05-000	SF	Plastic Laminate - Fawn (Bath & Dinette) (U04, U05)
	074496-14-000	SF	Plastic Laminate - Sage Green (Bath & Dinette) (U05)
	074496-05-000	SF	Plastic Laminate - Sunset oak (Nightstand & Table Tops)
	074496-05-019	EA	Plastic Laminate - Edge Band - Beige Crescent - 1 9/16" x 96"
	074496-08-019	EA	Plastic Laminate - Edge Band - Fawn - 1 9/16" x 96" (U04 U05)
	074496-14-019	EA	Plastic Laminate - Edge Band - Sage Green - 1 9/16" x 96" (U06)
	074496-05-019	EA	Plastic Laminate - Edge Band - Sunset Oak - 1 9/16" x 96"

MISCELLANEOUS PARTS

Key	Part Number	U/M	Description
	053552-02-T03	EA	Handle Asm - Interior Assist - Medium Almond Vinyl
	041944-03-000	EA	Fire Extinguisher - 5BC
	041944-02-000	EA	Bracket - Fire Extinguisher
	054185-24-000	EA	Owner's Manual - 1985 Itasca & Winnebago
	007033-01-000	EA	Door Mat - 10 1/2' x 26" - Black Rubber
	075907-02-000	EA	Picture - Decor - Assorted Grasses
	065201-02-000	EA	Lamp Shade - Fabric - Parchment

INTERIOR FINISH GROUP (CONTINUED)

FABRICS & CARPET

Key	Part Number	U/M	Description
	077498-62-000	YD	Fabric - Main w Stripes - Beige (U04)
	077498-63-000	YD	Fabric - Main w Stripes - Rose (U05)
	077498-64-000	YD	Fabric - Main w Stripes - Spruce (U06)
	077498-75-000	YD	Fabric - Patterned Accent - Rose (U05)
	077498-74-000	YD	Fabric - Patterned Accent - Spruce (U06)
	077498-73-000	YD	Fabric - Plain Accent - Beige & Spruce (U04 U05)
	077498-72-000	YD	Fabric - Plain Accent - Rose (U05)
	059729-43-000	YD	Fabric - Bedroom Drapery - Multi-color (U04 U05 U06)
	072333-21-000	YD	Fabric - Bedroom Drapery - Parchment (U04 U05 U06)
	072333-21-000	YD	Fabric - Wraparound & Blackout - Parchment (U04 U05 U06)
	072333-25-000	YD	Fabric - Drapery - Beige (U04)
	072333-26-000	YD	Fabric - Drapery - Rose (U05)
	072333-27-000	YD	Fabric - Drapery - Spruce (U06)
	038421-02-000	YD	Fabric - Mattress Ticking - Beige Brown
	052859-01-T03	FT	Trim Asm - Accent - Sandrift
	052859-06-T03	FT	Trim Asm - Accent - Buckskin
	079660-01-000	YD	Vinyl - Expanded - 26 oz - Buckskin (U04, U05, U06)
	079660-02-000	YD	Vinyl - Expanded - 26 oz - Sandrift (U04 U05 U06)
	038421-01-000	YD	Fabric - Mattress Ticking
	029012-01-000	GF	Foam - Rolled - 3 8"
	079553-01-000	YD	Vinyl - Expanded - 26 oz - Buckskin (Beige)
	079660-02-000	YD	Vinyl - Expanded - 26 oz - Dark Sandrift
	072660-43-000	YD	Carpet - Beige (U04)
	072660-44-000	YD	Carpet - Sovereignty Red Brown (U05)
	072660-45-000	YD	Carpet - Green Blue (U05)
	075233-01-000	YD	Carpet Pad - 3 8" Foam

CURTAIN & CUSHION HARDWARE

Key	Part Number	U/M	Description
	079798-03-000	EA	Bracket Asm - Curtain Rod - Right
	079798-04-000	EA	Bracket Asm - Curtain Rod - Left
	082139-02-000	EA	Bracket - Hold Down - Blind
	079798-03-000	EA	Bracket - Bedroom Valance - Right - Beige
	079798-04-000	EA	Bracket - Bedroom Valance - Left - Beige
	079782-04-000	EA	Track - Curtain - 12' - Beige - Bottom
	009107-01-000	EA	Guide - Curtain - Bottom
	029130-01-000	EA	Snap Socket - Curtain Bottom
	082249-01-000	EA	Bracket - Blind - Top Right
	082249-02-000	EA	Bracket - Blind - Top Left
	082117-04-000	EA	Bracket - Blinds Installation
	029130-01-000	EA	Snap Socket - Tie Back
	079619-01-000	EA	Bracket - Tie Back
	056001-01-000	EA	Bracket - Shade - Left
	056002-01-000	EA	Bracket - Shade - Right
	056784-01-000	EA	Pull - Window Shade - Antique Brass
	056115-01-000	YD	Tape - Clear Plastic - w Guides
	048394-01-000	YD	Tape Hook - 1" x 50 yd - Beige
	029026-05-000	YD	Tape Hook - 50' - Velcro - Beige
	048395-01-000	YD	Tape Loop - 1" x 50 YD - Beige
	029090-01-000	FT	Tie - Drapery - Clear Vinyl
	056116-01-000	EA	Track - Curtain - Brown Plastic - Top
	079946-01-000	EA	Track - Curtain - Wraparound - Right
	079946-02-000	EA	Track - Curtain - Wraparound - Left

1986 WINNEBAGO TABLE OF CONTENTS

WC WF424RC	A-01 - C-08
WC420RG	C-09 - E-12
WCN22RC	E-13 - G-24
WCN30RC	H-01 - J-10

1986 WCN22RC INDEX

Floor Plan	E-13 - E-14
Accessory Group	E-15 - E-17
Bath Group	E-18 - E-19
Chassis Group	E-20 - E-24
Curtain, Cushion & Pad Group	F-01 - F-07
Dinette Group	F-08
Driver's Compartment Group	F-09 - F-11
Electrical Group	F-12 - F-14
Exterior Body Group	F-15 - F-21
Galley Group	F-22 - F-24
Heating & Air Conditioning Group	G-01 - G-02
Interior Finish Group	G-03 - G-05
LP Group	G-07
Lounge Group	G-08
Water & Sewage Group	G-09 - G-10
Window Vent & Exterior Door Group	G-11 - G-24

INTERIOR FINISH GROUP (CONTINUED)

CABINETS & TABLE HARDWARE

Key	Part Number	U/M	Description
	053200-05-000	EA	Bracket - Upper Wall Mount - 23 5" - Beige
**	053201-03-000	EA	Bracket - Table Mount - 23"
	024275-05-000	EA	Rod - Table Lift - 8" x 23 5" - Beige
	024281-07-000	EA	Bracket - Lower Wall Mount - 22 12" - Beige
	024276-14-000	EA	Leg Asm - Table - 23 5" - Brown
	064050-01-000	EA	Hinge - Table Leg
**	024282-01-000	EA	Brace - Table Leg
**	024283-01-000	EA	Cup - 1" O.D. Tube
	049493-02-000	EA	Catch - Table Leg - Mounts on Floor - Brown
**	057898-01-000	EA	Latch - Hidden - Cabinet Door w/ Strike
	009112-01-000	EA	Flange - 1" - Chrome - Closet Rod
	077409-01-000	EA	Slide - Drawer - Plastic - 20 75"
	009049-01-000	EA	Table Support - Drop Leaf
	059777-01-000	EA	Hinge - Antique Brass
	009059-01-000	EA	Hinge - 2" - Drop Leaf Table - Gold
	009059-02-000	EA	Hinge - 2" - Brass
**	047744-01-000	EA	Kil - Drawer Glide
	064457-01-000	EA	Guide - Wall Mount - Door Pocket
	078212-01-000	EA	Pull - Antique Brass - w/ Oak
	076767-03-000	EA	Cable Asm - SST (TV Table)
	009016-01-000	EA	Elbow - Catch - Spring Loaded
	061604-01-000	EA	Bolt - Slide - Antique Brass
	057671-01-000	EA	Screw Cover - #8 - Off White
	072369-07-000	EA	Mesh - Grille - 21 5" x 12" - Gold Aluminum
	009150-01-000	EA	Warp Guard - 64"
	009021-01-000	EA	Catch - Nylon - Furnace Door
	009021-02-000	EA	Strike - Nylon Catch - Furnace Door
**	059777-01-000	EA	Hinge - Cabinet Door - Antique Brass
	074493-02-000	EA	Support - Spring - Door
	055433-01-000	EA	Hook - Cup - Bright
	058034-02-000	EA	Latch - Door w/ Lock
	075650-01-000	EA	Clothes Rod - Adjustable - 27" x 36"
	073305-01-100	EA	Slide Drawer - 18" - Left
	073305-02-500	EA	Slide Drawer - 18" - Right
	073305-03-000	EA	Slide Cabinet - 18" - Left
	073305-04-000	EA	Slide Cabinet - 18" - Right
	078212-01-000	EA	Pull - Cabinet - Brass Oak
	079921-01-000	EA	Roller - Nylon w/ Sheet (Pull Out Table)

** The illustrated parts breakdown for this item is provided on the Common Items Fiche

INTERIOR FINISH GROUP (CONTINUED)

INTERIOR MOLDING & TRIM

Key	Part Number	U/M	Description
	024700-21-000	EA	Cover - Sidewall Roll Bar - Beige
	081521-01-001	EA	Molding w/ Holes - Corner - 16"
	042357-09-000	FT	Molding - Radius Corner - 7" Elm
	022992-06-000	FT	Molding - Reverse Cove - White
	022992-09-000	FT	Molding - Reverse Cove - Grady Brown
	059733-37-000	EA	Batt Strip - Sunset Oak - 8" (Bedroom)
	069733-42-000	EA	Batt Strip - Scrimshaw Sand - 8" (Wall)
	069733-52-000	EA	Batt Strip - Pebble Beach - 8" (Ceiling)
	067733-57-000	EA	Batt Strip - Encore - 8" (Galley & Bath)
	070504-01-000	FT	U-Channel - 065" - Light Brown
	070504-02-000	FT	U-Channel - 815" - Light Brown
	070504-03-000	FT	U-Channel - 815" - Grady Brown
	009778-04-000	FT	U-Channel - 1" - Grady Brown
	009815-03-000	FT	T-Molding - 75" - Light Brown
	009815-04-000	FT	T-Molding - 75" - Grady Brown
	078325-04-000	FT	T-Molding - 1 5 16" - Sunset Oak
	077840-01-T03	EA	Molding - Wall Cap - 96" - Vinyl Covered - Sunset Oak
	077953-01-000	EA	Grommet - 1" Hole Liner
	075249-01-000	EA	Rail Asm - Plain - 72"
	078026-21-T03	EA	Trim - Valance - 82"
	002774-02-001	EA	Trim - Carpet - 192"
	073321-01-000	EA	Trim - Carpet - Wall
	052859-05-T03	FT	Accent Trim - Buckskin
	052859-06-T03	FT	Accent Trim - Dark Sandrift
	021241-01-000	FT	Vinyl - Extr - White
	059352-01-000	FT	Insert - Vinyl - Style & Rail
	009767-06-000	FT	Welling - Beige
	009767-07-000	FT	Welling - Grady Brown
	074045-01-000	EA	Plug - 1 2" Dia - Oak
	042356-01-000	EA	Plug - 3 8" - Mahogany
	041746-01-000	FT	Vinyl - Extr - Bubble Seal

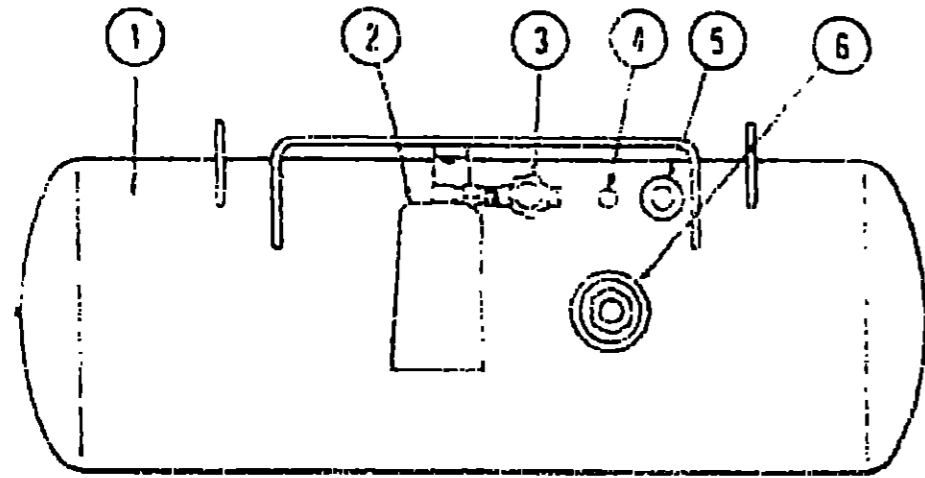
**1986 WINNEBAGO
TABLE OF CONTENTS**

WC WF424RC	A-01 - C-08
WC420RG	C-09 - E-12
WCN22RC	E-13 - G-24
WCN30RC	H-01 - J-10

1986 WCN22RC INDEX

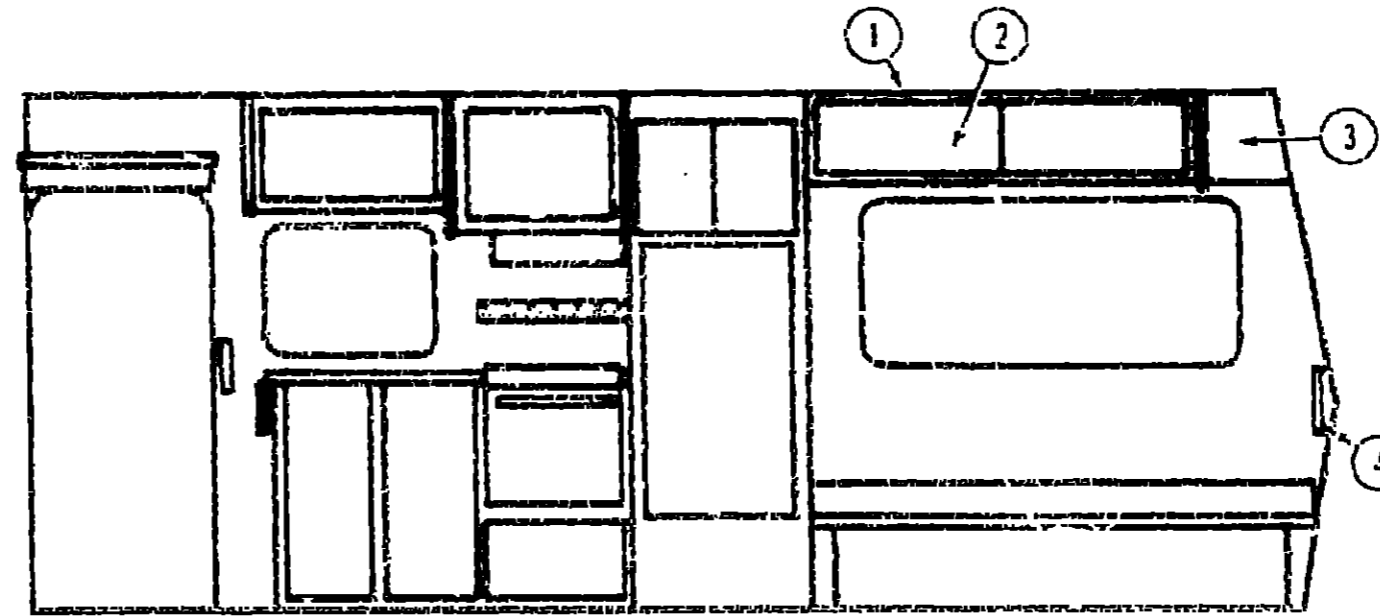
Floor Plan	E-13 - E-14
Accessories Group	E-15 - E-17
Bath Group	E-18 - E-19
Chassis Group	E-20 - E-24
Curtain, Cushion & Pad Group	F-01 - F-07
Dinette Group	F-08
Driver's Compartment Group	F-09 - F-11
Electrical Group	F-12 - F-14
Exterior Body Group	F-15 - F-21
Galley Group	F-22 - F-24
Heating & Air Conditioning Group	G-01 - G-02
Interior Finish Group	G-03 - G-05
LP Group	G-07
Lounge Group	G-08
Water & Sewage Group	G-09 - G-10
Window, Vent & Exterior Door Group	G-11 - G-24

LP GROUP



Key	Part Number	U/M	Description
1	074142-01-000	EA	Tank Asm - LP - Frame Mount - 30 Pound - 13" x 44"
1	080450-01-000	EA	Tank Asm - LP - Frame Mount - 42 Pound - 13" x 24"
1	065741-01-000	EA	Detector - LP Gas Leak - Marshaldown Instruments
2	081935-01-000	EA	Cover - LP Regulator
1	076301-01-000	EA	Regulator - Two Stage - US (Dual)
1	076301-02-000	EA	Regulator - Two Stage - CSA (Dual)
3	040421-01-703	EA	Valve - Vapor Relief
4	040421-01-700	EA	Gauge - Liquid Level - 20" LP
5	040421-01-701	EA	Valve - Filler - LP
1	040421-01-707	EA	Cap - Plastic Fill Valve
6	040421-01-707	EA	Gauge - Float - w Visible Dial
1	040421-01-705	EA	Dial - Visible Face - Float Gauge (Tank w o Electric Transmitter)
1	040440-01-000	EA	Dial - Transmitter - 0 - 90 Ohm (Float Gauge)
1	045703-01-000	EA	Hose Asm - LP - 3/8" I.D. x 24" - US
1	045703-02-000	EA	Hose Asm - LP - 3/8" I.D. x 24" - CSA
1	045703-03-000	EA	Hose Asm - LP - 3/8" I.D. x 18" - US
1	045703-04-000	EA	Hose Asm - LP - 3/8" I.D. x 14" - CSA
1	055742-01-000	EA	Tee - 3/8 F x 3/8 F x 25 FPT
1	Not Illustrated		

LOUNGE GROUP



DOUBLE BED & SIDE BUNKS

Key	Part Number	U/M	Description
1	051535-01-U04	EA	Cabinet Asm - Lounge Overhead - w o Doors or Hardware
2	M81503-01-T03	EA	Door Asm - Overhead Cabinet - w o Hardware
3	021540-01-U04	EA	Cabinet Asm - Rear Lounge Overhead - w o Doors or Hardware
1	M81503-01-T03	EA	Door Asm - Rear Lounge Overhead - w o Hardware
4	077463-17-U01	EA	Headboard Asm - Double Bed
1	M81501-15-U04	EA	Door Asm - Double Bed
1	M81537-01-U04	EA	Cabinet Asm - Nightstand - w o Countertop or Drawers
1	M02472-01-U04	EA	Countertop Asm - Nightstand Cabinet
1	M76921-03-U04	EA	Drawer - Nightstand Cabinet - w o Hardware
1	Not illustrated		

1986 WINNEBAGO TABLE OF CONTENTS

WC WF424RC
WC420RG
WCN22RC
WCN35PC

A-01 - C-05
C-09 - E-12
E-13 - G-24
H-01 - J-10

1986 WCN22RC INDEX

Floor Plan	E-13 - E-14
Accessories Group	E-15 - E-17
Bath Group	E-18 - E-19
Chassis Group	E-20 - E-24
Curtain, Cushion & Pad Group	F-01 - F-07
Dinette Group	F-08
Driver's Compartment Group	F-09 - F-11
Electrical Group	F-12 - F-14
Exterior Body Group	F-15 - F-21
Galley Group	F-22 - F-24
Heating & Air Conditioning Group	G-01 - G-02
Interior Finish Group	G-03 - G-06
LP Group	G-07
Lounge Group	G-08
Water & Sewage Group	G-09 - G-10
Window, Vent & Exterior Door Group	G-11 - G-24

WATER & SEWAGE GROUP

PLUMBING & REPAIR PARTS

Key	Part Number	U/M	Description
	033302-02-000	EA	Adapter Asm - SWWC Strain - 1 1/2"
	010325-01-000	EA	Adapter - Flare - w Cone Gasket
	062422-01-000	EA	Adapter - Hose Offset - Reducer - 3" x 1 1/2"
	052954-01-000	EA	Adapter - Hose Cone - 3/8 or 1/2 - Plastic
	010224-01-000	EA	Adapter - Plastic - 3/8 MPT x 3/8 Barb
	044927-01-000	EA	Adapter - Plastic - 1 1/4" MPT x 1 1/4 Barb
	031602-02-000	EA	Adapter - Plastic - 1 1/2 H x FPT
	062417-01-000	EA	Adapter - Termination - 3"
	004320-01-000	OT	Adhesive - ABS Cement
**	011048-04-000	EA	Breaker - Vacuum - 1/8 MPT - Nylon
	010121-01-000	EA	Bushing - Plastic - 1 1/2 S x 1 1/4 H
	010122-01-000	EA	Bushing - Plastic - 1 1/2 S x 1 1/4 T
	010123-01-000	EA	Bushing - Plastic - 2S x 1 1/2 H
	036522-02-000	EA	Cap - Brass - 1/2 Flare
	062415-01-000	EA	Cap - Sewer - 3"
	052959-02-000	EA	Connector - 1 1/2 F x 1 1/2 MPT - Plastic
	052959-03-000	EA	Connector - 1 1/2 F x 3/8 MPT - Plastic
	011091-02-000	EA	Continuous Waste - Double Sink - 11 7/8" - US
	053974-01-000	EA	Continuous Waste Asm - Double Sink - CSA
	076406-01-000	EA	Coupler Rubber - 3" x 3"
	052950-01-000	EA	Drain Valve - 1 1/2 F x 1 1/2 F - Plastic
	010000-01-000	EA	Elbow - Plastic - 1 1/8 BD x 1 1/4 x 45° H x H
	010005-01-000	EA	Elbow - Plastic - 1 1/8 BD x 1 1/2
	010006-01-000	EA	Elbow - Plastic - 1 1/8 BD x 1 1/2 x 45° H x H
	010008-01-000	EA	Elbow - Plastic - 1 1/4 BD x 1 1/2 x 90° Left
	010051-01-000	EA	Elbow - ST - Plastic - 1 1/8 BD x 1 1/2 x 45°
	010219-01-000	EA	Elbow - 1 1/4 Barb x 1 1/4 MPT x 90°
	031111-01-000	EA	Elbow - Plastic - 1 1/4 BD x 1 1/4 x 90° Left
	034250-01-000	EA	Elbow - Plastic - 1 1/4 BD x 1 1/2 x 90° H x H
	035539-01-000	EA	Elbow - Plastic - 3/8 MPT x 3/8 Barb
	052957-01-000	EA	Elbow - Plastic - 1 1/2 F x 3/8 MPT
	052957-02-000	EA	Elbow - Plastic - 1 1/2 F x 1 1/2 MPT (In Tank Filter)
	059538-01-000	EA	Elbow - 1 1/4 - Slip Joint Ends
	055120-01-000	EA	Elbow - Plastic - Swivel - 50
	070924-01-000	EA	Elbow - Plastic - Swivel - 1 1/2 MPT x 1 1/2 FPT
	077954-01-000	EA	Filter Screen (In Water Tank)
	039547-02-000	EA	Filter - Water Pump - 1 1/2" MPT
	039547-03-000	EA	Filter - Water Pump - 1 1/2" Flare
	010147-01-000	EA	Flange - Closet - 4" F x 3" FPT - US
	010147-02-000	EA	Flange - Closet - 4" F x 3" FPT - CSA
	079551-01-000	FT	Flexible Tubing - 1 1/4 I.D. x 10'
	061507-01-000	EA	Grommet - Holding Tank Coupler - 1 1/2"
	061607-02-000	EA	Grommet - Holding Tank Coupler - 3"
	052419-02-000	EA	Handle - Extension - w 6" Adapter
	052961-01-000	EA	Header - 1 1/2 F x 1 1/2 F x 1 1/2 F x 1 1/2 F
**	046524-01-000	EA	Kit - Holding Tank Fittings - Blank Tank
**	046524-02-000	EA	Kit - Water Tank Fittings - Blank Tank
	052953-01-000	EA	Nut - Faucet - 1 1/2 Tube x 1 1/2 FPT
	052952-01-000	EA	Nut - 1 1/2 F - Plastic
**	011056-03-000	EA	P-Trap - 1 1/4" Plastic - US
**	011056-02-000	EA	P-Trap - 1 1/4" Plastic - CSA
	053335-01-000	EA	P-Trap - Plastic - 1 1/4 H x H - w Union - CSA
	010197-01-000	EA	Pipe - Plastic - 3" x 240" - Black
	045729-01-000	EA	Pump - Water - 2 1/2 G.P.M. - Direct Drive - Shurflo - US
	045729-02-000	EA	Pump - Water - 2 1/2 G.P.M. - Direct Drive - Shurflo - CSA
**	010201-01-000	EA	Sewer Hose - 3" x 5' w Clamp
	042969-02-000	EA	Spinweld Fittings - Plastic - 1 1/2 FPT (In Tank Filter)
	042969-03-000	EA	Spinweld Fittings - Plastic - 1 1/4 NPT
	042969-04-000	EA	Spinweld Fittings - Plastic - 3/8 FPT
	011059-02-000	EA	Tailpiece - 1 1/2" x 1 1/4" x 4" - Brass

** The illustrated parts breakdown for this item is provided on the Common Items Fiche

WATER & SEWAGE GROUP (CONTINUED)

PLUMBING & REPAIR PARTS (CONT.)

Key	Part Number	U/M	Description
	010071-01-000	EA	Tee - Plastic - 1 1/2 x H x H x H
	010072-01-000	EA	Tee - Plastic - 1 1/2 H x 1 1/4 H x 1 1/2 H
**	010079-01-000	EA	Tee - Plastic - 1 1/2 H x 1 1/2 H x 1 1/4 H
	046172-01-000	EA	Tee - Plastic - 3/8 B x 3/8 B x 3/8 MPT
	052955-01-000	EA	Tee - Plastic - 1 1/2 F x 1 1/2 F x 1 1/2 MPT
	052956-01-000	EA	Tee - Plastic - 1 1/2 F x 1 1/2 MPT x 1 1/2 F
	052955-01-000	EA	Tee - Plastic - 1 1/2 F x 1 1/2 F x 1 1/2 F
**	010133-01-000	EA	Trap Adapter - Plastic - 1 1/2 H x MPT
	059500-01-000	FT	Tubing - Polybutyl - 1 1/2 O.D. (Water Line)
	079381-01-000	FT	Tubing - Flexible - Smooth - 1 1/2 I.D.
	071462-02-000	FT	Tubing - Vinyl - 3/8 I.D.
	072346-01-000	EA	Valve Asm - 3" Ell - w 2" Socket
	052421-01-000	EA	Valve - 1 1/2" - w Handle
	062418-02-000	EA	Valve - 3" - w.o Handle
	052960-01-000	EA	Valve - Line Drain - 1 1/2 F x 1 1/2 F
	052962-01-000	EA	Valve - Stop - 90° - 1 1/2 F x 3/8 MPT
	010073-01-000	EA	Wye - Plastic - 1 1/2 x 45 H x H

** The illustrated parts breakdown for this item is provided on the Common Items Fiche

HOLDING TANKS & WATER HEATERS

Key	Part Number	U/M	Description
	M00070-75-000	EA	Tank Asm - Water - 47 Gallon - w Fittings
	072444-01-000	EA	Tank - Water - 47 Gallon - w.o Fittings
	064592-01-000	EA	Tank - Waste Water - 25 Gallon - w.o Fittings
	072363-01-000	EA	Tank - Sewage - 32 Gallon - w.o Fittings
**	051391-01-000	EA	Water Heater - w.o Motor Aid - G6A3
**	051391-03-000	EA	Water Heater - w Electronic Ignition - G6A-3E
**	051393-01-000	EA	Water Heater - w Motor Aid - G6B-3E

** The illustrated parts breakdown for this item is provided on the Common Items Fiche

**1986 WINNEBAGO
TABLE OF CONTENTS**

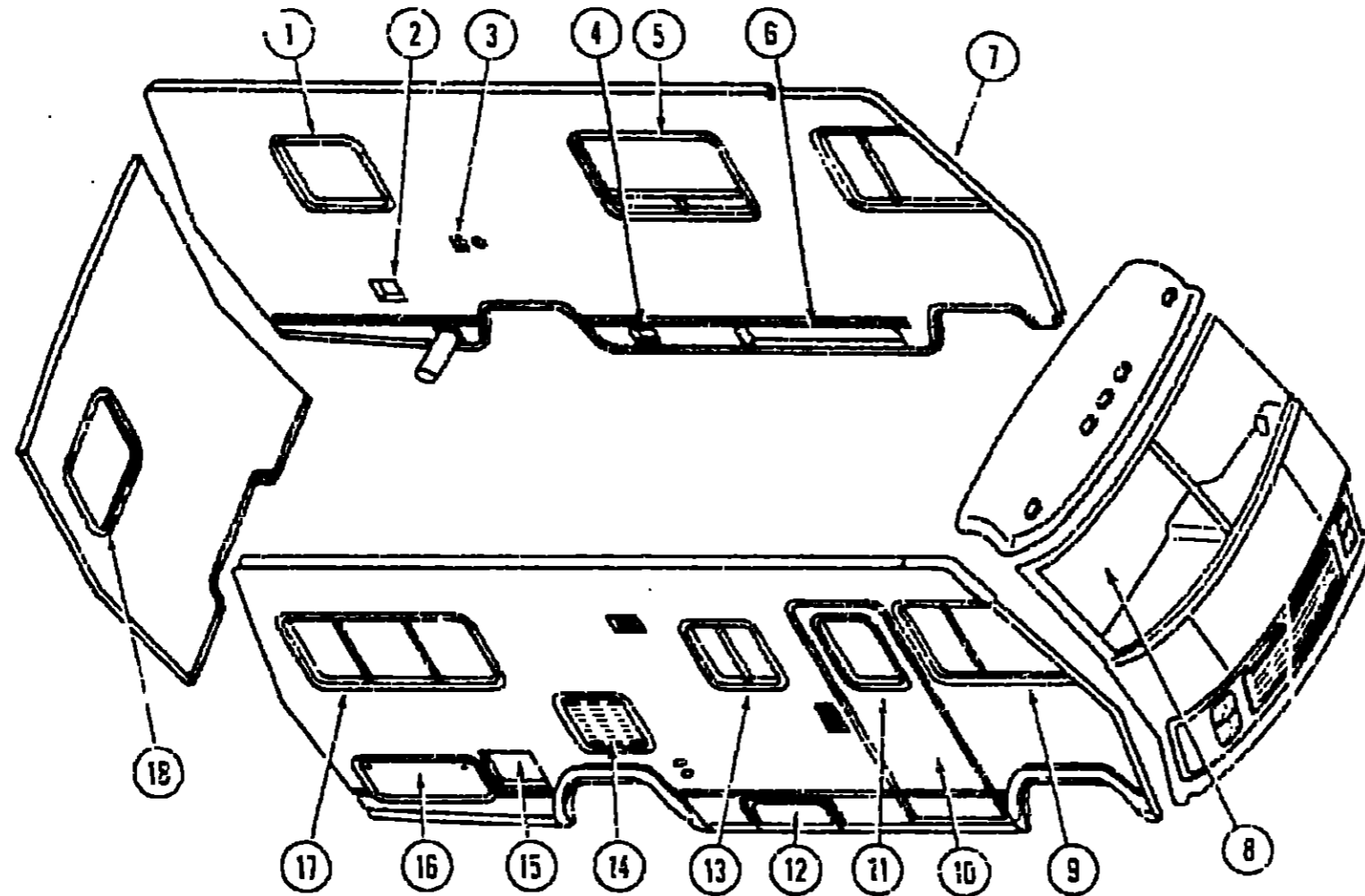
WC-WF424RC	A-01 - C-03
WC420RG	C-09 - E-12
WCN22RC	E-13 - G-24
WCN30RC	H-01 - J-10

1986 WCN22RC INDEX

Floor Plan	E-13 - E-14
Accessories Group	E-15 - E-17
Bath Group	E-18 - E-19
Chassis Group	E-20 - E-24
Curtain Cushion & Pad Group	F-01 - F-07
Dinette Group	F-08
Driver's Compartment Group	F-09 - F-11
Electrical Group	F-12 - F-14
Exterior Body Group	F-15 - F-21
Galley Group	F-22 - F-24
Heating & Air Conditioning Group	G-01 - G-02
Interior Finish Group	G-03 - G-06
LP Group	G-07
Lounge Group	G-08
Water & Sewage Group	G-09 - G-10
Window, Vent & Exterior Door Group	G-11 - G-24

WINDOW, VENT & EXTERIOR DOOR GROUP

WINDOWS & ACCESS DOORS



Key	Part Number	U/M	Description
1	079729-02-T03	EA	Window Asm - Escape
2	NOTE	EA	Door Asm - Fuel Fill (See Access Doors)
3	081240-01-000	EA	Waterfill - Lockable
4	NOTE	EA	Door Asm - Power Cord (See Access Doors)
5	081568-02-U01	EA	Window Asm - Double
6	079435-03-T03	EA	Door Asm - Storage
7	052057-02-U04	EA	Window Asm - Left Front Slant Slider
8	077675-01-000	EA	Glass - Windshield - Passenger
9	077675-02-000	EA	Glass - Windshield - Driver
9	082057-01-U04	EA	Window Asm - Right Front Slant Slider
10	M01870-01-T03	EA	Door Asm - Entrance
11	079733-04-T03	EA	Window Asm - Picture
12	079436-03-T03	EA	Door Asm - Access

Key	Part Number	U/M	Description
13	078266-02-T03	EA	Window Asm - Single Slider
14	078959-03-T03	EA	Door Asm - Refrigerator Access
15	052009-02-000	EA	Door Asm - Water Heater
16	079578-02-T03	EA	Door Asm - Luggage
16	M01883-01-T03	EA	Door Asm - Generator
17	078271-01-T03	EA	Window Asm - Single Slider
**	078266-01-T03	EA	Window Asm - Single Slider
18	079415-01-T03	EA	Window Asm - Rear Escape
**	079733-01-T03	EA	Window Asm - Picture
·	079421-01-T03	EA	Window Asm - Passenger's Slant
·	079421-02-T03	EA	Window Asm - Driver's Slant
·			Not illustrated
**			Parts for bunkhouse option (not illustrated)

1986 WINNEBAGO TABLE OF CONTENTS

WC WF424RC
WC420RG
W.CN22RC
W.CN30RC

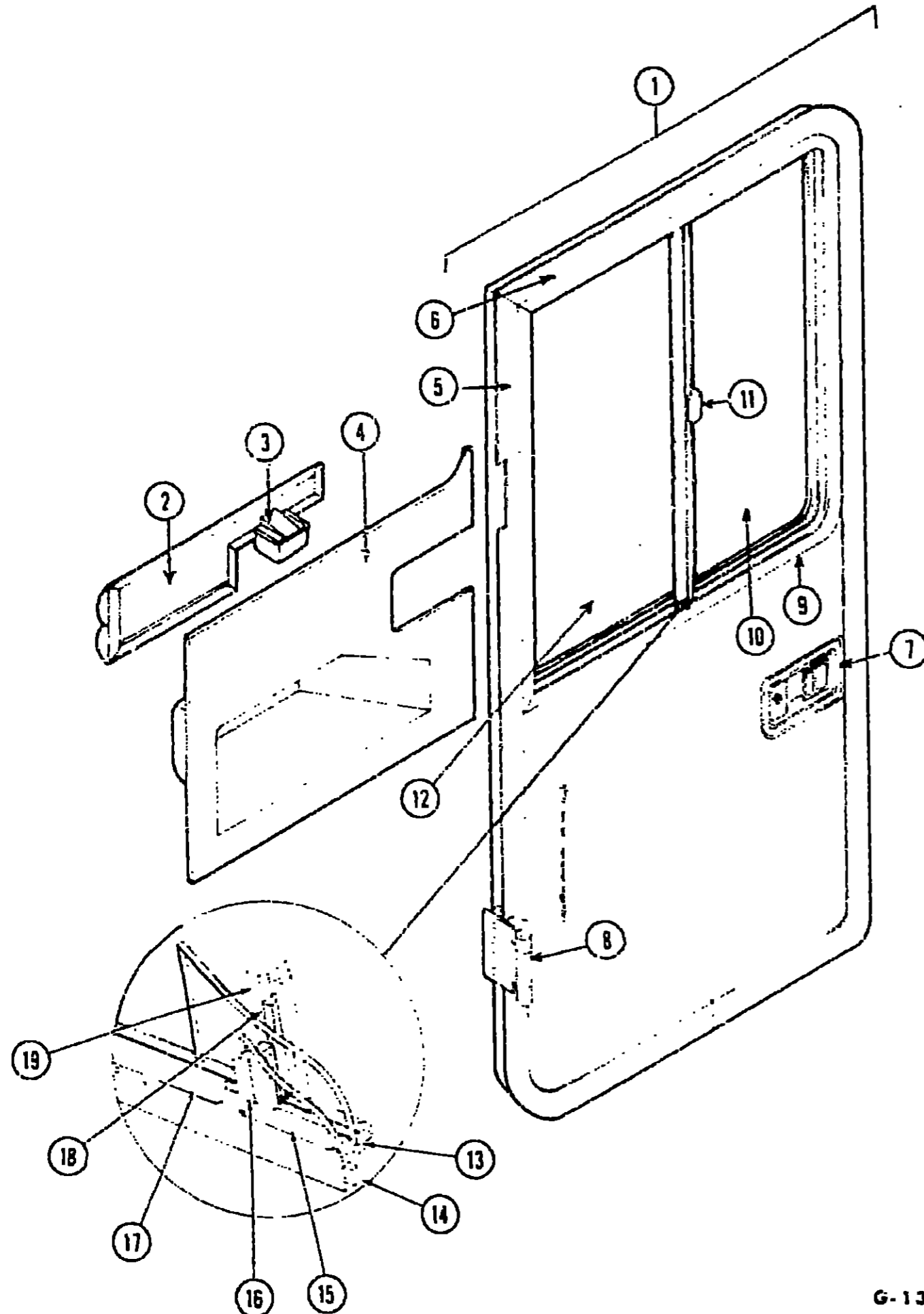
A-01 - C-02
C-09 - E-12
E-13 - G-24
H-01 - J-10

1986 WCN22RC INDEX

Floor Plan	E-13 - E-14
Accessories Group	E-15 - E-17
Bath Group	E-18 - E-19
Chassis Group	E-20 - E-24
Curtain, Cushion & Pad Group	F-01 - F-07
Dinette Group	F-08
Driver's Compartment Group	F-09 - F-11
Electrical Group	F-12 - F-14
Exterior Body Group	F-15 - F-21
Galley Group	F-22 - F-24
Heating & Air Conditioning Group	G-01 - G-02
Interior Finish Group	G-03 - G-06
LP Group	G-07
Lounge Group	G-08
Water & Sewage Group	G-09 - G-10
Window, Vent & Exterior Door Group	G-11 - G-24

WINDOW, VENT & EXTERIOR DOOR GROUP (CONTINUED)

DRIVER & PASSENGER CAB DOORS



Key	Part Number	U/M	Description
1	079524-01-T09	EA	Door Asm. - Driver - Beige
1	079524-02-T09	EA	Door Asm. - Passenger - Beige
2	064068-03-000	EA	Pad Asm - Trim - Beige Vinyl - Drivers Door
2	064028-04-000	EA	Pad Asm - Trim - Beige Vinyl - Passenger
	061400-06-000	EA	Assist Strap - 12" - Beige Vinyl
3	046936-03-000	EA	Ash Tray Asm. - Chrome
4	064492-02-000	EA	Panel - Driver Door - Inner - Light Oak Plastic
4	064499-03-000	EA	Panel - Passenger Door - Inner - Light Oak Plastic
5	079214-01-000	EA	Door Frame - Front - Beige - Drivers Door
6	079214-02-000	EA	Door Frame - Front - Beige - Passenger Door
6	079250-01-000	EA	Door Frame - Rear - Beige - Drivers Door
6	079250-02-000	EA	Door Frame - Rear - Beige - Passenger Door
7	045017-05-000	EA	Paddle Asm - Door Lock - Drivers
7	045017-03-000	EA	Paddle Asm - Door Lock - Exterior - Passenger
	045017-05-700	EA	Lock Cylinder w/Keys - Lynor
	039979-02-000	EA	Inside Plate - Door Lock - w/ Inside Handle
	039540-02-000	EA	Latch Claw - Entry Door Lock
	032735-01-000	EA	Deadbolt - Entrance Door Lock
	039539-01-000	EA	Strike Bolt - Entrance Door (Jamb Mount)
	063124-02-000	EA	Plate - Striker - 8 1/4" x 1" - Black
	078135-02-000	EA	Jamb - Driver Door - Front
	079249-07-000	EA	Jamb - Driver Door - Rear
	078135-01-000	EA	Jamb - Passenger Door - Front
	079249-08-000	EA	Jamb - Passenger Door - Rear
	064184-01-000	EA	Drip Cap - Driver Door
	063768-01-000	EA	Sill Plate
8	063993-01-000	EA	Hinge Asm - Driver Door - Beige
8	063993-06-000	EA	Hinge Asm - Passenger Door - Beige
	066109-02-000	EA	Strap - Driver's Door
	054580-01-000	EA	Check Strap - Driver Door - Seat Belt Webbing
	064219-01-000	EA	Retainer - Driver Door Check Strap
	063956-03-000	EA	Assist Handle - Beige Steel Tube (2 require per door)
	064075-01-000	EA	Bulb Seal - 145"
9	079101-02-T03	EA	Window Asm - Driver Door - Black (w/o inside frame)
9	079101-01-T03	EA	Window Asm - Passenger Door - Black (w/o inside frame)
	079577-02-T03	EA	Inside Frame - w/Slider Screen - Driver Door - Beige
	079577-01-T03	EA	Inside Frame - w/Slider Screen - Passenger Door - Beige
	079574-03-T03	EA	Slider Screen Asm - Right Door
	079574-04-T03	EA	Slider Screen Asm - Left Door
10	057657-04-000	EA	Glass - 19" x 28 1/2" x 12 25"
11	047369-01-700	EA	Latch - Window - Plastic w/Fastener
12	002188-06-000	EA	Glass - 19" x 28 1/2" x 12" - Stationary
13	002324-02-000	FT	Channel - Weatherstrip - Glass
14	069640-05-000	FT	Ribbon Seal - 1.4" Bead x 20'
15	050216-02-000	EA	Spline - Glass - 19" Material - Black
16	002399-03-000	EA	Seal Holder w/Fin Seal - 23 19" - Black
17	041928-02-000	FT	Extr. Vinyl - Window Seal - Black
18	073740-01-000	FT	Seal - Fin - Pile - 460"
19	078562-07-000	EA	Inside Mullion - Slider Window - Black
	002298-02-000	FT	Spline - 130" Dia - Charcoal (Screen)
	023713-02-000	EA	Weephole Cover - Black Plastic
	002293-02-000	SF	Screen - Window - 26" - Charcoal
	063977-03-000	EA	Step Asm - Single - Driver
	063997-05-000	EA	Step Asm - Single - Passenger
			Not illustrated

1986 WINNEBAGO TABLE OF CONTENTS

WCWF42RC
WC420RG
WCN22RC
WCN30RC

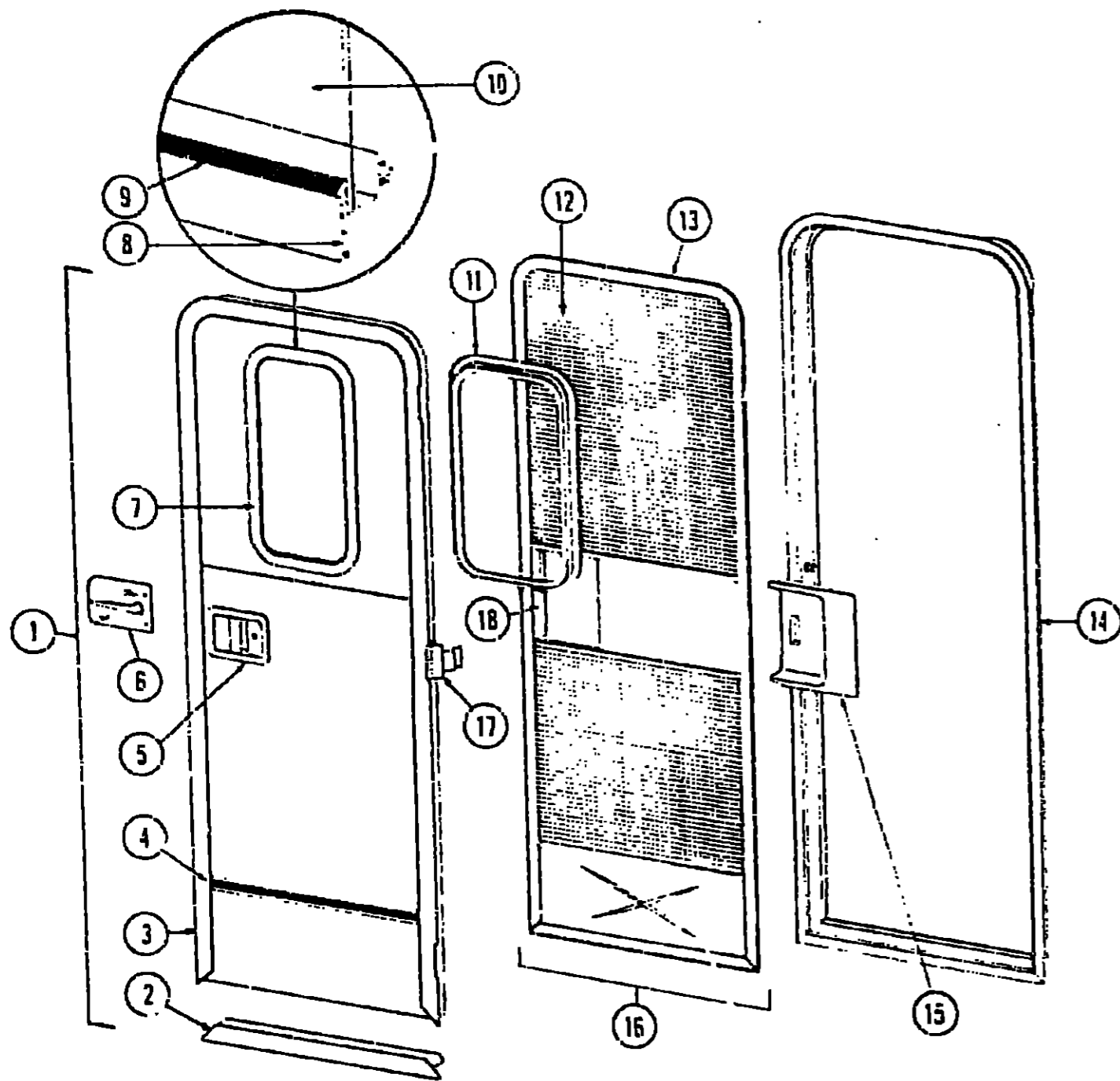
A-01 - C-08
C-09 - E-12
E-13 - G-24
H-01 - J-10

1986 WCN22RC INDEX

Floor Plan	E-13 - E-14
Accessories Group	E-15 - E-17
Bath Group	E-16 - E-19
Chassis Group	E-20 - E-24
Curtain, Cushion & Pad Group	F-01 - F-07
Dinette Group	F-08
Driver's Compartment Group	F-09 - F-11
Electrical Group	F-12 - F-14
Exterior Body Group	F-15 - F-21
Galley Group	F-22 - F-24
Heating & Air Conditioning Group	G-01 - G-02
Interior Finish Group	G-03 - G-05
LP Group	G-07
Lounge Group	G-08
Water & Sewage Group	G-09 - G-10
Window, Vent & Exterior Door Group	G-11 - G-24

WINDOW, VENT & EXTERIOR DOOR GROUP (CONTINUED)

ENTRANCE & SCREEN DOOR



Key	Part Number	U/M	Description
1	M01870-01-T03	EA	Door Asm - Radius Entry w. Screen Door
2	077998-02-000	EA	Frame - Entry Door (Bottom Portion Only)
3	076863-02-000	EA	Frame - Entry Door (Except Bottom Portion)
4	059576-03-000	EA	Feature Strip w/o Insert - Extr - 14"
	001030-02-004	EA	Insert - Feature Strip - 17" - Stucco - Off White
	009731-01-000	EA	End Cap - Feature Strip
5	045017-06-000	EA	Paddle Asm. - Door Lock - Exterior
	045017-05-700	EA	Lock Cylinder w/Keys - Lynor
	039539-01-000	EA	Striker Bolt - Entry Doors
	039540-01-000	EA	Latch Claw - Entry Door
	078448-01-000	EA	Dead Bolt - Entry Door
6	039979-01-000	EA	Plate - Inside Lock - Includes Inside Handle
	052186-01-000	EA	Lock Asm - Complete - Lynor
7	079733-04-TG3	EA	Window Asm. - Picture - 17" x 25" - Black (w/o inside frame)
8	059640-05-000	FT	Ribbon Sealer - 5' 16" Bead x 15'
9	002309-02-000	FT	Spline - Glass - 1/8" Black
10	002181-06-000	EA	Glass - Picture Window - 18" x 16 25" x 24" - Gray
11	067609-03-000	EA	Inside Frame - Beige (not included in assembly)
12	002293-02-000	SF	Screen - Window - 26" - Charcoal
13	056795-01-000	FT	Seal Tape - 1 8" x 3 8" - Press On
14	078591-01-000	EA	Jamb Asm - Entrance Door
	051049-01-000	EA	Jamb - Entrance Door - Bottom
15	015580-02-000	EA	Slider - Screen Door - Light Oak Plastic
16	079012-01-000	EA	Door Asm - Screen
17	079361-02-000	EA	Hinge - Entrance Door (3 used per door)
18	015581-02-000	EA	Cap - Screen Door - Light Oak Plastic
	009016-01-000	EA	Catch - Elbow - Spring Loaded - Screen Door
	039862-01-000	EA	Catch Asm - Single Roller w. Strike - Screen Door
	076231-01-000	EA	Spacer - Latch - Screen Door
	077437-01-000	EA	Strike - Roller Catch
	044582-01-000	EA	Drip Cap - Beige
	079278-01-000	EA	Seal - Mocket - Entrance Door
	073090-01-000	FT	Seal - Entrance Door
	075733-02-000	EA	Stiffener - Entrance Door - Beige
	075673-01-000	FT	Seal - Pile - Adhesive Back
	075671-01-000	FT	Seal - Sponge - Lazy "T" Shaped
	002294-01-000	FT	Spline - Stack - .135 x .138 (Screen Door)
	063638-02-000	EA	Strike - Screen Door
	063729-04-000	EA	Rivet - 10-32 UNF - 010 - 080
	075539-01-000	EA	Garnish - Radius - Entrance Door
			Not illustrated

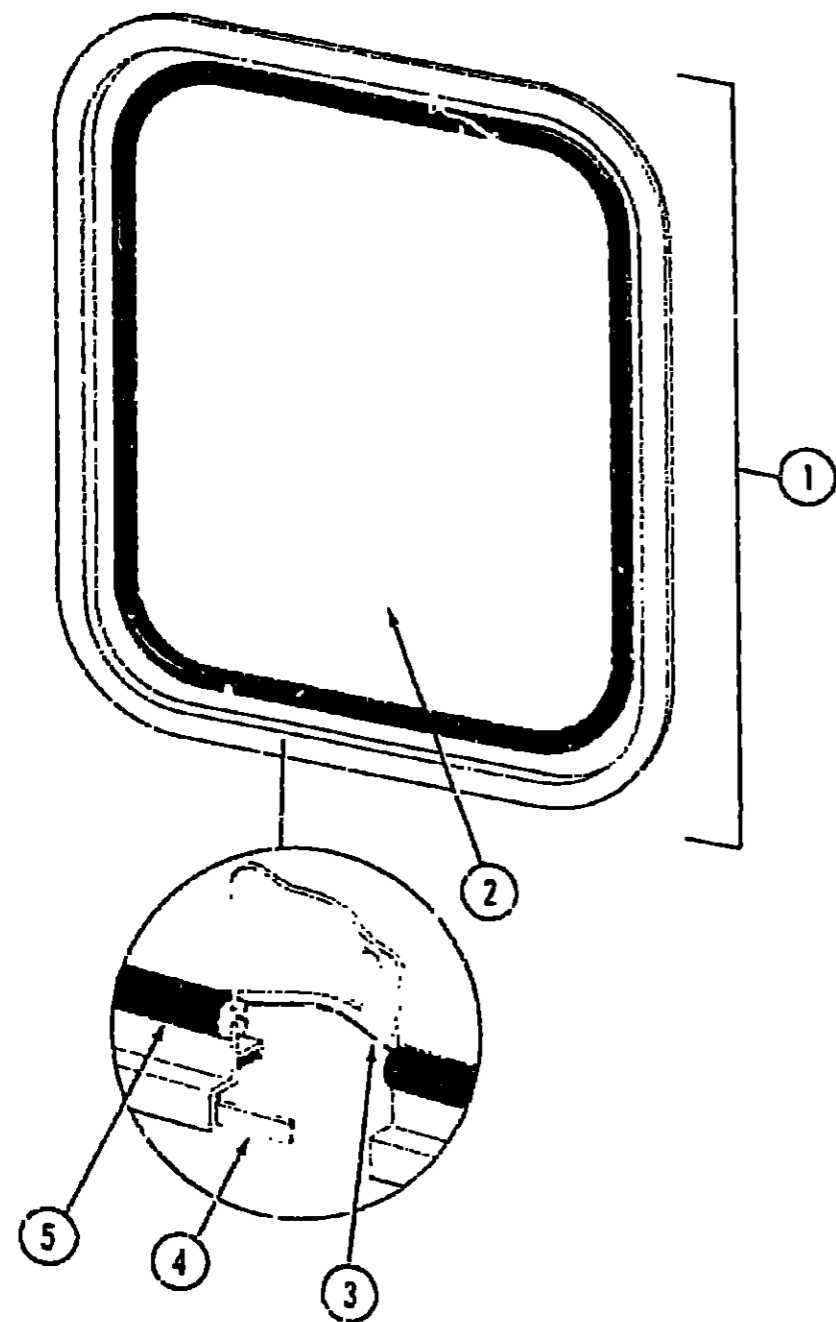
1986 WINNEBAGO TABLE OF CONTENTS

WC WF424RC	A-01 - C-03
WC420RG	C-09 - E-12
WCN22RC	E-13 - G-24
WCN30RC	H-01 - J-10

1986 WCN22RC INDEX

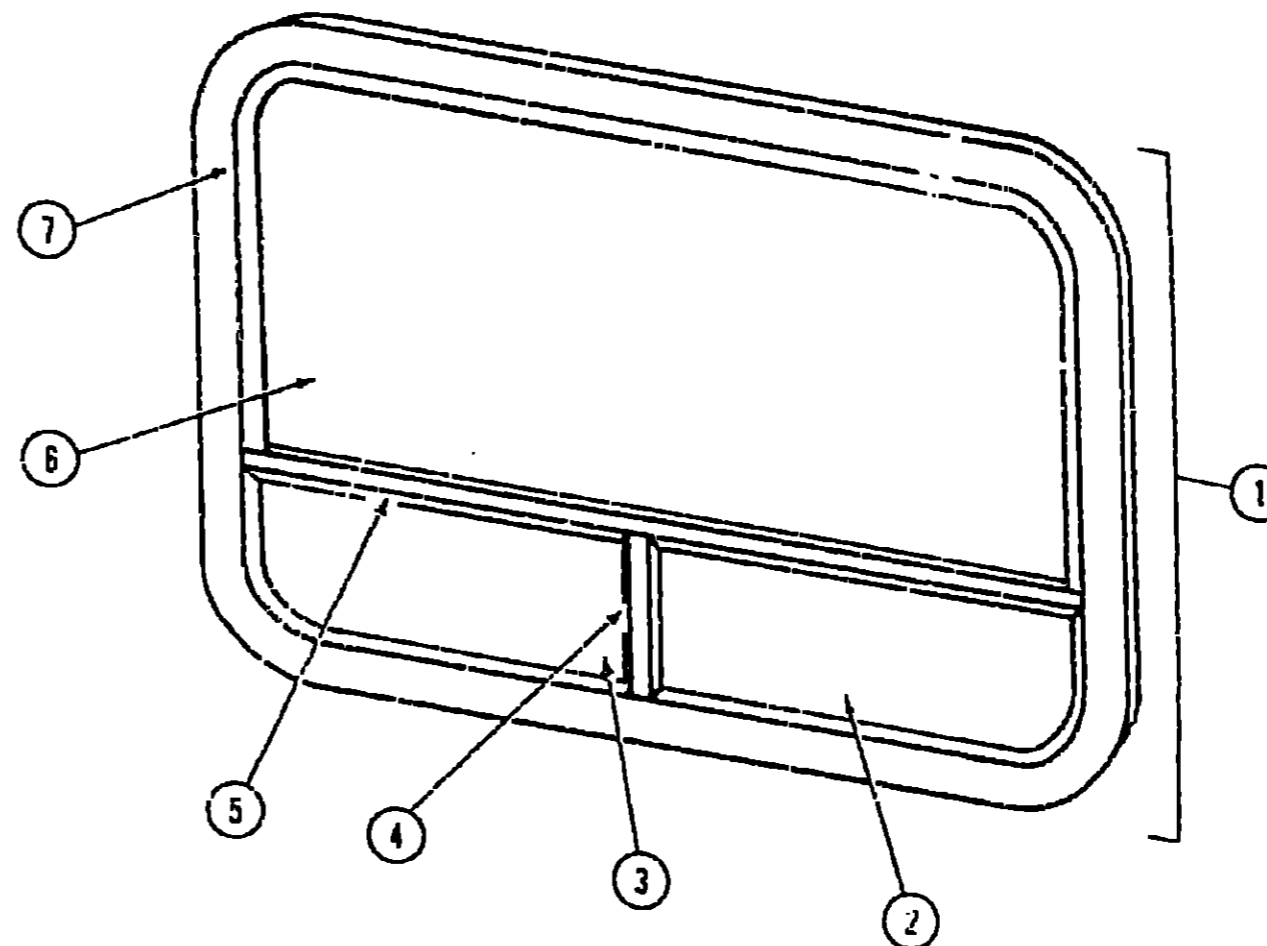
Floor Plan	E-13 - E-14
Accessories Group	E-15 - E-17
Bath Group	E-18 - E-19
Chassis Group	E-20 - E-24
Curtain, Cushion & Pad Group	F-01 - F-07
Dinette Group	F-08
Driver's Compartment Group	F-09 - F-11
Electrical Group	F-12 - F-14
Exterior Body Group	F-15 - F-21
Galley Group	F-22 - F-24
Heating & Air Conditioning Group	G-01 - G-02
Interior Finish Group	G-03 - G-06
LP Group	G-07
Lounge Group	G-08
Water & Sewage Group	G-09 - G-10
Window, Vent & Exterior Door Group	G-11 - G-24

WINDOW, VENT & EXTERIOR DOOR GROUP (CONTINUED)



Key	Part Number	U/M	Description
1	079723-02-T03	EA	Window Asm. - Escape - 22" x 24" - Black (w/o inside frame)
	079771-01-000	EA	Inside Frame - Window - Beige (not included in assembly)
2	041392-03-000	EA	Glass - 1/8" x 21.65" x 19.61"
3	002285-01-000	FT	Filler - Weatherstrip - Black
4	069640-05-000	FT	Ribbon Sealer - 5/16" Bead x 15'
5	002282-01-000	FT	Weatherstrip - Window - .125" - Black
	023713-02-000	EA	Weephole Cover - Black Plastic
	006199-01-000	EA	Label - Exit - Escape Window
			Not illustrated

WINDOW, VENT & EXTERIOR DOOR GROUP (CONTINUED)



Key	Part Number	U/M	Description
1	031569-02-U01	EA	Window Asm - 62" x 31" - Double Tipout
	091822-06-000	EA	Inside Frame - Black (not included in assembly)
2	081434-01-U01	EA	Window Asm - Tipout - Right Hand
3	081434-02-U01	EA	Window Asm. - Tipout - Left Hand
	081239-07-000	EA	Glass - Tipout - 1 8" x 30" x 8 3/4" - Left or Right
4	003112-05-000	EA	Mullion - Black
5	091614-01-000	EA	Mullion - Black
	081422-01-U01	EA	Screen Asm. - Tipout - Right Hand
	081422-02-U01	EA	Screen Asm. - Tipout - Left Hand
	081243-01-000	EA	Screen Clip - Plastic - Black
	035302-01-000	EA	Operating Mech - Right Hand
	035302-02-000	EA	Operating Mech - Left Hand
6	081239-11-000	EA	Glass - Stationary - 1 8" x 61 3/4" x 20 1/2"
7	083180-01-000	EA	Window Seal
	081357-01-000	EA	Bulb Seal - (Tipout)
	081359-01-000	EA	Window Seal (Tipout)
			Not illustrated

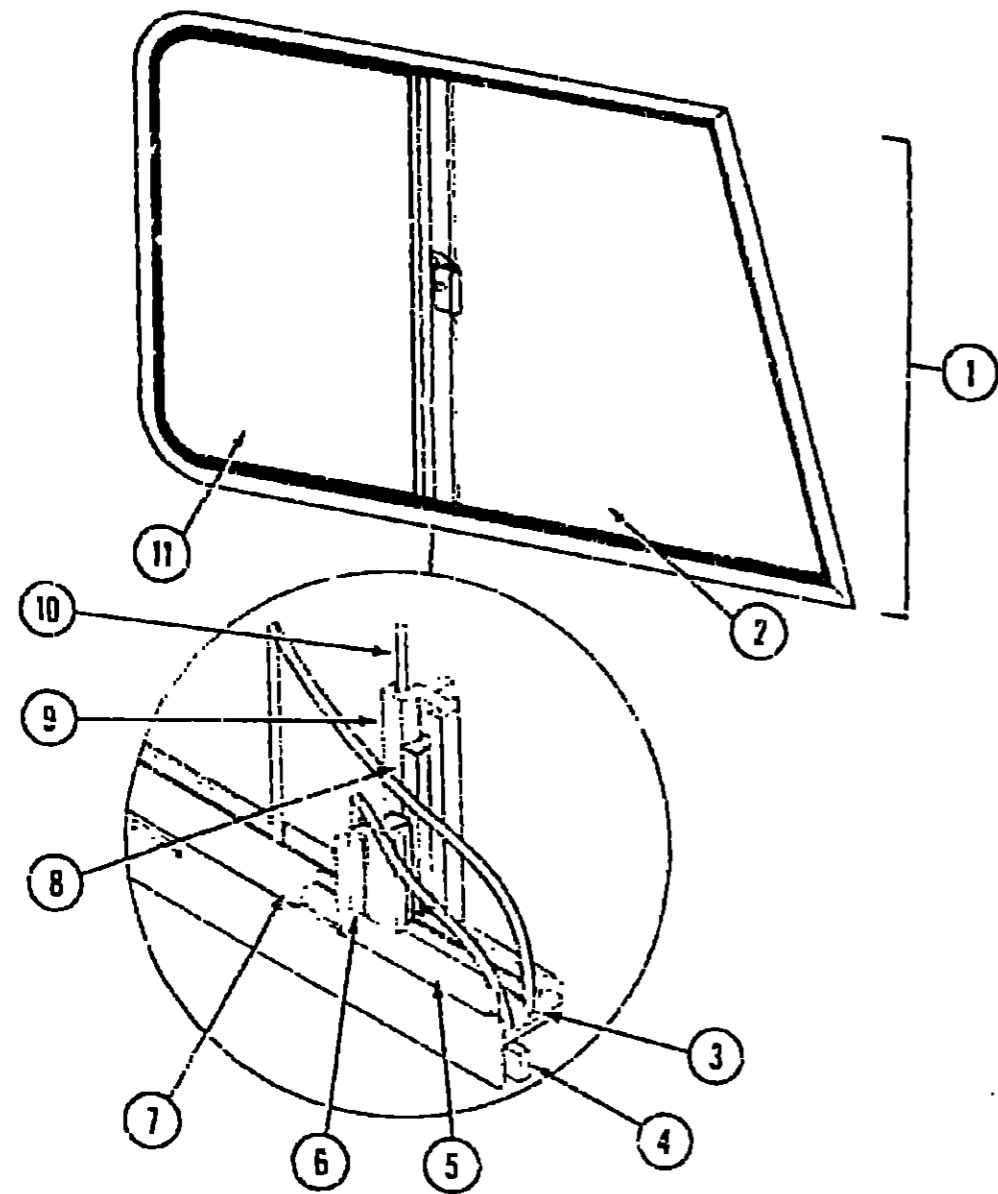
1986 WINNEBAGO
TABLE OF CONTENTS

WC-WF424RC	A-01 - C-09
WC420RG	C-09 - E-12
WCN22RC	E-13 - G-24
WCN30RC	H-01 - J-10

1986 WCN22RC INDEX

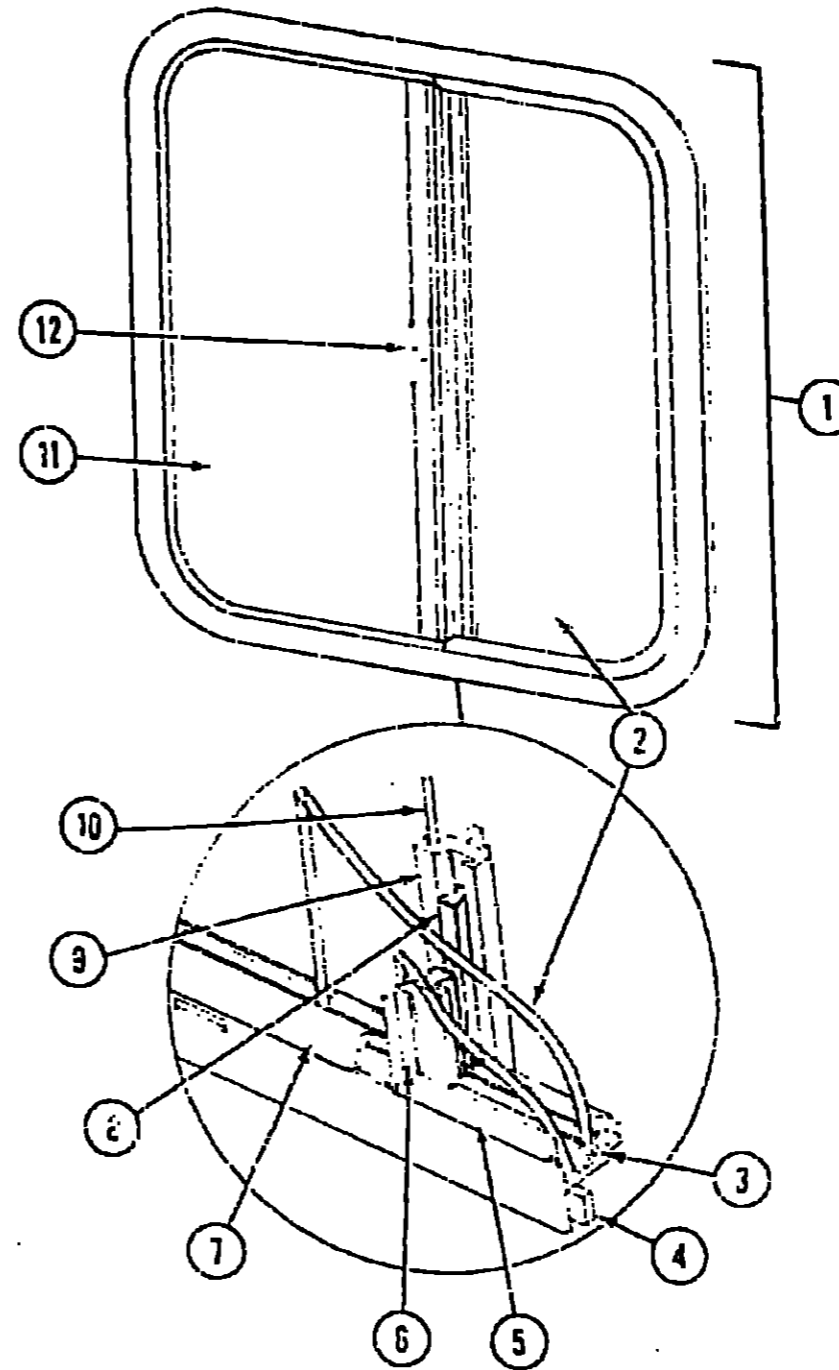
Floor Plan	E-13 - E-14
Accessories Group	E-15 - E-17
Bath Group	E-18 - E-19
Chassis Group	E-20 - E-24
Curtain, Cushion & Pad Group	F-01 - F-07
Dinette Group	F-08
Driver's Compartment Group	F-09 - F-11
Electrical Group	F-12 - F-14
Exterior Body Group	F-15 - F-21
Galley Group	F-22 - F-24
Heating & Air Conditioning Group	G-01 - G-02
Interior Finish Group	G-03 - G-05
LP Group	G-07
Lounge Group	G-08
Water & Sewage Group	G-09 - G-10
Window, Vent & Exterior Door Group	G-11 - G-24

WINDOW, VENT & EXTERIOR DOOR GROUP (CONTINUED)



Key	Part Number	U/M	Description
1	082657-01-U04	EA	Window Asm. - Front Slant Slider - Passenger (w/o inside frame)
1	032057-02-U04	EA	Window Asm. - Front Slant Slider - Driver (w/o inside frame)
1	082056-01-U04	EA	Inside Frame - Slant Slider - Passenger (not included in assembly)
1	082056-02-U04	EA	Inside Frame - Slant Slider - Driver (not included in assembly)
2	057656-03-000	EA	Glass - 19" x 28 1/2" x 27" - Stationary (Passenger)
2	057676-05-000	EA	Glass - 19" x 28 1/2" x 27" - Stationary (Driver)
3	042077-01-000	FT	Channel - Weatherstrip - 3/16" Glass
4	069640-01-000	FT	Ribbon Sealer - 1 1/4" Bead x 20'
5	050216-02-000	FT	Window Seal - 19" - Glass
6	002389-03-203	EA	Seal Holder w/ Fin Seal - 27 1/2" - Black
7	057374-02-000	FT	Extr. Rubber - Window Seal - Black
8	073740-01-000	FT	Seal - Fin - Pile - 460'
9	078562-07-000	EA	Mullion - Slider Window - Black
10	002298-02-000	FT	Spline - 130" Dia - Charcoal (Screen)
11	081980-05-000	EA	Glass - 19" x 28 1/2" x 14 5/8" Sliding
1	079204-01-000	EA	Bracket - Mullion - Black
1	079574-01-T03	EA	Slider Screen Asm. - Passenger
1	079574-02-T03	EA	Slider Screen Asm. - Driver
1	002291-02-000	SF	Screen - Window - 16" - Charcoal
1	016310-03-000	EA	Handle - Slider Screen - Black
1	047369-01-700	EA	Latch Kit - Window - Plastic w/ Fastener
1	Not illustrated		

WINDOW, VENT & EXTERIOR DOOR GROUP (CONTINUED)



Key	Part Number	U/M	Description
1	078265-02-T03	EA	Window Asm. - Right Single Slider - 20" x 25" - Black (w/o inside frame)
1	083122-03-000	EA	Inside Frame - Beige (not included in assembly)
2	081980-05-000	EA	Glass - Sliding - 1/8" x 19" x 12 3/4"
3	002324-02-000	FT	Channel - Weatherstrip - Glass Run - 1/8" Glass
4	069540-06-000	FT	Ribbon Sealer - 5/16" Bead x 15'
5	002309-02-000	FT	Spline - Glass - 1.8" - Black
6	M69886-03-011	EA	Seal Holder w/ Fin Seal - 13 1/2" - Black
7	057374-02-000	FT	Extr. Vinyl - Window Seal - Black
8	073740-01-000	FT	Seal - Fin - .460 Pile
9	078562-02-000	EA	Inside Mullion - Slider Window - Black
10	002298-02-000	FT	Spline - 130" Dia - Charcoal (Screen)
11	081954-03-000	EA	Glass - Stationary 1/8" x 19" x 12 3/4"
12	047359-01-700	EA	Latch Kit - Window - Plastic w/ Fastener
1	002293-02-000	SF	Screen - Window - 26" - Charcoal
1	Not illustrated		

1986 WINNEBAGO
TABLE OF CONTENTS

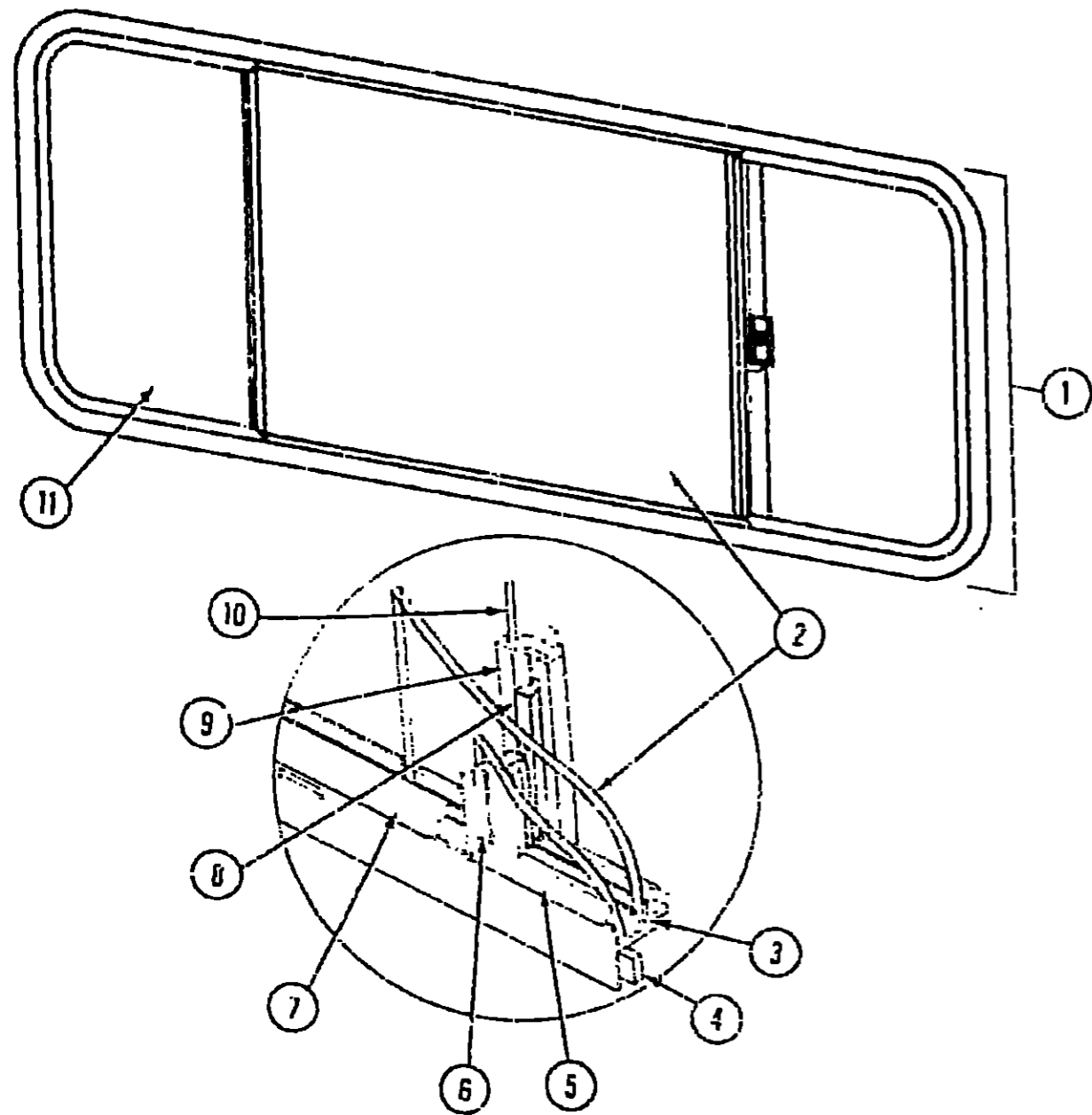
WC/WF424RC
WC420RG
WCN22RC
WCN30RC

A-01 - C-08
C-09 - E-12
E-13 - G-24
H-01 - J-10

1986 WCN22RC INDEX

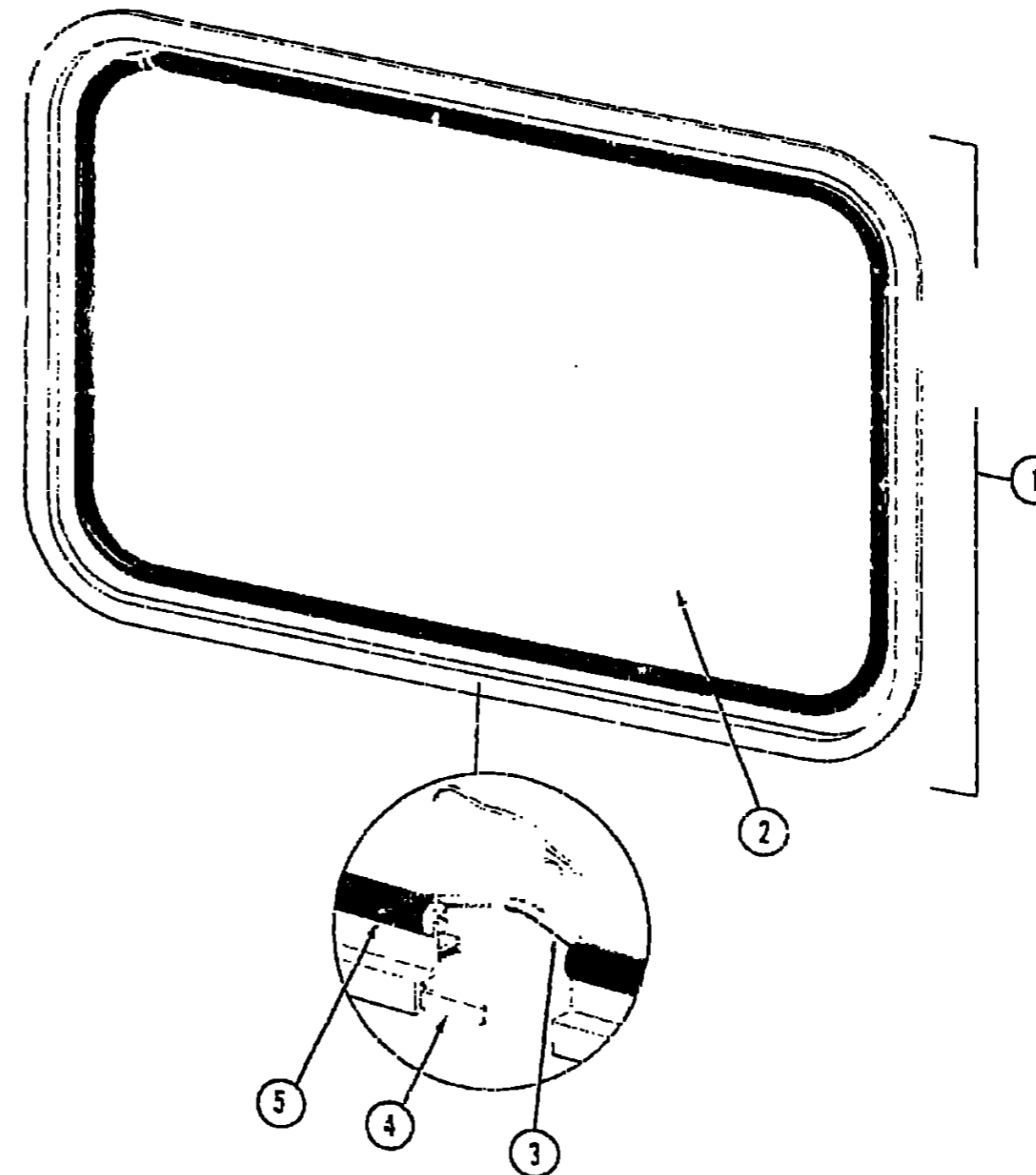
Floor Plan	E-13 - E-14
Accessories Group	E-15 - E-17
Bath Group	E-18 - E-19
Chassis Group	E-20 - E-24
Curtain, Cushion & Pad Group	F-01 - F-07
Dinette Group	F-08
Driver's Compartment Group	F-09 - F-11
Electrical Group	F-12 - F-14
Exterior Body Group	F-15 - F-21
Galley Group	F-22 - F-24
Heating & Air Conditioning Group	G-01 - G-02
Interior Finish Group	G-03 - G-06
LP Group	G-07
Lounge Group	G-08
Water & Sewage Group	G-09 - G-10
Window, Vent & Exterior Door Group	G-11 - G-24

WINDOW, VENT & EXTERIOR DOOR GROUP (CONTINUED)



Key	Part Number	U/M	Description
1	078271-01-T03	EA	Window Asm. - Center Slider (w/o inside frame)
	083122-11-000	EA	Inside Frame - Center Slider - Beige (not included in assembly)
2	056727-02-000	EA	Glass - Sliding - 1 d" x 25 5" x 24"
3	002324-02-000	FT	Channel - Weatherstrip - Glass Run - 1 8" Glass
4	069640-06-000	FT	Ribbon Sealer - 5/16" Bead x 15'
5	002309-02-000	FT	Spline - Glass - 1.8" Material - Black
6	M69386-03-003	EA	Seal Holder w/ Fin Seal - Black
7	057374-02-000	FT	Extr. Rubber - Window Seal - Black
8	073740-01-000	FT	Seal - Fin Pile - 460"
9	078562-02-000	EA	Mullion - Slider Window - Black
10	002298-02-000	FT	Spline - 135" Dia - Charcoal (Screen)
11	081984-07-000	EA	Glass - Stationary - 1/8" x 24" x 16 5"
	079204-01-000	EA	Bracket - Mullion - Black
	047359-01-700	EA	Latch Kit - Window - Plastic w/ Fastener
	002293-02-000	SF	Screen - Window - 26" - Charcoal
			Not illustrated

WINDOW, VENT & EXTERIOR DOOR GROUP (CONTINUED)



Key	Part Number	U/M	Description
1	079415-01-T03	EA	Window Asm. - Escape - 23" x 29" - Black (w/o inside frame)
	020749-03-000	EA	Inside Frame - Window - Brown (not included in assembly)
2	002174-01-000	EA	Glass - 1/8 x 19.61" x 25 92"
3	002235-01-000	FT	Filler - Weatherstrip - Black
4	069640-06-000	FT	Ribbon Sealer - 5/16" Bead x 15'
5	002282-01-000	FT	Weatherstrip - Window - .125" Black
	023713-02-000	EA	Weephole Cover - Black Plastic
	006199-01-000	EA	Label - Exit - Escape Window
			Not illustrated

1986 WINNEBAGO
TABLE OF CONTENTS

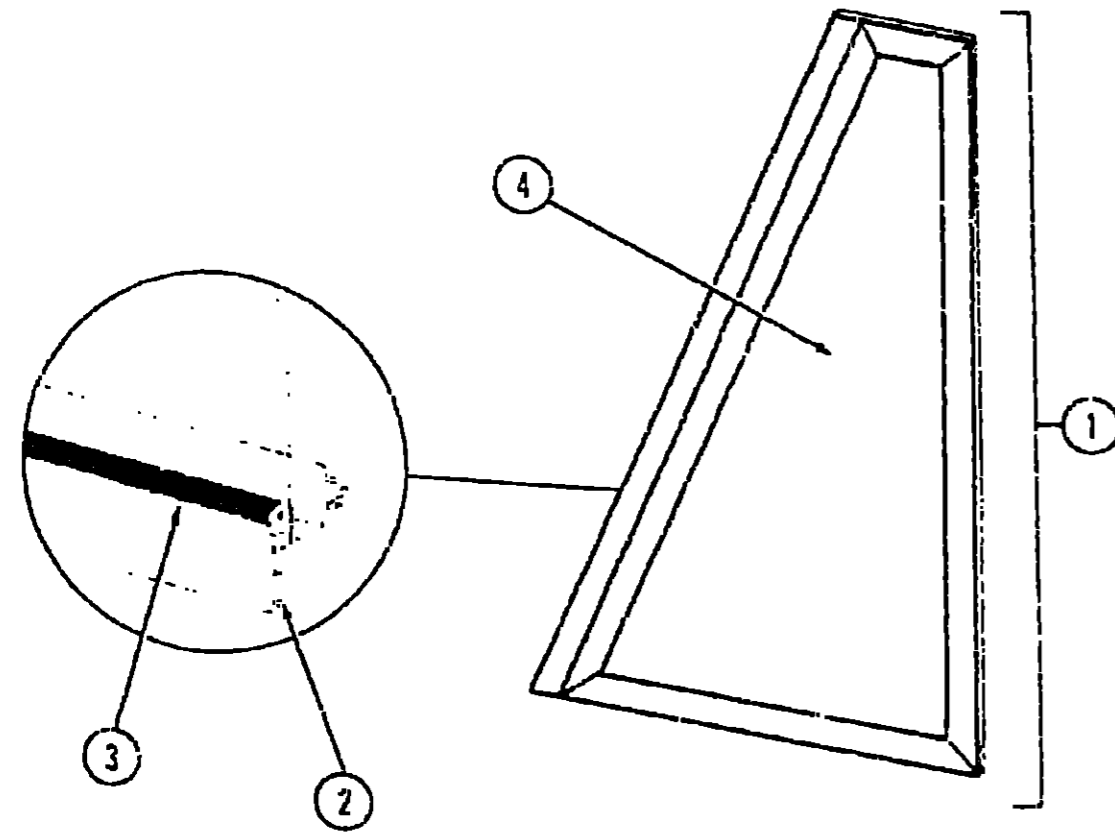
WC/VF424RC
WC420RG
WCN22RC
WCN30RC

A-01 - C-05
C-09 - E-12
E-13 - G-24
H-01 - J-10

1986 WCN22RC INDEX

Floor Plan	E-13 - E-14
Accessories Group	E-15 - E-17
Bath Group	E-18 - E-19
Chassis Group	E-20 - E-24
Curtain, Cushion & Pad Group	F-01 - F-07
Dinette Group	F-08
Driver's Compartment Group	F-09 - F-11
Electrical Group	F-12 - F-14
Exterior Body Group	F-15 - F-21
Galley Group	F-22 - F-24
Heating & Air Conditioning Group	G-01 - G-02
Interior Finish Group	G-03 - G-06
LP Group	G-07
Lounge Group	G-08
Water & Sewage Group	G-09 - G-10
Window, Vent & Exterior Door Group	G-11 - G-24

WINDOW, VENT & EXTERIOR DOOR GROUP (CONTINUED)



Key	Part Number	U/M	Description
1	079421-01-T03	EA	Window Asm. - Front Slant - Passenger (w/o inside frame)
1	079421-02-T03	EA	Window Asm. - Front Slant - Drivers (w/o inside frame)
•	079215-01-000	EA	Inside Frame - Front Slant - Passenger - Beige (not included in assembly)
•	079215-02-000	EA	Inside Frame - Front Slant - Drivers - Beige (not included in assembly)
2	069640-01-000	FT	Tape - 1.4" Bead x 20'
3	052309-02-000	FT	Spline - Glass - 1/8" - Black
4	057656-04-000	EA	Glass - .19" x 29.11" x 13.96"
•			Not illustrated

WINDOW, VENT & EXTERIOR DOOR GROUP (CONTINUED)

ACCESS DOORS

Key	Part Number	U/M	Description
	079435-03-T03	EA	Door Asm. - Storage - Beige
	079578-02-T03	EA	Door Asm. - Luggage - Beige
	079436-03-T03	EA	Door Asm. - Storage - Beige
	M01853-01-T03	EA	Door Asm. - Generator w/o Baffle
	078969-03-T03	EA	Door Asm. - Refrigerator Access - w/Twist Lock - Beige
	052009-02-000	EA	Door Asm. - Water Heater - Beige
	052423-02-000	EA	Door - Sewage Hose - Beige
	075726-01-000	EA	Outlet Extension - Sewage
	075730-01-000	EA	End Cap - Sewage Hose
	078010-04-000	EA	Door - Fuel Fill - Beige
	053742-02-000	EA	Door - Power Cord - Beige
	052423-02-000	EA	Jamb - Power Cord/Fuel Fill Door - Beige
	054543-02-000	EA	Hatch - Power Cord Door
	052181-03-000	EA	Baffle - Generator Door
	033615-01-000	EA	Door Holder - Beige Plastic
	079363-01-000	EA	Seal - Bulb
	042442-01-000	EA	Lock Asm. - Twist Type - 90° Rotation - 1.5" Latch - .6" Depth
	009003-01-000	EA	Lock Asm. - Twist Type - w/Clip (Battery Door)
	077408-01-000	EA	Lock Asm. - Key Type - 90° Rotation - 2.5" Latch - 1" Depth
	079355-01-000	EA	Lock Asm. - Key Type - 90° Rotation - 1.3" Latch - 2.1" Depth
	079927-01-000	EA	Lock Asm. - Twist Type - 1.3" Latch - 2.1" Depth
	052951-01-000	EA	Clip - Twist Lock - Retainer
	042441-01-000	EA	Lock Asm. - Key Type - 90° Rotation - 1.25" Latch - .62 Depth
	052950-01-700	EA	Lock Asm. - Twist Type - White - 90° Rotation - 1.5" Latch - .94" Depth

VENTS

Key	Part Number	U/M	Description
	071290-01-000	EA	Base - Refrigerator Vent
	071290-02-000	EA	Cover - Refrigerator Vent - 11 5/8" x 24 3/4" - Galvanized Steel
	055218-01-000	EA	Cover Asm. - Roof Vent
	071290-01-000	EA	Frame Asm. - Refrigerator Vent - 7 5/8" x 26 5/8" - Galvanized Steel
	079355-09-000	EA	Vent - Stovehood - Outside - Beige
	075056-01-000	EA	Vent Asm. - Roof - Non-Powered - w/o Screen
	079537-01-000	EA	Vent Asm. - Roof - Powered - w/o Screen
	077902-01-000	EA	Panel - Inner Skylight
	030910-01-000	EA	Panel - Outer Skylight
	051171-01-000	EA	Trim - Skylight Outer

WINDSHIELD

Key	Part Number	U/M	Description
	077675-01-000	EA	Glass - Windshield - Passenger
	077675-02-000	EA	Glass - Windshield - Driver
	072889-01-000	EA	Sealer Tape
	072890-01-000	QT	Primer - Metal Prep
	072891-01-000	QT	Primer - Glass Prep - Clear
	072892-01-000	QT	Primer - Glass Prep - Black
	058291-01-000	FT	Edge Molding - Windshield Glass
	002328-02-000	EA	Block - Windshield Spacer
	077944-01-000	EA	Revel Molding - Upper Right
	077944-02-000	EA	Revel Molding - Upper Left
	077945-01-000	EA	Revel Molding - Lower Right
	077945-02-000	EA	Revel Molding - Lower Left
	076676-02-000	EA	Revel Molding - T-Cap
	079225-01-000	EA	Trim Molding - Windshield Post - Right
	079225-02-000	EA	Trim Molding - Windshield Post - Left

1986 WINNEBAGO
TABLE OF CONTENTS

WC-WF424RC	A-01 - C-09
WC420RG	C-09 - E-12
WCN22RC	E-13 - G-24
WCN30RC	H-01 - J-10

1986 WCN22RC INDEX

Floor Plan	E-13 - E-14
Accessories Group	E-15 - E-17
Bath Group	E-18 - E-19
Chassis Group	F-20 - E-24
Curtain, Cushion & Pad Group	F-01 - F-07
Dinette Group	F-08
Driver's Compartment Group	F-09 - F-11
Electrical Group	F-12 - F-14
Exterior Body Group	F-15 - F-21
Galley Group	F-22 - F-24
Heating & Air Conditioning Group	G-01 - G-02
Interior Finish Group	G-03 - G-05
LP Group	G-07
Lounge Group	G-08
Water & Sewage Group	G-09 - G-10
Window, Vent & Exterior Door Group	G-11 - G-24