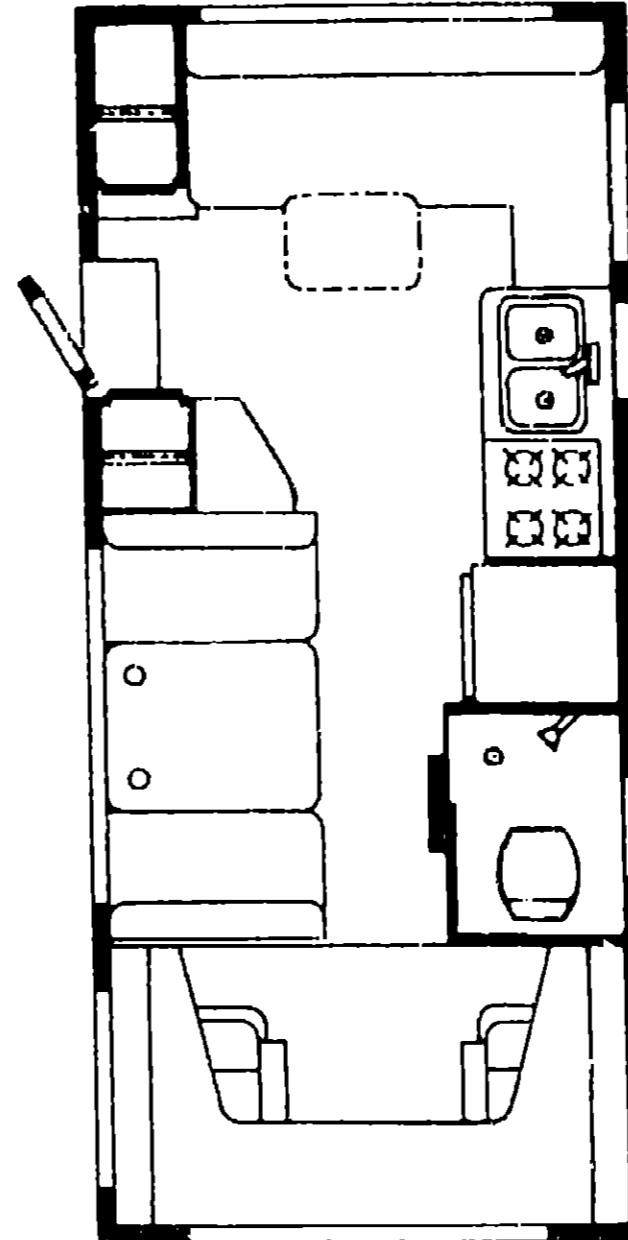


1986 WC420RG



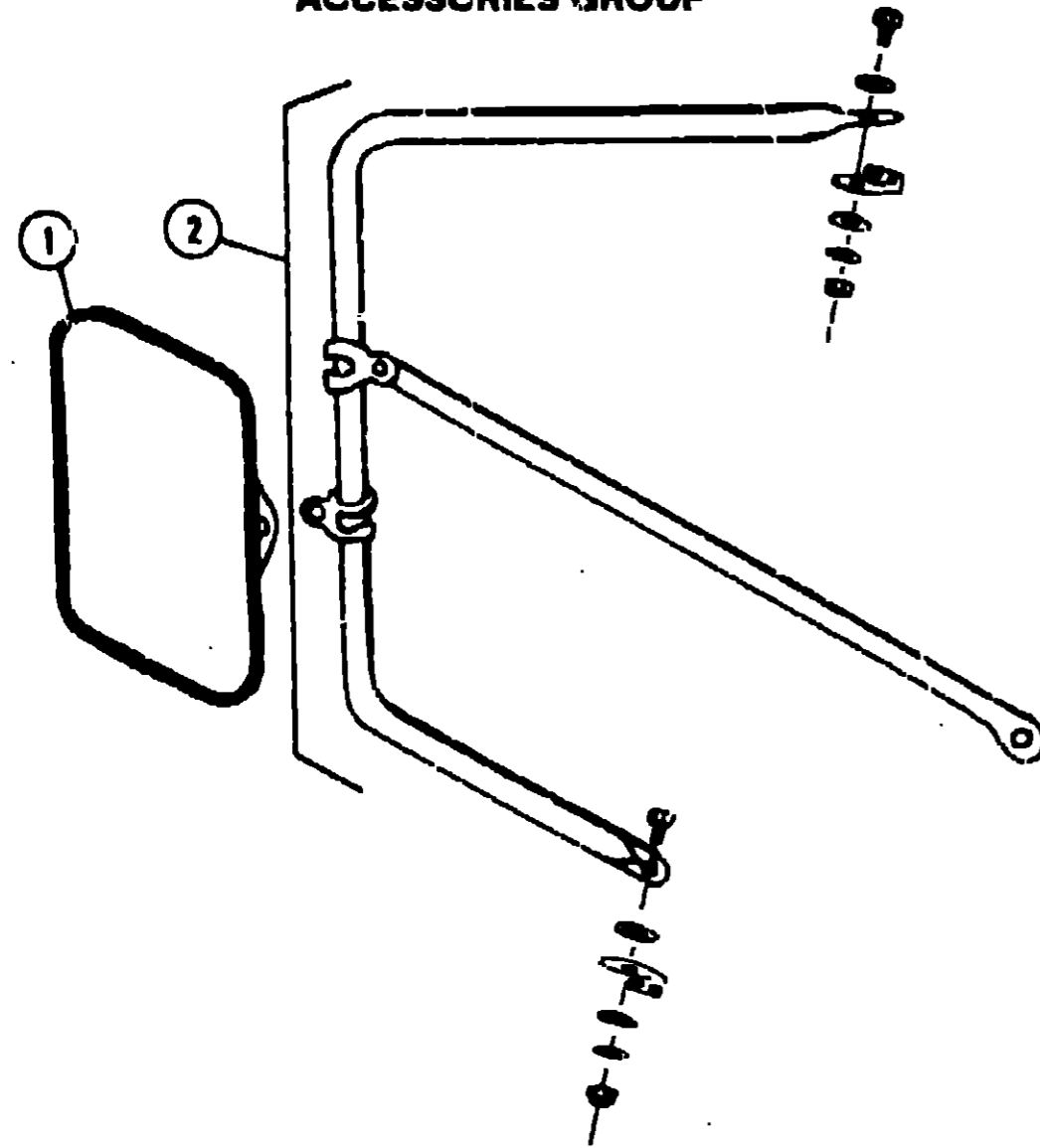
1986 WINNEBAGO TABLE OF CONTENTS

WC/WF424RC	A-01 - C-08
WC420RG	C-09 - E-12
WCN22RC	E-13 - G-24
WCN30RC	H-01 - J-10

1986 WC420RG INDEX

Floor Plan	C-09 - C-10
Accessories Group	C-11 - C-13
Bath Group	C-14
Chassis Group	C-15 - C-16
Curtain, Cushion & Pad Group	C-17 - C-22
Dinette Group	C-23
Driver's Compartment Group	C-24 - D-02
Electrical Group	D-03 - D-05
Exterior Body Group	D-06 - D-12
Galley Group	D-13 - D-14
Heating & Air Conditioning Group	D-15
Interior Finish Group	D-16 - D-18
LP Group	D-19
Lounge Group	D-20
Water & Sewage Group	D-21 - D-22
Window, Vent & Exterior Door Group	D-23 - E-12

ACCESSORIES GROUP



EXTERIOR MIRRORS

Key	Part Number	U/M	Description
1	049347-01-000	EA	Mirror Head - 7.5" x 10.5" - Stainless Steel
2	062047-01-000	EA	Arm - West Coast Mirror - Stainless Steel
2	062047-02-000	EA	Arm - West Coast Mirror - Off White
*	006043-01-000	EA	Mirror - Convex - Adhesive Back
*			Not illustrated

GENERATORS & COMPONENTS

Key	Part Number	U/M	Description
	080475-01-000	EA	Panel Asm. - Control - 2 kw Kohler
	080662-01-000	EA	Exhaust Pipe - 2.5 kw Kohler
	080749-01-000	EA	Muffler Kit - 2.5 kw Kohler
	083561-01-000	EA	Generator - 2.5 kw - Kohler
	057049-01-000	EA	Insulation - Sound Deadening - 18.12" x 14.25"
	057049-02-000	EA	Insulation - Sound Deadening - 26.75" x 14.25"
	057049-03-000	EA	Insulation - Sound Deadening - 26.75" x 18.25"
	057049-04-000	EA	Insulation - Sound Deadening - 11" x 12"
	052168-01-000	EA	Generator - Onan - 4.25 kw

ACCESSORIES GROUP (CONTINUED)

MISCELLANEOUS ACCESSORIES

Key	Part Number	U/M	Description
	054185-24-000	EA	Owner's Manual - 1986 - Itasca & Winnebago
	706053-02-000	EA	Antenna - TV Skyliner w/6" Shaft - Braund Delux
	076319-01-000	EA	Antenna - TV - Roof Mount - 44.5"
	076319-01-700	EA	Sensor - RVSA Antenna
	076319-01-701	EA	Elevating Gear - TV Antenna
	076319-01-702	EA	Elevating Shaft Asm. - TV Antenna
	076319-01-703	EA	Nylon Bearing - 5" - TV Antenna
	076319-01-704	EA	Nylon Bearing - #200657 - TV Antenna
	076319-01-705	EA	Nylon Bearing - #200658 - TV Antenna
	076319-01-706	EA	Crank - TV Antenna
	076319-03-000	FT	Cable - Coaxial 1000' 75 OHM
	076319-04-000	EA	Connector & Ferrule
	076319-05-000	EA	Wall Plate - Power Supply - Ivory
	076319-06-000	EA	Adapter - Cable Roof Plate
	076319-07-000	EA	Wallplate - Power Supply - Brown
	076319-08-000	EA	Wallplate - Receptacle - Ivory
	076319-09-000	EA	Wallplate - Receptacle - Brown
	076319-11-000	EA	Adaptor - Coax w/Splitter
	017516-01-000	EA	Mud Flap w/Holes - 14" x 18" - Black (Rear)
	064089-01-000	EA	Mud Flap - Black (Front)
	041944-03-000	EA	Fire Extinguisher - w/Bracket - 5 BC
	081379-01-000	EA	Microwave Oven - Sharp
	081456-01-000	EA	Angle Asm. - Microwave - Right
	081456-02-000	EA	Angle Asm. - Microwave - Left
	081459-08-000	EA	Bracket Asm. - Microwave - Right
	081459-02-000	EA	Bracket Asm. - Microwave - Left
	081555-01-T03	EA	Trim - Microwave Oven
	081016-01-T03	EA	Ladder Asm.
	067130-01-000	EA	Ladder Step
	081016-01-700	EA	Rack Asm.
	076980-01-000	EA	End Cap - Ladder Step
	081114-01-000	EA	Cap - Insert - Rack Rail
	069629-01-000	EA	Speed Control Package - Electric - Dana
	069629-01-700	EA	Regulator Asm. - Electronic
	069629-01-701	EA	Vacuum Valve & Electric Switch
	069629-01-702	EA	Control Switch & Lever Asm.
	069629-01-703	FA	Harness Asm. (Main Wiring)
	069629-01-704	EA	Generator Signal
	069629-01-705	EA	Adaptor Key
	074481-01-000	EA	Valve Asm. - Switch - Speed Control
	074483-01-000	EA	Retainer Nut - Snap In - Speed Control
	072852-01-000	EA	Smoke Detector w/9 Volt Battery
	079664-01-000	EA	Weather Center - 7" x 7" x 2"
	079664-01-000	EA	Clock - 7" x 7" x 2"
	006069-01-000	EA	Key Case - Leather
	007030-01-000	EA	Door Mat - 10.5" x 26" - Black Rubber
	080208-01-000	EA	Lug Wrench - 1" x 1.25" x 16.3"
	080208-02-000	EA	Leverage Bar - 22" - Lug Wrench
	006113-01-000	EA	Jack - Hydraulic - 6 Ton - w/Handle
	079799-01-000	EA	Tire Cover Asm.
	M02047-01-T95	EA	Panel Asm. - Door - Tire Cover
	083187-02-700	EA	Wheel Cover - 16.5" - Delmet (1)

1986 WINNEBAGO TABLE OF CONTENTS

WC/WF424RC	A-01 - C-08
WC420RG	C-09 - E-12
WCN22RC	E-13 - G-24
WCN30RC	H-01 - J-10

1986 WC420RG INDEX

Floor Plan	C-09 - C-10
Accessories Group	C-11 - C-13
Bath Group	C-14
Chassis Group	C-15 - C-16
Curtain, Cushion & Pad Group	C-17 - C-22
Dinette Group	C-23
Driver's Compartment Group	C-24 - D-02
Electrical Group	D-03 - D-05
Exterior Body Group	D-06 - D-12
Galley Group	D-13 - D-14
Heating & Air Conditioning Group	D-15
Interior Finish Group	D-16 - D-18
LP Group	D-19
Lounge Group	D-20
Water & Sewage Group	D-21 - D-22
Window, Vent & Exterior Door Group	D-23 - E-12

ACCESSORIES GROUP (CONTINUED)

RADIO & RELATED COMPONENTS

Key	Part Number	U/M	Description
	007034-01-000	EA	Antenna - Radio - Cab Mount
	073430-02-000	EA	Radio - AM/FM MPX - w/Cassette - Electronic Tune - Audiovox - HCC1150
	074482-02-000	EA	Radio - AM/FM MPX - w/Cassette - Audiovox - HCC565
	064791-01-000	EA	Speaker - Recessed - 5.25"
	064792-01-000	EA	Grille - Speaker - 5.25" - w/Mesh - Brown
	073431-01-000	EA	Speaker - 5.25" - 3/Way (Pair)
	073741-01-000	EA	Speaker - 4" x 6" - Oval
	074979-01-000	EA	Speaker Cover Protector - Plastic

OPTIONAL CHROME WHEEL LINERS & COMPONENTS:

Key	Part Number	U/M	Description
	081608-07-000	EA	Cover - Rear Axle - Chrome
	081608-08-000	EA	Cover - Front Axle - Chrome
	081608-09-000	EA	Liner - Front Wheel - Chrome
	081608-10-000	EA	Liner - Rear Wheel - Chrome
	081608-05-000	EA	Lug Nut Cover - Chrome
	081608-06-000	EA	Spiral Ring

BATH GROUP

Key	Part Number	U/M	Description
	083667-C1-U01	EA	Door Asm. - Bathroom - 21.5" x 69.8" - w/o Hardware
	075240-03-000	EA	Faucet - Lavatory - US - Brass
	075241-03-000	EA	Faucet - Shower - US - Brass
	009112-01-000	EA	Flange - 1" Closet Rod
	009134-01-000	EA	Holder Tissue
	075452-01-000	EA	Holder - Tissue - Brnsa
	059777-01-000	EA	Hinge - Antique Brass
	080744-01-000	EA	Medicine Cabinet w/Oak Frame
	066435-01-000	EA	Nut - Strainer - Plastic
	057671-01-000	EA	Screw Cover (No. 8)
	011048-02-000	EA	Shower Head w/60" Hose
	M02606-01-000	EA	Shower Pan
	083510-01-000	EA	Sink - Lavatory - Bath - Fold Up
	083656-01-U22	EA	Cabinet Asm. - Fold Up Sink
	083511-01-000	EA	Catch Basin - Lavatory Sink
	086436-01-000	EA	Slip Nut - 1.5" Tailpiece - Bathtub
	066440-01-000	EA	Strainer - Shower Pan - w/Rubber Washer
	011083-01-000	EA	Tail Piece - 1.25" x 5" - Plastic - w/Stopper
	064076-01-000	EA	Toilet - Thetford - Aqua Magic - Ivory - Model 50
	083801-01-000	EA	Track Asm. - Shower Curtain
	052586-01-000	EA	Ventilator - Skylight - Round
	033580-01-000	EA	Towel Ring - Chrome - w/Plastic Ring
	064467-01-000	EA	Door Guide - Wall Mount
	075454-02-000	EA	Towel Ring - Brass

**1986 WINNEBAGO
TABLE OF CONTENTS**

WC/WF424RC	A-01 - C-08
WC420RG	C-09 - E-12
WCN22RC	E-13 - G-24
WCN30RC	H-01 - J-10

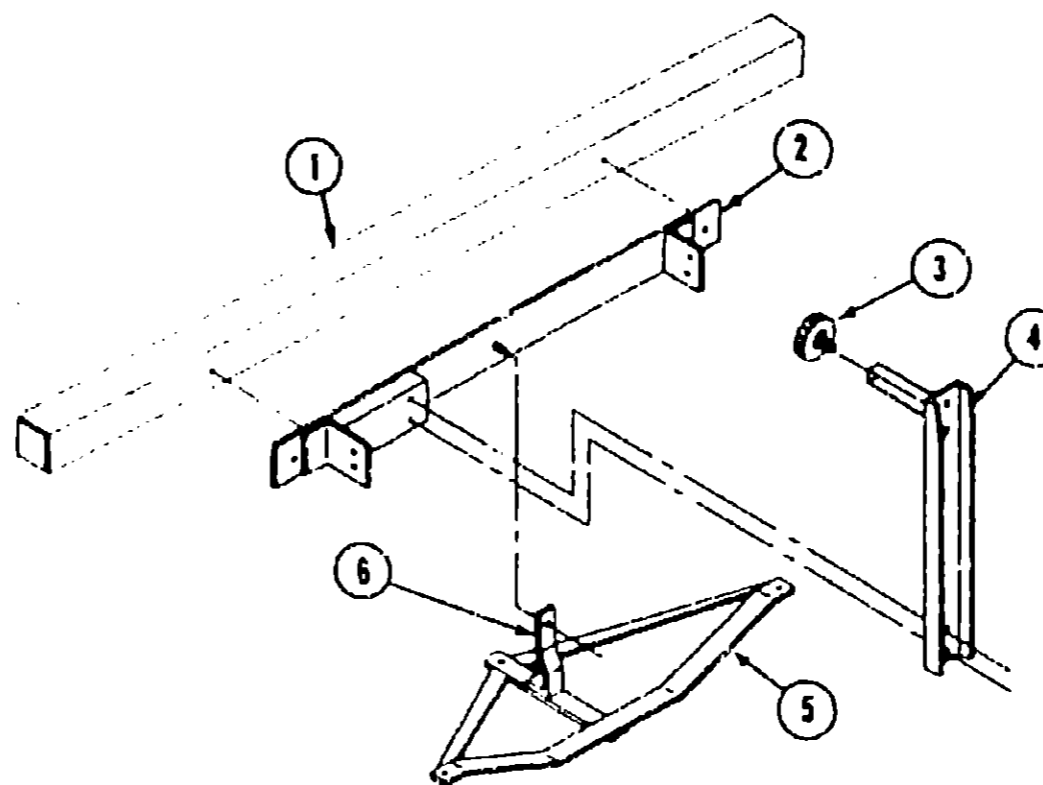
1986 WC420RG INDEX

Floor Plan	C-09 - C-10
Accessories Group	C-11 - C-13
Bath Group	C-14
Chassis Group	C-15 - C-16
Curtain, Cushion & Pad Group	C-17 - C-22
Dinette Group	C-23
Driver's Compartment Group	C-24 - D-02
Electrical Group	D-03 - D-05
Exterior Body Group	D-06 - D-12
Galley Group	D-13 - D-14
Heating & Air Conditioning Group	D-15
Interior Finish Group	D-16 - D-18
LP Group	D-19
Lounge Group	D-20
Water & Sewage Group	D-21 - D-22
Window, Vent & Exterior Door Group	D-23 - E-12

CHASSIS GROUP

Key	Part Number	U/M	Description
	057822-01-000	EA	Battery Tray Asm.
	047441-01-000	EA	Battery Terminal - Horizontal Lug
	065451-02-000	EA	Bracket - Battery Tie Down - 10.8"
	065451-03-000	EA	Bracket - Battery Tie Down - 14"
	022150-01-000	EA	Bracket - Bumper - Rear
	010497-01-000	EA	Clamp - Closed - 5/8" I.D.
	010499-01-000	EA	Clamp - Closed - 3/8" I.D.
	007161-01-000	EA	Clamp - Hose - Spring Type 112
	062401-01-000	EA	Clamp - Hose - Wormgear .22" I.D. - 1" I.D.
	062401-03-000	EA	Clamp - Hose - Wormgear .25" I.D. - 1" I.D.
	062401-04-000	EA	Clamp - Hose - Wormgear .69" I.D. - 1.25" I.D.
	062401-09-000	EA	Clamp - Hose - Wormgear - 2.8" x 3.75"
	023146-01-000	EA	Clamp - Screw Type 4
	037131-01-000	EA	Hanger - Tall Pipe
	058488-01-000	EA	Heat Shield - Muffler
	024158-01-000	EA	Hose - Fuel - 5/16" I.D. SAE 20RI
	006113-01-000	EA	Jack - Hydraulic - 6 Ton - w/Handle
	060208-02-000	EA	Leverage Bar - Lug Wrench
	060208-01-000	EA	Lug Wrench - 1.06" x 1"
	017516-01-000	EA	Mud Flap w/Holes - 14" x 18" - Black
	062400-02-000	EA	Rim - Wheel - 10.5 x 6.00 - 8 Hols
	079942-03-000	EA	Shock - Absorber Stabilizer - Front
	079942-04-000	EA	Shock - Absorber Stabilizer - Rear
	064089-01-000	EA	Splash Guard - Black Rubber
	060449-01-000	EA	Step Asm. - Entry
	037291-01-000	EA	Tire - 8.00 x 16.5 - 8 Ply Poly
	057665-02-000	EA	Tire - 8.00 x 16.5 - White Sidewall - Radial
	051377-01-000	EA	Valve Stem Asm. - TR500
	057724-01-000	EA	Wheel Well - Plastic
	008343-01-000	EA	Wire Tie - 6"
	063303-04-000	EA	Shroud - Fuel Fill - Lower
	078040-01-000	EA	Shroud - Fuel Fill - Upper
	079384-01-000	EA	Running Board Set - w/Wheel Flares (Chevy)
	079384-01-700	EA	Hardware - Running Board (Chevy)
	079384-01-701	EA	Tread Molding (Chevy)
	079384-01-702	EA	Wheel Trim - Chrome (Chevy)
	079384-03-000	EA	Running Board - Right (Chevy)
	079384-04-000	EA	Running Board - Left (Chevy)
	079384-07-000	EA	Mounting Bracket - Running Board (Chevy)
	079384-08-000	EA	Hanger Strap - Running Board (Chevy)

CHASSIS GROUP (CONTINUED)



Key	Part Number	U/M	Description
1	054602-01-000	EA	Bumper Asm. - Square - 92" - Off White
*	039779-01-000	EA	Cap - Rubber - 4" x 4" - Square Bumper
2	064601-01-000	EA	Bracket - Bumper Mount
3	064082-02-000	EA	Retaining Nut - Tire Cover
4	079027-01-000	EA	Bracket Asm. - Spare Tire Cover
*	079799-01-000	EA	Tire Cover Asm. - Off White
5	064833-02-000	EA	Trailer Hitch Asm.
6	064824-02-000	EA	Support - Trailer Hitch
*	041332-02-000	EA	Reflector - 6.5" x .75" - Bumper Cover
*	041332-03-000	EA	Bumper Cover - Aluminum Fits 4" Square Bumper
*	M02047-01-T95	EA	Door Asm. - Tire Cover
*			Not illustrated

1986 WINNEBAGO TABLE OF CONTENTS

WC/WF424RC	A-01 - C-06
WC420RG	C-09 - E-12
WCN22RC	E-13 - G-24
WCN30RC	H-01 - J-10

1986 WC420RG INDEX

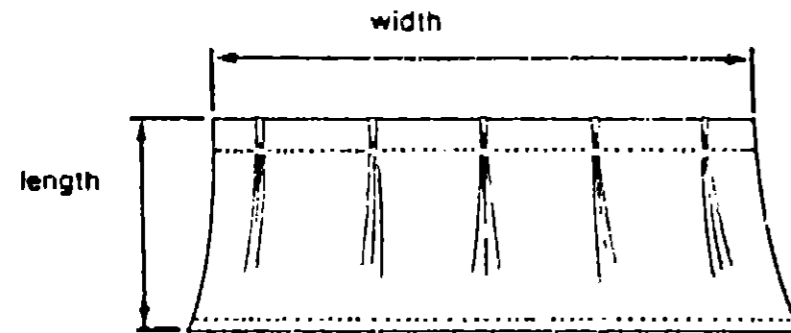
Floor Plan	C-09 - C-10
Accessories Group	C-11 - C-13
Bath Group	C-14
Chassis Group	C-15 - C-16
Curtain, Cushion & Pad Group	C-17 - C-22
Dinette Group	C-23
Driver's Compartment Group	C-24 - D-02
Electrical Group	D-03 - D-05
Exterior Body Group	D-06 - D-12
Galley Group	D-13 - D-14
Heating & Air Conditioning Group	D-15
Interior Finish Group	D-16 - D-18
LP Group	D-19
Lounge Group	D-20
Water & Sewage Group	D-21 - D-22
Window, Vent & Exterior Door Group	D-23 - E-12

CURTAIN, CUSHION & PAD GROUP

NOTICE

In order to assist our Parts Sales Dept. in providing interior software items, please include the serial number and the color code number from the vehicle certification label when ordering. This label is located on the left sidewall at the end of the dash (A-Body), or on the driver's door latch plate (C-Body).

An example of a color code number is P31, which designates an overall color scheme of a particular unit. The color listed after the item description on the microfiche, indicates the overall unit color. Order the item you desire according to unit color code.



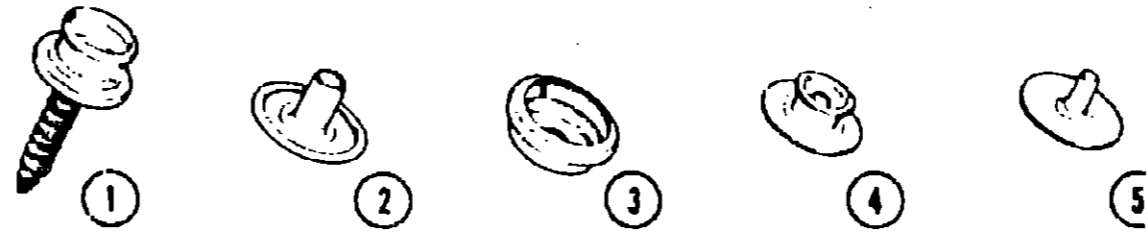
NOTE:

Use this illustration when determining length and width measurements for curtains. You will note the width measurement is taken on the top of the curtain with the curtain fully extended. The length measurement is taken from top to bottom.

CURTAIN & CUSHION HARDWARE

Key	Part Number	U/M	Description
	075477-02-000	EA	Bracket - Blinds Retainer
	082228-01-000	EA	Bracket - Curtain Rod - Right
	082228-02-000	EA	Bracket - Curtain Rod - Left
	056003-02-000	EA	Bracket - Drapery Retainer - Left
	056003-01-000	EA	Bracket - Drapery Retainer - Right
	075477-03-000	EA	Bracket - Hold Down - Blind
	056001-01-000	EA	Bracket - Shade - Left
	056002-01-000	EA	Bracket - Shade - Right
	039175-01-000	EA	Curtain Rod - Extension - 48" x 84"
	009107-01-000	EA	Guide - Nylon Snap - Curtain
	056784-01-000	EA	Roll - Window Shade - Antique Brass
	056115-01-000	YD	Tape - Clear Plastic - w/Guides
	048394-01-000	YD	Tape Hook - 1" x 25 yd - Beige
	029096-05-000	YD	Tape Hook - .50" - Velcro - Beige
	048395-01-000	YD	Tape Loop - 1" x 25 YD - Beige
	029090-01-000	FT	Tie - Drapery - Clear Vinyl
	056116-01-000	EA	Track - Curtain - Brown Plastic
	053272-01-000	EA	Track - Curtain - 16"
	076827-01-000	EA	Bracket - Curtain - Wovenwood - Right
	076827-02-000	EA	Bracket - Curtain - Wovenwood - Left
	079798-03-000	EA	Bracket Asm. - Curtain Rod - Right
	079798-04-000	EA	Bracket Asm. - Curtain Rod - Left
	082249-01-000	EA	Bracket - Blinds - Beige - Right
	082249-02-000	EA	Bracket - Blinds - Beige - Left
	079619-01-000	EA	Bracket - Tie Down

CURTAIN, CUSHION & PAD GROUP (CONTINUED)



Key	Part Number	U/M	Description
	1	029130-01-000	EA Socket - Snap Fastener
	2	029155-01-000	EA Cap - Snap - .156" Dia. x 17" Bar. 1
	3	029156-01-000	EA Socket - Snap Fastener
	4	029092-01-000	EA Stud - Nickel Finish
	5	029093-01-000	EA Eyelot - Nickel Finish

FABRICS, TRIMS & PADS

Key	Part Number	U/M	Description
	072333-25-000	YD	Fabric - Drapery - Beige (U01)
	072333-26-000	YD	Fabric - Drapery - Rose (U02)
	072333-27-000	YD	Fabric - Drapery - Spruce (U03)
	077498-62-000	YD	Fabric w/Pattern - Upholstery - Beige (U01)
	077498-63-000	YD	Fabric w/Pattern - Upholstery - Rose (U02)
	077498-64-000	YD	Fabric w/Pattern - Upholstery - Spruce (U03)
	077498-75-000	YD	Fabric w/Pattern - Upholstery Accent - Rose (U02)
	077498-74-000	YD	Fabric w/Pattern - Upholstery Accent - Spruce (U03)
	077498-73-000	YD	Fabric - Upholstery Accent - Plain (U01, U03)
	077498-72-000	YD	Fabric - Upholstery Accent - Plain - (U02)
	069729-43-000	YD	Fabric - Bedspread/Drapery - Multi-Stripe
	072333-21-000	YD	Fabric - Bedspread - Parchment
	038421-01-000	YD	Fabric - Mattress Ticking
	052859-01-T03	FT	Trim Asm. - Accent - Sandrift
	052859-05-T03	FT	Trim Asm. - Accent - Buckskin
	079680-01-000	YD	Vinyl - Expanded - 26 oz. - Buckskin
	079680-02-000	YD	Vinyl - Expanded - 26 oz. - Sandrift
	070578-04-U01	EA	Button Asm. - Screw Stud - #30 - Beige (U03)
	070578-04-U02	EA	Button Asm. - Screw Stud - #30 - Rose
	070578-05-U01	EA	Button Asm. - Screw Stud - #30 - Bedspread - Multi-Stripe
	070578-07-U01	EA	Button Asm. - Round Hook Back - #30 - Bedspread - Parchment
	071127-10-U01	EA	Button Asm. - Square - #65 - Beige (U03)
	071127-10-U02	EA	Button Asm. - Square - #65 - Rose
	069748-05-000	EA	Button Back - Square - #65
	078155-01-000	EA	Strap Asm. - Cushion
	081280-04-U01	EA	Pad Asm. - End Cap - Dinette - Overhead - Vinyl
	081280-08-U01	EA	Pad Asm. - End Cap - Entrance Door - Vinyl
	081519-01-U01	EA	Pad Asm. - Dinette - Rear - Beige (U03)
	081519-01-U02	EA	Pad Asm. - Dinette - Rear - Rose
	081519-02-U01	EA	Pad Asm. - Dinette - Front - Beige (U03)
	081519-02-U02	EA	Pad Asm. - Dinette - Front - Rose
	M00447-04-U01	EA	Cover w/Pocket - Motor - Beige (U03)
	M00447-04-U02	EA	Cover w/Pocket - Motor - Rose
	M82554-03-U01	EA	Cover Asm. - Vinyl - Wingwall - Driver
	M82554-01-U01	EA	Cover Asm. - Vinyl - Wingwall - Passenger
	059491-01-U01	EA	Pad Asm. - Door - Passenger - Beige (U03)
	059491-01-U02	EA	Pad Asm. - Door - Passenger - Rose
	059492-01-U01	EA	Pad Asm. - Door - Driver - Beige (U03)
	059492-01-U02	EA	Pad Asm. - Door - Driver - Rose

1986 WINNEBAGO TABLE OF CONTENTS

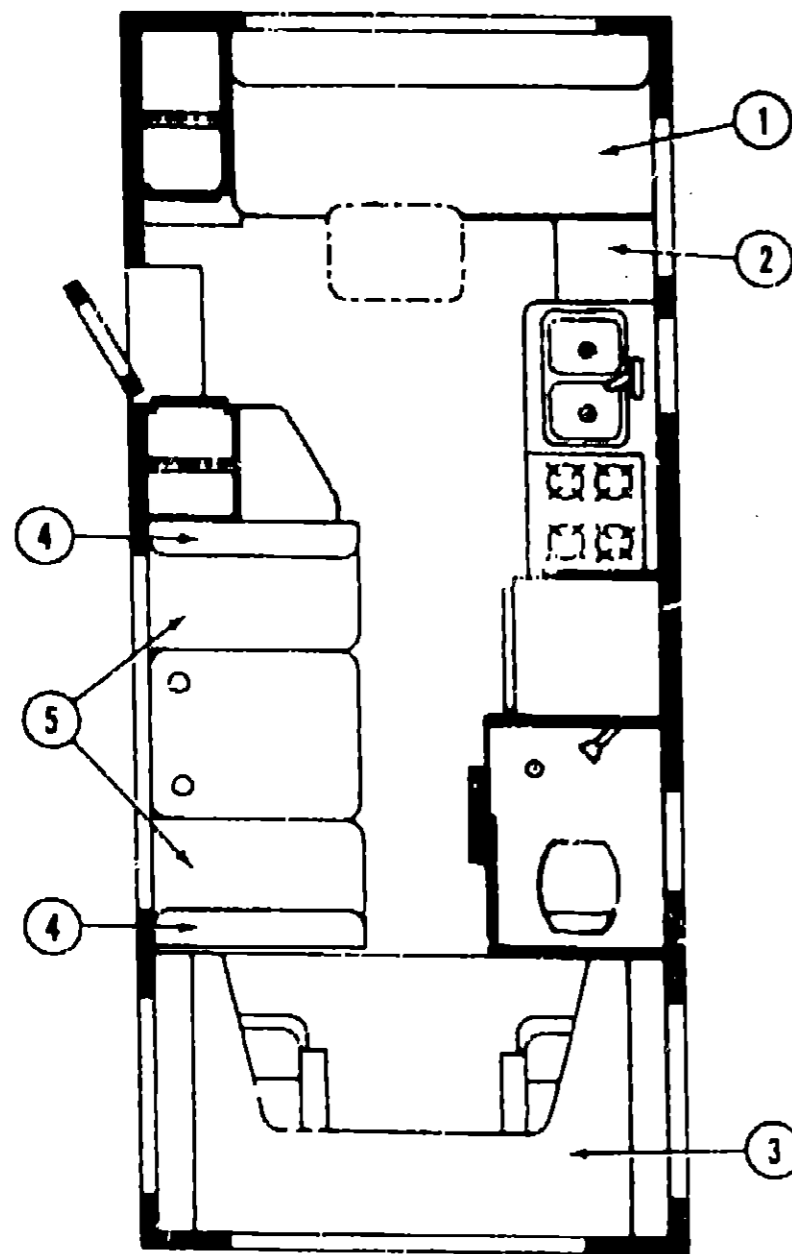
WC/WF424RC
WC420RG
WCN22RC
WCN30RC

A-01 - C-08
C-09 - E-12
E-13 - G-24
H-01 - J-10

1986 WC420RG INDEX

Floor Plan	C-09 - C-10
Accessories Group	C-11 - C-13
Bath Group	C-14
Chassis Group	C-15 - C-16
Curtain, Cushion & Pad Group	C-17 - C-22
Dinette Group	C-23
Driver's Compartment Group	C-24 - D-02
Electrical Group	D-03 - D-05
Exterior Body Group	D-06 - D-12
Galley Group	D-13 - D-14
Heating & Air Conditioning Group	D-15
Interior Finish Group	D-16 - D-18
LP Group	D-19
Lounge Group	D-20
Water & Sewage Group	D-21 - D-22
Window, Vent & Exterior Door Group	D-23 - E-12

CURTAIN, CUSHION & PAD GROUP (CONTINUED)



REAR LOUNGE CUSHIONS

Key	Part Number	U/M	Description
1	073900-13-U01	EA	Cushion - Lester Lounge - Back & Bottom - 76" - Beige
1	073900-13-U02	EA	Cushion - Lester Lounge - Back & Bottom - 76" - Rose
1	073900-13-U03	EA	Cushion - Lester Lounge - Back & Bottom - 76" - Spruce
	M73900-13-U01	EA	Cover - Lester Lounge - Back & Bottom - 76" - Beige
	M73900-13-U02	EA	Cover - Lester Lounge - Back & Bottom - 76" - Rose
	M73900-13-U03	EA	Cover - Lester Lounge - Back and Bottom - 76" - Spruce
2	081998-38-U01	EA	Cushion - Lounge Bottom - 22.5" x 15" x 5" - Beige
2	081998-38-U02	EA	Cushion - Lounge Bottom - 22.5" x 15" x 5" - Rose
2	081998-38-U03	EA	Cushion - Lounge Bottom - 22.5" x 15" x 5" - Spruce
	M81998-38-U01	EA	Cover - Lounge Bottom Cushion - 22.5" x 15" x 5" - Beige
	M81998-38-U02	EA	Cover - Lounge Bottom Cushion - 22.5" x 15" x 5" - Rose
	M81998-38-U03	EA	Cover - Lounge Bottom Cushion - 22.5" x 15" x 5" - Spruce

CURTAIN, CUSHION & PAD GROUP (CONTINUED)

FRONT OVERHEAD BUNK CUSHIONS

Key	Part Number	U/M	Description
3	073310-05-U01	EA	Cushion Asm. - Front Bunk - Two Fold - 24.5" x 29.5" x 76" x 4" - Beige
3	073310-05-U02	EA	Cushion Asm. - Front Bunk - Two Fold - 24.5" x 29.5" x 76" x 4" - Rose
3	073310-05-U03	EA	Cushion Asm. - Front Bunk - Two Fold - 24.5" x 29.5" x 76" x 4" - Spruce
	M73310-04-U01	EA	Cover Asm. - Front Bunk Cushion - Two Fold - Beige
	M73310-04-U02	EA	Cover Asm. - Front Bunk Cushion - Two Fold - Rose
	M73310-04-U03	EA	Cover Asm. - Front Bunk Cushion - Two Fold - Spruce

DINETTE CUSHION

Key	Part Number	U/M	Description
4	081998-01-U01	EA	Cushion Asm. - Dinette Back - 19.25" x 38" x 5" - Beige
4	081998-01-U02	EA	Cushion Asm. - Dinette Back - 19.25" x 38" x 5" - Rose
4	081998-01-U03	EA	Cushion Asm. - Dinette Back - 19.25" x 38" x 5" - Spruce
	M81998-01-U01	EA	Cover Asm. - Dinette Back Curtain - 19.25" x 38" x 5" - Beige
	M81998-01-U02	EA	Cover Asm. - Dinette Back Curtain - 19.25" x 38" x 5" - Rose
	M81998-01-U03	EA	Cover Asm. - Dinette Back Curtain - 19.25" x 38" x 5" - Spruce
5	081998-02-U01	EA	Cushion Asm. - Dinette Bottom - 17.5" x 38" x 5" - Beige
5	081998-02-U02	EA	Cushion Asm. - Dinette Bottom - 17.5" x 38" x 5" - Rose
5	081998-02-U03	EA	Cushion Asm. - Dinette Bottom - 17.5" x 38" x 5" - Spruce
	M81998-02-U01	EA	Cover Asm. - Dinette Bottom Cushion - 17.5" x 38" x 5" - Beige
	81998-02-U02	EA	Cover Asm. - Dinette Bottom Cushion - 17.5" x 38" x 5" - Rose
	M81998-02-U03	EA	Cover Asm. - Dinette Bottom Cushion - 17.5" x 38" x 5" - Spruce

BUCKET SEATS

Key	Part Number	U/M	Description
	079300-01-U01	EA	Seat Asm. - Vinyl - Beige (U01)
	079300-02-U01	EA	Seat Asm. - Vinyl - Rose (U02)
	079300-02-U03	EA	Seat Asm. - Vinyl - Spruce (U03)
	M01862-01-U01	EA	Cover Asm. - Seat Bottom - Vinyl - Beige (U01)
	M01862-03-U01	EA	Cover Asm. - Seat Bottom - Vinyl - Rose (U02)
	M01862-03-U03	EA	Cover Asm. - Seat Bottom - Vinyl - Spruce (U03)
	M01862-02-U01	EA	Cover Asm. - Seat Back - Vinyl - Beige (U01)
	M01862-04-U01	EA	Cover Asm. - Seat Back - Vinyl - Rose (U02)
	M01862-04-U03	EA	Cover Asm. - Seat Back - Vinyl - Spruce (U03)
	078804-10-U01	EA	Seat Asm. - Granduer w/Left Armrest - Beige (U01)
	078804-12-U02	EA	Seat Asm. - Granduer w/Left Armrest - Rose (U02)
	078804-12-U03	EA	Seat Asm. - Granduer w/Left Armrest - Spruce (U03)
	078804-09-U01	EA	Seat Asm. - Granduer w/Right Armrest - Beige (U01)
	078804-11-U02	EA	Seat Asm. - Granduer w/Right Armrest - Rose (U02)
	078804-11-U03	EA	Seat Asm. - Granduer w/Right Armrest - Spruce (U03)
	M01863-07-U01	EA	Cover Asm. - Bucket Seat Bottom - Beige (U01)
	M01863-03-U01	EA	Cover Asm. - Bucket Seat Bottom - Rose (U02)
	M01863-03-U03	EA	Cover Asm. - Bucket Seat Bottom - Spruce (U03)
	M01863-08-U01	EA	Cover Asm. - Bucket Seat Back - Beige (U01)
	M01863-04-U01	EA	Cover Asm. - Bucket Seat Back - Rose (U02)
	M01863-04-U03	EA	Cover Asm. - Bucket Seat Back - Spruce (U03)
	080243-08-U01	EA	Armrest Asm. - Right - Beige (U01)
	080243-10-U01	EA	Armrest Asm. - Right - Rose (U02)
	080243-10-U03	EA	Armrest Asm. - Right - Spruce (U03)
	080243-07-U01	EA	Armrest Asm. - Left - Beige (U01)
	080243-09-U01	EA	Armrest Asm. - Left - Rose (U02)
	080243-09-U03	EA	Armrest Asm. - Left - Spruce (U03)
	M80243-02-U04	EA	Cover Asm. - Armrest - Right - Beige (U01)
	M80243-04-U01	EA	Cover Asm. - Armrest - Right - Rose (U02)
	M80243-04-U03	EA	Cover Asm. - Armrest - Right - Spruce (U03)
	M80243-01-U01	EA	Cover Asm. - Armrest - Left - Beige (U01)
	M80243-03-U01	EA	Cover Asm. - Armrest - Left - Rose (U02)
	M80243-03-U03	EA	Cover Asm. - Armrest - Left - Spruce (U03)
	080242-04-U04	EA	Headrest Asm. - Beige (U01)
	080242-05-U05	EA	Headrest Asm. - Rose (U02)
	080242-05-U06	EA	Headrest Asm. - Spruce (U03)
	M80242-04-U04	EA	Cover Asm. - Headrest - Beige (U01)
	M80242-05-U05	EA	Cover Asm. - Headrest - Rose (U02)
	M80242-05-U06	EA	Cover Asm. - Headrest - Spruce (U03)

**1986 WINNEBAGO
TABLE OF CONTENTS**

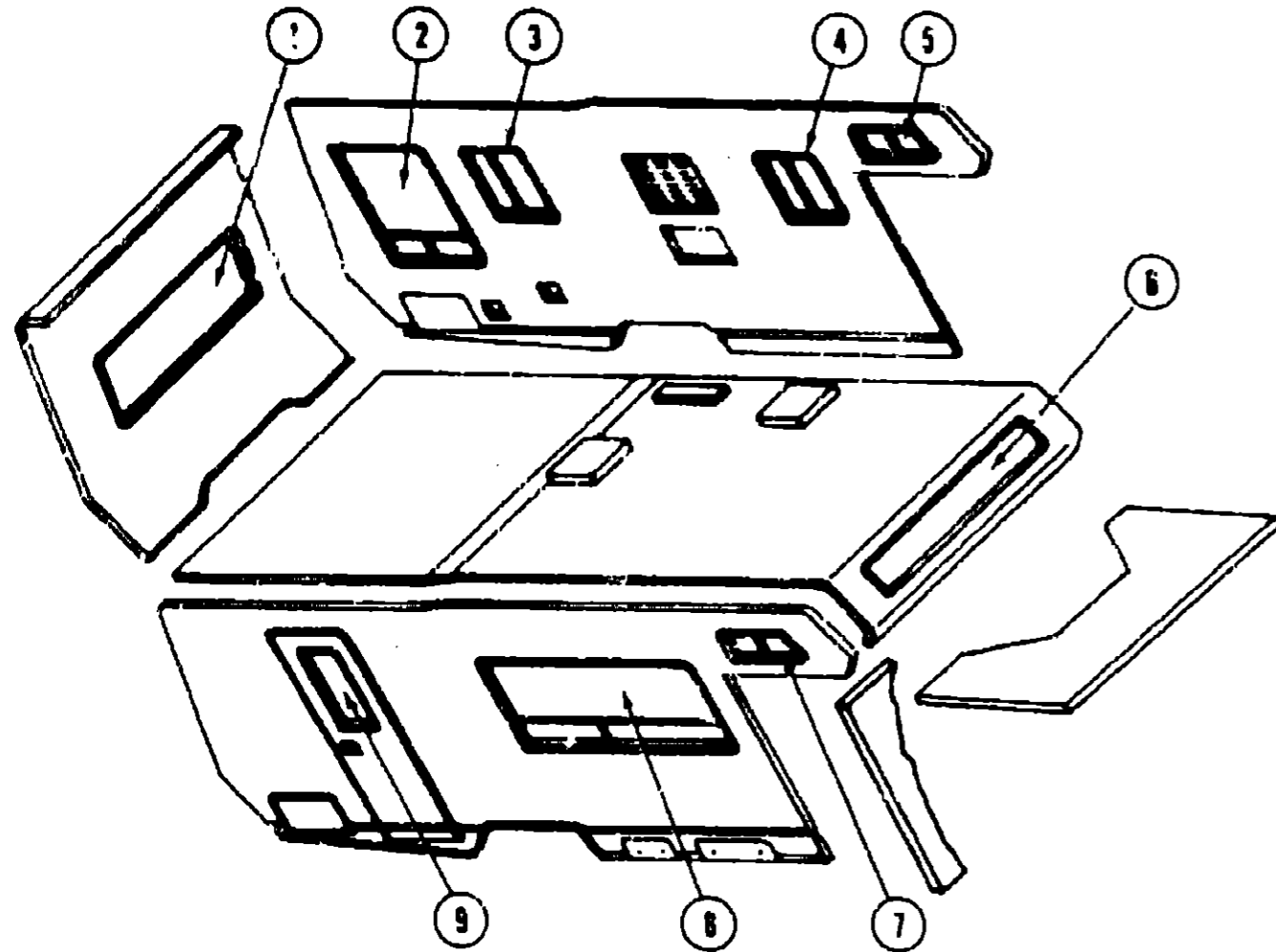
WC/WF424RC
WC420RG
WCN22PC
WCN30RC

A-01 - C-08
C-09 - E-12
E-13 - G-24
H-01 - J-10

1986 WC420RG INDEX

Floor Plan	C-09 - C-10
Accessories Group	C-11 - C-13
Bath Group	C-14
Chassis Group	C-15 - C-16
Curtain, Cushion & Pad Group	C-17 - C-22
Dinette Group	C-23
Driver's Compartment Group	C-24 - D-02
Electrical Group	D-03 - D-05
Exterior Body Group	D-06 - D-12
Galley Group	D-13 - D-14
Heating & Air Conditioning Group	D-15
Interior Finish Group	D-16 - D-18
LP Group	D-19
Lounge Group	D-20
Water & Sewage Group	D-21 - D-22
Window, Vent & Exterior Door Group	D-23 - E-12

CURTAIN, CUSHION & PAD GROUP (CONTINUED)



CURTAIN, VALANCES, SHADES & TIEBACKS

Key	Part Number	U/M	Description
1	079542-11-U01	EA	Curtain w/Darts - 29.5" x 16" - Beige
1	079542-11-U02	EA	Curtain w/Darts - 29.5" x 16" - Rose
1	079542-11-U03	EA	Curtain w/Darts - 29.5" x 16" - Spruce
1	M81977-09-U04	EA	Valance Asm. - Padded - Beige (U01, U03)
1	M81977-09-U05	EA	Valance Asm. - Padded - Rose (U02)
1	082118-64-000	EA	Blind - 71" x 29" Drop - Mocha (U01)
1	082118-65-000	EA	Blind - 71" x 29" Drop - Rose (U02)
1	082118-66-000	EA	Blind - 71" x 29" Drop - Juniper (U03)
1	079543-08-U01	EA	Curtain w/Darts - 31" x 16" (Woven Wood) - Beige (U03)
1	079543-08-U02	EA	Curtain w/Darts - 31" x 16" (Woven Wood) - Rose
1	082127-52-000	EA	Shade Asm. - Woven Wood - 71" x 31" Drop - Beige (U01)
1	082127-53-000	EA	Shade Asm. - Woven Wood - 71" x 31" Drop - Rose (U02)
1	082127-54-000	EA	Shade Asm. - Woven Wood - 71" x 31" Drop - Spruce (U03)
2	070652-30-U01	EA	Curtain w/Tape Top - 41" x 10" - Beige
2	070652-30-U02	EA	Curtain w/Tape Top - 41" x 10" - Rose
2	070652-30-U03	EA	Curtain w/Tape Top - 41" x 10" - Spruce
2	M81977-03-U01	EA	Valance Asm. - Padded - Lounge/Galley - Beige Spruce (U03)
2	M81977-08-U02	EA	Valance Asm. - Padded - Lounge/Galley - Rose
2	082118-92-000	EA	Blinds - 30" x 41" Drop - Beige (U01)
2	082118-93-000	EA	Blinds - 30" x 41" Drop - Rose (U02)
2	082118-94-000	EA	Blinds - 30" x 41" Drop - Spruce (U03)
2	079543-14-U01	EA	Curtain w/Darts - 41" x 10" (Woven Wood) - Beige (U03)
2	079543-14-U02	EA	Curtain w/Darts - 41" x 10" (Woven Wood) - Rose
2	082127-37-000	EA	Shade Asm. - Woven Wood - 30" x 40" Drop - Beige (U01)
2	082127-38-000	EA	Shade Asm. - Woven Wood - 30" x 40" Drop - Rose (U02)
2	082127-39-000	EA	Shade Asm. - Woven Wood - 30" x 40" Drop - Spruce (U03)

CURTAIN, CUSHION & PAD GROUP (CONTINUED)

CURTAIN, VALANCES, SHADES & TIEBACKS (CONT.)

Key	Part Number	U/M	Description
3	M81977-06-U01	EA	Valance - Padded - Lounge/Galley - Beige/Spruce (U03)
3	M81977-06-U02	EA	Valance - Padded - Lounge/Galley - Rose
3	082118-98-000	EA	Blinds - 27" x 26" Drop - Beige (U01)
3	082118-99-000	EA	Blinds - 27" x 26" Drop - Rose (U02)
3	082118-A0-000	EA	Blinds - 27" x 26" Drop - Juniper (U03)
3	M81977-05-U01	EA	Valance Asm. - Padded (Woven Wood) Beige (U03)
3	M81977-05-U02	EA	Valance Asm. - Padded (Woven Wood) Rose
4	082119-04-000	EA	Shade Asm. - Vinyl
4	069777-01-000	EA	Valance - Plastic
5	079558-04-000	EA	Shade Asm. - Vinyl
5	079558-06-U01	EA	Valance Asm. - Gathered - 8" x 75" - Beige
5	079558-06-U02	EA	Valance Asm. - Gathered - 8" x 75" - Rose
5	079558-06-U03	EA	Valance Asm. - Gathered - 8" x 75" - Spruce
5	079558-08-U01	EA	Valance Asm. - Gathered - 8" x 60" - (Woven Wood) - Beige, Spruce (U03)
5	079558-08-U02	EA	Valance Asm. - Gathered - 8" x 60" - (Woven Wood) - Rose
6	079558-09-U01	EA	Valance Asm. - Gathered - 8" x 175" - Beige
6	079558-09-U02	EA	Valance Asm. - Gathered - 8" x 175" - Rose
6	079558-09-U03	EA	Valance Asm. - Gathered - 8" x 175" - Spruce
6	082119-10-000	EA	Shade Asm. - Vinyl
6	079558-10-U01	EA	Valance Asm. - Gathered - 8" x 150" (Woven Wood) - Beige, Spruce (U03)
6	079558-10-U02	EA	Valance Asm. - Gathered - 8" x 150" (Woven Wood) - Rose
7	079542-10-U01	EA	Curtain w/Darts - 35" x 16" - Beige
7	079542-10-U02	EA	Curtain w/Darts - 35" x 16" - Rose
7	079542-10-U03	EA	Curtain w/Darts - 35" x 16" - Spruce
7	M81977-15-U01	EA	Valance Asm. - Padded - Beige (U03)
7	M81977-15-U02	EA	Valance Asm. - Padded - Rose
7	082118-61-000	EA	Blind - 65" x 34" Drop - Mocha (U01)
7	082118-62-000	EA	Blind - 65" x 34" Drop - Rose (U02)
7	082118-63-000	EA	Blind - 65" x 34" Drop - Juniper (U03)
7	079543-15-U04	EA	Curtain w/Pleat Bottom - 35" x 12" (Woven Wood) - Beige (U01, U03)
7	079543-15-U05	EA	Curtain w/Pleat Bottom - 34" x 12" (Woven Wood) - (U02)
7	082127-49-000	EA	Shade Asm. - Woven Wood - 65" x 35" Drop - Beige (U01)
7	082127-50-000	EA	Shade Asm. - Woven Wood - 65" x 35" Drop - Rose (U02)
7	082127-51-000	EA	Shade Asm. - Woven Wood - 65" x 35" Drop - Spruce (U03)
8	073295-02-U01	EA	Curtain w/Snap Top - 23" x 64" - Wraparound (U02, U03)
8	073304-30-U01	EA	Curtain w/Snap Top - 34" x 37" - Beige, Spruce (U03)
8	073304-30-U02	EA	Curtain w/Snap Top - 34" x 37" - Rose
8	077591-03-U01	EA	Curtain w/Velcro Top - 70" x 50" - Passenger (U02, U03)
8	077591-04-U01	EA	Curtain w/Velcro Top - 70" x 50" - Driver (U02, U03)
8	073260-16-U04	EA	Tie Back Asm. - 3" x 20" - Beige (U01)
8	073260-16-U05	EA	Tie Back Asm. - 3" x 20" - Rose (U02)
8	073260-16-U06	EA	Tie Back Asm. - 3" x 20" - Spruce (U03)
	Not illustrated		

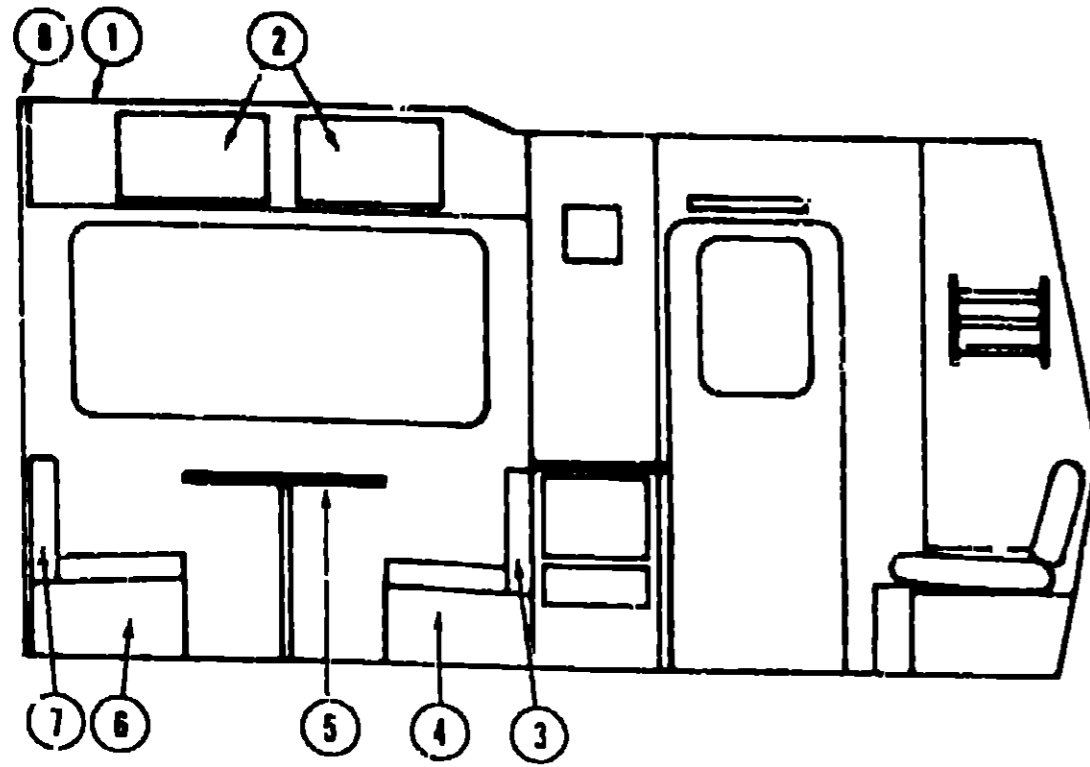
**1986 WINNEBAGO
TABLE OF CONTENTS**

WC/WF424RC	A-01 - C-08
WC420RG	C-08 - E-12
WCN22RC	E-13 - G-24
WCN30RC	H-01 - J-10

1986 WC420RG INDEX

Floor Plan	C-09 - C-10
Accessories Group	C-11 - C-13
Bath Group	C-14
Chassis Group	C-15 - C-16
Curtain, Cushion & Pad Group	C-17 - C-22
Dinette Group	C-23
Driver's Compartment Group	C-24 - D-02
Electrical Group	D-03 - D-05
Exterior Body Group	D-06 - D-12
Galley Group	D-13 - D-14
Heating & Air Conditioning Group	D-15
Interior Finish Group	D-16 - D-18
LP Group	D-19
Lounge Group	D-20
Water & Sewage Group	D-21 - D-22
Window, Vent & Exterior Door Group	D-23 - E-12

DINETTE GROUP

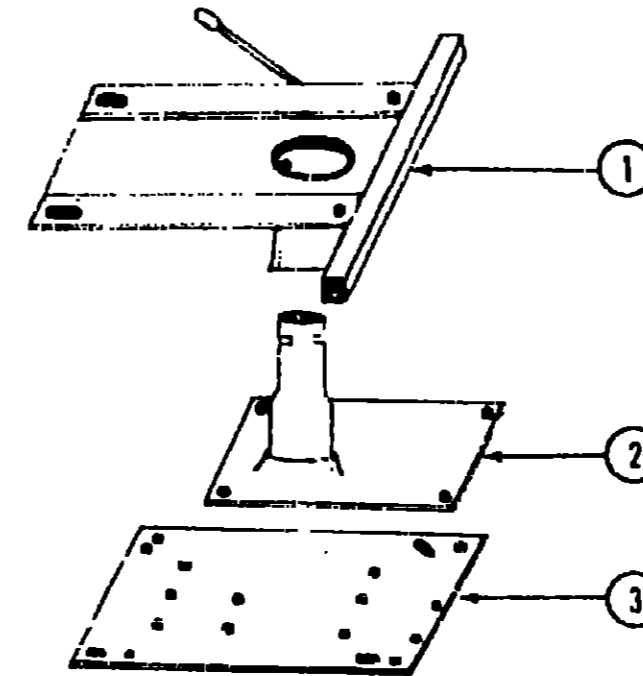


CONVENTIONAL DINETTE & OVERHEAD CABINETRY

Key	Part Number	U/M	Description
1	083638-01-U01	EA	Cabinet Asm. - Dinette Overhead - w/o Doors or Hardware
2	M81523-03-U01	EA	Door Asm. - Dinette Overhead Cabinet - w/o Hardware
3	M02589-01-U01	EA	Cabinet Asm. - Dinette Back - Right
4	M02590-01-U01	EA	Cabinet Asm. - Dinette Seat - Right
5	M02115-09-U01	EA	Table Asm. - Dinette - w/o Hardware - (U02)
5	M02115-09-U03	EA	Table Asm. - Dinette - w/o Hardware
6	M02175-04-U01	EA	Cabinet Asm. - Dinette Seat - Left - w/o Door or Hardware
7	M02174-02-U04	EA	Cabinet Asm. - Dinette Back - Left
8	091280-04-U01	EA	End Cap - Dinette Overhead Cabinet - Left - Vinyl
..	053200-01-000	EA	Bracket - Upper Wall Mount - 23.5"
..	053201-01-000	EA	Bracket - Table Mount - 23"
..	024275-08-000	EA	Rod - Table Lift - 8" x 23.5"
..	024231-03-000	EA	Bracket - Lower Wall Mount - 22.5"
..	024276-14-000	EA	Leg Asm. - Table - 26.5"
..	064050-01-000	EA	Hinge - Table Leg
..	024282-01-000	EA	Brace - Table Leg
..	024283-01-000	EA	Clip - 1" - 1.25" O.D. Tube
..	049493-02-000	EA	Catch - Table Leg - Mounts on Floor
..	064781-G2-000	EA	Cup Holder - 3.47" O.D. x 2.75" I.D. x 1.5"
..			Not illustrated

The illustrated parts breakdown for this item is provided on the Common Items Fiche

DRIVER'S COMPARTMENT GROUP



BUCKET SEAT PEDESTAL & SEAT BELTS

Key	Part Number	U/M	Description
1	069585-04-000	EA	Plate - Top - Pedestal Asm. - Bucket Seat
1	069585-19-000	EA	Plate - Top - Pedestal Asm. - Electric Bucket Seat
2	069585-03-000	EA	Plate - Sub - Pedestal Asm. - Bucket Seat
2	069585-18-000	EA	Plate - Sub - Pedestal Asm. - Electric Bucket Seat
3	069585-02-000	EA	Plate - Base - Pedestal Asm. - Bucket Seat
..	069585-05-000	EA	Hardware Kit - Bolt/Acorn Nut - 4 ea. - Pedestal Asm.
..	079467-04-000	EA	Loose Parts Kit - Bucket Seat
..	056271-02-000	EA	Belt Asm. - Seat - 2" x 72" - Black
..	007021-01-000	EA	Belt Asm. - Seat - 2" x 90" - Black
..	041322-01-000	EA	Washer - Flat 15/32" I.D. x 3/8" O.D. - Seat Belt
..	057759-01-000	EA	Bracket - Seat Belt Washer
..	069246-01-000	EA	Adjuster Asm. - Seat - w/Lock
..	069246-02-000	EA	Adjuster Asm. - Seat - w/o Lock
..	080730-02-000	EA	Recliner - Seat Back - Left - Drive
..	080731-02-000	EA	Recliner - Seat Back - Left - Hinge
..			Not illustrated

1986 WINNEBAGO TABLE OF CONTENTS

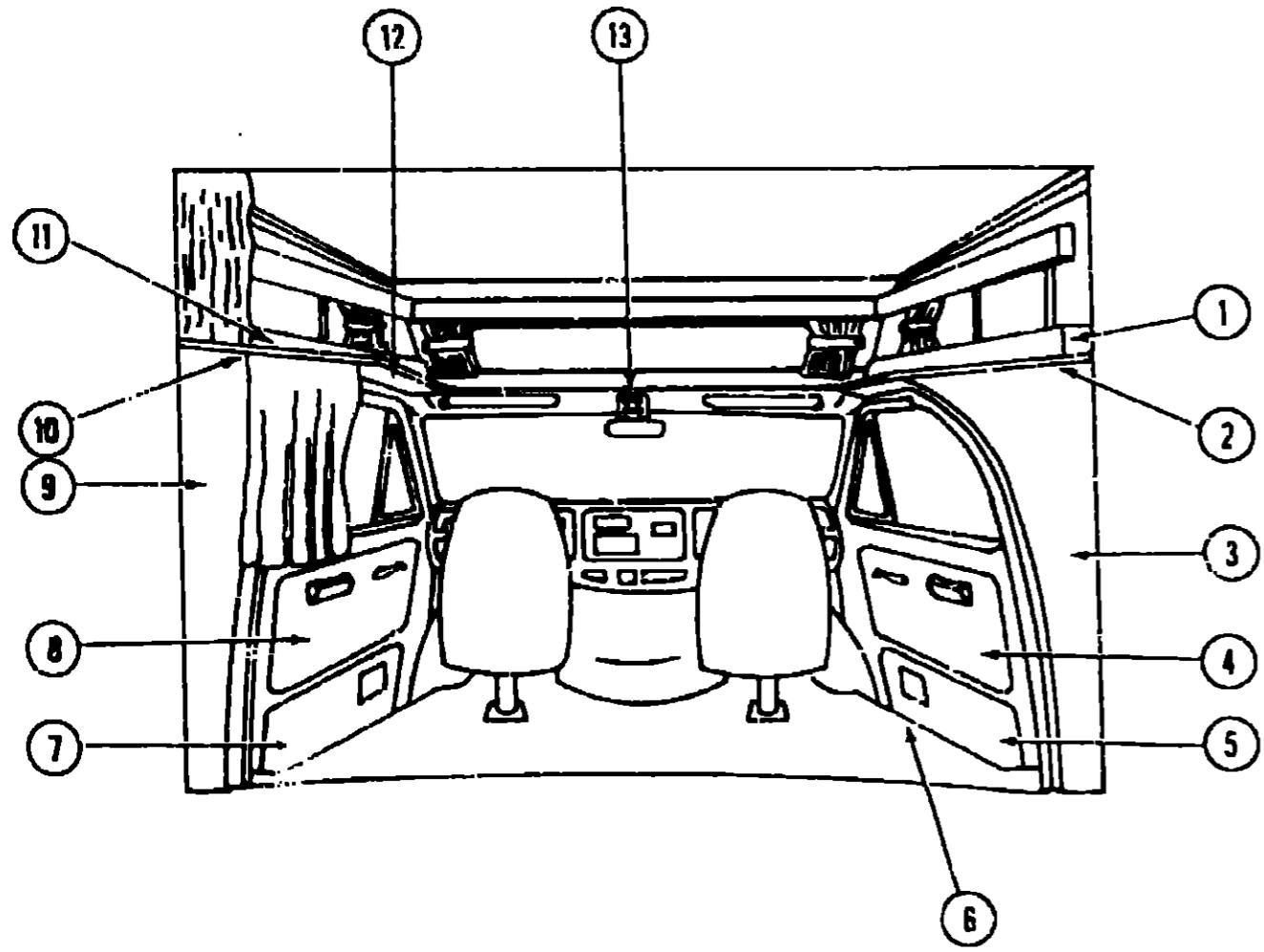
WC/WF424RC
WC420RG
WCN22RC
WCN30RC

A-01 - C-08
C-09 - E-12
E-13 - G-24
H-01 - J-10

1986 WC420RG INDEX

Floor Plan	C-09 - C-10
Accessories Group	C-11 - C-13
Bath Group	C-14
Chassis Group	C-15 - C-16
Curtain, Cushion & Pad Group	C-17 - C-22
Dinette Group	C-23
Driver's Compartment Group	C-24 - D-02
Electrical Group	D-03 - D-05
Exterior Body Group	D-06 - D-12
Galley Group	D-13 - D-14
Heating & Air Conditioning Group	D-15
Interior Finish Group	D-16 - D-18
LP Group	D-19
Lounge Group	D-20
Water & Sewage Group	D-21 - D-22
Window, Vent & Exterior Door Group	D-23 - E-12

DRIVER'S COMPARTMENT GROUP (CONTINUED)



MISCELLANEOUS DRIVER'S COMPARTMENT COMPONENTS

Key	Part Number	U/M	Description
1	082553-01-U01	EA	Cabinet Asm. - Head Board - Passenger
2	M81652-01-U01	EA	Panel Asm. - Sleeper Board - w/o Vinyl
	080742-01-000	FT	Trim - Front - Sleeper Board - Vinyl
	079800-01-000	EA	Trim - Sleeper Board - Brown
3	M82554-01-U01	EA	Panel Asm. - Wingwall Transition - Inner Passenger
4	059491-01-U01	EA	Side Panel - Cab Door - Passenger (U03)
4	059491-01-U02	EA	Side Panel - Cab Door - Passenger
5	082552-02-U01	EA	Panel Asm. - Cab Door - Passenger
5	082552-02-U02	EA	Panel Asm. - Cab Door - Passenger
5	082552-02-U03	EA	Panel Asm. - Cab Door - Passenger
6	044860-02-000	EA	Door Step Mat - Passenger - Black Rubber
	044860-01-000	EA	Door Step Mat - Driver - Black Rubber
7	082552-03-U01	EA	Panel Asm. - Cab Door - Driver
7	082552-03-U02	EA	Panel Asm. - Cab Door - Driver
7	082552-03-U03	EA	Panel Asm. - Cab Door - Driver
8	059492-01-U01	EA	Side Panel - Cab Door - Driver (U03)
8	059492-01-U02	EA	Side Panel - Cab Door - Driver
9	M82554-03-U01	EA	Panel Asm. - Wingwall Transition - Inner Driver
10	052859-01-T03	FT	Accent Trim - Dark Sandrift Vinyl
11	082553-02-U01	EA	Cabinet Asm. - Headboard Driver
12	076822-01-T03	EA	Headliner Asm. - Overhead Bunk - Vinyl
13	M01298-03-000	EA	Console - Overhead - 7 5" x 6 14" - Beige
			Not illustrated

DRIVER'S COMPARTMENT GROUP (CONTINUED)

MISCELLANEOUS DRIVER'S COMPARTMENT COMPONENTS (CONT.)

Key	Part Number	U/M	Description
	056288-01-000	EA	Dome Light Asm.
	056288-02-000	EA	Bulb
	056288-03-000	EA	Housing
	057288-04-000	EA	Lens
	056288-05-000	EA	Clip
	024461-01-000	EA	Switch - Battery
	024462-01-000	EA	Switch - Battery Condition
	024976-01-000	EA	Switch - Generator w/o Circuit Board
	031035-02-000	EA	Gauge - Generator Hourmeter
	024459-04-000	EA	Gauge - Voltmeter
			Not illustrated

**1986 WINNEBAGO
TABLE OF CONTENTS**

WC/WF424RC	A-01 - C-08
WC420RG	C-09 - E-12
WCN22RC	E-13 - G-24
WCN30RC	H-01 - J-10

1986 WC420RG INDEX

Floor Plan	C-09 - C-10
Accessories Group	C-11 - C-13
Bath Group	C-14
Chassis Group	C-15 - C-16
Curtain, Cushion & Pad Group	C-17 - C-22
Dinette Group	C-23
Driver's Compartment Group	C-24 - D-02
Electrical Group	D-03 - D-05
Exterior Body Group	D-06 - D-12
Galley Group	D-13 - D-14
Heating & Air Conditioning Group	D-15
Interior Finish Group	D-16 - D-18
LP Group	D-19
Lounge Group	D-20
Water & Sewage Group	D-21 - D-22
Window, Vent & Exterior Door Group	D-23 - E-12

ELECTRICAL GROUP

BULBS

Key	Part Number	U/M	Description
	008220-01-000	EA	Bulb - 12V - 25W
	008103-01-000	EA	Bulb - 53
	008213-01-000	EA	Bulb - 57
	008214-01-000	EA	Bulb - 67
	036196-01-000	EA	Bulb - 194
	075470-01-707	EA	Bulb - 912
	008215-01-000	EA	Bulb - 1003
	067479-01-000	EA	Bulb - 1076
	063914-01-000	EA	Bulb - 1139
	008218-01-000	EA	Bulb - 1141
	037925-01-000	EA	Bulb - 1157
	056288-02-000	EA	Bulb - 943180a

FUSES & CIRCUIT BREAKER

Key	Part Number	U/M	Description
	008233-01-000	EA	Fuse - 6 Amp. - 12 Volt
	008234-01-000	EA	Fuse - 10 Amp. - 12 Volt
	008235-01-000	EA	Fuse - 15 Amp. - 12 Volt
	008236-01-000	EA	Fuse - 20 Amp. - 12 Volt
	062901-02-000	EA	Fuse - 5 Amp. - Automotive
	062901-03-000	EA	Fuse - 15 Amp. - Automotive
	008211-01-000	EA	Circuit Breaker - 6 Amp. - 12 Volt
	008208-01-000	EA	Circuit Breaker - 40 Amp - 12 Volt
	033573-02-000	EA	Circuit Breaker - 15 Amp. - 12 Volt - w/Mount
	033573-01-000	EA	Circuit Breaker - 20 Amp - 12 Volt - w/Mount
	008268-01-000	EA	Circuit Breaker - 30 Amp. - 12 Volt - w/Mount
	075735-02-000	EA	Circuit Breaker - 15 Amp. - 120 Volt (Ground Fault Interrupter)
	071279-05-000	EA	Circuit Breaker - 20 Amp. - 120 Volt
	071279-04-000	EA	Circuit Breaker - 30 Amp. - 120 Volt
	071279-02-000	EA	Circuit Breaker - 15/15 Amp - 120 Volt
	071279-03-000	EA	Circuit Breaker - 15/20 Amp. - 120 Volt
	071279-01-000	EA	Circuit Breaker - 15/30 Amp. - 120 Volt
	071279-05-000	EA	Circuit Breaker - 30/15 Amp. - 120 Volt
	071280-01-000	EA	Circuit Breaker Blank
	083209-01-000	EA	Circuit Breaker - 15 Amp. - 120 Volt
	083209-04-000	EA	Circuit Breaker - 30 Amp. - 120 Volt
	083209-05-000	EA	Circuit Breaker - 20 Amp. - 120 Volt
	083209-06-000	EA	Circuit Breaker - 30/15 - 120 Volt
	083210-02-000	EA	Circuit Breaker - GFI, 15 Amp 120 Volt

MISCELLANEOUS ELECTRICAL COMPONENTS

Key	Part Number	U/M	Description
	008188-01-000	EA	Solenoid - Dual Battery - Relay
	071278-01-000	EA	Control Center - 32 Amp
	071278-01-700	EA	Door w/Catch - Brown
	071278-01-701	EA	Converter Module
	071278-01-703	EA	Catch - Door
	083208-01-000	EA	Control Center - 32 Amp. - 120 Volt/ 20 Volt

ELECTRICAL GROUP (CONTINUED)

WIRE, SWITCHES & RECEPTACLES

Key	Part Number	U/M	Description
	008058-01-000	EA	Adapter - Power Cord
	008288-01-000	EA	Box - Electrical - 3" x 3.5" - Plastic
	008289-01-000	EA	Box - Electrical - 4" x 4" - 1/2 & 3/4 - Steel - UL
	008289-02-000	EA	Box - Electrical - 4" x 4" - 1/2 & 3/4 - Steel - CSA
	031141-01-000	EA	Box - Electrical - 4 11/16" x 4 11/16" - Steel
	058049-01-000	EA	Box - Electrical - 2" x 3" x 2 25" - Steel
	041953-01-000	EA	Conduit - Convoluted Slit - 5" I.D.
	008353-01-000	EA	Connector - Clamping - 3/8 Cable - UL & CSA
	058028-01-000	EA	Connector - Pigtail - Clear Nylon
	008314-01-000	EA	Connector - Wire Nut - Gray
	008311-01-000	EA	Connector - Wire Nut - Red
	031968-01-000	EA	Contact Plug - Brass - Tin Plated
	039167-01-000	EA	Contact - Receptacle
	008054-01-000	EA	Cord - Power - 10-3 30 Amp. - 25' - UL
	008052-01-000	EA	Cord - Power - 10-3 30 Amp. - 25' - CSA
	069238-01-000	EA	Cover - Electrical Box - 4" x 4"
	058048-01-000	EA	Cover - Electrical Box - 4.5" x 2 7/8" - Rain Tight (Exterior)
	031142-01-000	EA	Cover - Electrical Box - 4 3/4" Raised
	031143-01-000	EA	Cover Plate - Brass - Single
	024571-03-000	EA	Cover Plate - Receptacle - Jumbo - Brown Plastic
	024571-04-000	EA	Cover Plate - Receptacle - Jumbo - Ivory Plastic
	008164-01-000	EA	Cover Plate - Switch - Brown
	008294-01-000	EA	Cover - Flat Blank - 4" x 4" - Steel - US
	008294-02-000	EA	Cover - Flat Blank - 4" x 4" - Steel - CSA
	008250-02-000	EA	Fuse Holder - In Line - 15 Amp.
	008277-01-000	EA	Fuse Holder - Panel Mount - Black
	064399-01-000	EA	Housing Asm. - Trailer Pin
	064398-01-000	EA	Housing Asm. - Trailer Receptacle
	054532-01-000	EA	Housing Pin - 6 Position
	046885-01-000	EA	Plaque - Mounting Switch
	058708-01-000	EA	Receptacle - Duplex - Brown
	009157-01-000	EA	Receptacle - Duplex - Brown (Exterior Backwall)
	058708-02-000	EA	Receptacle - Duplex - Ivory
	053126-01-000	EA	Receptacle - Ground Fault Interrupter - 125 Volt - Ivory
	024924-02-000	EA	Receptacle - Power Cord
	058707-01-000	EA	Receptacle - Single - Brown
	063912-01-000	EA	Relay - Canister SPDT w/Ground
	008188-01-000	EA	Relay Solenoid - 3 Terminal
	031144-01-000	EA	Switch - Control Off - DFJT - Black
	008162-01-000	EA	Switch - Double Toggle - Brown
	056264-01-000	EA	Switch - Leaf Actuator
	008195-01-000	EA	Switch - Push Button - 12 Volt
	008163-01-000	EA	Switch - Toggle - Brown
	079362-01-000	EA	Switch Plate - 3 Gang - 2 Switch
	079363-01-000	EA	Switch Plate - Single w/Switch
	079364-01-000	EA	Switch - On/Off - Rocker - Brown
	006050-01-000	EA	TV Jack - Ivory
	047443-02-000	EA	Terminal - .250 Receptacle - 12-10 AWG
	008348-01-000	EA	Terminal Ring - 2 - w/3/8 Stud
	008331-01-000	EA	Terminal Ring - 4 - w/3/8 Stud
	008329-01-000	EA	Terminal Ring - 12/10 Wire
	008028-01-000	FT	Wire - 18.5 Bonded - Blue/Red/Yellow/Orange/White
	008024-01-000	FT	Wire - 18.5 Bonded - Orange/White/Yellow/Blue/Brown
	008025-01-000	FT	Wire - 18.5 Bonded - Orange/White/Yellow/Blue/Green
	008026-01-000	FT	Wire w/Ground - Romex - 12/2

1986 WINNEBAGO TABLE OF CONTENTS

WC/WF424RC	A-01 - C-08
WC420RG	C-09 - E-12
WCN22RC	E-13 - G-24
WCN30RC	H-01 - J-10

1986 WC420RG INDEX

Floor Plan	C-09 - C-10
Accessories Group	C-11 - C-13
Bath Group	C-14
Chassis Group	C-15 - C-16
Curtain, Cushion & Pad Group	C-17 - C-22
Dinette Group	C-23
Driver's Compartment Group	C-24 - D-02
Electrical Group	D-03 - D-05
Exterior Body Group	D-06 - D-12
Galley Group	D-13 - D-14
Heating & Air Conditioning Group	D-15
Interior Finish Group	D-16 - D-18
LP Group	D-19
Lounge Group	D-20
Water & Sewage Group	D-21 - D-22
Window, Vent & Exterior Door Group	D-23 - E-12

ELECTRICAL GROUP (CONTINUED)

EXTERIOR LIGHTS

Key	Part Number	U/M	Description
	058032-01-000	EA	Tail Lamp Asm. - 2 Bulb - Chrome - Driver/Passenger
	059540-01-000	EA	Bracket - License Plate
	062742-04-000	EA	Wedge - Tail Lamp w/License Plate - Left - Off White
	062740-04-000	EA	Wedge - Tail Lamp - Right - Off White
	042405-03-000	EA	Base - Rectangular Clearance Light
	042405-01-000	EA	Lens - Clearance Light - Red w/Reflex
	042405-04-000	EA	Lens - Clearance Light - Red w/o Reflex
	042405-02-000	EA	Lens - Clearance Light - Amber w/Reflex
	042405-05-000	EA	Lens - Clearance Light - Amber w/o Reflex
	043817-01-000	EA	Assist Handle Asm. w/Light

INTERIOR LIGHTS

Key	Part Number	U/M	Description
	033508-02-000	EA	Light - Dome - Ivory - 1 Bulb - US
	033508-03-000	EA	Light - Dome - Ivory - 1 Bulb - CSA
	033509-02-000	EA	Light - Dome - Ivory - 2 Bulb - US
	033509-03-000	EA	Light - Dome - Ivory - 2 Bulb - CSA
	051424-01-000	EA	Light - 12 V Receptacle - Aisle - IP
	007309-01-000	EA	Light - Step Well
	072353-03-000	EA	Light - Reading - Single - 360° Swivel - Almond
	056288-01-000	EA	Light - Dome (Driver's Compartment)
	082169-01-000	EA	Light - Make-Up - 3 Bulb

EXTERIOR BODY GROUP

Key	Part Number	U/M	Description
	006199-01-000	EA	Label - Exit - Escape Window
	047731-01-000	EA	Label - Emergency Exit
	057467-04-000	EA	Label - Exterior Loading Limit
	079956-01-000	EA	Label - Warning - Slowed - Motion
	064378-01-000	EA	Label - Flying "W" w/Thermo Panel
	061417-01-000	EA	Label - Fuel
	065748-01-000	EA	Label - Caution - Battery Charging
	006196-01-000	EA	Label - Gas Test
	054531-01-000	EA	Label - LP Gas Only
	040944-01-000	EA	Label - Open - Entrance Door
	006015-01-000	EA	Label - Patent Motor Home
	056259-01-000	EA	Label - Safety Check List
	006064-01-000	EA	Label - Seat - w/o Seat Belts
	006187-01-000	EA	Label - Sewage
	006006-01-000	EA	Label - Thermo Panel - 2 1/4" x 2 1/4"
	075221-01-000	EA	Label - Trailer Hitch Capacity
	075220-01-000	EA	Label - Warning - Exterior Load Limit
	050225-01-000	EA	Label - Warning - Stroke Vent - US
	006188-01-000	EA	Label - Waste Water
	006197-01-000	EA	Label - Water Test
	072863-01-000	EA	Nameplate - Diesel - 6.2L
	006062-01-000	EA	Tag - Electrical - 110 Volt Connection
	006040-01-000	EA	Tag - Gas - Refueling Warning
	044486-03-000	EA	Paint - Beige Acrylic Enamel - 16 oz. Aerosol (7633A Dupont)
	045681-03-000	EA	Paint - Gloss Black - Acrylic Enamel - 16 oz. Aerosol (99 Dupont)
	058637-05-000	EA	Paint - Gray Acrylic Enamel - 16 oz. Aerosol (71537 Dupont)
	041561-03-000	EA	Paint - Off White Acrylic Enamel - 16 oz. Aerosol (45353A Dupont)
	074559-01-000	EA	Label "LPG" - 3 3/4" x 1 7/8" - Calif Code
			Not illustrated

MISCELLANEOUS EXTERNALLY MOUNTED PARTS

Key	Part Number	U/M	Description
	083558-01-000	EA	Plumbing Seal - Roof Vent - 1.5" - w/Cap
	048817-01-000	EA	Assist Handle - w/Light
	048817-01-700	EA	Lens - Assist Handle
	010230-02-000	EA	Fill - City Water - Recessed - Off White
	081240-03-000	EA	Water Fill - Lockable - Off White
	063303-04-000	EA	Shroud - Fuel Fill - Lower
	078040-01-000	EA	Shroud - Fuel Fill - Upper
	079384-01-000	EA	Running Board w/Wheel Flares
	054530-01-000	EA	Door Holder
	083615-01-000	EA	Door Holder - Beige Plastic
	038327-01-000	EA	Tape - Antislip - 2" x 60'

1986 WINNEBAGO TABLE OF CONTENTS

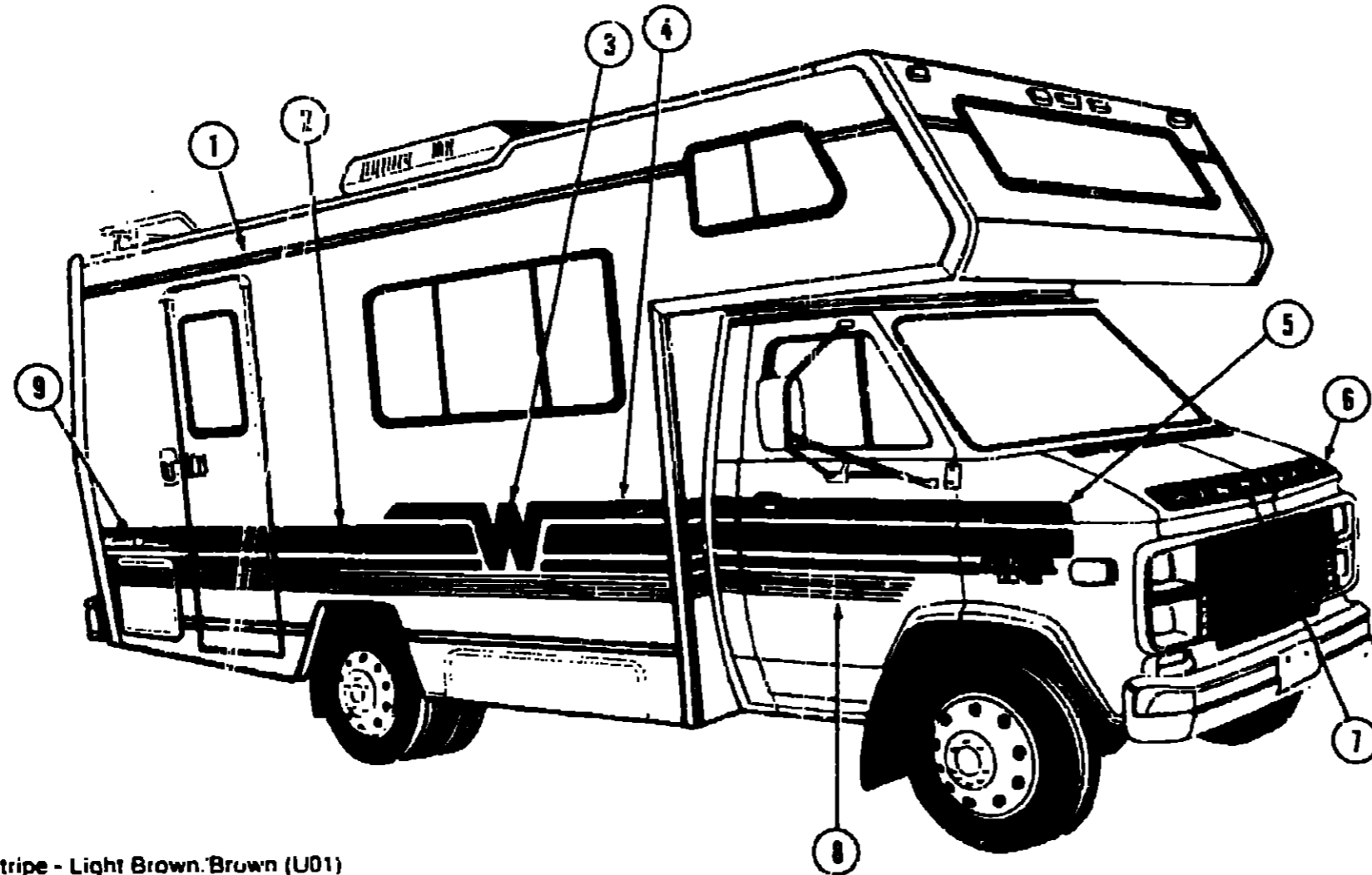
WC/WF424RC	A-01 - C-08
WC420RG	C-09 - E-12
WCN22RC	E-13 - G-24
WCN30RC	H-01 - J-10

1986 WC420RG INDEX

Floor Plan	C-09 - C-10
Accessories Group	C-11 - C-13
Bath Group	C-14
Chassis Group	C-15 - C-16
Curtain, Cushion & Pad Group	C-17 - C-22
Dinette Group	C-23
Driver's Compartment Group	C-24 - D-02
Electrical Group	D-03 - D-05
Exterior Body Group	D-06 - D-12
Galley Group	D-13 - D-14
Heating & Air Conditioning Group	D-15
Interior Finish Group	D-16 - D-18
LP Group	D-19
Lounge Group	D-20
Water & Sewage Group	D-21 - D-22
Window Vent & Exterior Door Group	D-23 - E-12

EXTERIOR BODY GROUP (CONTINUED)

DECALS, LABELS & EXTERIOR PAINT



1986 WINNEBAGO TABLE OF CONTENTS

WC/WF424HC
WC420RG
WCN22RC
WCN30RC

A-01 - C-08
C-09 - E-12
E-13 - G-24
H-01 - J-10

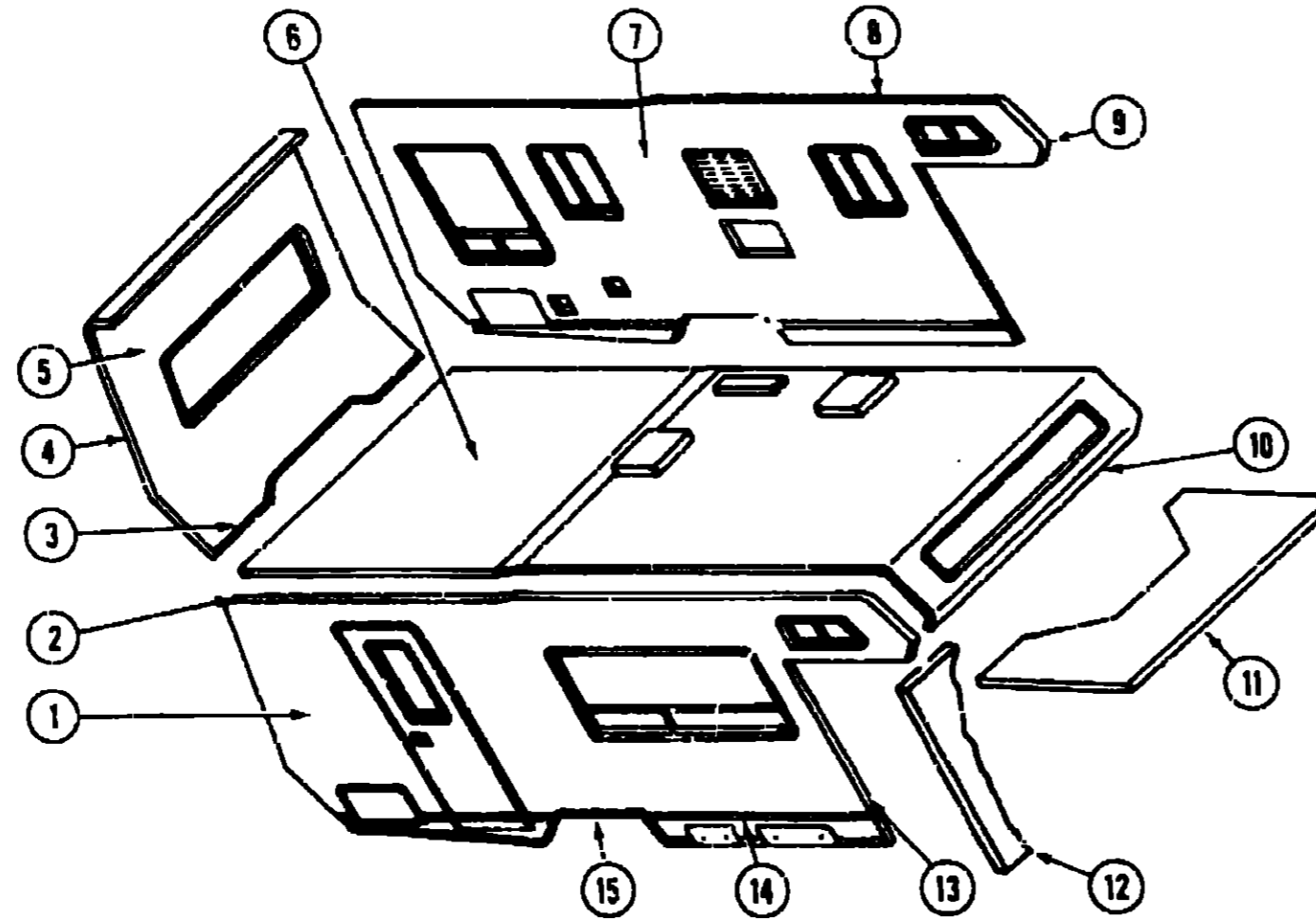
Key	Part Number	U/M	Description
1	065217-90-000	FT	Film - Multi-Stripe - Light Brown/Brown (U01)
1	065217-89-000	FT	Film - Multi-Stripe - Rust/Burgundy (U02)
1	065217-88-000	FT	Film - Multi-Stripe - Light Green/Green (U03)
2	065217-87-000	FT	Film - Multi-Stripe - Light Brown/Brown (U01)
2	065217-86-000	FT	Film - Multi-Stripe - Rust/Burgundy (U02)
2	065217-85-000	FT	Film - Multi-Stripe - Light Green/Green (U03)
3	079351-06-000	EA	Decal - Flying W - Brown (U01)
3	079351-05-000	EA	Decal - Flying W - Burgundy (U02)
3	079351-04-000	EA	Decal - Flying W - Green (U03)
4	078831-14-000	EA	Decal Striping - Light Brown (U01)
4	078831-13-000	EA	Decal Striping - Rust (U02)
4	078831-12-000	EA	Decal Striping - Light Green (U03)
5	018941-05-000	EA	Decal - Fender - Passenger - Chevy - Light Brown (U01)
5	081941-03-000	EA	Decal - Fender - Passenger - Chevy - Rust (U02)
5	081941-01-000	EA	Decal - Fender - Passenger - Chevy - Light Green (U03)
-	081941-06-000	EA	Decal - Fender - Driver - Chevy - Light Brown (U01)
-	081941-04-000	EA	Decal - Fender - Driver - Chevy - Rust (U02)
-	081941-02-000	EA	Decal - Fender - Driver - Chevy - Light Green (U03)
6	081944-01-000	EA	Decal - Hood - Chevy - Light Brown (U01)
6	031944-02-000	EA	Decal - Hood - Chevy - Rust (U02)
6	081944-03-000	EA	Decal - Hood - Chevy - Light Green (U03)
7	069745-03-000	EA	Decal - "Winnie" - 1 25"
7	069745-04-000	EA	Decal - "Bago" - 1 25"
8	076791-10-000	FT	Film - Multi-Stripe - Brown (U01)
8	076791-09-000	FT	Film - Multi-Stripe - Burgundy (U02)
8	076791-08-000	FT	Film - Multi-Stripe - Green (U03)
9	075478-01-000	EA	Decal - Logo - "Minnie Winnie"
-	050313-22-000	EA	Decal - Logo - "Winnebago" - Chrome

1986 WC420RG INDEX

Floor Plan	C-09 - C-10
Accessories Group	C-11 - C-13
Bath Group	C-14
Chassis Group	C-15 - C-16
Curtain, Cushion & Pad Group	C-17 - C-22
Dinette Group	C-23
Driver's Compartment Group	C-24 - D-02
Electrical Group	D-03 - D-05
Exterior Body Group	D-06 - D-12
Galley Group	D-13 - D-14
Heating & Air Conditioning Group	D-15
Interior Finish Group	D-16 - D-18
LP Group	D-19
Lounge Group	D-20
Water & Sewage Group	D-21 - D-22
Window, Vent & Exterior Door Group	D-23 - E-12

EXTERIOR BODY GROUP (CONTINUED)

EXTERIOR BODY PANELS



1986 WINNEBAGO TABLE OF CONTENTS

WC/WF424RC
WC420RG
WCN22RC
WCN30RC

A-01 - C-08
C-09 - E-12
E-13 - G-24
H-01 - J-10

1986 WC420RG INDEX

Floor Plan	C-09 - C-10
Accessories Group	C-11 - C-13
Bath Group	C-14
Chassis Group	C-15 - C-16
Curtain, Cushion & Pad Group	C-17 - C-22
Dinette Group	C-23
Driver's Compartment Group	C-24 - D-02
Electrical Group	D-03 - D-05
Exterior Body Group	D-06 - D-12
Galley Group	D-13 - D-14
Heating & Air Conditioning Group	D-15
Interior Finish Group	D-16 - D-18
LP Group	D-19
Lounge Group	D-20
Water & Sewage Group	D-21 - D-22
Window, Vent & Exterior Door Group	D-23 - E-12

Key	Part Number	U/M	Description
1	M83436-01-U01	EA	Sidewall Asm. - Passenger
2	077339-11-000	EA	Contour Trim - Upper Rear Passenger - Off White
	077339-12-000	EA	Contour Trim - Upper Rear Driver - Off White
3	074966-02-000	EA	Backwall Trim - Lower - Driver or Passenger
4	076805-01-000	EA	Contour Trim - Backwall - Passenger - Off White
	076805-02-000	EA	Contour Trim - Backwall - Driver - Off White
5	M83695-01-U01	EA	Backwall Asm
6	M83458-01-U01	EA	Roof Asm.
	M79589-01-700	EA	Roof Section - Cab Over to First Seam
7	M83435-01-U01	EA	Sidewall Asm. - Driver (U02)
	M83435-01-U03	EA	Sidewall Asm. - Driver
8	076802-06-000	EA	Contour Trim - Upper Front Driver - Off White
	076802-05-000	EA	Contour Trim - Upper Front Passenger - Off White
9	076828-02-000	EA	Contour Trim - Sleeper - Driver - Off White
	076828-01-000	EA	Contour Trim - Sleeper - Passenger - Off White
			Not illustrated

Key	Part Number	U/M	Description
10	039644-08-000	EA	Trim - Sleeper Board - Front
11	M81652-01-U01	EA	Sleeper Board Asm.
12	M82343-01-U01	EA	Wingwall Asm - Passenger
	M82343-02-U01	EA	Wingwall Asm - Driver - Gas
	076975-03-000	EA	Trim - Wingwall Transition - Passenger - Off White
	076975-04-000	EA	Trim - Wingwall Transition - Driver - Off White
14	059576-05-000	EA	Feature Strip - Extr Aluminum - 14 8' - Autumn White
	001030-02-100	EA	Insert - Feature Strip - 17' - Stucco - Off White
	009731-01-000	EA	End Cap - Feature Strip
	041746-01-000	FT	Extr Vinyl - Bubble Seal - Wingwall
15	080266-02-000	EA	Rear Trim - Wheel Well - Driver or Passenger
	077517-04-001	EA	Fiberglass Sheets - 48.08" x 259" - Mesa - Off White
	077517-04-002	EA	Fiberglass Sheets - 48.08" x 60" - Mesa - Off White
	001054-01-011	EA	Aluminum - No Design - 48" x 96" - Off White
	000868-01-000	SF	Styrofoam - 75" x 24" x 96"
	000870-01-000	SF	Styrofoam - 1 5" x 24" x 96"
	000870-03-000	SF	Styrofoam - 1 34" x 48" x 96"
			Not illustrated

EXTERIOR BODY GROUP (CONTINUED)

INTERIOR/EXTERIOR SCREWS & FASTENERS

Key	Part Number	U/M	Description
	005200-01-000	EA	Bolt - Round Head - Square Neck w/SST Cap - 7/16" - 14 x 1 1/4"
	C58279-01-000	EA	Clip - Mounting - Front Panel
	035628-01-000	EA	Fastener - Blind Well Nut - 1.05" x .38"
	000D15-06-008	EA	Nut - Hex - 3/8" x 24 - Zinc
	005081-01-000	EA	Nut - Speed - C Type - #8 Screw
	000G54-04-20B	EA	Screw 1/4 - 20 x 1 1/4" PTH - Zinc
	000G54-04-22B	EA	Screw 1/4 - 20 x 1 3/8" PTH - Zinc
	000G53-04-06B	EA	Screw 1/4 - Machine - 20 x 3/8" PTH - Zinc
	000G13-06-12P	EA	Screw #6 - 20 x 3/4" PFH - Dark Brown
	000G13-06-28X	EA	Screw #6 - 20 x 3/4" PFH - Gray
	000G13-06-16R	EA	Screw #6 - 20 x 1" PFH - Beige
	000G11-07-08B	EA	Screw #7 - 19 x 1/2" PPH - Zinc
	000G12-08-12M	EA	Screw #8 - 18 x 3/4" POH - Gray
	000G11-08-12R	EA	Screw #8 - 18 x 3/4" PPH - Beige
	000G11-08-12X	EA	Screw #8 - 18 x 3/4" PPH - Gray
	000G11-08-12B	EA	Screw #8 - 18 x 3/4" PPH - Zinc
	000G39-08-12R	EA	Screw #8 - 18 x 3/4" SDPH - Beige
	000G66-08-12M	EA	Screw #8 - 18 x 3/4" SDPH - Gray
	000G11-08-16R	EA	Screw #8 - 18 x 1" PFH - Gray
	000G66-08-16R	EA	Screw #8 - 18 x 1" SDPH - Beige
	000G12-08-28R	EA	Screw #8 - 18 x 1 3/4" POH - Beige
	000G36-08-08E	EA	Screw #8 - 32 x 1/2" PFH - Chrome
	000G39-08-08B	EA	Screw #8 - Self Drilling - 18 x 1/2" PPH - Zinc
	000G39-08-12B	EA	Screw #8 - Self Drilling - 18 x 3/4" PPH - Zinc
	000G39-08-12R	EA	Screw #8 - Self Drilling - 18 x 3/4" PPH - Beige
	000G39-08-16R	EA	Screw #8 - Self Drilling - 18 x 1" PPH - Beige
	000G39-08-16T	EA	Screw #8 - Self Drilling - 18 x 1" PPH - Black
	000G39-08-16P	EA	Screw #8 - Self Drilling - 18 x 1" PPH - Dark Brown
	000G39-08-16X	EA	Screw #8 - Self Drilling - 18 x 1" PPH - Gray
	000G39-08-16E	EA	Screw #8 - Self Drilling - 18 x 1" PPH - Chrome
	000G64-08-16M	EA	Screw #8 - Self Drilling - 18 x 1" SDPH - Gray
	000G67-10-08B	EA	Screw #10 - 12 x 1/2" PPH - Zinc
	000G67-10-10R	EA	Screw #10 - 12 x 5/8" PPH - Beige
	000G67-10-16P	EA	Screw #10 - 12 x 1" PPH - Dark Brown
	000G67-10-16B	EA	Screw #10 - 12 x 1" PPH - Zinc
	000G67-10-20B	EA	Screw #10 - 12 x 1 1/4" PPH - Zinc
	000G67-10-24B	EA	Screw #10 - 12 x 1 1/2" PPH - Zinc
	049465-04-000	EA	Screw #10 - 16 x 1" POH - w/Washer - Beige
	049465-05-000	EA	Screw #10 - 16 x 1" POH - w/Washer - Gray
	000G12-10-24E	EA	Screw #10 - 16 x 1 1/2" POH - Chrome
	000G11-10-08D	EA	Screw #10 - 16 x 1/2" PPH - Dark Brown
	000G11-10-12R	EA	Screw #10 - 16 x 3/4" PPH - Beige
	000G11-10-12S	EA	Screw #10 - 16 x 3/4" PPH - Off White
	000G11-10-12B	EA	Screw #10 - 16 x 3/4" PPH - Zinc
	000G11-10-16B	EA	Screw #10 - 16 x 1" PPH - Zinc
	000G11-10-40B	EA	Screw #10 - 16 x 2 1/2" PPH - CAD
	000G19-10-12B	EA	Screw #10 - Machine - 32 TPI x 3/4"
	075908-01-000	EA	Screw #10 - Machine - 32 x 56" PTH - Zinc
	000G19-10-20B	EA	Screw #10 - Machine - 32 x 1 1/4" PPH - Zinc
	000G39-12-12E	EA	Screw #10 - Self Drilling - 14 x 3/4" PPH - Chrome
	000G39-10-10H	EA	Screw #10 - Self Drilling - 16 x 62" PPH - Beige
	000G39-10-12R	EA	Screw #10 - Self Drilling - 16 x 3/4" PPH - Beige
	000G39-10-12P	EA	Screw #10 - Self Drilling - 16 x 3/4" PPH - Dark Brown
	000G56-12-48C	EA	Screw #12 - Wood - 11 x 3" POH - CAD

EXTERIOR BODY GROUP (CONTINUED)

SEALANTS & ADHESIVES

Key	Part Number	U/M	Description
	004020-01-000	QT	Adhesive - ABS Cement (Plastic Fittings)
	002337-01-000	EA	Adhesive - 1300 Tube - 3M (Windows)
	004005-02-000	GL	Adhesive - Swifts - Glue (Sidewalls)
	053766-07-000	EA	Bedding Compound - Tube - Beige (Exterior)
	053766-06-000	EA	Bedding Compound - Tube - Clear (Window)
	053766-08-000	EA	Bedding Compound - Tube - Gray (Exterior)
	053766-05-000	EA	Bedding Compound - Tube - Gray (Sidewalls to Floor)
	053766-02-000	EA	Bedding Compound - Tube - Off White (Exterior)
	002328-02-000	EA	Block - Rubber Spacer (Windshield)
	004336-01-000	EA	Caulk - Latex - Golden Walnut (Sidewalls)
	072891-02-000	QT	Primer - Glass - Black
	072891-01-000	QT	Primer - Glass - Clear
	035024-01-000	EA	Primer - Glass - Clear - Windshield
	072890-01-000	QT	Primer - Metal - Black
	035023-01-000	GL	Primer - Metal - Windshield
	077967-01-000	EA	Sealant - Acrylic Latex - Tube - Off White (Interior Sealant)
	034552-04-000	EA	Sealant - Silicone - Beige
	034552-02-000	EA	Sealant - Silicone - Clear
	034552-07-000	EA	Sealant - Silicone - Dark Gray
	034552-06-000	EA	Sealant - Silicone - Off White
	069637-01-000	EA	Sealant - Weatherban 434 - Tube - White (Door Caulk)
	072889-01-000	EA	Sealant - Urethane - Black (Windshield)
	069640-01-000	FT	Sealer Ribbon - .25" Bead x 20'
	069640-02-000	FT	Sealer Ribbon - .5" x .125" x 30'
	069640-03-000	FT	Sealer Ribbon - .75" x .125" x 30'
	069640-04-000	FT	Sealer Ribbon - 2" x .09" x 45' (P Series)
	069640-05-000	FT	Sealer Ribbon - 2.5" x .09" x 50'
	059640-06-000	FT	Sealer Ribbon - 5/16" Bead x 15'
	065640-07-000	FT	Sealer Ribbon - 2" x 3/32" x 30'
	002316-01-000	FT	Sealer Tape - 3/32" x 3/8" - White (Window)
	002707-01-000	FT	Sealer Tape - 5/16" x 3/4"
	002707-02-000	FT	Sealer Tape - 5/16" x 1/2"
	040545-01-000	GL	Sealer - Seam Weld
	053752-04-000	EA	Seam Sealer - Tube - Aluminum (Roof)
	062642-01-000	FT	Tape - Adhesive - 10 mm x 1.5" Wide
	038886-01-000	EA	Tape - Butyl - .31" x .31" x 148" (Windshield)
	076322-01-000	FT	Tape - Foam - Double Coated - .025 x 1" (Fiberglass Sidewall Seams)
	076322-02-000	FT	Tape - Foam - Double Coated - .045 x 1" (Fiberglass Sidewall Seams)
	009200-01-000	EA	Tape - Furnace - 1.5"
	002825-01-000	FT	Weather Striping (Roof Vent)

ACCESS PANEL HARDWARE

Key	Part Number	U/M	Description
	072917-02-000	EA	Rod - Hood Prop
	062628-01-000	EA	Clip - Prop Rod
	058833-01-000	EA	Bracket - Prop Rod
	073340-01-000	EA	Hinge - Access Panel - Passenger
	073340-02-000	EA	Hinge - Access Panel - Drivers
	058960-01-000	EA	Bracket - Hinge Asm. - Hood - Drivers
	058960-02-000	EA	Bracket - Hinge Asm. - Hood - Passenger
	R77006-68-721	EA	Cable - Release (Access Panel)
	074178-01-000	EA	Bracket - Cable Release - Inside
	R77007-01-950	EA	Striker - Hood Latch
	R77006-59-931	EA	Latch - Hood
	R77006-38-499	EA	Spring
	R77006-19-765	EA	Cable Sheath
	073333-01-000	EA	Bracket - Latch Support
	073337-01-000	EA	Brace Latch - Hood
	073341-01-000	EA	Bracket - Hood Latch
	058786-02-000	EA	Bolt - Hood Adjusting - 5/16" x 18 x 1 1/4"

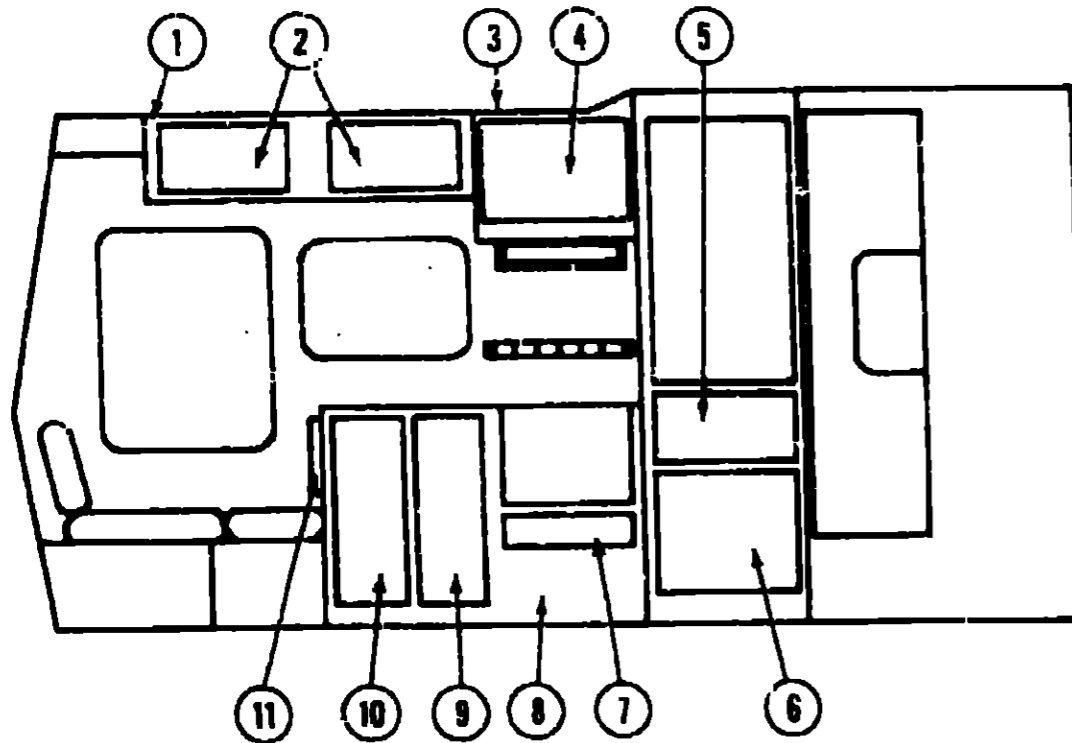
**1986 WINNEBAGO
TABLE OF CONTENTS**

WC/WF424RC	A-01 - C-08
WC420RG	C-09 - E-12
WCN22RC	E-13 - G-24
WCN30RC	H-01 - J-10

1986 WC420RG INDEX

Floor Plan	C-09 - C-10
Accessories Group	C-11 - C-13
Bath Group	C-14
Chassis Group	C-15 - C-16
Curtain, Cushion & Pad Group	C-17 - C-22
Dinette Group	C-23
Driver's Compartment Group	C-24 - D-02
Electrical Group	D-03 - D-05
Exterior Body Group	D-06 - D-12
Galley Group	D-13 - D-14
Heating & Air Conditioning Group	D-15
Interior Finish Group	D-16 - D-18
LP Group	D-19
Lounge Group	D-20
Water & Sewage Group	D-21 - D-22
Window, Vent & Exterior Door Group	D-23 - E-12

GALLEY GROUP



GALLEY CABINETRY

Key	Part Number	U/M	Description
1	083540-01-U01	EA	Cabinet Asm. - Galley Overhead - w/o Doors or Hardware
2	M31503-03-U01	EA	Door Asm. - Galley Overhead Cabinet - w/o Hardware
3	M83645-01-U01	EA	Cabinet Asm. - Microwave - w/o Doors or Hardware
4	MP1523-01-U01	EA	Door Asm. - Microwave Cabinet - Left - w/o Hardware
5	M81502-17-U01	EA	Door Asm. - Refrigerator Cabinet - w/o Hardware
6	M82757-03-U01	EA	Access Panel - Refrigerator Cabinet - w/o Hardware
7	M81501-75-U01	EA	Door Asm. - Galley Cabinet
8	M83663-01-U01	EA	Cabinet Asm. - Galley - w/o Countertop, Doors, Drawers or Hardware
	M02607-01-U01	EA	Countertop Asm. - Galley Cabinet - Almond Loom
9	M81501-67-U01	EA	Door Asm. - Galley Cabinet - w/o Hardware
10	M81501-02-U01	EA	Door Asm. - Galley Cabinet - w/o Hardware
11	080812-03-U01	EA	Extension Asm. - Galley Countertop - w/o Hardware - Beige Crescent
	077404-01-000	EA	Drawer Asm. - Galley Cabinet - 20" x 12.7"
	077409-01-000	EA	Drawer Slide - 20.75" Plastic
	081710-01-000	EA	Drawer Slide - Plastic
	M82184-01-U01	EA	Drawer - Galley Storage (use w/microwave option)
	M83663-03-U01	EA	Cabinet Asm. - Galley - w/o Countertop, Doors, Drawers or Hardware (used w/microwave option)
			Not illustrated

GALLEY GROUP (CONTINUED)

GALLEY APPLIANCES & HARDWARE

Key	Part Number	U/M	Description
	079352-01-000	EA	Hood - Range - Non-Powered w/Light - Almond
	079353-01-000	EA	Hood - Range - Powered - Almond - US
	079353-01-700	EA	Test Connector
	079353-01-701	EA	Filter & Lens
	079353-01-702	EA	Motor
	079353-01-703	EA	Circuit Board - Tanks
	079353-01-704	EA	Hood - Range - Powered w/Monitor - Almond - CSA
	079353-02-000	EA	Hood - Range - Powered w/Monitor - Almond - CSA
	079353-02-700	EA	Vent - Hood Only w/Wires
	079354-03-000	EA	Spacer - Range Hood - 3.85"
	081379-01-000	EA	Microwave/Convection Oven - Sharp
	055282-02-000	EA	Range - 4 Burner - Small Oven - Magic Chef - Almond
	081374-01-000	EA	Range Top - 4 Burner - Almond
	081587-03-000	EA	Bracket - Range Top Tie Down - Right
	081587-04-000	EA	Bracket - Range Top Tie Down - Left
	055282-02-700	EA	Top - Main - Almond
	064473-02-000	EA	Refrigerator - AC/DC/Gas - Norcold 6' - 766-EG3
	064473-02-700	EA	Cooling Unit (Service Pak)
	064473-02-701	EA	Door Frame
	064473-02-702	EA	Breaker Strip - Left - Bronze
	064473-02-703	EA	Breaker Strip - Right - Bronze
	064473-02-704	EA	Breaker Strip - Top - Bronze
	054450-01-000	EA	Level Refrigerator
	081459-08-000	EA	Bracket Asm. - Microwave - Right
	081459-02-000	EA	Bracket Asm. - Microwave - Left
	081456-01-000	EA	Angle Asm. - Microwave - Right
	081456-02-000	EA	Angle Asm. - Microwave - Left
	081555-01-T03	EA	Trim - Microwave
	081530-01-U01	EA	Sink Cover - Large
	068615-01-000	EA	Sink - Stainless Steel - Double w/Bolts
**	011053-01-000	EA	Faucet - Swing Spout - 8" - US
**	011053-01-700	EA	Aerator - Swing Spout Faucet
**	011053-02-000	EA	Faucet - Swing Spout - 8" - CSA
	066437-01-000	EA	Strainer w/Basket - Sink
	058334-01-000	EA	Wastebasket - 9.75" x 7" x 10" - White Rubbermaid
	074490-01-000	EA	Spice Rack - Oak
	074491-01-000	EA	Magazine Rack - Oak
	074981-01-000	EA	Cutting Board - Maple
	009049-01-000	EA	Table - Support - Drop Leaf
	009059-01-000	EA	Hinge - 2" - Gold
	059777-01-000	EA	Hinge - Cabinet Door - Antique Brass
**	039873-01-000	EA	Latch - Cabinet Door
	074493-02-000	EA	Prop - Overhead Door
	078212-01-000	EA	Pulls - Door - Brass w/Oak Inlay
**			The illustrated parts breakdown for this item is provided on the Common Items Fiche.

1988 WINNEBAGO TABLE OF CONTENTS

WC/WF424RC	A-01 - C-08
WC420RG	C-09 - E-12
WCN22RC	E-13 - G-24
WCN30RC	H-01 - J-10

1988 WC420RG INDEX

Floor Plan	C-09 - C-10
Accessories Group	C-11 - C-13
Bath Group	C-14
Chassis Group	C-15 - C-16
Curtain, Cushion & Pad Group	C-17 - C-22
Dinette Group	C-23
Driver's Compartment Group	C-24 - D-02
Electrical Group	D-03 - D-05
Exterior Body Group	D-06 - D-12
Galley Group	D-13 - D-14
Heating & Air Conditioning Group	D-15
Interior Finish Group	D-16 - D-18
LP Group	D-19
Lounge Group	D-20
Water & Sewage Group	D-21 - D-22
Window, Vent & Exterior Door Group	D-23 - E-12

HEATING & AIR CONDITIONING GROUP

FURNACES & ROOF AIR CONDITIONER

Key	Part Number	U/M	Description
	075695-01-000	EA	Furnace - 24,000 BTU - w/Direct Ignition - NT-24S
	055634-01-723	EA	Thermostat - Furnace
	075695-01-701	EA	Electrode Asm. - Furnace
	075695-01-702	EA	Vent Cap Asm. - Furnace
	075695-01-703	EA	Gas Inlet Pipe - Furnace
	075695-01-704	EA	Manifold Asm. - Furnace
	075695-01-705	EA	Burner Asm. - Furnace
	075695-01-706	EA	Micro Switch Asm. - 24,000 BTU Furnace
	075695-01-710	EA	Cabinet - Front - Furnace
	075695-01-711	EA	Cabinet Asm. - Furnace
	069633-01-705	EA	Vent Package - Furnace
	009198-01-000	FT	Duct - Flexible - 4" I.D. x 25'
	056464-01-000	EA	Register - 4" Dia. - Plastic w/Damper
	056464-02-000	EA	Register - 4" Dia. - Plastic w/o Damper
	009200-01-000	EA	Tape - Furnace - 1 1/2"
	023146-01-000	EA	Clamp - Screw Type - 4"
	073743-01-000	EA	Shroud Asm. - Ceiling - Inside - Roof Air - 13,500 BTU - Cool Only
	073744-01-000	EA	Shroud Asm. - Ceiling - Inside - Roof Air - 13,500 BTU - Heat & Cool
	073742-01-000	EA	Air Conditioner - 110 Volt - Roof Mount - 13,500 BTU Rotary
	073742-01-000	EA	Decal Package - Left & Right (Exterior)
	073742-01-701	EA	Selector Switch (5 Terminal)
	073742-01-702	EA	Decal - Cool Only
	073742-01-703	EA	Decal - Heat & Cool
	073742-01-704	EA	Decal - Thermostat - TSR

AUTOMOTIVE HEATER & AIR CONDITIONER

Key	Part Number	U/M	Description
	074025-01-000	EA	A/C - Compressor Mount Package - 350 C I.D.
	072343-01-000	EA	A/C - Compressor/Clutch - Sankyo 510
	073716-01-000	EA	A/C - Condenser Asm. - "C" - Tube O
	074027-01-000	EA	A/C - Evaporator Asm. - Cutaway
	007108-01-000	FT	Hose - Heater - 5.8" I.D. SAE20R3
	062401-04-000	EA	Clamp - Worm Drive - 69" - 1.25" I.D.

INTERIOR FINISH GROUP

INTERIOR MOLDING & TRIM

Key	Part Number	U/M	Description
	009812-15-000	EA	Molding - Plastic - Outside Corner - 1/2"
	042357-09-000	FT	Molding - Radius Corner - 7' Elm
	022992-01-000	FT	Molding - Reverse Cove - White
	022992-09-000	FT	Molding - Reverse Cove - Grady Brown
	069733-37-000	EA	Batt Strip - Sunset Oak - 8' (Lounge)
	069733-57-000	EA	Batt Strip - Encore - 8" (Bedroom)
	069733-62-000	EA	Batt Strip - Pebble Beach - 8' (Ceiling)
	067733-61-000	EA	Batt Strip - Threads - 8' (Galley)
	070504-01-000	FT	U-Channel - .065" - Light Brown
	070504-02-000	FT	U-Channel - .815" - Light Brown
	070504-03-000	FT	U-Channel - .815" - Grady Brown
	009778-04-000	FT	U-Channel - 1" - Grady Brown
	009815-03-000	FT	T-Molding - .75" - Light Brown
	009815-04-000	FT	T-Molding - .75" - Grady Brown
	075249-01-000	EA	Rail Asm. - Plain - 72"
	075250-01-000	EA	Corner Post - 1" x 1" x 2 1/2" - Oak
	078026-21-003	EA	Trim - Valance - 82"
	002774-02-001	EA	Trim - Carpet - 192"
	009767-06-000	FT	Welling - Beige
	009767-07-000	FT	Welling - Grady Brown
	074045-01-000	EA	Plug - 1/2" Dia. - Oak
	041746-01-000	FT	Vinyl - Extr. - Bubble Seal
	021241-01-000	FT	Vinyl - Extr. - White (Wingwall)

PANELING & COUNTERTOP MATERIAL

Key	Part Number	U/M	Description
	074496-03-000	SF	Paneling - Decor - Sunset Oak - 48" x 84" (28 SF) (Cabinets & Wall)
	074496-31-000	SF	Paneling - Decor - Encore - 48" x 84" (28 SF) (Bedroom & Bath)
	074496-38-000	SF	Paneling - Decor - Paw Paw - Plum - 48" x 84" (28 SF) (Galley) (U01, U02)
	074496-39-000	SF	Paneling - Decor - Paw Paw - Pine - 48" x 84" (28 SF) (Galley) (U03)
	074497-07-000	SF	Paneling - Pebble Beach - 48" x 96" (32 SF) (Ceiling)
	074498-05-000	SF	Plastic Laminate - Sunset Oak - 48" x 96" (32 SF) (Nightstand)
	074498-05-019	EA	Plastic Laminate - Sunset Oak - 1.19" x 96"
	076325-04-000	FT	Molding - Edge Band - Sunset Oak - 1 5/16" x .030"
	074498-08-000	SF	Plastic Laminate - Fawn - 48" x 96" (32 SF) (Dinette Table) (U01, U02)
	074498-08-019	EA	Plastic Laminate - Fawn - 1.19" x 96"
	076325-08-000	FT	Molding - Edge Band - Fawn - 1 5/16" x .030"
	074498-14-000	SF	Plastic Laminate - Sage Green - 48" x 96" (32 SF) (Dinette Table) (U03)
	074498-14-019	EA	Plastic Laminate - Sage Green - 1.19" x 96"
	076325-10-000	FT	Molding - Edge Band - Sage Green - 1 5/16" x .030"
	074496-06-000	SF	Plastic Laminate - Beige Crescent - 48" x 96" (32 SF) (Galley)
	074496-06-019	EA	Plastic Laminate - Beige Crescent - 1.19" x 96"

1986 WINNEBAGO TABLE OF CONTENTS

WC/WF424RC	A-01 - C-08
WC420RG	C-09 - E-12
WCN22RC	E-13 - G-24
WCN30RC	J-01 - J-10

1986 WC420RG INDEX

Floor Plan	C-09 - C-10
Accessories Group	C-11 - C-13
Bath Group	C-14
Chassis Group	C-15 - C-16
Curtain, Cushion & Pad Group	C-17 - C-22
Dinette Group	C-23
Driver's Compartment Group	C-24 - D-02
Electrical Group	D-03 - D-05
Exterior Body Group	D-06 - D-12
Galley Group	D-13 - D-14
Heating & Air Conditioning Group	D-15
Interior Finish Group	D-16 - D-18
LP Group	D-19
Lounge Group	D-20
Water & Sewage Group	D-21 - D-22
Window, Vent & Exterior Door Group	D-23 - E-12

INTERIOR FINISH GROUP (CONTINUED)

MISCELLANEOUS PARTS

Key	Part Number	U/M	Description
	053552-02-T03	EA	Handle Asm. - Interior Assist - Medium Almond Vinyl
	041944-03-007	EA	Fire Extinguisher - w/Bracket
	054185-24-000	EA	Owner's Manual - 1986 Itasca & Winnebago
	007038-01-000	EA	Door Mat - 10 1/2" x 26" - Black Rubber
	075907-02-000	EA	Picture - Decor - Assorted Grasses
	057671-01-000	EA	Cover - #8 Screw - Antique White

CURTAIN & CUSHION HARDWARE

Key	Part Number	U/M	Description
	052327-05-009	EA	Track - Curtain - 76" - Beige
	056116-01-000	FT	Track - Curtain - Brown Plastic
	075477-02-000	EA	Bracket - Blinds Retainer
	075477-03-000	EA	Bracket - Hold Down - Blinds
	082228-01-000	EA	Bracket - Curtain Rod - Right
	082228-02-000	EA	Bracket - Curtain Rod - Left
	056003-02-000	EA	Bracket - Drapery Retainer - Left
	056003-01-000	EA	Bracket - Drapery Retainer - Right
	056001-01-000	EA	Bracket - Shade - Left
	056002-01-000	EA	Bracket - Shade - Right
	078827-01-000	EA	Bracket - Curtain - Woven Wood - Right
	078827-02-000	EA	Bracket - Curtain - Woven Wood - Left
	079798-03-000	EA	Bracket Asm. - Curtain Rod - Right
	079798-04-000	EA	Bracket Asm. - Curtain Rod - Left
	082249-01-000	EA	Bracket - Blinds - Beige - Right
	082249-02-000	EA	Bracket - Blinds - Beige - Left
	079619-01-000	EA	Bracket - Tie Down
	039175-01-000	EA	Curtain Rod - Extension - 48" x 84"
	009107-01-000	EA	Guide - Nylon Snap - Curtain
	056784-01-000	EA	Pull - Window Shade - Antique Brass
	056115-01-000	YD	Tape - Clear Plastic - w/Guide
	048394-01-000	YD	Tape - Hook - 1" x 25 YD - Beige
	029096-05-000	YD	Tape Hook - .50" - Velcro - Beige
	048395-01-000	YD	Tape Loop - 1" x 25 YD - Beige
	029090-01-000	FT	Tie - Drapery - Clear Vinyl

FABRICS & CARPET

Key	Part Number	U/M	Description
	072333-25-000	YD	Fabric - Drapery - Toast (U01)
	072333-26-000	YD	Fabric - Drapery - Mauve (U02)
	072333-27-000	YD	Fabric - Drapery - Teal (U03)
	077498-62-000	YD	Fabric w/Pattern - Main - Truffle (U01)
	077498-63-000	YD	Fabric w/Pattern - Main - Rosewood (U02)
	077498-64-000	YD	Fabric w/Pattern - Main - Spruce (U03)
	077498-75-000	YD	Fabric w/Pattern - Accent - Primrose (U02)
	077498-74-000	YD	Fabric w/Pattern - Accent - Sagebrush (U03)
	077498-73-000	YD	Fabric - Upholstery Accent - Plain - Truffle (U01, U03)
	077498-72-000	YD	Fabric - Upholstery Accent - Plain - Rosewood (U02)
	069729-43-000	YD	Fabric - Bedspread/Drapery - Encore
	072333-21-000	YD	Fabric - Bedspread/Drapery - Parchment
	038421-01-000	YD	Fabric - Mattress Ticking
	029012-01-000	BF	Foam - Rolled - 3/8"
	079680-01-000	YD	Vinyl - Expanded - 26 oz. - Buckskin
	079680-02-000	YD	Vinyl - Expanded - 26 oz. - Dark Sandrift
	072860-43-000	YD	Carpet - Beige (U01)
	072860-44-000	YD	Carpet - Red/Brown (U02)
	072860-45-000	YD	Carpet - Green/Blue (U03)

INTERIOR FINISH GROUP (CONTINUED)

CABINETS & TABLE HARDWARE

Key	Part Number	U/M	Description
	053200-05-000	EA	Bracket - Upper Wall Mount - 23.5" - Beige
**	053201-03-000	EA	Bracket - Table Mount - 23"
	024275-08-000	EA	Rod - Table Lift - 8" x 23.5" - Brown
	024281-07-000	EA	Bracket - Lower Wall Mount - 22.12" - Beige
	024276-14-000	EA	Leg Asm. - Table - 26.5" - Brown
	064050-01-000	EA	Hinge - Table Leg
**	024282-01-000	EA	Brace - Table Leg
**	024283-01-000	EA	Clip - 1" O.D. Tube
	049493-02-000	EA	Catch - Table Leg - Mounts on Floor - Brown
**	057898-01-000	EA	Latch - Hidden - Cabinet Door w/Strike
	009112-01-000	EA	Flange - 1" - Chrome - Closet Rod
	077409-01-000	EA	Slide - Drawer - Plastic - 20.75"
	009049-01-000	EA	Table Support - Drop Leaf
	053331-01-000	EA	Hinge - Antique Brass
	009059-01-000	EA	Hinge - 2" - Drop Leaf Table - Gold
	009059-02-000	EA	Hinge - 2" - Brass
**	047744-01-000	EA	Kit - Drawer Glide
	057671-01-000	EA	Screw Cover - #8 - Off White
	072369-02-000	EA	Mesh - Grille - 13.80" x 8.80" - Gold Aluminum
	009150-01-000	EA	Warp Guard - 64"
	009021-01-000	EA	Catch - Nylon - Furnace Door
	009021-02-000	EA	Strike - Nylon Catch - Furnace Door
**	041939-01-000	EA	Hinge Kit - Double Acting - Overhead Door
	074493-02-000	EA	Support - Sprung - Door
	066433-01-000	EA	Hook - Cup - Bright
	058034-02-000	EA	Latch - Door w/o Lock - Sliding Door
	075687-02-000	EA	Knob - Bath Door
	075680-01-000	EA	Clothes Rod - Adjustable - 27" x 36"
	064467-01-000	EA	Guide - Wall Mount - Door Pocket
	076767-03-000	EA	Cable Asm. - SST (TV Table)
	078212-01-000	EA	Pull - Brass w/Dark Oak - Cabinet
	077461-01-000	EA	Cover - Strike

** The illustrated parts breakdown for this item is provided on the Common Items Fiche.

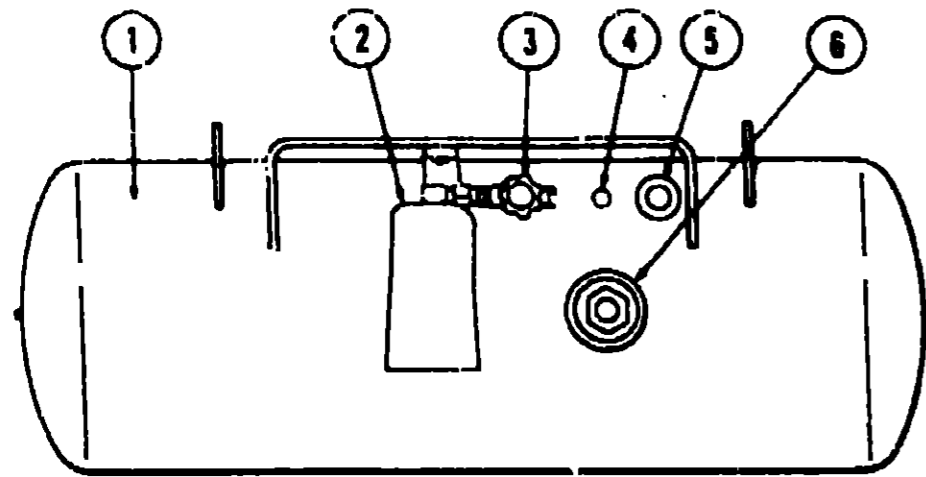
**1986 WINNEBAGO
TABLE OF CONTENTS**

WC/WF424RC	A-01 - C-08
WC42CRG	C-09 - E-12
WCN22RC	E-13 - G-24
WCN30RC	H-01 - J-10

1986 WC420RG INDEX

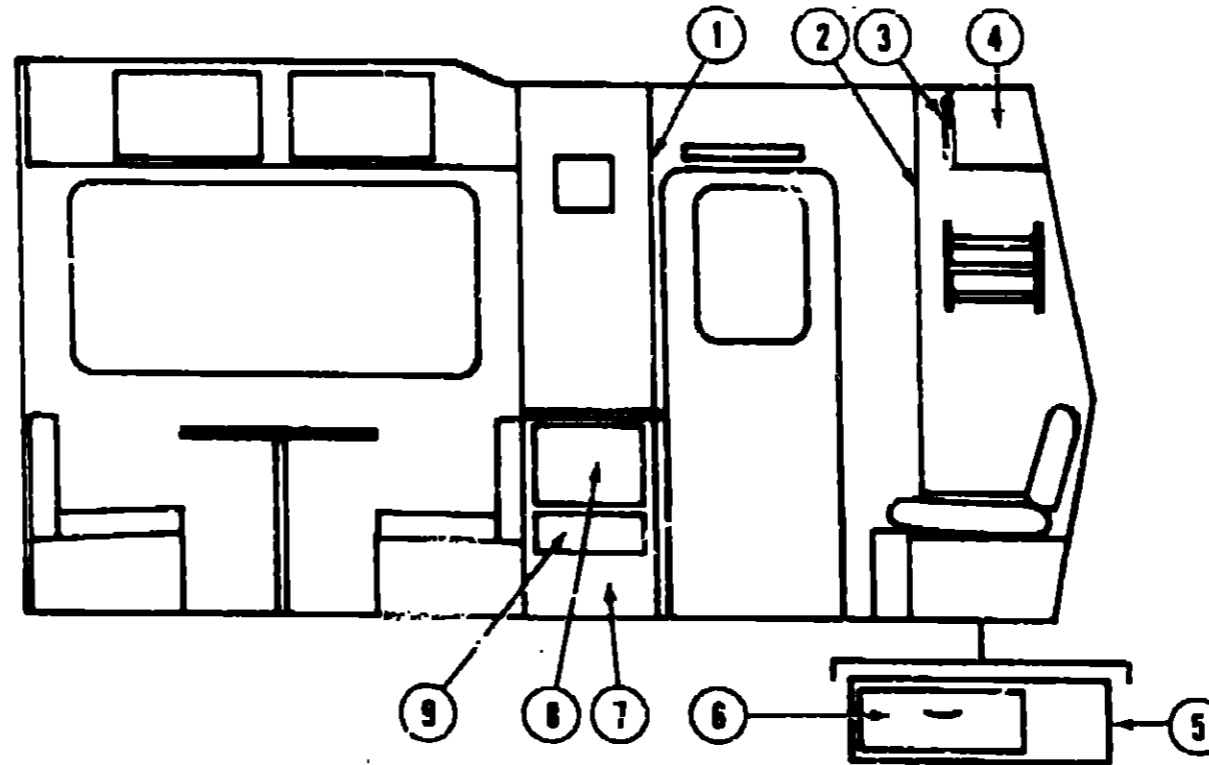
Floor Plan	C-09 - C-10
Accessories Group	C-11 - C-13
Bath Group	C-14
Chassis Group	C-15 - C-16
Curtain, Cushion & Pad Group	C-17 - C-22
Dinette Group	C-23
Driver's Compartment Group	C-24 - D-02
Electrical Group	D-03 - D-05
Exterior Body Group	D-06 - D-12
Galley Group	D-13 - D-14
Heating & Air Conditioning Group	D-15
Interior Finish Group	D-16 - D-18
LP Group	D-19
Lounge Group	D-20
Water & Sewage Group	D-21 - D-22
Window, Vent & Exterior Door Group	D-23 - E-12

LP GROUP



Key	Part Number	U/M	Description
1	090450-01-000	EA	Tank Asm. - LP Frame Mount - 42 Pound - 13" x 24"
•	065741-01-000	EA	Detector - LP Gas Leak - Marshalltown Instruments
2	076277-01-000	EA	Cover - Regulator - Two Stage - Front
2	076278-01-000	EA	Cover - Regulator - Two Stage - Back
•	076301-01-000	EA	Regulator - Two Stage - LPG US
•	076301-02-000	EA	Regulator - Two Stage - LPG CSA
3	040421-01-703	EA	Valve - Vapor Relief
4	040421-01-700	EA	Gauge - Liquid Level - 20% LP
5	040421-01-701	EA	Valve - Filler - LP
•	040421-01-702	EA	Cap - Plastic Fill Valve
6	040421-01-707	EA	Gauge - Float - w/Visible Dial
•	040421-01-706	EA	Dial - Visible Face - Float Gauge (Tank w/o Electric Transmitter)
•	040440-01-000	EA	Dial - Transmitter - 0 - 90 Ohm (Float Gauge)
•	045703-01-000	EA	Hose Asm. - LP - 3/8" I.D. x 24" - US
•	045703-02-000	EA	Hose Asm. - LP - 3/8" I.D. x 24" - CSA
•	045703-03-000	EA	Hose Asm. - LP - 3/8" I.D. x 18" - US
•	045703-04-000	EA	Hose Asm. - LP - 3/8" I.D. x 14" - CSA
•	065742-01-000	EA	Tee - .38 F x .39 F x .25 FPT
•	068046-01-000	EA	Conversion Kit - LP - Onan Generator
•	Not illustrated		

LOUNGE GROUP



LESTER LOUNGE, OVERHEAD & WARDROBE

Key	Part Number	U/M	Description
1	M81501-86-U01	EA	Door Asm. - Wardrobe Cabinet - w/o Hardware
2	M81501-85-U01	EA	Door Asm. - Wardrobe Cabinet - w/o Hardware
3	M81503-02-U01	EA	Door Asm. - Rear Overhead Cabinet - w/o Hardware
4	083545-01-U01	EA	Cabinet Asm. - Rear Overhead - w/o Doors or Hardware
5	M83652-01-U01	EA	Cabinet Asm. - Couch - w/o Drawers, Doors or Hardware
6	M81501-86-U01	EA	Drawer Asm. - Blanket - 29.72" x 10.72" x 19.62" - Deep w/o Hardware
•	081298-01-U04	EA	Table Kit - Harbor Oak
7	M83481-01-U01	EA	Cabinet Asm. - Furnace - w/o Countertop Door or Hardware
•	M02591-01-U01	EA	Countertop Asm. - Furnace Cabinet - Sunset Oak
8	M81507-04-U01	EA	Door Asm. - Furnace w/Mesh Insert - 15.1" x 22.6" - w/o Hardware
9	081893-02-T03	EA	Drawer Face
•	077251-01-000	EA	Drawer - Tiltout - Plastic
•	074491-02-T03	EA	Magazine Rack - Oak
•	Not illustrated		

LOUNGE HARDWARE

Key	Part Number	U/M	Description
	009040-02-000	EA	Leg - Pedestal Table - 2.25" O.D. x 27.5" - Chrome
	009040-03-000	EA	Base - Table Leg - Mounts on Table
	041184-01-000	EA	Base - Table Leg - Mounts in Floor
	056875-02-000	EA	Leg Asm. - Couch
	076840-01-000	EA	Shock Cord
	022517-01-000	EA	End Cap - 1" x 1" - Brown
	053163-01-000	EA	Bracket Couch Slide
	053347-01-000	EA	Wire - Pin - Spring - 3/32"
	053348-01-000	EA	Steel Pin - 1/4" x 4" x 3/32" Hole
	054398-01-000	EA	Bracket - Center Support - Lester Lounge - Brown
	009150-01-000	EA	Warp Guard - 64"
	009112-01-000	EA	Flange - 1" Closet Rod - Chrome
	062046-01-000	EA	Clip - Pedestal Leg
	009049-01-000	EA	Table Support - Drop Leaf
	009059-01-000	EA	Hinge - 2" - Gold
	078212-01-000	EA	Pull - Drawer - Brass w/Oak Inlay
	009021-01-000	EA	Catch - Nylon - Furnace Door
	009021-02-000	EA	Strike - Nylon Catch - Furnace Door

**1986 WINNEBAGO
TABLE OF CONTENTS**

WC/WF424RC
WC420RG
WCN22RC
WCN30RC

A-01 - C-08
C-09 - E-12
E-13 - G-24
H-01 - J-10

1986 WC420RG INDEX

Floor Plan	C-09 - C-10
Accessories Group	C-11 - C-13
Bath Group	C-14
Chassis Group	C-15 - C-16
Curtain, Cushion & Pad Group	C-17 - C-22
Dinette Group	C-23
Driver's Compartment Group	C-24 - D-02
Electrical Group	D-03 - D-05
Exterior Body Group	D-06 - D-12
Galley Group	D-13 - D-14
Heating & Air Conditioning Group	D-15
Interior Finish Group	D-16 - D-18
LP Group	D-19
Lounge Group	D-20
Water & Sewage Group	D-21 - D-22
Window, Vent & Exterior Door Group	D-23 - E-12

WATER & SEWAGE GROUP

PLUMBING & REPAIR PARTS

Key	Part Number	U/M	Description
	033302-02-000	EA	Adapter Asm. - SWVC Strain - 1 1/2"
	010326-01-000	EA	Adapter - Flare - w/Cone Gasket
	062416-01-000	EA	Adapter - Hose - 3"
	062422-01-000	EA	Adapter - Hose Offset - Reducer - 3" x 1 1/2"
	052554-01-000	EA	Adapter - Hose Cone - 3/8 or 1/2 - Plastic
	010224-01-000	EA	Adapter - Plastic - 3/8 MPT x 3/8 Barb
	044927-01-000	EA	Adapter - Plastic - 1 1/4" MPT x 1 1/4 Barb
	031632-02-000	EA	Adapter - Plastic - 1 1/2 H x FPT
	062417-01-000	EA	Adapter - Termination - 3"
	004020-01-000	CT	Adhesive - ABS Cement
	011048-04-000	EA	Breaker - Vacuum - 1/8 MPT - Nylon
**	010121-01-000	EA	Bushing - Plastic - 1 1/2 S x 1 1/4 H
	010122-01-000	EA	Bushing - Plastic - 1 1/2 S x 1 1/4 T
	010123-01-000	EA	Bushing - Plastic - 2S x 1 1/2 H
	036522-02-000	EA	Cap - Brass - 1/2 Flare
	062415-01-000	EA	Cap - Sewer - 3"
	052959-02-000	EA	Connector - 1/2 F x 1/2 MPT - Plastic
	052959-03-000	EA	Connector - 1/2 F x 3/8 MPT - Plastic
	011091-02-000	EA	Continuous Waste - Double Sink - 11 7/8" - US
	053874-01-000	EA	Continuous Waste Asm. - Double Sink - CSA
	078406-01-000	EA	Coupler Rubber - 3" x 3"
	052960-01-000	EA	Drain Valve - 1/2 F x 1/2 F - Plastic
	010000-01-000	EA	Elbow - Plastic - 1/8 BD x 1 1/4 x 45° H x H
	010005-01-000	EA	Elbow - Plastic - 1/16 BD x 1 1/2
	010006-01-000	EA	Elbow - Plastic - 1/8 BD x 1 1/2 x 45° H x H
	010008-01-000	EA	Elbow - Plastic - 1/4 BD x 1 1/2 x 90° Left
	010051-01-000	EA	Elbow - ST - Plastic - 1/8 BD x 1 1/2 x 45°
	010219-01-000	EA	Elbow - 1 1/4 Barb x 1 1/4 MPT x 90°
	031111-01-000	EA	Elbow - Plastic - 1/4 BD x 1 1/4 x 90° Left
	034250-01-000	EA	Elbow - Plastic - 1/4 BD x 1 1/2 x 90° x H x H
	035539-01-000	EA	Elbow - Plastic - 3/8 MPT x 3/8 Barb
	052957-01-000	EA	Elbow - Plastic - 1/2 F x 3/8 MPT
	052957-02-000	EA	Elbow - Plastic - 1/2 F x 1/2 MPT (In Tank Filter)
	059536-01-000	EA	Elbow - 1 1/4 - Slip Joint Ends
	065120-01-000	EA	Elbow - Plastic - Swivel - .50
	070924-01-000	EA	Elbow - Plastic - Swivel - 1/2 MPT x 1/2 FP
	077954-01-000	EA	Filter/Screen (In Water Tank)
	039647-02-000	EA	Filter - Water Pump - 1/2" MPT
	036647-03-000	EA	Filter - Water Pump - 1/2" Flare
	063641-01-000	EA	Flange - Closet - 4" F x 3" FPT - US
	079381-01-000	FT	Flexible Tubing - 1 1/4 I.D. x 10'
	061607-01-000	EA	Grommet - Holding Tank Coupler - 1 1/2"
	061607-02-000	EA	Grommet - Holding Tank Coupler - 3"
	062419-02-000	EA	Handle - Extension - w/6" Adapter
	052961-01-000	EA	Header - 1/2 F x 1/2 F x 1/2 F x 1/2 F
**	046524-01-000	EA	Kit - Holding Tank Fittings - Blank Tank
**	046524-01-000	EA	Kit - Water Tank Fittings - Blank Tank
	052953-01-000	EA	Nut - Facuet - 1/2 Tube x 1/2 FPT
	052952-01-000	EA	Nut - 1/2 F - Plastic
**	011066-03-000	EA	P-Trap - 1 1/4" Plastic - US
**	011066-02-000	EA	P-Trap - 1 1/4" Plastic - CSA
	053335-01-000	EA	P-Trap - Plastic - 1 1/4 H x H - w/Union - CSA
	010197-01-000	FT	Pipe - Plastic - 3" x 240" - Black
	045729-01-000	EA	Pump - Water - 2.8 G.P.M. - Direct Drive - Shurflo - US
	045729-02-000	EA	Pump - Water - 2.8 G.P.M. - Direct Drive - Shurflo - CSA
**	010201-01-000	EA	Sewer Hose - 3" x 8' w/Clamp
	042989-02-000	EA	Spinweld Fittings - Plastic - 1/2 FPT (In Tank Filter)
	042989-03-000	EA	Spinweld Fittings - Plastic - 1/4 NPT
	042989-04-000	EA	Spinweld Fittings - Plastic - 3/8 FPT
	049032-01-000	EA	Spinweld Patch - Plastic 3/8"

WATER & SEWAGE GROUP (CONTINUED)

PLUMBING & REPAIR PARTS (CONT.)

Key	Part Number	U/M	Description
	011069-03-000	EA	Tailpiece - 1 1/2" x 1 3/4" x 4" - Plastic
	010071-01-000	EA	Tee - Plastic - 1 1/2 x H x H x H
	010072-01-000	EA	Tee - Plastic - 1 1/2 H x 1 1/4 H x 1 1/2 H
**	010079-01-000	EA	Tee - Plastic - 1 1/2 H x 1 1/2 H x 1 1/4 H
	046172-01-000	EA	Tee - Plastic - 3/8 B x 3/8 B x 3/8 MPT
	052955-01-000	EA	Tee - Plastic - 1/2 F x 1/2 F x 1/2 MPT
	052956-01-000	EA	Tee - Plastic - 1/2 F x 1/2 MPT x 1/2 F
**	052958-01-000	EA	Tee - Plastic - 1/2 F x 1/2 F x 1/2 F
	010133-01-000	EA	Trap Adapter - Plastic - 1 1/2 H x MPT
	039800-01-000	FT	Tubing - Polybutyl - 1/2 O.D. (Water Line)
	079381-01-000	FT	Tubing - Flexible - Smooth - 1.25 I.D.
	074462-02-000	FT	Tubing - Vinyl - 3/8 I.D.
	072346-01-000	EA	Valve Asm. - 3" Ell - w/2" Socket
	070916-01-000	EA	Valve - Dual - 3" & 1.5" Dump
	062421-01-000	EA	Valve - 1 1/2" - w/Handle
	062418-02-000	EA	Valve - 3" - w/o Handle
	052960-01-000	EA	Valve - Line Drain - 1/2 F x 1/2 F
	052962-01-000	EA	Valve - Stool - 90° - 1/2 F x 3/8 MPT
	010073-01-000	EA	Wye - Plastic - 1 1/2 x 45 H x H

The illustrated parts breakdown for this item is provided on the Common Items Fiche.

HOLDING TANKS & WATER HEATERS

Key	Part Number	U/M	Description
	M01275-73-000	EA	Tank Asm. - Water - 28 Gallon - w/Fittings
	057063-01-000	EA	Tank - Water - 28 Gallon - w/o Fittings
	083268-01-000	EA	Tank - Holding - 25 Gallon - w/o Fittings - Main
	083269-01-000	EA	Tank - Holding - 25 Gallon - w/o Fittings - Aux.
**	051391-01-000	EA	Water Heater - w/o Motor Aid - G6A3
**	051391-03-000	EA	Water Heater - w/Electronic Ignition - G6A-3E

The illustrated parts breakdown for this item is provided on the Common Items Fiche.

1986 WINNEBAGO TABLE OF CONTENTS

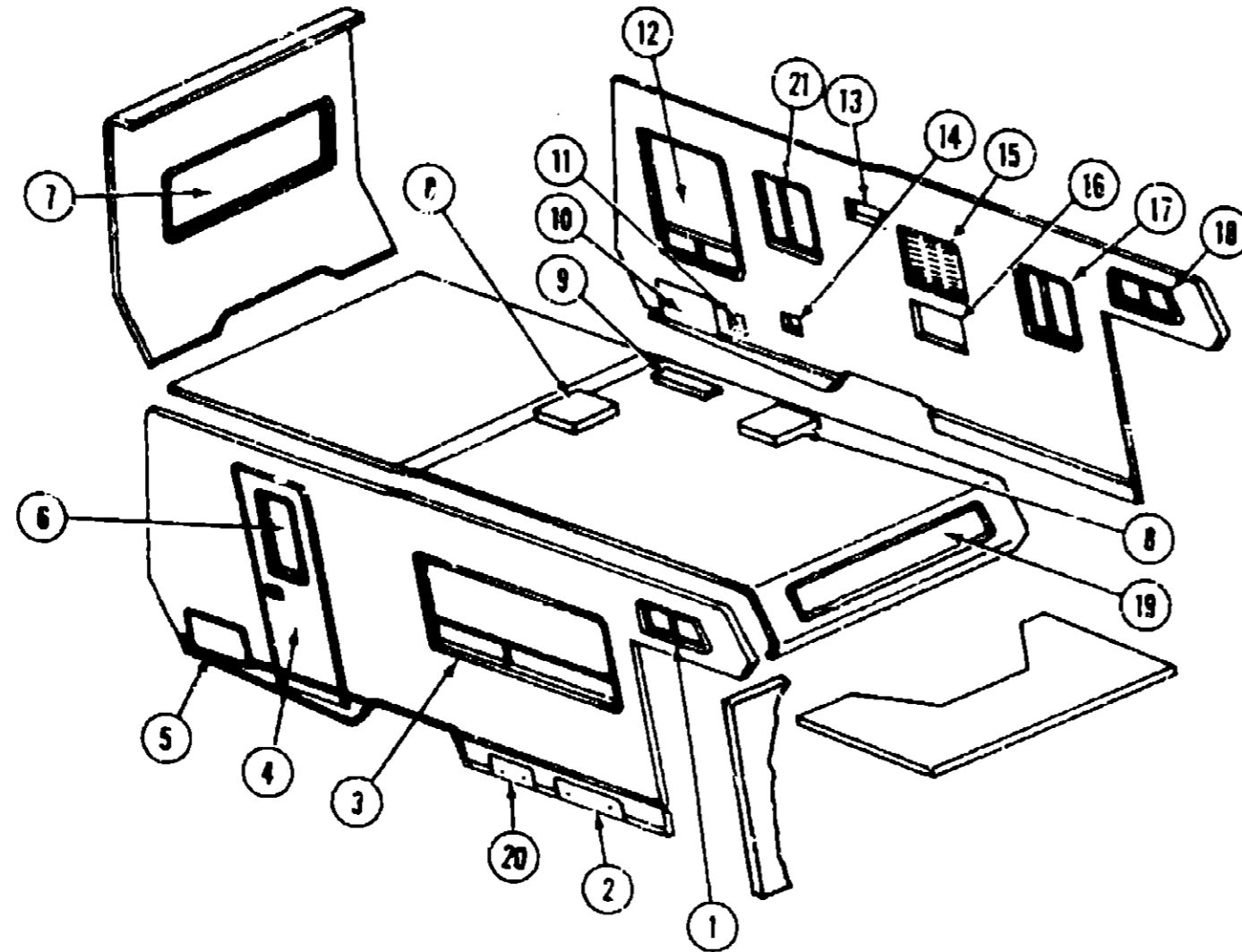
WC/WF424RC	A-01 - C-08
WC420RG	C-09 - E-12
WCN22RC	E-13 - G-24
WCN30RC	H-01 - J-10

1986 WC420RG INDEX

Floor Plan	C-09 - C-10
Accessories Group	C-11 - C-13
Bath Group	C-14
Chassis Group	C-15 - C-16
Curtain, Cushion & Pad Group	C-17 - C-22
Dinette Group	C-23
Driver's Compartment Group	C-24 - D-02
Electrical Group	D-03 - D-05
Exterior Body Group	D-06 - D-12
Galley Group	D-13 - D-14
Heating & Air Conditioning Group	D-15
Interior Finish Group	D-16 - D-18
LP Group	D-19
Lounge Group	D-20
Water & Sewage Group	D-21 - D-22
Window, Vent & Exterior Door Group	D-23 - E-12

WINDOW, VENT & EXTERIOR DOOR GROUP

WINDOWS & ACCESS DOORS



1986 WINNEBAGO TABLE OF CONTENTS

WC/WF424RC
WC420RG
WCN22RC
WCN30RC

A-01 - C-09
C-09 - E-12
E-13 - G-24
H-01 - J-1C

1986 WC420RG INDEX

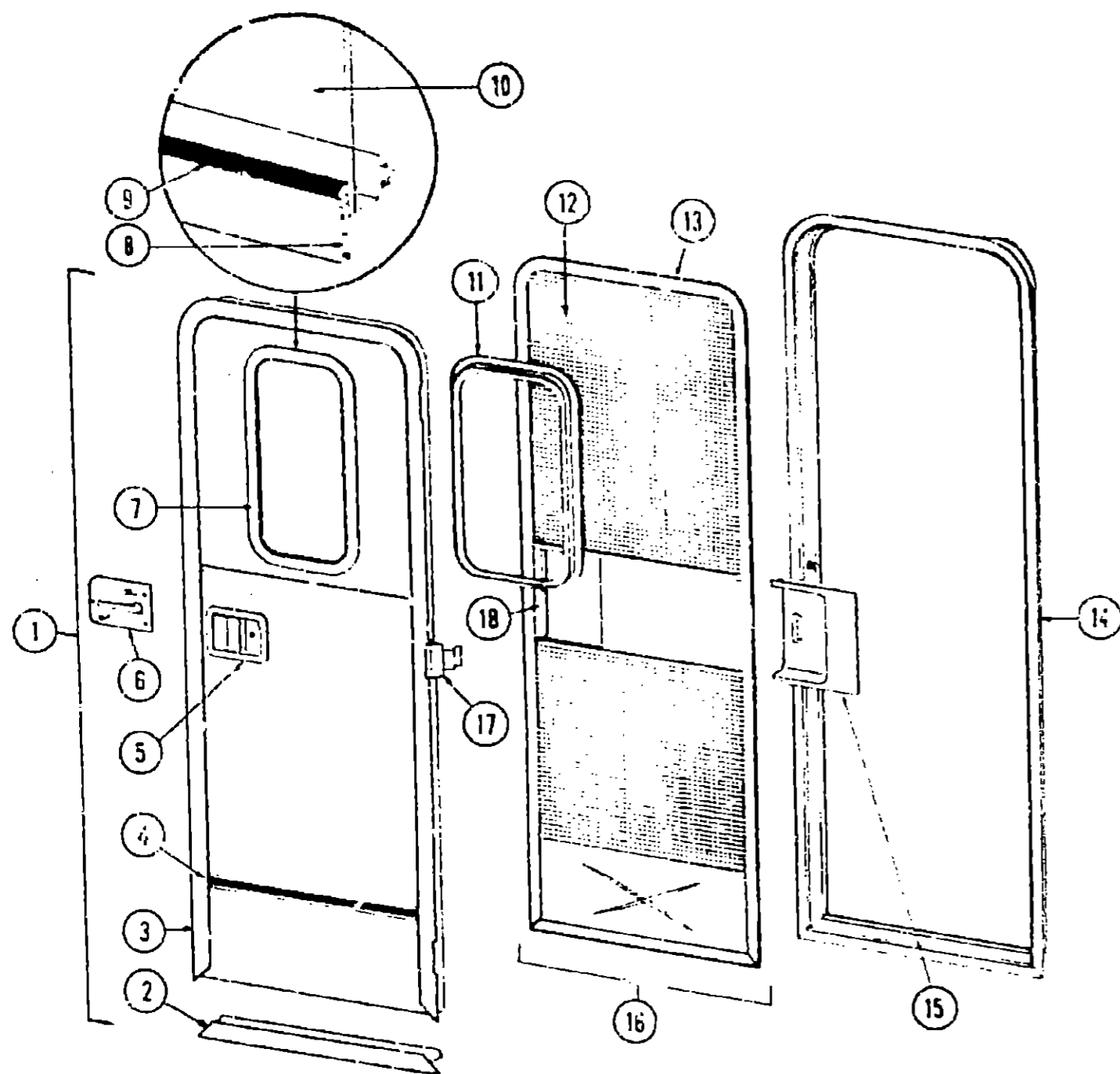
Floor Plan	C-09 - C-10
Accessories Group	C-11 - C-13
Bath Group	C-14
Chassis Group	C-15 - C-16
Curtain, Cushion & Pad Group	C-17 - C-22
Dinette Group	C-23
Driver's Compartment Group	C-24 - D-02
Electrical Group	D-03 - D-05
Exterior Body Group	D-06 - D-12
Galley Group	D-13 - D-14
Heating & Air Conditioning Group	D-15
Interior Finish Group	D-16 - D-18
LP Group	D-19
Lounge Group	D-20
Water & Sewage Group	D-21 - D-22
Window, Vent & Exterior Door Group	D-23 - E-12

Key	Part Number	U/M	Description
1	078272-01-T03	EA	Window Asm. - Bunk Slant Slider
2	079455-03-T95	EA	Door Asm. - Battery
3	081568-02-U01	EA	Window Asm. - Double Slider
4	M01870-03-U01	EA	Door Asm. - Radius Entry w/Screen Door
5	079123-01-T03	EA	Door Asm. - Luggage
6	079733-04-T03	EA	Window Asm. - Picture
7	078536-01-T03	EA	Window Asm. - Escape
8	048835-01-000	EA	Vent Asm. - Roof - Non-Powered

Key	Part Number	U/M	Description
9	055103-02-000	EA	Cover - Refrigerator Vent
10	083840-01-U01	EA	Door Asm. - Generator
10	083839-01-U01	EA	Door Asm. - Luggage
11	063742-01-000	EA	Door Asm. - Power Cord
12	081570-06-U07	EA	Window Asm. - Lower Slider
13	079355-08-000	EA	Vent - Stove Hood - Outside
14	NOTE	EA	Door Asm. - Fuel Fill (See Access Door)
15	078969-02-T95	EA	Door Asm. - Refrigerator Access
16	052009-01-000	EA	Door Asm. - Water Heater Access
17	078266-04-T03	EA	Window Asm. - Single Slider
18	079272-02-T07	EA	Window Asm. - Bunk Slant Slider
19	078533-01-T03	EA	Window Asm. - Front Picture
20	079455-06-U01	EA	Door Asm. - Storage
21	078266-03-T03	EA	Window Asm. - Single Slider

WINDOW, VENT & EXTERIOR DOOR GROUP (CONTINUED)

ENTRANCE & SCREEN DOOR



Key	Part Number	U/M	Description
1	M01870-05-U01	EA	Door Asm. - Radius Entry w/Screen Door - w/o Window
1	M01870-03-U01	EA	Door Asm. - Radius Entry w/Screen Door
2	077998-01-000	EA	Frame - Entry Door (Bottom Portion Only)
3	078000-02-000	EA	Frame - Entry Door (Except Bottom Portion)
4	059576-05-000	EA	Feature Strip w/o Insert - Extr - 14" - Brown
5	001030-02-100	EA	Insert - Feature Strip - 17" - Stucco - Off White
6	009731-01-000	EA	End Cap - Feature Strip
5	045017-05-000	EA	Paddle Asm. - Door Lock - Exterior
7	045017-05-700	EA	Lock Cylinder w/Keys - Lynor
8	039539-01-000	EA	Striker Bolt - Entry Door
9	039540-01-000	EA	Latch Claw - Entry Door
10	039730-01-000	EA	Dead Bolt - Entry Door
6	039979-01-000	EA	Plate - Inside Lock - Includes Inside Handle
11	052186-01-000	EA	Lock Asm. - Complete - Lynor
7	079733-04-T03	EA	Window Asm. - Picture - 17" x 25" - Black (w/o inside frame)
8	062640-05-000	FT	Ribbon Sealer - 5/16" Bead x 15'
9	002309-02-000	FT	Spline - Glass - 1.8" Black
10	002181-06-000	EA	Glass - Picture Window - 1.8" x 17.25" x 24" - Gray
11	057609-23-000	EA	Inside Frame - Beige (not included in assembly)
12	002293-02-000	SF	Screen - Window - 25" - Charcoal
13	056795-02-000	FT	Seal Tape - 1.8" x 3.8" - Press On
14	078591-03-000	EA	Jamb Asm. - Entrance Door
15	051049-01-000	EA	Jamb - Entrance Door - Bottom
16	073066-01-000	EA	Slider - Screen Door - Off White Plastic
17	079712-01-U01	EA	Door Asm. - Screen
18	079701-01-000	EA	Hinge - Entrance Door (3 used per door)
18	078595-02-000	EA	Cap - Screen Door - Off White Plastic
18	009016-01-000	EA	Catch - Elbow - Spring Loaded - Screen Door
18	039963-01-000	EA	Catch Asm. - Single Roller w/Strike - Screen Door
18	076231-01-000	EA	Spacer - Latch - Screen Door
18	077437-02-000	EA	Strike - Roller Catch
18	058025-02-000	EA	Clip - Roller Latch Catch
18	044582-02-000	EA	Drip Cap - Off White
18	079278-01-000	EA	Seal - Mocket - Entrance Door
18	073090-01-000	FT	Seal - Entrance Door
18	075739-01-000	EA	Stiffener - Entrance Door - Off White
18	075673-01-000	FT	Seal - Pile - Adhesive Back
18	075671-01-000	FT	Seal - Sponge - Lazy "T" Shaped
18	002224-01-000	FT	Spline - Black - 1.35 x 1.38 (Screen Door)
18	079057-02-000	EA	Strike - Screen Door
18	063729-04-000	EA	Rivnut - 10-32 UNF - 010 - 030
18	075639-06-000	EA	Garnish - Radius - Entrance Door
18	078448-01-000	EA	Deadbolt - Press Fit - 5"
18	077461-01-000	EA	Cover - Striker
18	079173-01-000	EA	Gasket - Deadbolt
18	083205-01-000	EA	Dead Bolt - Press Fit - Harloc
	Not illustrated		

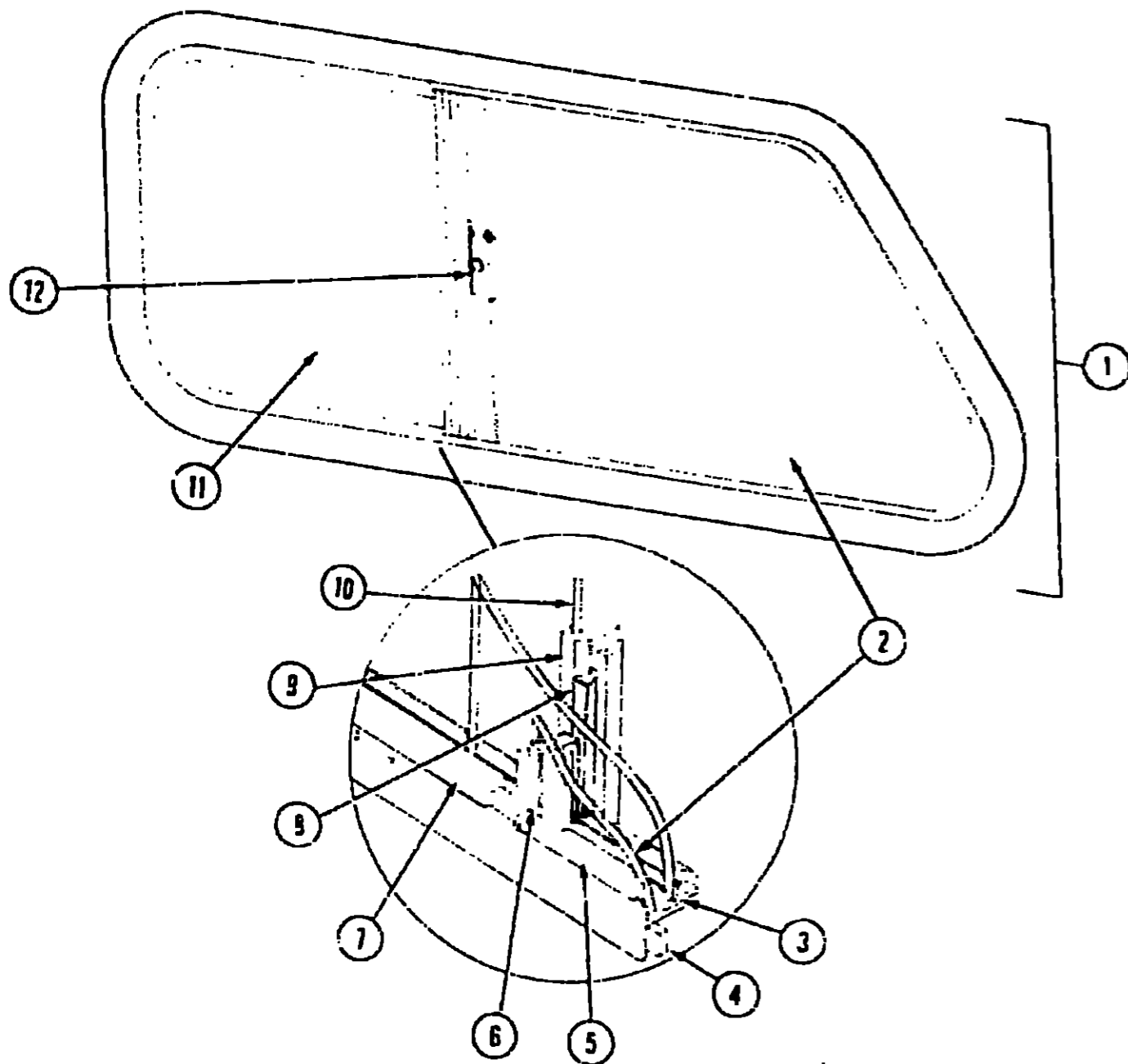
1986 WINNEAGO TABLE OF CONTENTS

WC/WF424RC	A-01 - C-08
WC420RG	C-09 - E-12
WCN22RC	E-13 - G-24
WCN30RC	H-01 - J-10

1986 WC420RG INDEX

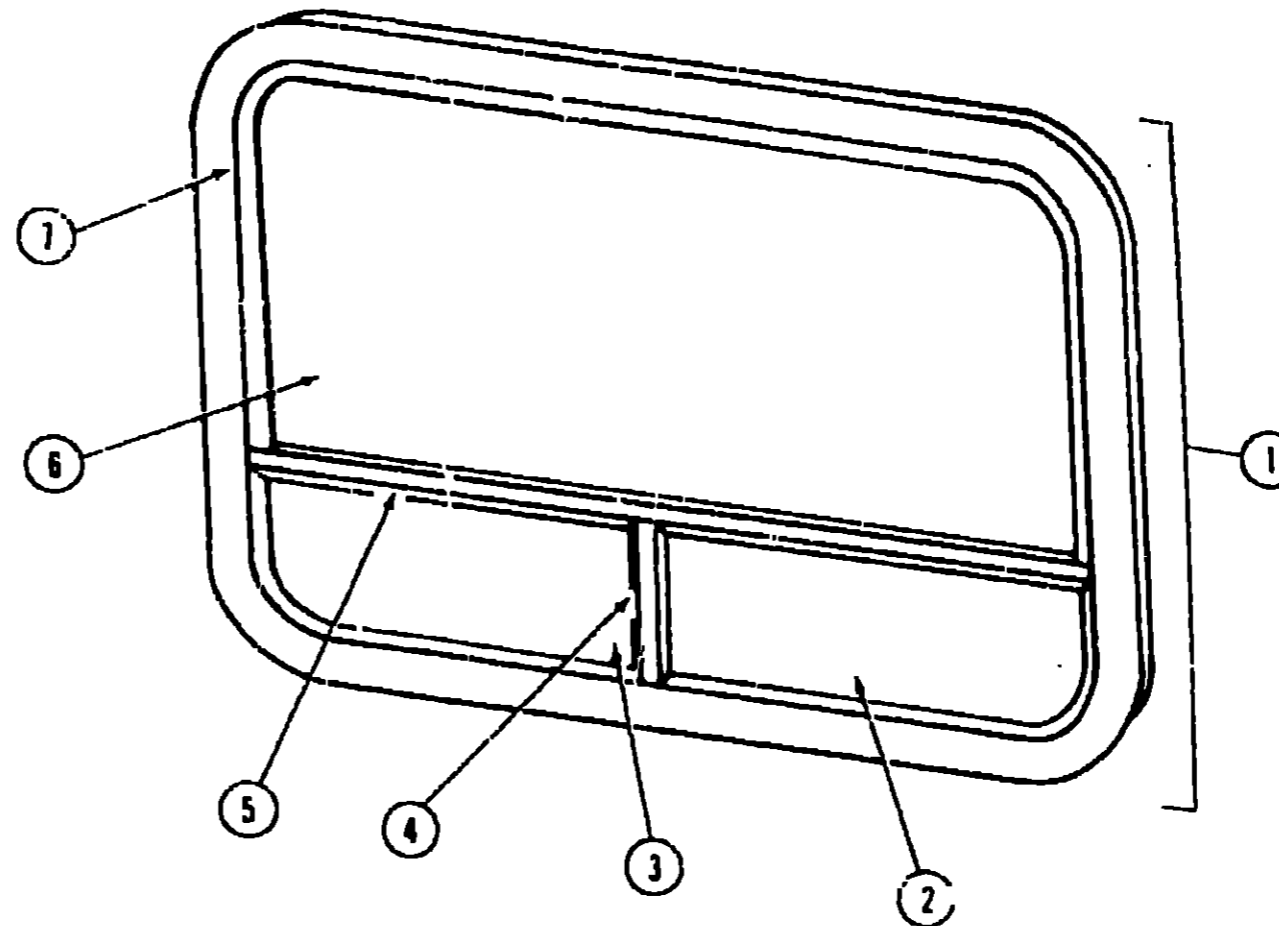
Floor Plan	C-09 - C-10
Accessories Group	C-11 - C-13
Bath Group	C-14
Chassis Group	C-15 - C-16
Curtain, Cushion & Pad Group	C-17 - C-22
Dinette Group	C-23
Driver's Compartment Group	C-24 - D-02
Electrical Group	D-03 - D-05
Exterior Body Group	D-06 - D-12
Galley Group	D-13 - D-14
Heating & Air Conditioning Group	D-15
Interior Finish Group	D-16 - D-18
LP Group	D-19
Lounge Group	D-20
Water & Sewage Group	D-21 - D-22
Window, Vent & Exterior Door Group	D-23 - E-12

WINDOW, VENT & EXTERIOR DOOR GROUP (CONTINUED)



Key	Part Number	U/M	Description
1	078272-02-T03	EA	Window Asm - Bunk - Slanted Slider - Left - Black (w/o inside frame)
*	078555-04-000	EA	Inside Frame - Brown (not included)
1	078272-01-T03	EA	Window Asm - Bunk - Slanted Slider - Right - Black (w/o inside frame)
*	078555-02-000	EA	Inside Frame - Brown (not included in assembly)
2	081983-01-J00	EA	Glass - Stationary - 1'8" x 19'42" - Gray
3	002324-02-000	FT	Channel - Weatherstrip - Glass Run - 3'16" Glass
4	069640-06-000	FT	Rubber Sealer Tape - 5'16" Bead x 15'
5	002309-02-000	FT	Spline - Glass - .8" - Black
6	M69586-03-005	EA	Seal Holder w/ Fin Seal - 11'23" - Black
7	057374-02-000	FT	Extr. Vinyl - Window Seal - Black
8	073740-01-000	FT	Seal - Fin - Pile - 460"
9	078562-05-000	EA	Mullion - Black
*	002291-02-000	SF	Screen - Window - 16" - Charcoal
10	002298-02-000	FT	Spline - 130" Dia Charcoal (Screen)
11	081980-01-000	EA	Glass - Sliding - 1'6" x 11'81" - Gray
12	047369-01-700	EA	Latch Kit - Window - Plastic w/ Fastener
*			Not illustrated

WINDOW, VENT & EXTERIOR DOOR GROUP (CONTINUED)



Key	Part Number	U/M	Description
1	081568-02-U01	EA	Window Asm - 62" x 31" - Double Tipout
*	081822-06-000	EA	Inside Frame - Black (not included in assembly)
2	081434-01-U01	EA	Window Asm - Tipout - Right Hand
3	081434-02-U01	EA	Window Asm - Tipout - Left Hand
*	081239-07-000	EA	Glass - Tipout - 1'8" x 30" x 8'3'4" - Left or Right
4	L-3112-05-000	EA	Mullion - Black
5	081814-01-000	EA	Mullion - Black
*	081422-01-U01	EA	Screen Asm - Tipout - Right Hand
*	081422-02-U01	EA	Screen Asm - Tipout - Left Hand
*	081243-01-000	EA	Screen Clip - Plastic - Black
*	035302-01-000	EA	Operating Mech - Right Hand
*	035302-02-000	EA	Operating Mech - Left Hand
6	081239-11-000	EA	Glass - Stationary - 1'8" x 61'3'4" x 20'1'2"
7	083180-01-000	EA	Window Seal
*	081357-01-000	EA	Bulb Seal (Tipout)
*	081359-01-000	EA	Window Seal (Tipout)
*			Not illustrated

**1986 WINNEBAGO
TABLE OF CONTENTS**

WC:WF424RC
WC420RG
WCN22RC
WCN30RC

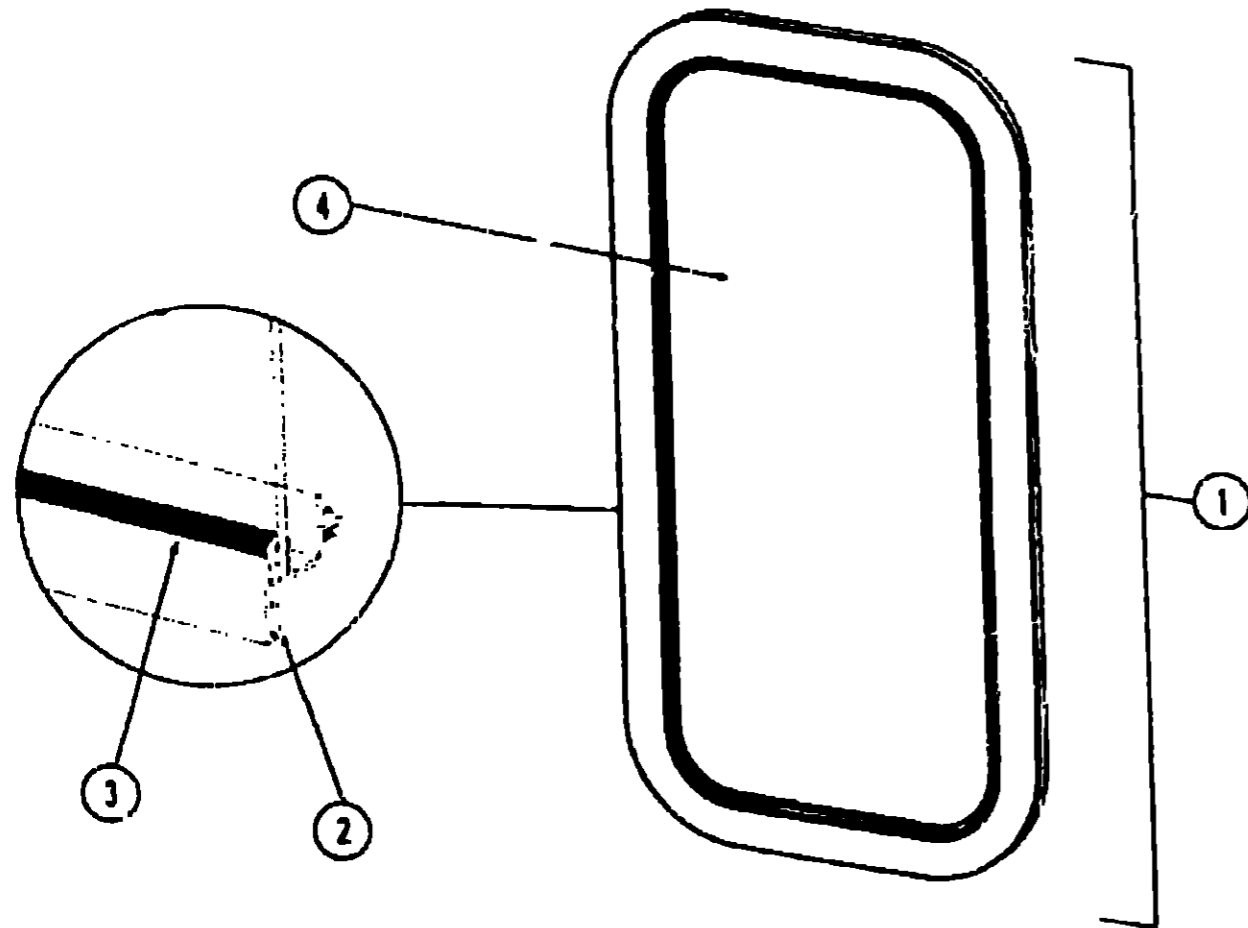
A-01 - C-08
C-09 - E-12
E-13 - G-24
H-01 - J-10

1986 WC420RG INDEX

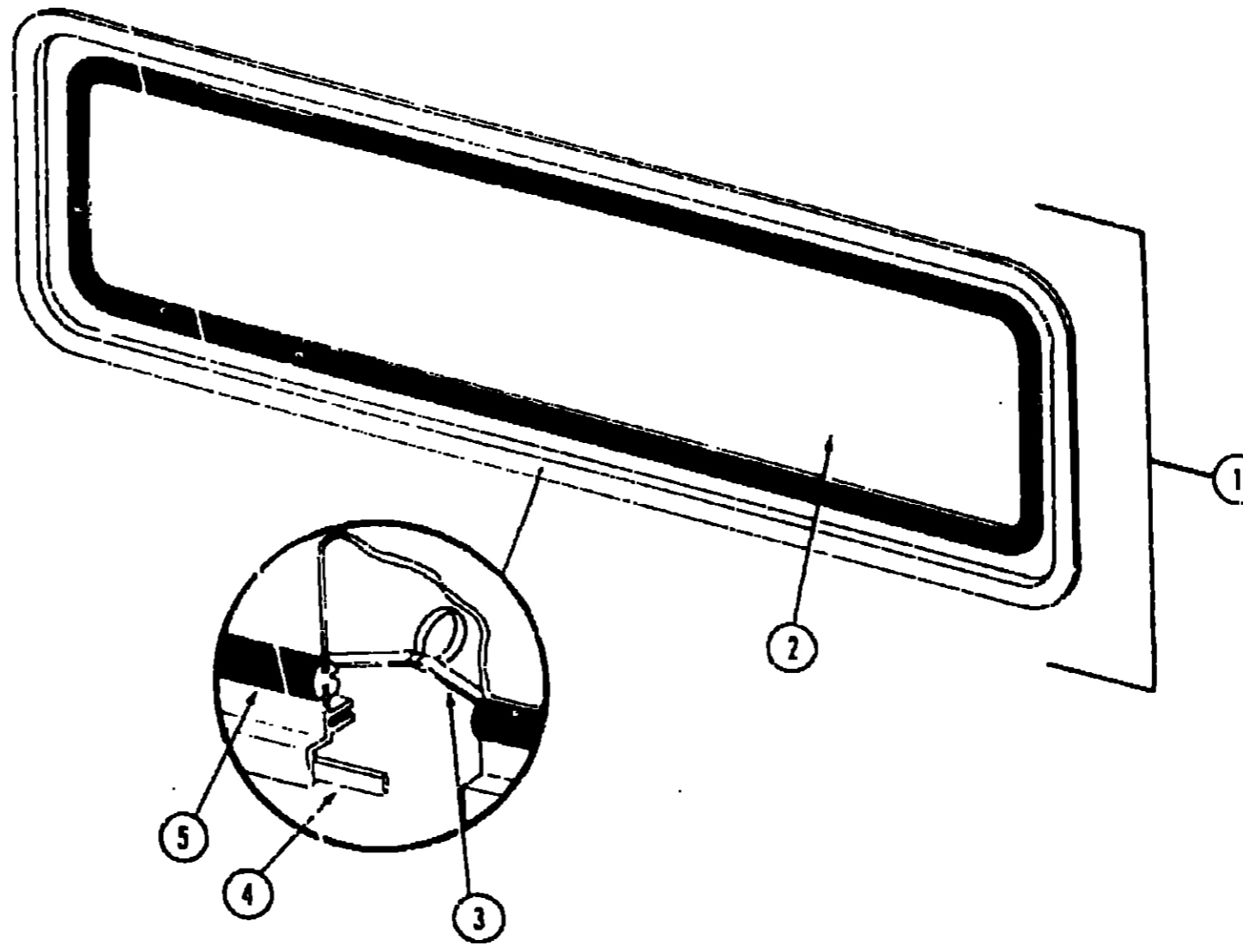
Floor Plan	C-09 - C-10
Accessories Group	C-11 - C-13
Bath Group	C-14
Chassis Group	C-15 - C-16
Curtain, Cushion & Pad Group	C-17 - C-22
Dinette Group	C-23
Driver's Compartment Group	C-24 - D-02
Electrical Group	D-03 - D-05
Exterior Body Group	D-06 - D-12
Galley Group	D-13 - D-14
Heating & Air Conditioning Group	D-15
Interior Finish Group	D-16 - D-18
LP Group	D-19
Lounge Group	D-20
Water & Sewage Group	D-21 - D-22
Window, Vent & Exterior Door Group	D-23 - E-12

WINDOW, VENT & EXTERIOR DOOR GROUP (CONTINUED)

WINDOW, VENT & EXTERIOR DOOR GROUP (CONTINUED)



Key	Part Number	U/M	Description
1	079733-C4-T03	EA	Window Asm - Picture (w/o inside frame)
•	067609-23-000	EA	Inside Frame - Beige (not included in assembly)
2	069640-06-000	EA	Ribbon Sealer - 5' 16" Bead x 15'
3	002309-02-000	EA	Spline - Glass - 1.8" - Black
4	002181-06-000	EA	Glass - Picture
•	Not illustrated		



Key	Part Number	U/M	Description
1	078536-01-T03	EA	Window Asm - Rear Escape - 23" x 68" - Black (w/o inside frame)
•	042027-05-000	EA	Inside Frame (not included in assembly)
2	002178-01-000	EA	Glass - 1' 8" x 19' 6 1/2" x 64' 60"
3	002285-010-00	FT	Filler - Weatherstrip - Black
4	069640-06-000	FT	Ribbon Sealer - 5' 16" Bead x 15'
5	002282-01-000	FT	Weatherstrip - 125' Window
•	006199-01-000	EA	Label - Exit - Escape Window
•	Not illustrated		

**1986 WINNEBAGO
TABLE OF CONTENTS**

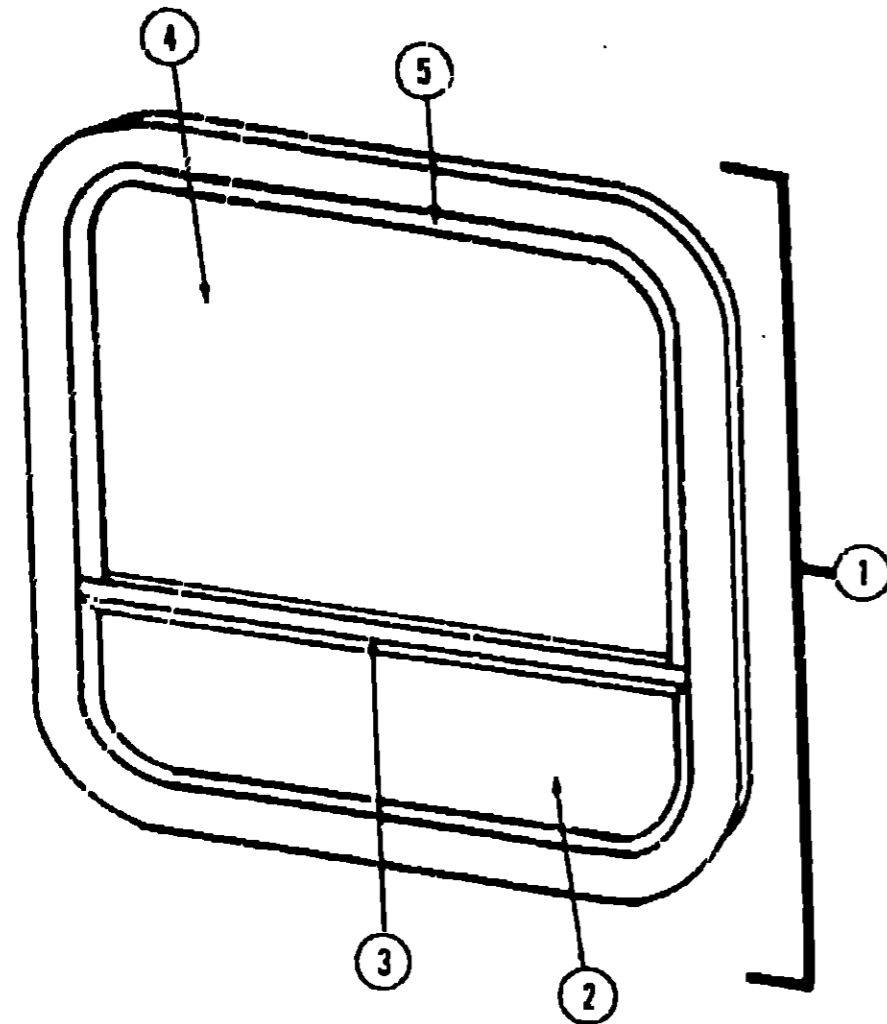
WC-WF424RC
WC420RG
WCN22RC
WCN30RC

A-01 - C-08
C-09 - E-12
E-13 - G-24
H-01 - I-10

1986 WC420RG INDEX

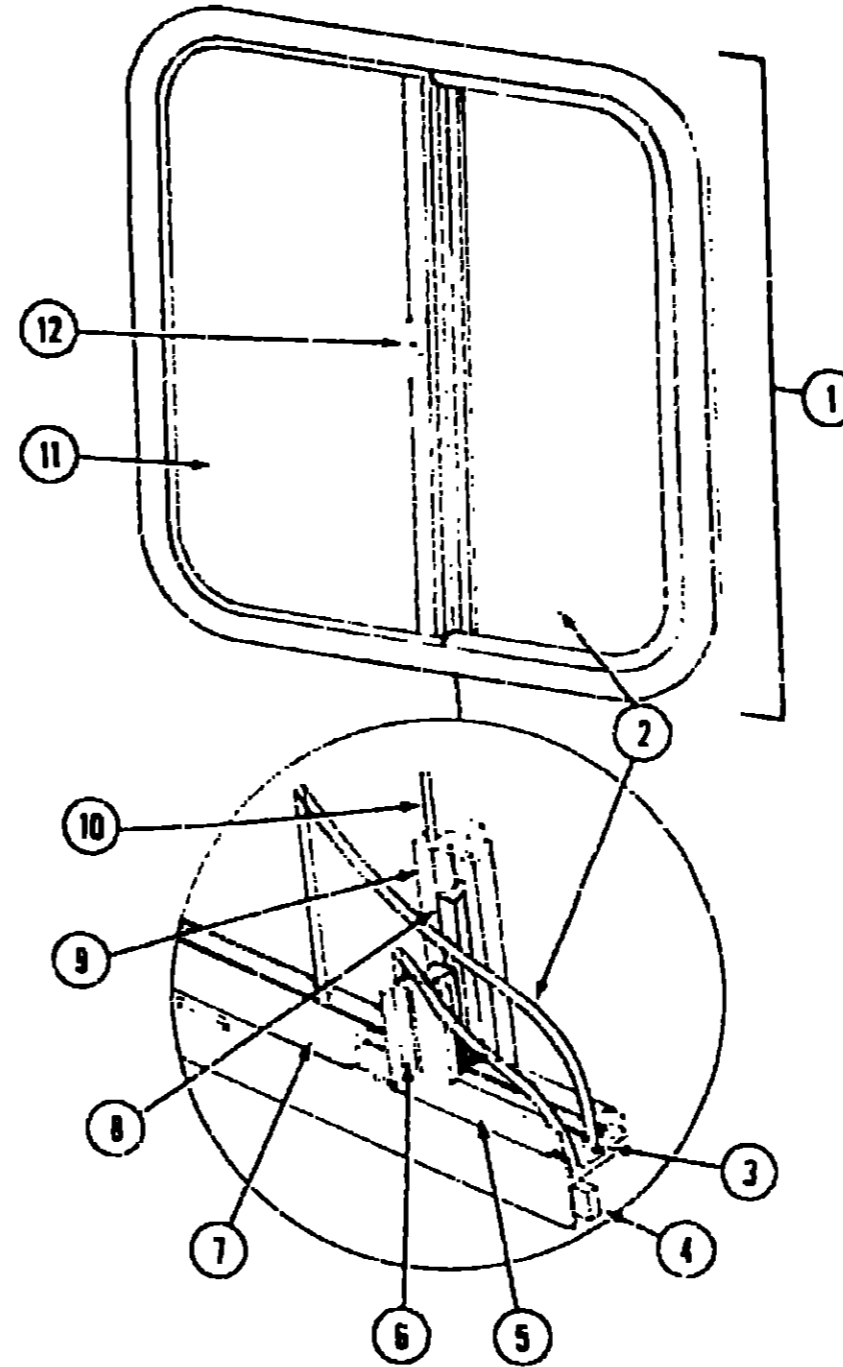
Floor Plan	C-09 - C-10
Accessories Group	C-11 - C-13
Bath Group	C-14
Chassis Group	C-15 - C-18
Curtain, Cushion & Pad Group	C-17 - C-22
Dinette Group	C-23
Driver's Compartment Group	C-24 - D-02
Electrical Group	D-03 - D-05
Exterior Body Group	D-06 - D-12
Galley Group	D-13 - D-14
Heating & Air Conditioning Group	D-15
Interior Finish Group	D-16 - D-18
LP Group	D-19
Lounge Group	D-20
Water & Sewage Group	D-21 - D-22
Window, Vent & Exterior Door Group	D-23 - E-12

WINDOW, VENT & EXTERIOR DOOR GROUP (CONTINUED)



Key	Part Number	U/M	Description
1	081570-06-U07	EA	Window Asm - Single Tipout
•	081822-07-000	EA	Inside Frame - Black (not included in assembly)
2	081433-01-U07	EA	Window Asm - Tipout
•	081239-12-000	EA	Glass - Tipout - 1/8" x 25.07" x 8.7"
3	083112-01-000	EA	Mullion - Black
•	081421-06-U22	EA	Screen Asm. - Tipout
•	081243-01-000	EA	Screen Clip - Plastic - Black
•	035302-01-000	EA	Operating Mech
4	081239-12-000	EA	Glass - Stationary - 1/8" x 25.7" x 25.1"
5	081350-01-000	EA	Window Seal
•	081357-01-000	EA	Bulb Seal (Tipout)
•	081359-01-000	EA	Window Seal (Tipout)

WINDOW, VENT & EXTERIOR DOOR GROUP (CONTINUED)



Key	Part Number	U/M	Description
1	078266-03-T03	EA	Window Asm. - Black (w/o inside frame)
•	083122-04-000	EA	Inside Frame - Brown (not included in assembly)
2	081980-05-000	EA	Glass Sliding
3	002324-02-000	FT	Channel - Weatherstrip - Glass
4	069640-06-000	FT	Ribbon Sealer - 5/16" Bead x 15'
5	002309-02-000	FT	Spline - Glass - 1/8" Material - Black
6	M69886-03-011	EA	Seal - Holder w/Fin Seal - Black
7	057374-02-000	FT	Extr. Vinyl - Window Seal - Black
8	073740-01-000	FT	Seal - Fin - Pile - .460"
9	078562-02-000	EA	Mullion - Slider Window - Black
•	002293-02-000	SF	Screen - Window - 26" - Charcoal
10	002298-02-000	FT	Spline - .130" Dia - Charcoal (Screen)
11	081984-03-000	EA	Glass - Stationary
12	047369-01-700	EA	Latch Kit - Window - Plastic w/Fastener
•			Not illustrated

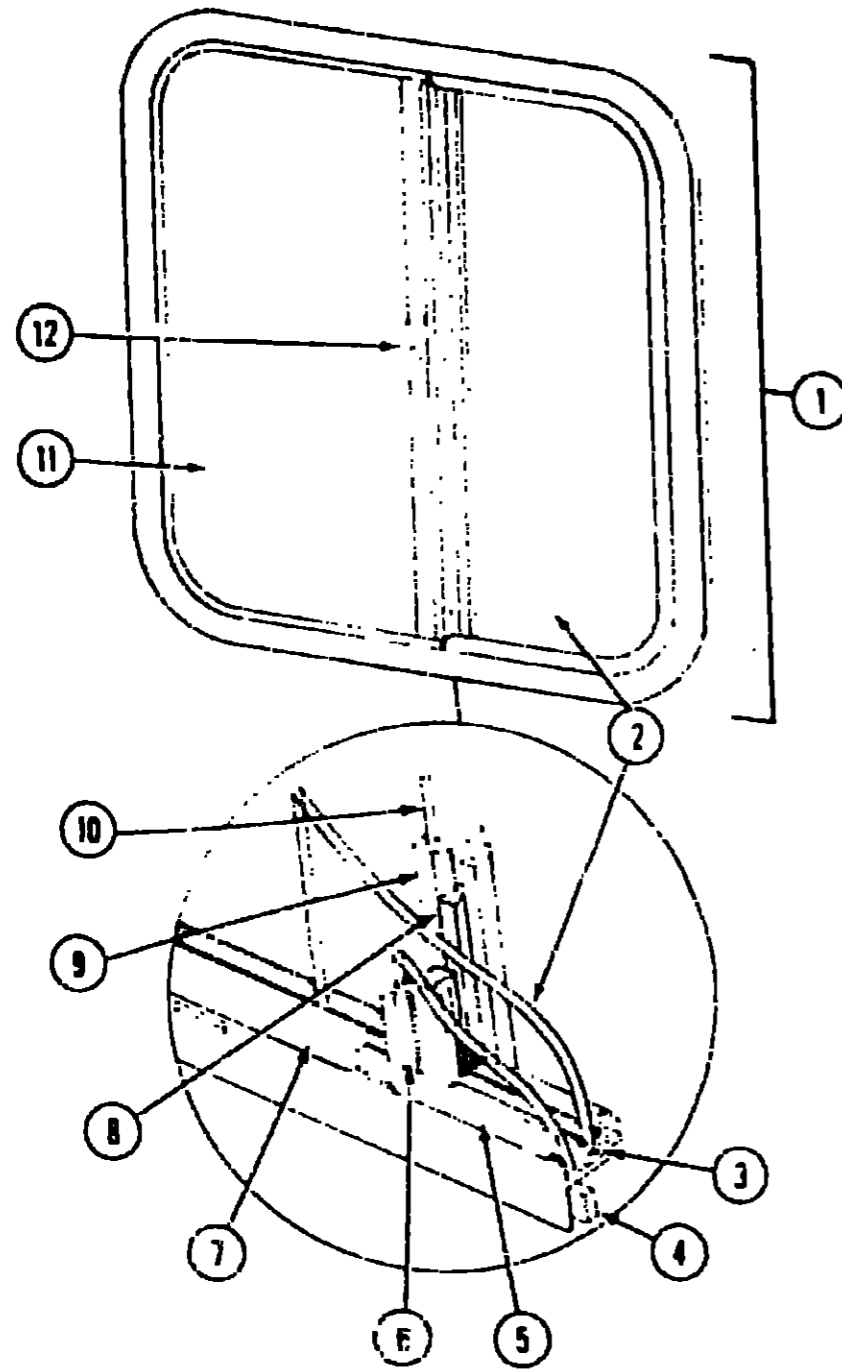
1986 WINNEBAGO
TABLE OF CONTENTS

WC/WF424RC	A-01 - C-08
WC420RG	C-09 - E-12
WCN22RC	E-13 - G-24
WCN30RC	H-01 - J-10

1986 WC420RG INDEX

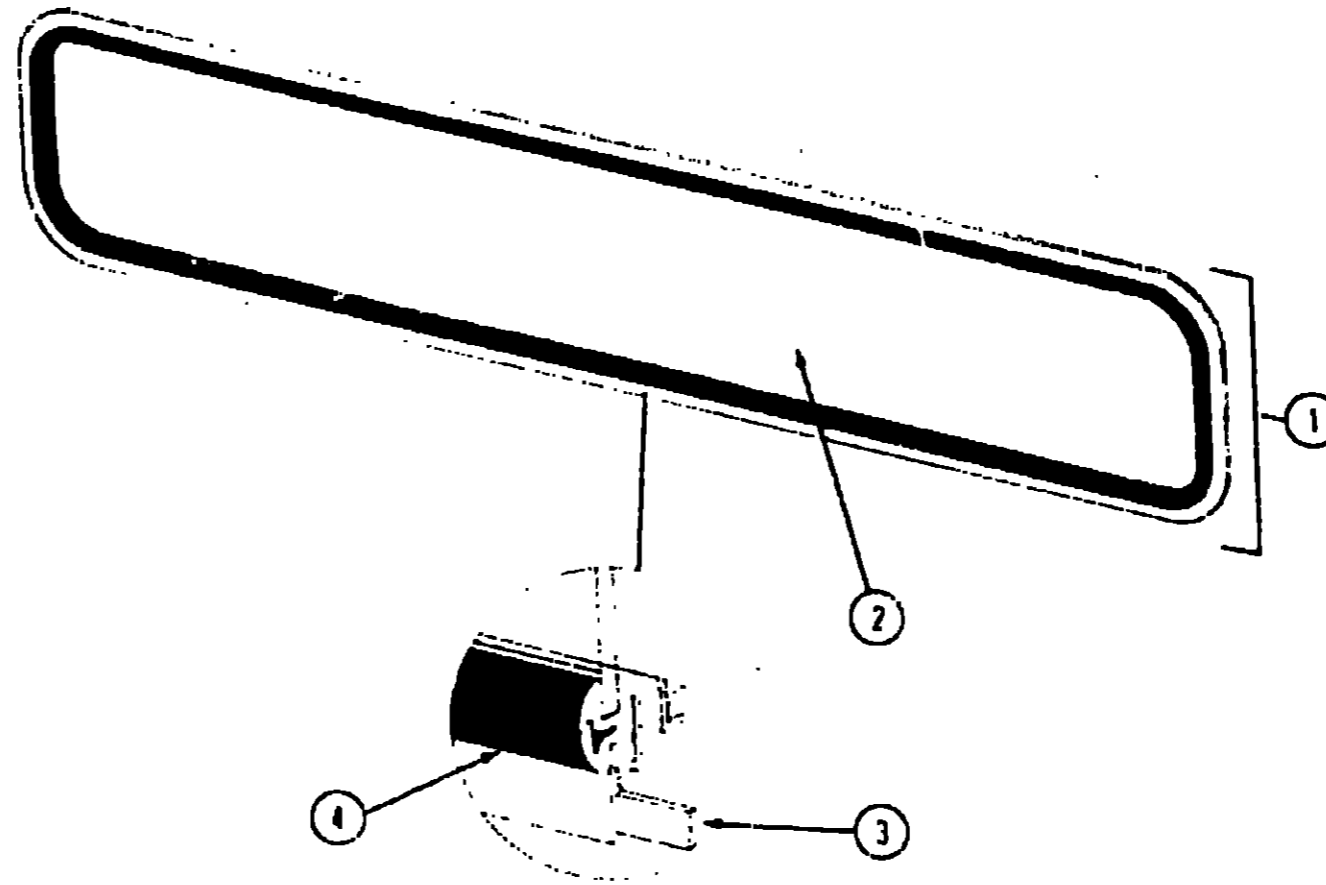
Floor Plan	C-09 - C-10
Accessories Group	C-11 - C-13
Bath Group	C-14
Chassis Group	C-15 - C-16
Curtain, Cushion & Pad Group	C-17 - C-22
Dineite Group	C-23
Driver's Compartment Group	C-24 - D-02
Electrical Group	D-03 - D-05
Exterior Body Group	D-06 - D-12
Galley Group	D-13 - D-14
Heating & Air Conditioning Group	D-15
Interior Finish Group	D-16 - D-18
LP Group	D-19
Lounge Group	D-20
Water & Sewage Group	D-21 - D-22
Window, Vent & Exterior Door Group	D-23 - E-12

WINDOW, VENT & EXTERIOR DOOR GROUP (CONTINUED)



Key	Part Number	U/M	Description
1	078266-04-T03	EA	Window Asm - Black (w/o inside frame)
•	083122-06-000	EA	Inside Frame - Brown (not included in assembly)
2	081980-02-000	EA	Glass - Sliding
3	002324-02-000	FT	Channel - Weatherstrip - Glass
4	069640-06-000	FT	Ribbon Sealer - 5-16" Bead x 15'
5	002309-02-000	FT	Spline - Glass - 1.8" Material - Black
6	M18025-03-000	EA	Seal - Holder w/Fin Seal - Black
7	057374-02-000	FT	Extr. Vinyl - Window Seal - Black
8	073740-01-000	FT	Seal - Fin - Pie - 460"
9	078562-03-000	EA	Mullion - Slider Window - Black
•	002293-02-000	SF	Screen - Window - 26" - Charcoal
10	002298-02-000	FT	Spline - 130" Dia - Charcoal (Screen)
11	081984-01-000	EA	Glass - Stationary
12	047369-01-700	EA	Latch Kit - Window - Plastic w/Fastener
•			Not illustrated

WINDOW, VENT & EXTERIOR DOOR GROUP (CONTINUED)



Key	Part Number	U/M	Description
1	078533-01-T02	EA	Window Asm - Front Picture - 14" x 69" - Black (w/o inside frame)
•	041338-03-000	EA	Inside Frame - Beige (not included in assembly)
2	002200-02-000	EA	Glass - TP - Picture Window
3	069640-06-000	FT	Ribbon Sealer - 5-16" Bead x 15'
4	002281-01-000	FT	Weatherstrip - Self Seal - .06" Panel x 3-16" - Black
•			Not illustrated

**1986 WINNEBAGO
TABLE OF CONTENTS**

WC/WF424RC
WC420RG
WCN22RC
WCN30RC

A-01 - C-08
C-09 - E-12
E-13 - G-24
H-01 - J-10

1986 WC420RG INDEX

Floor Plan	C-09 - C-10
Accessories Group	C-11 - C-13
Bath Group	C-14
Chassis Group	C-15 - C-16
Curtain, Cushion & Pad Group	C-17 - C-22
Dinette Group	C-23
Driver's Compartment Group	C-24 - D-02
Electrical Group	D-03 - D-05
Exterior Body Group	D-06 - D-12
Galley Group	D-13 - D-14
Heating & Air Conditioning Group	D-15
Interior Finish Group	D-16 - D-18
LP Group	D-19
Lounge Group	D-20
Water & Sewage Group	D-21 - D-22
Window, Vent & Exterior Door Group	D-23 - E-12

WINDOW, VENT & EXTERIOR DOOR GROUP (CONTINUED)

ACCESS DOORS

Key	Part Number	U/M	Description
	J79455-03-T95	EA	Door Asm - Battery
	063840-01-U01	EA	Door Asm - Generator - w/o Ballist
	079123-01-T03	EA	Door Asm - Luggage
	078969-02-T95	EA	Door Asm - Refrigerator Access - Off White
	052009-01-000	EA	Door Asm - Water Heater Access - Off White
	078010-03-000	EA	Door - Fuel Fill - Off White
	063742-01-000	EA	Door - Power Cord - Off White
	052424-01-000	EA	Jamb - Power Cord/Fuel Fill Door - Off White
	052543-01-000	EA	Hatch - Power Cord Door
	054530-01-000	EA	Door Holder
	063615-01-000	EA	Door Holder - Beige Plastic
	042441-01-000	EA	Lock Asm. - Key Type - Gas Fill
	079927-01-000	EA	Lock Asm - Twist Type
	047305-01-000	EA	Lock Asm - Key Type w. Clip
	052950-01-700	EA	Lock Asm. Kit - Twist Type w. Clip - Wh. : Plastic
	052951-01-000	EA	Clip - Twist - Lock Retainer
	077408-01-000	EA	Lock Asm - Key Type
	079368-01-000	FT	Seal - Access Door

WINDOW, VENT & EXTERIOR DOOR GROUP (CONTINUED)

VENTS

Key	Part Number	U/M	Description
	065103-02-000	EA	Cover - Refrigerator Vent - 9 88" x 20 5" - Plastic
	065103-01-000	EA	Frame Asm - Refrigerator Vent - 8.17" x 22 94" - Plastic
	055218-01-000	EA	Cover Asm - Roof Vent
	079355-11-000	EA	Vent - Stovehood - Outside - Off White
	052586-01-000	EA	Ventilator - Round Skylight - Non-Powered
**	048835-01-000	EA	Vent Asm - Roof - Non-Powered - w/o Screen - Alum
	064469-02-000	EA	Vent Asm. - Roof - Powered - 14" x 14" - CSA
	048789-01-000	EA	Vent Asm - Roof - Powered
	079785-01-T03	EA	Screen Asm - Roof Vent
	078786-01-T03	EA	Screen Asm. - Roof Vent - Non-Powered
**	The illustrated parts breakdown for this item is provided on the Common Items Fiche		

**1986 WINNEBAGO
TABLE OF CONTENTS**

WC/WF424RC	A-01 - C-05
WC420RG	C-09 - E-12
WCN22RC	E-13 - G-24
WCN30RC	H-01 - J-10

1986 WC420RG INDEX

Floor Plan	C-09 - C-10
Accessories Group	C-11 - C-13
Bath Group	C-14
Chassis Group	C-15 - C-16
Curtain, Cushion & Pad Group	C-17 - C-22
Dinette Group	C-23
Driver's Compartment Group	C-24 - D-02
Electrical Group	D-03 - D-05
Exterior Body Group	D-06 - D-12
Galley Group	D-13 - D-14
Heating & Air Conditioning Group	D-15
Interior Finish Group	D-16 - D-18
LP Group	D-19
Lounge Group	D-20
Water & Sewage Group	D-21 - D-22
Window, Vent & Exterior Door Group	D-23 - E-12