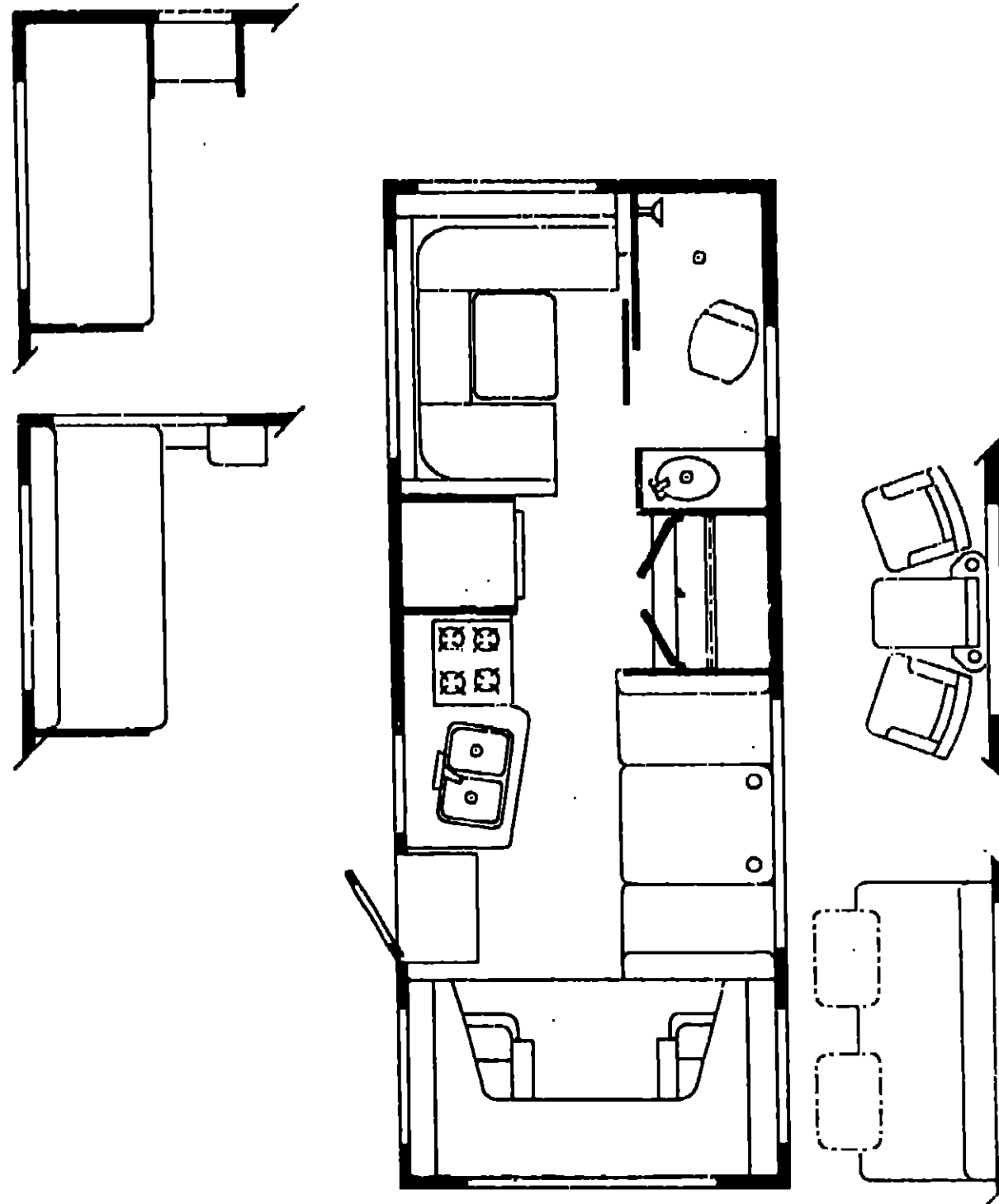


# 1986 WC/WF424RS



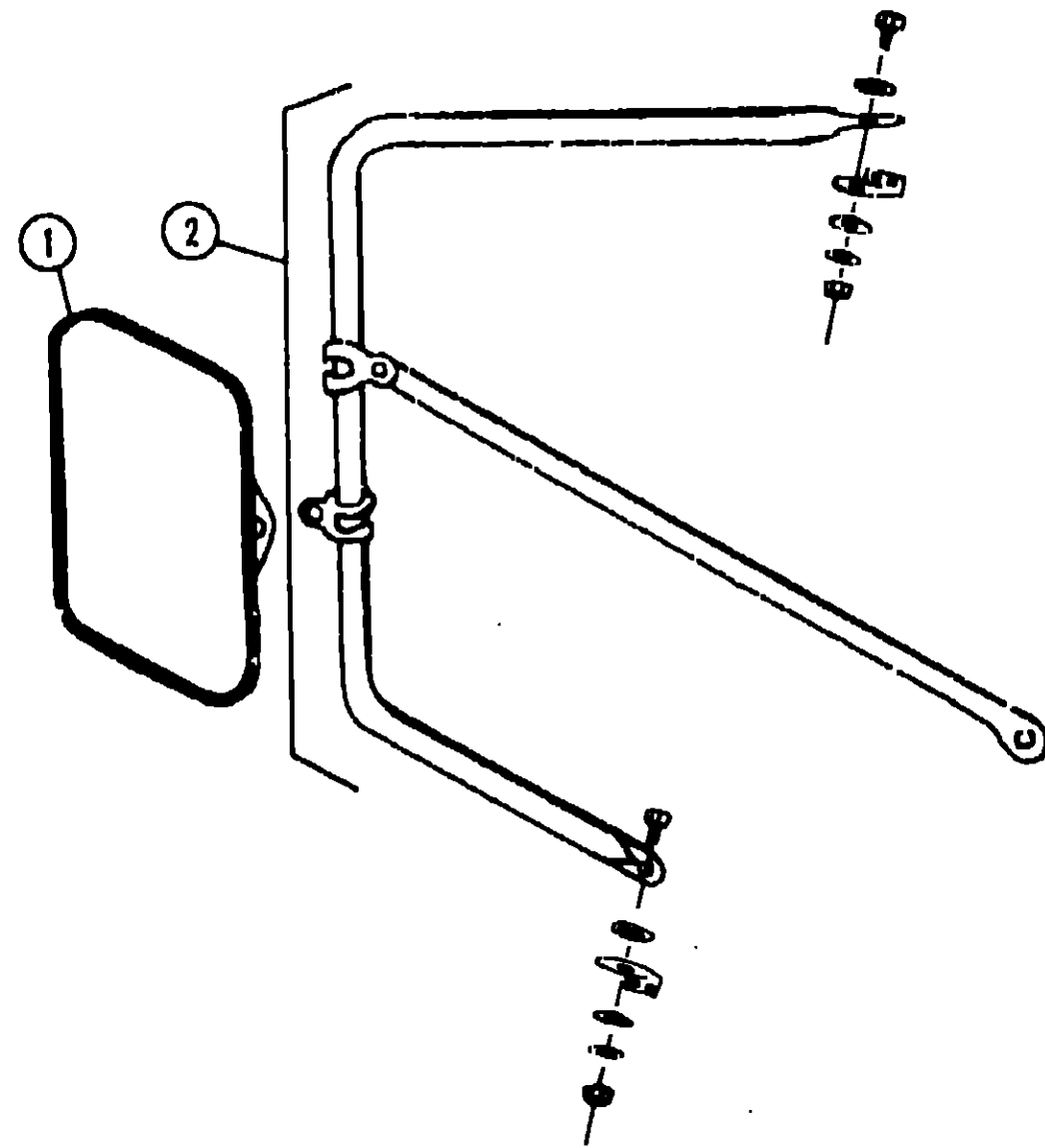
## 1986 WINNEBAGO TABLE OF CONTENTS

|            |             |
|------------|-------------|
| WC/WF424RS | A-01 - C-12 |
| WCN27RT    | C-13 - F-27 |
| WCP31RT    | E-23 - H-10 |
| WCP34RU    | H-11 - J-22 |

## 1986 WC/WF424RS INDEX

|                                    |             |
|------------------------------------|-------------|
| Floor Plan                         | A-01 - A-02 |
| Accessories Group                  | A-03 - A-05 |
| Bath Group                         | A-06        |
| Chassis Group                      | A-07 - A-08 |
| Curtain, Cushion & Pad Group       | A-09 - A-16 |
| Dinette Group                      | A-17 - A-18 |
| Driver's Compartment Group         | A-19 - A-21 |
| Electrical Group                   | A-22 - A-24 |
| Exterior Body Group                | B-01 - B-07 |
| Galley Group                       | B-08 - B-10 |
| Heating & Air Conditioning Group   | B-11 - B-12 |
| Interior Finish Group              | B-13 - B-15 |
| LP Group                           | B-16        |
| Lounge Group                       | B-17 - B-18 |
| Water & Sewage Group               | B-19 - B-21 |
| Window, Vent & Exterior Door Group | B-22 - C-12 |

**ACCESSORIES GROUP**



**EXTERIOR MIRRORS**

| Key | Part Number   | U/M | Description                                    |
|-----|---------------|-----|--|
| 1   | 049347-01-000 | EA  | Mirror Head - 7 1/2 x 10 1/2 - Stainless Steel |
| 2   | 062047-01-000 | EA  | Arm - West Coast Mirror - Stainless Steel      |
| 2   | 062047-02-000 | EA  | Arm - West Coast Mirror - Off White            |
| .   | 006043-01-000 | EA  | Mirror - Convex - Adhesive Back                |
| .   |               |     | Not illustrated                                |

**WHEEL COVER & MOUNTING HARDWARE**

| Key | Part Number   | U/M | Description                                       |
|-----|---------------|-----|---|
|     | 064082-02-000 | EA  | Retaining Nut - Delmet - Wheel Cover              |
|     | 073426-01-700 | EA  | Wheel Cover - Bolt On - 16" or 16.5" - Delmet (1) |
|     | 083181-01-000 | EA  | Wheel Cover - 16" (Set/4) (Ford)                  |
|     | 083181-01-700 | EA  | Wheel Cover - 16" (Ford) (1)                      |
|     | 083181-02-000 | EA  | Wheel Cover - 16.5 (Set/4) (Chevy)                |
|     | 083181-02-700 | EA  | Wheel Cover - 16.5" (Chevy) (1)                   |

**ACCESSORIES GROUP (CONTINUED)**

**MISCELLANEOUS ACCESSORIES**

| Key | Part Number   | U/M | Description                                      |
|-----|---------------|-----|--|
|     | 054185-24-000 | EA  | Owners Manual - 1986 - Itasca & Winnebago        |
|     | 706053-02-000 | FA  | Antenna - TV Skyliner w/6" Shaft - Braund Deluxe |
|     | 070319-01-000 | EA  | Antenna - TV Roof Mount - 44.5" Mast             |
|     | 076310-01-700 | EA  | NVSA Sensor Antenna                              |
|     | 070319-01-701 | EA  | Elevating Gear                                   |
|     | 070319-01-702 | EA  | Shaft Elevating Asm.                             |
|     | 070319-01-703 | EA  | Nylon Bearing - #5                               |
|     | 076310-01-704 | EA  | Nylon Bearing                                    |
|     | 076310-01-705 | EA  | Nylon Bearing                                    |
|     | 070319-01-706 | EA  | Crank - Elevating - w/Sot Screw                  |
|     | 076319-02-000 | EA  | Antenna - TV Roof Mount - 23.5" Mast             |
|     | 076319-03-000 | EA  | Cable - Coaxial 1000' - 75 OHM                   |
|     | 070319-04-000 | EA  | Connector & Ferrule                              |
|     | 076319-05-000 | EA  | Wallplate - Power Supply - Ivory                 |
|     | 076319-06-000 | EA  | Adapter - Cable Roof Plate                       |
|     | 076319-07-000 | EA  | Wallplate - Power Supply - Brown                 |
|     | 076319-08-000 | EA  | Wallplate - Receptacle - Ivory                   |
|     | 070319-09-000 | EA  | Wallplate - Receptacle - Brown                   |
|     | 064089-01-000 | EA  | Mud Flap - Rubber - Black (Front)                |
|     | 017516-01-000 | EA  | Mud Flap w/Holes - 14" x 18" - Black (Back)      |
|     | 041944-03-000 | EA  | Fire Extinguisher - w/Bracket - 5BC              |
|     | 041944-02-000 | EA  | Bracket - Fire Extinguisher                      |
|     | 081379-01-000 | EA  | Microwave/Convection Oven - Sharp                |
|     | 081459-01-000 | EA  | Bracket Asm. - Microwave - Right                 |
|     | 081459-02-000 | EA  | Bracket Asm. - Microwave - Left                  |
|     | 082876-01-000 | EA  | Baffle - Microwave                               |
|     | 081555-01-T03 | EA  | Trim Asm. - Microwave Oven                       |
|     | 081456-01-000 | EA  | Angle Asm. - Microwave Oven - Right              |
|     | 081456-02-000 | EA  | Angle Asm. - Microwave Oven - Left               |
|     | 081016-01-T03 | EA  | Ladder Asm.                                      |
|     | 081026-01-T03 | EA  | Rack Asm. - Right                                |
|     | 081026-02-T03 | EA  | Rack Asm. - Left                                 |
|     | 083206-01-000 | EA  | Mat - Stepwell - Black - Passenger (Ford)        |
|     | 083206-02-000 | EA  | Mat - Stepwell - Black - Driver (Ford)           |
|     | 044860-01-000 | EA  | Mat - Stepwell - Black - Passenger (Chevy)       |
|     | 044860-02-000 | EA  | Mat - Stepwell - Black - Driver (Chevy)          |
|     | 072852-01-000 | EA  | Smoke Detector w/9 Volt Battery                  |
|     | 079664-02-000 | EA  | Weather Center - 8.5" x 8.5"                     |
|     | 079664-01-000 | EA  | Clock - 8.5" x 8.5"                              |
|     | 006069-01-000 | EA  | Key Case - Leather                               |
|     | 080208-01-000 | EA  | Lug Wrench                                       |
|     | 080208-02-000 | EA  | Leverage Bar - Lug Wrench                        |
|     | 006113-01-000 | EA  | Jack - Hydraulic - 6 Ton - w/Handle              |
|     | 079941-01-000 | EA  | Lamp Asm. - Fog w/Cover - Amber                  |
|     | 083212-04-000 | EA  | Speed Control - Electric (Chevy)                 |
|     | 083212-01-701 | EA  | Main Wiring Harness                              |
|     | 083212-01-702 | EA  | Servo Asm. - Mt. Ready                           |
|     | 083212-01-703 | EA  | Bracket - Servo Mtg                              |
|     | 083212-01-704 | EA  | Bracket - Servo Mtg.                             |
|     | 083212-03-000 | EA  | Speed Control - Switch                           |

**1986 WINNEBAGO  
TABLE OF CONTENTS**

|            |             |
|------------|-------------|
| WC/WF424RS | A-01 - C-12 |
| WCN27RT    | C-13 - E-22 |
| WCP31RT    | E-23 - H-10 |
| WCP34RU    | H-11 - J-22 |

**1986 WC/WF424RS INDEX**

|                                    |             |
|------------------------------------|-------------|
| Floor Plan                         | A-01 - A-02 |
| Accessories Group                  | A-03 - A-05 |
| Bath Group                         | A-06        |
| Chassis Group                      | A-07 - A-08 |
| Curtain, Cushion & Pad Group       | A-09 - A-16 |
| Dinette Group                      | A-17 - A-18 |
| Driver's Compartment Group         | A-19 - A-21 |
| Electrical Group                   | A-22 - A-24 |
| Exterior Body Group                | B-01 - B-07 |
| Galley Group                       | B-06 - B-10 |
| Heating & Air Conditioning Group   | B-11 - B-12 |
| Interior Finish Group              | B-13 - B-15 |
| LP Group                           | B-16        |
| Lounge Group                       | B-17 - B-18 |
| Water & Sewage Group               | B-19 - B-21 |
| Window, Vent & Exterior Door Group | B-22 - C-12 |

## ACCESSORIES GROUP (CONTINUED)

### ELECTRIC STEP ASSEMBLY

| Key | Part Number   | U/M | Description                   |
|-----|---------------|-----|-------------------------------|
|     | 075461-01-000 | EA  | Electric Step Asm. w/Light    |
|     | 075401-01-700 | EA  | Motor                         |
|     | 041250-01-000 | EA  | Door Switch                   |
|     | 075461-01-704 | EA  | Under Step Control Unit       |
|     | 075461-01-705 | EA  | 4-Way Plug (Dash End)         |
|     | 075461-01-706 | EA  | Kill Switch                   |
|     | 075461-01-707 | EA  | Stop Light                    |
|     | 075461-01-708 | EA  | 4-Way Plug (Control Box End)  |
|     | 075461-01-709 | EA  | 90 Degree Plug                |
|     | 075461-01-710 | EA  | Gear                          |
|     | 075461-01-711 | EA  | Drive Link                    |
|     | 076241-01-000 | EA  | Support Asm. - Stop           |
|     | 075723-02-000 | EA  | Block - Switch Spacer w/Holes |

### CHROME WHEEL LINERS

| Key | Part Number   | U/M | Description                       |
|-----|---------------|-----|-----------------------------------|
|     | 081608-05-000 | EA  | Cover - Lug Nut - Chrome Liner    |
|     | 081608-08-000 | EA  | Ring - Spiral - Chrome Liner      |
|     | 081608-07-000 | EA  | Cover - Rear Axle - Chrome Liner  |
|     | 081608-08-000 | EA  | Cover - Front Axle - Chrome Liner |
|     | 081608-09-000 | EA  | Liner - Front Wheel - Chrome      |
|     | 081608-10-000 | EA  | Liner - Rear Wheel - Chrome       |

### RADIO & RELATED COMPONENTS

| Key | Part Number   | U/M | Description   |
|-----|---------------|-----|---|
|     | 007004-01-000 | EA  | Antenna - Radio - Cab Mount   |
|     | 064792-01-000 | EA  | Grille - Speaker - 5.25" - w/Mesh - Brown                             |
|     | 074482-02-000 | EA  | Radio - AM/FM/MPX - w/Cassette - Audiovox - HCC565                    |
|     | 073430-02-000 | EA  | Radio - AM/FM/MPX - w/Cassette - Electronic Tune - Audiovox - HCC1150 |
|     | 074979-01-000 | EA  | Speaker Cover Protector - Plastic (Chevy)                             |
|     | 073431-01-000 | EA  | Speaker - 5.25 - 3/Way (Pair)   |
|     | 064791-01-000 | EA  | Speaker - Recessed - 5.25"  |
|     | 073741-01-000 | EA  | Speaker - 4" x 6" - Oval (Chevy)                                      |
|     | 079385-02-000 | EA  | Radio Mounting Kit (Ford)   |

### GENERATORS & COMPONENTS

| Key | Part Number   | U/M | Description                                     |
|-----|---------------|-----|---|
|     | 052168-01-000 | EA  | Generator - Onan - 4.25 kw                      |
|     | 079654-04-000 | EA  | Generator - Emerald - 4.0 kw                    |
|     | 701629-02-000 | EA  | Installation Package - Onan                     |
|     | 701629-04-000 | EA  | Installation Package - Emerald                  |
|     | 024732-01-016 | EA  | Tailpipe - 1.5" O.D. x 43.50"                   |
|     | 067753-01-000 | EA  | Muffler - Generator - w/Spark Arrestor - Nelson |
|     | 007067-01-000 | EA  | Insulation - Fiberglass - 1"                    |

## BATH GROUP

### BATH CABINERY

| Key | Part Number   | U/M | Description   |
|-----|---------------|-----|---|
|     | M82257-01-U01 | EA  | Cabinetry Asm. - Lavatory - w/o Doors, Countertop, or Hardware  |
|     | M02413-01-U01 | EA  | Countertop Asm. - Lavatory                                      |
|     | 081894-03-U10 | EA  | Drawer Asm. - Lavatory - w/o Hardware                           |
|     | M81602-16-U01 | EA  | Door Asm. - Lavatory Cabinet - Right - w/o Hardware             |
|     | M81602-16-U01 | EA  | Door Asm. - Lavatory Cabinet - Left - w/o Hardware              |
|     | M82207-01-U01 | EA  | Cabinet Asm. - Medicine - w/o Doors or Hardware                 |
|     | M81501-40-U01 | EA  | Door Asm. - Medicine Cabinet - 37 1/2" x 11 7/8" - w/o Hardware |
|     | M82810-01-U01 | EA  | Door Asm. - Sliding - w/o Hardware                              |
|     | 058034-02-000 | EA  | Latch - Door w/o Lock   |
|     | M81501-32-U01 | EA  | Door Asm. - Wardrobe - 14" x 14.2" - w/o Hardware               |
|     | M81507-04-U01 | EA  | Door Asm. - Furnace - 14" x 18.4" - w/o Hardware                |
|     | M81501-31-U01 | EA  | Door Asm. - Wardrobe - 48.9" x 16.8" - w/o Hardware             |
|     | M02420-01-U01 | EA  | Countertop Asm. - Wardrobe - w/Dinette                          |
|     | M02420-02-U01 | EA  | Countertop Asm. - Wardrobe - w/Couch Option                     |
|     | 081535-05-U01 | EA  | Mirror Asm. - 29.4" x 15.4" - w/o Hardware                      |

### BATH HARDWARE

| Key | Part Number   | U/M | Description  |
|-----|---------------|-----|--|
|     | M01817-01-T03 | EA  | Bathtub Asm. w/Strainer                              |
|     | 075241-03-000 | EA  | Faucet - Tub & Shower                                |
|     | 075240-03-000 | EA  | Faucet - Lavatory                                    |
|     | 011048-02-000 | EA  | Shower Head - w/60" Hose                             |
|     | 011048-04-000 | EA  | Vacuum Breaker - 1/8 MPT - Nylon - Shower Head       |
|     | 075606-01-000 | EA  | Shower Panel - Faucet Plastic                        |
|     | 086435-01-000 | EA  | Nut Strainer - Plastic - Bathtub Asm.                |
|     | 066436-01-000 | EA  | Slip Nut - 1.5" Tail Piece - Bathtub Asm.            |
|     | 069735-01-000 | EA  | Washer - Tail Piece - 1.5" - Plastic - Bathtub Asm.  |
|     | 011069-02-000 | EA  | Tailpiece - 1.5" x 1.25" x 4" - Brass - Bathtub Asm. |
|     | 058713-01-000 | EA  | Sink - Oval - Ivory Plastic                          |
|     | 011083-01-000 | EA  | Tail Piece w/Stopper - 1.25" x 5" - Plastic - Sink   |
|     | 064076-01-000 | EA  | Toilet - Ivory                                       |
|     | 009134-01-000 | EA  | Tissue Holder  |
|     | 075454-02-000 | EA  | Towel Ring   |
|     | 058331-05-000 | EA  | Mirror - Tempered Glass - 12" x 26"                  |
|     | 058331-04-000 | EA  | Mirror - Tempered Glass - 12" x 42"                  |
|     | 009089-01-000 | EA  | Clip - Mirror  |
|     | 057671-01-000 | EA  | Screw Cover - #8 - Antique White                     |
|     | 050712-04-000 | EA  | Handle - Door Shower - Off White                     |
|     | 075680-01-000 | EA  | Rod - Clothes - Adjustable                           |
|     | 009112-01-000 | EA  | Flange - 1" - Closet Rod                             |
|     | 075453-02-000 | EA  | Bar - Towel - 18" Brass                              |
|     | 023449-01-000 | EA  | Support - Towel Rack - Chrome                        |
|     | 009089-01-000 | EA  | Clip - Mirror  |
|     | 046113-01-000 | EA  | Rosette - Plastic - Mirror Mounting                  |
|     | 042438-01-000 | EA  | Dowel - Wood - 1.00 Dia. x 4"                        |
|     | 009156-01-000 | EA  | Hanger - Sliding Door                                |

## 1986 WINNEBAGO TABLE OF CONTENTS

|            |             |
|------------|-------------|
| WC/WF424RS | A-01 - C-12 |
| WCN27RT    | C-13 - E-22 |
| WCP31RT    | E-23 - H-10 |
| WCP34RU    | H-11 - J-22 |

## 1986 WC/WF424RS INDEX

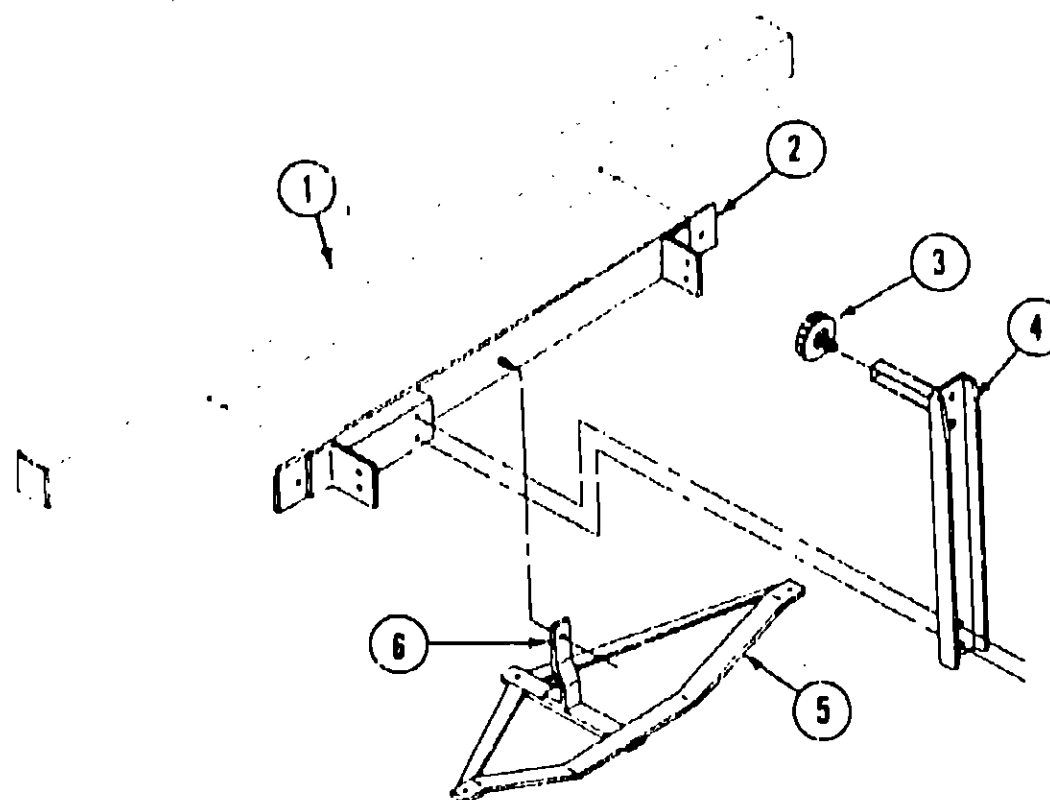
|                                    |             |
|------------------------------------|-------------|
| Floor Plan                         | A-01 - A-02 |
| Accessories Group                  | A-03 - A-05 |
| Bath Group                         | A-06        |
| Chassis Group                      | A-07 - A-08 |
| Curtain, Cushion & Pad Group       | A-09 - A-16 |
| Dinette Group                      | A-17 - A-18 |
| Driver's Compartment Group         | A-19 - A-21 |
| Electrical Group                   | A-22 - A-24 |
| Exterior Body Group                | B-01 - B-07 |
| Galley Group                       | B-08 - B-10 |
| Heating & Air Conditioning Group   | B-11 - B-12 |
| Interior Finish Group              | B-13 - B-15 |
| LP Group                           | B-16        |
| Lounge Group                       | B-17 - B-18 |
| Water & Sewage Group               | B-19 - B-21 |
| Window, Vent & Exterior Door Group | B-22 - C-12 |

## CHASSIS GROUP

| Key | Part Number   | U/M | Description                                      |
|-----|---------------|-----|--|
|     | 047441-01-000 | EA  | Battery Terminal - Horizontal Lug                |
|     | 059540-01-000 | EA  | Bracket - License Plate                          |
|     | 065451-02-000 | EA  | Bracket - Battery Tie Down - 10.82"              |
|     | 065451-03-000 | EA  | Bracket - Battery Tie Down - 14"                 |
|     | 022150-01-000 | EA  | Bracket - Bumper Rear                            |
|     | 007125-03-000 | EA  | Clamp Asm. - Muffler - 1.50"                     |
|     | 007125-04-000 | EA  | Clamp Asm. - Muffler - 1.12"                     |
|     | 010497-01-000 | EA  | Clamp - Closed - 5/8 I.D.                        |
|     | 007101-01-000 | EA  | Clamp - Hose - Spring Type 112                   |
|     | 062401-01-000 | EA  | Clamp - Hose - Wormgear - .22" I.D. - 1" I.D.    |
|     | 062401-02-000 | EA  | Clamp - Hose - Wormgear - 1.50" I.D. - 2.5" I.D. |
|     | 062401-03-000 | EA  | Clamp - Hose - Wormgear - .25" I.D. - 1" I.D.    |
|     | 062401-04-000 | EA  | Clamp - Hose - Wormgear - .69" I.D. - 1.25" I.D. |
|     | 062401-05-000 | EA  | Clamp - Hose - Wormgear - 2" I.D. - 3" I.D.      |
|     | 062401-06-000 | EA  | Clamp - Hose - Wormgear - .22" I.D. - .62" I.D.  |
|     | 023146-01-000 | EA  | Clamp - Screw Type - 4"                          |
|     | 081938-01-000 | EA  | Compartment - LP - Regulator                     |
|     | 073220-02-000 | EA  | Gas Cap - Non-Locking                            |
|     | 007003-01-000 | FT  | Hose - Fuel - 1/4 I.D. x 1/2 O.D.                |
|     | 006113-01-000 | EA  | Jack - Hydraulic - 6 Ton - w/Handle              |
|     | 080208-02-000 | EA  | Leverage Bar - Lug Wrench                        |
|     | 080208-01-000 | EA  | Lug Wrench                                       |
|     | 017516-01-000 | EA  | Mud Flap w/Holes - 14" x 18" - Black             |
|     | 080359-02-000 | EA  | Plate - Step Well (Ford)                         |
|     | 080359-01-000 | EA  | Plate - Step Well (Chevy)                        |
|     | 079942-05-000 | EA  | Shock Absorber - Stabilizer - Front (Ford)       |
|     | 079942-06-000 | EA  | Shock Absorber - Stabilizer - Rear (Ford)        |
|     | 079942-03-000 | EA  | Shock Absorber - Stabilizer - Front (Chevy)      |
|     | 079942-04-000 | EA  | Shock Absorber - Stabilizer - Rear (Chevy)       |
|     | 064089-01-000 | EA  | Splash Guard - Black Rubber                      |
|     | 083617-01-000 | EA  | Wheel - 6.00" x 16.0" - 8 Holes (Ford)           |
|     | 062400-02-000 | EA  | Wheel - 6.00" x 16.5" - 8 Holes (Chevy)          |
|     | 057724-01-000 | EA  | Wheelwell - Plastic                              |
|     | 008343-01-000 | EA  | Wire Tie - 6"                                    |

NOTE: Remainder of exhaust components available from Chassis Service Center.

## CHASSIS GROUP (CONTINUED)



SPARE TIRE, REAR BUMPER & TRAILER HITCH

| Key | Part Number   | U/M | Description                                    |
|-----|---------------|-----|--|
| 1   | 064874-01-000 | EA  | Bumper Asm. - Rear - Chrome                    |
| •   | 022150-01-000 | EA  | Bracket - Bumper - Rear                        |
| 2   | 064601-01-000 | EA  | Bracket Asm. - Bumper (Chevy)                  |
| 2   | 064601-03-000 | EA  | Bracket Asm. - Bumper (Ford)                   |
| 3   | 064082-02-000 | EA  | Nut - Tire Cover Retainer - Delmet             |
| 4   | 079027-01-000 | EA  | Bracket Asm. - Tire Cover                      |
| •   | 079799-01-000 | EA  | Cover - Tire - Plastic - Off White             |
| •   | M02047-01-T95 | EA  | Door - Tire Cover - Plastic                    |
| •   | 077408-01-000 | EA  | Lock Asm. - Key Type                           |
| •   | 050273-04-000 | EA  | Tire - 16.0" - White Sidewall                  |
| •   | 057664-01-000 | EA  | Tire - 8.75" x 16.5" - White Sidewall - Radial |
| 5   | 064833-03-000 | EA  | Trailer Hitch Asm.                             |
| •   | 015365-01-000 | EA  | Pin - Tire Carrier - Cad Plated                |
| •   | 064399-01-000 | EA  | Housing Asm. - Trailer Pin                     |
| 6   | 064824-02-000 | EA  | Support - Trailer Hitch                        |
| •   |               |     | Not illustrated                                |

## 1986 WINI-EBAGO TABLE OF CONTENTS

WC/WF424RS  
WCH27RT  
WCP31RT  
WCP34RU

A-01 - C-12  
C-13 - E-22  
E-23 - H-10  
H-11 - J-22

## 1986 WC/WF424RS INDEX

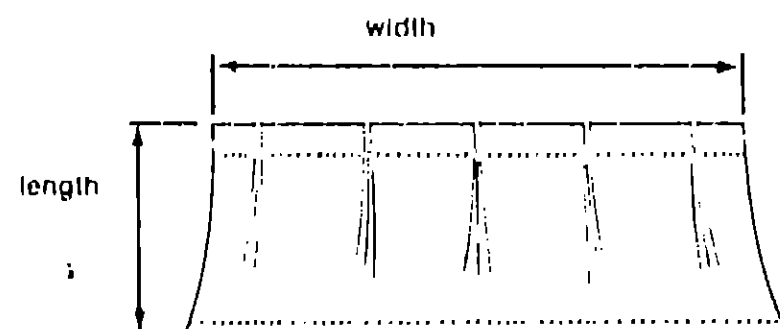
|                                    |             |
|------------------------------------|-------------|
| Floor Plan                         | A-01 - A-02 |
| Accessories Group                  | A-03 - A-05 |
| Bath Group                         | A-06        |
| Chassis Group                      | A-07 - A-08 |
| Curtain, Cushion & Pad Group       | A-09 - A-16 |
| Dinette Group                      | A-17 - A-18 |
| Driver's Compartment Group         | A-19 - A-21 |
| Electrical Group                   | A-22 - A-24 |
| Exterior Body Group                | B-01 - B-07 |
| Galley Group                       | B-08 - B-10 |
| Heating & Air Conditioning Group   | B-11 - B-12 |
| Interior Finish Group              | B-13 - B-15 |
| LP Group                           | B-16        |
| Lounge Group                       | B-17 - B-18 |
| Water & Sewage Group               | B-19 - B-21 |
| Window, Vent & Exterior Door Group | B-22 - C-12 |

## CURTAIN, CUSHION & PAD GROUP

### NOTICE

In order to assist our Parts Sales Dept. in providing interior software items, please include the serial number and the color code number from the vehicle certification label when ordering. This label is located on the left sidewall at the end of the dash (A-Body), or on the driver's door latch plate (C-Body).

An example of a color code number is P31, which designates an overall color scheme of a particular unit. The color listed after the item description on the microfiche, indicates the overall unit color. Order the item you desire according to unit color code.



#### NOTE:

Use this illustration when determining length and width measurements for curtains. You will note the width measurement is taken on the top of the curtain with the curtain fully extended. The length measurement is taken from top to bottom.

### CURTAIN & CUSHION HARDWARE

| Key | Part Number   | U/M | Description                         |
|-----|---------------|-----|-------------------------------------|
|     | 082228-03-000 | EA  | Bracket - Curtain Rod - Right       |
|     | 082228-04-000 | EA  | Bracket - Curtain Rod - Left        |
|     | 056003-02-000 | EA  | Bracket - Drapery Retainer - Left   |
|     | 056003-01-000 | EA  | Bracket - Drapery Retainer - Right  |
|     | 056001-01-000 | EA  | Bracket - Shade - Left              |
|     | 056002-01-000 | EA  | Bracket - Shade - Right             |
|     | 082677-01-000 | EA  | Bracket - Shade - Universal         |
|     | 009701-01-000 | EA  | Carrier - Curtain "L" Rod           |
|     | 009107-01-000 | EA  | Guide - Nylon Snap - Curtain        |
|     | 056784-02-000 | EA  | Pull - Window Shade - Antique Brass |
|     | 056115-01-000 | YD  | Tape - Clear Plastic - w/Guldes     |
|     | 048394-01-000 | YD  | Tape Hook - 1" x 25 yd - Beige      |
|     | 029096-05-000 | YD  | Tape Hook - .50" - Velcro - Beige   |
|     | 048395-01-000 | YD  | Tape Loop - 1" x 25 YD - Beige      |
|     | 056116-01-000 | EA  | Track - Curtain - Brown Plastic     |
|     | 079798-03-000 | EA  | Bracket Asm. - Curtain Rod - Right  |
|     | 079798-04-000 | EA  | Bracket Asm. - Curtain Rod - Left   |
|     | 082249-01-000 | EA  | Bracket - Blinds - Beige - Right    |
|     | 082249-02-000 | EA  | Bracket - Blinds - Beige - Left     |
|     | 082139-02-000 | EA  | Bracket - Hold Down - Blinds        |
|     | 079619-01-000 | EA  | Bracket - Tie Down                  |

## CURTAIN, CUSHION & PAD GROUP (CONTINUED)

### FABRICS, TRIMS & PADS

| Key | Part Number   | U/M | Description   |
|-----|---------------|-----|---|
|     | 072333-25-000 | YD  | Fabric - Drapery - Boige (U01)                              |
|     | 072333-26-000 | YD  | Fabric - Drapery - Rose (U02)                               |
|     | 072333-27-000 | YD  | Fabric - Drapery - Spruce (U03)                             |
|     | 077498-62-000 | YD  | Fabric w/Pattern - Upholstery - Boige (U01)                 |
|     | 077498-63-000 | YD  | Fabric w/Pattern - Upholstery - Rose (U02)                  |
|     | 077498-64-000 | YD  | Fabric w/Pattern - Upholstery - Spruce (U03)                |
|     | 077498-75-000 | YD  | Fabric w/Pattern - Upholstery Accent - Rose (U02)           |
|     | 077498-74-000 | YD  | Fabric w/Pattern - Upholstery Accent - Spruce (U03)         |
|     | 077498-73-000 | YD  | Fabric - Upholstery Accent - Plain (U01, U03)               |
|     | 077498-72-000 | YD  | Fabric - Upholstery Accent - Plain - (U02)                  |
|     | 069729-43-000 | YD  | Fabric - Bedspread/Draperly - Multi-Stripes                 |
|     | 072333-21-000 | YD  | Fabric - Bedspread - Parchment                              |
|     | 038421-01-000 | YD  | Fabric - Mattress Ticking                                   |
|     | 052859-01-T03 | FT  | Trim Asm. - Accent - Sandrift                               |
|     | 052859-05-T03 | FT  | Trim Asm. - Accent - Buckskin                               |
|     | 079680-01-000 | YD  | Vinyl - Expanded - 26 oz. - Buckskin                        |
|     | 079680-02-000 | YD  | Vinyl - Expanded - 26 oz. - Sandrift                        |
|     | 070578-04-U01 | EA  | Button Asm. - Screw Stud - #30 - Boige (U03)                |
|     | 070578-04-U02 | EA  | Button Asm. - Screw Stud - #30 - Rose                       |
|     | 070578-06-T03 | EA  | Button Asm. - Screw Stud - #30 - Buckskin                   |
|     | 070578-07-U01 | EA  | Button Asm. - Round Hook Back - #30 - Bedspread - Parchment |
|     | 071127-10-U01 | EA  | Button Asm. - Square - #65 - Boige (U03)                    |
|     | 071127-10-U02 | EA  | Button Asm. - Square - #65 - Rose                           |
|     | 069748-05-000 | EA  | Button Back - Square - #65                                  |
|     | 078155-01-000 | EA  | Strap Asm. - Cushion  |
|     | 079144-02-000 | EA  | Strap Asm. - Bunk   |
|     | 081280-03-U01 | EA  | Pad Asm. - End Cap - Dinette - Overhead - Vinyl             |
|     | 081200-06-U01 | EA  | Pad Asm. - End Cap - Galley - Overhead - Vinyl              |
|     | 082408-01-U01 | EA  | Pad Asm. - End Cap - Rear Overhead - Vinyl                  |
|     | 081280-08-U01 | EA  | Pad Asm. - End Cap - Entrance Door - Vinyl                  |
|     | 081519-01-U01 | EA  | Pad Asm. - Dinette - Front - Beige (U03)                    |
|     | 081519-01-U02 | EA  | Pad Asm. - Dinette - Front - Rose                           |
|     | 081519-02-U01 | EA  | Pad Asm. - Dinette - Rear - Beige (U03)                     |
|     | 081519-02-U02 | EA  | Pad Asm. - Dinette - Rear - Rose                            |
|     | 082888-01-U01 | EA  | Pad Asm. - Corner Lounge - Rear (U03)                       |
|     | 082888-01-U02 | EA  | Pad Asm. - Corner Lounge - Rear                             |
|     | M82889-01-U01 | EA  | Pad Asm. - Corner Lounge - Side (U03)                       |
|     | M82889-01-U02 | EA  | Pad Asm. - Corner Lounge - Side                             |
|     | 074549-02-U01 | EA  | Pad Asm. - Corner Lounge - Front (U03)                      |
|     | 074549-02-U02 | EA  | Pad Asm. - Corner Lounge - Front                            |
|     | 077641-62-000 | EA  | Wall Pad - Dinette (U01, U03)                               |
|     | 077641-63-000 | EA  | Wall Pad - Dinette (U02)                                    |
|     | 069885-12-U01 | EA  | Cover w/Pocket - Motor - Beige (U03)                        |
|     | 069885-12-U02 | EA  | Cover w/Pocket - Motor - Rose                               |
|     | 059491-01-U01 | EA  | Pad Asm. - Door - Passenger - Beige (U03) (Chevy)           |
|     | 059491-01-U02 | EA  | Pad Asm. - Door - Passenger - Rose (Chevy)                  |
|     | 059492-01-U01 | EA  | Pad Asm. - Door - Driver - Beige (U03) (Chevy)              |
|     | 059492-01-U02 | EA  | Pad Asm. - Door - Driver - Rose (Chevy)                     |
|     | 082552-03-U01 | EA  | Pad Asm. - Door - Lower - Beige (U03) (Chevy)               |
|     | 082552-03-U02 | EA  | Pad Asm. - Door - Lower - Rose (Chevy)                      |
|     | 082552-02-U01 | EA  | Pad Asm. - Door - Lower - Beige (U03) (Chevy)               |
|     | 082552-02-U02 | EA  | Pad Asm. - Door - Lower - Rose (Chevy)                      |

### 1986 WINNEBAGO TABLE OF CONTENTS

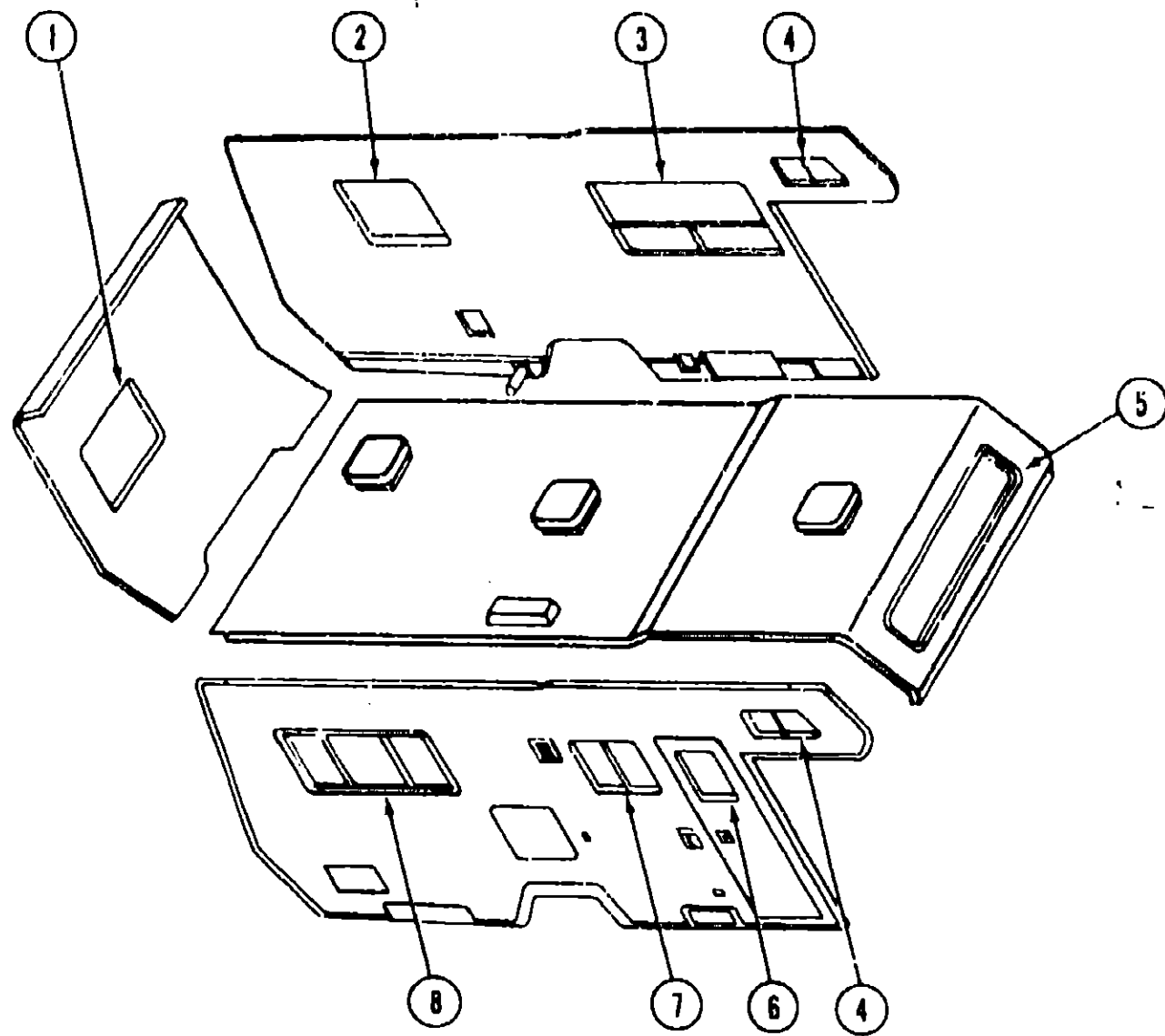
|            |             |
|------------|-------------|
| WC/WF424RS | A-01 - C-12 |
| WCN27RT    | C-13 - E-22 |
| WCP31RT    | E-23 - H-10 |
| WCP34RU    | H-11 - J-22 |

### 1986 WC/WF424RS INDEX

|                                    |             |
|------------------------------------|-------------|
| Floor Plan                         | A-01 - A-02 |
| Accessories Group                  | A-03 - A-05 |
| Bath Group                         | A-06        |
| Chassis Group                      | A-07 - A-08 |
| Curtain, Cushion & Pad Group       | A-09 - A-16 |
| Dinette Group                      | A-17 - A-18 |
| Driver's Compartment Group         | A-19 - A-21 |
| Electrical Group                   | A-22 - A-24 |
| Exterior Body Group                | B-01 - B-07 |
| Galley Group                       | B-08 - B-10 |
| Heating & Air Conditioning Group   | B-11 - B-12 |
| Interior Finish Group              | B-13 - B-15 |
| LP Group                           | B-16        |
| Lounge Group                       | B-17 - B-18 |
| Water & Sewage Group               | B-19 - B-21 |
| Window, Vent & Exterior Door Group | B-22 - C-12 |

**CONTAIN, CUSHION & PAD GROUP (CONTINUED)**

**CURTAIN, CUSHION & PAD GROUP (CONTINUED)**



**CURTAIN, SHADES, VALANCES & TIEBACKS**

| Key | Part Number   | U/M | Description   |
|-----|---------------|-----|---|
| 1   | 079542-11-U01 | EA  | Curtain Asm. w/Darts - 29.5" x 16" - Beige            |
| 1   | 079542-11-U02 | EA  | Curtain Asm. w/Darts - 29.5" x 16" - Rose             |
| 1   | 079542-11-U03 | EA  | Curtain Asm. w/Darts - 29.5" x 16" - Spruce           |
| 1   | M81977-03-U01 | EA  | Valance Asm. - Padded (U03)                           |
| 1   | M81977-03-U02 | EA  | Valance Asm. - Padded                                 |
| 1   | 082118-55-000 | EA  | Blind - 29" x 27" Drop - Beige (U01)                  |
| 1   | 082118-56-000 | EA  | Blind - 29" x 27" Drop - Rose (U02)                   |
| 1   | 082118-57-000 | EA  | Blind - 29" x 27" Drop - Spruce (U03)                 |
| **  | 082127-40-000 | EA  | Shade - Woven Wood - 39" x 28" Drop - Beige           |
| **  | 082127-41-000 | EA  | Shade - Woven Wood - 39" x 28" Drop - Rose            |
| **  | 082127-42-000 | EA  | Shade - Woven Wood - 39" x 28" Drop - Spruce          |
| **  | 079543-08-U01 | EA  | Curtain Asm. w/Darts - 29.5" x 16" (Woven Wood) (U03) |
| **  | 079543-08-U02 | EA  | Curtain Asm. w/Darts - 29.5" x 16" (Woven Wood)       |
| †   | 073251-30-U01 | EA  | Curtain Asm. w/Tape Top - 26" x 8" - Beige            |
| †   | 073251-30-U02 | EA  | Curtain Asm. w/Tape Top - 26" x 8" - Rose             |
| †   | 073251-30-U03 | EA  | Curtain Asm. w/Tape Top - 26" x 8" - Spruce           |
| †   | 082119-08-000 | EA  | Shade Asm. - Vinyl - 14.25" x 38"                     |
| 2   | 082176-01-U01 | EA  | Lambrequin Asm. - 36.1" x 27.5" (U03)                 |
| 2   | 082176-01-U02 | EA  | Lambrequin Asm. - 36.1" x 27.5"                       |

**CURTAINS, SHADES, VALANCES & TIEBACKS (CONT.)**

| Key | Part Number   | U/M | Description   |
|-----|---------------|-----|---|
| 3   | 079542-10-U01 | EA  | Curtain Asm. w/Darts - 35" x 16" - Beige                    |
| 3   | 079542-10-U02 | EA  | Curtain Asm. w/Darts - 35" x 16" - Rose                     |
| 3   | 079542-10-U03 | EA  | Curtain Asm. w/Darts - 35" x 16" - Spruce                   |
| 3   | M81977-15-U01 | EA  | Valance Asm. - Padded (U03)                                 |
| 3   | M81977-15-U02 | EA  | Valance Asm. - Padded                                       |
| 3   | 082118-61-000 | EA  | Blind - 65" x 34" - Drop - Beige                            |
| 3   | 082118-62-000 | EA  | Blind - 65" x 34" - Drop - Rose                             |
| 3   | 082118-63-000 | EA  | Blind - 65" x 34" - Drop - Spruce                           |
| **  | 082127-49-000 | EA  | Shade - Woven Wood - 65" x 39" - Drop - Beige               |
| **  | 082127-50-000 | EA  | Shade - Woven Wood - 65" x 39" - Drop - Rose                |
| **  | 082127-51-000 | EA  | Shade - Woven Wood - 65" x 39" - Drop - Spruce              |
| **  | 079543-15-U04 | EA  | Curtain Asm. - 35" x 12" (Woven Wood) (U01, U03)            |
| **  | 079543-15-U05 | EA  | Curtain Asm. - 35" x 12" (Woven Wood) (U02)                 |
| 4   | 079558-06-U01 | EA  | Valance Asm. w/Gathers - 8" x 75" - Beige                   |
| 4   | 079558-06-U02 | EA  | Valance Asm. w/Gathers - 8" x 75" - Rose                    |
| 4   | 079558-06-U03 | EA  | Valance Asm. w/Gathers - 8" x 75" - Spruce                  |
| 4   | 082119-04-000 | EA  | Shade Asm. - Vinyl - 33.25" x 30"                           |
| **  | 079558-08-U01 | EA  | Valance Asm. w/Gathers - 8" x 60" (Woven Wood) (U03)        |
| **  | 079558-08-U02 | EA  | Valance Asm. w/Gathers - 8" x 60" (Woven Wood)              |
| 5   | 079558-09-U01 | EA  | Valance Asm. w/Gathers - 8" x 175" - Beige                  |
| 5   | 079558-09-U02 | EA  | Valance Asm. w/Gathers - 8" x 175" - Rose                   |
| 5   | 079558-09-U03 | EA  | Valance Asm. w/Gathers - 8" x 175" - Spruce                 |
| 5   | 082119-10-000 | EA  | Shade Asm. - Vinyl - 15.25" x 30"                           |
| **  | 079558-10-U01 | EA  | Valance Asm. w/Gathers - 8" x 150" (Woven Wood) (U03)       |
| **  | 079558-10-U02 | EA  | Valance Asm. w/Gathers - 8" x 150" (Woven Wood)             |
| 6   | 090824-04-U01 | EA  | Valance Asm. - Entrance Door (U03)                          |
| 6   | 080824-04-U02 | EA  | Valance Asm. - Entrance Door                                |
| 6   | 082119-02-000 | EA  | Shade Asm. - Vinyl - 24.25" x 40"                           |
| 7   | M82763-01-U01 | EA  | Valance Asm. - Padded (U03)                                 |
| 7   | M82763-01-U02 | EA  | Valance Asm. - Padded                                       |
| 7   | 082118-43-000 | EA  | Blind - 27" x 22" Drop - Beige                              |
| 7   | 082118-44-000 | EA  | Blind - 27" x 22" Drop - Rose                               |
| 7   | 082118-45-000 | EA  | Blind - 27" x 22" Drop - Spruce                             |
| 8   | 079542-11-U01 | EA  | Curtain Asm. w/Darts - 29.5" x 16" - Beige                  |
| 8   | 079542-11-U02 | EA  | Curtain Asm. w/Darts - 29.5" x 16" - Rose                   |
| 8   | 079542-11-U03 | EA  | Curtain Asm. w/Darts - 29.5" x 16" - Spruce                 |
| 8   | M81977-11-U01 | EA  | Valance Asm. - Padded (U03)                                 |
| 3   | M81977-11-U02 | EA  | Valance Asm. - Padded                                       |
| 8   | 082118-58-000 | EA  | Blinds - 59" x 28" Drop - Beige                             |
| 8   | 082118-59-000 | EA  | Blinds - 59" x 28" Drop - Rose                              |
| 8   | 082118-60-000 | EA  | Blinds - 59" x 28" Drop - Spruce                            |
| **  | 082127-46-000 | EA  | Shade - Woven Wood - 59" x 29" Drop - Beige                 |
| **  | 082127-47-000 | EA  | Shade - Woven Wood - 59" x 29" Drop - Rose                  |
| **  | 082127-48-000 | EA  | Shade - Woven Wood - 59" x 29" Drop - Spruce                |
| **  | 079543-08-U01 | EA  | Curtain Asm. w/Darts - 29.5" x 16" (Woven Wood) (U03)       |
| **  | 079543-08-U02 | EA  | Curtain Asm. w/Darts - 29.5" x 16" (Woven Wood)             |
| †   | 079542-02-U01 | EA  | Curtain Asm. w/Darts - 22" x 16" - Beige                    |
| †   | 079542-02-U02 | EA  | Curtain Asm. w/Darts - 22" x 16" - Rose                     |
| †   | 079542-02-U03 | EA  | Curtain Asm. w/Darts - 22" x 16" - Spruce                   |
| †   | M81977-03-U01 | EA  | Valance Asm. - Padded (U03)                                 |
| †   | M81977-03-U02 | EA  | Valance Asm. - Padded                                       |
| †   | 082119-01-000 | EA  | Shade Asm. - Vinyl - 40.25" x 38"                           |
| •   | 073304-29-U01 | EA  | Curtain Asm. w/Snaps - Room Divider - 64" x 40"             |
| •   | 073295-02-U01 | EA  | Curtain w/Snaps - Front Wraparound - 23" x 64" (2 required) |
| •   | 077591-03-U01 | EA  | Curtain w/Velcro Top - Bunk Privacy - 70" x 50" - Passenger |
| •   | 077591-04-U01 | EA  | Curtain w/Velcro Top - Bunk Privacy - 70" x 50" - Driver    |
| •   | 073260-16-U04 | EA  | Tie Back Asm. - 3" x 20" - Accent (U01, U03)                |
| •   | 073260-16-U05 | EA  | Tie Back Asm. - 3" x 20" - Accent (U02)                     |
| •   | 057534-01-000 | EA  | Tie Back Asm. - 6" - Clear Plastic                          |
| •   |               |     | Not illustrated   |
| **  |               |     | Parts used on the Woven Wood Option                         |
| †   |               |     | Parts used on the Bunkhouse Option (not illustrated)        |

**1986 WINNEBAGO  
TABLE OF CONTENTS**

|            |             |
|------------|-------------|
| WC/WF424RS | A-01 - C-12 |
| WCN27RT    | C-13 - E-22 |
| WCP31RT    | E-23 - H-10 |
| WCP34RU    | H-11 - J-22 |

**1986 WC/WF424RS INDEX**

|                                    |             |
|------------------------------------|-------------|
| Floor Plan                         | A-01 - A-02 |
| Accessories Group                  | A-03 - A-05 |
| Bath Group                         | A-06        |
| Chassis Group                      | A-07 - A-08 |
| Curtain, Cushion & Pad Group       | A-09 - A-16 |
| Dinette Group                      | A-17 - A-18 |
| Driver's Compartment Group         | A-19 - A-21 |
| Electrical Group                   | A-22 - A-24 |
| Exterior Body Group                | B-01 - B-07 |
| Galley Group                       | B-08 - B-10 |
| Heating & Air Conditioning Group   | B-11 - B-12 |
| Interior Finish Group              | B-13 - B-15 |
| LP Group                           | B-16        |
| Lounge Group                       | B-17 - B-18 |
| Water & Sewage Group               | B-19 - B-21 |
| Window, Vent & Exterior Door Group | B-22 - C-12 |

**CURTAIN, CUSHION & PAD GROUP (CONTINUED)**

**FRONT OVERHEAD BUNK CUSHIONS**

| Key | Part Number   | U/M | Description  |
|-----|---------------|-----|--|
|     | 073310-05-U01 | EA  | Cushion Asm. - Front Bunk - Two Fold - 24.5" x 20.5" x 76" x 4" - Beige  |
|     | 073310-04-U02 | EA  | Cushion Asm. - Front Bunk - Two Fold - 24.5" x 20.5" x 76" x 4" - Rose   |
|     | 073310-04-U03 | EA  | Cushion Asm. - Front Bunk - Two Fold - 24.5" x 20.5" x 76" x 4" - Spruce |
|     | M73310-05-U01 | EA  | Cover Asm. - Front Bunk Cushion - Two Fold - Beige                       |
|     | M73310-04-U02 | EA  | Cover Asm. - Front Bunk Cushion - Two Fold - Rose                        |
|     | M73310-04-U03 | EA  | Cover Asm. - Front Bunk Cushion - Two Fold - Spruce                      |

**DINETTE CUSHION**

| Key | Part Number   | U/M | Description   |
|-----|---------------|-----|---|
|     | 081998-01-U01 | EA  | Cushion Asm. - Dinette Back - 19.25" x 38" x 5" - Beige         |
|     | 081998-01-U02 | EA  | Cushion Asm. - Dinette Back - 19.25" x 38" x 5" - Rose          |
|     | 081998-01-U03 | EA  | Cushion Asm. - Dinette Back - 19.25" x 38" x 5" - Spruce        |
|     | M81998-01-U01 | EA  | Cover Asm. - Dinette Back Curtain - 19.25" x 38" x 5" - Beige   |
|     | M81998-01-U02 | EA  | Cover Asm. - Dinette Back Curtain - 19.25" x 38" x 5" - Rose    |
|     | M81998-01-U03 | EA  | Cover Asm. - Dinette Back Curtain - 19.25" x 38" x 5" - Spruce  |
|     | 081998-02-U01 | EA  | Cushion Asm. - Dinette Bottom - 17.5" x 38" x 5" - Beige        |
|     | 081998-02-U02 | EA  | Cushion Asm. - Dinette Bottom - 17.5" x 38" x 5" - Rose         |
|     | 081998-02-U03 | EA  | Cushion Asm. - Dinette Bottom - 17.5" x 38" x 5" - Spruce       |
|     | M81998-02-U01 | EA  | Cover Asm. - Dinette Bottom Cushion - 17.5" x 38" x 5" - Beige  |
|     | M81998-02-U02 | EA  | Cover Asm. - Dinette Bottom Cushion - 17.5" x 38" x 5" - Rose   |
|     | M81998-02-U03 | EA  | Cover Asm. - Dinette Bottom Cushion - 17.5" x 38" x 5" - Spruce |

**CONTINENTAL BED (OPTION)**

| Key | Part Number   | U/M | Description  |
|-----|---------------|-----|--|
|     | 079448-04-U04 | EA  | Bed Asm. - Continental Bed - 3 Pillow - Blue (U01)     |
|     | 079448-04-U05 | EA  | Bed Asm. - Continental Bed - 3 Pillow - Rose (U02)     |
|     | 079448-04-U06 | EA  | Bed Asm. - Continental Bed - 3 Pillow - Spruce (U03)   |
|     | M79448-04-U04 | EA  | Cover Asm. - Bed Asm. - Continental Bed - Blue (U01)   |
|     | M79448-04-U05 | EA  | Cover Asm. - Bed Asm. - Continental Bed - Rose (U02)   |
|     | M79448-04-U06 | EA  | Cover Asm. - Bed Asm. - Continental Bed - Spruce (U03) |
|     | 081998-17-U04 | EA  | Pillow Asm. - Continental Bed - Blue (U01)             |
|     | 081998-17-U05 | EA  | Pillow Asm. - Continental Bed - Rose (U02)             |
|     | 081998-17-U06 | EA  | Pillow Asm. - Continental Bed - Spruce (U03)           |
|     | M81998-17-U04 | EA  | Cover Asm. - Pillow - Continental Bed - Blue (U01)     |
|     | M81998-17-U05 | EA  | Cover Asm. - Pillow - Continental Bed - Rose (U02)     |
|     | M81998-17-U06 | EA  | Cover Asm. - Pillow - Continental Bed - Spruce (U03)   |

**SWIVEL CHAIR (OPTION)**

| Key | Part Number   | U/M | Description                                |
|-----|---------------|-----|--|
|     | 073518-16-U01 | EA  | Chair Asm. w/Pillow Back - Swivel - Beige  |
|     | 073518-15-U02 | EA  | Chair Asm. w/Pillow Back - Swivel - Rose   |
|     | 073518-15-U03 | EA  | Chair Asm. w/Pillow Back - Swivel - Spruce |
|     | 075174-02-U01 | EA  | Skirt Asm. - Swivel Chair - Beige (U03)    |
|     | 075174-02-U02 | EA  | Skirt Asm. - Swivel Chair - Rose           |
|     | 035036-01-000 | EA  | Plate - Tilt & Swivel - Swivel Chair       |
|     | 035036-04-000 | EA  | Base w/Legs - Swivel Chair                 |
|     | 035036-05-000 | EA  | Extension - 7" - Swivel Chair              |

**CURTAIN, CUSHION & PAD GROUP (CONTINUED)**

**BUCKET SEATS**

| Key | Part Number   | U/M | Description   |
|-----|---------------|-----|---|
|     | 078300-01-U01 | EA  | Seat Asm. - Vinyl - Beige (U01)                     |
|     | 078300-02-U01 | EA  | Seat Asm. - Vinyl - Rose (U02)                      |
|     | 078300-02-U03 | EA  | Seat Asm. - Vinyl - Spruce (U03)                    |
|     | M01862-01-U01 | EA  | Cover Asm. - Seat Bottom - Vinyl - Beige (U01)      |
|     | M01862-03-U01 | EA  | Cover Asm. - Seat Bottom - Vinyl - Rose (U02)       |
|     | M01862-03-U03 | EA  | Cover Asm. - Seat Bottom - Vinyl - Spruce (U03)     |
|     | M01862-02-U01 | EA  | Cover Asm. - Seat Back - Vinyl - Beige (U01)        |
|     | M01862-04-U01 | EA  | Cover Asm. - Seat Back - Vinyl - Rose (U02)         |
|     | M01862-04-U03 | EA  | Cover Asm. - Seat Back - Vinyl - Spruce (U03)       |
|     | 078804-10-U01 | EA  | Seat Asm. - Grandeur w/Left Armrest - Beige (U01)   |
|     | 078804-12-U02 | EA  | Seat Asm. - Grandeur w/Left Armrest - Rose (U02)    |
|     | 078804-12-U03 | EA  | Seat Asm. - Grandeur w/Left Armrest - Spruce (U03)  |
|     | 078804-09-U01 | EA  | Seat Asm. - Grandeur w/Right Armrest - Beige (U01)  |
|     | 078804-11-U02 | EA  | Seat Asm. - Grandeur w/Right Armrest - Rose (U02)   |
|     | 078804-11-U03 | EA  | Seat Asm. - Grandeur w/Right Armrest - Spruce (U03) |
|     | M01863-07-U01 | EA  | Cover Asm. - Bucket Seat Bottom - Beige (U01)       |
|     | M01863-03-U01 | EA  | Cover Asm. - Bucket Seat Bottom - Rose (U02)        |
|     | M01863-03-U03 | EA  | Cover Asm. - Bucket Seat Bottom - Spruce (U03)      |
|     | M01863-08-U01 | EA  | Cover Asm. - Bucket Seat Back - Beige (U01)         |
|     | M01863-04-U01 | EA  | Cover Asm. - Bucket Seat Back - Rose (U02)          |
|     | M01863-04-U03 | EA  | Cover Asm. - Bucket Seat Back - Spruce (U03)        |
|     | 080243-08-U01 | EA  | Armrest Asm. - Right - Beige (U01)                  |
|     | 080243-10-U01 | EA  | Armrest Asm. - Right - Rose (U02)                   |
|     | 080243-10-U03 | EA  | Armrest Asm. - Right - Spruce (U03)                 |
|     | 080243-07-U01 | EA  | Armrest Asm. - Left - Beige (U01)                   |
|     | 080243-09-U01 | EA  | Armrest Asm. - Left - Rose (U02)                    |
|     | 080243-09-U03 | EA  | Armrest Asm. - Left - Spruce (U03)                  |
|     | M80243-02-U04 | EA  | Cover Asm. - Armrest - Right - Beige (U01)          |
|     | M80243-04-U01 | EA  | Cover Asm. - Armrest - Right - Rose (U02)           |
|     | M80243-04-U03 | EA  | Cover Asm. - Armrest - Right - Spruce (U03)         |
|     | M80243-01-U01 | EA  | Cover Asm. - Armrest - Left - Beige (U01)           |
|     | M80243-03-U01 | EA  | Cover Asm. - Armrest - Left - Rose (U02)            |
|     | M80243-03-U03 | EA  | Cover Asm. - Armrest - Left - Spruce (U03)          |
|     | 080242-02-U04 | EA  | Headrest Asm. - Beige (U01)                         |
|     | 080242-02-U05 | EA  | Headrest Asm. - Rose (U02)                          |
|     | 080242-02-U06 | EA  | Headrest Asm. - Spruce (U03)                        |
|     | M80242-02-U04 | EA  | Cover Asm. - Headrest - Beige (U01)                 |
|     | M80242-02-U05 | EA  | Cover Asm. - Headrest - Rose (U02)                  |
|     | M80242-02-U06 | EA  | Cover Asm. - Headrest - Spruce (U03)                |

**BUNK BED CUSHIONS (OPTION)**

| Key | Part Number   | U/M | Description   |
|-----|---------------|-----|---|
|     | 073519-01-U01 | EA  | Mattress Cushion Asm. - Rear Bunk - 29" x 75.5" x 4.5" - Beige      |
|     | 073519-02-U01 | EA  | Mattress Cushion Asm. - Rear Bunk - 29" x 75.5" x 4.5" - Rose (U02) |
|     | 073519-02-U03 | EA  | Mattress Cushion Asm. - Rear Bunk - 29" x 75.5" x 4.5" - Spruce     |
|     | M73519-01-U01 | EA  | Cover - Rear Bunk Cushion - 29" x 75.5" x 4.5" - Beige              |
|     | M73519-02-U01 | EA  | Cover - Rear Bunk Cushion - 29" x 75.5" x 4.5" - Rose (U02)         |
|     | M73519-02-U03 | EA  | Cover - Rear Bunk Cushion - 29" x 75.5" x 4.5" - Spruce             |

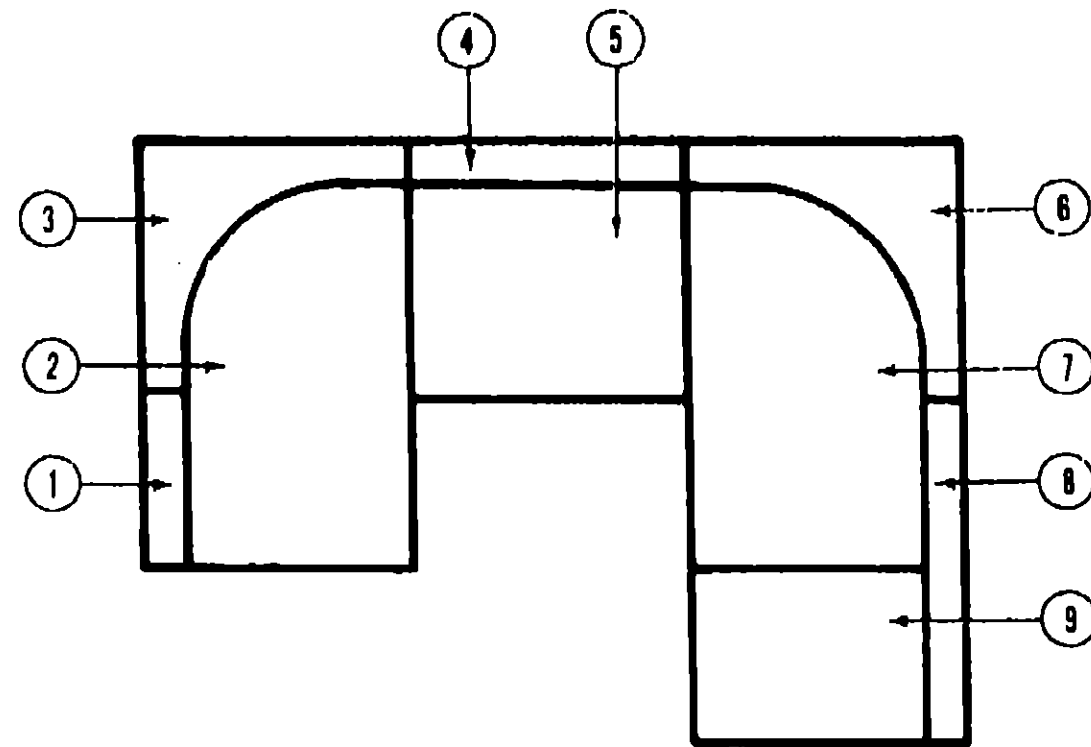
**1986 WINNEBAGO  
TABLE OF CONTENTS**

|            |             |
|------------|-------------|
| WC/WF424RS | A-01 - C-12 |
| WCN27RT    | C-13 - E-22 |
| WCP31RT    | E-23 - H-10 |
| WCP34RU    | H-11 - J-22 |

**1986 WC/WF424RS INDEX**

|                                    |             |
|------------------------------------|-------------|
| Floor Plan                         | A-01 - A-02 |
| Accessories Group                  | A-03 - A-05 |
| Bath Group                         | A-06        |
| Chassis Group                      | A-07 - A-08 |
| Curtain, Cushion & Pad Group       | A-09 - A-16 |
| Dinette Group                      | A-17 - A-18 |
| Driver's Compartment Group         | A-19 - A-21 |
| Electrical Group                   | A-22 - A-24 |
| Exterior Body Group                | B-01 - B-07 |
| Galley Group                       | B-08 - B-10 |
| Heating & Air Conditioning Group   | B-11 - B-12 |
| Interior Finish Group              | B-13 - B-15 |
| LP Group                           | B-16        |
| Lounge Group                       | B-17 - B-18 |
| Water & Sewage Group               | B-19 - B-21 |
| Window, Vent & Exterior Door Group | B-22 - C-12 |

**CURTAIN, CUSHION & PAD GROUP (CONTINUED)**



**CORNER LOUNGE**

| Key | Part Number   | U/M | Description  |
|-----|---------------|-----|--|
| 1   | 077813-04-U01 | EA  | Cushion Asm. - Dinette Back - 4" x 13" x 16" - Beige                   |
| 1   | 077813-04-U02 | EA  | Cushion Asm. - Dinette Back - 4" x 13" x 16" - Rose                    |
| 1   | 077813-04-U03 | EA  | Cushion Asm. - Dinette Back - 4" x 13" x 16" - Spruce                  |
|     | M77813-04-U01 | EA  | Cover Asm. - Dinette Back Cushion - Beige                              |
|     | M77813-04-U02 | EA  | Cover Asm. - Dinette Back Cushion - Rose                               |
|     | M77813-04-U03 | EA  | Cover Asm. - Dinette Back Cushion - Spruce                             |
| 2   | 081998-54-U01 | EA  | Cushion Asm. - Dinette Seat - 24.5" x 38" x 5" - Beige                 |
| 2   | 081998-54-U02 | EA  | Cushion Asm. - Dinette Seat - 24.5" x 38" x 5" - Rose                  |
| 2   | 081998-54-U03 | EA  | Cushion Asm. - Dinette Seat - 24.5" x 38" x 5" - Spruce                |
|     | M81998-54-U01 | EA  | Cover Asm. - Dinette Seat Cushions - Beige                             |
|     | M81998-54-U02 | EA  | Cover Asm. - Dinette Seat Cushions - Rose                              |
|     | M81998-54-U03 | EA  | Cover Asm. - Dinette Seat Cushions - Spruce                            |
| 3   | 077814-12-U01 | EA  | Cushion Asm. - Corner Dinette Back - 4" x 13" x 22.5" x 24.5" - Beige  |
| 3   | 077814-12-U02 | EA  | Cushion Asm. - Corner Dinette Back - 4" x 13" x 22.5" x 24.5" - Rose   |
| 3   | 077814-12-U03 | EA  | Cushion Asm. - Corner Dinette Back - 4" x 13" x 22.5" x 24.5" - Spruce |
|     | M77814-12-U01 | EA  | Cover Asm. - Corner Dinette Back - Beige                               |
|     | M77814-12-U02 | EA  | Cover Asm. - Corner Dinette Back - Rose                                |
|     | M77814-12-U03 | EA  | Cover Asm. - Corner Dinette Back - Spruce                              |
| 4   | 077813-06-U01 | EA  | Cushion Asm. - Dinette Back - 4" x 13" x 24.5" - Beige                 |
| 4   | 077813-06-U02 | EA  | Cushion Asm. - Dinette Back - 4" x 13" x 24.5" - Rose                  |
| 4   | 077813-06-U03 | EA  | Cushion Asm. - Dinette Back - 4" x 13" x 24.5" - Spruce                |
|     | M77813-06-U01 | EA  | Cover Asm. - Dinette Back Cushion - Beige                              |
|     | M77813-06-U02 | EA  | Cover Asm. - Dinette Back Cushion - Rose                               |
|     | M77813-06-U03 | EA  | Cover Asm. - Dinette Back Cushion - Spruce                             |
| 5   | 081998-28-U01 | EA  | Cushion Asm. - Dinette Seat - 5" x 22.5" x 24.5" - Beige               |
| 5   | 081998-28-U02 | EA  | Cushion Asm. - Dinette Seat - 5" x 22.5" x 24.5" - Rose                |
| 5   | 081998-28-U03 | EA  | Cushion Asm. - Dinette Seat - 5" x 22.5" x 24.5" - Spruce              |
|     | M81998-28-U01 | EA  | Cover Asm. - Dinette Seat Cushion - Beige                              |
|     | M81998-28-U02 | EA  | Cover Asm. - Dinette Seat Cushion - Rose                               |
|     | M81998-28-U03 | EA  | Cover Asm. - Dinette Seat Cushion - Spruce                             |

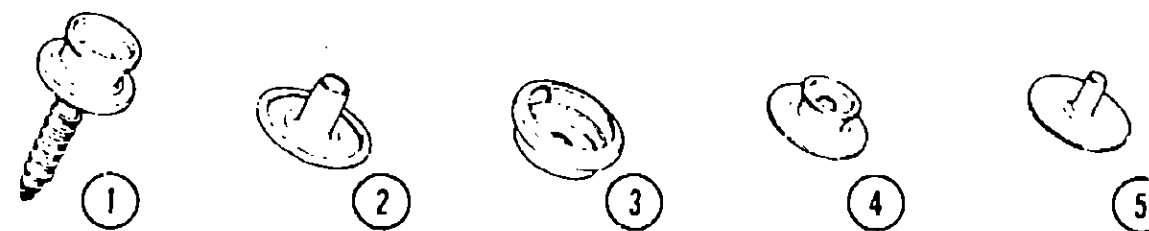
**CURTAIN, CUSHION & PAD GROUP (CONTINUED)**

**CORNER LOUNGE (CONT.)**

| Key | Part Number   | U/M | Description  |
|-----|---------------|-----|--|
| 6   | 077814-04-U01 | EA  | Cushion Asm. - Corner Dinette Back - 4" x 13" x 22.5" x 24.5" - Beige  |
| 6   | 077814-04-U02 | EA  | Cushion Asm. - Corner Dinette Back - 4" x 13" x 22.5" x 24.5" - Rose   |
| 6   | 077814-04-U03 | EA  | Cushion Asm. - Corner Dinette Back - 4" x 13" x 22.5" x 24.5" - Spruce |
|     | M77814-04-U01 | EA  | Cover Asm. - Corner Dinette Back - Beige                               |
|     | M77814-04-U02 | EA  | Cover Asm. - Corner Dinette Back - Rose                                |
|     | M77814-04-U03 | EA  | Cover Asm. - Corner Dinette Back - Spruce                              |
| 7   | 081998-29-U01 | EA  | Cushion Asm. - Dinette Seat - 5" x 24.5" x 38" - Beige                 |
| 7   | 081998-29-U02 | EA  | Cushion Asm. - Dinette Seat - 5" x 24.5" x 38" - Rose                  |
| 7   | 081998-29-U03 | EA  | Cushion Asm. - Dinette Seat - 5" x 24.5" x 38" - Spruce                |
|     | M81998-29-U01 | EA  | Cover Asm. - Dinette Seat Cushion - Beige                              |
|     | M81998-29-U02 | EA  | Cover Asm. - Dinette Seat Cushion - Rose                               |
|     | M81998-29-U03 | EA  | Cover Asm. - Dinette Seat Cushion - Spruce                             |
| 8   | 077813-05-U01 | EA  | Cushion Asm. - Dinette Back - 4" x 13" x 31.5" - Beige                 |
| 8   | 077813-05-U02 | EA  | Cushion Asm. - Dinette Back - 4" x 13" x 31.5" - Rose                  |
| 8   | 077813-05-U03 | EA  | Cushion Asm. - Dinette Back - 4" x 13" x 31.5" - Spruce                |
|     | M77813-05-U01 | EA  | Cover Asm. - Dinette Back Cushion - Beige                              |
|     | M77813-05-U02 | EA  | Cover Asm. - Dinette Back Cushion - Rose                               |
|     | M77813-05-U03 | EA  | Cover Asm. - Dinette Back Cushion - Spruce                             |
| 9   | 081998-30-U01 | EA  | Cushion Asm. - Dinette Seat - 5" x 16" x 24.5" - Beige                 |
| 9   | 081998-30-U02 | EA  | Cushion Asm. - Dinette Seat - 5" x 16" x 24.5" - Rose                  |
| 9   | 081998-30-U03 | EA  | Cushion Asm. - Dinette Seat - 5" x 16" x 24.5" - Spruce                |
|     | M81998-30-U01 | EA  | Cover Asm. - Dinette Seat Cushion - Beige                              |
|     | M81998-30-U02 | EA  | Cover Asm. - Dinette Seat Cushion - Rose                               |
|     | M81998-30-U03 | EA  | Cover Asm. - Dinette Seat Cushion - Spruce                             |

**SPRUNG COUCH (OPTION)**

| Key | Part Number   | U/M | Description                             |
|-----|---------------|-----|---|
|     | 072431-12-U01 | EA  | Cushion Asm. - 3 Pillow - Seat - Beige  |
|     | 072431-12-U02 | EA  | Cushion Asm. - 3 Pillow - Seat - Rose   |
|     | 072431-12-U03 | EA  | Cushion Asm. - 3 Pillow - Seat - Spruce |
|     | M72431-12-U01 | EA  | Cover Asm. - 3 Pillow - Seat - Beige    |
|     | M72431-12-U02 | EA  | Cover Asm. - 3 Pillow - Seat - Rose     |
|     | M72431-12-U03 | EA  | Cover Asm. - 3 Pillow - Seat - Spruce   |
|     | 072432-12-U01 | EA  | Cushion Asm. - 3 Pillow - Back - Beige  |
|     | 072432-12-U02 | EA  | Cushion Asm. - 3 Pillow - Back - Rose   |
|     | 072432-12-U03 | EA  | Cushion Asm. - 3 Pillow - Back - Spruce |
|     | M72431-12-U01 | EA  | Cover Asm. - 3 Pillow - Back - Beige    |
|     | M72431-12-U02 | EA  | Cover Asm. - 3 Pillow - Back - Rose     |
|     | M72431-12-U03 | EA  | Cover Asm. - 3 Pillow - Back - Spruce   |



| Key | Part Number   | U/M | Description                          |
|-----|---------------|-----|--------------------------------------|
| 1   | 029130-01-000 | EA  | Socket - Snap Fastener               |
| 2   | 029155-01-000 | EA  | Cap - Snap - .156" Dia. x 17" Barrel |
| 3   | 029156-01-000 | EA  | Socket - Snap Fastener               |
| 4   | 029092-01-000 | EA  | Stud - Nickel Finish                 |
| 5   | 029093-01-000 | EA  | Eyelet - Nickel Finish               |

**1986 WINNEBAGO  
TABLE OF CONTENTS**

|            |             |
|------------|-------------|
| WC/WF424RS | A-01 - C-12 |
| WCN27RT    | C-13 - E-22 |
| WCP31RT    | E-23 - H-10 |
| WCP34RU    | H-11 - J-22 |

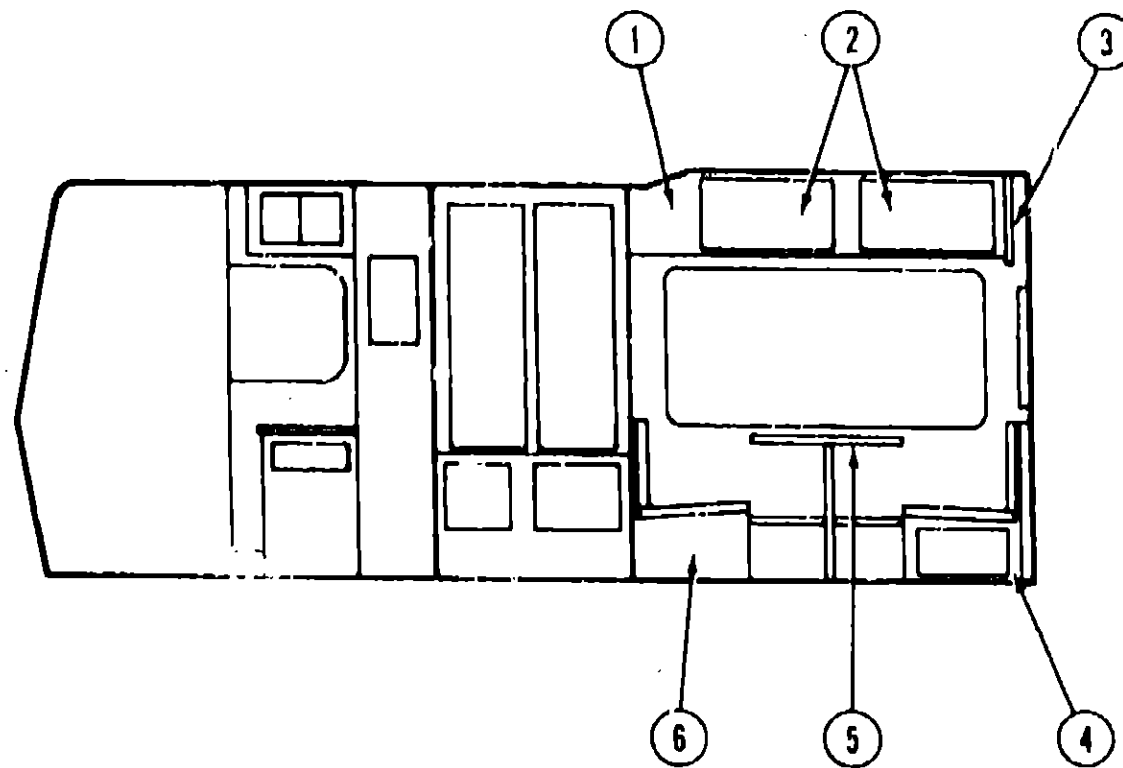
**1986 WC/WF424RS INDEX**

|                                    |             |
|------------------------------------|-------------|
| Floor Plan                         | A-01 - A-02 |
| Accessories Group                  | A-03 - A-05 |
| Bath Group                         | A-06        |
| Chassis Group                      | A-07 - A-08 |
| Curtain, Cushion & Pad Group       | A-09 - A-16 |
| Dinette Group                      | A-17 - A-18 |
| Driver's Compartment Group         | A-19 - A-21 |
| Electrical Group                   | A-22 - A-24 |
| Exterior Body Group                | B-01 - B-07 |
| Galley Group                       | B-08 - B-10 |
| Heating & Air Conditioning Group   | B-11 - B-12 |
| Interior Finish Group              | B-13 - B-15 |
| LP Group                           | B-16        |
| Lounge Group                       | B-17 - B-18 |
| Water & Sewage Group               | B-19 - B-21 |
| Window, Vent & Exterior Door Group | B-22 - C-12 |



**DINETTE GROUP**

**DINETTE GROUP (CONTINUED)**



| Key | Part Number  | U/M | Description   |
|-----|--|-----|---|
| 1   | M82192-01-U01  | EA  | Cabinet Asm. - Dinette Overhead - w/o Doors or Hardware |
| 2   | M81523-02-U01  | EA  | Door Asm. - Dinette Overhead - w/o Hardware             |
| 3   | 081280-03-U01  | EA  | Pad Asm. - End Cap - Dinette Overhead - Vinyl           |
| 4   | M02175-02-U01  | EA  | Cabinet Asm. - Dinette Seat - w/o Door or Hardware      |
| *   | M81501-10-U01  | EA  | Door Asm. - Dinette Seat - 19.1" x 10.1" - w/o Hardware |
| *   | M02174-01-U01  | EA  | Cabinet Asm. - Dinette Back                             |
| 5   | M02115-09-U01  | EA  | Table Asm. - Dinette - w/o Hardware                     |
| 6   | M02196-01-U01  | EA  | Cabinet Asm. - Dinette Seat - w/o Door or Hardware      |
| *   | M92197-01-U01  | EA  | Cabinet Asm. - Dinette Back                             |
| *   | M02420-01-U01  | EA  | Countertop Asm. - Wardrobe - w/Dinette                  |
| *   | 053200-01-000  | EA  | Bracket - Upper Wall Mount - 23.5"                      |
| **  | 053201-03-000  | EA  | Bracket - Table Mount - 23"                             |
| *   | 024275-08-000  | EA  | Rod - Table Lift - 8" x 23.5" - Brown                   |
| *   | 024281-03-000  | EA  | Bracket - Lower Wall Mount - Brown                      |
| *   | 024276-14-000  | EA  | Leg Asm. - Table - 25.75" - Brown                       |
| **  | 064050-01-000  | EA  | Hinge - Table Leg                                       |
| **  | 024282-01-000  | EA  | Brace - Table Leg                                       |
| **  | 024283-01-000  | EA  | Clip - 1" O.D. Tube                                     |
| *   | 049493-02-000  | EA  | Catch - Table Leg - Mounts on Floor - Brown             |
| *   | 064781-03-000  | EA  | Cup Holder - 3.47" O.D. x 2.75" I.D. x 1.5" - Brown     |
| *   |  |     | Not illustrated   |
| **  | The illustrated parts breakdown for this item is provided on the Common Items Fiche. |     |   |

**SWIVEL CHAIR (OPTION)**

| Key | Part Number   | U/M | Description                             |
|-----|---------------|-----|---|
|     | M02420-02-U01 | EA  | Countertop Asm. - Wardrobe              |
|     | M02515-01-U04 | EA  | Table Asm. - Pullout w/o Hardware       |
|     | M02418-01-U04 | EA  | Table Asm. - Pullout Top - w/o Hardware |
|     | M02414-01-U04 | EA  | Cup Holder Asm. - Top of Pullout Table  |
|     | 079600-03-U04 | EA  | Rack Asm. - Magazine                    |
|     | 079921-01-000 | EA  | Roller Asm. - Nylon w/Shell             |
|     | 035036-04-000 | EA  | Base - Chair w/Holes in Leg             |
|     | 035036-05-000 | EA  | Extension Asm. - 7" - Swivel Chair      |

**MAGIC BED W/TABLES (OPTION)**

| Key | Part Number   | U/M | Description                         |
|-----|---------------|-----|-------------------------------------|
|     | M02420-02-U01 | EA  | Countertop Asm. - Wardrobe          |
|     | 081298-01-U04 | EA  | Table Asm. - Pedestal               |
|     | 009040-03-000 | EA  | Base - Table - Raised               |
|     | 009040-04-000 | EA  | Leg - Pedestal Table - 27.5 - Brown |
|     | 062010-01-000 | EA  | Clip - Pedestal - Table Leg         |
|     | 041197-01-000 | EA  | Base - Flush Mount - Table          |

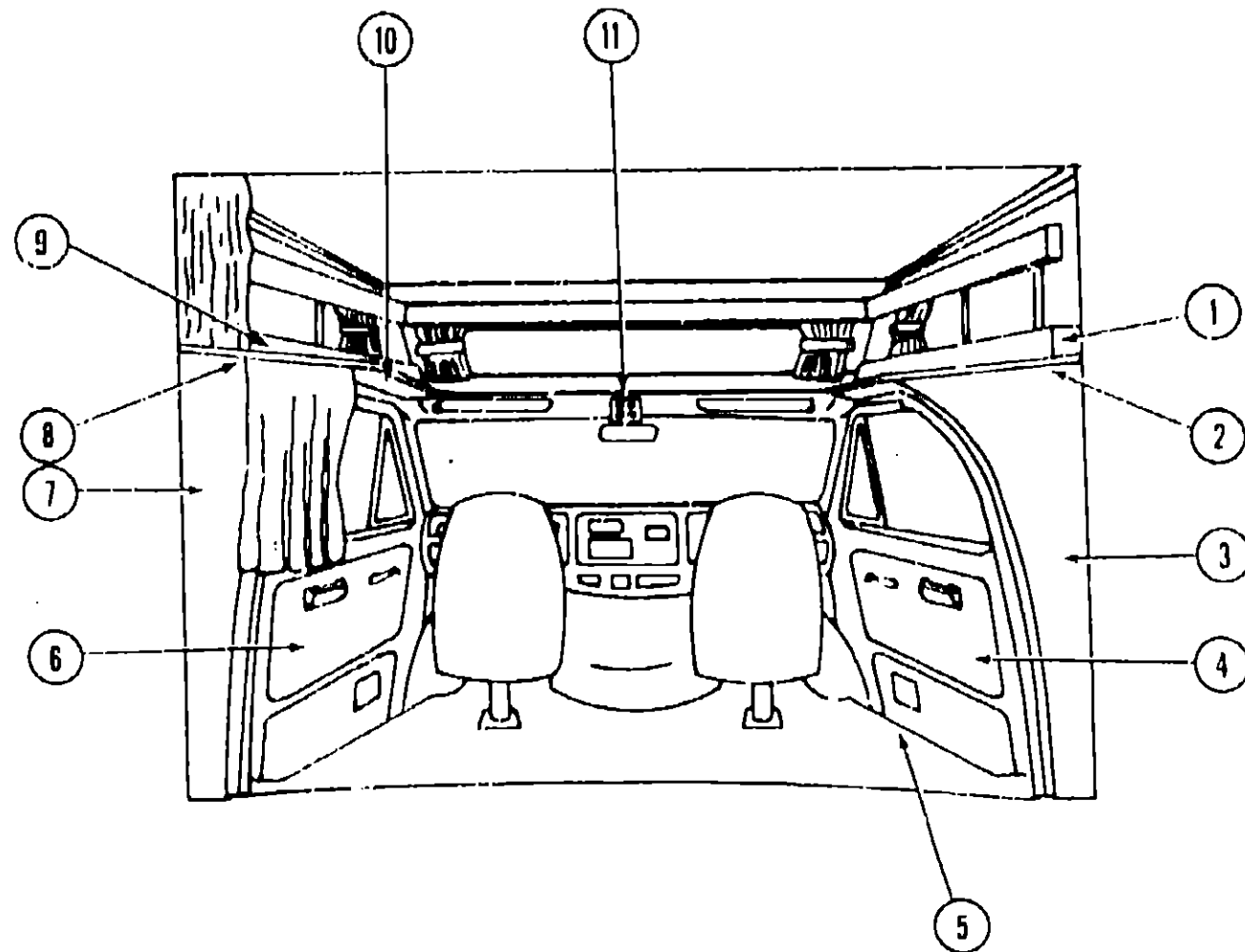
**1988 WINNEBAGO  
TABLE OF CONTENTS**

|            |             |
|------------|-------------|
| WC/WF424RS | A-01 - C-12 |
| WCN27RT    | C-13 - E-22 |
| WCP31RT    | E-23 - H-10 |
| WCP34RU    | H-11 - J-22 |

**1986 WC/WF424RS INDEX**

|                                    |             |
|------------------------------------|-------------|
| Floor Plan                         | A-01 - A-02 |
| Accessories Group                  | A-03 - A-05 |
| Bath Group                         | A-06        |
| Chassis Group                      | A-07 - A-08 |
| Curtain, Cushion & Pad Group       | A-09 - A-16 |
| Dinette Group                      | A-17 - A-18 |
| Driver's Compartment Group         | A-19 - A-21 |
| Electrical Group                   | A-22 - A-24 |
| Exterior Body Group                | B-01 - B-07 |
| Galley Group                       | B-08 - B-10 |
| Heating & Air Conditioning Group   | B-11 - B-12 |
| Interior Finish Group              | B-13 - B-15 |
| LP Group                           | B-16        |
| Lounge Group                       | B-17 - B-18 |
| Water & Sewage Group               | B-19 - B-21 |
| Window, Vent & Exterior Door Group | B-22 - C-12 |

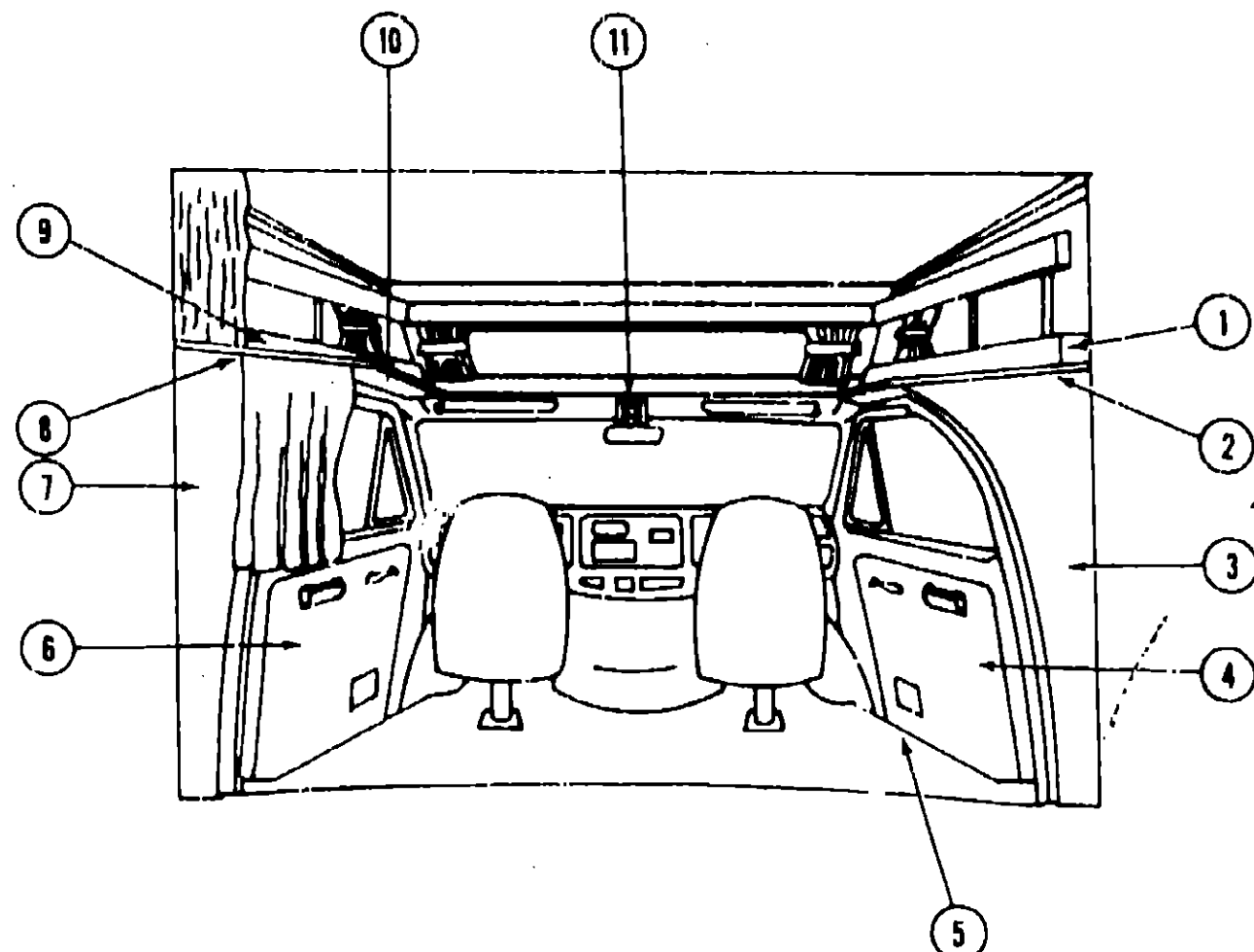
### DRIVER'S COMPARTMENT GROUP



MICELLANEOUS DRIVER'S COMPARTMENT COMPONENTS (CHEVY)

| Key | Part Number   | U/M | Description  |
|-----|---------------|-----|--|
| 1   | 082068-01-U01 | EA  | Cabinet Asm. - Headboard - Passenger               |
| 2   | M81652-01-U01 | EA  | Panel Asm. - Sleeper Board - w/o Vinyl             |
|     | 079800-01-U01 | EA  | Trim - Front - Sleeper Board                       |
| 3   | M82554-01-U01 | EA  | Panel Asm. - Wingwall Transition - Inner Passenger |
| 4   | 059491-01-U01 | EA  | Side Panel - Cab Door - Passenger (U03)            |
| 4   | 059491-01-U02 | EA  | Side Panel - Cab Door - Passenger                  |
| 5   | 044860-02-000 | EA  | Door Step Mat - Passenger - Black Rubber           |
| 5   | 044860-01-000 | EA  | Door Step Mat - Driver - Black Rubber              |
| 6   | 059492-01-U01 | EA  | Side Panel - Cab Door - Passenger (U03)            |
| 6   | 059492-01-U02 | EA  | Side Panel - Cab Door - Passenger                  |
| 7   | M82554-03-U01 | EA  | Panel Asm. - Wingwall Transition - Inner - Driver  |
| 8   | 082069-01-U01 | EA  | Accent Trim - Dark Sandrift Vinyl                  |
| 9   | 082068-02-U01 | EA  | Cabinet Asm. - Headboard - Driver                  |
| 10  | 076822-01-T03 | EA  | Headliner Asm. - Overhead Bunk - Vinyl             |
| 11  | M01298-03-000 | EA  | Console - Overhead - 7.5" x 6.14" - Beige          |
|     | 083218-01-000 | EA  | Floor Mat - Front - Passenger - Winnebago (Chevy)  |
|     | 083218-02-000 | EA  | Floor Mat - Front - Driver - Winnebago (Chevy)     |
|     | 056288-01-000 | EA  | Dome Light Asm.                                    |
|     | 056288-02-000 | EA  | Bulb   |
|     | 056288-03-000 | EA  | Housing  |
|     | 056288-04-000 | EA  | Lens   |
|     | 056288-05-000 | EA  | Clip   |
|     | 024461-01-000 | EA  | Switch - Battery                                   |
|     | 024462-01-000 | EA  | Switch - Battery Condition                         |
|     | 024976-01-000 | EA  | Switch - Generator w/o Circuit Board               |
|     | 031035-02-000 | EA  | Gauge - Generator Hourmeter                        |
|     | 024459-04-000 | EA  | Gauge - Voltmeter                                  |
|     | 024459-02-000 | EA  | Bracket - Mounting - Voltmeter Gauge               |
|     |               |     | Not illustrated                                    |

### DRIVER'S COMPARTMENT GROUP (CONTINUED)



MISCELLANEOUS DRIVER'S COMPARTMENT COMPONENTS (FORD)

| Key | Part Number   | U/M | Description  |
|-----|---------------|-----|--|
| 1   | 082068-03-U01 | EA  | Cabinet Asm. - Headboard - Passenger               |
| 2   | M81652-01-U01 | EA  | Panel Asm. - Sleeper Board - w/o Vinyl             |
|     | 079800-01-U01 | EA  | Trim - Front Sleeper Board                         |
| 3   | M82066-01-U01 | EA  | Panel Asm. - Wingwall Transition - Inner Passenger |
| **4 | NOTE          | EA  | Side Panel - Cab Door - Passenger                  |
| 5   | 083206-01-000 | EA  | Door Step Mat - Passenger - Black Rubber           |
|     | 083206-02-000 | EA  | Door Step Mat - Driver - Black Rubber              |
| **6 | NOTE          | EA  | Panel Asm. - Cab Door - Driver - Beige (U03)       |
| 7   | M82066-02-U01 | EA  | Panel Asm. - Wingwall Transition - Inner Driver    |
| 8   | 082069-01-U01 | EA  | Accent Trim - Dark Sandrift Vinyl                  |
| 9   | 082068-04-U01 | EA  | Cabinet Asm. - Headboard - Driver                  |
| 10  | 083431-01-U01 | EA  | Headliner Asm. - Overhead Bunk - Vinyl             |
| 11  | M01298-01-000 | EA  | Console - Overhead - 7.5" x 6.14" - Black          |
|     | 083219-01-000 | EA  | Floor Mat - Front - Passenger - Winnebago (Ford)   |
|     | 083219-02-000 | EA  | Floor Mat - Front - Driver - Winnebago (Ford)      |
|     | 056288-01-000 | EA  | Dome Light Asm.                                    |
|     | 056288-02-000 | EA  | Bulb - Dome Light Asm.                             |
|     | 056288-03-000 | EA  | Housing - Dome Light Asm.                          |
|     | 056288-04-000 | EA  | Lens - Dome Light Asm.                             |
|     | 056288-05-000 | EA  | Clip - Dome Light Asm.                             |
|     | 024461-01-000 | EA  | Switch - Battery                                   |
|     | 024462-01-000 | EA  | Switch - Battery Condition                         |
|     | 024976-01-000 | EA  | Switch - Generator w/o Circuit Board               |
|     | 031035-01-000 | EA  | Gauge - Generator Hourmeter                        |
|     | 024459-03-000 | EA  | Gauge - Voltmeter                                  |
|     | 024459-02-000 | EA  | Bracket - Mounting - Voltmeter Gauge               |
|     |               |     | Not illustrated                                    |
| **  |               |     | This part is supplied by your Ford Dealer          |

### 1986 WINNEBAGO TABLE OF CONTENTS

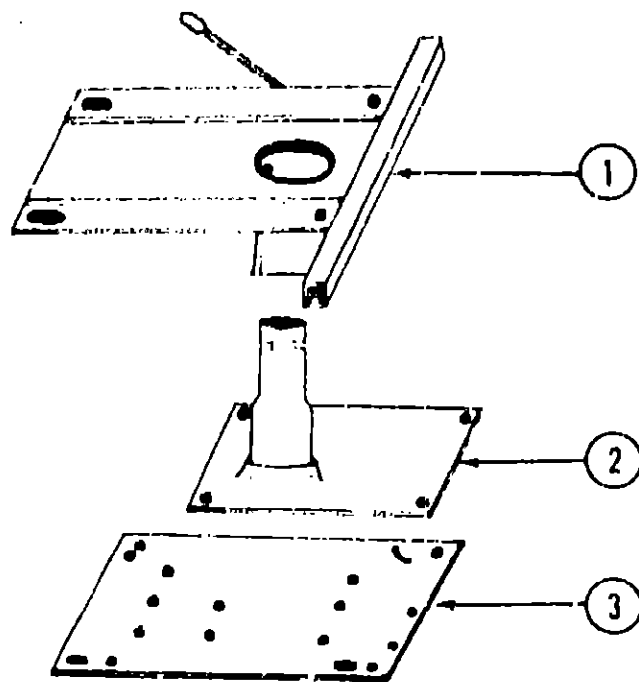
WC/WF424RS  
WCN27RT  
WCP31RT  
WCF34RU

A-01 - C-12  
C-13 - E-22  
E-23 - H-10  
H-11 - J-22

### 1986 WC/WF424RS INDEX

|                                    |             |
|------------------------------------|-------------|
| Floor Plan                         | A-01 - A-02 |
| Accessories Group                  | A-03 - A-05 |
| Bath Group                         | A-06        |
| Chassis Group                      | A-07 - A-08 |
| Curtain Cushion & Pad Group        | A-09 - A-16 |
| Dinette Group                      | A-17 - A-18 |
| Driver's Compartment Group         | A-19 - A-21 |
| Electrical Group                   | A-22 - A-24 |
| Exterior Body Group                | B-01 - B-07 |
| Galley Group                       | B-08 - B-10 |
| Heating & Air Conditioning Group   | B-11 - B-12 |
| Interior Finish Group              | B-13 - B-15 |
| LP Group                           | B-16        |
| Lounge Group                       | B-17 - B-18 |
| Water & Sewage Group               | B-19 - B-21 |
| Window, Vent & Exterior Door Group | B-22 - C-12 |

**DRIVER'S COMPARTMENT GROUP (CONTINUED)**



**BUCKET SEAT PEDESTAL & SEAT BELTS**

| Key | Part Number   | U/M | Description                                |
|-----|---------------|-----|--|
| 1   | 069585-04-000 | EA  | Plate - Top - Pedestal Asm. - Bucket Seat  |
| 1   | 069585-19-000 | EA  | Plate - Top - Pedestal Asm. - Power Seat   |
| 2   | 069585-03-000 | EA  | Plate - Sub - Pedestal Asm. - Bucket Seat  |
| 2   | 069585-18-000 | EA  | Plate - Sub - Pedestal Asm. - Power Seat   |
| 3   | 069585-02-000 | EA  | Plate - Base - Pedestal Asm. - Bucket Seat |
| .   | 081373-02-000 | EA  | Seat - Power                               |
| .   | 056271-02-000 | EA  | Belt Asm. - Seat - 2" x 72" - Black        |
| .   | 007021-01-000 | EA  | Belt Asm. - Seat - 2" x 90" - Black        |
| .   | 057759-01-000 | EA  | Bracket - Seat Belt Washer                 |
| .   | 069246-01-000 | EA  | Adjuster Asm. - Seat - w/Lock              |
| .   | 069246-02-000 | EA  | Adjuster Asm. - Seat - w/o Lock            |
| .   | 080730-02-000 | EA  | Recliner Drive - Driver                    |
| .   | 080730-01-000 | EA  | Recliner Drive - Passenger                 |
| .   |               |     | Not illustrated                            |

**ELECTRICAL GROUP**

**WIRE, SWITCHES & RECEPTACLES**

| Key | Part Number   | U/M | Description   |
|-----|---------------|-----|---|
|     | 008058-01-000 | EA  | Adaptor - Power Cord  |
|     | 008288-01-000 | EA  | Box - Electrical - 3" x 3.5" - Plastic                        |
|     | 008289-01-000 | EA  | Box - Electrical - 4" x 4" - 1/2 & 3/4 Steel - UL             |
|     | 008289-02-000 | EA  | Box - Electrical - 4" x 4" - 1/2 & 3/4 Steel - CSA            |
|     | 058049-01-000 | EA  | Box - Electrical - 2" x 3" x 2.25" - Steel                    |
|     | 041053-01-000 | EA  | Conduit - Convolute Silt - .5" I.D.                           |
|     | 008353-01-000 | EA  | Connector - Clamping - 3/8 Cable - UL & CSA                   |
|     | 058028-01-000 | EA  | Connector - Pigtail - Clear Nylon                             |
|     | 008314-01-000 | EA  | Connector - Wire Nut - Gray                                   |
|     | 008311-01-000 | EA  | Connector - Wire Nut - Red                                    |
|     | 031968-01-000 | EA  | Contact Plug - Brass - Tin Plated                             |
|     | 031907-01-000 | EA  | Contact - Receptacle  |
|     | 008054-01-000 | EA  | Cord - Power - 10-3 30 Amp. - 25' - UL                        |
|     | 008052-01-000 | EA  | Cord - Power - 10-3 30 Amp. - 25' - CSA                       |
|     | 069238-01-000 | EA  | Cover - Electrical Box - 4" x 4"                              |
|     | 058048-01-000 | EA  | Cover - Electrical Box - 4.5" x 2.75" - Rain Tight (Exterior) |
|     | 024571-03-000 | EA  | Cover Plate - Receptacle - Jumbo - Brown Plastic              |
|     | 024571-04-000 | EA  | Cover Plate - Receptacle - Jumbo - Ivory Plastic              |
|     | 008164-01-000 | EA  | Cover Plate - Switch - Brown                                  |
|     | 008294-01-000 | EA  | Cover - Flat Blank - 4" x 4" - Steel - US                     |
|     | 008294-02-000 | EA  | Cover - Flat Blank - 4" x 4" - Steel - CSA                    |
|     | 008250-01-000 | EA  | Fuse Holder - In Line - 10 Amp                                |
|     | 008250-02-000 | EA  | Fuse Holder - In Line - 15 Amp                                |
|     | 008277-01-000 | EA  | Fuse Holder - Panel Mount - Black                             |
|     | 064399-01-000 | EA  | Housing Asm. - Trailer Pin                                    |
|     | 064450-01-000 | EA  | Housing Asm. - Trailer Plug                                   |
|     | 054398-01-000 | EA  | Housing Asm. - Trailer Receptacle                             |
|     | 054532-01-000 | EA  | Housing Pin - 6 Position                                      |
|     | 046885-01-000 | EA  | Plaque - Mounting Switch                                      |
|     | 075736-02-000 | EA  | Receptacle/Cover Asm. - Off White (Exterior)                  |
|     | 058708-01-000 | EA  | Receptacle - Duplex - Brown                                   |
|     | 008157-01-000 | EA  | Receptacle - Duplex - Brown (Exterior Backwall)               |
|     | 058708-02-000 | EA  | Receptacle - Duplex - Ivory                                   |
|     | 053126-01-000 | EA  | Receptacle - Ground Fault Interrupter - 125 Volt - Ivory      |
|     | 024924-02-000 | EA  | Receptacle - Power Cord                                       |
|     | 058707-01-000 | EA  | Receptacle - Single - Brown                                   |
|     | 063912-01-000 | EA  | Relay - Canister SPDT w/Ground                                |
|     | 075723-01-000 | EA  | Switch - Block Spacer - w/o Holes                             |
|     | 075723-02-000 | EA  | Switch - Block Spacer - w/Holes                               |
|     | 008162-01-000 | EA  | Switch - Double Toggle - Brown                                |
|     | 077942-02-000 | EA  | Switch - Dummy - Brown  |
|     | 056264-01-000 | EA  | Switch - Leaf Actuator  |
|     | 079362-01-000 | EA  | Switch Plate - 3 Gang - 2 Switches                            |
|     | 079363-01-000 | EA  | Switch Plate - Single - w/Switches                            |
|     | 079364-01-000 | EA  | Switch - On/Off Rocker - Brown                                |
|     | 008195-01-000 | EA  | Switch - Push Button - 12 Volt                                |
|     | 008163-01-000 | EA  | Switch - Toggle - Brown                                       |
|     | 006050-01-000 | EA  | TV Jack - Ivory   |
|     | 047443-02-000 | EA  | Terminal - 250 Receptacle - 12-10 AWG                         |
|     | 035417-01-000 | EA  | Terminal - Pin Receptacle - .125 Dia.                         |
|     | 008348-01-000 | EA  | Terminal Ring - 2 - w/3/8 Stud                                |
|     | 008331-01-000 | EA  | Terminal Ring - 4 - w/3/8 Stud                                |
|     | 008328-01-000 | EA  | Terminal Ring - 12/10 Wire                                    |
|     | 054865-01-000 | EA  | Wire Asm. - Generator Switch                                  |
|     | 008028-01-000 | FT  | Wire - 18.5 Bonded - Blue/Red/Yellow/Orange/White             |
|     | 008024-01-000 | FT  | Wire - 18.5 Bonded - Orange/White/Yellow/Blue/Brown           |
|     | 008025-01-000 | FT  | Wire - 18.5 Bonded - Orange/White/Yellow/Blue/Green           |
|     | 008026-01-000 | FT  | Wire w/Ground - Romex - 12/2                                  |

**1986 WINNEBAGO  
TABLE OF CONTENTS**

|            |             |
|------------|-------------|
| WC/WF424RS | A-01 - C-12 |
| WCN27RT    | C-13 - E-22 |
| WCP31RT    | E-23 - H-10 |
| WCP34RU    | H-11 - J-22 |

**1986 WC/WF424RS INDEX**

|                                    |             |
|------------------------------------|-------------|
| Floor Plan                         | A-01 - A-02 |
| Accessories Group                  | A-03 - A-05 |
| Bath Group                         | A-06        |
| Chassis Group                      | A-07 - A-08 |
| Curtain, Cushion & Pad Group       | A-09 - A-16 |
| Dinette Group                      | A-17 - A-18 |
| Driver's Compartment Group         | A-19 - A-21 |
| Electrical Group                   | A-22 - A-24 |
| Exterior Body Group                | B-01 - B-07 |
| Galley Group                       | B-08 - B-10 |
| Heating & Air Conditioning Group   | B-11 - B-12 |
| Interior Finish Group              | B-13 - B-15 |
| LP Group                           | B-16        |
| Lounge Group                       | B-17 - B-18 |
| Water & Sewage Group               | B-19 - B-21 |
| Window, Vent & Exterior Door Group | B-22 - C-12 |

**ELECTRICAL GROUP (CONTINUED)**

**EXTERIOR LIGHTS**

| Key | Part Number   | U/M | Description  |
|-----|---------------|-----|--|
|     | 058032-01-000 | EA  | Tail Lamp Asm. - 2 Bulb - Chromo - Driver/Passenger  |
|     | 059036-01-000 | EA  | Bracket - Tail Lamp                                  |
|     | 059540-01-000 | EA  | Bracket - License Plate                              |
|     | 062742-04-000 | EA  | Wedge - Tail Lamp w/License Plate - Left - Off White |
|     | 062740-04-000 | EA  | Wedge - Tail Lamp - Right - Off White                |
|     | 042405-03-000 | EA  | Base - Rectangular Clearance Light                   |
|     | 042405-01-000 | EA  | Lens - Clearance Light - Red w/Reflex                |
|     | 042405-04-000 | EA  | Lens - Clearance Light - Red w/o Reflex              |
|     | 042405-02-000 | EA  | Lens - Clearance Light - Amber w/Reflex              |
|     | 042405-05-000 | EA  | Lens - Clearance Light - Amber w/o Reflex            |
|     | 048817-01-000 | EA  | Assist Handle Asm. w/Light                           |
|     | 079941-01-000 | EA  | Lamp Asm. - w/Cover - Fog - Amber                    |
|     | 068937-02-000 | EA  | Light - Dome - Surface - No Switch                   |

**INTERIOR LIGHT**

| Key | Part Number   | U/M | Description                                     |
|-----|---------------|-----|---|
|     | 065202-03-000 | EA  | Lamp - Decor - Wall - Brass - 2 Bulb            |
|     | 033508-02-000 | EA  | Light - Dome - Ivory - 1 Bulb - US              |
|     | 033508-03-000 | EA  | Light - Dome - Ivory - 1 Bulb - CSA             |
|     | 033509-02-000 | EA  | Light - Dome - Ivory - 2 Bulb - US              |
|     | 033509-03-000 | EA  | Light - Dome - Ivory - 2 Bulb - CSA             |
|     | 078424-02-000 | EA  | Light - Florescent - 12V                        |
|     | 061424-01-000 | EA  | Light - 12V Receptacle - Aisle - IP             |
|     | 007309-01-000 | EA  | Light - Step Well                               |
|     | 072353-02-000 | EA  | Light - Reading - Double - 360° Swivel - Silver |
|     | 072353-07-000 | EA  | Light - Reading - Single - 360° Swivel - Tan    |
|     | 056288-01-000 | EA  | Light - Dome (Driver's Compartment)             |
|     | 056288-04-000 | EA  | Lens - Dome Light (Driver's Compartment)        |

**MISCELLANEOUS ELECTRICAL COMPONENTS**

| Key | Part Number   | U/M | Description                      |
|-----|---------------|-----|----------------------------------|
|     | 047338-03-000 | EA  | Isolator - Dual Battery - 70 Amp |
|     | 008188-01-000 | EA  | Solenoid - Dual Battery - Relay  |
|     | 083208-01-000 | EA  | Convertor - 120 Amp. w/Charger   |
|     | 083208-01-000 | EA  | Control Center - 32A - 120V/12V  |

**ELECTRICAL GROUP (CONTINUED)**

**BULBS**

| Key | Part Number   | U/M | Description      |
|-----|---------------|-----|------------------|
|     | 008220-01-000 | EA  | Bulb - 12V - 25W |
|     | 008103-01-000 | EA  | Bulb - 63        |
|     | 008213-01-000 | EA  | Bulb - 57        |
|     | 008214-01-000 | EA  | Bulb - 67        |
|     | 036196-01-000 | EA  | Bulb - 104       |
|     | 008215-01-000 | EA  | Bulb - 1003      |
|     | 067479-01-000 | EA  | Bulb - 1076      |
|     | 063914-01-000 | EA  | Bulb - 1139      |
|     | 008218-01-000 | EA  | Bulb - 1141      |
|     | 037935-01-000 | EA  | Bulb - 1157      |
|     | 056288-02-000 | EA  | Bulb - 9431808   |

**FUSES & CIRCUIT BREAKERS**

| Key | Part Number   | U/M | Description  |
|-----|---------------|-----|--|
|     | 008234-01-000 | EA  | Fuse - 10 Amp - 12 Volt  |
|     | 008235-01-000 | EA  | Fuse - 15 Amp - 12 Volt  |
|     | 062901-02-000 | EA  | Fuse - 5 Amp - Automotive                                      |
|     | 062901-05-000 | EA  | Fuse - 15 Amp - Automotive                                     |
|     | 008211-01-000 | EA  | Circuit Breaker - 6 Amp - 12 Volt                              |
|     | 008208-01-000 | EA  | Circuit Breaker - 40 Amp - 12 Volt                             |
|     | 033573-02-000 | EA  | Circuit Breaker - 15 Amp - 12 Volt - w/Mount                   |
|     | 033573-01-000 | EA  | Circuit Breaker - 20 Amp - 12 Volt - w/Mount                   |
|     | 044466-03-000 | EA  | Circuit Breaker - 25 Amp - 12 Volt - w/Mount                   |
|     | 008268-01-000 | EA  | Circuit Breaker - 30 Amp - 12 Volt - w/Mount                   |
|     | 083209-01-000 | EA  | Circuit Breaker - 15 Amp - 120 Volt                            |
|     | 083210-02-000 | EA  | Circuit Breaker - 15 Amp - 120 Volt (Ground Fault Interrupter) |
|     | 075735-02-000 | EA  | Circuit Breaker - 15 Amp - 120 Volt (Ground Fault Interrupter) |
|     | 071279-05-000 | EA  | Circuit Breaker - 20 Amp - 120 Volt                            |
|     | 071279-04-000 | EA  | Circuit Breaker - 30 Amp - 120 Volt                            |
|     | 071279-03-000 | EA  | Circuit Breaker - 15/20 Amp - 120 Volt                         |
|     | 083209-03-000 | EA  | Circuit Breaker - 15/20 Amp - 120 Volt                         |
|     | 071279-01-000 | EA  | Circuit Breaker - 15/30 Amp - 120 Volt                         |
|     | 083209-05-000 | EA  | Circuit Breaker - 20 Amp - 120 Volt                            |
|     | 083209-04-000 | EA  | Circuit Breaker - 30 Amp - 120 Volt                            |
|     | 083209-06-000 | EA  | Circuit Breaker - 30/15 Amp - 120 Volt                         |
|     | 071279-06-000 | EA  | Circuit Breaker - 30/15 Amp - 120 Volt                         |
|     | 071280-01-000 | EA  | Circuit Breaker Blank  |
|     | 050283-02-000 | EA  | Circuit Breaker - Buss Bar                                     |

**1986 WINNEBAGO  
TABLE OF CONTENTS**

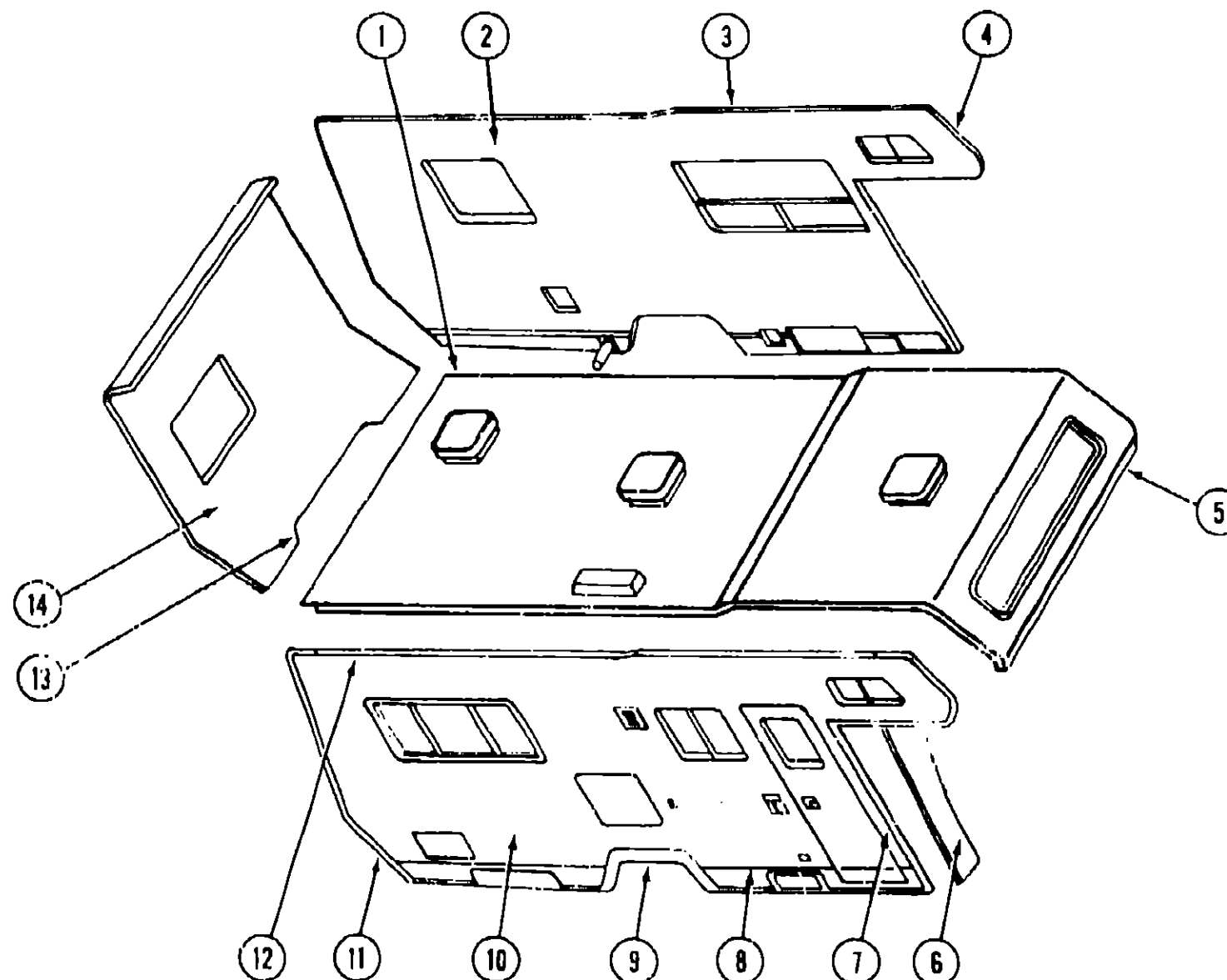
|            |             |
|------------|-------------|
| WC/WF424RS | A-01 - C-12 |
| WCN27RT    | C-13 - E-22 |
| WCP31RT    | E-23 - H-10 |
| WCP34RU    | H-11 - J-22 |

**1986 WC/WF424RS INDEX**

|                                    |             |
|------------------------------------|-------------|
| Floor Plan                         | A-01 - A-02 |
| Accessories Group                  | A-03 - A-05 |
| Bath Group                         | A-06        |
| Chassis Group                      | A-07 - A-08 |
| Curtain, Cushion & Pad Group       | A-09 - A-16 |
| Dinette Group                      | A-17 - A-18 |
| Driver's Compartment Group         | A-19 - A-21 |
| Electrical Group                   | A-22 - A-24 |
| Exterior Body Group                | B-01 - B-07 |
| Gailey Group                       | B-08 - B-10 |
| Heating & Air Conditioning Group   | B-11 - B-12 |
| Interior Finish Group              | B-13 - B-15 |
| LP Group                           | B-16        |
| Lounge Group                       | B-17 - B-18 |
| Water & Sewage Group               | B-19 - B-21 |
| Window, Vent & Exterior Door Group | B-22 - C-12 |

## EXTERIOR BODY GROUP

### EXTERIOR BODY PANELS



## 1986 WINNEBAGO TABLE OF CONTENTS

WC/WF424RS  
WCN27RT  
WCP31RT  
WCP34RU

A-01 - C-12  
C-13 - E-22  
E-23 - H-10  
H-11 - J-22

## 1986 WC/WF424RS INDEX

|                                    |             |
|------------------------------------|-------------|
| Floor Plan                         | A-01 - A-02 |
| Accessories Group                  | A-03 - A-05 |
| Bath Group                         | A-06        |
| Chassis Group                      | A-07 - A-08 |
| Curtain, Cushion & Pad Group       | A-09 - A-16 |
| Dinette Group                      | A-17 - A-18 |
| Driver's Compartment Group         | A-19 - A-21 |
| Electrical Group                   | A-22 - A-24 |
| Exterior Body Group                | B-01 - B-07 |
| Galley Group                       | B-08 - B-10 |
| Heating & Air Conditioning Group   | B-11 - B-12 |
| Interior Finish Group              | B-13 - B-15 |
| LP Group                           | B-16        |
| Lounge Group                       | B-17 - B-18 |
| Water & Sewage Group               | B-19 - B-21 |
| Window, Vent & Exterior Door Group | B-22 - C-12 |

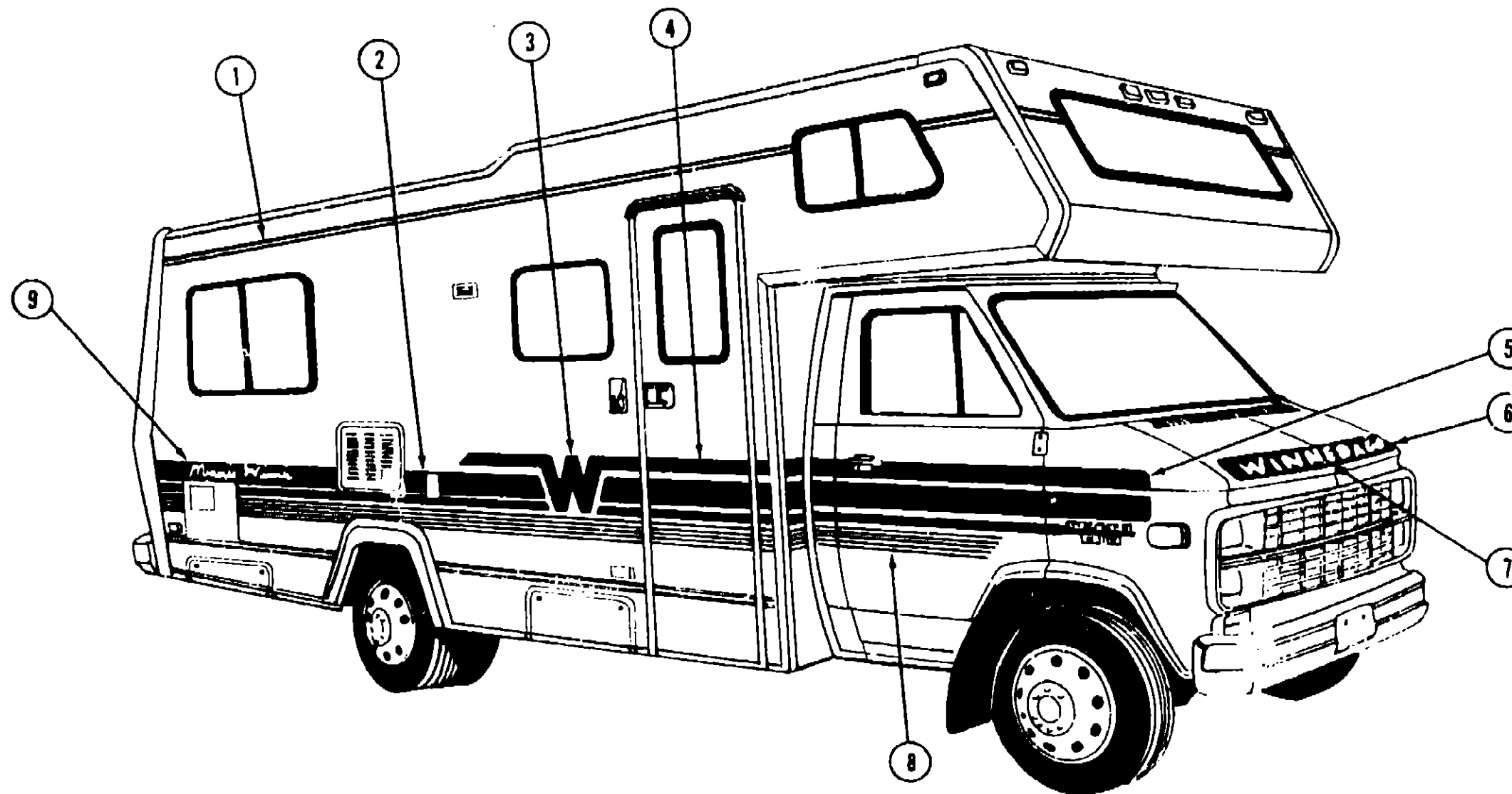
| Key | Part Number   | U/M | Description  |
|-----|---------------|-----|--|
| 1   | M81843-01-U01 | EA  | Roof Asm.  |
| *   | M76177-01-700 | EA  | Roof Section - Cab Over To First Seam                |
| 2   | M81580-01-U01 | EA  | Sidewall Asm. - Driver                               |
| *   | 076802-06-000 | EA  | Trim - Contour - Upper Front - Driver - Off White    |
| *   | 076802-05-000 | EA  | Trim - Contour - Upper Front - Passenger - Off White |
| 4   | 076828-02-000 | EA  | Trim - Contour - Sleeper - Driver - Off White        |
| *   | 076828-01-000 | EA  | Trim - Contour - Sleeper - Passenger - Off White     |
| 5   | 039644-08-000 | EA  | Trim - Sleeper Board - Front - Off White             |
| 6   | M81653-01-U01 | EA  | Wingwall Asm. - Passenger (Ford)                     |
| *   | M81653-02-U01 | EA  | Wingwall Asm. - Driver (Ford)                        |
| 6   | M82343-01-U01 | EA  | Wingwall Asm. - Passenger (Chevy)                    |
| *   | M82343-02-U01 | EA  | Wingwall Asm. - Driver (Chevy)                       |
| 7   | 076975-03-000 | EA  | Trim - Wingwall Transition - Passenger - Off White   |
| *   | 076975-04-000 | EA  | Trim - Wingwall Transition - Driver - Off White      |
| 8   | 002444-01-001 | EA  | Feature Strip - w/o Insert - Extr - 14' - Brown      |
| *   | 001030-02-003 | EA  | Insert - Feature Strip - 17' - Stucco - Off White    |
| *   | 009731-01-000 | EA  | End Cap - Feature Strip                              |
| 9   | 075189-01-000 | EA  | Trim - Wheel Well - Rear Passenger - Off White       |
| *   | 075189-02-000 | EA  | Trim - Wheelwell - Rear Driver - Off White           |

| Key  | Part Number   | U/M | Description   |
|------|---------------|-----|---|
| **10 | M81679-01-U01 | EA  | Sidewall Asm. - Passenger                           |
| **10 | M81679-01-U02 | EA  | Sidewall Asm. - Passenger                           |
| **10 | M81679-01-U03 | EA  | Sidewall Asm. - Passenger                           |
| 11   | 076805-01-000 | EA  | Trim - Contour - Rear Passenger - Off White         |
| *    | 076805-02-000 | EA  | Trim - Contour - Rear Driver - Off White            |
| 12   | 077339-07-000 | EA  | Trim - Contour - Upper Rear Passenger - Off White   |
| *    | 077339-08-000 | EA  | Trim - Contour - Upper Rear Driver - Off White      |
| 13   | 074966-02-000 | EA  | Trim - Backwall - Lower - Passenger or Driver       |
| **14 | M81772-01-U01 | EA  | Backwall Asm.                                       |
| *    | 002365-01-001 | EA  | U-Channel - Extrusion - 1" x 18"                    |
| *    | 002776-01-001 | EA  | U-Channel - Extrusion - 1.75" x 16"                 |
| *    | 077514-01-001 | EA  | Fiberglass Sheet - 48.08" x 259" - Mesa - Off White |
| *    | 077517-04-002 | EA  | Fiberglass Sheet - 48.08" x 60" - Mesa - Off White  |
| *    | 001054-01-011 | EA  | Alum - No Design - 48" x 96" - Off White            |
| *    | 000868-01-000 | SF  | Styrofoam - 7.5" x 24" x 9.6"                       |
| *    | 000870-01-000 | SF  | Styrofoam - 1.5" x 24" x 9.6"                       |
| *    | 000870-03-000 | SF  | Styrofoam - 1.34" x 48" x 9.6"                      |
| *    |               |     | Not illustrated                                     |

\*\*When ordering designate double bed or bunkbed

EXTERIOR BODY GROUP (CONTINUED)

DECALS



1986 WINNEBAGO  
TABLE OF CONTENTS

WC/WF424RS  
WCN27RT  
WCP31RT  
WCP34RU

A-01 - C-12  
C-13 - E-22  
E-23 - H-10  
H-11 - J-22

| Key | Part Number   | U/M | Description  |
|-----|---------------|-----|--|
| 1   | 065217-90-000 | FT  | Film - Multi-Stripe - Light Brown/Brown (U01)          |
| 1   | 065217-89-000 | FT  | Film - Multi-Stripe - Rust/Burgundy (U02)              |
| 1   | 065217-88-000 | FT  | Film - Multi-Stripe - Light Green/Green (U03)          |
| 2   | 065217-87-000 | FT  | Film - Multi-Stripe - Light Brown/Brown (U01)          |
| 2   | 065217-86-000 | FT  | Film - Multi-Stripe - Rust/Burgundy (U02)              |
| 2   | 065217-85-000 | FT  | Film - Multi-Stripe - Light Green/Green (U03)          |
| 3   | 079351-06-000 | EA  | Decal - Flying W - Brown (U01)                         |
| 3   | 079351-05-000 | EA  | Decal - Flying W - Burgundy (U02)                      |
| 3   | 079351-04-000 | EA  | Decal - Flying W - Green (U03)                         |
| 4   | 078831-14-000 | FT  | Decal Striping - Light Brown (U01)                     |
| 4   | 078831-13-000 | FT  | Decal Striping - Rust (U02)                            |
| 4   | 078831-12-000 | FT  | Decal Striping - Light Green (U03)                     |
| 5   | 081942-05-000 | EA  | Decal - Fender - Passenger - Ford - Light Brown (U01)  |
| 5   | 081942-03-000 | EA  | Decal - Fender - Passenger - Ford - Rust (U02)         |
| 5   | 081942-01-000 | EA  | Decal - Fender - Passenger - Ford - Light Green (U03)  |
| 5   | 081941-05-000 | EA  | Decal - Fender - Passenger - Chevy - Light Brown (U01) |
| 5   | 081941-03-000 | EA  | Decal - Fender - Passenger - Chevy - Rust (U02)        |
| 5   | 081941-01-000 | EA  | Decal - Fender - Passenger - Chevy - Light Green (U03) |

| Key | Part Number   | U/M | Description   |
|-----|---------------|-----|---|
| •   | 081942-06-000 | EA  | Decal - Fender - Driver - Ford - Light Brown (U01)  |
| •   | 081942-04-000 | EA  | Decal - Fender - Driver - Ford - Rust (U02)         |
| •   | 081942-02-000 | EA  | Decal - Fender - Driver - Ford - Light Green (U03)  |
| •   | 081941-06-000 | EA  | Decal - Fender - Driver - Chevy - Light Brown (U01) |
| •   | 081941-04-000 | EA  | Decal - Fender - Driver - Chevy - Rust (U02)        |
| •   | 081941-02-000 | EA  | Decal - Fender - Driver - Chevy - Light Green (U03) |
| 6   | 081940-03-000 | EA  | Decal - Hood - Ford - Light Brown (U01)             |
| 6   | 081940-02-000 | EA  | Decal - Hood - Ford - Rust (U02)                    |
| 6   | 081940-01-000 | EA  | Decal - Hood - Ford - Light Green (U03)             |
| 6   | 081944-01-000 | EA  | Decal - Hood - Chevy - Light Brown (U01)            |
| 6   | 081944-02-000 | EA  | Decal - Hood - Chevy - Rust (U02)                   |
| 6   | 081944-03-000 | EA  | Decal - Hood - Chevy - Light Green (U03)            |
| 7   | 069745-03-000 | EA  | Decal - "Winnie" - 1.25"                            |
| 7   | 069745-04-000 | EA  | Decal - "Bago" - 1.25"                              |
| 8   | 076791-10-000 | FT  | Film - Multi-Stripe - Brown (U01)                   |
| 8   | 076791-09-000 | FT  | Film - Multi-Stripe - Burgundy (U02)                |
| 8   | 076791-08-000 | FT  | Film - Multi-Stripe - Green (U03)                   |
| 9   | 075478-01-000 | EA  | Decal - Logo - "Minnie Winnie"                      |
| •   | 050313-22-000 | EA  | Decal - Logo - "Winnebago" - Chrome                 |
| •   |               |     | Not illustrated                                     |

1986 WC/WF424RS INDEX

|                                    |             |
|------------------------------------|-------------|
| Floor Plan                         | A-01 - A-02 |
| Accessories Group                  | A-03 - A-05 |
| Bath Group                         | A-06        |
| Chassis Group                      | A-07 - A-08 |
| Curtain, Cushion & Pad Group       | A-09 - A-16 |
| Dinette Group                      | A-17 - A-18 |
| Driver's Compartment Group         | A-19 - A-21 |
| Electrical Group                   | A-22 - A-24 |
| Exterior Body Group                | B-01 - B-07 |
| Galley Group                       | B-08 - B-10 |
| Heating & Air Conditioning Group   | B-11 - B-12 |
| Interior Finish Group              | B-13 - B-15 |
| LP Group                           | B-16        |
| Lounge Group                       | B-17 - B-18 |
| Water & Sewage Group               | B-19 - B-21 |
| Window, Vent & Exterior Door Group | B-22 - C-12 |

**EXTERIOR BODY GROUP (CONTINUED)**

**LABELS & EXTERIOR PAINT**

| Key | Part Number   | U/M | Description   |
|-----|---------------|-----|---|
|     | 068383-01-000 | EA  | Label - Diesel Fuel   |
|     | 006195-01-000 | EA  | Label - Electrical Test   |
|     | 047731-01-000 | EA  | Label - Emergency Exit  |
|     | 006199-01-000 | EA  | Label - Exit - Escape Window                                      |
|     | 057467-04-000 | EA  | Label - Exterior Loading Limit                                    |
|     | 064378-01-000 | EA  | Label - Flying "W" w/Thermo Panel                                 |
|     | 061417-01-000 | EA  | Label - Fuel  |
|     | 006196-01-000 | EA  | Label - Gas Test  |
|     | 054531-01-000 | EA  | Label - LP Gas Only   |
|     | 040944-01-000 | EA  | Label - Open - Entrance Door                                      |
|     | 006015-01-000 | EA  | Label - Patent Motor Home   |
|     | 056259-01-000 | EA  | Label - Safety Check List   |
|     | 006064-01-000 | EA  | Label - Seat - w/o Seat Belts                                     |
|     | 006187-01-000 | EA  | Label - Sewage  |
|     | 006006-01-000 | EA  | Label - Thermo Panel - 2 1/4" x 2 1/4"                            |
|     | 075221-01-000 | EA  | Label - Trailer Hitch Capacity                                    |
|     | 075220-01-000 | EA  | Label - Warning - Exterior Load Limit                             |
|     | 077956-01-000 | EA  | Label - Warning - Smoke Detector                                  |
|     | 050225-01-000 | EA  | Label - Warning - Stove Vent - US                                 |
|     | 006188-01-000 | EA  | Label - Waste Water   |
|     | 006197-01-000 | EA  | Label - Water Test  |
|     | 072863-01-000 | EA  | Nameplate - Diesel - 6.2L   |
|     | 006062-01-000 | EA  | Tag - Electrical - 110 Volt Connection                            |
|     | 006040-01-000 | EA  | Tag - Gas - Refueling Warning                                     |
|     | 044486-03-000 | EA  | Paint - Beige Acrylic Enamel - 16 oz. Aerosol (7633A Dupont)      |
|     | 045681-03-000 | EA  | Paint - Gloss Black - Acrylic Enamel - 16 oz. Aerosol (99 Dupont) |
|     | 058637-05-000 | EA  | Paint - Gray Acrylic Enamel - 16 oz. Aerosol (71537 Dupont)       |
|     | 041561-03-000 | EA  | Paint - Off White Acrylic Enamel - 16 oz. Aerosol (45395A Dupont) |
|     | 074559-01-000 | EA  | Label - "LPG" 3.3" x 1.75" (Color Code)                           |

**MISCELLANEOUS EXTERNALLY MOUNTED PARTS**

| Key | Part Number   | U/M | Description                                |
|-----|---------------|-----|--|
|     | 083558-01-000 | EA  | Plumbing Seal - Roof Vent - 1.5            |
|     | 048817-01-000 | EA  | Assist Handle - w/Light                    |
|     | 048817-01-700 | EA  | Lens - Assist Handle                       |
|     | 010230-02-000 | EA  | Fill - City Water - Recessed - Off White   |
|     | 079384-02-700 | EA  | Hardware Set - Running Board (Ford)        |
|     | 079384-02-701 | EA  | Riser - Molding (Ford)                     |
|     | 079384-02-701 | EA  | Wheel - Trim - Chrome (Ford)               |
|     | 081240-03-000 | EA  | Water Fill - Lockable - White              |
|     | 063303-04-000 | EA  | Shroud - Fuel Fill - Lower                 |
|     | 079384-01-000 | EA  | Running Board Set - w/Wheel Flares (Chevy) |
|     | 079384-01-700 | EA  | Hardware Set - Running Board (Chevy)       |
|     | 079384-01-701 | EA  | Riser - Molding (Chevy)                    |
|     | 079384-01-702 | EA  | Wheel - Trim - Chrome (Chevy)              |
|     | 079384-02-000 | EA  | Running Board Set - w/Wheel Flares         |
|     | 080359-01-000 | EA  | Plate - Step Well (Chevy)                  |
|     | 080359-02-000 | EA  | Plate - Step Well (Ford)                   |

**EXTERIOR BODY GROUP (CONTINUED)**

**INTERIOR/EXTERIOR SCREWS & FASTENERS**

| Key | Part Number   | U/M | Description   |
|-----|---------------|-----|---|
|     | 005200-01-000 | EA  | Bolt - Round Head - Square Neck w/SST Cap - 7/16" - 14 x 1 1/4" |
|     | 058279-01-000 | EA  | Clip - Mounting - Front Panel                                   |
|     | 035628-01-000 | EA  | Fastener - Blind Well Nut - 1.05" x .38"                        |
|     | 000D15-06-00B | EA  | Nut - Hex - 3/8" x 24 - Zinc                                    |
|     | 005081-01-000 | EA  | Nut - Speed - C Type - #8 Screw                                 |
|     | 000G54-04-20B | EA  | Screw 1/4 - 20 x 1 1/4" PTH - Zinc                              |
|     | 000G54-04-22B | EA  | Screw 1/4 - 20 x 1 3/8" PTH - Zinc                              |
|     | 000G53-04-06B | EA  | Screw 1/4 - Machine - 20 x 3/8" PTH - Zinc                      |
|     | 000G13-06-12P | EA  | Screw #6 - 20 x 3/4" PFH - Dark Brown                           |
|     | 000G13-06-28X | EA  | Screw #6 - 20 x 3/4" PFH - Gray                                 |
|     | 000G13-06-16R | EA  | Screw #6 - 20 x 1" PFH - Beige                                  |
|     | 000G11-07-08B | EA  | Screw #7 - 19 x 1/2" PPH - Zinc                                 |
|     | 000G12-08-12M | EA  | Screw #8 - 18 x 3/4" POH - Gray                                 |
|     | 000G11-08-12R | EA  | Screw #8 - 18 x 3/4" PPH - Beige                                |
|     | 000G11-08-12X | EA  | Screw #8 - 18 x 3/4" PPH - Gray                                 |
|     | 000G11-08-12B | EA  | Screw #8 - 18 x 3/4" PPH - Zinc                                 |
|     | 000G39-08-12R | EA  | Screw #8 - 18 x 3/4" SDPH - Beige                               |
|     | 000G66-08-12M | EA  | Screw #8 - 18 x 3/4" SDPH - Gray                                |
|     | 000G11-08-16R | EA  | Screw #8 - 18 x 1" PFH - Gray                                   |
|     | 000G66-08-16R | EA  | Screw #8 - 18 x 1" SDPH - Beige                                 |
|     | 000G12-08-28R | EA  | Screw #8 - 18 x 1 3/4" POH - Beige                              |
|     | 000G36-08-08E | EA  | Screw #8 - 32 x 1/2" PFH - Chrome                               |
|     | 000G39-08-02B | EA  | Screw #8 - Self Drilling - 18 x 1/2" PPH - Zinc                 |
|     | 000G39-08-12B | EA  | Screw #8 - Self Drilling - 18 x 3/4" PPH - Zinc                 |
|     | 000G39-08-16R | EA  | Screw #8 - Self Drilling - 18 x 1" PPH - Beige                  |
|     | 000G39-08-16T | EA  | Screw #8 - Self Drilling - 18 x 1" PPH - Black                  |
|     | 000G39-08-16P | EA  | Screw #8 - Self Drilling - 18 x 1" PPH - Dark Brown             |
|     | 000G39-08-16X | EA  | Screw #8 - Self Drilling - 18 x 1" PPH - Gray                   |
|     | 000G39-08-16E | EA  | Screw #8 - Self Drilling - 18 x 1" PPH - Chrome                 |
|     | 000G64-08-16M | EA  | Screw #8 - Self Drilling - 18 x 1" SDPH - Gray                  |
|     | 000G67-10-08B | EA  | Screw #10 - 12 x 1/2" PPH - Zinc                                |
|     | 000G67-10-10R | EA  | Screw #10 - 12 x 5/8" PPH - Beige                               |
|     | 000G67-10-16P | EA  | Screw #10 - 12 x 1" PPH - Dark Brown                            |
|     | 000G67-10-16B | EA  | Screw #10 - 12 x 1" PPH - Zinc                                  |
|     | 000G67-10-20B | EA  | Screw #10 - 12 x 1 1/4" PPH - Zinc                              |
|     | 000G67-10-24B | EA  | Screw #10 - 12 x 1 1/2" PPH - Zinc                              |
|     | 049465-04-000 | EA  | Screw #10 - 16 x 1" POH - w/Washer - Beige                      |
|     | 049465-05-000 | EA  | Screw #10 - 16 x 1" POH - w/Washer - Gray                       |
|     | 000G12-10-24E | EA  | Screw #10 - 16 x 1 1/2" POH - Chrome                            |
|     | 000G11-10-08D | EA  | Screw #10 - 16 x 1/2" PPH - Dark Brown                          |
|     | 000G11-10-12R | EA  | Screw #10 - 16 x 3/4" PPH - Beige                               |
|     | 000G11-10-12S | EA  | Screw #10 - 16 x 3/4" PPH - Off White                           |
|     | 000G11-10-12B | EA  | Screw #10 - 16 x 3/4" PPH - Zinc                                |
|     | 000G11-10-16B | EA  | Screw #10 - 16 x 1" PPH - Zinc                                  |
|     | 000G11-10-40B | EA  | Screw #10 - 16 x 2 1/2" PPH - CAD                               |
|     | 000G19-10-12B | EA  | Screw #10 - Machine - 32 TPI x 3/4"                             |
|     | 075908-01-000 | EA  | Screw #10 - Machine - 32 x 56" PTH - Zinc                       |
|     | 000G19-10-20B | EA  | Screw #10 - Machine - 32 x 1 1/4" PPH - Zinc                    |
|     | 000G39-12-12E | EA  | Screw #10 - Self Drilling - 14 x 3/4" PPH - Chrome              |
|     | 000G39-10-10R | EA  | Screw #10 - Self Drilling - 16 x 5/2" PPH - Beige               |
|     | 000G39-10-12R | EA  | Screw #10 - Self Drilling - 16 x 3/4" PPH - Beige               |
|     | 000G39-10-12P | EA  | Screw #10 - Self Drilling - 16 x 3/4" PPH - Dark Brown          |
|     | 000G56-12-48C | EA  | Screw #12 - Wood - 11 x 3" POH - CAD                            |

**1986 WINNEBAGO  
TABLE OF CONTENTS**

|            |             |
|------------|-------------|
| WC/WF424RS | A-01 - C-12 |
| WCN27RT    | C-13 - E-22 |
| WCP31RT    | E-23 - H-10 |
| WCP34RU    | H-11 - J-22 |

**1986 WC/WF424RS INDEX**

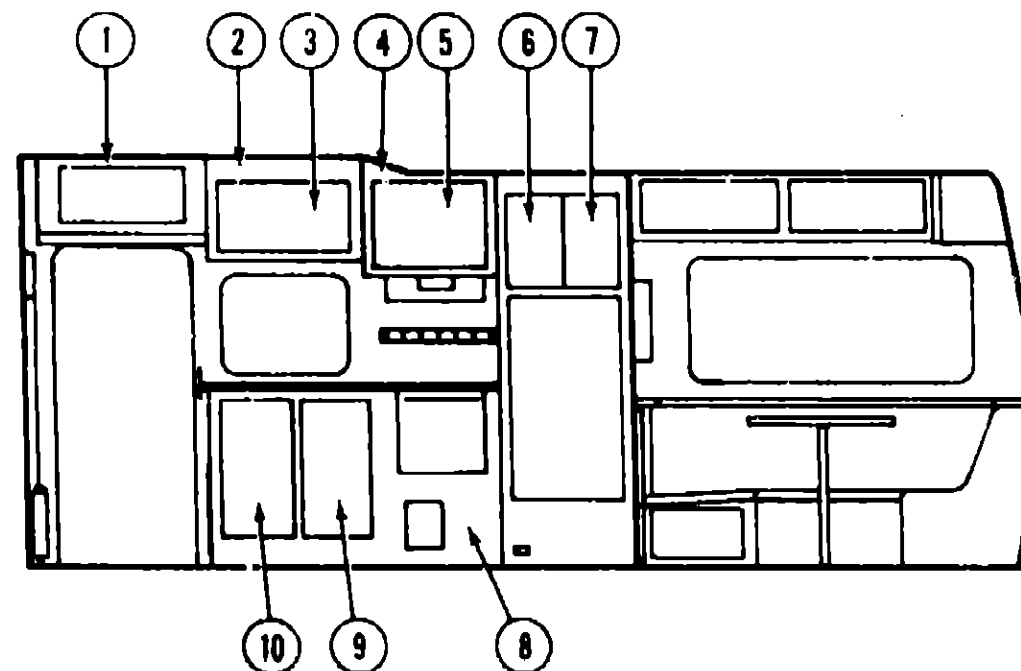
|                                    |             |
|------------------------------------|-------------|
| Floor Plan                         | A-01 - A-02 |
| Accessories Group                  | A-03 - A-05 |
| Bath Group                         | A-06        |
| Chassis Group                      | A-07 - A-08 |
| Curtain, Cushion & Pad Group       | A-09 - A-16 |
| Dinette Group                      | A-17 - A-18 |
| Driver's Compartment Group         | A-19 - A-21 |
| Electrical Group                   | A-22 - A-24 |
| Exterior Body Group                | B-01 - B-07 |
| Galley Group                       | B-08 - B-10 |
| Heating & Air Conditioning Group   | B-11 - B-12 |
| Interior Finish Group              | B-13 - B-15 |
| LP Group                           | B-16        |
| Lounge Group                       | B-17 - B-18 |
| Water & Sewage Group               | B-19 - B-21 |
| Window, Vent & Exterior Door Group | B-22 - C-12 |

**EXTERIOR BODY GROUP (CONTINUED)**

**SEALANTS & ADHESIVES**

| Key | Part Number   | U/M | Description   |
|-----|---------------|-----|---|
|     | 004020-01-000 | QT  | Adhesive - ABS Cement (Plastic Fittings)                            |
|     | 002337-01-000 | EA  | Adhesive - 1300 Tube - 3M (Windows)                                 |
|     | 004005-02-000 | GL  | Adhesive - Swifts - Glue (Sidewalls)                                |
|     | 053766-07-000 | EA  | Bedding Compound - Tube - Beige (Exterior)                          |
|     | 053766-06-000 | EA  | Bedding Compound - Tube - Clear (Window)                            |
|     | 053766-08-000 | EA  | Bedding Compound - Tube - Gray (Exterior)                           |
|     | 053766-05-000 | EA  | Bedding Compound - Tube - Gray (Sidewalls to Floor)                 |
|     | 053766-02-000 | EA  | Bedding Compound - Tube - Off White (Exterior)                      |
|     | 002328-02-000 | EA  | Block - Rubber Spacer (Windshield)                                  |
|     | 004336-01-000 | EA  | Caulk - Latex - Golden Walnut (Sidewalls)                           |
|     | 072891-02-000 | QT  | Primer - Glass - Black  |
|     | 072891-01-000 | QT  | Primer - Glass - Clear  |
|     | 035024-01-000 | EA  | Primer - Glass - Clear - Windshield                                 |
|     | 072890-01-000 | QT  | Primer - Metal - Black  |
|     | 035023-01-000 | GL  | Primer - Metal - Windshield   |
|     | 077967-01-000 | EA  | Sealant - Acrylic Latex - Tube - Off White (Interior Sealant)       |
|     | 034552-04-000 | EA  | Sealant - Silicone - Beige  |
|     | 034552-02-000 | EA  | Sealant - Silicone - Clear  |
|     | 034552-07-000 | EA  | Sealant - Silicone - Dark Gray                                      |
|     | 034552-06-000 | EA  | Sealant - Silicone - Off White                                      |
|     | 069637-01-000 | EA  | Sealant - Weatherban 404 - Tube - White (Door Caulk)                |
|     | 072889-01-000 | EA  | Sealant - Urethane - Black (Windshield)                             |
|     | 069640-01-000 | FT  | Sealer Ribbon - .25" Bead x 20'                                     |
|     | 069640-02-000 | FT  | Sealer Ribbon - .5" x .125" x 30'                                   |
|     | 069640-03-000 | FT  | Sealer Ribbon - .75" x .125" x 30'                                  |
|     | 069640-04-000 | FT  | Sealer Ribbon - 2" x .09" x 45' (P Series)                          |
|     | 069640-05-000 | FT  | Sealer Ribbon - 2.5" x .09" x 50'                                   |
|     | 069640-06-000 | FT  | Sealer Ribbon - 5/16" Bead x 15'                                    |
|     | 069640-07-000 | FT  | Sealer Ribbon - 2" x 3/32" x 30'                                    |
|     | 002316-01-000 | FT  | Sealer Tape - 3/32" x 3/8" - White (Window)                         |
|     | 002707-01-000 | FT  | Sealer Tape - 5/16" x 3/4"  |
|     | 002707-02-000 | FT  | Sealer Tape - 5/16" x 1/2"  |
|     | 040545-01-000 | GL  | Sealer - Seam Weld  |
|     | 053752-04-000 | EA  | Seam Sealer - Tube - Aluminum (Roof)                                |
|     | 063642-01-000 | FT  | Tape - Adhesive - .10 mm. x 1.5" Wide                               |
|     | 038886-01-000 | EA  | Tape - Butyl - .31" x .31" x 148" (Windshield)                      |
|     | 076322-01-000 | FT  | Tape - Foam - Double Coated - .025 x 1" (Fiberglass Sidewall Seams) |
|     | 076322-02-000 | FT  | Tape - Foam - Double Coated - .045 x 1" (Fiberglass Sidewall Seams) |
|     | 009200-01-000 | EA  | Tape - Furnace - 1.5"   |
|     | 002825-01-000 | FT  | Weather Striping (Roof Vent)  |

**GALLEY GROUP**



**GALLEY CABINETRY**

| Key | Part Number   | U/M | Description   |
|-----|---------------|-----|---|
| 1   | 082655-01-U01 | EA  | Cabinet Asm. - Entrance Door Overhead - w/o Doors or Hardware           |
| *   | 081280-08-U01 | EA  | Pad Asm. - End Cap - Entrance Door Overhead - Left - Vinyl              |
| 2   | 082354-01-U01 | EA  | Cabinet Asm. - Galley Overhead - w/o Doors or Hardware                  |
| *   | 081280-06-U01 | EA  | Pad Asm. - End Cap - Galley Overhead - Left - Vinyl                     |
| 3   | M81523-02-U01 | EA  | Door Asm. - Galley Overhead - w/o Hardware                              |
| 4   | 082351-01-U01 | EA  | Cabinet Asm. - Galley Overhead - w/o Door or Hardware                   |
| 5   | M81523-01-U01 | EA  | Door Asm. - Galley Overhead - w/o Hardware                              |
| 6   | M81502-06-U01 | EA  | Door Asm. - Refrigerator Cabinet - 18.6" x 11.8" - Left - w/o Hardware  |
| 7   | M81502-05-U01 | EA  | Door Asm. - Refrigerator Cabinet - 18.6" x 11.8" - Right - w/o Hardware |
| 8   | 081900-01-U01 | EA  | Cabinet Asm. - Galley - w/o Countertop, Doors, Drawers or Hardware      |
| **  | 081900-03-U01 | EA  | Cabinet Asm. - Galley - w/o Countertop, Doors, Drawers, or Hardware     |
| **  | M82184-01-U01 | EA  | Drawer Asm. - Galley Cabinet - w/o Hardware                             |
| *   | M02421-01-U01 | EA  | Countertop Asm. - Galley  |
| 9   | M81501-03-U01 | EA  | Door Asm. - Galley Cabinet - 33.4" x 14.3" w/o Hardware                 |
| 10  | M81501-02-U01 | EA  | Door Asm. - Galley Cabinet - 33.4" x 14.3" - w/o Hardware               |
| *   | 080812-02-U01 | EA  | Extension Asm. - Galley   |
| *   | 077404-01-000 | EA  | Drawer - Plastic - 20" x 12.7"  |
| *   |               |     | Not illustrated   |
| **  |               |     | Parts used with Microwave Option  |

**1986 WINNEBAGO  
TABLE OF CONTENTS**

|            |             |
|------------|-------------|
| WC/WF424RS | A-01 - C-12 |
| WCN27RT    | C-13 - E-22 |
| WCP31RT    | E-23 - H-10 |
| WCP34RU    | H-11 - J-22 |

**1986 WC/WF424RS INDEX**

|                                    |             |
|------------------------------------|-------------|
| Floor Plan                         | A-01 - A-02 |
| Accessories Group                  | A-03 - A-05 |
| Bath Group                         | A-06        |
| Chassis Group                      | A-07 - A-08 |
| Curtain, Cushion & Pad Group       | A-09 - A-16 |
| Dinette Group                      | A-17 - A-18 |
| Driver's Compartment Group         | A-19 - A-21 |
| Electrical Group                   | A-22 - A-24 |
| Exterior Body Group                | B-01 - B-07 |
| Galley Group                       | B-08 - B-10 |
| Heating & Air Conditioning Group   | B-11 - B-12 |
| Interior Finish Group              | B-13 - B-15 |
| LP Group                           | B-16        |
| Lounge Group                       | B-17 - B-18 |
| Water & Sewage Group               | B-19 - B-21 |
| Window, Vent & Exterior Door Group | B-22 - C-12 |



## GALLEY GROUP (CONTINUED)

### GALLEY HARDWARE & APPLIANCES

| Key | Part Number   | U/M | Description  |
|-----|---------------|-----|--|
|     | 079352-01-000 | EA  | Hood - Range - Non-Powered w/Light - Almond            |
|     | 079353-01-000 | EA  | Hood - Range - Powered w/Monitor - Almond - US         |
|     | 079353-01-700 | EA  | Test Connector   |
|     | 079353-01-701 | EA  | Fan Blade  |
|     | 079353-01-702 | EA  | Filter & Lens  |
|     | 079353-01-703 | EA  | Motor  |
|     | 079353-01-704 | EA  | Circuit Board - Tanks                                  |
|     | 079353-01-705 | EA  | Monitor Panel Asm. - Black                             |
|     | 079353-01-706 | EA  | Housing - Vent Hood w/Wire                             |
|     | 079353-01-707 | EA  | Face Plate - Monitor - Black                           |
|     | 072351-02-700 | EA  | Clock Asm.   |
|     | 075470-01-702 | EA  | Switch - Light, Water Heater, Water Pump & Power Panel |
|     | 075470-01-703 | EA  | Switch - Alarm Set, Minute Set, & Hour Set             |
|     | 075470-01-704 | EA  | Switch - Fan Hi-Low                                    |
|     | 075470-01-705 | EA  | Switch - Water Level/L.P Gas & Holding Tank            |
|     | 079353-02-000 | EA  | Hood - Range - Powered w/Monitor - Almond - CSA        |
|     | 075470-04-000 | EA  | Duct Extension - Hood Range                            |
|     | 055282-02-000 | EA  | Range w/Small Oven - 4 Burner - Almond - Magic Chef    |
|     | 055282-02-700 | EA  | Top - Main - Almond                                    |
|     | 055282-01-700 | EA  | Frame - Door - Upper                                   |
|     | 055282-01-701 | EA  | Frame - Door - Lower                                   |
|     | 055282-01-702 | EA  | Glass - Door Front                                     |
|     | 055282-01-703 | EA  | Panel Door - Black                                     |
|     | 081374-01-000 | EA  | Range Top - 4 Burner - Almond                          |
|     | 081374-01-700 | EA  | Trim - Cab Top - Right                                 |
|     | 081374-01-701 | EA  | Trim - Cab Top - Left                                  |
|     | 081374-01-702 | EA  | Manifold Panel - Black                                 |
|     | 081374-01-703 | EA  | Trim - Top - Rear                                      |
|     | 081374-01-704 | EA  | Guard - Fabric   |
|     | 064473-02-000 | EA  | Refrigerator - AC/DC/Gas - Norcold 6' - 776-EG3        |
|     | 064473-02-700 | EA  | Cooling Unit (Service Package)                         |
|     | 064473-02-701 | EA  | Frame - Door   |
|     | 064473-02-702 | EA  | Breaker Strip - Left - Bronze                          |
|     | 064473-02-703 | EA  | Breaker Strip - Right - Bronze                         |
|     | 064473-02-704 | EA  | Breaker Strip - Top - Bronze                           |
|     | 075217-01-000 | EA  | Refrigerator - AC/DC/Gas - Norcold 8' - 838-EG3        |
|     | 075217-01-700 | EA  | Shelf Asm. - Door - w/Trim                             |
|     | 075217-01-701 | EA  | Gasket - Freezer Door                                  |
|     | 075217-01-702 | EA  | Frame Asm. - Door                                      |
|     | 075217-01-703 | EA  | Trim - Decor - Top & Bottom                            |
|     | 075217-01-704 | EA  | Gasket - Refrigerator Door                             |
|     | 075217-01-706 | EA  | Cabinet Asm. - Urethane                                |
|     | 075217-01-707 | EA  | Bulb - Light - DC                                      |
|     | 075217-01-708 | EA  | Socket - Lamp  |
|     | 075217-01-710 | EA  | Eyebrow Asm.   |
|     | 075217-01-711 | EA  | Breaker Strip - Top                                    |
|     | 075217-01-713 | EA  | Crisper Drawer   |
|     | 075217-01-714 | EA  | Thermostat Asm.  |
|     | 075217-01-715 | EA  | Knob - Thermostat                                      |
|     | 075217-01-716 | EA  | Front Divider Asm.                                     |
|     | 075217-01-717 | EA  | Switch - Humidity                                      |
|     | 075217-01-718 | EA  | Light Switch   |
|     | 075217-01-719 | EA  | Eyebrow Board  |
|     | 075217-01-720 | EA  | Eyebrow  |
|     | 075217-01-721 | EA  | Lamp - Indicator - Amber                               |
|     | 075217-01-722 | EA  | Lamp - Indicator - Green                               |
|     | 075217-01-723 | EA  | Lamp - Indicator - Red                                 |
|     | 075217-01-724 | EA  | Lamp - Indicator - Blue                                |
|     | 075217-01-725 | EA  | Rocker Switch - #615258                                |
|     | 075217-01-726 | EA  | Interface Board  |

## GALLEY GROUP (CONTINUED)

### GALLEY HARDWARE & APPLIANCES (CONT.)

| Key | Part Number   | U/M | Description                             |
|-----|---------------|-----|---|
|     | R77005-81-129 | EA  | Relay - Glow Plug                       |
|     | 075217-01-728 | EA  | Cover - Interface Board                 |
|     | 075217-01-729 | EA  | Fitting - Outlet                        |
|     | 075217-01-730 | EA  | Valve - Gas                             |
|     | 075217-01-731 | EA  | Nipple                                  |
|     | 075217-01-732 | EA  | Fitting - Inlet                         |
|     | 075217-01-733 | EA  | Shut-Off Cock                           |
|     | 075217-01-734 | EA  | Fuse - 3 Amp.                           |
|     | 075217-01-735 | EA  | Ignition Electrode                      |
|     | 075217-01-736 | EA  | Sensing Electrode                       |
|     | 075217-01-737 | EA  | Control Module                          |
|     | 075217-01-738 | EA  | Rocker Switch - #615259                 |
|     | 075217-01-739 | EA  | Heater                                  |
|     | 075217-01-740 | EA  | Screw #6 - 32 x 2 3/8"                  |
|     | 075217-01-741 | EA  | Wing - Nut #6 - 32                      |
|     | 075217-01-742 | EA  | Hex Nut                                 |
|     | 075217-01-743 | EA  | Elbow - 90°                             |
|     | 075217-01-744 | EA  | Cable - Wiring                          |
|     | 075217-01-745 | EA  | Liner Asm. - Foamed - Door              |
|     | 075217-01-746 | EA  | Baffle Asm.                             |
|     | 075217-01-747 | EA  | Liner Asm. - Foamed - Lower - Door      |
|     | 075218-01-000 | EA  | Refrigerator - 3 Way - 10' Norcold      |
|     | 075218-01-700 | EA  | Gasket - Freezer Door                   |
|     | 075218-01-701 | EA  | Gasket - Refrigerator Door              |
|     | 075218-01-702 | EA  | Connector Rod                           |
|     | 075218-01-703 | EA  | Frame Asm.                              |
|     | 075218-01-704 | EA  | Cabinet - Urethane                      |
|     | 075218-01-705 | EA  | Breaker Strip - Bottom                  |
|     | 075218-01-707 | EA  | Divider - Front                         |
|     | 075218-01-708 | EA  | Cable - Wiring                          |
|     | 075218-01-709 | EA  | Door Liner Asm. - Foamed                |
|     | 075218-01-710 | EA  | Door Liner Asm. - Foamed - Lower        |
|     | 054450-01-000 | EA  | Level - Refrigerator                    |
|     | 081379-01-000 | EA  | Microwave Oven - Sharp - Convection     |
|     | 081459-01-000 | EA  | Bracket Asm. - Microwave - Right        |
|     | 081459-02-000 | EA  | Bracket Asm. - Microwave - Left         |
|     | 081555-01-003 | EA  | Trim Ring - Microwave                   |
|     | 081456-01-000 | EA  | Angle Asm. - Microwave - Right          |
|     | 081456-02-000 | EA  | Angle Asm. - Microwave - Left           |
|     | 082876-01-000 | EA  | Baffle - Microwave                      |
|     | 075922-04-000 | EA  | Alr Exhaust Duct - Microwave            |
|     | 068615-01-000 | EA  | Sink - Stainless Steel - Double w/Bolts |
|     | 011053-01-000 | EA  | Faucet - Swing Spout - 8" - US          |
|     | 011053-02-000 | EA  | Faucet - Swing Spout - 8" - CSA         |
|     | 011053-01-700 | EA  | Aerator - Swing Spout Faucet            |
|     | 066437-01-000 | EA  | Strainer w/Basket - Sink                |
|     | 053424-04-006 | EA  | Sink Cover - Large                      |
|     | 009049-01-000 | EA  | Support - Drop Leaf Table               |
|     | 009059-01-000 | EA  | Hinge - 2" - Gold - Drop Leaf Table     |
|     | 074490-01-000 | EA  | Spice Rack - Oak                        |
|     | 079606-03-U04 | EA  | Rack Asm. - Magazine                    |
|     | 074981-01-000 | EA  | Cutting Board - Maple                   |
|     | 058334-01-000 | EA  | Wastebasket - 9 3/4" x 7" x 10" - White |
|     | 059777-01-000 | EA  | Hinge - Cabinet Door - Antique Brass    |
|     | 057898-01-000 | EA  | Hidden Latch w/Strike - Cabinet Door    |
|     | 047744-01-000 | EA  | Kit - Drawer Guide - Plastic            |
|     | 077400-01-000 | EA  | Slide - Drawer - 20 75" - Plastic       |
|     | 077404-01-000 | EA  | Drawer - 20" x 12 70" - Plastic         |
|     | 066435-01-000 | EA  | Nut Strainer                            |
|     | 011083-01-000 | EA  | Plug - 1 1/4" x 5" - w/Stopper          |
|     | 066440-01-000 | EA  | Strainer w/Rubber Washer                |

## 1986 WINNEBAGO TABLE OF CONTENTS

|            |             |
|------------|-------------|
| WC/WF424RS | A-01 - C-12 |
| WCN27RT    | C-13 - E-22 |
| WCP31RT    | E-23 - H-10 |
| WCP34RU    | H-11 - J-22 |

## 1986 WC/WF424RS INDEX

|                                    |             |
|------------------------------------|-------------|
| Floor Plan                         | A-01 - A-02 |
| Accessories Group                  | A-03 - A-05 |
| Bath Group                         | A-06        |
| Chassis Group                      | A-07 - A-08 |
| Curtain, Cushion & Pad Group       | A-09 - A-16 |
| Dinette Group                      | A-17 - A-18 |
| Driver's Compartment Group         | A-19 - A-21 |
| Electrical Group                   | A-22 - A-24 |
| Exterior Body Group                | B-01 - B-07 |
| Galley Group                       | B-08 - B-10 |
| Heating & Air Conditioning Group   | B-11 - B-12 |
| Interior Finish Group              | B-13 - B-15 |
| LP Group                           | B-16        |
| Lounge Group                       | B-17 - B-18 |
| Water & Sewage Group               | B-19 - B-21 |
| Window, Vent & Exterior Door Group | B-22 - C-12 |

## HEATING & AIR CONDITIONING GROUP

### AUTOMOTIVE HEATER & AIR CONDITIONER

| Key | Part Number   | U/M | Description                                 |
|-----|---------------|-----|---|
|     | 079373-01-000 | EA  | A/C - Compressor Mount Package - 350 C.I.D. |
|     | 072343-01-000 | EA  | A/C - Compressor/Clutch - Sankyo 510        |
|     | 073716-01-000 | EA  | A/C - Condensor Asm. - "C" - Tube O         |
|     | 073716-01-700 | EA  | Coil Condenser                              |
|     | 073716-01-701 | EA  | Receiver Drier                              |
|     | 073716-01-702 | EA  | Hose Assy. #6                               |
|     | 073716-01-703 | EA  | Hose Assy. #8                               |
|     | 079372-01-000 | EA  | A/C - Evaporator Asm. - Cutaway             |
|     | 079372-01-700 | EA  | Evaporator Coil                             |
|     | 079372-01-701 | EA  | Expansion Valve                             |
|     | 079372-01-702 | EA  | Blower                                      |
|     | 079372-01-703 | EA  | Blower Motor                                |
|     | 079372-01-704 | EA  | Motor Mount                                 |
|     | 079372-01-705 | EA  | Blower Wheel                                |
|     | 079372-01-706 | EA  | Hose Assy. #6 - Liquid                      |
|     | 079372-01-707 | EA  | Hose Assy. #10 - Suction                    |
|     | 072341-01-716 | EA  | Valve Discharge                             |
|     | 072341-01-704 | EA  | Valve Section                               |
|     | 079372-01-708 | EA  | Thermostat                                  |
|     | 079372-01-709 | EA  | Blower Switch                               |
|     | 079372-01-710 | EA  | Decal - Control Panel                       |
|     | 079372-01-711 | EA  | Plenum                                      |
|     | 079372-01-712 | EA  | Lower                                       |
|     | 079372-01-713 | EA  | Harness Wiring                              |
|     | 079372-01-714 | EA  | Switch - Snap Action                        |
|     | 079372-01-715 | EA  | Power - Jumper                              |
|     | 079372-01-716 | EA  | Plate - Control                             |
|     | 079372-01-717 | EA  | Valve - Clamp                               |
|     | 079372-01-718 | EA  | Lower - Escutcheon                          |
|     | 079372-01-719 | EA  | Lower - Escutcheon - Assy.                  |
|     | 079373-03-000 | EA  | Mount & Drive Kit                           |
|     | 007108-01-000 | FT  | Hose - Heater - 5/8" I.D. SAE 20R           |
|     | 049401-01-000 | EA  | Rear Heater Asm.                            |
|     | 049401-01-700 | EA  | Valve - Water Control                       |
|     | 049401-01-701 | EA  | Cable - Rear Auto Heater Control            |
|     | 049401-01-702 | EA  | Motor Asm - Evans                           |
|     | 049401-01-703 | EA  | Heater Core - Evans                         |
|     | 049401-01-704 | EA  | Switch Heater - Evans                       |
|     | 049401-01-705 | EA  | Valve - 3 Part 2 Way                        |
|     | 049401-01-706 | EA  | Knob Heater                                 |
|     | 049401-01-708 | EA  | Wire Assy.                                  |
|     | 049401-01-709 | EA  | Wire Assy.                                  |
|     | 049401-01-710 | EA  | Wire Assy.                                  |
|     | 049401-01-711 | EA  | Knob - Switch                               |
|     | 062401-04-000 | EA  | Clamp - Worm Drive - .69" 1.25 I.D          |

## HEATING & AIR CONDITIONING GROUP (CONTINUED)

### FURNACES & ROOF AIR CONDITIONER

| Key | Part Number   | U/M | Description  |
|-----|---------------|-----|--|
|     | 075696-01-000 | EA  | Furnace - 34,000 BTU - w/Direct Ignition - NT-34S                  |
|     | 075695-01-000 | EA  | Furnace - 24,000 BTU - w/Direct Ignition - NT-24S                  |
|     | 074166-01-717 | EA  | Thermostat - Wall Mount  |
|     | 075695-01-701 | EA  | Electrode Asm. - Furnace   |
|     | 075695-01-702 | EA  | Vent Cap Asm. - Furnace  |
|     | 075695-01-703 | EA  | Gas Inlet Pipe - Furnace   |
|     | 075695-01-704 | EA  | Manifold Asm. - Furnace  |
|     | 075695-01-705 | EA  | Burner Asm. - Furnace  |
|     | 075695-01-707 | EA  | Motor - NT - 34S - Furnace   |
|     | 075695-01-708 | EA  | Micro Switch Asm. - NT - 24S - Furnace                             |
|     | 075695-01-709 | EA  | Micro Switch Asm. - NT - 34S - Furnace                             |
|     | 075695-01-710 | EA  | Cabinet - Front  |
|     | 075695-01-711 | EA  | Cabinet Asm.   |
|     | 075695-01-712 | EA  | Tube - Vent Cap Asm. - 2 7/8"                                      |
|     | 075695-01-713 | EA  | Tube - Intake - 7 1/4"   |
|     | 009198-01-000 | FT  | Duct - Flexible - 4" I.D. x 25'                                    |
|     | 056464-01-000 | EA  | Register - 4" Dia. - Plastic - w/Damper                            |
|     | 056464-02-000 | EA  | Register - 4" Dia. - Plastic - w/o Damper                          |
|     | 009200-01-000 | EA  | Tape - Furnace - 1 1/2"  |
|     | 010326-01-000 | EA  | Adapter - Flare - w/Cone Gasket                                    |
|     | 023146-01-000 | EA  | Clamp - Screw Type - 4"  |
|     | 073743-01-000 | EA  | Shroud Asm. - Ceiling - Inside - Roof Air Cool Only - 13,500 BTU   |
|     | 073744-01-000 | EA  | Shroud Asm. - Ceiling - Inside - Roof Air Heat & Cool - 13,500 BTU |
|     | 073742-01-000 | EA  | Air Conditioner - 110 Volt & Roof Mount - 13,500 BTU Rotary        |
|     | 073742-01-700 | EA  | Decal Package - Left & Right (Exterior)                            |
|     | 073742-01-701 | EA  | Selector Switch (5 Terminal)                                       |
|     | 073742-01-702 | EA  | Decal - Cool Only  |
|     | 073742-01-703 | EA  | Decal - Heat & Cool  |
|     | 073742-01-704 | EA  | Decal - Thermostat - TSR   |
|     | 073742-01-705 | EA  | Impellor - 7" x 2 8" Wide  |

## 1986 WINNEBAGO TABLE OF CONTENTS

|            |             |
|------------|-------------|
| WC/WF424RS | A-01 - C-12 |
| WCN27RT    | C-13 - E-22 |
| WCP31RT    | E-23 - H-10 |
| WCP34RU    | H-11 - J-22 |

## 1986 WC/WF424RS INDEX

|                                    |             |
|------------------------------------|-------------|
| Floor Plan                         | A-01 - A-02 |
| Accessories Group                  | A-03 - A-05 |
| Bath Group                         | A-06        |
| Chassis Group                      | A-07 - A-08 |
| Curtain, Cushion & Pad Group       | A-09 - A-16 |
| Dinette Group                      | A-17 - A-18 |
| Driver's Compartment Group         | A-19 - A-21 |
| Electrical Group                   | A-22 - A-24 |
| Exterior Body Group                | B-01 - B-07 |
| Galley Group                       | B-08 - B-10 |
| Heating & Air Conditioning Group   | B-11 - B-12 |
| Interior Finish Group              | B-13 - B-15 |
| LP Group                           | B-16        |
| Lounge Group                       | B-17 - B-18 |
| Water & Sewage Group               | B-19 - B-21 |
| Window, Vent & Exterior Door Group | B-22 - C-12 |

## INTERIOR FINISH GROUP

### CABINERY & TABLE HARDWARE

| Key | Part Number   | U/M | Description                                    |
|-----|---------------|-----|--|
| ..  | 053200-05-000 | EA  | Bracket - Upper Wall Mount - 23.5" - Beige     |
| ..  | 053201-03-000 | EA  | Bracket - Table Mount - 23"                    |
| ..  | 024275-08-000 | EA  | Rod - Table Lift - 8" x 23.5" - Brown          |
| ..  | 024281-07-000 | EA  | Bracket - Lower Wall Mount - 22.12" - Beige    |
| ..  | 024276-14-000 | EA  | Leg Asm. - Table - 26.5" - Brown               |
| ..  | 064050-01-000 | EA  | Hinge - Table Leg                              |
| ..  | 024282-01-000 | EA  | Brace - Table Leg                              |
| ..  | 024283-01-000 | EA  | Clip - 1" O.D. Tube                            |
| ..  | 049493-02-000 | EA  | Catch - Table Leg - Mounts on Floor - Brown    |
| ..  | 057898-01-000 | EA  | Latch - Hidden - Cabinet Door w/Strike         |
| ..  | 009112-01-000 | EA  | Flange - 1" - Chrome - Closet Rod              |
| ..  | 073306-03-000 | EA  | Slide - Cabinet - Full Extension - 18" - Left  |
| ..  | 073306-04-000 | EA  | Slide - Cabinet - Full Extension - 18" - Right |
| ..  | 073306-01-000 | EA  | Slide - Drawer - Full Extension - 18" - Left   |
| ..  | 073306-02-000 | EA  | Slide - Drawer - Full Extension - 18" - Right  |
| ..  | 072394-01-000 | EA  | Slide - Drawer                                 |
| ..  | 072394-01-000 | EA  | Slide - Drawer                                 |
| ..  | 077404-01-000 | EA  | Slide - Drawer                                 |
| ..  | 077409-01-000 | EA  | Slide - Drawer - Plastic - 20.75"              |
| ..  | 009049-01-000 | EA  | Table Support - Drop Leaf                      |
| ..  | 053331-01-000 | EA  | Hinge - Antique Brass                          |
| ..  | 009059-01-000 | EA  | Hinge - 2" - Drop Leaf Table - Gold            |
| ..  | 009059-02-000 | EA  | Hinge - 2" - Brass                             |
| ..  | 047744-01-000 | EA  | Kit - Drawer Glide                             |
| ..  | 057671-01-000 | EA  | Screw Cover - #8 - Off White                   |
| ..  | 076312-01-000 | EA  | Mesh - Grills - 7.3" x 6.75" - Gold Aluminum   |
| ..  | 009150-01-000 | EA  | Warp Guard - 64"                               |
| ..  | 009021-01-000 | EA  | Catch - Nylon - Furnace Door                   |
| ..  | 009021-02-000 | EA  | Strike - Nylon Catch - Furnace Door            |
| ..  | 041939-01-000 | EA  | Hinge Kit - Double Acting - Overhead Door      |
| ..  | 074493-02-000 | EA  | Support - Sprung - Door                        |
| ..  | 066433-01-000 | EA  | Hook - Cup - Bright                            |
| ..  | 058034-02-000 | EA  | Latch - Door w/o Lock - Sliding Door           |
| ..  | 075687-02-000 | EA  | Knob - Bath Door                               |
| ..  | 075680-01-000 | EA  | Clothes Rod - Adjustable - 27" x 36"           |
| ..  | 064467-01-000 | EA  | Guide - Wall Mount - Door Pocket               |
| ..  | 076767-03-000 | EA  | Cable Asm. - SST (TV Table)                    |
| ..  | 078212-01-000 | EA  | Pull - Brass w/Dark Oak - Cabinet              |
| ..  | 077461-01-000 | EA  | Cover - Strike                                 |

.. The illustrated parts breakdown for this item is provided on the Common Items Fiche.

### MISCELLANEOUS PARTS

| Key | Part Number   | U/M | Description   |
|-----|---------------|-----|---|
| ..  | 053552-02-T03 | EA  | Handle Asm. - Interior Assist - Medium Almond Vinyl |
| ..  | 041944-03-000 | EA  | Fire Extinguisher - w/Bracket                       |
| ..  | 054185-24-000 | EA  | Owner's Manual - 1986 Itasca & Winnebago            |
| ..  | 007038-01-000 | EA  | Door Mat - 10 1/2" x 26" - Black Rubber             |
| ..  | 075907-01-000 | EA  | Picture - Decor - Assorted Grasses                  |
| ..  | 065201-02-000 | EA  | Shade - Lamp - Parchment - Fabric                   |
| ..  | 065202-03-000 | EA  | Lamp - Decor Wall - Bright Brass                    |

## INTERIOR FINISH GROUP (CONTINUED)

### CURTAIN & CUSHION HARDWARE

| Key | Part Number   | U/M | Description                            |
|-----|---------------|-----|--|
| ..  | 052327-05-009 | EA  | Track - Curtain - 76" - Beige          |
| ..  | 056116-01-000 | FT  | Track - Curtain - Brown Plastic        |
| ..  | 075477-03-000 | EA  | Bracket - Hold Down - Blinds           |
| ..  | 082228-01-000 | EA  | Bracket - Curtain Rod - Right          |
| ..  | 082228-02-000 | EA  | Bracket - Curtain Rod - Left           |
| ..  | 056003-02-000 | EA  | Bracket - Drapery Retainer - Left      |
| ..  | 056003-01-000 | EA  | Bracket - Drapery Retainer - Right     |
| ..  | 056001-01-000 | EA  | Bracket - Shade - Left                 |
| ..  | 056002-01-000 | EA  | Bracket - Shade - Right                |
| ..  | 076827-01-000 | EA  | Bracket - Curtain - Woven Wood - Right |
| ..  | 076827-02-000 | EA  | Bracket - Curtain - Woven Wood - Left  |
| ..  | 079798-03-000 | EA  | Bracket Asm. - Curtain Rod - Right     |
| ..  | 079798-04-000 | EA  | Bracket Asm. - Curtain Rod - Left      |
| ..  | 082249-01-000 | EA  | Bracket - Blinds - Beige - Right       |
| ..  | 082249-02-000 | EA  | Bracket - Blinds - Beige - Left        |
| ..  | 079619-01-000 | EA  | Bracket - Tie Down                     |
| ..  | 009107-01-000 | EA  | Guide - Nylon Snap - Curtain           |
| ..  | 056784-01-000 | EA  | Pull - Window Shade - Antique Brass    |
| ..  | 056115-01-000 | YD  | Tape - Clear Plastic - w/Guide         |
| ..  | 048394-01-000 | YD  | Tape - Hook - 1" x 25 YD - Beige       |
| ..  | 029096-05-000 | YD  | Tape Hook - .50" - Velcro - Beige      |
| ..  | 048395-01-000 | YD  | Tape Loop - 1" x 25 YD - Beige         |
| ..  | 029090-01-000 | FT  | Tie - Drapery - Clear Vinyl            |

### PANELING & COUNTERTOP MATERIAL

| Key | Part Number   | U/M | Description   |
|-----|---------------|-----|---|
| ..  | 074496-03-000 | SF  | Paneling - Decor - Sunset Oak - 48" x 84" (28 SF) (Cabinets & Wall)       |
| ..  | 074496-31-000 | SF  | Paneling - Decor - Encore - 48" x 84" (28 SF) (Bedroom & Bath)            |
| ..  | 074496-38-000 | SF  | Paneling - Decor - Paw Paw - Plum - 48" x 84" (28 SF) (Galley) (U01, U02) |
| ..  | 074496-39-000 | SF  | Paneling - Decor - Paw Paw - Pine - 48" x 84" (28 SF) (Galley) (U03)      |
| ..  | 074497-07-000 | SF  | Paneling - Pebble Beach - 48" x 96" (32 SF) (Ceiling)                     |
| ..  | 074498-05-000 | SF  | Plastic Laminate - Sunset Oak - 48" x 96" (32 SF) (Nightstand)            |
| ..  | 074498-05-019 | EA  | Plastic Laminate - Sunset Oak - 1.19" x 96"                               |
| ..  | 076325-04-000 | FT  | Molding - Edge Band - Sunset Oak - 1 5/16" x .030"                        |
| ..  | 074498-08-000 | SF  | Plastic Laminate - Fawn - 48" x 96" (32 SF) (Dinette Table) (U01, U02)    |
| ..  | 074498-08-019 | EA  | Plastic Laminate - Fawn - 1.19" x 96"                                     |
| ..  | 076325-08-000 | FT  | Molding - Edge Band - Fawn - 1 5/16" x .030"                              |
| ..  | 074498-14-000 | SF  | Plastic Laminate - Sage Green - 48" x 96" (32 SF) (Dinette Table) (U03)   |
| ..  | 074498-14-019 | EA  | Plastic Laminate - Sage Green - 1.19" x 96"                               |
| ..  | 076325-10-000 | FT  | Molding - Edge Band - Sage Green - 1 5/16" x .030"                        |
| ..  | 074496-06-000 | SF  | Plastic Laminate - Beige Crescent - 48" x 96" (32 SF) (Galley)            |
| ..  | 074496-06-019 | EA  | Plastic Laminate - Beige Crescent - 1.19" x 96"                           |

## 1986 WINNEBAGO TABLE OF CONTENTS

|            |             |
|------------|-------------|
| WC/WF424RS | A-01 - C-12 |
| WCN27RT    | C-13 - E-22 |
| WCP31RT    | E-23 - H-10 |
| WCP34RU    | H-11 - J-22 |

## 1986 WC/WF424RS INDEX

|                                    |             |
|------------------------------------|-------------|
| Floor Plan                         | A-01 - A-02 |
| Accessories Group                  | A-03 - A-05 |
| Bath Group                         | A-06        |
| Chassis Group                      | A-07 - A-08 |
| Curtain, Cushion & Pad Group       | A-09 - A-16 |
| Dinette Group                      | A-17 - A-18 |
| Driver's Compartment Group         | A-19 - A-21 |
| Electrical Group                   | A-22 - A-24 |
| Exterior Body Group                | B-01 - B-07 |
| Galley Group                       | B-08 - B-10 |
| Heating & Air Conditioning Group   | B-11 - B-12 |
| Interior Finish Group              | B-13 - B-15 |
| I.P. Group                         | B-16        |
| Lounge Group                       | B-17 - B-18 |
| Water & Sewage Group               | B-19 - B-21 |
| Window, Vent & Exterior Door Group | B-22 - C-12 |

**INTERIOR FINISH GROUP (CONTINUED)**

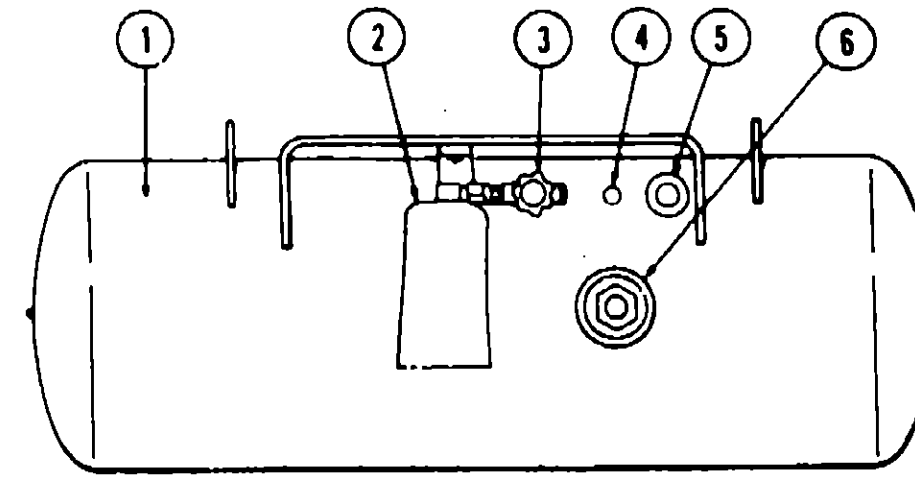
**INTERIOR MOLDING & TRIM**

| Key | Part Number   | U/M | Description                               |
|-----|---------------|-----|---|
|     | 009812-15-000 | EA  | Molding - Plastic - Outside Corner - 1/2" |
|     | 042357-09-000 | FT  | Molding - Radius Corner - 7' Elm          |
|     | 022992-01-000 | FT  | Molding - Reverse Cove - White            |
|     | 022992-08-000 | FT  | Molding - Reverse Cove - Champagne White  |
|     | 069733-37-000 | EA  | Batt Strip - Sunset Oak - 8' (Lounge)     |
|     | 069733-57-000 | EA  | Batt Strip - Encore - 8" (Bedroom)        |
|     | 069733-62-000 | EA  | Batt Strip - Pebble Beach - 8' (Ceiling)  |
|     | 067733-61-000 | EA  | Batt Strip - Threads - 8' (Galley)        |
|     | 070504-01-000 | FT  | U-Channel - .065" - Light Brown           |
|     | 070504-02-000 | FT  | U-Channel - .815" - Light Brown           |
|     | 070504-03-000 | FT  | U-Channel - .815" - Grady Brown           |
|     | 009778-04-000 | FT  | U-Channel - 1" - Grady Brown              |
|     | 009815-03-000 | FT  | T-Molding - .75" - Light Brown            |
|     | 009815-04-000 | FT  | T-Molding - .75" - Grady Brown            |
|     | 083620-01-000 | FT  | T-Molding - 3/4 w/Edge Lips               |
|     | 075249-01-000 | EA  | Rail Asm. - Plain - 72"                   |
|     | 075250-01-000 | EA  | Corner Post - 1" x 1" x 2 1/2" - Oak      |
|     | 078026-21-T03 | EA  | Trim - Valance - 82"                      |
|     | 002774-02-001 | EA  | Trim - Carpet - 192"                      |
|     | 009767-06-000 | FT  | Welting - Beige                           |
|     | 009767-07-000 | FT  | Welting - Grady Brown                     |
|     | 074045-01-000 | EA  | Plug - 1/2" Dia. - Oak                    |
|     | 041746-01-000 | FT  | Vinyl - Extr. - Bubble Seal               |

**FABRICS & CARPET**

| Key | Part Number   | U/M | Description   |
|-----|---------------|-----|---|
|     | 072333-25-000 | YD  | Fabric - Drapery - Toast (U01)                          |
|     | 072333-26-000 | YD  | Fabric - Drapery - Mauve (U02)                          |
|     | 072333-27-000 | YD  | Fabric - Drapery - Teal (U03)                           |
|     | 077498-62-000 | YD  | Fabric w/Pattern - Main - Truffle (U01)                 |
|     | 077498-63-000 | YD  | Fabric w/Pattern - Main - Rosewood (U02)                |
|     | 077498-64-000 | YD  | Fabric w/Pattern - Main - Spruce (U03)                  |
|     | 077498-75-000 | YD  | Fabric w/Pattern - Accent - Primrose (U02)              |
|     | 077498-74-000 | YD  | Fabric w/Pattern - Accent - Sagebrush (U03)             |
|     | 077498-73-000 | YD  | Fabric - Upholstery Accent - Plain - Truffle (U01, U03) |
|     | 077498-72-000 | YD  | Fabric - Upholstery Accent - Plain - Rosewood (U02)     |
|     | 069729-43-000 | YD  | Fabric - Bedspread/Drapery - Encore                     |
|     | 072333-21-000 | YD  | Fabric - Bedspread/Drapery - Parchment                  |
|     | 038421-01-000 | YD  | Fabric - Mattress Ticking                               |
|     | 029012-01-000 | BF  | Foam - Rolled - 3/8"                                    |
|     | 079680-01-000 | YD  | Vinyl - Expanded - 26 oz. - Buckskin                    |
|     | 079680-02-000 | YD  | Vinyl - Expanded - 26 oz. - Dark Sandrift               |
|     | 072860-43-000 | YD  | Carpet - Beige (U01)                                    |
|     | 072860-44-000 | YD  | Carpet - Red/Brown (U02)                                |
|     | 072860-45-000 | YD  | Carpet - Green/Blue (U03)                               |

**LP GROUP**



| Key | Part Number   | U/M | Description   |
|-----|---------------|-----|---|
| 1   | 081637-01-000 | EA  | Tank Asm. - LP - Frame Mount - 68 Pound - 14" x 32"               |
| 1   | 080450-01-000 | EA  | Tank Asm. - LP - Frame Mount - 42 Pound - 13" x 24"               |
| *   | 065741-01-000 | EA  | Detector - LP Gas Leak - Marshalltown Instruments                 |
| 2   | 076277-01-000 | EA  | Cover - LP Regulator - Front (Dual)                               |
| *   | 076278-01-000 | EA  | Cover - LP Regulator - Back (Dual)                                |
| *   | 076301-01-000 | EA  | Regulator - Two Stage - US (Dual)                                 |
| *   | 076301-02-000 | EA  | Regulator - Two Stage - CSA (Dual)                                |
| 3   | 040421-01-703 | EA  | Valve - Vapor Relief  |
| 4   | 040421-01-700 | EA  | Gauge - Liquid Level - 20% LP                                     |
| 5   | 040421-01-701 | EA  | Valve - Filler - LP   |
| *   | 040421-01-702 | EA  | Cap - Plastic Fill Valve  |
| 6   | 040421-01-707 | EA  | Gauge - Float - w/Visible Dial                                    |
| *   | 040421-01-706 | EA  | Dial - Visible Face - Float Gauge (Tank w/o Electric Transmitter) |
| *   | 040440-01-000 | EA  | Dial - Transmitter - 0 - 90 Ohm (Float Gauge)                     |
| *   | 045703-01-000 | EA  | Hose Asm. - LP - 3/8" I.D. x 24" - US                             |
| *   | 045703-02-000 | EA  | Hose Asm. - LP - 3/8" I.D. x 24" - CSA                            |
| *   | 045703-03-000 | EA  | Hose Asm. - LP - 3/8" I.D. x 18" - US                             |
| *   | 045703-04-000 | EA  | Hose Asm. - LP - 3/8" I.D. x 14" - CSA                            |
| *   | 065959-01-000 | EA  | Housing - LP Gauge  |
| *   | 065742-01-000 | EA  | Tab - 38 F x .39 F x .25 FPT                                      |
| *   |               |     | Not Illustrated   |

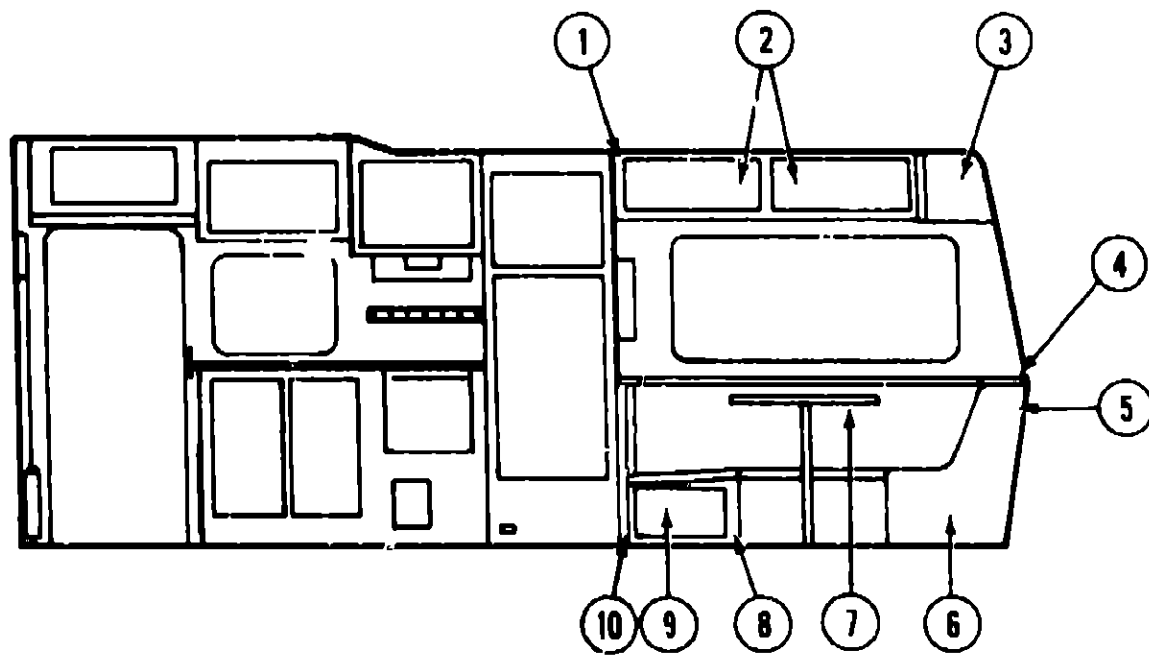
**1986 WINNEBAGO  
TABLE OF CONTENTS**

|            |             |
|------------|-------------|
| WC/WF424RS | A-01 - C-12 |
| WCN27RT    | C-13 - E-22 |
| WCP31RT    | E-23 - H-10 |
| WCP34RU    | H-11 - J-22 |

**1986 WC/WF424RS INDEX**

|                                    |             |
|------------------------------------|-------------|
| Floor Plan                         | A-01 - A-02 |
| Accessories Group                  | A-03 - A-05 |
| Bath Group                         | A-06        |
| Chassis Group                      | A-07 - A-08 |
| Curtain, Cushion & Pad Group       | A-09 - A-15 |
| Dinette Group                      | A-17 - A-18 |
| Driver's Compartment Group         | A-19 - A-21 |
| Electrical Group                   | A-22 - A-24 |
| Exterior Body Group                | B-01 - B-07 |
| Galley Group                       | B-08 - B-10 |
| Heating & Air Conditioning Group   | B-11 - B-12 |
| Interior Finish Group              | B-13 - B-15 |
| LP Group                           | B-16        |
| Lounge Group                       | B-17 - B-18 |
| Water & Sewage Group               | B-19 - B-21 |
| Window, Vent & Exterior Door Group | B-22 - C-12 |

## LOUNGE GROUP



### CORNER LOUNGE

| Key | Part Number     | U/M | Description   |
|-----|-----------------|-----|---|
| 1   | 082487-01-U01   | EA  | Cabinet Asm. - Lounge Overhead - w/o Doors or Hardware    |
| 2   | M81503-02-U01   | EA  | Door Asm. - Lounge Overhead - w/o Hardware                |
| 3   | 082500-01-U01   | EA  | Cabinet Asm. - Rear Overhead - w/o Doors or Hardware      |
| 4   | 082888-01-U01   | EA  | Pad Asm. - Corner Lounge - Rear (U03)                     |
| 4   | 082888-01-U02   | EA  | Pad Asm. - Corner Lounge - Rear                           |
| 5   | M02496-05-U01   | EA  | Cabinet Asm. - Corner Lounge Back - w/o Hardware          |
| 6   | M02496-04-U01   | EA  | Cabinet Asm. - Corner Lounge Base - w/o Doors or Hardware |
| 6   | M02496-03-U01   | EA  | Cabinet Asm. - Center Corner Lounge Base - w/o Hardware   |
| 6   | M82889-01-U01   | EA  | Pad Asm. - Corner Lounge - Side (U03)                     |
| 6   | M82889-01-U02   | EA  | Pad Asm. - Corner Lounge - Side                           |
| 7   | 081298-03-U01   | EA  | Table Asm. - Corner Lounge - w/o Hardware                 |
| 8   | M02496-02-U01   | EA  | Cabinet Asm. - Corner Lounge Base - w/o Doors or Hardware |
| 8   | M02496-01-U01   | EA  | Cabinet Asm. - Corner Lounge Back - w/o Hardware          |
| 9   | M81501-10-U01   | EA  | Door Asm. - Corner Lounge - w/o Hardware                  |
| 10  | 074549-02-U01   | EA  | Pad Asm. - Corner Lounge - Front (U03)                    |
| 10  | 074549-02-U02   | EA  | Pad Asm. - Corner Lounge - Front                          |
| 10  | 041194-01-000   | EA  | Base - Flush Mount - Table                                |
| 10  | 009040-04-000   | EA  | Leg - Pedestal Table - 27.50"                             |
| 10  | Not illustrated |     |   |

## LOUNGE GROUP (CONTINUED)

### BUNK BED (OPTION)

| Key | Part Number   | U/M | Description   |
|-----|---------------|-----|---|
|     | M82371-01-U01 | EA  | Cabinet Asm. - Nightstand - w/o Countertop, Doors or Hardware |
|     | M02471-01-U01 | EA  | Countertop Asm. - Nightstand - w/o Hardware                   |
|     | M81502-01-T03 | EA  | Door Asm. - Nightstand - w/o Hardware                         |
|     | M81502-02-U01 | EA  | Door Asm. - Nightstand - w/o Hardware                         |
|     | M82497-01-U01 | EA  | Cabinet Asm. - Bunk - w/o Doors or Hardware                   |
|     | M81501-08-U01 | EA  | Door Asm. - Bunk Cabinet - w/o Hardware                       |
|     | 077404-01-000 | EA  | Drawer - Plastic - 20" x 12.7"                                |
|     | 077409-01-000 | EA  | Slide - Plastic Drawer - 20.75"                               |

### SPRUNG COUCH (OPTION)

| Key | Part Number   | U/M | Description                                       |
|-----|---------------|-----|---|
|     | M82331-01-U01 | EA  | Cabinet Asm. - Nightstand - w/o Doors or Hardware |
|     | M02428-01-U01 | EA  | Countertop Asm. - Nightstand - w/o Hardware       |
|     | M02657-01-U01 | EA  | Panel Asm. - Couch Face (U03)                     |
|     | M02657-01-U02 | EA  | Panel Asm. - Couch Face                           |
|     | 016604-02-000 | EA  | Brace - Seat Angle - 2.50" - Brown                |
|     | 057472-01-000 | EA  | Clip - Panel                                      |

## 1986 WINNEBAGO TABLE OF CONTENTS

|            |             |
|------------|-------------|
| WC/WF424RS | A-01 - C-12 |
| WCN27RT    | C-13 - E-22 |
| WCP31RT    | E-23 - H-10 |
| WCP34RU    | H-11 - J-22 |

## 1986 WC/WF424RS INDEX

|                                    |             |
|------------------------------------|-------------|
| Floor Plan                         | A-01 - A-02 |
| Accessories Group                  | A-03 - A-05 |
| Bath Group                         | A-06        |
| Chassis Group                      | A-07 - A-08 |
| Curtain, Cushion & Pad Group       | A-09 - A-16 |
| Dinette Group                      | A-17 - A-18 |
| Driver's Compartment Group         | A-19 - A-21 |
| Electrical Group                   | A-22 - A-24 |
| Exterior Body Group                | B-01 - B-07 |
| Galley Group                       | B-08 - B-10 |
| Heating & Air Conditioning Group   | B-11 - B-12 |
| Interior Finish Group              | B-13 - B-15 |
| LP Group                           | B-16        |
| Lounge Group                       | B-17 - U-18 |
| Water & Sewage Group               | B-19 - B-21 |
| Window, Vent & Exterior Door Group | B-22 - C-12 |

## WATER & SEWAGE GROUP

### HOLDING TANKS & WATER HEATER

| Key | Part Number   | U/M | Description   |
|-----|---------------|-----|---|
|     | 081767-02-000 | EA  | Tank Asm. - Water - 34 Gallon                         |
|     | 081767-01-000 | EA  | Tank - Water - 34 Gallon - w/o Fitting                |
|     | 074870-01-000 | EA  | Tank - Holding - 30 Gallon - w/o Fitting              |
|     | 074861-01-000 | EA  | Tank - Holding - 35 Gallon - w/o Fitting              |
|     | 051391-01-000 | EA  | Water Heater - w/o Motor Aid - Atwood - G6A-3         |
|     | 051391-01-700 | EA  | Hinge Kit - w/Clip                                    |
|     | 051391-01-701 | EA  | Valve - Drain - Petcock                               |
|     | 051391-01-702 | EA  | Tank - Inner (G6A3)                                   |
|     | 051391-01-703 | EA  | Tank - Inner (G6A2)                                   |
|     | 051391-01-704 | EA  | Valve - Relief - 1/2" Filling                         |
|     | 051391-01-705 | EA  | Fastener - Camloc                                     |
|     | 051391-01-706 | EA  | Grille - Exhaust                                      |
|     | 051391-01-707 | EA  | Thermostat  |
|     | 051391-01-708 | EA  | Burner - Main   |
|     | 051391-01-709 | EA  | Pilot Asm. - Safety                                   |
|     | 051391-01-710 | EA  | Orifice - Main Burner                                 |
|     | 051391-01-711 | EA  | Elbow - Orifice - Main Burner                         |
|     | 051391-01-712 | EA  | Thermostat - (G6A3)                                   |
|     | 051391-01-713 | EA  | Tube - Gas Inlet                                      |
|     | 051391-01-714 | EA  | Elbow - 45°   |
|     | 051391-01-715 | EA  | Drain Plug  |
|     | 051391-03-000 | EA  | Water Heater - w/Motor Aid - Atwood - G6A-3A          |
|     | 051393-01-000 | EA  | Water Heater - w/Motor Aid - Direct Ignition - G6A-3A |
|     | 051393-01-700 | EA  | Tank - Inner (GH6-E Only)                             |
|     | 051393-01-701 | EA  | Switch Package  |
|     | 051393-01-702 | EA  | Switch - Energy Cut Off                               |
|     | 051393-01-703 | EA  | Thermostat  |
|     | 051393-01-704 | EA  | Circuit Board   |
|     | 051393-01-705 | EA  | Fitting - Orifice                                     |
|     | 051393-01-706 | EA  | Probe & Spark Asm.                                    |
|     | 051393-01-707 | EA  | Burner - Main   |
|     | 051393-01-708 | EA  | Valve - Dual Solenoid                                 |
|     | 051393-01-709 | EA  | Elbow - Fitting                                       |
|     | 051393-01-710 | EA  | Cover - Circuit Board                                 |
|     | 051393-01-711 | EA  | Tube - Gas Inlet                                      |
|     | 051393-01-713 | EA  | Corner Bracket (4 ea.)                                |
|     | 051393-01-714 | EA  | Tank - Inner (GH6-3E Only)                            |
|     | 051393-01-715 | EA  | Tank - Inner (GH6103-E)                               |
|     | 051393-01-716 | EA  | Spark & Probe Asm.                                    |
|     | 051393-01-718 | EA  | Valve & Orifice                                       |
|     | 051393-01-719 | EA  | Circuit Board   |
|     | 051393-01-720 | EA  | Knob - Temperature                                    |
|     | 051393-01-721 | EA  | Thermostat Asm. - Front Mount                         |
|     | 051393-01-722 | EA  | Gas Ignition - Field Tester                           |

## WATER & SEWAGE GROUP (CONTINUED)

### PLUMBING & REPAIR PARTS

| Key | Part Number   | U/M | Description  |
|-----|---|-----|--|
|     | 033302-02-000   | EA  | Adapter Asm. - SWVC Strain - 1 1/2"                |
|     | 010326-01-000   | EA  | Adapter - Flare - w/Cone Gasket                    |
|     | 062422-01-000   | EA  | Adapter - Hose Offset - Reducer - 3" x 1 1/2"      |
|     | 052954-01-000   | EA  | Adapter - Hose Cone - 3/8 or 1/2 - Plastic         |
|     | 010224-01-000   | EA  | Adapter - Plastic - 3/8 MPT x 3/8 Barb             |
|     | 044927-01-000   | EA  | Adapter - Plastic - 1 1/4" MPT x 1 1/4 Barb        |
|     | 031602-02-000   | EA  | Adapter - Plastic - 1 1/2 H x FPT                  |
|     | 062417-01-000   | EA  | Adapter - Termination - 3"                         |
|     | 004020-01-000   | OT  | Adhesive - ABS Cement                              |
|     | 011048-04-000   | EA  | Breaker - Vacuum - 1/8 MPT - Nylon                 |
| **  | 010121-01-000   | EA  | Bushing - Plastic - 1 1/2 S x 1 1/4 H              |
|     | 010122-01-000   | EA  | Bushing - Plastic - 1 1/2 S x 1 1/4 T              |
|     | 010123-01-000   | EA  | Bushing - Plastic - 2S x 1 1/2 H                   |
|     | 036522-02-000   | EA  | Cap - Brass - 1/2 Flare                            |
|     | 062415-01-000   | EA  | Cap - Sewer - 3"                                   |
|     | 052959-02-000   | EA  | Connector - 1/2 F x 1 1/2 MPT - Plastic            |
|     | 052959-03-000   | EA  | Connector - 1/2 F x 3/8 MPT - Plastic              |
|     | 011091-02-000   | EA  | Continuous Waste - Double Sink - 11 7/8" - US      |
|     | 053874-01-000   | EA  | Continuous Waste Asm. - Double Sink - CSA          |
|     | 078406-01-000   | EA  | Coupler Rubber - 3" x 3"                           |
|     | 052960-01-000   | EA  | Drain Valve - 1/2 F x 1/2 F - Plastic              |
|     | 010000-01-000   | EA  | Elbow - Plastic - 1/8 BD x 1 1/4 x 45° H x H       |
|     | 010005-01-000   | EA  | Elbow - Plastic - 1/16 BD x 1 1/2                  |
|     | 010006-01-000   | EA  | Elbow - Plastic - 1/8 BD x 1 1/2 x 45° H x H       |
|     | 010008-01-000   | EA  | Elbow - Plastic - 1/4 BD x 1 1/2 x 90° Left        |
|     | 010051-01-000   | EA  | Elbow - ST - Plastic - 1/8 BD x 1 1/2 x 45°        |
|     | 010219-01-000   | EA  | Elbow - 1 1/4 Barb x 1 1/4 MPT x 90°               |
|     | 031111-01-000   | EA  | Elbow - Plastic - 1/4 BD x 1 1/4 x 90° Left        |
|     | 034250-01-000   | EA  | Elbow - Plastic - 1/4 BD x 1 1/2 x 90° x H x H     |
|     | 035539-01-000   | EA  | Elbow - Plastic - 3/8 MPT x 3/8 Barb               |
|     | 052957-01-000   | EA  | Elbow - Plastic - 1/2 F x 3/8 MPT                  |
|     | 052957-02-000   | EA  | Elbow - Plastic - 1/2 F x 1/2 MPT (In Tank Filter) |
|     | 059536-01-000   | EA  | Elbow - 1 1/4 - Slip Joint Ends                    |
|     | 065120-01-000   | EA  | Elbow - Plastic - Swivel - .50                     |
|     | 070924-01-000   | EA  | Elbow - Plastic - Swivel - 1/2 MPT x 1/2 FP        |
|     | 077954-01-000   | EA  | Filter/Screen (In Water Tank)                      |
|     | 039647-02-000   | EA  | Filter - Water Pump - 1/2" MPT                     |
|     | 039647-03-000   | EA  | Filter - Water Pump - 1/2" Flare                   |
|     | 010147-01-000   | EA  | Flange - Closet - 4" F x 3" FPT - US               |
|     | 010147-02-000   | EA  | Flange - Closet - 4" F x 3" FPT - CSA              |
|     | 079381-01-000   | FT  | Flexible Tubing - 1 1/4 I.D. x 10'                 |
|     | 061607-01-000   | EA  | Grommet - Holding Tank Coupler - 1 1/2"            |
|     | 061607-02-000   | EA  | Grommet - Holding Tank Coupler - 3"                |
|     | 062419-02-000   | EA  | Handle - Extension - w/6" Adapter                  |
|     | 052961-01-000   | EA  | Header - 1/2 F x 1/2 F x 1/2 F x 1/2 F             |
| **  | 046524-01-000   | EA  | Kit - Holding Tank Fittings - Blank Tank           |
| **  | 046524-01-000   | EA  | Kit - Water Tank Fittings - Blank Tank             |
|     | 052953-01-000   | EA  | Nut - Facuet - 1/2 Tube x 1/2 FPT                  |
|     | 052952-01-000   | EA  | Nut - 1/2 F - Plastic                              |
| **  | The illustrated parts breakdown for this item is provided on the Common Items Fiche |     |  |

## 1986 WINNEBAGO TABLE OF CONTENTS

|            |             |
|------------|-------------|
| WC/WF424RS | A-01 - C-12 |
| WCN27RT    | C-13 - E-22 |
| WCP31RT    | E-23 - H-10 |
| WCP34RU    | H-11 - J-22 |

## 1986 WC/WF424RS INDEX

|                                    |             |
|------------------------------------|-------------|
| Floor Plan                         | A-01 - A-02 |
| Accessories Group                  | A-03 - A-05 |
| Bath Group                         | A-06        |
| Chassis Group                      | A-07 - A-08 |
| Curtain, Cushion & Pad Group       | A-09 - A-16 |
| Dinette Group                      | A-17 - A-18 |
| Driver's Compartment Group         | A-19 - A-21 |
| Electrical Group                   | A-22 - A-24 |
| Exterior Body Group                | B-01 - B-07 |
| Galley Group                       | B-08 - B-10 |
| Heating & Air Conditioning Group   | B-11 - B-12 |
| Interior Finish Group              | B-13 - B-15 |
| LP Group                           | B-16        |
| Lounge Group                       | B-17 - B-18 |
| Water & Sewage Group               | B-19 - B-21 |
| Window, Vent & Exterior Door Group | B-22 - C-12 |

**WATER & SEWAGE GROUP (CONTINUED)**

**PLUMBING & REPAIR PARTS (CONT.)**

| Key | Part Number   | U/M | Description  |
|-----|---------------|-----|--|
| **  | 011066-03-000 | EA  | P-Trap - 1 1/4" Plastic - US                             |
| **  | 011066-02-000 | EA  | P-Trap - 1 1/4" Plastic - CSA                            |
|     | 053335-01-000 | EA  | P-Trap - Plastic - 1 1/4 H x H - w/Union - CSA           |
|     | 010197-01-000 | FT  | Pipe - Plastic - 3" x 240" - Black                       |
|     | 045729-01-000 | EA  | Pump - Water - 2.8 G.P.M. - Direct Drive - Shurflo - US  |
|     | 045729-02-000 | EA  | Pump - Water - 2.8 G.P.M. - Direct Drive - Shurflo - CSA |
| **  | 010201-01-000 | EA  | Sewer Hose - 3" x 8' w/Clamp                             |
|     | 042989-02-000 | EA  | Spinweld Fittings - Plastic - 1/2 FPT (In Tank Fitter)   |
|     | 042989-03-000 | EA  | Spinweld Fittings - Plastic - 1/4 NPT                    |
|     | 042989-04-000 | EA  | Spinweld Fittings - Plastic - 3/8 FPT                    |
|     | 011069-02-000 | EA  | Tailpiece - 1 1/2" x 1 1/4" x 4" - Brass                 |
|     | 010071-01-000 | EA  | Tee - Plastic - 1 1/2 x H x H x H                        |
|     | 010072-01-000 | EA  | Tee - Plastic - 1 1/2 H x 1 1/4 H x 1 1/2 H              |
| **  | 010079-01-000 | EA  | Tee - Plastic - 1 1/2 H x 1 1/2 H x 1 1/4 H              |
|     | 046172-01-000 | EA  | Tee - Plastic - 3/8 B x 3/8 B x 3/8 MPT                  |
|     | 052955-01-000 | EA  | Tee - Plastic - 1/2 F x 1/2 F x 1/2 MPT                  |
|     | 052956-01-000 | EA  | Tee - Plastic - 1/2 F x 1/2 MPT x 1/2 F                  |
|     | 052958-01-000 | EA  | Tee - Plastic - 1/2 F x 1/2 F x 1/2 F                    |
| **  | 010133-01-000 | EA  | Trap Adapter - Plastic - 1 1/2 H x MPT                   |
|     | 039800-01-000 | FT  | Tubing - Polybutyl - 1/2 O.D. (Water Line)               |
|     | 074327-02-000 | FT  | Tubing - Vinyl - 1/2 O.D. (Water Line)                   |
|     | 072346-01-000 | EA  | Valve Asm. - 3" Ell - w/2" Socket                        |
|     | 062418-02-000 | EA  | Valve - 1 1/2" - w/Handle                                |
|     | 062418-02-000 | EA  | Valve - 3" - w/o Handle                                  |
|     | 052960-01-000 | EA  | Valve - Line Drain - 1/2 F x 1/2 F                       |
|     | 052962-01-000 | EA  | Valve - Stool - 1/2 F x 3/8 MPT                          |
| **  | 010073-01-000 | EA  | Wye - Plastic - 1 1/2 x 45 H x H                         |

\*\* The illustrated parts breakdown for this item is provided on the Common Items Fiche

**WINDOW, VENT & EXTERIOR DOOR GROUP**

**ACCESS DOORS**

| Key | Part Number   | U/M | Description  |
|-----|---------------|-----|--|
|     | 079455-04-T95 | EA  | Door Asm. - Battery - 9" x 21.7"                           |
|     | 081787-01-000 | EA  | Door Asm. - Storage  |
|     | M79321-01-T03 | EA  | Door Asm. - Generator                                      |
|     | 079455-03-U01 | EA  | Door Asm. - LP - 9.5" x 21.7"                              |
|     | M02047-01-T95 | EA  | Door Panel Asm. - Tire Cover                               |
|     | 079149-01-T03 | EA  | Door Asm. - Luggage - Off White                            |
|     | 078969-01-T95 | EA  | Door Asm. - Refrigerator Access - w/Twist Lock - Off White |
|     | 052009-01-000 | EA  | Door Asm. - Water Heater - Off White                       |
|     | 052423-01-000 | EA  | Door Asm. - Sewage   |
|     | 078010-03-000 | EA  | Door - Fuel Fill - Off White                               |
|     | 063742-01-000 | EA  | Door - Power Cord - Off White                              |
|     | 052424-01-000 | EA  | Jamb - Power Cord/Fuel Fill Door - Off White               |
|     | 054543-01-000 | EA  | Hatch - Power Cord Door                                    |
|     | 052181-01-000 | EA  | Baffle - Generator Door                                    |
|     | 054530-01-000 | EA  | Door Holder  |
|     | 041312-01-000 | EA  | Seal - Bulb - "E" Section                                  |
|     | 072442-01-000 | EA  | Lock Asm. - Twist Type                                     |
|     | 009003-01-000 | EA  | Lock Asm. - Twist Type - w/Clip (Battery Door)             |
|     | 047305-01-000 | EA  | Lock Asm. - Key Type w/Clip - Metal (LP)                   |
|     | 077408-01-000 | EA  | Lock Asm. - Key Type                                       |
|     | 079366-01-000 | EA  | Lock Asm. - Key Type                                       |
|     | 079927-01-000 | EA  | Lock Asm. - Twist Type                                     |
|     | 052951-01-000 | EA  | Clip - Twist Lock - Retainer                               |
|     | 052350-01-700 | EA  | Lock Asm. - Twist Type - White                             |

**VENTS**

| Key | Part Number   | U/M | Description  |
|-----|---------------|-----|--|
|     | 071290-01-000 | EA  | Cover - Refrigerator Vent - 11 5/8" x 24 3/4" - Galvanized Steel |
|     | 071290-01-000 | EA  | Frame Asm. - Refrigerator Vent - 7 5" x 26 5" - Galvanized Steel |
| **  | 048835-01-000 | EA  | Vent Asm. - Roof - Non-Powered - w/o Screen - Aluminum           |
| **  | 048789-01-000 | EA  | Vent Asm. - Roof - Powered - w/o Screen - Aluminum               |
|     | 064469-02-000 | EA  | Vent Asm. - Roof - Powered - w/o Screen - 14" x 14" - CSA        |
|     | 079355-08-000 | EA  | Vent - Stovehood - Outside - Off White                           |
|     | 078785-01-T03 | EA  | Screen Asm. - Roof Vent - Powered                                |
|     | 078786-01-T03 | EA  | Screen Asm. - Roof Vent - Non Powered                            |

\* The illustrated parts breakdown for this item is provided on the Common Items Fiche

**1986 WINNEBAGO  
TABLE OF CONTENTS**

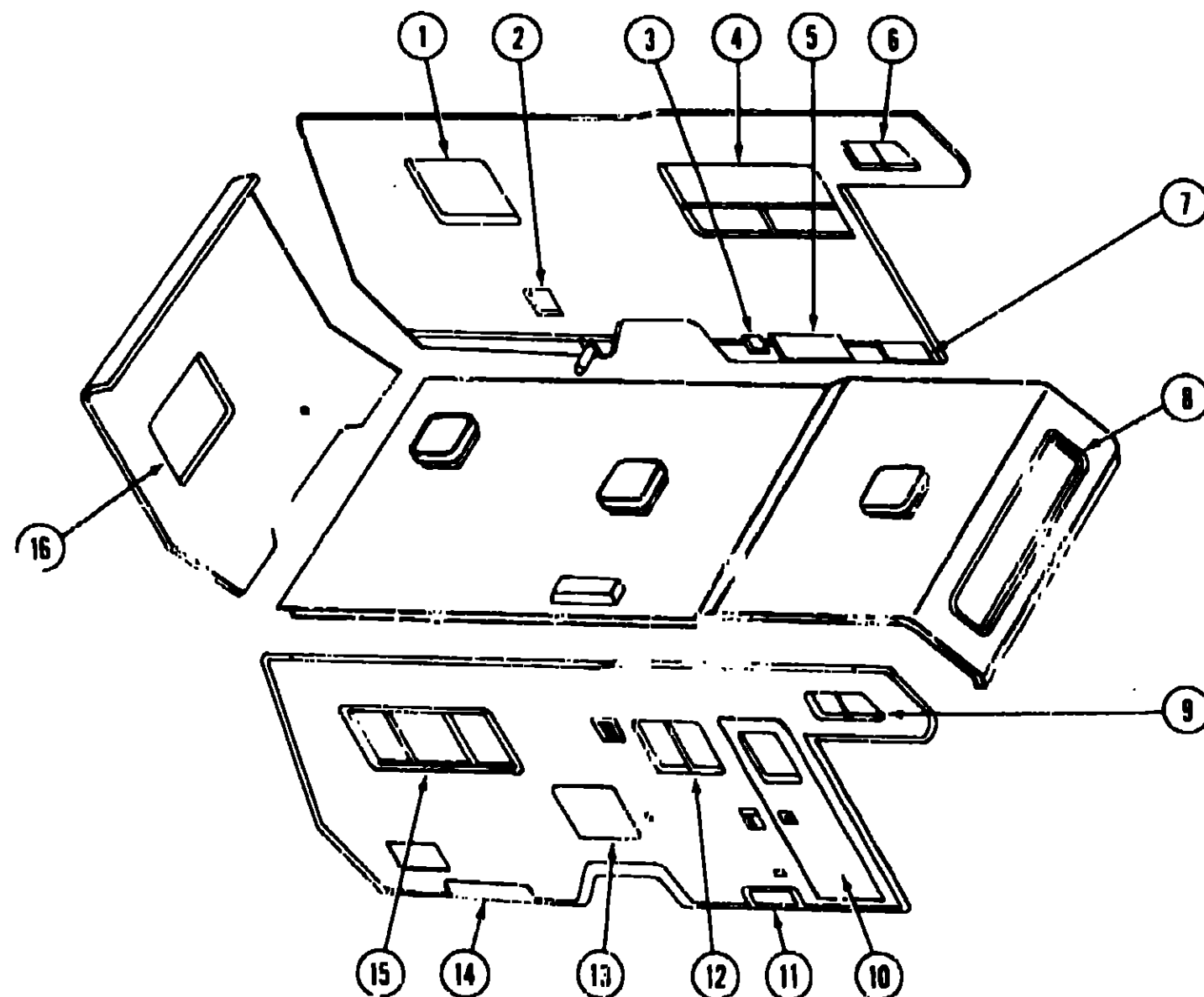
|            |             |
|------------|-------------|
| WC/WF424RS | A-01 - C-12 |
| WCN27RT    | C-13 - E-22 |
| WCP31RT    | E-23 - H-10 |
| WCP34RU    | H-11 - J-22 |

**1986 WC/WF424RS INDEX**

|                                    |             |
|------------------------------------|-------------|
| Floor Plan                         | A-01 - A-02 |
| Accessories Group                  | A-03 - A-05 |
| Elath Group                        | A-06        |
| Chassis Group                      | A-07 - A-08 |
| Curtain, Cushion & Pad Group       | A-09 - A-10 |
| Dinette Group                      | A-17 - A-18 |
| Driver's Compartment Group         | A-19 - A-21 |
| Electrical Group                   | A-22 - A-24 |
| Exterior Body Group                | B-01 - B-07 |
| Galley Group                       | B-08 - B-10 |
| Heating & Air Conditioning Group   | B-11 - B-12 |
| Interior Finish Group              | B-13 - B-15 |
| LP Group                           | B-16        |
| Lounge Group                       | B-17 - B-18 |
| Water & Sewage Group               | B-19 - B-21 |
| Window, Vent & Exterior Door Group | B-22 - C-12 |

# WINDOW, VENT & EXTERIOR DOOR GROUP (CONTINUED)

## WINDOWS & ACCESS DOORS



| Key | Part Number   | U/M | Description                                  |
|-----|---------------|-----|--|
| 1   | 079415-01-T03 | EA  | Window Asm - Escape                          |
| 2   | 078010-03-000 | EA  | Door Asm - Fuel Fill                         |
| 3   | 063742-01-000 | EA  | Door Asm - Power Cord                        |
| 4   | 081568-02-U01 | EA  | Window Asm - Double                          |
| 5   | 079149-01-T03 | EA  | Door Asm - Luggage                           |
| 5   | M79321-01-T03 | EA  | Door Asm - Generator                         |
| 6   | 078272-02-T03 | EA  | Window Asm - Bunk - Left                     |
| 7   | 079455-04-T95 | EA  | Door Asm - Battery                           |
| 8   | 078533-01-T03 | EA  | Window Asm - Front Picture                   |
| 9   | 078272-01-T03 | EA  | Window Asm - Bunk - Right                    |
| 10  | M01870-02-U01 | EA  | Door Asm - Entrance                          |
| 11  | 079733-04-T03 | EA  | Window Asm - Picture                         |
| 11  | 079455-03-U01 | EA  | Door Asm - LP                                |
| 12  | 078266-02-T03 | EA  | Window Asm - Slider                          |
| 13  | 078969-01-T95 | EA  | Door Asm - Refrigerator Access               |
| 14  | 081787-01-U01 | EA  | Door Asm - Storage                           |
| 15  | 078271-01-T03 | EA  | Window Asm - Center Slider                   |
| **  | 078266-01-T03 | EA  | Window Asm - Single Slider                   |
| 16  | 079729-01-T03 | EA  | Window Asm - Escape                          |
| **  | 079733-01-T03 | EA  | Window Asm - Picture                         |
| **  |               |     | Not illustrated                              |
| **  |               |     | Parts for bunkhouse option (not illustrated) |

## 1986 WINNEBAGO TABLE OF CONTENTS

WC/WF424RS  
WCN27RT  
WCP31RT  
WCP34RU

A-01 - C-12  
C-13 - E-22  
E-23 - H-10  
H-11 - J-22

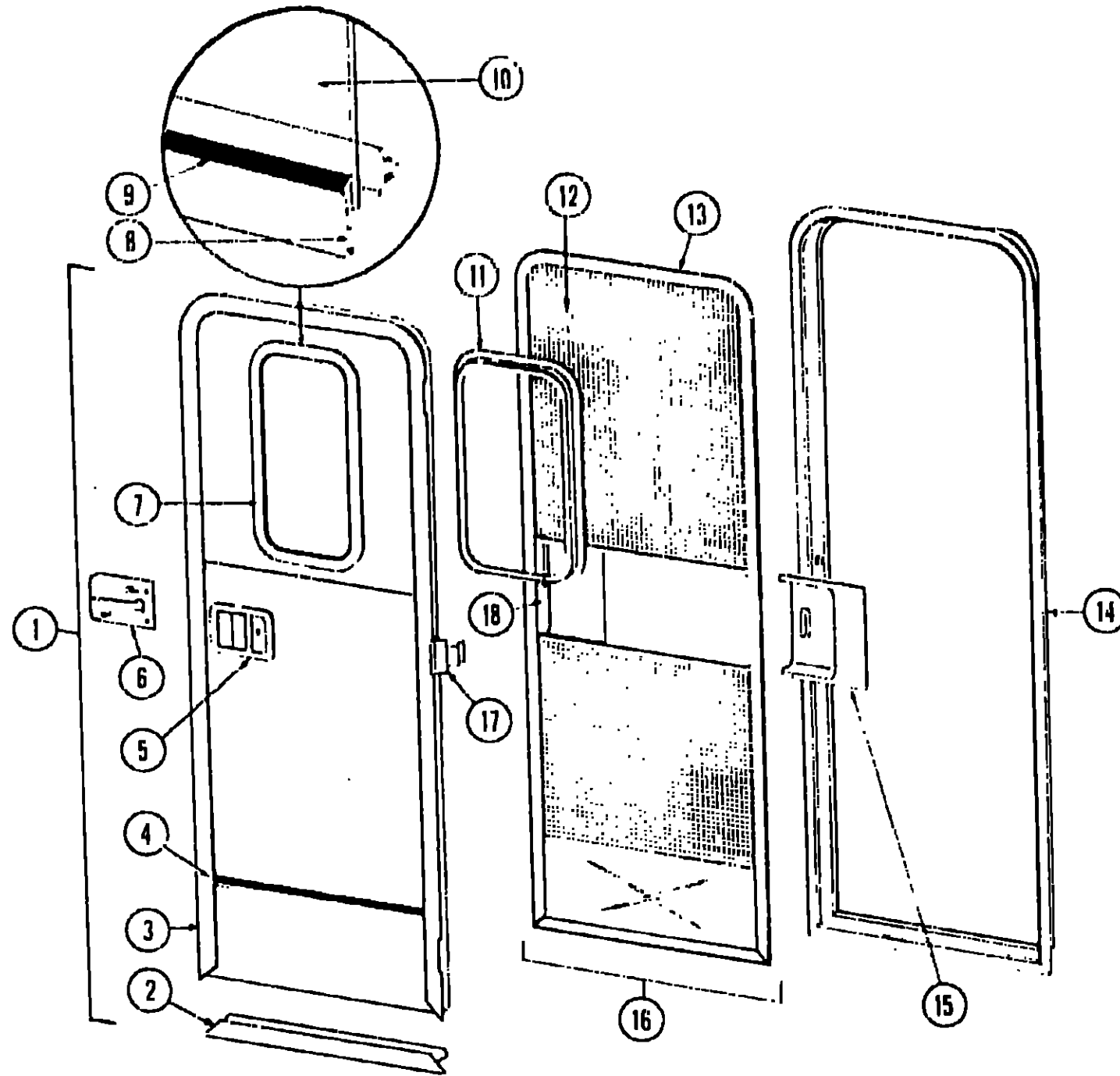
## 1986 WC/WF424RS INDEX

|                                    |             |
|------------------------------------|-------------|
| Floor Plan                         | A-01 - A-02 |
| Accessories Group                  | A-03 - A-05 |
| Bath Group                         | A-06        |
| Chassis Group                      | A-07 - A-08 |
| Curtain, Cushion & Pad Group       | A-09 - A-16 |
| Dinette Group                      | A-17 - A-18 |
| Driver's Compartment Group         | A-19 - A-21 |
| Electrical Group                   | A-22 - A-24 |
| Exterior Body Group                | B-01 - B-07 |
| Galley Group                       | B-08 - B-10 |
| Heating & Air Conditioning Group   | B-11 - B-12 |
| Interior Finish Group              | B-13 - B-15 |
| LP Group                           | B-16        |
| Lounge Group                       | B-17 - B-18 |
| Water & Sewage Group               | B-19 - B-21 |
| Window, Vent & Exterior Door Group | B-22 - C-12 |



# WINDOW, VENT & EXTERIOR DOOR GROUP (CONTINUED)

## ENTRANCE & SCREEN DOOR



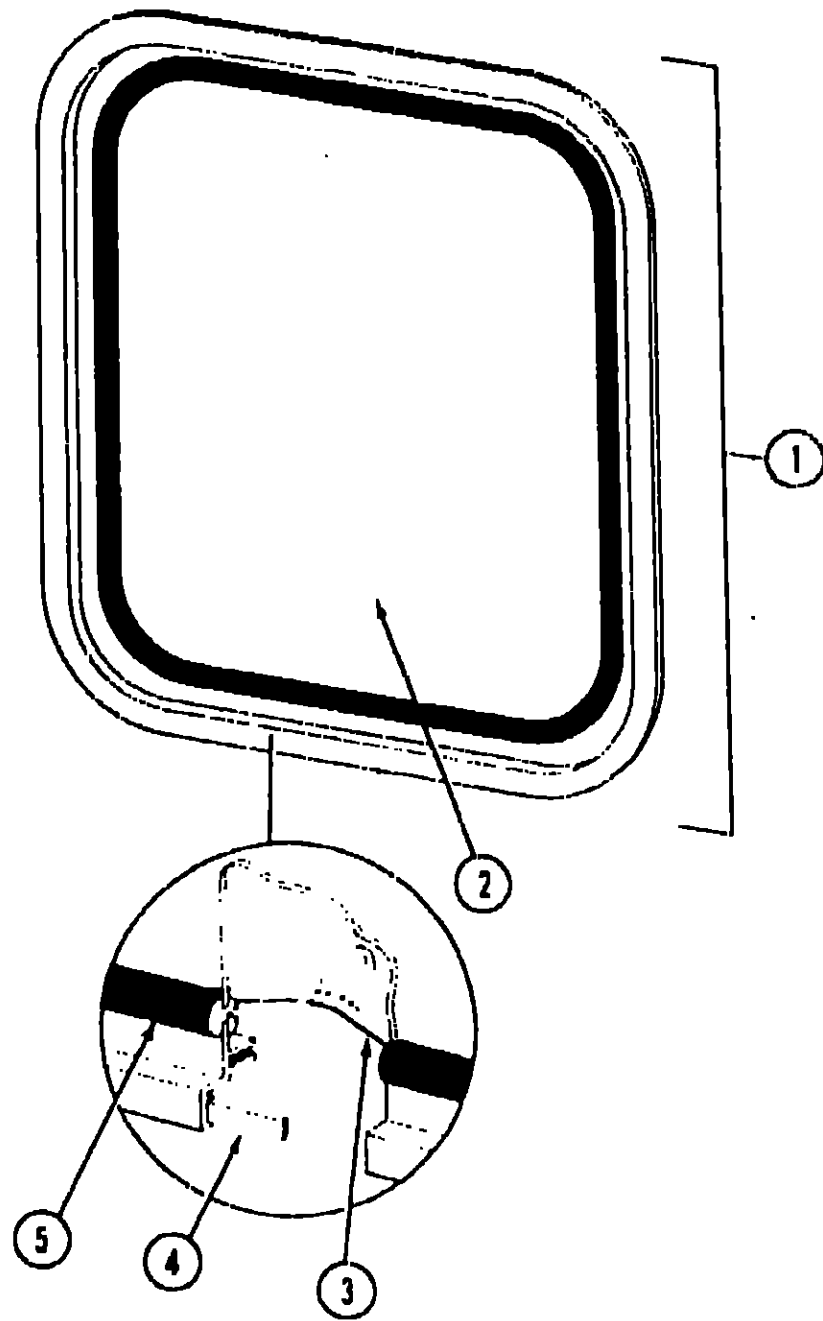
| Key | Part Number   | U/M | Description  |
|-----|---------------|-----|--|
| 1   | M01B70-02-U01 | EA  | Door Asm. - Radius Entry w/Screen Door - w/o Window          |
| 1   | M01B70-07-T03 | EA  | Door Asm. - Radius Entry w/Screen Door                       |
| 2   | 077000-01-000 | EA  | Frame - Entry Door (Bottom Portion Only)                     |
| 3   | 078002-02-000 | EA  | Frame - Entry Door (Except Bottom Portion)                   |
| 4   | 050576-03-000 | EA  | Feature Strip w/o Insert - Extr - 14" - Brown                |
|     | 001030-02-003 | EA  | Insert - Feature Strip - 17" - Stucco - Off White            |
|     | 000731-01-000 | EA  | End Cap - Feature Strip                                      |
| 5   | 045107-05-000 | EA  | Padlock Asm. - Door Lock - Exterior                          |
|     | 045017-05-700 | EA  | Lock Cylinder w/Keys - Lynor                                 |
|     | 030539-01-000 | EA  | Striker Bolt - Entry Door                                    |
|     | 030540-01-000 | EA  | Latch Claw - Entry Door                                      |
|     | 039738-01-000 | EA  | Dead Bolt - Entry Door                                       |
|     | 083205-01-000 | EA  | Dead Bolt - Press Fit  |
| 6   | 030070-01-000 | EA  | Plate - Inside Lock - Includes Inside Handle                 |
|     | 052106-01-000 | EA  | Lock Asm. - Complete - Lynor                                 |
| 7   | 070733-04-T03 | EA  | Window Asm. - Picture - 17" x 25" - Black (w/o inside frame) |
| 8   | 060640-06-000 | FT  | Ribbon Sealer - 5/16" Bond x 15'                             |
| 9   | 002309-02-000 | FT  | Spline - Glass - 1/8" Black                                  |
| 10  | 073113-01-000 | EA  | Glass - Picture Window - 1/8" x 10 25" x 24" - Gray          |
| 11  | 008752-01-000 | EA  | Inside Frame - Beige (not included in assembly)              |
| 12  | 002293-02-000 | SF  | Screen - Window - 26" - Charcoal                             |
| 13  | 056795-02-000 | FT  | Seal Tape - 1/8" x 3/8" - Press On                           |
| 14  | 078591-03-000 | EA  | Jamb Asm. - Entrance Door                                    |
|     | 051049-01-000 | EA  | Jamb - Entrance Door - Bottom                                |
| 15  | 079086-02-000 | EA  | Slider - Screen Door - Light Oak Plastic                     |
| 16  | 079012-01-U01 | EA  | Door Asm. - Screen   |
| 17  | 079361-05-000 | EA  | Hinge - Entrance Door (3 used per door)                      |
| 18  | 079081-01-000 | EA  | Cap - Screen Door - Light Oak Plastic                        |
|     | 009016-01-000 | EA  | Catch - Elbow - Spring Loaded - Screen Door                  |
|     | 039063-01-000 | EA  | Catch Asm. - Single Roller w/Strike - Screen Door            |
|     | 076231-01-000 | EA  | Spacer - Latch - Screen Door                                 |
|     | 077437-02-000 | EA  | Strike - Roller Catch  |
|     | 058025-02-000 | EA  | Clip - Roller Latch Catch                                    |
|     | 044582-02-000 | EA  | Drip Cap - Off White   |
|     | 079278-01-000 | EA  | Seal - Mocket - Entrance Door                                |
|     | 073090-01-000 | FT  | Seal - Entrance Door   |
|     | 075739-01-000 | EA  | Stiffener - Entrance Door - Off White                        |
|     | 075673-01-000 | FT  | Seal - Pile - Adhesive Back                                  |
|     | 075671-01-000 | FT  | Seal - Sponge - Lazy "T" Shaped                              |
|     | 002294-01-000 | FT  | Spline - Black - 135 x 138 (Screen Door)                     |
|     | 079087-02-000 | EA  | Strike - Screen Door   |
|     | 063729-04-000 | EA  | Rivnut - 10-32 UNF - 010 - 080                               |
|     | 075639-01-000 | EA  | Garnish - Radius - Entrance Door                             |
|     |               |     | Not illustrated  |

## 1986 WINNEBAGO TABLE OF CONTENTS

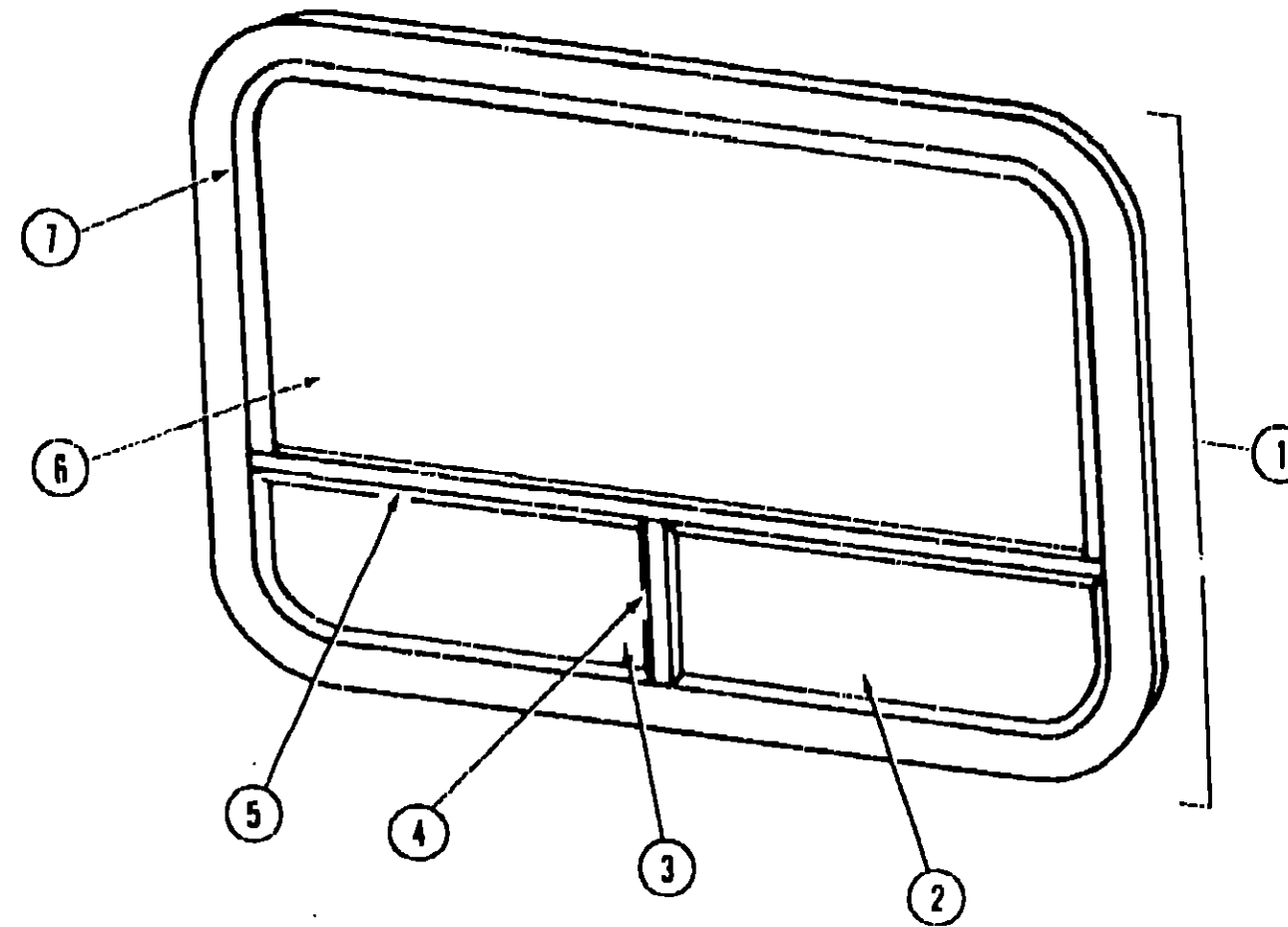
|            |             |
|------------|-------------|
| WC/WF424RS | A-01 - C-12 |
| WCN27RT    | C-13 - E-22 |
| WCP31RT    | E-23 - H-10 |
| WCP34RU    | H-11 - J-22 |

## 1986 WC/WF424RS INDEX

|                                   |             |
|-----------------------------------|-------------|
| Floor Plan                        | A-01 - A-02 |
| Accessories Group                 | A-03 - A-05 |
| Bath Group                        | A-06        |
| Chassis Group                     | A-07 - A-08 |
| Curtain Cushion & Pad Group       | A-09 - A-16 |
| Dinette Group                     | A-17 - A-18 |
| Driver's Compartment Group        | A-19 - A-21 |
| Electrical Group                  | A-22 - A-24 |
| Exterior Body Group               | B-01 - B-07 |
| Galley Group                      | B-08 - B-10 |
| Heating & Air Conditioning Group  | B-11 - B-12 |
| Interior Finish Group             | B-13 - B-15 |
| LP Group                          | B-16        |
| Lounge Group                      | B-17 - B-18 |
| Water & Sewage Group              | B-19 - B-21 |
| Window Vent & Exterior Door Group | B-22 - C-12 |



| Key | Part Number   | U/M | Description   |
|-----|---------------|-----|---|
| 1   | 079415-01-T03 | EA  | Window Asm - Rear Escape - 23" x 29" - Black (w/o inside frame) |
| .   | 020749-03-000 | EA  | Inside Frame - Brown (not included in assembly)                 |
| 2   | 002174-02-000 | EA  | Glass - 1/8" x 19 6" x 25 9"                                    |
| 3   | 002285-01-000 | FT  | Filler - Weatherstrip - Black                                   |
| 4   | 069640-05-000 | FT  | Ribbon Sealer - 5/16" Bead x 15'                                |
| 5   | 002292-01-000 | FT  | Weatherstrip - 1 25" Window                                     |
| .   | 006199-01-000 | EA  | Label - Exit - Escape Window                                    |
| .   |               |     | Not illustrated   |



| Key | Part Number   | U/M | Description  |
|-----|---------------|-----|--|
| 1   | 081568-02-U01 | EA  | Window Asm - 62" x 31" - Double Tipout               |
| .   | 081822-06-000 | EA  | Inside Frame - Black (not included in assembly)      |
| 2   | 018434-01-U01 | EA  | Window Asm - Lower - Tipout - Right Hand             |
| 3   | 081434-02-U01 | EA  | Window Asm - Lower - Tipout - Left Hand              |
| .   | 001239-07-000 | EA  | Glass - Tipout - 1/8" x 30" x 8 3/4" - Left or Right |
| 4   | 083112-05-000 | EA  | Mullion - Black                                      |
| 5   | 081814-01-000 | EA  | Mullion - Black                                      |
| .   | 081422-01-U01 | EA  | Screen Asm - Tipout - Right Hand                     |
| .   | 081422-02-U01 | EA  | Screen Asm - Tipout - Left Hand                      |
| .   | 081243-01-000 | EA  | Screen Clip - Plastic - Black                        |
| .   | 035302-01-000 | EA  | Operating Mech - Right Hand                          |
| .   | 035302-02-000 | EA  | Operating Mech - Left Hand                           |
| 6   | 081239-11-000 | EA  | Glass - Stationary - 1.8" x 61 3/4" x 20 1/2"        |
| 7   | 083180-01-000 | EA  | Window Seal  |
| .   | 081357-01-000 | EA  | Bulb Seal (Tipout)                                   |
| .   | 081359-01-000 | EA  | Window Seal (Tipout)                                 |
| .   | 002291-02-000 | SF  | Screen - Window - 16" - Charcoal                     |
| .   | 002298-02-000 | FT  | Spline - 130 Dia - Charcoal                          |
| .   |               |     | Not illustrated                                      |

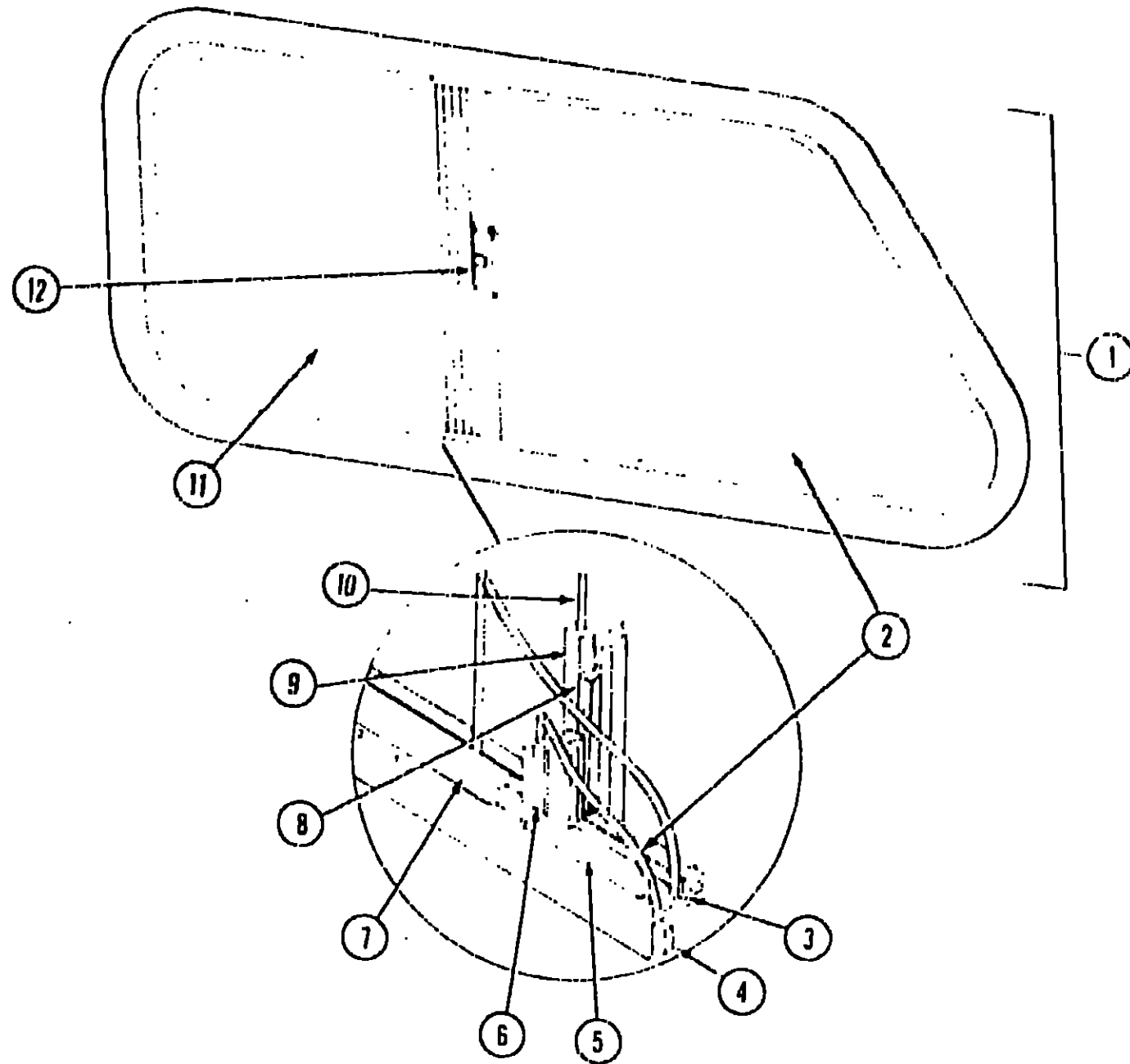
1986 WINNEBAGO  
TABLE OF CONTENTS

|            |             |
|------------|-------------|
| WC/WF424RS | A-01 - C-12 |
| WCN27RT    | C-13 - E-22 |
| WCP31RT    | E-23 - H-10 |
| WCP34RLU   | H-11 - J-22 |

1986 WC/WF424RS INDEX

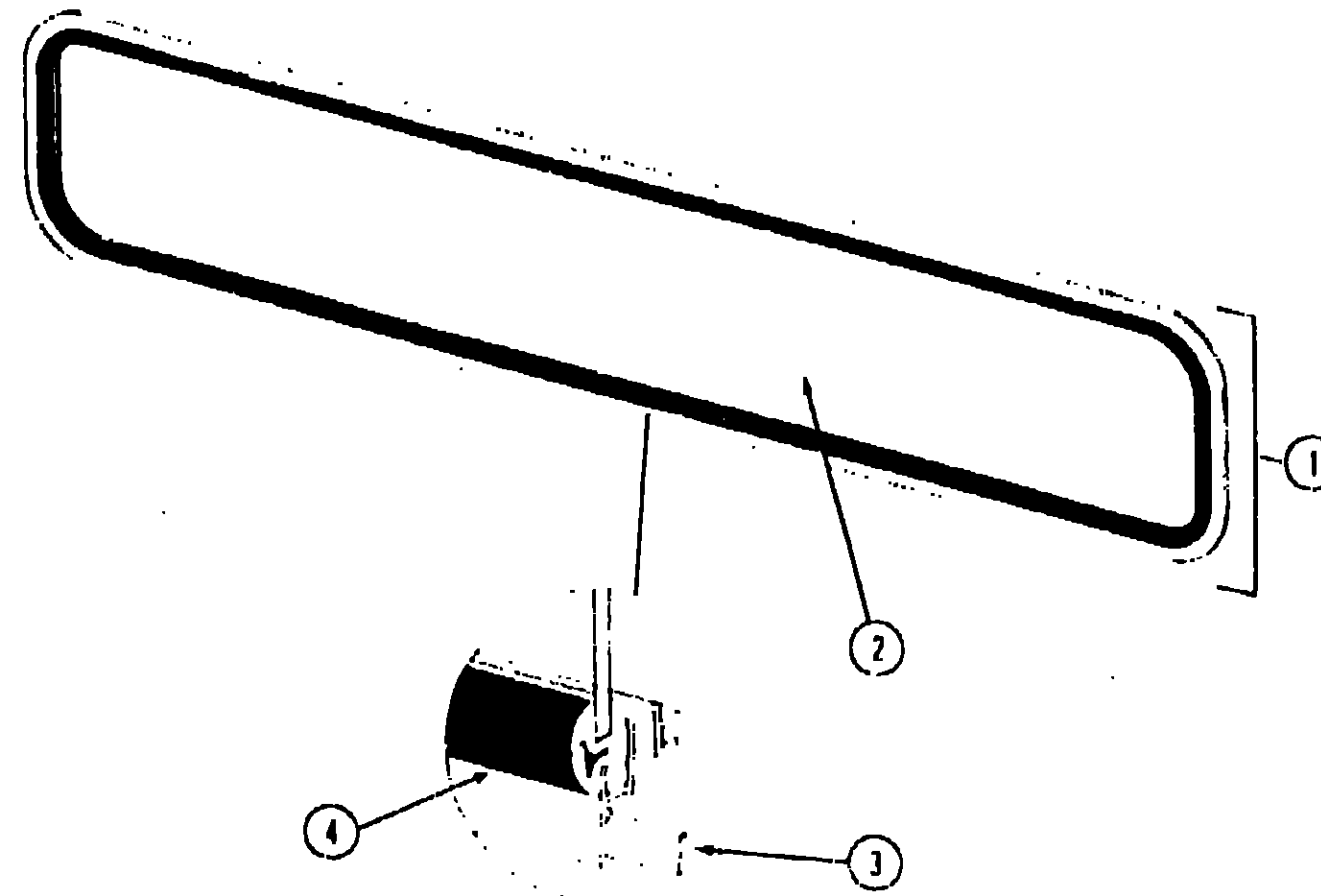
|                                    |             |
|------------------------------------|-------------|
| Floor Plan                         | A-01 - A-02 |
| Accessories Group                  | A-03 - A-05 |
| Bath Group                         | A-06        |
| Chassis Group                      | A-07 - A-08 |
| Curtain, Cushion & Pad Group       | A-09 - A-16 |
| Dinette Group                      | A-17 - A-18 |
| Driver's Compartment Group         | A-19 - A-21 |
| Electrical Group                   | A-22 - A-24 |
| Exterior Body Group                | B-01 - B-07 |
| Galley Group                       | B-08 - B-10 |
| Heating & Air Conditioning Group   | B-11 - B-12 |
| Interior Finish Group              | B-13 - B-15 |
| LP Group                           | B-16        |
| Lounge Group                       | B-17 - B-18 |
| Water & Sewage Group               | B-19 - B-21 |
| Window, Vent & Exterior Door Group | B-22 - C-12 |

**WINDOW, VENT & EXTERIOR DOOR GROUP (CONTINUED)**



| Key | Part Number     | U/M | Description                                     |
|-----|-----------------|-----|---|
| 1   | 078272-01-T03   | EA  | Window Asm - Bunk - Single Slider - Right       |
| .   | 083121-02-000   | EA  | Inside Frame - Brown (not included in assembly) |
| 1   | 078272-02-T03   | EA  | Window Asm - Bunk - Single Slider - Left        |
| .   | 083121-04-000   | EA  | Inside Frame - Brown (not included in assembly) |
| 2   | 081980-01-000   | EA  | Glass - Sliding - 1/8" x 11 9/8" x 11 9/8"      |
| 3   | 002324-02-000   | FT  | Channel - Weatherstrip - Glass Run - 1.8" Glass |
| 4   | 069640-06-000   | FT  | Ribbon Sealer - 5' 16" Bead x 15'               |
| 5   | 002309-02-000   | FT  | Spline - Glass - 1.8" Material - Black          |
| 6   | M69886-03-005   | EA  | Seal Holder w/Fin Seal - Black                  |
| 7   | 057374-02-000   | FT  | Extr Rubber - Window Seal - Black               |
| 8   | 073740-01-000   | FT  | Seal - Fin - Pile - 460"                        |
| 9   | 078562-05-000   | EA  | Mullion - Slider Window - Black                 |
| 10  | 002298-02-000   | FT  | Spline - 130" Dia - Charcoal (Screen)           |
| 11  | 081983-01-000   | EA  | Glass - Stationary - 1/8" x 11 9/8" x 19 1/2"   |
| 12  | 047369-01-700   | EA  | Latch Kit - Window - Plastic w/Fastener         |
| .   | 002293-01-000   | SF  | Screen - Window 16" - Charcoal                  |
| .   | 079204-01-000   | EA  | Bracket - Mullion - Black                       |
| .   | Not illustrated |     |   |

**WINDOW, VENT & EXTERIOR DOOR GROUP (CONTINUED)**



| Key | Part Number     | U/M | Description   |
|-----|-----------------|-----|---|
| 1   | 078533-01-T03   | EA  | Window Asm - Front Picture - 14" x 69" - Black (w/o inside frame) |
| .   | 041938-01-000   | EA  | Inside Frame - Brown (not included in assembly)                   |
| 2   | 002200-02-000   | EA  | Glass - TP - Picture Window                                       |
| 3   | 069640-06-000   | FT  | Ribbon Sealer - 5' 16" Bead x 15'                                 |
| 4   | 002281-01-000   | FT  | Weatherstrip - Self Seal - 06" Panel x 3' 16" - Black             |
| .   | Not illustrated |     |   |

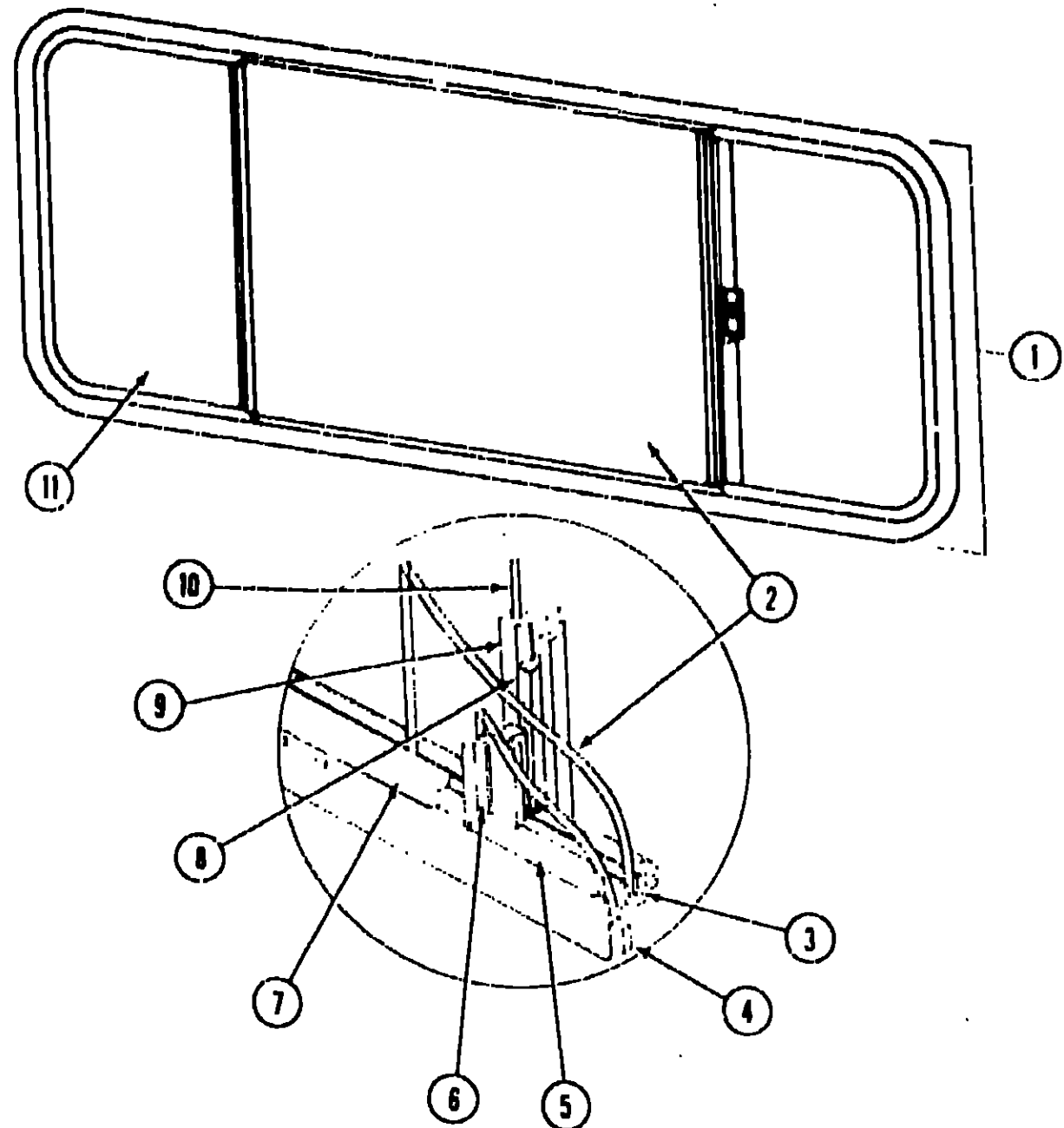
**1986 WINNEBAGO  
TABLE OF CONTENTS**

|            |             |
|------------|-------------|
| WC/WF424RS | A-01 - C-12 |
| WCN27NT    | C-13 - E-22 |
| WCP31NT    | E-23 - H-10 |
| WCP34RU    | H-11 - J-22 |

**1986 WC/WF424RS INDEX**

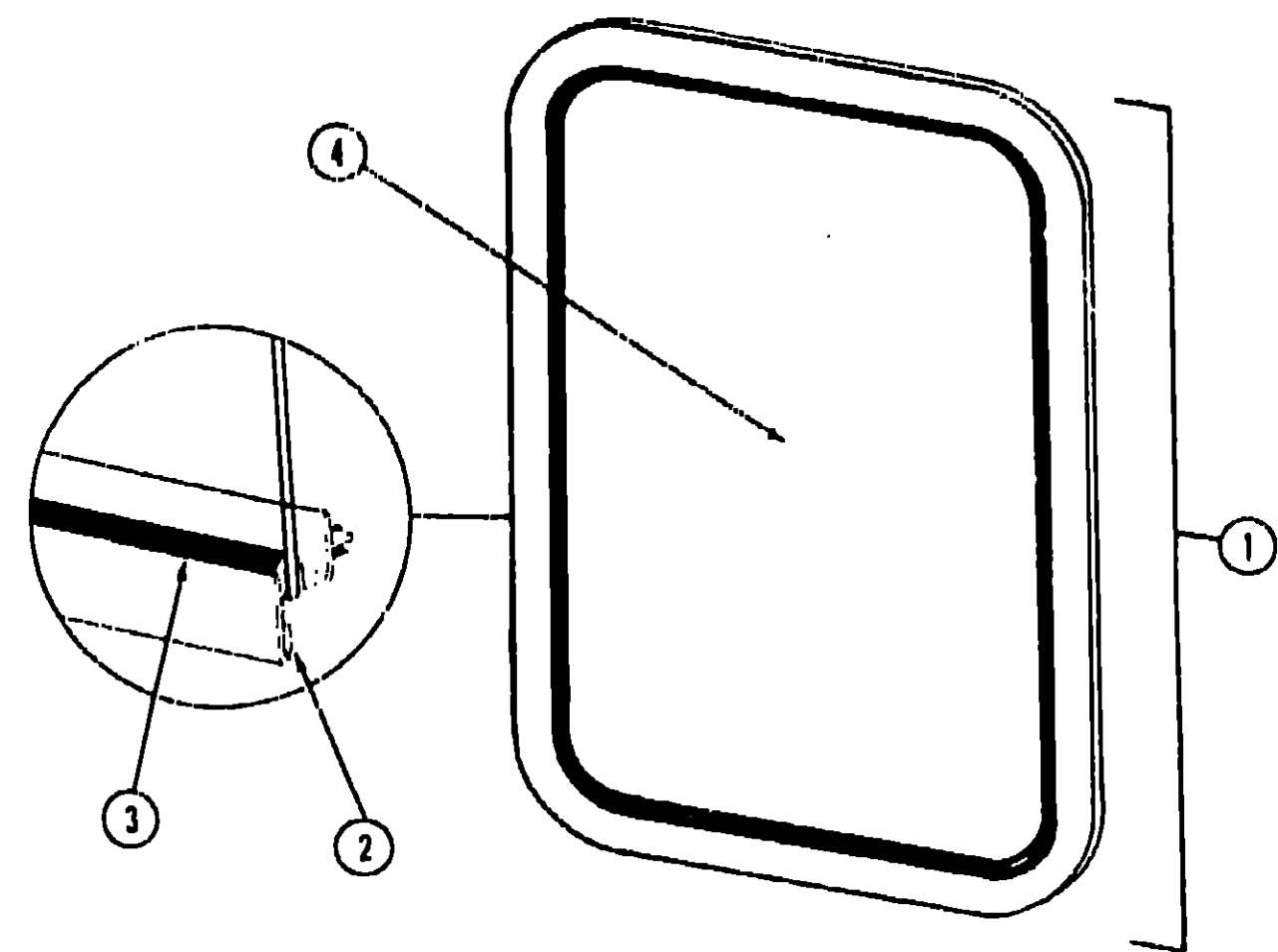
|                                    |             |
|------------------------------------|-------------|
| Floor Plan                         | A-01 - A-02 |
| Accessories Group                  | A-03 - A-05 |
| Bath Group                         | A-06        |
| Chassis Group                      | A-07 - A-08 |
| Curtain, Cushion & Pad Group       | A-09 - A-16 |
| Dinette Group                      | A-17 - A-18 |
| Driver's Compartment Group         | A-19 - A-21 |
| Electrical Group                   | A-22 - A-24 |
| Exterior Body Group                | B-01 - B-07 |
| Galley Group                       | B-08 - B-10 |
| Heating & Air Conditioning Group   | B-11 - B-12 |
| Interior Finish Group              | B-13 - B-15 |
| LP Group                           | B-16        |
| Lounge Group                       | B-17 - B-18 |
| Water & Sewage Group               | B-19 - B-21 |
| Window, Vent & Exterior Door Group | B-22 - C-12 |

**WINDOW, VENT & EXTERIOR DOOR GROUP (CONTINUED)**



| Key | Part Number   | U/M | Description   |
|-----|---------------|-----|---|
| 1   | 078271-01-T03 | EA  | Window Asm - Center Slider (w/o inside frame)                   |
| .   | 083122-11-000 | EA  | Inside Frame - Center Slider - Beige (not included in assembly) |
| 2   | 066727-02-000 | EA  | Glass - Sliding - 1.8" x 25.5" x 2.4"                           |
| 3   | 002324-02-000 | FT  | Channel - Weatherstrip - Glass Run - 1.8" Glass                 |
| 4   | 069640-06-000 | FT  | Ribbon Sealer - 5.16" Bead x 15'                                |
| 5   | 002309-02-000 | FT  | Spline - Glass - 1.8" Material - Black                          |
| 6   | M69886-03-003 | EA  | Seal Holder w/Fin Seal - Black                                  |
| 7   | 057374-02-000 | FT  | Extr. Rubber - Window Seal - Black                              |
| 8   | 073740-01-000 | FT  | Seal - Fin Pile - .460"   |
| 9   | 078562-02-000 | EA  | Mullion - Slider Window - Black                                 |
| 10  | 002298-02-000 | FT  | Spline - 1.30" Dia - Charcoal (Screen)                          |
| 11  | 081984-07-000 | EA  | Glass - Stationary - 1/8" x 24" x 16.5"                         |
| .   | 079204-01-000 | EA  | Bracket - Mullion - Black                                       |
| .   | 047369-01-700 | EA  | Latch Kit - Window - Plastic w/Fastener                         |
| .   | 002293-02-000 | SF  | Screen - Window - 26" - Charcoal                                |
| .   |               |     | Not illustrated   |

**WINDOW, VENT & EXTERIOR DOOR GROUP (CONTINUED)**



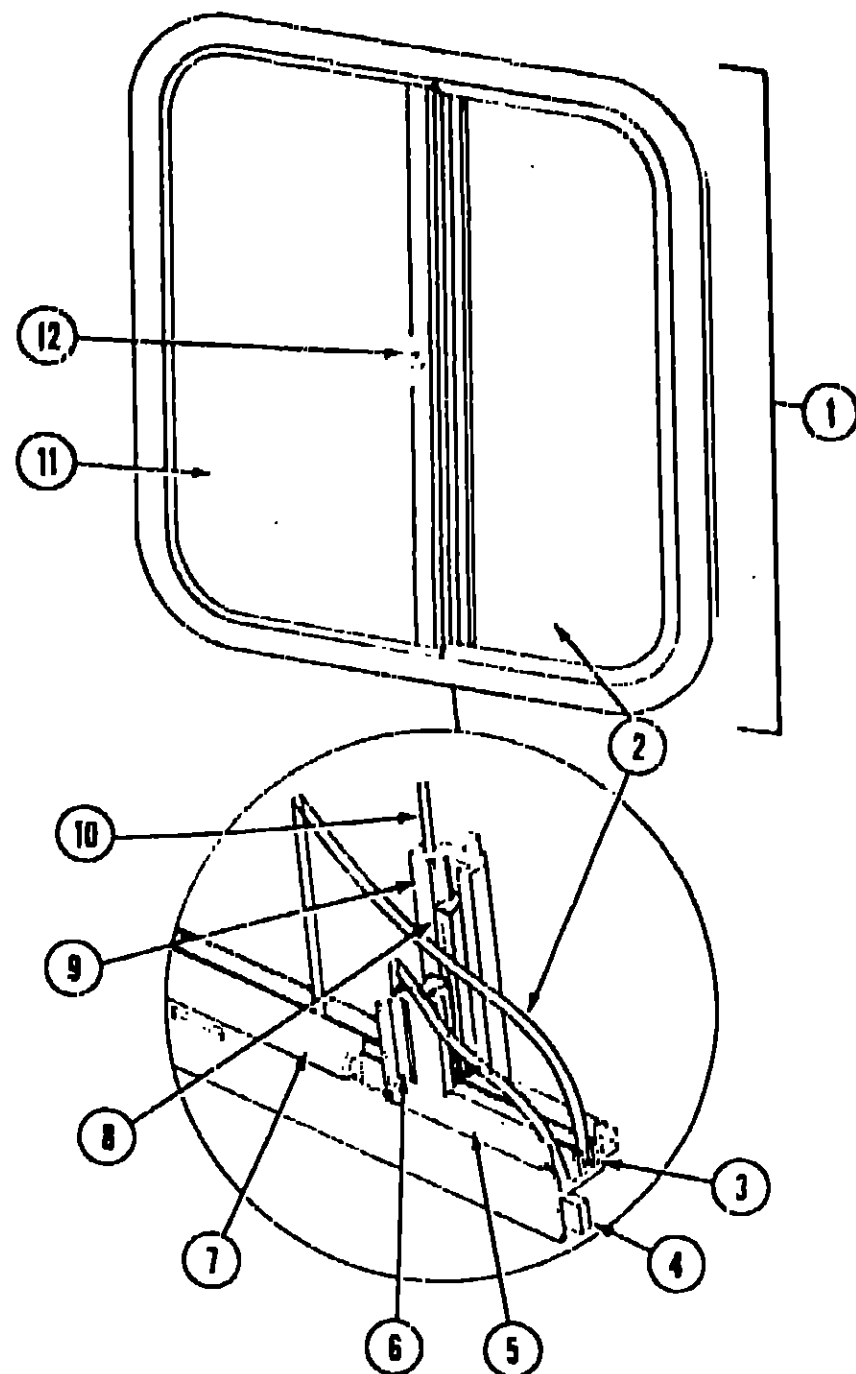
| Key | Part Number   | U/M | Description   |
|-----|---------------|-----|---|
| 1   | 079733-01-T03 | EA  | Window Asm - Picture - 13" x 23" - Black (w/o inside frame) |
| .   | 041696-02-000 | EA  | Inside Frame - Brown (not included in assembly)             |
| 2   | 069640-06-000 | FT  | Ribbon Sealer - 5.16" Bead x 15'                            |
| 3   | 002309-02-000 | FT  | Spline - Glass - 1.8" - Black                               |
| 4   | 002181-01-000 | EA  | Glass - .115" x 12" x 22"                                   |
| .   |               |     | Not illustrated   |

**1986 WINNEBAGO  
TABLE OF CONTENTS**

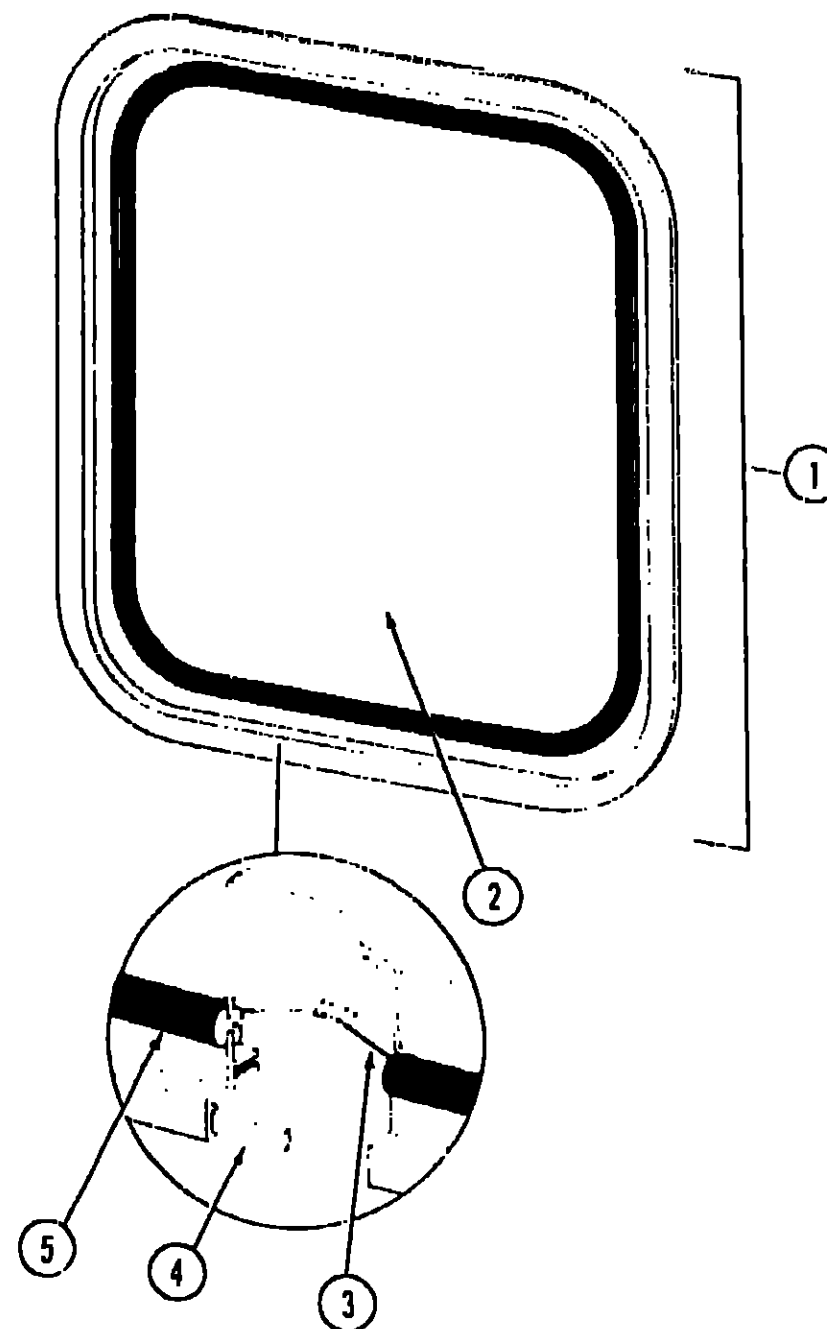
|            |             |
|------------|-------------|
| WC/WF424RS | A-01 - C-12 |
| WCN27RT    | C-13 - E-22 |
| WCP31RT    | E-23 - H-10 |
| WCP34RU    | H-11 - J-22 |

**1986 WC/WF424RS INDEX**

|                                   |             |
|-----------------------------------|-------------|
| Floor Plan                        | A-01 - A-02 |
| Accessories Group                 | A-03 - A-05 |
| Bath Group                        | A-06        |
| Chassis Group                     | A-07 - A-08 |
| Curtain, Cushion & Pad Group      | A-09 - A-16 |
| Dinette Group                     | A-17 - A-18 |
| Driver's Compartment Group        | A-19 - A-21 |
| Electrical Group                  | A-22 - A-24 |
| Exterior Body Group               | B-01 - B-07 |
| Galley Group                      | B-08 - B-10 |
| Heating & Air Conditioning Group  | B-11 - B-12 |
| Interior Finish Group             | B-13 - B-15 |
| LP Group                          | B-16        |
| Lounge Group                      | B-17 - B-18 |
| Water & Sewage Group              | B-19 - B-21 |
| Window Vent & Exterior Door Group | B-22 - C-12 |



| Key | Part Number   | U/M | Description                                     |
|-----|---------------|-----|---|
| 1   | 078266-02-T03 | EA  | Window Asm - Single Slider (w/o inside frame)   |
| .   | 083122-04-000 | EA  | Inside Frame - Brown (not included in assembly) |
| 2   | 081980-05-000 | EA  | Glass - Sliding - 1/8" x 19" x 13 68"           |
| 3   | 002324-02-000 | FT  | Channel - Weatherstrip - Glass Run - 1 8" Glass |
| 4   | 069640-06-000 | FT  | Ribbon Sealer - 5/16" Bead x 15'                |
| 5   | 002309-02-000 | FT  | Spline - Glass - 1/8" Material - Black          |
| 6   | M69806-03-011 | EA  | Seal Holder w/Fin Seal - Black                  |
| 7   | 057374-02-000 | FT  | Extr Rubber - Window Seal - Black               |
| 8   | 073740-01-000 | FT  | Seal - Fin - Pile - 460"                        |
| 9   | 078562-02-000 | EA  | Mullion - Slider Window - Black                 |
| 10  | 002298-02-000 | SF  | Spline - 130" Dia - Charcoal (Screen)           |
| 11  | 081984-03-000 | EA  | Glass - Stationary - 1/8" x 19" x 12 30"        |
| 12  | 047369-01-700 | EA  | Latch Kit - Window - Plastic w/Fastener         |
| .   | 079204-01-000 | EA  | Bracket - Mullion - Black                       |
| .   | 002291-02-000 | SF  | Screen - Window 16" - Charcoal                  |
| .   |               |     | Not illustrated                                 |



| Key | Part Number   | U/M | Description  |
|-----|---------------|-----|--|
| 1   | 079729-01-T03 | EA  | Window Asm. - Rear Escape - 23" x 36" - Black (w/o inside frame) |
| .   | 079771-06-000 | EA  | Inside Frame (not included in assembly)                          |
| 2   | 041392-01-000 | EA  | Glass - 1/8" x 33 2" x 19 6"                                     |
| 3   | 002285-01-000 | FT  | Filler - Weatherstrip - Black                                    |
| 4   | 069640-05-000 | FT  | Ribbon Sealer - 5/16" Bead x 15'                                 |
| 5   | 002282-01-000 | FT  | Weatherstrip - .125" Window                                      |
| .   | 006199-01-000 | EA  | Label - Exit - Escape Window                                     |
| .   |               |     | Not illustrated  |

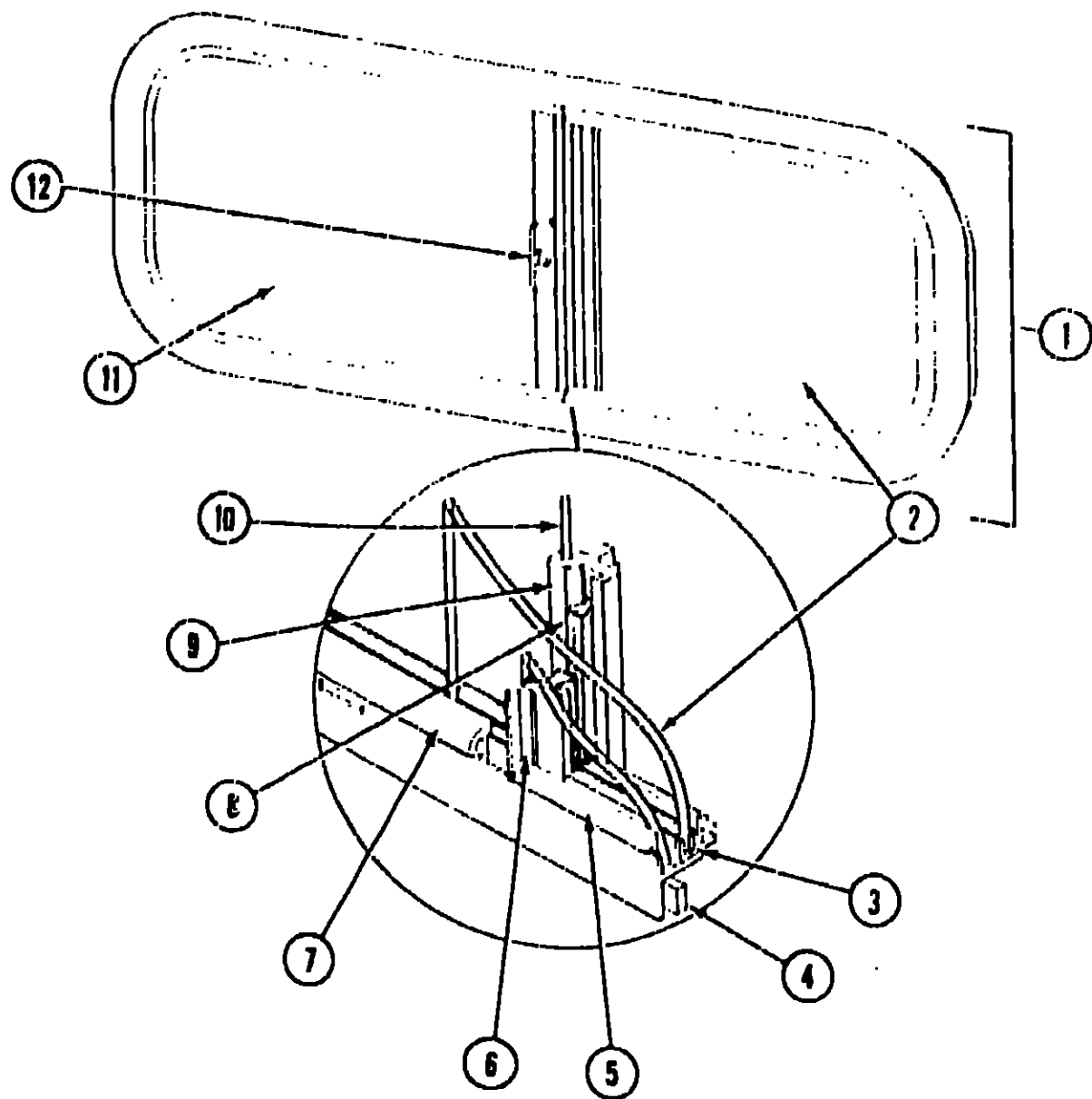
1986 WINNEBAGO  
TABLE OF CONTENTS

|            |             |
|------------|-------------|
| WC/WF424RS | A-01 - C-12 |
| WCN27RT    | C-13 - E-22 |
| WCP31RT    | E-23 - H-10 |
| WCP34RUJ   | H-11 - J-22 |

1986 WC/WF424RS INDEX

|                                   |             |
|-----------------------------------|-------------|
| Floor Plan                        | A-01 - A-02 |
| Accessories Group                 | A-03 - A-05 |
| Bath Group                        | A-06        |
| Chassis Group                     | A-07 - A-08 |
| Curtain, Cushion & Pad Group      | A-09 - A-16 |
| Dinette Group                     | A-17 - A-18 |
| Driver's Compartment Group        | A-19 - A-21 |
| Electrical Group                  | A-22 - A-24 |
| Exterior Body Group               | B-01 - B-07 |
| Galley Group                      | B-08 - B-10 |
| Heating & Air Conditioning Group  | B-11 - B-12 |
| Interior Finish Group             | B-13 - B-15 |
| LP Group                          | B-16        |
| Lounge Group                      | B-17 - B-18 |
| Water & Sewage Group              | B-19 - B-21 |
| Window Vent & Exterior Door Group | B-22 - C-12 |

# WINDOW, VENT & EXTERIOR DOOR GROUP (CONTINUED)



| Key | Part Number   | U/M | Description  |
|-----|---------------|-----|--|
| 1   | 078266-01-T03 | EA  | Window Asm. - Single Slider - Black (w/o inside frame) |
|     | 083122-02-000 | EA  | Inside Frame - Brown (not included in assembly)        |
| 2   | 081980-03-000 | EA  | Glass - Slider - 1/8" x 22" x 13 68"                   |
| 3   | 002324-02-000 | FT  | Channel - Weatherstrip - Glass Run - 1/8" Glass        |
| 4   | 069640-06-000 | FT  | Ribbon Sealer - 5/16" Bead x 15'                       |
| 5   | 002309-02-000 | FT  | Spline - Glass - 1/8" Material - Black                 |
| 6   | M69886-03-007 | EA  | Seal Holder w/Fin Seal - Black                         |
| 7   | 057374-02-000 | FT  | Extr. Rubber - Window Seal - Black                     |
| 8   | 073740-01-000 | FT  | Seal - Fin - Pile - .460"                              |
| 9   | 078562-01-000 | EA  | Mullion - Slider Window - Black                        |
| 10  | 002298-02-000 | FT  | Spline - .130" Dia. - Charcoal (Screen)                |
| 11  | 081984-02-000 | EA  | Glass - Stationary - 1/8" x 22" x 16 53"               |
| 12  | 047369-01-700 | EA  | Latch Kit - Window - Plastic w/Fastener                |
|     | 002291-02-000 | SF  | Screen - Window 16" - Charcoal                         |
|     | 079204-01-000 | EA  | Bracket - Mullion - Black                              |
|     |               |     | Not illustrated  |

## 1988 WINNEBAGO TABLE OF CONTENTS

|            |             |
|------------|-------------|
| WC/WF424RS | A-01 - C-12 |
| WCN27RT    | C-13 - E-22 |
| WCP31RT    | E-23 - H-10 |
| WCP34RU    | H-11 - J-22 |

## 1986 WC/WF424RS INDEX

|                                    |             |
|------------------------------------|-------------|
| Floor Plan                         | A-01 - A-02 |
| Accessories Group                  | A-03 - A-05 |
| Bath Group                         | A-06        |
| Chassis Group                      | A-07 - A-08 |
| Curtain, Cushion & Pad Group       | A-09 - A-16 |
| Dinette Group                      | A-17 - A-18 |
| Driver's Compartment Group         | A-19 - A-21 |
| Electrical Group                   | A-22 - A-24 |
| Exterior Body Group                | B-01 - B-07 |
| Galley Group                       | B-08 - B-10 |
| Heating & Air Conditioning Group   | B-11 - B-12 |
| Interior Finish Group              | B-13 - B-15 |
| LP Group                           | B-16        |
| Lounge Group                       | B-17 - B-18 |
| Water & Sewage Group               | B-19 - B-21 |
| Window, Vent & Exterior Door Group | B-22 - C-12 |