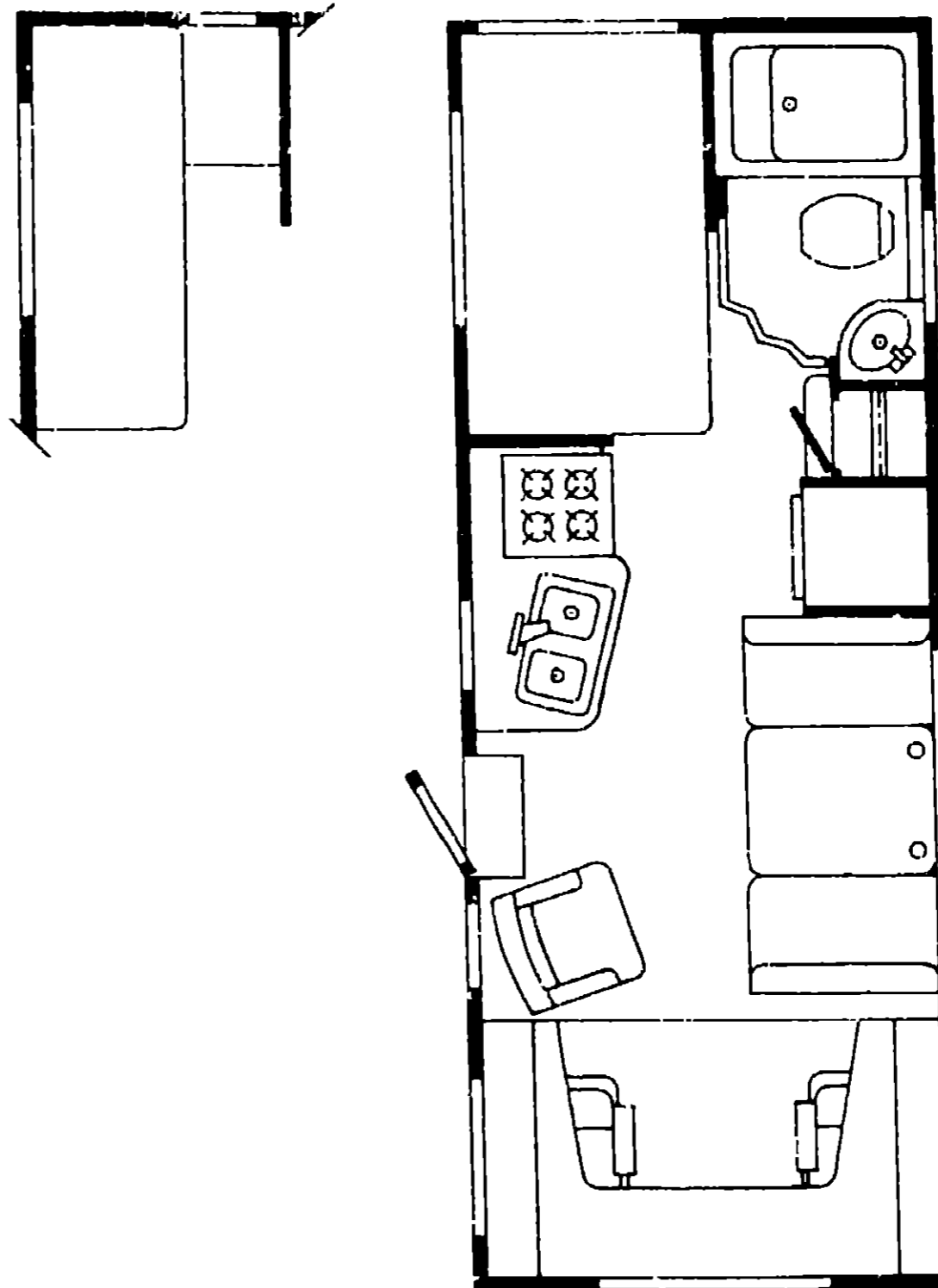


1986 WC/WF424RC



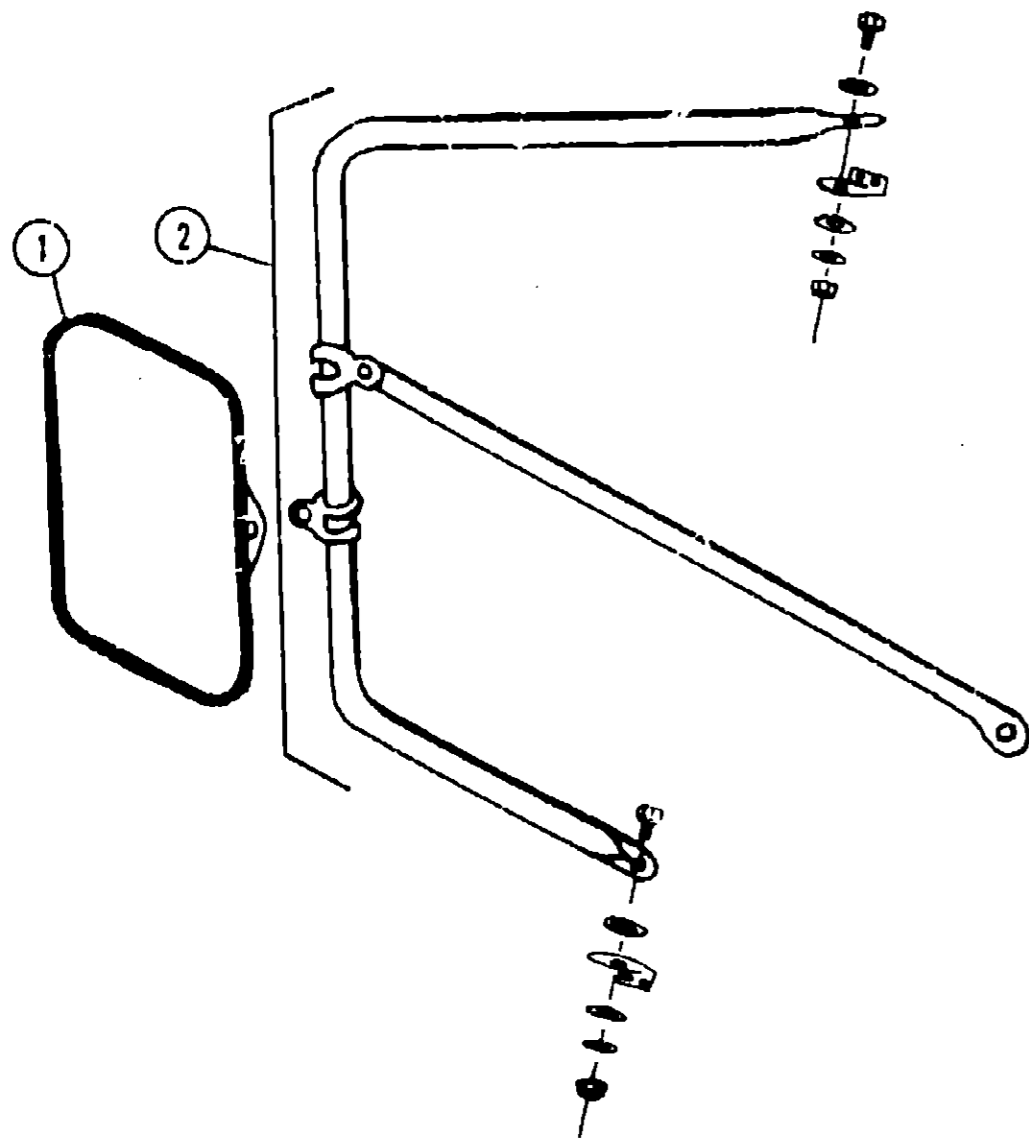
1986 WINNEBAGO TABLE OF CONTENTS

WC/WF424RC	A-01 - C-08
WC420RG	C-09 - E-12
WCN22RC	E-13 - G-24
WCN30RC	H-01 - J-10

1986 WC/WF424RC INDEX

Floor Plan	A-01 - A-02
Accessories Group	A-03 - A-05
Bath Group	A-06 - A-07
Chassis Group	A-08 - A-10
Curtain, Cushion & Pad Group	A-11 - A-17
Dinette Group	A-18
Driver's Compartment Group	A-19 - A-21
Electrical Group	A-22 - A-24
Exterior Body Group	B-01 - B-06
Galley Group	B-07 - B-09
Heating & Air Conditioning Group	B-10 - B-11
Interior Finish Group	B-12 - B-14
LP Group	B-15
Lounge Group	B-16
Water & Sewage Group	B-17 - B-18
Window, Vent & Exterior Door Group	B-19 - C-08

ACCESSORIES GROUP



EXTERIOR MIRRORS

Key	Part Number	U/M	Description
1	049347-01-000	EA	Mirror Head - 7 1/2 x 10 1/2 - Stainless Steel
2	062047-01-000	EA	Arm - West Coast Mirror - Stainless Steel
2	062047-02-000	EA	Arm - West Coast Mirror - Off White
*	006043-01-000	EA	Mirror - Convex - Adhesive Back
*			Not illustrated

WHEEL COVER & MOUNTING HARDWARE

Key	Part Number	U/M	Description
	064062-02-000	EA	Retaining Nut - Delmet - Wheel Cover
	073426-01-700	EA	Wheel Cover - Bolt On - 16" or 16.5" - Delmet (1)
	0831P1-01-000	EA	Wheel Cover - 16" (Set/4) (Ford)
	063181-02-000	EA	Wheel Cover - 16.5 (Set/4) (Chevy)
	073426-06-000	EA	Retention Bracket Asm. - Wheel Cover Support - Heavy Duty (Set/4)

ACCESSORIES GROUP (CONTINUED)

MISCELLANEOUS ACCESSORIES

Key	Part Number	U/M	Description
	054185-24-000	EA	Owners Manual - 1986 - Itasca & Winnebago
	706053-02-000	EA	Antenna - TV Skyliner w/8" Shaft - Braund Delux
	076319-01-000	EA	Antenna - TV Roof Mount - 44.5" Mast
	076319-02-000	EA	Antenna - TV Roof Mount - 23.5" Mast
	076319-03-000	EA	Cable - Coaxial 1000' - 75 OHM
	076319-04-000	EA	Connector & Ferrule
	076319-05-000	EA	Wallplate - Power Supply - Ivory
	076319-06-000	EA	Adapter - Cable Roof Plate
	076319-07-000	EA	Wallplate - Power Supply - Brown
	076319-08-000	EA	Wallplate - Receptacle - Ivory
	076319-09-000	EA	Wallplate - Receptacle - Brown
	064089-01-000	EA	Mud Flap - Rubber - Black (Front)
	017516-01-000	EA	Mud Flap w/Holes - 14" x 18" - Black (Back)
	041944-03-000	EA	Fire Extinguisher - w/Bracket - 5BC
	041944-02-000	EA	Bracket - Fire Extinguisher
	081379-01-000	EA	Microwave/Convection Oven - Sharp
	081459-01-000	EA	Bracket Asm. - Microwave - Right
	081459-02-000	EA	Bracket Asm. - Microwave - Left
	082876-01-000	EA	Baffle - Microwave
	081555-01-703	EA	Trim Asm. - Microwave Oven
	091456-01-000	EA	Angle Asm. - Microwave Oven - Right
	081456-02-000	EA	Angle Asm. - Microwave Oven - Left
	081016-01-703	EA	Ladder Asm.
	081016-01-700	EA	Rack Asm.
	067130-01-000	EA	Ladder Step
	076980-02-000	EA	End Cap - Ladder Step
	067125-01-000	EA	Stand Off - Rack & Ladder Asm.
	067165-01-000	EA	Bracket - Mounting - Rack & Ladder
	083206-01-000	EA	Mat - Stepwell - Black - Passenger (Ford)
	083206-02-000	EA	Mat - Stepwell - Black - Driver (Ford)
	044860-01-000	EA	Mat - Stepwell - Black - Passenger (Chevy)
	044860-02-000	EA	Mat - Stepwell - Black - Driver (Chevy)
	072852-01-000	EA	Smoke Detector w/9 Volt Battery
	079664-02-000	EA	Weather Center - 8.5" x 8.5"
	079664-01-000	EA	Clock - 8.5" x 8.5"
	006069-01-000	EA	Key Case - Leather
	080208-01-000	EA	Lug Wrench
	080208-02-000	EA	Leverage Bar - Lug Wrench
	006113-01-000	EA	Jack - Hydraulic - 6 Ton - w/Handle
	063708-01-000	EA	Cover - Roof Air Conditioner - Vinyl
	079199-01-000	EA	Tire Cover Asm. - Off White - Plastic
	M02047-01-T95	EA	Panel Asm. - Tire Cover Door
	075541-01-000	EA	Lamp Asm. - Fog w/Cover - Amber
	082212-01-000	EA	Speed Control - Electric (Chevy)
	082212-03-000	EA	Speed Control - Switch

ELECTRIC STEP ASSEMBLY

Key	Part Number	U/M	Description
	015461-01-000	EA	Electric Step Asm. w/Light
	075461-01-700	EA	Motor
	041250-01-000	EA	Door Switch
	075461-01-704	EA	Under Step Control Unit
	075461-01-705	EA	4-Way Plug (Dash End)
	075461-01-706	EA	Kill Switch
	075461-01-707	EA	Step Light
	075461-01-708	EA	4-Way Plug (Control Box End)
	075461-01-709	EA	90 Degree Plug
	075461-01-710	EA	Gear
	075461-01-711	EA	Drive Link
	076241-01-000	EA	Support Asm. - Step
	075723-02-000	EA	Block - Switch Spacer w/Holes

1986 WINNEBAGO TABLE OF CONTENTS

WC/WF424RC	A-01 - C-05
WC420RG	C-09 - E-12
WCN22RC	E-13 - G-24
WCN30RC	H-01 - J-10

1986 WC/WF424RC INDEX

Floor Plan	A-01 - A-02
Accessories Group	A-03 - A-05
Bath Group	A-06 - A-07
Chassis Group	A-08 - A-10
Curtain, Cushion & Pad Group	A-11 - A-17
Dinette Group	A-18
Driver's Compartment Group	A-19 - A-21
Electrical Group	A-22 - A-24
Exterior Body Group	B-01 - B-06
Galley Group	B-07 - B-09
Heating & Air Conditioning Group	B-10 - B-11
Interior Finish Group	B-12 - B-14
LP Group	B-15
Lounge Group	B-16
Water & Sewage Group	B-17 - B-18
Window, Vent & Exterior Door Group	B-19 - C-08

ACCESSORIES GROUP (CONTINUED)

RADIO & RELATED COMPONENTS

Key	Part Number	U/M	Description
	007004-01-000	EA	Antenna - Radio - Cab Mount
	064792-01-000	EA	Grille - Speaker - 5.25" - w/Mesh - Brown
	074482-02-000	EA	Radio - AM/FM/MPX - w/Cassette - Audiovox - HCC565
	073430-02-000	EA	Radio - AM/FM/MPX - w/Cassette - Electronic Tune - Audiovox - HCC1150
	074979-01-000	EA	Speaker Cover Protector - Plastic (Chevy)
	073431-01-000	EA	Speaker - 5.25 - 3/Way (Pair)
	064791-01-000	EA	Speaker - Recessed - 5.25"
	073741-01-000	EA	Speaker - 4" x 6" - Oval (Chevy)
	079385-02-000	EA	Radio Mounting Kit (Ford)

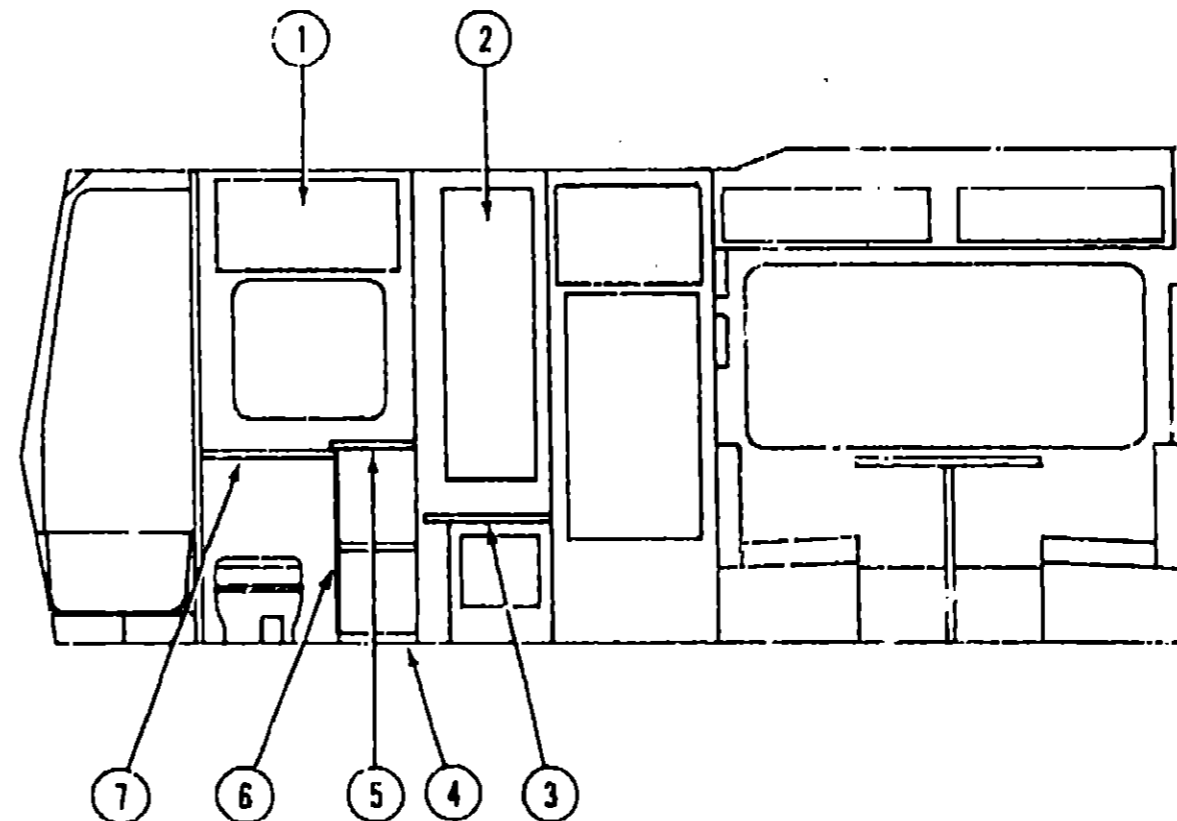
GENERATORS & COMPONENTS

Key	Part Number	U/M	Description
	054429-01-000	EA	Generator - Onan - 4.0 kw
	052168-01-000	EA	Generator - Onan - 4.25 kw
	069229-01-000	EA	Generator - Kohler - 4.5 kw
	701629-02-000	EA	Installation Package
	024732-01-016	EA	Tallpipe - 1.5" O.D. x 43.50"
	067753-01-000	EA	Muffler - Generator - w/Spark Arrestor - Nelson
	007067-01-000	EA	Insulation - Fiberglass - 1"

CHROME WHEEL LINERS

Key	Part Number	U/M	Description
	081608-05-000	EA	Cover - Lug Nut - Chrome Liner
	081608-03-000	EA	Ring - Spiral - Chrome Liner
	081608-07-000	EA	Cover - Rear Axle - Chrome Liner
	081608-06-000	EA	Cover - Front Axle - Chrome Liner
	081608-09-000	EA	Liner - Front Wheel - Chrome
	081608-10-000	EA	Liner - Rear Wheel - Chrome

BATH GROUP



BATH CABINETRY

Key	Part Number	U/M	Description
1	081535-01-U04	EA	Door Asm. w/Mirror - Medicine Cabinet - 29.4" x 15.5" - w/o Hardware
*	076073-01-000	EA	Cabinet Asm. - Medicine - Almond
*	076387-01-000	EA	Bracket - Medicine Cabinet
2	M81501-48-U01	EA	Door Asm. w/Mirror - Wardrobe - 46.1" x 16.1" - w/o Hardware
3	M02447-01-U01	EA	Countertop Asm. - Wardrobe
4	M81543-01-U04	EA	Cabinet Asm. - Lavatory - w/o Countertop or Door
5	M02406-01-U04	EA	Countertop Asm. - Lavatory Cabinet
6	M81501-17-U04	EA	Door Asm. - Lavatory - 23.8" x 13.4" - w/o Hardware
7	M02473-01-U01	EA	Countertop Asm. - Pipe Cover
*	080224-01-000	EA	Door Asm. - Folding - 46" x 75"
*	080224-01-700	EA	Latch & Catch Asm. - Folding Door
*	079657-01-000	EA	Door Asm. - Folding - 28.8" x 60" - Shower - Plastic
*			Not illustrated

**1986 WINNEBAGO
TABLE OF CONTENTS**

WC/WF424RC	A-01 - C-08
WC420RG	C-03 - E-12
WCN22RC	E-13 - G-24
WCN30RC	H-01 - J-10

1986 WC/WF424RC INDEX

Floor Plan	A-01 - A-02
Accessories Group	A-03 - A-05
Bath Group	A-06 - A-07
Chassis Group	A-08 - A-10
Curtain, Cushion & Pad Group	A-11 - A-17
Dinette Group	A-18
Driver's Compartment Group	A-19 - A-21
Electrical Group	A-22 - A-24
Exterior Body Group	B-01 - B-06
Galley Group	B-07 - B-09
Heating & Air Conditioning Group	B-10 - B-11
Interior Finish Group	B-12 - B-14
LP Group	B-15
Lounge Group	B-16
Water & Sewage Group	B-17 - B-18
Window, Vent & Exterior Door Group	B-19 - C-08

BATH GROUP (CONTINUED)

BATH HARDWARE

Key	Part Number	U/M	Description
	M01817-01-703	EA	Bathtub Asm w/Strainer
	075242-03-000	EA	Faucet - Tub & Shower
	075240-03-000	EA	Faucet - Lavatory
**	011048-02-000	EA	Shower Head - w/60" Hose
	011048-04-000	EA	Vacuum Breaker - 1/8 MPT - Nylon - Shower Head
	075606-01-000	EA	Shower Panel - Faucet Plastic
**	066729-01-000	EA	Strainer - Bathtub Asm.
	066435-01-000	EA	Nut Strainer - Plastic - Bathtub Asm.
	066436-01-000	EA	Slip Nut - 1.5" Tail Piece - Bathtub Asm.
	069735-01-000	EA	Washer - Tail Piece - 1.5" - Plastic - Bathtub Asm.
	011069-02-000	EA	Tailpiece - 1.5" x 1.25" x 4" - Brass - Bathtub Asm.
	080257-01-000	EA	Shroud - Bathtub Asm. - Off White
	058713-01-000	EA	Sink - Oval - Ivory Plastic
	011083-01-000	EA	Tail Piece w/Stopper - 1.25" x 5" - Plastic - Sink
	039341-02-000	EA	Toilet - Thetford - Aqua Magic - Ivory - 842USH
	009134-01-000	EA	Tissue Holder
	075454-02-000	EA	Towel Ring
	075603-01-000	EA	Threshold - Track Shower Door - Beige
	079235-01-000	EA	Header - Track - Shower Door - Beige
	079234-01-000	EA	Jamb - Shower Door - Rear - Beige
	079234-02-000	EA	Jamb - Shower Door - Front - Beige
	058331-05-000	EA	Mirror - Tempered Glass - 12" x 20"
	058331-04-000	EA	Mirror - Tempered Glass - 12" x 42"
	009089-01-000	EA	Clip - Mirror
	057671-01-000	EA	Screw Cover - #8 - Antique White
	056433-01-000	EA	Cup Hook - Bright
	050712-04-000	EA	Handle - Door Shower - Off White
	075680-01-000	EA	Rod - Clothes - Adjustable
	080224-04-000	EA	Track - Folding Door - "S" Curve
	009112-01-000	EA	Flange - 1" - Closet Rod

** The illustrated parts breakdown for this item is provided on the Common Items Fiche.

CHASSIS GROUP

Key	Part Number	U/M	Description
	047441-01-000	EA	Battery Terminal - Horizontal Lug
	075723-01-000	EA	Block - Switch - Spacer w/o Holes
	059540-01-000	EA	Bracket - License Plate
	051697-01-000	EA	Bracket - Battery Tie Down - 6.9"
	065451-02-000	EA	Bracket - Battery Tie Down - 10.82"
	065451-03-000	EA	Bracket - Battery Tie Down - 14"
	022150-01-000	EA	Bracket - Bumper Rear
	007125-07-000	EA	Clamp Asm. - Muffler - 1.62"
	007125-01-000	EA	Clamp Asm. - Muffler - 2.50"
	010497-01-000	EA	Clamp - Closed - 5/8 I.D.
	007161-01-000	EA	Clamp - Hose - Spring Type 112
	062401-01-000	EA	Clamp - Hose - Wormgear - .22" I.D. - 1" I.D.
	062401-02-000	EA	Clamp - Hose - Wormgear - 1.56" I.D. - 2.5" I.D.
	062401-03-000	EA	Clamp - Hose - Wormgear - .25" I.D. - 1" I.D.
	062401-04-000	EA	Clamp - Hose - Wormgear - .69" I.D. - 1.25" I.D.
	062401-05-000	EA	Clamp - Hose - Wormgear - 2" I.D. - 3" I.D.
	062401-06-000	EA	Clamp - Hose - Wormgear - .22" I.D. - .62" I.D.
	023146-01-000	EA	Clamp - Screw Type - 4"
	024490-01-000	EA	Compartment - Power Cord - Black Plastic
	081938-01-000	EA	Compartment - LP - Regulator
	073220-02-000	EA	Gas Cap - Non-Locking
	007131-01-000	EA	Hanger - Tail Pipe
	024138-01-000	FT	Hose - Fuel - 5/16" I.D. SAE 30R1
	066732-01-000	FT	Hose - Fuel Fill - .62 I.D.
	007111-02-000	EA	Hose - Fuel Fill - 2.00 I.D.
	006113-01-000	EA	Jack - Hydraulic - 6 Ton - w/Handle
	080208-02-000	EA	Leverage Bar - Lug Wrench
	080208-01-000	EA	Lug Wrench
	017516-01-000	EA	Mud Flap w/Holes - 14" x 18" - Black
	074483-01-000	EA	Retainer Nut - Snap In - Speed Control
	079942-05-000	EA	Shock Absorber - Stabilizer - Front (Ford)
	079942-06-000	EA	Shock Absorber - Stabilizer - Rear (Ford)
	079942-03-000	EA	Shock Absorber - Stabilizer - Front (Chevy)
	079942-04-000	EA	Shock Absorber - Stabilizer - Rear (Chevy)
	064089-01-000	EA	Splash Guard - Black Rubber
	077848-01-000	EA	Step Asm. - Entry
	052431-01-000	EA	Tray - Luggage
	074481-01-000	EA	Valve Asm. - Switch - Speed Control
	057724-01-000	EA	Wheelwell - Plastic
	008343-01-000	EA	Wire Tie - 6"

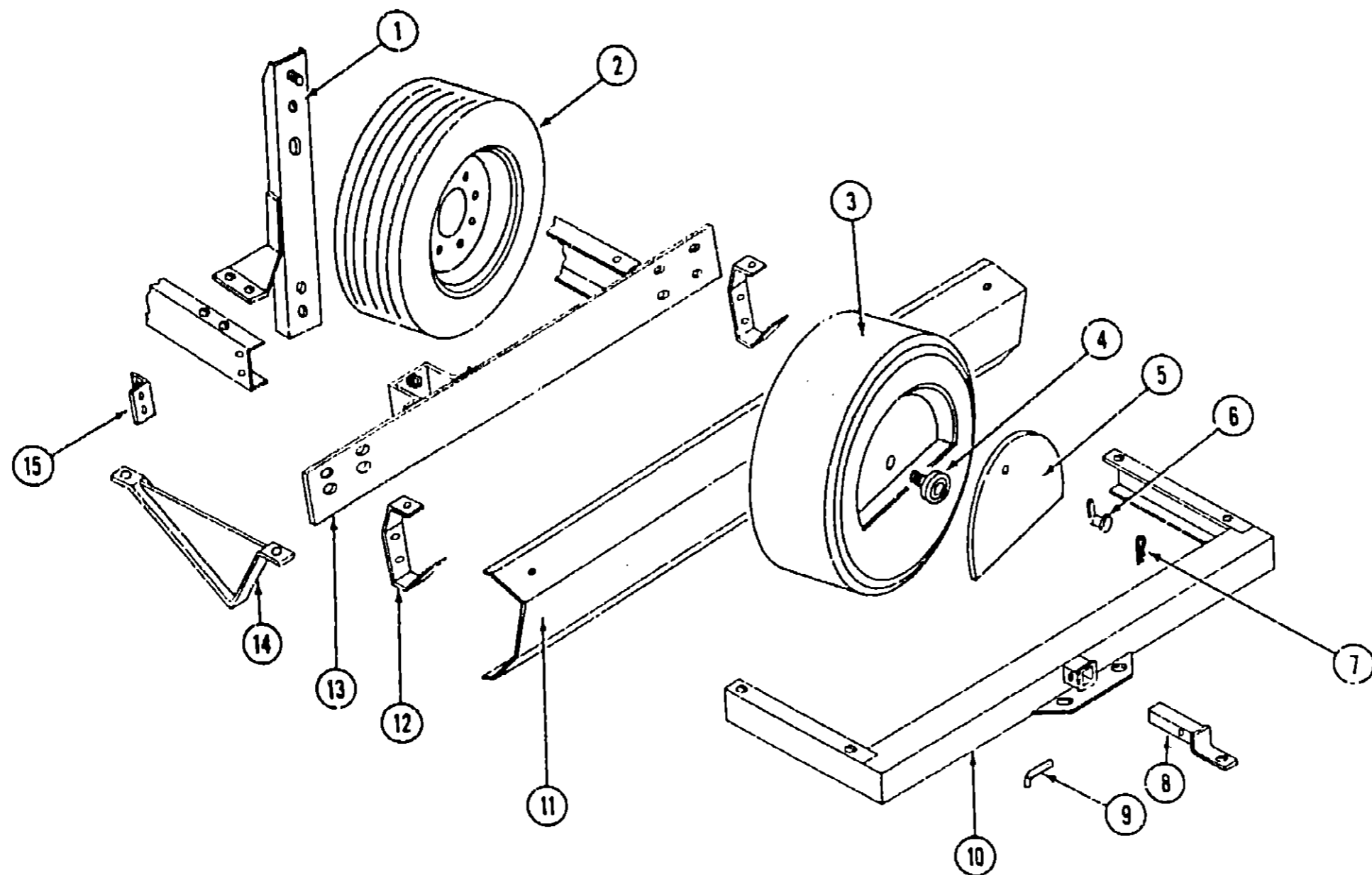
1986 WINNEBAGO TABLE OF CONTENTS

WC/WF424RC	A-01 - C-08
WC420RG	C-09 - E-12
WCN22RC	E-13 - G-24
WCN30FC	H-01 - J-10

1986 WC/WF424RC INDEX

Floor Plan	A-01 - A-02
Accessories Group	A-03 - A-05
Bath Group	A-06 - A-07
Chassis Group	A-08 - A-10
Curtain, Cushion & Pad Group	A-11 - A-17
Dinette Group	A-18
Driver's Compartment Group	A-19 - A-21
Electrical Group	A-22 - A-24
Exterior Body Group	B-01 - B-06
Galley Group	B-07 - B-09
Heating & Air Conditioning Group	B-10 - B-11
Interior Finish Group	B-12 - B-14
LP Group	B-15
Lounge Group	B-16
Water & Sewage Group	B-17 - B-18
Window, Vent & Exterior Door Group	B-19 - C-08

CHASSIS GROUP (CONTINUED)
SPARE TIRE, REAR BUMPER & TRAILER HITCH



Key	Part Number	U/M	Description
1	080378-02-000	EA	Bracket - U-Channel - Tire Carrier
2	007321-02-000	EA	Tire - 8.00 x 19.5 - 6 Ply Tubeless
3	079762-01-000	EA	Tire Cover - Beige Plastic
4	064082-02-000	EA	Nut - Tire Cover Retainer - Delmet
5	M02047-01-T03	EA	Door - Tire Cover - Beige Plastic
6	077408-01-000	EA	Lock Asm. - Key Type
7	034513-01-000	EA	Pin - Hitch - 3/16" Wire
8	077613-01-000	EA	Drawbar - Ball Mount
9	034512-01-000	EA	Locking Pin - Drawbar
10	077617-01-700	EA	Hitch Asm. - w/o Drawbar
11	078584-01-000	EA	Bumper - Rear - Primed
12	078584-08-000	EA	Bumper - Rear - Chromed
	NOTE	EA	Bumper Ends (See Exterior Body Group)
13	078670-02-000	EA	Bracket to Bumper - Rear
14	079129-02-000	EA	Bracket to Frame - Rear Bumper
15	083376-01-000	EA	Skid Plate Asm.
	078668-01-000	EA	Support Angle - Rear Bumper Support to Frame
	005200-01-000	EA	Bumper Bolt - 7/16" - 14 x 1 1/4
			Not illustrated

1986 WINNEBAGO
TABLE OF CONTENTS

WC/WF424RC
 WC420RG
 WCN22RC
 WCN30RC

A-01 - C-08
 C-09 - E-12
 E-13 - G-24
 H-01 - J-10

1986 WC/WF424RC INDEX

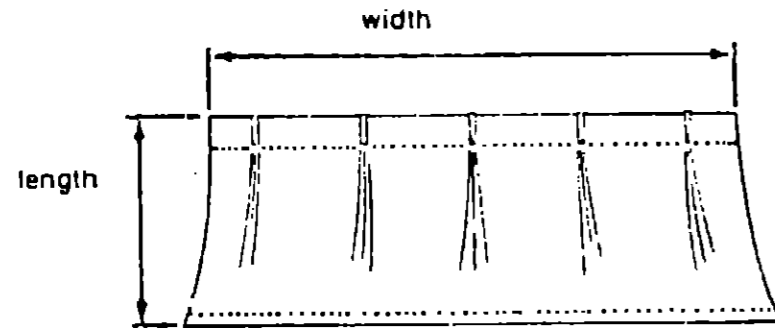
Floor Plan	A-01 - A-02
Accessories Group	A-03 - A-05
Bath Group	A-06 - A-07
Chassis Group	A-08 - A-10
Curtain, Cushion & Pad Group	A-11 - A-17
Dinette Group	A-18
Driver's Compartment Group	A-19 - A-21
Electrical Group	A-22 - A-24
Exterior Body Group	B-01 - B-06
Galley Group	B-07 - B-09
Heating & Air Conditioning Group	B-10 - B-11
Interior Finish Group	B-12 - B-14
LP Group	B-15
Lounge Group	B-16
Water & Sewage Group	B-17 - B-18
Window, Vent & Exterior Door Group	B-19 - C-08

CURTAIN, CUSHION & PAD GROUP

NOTICE

In order to assist our Parts Sales Dept. in providing interior software items, please include the serial number and the color code number from the vehicle certification label when ordering. This label is located on the left sidewall at the end of the dash (A-Body), or on the driver's door latch plate (C-Body).

An example of a color code number is P31, which designates an overall color scheme of a particular unit. The color listed after the item description on the microfiche, indicates the overall unit color. Order the item you desire according to unit color code.



NOTE:

Use this illustration when determining length and width measurements for curtains. You will note the width measurement is taken on the top of the curtain with the curtain fully extended. The length measurement is taken from top to bottom.

CURTAIN & CUSHION HARDWARE

Key	Part Number	U/M	Description
	082228-01-000	EA	Bracket - Curtain Rod - Right
	082228-02-000	EA	Bracket - Curtain Rod - Left
	056003-02-000	EA	Bracket - Drapery Retainer - Left
	056003-01-000	EA	Bracket - Drapery Retainer - Right
	075477-03-000	EA	Bracket - Hold Down - Blind
	056001-01-000	EA	Bracket - Shade - Left
	056002-01-000	EA	Bracket - Shade - Right
	009107-01-000	EA	Guide - Nylon Snap - Curtain
	056784-02-000	EA	Pull - Window Shade - Antique Brass
	056115-01-000	YD	Tape - Clear Plastic - w/Guides
	048394-01-000	YD	Tape Hook - 1" x 25 yd - Beige
	029096-05-000	YD	Tape Hook - .50" - Velcro - Beige
	048395-01-000	YD	Tape Loop - 1" x 25 YD - Beige
	029090-01-000	FT	Tie - Drapery - Clear Vinyl
	056116-01-000	EA	Track - Curtain - Brown Plastic
	076827-01-000	EA	Bracket - Curtain - Wovenwood - Right
	076827-02-000	EA	Bracket - Curtain - Wovenwood - Left
	079798-03-000	EA	Bracket Asm. - Curtain Rod - Right
	079798-04-000	EA	Bracket Asm. - Curtain Rod - Left
	082249-01-000	EA	Bracket - Blinds - Beige - Right
	082249-02-000	EA	Bracket - Blinds - Beige - Left
	082139-02-000	EA	Bracket - Hold Down - Blinds
	079619-01-000	EA	Bracket - Tie Down

CURTAIN, CUSHION & PAD GROUP (CONTINUED)

FABRICS, TRIMS & PADS

Key	Part Number	U/M	Description
	072333-25-000	YD	Fabric - Drapery - Beige (U01)
	072333-26-000	YD	Fabric - Drapery - Rose (U02)
	072333-27-000	YD	Fabric - Drapery - Spruce (U03)
	077498-62-000	YD	Fabric w/Pattern - Upholstery - Beige (U01)
	077498-63-000	YD	Fabric w/Pattern - Upholstery - Rose (U02)
	077498-64-000	YD	Fabric w/Pattern - Upholstery - Spruce (U03)
	077498-75-000	YD	Fabric w/Pattern - Upholstery Accent - Rose (U02)
	077498-74-000	YD	Fabric w/Pattern - Upholstery Accent - Spruce (U03)
	077498-73-000	YD	Fabric - Upholstery Accent - Plain (U01, U03)
	077498-72-000	YD	Fabric - Upholstery Accent - Plain - (U02)
	069729-43-000	YD	Fabric - Bedspread/Draperies - Multi-Stripe
	072333-21-000	YD	Fabric - Bedspread - Parchment
	038421-01-000	YD	Fabric - Mattress Ticking
	052859-01-T03	FT	Trim Asm. - Accent - Sandrift
	052859-05-T03	FT	Trim Asm. - Accent - Buckskin
	079680-01-000	YD	Vinyl - Expanded - 26 oz. - Buckskin
	079680-02-000	YD	Vinyl - Expanded - 26 oz. - Sandrift
	070578-04-U01	EA	Button Asm. - Screw Stud - #30 - Beige (U03)
	070578-04-U02	EA	Button Asm. - Screw Stud - #30 - Rose
	070578-06-T03	EA	Button Asm. - Screw Stud - #30 - Buckskin
	070578-07-U01	EA	Button Asm. - Round Hook Back - #30 - Bedspread - Parchment
	071127-10-U01	EA	Button Asm. - Square - #65 - Beige (U03)
	071127-10-U02	EA	Button Asm. - Square - #65 - Rose
	069748-05-000	EA	Button Back - Square - #65
	078155-01-000	FA	Strap Asm. - Cushion
	079141-02-000	EA	Strap Asm. - Bunk
	081280-03-U01	EA	Pad Asm. - End Cap - Dinette - Overhead - Vinyl
	081280-06-U01	EA	Pad Asm. - End Cap - Galley - Overhead - Vinyl
	081280-13-U01	EA	Pad Asm. - End Cap - Shirt Closet Cabinet - Vinyl
	081280-08-U01	EA	Pad Asm. - End Cap - Entrance Door - Vinyl
	081519-01-U01	EA	Pad Asm. - Dinette - Front - Beige (U03)
	081519-01-U02	EA	Pad Asm. - Dinette - Front - Rose
	081519-02-U01	EA	Pad Asm. - Dinette - Rear - Beige (U03)
	081519-02-U02	EA	Pad Asm. - Dinette - Rear - Rose
	069885-12-U01	EA	Cover w/Pocket - Motor - Beige (U03)
	069885-12-U02	EA	Cover w/Pocket - Motor - Rose
	059491-01-U01	EA	Pad Asm. - Door - Passenger - Beige (U03) (Chevy)
	059491-01-U02	EA	Pad Asm. - Door - Passenger - Rose (Chevy)
	059492-01-U01	EA	Pad Asm. - Door - Driver - Beige (U03) (Chevy)
	059492-01-U02	EA	Pad Asm. - Door - Driver - Rose (Chevy)
	077463-17-U01	EA	Pad Asm. - Headboard - Double Bed
	082552-01-U01	EA	Pad Asm. - Door - Lower - Beige (U03) (Chevy)
	082552-01-U02	EA	Pad Asm. - Door - Lower - Rose (Chevy)
	082552-02-U01	EA	Pad Asm. - Door - Lower - Beige (U03) (Chevy)
	082552-02-U02	EA	Pad Asm. - Door - Lower - Rose (Chevy)



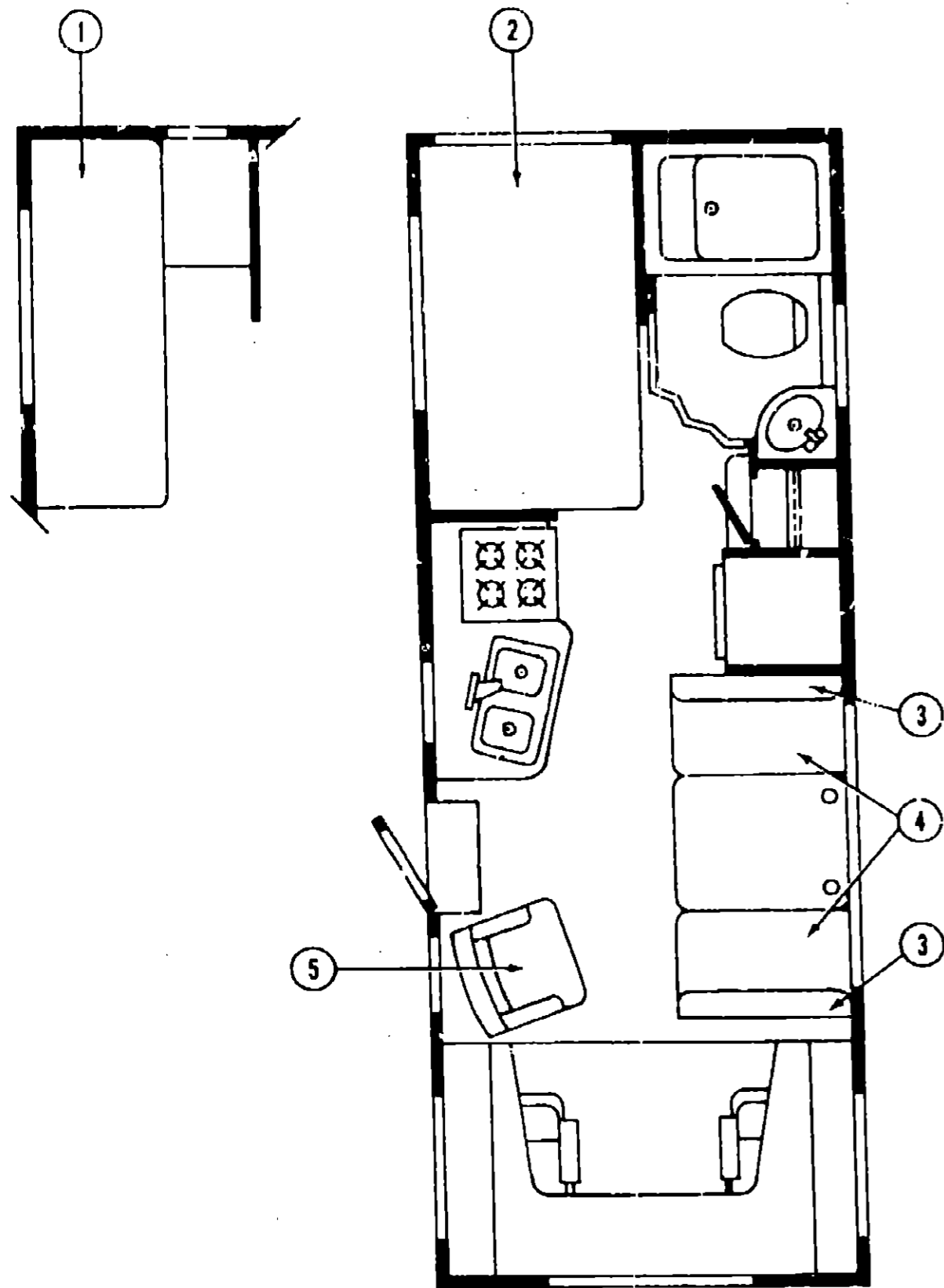
Key	Part Number	U/M	Description
1	029130-01-000	EA	Socket - Snap Fastener
2	029155-01-000	EA	Cap - Snap - .156" Dia. x 17" Barrel
3	029156-01-000	EA	Socket - Snap Fastener
4	029092-01-000	EA	Stud - Nickel Finish
5	029093-01-000	EA	Eyelet - Nickel Finish

**1986 WINNEBAGO
TABLE OF CONTENTS**

WC/VF424RC	A-01 - C-08
WC420RG	C-09 - E-12
WCN221RC	E-13 - G-24
WCN30RC	H-01 - J-10

1986 WC/WF424RC INDEX

Floor Plan	A-01 - A-02
Accessories Group	A-03 - A-05
Bath Group	A-06 - A-07
Chassis Group	A-08 - A-10
Curtain, Cushion & Pad Group	A-11 - A-17
Dinette Group	A-18
Driver's Compartment Group	A-19 - A-21
Electrical Group	A-22 - A-24
Exterior Body Group	B-01 - B-06
Galley Group	B-07 - B-09
Heating & Air Conditioning Group	B-10 - B-11
Interior Finish Group	B-12 - B-14
LP Group	B-15
Lounge Group	B-16
Water & Sewage Group	B-17 - B-18
Window, Vent & Exterior Door Group	B-19 - C-08



REAR BUNK CUSHIONS

Key	Part Number	U/M	Description
1	073519-01-U01	EA	Mattress Cushion Asm. - Rear Bunk - 29" x 75.5" x 4.5" - Beige
1	073519-02-U01	EA	Mattress Cushion Asm. - Rear Bunk - 29" x 75.5" x 4.5" - Rose (U02)
1	073519-02-U03	EA	Mattress Cushion Asm. - Rear Bunk - 29" x 75.5" x 4.5" - Spruce
	M73519-01-U01	EA	Cover - Rear Bunk Cushion - 29" x 75.5" x 4.5" - Beige
	M73519-02-U01	EA	Cover - Rear Bunk Cushion - 29" x 75.5" x 4.5" - Rose (U02)
	M73519-02-U03	EA	Cover - Rear Bunk Cushion - 29" x 75.5" x 4.5" - Spruce

DOUBLE BED MATTRESS

Key	Part Number	U/M	Description
2	077478-03-000	EA	Mattress - Innerspring - 54" x 75
	081969-06-U01	EA	Bedsprad - Double Bed - Multi-Stripe
	081969-12-U01	EA	Bedsprad - Double Bed - Parchment
	081997-01-U01	EA	Pillow Sham - 30" x 26" - Multi-Stripe
	081997-02-U01	EA	Pillow Sham - 30" x 26" - Parchment
	Parts used on units produced after 10-7-85.		

DINETTE CUSHION

Key	Part Number	U/M	Description
3	081998-01-U01	EA	Cushion Asm. - Dinette Back - 19.25" x 38" x 5" - Beige
3	081998-01-U02	EA	Cushion Asm. - Dinette Back - 19.25" x 38" x 5" - Rose
3	081998-01-U03	EA	Cushion Asm. - Dinette Back - 19.25" x 38" x 5" - Spruce
	M81998-01-U01	EA	Cover Asm. - Dinette Back Curtain - 19.25" x 38" x 5" - Beige
	M81998-01-U02	EA	Cover Asm. - Dinette Back Curtain - 19.25" x 38" x 5" - Rose
	M81998-01-U03	EA	Cover Asm. - Dinette Back Curtain - 19.25" x 38" x 5" - Spruce
4	081998-02-U01	EA	Cushion Asm. - Dinette Bottom - 17.5" x 38" x 5" - Beige
4	081998-02-U02	EA	Cushion Asm. - Dinette Bottom - 17.5" x 38" x 5" - Rose
4	081998-02-U03	EA	Cushion Asm. - Dinette Bottom - 17.5" x 38" x 5" - Spruce
	M81998-02-U01	EA	Cover Asm. - Dinette Bottom Cushion - 17.5" x 38" x 5" - Beige
	M81998-02-U02	EA	Cover Asm. - Dinette Bottom Cushion - 17.5" x 38" x 5" - Rose
	M81998-02-U03	EA	Cover Asm. - Dinette Bottom Cushion - 17.5" x 38" x 5" - Spruce

SWIVEL CHAIR

Key	Part Number	U/M	Description
5	073518-16-U01	EA	Chair Asm. w/Pillow Back - Swivel - Beige
5	073518-15-U02	EA	Chair Asm. w/Pillow Back - Swivel - Rose
5	073518-15-U03	EA	Chair Asm. w/Pillow Back - Swivel - Spruce
	075174-02-U01	EA	Skirt Asm. - Swivel Chair - Beige (U03)
	075174-02-U02	EA	Skirt Asm. - Swivel Chair - Rose
	035036-01-000	EA	Plate - Tilt & Swivel - Swivel Chair
	035036-04-000	EA	Base w/Legs - Swivel Chair
	035036-05-000	EA	Extension - 7" - Swivel Chair
	Not illustrated		

FRONT OVERHEAD BUNK CUSHIONS

Key	Part Number	U/M	Description
	073310-05-U01	EA	Cushion Asm. - Front Bunk - Two Fold - 24.5" x 29.5" x 76" x 4" - Beige
	073310-04-U02	EA	Cushion Asm. - Front Bunk - Two Fold - 24.5" x 29.5" x 76" x 4" - Rose
	073310-04-U03	EA	Cushion Asm. - Front Bunk - Two Fold - 24.5" x 29.5" x 76" x 4" - Spruce
	M73310-05-U01	EA	Cover Asm. - Front Bunk Cushion - Two Fold - Beige
	M73310-04-U02	EA	Cover Asm. - Front Bunk Cushion - Two Fold - Rose
	M73310-04-U03	EA	Cover Asm. - Front Bunk Cushion - Two Fold - Spruce

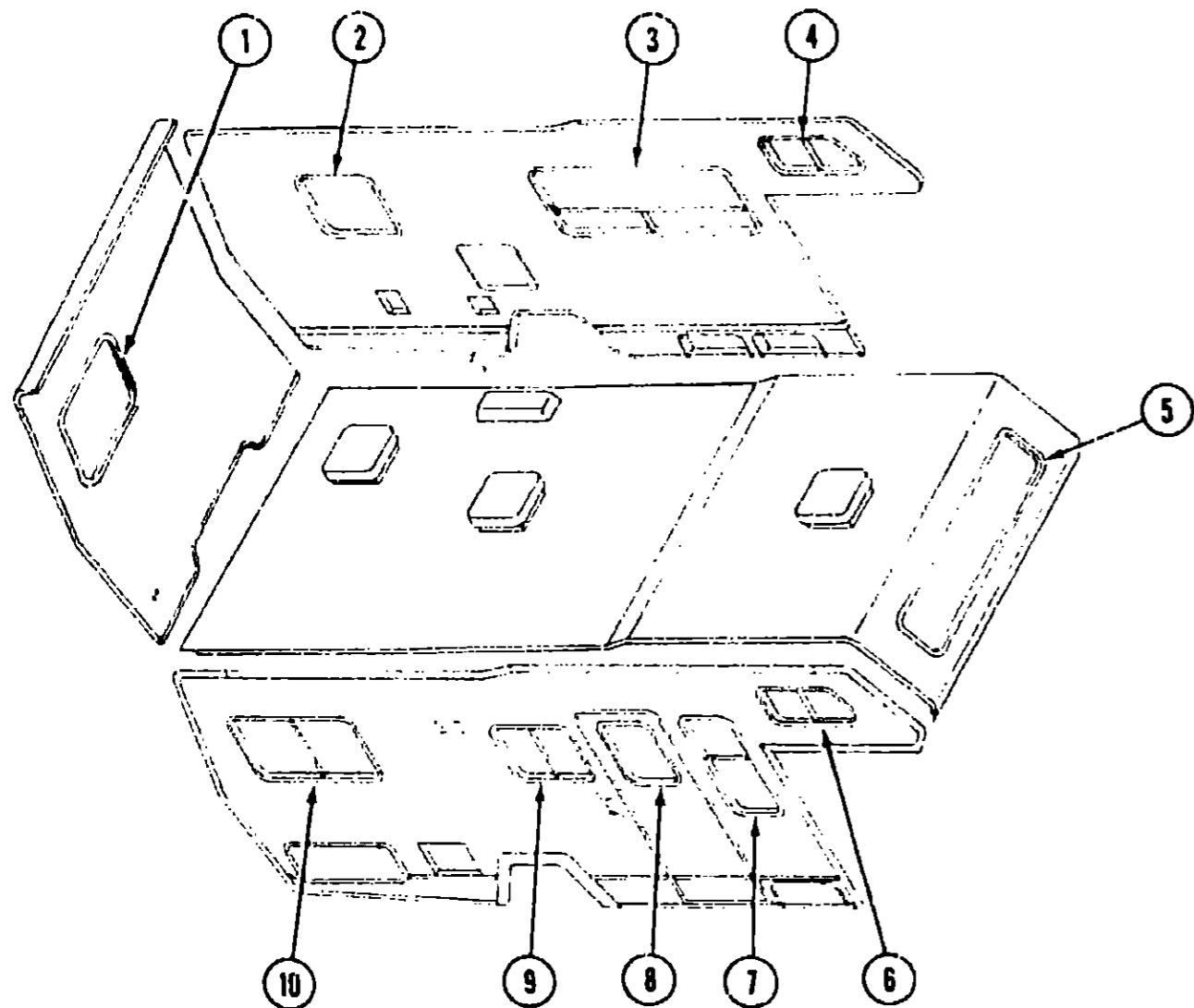
1986 WINNEBAGO
TABLE OF CONTENTS

WC/WF424RC	A-01 - C-08
WC420RG	C-09 - E-12
WCN22RC	E-13 - G-24
WCN30RC	H-01 - J-10

1986 WC/WF424RC INDEX

Floor Plan	A-01 - A-02
Accessories Group	A-03 - A-05
Bath Group	A-06 - A-07
Chassis Group	A-08 - A-10
Curtain, Cushion & Pad Group	A-11 - A-17
Dinette Group	A-18
Driver's Compartment Group	A-19 - A-21
Electrical Group	A-22 - A-24
Exterior Body Group	B-01 - B-06
Galley Group	B-07 - B-09
Heating & Air Conditioning Group	B-10 - B-11
Interior Finish Group	B-12 - B-14
LP Group	B-15
Lounge Group	B-16
Water & Sewage Group	B-17 - B-18
Window, Vent & Exterior Door Group	B-19 - C-08

CURTAIN, CUSHION & PAD GROUP (CONTINUED)



CURTAINS, SHADES, VALANCES & TIEBACKS

Key	Part Number	U/M	Description
1	079559-03-U01	EA	Curtain Asm. w/Gathers - 32" x 41"
1	079558-03-U01	EA	Valance Asm. w/Gathers - 6" x 95"
1	082119-07-000	EA	Shade - Vinyl - 33.25" x 50"
†	073251-30-U01	EA	Curtain Asm. w/Tape Top - 26" x 8"
†	073251-30-U02	EA	Curtain Asm. w/Tape Top - 26" x 8"
†	073251-30-U03	EA	Curtain Asm. w/Tape Top - 26" x 8"
†	M81977-06-U01	EA	Valance Asm. - Padded (U03)
†	M81977-06-U02	EA	Valance Asm. - Padded
†	082119-08-000	EA	Shade - Vinyl - 14.25" x 38"
2	082176-02-U04	EA	Valance Asm. - Padded (U01, U03)
2	082176-02-U05	EA	Valance Asm. - Padded (U02)
2	082118-52-000	EA	Blind - 28" x 26" Drop - Beige (U01)
2	082118-53-000	EA	Blind - 28" x 26" Drop - Rose (U02)
2	082118-54-000	EA	Blind - 28" x 26" Drop - Spruce (U03)
3	073542-10-U01	EA	Curtain Asm. w/Darts - 35" x 16"
3	079542-10-U02	EA	Curtain Asm. w/Darts - 35" x 16"
3	079542-10-U03	EA	Curtain Asm. w/Darts - 35" x 16"
3	M81977-15-U01	EA	Valance Asm. - Padded (U03)
3	M81977-15-U02	EA	Valance Asm. - Padded
3	082118-61-000	EA	Blind - 65" x 34" Drop - Beige (U01)
3	082118-62-000	EA	Blind - 65" x 34" Drop - Rose (U02)
3	082118-63-000	EA	Blind - 65" x 34" Drop - Spruce (U03)
**	082127-49-000	EA	Shade - Woven Wood - 55" x 35" Drop - Beige (U01)
**	082127-50-000	EA	Shade - Woven Wood - 65" x 35" Drop - Rose (U02)
**	082127-51-000	EA	Shade - Woven Wood - 65" x 35" Drop - Spruce (U03)
**	079543-15-U04	EA	Curtain Asm. - 35" x 12" (Woven Wood) (U01, U03)
**	079543-15-U05	EA	Curtain Asm. - 35" x 12" (Woven Wood) (U02)

CURTAIN, CUSHION & PAD GROUP (CONTINUED)

CURTAINS, SHADES, VALANCES & TIEBACKS (CONT.)

Key	Part Number	U/M	Description
4	079558-05-U01	EA	Valance Asm. w/Gathers - 8" x 75"
4	079558-06-U02	EA	Valance Asm. w/Gathers - 8" x 75"
4	079558-06-U03	EA	Valance Asm. w/Gathers - 8" x 75"
4	082119-04-000	EA	Shade - Vinyl - 33.25" x 30"
**	079558-08-U01	EA	Valance Asm. w/Gathers - 8" x 60" - (Woven Wood) (U03)
**	079558-08-U02	EA	Valance Asm. w/Gathers - 8" x 80" - (Woven Wood)
5	079558-09-U01	EA	Valance Asm. w/Gathers - 8" x 175"
5	079558-09-U02	EA	Valance Asm. w/Gathers - 8" x 175"
5	079558-09-U03	EA	Valance Asm. w/Gathers - 8" x 175"
5	082119-10-000	EA	Shade - Vinyl - 75.25" x 30"
**	079558-08-U01	EA	Valance Asm. w/Gathers - 8" x 150" (Woven Wood) (U03)
**	079558-08-U02	EA	Valance Asm. w/Gathers - 8" x 150" (Woven Wood)
6	073251-32-U01	EA	Curtain Asm. w/Tape Top - 45" x 9"
6	073251-32-U02	EA	Curtain Asm. w/Tape Top - 45" x 9"
6	073251-32-U03	EA	Curtain Asm. w/Tape Top - 45" x 9"
6	080824-03-U01	EA	Valance Asm. - Padded (U03)
6	080824-03-U02	EA	Valance Asm. - Padded
6	082118-37-000	EA	Blind - 19" x 44" Drop - Beige (U01)
6	082118-38-000	EA	Blind - 19" x 44" Drop - Rose (U02)
6	082118-39-000	EA	Blind - 19" x 44" Drop - Spruce (U03)
**	082126-07-000	EA	Shade - Woven Wood - 19" x 46" Drop - Beige (U01)
**	082126-08-000	EA	Shade - Woven Wood - 19" x 46" Drop - Rose (U02)
**	082126-09-000	EA	Shade - Woven Wood - 19" x 46" Drop - Spruce (U03)
7	082119-02-000	EA	Shade - Vinyl - 24.25" x 40"
8	M81977-05-U01	EA	Valance Asm. - Padded (U03)
8	M81977-05-U02	EA	Valance Asm. - Padded
8	082118-43-000	EA	Blind - 27" x 22" Drop - Beige (U01)
8	082118-44-000	EA	Blind - 27" x 22" Drop - Rose (U02)
8	082118-45-000	EA	Blind - 27" x 22" Drop - Spruce (U03)
9	079559-03-U01	EA	Curtain Asm. w/Gathers - 32" x 41"
9	079558-03-U01	EA	Valance Asm. w/Gathers - 6" x 95"
9	082119-13-000	EA	Shade - Vinyl - 47.25" x 38"
†	079542-02-U01	EA	Curtain Asm. w/Darts - 22" x 16"
†	079542-02-U02	EA	Curtain Asm. w/Darts - 22" x 16"
†	079542-02-U03	EA	Curtain Asm. w/Darts - 22" x 16"
†	M81977-03-U01	EA	Valance Asm. - Padded (U03)
†	M81977-03-U02	EA	Valance Asm. - Padded
†	082119-01-000	EA	Shade Vinyl - 40.25" x 38"
•	073304-26-U01	EA	Curtain Asm. w/Snaps - Room Divider - 54" x 40"
•	073295-02-U01	EA	Curtain w/Snaps - Front Wraparound - 23" x 64" (2 required)
•	077591-03-U01	EA	Curtain w/Velcro Top - Bunk Privacy - 70" x 50" - Passenger
•	077591-04-U01	EA	Curtain w/Velcro Top - Bunk Privacy - 70" x 50" - Driver
•	073260-17-U01	EA	Tie Back Asm. - 4" x 18" - Bedspread (U02, U03)
•	073260-16-U04	EA	Tie Back Asm. - 3" x 20" - Accent - Beige (U01, U03)
•	073260-16-U05	EA	Tie Back Asm. - 3" x 20" - Accent - Rose (U02)
•	057534-01-000	EA	Tie Back Asm. - 6" - Clear Plastic
•	057534-04-000	EA	Tie Back Asm. - 20" - Clear Plastic
•	057534-05-000	EA	Tie Back Asm. - 6" - Vinyl - Chestnut
•			Not illustrated

** Parts used on the Woven Wood Option
 † Parts used on the bunkhouse option (Not illustrated)

**1986 WINNEBAGO
TABLE OF CONTENTS**

WC/WF424RC	A-01 - C-08
WC420RG	C-09 - E-12
WCN22RC	E-13 - G-24
WCN30RC	H-01 - J-10

1986 WC/WF424RC INDEX

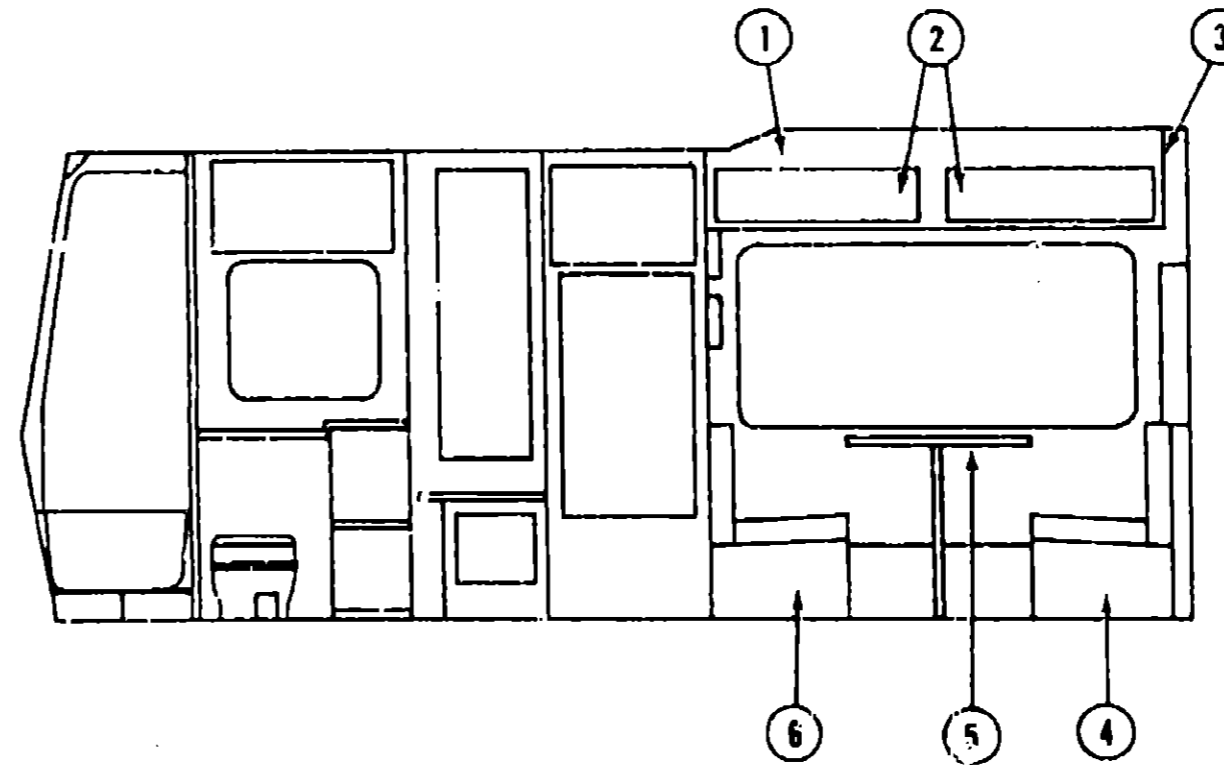
Floor Plan	A-01 - A-02
Accessories Group	A-03 - A-05
Bath Group	A-06 - A-07
Chassis Group	A-08 - A-10
Curtain, Cushion & Pad Group	A-11 - A-17
Dinette Group	A-18
Driver's Compartment Group	A-19 - A-21
Electrical Group	A-22 - A-24
Exterior Body Group	B-01 - B-06
Galley Group	B-07 - B-09
Heating & Air Conditioning Group	B-10 - B-11
Interior Finish Group	B-12 - B-14
LP Group	B-15
Lounge Group	B-16
Water & Sewage Group	B-17 - B-18
Window, Vent & Exterior Door Group	B-19 - C-08

CURTAIN, CUSHION & PAD GROUP (CONTINUED)

DINETTE GROUP

BUCKET SEATS

Key	Part Number	U/M	Description
	079300-01-U01	EA	Seat Asm. - Vinyl - Beige (U01)
	079300-02-U01	EA	Seat Asm. - Vinyl - Rose (U02)
	079300-02-U03	EA	Seat Asm. - Vinyl - Spruce (U03)
	001862-01-U01	EA	Cover Asm. - Seat Bottom - Vinyl - Beige (U01)
	M01862-03-U01	EA	Cover Asm. - Seat Bottom - Vinyl - Rose (U02)
	M01862-03-U03	EA	Cover Asm. - Seat Bottom - Vinyl - Spruce (U03)
	M01862-02-U01	EA	Cover Asm. - Seat Back - Vinyl - Beige (U01)
	M01862-04-U01	EA	Cover Asm. - Seat Back - Vinyl - Rose (U02)
	M01862-04-U03	EA	Cover Asm. - Seat Back - Vinyl - Spruce (U03)
	078804-10-U01	EA	Seat Asm. - Granduer w/Left Armrest - Beige (U01)
	078804-12-U02	EA	Seat Asm. - Granduer w/Left Armrest - Rose (U02)
	078804-12-U03	EA	Seat Asm. - Granduer w/Left Armrest - Spruce (U03)
	078804-09-U01	EA	Seat Asm. - Granduer w/Right Armrest - Beige (U01)
	078804-11-U02	EA	Seat Asm. - Granduer w/Right Armrest - Rose (U02)
	078804-11-U03	EA	Seat Asm. - Granduer w/Right Armrest - Spruce (U03)
	M01863-07-U01	EA	Cover Asm. - Bucket Seat Bottom - Beige (U01)
	M01863-03-U01	EA	Cover Asm. - Bucket Seat Bottom - Rose (U02)
	M01863-03-U03	EA	Cover Asm. - Bucket Seat Bottom - Spruce (U03)
	M01863-08-U01	EA	Cover Asm. - Bucket Seat Back - Beige (U01)
	M01863-04-U01	EA	Cover Asm. - Bucket Seat Back - Rose (U02)
	M01863-04-U03	EA	Cover Asm. - Bucket Seat Back - Spruce (U03)
	080243-08-U01	EA	Armrest Asm. - Right - Beige (U01)
	080243-10-U01	EA	Armrest Asm. - Right - Rose (U02)
	080243-10-U03	EA	Armrest Asm. - Right - Spruce (U03)
	080243-07-U01	EA	Armrest Asm. - Left - Beige (U01)
	080243-09-U01	EA	Armrest Asm. - Left - Rose (U02)
	080243-09-U03	EA	Armrest Asm. - Left - Spruce (U03)
	M80243-02-U04	EA	Cover Asm. - Armrest - Right - Beige (U01)
	M80243-04-U01	EA	Cover Asm. - Armrest - Right - Rose (U02)
	M80243-04-U03	EA	Cover Asm. - Armrest - Right - Spruce (U03)
	M80243-01-U01	EA	Cover Asm. - Armrest - Left - Beige (U01)
	M80243-03-U01	EA	Cover Asm. - Armrest - Left - Rose (U02)
	M80243-03-U03	EA	Cover Asm. - Armrest - Left - Spruce (U03)
	080242-02-U04	EA	Headrest Asm. - Beige (U01)
	080242-02-U05	EA	Headrest Asm. - Rose (U02)
	080242-02-U06	EA	Headrest Asm. - Spruce (U03)
	M80242-02-U04	EA	Cover Asm. - Headrest - Beige (U01)
	M80242-02-U05	EA	Cover Asm. - Headrest - Rose (U02)
	M80242-02-U06	EA	Cover Asm. - Headrest - Spruce (U03)



**1986 WINNEBAGO
TABLE OF CONTENTS**

WC/WF424RC
WC420RG
WCN22RC
WCN30RC

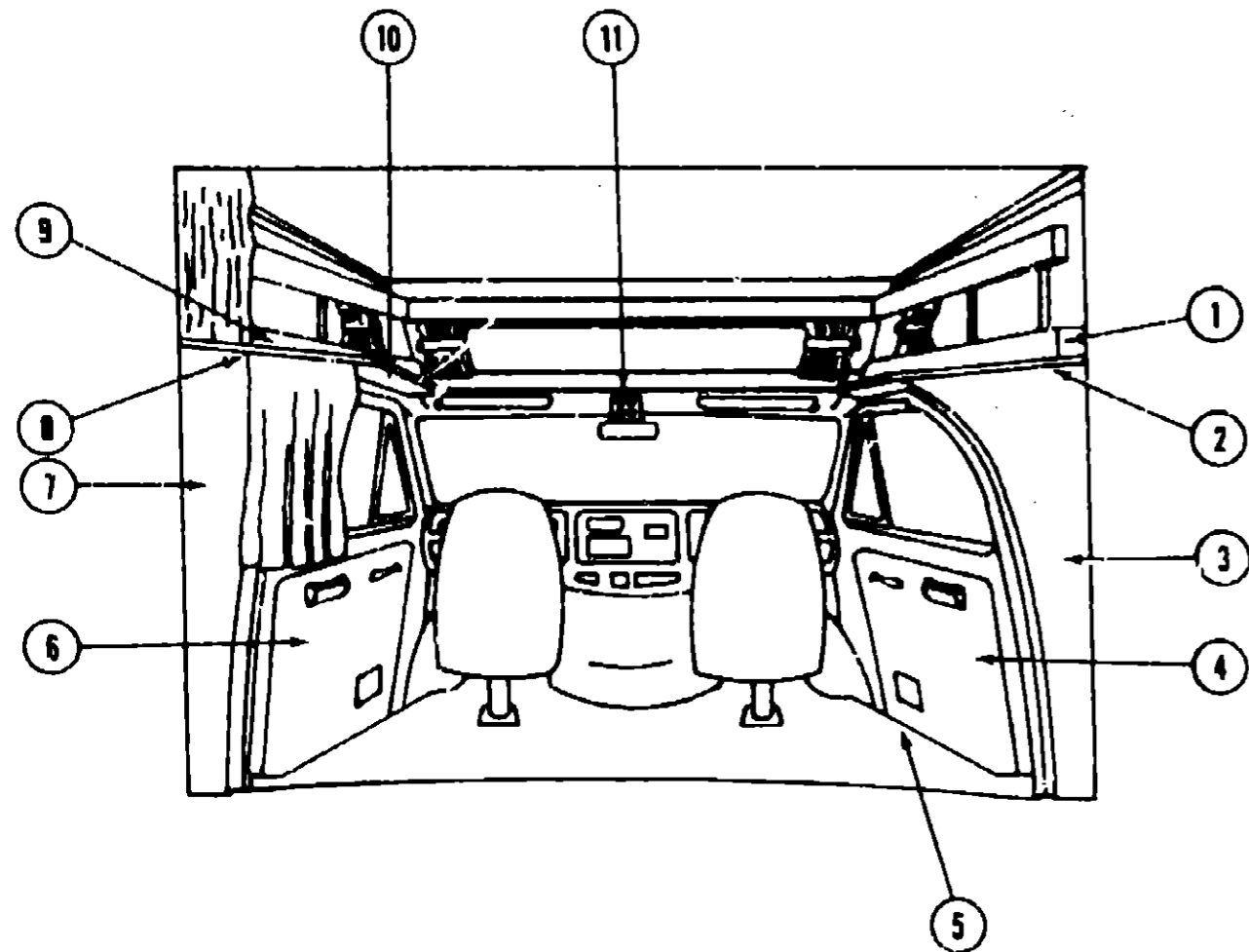
A-01 - C-08
C-09 - E-12
E-13 - G-24
H-01 - J-10

Key	Part Number	U/M	Description
1	M81739-01-U01	EA	Cabinet Asm. - Dinette Overhead - w/o Doors or Hardware
2	M81523-02-U01	EA	Door Asm. - Dinette Overhead - w/o Hardware
3	081280-03-U01	EA	Pad Asm. - End Cap - Dinette Overhead - Vinyl
4	M02487-01-U01	EA	Cabinet Asm. - Dinette Seat - w/o Door or Hardware
*	M02486-01-U01	EA	Cabinet Asm. - Dinette Back
5	M02115-09-U01	EA	Table Asm. - Dinette - w/o Hardware
6	M02489-01-U01	EA	Cabinet Asm. - Dinette Seat - w/o Door or Hardware
*	M02488-01-U01	EA	Cabinet Asm. - Dinette Back
**	053200-01-000	EA	Bracket - Upper Wall Mount - 23.5"
**	053201-03-000	EA	Bracket - Table Mount - 23"
*	024275-08-000	EA	Rod - Table Lift - 8" x 23.5" - Brown
*	024281-07-000	EA	Bracket - Lower Wall Mount - 22.12" - Beige
*	024276-14-000	EA	Leg Asm. - Table - 26.75" - Brown
**	064050-01-000	EA	Hinge - Table Leg
**	024282-01-000	EA	Brace - Table Leg
**	024253-01-000	EA	Clip - 1" O.D. Tube
*	049463-02-000	EA	Catch - Table Leg - Mounts on Floor - Brown
*	064781-03-000	EA	Cup Holder - 3.47" O.D. x 2.75" I.D. x 1.5" - Brown
*			Not illustrated
**	The illustrated parts breakdown for this item is provided on the Common Items Fiche.		

1986 WC/WF424RC INDEX

Floor Plan	A-01 - A-02
Accessories Group	A-03 - A-05
Bath Group	A-06 - A-07
Chassis Group	A-08 - A-10
Curtain, Cushion & Pad Group	A-11 - A-17
Dinette Group	A-18
Driver's Compartment Group	A-19 - A-21
Electrical Group	A-22 - A-24
Exterior Body Group	B-01 - B-06
Galley Group	B-07 - B-09
Heating & Air Conditioning Group	B-10 - B-11
Interior Finish Group	B-12 - B-14
LP Group	B-15
Lounge Group	B-16
Water & Sewage Group	B-17 - B-18
Window, Vent & Exterior Door Group	B-19 - C-08

DRIVER'S COMPARTMENT GROUP

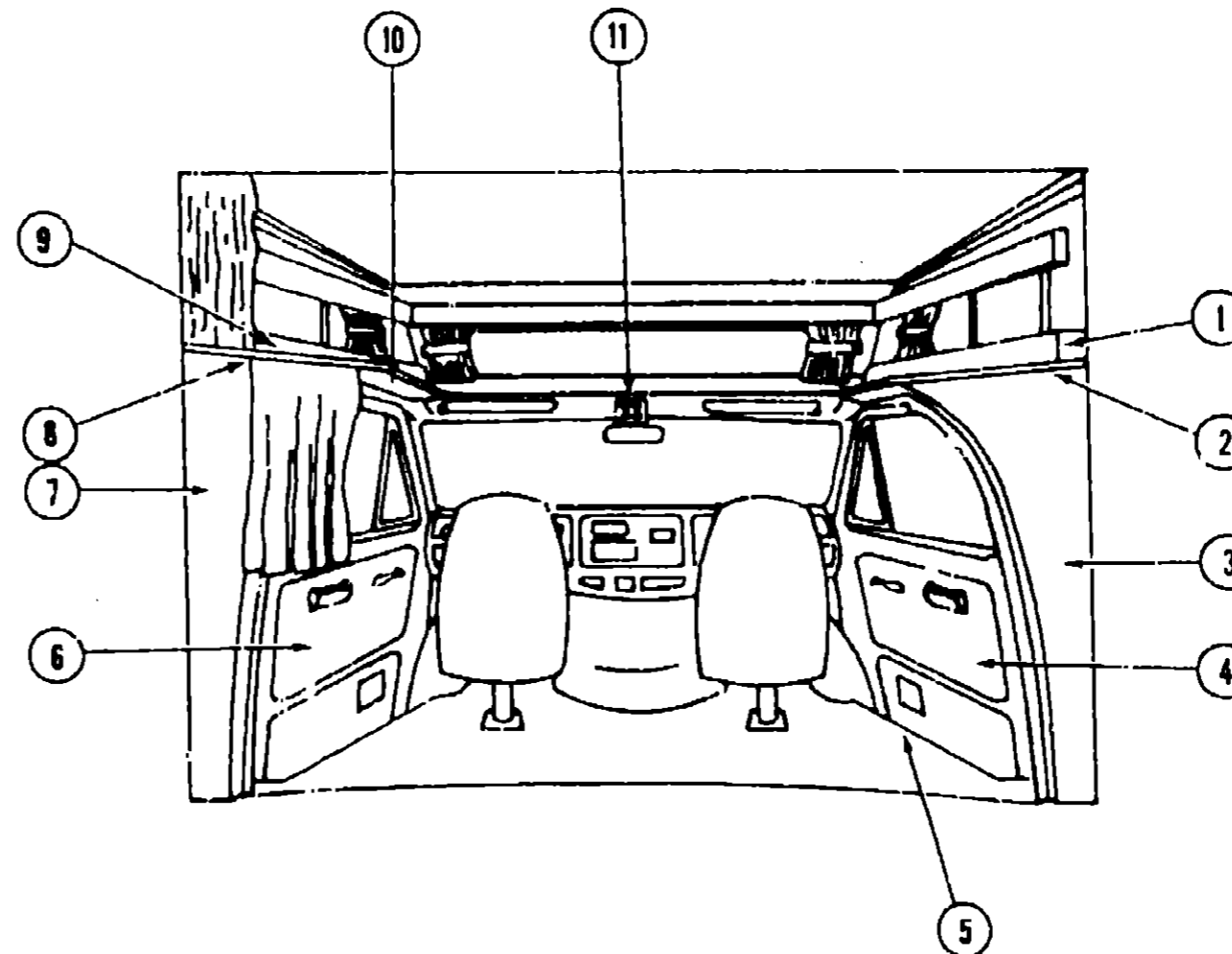


MISCELLANEOUS DRIVER'S COMPARTMENT COMPONENTS (FORD)

Key	Part Number	U/M	Description
1	082068-01-U01	EA	Cabinet Asm. - Headboard - Passenger
2	M81652-01-U01	EA	Panel Asm. - Sleeper Board - w/o Vinyl
	079800-01-U01	EA	Trim - Front Sleeper Board
3	M82066-01-U01	EA	Panel Asm. - Wingwall Transition - Inner Passenger
**4	NOTE	EA	Side Panel - Cab Door - Passenger
5	083206-01-000	EA	Door Step Mat - Passenger - Black Rubber
	083206-02-000	EA	Door Step Mat - Driver - Black Rubber
**6	NOTE	EA	Panel Asm. - Cab Door - Driver - Beige (U03)
7	M82066-02-U01	EA	Panel Asm. - Wingwall Transition - Inner Driver
8	082069-01-U01	EA	Accent Trim - Dark Sandrift Vinyl
9	082069-02-U01	EA	Cabinet Asm. - Headboard - Driver
10	078369-01-T03	EA	Headliner Asm. - Overhead Bunk - Vinyl
11	M01298-01-000	EA	Console - Overhead - 7.5" x 6.14" - Black
	083219-01-000	EA	Floor Mat - Front - Passenger - Winnebago (Ford)
	083219-02-000	EA	Floor Mat - Front - Driver - Winnebago (Ford)
	056288-01-000	EA	Dome Light Asm.
	056288-02-000	EA	Bulb - Dome Light Asm.
	056288-03-000	EA	Housing - Dome Light Asm.
	056288-04-000	EA	Lens - Dome Light Asm.
	056288-05-000	EA	Clip - Dome Light Asm.
	024461-01-000	EA	Switch - Battery
	024462-01-000	EA	Switch - Battery Condition
	024976-01-000	EA	Switch - Generator w/o Circuit Board
	031035-02-000	EA	Gauge - Generator Hourmeter
	024459-04-000	EA	Gauge - Voltmeter
	024459-02-000	EA	Bracket - Mounting - Voltmeter Gauge
			Not illustrated

** This part is supplied by your Ford Dealer

DRIVER'S COMPARTMENT GROUP (CONTINUED)



MISCELLANEOUS DRIVER'S COMPARTMENT COMPONENTS (CHEVY)

Key	Part Number	U/M	Description
1	082553-01-U01	EA	Cabinet Asm. - Headboard - Passenger
2	M81652-01-U01	EA	Panel Asm. - Sleeper Board - w/o Vinyl
	079800-01-U01	EA	Trim - Front - Sleeper Board
3	M82554-01-U01	EA	Panel Asm. - Wingwall Transition - Inner Passenger
4	059491-01-U01	EA	Side Panel - Cab Door - Passenger (U03)
4	059491-01-U02	EA	Side Panel - Cab Door - Passenger
5	044860-02-000	EA	Door Step Mat - Passenger - Black Rubber
5	044860-01-000	EA	Door Step Mat - Driver - Black Rubber
6	059492-01-U01	EA	Side Panel - Cab Door - Passenger (U03)
6	059492-01-U02	EA	Side Panel - Cab Door - Passenger
7	M82554-03-U01	EA	Panel Asm. - Wingwall Transition - Inner - Driver
8	082069-01-U01	EA	Accent Trim - Dark Sandrift Vinyl
9	082553-02-U01	EA	Cabinet Asm. - Headboard - Driver
10	076822-01-T03	EA	Headliner Asm. - Overhead Bunk - Vinyl
11	M01298-03-000	EA	Console - Overhead - 7.5" x 6.14" - Beige
	056288-01-000	EA	Dome Light Asm.
	056288-02-000	EA	Bulb
	056288-03-000	EA	Housing
	056288-04-000	EA	Lens
	056288-05-000	EA	Clip
	024461-01-000	EA	Switch - Battery
	024462-01-000	EA	Switch - Battery Condition
	024976-01-000	EA	Switch - Generator w/o Circuit Board
	031035-02-000	EA	Gauge - Generator Hourmeter
	024459-04-000	EA	Gauge - Voltmeter
	024459-02-000	EA	Bracket - Mounting - Voltmeter Gauge
			Not illustrated

1986 WINNEBAGO TABLE OF CONTENTS

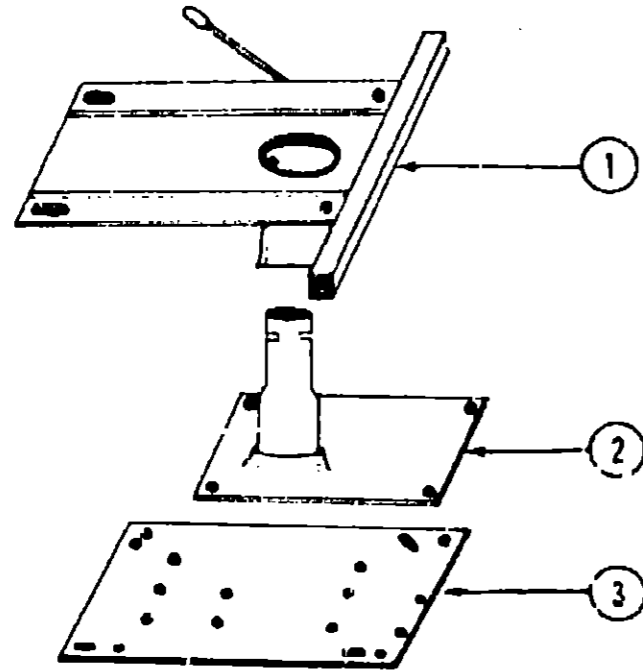
WC/WF424RC
WC420HG
WCN22RC
WCN30RC

A-01 - C-08
C-09 - E-12
E-13 - G-24
H-01 - J-10

1986 WC/WF424RC INDEX

Floor Plan	A-01 - A-02
Accessories Group	A-03 - A-05
Bath Group	A-06 - A-07
Chassis Group	A-08 - A-10
Curtain, Cushion & Pad Group	A-11 - A-17
Dinette Group	A-18
Driver's Compartment Group	A-19 - A-21
Electrical Group	A-22 - A-24
Exterior Body Group	B-01 - B-06
Galley Group	B-07 - B-09
Heating & Air Conditioning Group	B-10 - B-11
Interior Finish Group	B-12 - B-14
LP Group	B-15
Lounge Group	B-16
Water & Sewage Group	B-17 - B-18
Window, Vent & Exterior Door Group	B-19 - C-08

DRIVER'S COMPARTMENT GROUP (CONTINUED)



BUCKET SEAT PEDESTAL & SEAT BELTS

Key	Part Number	U/M	Description
1	069585-04-000	EA	Plate - Top - Pedestal Asm. - Bucket Seat
1	069585-19-000	EA	Plate - Top - Pedestal Asm. - Power Seat
2	069585-03-000	EA	Plate - Sub - Pedestal Asm. - Bucket Seat
2	069585-18-000	EA	Plate - Sub - Pedestal Asm. - Power Seat
3	069585-02-000	EA	Plate - Base - Pedestal Asm. - Bucket Seat
	081373-02-000	EA	Seat - Power
	069585-05-000	EA	Hardware Kit - Bolt/Acorn Nut - 4 ea. - Pedestal Asm.
	056271-02-000	EA	Belt Asn. - Seat - 2" x 72" - Black
	007021-01-000	EA	Belt Asm. - Seat - 2" x 90" - Black
	041322-01-000	EA	Washer - Flat 15/32" I.D. x 2 3/8" O.D. - Seat Belt
	057759-01-000	EA	Bracket - Seat Belt Washer
	069246-01-000	EA	Adjuster Asm. - Seat - w/Lock
	069246-02-000	EA	Adjuster Asm. - Seat - w/o Lock
	080730-02-000	EA	Recliner Drive - Driver
	080730-01-000	EA	Recliner Drive - Passenger
	079467-04-000	EA	Loose Parts Kit
			Not illustrated

ELECTRICAL GROUP

BULBS

Key	Part Number	U/M	Description
	008220-01-000	EA	Bulb - 12V - 25W
	008103-01-000	EA	Bulb - 53
	008213-01-000	EA	Bulb - 57
	008214-01-000	EA	Bulb - 67
	036196-01-000	EA	Bulb - 194
	008215-01-000	EA	Bulb - 1003
	067478-01-000	EA	Bulb - 1076
	063914-01-000	EA	Bulb - 1139
	009218-01-000	EA	Bulb - 1141
	037935-01-000	EA	Bulb - 1157
	056288-02-000	EA	Bulb - 9431808

FUSES & CIRCUIT BREAKERS

Key	Part Number	U/M	Description
	008234-01-000	EA	Fuse - 10 Amp. - 12 Volt
	008235-01-000	EA	Fuse - 15 Amp. - 12 Volt
	062901-02-000	EA	Fuse - 5 Amp. - Automotive
	062901-05-000	EA	Fuse - 15 Amp. - Automotive
	008211-01-000	EA	Circuit Breaker - 6 Amp. - 12 Volt
	008208-01-000	EA	Circuit Breaker - 40 Amp. - 12 Volt
	033573-02-000	EA	Circuit Breaker - 15 Amp. - 12 Volt - w/Mount
	033573-01-000	EA	Circuit Breaker - 20 Amp. - 12 Volt - w/Mount
	044466-03-000	EA	Circuit Breaker - 25 Amp. - 12 Volt - w/Mount
	008268-01-000	EA	Circuit Breaker - 30 Amp. - 12 Volt - w/Mount
	083209-01-000	EA	Circuit Breaker - 15 Amp. - 120 Volt
	083210-02-000	EA	Circuit Breaker - 15 Amp. - 120 Volt (Ground Fault Interrupter)
	075735-02-000	EA	Circuit Breaker - 15 Amp. - 120 Volt (Ground Fault Interrupter)
	071279-05-000	EA	Circuit Breaker - 20 Amp. - 120 Volt
	071279-04-000	EA	Circuit Breaker - 30 Amp. - 120 Volt
	071279-03-000	EA	Circuit Breaker - 15/20 Amp. - 120 Volt
	083209-03-000	EA	Circuit Breaker - 15/30 Amp. - 120 Volt
	071279-01-000	EA	Circuit Breaker - 15/30 Amp. - 120 Volt
	083209-05-000	EA	Circuit Breaker - 20 Amp. - 120 Volt
	083209-04-000	EA	Circuit Breaker - 30 Amp. - 120 Volt
	083209-06-000	EA	Circuit Breaker - 30/15 Amp. - 120 Volt
	071279-06-000	EA	Circuit Breaker - 30/15 Amp. - 120 Volt
	071280-01-000	EA	Circuit Breaker Blank
	050283-02-000	EA	Circuit Breaker - Buss Bar

**1986 WINNEBAGO
TABLE OF CONTENTS**

WC/WF424RC	A-01 - C-08
WC420RG	C-09 - E-12
WCN22HC	E-13 - G-24
WCN30FC	H-01 - J-10

1986 WC/WF424RC INDEX

Floor Plan	A-01 - A-02
Accessories Group	A-03 - A-05
Bath Group	A-06 - A-07
Chassis Group	A-08 - A-10
Curtain, Cushion & Pad Group	A-11 - A-17
Dinette Group	A-18
Driver's Compartment Group	A-19 - A-21
Electrical Group	A-22 - A-24
Exterior Body Group	B-01 - B-06
Galley Group	B-07 - B-09
Heating & Air Conditioning Group	B-10 - B-11
Interior Finish Group	B-12 - B-14
LP Group	B-15
Lounge Group	B-16
Water & Sewage Group	B-17 - B-18
Window, Vent & Exterior Door Group	B-19 - C-08

ELECTRICAL GROUP (CONTINUED)

WIRE, SWITCHES & RECEPTACLES

Key	Part Number	U/M	Description
	008058-01-000	EA	Adapter - Power Cord
	008288-01-000	EA	Box - Electrical - 3" x 3.5" - Plastic
	008289-01-000	EA	Box - Electrical - 4" x 4" - 1/2 & 3/4 Steel - UL
	008289-02-000	EA	Box - Electrical - 4" x 4" - 1/2 & 3/4 Steel - CSA
	058049-01-000	EA	Box - Electrical - 2" x 3" x 2.25" - Steel
	041953-01-000	EA	Conduit - Convolute Slit - .5" I.D.
	008353-01-000	EA	Connector - Clamping - 3/8 Cable - UL & CSA
	058028-01-000	EA	Connector - Pigtail - Clear Nylon
	008314-01-000	EA	Connector - Wire Nut - Gray
	008311-01-000	EA	Connector - Wire Nut - Red
	031968-01-000	EA	Contact Plug - Brass - Tin Plated
	031967-01-000	EA	Contact - Receptacle
	008054-01-000	EA	Cord - Power - 10-3 30 Amp. - 25' - UL
	008052-01-000	EA	Cord - Power - 10-3 30 Amp. - 25' - CSA
	069238-01-000	EA	Cover - Electrical Box - 4" x 4"
	058048-01-000	EA	Cover - Electrical Box - 4.5" x 2.75" - Rain Tight (Exterior)
	024571-03-000	EA	Cover Plate - Receptacle - Jumbo - Brown Plastic
	024571-04-000	EA	Cover Plate - Receptacle - Jumbo - Ivory Plastic
	008164-01-000	EA	Cover Plate - Switch - Brown
	008284-01-000	EA	Cover - Flat Blank - 4" x 4" - Steel - US
	006294-02-000	EA	Cover - Flat Blank - 4" x 4" - Steel - CSA
	008250-01-000	EA	Fuse Holder - In Line - 10 Amp.
	008250-02-000	EA	Fuse Holder - In Line - 15 Amp.
	008277-01-000	EA	Fuse Holder - Panel Mount - Black
	064390-01-000	EA	Housing Asm. - Trailer Pin
	064450-01-000	EA	Housing Asm. - Trailer Plug
	064398-01-000	EA	Housing Asm. - Trailer Receptacle
	054532-01-000	EA	Housing Pin - 6 Position
	046885-01-000	EA	Plaque - Mounting Switch
	075736-02-000	EA	Receptacle/Cover Asm. - Off White (Exterior)
	058708-01-000	EA	Receptacle - Duplex - Brown
	008157-01-000	EA	Receptacle - Duplex - Brown (Exterior Backwall)
	058708-02-000	EA	Receptacle - Duplex - Ivory
	053126-01-000	EA	Receptacle - Ground Fault Interrupter - 125 Volt - Ivory
	024924-02-000	EA	Receptacle - Power Cord
	058707-01-000	EA	Receptacle - Single - Brown
	063912-01-000	EA	Relay - Canister SPDT w/Ground
	075723-01-000	EA	Switch - Block Spacer - w/o Holes
	075723-02-000	EA	Switch - Block Spacer - w/Holes
	008162-01-000	EA	Switch - Double Toggle - Brown
	077942-02-000	EA	Switch - Dummy - Brown
	056264-01-000	EA	Switch - Leaf Actuator
	079362-01-000	EA	Switch Plate - 3 Gang - 2 Switches
	079363-01-000	EA	Switch Plate - Single - w/Switches
	079364-01-000	EA	Switch - On/Off Rocker - Brown
	008195-01-000	EA	Switch - Push Button - 12 Volt
	008163-01-000	EA	Switch - Toggle - Brown
	006050-01-000	EA	TV Jack - Ivory
	047443-02-000	EA	Terminal - 250 Receptacle - 12-10 AWG
	035417-01-000	EA	Terminal - Pin Receptacle - .125 Dia.
	008348-01-000	EA	Terminal Ring - 2 - w/3/8 Stud
	008331-01-000	EA	Terminal Ring - 4 - w/3/8 Stud
	008328-01-000	EA	Terminal Ring - 12/10 Wire
	054865-01-000	EA	Wire Asm. - Generator Switch
	008028-01-000	FT	Wire - 18.5 Bonded - Blue/Red/Yellow/Orange/White
	008024-01-000	FT	Wire - 18.5 Bonded - Orange/White/Yellow/Blue/Brown
	008025-01-000	FT	Wire - 18.5 Bonded - Orange/White/Yellow/Blue/Green
	008026-01-000	FT	Wire w/Ground - Romex - 12/2

ELECTRICAL GROUP (CONTINUED)

EXTERIOR LIGHTS

Key	Part Number	U/M	Description
	058032-01-000	EA	Tail Lamp Asm. - 2 Bulb - Chrome - Driver/Passenger
	059038-01-000	EA	Bracket - Tail Lamp
	059540-01-000	EA	Bracket - License Plate
	062742-04-000	EA	Wedge - Tail Lamp w/License Plate - Left - Off White
	062740-04-000	EA	Wedge - Tail Lamp - Right - Off White
	042405-03-000	EA	Base - Rectangular Clearance Light
	042405-01-000	EA	Lens - Clearance Light - Red w/Reflex
	042405-04-000	EA	Lens - Clearance Light - Red w/o Reflex
	042405-02-000	EA	Lens - Clearance Light - Amber w/Reflex
	042405-05-000	EA	Lens - Clearance Light - Amber w/o Reflex
	048817-01-000	EA	Assist Handle Asm. w/Light
	079941-01-000	EA	Lamp Asm. - w/Cover - Fog - Amber
	068937-02-000	EA	Light - Dome - Surface - No Switch

INTERIOR LIGHT

Key	Part Number	U/M	Description
	065202-03-000	EA	Lamp - Decor - Wall - Brass - 2 Bulb
	033508-02-000	EA	Light - Dome - Ivory - 1 Bulb - US
	033508-03-000	EA	Light - Dome - Ivory - 1 Bulb - CSA
	033509-02-000	EA	Light - Dome - Ivory - 2 Bulb - US
	033509-03-000	EA	Light - Dome - Ivory - 2 Bulb - CSA
	078424-02-000	EA	Light - Florescent - 12V
	061424-01-000	EA	Light - 12V Receptacle - Aisle - IP
	007309-01-000	EA	Light - Step Well
	072353-02-000	EA	Light - Reading - Double - 360° Swivel - Silver
	072353-07-000	EA	Light - Reading - Single - 360° Swivel - Tan
	056288-01-000	EA	Light - Dome (Driver's Compartment)
	056288-04-000	EA	Lens - Dome Light (Driver's Compartment)

MISCELLANEOUS ELECTRICAL COMPONENTS

Key	Part Number	U/M	Description
	047338-03-000	EA	Isolator - Dual Battery - 70 Amp.
	008188-01-000	EA	Solenoid - Dual Battery - Relay
	063205-01-000	EA	Converter - 120 Amp. w/Charger

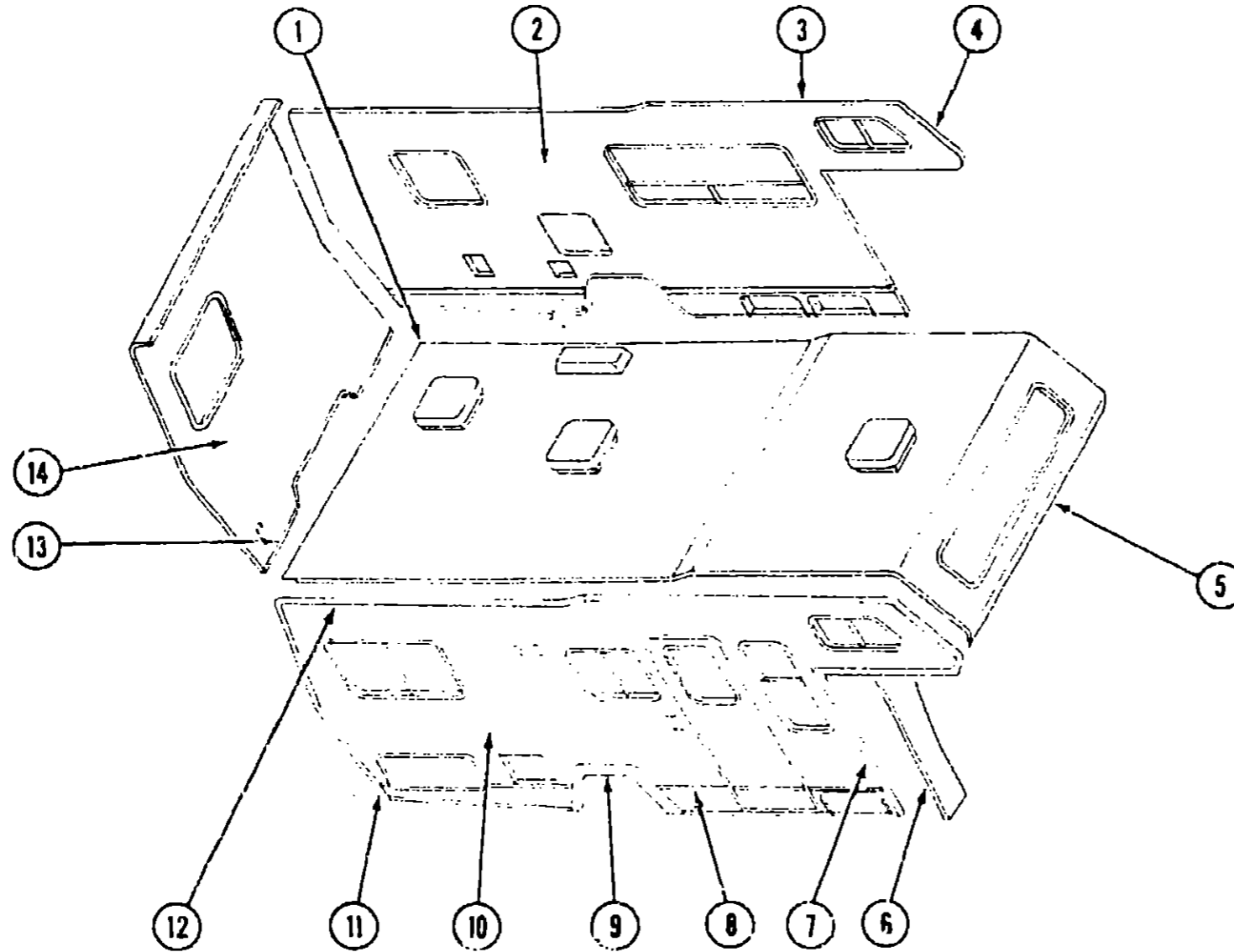
1986 WINNEBAGO TABLE OF CONTENTS

WC/WF424RC	A-01 - C-08
WC420RG	C-09 - E-12
WCN22RC	E-13 - G-24
WCN30RC	I-01 - J-10

1986 WC/WF424RC INDEX

Floor Plan	A-01 - A-02
Accessories Group	A-03 - A-05
Bath Group	A-06 - A-07
Chassis Group	A-08 - A-10
Curtain, Cushion & Pad Group	A-11 - A-17
Dinette Group	A-18
Driver's Compartment Group	A-19 - A-21
Electrical Group	A-22 - A-24
Exterior Body Group	B-01 - B-06
Galley Group	B-07 - B-09
Heating & Air Conditioning Group	B-10 - B-11
Interior Finish Group	B-12 - B-14
LP Group	B-15
Lounge Group	B-16
Water & Sewage Group	B-17 - B-18
Window, Vent & Exterior Door Group	B-19 - C-08

**EXTERIOR BODY GROUP
EXTERIOR BODY PANELS**



Key	Part Number	U/M	Description
1	M82385-01-U01	FA	Roof Asm.
*	M76177-01-700	EA	Roof Section - Cab Over To First Seam
2	M82345-01-U01	EA	Sidewall Asm. - Driver
2	M82345-01-U02	EA	Sidewall Asm. - Driver
2	M82345-01-U03	EA	Sidewall Asm. - Driver
3	076802-06-000	EA	Trim - Contour - Upper Front - Driver - Off White
*	076802-05-000	EA	Trim - Contour - Upper Front - Passenger - Off White
4	076828-02-000	EA	Trim - Contour - Sleeper - Driver - Off White
*	076828-01-000	EA	Trim - Contour - Sleeper - Passenger - Off White
5	039644-08-000	EA	Trim - Sleeper Board - Front - Off White
6	M81653-01-U01	EA	Wingwall Asm. - Passenger (Ford)
*	M81653-02-U01	EA	Wingwall Asm. - Driver (Ford)
6	M82343-01-U01	EA	Wingwall Asm. - Passenger (Chevy)
*	M82343-02-U01	EA	Wingwall Asm. - Driver (Chevy)
7	076975-03-000	EA	Trim - Wingwall Transition - Passenger - Off White
*	076975-04-000	EA	Trim - Wingwall Transition - Driver - Off White
8	002444-01-001	EA	Feature Strip - w/o Insert - Extr. - 14' - Brown
*	001030-02-003	EA	Insert - Feature Strip - 17' - Stucco - Off White
*	009731-01-000	EA	End Cap - Feature Strip
9	075189-01-000	EA	Trim - Wheel Well - Rear Passenger - Off White
*	075189-02-000	EA	Trim - Wheelwell - Rear Driver - Off White

Key	Part Number	U/M	Description
**10	M82347-01-U01	EA	Sidewall Asm. - Passenger
**10	M82347-01-U02	EA	Sidewall Asm. - Passenger
**10	M82347-01-U03	EA	Sidewall Asm. - Passenger
11	076805-01-000	EA	Trim - Contour - Rear Passenger - Off White
*	076805-02-000	EA	Trim - Contour - Rear Driver - Off White
12	077339-09-000	EA	Trim - Contour - Upper Rear Passenger - Off White
*	077339-10-000	EA	Trim - Contour - Upper Rear Driver - Off White
13	074966-02-000	EA	Trim - Backwall - Lower - Passenger or Driver
**14	M82383-01-U01	EA	Backwall Asm.
*	002365-01-001	EA	U-Channel - Extrusion - 1" x 18'
*	002776-01-001	EA	U-Channel - Extrusion - 1.75" x 16'
*	077514-04-001	EA	Fiberglass Sheet - 48.08" x 259" - Mesa - Off White
*	077517-04-002	EA	Fiberglass Sheet - 48.08" x 60" - Mesa - Off White
*	001054-01-011	EA	Alum. - No Design - 48" x 96" - Off White
*	000868-01-000	SF	Styrofoam - .75" x 24" x 96"
*	000870-01-000	SF	Styrofoam - 1.5" x 24" x 96"
*	000870-03-000	SF	Styrofoam - 1.34" x 48" x 96"
*			Not illustrated

**When ordering designate double bed or bunkbed

**1986 WINNEBAGO
TABLE OF CONTENTS**

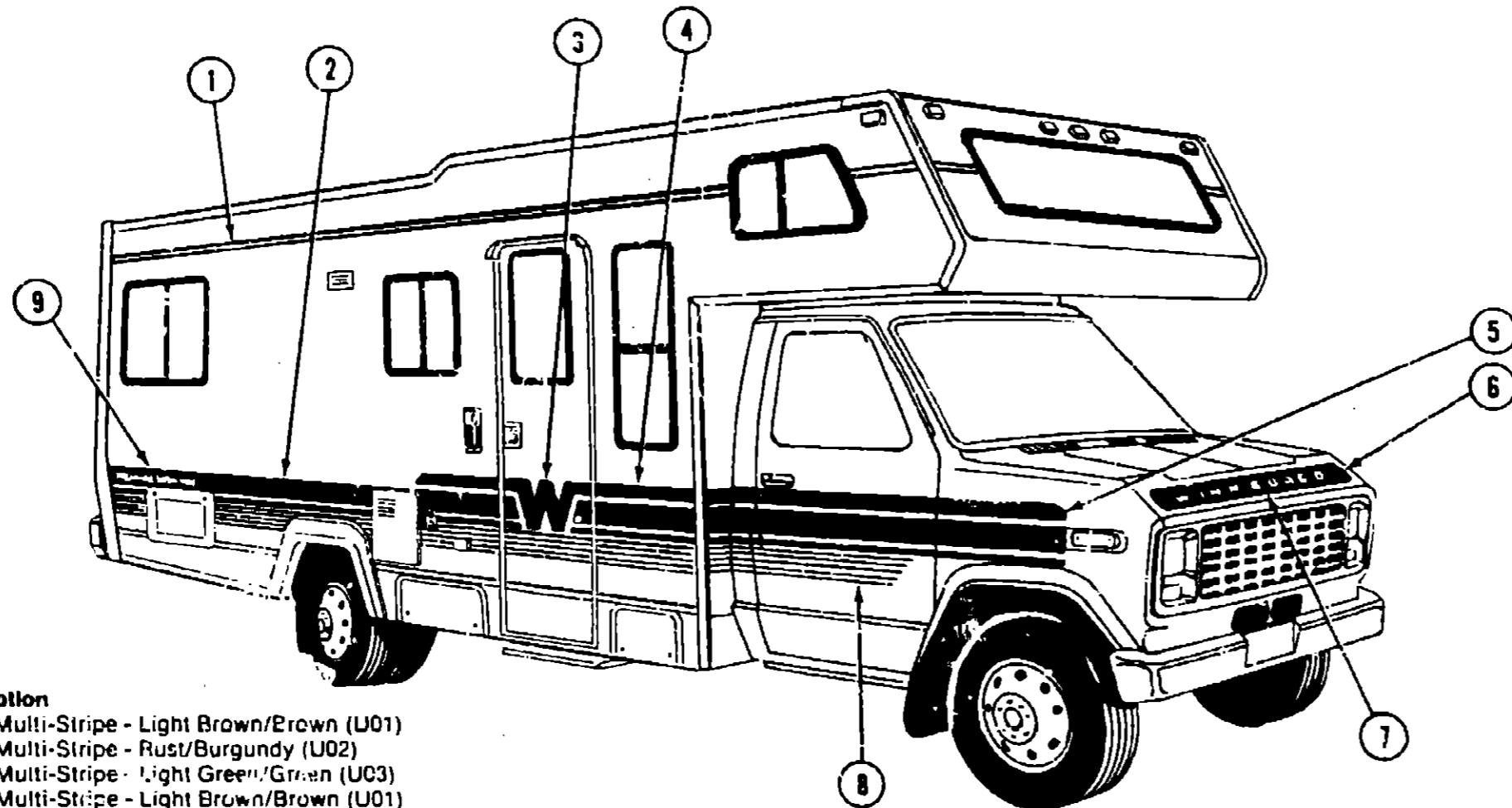
WC/WF424RC	A-01 - C-08
WC120RG	C-09 - E-12
WCN22RC	E-13 - G-24
WCN30RC	H-01 - J-10

1986 WC/WF424RC INDEX

Floor Plan	A-01 - A-02
Accessories Group	A-03 - A-05
Bath Group	A-06 - A-07
Chassis Group	A-08 - A-10
Curtain, Cushion & Pad Group	A-11 - A-17
Dinette Group	A-18
Driver's Compartment Group	A-19 - A-21
Electrical Group	A-22 - A-24
Exterior Body Group	B-01 - B-06
Galley Group	B-07 - B-09
Heating & Air Conditioning Group	B-10 - B-11
Interior Finish Group	B-12 - B-14
LP Group	B-15
Lounge Group	B-16
Water & Sewage Group	B-17 - B-18
Window, Vent & Exterior Door Group	B-19 - C-09

EXTERIOR BODY GROUP (CONTINUED)

LABELS, DECALS & EXTERIOR PAINT



Key	Part Number	U/M	Description
1	065217-90-000	FT	Film - Multi-Stripe - Light Brown/Brown (U01)
1	065217-89-000	FT	Film - Multi-Stripe - Rust/Burgundy (U02)
1	065217-88-000	FT	Film - Multi-Stripe - Light Green/Green (U03)
2	065217-87-000	FT	Film - Multi-Stripe - Light Brown/Brown (U01)
2	065217-86-000	FT	Film - Multi-Stripe - Rust/Burgundy (U02)
2	065217-85-000	FT	Film - Multi-Stripe - Light Green/Green (U03)
3	079351-06-000	EA	Decal - Flying W - Brown (U01)
3	079351-05-000	EA	Decal - Flying W - Burgundy (U02)
3	079351-04-000	EA	Decal - Flying W - Green (U03)
4	078831-14-000	FT	Decal Striping - Light Brown (U01)
4	078831-13-000	FT	Decal Striping - Rust (U02)
4	078831-12-000	FT	Decal Striping - Light Green (U03)
5	081942-05-000	EA	Decal - Fender - Passenger - Ford - Light Brown (U01)
5	081942-03-000	EA	Decal - Fender - Passenger - Ford - Rust (U02)
5	081942-01-000	EA	Decal - Fender - Passenger - Ford - Light Green (U03)
5	081941-05-000	EA	Decal - Fender - Passenger - Chevy - Light Brown (U01)
5	081941-03-000	EA	Decal - Fender - Passenger - Chevy - Rust (U02)
5	081941-01-000	EA	Decal - Fender - Passenger - Chevy - Light Green (U03)
5	081942-06-000	EA	Decal - Fender - Driver - Ford - Light Brown (U01)
5	081942-04-000	EA	Decal - Fender - Driver - Ford - Rust (U02)
5	081942-02-000	EA	Decal - Fender - Driver - Ford - Light Green (U03)
5	081941-06-000	EA	Decal - Fender - Driver - Chevy - Light Brown (U01)
5	081941-04-000	EA	Decal - Fender - Driver - Chevy - Rust (U02)
5	081941-02-000	EA	Decal - Fender - Driver - Chevy - Light Green (U03)
6	081940-03-000	EA	Decal - Hood - Ford - Light Brown (U01)
6	081940-02-000	EA	Decal - Hood - Ford - Rust (U02)
6	081940-01-000	EA	Decal - Hood - Ford - Light Green (U03)
6	081944-01-000	EA	Decal - Hood - Chevy - Light Brown (U01)
6	081944-02-000	EA	Decal - Hood - Chevy - Rust (U02)
6	081944-03-000	EA	Decal - Hood - Chevy - Light Green (U03)
7	069745-03-000	EA	Decal - "Winnie" - 1.25"
7	059745-04-000	EA	Decal - "Bago" - 1.25"
8	076791-10-000	FT	Film - Multi-Stripe - Brown (U01)
8	076791-09-000	FT	Film - Multi-Stripe - Burgundy (U02)
8	076791-08-000	FT	Film - Multi-Stripe - Green (U03)
9	075478-01-000	EA	Decal - Logo - "Minnie Winnie"
9	050313-22-000	EA	Decal - Logo - "Winnebago" - Chrome

Key	Part Number	U/M	Description
•	068383-01-000	EA	Label - Diesel Fuel
•	006195-01-000	EA	Label - Electrical Test
•	047731-01-000	EA	Label - Emergency Exit
•	006199-01-000	EA	Label - Exit - Escape Window
•	057467-04-000	EA	Label - Exterior Loading Limit
•	064378-01-000	EA	Label - Flying "W" w/Thermo Panel
•	061417-01-000	EA	Label - Fuel
•	006196-01-000	EA	Label - Gas Test
•	054531-01-000	EA	Label - LP Gas Only
•	040944-01-000	EA	Label - Open - Entrance Door
•	006015-01-000	EA	Label - Patent Motor Home
•	056259-01-000	EA	Label - Safety Check List
•	006064-01-000	EA	Label - Seat - w/o Seat Belts
•	006187-01-000	EA	Label - Sewage
•	006006-C1-000	EA	Label - Thermo Panel - 2 1/4" x 2 1/4"
•	075221-01-000	EA	Label - Trailer Hitch Capacity
•	075220-01-000	EA	Label - Warning - Exterior Load Limit
•	077956-01-000	EA	Label - Warning - Smoke Detector
•	050225-01-000	EA	Label - Warning - Stove Vent - US
•	006188-01-000	EA	Label - Waste Water
•	006197-01-000	EA	Label - Water Test
•	072863-01-000	EA	Nameplate - Diesel - 6.2L
•	006062-01-000	EA	Tag - Electrical - 110 Volt Connection
•	006040-01-000	EA	Tag - Gas - Refueling Warning
•	044485-03-000	EA	Paint - Beige Acrylic Enamel - 16 oz. Aerosol (7633A Dupont)
•	045681-03-000	EA	Paint - Gloss Black - Acrylic Enamel - 16 oz. Aerosol (99 Dupont)
•	058637-05-000	EA	Paint - Gray Acrylic Enamel - 16 oz. Aerosol (71537 Dupont)
•	041561-03-000	EA	Paint - Off White Acrylic Enamel - 16 oz. Aerosol (45396A Dupont)
•	074559-01-000	EA	Label - "LPG" 3.3" x 1.75" (Calif. Code)
•			Not illustrated

1986 WINNEBAGO TABLE OF CONTENTS

WC/WF424RC
WC420RG
WCN20RC
WCN30RC

A-01 - C-08
C-09 - E-12
E-13 - G-24
H-01 - J-10

1986 WC/WF424RC INDEX

Floor Plan	A-01 - A-02
Accessories Group	A-03 - A-05
Bath Group	A-06 - A-07
Chassis Group	A-08 - A-10
Curtain, Cushion & Pad Group	A-11 - A-17
Dinette Group	A-18
Driver's Compartment Group	A-19 - A-21
Electrical Group	A-22 - A-24
Exterior Body Group	B-01 - B-06
Galley Group	B-07 - B-09
Heating & Air Conditioning Group	B-10 - B-11
Interior Finish Group	B-12 - B-14
LP Group	B-15
Lounge Group	B-16
Water & Sewage Group	B-17 - B-18
Window, Vent. & Exterior Door Group	B-19 - C-08

EXTERIOR BODY GROUP (CONTINUED)

SEALANTS & ADHESIVES

Key	Part Number	U/M	Description
	004020-01-000	QT	Adhesive - ABS Cement (Plastic Fittings)
	002337-01-000	EA	Adhesive - 1300 Tube - 3M (Windows)
	004005-02-000	GL	Adhesive - Swifts - Glue (Sidewalls)
	053766-07-000	EA	Bedding Compound - Tube - Beige (Exterior)
	053766-06-000	EA	Bedding Compound - Tube - Clear (Window)
	053766-08-000	EA	Bedding Compound - Tube - Gray (Exterior)
	053766-05-000	EA	Bedding Compound - Tube - Gray (Sidewalls to Floor)
	053766-02-000	EA	Bedding Compound - Tube - Off White (Exterior)
	002328-02-000	EA	Block - Rubber Spacer (Windshield)
	004336-01-000	EA	Caulk - Latex - Golden Walnut (Sidewalls)
	072891-02-000	QT	Primer - Glass - Black
	072891-01-000	QT	Primer - Glass - Clear
	035024-01-000	EA	Primer - Glass - Clear - Windshield
	072890-01-000	QT	Primer - Metal - Black
	035023-01-000	GL	Primer - Metal - Windshield
	077967-01-000	EA	Sealant - Acrylic Latex - Tube - Off White (Interior Sealant)
	034552-04-000	EA	Sealant - Silicone - Beige
	034552-02-000	EA	Sealant - Silicone - Clear
	034552-07-000	EA	Sealant - Silicone - Dark Gray
	034552-06-000	EA	Sealant - Silicone - Off White
	069637-01-000	EA	Sealant - Weatherban 404 - Tube - White (Door Caulk)
	072889-01-000	EA	Sealant - Urethane - Black (Windshield)
	069640-01-000	FT	Sealer Ribbon - .25" Bead x 20'
	069640-02-000	FT	Sealer Ribbon - .5" x .125" x 30'
	069640-03-000	FT	Sealer Ribbon - .75" x .125" x 30'
	069640-04-000	FT	Sealer Ribbon - 2" x .09" x 45' (P Series)
	069640-05-000	FT	Sealer Ribbon - 2.5" x .09" x 50'
	069640-06-000	FT	Sealer Ribbon - 5/16" Bead x 15'
	069640-07-000	FT	Sealer Ribbon - 2" x 3/32" x 30'
	002316-01-000	FT	Sealer Tape - 3/32" x 3/8" - White (Window)
	002707-01-000	FT	Sealer Tape - 5/16" x 3/4"
	002707-02-000	FT	Sealer Tape - 5/16" x 1/2"
	040545-01-000	GL	Sealer - Seam Weld
	053752-04-000	EA	Seam Sealer - Tube - Aluminum (Roof)
	063542-01-000	FT	Tape - Adhesive - .10mm. x 1.5" Wide
	038886-01-000	EA	Tape - Butyl - .31" x .31" x 148" (Windshield)
	076322-01-000	FT	Tape - Foam - Double Coated - .025 x 1" (Fiberglass Sidewall Seams)
	076322-02-000	FT	Tape - Foam - Double Coated - .045 x 1" (Fiberglass Sidewall Seams)
	009200-01-000	EA	Tape - Furnace - 1.5"
	002825-01-000	FT	Weather Striping (Roof Vent)

MISCELLANEOUS EXTERNALLY MOUNTED PARTS

Key	Part Number	U/M	Description
	083558-01-000	EA	Plumbing Seal - Roof Vent - 1.5
	048817-01-000	EA	Assist Handle - w/Light
	048817-01-700	EA	Lens - Assist Handle
	010230-02-000	EA	Fill - City Water - Recessed - Off White
	079384-02-700	EA	Hardware Set - Running Board (Ford)
	079384-02-701	EA	Riser - Molding (Ford)
	079384-02-701	EA	Wheel - Trim - Chrome (Ford)
	081240-03-000	EA	Water Fill - Lockable - White
	063303-04-000	EA	Shroud - Fuel Fill - Lower
	072447-02-000	EA	Shroud - Fuel Fill
	079384-01-000	EA	Running Board Set - w/Wheel Flares (Chevy)
	079384-01-700	EA	Hardware Set - Running Board (Chevy)
	079384-01-701	EA	Riser - Molding (Chevy)
	079384-01-702	EA	Wheel - Trim - Chrome (Chevy)
	079384-02-000	EA	Running Board Set - w/Wheel Flares
	080359-01-000	EA	Plate - Step Well (Chevy)
	080359-02-000	EA	Plate - Step Well (Ford)

EXTERIOR BODY GROUP (CONTINUED)

INTERIOR/EXTERIOR SCREWS & FASTENERS

Key	Part Number	U/M	Description
	005200-01-000	EA	Bolt - Round Head - Square Neck w/SST Cap - 7/16" - 14 x 1 1/4"
	058279-01-000	EA	Clip - Mounting - Front Panel
	035628-01-000	EA	Fastener - Blind Well Nut - 1.05" x .38"
	000D15-06-00B	EA	Nut - Hex - 3/8" x 24 - Zinc
	005081-01-000	EA	Nut - Speed - C Type - #8 Screw
	000G54-04-20B	EA	Screw 1/4 - 20 x 1 1/4" PTH - Zinc
	000G54-04-22B	EA	Screw 1/4 - 20 x 1 3/8" PTH - Zinc
	000G53-04-06B	EA	Screw 1/4 - Machine - 20 x 3/8" PTH - Zinc
	000G13-06-12P	EA	Screw #6 - 20 x 3/4" PFH - Dark Brown
	000G13-06-28X	EA	Screw #6 - 20 x 3/4" PFH - Gray
	000G13-06-16R	EA	Screw #6 - 20 x 1" PFH - Beige
	000G11-07-08B	EA	Screw #7 - 19 x 1/2" PPH - Zinc
	000G12-08-12M	EA	Screw #8 - 18 x 3/4" POH - Gray
	000G11-08-12R	EA	Screw #8 - 18 x 3/4" PPH - Beige
	000G11-08-12X	EA	Screw #8 - 18 x 3/4" PPH - Gray
	000G11-08-12B	EA	Screw #8 - 18 x 3/4" PPH - Zinc
	000G39-08-12R	EA	Screw #8 - 18 x 3/4" SDPH - Beige
	000G66-08-12M	EA	Screw #8 - 18 x 3/4" SDPH - Gray
	000G11-08-16R	EA	Screw #8 - 18 x 1" PFH - Gray
	000G60-08-16H	EA	Screw #8 - 18 x 1" SDPH - Beige
	000G12-08-28R	EA	Screw #8 - 18 x 1 3/4" POH - Beige
	000G36-08-08E	EA	Screw #8 - 32 x 1/2" PFH - Chrome
	000G39-08-08B	EA	Screw #8 - Self Drilling - 18 x 1/2" PPH - Zinc
	000G39-08-12B	EA	Screw #8 - Self Drilling - 18 x 3/4" PPH - Zinc
	000G39-08-12R	EA	Screw #8 - Self Drilling - 18 x 3/4" PPH - Beige
	000G39-08-16R	EA	Screw #8 - Self Drilling - 18 x 1" PPH - Beige
	000G39-08-16T	EA	Screw #8 - Self Drilling - 18 x 1" PPH - Black
	000G39-08-16P	EA	Screw #8 - Self Drilling - 18 x 1" PPH - Dark Brown
	000G39-08-16X	EA	Screw #8 - Self Drilling - 18 x 1" PPH - Gray
	000G39-08-16E	EA	Screw #8 - Self Drilling - 18 x 1" PPH - Chrome
	000G64-08-16M	EA	Screw #8 - Self Drilling - 18 x 1" SDPH - Gray
	000G67-10-08B	EA	Screw #10 - 12 x 1/2" PPH - Zinc
	000G67-10-10R	EA	Screw #10 - 12 x 5/8" PPH - Beige
	000G67-10-16P	EA	Screw #10 - 12 x 1" PPH - Dark Brown
	000G67-10-15B	EA	Screw #10 - 12 x 1" PPH - Zinc
	000G67-10-20B	EA	Screw #10 - 12 x 1 1/4" - PPH - Zinc
	000G67-10-24B	EA	Screw #10 - 12 x 1 1/2" PPH - Zinc
	049465-04-000	EA	Screw #10 - 16 x 1" POH - w/Washer - Beige
	049465-05-000	EA	Screw #10 - 16 x 1" POH - w/Washer - Gray
	000G12-10-24E	EA	Screw #10 - 16 x 1 1/2" POH - Chrome
	000G11-10-08D	EA	Screw #10 - 16 x 1/2" PPH - Dark Brown
	000G11-10-12R	EA	Screw #10 - 16 x 3/4" PPH - Beige
	000G11-10-12S	EA	Screw #10 - 16 x 3/4" PPH - Off White
	000G11-10-12B	EA	Screw #10 - 16 x 3/4" PPH - Zinc
	000G11-10-16B	EA	Screw #10 - 16 x 1" PPH - Zinc
	000G11-10-40B	EA	Screw #10 - 16 x 2 1/2" PPH - CAD
	000G19-10-12B	EA	Screw #10 - Machine - 32 TPI x 3/4"
	075908-01-000	EA	Screw #10 - Machine - 32 x .56" PTH - Zinc
	000G19-10-20B	EA	Screw #10 - Machine - 32 x 1 1/4" PPH - Zinc
	000G39-12-12E	EA	Screw #10 - Self Drilling - 14 x 3/4" PPH - Chrome
	000G39-10-10R	EA	Screw #10 - Self Drilling - 16 x .62" PPH - Beige
	000G39-10-12R	EA	Screw #10 - Self Drilling - 16 x 3/4" PPH - Beige
	000G39-10-12P	EA	Screw #10 - Self Drilling - 16 x 3/4" PPH - Dark Brown
	000G56-12-48C	EA	Screw #12 - Wood - 11 x 3" POH - CAD

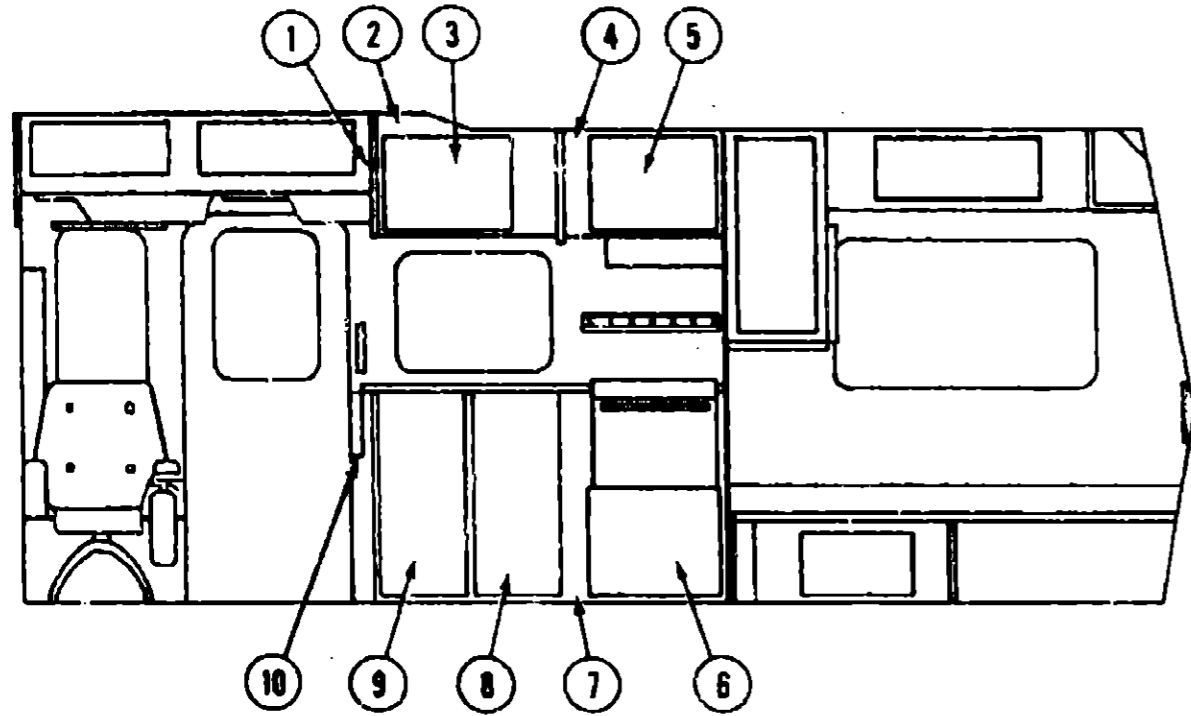
**1986 WINNEBAGO
TABLE OF CONTENTS**

WC/WF424RC	A-01 - C-08
WC420RG	C-09 - E-12
WCN22RC	E-13 - G-24
WCN30RC	H-01 - J-10

1986 WC/WF424RC INDEX

Floor Plan	A-01 - A-02
Accessories Group	A-03 - A-05
Bath Group	A-06 - A-07
Chassis Group	A-08 - A-10
Curtain, Cushion & Pad Group	A-11 - A-17
Dinette Group	A-18
Driver's Compartment Group	A-19 - A-21
Electrical Group	A-22 - A-24
Exterior Body Group	B-01 - B-06
Galley Group	B-07 - B-09
Heating & Air Conditioning Group	B-10 - B-11
Interior Finish Group	B-12 - B-14
LP Group	B-15
Lounge Group	B-16
Water & Sewage Group	B-17 - B-18
Window, Vent & Exterior Door Group	B-19 - C-08

GALLEY GROUP



GALLEY CABINETRY

Key	Part Number	U/M	Description
1	081280-06-U01	EA	Pad Asm. - End Cap - Galley Overhead - Vinyl
2	082340-01-U01	EA	Cabinet Asm. - Galley Overhead - w/o Doors or Hardware
3	M81523-02-U01	EA	Door Asm. - Galley Overhead - w/o Hardware
4	081460-01-U01	EA	Cabinet Asm. - Galley Overhead - w/o Door or Hardware
5	M81523-01-U01	EA	Door Asm. - Galley Overhead - w/o Hardware
6	M81533-03-U01	EA	Door Asm. - Galley Cabinet - Furnace - w/o Hardware
7	M82339-01-U01	EA	Cabinet Asm. - Galley - w/o Countertop, Doors, Drawers or Hardware
**	M82339-03-U01	EA	Cabinet Asm. - Galley - w/o Countertop, Doors, Drawers, or Hardware
**	M82184-01-U01	EA	Drawer Asm. - Galley Cabinet - w/o Hardware
-	M02503-01-U01	EA	Countertop Asm. - Galley
8	M81501-03-U01	EA	Door Asm. - Galley Cabinet - 33.4" x 14.3" w/o Hardware
9	M81501-02-U01	EA	Door Asm. - Galley Cabinet - 33.4" x 14.3" - w/o Hardware
10	080812-03-U01	EA	Extension Asm. - Galley
-	077404-01-000	EA	Drawer - Plastic - 20" x 12.7"
-	M81502-04-L01	EA	Door Asm. - Refrigerator Cabinet - 18.6" x 11.8" - Left - w/o Hardware
-	M81502-03-U01	EA	Door Asm. - Refrigerator Cabinet - 18.6" x 11.8" - Right - w/o Hardware
-			Not illustrated

**Parts used with Microwave Option

GALLEY HARDWARE & APPLIANCES

Key	Part Number	U/M	Description
	079352-01-000	EA	Hood - Range - Non-Powered w/Light - Almond
	079353-01-000	EA	Hood - Range - Powered w/Monitor - Almond - US
	079353-01-700	EA	Test Connector
	079353-01-701	EA	Fan Blade
	079353-01-702	EA	Filter & Lens
	079353-01-703	EA	Motor
	079353-01-704	EA	Circuit Board - Tanks
	079353-02-000	EA	Hood - Range - Powered w/Monitor - Almond - CSA
	075470-04-000	EA	Duct Extension - Hood Range
	055282-02-000	EA	Range w/Small Oven - 4 Burner - Almond - Magic Chef
	055282-02-700	EA	Frame - Door - Upper
	055282-02-701	EA	Frame - Door - Lower
	055282-02-702	EA	Glass - Door Front
	055282-02-703	EA	Panel Door - Black
	081374-01-000	EA	Range Top - 4 Burner - Almond

GALLEY GROUP (CONTINUED)

GALLEY HARDWARE & APPLIANCES (CONT.)

Key	Part Number	U/M	Description
	064473-02-000	EA	Refrigerator - AC/DC/Gas - Norcold 6' - 776-EG3
	064473-02-700	EA	Cooling Unit (Service Package)
	064473-02-701	EA	Frame - Door
	064473-02-702	EA	Breaker Strip - Left - Bronze
	064473-02-703	EA	Breaker Strip - Right - Bronze
	064473-02-704	EA	Breaker Strip - Top - Bronze
	075217-01-000	EA	Refrigerator - AC/DC/Gas - Norcold 8' - 838-EG3
	075217-01-700	EA	Shelf Asm. - Door - w/Trim
	075217-01-701	EA	Gasket - Freezer Door
	075217-01-702	EA	Frame Asm. - Door
	075217-01-703	EA	Trim - Decor - Top & Bottom
	075217-01-704	EA	Gasket - Refrigerator Door
	075217-01-706	EA	Cabinet Asm. - Urethane
	075217-01-707	EA	Bulb - Light - DC
	075217-01-708	EA	Socket - Lamp
	075217-01-710	EA	Eyebrow Asm.
	075217-01-711	EA	Breaker Strip - Top
	075217-01-713	EA	Crisper Drawer
	075217-01-714	EA	Thermostat Asm.
	075217-01-715	EA	Knob - Thermostat
	075217-01-716	EA	Front Divider Asm.
	075217-01-717	EA	Switch - Humidity
	075217-01-718	EA	Light Switch
	075217-01-719	EA	Eyebrow Board
	075217-01-720	EA	Eyebrow
	075217-01-721	EA	Lamp - Indicator - Amber
	075217-01-722	EA	Lamp - Indicator - Green
	075217-01-723	EA	Lamp - Indicator - Red
	075217-01-724	EA	Lamp - Indicator - Blue
	075217-01-725	EA	Rocker Switch - #615258
	075217-01-726	EA	Interface Board
	R77C05-81-129	EA	Relay - Glow Plug
	075217-01-728	EA	Cover - Interface Board
	075217-01-729	EA	Fitting - Outlet
	075217-01-730	EA	Valve - Gas
	075217-01-731	EA	Nipple
	075217-01-732	EA	Fitting - Inlet
	075217-01-733	EA	Shut-Off Cock
	075217-01-734	EA	Fuse - 3 Amp.
	075217-01-735	EA	Ignition Electrode
	075217-01-736	EA	Sensing Electrode
	075217-01-737	EA	Control Module
	075217-01-738	EA	Rocker Switch - #R-5259
	075217-01-739	EA	Heater
	075217-01-740	EA	Screw #6 - 32 x 2 3/8"
	075217-01-741	EA	Wing - Nut #6 - 32
	075217-01-742	EA	Hex Nut
	075217-01-743	EA	Elbow - 90°
	075217-01-744	EA	Cable - Wiring
	075217-01-745	EA	Liner Asm. - Foamed - Door
	075217-01-746	EA	Baffle Asm.
	075217-01-747	EA	Liner Asm. - Foamed - Lower - Door
	075218-01-000	EA	Refrigerator - 3 Way - 10' Norcold
	075218-01-700	EA	Gasket - Freezer Door
	075218-01-701	EA	Gasket - Refrigerator Door
	075218-01-702	EA	Connector Rod
	075218-01-703	EA	Frame Asm.
	075218-01-704	EA	Cabinet - Urethane
	075218-01-705	EA	Breaker Strip - Bottom

1986 WINNEBAGO TABLE OF CONTENTS

WC/WF424RC	A-01 - C-08
WC420RG	C-09 - E-12
WCN22RC	E-13 - G-24
WCN30RC	H-01 - J-10

1986 WC/WF424RC INDEX

Floor Plan	A-01 - A-02
Accessories Group	A-03 - A-05
Bath Group	A-06 - A-07
Chassis Group	A-08 - A-10
Curtain, Cushion & Pad Group	A-11 - A-17
Dinette Group	A-18
Driver's Compartment Group	A-19 - A-21
Electrical Group	A-22 - A-24
Exterior Body Group	B-01 - B-06
Galley Group	B-07 - B-09
Heating & Air Conditioning Group	B-10 - B-11
Interior Finish Group	B-12 - B-14
LP Group	B-15
Lounge Group	B-16
Water & Sewage Group	B-17 - B-18
Window, Vent & Exterior Door Group	B-19 - C-08

GALLEY GROUP (CONTINUED)

GALLEY HARDWARE & APPLIANCES (CONT.)

Key	Part Number	U/M	Description
	075218-01-707	EA	Divider - Front
	075218-01-708	EA	Cable - Wiring
	075218-01-709	EA	Door Liner Asm. - Foamed
	075218-01-710	EA	Door Liner Asm. - Foamed - Lower
	054450-01-000	EA	Level - Refrigerator
	081379-01-000	EA	Microwave Oven - Sharp - Convection
	081459-01-000	EA	Bracket Asm. - Microwave - Right
	081459-02-000	EA	Bracket Asm. - Microwave - Left
	081555-01-T03	EA	Trim Ring - Microwave
	081456-01-000	EA	Angle Asm. - Microwave - Right
	081456-02-000	EA	Angle Asm. - Microwave - Left
	082876-01-000	EA	Baffle - Microwave
	075922-04-000	EA	Air Exhaust Duct - Microwave
	068615-01-000	EA	Sink - Stainless Steel - Double w/Bolts
**	011053-01-000	EA	Faucet - Swing Spout - 8" - US
**	011053-02-000	EA	Faucet - Swing Spout - 8" - CSA
**	011053-01-700	EA	Aerator - Swing Spout Faucet
	066437-01-000	EA	Strainer w/Basket - Sink
	081530-01-000	EA	Sink Cover - Large
	009049-01-000	EA	Support - Drop Leaf Table
	009059-01-000	EA	Hinge - 2" - Gold - Drop Leaf Table
	074490-02-T03	EA	Spice Rack - Oak
	074491-02-T03	EA	Magazine Rack - Oak
	074981-01-000	EA	Cutting Board - Maple
	058334-01-000	EA	Wastebasket - 9 3/4" x 7" x 10" - White
	058478-01-000	EA	Support - Wastebasket - Metal - Door Mount
	059777-01-000	EA	Hinge - Cabinet Door - Antique Brass
**	057898-01-000	EA	Hidden Latch w/Strike - Cabinet Door
	047744-01-000	EA	Kit - Drawer Guide - Plastic
	077409-01-000	EA	Slide - Drawer - 20.75" - Plastic
	077404-01-000	EA	Drawer - 20" x 12.70" - Plastic
	066435-01-000	EA	Nut Strainer
	011083-01-000	EA	Plug - 1 1/4" x 5" - w/Stopper

** The illustrated parts breakdown for this item is provided on the Common Items Fiche.

HEATING & AIR CONDITIONING GROUP

AUTOMOTIVE HEATER & AIR CONDITIONER

Key	Part Number	U/M	Description
	079373-01-000	EA	A/C - Compressor Mount Package - 350 C.I.D.
	072343-01-000	EA	A/C - Compressor/Clutch - Sankyo 510
	073716-01-000	EA	A/C - Condensor Asm. - "C" - Tube O
	073716-01-700	EA	Coil Condenser
	073716-01-701	EA	Receiver Drier
	073716-01-702	EA	Hose Assy. #6
	073716-01-703	EA	Hose Assy. #8
	079372-01-000	EA	A/C - Evaporator Asm. - Cutaway
	079372-01-700	EA	Evaporator Coil
	079372-01-701	EA	Expansion Valve
	079372-01-702	EA	Blower
	079372-01-703	EA	Blower Motor
	079372-01-704	EA	Motor Mount
	079372-01-705	EA	Blower Wheel
	079372-01-706	EA	Hose Assy. #6 - Liquid
	079372-01-707	EA	Hose Assy. #10 - Suction
	072341-01-716	EA	Valve Discharge
	072341-01-704	EA	Valve Section
	079372-01-708	EA	Thermostat
	079372-01-709	EA	Blower Switch
	079372-01-710	EA	Decal - Control Panel
	079372-01-711	EA	Plenum
	079372-01-712	EA	Lower
	079372-01-713	EA	Harness Wiring
	079372-01-714	EA	Switch - Snap Action
	079372-01-715	EA	Power - Jumper
	079372-01-716	EA	Plate - Control
	079372-01-717	EA	Valve - Clamp
	079372-01-718	EA	Lower - Escutcheon
	079372-01-719	EA	Lower - Escutcheon - Assy.
	007108-01-000	FT	Hose - Heater - 5/8" I.D. SAE 20R
	049401-01-000	EA	Rear Heater Asm.
	062401-04-000	EA	Clamp - Worm Drive - .69" - 1.25 I.D.

1986 WINNEBAGO TABLE OF CONTENTS

WC/WF424RC	A-01 - C-08
WC420RG	C-09 - E-12
WCN22RC	E-13 - G-24
WCN30RC	H-01 - J-10

1986 WC/WF424RC INDEX

Floor Plan	A-01 - A-02
Accessories Group	A-03 - A-05
Bath Group	A-06 - A-07
Chassis Group	A-08 - A-10
Curtain, Cushion & Pad Group	A-11 - A-17
Dinette Group	A-18
Driver's Compartment Group	A-19 - A-21
Electrical Group	A-22 - A-24
Exterior Body Group	B-01 - B-06
Galley Group	B-07 - B-09
Heating & Air Conditioning Group	B-10 - B-11
Interior Finish Group	B-12 - B-14
LP Group	B-15
Lounge Group	B-16
Water & Sewage Group	B-17 - B-18
Window, Vent & Exterior Door Group	B-19 - C-08

HEATING & AIR CONDITIONING GROUP (CONTINUED)

FURNACES & ROOF AIR CONDITIONER

Key	Part Number	U/M	Description
	075696-01-000	EA	Furnace - 34,000 BTU - w/Direct Ignition - NT-34S
	075695-01-000	EA	Furnace - 24,000 BTU - w/Direct Ignition - NT-24S
	069634-01-723	EA	Thermostat - Wall Mount
	075695-01-701	EA	Electrode Asm. - Furnace
	075695-01-702	EA	Vent Cap Asm. - Furnace
	075695-01-703	EA	Gas Inlet Pipe - Furnace
	075695-01-704	EA	Manifold Asm. - Furnace
	075695-01-705	EA	Burner Asm. - Furnace
	075695-01-707	EA	Motor - NT - 34S - Furnace
	075695-01-708	EA	Micro Switch Asm. - NT - 24S - Furnace
	075695-01-709	EA	Micro Switch Asm. - NT - 34S - Furnace
	075695-01-710	EA	Cabinet - Front
	075695-01-711	EA	Cabinet Asm.
	075695-01-712	EA	Tube - Vent Cap Asm. - 2 7/8"
	075695-01-713	EA	Tube - Intake - 7 1/4"
	009198-01-000	FT	Duct - Flexible - 4" I.D. x 25'
	056464-01-000	EA	Register - 4" Dia. - Plastic - w/Damper
	056462-02-000	EA	Register - 4" Dia. - Plastic - w/o Damper
	009200-01-000	EA	Tape - Furnace - 1 1/2"
	010326-01-000	EA	Adapter - Flare - w/Cone Gasket
	0723146-01-000	EA	Clamp - Screw Type - 4"
	073743-01-000	EA	Shroud Asm. - Ceiling - Inside - Roof Air Cool Only - 13,500 BTU
	073744-01-000	EA	Shroud Asm. - Ceiling - Inside - Roof Air Heat & Cool - 13,500 BTU
	073742-01-000	EA	Air Conditioner - 110 Volt & Roof Mount - 13,500 BTU Rotary
	073742-01-700	EA	Decal Package - Left & Right (Exterior)
	073742-01-701	EA	Selector Switch (5 Terminal)
	073742-01-702	EA	Decal - Cool Only
	073742-01-703	EA	Decal - Heat & Cool
	073742-01-704	EA	Decal - Thermostat - TSR

INTERIOR FINISH GROUP

PANELING & COUNTERTOP MATERIAL

Key	Part Number	U/M	Description
	074496-03-000	SF	Paneling - Decor - Sunset Oak - 48" x 84" (28 SF) (Cabinets & Wall)
	074496-31-000	SF	Paneling - Decor - Encore - 48" x 84" (28 SF) (Bedroom & Bath)
	074496-38-000	SF	Paneling - Decor - Paw Paw - Plum - 48" x 84" (28 SF) (Galley) (U01, U02)
	074196-39-000	SF	Paneling - Decor - Paw Paw - Pine - 48" x 84" (28 SF) (Galley) (U03)
	074497-07-000	SF	Paneling - Pebble Beach - 48" x 96" (32 SF) (Ceiling)
	074498-05-000	SF	Plastic Laminate - Sunset Oak - 48" x 96" (52 SF) (Nightstand)
	074498-05-019	EA	Plastic Laminate - Sunset Oak - 1.19" x 96"
	076325-04-000	FT	Molding - Edge Band - Sunset Oak - 1 5/16" x .030"
	074498-08-000	SF	Plastic Laminate - Fawn - 48" x 96" (32 SF) (Dinette Table) (U01, U02)
	074498-08-019	EA	Plastic Laminate - Fawn - 1.19" x 96"
	076325-08-000	FT	Molding - Edge Band - Fawn - 1 5/16" x .030"
	074498-14-000	SF	Plastic Laminate - Sage Green - 48" x 96" (32 SF) (Dinette Table) (U03)
	074498-14-019	EA	Plastic Laminate - Sage Green - 1.19" x 96"
	076325-10-000	FT	Molding - Edge Band - Sage Green - 1 5/16" x .030"
	074496-06-000	SF	Plastic Laminate - Beige Crescent - 48" x 96" (32 SF) (Galley)
	074496-06-019	EA	Plastic Laminate - Beige Crescent - 1.19" x 96"

FABRICS & CARPET

Key	Part Number	U/M	Description
	072333-23-000	YD	Fabric - Drapery - Toast (U01)
	072333-26-000	YD	Fabric - Drapery - Mauve (U02)
	072333-27-000	YD	Fabric - Drapery - Teal (U03)
	077498-62-000	YD	Fabric w/Pattern - Main - Truffle (U01)
	077498-63-000	YD	Fabric w/Pattern - Main - Rosewood (U02)
	077498-64-000	YD	Fabric w/Pattern - Main - Spruce (U03)
	077498-75-000	YD	Fabric w/Pattern - Accent - Primrose (U02)
	077498-74-000	YD	Fabric w/Pattern - Accent - Sagebrush (U03)
	077498-73-000	YD	Fabric - Upholstery Accent - Plain - Truffle (U01, U03)
	077498-72-000	YD	Fabric - Upholstery Accent - Plain - Rosewood (U02)
	069729-43-000	YD	Fabric - Bedspread/Draperies - Encore
	072333-21-000	YD	Fabric - Bedspread/Draperies - Parchment
	038421-01-000	YD	Fabric - Mattress Ticking
	029012-01-000	BF	Foam - Rolled - 3/8"
	079680-01-000	YD	Vinyl - Expanded - 26 oz. - Buckskin
	079680-02-000	YD	Vinyl - Expanded - 26 oz. - Dark Sandrift
	072860-43-000	YD	Carpet - Beige (U01)
	072860-44-000	YD	Carpet - Red/Brown (U02)
	072860-45-000	YD	Carpet - Green/Blue (U03)

1986 WINNEBAGO TABLE OF CONTENTS

WC/WF424RC	A-01 - C-08
WC420RG	C-09 - E-12
WCN22RC	E-13 - G-24
WCN30RC	H-01 - J-10

1986 WC/WF424RC INDEX

Floor Plan	A-01 - A-02
Accessories Group	A-03 - A-05
Bath Group	A-06 - A-07
Chassis Group	A-08 - A-10
Curtain, Cushion & Pad Group	A-11 - A-17
Dinette Group	A-18
Driver's Compartment Group	A-19 - A-21
Electrical Group	A-22 - A-24
Exterior Body Group	B-01 - B-06
Galley Group	B-07 - B-09
Heating & Air Conditioning Group	B-10 - B-11
Interior Finish Group	B-12 - B-14
L.P. Group	B-15
Lounge Group	B-16
Water & Sewage Group	B-17 - B-18
Window, Vent & Exterior Door Group	B-19 - C-08

INTERIOR FINISH GROUP (CONTINUED)

CABINETS & TABLE HARDWARE

Key	Part Number	U/M	Description
	053200-05-000	EA	Bracket - Upper Wall Mount - 23.5" - Beige
**	053201-03-000	EA	Bracket - Table Mount - 23"
	024275-08-000	EA	Rod - Table Lift - 8" x 23.5" - Brown
	024281-07-000	EA	Bracket - Lower Wall Mount - 22.12" - Beige
	024276-14-000	EA	Leg Asm. - Table - 26.5" - Brown
	064050-01-000	EA	Hinge - Table Leg
**	024282-01-000	EA	Brace - Table Leg
**	024283-01-000	EA	Clip - 1" O.D. Tube
	049493-02-000	EA	Catch - Table Leg - Mounts on Floor - Brown
**	057898-01-000	EA	Latch - Hidden - Cabinet Door w/Strike
	009112-01-000	EA	Flange - 1" - Chroma - Closet Rod
	073306-03-000	EA	Slide - Cabinet - Full Extension - 18" - Left
	073306-04-000	EA	Slide - Cabinet - Full Extension - 18" - Right
	073306-01-000	EA	Slide - Drawer - Full Extension - 18" - Left
	073306-02-000	EA	Slide - Drawer - Full Extension - 18" - Right
	072394-01-000	EA	Slide - Drawer
	072394-01-000	EA	Slide - Drawer
	077404-01-000	EA	Slide - Drawer
	077409-01-000	EA	Slide - Drawer - Plastic - 20.75"
	009449-01-000	EA	Table Support - Drop Leaf
	053331-01-000	EA	Hinge - Antique Brass
	009059-01-000	EA	Hinge - 2" - Drop Leaf Table - Gold
	009059-02-000	EA	Hinge - 2" - Brass
**	047744-01-000	EA	Kit - Drawer Guide
	057671-01-000	EA	Screw Cover - #8 - Off White
	072369-02-000	EA	Mesh - Grille - 13.80" x 8.80" - Gold Aluminum
	009150-01-000	EA	Warp Guard - 64"
	009021-01-000	EA	Catch - Nylon - Furnace Door
	009021-02-000	EA	Strike - Nylon Catch - Furnace Door
**	041939-01-000	EA	Hinge Kit - Double Acting - Overhead Door
	074493-02-000	EA	Support - Sprung - Door
	066433-01-000	EA	Hook - Cup - Bright
	058034-02-000	EA	Latch - Door w/o Lock - Sliding Door
	075687-02-000	EA	Knob - Bath Door
	075680-01-000	EA	Clothes Rod - Adjustable - 27" x 36"
	064467-01-000	EA	Guide - Wall Mount - Door Pocket
	076767-03-000	EA	Cable Asm. - SST (TV Table)
	078212-01-000	EA	Pull - Brass w/Dark Oak - Cabinet
**	077461-01-000	EA	Cover - Strike

The illustrated parts breakdown for this item is provided on the Common Items Fiche.

MISCELLANEOUS PARTS

Key	Part Number	U/M	Description
	053552-02-T03	EA	Handle Asm. - Interior Assist - Medium Almond Vinyl
	041944-03-000	EA	Fire Extinguisher - w/Bracket
	054185-24-000	EA	Owner's Manual - 1986 Itasca & Winnebago
	007038-01-000	EA	Door Mat - 10 1/2" x 26" - Black Rubber
	075907-01-000	EA	Picture - Decor - Assorted Glasses

INTERIOR FINISH GROUP (CONTINUED)

INTERIOR MOLDING & TRIM

Key	Part Number	U/M	Description
	009812-15-000	EA	Molding - Plastic - Outside Corner - 1/2"
	042357-09-000	FT	Molding - Radius Corner - 7' Elm
	022992-01-000	FT	Molding - Reverse Cove - White
	022992-09-000	FT	Molding - Reverse Cove - Grady Brown
	069733-37-000	EA	Batt Strip - Sunset Oak - 8' (Lounge)
	069733-57-000	EA	Batt Strip - Encore - 8" (Bedroom)
	069733-62-000	EA	Batt Strip - Pebble Beach - 8' (Ceiling)
	067733-61-000	EA	Batt Strip - Threads - 8' (Galley)
	070504-01-000	FT	U-Channel - .065" - Light Brown
	070504-02-000	FT	U-Channel - .815" - Light Brown
	070504-03-000	FT	U-Channel - .815" - Grady Brown
	009778-04-000	FT	U-Channel - 1" - Grady Brown
	009815-03-000	FT	T-Molding - .75" - Light Brown
	009815-04-000	FT	T-Molding - .75" - Grady Brown
	075249-01-000	EA	Rail Asm. - Plain - 72"
	075250-01-000	EA	Corner Post - 1" x 1" x 2 1/2" - Oak
	078026-21-T03	EA	Trim - Valance - 82"
	002774-02-001	EA	Trim - Carpet - 192"
	009767-06-000	FT	Welting - Beige
	009767-07-000	FT	Welting - Grady Brown
	074045-01-000	EA	Plug - 1/2" Dia. - Oak
	041746-01-000	FT	Vinyl - Extr. - Bubble Seal

CURTAIN & CUSHION HARDWARE

Key	Part Number	U/M	Description
	052327-05-009	EA	Track - Curtain - 76" - Beige
	056116-01-000	FT	Track - Curtain - Brown Plastic
	075477-03-000	EA	Bracket - Hold Down - Blinds
	002228-01-000	EA	Bracket - Curtain Rod - Right
	082228-02-000	EA	Bracket - Curtain Rod - Left
	056003-02-000	EA	Bracket - Drapery Retainer - Left
	056003-01-000	EA	Bracket - Drapery Retainer - Right
	056001-01-000	EA	Bracket - Shade - Left
	056002-01-000	EA	Bracket - Shade - Right
	076827-01-000	EA	Bracket - Curtain - Woven Wood - Right
	076827-02-000	EA	Bracket - Curtain - Woven Wood - Left
	079798-03-000	EA	Bracket Asm. - Curtain Rod - Right
	079798-04-000	EA	Bracket Asm. - Curtain Rod - Left
	082249-01-000	EA	Bracket - Blinds - Beige - Right
	082249-02-000	EA	Bracket - Blinds - Beige - Left
	079619-01-000	EA	Bracket - Tie Down
	009107-01-000	EA	Guide - Nylon Snap - Curtain
	056784-01-000	EA	Pull - Window Shade - Antique Brass
	056115-01-000	YD	Tape - Clear Plastic - w/Guide
	048394-01-000	YD	Tape - Hook - 1" x 25 YD - Beige
	029096-05-000	YD	Tape - Hook - .50" - Velcro - Beige
	048395-01-000	YD	Tape - Loop - 1" x 25 YD - Beige
	029090-01-000	FT	Tie - Drapery - Clear Vinyl

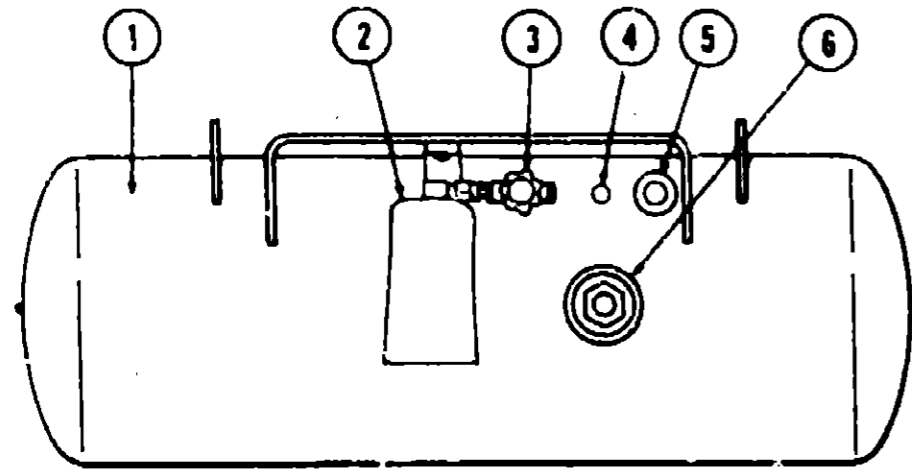
**1986 WINNEBAGO
TABLE OF CONTENTS**

WC/WF424RC	A-01 - C-08
WC420RG	C-09 - E-12
WCN22RC	E-13 - G-24
WCN30RC	H-01 - J-10

1986 WC/WF424RC INDEX

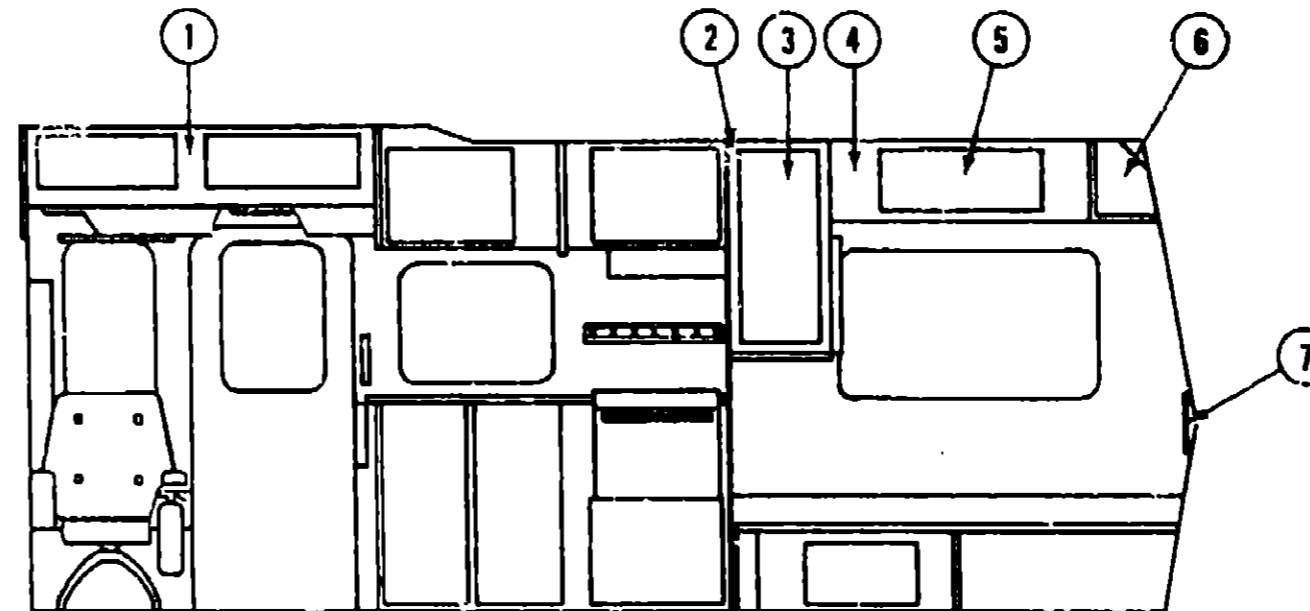
Floor Plan	A-01 - A-02
Accessories Group	A-03 - A-05
Bath Group	A-06 - A-07
Chassis Group	A-08 - A-10
Curtain, Cushion & Pad Group	A-11 - A-17
Dinette Group	A-18
Driver's Compartment Group	A-19 - A-21
Electrical Group	A-22 - A-24
Exterior Body Group	B-01 - B-06
Galley Group	B-07 - B-09
Heating & Air Conditioning Group	B-10 - B-11
Interior Finish Group	B-12 - B-14
LP Group	B-15
Lounge Group	B-16
Water & Sewage Group	B-17 - B-18
Window, Vent & Exterior Door Group	B-19 - C-08

LP GROUP



Key	Part Number	U/M	Description
1	074142-01-000	EA	Tank Asm. - LP - Frame Mount - 80 Pound - 13" x 44"
1	060450-01-000	EA	Tank Asm. - LP - Frame Mount - 42 Pound - 13" x 24"
*	065741-01-000	EA	Detector - LP Gas Leak - Marshalltown Instruments
2	076277-01-000	EA	Cover - LP Regulator - Front (Dual)
*	076278-01-000	EA	Cover - LP Regulator - Back (Dual)
*	076301-01-000	EA	Regulator - Two Stage - US (Dual)
*	076301-02-000	EA	Regulator - Two Stage - CSA (Dual)
3	040421-01-703	EA	Valve - Vapor Relief
4	040421-01-700	EA	Gauge - Liquid Level - 20% LP
5	040421-01-701	EA	Valve - Filler - LP
*	040421-01-702	EA	Cap - Plastic Fill Valve
6	040421-01-707	EA	Gauge - Float - w/Visible Dial
*	040421-01-706	EA	Dial - Visible Face - Float Gauge (Tank w/o Electric Transmitter)
*	040440-01-000	EA	Dial - Transmitter - 0 - 90 Ohm (Float Gauge)
*	045703-01-000	EA	Hose Asm. - LP - 3/8" I.D. x 24" - US
*	045703-02-000	EA	Hose Asm. - LP - 3/8" I.D. x 24" - CSA
*	045703-03-000	EA	Hose Asm. - LP - 3/8" I.D. x 18" - US
*	045703-04-000	EA	Hose Asm. - LP - 3/8" I.D. x 14" - CSA
*	065959-01-000	EA	Housing - LP Gauge
*	065742-01-000	EA	Tee - .38 F x .39 F x .25 FPT
*	068046-01-000	EA	Conversion Kit - LP - Onan Generator
*			Not illustrated

LOUNGE GROUP



Key	Part Number	U/M	Description
1	082341-01-U01	EA	Cabinet Asm. - Overhead - Entrance
*	077663-04-U01	EA	Glass Holder - Overhead Cabinet
2	M81735-01-U01	EA	Cabinet Asm. - Overhead Shirt Closet - w/o Door or Hardware
3	M81503-03-U01	EA	Door Asm. - Overhead Cabinet - 14.3" x 33.4" - w/o Hardware
*	081280-13-U01	EA	Pad Asm. - End Cap - Shirt Closet - Vinyl
4	081734-01-U01	EA	Cabinet Asm. - Overhead Rear - w/o Doors or Hardware
5	M81503-02-U01	EA	Door Asm. - Overhead Cabinet - 11.4" x 28.1" - w/o Hardware
5	081734-01-U01	EA	Cabinet Asm. - Overhead Rear - w/o Doors or Hardware
7	077463-17-U01	EA	Head Asm. - Double Bed
*	M81501-15-U04	EA	Door Asm. - Double Bed - 17.6" x 10.9" - w/o Hardware
*	M81537-01-U04	EA	Cabinet Asm. - Nightstand - w/o Countertop
*	M82472-01-U04	EA	Countertop Asm. - Nightstand
**	081742-01-U01	EA	Cabinet Asm. - Side Bunk Base
**	M78921-03-U04	EA	Drawer Asm. - Nightstand Cabinet - 13.5" x 19.6" - w/o Hardware
*			Not illustrated
**			Parts for bunkhouse option (not illustrated)

LOUNGE CABINETRY

1986 WINNEBAGO TABLE OF CONTENTS

WC/WF424RC	A-01 - C-08
WC420RG	C-09 - E-12
WCN22RC	E-13 - G-24
WCN30RC	H-01 - J-10

1986 WC/WF424RC INDEX

Floor Plan	A-01 - A-02
Accessories Group	A-03 - A-05
Bath Group	A-06 - A-07
Chassis Group	A-08 - A-10
Curtain, Cushion & Pad Group	A-11 - A-17
Dinette Group	A-18
Driver's Compartment Group	A-19 - A-21
Electrical Group	A-22 - A-24
Exterior Body Group	B-01 - B-06
Galley Group	B-07 - B-09
Heating & Air Conditioning Group	B-10 - B-11
Interior Finish Group	B-12 - B-14
LP Group	B-15
Lounge Group	B-16
Water & Sewage Group	B-17 - B-18
Window, Vent & Exterior Door Group	B-19 - C-08

WATER & SEWAGE GROUP

PLUMBING & REPAIR PARTS

Key	Part Number	U/M	Description
	033302-02-000	EA	Adapter Asm. - SWVC Strain - 1 1/2"
	010326-01-000	EA	Adapter - Flare - w/Cone Gasket
	062422-01-000	EA	Adapter - Hose Offset - Reducer - 3" x 1 1/2"
	052954-01-000	EA	Adapter - Hose Cone - 3/8 or 1/2 - Plastic
	010224-01-000	EA	Adapter - Plastic - 3/8 MPT x 3/8 Barb
	044927-01-000	EA	Adapter - Plastic - 1 1/4" MPT x 1 1/4 Barb
	031602-02-000	EA	Adapter - Plastic - 1 1/2 H x FPT
	062417-01-000	EA	Adapter - Termination - 3"
	004020-01-000	QT	Adhesive - ABS Cement
	011048-04-000	EA	Breaker - Vacuum - 1/8 MPT - Nylon
**	010121-01-000	EA	Bushing - Plastic - 1 1/2 S x 1 1/4 H
	010122-01-000	EA	Bushing - Plastic - 1 1/2 S x 1 1/4 T
	010123-01-000	EA	Bushing - Plastic - 2S x 1 1/2 H
	030522-02-000	EA	Cap - Brass - 1/2 Flare
	062415-01-000	EA	Cap - Sewer - 3"
	052959-02-000	EA	Connector - 1/2 F x 1/2 MPT - Plastic
	052959-03-000	EA	Connector - 1/2 F x 3/8 MPT - Plastic
	011091-02-000	EA	Continuous Waste - Double Sink - 11 7/8" - US
	053874-01-000	EA	Continuous Waste Asm. - Double Sink - CSA
	078406-01-000	EA	Coupler Rubber - 2" x 3"
	052960-01-000	EA	Drain Valve - 1/2 F x 1/2 F - Plastic
	010000-01-000	EA	Elbow - Plastic - 1/8 BD x 1 1/4 x 45° H x H
	010005-01-000	EA	Elbow - Plastic - 1/16 BD x 1 1/2
	010006-01-000	EA	Elbow - Plastic - 1/8 BD x 1 1/2 x 45° H x H
	010008-01-000	EA	Elbow - Plastic - 1/4 BD x 1 1/2 x 90° Left
	010051-01-000	EA	Elbow - ST - Plastic - 1/8 BD x 1 1/2 x 45°
	010219-01-000	EA	Elbow - 1 1/4 Barb x 1 1/4 MPT x 90°
	031111-01-000	EA	Elbow - Plastic - 1/4 BD x 1 1/4 x 90° Left
	034250-01-000	EA	Elbow - Plastic - 1/4 BD x 1 1/2 x 90° x H x H
	035539-01-000	EA	Elbow - Plastic - 3/8 MPT x 3/8 Barb
	052957-01-000	EA	Elbow - Plastic - 1/2 F x 3/8 MPT
	052957-02-000	EA	Elbow - Plastic - 1/2 F x 1/2 MPT (In Tank Fitter)
	059536-01-000	EA	Elbow - 1 1/4 - Slip Joint Ends
	065120-01-000	EA	Elbow - Plastic - Swivel - .50
	070924-01-000	EA	Elbow - Plastic - Swivel - 1/2 MPT x 1/2 FP
	077954-01-000	EA	Filter/Screen (In Water Tank)
	039647-02-000	EA	Filter - Water Pump - 1/2" MPT
	039647-03-000	EA	Filter - Water Pump - 1/2" Flare
	010147-01-000	EA	Flange - Closet - 4" F x 3" FPT - US
	010147-02-000	EA	Flange - Closet - 4" F x 3" FPT - CSA
	079381-01-000	FT	Flexible Tubing - 1 1/4 I.D. x 10'
	061607-01-000	EA	Grommet - Holding Tank Coupler - 1 1/2"
	061607-02-000	EA	Grommet - Holding Tank Coupler - 3"
	062419-02-000	EA	Handle - Extension - w/6" Adapter
	052961-01-000	EA	Header - 1/2 F x 1/2 F x 1/2 F x 1/2 F
**	046524-01-000	EA	Kit - Holding Tank Fittings - Blank Tank
**	046524-01-000	EA	Kit - Water Tank Fittings - Blank Tank
	052953-01-000	EA	Nut - Facut - 1/2 Tube x 1/2 FPT
	052952-01-000	EA	Nut - 1/2 F - Plastic

WATER & SEWAGE GROUP (CONTINUED)

PLUMBING & REPAIR PARTS (CONT.)

Key	Part Number	U/M	Description
**	011066-03-000	EA	P-Trap - 1 1/4" Plastic - US
**	011066-02-000	EA	P-Trap - 1 1/4" Plastic - CSA
	053335-01-000	EA	P-Trap - Plastic - 1 1/4 H x H - w/Union - CSA
	010197-01-000	FT	Pipe - Plastic - 3" x 240" - Black
	045729-01-000	EA	Pump - Water - 2.8 G.P.M. - Direct Drive - Shurflo - US
	045729-02-000	EA	Pump - Water - 2.8 G.P.M. - Direct Drive - Shurflo - CSA
**	010201-01-000	EA	Sewer Hose - 3" x 8' w/Clamp
	042989-02-000	EA	Spinweld Fittings - Plastic - 1/2 FPT (In Tank Fitter)
	042989-03-000	EA	Spinweld Fittings - Plastic - 1/4 MPT
	042989-04-000	EA	Spinweld Fittings - Plastic - 3/8 MPT
	011069-02-000	EA	Tailpiece - 1 1/2" x 1 1/4" x 4" - Brass
	010071-01-000	EA	Tee - Plastic - 1 1/2 x H x H x H
	010072-01-000	EA	Tee - Plastic - 1 1/2 H x 1 1/4 H x 1 1/2 H
**	010079-01-000	EA	Tee - Plastic - 1 1/2 H x 1 1/2 H x 1 1/4 H
	046172-01-000	EA	Tee - Plastic - 3/8 B x 3/8 B x 3/8 MPT
	052955-01-000	EA	Tee - Plastic - 1/2 F x 1/2 F x 1/2 MPT
	052956-01-000	EA	Tee - Plastic - 1/2 F x 1/2 MPT x 1/2 F
	052958-01-000	EA	Tee - Plastic - 1/2 F x 1/2 F x 1/2 F
**	010133-01-000	EA	Trap Adapter - Plastic - 1 1/2 H x MPT
	039800-01-000	FT	Tubing - Polybutyl - 1/2 O.D. (Water Line)
	074346-02-000	FT	Tubing - Vinyl - 1/2 O.D. (Water Line)
	072346-01-000	EA	Valve Asm. - 3" Ell - w/2" Socket
	062418-02-000	EA	Valve - 1 1/2" - w/Handle
	062418-02-000	EA	Valve - 3" - w/o Handle
	052960-01-000	EA	Valve - Line Drain - 1/2 F x 1/2 F
	052962-01-000	EA	Valve - Stool - 90° - 1/2 F x 3/8 MPT
	010073-01-000	EA	Wye - Plastic - 1 1/2 x 45 H x H
**	The illustrated parts breakdown for this item is provided on the Common Items Fiche.		

HOLDING TANKS & WATER HEATER

Key	Part Number	U/M	Description
	074510-03-000	EA	Tank Asm. - Water - 16 Gallon
	074510-01-000	EA	Tank - Water - 16 Gallon - w/o Fitting
	053520-05-000	EA	Tank Asm. - Water - 20 Gallon
	053520-01-000	EA	Tank - Water - 20 Gallon - w/o Fitting
	074870-01-000	EA	Tank - Holding - 30 Gallon - w/o Fitting
	074861-01-000	EA	Tank - Holding - 35 Gallon - w/o Fitting
**	051391-01-000	EA	Water Heater - w/o Motor Aid - Atwood - G6A-3
**	051391-03-000	EA	Water Heater - w/Motor Aid - Atwood - G6A-3A
**	051393-01-000	EA	Water Heater - w/Motor Aid - Direct Ignition - G6A-3A
**	The illustrated parts breakdown for this item is provided on the Common Items Fiche.		

**1986 WINNEBAGO
TABLE OF CONTENTS**

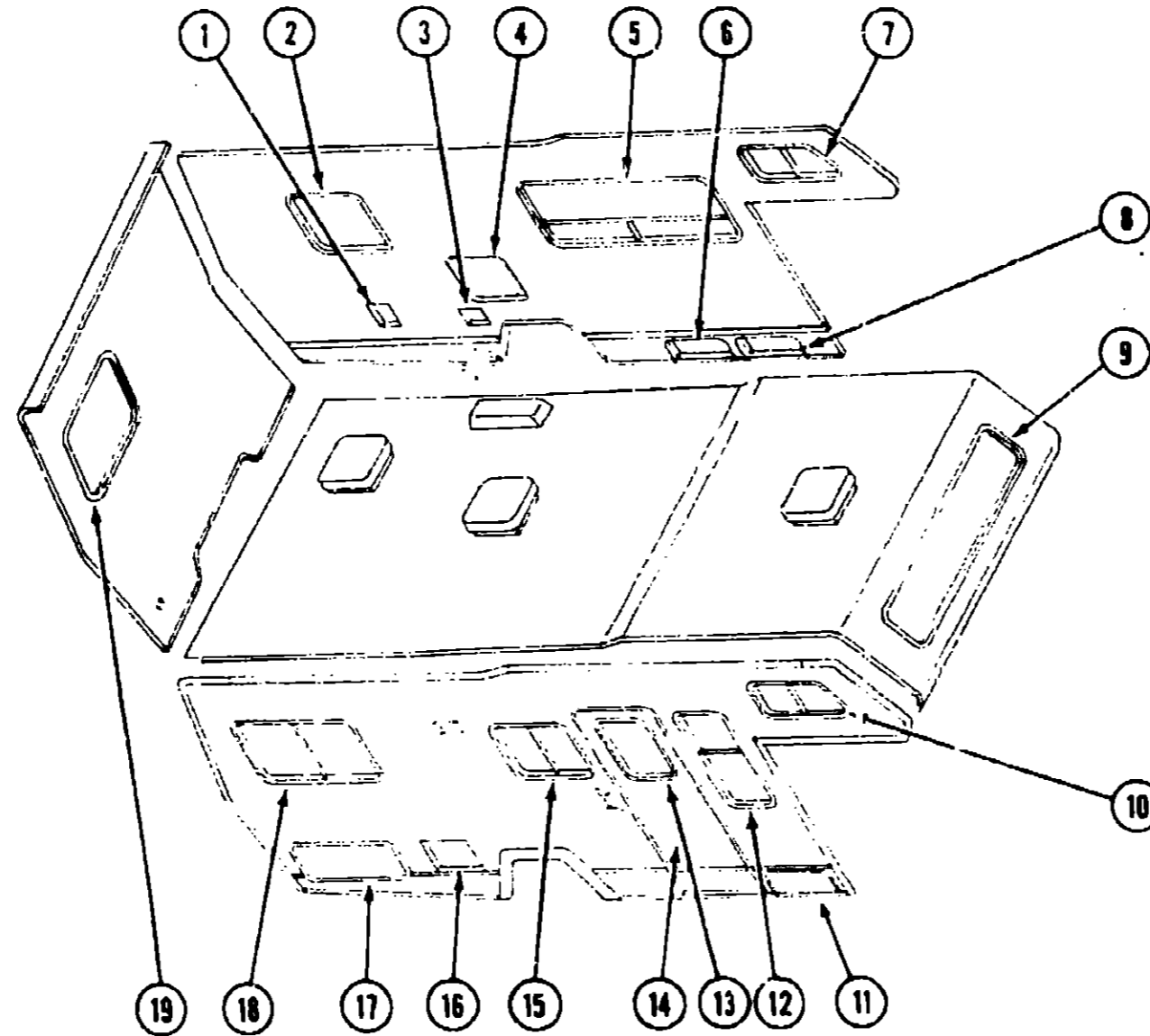
WC/WF424RC	A-01 - C-08
WC420RG	C-09 - E-12
WCN22RC	E-13 - G-24
WCN30RC	H-01 - J-10

1986 WC/WF424RC INDEX

Floor Plan	A-01 - A-02
Accessories Group	A-03 - A-05
Bath Group	A-06 - A-07
Chassis Group	A-08 - A-10
Curtain, Cushion & Pad Group	A-11 - A-17
Dinette Group	A-18
Driver's Compartment Group	A-19 - A-21
Electrical Group	A-22 - A-24
Exterior Body Group	B-01 - B-06
Galley Group	B-07 - B-09
Heating & Air Conditioning Group	B-10 - B-11
Interior Finish Group	B-12 - B-14
LP Group	B-15
Lounge Group	B-16
Water & Sewage Group	B-17 - B-18
Window, Vent & Exterior Door Group	B-19 - C-08

WINDOW, VENT & EXTERIOR DOOR GROUP

WINDOWS & ACCESS DOORS



Key	Part Number	U/M	Description
1	078010-03-000	EA	Door Asm. - Fuel Fill
2	079729-02-T03	EA	Window Asm. - Escape
3	063742-01-000	EA	Door - Power Cord
4	078969-02-T95	EA	Door Asm. - Refrigerator Access
5	061568-02-U01	EA	Window Asm. - Crank Out
6	079455-02-T95	EA	Door Asm. - Storage
7	078272-02-T03	EA	Window Asm. - Bunk - Slant Slider - Left
8	079455-03-T95	EA	Door Asm. - LP
9	078533-01-T03	EA	Window Asm. - Front Picture
10	078272-01-T03	EA	Window Asm. - Bunk - Slant Slider - Right
11	079455-04-T95	EA	Door Asm. - Battery
12	078453-01-T03	EA	Window Asm. - Vertical Slider

Key	Part Number	U/M	Description
13	079733-04-T03	EA	Window Asm. - Picture
14	M01870-02-U01	EA	Door Asm. - Entrance
15	078266-02-T03	EA	Window Asm. - Single Slider
16	0E2009-01-000	EA	Door Asm. - Water Heater
17	079578-02-T95	EA	Door Asm. - Luggage
17	M01885-01-T95	EA	Door Asm. - Generator
18	078266-05-T03	EA	Window Asm. - Single Slider
	078266-01-T03	EA	Window Asm. - Single Slider
19	079415-01-T03	EA	Window Asm. - Escape
	079733-01-T03	EA	Window Asm. - Picture
	Parts for bunkhouse option (not illustrated)		

1985 WINNEBAGO TABLE OF CONTENTS

WC/WF424RC
WC420RG
WCN22RC
WCN30RC

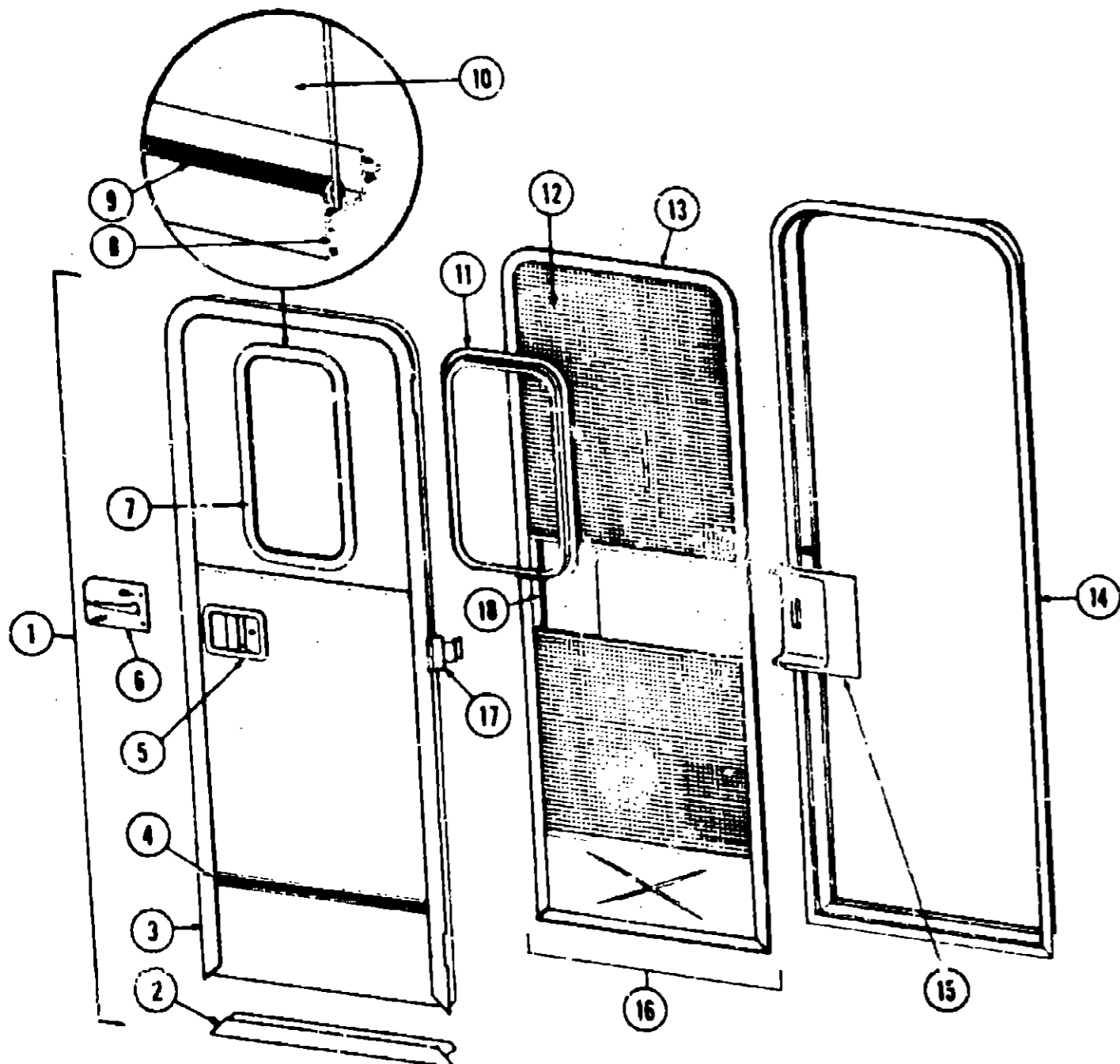
A-01 - C-08
C-09 - E-12
E-13 - G-24
H-01 - J-1C

1986 WC/WF424RC INDEX

Floor Plan	A-01 - A-02
Accessories Group	A-03 - A-05
Bath Group	A-06 - A-07
Chassis Group	A-08 - A-10
Curtain, Cushion & Pad Group	A-11 - A-17
Dinette Group	A-18
Driver's Compartment Group	A-19 - A-21
Electrical Group	A-22 - A-24
Exterior Body Group	B-01 - B-06
Galley Group	B-07 - B-09
Heating & Air Conditioning Group	B-10 - B-11
Interior Finish Group	B-12 - B-14
LP Group	B-15
Lounge Group	B-16
Water & Sewage Group	B-17 - B-18
Window, Vent & Exterior Door Group	B-19 - C-08

WINDOW, VENT & EXTERIOR DOOR GROUP (CONTINUED)

ENTRANCE & SCREEN DOOR



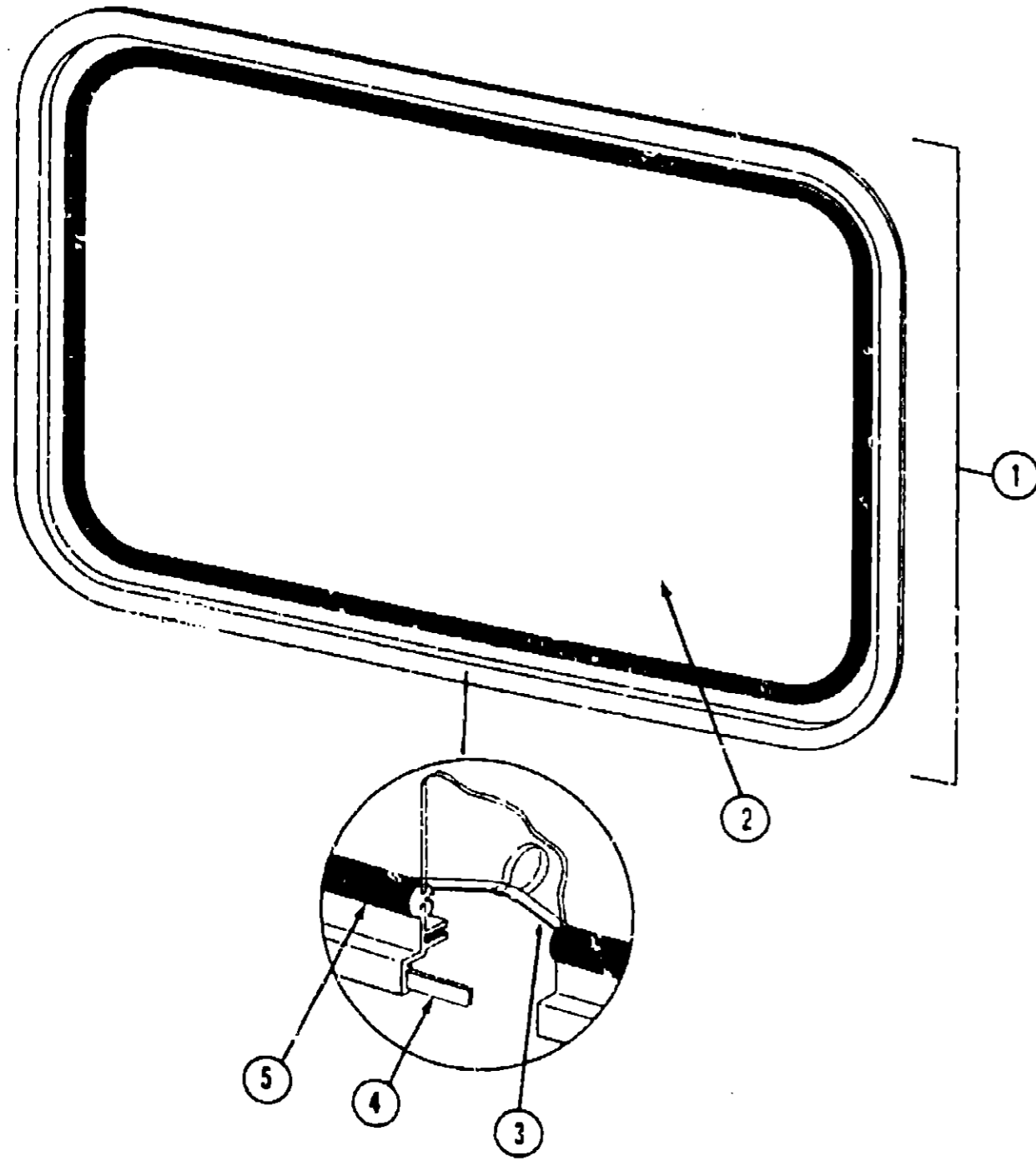
Key	Part Number	U/M	Description
1	M01870-02-U01	EA	Door Asm. - Radius Entry w/Screen Door - w/o Window
1	M01870-07-T03	EA	Door Asm. - Radius Entry w/Screen Door
2	077998-01-000	EA	Frame - Entry Door (Bottom Portion Only)
3	078002-02-000	EA	Frame - Entry Door (Except Bottom Portion)
4	059576-03-000	EA	Feature Strip w/o Insert - Extr. - 14" - Brown
	001030-02-003	EA	Insert - Feature Strip - 17" - Stucco - Off White
	009731-01-000	EA	End Cap - Feature Strip
5	045107-05-000	EA	Paddle Asm. - Door Lock - Exterior
	025017-05-700	EA	Lock Cylinder w/Keys - Lynor
	029539-01-000	EA	Striker Bolt - Entry Door
	039540-01-000	EA	Latch Claw - Entry Door
	028728-01-000	EA	Dead Bolt - Entry Door
	083205-01-000	EA	Dead Bolt - Press Fit
6	039979-01-000	EA	Plate - Inside Lock - Includes Inside Handle
	052186-01-000	EA	Lock Asm. - Complete - Lynor
7	079733-04-T03	EA	Window Asm. - Picture - 17" x 25" - Black (w/o inside frame)
8	068640-06-000	FT	Rubber Sealant - 5/16" Bead x 15'
9	002309-02-000	FT	Window Glass - 1/8" Black
10	075113-01-000	EA	Glass - Picture Window - 1/8" x 16.25" x 24" - Gray
11	008752-01-000	EA	Inside Frame - Beige (not included in assembly)
12	002293-02-000	SF	Screen - Window - 28" - Charcoal
13	056795-02-000	FT	Seal Tape - 1/8" x 3/8" - Press On
14	078591-03-000	EA	Jamb Asm. - Entrance Door
	051049-01-000	EA	Jamb - Entrance Door - Bottom
15	079086-02-000	EA	Slider - Screen Door - Light Oak Plastic
16	079012-01-U01	EA	Door Asm. - Screen
17	079361-05-000	EA	Hinge - Entrance Door (3 used per door)
18	079081-01-000	EA	Cap - Screen Door - Light Oak Plastic
	009016-01-000	EA	Catch - Elbow - Spring Loaded - Screen Door
	039863-01-000	EA	Catch Asm. - Single Roller w/Strike - Screen Door
	076231-01-000	EA	Spacer - Latch - Screen Door
	077437-02-000	EA	Strike - Roller Catch
	058025-02-000	EA	Clip - Roller Latch Catch
	044582-02-000	EA	Drip Cap - Off White
	079278-01-000	EA	Seal - Mocket - Entrance Door
	073090-01-000	FT	Seal - Entrance Door
	075739-01-000	EA	Stiffener - Entrance Door - Off White
	075673-01-000	FT	Seal - Pile - Adhesive Back
	075671-01-000	FT	Seal - Sponge - Lazy "T" Shaped
	002294-01-000	FT	Spine - Black - .135 x .138 (Screen Door)
	079087-02-000	EA	Strike - Screen Door
	063729-04-000	EA	Rivnut - 10-32 UNF - .010 - .080
	075639-01-000	EA	Garnish - Radius - Entrance Door
			Not Illustrated

1986 WINNEBAGO TABLE OF CONTENTS

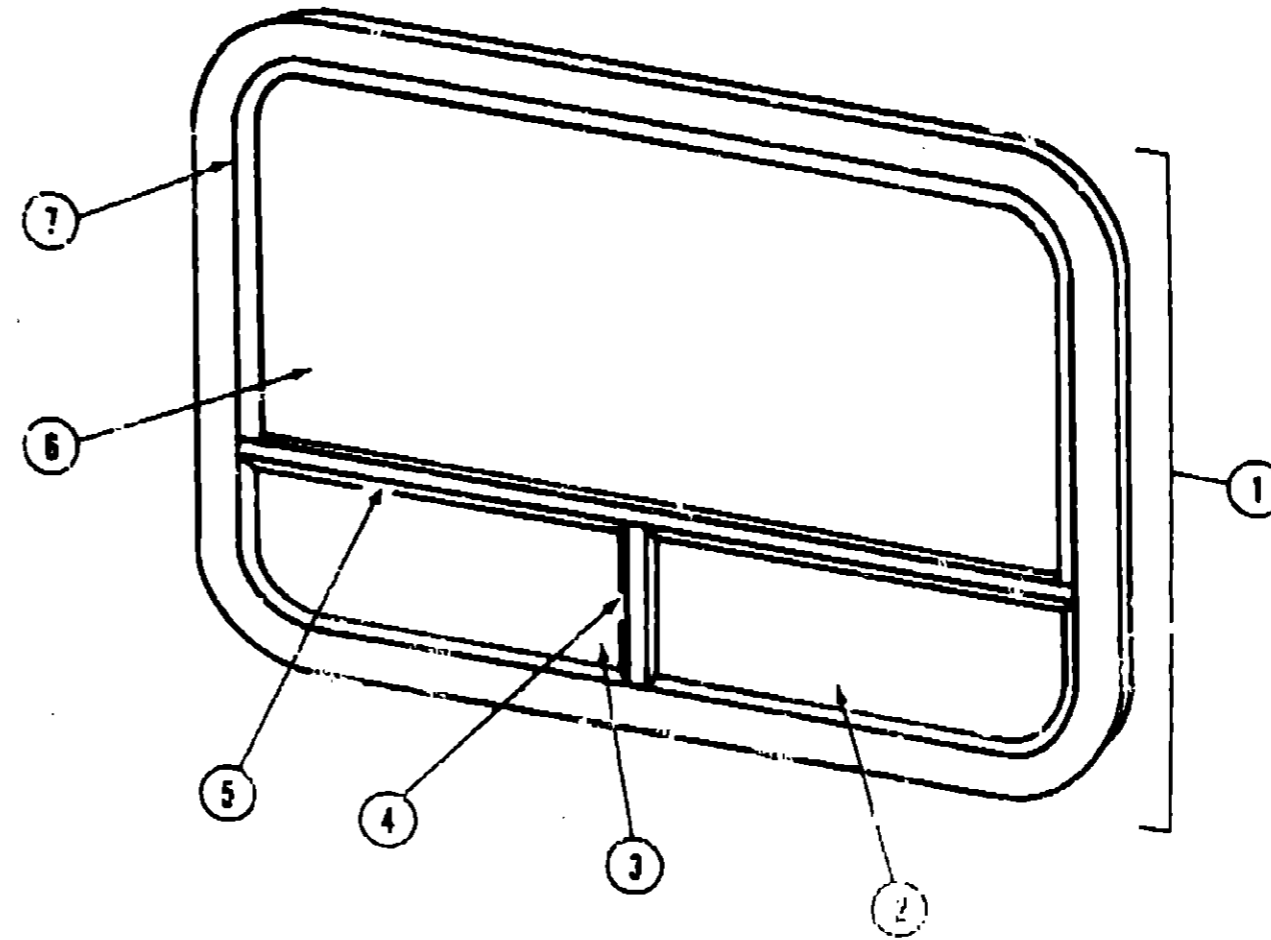
WC/WF424RC	A-01 - C-08
WC420RG	C-09 - E-12
WCN22RC	E-13 - G-24
WCN30RC	H-01 - J-10

1986 WC/WF424RC INDEX

Floor Plan	A-01 - A-02
Accessories Group	A-03 - A-05
Bath Group	A-06 - A-07
Chassis Group	A-08 - A-10
Curtain, Cushion & Pad Group	A-11 - A-17
Dinette Group	A-18
Driver's Compartment Group	A-19 - A-21
Electrical Group	A-22 - A-24
Exterior Body Group	B-01 - B-06
Galley Group	B-07 - B-09
Heating & Air Conditioning Group	B-10 - B-11
Interior Finish Group	B-12 - B-14
LP Group	B-15
Lounge Group	B-16
Water & Sewage Group	B-17 - B-18
Window, Vent & Exterior Door Group	B-19 - C-08



Key	Part Number	U/M	Description
1	079729-02-T03	EA	Window Asm. - Rear Escape - 22.5" x 24.5" - Black (w/o inside frame)
•	079771-02-000	EA	Inside Frame (not included in assembly)
2	041392-03-003	EA	Glass - 1/8" x 21.6" x 19.6"
3	C02285-01-000	FT	Filler - Weatherstrip - Black
4	069840-05-000	FT	Ribbon Sealer - 5/16" Bead x 15'
5	002282-01-000	FT	Weatherstrip - .125" Window
•	006199-01-000	EA	Label - Exit - Escape Window
•			Not illustrated



Key	Part Number	U/M	Description
1	081568-02-U01	EA	Window Asm. - 62" x 31" - Double Tipout
•	081822-06-000	EA	Inside Frame - Black (not included in assembly)
2	031434-01-U01	EA	Window Asm. - Tipout - Right Hand
3	091434-02-U01	EA	Window Asm. - Tipout - Left Hand
•	081239-07-000	EA	Glass - Tipout - 1.8" x 30" x 8 3/4" - Left or Right
4	083112-05-000	EA	Mullion - Black
5	081814-01-000	EA	Mullion - Black
•	081422-01-U01	EA	Screen Asm. - Tipout - Right Hand
•	081422-02-U01	EA	Screen Asm. - Tipout - Left Hand
•	081243-01-000	EA	Screen Clip - Plastic - Black
•	035302-01-000	EA	Operating Mech - Right Hand
•	035302-02-000	EA	Operating Mech - Left Hand
6	081239-11-000	EA	Glass - Stationary - 1/8" x 61 3/4" x 20 1/2"
7	083180-01-000	EA	Window Seal
•	081357-01-000	EA	Bulb Seal (Tipout)
•	091359-01-000	EA	Window Seal (Tipout)
•			Not illustrated

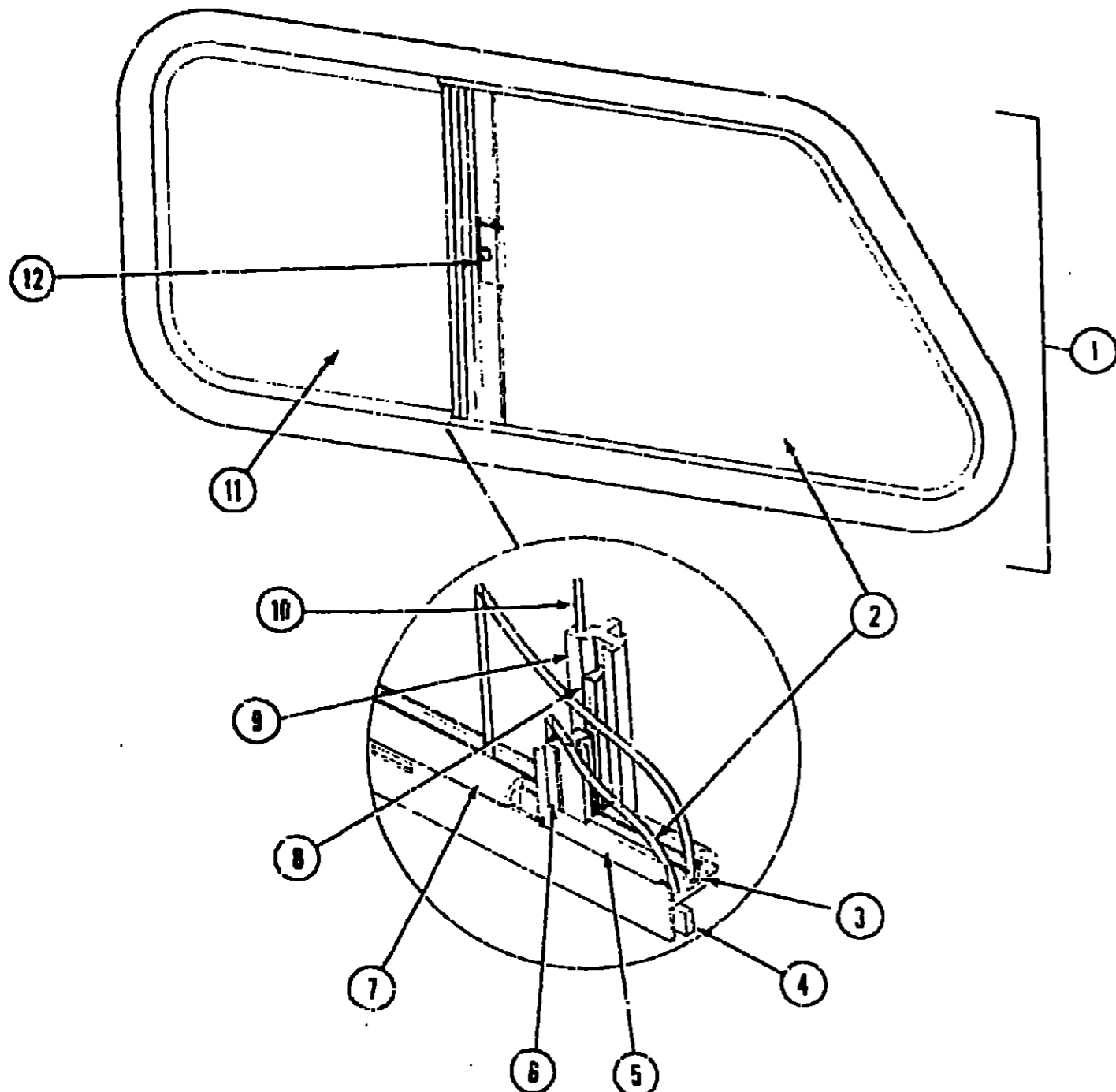
1986 WINNEBAGO
TABLE OF CONTENTS

WC/WF424RC	A-01 - C-08
WC420RG	C-09 - E-12
WCN22HC	E-13 - G-24
WCN30RC	H-01 - J-10

1986 WC/WF424RC INDEX

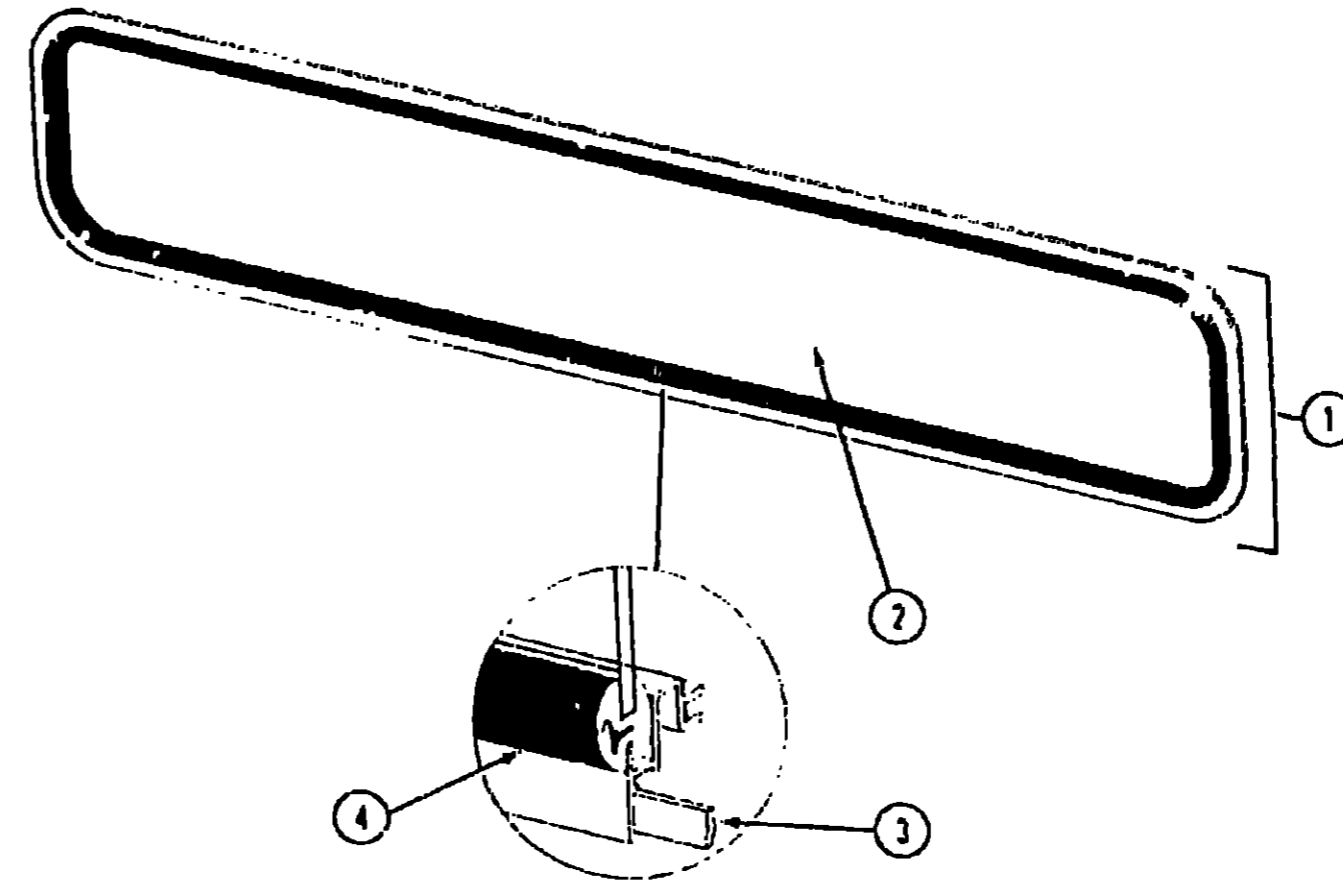
Floor Plan	A-01 - A-02
Accessories Group	A-03 - A-05
Bath Group	A-06 - A-07
Chassis Group	A-08 - A-10
Curtain, Cushion & Pad Group	A-11 - A-17
Dirielle Group	A-18
Driver's Compartment Group	A-19 - A-21
Electrical Group	A-22 - A-24
Exterior Body Group	B-01 - B-06
Galley Group	B-07 - B-09
Heating & Air Conditioning Group	B-10 - B-11
Interior Finish Group	B-12 - B-14
LP Group	B-15
Lounge Group	B-16
Water & Sewage Group	B-17 - B-18
Window, Vent & Exterior Door Group	B-19 - C-08

WINDOW, VENT & EXTERIOR DOOR GROUP (CONTINUED)



Key	Part Number	U/M	Description
1	078272-01-T03	EA	Window Asm - Bunk - Single Slider - Right
•	083121-02-000	EA	Inside Frame - Brown (not included in assembly)
1	078272-02-T03	EA	Window Asm. - Bunk - Single Slider - Left
•	083121-04-000	EA	Inside Frame - Brown (not included in assembly)
2	081980-01-000	EA	Glass - Sliding - 1/8" x 11.98" x 11.98"
3	002324-02-000	FT	Channel - Weatherstrip - Glass Run - 1/8" Glass
4	069640-06-000	FT	Ribbon Sealer - 5/16" Bead x 15'
5	002309-02-000	FT	Spline - Glass - 1/8" Material - Black
6	M69886-03-005	EA	Seal Holder w/Fin Seal - Black
7	057374-02-000	FT	Extr. Rubber - Window Seal - Black
8	073740-01-000	FT	Seal - Fin - Pile - .460"
9	078562-05-000	EA	Mullion - Slider Window - Black
10	002298-02-000	FT	Spline - 130" Dia. - Charcoal (Screen)
11	081983-01-000	EA	Glass - Stationary - 1/8" x 11.98" x 19.42"
12	047363-01-700	EA	Latch Kit - Window - Plastic w/Fastener
•	002293-01-000	SF	Screen - Window 16" - Charcoal
•	079204-01-000	EA	Bracket - Mullion - Black
•	Not illustrated		

WINDOW, VENT & EXTERIOR DOOR GROUP (CONTINUED)



Key	Part Number	U/M	Description
1	078533-01-T03	EA	Window Asm. - Front Picture - 14" x 89" - Black (w/c inside frame)
•	041938-01-000	EA	Inside Frame - Brown (not included in assembly)
2	002200-02-000	EA	Glass - TF - Picture Window
3	069640-06-000	FT	Ribbon Sealer - 5/16" Bead x 15'
4	002281-01-000	FT	Weatherstrip - Self Seal - .06" Panel x 3/16" - Black
•	Not illustrated		

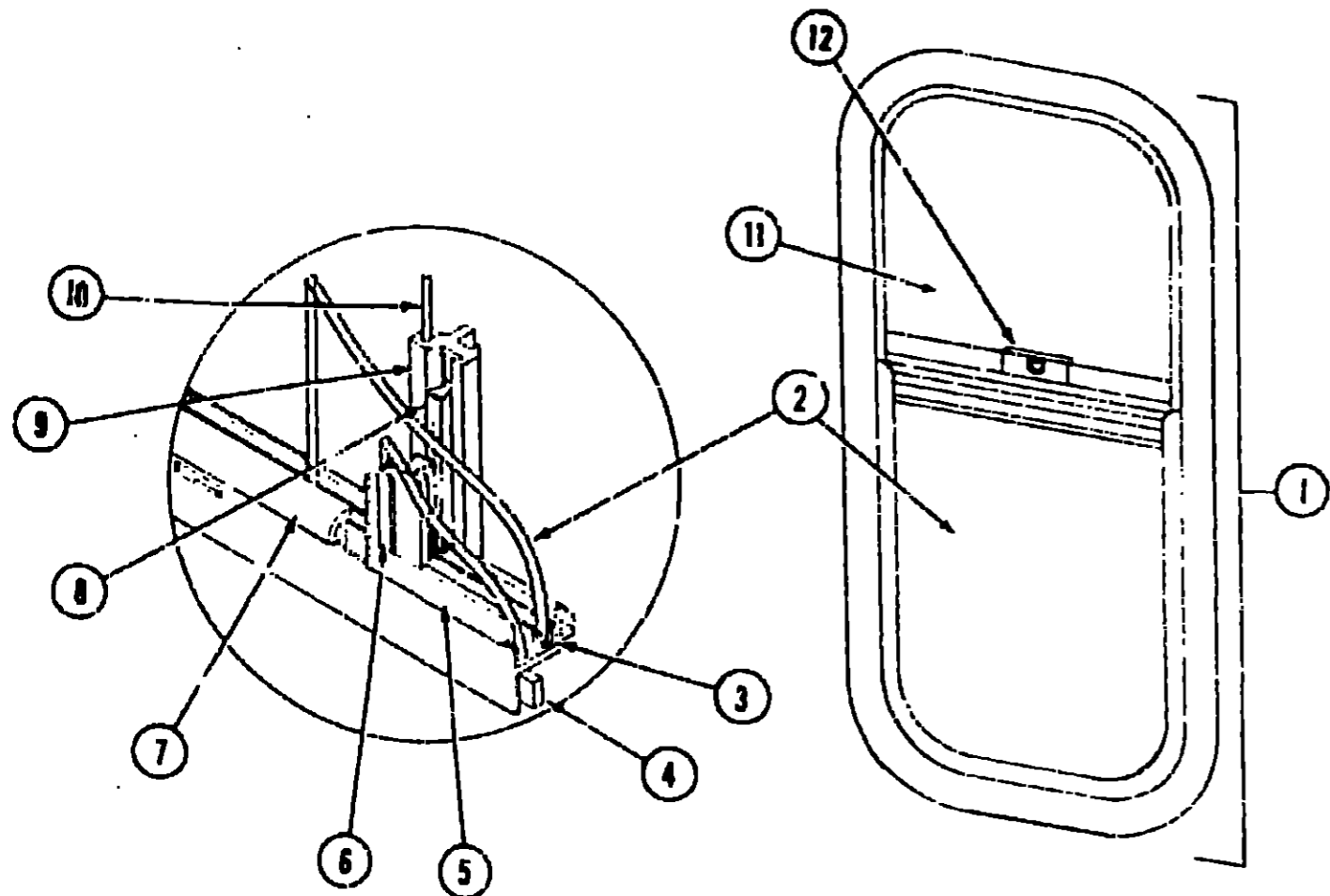
**1986 WINNEBAGO
TABLE OF CONTENTS**

WC/WF424RC	A-01 - C-08
WC420RG	C-09 - E-12
WCN22RC	E-13 - G-24
WCN30RC	H-01 - J-10

1985 WC/WF424RC INDEX

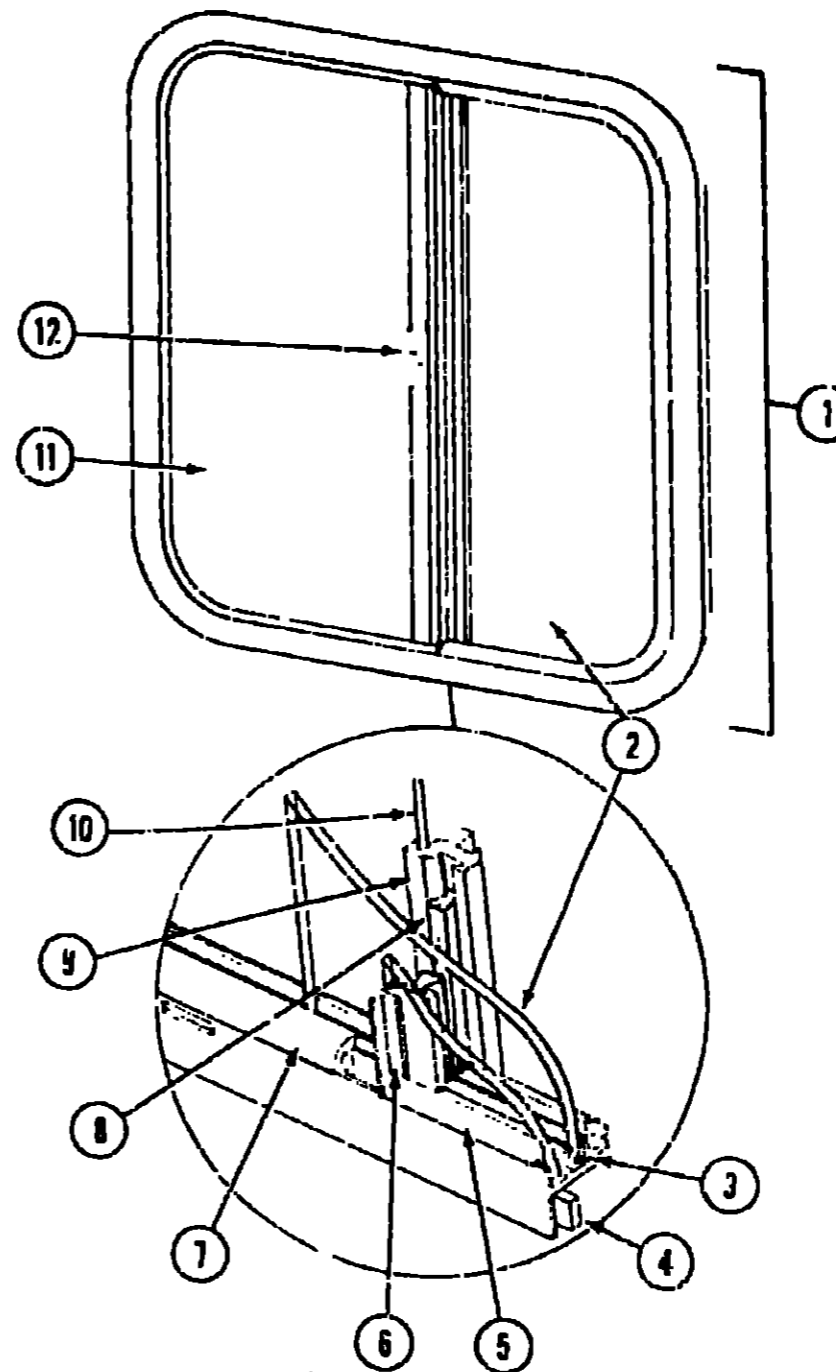
Floor Plan	A-01 - A-02
Accessories Group	A-03 - A-05
Bath Group	A-06 - A-07
Chassis Group	A-08 - A-10
Curtain, Cushion & Pad Group	A-11 - A-17
Dinette Group	A-18
Driver's Compartment Group	A-19 - A-21
Electrical Group	A-22 - A-24
Exterior Body Group	B-01 - B-06
Galley Group	B-07 - B-09
Heating & Air Conditioning Group	B-10 - B-11
Interior Finish Group	B-12 - B-14
LP Group	B-15
Lounge Group	B-16
Water & Sewage Group	B-17 - B-18
Window, Vent & Exterior Door Group	B-19 - C-08

WINDOW, VENT & EXTERIOR DOOR GROUP (CONTINUED)



Key	Part Number	U/M	Description
1	078453-01-T03	EA	Window Asm. - Vertical Slider - 37" x 15" - Black (w/o inside frame)
•	093122-02-000	EA	Inside Frame - Brown (not included in assembly)
2	081980-03-000	EA	Glass - Slider - 1/8" x 14.4" x 19"
3	002324-02-000	FT	Channel - Weatherstrip - Glass Run - 1/8" Glass
4	069640-06-000	FT	Ribbon Sealer - 5/16" Bead x 15'
5	002309-02-000	FT	Spline - Glass - 1/8" Material - Black
6	M69886-03-007	EA	Seal Holder w/Fin Seal - Black
7	057374-02-000	FT	Extr. Ribbon - Window Seal - Black
8	073740-01-000	FT	Seal - Fin - Pile - .460"
9	078562-01-000	EA	Mullion - Slider Window - Black
10	002298-02-000	FT	Spline - .130" Dia - Charcoal (Screen)
11	091984-02-000	EA	Glass - Stationary - 1/8" x 14.4" x 19"
12	047369-01-700	EA	Latch Kit - Window - Plastic w/Fastener
•	079204-01-000	EA	Bracket - Mullion - Black
•	002291-02-000	SF	Screen - Window 16" - Charcoal
•			Not illustrated

WINDOW, VENT & EXTERIOR DOOR GROUP (CONTINUED)



Key	Part Number	U/M	Description
1	078266-02-T03	EA	Window Asm. - Single Slider (w/o inside frame)
•	083122-04-000	EA	Inside Frame - Brown (not included in assembly)
2	081980-05-000	EA	Glass - Sliding - 1/8" x 19" x 13.68"
3	002324-02-000	FT	Channel - Weatherstrip - Glass Run - 1/8" Glass
4	069640-06-000	FT	Ribbon Sealer - 5/16" Bead x 15'
5	002309-02-000	FT	Spline - Glass - 1/8" Material - Black
6	M69886-03-011	EA	Seal Holder w/Fin Seal - Black
7	057374-02-000	FT	Ext. Rubber - Window Seal - Black
8	073740-01-000	FT	Seal - Fin - Pile - .460"
9	078562-02-000	EA	Mullion - Slider Window - Black
10	002298-02-000	SF	Spline - .130" Dia - Charcoal (Screen)
11	081984-03-000	EA	Glass - Stationary - 1/8" x 19" x 12.30"
12	047369-01-700	EA	Latch Kit - Window - Plastic w/Fastener
•	079204-01-000	EA	Bracket - Mullion - Black
•	002291-02-000	SF	Screen - Window 16" - Charcoal
•			Not illustrated

**1986 WINNEBAGO
TABLE OF CONTENTS**

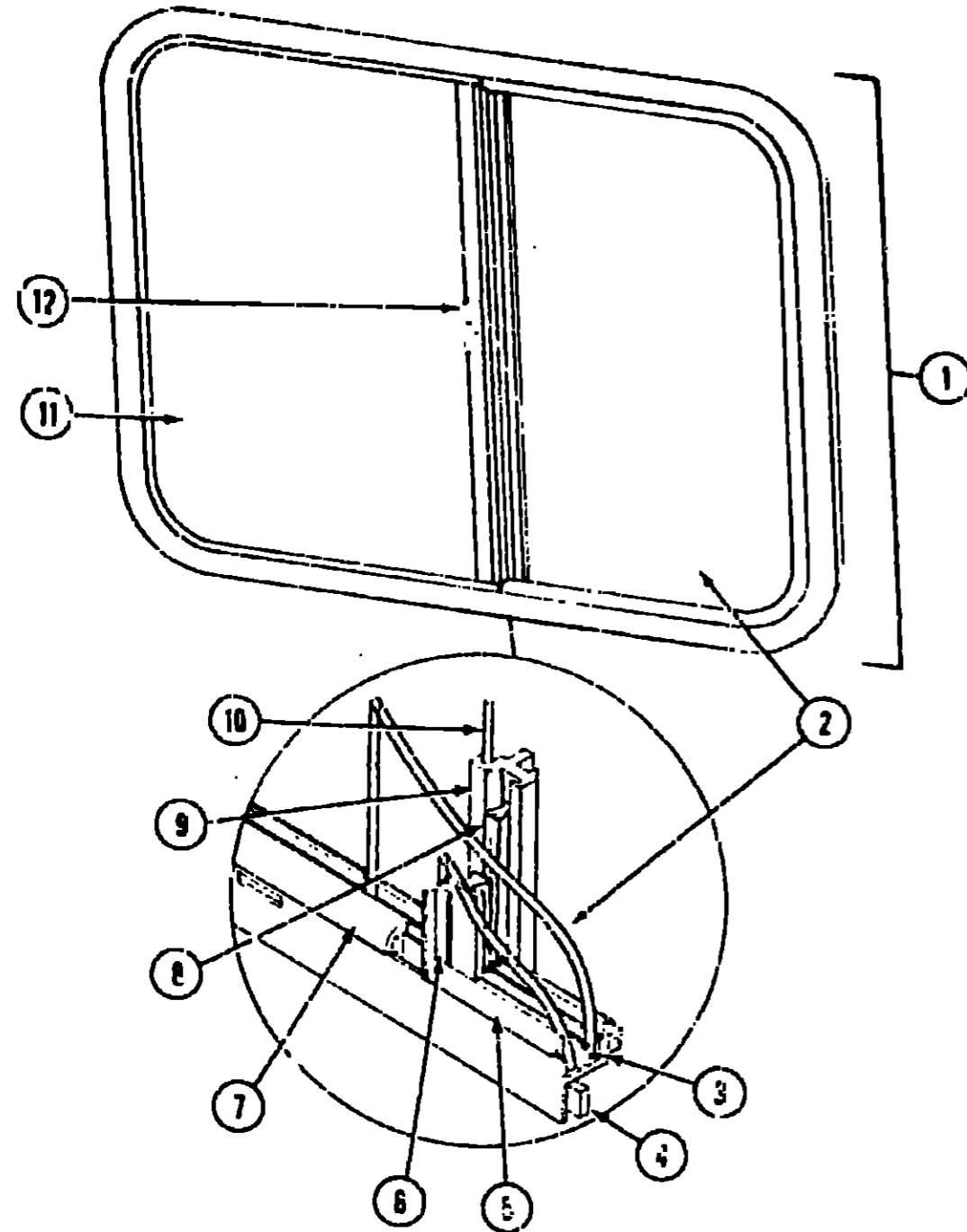
WC/WF424RC
WC420RG
WCN22RC
WCN30RC

A-01 - C-08
C-09 - E-12
E-13 - G-24
H-01 - J-10

1986 WC/WF424RC INDEX

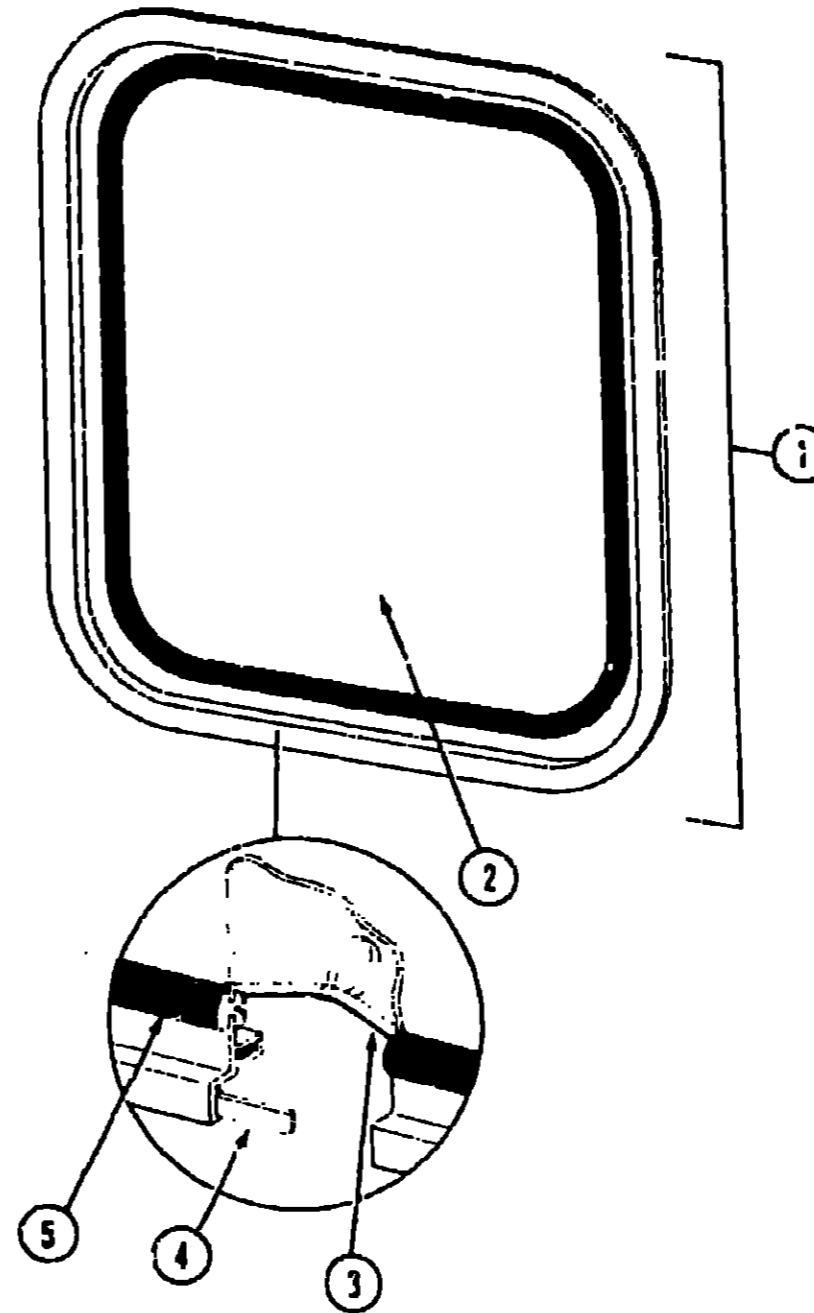
Floor Plan	A-01 - A-02
Accessories Group	A-03 - A-05
Bath Group	A-06 - A-07
Chassis Group	A-08 - A-10
Curtain, Cushion & Pad Group	A-11 - A-17
Dinette Group	A-18
Driver's Compartment Group	A-19 - A-21
Electrical Group	A-22 - A-24
Exterior Body Group	B-01 - B-06
Galley Group	B-07 - B-09
Heating & Air Conditioning Group	B-10 - B-11
Interior Finish Group	B-12 - B-14
LP Group	B-15
Lounge Group	B-16
Water & Sewage Group	B-17 - B-18
Window, Vent & Exterior Door Group	B-19 - C-08

WINDOW, VENT & EXTERIOR DOOR GROUP (CONTINUED)



Key	Part Number	U/M	Description
1	078266-05-T03	EA	Window Asm - Single Slider - Black (w/o inside frame)
•	083122-08-000	EA	Inside Frame - Brown (not included in assembly)
2	081960-04-000	EA	Glass - Sliding - 1/8" x 24" x 21.03"
3	002324-02-000	FT	Channel - Weatherstrip - Glass Run - 1/8" Glass
4	069640-06-000	FT	Ribbon Sealer - 5/16" Bead x 15"
5	002309-02-000	FT	Spline - Glass - 1/8" Material - Black
6	M69886-03-003	EA	Seal Holder w/Fin Seal - Black
7	057374-02-000	FT	Extr. Rubber - Window Seal - Black
8	073740-01-000	FT	Seal - Fin - Piece .460"
9	078562-04-000	EA	Mullion - Slider Window - Black
10	002295-02-000	FT	Spline - .130" Dia. Charcoal (Screen)
11	081984-02-000	EA	Glass - Stationary - 1/8" x 14.4" x 19"
12	047369-01-700	EA	Latch Kit - Window - Plastic w/Fastener
•	079204-01-000	EA	Bracket - Mullion - Black
•	002290-02-000	SF	Screen - Window 26" - Charcoal (Screen)
•			Not illustrated

WINDOW, VENT & EXTERIOR DOOR GROUP (CONTINUED)



Key	Part Number	U/M	Description
1	079415-01-T03	EA	Window Asm. - Rear Escape - 23" x 29" - Black (w/o inside frame)
•	020749-03-000	EA	Inside Frame - Brown (not included in assembly)
2	002174-02-000	EA	Glass - 1/8" x 19.5" x 25.9"
3	002285-01-000	FT	Filler - Weatherstrip - Black
4	069640-05-000	FT	Ribbon Sealer - 5/16" Bead x 15"
5	002282-01-000	FT	Weatherstrip - 1.25" Window
•	006199-01-000	EA	Label - Exit - Escape Window
•			Not illustrated

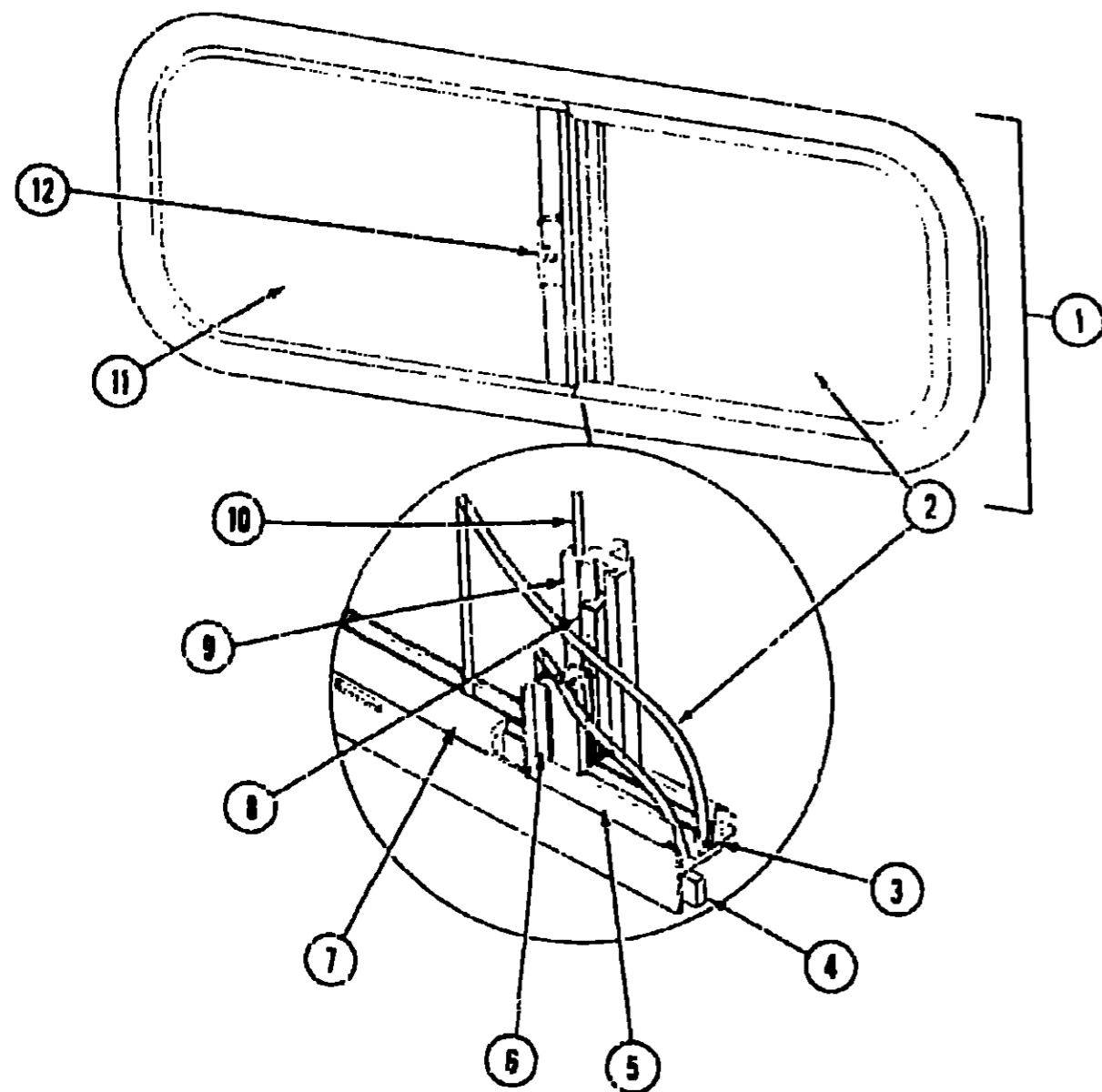
**1986 WINNEBAGO
TABLE OF CONTENTS**

WC/WF424RC	A-01 - C-06
WC420RG	C-09 - E-12
WCN22RC	E-13 - G-24
WCN30RC	H-01 - J-10

1986 WC/WF424RC INDEX

Floor Plan	A-C1 - A-02
Accessories Group	A-03 - A-05
Bath Group	A-06 - A-07
Chassis Group	A-08 - A-10
Curtain, Cushion & Pad Group	A-11 - A-17
Dinette Group	A-16
Driver's Compartment Group	A-19 - A-21
Electrical Group	A-22 - A-24
Exterior Body Group	B-01 - B-06
Galley Group	B-07 - B-09
Heating & Air Conditioning Group	B-10 - B-11
Interior Finish Group	B-12 - B-14
LP Group	B-15
Lounge Group	B-16
Water & Sewage Group	B-17 - B-18
Window, Vent & Exterior Door Group	B-19 - C-08

WINDOW, VENT & EXTERIOR DOOR GROUP (CONTINUED)



Key	Part Number	U/M	Description
1	078266-01-T03	EA	Window Asm. - Single Slider - Black (w/o inside frame)
*	083122-02-000	EA	Inside Frame - Brown (not included in assembly)
2	081980-03-000	EA	Glass - Slider - 1/8" x 22" x 13 68"
3	002324-02-000	FT	Channel - Weatherstrip - Glass Run - 1/8" Glass
4	069640-06-000	FT	Ribbon Sealer - 5/16" Bead x 15'
5	002309-02-000	FT	Spline - Glass - 1/8" Material - Black
6	M69886-03-007	EA	Seal Holder w/Fin Seal - Black
7	057374-02-000	FT	Extr. Rubber - Window Seal - Black
8	073740-01-000	FT	Seal - Fin - Pile - .460"
9	078562-01-000	EA	Mullion - Slider Window - Black
10	002298-02-000	FT	Spline - .130" Dia - Charcoal (Screen)
11	081984-02-000	EA	Glass - Stationary - 1/8" x 22" x 16 53"
12	047369-01-703	EA	Latch Kit - Window - Plastic w/Fastener
*	002291-02-000	SF	Screen - Window 16" - Charcoal
*	079204-01-000	EA	Bracket - Mullion - Black
*			Not illustrated

WINDOW, VENT & EXTERIOR DOOR GROUP (CONTINUED)

ACCESS DOORS

Key	Part Number	U/M	Description
	079455-01-T95	EA	Door Asm. - Battery - 9" x 21.7"
	079455-02-U01	EA	Door Asm. - Storage - 9 5" x 21.7"
	M01883-01-T95	EA	Door Asm. - Generator
	079455-03-U01	E'	Door Asm. - LP - 9.5" x 21.7"
	M02047-01-T95	EA	Door Panel Asm - Tire Cover
	079578-02-T95	EA	Door Asm. - Luggage - Off White
	078969-02-T03	EA	Door Asm. - Refrigerator Access - w/Twist Lock - Off White
	052009-01-000	EA	Door Asm. - Water Heater - Off White
	052423-01-000	EA	Door Asm. - Sewage
	078010-03-000	EA	Door - Fuel Fill - Off White
	063742-01-000	EA	Door - Power Cord - Off White
	052424-01-000	EA	Jamb - Power Cord/Fuel Fill Door - Off White
	054543-01-000	EA	Hatch - Power Cord Door
	052181-01-000	EA	Baffle - Generator Door
	054530-01-000	EA	Door Holder
	041312-01-000	EA	Seal - Bulb - "E" Section
	042442-01-000	EA	Lock Asm. - Twist Type
	009003-01-000	EA	Lock Asm. - Twist Type - w/Clip (Battery Door)
	047305-01-000	EA	Lock Asm. - Key Type w/Clip - Metal (LP)
	077408-01-000	EA	Lock Asm. - Key Type
	079366-01-000	EA	Lock Asm. - Key Type
	079927-01-000	EA	Lock Asm. - Twist Type
	052951-01-000	EA	Clip - Twist Lock - Retainer
	042441-01-000	EA	Lock Asm. - Key Type
	052950-01-700	EA	Lock Asm. - Twist Type - White

VENTS

Key	Part Number	U/M	Description
	071290-02-000	EA	Cover - Refrigerator Vent - 11 5/8" x 24 3/4" - Galvanized Steel
	071290-01-000	EA	Frame Asm. - Refrigerator Vent - 7.5" x 26.5" - Galvanized Steel
*	048835-01-000	EA	Vent Asm. - Roof - Non-Powered - w/o Screen - Aluminum
*	048789-01-000	EA	Vent Asm. - Roof - Powered - w/o Screen - Aluminum
	064469-02-000	EA	Vent Asm. - Roof - Powered - w/o Screen - 14" x 14" - CSA
	079355-08-000	EA	Vent - Stovehood - Outside - Off White
	078785-01-T03	EA	Screen Asm. - Roof Vent - Powered
	078786-01-T03	EA	Screen Asm. - Roof Vent - Non Powered

The illustrated parts breakdown for this item is provided on the Common Items Fiche.

**1986 WINNEBAGO
TABLE OF CONTENTS**

WC/WF424RC	A-01 - C-09
WC4201G	C-09 - E-12
WCN22RC	E-13 - G-24
WCN30RC	H-01 - J-10

1986 WC/WF424RC INDEX

Floor Plan	A-01 - A-02
Accessories Group	A-03 - A-05
Bath Group	A-06 - A-07
Chassis Group	A-08 - A-10
Curtain, Cushion & Pad Group	A-11 - A-17
Dinette Group	A-18
Driver's Compartment Group	A-19 - A-21
Electrical Group	A-22 - A-24
Exterior Body Group	B-01 - B-06
Galley Group	B-07 - B-09
Heating & Air Conditioning Group	B-10 - B-11
Interior Finish Group	B-12 - B-14
LP Group	B-15
Lounge Group	B-16
Water & Sewage Group	B-17 - B-18
Window, Vent & Exterior Door Group	B-19 - C-08