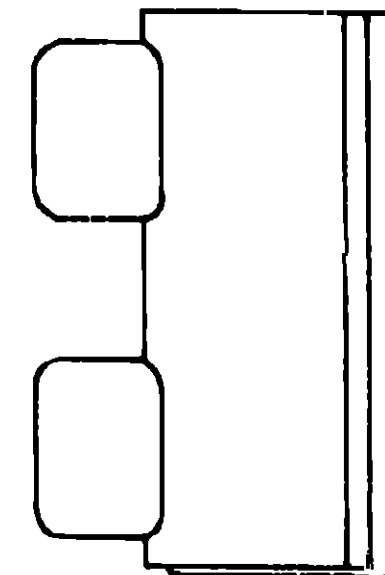
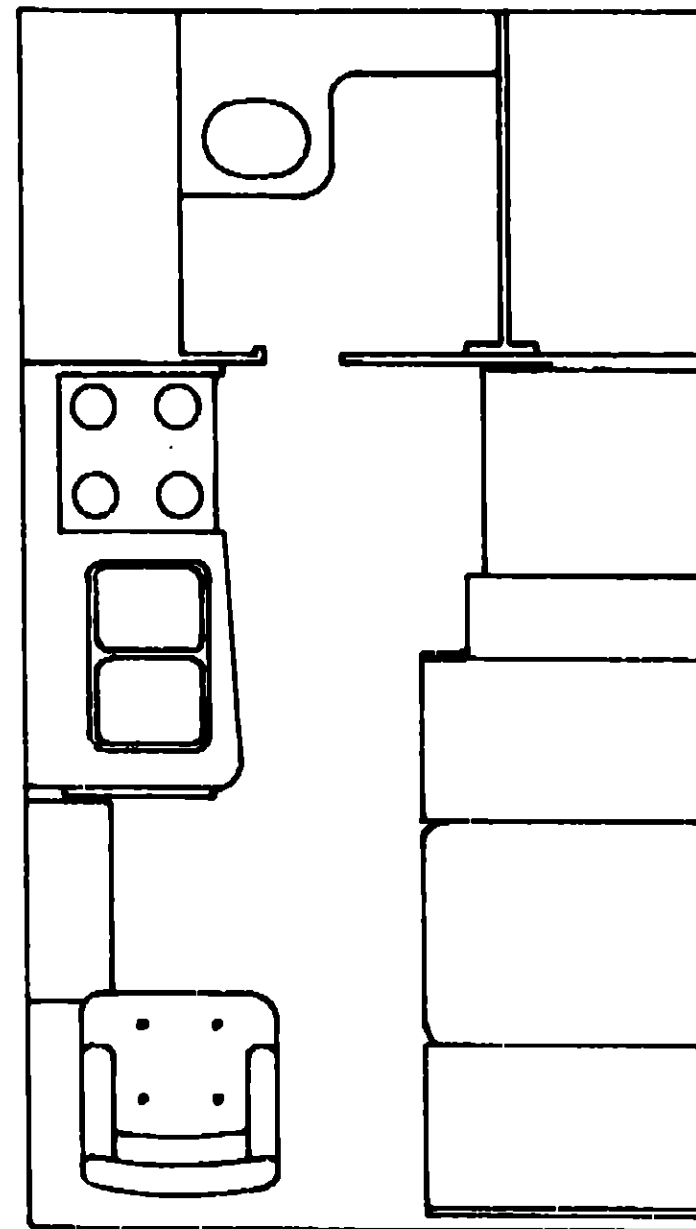


1986 WC/WF421RB



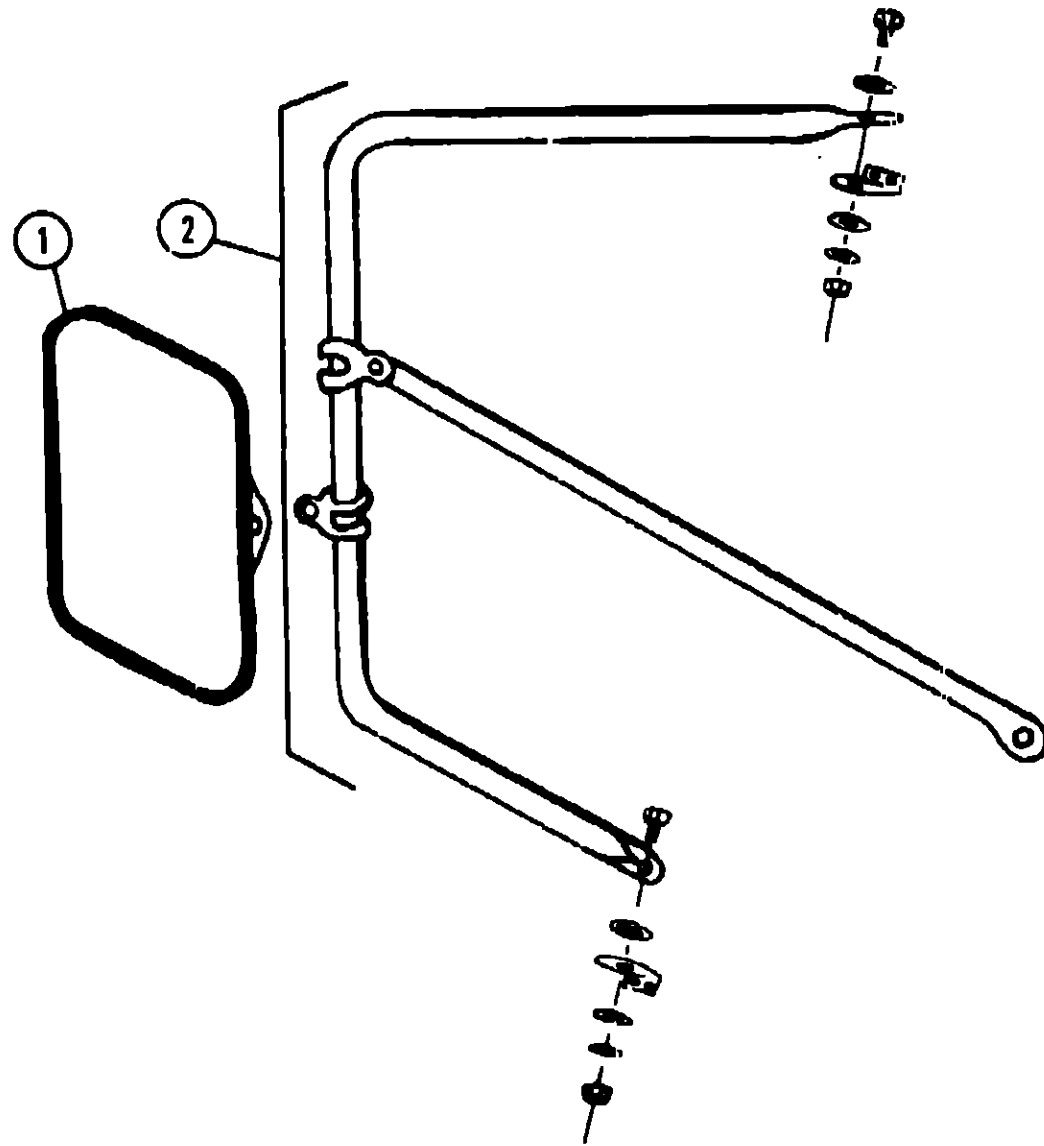
1986 WINNEBAGO TABLE OF CONTENTS

| | |
|------------|-------------|
| WT319RB | A-01 - B-16 |
| WC/WF421RB | B-17 - D-18 |
| WC424RB | D-19 - F-20 |

1986 WC/WF421RB INDEX

| | |
|------------------------------------|-------------|
| Floor Plan | B-17 - B-18 |
| Accessories Group | B-19 - B-21 |
| Bath Group | B-22 |
| Chassis Group | B-23 - B-24 |
| Curtain, Cushion & Pad Group | C-01 - C-07 |
| Dinette Group | C-08 |
| Driver's Compartment Group | C-09 - C-11 |
| Electrical Group | C-12 - C-14 |
| Exterior Body Group | C-15 - C-21 |
| Galley Group | C-22 - C-23 |
| Heating & Air Conditioning Group | C-24 |
| Interior Finish Group | D-01 - D-03 |
| LP Group | D-04 |
| Lounge Group | D-05 |
| Water & Sewage Group | D-06 - D-07 |
| Window, Vent & Exterior Door Group | D-08 - D-18 |

ACCESSORIES GROUP



EXTERIOR MIRRORS

| Key | Part Number | U/M | Description |
|-----|-----------------|-----|--|
| 1 | 049347-01-000 | EA | Mirror Head - 7 1/2 x 10 1/2 - Stainless Steel |
| 2 | 062047-01-000 | EA | Arm - West Coast Mirror - Stainless Steel |
| 2 | 062047-02-000 | EA | Arm - West Coast Mirror - Off White |
| . | 006043-01-000 | EA | Mirror - Convex - Adhesive Back |
| . | Not illustrated | | |

WHEEL COVER & MOUNTING HARDWARE

| Key | Part Number | U/M | Description |
|-----|---------------|-----|---|
| | 064082-02-000 | EA | Retaining Nut - Dalmet - Wheel Cover |
| | 073426-01-700 | EA | Wheel Cover - Bolt On - 16" or 16 5" - Dalmet (1) |
| | 083181-01-000 | EA | Wheel Cover - 16" (Set/4) (Ford) |
| | 083181-01-700 | EA | Wheel Cover - 16" (Ford) (1) |
| | 083181-02-000 | EA | Wheel Cover - 16 5 (Set/4) (Chevy) |
| | 083181-02-700 | EA | Wheel Cover - 16 5" (Chevy) (1) |

ACCESSORIES GROUP (CONTINUED)

MISCELLANEOUS ACCESSORIES

| Key | Part Number | U/M | Description |
|-----|---|-----|---|
| | 054185-24-000 | EA | Owners Manual - 1986 - Itasca & Winnebago |
| | 706053-02-000 | EA | Antenna - TV Skyliner w/8" Shaft - Braund Delux |
| | 076319-01-000 | EA | Antenna - TV Roof Mount - 44.5" Mast |
| | 076319-01-700 | EA | RVSA Sensor Antenna |
| | 076319-01-701 | EA | Elevating Gear |
| | 076319-01-702 | EA | Shaft Elevating Asm. |
| | 076319-01-703 | EA | Nylon Bearing - #5 |
| | 076319-01-704 | EA | Nylon Bearing |
| | 076319-01-705 | EA | Nylon Bearing |
| | 076319-01-706 | EA | Crank - Elevating - w/Set Screw |
| | 076319-02-000 | EA | Antenna - TV Roof Mount - 23.5" Mast |
| | 076319-03-000 | EA | Cable - Coaxial 1000' - 75 OHM |
| | 076319-04-000 | EA | Connector & Ferrule |
| | 076319-05-000 | EA | Wallplate - Power Supply - Ivory |
| | 076319-06-000 | EA | Adapter - Cable Roof Plate |
| | 076319-07-000 | EA | Wallplate - Power Supply - Brown |
| | 076319-08-000 | EA | Wallplate - Receptacle - Ivory |
| | 076319-09-000 | EA | Wallplate - Receptacle - Brown |
| | 076319-11-000 | EA | Adaptor - Coax w/Splitter |
| | 064089-01-000 | EA | Mud Flap - Rubber - Black (Front) |
| | 017516-01-000 | EA | Mud Flap w/Holes - 14" x 18" - Black (Back) |
| | 041944-03-000 | EA | Fire Extinguisher - w/Bracket - 5BC |
| | 041944-02-000 | EA | Bracket - Fire Extinguisher |
| | 081379-01-000 | EA | Microwave/Convection Oven - Sharp |
| | 081459-08-000 | EA | Bracket Asm. - Microwave - Right |
| | 081459-02-000 | EA | Bracket Asm. - Microwave - Left |
| | 082876-01-000 | EA | Baffle - Microwave |
| | 081555-01-T03 | EA | Trim Asm. - Microwave Oven |
| | 081456-01-000 | EA | Angle Asm. - Microwave Oven - Right |
| | 081456-02-000 | EA | Angle Asm. - Microwave Oven - Left |
| | 081016-01-T03 | EA | Ladder Asm. |
| | 081026-01-T03 | EA | Rack Asm. - Right |
| | 081026-02-T03 | EA | Rack Asm. - Left |
| | 083206-01-000 | EA | Mat - Stepwell - Black - Passenger (Ford) |
| | 083206-02-000 | EA | Mat - Stepwell - Black - Driver (Ford) |
| | 044860-01-000 | EA | Mat - Stepwell - Black - Passenger (Chevy) |
| | 044860-02-000 | EA | Mat - Stepwell - Black - Driver (Chevy) |
| | 072852-01-000 | EA | Smoke Detector w/9 Volt Battery |
| | 079664-02-000 | EA | Weather Center - 8.5" x 8.5" |
| | 079664-01-000 | EA | Clock - 8 5" x 8 5" |
| | 006069-01-000 | EA | Key Case - Leather |
| | 080208-01-000 | EA | Lug Wrench |
| | 080208-02-000 | EA | Leverage Bar - Lug Wrench |
| | 006113-01-000 | EA | Jack - Hydraulic - 6 Ton - w/Handle |
| | 079941-01-000 | EA | Lamp Asm. - Fog w/Cover - Amber |
| ** | 069629-01-000 | EA | Speed Control Package - Electric - Dana |
| ** | The illustrated parts breakdown for this item is provided on the Common Items Fiche | | |

CHROME WHEEL LINERS

| Key | Part Number | U/M | Description |
|-----|---------------|-----|-----------------------------------|
| | 081608-05-000 | EA | Cover - Lug Nut - Chrome Liner |
| | 081608-06-000 | EA | Ring - Spiral - Chrome Liner |
| | 081608-07-000 | EA | Cover - Rear Axle - Chrome Liner |
| | 081608-08-000 | EA | Cover - Front Axle - Chrome Liner |
| | 081608-09-000 | EA | Liner - Front Wheel - Chrome |
| | 081608-10-000 | EA | Liner - Rear Wheel - Chrome |

1986 WINNEBAGO TABLE OF CONTENTS

| | |
|------------|-------------|
| WT319RB | A-01 - B-16 |
| WC/WF421RB | B-17 - D-18 |
| WC424RB | D-19 - F-20 |

1986 WC/WF421RB INDEX

| | |
|------------------------------------|-------------|
| Floor Plan | B-17 - B-18 |
| Accessories Group | B-19 - B-21 |
| Bath Group | B-22 |
| Chassis Group | B-23 - B-24 |
| Curtain, Cushion & Pad Group | C-01 - C-07 |
| Dinette Group | C-08 |
| Driver's Compartment Group | C-09 - C-11 |
| Electrical Group | C-12 - C-14 |
| Exterior Body Group | C-15 - C-21 |
| Galley Group | C-22 - C-23 |
| Heating & Air Conditioning Group | C-24 |
| Interior Finish Group | D-01 - D-03 |
| LP Group | D-04 |
| Lounge Group | D-05 |
| Water & Sewage Group | D-06 - D-07 |
| Window, Vent & Exterior Door Group | D-08 - D-18 |

ACCESSORIES GROUP (CONTINUED)

RADIO & RELATED COMPONENTS

| Key | Part Number | U/M | Description |
|-----|---------------|-----|---|
| | 007004-01-000 | EA | Antenna - Radio - Cab Mount |
| | 064792-01-000 | EA | Grille - Speaker - 5.25" - w/Mesh - Brown |
| | 073430-02-000 | EA | Radio - AM/FM/MPX - w/Cassette - Electronic Tune - Audiovox - HCC1150 |
| | 074979-01-000 | EA | Speaker Cover Protector - Plastic (Chevy) |
| | 073431-01-000 | EA | Speaker - 5.25 - 3/Way (Pair) |
| | 064791-01-000 | EA | Speaker - Recessed - 5.25" |
| | 073741-01-000 | EA | Speaker - 4" x 6" - Oval (Chevy) |
| | 079385-02-000 | EA | Radio Mounting Kit (Ford) |

GENERATORS & COMPONENTS

| Key | Part Number | U/M | Description |
|-----|---------------|-----|-----------------------------------|
| | 079654-04-000 | EA | Generator - Emerald - 4.0 kw |
| | 701629-02-000 | EA | Installation Package - Emerald |
| | 024732-01-016 | EA | Tailpipe - 1.5" O.D. x 43.50" |
| | 079656-01-000 | EA | Muffler - Generator - 4.0 Emerald |
| | 007067-01-000 | EA | Insulation - Fiberglass - 1" |

BATH GROUP

BATH CABINETRY

| Key | Part Number | U/M | Description |
|-----|---------------|-----|--|
| | M82428-03-U01 | EA | Cabinetry Asm. - Lavatory - w/o Doors, Countertop, or Hardware |
| | M02556-01-U01 | EA | Countertop Asm. - Lavatory |
| | 082184-01-U01 | EA | Drawer Asm. - Lavatory - w/o Hardware |
| | M81501-54-U01 | EA | Door Asm. - Lavatory Cabinet - 26.7" x 14.3" - w/o Hardware |
| | 076073-01-000 | EA | Cabinet Asm. - Medicine - w/o Doors or Hardware |
| | 081535-01-U04 | EA | Door Asm. - Medicine Cabinet - 45.5" x 15.5" - w/o Hardware |
| | 080834-01-T03 | EA | Door Asm. - Sliding - w/o Hardware |
| | 058034-02-000 | EA | Latch Door w/o Lock |
| | M81501-74-U01 | EA | Door Asm - Wardrobe - 39.5" x 12.8" - w/o Hardware |
| | M81501-73-U01 | EA | Door Asm - Wardrobe - 53.9" x 16.1" - w/o Hardware |

BATH HARDWARE

| Key | Part Number | U/M | Description |
|-----|---------------|-----|---|
| | M01817-01-T03 | EA | Bathtub Asm. w/Strainer |
| | 075241-03-000 | EA | Faucet - Tub & Shower - Brass |
| | 075240-03-000 | EA | Faucet - Lavatory |
| ** | 011048-02-000 | EA | Shower Head - w/60" Hose |
| | 011048-04-000 | EA | Vacuum Breaker - 1/8 MPT - Nylon - Shower Head |
| | 075606-01-000 | EA | Shower Panel - Faucet Plastic |
| ** | 066729-01-000 | EA | Strainer - Bathtub Asm. |
| | 080257-01-000 | EA | Shroud - Bathtub Asm. - Off White |
| | 066435-01-000 | EA | Nut Strainer - Plastic - Bathtub Asm |
| | 066436-01-000 | EA | Slip Nut - 1.5" Tail Piece - Bathtub Asm |
| | 069735-01-000 | EA | Washer - Tail Piece - 1.5" - Plastic - Bathtub Asm |
| | 011069-02-000 | EA | Tailpiece - 1.5" x 1.25" x 4" - Brass - Bathtub Asm |
| | 058713-01-000 | EA | Sink - Oval - Ivory Plastic |
| | 011083-01-000 | EA | Tail Piece w/Stopper - 1.25" x 5" - Plastic - Sink |
| ** | 039341-02-000 | EA | Toilet - Ivory |
| | 075452-02-000 | EA | Tissue Holder |
| | 075454-02-000 | EA | Towel Ring |
| | 058331-05-000 | EA | Mirror - Tempered Glass - 12" x 26" |
| | 058331-04-000 | EA | Mirror - Tempered Glass - 12" x 42" |
| | 009089-01-000 | EA | Clip - Mirror |
| | 057671-01-000 | EA | Screw Cover - #8 - Antique White |
| | 050712-04-000 | EA | Handle - Door Shower - Off White |
| | 075603-01-000 | EA | Threshold - Track Shower Door - Beige |
| | 079235-01-000 | EA | Header - Track - Shower Door - Beige |
| | 079234-01-000 | EA | Jamb - Shower Door - Rear - Beige |
| | 079234-02-000 | EA | Jamb - Shower Door - Front - Beige |
| | 075680-01-000 | EA | Rod - Clothes - Adjustable |
| | 009112-01-000 | EA | Flange - 1" - Closet Rod |
| | 075453-02-000 | EA | Bar - Towel - 18" Brass |
| | 023449-01-000 | EA | Support - Towel Rack - Chrome |
| | 009089-01-000 | EA | Clip - Mirror |
| | 046113-01-000 | EA | Rosette - Plastic - Mirror Mounting |
| | 042436-01-000 | EA | Dowel - Wood - 1.00 Dia x 4" |
| | 009156-01-000 | EA | Hanger - Sliding Door |
| | 064467-01-000 | EA | Guide - Wall Mount - Sliding Door |
| | 075149-04-000 | EA | Track - 54.2" - Sliding Door |
| | 075153-01-000 | EA | End Cap - Cover - Beige |

** The illustrated parts breakdown for this item is provided on the Common Items Fiche

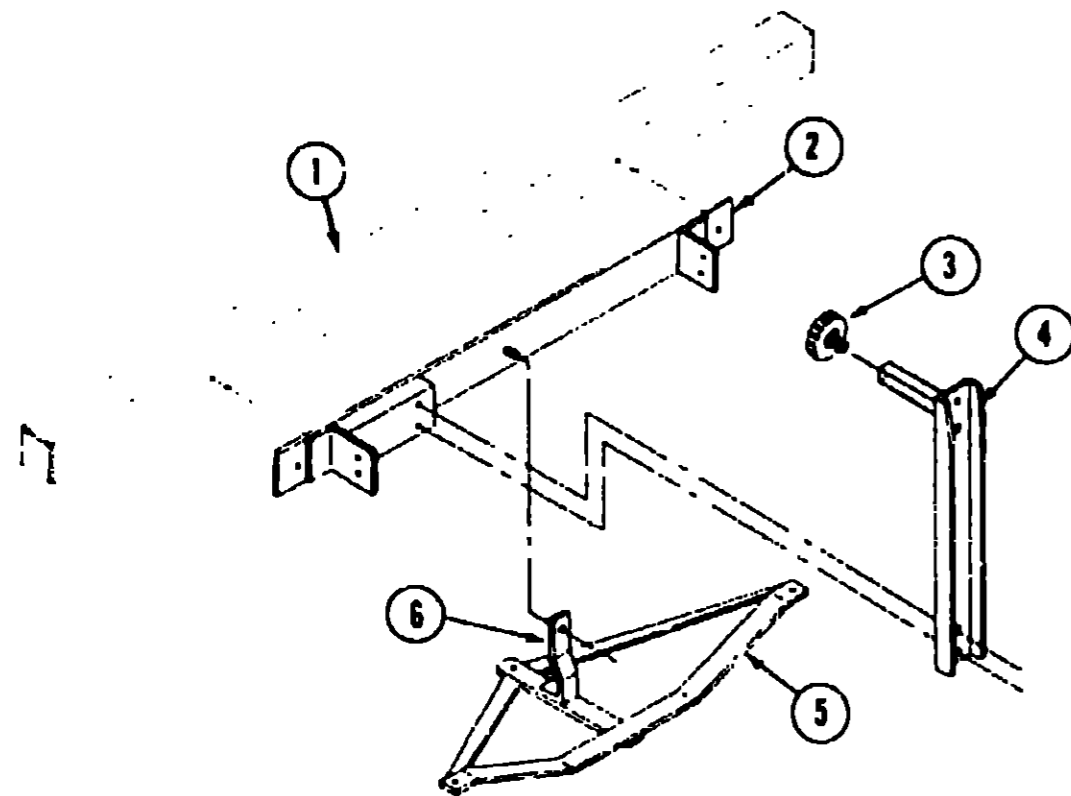
1986 WINNEBAGO TABLE OF CONTENTS

| | |
|------------|-------------|
| WT319RB | A-01 - B-16 |
| WC/WF421RB | B-17 - D-18 |
| WC424RB | D-19 - F-20 |

1986 WC/WF421RB INDEX

| | |
|------------------------------------|-------------|
| Floor Plan | B-17 - B-18 |
| Accessories Group | B-19 - B-21 |
| Bath Group | B-22 |
| Chassis Group | B-23 - B-24 |
| Curtain, Cushion & Pad Group | C-01 - C-07 |
| Dinette Group | C-08 |
| Driver's Compartment Group | C-09 - C-11 |
| Electrical Group | C-12 - C-14 |
| Exterior Body Group | C-15 - C-21 |
| Galley Group | C-22 - C-23 |
| Heating & Air Conditioning Group | C-24 |
| Interior Finish Group | D-01 - D-03 |
| LP Group | D-04 |
| Lounge Group | D-05 |
| Water & Sewage Group | D-06 - D-07 |
| Window, Vent & Exterior Door Group | D-08 - D-18 |

CHASSIS GROUP



SPARE TIRE, REAR BUMPER & TRAILER HITCH

| Key | Part Number | U/M | Description |
|-----|---------------|-----|--|
| 1 | 064602-01-000 | EA | Bumper Asm. - Square - 92" - Off White |
| • | 022150-01-000 | EA | Bracket - Bumper - Rear |
| • | 039779-01-000 | EA | Cap - Rubber - 4" x 4" |
| 2 | 064601-01-000 | EA | Bracket Asm - Bumper (Chevy) |
| 2 | 064601-03-000 | EA | Bracket Asm - Bumper (Ford) |
| 3 | 064082-02-000 | EA | Nut - Tire Cover Retainer - Delmet |
| 4 | 079027-01-000 | EA | Bracket Asm - Tire Cover |
| • | 079799-01-000 | EA | Cover - Tire - Plastic - Off White |
| • | M03047-01-T95 | EA | Door - Tire Cover - Plastic |
| • | 077408-01-000 | EA | Lock Asm - Key Type |
| 5 | 064833-02-000 | EA | Trailer Hitch Asm |
| • | 015365-01-000 | EA | Pin - Tire Carrier - Cad Plated |
| • | 064399-01-000 | EA | Housing Asm - Trailer Pin |
| 6 | 064824-02-000 | EA | Support - Trailer Hitch |
| • | | | Not illustrated |

WHEELS & TIRES

| Key | Part Number | U/M | Description |
|-----|---------------|-----|--|
| | 083617-01-000 | EA | Wheel - 6 00" x 16 0" - 8 Hole (Ford) |
| | 083517-02-000 | EA | Wheel - 6 00" x 16 0" - 8 Hole - White Sidewall (Ford) |
| | 062400-02-000 | EA | Wheel - 6 00" x 16 5" - 8 Hole (Chevy) |
| | 050273-04-000 | EA | Tire - 16 0" - White Sidewall |
| | 057664-01-000 | EA | Tire - 8 75" x 16 5" - Radial - White Sidewall |

CHASSIS GROUP (CONTINUED)

| Key | Part Number | U/M | Description |
|-----|---------------|-----|--|
| | 047441-01-000 | EA | Battery Terminal - Horizontal Lug |
| | 059540-01-000 | EA | Bracket - License Plate |
| | 065151-02-000 | EA | Bracket - Battery Tie Down - 10.82" |
| | 065451-03-000 | EA | Bracket - Battery Tie Down - 14" |
| | 007125-03-000 | EA | Clamp Asm. - Muffler - 1.50" |
| | 007125-04-000 | EA | Clamp Asm. - Muffler - 1.12" |
| | 010497-01-000 | EA | Clamp - Closed - 5/8 I.D. |
| | 007161-01-000 | EA | Clamp - Hose - Spring Type 112 |
| | 062401-01-000 | EA | Clamp - Hose - Wormgear - .22" I.D. - 1" I.D. |
| | 062401-02-000 | EA | Clamp - Hose - Wormgear - 1.56" I.D. - 2.5" I.D. |
| | 062401-03-000 | EA | Clamp - Hose - Wormgear - .25" I.D. - 1" I.D. |
| | 062401-04-000 | EA | Clamp - Hose - Wormgear - .69" I.D. - 1.25" I.D. |
| | 062401-05-000 | EA | Clamp - Hose - Wormgear - 2" I.D. - 3" I.D. |
| | 062401-06-000 | EA | Clamp - Hose - Wormgear - 22" I.D. - 62" I.D. |
| | 023146-01-000 | EA | Clamp - Screw Type - 4" |
| | 024490-01-000 | EA | Compartment - Power Cord - Plastic |
| | 073220-02-000 | EA | Gas Cap - Non-Locking |
| | 007063-01-000 | FT | Hose - Fuel - 1/4 I.D. x 1/2 O.D. |
| | 006113-01-000 | EA | Jack - Hydraulic - 6 Ton - w/Handle |
| | 080208-02-000 | EA | Leverage Bar - Lug Wrench |
| | 080208-01-000 | EA | Lug Wrench |
| | 044860-01-000 | EA | Mat - Stepwell - Driver - Black |
| | 044860-02-000 | EA | Mat - Stepwell - Passenger - Black |
| | 081075-01-000 | EA | Mat - Floor - Entrance - "Winnebago" |
| | 017516-01-000 | EA | Mud Flap w/Holes - 14" x 18" - Black |
| | 080359-02-000 | EA | Plate - Step Well (Ford) |
| | 080359-01-000 | EA | Plate - Step Well (Chevy) |
| | 077848-01-000 | EA | Step Asm - Pullout |
| | 080449-01-000 | EA | Step Asm. - Entrance w/Swing Arm |
| | 079942-05-000 | EA | Shock Absorber - Stabilizer - Front (Ford) |
| | 079942-06-000 | EA | Shock Absorber - Stabilizer - Rear (Ford) |
| | 079942-03-000 | EA | Shock Absorber - Stabilizer - Front (Chevy) |
| | 079942-04-000 | EA | Shock Absorber - Stabilizer - Rear (Chevy) |
| | 064089-01-000 | EA | Splash Guard - Black Rubber |
| | 057724-01-000 | EA | Wheelwell - Plastic |
| | 008343-01-000 | EA | Wire Tie - 6" |

NOTE: Remainder of exhaust components available from Chassis Service Center

1986 WINNEBAGO TABLE OF CONTENTS

| | |
|------------|-------------|
| WT319RB | A-01 - B-16 |
| WC/WF421RB | B-17 - D-18 |
| WC424RB | D-19 - F-20 |

1986 WC/WF421RB INDEX

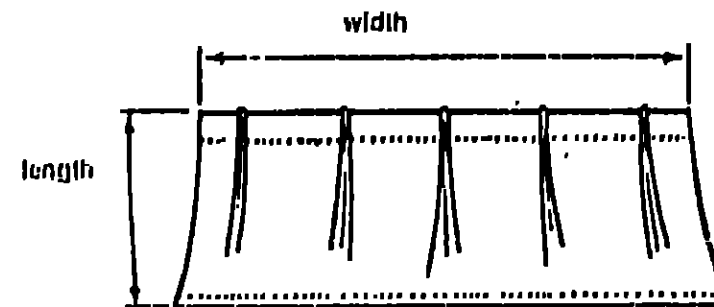
| | |
|-----------------------------------|-------------|
| Floor Plan | B-17 - B-18 |
| Accessories Group | B-19 - B-21 |
| Bath Group | B-22 |
| Chassis Group | B-23 - B-24 |
| Curtain, Cushion & Pad Group | C-01 - C-07 |
| Dinette Group | C-08 |
| Driver's Compartment Group | C-09 - C-11 |
| Electrical Group | C-12 - C-14 |
| Exterior Body Group | C-15 - C-21 |
| Galley Group | C-22 - C-23 |
| Heating & Air Conditioning Group | C-24 |
| Interior Finish Group | D-01 - D-03 |
| LP Group | D-04 |
| Lounge Group | D-05 |
| Water & Sewage Group | D-06 - D-07 |
| Window Vent & Exterior Door Group | D-08 - D-18 |

CURTAIN, CUSHION & PAD GROUP

NOTICE

In order to assist our Parts Sales Dept. in providing interior software items, please include the serial number and the color code number from the vehicle certification label when ordering. This label is located on the left sidewall at the end of the dash (A-Body), or on the driver's door latch plate (C-Body).

An example of a color code number is P31, which designates an overall color scheme of a particular unit. The color listed after the item description on the microfiche, indicates the overall unit color. Order the item you desire according to unit color code.



NOTE:

Use this illustration when determining length and width measurements for curtains. You will note the width measurement is taken on the top of the curtain with the curtain fully extended. The length measurement is taken from top to bottom.

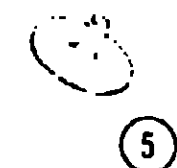
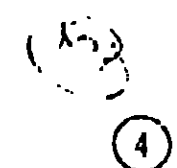
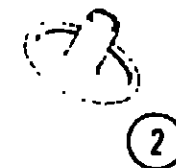
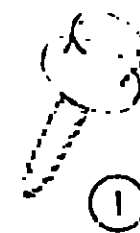
CURTAIN & CUSHION HARDWARE

| Key | Part Number | U/M | Description |
|-----|---------------|-----|-------------------------------------|
| | 075943-02-000 | EA | Brace - Valance |
| | 082228-03-000 | EA | Bracket - Curtain Rod - Right |
| | 082228-04-000 | EA | Bracket - Curtain Rod - Left |
| | 056003-02-000 | EA | Bracket - Drapery Retainer - Left |
| | 056003-01-000 | EA | Bracket - Drapery Retainer - Right |
| | 082677-01-000 | EA | Bracket - Shade - Universal |
| | 009107-01-000 | EA | Guide - Nylon Snap - Curtain |
| | 056784-02-000 | EA | Pull - Window Shade - Antique Brass |
| | 056115-01-000 | YD | Tape - Clear Plastic - w/Guides |
| | 048394-01-000 | YD | Tape Hook - 1" x 25 yd - Beige |
| | 029096-05-000 | YD | Tape Hook - 50" - Velcro - Beige |
| | 048395-01-000 | YD | Tape Loop - 1" x 25 YD - Beige |
| | 056116-01-000 | EA | Track - Curtain - Brown Plastic |
| | 079798-03-000 | EA | Bracket Asm. - Curtain Rod - Right |
| | 079798-04-000 | EA | Bracket Asm. - Curtain Rod - Left |
| | 082249-01-000 | EA | Bracket - Blinds - Beige - Right |
| | 082249-02-000 | EA | Bracket - Blinds - Beige - Left |
| | 082139-02-000 | EA | Bracket - Hold Down - Blinds |
| | 079619-01-000 | EA | Bracket - Tie Back |

CURTAIN, CUSHION & PAD GROUP (CONTINUED)

FABRICS, TRIMS & PADS

| Key | Part Number | U/M | Description |
|-----|---------------|-----|--|
| | 072333-25-000 | YD | Fabric - Drapery - Beige (U01) |
| | 072333-26-000 | YD | Fabric - Drapery - Rose (U02) |
| | 072333-27-000 | YD | Fabric - Drapery - Spruce (U03) |
| | 077498-02-000 | YD | Fabric w/Pattern - Upholstery - Beige (U01) |
| | 077498-03-000 | YD | Fabric w/Pattern - Upholstery - Rose (U02) |
| | 077498-04-000 | YD | Fabric w/Pattern - Upholstery - Spruce (U03) |
| | 077498-75-000 | YD | Fabric w/Pattern - Upholstery Accent - Rose (U02) |
| | 077498-74-000 | YD | Fabric w/Pattern - Upholstery Accent - Spruce (U03) |
| | 077498-73-000 | YD | Fabric - Upholstery Accent - Plain (U01, U03) |
| | 077498-72-000 | YD | Fabric - Upholstery Accent - Plain - (U02) |
| | 038421-01-000 | YD | Fabric - Mattress Ticking |
| | 052859-01-T03 | FT | Trim Asm. - Accent - Sandrift |
| | 052859-05-T03 | FT | Trim Asm. - Accent - Buckskin |
| | 079080-01-000 | YD | Vinyl - Expanded - 26 oz. - Buckskin |
| | 079080-02-000 | YD | Vinyl - Expanded - 26 oz. - Sandrift |
| | 070578-04-U01 | EA | Button Asm. - Screw Stud - #30 - Beige (U03) |
| | 070578-04-U02 | EA | Button Asm. - Screw Stud - #30 - Rose |
| | 070578-06-T03 | EA | Button Asm. - Screw Stud - #30 - Buckskin |
| | 071127-10-U01 | EA | Button Asm. - Round - #30 - Beige (U03) |
| | 071127-10-U02 | EA | Button Asm. - Round - #30 - Rose |
| | 078155-01-000 | EA | Strap Asm. - Cushion |
| | 079144-02-000 | EA | Strap Asm. - Bunk |
| | 081280-03-U01 | EA | Pad Asm. - End Cap - Dinette - Overhead - Vinyl |
| | 081280-06-U01 | EA | Pad Asm. - End Cap - Galley - Overhead - Vinyl |
| | 081280-10-U01 | EA | Pad Asm. - End Cap - Microwave Overhead - Vinyl |
| | 081280-08-U01 | EA | Pad Asm. - End Cap - Entrance Door - Vinyl |
| | 081519-01-U01 | EA | Pad Asm. - Dinette - Front - Beige (U03) |
| | 081519-01-U02 | EA | Pad Asm. - Dinette - Front - Rose |
| | 081519-02-U01 | EA | Pad Asm. - Dinette - Rear - Beige (U03) |
| | 081519-02-U02 | EA | Pad Asm. - Dinette - Rear - Rose |
| | 069885-12-U01 | EA | Cover w/Parcel - Motor - Beige (U03) (Ford) |
| | 069885-12-U02 | EA | Cover w/Parcel - Motor - Rose (Ford) |
| | 074891-01-U01 | EA | Cover w/Parcel - Motor - Beige (U03) (Chevy) |
| | 074891-01-U02 | EA | Cover w/Parcel - Motor - Rose (Chevy) |
| | 059491-01-U01 | EA | Pad Asm. - Door - Passenger - Beige (U03) (Chevy) |
| | 059491-01-U02 | EA | Pad Asm. - Door - Passenger - Rose (Chevy) |
| | 059492-01-U01 | EA | Pad Asm. - Door - Driver - Beige (U03) (Chevy) |
| | 059492-01-U02 | EA | Pad Asm. - Door - Driver - Rose (Chevy) |
| | 082552-03-U01 | EA | Pad Asm. - Door - Driver - Lower - Beige (U03) (Chevy) |
| | 082552-03-U02 | EA | Pad Asm. - Door - Driver - Lower - Rose (Chevy) |
| | 082552-02-U01 | EA | Pad Asm. - Door - Driver - Lower - Beige (U03) (Chevy) |
| | 082552-02-U02 | EA | Pad Asm. - Door - Driver - Lower - Rose (Chevy) |
| | M80881-01-U01 | EA | Panel Asm. - Couch Front (U03) |
| | M80881-01-U02 | EA | Panel Asm. - Couch Front |



| Key | Part Number | U/M | Description |
|-----|---------------|-----|------------------------------------|
| 1 | 029130-01-000 | EA | Socket - Snap Fastener |
| 2 | 029155-01-000 | EA | Cap - Snap - 156" Dia x 17" Barrel |
| 3 | 029156-01-000 | EA | Socket - Snap Fastener |
| 4 | 029092-01-000 | EA | Stud - Nickel Finish |
| 5 | 029093-01-000 | EA | Eyelet - Nickel Finish |

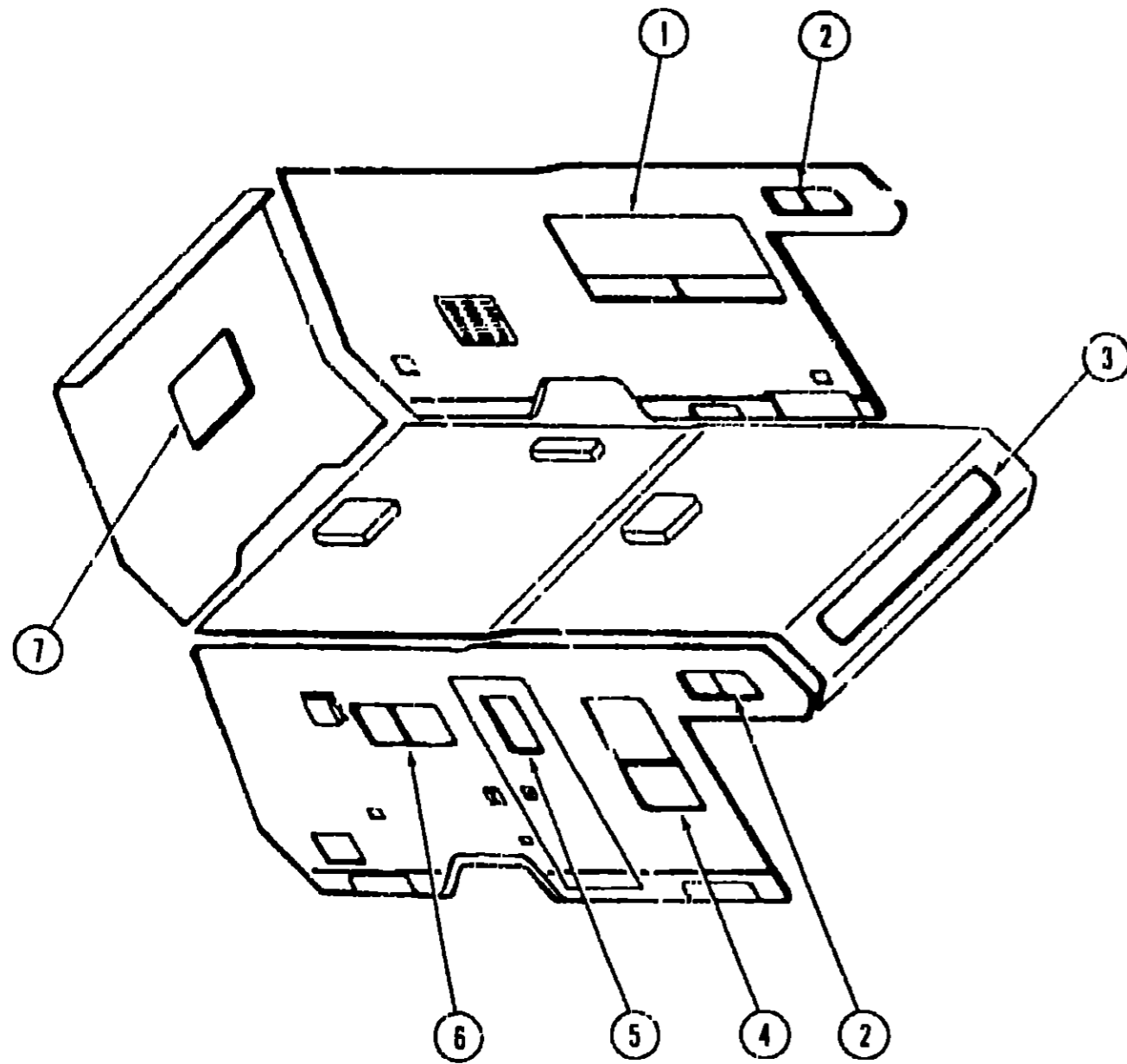
1986 WINNEBAGO TABLE OF CONTENTS

| | |
|------------|-------------|
| WT319RB | A-01 - B-16 |
| WC/WF421RB | B-17 - D-18 |
| WC424RB | D-19 - F-20 |

1986 WC/WF421RB INDEX

| | |
|------------------------------------|-------------|
| Floor Plan | B-17 - B-18 |
| Accessories Group | B-19 - B-21 |
| Bath Group | B-22 |
| Chassis Group | B-23 - B-24 |
| Curtain, Cushion & Pad Group | C-01 - C-07 |
| Dinette Group | C-08 |
| Driver's Compartment Group | C-09 - C-11 |
| Electrical Group | C-12 - C-14 |
| Exterior Body Group | C-15 - C-21 |
| Galley Group | C-22 - C-23 |
| Heating & Air Conditioning Group | C-24 |
| Interior Finish Group | D-01 - D-03 |
| LP Group | D-04 |
| Lounge Group | D-05 |
| Water & Sewage Group | D-06 - D-07 |
| Window, Vent & Exterior Door Group | D-08 - D-18 |

CURTAIN, CUSHION & PAD GROUP (CONTINUED)



CURTAINS, SHADES, VALANCES & TIEBACKS

| Key | Part Number | U/M | Description |
|-----|-------------------------------------|-----|---|
| 1 | 079542-10-U01 | EA | Curtain Asm w/Darts - 35" x 16" |
| 1 | 079542-10-U02 | EA | Curtain Asm w/Darts - 35" x 16" |
| 1 | 079542-10-U03 | EA | Curtain Asm w/Darts - 35" x 16" |
| 1 | M81977-15-U01 | EA | Valance Asm - Padded (U03) |
| 1 | M81977-15-U02 | EA | Valance Asm - Padded |
| 1 | 082118-61-000 | EA | Blind - 65" x 34" Drop (U01) |
| 1 | 082118-62-000 | EA | Blind - 65" x 34" Drop (U02) |
| 1 | 082118-63-000 | EA | Blind - 65" x 34" Drop (U03) |
| ** | 082127-49-000 | EA | Shade - Woven Wood - 65" x 35" Drop (U01) |
| ** | 082127-50-000 | EA | Shade - Woven Wood - 65" x 35" Drop (U02) |
| ** | 082127-51-000 | EA | Shade - Woven Wood - 65" x 35" Drop (U03) |
| ** | 079543-15-U04 | EA | Curtain w/Flat Top & Pleated Bottom - 35" x 12" Drop (U01, U03) |
| ** | 079543-15-U05 | EA | Curtain w/Flat Top & Pleated Bottom - 35" x 12" Drop (U02) |
| 2 | 079558-06-U01 | EA | Valance Asm w/Gathers - 8" x 75" |
| 2 | 079558-06-U02 | EA | Valance Asm w/Gathers - 8" x 75" |
| 2 | 079558-06-U03 | EA | Valance Asm w/Gathers - 8" x 75" |
| 2 | 082119-04-000 | EA | Shade - Vinyl - 33 25" x 30" Drop |
| ** | 079558-08-U01 | EA | Valance Asm w/Gathers - 8" x 60" (U03) |
| ** | 079558-08-U02 | EA | Valance Asm w/Gathers - 8" x 60" |
| ** | Parts used on the Woven Wood Option | | |

CURTAIN, CUSHION & PAD GROUP (CONTINUED)

CURTAINS, SHADES, VALANCES & TIEBACKS (CONT.)

| Key | Part Number | U/M | Description |
|-----|-------------------------------------|-----|---|
| 3 | 079558-09-U01 | EA | Valance Asm w/Gathers - 8" x 175" |
| 3 | 079558-09-U02 | EA | Valance Asm w/Gathers - 8" x 175" |
| 3 | 079558-09-U03 | EA | Valance Asm w/Gathers - 8" x 175" |
| 3 | 082119-10-000 | EA | Shade - Vinyl - 75 25" x 30" Drop |
| ** | 079558-10-U01 | EA | Valance Asm w/Gathers - 8" x 150" (U03) |
| ** | 079558-10-U02 | EA | Valance Asm w/Gathers - 8" x 150" |
| 4 | 0783251-32-U01 | EA | Curtain Asm w/Tape Top - 45" x 9" |
| 4 | 0783251-32-U02 | EA | Curtain Asm w/Tape Top - 45" x 9" |
| 4 | 0783251-32-U03 | EA | Curtain Asm w/Tape Top - 45" x 9" |
| 4 | 080824-01-U01 | EA | Valance Asm - Padded - Lounge/Entrance Door (U03) |
| 4 | 080824-01-U02 | EA | Valance Asm - Padded - Lounge/Entrance Door |
| 4 | 082118-37-000 | EA | Blind - 19" x 44" Drop (U01) |
| 4 | 082118-38-000 | EA | Blind - 19" x 44" Drop (U02) |
| 4 | 082118-39-000 | EA | Blind - 19" x 44" Drop (U03) |
| ** | 082126-07-000 | EA | Shade - Woven Wood - 19" x 46" Drop (U01) |
| ** | 082126-08-000 | EA | Shade - Woven Wood - 19" x 46" Drop (U02) |
| ** | 082126-09-000 | EA | Shade - Woven Wood - 19" x 46" Drop (U03) |
| ** | 073251-34-U01 | EA | Curtain Asm w/Tape Top - 45" x 9" (U03) |
| ** | 073251-34-U02 | EA | Curtain Asm w/Tape Top - 45" x 9" (U03) |
| 5 | 082119-02-000 | EA | Shade - Vinyl - 24 25" x 40" Drop |
| 6 | M81977-05-U01 | EA | Valance Asm - Padded (U03) |
| 6 | M81977-05-U02 | EA | Valance Asm - Padded |
| 6 | 082118-43-000 | EA | Blind - 27" x 22" Drop (U01) |
| 6 | 082118-44-000 | EA | Blind - 27" x 22" Drop (U02) |
| 6 | 082118-45-000 | EA | Blind - 27" x 22" Drop (U03) |
| 7 | 082176-01-U01 | EA | Valance Asm - Padded (U03) |
| 7 | 082176-01-U02 | EA | Valance Asm - Padded |
| 7 | 082118-52-000 | EA | Blind - 32" x 26" Drop (U01) |
| 7 | 082118-53-000 | EA | Blind - 32" x 26" Drop (U02) |
| 7 | 082118-54-000 | EA | Blind - 32" x 26" Drop (U03) |
| * | 073295-02-U01 | EA | Curtain w/Snaps - Front Wraparound - 23" x 64" (2 required) |
| * | 077591-03-U01 | EA | Curtain w/Velcro Top - Bunk Privacy - 70" x 50" - Passenger |
| * | 077591-04-U01 | EA | Curtain w/Velcro Top - Bunk Privacy - 70" x 50" - Driver |
| * | 073260-16-U04 | EA | Tie Back Asm - 3" x 20" - Accent (U01, U03) |
| * | 073260-16-U05 | EA | Tie Back Asm - 3" x 20" - Accent (U02) |
| * | 057534-01-000 | EA | Tie Back Asm - 6" - Clear Plastic |
| * | 057534-04-000 | EA | Tie Back Asm - 20" - Clear Plastic |
| * | Not illustrated | | |
| ** | Parts used on the Woven Wood Option | | |

FRONT OVERHEAD BUNK CUSHIONS

| Key | Part Number | U/M | Description |
|-----|---------------|-----|---|
| | 073310-05-U01 | EA | Cushion Asm - Front Bunk - Two Fold - 24 5" x 29 5" x 76" x 4" - Beige |
| | 073310-04-U02 | EA | Cushion Asm - Front Bunk - Two Fold - 24 5" x 29 5" x 76" x 4" - Rose |
| | 073310-04-U03 | EA | Cushion Asm - Front Bunk - Two Fold - 24 5" x 29 5" x 76" x 4" - Spruce |
| | M73310-05-U01 | EA | Cover Asm - Front Bunk Cushion - Two Fold - Beige |
| | M73310-04-U02 | EA | Cover Asm - Front Bunk Cushion - Two Fold - Rose |
| | M73310-04-U03 | EA | Cover Asm - Front Bunk Cushion - Two Fold - Spruce |

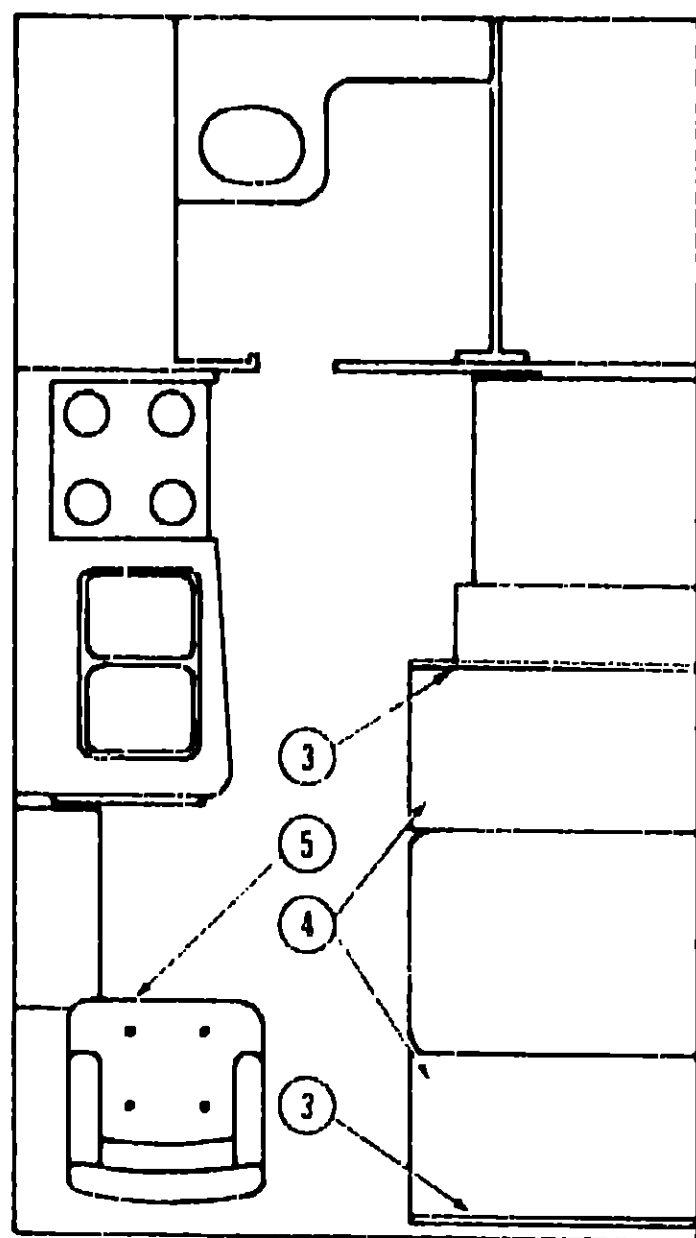
**1986 WINNEBAGO
TABLE OF CONTENTS**

| | |
|------------|-------------|
| WT319RB | A-01 - B-10 |
| WC/WF421RB | B-17 - D-18 |
| WC424RB | D-19 - F-20 |

1986 WC/WF421RB INDEX

| | |
|------------------------------------|-------------|
| Floor Plan | B-17 - B-18 |
| Accessories Group | B-19 - B-21 |
| Bath Group | B-22 |
| Chassis Group | B-23 - B-24 |
| Curtain, Cushion & Pad Group | C-01 - C-07 |
| Dinette Group | C-08 |
| Driver's Compartment Group | C-09 - C-11 |
| Electrical Group | C-12 - C-14 |
| Exterior Body Group | C-15 - C-21 |
| Galley Group | C-22 - C-23 |
| Heating & Air Conditioning Group | C-24 |
| Interior Finish Group | D-01 - D-03 |
| LP Group | D-04 |
| Lounge Group | D-05 |
| Water & Sewage Group | D-06 - D-07 |
| Window, Vent & Exterior Door Group | D-08 - D-18 |

CURTAIN, CUSHION & PAD GROUP (CONTINUED)



SPRUNG COUCH (OPTION)

| Key | Part Number | U/M | Description |
|-----|---------------|-----|--|
| 1 | 072431-13-U01 | EA | Cushion Asm - 3 Pillow - Seat - Beige |
| 1 | 072431-13-U02 | EA | Cushion Asm - 3 Pillow - Seat - Rose |
| 1 | 072431-13-U03 | EA | Cushion Asm - 3 Pillow - Seat - Spruce |
| | M72431-12-U01 | EA | Cover Asm - 3 Pillow - Seat - Beige |
| | M72431-12-U02 | EA | Cover Asm - 3 Pillow - Seat - Rose |
| | M72431-12-U03 | EA | Cover Asm - 3 Pillow - Seat - Spruce |
| 2 | 072432-13-U01 | EA | Cushion Asm - 3 Pillow - Back - Beige |
| 2 | 072432-13-U02 | EA | Cushion Asm - 3 Pillow - Back - Rose |
| 2 | 072432-13-U03 | EA | Cushion Asm - 3 Pillow - Back - Spruce |
| | M72432-12-U01 | EA | Cover Asm - 3 Pillow - Back - Beige |
| | M72432-12-U02 | EA | Cover Asm - 3 Pillow - Back - Rose |
| | M72432-12-U03 | EA | Cover Asm - 3 Pillow - Back - Spruce |

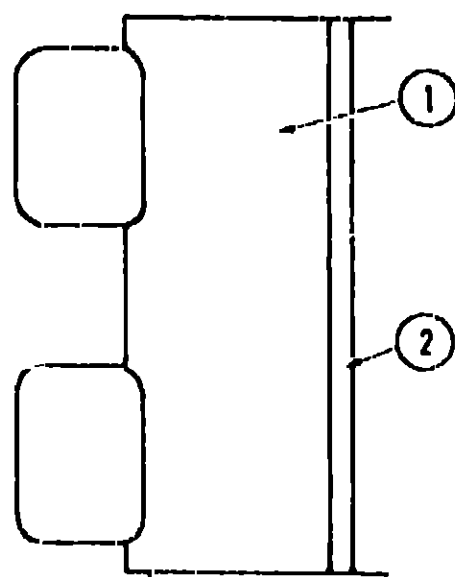
CURTAIN, CUSHION & PAD GROUP (CONTINUED)

DINETTE CUSHION

| Key | Part Number | U/M | Description |
|-----|---------------|-----|--|
| 3 | 081998-01-U01 | EA | Cushion Asm - Dinette Back - 19 25" x 38" x 5" - Beige |
| 3 | 081998-01-U02 | EA | Cushion Asm - Dinette Back - 19 25" x 38" x 5" - Rose |
| 3 | 081998-01-U03 | EA | Cushion Asm - Dinette Back - 19 25" x 38" x 5" - Spruce |
| | M81998-01-U01 | EA | Cover Asm - Dinette Back Curtain - 19 25" x 38" x 5" - Beige |
| | M81998-01-U02 | EA | Cover Asm - Dinette Back Curtain - 19 25" x 38" x 5" - Rose |
| | M81998-01-U03 | EA | Cover Asm - Dinette Back Curtain - 19 25" x 38" x 5" - Spruce |
| 4 | 081998-02-U01 | EA | Cushion Asm - Dinette Bottom - 17 5" x 38" x 5" - Beige |
| 4 | 081998-02-U02 | EA | Cushion Asm - Dinette Bottom - 17 5" x 38" x 5" - Rose |
| 4 | 081998-02-U03 | EA | Cushion Asm - Dinette Bottom - 17 5" x 38" x 5" - Spruce |
| | M81998-02-U01 | EA | Cover Asm - Dinette Bottom Cushion - 17 5" x 38" x 5" - Beige |
| | M81998-02-U02 | EA | Cover Asm - Dinette Bottom Cushion - 17 5" x 38" x 5" - Rose |
| | M81998-02-U03 | EA | Cover Asm - Dinette Bottom Cushion - 17 5" x 38" x 5" - Spruce |

SWIVEL CHAIR

| Key | Part Number | U/M | Description |
|-----|---------------|-----|---|
| 5 | 073518-16-U01 | EA | Chair Asm w/Pillow Back - Swivel - Beige |
| 5 | 073518-15-U02 | EA | Chair Asm w/Pillow Back - Swivel - Rose |
| 5 | 073518-15-U03 | EA | Chair Asm w/Pillow Back - Swivel - Spruce |
| | M75174-02-U01 | EA | Skirt Asm - Swivel Chair - Beige (U03) |
| | M75174-02-U02 | EA | Skirt Asm - Swivel Chair - Rose |
| | 035036-01-000 | EA | Plate - Tilt & Swivel - Swivel Chair |
| | 035036-04-000 | EA | Base w/Legs - Swivel Chair |
| | 035036-05-000 | EA | Extension - 7" - Swivel Chair |



**1986 WINNEBAGO
TABLE OF CONTENTS**

| | |
|------------|-------------|
| WT319RB | A-01 - B-16 |
| WC/WF421RB | B-17 - D-18 |
| WC424RB | D-19 - F-20 |

1986 WC/WF421RB INDEX

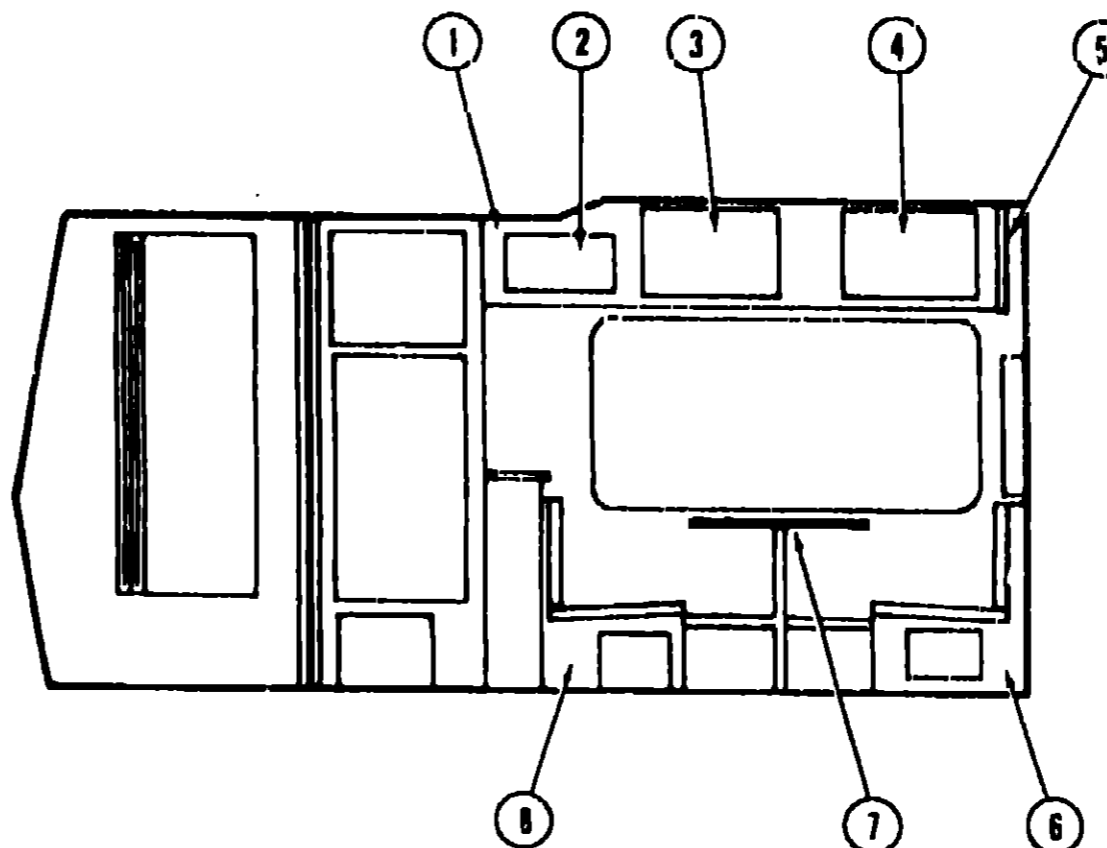
| | |
|------------------------------------|-------------|
| Floor Plan | B-17 - B-18 |
| Accessories Group | B-19 - B-21 |
| Bath Group | B-22 |
| Chassis Group | B-23 - B-24 |
| Curtain, Cushion & Pad Group | C-01 - C-07 |
| Dinette Group | C-08 |
| Driver's Compartment Group | C-09 - C-11 |
| Electrical Group | C-12 - C-14 |
| Exterior Body Group | C-15 - C-21 |
| Galley Group | C-22 - C-23 |
| Heating & Air Conditioning Group | C-24 |
| Interior Finish Group | D-01 - D-03 |
| LP Group | D-04 |
| Lounge Group | D-05 |
| Water & Sewage Group | D-06 - D-07 |
| Window, Vent & Exterior Door Group | D-08 - D-18 |

CURTAIN, CUSHION & PAD GROUP (CONTINUED)

BUCKET SEATS

| Key | Part Number | U/M | Description |
|-----|---------------|-----|--|
| | 079300-01-U01 | EA | Seat Asm - Vinyl - Beige (U01) |
| | 079300-02-U01 | EA | Seat Asm - Vinyl - Rose (U02) |
| | 079300-02-U03 | EA | Seat Asm - Vinyl - Spruce (U03) |
| | M01862-01-U01 | EA | Cover Asm - Seat Bottom - Vinyl - Beige (U01) |
| | M01862-03-U01 | EA | Cover Asm - Seat Bottom - Vinyl - Rose (U02) |
| | M01862-03-U03 | EA | Cover Asm - Seat Bottom - Vinyl - Spruce (U03) |
| | M01862-02-U01 | EA | Cover Asm - Seat Back - Vinyl - Beige (U01) |
| | M01862-04-U01 | EA | Cover Asm - Seat Back - Vinyl - Rose (U02) |
| | M01862-04-U03 | EA | Cover Asm - Seat Back - Vinyl - Spruce (U03) |
| | 078804-10-U01 | EA | Seat Asm - Granduer w/Right Armrest - Beige (U01) |
| | 078804-12-U02 | EA | Seat Asm - Granduer w/Right Armrest - Rose (U02) |
| | 078804-12-U03 | EA | Seat Asm - Granduer w/Right Armrest - Spruce (U03) |
| | M01863-07-U01 | EA | Cover Asm - Bucket Seat Bottom - Beige (U01) |
| | M01863-03-U01 | EA | Cover Asm - Bucket Seat Bottom - Rose (U02) |
| | M01863-03-U03 | EA | Cover Asm - Bucket Seat Bottom - Spruce (U03) |
| | M01863-08-U01 | EA | Cover Asm - Bucket Seat Back - Beige (U01) |
| | M01863-04-U01 | EA | Cover Asm - Bucket Seat Back - Rose (U02) |
| | M01863-04-U03 | EA | Cover Asm - Bucket Seat Back - Spruce (U03) |
| | 080243-07-U01 | EA | Armrest Asm - Left - Beige (U01) |
| | 080243-09-U01 | EA | Armrest Asm - Left - Rose (U02) |
| | 080243-09-U03 | EA | Armrest Asm - Left - Spruce (U03) |
| | M80243-01-U01 | EA | Cover Asm - Armrest - Left - Beige (U01) |
| | M80243-03-U01 | EA | Cover Asm - Armrest - Left - Rose (U02) |
| | M80243-03-U03 | EA | Cover Asm - Armrest - Left - Spruce (U03) |
| | 078804-09-U01 | EA | Seat Asm - Granduer w/Left Armrest - Beige (U01) |
| | 078804-11-U02 | EA | Seat Asm - Granduer w/Left Armrest - Rose (U02) |
| | 078804-11-U03 | EA | Seat Asm - Granduer w/Left Armrest - Spruce (U03) |
| | M01863-05-U01 | EA | Cover Asm - Bucket Seat Bottom - Beige (U01) |
| | M01863-03-U01 | EA | Cover Asm - Bucket Seat Bottom - Rose (U02) |
| | M01863-03-U03 | EA | Cover Asm - Bucket Seat Bottom - Spruce (U03) |
| | M01863-06-U01 | EA | Cover Asm - Bucket Seat Back - Beige (U01) |
| | M01863-04-U01 | EA | Cover Asm - Bucket Seat Back - Rose (U02) |
| | M01863-04-U03 | EA | Cover Asm - Bucket Seat Back - Spruce (U03) |
| | 080243-08-U01 | EA | Armrest Asm - Right - Beige (U01) |
| | 080243-10-U01 | EA | Armrest Asm - Right - Rose (U02) |
| | 080243-10-U03 | EA | Armrest Asm - Right - Spruce (U03) |
| | M80243-02-U04 | EA | Cover Asm - Armrest - Right - Beige (U01) |
| | M80243-04-U01 | EA | Cover Asm - Armrest - Right - Rose (U02) |
| | M80243-04-U03 | EA | Cover Asm - Armrest - Right - Spruce (U03) |
| | 080242-02-U04 | EA | Headrest Asm - Beige (U01) |
| | 080242-02-U05 | EA | Headrest Asm - Rose (U02) |
| | 080242-02-U06 | EA | Headrest Asm - Spruce (U03) |
| | M80242-02-U04 | EA | Cover Asm - Headrest - Beige (U01) |
| | M80242-02-U05 | EA | Cover Asm - Headrest - Rose (U02) |
| | M80242-02-U06 | EA | Cover Asm - Headrest - Spruce (U03) |

DINETTE GROUP



| Key | Part Number | U/M | Description |
|-----|---------------|-----|--|
| 1 | M83131-01-U01 | EA | Cabinet Asm - Dinette Overhead - w/o Doors or Hardware |
| 2 | M81523-09-U01 | EA | Door Asm - Dinette Overhead - 11 25" x 20.55" - w/o Hardware |
| 3 | M81523-01-U01 | EA | Door Asm - Dinette Overhead - 18.2" x 23.9" - w/o Hardware |
| 4 | M81523-02-U01 | EA | Door Asm - Dinette Overhead - 15 3" x 27 2" - w/o Hardware |
| 5 | 081280-03-U01 | EA | Pad Asm - End Cap - Dinette Overhead - Vinyl |
| 6 | M02175-02-U01 | EA | Cabinet Asm - Dinette Seat - w/o Door or Hardware |
| * | M81501-10-U01 | EA | Door Asm - Dinette Seat - 19 1" x 10 1" - w/o Hardware |
| * | M02174-01-U01 | EA | Cabinet Asm - Dinette Back |
| 7 | M02115-09-U01 | EA | Table Asm - Dinette - w/o Hardware |
| 8 | M02550-01-U01 | EA | Cabinet Asm - Dinette Seat - w/o Door or Hardware |
| * | M92549-01-U01 | EA | Cabinet Asm - Dinette Back |
| * | 053200-01-000 | EA | Bracket - Upper Wall Mount - 23 5" |
| ** | 053201-03-000 | EA | Bracket - Table Mount - 23" |
| * | 024275-08-000 | EA | Rod - Table Lift - 8" x 23 5" - Brown |
| * | 024281-03-000 | EA | Bracket - Lower Wall Mount - Brown |
| * | 024276-14-000 | EA | Leg Asm - Table - 26 75" - Brown |
| ** | 064050-01-000 | EA | Hinge - Table Leg |
| ** | 024282-01-000 | EA | Brace - Table Leg |
| ** | 024283-01-000 | EA | Clip - 1" O.D Tube |
| * | 049493-02-000 | EA | Catch - Table Leg - Mounts on Floor - Brown |
| * | 064781-03-000 | EA | Cup Holder - 3 47" O.D x 2 75" I.D. x 1 5" - Brown |
| * | | | Not illustrated |

** The illustrated parts breakdown for this item is provided on the Common Items Fiche

SPRUNG COUCH (OPTION)

| Key | Part Number | U/M | Description |
|-----|---------------|-----|-------------------------------------|
| | 081298-01-U04 | EA | Table Asm - Pedestal |
| | 009040-03-000 | EA | Base - Table - Raised |
| | 009040-04-000 | EA | Leg - Pedestal Table - 27 5 - Brown |
| | 062046-01-000 | EA | Clip - Pedestal - Table Leg |
| | 041194-01-000 | EA | Base - Flush Mount - Table |

**1986 WINNEBAGO
TABLE OF CONTENTS**

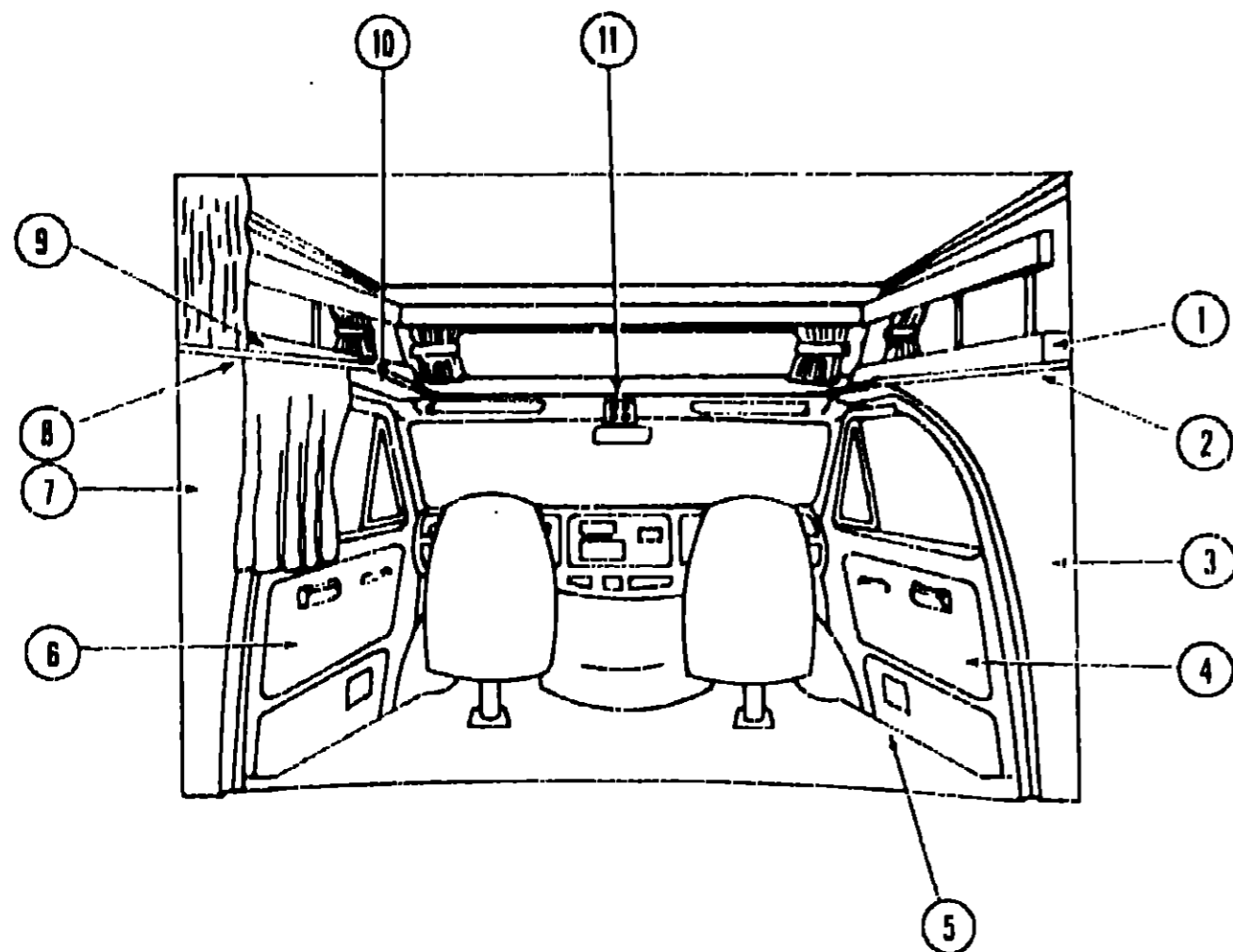
WT319RU
WC/WF421RB
WC424RB

A-01 - B-16
B-17 - D-18
D-19 - F-20

1986 WC/WF421RB INDEX

| | |
|------------------------------------|-------------|
| Floor Plan | B-17 - B-18 |
| Accessories Group | B-19 - B-21 |
| Bath Group | B-22 |
| Chassis Group | B-23 - B-24 |
| Curtain Cushion & Pad Group | C-01 - C-07 |
| Dinette Group | C-08 |
| Driver's Compartment Group | C-09 - C-11 |
| Electrical Group | C-12 - C-14 |
| Exterior Body Group | C-15 - C-21 |
| Galley Group | C-22 - C-23 |
| Heating & Air Conditioning Group | C-24 |
| Interior Finish Group | D-01 - D-03 |
| LP Group | D-04 |
| Lounge Group | D-05 |
| Water & Sewage Group | D-06 - D-07 |
| Window, Vent & Exterior Door Group | D-08 - D-18 |

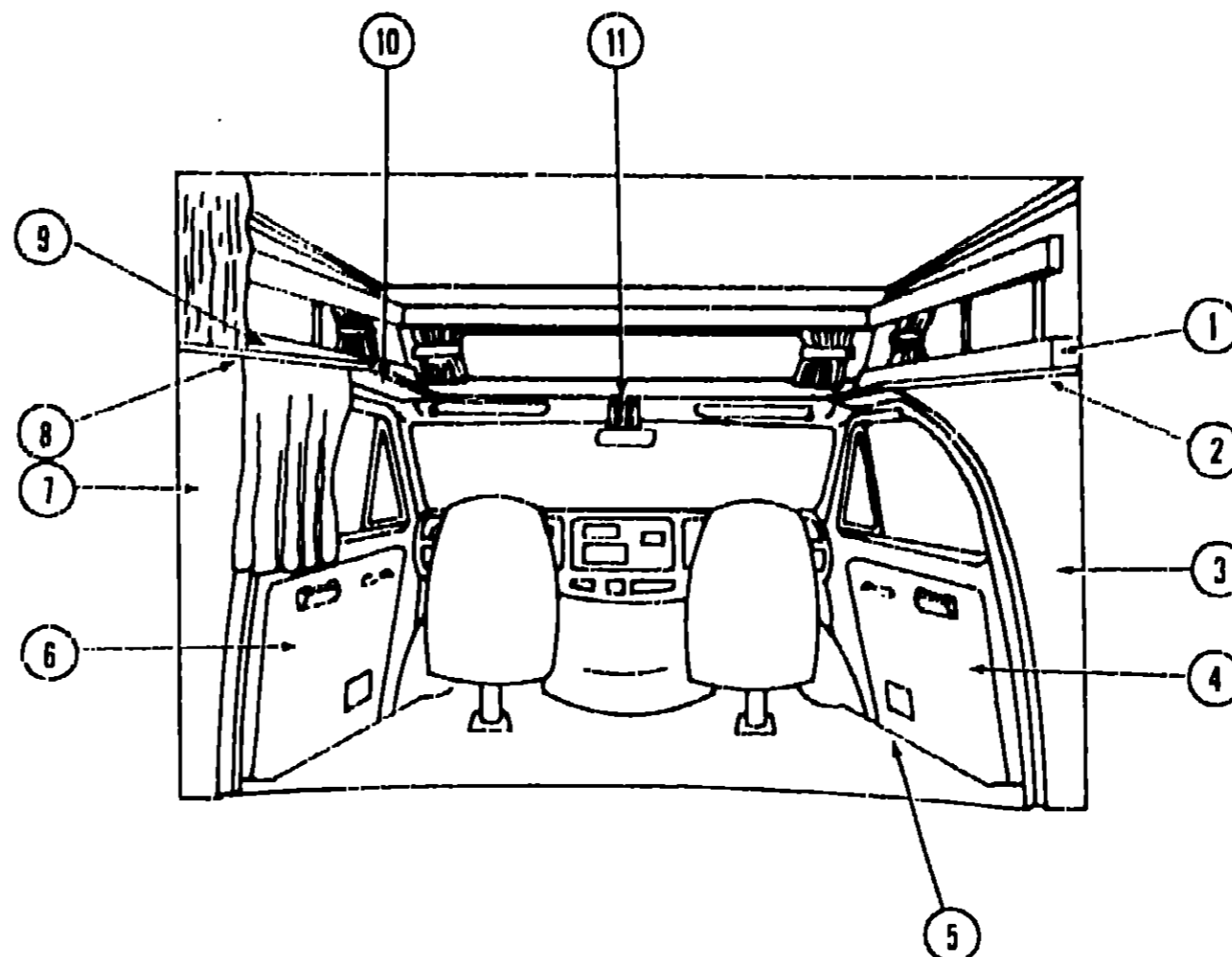
DRIVER'S COMPARTMENT GROUP



MICELLANEOUS DRIVER'S COMPARTMENT COMPONENTS (CHEVY)

| Key | Part Number | U/M | Description |
|-----|---------------|-----|--|
| 1 | 082068-01-U01 | EA | Cabinet Asm - Headboard - Passenger |
| 2 | M81652-01-U01 | EA | Panel Asm. - Sleeper Board - w/o Vinyl |
| | 079800-01-U01 | EA | Trim - Front - Sleeper Board |
| 3 | M82554-01-U01 | EA | Panel Asm. - Wingwall Transition - Inner Passenger |
| 4 | 059491-01-U01 | EA | Side Panel - Cab Door - Passenger (U03) |
| 4 | 059491-01-U02 | EA | Side Panel - Cab Door - Passenger |
| 5 | 044860-02-000 | EA | Door Step Mat - Passenger - Black Rubber |
| 5 | 044860-01-000 | EA | Door Step Mat - Driver - Black Rubber |
| | 074891-01-U01 | EA | Motor Cover - Padded (U03) |
| | 074891-01-U02 | EA | Motor Cover - Padded |
| 6 | 059492-01-U01 | EA | Side Panel - Cab Door - Passenger (U03) |
| 6 | 059492-01-U02 | EA | Side Panel - Cab Door - Passenger |
| 7 | M82554-03-U01 | EA | Panel Asm - Wingwall Transition - Inner - Driver |
| 8 | 082069-01-U01 | EA | Accent Trim - Dark Sandrift Vinyl |
| 9 | 082068-02-U01 | EA | Cabinet Asm - Headboard - Driver |
| 10 | 084591-01-U01 | EA | Headliner Asm. - Overhead Bunk - Vinyl |
| 11 | M01298-03-000 | EA | Console - Overhead - 7 5" x 6 14" - Beige |
| | 083218-01-000 | EA | Floor Mat - Front - Passenger - Winnebago (Chevy) |
| | 083218-02-000 | EA | Floor Mat - Front - Driver - Winnebago (Chevy) |
| | 068937-04-000 | EA | Dome Light - Surface - No Switch |
| | 068937-01-700 | EA | Lenes - Dome Light |
| | 024461-01-000 | EA | Switch - Battery |
| | 024462-01-000 | EA | Switch - Battery Condition |
| | 024976-01-000 | EA | Switch - Generator w/o Circuit Board |
| | 031035-02-000 | EA | Gauge - Generator Hourmeter |
| | 024459-04-000 | EA | Gauge - Voltmeter |
| | 024459-02-000 | EA | Bracket - Mounting - Voltmeter Gauge |
| | | | Not illustrated |

DRIVER'S COMPARTMENT GROUP (CONTINUED)



MISCELLANEOUS DRIVER'S COMPARTMENT COMPONENTS (FORD)

| Key | Part Number | U/M | Description |
|-----|---------------|-----|--|
| 1 | 082068-03-U01 | EA | Cabinet Asm. - Headboard - Passenger |
| 2 | M81652-01-U01 | EA | Panel Asm. - Sleeper Board - w/o Vinyl |
| | 079800-01-U01 | EA | Trim - Front Sleeper Board |
| 3 | M82066-01-U01 | EA | Panel Asm. - Wingwall Transition - Inner Passenger |
| **4 | NOTE | EA | Side Panel - Cab Door - Passenger |
| 5 | 083206-01-000 | EA | Door Step Mat - Passenger - Black Rubber |
| | 083206-02-000 | EA | Door Step Mat - Driver - Black Rubber |
| | 069885-12-U01 | EA | Motor Cover - w/Pocket - Padded (U03) |
| | 069885-12-U02 | EA | Motor Cover - w/Pocket - Padded |
| **6 | NOTE | EA | Panel Asm. - Cab Door - Driver - Beige (U03) |
| 7 | M82066-02-U01 | EA | Panel Asm. - Wingwall Transition - Inner Driver |
| 8 | 082069-01-U01 | EA | Accent Trim - Dark Sandrift Vinyl |
| 9 | 082068-04-U01 | EA | Cabinet Asm - Headboard - Driver |
| 10 | 093431-01-U01 | EA | Headliner Asm. - Overhead Bunk - Vinyl |
| 11 | M01298-01-000 | EA | Console - Overhead - 7.5" x 6.14" - Black |
| | 083219-01-000 | EA | Floor Mat - Front - Passenger - Winnebago (Ford) |
| | 083219-02-000 | EA | Floor Mat - Front - Driver - Winnebago (Ford) |
| | 024461-01-000 | EA | Switch - Battery |
| | 024462-01-000 | EA | Switch - Battery Condition |
| | 024976-01-000 | EA | Switch - Generator w/o Circuit Board |
| | 031035-01-000 | EA | Gauge - Generator Hourmeter |
| | 024459-03-000 | EA | Gauge - Voltmeter |
| | 024459-02-000 | EA | Bracket - Mounting - Voltmeter Gauge |
| | 068937-04-000 | EA | Dome Light - Surface - No Switch |
| | 068937-01-700 | EA | Lenes - Dome Light |
| | | | Not illustrated |
| ** | | | This part is supplied by your Ford Dealer |

**1986 WINNEBAGO
TABLE OF CONTENTS**

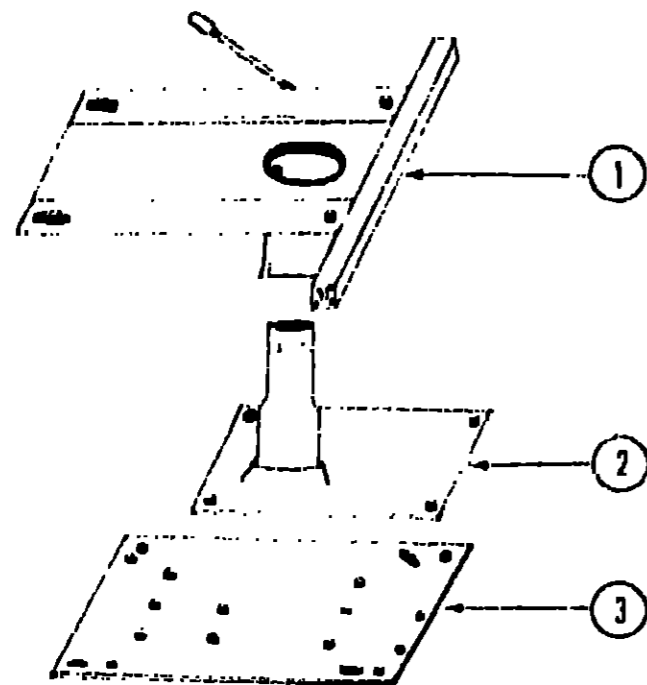
WT319RB
WC/WF421RB
WC421RB

A-01 - B-16
B-17 - D-18
D-19 - F-20

1986 WC/WF421RB INDEX

| | |
|------------------------------------|-------------|
| Floor Plan | B-17 - B-18 |
| Accessories Group | B-19 - B-21 |
| Bath Group | B-22 |
| Chassis Group | B-23 - B-24 |
| Curtain, Cushion & Pad Group | C-01 - C-07 |
| Dinette Group | C-08 |
| Driver's Compartment Group | C-09 - C-11 |
| Electrical Group | C-12 - C-14 |
| Exterior Body Group | C-15 - C-21 |
| Galley Group | C-22 - C-23 |
| Heating & Air Conditioning Group | C-24 |
| Interior Finish Group | D-01 - D-03 |
| LP Group | D-04 |
| Lounge Group | D-05 |
| Water & Sewage Group | D-06 - D-07 |
| Window, Vent & Exterior Door Group | D-08 - D-18 |

DRIVER'S COMPARTMENT GROUP (CONTINUED)



BUCKET SEAT PEDESTAL & SEAT BELTS

| Key | Part Number | U/M | Description |
|-----|---------------|-----|---|
| 1 | 069585-27-000 | EA | Plate - Top - Pedestal Asm - Bucket Seat |
| 1 | 069585-19-000 | EA | Plate - Top - Pedestal Asm - Power Seat |
| 2 | 069585-03-000 | EA | Plate - Sub - Pedestal Asm - Bucket Seat |
| 2 | 069585-18-000 | EA | Plate - Sub - Pedestal Asm - Power Seat |
| 3 | 069585-02-000 | EA | Plate - Base - Pedestal Asm - Bucket Seat |
| . | 081373-02-000 | EA | Seat - Power |
| . | 056271-02-000 | EA | Belt Asm - Seat - 2" x 72" - Black |
| . | 007021-01-000 | EA | Belt Asm - Seat - 2" x 90" - Black |
| . | 057759-01-000 | EA | Bracket - Seat Belt Washer |
| . | 069246-01-000 | EA | Adjuster Asm - Seat - w/Lock |
| . | 069246-02-000 | EA | Adjuster Asm - Seat - w/o Lock |
| . | 080730-02-000 | EA | Recliner Drive - Driver |
| . | 080730-01-000 | EA | Recliner Drive - Passenger |
| . | 069585-29-000 | EA | Bar - Seat Belt - 20" |
| . | | | Not illustrated |

ELECTRICAL GROUP

EXTERIOR LIGHTS

| Key | Part Number | U/M | Description |
|-----|---------------|-----|--|
| | 058032-01-000 | EA | Tail Lamp Arm - 2 Bulb - Chrome - Driver/Passenger |
| | 059030-01-000 | EA | Bracket - Tail Lamp |
| | 059510-01-000 | EA | Bracket - License Plate |
| | 002742-04-000 | EA | Wedge - Tail Lamp w/License Plate - Left - Off White |
| | 062740-04-000 | EA | Wedge - Tail Lamp - Right - Off White |
| | 042405-03-000 | EA | Halo - Rectangular Clearance Light |
| | 042405-01-000 | EA | Lens - Clearance Light - Flad w/Reflex |
| | 042405-04-000 | EA | Lens - Clearance Light - Flad w/o Reflex |
| | 042405-02-000 | EA | Lens - Clearance Light - Amber w/Reflex |
| | 042405-05-000 | EA | Lens - Clearance Light - Amber w/o Reflex |
| | 048817-01-000 | EA | Assist Handle Arm. w/Light |

INTERIOR LIGHT

| Key | Part Number | U/M | Description |
|-----|---------------|-----|---|
| | 065202-03-000 | EA | Lamp - Decor - Wall - Brass - 2 Bulb |
| | 033508-02-000 | EA | Light - Dome - Ivory - 1 Bulb - US |
| | 033508-03-000 | EA | Light - Dome - Ivory - 1 Bulb - CSA |
| | 033509-02-000 | EA | Light - Dome - Ivory - 2 Bulb - US |
| | 033509-03-000 | EA | Light - Dome - Ivory - 2 Bulb - CSA |
| | 078424-02-000 | EA | Light - Fluorescent - 12V |
| | 086280-01-000 | EA | Light - Surface Mount - 12V |
| | 061424-01-000 | EA | Light - 12V Receptacle - Aisle - IP |
| | 007309-01-000 | EA | Light - Stop Well |
| | 072353-02-000 | EA | Light - Reading - Double - 360° Swivel - Silver |
| | 072353-07-000 | EA | Light - Reading - Single - 360° Swivel - Tan |
| | 068937-04-000 | EA | Light - Dome - Surface - No Switch |

MISCELLANEOUS ELECTRICAL COMPONENTS

| Key | Part Number | U/M | Description |
|-----|---------------|-----|-----------------------------------|
| | 047338-03-000 | EA | Isolator - Dual Battery - 70 Amp. |
| | 008188-01-000 | EA | Solenoid - Dual Battery - Relay |
| | 083208-01-000 | EA | Converter - 120 Amp w/Charger |
| | 083208-01-000 | EA | Control Center - 32A - 120V/12V |

**1988 WINNEBAGO
TABLE OF CONTENTS**

| | |
|------------|-------------|
| WT319RB | A-01 - B-16 |
| WC/WF421RB | B-17 - D-18 |
| WC424RB | D-19 - F-20 |

1986 WC/WF421RB INDEX

| | |
|------------------------------------|-------------|
| Floor Plan | B-17 - B-18 |
| Accessories Group | B-19 - B-21 |
| Bath Group | B-22 |
| Chassis Group | B-23 - B-24 |
| Curtain, Cushion & Pad Group | C-01 - C-07 |
| Dinette Group | C-08 |
| Driver's Compartment Group | C-09 - C-11 |
| Electrical Group | C-12 - C-14 |
| Exterior Body Group | C-15 - C-21 |
| Galley Group | C-22 - C-23 |
| Heating & Air Conditioning Group | C-24 |
| Interior Finish Group | D-01 - D-03 |
| LP Group | D-04 |
| Lounge Group | D-05 |
| Water & Sewage Group | D-06 - D-07 |
| Window, Vent & Exterior Door Group | D-08 - D-18 |

ELECTRICAL GROUP (CONTINUED)

BULBS

| Key | Part Number | U/M | Description |
|-----|---------------|-----|------------------|
| | 008220-01-000 | EA | Bulb - 12V - 25W |
| | 008103-01-000 | EA | Bulb - 53 |
| | 008213-01-000 | EA | Bulb - 57 |
| | 008214-01-000 | EA | Bulb - 67 |
| | 038196-01-000 | EA | Bulb - 104 |
| | 008215-01-000 | EA | Bulb - 1003 |
| | 007470-01-000 | EA | Bulb - 1076 |
| | 063914-01-000 | EA | Bulb - 1139 |
| | 008218-01-000 | EA | Bulb - 1141 |
| | 037035-01-000 | EA | Bulb - 1157 |
| | 056288-02-000 | EA | Bulb - 0431000 |

FUSES & CIRCUIT BREAKERS

| Key | Part Number | U/M | Description |
|-----|---------------|-----|---|
| | 008234-01-000 | EA | Fuse - 10 Amp. - 12 Volt |
| | 008235-01-000 | EA | Fuse - 15 Amp. - 12 Volt |
| | 062901-02-000 | EA | Fuse - 5 Amp. - Automotive |
| | 062901-05-000 | EA | Fuse - 15 Amp. - Automotive |
| | 008211-01-000 | EA | Circuit Breaker - 6 Amp. - 12 Volt |
| | 008208-01-000 | EA | Circuit Breaker - 10 Amp. - 12 Volt |
| | 033573-02-000 | EA | Circuit Breaker - 15 Amp. - 12 Volt - w/Mount |
| | 033573-01-000 | EA | Circuit Breaker - 20 Amp. - 12 Volt - w/Mount |
| | 044466-03-000 | EA | Circuit Breaker - 25 Amp. - 12 Volt - w/Mount |
| | 008268-01-000 | EA | Circuit Breaker - 30 Amp. - 12 Volt - w/Mount |
| | 083209-01-000 | EA | Circuit Breaker - 15 Amp. - 120 Volt |
| | 083210-02-000 | EA | Circuit Breaker - 15 Amp. - 120 Volt (Ground Fault Interrupter) |
| | 075735-02-000 | EA | Circuit Breaker - 15 Amp. - 120 Volt (Ground Fault Interrupter) |
| | 071279-05-000 | EA | Circuit Breaker - 20 Amp. - 120 Volt |
| | 071279-04-000 | EA | Circuit Breaker - 30 Amp. - 120 Volt |
| | 071279-03-000 | EA | Circuit Breaker - 15/20 Amp. - 120 Volt |
| | 083209-03-000 | EA | Circuit Breaker - 15/20 Amp. - 120 Volt |
| | 071279-01-000 | EA | Circuit Breaker - 15/30 Amp. - 120 Volt |
| | 083209-05-000 | EA | Circuit Breaker - 20 Amp. - 120 Volt |
| | 083209-04-000 | EA | Circuit Breaker - 30 Amp. - 120 Volt |
| | 083209-06-000 | EA | Circuit Breaker - 30/15 Amp. - 120 Volt |
| | 071279-06-000 | EA | Circuit Breaker - 30/15 Amp. - 120 Volt |
| | 071280-01-000 | EA | Circuit Breaker Blank |
| | 050283-02-000 | EA | Circuit Breaker - Buss Bar |

ELECTRICAL GROUP (CONTINUED)

WIRE, SWITCHES & RECEPTACLES

| Key | Part Number | U/M | Description |
|-----|---------------|-----|---|
| | 008058-01-000 | EA | Adaptor - Power Cord |
| | 008288-01-000 | EA | Box - Electrical - 3" x 3 1/2" - Plastic |
| | 008289-01-000 | EA | Box - Electrical - 4" x 4" - 1/2 & 3/4 Stud - UL |
| | 008280-02-000 | EA | Box - Electrical - 4" x 4" - 1/2 & 3/4 Stud - CSA |
| | 058049-01-000 | EA | Box - Electrical - 2" x 3" x 2 25" - Steel |
| | 041053-01-000 | EA | Conduit - Convolute Silt - .5" I.D. |
| | 008353-01-000 | EA | Connector - Clamping - 3/8 Cable - UL & CSA |
| | 058028-01-000 | EA | Connector - Pigtail - Clear Nylon |
| | 008314-01-000 | EA | Connector - Wire Nut - Gray |
| | 008311-01-000 | EA | Connector - Wire Nut - Red |
| | 031008-01-000 | EA | Contact Plug - Brass - Tin Plated |
| | 031067-01-000 | EA | Contact - Receptacle |
| | 008054-01-000 | EA | Cord - Power - 10-3 30 Amp. - 25' - UL |
| | 008052-01-000 | EA | Cord - Power - 10-3 30 Amp. - 25' - CSA |
| | 008238-01-000 | EA | Cover - Electrical Box - 4" x 4" |
| | 058048-01-000 | EA | Cover - Electrical Box - 4.5" x 2 75" - Rain Tight (Exterior) |
| | 024571-03-000 | EA | Cover Plate - Receptacle - Jumbo - Brown Plastic |
| | 024571-04-000 | EA | Cover Plate - Receptacle - Jumbo - Ivory Plastic |
| | 008104-01-000 | EA | Cover Plate - Switch - Brown |
| | 008294-01-000 | EA | Cover - Flat Blank - 4" x 4" - Steel - US |
| | 008294-02-000 | EA | Cover - Flat Blank - 4" x 4" - Steel - CSA |
| | 008250-01-000 | EA | Fuse Holder - In Line - 10 Amp |
| | 008250-02-000 | EA | Fuse Holder - In Line - 15 Amp. |
| | 008277-01-000 | EA | Fuse Holder - Panel Mount - Black |
| | 004399-01-000 | EA | Housing Asm - Trailer Pin |
| | 064450-01-000 | EA | Housing Asm - Trailer Plug |
| | 064398-01-000 | EA | Housing Asm - Trailer Receptacle |
| | 054532-01-000 | EA | Housing Pin - 6 Position |
| | 046885-01-000 | EA | Pinque - Mounting Switch |
| | 075736-02-000 | EA | Receptacle/Cover Asm - Off White (Exterior) |
| | 058708-01-000 | EA | Receptacle - Duplex - Brown |
| | 008157-01-000 | EA | Receptacle - Duplex - Brown (Exterior Backwall) |
| | 058708-02-000 | EA | Receptacle - Duplex - Ivory |
| | 053126-01-000 | EA | Receptacle - Ground Fault Interrupter - 125 Volt - Ivory |
| | 024924-02-000 | EA | Receptacle - Power Cord |
| | 058707-01-000 | EA | Receptacle - Single - Brown |
| | 063912-01-000 | EA | Relay - Canistor SPDT w/Ground |
| | 075723-01-000 | EA | Switch - Block Spacer - w/o Holes |
| | 075723-02-000 | EA | Switch - Block Spacer - w/Holes |
| | 008162-01-000 | EA | Switch - Double Toggle - Brown |
| | 077942-02-000 | EA | Switch - Dummy - Brown |
| | 056264-01-000 | EA | Switch - Leaf Actuator |
| | 079362-01-000 | EA | Switch Plate - 3 Gang - 2 Switches |
| | 079363-01-000 | EA | Switch Plate - Single - w/Switches |
| | 079364-01-000 | EA | Switch - On/Off Rocker - Brown |
| | 008195-01-000 | EA | Switch - Push Button - 12 Volt |
| | 008163-01-000 | EA | Switch - Toggle - Brown |
| | 006050-01-000 | EA | TV Jack - Ivory |
| | 047443-02-000 | EA | Terminal - .250 Receptacle - 12-10 AWG |
| | 035417-01-000 | EA | Terminal - Pin Receptacle - .125 Dia |
| | 008348-01-000 | EA | Terminal Ring - 2 - w/3/8 Stud |
| | 008331-01-000 | EA | Terminal Ring - 4 - w/3/8 Stud |
| | 008328-01-000 | EA | Terminal Ring - 12/10 Wire |
| | 054865-01-000 | EA | Wire Asm. - Generator Switch |
| | 008028-01-000 | FT | Wire - 18.5 Bonded - Blue/Red/Yellow/Orange/White |
| | 008024-01-000 | FT | Wire - 18.5 Bonded - Orange/White/Yellow/Blue/Brown |
| | 008025-01-000 | FT | Wire - 18.5 Bonded - Orange/White/Yellow/Blue/Green |
| | 008026-01-000 | FT | Wire w/Ground - Romex - 12/2 |

**1988 WINNEBAGO
TABLE OF CONTENTS**

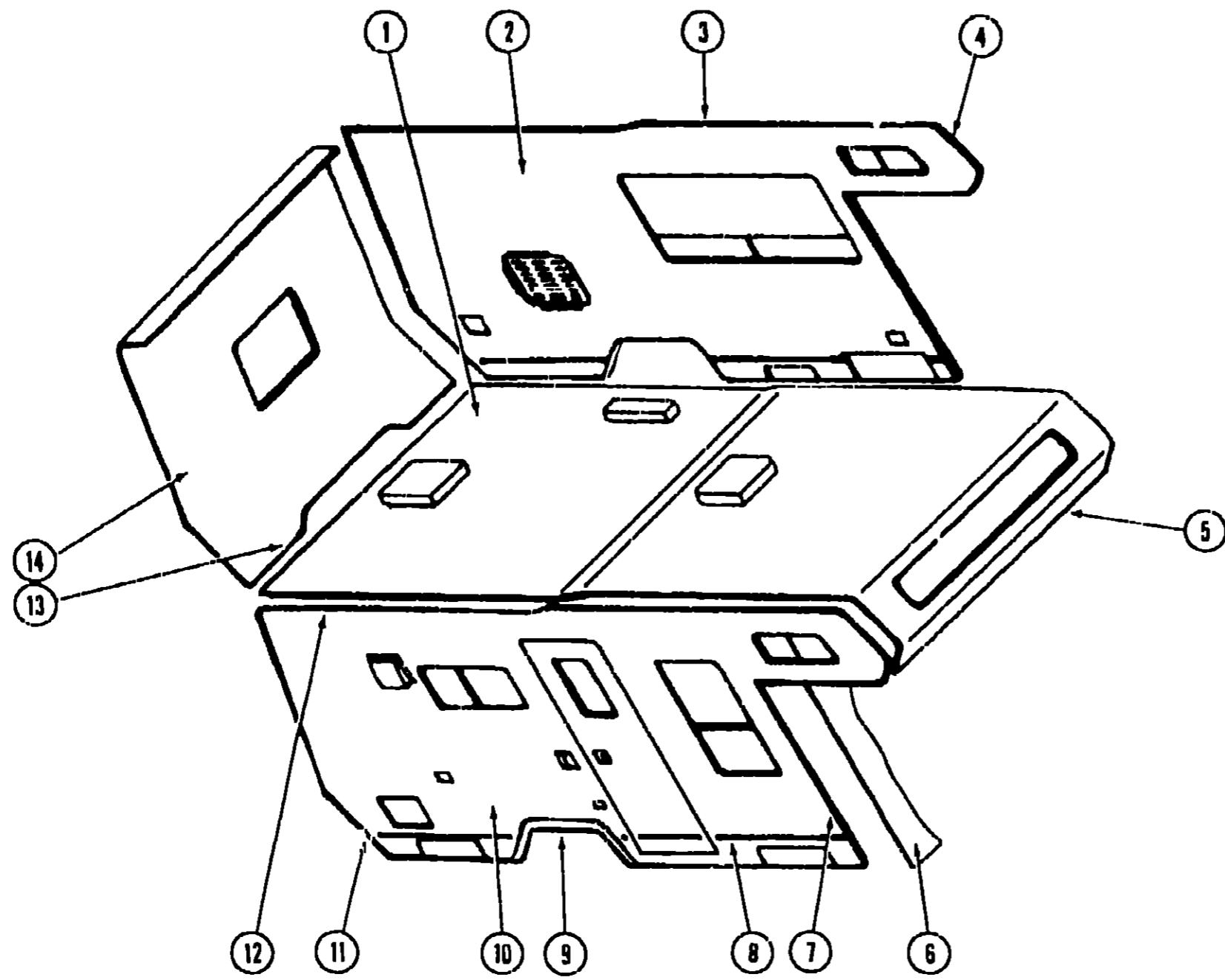
| | |
|------------|-------------|
| WT319RB | A-01 - B-16 |
| WC/WF421RB | B-17 - D-18 |
| WC424RB | D-10 - F-20 |

1986 WC/WF421RB INDEX

| | |
|------------------------------------|-------------|
| Floor Plan | B-17 - B-18 |
| Accessories Group | B-19 - B-21 |
| Bath Group | B-22 |
| Chassis Group | B-23 - B-24 |
| Curtain, Cushion & Pad Group | C-01 - C-07 |
| Dinette Group | C-08 |
| Driver's Compartment Group | C-09 - C-11 |
| Electrical Group | C-12 - C-14 |
| Exterior Body Group | C-15 - C-21 |
| Galley Group | C-22 - C-23 |
| Heating & Air Conditioning Group | C-24 |
| Interior Finish Group | D-01 - D-03 |
| LP Group | D-04 |
| Lounge Group | D-05 |
| Water & Sewage Group | D-06 - D-07 |
| Window, Vent & Exterior Door Group | D-08 - D-18 |

EXTERIOR BODY GROUP

EXTERIOR BODY PANELS



1986 WINNEBAGO TABLE OF CONTENTS

WT319RB
WC/WF421RB
WC424RB

A-01 - B-16
B-17 - D-18
D-19 - F-20

1986 WC/WF421RB INDEX

| | |
|------------------------------------|-------------|
| Floor Plan | B-17 - B-18 |
| Accessories Group | B-19 - B-21 |
| Bath Group | B-22 |
| Chassis Group | B-23 - B-24 |
| Curtain, Cushion & Pad Group | C-01 - C-07 |
| Dinette Group | C-08 |
| Driver's Compartment Group | C-09 - C-11 |
| Electrical Group | C-12 - C-14 |
| Exterior Body Group | C-15 - C-21 |
| Galley Group | C-22 - C-23 |
| Heating & Air Conditioning Group | C-24 |
| Interior Finish Group | D-01 - D-03 |
| LP Group | D-04 |
| Lounge Group | D-05 |
| Water & Sewage Group | D-06 - D-07 |
| Window, Vent & Exterior Door Group | D-08 - D-18 |

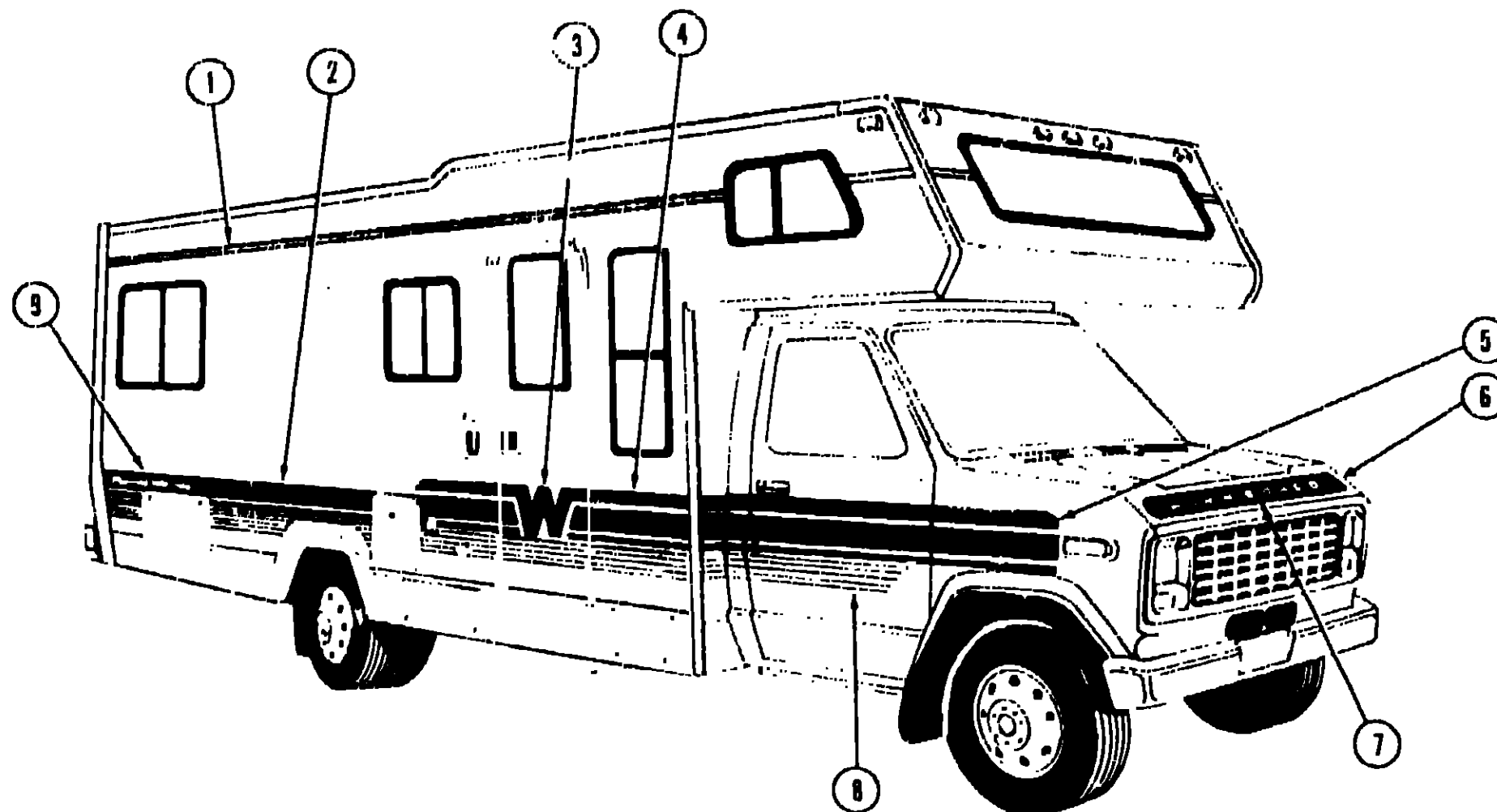
| Key | Part Number | U/M | Description |
|-----|---------------|-----|--|
| 1 | M80532-01-U01 | EA | Roof Asm. |
| . | M76177-01-700 | EA | Roof Section - Cab Over To First Seam |
| 2 | M83030-01-U01 | EA | Sidewall Asm. - Driver |
| 3 | 076802-06-000 | EA | Trim - Contour - Upper Front - Driver - Off White |
| . | 076802-05-000 | EA | Trim - Contour - Upper Front - Passenger - Off White |
| 4 | 076828-02-000 | EA | Trim - Contour - Sleeper - Driver - Off White |
| . | 076328-01-000 | EA | Trim - Contour - Sleeper - Passenger - Off White |
| 5 | 039544-08-000 | EA | Trim - Sleeper Board - Front - Off White |
| 6 | M81653-01-U01 | EA | Wingwall Asm. - Passenger (Ford) |
| . | M81653-02-U01 | EA | Wingwall Asm. - Driver (Ford) |
| 6 | M82343-01-U01 | EA | Wingwall Asm. - Passenger (Chevy) |
| . | M82343-02-U01 | EA | Wingwall Asm. - Driver (Chevy) |
| 7 | 076975-03-000 | EA | Trim - Wingwall Transition - Passenger - Off White |
| . | 076975-04-000 | EA | Trim - Wingwall Transition - Driver - Off White |
| 8 | 002444-01-001 | EA | Feature Strip - w/o Insert - Extr. - 14' - Brown |
| . | 001030-02-003 | EA | Insert - Feature Strip - 17' - Stucco - Off White |
| . | 009731-01-000 | EA | End Cap - Feature Strip |
| 9 | 075189-03-000 | EA | Trim - Wheel Well - Rear Passenger - Off White |
| . | 075189-04-000 | EA | Trim - Wheelwell - Rear Driver - Off White |

| Key | Part Number | U/M | Description |
|------|---------------|-----|---|
| **10 | M83031-01-U01 | EA | Sidewall Asm. - Passenger |
| **10 | M83031-01-U02 | EA | Sidewall Asm. - Passenger |
| **10 | M83031-01-U03 | EA | Sidewall Asm. - Passenger |
| 11 | 076805-01-000 | EA | Trim - Contour - Rear Passenger - Off White |
| . | 076805-02-000 | EA | Trim - Contour - Rear Driver - Off White |
| 12 | 077339-07-000 | EA | Trim - Contour - Upper Rear Passenger - Off White |
| . | 077339-08-000 | EA | Trim - Contour - Upper Rear Driver - Off White |
| 13 | 074966-02-000 | EA | Trim - Backwall - Lower - Passenger or Driver |
| **14 | M82397-01-U01 | EA | Backwall Asm. |
| . | 002365-01-001 | EA | U-Channel - Extrusion - 1" x 18" |
| . | 002776-01-001 | EA | U-Channel - Extrusion - 1 7/8" x 16" |
| . | 077514-04-001 | EA | Fiberglass Sheet - 48 08" x 259" - Mesa - Off White |
| . | 077517-04-002 | EA | Fiberglass Sheet - 48 08" x 60" - Mesa - Off White |
| . | 001054-01-U11 | EA | Alum. - No Design - 48" x 96" - Off White |
| . | 000868-01-000 | SF | Styrofoam - .75" x 24" x 96" |
| . | 000870-01-000 | SF | Styrofoam - 1 5" x 24" x 96" |
| . | 000870-03-000 | SF | Styrofoam - 1 3/4" x 48" x 96" |
| . | | | Not illustrated |

**When ordering designate double bed or bunkbed

EXTERIOR BODY GROUP (CONTINUED)

LABELS & DECALS



1986 WINNEBAGO TABLE OF CONTENTS

WT310RB
WC/WF421RB
WC424RB

A-01 - B-16
B-17 - D-18
D-19 - F-20

| Key | Part Number | U/M | Description |
|-----|---------------|-----|--|
| 1 | 065217-90-000 | FT | Film - Multi-Stripe - Light Brown/Brown (U01) |
| 1 | 065217-89-000 | FT | Film - Multi-Stripe - Rust/Burgundy (U02) |
| 1 | 065217-88-000 | FT | Film - Multi-Stripe - Light Green/Green (U03) |
| 2 | 065217-87-000 | FT | Film - Multi-Stripe - Light Brown/Brown (U01) |
| 2 | 065217-86-000 | FT | Film - Multi-Stripe - Rust/Burgundy (U02) |
| 2 | 065217-85-000 | FT | Film - Multi-Stripe - Light Green/Green (U03) |
| 3 | 079351-06-000 | EA | Decal - Flying W - Brown (U01) |
| 3 | 079351-05-000 | EA | Decal - Flying W - Burgundy (U02) |
| 3 | 079351-04-000 | EA | Decal - Flying W - Green (U03) |
| 4 | 078831-14-000 | FT | Decal Striping - Light Brown (U01) |
| 4 | 078831-13-000 | FT | Decal Striping - Rust (U02) |
| 4 | 078831-12-000 | FT | Decal Striping - Light Green (U03) |
| 5 | 081942-05-000 | EA | Decal - Fender - Passenger - Ford - Light Brown (U01) |
| 5 | 081942-03-000 | EA | Decal - Fender - Passenger - Ford - Rust (U02) |
| 5 | 081942-01-000 | EA | Decal - Fender - Passenger - Ford - Light Green (U03) |
| 5 | 081941-05-000 | EA | Decal - Fender - Passenger - Chevy - Light Brown (U01) |
| 5 | 081941-03-000 | EA | Decal - Fender - Passenger - Chevy - Rust (U02) |
| 5 | 081941-01-000 | EA | Decal - Fender - Passenger - Chevy - Light Green (U03) |

| Key | Part Number | U/M | Description |
|-----|---------------|-----|---|
| . | 081942-06-000 | EA | Decal - Fender - Driver - Ford - Light Brown (U01) |
| . | 081942-04-000 | EA | Decal - Fender - Driver - Ford - Rust (U02) |
| . | 081942-02-000 | EA | Decal - Fender - Driver - Ford - Light Green (U03) |
| . | 081941-06-000 | EA | Decal - Fender - Driver - Chevy - Light Brown (U01) |
| . | 081941-04-000 | EA | Decal - Fender - Driver - Chevy - Rust (U02) |
| . | 081941-02-000 | EA | Decal - Fender - Driver - Chevy - Light Green (U03) |
| 6 | 081940-03-000 | EA | Decal - Hood - Ford - Light Brown (U01) |
| 6 | 081940-02-000 | EA | Decal - Hood - Ford - Rust (U02) |
| 6 | 081940-01-000 | EA | Decal - Hood - Ford - Light Green (U03) |
| 6 | 081944-01-000 | EA | Decal - Hood - Chevy - Light Brown (U01) |
| 6 | 081944-02-000 | EA | Decal - Hood - Chevy - Rust (U02) |
| 6 | 081944-03-000 | EA | Decal - Hood - Chevy - Light Green (U03) |
| 7 | 069745-03-000 | EA | Decal - "Winnie" - 1 25" |
| 7 | 069745-04-000 | EA | Decal - "Bago" - 1 25" |
| 8 | 076791-10-000 | FT | Film - Multi-Stripe - Brown (U01) |
| 8 | 076791-09-000 | FT | Film - Multi-Stripe - Burgundy (U02) |
| 8 | 076791-08-000 | FT | Film - Multi-Stripe - Green (U03) |
| 9 | 075478-01-000 | EA | Decal - Logo - "Minnie Winnie" |
| . | 050313-22-000 | EA | Decal - Logo - "Winnebago" - Chrome |
| . | | | Not illustrated |

1986 WC/WF421RB INDEX

| | |
|------------------------------------|-------------|
| Floor Plan | B-17 - B-18 |
| Accessories Group | B-19 - B-21 |
| Bath Group | B-22 |
| Chassis Group | B-23 - B-24 |
| Curtain Cushion & Pad Group | C-01 - C-07 |
| Dinette Group | C-08 |
| Driver's Compartment Group | C-09 - C-11 |
| Electrical Group | C-12 - C-14 |
| Exterior Body Group | C-15 - C-21 |
| Galley Group | C-22 - C-23 |
| Heating & Air Conditioning Group | C-24 |
| Interior Finish Group | D-01 - D-03 |
| L ³ Group | D-04 |
| Lounge Group | D-05 |
| Water & Sewage Group | D-06 - D-07 |
| Window, Vent & Exterior Door Group | D-08 - D-18 |

EXTERIOR BODY GROUP (CONTINUED)

INTERIOR/EXTERIOR SCREWS & FASTENERS

| Key | Part Number | U/M | Description |
|-----|---------------|-----|---|
| | 005200-01-000 | EA | Bolt - Round Head - Square Neck w/SST Cap - 7/16" - 14 x 1 1/4" |
| | 058279-01-000 | EA | Clip - Mounting - Front Panel |
| | 036628-01-000 | EA | Fastener - Blind Wall Nut - 1.05" x .38" |
| | 000D15-06-00B | EA | Nut - Hex - 3/8" x 24 - Zinc |
| | 005081-01-000 | EA | Nut - Speed - C Type - #8 Screw |
| | 000G54-04-20B | EA | Screw 1/4 - 20 x 1 1/4" PTH - Zinc |
| | 000G54-04-22B | EA | Screw 1/4 - 20 x 1 3/8" PTH - Zinc |
| | 000G53-04-06B | EA | Screw 1/4 - Machine - 20 x 3/8" PTH - Zinc |
| | 000G13-06-12P | EA | Screw #6 - 20 x 3/4" PFH - Dark Brown |
| | 000G13-06-28X | EA | Screw #6 - 20 x 3/4" PFH - Gray |
| | 000G13-06-16R | EA | Screw #6 - 20 x 1" PFH - Beige |
| | 000G11-07-08D | EA | Screw #7 - 19 x 1/2" PPH - Zinc |
| | 000G12-0J-12M | EA | Screw #8 - 18 x 3/4" POH - Gray |
| | 000G11-08-12H | EA | Screw #8 - 18 x 3/4" PPH - Beige |
| | 000G11-08-12X | EA | Screw #8 - 18 x 3/4" PPH - Gray |
| | 000G11-08-12D | EA | Screw #8 - 18 x 3/4" PPH - Zinc |
| | 000G39-08-17R | EA | Screw #8 - 18 x 3/4" SDPH - Beige |
| | 000G66-08-12M | EA | Screw #8 - 18 x 3/4" SDPH - Gray |
| | 000G11-08-16R | EA | Screw #8 - 18 x 1" PFH - Gray |
| | 000G66-08-16R | EA | Screw #8 - 18 x 1" SDPH - Beige |
| | 000G12-08-28R | EA | Screw #8 - 18 x 1 3/4" POH - Beige |
| | 000G36-08-08E | EA | Screw #8 - 32 x 1/2" PFH - Chrome |
| | 000G39-08-08B | EA | Screw #8 - Self Drilling - 18 x 1/2" PPH - Zinc |
| | 000G39-08-12B | EA | Screw #8 - Self Drilling - 18 x 3/4" PPH - Zinc |
| | 000G39-08-12R | EA | Screw #8 - Self Drilling - 18 x 3/4" PPH - Beige |
| | 000G39-08-16R | EA | Screw #8 - Self Drilling - 18 x 1" PPH - Beige |
| | 000G39-08-16T | EA | Screw #8 - Self Drilling - 18 x 1" PPH - Black |
| | 000G39-08-16P | EA | Screw #8 - Self Drilling - 18 x 1" PPH - Dark Brown |
| | 000G39-08-16X | EA | Screw #8 - Self Drilling - 18 x 1" PPH - Gray |
| | 000G39-08-16E | EA | Screw #8 - Self Drilling - 18 x 1" PPH - Chrome |
| | 000G64-08-16M | EA | Screw #8 - Self Drilling - 18 x 1" SDPH - Gray |
| | 000G67-10-08B | EA | Screw #10 - 12 x 1 2" PPH - Zinc |
| | 000G67-10-10R | EA | Screw #10 - 12 x 5/8" PPH - Beige |
| | 000G67-10-16P | EA | Screw #10 - 12 x 1" PPH - Dark Brown |
| | 000G67-10-16B | EA | Screw #10 - 12 x 1" PPH - Zinc |
| | 000G67-10-20B | EA | Screw #10 - 12 x 1 1/4" - PPH - Zinc |
| | 000G67-10-24B | EA | Screw #10 - 12 x 1 1/2" PPH - Zinc |
| | 049465-04-000 | EA | Screw #10 - 16 x 1" POH - w/Washer - Beige |
| | 049465-05-000 | EA | Screw #10 - 16 x 1" POH - w/Washer - Gray |
| | 000G12-10-24E | EA | Screw #10 - 16 x 1 1/2" POH - Chrome |
| | 000G11-10-06D | EA | Screw #10 - 16 x 1.2" PPH - Dark Brown |
| | 000G11-10-12R | EA | Screw #10 - 16 x 3/4" PPH - Beige |
| | 000G11-10-12S | EA | Screw #10 - 16 x 3/4" PPH - Off White |
| | 000G11-10-12B | EA | Screw #10 - 16 x 3/4" PPH - Zinc |
| | 000G11-10-16B | EA | Screw #10 - 16 x 1" PPH - Zinc |
| | 000G11-10-40B | EA | Screw #10 - 16 x 2 1/2" PPH - CAD |
| | 000G19-10-12B | EA | Screw #10 - Machine - 32 TPI x 3/4" |
| | 075908-01-000 | EA | Screw #10 - Machine - 32 x 56" PTH - Zinc |
| | 000G19-10-20B | EA | Screw #10 - Machine - 32 x 1 1/4" PPH - Zinc |
| | 000G39-12-12E | EA | Screw #10 - Self Drilling - 14 x 3/4" PPH - Chrome |
| | 000G39-10-10R | EA | Screw #10 - Self Drilling - 16 x 62" PPH - Beige |
| | 000G39-10-12R | EA | Screw #10 - Self Drilling - 16 x 3/4" PPH - Beige |
| | 000G39-10-12P | EA | Screw #10 - Self Drilling - 16 x 3/4" PPH - Dark Brown |
| | 000G56-12-48C | EA | Screw #12 - Wood - 11 x 3" POH - CAD |

EXTERIOR BODY GROUP (CONTINUED)

SEALANTS & ADHESIVES

| Key | Part Number | U/M | Description |
|-----|---------------|-----|--|
| | 004020-01-000 | QT | Adhesive - ABS Cement (Plastic Fittings) |
| | 002337-01-000 | EA | Adhesive - 1300 Tube - 3M (Windows) |
| | 004005-02-000 | GL | Adhesive - Swifts - Glue (Sidewalls) |
| | 053708-07-000 | EA | Bedding Compound - Tube - Beige (Exterior) |
| | 053766-06-000 | EA | Bedding Compound - Tube - Clear (Window) |
| | 053766-08-000 | EA | Bedding Compound - Tube - Gray (Exterior) |
| | 053766-05-000 | EA | Bedding Compound - Tube - Gray (Sidewalls to Floor) |
| | 053766-02-000 | EA | Bedding Compound - Tube - Off White (Exterior) |
| | 002328-02-000 | EA | Block - Rubber Spacer (Windshield) |
| | 004336-01-000 | EA | Caulk - Latex - Golden Walnut (Sidewalls) |
| | 072891-02-000 | QT | Primer - Glass - Black |
| | 072891-01-000 | QT | Primer - Glass - Clear |
| | 026024-01-000 | EA | Primer - Glass - Clear - Windshield |
| | 072890-01-000 | QT | Primer - Metal - Black |
| | 035073-01-000 | GL | Primer - Metal - Windshield |
| | 077907-01-000 | EA | Sealant - Acrylic Latex - Tube - Off White (Interior Sealant) |
| | 034552-04-000 | EA | Sealant - Silicone - Beige |
| | 034552-02-000 | EA | Sealant - Silicone - Clear |
| | 034552-07-000 | EA | Sealant - Silicone - Dark Gray |
| | 034552-06-000 | EA | Sealant - Silicone - Off White |
| | 069037-01-000 | EA | Sealant - Weatherban 404 - Tube - White (Door Caulk) |
| | 072889-01-000 | EA | Sealant - Urethane - Black (Windshield) |
| | 069640-01-000 | FT | Sealer Ribbon - 25" Bead x 20' |
| | 069640-02-000 | FT | Sealer Ribbon - 5" x 125" x 30' |
| | 069640-03-000 | FT | Sealer Ribbon - 75" x 125" x 30' |
| | 069640-04-000 | FT | Sealer Ribbon - 2' x 09" x 45' (P Series) |
| | 069640-05-000 | FT | Sealer Ribbon - 2 5" x 09" x 50' |
| | 069640-06-000 | FT | Sealer Ribbon - 5/16" Bead x 15' |
| | 069640-07-000 | FT | Sealer Ribbon - 2" x 3/32" x 30' |
| | 002316-01-000 | FT | Sealer Tape - 3/32" x 3/8" - White (Window) |
| | 002707-01-000 | FT | Sealer Tape - 5/16" x 3/4" |
| | 002707-02-000 | FT | Sealer Tape - 5/16" x 1 1/2" |
| | 040545-01-000 | GL | Sealer - Seam Weld |
| | 053752-04-000 | EA | Seam Sealer - Tube - Aluminum (Roof) |
| | 063642-01-000 | FT | Tape - Adhesive - 10 mm x 1 5" Wide |
| | 038886-01-000 | EA | Tape - Butyl - 31" x 31" x 148" (Windshield) |
| | 076322-01-000 | FT | Tape - Foam - Double Coated - 025 x 1" (Fiberglass Sidewall Seams) |
| | 076322-02-000 | FT | Tape - Foam - Double Coated - 045 x 1" (Fiberglass Sidewall Seams) |
| | 009200-01-000 | EA | Tape - Furnace - 1 5" |
| | 002825-01-000 | FT | Weather Striping (Roof Vent) |

**1986 WINNEBAGO
TABLE OF CONTENTS**

| | |
|------------|-------------|
| WT319RB | A-01 - B-16 |
| WC/WF421RB | B-17 - D-18 |
| WC424RD | D-19 - F-20 |

1986 WC/WF421RB INDEX

| | |
|------------------------------------|-------------|
| Floor Plan | D-17 - B-18 |
| Accessories Group | B-19 - B-21 |
| Bath Group | B-22 |
| Chassis Group | B-23 - B-24 |
| Curtain, Cushion & Pad Group | C-01 - C-07 |
| Dinette Group | C-08 |
| Driver's Compartment Group | C-09 - C-11 |
| Electrical Group | C-12 - C-14 |
| Exterior Body Group | C-15 - C-21 |
| Galley Group | C-22 - C-23 |
| Heating & Air Conditioning Group | C-24 |
| Interior Finish Group | D-01 - D-03 |
| LP Group | D-04 |
| Lounge Group | D-05 |
| Water & Sewage Group | D-06 - D-07 |
| Window, Vent & Exterior Door Group | D-08 - D-18 |

EXTERIOR BODY GROUP (CONTINUED)

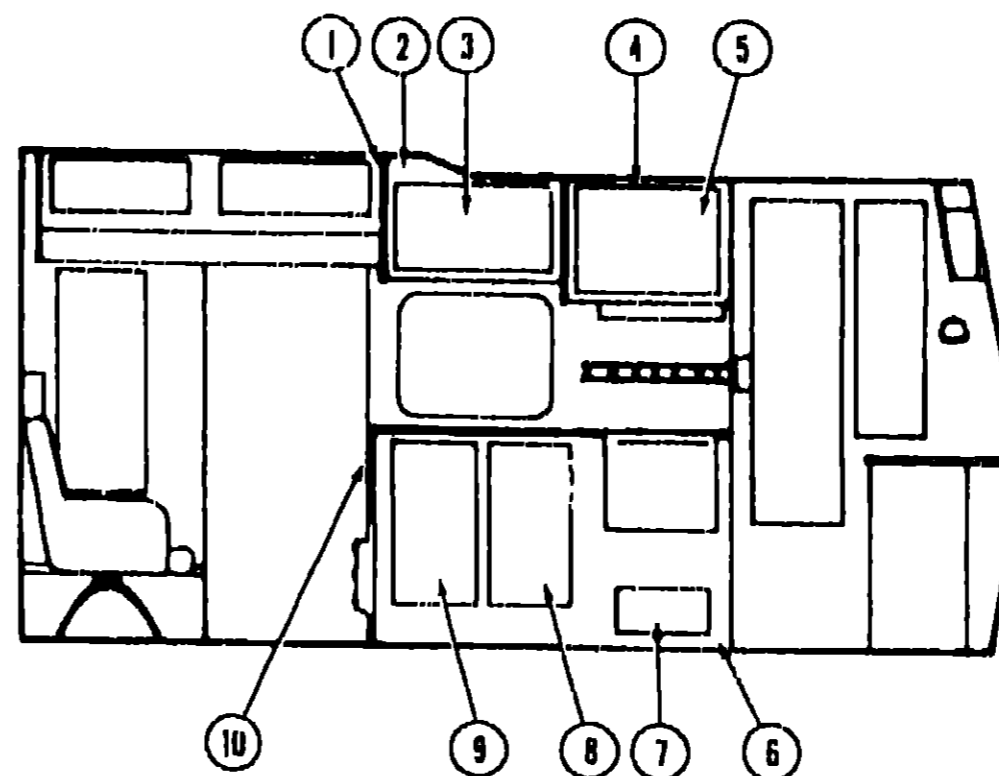
(MISCELLANEOUS EXTERNALLY MOUNTED PARTS)

| Key | Part Number | U/M | Description |
|-----|---------------|-----|--|
| | 083558-01-000 | EA | Plumbing Seal - Roof Vent - 1 5 |
| | 048817-01-000 | EA | Assist Handle - w/Light |
| | 048817-01-700 | EA | Lens - Assist Handle |
| | 010230-02-000 | EA | Fill - City Water - Recessed - Off White |
| | 079384-02-700 | EA | Hardware Set - Running Board (Ford) |
| | 079384-02-701 | EA | Riser - Molding (Ford) |
| | 079384-02-701 | EA | Wheel - Trim - Chrome (Ford) |
| | 081240-03-000 | EA | Water Fill - Lockable - White |
| | 078200-01-000 | EA | Gasket - Fuel Fill |
| | 063303-04-000 | EA | Shroud - Fuel Fill - Lower |
| | 079384-01-000 | EA | Running Board Set - w Wheel Flares (Chevy) |
| | 079384-01-700 | EA | Hardware Set - Running Board (Chevy) |
| | 079384-01-701 | EA | Riser - Molding (Chevy) |
| | 079384-01-702 | EA | Wheel - Trim - Chrome (Chevy) |
| | 079384-02-000 | EA | Running Board Set - w Wheel Flares |
| | 080359-01-000 | EA | Plate - Step Well (Chevy) |
| | 080359-02-000 | EA | Plate - Step Well (Ford) |

LABELS & EXTERIOR PAINT

| Key | Part Number | U/M | Description |
|-----|---------------|-----|--|
| | 068383-01-000 | EA | Label - Diesel Fuel |
| | 006195-01-000 | EA | Label - Electrical Test |
| | 047731-01-000 | EA | Label - Emergency Exit |
| | 006199-01-000 | EA | Label - Exit - Escape Window |
| | 057467-04-000 | EA | Label - Exterior Loading Limit |
| | 064378-01-000 | EA | Label - Flying "W" w Thermo Panel |
| | 061417-01-000 | EA | Label - Fuel |
| | 006196-01-000 | EA | Label - Gas Test |
| | 054531-01-000 | EA | Label - LP Gas Only |
| | 040944-01-000 | EA | Label - Open - Entrance Door |
| | 006015-01-000 | EA | Label - Patent Motor Home |
| | 056259-01-000 | EA | Label - Safety Check List |
| | 006064-01-000 | EA | Label - Seal - w/o Seal Belts |
| | 006187-01-000 | EA | Label - Sewage |
| | 006006-01-000 | EA | Label - Thermo Panel - 2 1 4" x 2 1 4" |
| | 075221-01-000 | EA | Label - Trailer Hitch Capacity |
| | 075220-01-000 | EA | Label - Warning - Exterior Load Limit |
| | 077956-01-000 | EA | Label - Warning - Smoke Detector |
| | 050225-01-000 | EA | Label - Warning - Stove Vent - LIS |
| | 006188-01-000 | EA | Label - Waste Water |
| | 006197-01-000 | EA | Label - Water Test |
| | 072863-01-000 | EA | Nameplate - Diesel - 6 2L |
| | 006062-01-000 | EA | Tag - Electrical - 110 Volt Connection |
| | 006040-01-000 | EA | Tag - Gas - Refueling Warning |
| | 044486-03-000 | EA | Paint - Beige Acrylic Enamel - 16 oz Aerosol (7633A Dupont) |
| | 045681-03-000 | EA | Paint - Gloss Black - Acrylic Enamel - 16 oz Aerosol (99 Dupont) |
| | 058637-05-000 | EA | Paint - Gray Acrylic Enamel - 16 oz Aerosol (71537 Dupont) |
| | 041561-03-000 | EA | Paint - Off White Acrylic Enamel - 16 oz Aerosol (45396A Dupont) |
| | 074559-01-000 | EA | Label - "LPG" 3 3" x 1 75" (Calif Code) |

GALLEY GROUP



GALLEY CABINETRY

| Key | Part Number | U/M | Description |
|-----|----------------------------------|-----|--|
| 1 | 081280-06-U01 | EA | Pad Asm - End Cap - Galley Overhead - Left - Vinyl |
| 2 | 083137-01-U01 | EA | Cabinet Asm - Galley Overhead - w/o Doors or Hardware |
| 3 | M81523-02-U01 | EA | Door Asm - Galley Overhead - 15 3" x 27 2" - w/o Hardware |
| 4 | 081460-01-U01 | EA | Cabinet Asm - Microwave Cabinet - w/o Door or Hardware |
| 5 | 081280-10-U01 | EA | Pad Asm - End Cap - Microwave Cabinet - Vinyl |
| 6 | M81523-01-U01 | EA | Door Asm - Microwave Overhead - 18 2" x 24" - w/o Hardware |
| 7 | M83136-01-U01 | EA | Cabinet Asm - Galley - w/o Doors or Hardware |
| 8 | M83135-03-U01 | EA | Cabinet Asm - Galley - w/o Doors or Hardware |
| 9 | MU2553-01-U01 | EA | Countertop Asm - Galley |
| 10 | M81521-75-U01 | EA | Door Asm - Galley - 17 6" x 22" - w/o Hardware |
| 11 | M82184-01-U01 | EA | Drawer Asm - Galley Cabinet - w/o Hardware |
| 12 | M81501-02-U01 | EA | Door Asm - Galley Cabinet - 33 4" x 14 3" - w/o Hardware |
| 13 | M81501-03-U01 | EA | Door Asm - Galley Cabinet - 33 4" x 14 3" - w/o Hardware |
| 14 | 080822-02-U01 | EA | Extension Asm - Galley Countertop - w/o Hardware |
| 15 | 077404-01-U01 | EA | Drawer - Plastic - 20" x 12 7" |
| 16 | Not illustrated | | |
| 17 | Parts used with Microwave Option | | |

1986 WINNERAGO TABLE OF CONTENTS

WT319RB
WC/WF421RB
WC424RB

A-01 - B-16
B-17 - D-16
D-19 - F-20

1986 WC/WF421RB INDEX

| | |
|------------------------------------|-------------|
| Floor Plan | B-17 - B-18 |
| Accessories Group | B-19 - B-21 |
| Bath Group | B-22 |
| Chassis Group | B-23 - B-24 |
| Curtain, Cushion & Pad Group | C-01 - C-07 |
| Dinette Group | C-08 |
| Driver's Compartment Group | C-09 - C-11 |
| Electrical Group | C-12 - C-14 |
| Exterior Body Group | C-15 - C-21 |
| Galley Group | C-22 - C-23 |
| Heating & Air Conditioning Group | C-24 |
| Interior Finish Group | D-01 - D-03 |
| LP Group | D-04 |
| Lounge Group | D-05 |
| Water & Sewage Group | D-06 - D-07 |
| Window, Vent & Exterior Door Group | D-08 - D-18 |

GALLEY GROUP (CONTINUED)

GALLEY HARDWARE & APPLIANCES

| Key | Part Number | U/M | Description |
|-----|---------------|-----|--|
| ** | 070352-01-000 | EA | Hood - Range - Non-Powered w/ Light - Almond |
| ** | 079353-01-000 | EA | Hood - Range - Powered w/ Monitor - Almond - US |
| ** | 079353-02-000 | EA | Hood - Range - Powered w/ Monitor - Almond - CSA |
| ** | 075470-04-000 | EA | Duct Extension - Hood Range |
| ** | 055282-02-000 | EA | Range w/ Small Oven - 4 Burner - Almond - Magic Chef |
| ** | 055282-02-700 | EA | Top - Main - Almond |
| ** | 055282-01-700 | EA | Frame - Door - Upper |
| ** | 055282-01-701 | EA | Frame - Door - Lower |
| ** | 055282-01-702 | EA | Glass - Door Front |
| ** | 055282-01-703 | EA | Panel Door - Black |
| ** | 081374-01-000 | EA | Range Top - 4 Burner - Almond |
| ** | 081374-01-700 | EA | Trim - Cab Top - Right |
| ** | 081374-01-701 | EA | Trim - Cab Top - Left |
| ** | 081374-01-702 | EA | Manifold Panel - Black |
| ** | 081374-01-703 | EA | Trim - Top - Rear |
| ** | 081374-01-704 | EA | Guard - Fabric |
| ** | 064473-02-000 | EA | Refrigerator - AC DC Gas - Norcold 6' - 776-EG3 |
| ** | 075217-01-000 | EA | Refrigerator - AC DC Gas - Norcold 8' - 830-EG3 |
| ** | 075218-01-000 | EA | Refrigerator - 3 Way - 10' Norcold |
| ** | 054150-01-000 | EA | Level Refrigerator |
| ** | 081379-01-000 | EA | Microwave Oven - Sharp - Convection |
| ** | 081459-01-000 | EA | Bracket Asm - Microwave - Right |
| ** | 081459-02-000 | EA | Bracket Asm - Microwave - Left |
| ** | 081555-01-103 | EA | Trim Ring - Microwave |
| ** | 081456-01-000 | EA | Angle Asm - Microwave - Right |
| ** | 081456-02-000 | EA | Angle Asm - Microwave - Left |
| ** | 082876-01-000 | EA | Baffle - Microwave |
| ** | 075922-04-000 | EA | Air Exhaust Duct - Microwave |
| ** | 068615-01-000 | EA | Sink - Stainless Steel - Double w/ Bolts |
| ** | 011053-01-000 | EA | Faucet - Swing Spout - 8" - US |
| ** | 011053-02-000 | EA | Faucet - Swing Spout - 8" - CSA |
| ** | 011053-01-700 | EA | Aerator - Swing Spout Faucet |
| ** | 066437-01-000 | EA | Strainer w/ Basket - Sink |
| ** | 053424-04-106 | EA | Sink Cover - Large |
| ** | 009049-01-000 | EA | Support - Drop Leaf Table |
| ** | 009059-01-000 | EA | Hinge - 2' - Gold - Drop Leaf Table |
| ** | 074490-01-000 | EA | Spice Rack - Oak |
| ** | 079606-03-004 | EA | Rack Asm - Magazine |
| ** | 074981-01-000 | EA | Cutting Board - Maple |
| ** | 058334-01-000 | EA | Wastebasket - 9 3/4" x 7" x 10" - White |
| ** | 059777-01-000 | EA | Hinge - Cabinet Door - Antique Brass |
| ** | 057898-01-000 | EA | Hidden Latch w/ Strike - Cabinet Door |
| ** | 047744-01-000 | EA | Kit - Drawer Guide - Plastic |
| ** | 077409-01-000 | EA | Slide - Drawer - 20 7/8" - Plastic |
| ** | 077404-01-000 | EA | Drawer - 20" x 12 7/8" - Plastic |
| ** | 066435-01-000 | EA | Nut Strainer |
| ** | 011063-01-000 | EA | Plug - 1 1/4" x 5" - w/ Stopper |
| ** | 066440-01-000 | EA | Strainer w/ Rubber Washer |

** The illustrated parts breakdown for this item is provided on the Common Items Fiche

HEATING & AIR CONDITIONING GROUP

AUTOMOTIVE HEATER & AIR CONDITIONER

| Key | Part Number | U/M | Description |
|-----|---------------|-----|--|
| ** | 079373-03-000 | EA | A/C - Compressor Mount Package - 350 C I D |
| ** | 072343-01-000 | EA | A/C - Compressor Clutch - Sanyo 510 |
| ** | 073716-01-000 | EA | A/C - Condenser Asm - C" - Tube O |
| ** | 073716-01-700 | EA | Coil Condenser |
| ** | 073716-01-701 | EA | Receiver Drier |
| ** | 073716-01-702 | EA | Hose Assy #6 |
| ** | 073716-01-703 | EA | Hose Assy #8 |
| ** | 079372-01-000 | EA | A/C - Evaporator Asm - Cutaway |
| ** | 079372-01-700 | EA | Evaporator Coil |
| ** | 079372-01-701 | EA | Expansion Valve |
| ** | 079372-01-702 | EA | Blower |
| ** | 079372-01-703 | EA | Blower Motor |
| ** | 079372-01-704 | EA | Motor Mount |
| ** | 079372-01-705 | EA | Blower Wheel |
| ** | 079372-01-706 | EA | Hose Assy #6 - Liquid |
| ** | 079372-01-707 | EA | Hose Assy #10 - Suction |
| ** | 072341-01-716 | EA | Valve Discharge |
| ** | 072341-01-704 | EA | Valve Section |
| ** | 079372-01-708 | EA | Thermostat |
| ** | 079372-01-709 | EA | Blower Switch |
| ** | 079372-01-710 | EA | Decal - Control Panel |
| ** | 079372-01-711 | EA | Plenum |
| ** | 079372-01-712 | EA | Lower |
| ** | 079372-01-713 | EA | Harness Wiring |
| ** | 079372-01-714 | EA | Switch - Snap Action |
| ** | 079372-01-715 | EA | Power - Jumper |
| ** | 079372-01-716 | EA | Plate - Control |
| ** | 079372-01-717 | EA | Valve - Clamp |
| ** | 079372-01-718 | EA | Lower - Escutcheon |
| ** | 079372-01-719 | EA | Lower - Escutcheon - Assy |
| ** | 079373-03-000 | EA | Mount & Drive Kit |
| ** | 007108-01-000 | FT | Hose - Heater - 5 8" I D SAE 20R |
| ** | 049401-01-000 | EA | Rear Heater Asm |
| ** | 049401-01-700 | EA | Valve - Water Control |
| ** | 049401-01-701 | EA | Cable - Rear Auto Heater Control |
| ** | 049401-01-702 | EA | Motor Asm - Evans |
| ** | 049401-01-703 | EA | Heater Core - Evans |
| ** | 049401-01-704 | EA | Switch Heater - Evans |
| ** | 049401-01-705 | EA | Valve - 3 Part 2 Way |
| ** | 049401-01-706 | EA | Knob Heater |
| ** | 049401-01-708 | EA | Wire Assy |
| ** | 049401-01-709 | EA | Wire Assy |
| ** | 049401-01-710 | EA | Wire Assy |
| ** | 049401-01-711 | EA | Knob - Switch |
| ** | 062401-04-000 | EA | Clamp - Worm Drive - 69" - 1 25 I D |

FURNACES & ROOF AIR CONDITIONER

| Key | Part Number | U/M | Description |
|-----|---------------|-----|---|
| ** | 075696-01-000 | EA | Furnace - 34,000 BTU - w/ Direct Ignition - NT-34S |
| ** | 075695-01-000 | EA | Furnace - 24,000 BTU - w/ Direct Ignition - NT-24S |
| ** | 009198-01-000 | FT | Duct - Flexible - 4" I D x 25 |
| ** | 056464-01-000 | EA | Register - 4" Dia - Plastic - w/ Damper |
| ** | 056464-02-000 | EA | Register - 4" Dia - Plastic - w/o Damper |
| ** | 009200-01-000 | EA | Tape - Furnace - 1 1/2" |
| ** | 010326-01-000 | EA | Adapter - Flare - w/ Cone Gasket |
| ** | 023146-01-000 | EA | Clamp - Screw Type - 4" |
| ** | 073743-01-000 | EA | Shroud Asm - Ceiling - Inside - Roof Air Cool Only - 13,500 BTU |
| ** | 073744-01-000 | EA | Shroud Asm - Ceiling - Inside - Roof Air Heat & Cool - 13,500 BTU |
| ** | 073742-01-000 | EA | Air Conditioner - 110 Volt & Roof Mount - 13,500 BTU Rotary |

** The illustrated parts breakdown for this item is provided on the Common Items Fiche

1986 WINNEBAGO TABLE OF CONTENTS

| | |
|------------|-------------|
| WT319RB | A-01 - D-16 |
| WC/WF421RB | B-17 - D-18 |
| WC424RB | D-19 - F-20 |

1986 WC/WF421RB INDEX

| | |
|------------------------------------|-------------|
| Floor Plan | B-17 - B-18 |
| Accessories Group | B-19 - B-21 |
| Bath Group | B-22 |
| Chassis Group | B-23 - B-24 |
| Curtain, Cushion & Pad Group | C-01 - C-07 |
| Decorative Group | C-08 |
| Driver's Compartment Group | C-09 - C-11 |
| Electrical Group | C-12 - C-14 |
| Exterior Body Group | C-15 - C-21 |
| Galley Group | C-22 - C-23 |
| Heating & Air Conditioning Group | C-24 |
| Interior Finish Group | D-01 - D-03 |
| LP Group | D-04 |
| Lounge Group | D-05 |
| Water & Sewage Group | D-06 - D-07 |
| Window, Vent & Exterior Door Group | D-08 - D-18 |

INFERIOR FINISH GROUP

CABINETRY & TABLE HARDWARE

| Key | Part Number | U/M | Description |
|-----|---------------|-----|---|
| ** | 053200-05-000 | EA | Bracket - Upper Wall Mount - 23.5" - Beige |
| ** | 053201-03-000 | EA | Bracket - Table Mount - 23" |
| ** | 024275-08-000 | EA | Rod - Table Lift - 8" x 23.5" - Brown |
| ** | 024281-07-000 | EA | Bracket - Lower Wall Mount - 22 1/2" - Beige |
| ** | 024276-14-000 | EA | Leg Asm. - Table - 26.5" - Brown |
| ** | 064050-01-000 | EA | Hinge - Table Leg |
| ** | 024282-01-000 | EA | Brace - Table Leg |
| ** | 024283-01-000 | EA | Clip - 1" O.D. Tube |
| ** | 049493-02-000 | EA | Catch - Table Leg - Mounts on Floor - Brown |
| ** | 057898-01-000 | EA | Latch - Hidden - Cabinet Door w/Strike |
| ** | 009112-01-000 | EA | Flange - 1" - Chrome - Closet Rod |
| ** | 073306-03-000 | EA | Slide - Cabinet - Full Extension - 18" - Left |
| ** | 073306-04-000 | EA | Slide - Cabinet - Full Extension - 18" - Right |
| ** | 073306-01-000 | EA | Slide - Drawer - Full Extension - 18" - Left |
| ** | 073306-02-000 | EA | Slide - Drawer - Full Extension - 18" - Right |
| ** | 072394-01-000 | EA | Slide - Drawer |
| ** | 072394-01-000 | EA | Slide - Drawer |
| ** | 077404-01-000 | EA | Slide - Drawer |
| ** | 077409-01-000 | EA | Slide - Drawer - Plastic - 20 1/2" |
| ** | 009049-01-000 | EA | Table Support - Drop Leaf |
| ** | 053331-01-000 | EA | Hinge - Antique Brass |
| ** | 009059-01-000 | EA | Hinge - 2" - Drop Leaf Table - Gold |
| ** | 009059-02-000 | EA | Hinge - 2" - Brass |
| ** | 047744-01-000 | EA | Kit - Drawer Glide |
| ** | 057671-01-000 | EA | Screw Cover - #8 - Off White |
| ** | 076312-01-000 | EA | Mesh - Grille - 7 3/4" x 6 7/8" - Gold Aluminum |
| ** | 009150-01-000 | EA | Warp Guard - 1" |
| ** | 009021-01-000 | EA | Catch - Nylon - Furnace Door |
| ** | 009021-02-000 | EA | Strike - Nylon Catch - Furnace Door |
| ** | 041939-01-000 | EA | Hinge Kit - Double Acting - Overhead Door |
| ** | 074493-02-000 | EA | Support - Sprung - Door |
| ** | 066433-01-000 | EA | Hook - Cup - Bright |
| ** | 058034-02-000 | EA | Latch - Door w/o Lock - Sliding Door |
| ** | 075687-02-000 | EA | Knob - Bath Door |
| ** | 075680-01-000 | EA | Clothes Rod - Adjustable - 27" x 36" |
| ** | 064467-01-000 | EA | Guide - Wall Mount - Door Pocket |
| ** | 076767-03-000 | EA | Cable As'n. - SST (TV Table) |
| ** | 078212-01-000 | EA | Pull - Brass w/ Dark Oak - Cabinet |
| ** | 077461-01-000 | EA | Cover - Strike |

** The illustrated parts breakdown for this item is provided on the Common Items Fiche

MISCELLANEOUS PARTS

| Key | Part Number | U/M | Description |
|-----|---------------|-----|---|
| ** | 053552-02-T03 | EA | Handle Asm. - Interior Assist - Medium Almond Vinyl |
| ** | 041544-03-000 | EA | Fire Extinguisher - w/Bracket |
| ** | 054185-24-000 | EA | Owner's Manual - 1986 Itasca & Winnebago |
| ** | 007038-01-000 | EA | Door Mat - 10 1/2" x 25" - Black Rubber |

INTERIOR FINISH GROUP (CONTINUED)

CURTAIN & CUSHION HARDWARE

| Key | Part Number | U/M | Description |
|-----|---------------|-----|--|
| ** | 052327-05-009 | EA | Track - Curtain - 76" - Beige |
| ** | 056116-01-000 | FT | Track - Curtain - Brown Plastic |
| ** | 075477-03-000 | EA | Bracket - Hold Down - Blinds |
| ** | 082228-01-000 | EA | Bracket - Curtain Rod - Right |
| ** | 082228-02-000 | EA | Bracket - Curtain Rod - Left |
| ** | 056003-02-000 | EA | Bracket - Drapery Retainer - Left |
| ** | 056003-01-000 | EA | Bracket - Drapery Retainer - Right |
| ** | 076827-01-000 | EA | Bracket - Curtain - Woven Wood - Right |
| ** | 076827-02-000 | EA | Bracket - Curtain - Woven Wood - Left |
| ** | 079798-03-000 | EA | Bracket Asm. - Curtain Rod - Right |
| ** | 079798-04-000 | EA | Bracket Asm. - Curtain Rod - Left |
| ** | 082249-01-000 | EA | Bracket - Blinds - Beige - Right |
| ** | 082249-02-000 | EA | Bracket - Blinds - Beige - Left |
| ** | 079619-01-000 | EA | Bracket - Tie Down |
| ** | 009107-01-000 | EA | Guide - Nylon Snap - Curtain |
| ** | 056784-01-000 | EA | Pull - Window Shade - Antique Brass |
| ** | 056115-01-000 | YD | Tape - Clear Plastic - w/Guide |
| ** | 048394-01-000 | YD | Tape - Hook - 1" x 25 YD - Beige |
| ** | 029096-05-000 | YD | Tape Hook - 50" - Velcro - Beige |
| ** | 048395-01-000 | YD | Tape Loop - 1" x 25 YD - Beige |
| ** | 029090-01-000 | FT | Tie - Drapery - Clear Vinyl |

PANELING & COUNTERTOP MATERIAL

| Key | Part Number | U/M | Description |
|-----|---------------|-----|---|
| ** | 074497-03-000 | SF | Paneling - Decor - Sunset Oak - 48" x 84" (28 SF) (Cabinets & Wall) |
| ** | 074496-31-000 | SF | Paneling - Decor - Encore - 48" x 84" (28 SF) (Bedroom & Bath) |
| ** | 074496-38-000 | SF | Paneling - Decor - Paw Paw - Plym - 48" x 84" (28 SF) (Galley) (U01, U02) |
| ** | 074496-39-000 | SF | Paneling - Decor - Paw Paw - Pine - 48" x 84" (28 SF) (Galley) (U03) |
| ** | 074497-07-000 | SF | Paneling - Pebble Beach - 48" x 96" (32 SF) (Ceiling) |
| ** | 074498-05-000 | SF | Plastic Laminate - Sunset Oak - 48" x 96" (32 SF) (Nightstand) |
| ** | 074498-05-019 | EA | Plastic Laminate - Sunset Oak - 1 1/2' x 96" |
| ** | 076325-04-000 | FT | Molding - Edge Band - Sunset Oak - 1 1/2' x 96" |
| ** | 074498-08-000 | SF | Plastic Laminate - Fawn - 48" x 96" (32 SF) (Dinette Table) (U01, U02) |
| ** | 074498-08-019 | EA | Plastic Laminate - Fawn - 1 1/2' x 96" |
| ** | 076325-08-000 | FT | Molding - Edge Band - Fawn - 1 1/2' x 96" |
| ** | 074498-14-000 | SF | Plastic Laminate - Sage Green - 48" x 96" (32 SF) (Dinette Table) (U03) |
| ** | 074498-14-019 | EA | Plastic Laminate - Sage Green - 1 1/2' x 96" |
| ** | 076325-10-000 | FT | Molding - Edge Band - Sage Green - 1 1/2' x 96" |
| ** | 074498-06-000 | SF | Plastic Laminate - Beige Crescent - 48" x 96" (32 SF) (Galley) |
| ** | 074498-06-019 | EA | Plastic Laminate - Beige Crescent - 1 1/2' x 96" |

1986 WINNEBAGO TABLE OF CONTENTS

| | |
|------------|-------------|
| WT319RB | A-01 - B-16 |
| WC/WF421RB | B-17 - D-18 |
| WC424RB | D-19 - F-20 |

1986 WC/WF421RB INDEX

| | |
|-----------------------------------|-------------|
| Floor Plan | B-17 - B-18 |
| Accessories Group | B-19 - B-21 |
| Bath Group | B-22 |
| Chassis Group | B-23 - B-24 |
| Curtain, Cushion & Pad Group | C-01 - C-07 |
| Dinette Group | C-08 |
| Driver's Compartment Group | C-09 - C-11 |
| Electrical Group | C-12 - C-14 |
| Exterior Body Group | C-15 - C-21 |
| Galley Group | C-22 - C-23 |
| Heating & Air Conditioning Group | C-24 |
| Interior Finish Group | D-01 - D-03 |
| LP Group | D-04 |
| Lounge Group | D-05 |
| Water & Sewage Group | D-06 - D-07 |
| Window Vent & Exterior Door Group | D-08 - D-18 |

INTERIOR FINISH GROUP (CONTINUED)

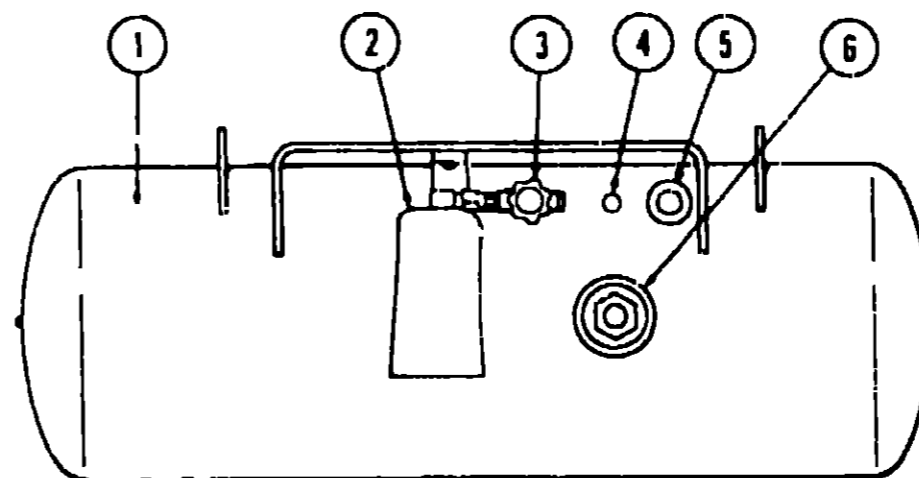
INTERIOR MOLDING & TRIM

| Key | Part Number | U/M | Description |
|-----|---------------|-----|---|
| | 009812-15-000 | EA | Molding - Plastic - Outside Corner - 1/2" |
| | 042357-09-000 | FT | Molding - Radius Corner - 7" Elm |
| | 022992-01-000 | FT | Molding - Reverse Cove - White |
| | 022992-08-000 | FT | Molding - Reverse Cove - Champagne White |
| | 069733-37-000 | EA | Batt Strip - Sunset Oak - 8" (Lounge) |
| | 069733-57-000 | EA | Batt Strip - Encore - 8" (Bedroom) |
| | 069733-62-000 | EA | Batt Strip - Pebble Beach - 8" (Ceiling) |
| | 067733-61-000 | EA | Batt Strip - Threads - 8" (Galley) |
| | 070504-01-000 | FT | U-Channel - 065" - Light Brown |
| | 070504-02-000 | FT | U-Channel - 815" - Light Brown |
| | 070504-03-000 | FT | U-Channel - 815" - Grady Brown |
| | 0C3778-04-000 | FT | U-Channel - 1" - Grady Brown |
| | 009815-03-000 | FT | T-Molding - .75" - Light Brown |
| | 009815-04-000 | FT | T-Molding - .75" - Grady Brown |
| | 0J3620-01-000 | FI | T-Molding - 3/4 w/Edge Lips |
| | 075249-01-000 | EA | Rail Asm - Plain - 72" |
| | 075250-01-000 | EA | Corner Post - 1" x 1" x 2 1/2" - Oak |
| | 078026-21-T03 | EA | Trim - Valance - 82" |
| | 002774-02-001 | EA | Trim - Carcet - 192" |
| | 009767-06-000 | FT | Welling - Beige |
| | 0C9767-07-000 | FT | Welling - Grady Brown |
| | 074045-01-000 | EA | Plug - 1 2" Dia - Oak |
| | 041746-01-000 | FT | Vinyl - Extr - Bubble Seal |

FABRICS & CARPET

| Key | Part Number | U/M | Description |
|-----|---------------|-----|--|
| | 072333-25-000 | YD | Fabric - Drapery - Toast (U01) |
| | 072333-26-000 | YD | Fabric - Drapery - Mauve (U02) |
| | 072333-27-000 | YD | Fabric - Drapery - Teal (U03) |
| | 077498-62-000 | YD | Fabric w/Pattern - Main - Truffle (U01) |
| | 077498-63-000 | YD | Fabric w/Pattern - Main - Rosewood (U02) |
| | 077498-64-000 | YD | Fabric w/Pattern - Main - Spruce (U03) |
| | 077498-75-000 | YD | Fabric w/Pattern - Accent - Primrose (U02) |
| | 077498-74-000 | YD | Fabric w/Pattern - Accent - Sagebrush (U03) |
| | 077498-73-000 | YD | Fabric - Upholstery Accent - Plain - Truffle (U01 U03) |
| | 077498-72-000 | YD | Fabric - Upholstery Accent - Plain - Rosewood (U02) |
| | 038421-01-000 | YD | Fabric - Mattress Ticking |
| | 029012-01-000 | BF | Foam - Rolled - 3 8' |
| | 079680-01-000 | YD | Vinyl - Expanded - 26 oz - Buckskin |
| | 079680-02-000 | YD | Vinyl - Expanded - 26 oz - Dark Sandrift |
| | 072860-43-000 | YD | Carpet - Beige (U01) |
| | 072860-44-000 | YD | Carpet - Red Brown (U02) |
| | 072860-45-000 | YD | Carpet - Green Blue (U03) |

LP GROUP



| Key | Part Number | U/M | Description |
|-----|---------------|-----|---|
| 1 | 080450-01-000 | EA | Tank Asm - LP - Frame Mount - 42 Pound - 13" x 24" |
| " | 065741-01-000 | EA | Detector - LP Gas Leak - Marshalltown Instruments |
| 2 | 076277-01-000 | EA | Cover - LP Regulator - Front (Dual) |
| " | 076278-01-000 | EA | Cover - LP Regulator - Back (Dual) |
| " | 076301-01-000 | EA | Regulator - Two Stage - US (Dual) |
| " | 076301-02-000 | EA | Regulator - Two Stage - CSA (Dual) |
| 3 | 040421-01-703 | EA | Valve - Vapor Relief |
| 4 | 040421-01-700 | EA | Gauge - Liquid Level - 20% LP |
| 5 | 040421-01-701 | EA | Valve - Filler - LP |
| " | 040421-01-702 | EA | Cap - Plastic Fill Valve |
| 6 | 040421-01-707 | EA | Gauge - Float - w/Visible Dial |
| " | 040421-01-706 | EA | Dial - Visible Face - Float Gauge (Tank w/o Electric Transmitter) |
| " | 040440-01-000 | FA | Dial - Transmitter - 0 - 90 Ohm (Float Gauge) |
| " | 045703-01-000 | EA | Hose Asm - LP - 3/8" I D x 24" - US |
| " | 045703-02-000 | EA | Hose Asm - LP - 3/8" I D x 24" - CSA |
| " | 045703-03-000 | EA | Hose Asm - LP - 3/8" I D x 18" - US |
| " | 045703-04-000 | EA | Hose Asm - LP - 3/8" I D x 14" - CSA |
| " | 065959-01-000 | EA | Housing - LP Gauge |
| " | 065742-01-000 | EA | Tee - 3/8 F x 3/8 F x 25 FPT |
| " | | | Not illustrated |

**1986 WINNEBAGO
TABLE OF CONTENTS**

| | |
|------------|-------------|
| WT319RB | A-01 - B-16 |
| WC/WF421RB | B-17 - D-18 |
| WC424RB | D-19 - F-20 |

1986 WC/WF421RB INDEX

| | |
|------------------------------------|-------------|
| Floor Plan | B-17 - B-18 |
| Accessories Group | B-19 - B-21 |
| Bath Group | B-22 |
| Chassis Group | B-23 - B-24 |
| Curtain, Cushion & Pad Group | C-01 - C-07 |
| Dinette Group | C-08 |
| Driver's Compartment Group | C-09 - C-11 |
| Electrical Group | C-12 - C-14 |
| Exterior Body Group | C-15 - C-21 |
| Galley Group | C-22 - C-23 |
| Heating & Air Conditioning Group | C-24 |
| Interior Finish Group | D-01 - D-03 |
| LP Group | D-04 |
| Lounge Group | D-05 |
| Water & Sewage Group | D-06 - D-07 |
| Window, Vent & Exterior Door Group | D-08 - D-16 |

LOUNGE GROUP

CORNER CABINETS

| Key | Part Number | U/M | Description |
|-----|---------------|-----|---|
| | 080801-01-000 | EA | Cabinet Asm. - Overhead - Entrance Door |
| | 081280-08-U01 | EA | Pad Asm - End Cap - Entrance Overhead - Vinyl |
| | 077663-03-T03 | EA | Glass Holder - Overhead |

WATER & SEWAGE GROUP

HOLDING TANKS & WATER HEATER

| Key | Part Number | U/M | Description |
|-----|--|-----|---|
| | 081767-02-000 | EA | Tank Asm. - Water - 34 Gallon |
| | 081767-01-000 | EA | Tank - Water - 34 Gallon - w/o Fitting |
| | 074870-01-000 | EA | Tank - Holding - 30 Gallon - w/o Fitting |
| | 074861-01-000 | EA | Tank - Holding - 35 Gallon - w/o Fitting |
| ** | 051391-01-000 | EA | Water Heater - w/o Motor Aid - Atwood - G6A-3 |
| ** | 051391-03-000 | EA | Water Heater - w/Motor Aid - Atwood - G6A-3A |
| ** | 051393-01-000 | EA | Water Heater - w/Motor Aid - Direct Ignition - G6A-3A |
| ** | The illustrated parts breakdown for this item is provided on the Common Items Fiche. | | |

1986 WINNEBAGO TABLE OF CONTENTS

| | |
|------------|-------------|
| WT319RB | A-01 - B-16 |
| WC/WF421RB | B-17 - D-18 |
| WC424RB | D-19 - F-20 |

PLUMBING & REPAIR PARTS

| Key | Part Number | U/M | Description |
|-----|---------------|-----|--|
| | 033302-02-000 | EA | Adapter Asm - SWVC Strain - 1 1/2" |
| | 010326-01-000 | EA | Adapter - Flare - w/Cone Gasket |
| | 062422-01-000 | EA | Adapter - Hose Offset - Reducer - 3" x 1 1/2" |
| | 052954-01-000 | EA | Adapter - Hose Cone - 3/8 or 1/2 - Plastic |
| | 010224-01-000 | EA | Adapter - Plastic - 3/8 MPT x 3/8 Barb |
| | 044927-01-000 | EA | Adapter - Plastic - 1 1/4" MPT x 1 1/4 Barb |
| | 031602-02-000 | EA | Adapter - Plastic - 1 1/2 H x FPT |
| | 062417-01-000 | EA | Adapter - Termination - 3" |
| | 004020-01-000 | QT | Adhesive - ABS Cement |
| ** | 011046-04-000 | EA | Breaker - Vacuum - 1/8 MPT - Nylon |
| ** | 010121-01-000 | EA | Bushing - Plastic - 1 1/2 S x 1 1/4 H |
| | 010122-01-000 | EA | Bushing - Plastic - 1 1/2 S x 1 1/4 T |
| | 010123-01-000 | EA | Bushing - Plastic - 2S x 1 1/2 H |
| | 036522-02-000 | EA | Cap - Brass - 1/2 Flare |
| | 062415-01-000 | EA | Cap - Sewer - 3" |
| | 052959-02-000 | EA | Connector - 1/2 F x 1/2 MPT - Plastic |
| | 052959-03-000 | EA | Connector - 1/2 F x 3/8 MPT - Plastic |
| | 011091-02-000 | EA | Continuous Waste - Double Sink - 11 7/8" - US |
| | 053874-01-000 | EA | Continuous Waste Asm - Double Sink - CSA |
| | 078406-01-000 | EA | Coupler Rubber - 3" x 3" |
| | 052960-01-000 | EA | Drain Valve - 1/2 F x 1/2 F - Plastic |
| | 010000-01-000 | EA | Elbow - Plastic - 1/8 BD x 1 1/4 x 45° H x H |
| | 010005-01-000 | EA | Elbow - Plastic - 1/8 BD x 1 1/2 |
| | 010006-01-000 | EA | Elbow - Plastic - 1/8 BD x 1 1/2 x 45° H x H |
| | 010008-01-000 | EA | Elbow - Plastic - 1/4 BF x 1 1/2 x 90° Left |
| | 010051-01-000 | EA | Elbow - ST - Plastic - 1/8 BD x 1 1/2 x 45° |
| | 010219-01-000 | EA | Elbow - 1 1/4 Barb x 1 1/4 MPT x 90° |
| | 031111-01-000 | EA | Elbow - Plastic - 1/4 BD x 1 1/4 x 90° Left |
| | 034250-01-000 | EA | Elbow - Plastic - 1/4 BD x 1 1/2 x 90° x 1/4 x H |
| | 035539-01-000 | EA | Elbow - Plastic - 3/8 MPT x 3/8 Barb |
| | 052957-01-000 | EA | Elbow - Plastic - 1/2 F x 3/8 MPT |
| | 052957-02-000 | EA | Elbow - Plastic - 1/2 F x 1/2 MPT (In Tank Filter) |
| | 059536-01-000 | EA | Elbow - 1 1/4 - Slip Joint Ends |
| | 065120-01-000 | EA | Elbow - Plastic - Swivel - 50 |
| | 070924-01-000 | EA | Elbow - Plastic - Swivel - 1/2 MPT x 1/2 FP |
| | 077954-01-000 | EA | Filter Screen (In Water Tank) |
| | 039647-02-000 | EA | Filter - Water Pump - 1/2" MPT |
| | 039647-03-000 | EA | Filter - Water Pump - 1/2" Flare |
| | 010147-01-000 | EA | Flange - Closet - 4" F x 3" FPT - US |
| | 010147-02-000 | EA | Flange - Closet - 4" F x 3" FPT - CSA |
| | 079381-01-000 | FT | Flexible Tubing - 1 1/4 I.D. x 10 |
| | 061607-01-000 | EA | Grommet - Holding Tank Coupler - 1 1/2" |
| | 061607-02-000 | EA | Grommet - Holding Tank Coupler - 3" |
| | 062419-02-000 | EA | Handle - Extension w/6 Adapter |
| ** | 052961-01-000 | EA | Header - 1/2 F x 1/2 F x 1/2 F x 1/2 F |
| ** | 046524-01-000 | EA | Kit - Holding Tank Fittings - Blank Tank |
| ** | 046524-01-000 | EA | Kit - Water Tank Fittings - Blank Tank |
| | 052953-01-000 | EA | Nut - Facet - 1/2 Tube x 1/2 FPT |
| | 052952-01-000 | EA | Nut - 1/2 F - Plastic |

1986 WC/WF421RB INDEX

| | |
|------------------------------------|-------------|
| Floor Plan | B-17 - B-18 |
| Accessories Group | B-19 - B-21 |
| Bath Group | B-22 |
| Chassis Group | B-23 - B-24 |
| Curtain, Cushion & Pad Group | C-01 - C-07 |
| Dinette Group | C-08 |
| Driver's Compartment Group | C-09 - C-11 |
| Electrical Group | C-12 - C-14 |
| Exterior Body Group | C-15 - C-21 |
| Galley Group | C-22 - C-23 |
| Heating & Air Conditioning Group | C-24 |
| Interior Finish Group | D-01 - D-03 |
| LP Group | D-04 |
| Lounge Group | D-05 |
| Water & Sewage Group | D-06 - D-07 |
| Window, Vent & Exterior Door Group | D-08 - D-18 |

WATER & SEWAGE GROUP (CONTINUED)

PLUMBING & REPAIR PARTS (CONT.)

| Key | Part Number | U/M | Description |
|-----|---------------|-----|--|
| ** | 011066-03-000 | EA | P-Trap - 1 1/4" Plastic - US |
| ** | 011066-02-000 | EA | P-Trap - 1 1/4" Plastic - CSA |
| | 053335-01-000 | EA | P-Trap - Plastic - 1 1/4 H x H - w: Union - CSA |
| | 010197-01-000 | FT | Pipe - Plastic - 3" x 240" - Black |
| | 045729-01-000 | EA | Pump - Water - 2 8 G P.M. - Direct Drive - Shurflo - US |
| | 045729-02-000 | EA | Pump - Water - 2 8 G.P.M. - Direct Drive - Shurflo - CSA |
| ** | 010201-01-000 | EA | Sewer Hose - 3" x 8' w:Clamp |
| | 042989-02-000 | EA | Spinweld Fittings - Plastic - 1/2 FPT (In Tank Fitter) |
| | 042989-03-000 | EA | Spinweld Fittings - Plastic - 1/4 NPT |
| | 042989-04-000 | EA | Spinweld Fittings - Plastic - 3/8 FPT |
| | 011069-02-000 | EA | Tailpiece - 1 1/2" x 1 1/4" x 4" - Brass |
| | 010071-01-000 | EA | Tee - Plastic - 1 1/2 x H x H x H |
| | 010072-01-000 | EA | Tee - Plastic - 1 1/2 H x 1 1/4 H x 1 1/2 H |
| ** | 010079-01-000 | EA | Tee - Plastic - 1 1/2 H x 1 1/2 H x 1 1/4 H |
| | 046172-01-000 | EA | Tee - Plastic - 3/8 B x 3/8 B x 3/8 MPT |
| | 052955-01-000 | EA | Tee - Plastic - 1/2 F x 1/2 F x 1/2 MPT |
| | 052956-01-000 | EA | Tee - Plastic - 1/2 F x 1/2 MPT x 1/2 F |
| | 052958-01-000 | EA | Tee - Plastic - 1/2 F x 1/2 F x 1/2 F |
| ** | 010133-01-000 | EA | Trap Adapter - Plastic - 1 1/2 H x MPT |
| | 039800-01-000 | FT | Tubing - Polybutyl - 1 2 O D (Water Line) |
| | 074346-02-000 | FT | Tubing - Vinyl - 1 2 O D (Water Line) |
| | 072346-01-000 | EA | Valve Asm - 3" Ell - w:2" Socket |
| | 062418-02-000 | EA | Valve - 1 1/2" - w Handle |
| | 062418-02-000 | EA | Valve - 3" - w o Handle |
| | 052960-01-000 | EA | Valve - Line Drain - 1 2 F x 1 2 F |
| | 052962-01-000 | EA | Valve - Stool - 90° - 1 2 F x 3/8 MPT |
| | 010073-01-000 | EA | Wye - Plastic - 1 1 2 x 45 H x H |

** The illustrated parts breakdown for this item is provided on the Common Items Fiche.

WINDOW, VENT & EXTERIOR DOOR GROUP

ACCESS DOORS

| Key | Part Number | U/M | Description |
|-----|---------------|-----|---|
| | 079455-06-T95 | EA | Door Asm. - Battery - 9" x 21.7" |
| | 083264-01-000 | EA | Door Asm - Storage |
| | M79321-01-T03 | EA | Door Asm. - Generator |
| | 079455-03-U01 | EA | Door Asm - LP - 9.5" x 21.7" |
| | M02047-01-T95 | EA | Door Panel Asm. - Tire Cover |
| | 079149-01-T03 | EA | Door Asm - Luggage - Off White |
| | 078969-02-T95 | EA | Door Asm - Refrigerator Access - w/Twist Lock - Off White |
| | 052009-01-000 | EA | Door Asm. - Water Heater - Off White |
| | 052423-01-000 | EA | Door Asm. - Sewage |
| | 078010-03-000 | EA | Door - Fuel Fill - Off White |
| | 063742-01-000 | EA | Door - Power Cord - Off White |
| | 052424-01-000 | EA | Jamb - Power Cord/Fuel Fill Door - Off White |
| | 054543-01-000 | EA | Hatch - Power Cord Door |
| | 052181-01-000 | EA | Baffle - Generator Door |
| | 054530-01-000 | EA | Door Holder |
| | 041312-01-000 | EA | Seal - Bulb - "E" Section |
| | 042442-01-000 | EA | Lock Asm. - Twist Type |
| | 009003-01-000 | EA | Lock Asm - Twist Type - w/Clip (Battery Door) |
| | 047305-01-000 | EA | Lock Asm - Key Type w.Clip - Metal (LP) |
| | 077408-02-000 | EA | Lock Asm - Key Type |
| | 079366-01-000 | EA | Lock Asm - Key Type |
| | 079927-01-000 | EA | Lock Asm. - Twist Type |
| | 052951-01-000 | EA | Clip - Twist Lock - Retainer |
| | 052950-01-700 | EA | Lock Asm - Twist Type - White |
| | 079246-01-000 | EA | Jamb Asm - Generator Door |

VENTS

| Key | Part Number | U/M | Description |
|-----|---------------|-----|---|
| | 084073-04-000 | EA | Base - Refrigerator Vent - Off White |
| | 084073-01-000 | EA | Roof Vent - Refrigerator - Off White |
| * | 048835-01-000 | EA | Vent Asm - Roof - Non-Powered - w/o Screen - Aluminum |
| * | 048789-01-000 | EA | Vent Asm - Roof - Powered - w/o Screen - Aluminum |
| | 079355-08-000 | EA | Vent - Stovehood - Outside - Off White |
| | 078785-01-T03 | EA | Screen Asm - Roof Vent - Powered |
| * | 078786-01-T03 | EA | Screen Asm - Roof Vent - Non Powered |

* The illustrated parts breakdown for this item is provided on the Common Items Fiche

**1986 WINNEBAGO
TABLE OF CONTENTS**

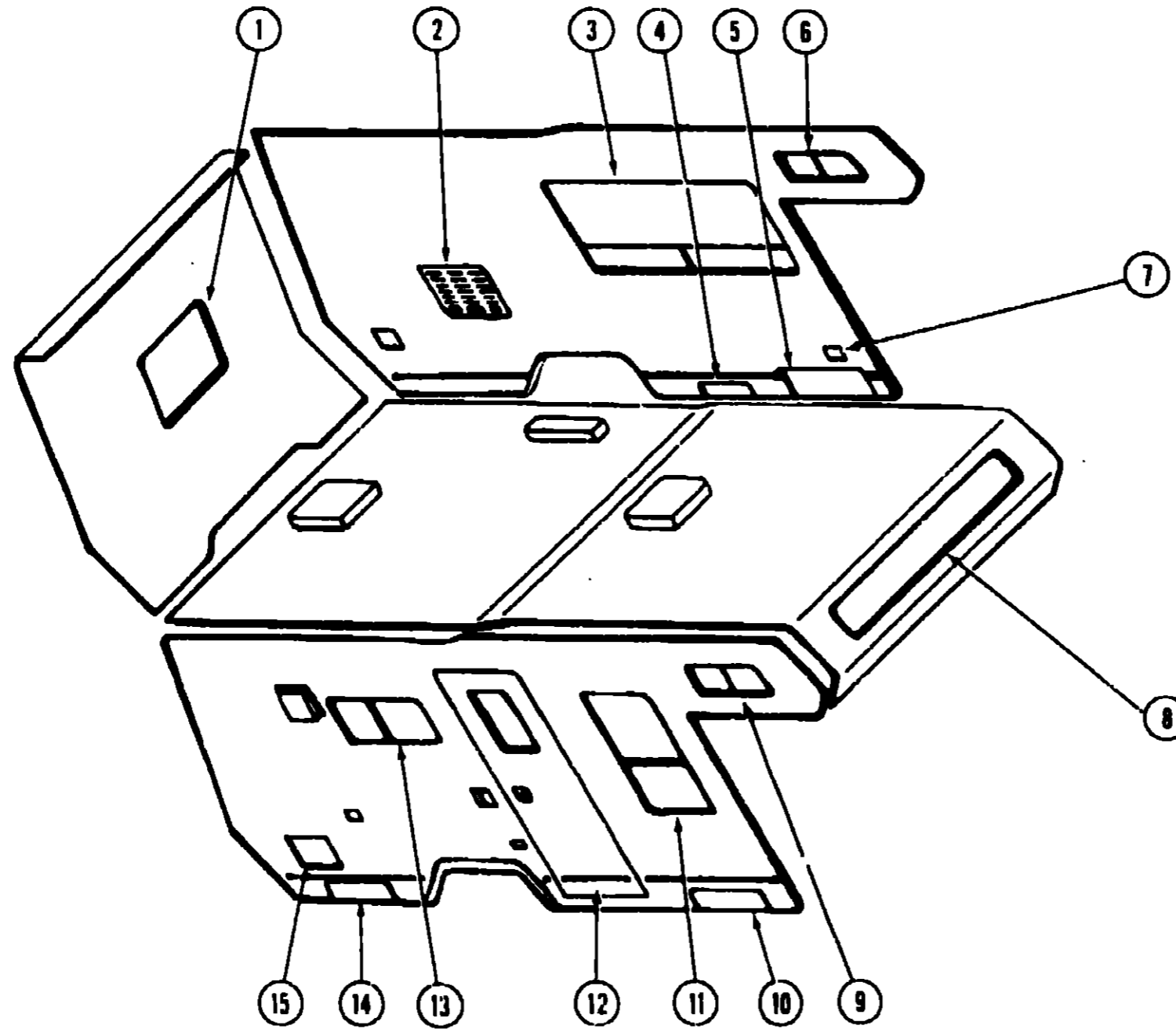
| | |
|------------|-------------|
| WT319RB | A-01 - B-16 |
| WC/WF421RB | B-17 - D-18 |
| WC424RB | D-19 - F-20 |

1986 WC/WF421RB INDEX

| | |
|-----------------------------------|-------------|
| Floor Plan | B-17 - B-18 |
| Accessories Group | B-19 - B-21 |
| Bath Group | B-22 |
| Chassis Group | B-23 - B-24 |
| Curtain, Cushion & Pad Group | C-01 - C-07 |
| Dinette Group | C-08 |
| Driver's Compartment Group | C-09 - C-11 |
| Electrical Group | C-12 - C-14 |
| Exterior Body Group | C-15 - C-21 |
| Galley Group | C-22 - C-23 |
| Heating & Air Conditioning Group | C-24 |
| Interior Finish Group | D-01 - D-03 |
| LP Group | D-04 |
| Lounge Group | D-05 |
| Water & Sewage Group | D-06 - D-07 |
| Window Vent & Exterior Door Group | D-08 - D-18 |

WINDOW, VENT & EXTERIOR DOOR GROUP (CONTINUED)

WINDOWS & ACCESS DOORS



| Key | Part Number | U/M | Description |
|-----|---------------|-----|---|
| 1 | 079415-01-T03 | EA | Window Asm - Escape |
| 2 | 078969-02-T95 | EA | Door Asm - Refrigerator Access |
| 3 | 081568-02-U01 | EA | Window Asm - Double Tipout |
| 4 | 079455-06-T95 | EA | Door Asm - Storage |
| 5 | M79149-01-T03 | EA | Door Asm - Generator |
| 6 | 078272-02-T03 | EA | Window Asm - Bunk |
| 7 | 063742-01-000 | EA | Door Asm - Power Cord |
| 8 | 078533-01-T03 | EA | Window Asm - Front Bunk |
| 9 | 078272-01-T03 | EA | Window Asm - Bunk |
| 10 | 079455-03-U01 | EA | Door Asm - LP |
| 11 | 078453-01-T03 | EA | Window Asm - Vertical Slider |
| 12 | M01870-02-J01 | EA | Door Asm - Entry w Screen Door |
| | M01870-04-T03 | EA | Door Asm - Entry w Screen Door - w o Window |
| | 079733-04-T03 | EA | Window Asm - Picture |
| 13 | 078266-02-T03 | EA | Window Asm - Slider |
| 14 | 083264-01-U01 | EA | Door Asm - Storage |
| 15 | 052009-01-000 | EA | Door Asm - Water Heater |
| | | | Not illustrated |

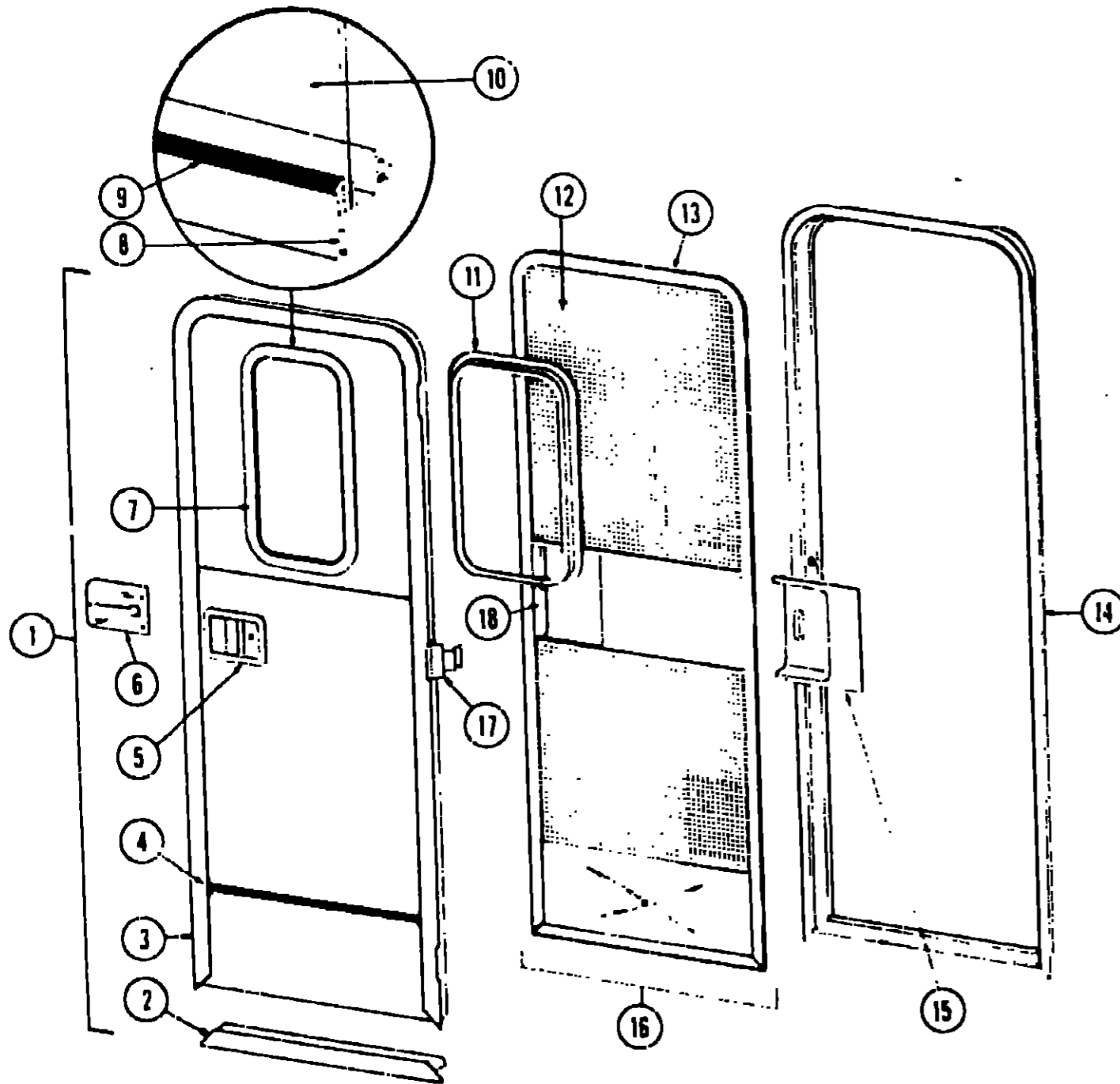
**1986 WINNEBAGO
TABLE OF CONTENTS**

WT319RB
WC/WF421RB
WC424RB

A-01 - B-16
B-17 - D-18
D-19 - F-20

1986 WC/WF421RB INDEX

| | |
|------------------------------------|-------------|
| Floor Plan | B-17 - B-18 |
| Accessories Group | B-19 - B-21 |
| Bath Group | B-22 |
| Chassis Group | B-23 - B-24 |
| Curtain, Cushion & Pad Group | C-01 - C-07 |
| Dinette Group | C-08 |
| Driver's Compartment Group | C-09 - C-11 |
| Electrical Group | C-12 - C-14 |
| Exterior Body Group | C-15 - C-21 |
| Galley Group | C-22 - C-23 |
| Heating & Air Conditioning Group | C-24 |
| Interior Finish Group | D-01 - D-03 |
| LP Group | D-04 |
| Lounge Group | D-05 |
| Water & Sewage Group | D-06 - D-07 |
| Window, Vent & Exterior Door Group | D-08 - D-18 |



ENTRANCE & SCREEN DOOR

| Key | Part Number | U/M | Description |
|-----|---------------|-----|--|
| 1 | M01870-06-U01 | EA | Door Asm. - Radius Entry w/Screen Door - w/o Window |
| 1 | M01870-02-U01 | EA | Door Asm. - Radius Entry w/Screen Door |
| 2 | 077998-01-000 | EA | Frame - Entry Door (Bottom Portion Only) |
| 3 | 078002-02-000 | EA | Frame - Entry Door (Except Bottom Portion) |
| 4 | 059576-03-000 | EA | Feature Strip w/o Insert - Extr. - 14" - Brown |
| | 001030-02-003 | EA | Insert - Feature Strip - 17" - Stucco - Off White |
| | 009731-01-000 | EA | End Cap - Feature Strip |
| 5 | 045107-05-000 | EA | Paddle Asm. - Door Lock - Exterior |
| | 045017-05-700 | EA | Lock Cylinder w/Keys - Lynor |
| | 039539-01-000 | EA | Striker Bolt - Entry Door |
| | 039540-01-000 | EA | Latch Claw - Entry Door |
| | 039738-01-000 | EA | Dead Bolt - Entry Door |
| | 083205-01-000 | EA | Dead Bolt - Press Fit |
| 6 | 039979-01-000 | EA | Plate - Inside Lock - Includes Inside Handle |
| | 052186-01-000 | EA | Lock Asm. - Complete - Lynor |
| 7 | 079733-04-T03 | EA | Window Asm. - Picture - 17" x 25" - Black (w/o inside frame) |
| 8 | 069640-06-000 | FT | Ribbon Sealer - 5/16" Bead x 15' |
| 9 | 002309-02-000 | FT | Spline - Glass - 1/8" Black |
| 10 | 073113-01-000 | EA | Glass - Picture Window - 1/8" x 16.25" x 24" - Gray |
| 11 | 068752-01-000 | EA | Inside Frame - Beige (not included in assembly) |
| 12 | 002293-02-000 | SF | Screen - Window - 26" - Charcoal |
| 13 | 056795-02-000 | FT | Seal Tape - 1/8" x 3/8" - Press On |
| 14 | 078591-03-000 | EA | Jamb Asm. - Entrance Door |
| | 051049-01-000 | EA | Jamb - Entrance Door - Bottom |
| 15 | 079086-02-000 | EA | Slider - Screen Door - Light Oak Plastic |
| 16 | 079017-01-U01 | EA | Door Asm. - Screen |
| 17 | 079361-05-000 | EA | Hinge - Entrance Door (3 used per door) |
| 18 | 079081-01-000 | EA | Cap - Screen Door - Light Oak Plastic |
| | 009016-01-000 | EA | Catch - Elbow - Spring Loaded - Screen Door |
| | 039863-01-000 | EA | Catch Asm. - Single Roller w/Strike - Screen Door |
| | 076231-01-000 | EA | Spacer - Latch - Screen Door |
| | 077437-02-000 | EA | Strike - Roller Catch |
| | 058025-02-000 | EA | Clip - Roller Latch Catch |
| | 044582-02-000 | EA | Drip Cap - Off White |
| | 079278-01-000 | EA | Seal - Mocket - Entrance Door |
| | 073090-01-000 | FT | Seal - Entrance Door |
| | 075739-01-000 | EA | Stiffener - Entrance Door - Off White |
| | 075673-01-000 | FT | Seal - Pile - Adhesive Back |
| | 075671-01-000 | FT | Seal - Sponge - Lazy "T" Shaped |
| | 002294-01-000 | FT | Spline - Black - 135 x 138 (Screen Door) |
| | 079087-02-000 | EA | Strike - Screen Door |
| | 063729-04-000 | EA | Rivnut - 10-32 UNF - 010 - 080 |
| | 075639-01-000 | EA | Garnish - Radius - Entrance Door |
| | | | Not illustrated |

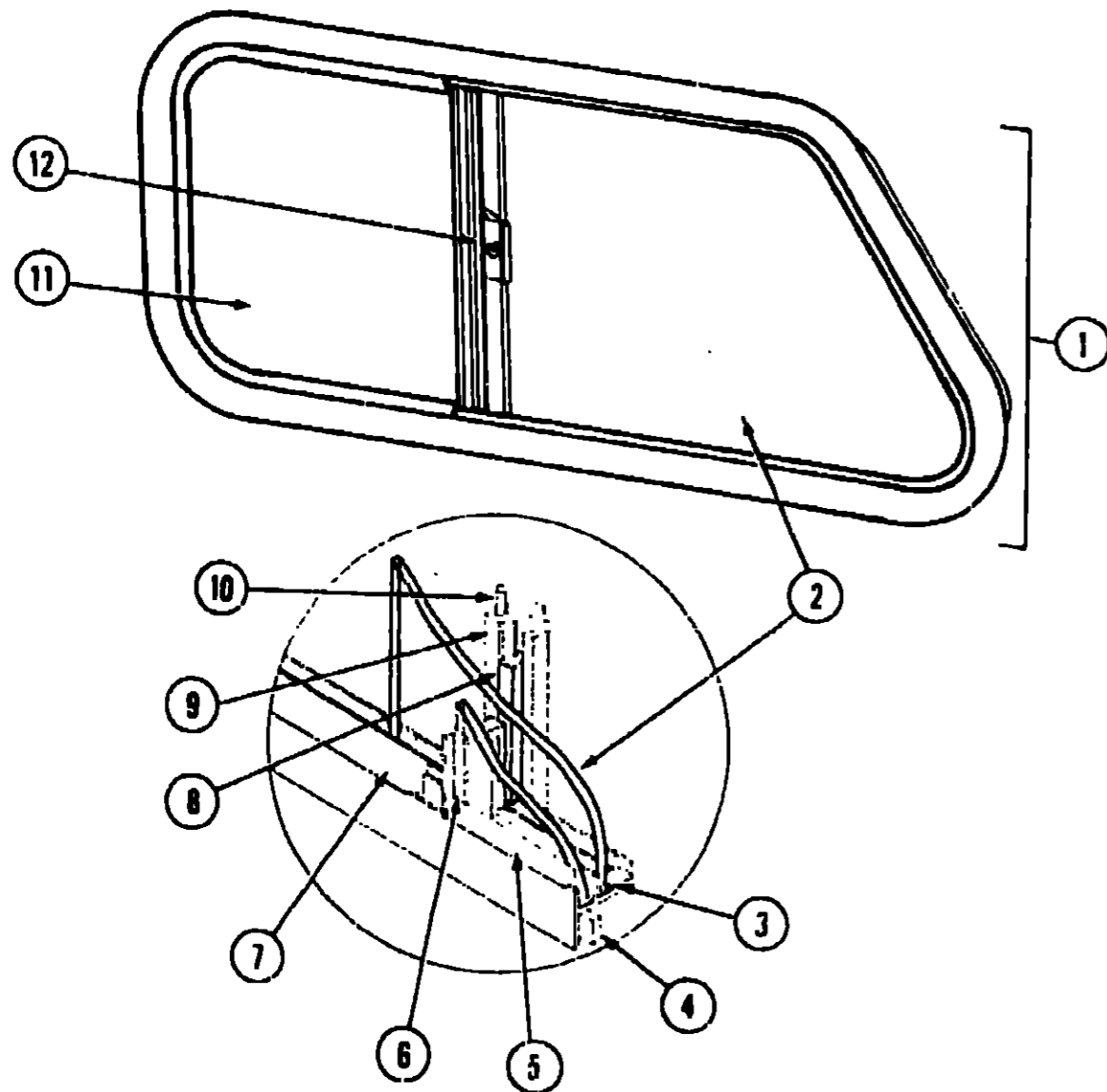
1986 WINNEBAGO
TABLE OF CONTENTS

| | |
|------------|-------------|
| WT319RB | A-01 - B-16 |
| WC/WF421RB | B-17 - D-18 |
| WC424RB | D-19 - F-20 |

1986 WC/WF421RB INDEX

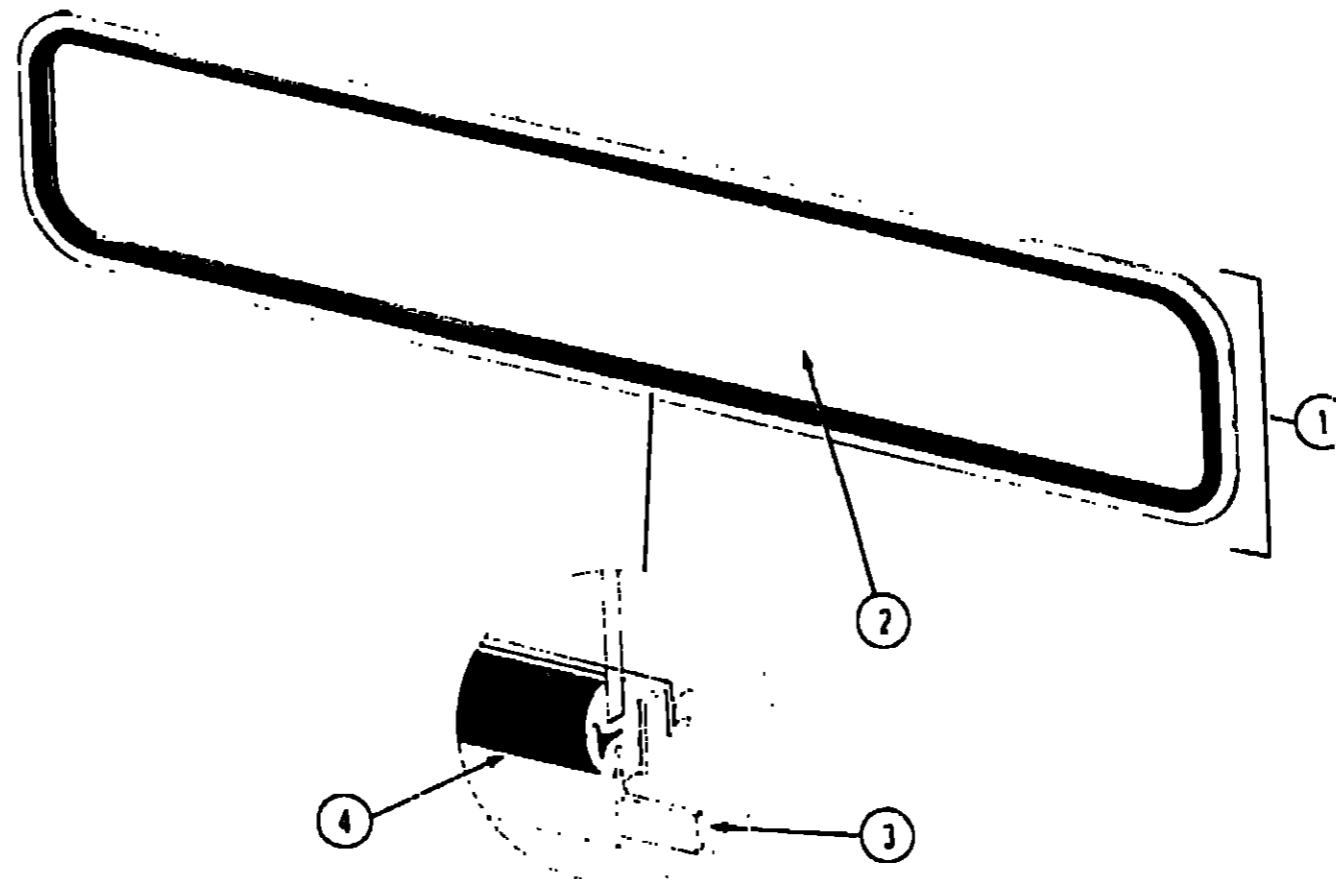
| | |
|------------------------------------|-------------|
| Floor Plan | B-17 - B-18 |
| Accessories Group | B-19 - B-21 |
| Bath Group | B-22 |
| Chassis Group | B-23 - B-24 |
| Curtain, Cushion & Pad Group | C-01 - C-07 |
| Dinette Group | C-08 |
| Driver's Compartment Group | C-09 - C-11 |
| Electrical Group | C-12 - C-14 |
| Exterior Body Group | C-15 - C-21 |
| Galley Group | C-22 - C-23 |
| Heating & Air Conditioning Group | C-24 |
| Interior Finish Group | D-01 - D-03 |
| I.P. Group | D-04 |
| Lounge Group | D-05 |
| Water & Sewage Group | D-06 - D-07 |
| Window, Vent & Exterior Door Group | D-08 - D-18 |

WINDOW, VENT & EXTERIOR DOOR GROUP (CONTINUED)



| Key | Part Number | U/M | Description |
|-----|---------------|-----|---|
| 1 | 078272-01-T03 | EA | Window Asm. - Bunk - Single Slider - Right (w/o inside frame) |
| | 083121-02-000 | EA | Inside Frame - Brown (not included in assembly) |
| 1 | 078272-02-T03 | EA | Window Asm. - Bunk - Single Slider - Left |
| | 083121-04-000 | EA | Inside Frame - Brown (not included in assembly) |
| 2 | 081980-01-000 | EA | Glass - Sliding - 1/8" x 11 9/8" x 11 9/8" |
| 3 | 002324-02-000 | FT | Channel - Weatherstrip - Glass Run - 1/8" Glass |
| 4 | 069640-06-000 | FT | Ribbon Sealer - 5/16" Bead x 15' |
| 5 | 002309-02-000 | FT | Spline - Glass - 1/8" Material - Black |
| 6 | M69886-03-005 | EA | Seal Holder w/Fin Seal - Black |
| 7 | 057374-02-000 | FT | Extr. Rubber - Window Seal - Black |
| 8 | 073740-01-000 | FT | Seal - Fin - Pile - .460" |
| 9 | 078562-05-000 | EA | Mullion - Slider Window - Black |
| 10 | 002298-02-000 | FT | Spline - 130" Dia - Charcoal (Screen) |
| 11 | 081983-01-000 | EA | Glass - Stationary - 1'0" x 11 9/8" x 10 4/2" |
| 12 | 047369-01-700 | EA | Latch Kit - Window - Plastic w/Fastener |
| | 002293-01-000 | SF | Screen - Window 16" - Charcoal |
| | 079204-01-000 | EA | Bracket - Mullion - Black |
| | | | Not illustrated |

WINDOW, VENT & EXTERIOR DOOR GROUP (CONTINUED)



| Key | Part Number | U/M | Description |
|-----|---------------|-----|--|
| 1 | 078533-01-T03 | EA | Window Asm. - Front Picture - 14" x 69" - Black (w/o inside frame) |
| | 041938-01-000 | EA | Inside Frame - Brown (not included in assembly) |
| 2 | 002200-02-000 | EA | Glass - TP - Picture Window |
| 3 | 069640-06-000 | FT | Ribbon Sealer - 5/16" Bead x 15' |
| 4 | 002281-01-000 | FT | Weatherstrip - Self Seal - .06" Panel x 3'16" - Black |
| | | | Not illustrated |

**1986 WINNEBAGO
TABLE OF CONTENTS**

WT319RB
WC/WF421RB
WC424RB

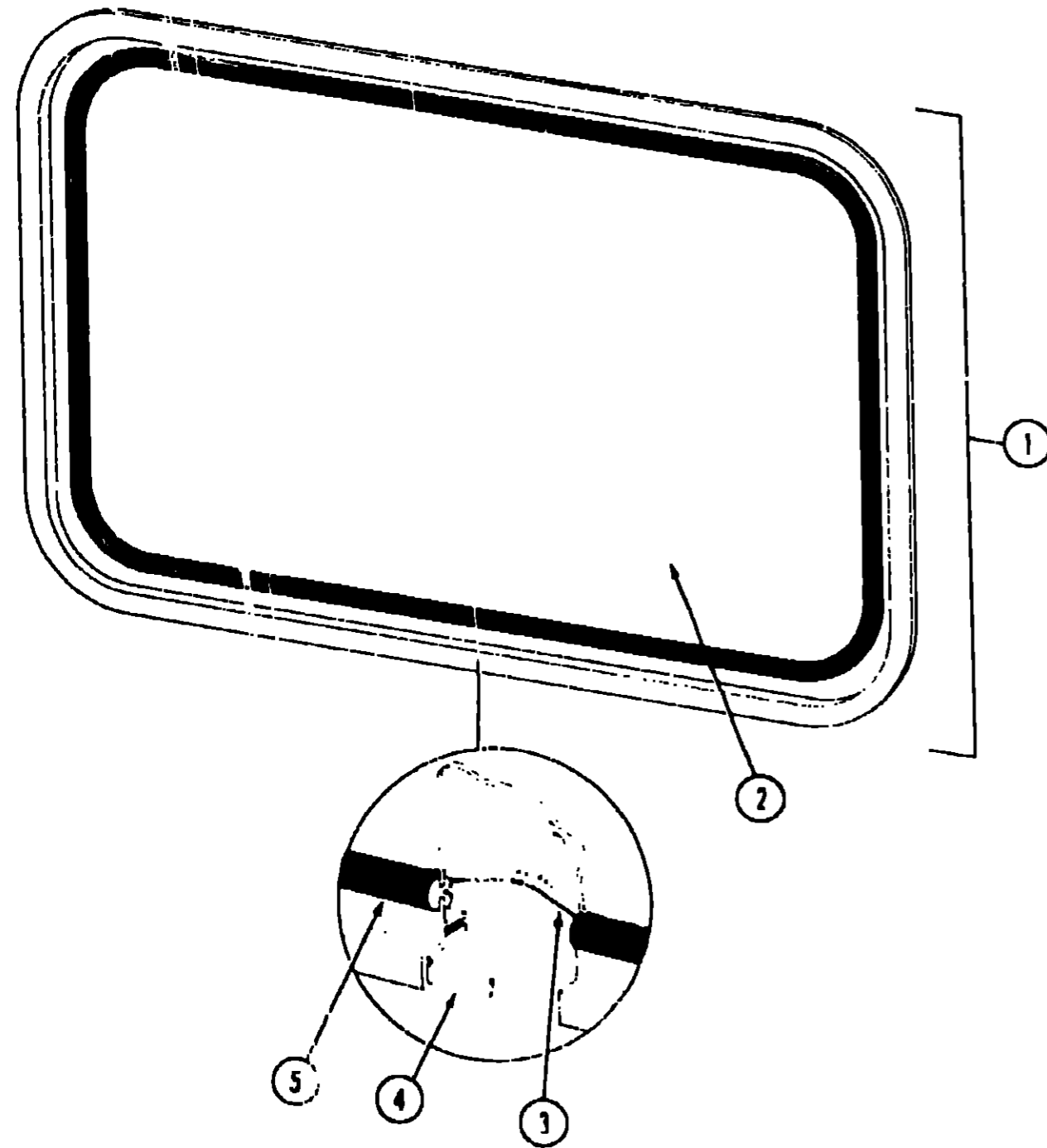
A-01 - B-16
B-17 - D-18
D-19 - F-20

1986 WC/WF421RB INDEX

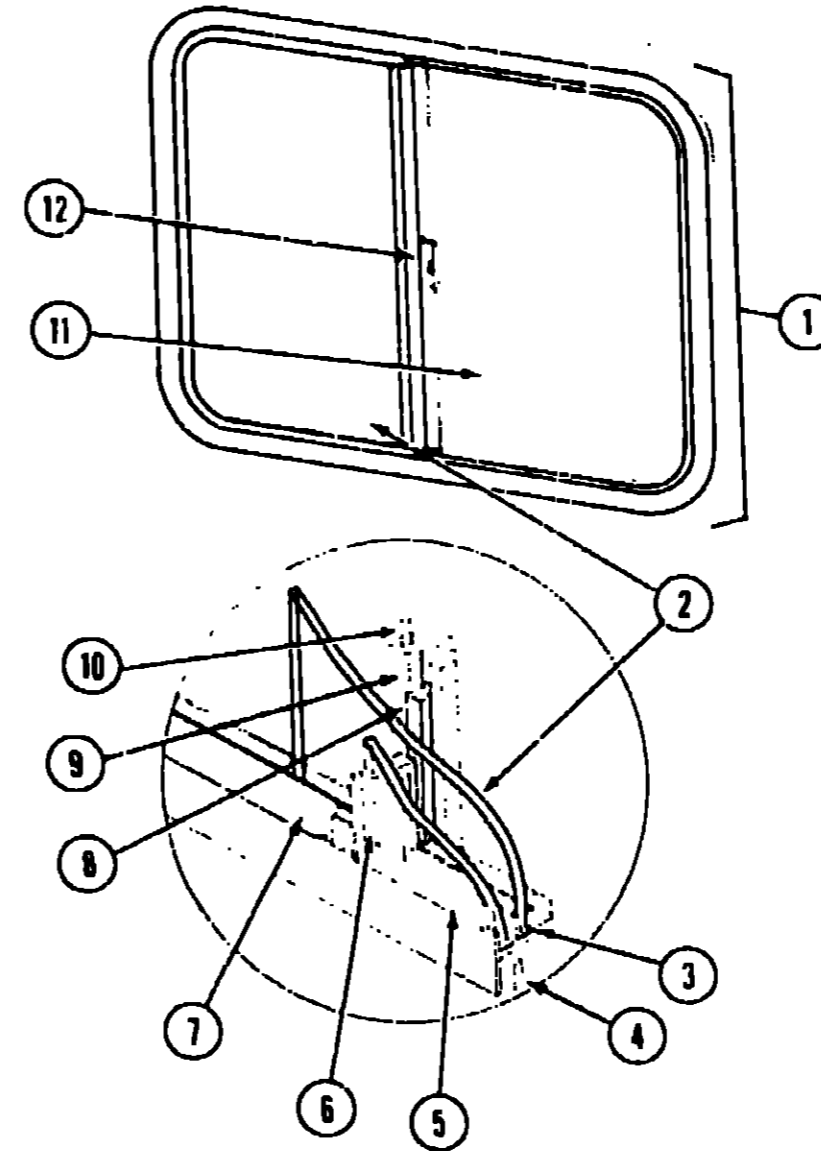
| | |
|------------------------------------|-------------|
| Floor Plan | B-17 - B-18 |
| Accessories Group | B-19 - B-21 |
| Bath Group | B-22 |
| Chassis Group | B-23 - B-24 |
| Curtain, Cushion & Pad Group | C-01 - C-07 |
| Dinette Group | C-08 |
| Driver's Compartment Group | C-09 - C-11 |
| Electrical Group | C-12 - C-14 |
| Exterior Body Group | C-15 - C-21 |
| Galley Group | C-22 - C-23 |
| Heating & Air Conditioning Group | C-24 |
| Interior Finish Group | D-01 - D-03 |
| I.P. Group | D-04 |
| Lounge Group | D-05 |
| Water & Sewage Group | D-06 - D-07 |
| Window, Vent & Exterior Door Group | D-08 - D-18 |

WINDOW, VENT & EXTERIOR DOOR GROUP (CONTINUED)

WINDOW, VENT & EXTERIOR DOOR GROUP (CONTINUED)



| Key | Part Number | U/M | Description |
|-----|---------------|-----|---|
| 1 | 079415-01-T03 | EA | Window Asm - Rear Escape - 23" x 29" - Black (w/o inside frame) |
| • | 020749-03-000 | EA | Inside Frame - Brown (not included in assembly) |
| 2 | 002174-02-000 | EA | Glass - 1.8" x 19.6" x 25.9" |
| 3 | 002285-01-000 | FT | Filter - Weatherstrip - Black |
| 4 | 069640-05-000 | FT | Ribbon Sealer - 5/16" Bead x 15' |
| 5 | 002282-01-000 | FT | Weatherstrip - 1.25" Window |
| • | 006199-01-000 | EA | Label - Exit - Escape Window |
| • | | | Not illustrated |



| Key | Part Number | U/M | Description |
|-----|---------------|-----|---|
| 1 | 078266-02-T03 | EA | Window Asm - Single Slider (w/o inside frame) |
| • | 083122-04-000 | EA | Inside Frame - Brown (not included in assembly) |
| 2 | 081980-05-000 | EA | Glass - Sliding - 1/8" x 19" x 13.68" |
| 3 | 002324-02-000 | FT | Channel - Weatherstrip - Glass Run - 1/8" Glass |
| 4 | 069640-06-000 | FT | Ribbon Sealer - 5/16" Bead x 15' |
| 5 | 002309-02-000 | FT | Spline - Glass - 1/8" Material - Black |
| 6 | M69886-03-011 | EA | Seal Holder w/Fin Seal - Black |
| 7 | 057374-02-000 | FT | Extr. Rubber - Window Seal - Black |
| 8 | 073740-01-000 | FT | Seal - Fin - Pile - 460" |
| 9 | 078562-02-000 | EA | Mullion - Slider Window - Black |
| 10 | 002298-02-000 | SF | Spline - 130" Dia - Charcoal (Screen) |
| 11 | 081984-03-000 | EA | Glass - Stationary - 1.8" x 19" x 12.30" |
| 12 | 047369-01-700 | EA | Latch Kit - Window - Plastic w Fastener |
| • | 079204-01-000 | EA | Bracket - Mullion - Black |
| • | 002291-02-000 | SF | Screen - Window 16" - Charcoal |
| • | | | Not illustrated |

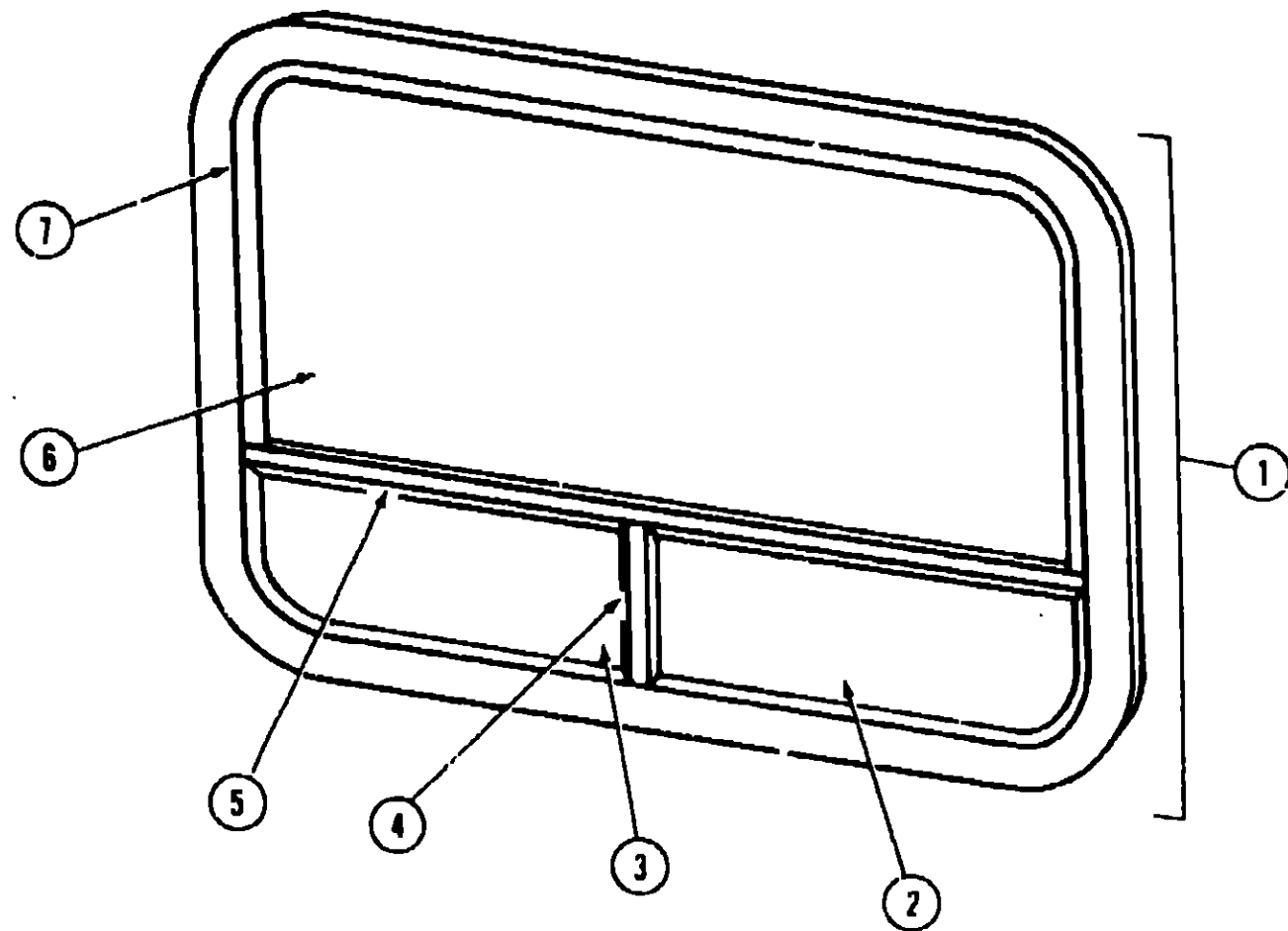
1986 WINNEBAGO
TABLE OF CONTENTS

| | |
|------------|-------------|
| WT319RB | A-01 - B-16 |
| WC/WF421RB | B-17 - D-18 |
| WC424RB | D-19 - F-20 |

1986 WC/WF421RB INDEX

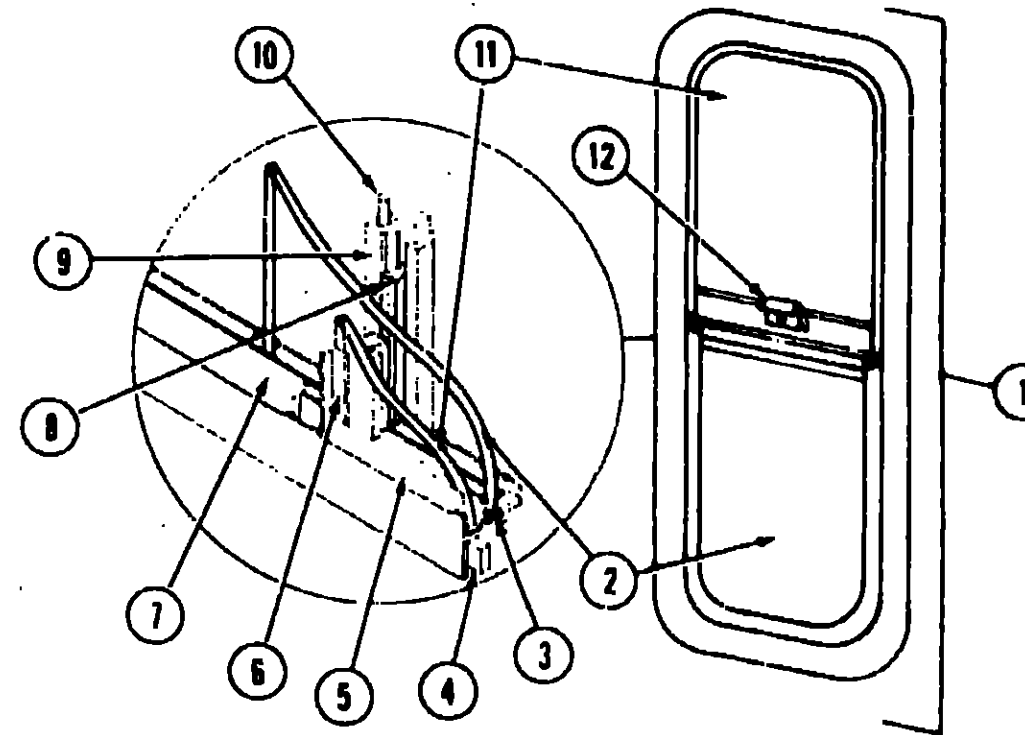
| | |
|------------------------------------|-------------|
| Floor Plan | B-17 - B-18 |
| Accessories Group | B-19 - B-21 |
| Bath Group | B-22 |
| Chassis Group | B-23 - B-24 |
| Curtain, Cushion & Pad Group | C-01 - C-07 |
| Dinette Group | C-08 |
| Driver's Compartment Group | C-09 - C-11 |
| Electrical Group | C-12 - C-14 |
| Exterior Body Group | C-15 - C-21 |
| Galley Group | C-22 - C-23 |
| Heating & Air Conditioning Group | C-24 |
| Interior Finish Group | D-01 - D-03 |
| LP Group | D-04 |
| Lounge Group | D-05 |
| Water & Sewage Group | D-06 - D-07 |
| Window, Vent & Exterior Door Group | D-08 - D-18 |

WINDOW, VENT & EXTERIOR DOOR GROUP (CONTINUED)



| Key | Part Number | U/M | Description |
|-----|---------------|-----|---|
| 1 | 081568-02-U01 | EA | Window Asm - 62" x 31" - Double Tipout (w/o inside frame) |
| | 081822-06-000 | EA | Inside Frame - Black (not included in assembly) |
| 2 | 018434-01-U01 | EA | Window Asm - Tipout - Right Hand |
| 3 | 081434-02-U01 | EA | Window Asm - Tipout - Left Hand |
| | 081239-07-000 | EA | Glass - Tipout - 1 8" x 30" x 8 3/4" - Left or Right |
| 4 | 083112-05-000 | EA | Mullion - Black |
| 5 | 081814-01-000 | EA | Mullion - Black |
| | 081422-01-U01 | EA | Screen Asm - Tipout - Right Hand |
| | 081422-02-U01 | EA | Screen Asm - Tipout - Left Hand |
| | 081243-01-000 | EA | Screen Clip - Plastic - Black |
| | 035302-01-000 | EA | Operating Mech - Right Hand |
| | 035302-02-000 | EA | Operating Mech - Left Hand |
| 6 | 081239-11-000 | EA | Glass - Stationary - 1 8" x 61 3/4" x 20 1/2" |
| 7 | 083180-01-000 | EA | Window Seal |
| | 081357-01-000 | EA | Bulb Seal (Tipout) |
| | 081359-01-000 | EA | Window Seal (Tipout) |
| | 002291-02-000 | SF | Screen - Window - 16" - Charcoal |
| | 002298-02-000 | FT | Spline - 130 Dia - Charcoal |
| | | | Not illustrated |

WINDOW, VENT & EXTERIOR DOOR GROUP (CONTINUED)



| Key | Part Number | U/M | Description |
|-----|---------------|-----|--|
| 1 | 078453-01-T03 | EA | Window Asm. - Vertical Slider - 37" x 15" - Black (w/o inside frame) |
| | 083122-02-000 | EA | Inside Frame - Brown (not included in assembly) |
| 2 | 081980-03-000 | EA | Glass - Slider - 1 8" x 14 1/4" x 19" |
| 3 | 002324-02-000 | FT | Channel - Weatherstrip - Glass Run - 1 8" Glass |
| 4 | 069640-06-000 | FT | Ribbon Sealer - 5.16" Bead x 15' |
| 5 | 002309-02-000 | FT | Spline - Glass - 1 8" Material - Black |
| 6 | M69886-03-007 | EA | Seal Holder w Fin Seal - Black |
| 7 | 057374-02-000 | FT | Extr Rubber - Window Seal - Black |
| 8 | 073740-01-000 | F1 | Seal - Fin - Pile - 460" |
| 9 | 078562-01-000 | EA | Mullion - Slider Window - Black |
| 10 | 002298-02-000 | FT | Spline - 130" Dia - Charcoal (Screen) |
| 11 | 081984-02-000 | EA | Glass - Stationary - 1 8" x 14 1/4" x 19" |
| 12 | 047369-01-700 | EA | Latch Kit - Window - Plastic w Fastener |
| | 079204-01-000 | EA | Bracket - Mullion - Black |
| | 002291-02-000 | SF | Screen - Window 16" - Charcoal |
| | | | Not illustrated |

**1986 WINNEBAGO
TABLE OF CONTENTS**

WT319RB
WC/WF421RB
WC424RB

A-01 - B-16
B-17 - D-18
D-19 - F-20

1986 WC/WF421RB INDEX

| | |
|------------------------------------|-------------|
| Floor Plan | B-17 - B-18 |
| Accessories Group | B-19 - B-21 |
| Bath Group | B-22 |
| Chassis Group | B-23 - B-24 |
| Curtain, Cushion & Pad Group | C-01 - C-07 |
| Dinette Group | C-08 |
| Driver's Compartment Group | C-09 - C-11 |
| Electrical Group | C-12 - C-14 |
| Exterior Body Group | C-15 - C-21 |
| Galley Group | C-22 - C-23 |
| Heating & Air Conditioning Group | C-24 |
| Interior Finish Group | D-01 - D-03 |
| LP Group | D-04 |
| Lounge Group | D-05 |
| Water & Sewage Group | D-06 - D-07 |
| Window, Vent & Exterior Door Group | D-08 - D-18 |