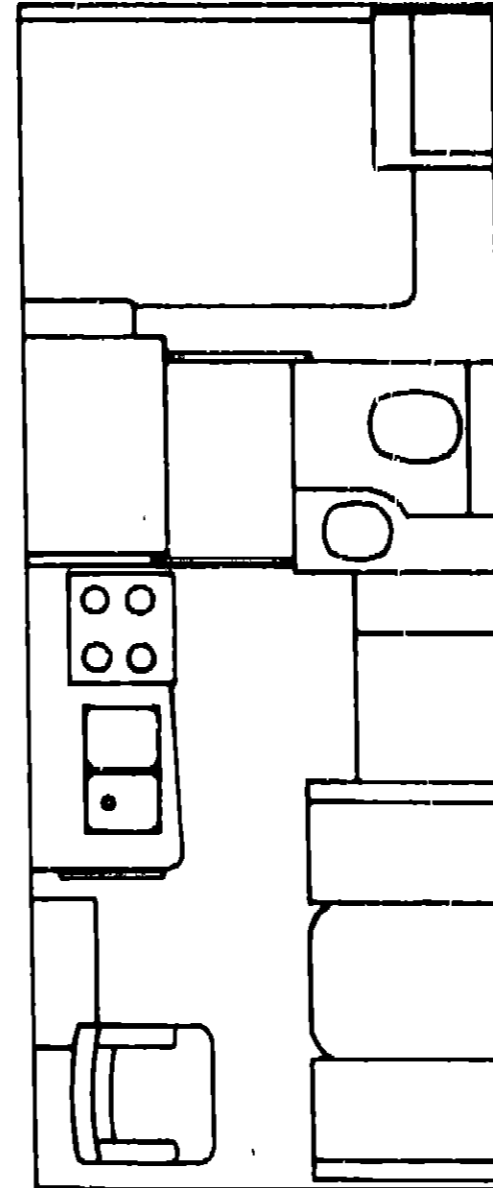


1986 IF426RU



1986 ITASCA TABLE OF CONTENTS

IO/IF424RC
IF420RU
ICN33RU
ICP34RU

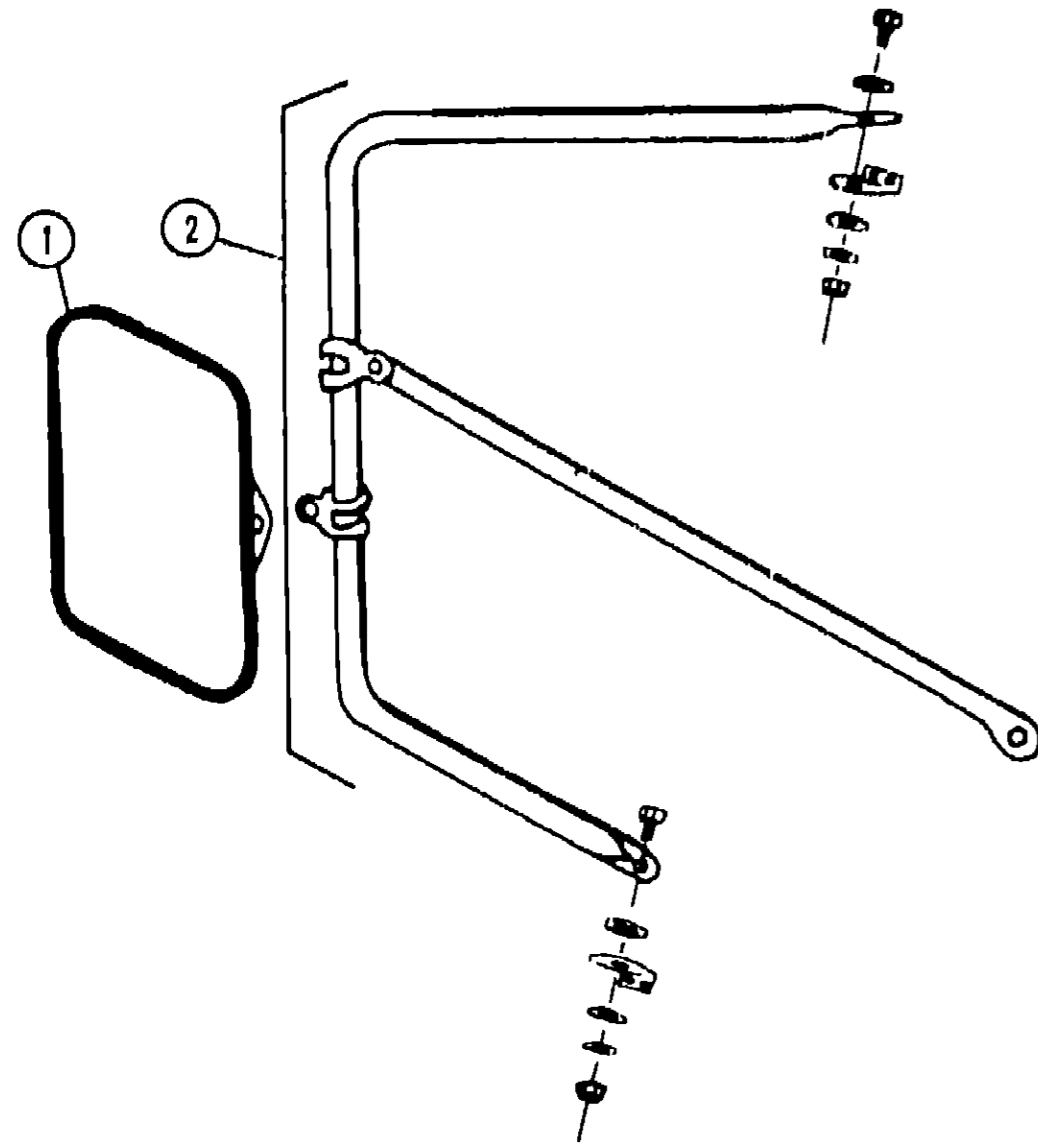
A-01 - C-08
C-09 - E-10
E-11 - G-22
G-23 - J-09

1986 IF426RU INDEX

Floor Plan	C-09 - C-10
Accessories Group	C-11 - C-13
Bath Group	C-14
Chassis Group	C-15 - C-16
Curtain, Cushion & Pad Group	C-17 - C-23
Dinette Group	C-24
Driver's Compartment Group	D-01 - D-02
Electrical Group	D-03 - D-05
Exterior Body Group	D-06 - D-11
Galley Group	D-12 - D-13
Heating & Air Conditioning Group	D-14
Interior Finish Group	D-15 - D-17
LP Group	D-18
Lounge Group	D-19
Water & Sewage Group	D-20 - D-21
Window, Vent & Exterior Door Group	D-22 - E-10

ACCESSORIES GROUP

ACCESSORIES GROUP (CONTINUED)



EXTERIOR MIRRORS

Key	Part Number	U/M	Description
1	049347 01 000	EA	Mirror Head 7 1/2 x 10 1/2 Stainless Steel
2	062047 01 000	EA	Arm - West Coast Mirror - Stainless Steel
2	062047 02 000	EA	Arm - West Coast Mirror - Off White
	006043 01 000	EA	Mirror Convex Adhesive Back
			Not illustrated

WHEEL COVER & MOUNTING HARDWARE

Key	Part Number	U/M	Description
	083181-01 000	EA	Wheel Cover - 16 (Set/4) (Ford)
	083181 01-700	EA	Wheel Cover - 16 (1 only) (Ford)
	083181 02 000	EA	Wheel Cover - 16 5 (Set/4) (Chevy)
	083181 02-700	EA	Wheel Cover - 16 5 (1 only) (Chevy)
	083181 04-702	EA	Nut Cover - 16 5
	083181-04 703	EA	Cap - Center Chrome

GENERATORS & COMPONENTS

Key	Part Number	U/M	Description
	054429 01-000	EA	Generator Onan 4.0 kw
	052168 01-000	EA	Generator Onan 4.25 kw
	069229 01 000	EA	Generator - Kohler 4.5 kw
	701620 02 000	EA	Installation Package
	024732-01 016	EA	Pipeline - 1 1/2" O.D. x 47 5/8"
	067753 01 000	EA	Muffler Generator - w/Spark Arrestor - Nelson
	057049 01 000	EA	Insulation Sound Dampening - 18 1/2" x 14 25"
	057049 02 000	EA	Insulation Sound Dampening - 28 7/8" x 14 25"
	057040 03 000	EA	Insulation Sound Dampening - 28 7/8" x 18 25"
	057049 04 000	EA	Insulation Sound Dampening 11 00" x 12 00"

MISCELLANEOUS ACCESSORIES

Key	Part Number	U/M	Description
	054185 24 000	EA	Owners Manual 1988 - Itasca & Winnebago
	706053 02 000	EA	Antenna - TV Skyliner w/6' Mast - Braun Delux
	076319 01 000	EA	Antenna - TV Roof Mount - 44 5' Mast
	076319 02 000	EA	Antenna - TV Roof Mount - 23 5' Mast
	076319 03 000	EA	Cable Coaxial 1000' 75 OHM
	076319 04 000	EA	Connector & Ferrule
	076319 05 000	EA	Wallplate - Power Supply Ivory
	076319 06 000	EA	Adapter Cable Roof Plate
	076319 07 000	EA	Wallplate Power Supply - Brown
	076319 08 000	EA	Wallplate Receptacle - Ivory
	076319 09 000	EA	Wallplate Receptacle - Brown
	076319-11 000	EA	Adapter - Coax w/Splitter
	064089 01 000	EA	Mud Flap - Rubber - Black (Front)
	017516 01 000	EA	Mud Flap w/Holes - 14" x 18" Black (Back)
	041944 03 000	EA	Fire Extinguisher w/Bracket - 5BC
	041944 02 000	EA	Bracket Fire Extinguisher
	081379 01 000	EA	Microwave/Convection Oven - Sharp
	081459 01 000	EA	Bracket Asm - Microwave - Right
	081459 02 000	EA	Bracket Asm - Microwave - Left
	082876 01 000	EA	Baffle - Microwave
	081055 01-T03	EA	Trim Asm Microwave Oven
	081456 01 000	EA	Angle Asm Microwave Oven - Right
	081456 02 000	EA	Angle Asm Microwave Oven - Left
	081016 01-T03	EA	Ladder Asm
	081016 01 700	EA	Rack Asm
	076980 02 000	EA	End Cap - Ladder Step
	067125 01 000	EA	Stand Off Rack & Ladder Asm
	067165 01 000	EA	Bracket Mounting - Rack & Ladder
	040069 01 000	EA	Door Mat Black Rubber - 10 1/2 x 26 - Itasca
	081075 02 000	EA	Floor Mat - Entrance Itasca
	083206 01 000	EA	Mat - Stepwell Black - Passenger (Ford)
	083206 02 000	EA	Mat - Stepwell Black - Driver (Ford)
	072852 01 000	EA	Smoke Detector w/9 Volt Battery
	079664 02 000	EA	Weather Center - 8 5 x 8 5
	079664 01 000	EA	Clock 8 5 x 8 5
	006069 01 000	EA	Key Case - Leather
	080208 01 000	EA	Lug Wrench
	080208 02 000	EA	Leverage Bar - Lug Wrench
	006113 01 000	EA	Jack - Hydraulic - 6 Ton - w/Handle
	079799 01 000	EA	Tire Cover Asm - Off White - Plastic
	M02047 01 T95	EA	Panel Asm Tire Cover Door
	079941 01 000	EA	Lamp Asm Fog w/Cover Amber

**1988 ITASCA
TABLE OF CONTENTS**

IC/IF424RC	A 01 C 08
IF426RU	C 09 - E 10
ICN33RU	E 11 - G 22
ICP34RU	G 23 J 09

1988 IF426RU INDEX

Floor Plan	C 09 C 10
Accessories Group	C 11 - C-13
Bath Group	C 14
Chassis Group	C-15 C-16
Curtain, Cushion & Pad Group	C 17 - C 23
Dinette Group	C-24
Driver's Compartment Group	D 01 D 02
Electrical Group	D 03 D 05
Exterior Body Group	D 06 - D 11
Galley Group	D 12 - D-13
Heating & Air Conditioning Group	D-14
Interior Finish Group	D-15 - D-17
LP Group	D-18
Lounge Group	D 19
Water & Sewage Group	D 20 - D-21
Window Vent & Exterior Door Group	D 22 - E 10

ACCESSORIES GROUP (CONTINUED)

RADIO & RELATED COMPONENTS

Key	Part Number	U/M	Description
	007004 01-000	EA	Antenna - Radio - Cab Mount
	004702 01 000	EA	Grille - Speaker - 5 25' w/Mesh - Brown
	074482 02 000	EA	Radio AM/FM/MPX - w/Cassette Audionox HCC565
	073470 02 000	EA	Radio AM/FM/MPX - w/Cassette - Electronic Tune Audionox HCC1150
	073431 01 000	EA	Speaker 5 25 - 3/Way (Pair)
	064701 01 000	EA	Speaker recessed 5,25"
	070385 02 000	FA	Radio Mounting Kit (Ford)
	081050 01 000	EA	Wire Asm Speaker & Power

ELECTRIC STEP ASSEMBLY

Key	Part Number	U/M	Description
	075481 01 000	EA	Electric Step Asm w/Light
	075481 01 700	EA	Motor
	041250 01 000	FA	Door Switch
	075481 01 704	EA	Under Step Control Unit
	075481 01 705	EA	4 Way Plug (Dash End)
	075481 01 706	EA	Kill Switch
	075481 01 707	EA	Step Light
	075481 01 708	EA	4 Way Plug (Control Box End)
	075481 01 709	EA	90 Degree Plug
	075401 01 710	EA	Gear
	075481 01 711	EA	Drive Link
	076241 01 000	EA	Support Asm - Step
	075723 02 000	EA	Block Switch Spacer w/Holes

CHROME WHFEL LINERS

Key	Part Number	U/M	Description
	081608 05 000	EA	Cover Lug Nut - Chrome Liner
	081608 06 000	EA	Ring Spiral - Chrome Liner
	081608 07 000	EA	Cover Rear Axle Chrome Liner
	081608 08 000	EA	Cover - Front Axle Chrome Liner
	081608 09 000	EA	Liner Front Wheel - Chrome
	081608 10 000	EA	Liner Rear Wheel Chrome

BATH GROUP

BATH CABINETRY

Key	Part Number	U/M	Description
	M02172 01 U10	EA	Countertop Asm Pipe Cover Blue/Gray
	M02172 01 U11	EA	Countertop Asm. - Pipe Cover - Melon
	M02172 01 U12	EA	Countertop Asm. Pipe Cover - Plum/Belge
	M02171 01 U10	EA	Countertop Asm. - Lavatory Cabinet - Blue/Gray
	M02171 01 U11	EA	Countertop Asm Lavatory Cabinet Melon
	M02171 01 U12	EA	Countertop Asm - Lavatory Cabinet - Plum/Belge
	070073 01 000	EA	Cabinet Asm - Medicine - Almond
	081535 01 U04	EA	Door Asm Medicine Cabinet w/o Hardware
	070387 01 000	EA	Bracket Medicine Cabinet
	081535 03 U01	EA	Door Asm w/Mirror - w/o Hardware
	M81515 02 U10	EA	Cabinet Asm - Lavatory w/o Countertop, Doors & Drawers
	081804 02 U10	EA	Drawer Asm - Lavatory Cabinet
	M81504 32 U10	EA	Door Asm Lavatory Cabinet
	M81504 01 U10	EA	Door Asm Hamper
	079657 01 000	EA	Door Asm Folding Shower Plastic
	M81528 01 U01	EA	Door Asm, w/Latch Sliding - Rear
	080224 02 000	EA	Door Asm w/Latch Folding Contar
	M78876 01 T03	EA	Door Asm Bath w/o Lockset

BATH HARDWARE

Key	Part Number	U/M	Description
	M01817 01 T03	EA	Bathtub Asm w/Strainer
	075242 03 000	EA	Faucet - Tub & Shower
	075240 03 000	EA	Faucet - Lavatory
	011048 02 000	EA	Shower Head - w/60 Hose
	011048 04 000	EA	Vacuum Breaker 1/8 MPT - Nylon Shower Head
	075606 01-000	EA	Shower Panel Faucet Plastic
	066729 01 000	EA	Strainer Bathtub Asm
	066435 01 000	EA	Nut Strainer - Plastic Bathtub Asm
	066436 01 000	EA	Slip Nut 1 5' Tall Piece - Bathtub Asm
	069735 01 000	EA	Washer Tall Piece 1 5' Plastic - Bathtub Asm
	011069 02 000	EA	Tailpiece - 1 5 x 1 25 x 4 - Brass - Bathtub Asm
	080256 03 000	EA	Shroud Bathtub Asm Off White
	058713 01 000	EA	Sink Oval Ivory Plastic
	011083 01 000	EA	Tall Piece w/Stopper - 1 25' x 5 - Plastic Sink
	039341 02 000	EA	Toilet - Thetford Aqua Magic - Ivory - 8420SH
	075452 02 000	EA	Tissue Holder
	081297 03-U01	EA	Towel Rack Asm
	075454 02 000	EA	Towel Ring - w/Mounting Hardware - Brass
	075603 01 000	EA	Threshold Track Shower Door - Belge
	079235 01 000	EA	Header - Track - Shower Door - Belge
	079234 01 000	EA	Jamb - Shower Door - Rear Belge
	079234 02 000	EA	Jamb - Shower Door - Front Belge
	058331 05 000	EA	Mirror - Tempered Glass - 12 x 26
	058331-04 000	EA	Mirror - Tempered Glass 12 x 42
	009089 01-000	EA	Clip Mirror
	057671-01 000	EA	Screw Cover - #8 - Antique White
	066433 01 000	EA	Cup Hook Bright
	050712 04 000	EA	Handle Door Shower - Off White
	075680 01-000	EA	Rod Clothes - Adjustable
	080224 06 000	EA	Track - Folding Door - 'S Curve
	009112 01 000	EA	Flange 1' - Closet Rod
	064467-01-000	EA	Guide - Wall Mount Sliding Door
	009156-01 000	EA	Hanger Sliding Door
	058034 02 000	EA	Latch Door w/o Lock - Sliding Door
	075153 01 000	EA	End Cap - Cover Belge
	075149 04-000	EA	Track - 54 20 - Sliding Door
	075145 06-000	EA	Cover - Track - 54 20 Sliding Door

The illustrated parts breakdown for this item is provided on the Common Items Fiche

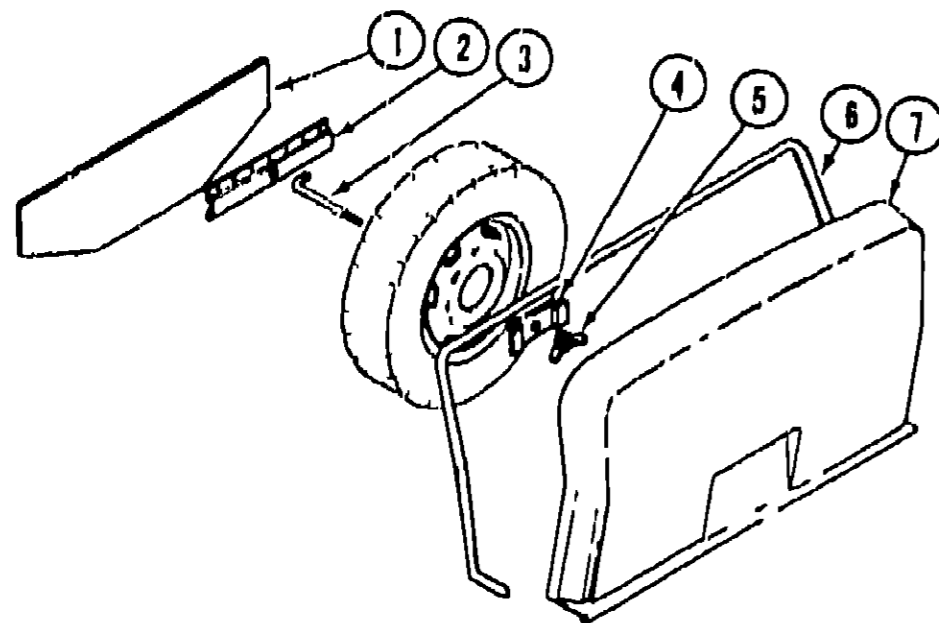
**1986 ITASCA
TABLE OF CONTENTS**

IC/IF424RC	A 01	C 08
IF426RU	C 09	E-10
ICN33RU	E 11	G 22
ICP34RU	G 23	J 09

1986 IF426RU INDEX

Floor Plan	C 09 - C-10
Accessories Group	C 11 - C-13
Bath Group	C-14
Chassis Group	C 15 C-16
Curtain Cushion & Pad Group	C 17 - C 23
Dinette Group	C-24
Driver's Compartment Group	D 01 - D 02
Electrical Group	D 03 - D 05
Exterior Body Group	D 06 - D 11
Galley Group	D 12 D 13
Heating & Air Conditioning Group	D 14
Interior Finish Group	D 15 - D-17
LP Group	D-18
Lounge Group	D 19
Water & Sewage Group	D 20 - D 21
Window Vent & Exterior Door Group	D 22 E-10

CHASSIS GROUP



TRAILER HITCH & SPARE TIRE

Key	Part Number	U/M	Description
1	077395 01 000	FA	Dust Shield Spare Tire
2	077403 01 000	EA	Rod Support Spare Tire
3	077411 01 000	EA	Retaining Rod
4	077841-01 000	EA	Tire Cover Seal
5	077399 01 000	EA	Spare Tire Retainer
6	064081 01 000	EA	Wing Nut
7	079165 01 U10	EA	Tire Cover Asm
	077408 01 000	EA	Lock Asm, Tire Cover
	077759 01 000	EA	Support Spacer Spare Tire
	034512 01 000	EA	Pin Locking Drawbar
	034513 01 000	EA	Pin - Hitch 3/16 Wire
	077613 01 000	EA	Drawbar Asm
	077617 02 700	EA	Hitch Asm w/Drawbar
	015365 01 000	EA	Pin - Tire Carrier
	078584 09 000	EA	Bumper - Rear Chrome
	078668 01 000	EA	Support Angle Bumper Rear
	078670 02 000	EA	Bracket Asm Bumper Rear
	079018 01 000	EA	Strap Tire Carrier
	078578 05 000	EA	Bumper End Cap - Rear - RH
	078578 06 000	EA	Bumper - End Cap - Rear - LH
			Not illustrated

WHEELS & TIRES

Key	Part Number	U/M	Description
	070917 02 000	EA	Tire - Radial - Metric Michelin (Ford)
	057665 02 000	EA	Tire - 8 70 x 16 5 WSW Radial (Ford)
	051377 01 000	EA	Valve Stem Asm TR500
	083617 01 000	EA	Wheel - 6 x 16 - 8 Hole (Ford)

CHASSIS GROUP (CONTINUED)

Key	Part Number	U/M	Description
	047441-01 000	EA	Battery Terminal - Horizontal Lug
	076723 01 000	EA	Block - Switch Spacer w/o Holes
	059540 01 000	EA	Bracket - License Plate
	051807 01 000	EA	Bracket Battery Tie Down - 8 9"
	065451 02 000	EA	Bracket - Battery Tie Down - 10 82"
	065481 03 000	EA	Bracket Battery Tie Down 14"
	022160 01 000	EA	Bracket Bumper Rear
	007126 07 000	EA	Clamp Asm, Muffler 1 82'
	007126 01 000	EA	Clamp Asm, - Muffler 2 50'
	010497-U1 000	EA	Clamp - Closed 5/8 ID
	007101 01 000	FA	Clamp Hose - Spring Type 112
	062401 01 000	EA	Clamp - Hose Wormgear 22" ID 1" ID
	062401 02 000	EA	Clamp - Hose Wormgear 1 50" ID - 2,5" ID
	062401 03 000	EA	Clamp - Hose Wormgear .25" ID 1" ID
	062401 04 000	EA	Clamp - Hose Wormgear - 89" ID 1 25" ID
	062401 05 000	EA	Clamp - Hose Wormgear 2" ID - 3" ID
	062401 06 000	EA	Clamp - Hose - Wormgear - 22" ID 82" ID
	023148 01 000	EA	Clamp Screw Type 4'
	024480 01 000	EA	Compartment - Power Cord Black Plastic
	081938 01 000	EA	Compartment - LP - Regulator
	073220 02 000	EA	Gas Cap - Non Locking
	007131 01 000	EA	Hanger Tail Pipe
	024138 01 000	FT	Hose Fuel - 5/16" ID SAE 30RI
	066732 01 000	FT	Hose Fuel Fill 62 ID
	007111 02 000	EA	Hose - Fuel Fill 2 00 ID
	006113 01 000	EA	Jack Hydraulic - 6 Ton w/Handle
	080208 02 000	EA	Leverage Bar Lug Wrench
	080208 01 000	EA	Lug Wrench
	017518 01 000	EA	Mud Flap w/Holes 14' x 18' - Black
	074483 01 000	EA	Retainer Nut - Snap In - Speed Control
	079942 05 000	EA	Shock Absorber Stabilizer - Front (Ford)
	079942 06 000	FA	Shock Absorber Stabilizer Rear (Ford)
	084089 01 000	EA	Splash Guard Black Rubber
	076241 01 000	EA	Support Asm - Step
	080449 01 000	EA	Step Asm Entrance Swing Arm
	080359 02 000	EA	Step Well Plate - Ford
	074889 01 000	EA	Tray Battery
	052431 02 000	EA	Tray Luggage
	074481 01 000	EA	Valve Asm Switch Speed Control
	057724 01 000	EA	Wheelwell - Plastic
	008343 01 000	EA	Wire Tie 6'

1986 ITASCA TABLE OF CONTENTS

IC/IF424RC	A 01	C 08
IF426RU	C 09	E 10
ICN33RU	F 11	G 22
ICP34RU	G 27	J 08

1986 IF426RU INDEX

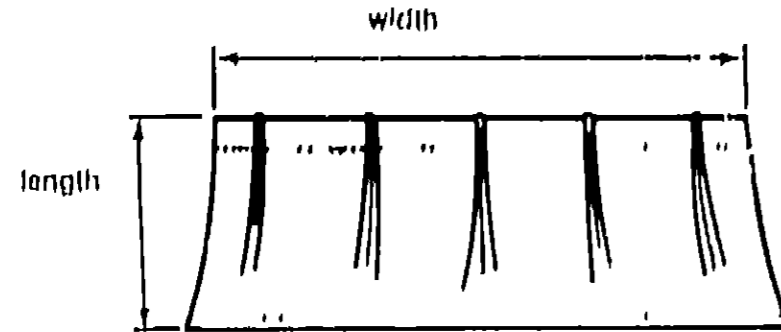
Floor Plan	C 09 - C-10
Accessories Group	C-11 - C-13
Bath Group	C-14
Chassis Group	C 15 - C 16
Curtain Cushion & Pad Group	C 17 - C-23
Dinette Group	C 24
Driver's Compartment Group	D 01 - D-02
Electrical Group	D 03 - D 05
Exterior Body Group	D 06 - D-11
Galley Group	D 12 - D-13
Heating & Air Conditioning Group	D 14
Interior Finish Group	D 15 - D 17
LP Group	D 18
Lounge Group	D-19
Water & Sewage Group	D-20 - D 21
Window Vent & Exterior Door Group	D 22 - E 10

CURTAIN, CUSHION & PAD GROUP

NOTICE

In order to assist our Parts Sales Dept. in providing interior software items, please include the serial number and the color code number from the vehicle certification label when ordering. This label is located on the left sidewall at the end of the dash (A Body), or on the driver's door latch plate (C Body).

An example of a color code number is P31, which designates an overall color scheme of a particular unit. The color listed after the item description on the microfiche, indicates the overall unit color. Order the item you desire according to unit color code.



NOTE

Use this illustration when determining length and width measurements for curtains. You will note the width measurement is taken on the top of the curtain with the curtain fully extended. The length measurement is taken from top to bottom.

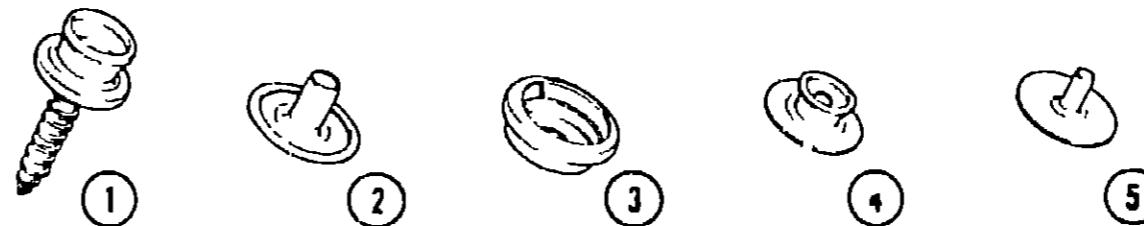
CURTAIN & CUSHION HARDWARE

Key	Part Number	U/M	Description
	082228 01 000	EA	Bracket - Curtain Rod - Right
	082228 02 000	EA	Bracket - Curtain Rod - Left
	056003 02 000	EA	Bracket - Drapery Retainer - Left
	056003 01-000	EA	Bracket - Drapery Retainer - Right
	075477 03 000	EA	Bracket - Hold Down - Blind
	056001 01 000	EA	Bracket - Shade - Left
	056002 01 000	EA	Bracket - Shade - Right
	079619 01-000	EA	Bracket - Tie Back
	009107 01-000	EA	Guide - Nylon Snap - Curtain
	056784 02-000	EA	Pull - Window Shade - Antique Brass
	056115 01-000	YD	Tape - Clear Plastic w/Guides
	048394 01 000	YD	Tape Hook - 1' x 25 yd - Beige
	029096 05 000	YD	Tape Hook - 50 - Velcro - Beige
	048395-01 000	YD	Tape Loop - 1' x 25 YD - Beige
	029090 01-000	FT	Tie - Drapery - Clear Vinyl
	056116-01-000	EA	Track - Curtain - Brown Plastic
	076827 01-000	EA	Bracket - Curtain - Wovenwood - Right
	076827 02 000	EA	Bracket - Curtain - Wovenwood - Left
	079798 03 000	EA	Bracket Asm - Curtain Rod - Right
	079798 04-000	EA	Bracket Asm - Curtain Rod - Left
	082249 01-000	EA	Bracket - Blinds - Beige - Right
	082249 02-000	EA	Bracket - Blinds - Beige - Left
	082139 02 000	EA	Bracket - Hold Down - Blinds
	079619 01-000	EA	Bracket - Tie Down

CURTAIN, CUSHION & PAD GROUP (CONTINUED)

FABRICS, TRIMS & PADS

Key	Part Number	U/M	Description
	072033 21 000	YD	Fabric - Drapery - Parchment
	077498 65 000	YD	Fabric w/Pattern - Upholstery - Blue/Gray (U10)
	077498 68 000	YD	Fabric w/Pattern - Upholstery - Melon (U11)
	077498 87 000	YD	Fabric w/Pattern - Upholstery - Plum/Belge (U12)
	077498 68 000	YD	Fabric w/Pattern - Upholstery - Accent - Melon (U11)
	077498 70 000	YD	Fabric - Upholstery/Drapery - Accent - Plain - Blue/Gray (U10)
	077498 71 000	YD	Fabric - Upholstery/Drapery - Accent - Plain - Melon (U11)
	077498 89 000	YD	Fabric - Upholstery/Drapery - Accent - Plain - Plum/Belge (U12)
	069720 25 000	YD	Fabric - Bedsprad/Drapery - Main - Blue/Gray (U10)
	069720 26 000	YD	Fabric - Bedsprad/Drapery - Main - Melon (U11)
	069720 27 000	YD	Fabric - Bedsprad/Drapery - Main - Plum/Belge (U12)
	069720 28 000	YD	Fabric - Bedsprad - Accent - Blue/Gray (U10)
	069720 29 000	YD	Fabric - Bedsprad - Accent - Melon (U11)
	069720 30 000	YD	Fabric - Bedsprad - Accent - Plum/Belge (U12)
	038421 01 000	YD	Fabric - Mattress Ticking
	052859 01 T03	FT	Trim Asm - Accent - Sandrift
	052859 05 T03	FT	Trim Asm - Accent - Buckskin
	079880 01 000	YD	Vinyl - Expanded - 26 oz - Buckskin
	079880 02 000	YD	Vinyl - Expanded - 26 oz - Sandrift
	070578 06 T03	EA	Button Asm - #30 - Vinyl
	057650 03 T03	EA	Button Asm - Nail - Vinyl
	071127 10 U10	EA	Button Asm - #30 - Blue/Gray
	071127 10 U11	EA	Button Asm - #30 - Melon
	071127 10 U12	EA	Button Asm - #30 - Plum/Belge
	078155 01 000	EA	Strap Asm - Cushion
	079144 02 000	EA	Strap Asm - Bunk
	081280 03 U01	EA	End Cap Asm - Overhead - Dinette - Vinyl
	081280 06 U01	EA	End Cap Asm - Overhead - Galley - Vinyl
	081280 13 U01	EA	End Cap Asm - Overhead - Shirt Closet - Vinyl
	081280 08 U01	EA	End Cap Asm - Overhead - Entrance Door - Vinyl
	081519 01 U10	EA	Pad Asm - Dinette - Front - Blue/Gray
	081519 01 U11	EA	Pad Asm - Dinette - Front - Melon
	081519 01 U12	EA	Pad Asm - Dinette - Front - Plum/Belge
	081519 02 U10	EA	Pad Asm - Dinette - Rear - Blue/Gray
	081519 02 U11	EA	Pad Asm - Dinette - Rear - Melon
	081519 02 U12	EA	Pad Asm - Dinette - Rear - Plum/Belge
	077463 16 U10	EA	Pad Asm - Headboard - Double Bed - Blue/Gray
	077463 16 U11	EA	Pad Asm - Headboard - Double Bed - Melon
	077463 16 U12	EA	Pad Asm - Headboard - Double Bed - Plum/Belge
	059885 12 U10	EA	Cover w/Pocket - Motor - Blue/Gray
	069885 12 U11	EA	Cover w/Pocket - Motor - Melon
	069885 12 U12	EA	Cover w/Pocket - Motor - Plum/Belge



Key	Part Number	U/M	Description
1	029130 01 000	EA	Socket - Snap Fastener
2	029155 01-000	EA	Cap Snap - 156 Dia x 17 Barrel
3	029156 01 000	EA	Socket - Snap Fastener
4	029092 01 000	EA	Stud - Nickel Finish
5	029093 01 000	EA	Eyelet - Nickel Finish

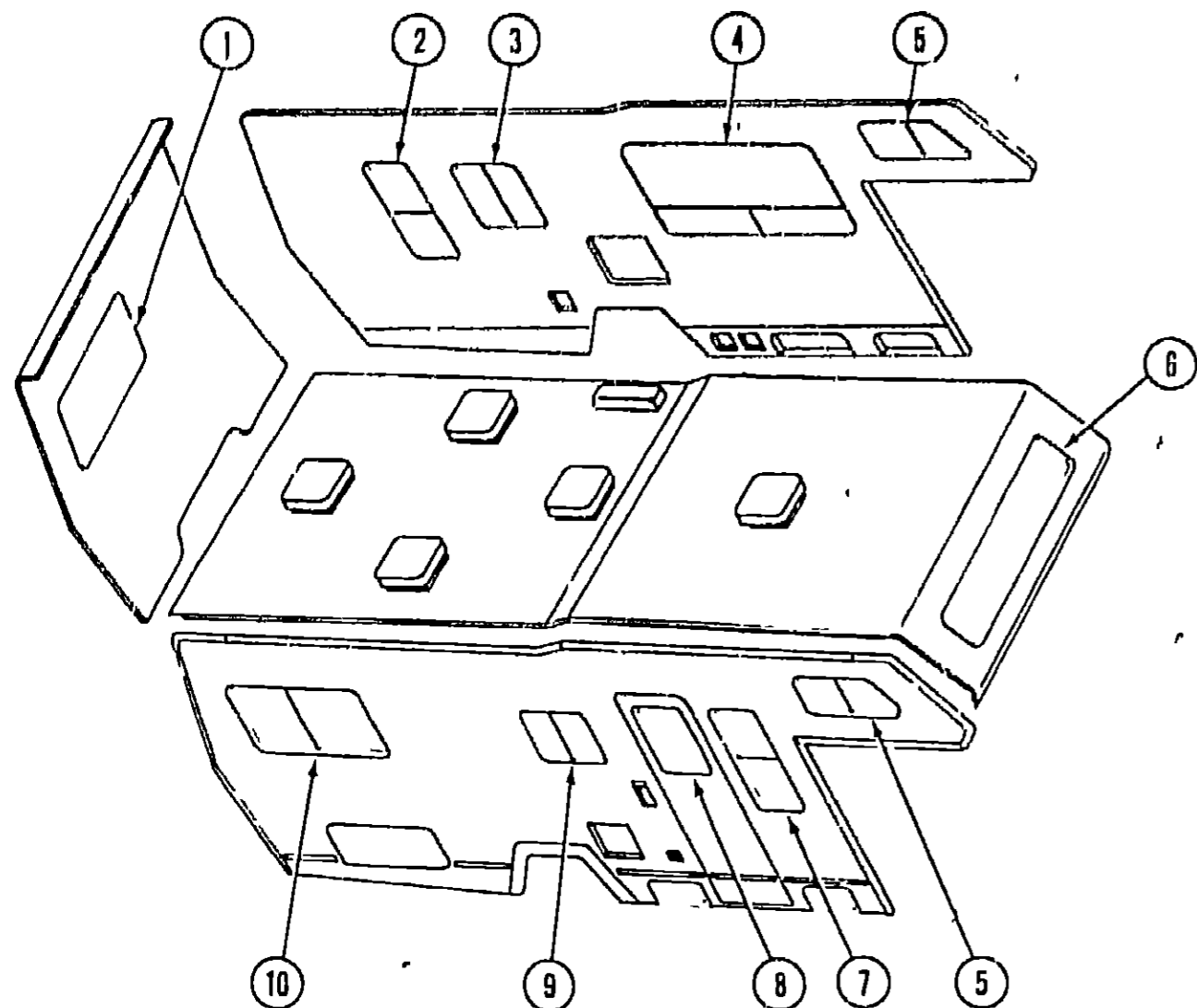
**1986 ITASCA
TABLE OF CONTENTS**

IO/IF424RO	A 01 - C 08
IF426RU	C 09 - E 10
ICN33RU	E 11 - G 22
ICP34RU	G 23 - I 09

1986 IF426RU INDEX

Floor Plan	C 09 - C 10
Accessories Group	C 11 - C 13
Bath Group	C 14
Chassis Group	C 15 - C 16
Curtain - Cushion & Pad Group	C-17 - C 23
Dinette Group	C-24
Driver's Compartment Group	D 01 - D 02
Electrical Group	D 03 - D 05
Exterior Body Group	D 06 - D 11
Galley Group	D-12 - D 13
Heating & Air Conditioning Group	D 14
Interior Finish Group	D-15 - D 17
LP Group	D-18
Lounge Group	D 19
Water & Sewage Group	D-20 - D 21
Window - Vent & Exterior Door Group	D 22 - E 10

CURTAIN, CUSHION & PAD GROUP (CONTINUED)



CURTAINS, SHADES, VALANCES & TIEBACKS

Key	Part Number	U/M	Description
1	079559 03 U10	EA	Curtain Asm w/Gathers - 32" x 41"
1	079559 03 U11	EA	Curtain Asm w/Gathers - 32" x 41"
1	079559 03 U12	EA	Curtain Asm w/Gathers - 32" x 41"
1	079558 03 U10	EA	Valance Asm w/Gathers - 6' x 95"
1	079558 03 U11	EA	Valance Asm w/Gathers - 6' x 95"
1	079558 03 U12	EA	Valance Asm w/Gathers - 6' x 95"
1	082120 10 000	EA	Shade Fabric - 53 25 x 38 (U10)
1	082120 11 000	EA	Shade Fabric - 53 25 x 38 (U11)
1	082120-12-000	EA	Shade Fabric - 53 25 x 38 (U12)
2	079559 01-U10	EA	Curtain Asm w/Gathers - 41' x 20'
2	079559 01 U11	EA	Curtain Asm w/Gathers - 41' x 20'
2	079559 01 U12	EA	Curtain Asm w/Gathers - 41' x 20'
2	079558 01 U10	EA	Valance Asm w/Gathers - 6' x 40'
2	079558 01-U11	EA	Valance Asm w/Gathers - 6' x 40'
2	079558 01-U12	EA	Valance Asm w/Gathers - 6' x 40'
2	082120 01-000	EA	Shade Fabric - 19 x 52 Drop (U10)
2	082120 02 000	EA	Shade Fabric - 19 x 52 Drop (U11)
2	082120 03 000	EA	Shade - Fabric - 19 x 52 Drop (U12)
3	082176 01-U10	EA	Valance Asm - Padded
3	082176 01-U11	EA	Valance Asm - Padded
3	082176 01-U12	EA	Valance Asm - Padded
3	082118 22 000	EA	Blind - 32 x 26 Drop (U10)
3	082118-23-000	EA	Blind - 32 x 26 Drop (U11)
3	082118 24 000	EA	Blind - 32 x 26' Drop (U12)

CURTAIN, CUSHION & PAD GROUP (CONTINUED)

CURTAINS, SHADES, VALANCES & TIEBACKS (CONT)

Key	Part Number	U/M	Description
4	070542-12 U10	EA	Curtain Asm, w/Darts - 35" x 16"
4	070542 12 U11	EA	Curtain Asm w/Darts - 35" x 16"
4	070542 12 U12	EA	Curtain Asm w/Darts - 35" x 16"
4	M81977 16 U10	EA	Valance Asm - Padded
4	M81977-16 U11	EA	Valance Asm - Padded
4	M81977-16 U12	EA	Valance Asm - Padded
4	082118 31 000	EA	Blind - 65" x 34" Drop (U10)
4	082118 32 000	EA	Blind - 65" x 34" Drop (U11)
4	082118 33 000	EA	Blind - 65" x 34" Drop (U12)
4	082127 40 000	EA	Shade - Woven Wood - 65" x 35" Drop (U10)
4	082127 60 000	EA	Shade - Woven Wood - 65" x 35" Drop (U11)
4	082127 51 000	EA	Shade - Woven Wood - 65" x 35" Drop (U12)
4	079543 13 U10	EA	Curtain Asm, - 35' x 16" (Woven Wood)
4	079543 13 U11	EA	Curtain Asm - 35' x 16" (Woven Wood)
4	079543 13 U12	EA	Curtain Asm, - 35' x 16" (Woven Wood)
5	079558 08 U10	EA	Valance Asm, w/Gathers - 8" x 60'
5	079558 08 U11	EA	Valance Asm w/Gathers - 8" x 60'
5	079558 08 U12	EA	Valance Asm w/Gathers - 8" x 60'
5	082119 22 000	EA	Shade - Vinyl - 33 25" x 30" (U10)
5	082119 23 000	EA	Shade - Vinyl - 33 25" x 30" (U11)
5	082119 24 000	EA	Shade Vinyl - 33 25" x 30" (U12)
6	079558-10 U10	EA	Valance Asm w/Gathers - 8" x 150'
6	079558 10-U11	EA	Valance Asm w/Gathers - 8" x 150'
6	079558 10 U12	EA	Valance Asm w/Gathers - 8" x 150'
6	082119 28 000	EA	Shade Vinyl - 75 25" x 30" (U10)
6	082119 29 000	EA	Shade Vinyl - 75 25" x 30" (U11)
6	082119 30 000	EA	Shade Vinyl - 75 25" x 30" (U12)
7	073251-34 U10	EA	Curtain Asm w/Gathers - 45' x 9'
7	073251-34 U11	EA	Curtain Asm w/Gathers - 45' x 9'
7	073251-34 U12	EA	Curtain Asm w/Gathers - 45' x 9'
7	080824 01 U10	EA	Valance Asm - Entrance Door
7	080824 01 U11	EA	Valance Asm - Entrance Door
7	080824 01-U12	EA	Valance Asm - Entrance Door
7	082118 07 000	EA	Blind - 19' x 44' Drop (U10)
7	082118 08 000	EA	Blind - 19' x 44" Drop (U11)
7	082118 09 000	EA	Blind - 19' x 44" Drop (U11)
8	082126 10 000	EA	Shade - Woven Wood - 19 x 46" Drop (U10)
8	082126-11 000	EA	Shade - Woven Wood - 19 x 46' Drop (U11)
8	082126 12 000	EA	Shade - Woven Wood - 19 x 46 Drop (U12)
8	082119 19 000	EA	Shade - Vinyl - 24 50' x 40' (U10)
8	082119 20 000	EA	Shade - Vinyl - 24 50 x 40' (U11)
8	082119 21 000	EA	Shade - Vinyl - 24 50 x 40 (U12)
9	M81977 05 U10	EA	Valance Asm - Padded
9	M81977 05 U11	EA	Valance Asm - Padded
9	M81977 05 U12	EA	Valance Asm - Padded
9	082118 13 000	EA	Blind - 27' x 22' Drop (U10)
9	082118 14 000	EA	Blind - 27' x 22 Drop (U11)
9	082118 15 000	EA	Blind - 27 x 22 Drop (U12)
10	079559 03 U10	EA	Curtain Asm w/Gathers - 32' x 41'
10	079559 03-U11	EA	Curtain Asm w/Gathers - 32 x 41'
10	079559 03 U12	EA	Curtain Asm w/Gathers - 32 x 41'
10	079558 02-U10	EA	Valance Asm w/Gathers - 6' x 120'
10	079558 02-U11	EA	Valance Asm w/Gathers - 6' x 120'
10	079558 02 U12	EA	Valance Asm w/Gathers - 6' x 120'
10	082120 07-000	EA	Shade - Fabric - 47 25' x 38 Drop (U10)
10	082120 08 000	EA	Shade Fabric - 47 25 x 38 Drop (U11)
10	082120 09 000	EA	Shade - Fabric - 47 25 x 38 Drop (U12)

Parts Used on the Woven Wood Option

**1986 ITASCA
TABLE OF CONTENTS**

IC/IF424PC
IF426RU
ICN33RU
ICP34PU

A 01 C 08
C 09 - E 10
E-11 C1 22
G 23 - J 09

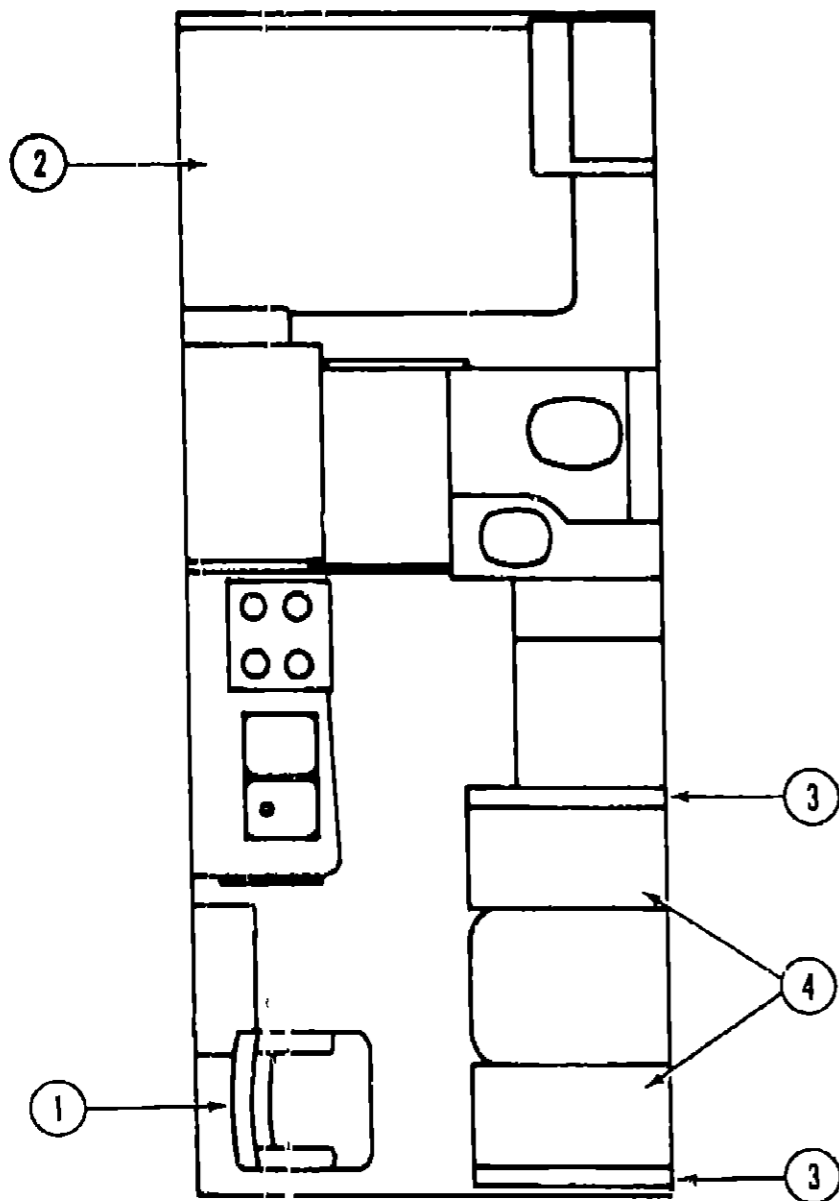
1986 IF426RU INDEX

Floor Plan	C 09 - C 10
Accessories Group	C 11 - C 13
Bath Group	C 14
Chassis Group	C 15 - C-16
Curtain Cushion & Pad Group	C 17 - C 23
Dinette Group	C-24
Driver's Compartment Group	D 01 - D 02
Electrical Group	D 03 - D 05
Exterior Body Group	D 06 - D-11
Galley Group	D 12 - D-13
Heating & Air Conditioning Group	D-14
Interior Finish Group	D 15 D 17
LP Group	D-18
Lounge Group	D 19
Water & Sewage Group	D 20 - D 21
Window Vent & Exterior Door Group	D 22 - E-10

CURTAIN, CUSHION & PAD GROUP (CONTINUED)

CURTAINS, SHADES, VALANCES & TIEBACKS (CONT)

Key	Part Number	U/M	Description
	077591 03 U01	EA	Curtain w/Valance Top - Bunk Privacy 70" x 50" - Passenger
	077591 04 U01	EA	Curtain w/Valance Top - Bunk Privacy - 70" x 50" - Driver
	073260-19 U10	EA	Tieback Asm 4" x 18" - Bedspread
	073260 19 U11	EA	Tieback Asm, 4" x 18" - Bedspread
	073260 19 U12	EA	Tieback Asm, 4" x 18" - Bedspread
	073260 20 U10	EA	Tieback Asm, 4" x 18" - Bedspread
	073260 20 U11	EA	Tieback Asm, 4" x 15" - Bedspread
	073260 20 U12	EA	Tieback Asm - 4" x 15" - Bedspread
	073260-18 U13	EA	Tieback Asm 3" x 20" - Accent (U10)
	073260 18 U14	EA	Tieback Asm 3" x 20" - Accent (U11)
	073260 18 U15	EA	Tieback Asm 3" x 20" - Accent (U12)
	057534 01 000	EA	Tieback Asm 8' - Clear Plastic
	057534 04 000	EA	Tieback Asm 20' - Clear Plastic
	Not Illustrated		



CURTAIN, CUSHION & PAD GROUP (CONTINUED)

SWIVEL CHAIR

Key	Part Number	U/M	Description
1	073518 18 U10	EA	Chair Asm w/Pillow Back Swivel
1	073518-19 U14	EA	Chair Asm, w/Pillow Back Swivel (U11)
1	073518-18 U12	EA	Chair Asm, w/Pillow Back - Swivel
	075174 02 U13	EA	Skirt Asm. - Swivel Chair (U10)
	075174 04 U14	EA	Skirt Asm, Swivel Chair (U11)
	075174 02 U15	EA	Skirt Asm, Swivel Chair (U12)
	035036 01 000	EA	Plate - Tilt & Swivel - Swivel Chair
	035036 04 000	EA	Base w/Logs - Swivel Chair
	035036 05 000	EA	Extension - 7" Swivel Chair
	Not Illustrated		

DOUBLE BED MATTRESS

Key	Part Number	U/M	Description
2	083498 03 000	EA	Mattress Foam - 64" x 75" - Winnabago
2	077478 02 000	EA	Mattress Innorspring - 48" x 75"
	081969 07 U10	EA	Bedspread - Double Bed - 48" x 76" - w/10' Ruffle
	081969 03 U14	EA	Bedspread - Double Bed 48" x 76" - w/10" Ruffle (U11)
	081969 07 U12	EA	Bedspread - Double Bed 48" x 76" - w/10' Ruffle
	081997-01 U10	EA	Pillow Sham - 30" x 26"
	081997 01 U11	EA	Pillow Sham 30" x 26"
	081997 01 U12	EA	Pillow Sham 30" x 26"

DINETTE CUSHION

Key	Part Number	U/M	Description
3	081998 01 U10	EA	Cushion Asm - Dinette Back - 19 25" x 38" x 5"
3	081998 07 U11	EA	Cushion Asm - Dinette Back - 19 25" x 38" x 5"
3	081998 01 U12	EA	Cushion Asm - Dinette Back - 19 25" x 38" x 5"
	M81998 01 U10	EA	Cover Asm Dinette Back Curtain - 19 25" x 38" x 5"
	M81998 07 U11	EA	Cover Asm - Dinette Back Curtain - 19 25" x 38" x 5"
	M81998 01 U12	EA	Cover Asm Dine to Back Curtain - 19 25" x 38" x 5"
4	081998 02 U10	EA	Cushion Asm - Dinette Bottom - 17 5" x 38" x 5"
4	081998 08 U11	EA	Cushion Asm - Dinette Bottom - 17 5" x 38" x 5"
4	081998 02 U12	EA	Cushion Asm - Dinette Bottom - 17 5" x 38" x 5"
	M81998 02 U10	EA	Cover Asm - Dinette Bottom Cushion - 17 5" x 38" x 5"
	M81998 08 U11	EA	Cover Asm - Dinette Bottom Cushion - 17 5" x 38" x 5"
	M81998 02 U12	EA	Cover Asm - Dinette Bottom Cushion - 17 5" x 38" x 5"

FRONT OVERHEAD BUNK CUSHIONS

Key	Part Number	U/M	Description
	073310 05 U10	EA	Cushion Asm - Front Bunk - Two Fold - 24 5" x 29 5" x 76" x 4"
	073310 05 U11	EA	Cushion Asm - Front Bunk - Two Fold - 24 5" x 29 5" x 76" x 4"
	073310 05 U12	EA	Cushion Asm - Front Bunk - Two Fold - 24 5" x 29 5" x 76" x 4"
	M73310 05 U10	EA	Cover Asm - Front Bunk Cushion - Two Fold
	M73310 05 U11	EA	Cover Asm Front Bunk Cushion - Two Fold
	M73310 05 U12	EA	Cover Asm - Front Bunk Cushion - Two Fold

**1986 ITASCA
TABLE OF CONTENTS**

IC/IF424RC	A 01 C 08
IF426RU	C 09 E 10
ICN33RU	C 11 - G 22
ICP34RU	G 23 J 09

1986 IF426RU INDEX

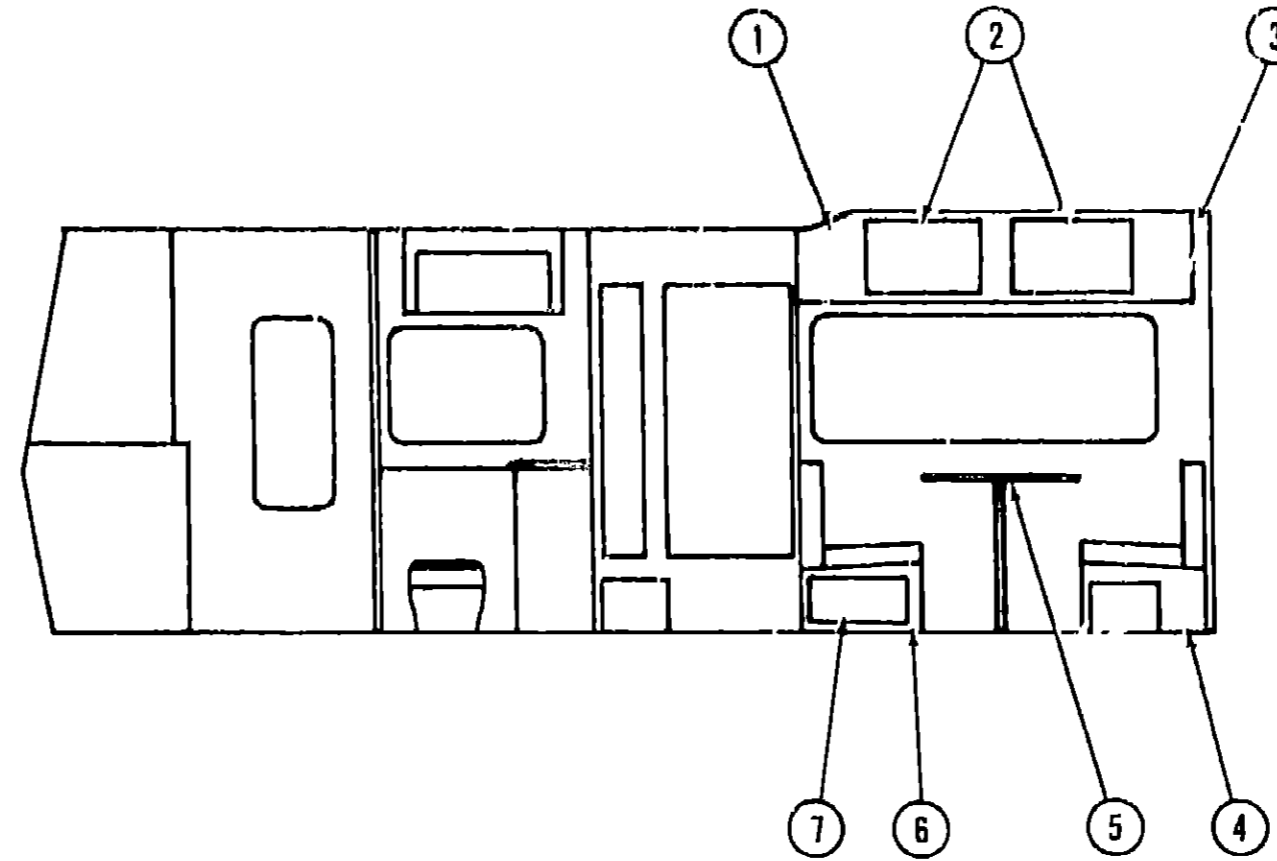
Floor Plan	C 09 - C 10
Accessories Group	C 11 C-13
Bath Group	C-14
Chassis Group	C-15 - C 16
Curtain, Cushion & Pad Group	C 17 - C-23
Dinette Group	C-24
Driver's Compartment Group	D 01 - D 02
Electrical Group	D 03 - D 05
Exterior Body Group	D 06 - D 11
Galley Group	D 12 D 13
Heating & Air Conditioning Group	D-14
Interior Finish Group	D 15 - D-17
LP Group	D 18
Loungie Group	D-19
Water & Sewage Group	D 20 - D 21
Window Vent & Exterior Door Group	D-22 - E-10

CURTAIN, CUSHION & PAD GROUP (CONTINUED)

DINETTE GROUP

BUCKET SEATS

Key	Part Number	U/M	Description
	079300 01 U10	EA	Seat Asm Vinyl
	079300 02 U11	EA	Seat Asm - Vinyl
	079300 02 U12	EA	Seat Asm Vinyl
	M01862 01 U10	EA	Cover Asm - Seat Bottom Vinyl
	M01862 01-U11	EA	Cover Asm - Seat Bottom Vinyl
	M01862 01-U12	EA	Cover Asm Seat Bottom Vinyl
	M01862 02 U10	EA	Cover Asm - Seat Back - Vinyl
	M01862 02 U11	EA	Cover Asm - Seat Back - Vinyl
	M01862 02 U12	EA	Cover Asm Seat Back Vinyl
	078804 10 U10	EA	Seat Asm - Granduer w/Left Armrest
	078804 10 U11	EA	Seat Asm - Granduer w/Left Armrest
	078804 10 U12	EA	Seat Asm Granduer w/Left Armrest
	M01863 07 U10	EA	Cover Asm - Bucket Seat Bottom
	M01863 07-U11	EA	Cover Asm - Bucket Seat Bottom
	M01863 07 U12	EA	Cover Asm - Bucket Seat Bottom
	M01863 08 U10	EA	Cover Asm - Bucket Seat Back
	M01863 08 U11	EA	Cover Asm - Bucket Seat Back
	M01863 08 U12	EA	Cover Asm - Bucket Seat Back
	078804 09 U10	EA	Seat Asm - Granduer w/Right Armrest
	078804-09 U11	EA	Seat Asm - Granduer w/Right Armrest
	078804 09 U12	EA	Seat Asm - Granduer w/Right Armrest
	M01863 05 U10	EA	Cover Asm - Bucket Seat Bottom
	M01863 05 U11	EA	Cover Asm Bucket Seat Bottom
	M01863 05 U12	EA	Cover Asm - Bucket Seat Bottom
	M01863 06 U10	EA	Cover Asm Bucket Seat Back
	M01863 06-U11	EA	Cover Asm Bucket Seat Back
	M01863 06 U12	EA	Cover Asm - Bucket Seat Back
	080243 08 U10	EA	Armrest Asm - Left
	080243 08 U11	EA	Armrest Asm - Left
	080243 08 U12	EA	Armrest Asm - Left
	M80243 02 U10	EA	Cover Asm - Armrest Left
	M80243 02 U11	EA	Cover Asm - Armrest Left
	M80243 02 U12	EA	Cover Asm - Armrest Left
	080243 07-U10	EA	Armrest Asm - Right
	080243 07-U11	EA	Armrest Asm - Right
	080243 07 U12	EA	Armrest Asm Right
	M80243 01-U10	EA	Cover Asm - Armrest - Right
	M80243 01-U11	EA	Cover Asm - Armrest - Right
	M80243 01-U12	EA	Cover Asm Armrest - Right
	080242 04-U10	EA	Headrest Asm
	080242 04 U11	EA	Headrest Asm
	080242-04 U12	EA	Headrest Asm
	M80242 01 U10	EA	Cover Asm - Headrest
	M80242-01-U11	EA	Cover Asm Headrest
	M80242-01-U12	EA	Cover Asm Headrest



Key	Part Number	U/M	Description
1	081278 02 U10	EA	Cabinet Asm - Dinette Overhead w/o Doors or Hardware
2	M81524 03-U10	EA	Door Asm Dinette Overhead - w/o Hardware
3	081280 03 U01	EA	Pad Asm End Cap - Dinette Overhead - Vinyl
4	M02175 02 U01	EA	Cabinet Asm - Dinette Seat - w/o Door or Hardware
	M02174 01 U01	EA	Cabinet Asm - Dinette Back
5	M02115 09 U10	EA	Table Asm Dinette w/o Hardware
6	M02175 04 U01	EA	Cabinet Asm - Dinette Seat - w/o Door or Hardware
	M02174 05 U01	EA	Cabinet Asm - Dinette Back
7	M81504 10 U10	EA	Door Asm Dinette Seat - Front & Rear
	074493 01 000	EA	Support Sprung Door Asm Overhead Cabinet
	053200 05 000	EA	Bracket Upper Wall Mount - 23 5
	053201 03 000	EA	Bracket - Table Mount 23
	024275 08 000	EA	Rod - Table Lift - 8 x 23 5 - Brown
	024281 07 000	EA	Bracket Lower Wall Mount
	024276-14-000	EA	Leg Asm - Table - 26 75 - Brown
	064050 01-000	EA	Hinge Table Leg
	024282 01 000	EA	Brace Table Leg
	024283 01 000	EA	Clip 1 O D Tube
	049493 02 000	EA	Catch Table Leg Mounts on Floor - Brown
	064781 03 000	EA	Cup Holder 3 47 O D x 2 75 I D x 1 5 Brown
			Not Illustrated

The illustrated parts breakdown for this item is provided on the Common Items Fiche

**1988 IF424RC
TABLE OF CONTENTS**

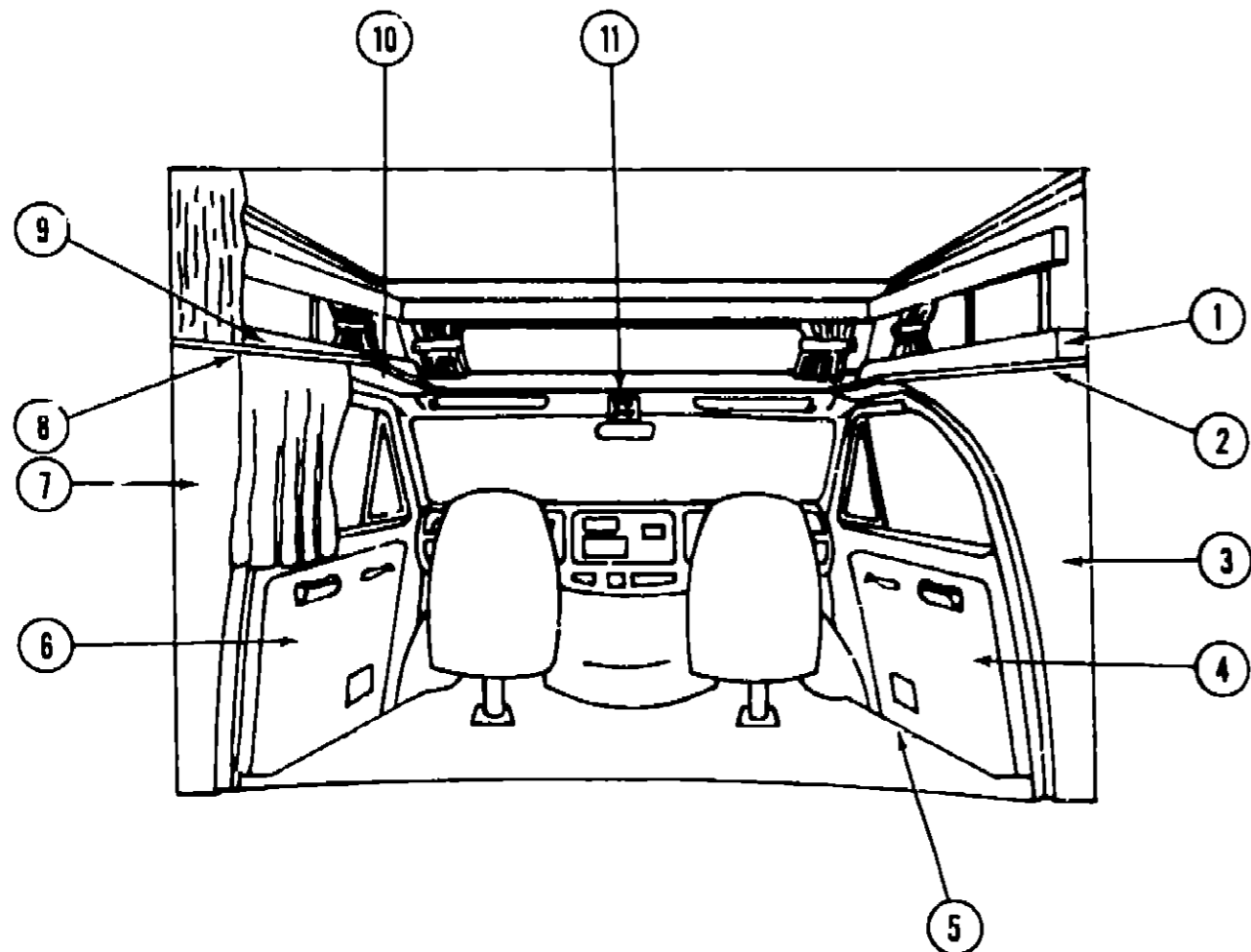
IC/IF424RC
IF426RU
ICN3JRU
ICP34RU

A 01 C 00
C 00 - E 10
F 11 G 22
G 23 J 00

1986 IF426RU INDEX

Floor Plan	C 09 C-10
Accessories Group	C 11 C 13
Bath Group	C 14
Chassis Group	C 15 - C 16
Curtain Cushion & Pad Group	C-17 - C 23
Dinette Group	C 24
Driver's Compartment Group	D 01 D 02
Electrical Group	D 03 - D 05
Exterior Body Group	D 06 D 11
Galley Group	D 12 D 13
Heating & Air Conditioning Group	D 14
Interior Finish Group	D 15 - D 17
LP Group	D 18
Lounge Group	D 19
Water & Sewage Group	D 20 - D 21
Window Vent & Exterior Door Group	D 22 - E 10

DRIVER'S COMPARTMENT GROUP

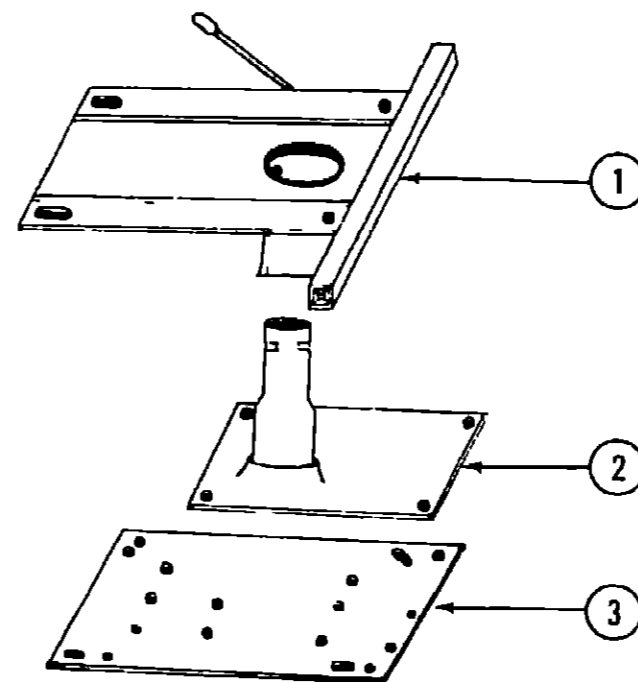


MISCELLANEOUS DRIVER'S COMPARTMENT COMPONENTS

Key	Part Number	U/M	Description
1	082068 03 U01	EA	Cabinet Asm - Headboard - Passenger
2	M81652 01-U01	EA	Panel Asm - Sleeper Board - w/o Vinyl
	079800 01 U01	EA	Trim - Front Sleeper Board
3	082066-01-U01	EA	Panel Asm - Wingwall Transition - Inner Passenger
4	NOTE	EA	Side Panel - Cab Door - Passenger
5	083206 01 000	EA	Door Step Mat - Passenger - Black Rubber
	083206 02 000	LA	Door Step Mat - Driver - Black Rubber
6	NOTE	EA	Panel Asm - Cab Door - Driver - Beige (U03)
7	082066 02-U01	EA	Panel Asm - Wingwall Transition - Inner Driver
8	082069 01-U01	EA	Accent Trim - Dark Sandrift Vinyl
9	082068 04 U01	EA	Cabinet Asm - Headboard - Driver
10	078369 01-T03	EA	Headliner Asm - Overhead Bunk - Vinyl
11	M01298 01-000	EA	Console - Overhead - 7 5' x 6 14" - Black
	083219 03 000	EA	Floor Mat - Front - Passenger - Itasca (Ford)
	083219 04 000	EA	Floor Mat - Front - Driver - Itasca (Ford)
	056288 01 000	EA	Dome Light Asm
	056288 02 000	EA	Bulb - Dome Light Asm
	056288 03 000	EA	Housing - Dome Light Asm
	056288 04 000	EA	Lens - Dome Light Asm
	056288 05 000	EA	Clip - Dome Light Asm
	024461 01-000	EA	Switch - Battery
	024462 01 000	EA	Switch - Battery Condition
	024976 01 000	EA	Switch - Generator w/o Circuit Board
	031035 02 000	EA	Gauge - Generator Hourmeter
	024459 04 000	EA	Gauge - Voltmeter
	024459 02 000	EA	Bracket - Mounting - Voltmeter Gauge

• This part is supplied by your Ford Dealer

DRIVER'S COMPARTMENT GROUP (CONTINUED)



BUCKET SEAT PEDESTAL & SEAT BELTS

Key	Part Number	U/M	Description
1	069585-04 000	EA	Plate - Top - Pedestal Asm - Bucket Seat
1	069585-19 000	EA	Plate - Top - Flat - Power Seat
2	069585 03 000	EA	Plate - Sub - Pedestal Asm - Bucket Seat
2	069585-18 000	EA	Plate - Sub - Pedestal Asm - Power Seat
3	069585-02 000	EA	Plate - Base - Pedestal Asm - Bucket Seat
	081373 02 000	EA	Seat - Power
	069585 05 000	EA	Hardware Kit - Bolt/Corn Nut - 4 ea - Pedestal Asm
	056271-02 000	EA	Belt Asm - Seat - 2 x 72' - Black
	007021-01 000	EA	Belt Asm - Seat - 2 x 90' - Black
	041322-01 000	FA	Washer - Flat 15/32" I D x 2 3/8" O D - Seat Belt
	057759 01 000	EA	Bracket - Seat Belt Washer
	069246 01 000	EA	Adjuster Asm - Seat w/Lock
	069246 02 000	EA	Adjuster Asm - Seat w/o Lock
	080730 02 000	EA	Recliner Drive - Driver
	080730 01 000	EA	Recliner Drive - Passenger
	079467 04 000	EA	Loose Parts Kit
	069585 27 000	EA	Plate - Top - Pedestal
	069585 29 000	EA	Bar - Seat Belt - 20'
	Not illustrated		

**1986 ITACSA
TABLE OF CONTENTS**

IC/IF424RC
IF426RU
ICN33RU
ICP34RU

A 01 - C 08
C 09 - E 10
E 11 - G-22
G 23 - J 09

1986 IF426RU INDEX

Floor Plan	C 09 - C-10
Accessories Group	C 11 - C-13
Bath Group	C-14
Chassis Group	C 15 - C-16
Curtain, Cushion & Pad Group	C 17 - C-23
Dinette Group	C-24
Driver's Compartment Group	D 01 - D 02
Electrical Group	D 03 - D 05
Exterior Body Group	D 06 - D-11
Galley Group	D 12 - D 13
Heating & Air Conditioning Group	D-14
Interior Finish Group	D 15 - D-17
LP Group	D 18
Lounge Group	D 19
Water & Sewage Group	D 20 - D 21
Window, Vent & Exterior Door Group	D 22 - E 10

ELECTRICAL GROUP

BULBS

Key	Part Number	U/M	Description
	008220-01-000	EA	Bulb - 12V - 25W
	008103-01-000	EA	Bulb - 57
	008213-01-000	EA	Bulb - 57
	008214 01-000	EA	Bulb - 67
	036196-01-000	EA	Bulb 194
	008215-01-000	EA	Bulb - 1003
	067479 01-000	EA	Bulb - 1076
	063914-01-000	EA	Bulb 1139
	008218-01-000	EA	Bulb - 1141
	037935-01-000	EA	Bulb - 1157
	056288-02-000	EA	Bulb - 9431808

FUSES & CIRCUIT BREAKERS

Key	Part Number	U/M	Description
	008234 01-000	EA	Fuse - 10 Amp 12 Volt
	008235-01-000	EA	Fuse - 15 Amp 12 Volt
	062901-02 000	EA	Fuse - 5 Amp - Automotive
	062901-05-000	EA	Fuse - 15 Amp Automotive
	008211-01-000	EA	Circuit Breaker - 6 Amp - 12 Volt
	008208-01-000	EA	Circuit Breaker 40 Amp 12 Volt
	033573-02-000	EA	Circuit Breaker - 15 Amp - 12 Volt - w/Mount
	033573 01 000	EA	Circuit Breaker - 20 Amp 12 Volt w/Mount
	044466 03 000	EA	Circuit Breaker - 25 Amp - 12 Volt - w/Mount
	008268 01 000	EA	Circuit Breaker 30 Amp 12 Volt w/Mount
	083209 01-000	EA	Circuit Breaker 15 Amp - 120 Volt
	083210-02 000	EA	Circuit Breaker 15 Amp 120 Volt (Ground Fault Interrupter)
	075735-02 000	EA	Circuit Breaker - 15 Amp - 120 Volt (Ground Fault Interrupter)
	071279 05 000	EA	Circuit Breaker - 20 Amp 120 Volt
	071279 04 000	EA	Circuit Breaker 30 Amp - 120 Volt
	071279 03 000	EA	Circuit Breaker 15/20 Amp 120 Volt
	083209 03 000	EA	Circuit Breaker 15/20 Amp - 120 Volt
	071279 01 000	EA	Circuit Breaker - 15/30 Amp - 120 Volt
	083209 05 000	EA	Circuit Breaker 20 Amp 120 Volt
	083209 04 000	EA	Circuit Breaker 30 Amp - 120 Volt
	083209 06 000	EA	Circuit Breaker 30/15 Amp 120 Volt
	071279 06 000	EA	Circuit Breaker 30/15 Amp - 120 Volt
	071280 01 000	EA	Circuit Breaker Blank
	050283 02 000	EA	Circuit Breaker Buss Bar

ELECTRICAL GROUP (CONTINUED)

WIRE SWITCHES & RECEPTACLES

Key	Part Number	U/M	Description
	008058 01-000	EA	Adapter - Power Cord
	008288 01-000	EA	Box Electrical - 3' x 3 5 - Plastic
	008289-01-000	EA	Box Electrical - 4 x 4 - 1/2 & 3/4 Steel UL
	008289 02 000	EA	Box - Electrical 4 x 4 1/2 & 3/4 Steel - CSA
	058049 01-000	EA	Box Electrical 2 x 3 x 2 25 - Steel
	041953-01-000	EA	Conduit - Convoluted Slit - 5 I D
	008353 01-000	EA	Connector - Clamping - 3/8 Cable - UL & CSA
	058028 01-000	EA	Connector - Pigtail - Clear Nylon
	008314-01-000	EA	Connector - Wire Nut Gray
	008311-01 000	EA	Connector - Wire Nut - Red
	031968 01-000	EA	Contact Plug - Brass - Tin Plated
	031967-01 000	EA	Contact - Receptacle
	008054 01 000	EA	Cord - Power - 10-3 30 Amp 25 UL
	008052-01 000	EA	Cord - Power - 10-3 30 Amp - 25 CSA
	069238 01-000	EA	Cover Electrical Box - 4 x 4
	058048 01 000	EA	Cover - Electrical Box - 4 5 x 2 75 - Rain Tight (Exterior)
	024571-03 000	EA	Cover Plate - Receptacle - Jumbo - Brown Plastic
	024571 04 000	EA	Cover Plate - Receptacle - Jumbo Ivory Plastic
	008164 01 000	EA	Cover Plate Switch - Brown
	008294 01-000	EA	Cover - Flat Blank - 4 x 4 Steel - US
	008294 02 000	EA	Cover Flat Blank - 4 x 4' - Steel - CSA
	008250-01 000	EA	Fuse Holder In Line - 10 Amp
	008250 02 000	EA	Fuse Holder In Line 15 Amp
	008277-01 000	EA	Fuse Holder - Panel Mount - Black
	064399 01 000	EA	Housing Asm - Trailer Pin
	064450-01 000	EA	Housing Asm - Trailer Plug
	064398 01 000	EA	Housing Asm - Trailer Receptacle
	054532 01 000	EA	Housing Pin - 6 Position
	046885 01-000	EA	Plaque Mounting Switch
	075736 02 000	EA	Receptacle/Cover Asm - Off White (Exterior)
	058708 01 000	EA	Receptacle - Duplex Brown
	008157 01 000	EA	Receptacle - Duplex - Brown (Exterior Backwall)
	058708 02 000	EA	Receptacle Duplex Ivory
	053126 01-000	EA	Receptacle - Ground Fault Interrupter - 125 Volt - Ivory
	024924 02-000	EA	Receptacle Power Cord
	058707 01-000	EA	Receptacle - Single - Brown
	063912 01-000	EA	Relay Canister SPDT w/Ground
	075723 01 000	EA	Switch - Block Spacer - w/o Holes
	075723 02 000	EA	Switch - Block Spacer - w/Holes
	008162 01 000	EA	Switch - Double Toggle Brown
	077942 02 000	EA	Switch - Dummy - Brown
	058264 01 000	EA	Switch - Leaf Actuator
	079382 01 000	EA	Switch Plate 3 Gang - 2 Switches
	079383 01 000	EA	Switch Plate Single - w/Switches
	079384 01 000	EA	Switch On/Off Rocker Brown
	008195 01 000	EA	Switch - Push Button 12 Volt
	008183 01 000	EA	Switch - Toggle - Brown
	006050 01 000	EA	TV Jack - Ivory
	047443 02 000	EA	Terminal 250 Receptacle - 12 10 AWG
	035417 01 000	EA	Terminal Pin Receptacle - .125 Dia
	008348 01 000	EA	Terminal Ring 2 w/3/8 Stud
	008331 01 000	EA	Terminal Ring 4 - w/3/8 Stud
	008328 01 000	EA	Terminal Ring 12/10 Wire
	054805 01 000	EA	Wire Asm - Generator Switch
	008028 01 000	FT	Wire - 18 5 Bonded Blue/Red/Yellow/Orange/White
	008024 01 000	FT	Wire - 18 5 Bonded - Orange/White/Yellow/Blue/Brown
	008025 01 000	FT	Wire 18 5 Bonded Orange/White/Yellow/Blue/Green
	008026 01 000	FT	Wire w/Ground Romex 12/2

1986 ITACSA TABLE OF CONTENTS

IC/IF424RC	A 01 - C 08
IF426RU	C 09 - E-10
ICN33RU	E-11 - G 22
ICP34RU	G 23 J 09

1986 IF426RU INDEX

Flour Plan	C 09 C 10
Accessories Group	C 11 C 13
Bath Group	C 14
Chassis Group	C 15 - C 16
Curtain Cushion & Pad Group	C 17 C-23
Dinette Group	C 24
Driver's Compartment Group	D 01 - D 02
Electrical Group	D 03 D 05
Exterior Body Group	D 06 D 11
Galley Group	D 12 D 13
Heating & Air Conditioning Group	D 14
Interior Finish Group	D 15 D-17
LP Group	D 18
Lounge Group	D-19
Water & Sewage Group	D 20 - D 21
Window Vent & Exterior Door Group	D 22 E 10

ELECTRICAL GROUP (CONTINUED)

EXTERIOR LIGHTS

Key	Part Number	U/M	Description
	042405 03-000	EA	Base Rectangular Clearance Light
	042405 01-000	EA	Lens - Clearance Light - Red w/Reflex
	042405 02 000	EA	Lens - Clearance Light Amber w/Reflex
	042405 05 000	EA	Lens - Clearance Light - Amber w/o Reflex
	048817-01 000	EA	Assist Handle Asm w/Light
	079941 01 000	EA	Lamp Asm - w/Cover - Fog - Amber
	087250 02 000	EA	Light Asm - Cab Marker - Red
	075459-04 000	EA	Lamp Asm Tail Red
	075459 05 000	EA	Lamp Asm - Turn - Amber
	075459 06 000	EA	Lamp Asm Backup/Reflex
	073844 01 000	EA	Lamp Asm - License
	076795 01 000	EA	Light Asm License

INTERIOR LIGHT

Key	Part Number	U/M	Description
	065202 03 000	EA	Lamp - Decor - Wall Brass - 2 Bulb
	033508 02 000	EA	Light - Dome - Ivory 1 Bulb US
	033508 03 000	EA	Light - Dome - Ivory 1 Bulb - CSA
	033509-02-000	EA	Light Dome - Ivory 2 Bulb US
	033509 03 000	EA	Light Dome - Ivory 2 Bulb - CSA
	078424 02 000	EA	Light - Florescent 12V
	061424 01 000	EA	Light 12V Receptacle Aisle IP
	007309 01 000	EA	Light Step Well
	072353 02 000	EA	Light - Reading - Double 360° Swivel - Silver
	072353 07 000	EA	Light - Reading - Single 360° Swivel Tan
	056288 01 000	EA	Light - Dome (Driver's Compartment)
	056288 04 000	EA	Lens - Dome Light (Driver's Compartment)

MISCELLANEOUS ELECTRICAL COMPONENTS

Key	Part Number	U/M	Description
	063739 01 000	EA	Battery 12V Storage - Gould
	083208 01 000	EA	Control Center - 32A - 120V/12L
	047338 03 000	EA	Isolator Dual Battery - 70 Amp
	008188 01 000	EA	Solenoid - Dual Battery Relay
	083208 01 000	EA	Converter 120 Amp w/Charger

EXTERIOR BODY GROUP

INTERIOR/EXTERIOR SCREWS & FASTENERS

Key	Part Number	U/M	Description
	005200-01 000	EA	Bolt - Round Head - Square Neck w/SST Cap 7/16 - 14 x 1 1/4
	058279 01 000	EA	Clip - Mounting - Front Panel
	035628 01 000	EA	Fastener - Blind Well Nut - 1 05 x 38
	000D15 06 00B	EA	Nut - Hex - 3/8 x 24 - Zinc
	005081 01-000	EA	Nut - Speed - C Type - #8 Screw
	000G54-04 20B	EA	Screw 1/4 - 20 x 1 1/4 PTH - Zinc
	000G54 04 22B	EA	Screw 1/4 - 20 x 1 3/8 PTH - Zinc
	000G53 04 06B	EA	Screw 1/4 - Machine - 20 x 3/8 PTH Zinc
	000G13 06 12P	EA	Screw #6 20 x 3/4 PFH - Dark Brown
	000G13 06 28X	EA	Screw #6 - 20 x 3/4 PFH - Gray
	000G13 06-16R	EA	Screw #6 20 x 1 PFH - Beige
	000G11 07-08B	EA	Screw #7 - 19 x 1/2 PPH Zinc
	000G12 08-12M	EA	Screw #8 18 x 3/4 POH - Gray
	000G11-08 12R	EA	Screw #8 - 18 x 3/4 PPH - Beige
	000G11-08-12X	EA	Screw #8 18 x 3/4 PPH Gray
	000G11 08-12B	EA	Screw #8 - 18 x 3/4' PPH - Zinc
	000G39 08-12R	EA	Screw #8 - 18 x 3/4' SDPH - Beige
	000G66 08-12M	EA	Screw #8 - 18 x 3/4" SDPH - Gray
	000G11 08 16R	EA	Screw #8 - 18 x 1 PFH Gray
	000G66 08-16R	EA	Screw #8 - 18 x 1' SDPH - Beige
	000G12 08 28R	EA	Screw #8 - 18 x 1 3/4 POH - Beige
	000G36 08 08E	EA	Screw #8 32 x 1/2 PFH - Chrome
	000G39 08 08B	EA	Screw #8 Self Drilling - 18 x 1/2 PPH - Zinc
	000G39 08 12B	EA	Screw #8 Self Drilling 18 x 3/4 PPH - Zinc
	000G39 08 12R	EA	Screw #8 Self Drilling 18 x 3/4' PPH Beige
	000G39 08 16R	EA	Screw #8 Self Drilling 18 x 1' PPH - Beige
	000G39 08 16T	EA	Screw #8 Self Drilling 18 x 1' PPH Black
	000G39 08-16P	EA	Screw #8 - Self Drilling 18 x 1 PPH Dark Brown
	000G39-08-16X	EA	Screw #8 - Self Drilling 18 x 1 PPH Gray
	000G39 08 16E	EA	Screw #8 - Self Drilling 18 x 1' PPH - Chrome
	000G64 08 16M	EA	Screw #8 - Self Drilling 18 x 1 SDPH - Gray
	000G67 10 08B	EA	Screw #10 12 x 1/2 PPH Zinc
	000G67-10 10R	EA	Screw #10 - 12 x 5/8 PPH - Beige
	000G67 10 16P	EA	Screw #10 12 x 1' PPH - Dark Brown
	000G67-10 16B	EA	Screw #10 12 x 1 PPH - Zinc
	000G67 10 20B	EA	Screw #10 - 12 x 1 1/4" PPH - Zinc
	000G67-10 24B	EA	Screw #10 12 x 1 1/2 PPH Zinc
	049465 04 000	EA	Screw #10 16 x 1' POH w/Washer - Beige
	049465 05 000	EA	Screw #10 - 16 x 1 POH w/Washer Gray
	000G12-10 24E	EA	Screw #10 16 x 1 1/2 POH Chrome
	000G11 10 08D	EA	Screw #10 - 16 x 1/2 PPH - Dark Brown
	000G11 10 12R	EA	Screw #10 16 x 3/4' PPH Beige
	000G11-10 12S	EA	Screw #10 - 16 x 3/4 PPH - Off White
	000G11 10 12B	EA	Screw #10 16 x 3/4" PPH Zinc
	000G11 10 16B	EA	Screw #10 - 16 x 1' PPH - Zinc
	000G11 10 40B	EA	Screw #10 18 x 2 1/2" PPH - CAD
	000G19 10 12B	EA	Screw #10 Machine 32 TPI x 3/4"
	075908 01 000	EA	Screw #10 Machine - 32 x 56' PTH Zinc
	000G19 10-20R	EA	Screw #10 Machine - 32 x 1 1/4 PPH - Zinc
	000G39 12 12E	EA	Screw #10 Self Drilling 14 x 3/4' PPH Chrome
	000G39 10 10R	EA	Screw #10 - Self Drilling - 16 x 62 PPH Beige
	000G39 10 12R	EA	Screw #10 Self Drilling 16 x 3/4" PPH Beige
	000G39 10 12P	EA	Screw #10 Self Drilling - 16 x 3/4' PPH Dark Brown
	000G56 12 48C	EA	Screw #12 Wood 11 x 3' POH CAD

**1986 ITACSA
TABLE OF CONTENTS**

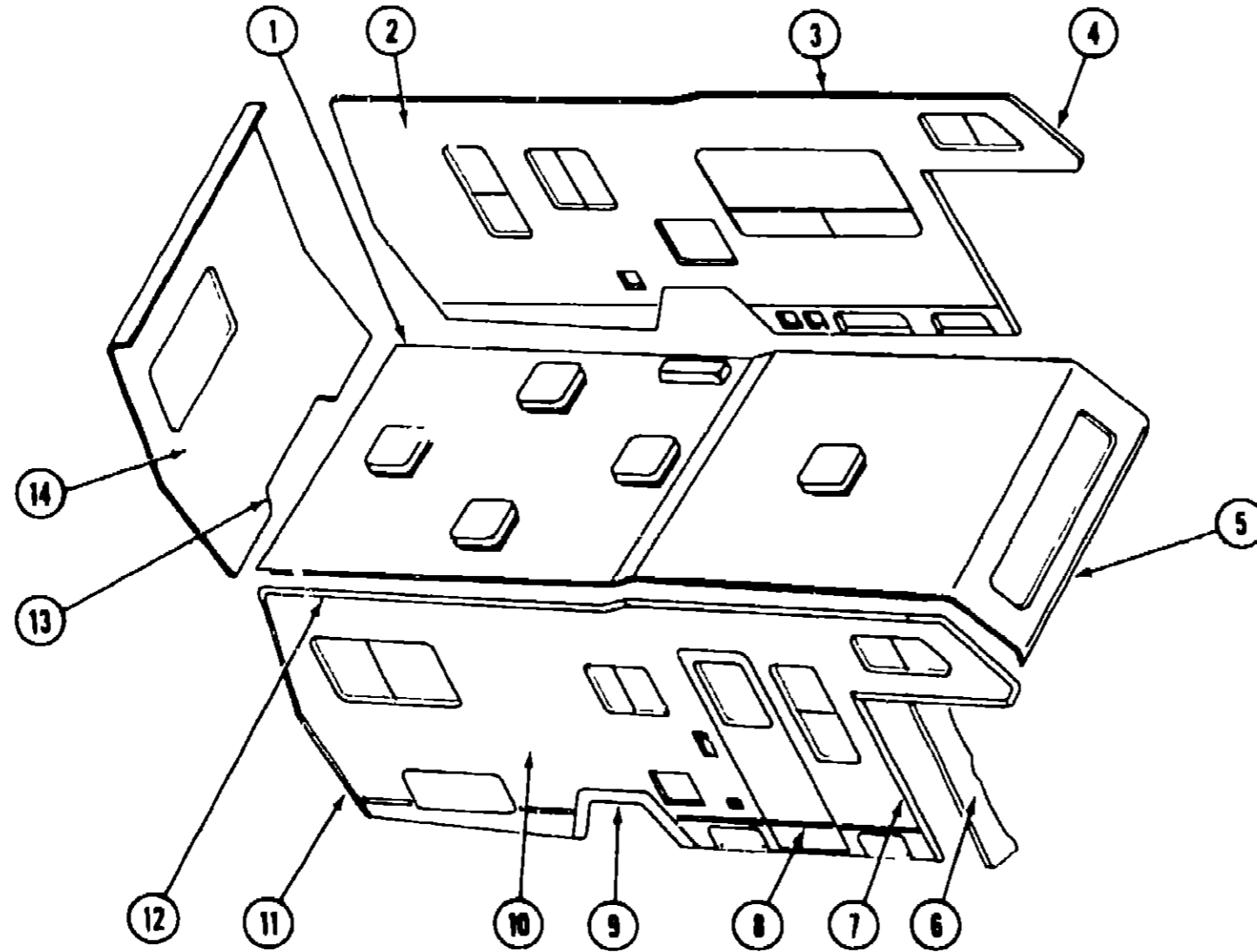
IC/IF424RC	A-01	C 08
IF426RU	C 09	E-10
ICN33RU	E-11	- G 22
ICP34RU	G-23	- J 09

1986 IF426RU INDEX

Floor Plan	C 09	C 10
Accessories Group	C 11	C 13
Bath Group		C 14
Chassis Group	C-15	C 16
Curtain Cushion & Pad Group	C-17	C 23
Dinette Group		C 24
Driver's Compartment Group	D 01	D 02
Electrical Group	D 03	- D 05
Exterior Body Group	D 06	D 11
Galley Group	D 12	D 13
Heating & Air Conditioning Group		D 14
Interior Finish Group	D 15	D 17
LP Group		D 18
Lounge Group		D 19
Water & Sewage Group	D 20	D 21
Window Vent & Exterior Door Group	D 22	E 10

EXTERIOR BODY GROUP (CONTINUED)

EXTERIOR BODY PANELS



**1986 ITACSA
TABLE OF CONTENTS**

IC/IF424RC
IF426RU
ICN33RU
ICP34RU

A-01 - C 08
C-09 - E 10
E-11 - G-22
G 23 - J 09

Key	Part Number	U/M	Description
1	M81574 01 U01	EA	Roof Asm
	M76177 01 700	EA	Roof Section Cab Over To First Seam
2	M81572 01 U10	EA	Sidewall Asm - Driver
2	M81572 01 U11	EA	Sidewall Asm - Driver
2	M81572 01 U12	EA	Sidewall Asm - Driver
3	076802 06 000	EA	Trim Contour Upper Front - Driver - Off White
	076802 05 000	EA	Trim - Contour Upper Front - Passenger Off White
4	076828 02 000	EA	Trim - Contour - Sleeper - Driver Off White
	076828 01 000	EA	Trim - Contour Sleeper Passenger - Off White
5	039644 08 000	EA	Trim - Sleeper Board - Front - Off White
6	M81653 01 U10	EA	Wingwall Asm - Passenger (Ford)
	M81653 02 U10	EA	Wingwall Asm Driver (Ford)
7	076975 03 000	EA	Trim Wingwall Transition Passenger Off White
	076975 04 000	EA	Trim - Wingwall Transition - Driver Off White
8	002444 01 001	EA	Feature Strip - w/o Inset Extr - 14' Brown
	001030 02 003	EA	Insert - Feature Strip - 17' - Stucco - Off White
	009731 01 000	EA	End Cap Feature Strip
9	075189 01 000	EA	Trim Wheel Well Rear Passenger Off White
	075189 02 000	EA	Trim Wheelwell Rear Driver Off White

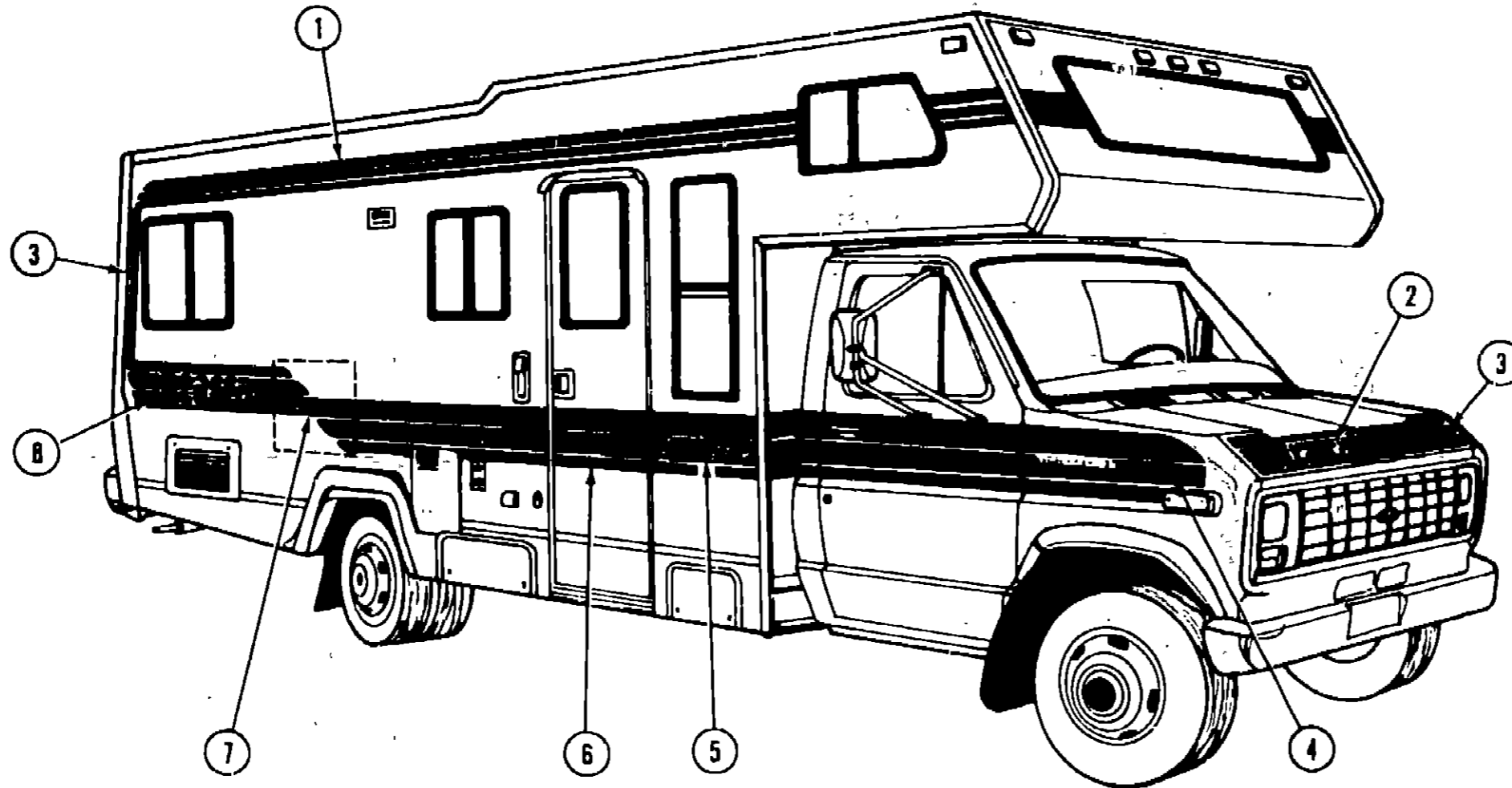
Key	Part Number	U/M	Description
10	M81573 01 U10	EA	Sidewall Asm Passenger
10	M81573 01 U11	EA	Sidewall Asm Passenger
10	M81573 01 U12	EA	Sidewall Asm Passenger
11	076805 01 000	EA	Trim Contour - Rear Passenger - Off White
	076805 02 000	EA	Trim Contour - Rear Driver - Off White
12	077339 09 000	EA	Trim - Contour Upper Rear Passenger Off White
	077339 10 000	EA	Trim - Contour - Upper Rear Driver Off White
13	074966 02 000	EA	Trim Backwall Lower - Passenger or Driver
14	081651 01 U10	EA	Backwall Asm
	078578 05 000	EA	End Cap - Bumper Rear Right
	078578 06 000	EA	End Cap - Bumper Rear Left
	002365 01 001	EA	U Channel Extrusion - 1' x 18
	002776 01 001	EA	U Channel - Extrusion - 1 7/8" x 16'
	077514 04 001	EA	Fiberglass Sheet - 48 08 x 259 - Mesa Off White
	077517 04 002	EA	Fiberglass Sheet 48 08" x 60 - Mesa Off White
	001054 01 011	EA	Alum - No Design - 48" x 96 Off White
	000868 01 000	SF	Styrofoam 75' x 24" x 96
	000870 01 000	SF	Styrofoam - 1 5/8" x 24" x 96
	000870 03 000	SF	Styrofoam 1 3/4 x 48 x 96
			Not Illustrated

1986 IF426RU INDEX

Floor Plan	C 09 - C-10
Accessories Group	C 11 - C-13
Bath Group	C-14
Chassis Group	C 15 - C 16
Curtain Cushion & Pad Group	C 17 - C 23
Dinette Group	C-24
Driver's Compartment Group	D 01 - D 02
Electrical Group	D 03 - D 05
Exterior Body Group	D 06 - D 11
Galley Group	D 12 - D-13
Heating & Air Conditioning Group	D 14
Interior Finish Group	D 15 - D-17
LP Group	D-18
Lounge Group	D-19
Water & Sewage Group	D 20 - D 21
Window, Vent & Exterior Door Group	D 22 - E 10

EXTERIOR BODY GROUP (CONTINUED)

LABELS, DECALS & EXTERIOR PAINT



1986 ITACSA TABLE OF CONTENTS

IC/IF424RC
IF426RU
ICN33RU
ICP34RU

A-01 - C-08
C-09 - E-10
E-11 - G-22
G-23 - J-09

Key	Part Number
1	069245-75-000
1	069245-76-000
1	069245-77-000
2	078852-03-000
3	069245-72-000
3	069245-73-000
3	069245-74-000
4	078864-07-000
4	078864-09-000
4	078864-11-000
4	078864-08-000
4	078864-10-000
4	078864-12-000
5	078851-02-000
6	069245-78-000
6	069245-79-000
6	069245-80-000
7	078867-07-000
7	078867-09-000
7	078867-11-000
7	078867-08-000
7	078867-10-000
7	078867-12-000
8	078852-04-000
8	084075-01-000
8	068383-01-000
8	006195-01-000
8	047731-01-000

U/M	Description
FT	Film - Multistripe - 4.13" x 150' - Blue/Gray (U10)
FT	Film - Multistripe - 4.13" x 150' - Melon (U11)
FT	Film - Multistripe - 4.13" x 150' - Plum/Belge (U12)
EA	Decal - Logo - "Itasca" - 5" x 20"
FT	Film - Multistripe - 6" x 150' - Blue/Gray (U10)
FT	Film - Multistripe - 6" x 150' - Melon (U11)
FT	Film - Multistripe - 6" x 150' - Plum/Belge (U12)
EA	Decal - Fender - Passenger - Ford - Blue/Gray (U10)
EA	Decal - Fender - Passenger - Ford - Melon (U11)
EA	Decal - Fender - Passenger - Ford - Plum/Belge (U12)
EA	Decal - Fender - Driver - Ford - Blue/Gray (U10)
EA	Decal - Fender - Driver - Ford - Melon (U11)
EA	Decal - Fender - Driver - Ford - Plum/Belge (U12)
EA	Decal Logo - "Sundancer"
EA	Film - Multistripe - 8" x 150' - Blue/Gray (U10)
EA	Film - Multistripe - 8" x 150' - Melon (U11)
EA	Film - Multistripe - 8" x 150' - Plum/Belge (U12)
EA	Decal - Side - Center - Passenger - Blue/Gray (U10)
EA	Decal - Side - Center - Passenger - Melon (U11)
EA	Decal - Side - Center - Passenger - Plum/Belge (U12)
EA	Decal - Side - Center - Driver - Blue/Gray (U10)
EA	Decal - Side - Center - Driver - Melon (U11)
EA	Decal - Side - Center - Driver - Plum/Belge (U12)
EA	Decal - Logo - "Itasca" - 6.25" x 26.67"
EA	Decal - "by Winnebago Industries"
EA	Label - Diesel Fuel
EA	Label - Electrical Test
EA	Label - Emergency Exit

D-9

Key	Part Number
EA	006199-01-000
EA	057467-04-000
EA	064378-01-000
EA	061417-01-000
EA	006196-01-000
EA	054531-01-000
EA	040944-01-000
EA	006015-01-000
EA	056259-01-000
EA	006064-01-000
EA	006187-01-000
EA	006006-01-000
EA	075221-01-000
EA	075220-01-000
EA	077958-01-000
EA	050225-01-000
EA	006188-01-000
EA	006187-01-000
EA	072863-01-000
EA	006062-01-000
EA	006040-01-000
EA	044486-03-000
EA	045681-03-000
EA	058637-05-000
EA	041561-03-000
EA	074559-01-000
EA	Not Illustrated

U/M	Description
EA	Label - Exit - Escape Window
EA	Label - Exterior Loading Limit
EA	Label - Flying "W" w/Thermo Panel
EA	Label - Fuel
EA	Label - Gas Test
EA	Label - LP Gas Only
EA	Label - Open - Entrance Door
EA	Label - Patent Motor Home
EA	Label - Safety Check List
EA	Label - Seat - w/o Seat Belts
EA	Label - Sewage
EA	Label - Thermo Panel - 2 1/4" x 2 1/4"
EA	Label - Trailer Hitch Capacity
EA	Label - Warning - Exterior Load Limit
EA	Label - Warning - Smoke Detector
EA	Label - Warning - Stove Vent - US
EA	Label - Waste Water
EA	Label - Water Test
EA	Nameplate - Diesel - 6.2L
EA	Tag - Electrical - 110 Volt Connection
EA	Tag - Gas - Refueling Warning
EA	Paint - Belge Acrylic Enamel - 16 oz. Aerosol (7633A Dupont)
EA	Paint - Gloss Black - Acrylic Enamel - 16 oz. Aerosol (99 Dupont)
EA	Paint - Gray Acrylic Enamel - 16 oz. Aerosol (71537 Dupont)
EA	Paint - Off White Acrylic Enamel - 16 oz. Aerosol (45396A Dupont)
EA	Label - "LPG" 3.3" x 1.75" (Calif. Code)

D-10

1986 IF426RU INDEX

Floor Plan	C-09 - C-10
Accessories Group	C-11 - C-13
Bath Group	C-14
Chassis Group	C-15 - C-16
Curtain, Cushion & Pad Group	C-17 - C-23
Dinette Group	C-24
Driver's Compartment Group	D-01 - D-02
Electrical Group	D-03 - D-05
Exterior Body Group	D-06 - D-11
Galley Group	D-12 - D-13
Heating & Air Conditioning Group	D-14
Interior Finish Group	D-15 - D-17
LP Group	D-18
Lounge Group	D-19
Water & Sewage Group	D-20 - D-21
Window, Vent & Exterior Door Group	D-22 - E-10

EXTERIOR BODY GROUP (CONTINUED)

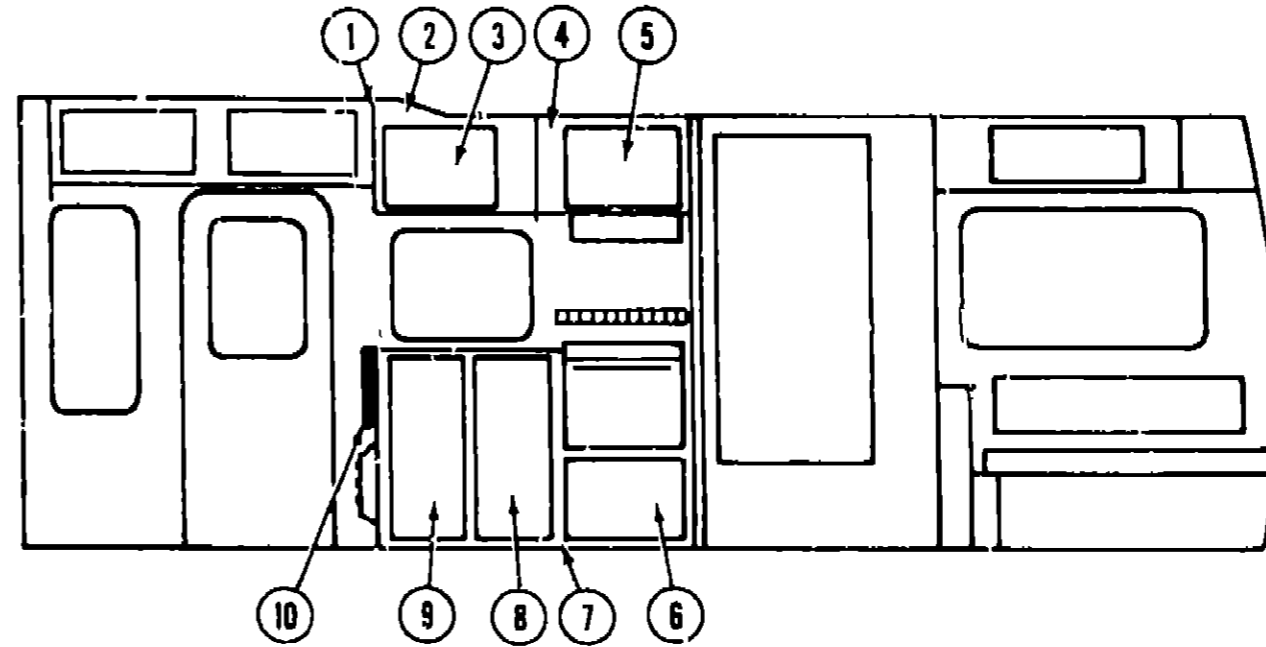
SEALANTS & ADHESIVES

Key	Part Number	U/M	Description
	004020-01-000	QT	Adhesive - ABS Cement (Plastic Fittings)
	002337-01-000	EA	Adhesive - 1300 Tube - 3M (Windows)
	004005-02-000	GL	Adhesive - Swifts - Glue (Sidewalls)
	053766-07-000	EA	Bedding Compound - Tube - Beige (Exterior)
	053766-06-000	EA	Bedding Compound - Tube - Clear (Window)
	053766-08-000	EA	Bedding Compound - Tube - Gray (Exterior)
	053766-05-000	EA	Bedding Compound - Tube - Gray (Sidewalls to Floor)
	053766-02-000	EA	Bedding Compound - Tube - Off White (Exterior)
	002328-02-000	EA	Block - Rubber Spacer (Windshield)
	004336-01-000	EA	Caulk - Latex - Golden Walnut (Sidewalls)
	072891-02-000	QT	Primer - Glass - Black
	072891-01-000	QT	Primer - Glass - Clear
	035024-01-000	EA	Primer - Glass - Clear - Windshield
	072890-01-000	QT	Primer - Metal - Black
	035023-01-000	GL	Primer - Metal - Windshield
	077967-01-000	EA	Sealant - Acrylic Latex - Tube - Off White (Interior Sealant)
	034552-04-000	EA	Sealant - Silicone - Beige
	034552-02-000	FA	Sealant - Silicone - Clear
	034552-07-000	EA	Sealant - Silicone - Dark Gray
	034552-06-000	EA	Sealant - Silicone - Off White
	069637-01-000	EA	Sealant - Weatherban 404 - Tube - White (Door Caulk)
	072889-01-000	EA	Sealant - Urethane - Black (Windshield)
	069640-01-000	FT	Sealer Ribbon - 25 Bead x 20'
	069640-02-000	FT	Sealer Ribbon - 5' x 125' x 30'
	069640-03-000	FT	Sealer Ribbon - 75' x 125' x 30'
	069640-04-000	FT	Sealer Ribbon - 2' x 09' x 45' (P Series)
	069640-05-000	FT	Sealer Ribbon - 2.5' x 09' x 50'
	069640-06-000	FT	Sealer Ribbon - 5/16 Bead x 15'
	069640-07-000	FT	Sealer Ribbon - 2' x 3/32' x 30'
	002316-01-000	FT	Sealer Tape - 3/32' x 3/8' - White (Window)
	002707-01-000	FT	Sealer Tape - 5/16' x 3/4'
	002707-02-000	FT	Sealer Tape - 5/16' x 1/2'
	040545-01-000	GL	Sealer - Seam Weld
	053752-04-000	EA	Seam Sealer - Tube - Aluminum (Roof)
	063642-01-000	FT	Tape - Adhesive - 10 mm x 1.5" Wide
	038886-01-000	EA	Tape - Butyl - 31" x 31' x 148' (Windshield)
	076322-01-000	FT	Tape - Foam Double Coated - 0.25 x 1" (Fiberglass Sidewall Seams)
	076322-02-000	FT	Tape - Foam Double Coated - 0.45 x 1" (Fiberglass Sidewall Seams)
	009200-01-000	EA	Tape - Furnace - 1.5"
	002825-01-000	FT	Weather Striping (Roof Vent)

MISCELLANEOUS EXTERNALLY MOUNTED PARTS

Key	Part Number	U/M	Description
	083558-01-000	EA	Plumbing Seal - Roof Vent - 1.5"
	048817-01-000	EA	Assist Handle - w/Light
	048817-01-700	EA	Lens - Assist Handle
	010230-02-000	EA	Fill - City Water Recessed - Off White
	081240-03-000	EA	Water Fill - Lockable - White
	063303-04-000	J	Shroud - Fuel Fill - Lower
	072447-02-000	EA	Shroud - Fuel Fill
	079384-02-700	EA	Hardware Set - Running Board (Ford)
	079384-02-701	EA	Riser - Molding (Ford)
	079384-02-702	EA	Wheel Trim - Chrome (Ford)
	079384-05-000	EA	Running Board - Right (1 only) (Ford)
	079384-06-000	EA	Running Board - Left (1 only) (Ford)
	079384-02-000	EA	Running Board Set - w/Wheel Flares (Ford)

GALLEY GROUP



GALLEY CABINERY

Key	Part Number	U/M	Description
1	081280-06-U01	EA	Pad Asm - End Cap - Galley Overhead - Vinyl
2	0d1563-02-U10	EA	Cabinet Asm - Galley Overhead - w/o Doors or Hardware
3	M81524-02-U10	EA	Door Asm - Galley Overhead - w/o Hardware
4	081581-02-U10	EA	Cabinet Asm - Galley Overhead - w/o Door or Hardware
5	M81524-01-U10	EA	Door Asm - Galley Overhead - w/o Hardware
6	M81507-01-U10	EA	Door Asm - Galley Cabinet - Furnace - w/o Hardware
7	M81282-01-U01	EA	Cabinet Asm - Galley - w/o Countertop Doors Drawers or Hardware
	M81282-04-U01	EA	Cabinet Asm - Galley - w/o Countertop Doors Drawers or Hardware
	M82134-02-U10	EA	Drawer Asm - Galley Cabinet - w/o Hardware
	M02154-01-U01	EA	Countertop Asm - Galley
8	M81504-02-U10	EA	Door Asm - Galley Cabinet - 33.4" x 14.3' w/o Hardware
9	M81504-03-U10	EA	Door Asm - Galley Cabinet - 33.4" x 14.3' w/o Hardware
10	080812-02-U01	EA	Extension Asm - Galley
	077404-01-000	EA	Drawer - Plastic - 20" x 12.7"
	M81505-03-U10	EA	Door Asm - Refrigerator Cabinet - Left - w/o Hardware
	M81505-04-U10	EA	Door Asm - Refrigerator Cabinet - Right - w/o Hardware
	M81504-04-U10	EA	Door Asm - Pantry - Refrigerator Cabinet - w/o Hardware
			Not Illustrated
			* Parts used with Microwave Option

**1986 ITACSA
TABLE OF CONTENTS**

IC/IF424RC	A-01 - C-08
IF426RU	C-09 - E-10
ICN33RU	E-11 - G-22
ICP34RU	G-23 - J-09

1986 IF426RU INDEX

Floor Plan	C-09 - C-10
Accessories Group	C-11 - C-13
Bath Group	C-14
Chassis Group	C-15 - C-16
Curtain, Cushion & Pad Group	C-17 - C-23
Dinette Group	C-24
Driver's Compartment Group	D-01 - D-02
Electrical Group	D-03 - D-05
Exterior Body Group	D-06 - D-11
Galley Group	D-12 - D-13
Heating & Air Conditioning Group	D-14
Interior Finish Group	D-15 - D-17
LP Group	D-18
Lounge Group	D-19
Water & Sewage Group	D-20 - D-21
Window Vent & Exterior Door Group	D-22 - E-10

GALLEY GROUP (CONTINUED)

GALLEY HARDWARE & APPLIANCES

Key	Part Number	U/M	Description
	079352 01 000	EA	Hood - Range - Non-Powered w/Light - Almond
	079353-01-000	EA	Hood - Range - Powered w/Monitor - Almond - US
	079353 02-000	EA	Hood - Range - Powered w/Monitor - Almond CSA
	075470 04-000	EA	Duct Extension - Hood Range
	079354 03-000	EA	Spacer - Hood Range
	055282-02 000	EA	Range w/Small Oven - 4 Burner - Almond - Magic Chef
	055282 02 700	EA	Frame - Door - Upper
	055282-02-701	EA	Frame - Door - Lower
	055282 02 702	EA	Glass Door Front
	055282-02-703	EA	Panel Door - Black
	081374 01-000	EA	Range Top - 4 Burner - Almond
	081374 01 700	EA	Trim - Cab Top - Right
	081374 01 701	EA	Trim - Cab Top - Left
	081374 01-702	EA	Panel - Manifold - Warm Black
	081374 01 703	EA	Trim - Rear Top
	081374 01-704	EA	Guard - Fabric
	064473 02 000	EA	Refrigerator - AC/DC/Gas - Norcold 6 - 776 EG3
	075217 01 000	EA	Refrigerator - AC/DC/Gas - Norcold 8 - 838 EG3
	075218 01 000	EA	Refrigerator - 3 Way 10 Norcold
	054450-01 000	EA	Level Refrigerator
	081379 01 000	EA	Microwave Oven - Sharp - Convection
	081459 01 000	EA	Bracket Asm - Microwave - Right
	081459 07 000	EA	Bracket Asm - Microwave - Left
	081555-01 T03	EA	Trim Ring - Microwave
	081456-01 000	EA	Angle Asm - Microwave - Right
	081456-02 000	EA	Angle Asm - Microwave Left
	082876 01 000	EA	Baffle - Microwave
	075922-04 000	EA	Air Exhaust Duct - Microwave
	068615 01 000	EA	Sink - Stainless Steel Double w/Bolts
	011053 01 000	EA	Faucet - Swing Spout - 8 - US
	011053 02 000	EA	Faucet - Swing Spout 8 - CSA
	011053 01-700	EA	Aerator - Swing Spout Faucet
	066437 01 000	EA	Strainer w/Basket - Sink
	081630 01 000	EA	Sink Cover Large
	009049 01 000	EA	Support - Drop Leaf Table
	009059-01 000	EA	Hinge - 2 - Gold - Drop Leaf Table
	074490 01 000	EA	Spice Rack - Oak
	079606 03 U04	EA	Magazine Rack Oak
	074981 01 000	EA	Cutting Board - Maple
	058334 01 000	EA	Wastebasket 9 3/4" x 7" x 10" - White
	058478 01 000	EA	Support Wastebasket - Metal - Door Mount
	059777 01 000	EA	Hinge - Cabinet Door - Antique Brass
	057898 01 000	EA	Hidden Latch w/Strike - Cabinet Door
	047744 01 000	EA	Kit - Drawer Guide - Plastic
	077409 01 000	EA	Slide Drawer - 20,75" - Plastic
	073308 03 000	EA	Slide Cabinet - Full Extension - 18" Left
	073308 04 000	EA	Slide - Cabinet Full Extension - 18" - Right
	077404 01 000	EA	Drawer - 20 x 12 7/8" Plastic
	066435 01 000	EA	Nut Strainer
	011083 01 000	EA	Plug 1 1/4" x 5" w/Stopper

The illustrated parts breakdown for this item is provided on the Common Items Fiche

HEATING & AIR CONDITIONING GROUP

AUTOMOTIVE HEATER & AIR CONDITIONER

Key	Part Number	U/M	Description
	081051-01-000	EA	A/C - Compressor Mount Package - 350 C I D
	072343 01 000	EA	A/C - Compressor/Clutch - Sankyo 510
	073716-01 000	EA	A/C - Condensor Asm - C - Tube O
	073716-01-700	EA	Coil Condenser
	073716-01-701	EA	Receiver Drier
	073716 01-702	EA	Hose Assy #6
	073716-01 703	EA	Hose Assy #8
	079372 01 000	EA	A/C - Evaporator Asm - Cutaway (Ford)
	079372 01-700	EA	Evaporator Coil
	079372 01-701	EA	Expansion Valve
	079372-01 702	EA	Blower
	079372 01-703	EA	Blower Motor
	079372 01-704	EA	Motor Mount
	079372 01-705	EA	Blower Wheel
	079372-01-706	EA	Hose Assy #b Liquid
	079372 01-707	EA	Hose Assy #10 - Suction
	072341 01-716	EA	Valve Discharge
	072341 01-704	EA	Valve Section
	079372 01-708	EA	Thermostat
	079372 01 709	EA	Blower Switch
	079372 01-710	EA	Decal - Control Panel
	079372 01-711	EA	Plenum
	079372 01 712	EA	Lower
	079372 01-713	EA	Harness Wiring
	079372 01-714	EA	Switch - Snap Action
	079372 01 715	EA	Power - Jumper
	079372 01 716	EA	Plate Control
	079372 01 717	EA	Valve - Clamp
	079372 01-718	EA	Lower - Escutcheon
	079372 01-719	EA	Lower - Escutcheon Assy
	007108 01 000	FT	Hose - Heater - 5/8 I D SAE 20R
	049401 01 000	EA	Rear Heater Asm
	062401 04 000	EA	Clamp - Worm Drive 69 1 25 I D

FURNACES & ROOF AIR CONDITIONER

Key	Part Number	U/M	Description
	075896 01 000	EA	Furnace - 34 000 BTU w/Direct Ignition - NT-34S
	075695 01 000	EA	Furnace - 24 000 BTU w/Direct Ignition NT 24S
	009198 01 000	FT	Duct Flexible - 4' I D x 25'
	056464 01 000	EA	Register - 4' Dia Plastic - w/Damper
	056462 02 000	EA	Register - 4' Dia - Plastic w/o Damper
	009200 01 000	EA	Tape - Furnace - 1 1/2"
	010326 01-000	EA	Adapter - Flare - w/Cone Gasket
	023146 01 000	EA	Clamp - Screw Type - 4'
	073743 01 000	EA	Shroud Asm Ceiling Inside - Roof Air Cool Only - 13,500 BTU
	073744 01 000	EA	Shroud Asm Ceiling Inside - Roof Air Heat & Cool - 13,500 BTU
	073742 01 000	EA	Air Conditioner 110 Volt & Roof Mount 13,500 BTU Rotary

The illustrated parts breakdown for this item is provided on the Common Items Fiche

1986 ITACSA TABLE OF CONTENTS

IC/IF424RC	A-01 - C-08
IF426RU	C 09 - E-10
ICN33RU	E-11 - G 22
ICP34RU	G-23 - J 09

1986 IF426RU INDEX

Floor Plan	C 09 C-10
Accessories Group	C 11 - C 13
Bath Group	C-14
Chassis Group	C 15 C-16
Curtain, Cushion & Pad Group	C-17 - C 23
Dinette Group	C 24
Driver's Compartment Group	D 01 - D 02
Electrical Group	D 03 D 05
Exterior Body Group	D 06 - D 11
Galley Group	D 12 - D-13
Heating & Air Conditioning Group	D-14
Interior Finish Group	D 15 - D 17
LP Group	D 18
Lounge Group	D 19
Water & Sewage Group	D 20 D 21
Window Vent & Exterior Door Group	D 22 E 10

INTERIOR FINISH GROUP

INTERIOR MOLDING & TRIM

Key	Part Number	U/M	Description
	042357-09-000	FT	Molding - Radius Corner - 7 Elm
	022992 08-000	FT	Molding - Reverse Cove - Champagne White
	079653-01-000	EA	Molding - Batt Strip - Kerfed - Sunset Oak
	069733-37-000	EA	Batt Strip - Sunset Oak - 8 (Lounge)
	069733-42-000	EA	Batt Strip - Scrimshaw Sand - 8 (Wall)
	069733-58-000	EA	Batt Strip Gray 8 (Galley & Bath)
	069733-59-000	EA	Batt Strip Melon 8' (Galley & Bath)
	069733 60-000	EA	Batt Strip Plum - 8' (Galley & Bath)
	069733 62-000	FA	Batt Strip - Pebble Beach - 8 (Ceiling)
	070504 01 000	FT	U-Channel - 065 - Light Brown
	070504-02-000	FT	U-Channel - 815' - Light Brown
	075249-01-000	EA	Roll Asm Plain - 72
	075250 01 000	EA	Corner Post 1 x 1 x 2 1/2' - Oak
	078026-21-T03	EA	Trim - Valance 82
	002774-02 001	EA	Trim - Carpet - 192
	009767 06-000	FT	Welling - Beige
	0C9767 07 000	FT	Welling - Grady Brown
	074045 01-000	EA	Plug - 1/2 Dia - Oak
	041746 01 000	FT	Vinyl - Extr - Bubble Seal

CABINETS & TABLE HARDWARE

Key	Part Number	U/M	Description
	053200 05 000	EA	Bracket Upper Wall Mount - 23 5 - Beige
	024281 07 000	EA	Bracket - Lower Wall Mount - 22 12 - Beige
	024276-14 000	EA	Leg Asm - Table 26 5 Brown
	064050-01 000	EA	Hinge - Table Leg
	024282-01 000	EA	Brace Table Leg
	040493 02 000	EA	Catch Table Leg Mounts on Floor - Brown
	009112 01-J00	EA	Flange - 1' Chrome - Closet Rod
	077409 01 000	EA	Slide Drawer Plastic - 20 75'
	009049 01 000	EA	Table Support Drop Leaf
	009059 01 000	EA	Hinge - 2" - Drop Leaf Table - Gold
	076312 01 000	EA	Mesh - Grille - 13 80' x 8 80' - Gold Aluminum
	009021 01 000	EA	Catch Nylon Furnace Door
	009021 02 000	EA	Strike - Nylon Catch Furnace Door
	074493 02 000	EA	Support Sprung - Door
	066433 01 000	EA	Hook Cup Bright
	058034 02 000	EA	Latch Door w/o Lock Sliding Door
	075680 01 000	EA	Clothes Rod - Adjustable - 27' x 36"
	064467 01 000	EA	Guide - Wall Mount - Door Pocket
	078212 01 000	EA	Pull - Brass w/Dark Oak - Cabinet
	077523 01 000	EA	Latch Asm - Cabinet Door
	077821 01 000	EA	Strike - Latch - Cabinet Door
	078210 01 000	EA	Knob Antique Brass - w/Oak
	084435 01 000	EA	Knob - Decorative Cabinet
	045586 02 000	EA	Spindle Wood 1 75 x 24' - Plain
	059777 01 000	EA	Hinge Brass
	009016 01 000	EA	Catch - Elbow Spring Loaded
	077461 01 000	EA	Cover - Strike

* The illustrated parts breakdown for this item is provided on the Common Items Fiche

INTERIOR FINISH GROUP (CONTINUED)

PANELING & COUNTERTOP MATERIAL

Key	Part Number	U/M	Description
	074497-03 000	SF	Paneling - Decor - Sunset Oak - 48 x 84 (28 SF) (Cabinets & Wall)
	074497-04 000	SF	Paneling - Decor - Scrimshaw Sand - 48 x 84 (Wall)
	074496-45 000	SF	Paneling - Decor - Gray 48 x 84 (28 SF) (Galley) (U10)
	074496 46-000	SF	Paneling - Decor - Melon - 48 x 84 (28 SF) (Galley) (U11)
	074496-47 000	SF	Paneling - Decor - Plum 48 x 84 (28 SF) (Galley) (U12)
	074497 07 000	SF	Paneling - Pebble Beach - 48" x 96 (32 SF) (Ceiling)
	074498 10-000	SF	Plastic Laminate - Northsea - 48' x 96 (32 SF) (Dinette & Bath) (U10)
	074498 10 019	EA	Plastic Laminate - Northsea - 1 19 x 96
	076325 11-000	FT	Molding - Edge Band - Northsea - 1 5/16 x 030
	074498-11 000	SF	Plastic Laminate - Cayene - 48 x 96 (32 SF) (Dinette & Bath) (U11)
	074498 12 019	EA	Plastic Laminate - Cayene - 1 13' x 96'
	076325 12 000	FT	Molding - Edge Band - Cayene - 1 5/16 x 030
	074498 12 000	SF	Plastic Laminate - Wild Rose - 48 x 96 (32 SF) (Dinette & Bath) (U12)
	074498 12 019	EA	Plastic Laminate - Wild Rose - 1 19 x 96'
	076325 13 000	FT	Molding - Edge Band - Wild Rose - 1 5/16' x 030
	074498 06 000	SF	Plastic Laminate - Beige Crescent 48 x 96 (32 SF) (Galley)
	074498 06 019	EA	Plastic Laminate - Beige Crescent - 1 19' x 96
	076325 05 000	EA	Molding Edge Band - Beige Crescent - 1 19 x 96
	074498 05 000	SF	Plastic Laminate - Sunset Oak - 48' x 96' (32 SF) (Nightstand)
	074498 05 019	EA	Plastic Laminate - Sunset Oak - 1 19 x 96
	076325 04 000	FT	Molding - Edge Band - Sunset Oak - 1 15/16 x 030'

FABRICS & CARPET

Key	Part Number	U/M	Description
	072333 21-000	YD	Fabric - Drapery - Parchment
	077498 65 000	YD	Fabric w/Pattern - Upholstery Stormy (U10)
	077498 66 000	YD	Fabric w/Pattern - Upholstery - Coral Reef (U11)
	077498 67 000	YD	Fabric w/Pattern - Upholstery Sachet (U12)
	077498 68 000	YD	Fabric w/Pattern - Upholstery Accent - Oasis (U11)
	077498 70 000	YD	Fabric - Upholstery/Draperies - Accent Plain - Paw er (U10)
	077498 71-000	YD	Fabric - Upholstery/Draperies - Accent Plain - Melon (U11)
	077498 69 000	YD	Fabric - Upholstery/Draperies - Accent Plain Plum (U12)
	069729 25 000	YD	Fabric - Bedspread/Draperies - Main Colonial (U10)
	069729 26 000	YD	Fabric - Bedspread/Draperies Main Peach (U11)
	069729 27-000	YD	Fabric Bedspread/Draperies Main Mauve (U12)
	069729 28 000	YD	Fabric - Bedspread - Accent - Lemon (U10)
	069729 29 000	YD	Fabric - Bedspread - Accent - Greensilver (U11)
	069279 30 000	YD	Fabric - Bedspread - Accent Mauve (U12)
	052859 01-T03	FT	Trim Asm Accent - Sand Illt
	052859 05 T03	FT	Trim Asm Accent Buckskin
	078680 01-000	YD	Vinyl Expanded 28 oz Buckskin
	072860 51 000	YD	Carpet Gray (U10)
	072860 52 000	YD	Carpet Rose (U11)
	072860 53 000	YD	Carpet - Violet (U12)

1986 ITACSA TABLE OF CONTENTS

IC/IF424RC	A 01 - C-08
IF426RU	C 09 - E-10
ICN33RU	E-11 - G-22
ICP34RU	G 23 - J-09

1986 IF426RU INDEX

Floor Plan	C 09 - C-10
Accessories Group	C 11 - C-13
Bath Group	C-14
Chassis Group	C 15 - C-16
Curtain, Cushion & Pad Group	C 17 - C 23
Dinette Group	C-24
Driver's Compartment Group	D 01 - D 02
Electrical Group	D 03 - D 05
Exterior Body Group	D 06 - D 11
Galley Group	D 12 - D 13
Heating & Air Conditioning Group	D 14
Interior Finish Group	D 15 - D 17
LP Group	D 18
Lounge Group	D 19
Water & Sewage Group	D 20 - D 21
Window Vent & Exterior Door Group	D 22 - E 10

INTERIOR FINISH GROUP (CONTINUED)

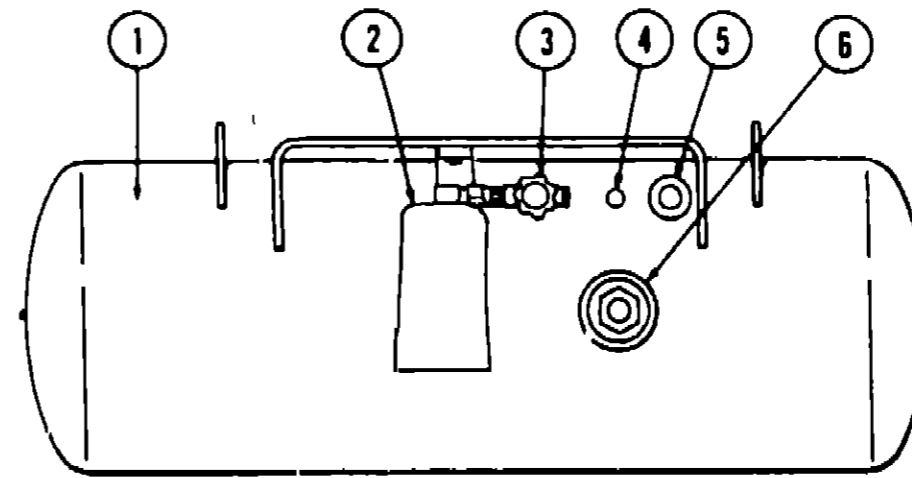
MISCELLANEOUS PARTS

Key	Part Number	U/M	Description
	053552 02-T03	EA	Handle Asm Interior Assist - Medium Almond Vinyl
	041944 03-000	EA	Fire Extinguisher - w/Bracket
	054185 24-000	EA	Owner's Manual - 1986 Itasca & Winnebago
	040069-01-000	EA	Door Mat - 10 1/2 x 26 - Black Rubber
	075907 02 000	EA	Picture - Decor Assorted Grasses

CURTAIN & CUSHION HARDWARE

Key	Part Number	U/M	Description
	082139-01-000	EA	Bracket - Hold Down - Blinds
	056003 02-000	EA	Bracket - Drapery Retainer Left
	056003 01 000	EA	Bracket - Drapery Retainer Right
	056001-01 000	EA	Bracket - Shade - Left
	056002 01-000	EA	Bracket - Shade - Right
	076827 01-000	EA	Bracket - Curtain - Woven Wood - Right
	076827 02 000	EA	Bracket - Curtain - Woven Wood Left
	079798-03 000	EA	Bracket Asm - Curtain Rod - Right
	079798-04 000	EA	Bracket Asm - Curtain Rod - Left
	082249-01 000	EA	Bracket - Blinds - Beige Right
	082249-02 000	EA	Bracket - Blinds - Beige - Left
	079619-01-000	EA	Bracket - Tie Back
	009107 01 000	EA	Guide - Nylon Snap - Curtain
	056784 01 000	EA	Pull - Window Shade - Antique Brass
	056115 01 000	YD	Tape - Clear Plastic - w/Guide
	048394 01-000	YD	Tape - Hook - 1' x 25 YD - Beige
	029096-05 000	YD	Tape Hook - 50' - Velcro - Beige
	048395-01-000	YD	Tape Loop - 1' x 25 YD Beige
	029090-01 000	FT	Tie - Drapery - Clear Vinyl
	056116-01 000	FT	Track - Curtain - Brown Plastic
	079446-01 000	EA	Track - Curtain Wraparound Right
	079446 02 000	EA	Track - Curtain Wraparound - Left

LP GROUP



Key	Part Number	U/M	Description
1	074142 01-000	EA	Tank Asm - LP - Frame Mount - 80 Pound - 13 x 44'
1	080450 01 000	EA	Tank Asm - LP - Frame Mount - 42 Pound - 13 x 24
	065741 01 000	EA	Detector - LP Gas Leak - Marshalltown Instruments
2	076277 01-000	EA	Cover - LP Regulator - Front (Dual)
	076278 01 000	EA	Cover - LP Regulator - Back (Dual)
	076301 01 000	EA	Regulator - Two Stage - US (Dual)
	076301 02 000	EA	Regulator - Two Stage - CSA (Dual)
3	040421 01 705	EA	Valve - Vapor Relief
4	040421-01 700	EA	Gauge - Liquid Level - 20% LP
5	040421 01 701	EA	Valve - Fill
	040421 01-702	EA	Cap - Plastic Fill Valve
6	040421 01-707	EA	Gauge - Float w/visible Dial
	040421 01 706	EA	Dial - Visible Face - Float Gauge (Tank w/o Electric Transmitter)
	040440-01 000	EA	Dial - Transmitter 0 - 90 Ohm (Float Gauge)
	045703 01 000	EA	Hose Asm - LP - 3/8" I.D x 24' - US
	045703 02 000	EA	Hose Asm - LP - 3/8" I.D x 24' - CSA
	045703 03 000	EA	Hose Asm - LP - 3/8" I.D x 18" - US
	045703 04 000	EA	Hose Asm - LP - 3/8" I.D x 14" - CSA
	065959 01 000	EA	Housing - LP Gauge
	065742 01 000	EA	Tee - 3/8 F x 1/8 F x 25 FPT
	068046 01 000	EA	Conversion Kit - LP - Onan Generator
			Not Illustrated

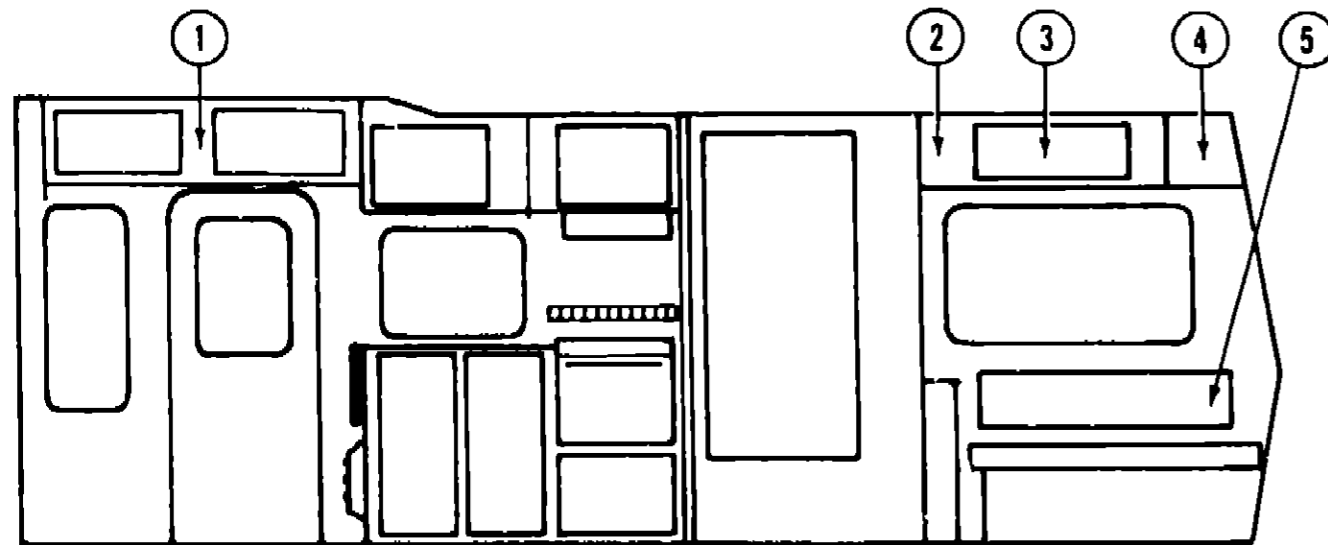
**1986 ITACSA
TABLE OF CONTENTS**

IC/IF424RC	A-01 C-08
IF426RU	C 09 - E-10
ICN33RU	E-11 G-22
ICP34RU	G-23 - J-09

1986 IF426RU INDEX

Floor Plan	C 09 - C-10
Accessories Group	C 11 - C 13
Bath Group	C 14
Chassis Group	C-15 - C 16
Curtain, Cushion & Pad Group	C 17 C-23
Dinette Group	C-24
Driver's Compartment Group	D 01 - D 02
Electrical Group	D 03 D 05
Exterior Body Group	D 06 - D 11
Galley Group	D-12 D 13
Heating & Air Conditioning Group	D 14
Interior Finish Group	D-15 - D 17
LP Group	D 18
Lounge Group	D 19
Water & Sewage Group	D 20 D 21
Window, Vent & Exterior Door Group	D 22 - E-10

LOUNGE GROUP



LOUNGE CABINETRY

Key	Part Number	U/M	Description
1	080801 01-U01	EA	Cabinet Asm - Overhead - Entrance
	077663 03 T03	EA	Glass Holder - Overhead Cabinet
	081280-08 U01	EA	Pad Asm - End Cap Entrance Door Overhead - Vinyl
2	081277 01 U10	EA	Cabinet Asm - Rear Overhead - w/o Door or Hardware
3	M81506 02 T09	EA	Door Asm - Overhead Cabinet - w/o Hardware
4	M81281 02 U10	EA	Cabinet Asm - Overhead Rear w/o Doors or Hardware
	M81505 03 U01	EA	Door Asm - Overhead Cabinet w/o Hardware
5	077463 16 U10	EA	Headboard Asm Double Bed
5	077463-16 U11	EA	Headboard Asm - Double Bed
5	077463 16 U12	EA	Headboard Asm. - Double Bed
	M81504 07 U10	EA	Door Asm Double Bed - w/o Hardware
	M81288 01 U01	EA	Cabinet Asm - Nightstand - w/o Countertop
	M02168 01 U01	EA	Countertop Asm Nightstand
	081285 01 U01	EA	Cabinet Asm Overhead Shirt Closet w/o Doors or Hardware
	M81504 06 U10	EA	Door Asm Shirt Closet - w/o Hardware
	081280 07-U01	EA	Pad Asm - End Cap Shirt Closet - Vinyl
	081283 01 U01	EA	Cabinet Asm Storage w/o Doors or Hardware
	M81504 05 U10	EA	Door Asm - Storage w/o Hardware
	077404 01 000	EA	Drawer Plastic - 20" x 12"
	077409 01 000	EA	Slide Plastic Drawer - 20 7/8"
			Not Illustrated

WATER & SEWAGE GROUP

HOLDING TANKS & WATER HEATER

Key	Part Number	U/M	Description
	074510-02-000	EA	Tank Asm - Water 35 Gallon
	077908 01 000	EA	Tank - Water - 35 Gallon - w/o Fitting
	077878-02 000	EA	Tank - Holding - 20 Gallon w/o Fitting
	077877-02-000	EA	Tank - Holding - 35 Gallon w/o Fitting
	051391-01-000	EA	Water Heater - w/o Motor Aid - Atwood - G6A-3
	051391-03-000	EA	Water Heater - w/Motor Aid - Atwood - G6A 3A
	051393 01-000	EA	Water Heater - w/Motor Aid - G6A-3A

The illustrated parts breakdown for this item is provided on the Common Items Fiche

PLUMBING & REPAIR PARTS

Key	Part Number	U/M	Description
	033302 02 000	EA	Adapter Asm - SWVC Strain - 1 1/2
	010326-01-000	EA	Adapter - Flare - w/Cone Gasket
	062422 01-000	EA	Adapter - Hose Offset - Reducer - 3" x 1 1/2"
	052954-01-000	EA	Adapter - Hose Cone - 3/8 or 1/2" - Plastic
	010224 01-000	EA	Adapter - Plastic 3/8 MPT x 3/8 Barb
	044927-01 000	EA	Adapter - Plastic - 1 1/4" MPT x 1 1/4 Barb
	031602 02 000	EA	Adapter - Plastic - 1 1/2 H x FPT
	062417-01-000	EA	Adapter Termination - 3"
	004020-01-000	QT	Adhesive - ABS Cement
	011048 04 000	EA	Breaker Vacuum - 1/8 MPT - Nylon
	010121-01 000	EA	Bushing Plastic 1 1/2 S x 1 1/4 H
	010122 01 000	EA	Bushing - Plastic 1 1/2 S x 1 1/4 T
	010123 01 000	EA	Bushing - Plastic 2S x 1 1/2 H
	036522-02-000	EA	Cap - Brass - 1/2 Flare
	062415 01-000	EA	Cap - Sewer - 3"
	052959-02 000	EA	Connector 1/2 F x 1/2 MPT - Plastic
	052959 03 000	EA	Connector - 1/2 F x 3/8 MPT - Plastic
	011091-02-000	EA	Continuous Waste - Double Sink - 11 7/8" - US
	053874 01 000	EA	Continuous Waste Asm - Double Sink - CSA
	078406 01 000	EA	Coupler Rubber 3" x 3"
	052960-01 000	EA	Drain Valve 1/2 F x 1/2 F - Plastic
	010000 01 000	EA	Elbow - Plastic - 1/8 BD x 1 1/4 x 45° H x H
	010005 01 000	EA	Elbow - Plastic - 1/16 BD x 1 1/2"
	010006 01 000	EA	Elbow - Plastic - 1/8 BD x 1 1/2 x 45° H x H
	010008 01 000	EA	Elbow - Plastic - 1/4 BD x 1 1/2 x 90° Left
	010051 01 000	EA	Elbow - ST Plastic 1/8 BD x 1 1/2 x 45°
	010219 01-000	EA	Elbow - 1 1/4 Barb x 1 1/4 MPT x 90°
	031111 01 000	EA	Elbow - Plastic - 1/4 BD x 1 1/4 x 90° Left
	034250 01-000	EA	Elbow - Plastic - 1/4 BD x 1 1/2 x 90° x H x H
	035539 01 000	EA	Elbow - Plastic 3/8 MPT x 3/8 Barb
	052957-01-000	EA	Elbow - Plastic - 1/2 F x 3/8 MPT
	052957 02 000	EA	Elbow - Plastic - 1/2 F x 1/2 MPT (In Tank Filter)
	059536 01 000	EA	Elbow 1 1/4 Slip Joint Ends
	065120 01 000	EA	Elbow - Plastic - Swivel - 50
	070924 01 000	EA	Elbow - Plastic - Swivel - 1/2 MPT x 1/2 FPT
	077954 01 000	EA	Filter/Screen (In Water Tank)
	039647-02 000	EA	Filter - Water Pump - 1/2' MPT
	039647 03 000	EA	Filter - Water Pump 1/2' Flare
	010147 01-000	EA	Flange - Closet 4" F x 3" FPT - US
	010147 02 000	EA	Flange - Closet - 4" F x 3" FPT - CSA
	079381 01 000	FT	Flexible Tubing 1 1/4 ID x 10
	061607 01 000	EA	Grommet - Holding Tank Coupler 1 1/2"
	061607 02 000	EA	Grommet - Holding Tank Coupler 3"
	062419 02 000	EA	Handle - Extension w/6' Adapter
	052961 01 000	EA	Header 1/2 F x 1/2 F x 1/2 F x 1/2 F
	046524 01 000	EA	Kit Holding Tank Fittings - Blank Tank
	046524 01 000	EA	Kit Water Tank Fittings - Blank Tank
	052953 01 000	EA	Nut Facuol 1/2 Tube x 1/2 FPT
	052952 01 000	EA	Nut 1/2 F - Plastic

The illustrated parts breakdown for this item is provided on the Common Items Fiche

1986 ITACSA TABLE OF CONTENTS

IC/IF424RC
IF426RU
ICN33RU
ICP34RU

A-01 - C-08
C-09 - E-10
E-11 - G-22
G 23 - J 09

1986 IF426RU INDEX

Floor Plan	C 09	C 10
Accessories Group	C 11	C 13
Bath Group		C 14
Chassis Group	C 15	C 16
Curtain, Cushion & Pad Group	C 17	C 23
Dinette Group		C 24
Driver's Compartment Group	D 01	D 02
Electrical Group	D 03	D 05
Exterior Body Group	D 06	D 11
Galley Group	D 12	D 13
Heating & Air Conditioning Group		D 14
Interior Finish Group	D 15	D 17
LP Group		D 18
Lounge Group		D 19
Water & Sewage Group	D 20	D 21
Window Vent & Exterior Door Group	D 22	E 10

WATER & SEWAGE GROUP (CONTINUED)

PLUMBING & REPAIR PARTS (CONT)

Key	Part Number	U/M	Description
	011066-03-000	EA	P Trap - 1 1/4 Plastic - US
	011066-02-000	EA	P Trap - 1 1/4 Plastic - CSA
	053335-01-000	EA	P Trap - Plastic - 1 1/4 H x H - w/Union - CSA
	010197-01-000	FT	Pipe - Plastic - 3 x 240' - Black
	045729-01-000	EA	Pump - Water - 2 8 G P M - Direct Drive - Shurflo - US
	045729-02-000	EA	Pump - Water - 2 8 G P M - Direct Drive - Shurflo - CSA
	010201-01-000	EA	Sewer Hose - 3 x 8 w/Clamp
	042989-02-000	EA	Spinweld Fittings - Plastic - 1/2 FPT (In Tank Filter)
	042989-03-000	EA	Spinweld Fittings - Plastic - 1/4 NPT
	042989-04-000	EA	Spinweld Fittings - Plastic - 3/8 FPT
	011069-02-000	EA	Tailpiece - 1 1/2 x 1 1/4' x 4 - Brass
	010071-01-000	EA	Tee - Plastic - 1 1/2 x H x H x H
	010072-01-000	EA	Tee - Plastic - 1 1/2 H x 1 1/4 H x 1 1/2 H
	010079-01-000	EA	Tee - Plastic - 1 1/2 H x 1 1/2 H x 1 1/4 H
	046172-01-000	EA	Tee - Plastic - 3/8 B x 3/8 B x 3/8 MPT
	052955-01-000	EA	Tee - Plastic - 1/2 F x 1/2 F x 1/2 MPT
	052956-01-000	EA	Tee - Plastic - 1/2 F x 1/2 MPT x 1/2 F
	052958-01-000	EA	Tee - Plastic - 1/2 F x 1/2 F x 1/2 F
	010133-01-000	EA	Trap Adapter - Plastic - 1 1/2 H x MPT
	039800-01-000	FT	Tubing - Polybutyl - 1/2 O D (Water Line)
	074346-02-000	FT	Tubing - Vinyl - 1/2 O D (Water Line)
	072346-01-000	EA	Valve Asm - 3 Ell w/2 Socket
	062418-02-000	EA	Valve - 1 1/2 - w/Handle
	062418-02-000	EA	Valve - 3' - w/o Handle
	052960-01-000	EA	Valve - Line Drain - 1/2 F x 1/2 F
	052962-01-000	EA	Valve - Stool 90° - 1/2 F x 3/8 MPT
	010073-01-000	EA	Wye - Plastic - 1 1/2 x 45 H x H

The illustrated parts breakdown for this item is provided on the Common Items Fiche

WINDOW, VENT & EXTERIOR DOOR GROUP

ACCESS DOORS

Key	Part Number	U/M	Description
	079455-04-T95	EA	Door Asm - Storage - 9 x 21 7
	079455-01-U01	EA	Door Asm - Storage - 9 5' x 17
	M01883-01-T95	EA	Door Asm - Generator
	079455-03-U01	EA	Door Asm - LP - 9 5' x 21 7
	M02047-01-T95	EA	Door Panel Asm - Tire Cover
	078964-01-T95	EA	Door Asm - Luggage - Off White
	078969-02-T95	EA	Door Asm - Refrigerator Access - w/Twist Lock - Off White
	052009-01-000	EA	Door Asm - Water Heater - Off White
	052423-01-000	EA	Door Asm - Sewage
	078010-03-000	EA	Door - Fuel Fill - Off White
	063742-01-000	EA	Door - Power Cord - Off White
	052424-01-000	EA	Jamb - Power Cord/Fuel Fill Door - Off White
	054543-01-000	EA	Hatch - Power Cord Door
	052181-01-000	EA	Baffle - Generator Door
	054530-01-000	EA	Door Holder
	083615-01-000	EA	Door Stop - Plastic Beige
	041312-01-000	EA	Seal - Bulb - E Section
	042442-01-000	EA	Lock Asm - Twist Type
	009003-01-000	EA	Lock Asm - Twist Type - w/Clip (Battery Door)
	047305-01-000	EA	Lock Asm - Key Type w/Clip - Metal (LP)
	077408-01-000	EA	Lock Asm - Key Type
	079366-01-000	EA	Lock Asm - Key Type
	079927-01-000	EA	Lock Asm - Twist Type
	052951-01-000	EA	Clip - Twist Lock - Retainer
	042441-01-000	EA	Lock Asm - Key Type
	052950-01-700	EA	Lock Asm - Twist Type - White

VENTS

Key	Part Number	U/M	Description
	071290-02-000	EA	Cover - Refrigerator Vent - 11 5/8' x 24 3/4' - Galvanized Steel
	071290-01-000	EA	Frame Asm - Refrigerator Vent - 7 5' x 28 5' - Galvanized Steel
	048835-01-000	EA	Vent Asm - Roof - Non-Powered - w/o Screen - Aluminum
	048789-01-000	EA	Vent Asm - Roof - Powered - w/o Screen - Aluminum
	064469-02-000	EA	Vent Asm - Roof - Powered - w/o Screen - 14 x 14' - CSA
	079355-08-000	EA	Vent - Stovehood - Outside - Off White
	078785-01-T03	EA	Screen Asm - Roof Vent - Powered
	078786-01-T03	EA	Screen Asm - Roof Vent - Non Powered

The illustrated parts breakdown for this item is provided on the Common Items Fiche

**1986 ITASCA
TABLE OF CONTENTS**

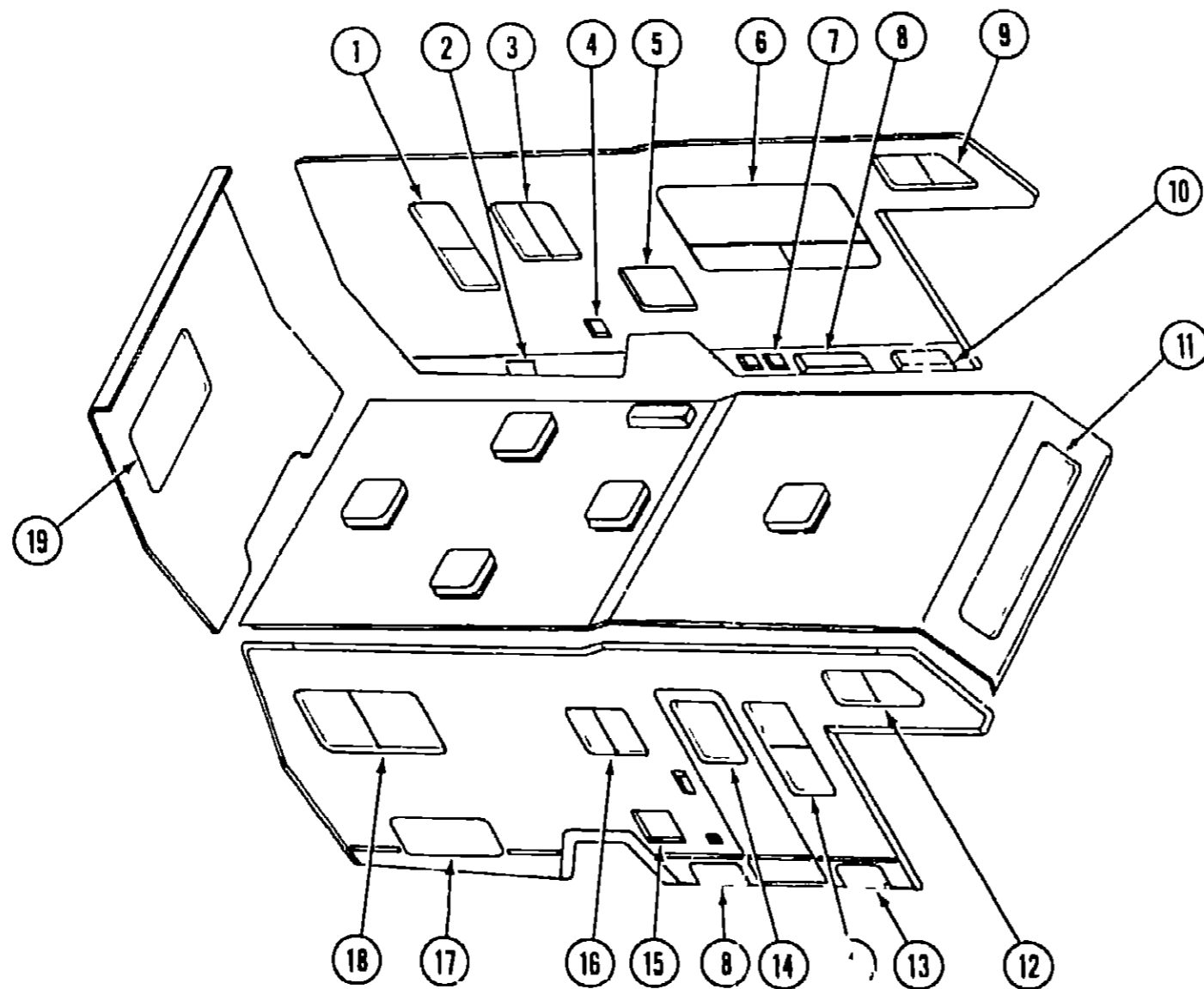
IC/IF424RC	A-01 - C-08
IF426RU	C-09 - E-10
ICN33RU	E-11 - G-22
ICP34RU	G-23 - J-09

1986 IF426RU INDEX

Floor Plan	C 09 - C 10
Accessories Group	C 11 - C-13
Bath Group	C 14
Chassis Group	C 15 - C 16
Curtain, Curtnon & Pad Group	C 17 - C 23
Dinette Group	C-24
Driver's Compartment Group	D 01 - D 02
Electrical Group	D 03 - D 05
Exterior Body Group	D 06 - D 11
Galley Group	D 12 - D-13
Heating & Air Conditioning Group	D-14
Interior Finish Group	D 15 - D 17
LP Group	D-18
Loungt Group	D-19
Water & Sewage Group	D 20 - D 21
Window, Vent & Exterior Door Group	D 22 - E 10

WINDOW, VENT & EXTERIOR DOOR GROUP (CONTINUED)

WINDOWS & ACCESS DOORS



Key	Part Number	U/M	Description
1	078453 01 T03	EA	Window Asm - Vertical Slider
2	083264 03 U01	EA	Door Asm - Storage
3	078266 04 T03	EA	Window Asm - Single Slider
4	078010 03 000	EA	Door Asm - Fuel Fill
5	078969 02 T95	EA	Door Asm - Refrigerator Access
6	081568 02 U01	EA	Window Asm - Crank Out
7	063742 01 000	EA	Door Asm - Power Cord
8	079455 05 T95	EA	Door Asm - Storage
9	078272 02 T03	EA	Window Asm - Bunk - Slant Slider - Left
10	079455 03 U01	EA	Door Asm - LP

Key	Part Number	U/M	Description
11	078533 01-T03	EA	Window Asm - Front Picture
12	078272 01-T03	EA	Window Asm - Bunk - Slant Slider - Right
13	079455 01-U01	EA	Door Asm - Storage
14	079733 04 T03	FA	Window Asm - Picture
15	052009 01 000	EA	Door Asm - Water Heater
16	078266 02 T03	EA	Window Asm - Single Slider
17	078964 01-T95	EA	Door Asm - Luggage
18	M01883 01 T95	EA	Door Asm - Generator
19	078266 05 T03	EA	Window Asm - Single Slider
18	078528 01 T03	EA	Window Asm - Escape

**1986 ITASCA
TABLE OF CONTENTS**

IC/IF424RC
IF426RU
ICN33RU
ICP34RU

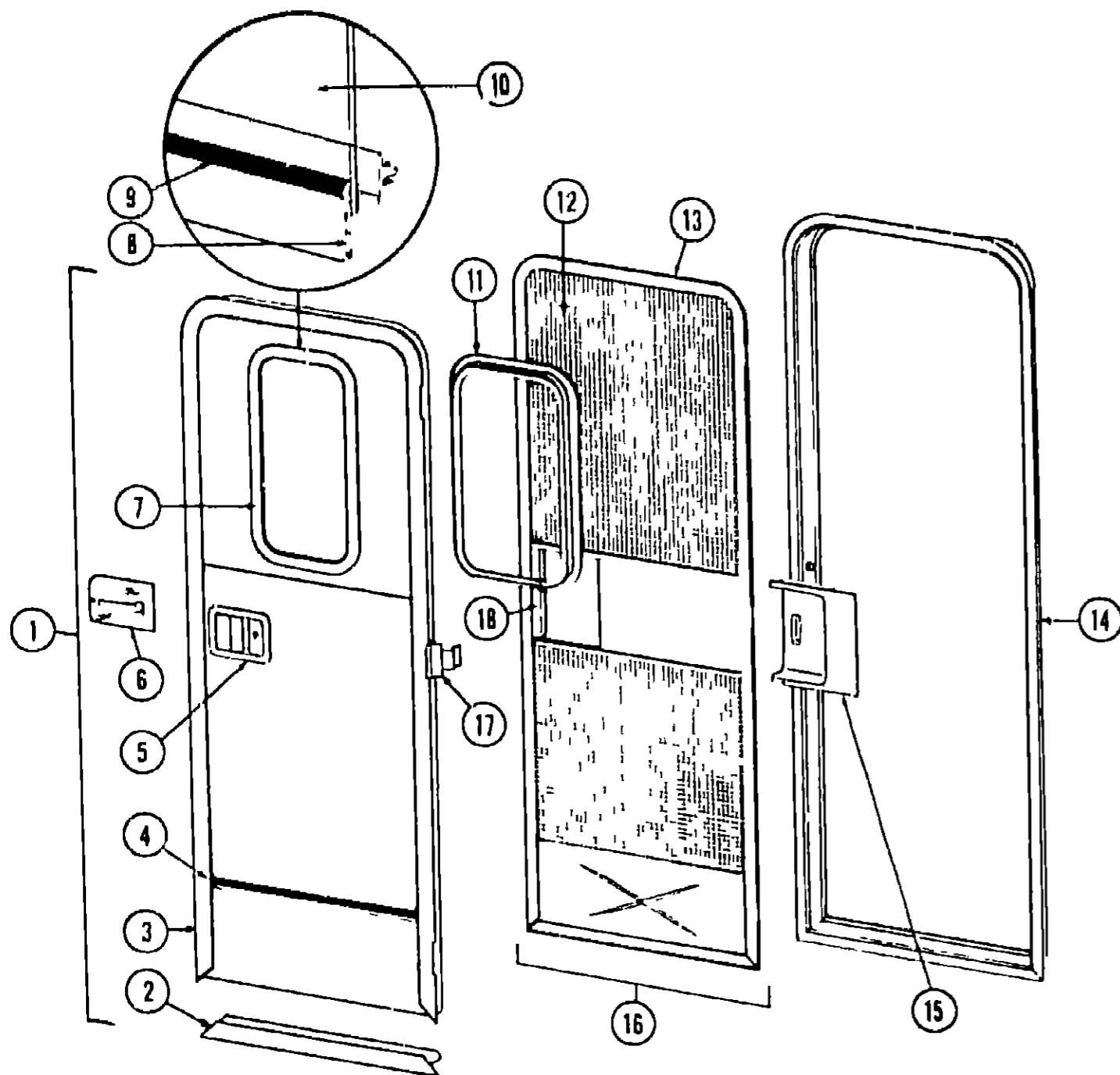
A-01 - C-08
C 09 - E-10
E-11 - G 22
G-23 - J-09

1986 IF426RU INDEX

Floor Plan	C 09 - C 10
Accessories Group	C 11 - C-13
Bath Group	C-14
Chassis Group	C 15 - C 16
Curtain, Cushion & Pad Group	C-17 - C 23
Dinette Group	C 24
Driver's Compartment Group	D 01 - D 02
Electrical Group	D 03 - D 05
Exterior Body Group	D 06 - D 11
Galley Group	D 12 - D 13
Heating & Air Conditioning Group	D 14
Interior Finish Group	D 15 - D 17
LP Group	D 18
Lounge Group	D 19
Water & Sewage Group	D 20 - D 21
Window, Vent & Exterior Door Group	D 22 - E-10

WINDOW, VENT & EXTERIOR DOOR GROUP (CONTINUED)

ENTRANCE & SCREEN DOOR



Key	Part Number	U/M	Description
1	M01870 02 U01	EA	Door Asm - Radius Entry w/Screen Door w/o Window
1	M01870 07-T03	EA	Door Asm - Radius Entry w/Screen Door
2	077998 01 000	EA	Frame - Entry Door (Bottom Portion Only)
3	078002 02 000	EA	Frame - Entry Door (Except Bottom Portion)
4	059576 03 000	EA	Feature Strip w/o Insert - Exlr - 14 Brown
	001030 02 003	EA	Insert Feature Strip - 17' - Stucco - Off White
	009731-01-000	EA	End Cap Feature Strip
5	045107-05 000	EA	Paddle Asm - Door Lock - Exterior
	045017-05 700	EA	Lock Cylinder w/Keys - Lynor
	039539 01-000	EA	Striker Bolt Entry Door
	039540 01 000	EA	Latch Claw - Entry Door
	039738 01 000	EA	Dead Bolt - Entry Door
	083205 01 000	EA	Dead Bolt - Press Fit
6	039979 01 000	EA	Plate - Inside Lock - Includes Inside Handle
	052186 01 000	EA	Lock Asm - Complete Lynor
7	078733 04 T03	EA	Window Asm Picture 17" x 25' Black (w/o Inside Frame)
8	069840 08 000	FT	Ribbon Sealer 5/16" Bead x 15'
9	002309 02 000	FT	Spline - Glass 1/8" Black
10	002181 06 000	EA	Glass - Picture Window 1/8" x 16 25" x 24" - Gray
11	067609 23-000	EA	Inside Frame - Brown (not included in assembly)
12	002293 02 000	SF	Screen - Window 26" Charcoal
13	056795 02 000	FT	Seal Tape 1/8" x 3/8" Press On
14	078591 03 000	CA	Jamb Asm - Entrance Door
	051049 01 000	EA	Jamb Entrance Door - Bottom
15	078086 02 000	EA	Slider - Screen Door - Light Oak Plastic
16	079012 01 U01	EA	Door Asm Screen
17	079361 05 000	EA	Hinge - Entrance Door (3 used per door)
18	079081 01 000	EA	Cap - Screen Door - Light Oak Plastic
	009016 01 000	EA	Catch Elbow - Spring Loaded - Screen Door
	039863 01 000	EA	Catch Asm - Single Roller w/Strike - Screen Door
	076231 01 000	EA	Spacer - Latch - Screen Door
	077437 02 000	EA	Strike - Roller Catch
	058025 02 000	EA	Clip - Roller Latch Catch
	044582 02 000	EA	Drip Cap - Off White
	079278 01 000	EA	Seal Mocket - Entrance Door
	073090 01 000	FT	Seal Entrance Door
	075739 01 000	EA	Stiffener - Entrance Door - Off White
	075673 01 000	FT	Seal - Pile - Adhesive Back
	075671 01 000	FT	Seal - Sponge - Lazy T Shaped
	092294 01 000	FT	Spline - Black - 135 x 138 (Screen Door)
	079087 02 000	EA	Strike - Screen Door
	063729 04 000	EA	Rivnut - 10 32 UNF 010 080
	075639 01 000	EA	Garnish Radius - Entrance Door
			Not illustrated

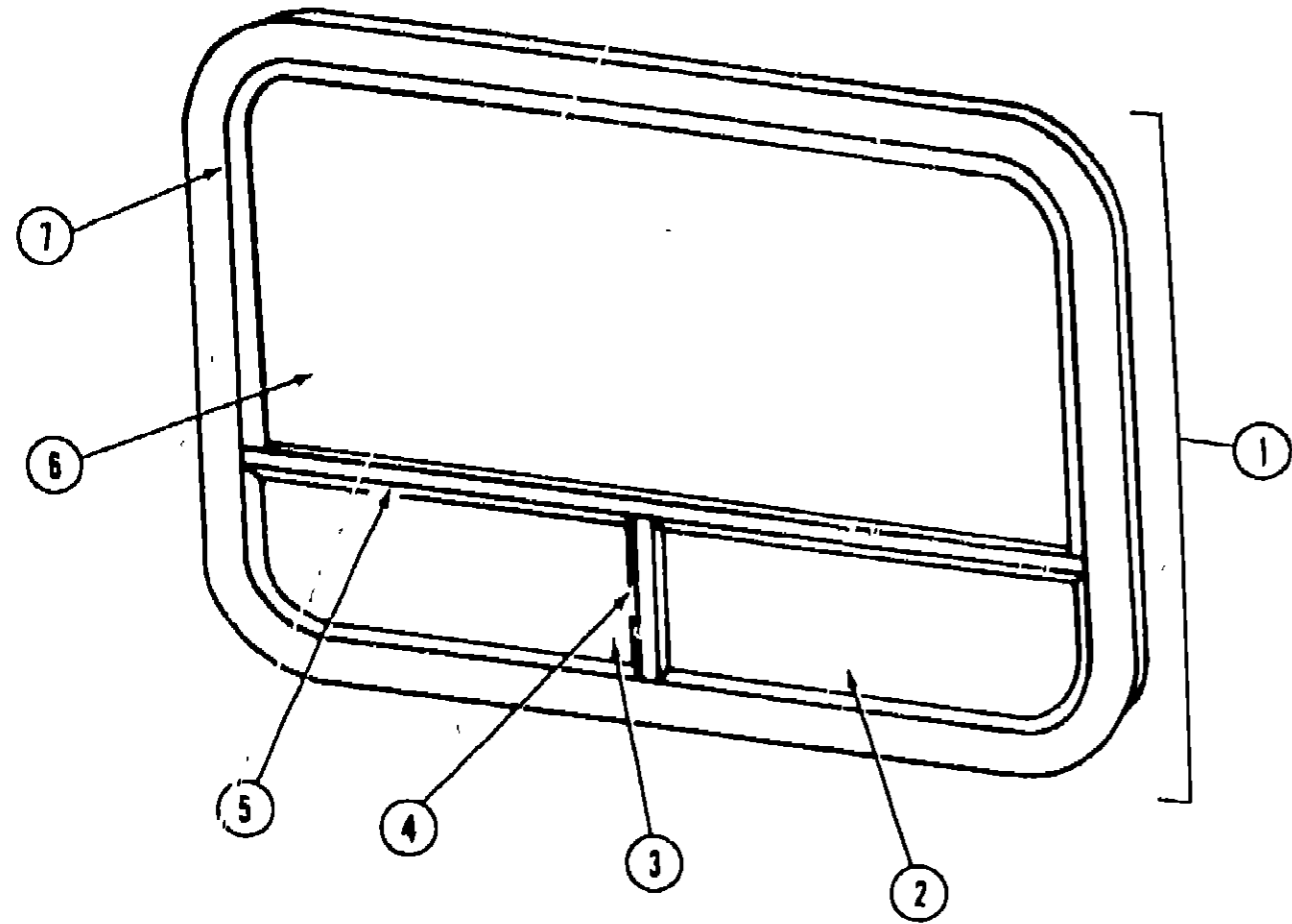
1986 ITASCA TABLE OF CONTENTS

IC/IF424RC	A 01 - C 08
IF428RU	C 09 - E 10
ION33RU	E 11 - G 22
ICP34RU	G 23 - J 09

1986 IF426RU INDEX

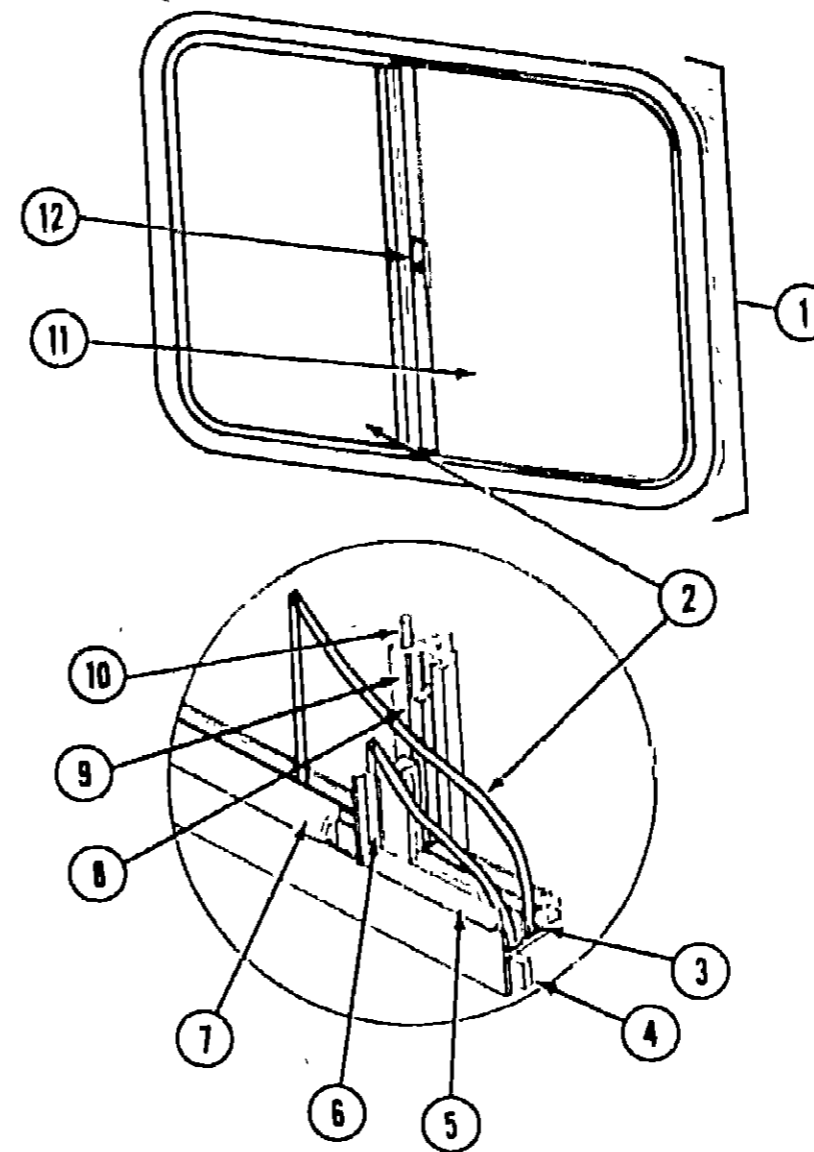
Floor Plan	C-09 - C-10
Accessories Group	C 11 - C 13
Bath Group	C-14
Chassis Group	C-15 - C 16
Curtain, Cushion & Pad Group	C-17 - C-23
Dinette Group	C 24
Driver's Compartment Group	D 01 - D 02
Electrical Group	D 03 - D 05
Exterior Body Group	D 06 - D 11
Galley Group	D-12 - D-13
Heating & Air Conditioning Group	D 14
Interior Finish Group	D-15 - D 17
LP Group	D 18
Lounge Group	D 19
Water & Sewage Group	D-20 - D 21
Window Vent & Exterior Door Group	D 22 - E 10

WINDOW, VENT & EXTERIOR DOOR GROUP (CONTINUED)



Key	Part Number	U/M	Description
1	081568-02-U01	EA	Window Asm - 62" x 31" - Double Tipout
	081822-06-000	EA	Inside Frame - Black (not included in assembly)
2	081434-01-U01	EA	Window Asm. - Tipout - Right Hand
3	081434-02-U01	EA	Window Asm. - Tipout - Left Hand
	081239-07-000	EA	Glass - Tipout - 1/8" x 30" x 8 3/4" - Left or Right
4	083112-05-000	EA	Mullion - Black
5	081814-01-000	EA	Mullion - Black
	081422-01-U01	EA	Screen Asm. - Tipout - Right Hand
	081422-02-U01	EA	Screen Asm - Tipout - Left Hand
	081243-01-000	EA	Screen Clip - Plastic - Black
	035302-01-000	EA	Operating Mech - Right Hand
	035302-02-000	EA	Operating Mech - Left Hand
6	081239-11-000	EA	Glass - Stationary - 1/8" x 61 3/4" x 20 1/2"
7	083180-01-000	EA	Window Seal
	081357-01-000	EA	Bulb Seal (Tipout)
	081359-01-000	EA	Window Seal (Tipout)
			Not illustrated

WINDOW, VENT & EXTERIOR DOOR GROUP (CONTINUED)



Key	Part Number	U/M	Description
1	078266-02-T03	EA	Window Asm. - Single Slider (w/o inside frame)
	083122-04-000	EA	Inside Frame - Brown (not included in assembly)
2	081980-05-000	EA	Glass - Sliding - 1/8" x 19" x 13 6/8"
3	002324-02-000	FT	Channel - Weatherstrip - Glass Run - 1/8" Glass
4	069640-06-000	FT	Ribbon Sealer - 5/16" Bead x 16'
5	002309-02-000	FT	Spline - Glass - 1/8" Material - Black
6	M69886-03-011	EA	Seal Holder w/Fin Seal - Black
7	057374-02-000	FT	Extr Rubber - Window Seal - Black
8	073740-01-000	FT	Seal - Fin - Pile - 460"
9	084170-02-000	EA	Mullion - Slider Window - Black
10	002298-02-000	SF	Spline - .130" Dia - Charcoal (Screen)
11	081984-03-000	EA	Glass - Stationary - 1/8" x 19" x 12 3/8"
12	047369-01-700	EA	Latch Kit - Window - Plastic w/Fastener
	079204-01-000	EA	Bracket - Mullion - Black
	002292-02-000	SF	Screen - Window 20" - Charcoal
			Not illustrated

**1986 ITASCA
TABLE OF CONTENTS**

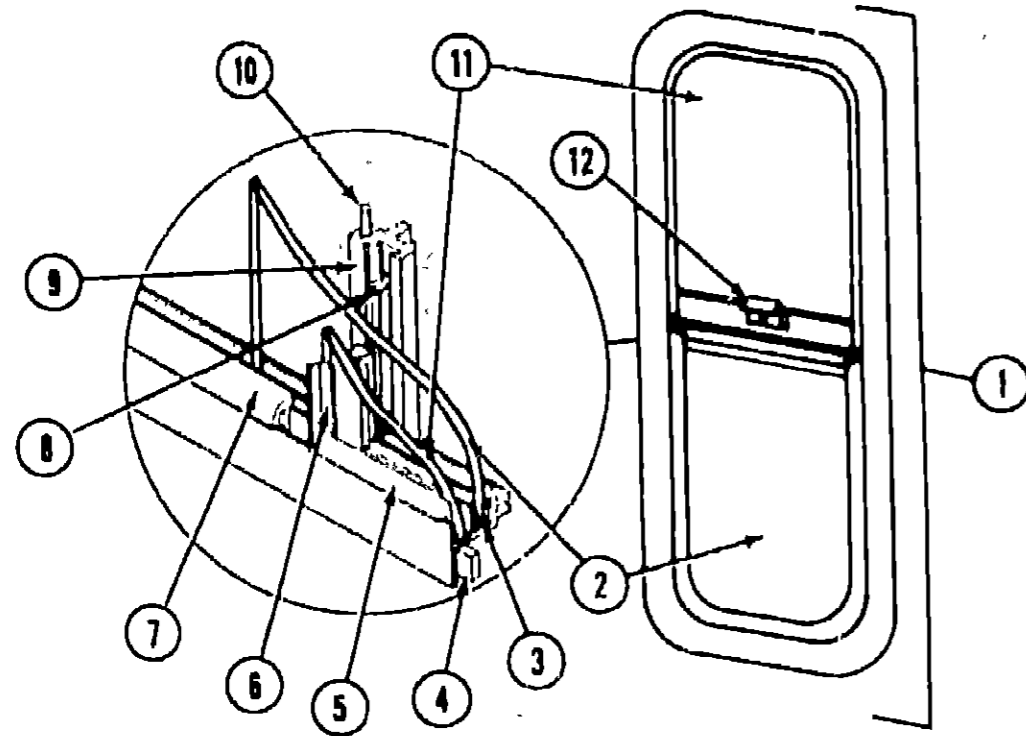
IC/IF424RC
IF426RU
ICN33RU
ICP34RU

A-01 - C-08
C-09 - E-10
E-11 - G-22
G-23 - J-09

1986 IF426RU INDEX

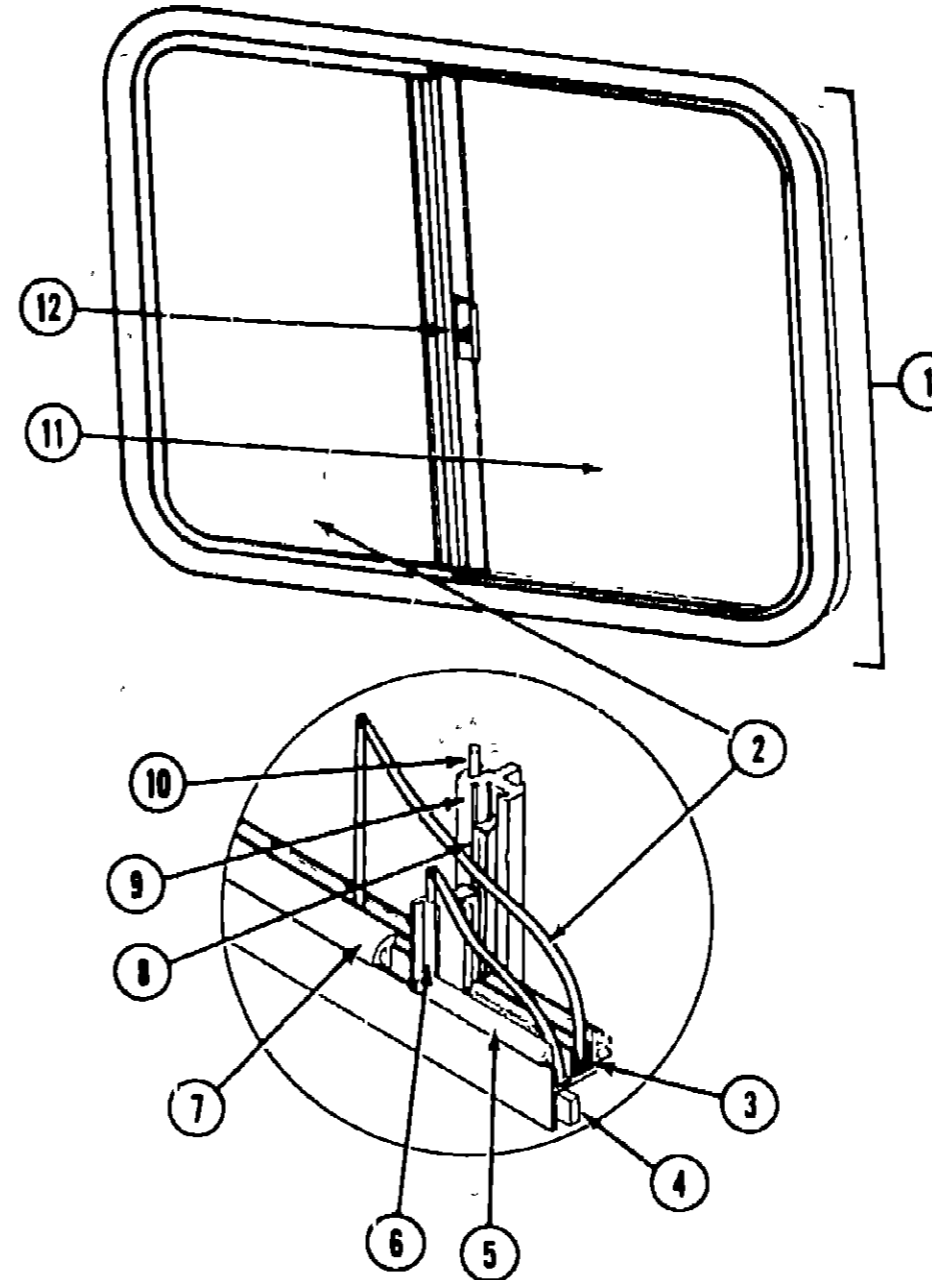
Floor Plan	C-09 - C-10
Accessories Group	C-11 - C-13
Bath Group	C-14
Chassis Group	C-15 - C-16
Curtain, Cushion & Pad Group	C-17 - C-23
Dinette Group	C-24
Driver's Compartment Group	D-01 - D-02
Electrical Group	D-03 - D-05
Exterior Body Group	D-06 - D-11
Galley Group	D-12 - D-13
Heating & Air Conditioning Group	D-14
Interior Finish Group	D-15 - D-17
LP Group	D-18
Lounge Group	D-19
Water & Sewage Group	D-20 - D-21
Window, Vent & Exterior Door Group	D-22 - E-10

WINDOW, VENT & EXTERIOR DOOR GROUP (CONTINUED)



Key	Part Number	U/M	Description
1	078453-01-T03	EA	Window Asm - Vertical Slider - 37" x 15" - Black (w/o inside frame)
•	083122-02-000	EA	Inside Frame - Brown (not included in assembly)
2	081980-03-000	EA	Glass - Slider - 1/8" x 14 4" x 19"
3	002324-02-000	FT	Channel - Weatherstrip - Glass Run - 1/8" Glass
4	069640-06-000	FT	Ribbon Sealer - 5/16" Bead x 15'
5	002309-02-000	FT	Spline - Glass - 1/8" Material - Black
6	M69886-03-007	EA	Seal Holder w/Fin Seal - Black
7	057374-02-000	FT	Extr. Ribbon - Window Seal - Black
8	073740-01-000	FT	Seal - Fin - Pile - .460"
9	084170-01-000	EA	Mullion - Slider Window - Black
10	002298-02-000	FT	Spline - .130" Dia - Charcoal (Screen)
11	081984-02-000	EA	Glass - Stationary - 1/8" x 14.4" x 19"
12	047369-01-700	EA	Latch Kit - Window - Plastic w/Fastener
•	079204-01-000	EA	Bracket - Mullion - Black
•	002291-02-000	SF	Screen - Window 16" - Charcoal
•			Not illustrated

WINDOW, VENT & EXTERIOR DOOR GROUP (CONTINUED)



Key	Part Number	U/M	Description
1	078266-04-T03	EA	Window Asm. - Single Slider - Black (w/o inside frame)
•	083122-06-000	EA	Inside Frame - Brown (not included in assembly)
2	081980-02-000	EA	Glass - Slider - 1/8" x 22" x 13 60"
3	002324-02-000	FT	Channel - Weatherstrip - Glass Run - 1/8" Glass
4	069640-06-000	FT	Ribbon Sealer - 5/16" Bead x 15'
5	002309-02-000	FT	Spline - Glass - 1/8" Material - Black
6	M18025-03-000	EA	Seal Holder w/Fin Seal - Black
7	047273-01-000	FT	Extr. Rubber - Window Seal - Black
8	073740-01-000	FT	Seal - Fin - Pile - .460"
9	078562-03-000	EA	Mullion - Slider Window - Black
10	002298-02-000	FT	Spline - .130" Dia Charcoal (Screen)
11	081984-01-000	EA	Glass - Stationary - 1/8" x 22" x 16 53"
12	047369-01-700	EA	Latch Kit - Window - Plastic w/Fastener
•	002293-02-000	SF	Screen - Window 26" - Charcoal
•	079204-01-000	EA	Bracket - Mullion - Black
•			Not illustrated

**1986 ITASCA
TABLE OF CONTENTS**

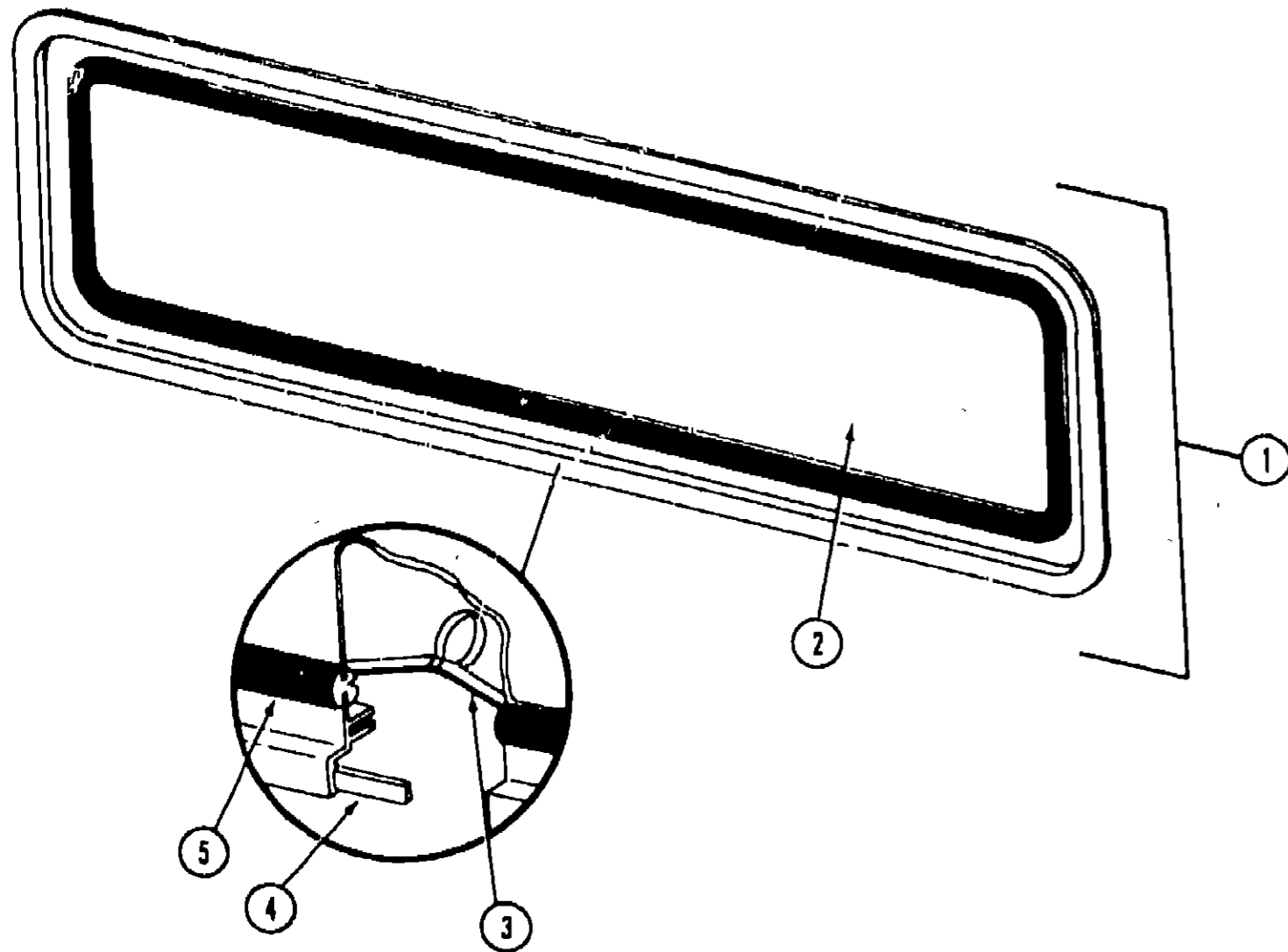
IC/IF424RC
IF426RU
ICN33RU
ICP34RU

A-01 - C-08
C-09 - E-10
E-11 - G-22
G-23 - J-09

1986 IF426RU INDEX

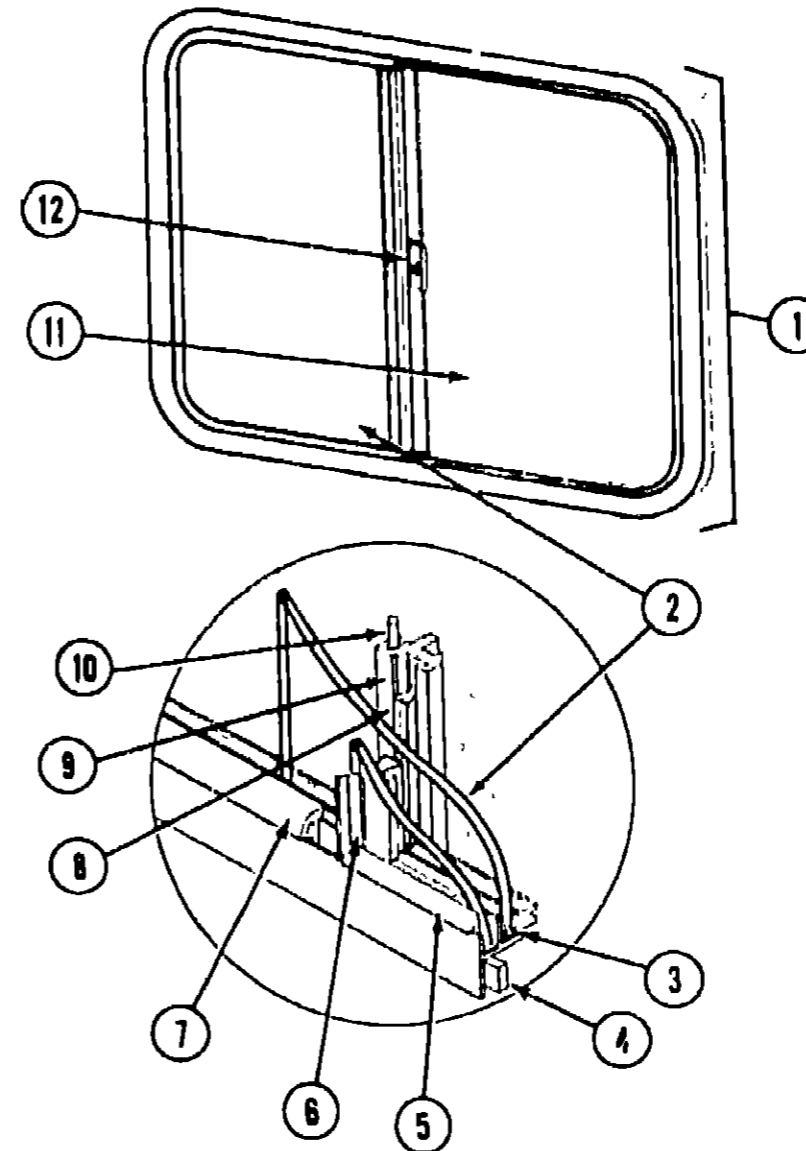
Floor Plan	C-09 - C-10
Accessories Group	C-11 - C-13
Bath Group	C-14
Chassis Group	C-15 - C-16
Curtain, Cushion & Pad Group	C-17 - C-23
Dinette Group	C-24
Driver's Compartment Group	D-01 - D-02
Electrical Group	D-03 - D-05
Exterior Body Group	D-06 - D-11
Galley Group	D-12 - D-13
Heating & Air Conditioning Group	D-14
Interior Finish Group	D-15 - D-17
LP Group	D-18
Lounge Group	D-19
Water & Sewage Group	D-20 - D-21
Window, Vent & Exterior Door Group	D-22 - E-10

WINDOW, VENT & EXTERIOR DOOR GROUP (CONTINUED)



Key	Part Number	U/M	Description
1	078528-01-T03	EA	Window Asm - Rear Escape - 44 8" x 19.6" - Black (w/o inside frame)
*	074816-04-000	EA	Inside Frame (not included in assembly)
2	002174-02-000	EA	Glass - 1/8" x 44 82" x 19 61"
3	002285-01-000	FT	Filler - Weatherstrip - Black
4	069640-05-000	FT	Ribbon Sealer - 5/16" Bead x 15'
5	002282-01-000	FT	Weatherstrip - .125" Window
*	006199-01-000	EA	Label - Exit - Escape Window
*			Not illustrated

WINDOW, VENT & EXTERIOR DOOR GROUP (CONTINUED)



Key	Part Number	U/M	Description
1	078266-05-T03	EA	Window Asm - Single Slider - Black (w/o inside frame)
*	083122-08-000	EA	Inside Frame - Brown (not included in assembly)
2	031980-04-000	EA	Glass - Sliding - 1/8" x 24" x 21 03"
3	002324-02-000	FT	Channel - Weatherstrip - Glass Run - 1/8" Glass
4	069640-06-000	FT	Ribbon Sealer - 5/16" Bead x 15'
5	002309-02-000	FT	Spline - Glass - 1/8" Material - Black
6	M69886-G3 003	EA	Seal Holder w/Fin Seal - Black
7	057374-02-000	FT	Extr. Rubber - Window Seal - Black
8	073740-01-000	FT	Seal - Fin - Pile - .460"
9	084170-04-000	EA	Mullion - Slider Window - Black
10	002298-02-000	FT	Spline - .130" Dia Charcoal (Screen)
11	081984-05-000	EA	Glass - Stationary - 1/8" x 14 4" x 19"
12	047369-01-700	EA	Latch Kit - Window - Plastic w/Fastener
*	079204-01-000	EA	Bracket - Mullion - Black
*	002293-02-000	SF	Screen - Window 26" - Charcoal (Screen)
*			Not illustrated

**1986 ITASCA
TABLE OF CONTENTS**

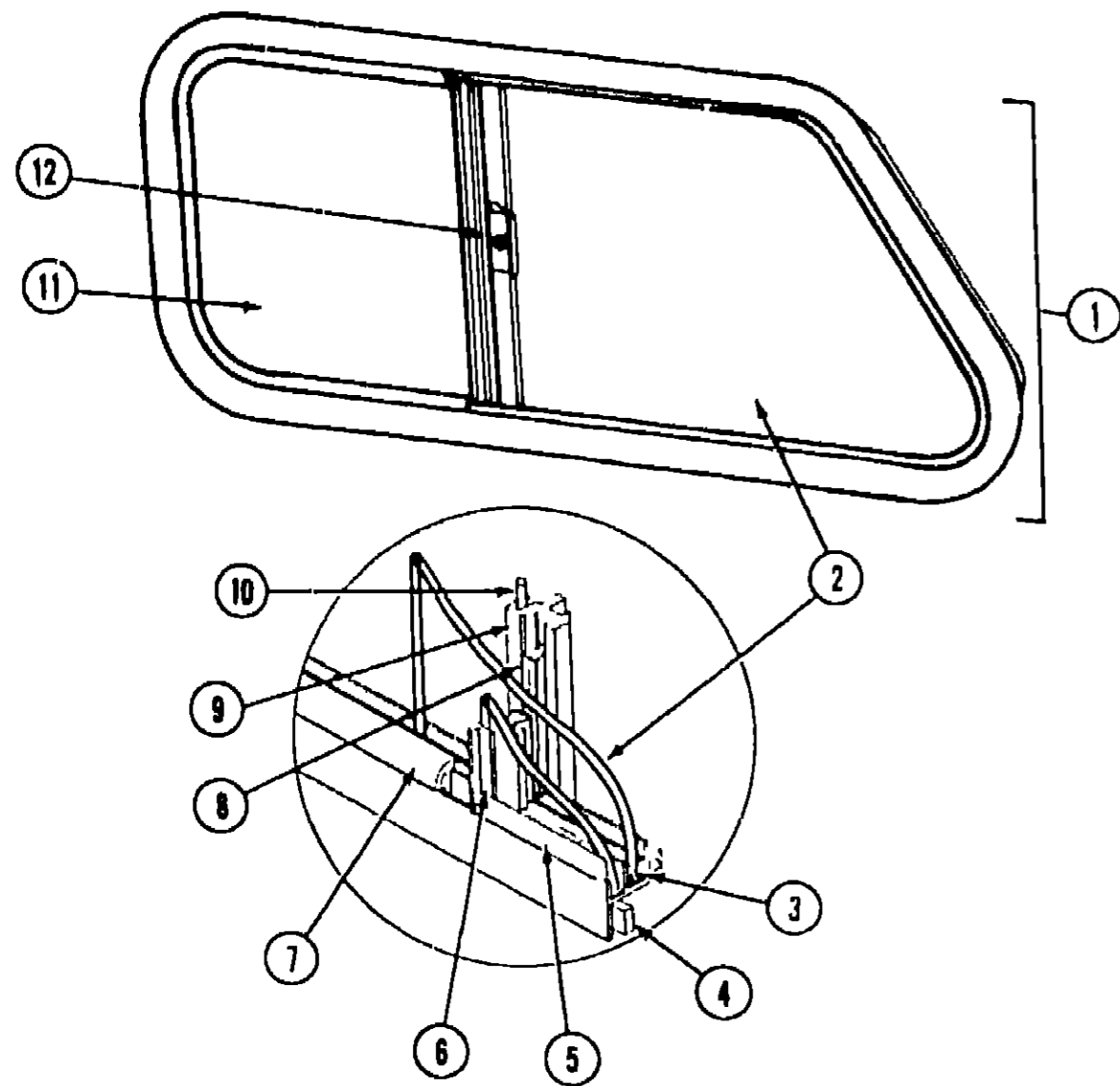
IC/IF424RC
IF426RU
ICN33RU
ICP34RU

A-01 - C-08
C-09 - E-10
E-11 - G-22
G-23 - J-09

1986 IF426RU INDEX

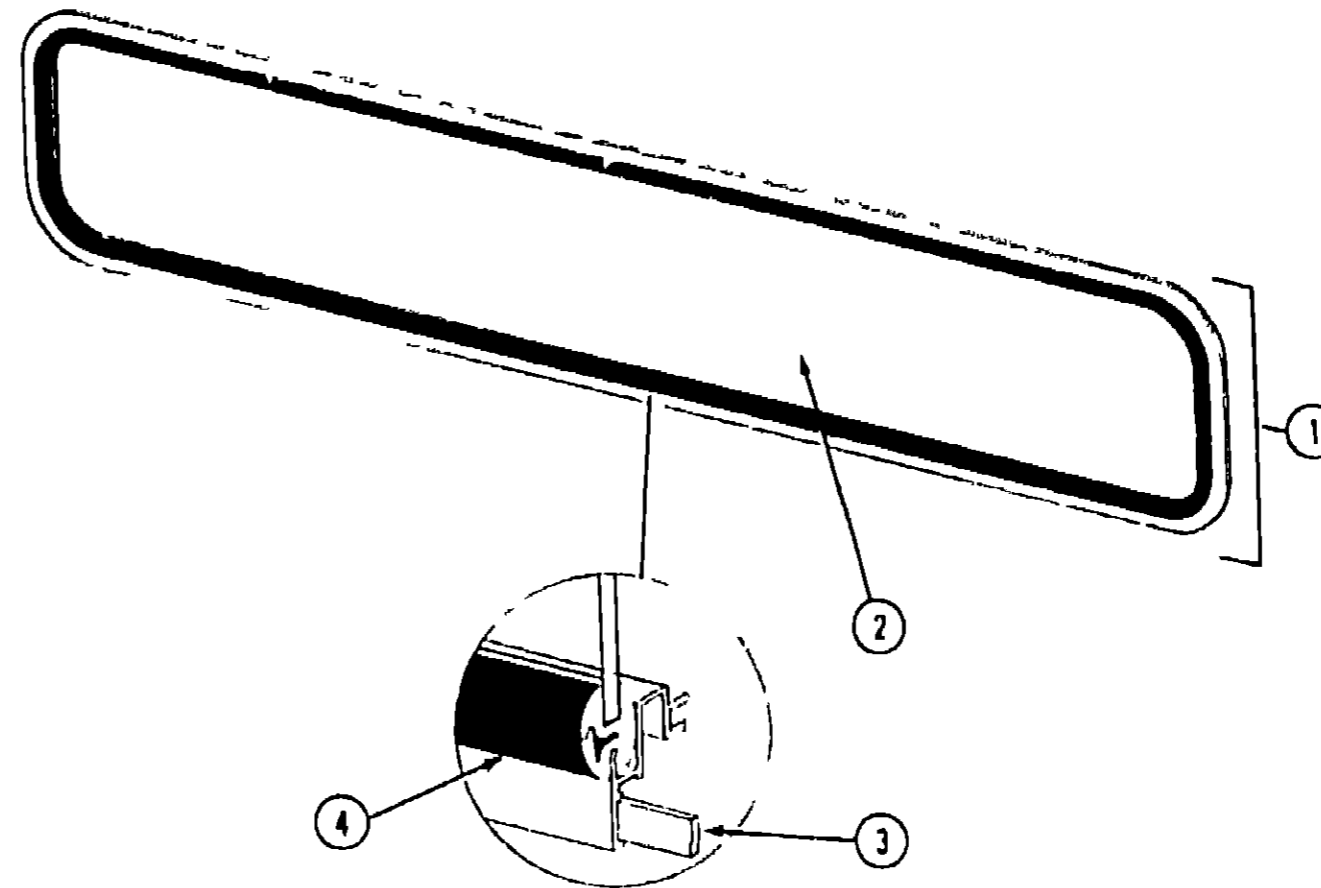
Floor Plan	C-09 - C-10
Accessories Group	C-11 - C-13
Bath Group	C-14
Chassis Group	C-15 - C-16
Curtain, Cushion & Pad Group	C-17 - C-23
DINETTE Group	C-24
Driver's Compartment Group	D-01 - D-02
Electrical Group	D-03 - D-05
Exterior Body Group	D-06 - D-11
Galley Group	D-12 - D-13
Heating & Air Conditioning Group	D-14
Interior Finish Group	D-15 - D-17
LP Group	D-18
Lounge Group	D-19
Water & Sewage Group	D-20 - D-21
Window, Vent & Exterior Door Group	D-22 - E-10

WINDOW, VENT & EXTERIOR DOOR GROUP (CONTINUED)



Key	Part Number	U/M	Description
1	078272-01-T03	EA	Window Asm - Bunk - Single Slider Right
	083121-02-000	EA	Inside Frame - Brown (not included in assembly)
1	078272 02-T03	EA	Window Asm - Bunk - Single Slider - Left
	083121 04 000	EA	Inside Frame - Brown (not included in assembly)
2	081980-01-000	EA	Glass - Sliding - 1/8 x 11 98 x 11 98
3	002324 02 000	FT	Channel - Weatherstrip - Glass Run 1/8 Glass
4	069640 06 000	FT	Ribbon Sealer - 5/16 Bead x 15
5	002309-02 000	FT	Spline - Glass - 1/8 Material - Black
6	M69886 03 005	EA	Seal Holder w/Fin Seal - Black
7	057374 02-000	FT	Extr Rubber - Window Seal - Black
8	073740-01 000	FT	Seal - Fin Pile 460'
9	084170-05 000	EA	Mullion - Slider Window - Black
10	002298 02 000	FT	Spline - 130 Dia - Charcoal (Screen)
11	081983 01-000	EA	Glass - Stationary - 1/8 x 11 98 x 19 42
12	047369-01-700	FA	Latch Kit Window - Plastic w/Fastener
	002291-02 000	SF	Screen - Window 16 - Charcoal
	079204 01 000	EA	Bracket - Mullion Black
			Not illustrated

WINDOW, VENT & EXTERIOR DOOR GROUP (CONTINUED)



Key	Part Number	U/M	Description
1	078533 01 T03	EA	Window Asm - Front Picture - 14 x 69 - Black (w/o inside frame)
	041938 01 000	EA	Inside Frame - Brown (not included in assembly)
2	002200 02 000	EA	Glass TP - Picture Window
3	069640 06 000	FT	Ribbon Sealer - 5/16 Bead x 15
4	002281 01 000	FT	Weatherstrip Self Seal - 06 Panel x 3/16 - Black
			Not illustrated

**1986 ITASCA
TABLE OF CONTENTS**

IC/IF424RC
IF426RU
ICN33RU
ICP34RU

A 01 C 08
C 09 E 10
E-11 - G 22
G 23 J 09

1986 IF426RU INDEX

Floor Plan	C 09 - C-10
Accessories Group	C 11 - C-13
Bath Group	C-14
Chassis Group	C 15 - C-16
Curtain Cushion & Pad Group	C 17 - C-23
Dinette Group	C-24
Driver's Compartment Group	D 01 - D-02
Electrical Group	D 03 - D-05
Exterior Body Group	D 06 - D-11
Galley Group	D 12 - D-13
Heating & Air Conditioning Group	D-14
Interior Finish Group	D-15 - D-17
LP Group	D-18
Lounge Group	D-19
Water & Sewage Group	D 20 - D 21
Window Vent & Exterior Door Group	D-22 - E-10