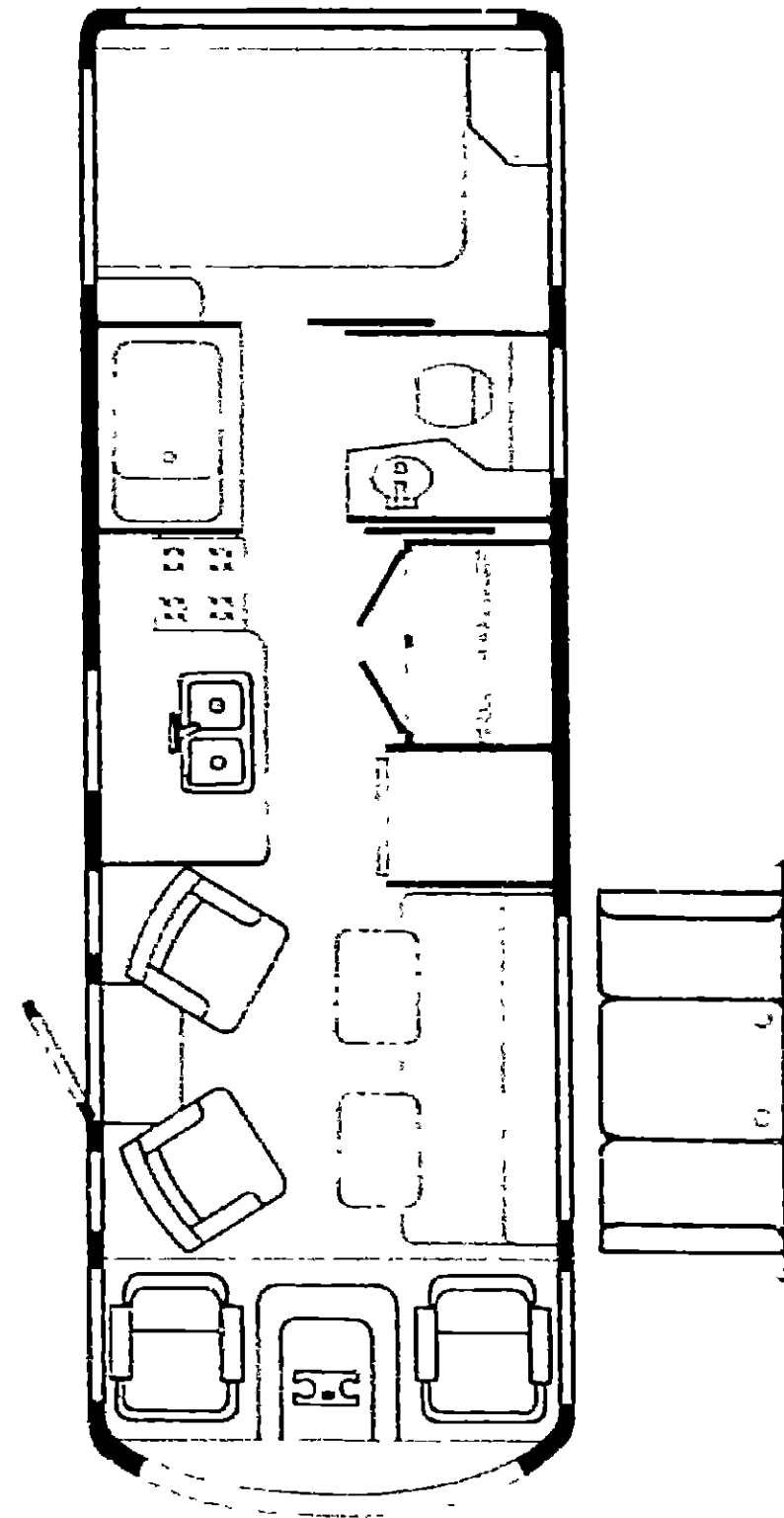


# 1986 ICP28RU



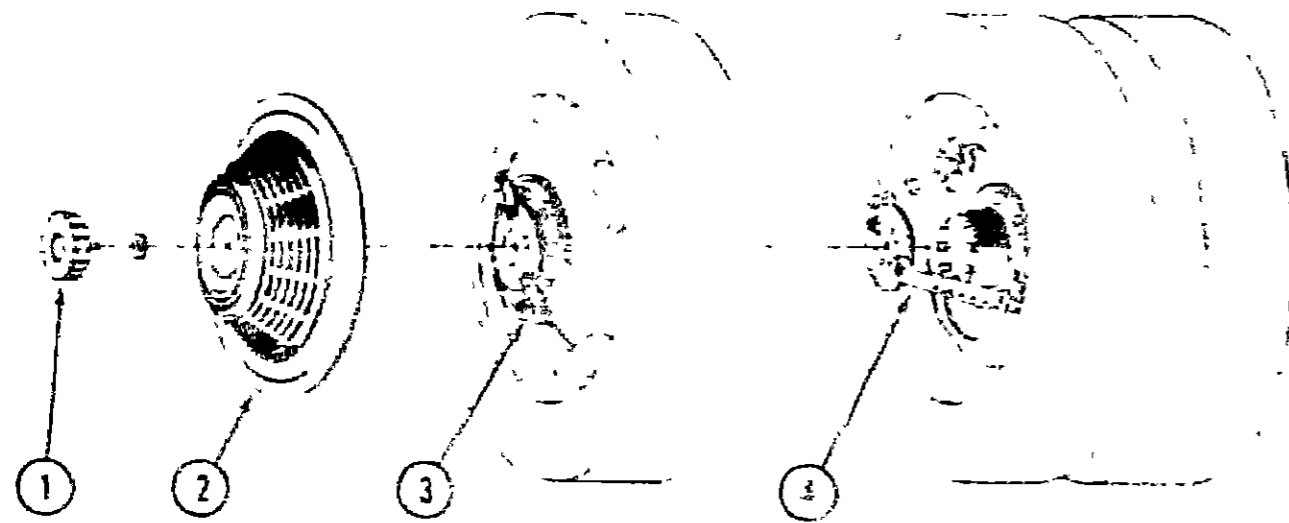
## 1986 ITASCA TABLE OF CONTENTS

IT319RB	A-01 - B-16
IC421RB	B-17 - D-16
IF426RT	D-17 - F-22
ICN26RH	F-23 - I-05
ICP28RU	I-07 - K-18

## 1986 ICP28RU INDEX

Floor Plan	I-07 - I-08
Accessories Group	I-09 - I-13
Bath Group	I-14
Chassis Group	I-15 - I-19
Curtain, Cushion & Pad Group	I-20 - J-03
Dinette Group	J-04
Driver's Compartment Group	J-05 - J-08
Electrical Group	J-09 - J-12
Exterior Body Group	J-13 - J-20
Galley Group	J-21 - J-22
Heating & Air Conditioning Group	J-23
Interior Finish Group	J-24 - K-02
LP Group	K-03
Lounge Group	K-04
Water & Sewage Group	K-05 - K-06
Window, Vent & Exterior Door Group	K-07 - K-18

**ACCESSORIES GROUP**



**WHEEL COVER & MOUNTING HARDWARE**

Key	Part Number	U/M	Description
1	054062-02-000	EA	Retaining Nut - Delmet - Wheel Cover
2	073426-02-700	EA	Wheel Cover - Roll On - 19.5" - Delmet (1)
2	063181-03-700	EA	Wheel Cover - Clip On - 19.5" - Delmet (1)
3	073426-05-700	EA	Retention Bracket Asm - Wheel Cover Support - Heavy Duty - Front (1)
4	063181-04-700	EA	Retention Kit - 19.5" Clip On - Delmet (1)
4	073426-05-701	EA	Retention Bracket Asm - Wheel Cover Support - Heavy Duty - Rear (1)
4	073426-05-000	EA	Retention Bracket Asm - Wheel Cover Support - Heavy Duty (Set 4)
**	073385-02-000	EA	Wheel Cover - 19.5" - Clip On
**			Not illustrated
**	The illustrated parts breakdown for this item is provided on the Component Items Fiche		

**GENERATORS & COMPONENTS**

Key	Part Number	U/M	Description
	079654-03-000	EA	Generator - Onan - 4.5 kW - Emerald
	051634-01-000	EA	Generator - Onan - 6.5 kW - Emerald
	701629-02-000	EA	Onan Installation Package
	024732-01-016	EA	Tailpipe - 15" O.D. x 43.5"
	081364-01-000	EA	Muffler - Generator w/ Spark Arrestor - Nelson
	052431-01-000	EA	Tray - Luggage Compartment
	065046-01-000	EA	Conversion Kit - LP Gas Generator
	079654-05-000	EA	Pipe & Adaptor - Emerald - 4.9 kW & 6.5 kW
	079654-05-000	EA	Hinge Kit - Emerald

**RADIO & RELATED COMPONENTS**

Key	Part Number	U/M	Description
	077069-01-000	EA	Antenna - Radio
	031105-01-700	EA	Holder - Antenna - Radio - Upper
	064791-01-000	EA	Speaker - Recessed - 5.25"
	064792-01-000	EA	Grille - Speaker - 5.25" - w Mesh - Brown
	073741-01-000	EA	Speaker - 4" x 6" - Cast
	073431-01-000	EA	Speaker - 5.25" - 3 Way (Pair)
	074979-01-000	EA	Speaker Cover Protector - Plastic
	075903-01-000	EA	Radio - AM FM MPX - w Cassette
	075904-01-000	EA	Radio - AM FM Stereo Cassette - Electric Tuning

**ACCESSORIES GROUP (CONTINUED)**

**MISCELLANEOUS ACCESSORIES**

Key	Part Number	U/M	Description
	054165-24-000	EA	Owners Manual - 1986 - Itasca & Winnebago
	076319-01-000	EA	Antenna - TV - (Winnebago Antenna) - 5' Mast
	076319-01-700	EA	RVSA Sensor - Antenna
	076319-01-701	EA	Elevating Gear
	076319-01-702	EA	Shaft Elevating Asm
	076319-01-703	EA	Nylon Bearing - 5'
	076319-01-704	EA	Nylon Bearing
	076319-01-705	EA	Nylon Bearing
	076319-01-706	EA	Elevating Crank - w Set Screw
	076319-03-000	EA	Cable - Coaxial - 1000' - 75 Ohm
	076319-04-000	EA	Connector & Ferrule
	076319-05-000	EA	Wallplate - Power Supply - Ivory
	076319-06-000	EA	Adaptor - Cable Pl. of Plate
	076319-07-000	EA	Wallplate Power Supply - Brown
	076319-08-000	EA	Wallplate Receptacle - Ivory
	076319-09-000	EA	Wallplate Receptacle - Brown
	076319-10-000	EA	Ferrule
	076319-11-000	EA	Adaptor - Coax w Splitter
	017516-02-000	EA	Mud Flap - Black - 14" x 12" - Front
	017516-01-000	EA	Mud Flap - Black - 14" x 19" w Holes - Rear
	041944-02-000	EA	Fire Extinguisher Bracket
	041944-03-000	EA	Fire Extinguisher - 5 BC
	079665-01-000	EA	Clock - 9" x 9" - Round Face
	079665-02-000	EA	Weather Center
	076540-01-000	EA	Shock Cord Asm
	072552-01-000	EA	Smoke Detector w 9 Volt Battery
	046069-01-000	EA	Key Case - Leather
	046069-01-000	EA	Door Mat - 10.5" x 26" - Black Rubber
	081072-02-000	EA	Door Mat - Front - Right - Brown
	081074-02-000	EA	Door Mat - Front - Left - Brown
	081075-02-000	EA	Door Mat - Entrance - Brown
	080003-01-000	EA	Lubricator
	080003-02-000	EA	Leverage Bar - Lug Wrench
	060715-01-000	EA	Cover - Air Conditioning - Vinyl
	006711-01-000	EA	Jack - Hydraulic - 1 Ton - w Handle
	036400-01-000	EA	Defroster Fan - 1/2 Speed
	079942-01-000	EA	Shock Absorber - Stabilizer - Front
	079942-02-700	EA	Shock Absorber - Stabilizer - Rear
	079942-07-000	EA	Bracket - Mounting - Stabilizer
	084066-01-000	EA	Air Spring (30 Lbs) - Rear Axle (Pair)

**OPTIONAL ELECTRIC STEP & COMPONENTS**

Key	Part Number	U/M	Description
	075411-01-000	EA	Step Asm - Electric (Kwikstep)
	075411-01-700	EA	Motor
	041200-01-000	EA	Door Switch
	075461-01-704	EA	Under Step Control Unit
	075461-01-705	EA	4-Way Plug (Dash End)
	075461-01-706	EA	Kill Switch
	075461-01-707	EA	Step Light
	075461-01-708	EA	4-Way Plug (Control Box End)
	075461-01-709	EA	90° Plug
	075461-01-710	EA	Gear
	075461-01-711	EA	Drive Link

**1986 ITASCA  
TABLE OF CONTENTS**

IT319RB	A-01 - B-16
IC421RB	B-17 - D-16
IF426RT	D-17 - F-22
ICN26RH	F-23 - I-05
ICP28RU	I-07 - K-18

**1986 ICP28RU INDEX**

Floor Plan	I-07 - I-08
Accessories Group	I-09 - I-13
Bath Group	I-14
Chassis Group	I-15 - I-19
Curtain, Cushion & Pad Group	I-20 - J-03
Divette Group	J-04
Driver's Compartment Group	J-05 - J-08
Electrical Group	J-09 - J-12
Exterior Body Group	J-13 - J-20
Galley Group	J-21 - J-22
Heating & Air Conditioning Group	J-23
Interior Finish Group	J-24 - K-02
LP Group	K-03
Lounge Group	K-04
Water & Sewage Group	K-05 - K-06
Wet Box, Vent & Exterior Door Group	K-07 - K-18

**ACCESSORIES GROUP (CONTINUED)**

**STYLIZED ALUMINUM WHEELS & COMPONENTS**

Key	Part Number	U/M	Description
	077042-01-000	EA	Wheel - Polished Aluminum - 19 5" x 6" - Front
	077042-02-000	EA	Wheel - Polished Aluminum - 19 5" x 6" - Rear
	077043-01-000	EA	Lug Nut - 2 Piece - Cone Seat & Frange
	077044-01-000	EA	Chrome Cover - Lug Nut - w Skirt
	077045-01-000	EA	Chrome Cover - Front Axle - 2 Piece
	077045-02-000	EA	Chrome Cover - Rear Axle - 2 Piece
	078260-02-000	EA	Roller - Wrench - 11" x 11"
	077030-01-000	EA	Valve Stem Extension - 1 25"

**OPTIONAL WHEEL LINERS & COMPONENTS (CHROME)**

Key	Part Number	U/M	Description
	081608-01-000	EA	Cover - Rear Axle - Chrome Liner
	081608-02-000	EA	Cover - Front Axle - Chrome Liner
	081608-03-000	EA	Liner - Front Wheel - Chrome Liner
	081608-04-000	EA	Liner - Rear Wheel - Chrome Liner
	081608-05-000	EA	Lug Nut Cover - Chrome Liner
	081608-06-000	EA	Spiral Ring - Chrome Liner

**OPTIONAL MICROWAVE CONVECTION OVEN & COMPONENTS**

Key	Part Number	U/M	Description
	081379-01-000	EA	Microwave Convection Oven - Sharp
	081459-05-000	EA	Bracket Asm - Microwave - Right
	081459-06-000	EA	Bracket Asm - Microwave - Left
	081456-01-000	EA	Angle Asm - Microwave - Right
	081456-02-000	EA	Angle Asm - Microwave - Left
	081535-01-000	EA	Trim Asm - Microwave
	082876-01-000	EA	Baffle Asm - Microwave

**SPEED CONTROL & COMPONENTS**

Key	Part Number	U/M	Description
**	083212-01-000	EA	Speed Control Package - Electric Gas - Dana
	084417-01-000	EA	Speed Control - w Column Control - A R A
	084417-01-700	EA	Cable - Servo
	084417-01-701	EA	Servo - Electric
	084417-01-702	EA	Extension Harness - Servo
	084417-01-703	EA	Harness - Main - Cruise Control
	084417-01-704	EA	Switch - Brake
	084417-01-705	EA	Transducer
	084417-01-706	EA	Adapter - Speedometer
	084417-01-707	EA	Control Arm
	084417-01-708	EA	Main Harness - Smart Stick
	084417-01-709	EA	Relay - 12 Volt D C
	084417-01-710	EA	Relay
	084417-01-711	EA	Brake Switch Asm
	084417-01-712	EA	Tester - Cruise Control
	084417-02-000	EA	Switch - Multi-Function

\*\* The illustrated parts breakdown for this item is provided on the Common Items Fiche

**OPTIONAL FOG LAMP & COMPONENTS**

Key	Part Number	U/M	Description
	079941-01-000	EA	Lamp Asm - Fog w Cover - Amber
	079941-01-700	EA	Lamp Asm - Fog - Set of 2
	079941-01-701	EA	Lens and Cover Only
	079941-01-702	EA	Switch - Fog Lights
	079941-01-703	EA	Solenoid
	079941-01-704	EA	Switch Plate - For Switch

**ACCESSORIES GROUP (CONTINUED)**

**OPTIONAL AIR HORN & COMPONENTS**

Key	Part Number	U/M	Description
	077497-01-000	EA	Air Horn Kit - Twin Chromed
	077497-01-700	EA	Solenoid - Air Horns Air Tank
	077497-01-701	EA	Compressor Switch - Air Horn
	077497-01-702	EA	Toggle Switch - Air Horn
	077497-01-703	EA	Air Tank - Air Horn
	077497-01-704	EA	Compressor w Switch - Air Horn
	063912-01-000	EA	Relay Canister - w Ground - Air Horn

**OPTIONAL STEERING WHEEL**

Key	Part Number	U/M	Description
	080752-05-000	EA	Steering Wheel - Custom
	080752-06-000	EA	Hub Adapter - Steering Wheel
	080752-07-000	EA	Button - Horn - w Wire
	080752-08-000	EA	Screw - Custom Steering Wheel

**OPTIONAL VACUUM CLEANER & COMPONENTS**

Key	Part Number	U/M	Description
	055285-01-000	EA	Vacuum Cleaner - Built In - Tavis Campbell
	055285-01-700	EA	Accessories Kit - Standard - Tavis Campbell
	055285-01-701	EA	Filter - 10 per Consumer Package - Tavis Campbell
	055285-01-702	EA	Hose - Vacuum Cleaner - 20'
	055285-01-703	EA	Rug Tool
	055285-01-704	EA	Crevice Tool
	055285-01-705	EA	Upholstery Tool
	055285-01-706	EA	Wand Set (2 Pieces)

**OPTIONAL TELEVISION - REAR VIEW & COMPONENTS**

Key	Part Number	U/M	Description
	083207-01-000	EA	Television System
	084264-01-000	EA	Bracket - Camera Mounting
	084349-01-U16	EA	Shroud Asm - Camera
	084409-01-000	EA	Seal - Camera Shroud

**OPTIONAL POWER SEARCHLIGHT & COMPONENTS**

Key	Part Number	U/M	Description
	051057-01-000	EA	Searchlight - Power Driven
	051057-01-700	EA	Switch - Aux Toggle
	051057-01-701	EA	Switch - Replacement - Toggle
	051057-01-702	EA	Joy Switch & Housing
	051057-01-703	EA	Switch - Toggle - On Off
	051057-01-704	EA	Micro Switch

**OPTIONAL RACK & LADDER & COMPONENTS**

Key	Part Number	U/M	Description
	080997-03-T03	EA	Ladder Asm - Lower
	080999-03-T03	EA	Ladder Asm - Upper
	081026-05-T03	EA	Rack Asm - Right
	081026-05-T03	EA	Rack Asm - Left
	081055-01-000	EA	Spring Grip - Internal
	081055-01-000	EA	Pin - Quick Release
	035327-01-000	EA	Tape - Anti-Slip - 2" x 60

**1988 ITASCA  
TABLE OF CONTENTS**

IT319RB	A-01 - 1-10
IC421RB	B-17 - 1-16
IF426RT	C-17 - 1-22
ICP26RH	F-23 - 1-08
ICP26RU	I-07 - K-18

**1988 ICP26RU INDEX**

Floor Plan	I-07 - I-08
Accessories Group	I-09 - I-13
Bath Group	I-14
Chassis Group	I-15 - I-19
Curtain, Cushion & Pad Group	I-20 - J-03
Dinette Group	J-04
Driver's Compartment Group	J-05 - J-08
Electrical Group	J-09 - J-12
Exterior Body Group	J-13 - J-20
Galley Group	J-21 - J-22
Heating & Air Conditioning Group	J-23
Interior Finish Group	J-24 - K-02
LP Group	K-03
Lounge Group	K-04
Water & Sewage Group	K-05 - K-06
Window, Vent & Exterior Door Group	K-07 - K-18

**ACCESSORIES GROUP (CONTINUED)**

**EXTERIOR MIRRORS**

Key	Part Number	U/M	Description
	077051-03-000	EA	Mirror Asm - Exterior - Right
	077051-04-000	EA	Mirror Asm - Exterior - Left (Drivers)
	077074-01-000	EA	Casket - Side Mirror - Left or Right
	077051-03-700	EA	Mirror - 7 8" x 7 12" - Right
	077051-03-701	EA	Mirror - Convex w Bezel - Right
	077051-03-702	EA	Bezel - Convex & Flat
	077051-04-700	EA	Mirror - 7 8" x 7 12" - Left
	077051-04-701	EA	Mirror - Convex w Bezel - Left

**BATH GROUP**

**BATH & WARDROBE CABINETRY**

Key	Part Number	U/M	Description
	M52955-01-U16	EA	Cabinet Asm - Lavatory w/o Countertop, Doors or Hardware
	M02547-01-U16	EA	Countertop Asm - Lavatory - Northsea
	M02547-01-U17	EA	Countertop Asm - Lavatory - Sand Quadrus
	M02547-01-U18	EA	Countertop Asm - Lavatory - Fawn
	M81797-02-U18	EA	Door Asm - Vanity Cabinet - 12 1" x 24 1" - w/o Hardware (Hamper)
	M81793-18-U16	EA	Door Asm - Vanity Cabinet - 14 5" x 22 5"
	M02542-01-U16	EA	Countertop Asm - Pipe Cover - Northsea
	M02542-01-U17	EA	Countertop Asm - Pipe Cover - Sand Quadrus
	M02542-01-U18	EA	Countertop Asm - Pipe Cover - Fawn
	076073-01-000	EA	Cabinet Asm - Medicine - Metal - Almond - w/o Door or Hardware
	078276-01-U09	EA	Door Asm - Metal Medicine Cabinet w/Mirror - w/o Hardware
	053404-01-U07	EA	Door Asm - Sliding - Front - w/o Latch
	082934-01-U16	EA	Door Asm - Sliding - Rear - w/o Latch
	M81793-01-U16	EA	Door Asm - Upper - Wardrobe Cabinet - w/o Hardware
	M81793-02-U16	EA	Door Asm - Lower - Wardrobe Cabinet - w/o Hardware
	M81507-04-U07	EA	Door Asm - Furnace - Wardrobe Cabinet - 14 0" x 18 5" - w/Gold Mesh
	072369-09-000	EA	Gold Mesh - Furnace Grille
	081593-01-U09	EA	Drawer Face - Lavatory - Tiltout
	077251-01-000	EA	Drawer - Plastic - Tiltout

**BATH & WARDROBE HARDWARE**

Key	Part Number	U/M	Description
	075240-03-000	EA	Faucet - Lavatory
	075242-03-000	EA	Faucet - Tub & Shower
	058713-01-000	EA	Sink Oval - Ivory Plastic
	M01817-01-T03	EA	Bathtub Asm - w Strainer
	075541-03-000	EA	Bathtub Shroud Asm.
	009059-01-000	EA	Hinge - 2" Gold
	059777-01-000	EA	Hinge - Antique Brass
	059777-02-000	EA	Hinge - Light Brass
	078212-01-000	EA	Door Pull - Brass & Oak Inlay
	077523-01-000	EA	Latch Asm. - Cabinet Door
	039873-01-700	EA	Nylon Catch & Spring Steel Strike
	058034-02-000	EA	Latch - Sliding Door
	075606-01-000	EA	Panel - Shower Faucet
	011083-01-000	EA	Tail Piece 1 25" x 5" - Plastic - w Stopper
	011048-02-000	EA	Shower Head - w 60" Hose
	056729-01-000	EA	Strainer - Shower Pan & Tub
	056436-01-000	EA	Slip Nut - 1 5" Tail Piece - Bathtub
	066435-01-000	EA	Nut - Strainer - Plastic
	075452-02-000	EA	Holder - Tissue
	075680-01-000	EA	Clothes Rod - Adjustable
	075453-01-000	EA	Bar - Towel Rack
	075454-02-000	EA	Towel Ring - Brass
	009156-01-000	EA	Hanger - Sliding Door
	054467-01-000	EA	Guide - Sliding Door - Bottom Door Guide
	062906-02-000	EA	Shower Door Asm
	009112-01-000	EA	Flange - 1" Closet Rod
	057671-01-000	EA	Screw Cover (No B)
	058331-03-000	EA	Mirror - Tempered Glass - 24" x 30"
	058331-05-000	EA	Mirror - Tempered Glass - 12" x 26"
	009039-01-000	EA	Mirror Clip
	071632-01-000	EA	Hamper Bag - Fabric
	039341-02-000	EA	Toilet - Thetford - Aqua Magic - Ivory - 8420 SH

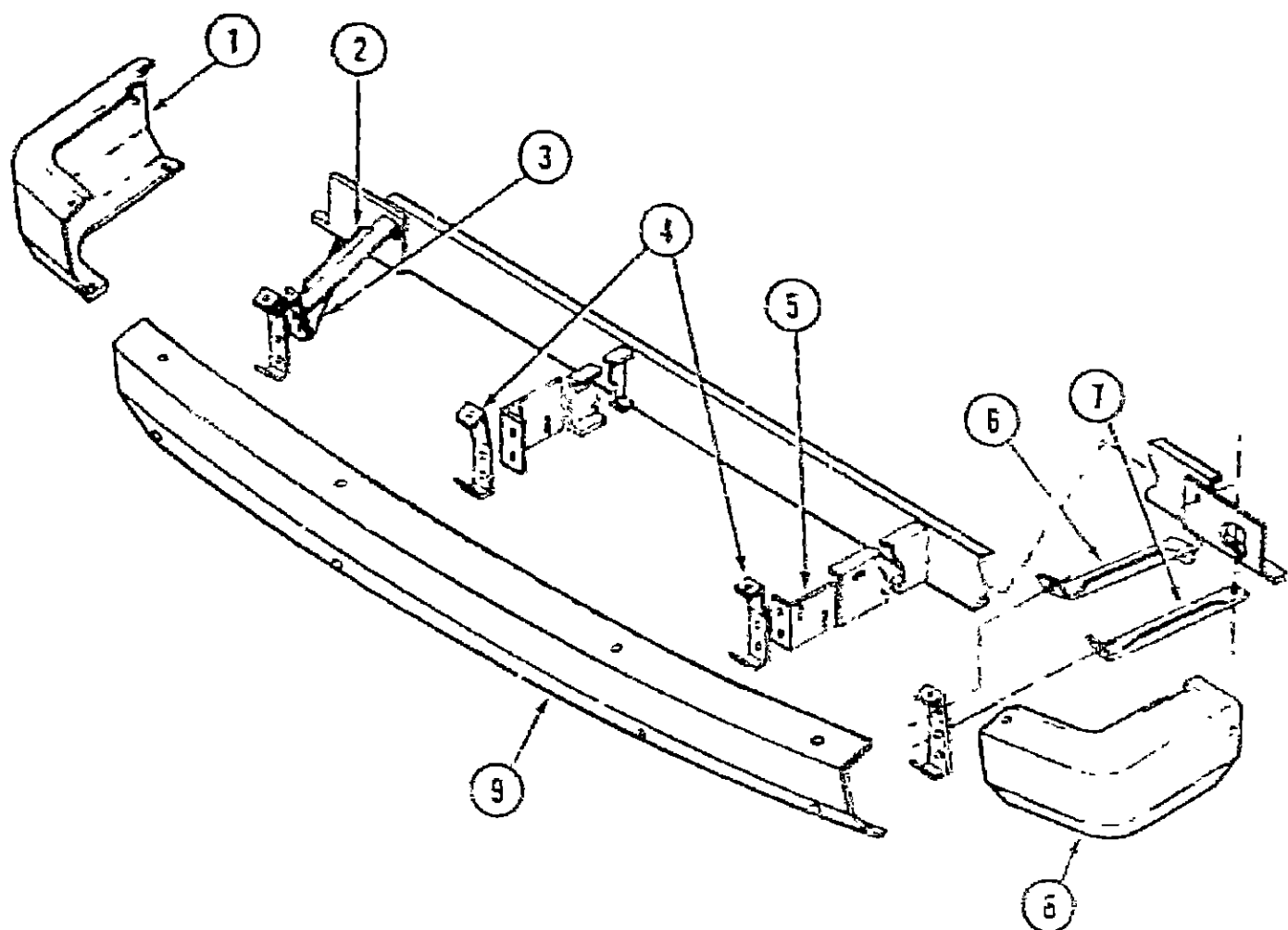
**1986 ITASCA  
TABLE OF CONTENTS**

IT319RB	A-01 - B-16
IC421RB	B-17 - D-16
IF426RT	D-17 - F-22
ICN26RH	F-23 - I-06
ICP28RU	I-07 - K-16

**1986 ICP28RU INDEX**

Floor Plan	I-07 - I-08
Accessories Group	I-09 - I-13
Bath Group	I-14
Chassis Group	I-15 - I-19
Curtain, Cushion & Pad Group	I-20 - J-03
Dinette Group	J-04
Driver's Compartment Group	J-05 - J-06
Electrical Group	J-09 - J-12
Exterior Body Group	J-13 - J-20
Galley Group	J-21 - J-22
Heating & Air Conditioning Group	J-23
Interior Finish Group	J-24 - K-02
LP Group	K-03
Lounge Group	K-04
Water & Sewage Group	K-05 - K-06
Window, Vent & Exterior Door Group	K-07 - K-16

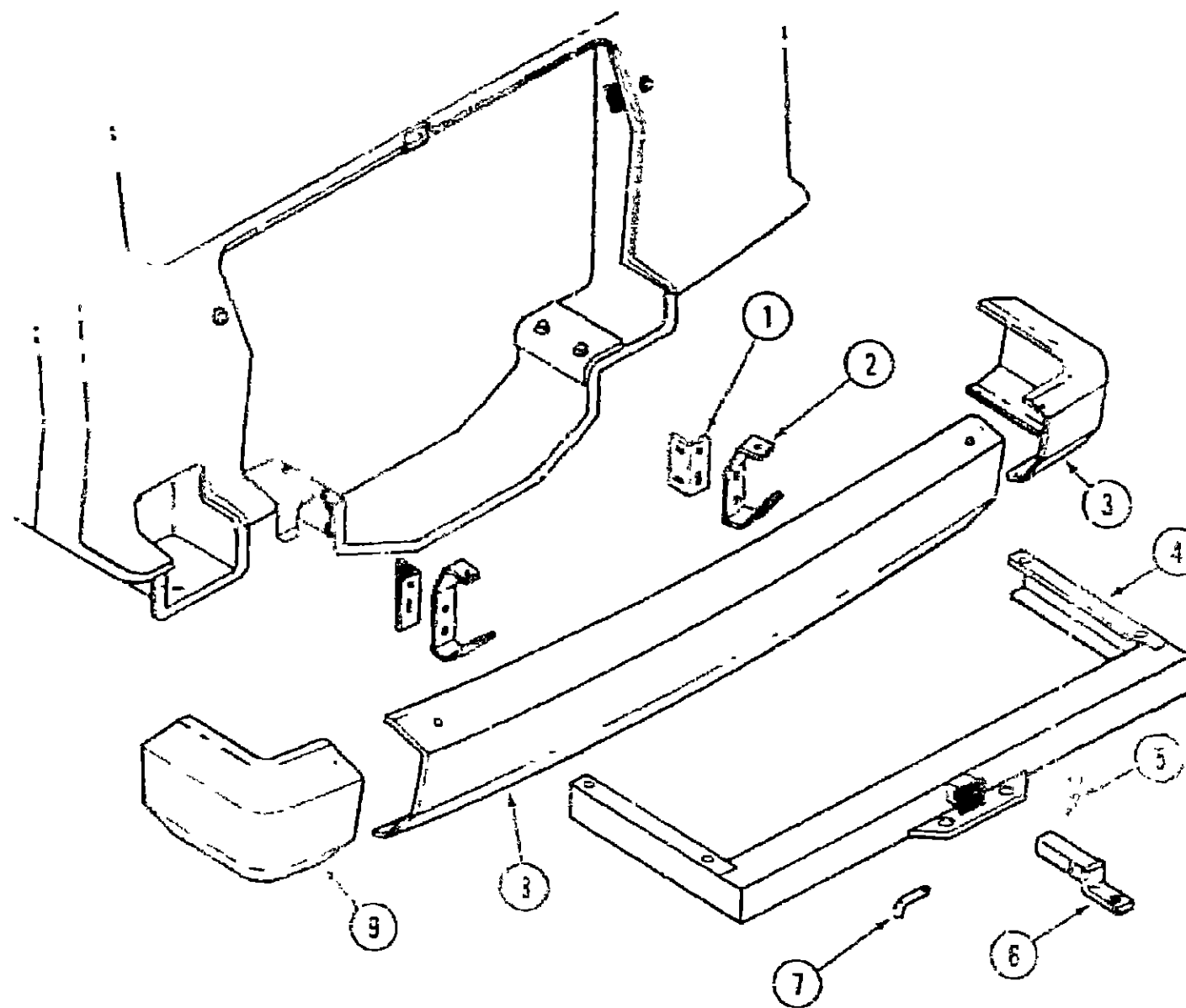
### CHASSIS GROUP



**FRONT BUMPER**

Key	Part Number	U/M	Description
1	075767-02-000	EA	Bumper End - Gray - Right Front
2	077852-01-000	EA	Brace - Upper Right - Front Bumper
3	077854-01-000	EA	Brace - Lower Right - Front Bumper
4	077852-01-000	EA	Bracket - Bumper - Front
5	076527-01-000	EA	Bracket to Frame - Front Bumper
6	077853-02-000	EA	Brace - Upper Left - Front Bumper
7	077854-02-000	EA	Brace - Lower Left - Front Bumper
8	075767-04-000	EA	Bumper End - Gray - Left Front
9	077850-08-000	EA	Bumper - Front - Gray
*	077850-07-000	EA	Bumper - Front - Chrome
*	005200-01-000	EA	Carriage Bolt - Chrome - 7/16" x 14 x 1 1/4"
*			Not illustrated

### CHASSIS GROUP (CONTINUED)



**REAR BUMPER & HITCH**

Key	Part Number	U/M	Description
1	076558-01-000	EA	Bracket to Frame - Rear Bumper
2	077855-01-000	EA	Bracket to Bumper - Rear
3	077330-07-000	EA	Bumper End - Right Rear
4	077617-01-000	EA	Hitch Asm - w/o Drawbar
5	034513-01-000	EA	Spring Pin - Hitch - 3/16" Wire
6	077613-01-000	EA	Drawbar Asm
7	034512-01-000	EA	Locking Pin - Drawbar
8	077851-01-000	EA	Bumper - Rear - Plain
6	077651-04-000	EA	Bumper - Rear - Chrome
9	077330-08-000	EA	Bumper - End - Left Rear
*	005200-01-000	EA	Carriage Bolt - Chrome - 7/16" x 14 x 1 1/4"
*			Not illustrated

### 1936 ITASCA TABLE OF CONTENTS

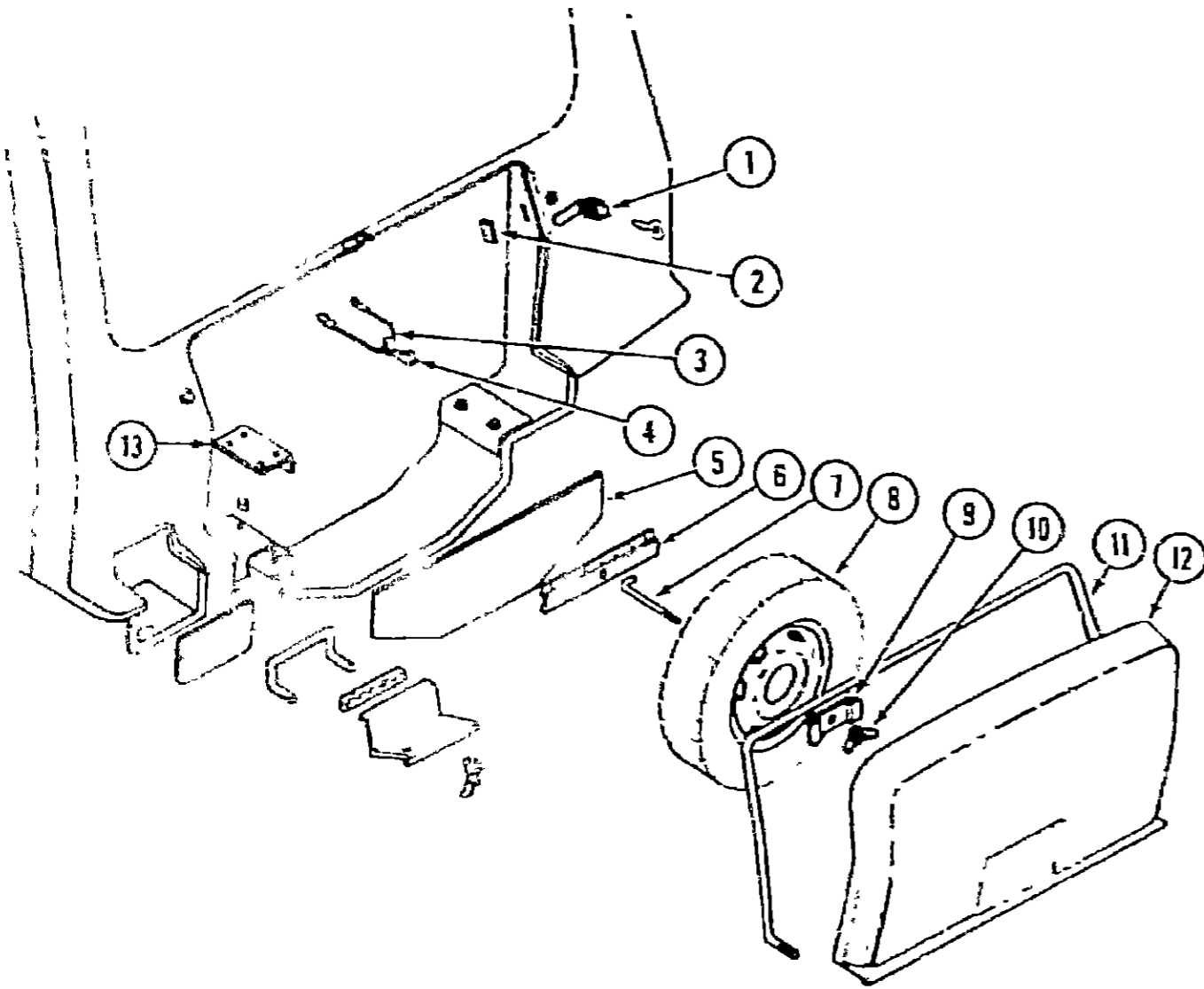
IT319RB  
IC421RB  
IF420RT  
ICN25RH  
ICP28RU

A-01 - B-16  
B-17 - D-16  
D-17 - F-22  
F-23 - I-12  
I-07 - K-18

### 1936 ICP28RU INDEX

Floor Plan	I-07 - I-08
Accessories Group	I-09 - I-13
Bath Group	I-14
Chassis Group	I-15 - I-19
Curtain, Cushion & Pad Group	I-20 - I-23
Dining Group	J-04
Driver's Compartment Group	J-05 - J-08
Electrical Group	J-09 - J-12
Exterior Body Group	J-13 - J-20
Grease Group	J-21 - J-22
Heating & Air Conditioning Group	J-23
Interior Finish Group	J-24 - K-02
LP Group	K-03
Lounge Group	K-04
Water & Sewage Group	K-05 - K-06
Window, Vent & Exterior Door Group	K-07 - K-18

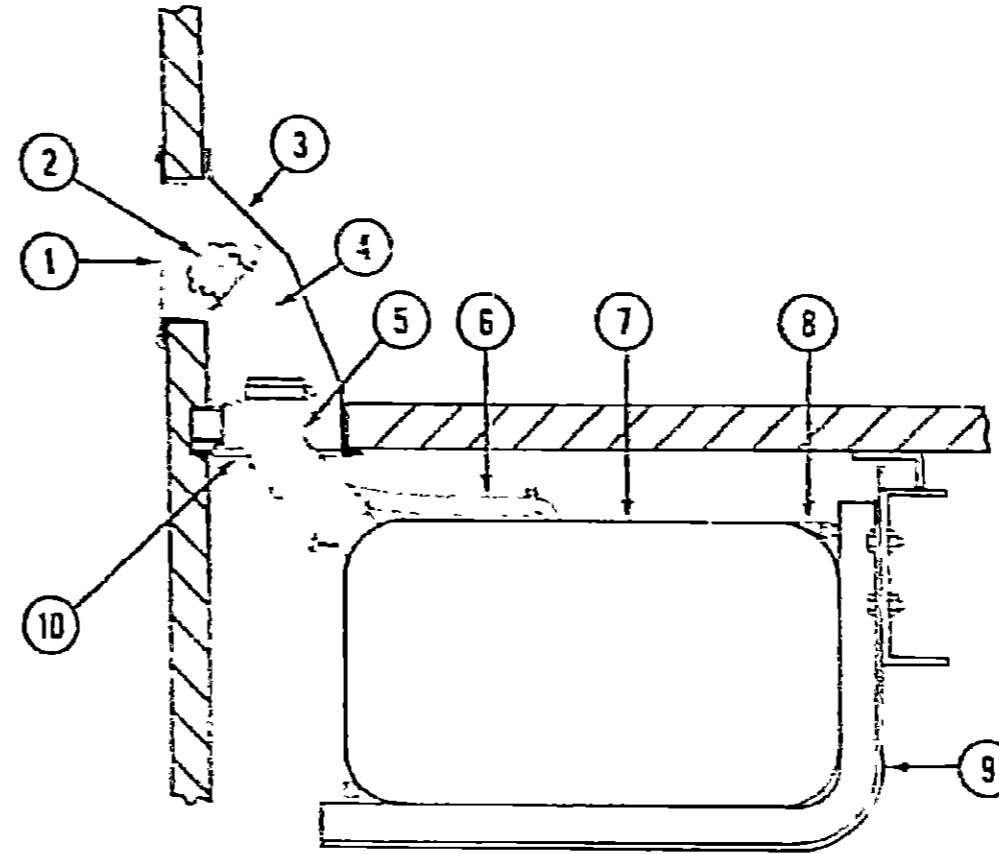
**CHASSIS GROUP (CONTINUED)**



**SPARE TIRE COMPARTMENT**

Key	Part Number	U/M	Description
1	077408-01-000	EA	Lock Asm - Key Type
2	077541-01-000	EA	Rubber Seal - Flat w/ Slot
3	076767-02-000	EA	Cable Asm
4	072453-01-000	EA	Spring Hook - 1/2
5	077395-01-000	EA	Shield - Spare Tire
6	077433-01-000	EA	Support Bracket - Spare Tire
7	077411-01-000	EA	Retaining Field - Spare Tire
8	007324-04-000	EA	Tire - E 00 x 19.5 - 8 Ply - Tubeless - XZA - Michelin
9	077399-01-000	EA	Retainer - Spare Tire
10	064061-01-000	EA	Wing Nut - 3/8" - Spare Tire
11	073090-01-000	FT	Weather Seal
12	M01990-04-U16	EA	Cover - Spare Tire - Gray
13	077400-01-000	EA	Support - Spare Tire

**CHASSIS GROUP (CONTINUED)**



**AUXILIARY FUEL FILL**

Key	Part Number	U/M	Description
1	078010-02-000	EA	Door Asm. & Upper Shroud - Fuel Fill
-	078200-01-000	EA	Gasket - Fuel Fill Door
2	073220-02-000	EA	Cap - Fuel Fill
3	078032-01-000	EA	Shroud - Fuel Fill - Inside
4	075910-02-000	EA	Neck Asm - Upper Fuel Fill
5	077398-01-000	EA	Hose - Fuel - Formed 2" I.D.
6	066732-01-000	FT	Hose - Fuel - 62" I.D. - Vent
7	075686-01-000	EA	Tank - Fuel - 30 Gallon
8	075232-02-000	EA	Strap Asm - Fuel Tank - T-Bolt Ends
9	075685-01-000	EA	Bracket - Fuel Tank Mounting
10	063303-04-000	EA	Shroud - Fuel Fill - Lower
-	057038-08-000	EA	Sending Unit - Fuel - 90 Ohm
-	080212-01-000	EA	Valve Asm - Fuel Select - 6 Port
-			Not illustrated

**1986 ITASCA  
TABLE OF CONTENTS**

IT319RB  
IC421RB  
IF426RT  
ICN26RH  
ICP28RU

A-01 - B-16  
B-17 - D-16  
D-17 - F-22  
F-23 - I-05  
I-07 - K-18

**1986 ICP28RU INDEX**

Floor Plan	I-07 - I-08
Accessories Group	I-09 - I-13
Bath Group	I-14
Chassis Group	I-15 - I-19
Curtain, Cushion & Pad Group	I-20 - J-03
Dinette Group	J-04
Driver's Compartment Group	J-05 - J-08
Electrical Group	J-09 - J-12
Exterior Body Group	J-13 - J-20
Galley Group	J-21 - J-22
Heating & Air Conditioning Group	J-23
Interior Finish Group	J-24 - K-02
LP Group	K-03
Lounge Group	K-04
Water & Sewage Group	K-05 - K-06
Window, Vent & Exterior Door Group	K-07 - K-18

## CHASSIS GROUP (CONTINUED)

### MISCELLANEOUS

Key	Part Number	U/M	Description
	031057-01-000	EA	Alternator Kit - 105 Amp - w/ Regulator
	031057-01-700	EA	Brush Assembly
	031057-01-702	EA	Condenser
	031057-01-703	EA	Inside Bearing Spacer
	031057-01-704	EA	Front Bearing
	031057-01-705	EA	Outside Bearing Spacer
	031057-01-706	EA	Pulley
	031057-01-707	EA	Diode -
	031057-01-708	EA	Diode -
	031057-01-709	EA	Stator (105 HD)
	031057-01-710	EA	Rotor
	031057-01-711	EA	Ground Terminal Kit
	031057-01-712	EA	Battery Terminal Kit
	031057-01-713	EA	Rear Bearing
	031057-03-000	EA	Alternator - 105 Amp - Wide Belt
	031057-03-700	EA	Pulley - Wide Belt
	076010-02-000	EA	Door Asm. & Upper Shroud - Fuel Fill
	063303-04-000	EA	Shroud - Fuel Fill - Lower (Floor)
	076032-01-000	EA	Shroud - Fuel Fill - Inside
	075753-01-000	EA	Wheel Well - Plastic - Rear - Left/Right
	065450-04-000	EA	Battery Tie Down - Plastic Coated
	077848-01-000	EA	Step Asm - Entry
	047441-01-000	EA	Battery Terminal - Horizontal Lug
	077479-02-000	EA	Battery Terminal Boot
	020167-03-000	EA	Dirt Guard - Wheel Well
	007324-04-000	EA	Tire - 8R19 5XZA - Mechanism
	007321-02-000	EA	Tire - 8.00 x 19.5 - 8 Ply - Tubeless
	022655-05-000	EA	Tailpipe - 2.5" x 32"
	007131-01-000	EA	Tailpipe Hanger
	007125-07-000	EA	Clamp Arms - Muffler - 2.5"

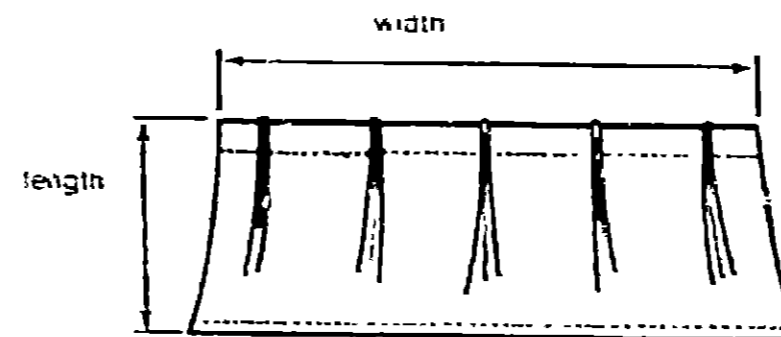
NOTE: Remainder of exhaust components available from chassis service centers

## CURTAIN CUSHION & PAD GROUP

### NOTICE

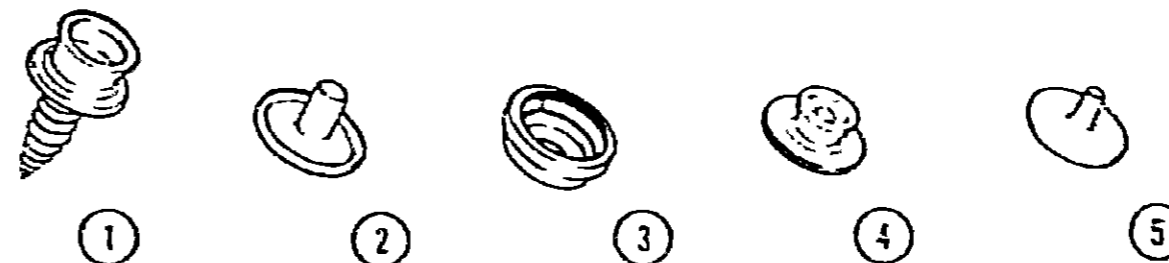
In order to assist our Parts Sales Dept. in providing interior software items, please include the serial number and the color code number from the vehicle certification label when ordering. This label is located on the left sidewall at the end of the dash (A-Body), or on the driver's door latch plate (C-Body).

An example of a color code number is P31, which designates an overall color scheme of a particular unit. The color listed after the item description on the microfiche, indicates the overall unit color. Order the item you desire according to unit color code.



### NOTE:

Use this illustration when determining length and width measurements for curtains. You will note the width measurement is taken on the top of the curtain with the curtain fully extended. The length measurement is taken from top to bottom.



Key	Part Number	U/M	Description
1	029130-01-000	EA	Socket - Snap Fastener
2	029155-01-000	EA	Cap - Snap - 1.56" Dia x 1.7" Barrel
3	029155-01-000	EA	Socket - Snap Fastener
4	029092-01-000	EA	Stud - Nickel Finish
5	029093-01-000	EA	Eyelet - Nickel Finish

### CURTAIN HARDWARE

Key	Part Number	U/M	Description
	056115-01-000	EA	Track - Curtain - Brown - Plastic
	077046-01-000	EA	Track - Curtain - Front Wraparound - Passenger
	077046-02-000	EA	Track - Curtain - Front Wraparound - Drivers
	056001-01-000	EA	Bracket - Shade - Left
	056002-01-000	EA	Bracket - Shade - Right
	056003-01-000	EA	Bracket - Drapery Retainer - Right
	056003-02-000	EA	Bracket - Drapery Retainer - Left
	056003-03-000	EA	Bracket - Drapery Retainer - Universal
	056784-01-000	EA	Pull - Window Shade - Antique Brass
	039175-01-000	EA	Curtain Rod - Ext 48" - 64"
	039175-03-000	EA	Curtain Rod - Ext 28" - 48"
	039175-04-000	EA	Curtain Rod - Ext 16" - 28"
	039175-02-000	EA	Bracket - Curtain Rod
	056115-02-000	YD	Tape - Clear Plastic - w/ Guides
	046394-01-000	YD	Tape Hook - 1" x 25 YD - Beige (Velcro)
	046395-01-000	YD	Tape Loop - 1" x 25 YD - Beige (Velcro)
	075477-01-000	EA	Bracket Installation - Blinds
	075477-03-000	EA	Bracket Hold Down - Blinds

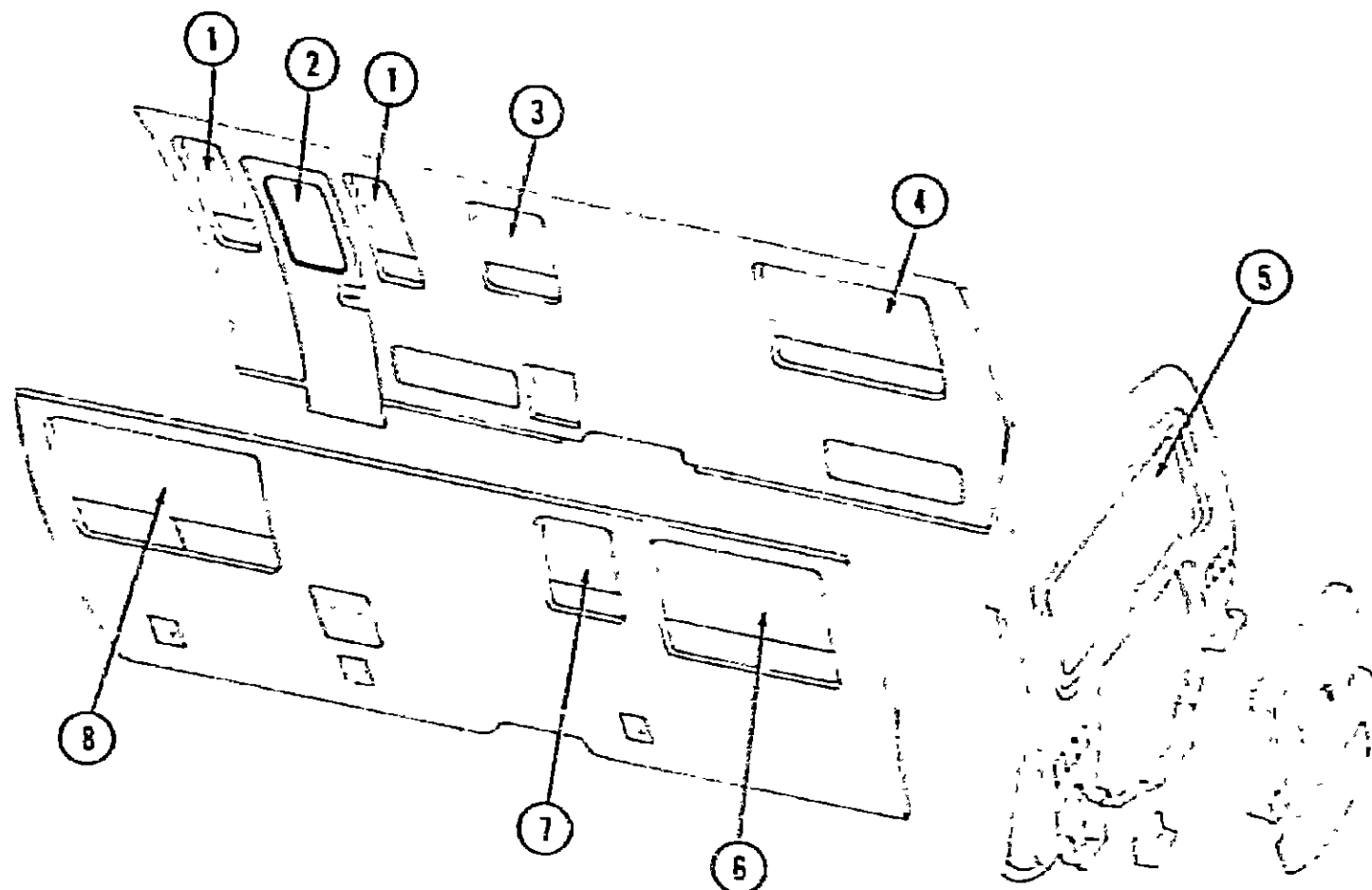
## 1986 ITASCA TABLE OF CONTENTS

IT319RB	A-01 - B-16
IC421RB	B-17 - D-16
IF426RT	D-17 - F-22
ICN26RH	F-23 - I-03
ICP26RU	I-07 - K-18

## 1986 ICP28RU INDEX

Floor Plan	I-07 - I-03
Accessories Group	I-09 - I-13
Bath Group	I-14
Chassis Group	I-15 - I-19
Curtain, Cushion & Pad Group	I-20 - J-03
Dinette Group	J-04
Driver's Compartment Group	J-05 - J-08
Electrical Group	J-09 - J-12
Exterior Body Group	J-13 - J-20
Galley Group	J-21 - J-22
Heating & Air Conditioning Group	J-23
Interior Finish Group	J-24 - K-02
LP Group	K-03
Lounge Group	K-04
Water & Sewage Group	K-05 - K-06
Window, Vent & Exterior Door Group	K-07 - K-18

**CURTAIN, CUSHION & PAD GROUP (CONTINUED)**



**CURTAINS, VALANCES, SHADES & TIEBACKS**

Key	Part Number	U/M	Description
1	073251-35-U16	EA	Curtain w/Tape Top - 37" x 9" - Blue
1	073251-35-U17	EA	Curtain w/Tape Top - 37" x 9" - Brown
1	073251-35-U18	EA	Curtain w/Tape Top - 37" x 9" - Gray
1	082118-01-000	EA	Blinds - Lounge - 18.5" x 35" Drop - Blue (U16)
1	082118-02-000	EA	Blinds - Lounge - 18.5" x 35" Drop - Brown (U17)
1	082118-03-000	EA	Blinds - Lounge - 18.5" x 35" Drop - Gray (U18)
1	082126-05-000	EA	Woven Wood Shade - 18.5" x 36" Drop - Blue (U16)
1	082126-06-000	EA	Woven Wood Shade - 18.5" x 36" Drop - Brown (U17)
1	082126-16-000	EA	Woven Wood Shade - 18.5" x 36" Drop - Gray (U18)
2	M01625-17-U16	EA	Valance Asm. - Entrance - Blue
2	M01625-17-U17	EA	Valance Asm. - Entrance - Brown
2	M01625-17-U18	EA	Valance Asm. - Entrance - Gray
2	082119-31-000	EA	Shade Asm. - Fabric - 22.25" x 40" (U16)
2	082119-32-000	EA	Shade Asm. - Fabric - 22.25" x 40" (U17)
2	082119-33-000	EA	Shade Asm. - Fabric - 22.25" x 40" (U18)
3	082118-90-000	EA	Blinds - Galley
4	077444-05-U16	EA	Curtain w/Darts - 37.5" x 15" - Bedspread - Blue
4	077444-05-U17	EA	Curtain w/Darts - 37.5" x 15" - Bedspread - Brown
4	077444-05-U18	EA	Curtain w/Darts - 37.5" x 15" - Bedspread - Gray
4	084269-02-U16	EA	Curtain w/Dart & Snap Top - Pleat Bottom - 37.5" x 15" - Blue
4	084269-02-U17	EA	Curtain w/Dart & Snap Top - Pleat Bottom - 37.5" x 15" - Brown
4	084269-02-U18	EA	Curtain w/Dart & Snap Top - Pleat Bottom - 37.5" x 15" - Gray
4	082120-43-000	EA	Shade Asm. - Fabric - 64.25" x 48" (U16)
4	082120-44-000	EA	Shade Asm. - Fabric - 64.25" x 48" (U17)
4	082120-45-000	EA	Shade Asm. - Fabric - 64.25" x 48" (U18)

**CURTAIN, CUSHION & PAD GROUP (CONTINUED)**

**CURTAINS, VALANCES SHADES & TIEBACKS (CONT.)**

Key	Part Number	U/M	Description
5	077444-06-U16	EA	Curtain w/Darts - 35.5" x 15" - Bedspread - Blue
5	077444-06-U17	EA	Curtain w/Darts - 35.5" x 15" - Bedspread - Brown
5	077444-06-U18	EA	Curtain w/Darts - 35.5" x 15" - Bedspread - Gray
5	084269-03-U16	EA	Curtain w/Dart & Snap Top - Pleat Bottom - 37.5" x 15" - Blue
5	084269-03-U17	EA	Curtain w/Dart & Snap Top - Pleat Bottom - 37.5" x 15" - Brown
5	084269-03-U18	EA	Curtain w/Dart & Snap Top - Pleat Bottom - 37.5" x 15" - Gray
5	M01664-01-U16	EA	Valance Asm. - Bedspread (Double Bed) - Blue
5	M01664-01-U17	EA	Valance Asm. - Bedspread (Double Bed) - Brown
5	M01664-01-U18	EA	Valance Asm. - Bedspread (Double Bed) - Gray
5	082120-40-000	EA	Shade Asm. - Fabric - 61.25" x 48" (U16)
5	082120-41-000	EA	Shade Asm. - Fabric - 61.25" x 48" (U17)
5	082120-42-000	EA	Shade Asm. - Fabric - 61.25" x 48" (U18)
6	077444-05-U16	EA	Curtain w/Darts - 37.5" x 15" - Bedspread - Blue
6	077444-05-U17	EA	Curtain w/Darts - 37.5" x 15" - Bedspread - Brown
6	077444-05-U18	EA	Curtain w/Darts - 37.5" x 15" - Bedspread - Gray
6	084269-02-U16	EA	Curtain w/Dart & Snap Top - Pleat Bottom - 37.5" x 15" - Blue
6	084269-02-U17	EA	Curtain w/Dart & Snap Top - Pleat Bottom - 37.5" x 15" - Brown
6	084269-02-U18	EA	Curtain w/Dart & Snap Top - Pleat Bottom - 37.5" x 15" - Gray
6	M01665-01-U16	EA	Valance Asm. (Double Bed)
6	M01665-01-U17	EA	Valance Asm. (Double Bed)
6	M01665-01-U18	EA	Valance Asm. (Double Bed)
6	M75250-01-U09	EA	Corner Post - Rear Valance - Oak
6	082120-37-000	EA	Shade Asm. - Fabric - 45.5" x 48" (U16)
6	082120-38-000	EA	Shade Asm. - Fabric - 45.5" x 48" (U17)
6	082120-39-000	EA	Shade Asm. - Fabric - 45.5" x 48" (U18)
7	073251-27-U16	EA	Curtain w/Tape Top - 31.5" x 9" - Blue
7	073251-27-U17	EA	Curtain w/Tape Top - 31.5" x 9" - Brown
7	073251-27-U18	EA	Curtain w/Tape Top - 31.5" x 9" - Gray
7	082118-90-000	EA	Blinds - Bath
8	084269-01-U16	EA	Curtain w/Dart & Snap Top - Pleat Bottom - 37.5" x 15" - Blue
8	084269-01-U17	EA	Curtain w/Dart & Snap Top - Pleat Bottom - 37.5" x 15" - Brown
8	084269-01-U18	EA	Curtain w/Dart & Snap Top - Pleat Bottom - 37.5" x 15" - Gray
8	077444-03-U16	EA	Curtain w/Tape Top & Bottom - 37.5" x 15" - Blue
8	077444-03-U17	EA	Curtain w/Tape Top & Bottom - 37.5" x 15" - Brown
8	077444-03-U18	EA	Curtain w/Tape Top & Bottom - 37.5" x 15" - Gray
8	082118-04-000	EA	Blinds - Lounge - Blue (U16)
8	082118-05-000	EA	Blinds - Lounge - Brown (U17)
8	082118-06-000	EA	Blinds - Lounge - Gray (U18)
8	082126-01-000	EA	Woven Wood Shade - 64.5" Wide x 36" (U16)
8	082126-02-000	EA	Woven Wood Shade - 64.5" Wide x 36" (U17)
8	082126-15-000	EA	Woven Wood Shade - 64.5" Wide x 36" (U18)
.	073304-31-U18	EA	Curtain w/Snaps - Front Wraparound - Passenger Side
.	073304-32-U18	EA	Curtain w/Snaps - Front Wraparound - Driver Side
.	077591-01-U18	EA	Curtain w/Velcro Top - 52" x 40" - Blackout
.	077591-02-U18	EA	Curtain w/Velcro Top - 52" x 42" - Blackout
.	073260-16-U16	EA	Tie Back Asm. - 3" x 20" - Blue
.	073260-16-U17	EA	Tie Back Asm. - 3" x 20" - Brown
.	073260-16-U18	EA	Tie Back Asm. - 3" x 20" - Gray
.	057534-05-000	EA	Tie Back Asm. - Vinyl - 6" - Brown
.	057534-01-000	EA	Tie Back - Clear Plastic - 6"
.	057534-03-000	EA	Tie Back - Clear Plastic - 7.5"
.	057534-04-000	EA	Tie Back - Clear Plastic - 20"
.			Not illustrated

**1986 ITASCA  
TABLE OF CONTENTS**

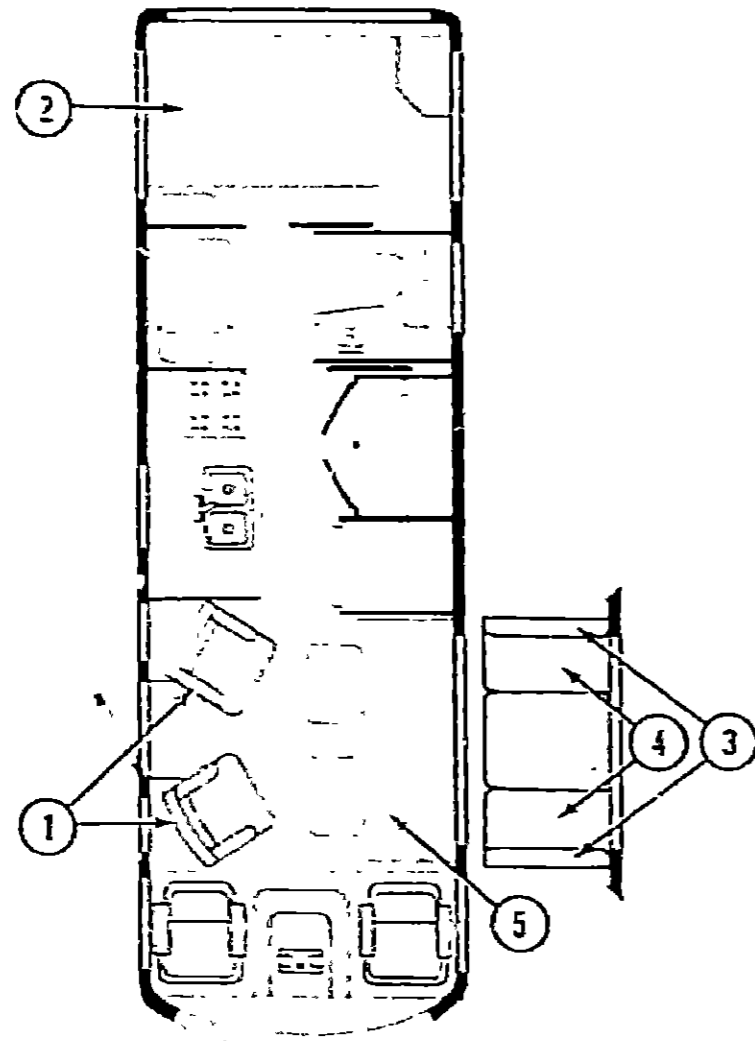
IT319RB	A-01 - B-16
IC421RS	B-17 - D-16
IF426RT	D-17 - F-22
ICN26RH	F-23 - I-05
ICP28RU	I-07 - K-18

**1986 ICP28RU INDEX**

Floor Plan	I-07 - I-08
Accessories Group	I-09 - I-13
Bath Group	I-14
Chassis Group	I-15 - I-19
Curtain, Cushion & Pad Group	I-20 - J-03
Dinette Group	J-04
Driver's Compartment Group	J-05 - J-08
Electrical Group	J-09 - J-12
Exterior Body Group	J-13 - J-20
Galley Group	J-21 - J-22
Heating & Air Conditioning Group	J-23
Interior Finish Group	J-24 - K-02
LP Group	K-03
Lounge Group	K-04
Water & Sewage Group	K-05 - K-06
Window, Vent & Exterior Door Group	K-07 - K-18



**CURTAIN, CUSHION & PAD GROUP (CONTINUED)**



**SWIVEL CHAIRS**

Key	Part Number	U/M	Description
1	073518-15-U16	EA	Chair Asm. w/ Pillow Back - Swivel - Blue
1	073518-15-U17	EA	Chair Asm. w/ Pillow Back - Swivel - Brown
1	073518-15-U18	EA	Chair Asm. w/ Pillow Back - Swivel - Gray
	075174-02-U16	EA	Skirt Asm. - Swivel Chair - Blue
	075174-02-U17	EA	Skirt Asm. - Swivel Chair - Brown
	075174-02-U18	EA	Skirt Asm. - Swivel Chair - Gray
	035036-01-000	EA	Plate - Tilt & Swivel - Swivel Chair
	035036-05-000	EA	Extension - 7" - Swivel Chair
	035036-04-000	EA	Base w/ Legs - Swivel Chair

**CURTAIN, CUSHION & PAD GROUP (CONTINUED)**

**SINGLE & DOUBLE BED**

Key	Part Number	U/M	Description
2	077478-02-000	EA	Mattress - Inner Spring - 43" x 75" x 7.75"
	083936-01-U16	EA	Bedsread - Double Fitted - Blue
	083936-01-U17	EA	Bedsread - Double Fitted - Brown
	083936-01-U18	EA	Bedsread - Double Fitted - Gray
	077463-02-U16	EA	Headboard Asm. - Double - Blue
	077463-02-U17	EA	Headboard Asm. - Double - Brown
	077463-02-U18	EA	Headboard Asm. - Double - Gray
	081997-01-U16	EA	Pillow Sham - 30" x 26" - Blue
	081997-01-U17	EA	Pillow Sham - 30" x 26" - Brown
	081997-01-U18	EA	Pillow Sham - 30" x 26" - Gray

**DINETTE CUSHIONS**

Key	Part Number	U/M	Description
3	081998-48-U16	EA	Cushion - Dinette Back - 19.25" x 38" x 5" - Angled - Blue
3	081998-48-U17	EA	Cushion - Dinette Back - 19.25" x 38" x 5" - Angled - Brown
3	081998-48-U18	EA	Cushion - Dinette Back - 19.25" x 38" x 5" - Angled - Gray
	M81998-48-U16	EA	Cover - Dinette Back - 19.25" x 38" x 5" - Angled - Blue
	M81998-48-U17	EA	Cover - Dinette Back - 19.25" x 38" x 5" - Angled - Brown
	M81998-48-U18	EA	Cover - Dinette Back - 19.25" x 38" x 5" - Angled - Gray
3	081998-13-U16	EA	Cushion - Dinette Back - 19.25" x 36" x 5" - Blue
3	081998-13-U17	EA	Cushion - Dinette Back - 19.25" x 36" x 5" - Brown
3	081998-13-U18	EA	Cushion - Dinette Back - 19.25" x 36" x 5" - Gray
	M81998-13-U16	EA	Cover - Dinette Back Cushion - 19.25" x 38" x 5" - Blue
	M81998-13-U17	EA	Cover - Dinette Back Cushion - 19.25" x 38" x 5" - Brown
	M81998-13-U18	EA	Cover - Dinette Back Cushion - 19.25" x 38" x 5" - Gray
4	081998-14-U16	EA	Cushion - Dinette Bottom - 17.5" x 35" x 5" - Blue
4	081998-14-U17	EA	Cushion - Dinette Bottom - 17.5" x 35" x 5" - Brown
4	081998-14-U18	EA	Cushion - Dinette Bottom - 17.5" x 35" x 5" - Gray
	M81998-14-U16	EA	Cover - Dinette Bottom Cushion - 17.5" x 38" x 5" - Blue
	M81998-14-U17	EA	Cover - Dinette Bottom Cushion - 17.5" x 38" x 5" - Brown
	M81998-14-U18	EA	Cover - Dinette Bottom Cushion - 17.5" x 38" x 5" - Gray

**3 PILLOW COUCH**

Key	Part Number	U/M	Description
5	079448-04-U16	EA	3 Pillow Couch - Blue
5	079448-04-U17	EA	3 Pillow Couch - Brown
5	079448-04-U18	EA	3 Pillow Couch - Gray
	081998-17-U16	EA	Cushion - 3 Pillow Couch - Blue
	081998-17-U17	EA	Cushion - 3 Pillow Couch - Brown
	081998-17-U18	EA	Cushion - 3 Pillow Couch - Gray
	M81998-17-U16	EA	Cover - 3 Pillow Couch - Blue
	M81998-17-U17	EA	Cover - 3 Pillow Couch - Brown
	M81998-17-U18	EA	Cover - 3 Pillow Couch - Gray

**1986 ITASCA  
TABLE OF CONTENTS**

IT319RB	A-01 - B-16
IC421RB	B-17 - D-16
IF426RT	D-17 - F-22
ICN26RH	F-23 - I-06
ICP28RU	I-07 - K-18

**1986 ICP28RU INDEX**

Floor Plan	I-07 - I-06
Accessories Group	I-09 - I-13
Bath Group	I-14
Chassis Group	I-15 - I-19
Curtain, Cushion & Pad Group	I-20 - J-03
Dinette Group	J-04
Driver's Compartment Group	J-05 - J-08
Electrical Group	J-09 - J-12
Exterior Body Group	J-13 - J-20
Galley Group	J-21 - J-22
Heating & Air Conditioning Group	J-23
Interior Finish Group	J-24 - K-02
LP Group	K-03
Lounge Group	K-04
Water & Sewage Group	K-05 - K-06
Window, Vent & Exterior Door Group	K-07 - K-18

**CURTAIN, CUSHION & PAD GROUP (CONTINUED)**

**TRIM PADS**

Key	Part Number	U/M	Description
	077123-35-000	EA	Insert - Upper Passenger Door - 2 5" x 6 25" - Blue (U16)
	077123-37-000	EA	Insert - Upper Passenger Door - 2 5" x 6 25" - Brown (U17)
	077123-25-000	EA	Insert - Upper Passenger Door - 2 5" x 6 25" - Gray (U18)
	077123-36-000	EA	Insert - Upper Drivers Door - 2 5" x 6 25" - Blue (U16)
	077123-38-000	EA	Insert - Upper Drivers Door - 2 5" x 6 25" - Brown (U17)
	077123-26-000	EA	Insert - Upper Drivers Door - 2 5" x 6 25" - Gray (U18)
	077124-35-000	EA	Insert - Lower Passenger Door - 14 2" x 28 25" - Blue (U16)
	077124-37-000	EA	Insert - Lower Passenger Door - 14 2" x 28 25" - Brown (U17)
	077124-25-000	EA	Insert - Lower Passenger Door - 14 2" x 28 25" - Gray (U18)
	077124-36-000	EA	Insert - Lower Drivers Door - 14 2" x 28 25" - Blue (U16)
	077124-38-000	EA	Insert - Lower Drivers Door - 14 2" x 28 25" - Brown (U17)
	077124-26-000	EA	Insert - Lower Drivers Door - 14 2" x 28 25" - Gray (U18)
	077125-35-000	EA	Insert - Map Pocket - Passenger Door - 5 75" x 7 6" - Blue (U16)
	077125-37-000	EA	Insert - Map Pocket - Passenger Door - 5 75" x 7 6" - Brown (U17)
	077125-25-000	EA	Insert - Map Pocket - Passenger Door - 5 75" x 7 6" - Gray (U18)
	077125-36-000	EA	Insert - Map Pocket - Drivers Door - 5 75" x 7 6" - Blue (U16)
	077125-38-000	EA	Insert - Map Pocket - Drivers Door - 5 75" x 7 6" - Brown (U17)
	077125-26-000	EA	Insert - Map Pocket - Drivers Door - 5 75" x 7 6" - Gray (U18)
	077614-88-000	EA	Insert - Double Bed - Roof Cove - 9 25" x 52 75" - Blue (U16)
	077614-89-000	EA	Insert - Double Bed - Roof Cove - 9 25" x 52 75" - Brown (U17)
	077614-90-000	EA	Insert - Double Bed - Roof Cove - 9 25" x 52 75" - Gray (U18)
	077614-81-000	EA	Insert - Entrance Door - Roof Cove - 9 25" x 69 75" - Blue (U16)
	077614-82-000	EA	Insert - Entrance Door - Roof Cove - 9 25" x 69 75" - Brown (U17)
	077614-63-000	EA	Insert - Entrance Door - Roof Cove - 9 25" x 69 75" - Gray (U18)
	077641-69-000	EA	Insert - TT Chair Lounge - 12" x 16" - Blue (U16)
	077641-70-000	EA	Insert - TT Chair Lounge - 12" x 16" - Brown (U17)
	077641-60-000	EA	Insert - TT Chair Lounge - 12" x 16" - Gray (U18)
	077130-18-000	EA	Insert - Front Center Overhead - 19 5" x 4" - Blue (U16)
	077130-19-000	EA	Insert - Front Center Overhead - 19 5" x 4" - Brown (U17)
	077130-14-000	EA	Insert - Front Center Overhead - 19 5" x 4" - Gray (U18)
	077131-35-000	EA	Insert - Front Overhead (Sunvisor) Right - 2 8" x 23 2" - Blue (U16)
	077131-37-000	EA	Insert - Front Overhead (Sunvisor) Right - 2 8" x 23 2" - Brown (U17)
	077131-27-000	EA	Insert - Front Overhead (Sunvisor) Right - 2 8" x 23 2" - Gray (U18)
	077131-36-000	EA	Insert - Front Overhead (Sunvisor) Left - 2 8" x 23 2" - Blue (U16)
	077131-38-000	EA	Insert - Front Overhead (Sunvisor) Left - 2 8" x 23 2" - Brown (U17)
	077131-28-000	EA	Insert - Front Overhead (Sunvisor) Left - 2 8" x 23 2" - Gray (U18)
	077126-18-000	EA	Insert - Side Upper - Drivers - 2 6" x 3 14" - Blue (U16)
	077126-19-000	EA	Insert - Side Upper - Drivers - 2 6" x 3 14" - Brown (U17)
	077126-14-000	EA	Insert - Side Upper - Drivers - 2 6" x 3 14" - Gray (U18)
	077128-18-000	EA	Insert - Side Upper - Passenger - 2 6" x 17 1" - Blue (U16)
	077128-19-000	EA	Insert - Side Upper - Passenger - 2 6" x 17 1" - Brown (U17)
	077128-14-000	EA	Insert - Side Upper - Passenger - 2 6" x 17 1" - Gray (U18)
	077127-18-000	EA	Insert - Side Lower - Drivers - 9 3" x 21 3" - Blue (U16)
	077127-19-000	EA	Insert - Side Lower - Drivers - 9 3" x 21 3" - Brown (U17)
	077127-14-000	EA	Insert - Side Lower - Drivers - 9 3" x 21 3" - Gray (U18)
	077123-24-000	EA	Insert - Side Lower - Passenger - 9 2" x 28" - Blue (U16)
	077129-23-000	EA	Insert - Side Lower - Passenger - 9 2" x 28" - Brown (U17)
	077129-13-000	EA	Insert - Side Lower - Passenger - 9 2" x 28" - Gray (U18)
	077133-18-000	EA	Insert - Lower Bunk - 22.5" x 67.1" - Blue (U16)
	077133-19-000	EA	Insert - Lower Bunk - 22.5" x 67.1" - Brown (U17)
	077133-14-000	EA	Insert - Lower Bunk - 22.5" x 67.1" - Gray (U18)
	077132-18-000	EA	Insert - Bunk - Rear - 8 75" x 74 5" - Blue (U16)
	077132-19-000	EA	Insert - Bunk - Rear - 8 75" x 74 5" - Brown (U17)
	077132-14-000	EA	Insert - Bunk - Rear - 8 75" x 74 5" - Gray (U18)

**CURTAIN, CUSHION & PAD GROUP (CONTINUED)**

**TRIM PADS (CONT.)**

Key	Part Number	U/M	Description
	077513-18-000	EA	Insert - Bunk - Rear Upper - 5" x 56" - Blue (U16)
	077513-19-000	EA	Insert - Bunk - Rear Upper - 5" x 56" - Brown (U17)
	077513-14-000	EA	Insert - Bunk - Rear Upper - 5" x 55" - Gray (U18)
	079144-01-U16	EA	Bunk Pull Strap - Blue
	079144-01-U17	EA	Bunk Pull Strap - Brown
	079144-01-U18	EA	Bunk Pull Strap - Gray
	077568-01-000	EA	Pad Retainers - Plastic
	081711-01-U16	EA	Pad Asm - Dinette Seat - Front - Blue
	081711-01-U17	EA	Pad Asm - Dinette Seat - Front - Brown
	081711-01-U18	EA	Pad Asm - Dinette Seat - Front - Gray
	081711-02-U16	EA	Pad Asm - Dinette Seat - Rear - Blue
	081711-02-U17	EA	Pad Asm - Dinette Seat - Rear - Brown
	081711-02-U18	EA	Pad Asm - Dinette Seat - Rear - Gray
	081519-02-U16	EA	Pad Asm - Dinette Seat - Rear - Angled - Blue
	081519-02-U17	EA	Pad Asm - Dinette Seat - Rear - Angled - Brown
	081519-02-U18	EA	Pad Asm - Dinette Seat - Rear - Angled - Gray
	081519-01-U16	EA	Pad Asm - Dinette Seat - Front - Angled - Blue
	081519-01-U17	EA	Pad Asm - Dinette Seat - Front - Angled - Brown
	081519-01-U18	EA	Pad Asm - Dinette Seat - Front - Angled - Gray

**FABRICS**

Key	Part Number	U/M	Description
	077498-56-000	YD	Fabric - Upholstery - Blue (U16)
	077498-57-000	YD	Fabric - Upholstery - Brown (U17)
	077498-55-000	YD	Fabric - Upholstery - Gray (U18)
	077498-53-000	YD	Fabric - Upholstery/Accent (Drapery & Seat Covers) Blue (U16)
	077498-51-000	YD	Fabric - Upholstery/Accent (Drapery & Seat Covers) Brown (U17)
	077498-49-000	YD	Fabric - Upholstery/Accent (Drapery & Seat Covers) Gray (U18)
	077498-53-000	YD	Fabric - Upholstery/Plain Accent - Blue (U16)
	077498-54-000	YD	Fabric - Upholstery/Plain Accent - Brown (U17)
	077498-52-000	YD	Fabric - Upholstery/Plain Accent - Gray (U18)
	069729-35-000	YD	Fabric - Bedspread - Blue (U16)
	069729-32-000	YD	Fabric - Bedspread - Brown (U17)
	069729-33-000	YD	Fabric - Bedspread - Gray (U18)
	069729-34-000	YD	Fabric - Bedspread Accent (Headboard, Valance) Blue (U16)
	069729-41-000	YD	Fabric - Bedspread Accent (Headboard, Valance) Brown (U17)
	069729-42-000	YD	Fabric - Bedspread Accent (Headboard, Valance) Gray (U18)
	079680-05-000	YD	Vinyl - Expanded - Gray (U16)
	069649-02-000	YD	Vinyl - Expanded - Teak (U17)
	079680-05-000	YD	Vinyl - Expanded - Mauve (U18)
	038421-01-000	YD	Fabric - Mattress Ticking
	081607-02-000	YD	Fabric - Headline - Sandstone
	072333-22-000	YD	Fabric - Drapery - Gray

**1986 ITASCA  
TABLE OF CONTENTS**

IT319RB	A-01 - B-16
IC421RB	B-17 - D-16
IF426RT	D-17 - F-22
ICN26RH	F-23 - I-06
ICP28RU	I-07 - K-18

**1986 ICP28RU INDEX**

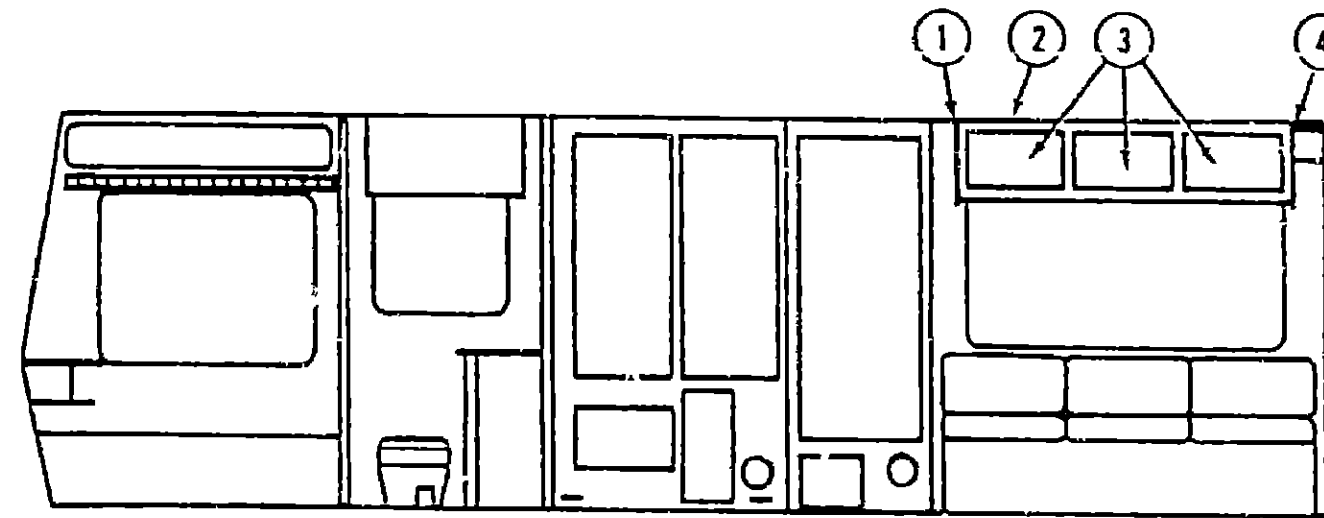
Floor Plan	I-07 - I-08
Accessories Group	I-09 - I-13
Bath Group	I-14
Chassis Group	I-15 - I-19
Curtain, Cushion & Pad Group	I-20 - J-03
Dinette Group	J-04
Driver's Compartment Group	J-05 - J-08
Electrical Group	J-09 - J-12
Exterior Body Group	J-13 - J-20
Galley Group	J-21 - J-22
Heating & Air Conditioning Group	J-23
Interior Finish Group	J-24 - K-02
L.P. Group	K-03
Lounge Group	K-04
Water & Sewage Group	K-05 - K-06
Window, Vent & Exterior Door Group	K-07 - K-18

**CURTAIN, CUSHION & PAD GROUP (CONTINUED)**

**BUCKET SEATS**

Key	Part Number	U/M	Description
	078804-13-U16	EA	Seat Asm - Single Bucket - w/Armrests & Headrest - Blue
	078804-13-U17	EA	Seat Asm - Single Bucket - w/Armrests & Headrest - Brown
	078804-13-U18	EA	Seat Asm - Single Bucket - w/Armrests & Headrest - Gray
	M01863-04-U16	EA	Cover - Back - Single Bucket - Blue
	M01863-04-U17	EA	Cover - Back - Single Bucket - Brown
	M01863-04-U18	EA	Cover - Back - Single Bucket - Gray
	M01863-03-U16	EA	Cover - Bottom - Single Bucket - Blue
	M01863-03-U17	EA	Cover - Bottom - Single Bucket - Brown
	M01863-03-U18	EA	Cover - Bottom - Single Bucket - Gray
	071126-13-U16	EA	Skirt - Single Bucket - Blue
	071126-13-U17	EA	Skirt - Single Bucket - Brown
	071126-13-U18	EA	Skirt - Single Bucket - Gray
	079281-03-U16	EA	Seat Asm - Double Bucket w/Armrests & Headrest - Blue
	079281-03-U17	EA	Seat Asm - Double Bucket w/Armrests & Headrest - Brown
	079281-03-U18	EA	Seat Asm - Double Bucket w/Armrests & Headrest - Gray
	M01874-02-U16	EA	Cover - Back - Double Bucket - Blue
	M01874-02-U17	EA	Cover - Back - Double Bucket - Brown
	M01874-02-U18	EA	Cover - Back - Double Bucket - Gray
	M01874-01-U16	EA	Cover - Bottom - Double Bucket - Blue
	M01874-01-U17	EA	Cover - Bottom - Double Bucket - Brown
	M01874-01-U18	EA	Cover - Bottom - Double Bucket - Gray
	071690-05-U16	EA	Skirt - Double Bucket - Blue
	071690-05-U17	EA	Skirt - Double Bucket - Brown
	071690-05-U18	EA	Skirt - Double Bucket - Gray
	080243-09-U16	EA	Armrest Asm - Right - Blue
	080243-09-U17	EA	Armrest Asm - Right - Brown
	080243-09-U18	EA	Armrest Asm - Right - Gray
	080243-10-U16	EA	Armrest Asm - Left - Blue
	080243-10-U17	EA	Armrest Asm - Left - Brown
	080243-10-U18	EA	Armrest Asm - Left - Gray
	M80243-03-U16	EA	Cover - Armrest - Right - Blue
	M80243-03-U17	EA	Cover - Armrest - Right - Brown
	M80243-03-U18	EA	Cover - Armrest - Right - Gray
	M80243-04-U16	EA	Cover - Armrest - Left - Blue
	M80243-04-U17	EA	Cover - Armrest - Left - Brown
	M80243-04-U18	EA	Cover - Armrest - Left - Gray
	080243-04-U16	EA	Armrest Asm - Left - Double Bucket - Blue
	080243-04-U17	EA	Armrest Asm - Left - Double Bucket - Brown
	080243-04-U18	EA	Armrest Asm - Left - Double Bucket - Gray
	M80243-04-U16	EA	Cover - Armrest - Left - Double Bucket - Blue
	M80243-04-U17	EA	Cover - Armrest - Left - Double Bucket - Brown
	M80243-04-U18	EA	Cover - Armrest - Left - Double Bucket - Gray
	080242-07-U16	EA	Headrest Asm - Blue
	080242-07-U17	EA	Headrest Asm - Brown
	080242-07-U18	EA	Headrest Asm - Gray
	M80242-07-U16	EA	Headrest Cover - Blue
	M80242-07-U17	EA	Headrest Cover - Brown
	M80242-07-U18	EA	Headrest Cover - Gray

**DINETTE GROUP**



**1986 ITASCA  
TABLE OF CONTENTS**

IT319RB	A-01 - B-16
IC42*RB	B-17 - D-16
IF426RT	D-17 - F-22
ICN26RH	F-23 - I-06
ICP28RU	I-07 - K-18

**MAGIC BED & OVERHEAD CABINETS**

Key	Part Number	U/M	Description
1	076548-02-U07	EA	Pad Asm - End Cap - Dinette Overhead - Left - Vinyl
2	081848-14-U16	EA	Cabinet Asm - Dinette Overhead - w/o Doors or Hardware
3	M81797-01-U09	EA	Door Asm - Dinette Overhead - w/o Hardware
4	076548-01-U07	EA	Pad Asm - End Cap - Dinette Overhead - Right - Vinyl
	081298-01-U03	EA	Table Asm - w/o Hardware
	009040-04-000	EA	Leg - Pedestal Table - 27 5" x 2 25" O D
	009040-03-000	EA	Base - Table Leg - Mounts on Table
	041194-01-000	EA	Base - Table Leg - Mounts in Floor
	067046-01-000	EA	Clip - Pedestal Leg
			Not illustrated

**DINETTE (OPTION)**

Key	Part Number	U/M	Description
	M81797-03-U16	EA	Door Asm - Dinette Seat Cabinet - w/o Hardware
	M02647-01-U16	EA	Cabinet Asm - Dinette Seat - Angled - Right
	M02647-02-U16	EA	Cabinet Asm - Dinette Seat - Angled - Left
	M02648-01-U16	EA	Cabinet Asm - Dinette Seat Back - Angled - Right - w/o Door or Hardware
	M02648-02-U16	EA	Cabinet Asm - Dinette Seat Back - Angled - Left - w/o Door or Hardware
	M02551-01-U16	EA	Cabinet Asm - Dinette Seat - Right
	M02551-02-U16	EA	Cabinet Asm - Dinette Seat - Left
	M02552-01-U16	EA	Cabinet Asm - Dinette Seat Back - Right - w/o Door or Hardware
	M02552-02-U16	EA	Cabinet Asm - Dinette Seat Back - Left - w/o Door or Hardware
	M81299-05-U16	EA	Table Asm - Dinette - w/o Hardware - Northsea
	M81299-05-U17	EA	Table Asm - Dinette - w/o Hardware - Sand Quadrus
	M81299-05-U18	EA	Table Asm - Dinette - w/o Hardware - Fawn
	053200-05-000	EA	Bracket - Upper Wall Mount - 23 5" - Beige
	053201-03-000	EA	Bracket - Table Mount - 23"
	024275-05-000	EA	Rod - Table Lift - 8" x 23 5" - Beige
	024276-14-000	EA	Leg Asm - Table - 26 75" - Brown
	024291-07-000	EA	Bracket - Lower Wall Mount - 22 12" - Beige
	024282-01-000	EA	Brace - Table Leg
	024283-01-000	EA	Clip - 1" O D Tube
	049493-02-000	EA	Catch - Table Leg - Mounts on Floor - Brown
	064050-01-000	EA	Hinge - Table Leg
	064781-03-000	EA	Cup Holder - 3 47" O D x 2 75" I D x 1 5" - Brown

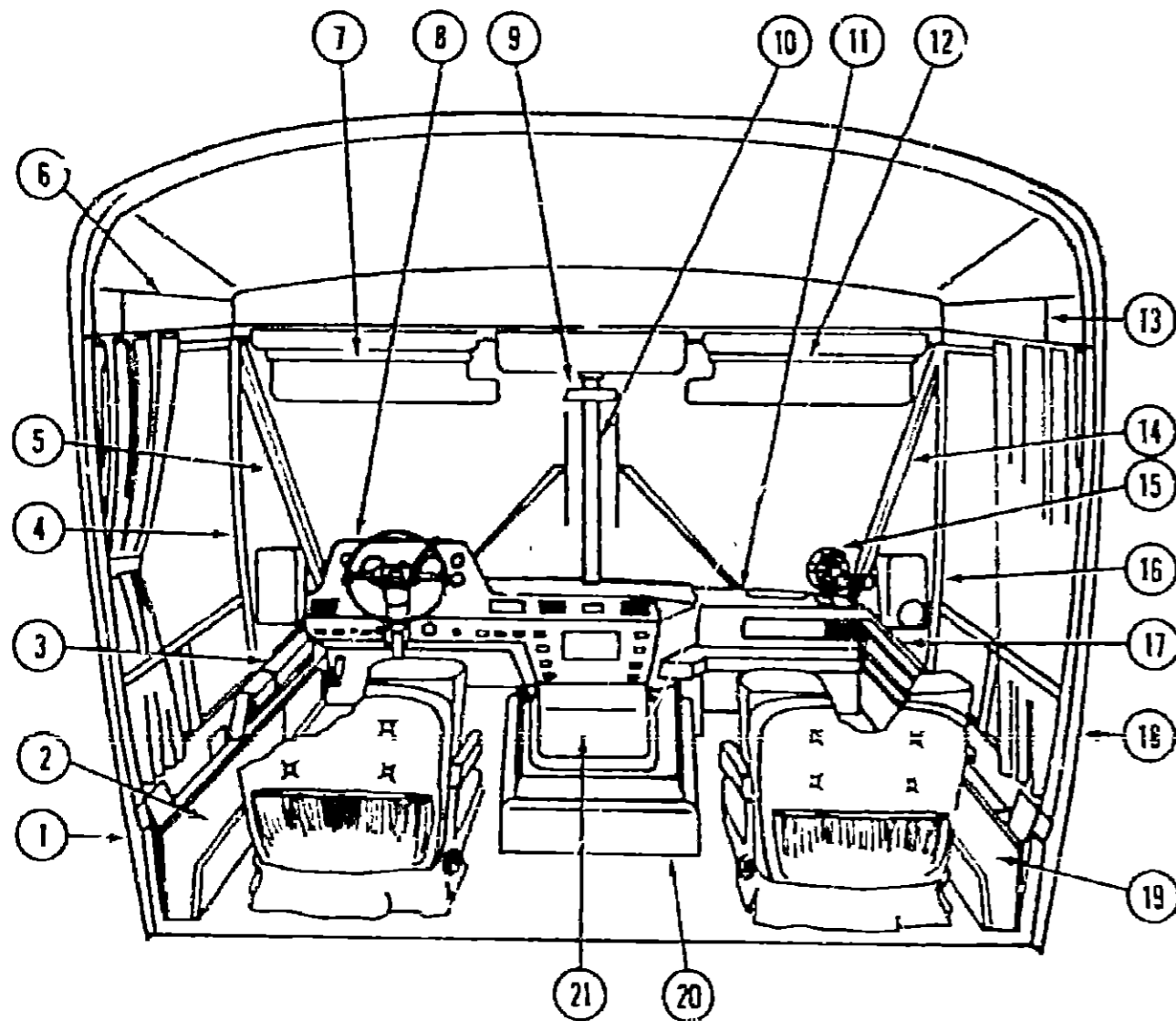
**1986 ICP28RU INDEX**

Floor Plan	I-07 - I-08
Accessories Group	I-09 - I-13
Bath Group	I-14
Chassis Group	I-15 - I-19
Curtain, Cushion & Pad Group	I-20 - J-03
Dinette Group	J-04
Driver's Compartment Group	J-05 - J-08
Electrical Group	J-09 - J-12
Exterior Body Group	J-13 - J-20
Galley Group	J-21 - J-22
Heating & Air Conditioning Group	J-23
Interior Finish Group	J-24 - K-02
LP Group	K-03
Lounge Group	K-04
Water & Sewage Group	K-05 - K-06
Window Vent & Exterior Door Group	K-07 - K-18

## DRIVERS COMPARTMENT GROUP

## DRIVER'S COMPARTMENT GROUP (CONTINUED)

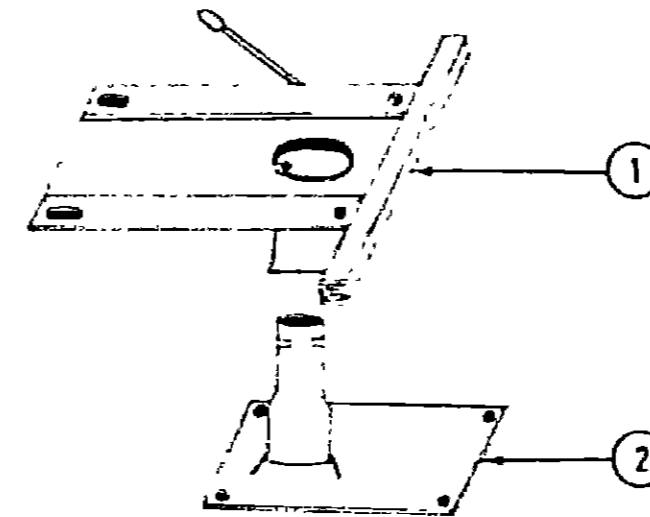
### MISCELLANEOUS DRIVER'S COMPARTMENT COMPONENTS (CONT.)



### MISCELLANEOUS DRIVER'S COMPARTMENT COMPONENTS

Key	Part Number	U/M	Description
1	077111-04-000	EA	Trim Panel - Drivers Side - Slate
2	077117-04-000	EA	Trim - Side Panel - Door - Slate
3	077116-02-000	EA	Trim - Side Panel - Front - Slate
4	077113-04-000	EA	Trim Panel - Hinge Pillar - Slate
5	077112-04-000	EA	Trim - Windshield - Interior - "A" Post - Left - Slate
6	077110-04-000	EA	Trim Cover - w Bunk - Left - Slate
7	082286-01-U16	EA	Sunvisor Asm - Drivers - Vinyl - Slate
8	077469-02-000	EA	Dash Panel - Left Upper
9	040714-01-000	EA	Mirror - Inside - Rearview - Glare Proof
-	067490-01-000	EA	Button - Mirror - Rearview - Support
-	079926-01-000	EA	Lamp - Flex Arm
10	077114-02-000	EA	Trim Panel - Pillar - Center - Slate
-	076783-01-000	EA	Louver Asm - A/C Adjustable
11	077470-02-000	EA	Dash Panel - Right Hand

Key	Part Number	U/M	Description
12	082286-03-U16	EA	Sunvisor Asm - Vinyl - w Mirror - Slate
13	077110-03-000	EA	Trim Cover - w Bunk - Right - Slate
14	077112-03-000	EA	Trim - Windshield - Interior - "A" Post - Right - Slate
15	036420-02-000	EA	Defroster Fan
16	077113-03-000	EA	Trim Panel - Hinge Pillar - Slate
17	077115-02-000	EA	Trim - Side Panel - Front - Slate
18	077111-03-000	EA	Trim Panel - Passenger Side - Slate
19	077117-03-000	EA	Trim - Side Panel - Door - Slate
20	075939-01-000	EA	Motor Cover
21	075729-02-000	EA	Beverage Tray (Plastic) - Slate
-	077431-01-000	EA	Beverage Tray - Cherry
-	052367-01-000	EA	Cigarette Lighter
-	007021-01-000	EA	Belt Asm - Seat - 2" x 90" - Black
-	056271-02-000	EA	Belt Asm - Seat - 2" x 72" - Black
-	-	-	Not illustrated



### BUCKET SEAT PEDESTAL & SEAT BELTS

Key	Part Number	U/M	Description
1	069585-04-000	EA	Plate - Top - Pedestal Asm - Single Bucket Seat
1	069585-19-000	EA	Plate - Top - Pedestal Asm - Powered Seat
1	069585-10-000	EA	Plate - Top - Pedestal Asm - Double Bucket Seat
2	069585-09-000	EA	Plate - Sub - Pedestal Asm - Bucket Seat
-	069585-05-000	EA	Hardware Kit - Bolt Acorn Nut - 4 ea - Pedestal Asm
-	007019-01-000	EA	Belt Asm - Seat - 2" x 84" - Black
-	007021-01-000	EA	Belt Asm - Seat - 2" x 90" - Black
-	056271-02-000	EA	Belt Asm - Seat - 2" x 72" - Black
-	069246-01-000	EA	Adjuster Asm - Seat - w Lock
-	069246-02-000	EA	Adjuster Asm - Seat - w o Lock
-	081373-02-000	EA	Power Seat Adjustment Asm - w Frame
-	081373-02-700	EA	Switch Asm Package
-	081737-02-701	EA	Harness Asm - Left
-	081737-02-702	EA	Harness Asm - Right
-	081737-02-703	EA	Horizontal Adjustment Package
-	081737-02-704	EA	Vertical Adjustment Package
-	-	-	Not illustrated

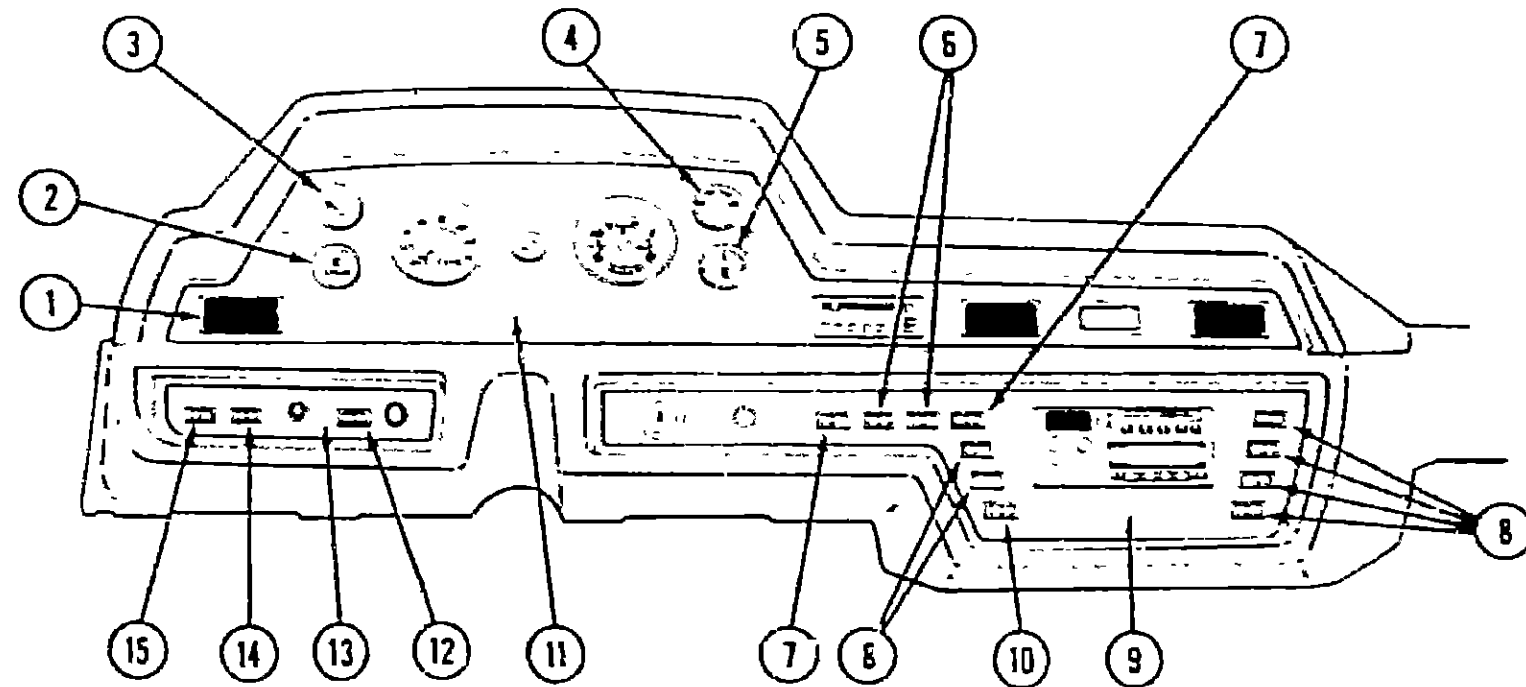
## 1986 ITASCA TABLE OF CONTENTS

IT319RB	A-01 - B-16
IC421RB	B-17 - D-16
IF426RT	D-17 - F-22
ICN26RH	F-23 - I-06
ICP28RU	I-07 - K-18

## 1986 ICP28RU INDEX

Floor Plan	I-07 - I-08
Accessories Group	I-09 - I-13
Bath Group	I-14
Chassis Group	I-15 - I-19
Curtain Cushion & Pad Group	I-20 - J-03
Dinette Group	J-04
Driver's Compartment Group	J-05 - J-08
Electrical Group	J-09 - J-12
Exterior Body Group	J-13 - J-20
Galley Group	J-21 - J-22
Heating & Air Conditioning Group	J-23
Interior Finish Group	J-24 - K-02
LP Group	K-03
Lounge Group	K-04
Water & Sewage Group	K-05 - K-06
Window, Vent & Exterior Door Group	K-07 - K-18

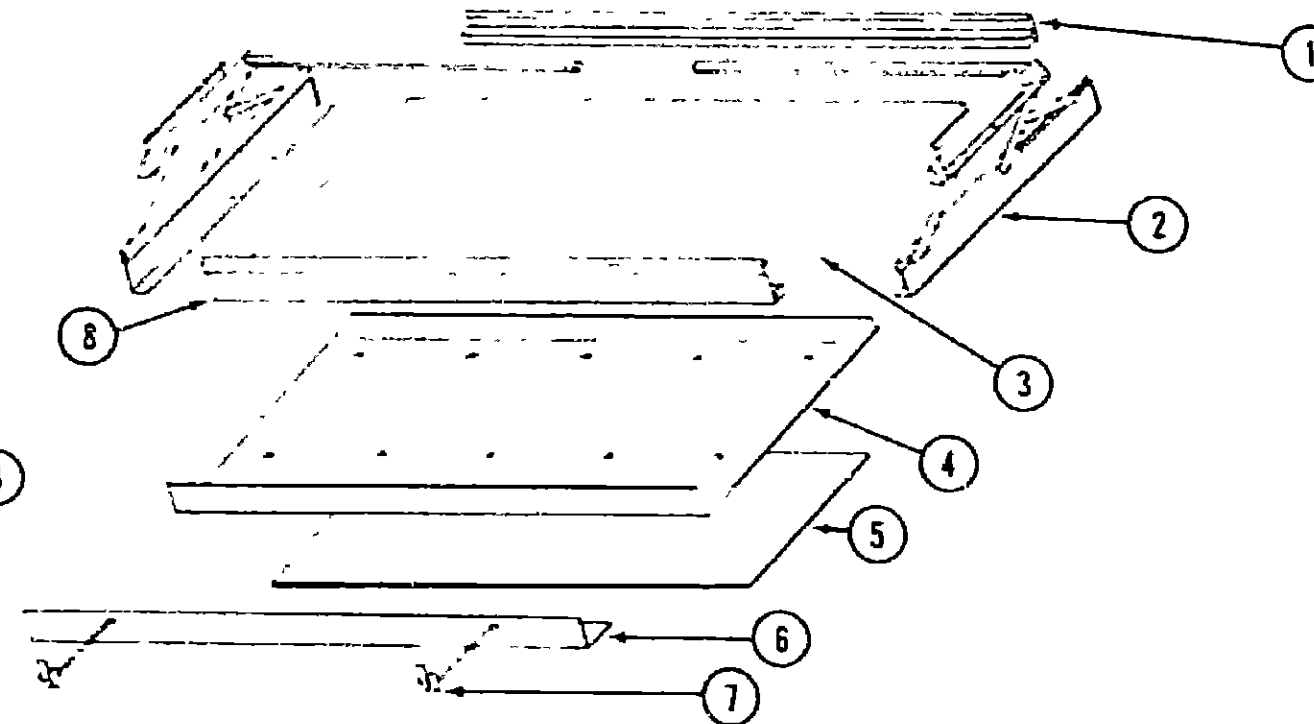
**DRIVER'S COMPARTMENT GROUP (CONTINUED)**



**DASH SWITCHES AND GAUGES**

Key	Part Number	U/M	Description
1	076783-02-000	EA	Louver Asm - A.C Adjustable
2	031035-02-000	EA	Gauge - Hourmeter - Generator
3	024460-04-000	EA	Gauge - Vacuum
4	024459-04-000	EA	Gauge - Voltmeter
5	076751-01-000	EA	Gauge - Auxiliary Fuel
6	076759-05-000	EA	Switch - 3 Position
7	076759-04-000	EA	Switch - 3 Position
8	076759-01-000	EA	Switch - 2 Position
9	076217-02-000	EA	Instrument Panel - Lower
10	076800-01-000	EA	Switch w/Thermometer
11	076216-03-000	EA	Instrument Panel - Upper
12	076759-07-000	EA	Switch - 2 Position
13	076218-02-000	EA	Instrument Panel - Lower Left
14	076759-02-000	EA	Switch - 2 Position
15	076759-03-000	EA	Switch - 3 Position
*	081369-01-000	EA	Electronic Dash Cluster
*	081369-04-000	EA	Bezel - Electronic Dash
*	081369-08-000	EA	Wiring Harness - Electronic Dash
*	Used with Electronic Dash Option		

**DRIVER'S COMPARTMENT GROUP (CONTINUED)**



**FRONT BUNK & HARDWARE**

Key	Part Number	U/M	Description
1	081155-01-000	EA	Bunk Rail - Front - Brown
2	076760-02-000	EA	Bunk Supports - Overhead - Complete
*	077110-03-000	EA	Cover - Bunk Support - Right
*	077110-04-000	EA	Cover - Bunk Support - Left
3	081110-01-T07	EA	Bunkboard Asm - w Rails - Brown
4	077121-02-000	EA	Trim Panel - Front Bunk
5	077133-18-000	EA	Bunk Insert - Lower - Blue
5	077133-19-000	EA	Bunk Insert - Lower - Brown
5	077133-14-000	EA	Bunk Insert - Lower - Charcoal Gray
6	077132-18-000	EA	Bunk Insert - Rear - Blue
6	077132-19-000	EA	Bunk Insert - Rear - Brown
6	077132-14-000	EA	Bunk Insert - Rear - Charcoal Gray
*	077513-18-000	EA	Bunk Insert - Rear Upper (Mounts to Roof) Blue
*	077513-19-000	EA	Bunk Insert - Rear Upper (Mounts to Roof) Brown
*	077513-14-000	EA	Bunk Insert - Rear Upper (Mounts to Roof) Charcoal Gray
*	077140-01-U16	EA	Trim Board Asm - Rear Upper (Mounts to Roof) Blue
*	077140-01-U17	EA	Trim Board Asm - Rear Upper (Mounts to Roof) Brown
*	077140-01-U18	EA	Trim Board Asm - Rear Upper (Mounts to Roof) Charcoal Gray
7	042541-05-000	EA	Latch Asm - w Strike - Brass
8	081154-01-000	EA	Bunk Rail - Rear - Brown
*	Not illustrated		

**1986 ITASCA  
TABLE OF CONTENTS**

IT319RB  
IC421RB  
IF426RT  
ICN26RH  
ICP28RU

A-01 - B-16  
B-17 - D-16  
D-17 - F-22  
F-23 - I-06  
I-07 - K-18

**1986 ICP28RU INDEX**

Floor Plan	I-07 - I-08
Accessories Group	I-09 - I-13
Bath Group	I-14
Chassis Group	I-15 - I-19
Curtain, Cushion & Pad Group	I-20 - J-03
Dinette Group	J-04
Driver's Compartment Group	J-05 - J-08
Electrical Group	J-09 - J-12
Exterior Body Group	J-13 - J-20
Galley Group	J-21 - J-22
Heating & Air Conditioning Group	J-23
Interior Finish Group	J-24 - K-02
LP Group	K-03
Lounge Group	K-04
Water & Sewage Group	K-05 - K-06
Window Vent & Exterior Door Group	K-07 - K-18

**ELECTRICAL GROUP**

**BULBS**

Key	Part Number	U/M	Description
	037936-01-000	EA	Bulb - 1157A
	037935-01-000	EA	Bulb - 1157
	063914-01-000	EA	Bulb - 1139
	008103-01-000	EA	Bulb - 53
	008213-01-000	EA	Bulb - 57
	008214-01-000	EA	Bulb - 67
	008215-01-000	EA	Bulb - 1003
	008216-01-000	EA	Bulb - 1034
	008217-01-000	EA	Bulb - 1073
	008218-01-000	EA	Bulb - 1141
	008220-01-000	EA	Bulb - 12V - 25W
	036196-01-000	EA	Bulb - 194
	067479-01-000	EA	Bulb - 1076 - 12V - 1 80 Amp

**FUSES AND CIRCUIT BREAKERS**

Key	Part Number	U/M	Description
	063912-01-000	EA	Relay Canister - w/ Ground (Bosch)
	056473-02-000	EA	Fuse - Slow Blow - 5 Amp - 32 Volt Capacity
	056473-01-000	EA	Fuse - Slow Blow - 6 1 4 Amp
	008233-01-000	EA	Fuse - 12 Volt - 6 Amp
	008234-01-000	EA	Fuse - 12 Volt - 10 Amp
	046893-01-000	EA	Fuse - 12 Volt - 13 Amp
	008235-01-000	EA	Fuse - 12 Volt - 15 Amp
	008236-01-000	EA	Fuse - 12 Volt - 20 Amp
	008248-01-000	EA	Fuse - 110 Volt - 30 Amp - AGU
	008252-01-000	EA	Fuse - 110 Volt - 50 Amp
	062901-02-000	EA	Fuse - Automotive - 5 Amp
	062901-05-000	EA	Fuse - Automotive - 15 Amp
	044465-03-000	EA	Circuit Breaker - 12 Volt - 25 Amp - DC
	008208-01-000	EA	Circuit Breaker - 12 Volt - 40 Amp
	008211-01-000	EA	Circuit Breaker - 12 Volt - 6 Amp
	008268-01-000	EA	Circuit Breaker - 12 Volt - 30 Amp w Mount
	033573-02-000	EA	Circuit Breaker - 12 Volt - 15 Amp w Mount
	033573-01-000	EA	Circuit Breaker - 12 Volt - 20 Amp w Mount
	040051-01-000	EA	Circuit Breaker - 110 Volt - 20 Amp TOL
	071279-01-000	EA	Circuit Breaker - 120 Volt - 15 Amp
	008273-03-000	EA	Circuit Breaker - 15/20 Amp TOL
	008299-01-000	EA	Circuit Breaker - 115 Amp TOL
	008297-01-000	EA	Circuit Breaker - 120 Amp TOL
	008293-01-000	EA	Circuit Breaker - 130 Amp TOL
	071279-02-000	EA	Circuit Breaker - 15/15 Amp - 120 Volt
	071279-03-000	EA	Circuit Breaker - 15/20 Amp - 120 Volt
	071279-04-000	EA	Circuit Breaker - 30 Amp - 120 Volt
	075735-02-000	EA	Circuit Breaker - GF 115 Amp - 120 Volt
	071279-05-000	EA	Circuit Breaker - 20 Amp - 120 Volt
	071279-06-000	EA	Circuit Breaker - 30/15 Amp - 120 Volt
	071279-07-000	EA	Circuit Breaker - 20/20 Amp - 120 Volt
	071280-01-000	EA	Circuit Breaker Blank
	077817-01-000	EA	Box - Circuit Breaker - 20 Amp
	050283-01-000	EA	Bar - Buss - 3 Position
	050283-02-000	EA	Buss Bar Circuit Breaker
	083209-01-000	EA	Circuit Breaker - 15 Amp - 120 Volt
	083209-02-000	EA	Circuit Breaker - 15/15 Amp - 120 Volt
	083209-03-000	EA	Circuit Breaker - 15/20 Amp - 120 Volt
	083209-04-000	EA	Circuit Breaker - 30 Amp - 120 Volt
	083209-05-000	EA	Circuit Breaker - 20 Amp - 120 Volt
	083209-06-000	EA	Circuit Breaker - 30/15 Amp - 120 Volt
	083209-07-000	EA	Circuit Breaker - 20/20 Amp - 120 Volt
	083209-08-000	EA	Circuit Breaker - Blank
	083210-01-000	EA	Circuit Breaker - GFI - 20 Amp - 120 Volt
	083210-02-000	EA	Circuit Breaker - GFI - 15 Amp - 120 Volt

**ELECTRICAL GROUP (CONTINUED)**

**WINDSHIELD WIPER & WASHER**

Key	Part Number	U/M	Description
**	056000-02-000	EA	Washer Asm - Windshield - w/o Nozzles
	072472-04-000	EA	Arm - Windshield Wiper - 29 - Black
**	049464-03-000	EA	Blade - Windshield Wiper - 20" Black
	067188-01-000	EA	Crank Stud - Wiper
	067190-01-000	EA	Shaft & Pivot Asm - Wiper
	067192-01-000	EA	Connecting Link Asm - Drivers Side
	067193-01-000	EA	Connecting Link Asm - Passenger Side
	067191-02-700	EA	Wiper Motor Asm
	074007-02-000	EA	Switch - Wiper Delay
**	The illustrated parts breakdown for this item is provided on the Common Items Fiche		

**WIRES, SWITCHES & RECEPTACLES**

Key	Part Number	U/M	Description
	008024-01-000	FT	Wire - 18 5 Bonded - Orange White Yellow Blue Brown
	008025-01-000	FT	Wire - 18 5 Bonded - Orange White Yellow Blue Green
	008028-01-000	FT	Wire - 18 5 Bonded - Blue Red Yellow Orange White
	005026-01-000	FT	Wire - 122 - Romex w Ground
	041953-01-000	FT	Conduit - Convoluted Slit - 5" I D
	008277-01-000	EA	Folder - Fuse - Black - Panel Mount
	008054-01-000	EA	Cord - Power - 10-3 30 Amp - 25 - UL
	008052-01-000	EA	Cord - Power - 10-3 30 Amp - 25 - CSA
	024571-03-000	EA	Cover Plate - Receptacle - Jumbo Plastic - Brown
	024571-04-000	EA	Cover Plate - Receptacle - Jumbo Plastic - Ivory
	008160-01-000	EA	Cover Plate - Receptacle - Plastic - Ivory
	008164-01-000	EA	Cover Plate - Switch - Brown
	076319-09-000	EA	TV Wall Plate Receptacle - Brown (Winegard Antenna)
	076319-07-000	EA	TV Wall Plate - Power Supply - Brown (Winegard Antenna)
	074151-01-000	EA	Switch Plate - On Off - Jensen
	058028-01-000	EA	Connector - Pigtail - Clear - Nylon
	008162-02-000	EA	Switch - Double Toggle - Ivory
	008162-01-000	EA	Switch - Double Toggle - Brown
	008163-01-000	EA	Switch - Toggle Brown
	055264-01-000	EA	Switch - Leaf Actuator
	074007-02-000	EA	Switch - Intermittent - Windshield Wiper
	063912-01-000	EA	Relay - Canister Spot w Ground
	069239-01-000	EA	Cover - Electrical - 4 x 4 Box
	008059-01-000	EA	Adaptor - Power Cord
	024924-02-000	EA	Receptacle - Power Cord
	058707-01-000	EA	Receptacle - Single - Brown
	058708-01-000	EA	Receptacle - Duplex - Brown
	058708-02-000	EA	Receptacle - Duplex - Ivory
	075736-03-000	EA	Receptacle Cover - Exterior - Beige
	008294-01-000	EA	Cover - Steel - Flat Blank - 4' x 4'
	008288-01-000	EA	Box - Electrical - Plastic - 3' x 3 5"
	008289-01-000	EA	Box - Electrical - Steel - 4' x 4' - 1 2 & 3 4 UL
	058049-01-000	EA	Box - Electrical - 2" 3" x 2 25" - Steel
	064398-01-000	EA	Housing Asm - Trailer Receptacle
	064399-01-000	EA	Housing Asm - Trailer Pin
	064450-01-000	EA	Housing Asm - Trailer Plug
	035417-01-000	EA	Terminal - Pin Receptacle - 125 Dia
	054532-01-000	EA	Housing Pin - 6 Position
	054532-02-000	EA	Housing Pin - 4 Position
	054532-04-000	EA	Housing Pin - 12 Position
	054532-05-000	EA	Housing Socket - 12 Position
	031968-01-000	EA	Contact - Plug - Brass - Tin Plated
	073937-01-000	EA	Switch - Roof Air - A C Selector - 3 Deck Rotary
	074151-01-000	EA	Switch - Rocker

**1986 ITASCA  
TABLE OF CONTENTS**

IT319RB	A-01 - B-16
IC421RB	B-17 - D-16
IF426RT	D-17 - F-22
ICN26RH	F-23 - J-06
ICP28RU	J-07 - K-18

**1986 ICP28RU INDEX**

Floor Plan	I-07 - I-08
Accessories Group	I-09 - I-13
Bath Group	I-14
Chassis Group	J-15 - J-19
Curtain Cushion & Pad Group	J-20 - J-03
Dinette Group	J-04
Driver's Compartment Group	J-05 - J-09
Electrical Group	J-09 - J-12
Exterior Body Group	J-13 - J-20
Galley Group	J-21 - J-22
Heating & Air Conditioning Group	J-23
Interior Finish Group	J-24 - K-02
Lift Group	K-03
Lounge Group	K-04
Water & Sewage Group	K-05 - K-06
Window, Vent & Exterior Door Group	K-07 - K-18

## ELECTRICAL GROUP (CONTINUED)

### WIRE SWITCHES & RECEPTACLES (CONT)

Key	Part Number	U/M	Description
	062037-01-000	EA	Housing - Auto Fuse - Natural
	062037-02-000	EA	Housing - Auto Fuse - Green
	062037-03-000	EA	Housing - Auto Fuse - Black
	062037-04-000	EA	Housing - Auto Fuse - Blue
	062037-05-000	EA	Housing - Auto Fuse - Gray
	062037-06-000	EA	Housing - Auto Fuse - Brown
	062037-07-000	EA	Housing - Auto Fuse - Red
	076759-01-000	EA	Switch - SPST - Lock/Lock
	076759-02-000	EA	Switch - SPST - Mom On/Lock (NO)
	076759-03-000	EA	Switch - SPST - Lock/Lock/Lock
	076759-04-000	EA	Switch - SPDT - Mom/Lock/Mom
	076759-05-000	EA	Switch - SPDT - Lock/Lock/Mom
	076759-06-000	EA	Switch - Dummy
	076759-07-000	EA	Switch - SPST - Mom Off/Lock (NC)

### EXTERIOR LIGHTS

Key	Part Number	U/M	Description
	075458-02-000	EA	Light Asm - Rear Side Marker - Red
	075458-01-000	EA	Light Asm - Side Marker - Amber
	075458-03-000	EA	Socket Asm - Side Marker
	075459-04-000	EA	Lamp Asm - Taillight - Red
	075459-05-000	EA	Lamp Asm - Taillight - Amber
	075459-06-000	EA	Lamp Asm - Taillight - Back up w Reflex
	008089-01-000	EA	Light - Porch - Reversed
	079941-01-000	EA	Fog Lamps - w Cover
	051057-01-000	EA	Searchlight - Power Driven
	076795-01-000	EA	Light Asm - License
	075660-01-000	EA	Lamp Asm - Side Marker - Amber
	075660-02-000	EA	Lamp Asm - Side Marker - Red
	081237-01-000	EA	Light Asm - Cab Marker - Amber
	081237-02-000	EA	Light Asm - Cab Marker - Red

### INTERIOR LIGHTS

Key	Part Number	U/M	Description
	033508-02-000	EA	Light - Dome - Ivory - 1 Bulb - US
	033508-03-000	EA	Light - Dome - Ivory - 1 Bulb - CSA
	033509-02-000	EA	Light - Dome - Ivory - 2 Bulb - US
	033509-03-000	EA	Light - Dome - Ivory - 2 Bulb - CSA
	061424-01-000	EA	Light - 12 V Receptacle - Aisle - IP
	065202-03-000	EA	Wall Lamp - Decor - 2 Bulb - Bright Brass
	065202-05-000	EA	Wall Lamp - Decor - 2 Bulb - Bright Brass - 10"
	065201-02-000	EA	Lamp Shade - Fabric - Parchment - Wall Lamp
	077026-01-000	EA	Lens - Courtesy Light - Clear - Front Door Panels
	078424-02-000	EA	Light - Fluorescent 12V - 18"
	079926-01-000	EA	Lamp - Flexible Arm
	082686-01-000	EA	Table Lamp - Bright Brass & Wood
	082686-02-000	EA	Lamp Shade - Table Lamp

## ELECTRICAL GROUP (CONTINUED)

### MISCELLANEOUS ELECTRICAL COMPONENTS

Key	Part Number	U/M	Description
	063739-01-000	EA	Battery - 12 Volt - 60 Amp Gould
	008188-01-000	EA	Solenoid - Dual Battery - Relay
	024459-04-000	EA	Gauge - Voltmeter - w/o Bracket
	031035-02-000	EA	Gauge - Hourmeter - Generator
	024460-04-000	EA	Gauge - Vacuum - w/o Bracket
	008343-01-000	EA	Wire Tie - Plastic - 6"
	052367-01-000	EA	Lighter Asm - Cigarette
	071278-01-700	EA	Door - w Catch - Brown
	071278-01-701	EA	Converter Module
	071278-01-702	EA	Label - 45 Amp
	071278-01-703	EA	Door Catch
	036420-02-000	EA	Fan - 6" Defroster - 2 Speed
	083208-02-000	EA	Control Center - 45 Amp - 120 Volt/12 Volt
	083208-03-000	EA	Control Center - 45 Amp - 12 Volt/120 Volt

## 1986 ITASCA TABLE OF CONTENTS

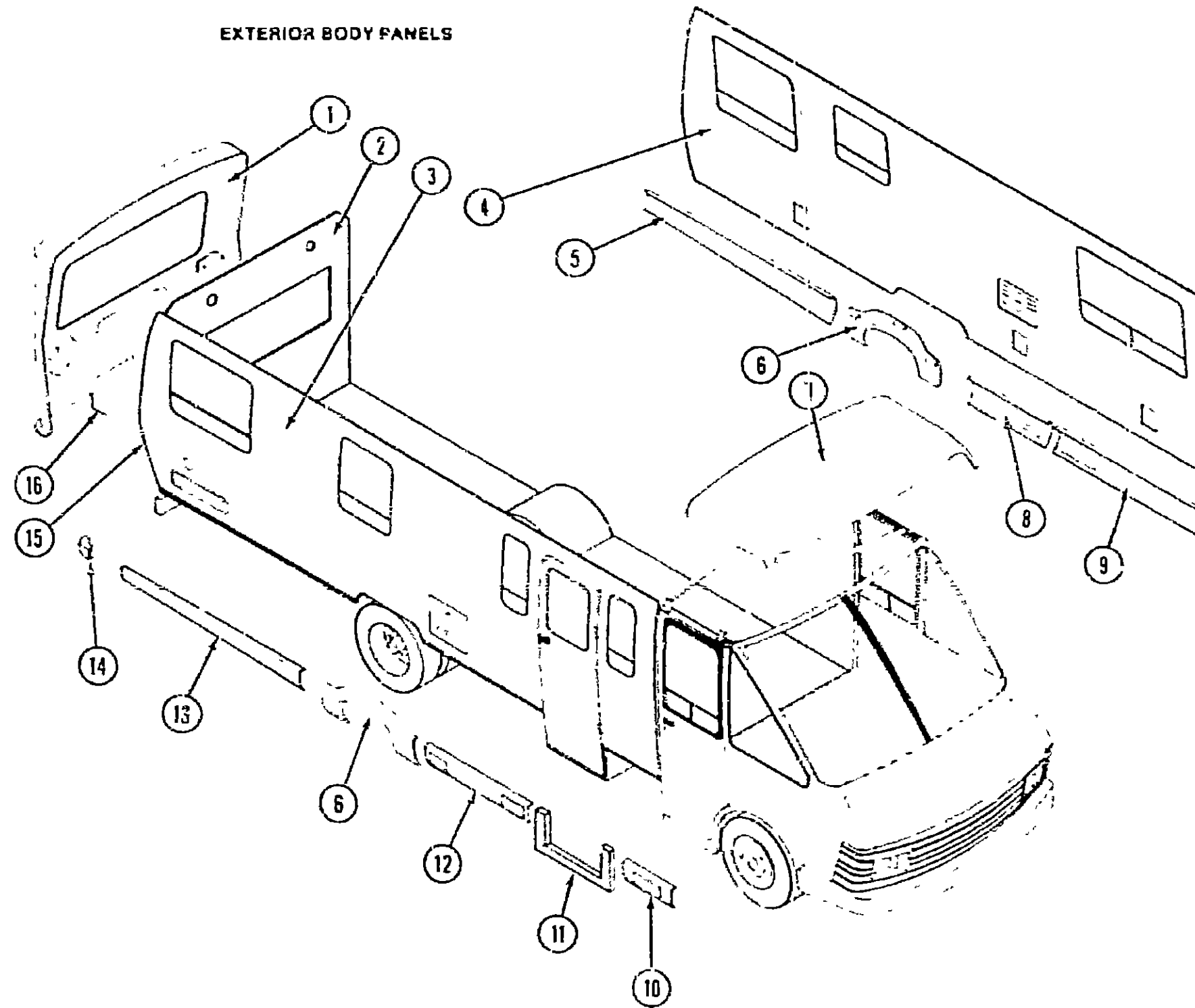
IT319RB	A-01 - B-16
IC421RB	B-17 - D-16
IF426PT	D-17 - F-22
ICN26RH	F-23 - I-06
ICP28RU	I-07 - K-18

## 1986 ICP28RU INDEX

Floor Plan	I-07 - I-08
Accessories Group	I-09 - I-13
Bath Group	I-14
Chassis Group	I-15 - I-19
Curtain, Cushion & Pad Group	I-20 - J-03
Dinette Group	J-04
Driver's Compartment Group	J-05 - J-08
Electrical Group	J-09 - J-12
Exterior Body Group	J-13 - J-20
Galley Group	J-21 - J-22
Heating & Air Conditioning Group	J-23
Interior Finish Group	J-24 - K-02
LP Group	K-03
Lounge Group	K-04
Water & Sewage Group	K-05 - K-06
Window Vent & Exterior Door Group	K-07 - K-18

# EXTERIOR BODY GROUP

## EXTERIOR BODY PANELS



Key	Part Number	U/M	Description
1	076233-02-000	EA	Rear Cap Panel - Gray
2	077141-01-U09	EA	Backwall Asm
3	M82991-01-U16	EA	Sidewall Asm - Right
3	M82991-01-U17	EA	Sidewall Asm - Right
3	M82991-01-U18	EA	Sidewall Asm - Right
4	M81132-01-U16	EA	Sidewall Asm - Left
4	M81132-01-U17	EA	Sidewall Asm - Left
4	M81132-01-U18	EA	Sidewall Asm - Left
5	M02586-07-U16	EA	Valance Panel - Left Rear
6	082925-01-U16	EA	Wheelwell Trim - Rear - Gray
7	M01615-02-000	EA	Roof Cap - Front Cab - Gray
8	083814-01-000	EA	Valance Panel - Left Center
9	083813-01-000	EA	Valance Panel - Left Front
10	083815-04-000	EA	Valance Panel - Right Front
11	M02586-03-U16	EA	Valance Panel - Entrance Door
12	083819-01-000	EA	Valance Panel - Right Center
13	M02586-04-U16	EA	Valance Panel - Right Rear
14	077330-07-000	EA	Bumper End - Rear Right
14	077330-08-000	EA	Bumper End - Rear Left
15	073502-09-000	EA	Fiberglass Trim - Right Rear - Gray
15	073502-10-000	EA	Fiberglass Trim - Rear Left - Gray
16	076232-02-000	EA	Spore Tire Shield
16	M83048-01-U15	EA	Roof Asm - Gray
16	073505-03-000	EA	Roof Trim - 180" - Gray
16	072942-12-000	EA	Roof Trim Insert - Gray - 15
16	076515-01-000	EA	Trim - Wheelwell - Rear - Left Right
16	077412-03-000	EA	Trim Cap - Rear Upper Right Corner - Sidewall
16	077412-04-000	EA	Trim Cap - Rear Upper Left Corner - Sidewall
16	Not illustrated		

## 1986 ITASCA TABLE OF CONTENTS

IT319RB  
IC421RB  
IF426RT  
ICN26RH  
ICP28RU

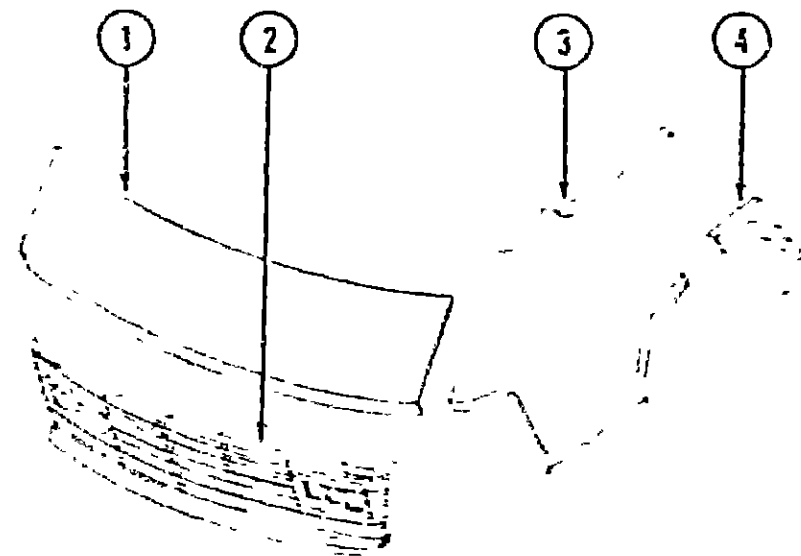
A-01 - B-16  
B-17 - D-16  
D-17 - F-22  
F-23 - I-05  
I-07 - K-19

## 1986 ICP28RU INDEX

Floor Plan	I-07 - I-08
Accessories Group	I-09 - I-13
Bath Group	I-14
Chassis Group	I-15 - I-19
Curtain, Cushion & Pad Group	I-20 - J-03
DINETTE Group	J-04
Driver's Compartment Group	J-05 - J-08
Electrical Group	J-09 - J-12
Exterior Body Group	J-13 - J-20
Galley Group	J-21 - J-22
Heating & Air Conditioning Group	J-23
Interior Finish Group	J-24 - K-02
LP Group	K-03
Lounge Group	K-04
Water & Sewage Group	K-05 - K-06
Window Vent & Exterior Door Group	K-07 - K-16



**EXTERIOR BODY GROUP (CONTINUED)**



**EXTERIOR BODY PANELS (CAB)**

Key	Part Number	U/M	Description
1	077229-02-000	EA	Hood Panel
2	075763-01-000	EA	Grill Panel - Gray
3	075757-04-000	EA	Fender Panel - Front Left
4	075757-02-000	EA	Fender Panel - Front Right
5	075759-04-000	EA	Fender Panel - Rear Left
6	075759-02-000	EA	Fender Panel - Rear Right
7	058786-02-000	EA	Hood Bolt - Adjusting
8	R77006-38-499	EA	Spring - Hood Latch Cable
9	077257-03-000	EA	Hinge Asm - Hood - Right
10	077257-04-000	EA	Hinge Asm - Hood - Left
11	077252-01-000	EA	Hinge Pin - Stainless Steel
12	077407-01-000	EA	Bracket - Hood Release Cable
13	049185-01-000	EA	Headlamp Capsule Asm - Left Hand - High/Low Beam
14	049186-01-000	EA	Headlamp Capsule Asm - Right Hand - High/Low Beam
15	049187-01-000	EA	Headlamp Capsule Asm - Left Hand - High Beam
16	049188-01-000	EA	Headlamp Capsule Asm - Right Hand - High Beam
17	076919-01-000	EA	Headlamp Bezel - Chrome - Right Hand
18	076910-02-000	EA	Headlamp Bezel - Chrome - Left Hand
19	076343-01-000	EA	Lamp Asm - Park/Turn - Clear - Drivers Side
20	076343-02-000	EA	Lamp Asm - Park/Turn - Clear - Right Side
21	M01615-02-000	EA	Roof Cap - Front Cab
22			Not Illustrated

**EXTERIOR BODY GROUP (CONTINUED)**

**SHEET FIBERGLASS, ALUMINUM & STYROFOAM**

Key	Part Number	U/M	Description
	076054-33-000	SF	Fiberglass Sheet - 47.5" x 250" - Flat - Gray (Roof)
	076054-25-001	EA	Fiberglass Sheet - 44" x 290" - Gray
	076054-28-001	EA	Fiberglass Sheet - 25.6" x 74.25" - Gray
	076054-22-001	EA	Fiberglass Sheet - 27.4" x 290" - Gray
	081395-02-700	EA	Fiberglass Board - 6' x 27' - Gray
	044487-01-001	EA	Alum - Mill Finish - No Design (Roof) - 96" x 350"
	000868-01-000	SF	Styrofoam - 3/4" x 24" x 96"
	000870-01-000	SF	Styrofoam - 1 1/2" x 24" x 96"
	000870-02-000	SF	Styrofoam - 1 1/2" x 48" x 96"
	000870-03-000	SF	Styrofoam - 1.34" x 48" x 96"
	00876J-04-000	SF	Styrofoam - 1.34" x 24" x 96"

**MISCELLANEOUS EXTERNALLY MOUNTED PARTS**

Key	Part Number	U/M	Description
	083558-01-000	EA	Plumbing Seal - Roof Vent - 1 1/2" - Covered
	010230-04-000	EA	Fill - City Water - Recessed - Gray
	058808-03-000	EA	Water Fill - Lockable - Gray
	081240-02-000	EA	Water Fill - Lockable - Gray
	076342-02-000	FT	Molding - Valance to Sidewall - Gray

**LABELS & EXTERIOR PAINT**

Key	Part Number	U/M	Description
	068283-01-000	EA	Label - Diesel Fuel
	006195-01-000	EA	Label - Electrical Test
	047731-01-000	EA	Label - Emergency Exit
	006199-01-000	EA	Label - Exit - Escape Window
	057467-04-000	EA	Label - Exterior Loading Limit
	064378-01-000	EA	Label - Flying "W" w Thermo Panel
	061417-01-000	EA	Label - Fuel
	006196-01-000	EA	Label - Gas Test
	054531-01-000	EA	Label - LP Gas Only
	040944-01-000	EA	Label - Open - Entrance Door
	006015-01-000	EA	Label - Patent Motor Home
	056259-01-000	EA	Label - Safety Check List
	006064-01-000	EA	Label - Seat - w o Seat Belts
	006187-01-000	EA	Label - Sewage
	006006-01-000	EA	Label - Thermo Panel - 2 1/4" x 2 1/4"
	075221-01-000	EA	Label - Trailer Hitch Capacity
	075220-01-000	EA	Label - Warning - Exterior Load Limit
	050225-01-000	EA	Label - Warning - Stove Vent - US
	005188-01-000	EA	Label - Waste Water
	006197-01-000	EA	Label - Water Test
	072863-01-000	EA	Nameplate - Diesel - 6.2L
	005062-01-000	EA	Tag - Electrical - 110 Volt Connection
	006040-01-000	EA	Tag - Gas - Refueling Warning
	044486-03-000	EA	Paint - Beige Acrylic Enamel - 16 oz Aerosol (7633A Dupont)
	045681-03-000	EA	Paint - Gloss Black - Acrylic Enamel - 16 oz Aerosol (99 Dupont)
	058637-05-000	EA	Paint - Gray Acrylic Enamel - 16 oz Aerosol (71537 Dupont)
	041561-03-000	EA	Paint - Off White Acrylic Enamel - 16 oz Aerosol (45395A Dupont)
	074559-01-000	EA	Label - LPG - 3 3/8" x 1 7/8" - (Calif. Code)

**1986 ITASCA  
TABLE OF CONTENTS**

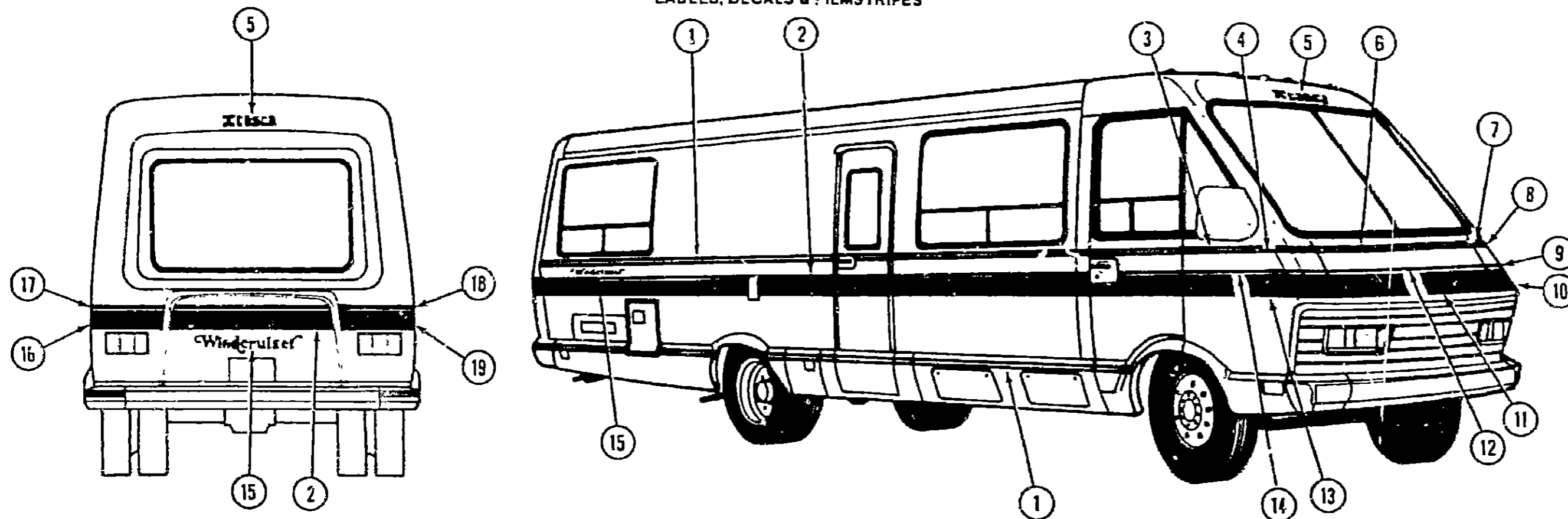
IT319RB	A-01 - B-16
IC421RB	B-17 - D-16
IF426RT	D-17 - F-22
ICN26RH	F-23 - I-06
ICP28RU	I-07 - K-18

**1986 ICP28RU INDEX**

Floor Plan	I-07 - I-08
Accessories Group	I-09 - I-13
Bath Group	I-14
Chassis Group	J-15 - I-19
Curtain Cushion & Pad Group	I-20 - J-03
Dinette Group	J-04
Driver's Compartment Group	J-05 - J-08
Electrical Group	J-09 - J-12
Exterior Body Group	J-13 - J-20
Galley Group	J-21 - J-22
Heating & Air Conditioning Group	J-23
Interior Finish Group	J-24 - K-02
LP Group	K-03
Lounge Group	K-04
Water & Sewage Group	K-05 - K-06
Window, Vent & Exterior Door Group	K-07 - K-18

## EXTERIOR BODY GROUP (CONTINUED)

### LABELS, DECALS & FILMSTRIPES



Key	Part Number	U/M	Description
1	065217-91-000	FT	Film Stripe - Dark Blue/Light Blue - 1 62" (U16)
1	065217-92-000	FT	Film Stripe - Brown/Gold - 1 62" (U17)
1	065217-93-000	FT	Film Stripe - Gray/Rose - 1 62" (U18)
2	065217-97-000	FT	Film Stripe - Dark Blue/Light Blue - 6" (U16)
2	065217-98-000	FT	Film Stripe - Brown/Gold - 6" (U17)
2	065217-99-000	FT	Film Stripe - Dark Gray/Rose - 6" (U18)
3	079951-10-000	EA	Decal - Right Front Cowl - Upper - Dark Blue Metallic (U16)
3	079951-12-000	EA	Decal - Right Front Cowl - Upper - Brown Metallic (U17)
3	079951-14-000	EA	Decal - Right Front Cowl - Upper - Dark Gray Metallic (U18)
4	079952-10-000	EA	Decal - Right Front Cowl - Lower - Light Blue Metallic (U16)
4	079952-12-000	EA	Decal - Right Front Cowl - Lower - Gold Metallic (U17)
4	079952-14-000	EA	Decal - Right Front Cowl - Lower - Rose Metallic (U18)
5	069227-08-000	EA	Decal "Itasca"
5	034075-01-000	EA	Decal "By Winnebago Ind"
6	065217-94-000	FT	Filmstripe - 1.95" - Dark Blue/Light Blue (U16)
6	065217-95-000	FT	Filmstripe - 1.95" - Brown/Gold (U17)
6	065217-96-000	FT	Filmstripe - 1.95" - Dark Gray/Rose (U18)
7	079951-09-000	EA	Decal - Left Front Cowl - Upper - Dark Blue Metallic (U16)
7	079951-11-000	EA	Decal - Left Front Cowl - Upper - Brown Metallic (U17)
7	079951-13-000	EA	Decal - Left Front Cowl - Upper - Dark Gray Metallic (U18)
8	079952-09-000	EA	Decal - Left Front Cowl - Lower - Light Blue Metallic (U16)
8	079952-11-000	EA	Decal - Left Front Cowl - Lower - Gold Metallic (U17)
8	079952-13-000	EA	Decal - Left Front Cowl - Lower - Rose Metallic (U18)
9	079953-09-000	EA	Decal - Left Front Corner - Upper - Light Blue Metallic (U16)
9	079953-11-000	EA	Decal - Left Front Corner - Upper - Gold Metallic (U17)
9	079953-13-000	EA	Decal - Left Front Corner - Upper - Rose Metallic (U18)
10	079954-09-000	EA	Decal - Left Front Corner - Lower - Dark Blue Metallic (U16)
10	079954-11-000	EA	Decal - Left Front Corner - Lower - Brown Metallic (U17)
10	079954-13-000	EA	Decal - Left Front Corner - Lower - Dark Gray Metallic (U18)
11	076334-08-000	EA	Decal - Lower Hood - Dark Blue Metallic (U16)
11	076334-09-000	EA	Decal - Lower Hood - Brown (U17)
11	076334-10-000	EA	Decal - Lower Hood - Dark Gray Metallic (U18)
-			Not illustrated

Key	Part Number	U/M	Description
12	078951-10-000	FT	Film Stripe - 1" - Blue Metallic (U16)
12	078951-11-000	FT	Film Stripe - 1" - Gold Metallic (U17)
12	078831-20-000	FT	Film Stripe - 1" - Rose Metallic (U18)
13	079954-10-000	EA	Decal - Right Front Corner - Lower - Dark Blue Metallic (U16)
13	079954-12-000	EA	Decal - Right Front Corner - Lower - Brown Metallic (U17)
13	079954-14-000	EA	Decal - Right Front Corner - Lower - Dark Gray Metallic (U18)
14	079953-10-000	EA	Decal - Right Front Corner - Upper - Light Blue Metallic (U16)
14	079953-12-000	EA	Decal - Right Front Corner - Upper - Gold Metallic (U17)
14	079953-14-000	EA	Decal - Right Front Corner - Upper - Rose Metallic (U18)
15	076336-02-000	EA	Decal "Windcruiser"
16	077063-15-000	EA	Decal - Left Rear Corner - Lower - Dark Blue Metallic (U16)
16	077063-17-000	EA	Decal - Left Rear Corner - Lower - Brown Metallic (U17)
16	077063-19-000	EA	Decal - Left Rear Corner - Lower - Dark Gray Metallic (U18)
17	077062-15-000	EA	Decal - Left Rear Corner - Upper - Light Blue Metallic (U16)
17	077062-17-000	EA	Decal - Left Rear Corner - Upper - Gold Metallic (U17)
17	077062-19-000	EA	Decal - Left Rear Corner - Upper - Rose Metallic (U18)
18	077062-16-000	EA	Decal - Right Rear Corner - Upper - Light Blue Metallic (U16)
18	077062-18-000	EA	Decal - Right Rear Corner - Upper - Gold Metallic (U17)
18	077062-20-000	EA	Decal - Right Rear Corner - Upper - Rose Metallic (U18)
19	077063-16-000	EA	Decal - Right Rear Corner - Lower - Dark Blue Metallic (U16)
19	077063-18-000	EA	Decal - Right Rear Corner - Lower - Brown Metallic (U17)
19	077063-20-000	EA	Decal - Right Rear Corner - Lower - Dark Gray Metallic (U18)

## 1986 ITASCA TABLE OF CONTENTS

IT319RB  
IC421RB  
IF426RT  
ICN26RH  
ICP28RU

A-01 - B-16  
B-17 - D-16  
D-17 - F-22  
F-23 - I-05  
I-07 - K-18

## 1986 ICP28RU INDEX

Floor Plan	I-07 - I-08
Accessories Group	I-09 - I-13
Bath Group	I-14
Chassis Group	I-15 - I-19
Curtain, Cushion & Pad Group	I-20 - J-03
Dinette Group	J-04
Driver's Compartment Group	J-05 - J-08
Electrical Group	J-09 - J-12
Exterior Body Group	J-13 - J-20
Galley Group	J-21 - J-22
Heating & Air Conditioning Group	J-23
Interior Finish Group	J-24 - K-02
LP Group	K-03
Lounge Group	K-04
Water & Sewage Group	K-05 - K-06
Window, Vent & Exterior Door Group	K-07 - K-18

**EXTERIOR BODY GROUP (CONTINUED)**

**INTERIOR/EXTERIOR SCREWS & FASTENERS**

Key	Part Number	U/M	Description
	005200-01-000	EA	Bolt - Round Head - Square Neck w/ SST Cap - 7/16" - 14 x 1 1/4"
	058279-01-000	EA	Clip - Mounting - Front Panel
	035628-01-000	EA	Fastener - Blind Well Nut - 1 05" x 38"
	000015-06-00B	EA	Nut - Hex - 3 8" x 24 - Zinc
	005031-01-000	EA	Nut - Speed - C Type - #8 Screw
	000G54-04-20B	EA	Screw 1/4 - 20 x 1 1/4" PTH - Zinc
	000G54-04-22B	EA	Screw 1/4 - 20 x 1 3/8" PTH - Zinc
	000G53-04-06B	EA	Screw 1/4 - Machine - 20 x 3 8" PTH - Zinc
	000G13-06-12P	EA	Screw #6 - 20 x 3 4" PFH - Dark Brown
	000G13-06-28X	EA	Screw #6 - 20 x 3/4" PFH - Gray
	000G13-06-16R	EA	Screw #6 - 20 x 1" PFH - Beige
	000G11-07-08B	EA	Screw #7 - 19 x 1/2" PPH - Zinc
	000G12-08-12M	EA	Screw #8 - 18 x 3/4" POH - Gray
	000G11-08-12R	EA	Screw #8 - 18 x 3 4" PPH - Beige
	000G11-08-12X	EA	Screw #8 - 18 x 3 4" PPH - Gray
	000G11-08-12B	EA	Screw #8 - 18 x 3 4" PPH - Zinc
	000G39-08-12R	EA	Screw #8 - 18 x 3/4" SDPH - Beige
	000G66-08-12M	EA	Screw #8 - 18 x 3 4" SDPH - Gray
	000G11-08-16R	EA	Screw #8 - 18 x 1" PFH - Gray
	000G66-08-16R	EA	Screw #8 - 18 x 1" SDPH - Beige
	000G12-08-28R	EA	Screw #8 - 18 x 1 3/4" POH - Beige
	000G36-08-08E	EA	Screw #8 - 32 x 1/2" PFH - Chrome
	000G39-08-08B	EA	Screw #8 - Self Drilling - 18 x 1 2" PPH - Zinc
	000G39-08-12B	EA	Screw #8 - Self Drilling - 18 x 3 4" PPH - Zinc
	000G39-08-12R	EA	Screw #8 - Self Drilling - 18 x 3 4" PPH - Beige
	000G39-08-16R	EA	Screw #8 - Self Drilling - 18 x 1" PPH - Beige
	000G39-08-16T	EA	Screw #8 - Self Drilling - 18 x 1" PPH - Black
	000G39-08-16P	EA	Screw #8 - Self Drilling - 18 x 1" PPH - Dark Brown
	000G39-08-16X	EA	Screw #8 - Self Drilling - 18 x 1" PPH - Gray
	000G39-08-16E	EA	Screw #8 - Self Drilling - 18 x 1" PPH - Chrome
	000G64-08-16M	EA	Screw #8 - Self Drilling - 18 x 1" SDPH - Gray
	000G67-10-08B	EA	Screw #10 - 12 x 1 2" PFH - Zinc
	000G67-10-10R	EA	Screw #10 - 12 x 5 8" PPH - Beige
	000G67-10-16P	EA	Screw #10 - 12 x 1" PPH - Dark Brown
	000G67-10-16B	EA	Screw #10 - 12 x 1" PPH - Zinc
	000G67-10-20B	EA	Screw #10 - 12 x 1 1/4" PPH - Zinc
	000G67-10-24B	EA	Screw #10 - 12 x 1 1/2" PPH - Zinc
	049465-04-000	EA	Screw #10 - 16 x 1" POH - w/ Washer - Beige
	049465-05-000	EA	Screw #10 - 16 x 1" POH - w/ Washer - Gray
	000G12-10-24E	EA	Screw #10 - 16 x 1 1/2" POH - Chrome
	000G11-10-08D	EA	Screw #10 - 16 x 1 2" PPH - Dark Brown
	000G11-10-12R	EA	Screw #10 - 16 x 3 4" PPH - Beige
	000G11-10-12S	EA	Screw #10 - 16 x 3 4" PPH - Off White
	000G11-10-12B	EA	Screw #10 - 16 x 3 4" PPH - Zinc
	000G11-10-16B	EA	Screw #10 - 16 x 1" PPH - Zinc
	000G11-10-40B	EA	Screw #10 - 16 x 2 1/2" PPH - CAD
	000G19-10-12B	EA	Screw #10 - Machine - 32 TPI x 3 4"
	075903-01-000	EA	Screw #10 - Machine - 32 x 56" PTH - Zinc
	000G19-10-20B	EA	Screw #10 - Machine - 32 x 1 1/4" PPH - Zinc
	000G39-12-12E	EA	Screw #10 - Self Drilling - 14 x 3 4" PPH - Chrome
	000G39-10-10R	EA	Screw #10 - Self Drilling - 16 x .62" PPH - Beige
	000G39-10-12R	EA	Screw #10 - Self Drilling - 16 x 3 4" PPH - Beige
	000G39-10-12P	EA	Screw #10 - Self Drilling - 16 x 3 4" PPH - Dark Brown
	000G56-12-48C	EA	Screw #12 - Wood - 11 x 3" POH - CAD

**EXTERIOR BODY GROUP (CONTINUED)**

**SEALANTS & ADHESIVES**

Key	Part Number	U/M	Description
	004020-01-000	QT	Adhesive - ABS Cement (Plastic Fittings)
	002337-01-000	EA	Adhesive - 1300 Tube - 3M (Windows)
	004005-02-000	GL	Adhesive - Swirls - Glue (Sidewalls)
	053766-07-000	EA	Bedding Compound - Tube - Beige (Exterior)
	053766-06-000	EA	Bedding Compound - Tube - Clear (Window)
	053766-08-000	EA	Bedding Compound - Tube - Gray (Exterior)
	053766-05-000	EA	Bedding Compound - Tube - Gray (Sidewalls to Floor)
	053766-02-000	EA	Bedding Compound - Tube - Off White (Exterior)
	002328-02-000	EA	Block - Rubber Spacer (Windshield)
	004336-01-000	EA	Caulk - Latex - Golden Walnut (Sidewalls)
	072891-02-000	QT	Primer - Glass - Black
	072891-01-000	QT	Primer - Glass - Clear
	035024-01-000	EA	Primer - Glass - Clear - Windshield
	072990-01-000	QT	Primer - Metal - Black
	035023-01-000	GL	Primer - Metal - Windshield
	077957-01-000	EA	Sealant - Acrylic Latex - Tube - Off White (Interior Sealant)
	034552-04-000	EA	Sealant - Silicone - Beige
	034552-02-000	EA	Sealant - Silicone - Clear
	034552-07-000	EA	Sealant - Silicone - Dark Gray
	034552-06-000	EA	Sealant - Silicone - Off White
	069637-01-000	EA	Sealant - Weatherban 404 - Tube - White (Door Caulk)
	072889-01-000	EA	Sealant - Urethane - Black (Windshield)
	069640-01-000	FT	Sealer Ribbon - 25" Bead x 20
	069640-02-000	FT	Sealer Ribbon - 5" x .125" x 30
	069640-03-000	FT	Sealer Ribbon - 75" x 125" x 30
	069640-04-000	FT	Sealer Ribbon - 2" x .09" x 45" (P Series)
	069640-05-000	FT	Sealer Ribbon - 2.5" x .09" x 50"
	069640-06-000	FT	Sealer Ribbon - 5 1/6" Bead x 15"
	069640-07-000	FT	Sealer Ribbon - 2" x 3 3/32" x 30
	002316-01-000	FT	Sealer Tape - 3 3/32" x 3 8" - White (Window)
	002707-01-000	FT	Sealer Tape - 5 1/6" x 3 4"
	002707-02-000	FT	Sealer Tape - 5 1/6" x 1 2"
	040545-01-000	GL	Sealer - Seam Weld
	053752-04-000	EA	Seam Sealer - 3/4" x 5/16" (Roof)
	063642-01-000	FT	Tape - Adhesive - 1/2" x 1 5" Wide
	038886-01-000	EA	Tape - Butyl - 31 x 31 x 148" (Windshield)
	076322-01-000	FT	Tape - Foam - Double Coated - .025 x 1" (Fiberglass Sidewall Seams)
	076322-02-000	FT	Tape - Foam - Double Coated - .045 x 1" (Fiberglass Sidewall Seams)
	009200-01-000	EA	Tape - Furnace - 1 5"
	002825-01-000	FT	Weather Striping (Roof Vent)

**ACCESS PANEL HARDWARE**

Key	Part Number	U/M	Description
	072917-02-000	EA	Rod - Hood Prop
	062628-01-000	EA	Clip - Prop Rod
	058833-01-000	EA	Bracket - Prop Rod
	073340-01-000	EA	Hinge - Access Panel - Passenger
	073340-02-000	EA	Hinge - Access Panel - Drivers
	058960-01-000	EA	Bracket - Hinge Asm. - Hood - Drivers
	058960-02-000	EA	Bracket - Hinge Asm. - Hood - Passenger
	R77006-68-721	EA	Cable - Release (Access Panel)
	074178-01-000	EA	Bracket - Cable Release - Inside
	R77007-01-950	EA	Striker - Hood Latch
	R77006-59-931	EA	Latch - Hood
	R77006-38-499	EA	Spring
	R77006-19-765	EA	Cable Sheath
	073333-01-000	EA	Bracket - Latch Support
	073337-01-000	EA	Brace Latch - Hood
	073341-01-000	EA	Bracket - Hood Latch
	058786-02-000	EA	Bolt - Hood Adjusting - 5/16" x 18 x 1 1/4"

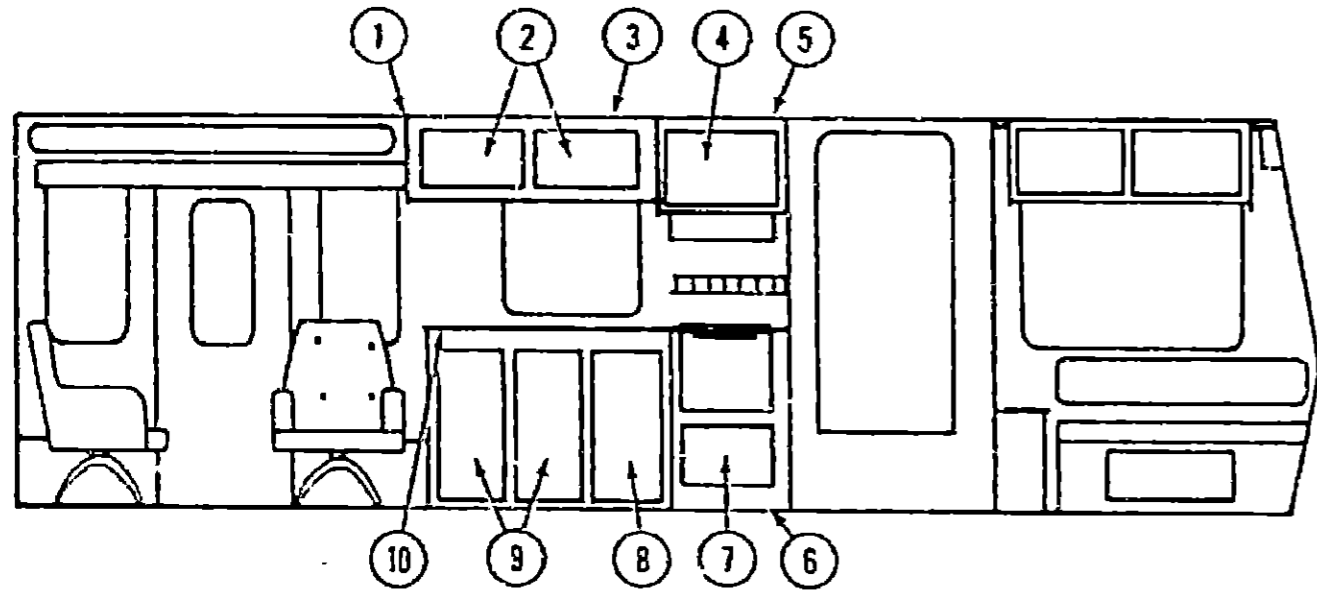
**1986 ITASCA  
TABLE OF CONTENTS**

IT319RB	A-01 - B-16
IC421RB	B-17 - D-16
IF426RT	D-17 - F-22
ICN26RH	F-23 - I-06
ICP28RU	I-07 - K-18

**1986 ICP28RU INDEX**

Floor Plan	I-07 - I-08
Accessories Group	I-09 - I-13
Bath Group	I-14
Chassis Group	I-15 - I-19
Curtain Cushion & Pad Group	I-20 - J-03
Dinette Group	J-04
Driver's Compartment Group	J-05 - J-08
Electrical Group	J-09 - J-12
Exterior Body Group	J-13 - J-20
Galley Group	J-21 - J-22
Heating & Air Conditioning Group	J-23
Interior Finish Group	J-24 - K-02
LP Group	K-03
Lounge Group	K-04
Water & Sewage Group	K-05 - K-06
Window, Vent & Exterior Door Group	K-07 - K-18

### GALLEY GROUP



### GALLEY CABINETRY

Key	Part Number	U/M	Description
1	082188-01-U07	EA	Pad Asm - End Cap - Galley Overhead - Left - Vinyl
2	M81797-01-U09	EA	Door Asm - Galley Overhead - w/o Hardware
3	081954-05-U16	EA	Cabinet Asm. - Galley Overhead - w/o Doors or Hardware
4	M81797-06-U16	EA	Door Asm. - Galley Overhead - w/o Hardware
5	082198-02-U16	EA	Cabinet Asm - Galley Overhead - w/o Doors or Hardware
6	M83047-01-U16	EA	Cabinet Asm - Galley - w/o Doors, Drawers, Countertop or Hardware
7	M81798-12-U16	EA	Door Asm - Galley Cabinet - w/o Hardware
8	M81798-08-U16	EA	Door Asm - Galley Cabinet - w/o Hardware
9	M81798-09-U16	EA	Door Asm - Galley Cabinet - w/o Hardware
10	M02559-01-U16	EA	Countertop Asm - Galley - Almond Woodsong

No: illustrated

### GALLEY GROUP (CONTINUED)

#### GALLEY APPLIANCES & HARDWARE

Key	Part Number	U/M	Description
	079353-04-000	EA	Hood - Stove - w/Monitor - Almond - CSA
**	079353-01-000	EA	Hood - Stove - w/Monitor - Almond - US
	079354-01-000	EA	Spacer - Stove Hood
**	075218-01-000	EA	Refrigerator - 3 Way - 10' Norcold
	064782-02-000	EA	Range - 4 Burner - Almond Top
	064782-01-700	EA	Frame - Upper Glass
	064782-01-701	EA	Glass - Outside
	064782-01-702	EA	Panel - Door - Black
	064782-01-703	EA	Trim - Cabinet - Right
	064782-01-704	EA	Trim - Cabinet - Left
	064782-01-705	EA	Washer - Door Handle
	064782-02-700	EA	Top - 4 Burner - Almond
	064782-02-701	EA	Deflector - Plate - Black
	064782-02-702	EA	Trim - Cabinet - Right - Black
	064782-02-703	EA	Trim - Cabinet - Left - Black
	064782-02-704	EA	Trim - Glass - Lower Outside - Black
	064782-02-705	EA	Handle - Oven Door - Black
	064782-02-706	EA	Trim - Vertical - Black
	064782-02-707	EA	Panel - Manifold
	064782-02-708	EA	Valve - Mercury
	749045-01-740	EA	Cover - Stovetop Bifold - Magic Chef
	081379-01-000	EA	Microwave Convection Oven - Sharp
	031459-05-000	EA	Bracket Asm - Microwave - Right
	081459-05-000	EA	Bracket Asm. - Microwave - Left
	081456-01-000	EA	Angle Asm - Microwave - Right
	031456-02-000	EA	Angle Asm - Microwave - Left
	081555-01-703	EA	Trim Asm. - Microwave
	082876-01-000	EA	Baffle Asm - Microwave
	081530-01-U07	EA	Sink Cover - Large
	068615-01-000	EA	Sink - Stainless Steel - Double w Bolts
**	011053-01-000	EA	Faucet - Swing Spout - 8" - US
**	011053-02-000	EA	Faucet - Swing Spout - 8" - CSA
	066437-01-000	EA	Straine. w Basket - Sink
**	011053-01-700	EA	Aerator - Swing Spout Faucet
	058334-01-000	EA	Wastebasket - 9 3/4" x 7" x 10" - White Rubbermaid
	058478-01-000	EA	Support - Wastebasket
	077409-01-000	EA	Drawer Slide - Plastic - 20 75"
	077404-01-000	EA	Drawer - Plastic - 20" x 12 7"
	061604-01-000	EA	Slide Bolt - Antique Brass
	074316-01-000	EA	Slide - Pantry
	076098-01-000	EA	Slide Bracket - Pantry
	075451-01-000	EA	Storage Rack - Canned Goods
	075451-02-000	EA	Storage Rack Clip - White
	037668-01-000	EA	Drawer Rail - V Guide
	039873-01-000	EA	Door Catch & Strike - Nylon & Spring Steel
	076997-02-000	EA	Sliding Door Track - Aisle Overhead - Brown
	076998-02-000	EA	Sliding Door Track Cover - Aisle Overhead - Brown
	059777-01-000	EA	Hinge - Cabinet Door - Antique Brass
	074981-01-000	EA	Cutting Board - Maple
	054450-01-000	EA	Level - Refrigerator

\*\* The illustrated parts breakdown for this item is provided on the Common Items Fiche

### 1986 ITASC TABLE OF CONTENT

IT319RB	A-01 - B-16
IC421RB	D-17 - D-18
IF426RT	D-17 - F-22
ICN26RH	F-23 - I-06
ICP26RU	I-07 - K-18

### 1986 ICP28RU INDEX

Floor Plan	I-07 - I-08
Accessories Group	I-09 - I-13
Bath Group	I-14
Chassis Group	I-15 - I-19
Curtain, Cushion & Pad Group	I-20 - J-03
Direct Group	J-04
Driver's Compartment Group	J-05 - J-08
Electrical Group	J-09 - J-12
Exterior Body Group	J-13 - J-20
Galley Group	J-21 - J-22
Heating & Air Conditioning Group	J-23
Interior Finish Group	J-24 - K-02
LP Group	K-03
Lounge Group	K-04
Water & Sewage Group	K-05 - K-06
Window, Vent & Exterior Door Group	K-07 - K-18

## HEATING & AIR CONDITIONING GROUP

### FURNACES & ROOF AIR CONDITIONER

Key	Part Number	U/M	Description
**	075696-01-000	EA	Furnace - 34 000 BTU - w/Direct Ignition - NT-34S
	009198-01-000	FT	Duct - Flexible - 4" I.D. x 25'
	056464-01-000	EA	Register - 4" Dia. - Plastic - w/Damper
	056464-02-000	EA	Register - 4" Dia. - Plastic - w/o Damper
	009200-01-000	EA	Tape - Furnace - 1 1/2"
	023146-01-000	EA	Clamp Screw Type - 4"
	069633-01-705	EA	Vent Package - Furnace - Suburban
	069634-01-723	EA	Thermostat - Wall Mount - Suburban
**	081605-03-000	EA	Shroud Asm - Ceiling - Inside - Roof Air Cool Only - 13 500 BTU - Coleman
**	081606-04-000	EA	Shroud Asm - Ceiling - Inside - Roof Air Heat and Cool - 13 500 BTU - Coleman
**	081606-02-000	EA	A/C Roof - 13,500 BTU - Delta TX - Gray

The illustrated parts breakdown for this item is provided on the Common Items Fiche

### AUTOMOTIVE HEATER & AIR CONDITIONER

Key	Part Number	U/M	Description
	080426-02-000	EA	Heater/Evaporator Asm. - w/Pressure Sensor Switch - A R A
	072342-01-000	EA	Condenser Asm - A R A
	072342-03-000	EA	Condenser Asm - w/Fans & High Temp Sensor Switch - A R A
	072342-04-000	EA	Condenser Asm. - w/High Temp Sensor Switch - A R A
	072342-03-703	EA	Coil - Condenser
	072342-03-701	EA	Receiver - Drier
	072342-03-702	EA	Condenser Fan & Seal Asm
	072342-03-703	EA	Condenser Fan
	072342-03-704	EA	Bracket - Condenser Mounting
	072342-03-705	EA	Switch - Temperature
	072343-01-000	EA	Compressor/Clutch - A R A
	072343-04-000	EA	Compressor/Clutch - w/Rear Mounted Valves - A R A
	072344-01-000	EA	Package - Compressor Mount
	072344-02-000	EA	Package - Rear Valve Compressor - Mount Brackets
	049401-01-000	EA	Heater Asm - Rear - Auxiliary
	049401-01-700	EA	Valve - Water Control (Aux Heater)
	049401-01-701	EA	Control Cable (Aux Heater)
	049401-01-702	EA	Motor Asm (Aux Heater)
	049401-01-703	EA	Heater Core (Aux Heater)
	049401-01-704	EA	Switch (Aux Heater)
	049401-01-705	EA	Valve - 3 Port - 2 Way
	049401-01-706	EA	Knob - Heater
	049401-01-708	EA	Wire Asm
	049401-01-709	EA	Wire Asm.
	049401-01-710	EA	Wire Asm.
	049401-01-711	EA	Knob - Switch
	059906-01-000	EA	Control Panel - Brown (Aux Rear Heater)

## INTERIOR FINISH GROUP

### PANELING & COUNTERTOP MATERIALS

Key	Part Number	U/M	Description
	079666-01-000	SF	Paneling - Cedar Board - 48" x 96"
	074497-05-000	SF	Paneling - Iowa Cherry - 48" x 84" (Cabinets)
	074497-06-000	SF	Paneling - Satinesque - 48" x 84"
	074495-28-000	SF	Paneling - Decor - Time/Villager - Bath - 48" x 84" (U16)
	077496-29-000	SF	Paneling - Decor - Time/Villager - Bath - 48" x 84" (U17)
	077495-27-000	SF	Paneling - Decor - Time/Villager - Bath - 48" x 84" (U18)
	074496-26-000	SF	Paneling - Decor - Time/Villager - Galley - 48" x 84" (U16)
	074496-25-000	SF	Paneling - Decor - Time/Villager - Galley - 48" x 84" (U17, U18)
	074498-13-000	SF	Plastic Laminate - Beige Crescent (Galley)
	074498-07-000	SF	Plastic Laminate - Country Cherry (Nightstand & Table Tops)
	076325-09-000	FT	Edge Molding - Cherry (Galley & Table Tops)
	074498-10-000	SF	Plastic Laminate - Northsea (U16) (Bath, Dinette)
	074498-13-019	EA	Plastic Laminate - Sand (U17) (Bath, Dinette)
	074498-08-000	SF	Plastic Laminate - Fawn (U16) (Bath, Dinette)
	076325-11-000	FT	Edge Molding - Northsea (U16) (Bath, Dinette)
	076325-09-000	FT	Edge Molding - Sand (U17) (Bath, Dinette)
	076325-08-000	FT	Edge Molding - Fawn (U18) (Bath, Dinette)

### INTERIOR MOLDINGS & TRIM

Key	Part Number	U/M	Description
	074045-01-000	EA	Oak Plug - .50" Dia
	075400-09-U09	EA	Oak Railing - 52"
	075400-10-U09	EA	Oak Railing - 62 4"
	075400-11-U09	EA	Oak Railing - 68 5"
	009812-16-000	FT	Molding - Outside Corner - .50" - Cherry
	009802-16-000	FT	Molding - Outside Corner - 1" - Cherry
	042357-10-000	FT	Molding - Outside Corner - Cherry
	009767-06-000	FT	Welling - Beige
	009767-09-000	FT	Welling - Cherry
	009815-06-000	FT	T-Molding - .75" - Cherry
	022992-08-000	FT	Molding - Reverse Cove - Champagne White
	022992-09-000	FT	Molding - Reverse Cove - Grady Brown
	070504-05-000	FT	U-Channel - 8 1/2" - Cherry
	070504-01-000	FT	U-Channel - .65" - Light Brown
	009778-06-000	FT	U-Channel - 1" - Cherry
	069733-56-000	EA	Batt Strip - Satinesque/Beige (Wall) 8'
	069733-55-000	EA	Batt Strip - Cherry (Wall) 8'
	069733-54-000	EA	Batt Strip - Time/Villager - 8' (U16)
	069733-53-000	EA	Batt Strip - Time/Villager - 3' (U17, U18)
	081521-01-001	EA	Molding Retainer - Aluminum - 16'
	073321-34-000	EA	Wall Trim - Carpet
	072860-48-000	SY	Carpet - Gray (U16)
	072860-47-000	SY	Carpet - Mocha (U17)
	072860-46-000	SY	Carpet - Mauve (U18)
	075233-01-000	SY	Carpet - Pad 3 8" Foam
	036421-01-000	YD	Fabric - Mattress Ticking
	081607-02-000	YD	Fabric - Headliner - Sandstone

## 1986 ITASCA TABLE OF CONTENTS

IT319RB	A-01 - B-16
IC421RB	B-17 - C-15
IF426RT	C-16 - D-22
ICN26RH	F-23 - I-06
ICP26RU	I-07 - K-18

## 1986 ICP26RU INDEX

Floor Plan	I-07 - I-08
Accessories Group	I-09 - I-13
Bath Group	I-14
Chassis Group	I-15 - I-19
Curtain, Cushion & Pad Group	I-20 - J-03
Dinette Group	J-04
Driver's Compartment Group	J-05 - J-08
Electrical Group	J-09 - J-12
Exterior Body Group	J-13 - J-20
Galley Group	J-21 - J-22
Heating & Air Conditioning Group	J-23
Interior Finish Group	J-24 - K-02
LP Group	K-03
Lounge Group	K-04
Water & Sewage Group	K-05 - K-06
Window, Vent & Exterior Door Group	K-07 - K-18

**INTERIOR FINISH GROUP (CONTINUED)**

**FABRICS**

Key	Part Number	U/M	Description
	077496-56-000	YD	Fabric - Upholstery - Blue (U16)
	077496-57-000	YD	Fabric - Upholstery - Brown (U17)
	077496-55-000	YD	Fabric - Upholstery - Gray (U18)
	077496-50-000	YD	Fabric - Upholstery Accent (Drapery & Seat Covers) Blue (U16)
	077496-51-000	YD	Fabric - Upholstery Accent (Drapery & Seat Covers) Brown (U17)
	077496-49-000	YD	Fabric - Upholstery Accent (Drapery & Seat Covers) Gray (U18)
	077499-53-000	YD	Fabric - Upholstery Plain Accent - Blue (U16)
	077499-54-000	YD	Fabric - Upholstery Plain Accent - Brown (U17)
	077499-52-000	YD	Fabric - Upholstery Plain Accent - Gray (U18)
	069729-35-000	YD	Fabric - Bedspread - Blue (U16)
	069729-32-000	YD	Fabric - Bedspread - Brown (U17)
	069729-33-000	YD	Fabric - Bedspread - Gray (U18)
	069729-34-000	YD	Fabric - Bedspread Accent (Headboard, Valance) Blue (U16)
	069729-41-000	YD	Fabric - Bedspread Accent (Headboard, Valance) Brown (U17)
	069729-42-000	YD	Fabric - Bedspread Accent (Headboard, Valance) Gray (U18)
	079660-06-000	YD	Vinyl - Expanded - Gray (U16)
	069649-02-000	YD	Vinyl - Expanded - Teak (U17)
	079660-05-000	YD	Vinyl - Expanded - Mauve (U18)
	035421-01-000	YD	Fabric - Mattress Ticking
	067607-02-000	YD	Fabric - Headline - Sandstone
	072333-22-000	YD	Fabric - Drapery - Gray

**MISCELLANEOUS PARTS**

Key	Part Number	U/M	Description
	053552-02-U09	EA	Handle Asm - Interior Assist - Medium Almond Vinyl
	041944-03-000	EA	Fire Extinguisher - SBC
	054155-24-000	EA	Owner's Manual - Itasca - Winnebago
	040069-01-000	EA	Door Mat - Black Rubber - 10 1/2" x 26"
	051072-02-000	EA	Door Mat - Front Right - Brown "Itasca"
	051074-02-000	EA	Door Mat - Front Left - Brown "Itasca"
	051075-02-000	EA	Door Mat - Entrance - Brown "Itasca"
	065201-02-000	EA	Lamp Shade - Fabric - Parchment
	076312-01-U09	EA	Mesh - Gold Aluminum - 7 3/8" x 6 7/8"

**CABINETRY & TABLE HARDWARE**

Key	Part Number	U/M	Description
	053200-05-000	EA	Bracket - Upper Wall Mount - Beige - 23 5"
**	053201-01-000	EA	Bracket - Table Mount - 23"
	024275-05-000	EA	Rod - Table Lift - 8" x 23 5" - Sage
	024281-07-000	EA	Bracket - Lower Wall Mount - Beige - 22 1/2"
	024276-14-000	EA	Leg Asm. - Table - 29 5" - Brown
	064050-01-000	EA	Hinge - Table Leg
**	024282-01-000	EA	Brace - Table Leg
**	024283-01-000	EA	Clip - 1" O.D. Tube
	049493-02-000	EA	Catch - Table Leg - Mounts on Floor - Brown
	009112-01-000	EA	Flange - 1" Chrome - Closet Rod
	077409-01-000	EA	Slide - Drawer - Plastic
**	037659-01-000	FT	Rail - Drawer
	076312-01-000	EA	Mesh - Grille - Brass - 7 3/8" x 6 7/8" (Rear Lounge)
	039673-01-700	EA	Nylon Catch & Spring Steel Strike
	039350-01-000	EA	Warp Guard - 64"
	009351-01-000	EA	Warp Guard - 48"
**	059777-01-000	EA	Hinge - Cabinet Door - Antique Brass
	074493-02-000	EA	Overhead Door Support - Sprung
	076212-01-000	EA	Door Pull - Polished Brass & Oak Inlay
	051376-01-000	EA	Back Plate - Door Pull - Polished Brass

\*\* The illustrated parts breakdown for this item is provided on the Common Items Fiche

**INTERIOR FINISH GROUP (CONTINUED)**

**CURTAIN HARDWARE**

Key	Part Number	U/M	Description
	056116-01-000	EA	Track - Curtain - Brown - Plastic
	077046-01-000	EA	Track - Curtain - Front Wraparound - Passengers
	077346-02-000	EA	Track - Curtain - Front Wraparound - Drivers
	056001-01-000	EA	Bracket - Shade - Left
	056002-01-000	EA	Bracket - Shade - Right
	056003-01-000	EA	Bracket - Drapery Retainer - Right
	056003-02-000	EA	Bracket - Drapery Retainer - Left
	056003-03-000	EA	Bracket - Drapery Retainer - Universal
	056734-02-000	EA	Pull - Window Shade - Antique Brass
	039175-02-000	EA	Bracket - Curtain Rod
	056115-01-000	YD	Tape - Clear Plastic - w/ Guides
	043394-01-000	YD	Tape Hook - 1" x 25 YD - Beige (Velcro)
	049333-01-000	YD	Tape Loop - 1" x 25 YD - Beige (Velcro)

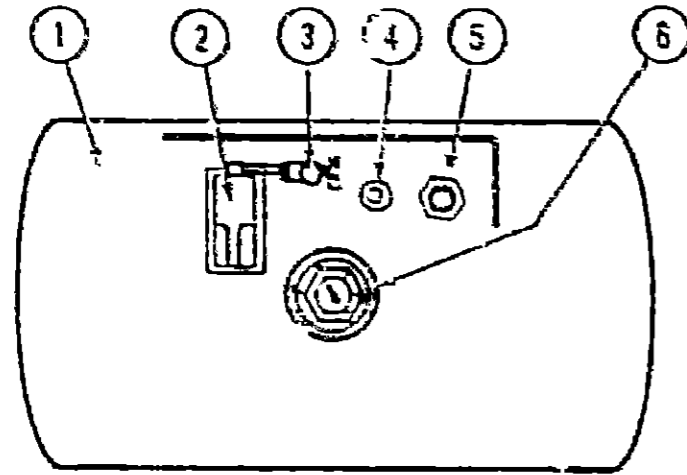
**1986 ITASCA  
TABLE OF CONTENTS**

IT3198B	A-01 - B-16
ICP21FB	B-17 - C-16
IF425RT	D-17 - F-22
ICN25FH	F-23 - I-06
ICP28RU	J-07 - K-15

**1986 ICP28RU INDEX**

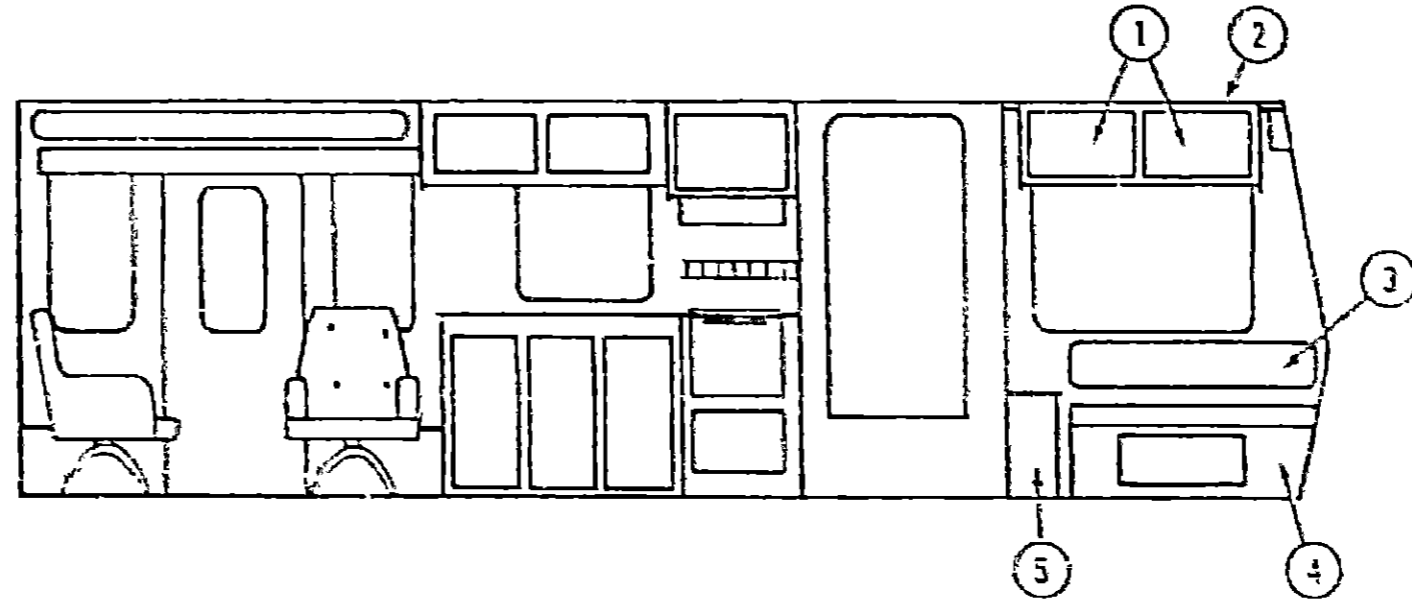
Floor Plan	I-07 - I-08
Accessories Group	I-09 - I-13
Bath Group	I-14
Chassis Group	I-15 - I-19
Curtain, Cushion & Pad Group	I-20 - J-03
DINETTE Group	J-04
Driver's Compartment Group	J-05 - J-08
Electrical Group	J-09 - J-12
Exterior Body Group	J-13 - J-20
Gateway Group	J-21 - J-22
Heating & Air Conditioning Group	J-23
Interior Finish Group	J-24 - K-02
LP Group	K-03
Lounge Group	K-04
Water & Sewage Group	K-05 - K-06
Window, Vent & Exterior Door Group	K-07 - K-15

**LP GROUP**



Key	Part Number	U.M	Description
1	074140-01-000	EA	Tank Asm - LP - Frame Mount - 50 Pound - 13" x 44"
2	031933-01-000	EA	Compartment - LP Regulator
*	076301-01-000	EA	Regulator - Two Stage - LP Gas
3	040421-01-703	EA	Valve - Vapor Relief
4	040421-01-700	EA	Gauge - Liquid Level - 20% LP
5	040421-01-701	EA	Valve - Filter - LP
*	040421-01-702	EA	Cap - Plastic Fill Valve
6	040421-01-707	EA	Gauge - Float - w. Visible Dial - 63 Pound Tank
*	040421-01-706	EA	Dial - Visible Face - Float Gauge (Tank w/o Electric Transmitter)
*	040443-01-000	EA	Dial - Transmitter - 0-90 Onm (Float Gauge)
*	045703-01-000	EA	Hose Asm - LP - 3/8" I.D. x 24" - US
*	045703-02-000	EA	Hose Asm - LP - 3/8" I.D. x 24" - CSA
*	045703-03-000	EA	Hose Asm - LP - 3/8" I.D. x 15" - US
*	045703-04-000	EA	Hose Asm - LP - 3/8" I.D. x 14" - CSA
*	055741-01-000	EA	Gauge - Diaphragm Pressure - Test Leak
*			Not Illustrated

**LOUNGE GROUP**



**1986 ITASCA  
TABLE OF CONTENTS**

IT319RB	A-07 - B-16
IC421RB	B-17 - D-16
IF42ERT	D-17 - F-22
ICN26RH	F-23 - I-08
ICP26RU	I-07 - K-16

**DOUBLE BED W/ NIGHTSTAND**

Key	Part Number	U.M	Description
1	M81797-01-U09	EA	Door Asm - Rear Overhead Cabinet - w/o Hardware
2	031954-04-U16	EA	Cabinet Asm - Right Rear Overhead - w/o Doors or Hardware
3	077463-02-U16	EA	Headboard Asm - Double Bed - Blue
3	077463-02-U17	EA	Headboard Asm - Double Bed - Brown
3	077463-02-U18	EA	Headboard Asm - Double Bed - Charcoal Gray
4	M82777-01-U16	EA	Cabinet Asm - Double Bed Base
*	M81797-07-U16	EA	Door Asm - Rear Bed Cabinet
5	032776-01-U16	EA	Cabinet Asm - Nightstand - w/o Countertop
*	M82537-01-U16	EA	Countertop Asm - Nightstand Cabinet - Empire Walnut
*	063015-01-U07	EA	Table Asm - RV - Rear Corner
*	077434-03-000	EA	Trim - Rear Left Overhead - Plastic Cove
*	076312-01-000	EA	Mesh Grille - Auxiliary Heater - 7 3/8" x 5 7/8" - Gold Aluminum
*			Not Illustrated

**SWIVEL CHAIR HARDWARE**

Key	Part Number	U.M	Description
	035036-01-000	EA	Plate - Tilt & Swivel - Swivel Chair
	035036-04-000	EA	Base w. Legs - Swivel Chair
	035036-05-000	EA	Extension - 7" - Swivel Chair

**1986 ICP28RU INDEX**

Floor Plan	I-07 - I-08
Accessories Group	I-09 - I-13
Bath Group	I-14
Cross Group	I-15 - I-19
Curtain, Cushion & Pad Group	I-20 - I-23
Dinette Group	J-04
Drivers Compartment Group	J-05 - J-06
Electrical Group	J-09 - J-12
Exterior Body Group	J-13 - J-20
Gateway Group	J-21 - J-22
Heating & Air Conditioning Group	J-23
Interior Finish Group	J-24 - K-02
LP Group	K-03
Lounge Group	K-04
Water & Sewage Group	K-05 - K-06
Window Vent & Exterior Door Group	K-07 - K-16

**WATER & SEWAGE GROUP**

**PLUMBING AND REPAIR PARTS**

Key	Part Number	U/M	Description
	045729-01-000	EA	Pump - Water - 2.8 G.P.M. - Direct Drive - Shurflo - US
	045729-02-000	EA	Pump - Water - 2.8 G.P.M. - Direct Drive - Shurflo - CSA
	039647-02-000	EA	Filter - Water Pump - 1 2" MPT
	039647-03-000	EA	Filter - Water Pump - 1 2" Flare
	052959-02-000	EA	Connector - 1 2 F x 3 8 MPT - Plastic
	052960-01-000	EA	Drain Valve - 1 2 F x 1 2 F - Plastic
	052961-01-000	EA	Headset - 1 2 F x 1 2 F x 1 2 F x 1 2 F
**	045524-01-000	EA	Kit - Water Tank Fittings - Blank Tank
**	010079-01-000	EA	Tee - Plastic - 1 1 2 H x 1 1 2 H x 1 1 4 H
**	010121-01-000	EA	Bushing - Plastic - 1 1 2 S x 1 1 4 H
**	010133-01-000	EA	Trap Adapter - Plastic - 1 1 2 H x MPT
**	052954-01-000	EA	Adapter - Nose Cone - 5 8 or 1 2 - Plastic
**	010201-01-000	EA	Sewer Hose - 3 1 8 w Clamp
**	050760-01-000	EA	Coupler Rubber - 3" x 3"
	062415-01-000	EA	Cap - Sewer - 3"
	062416-01-000	EA	Hose Adapter - 3"
	062417-01-000	EA	Adapter - Termination - 3"
	062418-01-000	EA	Valve - 3" - w Handle
	062421-01-000	EA	Valve - 1 1 2" - w Handle
**	011066-01-000	EA	P-Trap - 1 1 4" - Plastic
	010071-01-000	EA	Tee - Plastic - 1 1 2" H x 1 1 4" H x H
	010072-01-000	EA	Tee - Plastic - 1 1 2" H x 1 1 4" H x 1 1 2" H
	052956-01-000	EA	Tee - Plastic - 1 2 F x 1 2 MPT x 1 2 F
	052958-01-000	EA	Tee - Plastic - 1 2 F x 1 2 F x 1 2 F
	053335-01-000	EA	P-Trap - Plastic - 1 1 4" H x H - w Union
**	011091-01-000	EA	Waste - Continuous - Double Sink - 11 7 8"
	061607-01-000	EA	Grommet - Holding Tank Coupler - 1 1 2"
	061607-02-000	EA	Grommet - Holding Tank Coupler - 3"
-	010000-01-000	EA	Elbow - Plastic - 1 8 BD x 1 1 4" x 45° H x H
	010006-01-000	EA	Elbow - Plastic - 1 8 BD x 1 1 2 x 45° H x H
	010051-01-000	EA	Elbow - ST - Plastic - 1 8 BD x 1 1 2 x 45°
	010219-01-000	EA	Elbow - 1 1 4 Barb x 1 1 4 MPT x 90°
	034050-01-000	EA	Elbow - Plastic - 1 4 BD x 1 1 2 x 90° H x H
	052957-01-000	EA	Elbow - Plastic - 1 2 F x 3 8 MPT
	052957-02-000	EA	Elbow - Plastic - 1 2 F x 1 2 MPT
	065120-01-000	EA	Elbow - Plastic - Swivel - 90°
	070924-01-000	EA	Elbow - Plastic - Swivel - 1 2 MPT x 1 2 FP
	010123-01-000	EA	Bushing - Plastic - 2S x 1 1 2 H
	033302-02-000	EA	Adapter Asm - SWD Strain - 1 1 2"
	072346-01-000	EA	Valve Asm - 3" EA - w 2" Socket
	039630-01-000	FT	Tubing - Polybutyl - 1 2 O.D. (Water Liner)
	044918-01-000	FT	Flexible Tubing - 1 1 4 I.D.
	004020-01-000	QT	Adhesive - ABS Cement
	077954-01-000	EA	Filter Screen - Plastic Water Tank
	042969-02-000	EA	Plastic Fitting - Spigot (Filter Screen)
	062422-01-000	EA	Adapter - Hose Offset - Reducer - 3" x 1 1 2"
	052952-01-000	EA	Valve - Stool - 90° x 1 2 F x 3 8 MPT
	079968-01-000	EA	Vent - Mechanical Trap Arm
	010147-01-000	EA	Flange - Closet - 4" F x 3" FPT
	010224-01-000	EA	Adapter - Plastic - 3 8 MPT x 3 8 Barb
	007105-01-000	EA	Hose - Heater - 5 6"

\*\* The illustrated parts breakdown for this item is provided on the Common Items Fiche.

**HOLDING TANKS & WATER HEATERS**

Key	Part Number	U/M	Description
	077460-01-000	EA	Tank - Waste Water - 40 Gallon - w/o Fittings
	076573-01-000	EA	Tank - Sewage - 40 Gallon - w/o Fittings
	077569-02-000	EA	Tank - Water - 43 Gallon - w/o Fittings
**	051390-01-000	EA	Water Heater - w Motor Aid - GH6-3E

\*\* The illustrated parts breakdown for this item is provided on the Common Items Fiche.

**WINDOW, VENTS & EXTERIOR DOOR GROUP**

**WINDSHIELD & VENT WINDOWS**

Key	Part Number	U/M	Description
	074897-01-000	EA	Glass - Windshield - Passenger
	074897-02-000	EA	Glass - Windshield - Drivers
	076671-03-000	EA	Glass - Front Corner - Drivers
	076671-04-000	EA	Glass - Front Corner - Passenger
	063179-01-000	FT	Reveal Molding - Windshield - Passenger - Driver
	083176-01-000	FT	Reveal Molding - Windshield (Center) - Front Corner Glass
	076644-03-000	EA	T-Cap Reveal Molding - Windshield Center
	076841-02-000	EA	Cap - Reveal Molding - Front Corner Glass - Upper
	076842-02-000	EA	Cap - Reveal Molding - Front Corner Glass - Lower
	072659-04-000	GE	Sealant - Windshield
	072691-01-000	QT	Primer - Windshield - Clear
	072692-01-000	QT	Primer - Windshield - Black
	072690-01-000	QT	Primer - Metal - Black
	072689-01-000	EA	Sealant - Reveal Molding - Black

**ACCESS DOORS**

Key	Part Number	U/M	Description
	053095-03-U16	EA	Door Asm - Luggage - Gray
	053095-02-U16	EA	Door Asm - Storage - Insulated - Gray
	053095-04-U16	EA	Door Asm - LP
	079578-03-U16	EA	Door Asm - Storage - Insulated - Gray
	059247-09-000	EA	Door Asm - Refrigerator Access - Gray
	076232-02-000	EA	Door Asm - Spare Tire Compartment - Gray
	083974-01-U16	EA	Door Asm - Generator - Gray
	052009-03-000	EA	Door Asm - Water Heater - Gray
	076859-02-000	EA	Water Heater Shroud - Gray
	077344-02-000	EA	Baffle - Generator Door
	077137-02-000	EA	Door - Hose Compartment - Gray
	077963-01-000	EA	Gasket - Fuel Fill
	078010-02-000	EA	Door Asm - Fuel Fill - w Jamb
	052424-03-000	EA	Jamb - Power Cord Fuel Fill Door - Gray
	053742-03-000	EA	Door - Power Cord - Gray
	054543-03-000	EA	Hatch - Power Cord Door - Gray
	053515-03-000	EA	Door Holder - Gray Plastic
	077392-01-000	EA	Strike Asm (Tire Cover)
	041312-01-000	FT	Door Seal - Section - Rubber
	078010-02-000	EA	Door - Fuel Fill - Gray
	079363-01-000	FT	Seal - Bulb
	005003-01-000	EA	Lock Asm - Twist Type - w Clip (Generator)
	042442-02-000	EA	Lock Asm - Twist Type - 90° Rotation - 1 95" Latch - 1 27" Depth
	047305-01-700	EA	Lock Asm - Key Type - 90° Rotation - 1 0" Latch - 1 12" Depth
	047406-01-000	EA	Lock Asm - Key Type - 90° Rotation - 2 5" Latch - 1" Depth
	047456-01-000	EA	Lock Asm - Key Type - 90° Rotation - 5 6" Latch - 1 65" Depth
	047486-02-000	EA	Lock Asm - Key Type - 90° Rotation - 5 6" Latch - 1 16" Depth

**1986 ITASCA  
TABLE OF CONTENTS**

IT319RB	A-01 - B-16
IC421RB	B-17 - D-16
IF426RT	D-17 - F-20
ICN28RH	F-23 - I-06
ICP28RU	I-07 - K-18

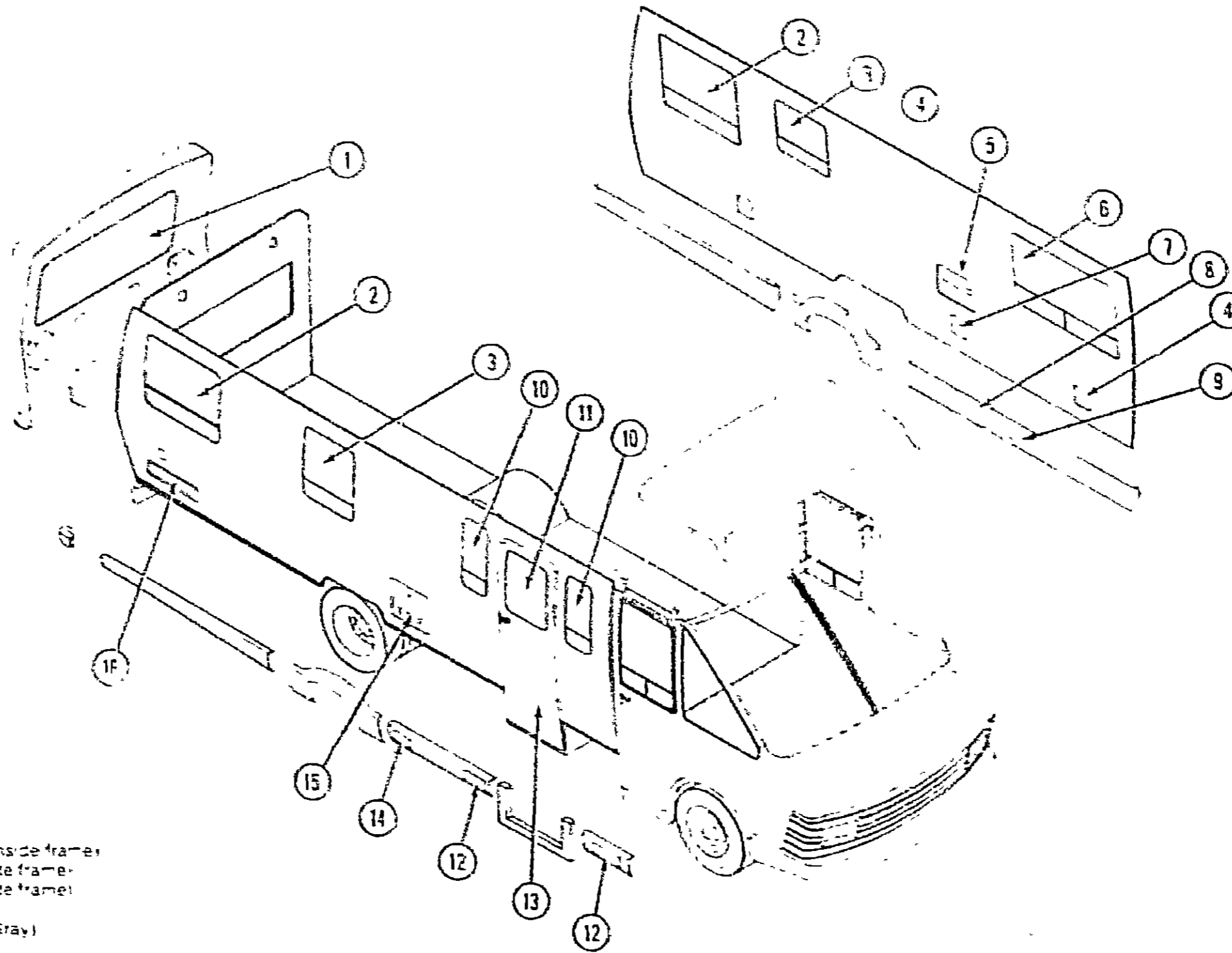
**1986 ICP28RU INDEX**

Floor Plan	I-07 - I-08
Accessories Group	I-09 - I-13
Bath Group	J-14
Chassis Group	I-15 - I-19
Curtain, Cushion & Pad Group	I-20 - J-03
DINETTE Group	J-04
Driver's Compartment Group	J-05 - J-08
Electrical Group	J-09 - J-12
Exterior Body Group	J-13 - J-20
Galley Group	J-21 - J-22
Heating & Air Conditioning Group	J-23
Interior Finish Group	J-24 - K-02
LP Group	K-03
Lounge Group	K-04
Water & Sewage Group	K-05 - K-06
Window, Vent & Exterior Door Group	K-07 - K-16



# WINDOW, VENT & EXTERIOR DOOR GROUP (CONTINUED)

## WINDOWS & ACCESS DOORS



Key	Part Number	U M	Description
1	076648-01-000	EA	Window Asm - Rear Escape (w/o inside frame)
2	061570-02-U16	EA	Window Asm - Crankout (w/o inside frame)
3	081570-01-U07	EA	Window Asm - Crankout (w/o inside frame)
4	076010-02-000	EA	Door Asm - Fuel Fill
5	059247-09-000	EA	Door Asm - Refrigerator Access (Gray)
6	081568-01-U07	EA	Window Asm - Crankout
7	076950-02-T09	EA	Door Asm - Power Cord
8	783974-01-U16	EA	Door Asm - Generator - Gray
9	083095-03-U16	EA	Door Asm - Luggage - Gray
10	081570-03-U16	EA	Window Asm - Crankout (w/o inside frame)
11	079735-04-T03	EA	Window Asm - Picture (w/o inside frame)
12	083095-02-U16	EA	Door Asm - Luggage (Gray)
13	M50949-01-U16	EA	Door Asm - Entrance - Gray
14	083095-04-U16	EA	Door Asm - LP (Gray)
15	052009-03-000	EA	Door Asm - Water Heater
16	079576-03-U16	EA	Door Asm - Luggage - Gray
-	M31990-04-U16	EA	Spare Tire Door - Gray
-	077137-02-000	EA	Door - Sewer Hose Compartment - Gray
-	Not Illustrated		

## 1986 ITASCA TABLE OF CONTENTS

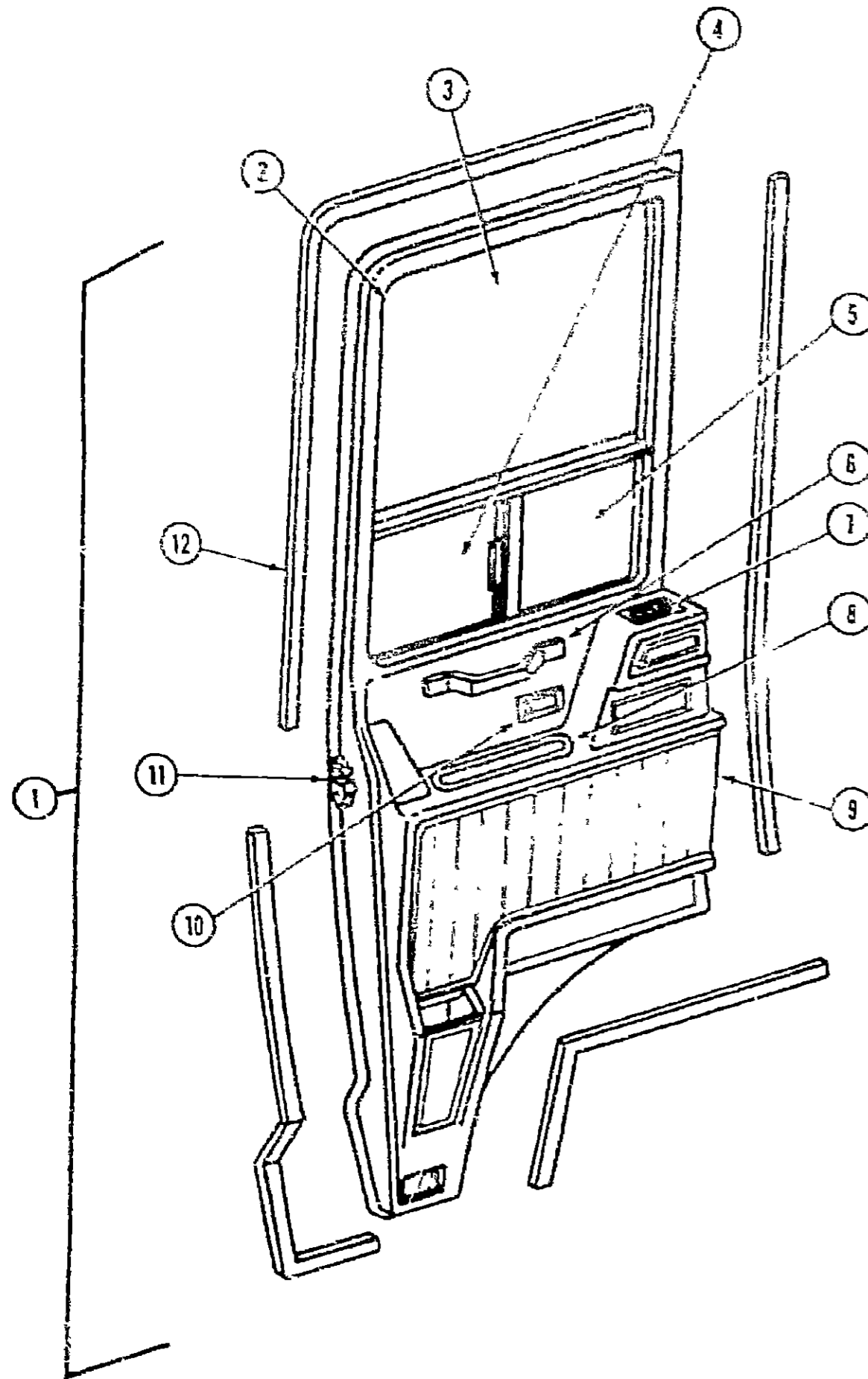
IT319RB	A-01 - B-16
IC421RB	B-17 - D-16
IF426RT	D-17 - F-22
ICN26RH	F-23 - I-06
ICP28RU	I-07 - K-16

## 1986 ICP28RU INDEX

Floor Pan	I-07 - I-08
Accessories Group	I-09 - I-13
Bath Group	K-14
Chassis Group	I-15 - I-18
Curtain Cushion & Pad Group	I-20 - J-01
Dinette Group	J-01
Driver's Compartment Group	J-05 - J-06
Electrical Group	J-09 - J-12
Exterior Body Group	J-13 - J-20
Galley Group	J-21 - J-22
Heating & Air Conditioning Group	J-23
Interior Finish Group	J-24 - K-02
LP Group	K-03
Lounge Group	K-04
Water & Sewage Group	K-05 - K-06
Window, Vent & Exterior Door Group	K-07 - K-16

# WINDOW, VENT & EXTERIOR DOOR GROUP (CONTINUED)

## DRIVER & PASSENGER CAB DOORS



Key	Part Number	U M	Description
1	M01596-04-U16	EA	Door Complete - Drivers
1	M01596-04-L17	EA	Door Complete - Drivers
1	M01596-04-U16	EA	Door Complete - Drivers
1	M01596-04-L16	EA	Door Complete - Passenger
1	M01596-04-U17	EA	Door Complete - Passenger
1	M01596-04-L16	EA	Door Complete - Passenger
2	M75459-01-000	EA	Window Asm - Drivers Door - w Support
2	M75459-02-000	EA	Window Asm - Drivers Door - w Support
3	077209-01-000	EA	Inside Frame Asm - Window - Passenger
3	077209-02-000	EA	Inside Frame Asm - Window - Driver
4	077035-01-000	EA	Glass - 19" x 13.9" x 22
4	077035-01-000	EA	Glass - 19" x 15" x 9.3" - w Ho-
5	077035-01-000	EA	Glass - 19" x 15" x 9.3
6	077024-03-000	EA	Window Mullion - Horizontal - Passenger
6	077024-04-000	EA	Window Mullion - Horizontal - Driver
7	077226-01-000	EA	Window Mullion - Vertical - Passenger
7	077226-02-000	EA	Window Mullion - Vertical - Driver
8	M02389-53-001	EA	Seal Holder - w Fin Seal
8	042077-01-000	FT	Channel - Weatherstrip - Glass
8	041928-02-000	EA	Seal - Window Channel
9	050216-01-000	EA	Spine - Vinyl Glass - 19 Black
9	061400-04-000	EA	Assist Strap - 12" - w Woodgrain
9	076783-01-000	EA	Louver Bezel Asm - Black - 2"
9	075971-01-000	FT	Sponge Seal - Lazy T Shape
9	076142-01-000	EA	Control Rod - Right Hand Latch
9	076543-01-000	EA	Control Rod - Right Hand Lock
9	076542-02-000	EA	Control Rod - Left Hand Latch
9	076543-02-000	EA	Control Rod - Left Hand Lock
9	077167-01-000	EA	Door Prop Rod - Passenger
9	077167-02-000	EA	Door Prop Rod - Driver
9	077116-01-000	EA	Storage Tray - Door Panel
9	077179-01-000	EA	Hose Adapter - 2 - Snap In
9	077030-01-000	EA	Socket Asm - w 6 - Pilot Leads
9	077117-04-000	EA	Door Panel - Front Inner - Driver
9	077117-03-000	EA	Door Panel - Front Inner - Passenger
9	063856-04-000	EA	Assist Handle - Gray Steel Tube
10	R77006-53-261	EA	Door Handle - Interior - Right
10	R77006-53-326	EA	Door Handle - Interior - Left
10	R77045-01-534	EA	Door Handle - Exterior
10	R77007-05-374	EA	Gasket - Door Handle - Exterior
10	R77013-48-163	EA	Latch Asm - Right
10	R77013-48-157	EA	Latch Asm - Left
10	R77007-60-747	EA	Latch Asm - Inner - Right
10	R77007-62-746	EA	Latch Asm - Inner - Left
12	070813-01-070	FT	Seal - Entrance Door (Glue On)
12	R77007-04-116	EA	Lock Bracket
12	060963-01-000	EA	Arm - Lock Control
12	R77007-57-247	EA	Spine Pine
12	R77007-73-327	EA	Cylinder & Key
12	R77006-64-355	EA	Control Link
12	064583-02-000	EA	Check Strap - Front Door - 7"
12	064219-01-000	EA	Retainer - Check Strap - Front Door
12	R77013-48-165	EA	Striker - Door - Left
12	R77013-48-166	EA	Striker - Door - Right
12	061632-01-000	FT	Built Seal - Cab Door - w Wire Channel
12	075245-02-000	EA	Hinge - Cab Door
12	081905-01-000	EA	Control Knob (Lock/Unlock) Right
12	081905-02-000	EA	Control Knob (Lock/Unlock) Left
12	Not illustrated		

## 1986 ITASCA TABLE OF CONTENTS

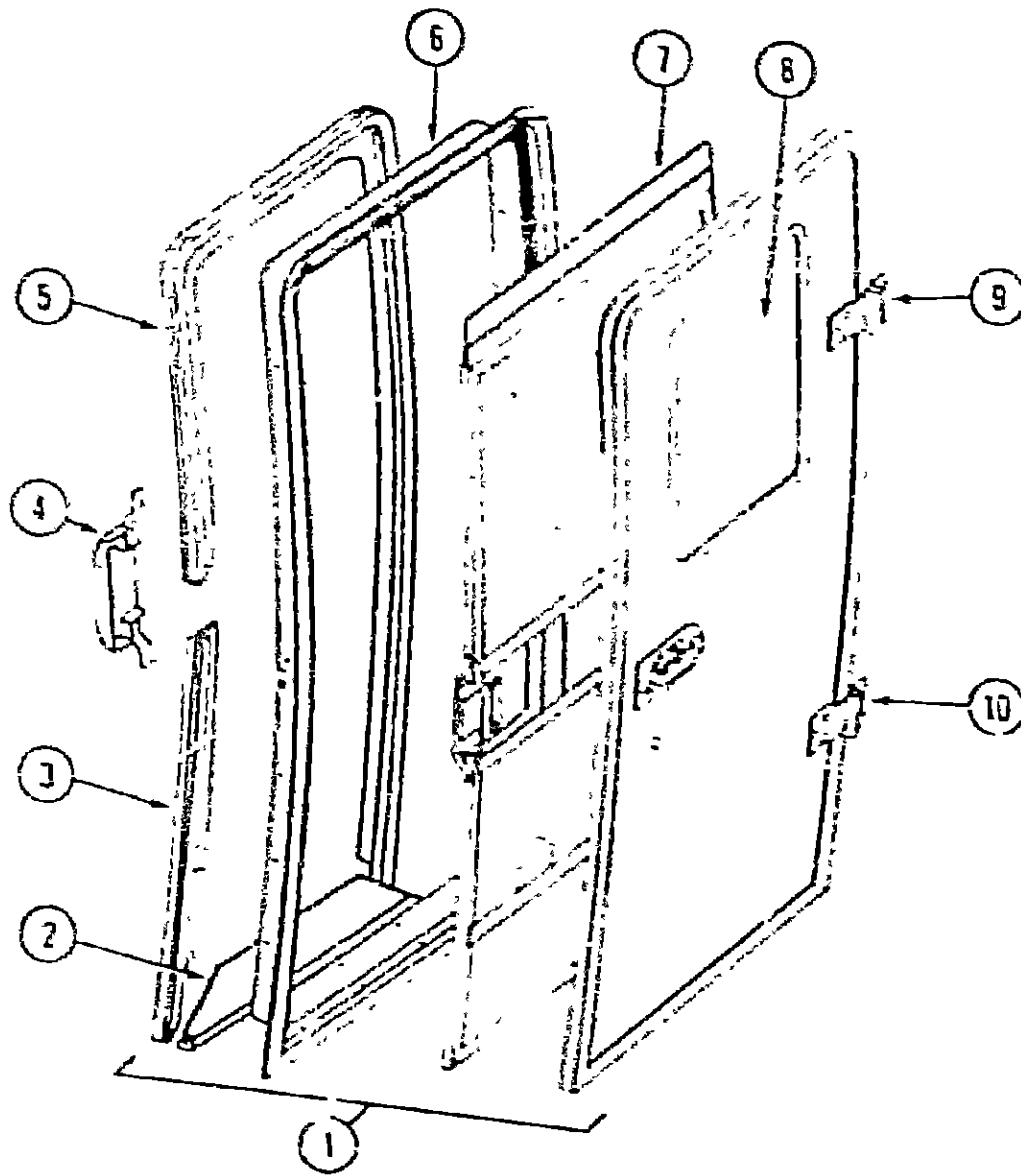
IT3198B	A-01 - B-16
IC421RB	B-17 - D-16
IF42ERT	D-17 - E-20
ICN26RH	F-21 - F-26
ICP26RJ	H-07 - K-14

## 1986 ICP20RU INDEX

Floor Plan	I-07 - I-08
Accessories Group	I-09 - I-13
Bath Group	I-14
Chassis Group	I-15 - I-19
Curtain, Cushion & Pad Group	I-20 - J-03
Dinette Group	J-04
Drivers Compartment Group	J-05 - J-06
Electrical Group	J-09 - J-12
Exterior Body Group	J-13 - J-20
Galley Group	J-21 - J-22
Heating & Air Conditioning Group	J-23
Interior Finish Group	J-24 - K-02
LP Group	K-03
Lounge Group	K-04
Water & Sewage Group	K-05 - K-06
Window, Vent & Exterior Door Group	K-07 - K-15

# WINDOW, VENT & EXTERIOR DOOR GROUP (CONTINUED)

## ENTRANCE DOOR



Key	Part Number	U M	Description
1	M50949-01-U16	EA	Door Asm - Radius Entry w Screen Door - Fiberglass - Gray
2	076929-01-000	EA	Trim - Entrance Door - Lower
3	076936-01-000	EA	Trim - Entrance Door - Side
4	076976-01-000	EA	Strike Cover
5	076928-01-000	EA	Trim - Entrance Door Upper
6	076947-03-000	EA	Jamb Asm (w/o Bottom Portion)
7	076942-01-000	EA	Jamb Asm (Bottom Portion Only)
8	080948-01-U07	EA	Screen Door - Complete
9	076727-01-000	EA	Slider - Screen Door - Light Oak Plastic
10	002293-02-000	SF	Screen - 26" Charcoal
	063635-02-000	EA	Strike - Screen Door
	079733-04-T03	EA	Window Asm - Picture (w/o inside frame)
	002161-06-000	EA	Glass - 115" x 16 25" x 24"
	067609-03-000	EA	Inside Window Frame - Berge
	M02586-03-U16	EA	Variance Panel - Lower Outside - Entrance Door
9	076723-03-000	EA	Hinge Asm - Upper - Gray
10	076719-03-000	EA	Hinge Asm - Lower - Gray
	076838-01-000	EA	Hinge Shim
	076810-01-000	EA	Gasket - Hinge Shim
	009126-02-000	EA	Assist Handle - Black
	R77040-01-538	EA	Door Handle - Exterior
	R77007-05-374	EA	Gasket - Exterior Handle
	R77006-50-261	EA	Door Handle - Interior
	073303-01-000	EA	Latch Asm - Inner
	076728-01-000	EA	Panel Trim - Light Oak - Plastic
	R77013-46-166	EA	Lock Bolt
	084429-03-000	EA	Cylinder & Key Set
	063551-01-000	FT	Sponge Seal - Lazy T Shape
	075673-01-000	FT	Seal - Pile - Adhesive Back
	083205-01-000	EA	Deadbolt - 5" Press Fit
	079173-01-000	EA	Gasket - Deadbolt
	009016-01-000	EA	Catch - Elbow - Spring Loaded
	R77013-46-166	EA	Sticker - Entrance Door
			Not illustrated

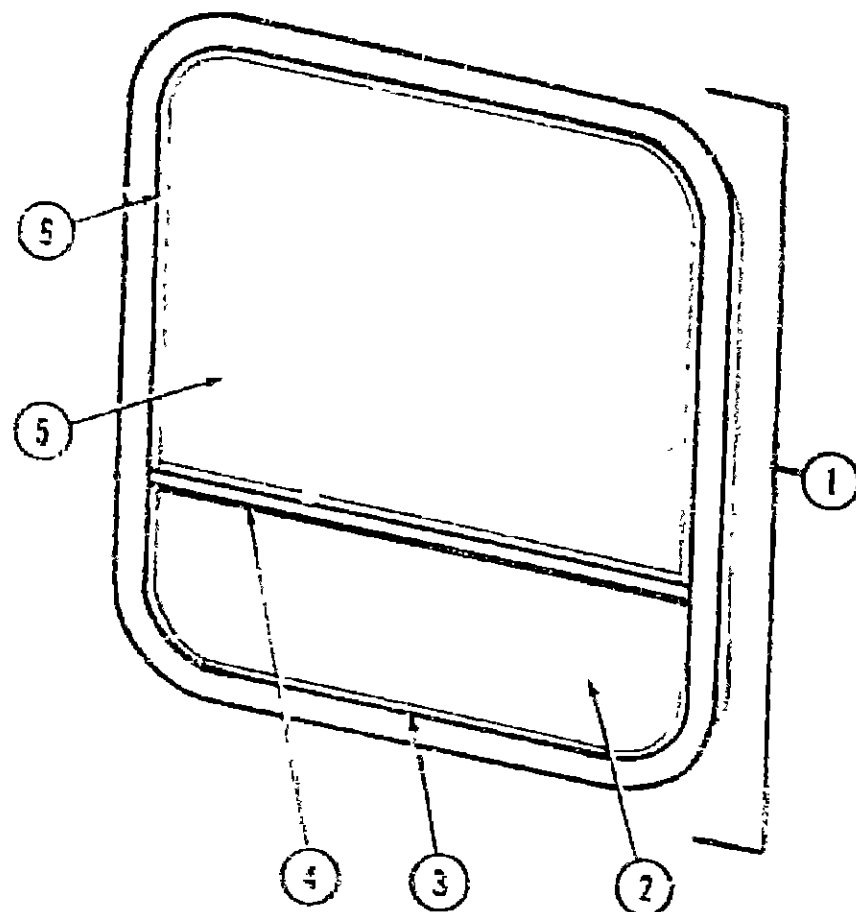
## 1986 ITASCA TABLE OF CONTENTS

IT319RB	A-01 - B-16
IC421RB	B-17 - D-16
IF426RT	D-17 - F-22
ICN26RH	F-23 - I-06
ICP26RU	I-07 - K-16

## 1986 ICP26RU INDEX

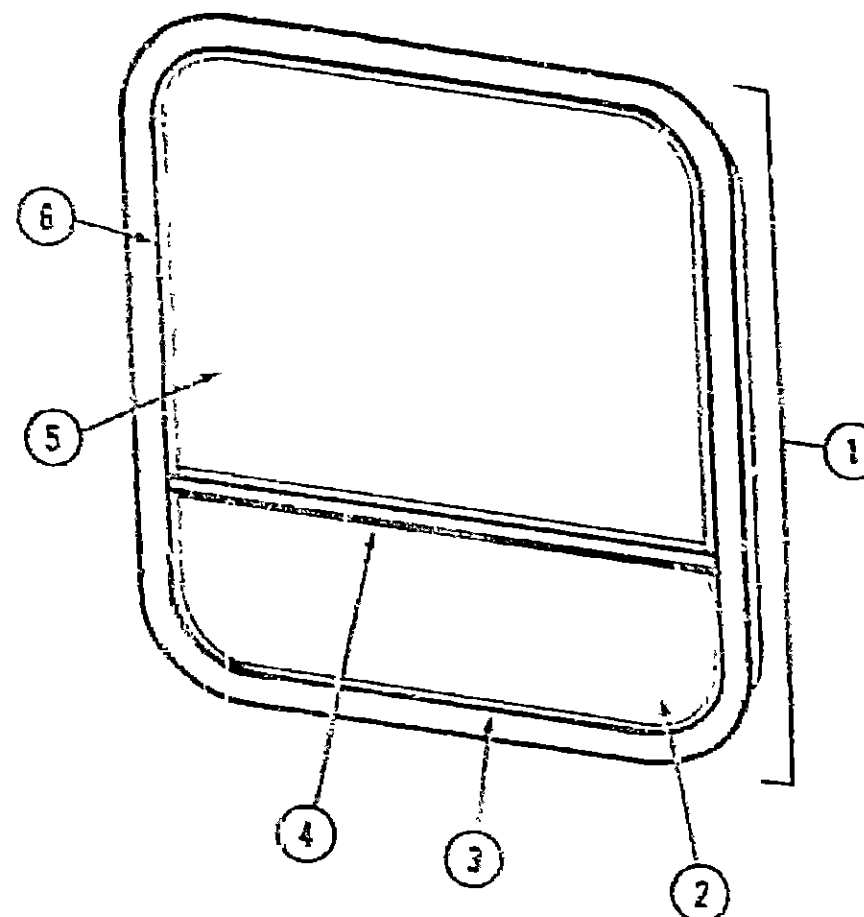
Floor Plan	I-07 - I-08
Accessories Group	I-09 - I-13
Bath Group	I-14
Chassis Group	I-15 - I-19
Curtain, Cushion & Pad Group	I-20 - J-03
Dinette Group	J-04
Driver's Compartment Group	J-05 - J-06
Electrical Group	J-09 - J-12
Exter or Body Group	J-13 - J-20
Galley Group	J-21 - J-22
Heating & Air Conditioning Group	J-23
Interior Finish Group	J-24 - K-02
LP Group	K-03
Lounge Group	K-04
Water & Sewage Group	K-05 - K-06
Window, Vent & Exterior Door Group	K-07 - K-16

WINDOW, VENT & EXTERIOR DOOR GROUP (CONTINUED)



Key	Part Number	U M	Description
1	081570-01-U07	EA	Window Asm - Single - Left (w/o inside frame)
-	081622-01-000	EA	Inside Frame - Black (not included in assembly)
2	081433-01-U07	EA	Window Asm (Tipout)
-	081239-06-000	EA	Glass - 1 8" x 25" x 8 7" (Tipout)
-	081421-01-U07	EA	Screen Asm - Left (Tipout)
3	081357-01-000	FT	Bulb Seal (Tipout)
-	081359-01-000	FT	Window Seal (Tipout)
4	083112-01-000	EA	Mullion - Horizontal - Black
5	081239-01-000	EA	Glass - 1 8" x 25 7" x 17" - Stationary
6	083130-01-000	FT	Window Seal (Stationary)
-	035302-02-000	EA	Operating Mech - Left Hand
-	081243-01-000	EA	Screen Clip - Plastic - Black
-	002291-02-000	SF	Screen - Window - 16" - Charcoal
-	002296-02-000	FT	Spine - 130" Dia - Charcoal (Screen)
-	076778-03-000	EA	Rivet - Plastic Pin Drive - Black
-	081354-01-000	EA	Sleeve - Torque Tube
-	083150-03-000	EA	Tube Asm - Torque - Right
-			Not illustrated

WINDOW, VENT & EXTERIOR DOOR GROUP (CONTINUED)



Key	Part Number	U M	Description
1	081570-02-U16	EA	Window Asm - Single - Left (w/o inside frame)
-	081622-02-000	EA	Inside Frame - Black (not included in assembly)
2	081433-02-U16	EA	Window Asm (Tipout)
-	081239-06-000	EA	Glass - 1 8" x 41 08" x 8 7" (Tipout)
-	084580-02-W07	EA	Screen Asm - Left (Tipout)
3	081357-01-000	FT	Bulb Seal (Tipout)
-	081359-01-000	FT	Window Seal (Tipout)
4	083112-02-000	EA	Mullion - Horizontal - Black
5	081239-03-000	EA	Glass - 1 8" x 41 77" x 22 99" - Stationary
6	083130-01-000	FT	Window Seal (Stationary)
-	035302-02-000	EA	Operating Mech - Left Hand
-	081243-01-000	EA	Screen Clip - Plastic - Black
-	002291-02-000	SF	Screen - Window - 16" - Charcoal
-	002296-02-000	FT	Spine - 130" Dia - Charcoal (Screen)
-	076778-03-000	EA	Rivet - Plastic Pin Drive - Black
-	081354-01-000	EA	Sleeve - Torque Tube
-	083150-01-000	EA	Tube Asm - Torque
-			Not illustrated

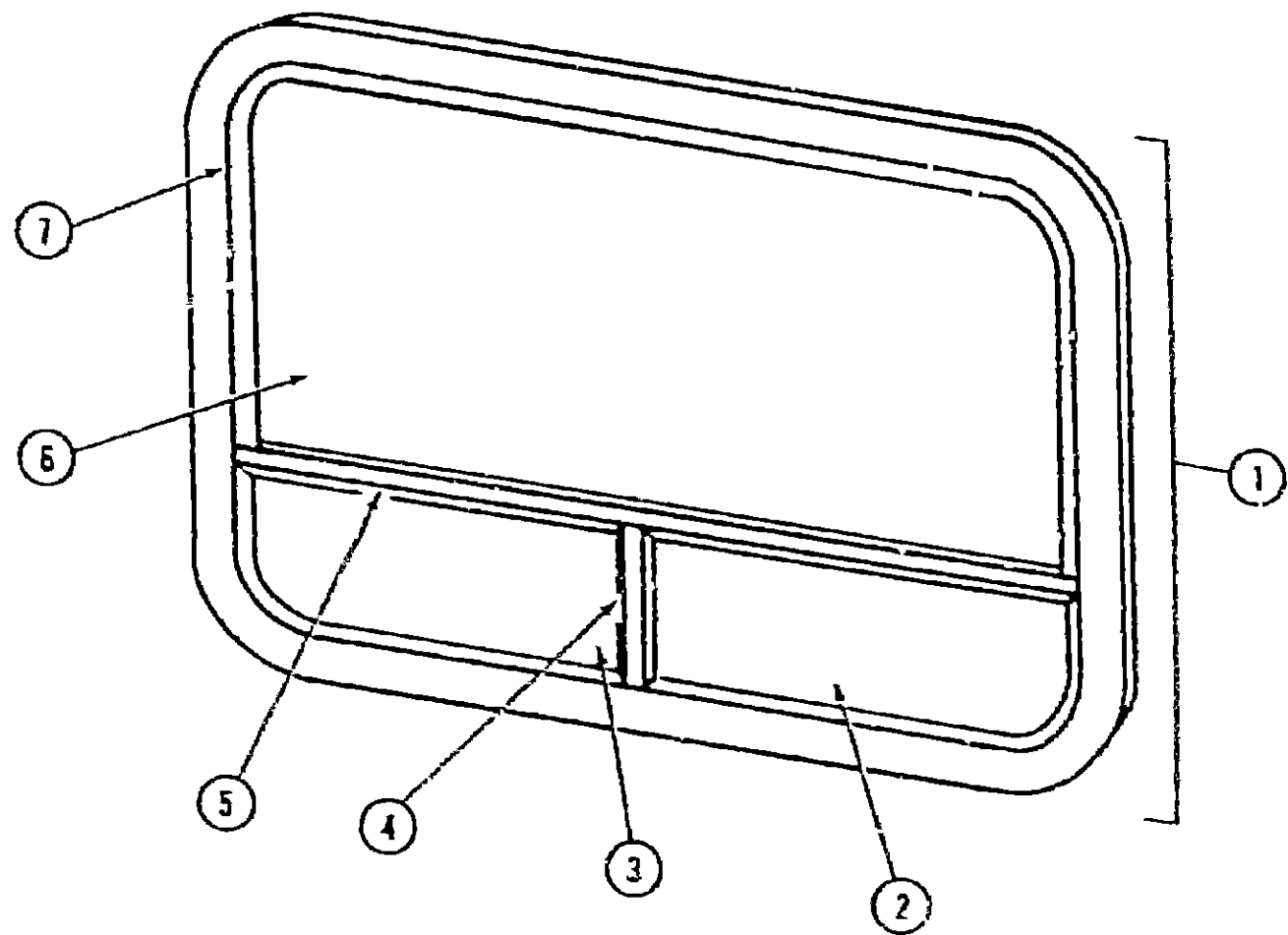
1986 ITASCA  
TABLE OF CONTENTS

IT319RB	A-01 - B-16
IC121RB	B-17 - D-16
IF426RT	D-17 - F-22
ICN26RH	F-23 - I-05
ICP25RU	I-07 - K-16

1986 ICP28RU INDEX

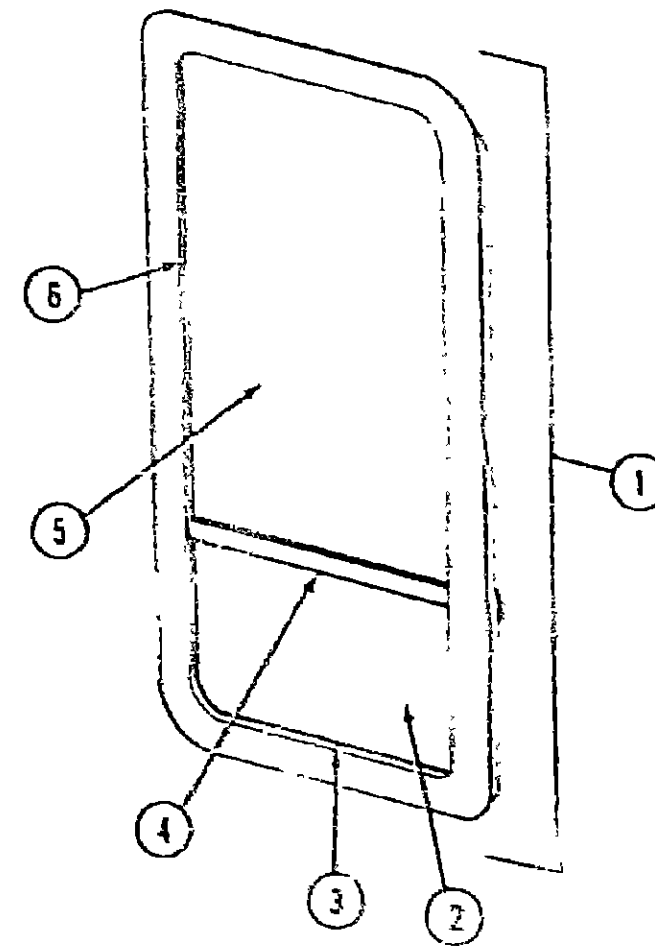
Floor Plan	I-07 - I-08
Accessories Group	I-09 - I-13
Bath Group	I-14
Chassis Group	I-15 - I-19
Curtain, Cushion & Pad Group	I-20 - J-03
D-rette Group	J-04
Driver's Compartment Group	J-05 - J-06
Electrical Group	J-09 - J-12
Exterior Body Group	J-13 - J-20
Galley Group	J-21 - J-22
Heating & Air Conditioning Group	J-23
Interior Finish Group	J-24 - K-02
LP Group	K-03
Lounge Group	K-04
Water & Sewage Group	K-05 - K-06
Window, Vent & Exterior Door Group	K-07 - K-16

WINDOW, VENT & EXTERIOR DOOR GROUP (CONTINUED)



Key	Part Number	U/M	Description
1	081568-01-U07	EA	Window Asm - 62" x 31" - Double Tipout
-	081622-05-000	EA	Inside Frame - Black (not included in assembly)
2	081434-01-U01	EA	Window Asm - Lower - Tipout - Right Hand
3	081434-02-U01	EA	Window Asm - Lower - Tipout - Left Hand
-	081239-07-000	EA	Glass - Tipout - 1 57" x 30" x 6 3/4" - Left or Right
4	083112-05-000	EA	Mullion - Black
5	081814-01-000	EA	Mullion - Black
-	081422-01-U01	EA	Screen Asm - Tipout - Right Hand
-	081422-02-U01	EA	Screen Asm - Tipout - Left Hand
-	081243-01-000	EA	Screen Clip - Plastic - Black
-	035302-01-000	EA	Operating Mech - Right Hand
-	035302-02-000	EA	Operating Mech - Left Hand
6	081239-02-000	EA	Glass - Stationary - 1 8" x 61 7/8" x 23"
7	083180-01-000	EA	Window Seal
-	081357-01-000	EA	Bulb Seal (Tipout)
-	081359-01-000	EA	Window Seal (Tipout)
-			Not illustrated

WINDOW, VENT & EXTERIOR DOOR GROUP (CONTINUED)



Key	Part Number	U/M	Description
1	081570-03-U16	EA	Window Asm - Single - Left (w/o inside frame)
-	081622-03-000	EA	Inside Frame - Black (not included in assembly)
2	081433-03-U16	EA	Window Asm (Tipout)
-	081239-09-000	EA	Glass - 1 57" x 14 09" x 5 7" (Tipout)
-	081421-03-U16	EA	Screen Asm - Left (Tipout)
3	081357-01-000	FT	Bulb Seal (Tipout)
-	081359-01-000	FT	Window Seal (Tipout)
4	083112-03-000	EA	Mullion - Horizontal - Black
5	081239-04-000	EA	Glass - 1 57" x 25 7" x 17" - Stationary
6	083180-01-000	FT	Window Seal (Stationary)
-	035302-02-000	EA	Operating Mech - Left Hand
-	081243-01-000	EA	Screen Clip - Plastic - Black
-	002291-02-000	SF	Screen - Window - 16" - Charcoal
-	002298-02-000	FT	Spline - 130" Dia - Charcoal (Screen)
-	076778-03-000	EA	Rivet - Plastic Pin Drive - Black
-	081354-01-000	EA	Sleeve - Torque Tube
-	083150-03-000	EA	Tube Asm - Torque - Right
-			Not illustrated

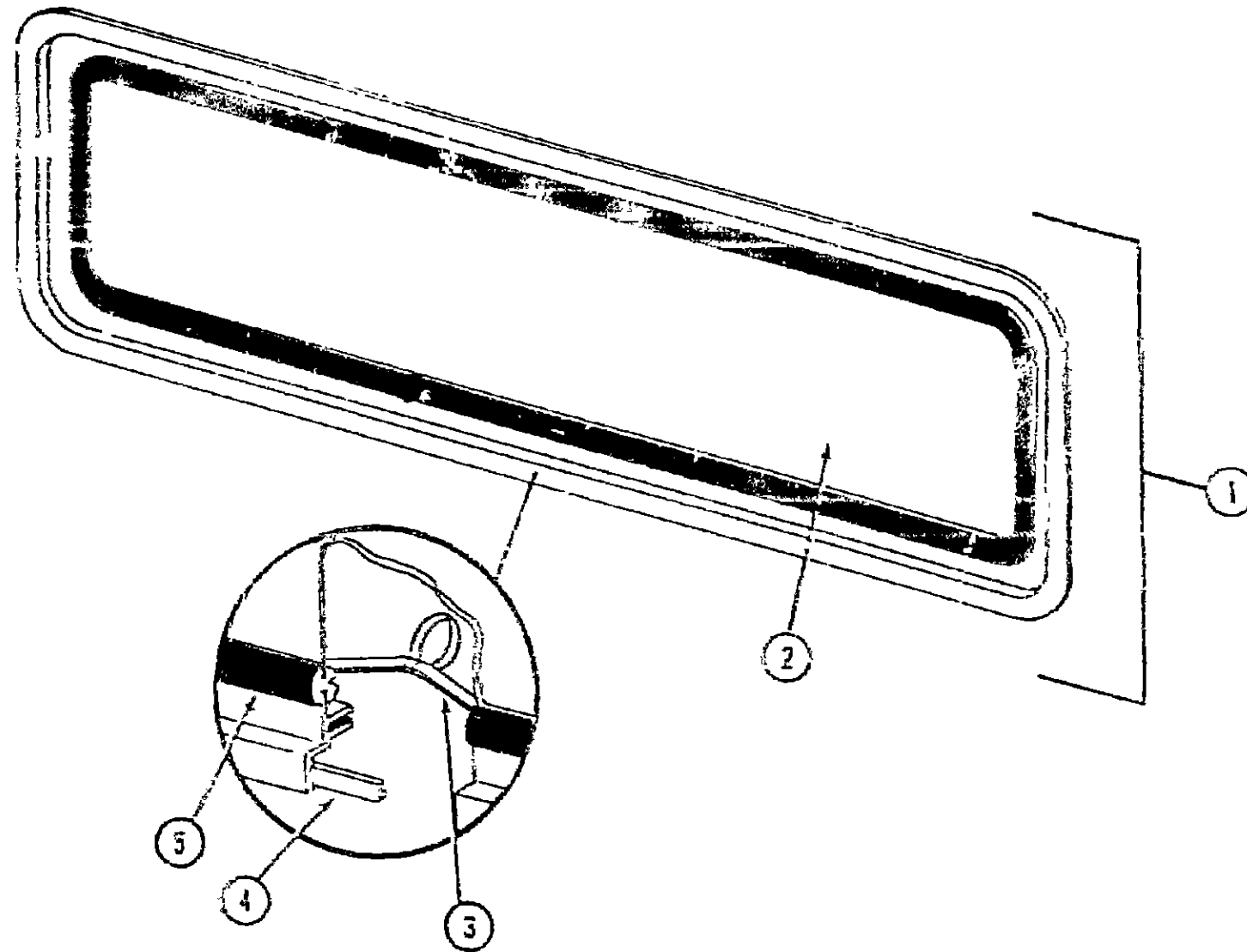
1986 ITASCA  
TABLE OF CONTENTS

ICP190B	A-01 - B-16
IC4278B	B-17 - D-16
IF426AT	D-17 - F-22
ICN26RH	F-23 - H-06
ICP26RU	H-07 - K-15

1986 ICP28RU INDEX

Floor Plan	I-07 - I-08
Accessories Group	I-09 - I-13
Bath Group	I-14
Chassis Group	I-15 - I-19
Curtain, Cushion & Pad Group	I-20 - J-03
Dinette Group	J-04
Driver's Compartment Group	J-05 - J-06
Electrical Group	J-09 - J-12
Exterior Body Group	J-13 - J-20
Galley Group	J-21 - J-23
Heating & Air Conditioning Group	J-23
Interior Finish Group	J-24 - K-02
LP Group	K-03
Lounge Group	K-04
Water & Sewage Group	K-05 - K-06
Window, Vent & Exterior Door Group	K-07 - K-16

WINDOW, VENT & EXTERIOR DOOR GROUP (CONTINUED)



Key	Part Number	U/M	Description
1	076548-01-000	EA	Window Asm - Escape w/o inside frame
1	076550-01-000	EA	Inside Frame - Escape Window - Brown (not included in assembly)
2	076537-01-000	EA	Glass - 1 Bl x 28 7" x 55 7"
3	002285-01-000	FT	Flax - Weatherstrip - Black
4	000540-04-000	FT	Tape - 2 Braze x 45
5	002282-01-000	FT	Weatherstrip - Window - 125 Black
1	006199-01-000	EA	Lid - Exit - Escape Window
1	Not Illustrated		

WINDOW, VENT & EXTERIOR DOOR GROUP (CONTINUED)

VENTS & DOMES

Key	Part Number	U/M	Description
	034373-01-000	EA	Cover - Refrigerator Vent - Beige - Norcold
	064373-04-000	EA	Roof Base - Refrigerator Vent - Black - Norcold
	071290-02-000	EA	Cover - Refrigerator Vent - 11 5/8" x 24 3/4" - Galv Steel
	071290-01-000	EA	Roof Base - Refrigerator Vent - 7 5/8" x 26 5/8" - Galv Steel
	079355-14-000	EA	Vent - Stovehood - Outside - Gray
	034878-07-000	EA	Vent - Stovehood - Outside - Gray - Curved - Sinks in
	077457-01-000	EA	Skylight - Fixed Dome (Bath)
	077902-01-000	EA	Collar - Skylight
	075055-01-000	EA	Vent Asm - Roof - Non-Powered - w/o Screen
	078785-01-000	EA	Screen Asm - Roof - Non-Powered
	064469-06-000	EA	Vent - Power Roof - 14 x 14 - 12 Volt - Off White - Jensen (Bath) - US
	064469-02-000	EA	Vent - Power Roof - 14 x 14 - 12 Volt - Off White - Jensen (Bath) - CSA
	064469-03-000	EA	Vent - Power Roof - 12 Volt - UL
	064469-03-700	EA	Switch - On Off On
	064469-03-701	EA	Switch - Rocker - On Off
	064469-03-702	EA	Lid - Vent - White
	064469-03-703	EA	Screen Frame Light Assembly
	064469-03-704	EA	Screw - 10-24
	064469-03-705	EA	Garnish - Vent - 2 5/8" Wide
	064469-03-706	EA	Lift Mechanism
	064469-03-707	EA	Motor Lift
	064469-03-708	EA	Gear Drive
	064469-03-709	EA	Gear - Motor Pinion
	064469-03-710	EA	Lens - Light w/o Switch Holes
	064469-04-000	EA	Vent - Non-Power Roof - 12 Volt - Jensen (Bath) - UL
	064469-05-000	EA	Vent - Non-Power Roof - 12 Volt - Jensen (Bath) - CSA
	064469-06-000	EA	Vent - Powered Roof - 12 Volt - Jensen (Bath) UL - w/o Light
	064470-01-000	EA	Vent - Roof - 14" x 14" - Off White
	009439-01-000	EA	Crank - Roof Vent
	009439-03-000	EA	Extension - 8" - Roof Vent
	009439-05-000	EA	Knob - Roof Vent - Black
	009439-06-000	EA	Extension - 9" Black - Roof Vent
	032550-01-000	EA	Collar - Vent Pipe - Covered - 1 5/8"

1986 ITASCA  
TABLE OF CONTENTS

IT319RB	A-01 - B-16
IC421RB	B-17 - D-15
IF428RT	D-17 - F-22
ICN28RH	F-23 - I-05
ICP28RU	I-07 - K-15

1986 ICP28RU INDEX

Floor Plan	I-07 - I-08
Accessories Group	I-09 - I-15
Bath Group	I-14
Chassis Group	I-15 - I-19
Curtain Cushion & Pad Group	I-20 - I-23
Dinette Group	J-01
Driver's Compartment Group	J-05 - J-08
Electrical Group	J-09 - J-12
Exterior Body Group	J-13 - J-20
Galley Group	J-21 - J-22
Heating & Air Conditioning Group	J-23
Interior Finish Group	J-24 - K-02
LP Group	K-03
Lounge Group	K-04
Water & Sewage Group	K-05 - K-06
Window, Vent & Exterior Door Group	K-07 - K-16