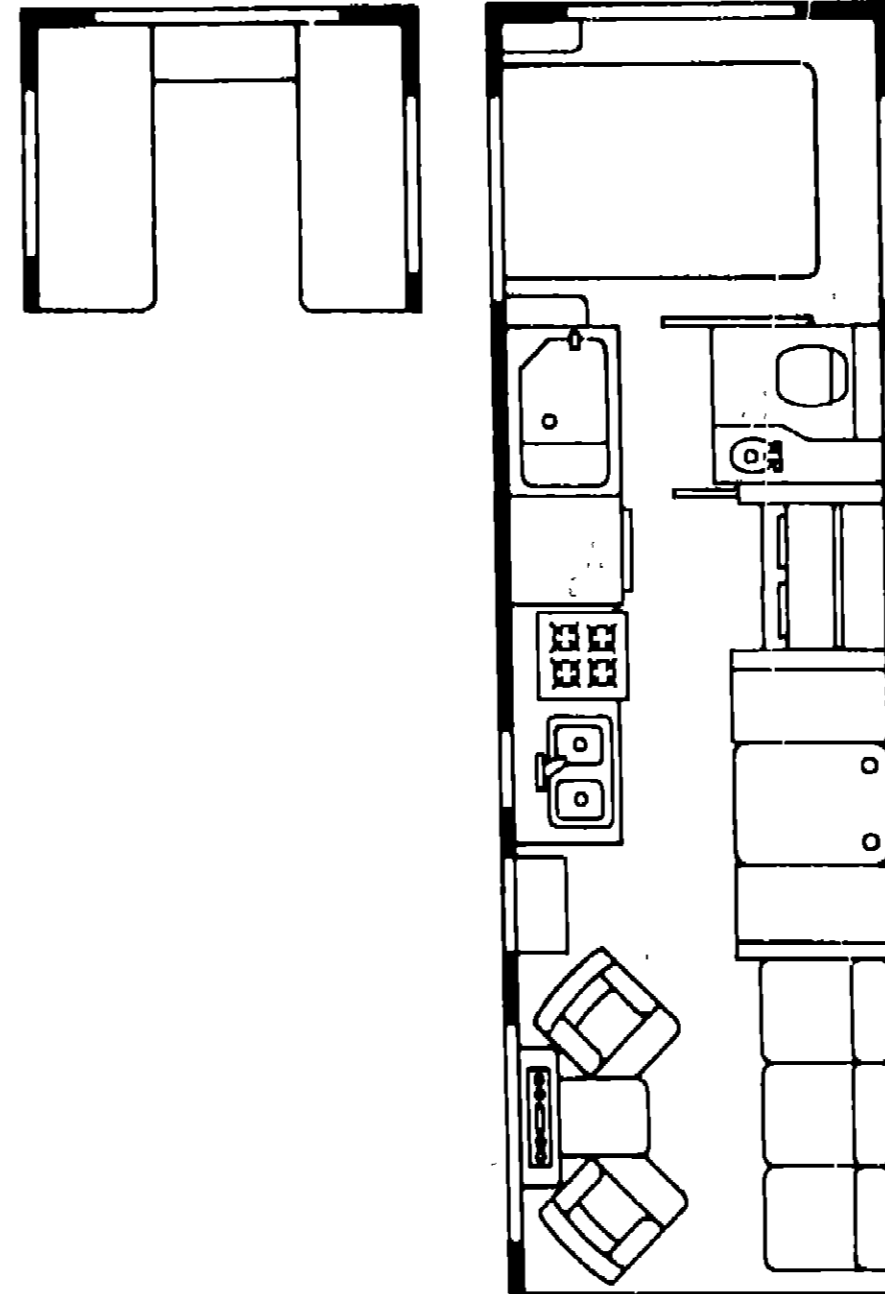


1986 ICN33RU



1986 ITASCA TABLE OF CONTENTS

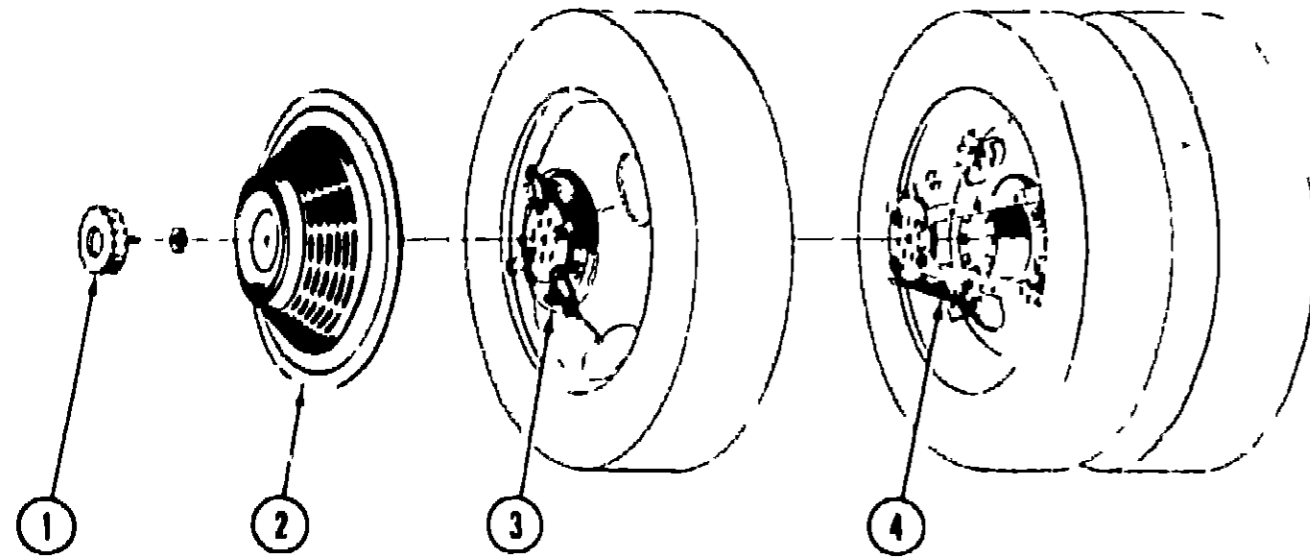
IC/IF424RC
IF426RU
ICN33RU
ICP34RU

A-01 - C-08
C-09 - E-10
E-11 - G-22
G-23 - J-09

1986 ICN33RU INDEX

Floor Plan	E-11 - E-12
Accessories Group	E-13 - E-16
Bath Group	E-17
Chassis Group	E-18 - E-21
Curtain, Cushion & Pad Group	E-22 - F-04
Dinette Group	F-05
Driver's Compartment Group	F-06 - F-09
Electrical Group	F-10 - F-12
Exterior Body Group	F-13 - F-18
Galley Group	F-19 - F-20
Heating & Air Conditioning Group	F-21 - F-22
Interior Finish Group	F-23 - G-01
LP Group	G-02
Lounge Group	G-03 - G-04
Water & Sewage Group	G-05 - G-06
Window Vent & Exterior Door Group	G-07 - G-22

ACCESSORIES GROUP



WHEEL COVER & MOUNTING HARDWARE

Key	Part Number	U/M	Description
1	054082 02 000	EA	Retaining Nut Delmet - Wheel Cover
2	073426-02-700	EA	Wheel Cover - Bolt On - 19.5" - Delmet (1)
2	083181-03 700	EA	Wheel Cover - Clip On - 19.5" - Delmet (1)
3	073426-05-700	EA	Retention Bracket Asm - Wheel Cover Support - Heavy Duty - Front (1)
	083181-04 700	EA	Retainer Kit - 19.5" Clip On - Delmet (1)
4	073426-05-701	EA	Retention Bracket Asm - Wheel Cover Support - Heavy Duty - Rear (1)
	073426-05 000	EA	Retention Bracket Asm - Wheel Cover Support - Heavy Duty (Set/4)
	031396-02-000	EA	Wheel Cover - 19.5" - Clip On

Not Illustrated

The illustrated parts breakdown for this item is provided on the Common Items Fiche

GENERATORS & COMPONENTS

Key	Part Number	U/M	Description
	054429-01-000	EA	Generator - Onan - 4.0 kw
	052168-01-000	EA	Generator - Onan - 4.25 kw
	069229-01-000	EA	Generator - Kohler - 4.5 kw
	054433 01-000	EA	Generator - Onan - 6.5 kw
	051911-01-000	EA	Generator - Kohler - 7.000 kw - US
	053756-01-000	EA	Generator - Kohler - 7.000 kw - CSA
	701829-01 000	EA	Kohler Installation Package
	701829-02 000	EA	Onan Installation Package
	024732-01-016	EA	Tailpipe - 1.5" O.D. x 43.5"
	067753-01-000	EA	Muffler - Generator - w/Spark Arrestor - Nelson
	052431-01-000	EA	Tray - Luggage Compartment
	068046-01-000	EA	Conversion Kit - LP - Onan Generator
	007067 01-000	EA	Insulation - Fiberglass - 1"

The illustrated parts breakdown for this item is provided on the Common Items Fiche

RADIO & RELATED COMPONENTS

Key	Part Number	U/M	Description
	077069 01 000	EA	Antenna - Radio
	031105-01-700	EA	Holder - Antenna - Radio - Upper
	064791 01-000	EA	Speaker - Recessed - 5.25"
	064792 01-000	EA	Grille - Speaker - 5.25" - w/Mesh - Brown
	073741-01-000	EA	Speaker - 4" x 6" - Oval
	073431-01-000	EA	Speaker - 5.25" 3 Way (Pair)
	074979-01 000	EA	Speaker Cover Protector - Plastic
	064792 01 000	EA	Speaker - Recessed - 5.25"
	075903 01 000	EA	Radio - AM/FM MPX w/Cassette
	075904 01 000	EA	Radio - AM/FM Stereo Cassette - Electric Tuning

E-13

ACCESSORIES GROUP (CONTINUED)

MISCELLANEOUS ACCESSORIES

Key	Part Number	U/M	Description
	054185 24 000	EA	Owners Manual - 1986 - Itasca & Winnebago
	078319 01-000	EA	Antenna - TV - (Wineguard Antenna) 44.5" Mast
	078319 01-700	EA	RVSA Sensor - Antenna
	078319 01-701	EA	Elevating Gear
	078319-01 702	EA	Shaft Elevating Asm.
	078319-01-703	EA	Nylon Bearing - 5"
	078319 01-704	EA	Nylon Bearing
	078319 01-705	EA	Nylon Bearing
	078319 01-708	EA	Elevating Crank - w/Set Screw
	078319 03 000	EA	Cable Coaxial 1000' - 75 OHM
	078319 04 000	EA	Connector & Ferrule
	078319 05 000	EA	Wallplate/Power Supply Ivory
	078319 06 000	EA	Adaptor - Cable Roof Plate
	078319 07-000	EA	Wallplate/Power Supply Brown
	078319 08 000	EA	Wallplate/Receptacle Ivory
	078319 09 000	EA	Wallplate/Receptacle - Brown
	078319-10-000	EA	Ferrule
	078319-11 000	EA	Adaptor - Coax w/Splitter
	041944 02 000	EA	Fire Extinguisher Bracket
	041944 03 000	EA	Fire Extinguisher - 5 BC
	076840-01 000	EA	Shock Cord Asm
	072852 01 000	EA	Smoke Detector w/9 Volt Battery
	006069 01 000	EA	Key Case - Leather
	040069 01 000	EA	Door Mat - 10.5' x 26" - Black Rubber
	081201-02 000	EA	Door Mat - Front - Right - Brown
	081201 01 000	EA	Door Mat - Front - Left - Brown
	081075 02 000	EA	Door Mat Entrance Brown
	080208 01-000	EA	Lug Wrench
	080208 02 000	EA	Leverage Bar - Lug Wrench
	063708 01 000	EA	Cover - Air Conditioning - Vinyl
	006113 01 000	EA	Jack - Hydraulic - 6 Ton - w/Handle
	036420 02 000	EA	Defroster Fan - 6" - 2 Speed
	079942 01 000	EA	Shock Absorber - Stabilizer - Front
	079942 02 000	EA	Shock Absorber - Stabilizer - Rear
	079942 07 000	EA	Bracket - Mounting - Stabilizer

EXTERIOR MIRRORS

Key	Part Number	U/M	Description
	049347 01 000	EA	Mirror Head - 7 1/2" x 10 1/2"
	049348 03 000	EA	Arm - Low Mount Mirror - Black
	049944 04 000	EA	Bracket - Mirror - Outside - Black
	077966-01 000	EA	Mirror - Wide Angle - Stainless Steel - Passenger
	077966-02-000	EA	Mirror - Wide Angle - Stainless Steel - Driver
	077966-01-700	EA	Mirror - Convex - 6" x 6 1/2"
	006043 01 000	EA	Mirror - Convex - Adhesive Back

1986 ITASCA TABLE OF CONTENTS

IC/IF424RC	A 01 - C 08
IF426RU	C 09 - E 10
ICN33RU	E-11 - G 22
ICP34RU	G 23 - J 09

1986 ICN33RU INDEX

Floor Plan	E-11 - E-12
Accessories Group	E-13 - E-16
Bath Group	E-17
Chassis Group	E-18 - E-21
Curtain, Cushion & Pad Group	E-22 - F-04
Dinette Group	F-05
Driver's Compartment Group	F-06 - F-09
Electrical Group	F-10 - F-12
Exterior Body Group	F-13 - F-18
Galley Group	F-19 - F-20
Heating & Air Conditioning Group	F-21 - F-22
Interior Finish Group	F-23 - G 01
LP Group	G 02
Lounge Group	G-03 - G 04
Water & Sewage Group	G-05 - G 06
Window Vent & Exterior Door Group	G 07 - G 22

E-14

ACCESSORIES GROUP (CONTINUED)

OPTIONAL ELECTRIC STEP & COMPONENTS

Key	Part Number	U/M	Description
	075461 01 000	EA	Step Asm - Electric (Kwikkee)
	075461 01 700	EA	Motor
	041250 01-000	EA	Door Switch
	075461 01-704	EA	Under Step Control Unit
	075461 01-705	EA	4 Way Plug (Dash End)
	075461-01-706	EA	Kill Switch
	075461 01 707	EA	Step Light
	075461 01 708	EA	4 Way Plug (Control Box End)
	075461 01-709	EA	90° Plug
	075461-01 710	EA	Gear
	075461 01 711	EA	Drive Link

OPTIONAL RACK & LADDER & COMPONENTS

Key	Part Number	U/M	Description
	080997 02 T03	EA	Ladder Asm - Lower
	080999-02 T03	EA	Ladder Asm - Upper
	08102J 01-T03	EA	Rack Asm Right
	081026-02 T03	EA	Rack Asm Left
	081125 01 000	EA	Spring Grip - Internal
	081026-01 000	EA	Pin - Quick Release
	038327 01 000	EA	Tape - Anti Slip 2' x 60'

OPTIONAL WHEEL LINERS & COMPONENTS (CHROME)

Key	Part Number	U/M	Description
	081603 01-000	EA	Cover Rear Axle - Chrome Liner
	081608 02 000	EA	Cover - Front Axle Chrome Liner
	081608 03 000	EA	Liner - Front Wheel - Chrome Liner
	081606-04-000	EA	Liner - Rear Wheel Chrome Liner
	081608 05 000	EA	Lug Nut Cover - Chrome Lines
	081608 06 000	EA	Spiral Ring - Chrome Liners

OPTIONAL MICROWAVE/CONVECTION OVEN & COMPONENTS

Key	Part Number	U/M	Description
	081379 01 000	EA	Microwave/Convection Oven - Sharp
	081459 03 000	EA	Bracket Asm - Microwave - Right
	081459 04 000	EA	Bracket Asm - Microwave - Left
	081456 01 000	EA	Angle Asm - Microwave Right
	081456-02 000	EA	Angle Asm - Microwave - Left
	081555 01-T03	EA	Trim Asm - Microwave
	082876 01 000	EA	Baffle Asm - Microwave

OPTIONAL SPEED CONTROL & COMPONENTS

Key	Part Number	U/M	Description
	083212 02 000	EA	Control Switch
	083212 01-000	EA	Speed Control Package - Electric Gas - Dana
	083212 01-700	EA	Regulator Asm - Electric
	083212 01-701	EA	Carburator Lever
	083212 01-702	EA	Harness Asm (Main Wiring)
	083212 01-703	EA	Servo Asm - Mount Ready
	083212 01-704	EA	Switch - Stop Lamp - Cruise Release
	083212 01-705	EA	Valve Asm - Switch - Speed Control
	083212 02-000	EA	Control Switch & Lever Asm
	083212-04 000	EA	Speed Control Electric Chevy
	083212 04 701	EA	Main Wiring Harness
	083212 04 702	EA	Servo Asm Mount Ready
	083212 04 703	EA	Bracket - Servo - Mounting
	083212 04 704	EA	Bracket - Servo Mounting

ACCESSORIES GROUP (CONTINUED)

OPTIONAL FOG LAMP & COMPONENTS

Key	Part Number	U/M	Description
	079941 01-000	EA	Lamp Asm - Fog w/Cover Amber
	079941-01-700	EA	Lamp Asm Fog - Set of 2
	079941 01-701	EA	Lens and Cover Only
	079941-01-702	EA	Switch Fog Lights
	079941 01-703	EA	Solenoid
	079941 01-704	EA	Switch Plate For Switch

OPTIONAL AIR HORN & COMPONENTS

Key	Part Number	U/M	Description
	077497-01 000	EA	Air Horn Kit - Twin Chromed
	077497-01-700	EA	Solenoid - Air Horns Air Tank
	077497-01-701	EA	Compressor Switch - Air Horn
	077497-01-702	EA	Toggle Switch - Air Horn
	077497 01-703	EA	Air Tank - Air Horn
	077497 01-704	EA	Compressor w/Switch - Air Horn
	083912 01-000	EA	Relay Canister w/Ground - Air Horn

OPTIONAL STEERING WHEEL

Key	Part Number	U/M	Description
	080752-05 000	EA	Steering Wheel - Custom
	080752 06 000	EA	Hub Adapter - Steering Wheel
	080752 07 000	EA	Button - Horn - w/Wire
	080752 08 000	EA	Screw - Custom Steering Wheel

OPTIONAL VACUUM CLEANER & COMPONENTS

Key	Part Number	U/M	Description
	055285 01 000	EA	Vacuum Cleaner - Built In - Tevis Campbell
	055285 01 700	EA	Accessories Kit - Standard - Tevis Campbell
	055285 01-701	EA	Filter - 10 per Consumer Package Tevis Campbell
	055285 01 702	EA	Hose Vacuum Cleaner 20
	055285 01 703	EA	Rug Tool
	055285 01-704	EA	Crevice Tool
	055285 01 705	EA	Upholstery Tool
	055285 01 706	EA	Wand Set (2 Piece)

1986 ITASCA TABLE OF CONTENTS

IC/IF424RC	A 01 C 08
IF426RU	C 09 - E-10
ICN33RU	E 11 G 22
ICP34RU	G 23 J 09

1986 ICN33RU INDEX

Floor Plan	E 11 - E 12
Accessories Group	E 13 - E 16
Bath Group	E-17
Chassis Group	E 18 - E-21
Curtain, Cushion & Pad Group	E 22 F 04
Dinette Group	F 05
Driver's Compartment Group	F 06 - F 09
Electrical Group	F-10 - F-12
Exterior Body Group	F-13 - F-18
Galley Group	F-19 - F-20
Heating & Air Conditioning Group	F-21 F-22
Interior Finish Group	F 23 - G 01
LP Group	G 02
Lounge Group	G 03 - G-04
Water & Sewage Group	G 05 - G 06
Window Vent & Exterior Door Group	G 07 - G-22

BATH GROUP

BATH CABINETRY

Key	Part Number	U/M	Description
	M81304 04 U13	EA	Cabinet Asm - Lavatory w/o Countertop, Doors, or Drawers (U04, U05)
	M02182 01 U13	EA	Countertop Asm - Lavatory Cabinet - North Sea
	M02182 01 U14	EA	Countertop Asm - Lavatory Cabinet - Cayenne
	M02182 01 U15	EA	Countertop Asm - Lavatory Cabinet - Wild Rose
	M81501-12 U13	EA	Door Asm - Hamper - w/o Hardware
	M81501 13 U13	EA	Door Asm - Lavatory Cabinet
	081894 02 U13	EA	Tilt Out - Drawer Asm, - Lavatory
	076073 01 000	EA	Cabinet Asm - Medicine 15 4" x 29 4" Almond
	081535 01 U04	EA	Door Asm - Medicine Cabinet - w/Mirror
	058331 05 000	EA	Mirror - 12" x 26" Medicine Cabinet Door
	M82757 01 U04	EA	Door Asm - Wardrobe Cabinet - Lower - w/o Hardware
	M81504 26 U10	EA	Door Asm - Wardrobe Cabinet - Upper w/o Hardware
	M02480 01 U04	EA	Countertop Asm - Wardrobe - Sunset Oak
	M02153 01 U13	EA	Countertop Asm - Pipe Cover - North Sea
	M02153 01 U14	EA	Countertop Asm - Pipe Cover - Cayenne
	M02153 01 U15	EA	Countertop Asm - Pipe Cover - Wild Rose
	080224 02 000	EA	Folding Door - Front 74" x 36"
	080224 05 000	EA	Track - Front Folding Door - 29 5'
	080224 03 000	EA	Folding Door - Rear - 35' x 77 5'
	080224 07 000	EA	Track - Rear Folding Door - S Curve
	080224 01 700	EA	Latch & Catch Asm - Folding Door
	081830 01 U04	EA	Door Asm - Sliding - w/o Hardware
	079657 01 000	EA	Door Asm - Folding Shower - Plastic

BATH HARDWARE

Key	Part Number	U/M	Description
	M01817 01-T03	EA	Bathtub Asm w/Strainer
	075212 03 000	EA	Faucet - Tub & Shower - Brass
	075240 03 000	EA	Faucet - Lavatory - Brass
	011048-02 000	EA	Shower Head w/50 Hose
	011048 04 000	EA	Vacuum Breaker - 1/8 MPT - Nylon - Shower Head
	075616-01 000	EA	Shower Panel - Faucet - Plastic
	066729 01 000	EA	Strainer - Bathtub Asm
	066435 01 000	EA	Nut Strainer - Plastic - Bathtub Asm
	066436 01 000	EA	Slip Nut - 1 5' Tall Piece - Bathtub Asm
	069735 01-000	EA	Washer - Tall Piece - 1 5' - Plastic - Bathtub Asm
	011069 02 000	EA	Tailpiece - 1 5' x 1 25' x 4' - Brass - Bathtub Asm
	080256 01 000	EA	Shroud - Bathtub Asm - Off White
	058713 01-000	EA	Sink - Oval - Ivory Plastic
	039341-02 000	EA	Toilet - Thetford - Aqua Magic - Ivory 8420SH
	075452-02-000	EA	Tissue Holder - Brass
	075453 02 000	EA	Towel Bar 18 - Brass
	075454 02 000	EA	Towel Ring - Brass
	079235 01 000	EA	Header - Track - Shower Door - Beige
	079234 01 000	EA	Jamb - Shower Door - Rear - Beige
	079234 02-000	EA	Jamb - Shower Door - Front - Beige
	058331-05 000	EA	Mirror - Tempered Glass - 12 x 26
	058331-04 000	EA	Mirror - Tempered Glass - 12 x 42
	057671-01 000	EA	Screw Cover - #8 - Antique White
	059777-01-000	EA	Hinge - Antique Brass
	064467-01-000	EA	Guide - Wall Mount - Sliding Door
	009156-01-000	EA	Hanger - Sliding Door
	058034 02-000	EA	Latch Door w/o Lock - Sliding Door
	075153 01-000	EA	End Cap - Cover - Beige
	075149 06-000	EA	Track - 59 7 - Sliding Door
	075145-09-000	EA	Cover - Track - 59 7 - Sliding Door
	066433 01-000	EA	Hook - Cup - Bright
	075680-01 000	EA	Rod - Clothes - Adjustable
	009112 01-000	EA	Flange - 1 - Clothes Rod
	071632-01-000	EA	Bag Hamper - 49 w/Elastic
	080224-05-000	EA	Track - Folding Door - 29 50 - Straight

The illustrated parts breakdown for this item is provided on the Common Items Fiche

CHASSIS GROUP

MISCELLANEOUS CHASSIS

Key	Part Number	U/M	Description
	047441 01 000	EA	Battery Terminal - Horizontal Lug
	075723 01 000	EA	Block - Switch - Spacer w/o Holes
	072359 01 000	EA	Bottle - Coolant Expansion
	064083 01 000	EA	Box - Luggage
	075231 01 000	EA	Bracket Asm, - Fuel Tank Hanger
	051697 01 000	EA	Bracket - Battery Tie Down - 6 9"
	085451 02 000	EA	Bracket - Battery Tie Down - 10 82'
	065451 01 000	EA	Bracket - Battery Tie Down - 14"
	007125 07 000	EA	Clamp Asm - Muffler - 1 62"
	007125 01 000	EA	Clamp Asm - Muffler - 2 50'
	010497 01 000	EA	Clamp - Close - 5/8 I D
	007181 01 000	EA	Clamp - Hose Spring Type 112
	062401 01 000	EA	Clamp - Hose Wormgear 22" I D x 1" I D
	062401 02 000	EA	Clamp - Hose Wormgear 1 58" I D - 2 5" I D
	062401 03 000	EA	Clamp - Hose - Wormgear 25" I D - 1" I D
	062401 04 000	EA	Clamp - Hose Wormgear 89 I D - 1 25' I D
	062401 05 000	EA	Clamp - Hose - Wormgear - 2" I D - 3' I D
	062401 06 000	EA	Clamp - Hose Wormgear - 22' I D - 62' I D
	023146-01 000	EA	Clamp - Screw Type - 4
	024490 01 000	EA	Compartment - Power Cord - Black Plastic
	071656 01 000	EA	Cover - Radiator - Rear
	080722 01-000	EA	Cover - Radiator - Rear Back (Fan Shroud)
	020167-03 000	EA	Dirty Guard - Rear Wheel
	007131 01 000	EA	Hanger - Tail Pipe
	024138 01 000	FT	Hose Fuel - 5/16" I D SAE 30RI
	066732 01 000	FT	Hose Fuel Fill - 62 I D
	007111 02 000	EA	Hose Fuel Fill - 2 00 I D
	007111 01-000	EA	Hose Fuel Fill - 2 25 I D
	006113 01 000	EA	Jack - Hydraulic - 6 Ton - w/Handle
	080208 02 000	EA	Leverage Bar 22 Lug Wrench
	090208 01 000	EA	Lug Wrench
	017516 01-000	EA	Mud Flap w/Holes - 14 x 18 - Black
	074483 01 000	EA	Retainer Nut - Snap In - Speed Control
	064963 01 000	EA	Rim - Wheel - 19 5 x 6 75 - 8 Hole
	057038 09 000	EA	Sending Unit Fuel - 90 OHM - Aux
	075146 01 000	EA	Shield - Heat Muffler
	079942 01 000	EA	Shock Absorber - Stabilizer - Front
	079942 02 000	EA	Shock Absorber - Stabilizer - Rear
	079942 07-000	EA	Bracket Mounting Stabilizer
	063977-04 000	EA	Step Asm - Driver Door
	077848 01 000	EA	Step Asm - Entry
	076241 01-000	EA	Support Asm - Electric Step
	065963-02 000	EA	Switch - Fuel - Change Over
	061411-03 000	EA	Tailpipe Extension - 2 25 x 10 5
	007321 01 000	EA	Tire 8 00 x 19 5 - 8 Ply Poly
	007324 04 000	EA	Tire - 8 00 x 19 5 - Michelin
	048594 01 000	EA	Tray - Battery
	052431 01-000	EA	Tray - Luggage
	051377-01-000	EA	Valve Stem Asm - TR500
	055374-01 000	EA	Wheelwell - Plastic
	008343 01 000	EA	Wire Tie - 6
	081432 01 000	EA	Shroud - Main Fuel Fill - Inside

NOTE: Remainder of exhaust components available from chassis service centers

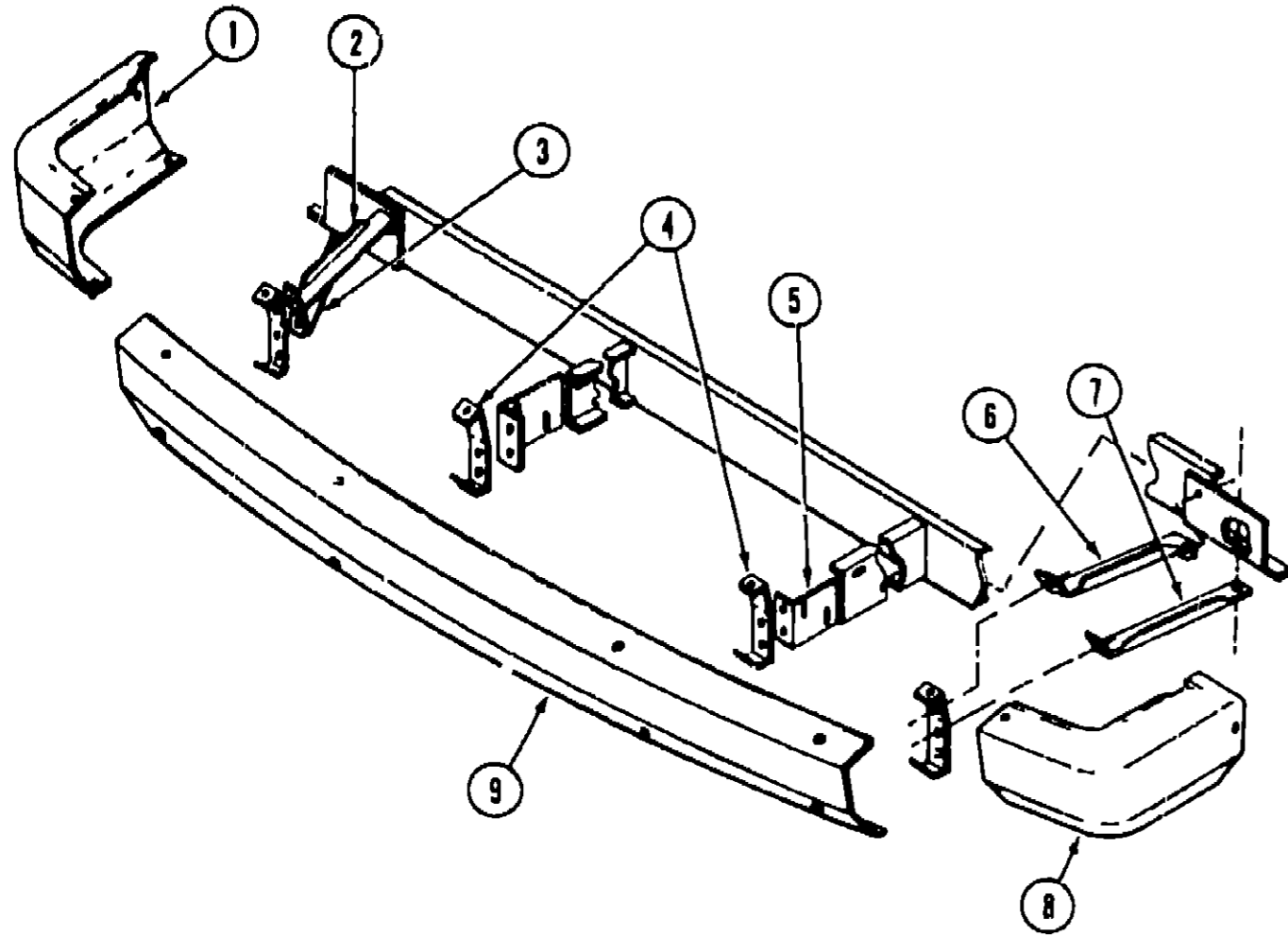
1986 ITASCA TABLE OF CONTENTS

IC/IF424RC	A 01 - C 08
IF426RU	C 09 - E 10
ICN33RU	E 11 - G 22
ICP34RU	G 23 - J 09

1986 ICN33RU INDEX

Floor Plan	E-11 - E-12
Accessories Group	E-13 - E-16
Bath Group	E-17
Chassis Group	E-18 - E-21
Curtain Cushion & Pad Group	E 22 - F 04
Dinette Group	F-05
Driver's Compartment Group	F-06 - F 09
Electrical Group	F-10 - F-12
Exterior Body Group	F 13 - F 18
Galley Group	F 19 - F 20
Heating & Air Conditioning Group	F-21 - F-22
Interior Finish Group	F-23 - G 01
LP Group	G 02
Lounge Group	G 03 - G-04
Water & Sewage Group	G 05 - G-06
Window Vent & Exterior Door Group	G-07 - G 22

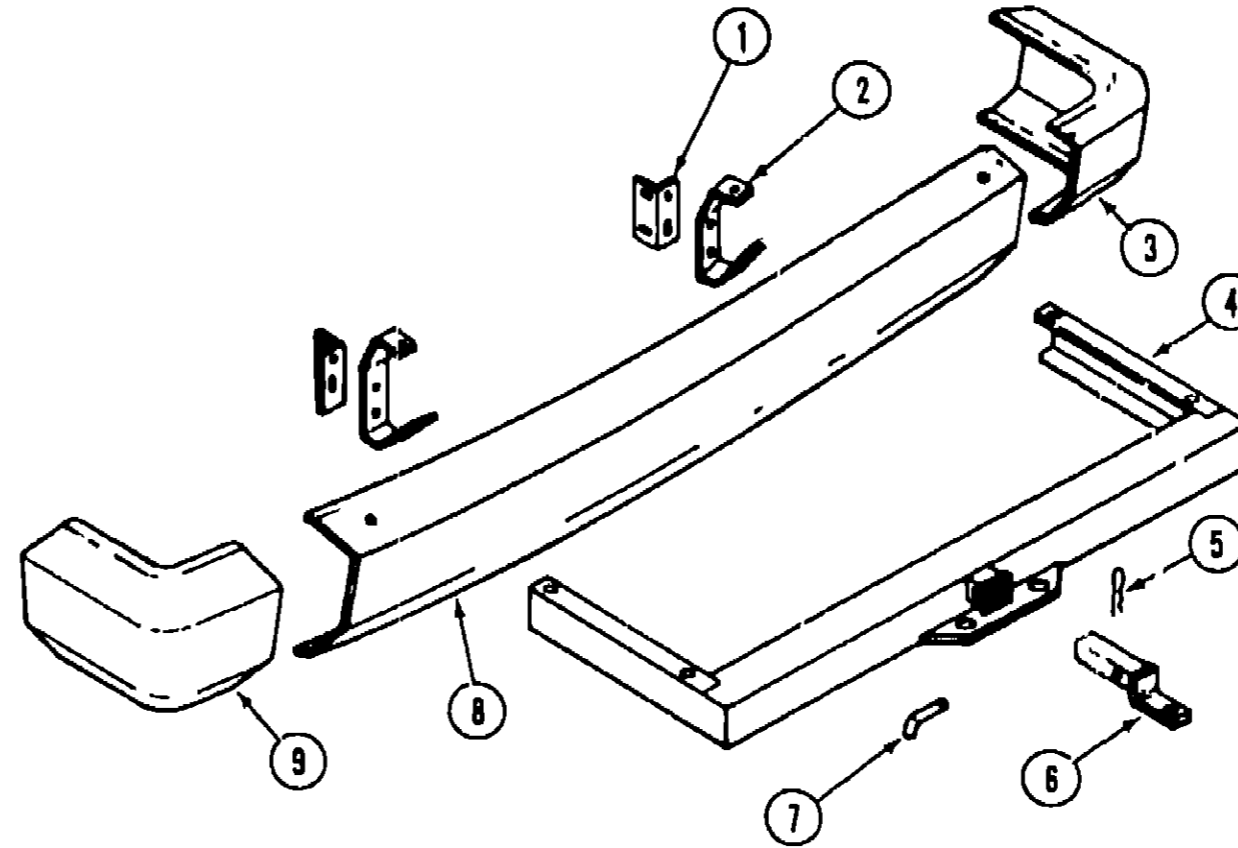
CHASSIS GROUP (CONTINUED)



FRONT BUMPER

Key	Part Number	U/M	Description
1	078577-03 000	EA	Bumper End - Gray - Right Front
2	078002-01 000	EA	Brace - Upper Right - Front Bumper
3	078003 01-000	EA	Brace - Lower Right - Front Bumper
4	077852 01 000	EA	Bracket to Bumper - Front
5	076527-01 000	EA	Bracket to Frame - Front Bumper
6	078002 02 000	EA	Brace - Upper Left - Front Bumper
7	078003 02 000	EA	Brace - Lower Left - Front Bumper
8	078577-04-000	EA	Bumper End - Gray - Left Front
9	077850 04-000	EA	Bumper Front Primed
9	077850-09 000	EA	Bumper - Front Chrome
	005200 01-000	EA	Carriage Bolt - Chrome - 7/16 x 14 x 1 1/4
			Not illustrated

CHASSIS GROUP (CONTINUED)



REAR BUMPER & HITCH

Key	Part Number	U/M	Description
1	078668 01-000	EA	Support Angle - Rear Bumper Support to Frame
2	078670 02 000	EA	Bracket to Bumper - Rear
3	078578 03 000	EA	Bumper End Cap - Rear Passenger - Gray
4	077617-01-700	EA	Hitch Asm - w/o Drawbar
5	034513 01 000	EA	Pin - Hitch - 3/16" Wire
6	077613 01 000	EA	Drawbar - Ball Mount
7	034512 01 000	EA	Locking Pin - Drawbar
8	078584 01 000	EA	Bumper - Rear - Primed
8	078584 08 000	EA	Bumper - Rear - Chromed
9	078578 04 000	EA	Bumper End Cap - Rear Driver - Gray
	083376 01 000	EA	Skid Plate Asm
	005200 01 000	EA	Bumper Bolt - 7/16 - 14 x 1 1/4
			Not illustrated

**1986 ITASCA
TABLE OF CONTENTS**

IC/IF424RC
IF426RU
ICN33RU
ICP34RU

A 01 C 08
C 09 E 10
E-11 G 22
G 23 J 09

1986 ICN33RU INDEX

Floor Plan	E 11	E-12
Accessories Group	E-13	E 16
Bath Group		E-17
Chassis Group	E-18	E 21
Curtain Cushion & Pad Group	E 22	F 04
Dinette Group		F 05
Driver's Compartment Group	F 06	F-09
Electrical Group	F 10	F 12
Exterior Body Group	F-13	F-18
Galley Group	F-19	F 20
Heating & Air Conditioning Group	F 21	F 22
Interior Finish Group	F-23	G-01
LP Group		G 02
Lounge Group	G 03	G 04
Water & Sewage Group	G 05	G 06
Window Vent & Exterior Door Group	G 07	G 22

CHASSIS GROUP (CONTINUED)

OPTIONAL STEERING WHEEL & COMPONENTS

Key	Part Number	U/M	Description
	080752 05 000	EA	Steering Wheel - Custom
	080752 06 000	FA	Hub Adaptor - Steering Wheel
	080752 07 000	EA	Horn Button - w/Wire
	080752 08 000	EA	Screw - Custom Steering Wheel

OPTIONAL 105 AMP ALTERNATOR & COMPONENTS

Key	Part Number	U/M	Description
	081057 01 000	EA	Alternator Kit - 105 Amp
	081057 01-700	EA	Brush Assembly
	081057-01-701	EA	Diode Bridge
	081057 01-702	EA	Condenser
	081057-01-703	EA	Inside Bearing Spacer
	081057 01-704	EA	Front Bearing
	081057-01-705	EA	Outside Bearing Spacer
	081057-01-706	EA	Pulley
	081057 01-707	EA	Diode +
	081057-01-708	EA	Diode
	081057-01-709	EA	Stator (105 H D)
	081057-01-710	EA	Rotor
	081057 01-711	EA	Ground Terminal Kit
	081057-01-712	EA	Battery Terminal Kit
	081057-01-713	EA	Rear Bearing
	081057-02 000	EA	Regulator Kit - 105 Amp
	081057-03 000	EA	Alternator - 105 Amp Wide Belt

AUXILIARY FUEL FILL

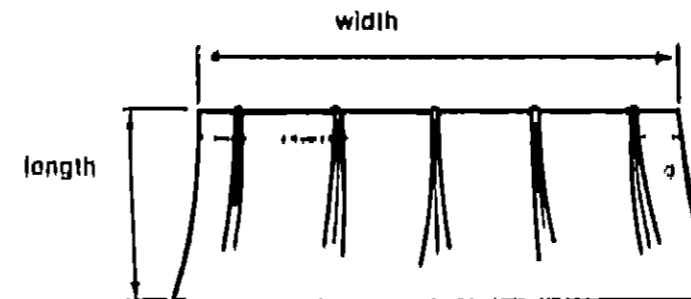
Key	Part Number	U/M	Description
	078010 05 000	EA	Door Asm & Upper Shroud - Fuel Fill - Gray
	073220 02 000	EA	Cap - Fuel Fill
	075830-01 000	FA	Shroud - Fuel Fill - Inside
	083445 01 000	EA	Neck Asm - Fuel Fill
	007111-02 000	EA	Hose - Fuel - 1 D x 3
	066732-01-000	FT	Hose Fuel - 62 I D - Vent
	083437-01-000	EA	Tank - Fuel - 30 Gallon
	075232 01-000	EA	Strap Asm - Fuel Tank T-Bolt Ends
	083452 01 000	EA	Bracket - Fuel Tank Mounting
	063303 05 000	EA	Shroud - Fuel Fill Lower
	078200-01-000	EA	Gasket - Fuel Fill
	079807 01-000	EA	Plate - Changeover Valve
	080212 01-000	EA	Valve Changeover - Fuel Select 6 Port
	057038 09 000	EA	Sending Unit - 90 Ohms

CURTAIN, CUSHION & PAD GROUP

NOTICE

In order to assist our Parts Sales Dept in providing interior software items please include the serial number and the color code number from the vehicle certification label when ordering. This label is located on the left sidewall at the end of the dash (A Body), or on the driver's door latch plate (C Body).

An example of a color code number is P31, which designates an overall color scheme of a particular unit. The color listed after the item description on the microfiche, indicates the overall unit color. Order the item you desire according to unit color code.



NOTE

Use this illustration when determining length and width measurements for curtains. You will note the width measurement is taken on the top of the curtain with the curtain fully extended. The length measurement is taken from top to bottom.

CURTAIN & CUSHION HARDWARE

Key	Part Number	U/M	Description
	079798 03 000	EA	Bracket Asm - Curtain Rod - Right
	079798 04 000	EA	Bracket Asm - Curtain Rod - Left
	082139-02-000	EA	Bracket - Hold Down Blind
	079798 03 000	EA	Bracket - Bedroom Valance - Right - Beige
	079798-04 000	EA	Bracket - Bedroom Valance - Left - Beige
	079782-04 000	EA	Track Curtain - 12 - Beige - Bottom
	009107-01-000	EA	Guide - Curtain - Bottom
	029130 01 000	EA	Snap Socket - Curtain Bottom
	082249-01-000	EA	Bracket - Blind - Top Right
	082249-02 000	EA	Bracket - Blind - Top Left
	082117-04 000	EA	Bracket - Blinds Installation
	029130 01-000	EA	Snap Socket - Tie Back
	079619 01 000	EA	Bracket - Tie Back
	056001 01 000	EA	Bracket - Shade - Left
	056002-01 000	EA	Bracket - Shade - Right
	056784 01-000	EA	Pull - Window Shade - Antique Brass
	056115-01-000	YD	Tape Clear Plastic - w/Guides
	048394 01-000	YD	Tape Hook 1 x 50 yd - Beige
	029096-05 000	YD	Tape Hook - 50 - Velcro - Beige
	048395 01 000	YD	Tape Loop - 1 x 50 YD - Beige
	029090-01 000	FT	Tie - Drapery - Clear Vinyl
	056116-01 000	EA	Track Curtain - Brown Plastic - Top
	079946 01 000	EA	Track - Curtain - Wraparound - Right
	079946 02 000	EA	Track - Curtain - Wraparound - Left

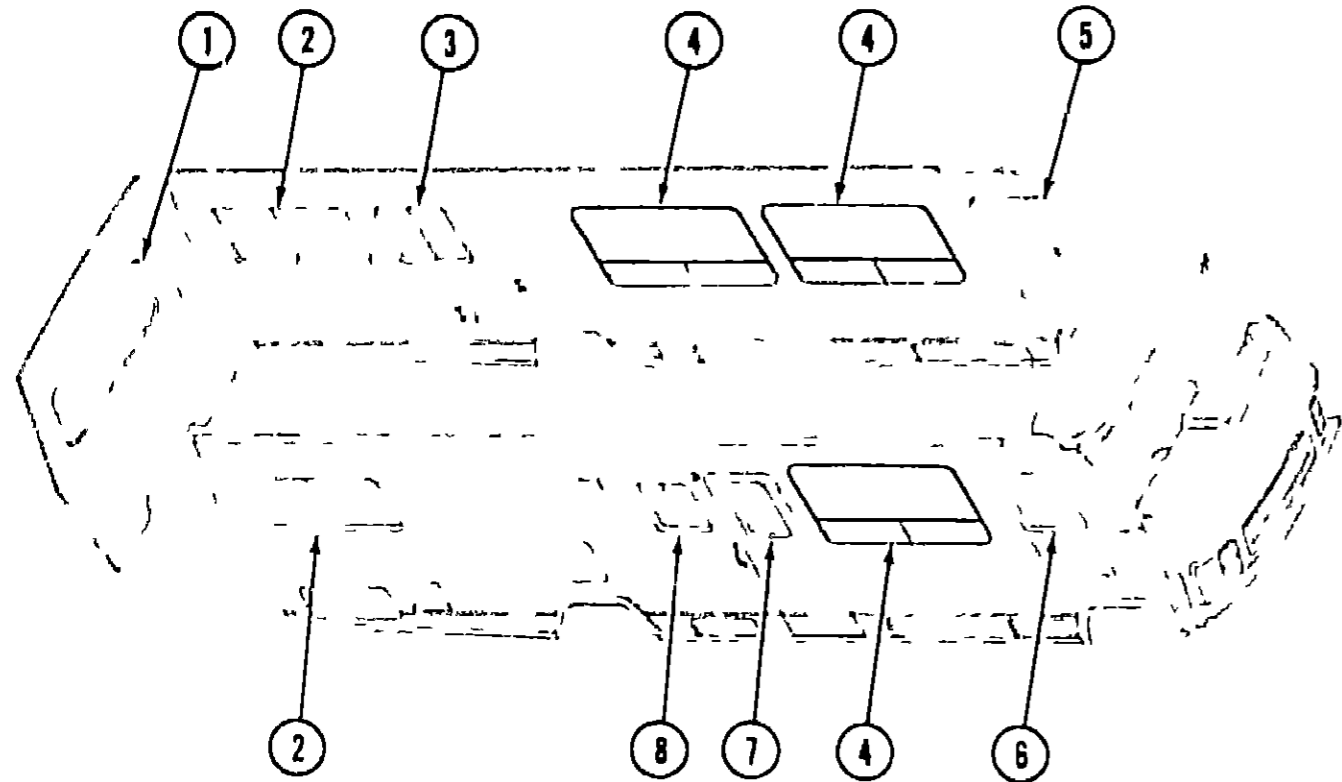
198C ITASCA TABLE OF CONTENTS

IC/IF424RC	A 01	C 08
IF426RU	C 09	E-10
ICN33RU	E-11	G 22
ICP34RU	G 23	J 09

1986 ICN33RU INDEX

Floor Plan	E-11 - E 12
Accessories Group	E 13 - E 16
Bath Group	E 17
Chassis Group	E-18 - E 21
Curtain Cushion & Pad Group	E-22 - F 04
Dinette Group	F 05
Driver's Compartment Group	F 06 - F-09
Electrical Group	F 10 - F-12
Exterior Body Group	F-13 - F-18
Galley Group	F 19 - F 20
Heating & Air Conditioning Group	F-21 - F 22
Interior Finish Group	F 23 - G 01
LP Group	G 02
Lounge Group	G 03 - G 04
Water & Sewage Group	G 05 - G-06
Window Vent & Exterior Door Group	G 07 - G 22

CURTAIN, CUSHION & PAD GROUP (CONTINUED)



CURTAINS, SHADES VALANCES & TIEBACK

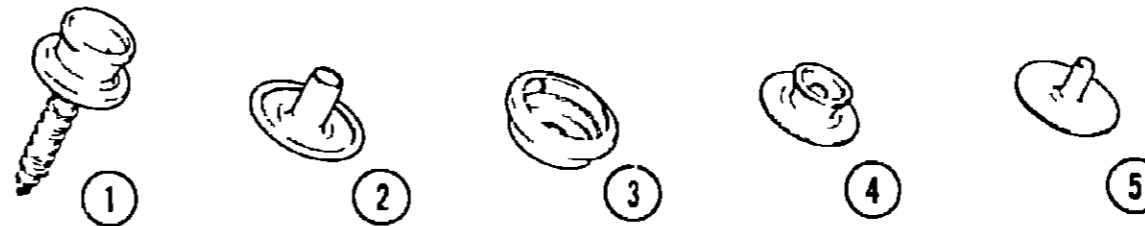
Key	Part Number	U/M	Description
1	079559 03 U10	EA	Curtain Asm w/Gathers - 32 x 41 (U13)
1	079559 03 U11	EA	Curtain Asm w/Gathers - 32 x 41 (U14)
1	079559 03 U12	EA	Curtain Asm w/Gathers - 32 x 41 (U15)
1	079558 04 U13	EA	Valance Asm w/Gathers - 6 x 140
1	079558 04 U14	EA	Valance Asm w/Gathers - 6 x 140
1	079558 04 U15	EA	Valance Asm w/Gathers - 6 x 140
1	082120 19 000	EA	Shade Fabric - 72 25 x 42 (U13)
1	082120 20 000	EA	Shade Fabric - 72 25 x 42 (U14)
1	082120 21-000	EA	Shade - Fabric - 72 25 x 42 (U15)
2	079559 03 U10	EA	Curtain Asm w/Gathers - 32 x 41' (U13)
2	079559 03 U11	EA	Curtain Asm w/Gathers - 32 x 41 (U14)
2	079559 03 U12	EA	Curtain Asm w/Gathers - 32 x 41 (U15)
2	079558 03 U10	EA	Valance Asm w/Gathers - 6 x 95 (U13)
2	079558 03 U11	EA	Valance Asm w/Gathers - 6 x 95 (U14)
2	079558 03 U12	EA	Valance Asm w/Gathers - 6 x 95 (U15)
2	082120 07 000	EA	Shade - Fabric - 47 25 x 38 (U13)
2	082120 08 000	EA	Shade - Fabric - 47 25 x 38 (U14)
2	082120-09 000	EA	Shade - Fabric - 47 25 x 38 (U15)
3	082176 01-U10	EA	Valance Asm - Padded (U13)
3	082176-01 U11	EA	Valance Asm Padded (U14)
3	082176 01 U12	EA	Valance Asm - Padded (U15)
3	082118 22 000	EA	Blind - 32 x 26 Drop (U13)
3	082118 23 000	EA	Blind - 32 x 26 Drop (U14)
3	082118 24 000	EA	Blind - 32 x 26 Drop (U15)
4	079542-12 U10	EA	Curtain Asm w/Darts - 35 x 16 (U13)
4	079542 12 U11	EA	Curtain Asm w/Darts - 35 x 16 (U11)
4	079542 12 U12	EA	Curtain Asm w/Darts - 35 x 16 (U15)
4	M81977 15 U13	EA	Valance Asm Padded
4	M81977 15 U14	EA	Valance Asm Padded
4	M81977-15 U15	EA	Valance Asm - Padded
4	082118 31 000	EA	Blind 65 x 34 Drop
4	082118 32 000	EA	Blind - 65 x 34 Drop
4	082118 33 000	EA	Blind 65 x 34 Drop

CURTAIN, CUSHION & PAD GROUP (CONTINUED)

CURTAINS, SHADES, VALANCES & TIEBACKS (CONT)

Key	Part Number	U/M	Description
	082127-31 000	EA	Shade - Woven Wood 65' x 35" Drop - Beige (U13)
	082127-32 000	EA	Shade - Woven Wood - 65" x 35" Drop - Rose (U14)
	082127-33 000	EA	Shade - Woven Wood 65' x 35" Drop - Spruce (U15)
**	079543-15 U10	EA	Curtain Asm 35' x 12' (Woven Wood) (U13)
**	079543-15 U11	EA	Curtain Asm 35 x 12 (Woven Wood) (U14)
**	079543-15 U12	EA	Curtain Asm - 35 x 12 (Woven Wood) (U15)
5	073304 32 U09	EA	Front Wraparound Curtain 32 5" x 86" Snap Top - Left
6	073304 31 U09	EA	Front Wraparound Curtain - 32 5" x 86" Snap Top - Right
	077591 06 U04	EA	Blackout Curtain - 60' x 50' - Velcro Top - Left
	077591 05 U04	EA	Blackout Curtain - 60' x 50' - Velcro Top - Right
7	M81977-12 U13	EA	Valance Asm - Padded
7	M81977 12 U14	EA	Valance Asm - Padded
7	M81977-12 U15	EA	Valance Asm - Padded
7	082119 19 000	EA	Shade - Vinyl - 24 25' x 40' (U13)
7	082119 20 000	EA	Shade - Vinyl - 24 25" x 40' (U14)
7	082119 21 000	EA	Shade - Vinyl - 24 25' x 40' (U15)
8	M81977-05 U10	EA	Valance Asm - Padded (U13)
8	M81977 05 U11	EA	Valance Asm - Padded (U14)
8	M81977-05 U12	EA	Valance Asm - Padded (U15)
8	082118 13 000	EA	Blind - 27" x 22' Drop (U13)
8	082118-14 000	EA	Blind - 27' x 22 Drop (U14)
8	082118 15 000	EA	Blind - 27 x 22' Drop (U15)
	073260 19 U10	EA	Tieback Asm - Bedspread - 4 x 18" (U13)
	073260 19 U11	EA	Tieback Asm - Bedspread 4 x 18' (U14)
	073260 19 U12	EA	Tieback Asm - Bedspread - 4 x 18 (U15)
	073260-16 U13	EA	Tieback Asm - Accent - 3 x 20
	073260 16 U14	EA	Tieback Asm - Accent 3 x 20
	073260 16-U15	EA	Tieback Asm - Accent - 3 x 20
	057534 04 000	EA	Tieback Asm - Clear - 20'
	057534 01 000	EA	Tieback Asm - Clear - 6

Not illustrated
Parts used in the Woven Wood option:



Key	Part Number	U/M	Description
1	029130 01 000	EA	Socket - Snap Fastener
2	029155 01-000	EA	Cap - Snap - 156 Dia x 17 Barrel
3	029156 01 000	EA	Socket - Snap Fastener
4	029092 01-000	EA	Stud - Nickel Finish
5	092093 01-000	EA	Eyelet - Nickel Finish

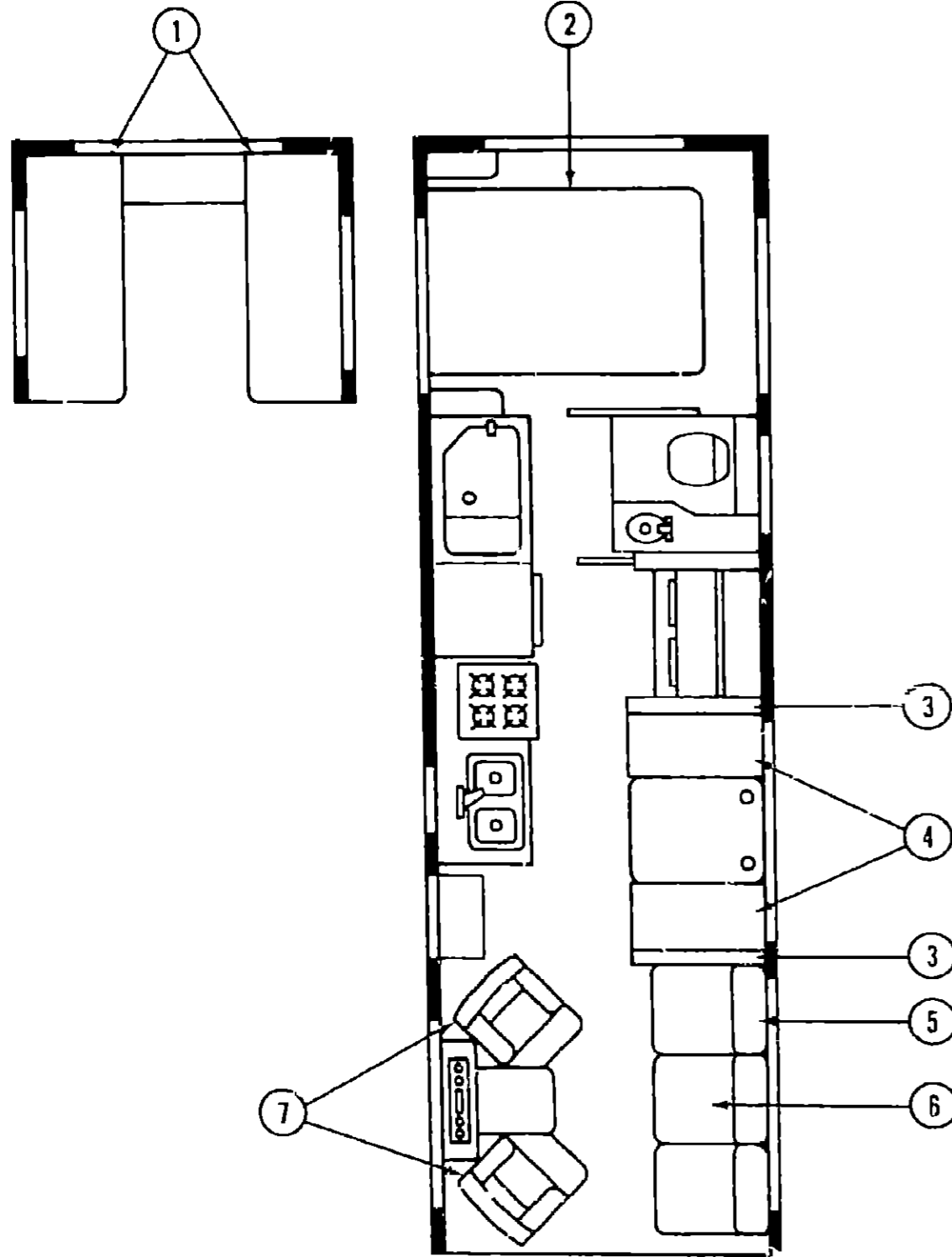
**1986 ITASCA
TABLE OF CONTENTS**

IC/IF424RC	A 01 - C 08
IF424RU	C 09 - E-10
ICN33RU	E 11 - G 22
ICP31RU	G 23 - J 09

1986 ICN33RU INDEX

Floor Plan	E-11 - E-12
Accessories Group	F 13 - E-16
Bath Group	E 17
Chassis Group	I -18 - E-21
Curtain Cushion & Pad Group	E-22 F 04
Linette Group	F 05
Driver's Compartment Group	F-06 - F-09
Electrical Group	F-10 - F-12
Exterior Body Group	F-13 - F 18
Galley Group	F-19 F 20
Heating & Air Conditioning Group	F 21 F 22
Interior Finish Group	F-23 G 01
LP Group	G 02
Lounge Group	G 03 - G 04
Water & Sewage Group	G 05 - G 06
Window Vent & Exterior Door Group	G 07 - G 22

CURTAIN, CUSHION & PAD GROUP (CONTINUED)



SINGLE & DOUBLE BED MATTRESSES

Key	Part Number	U/M	Description
1	083496-01 000	EA	Mattress - Foam - 33 x 75 x 7
1	077478 04 000	EA	Mattress - Innerspring - 33 x 75 x 7 75 Sealy
2	083496 03-000	EA	Mattress - Foam - 54 x 75 x 7
2	077478-03 000	EA	Mattress - Innerspring - 54 x 75 x 7 75 Sealy
	081969 01-U13	EA	Bedsread - 33 x 76 w/10 Ruffle
	081969 01-U14	EA	Bedsread - 33 x 76 w/10 Ruffle
	081969 01 U15	EA	Bedsread - 33 x 76 w/10 Ruffle
	081969 03 U13	EA	Bedsread - 54 x 76 w/10 Ruffle
	081969 03 U14	EA	Bedsread - 54 x 76 w/10 Ruffle
	081969 03 U15	EA	Bedsread - 54 x 76 w/10 Ruffle
	081997 01-U10	EA	Pillow Sham - 30 x 26 Blue/Gray (U13)
	081997 01 U11	EA	Pillow Sham - 30 x 26 - Melon (U14)
	081997 01 U12	EA	Pillow Sham - 30 x 26 - Plum/Beige (U15)

CURTAIN, CUSHION & PAD GROUP (CONTINUED)

DINETTE CUSHION

Key	Part Number	U/M	Description
3	081998 01-U10	EA	Cushion Asm - Dinette - Angled - Back - 19 25 x 38 x 5 - Blue/Gray (U13)
3	081998-07-U11	EA	Cushion Asm - Dinette - Angled - Back - 19 25 x 38 x 5 - Melon (U14)
3	081998-01-U12	EA	Cushion Asm - Dinette - Angled - Back - 19 25 x 38 x 5 - Plum/Beige (U15)
	M81998-01 U10	EA	Cover Asm - Dinette - Angled - Back Cushion - 19 25 x 38 x 5 - Blue/Gray (U13)
	M81998 07 U11	EA	Cover Asm - Dinette - Angled - Back Cushion - 19 25 x 38 x 5 Melon (U14)
	M81998 01 U12	EA	Cover Asm - Dinette - Angled - Back Cushion - 19 25 x 38 x 5 Plum/Beige (U15)
4	081998 02-U10	EA	Cushion Asm - Dinette Bottom - 17 5 x 38 x 5 - Blue/Gray (U13)
4	081998 08 U11	EA	Cushion Asm - Dinette Bottom - 17 5 x 38 x 5 - Melon (U14)
4	081998 02 U12	EA	Cushion Asm - Dinette Bottom - 17 5 x 38 x 5 - Plum/Beige (U15)
	M81998-02 U10	EA	Cover Asm - Dinette Bottom Cushion - 17 5 x 38 x 5 - Blue/Gray (U13)
	M81998 08 U11	EA	Cover Asm - Dinette Bottom Cushion - 17 5 x 38 x 5 - Melon (U14)
	M81998 02 U12	EA	Cover Asm - Dinette Bottom Cushion - 17 5 x 38 x 5 - Plum/Beige (U15)

3 PILLOW COUCH

Key	Part Number	U/M	Description
5	081998 17 U13	EA	Pillow Asm - 16 x 23 x 5 - Blue/Gray
5	081998 20 U14	EA	Pillow Asm - 16 x 23 x 5 - Melon
5	081998 17 U15	EA	Pillow Asm - 16 x 23 x 5 - Plum/Beige
	M81998 17 U13	EA	Cover Asm - Pillow - 16 x 23 x 5 - Blue/Gray
	M81998 20 U14	EA	Cover Asm - Pillow - 16 x 23 x 5 - Melon
	M81998-17 U15	EA	Cover Asm - Pillow - 16 x 23 x 5 - Plum/Beige
6	079448 04 U13	EA	Bed Asm - #65 - Blue/Gray
6	079448 05 U14	EA	Bed Asm - #65 - Melon
6	079448 04 U15	EA	Bed Asm - #65 - Plum/Beige
	M79448 04 U13	EA	Cover Asm - Seat - Blue/Gray
	M79448 05 U14	EA	Cover Asm - Seat - Melon
	M79448 04 U15	EA	Cover Asm - Seat - Plum/Beige

SWIVEL CHAIR

Key	Part Number	U/M	Description
7	073518 16 U10	EA	Chair Asm w/Pillow Back - Swivel - Blue/Gray (U13)
7	073518 19 U14	EA	Chair Asm w/Pillow Back - Swivel - Melon
7	073518 16-U12	EA	Chair Asm w/Pillow Back - Swivel - Plum/Beige (U15)
	075174 02 U13	EA	Skirt Asm - Swivel Chair - Blue/Gray (U13)
	075174 04 U14	EA	Skirt Asm - Swivel Chair - Melon
	075174 02 U15	EA	Skirt Asm - Swivel Chair - Plum/Beige (U15)
	035036 01-000	EA	Plate - Tilt & Swivel Chair
	035036-04 000	EA	Base w/Legs - Swivel Chair
	035036 05 000	EA	Extension 7 Swivel Chair

FRONT BUNK

Key	Part Number	U/M	Description
	079145 04 000	EA	Cushion Asm - Front Bunk - 4 x 34 x 78
	M79145 04 000	EA	Cover Asm - Front Bunk Cushion - 4 x 34 x 78
	079144 02 T03	EA	Bunk Strap - Vinyl

**1986 ITASCA
TABLE OF CONTENTS**

IC/IF424RC	A 01 - C-08
IF426RU	C 09 - E-10
ICN33RU	E-11 - G-22
ICP34RU	G-23 - J-09

1986 ICN33RU INDEX

Floor Plan	E-11	E-12
Accessories Group	E-13	E-16
Bath Group		E 17
Chassis Group	E-18	E-21
Curtain Cushion & Pad Group	E-22	F 04
Dinette Group		F 05
Driver's Compartment Group	F 06	F 09
Electrical Group	F 10	F 12
Exterior Body Group	F 13	F-18
Galley Group	F 19	F 20
Heating & Air Conditioning Group	F-21	F 22
Interior Finish Group	F-23	G 01
LP Group		G 02
Lounge Group	G 03	G 04
Water & Sewage Group	G 05	G 06
Window Vent & Exterior Door Group	G 07	G 22

CURTAIN, CUSHION & PAD GROUP (CONTINUED)
BUCKET SEATS

Key	Part Number	U/M	Description
	079300-01-U10	EA	Seat Asm - Vinyl (U13)
	079300-01-U11	EA	Seat Asm - Vinyl (U14)
	079300-01 U12	EA	Seat Asm - Vinyl (U15)
	M01862-01-U10	EA	Cover Asm - Seat Bottom - Vinyl (U13)
	M01862-01-U11	EA	Cover Asm - Seat Bottom - Vinyl (U14)
	M01662-01 U12	EA	Cover Asm - Seat Bottom - Vinyl (U15)
	M01862-02-U10	EA	Cover Asm - Seat Back - Vinyl (U13)
	M01862-02-U11	EA	Cover Asm - Seat Back - Vinyl (U14)
	M01862-02-U12	EA	Cover Asm - Seat Back - Vinyl (U15)
	078804-07-U13	EA	Seat Asm - Granduer
	078804-07-U14	EA	Seat Asm - Granduer
	078804-07-U15	EA	Seat Asm - Granduer
	M01863 01-U13	EA	Cover Asm - Granduer Seat Bottom
	M01863-01-U14	EA	Cover Asm - Granduer Seat Bottom
	M01863 01-U15	EA	Cover Asm - Granduer Seat Bottom
	M01863 02 U13	EA	Cover Asm - Granduer Seat Back
	M01863 04 U14	EA	Cover Asm - Granduer Seat Back
	M01863-04 U15	EA	Cover Asm - Granduer Seat Back
	071126-16-U13	EA	Skirt Asm - Granduer Bucket Seat
	071126-16-U14	EA	Skirt Asm - Granduer Bucket Seat
	071126-16-U15	EA	Skirt Asm - Granduer Bucket Seat
	080243 07-U10	EA	Armrest Asm - Right (U13)
	080243 07-U11	EA	Armrest Asm - Right (U14)
	080243-07-U12	EA	Armrest Asm - Right (U15)
	080243-08-U10	EA	Armrest Asm - Left (U13)
	080243 08-U11	EA	Armrest Asm - Left (U14)
	080243 08 U12	EA	Armrest Asm - Left (U15)
	M80243-01-U10	EA	Cover Asm - Armrest - Right (U13)
	M80243-01 U11	EA	Cover Asm - Armrest - Right (U14)
	M80243-01 U12	EA	Cover Asm - Armrest - Right (U15)
	M80243 02 U10	EA	Cover Asm - Armrest - Left (U13)
	M80243 02 U11	EA	Cover Asm - Armrest - Left (U14)
	M80243 02 U12	EA	Cover Asm - Armrest - Left (U15)
	080242 04 U10	EA	Headrest Asm (U13)
	080242 04 U11	EA	Headrest Asm (U14)
	080242 04 U12	EA	Headrest Asm (U15)
	M80242 01 U10	EA	Cover Asm - Headrest (U13)
	M80242-01-U11	EA	Cover Asm - Headrest (U14)
	M80242 01 U12	EA	Cover Asm - Headrest (U15)
	079281 02 U13	EA	Seat Asm - Double Bucket
	079281 02 U14	EA	Seat Asm - Double Bucket
	079281 02 U15	EA	Seat Asm - Double Bucket
	M01874 03 U13	EA	Cover Asm - Double Bucket - Bottom
	M01874 03 U14	EA	Cover Asm - Double Bucket - Bottom
	M01874 03 U15	EA	Cover Asm - Double Bucket - Bottom
	M01874 04 U13	EA	Cover Asm - Double Bucket - Back
	M01874 04 U14	EA	Cover Asm - Double Bucket - Back
	M01874 04 U15	EA	Cover Asm - Double Bucket - Back
	071690 04 U13	EA	Skirt Asm - Double Bucket
	071690-04 U14	EA	Skirt Asm - Double Bucket
	071690 04 U15	EA	Skirt Asm - Double Bucket
	080243 02 U13	EA	Armrest Asm - Double Bucket
	080243 02 U14	EA	Armrest Asm - Double Bucket
	080243 02 U15	EA	Armrest Asm - Double Bucket
	M80243-02 U13	EA	Cover Asm - Armrest
	M80243 02 U14	EA	Cover Asm - Armrest
	M80243 02 U15	EA	Cover Asm - Armrest
	080242 01 U13	EA	Headrest Asm - Double Bucket
	080242 01 U14	EA	Headrest Asm - Double Bucket
	080242 01 U15	EA	Headrest Asm - Double Bucket
	M80242 01-U10	EA	Cover Asm - Headrest - Double Bucket (U13)
	M80242 01 U11	EA	Cover Asm - Headrest - Double Bucket (U14)
	M80242 01 U12	EA	Cover Asm - Headrest - Double Bucket (U15)

CURTAIN, CUSHION & PAD GROUP (CONTINUED)

FABRICS TRIMS & PADS

Key	Part Number	U/M	Description
	072333 21 000	YD	Fabric - Drapery - Parchment
	077498 65 000	YD	Fabric w/Pattern - Upholstery - Blue/Gray (U13)
	077498 66-000	YD	Fabric w/Pattern - Upholstery - Melon (U14)
	077498 67-000	YD	Fabric w/Pattern - Upholstery - Plum/Beige (U15)
	077498 68-000	YD	Fabric w/Pattern - Upholstery Accent - Melon (U14)
	077498 70-000	YD	Fabric Upholstery/Draper - Accent - Plain - Blue/Gray (U13)
	077498-71-000	YD	Fabric - Upholstery/Draper - Accent - Plain - Melon (U14)
	077498 69 000	YD	Fabric Upholstery/Draper - Accent - Plain - Plum/Beige (U15)
	069729-25-000	YD	Fabric - Bedspread/Draper - Main - Blue/Gray (U13)
	069729-26-000	YD	Fabric - Bedspread/Draper - Main - Melon (U14)
	069729-27-000	YD	Fabric - Bedspread/Draper - Main - Plum/Beige (U15)
	069729 28 000	YD	Fabric - Bedspread - Accent - Blue/Gray (U13)
	069729 29 000	YD	Fabric - Bedspread - Accent - Melon (U14)
	069729-30 000	YD	Fabric - Bedspread - Accent - Plum/Beige (U15)
	038421-01 000	YD	Fabric - Mattress Ticking
	052859 01-T03	FT	Trim Asm - Accent - Sandrift
	052859-05 T03	FT	Trim Asm - Accent - Buckskin
	079680 01 000	YD	Vinyl - Expanded - 26 oz - Buckskin
	079680 02 000	YD	Vinyl - Expanded - 26 oz - Sandrift
	070578-06-T03	EA	Button Asm - #30 Vinyl
	057093 01-T03	EA	Button Asm - #60 - Vinyl
	057550-03 T03	EA	Button Asm - Nail - Vinyl
	071127-09 000	EA	Button Asm - #36 Hook Back
	071127-10 U10	EA	Button Asm - #30 Blue/Gray
	071127 10 U11	EA	Button Asm - #30 Melon
	071127-10 U12	EA	Button Asm - #30 - Plum/Beige (U15)
	078155-01 000	EA	Strap Asm - Cushion
	079144 02 000	EA	Strap Asm - Bunk
	081325 01 T03	EA	End Cap Asm - Overhead Dinette Vinyl
	081519 01 U10	EA	Pad Asm - Dinette - Front - Blue/Gray (U13)
	081519 01-U11	EA	Pad Asm - Dinette - Front - Melon (U14)
	081519 01 U13	EA	Pad Asm - Dinette - Front - Plum/Beige (U15)
	081519 02 U10	EA	Pad Asm - Dinette - Rear - Blue/Gray (U13)
	081519 02 U11	EA	Pad Asm - Dinette - Rear - Melon (U14)
	081519 02 U13	EA	Pad Asm - Dinette - Rear - Plum/Beige (U15)
	059467 05 U04	EA	Pad - Map Pocket - Drivers
	059467 06 U04	EA	Pad - Map Pocket - Passenger

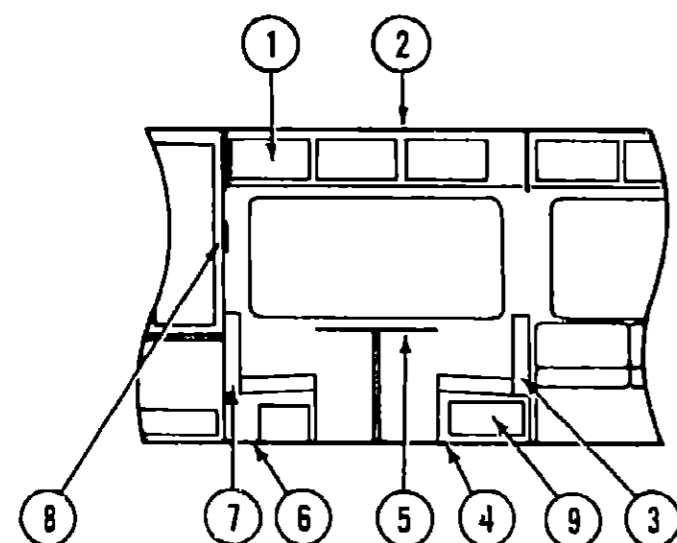
**1986 ITASCA
TABLE OF CONTENTS**

IC/IF424RC	A 01 - C 08
IF426RU	C 09 - E-10
ICN33RU	E-11 - G-22
ICP34RU	G-23 - J 09

1986 ICN33RU INDEX

Floor Plan	E 11 - E-12
Accessories Group	E-13 - E-16
Bath Group	E 17
Chassis Group	E 18 - E 21
Curtain Cushion & Pad Group	E 22 - F 04
Dinette Group	F-05
Driver's Compartment Group	F-06 - F-09
Electrical Group	F 10 - F-12
Exterior Body Group	F 13 - F-18
Galley Group	F-19 - F 20
Heating & Air Conditioning Group	F-21 - F 22
Interior Finish Group	F-23 - G-01
LP Group	G 02
Lounge Group	G 03 - G 04
Water & Sewage Group	G 05 - G 06
Window Vent & Exterior Door Group	G 07 - G 22

DINETTE GROUP



CONVENTIONAL DINETTE & OVERHEAD CABINERY

Key	Part Number	U/M	Description
1	M81506-01-T09	EA	Door Asm - Dinette Overhead w/o Hardware
2	081302-12 U13	EA	Cabinet Asm - Dinette Overhead - w/o Doors or Hardware
3	M02174-01 U01	EA	Cabinet Asm - Dinette Back - Front
4	M02175 02-U01	EA	Cabinet Asm - Dinette Seat w/o Doors or Hardware
5	M02115-09 U10	EA	Table Asm - Dinette - w/o Hardware North Sea (U13)
5	M02115-09 U11	EA	Table Asm - Dinette - w/o Hardware Cayenne (U14)
5	M02115 09 U12	EA	Table Asm - Dinette - w/o Hardware Wild Rose (U15)
6	M02175 03 U01	EA	Cabinet Asm Dinette Seat Rear w/o Doors or Hardware
7	M02174 05 U01	EA	Cabinet Asm - Dinette Back - Rear
8	075907-02 000	EA	Pictures & Frames - 8 x 10 - Assorted Grasses
9	M81504-10 U10	EA	Door Asm - 19 x 10 w/o Hardware
	074493 02 000	EA	Support - Sprung Door Asm - Overhead Cabinet
	053200-05 000	EA	Bracket - Upper Wall Mount 23 5 - Beige
	053201 01-000	EA	Bracket - Table Mount - 23
	024275 05 000	EA	Rod Table Lift 8 x 23 5 - Beige
	024281 07 000	EA	Bracket - Lower Wall Mount - 22 12 - Beige
	024276 14 000	EA	Leg Asm Table - 26 75 - Brown
	064050 01 000	EA	Hinge Table Leg
	024282 01 000	EA	Brace Table Leg
	024283-01 000	EA	Clip 1 O D Tube
	049493 02 000	EA	Catch - Table Leg Mounts on Floor Brown
	064781 02 000	EA	Cup Holder - 3 47 O D x 2 75 I D x 1 5 Beige

The illustrated parts breakdown for this item is provided on the Common Items Fiche

DRIVER'S COMPARTMENT

FRONT BUNK & PULL DOWN STORAGE

Key	Part Number	U/M	Description
	076760-02 000	EA	Overhead Bunk Hardware
	076760-03 000	EA	Overhead Bunk Hardware
	081717-01-U04	EA	Bed Asm - Front Bunk
	079144 02-T03	EA	Bunk Strap
	042541-04-000	EA	Latch Asm - w/o Strike Brass
	042541 05-000	EA	Latch Strike - Brass
	078635 01-T03	EA	Panel Asm - Front Bunk
	080855 01 000	EA	Side Trim - Right Front - Upper
	080855-06-000	EA	Side Trim - Right Front - Upper
	080856 01-000	EA	Side Trim - Right Front - Lower
	080856-05 000	EA	Side Trim - Right Front - Lower
	080855 02 000	EA	Side Trim - Left Front - Upper
	080855 06-000	EA	Side Trim - Left Front - Upper
	080856-02 000	EA	Side Trim - Left Front - Lower
	080856-06 000	EA	Side Trim - Left Front - Lower

Used after 9 23 85

ELECTRONIC INSTRUMENT PANEL (OPTION)

Key	Part Number	U/M	Description
	NOTE	EA	Electronic Instrument Panel
	071668-04 000	EA	Bezel - Electronic - Instrument Panel
	071668 06-000	EA	Bezel - Electronic - Instrument Panel (Aux Fuel)
	082124 01-000	EA	Bezel - Smoked Insert - Electronic Instrument Panel
	076006-06 000	EA	Bezel - Entertainment Center - w/Radio - Black
	076006-07-000	EA	Bezel Entertainment Center w/Radio & Generator Switch Black

NOTE This item available from your Chrysler Service Center

DASH SWITCHES & GAUGES

Key	Part Number	U/M	Description
	024461 01 000	EA	Switch - Battery
	024462 01 000	EA	Switch - Battery Condition
	024464 02 000	EA	Switch - Battery Dual Boost
	024464 01 000	EA	Switch - Washer
	024465 01 000	EA	Switch - Fuel
	024467-01-000	EA	Switch - Wiper
	024976 01 000	EA	Switch - Generator w/o Circuit Board
	074007 01 000	EA	Switch - Intermittent Windshield Wiper
	024459 04 000	EA	Gauge Voltmeter
	024460 04 000	EA	Gauge Vacuum
	024460 02 000	EA	Mounting Bracket - Vacuum Gauge
	031035 02 000	EA	Gauge - Generator Hourmeter

1986 ITASCA TABLE OF CONTENTS

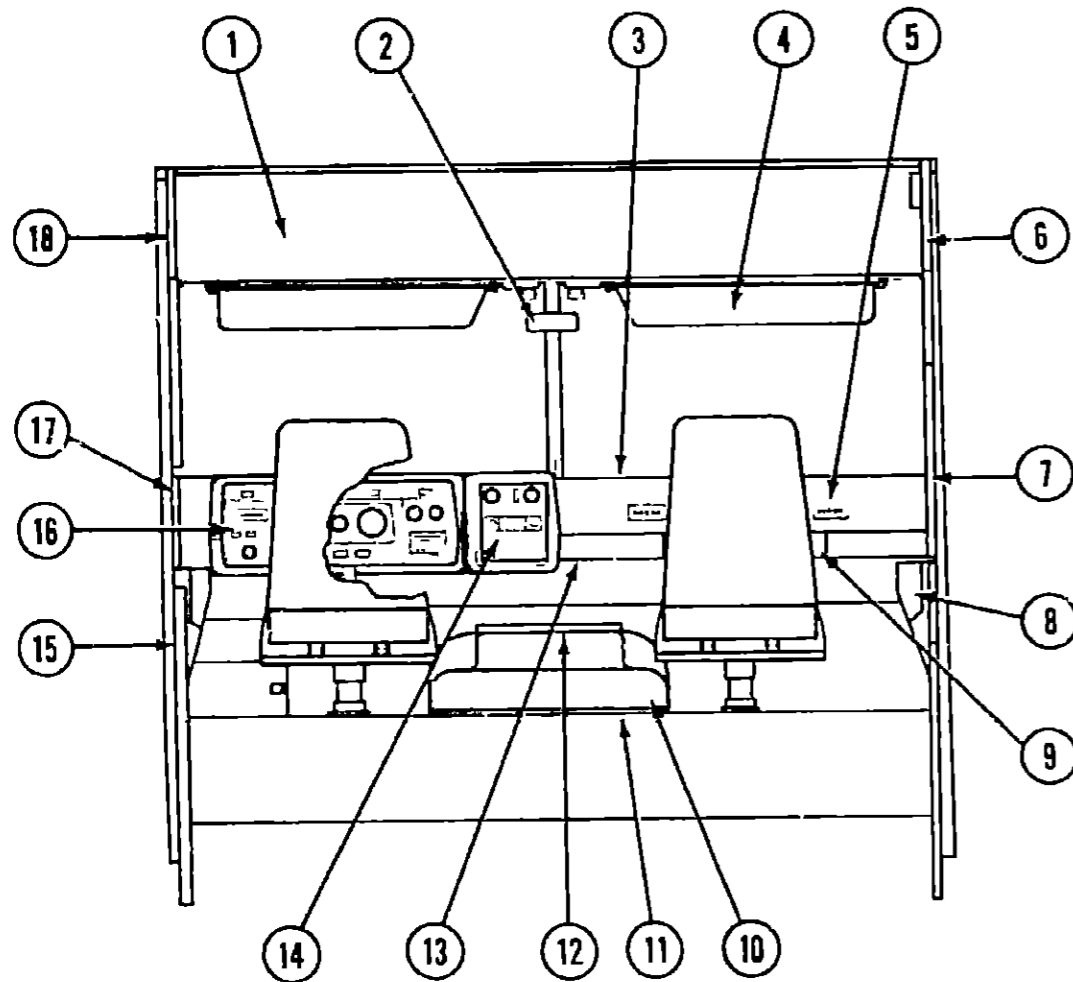
IC/IF424RC
IF426RU
ICN33RU
ICP34RU

A 01 - C 08
C 09 - E 10
E 11 - G 22
G 23 - J 09

1986 ICN33RU INDEX

Floor Plan	E-11 - E-12
Accessories Group	E-13 - E-16
Bath Group	E-17
Chassis Group	E-18 - E-21
Curtain Cushion & Pad Group	E 22 - F-04
Dinette Group	F-05
Driver's Compartment Group	F-06 - F-09
Electrical Group	F-10 - F-12
Exterior Body Group	F 13 - F-18
Galley Group	F-19 F-20
Heating & Air Conditioning Group	F-21 F 22
Interior Finish Group	F 23 - G 01
LP Group	G-02
Lounge Group	G 03 - G 04
Water & Sewage Group	G 05 - G 06
Window Vent & Exterior Door Group	G-07 - G 22

DRIVER'S COMPARTMENT GROUP (CONTINUED)



MISCELLANEOUS DRIVER'S COMPARTMENT COMPONENTS

Key	Part Number	U/M	Description
1	080085-02-T03	EA	Header Trim Asm - Upper
	083917 01-U04	EA	Cabinet Asm - Front Overhead - w/o Bunk
2	040714 01-700	EA	Mirror - Inside Rear View - w/Button Support
3	M01113 12-T03	EA	Dash Asm - Complete w/Gauges & Switches
	079089 01 000	EA	Dash Pad - Passenger - Brown
	079088 01-000	EA	Dash Pad - Drivers - Brown
	024990-02-000	EA	Outlet - Defroster w/Swivel - 2 Dark Brown
4	082286-01-U04	EA	Sunvisor Asm - Right
	082286-02-U04	EA	Sunvisor Asm - Left
	081917-01-000	EA	Clip - Sunvisor - Black Plastic
5	039044-01-000	EA	Louver Asm - Air Conditioning Adjustable
6	080855 03-000	EA	Side Trim - Right Front - Upper (w/o Bunk)
	083918-01-U04	EA	Cabinet Asm - Front Overhead - Right - w/o Bunk
	080856 03-000	EA	Side Trim - Right Front - Lower (w/o Bunk)
7	059414-06 000	EA	Pad - Side Wall Trim - Passenger - Vinyl
8	072811-01-000	EA	Side Panel - Passenger - Plastic
	059467-04-T03	EA	Pad - Map Pocket - Passenger - Vinyl
9	022219-01-000	EA	Glove Compartment Door
	023892 01-000	EA	Glove Compartment Box - Black Fiberboard
	009118 01-000	EA	Glove Compartment Twist Lock
	024598 01-000	EA	Glove Compartment Hinge
	034309 01-000	EA	Glove Compartment Chain - Door
10	075939-01 000	EA	Motor Cover - Fiberglass
	075564-01 000	EA	Mounting Bracket - Motor Cover
11	039623 01 000	FT	Seal - Engine Cover - Neoprene

Not illustrated

NOTE: To be special ordered only

DRIVER'S COMPARTMENT GROUP (CONTINUED)

MISCELLANEOUS DRIVER'S COMPARTMENT COMPONENTS (CONT)

Key	Part Number	U/M	Description
12	080216-01-000	EA	Beverage Tray
13	023834-01 000	EA	Panel - Knee Kick - Bottom of Dash
14	076006-03 000	EA	Bezel - Entertainment Center - w/Radio & Generator Switch
14	076006-02 000	EA	Bezel - Entertainment Center - w/Radio
15	059198 05-000	EA	Side Panel - Drivers - Plastic
15	064499-02-000	EA	Panel - Drivers Door - Inner - Plastic
	059467-03-T03	EA	Pad - Map Pocket - Drivers - Vinyl
	046886-03 000	EA	Ash Tray - Chrome
16	071668 01-000	EA	Bezel - Control Panel
16	071668-03 000	EA	Bezel - Control Panel (Aux Fuel)
	078581-01-000	EA	Trim - Instrument Panel - Front - Passenger
	078582-01-000	EA	Trim - Instrument Panel - Front - Driver
	052367-01-000	EA	Cigarette Lighter Asm - 12 Volt
	007041-01-000	EA	Bezel - Cigarette Lighter
	061424 01 000	EA	Lamp Asm - Map/Gauge
	061400 06 000	EA	Assist Strap - 12 - Medium Almond
17	059414-05 000	EA	Pad - Sidewall Trim - Driver - Vinyl
18	080855-04-000	EA	Side Trim - Left Front - Upper (w/o Bunk)
	080856 04 000	EA	Side Trim - Left Front - Lower (w/o Bunk)
	083918 02 U04	EA	Cabinet Asm - Front Overhead - Left - w/o Bunk
	054250 01-000	EA	Support - Dimmer Switch - w/o Holes
	078579-01-000	EA	Windshield Trim - Interior - Upper - Passenger
	078579 02 000	EA	Windshield Trim - Interior - Upper - Driver
	079765 01 000	EA	Windshield Trim - Center
	079206 01-000	EA	Windshield Trim - Interior - Post - Passenger
	079206-02-000	EA	Windshield Trim - Interior - Post - Driver
	078245 01-000	EA	Steering Column Boot - Vinyl

Not illustrated

**1986 ITASCA
TABLE OF CONTENTS**

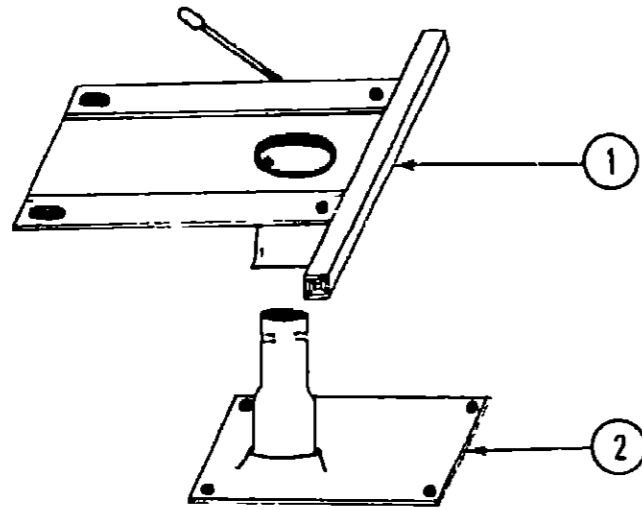
IC/IF424RC
IF426RU
ICN33RU
ICP34RU

A 01 - C 08
C 09 - E 10
E-11 - G 22
G 23 - J 09

1986 ICN33RU INDEX

Floor Plan	E-11 - E-12
Accessories Group	E-13 - E-16
Bath Group	C-17
Chassis Group	E-18 - E-21
Curtain Cushion & Pad Group	E-22 - F-04
Dinette Group	F 05
Driver's Compartment Group	F 06 - F-09
Electrical Group	F-10 - F-12
Exterior Body Group	F-13 - F-18
Galley Group	F 19 - F-20
Heating & Air Conditioning Group	F-21 - F-22
Interior Finish Group	F-23 - G 01
LP Group	G 02
Lounge Group	G 03 - G 04
Water & Sewage Group	G 05 - G 06
Window Vent & Exterior Door Group	G 07 - G 22

DRIVER'S COMPARTMENT GROUP (CONTINUED)



BUCKET SEAT PEDESTAL & SEAT BELTS

Key	Part Number	U/M	Description
1	069585-04 000	EA	Plate - Top - Pedestal Asm - Single Bucket Seat
1	069585 19 000	EA	Plate - Top - Pedestal Asm - Powered Seat
1	069585 10 000	EA	Plate - Top - Pedestal Asm - Double Bucket Seat
2	069585 08 000	EA	Plate - Sub - Pedestal Asm - Bucket Seat
	069585 05 000	EA	Hardware Kit - Bolt/Acorn Nut - 4 ea - Pedestal Asm
	007019 01 000	EA	Belt Asm - Seat - 2 x 84 - Black
	007021-01-000	EA	Belt Asm - Seat - 2 x 90 - Black
	056271-01-000	EA	Belt Asm - Seat - 2 x 72 - Black
	069246-01 000	CA	Adjuster Asm Seat - w/Lock
	069246 02 000	EA	Adjuster Asm Seat - w/o Lock
	081373 02 000	EA	Power Seat Adjustment Asm - w/Frame
	081373 02-700	EA	Switch Asm Package
	081737-02-701	EA	Harness Asm Left
	081737 02 702	EA	Harness Asm Right
	081737-02-703	EA	Horizontal Adjustment Package
	081737-02-704	EA	Vertical Adjustment Package
	Not illustrated		

ELECTRICAL GROUP

BULBS

Key	Part Number	U/M	Description
	008220-01-000	EA	Bulb - 12V - 25W
	008103-01-000	EA	Bulb - 53
	008213-01-000	EA	Bulb - 57
	008214-01-000	EA	Bulb - 67
	036196 01 000	EA	Bulb - 194
	008215-01-000	EA	Bulb - 1C03
	067479 01-000	EA	Bulb - 1076
	063914 01-000	EA	Bulb - 1139
	008218-01-000	EA	Bulb - 1141
	037935-01 000	EA	Bulb - 1157
	056288 02 000	EA	Bulb - 9431808 - Dome Light
	081633 01-700	EA	Bulb - Make-up Light

FUSES & CIRCUIT BREAKERS

Key	Part Number	U/M	Description
	008233-01 000	EA	Fuse - 6 Amp - 12 Volt
	008234-01-000	EA	Fuse - 10 Amp - 12 Volt
	046893-01-000	EA	Fuse - 13 Amp - 12 Volt
	008235-01-000	EA	Fuse - 15 Amp - 12 Volt
	008236 01-000	EA	Fuse - 20 Amp - 12 Volt
	006248-01-000	EA	Fuse - 30 Amp - 110 Volt - AGU
	008252-01-000	EA	Fuse - 50 Amp - 110 Volt
	056473 02-000	EA	Fuse - 5 Amp Slow Blow
	056473 01-000	EA	Fuse - 6 1/4 Amp - Slow Blow
	062901-02-000	EA	Fuse - 5 Amp Automotive
	062901-05 000	EA	Fuse - 15 Amp - Automotive
	008211-01-000	EA	Circuit Breaker - 6 Amp - 12 Volt
	008208-01-000	EA	Circuit Breaker - 40 Amp - 12 Volt
	033573 02 000	EA	Circuit Breaker - 15 Amp - 12 Volt - w/Mount
	033573-01-000	EA	Circuit Breaker - 20 Amp 12 Volt w/Mount
	044466-03 000	EA	Circuit Breaker - 25 Amp 12 Volt - w/Mount
	008268 01-000	CA	Circuit Breaker - 30 Amp 12 Volt w/Mount
	040051-01 000	EA	Circuit Breaker - 20 Amp 110 Volt - TQL
	008297-01-000	EA	Circuit Breaker - 20 Amp - TQL
	008293 01 000	EA	Circuit Breaker - 130 Amp - TQL
	075735-02-000	EA	Circuit Breaker - 15 Amp - 120 Volt (Ground Fault Interrupter)
	071279 05 000	EA	Circuit Breaker - 20 Amp 120 Volt
	071279-04 000	EA	Circuit Breaker - 30 Amp - 120 Volt
	071279 02-000	EA	Circuit Breaker - 15/15 Amp - 120 Volt
	071279-03 000	EA	Circuit Breaker - 15/20 Amp 120 Volt
	071279 01-000	EA	Circuit Breaker 15/30 Amp - 120 Volt
	071279-06-000	EA	Circuit Breaker - 30/15 Amp - 120 Volt
	071280-01-000	EA	Circuit Breaker Blank
	050283 02-000	EA	Circuit Breaker - Buss Bar
	071279-07 000	EA	Circuit Breaker 20/20 - 120 Volt
	083209 01 000	EA	Circuit Breaker 15 Amp - 120 Volt
	083209 02 000	EA	Circuit Breaker - 15/15 Amp - 120 Volt
	083209-03 000	EA	Circuit Breaker - 15/20 Amp - 120 Volt
	083209 04 000	EA	Circuit Breaker 30 Amp 120 Volt
	083209 05 000	EA	Circuit Breaker - 20 Amp 120 Volt
	083209 06 000	EA	Circuit Breaker 30/15 Amp - 120 Volt
	083210 01 000	EA	Circuit Breaker - GFI - 20 Amp - 120 Volt
	083210 02 000	EA	Circuit Breaker GFI 15 Amp - 120 Volt

MISCELLANEOUS ELECTRICAL COMPONENTS

Key	Part Number	U/M	Description
	047338 03 000	EA	Isolator Dual Battery - 70 Amp
	008188 01 000	EA	Solenoid Dual Battery Relay
	039861-01-000	EA	Sending Unit Kit - Wemac
	048812 12 000	EA	Refrigerator Sensor - Refrigerator Alarm
	065201 02 000	EA	Lamp Shade - Fabric - Parchment
	083208 02 000	EA	Control Center 45 Amp

**1986 ITASCA
TABLE OF CONTENTS**

IC/IF424RC	A-01 - C 08
IF426RU	C-09 - E-10
ICN33RU	E-11 - G-22
ICP34RU	G 23 - J 09

1986 ICN33RU INDEX

Floor Plan	E 11 E-12
Accessories Group	E 13 - E-16
Bath Group	E-17
Chassis Group	E-18 E-21
Curtain Cushion & Pad Group	E 22 F-04
Dinette Group	F-05
Driver's Compartment Group	F 06 - F-09
Electrical Group	F 10 - F-12
Exterior Body Group	F-13 - F-18
Galley Group	F 19 - F 20
Heating & Air Conditioning Group	F 21 - F-22
Interior Finish Group	F 23 - G 01
LP Group	G 02
Lounge Group	G 03 - G-04
Water & Sewage Group	G 05 - G-06
Window Vent & Exterior Door Group	G 07 - G 22

ELECTRICAL GROUP (CONTINUED)

WIRE, SWITCHES & RECEPTACLES

Key	Part Number	U/M	Description
	008058-01-000	EA	Adapter - Power Cord
	008288 01-000	EA	Box - Electrical - 3 x 3 5 - Plastic
	008289-01-000	EA	Box - Electrical - 4 x 4 - 1/2 & 3/4 Steel - UL
	008289-02 000	EA	Box - Electrical - 4 x 4 - 1/2 & 3/4 Steel - CSA
	058049-01-000	EA	Box - Electrical - 2 x 3 x 2 25 - Steel
	041953-01-000	EA	Conduit - Convoluted Slit - 5 I D
	008353 01-000	EA	Connector - Clamping - 3/8 Cable - UL & CSA
	058028-01-000	EA	Connector - Pigtail Clear Nylon
	008314 01 000	EA	Connector - Wire Nut - Gray
	008311-01-000	EA	Connector - Wire Nut - Red
	031968 01 000	EA	Contact Plug - Brass - Tin Plated
	031967 01 000	EA	Contact - Receptacle
	008054-01 000	EA	Cord - Power - 10 3 30 Amp - 25 - UL
	008052-01-000	EA	Cord - Power - 10-3 30 Amp - 25 - CSA
	069238-01-000	EA	Cover - Electrical Box - 4 x 4
	058048 01-000	EA	Cover - Electrical Box - 4 5' x 2 75 - Rain Tight (Exterior)
	024571-03 000	EA	Cover Plate - Receptacle - Jumbo - Brown Plastic
	024571 04 000	EA	Cover Plate - Receptacle - Jumbo - Ivory Plastic
	003164 01-000	EA	Cover Plate - Switch - Brown
	008294-01-000	EA	Cover - Flat Blank - 4" x 4 Steel US
	008294 02 000	EA	Cover - Flat Blank - 4 x 4 - Steel - CSA
	008250-01-000	EA	Fuse Holder In Line - 10 Amp
	008250 02 000	EA	Fuse Holder - In Line - 15 Amp
	008277 01 000	EA	Fuse Holder Panel Mount - Black
	064399 01-000	EA	Housing Asm - Trailer Pin
	064450-01 000	EA	Housing Asm - Trailer Plug
	064398 01-000	EA	Housing Asm - Trailer Receptacle
	054532 01-000	EA	Housing Pin - 6 Position
	046885 01-000	EA	Plaque - Mounting Switch
	075736-01-000	EA	Receptacle/Cover Asm - Gray (Exterior)
	058708 01-000	EA	Receptacle - Duplex - Brown
	008157-01 000	EA	Receptacle - Duplex - Brown (Exterior Backwall)
	058708-02 000	EA	Receptacle - Duplex - Ivory
	053126-01-000	EA	Receptacle - Ground Fault Interrupter - 125 Volt - Ivory
	024924 02 000	EA	Receptacle - Power Cord
	058707 01-000	EA	Receptacle - Single - Brown
	063912 01 000	EA	Relay - Canister SPDT w/Ground
	075723 01-000	EA	Switch - Block Spacer - w/o Holes
	075723 02-000	EA	Switch - Block Spacer - w/Holes
	008162-01-000	EA	Switch - Double Toggle - Brown
	077942 02 000	EA	Switch - Dummy Brown
	056264 01 000	EA	Switch - Leaf Actuator
	081066 01-000	EA	Switch - 2 Gang - 2 Switch
	079362 01-000	EA	Switch Plate - 3 Gang - 2 Switches
	079363 01-000	EA	Switch Plate Single w/Switches
	079364-01-000	EA	Switch On/Off Rocker Brown
	008195 01 000	EA	Switch - Push Button - 12 Volt
	008163 01 000	EA	Switch - Toggle - Brown
	006050 01 000	EA	TV Jack - Ivory
	047443 02-000	EA	Terminal 250 Receptacle - 12 10 AWG
	035417-01-000	EA	Terminal - Pin Receptacle - 125 Dia
	008348-01-000	EA	Terminal Ring - 2 w/3/8 Stud
	008331 01-000	EA	Terminal Ring - 4 - w/3/8 Stud
	008328 01 000	EA	Terminal Ring - 12/10 Wire
	054865 01-000	EA	Wire Asm - Generator Switch
	008028 01-000	FT	Wire - 18 5 Bonded - Blue/Red/Yellow/Orange/White
	008024-01-000	FT	Wire - 18 5 Bonded - Orange/White/Yellow/Blue/Brown
	008025 01 000	FT	Wire - 18.5 Bonded - Orange/White/Yellow/Blue/Green
	008026 01-000	FT	Wire w/Ground - Romex - 12/2

ELECTRICAL GROUP (CONTINUED)

INTERIOR LIGHTS

Key	Part Number	U/M	Description
	065202-03-000	EA	Lamp - Decor - Wall - Bright Brass - 2 Bulb
	033508 02-000	EA	Light - Dome - Ivory - 1 Bulb - US
	033508 03 000	EA	Light - Dome - Ivory - 1 Bulb - CSA
	033509-02-000	EA	Light - Dome - Ivory - 2 Bulb - US
	033509 03-000	EA	Light - Dome - Ivory - 2 Bulb - CSA
	078424-02 000	EA	Light - Fluorescent - 12V - 18 - Almond
	061424-01-000	EA	Light - 12V Receptacle - Aisle - IP
	007309-01-000	EA	Light - Step Well
	072353-07-000	EA	Light - Reading - Double - 360° Swivel Tan
	072353-03-000	EA	Light - Reading - Single - 360° Swivel - Almond
	068937-02 000	EA	Dome Light Surface - w/o Switch
	056288 03 000	EA	Housing - Dome Light
	056288-04 000	EA	Lens - Dome Light
	056288-05-000	EA	Clip - Dome Light
	081633-01-000	EA	Light - Make up
	082686-01 000	EA	Lamp Decor Table - Brass w/Wood
	082686 02 000	EA	Shade Table Lamp
	065201 02 000	EA	Shade - Parchment - 2 Bulbs - Lamp
	081909-01-000	EA	Light Strip 18 Clear Plastic

EXTERIOR LIGHTS

Key	Part Number	U/M	Description
	007309 01 000	EA	Light - License Plate
	081638-01-000	EA	Tail Lamp Asm - 2 Bulb - Black Trim
	081638 01-700	EA	Lens - Tail Lamp - Red
	081638 01-701	EA	Lens Tail Lamp Red w/Back Up
	042405 01 000	EA	Lens - Rectangular - Red w/Reflex
	042405 02-000	EA	Lens Rectangular - Amber w/Reflex
	042405 03 000	EA	Base Rectangular Side Marker Light
	008089 01-000	EA	Light - Porch - Recessed
	079764 01 000	EA	Mounting Bracket - Right Front Turn Signal - Gray
	079764 02 000	EA	Mounting Bracket - Left Front Turn Signal - Gray
	079764 03 000	EA	Mounting Bracket - Right Front Turn Signal - Beige
	079764 04 000	EA	Mounting Bracket - Left Front Turn Signal - Beige
	083120 01 000	EA	Bracket - License Plate - Rear
	049185 01-000	EA	Headlight Capsule Asm - High/Low Beam - Driver
	049186-01 000	EA	Headlight Capsule Asm - High/Low Beam - Passenger
	049187 01 000	EA	Headlight Capsule Asm - High Beam - Driver
	049188 01 000	EA	Headlight Capsule Asm - High Beam - Passenger
	081250-02 000	EA	Light Asm Clearance - Red
	081250 01-000	EA	Light Asm Clearance - Amber
	076343 01 000	EA	Lamp Asm - Park/Turn - Clear - Left
	076343 02 000	EA	Lamp Asm - Park/Turn - Clear - Right

WINDSHIELD WIPERS & WASHER

Key	Part Number	U/M	Description
	056000 02 000	EA	Washer Asm Windshield
	057653 01 000	EA	Arm Windshield Wiper - 18 - Black
	067191 02 000	EA	Motor Asm - Windshield Wiper 2 Speed
	067192 01 000	EA	Link Asm Connecting Left
	067193 01 000	EA	Link Asm Connecting Right
	049464-03 000	EA	Blade - Windshield Wiper 20 - Black
	067191 01-000	EA	Shaft and Pivot Asm
	074007 01 000	EA	Switch - Wiper Delay
	057474 01 000	EA	Wiper Asm

The illustrated parts breakdown for this item is provided on the Common Items Fiche

1986 ITASCA TABLE OF CONTENTS

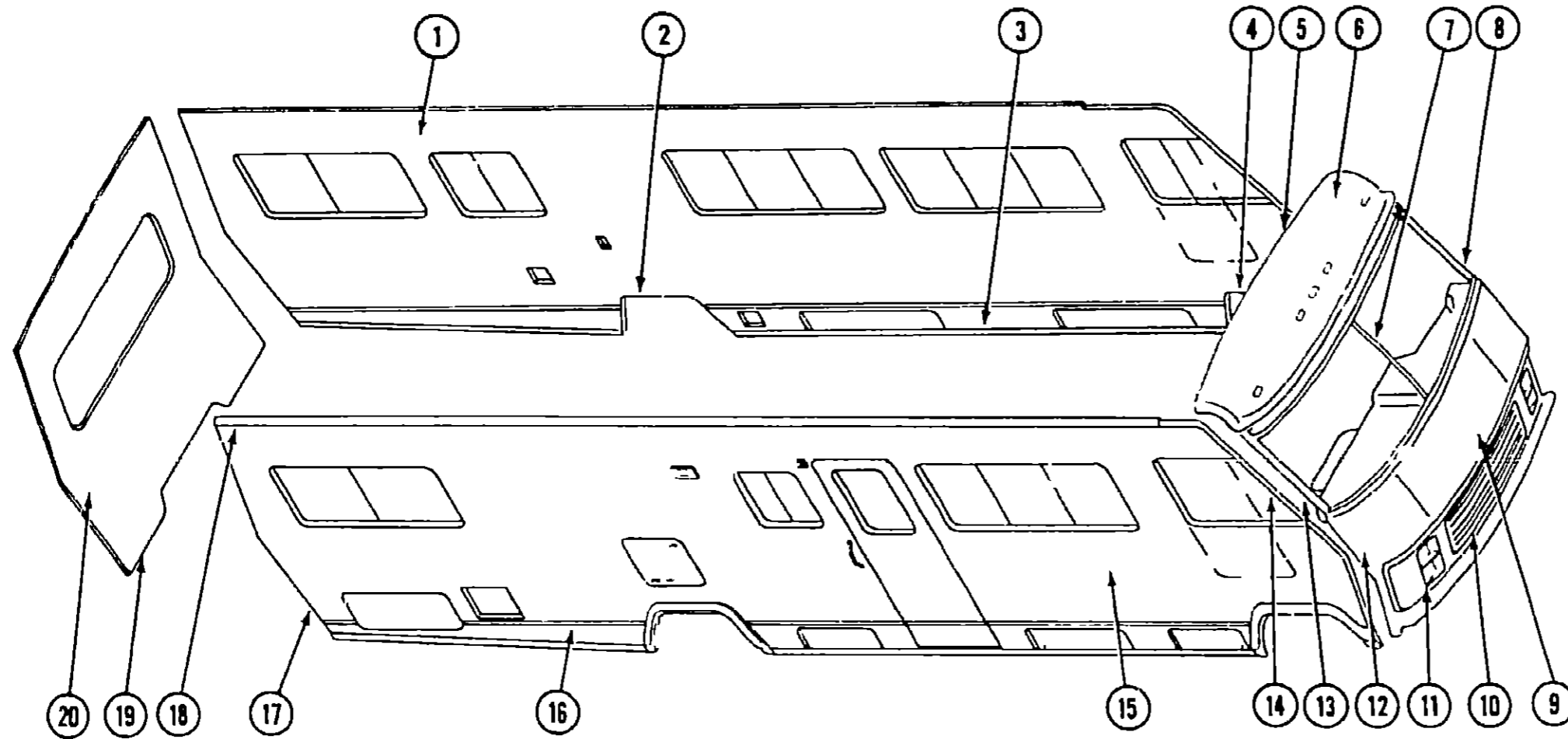
IC/IF424RC	A 01 - C 08
IF426RU	C 09 - E 10
ICN33RU	E-11 - G 22
ICP34RU	G 23 - J 09

1986 ICN33RU INDEX

Floor Plan	E-11 - E-12
Accessories Group	E-13 - E-16
Bath Group	E-17
Chassis Group	E-18 - E-21
Curtain Cushion & Pad Group	E-22 - F-04
Dinette Group	F-05
Driver's Compartment Group	F 06 - F-09
Electrical Group	F 10 - F-12
Exterior Body Group	F-13 - F-18
Galley Group	F-19 - F-20
Heating & Air Conditioning Group	F-21 - F-22
Interior Finish Group	F 23 - G-01
LP Group	G 02
Lounge Group	G 03 - G-04
Water & Sewage Group	G 05 - G 06
Window Vent & Exterior Door Group	G 07 - G 22

EXTERIOR BODY GROUP

EXTERIOR BODY PANELS



1986 ITASCA TABLE OF CONTENTS

IC/IF424RC
IF426RU
ICN33RU
ICP34RU

A-01 - C-08
C-09 - E-10
E-11 - G-22
G-23 - J-09

Key	Part Number	U/M	Description
1	M82310-01-U13	EA	Sidewall Asm - Left
1	M82310-01-U14	EA	Sidewall Asm - Left
1	M82310-01-U15	EA	Sidewall Asm - Left
2	058487-07-000	EA	Trim - Wheel Well - Rear - U Channel - Driver or Passenger
	075070-05-000	EA	Trim - Wheel Well - Rear - Plastic - Passenger
	075070-06-000	EA	Trim - Wheel Well - Rear - Plastic - Driver
3	072639-01-001	EA	Extr - Rocker Panel - 216
4	073647-02-000	EA	Trim - Wheel Well - Front - U Channel - Driver or Passenger
	078556-02-000	EA	Trim - Wheel Well - Front - Plastic - Passenger
	078556-04-000	EA	Trim - Wheel Well - Front - Plastic - Driver
5	078580-01-000	EA	Trim - Roof/Front Cap
6	M01899-01-T09	EA	Cap - Over Windshield - Gray
7	076675-02-000	EA	Trim - Molding - Windshield - Center
8	079225-02-000	EA	Trim - Contour - Windshield - Driver
	077944-02-000	EA	Trim - Molding - Windshield - Upper
	077945-02-000	EA	Trim - Molding - Windshield - Lower
	077952-02-000	EA	Cap - Reveal Molding
	076910-02-000	EA	Headlamp Bezel - Driver
9	078281-01-T09	EA	Access Panel - w/Hardware
10	080754-01-000	EA	Grille Molding - 47 25 - Chrome
10	080754-02-000	EA	Grille Molding - 91 50 - Chrome
11	076910-01-000	EA	Headlamp Bezel - Passenger
	073308-01-000	CA	Screw Asm - Headlamp - Adjusting
	049359-01-000	EA	Spring - Headlamp Retainer
	062207-01-000	EA	Headlamp Guard
12	M01115-11-T09	EA	Panel Asm - Front Shroud (includes access panel)
13	079225-01-000	EA	Trim - Contour - Windshield - Passenger

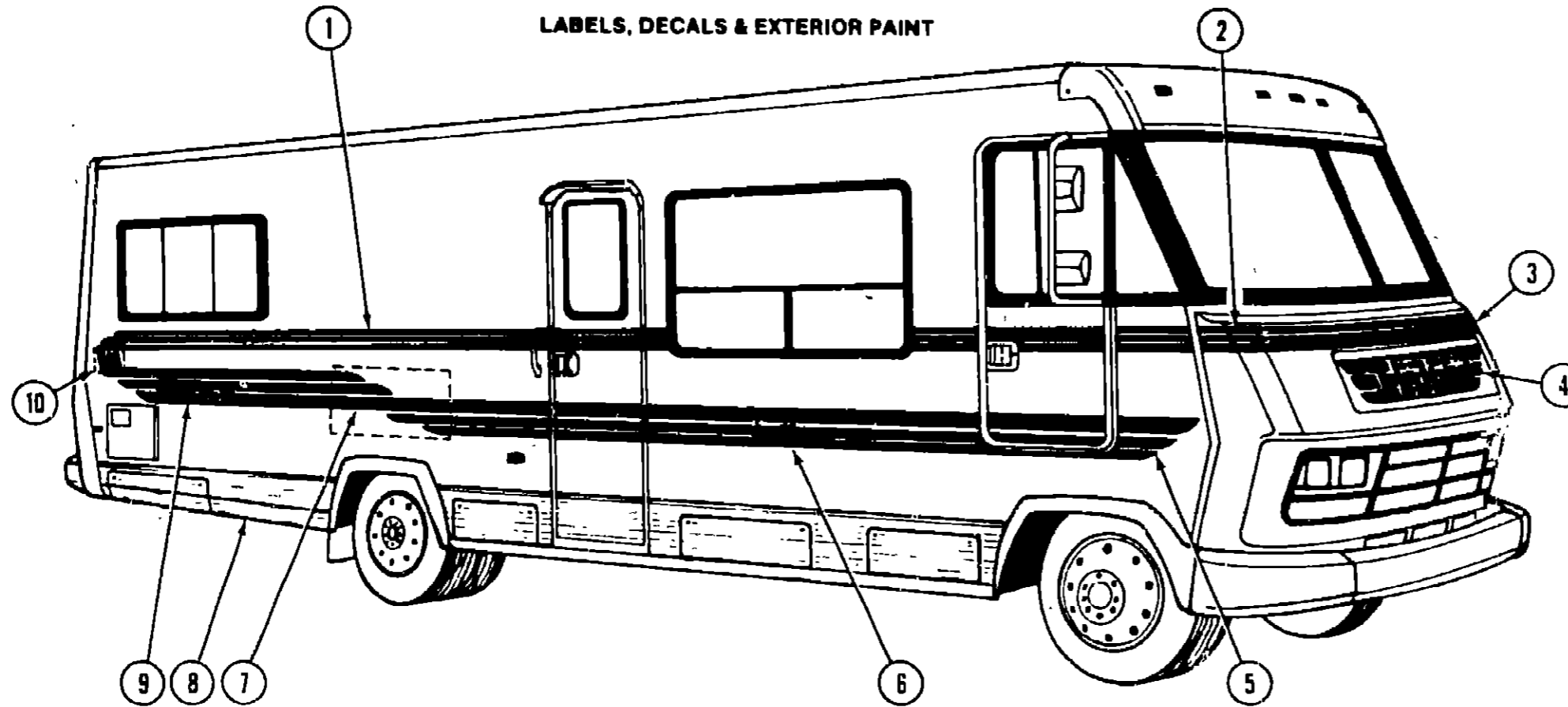
Key	Part Number	U/M	Description
	077944-01-000	EA	Trim - Molding - Windshield Upper
	079945-01-000	EA	Trim - Molding - Windshield - Lower
14	079224-03-000	EA	Trim - Fiberglass Panel - Passenger - Gray
	079224-04-000	EA	Trim - Fiberglass Panel - Driver - Gray
15	M82311-01-U13	EA	Sidewall Asm - Right
15	M82311-01-U14	EA	Sidewall Asm - Right
15	M82311-01-U15	EA	Sidewall Asm - Right
16	059576-09-000	EA	Feature Strip - Extr - Gray - 14 - w/o Insert
	009731-01-000	EA	End Cap - Feature Strip Insert
	001030-11-100	EA	Insert - Feature Strip - Gray - 17
17	073502-11-000	EA	Trim - Right Rear - Gray
	073502-12-000	EA	Trim - Left Rear - Gray
18	078600-14-000	EA	Trim - Sidewall - Upper - Driver or Passenger - Gray
19	050406-05-000	EA	Trim - Backwall - Lower - Driver or Passenger
	082312-01-U04	EA	Roof Asm
20	082085-01-U13	CA	Backwall Asm
	M01898-01-T09	EA	Backwall Cap Asm - Gray
	078577-03-000	EA	Bumper End Cap - Front Passenger Hand - Gray
	078577-04-000	EA	Bumper End Cap - Front Driver Hand - Gray
	078578-03-000	EA	Bumper End Cap - Rear Passenger - Gray
	078578-04-000	EA	Bumper End Cap - Rear Driver - Gray
	077517-26-000	EA	Fiberglass Sidewall Skin - 46 12 x 357 5 Mesa
	044487-01-001	EA	Alum Mill Finish No Design (Roof) - 96 x 96
	000868-01-000	SF	Styrofoam - 75 x 24 x 96
	000870-01-000	SF	Styrofoam - 1 50 x 24 x 96
	000870-03-000	SF	Styrofoam - 1 34 x 48 x 96
			Not illustrated

1986 ICN33RU INDEX

Floor Plan	E-11 - E-12
Accessories Group	E-13 - E-16
Bath Group	E-17
Chassis Group	E-18 - E-21
Curtain Cushion & Pad Group	E-22 - F-04
Dinette Group	F-05
Driver's Compartment Group	F-06 - F-09
Electrical Group	F-10 - F-12
Exterior Body Group	F-13 - F-18
Galley Group	F-19 - F-20
Heating & Air Conditioning Group	F-21 - F-22
Interior Finish Group	F-23 - G-01
LP Group	G-02
Lounge Group	G-03 - G-04
Water & Sewage Group	G-05 - G-06
Window Vent & Exterior Door Group	G-07 - G-22

EXTERIOR BODY GROUP (CONTINUED)

LABELS, DECALS & EXTERIOR PAINT



1986 ITASCA TABLE OF CONTENTS

IC/IF424RC
IF426RU
ICN33RU
ICP34RU

A-01 - C-08
C-09 - E-10
E-11 - G-22
G-23 - J-09

Key	Part Number	U/M	Description
1	069245-81-000	FT	Film - Multi-Stripe - 2.36" x 150' - Blue/Gray
1	069245-82-000	FT	Film - Multi-Stripe - 2.36" x 150' - Melon
1	069245-83-000	FT	Film - Multi-Stripe - 2.36" x 150' - Plum/Beige
2	079399-07-000	EA	Decal - Corner Hood - Right - Blue/Gray
2	079399-09-000	EA	Decal - Corner Hood - Right - Melon
2	079399-11-000	EA	Decal - Corner Hood - Right - Plum/Beige
3	079399-08-000	EA	Decal - Corner Hood - Left - Blue/Gray
3	079399-10-000	EA	Decal - Corner Hood - Left - Melon
3	079399-12-000	EA	Decal - Corner Hood - Left - Plum/Beige
4	080764-04-000	EA	Decal - Logo - "Itasca" Hood - Blue/Gray
4	080764-05-000	EA	Decal - Logo - "Itasca" Hood - Melon
4	080764-06-000	EA	Decal - Logo - "Itasca" Hood - Plum/Beige
5	069245-78-000	FT	Film - Multi-Stripe - 8.00" x 150' - Blue/Gray
5	069245-79-000	FT	Film - Multi-Stripe - 8.00" x 150' - Melon
5	069245-80-000	FT	Film - Multi-Stripe - 8.00" x 150' - Plum/Beige
6	058718-12-000	EA	Decal - "Sunflyer"
7	078867-07-000	EA	Decal - Right Side - Center - Blue/Gray
7	078867-09-000	EA	Decal - Right Side - Center - Melon
7	078867-11-000	EA	Decal - Right Side - Center - Plum/Beige
7	078867-08-000	EA	Decal - Left Side - Center - Blue/Gray
7	078867-10-000	EA	Decal - Left Side - Center - Melon
7	078867-12-000	EA	Decal - Left Side - Center - Plum/Beige
8	041273-78-000	FT	Decal Stripping - 11"
9	078852-04-000	EA	Decal - Logo - "Itasca" - 6.62" x 26.67"
10	079651-07-000	EA	Decal - Right Side - Rear - Blue/Gray
10	079651-09-000	EA	Decal - Right Side - Rear - Melon
10	079651-11-000	EA	Decal - Right Side - Rear - Plum/Beige
10	079651-08-000	EA	Decal - Left Side - Rear - Blue/Gray
10	079651-10-000	EA	Decal - Left Side - Rear - Melon
10	079651-12-000	EA	Decal - Left Side - Rear - Plum/Beige
10	078852-03-000	EA	Decal Logo - "Itasca" - 5" x 20"
10	084075-01-000	EA	Decal - "By Winnebago Industries"
			Not illustrated

Key	Part Number	U/M	Description
	068383-01-000	EA	Label - Diesel Fuel
	006195-01-000	EA	Label - Electrical Test
	047731-01-000	EA	Label - Emergency Exit
	006199-01-000	EA	Label - Exit - Escape Window
	057467-04-000	EA	Label - Exterior Loading Limit
	064378-01-000	EA	Label - Flying "W" w/Thermo Panel
	061417-01-000	EA	Label - Fuel
	006196-01-000	EA	Label - Gas Test
	054531-01-000	EA	Label - LP Gas Only
	040944-01-000	EA	Label - Open - Entrance Door
	006015-01-000	EA	Label - Patent Motor Home
	056259-01-000	EA	Label - Safety Check List
	006064-01-000	EA	Label - Seat - w/o Seat Belts
	006187-01-000	EA	Label - Sewage
	006006-01-000	EA	Label - Thermo Panel - 2 1/4" x 2 1/4"
	075221-01-000	EA	Label - Trailer Hitch Capacity
	075220-01-000	EA	Label - Warning - Exterior Load Limit
	050225-01-000	EA	Label - Warning - Stove Vent - US
	006188-01-000	EA	Label - Waste Water
	006197-01-000	EA	Label - Water Test
	072863-01-000	EA	Nameplate - Diesel - 6.2L
	006062-01-000	EA	Tag - Electrical - 110 Volt Connection
	006040-01-000	EA	Tag - Gas - Refueling Warning
	044486-03-000	EA	Paint - Beige Acrylic Enamel - 16 oz. Aerosol (7633A Dupont)
	045681-03-000	EA	Paint - Gloss Black - Acrylic Enamel - 16 oz. Aerosol (99 Dupont)
	058637-05-000	EA	Paint - Gray Acrylic Enamel - 16 oz. Aerosol (71537 Dupont)
	041561-03-000	EA	Paint - Off White Acrylic Enamel - 16 oz. Aerosol (45396A Dupont)
	074559-01-000	EA	Label "LPG" - 3 3/4" x 1.75" - (Calif Code)

1986 ICN33RU INDEX

Floor Plan	E-11 - E-12
Accessories Group	E-13 - E-16
Bath Group	E-17
Chassis Group	E-18 - E-21
Curtain, Cushion & Pad Group	E-22 - F-04
Dinette Group	F-05
Driver's Compartment Group	F-06 - F-09
Electrical Group	F-10 - F-12
Exterior Body Group	F-13 - F-18
Galley Group	F-19 - F-20
Heating & Air Conditioning Group	F-21 - F-22
Interior Finish Group	F-23 - G-01
LP Group	G-02
Lounge Group	G-03 - G-04
Water & Sewage Group	G-05 - G-06
Window, Vent & Exterior Door Group	G-07 - G-22

EXTERIOR BODY GROUP (CONTINUED)

ACCESS PANEL HARDWARE

Key	Part Number	U/M	Description
	072917-02-000	EA	Rod - Hood Prop
	062628-01-000	EA	Clip - Prop Rod
	058833-01-000	EA	Bracket - Prop Rod
	073340-01-000	EA	Hinge - Access Panel - Passenger
	073340-02-000	EA	Hinge - Access Panel - Drivers
	058960-01-000	EA	Bracket - Hinge Asm. - Hood - Drivers
	058960-02-000	EA	Bracket - Hinge Asm. - Hood - Passenger
	R77006-68-721	EA	Cable - Release (Access Panel)
	074178-01-000	EA	Bracket - Cable Release - Inside
	R77007-01-950	EA	Striker - Hood Latch
	079286-01-000	EA	Latch - Hood
	R77006-38-499	EA	Spring
	R77006-19-765	EA	Cable Sheath
	073333-02-000	EA	Bracket - Latch Support
	073337-02-000	EA	Brace Latch - Hood
	073341-01-000	EA	Bracket - Hood Latch
	058786-02-000	EA	Bolt - Hood Adjusting - 5/16" x 13 x 1 1/4"

SEALANTS & ADHESIVES

Key	Part Number	U/M	Description
	004020-01-000	QT	Adhesive - ABS Cement (Plastic Fittings)
	002337-01-000	EA	Adhesive - 1300 Tube - 3M (Windows)
	004005-02-000	GL	Adhesive - Swifts - Glue (Sidewalls)
	053766-07-000	EA	Bedding Compound - Tube - Beige (Exterior)
	053766-06-000	EA	Bedding Compound - Tube - Clear (Window)
	053766-08-000	EA	Bedding Compound - Tube - Gray (Exterior)
	053766-05-000	EA	Bedding Compound - Tube - Gray (Sidewalls to Floor)
	053766-02-000	EA	Bedding Compound - Tube - Off White (Exterior)
	002328-02-000	EA	Block - Rubber Spacer (Windshield)
	004336-01-000	EA	Caulk - Latex - Golden Walnut (Sidewalls)
	072891-02-000	QT	Primer - Glass - Black
	072891-01-000	QT	Primer - Glass - Clear
	035024-01-000	EA	Primer - Glass - Clear - Windshield
	072890-01-000	QT	Primer - Metal - Black
	035023-01-000	GL	Primer - Metal - Windshield
	077967-01-000	EA	Sealant - Acrylic Latex - Tube - Off White (Interior Sealant)
	034552-04-000	EA	Sealant - Silicone - Beige
	034552-02-000	EA	Sealant - Silicone - Clear
	034552-07-000	EA	Sealant - Silicone - Dark Gray
	034552-06-000	EA	Sealant - Silicone - Off White
	069637-01-000	EA	Sealant - Weatherban 404 - Tube - White (Door Caulk)
	072889-01-000	EA	Sealant - Urethane - Black (Windshield)
	069640-01-000	FT	Sealer Ribbon - .25" Bead x 20'
	069640-02-000	FT	Sealer Ribbon - 5" x .125" x 30'
	069640-03-000	FT	Sealer Ribbon - .75" x .125" x 30'
	069640-04-000	FT	Sealer Ribbon - 2" x .09" x 45' (P Series)
	069640-05-000	FT	Sealer Ribbon - 2 5" x .09" x 50'
	069640-06-000	FT	Sealer Ribbon - 5/16" Bead x 15'
	069640-07-000	FT	Sealer Ribbon - 2" x 3/32" x 30'
	002316-01-000	FT	Sealer Tape - 3/32" x 3/8" - White (Window)
	002707-01-000	FT	Sealer Tape - 5/16" x 3/4"
	002707-02-000	FT	Sealer Tape - 5/16" x 1/2"
	040545-01-000	GL	Sealer - Seam Weld
	053752-04-000	EA	Seam Sealer - Tube - Aluminum (Roof)
	063642-01-000	FT	Tape - Adhesive - .10 mm x 1 5" Wide
	038886-01-000	EA	Tape - Butyl - 31" x .31" x 148" (Windshield)
	076322-01-000	FT	Tape - Foam - Double Coated - .025 x 1" (Fiberglass Sidewall Seams)
	076322-02-000	FT	Tape - Foam - Double Coated - .045 x 1" (Fiberglass Sidewall Seams)
	009200-01-000	EA	Tape - Furnace - 1 5"
	002825-01-000	FT	Weather Striping (Roof Vent)

EXTERIOR BODY GROUP (CONTINUED)

INTERIOR/EXTERIOR SCREWS & FASTENERS

Key	Part Number	U/M	Description
	005200-01-000	EA	Bolt - Round Head - Square Neck w/SST Cap 7/16" - 14 x 1 1/4"
	058279-01-000	EA	Clip - Mounting - Front Panel
	035628-01-000	EA	Fastener - Blind Well Nut - 1 05" x 38"
	000D15-06-00B	EA	Nut - Hex - 3/8" x 24 - Zinc
	005081-01-000	EA	Nut - Speed - C Type - #8 Screw
	000G54-04-20B	EA	Screw 1/4 - 20 x 1 1/4" PTH - Zinc
	000G54-04-22B	EA	Screw 1/4 - 20 x 1 3/8" PTH - Zinc
	000G53-04-06B	EA	Screw 1/4 - Machine - 20 x 3/8" PTH - Zinc
	000G13-06-12P	EA	Screw #6 - 20 x 3/4" PFH - Dark Brown
	000G13-06-28X	EA	Screw #6 - 20 x 3/4" PFH - Gray
	000G13-06-16R	EA	Screw #6 - 20 x 1" PFH - Beige
	000G11-07-08B	EA	Screw #7 - 19 x 1/2" PPH - Zinc
	000G12-08-12M	EA	Screw #8 - 18 x 3/4" POH - Gray
	000G11-08-12R	EA	Screw #8 - 18 x 3/4" PPH - Beige
	000G11-08-12X	EA	Screw #8 - 18 x 3/4" PPH - Gray
	000G11-08-12B	EA	Screw #8 - 18 x 3/4" PPH - Zinc
	000G39-08-12R	EA	Screw #8 - 18 x 3/4" SDPH - Beige
	000G66-08-12M	EA	Screw #8 - 18 x 3/4" SDPH - Gray
	000G11-08-16R	EA	Screw #8 - 18 x 1" PFH - Gray
	000G66-08-16R	EA	Screw #8 - 18 x 1" SDPH - Beige
	000G12-08-28R	EA	Screw #8 - 18 x 1 3/4" POH - Beige
	000G36-08-08E	EA	Screw #8 - 32 x 1/2" PFH - Chrome
	000G39-08-08B	EA	Screw #8 - Self Drilling - 18 x 1/2" PPH - Zinc
	000G39-08-12B	EA	Screw #8 - Self Drilling - 18 x 3/4" PPH - Zinc
	000G39-08-12R	EA	Screw #8 - Self Drilling - 18 x 3/4" PPH - Beige
	000G39-08-16R	EA	Screw #8 - Self Drilling - 18 x 1" PPH - Beige
	000G39-08-16T	EA	Screw #8 - Self Drilling - 18 x 1" PPH - Black
	000G39-08-16Y	EA	Screw #8 - Self Drilling - 18 x 1" PPH - Dark Brown
	000G39-08-16X	EA	Screw #8 - Self Drilling - 18 x 1" PPH - Gray
	000G39-08-16E	EA	Screw #8 - Self Drilling - 18 x 1" PPH - Chrome
	000G64-08-16M	EA	Screw #8 - Self Drilling - 18 x 1" SDPH - Gray
	000G67-10-08B	EA	Screw #10 - 12 x 1/2" PPH - Zinc
	000G67-10-10R	EA	Screw #10 - 12 x 5/8" PPH - Beige
	000G67-10-16P	EA	Screw #10 - 12 x 1" PPH - Dark Brown
	000G67-10-16B	EA	Screw #10 - 12 x 1" PPH - Zinc
	000G67-10-20B	EA	Screw #10 - 12 x 1 1/4" PPH - Zinc
	000G67-10-24B	EA	Screw #10 - 12 x 1 1/2" PPH - Zinc
	049465-04-000	EA	Screw #10 - 16 x 1" POH - w/Washer - Beige
	049465-05-000	EA	Screw #10 - 16 x 1" POH - w/Washer - Gray
	000G12-10-24E	EA	Screw #10 - 16 x 1 1/2" POH - Chrome
	000G11-10-08D	EA	Screw #10 - 16 x 1/2" PPH - Dark Brown
	000G11-10-12R	EA	Screw #10 - 16 x 3/4" PPH - Beige
	000G11-10-12S	EA	Screw #10 - 16 x 3/4" PPH - Off White
	000G11-10-12B	EA	Screw #10 - 16 x 3/4" PPH - Zinc
	000G11-10-16B	EA	Screw #10 - 16 x 1" PPH - Zinc
	000G11-10-40B	EA	Screw #10 - 16 x 2 1/2" PPH - CAD
	000G19-10-12B	EA	Screw #10 - Machine - 32 TPI x 3/4"
	075908-01-000	EA	Screw #10 - Machine - 32 x 56" PTH - Zinc
	000G19-10-20B	EA	Screw #10 - Machine - 32 x 1 1/4" PPH - Zinc
	000G39-12-12E	EA	Screw #10 - Self Drilling - 14 x 3/4" PPH - Chrome
	000G39-10-10R	EA	Screw #10 - Self Drilling - 16 x 62" PPH - Beige
	000G39-10-12R	EA	Screw #10 - Self Drilling - 16 x 3/4" PPH - Beige
	000G39-10-12P	EA	Screw #10 - Self Drilling - 16 x 3/4" PPH - Dark Brown
	000G56-12-48C	EA	Screw #12 - Wood - 11 x 3" POH - CAD

MISCELLANEOUS EXTERNALLY MOUNTED PARTS

Key	Part Number	U/M	Description
	083558-01-000	EA	Plumbing Seal - Roof Vent - 1 5"
	009126-01-000	EA	Assist Handle - Chrome
	010230-04-000	EA	Fill - City Water - Recessed - Gray
	058808-03-000	EA	Water Fill - Lockable - Gray

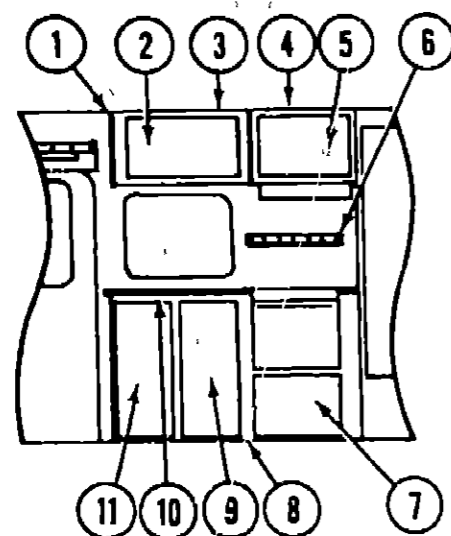
**1986 ITASCA
TABLE OF CONTENTS**

IC/IF424RC	A-01 - C-08
IF426RU	C-09 - E-10
ICN33RU	E-11 - G-22
ICP34RU	G-23 - J-09

1986 ICN33RU INDEX

Floor Plan	E-11 - E-12
Accessories Group	E-13 - E-16
Bath Group	E-17
Chassis Group	E-18 - E-21
Curtain, Cushion & Pad Group	E-22 - F-04
Dinette Group	F-05
Driver's Compartment Group	F-06 - F-09
Electrical Group	F-10 - F-12
Exterior Body Group	F-13 - F-18
Galley Group	F-19 - F-20
Heating & Air Conditioning Group	F-21 - F-22
Interior Finish Group	F-23 - G-01
LP Group	G-02
Lounge Group	G-03 - G-04
Water & Sewage Group	G-05 - G-06
Window, Vent & Exterior Door Group	G-07 - G-22

GALLEY GROUP



GALLEY CABINETRY

Key	Part Number	U/M	Description
1	081320-04-U04	EA	Pad Asm. - End Cap - Galley Overhead - Vinyl
2	M81524-04-T09	EA	Door Asm - Galley Overhead - w/o Hardware
3	081656-08-U13	EA	Cabinet Asm - Galley Overhead - w/o Doors or Hardware
4	081460-06-U13	EA	Cabinet Asm - Galley Overhead - w/o Hardware
5	M81524-01-U10	EA	Door Asm - Galley Overhead - w/o Hardware
6	074490-02-T03	EA	Spice Rack - Oak
7	M81507-05-U04	EA	Door Asm. - Furnace w/Mesh Insert - w/o Hardware
	072369-14-000	EA	Mesh Insert - Furnace Door - 22" x 12" - Gold
8	M82486-01-U13	EA	Cabinet Asm - Galley - w/o Doors, Drawers, Countertop or Hardware
**	M82486-03-U13	EA	Cabinet Asm - Galley - w/o Doors, Drawers, Countertop or Hardware
**	M82184-04-T09	EA	Drawer Asm. - Galley Cabinet - w/o Hardware
9	M81504-03-U10	EA	Door Asm - Galley Cabinet - Right - w/o Hardware
10	M02482-01-U04	EA	Countertop Asm - Galley Cabinet
11	M81504-02-U10	EA	Door Asm. - Galley Cabinet - Left - w/o Hardware
	080812-02-U01	EA	Extension Asm - Galley

* Not illustrated

**Used with microwave option

GALLEY GROUP (CONTINUED)

GALLEY HARDWARE & APPLIANCES

Key	Part Number	U/M	Description
**	079353-01-000	EA	Hood - Range - Powered w/Monitor - Almond - US
	079355-08-000	EA	Duct Extension - Hood Range
	081374-01-000	EA	Range Top - 4 Burner - Almond - Magic Chef
	064782-02-000	EA	Range w/Small Oven - 4 Burner - Almond - Magic Chef
	081374-01-000	EA	Range Top - 4 Burner - Almond
	081374-01-700	EA	Trim - Cabinet - Top Right
	081374-01-701	EA	Trim - Cabinet - Top Left
	081374-01-702	EA	Panel - Manifold Warm - Black
	081374-01-703	EA	Trim - Top - Rear
	081374-01-704	EA	Guard - Fabric
	064782-02-700	EA	Top - Main - 4 Burner - Almond
	064782-02-701	EA	Deflector Plate - Black
	064782-02-702	EA	Trim - Cabinet - Right - Black
	064782-02-703	EA	Trim - Cabinet - Left - Black
	064782-02-704	EA	Trim - Lower Outside Glass - Black
	067782-02-705	EA	Handle - Oven Door - Black
	064782-02-706	EA	Vertical Trim - Black
	064782-02-707	EA	Panel - Manifold
	064782-02-708	EA	Valve - Mercury
**	075217-01-000	EA	Refrigerator - AC/DC/Gas - Norcold 8' - 838-EG3
**	075218-01-000	EA	Refrigerator - 3 Way - 10' Norcold
	054450-01-000	EA	Level - Refrigerator
	081379-01-000	EA	Microwave Convection Oven - Sharp
	081459-03-000	EA	Bracket Asm. - Microwave - Right
	081459-04-000	EA	Bracket Asm. - Microwave - Left
	081456-01-000	EA	Angle Asm. - Microwave Right
	081456-02-000	EA	Angle Asm. - Microwave Left
	081555-01-T03	EA	Trim Ring - Microwave
	082876-01-000	EA	Air Exhaust Duct - Microwave
	023111-01-000	EA	Blender - Built In
**	068615-01-000	EA	Sink - Stainless Steel - Double w/Bolts
**	011053-01-000	EA	Faucet - Swing Spout - 8" - US
**	011053-02-000	EA	Faucet - Swing Spout - 8" - CSA
**	011053-01-700	EA	Aerator - Swing Spout Faucet
	066437-01-000	EA	Strainer w/Basket - Sink
	081530-01-U01	EA	Sink Cover - Large
	009049-01-000	EA	Support - Drop Leaf Table
	009059-01-000	EA	Hinge - 2" - Gold - Drop Leaf Table
	074490-02-T03	EA	Spice Rack - Oak
	074981-01-000	EA	Cutting Board - Maple
	058334-01-000	EA	Wastebasket - 3/4" x 7" x 10" - White
	059877-01-000	EA	Support - Wastebasket - Metal
	059777-01-000	EA	Hinge - Cabinet Door - Antique Brass
	009021-01-000	EA	Catch - Nylon - Cabinet Door
	009021-02-000	EA	Strike - Spring Steel - Cabinet Door
	077409-01-000	EA	Slider - Drawer - 20 7/8" - Plastic
	077404-01-000	EA	Drawer - 20" x 12.70" - Plastic
	066435-01-000	EA	Nut Strainer
	011083-01-000	EA	Plug - 1 1/4" x 5" - w/Stopper

** The illustrated parts breakdown for this item is provided on the Common Items Fiche

1986 ITASCA TABLE OF CONTENTS

IC/IF424RC	A-01 - C-08
IF426RU	C-09 - E-10
ICN33RU	E-11 - G-22
ICP34RU	G-23 - J-09

1986 ICN33RU INDEX

Floor Plan	E-11 - E-12
Accessories Group	E-13 - E-16
Bath Group	E-17
Chassis Group	E-18 - E-21
Curtain, Cushion & Pad Group	E-22 - F-04
Dinette Group	F-05
Driver's Compartment Group	F-06 - F-09
Electrical Group	F-10 - F-12
Exterior Body Group	F-13 - F-18
Galley Group	F-19 - F-20
Heating & Air Conditioning Group	F-21 - F-22
Interior Finish Group	F-23 - G-01
LP Group	G-02
Lounge Group	G-03 - G-04
Water & Sewage Group	G-05 - G-06
Window, Vent & Exterior Door Group	G-07 - G-22

HEATING & AIR CONDITIONING GROUP

FURNACE & ROOF AIR CONDITIONER

Key	Part Number	U/M	Description
	074466-01-000	EA	Furnace - 45,000 BTU - w/Direct Ignition
	074466-01-701	EA	Electrode Asm. - #230782
	074466-01-702	EA	Relay - Time Delay
	074466-01-703	EA	Blower Wheel - Room Air - Clockwise
	074466-01-704	EA	Microswitch & Paddle Asm
	074466-01-705	EA	Motor
	074466-01-706	EA	Wheel - Combustion
	074466-01-707	EA	Blower Wheel - Room Air - Counter Clockwise
	074466-01-708	EA	Bushing - Blower
	074466-01-709	EA	Gasket - Combustion Air Crossover
	074466-01-710	EA	Gasket - Blower Motor - 2 1/8" Dia
	074466-01-711	EA	Bushing - Motor Mounting
	074466-01-712	EA	Gasket - Combustion Air Housing
	074466-01-713	EA	Thermostat
	074466-01-714	EA	Vent - Tube Asm
	074466-01-715	EA	Valve - Fenwell
	074466-01-716	EA	Electrode Asm - #230832
	074466-01-717	EA	Wall - Thermostat
	074466-01-718	EA	Valve - 12 Volt - L.P. Gas Only
	074466-01-719	EA	Cabinet Asm
	074466-01-720	EA	Pipe - Gas Inlet
	069636-02-000	EA	Connector - 4" Duct
	009198-01-000	EA	Duct - Flexible - 4" I.D. x 25'
	056464-01-000	EA	Register - 4" Dia - Plastic - w/Damper
	056464-02-000	EA	Register - 4" Dia - Plastic - w/o Damper
	009200-01-000	EA	Tape - Furnace - 1 1/2"
	023146-01-000	EA	Clamp - Screw Type - 4"
**	073743-01-000	EA	Shroud Asm - Ceiling - Inside - Roof Air 13,500 BTU - Cool Only
**	073744-01-000	EA	Shroud Asm. - Ceiling - Inside - Roof Air 13,500 BTU - Heat & Cool
**	073742-01-000	EA	Air Conditioner - 110 Volt - Roof Mount - 13,500 BTU Rotary
**	The illustrated parts breakdown for this item is provided on the Common Items Fiche.		

AUXILIARY HEATER ASSEMBLY

Key	Part Number	U/M	Description
	049401-01-000	EA	Heater Asm - Rear - Auxiliary
	049401-01-700	EA	Valve - Heater Control
	049401-01-701	EA	Control Cable
	049401-01-702	EA	Motor Asm.
	049401-01-703	EA	Heater Core
	049401-01-704	EA	Switch
	058906-01-000	EA	Control Panel - Brown
	058893-01-000	EA	Bracket - Side Mount - Motor Aid
	076312-01-000	EA	Mesh - Grille - 7 3/8" x 6 7/8" - Gold Aluminum

HEATING & AIR CONDITIONING GROUP (CONTINUED)

AUTOMOTIVE HEATER & AIR CONDITIONER

Key	Part Number	U/M	Description
	072341-04-000	EA	Heater/Evaporator Asm
	072341-07-000	EA	Heater/Evaporator Asm - w/Pressure Sensor Switch
	072341-04-700	EA	Vacuum Motor - Front
	072341-04-701	EA	Vacuum Motor - Rear
	072341-04-702	EA	Relay
	072341-04-703	EA	Evaporator Coil
	072341-04-704	EA	Liquid Hose - #6
	072341-04-705	EA	Suction Hose - #10
	072341-04-706	EA	Blower Motor
	072341-04-707	EA	Blower Wheel
	072341-06-000	EA	Duct & Control Kit
	072341-08-000	EA	Duct & Control Kit - Used w/Pressure Sensor System
	072342-01-000	EA	Condensor Asm.
	072342-03-000	EA	Condensor Asm. - w/Fans & High Temp Sensor/Switch
	072342-04-000	EA	Condensor Asm. - w/High Temp Sensor/Switch - w/o Fans
	073242-02-700	EA	Receiver Drier - Condenser Asm
	072343-01-000	EA	Compressor/Clutch
	072343-04-000	EA	Compressor/Clutch - w/Rear Mounted Valves
	072344-01-000	EA	Package - Compressor Mount
	074026-01-000	EA	Package - Compressor Mount - 6 2 L Diesel
	039044-01-000	EA	Louver Asm - A/C Adjustable
	007076-01-700	FT	Hose - Flexible PVC - 2" I.D.
	007281-01-700	FT	Hose - Flexible PVC - 2 1/2" I.D.
	007108-01-000	FT	Hose - Heater - 5/8" I.D. SAE 20R3
	062401-04-000	EA	Clamp - Worm Drive - 69" - 1.25" I.D.
	010227-01-000	EA	Tee - Plastic - Barb 5/8" or 3/4" Hose
	072341-03-000	EA	Core - Evaporator

1986 ITASCA TABLE OF CONTENTS

IC/IF424RC	A-01 - C-08
IF-426RU	C-09 - E-10
ICN33RU	E-11 - G-22
ICP34RU	G-23 - J-09

1986 ICN33RU INDEX

Floor Plan	E-11 - E-12
Accessories Group	E-13 - E-16
Bath Group	E-17
Chassis Group	E-18 - E-21
Curtain, Cushion & Pad Group	E-22 - F-04
Dinette Group	F-05
Driver's Compartment Group	F-06 - F-09
Electrical Group	F-10 - F-12
Exterior Body Group	F-13 - F-18
Galley Group	F-19 - F-20
Heating & Air Conditioning Group	F-21 - F-22
Interior Finish Group	F-23 - G-01
LP Group	G-02
Lounge Group	G-03 - G-04
Water & Sewage Group	G-05 - G-06
Window, Vent & Exterior Door Group	G-07 - G-22

INTERIOR FINISH GROUP

INTERIOR MOLDING & TRIM

Key	Part Number	U/M	Description
	042357-09-000	FT	Molding - Radius Corner - 7' Elm
	022992-08-000	FT	Molding - Reverse Cove - Champagne White
	079653-01-000	EA	Molding - Batt Strip - Kerfed - Sunset Oak
	069733-37-000	EA	Batt Strip - Sunset Oak - 8' (Lounge)
	069733-42-000	EA	Batt Strip - Scrimshaw Sand - 8' (Wall)
	069733-58-000	EA	Batt Strip - Gray - 8' (Galley & Bath)
	069733-59-000	EA	Batt Strip - Melon - 8' (Galley & Bath)
	069733-60-000	EA	Batt Strip - Plum - 8' (Galley & Bath)
	069733-62-000	EA	Batt Strip - Pebble Beach - 8' (Ceiling)
	070504-01-000	FT	U-Channel - 065" - Light Brown
	070504-02-000	FT	U-Channel - 815" - Light Brown
	075249-01-000	EA	Rail Asm - Plain - 72"
	075250-01-000	EA	Corner Post - 1" x 1" x 2 1/2" - Oak
	078026-21-T03	EA	Trim - Valance - 62"
	002774-02-001	EA	Trim - Carpet - 192"
	009767-06-000	FT	Welling - Beige
	009767-07-000	FT	Welling - Grady Brown
	074045-01-000	EA	Plug - 1/2" Dia - Oak
	041746-01-000	FT	Vinyl - Extr. - Bubble Seal

CABINETS & TABLE HARDWARE

Key	Part Number	U/M	Description
	053200-05-000	EA	Bracket - Upper Wall Mount - 23 5" - Beige
	024281-07-000	EA	Bracket - Lower Wall Mount - 22 12" - Beige
	024276-14-000	EA	Leg Asm - Table - 26 5" - Brown
	064050-01-000	EA	Hinge - Table Leg
**	024282-01-000	EA	Brace - Table Leg
	049493-02-000	EA	Catch - Table Leg - Mounts on Floor - Brown
	009112-01-000	EA	Flange - 1" - Chrome - Closet Rod
	077409-01-000	EA	Slide - Drawer - Plastic - 20 75"
	009049-01-000	EA	Table Support - Drop Leaf
	009059-01-000	EA	Hinge - 2" - Drop Leaf Table - Gold
	076312-01-000	EA	Mesh - Grille - 13 80" x 8 80" - Gold Aluminum
	009021-01-000	EA	Catch - Nylon - Furnace Door
	009021-02-000	EA	Strike - Nylon Catch - Furnace Door
	074493-02-000	EA	Support - Sprung - Door
	066433-01-000	EA	Hook - Cup - Bright
	058034-02-000	EA	Latch - Door w/o Lock - Sliding Door
	075680-01-000	EA	Clothes Rod - Adjustable - 27" x 36"
	064467-01-000	EA	Guide - Wall Mount - Door Pocket
	078212-01-000	EA	Pull - Brass w/Dark Oak - Cabinet
	077523-01-000	EA	Latch Asm - Cabinet Door
	077821-01-000	EA	Strike - Latch - Cabinet Door
	078210-01-000	EA	Knob - Antique Brass - w/Oak
	045586-02-000	EA	Spindle - Wood - 1.75" x 24" - Plain
	059777-01-000	EA	Hinge - Brass
	009016-01-000	EA	Catch - Elbow - Spring Loaded
	077461-01-000	EA	Cover - Strike

** The illustrated parts breakdown for this item is provided on the Common Items Fiche

MISCELLANEOUS PARTS

Key	Part Number	U/M	Description
	053552-02-T03	EA	Handle Asm. - Interior Assist - Medium Almond Vinyl
	041944-03-000	EA	Fire Extinguisher - w/Bracket
	054185-24-000	EA	Owner's Manual - 1986 Itasca & Winnebago
	040069-01-000	EA	Door Mat - 10 1/2" x 26" - Black Rubber
	075907-02-000	EA	Picture - Decor - Assorted Grasses

INTERIOR FINISH GROUP (CONTINUED)

CURTAIN & CUSHION HARDWARE

Key	Part Number	U/M	Description
	082139-01-000	EA	Bracket - Hold Down - Blinds
	056003-02-000	EA	Bracket - Drapery Retainer - Left
	056003-01-000	EA	Bracket - Drapery Retainer - Right
	056001-01-000	EA	Bracket - Shade - Left
	056002-01-000	EA	Bracket - Shade - Right
	076827-01-000	EA	Bracket - Curtain - Woven Wood - Right
	076827-02-000	EA	Bracket - Curtain - Woven Wood - Left
	079798-03-000	EA	Bracket Asm - Curtain Rod - Right
	079798-04-000	EA	Bracket Asm. - Curtain Rod - Left
	082249-01-000	EA	Bracket - Blinds - Beige - Right
	082249-02-000	EA	Bracket - Blinds - Beige - Left
	079619-01-000	EA	Bracket - Tie Back
	009107-01-000	EA	Guide - Nylon Snap - Curtain
	056784-01-000	EA	Pull - Window Shade - Antique Brass
	056115-01-000	YD	Tape - Clear Plastic - w/Guide
	048394-01-000	YD	Tape - Hook - 1" x 25 YD - Beige
	029096-05-000	YD	Tape Hook - 50" - Velcro - Beige
	048395-01-000	YD	Tape Loop - 1" x 25 YD - Beige
	029090-01-000	FT	Tie - Drapery - Clear Vinyl
	056116-01-000	FT	Track - Curtain - Brown Plastic
	079446-01-000	EA	Track - Curtain - Wraparound - Right
	079446-02-000	EA	Track - Curtain - Wraparound - Left

PANELING & COUNTERTOP MATERIAL

Key	Part Number	U/M	Description
	074497-03-000	SF	Paneling - Decor - Sunset Oak - 48" x 84" (28 SF) (Cabinets & Wall)
	074497-04-000	SF	Paneling - Decor - Scrimshaw Sand - 48" x 84" (Wall)
	074496-32-000	SF	Paneling - Decor - Gray - 48" x 84" (28 SF) (Galley) (U13)
	074496-33-000	SF	Paneling - Decor - Melon - 48" x 84" (28 SF) (Galley) (U14)
	074496-34-000	SF	Paneling - Decor - Plum - 48" x 84" (28 SF) (Galley) (U15)
	074497-07-000	SF	Paneling - Pebble Beach - 48" x 96" (32 SF) (Ceiling)
	074498-10-000	SF	Plastic Laminate - Northsea - 48" x 96" (32 SF) (Dinette & Bath) (U13)
	074498-10-019	EA	Plastic Laminate - Northsea - 1.19" x 96"
	076325-11-000	FT	Molding - Edge Band - Northsea - 1 5/16" x .030"
	074498-11-000	SF	Plastic Laminate - Cayene - 48" x 96" (32 SF) (Dinette & Bath) (U14)
	074498-12-019	EA	Plastic Laminate - Cayene - 1.19" x 96"
	076325-12-000	FT	Molding - Edge Band - Cayene - 1 5/16" x .030"
	074498-12-000	SF	Plastic Laminate - Wild Rose - 48" x 96" (32 SF) (Dinette & Bath) (U15)
	074498-12-019	EA	Plastic Laminate - Wild Rose - 1.19" x 96"
	076325-13-000	FT	Molding - Edge Band - Wild Rose - 1 5/16" x .030"
	074498-06-000	SF	Plastic Laminate - Beige Crescent - 48" x 96" (32 SF) (Galley)
	074498-06-019	EA	Plastic Laminate - Beige Crescent - 1.19" x 96"
	076325-04-000	EA	Molding - Edge Band - Beige Crescent - 1 1/2" x 96"
	074498-05-000	SF	Plastic Laminate - Sunset Oak - 48" x 96" (32 SF) (Nightstand)
	074498-05-019	EA	Plastic Laminate - Sunset Oak - 1 1/2" x 96"
	076325-04-000	FT	Molding - Edge Band - Sunset Oak - 1 15/16" x .030"

1986 ITASCA TABLE OF CONTENTS

IC/IF424RC	A-01 - C-08
IF426RU	C-09 - E-10
ICN33RU	E-11 - G-22
ICP34RU	G-23 - J-09

1986 ICN33RU INDEX

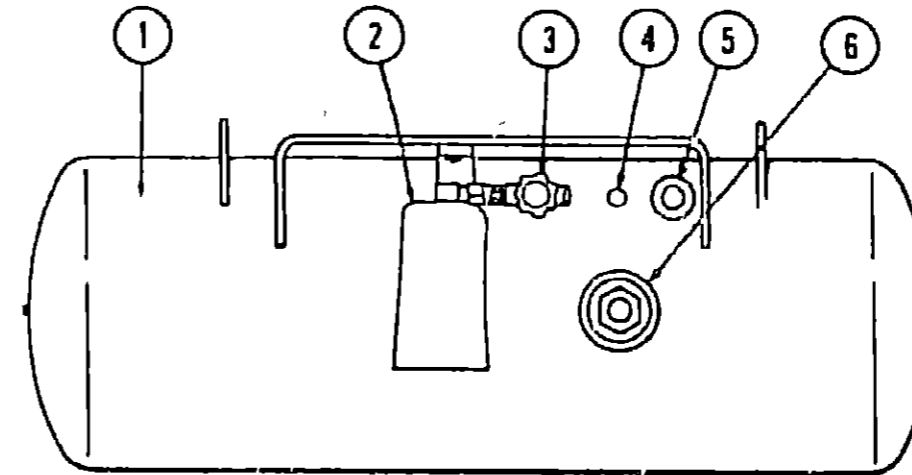
Floor Plan	E-11 - E-12
Accessories Group	E-13 - E-16
Bath Group	E-17
Chassis Group	E-18 - E-21
Curtain, Cushion & Pad Group	E-22 - F-04
Dinette Group	F-05
Driver's Compartment Group	F-06 - F-09
Electrical Group	F-10 - F-12
Exterior Body Group	F-13 - F-18
Galley Group	F-19 - F-20
Heating & Air Conditioning Group	F-21 - F-22
Interior Finish Group	F-23 - G-01
LP Group	G-02
Lounge Group	G-03 - G-04
Water & Sewage Group	G-05 - G-06
Window, Vent & Exterior Door Group	G-07 - G-22

INTERIOR FINISH GROUP (CONTINUED)

FABRICS & CARPET

Key	Part Number	U/M	Description
	072333-21-000	YD	Fabric - Drapery - Parchment
	077498-65-000	YD	Fabric w/Pattern - Upholstery - Stormy (U13)
	077498-66-000	YD	Fabric w/Pattern - Upholstery - Coral Reef (U14)
	077498-67-000	YD	Fabric w/Pattern - Upholstery - Sachet (U15)
	077498-68-000	YD	Fabric w/Pattern - Upholstery Accent - Oasis (U14)
	077498-70-000	YD	Fabric - Upholstery/Draperly - Accent - Plain - Pewter (U13)
	077498-71-000	YD	Fabric - Upholstery/Draperly - Accent - Plain - Melon (U14)
	077498-69-000	YD	Fabric - Upholstery/Draperly - Accent - Plain - Plum (U15)
	069729-25-000	YD	Fabric - Bedspread/Draperly - Main - Colonial (U13)
	069729-26-000	YD	Fabric - Bedspread/Draperly - Main - Peach (U14)
	069729-27-000	YD	Fabric - Bedspread/Draperly - Main - Mauve (U15)
	069729-28-000	YD	Fabric - Bedspread - Accent - Lemon (U13)
	069729-29-000	YD	Fabric - Bedspread - Accent - Greensilver (U14)
	069279-30-000	YD	Fabric - Bedspread - Accent - Mauve (U15)
	052859-01-T03	FT	Trim Asm. - Accent - Sandrift
	052859-05-T03	FT	Trim Asm. - Accent - Buckskin
	079680-01-000	YD	Vinyl - Expanded - 26 oz - Buckskin
	072860-51-000	YD	Carpet - Gray (U13)
	072860-52-000	YD	Carpet - Rose (U14)
	072860-53-000	YD	Carpet - Violet (U15)

LP GROUP



Key	Part Number	U/M	Description
1	074142-01-000	EA	Tank Asm. - LP - Frame Mount - 80 Pound - 13" x 44"
•	065741-01-000	EA	Detector - LP Gas Leak - Marshalltown Instruments
2	081938-01-000	EA	Compartment - LP Regulator
•	076301-01-000	EA	Regulator - Two Stage - US (Dual)
•	076301-02-000	EA	Regulator - Two Stage - CSA (Dual)
3	040421-01-703	EA	Valve - Vapor Relief
4	040421-01-700	EA	Gauge - Liquid Level - 20% LP
5	040421-01-701	EA	Valve - Filler - LP
•	040421-01-702	EA	Cap - Plastic Fill Valve
6	040421-01-707	EA	Gauge - Float - w/Visible Dial
•	040421-01-706	EA	Dial - Visible Face - Float Gauge (Tank w/o Electric Transmitter)
•	040440-01-000	EA	Dial - Transmitter - 0 - 90 Ohm (Float Gauge)
•	045703-01-000	EA	Hose Asm. - LP - 3/8" I.D. x 24" - US
•	045703-02-000	EA	Hose Asm. - LP - 3/8" I.D. x 24" - CSA
•	045703-03-000	EA	Hose Asm. - LP - 3/8" I.D. x 18" - US
•	045703-04-000	EA	Hose Asm. - LP - 3/8" I.D. x 14" - CSA
•	065742-01-000	EA	Tee - .38 F x .39 F x .25 FPT
•			Not illustrated

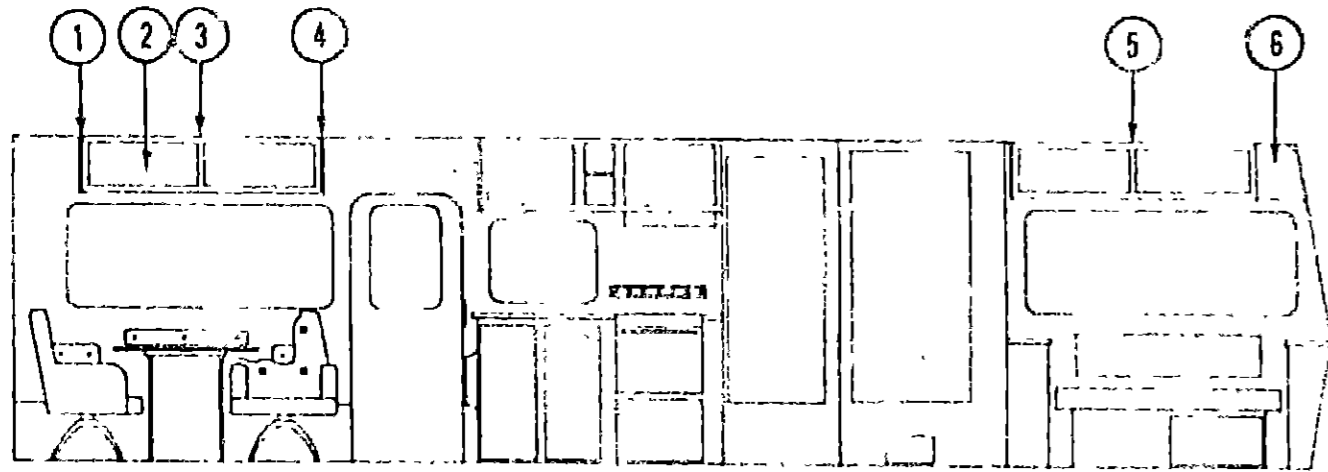
**1986 ITACSA
TABLE OF CONTENTS**

IC/IF424RC	A-01 - C-00
IF428RU	C-09 - E-10
ICN33RU	E-11 - G-22
ICP34RU	G-23 - J-09

1986 ICN33RU INDEX

Floor Plan	E-11 - E-12
Accessories Group	E-13 - E-16
Bath Group	E-17
Chassis Group	E-18 - E-21
Curtain, Cushion & Pad Group	E-22 - F-04
Dinette Group	F-05
Driver's Compartment Group	F-06 - F-09
Electrical Group	F-10 - F-12
Exterior Body Group	F-13 - F-18
Galley Group	F-19 - F-20
Heating & Air Conditioning Group	F-21 - F-22
Interior Finish Group	F-23 - G-01
LP Group	G-02
Lounge Group	G-03 - G-04
Water & Sewage Group	G-05 - G-06
Window, Vent & Exterior Door Group	G-07 - G-22

LOUNGE GROUP



LOUNGE OVERHEAD CABINERY

Key	Part Number	U/M	Description
1	081325-02-T03	EA	Pad Asm. - End Cap - Front Overhead - Vinyl
2	M81506-01-T09	EA	Door Asm. - Overhead Cabinet - w/o Hardware
3	081550-02-U13	EA	Cabinet Asm. - Front Overhead - Passenger - w/o Doors or Hardware
4	081302-10-U13	EA	Cabinet Asm. - Front Overhead - Driver - w/o Doors or Hardware
5	M81325-01-T03	EA	Pad - End Cap - Front Overhead - Vinyl
5	081730-03-U13	EA	Cabinet Asm. - Rear Overhead - Passenger - w/o Doors or Hardware
5	081730-04-U13	EA	Cabinet Asm. - Rear Overhead - Driver - w/o Doors or Hardware
5	M81506-05-U13	EA	Door Asm. - Rear Overhead - Driver or Passenger - w/o Hardware
6	081308-04-U13	EA	Cabinet Asm. - Rear Overhead - Backwall - w/o Doors or Hardware
5	M81506-04-T09	EA	Door Asm. - Rear Overhead - Backwall - w/o Hardware
5	Not illustrated		

ENTERTAINMENT CENTER & ICEMAKER

Key	Part Number	U/M	Description
	M81720-01-U04	EA	Cabinet Asm. - Ice Maker - w/o Countertop
	M02438-01-U04	EA	Countertop Asm. - Ice Maker
	M02439-01-U04	EA	Countertop Asm. - Ice Maker Pullout
	074489-02-T03	EA	Beverage Holder w/Tray - Oak
	079606-03-U04	EA	Magazine Rack Asm.
	076799-01-000	EA	Ice Maker - Black Glass
	077841-01-000	EA	Bracket - Tie Down - Ice Maker - Right
	077841-02-000	EA	Bracket - Tie Down - Ice Maker - Left

LOUNGE GROUP (CONTINUED)

TWIN BED CABINERY

Key	Part Number	U/M	Description
	M81849-01-U13	EA	Cabinet Asm. - 3 Door Nightstand - w/o Doors or Hardware
	M81504-24-T09	EA	Door Asm. - 3 Door Nightstand - Upper
	M81505-10-T09	EA	Door Asm. - 3 Door Nightstand - Lower Left
	M81505-09-T09	EA	Door Asm. - 3 Door Nightstand - Lower Right
	M02178-01-T03	EA	Countertop Asm. - 3 Door Nightstand - Upper
	M02177-01-T03	EA	Countertop Asm. - 3 Door Nightstand - Lower
	M83441-01-U04	EA	Cabinet Asm. - 1 Door Nightstand - w/o Doors or Hardware
	M81504-61-U13	EA	Door Asm. - 1 Door Nightstand - Lower
	M02609-01-U04	EA	Countertop Asm. - 1 Door Nightstand - Upper
	M02608-01-U04	EA	Countertop Asm. - 1 Door Nightstand - Lower
	081721-01-U04	EA	Cabinet Asm. - Twin Bed - Right Sidewall
	M81722-01-U04	EA	Cabinet Asm. - Twin Bed - Left Sidewall
	M81501-25-T09	EA	Door Asm. - Twin Bed
	077463-03-U10	EA	Headboard Asm. - Twin Bed - Blue/Gray (U13)
	077463-08-U11	EA	Headboard Asm. - Twin Bed - Melon (U14)
	077463-08-U12	EA	Headboard Asm. - Twin Bed - Plum/Beige (U15)

DOUBLE BED W/NIGHTSTAND

Key	Part Number	U/M	Description
	081724-01-U13	EA	Cabinet Asm. - Nightstand - w/o Countertop (Rear)
	M02478-01-U04	EA	Countertop Asm. - Nightstand
	081723-01-U04	EA	Cabinet Asm. - Nightstand - w/o Countertop (Front)
	M02477-01-U04	EA	Countertop Asm. - Nightstand
	077463-09-U10	EA	Headboard Asm. - Blue/Gray (U13)
	077643-09-U11	EA	Headboard Asm. - Melon (U14)
	077643-09-U12	EA	Headboard Asm. - Plum/Beige (U15)

SWIVEL CHAIRS W/PULLOUT TABLE

Key	Part Number	U/M	Description
	M81727-03-U04	EA	Cabinet Asm. - Pullout Table
	M02415-01-U04	EA	Table Asm. - Pullout
	M02416-01-U04	EA	Countertop Asm. - Pullout Table
	M02414-01-U04	EA	Top - Cupholder - Pullout Table
	M02417-01-U04	EA	Top - Cupholder - Hinged Lid - Pullout Table
	079606-03-U04	EA	Magazine Rack
	080515-01-T03	EA	Handle - Pullout Table
	079921-01-000	EA	Roller - Nylon - w/Shaft
	035036-01-000	EA	Plate - Tilt & Swivel
	035036-04-000	EA	Base w/Leg - Swivel Chair
	035036-05-000	EA	Extension - 7" - Swivel Chair

**1986 ITACSA
TABLE OF CONTENTS**

IC/IF424RC	A-01 - C-08
IF426RU	C-09 - E-10
ICN33RU	E-11 - G-22
ICP34RU	G-23 - J-08

1986 ICN33RU INDEX

Floor Plan	E-11 - E-12
Accessories Group	E-13 - E-16
Bath Group	E-17
Chassis Group	E-18 - E-21
Curtain, Cushion & Pad Group	E-22 - F-04
Dinette Group	F-05
Driver's Compartment Group	F-06 - F-09
Electrical Group	F-10 - F-12
Exterior Body Group	F-13 - F-18
Galley Group	F-19 - F-20
Heating & Air Conditioning Group	F-21 - F-22
Interior Finish Group	F-23 - G-01
LP Group	G-02
Lounge Group	G-03 - G-04
Water & Sewage Group	G-05 - G-06
Window, Vent & Exterior Door Group	G-07 - G-22

WATER & SEWAGE GROUP

PLUMBING & REPAIR PARTS

Key	Part Number	U/M	Description
	033302-02-000	EA	Adppter Asm - SWVC Strain - 1 1/2"
	010326-01-000	EA	Adapter - Flare - w/Cone Gasket
	062422-01-000	EA	Adapter - Hose Offset - Reducer - 3" x 1 1/2"
	052954-01-000	EA	Adapter - Hose Cone - 3/8 or 1/2 - Plastic
	010224-01-000	EA	Adapter - Plastic - 3/8 MPT x 3/8 Barb
	044927-01-000	EA	Adapter - Plastic - 1 1/4" MPT x 1 1/4 Barb
	031602-02-000	EA	Adapter - Plastic - 1 1/2 H x FPT
	062417-01-000	EA	Adapter - Termination - 3"
	004020-01-000	QT	Adhesive - ABS Cement
**	011048-04-000	EA	Breaker - Vacuum - 1/8 MPT - Nylon
	010121-01-000	EA	Bushing - Plastic - 1 1/2 S x 1 1/4 H
	010122-01-000	EA	Bushing - Plastic - 1 1/2 S x 1 1/4 T
	010123-01-000	EA	Bushing - Plastic - 2S x 1 1/2 H
	036527-02-000	EA	Cap - Brass - 1/2 Flare
	075730-01-000	EA	Cap - Sewer - 3"
	052959-02-000	EA	Connector - 1/2 F x 1/2 MPT - Plastic
	052959-03-000	EA	Connector - 1/2 F x 3/8 MPT - Plastic
	011091-02-000	EA	Continuous Waste - Double Sink - 11 7/8" - US
	053874-01-000	EA	Continuous Waste Asm - Double Sink - CSA
	076406-01-000	EA	Coupler Rubber - 3" x 3"
	052960-01-000	EA	Drain Valve - 1/2 F x 1/2 F - Plastic
	010000-01-000	EA	Elbow - Plastic - 1/8 BD x 1 1/4 x 45° H x H
	010005-01-000	EA	Elbow - Plastic - 1/16 BD x 1 1/2
	010006-01-000	EA	Elbow - Plastic - 1/8 BD x 1 1/2 x 45° H x H
	010008-01-000	EA	Elbow - Plastic - 1/4 BD x 1 1/2 x 90° Left
	010051-01-000	EA	Elbow - ST - Plastic - 1/8 BD x 1 1/2 x 45°
	010219-01-000	EA	Elbow - 1 1/4 Barb x 1 1/4 MPT x 90°
	031111-01-000	EA	Elbow - Plastic - 1/4 BD x 1 1/4 x 90° Left
	034250-01-000	EA	Elbow - Plastic - 1/4 BD x 1 1/2 x 90° x H x H
	035539-01-000	EA	Elbow - Plastic - 3/8 MPT x 3/8 Barb
	052957-01-000	EA	Elbow - Plastic - 1/2 F x 3/8 MPT
	052957-02-000	EA	Elbow - Plastic - 1/2 F x 1/2 MPT (In Tank Filter)
	059536-01-000	EA	Elbow - 1 1/4 - Slip Joint Ends
	065120-01-000	EA	Elbow - Plastic - Swivel - 50
	070924-01-000	EA	Elbow - Plastic - Swivel - 1/2 MPT x 1/2 FP
	077951-01-000	EA	Filter/Screen (In Water Tank)
	039647-02-000	EA	Filter - Water Pump - 1/2" MPT
	039647-03-000	EA	Filter - Water Pump - 1/2" Flare
	010147-01-000	EA	Flange - Closet - 4" F x 3" FPT - US
	010147-02-000	EA	Flange - Closet - 4" F x 3" FPT - CSA
	079381-01-000	FT	Flexible Tubing - 1 1/4 I.D. x 10'
	061607-01-000	EA	Grommet - Holding Tank Coupler - 1 1/2"
	061607-02-000	EA	Grommet - Holding Tank Coupler - 3"
	062419-02-000	EA	Handle - Extension - w/6" Adapter
	052961-01-000	EA	Header - 1/2 F x 1/2 F x 1/2 F x 1/2 F
**	046524-01-000	EA	Kit - Holding Tank Fittings - Blank Tank
**	046524-02-000	EA	Kit - Water Tank Fittings - Blank Tank
	052953-01-000	EA	Nut - Faucet - 1/2 Tube x 1/2 FPT
	052952-01-000	EA	Nut - 1/2 F - Plastic
**	011066-03-000	EA	P-Trap - 1 1/4" Plastic - US
**	011066-02-000	EA	P-Trap - 1 1/4" Plastic - CSA
	053335-01-000	EA	P-Trap - Plastic - 1 1/4 H x H - w/Union - CSA
	010197-01-000	EA	Pipe - Plastic - 3" x 240" - Black
	045729-01-000	EA	Pump - Water - 2 8 G P.M. - Direct Drive - Shurflo - US
	045729-02-000	EA	Pump - Water - 2 8 G P.M. - Direct Drive - Shurflo - CSA
**	010201-01-000	EA	Sewer Hose - 3" x 8' w/Clamp
	042989-02-000	EA	Spinweld Fittings - Plastic - 1/2 FPT (In Tank Fitter)
	042989-03-000	EA	Spinweld Fittings - Plastic - 1/4 NPT
	042989-04-000	EA	Spinweld Fittings - Plastic - 3/8 FPT
**	011069-02-000	EA	Tailpiece - 1 1/2" x 1 1/4" x 4" - Brass
**	The illustrated parts breakdown for this item is provided on the Common Items Fiche		

WATER & SEWAGE GROUP (CONTINUED)

PLUMBING & REPAIR PARTS (CONT.)

Key	Part Number	U/M	Description
	010071-01-000	EA	Tee - Plastic - 1 1/2 x H x H x H
	010072-01-000	EA	Tee - Plastic - 1 1/2 H x 1 1/4 H x 1 1/2 H
**	010079-01-000	EA	Tee - Plastic - 1 1/2 H x 1 1/2 H x 1 1/4 H
	046172-01-000	EA	Tee - Plastic - 3/8 B x 3/8 B x 3/8 MPT
	052955-01-000	EA	Tee - Plastic - 1/2 F x 1/2 F x 1/2 MPT
	052956-01-000	EA	Tee - Plastic - 1/2 F x 1/2 MPT x 1/2 F
	052958-01-000	EA	Tee - Plastic - 1/2 F x 1/2 F x 1/2 F
**	010133-01-000	EA	Trap Adapter - Plastic - 1 1/2 H x MPT
	039800-01-000	FT	Tubing - Polybutyl - 1/2 O.D. (Water Line)
	079381-01-000	FT	Tubing - Flexible - Smooth - 1 25 I.D.
	074462-02-000	FT	Tubing - Vinyl - 3/8 I.D.
	072346-01-000	EA	Valve Asm - 3" Ell - w/2" Socket
	062421-01-000	EA	Valve - 1 1/2" - w/Handle
	062418-02-000	EA	Valve - 3" - w/o Handle
	052960-01-000	EA	Valve - Line Drain - 1/2 F x 1/2 F
	052962-01-000	EA	Valve - Stop - 90° - 1/2 F x 3/8 MPT
	010073-01-000	EA	Wye - Plastic - 1 1/2 x 45 H x H
**	The illustrated parts breakdown for this is provided on the Common Items Fiche.		

HOLDING TANKS & WATER HEATERS

Key	Part Number	U/M	Description
	M01275-93-000	EA	Tank Asm. - Water - 48 Gallon - w/Fittings
	081189-01-000	EA	Tank Asm. - Water - 48 Gallon - w/o Fittings
	M01275-91-000	EA	Tank Asm. - Water - 21 Gallon - w/Fittings
	081185-01-000	EA	Tank Asm. - Water - 21 Gallon - w/o Fittings
	M01275-92-000	EA	Tank Asm. - Holding - 40 gallon - w/Fittings - Waste Water
	076574-01-000	EA	Tank - Holding - 40 Gallon - w/o Fittings - Waste Water
	M01275-90-000	EA	Tank Asm. - Holding - 44 Gallon - w/Fittings - Sewage
	081149-01-000	EA	Tank - Holding - 44 Gallon - w/o Fittings - Sewage
**	051391-01-000	EA	Water Heater - w/o Motor Aid - Atwood - G6A-3
**	051391-03-000	EA	Water Heater - w/Motor Aid - Atwood - G6A-3E
**	051393-01-000	EA	Water Heater - w/Motor Aid - Direct Ignition - Atwood - GH6-3E
**	The illustrated parts breakdown for this item is provided on the Common Items Fiche		

**1986 ITACSA
TABLE OF CONTENTS**

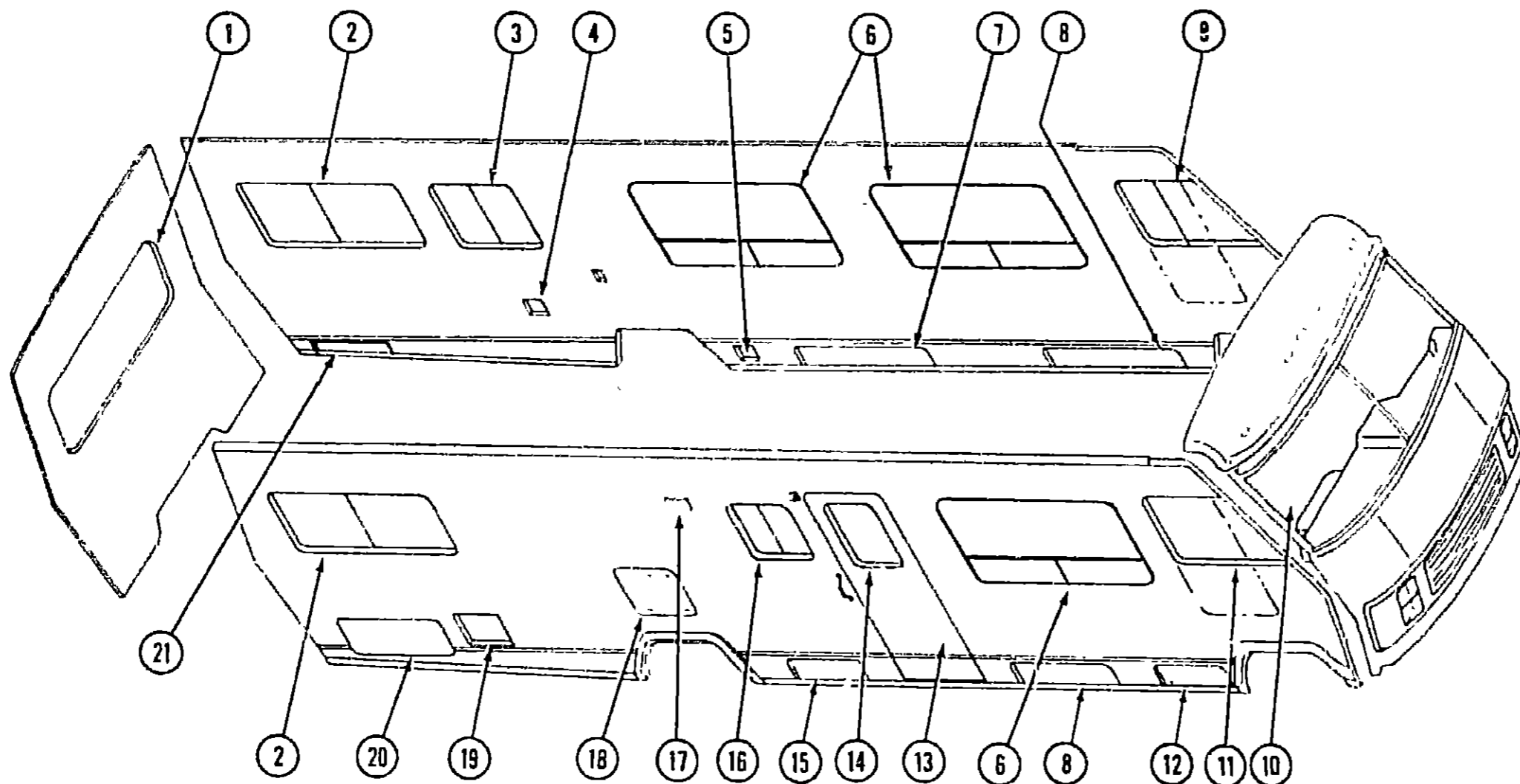
IC/IF424RC	A-01 - C-08
IF426RU	C-09 - E-10
ICN33RU	E-11 - G-22
ICP34RU	G-23 - J-09

1986 ICN33RU INDEX

Floor Plan	E-11 - E-12
Accessories Group	E-13 - E-16
Bath Group	E-17
Chassis Group	E-18 - E-21
Curtain, Cushion & Pad Group	E-22 - F-04
Dinette Group	F-05
Driver's Compartment Group	F-06 - F-09
Electrical Group	F-10 - F-12
Exterior Body Group	F-13 - F-18
Galley Group	F-19 - F-20
Heating & Air Conditioning Group	F-21 - F-22
Interior Finish Group	F-23 - G-01
LP Group	G-02
Lounge Group	G-03 - G-04
Water & Sewage Group	G-05 - G-06
Window Vent & Exterior Door Group	G-07 - G-22

WINDOWS, VENTS & EXTERIOR DOOR GROUP

WINDOWS & ACCESS DOORS



Key	Part Number	U/M	Description
1	078536-01-T03	EA	Window Asm - Escape
2	078271-01-T03	EA	Window Asm - Single Slider
3	078266-04-T03	EA	Window Asm. - Single Slider
4	078010-05-000	EA	Door Asm - Fuel Fill
5	063742-03-000	EA	Door Asm - Power Cord
6	081568-02-U01	EA	Window Asm - Double Tipout
7	M79435-03-T09	EA	Door Asm - Luggage
8	M79435-02-T09	EA	Door Asm - Luggage
9	082057-02-U04	EA	Window Asm - Slant Slider
10	077675-01-000	EA	Glass - Windshield - Passenger
	077675-02-000	EA	Glass - Windshield - Driver
11	082057-01-U04	EA	Window Asm - Slant Slider
12	M79436-01-T09	EA	Door Asm - Access
13	M01870-04-T09	EA	Door Asm - Entrance
14	079733-04-T03	EA	Window Asm - Picture
15	M79436-03-T09	EA	Door Asm - Access
16	078266-02-T03	EA	Window Asm - Single Slider
17	078969-03-T09	EA	Door Asm - Refrigerator Access
18	084878-01-000	EA	Vent - Stovehood
19	052009-03-000	EA	Door Asm. - Water Heater
20	079578-02-T09	EA	Door Asm - Luggage
20	M01883-01-T09	EA	Door Asm - Generator
21	M81349-02-T09	EA	Door Asm - Storage
			Not illustrated

1986 ITACSA TABLE OF CONTENTS

IC/IF424RC
IF426RU
ICN33RU
ICP34RU

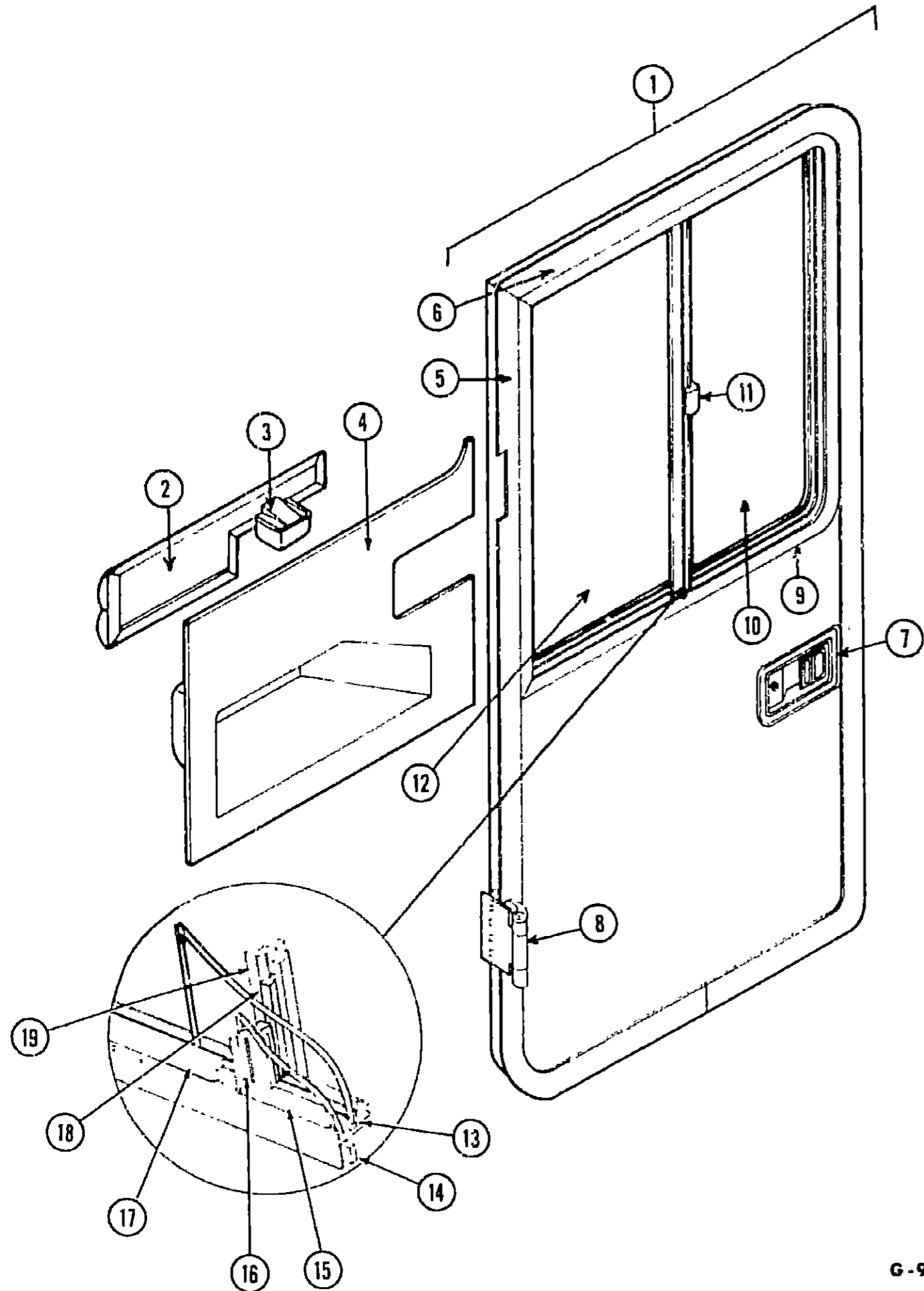
A-01 - C-08
C-09 - E-10
E-11 - G-22
G-23 - J-09

1986 ICN33RU INDEX

Floor Plan	E-11 - E-12
Accessories Group	E-13 - E-16
Bath Group	E-17
Chassis Group	E-18 - E-21
Curtain, Cushion & Pad Group	E-22 - F-04
Dinette Group	F-05
Driver's Compartment Group	F-06 - F-09
Electrical Group	F-10 - F-12
Exterior Body Group	F-13 - F-18
Galley Group	F-19 - F-20
Heating & Air Conditioning Group	F-21 - F-22
Interior Finish Group	F-23 - G-01
LP Group	G-02
Lounge Group	G-03 - G-04
Water & Sewage Group	G-05 - G-06
Window, Vent & Exterior Door Group	G-07 - G-22

WINDOW, VENT & EXTERIOR DOOR GROUP (CONTINUED)

DRIVER & PASSENGER CAB DOORS



Key	Part Number	U/M	Description
1	079824-01-T09	EA	Door Asm. - Driver - Gray
1	079624-02-T09	EA	Door Asm. - Passenger - Gray
2	064088-03-000	EA	Pad Asm. - Trim - Beige Vinyl - Drivers Door
2	064088-04-000	EA	Pad Asm. - Trim - Beige Vinyl - Passenger
•	061400-06-000	EA	Assist Strap - 12" - Beige Vinyl
3	046086-03-000	EA	Ash Tray Asm. - Chrome
4	064499-02-000	EA	Panel - Driver Door - Inner - Light Oak Plastic
4	064499-03-000	EA	Panel - Passenger Door - Inner - Light Oak Plastic
5	079214-03-000	EA	Door Frame - Front - Gray - Drivers Door
6	079214-04-000	EA	Door Frame - Front - Gray - Passenger Door
6	079250-03-000	EA	Door Frame - Rear - Gray - Drivers Door
6	079250-04-000	EA	Door Frame - Rear - Gray - Passenger Door
7	045017-05-000	EA	Paddle Asm. - Door Lock - Drivers
7	045017-07-000	EA	Paddle Asm. - Door Lock - Exterior - Passenger
•	045017-05-700	EA	Lock Cylinder w/Keys - Lynor
•	039977-01-000	EA	Inside Plate - Door Lock - w/Inside Handle - Right
•	039979-02-000	EA	Inside Plate - Door Lock - w/Inside Handle - Left
•	039540-02-000	EA	Latch Claw - Entry Door Lock
•	039738-01-000	EA	Deadbolt - Entrance Door Lock
•	039539-01-000	EA	Strike Bolt - Entrance Door (Jamb Mount)
•	063124-02-000	EA	Plate - Striker - 8 1/4" x 1" - Black
•	078135-02-000	EA	Jamb - Driver Door - Front
•	079249-07-000	EA	Jamb - Driver Door - Rear
•	078135-01-000	EA	Jamb - Passenger Door - Front
•	079249-08-000	EA	Jamb - Passenger Door - Rear
•	064184-01-000	EA	Drip Cap - Driver Door
•	064184-02-000	EA	Drip Cap - Passenger Door
•	063768-01-000	EA	Sill Plate
8	063993-10-000	EA	Hinge Asm. - Driver Door - Gray
8	063993-12-000	EA	Hinge Asm. - Passenger Door - Gray
•	066109-02-000	EA	Strap - Driver's Door
•	064580-01-000	EA	Check Strap - Driver Door - Seat Belt Webbing
•	064219-01-000	EA	Retainer - Driver Door Check Strap
•	063886-03-000	EA	Assist Handle - Beige Steel Tube (2 required per door)
•	064075-01-000	EA	Bulb Seal - 145"
9	079101-02-T03	EA	Window Asm. - Driver Door - Black (w/o inside frame)
9	079101-01-T03	EA	Window Asm. - Passenger Door - Black (w/o inside frame)
•	079577-02-T03	EA	Inside Frame - w/Slider Screen - Driver Door - Beige
•	079577-01-T03	EA	Inside Frame - w/Slider Screen - Passenger Door - Beige
•	079574-03-T03	EA	Slider Screen Asm. - Right Door
•	079574-04-T03	EA	Slider Screen Asm. - Left Door
10	057657-04-000	EA	Glass - .19" x 28 11" x 12 25"
11	047369-01-700	EA	Latch - Window - Plastic w/Fastener
12	002188-06-000	EA	Glass - 19" x 28 11" x 12" - Stationary
13	002324-02-000	FT	Channel - Weatherstrip - Glass
14	069640-06-000	FT	Ribbon Sealer - 1/4" Bead x 20'
15	050216-02-000	FT	Spline - Glass - .19" Material - Black
16	002389-03-000	EA	Seal Holder w/Fin Seal - 23.19" - Black
17	041928-02-000	FT	Extr. Vinyl - Window Seal - Black
18	073740-01-000	FT	Seal - Fin - Pile - 460"
19	078562-07-000	EA	Inside Mullion - Slider Window - Black
•	023713-02-000	EA	Weephole Cover - Black Plastic
•	002293-02-000	SF	Screen - Window - 26" - Charcoal
•	063977-08-000	EA	Step Asm. - Single
•			Not illustrated

1986 ITASCA TABLE OF CONTENTS

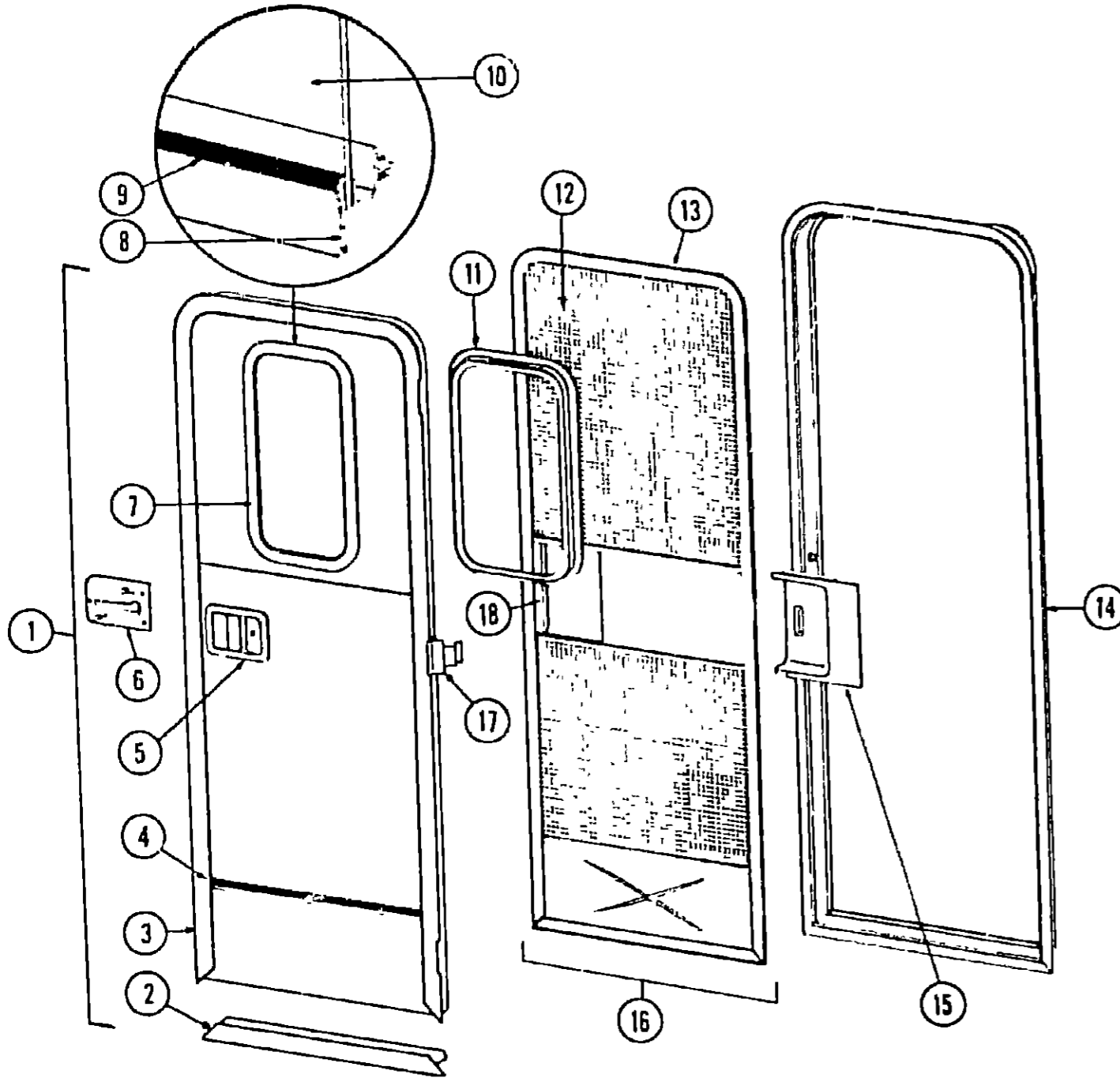
IC/IF424RC	A-01 - C-08
IF426RU	C-09 - E-10
ICN33RU	E-11 - G-22
ICP34RU	G-23 - J-09

1986 ICN33RU INDEX

Floor Plan	E-11 - E-12
Accessories Group	E-13 - E-16
Bath Group	E-17
Chassis Group	E-18 - E-21
Curtain, Cushion & Pad Group	E-22 - F-04
Dinette Group	F-05
Driver's Compartment Group	F-06 - F-09
Electrical Group	F-10 - F-12
Exterior Body Group	F-13 - F-18
Galley Group	F-19 - F-20
Heating & Air Conditioning Group	F-21 - F-22
Interior Finish Group	F-23 - G-01
LP Group	G-02
Lounge Group	G-03 - G-04
Water & Sewage Group	G-05 - G-06
Window, Vent & Exterior Door Group	G-07 - G-22

WINDOW, VENT & EXTERIOR DOOR GROUP (CONTINUED)

ENTRANCE & SCREEN DOOR



Key	Part Number	U/M	Description
1	M01870-04-T09	EA	Door Asm - Radius Entry w/Screen Door
2	077998-03-000	EA	Frame - Entry Door (Bottom Portion Only)
3	076863-03-000	EA	Frame - Entry Door (Except Bottom Portion)
4	059576-09-000	EA	Feature Strip w/o Insert - Extr. - 14"
	001030-11-100	EA	Insert - Feature Strip - 17 - Stucco - Off White
	009731-01-000	EA	End Cap - Feature Strip
5	045017-05-000	EA	Paddle Asm - Door Lock - Exterior
	045017-05-700	EA	Lock Cylinder w/Keys - Lynor
	039539-01-000	EA	Striker Bolt - Entry Doors
	039540-01-000	EA	Latch Claw - Entry Door
	039738-01-000	EA	Dead Bolt - Entry Door
6	039979-01-000	EA	Plate - Inside Lock - Includes Inside Handle
	052186-01-000	EA	Lock Asm - Complete - Lynor
7	079733-04-T03	EA	Window Asm - Picture - 17" x 25" - Black (w/o inside frame)
8	069640-06-000	FT	Ribbon Sealer - 5/16" Bead x 15'
9	002309-02-000	FT	Spline - Glass - 1/8" Black
10	002181-06-000	EA	Glass - Picture Window - 1/8" x 18.25" x 24" - Gray
11	067609-03-000	EA	Inside Frame - Beige (not included in assembly)
12	002293-02-000	SF	Screen - Window - 26" - Charcoal
13	056795-01-000	FT	Seal Tape - 1/8" x 3/8" - Press On
14	078591-02-000	EA	Jamb Asm. - Entrance Door
	051049-01-000	EA	Jamb - Entrance Door - Bottom
15	079086-01-000	EA	Slider - Screen Door - Light Oak Plastic
16	079012-01-T03	EA	Door Asm. - Screen
17	079361-03-000	EA	Hinge - Entrance Door (3 used per door)
18	079087-01-000	EA	Cap - Screen Door - Light Oak Plastic
	009016-01-000	EA	Catch - Elbow - Spring Loaded - Screen Door
	039863-01-000	EA	Catch Asm. - Single Roller w/Strike - Screen Door
	07E231-01-000	EA	Spacer - Latch - Screen Door
	077437-02-000	EA	Strike - Roller Catch
	058025-02-000	EA	Clip - Roller Latch Catch
	044582-06-000	EA	Drip Cap - Gray
	079273-01-000	EA	Seal - Mocket - Entrance Door
	073090-01-000	FT	Seal - Entrance Door
	075739-02-000	EA	Stiffener - Entrance Door - Beige
	075673-01-000	FT	Seal - Pile - Adhesive Back
	075671-01-000	FT	Seal - Sponge - Lazy "T" Shaped
	002294-01-000	FT	Spline - Black - .135 x .138 (Screen Door)
	063638-02-000	EA	Strike - Screen Door
	063729-04-000	EA	Rivnut - 10-32 UNF - 010 - .080
	075C39-01-000	EA	Garnish - Radius - Entrance Door
	083205-01-000	EA	Deadbolt - Press Kit - 5"
	079173-01-000	EA	Gasket - Deadbolt - Exterior
			Not illustrated

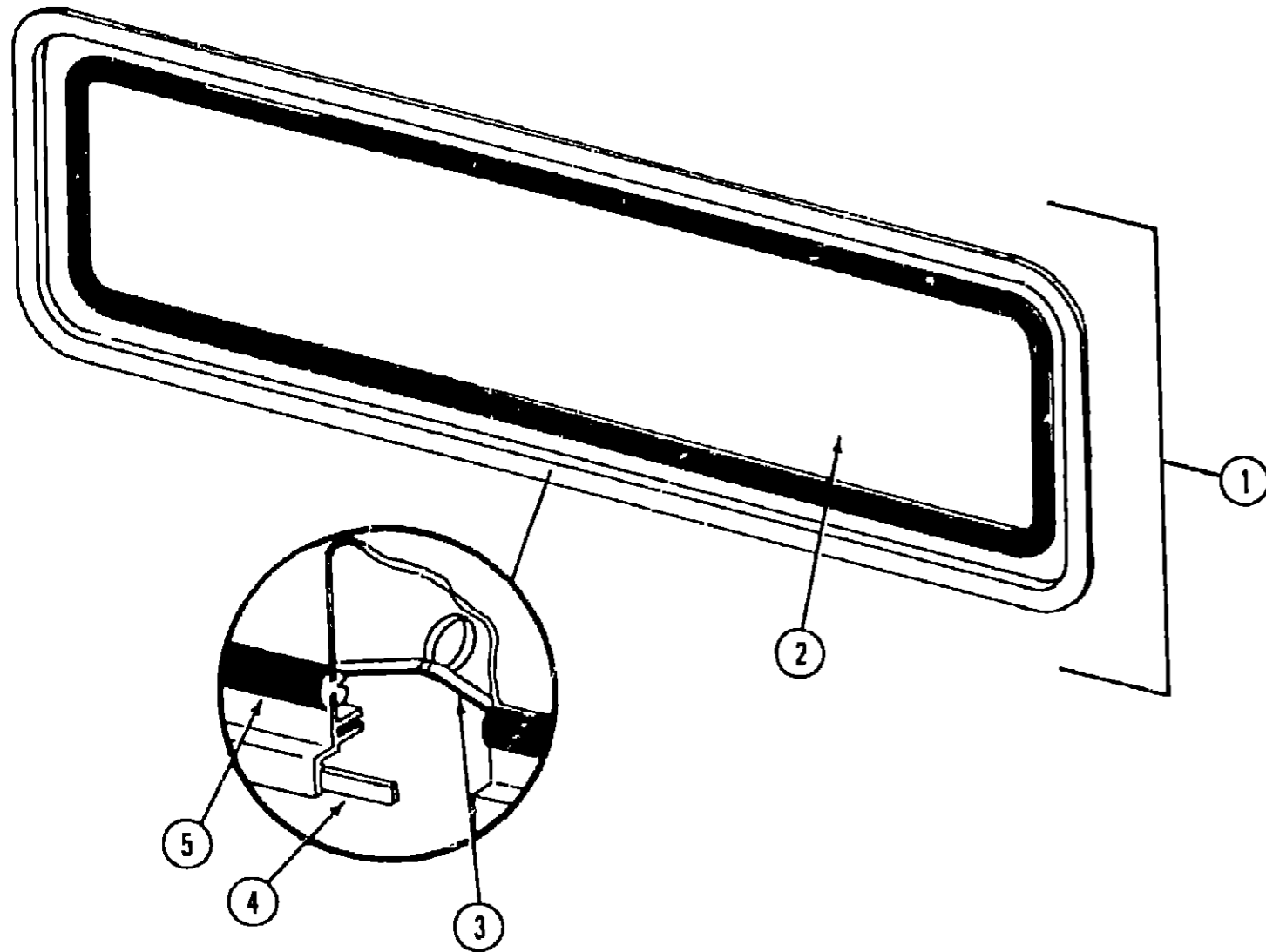
1986 ITASCA TABLE OF CONTENTS

IC/IF424RC	A-01 - C-08
II'42E/RU	C-09 - E-10
ICN33RU	E-11 - G-22
ICP34RU	G-23 - J-09

1986 ICN33RU INDEX

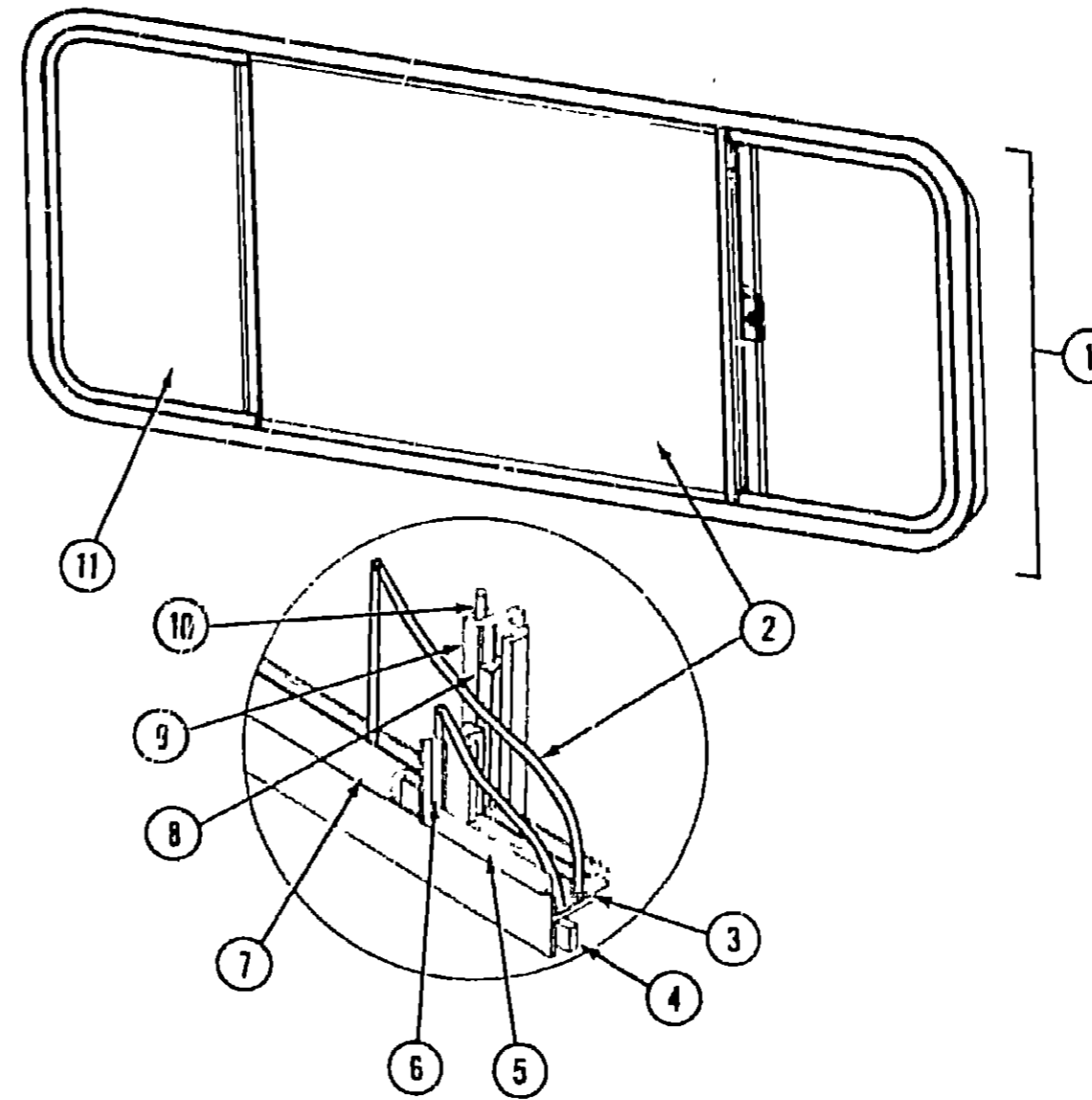
Floor Plan	E-11 - E-12
Accessories Group	E-13 - E-16
Bath Group	E-17
Chassis Group	E-18 - E-21
Curtain, Cushion & Pad Group	E-22 - F-04
Dinette Group	F-05
Driver's Compartment Group	F-06 - F-09
Electrical Group	F-10 - F-12
Exterior Body Group	F-13 - F-18
Galley Group	F-19 - F-20
Heating & Air Conditioning Group	F-21 - F-22
Interior Finish Group	F-23 - G-01
LP Group	G-02
Lounge Group	G-03 - G-04
Water & Sewage Group	G-05 - G-06
Window Vent & Exterior Door Group	G-07 - G-22

WINDOW, VENT & EXTERIOR DOOR GROUP (CONTINUED)



Key	Part Number	U/M	Description
1	078536-01-T03	EA	Window Asm. - Escape - 23" x 68" - Black (w/o inside frame)
.	042027-11-000	EA	Inside Frame - Escape Window - Brown (not included in assembly)
2	002178-01-000	EA	Glass - 1/8" x 19 61" x 64 80"
3	002285-01-000	FT	Filler - Weatherstrip - Black
4	069640-01-000	FT	Tape - 1/4" Bead x 20'
5	002282-01-000	FT	Weatherstrip - Window - 125" Black
.	006199-01-000	EA	Label - Exit - Escape Window
.			Not illustrated

WINDOW, VENT & EXTERIOR DOOR GROUP (CONTINUED)



Key	Part Number	U/M	Description
1	078271-01-T03	EA	Window Asm. - Center Slider (w/o inside frame)
.	083122-11-000	EA	Inside Frame - Center Slider - Beige (not included in assembly)
2	066727-02-000	EA	Glass - Sliding - 1/8" x 25 5" x 24"
3	002324-02-000	FT	Channel - Weatherstrip - Glass Run - 1/8" Glass
4	069640-06-000	FT	Ribbon Sealer - 5/16" Bead x 15'
5	002309-02-000	FT	Spline - Glass - 1/8" Material - Black
6	M69886-03-003	EA	Seal Holder w/Fin Seal - Black
7	057374-02-000	FT	Extr Rubber - Window Seal - Black
8	073740-01-000	FT	Seal - Fin Pile - 460'
9	078562-02-000	EA	Mullion - Slider Window - Black
10	002298-02-000	FT	Spline - 130' Dia - Charcoal (Screen)
11	081984-07-000	EA	Glass - Stationary - 1/8" x 24" x 16 5"
.	079204-01-000	EA	Bracket - Mullion - Black
.	047369-01-700	EA	Latch Kit - Window - Plastic w/Fastener
.	002293-02-000	SF	Screen - Window - 26" - Charcoal
.			Not illustrated

1986 ITASCA
TABLE OF CONTENTS

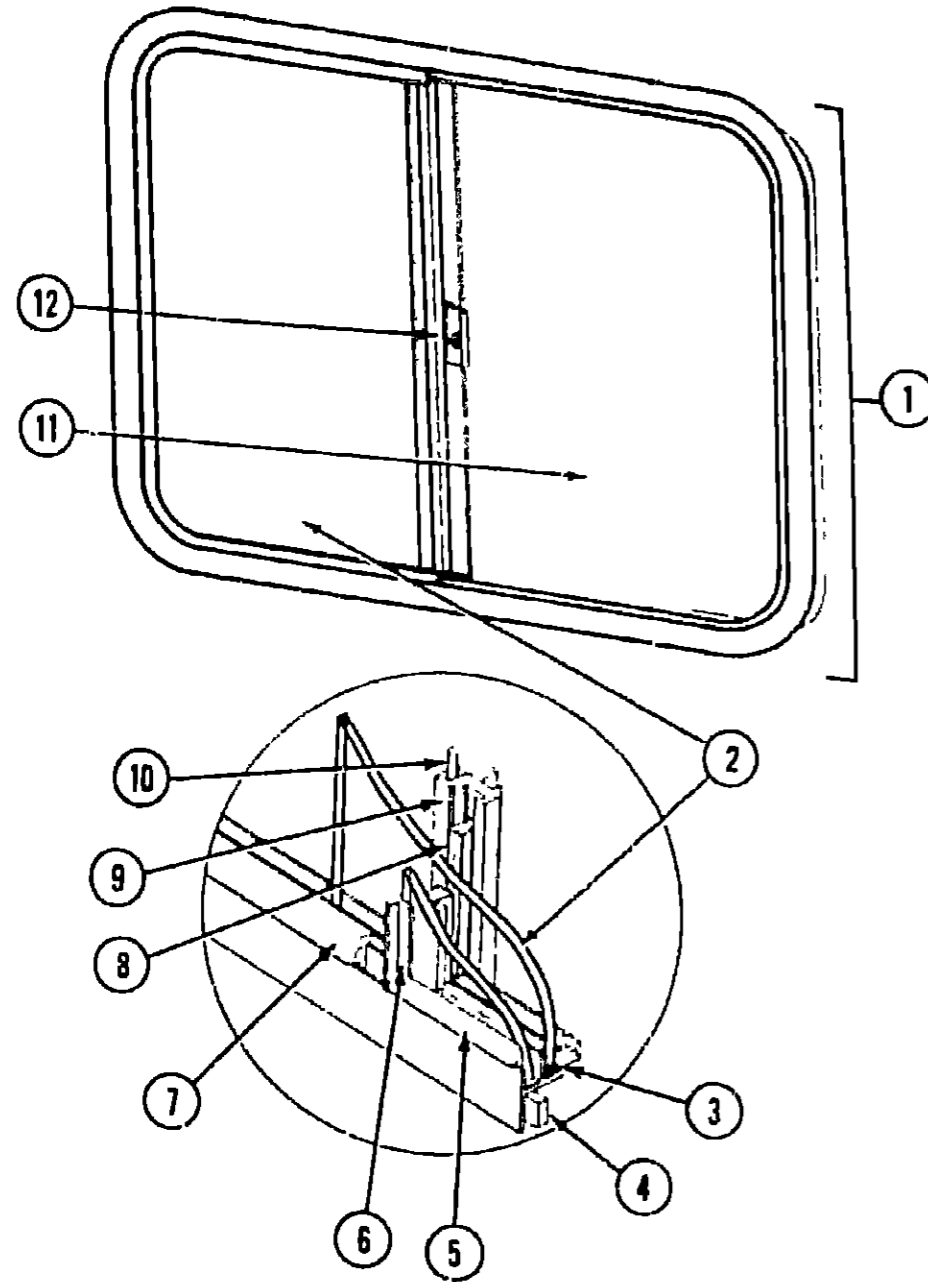
IC/IF424RC
IF426RU
ICN33RU
ICP34RU

A-01 - C-08
C-09 - E-10
E-11 - G-22
G-23 - J-09

1986 ICN33RU INDEX

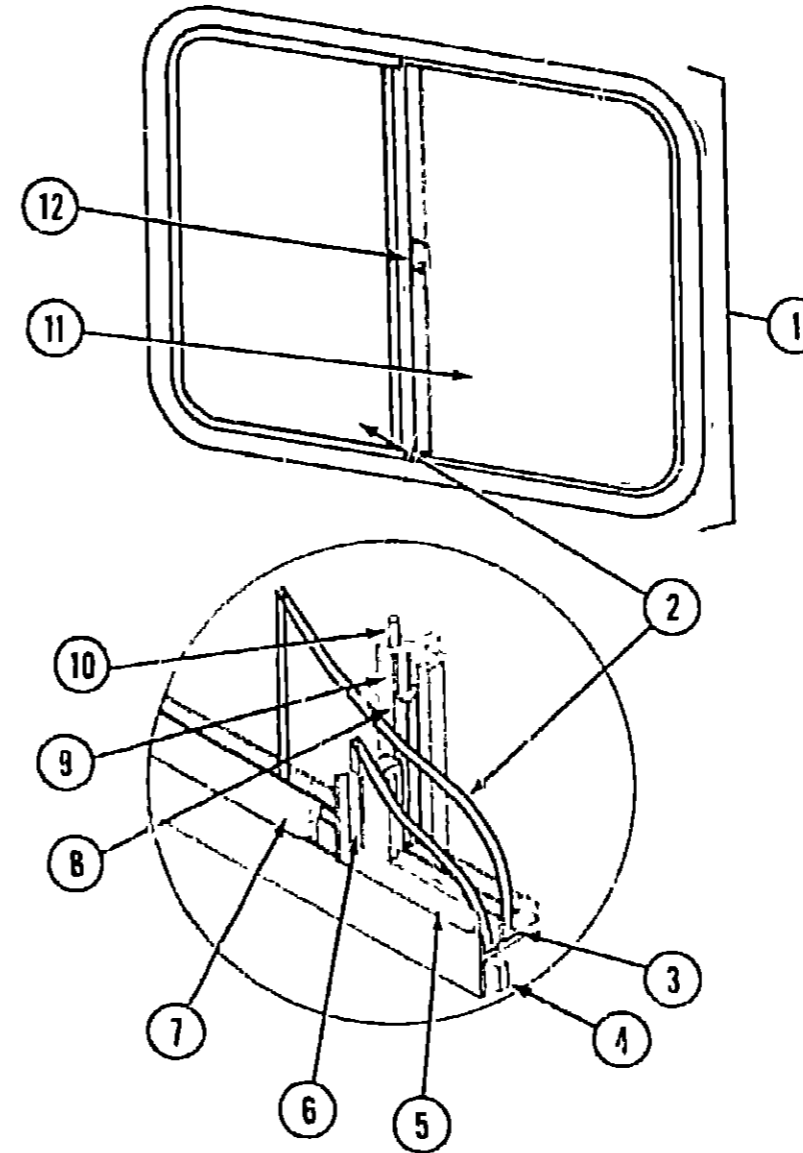
Floor Plan	E-11 - E-12
Accessories Group	E-13 - E-16
Bath Group	E-17
Chassis Group	E-18 - E-21
Curtain, Cushion & Pad Group	E-22 - F-04
Dinette Group	F-05
Driver's Compartment Group	F-06 - F-09
Electrical Group	F-10 - F-12
Exterior Body Group	F-13 - F-18
Galley Group	F-19 - F-20
Heating & Air Conditioning Group	F-21 - F-22
Interior Finish Group	F-23 - G-01
LP Group	G-02
Lounge Group	G-03 - G-04
Water & Sewage Group	G-05 - G-06
Window, Vent & Exterior Door Group	G-07 - G-22

WINDOW, VENT & EXTERIOR DOOR GROUP (CONTINUED)



Key	Part Number	U/M	Description
1	078266-04-T03	EA	Window Asm. - Left Single Slider - 23" x 29" - Black (w/o inside frame)
.	083122-05-000	EA	Inside Frame - Beige (not included in assembly)
2	081980-02-000	EA	Glass - Sliding - 1/8" x 22" x 13 6/8"
3	002324-02-000	FT	Channel - Weatherstrip - Glass Run - 1/8" Glass
4	069640-06-000	FT	Ribbon Sealer - 5/16" Bead x 15'
5	002309-02-000	FT	Spline - Glass - 1/8" - Black
6	M18025-03-000	EA	Seal Holder w/Fin Seal - 1/8" - Black
7	057374-02-000	FT	Extr. Vinyl - Window Seal - Black
8	073740-01-000	FT	Seal - Fin - Pile - .460"
9	078562-03-000	EA	Inside Mullion - Slider Window - Black
10	002298-02-000	FT	Spline - .130" Dia - Charcoal (Screen)
11	081984-01-000	EA	Glass - Stationary
12	047369-01-700	EA	Latch Kit - Window - Plastic w/Fastener
.	002293-02-000	SF	Screen - Window - 26" - Charcoal
.			Not Illustrated

WINDOW, VENT & EXTERIOR DOOR GROUP (CONTINUED)



Key	Part Number	U/M	Description
1	078266-02-T03	EA	Window Asm. - Right Single Slider - 20" x 25" - Black (w/o inside frame)
.	083122-03-000	EA	Inside Frame - Beige (not included in assembly)
2	081980-05-000	EA	Glass - Sliding - 1/8" x 19" x 12 3/8"
3	002324-02-000	FT	Channel - Weatherstrip - Glass Run - 1/8" Glass
4	069640-06-000	FT	Ribbon Sealer - 5/16" Bead x 15'
5	002309-02-000	FT	Spline - Glass - 1/8" - Black
6	M69886-03-011	EA	Seal Holder w/Fin Seal - 1/8" - Black
7	057374-02-000	FT	Extr. Vinyl - Window Seal - Black
8	073740-01-000	FT	Seal - Fin - .460 Pile
9	078562-02-000	EA	Inside Mullion - Slider Window - Black
10	002298-02-000	FT	Spline - .130" Dia - Charcoal (Screen)
11	081984-03-000	EA	Glass - Stationary 1/8" x 19" x 12 3/8"
12	047369-01-700	EA	Latch Kit - Window - Plastic w/Fastener
.	002293-02-000	SF	Screen - Window - 26" - Charcoal
.			Not Illustrated

**1986 ITASCA
TABLE OF CONTENTS**

IC/IF424RC	A-01 - C-08
IF426RU	C-09 - E-10
ICN33RU	E-11 - G-22
ICP34RU	G-23 - J-09

1986 ICN33RU INDEX

Floor Plan	E-11 - E-12
Accessories Group	E-13 - E-16
Bath Group	E-17
Chassis Group	E-18 - E-21
Curtain, Cushion & Pad Group	E-22 - F-04
Dinette Group	F-05
Driver's Compartment Group	F-06 - F-09
Electrical Group	F-10 - F-12
Exterior Body Group	F-13 - F-18
Galley Group	F-19 - F-20
Heating & Air Conditioning Group	F-21 - F-22
Interior Finish Group	F-23 - G-01
LP Group	G-02
Lounge Group	G-03 - G-04
Water & Sewage Group	G-05 - G-06
Window, Vent & Exterior Door Group	G-07 - G-22

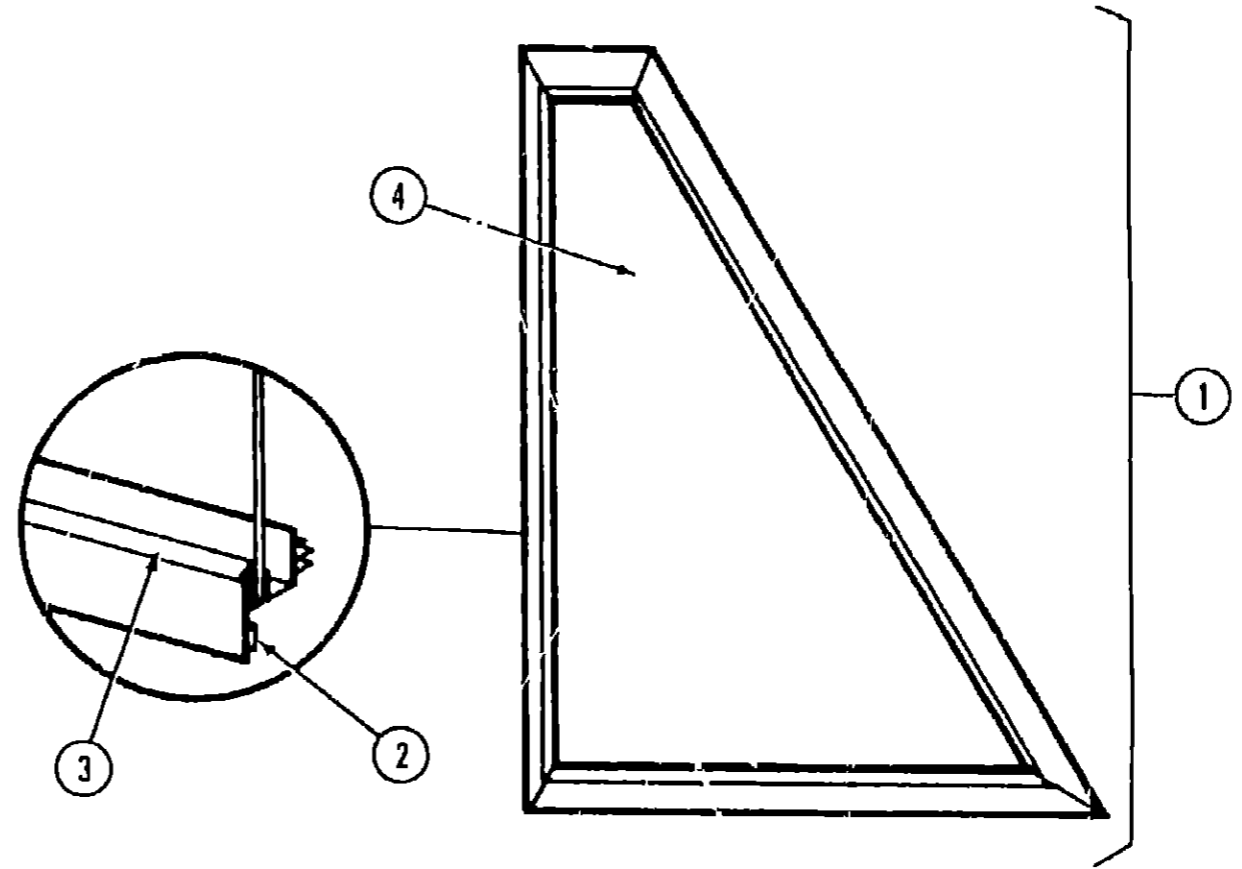
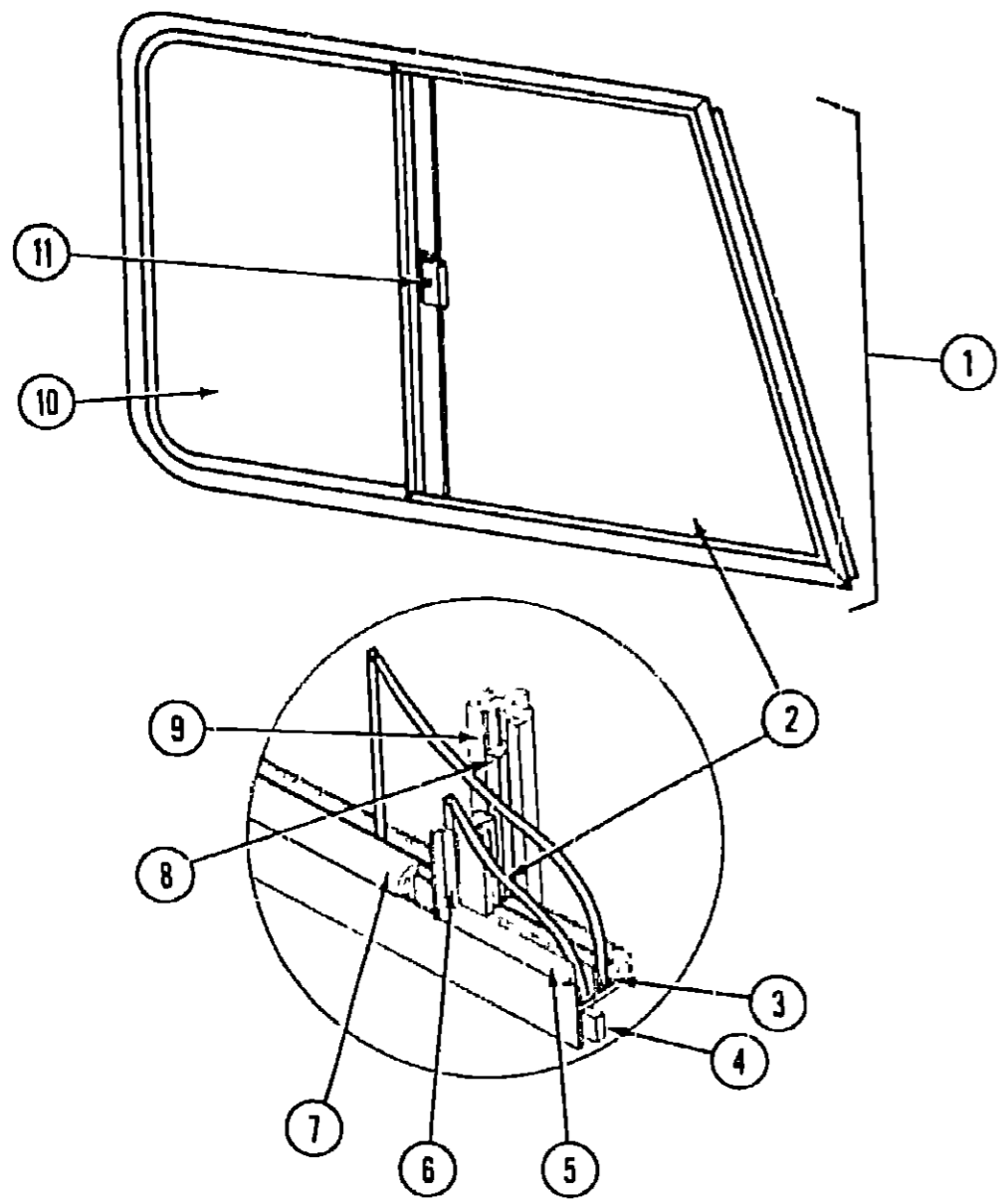
WINDOW, VENT & EXTERIOR DOOR GROUP (CONTINUED)

WINDOW, VENT & EXTERIOR DOOR GROUP (CONTINUED)

1986 ITASCA
TABLE OF CONTENTS

IC/IF424RC
IF426RU
ICN33RU
ICP34RU

A-01 - C-08
C-09 - E-10
E-11 - G-22
G-23 - J-09



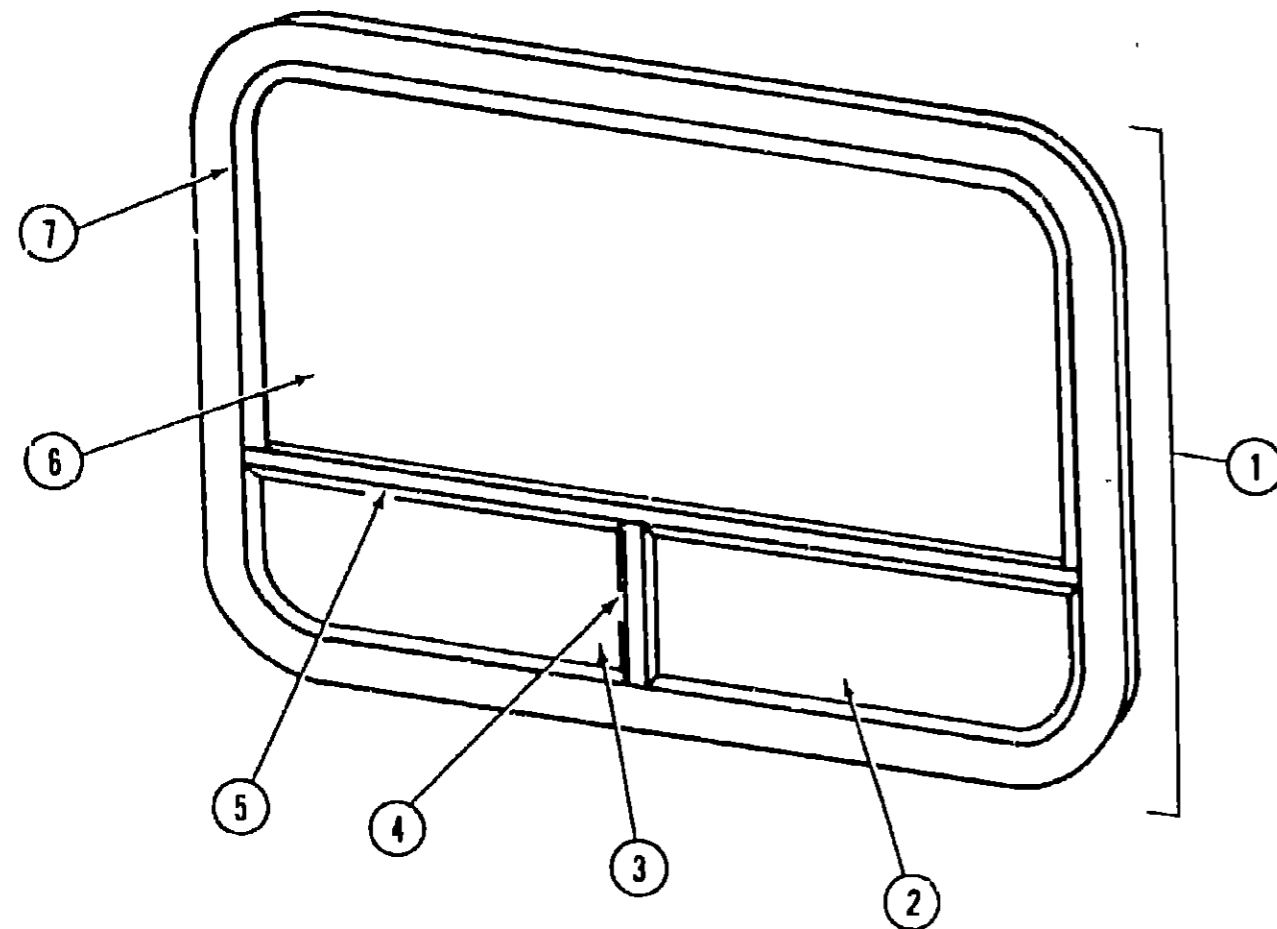
Key	Part Number	U/M	Description
1	082057-01-U04	EA	Window Asm - Front Slant Slider - Passenger (w/o inside frame)
1	082057-02-U04	EA	Window Asm - Front Slant Slider - Driver (w/o inside frame)
*	082467-01-000	EA	Inside Frame - Slant Slider - Passenger (not included in assembly) w/o Screen
*	082467-01-000	EA	Inside Frame - Slant Slider - Passenger (not included in assembly) w/o Screen
*	082467-02-000	EA	Inside Frame - Slant Slider - Driver (not included in assembly) w/o Screen
2	057656-03-000	EA	Glass - .19" x 28.11" x 27" - Stationary (Passenger)
2	057676-05-000	EA	Glass - .19" x 28.11" x 27" - Stationary (Driver)
3	042077-01-000	FT	Channel - Weatherstrip - 3/16" Glass
4	069640-01-000	FT	Ribbon Sealer - 1/4" Bead x 20'
5	050216-02-000	FT	Window Seal - .19" - Glass
6	002389-03-203	EA	Seal Holder w/Fin Seal - 27.12" - Black
7	057374-02-000	FT	Window Seal - Channel - 3/16" Glass
8	073740-01-000	FT	Seal - Fin - Pile - .460"
9	078562-07-000	EA	Mullion - Slider Window - Black
10	081980-06-000	EA	Glass - 19" x 28.11" x 14.88" - Sliding
*	079204-01-000	EA	Bracket - Mullion - Black
*	079574-01-T03	EA	Slider Screen Asm - Passenger
*	079574-02-T03	EA	Slider Screen Asm - Driver
*	002292-02-000	SF	Screen - Window - 20" - Charcoal
*	016310-03-000	EA	Handle - Slider Screen - Black
*			Not illustrated

Key	Part Number	U/M	Description
1	079421-01-T03	EA	Window Asm - Front Slant - Passenger (w/o inside frame)
1	079421-02-T03	EA	Window Asm - Front Slant - Drivers (w/o inside frame)
*	079215-01-000	EA	Inside Frame - Front Slant - Passenger - Beige (not included in assembly)
*	079215-02-000	EA	Inside Frame - Front Slant - Drivers - Beige (not included in assembly)
2	069640-01-000	FT	Capo - 1/4" Bead x 20'
3	002309-02-000	FT	Spine - Glass - 1/8" - Black
4	057656-04-000	EA	Glass - .19" x 28.11" x 13.98"
*			Not illustrated

1986 ICN33RU INDEX

Floor Plan	E-11 - E-12
Accessories Group	E-13 - E-16
Bath Group	E-17
Chassis Group	E-18 - E-21
Curtain, Cushion & Pad Group	E-22 - F-04
Dinette Group	F-05
Driver's Compartment Group	F-06 - F-09
Electrical Group	F-10 - F-12
Exterior Body Group	F-13 - F-18
Galley Group	F-19 - F-20
Heating & Air Conditioning Group	F-21 - F-22
Interior Finish Group	F-23 - G-01
LP Group	G-02
Lounge Group	G-03 - G-04
Water & Sewage Group	G-05 - G-06
Window, Vent & Exterior Door Group	G-07 - G-22

WINDOW, VENT & EXTERIOR DOOR GROUP (CONTINUED)



Key	Part Number	U/M	Description
1	081568-02-U01	EA	Window Asm - 62" x 31" - Double Tipout
	081822-06-000	EA	Inside Frame - Black (not included in assembly)
2	081434-01-U01	EA	Window Asm - Lower Tipout - Right Hand
3	081434-02-U01	EA	Window Asm - Lower Tipout - Left Hand
	081239-07-000	EA	Glass - Tipout - 1/8" x 30" x 8 3/4" - Left or Right
4	083112-05-000	EA	Mullion - Black
5	081814-01-000	EA	Mullion - Black
	081422-01-U01	EA	Screen Asm. - Tipout - Right Hand
	081422-02-U01	EA	Screen Asm. - Tipout - Left Hand
	081243-01-000	EA	Screen Clip - Plastic - Black
	035302-01-000	EA	Operating Mech - Right Hand
	035302-02-000	EA	Operating Mech - Left Hand
6	081239-11-000	EA	Glass - Stationary - 1/8" x 61 3/4" x 20 1/2"
7	083180-01-000	EA	Window Seal
	081357-01-000	EA	Bulb Seal (Tipout)
	081359-01-000	EA	Window Seal (Tipout)
			Not illustrated

WINDOW, VENT & EXTERIOR DOOR GROUP (CONTINUED)

ACCESS DOORS

Key	Part Number	U/M	Description
	M81349-02-T09	EA	Door Asm. - Storage - Left Rear
	M79435-02-T09	EA	Door Asm. - Storage - 9.5" x 34.5"
	M79435-03-T09	EA	Door Asm. - Storage - 9.5" x 48"
	079578-02-T09	EA	Door Asm. - Luggage - 13.75" x 35.95"
	M79436-01-T09	EA	Door Asm. - Storage - 9.5" x 25.3"
	M79436-03-T03	EA	Door Asm. - Storage - 9.5" x 25.3"
	M01883-01-T09	EA	Door Asm. - Generator w/o Baffle
	078969-03-T09	EA	Door Asm. - Refrigerator Access - w/Twist Lock
	052009-03-000	EA	Door Asm. - Water Heater - Gray
	052423-03-000	EA	Door - Sewage Hose - Gray
	075728-01-000	EA	Outlet Extension - Sewage
	075730-01-000	EA	End Cap - Sewage Hose
	078010-C5-000	EA	Door - Fuel Fill - Gray
	063742-03-000	EA	Door - Power Cord - Gray
	052424-03-000	EA	Jamb - Power Cord/Fuel Fill Door - Gray
	054543-03-000	EA	Hatch - Power Cord Door
	052181-02-000	EA	Baffle - Generator Door
	083615-03-000	EA	Door Holder - Plastic - Gray
	041312-01-000	EA	Seal - Bulb - "E" Section
	042442-01-000	EA	Lock Asm. - Twist Type - 90° Rotation - 1.5" Latch - .6" Depth
	009003-01-000	EA	Lock Asm. - Twist Type - w/Clip (Generator)
	077408-01-000	EA	Lock Asm. - Key Type - 90° Rotation - 2.5" Latch - 1" Depth
	079366-01-000	EA	Lock Asm. - Key Type - 90° Rotation - 1.3" Latch - 2.1" Depth
	079927-01-000	EA	Lock Asm. - Twist Type - 1.3" Latch - 2.1" Depth
	042441-01-000	EA	Lock Asm. - Key Type 90° Rotation - 1.25" Latch - .62" Depth

VENTS

Key	Part Number	U/M	Description
	071290-01-000	EA	Base - Refrigerator Vent
	071290-02-000	EA	Cover - Refrigerator Vent - 11 5/8" x 24 3/4" - Galvanized Steel
	055218-01-000	EA	Cover Asm. - Roof Vent
	071290-01-000	EA	Frame Asm. - Refrigerator Vent - 7.5" x 26.5" - Galvanized Steel
	084878-01-000	EA	Vent - Stovehood - Outside
	075056-01-000	EA	Vent Asm. - Roof - Non-Powered - w/o Screen
	078786-01-T03	EA	Screen Asm. - Roof Vent
	079537-01-000	EA	Vent Asm. - Roof - Powered - w/o Screen
	080507-01-000	EA	Skylight - Outside Panel
	080508-01-000	EA	Skylight - Inside Panel
	080258-01-000	EA	Trim - Skylight
	080262-01-000	EA	Shroud - Power Vent - Inner
	078785-01-T03	EA	Screen Asm. - Roof Vent
	078786-01-T03	EA	Screen Asm. - Roof Vent - Non-Powered

WINDSHIELD

Key	Part Number	U/M	Description
	077675-01-000	EA	Glass - Windshield - Passenger
	077675-02-000	EA	Glass - Windshield - Driver
	072889-01-000	EA	Sealer Tape
	072890-01-000	QT	Primer - Metal Prep
	072891-01-000	QT	Primer - Glass Prep - Clear
	072892-01-000	QT	Primer - Glass Prep - Black
	058291-01-000	FT	Edge Molding - Windshield Glass
	002328-02-000	EA	Block - Windshield Spacer
	077944-01-000	EA	Revel Molding - Upper Right
	077944-02-000	EA	Revel Molding - Upper Left
	077945-01-000	EA	Revel Molding - Lower Right
	077945-02-000	EA	Revel Molding - Lower Left
	076676-02-000	EA	Revel Molding - T-Cap
	079225-01-000	EA	Trim Molding - Windshield Post - Right
	079225-02-000	EA	Trim Molding - Windshield Post - Left

**1986 ITASCA
TABLE OF CONTENTS**

IC/IF424RC	A-01 - C-08
IF426RU	C-09 - E-10
ICN33RU	E-11 - G-22
ICP34RU	G-23 - J-09

1986 ICN33RU INDEX

Floor Plan	E-11 - E-12
Accessories Group	E-13 - E-16
Bath Group	E-17
Chassis Group	E-18 - E-21
Curtain, Cushion & Pad Group	E-22 - F-04
Dinette Group	F-05
Driver's Compartment Group	F-06 - F-09
Electrical Group	F-10 - F-12
Exterior Body Group	F-13 - F-18
Galley Group	F-19 - F-20
Heating & Air Conditioning Group	F-21 - F-22
Interior Finish Group	F-23 - G-01
LP Group	G-02
Lounge Group	G-03 - G-04
Water & Sewage Group	G-05 - G-06
Window, Vent & Exterior Door Group	G-07 - G-22

WINDOW, VENT & EXTERIOR DOOR GROUP (CONTINUED)

DRIVER DOOR W/ROLL-UP WINDOW

Key	Part Number	U/M	Description
	M82202-01-U13	EA	Door Asm. - w/Roll-Up Window - Passenger
	M82202-02-U13	EA	Door Asm. - w/Roll-Up Window - Driver
	064184-02-000	EA	Drip Cap - Cab Door - Passenger
	064184-01-000	EA	Drip Cap - Cab Door - Driver
	M02684-03-000	EA	Jamb Asm. - Cab Door - Passenger
	M02684-04-000	EA	Jamb Asm. - Cab Door - Driver
	063993-12-000	EA	Hinge Asm. - Passenger
	063993-10-000	EA	Hinge Asm. - Driver
	082150-01-000	FT	Seal - Sponge (Jamb)
	082150-02-000	FT	Seal - Sponge (Door)
	063731-01-000	EA	Cap - Push On - Zinc
	061400-06-000	EA	Assist Strap - Sandstone
	064219-01-000	EA	Retainer Strap - Driver Door
	066109-02-000	EA	Strap - Driver Door
	063733-01-000	EA	Bushing - Flange - Nylon
	063729-01-000	EA	Rivnut - 1/4 x 20 unc. - .030 - 125
	081903-01-000	EA	Shaft - Mounting Knob
	081905-01-000	EA	Knob - Control - Slide Bolt - Passenger
	081905-02-000	EA	Knob - Control - Slide Bolt - Driver
	081906-01-000	EA	Slide Bolt - Driver Door
	081907-01-000	EA	Regulator Asm. - Window - Passenger
	081907-02-000	EA	Regulator Asm. - Window - Driver
	081910-01-000	FT	Channel - Window - Sliding
	081912-01-000	EA	Weatherstrip - Rldgld
	063886-09-000	EA	Assist Handle - Door
	075722-01-000	EA	Block - Switch - Spacer
	079215-01-000	EA	Frame Asm. - Front Slant Slider
	079421-01-T03	EA	Window Asm. - Front Slant Slider - Passenger
	079421-02-T03	EA	Window Asm. - Front Slant Slider - Driver
	073118-01-000	EA	Retainer - Attachment Plate
	073119-01-000	EA	Attachment Plate - Striker
	079561-01-000	EA	Shim - Strike - Cab Door
	050216-02-000	FT	Splice - Vinyl - Glass - .19
	057656-06-000	EA	Glass - .19" x 28.11" x 13.98"
	R77007-56-701	EA	Plate - Passenger Door Lock
	R77007-56-702	EA	Plate - Driver Door Lock
	R77040-01-538	EA	Door Handle
	R77007-05-374	EA	Plate - Door Handle Spacer
	R77006-50-326	EA	Door - Handle Inner - Driver
	R77006-50-261	EA	Door - Handle Inner - Passenger
	R77006-13-460	EA	Cap - Inner - Window Crank
	072035-01-000	EA	Crank - Hand - Glass Lift
	072036-02-000	EA	Cap - Crank - Hand
	073110-02-000	EA	Rod - Lock - Passenger
	073110-03-000	EA	Rod - Lock - Driver
	R77006-64-355	EA	Link - Door Handle - Control
	R77030-58-048	EA	Washer
	R77030-33-009	EA	Nut - w/Washer
	R77007-62-746	EA	Lock - Left Tumbler Assembly
	R77007-62-747	EA	Lock - Right Tumbler Assembly
	081488-01-000	EA	Glass - Door - Roll-Up
	083223-02-000	EA	Lock Asm. - Key Type (Set of 2)
	076542-03-000	EA	Rod Control - Latch - Passenger
	076542-04-000	EA	Rod Control - Latch - Driver

**1986 ITASCA
TABLE OF CONTENTS**

IC/IF424RC	A-01 - C-08
IF426RU	C-09 - E-10
ICN33RU	E-11 - G-22
ICP34RU	G-23 - J-09

1986 ICN33RU INDEX

Floor Plan	E-11 - E-12
Accessories Group	E-13 - E-16
Bath Group	E-17
Chassis Group	E-18 - E-21
Curtain, Cushion & Pad Group	E-22 - F-04
Dinette Group	F-05
Driver's Compartment Group	F-06 - F-09
Electrical Group	F-10 - F-12
Exterior Body Group	F-13 - F-18
Galley Group	F-19 - F-20
Heating & Air Conditioning Group	F-21 - F-22
Interior Finish Group	F-23 - G-01
LP Group	G-02
Lounge Group	G-03 - G-04
Water & Sewage Group	G-05 - G-06
Window, Vent & Exterior Door Group	G-07 - G-22