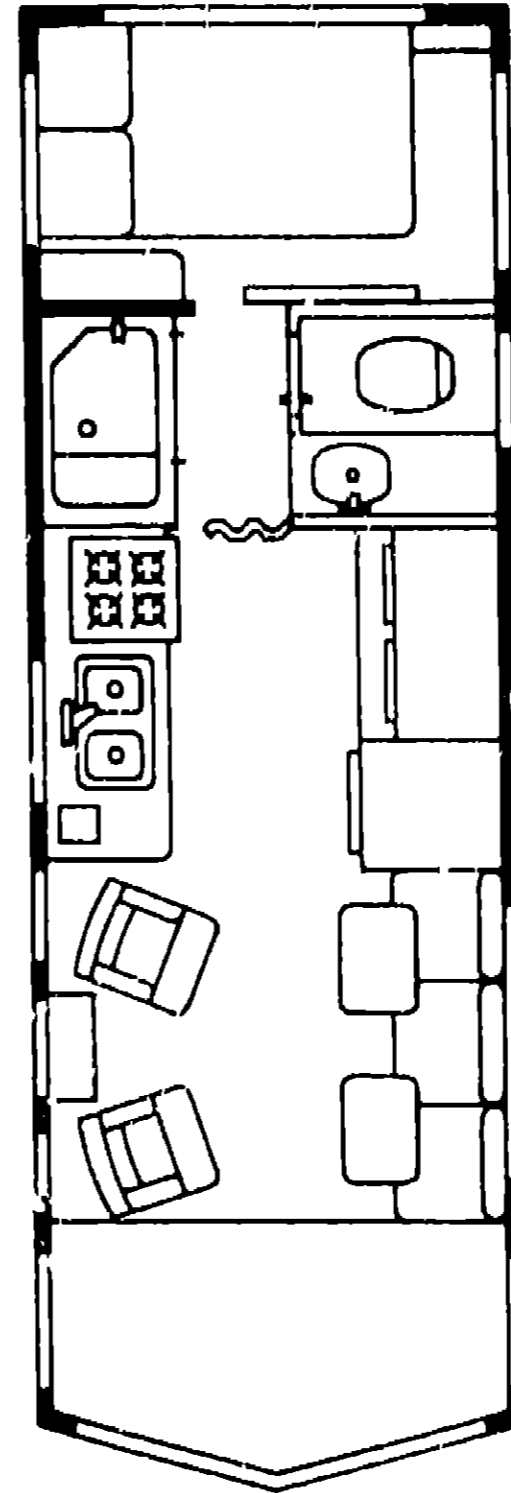


1986 ICN27RU



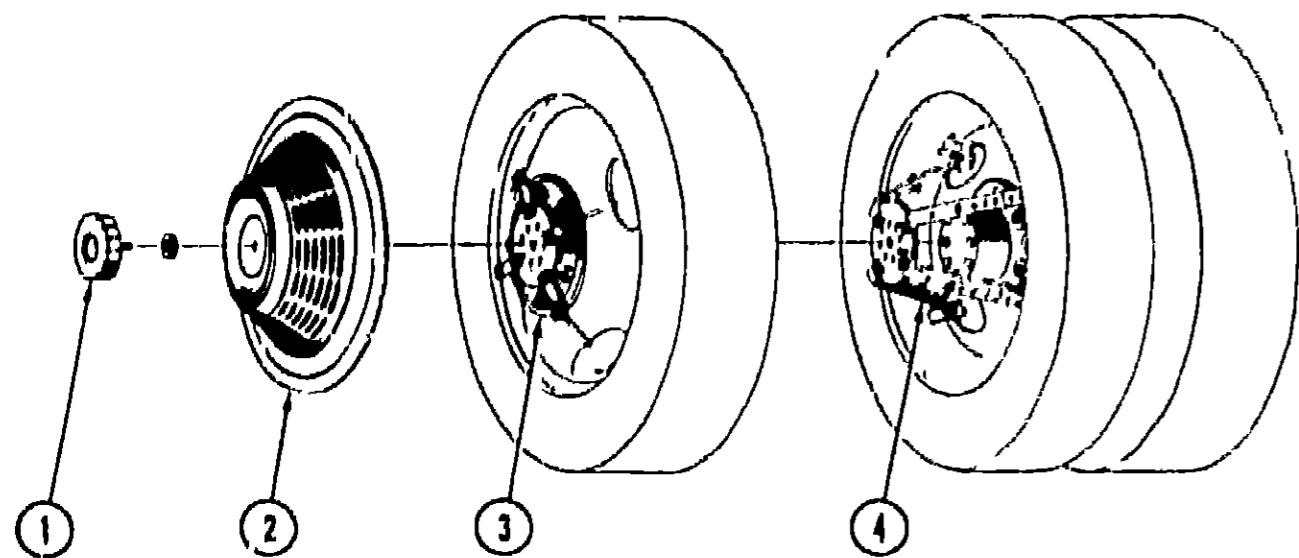
1983 ITASCA TABLE OF CONTENTS

INTRODUCTION	A 01
ABBREVIATIONS	A 01
ALPHABETICAL INDEX	A 02 - A-04
ICN22RC	A 05 - C-18
ICN27RU	C-17 - F 02
ICN31RT	F 03 - H-18
ICP31RT	H-19 - K-06

1986 ICN27RU INDEX

Floor Plan	C-17 C-18
Accessories Group	C-19 - C-22
Bath Group	C-23 C-24
Chassis Group	D-01 - D 02
Curtain Cushion & Pad Group	D 03 - D 09
Dinette Group	D 10
Driver's Compartment Group	D-11 - D-13
Electrical Group	D-14 - D 16
Exterior Body Group	D-17 D 22
Galley Group	D 23 E-01
Heating & Air Conditioning Group	E 02 - E 03
Interior Finish Group	E 04 - E-06
LP Group	E 07
Lounge Group	E 08
Water & Sewage Group	E 09 - E-10
Window Vent & Exterior Door Group	E 11 - F 02

ACCESSORIES GROUP



WHEEL COVER & MOUNTING HARDWARE

Key	Part Number	U/M	Description
1	064082 02 000	EA	Retaining Nut - Delmet - Wheel Cover
2	073426-01 700	EA	Wheel Cover Bolt On - 16" - Delmet (1)
3	073426-04 700	EA	Retention Bracket Asm - Wheel Cover Support - Heavy Duty - Front (1)
4	073426 04 701	EA	Retention Bracket Asm - Wheel Cover Support - Heavy Duty - Rear (1)
	073426-04-000	EA	Retention Bracket Asm - Wheel Cover Support - Heavy Duty (Set/4)
	031396-04-000	EA	Wheel Cover - 16" - Clip On - Delmet
	083181 01 000	EA	Wheel Cover - 16" (Set/4)
	083181 01-700	EA	Wheel Cover - 16" (1)
	031396-01-790	EA	Clip - Wheel Cover - Delmet
			Not illustrated

RADIO & RELATED COMPONENTS

Key	Part Number	U/M	Description
	031105-01-000	EA	Antenna - Radio - Side Mount
	031105 01-700	EA	Antenna Holder - Radio - Upper
	064792 01 000	EA	Grille - Speaker - 5 25' w/Mesh Brown
	075903-01 000	EA	Radio - AM/FM/MPX w/Cassette
	075904-01-000	EA	Radio - AM/FM/MPX w/Cassette Electronic Tuning
	074979 01-000	EA	Speaker Cover Protector - Plastic
	073741-02 000	EA	Speaker 4 x 6 - Oval
	073431 01-000	EA	Speaker - 5 25 3/Way (Front)
	064791 01-000	EA	Speaker Recessed - 5 25'

ELECTRIC STEP ASSEMBLY

Key	Part Number	U/M	Description
	075461-01-000	EA	Electric Step Asm w/Light
	075461-01-700	EA	Motor
	041250-01-000	EA	Door Switch
	075461-01-704	EA	Under Step Control Unit
	075461-01-705	EA	4-Way Plug (Dash End)
	075461 01-706	EA	Kill Switch
	075461-01-707	EA	Step Light
	075461 01-708	EA	4-Way Plug (Control Box End)
	075461-01-709	EA	90 Degree Plug
	075461-01-710	EA	Gear
	075461-01-711	EA	Drive Link
	075241-01-000	EA	Support Asm - Step
	075723-02 000	EA	Block - Support Spacer w/Holes

ACCESSORIES GROUP (CONTINUED)

MISCELLANEOUS ACCESSORIES

Key	Part Number	U/M	Description
	054185 24 000	EA	Owners Manual 1986 - Itasca & Winniebag
	708053 (12 000	EA	Antenna - TV Skyliner w/6" Shaft - Braund Delux
	078319 01 000	EA	Antenna - TV Roof Mount - 44 5" Mast
	078319 01-700	EA	RVSA Sensor Antenna
	078319 01 701	EA	Elevating Gear
	078319 01 702	FA	Shaft Elevating Asm.
	078319 01-703	EA	Nylon Bearing 5"
	078319 01-704	EA	Nylon Bearing
	078319 01 705	EA	Nylon Bearing
	078119 01-706	EA	Elevating Crank w/Set Screw
	078319 02 000	EA	Antenna - TV Roof Mount - 23 5" Mast
	078319 03 000	FT	Cable - Coaxial - 1/5 OHM
	078319 04-000	EA	Connector & Ferrule
	078319 05 000	EA	Wallplate - Power Supply Ivory
	078319 06 000	EA	Adapter - Cable Roof Plate
	078319 07 000	EA	Wallplate - Power Supply Brown
	078319 08 000	EA	Wallplate - Receptacle Ivory
	078319 09 000	EA	Wallplate - Receptacle - Brown
	078319 11 000	EA	Adapter Coax w/Spitter
	017518 01 000	EA	Mud Flap w/Holes 14' x 18" - Black
	041944 03 000	EA	Fire Extinguisher - 5BC
	041944 02 000	EA	Bracket - Fire Extinguisher
	083212 04 000	EA	Speed Control - Electronic Dana - Chevy
	083212 04 701	EA	Main Wiring Harness
	083212 04 702	EA	Servo Asm. - Mounting Ready
	083212 04 703	EA	Bracket - Servo Mounting
	083212 04 704	EA	Bracket - Servo Mounting
	083212 02 000	EA	Switch - Speed Control - 'A' Body
	072852 01-000	EA	Smoke Detector w/9 Volt Battery
	079664 02 000	EA	Weather Center - 8 5' x 8 5'
	079664 01 000	EA	Clock - 8 5' x 8 5'
	006069 01 000	EA	Key Case Leather
	040069 01 000	EA	Door Mat - 10 5" x 26" - Black Rubber
	081075 02 000	EA	Floor Mat - Entrance - Itasca
	081201-02 000	EA	Floor Mat Front Itasca - Right
	081202-02 000	EA	Floor Mat Front - Itasca - Left
	080208 01 000	EA	Lug Wrench
	080208-02 000	EA	Leverage Bar - Lug Wrench
	006113 01 000	EA	Jack Hydraulic - 6 Ton w/Handle
	080752 05 000	EA	Custom Steering Wheel
	080752 06-000	EA	Adapter - Hub - Custom Steering Wheel
	080752 07 000	EA	Button Horn - Custom Steering Wheel
	080752 08-000	EA	Screw - Custom Steering Wheel
	077497-01-000	EA	Horn Kit - Air - Chrome - Twin
	077497-01-700	EA	Solenoid Air Tank
	077497 01-701	EA	Switch Compressor
	077497-01-702	EA	Switch - Toggle w/Wire
	077497-01-703	EA	Tank - Air
	077497-01-704	EA	Compressor w/Switch
	078239-01-000	EA	Plate - Label - Horn

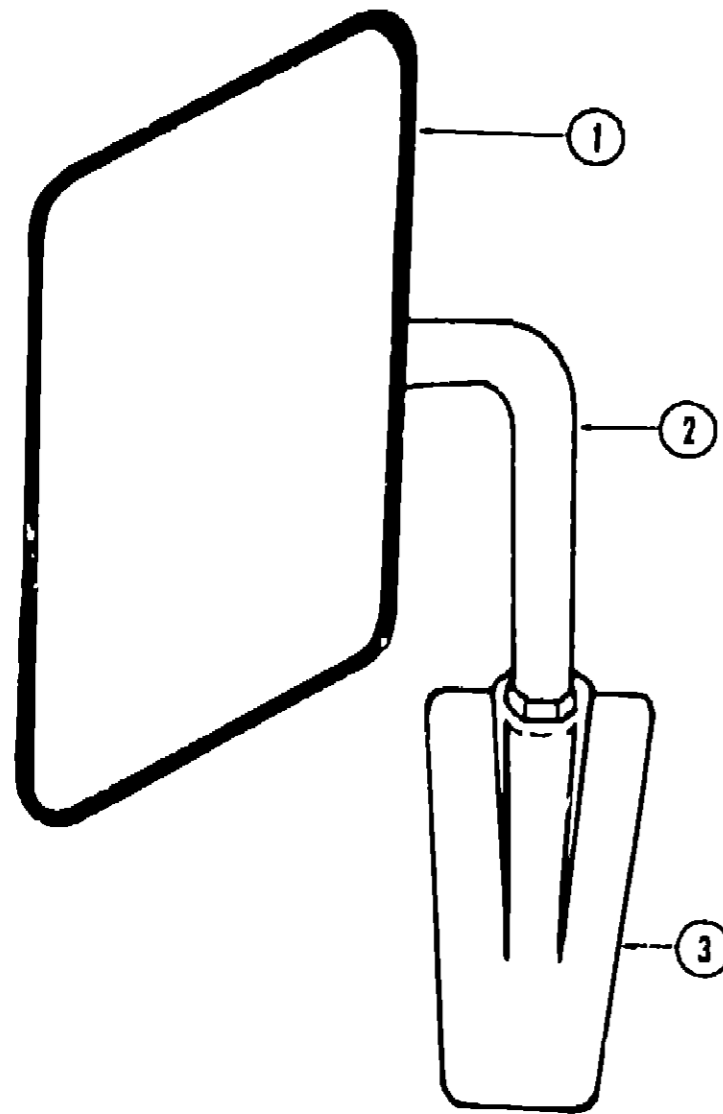
**1986 ITASCA
TABLE OF CONTENTS**

INTRODUCTION	A 01
ABBREVIATIONS	A 01
ALPHABETICAL INDEX	A 02 - A 04
ICN22RC	A 05 - C-15
ICN27RU	C 17 - F-03
ICN31RT	F 03 - H-18
ICP31RT	H 19 - K-06

1986 ICN27RU INDEX

Floor Plan	C-17 - C 18
Accessories Group	C-19 C 22
Bath Group	C 23 - C 24
Chassis Group	D-01 - D 02
Curtain, Cushion & Pad Group	D 03 - D-09
Dinette Group	D-10
Driver's Compartment Group	D 11 D 13
Electrical Group	D-14 D 16
Exterior Body Group	D-17 - D 22
Galley Group	D 23 - E-01
Heating & Air Conditioning Group	E 02 E 03
Interior Finish Group	E-04 - E-06
LP Group	E-07
Lounge Group	E-08
Water & Sewage Group	E 09 - E 10
Window Vent & Exterior Door Group	E-11 - F 02

ACCESSORIES GROUP (CONTINUED)



EXTERIOR MIRRORS

Key	Part Number	U/M	Description
1	040347-01-000	EA	Mirror Head - 7 1/2 x 10 1/2
2	049348-03-000	EA	Arm - Low Mount Mirror - Black
3	049944 04 000	EA	Bracket - Mirror - Outside - Black
	077966-01 000	EA	Mirror - Wide Angle - Stainless Steel - Passenger
	077966-02 000	EA	Mirror - Wide Angle - Stainless Steel - Driver
	006043 01-000	EA	Mirror - Convex - Adhesive Back
	Not illustrated		

OPTIONAL MICROWAVE/CONVECTION OVEN & COMPONENTS

Key	Part Number	U/M	Description
	081379-01-000	EA	Microwave Oven - Convection - Sharp
	071459-03-000	EA	Bracket Asm - Microwave - Right
	081459-04-000	EA	Bracket Asm - Microwave - Left
	081555-01-000	EA	Trim Ring - Microwave
	082876-01-000	EA	Baffle - Microwave
	081456-01-000	EA	Angle Asm - Microwave - Right
	081456-02-000	EA	Angle Asm - Microwave - Left

ACCESSORIES GROUP (CONTINUED)

OPTIONAL VACUUM CLEANER & COMPONENTS

Key	Part Number	U/M	Description
	055285 01-000	EA	Vacuum Cleaner - Built In - Tervis Campbell
	055285-01-700	EA	Accessories Kit - Standard - Tervis Campbell
	055285 01-701	EA	Filter - 10 per Consumer Package - Tervis Campbell
	055285 01 702	EA	Hose - Vacuum Cleaner - 20'
	055285 01-703	EA	Rug Tool
	055285 01-704	EA	Crevice Tool
	055285 01-705	EA	Upholstery Tool
	055285 01-706	EA	Wand Set (2 piece)

GENERATORS & COMPONENTS

Key	Part Number	U/M	Description
	078654 03 000	EA	Generator - Onan - 4.0 kw - Emerald
	052168 01 000	EA	Generator - Onan - 4.25 kw
	701629 02 000	EA	Installation Package
	024732 01 016	EA	Tailpipe - 1 5" O D x 43 50"
	081364 01-000	EA	Muffler - Generator - Emerald
	083151-01 000	EA	Muffler - Generator - Emerald
	083152 01 000	EA	Exhaust Pipe - Generator
	078045 01 000	EA	Plate - Support - Generator
	007067 01 000	EA	Insulation - Fiberglass - 1'
	078654 05 000	EA	Pipe & Accessories Kit - Emerald

OPTIONAL FOG LAMPS & COMPONENTS

Key	Part Number	U/M	Description
	079941 01 000	EA	Lamp Asm - Fog w/Cover - Amber
	079941 01 700	EA	Lamp Asm - Fog - Set of 2
	079941 01-701	EA	Lens & Cover - Only
	079941 01 702	EA	Switch - Fog Light
	079941 01 703	EA	Solenoid
	079941 01 704	EA	Shroud - Switch

CHROME WHEEL LINERS

Key	Part Number	U/M	Description
	081608 05 000	EA	Cover - Lug Nut - Chrome Liner
	081608 06 000	EA	Ring - Spiral - Chrome Liner
	081608 07-000	EA	Cover - Rear Axle - Chrome Liner
	081608-08-000	EA	Cover - Front Axle - Chrome Liner
	081608-09 000	EA	Liner - Front Wheel - Chrome
	081608 10 000	EA	Liner - Rear Wheel - Chrome

**1986 ITASCA
TABLE OF CONTENTS**

INTRODUCTION	A 01
ABBREVIATIONS	A 01
ALPHABETICAL INDEX	A 02 - A 04
ICN22RC	A 05 - C 18
ICN27RU	C-17 - F 02
ICN31RT	F 03 - H 18
ICP31RT	H 19 - K 06

1986 ICN27RU INDEX

Floor Plan	C-17 - C-18
Accessories Group	C 19 - C-22
Bath Group	C-23 - C-24
Chassis Group	D 01 - D 02
Curtain, Cushion & Pad Group	D 03 - D 09
Dinette Group	D 10
Driver's Compartment Group	D-11 - D 13
Electrical Group	D 14 - D-16
Exterior Body Group	D-17 - D-22
Galley Group	D-23 - E-01
Heating & Air Conditioning Group	E-02 - E-03
Interior Finish Group	E-04 - E-06
LP Group	E-07
Lounge Group	E-08
Water & Sewage Group	E-09 - E-10
Window Vent & Exterior Door Group	E-11 - F 02

BATH GROUP

BATH HARDWARE

Key	Part Number	U/M	Description
	M01817-01-T03	EA	Bathtub Asm. w/Strainer
	075242-03-000	EA	Faucet - Tub & Shower - Brass
	075240-03-000	EA	Faucet - Lavatory - Brass
**	011048-02-000	EA	Shower Head - w/80" Hose
	011048-04-000	EA	Vacuum Breaker - 1/8 MPT - Nylon - Shower Head
	075606-01-000	EA	Shower Panel - Faucet - Plastic
**	066729-01-000	EA	Strainer - Bathtub Asm.
	066435-01-000	EA	Nut Strainer - Plastic - Bathtub Asm.
	066436-01-000	EA	Slip Nut - 1.5" Tall Piece - Bathtub Asm.
	069735-01-000	EA	Washer - Tall Piece - 1.5" - Plastic - Bathtub Asm.
	011069-02-000	EA	Tallpiece - 1.5" x 1.25" x 4" - Brass - Bathtub Asm.
	060267-01-000	EA	Shroud - Bathtub Asm. - Off White
	058711-01-000	EA	Sink - Oval - Ivory Plastic
	039341-02-000	EA	Toilet - Theiford - Aqua Magic - Ivory - 8420SH
	075452-02-000	EA	Tissue Holder - Brass
	075453-02-000	EA	Towel Bar - 18" - Brass
	075454-02-000	EA	Towel Ring - Brass w/Mounting Hardware
	079235-01-000	EA	Header - Track - Shower Door - Beige
	079234-01-000	EA	Jamb - Shower Door - Rear - Beige
	079234-02-000	EA	Jamb - Shower Door - Front - Beige
	058331-01-000	EA	Mirror - Tempered Glass - 19" x 26"
	058331-05-000	EA	Mirror - Tempered Glass - 12" x 26"
	058331-04-000	EA	Mirror - Tempered Glass - 12" x 42"
	009069-01-000	EA	Clip - Mirror
	057671-01-000	EA	Scrub Cover - #8 - Antique White
	059777-01-000	EA	Hinge - Antique Brass
	064467-01-000	EA	Guide - Wall Mount - Sliding Door
	009156-01-000	EA	Hanger - Sliding Door
	058034-02-000	EA	Latch Door w/o Lock - Sliding Door
	075153-01-000	EA	End Cap - Cover - Beige
	009156-01-000	EA	Hanger - Sliding Door
	075149-06-000	EA	Track - 59.70" - Sliding Door
	075145-09-000	EA	Cover - Track - 59.70" - Sliding Door
	080224-06-000	EA	Track - Folding Door - "S" Curve
	066433-01-000	EA	Hook - Cup - Bright
	075680-01-000	EA	Rod - Clothes - Adjustable
	009112-01-000	EA	Flange - 1" - Clothes Rod
	071632-01-000	EA	Bag - Hamper - 49" - w/Elastic
	076387-01-000	EA	Bracket - Medicine Cabinet
	075687-02-000	EA	Knob - Bath Door

** The illustrated parts breakdown for this item is provided on the Common Items Fiche.

BATH GROUP (CONTINUED)

BATH & WARDROBE CABINETRY

Key	Part Number	U/M	Description
	M81304-02-U13	EA	Cabinet Asm. - Lavatory - w/o Countertop, Doors, or Drawer
	M02162-01-U13	EA	Countertop Asm. - Lavatory Cabinet
	M02162-01-U14	EA	Countertop Asm. - Lavatory Cabinet
	M02162-01-U15	EA	Countertop Asm. - Lavatory Cabinet
	M81604-12-U13	EA	Door Asm. - Lavatory - Hamper - w/o Hardware
	M81604-13-U13	EA	Door Asm. - Lavatory - w/o Hardware
	081894-02-U13	EA	Drawer Asm. - Lavatory - w/o Hardware
	001635-03-U01	EA	Door Asm. - Fixed Wall Mirror
	076073-01-000	EA	Cabinet Asm. - Medicine - Almond
	081635-01-U04	EA	Door Asm. - Medicine Cabinet - w/o Hardware
	M02163-01-U13	EA	Countertop Asm. - Pipe Cover
	M02163-01-U14	EA	Countertop Asm. - Pipe Cover
	M02163-01-U15	EA	Countertop Asm. - Pipe Cover
	080224-02-000	EA	Door Asm. - Folding - w/o Hardware
	081830-01-U04	EA	Door Asm. - Sliding - w/o Hardware
	079657-01-000	EA	Door Asm. - Folding - Shower - Plastic
	M81604-16-T09	EA	Door Asm. - Wardrobe Cabinet - w/o Hardware
	M81607-04-U04	EA	Door Asm. - Furnace - Wardrobe Cabinet - w/o Hardware
	081608-03-U04	EA	Drawer Asm. - Wardrobe Cabinet - w/o Hardware
	081314-01-U13	EA	Countertop Asm. - Wardrobe Cabinet
	081314-01-U14	EA	Countertop Asm. - Wardrobe Cabinet
	081314-01-U15	EA	Countertop Asm. - Wardrobe Cabinet
	075603-01-000	EA	Threshold - Door - Bathroom
	077251-01-000	EA	Drawer - Tillout - Plastic

1986 ITASCA TABLE OF CONTENTS

INTRODUCTION	A-01
ABBREVIATIONS	A-01
ALPHABETICAL INDEX	A-02 - A-04
ICN27RC	A-05 - Q-16
ICN27RU	C-17 - F-02
ICN31RT	F-03 - H-18
ICP31RT	I-19 - K-06

1986 ICN27RU INDEX

Floor Plan	C-17 - C-18
Accessories Group	C-19 - C-22
Bath Group	C-23 - C-24
Chassis Group	D-01 - D-02
Curtain, Cushion & Pad Group	D-03 - D-09
Dinette Group	D-10
Driver's Compartment Group	D-11 - D-13
Electrical Group	D-14 - D-16
Exterior Body Group	D-17 - D-22
Galley Group	D-23 - E-01
Heating & Air Conditioning Group	E-02 - E-03
Interior Finish Group	E-04 - E-06
LP Group	E-07
Lounge Group	E-08
Water & Sewage Group	E-09 - E-10
Window, Vent & Exterior Door Group	E-11 - F-02

CHASSIS GROUP

MISCELLANEOUS

Key	Part Number	U/M	Description
	081057-03-000	EA	Alternator Kit - 105 Amp w/Regulator
	081057-01-700	EA	Brush Asm
	081057-01-701	EA	Diode Bridge
	081057-01-702	EA	Condenser
	081057-01-703	EA	Inside Bearing Spacer
	081057-01-704	EA	Front Bearing
	081057-01-705	EA	Outside Bearing Spacer
	081057-01-706	EA	Pulley
	081057-01-707	EA	Diode (x)
	081057-01-709	EA	Stator - 105 Amp
	081057-01-710	EA	Rotor
	081057-01-711	EA	Ground Terminal Kit
	081057-01-712	FA	Battery Terminal Kit
	081057-01-713	EA	Rear Bearing
	081057-03-700	EA	Pulley Wide Belt
	047441-01-000	EA	Battery Terminal - Horizontal Lug
	051697-01-000	EA	Bracket - Battery Tie Down - 6 9
	077852-01-000	EA	Bracket - Front Bumper
	077850-01-000	EA	Bumper - Front - Plain
	078584-01-000	EA	Bumper - Front - Mill Finish
	077850-07-000	EA	Bumper - Front - Chrome
	078584-08-000	EA	Bumper - Rear - Chrome
	078002-01-000	EA	Brace - Bumper - Upper - Passenger
	078002-02-000	EA	Brace - Bumper - Upper - Driver
	078003-01-000	EA	Brace - Bumper - Lower - Passenger
	078003-02-000	EA	Brace - Bumper - Lower - Driver
	007125-04-000	EA	Clamp Asm - Muffler - 1 12
	010497-01-000	EA	Clamp - Close - 5/8 I D
	007161-01-000	EA	Clamp - Hose - Spring Type 112
	062401-01-000	EA	Clamp - Hose - Wormgear - 22 I D x 1 I D
	062401-02-000	EA	Clamp - Hose - Wormgear - 1 56' I D 2 5' I D
	062401-03-000	EA	Clamp - Hose - Wormgear - 25' I D 1" I D
	062401-04-000	EA	Clamp - Hose - Wormgear - 69' I D - 1 25 I D
	062401-05-000	EA	Clamp - Hose - Wormgear - 2 I D - 3 I D
	062401-06-000	EA	Clamp - Hose - Wormgear - 22' I D 62 I D
	023146-01-000	FA	Clamp - Screw Type - 4'
	024490-01-000	EA	Compartment - Power Cord - Black Plastic
	071656-01-000	EA	Cover - Radiator - Rear
	071657-01-000	EA	Cover - Radiator Rear Back (Fan Shroud)
	080722-01-000	EA	Cover - Radiator - Back
	020187-03-000	EA	Dirt Guard - Rear Wheel
	007131-01-000	EA	Hanger - Tail Pipe
	024138 01-000	FT	Hose - Fuel - 5/16 I D SAE 30RI
	006113-01-000	EA	Jack - Hydraulic - 6 Ton w/Handle
	080208-02-000	EA	Leverage Bar - 22" - Lug Wrench
	080208 01-000	EA	Lug Wrench - 1" x 1 25 x 16 3'
	017616-01-000	EA	Mud Flap w/Holes - 14' x 18 Black
	079942-01 000	EA	Shock Absorber - Stabilizer - Front
	079942-02-000	EA	Shock Absorber Stabilizer - Rear
	079942 07-000	EA	Bracket Mounting Stabilizer
	077848 01-000	EA	Step Asm - Entry
	081411-03 000	EA	Tailpipe Extension - 2 25' x 10 5'
	048594-01 000	EA	Tray - Battery
	008343-01 000	EA	Wire Tie - 6"

NOTE Remainder of exhaust components available from chassis service centers

CHASSIS GROUP (CONTINUED)

WHEELS & TIRES

Key	Part Number	U/M	Description
	050273 02 000	EA	Tire - 7 50 x 16 Michelin
	050273 03 000	EA	Tire - 7 50 x 16 White Sidewall - Radial
	040546-03 000	EA	Tire - 7 50 x 16 8 Ply - Goodyear
	051377-01-000	EA	Valve Stem Asm - TR500
	064962-02-000	EA	Wheel - 16 x 6 00
	055080 01-000	EA	Wheelwell - Plastic

SPARE TIRE CARRIER PARTS

Key	Part Number	U/M	Description
	064080-01-000	EA	Bolt - Hook
	064081-01 000	EA	Nut - Wing
	064178 02 000	EA	Support Asm - Tire Carrier
	064179 02 000	EA	Carrier Asm - Tire
	064225-02-000	EA	Hold Down - Spare Tire Carrier
	077395-01 000	EA	Shield - Sight Spare Tire

1986 ITASCA TABLE OF CONTENTS

INTRODUCTION	A-01
ABBREVIATIONS	A-01
ALPHABETICAL INDEX	A-02 - A 04
ICN22RC	A 05 - C-16
ICN27RU	C-17 - F-02
ICN31RT	F 03 - H-18
ICP31RT	H 19 - K 06

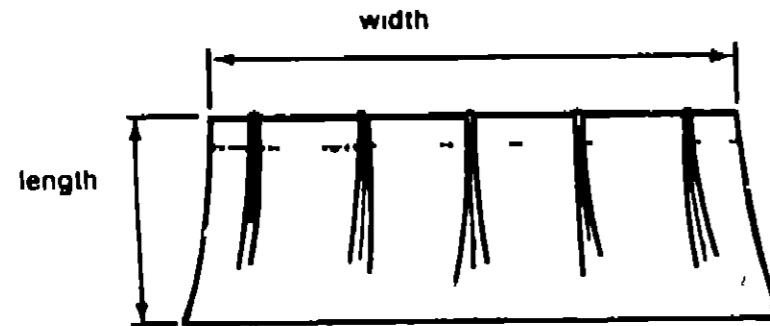
1986 ICN27RU INDEX

Floor Plan	C-17 - C 18
Accessories Group	C-19 - C-22
Bath Group	C-23 - C-24
Chassis Group	D 01 - D-07
Curtain, Cushion & Pad Group	D-03 - D 09
Dinette Group	D-10
Driver's Compartment Group	D 11 D 13
Electrical Group	D-14 - D-16
Exterior Body Group	D-17 - D 22
Galley Group	D 23 - E-01
Heating & Air Conditioning Group	E-02 - E-03
Interior Finish Group	E-04 - E 06
LP Group	E 07
Lounge Group	E-08
Water & Sewage Group	E-09 - E 10
Window, Vent & Exterior Door Group	E-11 F 02

CURTAIN, CUSHION & PAD GROUP NOTICE

In order to assist our Parts Sales Dept. in providing interior software items please include the serial number and the color code number from the vehicle certification label when ordering. This label is located on the left sidewall at the end of the dash (A Body) or on the driver's door latch plate (C-Body).

An example of a color code number is P31 which designates an overall color scheme of a particular unit. The color listed after the item description on the microfiche indicates the overall unit color. Order the item you desire according to unit color code.



NOTE
Use this illustration when determining length and width measurements for curtains. You will note the width measurement is taken on the top of the curtain with the curtain fully extended. The length measurement is taken from top to bottom.

CURTAIN HARDWARE

Key	Part Number	U/M	Description
	079798-03-000	EA	Bracket Asm - Curtain Rod - Right
	079798-04-000	EA	Bracket Asm - Curtain Rod - Left
	082249-01-000	EA	Bracket - Blinds - Beige - Right
	082249-02-000	EA	Bracket - Blinds - Beige - Left
	056001-01-000	EA	Bracket - Shade - Left
	056002-01-000	EA	Bracket - Shade - Right
	082677-01-000	EA	Bracket - Shade - Universal
	079619-01-000	EA	Bracket - Tie Back
	056003-01-000	EA	Bracket - Drapery Retainer - Right
	056003-02-000	EA	Bracket - Drapery Retainer - Left
	079619-01-000	EA	Bracket - Tie Back
	056784-01-000	EA	Pull - Shade - Antique Brass
	081381-01-000	EA	Swivel Snap - Curtain Track
	048394-01-000	EA	Tape Hook - 1' x 50 YD Beige
	029096-03-000	EA	Tape Hook - 1' - Black (Velcro)
	029096-04-000	EA	Tape Hook - 50' - Beige (Velcro)
	048395-01-000	EA	Tape Loop - 1' x 50 YD Beige
	029094-04-000	EA	Tape Loop - 1' - Black (Velcro)
	029094-05-000	EA	Tape Loop - .50' - Beige (Velcro)
	079946-01-000	EA	Track Curtain - Wraparound - Right
	079946-02-000	EA	Track Curtain - Wraparound - Left
	056116-01-000	FT	Track Curtain - Brown Plastic
	079782-04-000	EA	Track - Curtain - 12' Beige

D-3

CURTAIN, CUSHION & PAD GROUP (CONTINUED)

BUCKET SEATS

Key	Part Number	U/M	Description
	079300-01-U10	EA	Seat Asm - Vinyl (U13)
	079300-01-U11	EA	Seat Asm - Vinyl (U14)
	079300-01-U12	EA	Seat Asm - Vinyl (U15)
	M01862-01-U10	EA	Cover Asm - Seat Bottom - Vinyl (U13)
	M01862-01-U11	EA	Cover Asm - Seat Bottom - Vinyl (U14)
	M01862-01-U12	EA	Cover Asm - Seat Bottom - Vinyl (U15)
	M01862-02-U10	EA	Cover Asm - Seat Back - Vinyl (U13)
	M01862-02-U11	EA	Cover Asm - Seat Back - Vinyl (U14)
	M01862-02-U12	EA	Cover Asm - Seat Back - Vinyl (U15)
	078804-07-U13	EA	Seat Asm - Granduer
	078804-07-U14	EA	Seat Asm - Granduer
	078804-07-U15	EA	Seat Asm - Granduer
	M01863-01-U13	EA	Cover Asm - Granduer Seat Bottom
	M01863-01-U14	EA	Cover Asm - Granduer Seat Bottom
	M01863-01-U15	EA	Cover Asm - Granduer Seat Bottom
	M01863-02-U13	EA	Cover Asm - Granduer Seat Back
	M01863-04-U14	EA	Cover Asm - Granduer Seat Back
	M01863-04-U15	EA	Cover Asm - Granduer Seat Back
	071126-16-U13	EA	Skirt Asm - Granduer Bucket Seat
	071126-16-U14	EA	Skirt Asm - Granduer Bucket Seat
	071126-16-U15	EA	Skirt Asm - Granduer Bucket Seat
	080243-07-U10	EA	Armrest Asm - Right (U13)
	080243-07-U11	EA	Armrest Asm - Right (U14)
	080243-07-U12	EA	Armrest Asm - Right (U15)
	080243-08-U10	EA	Armrest Asm - Left (U13)
	080243-08-U11	EA	Armrest Asm - Left (U14)
	080243-08-U12	EA	Armrest Asm - Left (U15)
	M80243-01-U10	EA	Cover Asm - Armrest - Right (U13)
	M80243-01-U11	EA	Cover Asm - Armrest - Right (U14)
	M80243-01-U12	EA	Cover Asm - Armrest - Right (U15)
	M80243-02-U10	EA	Cover Asm - Armrest - Left (U13)
	M80243-02-U11	EA	Cover Asm - Armrest - Left (U14)
	M80243-02-U12	EA	Cover Asm - Armrest - Left (U15)
	080242-04-U10	EA	Headrest Asm, (U13)
	080242-04-U11	EA	Headrest Asm (U14)
	080242-04-U12	EA	Headrest Asm (U15)
	M80242-01-U10	EA	Cover Asm - Headrest (U13)
	M80242-01-U11	EA	Cover Asm - Headrest (U14)
	M80242-01-U12	EA	Cover Asm - Headrest (U15)
	079281-02-U13	EA	Seat Asm - Double Bucket
	079281-02-U14	EA	Seat Asm - Double Bucket
	079281-02-U15	EA	Seat Asm - Double Bucket
	M01874-03-U13	EA	Cover Asm - Double Bucket - Bottom
	M01874-03-U14	EA	Cover Asm - Double Bucket - Bottom
	M01874-03-U15	EA	Cover Asm - Double Bucket - Bottom
	M01874-04-U13	EA	Cover Asm - Double Bucket - Back
	M01874-04-U14	EA	Cover Asm - Double Bucket - Back
	M01874-04-U15	EA	Cover Asm - Double Bucket - Back
	071690-04-U13	EA	Skirt Asm, Double Bucket
	071690-04-U14	EA	Skirt Asm - Double Bucket
	071690-04-U15	EA	Skirt Asm - Double Bucket
	080243-02-U13	EA	Armrest Asm - Double Bucket
	080243-02-U14	EA	Armrest Asm - Double Bucket
	080243-02-U15	EA	Armrest Asm - Double Bucket
	M80243-02-U13	EA	Cover Asm - Armrest
	M80243-02-U14	EA	Cover Asm - Armrest
	M80243-02-U15	EA	Cover Asm - Armrest
	080242-01-U13	EA	Headrest Asm - Double Bucket
	080242-01-U14	EA	Headrest Asm - Double Bucket
	080242-01-U15	EA	Headrest Asm - Double Bucket
	M80242-01-U10	EA	Cover Asm - Headrest - Double Bucket (U13)
	M80242-01-U11	EA	Cover Asm - Headrest - Double Bucket (U14)
	M80242-01-U12	EA	Cover Asm - Headrest - Double Bucket (U15)

D-4

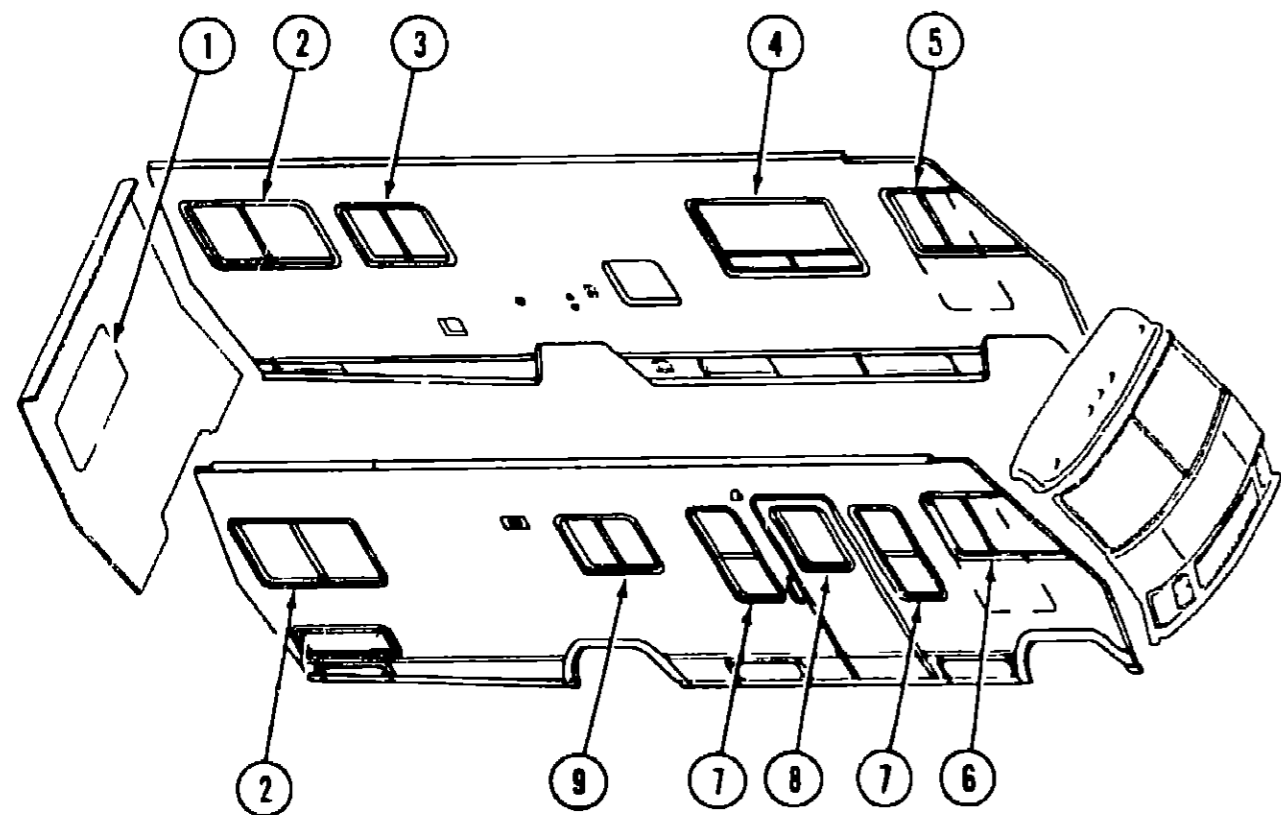
1986 ITASCA TABLE OF CONTENTS

INTRODUCTION	A-01
ABBREVIATIONS	A-01
ALPHABETICAL INDEX	A-02 - A-04
ICN22RC	A-05 - C-1b
ICN27RU	C-17 - F-02
ICN31RT	F-03 - H-18
ICP31RT	H-19 - K-06

1986 ICN27RU INDEX

Floor Plan	C-17 - C-18
Accessories Group	C-19 - C-22
Bath Group	C-23 - C-24
Chassis Group	D-01 - D-02
Curtain, Cushion & Pad Group	D-03 - D-09
Dinette Group	D-10
Driver's Compartment Group	D-11 - D-13
Electrical Group	D-14 - D-16
Exterior Body Group	D-17 - D-22
Galley Group	D-23 - E-01
Heating & Air Conditioning Group	E-02 - E-03
Interior Finish Group	E-04 - E-06
LP Group	E-07
Lounge Group	E-08
Water & Sewage Group	E-09 - E-10
Window, Vent & Exterior Door Group	E-11 - F-02

CURTAIN, CUSHION & PAD GROUP (CONTINUED)



CURTAINS, SHADES, VALANCES & TIEBACK

Key	Part Number	U/M	Description
1	079559-03 U10	EA	Curtain Asm w/Gathers - 32 x 41 (U13)
1	079559-03-U11	EA	Curtain Asm w/Gathers - 32 x 41 (U14)
1	079559-03 U12	EA	Curtain Asm w/Gathers - 32 x 41 (U15)
1	079558-04 U13	EA	Valance Asm w/Gathers - 6 x 140'
1	079558-04 U14	EA	Valance Asm w/Gathers - 6 x 140'
1	079558-04 U15	EA	Valance Asm w/Gathers - 6 x 140'
1	082120-19-000	EA	Shade - Fabric - 72 25' x 42' (U13)
1	082120-20-000	EA	Shade - Fabric - 72 25' x 42' (U14)
1	082120-21-000	EA	Shade - Fabric - 72 25' x 42' (U15)
2	079559-03-U10	EA	Curtain Asm w/Gathers - 32' x 41' (U13)
2	079559-03 U11	EA	Curtain Asm w/Gathers - 32' x 41' (U14)
2	079559 03 U12	EA	Curtain Asm w/Gathers - 32" x 41' (U15)
2	079558 03 U10	EA	Valance Asm w/Gathers - 6' x 95' (U13)
2	079558-03-U11	EA	Valance Asm w/Gathers - 6 x 95 (U14)
2	079558-03 U12	EA	Valance Asm w/Gathers - 6' x 95 (U15)
2	082120-07-000	EA	Shade - Fabric - 47 25' x 38' (U13)
2	082120-08-000	EA	Shade - Fabric - 47 25' x 38' (U14)
2	082120-09-000	EA	Shade - Fabric - 47 25' x 38' (U15)
3	082176-01 U10	EA	Valance Asm - Padded (U13)
3	082176 01-U11	EA	Valance Asm - Padded (U14)
3	082176-01 U12	EA	Valance Asm - Padded (U15)
3	082118 22-000	EA	Blind - 32' x 26' Drop (U13)
3	082118 23 000	EA	Blind - 32" x 26" Drop (U14)
3	082118 24 000	EA	Blind - 32 x 26' Drop (U15)
4	079542 12 U10	EA	Curtain Asm w/Darts 35" x 16' (U13)
4	079542-12 U11	EA	Curtain Asm w/Darts - 35' x 16' (U14)
4	079542 12 U12	EA	Curtain Asm w/Darts - 35" x 16" (U15)
4	M81977-15 U10	EA	Valance Asm - Padded (U13)
4	M81977-15 U11	EA	Valance Asm Padded (U14)
4	M81977-15-U12	EA	Valance Asm - Padded (U15)
4	082118-31-000	EA	Blind - 65 x 34 Drop
4	082118 32-000	EA	Blind - 65 x 34 Drop
4	082118 33 000	EA	Blind - 65" x 34' Drop

CURTAIN, CUSHION & PAD GROUP (CONTINUED)

CURTAINS SHADES, VALANCES & TIEBACKS (CONT)

Key	Part Number	U/M	Description
	082127 31-000	EA	Shade - Woven Wood - 65 x 35' Drop (U13)
	082127 32 000	EA	Shade - Woven Wood - 65 x 35 Drop (U14)
	082127-33-000	EA	Shade - Woven Wood - 65 x 35' Drop (U15)
	079543 15 U10	EA	Curtain Asm - 35 x 12 (Woven Wood) (U13)
	079543-15 U11	EA	Curtain Asm - 35 x 12 (Woven Wood) (U14)
	079543 15 U12	EA	Curtain Asm - 35' x 12 (Woven Wood) (U15)
5	073304-32 U09	EA	Front Wraparound Curtain - 32 5' x 86 - Snap Top - Left
6	073304 31 U09	EA	Front Wraparound Curtain - 32 5 x 86 - Snap Top - Right
	077591 06 U04	EA	Blackout Curtain - 60 x 50 - Velcro Top Left
	077591 05 U04	EA	Blackout Curtain - 60 x 50' - Velcro Top - Right
7	073251 34 U10	EA	Curtain w/Tape Top - 45' x 9 (U13)
7	073251 34 U11	EA	Curtain w/Tape Top - 45' x 9' (U14)
7	073251 34 U12	EA	Curtain w/Tape Top - 45 x 9 (U15)
7	082119-19-000	EA	Shade - Vinyl - 24 25' x 40' (U13)
7	082119-20-000	EA	Shade - Vinyl 24 25' x 40 (U14)
7	082119-21 000	EA	Shade - Vinyl 24 25 x 40 (U15)
7	082118-07 000	EA	Blind - 19 x 44 Drop (U13)
7	082118-08-000	EA	Blind - 19 x 44 Drop (U14)
7	082118 09-000	EA	Blind - 19' x 44 Drop (U15)
	082126-10-000	EA	Shade - Woven Wood - 19 x 46 Drop (U13)
	082126-11 000	EA	Shade - Woven Wood - 19' x 46 Drop (U14)
	082126-12-000	EA	Shade - Woven Wood - 19 x 46' Drop (U15)
8	080824 02 U13	EA	Valance Asm - Padded (U13)
8	080824 02 U14	EA	Valance Asm - Padded (U14)
8	080824-02 U15	EA	Valance Asm - Padded (U15)
8	082119-19-000	EA	Shade - Vinyl - 24 25' x 40' (U13)
8	082119-20-000	EA	Shade - Vinyl - 24 25 x 40' (U14)
8	082119-21 000	EA	Shade - Vinyl - 24 25' x 40' (U15)
9	M81977 05-U10	EA	Valance Asm Padded (U13)
9	M81977-05-U11	EA	Valance Asm - Padded (U14)
9	M81977-05-U12	EA	Valance Asm - Padded (U15)
9	082118 13 000	EA	Blind - 27" x 22 Drop (U13)
9	082118 14 000	EA	Blind - 27' x 22' Drop (U14)
9	082118 15-000	EA	Blind - 27 x 22' Drop (U15)
	073260-17-U13	EA	Tieback Asm - Bedspread - 4 x 18
	073260-17-U14	EA	Tieback Asm - Bedspread - 4' x 18
	073260-17-U15	EA	Tieback Asm - Bedspread - 4' x 18'
	073260 16-U13	EA	Tieback Asm - Accent - 3 x 20
	073260-16-U14	EA	Tieback Asm - Accent - 3 x 20
	073260-16 U15	EA	Tieback Asm - Accent - 3 x 20'
	057534 04-000	EA	Tieback Asm - Clear - 20'
	057534 01-000	EA	Tieback Asm - Clear - 6'

Not illustrated
Parts used in the Woven Wood option:



Key	Part Number	U/M	Description
1	029130 01-000	EA	Socket - Snap Fastener
2	029155 01 000	EA	Cap - Snap 156 Dia x 17' Barrel
3	029156 01-000	EA	Socket - Snap Fastener
4	029092 01 000	EA	Stud - Nickel Finish
5	029093 01-000	EA	Eyelet - Nickel Finish

**1986 ITASCA
TABLE OF CONTENTS**

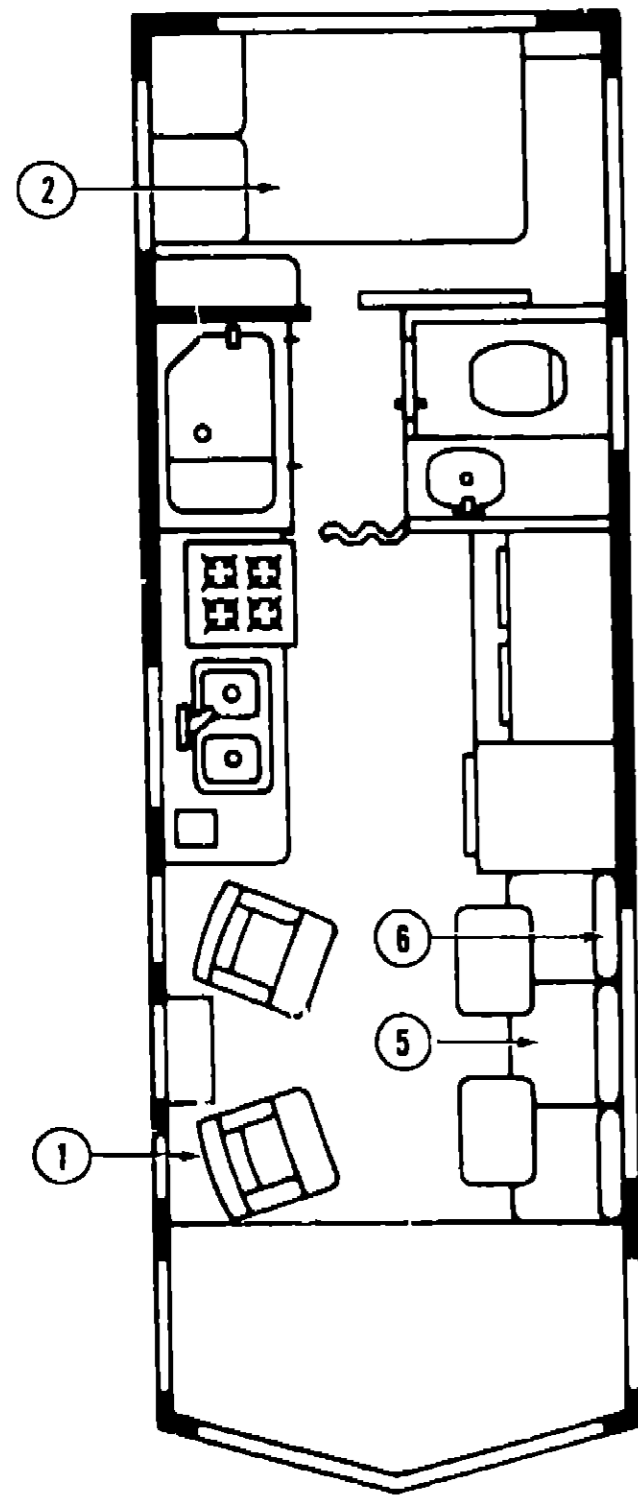
INTRODUCTION	A-01
ABBREVIATIONS	A-01
ALPHABETICAL INDEX	A-02 - A-04
ICN27RC	A-05 - C 16
ICN27RU	C-17 - F-02
ICN31RT	F-03 - H-18
ICP31RT	H 19 K-06

1986 ICN27RU INDEX

floor Plan	C 17 - C-18
Accessories Group	C-19 - C-22
Bath Group	C-23 - C-24
Chassis Group	D-01 - D-02
Curtain Cushion & Pad Group	D-03 - D-09
Dinette Group	D-10
Driver's Compartment Group	D 11 - D 13
Electrical Group	D 14 - D-16
Exterior Body Group	D 17 - D-22
Galley Group	D 23 - E-01
Heating & Air Conditioning Group	E 02 - E-03
Interior Finish Group	E 04 - E-06
LP Group	E-07
Lounge Group	E-08
Water & Sewage Group	E 09 - E-10
Window Vent & Exterior Door Group	E-11 - F 02

CURTAIN, CUSHION & PAD GROUP (CONTINUED)

CURTAIN, CUSHION & PAD GROUP (CONTINUED)



SWIVEL CHAIRS

Key	Part Number	U/M	Description
1	073518 18-U10	EA	Chair Asm w/Pillow Back - Swivel (U13)
1	073518-19-U14	EA	Chair Asm w/Pillow Back - Swivel (U14)
1	073518-16 U12	EA	Chair Asm w/Pillow Back - Swivel (U15)
	075174-02-U13	EA	Skirt Asm Swivel Chair
	075174 04 U14	EA	Skirt Asm - Swivel Chair
	075174-02 U15	EA	Skirt Asm, Swivel Chair
	035036-01-000	EA	Plate - Tilt & Swivel High Base
	035036-05 000	EA	Extension 7' - Swivel Chair
	075036-04 000	EA	Base w/Legs Swivel Chair
	Not Illustrated		

DOUBLE BED MATTRESS

Key	Part Number	U/M	Description
2	08J496-02-000	EA	Mattress - Foam - Winnebago
2	077478-02-000	EA	Mattress - Inner Spring - Sealy - 48 x 75
	081969-07-U10	EA	Bedspread - Double Bed (U13)
	081969-07-U11	EA	Bedspread - Double Bed (U14)
	081969-07 U12	EA	Bedspread - Double Bed (U15)
	081997-01-U10	EA	Pillow Sham - 30 x 26 (U13)
	081997-01-U11	EA	Pillow Sham - 30 x 26 (U14)
	081997-01-U12	EA	Pillow Sham - 30 x 26 (U15)

DINETTE CUSHIONS

Key	Part Number	U/M	Description
3	081998-01-U10	EA	Cushion Asm - Dinette Back - 19 2 x 38 x 5 (U13)
3	081998-07 U11	EA	Cushion Asm - Dinette Back - 19 2 x 38 x 5 (U14)
3	081998-01-U12	EA	Cushion Asm - Dinette Back - 19 2 x 38 x 5 (U15)
	M81998-01-U10	EA	Cover Asm - Dinette Back Cushion (U13)
	M81998-07-U11	EA	Cover Asm - Dinette Back Cushion (U14)
	M81998-01-U12	EA	Cover Asm - Dinette Back Cushion (U15)
4	081998 02 U10	EA	Cushion Asm - Dinette Seat - 17 5 x 38 x 5 (U13)
4	081998-08 U11	EA	Cushion Asm - Dinette Seat 17 5 x 38 x 5 (U14)
4	081998 02 U12	EA	Cushion Asm - Dinette Seat - 17 5 x 38 x 5 (U15)
	M81998-02-U10	EA	Cover Asm - Dinette Seat Cushion (U13)
	M81998-08 U11	EA	Cover Asm - Dinette Seat Cushion (U14)
	M81998-02-U12	EA	Cover Asm - Dinette Seat Cushion (U15)

CONTINENTAL BED

Key	Part Number	U/M	Description
5	079448 04 U13	EA	Bed Asm - Continental - 3 Pillow
5	079448-05-U14	EA	Bed Asm - Continental - 3 Pillow
5	079448-04 U15	EA	Bed Asm - Continental - 3-Pillow
6	081998 17-U13	EA	Pillow Asm - 16" x 23" x 5"
6	081998 20 U14	EA	Pillow Asm - 16" x 23" x 5"
6	081998-17-U15	EA	Pillow Asm - 16" x 23" x 5"
	M81998 17-U13	EA	Cover Asm - Pillow
	M81998 20 U14	EA	Cover Asm - Pillow
	M81998 17 U15	EA	Cover Asm - Pillow

FRONT OVERHEAD BUNK CUSHIONS

Key	Part Number	U/M	Description
	079145 04 000	EA	Cushion Asm - Front Bunk - 34 x 78 x 4'
	M79145 04 000	EA	Cover Asm - Front Bunk Cushion - 34 x 78 x 4'

**1986 ITASCA
TABLE OF CONTENTS**

INTRODUCTION	A-01
ABBREVIATIONS	A-01
ALPHABETICAL INDEX	A-02 - A-04
ICN22RC	A-05 - C-16
ICN27RU	C-17 - F-02
ICN31RT	F-03 - H 18
ICP31RT	H 19 - K-06

1986 ICN27RU INDEX

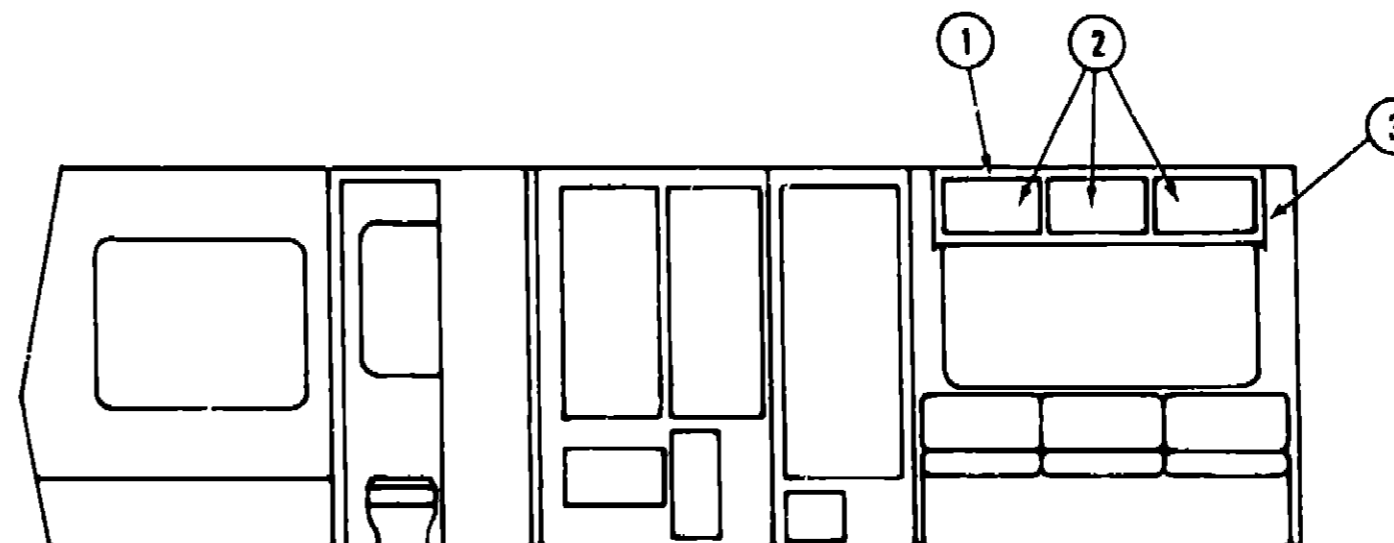
Floor Plan	C-17 - C-18
Accessories Group	C-19 - C-22
Bath Group	C 23 - C-24
Chassis Group	D-01 - D-02
Curtain, Cushion & Pad Group	D-03 - D-08
Dinette Group	D-10
Driver's Compartment Group	D-11 - D-13
Electrical Group	D 14 - D 16
Exterior Body Group	D-17 - D 22
Galley Group	D 23 - E-01
Heating & Air Conditioning Group	E 02 - E-03
Interior Finish Group	E 04 - 1 06
LP Group	E-07
Lounge Group	E-08
Water & Sewage Group	E 09 - E-10
Window, Vent & Exterior Door Group	E-11 - F-02

CURTAIN, CUSHION & PAD GROUP (CONTINUED)

FABRICS, TRIMS & PADS

Key	Part Number	U/M	Description
	072333-21-000	YD	Fabric - Drapery - Parchment
	077496-65-000	YD	Fabric w/Pattern - Upholstery - Blue/Gray (U13)
	077496-66-000	YD	Fabric w/Pattern - Upholstery - Melon (U14)
	077496-67-000	YD	Fabric w/Pattern - Upholstery - Plum/Beige (U15)
	077496-68-000	YD	Fabric w/Pattern - Upholstery Accent - Melon (U14)
	077496-70-000	YD	Fabric - Upholstery/Draperly - Accent - Plain - Blue/Gray (U13)
	077496-71-000	YD	Fabric - Upholstery/Draperly - Accent - Plain - Melon (U14)
	077496-69-000	YD	Fabric - Upholstery/Draperly - Accent - Plain - Plum/Beige (U15)
	069729-25-000	YD	Fabric - Bedspread/Draperly - Main - Blue/Gray (U13)
	069729-26-000	YD	Fabric - Bedspread/Draperly - Main - Melon (U14)
	069729-27-000	YD	Fabric - Bedspread/Draperly - Main - Plum/Beige (U15)
	069729-28-000	YD	Fabric - Bedspread - Accent - Blue/Gray (U13)
	069729-29-000	YD	Fabric - Bedspread - Accent - Melon (U14)
	069729-30-000	YD	Fabric - Bedspread - Accent - Plum/Beige (U15)
	038421-01-000	YD	Fabric - Mattress Ticking
	052859-01-T03	FT	Trim Asm - Accent - Sandrift
	052859-05-T03	FT	Trim Asm - Accent - Buckskin
	079660-01-000	YD	Vinyl - Expanded - 26 oz - Buckskin
	079660-02-000	YD	Vinyl - Expanded - 26 oz - Sandrift
	070576-06-T03	EA	Button Asm - #30 - Vinyl
	057093-01-T03	EA	Button Asm - #60 - Vinyl
	057550-03-T03	EA	Button Asm - Nail - Vinyl
	071127-09-000	EA	Button Asm - #36 - Hook Back
	071127-10-U10	EA	Button Asm - #30 - Blue/Gray (U13)
	071127-10-U11	EA	Button Asm - #30 - Melon (U14)
	071127-10-U12	EA	Button Asm - #30 - Plum/Beige (U15)
	078155-01-000	EA	Strap Asm - Cushion
	079144-02-000	EA	Strap Asm - Bunk
	061325-01-T03	EA	End Cap Asm - Overhead - Dinette - Vinyl
	061519-01-U10	EA	Pad Asm - Dinette - Front - Blue/Gray (U13)
	061519-01-U11	EA	Pad Asm - Dinette - Front - Melon (U14)
	061519-01-U12	EA	Pad Asm - Dinette - Front - Plum/Beige (U15)
	061519-02 U10	EA	Pad Asm - Dinette - Rear - Blue/Gray (U13)
	061519-02 U11	EA	Pad Asm - Dinette - Rear - Melon (U14)
	061519-02 U12	EA	Pad Asm - Dinette - Rear - Plum/Beige (U15)
	059467-05 U04	EA	Pad - Map Pocket - Drivers
	059467-06-U04	EA	Pad - Map Pocket - Passenger
	077463-17-U01	EA	Pad Asm - Headboard - Double Bed

DINETTE GROUP



**1986 ITASCA
TABLE OF CONTENTS**

INTRODUCTION	A-01
ABBREVIATIONS	A-01
ALPHABETICAL INDEX	A-02 - A-04
ICN22RC	A-05 - C 16
ICN27RU	C-17 - F-02
ICN31RT	F-03 - H-18
ICP31RT	H 19 - K-06

CONTINENTAL BED & OVERHEAD CABINERY

Key	Part Number	U/M	Description
1	061302-07-U13	EA	Cabinet Asm - Overhead - w/o Door or Hardware
2	M81503-01-U13	EA	Door Asm - Overhead - w/o Hardware
3	061325-03-T03	EA	Pad Asm - End Cap - Overhead - Right - Beige Vinyl
	061296-01-U04	EA	Table Asm w/o Hardware
	009040-01-000	EA	Leg - Pedestal Table - 25 5' x 25 O D - Chrome
	009040-04-000	EA	Pedestal Table - 25 O D x 27 5' - Brown
	009040-03-000	EA	Base - Table Leg - Mounts on Table
	041194-01-000	EA	Base - Table Leg - Mounts in Floor
	062046-01 000	EA	Clip - Pedestal Leg
	062936-01-U04	EA	Support - Dinette
	Not Illustrated		

DINETTE (OPTION)

Key	Part Number	U/M	Description
	M81504 10 U10	EA	Door Asm - Dinette Seat Cabinet - Right - 10 1' x 19 1' - w/o Hardware
	M02175-02 U01	EA	Cabinet Asm - Dinette Seat - Front - w/o Door or Hardware
	M02175-04 U01	EA	Cabinet Asm - Dinette Seat - Rear - w/o Door or Hardware
	M02174 04 U04	EA	Cabinet Asm - Dinette Seat Back - Rear
	M02174-01 U01	EA	Cabinet Asm - Dinette Seat Back - Front
	M02115-09-U10	EA	Table Asm - Dinette - w/o Hardware
	053200-05-000	EA	Bracket - Upper Wall Mount - 23 5' - Beige
	053201 03 000	EA	Bracket - Table Mount - 23
	024275 05 000	EA	Rod - Table Lift 8' x 23 5' - Beige
	024276-14-000	EA	Leg Asm - Table - 29 5' - Brown
	024281 07-000	EA	Bracket - Lower Wall Mount - 22 12' - Beige
	024282 01 000	EA	Brace - Table Leg
	024283 01 000	EA	Clip - 1" O D Tube
	049493 02 000	EA	Catch - Table Leg - Mounts on Floor - Brown
	064050 01 000	EA	Hinge - Table Leg
	064781 01 000	EA	Cup Holder - Brown

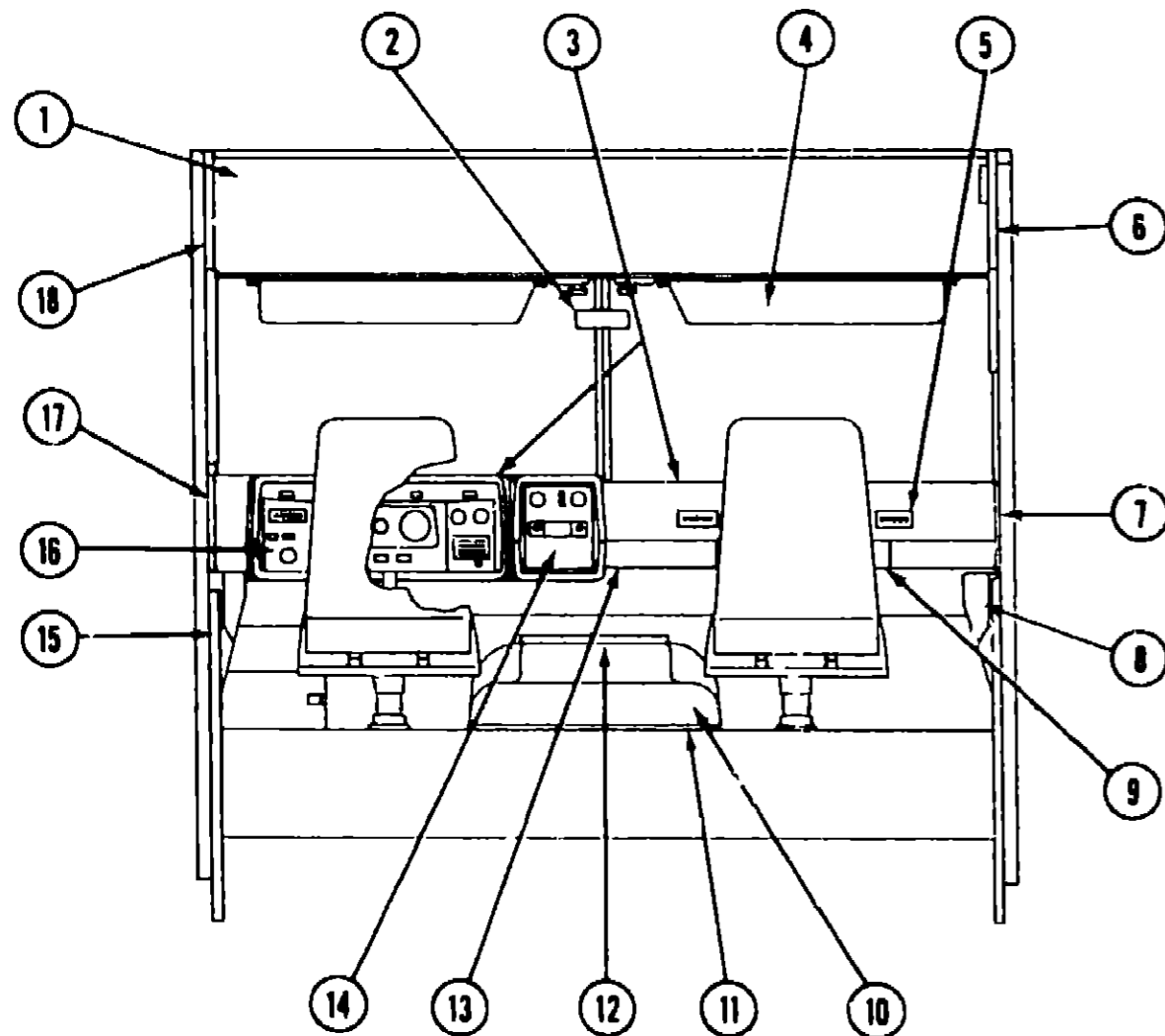
1986 ICN27RU INDEX

Floor Plan	C-17 - C-18
Accessories Group	C-19 - C 22
Bath Group	C-23 - C-24
Chassis Group	D-01 - D-02
Curtain, Cushion & Pad Group	D-03 - D-09
Dinette Group	D-10
Driver's Compartment Group	D-11 - D 13
Electrical Group	D-14 - D-16
Exterior Body Group	D 17 - D 22
Galley Group	D 23 - E-01
Heating & Air Conditioning Group	E-02 E-03
Interior Finish Group	E-04 E-06
LP Group	E-07
Lounge Group	E-08
Water & Sewage Group	E 09 - E 10
Window, Vent & Exterior Door Group	E-11 F 02

DRIVER'S COMPARTMENT GROUP

DRIVER'S COMPARTMENT GROUP (CONTINUED)

MISCELLANEOUS DRIVER'S COMPARTMENT COMPONENTS (CONT)



MISCELLANEOUS DRIVER'S COMPARTMENT COMPONENTS

Key	Part Number	U/M	Description
1	080085-02-T03	EA	Header Trim Asm - Upper
	083917-01-U04	EA	Cabinet Asm - Front Overhead (w/o Bunk)
	083918-01 U04	EA	Cabinet Asm - Front Overhead - Right (w/o Bunk)
	083918-02 U04	EA	Cabinet Asm - Front Overhead - Left (w/o Bunk)
2	040714-01-700	EA	Mirror - Inside Rear View - w/Button Support
3	M01113 12 T03	EA	Dash Asm - Complete w/Gauges & Switches
	079089-01-000	EA	Dash Pad - Passenger Brown
	079090-01-000	EA	Dash Pad Drivers - Brown
	024990-02-000	EA	Outlet - Defroster w/Swivel 2 - Dark Brown
4	082286-03 U04	EA	Sunvisor Asm - Passenger
	082286-01-U04	EA	Sunvisor Asm Driver
	081817 01 000	EA	Clip - Sunvisor - Black
5	039044-01-000	EA	Lower Asm - Air Conditioning Adjustable
6	080855-03 000	EA	Side Trim - Front - Upper (w/o Bunk)
6	080855 05-000	EA	Side Trim - Front - Upper (w/Bunk)
	080856-03-000	EA	Side Trim - Front - Lower (w/o Bunk)
	080856-05-000	EA	Side Trim - Front - Lower (w/Bunk)
7	059414 06-000	EA	Pad - Sidewall Trim - Passenger Vinyl
8	072811 01 000	EA	Side Panel - Passenger - Plastic
8	064499-03 000	EA	Panel - Passenger Door - Inner - Plastic
	059467 04 T03	EA	Pad - Map Pocket - Passenger - Vinyl
9	022219-01 000	EA	Glove Compartment Door
	023892-01-000	EA	Glove Compartment Box - Black Fiberboard
	009118-01 000	EA	Glove Compartment Twist Lock
	024598 01 000	EA	Glove Compartment Hinge
	034309-01 000	EA	Glove Compartment Chain Door

Not illustrated
NOTE To be special ordered only

Key	Part Number	U/M	Description
10	075939-01-000	EA	Motor Cover - Fiberglass
	075564-01-000	EA	Mounting Bracket - Motor Cover
	075564-02-000	EA	Bracket - Mounting - Motor Cover
11	039623-01-000	FT	Seal - Engine Cover - Neoprene
12	080216-01-000	EA	Beverage Tray
13	023834-01-000	EA	Panel - Knee Kick - Bottom of Dash
14	076006-01-000	EA	Bezel - Entertainment Center - w/Radio & Generator Switch
14	076006-05-000	EA	Bezel - Entertainment Center - (used with electronic dash)
	NOTE	EA	Electronic Instrument Panel
	082124-01-000	EA	Bezel Instrument Panel - (used w/electronic dash)
15	059198-05-000	EA	Side Panel - Drivers - Plastic
15	064499-02-000	EA	Panel - Drivers Door - Inner - Plastic
	059467-03-T03	EA	Pad - Map Pocket - Drivers - Vinyl
	046886-03-000	EA	Ash Tray - Chrome
16	071668-01-000	EA	Bezel - Control Panel
16	071668-04-000	EA	Bezel Control Panel - (used w/electronic dash)
	078581-01-000	EA	Trim - Instrument Panel - Front - Passenger
	078582-01-000	EA	Trim - Instrument Panel - Front - Driver
	052367-01-000	EA	Cigarette Lighter Asm - 12 Volt
	007041-01-000	EA	Bezel Cigarette Lighter
	056288-01-000	EA	Dome Light Asm
	056288-02-000	EA	Bulb - Dome Light
	056288-03-000	EA	Housing - Dome Light
	056288-04-000	EA	Lens - Dome Light
	056288-05-000	EA	Clip - Dome Light
	061400-06-000	EA	Assist Strap - 12 - Medium Almond
17	059414-05 000	EA	Pad - Sidewall Trim - Driver - Vinyl
18	080855-04-000	EA	Side Trim - Front - Upper (w/o Bunk)
18	030855-06-000	EA	Side Trim - Front - Upper (w/Bunk)
	080856-04-000	EA	Side Trim - Front - Lower (w/o Bunk)
	080856 06-000	EA	Side Trim - Front - Lower (w/Bunk)
	078245-01-000	EA	Boot Rubber Steering Column
	054250-02-000	EA	Support - Dimmer Switch - w/o Holes
	078579 01-000	EA	Windshield Trim Interior Upper - Passenger
	078579 02-000	EA	Windshield Trim - Interior - Upper Driver
	079765-01 000	EA	Windshield Trim Center
	079206-01 000	EA	Windshield Trim Interior - Post - Passenger
	079206 02 000	EA	Windshield Trim - Interior - Post - Driver

Not illustrated
NOTE This item available from your Chrysler Service Center

DASH SWITCHES & GAUGES

Key	Part Number	U/M	Description
	024461-01 000	EA	Switch - Battery
	024462 01 000	EA	Switch Battery Condition
	024464 02 000	EA	Switch - Battery Dual Boost
	024464 01 000	EA	Switch Washer
	024465-01 000	EA	Switch - Fuel
	050963 02-000	EA	Switch - Fuel Change Over
	024467 01 000	EA	Switch - Wiper
	024976 01 000	EA	Switch - Generator w/o Circuit Board
	074007-02 000	EA	Switch - Intermittent - Windshield Wiper
	024459 04 000	EA	Gauge - Voltmeter
	024460-04 000	EA	Gauge Vacuum
	024460-02 000	EA	Mounting Bracket - Vacuum Gauge
	031035-02 000	EA	Gauge Generator Hourmeter
	072363 01 000	EA	Water Detector Probe Fuel Line
	072364 01 000	EA	Water Detector Module - Fuel Line

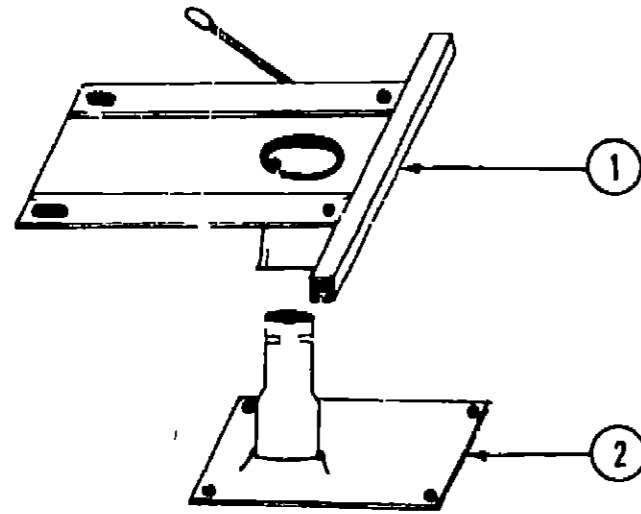
**1986 ITASCA
TABLE OF CONTENTS**

INTRODUCTION	A-01
ABBREVIATIONS	A-01
ALPHABETICAL INDEX	A-02 - A-04
ICN22RC	A-05 - C-16
ICN27RU	C-17 - F-02
ICN31RT	F-03 - H 18
ICP31RT	H-19 - K-06

1986 ICN27RU INDEX

Floor Plan	C-17 - C-18
Accessories Group	C-19 - C-22
Bath Group	C-23 - C-24
Chassis Group	D 01 - D-02
Curtain, Cushion & Pad Group	D 03 - D-09
Dinette Group	D-10
Drivers Compartment Group	D 11 - D-13
Electrical Group	D-14 - D 16
Exterior Body Group	D 17 - D 22
Galley Group	D 23 - E 01
Heating & Air Conditioning Group	E-02 - E-03
Interior Finish Group	E-04 E-06
LP Group	E-07
Lounge Group	E 08
Water & Sewage Group	E-09 E 10
Window Vent & Exterior Door Group	E 11 F-02

DRIVER'S COMPARTMENT GROUP (CONTINUED)



BUCKET SEAT PEDESTAL & SEAT BELTS

Key	Part Number	U/M	Description
1	069585-04-000	EA	Plate - Top - Pedestal Asm - Single Bucket Seat
1	069585-10-000	EA	Plate - Top - Pedestal Asm - Double Bucket Seat
1	069585-19-000	EA	Plate - Top - Flat (Power Seat)
2	069585-08-000	EA	Plate - Sub - Pedestal Asm - Bucket Seat
2	069585-15-000	EA	Plate - Sub - Vertical - 4 5' NOM (Power Seat)
	069585-05-000	EA	Hardware Kit - Bolt/Acorn Nut - 4 ea - Pedestal Asm
	079467-04-000	EA	Loose Part Kit
	007019-01-000	EA	Belt Asm - Seat - 2' x 84 - Black
	007021-01-000	EA	Belt Asm - Seat - 2' x 90 - Black
	056271-02-000	EA	Belt Asm - Seat - 2' x 72 - Black
	057759-01-000	EA	Bracket Seat Belt Washer
	069246-01-000	EA	Adjuster Asm - Seat - w/Lock
	069246-02-000	EA	Adjuster Asm - Seat - w/o Lock
			Not Illustrated

FRONT BUNK & PULL DOWN STORAGE

Key	Part Number	U/M	Description
	076760-03-000	EA	Overhead Bunk Hardware
	079131-01-T03	EA	Board Asm - Trim Bunk
	079144-02 T03	EA	Bunk Strap
	042541-04-000	EA	Latch Asm - w/o Strike - Brass
	042541-05-000	EA	Latch Strike - Brass
	079098-01-000	EA	Pivot Asm - Spring Loaded - Right (Storage Area)
	079098-02-000	EA	Pivot Asm - Spring Loaded - Left (Storage Area)
	078835 01-T03	EA	Panel Asm - Front Bunk

POWER SEAT OPTION

Key	Part Number	U/M	Description
	081373 02 000	EA	Seat - Power - 6 Way
	081373-02 700	EA	Escutcheon & Switch Asm Package
	081373-02-701	EA	Harness Asm - Left Hand - Package
	081373-02-702	EA	Harness Asm - Right Hand - Package
	081373 02 703	EA	Horizontal Adjust Mounting Package
	081373 02-704	EA	Vertical Adjust Mounting Package

ELECTRICAL GROUP

WIRE, SWITCHES & RECEPTACLES

Key	Part Number	U/M	Description
	008288-01-000	EA	Box - Electrical - 3 x 3 5 Plastic
	008289-01-000	EA	Box - Electrical - 4 x 4 - 1/2 & 3/4 Str - UL
	008289-02-000	EA	Box - Electrical - 4 x 4 - 1/2 & 3/4 Steel - CSA
	058049-01-000	EA	Box - Electrical - 2 x 3' x 2 25 - Steel
	041953-01-000	FT	Conduit - Convoluted Slit - 5 1 D
	008353-01-000	EA	Connector - Clamping - 3/8 Cable - UL & CSA
	058028-01-000	EA	Connector - Pigtail - Clear Nylon
	008314-01-000	EA	Connector - Wire Nut - Gray
	008311-01-000	EA	Connector - Wire Nut - Red
	031968-01-000	EA	Contact Plug - Brass - Tin Plated
	031967-01-000	EA	Contact - Receptacle
	008054-01-000	EA	Cord - Power - 10-3 30 Amp - 25 - UL
	008052-01-000	EA	Cord - Power - 10-3 30 Amp - 25 - CSA
	069238-01-000	EA	Cover - Electrical Box - 4 x 4
	024571-03-000	EA	Cover Plate - Receptacle - Jumbo - Brown Plastic
	008294-01-000	EA	Cover - Flat Blank - 4 x 4 - Steel US
	008294-02-000	EA	Cover - Flat Blank - 4 x 4 - Steel CSA
	064399-01-000	EA	Housing Asm - Trailer Pin
	064450-01-000	EA	Housing Asm - Trailer Plug
	064398-01 000	EA	Housing Asm - Trailer Receptacle
	054532-01-000	EA	Housing Pin - 8 Position
	075736-02 000	EA	Receptacle/Cover Asm - Off White (Exterior)
	058708-01-000	EA	Receptacle - Duplex - Brown
	058708 02-000	EA	Receptacle - Duplex - Ivory
	024924-02-000	EA	Receptacle - Power Cord
	058707-01-000	EA	Receptacle - Single - Brown
	063912 01-000	EA	Relay - Canister SPDT w/Ground
	075723-01-000	EA	Switch - Block Spacer - w/o Holes
	075723 02 000	EA	Switch - Block Spacer - w/Holes
	077942 02-000	EA	Switch - Dummy - Brown
	056264 01 000	EA	Switch - Leaf Actuator
	079362-01 000	EA	Switch Plate - 3 Gang - 2 Switches
	079363 01-000	EA	Switch Plate - Single - w/Switches
	079364-01 000	EA	Switch - On/Off Rocker - Brown
	008195-01-000	EA	Switch - Push Button - 12 Volt
	047443 02-000	EA	Terminal - 250 Receptacle - 12 10 AWG
	008348 01 000	EA	Terminal Ring - 2 - w/3/8 Stud
	008331 01-000	EA	Terminal Ring - 4 - w/3/8 Stud
	008328 01-000	EA	Terminal Ring - 12/10 Wire
	008028 01 000	FT	Wire - 18 5 Bonded - Blue/Red/Yellow/Orange/White
	008024 01 000	FT	Wire - 18 5 Bonded - Orange/White/Yellow/Blue/Brown
	008025 01 000	FT	Wire - 18 5 Bonded - Orange/White/Yellow/Blue/Green
	008026-01 000	FT	Wire w/Ground - Romex - 12/2

INTERIOR LIGHT

Key	Part Number	U/M	Description
	065202 03 000	EA	Lamp - Decor - Wall - Brass - 2 Bulb
	065201 02 000	EA	Lamp Shade - Fabric - Parchment - Wall Lamp
	033508-02 000	EA	Light - Dome - Ivory - 1 Bulb - US
	033508 03 000	EA	Light - Dome - Ivory - 1 Bulb - CSA
	033509 02 000	EA	Light - Dome - Ivory - 2 Bulb - US
	033509 03 000	EA	Light - Dome - Ivory - 2 Bulb - CSA
	078424 02 000	EA	Light Fluorescent 12V
	061424-01 000	EA	Light - 12V Receptacle - Aisle - IP
	007309 01 000	EA	Light - Step Well
	072353 07 000	EA	Light - Reading - 360° Swivel - Tan
	072353 03 000	EA	Light - Reading - Single 360° Swivel - Almond
	068937 02 000	EA	Dome Light - Surface - w/o Switch
	081633 01 000	EA	Light - Make Up

**1986 ITASCA
TABLE OF CONTENTS**

INTRODUCTION	A-01
ABBREVIATIONS	A-01
ALPHABETICAL INDEX	A-02 - A-04
ICN27RC	A-05 - C-16
ICN27RU	C-17 - F-02
ICN31RT	F-03 - H-18
ICP31RT	H-19 - K-06

1986 ICN27RU INDEX

Floor Plan	C 17 - C-18
Accessories Group	C 19 - C 22
Bath Group	C 23 - C 24
Chassis Group	D-01 - D 02
Curtain, Cushion & Pad Group	D 03 - D-09
Dinette Group	D 10
Driver's Compartment Group	D 11 - D 13
Electrical Group	D 14 - D 16
Exterior Body Group	D 17 - D 22
Galley Group	D 23 - E-01
Heating & Air Conditioning Group	E 02 - E 03
Interior Finish Group	E 04 - E 06
LP Group	E 07
Lounge Group	E 08
Water & Sewage Group	E 09 - E 10
Window Vent & Exterior Door Group	E-11 - F 02

ELECTRICAL GROUP (CONTINUED)

EXTERIOR LIGHTS

Key	Part Number	U/M	Description
	081633-01-000	EA	Tail Lamp Asm - Double - w/Black Trim
	081638-01-700	EA	Lens - Tail Lamp - Red
	081638-01-701	EA	Lens - Tail Lamp - Back Up
	042405-03-000	EA	Base - Rectangular Clearance Light
	081850-01-000	EA	Light Asm - Cab Marker - Amber
	081850-02-000	EA	Light Asm - Cab Marker - Red
	006089-01-000	EA	Light - Porch - Recessed
	079941-01-000	EA	Lamp Asm - Fog - w/Amber Cover
	049185-01-000	EA	Headlight Capsule Asm - High/Low Beam - Driver
	049186-01-000	EA	Headlight Capsule Asm - High/Low Beam - Passenger
	049187-01-000	EA	Headlight Capsule Asm - High Beam - Driver
	049188-01-000	EA	Headlight Capsule Asm - High Beam - Passenger
	079764-03-000	EA	Mount - Turn Signal - Light - Right - Beige
	079764-04-000	EA	Mount - Turn Signal - Light - Left - Beige
	042405-02-000	EA	Lens - Amber Light w/Reflex
	042405-01-000	EA	Lens - Red Light w/Reflex

WINDSHIELD WIPERS & WASHER

Key	Part Number	U/M	Description
	056000-02-000	EA	Washer Asm - Windshield
	057653-01-000	EA	Arm - Windshield Wiper - 18 - Black
	067191-02-000	EA	Motor Asm - Windshield Wiper - 2 Speed
	067192-01-000	EA	Link Asm - Connecting - Left
	067193-01-000	EA	Link Asm - Connecting - Right
	049464-03-000	EA	Blade - Windshield Wiper - 20 - Black
	067190-01-000	EA	Shaft and Pivot Asm
	074007-02-000	EA	Switch - Wiper Delay
	057474-02-000	EA	Wiper Asm

The illustrated parts breakdown for this item is provided on the Common Items Fiche

MISCELLANEOUS ELECTRICAL COMPONENTS

Key	Part Number	U/M	Description
	047338-03-000	EA	Isolator - Dual Battery - 70 Amp
	008188-01-000	EA	Solenoid - Dual Battery - Relay
	083208-02-000	EA	Control Center - 45 Amp - CSA
	083208-03-000	EA	Control Center - 45 Amp - US

ELECTRICAL GROUP (CONTINUED)

BULBS

Key	Part Number	U/M	Description
	008220-01-000	EA	Bulb - 12V - 25W
	008103-01-000	EA	Bulb - 53
	008213-01-000	EA	Bulb - 57
	008214-01-000	EA	Bulb - 67
	036196-01-000	EA	Bulb - 194
	008215-01-000	EA	Bulb - 1003
	067479-01-000	EA	Bulb - 1076
	063914-01-000	EA	Bulb - 1139
	008218-01-000	EA	Bulb - 1141
	037935-01-000	EA	Bulb - 1157
	037936-01-000	EA	Bulb - 1157A
	056288-02-000	EA	Bulb - 9431808
	081633-01-700	EA	Bulb - Make Up Light

FUSES & CIRCUIT BREAKERS

Key	Part Number	U/M	Description
	008234-01-000	EA	Fuse - 10 Amp - 12 Volt
	008235-01-000	EA	Fuse - 15 Amp - 12 Volt
	062901-02-000	EA	Fuse - 5 Amp - Automotive
	062901-05-000	EA	Fuse - 15 Amp - Automotive
	008211-01-000	EA	Circuit Breaker - 6 Amp - 12 Volt
	008208-01-000	EA	Circuit Breaker - 40 Amp - 12 Volt
	033573-02-000	EA	Circuit Breaker - 15 Amp - 12 Volt - w/Mount
	033573-01-000	EA	Circuit Breaker - 20 Amp - 12 Volt - w/Mount
	044466-03-000	EA	Circuit Breaker - 25 Amp - 12 Volt - w/Mount
	008268-01-000	EA	Circuit Breaker - 30 Amp - 12 Volt - w/Mount
	083209-01-000	EA	Circuit Breaker - 15 Amp - 120 Volt
	083210-02-000	EA	Circuit Breaker - 15 Amp - 120 Volt (Ground Fault Interrupter)
	073735-02-000	EA	Circuit Breaker - 15 Amp - 120 Volt (Ground Fault Interrupter)
	071279-05-000	EA	Circuit Breaker - 20 Amp - 120 Volt
	071279-04-000	EA	Circuit Breaker - 30 Amp - 120 Volt
	071279-03-000	EA	Circuit Breaker - 15/20 Amp - 120 Volt
	083209-03-000	EA	Circuit Breaker - 15/20 Amp - 120 Volt
	071279-01-000	EA	Circuit Breaker - 15/30 Amp - 120 Volt
	083209-05-000	EA	Circuit Breaker - 20 Amp - 120 Volt
	083209-04-000	EA	Circuit Breaker - 30 Amp - 120 Volt
	083209-06-000	EA	Circuit Breaker - 30/15 Amp - 120 Volt
	071279-06-000	EA	Circuit Breaker - 30/15 Amp - 120 Volt
	071280-01-000	EA	Circuit Breaker Blank
	050283-02-000	EA	Circuit Breaker - Bus Bar

**1986 ITASCA
TABLE OF CONTENTS**

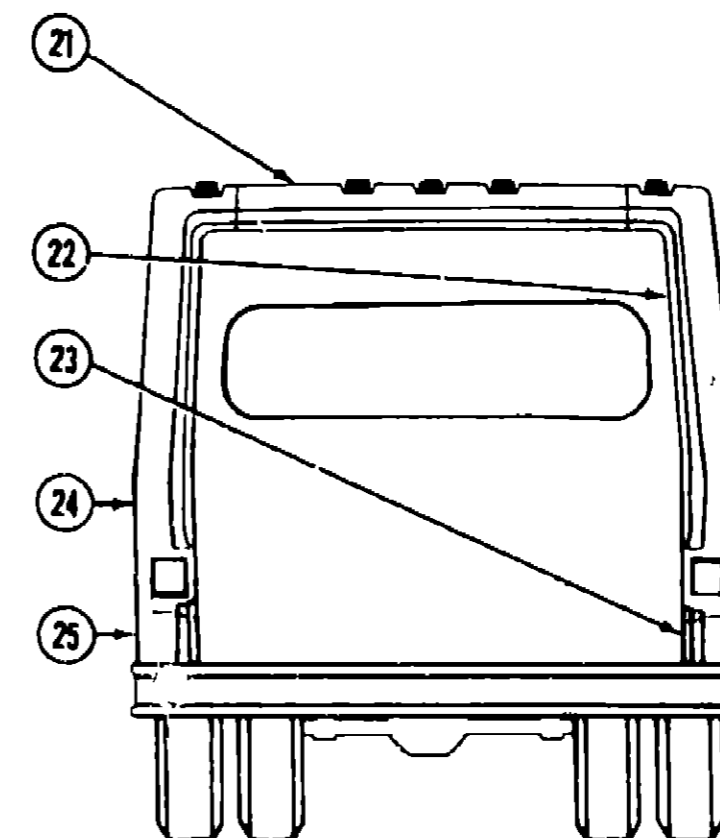
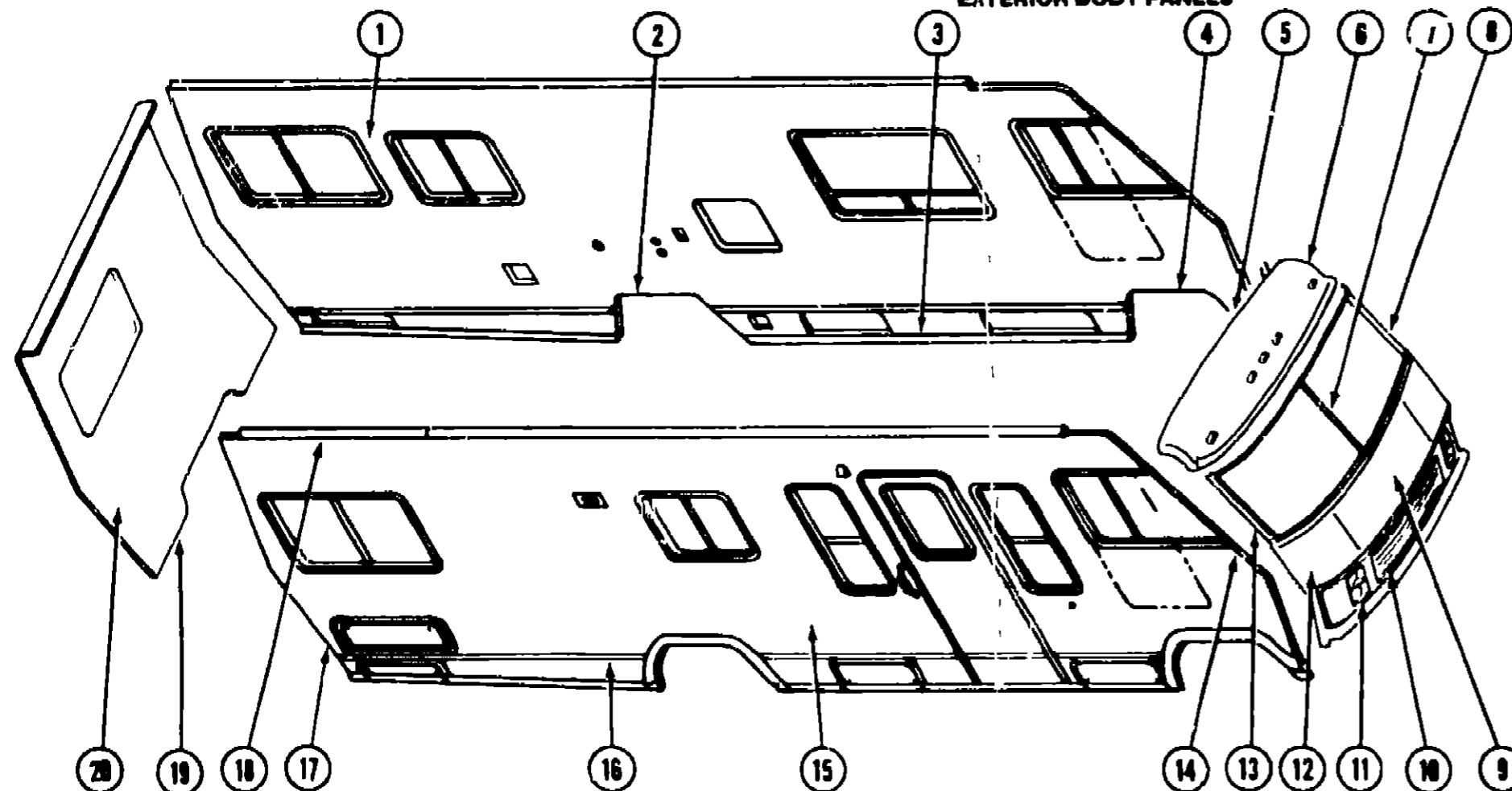
INTRODUCTION	A-01
ABBREVIATIONS	A-01
ALPHABETICAL INDEX	A-02 - A-04
ICN22RC	A-05 - C-16
ICN27RU	C-17 - F-02
ICN31RT	F-03 - H-18
ICP31RT	H-19 - K-08

1986 ICN27RU INDEX

Floor Plan	C-17 - C-18
Accessories Group	C-19 - C-22
Bath Group	C-23 - C-24
Chassis Group	D-01 - D-02
Curtain, Cushion & Pad Group	D-03 - D-06
Dinette Group	D-10
Driver's Compartment Group	D-11 - D-13
Electrical Group	D-14 - D-16
Exterior Body Group	D-17 - D-22
Galley Group	D-23 - E-01
Heating & Air Conditioning Group	E-02 - E-03
Interior Finish Group	E-04 - E-06
LP Group	E-07
Lounge Group	E-08
Water & Sewage Group	E-09 - E-10
Window Vent & Exterior Door Group	E-11 - F-02

EXTERIOR BODY GROUP

EXTERIOR BODY PANELS



Key	Part Number	U/M	Description
1	M82078-01 U13	EA	Sidewall Asm - Driver
1	M82078-01 U14	EA	Sidewall Asm - Driver
1	M82078-01-U15	EA	Sidewall Asm - Driver
2	058487-07-000	EA	Trim - Wheel Well - Rear - U Channel - Driver or Passenger
	075070-05-000	EA	Trim - Wheel Well - Rear - Plastic - Passenger
	075070-06-000	EA	Trim - Wheel Well - Rear - Plastic - Driver
3	072639-01-001	EA	Extr - Rocker Panel 216"
4	073647-02-000	EA	Trim - Wheel Well - Front - U Channel - Driver or Passenger
	078556-02-000	EA	Trim - Wheel Well - Front - Plastic - Passenger
	078556-04-000	EA	Trim - Wheel Well - Front - Plastic - Driver
5	078580-01-000	EA	Trim - Roof/Front Cap
6	M01899-01-T09	EA	Cap - Over Windshield - Gray
7	078678-02-000	EA	Trim - Molding - Windshield - Center
8	079225-02-000	EA	Trim - Contour - Windshield - Driver
	077944-02-000	EA	Trim - Molding - Windshield - Upper
	077945-02-000	EA	Trim - Molding - Windshield - Lower
	077952-02-000	EA	Cap - Reveal Molding
	078910-02-000	EA	Headlamp Bezel - Driver
9	078281-01 T09	EA	Access Panel - w/Hardware
10	079793-01-000	EA	Mesh - Grille - Outside
10	079794-01-000	EA	Mesh - Grille - Inside
	080754-02-000	EA	Trim - Grille - Chrome - 91 50'
11	078910-01-000	EA	Headlamp Bezel - Passenger
	073308-01-000	EA	Screw Asm - Headlamp - Adjusting
	048359-01-000	EA	Spring - Headlamp Retainer
	082207-01-000	EA	Headlamp Guard
12	M01115 11-T09	EA	Panel Asm - Front Shroud (includes access panel)
13	079225-01-000	EA	Trim - Contour - Windshield - Passenger
	077944-01-000	EA	Trim - Molding - Windshield - Upper
	079945-01-000	EA	Trim - Molding - Windshield - Lower
14	079224-03-000	EA	Trim - Fiberglass Panel - Passenger - Gray
	079224-04-000	EA	Trim - Fiberglass Panel - Driver - Gray

Key	Part Number	U/M	Description
15	M82075-01-U13	EA	Sidewall Asm - Passenger
15	M82075-01-U14	EA	Sidewall Asm - Passenger
15	M82075-01-U15	EA	Sidewall Asm - Passenger
16	059578-09-000	EA	Feature Strip - Extr Charcoal - 14 w/o Insert
	008731-01-000	EA	End Cap - Feature Strip Insert
	001030-11-100	EA	Insert - Feature Strip - Gray - 17
17	073502-11-000	EA	Trim - Passenger Rear - Gray
	073502-12-000	EA	Trim - Driver Rear - Gray
18	078800-10-000	EA	Trim - Sidewall - Upper - (Driver or Passenger) - Gray
19	050406-05-000	EA	Trim - Backwall - Lower - Driver or Passenger - Gray
	082080-01 U04	EA	Roof Asm
20	082085-01-U13	EA	Backwall Asm
21	M01893-02-000	EA	Trim - Rear - Center Upper - Plastic - Gray
22	082456-03-000	EA	Trim - Rear - Upper Passenger - Plastic - Gray
23	082457-03-000	EA	Trim - Rear - Lower Passenger - Plastic - Gray
24	082456-04-000	EA	Trim - Rear - Upper Driver - Plastic - Gray
25	082457-04-000	EA	Trim - Rear - Lower Driver - Plastic - Gray
	078577-03-000	EA	Bumper End Cap - Front Passenger Hand - Gray
	078577-04-000	EA	Bumper End Cap - Front Driver Hand - Gray
	078578-03-000	EA	Bumper End Cap - Rear Passenger - Gray
	078578-04-000	EA	Bumper End Cap - Rear Driver - Gray
	077517-15-000	EA	Fiberglass Sidewall Skin - 46 12 x 378' - Mesa
	077517-14-000	EA	Fiberglass Sidewall Skin - 46 12 x 315' - Mesa
	001054-01-011	EA	Alum - Beige - No Design - 48' x 96'
	044487-01-001	EA	Alum - Mill Finish - No Design (Roof) - 98' x 360'
	000868-01-000	SF	Styrofoam - 75 x 24' x 96
	000870-01-000	SF	Styrofoam - 1 50' x 24' x 96
	000870-03-000	SF	Styrofoam - 1 34' x 48' x 96
			Not illustrated

1986 ITASCA TABLE OF CONTENTS

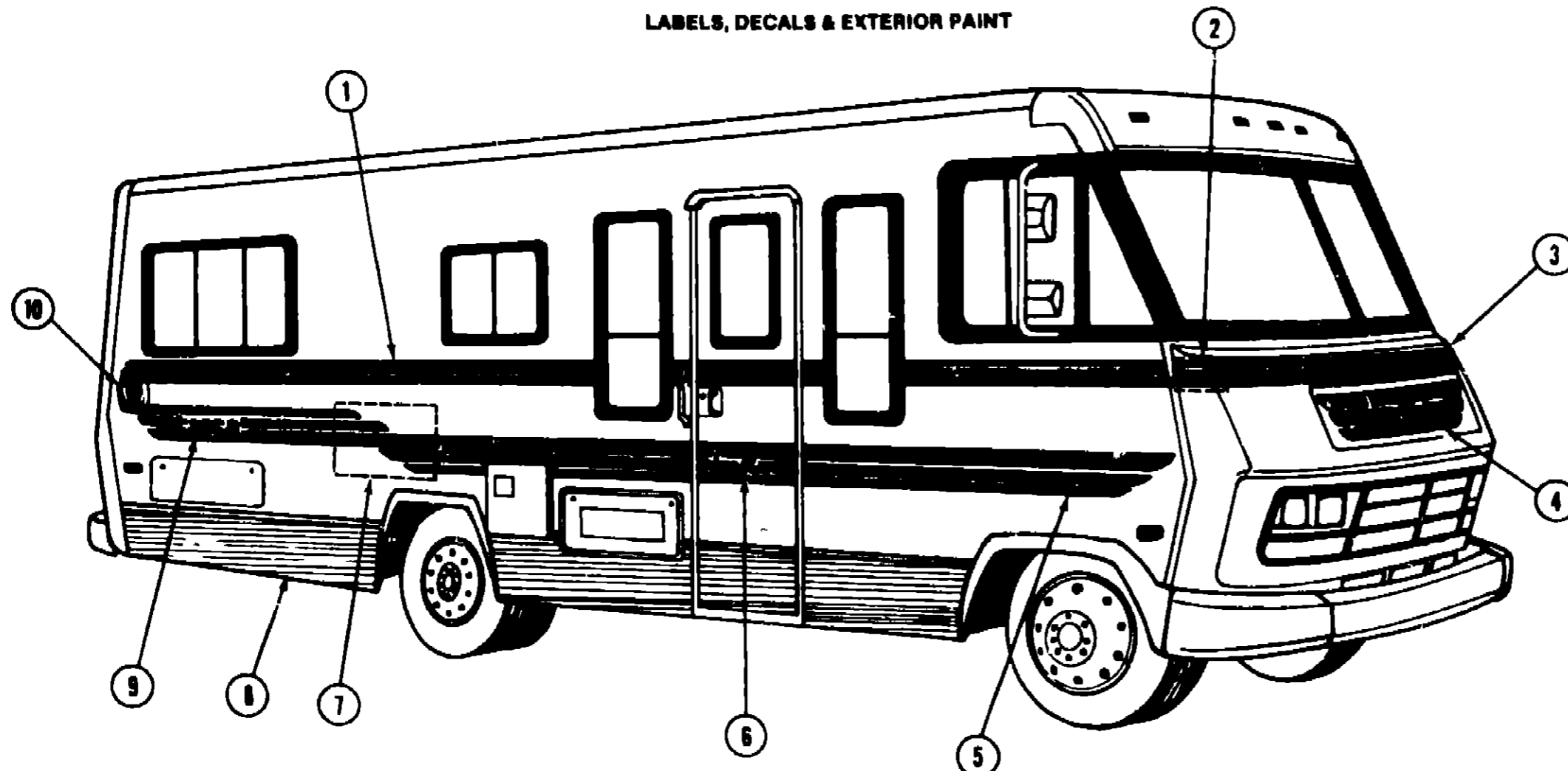
INTRODUCTION	A-01
ABBREVIATIONS	A-01
ALPHABETICAL INDEX	A-02 - A-04
ICN22RC	A-05 - C-16
ICN27RU	C-17 - F-02
ICN31RT	F-03 - H-18
ICP31RT	H-19 - K-06

1986 ICN27RU INDEX

Floor Plan	C-17 - C-18
Accessories Group	C-19 - C-22
Bath Group	C-23 - C-24
Chassis Group	D-01 - D-02
Curtain, Cushion & Pad Group	D-03 - D-09
Dinette Group	D-10
Driver's Compartment Group	D-11 - D-13
Electrical Group	U-14 - D-16
Exterior Body Group	D-17 - D-22
Galley Group	D-23 - E-01
Heating & Air Conditioning Group	E-02 - E-03
Interior Finish Group	E-04 - E-06
LP Group	E-07
Lounge Group	E-08
Water & Sewage Group	E-09 - E-10
Window Vent & Exterior Door Group	E-11 - F-02

EXTERIOR BODY GROUP (CONTINUED)

LABELS, DECALS & EXTERIOR PAINT



1986 ITASCA TABLE OF CONTENTS

INTRODUCTION	A-01
ABBREVIATIONS	A-01
ALPHABETICAL INDEX	A-02 - A-04
ICN22RC	A-05 - C-16
ICN27RU	C 17 - F-02
ICN31RT	F-03 - H 18
ICP31RT	H-19 - K-06

Key	Part Number	U/M	Description
1	069245-81-000	FT	Film - Multi Stripe - 2 36' x 150' Blue/Gray
1	069245-82-000	FT	Film - Multi Stripe - 2 36' x 150' Melon
1	069245-83-000	FT	Film - Multi Stripe - 2 36' x 150' Plum/Beige
2	079399-07-000	EA	Decal - Corner Hood - Blue/Gray
2	079399-09-000	EA	Decal - Corner Hood - Melon
2	079399-11-000	EA	Decal - Corner Hood - Plum/Beige
3	079399-08-000	EA	Decal - Corner Hood - Blue/Gray
3	079399-10-000	EA	Decal - Corner Hood - Melon
3	079399-12-000	EA	Decal - Corner Hood - Plum/Beige
4	080764-04-000	EA	Decal - Logo - "Itasca" Hood - Blue/Gray
4	080764-05-000	EA	Decal - Logo - "Itasca" Hood - Melon
4	080764-06-000	EA	Decal - Logo - "Itasca" Hood - Plum/Beige
5	069245-78-000	FT	Film - Multi Stripe - 8 00' x 150' Blue/Gray
5	069245-79-000	FT	Film - Multi Stripe - 8 00' x 150' - Melon
5	069245-80-000	FT	Film - Multi Stripe - 8 00' x 150' - Plum/Beige
6	058718-02-000	EA	Decal - "Sunflyer"
7	078867-07-000	EA	Decal - Side - Center - Blue/Gray
7	078867-09-000	EA	Decal - Side - Center - Melon
7	078867-11-000	EA	Decal - Side - Center - Plum/Beige
	078867-08-000	EA	Decal - Side - Center - Blue/Gray
	078867-10-000	EA	Decal - Side - Center - Melon
	078867-12-000	EA	Decal - Side - Center - Plum/Beige
8	041273 78-000	FT	Decal Stripping - 11"
9	078852-04-000	EA	Decal - Logo - "Itasca" - 6 62' x 26 67'
10	079651-07-000	EA	Decal - Rear Side - Rear - Blue/Gray
10	079651-09-000	EA	Decal - Rear Side - Rear - Melon
10	079651-11-000	EA	Decal - Rear Side - Rear - Plum/Beige
	079651-08-000	EA	Decal - Rear Side - Rear - Blue/Gray
	079651-10-000	EA	Decal - Rear Side - Rear - Melon
	079651 12 000	EA	Decal - Rear Side - Rear - Plum/Beige
	078852-03-000	EA	Decal Logo - Itasca' 5' x 20'
	064075-01-000	EA	Decal - 'By Winnebago Industries

Key	Part Number	U/M	Description
	068383-01-000	EA	Label - Diesel Fuel
	006195-01-000	EA	Label - Electrical Test
	047731-01-000	EA	Label - Emergency Exit
	006199-01-000	EA	Label - Exit - Escape Window
	057487-04-070	EA	Label - Exterior Loading Limit
	064378-01-000	EA	Label - Flying 'W' w/Thermo Panel
	061417-01-000	EA	Label - Fuel
	006198-01 000	EA	Label - Gas Test
	054531-01-000	EA	Label - LP Gas Only
	040944-01 000	EA	Label - Open - Entrance Door
	006015-01-000	EA	Label - Patent Motor Home
	058259-01-000	EA	Label - Safety Check List
	006084-01-000	EA	Label - Seat w/o Seat Belts
	006187-01-000	EA	Label - Sewage
	006008-01 000	EA	Label - Thermo Panel - 2 1/4' x 2 1/4'
	075221-01-000	EA	Label - Trailer Hitch Capacity
	075220-01-000	EA	Label - Warning - Exterior Load Limit
	077956-01-000	EA	Label - Warning - Smoke Detector
	050225-01-000	EA	Label - Warning - Stove Vent - US
	006188-01-000	EA	Label - Waste Water
	006197-01-000	EA	Label - Water Test
	072663-01 000	EA	Nameplate - Diesel - 6 2L
	006062-01-000	EA	Tag - Electrical 110 Volt Connection
	006040-01-000	EA	Tag - Gas - Refueling Warning
	044486-03-000	EA	Paint - Beige Acrylic Enamel - 16 oz Aerosol (7633A Dupont)
	045661 03-000	EA	Paint - Gloss Black - Acrylic Enamel - 16 oz Aerosol (99 Dupont)
	058637 05 000	EA	Paint - Gray Acrylic Enamel - 16 oz Aerosol (71537 Dupont)
	041581 03 000	EA	Paint - Off White Acrylic Enamel - 16 oz, Aerosol (45396A Dupont)
	074559 01-000	EA	Label - 'LPG' - 3 3' x 1 75' (Calif Code)
			Not Illustrated

1986 ICN27RU INDEX

Floor Plan	C 17 - C-18
Accessories Group	C 19 - C-22
Bath Group	C-23 - C-24
Chassis Group	D-01 - D-02
Curtain Cushion & Pad Group	D 03 - D-09
Dinette Group	D-10
Driver's Compartment Group	D 11 - D-13
Electrical Group	D 14 - D-16
Exterior Body Group	D 17 - D-22
Galley Group	D-23 - E-01
Heating & Air Conditioning Group	E 02 - E-03
Interior Finish Group	E-04 - E-06
LP Group	E-07
Lounge Group	E-08
Water & Sewage Group	E 09 - E 10
Window Vent & Exterior Door Group	E-11 - F-02

EXTERIOR BODY GROUP (CONTINUED)

ACCESS PANEL HARDWARE

Key	Part Number	U/M	Description
	072617-02-000	EA	Rod - Hood Prop
	062628-01-000	EA	Clip - Prop Rod
	058633-01-000	EA	Bracket - Prop Rod
	073340-01-000	EA	Hinge - Access Panel - Passenger
	073340-02-000	EA	Hinge - Access Panel - Drivers
	058660-01-000	EA	Bracket - Hinge Asm - Hood - Drivers
	058660-02-000	EA	Bracket - Hinge Asm - Hood - Passenger
	R77006-88-721	EA	Cable - Release (Access Panel)
	074178-01-000	EA	Bracket - Cable Release - Inside
	R77007-01-950	EA	Striker - Hood Latch
	079286-01-000	EA	Latch - Hood
	R77006-38-499	EA	Spring
	R77006-19-765	EA	Cable Sheath
	073333-02-000	EA	Bracket - Latch Support
	073337-02-000	EA	Brace Latch - Hood
	073341-01-000	EA	Bracket - Hood Latch
	058786-02-000	EA	Bolt - Hood Adjusting - 5/16 x 18 x 1 1/4
	079007-01-000	EA	Crossmember Asm - Latch - Hood
	058767-03-000	EA	Mounting Bracket Hinge
	058767-04-000	EA	Mounting Bracket - Hinge

SEALANTS & ADHESIVES

Key	Part Number	U/M	Description
	004020-01-000	QT	Adhesive - ABS Cement (Plastic Fittings)
	002337-01-000	EA	Adhesive - 1300 Tube - 3M (Windows)
	004005-02-000	GL	Adhesive - Swifts - Glue (Sidewalls)
	053766-07-000	EA	Bedding Compound - Tube - Beige (Exterior)
	053766-06-000	EA	Bedding Compound - Tube - Clear (Window)
	053766-08-000	EA	Bedding Compound - Tube - Gray (Exterior)
	053766-05-000	EA	Bedding Compound - Tube - Gray (Sidewalls to Floor)
	053766-02-000	EA	Bedding Compound - Tube - Off White (Exterior)
	002328-02-000	EA	Block - Rubber Spacer (Windshield)
	004336-01-000	EA	Caulk - Latex - Golden Walnut (Sidewalls)
	072891-02-000	QT	Primer - Glass - Black
	072891-01-000	QT	Primer - Glass - Clear
	035024-01-000	EA	Primer - Glass - Clear - Windshield
	072890-01-000	QT	Primer - Metal - Black
	035023-01-000	GL	Primer - Metal - Windshield
	077987-01-000	EA	Sealant - Acrylic Latex - Tube - Off White (Interior Sealant)
	034552-04-000	EA	Sealant - Silicone - Beige
	034552-02-000	EA	Sealant - Silicone - Clear
	034552-07-000	EA	Sealant - Silicone - Dark Gray
	034552-06-000	EA	Sealant - Silicone - Off White
	069637-01-000	EA	Sealant Weatherban 404 - Tube - White (Door Caulk)
	072889-01-000	EA	Sealant Urethane - Black (Windshield)
	069640-01-000	FT	Sealer Ribbon - 25' Bead x 20
	069640-02-000	FT	Sealer Ribbon - 5" x 125' x 30
	069640-03-000	FT	Sealer Ribbon - 75' x 125' x 30
	069640-04-000	FT	Sealer Ribbon - 2' x 09' x 45 (P Series)
	069640-05-000	FT	Sealer Ribbon - 2.5" x 09' x 50'
	069640-06-000	FT	Sealer Ribbon - 5/16" Bead x 15'
	069640-07-000	FT	Sealer Ribbon - 2" x 3/32' x 30
	002316-01-000	FT	Sealer Tape - 3/32' x 3/8' - White (Window)
	002707-01-000	FT	Sealer Tape - 5/16' x 3/4
	U02707-02-000	FT	Sealer Tape - 5/16' x 1/2
	040545-01-000	GL	Sealer - Seam Weld
	053752-04-000	EA	Seam Sealer - Tube - Aluminum (Roof)
	063642-01-000	FT	Tape - Adhesive - .10 mm x 1.5 Wide
	038886-01-000	FA	Tape - Butyl - 31 x 31 x 148 (Windshield)
	076322-01-000	FT	Tape - Foam - Double Coated - 025 x 1 (Fiberglass Sidewall Seams)
	076322-02-000	FT	Tape - Foam - Double Coated - 045 x 1 (Fiberglass Sidewall Seams)
	009200-01-000	EA	Tape - Furnace 1.5'
	002825-01-000	FT	Weather Striping (Roof Vent)

EXTERIOR BODY GROUP (CONTINUED)

INTERIOR/EXTERIOR SCREWS & FASTENERS

Key	Part Number	U/M	Description
	005200-01-000	EA	Bolt - Round Head - Square Neck w/SST Cap - 7/16 - 14 x 1 1/4
	058279-01-000	EA	Clip - Mounting - Front Panel
	035628-01-000	EA	Fastener - Blind Well Nut - 1.05 x .38
	000D15-06-008	EA	Nut - Hex - 3/8 x 24 - Zinc
	005081-01-000	EA	Nut - Speed - C Type - #8 Screw
	000G54-04-20B	EA	Screw 1/4 - 20 x 1 1/4 PTH - Zinc
	000G54-04-22B	EA	Screw 1/4 - 20 x 1 3/8 PTH - Zinc
	000G53-04-06B	EA	Screw 1/4 - Machine - 20 x 3/8 PTH - Zinc
	000G13-06-12P	EA	Screw #6 - 20 x 3/4 PFH - Dark Brown
	000G13-06-28X	EA	Screw #6 - 20 x 3/4 PFH - Gray
	000G13-06-16R	EA	Screw #6 - 20 x 1 PFH - Beige
	000G11-07-08B	EA	Screw #7 - 19 x 1/2 PPH - Zinc
	000G12-08-12M	EA	Screw #8 - 18 x 3/4" POH - Gray
	000G11-08-12R	EA	Screw #8 - 18 x 3/4 PPH - Beige
	000G11-08-12X	EA	Screw #8 - 18 x 3/4 PPH - Gray
	000G11-08-12B	EA	Screw #8 - 18 x 3/4 PPH - Zinc
	000G39-08-12R	EA	Screw #8 - 18 x 3/4 SDPH - Beige
	000G66-08-12M	EA	Screw #8 - 18 x 3/4 SDPH - Gray
	000G11-08-16R	EA	Screw #8 - 18 x 1" PFH - Gray
	000G66-08-16R	EA	Screw #8 - 18 x 1" SDPH - Beige
	000G12-08-18R	EA	Screw #8 - 18 x 1 3/4 POH - Beige
	000G38-08-18E	EA	Screw #8 - 32 x 1/2" PFH - Chrome
	000G39-08-18B	EA	Screw #8 - Self Drilling - 18 x 1/2" PPH - Zinc
	000G39-08-12B	EA	Screw #8 - Self Drilling - 18 x 3/4 PPH - Zinc
	000G39-08-12R	EA	Screw #8 - Self Drilling - 18 x 3/4 PPH - Beige
	000G39-08-16R	EA	Screw #8 - Self Drilling - 18 x 1" PPH - Beige
	000G39-08-16T	EA	Screw #8 - Self Drilling - 18 x 1" PPH - Black
	000G39-08-16P	EA	Screw #8 - Self Drilling - 18 x 1" PPH - Dark Brown
	000G39-08-16X	EA	Screw #8 - Self Drilling - 18 x 1" PPH - Gray
	000G39-08-16E	EA	Screw #8 - Self Drilling - 18 x 1" PPH - Chrome
	000G64-08-16M	EA	Screw #8 - Self Drilling - 18 x 1" SDPH - Gray
	000G67-10-08B	EA	Screw #10 - 12 x 1/2" PPH - Zinc
	000G67-10-10R	EA	Screw #10 - 12 x 5/8" PPH - Beige
	000G67-10-16P	EA	Screw #10 - 12 x 1" PPH - Dark Brown
	000G67-10-16B	EA	Screw #10 - 12 x 1" PPH - Zinc
	000G67-10-20B	EA	Screw #10 - 12 x 1 1/4" PPH - Zinc
	000G67-10-24B	EA	Screw #10 - 12 x 1 1/2" PPH - Zinc
	049465-04-000	EA	Screw #10 - 16 x 1" POH - w/Washer - Beige
	049465-05-000	EA	Screw #10 - 16 x 1" POH - w/Washer - Gray
	000G12-10-24E	EA	Screw #10 - 18 x 1 1/2" POH - Chrome
	000G11-10-08D	EA	Screw #10 - 16 x 1/2" PPH - Dark Brown
	000G11-10-12R	EA	Screw #10 - 16 x 3/4" PPH - Beige
	000G11-10-12S	EA	Screw #10 - 16 x 3/4" PPH - Off White
	000G11-10-12B	EA	Screw #10 - 16 x 3/4" PPH - Zinc
	000G11-10-16B	EA	Screw #10 - 16 x 1" PPH - Zinc
	000G11-10-40B	EA	Screw #10 - 16 x 2 1/2" PPH - CAD
	000G19-10-12B	EA	Screw #10 - Machine - 32 TPI x 3/4"
	075908-01-000	EA	Screw #10 - Machine - 32 x 56" PTH - Zinc
	000G19-10-20B	EA	Screw #10 - Machine - 32 x 1 1/4" PPH - Zinc
	000G39-12-12E	EA	Screw #10 - Self Drilling - 14 x 3/4" PPH - Chrome
	000G39-10-10R	EA	Screw #10 - Self Drilling - 16 x 62" PPH - Beige
	000G39-10-12R	EA	Screw #10 - Self Drilling - 16 x 3/4" PPH - Beige
	000G39-10-12P	EA	Screw #10 - Self Drilling - 16 x 3/4" PPH - Dark Brown
	000G56-12-48C	EA	Screw #12 - Wood - 11 x 3" POH - CAD

MISCELLANEOUS EXTERNALLY MOUNTED PARTS

Key	Part Number	U/M	Description
	063558-01-000	EA	Plumbing Seal - Roof Vent - 1.5'
	009126-01-000	EA	Assist Handle - Chrome
	081240-02-000	EA	Fill - City Water - Recessed - Gray
	058808-03-000	EA	Water Fill - Lockable - Gray
	072447-01-000	EA	Shroud - Fuel Fill
	063303-04-000	EA	Shroud - Fuel Fill - Lower

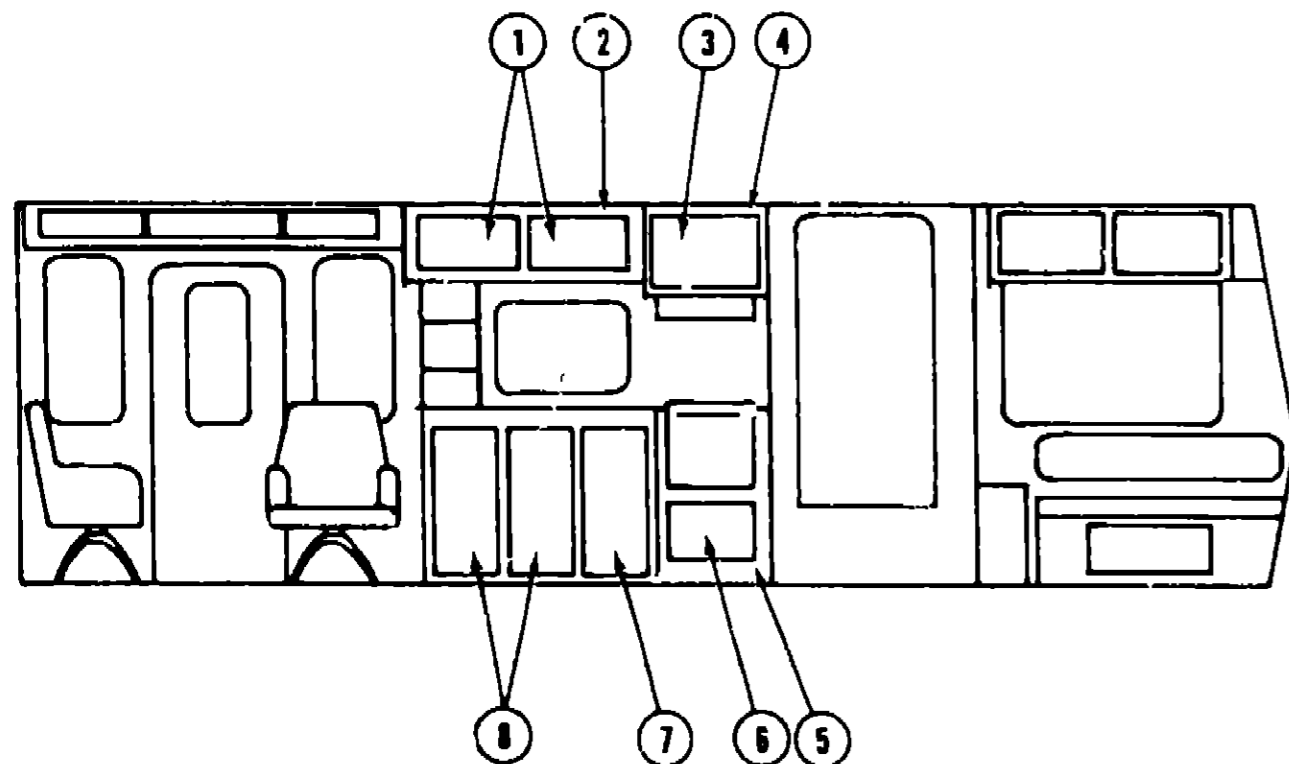
**1986 ITASCA
TABLE OF CONTENTS**

INTRODUCTION	A-01
ABBREVIATIONS	A-01
ALPHABETICAL INDEX	A-02 - A-04
ICN22RC	A-05 C-16
ICN27RU	C-17 - F-02
ICN31RT	F-03 - H-18
ICP31RT	H 19 - K-06

1986 ICN27RU INDEX

Floor Plan	C 17 - C-18
Accessories Group	C 19 - C 22
Bath Group	C-23 - C-24
Chassis Group	D-01 - D-02
Curtain Cushion & Pad Group	D-03 - D-09
Dinette Group	D 10
Driver's Compartment Group	D 11 - D-13
Electrical Group	D-14 - D 16
Exterior Body Group	D-17 - D 22
Galley Group	D 23 - E-01
Heating & Air Conditioning Group	E-02 - E-03
Interior Finish Group	E-04 - E-06
LP Group	E-07
Lounge Group	E-08
Water & Sewage Group	E-09 - E-10
Window, Vent & Exterior Door Group	E-11 - F-02

GALLEY GROUP



GALLEY CABINETRY

Key	Part Number	U/M	Description
1	M81524-05-U13	EA	Door Asm - Galley Overhead - w/o Hardware
2	081777-02 U13	EA	Cabinet Asm - Galley Overhead - w/o Doors or Hardware
3	M81524-01 U10	EA	Door Asm - Galley Overhead - w/o Hardware
4	081480-10-U13	EA	Cabinet Asm - Galley Overhead - w/o Doors or Hardware
5	M81701-01-U04	EA	Cabinet Asm - Galley - w/o Doors, Drawers or Countertop
	M81701-03-U04	EA	Cabinet Asm - Galley - w/o Doors, Drawers or Countertop
	M02431-01-U04	EA	Countertop Asm - Galley Cabinet
	M82184-04-T09	EA	Drawer Asm - Galley Cabinet - w/o Hardware
6	M81504-23-U13	EA	Door Asm - Galley Cabinet - w/o Hardware
7	M81504-02 U10	EA	Door Asm - Galley Cabinet - w/o Hardware
8	M81504-03-U10	EA	Door Asm - Galley Cabinet - w/o Hardware
	M81505-05-U13	EA	Door Asm - Refrigerator Cabinet - Right - w/o Hardware
	M81502-06-U13	EA	Door Asm - Refrigerator Cabinet - Left - w/o Hardware
	045588-02-000	EA	Wood Spindle 1 75" x 24
	M02802-01 U04	EA	Cabinet Asm - Spice Rack (Top)
	M02802-02 U04	EA	Cabinet Asm - Spice Rack (Bottom)

Not illustrated
Used with microwave option

GALLEY HARDWARE & APPLIANCES

Key	Part Number	U/M	Description
	079353-03-000	EA	Hood - Range - Powered w/Monitor - Almond - US
	079353-03-700	EA	Water Pump/LP Switch
	079353-03-701	EA	Circuit Board Tanks
	079353-03-702	EA	Control Panel Asm w/Panel
	079353-03-703	EA	Vent - Hood
	079353-04-000	EA	Hood - Range - Powered w/Monitor - Almond - CSA
	075470-04-000	EA	Duct Extension - Hood Range
	072351-02 700	EA	Clock - Digital
	075470-01-702	EA	Switch - On/Off
	075470-01-703	EA	Switch - On - Momentary
	075470 01-704	EA	Switch - On/Off/On - Fan Motor
	075470-01-705	EA	Switch - On/Off/on Momentary
	075470-01-707	EA	Bulb - #912

GALLEY GROUP (CONTINUED)

GALLEY HARDWARE & APPLIANCES (CONT)

Key	Part Number	U/M	Description
	079353-01-700	EA	Test Connector
	079353-01-701	EA	Fan Blade
	079353-01-702	EA	Filter & Lens
	079353-01-703	EA	Motor
	079353-01-705	EA	Monitor Panel Asm - w/Face
	079353-01-706	EA	Housing - Vent Hood
	079353-01-707	EA	Face Plate - Black
	064782-02-000	EA	Range w/Small Oven - 4 Burner - Almond - Magic Chef
	064782-02-700	EA	Top - Main - 4 Burner - Almond
	064782-02 701	EA	Deflector Plate - Black
	064782-02-702	EA	Trim - Cabinet - Right - Black
	064782-02-703	EA	Trim - Cabinet - Left - Black
	064782-02-704	EA	Trim - Lower Outside Glass - Black
	067782-02-705	EA	Handle - Oven Door - Black
	064782-02-706	EA	Vertical Trim - Black
	064782-02-707	EA	Panel - Manifold
	064782-02-708	EA	Valve - Mercury
	081374-01-000	EA	Range Top - 4 Burner - Almond
	081374-01-700	EA	Trim - Top - Right
	081374-01-701	EA	Trim - Top - Left
	081374-01-702	EA	Manifold Panel - Black
	081374-01-703	EA	Trim - Top Fear
	081374-01-704	EA	Fabric - Guard
	075217-01-000	EA	Refrigerator - AC/DC/Gas - Norcold 8 838-EG3
	075217-01-700	EA	Shelf Asm - Door - w/Trim
	075217-01-701	EA	Gasket - Freezer Door
	075217-01-702	EA	Frame Asm - Door
	075217-01-703	EA	Trim - Decor - Top & Bottom
	075217-01-704	EA	Gasket - Refrigerator Door
	075217-01-706	EA	Cabinet Asm - Urethane
	075217-01-707	EA	Bulb - Light - DC
	075217-01-708	EA	Socket - Lamp
	075217-01-710	EA	Eyebrow Asm
	075217-01-711	EA	Breaker Strip - Top
	075217-01-713	EA	Crisper Drawer
	075217-01-714	EA	Thermostat Asm
	075217-01-715	EA	Knob - Thermostat
	075217-01-718	EA	Front Divider Asm
	075217-01-717	EA	Switch - Humidity
	075217-01-718	EA	Light Switch
	075217-01-719	EA	Eyebrow Board
	075217-01-720	EA	Eyebrow
	075217-01-721	EA	Lamp Indicator - Amber
	075217-01-722	EA	Lamp - Indicator - Green
	075217-01-723	EA	Lamp Indicator - Red
	075217-01-724	EA	Lamp - Indicator - Blue
	075217 01-725	EA	Rocker Switch #81525R
	075217-01-726	EA	Interface Board
	R77005 81-129	EA	Relay - Glow Plug
	075217-01 728	EA	Cover - Interface Board
	075217-01-729	EA	Fitting - Outlet
	075217 01 730	EA	Valve - Gas
	075217-01-731	EA	Nipple
	075217-01-732	EA	Fitting - Inlet
	075217-01-733	EA	Shut Off Cock
	075217-01-734	EA	Fuse - 3 Amp
	075217 01 735	EA	Ignition Electrode
	075217 01 736	EA	Sensing Electrode
	075217-01 737	EA	Control Module
	075217 01 738	EA	Rocker Switch #815259
	075217 01 739	EA	Heater

1986 ITASCA TABLE OF CONTENTS

INTRODUCTION	A-01
ABBREVIATIONS	A 01
ALPHABETICAL INDEX	A-02 - A-04
ICN22RC	A 05 - C 16
ICN27RU	C 17 - F-02
ICN31RT	F 03 H 18
ICP31RT	H 19 - K-06

1986 ICN27RU INDEX

Floor Plan	C 17 C-18
Accessories Group	C 19 - C-22
Bath Group	C 23 - C-24
Chassis Group	D 01 - D-02
Curtain, Cushion & Pad Group	D 03 D 08
Dinette Group	D-10
Driver's Compartment Group	D 11 - D-13
Electrical Group	D 14 - D-16
Exterior Body Group	D 17 - D 22
Galley Group	D 23 - F-01
Heating & Air Conditioning Group	E 02 - E-03
Interior Finish Group	E 04 - E-08
LP Group	E-07
Lounge Group	E 08
Water & Sewage Group	E 09 - E-10
Window, Vent & Exterior Door Group	E-11 F-02

GALLEY GROUP (CONTINUED)

GALLEY HARDWARE & APPLIANCES (CONT)

Key	Part Number	U/M	Description
	075217-01-740	EA	Screw #8 - 32 x 2 3/8'
	075217-01-741	EA	Wing - Nut #8 32
	075217-01-742	EA	Hex Nut
	075217-01-743	EA	Elbow - 90°
	075217-01-744	EA	Cable - Wiring
	075217-01-745	EA	Liner Asm. - Foamed - Door
	075217-01-746	EA	Baffle Asm
	075217-01-747	EA	Liner Asm - Foamed - Lower - Door
	075218-01-000	EA	Refrigerator - 3 Way - 10 Norcold
	075218-01-700	EA	Gasket Freezer Door
	075218-01-701	EA	Gasket Refrigerator Door
	075218-01-702	EA	Connector Rod
	075218-01-703	EA	Frame Asm.
	075218-01-704	EA	Cabinet - Urethane
	075218-01-705	EA	Breaker Strip - Bottom
	075218-01-707	EA	Divider - Front
	075218-01-708	EA	Cable - Wiring
	075218-01-709	EA	Door Liner Asm - Foamed
	075218-01-710	EA	Door Liner Asm - Foamed - Lower
	054450-01-000	EA	Level - Refrigerator
	065226-01-000	EA	Tiedown Plate - Refrigerator
	081379-01-000	EA	Microwave Oven - Convection Oven - Sharp
	081458-03-000	EA	Bracket Asm. - Microwave - Right
	081458-04-000	EA	Bracket Asm - Microwave - Left
	081458-01-000	EA	Angle Asm - Microwave - Right
	081458-02-000	EA	Angle Asm - Microwave - Left
	081555-01-703	EA	Trim Ring - Microwave
	082876-01-000	EA	Baffle - Microwave
	023111-01-000	EA	Blender - Built In
	068615-01-000	EA	Sink - Stainless Steel Double w/Bolts
	011053-01-000	EA	Faucet - Swing Spout - 8 - US
	011053-01-700	EA	Aerator - Swing Spout Faucet
	066437-01-000	EA	Strainer w/Basket - Sink
	081530-01-001	EA	Sink Cover - Large - Almond Loom
	009049-01-000	EA	Support - Drop Leaf Table
	009059-01-000	EA	Hinge - 2' - Gold - Drop Leaf Table
	074490-01-000	EA	Spice Rack - Oak
	074491-01-000	EA	Magazine Rack - Oak
	074981-01-000	EA	Cutting Board - Maple
	058334-01-000	EA	Wastebasket - 9 3/4 x 7 x 10 - White
	059877-01-000	EA	Support - Wastebasket - Metal Galley Mount
	058841-01-703	EA	Cover - Wastebasket
	047744-01-000	EA	Kit Drawer Guide - Plastic
	077409-01-000	EA	Slider - Drawer - 20 75 - Plastic
	077404-01-000	EA	Drawer - 20 x 12 70 - Plastic
	073306-01-000	EA	Slide - Drawer - Full Extension - 18' - Left
	073306-02-000	EA	Slide - Drawer - Full Extension - 18' - Right
	073306-03-000	EA	Slide - Cabinet - Full Extension - 18' - Left
	073306-04-000	EA	Slide - Cabinet - Full Extension - 18' - Right
	066435-01-000	EA	Nut Strainer
	011083-01-000	EA	Plug - 1 1/4' x 5' - w/Stopper
	081520-01-004	EA	Pantry Asm - Pullout
	082129-01-000	EA	Slide Asm - Pantry - w/Bracket
	082129-02-000	EA	Slide Asm - Pantry - w/Bracket Opp
	076097-01-000	EA	Bracket - Catch - Pantry
	076098-01-000	EA	Slide Bracket - Pantry
	075451-01-000	EA	Storage Rack - Canned Goods
	075451-02-000	EA	Storage Rack Clip - White

The illustrated parts breakdown for this item is provided on the Common Items Fiche

HEATING & AIR CONDITIONING GROUP

FURNACE & ROOF AIR CONDITIONER

Key	Part Number	U/M	Description
	075898-01-000	EA	Furnace - 34,000 BTU - w/Direct Ignition - NT 34S
	075895 01 000	EA	Furnace - 24,000 BTU - w/Direct Ignition - NT 24S
	074486-01-701	EA	Electrode Asm - #230782
	074486-01-702	EA	Relay - Time Delay
	074486-01-703	EA	Blower Wheel - Room Air - Clockwise
	074486 01-704	EA	Microswitch & Paddle Asm
	074486-01-705	EA	Motor
	074486 01-706	EA	Wheel - Combustion
	074486 01-707	EA	Blower Wheel - Room Air - Counter Clockwise
	074486 01-708	EA	Bushing - Blower
	074486 01-709	EA	Gasket - Combustion Air Crossover
	074486 01-710	EA	Gasket - Blower Motor 2 1/8' Dia
	074486 01-711	EA	Bushing Motor Mounting
	074486 01-712	EA	Gasket - Combustion Air Housing
	074486-01-713	EA	Thermostat
	074486 01-714	EA	Vent - Tube Asm
	074486 01-715	EA	Valve Fan, Oil
	074486-01-716	EA	Electrode Asm - #230832
	074486 01-717	EA	Wall - Thermostat
	074486 01-718	EA	Valve - 12 Volt - L P Gas Only
	074486 01-719	EA	Cabinet Asm
	074486 01-720	EA	Pipe - Gas Inlet
	069638-02-000	EA	Connector - 4" Duct
	009198 01 000	EA	Duct - Flexibile - 4' ID x 25'
	058464 01 000	EA	Register - 4" Dia - Plastic w/Damper
	058464 02 000	EA	Register 4" Dia Plastic - w/o Damper
	009200 01-000	EA	Tape - Furnace - 1 1/2
	023146-01-000	EA	Clamp - Screw Type - 4"
	073743-01-000	EA	Shroud Asm - Ceiling - Inside - Roof Air 13 500 BTU - Cool Only
	073744 01-000	EA	Shroud Asm - Ceiling Inside - Roof Air 13 500 BTU - Heat & Cool
	073742 01-000	EA	Air Conditioner - 110 Volt - Roof Mount - 13 500 BTU Rotary
	073742 01-700	EA	Decal Package - Left & Right (Exterior)
	073742-01-701	EA	Selector Switch (5 Terminal)
	073742 01-702	EA	Decal - Cool Only
	073742-01-703	EA	Decal - Heat & Cool
	073742 01-704	EA	Decal - Thermostat TSR

**1986 ITASCA
TABLE OF CONTENTS**

INTRODUCTION	A 01
ABBREVIATIONS	A-01
ALPHABETICAL INDEX	A 02 - A 04
ICN27RC	A 05 - C-16
ICN27RU	C-17 - F 02
ICN31RT	F 03 - H 18
ICP31RT	H-19 - K 06

1986 ICN27RU INDEX

Floor Plan	C-17 - C-18
Accessories Group	C-19 - C-22
Bath Group	C 23 - C 24
Chassis Group	D-01 - D-02
Curtain Cushion & Pad Group	D-03 - D-09
Dinette Group	D-10
Driver's Compartment Group	D-11 - D-13
Electrical Group	D 14 - D-16
Exterior Body Group	D-17 - D-22
Galley Group	D-23 - E-01
Heating & Air Conditioning Group	E-02 - E-03
Interior Finish Group	E-04 - E-06
LP Group	E-07
Lounge Group	E-08
Water & Sewage Group	E-09 - E-10
Window Vent & Exterior Door Group	E-11 - F-02

HEATING & AIR CONDITIONING GROUP (CONTINUED)

AUTOMOTIVE HEATER & AIR CONDITIONER

Key	Part Number	U/M	Description
	072341 07 000	EA	Heater Evaporator w/o Duct Control
	072341 07-700	EA	Resistor - Harness Jumper
	072341 07 701	EA	Thermostat
	072341 04 000	EA	Heater/Evaporator Asm
	072341-04 700	EA	Vacuum Motor Front
	072341-04 701	EA	Vacuum Motor Rear
	072341 04 702	EA	Relay
	072341 04 703	EA	Evaporator Coil
	072341 04 704	EA	Liquid Hose #8
	072341 04-705	EA	Suction Hose #10
	072341-04-706	EA	Blower Motor
	072341 04 707	EA	Blower Wheel
	072341 08-000	EA	Duct & Control Kit
	072341 08 700	EA	Reservoir Vacuum
	072341-01 000	EA	Condenser Asm.
	072342 03 000	FA	Condenser Asm w/Fans & High Temp Sensor Switch
	072342 03-700	EA	Coil - Condenser
	072342 03 701	EA	Receiver - Drier
	072342 03-702	EA	Fan - Condenser & Seal Asm
	072342-03-701	EA	Fan - Condenser
	072342-03 704	EA	Bracket - Mounting Condenser
	072342 03 705	EA	Switch - Temperature
	072342-04 000	EA	Condenser Asm - w/High Temperature Sensor Switch
	072343-01 000	EA	Compressor/Clutch
	072344 01 000	EA	Package - Compressor Mount
	072344 02 000	EA	Package - Rear Valve Compressor - Mounting Brackets
	074026-01 000	EA	Package - Compressor Mount - 6 2 L Diesel
	039044-01 000	EA	Louver Asm - A/C Adjustable
	007076-01-700	FT	Hose - Flexible PVC - 2 I D
	007281-01-700	FT	Hose - Flexible PVC - 2 1/2' I D
	007108-01-000	FT	Hose - Heater - 3/8 I D SAE 20R3
	062401 04 000	EA	Clamp - Worm Drive - 69 - 1 25' I D
	010227-01-000	EA	Tee Plastic - Barb 5/8 or 3/4 Hose
	072341-03 000	EA	Core - Evaporator

AUXILIARY HEATER ASSEMBLY

Key	Part Number	U/M	Description
	049401 01-000	EA	Heater Asm - Rear - Auxiliary
	049401 01 700	EA	Valve - Heater Control
	049401-01-701	EA	Control Cable
	049401-01-702	EA	Motor Asm
	049401 01-703	EA	Heater Core
	049401 01-704	EA	Switch
	058906 01-000	EA	Control Panel - Brown
	058893 01 000	EA	Bracket - Side Mount Motor Aid
	076312 01-000	EA	Mesh Grille 7 38 x 6 75 Gold Aluminum

INTERIOR FINISH GROUP

MISCELLANEOUS PARTS

Key	Part Number	U/M	Description
	053552 02 T03	EA	Handle Asm Interior Assist - Medium Almond Vinyl
	041944 03 000	EA	Fire Extinguisher - w/Bracket
	054185 24 000	EA	Owner's Manual - 1986 Itasca & Winnebago
	040069 01 000	EA	Door Mat 10 1/2 x 26' - Black Rubber
	075907 02 000	EA	Picture - Decor Assorted Grasses

CURTAIN & CUSHION HARDWARE

Key	Part Number	U/M	Description
	082139 01-000	EA	Bracket - Hold Down - Blinds
	056003 02 000	EA	Bracket - Drapery Retainer - Left
	056003 01-000	EA	Bracket - Drapery Retainer - Right
	056001-01-000	EA	Bracket - Shade - Left
	056002 01-000	EA	Bracket - Shade - Right
	076827 01 000	EA	Bracket - Curtain - Woven Wood Right
	076827 02 000	EA	Bracket - Curtain - Woven Wood Left
	079798 03 000	EA	Bracket Asm - Curtain Rod - Right
	079798 04-000	EA	Bracket Asm - Curtain Rod - Left
	082249 01-000	EA	Bracket - Blinds - Beige Right
	082249-02 000	EA	Bracket - Blinds - Beige Left
	079619 01 000	EA	Bracket - Tie Back
	009107-01 000	EA	Guide - Nylon Snap - Curtain
	056784 01-000	EA	Pull - Window Shade - Antique Brass
	056115 01 000	YD	Tape Clear Plastic - w/Guide
	048394 01 000	YD	Tape Hook - 1 x 25 YD Beige
	029096 05 000	YD	Tape Hook 50' Velcro - Beige
	048395 01 000	YD	Tape Loop - 1' x 25 YD - Beige
	029090 01 000	FT	Tie - Drapery Clear Vinyl
	056116 01-000	FT	Track - Curtain - Brown Plastic
	079446 01 000	EA	Track - Curtain - Wraparound Right
	079446 02 000	EA	Track - Curtain - Wraparound - Left

PANELING & COUNTERTOP MATERIAL

Key	Part Number	U/M	Description
	074497-03 000	SF	Paneling - Decor - Sunset Oak - 48' x 84' (28 SF) (Cabinets & Wall)
	074497 04 000	SF	Paneling - Decor Scrimshaw Sand 48 x 84 (Wall)
	074496 32 000	SF	Paneling - Decor Gray 48 x 84 (28 SF) (Galley) (U13)
	074496 33 000	SF	Paneling - Decor - Melon - 48' x 84' (28 SF) (Galley) (U14)
	074496 34-000	SF	Paneling - Decor - Plum - 48' x 84' (28 SF) (Galley) (U15)
	074497 07 000	SF	Paneling - Pebble Beach - 48 x 96 (32 SF) (Ceiling)
	074498 10 000	SF	Plastic Laminate - Northsea - 48 x 96 (32 SF) (Dinette & Bath) (U13)
	074498 10 019	EA	Plastic Laminate - Northsea - 1 19 x 96
	076325 11 000	FT	Molding - Edge Band Northsea 1 5/16 x 030
	074498 11 000	SF	Plastic Laminate Cayene - 48 x 96 (32 SF) (Dinette & Bath) (U14)
	074498 12 019	EA	Plastic Laminate Cayene 1 19 x 96
	076325 12-000	FT	Molding - Edge Band - Cayene - 1 5/16 x 030
	074498 12 000	SF	Plastic Laminate - Wild Rose - 48 x 96 (32 SF) (Dinette & Bath) (U15)
	074498 12 019	EA	Plastic Laminate - Wild Rose - 1 19 x 96
	076325 13 000	FT	Molding - Edge Band - Wild Rose - 1 5/16 x 030
	074498 06 000	SF	Plastic Laminate - Beige Crescent - 48 x 96 (32 SF) (Galley)
	074498 06-019	EA	Plastic Laminate - Beige Crescent 1 19 x 96
	076325 04 000	EA	Molding - Edge Band - Beige Crescent - 1 19' x 96
	074498 05-000	SF	Plastic Laminate - Sunset Oak - 48 x 96 (32 SF) (Nightstand)
	074498 05-019	EA	Plastic Laminate - Sunset Oak - 1 19 x 96
	076325 04-000	FT	Molding - Edge Band - Sunset Oak - 1 15/16 x 030

1986 ITASCA TABLE OF CONTENTS

INTRODUCTION	A 01
ABBREVIATIONS	A 01
ALPHABETICAL INDEX	A 02 A 04
ICN27RC	A 05 - C 16
ICN27RU	C-17 - F-02
ICN31RT	F 03 H 18
ICP31RT	H 19 K 06

1986 ICN27RU INDEX

Floor Plan	C 17 - C-18
Accessories Group	C 19 - C-22
Bath Group	C 23 - C-24
Chassis Group	D 01 - D 02
Curtain, Cushion & Pad Group	D 03 - D 09
Dinette Group	D-10
Driver's Compartment Group	D-11 - D 13
Electrical Group	D 14 - D 16
Exterior Body Group	D 17 - D 22
Galley Group	D 23 - E 01
Heating & Air Conditioning Group	E-02 - E 03
Interior Finish Group	E-04 E 06
LP Group	E 07
Lounge Group	E-08
Water & Sewage Group	E-09 - E 10
Window Vent & Exterior Door Group	E-11 - F 02

INTERIOR FINISH GROUP (CONTINUED)

INTERIOR MOLDING & TRIM

Key	Part Number	U/M	Description
	042357-09-000	FT	Molding - Radius Corner 7' Elm
	022992-08-000	FT	Molding - Reverse Cove - Champagne White
	079653 01-000	EA	Molding - Batt Strip - Kerfed Sunsect Oak
	069733 37-000	EA	Batt Strip Sunset Oak 8' (Lounge)
	069733-42-000	EA	Batt Strip Scrimshaw Sand - 8' (Wall)
	069733 58 000	EA	Batt Strip - Gray - 8' (Galley & Bath)
	069733-59-000	EA	Batt Strip Melon - 8' (Galley & Bath)
	069733 60-000	EA	Batt Strip - Plum - 8' (Galley & Bath)
	069733-62 000	EA	Batt Strip Pebble Beach 8' (Ceiling)
	070504-01-000	FT	U Channel - 065' Light Brown
	070504 02-000	FT	U Channel 815' - Light Brown
	075249 01-000	EA	Rail Asm Plain - 72'
	075250 01-000	EA	Corner Post 1" x 1 x 2 1/2' - Oak
	078026-21-T03	EA	Trim Valance 82
	002774 02 001	EA	Trim - Carpet - 192'
	009767 06 000	FT	Welling - Beige
	009767-07-000	FT	Welling - Grady Brown
	074045 01 000	EA	Plug - 1/2 Dia - Oak
	041746 01 000	FT	Vinyl Extr Bubble Seal

CABINETS & TABLE HARDWARE

Key	Part Number	U/M	Description
	053200-05 000	EA	Bracket - Upper Wall Mount - 23 5' - Beige
	024281 07 000	EA	Bracket - Lower Wall Mount 22 12 - Beige
	024276-14 000	EA	Leg Asm - Table - 26 5" Brown
	064050-01 000	EA	Hinge - Table Leg
	024282 01 000	EA	Brace - Table Leg
	049493 02 000	EA	Catch Table Leg - Mounts on Floor Brown
	009112 01-000	EA	Flange - 1' - Chrome Closet Rod
	077409-01 000	EA	Slide - Drawer - Plastic - 20 75
	009049-01-000	EA	Table Support - Drop Leaf
	009059-01-000	EA	Hinge - 2' - Drop Leaf Table Gold
	076312-01 000	EA	Mesh - Grille - 13 80 x 8 80 Gold Aluminum
	009021 01 000	EA	Catch - Nylon - Furnace Door
	009021 02-000	EA	Strike - Nylon Catch - Furnace Door
	074493-02 000	EA	Support - Sprung - Door
	066433-01-000	EA	Hook - Cup - Bright
	058034-02 000	EA	Latch - Door w/o Lock - Sliding Door
	075680-01 000	EA	Clothes Rod - Adjustable - 27 x 36
	064467-01 000	EA	Guide - Wall Mount - Door Pocket
	078212-01-000	EA	Pull - Brass w/Dark Oak - Cabinet
	077523-01 000	EA	Latch Asm - Cabinet Door
	077821-01 000	EA	Strike - Latch - Cabinet Door
	078210-01 000	EA	Knob - An'ique Brass - w/Oak
	045586-02 000	EA	Spindle Wood 1 75 x 24 - Plain
	059777-01-000	EA	Hinge - Brass
	009016-01-000	EA	Catch - Elbow - Spring Loaded
	077461 01 000	EA	Cover - Strike

The illustrated parts breakdown for this item is provided on the Common Items Fiche

INTERIOR FINISH GROUP (CONTINUED)

FABRICS & CARPET

Key	Part Number	U/M	Description
	072333 21 000	YD	Fabric Drapery - Parchment
	077498 65-000	YD	Fabric w/Pattern - Upholstery - Stormy (U13)
	077498 66 000	YD	Fabric w/Pattern - Upholstery Coral Reef (U14)
	077498 67 000	YD	Fabric w/Pattern - Upholstery Saghai (U15)
	077498 68 000	YD	Fabric w/Pattern - Upholstery Accent - Oasis (U14)
	077498 70 000	YD	Fabric - Upholstery/Draperly - Accent Plain Pewter (U13)
	077498 71 000	YD	Fabric Upholstery/Draperly - Accent - Plain Melon (U14)
	077498 69 000	YD	Fabric - Upholstery/Draperly - Accent - Plain Plum (U15)
	069729 25 000	YD	Fabric Bedspread/Draperly - Main - Colonial (U13)
	069729 26 000	YD	Fabric - Bedspread/Draperly - Main Peach (U14)
	069729 27 000	YD	Fabric Bedspread/Draperly - Main Mauve (U15)
	069729 28 000	YD	Fabric Bedspread - Accent Lemon (U13)
	069729 29 000	YD	Fabric Bedspread - Accent - Greensilver (U14)
	069729 30 000	YD	Fabric Bedspread - Accent - Mauve (U15)
	052859 01 T03	FT	Trim Asm - Accent - Sandrift
	052859 05 T03	FT	Trim Asm - Accent Buckskin
	079680 01 000	YD	Vinyl Expanded - 26 oz - Buckskin
	072860 51 000	YD	Carpet - Gray (U13)
	072860 52 000	YD	Carpet Rose (U14)
	072860 53 000	YD	Carpet - Violet (U15)

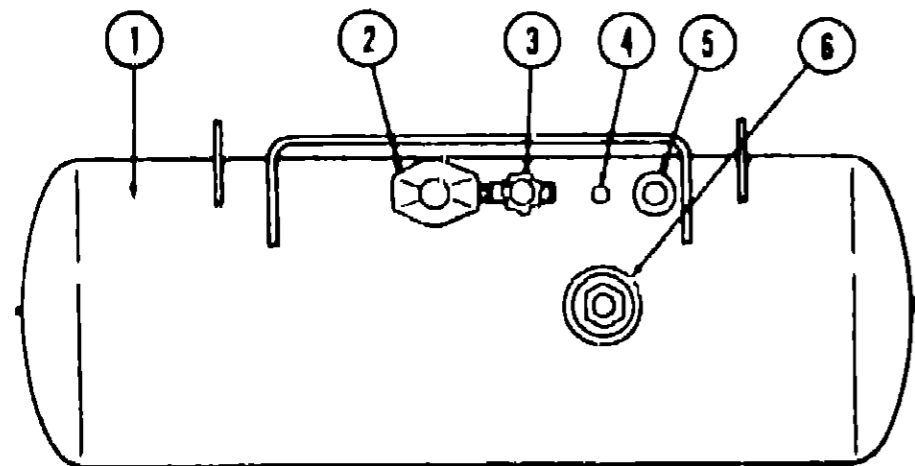
**1986 ITASCA
TABLE OF CONTENTS**

INTRODUCTION	A 01
ABBREVIATIONS	A 01
ALPHABETICAL INDEX	A 02 - A 04
ICN22RC	A 05 - C 18
ICN27RU	C 17 - F 02
ICN31RT	F 03 - H-18
ICP31RT	H 19 K 06

1986 ICN27RU INDEX

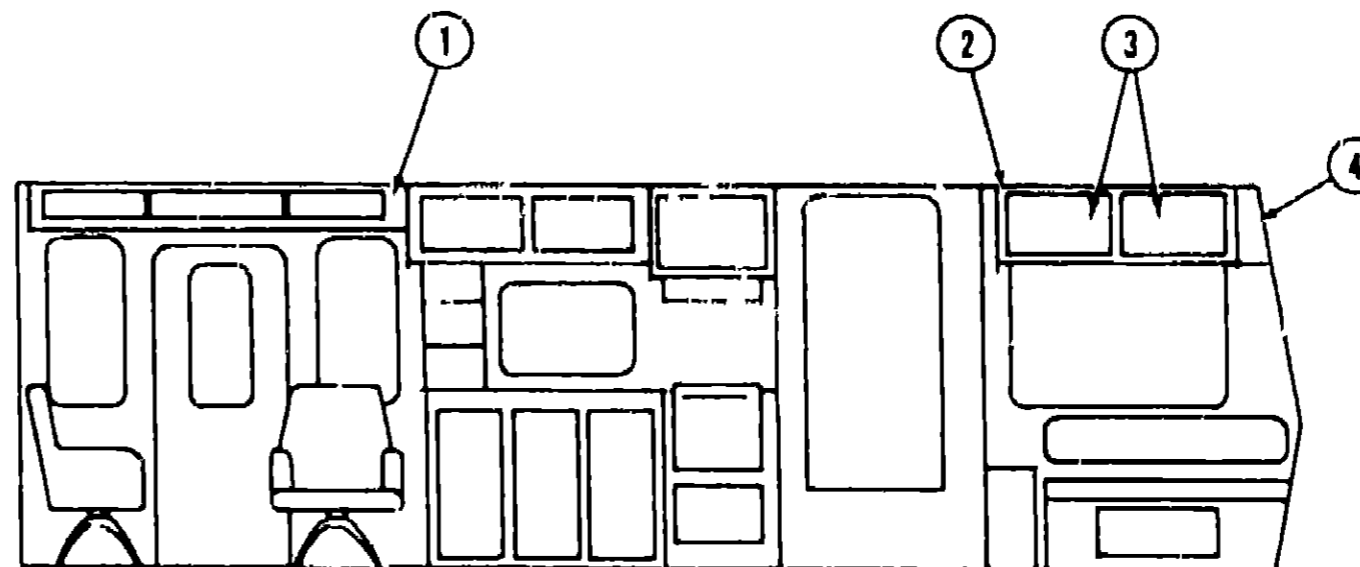
Floor Plan	C-17 - C 18
Accessories Group	C-19 - C-22
Bath Group	C-23 - C-24
Chassis Group	D 01 - D-02
Curtain Cushion & Pad Group	D 03 D 09
Dinette Group	D-10
Driver's Compartment Group	D 11 - D-13
Electrical Group	D 14 - D 16
Exterior Body Group	D-17 - D-22
Galley Group	D 23 - E 01
Heating & Air Conditioning Group	E-02 - E-03
Interior Finish Group	E 04 - E 06
LP Group	E 07
Lounge Group	E-08
Water & Sewage Group	E-09 - E-10
Window Vent & Exterior Door Group	E-11 - F 02

LP GROUP



Key	Part Number	U/M	Description
1	074142 01 000	EA	Tank Asm - LP Frame Mount 80 Pound 13' x 44'
1	080450 01 000	EA	Tank Asm - LP 42 Pound - 13' x 21'
	065741-01-000	EA	Detector - LP Gas Leak - Marshalltown Instruments
2	076277-01 000	EA	Cover LP Regulator Front (Dual)
	076278 01 000	EA	Cover - LP Regulator Back (Dual)
	076301 01 000	EA	Regulator - Two Stage - US (Dual)
	076301 02 000	EA	Regulator - Two Stage - CSA (Dual)
3	040421 01 703	EA	Valve Vapor Relief
4	040421 01-700	EA	Gauge - Liquid Level 20% LP
5	040421 01-701	EA	Valve Filler - LP
	040421 01 702	EA	Cap - Plastic Fill Valve
6	040421-01-707	EA	Gauge Float - w/Visible Dial
	040421-01-706	EA	Dial - Visible Face Float Gauge (Tank w/o Electric Transmitter)
	040440-01-000	EA	Dial - Transmitter 0 - 90 Ohm (Float Gauge)
	045703 01 000	EA	Hose Asm - LP - 3/8 I D x 24' - US
	045703 02 000	EA	Hose Asm - LP - 3/8 I D x 24' - CSA
	045703 03 000	EA	Hose Asm - LP - 3/8 I D x 18' - US
	045703 04 000	EA	Hose Asm - LP - 3/8 I D x 14' - CSA
	065742 01 000	EA	Tee - 38 F x 39 F x 25 FPT
			Not illustrated

LOUNGE GROUP



LOUNGE OVERHEAD CABINETRY

Key	Part Number	U/M	Description
1	082059 01 U04	EA	Cabinet Asm - Overhead
2	M81313 02-U13	EA	Cabinet Asm Rear Overhead - Right Sidewall - w/o Doors or Hardware
3	M81508 04 T09	EA	Door Asm - Rear Overhead Cabinets - w/o Hardware
4	M81308-02 U13	EA	Cabinet Asm - Rear Overhead - Backwall - w/o Doors or Hardware
	M81307-02-U13	EA	Cabinet Asm Rear Overhead - Left Sidewall w/o Doors or Hardware
			Not illustrated

SWIVEL CHAIR HARDWARE

Key	Part Number	U/M	Description
	035036 01 000	EA	Plate - Tilt & Swivel - Swivel Chair
	035036 05 000	EA	Extension - 7' - Swivel Chair
	035036-04 000	EA	Base w/Legs Swivel Chair

DOUBLE BED W/NIGHT STAND

Key	Part Number	U/M	Description
	081312 01-U04	EA	Cabinet Asm - Nightstand - w/o Countertop
	M02151-01-U04	EA	Countertop Asm - Nightstand Cabinet
	M81504-11-T09	EA	Door Asm - Double Bed Base - w/o Hardware

**1988 ITASCA
TABLE OF CONTENTS**

INTRODUCTION	A 01
ABBREVIATIONS	A 01
ALPHABETICAL INDEX	A 02 - A 04
ICN22RC	A 05 - C 18
ICN27RU	C 17 F 02
ICN31RT	F 03 H 18
ICP31RT	H 19 K-06

1986 ICN27RU INDEX

Floor Plan	C-17 - C-18
Accessories Group	C-19 C 22
Bath Group	C 23 - C 24
Chassis Group	D 01 - D-02
Curtain Cushion & Pad Group	D 03 - D 09
Dinette Group	D-10
Driver's Compartment Group	D 11 D 13
Electrical Group	D 14 - D 16
Exterior Body Group	D 17 - D 22
Galley Group	D 23 - E 01
Heating & Air Conditioning Group	E 02 E 03
Interior Finish Group	E 04 E 06
LP Group	E 07
Lounge Group	E 09
Water & Sewage Group	E 09 - E 10
Window Vent & Exterior Door Group	E-11 - F-02

WATER & SEWAGE GROUP

PLUMBING & REPAIR PARTS

Key	Part Number	U/M	Description
	033302-02-000	EA	Adapter Asm. - SWVC Strain - 1 1/2"
	010326-01-000	EA	Adapter - Flare - w/Cone Gasket
	082422-01-000	EA	Adapter - Hose Offset - Reducer - 3" x 1 1/2"
	052954-01-000	EA	Adapter - Hose Cone - 3/8 or 1/2 - Plastic
	010224-01-000	EA	Adapter - Plastic - 3/8 MPT x 3/8 Barb
	044927-01-000	EA	Adapter - Plastic - 1 1/4" MPT x 1 1/4 Barb
	031802-02-000	EA	Adapter - Plastic - 1 1/2 H x FPT
	011048-04-000	EA	Breaker - Vacuum - 1/8 MPT - Nylon
**	010121-01-000	EA	Bushing - Plastic - 1 1/2 S x 1 1/4 H
	010122-01-000	EA	Bushing - Plastic - 1 1/2 S x 1 1/4 T
	010123-01-000	EA	Bushing - Plastic - 2S x 1 1/2 H
	036522-02-000	EA	Cap - Brass - 1/2 Flare
	075730-01-000	EA	Cap - Sewer - 3"
	052959-02-000	EA	Connector - 1/2 F x 1/2 MPT - Plastic
	052959-03-000	EA	Connector - 1/2 F x 3/8 MPT - Plastic
	011091-02-000	EA	Continuous Waste - Double Sink - 11 7/8" - US
	053874-01-000	EA	Continuous Waste Asm. - Double Sink - CSA
	078406-01-000	EA	Coupler Rubber - 3" x 3"
	052980-01-000	EA	Drain Valve - 1/2 F x 1/2 F - Plastic
	010000-01-000	EA	Elbow - Plastic - 1/8 BD x 1 1/4 x 45° H x H
	010005-01-000	EA	Elbow - Plastic - 1/16 BD x 1 1/2
	010006-01-000	EA	Elbow - Plastic - 1/8 BD x 1 1/2 x 45° H x H
	010008-01-000	EA	Elbow - Plastic - 1/4 BD x 1 1/2 x 90° Left
	010051-01-000	EA	Elbow - ST - Plastic - 1/8 BD x 1 1/2 x 45°
	010219-01-000	EA	Elbow - 1 1/4 Barb x 1 1/4 MPT x 90°
	031111-01-000	EA	Elbow - Plastic - 1/4 BD x 1 1/4 x 90° Left
	034250-01-000	EA	Elbow - Plastic - 1/4 BD x 1 1/2 x 90° x H x H
	035539-01-000	EA	Elbow - Plastic - 3/8 MPT x 3/8 Barb
	052957-01-000	EA	Elbow - Plastic - 1/2 F x 3/8 MPT
	052957-02-000	EA	Elbow - Plastic - 1/2 F x 1/2 MPT (In Tank Filter)
	065120-01-000	EA	Elbow - Plastic - Swivel - .50
	070924-01-000	EA	Elbow - Plastic - Swivel - 1/2 MPT x 1/2 FP
	077954-01-000	EA	Filter/Screen (In Water Tank)
	010147-01-000	EA	Flange - Closet - 4" F x 3" FPT - US
	010147-02-000	EA	Flange - Closet - 4" F x 3" FPT - CSA
	079381-01-000	FT	Flexible Tubing - 1 1/4 I.D. x 10'
	061807-01-000	EA	Grommet - Holding Tank Coupler - 1 1/2"
	061807-02-000	EA	Grommet - Holding Tank Coupler - 3"
	052961-01-000	EA	Header - 1/2 F x 1/2 F x 1/2 F x 1/2 F
	052953-01-000	EA	Nut - Faucet - 1/2 Tube x 1/2 FPT
	052952-01-000	EA	Nut - 1/2 F - Plastic
**	011066-03-000	EA	P-Trap - 1 1/4" Plastic - US
**	011066-02-000	EA	P-Trap - 1 1/4" Plastic - CSA
	053335-01-000	EA	P-Trap - Plastic - 1 1/4 H x H - w/Union - CSA
	010197-01-000	EA	Pipe - Plastic - 3" x 240" - Black
	045729-01-000	EA	Pump - Water - 2.8 G.P.M. - Direct Drive - Shurli - US
	045729-02-000	EA	Pump - Water - 2.8 G.P.M. - Direct Drive - Shurflo - CSA
**	010201-01-000	EA	Sewer Hose - 3" x 8' w/Clamp
	042989-02-000	EA	Spinweld Fittings - Plastic - 1/2 FPT (In Tank Fitter)
	042989-03-000	EA	Spinweld Fittings - Plastic - 1/4 NPT
	042989-04-000	EA	Spinweld Fittings - Plastic - 3/8 FPT
	011069-02-000	EA	Tailpiece - 1 1/2" x 1 1/4" x 4" - Brass
**	The illustrated parts breakdown for this item is provided on the Common Items Fiche.		

WATER & SEWAGE GROUP (CONTINUED)

PLUMBING & REPAIR PARTS (CONT.)

Key	Part Number	U/M	Description
	010071-01-000	EA	Tee - Plastic - 1 1/2 x H x H x H
	010072-01-000	EA	Tee - Plastic - 1 1/2 H x 1 1/4 H x 1 1/2 H
**	010079-01-000	EA	Tee - Plastic - 1 1/2 H x 1 1/2 H x 1 1/4 H
	052955-01-000	EA	Tee - Plastic - 1/2 F x 1/2 F x 1/2 MPT
	052956-01-000	EA	Tee - Plastic - 1/2 F x 1/2 MPT x 1/2 F
	052958-01-000	EA	Tee - Plastic - 1/2 F x 1/2 F x 1/2 F
	039800-01-000	FT	Tubing - Polybutyl - 1/2 O.D. (Water Line)
	079381-01-000	FT	Tubing - Flexible - Smooth - 1.25 I.D.
	074482-02-000	FT	Tubing - Vinyl - 3/8 I.D.
	072346-01-000	EA	Valve Asm. - 3" Ell - w/2" Socket
	062421-01-000	EA	Valve - 1 1/2" - w/Handle
	052960-01-000	EA	Valve - Line Drain - 1/2 F x 1/2 F
	010073-01-000	EA	Wye - Plastic - 1 1/2 x 45 H x H
**	The illustrated parts breakdown for this is provided on the Common Items Fiche.		

HOLDING TANKS & WATER HEATERS

Key	Part Number	U/M	Description
	075186-04-000	EA	Tank Asm. - Water - 45 Gallon - w/Fittings
	075186-01-000	EA	Tank Asm. - Water - 45 Gallon - w/o Fittings
	061805-04-000	EA	Tank Asm. - Holding - 40 gallon - w/Fittings - Waste Water
	061805-01-000	EA	Tank - Holding - 40 Gallon - w/o Fittings - Waste Water
	074175-03-000	EA	Tank Asm. - Holding - 44 Gallon - w/Fittings - Sewage
	074175-01-000	EA	Tank Asm. - Holding - 44 Gallon - w/o Fittings - Sewage
**	051391-01-000	EA	Water Heater - w/o Motor Aid - Atwood - G6A-3
**	051391-03-000	EA	Water Heater - w/Motor Aid - Atwood - G6A-3E
**	051393-01-000	EA	Water Heater - w/Motor Aid - Direct Ignition - Atwood - GH6-3E
**	The illustrated parts breakdown for this item is provided on the Common Items Fiche.		

**1988 ITASCA
TABLE OF CONTENTS**

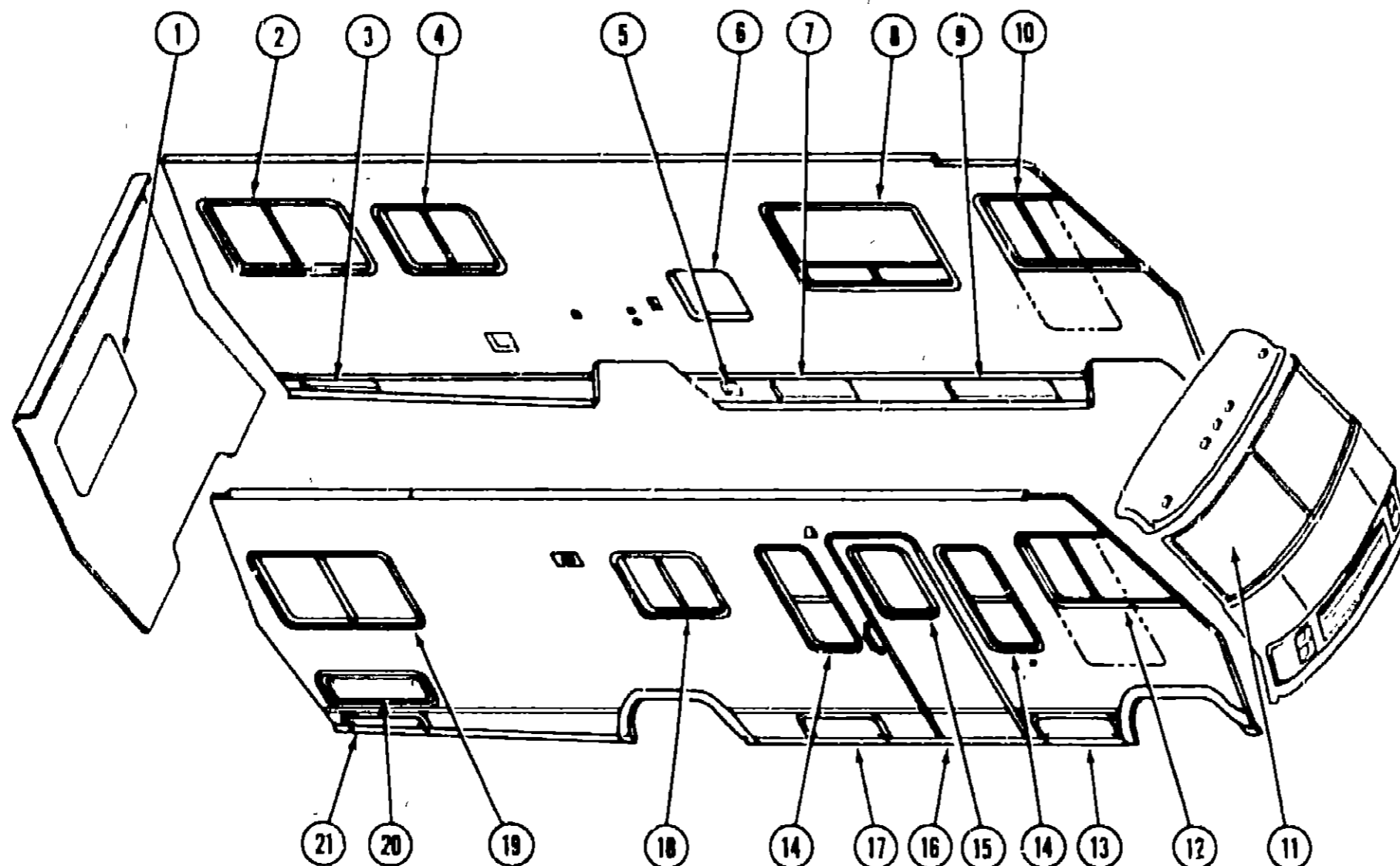
INTRODUCTION	A-01
ABBREVIATIONS	A-01
ALPHABETICAL INDEX	A-02 - A-04
ICN22RC	A-05 - C-16
ICN27RU	C-17 - F-02
ICN31RT	F-03 - H-18
ICP31RT	H-19 - K-06

1988 ICN27RU INDEX

Floor Plan	C-17 - C-18
Accessories Group	C-19 - C-22
Bath Group	C-23 - C-24
Chassis Group	D-01 - D-02
Curtain, Cushion & Pad Group	D-03 - D-09
Dinette Group	D-10
Driver's Compartment Group	D-11 - D-13
Electrical Group	D-14 - D-16
Exterior Body Group	D-17 - D-22
Galley Group	D-23 - E-01
Heating & Air Conditioning Group	E-02 - E-03
Interior Finish Group	E-04 - E-06
LP Group	E-07
Lounge Group	E-08
Water & Sewage Group	E-09 - E-10
Window, Vent & Exterior Door Group	E-11 - F-02

WINDOW, VENTS & EXTERIOR DOOR GROUP

WINDOWS & ACCESS DOORS



Key	Part Number	U/M	Description
1	078536-01-T03	EA	Window Asm. - Escape
2	078266-06-T03	EA	Window Asm. - Single Slider
3	M81349-04-U13	EA	Door Asm. - Storage
4	078266-04-T03	EA	Window Asm. - Single Slider
5	NOTE	EA	Door Asm. - Power Cord/Sewer Hose (See Access Doors)
6	078989-04-T09	EA	Door Asm. - Refrigerator Access
7	079321-02-T09	EA	Door Asm. - Generator
7	M79149-02-T09	EA	Door Asm. - Luggage
8	081568-02-U01	EA	Window Asm. - Double
9	M79436-02-T09	EA	Door Asm. - Spare Tire Compartment
10	082057-02-U04	EA	Window Asm. - Slant Slider - Driver
10	079421-02-T03	EA	Window Asm. - Driver Door
11	077675-01-000	EA	Glass - Windshield - Passenger
11	077675-02-000	EA	Glass - Windshield - Driver

Key	Part Number	U/M	Description
12	082057-01-U04	EA	Window Asm. - Slant Slider - Passenger
12	079421-01-T03	EA	Window Asm. - Passenger Door
13	M79436-01-T09	EA	Door Asm. - Battery
14	078453-01-T03	EA	Window Asm. - Vertical Slider
15	079733-04-T03	EA	Window Asm. - Picture
16	M01870-01-T03	EA	Door Asm. - Entrance
17	M79436-03-T09	EA	Door Asm. - Storage
18	078266-02-T03	EA	Window Asm. - Single Slider
19	078266-05-T03	EA	Window Asm. - Single Slider
20	079578-01-T09	EA	Door Asm. - Storage
21	M81349-03-U13	EA	Door Asm. - Storage

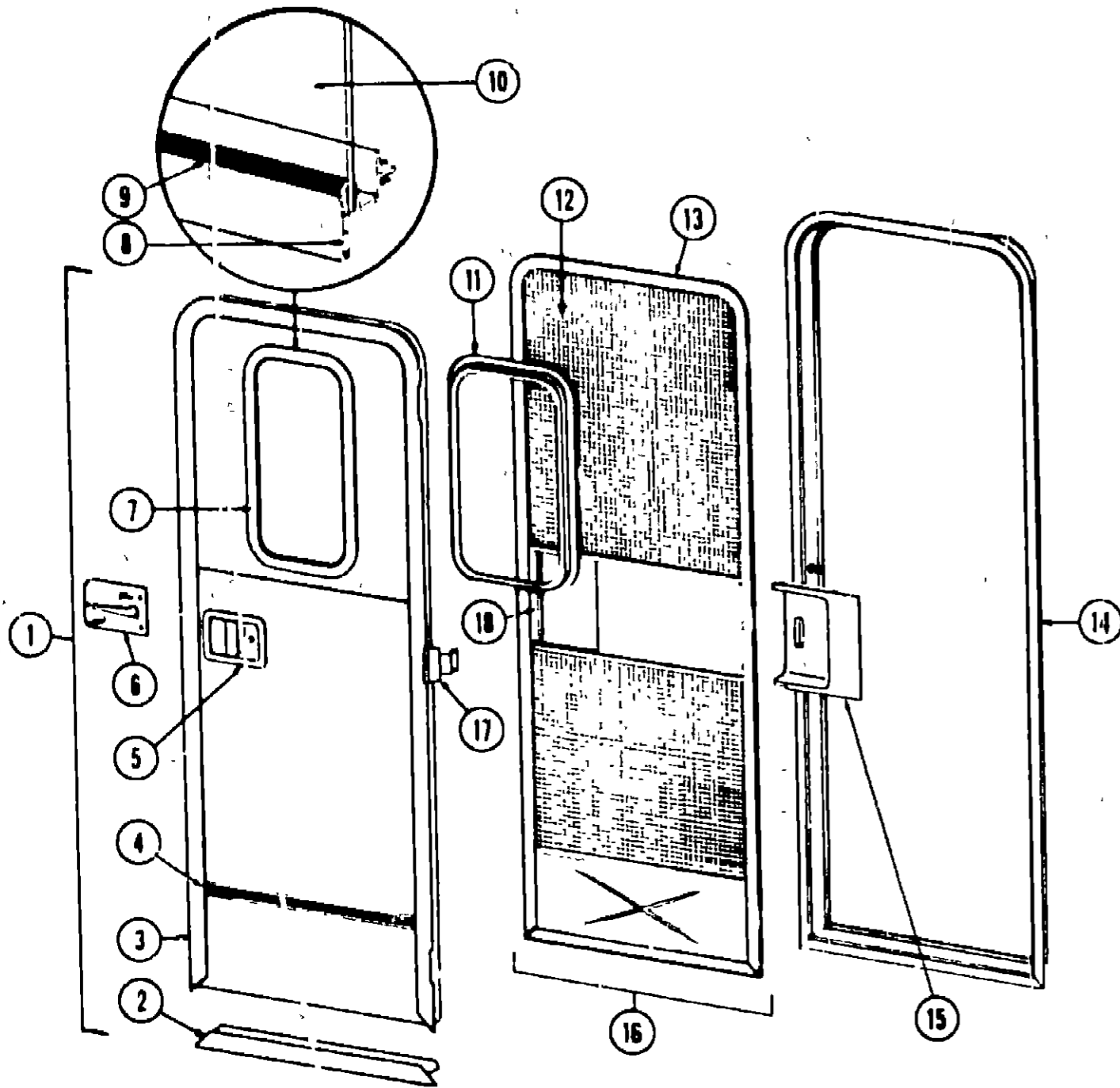
1986 ITA/CA TABLE OF CONTENTS

INTRODUCTION	A-01
ABBREVIATIONS	A-01
ALPHABETICAL INDEX	A-02 - A-04
ICN22RC	A-05 - C-16
ICN27RU	C-17 - F-02
ICN31RT	F-03 - H-18
ICP31RT	H-19 - K-06

1986 ICN27RU INDEX

Floor Plan	C-17 - C-18
Accessories Group	C-19 - C-22
Bath Group	C-23 - C-24
Chassis Group	D-01 - D-02
Curtain, Cushion & Pad Group	D-03 - D-09
Dinette Group	D-10
Driver's Compartment Group	D-11 - D-13
Electrical Group	D-14 - D-16
Exterior Body Group	D-17 - D-22
Galley Group	D-23 - E-01
Heating & Air Conditioning Group	E-02 - E-03
Interior Finish Group	E-04 - E-06
LP Group	E-07
Lounge Group	E-08
Water & Sewage Group	E-09 - E-10
Window, Vent & Exterior Door Group	E-11 - F-02

WINDOW, VENT & EXTERIOR DOOR GROUP (CONTINUED)



ENTRANCE & SCREEN DOOR

Key	Part Number	U/M	Description
1	M01870-04-T09	EA	Door Asm. - Radius Entry w/Screen Door
2	077996-03-000	EA	Frame - Entry Door (Bottom Portion Only)
3	076863-03-000	EA	Frame - Entry Door (Except Bottom Portion)
4	059578-09-000	EA	Feature Strip w/o Insert - Extr. - 14"
5	001030-11-100	EA	Insert - Feature Strip - 17" - Gray
6	009731-01-000	EA	End Cap - Feature Strip
7	045017-05-000	EA	Paddle Asm. - Door Lock - Exterior
8	045017-05-700	EA	Lock Cylinder w/Keys - Lynor
9	039539-01-000	EA	Striker Bolt - Entry Door
10	039540-01-000	EA	Latch Claw - Entry Door
11	039738-01-000	EA	Dead Bolt - Entry Door
12	039979-01-000	EA	Plate - Inside Lock - Includes Inside Handle
13	052186-01-000	EA	Lock Asm. - Complete - Lynor
14	079733-04-T03	EA	Window Asm. - Picture - 17" x 26" - Black (w/o inside frame)
15	066640-06-000	FT	Ribbon Sealer - 5/16" Bead x 15'
16	002309-U2-000	FT	Spilne - Glass - 1/8" Black
17	002181-08-000	EA	Glass - Picture Window - 1/8" x 18 25" x 24" - Gray
18	067609-03-000	EA	Inside Frame - Beige (not included in assembly)
19	002293-02-000	SF	Screen - Window - 26" - Charcoal
20	056795-01-000	FT	Seal Tape - 1/8" x 3/8" - Press On
21	078591-01-000	EA	Jamb Asm. - Entrance Door
22	051049-01-000	EA	Jamb - Entrance Door - Bottom
23	079086-01-000	EA	Slider - Screen Door - Light Oak Plastic
24	079012-01-T03	EA	Door Asm. - Screen
25	079361-05-000	EA	Hinge - Entrance Door (3 used per door)
26	079087-01-000	EA	Cap - Screen Door - Light Oak Plastic
27	009016-01-000	EA	Catch - Elbow - Spring Loaded - Screen Door
28	039863-01-000	EA	Catch Asm. - Single Roller w/Strike - Screen Door
29	076231-01-000	EA	Spacer - Latch - Screen Door
30	077437-02-000	EA	Strike - Roller Catch
31	058015-02-000	EA	Clip - Roller Latch Catch
32	0445J2-06-000	EA	Drip Cap - Gray
33	079278-01-000	EA	Seal - Mocket - Entrance Door
34	073090-01-000	FT	Seal - Entrance Door
35	075739-02-000	EA	Stiffener - Entrance Door - Beige
36	075673-01-000	FT	Seal - Pile - Adhesive Back
37	075671-01-000	FT	Seal - Sponge - Lazy "T" Shaped
38	002294-01-000	FT	Spilne - Black - .135" x 138" (Screen Door)
39	063638-02-000	EA	Strike - Screen Door
40	063729-04-000	EA	Rivnut - 10-32 UNF - 010 - 080
41	075639-01-000	EA	Garnish - Radius - Entrance Door
42	078448-01-000	EA	Deadbolt - Press Kil - 5"
43	079173-01-000	EA	Gasket - Deadbolt - Exterior
44			Not illustrated

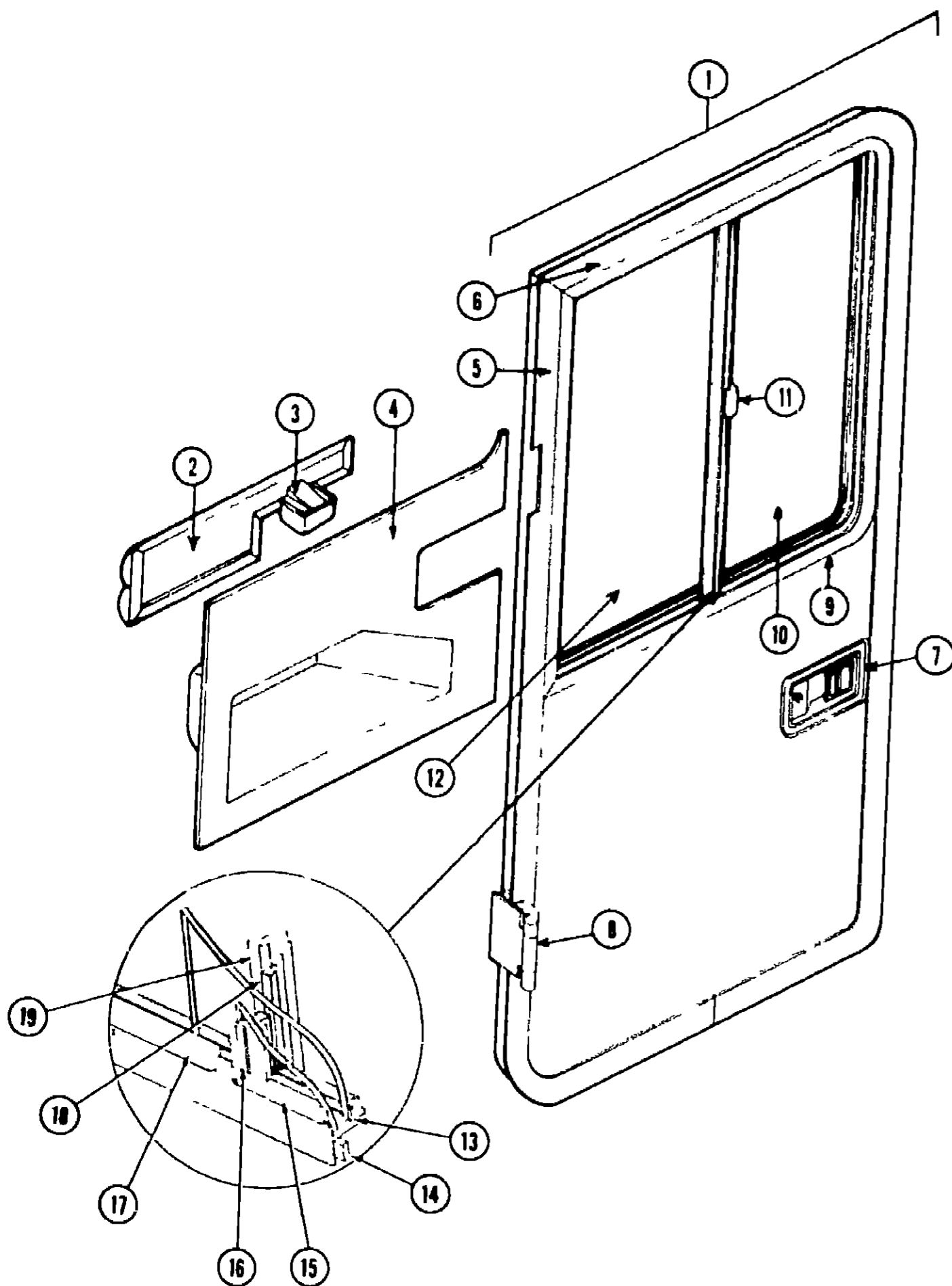
1986 ITASCA
TABLE OF CONTENTS

INTRODUCTION	A-01
ABBREVIATIONS	A-01
ALPHABETICAL INDEX	A-02 - A-04
ICN22RC	A-05 - C-16
ICN27RU	C-17 - F-02
ICN31RT	F-03 - H-18
ICP31RT	H-19 - K-06

1986 ICN27RU INDEX

Floor Plan	C-17 - C-18
Accessories Group	C-19 - C-22
Bath Group	C-23 - C-24
Chassis Group	D-01 - D-02
Curtain, Cushion & Pad Group	D-03 - D-09
Dinette Group	D-10
Driver's Compartment Group	D-11 - D-13
Electrical Group	D-14 - D-16
Exterior Body Group	D-17 - D-22
Galley Group	D-23 - E-01
Heating & Air Conditioning Group	E-02 - E-03
Interior Finish Group	E-04 - E-06
LP Group	E-07
Lounge Group	E-08
Water & Sewage Group	E-09 - E-10
Window, Vent & Exterior Door Group	E-11 - F-02

WINDOW, VENT & EXTERIOR DOOR GROUP (CONTINUED)



DRIVER & PASSENGER CAB DOORS

Key	Part Number	U/M	Description
1	079824-01-T09	EA	Door Asm - Driver - Gray
1	079824-02 T09	EA	Door Asm - Passenger - Gray
2	064088-03-000	EA	Pad Asm - Trim - Beige Vinyl - Drivers Door
2	064088-04-000	EA	Pad Asm - Trim - Beige Vinyl Passenger
*	061400-06-000	EA	Assist Strap 12' - Beige Vinyl
3	046886-03-000	EA	Ash Tray Asm Chrome
4	064499-02-000	EA	Panel Driver Door - Inner Light Oak Plastic
4	064499-03 000	EA	Panel - Passenger Door Inner - Light Oak Plastic
5	079214-03-000	EA	Door Frame Front - Gray - Drivers Door
6	079214-04-000	EA	Door Frame Front - Gray - Passenger Door
6	079250-03 000	EA	Door Frame - Rear - Gray - Drivers Door
6	079250-04 000	EA	Door Frame - Rear - Gray - Passenger Door
7	045017-05-000	FA	Paddle Asm - Door Lock - Drivers
7	045017-07-000	EA	Paddle Asm - Door Lock - Exterior Passenger
*	045017-05 700	EA	Lock Cylinder w/Keys - Lynor
	039979-01 000	EA	Inside Plate - Door Lock - w/Inside Handle - Right
	039979-02-000	EA	Inside Plate Door Lock w/Inside Handle - Left
	039540-02-000	EA	Latch Claw Entry Door Lock
	039738-01-000	EA	Deadbolt - Entrance Door Lock
	039539-01-000	EA	Strike Bolt Entrance Door (Jamb Mount)
	063124 02-000	EA	Plate - Striker 8 1/4 x 1 Black
	078135-02-000	EA	Jamb Driver Door - Front
	079249-07-000	EA	Jamb Driver Door Rear
*	078135-01-000	EA	Jamb Passenger Door Front
	079249-06-000	EA	Jamb - Passenger Door - Rear
	064184-01-000	EA	Drip Cap - Driver Door
	064184-02-000	EA	Drip Cap - Passenger Door
*	063766-01-000	EA	Sill Plate
8	063993-10-000	EA	Hinge Asm Driver Door - Gray
8	063993-12-000	EA	Hinge Asm Passenger Door Gray
	066109-02-000	EA	Strap - Driver s Door
	064580-01-000	EA	Check Strap - Driver Door - Seat Belt Webbing
	064219-01-000	EA	Retainer Driver Door Check Strap
*	063886-03-000	EA	Assist Handle - Beige Steel Tube (2 required per door)
*	064075-01-000	EA	Bulb Seal - 145'
9	079101-02-T03	EA	Window Asm Driver Door - Black (w/o inside frame)
9	079101-01-T03	EA	Window Asm Passenger Door - Black (w/o inside frame)
	079577-02-T03	EA	Inside Frame - w/Slider Screen - Driver Door - Beige
	079577 01-T03	EA	Inside Frame - w/Slider Screen - Passenger Door - Beige
	079574-03-T03	EA	Slider Screen Asm - Right Door
	079574 04-T03	EA	Slider Screen Asm - Left Door
10	057657-04-000	EA	Glass 19" x 28 11' x 12 25
11	047389-01-700	EA	Latch - Window - Plastic w/Fastener
12	002188-06-000	EA	Glass - 19 x 28 11' x 12' - Stationary
13	002324-02-000	FT	Channel - Weatherstrip Glass
14	069640-06-000	FT	Ribbon Sealer - 1/4 Bead x 20
15	050216-02-000	FT	Spline Glass - 19 Material Black
16	002389-03-000	EA	Seal holder w/Fin Seal 23 19 Black
17	041928-02-000	FT	Extr Vinyl - Window Seal - Black
18	073740-01-000	FT	Seal - Fin - Pile - 460
19	078562-07-000	EA	Inside Mullion Slider Window - Black
	002298-02-000	FT	Spline - 130' Dia - Charcoal (Screen)
	023713-02-000	EA	Weephole Cover Black Plastic
	002293-02-000	SF	Screen - Window - 26 Charcoal
	063977-06-000	EA	Step Asm - Single
			Not illustrated

**1986 ITASCA
TABLE OF CONTENTS**

INTRODUCTION	A 01
ABBREVIATIONS	A-01
ALPHABETICAL INDEX	A-02 - A 04
ICN22RC	A-05 - C 08
ICN27RU	C-1/ - F-02
ICN31RT	F 03 - H 18
ICP31RT	H 19 - K-05

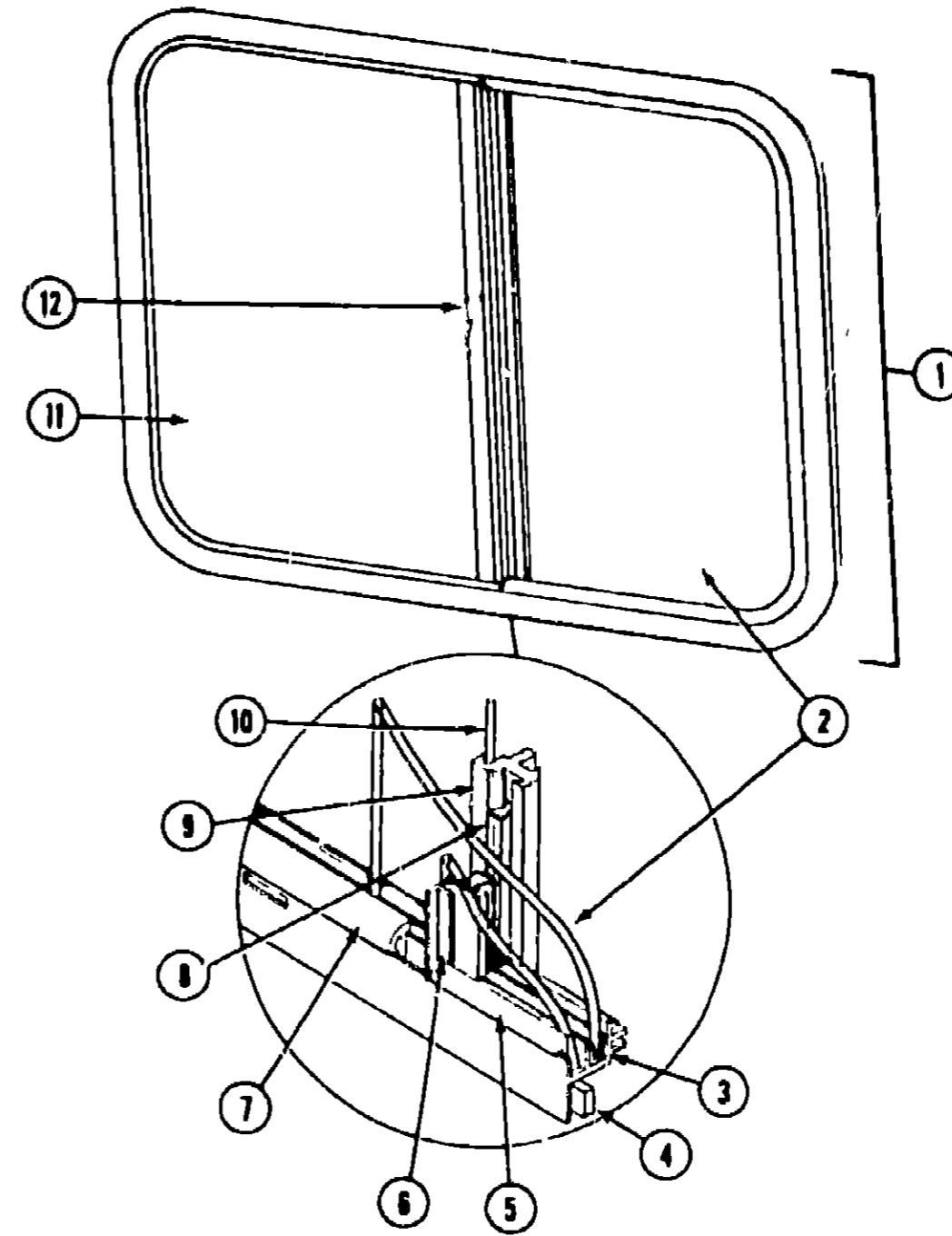
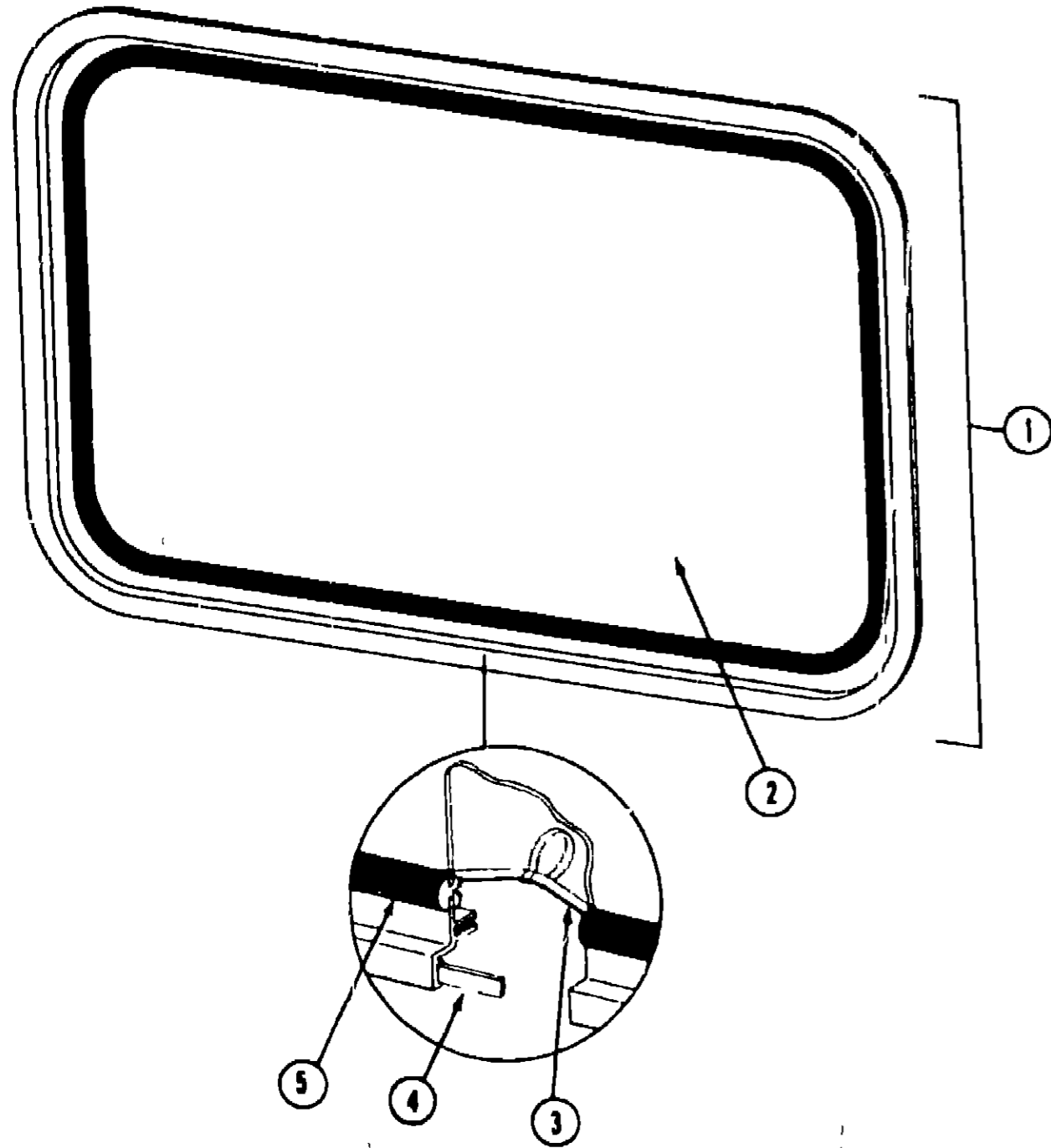
1986 ICN27RU INDEX

Floor Plan	C-17 - C 18
Accessories Group	C-19 C-22
Bath Group	C 23 C-24
Chassis Group	D-01 - D-02
Curtain Cushion & Pad Group	D-03 - D-09
Dinette Group	D-10
Driver s Compartment Group	D-11 - D-13
Electrical Group	D 14 D 18
Exterior Body Group	D-17 D 22
Galley Group	D 23 - E-01
Heating & Air Conditioning Group	E-02 - E-03
Interior Finish Group	E-04 E-06
LP Group	E-07
Lounge Group	E-08
Water & Sewage Group	E-09 - E-10
Window Vent & Exterior Door Group	E-11 - F-02

WINDOW, VENT & EXTERIOR DOOR GROUP (CONTINUED)

WINDOW, VENT & EXTERIOR DOOR GROUP (CONTINUED)

1986 ITASCA
TABLE OF CONTENTS



INTRODUCTION	A 01
ABBREVIATIONS	A 01
ALPHABETICAL INDEX	A 02 - A-04
ICN22RC	A-05 - C 16
ICN27RU	C-17 - F-02
ICN31RT	F 03 - H 18
ICP31RT	H 19 - K-06

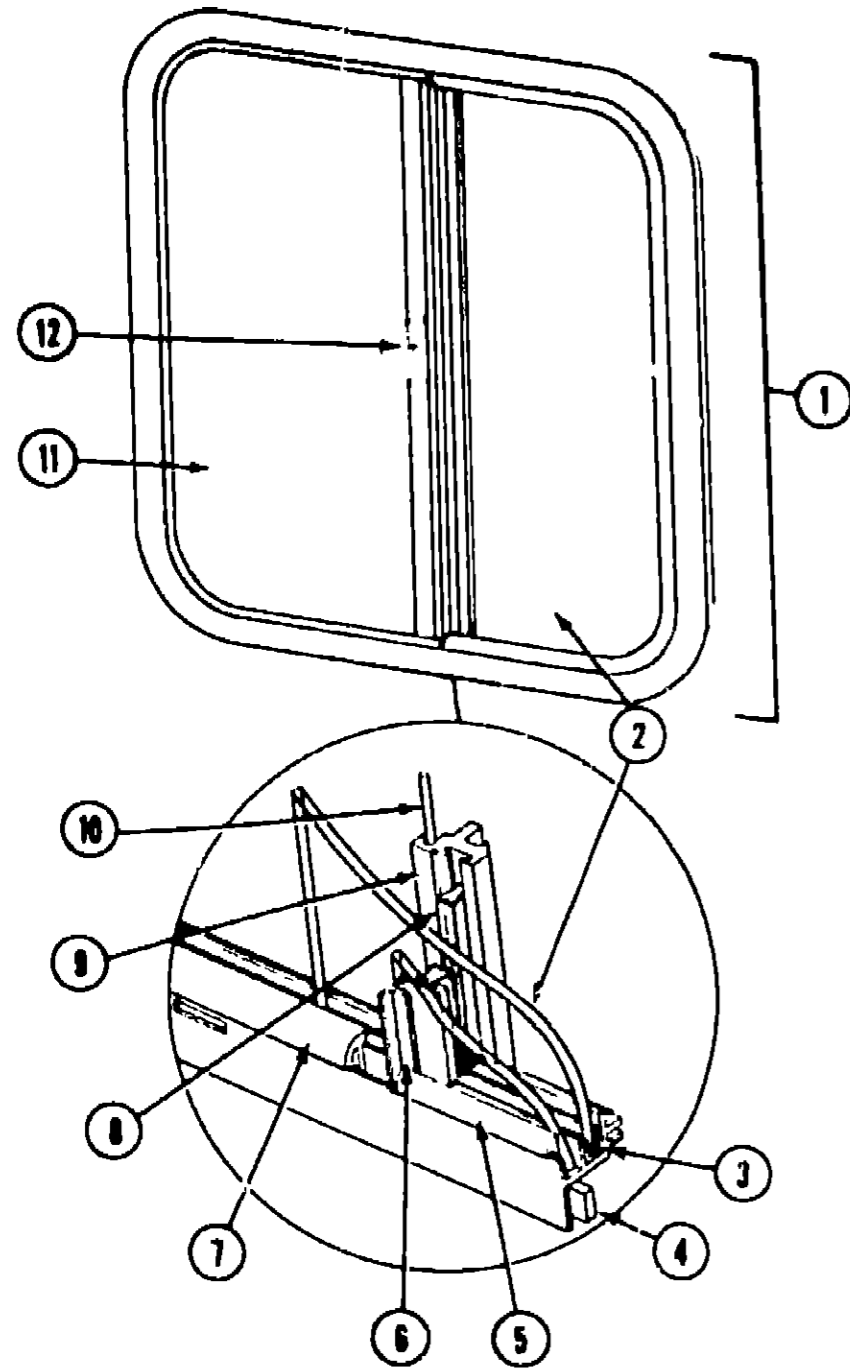
Key	Part Number	U/M	Description
1	078536-01-T03	EA	Window Asm - Escape (w/o inside frame)
	042027-05-000	EA	Inside Frame - Escape Window - Beige (not included in assembly)
2	002178-01-000	EA	Glass - 1/8" x 19 61" x 64 80"
3	002285-01-000	FT	Filler - Weatherstrip - Black
4	069640-01-000	FT	Tape - 2" Bead x 45
5	002282-01-000	FT	Weatherstrip - Window - 125 - Black
	006199-01-000	EA	Label - Exit - Escape Window
			Not illustrated

Key	Part Number	U/M	Description
1	078266-05-T03	EA	Window Asm - Right Single Slider - Black (w/o inside frame)
1	078266-08-T03	EA	Window Asm - Left Single Slider - Black (w/o inside frame)
	083122-07-000	EA	Inside Frame - Beige (not included in assembly)
2	081980-04-000	EA	Glass - Sliding - 1/8" x 24" x 21 03"
3	002324-02-000	FT	Channel - Weatherstrip - Glass Run - 1/8" Glass
4	069640-06-000	FT	Ribbon Sealer - 5/16" Bead x 15
5	002309-02-000	FT	Spline - Glass - 1/8" Material - Black
6	M09886-03-003	EA	Seal Holder w/Fin Seal - Black
7	057374-02-000	FT	Extr Rubber - Window Seal - Black
8	073740-01-000	FT	Seal - Fin - Pile - 460
9	078562-04-000	EA	Mullion - Slider Window - Black
10	002298-02-000	FT	Spline - 130 Dia Charcoal (Screen)
11	081984-02-000	EA	Glass - Stationary - 1/8" x 14 4" x 19"
12	047389-01-700	EA	Latch Kit - Window - Plastic w/Fastener
	079204-01-000	FA	Bracket - Mullion - Black
	002293-02-000	SF	Screen - Window 26" Charcoal (Screen)
			Not illustrated

1986 ICN27RU INDEX

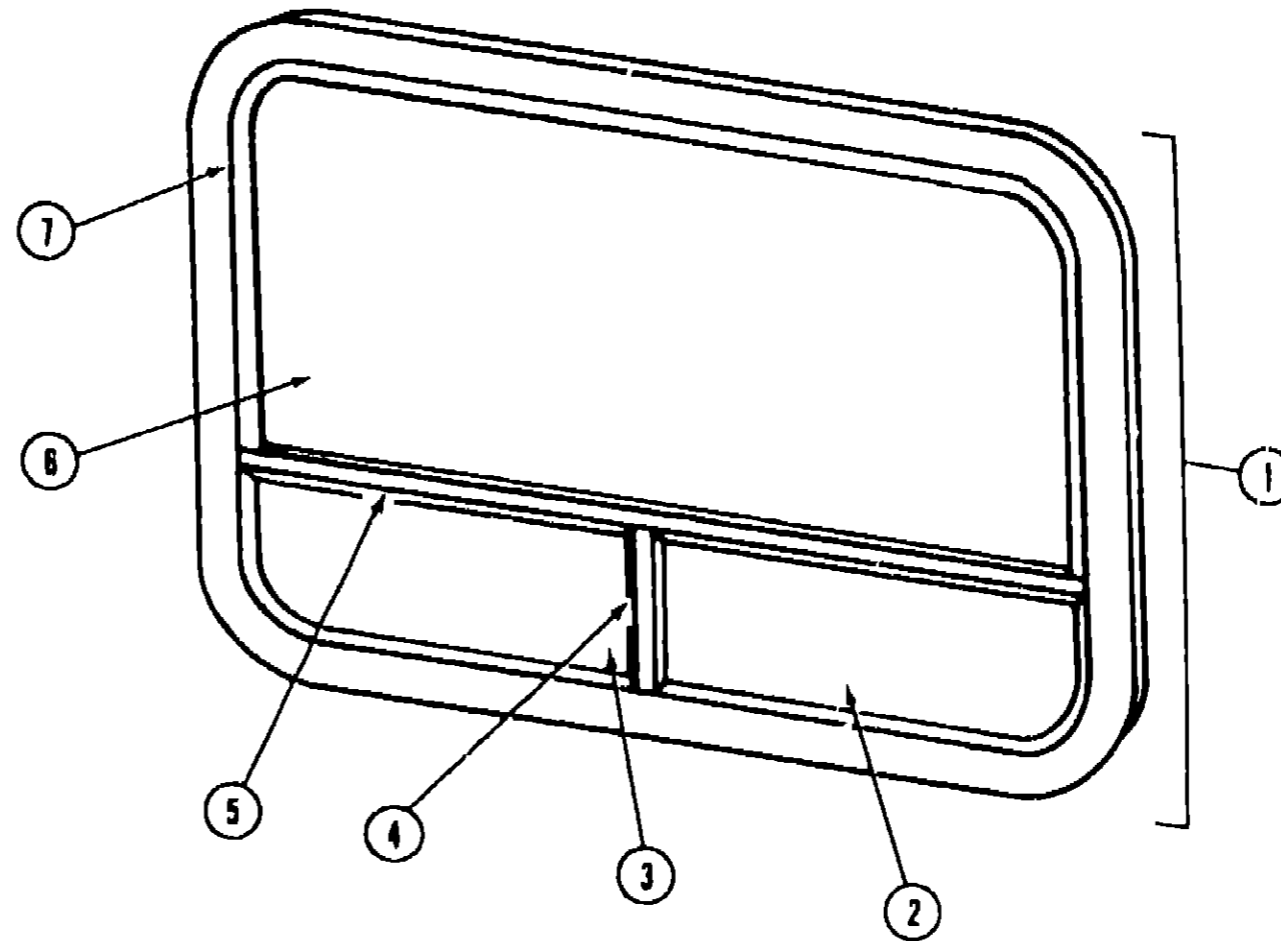
Floor Plan	C-17 - C-18
Accessories Group	C 19 - C 22
Bath Group	C 23 - C-24
Chassis Group	D-01 - D-02
Curtain Cushion & Pad Group	D-03 - D 09
Dinette Group	D 10
Driver's Compartment Group	D 11 - D 13
Electrical Group	D 14 - D 16
Exterior Body Group	D 17 - D 22
Galley Group	D 23 - E-01
Heating & Air Conditioning Group	E-02 - E-03
Interior Finish Group	E-04 - E-06
LP Group	E-07
Lounge Group	E-08
Water & Sewage Group	E-09 - E-10
Window Vent & Exterior Door Group	E-11 - F-02

WINDOW, VENT & EXTERIOR DOOR GROUP (CONTINUED)



Key	Part Number	U/M	Description
1	078266-04-T03	EA	Window Asm - Single Slider - Black (w/o inside frame)
	083122-05-000	EA	Inside Frame - Beige (not included in assembly)
2	081980-02-000	EA	Glass - Slider - 1/8" x 22" x 13 6/8"
3	002324-02-000	FT	Channel - Weatherstrip - Glass Run - 1/8" Glass
4	089640-06-000	FT	Ribbon Sealer - 5/16" Bead x 15
5	002309-02-000	FT	Spline - Glass - 1/8" Material Black
6	M18025-03-000	EA	Seal Holder w/Fin Seal - Black
7	047273-01-000	FT	Extr Rubber - Window Seal - Black
8	073740-01-000	FT	Seal - Fin - Pile - 460
9	078582-03-000	EA	Mullion - Slider Window - Black
10	002298-02-000	FT	Spline - 130 Dia - Charcoal (Screen)
11	081984-01-000	EA	Glass - Stationary - 1/8" x 22" x 16 5/8"
12	047389-01-700	EA	Latch Kit - Window - Plastic w/Fastener
	002293-02-000	SF	Screen - Window 26 - Charcoal
	079204-01-000	EA	Bracket - Mullion - Black
			Not illustrated

WINDOW, VENT & EXTERIOR DOOR GROUP (CONTINUED)



Key	Part Number	U/M	Description
1	081568-02-U01	EA	Window Asm - 62 x 31 - Double Tipout
	081822-06-000	EA	Inside Frame - Black (not included in assembly)
2	081434-01-U01	EA	Window Asm - Lower - Tipout - Right Hand
3	081434-02-U01	EA	Window Asm - Lower - Tipout - Left Hand
	081239-07-000	EA	Glass - Tipout - 1/8" x 30" x 8 3/4" - Left or Right
4	083112-05-000	EA	Mullion - Black
5	081814-01-000	EA	Mullion - Black
	081422-01-U01	EA	Screen Asm - Tipout - Right Hand
	081422-02-U01	EA	Screen Asm - Tipout - Left Hand
	081243-01-000	EA	Screen Clip - Plastic - Black
	035302-01-000	EA	Operating Mech - Right Hand
	035307-02-000	EA	Operating Mech - Left Hand
6	081239-11-000	EA	Glass - Stationary - 1/8" x 61 3/4" x 20 1/2"
7	083180-01-000	EA	Window Seal
	081357-01-000	EA	Bulb Seal (Tipout)
	081359-01-000	EA	Window Seal (Tipout)
			Not illustrated

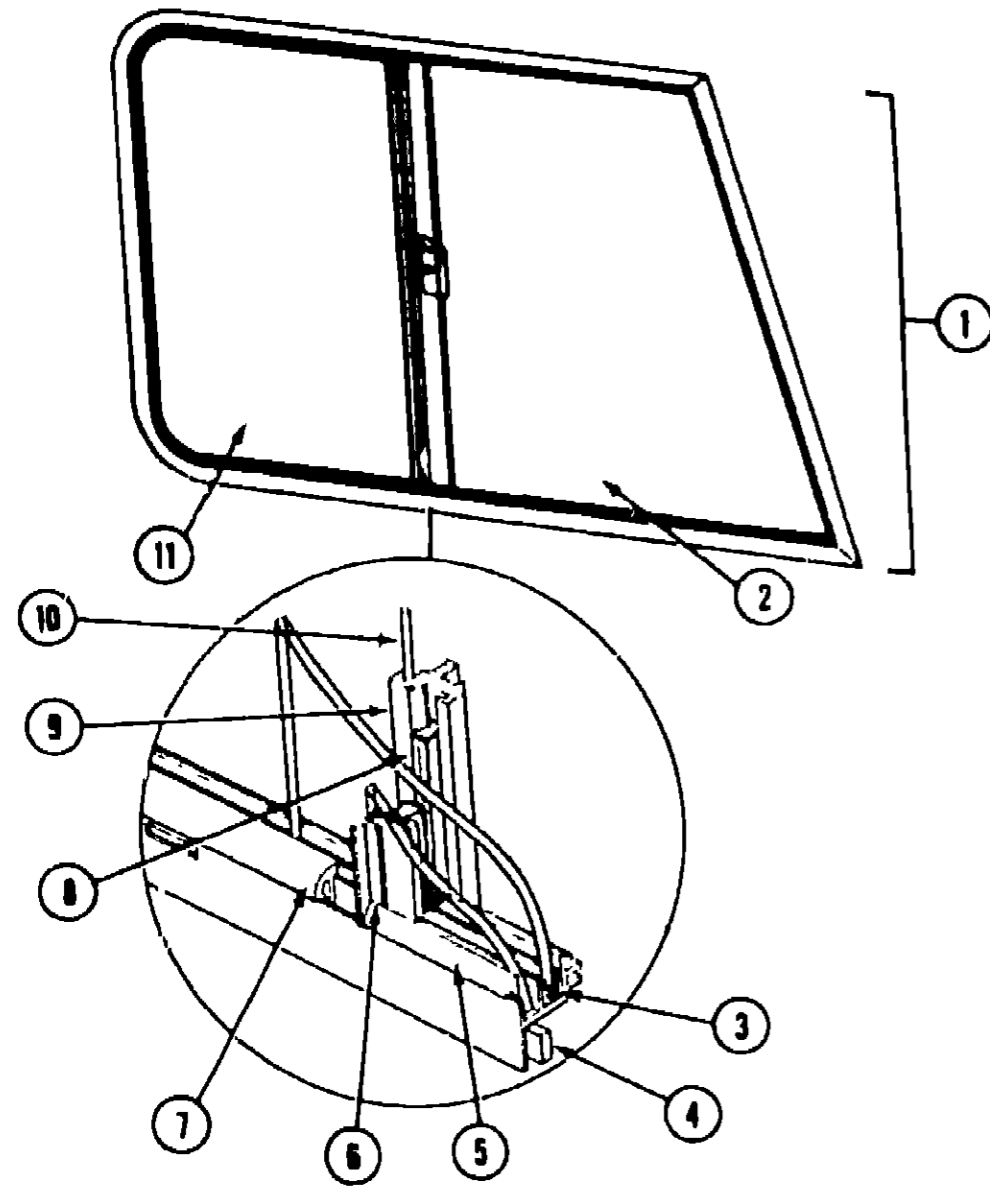
**1986 ITASCA
TABLE OF CONTENTS**

INTRODUCTION	A-01
ABBREVIATIONS	A-01
ALPHABETICAL INDEX	A 02 - A 04
ICN22RC	A 05 - C-16
ICN27RU	C-17 F-02
ICN31RT	F-03 - H 18
ICP31RT	H 19 - K 06

1986 ICN27RU INDEX

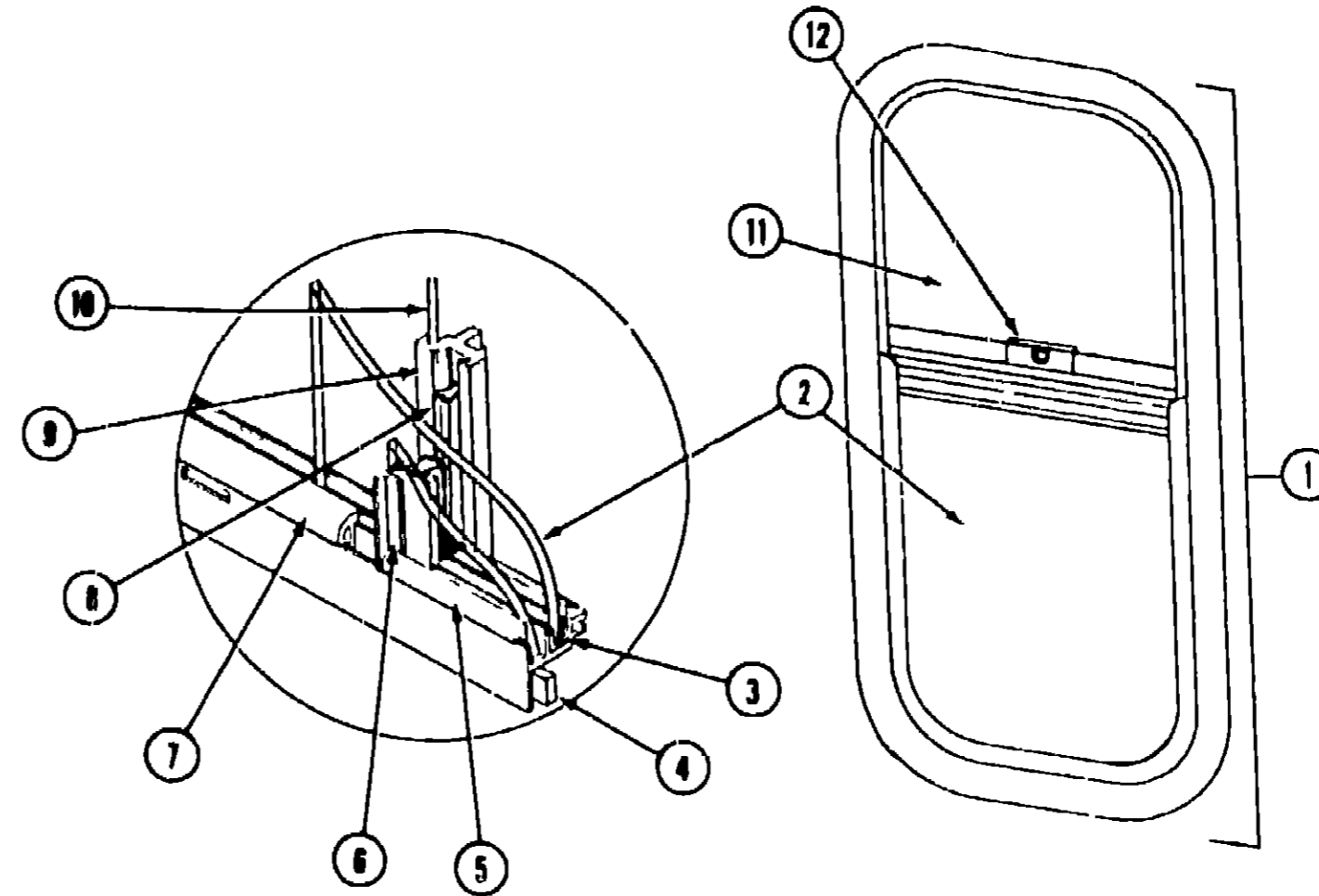
Floor Plan	C-17 - C-18
Accessories Group	C-19 C-22
Bath Group	C-23 - C-24
Chassis Group	D 01 - D-02
Curtain, Cushion & Pad Group	D-03 - D-09
Dinette Group	D-10
Driver's Compartment Group	D 11 - D 13
Electrical Group	D 14 - D 16
Exterior Body Group	D 17 - D 22
Galley Group	D 23 - E-01
Heating & Air Conditioning Group	E-02 - E-03
Interior Finish Group	E-04 - E-06
LP Group	E-07
Lounge Group	E-08
Water & Sewage Group	E-09 - E-10
Window Vent & Exterior Door Group	E-11 - F-02

WINDOW, VENT & EXTERIOR DOOR GROUP (CONTINUED)



Key	Part Number	U/M	Description
1	082057-01-J04	EA	Window Asm - Front Slant Slider - Passenger (w/o inside frame)
1	082057-02-J04	EA	Window Asm - Front Slant Slider - Driver (w/o inside frame)
	079573-01-T03	EA	Inside Frame - Slant Slider - Passenger (not included in assembly)
	079573-02-T03	EA	Inside Frame - Slant Slider - Driver (not included in assembly)
2	057656-03-000	EA	Glass - 19' x 28 11' x 27' - Stationary (Passenger)
2	057656-05-000	EA	Glass - 19' x 28 11' x 27' - Stationary (Driver)
3	042077-01-000	FT	Channel - Weatherstrip - 3/16 Glass
4	069640-01-000	FT	Ribbon Sealer - 1/4 Bead x 20
5	050216-02-000	FT	Window Seal - 19 - Glass
6	002369-03-203	EA	Seal Holder w/Fin Seal - 27 12 - Black
7	057374-02-000	FT	Extr Rubber - Window Seal - Black
8	073740-01-000	FT	Seal - Fin - Pile - 460'
9	079562-07-000	EA	Mullion - Slider Window - Black
10	002296-02-000	FT	Spline - 130 Dia - Charcoal (Screen)
11	081980-06-000	EA	Glass - 19 x 28 11 x 14 88 Sliding
	079204-01-000	EA	Bracket - Mullion - Black
	079574-01-T03	EA	Slider Screen Asm - Passenger
	079574-02-T03	EA	Slider Screen Asm - Driver
	002291-02-000	SF	Screen - Window - 16 Charcoal
	016310-03-000	EA	Handle - Slider Screen - Black
	047369-01-700	EA	Latch Kit - Window - Plastic w/Fastener
			Not illustrated

WINDOW, VENT & EXTERIOR DOOR GROUP (CONTINUED)



Key	Part Number	U/M	Description
1	078453-01-T03	EA	Window Asm - Vertical Slider 37 x 15 Black (w/o inside frame)
	083122-01-000	EA	Inside Frame - Beige (not included in assembly)
2	081980-03-000	EA	Glass - Slider - 1/8 x 14 4 x 19'
3	002324-02-000	FT	Channel - Weatherstrip - Glass Run 1/8 Glass
4	069640-06-000	FT	Ribbon Sealer - 5/16 Bead x 15
5	002309-02-000	FT	Spline - Glass - 1/8 Material - Black
6	M69686-03-007	EA	Seal Holder w/Fin Seal - Black
7	057374-02-000	FT	Extr Rubber - Window Seal - Black
8	073740-01-000	FT	Seal - Fin - Pile - 460'
9	078562-01-000	EA	Mullion - Slider Window - Black
10	002296-02-000	FT	Spline - 130' Dia - Charcoal (Screen)
11	081984-02-000	EA	Glass - Stationary 1/8 x 14 4 x 19
12	047369-01-700	EA	Latch Kit - Window - Plastic w/Fastener
	079204-01-000	EA	Bracket - Mullion - Black
	002291-02-000	SF	Screen - Window 16 - Charcoal
			Not illustrated

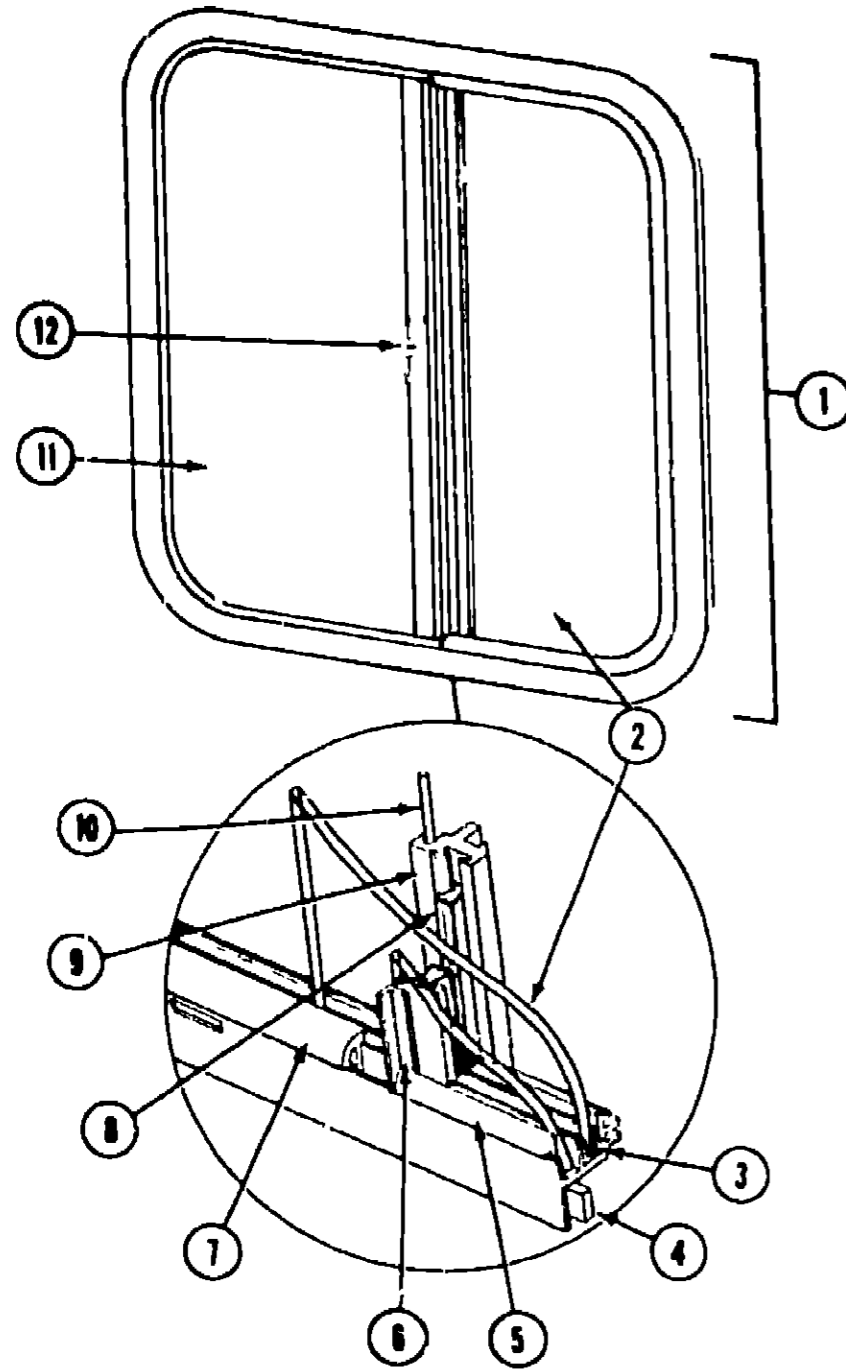
**1986 ITASCA
TABLE OF CONTENTS**

INTRODUCTION	A 01
ABBREVIATIONS	A-01
ALPHABETICAL INDEX	A 02 - A 04
ICN22RC	A 05 C-16
ICN27RU	C-17 - F-02
ICN31RT	F 03 - H 18
ICP31RT	H 19 - K 06

1986 ICN27RU INDEX

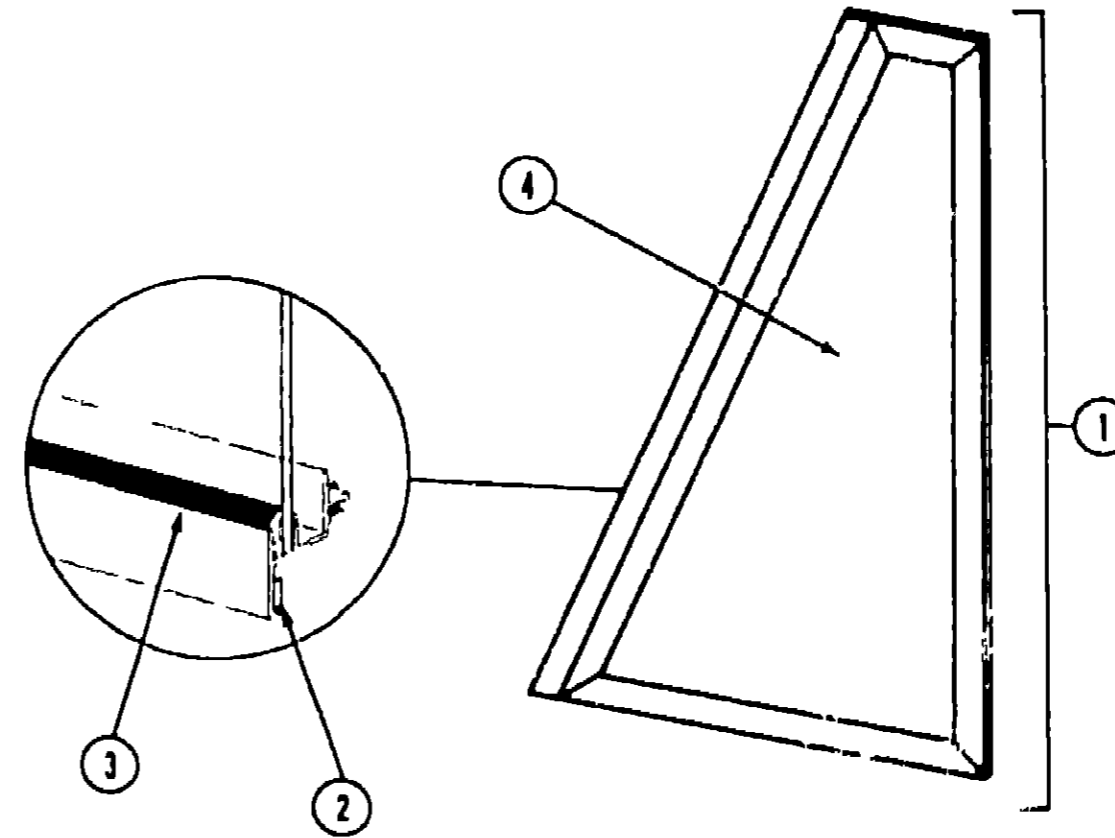
Floor Plan	C 17 - C-18
Accessories Group	C-19 - C-22
Bath Group	C-23 C-24
Chassis Group	D-01 - D-02
Curtain, Cushion & Pad Group	D 03 - D-09
Dinette Group	D 10
Driver's Compartment Group	D-11 - D 13
Electrical Group	D 14 - D-16
Exterior Body Group	D-17 - D 22
Galley Group	D-23 - E-01
Heating & Air Conditioning Group	E-02 - E-03
Interior Finish Group	E-04 - E-06
LP Group	E-07
Lounge Group	E-08
Water & Sewage Group	E-09 - E-10
Window Vent & Exterior Door Group	E-11 - F-02

WINDOW, VENT & EXTERIOR DOOR GROUP (CONTINUED)



Key	Part Number	U/M	Description
1	078266-02 T03	EA	Window Asm - Single Slider (w/o inside frame)
	083122-03-000	EA	Inside Frame - Beige (not included in assembly)
2	081980-05-000	EA	Glass - Sliding - 1/8 x 19 x 13 68
3	002324-02 000	FT	Channel - Weaterstrip - Glass Run - 1/8 Glass
4	069640-06-000	FT	Ribbon Sealer - 5/16 Bead x 15
5	002309-02-000	FT	Spline - Glass - 1/8 Material - Black
6	M89886-03-011	EA	Seal Holder w/Fir Seal - Black
7	057374-02 000	FT	Extr Rubber - Window Seal - Black
8	073740-01-000	FT	Seal - Fin - Pile - 460'
9	078562-02-000	EA	Mullion - Slider Window - Black
10	002298-02 000	SF	Spline - 130 Dia Charcoal (Screen)
11	081984-03-000	EA	Glass - Stationary - 1/8 x 19 x 12 30
12	047389-01-700	EA	Latch Kit - Window - Plastic w/Fastener
	079204-01-000	EA	Bracket - Mullion Black
	002291-02-000	SF	Screen - Window 16 - Charcoal
	Not illustrated		

WINDOW, VENT & EXTERIOR DOOR GROUP (CONTINUED)



Key	Part Number	U/M	Description
1	079421 01-T03	EA	Window Asm - Front Slant - Passenger (w/o inside frame)
1	079421 02 T03	EA	Window Asm - Front Slant - Drivers (w/o inside frame)
	079215-01-000	EA	Inside Frame - Front Slant - Passenger - Beige (not included in assembly)
	079215-02-000	EA	Inside Frame - Front Slant - Drivers - Beige (not included in assembly)
2	060640-01-000	EA	Tape - 1/4 Bead x 20
3	002309-02-000	EA	Spline - Glass - 1/8 - Black
4	057656-04-000	EA	Glass - 19 x 28 11 x 13 96
	Not illustrated		

**1986 iTABCA
TABLE OF CONTENTS**

INTRODUCTION	A 01
ABBREVIATIONS	A-01
ALPHABETICAL INDEX	A 02 - A 04
ICN22RC	A 05 - C 16
ICN27RU	C 17 - F 02
ICN31RT	F 03 - H 18
ICP31RT	H-19 - K 06

1986 ICN27RU INDEX

Floor Plan	C-17	C 18
Accessories Group	C-19	C 22
Bath Group	C-23	C 24
Chassis Group	D-11	D 02
Curain, Cushion & Pad Group	D 03 - D 05	
Pinette Group		D 10
Drivers Compartment Group	D-11	D 11
Electrical Group	D-14	D 16
Exterior Body Group	D 17 - D 22	
Galley Group	D 23 - E-01	
Heating & Air Conditioning Group	E 02 - E-03	
Interior Finish Group	E-04	E-05
LP Group		E-07
Lounge Group		E-08
Water & Sewage Group	E-09 - E-10	
Window Vent & Exterior Door Group	E 11 - F-02	

WINDOW, VENT & EXTERIOR DOOR GROUP (CONTINUED)

DRIVER DOOR W/ROLL-UP WINDOW

Key	Part Number	U/M	Description
	M82202-01-U13	EA	Door Asm - w/Roll-Up Window - Passenger
	M82202-02-U13	EA	Door Asm - w/Roll Up Window - Driver
	064184-02-000	EA	Drip Cap - Cab Door - Passenger
	064184-01-000	EA	Drip Cap - Cab Door - Driver
	M07084-03-000	EA	Jamb Asm - Cab Door - Passenger
	M0684-04-000	EA	Jamb Asm - Cab Door - Driver
	063993 12-000	EA	Hinge Asm - Passenger
	063993-10-000	EA	Hinge Asm - Driver
	082150-01-000	FT	Seal - Sponge (Jamb)
	082150-02-000	FT	Seal - Sponge (Door)
	063731-01-000	EA	Cap - Push On - Zinc
	061400-06-000	EA	Assist Strap - Sandstone
	064219-01-000	EA	Retainer Strap - Driver Door
	066109-02 000	EA	Strap - Driver Door
	063733-01-000	EA	Bushing - Flange - Nyliner
	063729 01-000	EA	Rivnut - 1/4 x 20 unc - 030 - 125
	081903-01-000	EA	Shaft - Mounting Knob
	081905-01-000	EA	Knob Control - Slide Bolt - Passenger
	081905-02-000	EA	Knob - Control - Slide Bolt - Driver
	081906-01-000	EA	Slide Bolt - Driver Door
	081907-01-000	EA	Regulator Asm - Window - Passenger
	081907-02 000	EA	Regulator Asm - Window - Driver
	081910 01 000	FT	Channel - Window - Sliding
	081912-01 000	EA	Weatherstrip - Ridgid
	083886-09-000	EA	Assist Handle - Door
	075722-01-000	EA	Block - Switch - Spacer
	079215 01 000	EA	Frame Asm - Front Slant Slider
	079421 01-T03	EA	Window Asm - Front Slant Slider - Passenger
	079421 02-T03	EA	Window Asm - Front Slant Slider - Driver
	073118 01 000	EA	Relainer - Attachment Plate
	073119-01-000	EA	Attachment Plate - Striker
	079561-01-000	EA	Shim - Strike - Cab Door
	050216-02-000	FT	Spline - Vinyl - Glass - 19
	057656-06-000	EA	Glass - 19 x 28 11 x 13 98
	R77007-56-701	EA	Plate - Passenger Door Lock
	R77007 56-702	EA	Plate - Driver Door Lock
	R77040-01 538	EA	Door Handle
	R77007-05 374	EA	Plate - Door Handle Spacer
	R77006-50-326	EA	Door - Handle Inner - Driver
	R77006-50 261	EA	Door - Handle Inner - Passenger
	R77006-13-460	EA	Cap Inner - Window Crank
	072035-01 000	EA	Crank - Hand - Glass Lift
	072036-02-000	EA	Cap Crank - Hand
	073110-02 000	EA	Rod - Lock - Passenger
	073110-03-000	EA	Rod - Lock - Driver
	R77006-64 355	EA	Link - Door Handle - Control
	R77030-58-048	EA	Washer
	R77030-33-009	EA	Nut - w/Washer
	R77007-62 746	EA	Lock - Left Tumbler Assembly
	R77007 62-747	EA	Lock - Right Tumbler Assembly
	081488-01 000	EA	Glass - Door - Roll-Up
	083223 02 000	EA	Lock Asm - Key Type (Set of 2)
	076542 03-000	EA	Rod Control - Latch Passenger
	076542 04 000	EA	Rod Control - Latch Driver

WINDOW, VENT & EXTERIOR DOOR GROUP (CONTINUED)

WINDSHIELD

Key	Part Number	U/M	Description
	077675-01-000	EA	Glass - Windshield - Passenger
	077675-02-000	EA	Glass - Windshield - Driver

VENTS

Key	Part Number	U/M	Description
	071290-01-000	EA	Base - Refrigerator Vent
	071290 02-000	EA	Cover - Refrigerator Vent - 11 5/8 x 24 3/4 - Galvanized Steel
	055218-01-000	EA	Cover Asm - Roof Vent
	079355-09 000	EA	Vent - Stovehood - Outside - Belge
	075056 01-000	EA	Vent Asm - Roof - Non Powered - w/o Screen
	048835-01 000	EA	Vent Asm - Roof - Non-Powered
	079537-01-000	EA	Vent Asm - Roof - Powered - w/o Screen
	078786-01-T03	EA	Screen Asm - Roof Vent - Non Powered
	078785-01-T03	EA	Screen Asm - Roof Vent Powered
	077487-01 000	EA	Skylight - Fixed Dome (Bath)
	077902-01-000	EA	Collar - Skylight
	080508 01-000	EA	Panel - Skylight - Inner
	080507-01 000	EA	Panel - Skylight - Outer
	080258 01-000	EA	Trim - Skylight

ACCESS DOORS

Key	Part Number	U/M	Description
	M79436-03-T09	EA	Door Asm - Storage - 25 3 - Gray
	M79436-02-T09	EA	Door Asm - Spare Tire Carrier - Gray
	079578-01-109	EA	Door Asm - Storage - 30 30 - Gray
	M79436-01-T09	EA	Door Asm - Battery - 25 3 - Gray
	M81349-03-U13	EA	Door Asm - Storage - Passenger - Gray
	M81349-04-U13	EA	Door Asm - Storage - Driver - Gray
	079321-02-T09	EA	Door Asm - Generator - Gray
	M79149 02 T09	EA	Door Asm - Luggage - Gray
	078969-04-T09	EA	Door Asm - Refrigerator Access - Gray
	052009-03 000	EA	Door - Water Heater - Gray
	052423 03-000	EA	Door - Sewer Hose - Gray
	075726-01-000	EA	Outlet Extension - Sewage
	075730-02-000	EA	End Cap - Sewage Hose
	078010-05 000	EA	Door - Fuel Fill - Gray
	063742-03-000	EA	Door - Power Cord - Gray
	052424-03-000	EA	Jamb - Power Cord/Sewage - Gray
	054543 03-000	EA	Hatch - Power Cord
	083615-03-000	EA	Door Stop - Gray
	054530-01-000	EA	Door Holder
	041312-01 000	EA	Seal - Bulb - E Section
	042442-01-000	EA	Lock Asm - Twist Type
	009003-01-000	EA	Lock Asm - Twist Type w/Clip
	047305 01 000	EA	Lock Asm - Key Type - w/Clip
	077408-01-000	EA	Lock Asm - Key Type
	079366-01-000	EA	Lock Asm - Key Type
	079927-01-000	EA	Lock Asm - Twist Type
	042441-01-000	EA	Lock Asm - Key Type
	083223 01-000	EA	Lock Asm - Key Type
	083223 02 000	EA	Lock Asm - Key Type

**1986 ITASCA
TABLE OF CONTENTS**

INTRODUCTION	A-01
ABBREVIATIONS	A-01
ALPHABETICAL INDEX	A-02 - A-04
ICN22RC	A-05 - C-16
ICN27RU	C-17 - F-02
ICN31RT	F 03 - H-18
ICP31RT	H 19 - K-06

1986 ICN27RU INDEX

Floor Plan	C-17 - C-18
Accessories Group	C-19 - C 22
Bath Group	C 23 - C-24
Chassis Group	D-01 - D 02
Curtain Cushion & Pad Group	D-03 - D-09
Dinette Group	D-10
Driver's Compartment Group	D-11 - D 13
Electrical Group	D-14 - D 16
Exterior Body Group	D-17 - D-22
Galley Group	D-23 - E-01
Heating & Air Conditioning Group	E 02 - E-03
Interior Finish Group	E 04 - E-06
LP Group	E-07
Lounge Group	E-08
Water & Sewage Group	E 09 - E-10
Window Vent & Exterior Door Group	E 11 - F-02