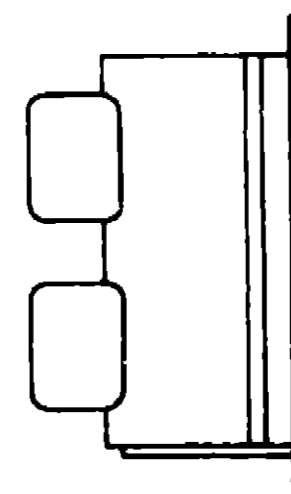
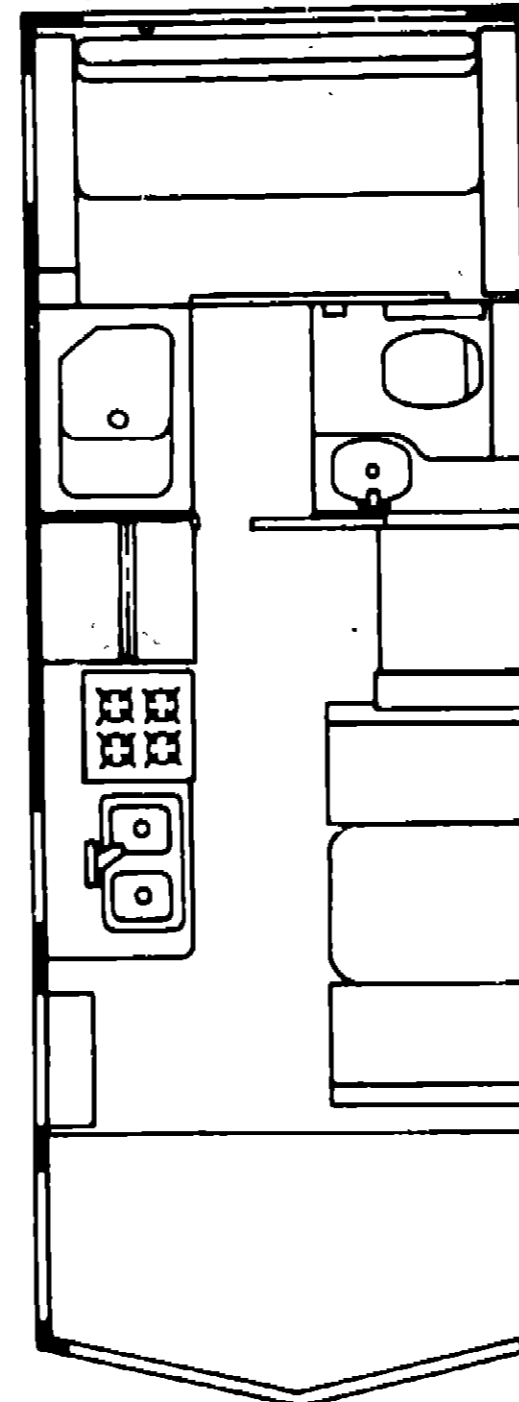
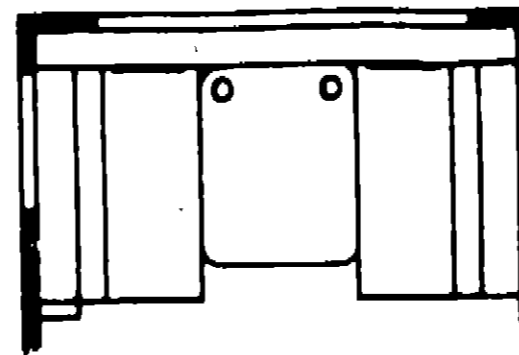


# 1986 ICN23RG



## 1986 ITASCA TABLE OF CONTENTS

IC420RG	A-01 - C-02
IC424RS	C-03 - E-10
ICN23RG	E-11 - G-23
ICN27HT	H-01 - J-14

## 1986 ICN23RG INDEX

Floor Plan	E-11 - E-12
Accessories Group	E-13 - E-15
Bath Group	E-16
Chassis Group	E-17 - E-20
Curtain, Cushion & Pad Group	E-21 - F-04
Dinette Group	F-05 - F-06
Driver's Compartment Group	F-07 - F-09
Electrical Group	F-10 - F-12
Exterior Body Group	F-13 - F-20
Galley Group	F-21 - F-22
Heating & Air Conditioning Group	F-23
Interior Finish Group	F-24 - G-02
LP Group	G-03
Lounge Group	G-04 - G-05
Water & Sewage Group	G-06 - G-07
Window, Vent & Exterior Door Group	G-08 - G-23

## ACCESSORIES GROUP

### RADIO & RELATED COMPONENTS

Key	Part Number	U/M	Description
	031105-01 000	EA	Antenna - Radio - Side Mount
	031105 01 700	FA	Antenna Holder - Radio - Upper
	075903 01 000	EA	Radio - AM/FM/MPX w/Cassette
	075904 01 000	EA	Radio - AM/FM/MPX w/Cassette Electronic Tuning
	074979 01 000	EA	Speaker Cover Protector - Plastic
	073741 02 000	EA	Speaker 4" x 6" - Oval
	073431 01 000	EA	Speaker 5 25 - 3/Way (Pair)
	064791 01 000	EA	Speaker - Recessed - 5 25
	064792 01 000	EA	Grille Speaker - 5 25 - w/Mesh Brown

### ELECTRIC STEP ASSEMBLY

Key	Part Number	U/M	Description
	075461 01 000	EA	Electric Step Asm w/Light
	075461 01-700	EA	Motor
	041250 01 000	EA	Door Switch
	075461 01-704	EA	Under Step Control Unit
	075461-01-705	EA	4-Way Plug (Dash End)
	075461 01-706	EA	Kill Switch
	075461 01-707	EA	Step Light
	075461 01 708	EA	4 Way Plug (Control Box End)
	075461 01 709	EA	90 Degree Plug
	075461 01-710	FA	Gear
	075461 01-711	EA	Drive Link
	075241 01 000	EA	Support Asm - Step
	075723 02 000	EA	Block - Support Spacer w/Holes

### GENERATORS & COMPONENTS

Key	Part Number	U/M	Description
	054429 01-000	EA	Generator - Onan - 4 0 kw
	052168 01-000	EA	Generator - Onan 4 25 kw
	US8046 01 000	EA	LP Conversion Kit - Onan Generator
	072332 01-000	EA	Generator - Kohler - 4 5 kw LP
	069229-01 000	EA	Generator - Kohler - 4 5 kw
	701629-02 000	EA	Installation Package
	024732 01 016	EA	Tailpipe - 1 5 O D x 43 50
	067753 01 000	EA	Muffler - Generator - w/Spark Arrestor - Nelson
	007067-01-000	EA	Insulation - Fiberglass - 1

### EXTERIOR MIRRORS

Key	Part Number	U/M	Description
	049347-01-000	EA	Mirror Head - 7 1/2 x 10 1/2
	049348-03 000	EA	Arm Low Mount Mirror Black
	049944 04-000	EA	Bracket - Mirror - Outside Black
	077966 01 000	EA	Mirror - Wide Angle - Stainless Steel - Passenger
	077966-02-000	EA	Mirror - Wide Angle - Stainless Steel - Driver
	077966 01-700	EA	Mirror - Convex - 6 x 6 1/2
	006043 01 000	EA	Mirror - Convex - Adhesive Back
	701764-01-000	EA	Mirror Head - Convex - 6 5 x 6
	701764-02 000	EA	Glass Mirror - Convex - 6 5 x 6
	701764 03-000	EA	Clamp - Mirror Head - Mounting

### OPTIONAL CHROME WHEEL LINERS & COMPONENTS

Key	Part Number	U/M	Description
	081608 07-000	EA	Cover - Rear Axle - Chrome
	081608-08-000	EA	Cover - Front Axle - Chrome
	081608-09-000	EA	Liner - Front Wheel - Chrome
	081608 10-000	EA	Liner - Rear Wheel - Chrome
	081608 05-000	EA	Lug Nut Cover - Chrome
	081608 06-000	EA	Spiral Ring

## ACCESSORIES GROUP (CONTINUED)

### MISCELLANEOUS ACCESSORIES

Key	Part Number	U/M	Description
	054185 24 000	EA	Owners Manual - 1986 - Itasca & Winnebago
	076319 01 000	EA	Antenna - TV Roof Mount - 44 5" Mast
	076319-03 000	EA	Cable - Coaxial 1000' 75 OHM
	076319 04 000	EA	Connector & Ferrule
	076319 05 000	EA	Wallplate - Power Supply Ivory
	076319-06 000	EA	Adapter - Cable Roof Plate
	076319 07 000	EA	Wallplate - Power Supply - Brown
	076319 08 000	EA	Wallplate Receptacle - Ivory
	076319 09-000	EA	Wallplate - Receptacle - Brown
	017516 01 000	EA	Mud Flap w/Holes - 14" x 18" - Black
	041944 03 000	EA	Fire Extinguisher - 5BC
	041944 02 000	EA	Bracket - Fire Extinguisher
	080997 02-T03	EA	Ladder Asm
	081026 01-T03	EA	Rack Asm - Right
	081026-02-T03	EA	Rack Asm, - Left
	067165 01-000	EA	Mounting Bracket - Luggage Carrier and Ladder
	081114 01 000	EA	End Cap - Ladder Step
	067125 01 000	EA	Stand Off - Rack & Ladder Asm
	064093 01 000	EA	Luggage Carrier Assembly
	039881 01-000	EA	Catch & Strike - Luggage Carrier
	072852 01-000	EA	Smoke Detector w/9 Volt Battery
	079664 02-000	EA	Weather Center - 8 5 x 8 5
	079664 01 000	EA	Clock - 8 5 x 8 5
	006069-01-000	EA	Key Case - Leather
	040069 01-000	EA	Door Mat - 10 5' x 26 - Black Rubber
	081075 02 000	EA	Door Mat - Entrance - Itasca
	081201 02-000	EA	Door Mat Left Front - Itasca
	081202-02 000	EA	Door Mat - Right Front - Itasca
	080208 01 000	EA	Lug Wrench
	080208 02-000	EA	Leverage Bar - Lug Wrench
	006113 01-000	EA	Jack - Hydraulic - 6 Ton - w/Handle
	063708-01 000	EA	Cover - Roof Air Conditioner - White Vinyl
	079942-01 000	EA	Shock Absorber - Stabilizer - Front
	079942 02 000	EA	Shock Absorber - Stabilizer - Rear
	083181 01-700	EA	Wheel Cover - Clip On - 16 - Delmet (1)
	083181-01-000	EA	Wheel Cover - Clip On - 16 Delmet (4)

### OPTIONAL MICROWAVE/CONVECTION OVEN & COMPONENTS

Key	Part Number	U/M	Description
	081379-01 000	EA	Microwave/Convection Oven - Sharp
	081459-03 000	EA	Bracket Asm - Microwave - Right
	081459 04 000	EA	Bracket Asm - Microwave - Left
	081456-01-000	EA	Angle Asm - Microwave - Right
	081456-02-000	EA	Angle Asm - Microwave - Left
	081555 01-T03	EA	Trim Asm - Microwave
	082876-01-000	EA	Baffle Asm - Microwave

### OPTIONAL SPEED CONTROL & COMPONENTS

Key	Part Number	U/M	Description
	083557-01-000	EA	Speed Control Package - Electric Diesel - Dana
	083557-01-700	EA	Servo w/Cable Asm
	083557-01-701	EA	Switch - Stop Lamp - Cruise Release
	083557-01-702	EA	Wire Harness Ext
	083212 02-000	EA	Control Switch
	083212 01-000	EA	Speed Control Package Electric Gas - Dana

The illustrated parts breakdown for this item is provided on the Common Items Fiche

## 1986 ITASCA TABLE OF CONTENTS

IC420RG	A 01 - C 02
IC424RS	C-03 - E-10
ICN23RG	E 11 - G 23
ICN27RT	H 01 - J 14

## 1986 ICN23RG INDEX

Floor Plan	E-11 - E-12
Accessories Group	E-13 - E-15
Bath Group	F-16
Chassis Group	E-17 - E-20
Curtain Cushion & Pad Group	E-21 - F-04
Dinette Group	F-05 - F-06
Driver's Compartment Group	F-07 - F-09
Electrical Group	F-10 - F-12
Exterior Body Group	F-13 - F-20
Galley Group	F-21 - F-22
Heating & Air Conditioning Group	F-23
Interior Finish Group	F-24 - G-02
LP Group	G-03
Lounge Group	G-04 - G 05
Water & Sewage Group	G-06 - G-07
Window Vent & Exterior Door Group	G-08 - G-23

**ACCESSORIES GROUP (CONTINUED)**

**OPTIONAL FOG LAMP & COMPONENTS**

Key	Part Number	U/M	Description
	079941 01 000	EA	Lamp Asm - Fog w/Cover Amber
	079941 01 700	EA	Lamp Asm - Fog - Set of 2
	079941 01-701	EA	Lens and Cover only
	079941 01 702	EA	Switch - Fog Lights
	079941 01 703	EA	Solenoid
	079941 01 704	EA	Switch Plate - For Switch

**OPTIONAL AIR HORN & COMPONENTS**

Key	Part Number	U/M	Description
	077497 01 000	EA	Air Horn Kit - Twin Chromed
	077497 01 700	EA	Solenoid - Air Horns Air Tank
	077497-01-701	EA	Compressor Switch - Air Horn
	077497 01 702	EA	Toggle Switch - Air Horn
	077497 01-703	EA	Air Tank - Air Horn
	077497 01-704	EA	Compressor w/Switch Air Horn
	063912 01 000	EA	Relay Canister - w/Ground - Air Horn

**OPTIONAL STEERING WHEEL**

Key	Part Number	U/M	Description
	080752-05 000	EA	Steering Wheel - Custom
	080752 06 000	EA	Hub Adapter - Steering Wheel
	080752 07 000	EA	Button - Horn - w/Wire
	080752 08 000	EA	Screw - Custom Steering Wheel

**BATH GROUP**

**BATH CABINETRY**

Key	Part Number	U/M	Description
	M82823 01-U13	EA	Cabinet Asm - Lavatory - w/o Countertop & Doors
	M02527-01-U13	EA	Countertop Asm - Lavatory Cabinet - Blue/Gray
	M02527 01 U14	EA	Countertop Asm - Lavatory Cabinet - Melon
	M02527-01 U15	EA	Countertop Asm - Lavatory Cabinet Plum/Beige
	M81504 64 U13	EA	Door Asm - Lavatory Cabinet - Left - w/o Hardware
	M81504 28-T09	EA	Door Asm - Lavatory Cabinet - Lower Right w/o Hardware
	077251-01-000	EA	Drawer Asm - Lavatory Cabinet - Plastic
	081897 01-U13	EA	Drawer Face - Lavatory
	076073 01 000	EA	Cabinet Asm - Medicine - 15 4" x 29 4" - w/o Door - Almond
	081535 01-U04	EA	Door Asm - Medicine Cabinet w/Mirror - 12' x 26' - w/o Hardware
	081535 03 U01	EA	Mirror Asm Lavatory Medicine Cabinet - 22 4 x 29 5'
	M02522 01 U13	EA	Countertop Asm - Pipe Cover - Blue/Gray
	M02522-01-U14	EA	Countertop Asm - Pipe Cover - Melon
	M02522 01 U15	EA	Countertop Asm - Pipe Cover Plum/Beige
	082417-01-U04	EA	Door Asm - Bath - Front Sliding - w/o Hardware
	081830 01-U04	EA	Door Asm - Bath - Rear Sliding - w/o Hardware
	079657-01 000	EA	Door Asm - Shower - Plastic
	M81504 16-T09	EA	Door Asm - Wardrobe - w/o Hardware
	M81507 07-U04	EA	Door Asm - Furnace - Wardrobe Cabinet - w/o Hardware
	M01817 01-T03	EA	Bath Tub Asm - w/Strainer
	080256-01 000	EA	Shroud Shower
	080256 03 000	EA	Shroud - Shower - w/Skylight
	075242-02 000	EA	Faucet - Tub & Shower - Antique Brass
	075242-03 000	EA	Faucet - Tub & Shower - Brass
	011048 02 000	EA	Shower Head w/60' Hose
	011048-04 000	EA	Vacuum Breaker - 1/8 MPT - Nylon - Shower Head
	075806-01-000	EA	Shower Panel - Faucet - Plastic
	066729-01-000	EA	Strainer - Bathlud Asm
	066435 01-000	EA	Nut - Strainer - Plastic
	066436 01-000	EA	Slip Nut 1 5 Tail Piece
	069735 01 000	EA	Washer - Tail Piece - 1 5 - Plastic
	011069 02 000	EA	Tail Piece - 1 5 x 1 25 x 4 - Brass
	058713 01 000	EA	Sink - Oval Ivory Plastic
	075240-02 000	EA	Faucet - Lavatory - Antique Brass
	075240-03-000	EA	Faucet - Lavatory - Brass
	011083-01-000	EA	Tail Piece w/Stopper 1 25 x 5 Plastic - Sink
	039341 02 000	EA	Toilet - Thetford - Aqua Magic - Ivory - 8420 SH
	009134 01 000	EA	Tissue Holder Plastic
	075452-02 000	EA	Tissue Holder - Brass
	009133 01 000	EA	Towel Bar - 12 - Plastic
	075453 02 000	EA	Towel Bar - 18' Brass
	064467 01-000	EA	Guide - Sliding Door - Mounts on Wall
	009156-01-000	EA	Hanger - Sliding Door
	075145-06-000	EA	Cover - Sliding Door Track - 54 2
	075153 01-000	EA	Cover - End Cap Sliding Door Track Beige
	075149-04 000	EA	Track - Sliding Door - 54 2
	058034 02 000	EA	Latch - Sliding Door - w/o Lock
	009112 01-000	EA	Flange - 1 Closet Rod
	075680-01 000	EA	Closet Rod Adjustable
	058331-01 000	EA	Mirror - Tempered Glass - 19 x 26
	058331 05 000	EA	Mirror - Tempered Glass 12 x 26
	009089 01 000	EA	Clip - Mirror
	057671-01-000	EA	Screw Cover - #8 - Antique White
	066433-01-000	EA	Cup Hook - Bright
	071632-01-000	EA	Hanger Bag 49 - w/Elastic
	079235 01-000	EA	Header - Shower Door - Beige
	075603 01-000	EA	Threshold - Shower Door - Beige
	079234 01-000	EA	Jamb - Shower Door - Beige - Right
	079234-02-000	EA	Jamb - Shower Door - Beige - Left
	011069 03 000	EA	Tail Piece - 1 1/2 x 1 3/4 - Plastic
	076387-01-000	EA	Bracket - Medicine Cabinet

**1986 ITASCA  
TABLE OF CONTENTS**

IC420RG	A 01 - C-02
IC424RS	C-03 - E-10
ICN23RG	E 11 - G 23
ICN27RT	H 01 - J 14

**1986 ICN23RG INDEX**

Floor Plan	E-11 - E 12
Accessories Group	E-13 - E-15
Bath Group	E-16
Chassis Group	E-17 - E-20
Curtain Cushion & Pad Group	E-21 - F-04
Dinette Group	F-05 - F-06
Driver Compartment Group	F 07 - F-09
Electrical Group	F-10 - F-12
Exterior Body Group	F-13 - F-20
Galley Group	F 21 - F-22
Heating & Air Conditioning Group	F 23
Interior Finish Group	F-24 - G-02
LP Group	G-03
Lounge Group	G 04 - G-05
Water & Sewage Group	G 06 - G 07
Window Vent & Exterior Door Group	G 08 - G-23

## CHASSIS GROUP

### MISCELLANEOUS CHASSIS

Key	Part Number	U/M	Description
	047441-01 000	EA	Battery Terminal Horizontal Lug
	075723 01 000	EA	Block - Switch - Spacer w/o Holes
	072359 01 000	EA	Bottle - Coolant Expansion
	064093 01-000	EA	Box - Luggage
	075231-01 000	EA	Bracket Asm - Fuel Tank Hanger
	051697 01 000	EA	Bracket - Battery Tie Down - 6 9
	065451 02 000	EA	Bracket - Battery Tie Down - 10 82'
	065451 03 000	EA	Bracket - Battery Tie Down - 14'
	007125 07 000	EA	Clamp Asm - Muffler 1 62'
	007125 01 000	EA	Clamp Asm - Muffler - 2 50
	010497 01-000	EA	Clamp - Close - 5/8 I D
	007161 01 000	EA	Clamp - Hose - Spring Type 112
	062401-01 000	EA	Clamp Hose - Wormgear - 22' I D x 1" I D
	062401 02-000	EA	Clamp - Hose - Wormgear - 1 56' I D - 2 5" I D
	062401 03 000	EA	Clamp - Hose - Wormgear - 25' I D - 1' I D
	062401-04 000	EA	Clamp - Hose - Wormgear - 69 I D 1 25' I D
	062401-05 000	EA	Clamp - Hose - Wormgear - 2 I D - 3 I D
	062401 06-000	EA	Clamp Hose - Wormgear - 22 I D - 62 I D
	023146-01-000	EA	Clamp - Screw Type - 4'
	024490 01 000	EA	Compartment - Power Cord - Black Plastic
	071656 01 000	EA	Cover - Radiator - Rear
	080722 01 000	EA	Cover - Radiator - Rear Back (Fan Shroud)
	020167-03 000	EA	Dirt Guard - Rear Wheel
	007131 01 000	EA	Hanger Tail Pipe
	024138 01-000	FT	Hose - Fuel - 5/16' I D SAE 30RI
	066732-01-000	FT	Hose - Fuel Fill - 62 I D
	007111-02 000	EA	Hose - Fuel Fill - 2 00 I D
	007111-01 000	EA	Hose - Fuel Fill 2 25 I D
	006113 01-000	EA	Jack - Hydraulic - 6 Ton - w/Handle
	080208 02 000	EA	Leverage Bar - 22 - Lug Wrench
	080208 01 000	EA	Lug Wrench
	017516 01-000	EA	Mud Flap w/Holes - 14 x 18 - Black
	074483 01 000	EA	Retainer Nut - Snap In - Speed Control
	057038 09 000	EA	Sending Unit Fuel 90 OHM - Aux
	075146-01-000	EA	Shield - Heat Muffler
	079942-01-000	EA	Shock Absorber - Stabilizer - Front
	079942-02 000	EA	Shock Absorber - Stabilizer - Rear
	063977-04 000	EA	Step Asm - Driver Door
	077848 01-000	EA	Step Asm - Entry
	076241-01 000	EA	Support Asm - Electric Step
	065963 02 000	EA	Switch - Fuel - Change Over
	061411-03-000	EA	Tailpipe Extension - 2 25 x 10 5
	064963-02-000	EA	Rim Wheel - 16 x 6
	050273-02 000	EA	Tire - 7 50 x 16 x CA T8 - Tubeless
	040546-01 000	EA	Tire - 7 50 x 16 - 8 Ply Poly
	040546-03 000	EA	Tire - 7 50 x 16 8 Ply - BSW Tube
	050273 03-000	EA	Tire - 7 50 x 16 - White Sidewall - Radial
	048594-01-000	EA	Tray - Battery
	052431-01-000	EA	Tray - Luggage
	051377-01-000	EA	Valve Stem Asm - TR500
	055080 01 000	EA	Wheelwell - Plastic
	008343 01-000	EA	Wire Tie 6
	081432 01 000	EA	Shroud - Main Fuel Fill Inside

NOTE

Remainder of exhaust components available from chassis service centers

## CHASSIS GROUP (CONTINUED)

### OPTIONAL STEERING WHEEL

Key	Part Number	U/M	Description
	080752 05 000	EA	Steering Wheel - Custom
	080752 06-000	EA	Hub Adapter - Steering Wheel
	080752 07 000	EA	Horn Button - w/Wire
	080752 08 000	EA	Screw - Custom Steering Wheel

### OPTIONAL 105 AMP ALTERNATOR & COMPONENTS

Key	Part Number	U/M	Description
	081057 01 000	EA	Alternator Kit 105 Amp
	081057 01 700	EA	Brush Assembly
	081057 01 701	EA	Diode Bridge
	081057 01 702	EA	Condenser
	081057 01 703	EA	Inside Bearing Spacer
	081057 01-704	EA	Front Bearing
	081057 01 705	EA	Outside Bearing Spacer
	081057 01 706	EA	Pulley
	081057 01 707	EA	Diode +
	081057-01 708	EA	Diode -
	081057 01 709	EA	Stator (105 H D)
	081057 01 710	EA	Rotor
	081057 01-711	EA	Ground Terminal Kit
	081057 01 712	EA	Battery Terminal Kit
	081057 01-713	EA	Rear Bearing
	081057 02 000	EA	Regulator Kit 105 Amp
	081057 03 000	EA	Alternator 105 Amp Wide Belt

### AUXILIARY FUEL FILL

Key	Part Number	U/M	Description
	078010 05 000	EA	Door Asm & Upper Shroud - Fuel Fill Gray
	073220-02 000	EA	Cap - Fuel Fill
	075830-01-000	EA	Shroud Fuel Fill - Inside
	083445 01 000	EA	Neck Asm - Fuel Fill
	007111 02 000	EA	Hose - Fuel - I D x 3'
	066732 01 000	FT	Hose - Fuel - 62 I D - Vent
	083437 01-000	EA	Tank - Fuel - 30 Gallon
	075232-01-000	EA	Strap Asm - Fuel Tank - T Bolt Ends
	083452 01-000	EA	Bracket - Fuel Tank Mounting
	063303 05 000	EA	Shroud - Fuel Fill - Lower
	078200-01 000	EA	Gasket - Fuel Fill
	079807 01 000	EA	Plate - Changeover Valve
	080212 01 000	EA	Valve - Changeover - Fuel Select 6 Port
	057038 09-000	EA	Sending Unit - 90 Ohms

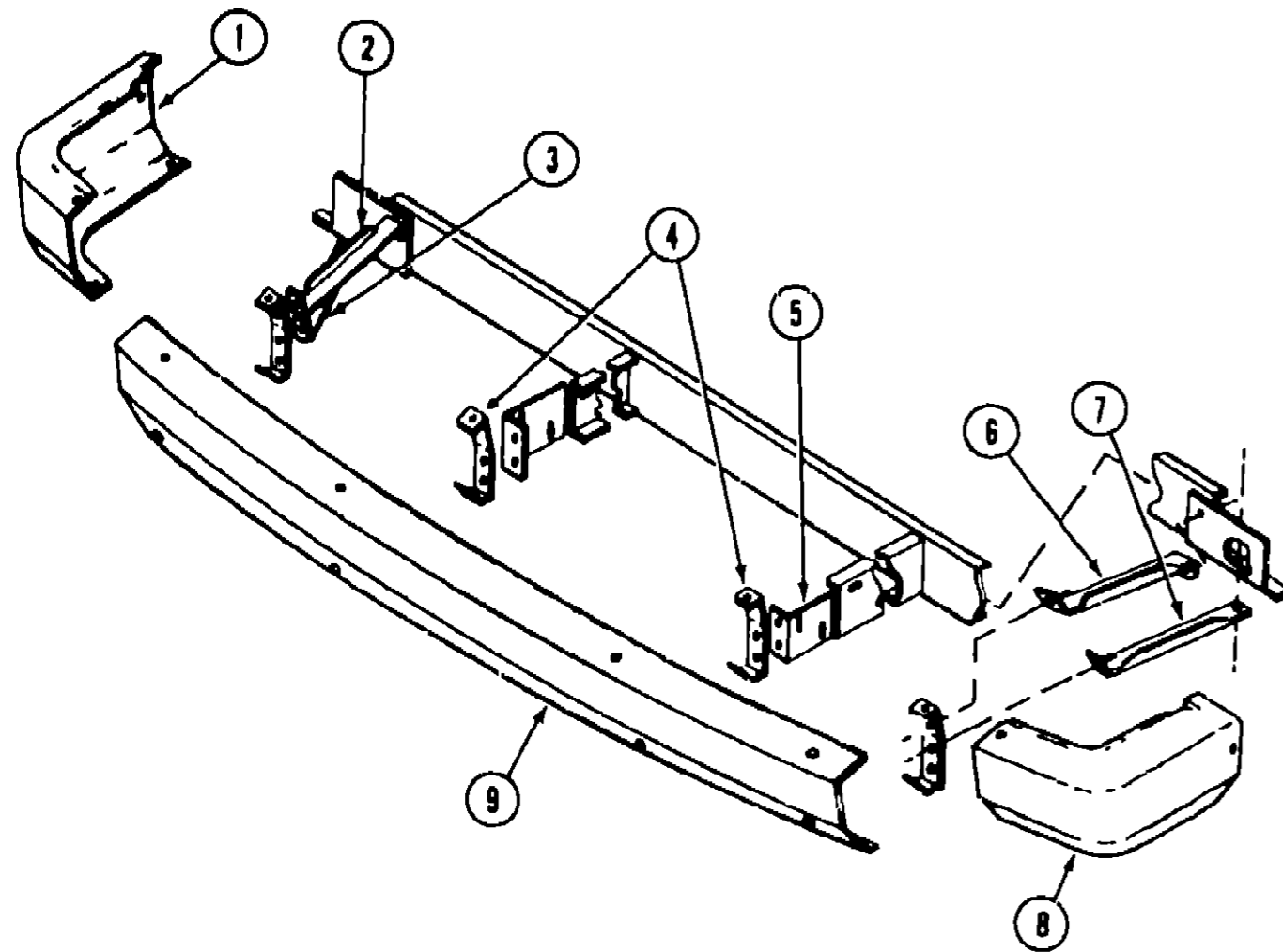
## 1986 ITASCA TABLE OF CONTENTS

IC420RG	A 01 - C 02
IC424R5	C 03 E 10
ICN23RG	E-11 - G 23
ICN27RT	H 01 J 14

## 1986 ICN23RG INDEX

Floor Plan	E-11 - E-12
Accessories Group	E-13 - E-15
Bath Group	E-16
Chassis Group	E 17 - E-20
Curtain Cushion & Pad Group	E 21 - F-04
Dinette Group	F 05 - F 06
Driver's Compartment Group	F 07 - F-09
Electrical Group	F-10 - F-12
Exterior Body Group	F-13 - F 20
Galley Group	F 21 - F-22
Heating & Air Conditioning Group	F 23
Interior Finish Group	F-24 - G-02
LP Group	G-03
Lounge Group	G-04 - G-05
Water & Sewage Group	G 06 - G 07
Window Vent & Exterior Door Group	G 08 - G-23

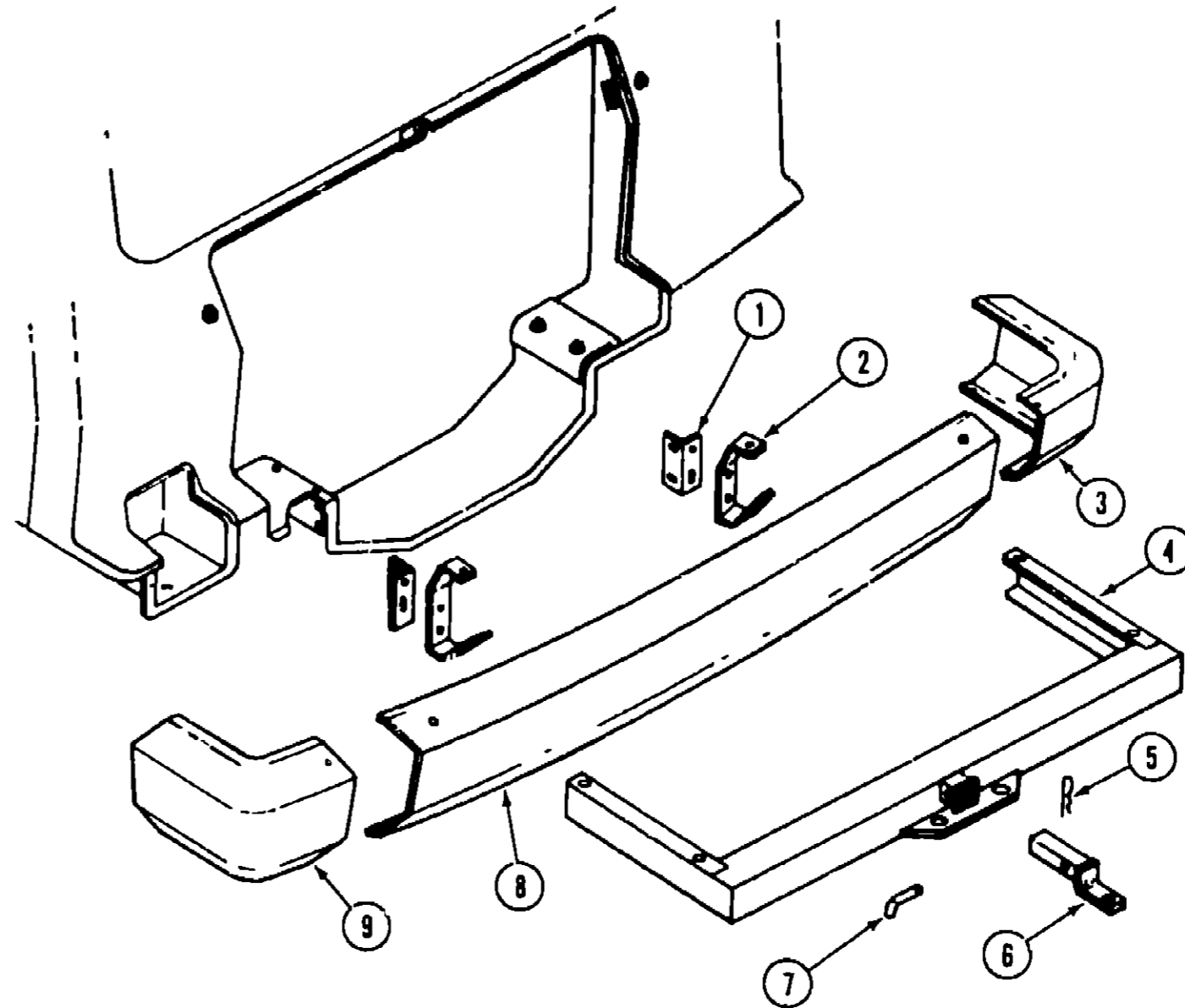
**CHASSIS GROUP (CONTINUED)**



**FRONT BUMPER**

Key	Part Number	U/M	Description
1	078577 03 000	EA	Bumper End - Gray - Right Front
2	078002 01 000	EA	Brace - Upper Right - Front Bumper
3	078003-01-000	EA	Brace - Lower Right - Front Bumper
4	077852 01-000	EA	Bracket to Bumper - Front
5	076527-01-000	EA	Bracket to Frame - Front Bumper
6	078002-02 000	EA	Brace - Upper Left - Front Bumper
7	078003 02 000	EA	Brace - Lower Left - Front Bumper
8	078577 04-000	EA	Bumper End - Gray - Left Front
9	077850 04 000	EA	Bumper - Front - Primed
9	077850-09-000	EA	Bumper - Front - Chrome
	005200 01-000	EA	Carriage Bolt Chrome 7/16 x 14 x 1 1/4
			Not illustrated

**CHASSIS GROUP (CONTINUED)**



**REAR BUMPER & HITCH**

Key	Part Number	U/M	Description
1	078668-01-000	EA	Support Angle - Rear Bumper Support to Frame
2	078670-02-000	EA	Bracket to Bumper - Rear
3	078578 03 000	EA	Bumper End Cap - Rear Passenger - Gray
4	077617 01-700	EA	Hitch Asm - w/o Drawbar
5	034513-01-000	EA	Pin - Hitch - 3/16 Wire
6	077613 01-000	EA	Drawbar - Ball Mount
7	034512 01-000	EA	Locking Pin - Drawbar
8	078584 01-000	EA	Bumper - Rear - Primed
8	078584 08-000	EA	Bumper - Rear - Chromed
9	078578 04 000	EA	Bumper End Cap - Rear Driver - Gray
	083376 01 000	EA	Skid Plate Asm
	005200 01 000	EA	Bumper Bolt 7/16 - 14 x 1 1/4
			Not illustrated

**1986 ITASCA  
TABLE OF CONTENTS**

IC420RG	A-01	C-02
IC424RS	C 03	E 10
ICN23RG	E-11	G 23
ICN27RT	H 01 - J 14	

**1986 ICN23RG INDEX**

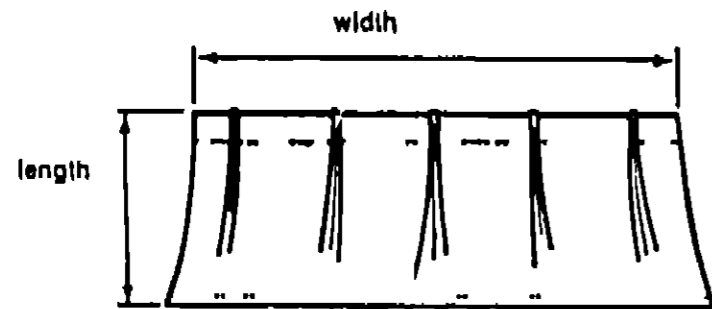
Floor Plan	E-11 - E-12
Accessories Group	E 13 - E-15
Bath Group	E 16
Chassis Group	E-17 - E-20
Curtain Cushion & Pad Group	E-21 - F 04
Dinette Group	F-05 - F-06
Driver's Compartment Group	F-07 - F-09
Electrical Group	F-10 - F-12
Exterior Body Group	F-13 - F-20
Galley Group	F-21 - F-22
Heating & Air Conditioning Group	F-23
Interior Finish Group	F-24 - G-02
LP Group	G 03
Lounge Group	G 04 - G 05
Water & Sewage Group	G 06 - G 07
Window Vent & Exterior Door Group	G-08 - G 23

**CURTAIN, CUSHION & PAD GROUP**

**NOTICE**

In order to assist our Parts Sales Dept. in providing interior software items please include the serial number and the color code number from the vehicle certification label when ordering. This label is located on the left sidewall at the end of the dash (A Body) or on the driver's door latch plate (C-Body).

An example of a color code number is P31, which designates an overall color scheme of a particular unit. The color listed after the item description on the microfiche, indicates the overall unit color. Order the item you desire according to unit color code.



**NOTE**

Use this illustration when determining length and width measurements for curtains. You will note the width measurement is taken on the top of the curtain with the curtain fully extended. The length measurement is taken from top to bottom.



Key	Part Number	U/M	Description
1	029130-01-000	EA	Socket - Snap Fastener
2	029155-01-000	EA	Cap - Snap - 156 Dia x 17 Barrel
3	029156-01-000	EA	Socket - Snap Fastener
4	029092 01-000	EA	Stud - Nickel Finish
5	029093 01 000	EA	Eyelet - Nickel Finish

**CURTAIN, CUSHION & PAD GROUP (CONTINUED)**

**FABRICS, TRIMS & PADS**

Key	Part Number	U/M	Description
	072333 21 000	YD	Fabric - Drapery - Parchment
	077498 65 000	YD	Fabric w/Pattern - Upholstery - Blue/Gray (U13)
	077498 66-000	YD	Fabric w/Pattern - Upholstery - Melon (U14)
	077498 67 000	YD	Fabric w/Pattern - Upholstery - Plum/Beige (U15)
	077498 68 000	YD	Fabric w/Pattern - Upholstery Accent - Melon (U14)
	077498 70 000	YD	Fabric - Upholstery/Draper - Accent - Plain - Blue/Gray (U13)
	077498 71 000	YD	Fabric - Upholstery/Draper - Accent - Plain - Melon (U14)
	077498 69 000	YD	Fabric - Upholstery/Draper - Accent - Plain - Plum/Beige (U15)
	069729 25 000	YD	Fabric - Bedspread/Draper - Main - Blue/Gray (U13)
	069729 26 000	YD	Fabric - Bedspread/Draper - Main - Melon (U14)
	069729 27 000	YD	Fabric - Bedspread/Draper - Main - Plum/Beige (U15)
	069729 28 000	YD	Fabric - Bedspread - Accent - Blue/Gray (U13)
	069729 29 000	YD	Fabric - Bedspread - Accent - Melon (U14)
	069729 30 000	YD	Fabric - Bedspread - Accent - Plum/Beige (U15)
	038421 01 000	YD	Fabric - Mattress Ticking
	052859 01 T03	FT	Trim Asm - Accent - Sandrift
	052859 05 T03	FT	Trim Asm - Accent - Buckskin
	079680 01 000	YD	Vinyl - Expanded - 26 oz - Buckskin
	079680 02 000	YD	Vinyl - Expanded - 26 oz - Sandrift
	070578 06-T03	EA	Button Asm - #30 - Vinyl
	057093 01-T03	EA	Button Asm - #60 - Vinyl
	057550-03 T03	EA	Button Asm - Nail - Vinyl
	071127-09 000	EA	Button Asm - #36 - Hook Back
	071127-10 U10	EA	Button Asm - #30 - Blue/Gray
	071127 10 U11	EA	Button Asm - #30 - Melon
	071127-10 U12	EA	Button Asm - #30 - Plum/Beige (U15)
	078155 01 000	EA	Strap Asm - Cushion
	079144 02 000	EA	Strap Asm - Bunk
	081325 01-T03	EA	End Cap Asm - Overhead - Dinette - Vinyl
	081519 01 U10	EA	Pad Asm - Dinette - Blue/Gray (U13)
	081519 01 U11	EA	Pad Asm - Dinette - Melon (U14)
	081519-01 U12	EA	Pad Asm - Dinette - Plum/Beige (U15)
	081711 07 U13	EA	Pad Asm - Rear Dinette - Right - Blue/Gray
	081711 07-U14	EA	Pad Asm - Rear Dinette - Right - Melon
	081711 07 U15	EA	Pad Asm - Rear Dinette - Right - Plum/Beige
	081711 08 U13	EA	Pad Asm - Rear Dinette - Left - Blue/Gray
	081711 08 U14	EA	Pad Asm - Rear Dinette - Left - Melon
	081711 08 U15	EA	Pad Asm - Rear Dinette - Left - Plum/Beige
	059467 05 U04	EA	Pad - Map Pocket - Drivers
	059467 06 U04	EA	Pad - Map Pocket - Passenger

**CURTAIN & CUSHION HARDWARE**

Key	Part Number	U/M	Description
	056116 01 000	EA	Track - Curtain - Brown Plastic
	079946-01 000	EA	Track - Curtain - Front Wraparound - Right
	079946 02 000	EA	Track - Curtain - Front Wraparound - Left
	081362 01 000	EA	Bracket Asm - Armrest - Right
	081362 02 000	EA	Bracket Asm - Armrest - Left
	056001 01 000	EA	Bracket - Shade - Left
	056002 01 000	EA	Bracket - Shade - Right
	056003 01 000	EA	Bracket - Drapery Retainer - Right
	056003 02 000	EA	Bracket - Drapery Retainer - Left
	075477-21-000	EA	Bracket - Hold Down - Blinds
	009107 01 000	EA	Guide - Nylon Snap - Curtain
	056784 01 000	EA	Pull - Window Shade - Antique Brass
	056115 01-000	YD	Tape - Clear Plastic - w/Guides
	048394 01-000	YD	Tape Hook - 1 x 25 YD - Beige
	029096 03 000	EA	Tape Hook - 1 0 - Velcro - Black
	029096 05 000	EA	Tape Hook - 50 - Velcro - Beige
	048395 01 000	YD	Tape Loop - 1 x 25 YD - Beige
	029094 04 000	EA	Tape Loop - 1 0 - Velcro - Black
	029094 05 000	EA	Tape Loop - 50 - Velcro - Beig

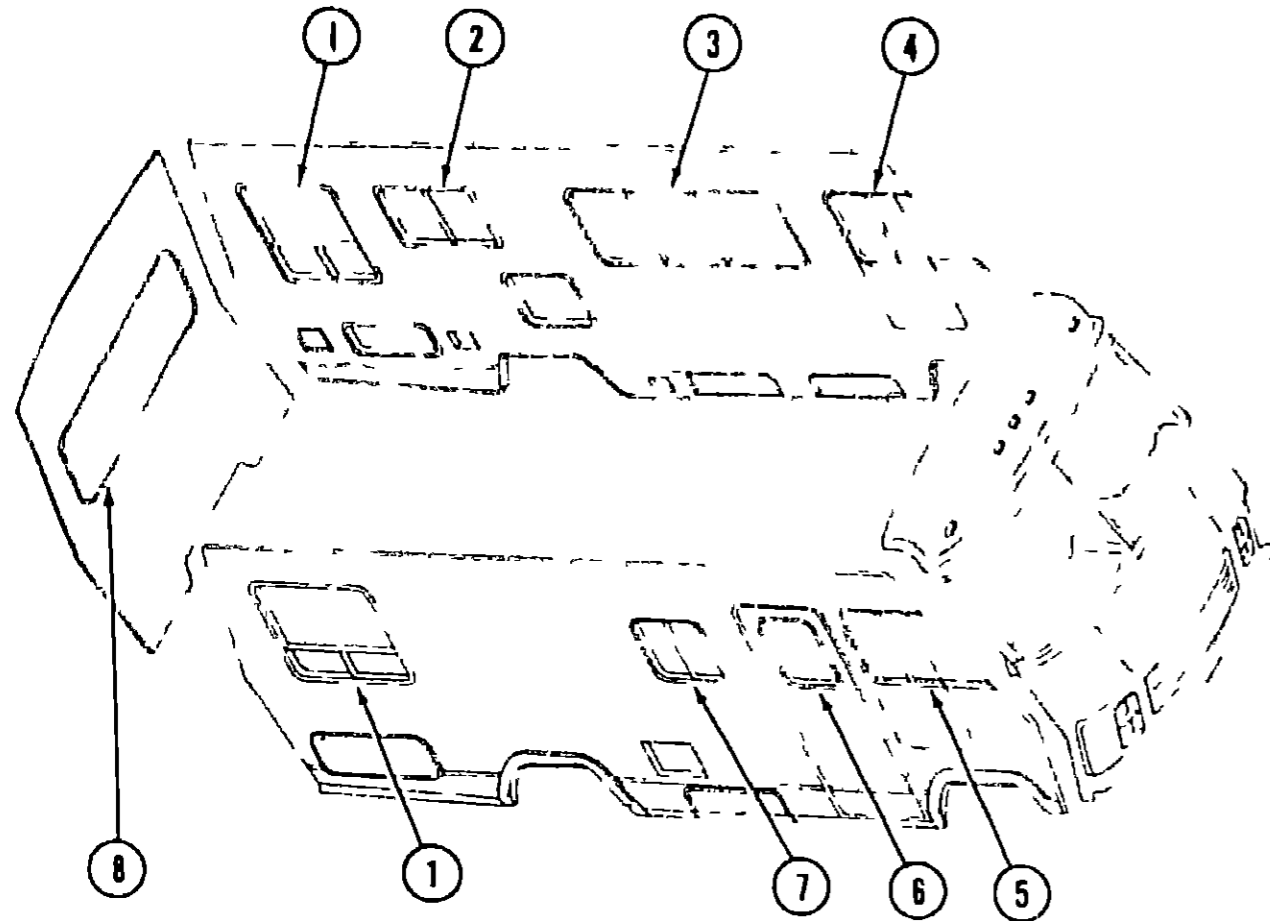
**1986 ITASCA  
TABLE OF CONTENTS**

IC420RG	A-01 - C-02
IC424RS	C 03 - E-10
ICN23RG	E-11 - G-23
ICN27RT	H 01 - J-14

**1986 ICN23RG INDEX**

Floor Plan	E-11 - E 12
Accessories Group	E 13 - E-15
Bath Group	E 16
Chassis Group	E 17 - E 20
Curtain - Cushion & Pad Group	E 21 - F 04
Dinette Group	F-05 - F-06
Driver's Compartment Group	F 07 - F-09
Electrical Group	F-10 - F 12
Exterior Body Group	F-13 - F-20
Galley Group	F 21 - F 22
Heating & Air Conditioning Group	F 23
Interior Finish Group	F-24 - G 02
LP Group	G 03
Lounge Group	G 04 - G 05
Water & Sewage Group	G-06 - G 07
Window Vent & Exterior Door Group	G-08 - G 23

**CURTAIN, CUSHION & PAD GROUP (CONTINUED)**



**CURTAINS, SHADES, VALANCES & TIEBACKS**

Key	Part Number	U/M	Description
1	079542-06-U13	EA	Curtain w/Darts - 38.5 x 10 - Blue/Gray
1	079542-06-U14	EA	Curtain w/Darts - 38.5 x 10 - Melon
1	079542-06-U15	EA	Curtain w/Darts - 38.5 x 10 - Plum/Beige
1	M82194-02-U13	EA	Valance Asm - Padded - Passenger - Blue/Gray
1	M82194-02-U14	EA	Valance Asm - Padded - Passenger - Melon
1	M82194-02-U15	EA	Valance Asm - Padded - Passenger - Plum/Beige
1	M82194-01-U13	EA	Valance Asm - Padded - Driver - Blue/Gray
1	M82194-01-U14	EA	Valance Asm - Padded - Driver - Melon
1	M82194-01-U15	EA	Valance Asm - Padded - Driver - Plum/Beige
1	082118-19-000	EA	Blind - 30 x 38 Drop - Blue/Gray (U13)
1	082118-20-000	EA	Blind - 30 x 38 Drop - Melon (U14)
1	082118-21-000	EA	Blind - 30 x 38 Drop - Plum/Beige (U15)
1	082127-19-000	EA	Shade Asm - Woven Wood - 30 x 40 Drop - Blue/Gray (U13)
1	082127-20-000	EA	Shade Asm - Woven Wood - 30 x 40 Drop - Melon (U14)
1	082127-21-000	EA	Shade Asm - Woven Wood - 30 x 40 Drop - Plum/Beige (U15)
2	082176-01-U10	EA	Valance Asm - Padded - Blue/Gray (U13)
2	082176-01-U11	EA	Valance Asm - Padded - Melon (U14)
2	082176-01-U12	EA	Valance Asm - Padded - Plum/Beige (U15)
2	082118-22-000	EA	Blinds - 32 x 26 Drop - Blue/Gray (U13)
2	082118-23-000	EA	Blinds - 32 x 26 Drop - Melon (U14)
2	082118-24-000	EA	Blinds - 32 x 26 Drop - Plum/Beige (U15)

**CURTAIN, CUSHION & PAD GROUP (CONTINUED)**

**CURTAIN, SHADES, VALANCES & TIEBACKS (CONT)**

Key	Part Number	U/M	Description
3	079542-07-U13	EA	Curtain w/Darts - 31' x 16' - Blue/Gray
3	079542-07-U14	EA	Curtain w/Darts - 31' x 16' - Melon
3	079542-07-U15	EA	Curtain w/Darts - 31' x 16' - Plum/Beige
3	M81977-15-U13	EA	Valance Asm - Padded - Blue/Gray
3	M81977-15-U14	EA	Valance Asm - Padded - Melon
3	M81977-15-U15	EA	Valance Asm - Padded - Plum/Beige
1	082118-31-000	EA	Blind - 65' x 34" Drop - Blue/Gray (U13)
1	082118-32-000	EA	Blind - 65' x 34" Drop - Melon (U14)
1	082118-33-000	EA	Blind - 65' x 34" Drop - Plum/Beige (U15)
3	079543-15-U10	EA	Curtain w/Snap Bottom - 30.5' x 16' (Woven Wood) - Blue/Gray (U13)
3	079543-15-U11	EA	Curtain w/Snap Bottom - 30.5' x 16' (Woven Wood) - Melon (U14)
3	079543-15-U12	EA	Curtain w/Snap Bottom - 30.5' x 16' (Woven Wood) - Plum/Beige (U15)
3	082127-31-000	EA	Shade Asm - Woven Wood - 65' x 35' Drop - Blue/Gray (U13)
3	082127-32-000	EA	Shade Asm - Woven Wood - 65' x 35' Drop - Melon (U14)
3	082127-33-000	EA	Shade Asm - Woven Wood - 65' x 35' Drop - Plum/Beige (U15)
4	073304-32-U04	EA	Curtain w/Snap Top - Front Wraparound - 32.5' x 86" (U13 U14, U15)
5	073304-31-U04	EA	Curtain w/Snap Top - Front Wraparound - 32.5' x 86" (U13 U14, U15)
	077591-05-U04	EA	Curtain w/Velcro Top - Blackout - 60' x 50 - Right (U13 U14 U15)
	077591-06-U04	EA	Curtain w/Velcro Top - Blackout - 60' x 50 - Left (U13 U14 U15)
6	M81977-12-U13	EA	Valance Asm - Padded - Blue/Gray
6	M81977-12-U14	EA	Valance Asm - Padded - Melon
6	M81977-12-U15	EA	Valance Asm - Padded - Plum/Beige
6	082119-19-000	EA	Shade Asm - 24.25' x 40' - Blue/Gray (U13)
6	082119-20-000	EA	Shade Asm - 24.25' x 40' - Melon (U14)
6	082119-21-000	EA	Shade Asm - 24.25' x 40' - Plum/Beige (U15)
7	M81977-05-U13	EA	Valance Asm - Padded - Blue/Gray
7	M81977-05-U14	EA	Valance Asm - Padded - Melon
7	M81977-05-U15	EA	Valance Asm - Padded - Plum/Beige (U15)
7	082118-13-000	EA	Blind - 27" x 23" Drop - Blue/Gray (U13)
7	082118-14-000	EA	Blind - 27" x 22" Drop - Melon (U14)
7	082118-15-000	EA	Blind - 27" x 22" Drop - Plum/Beige (U15)
8	079542-12-U10	EA	Curtain w/Darts - 35' x 16' - Blue/Gray (U13)
8	079542-12-U11	EA	Curtain w/Darts - 35' x 16' - Melon (U14)
8	079542-12-U12	EA	Curtain w/Darts - 35' x 16' - Plum/Beige (U15)
8	M81977-09-U13	EA	Valance Asm - Padded - Blue/Gray
8	M81977-09-U14	EA	Valance Asm - Padded - Melon
8	M81977-09-U15	EA	Valance Asm - Padded - Plum/Beige
8	082118-34-000	EA	Blind - 71' x 29' Drop - Blue/Gray (U13)
8	082118-35-000	EA	Blind - 71' x 29' Drop - Melon (U14)
8	082118-36-000	EA	Blind - 71' x 29' Drop - Plum/Beige (U15)
8	082127-34-000	EA	Shade Asm - Woven Wood - 71' x 30' Drop - Plum/Beige/Gray (U13)
8	082127-35-000	EA	Shade Asm - Woven Wood - 71' x 30' Drop - Melon (U14)
8	082127-36-000	EA	Shade Asm - Woven Wood - 71' x 30' Drop - Plum/Beige (U15)
	073260-16-U13	EA	Tie Back Asm - 3 x 20 - Blue/Gray
	073260-16-U14	EA	Tie Back Asm - 3 x 20 - Melon
	073260-16-U15	EA	Tie Back Asm - 3 x 20 - Plum/Beige
	057534-01-000	EA	Tie Back Asm - 6 - Clear Plastic
	057534-03-000	EA	Tie Back Asm - 7.5 - Clear Plastic
	057534-04-000	EA	Tie Back Asm - 20 - Clear Plastic
			Not illustrated

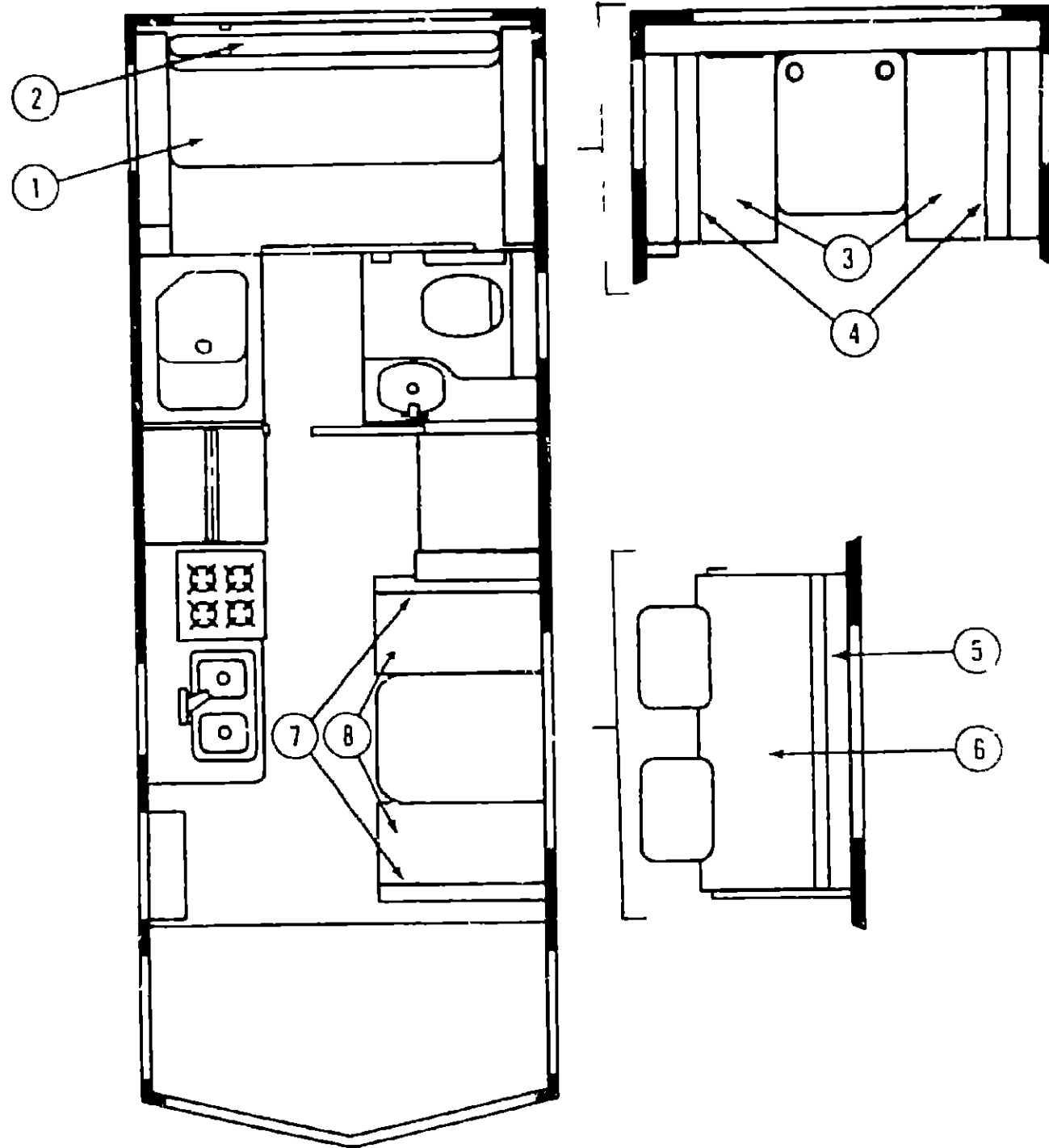
**1986 ITASCA  
TABLE OF CONTENTS**

IC420RG	A 01 - C 02
IC424RS	C-03 - E-10
ICN23RG	E 11 - G 23
ICN27RT	H 01 - J 14

**1986 ICN23RG INDEX**

Floor Plan	E 11 - E 12
Accessories Group	E 13 - F-15
Bath Group	E-16
Chassis Group	E-17 - E 20
Curtain Cushion & Pad Group	E 21 - F-04
Dinette Group	F-05 - F 06
Driver's Compartment Group	F-07 - F 09
Electrical Group	F-10 - F-12
Exterior Body Group	F 13 - F 20
Galley Group	F-21 - F-22
Heating & Air Conditioning Group	F 23
Interior Finish Group	F-24 - G 02
LP Group	G 03
Lounge Group	G-04 - G 05
Water & Sewage Group	G 06 - G 07
Window Vent & Exterior Door Group	G-08 - G 23

**CURTAIN, CUSHION & PAD GROUP (CONTINUED)**



**CONVERTIBLE COUCH CUSHIONS**

Key	Part Number	U/M	Description
1	072431 09 U13	EA	Cushion Asm - 3 Pillow Seat 23.5 x 76 x 5 - Blue/Gray
1	072431 10 U14	EA	Cushion Asm - 3 Pillow Seat 23.5 x 76 x 5 - Melon
1	072431 09 U15	EA	Cushion Asm - 3 Pillow Seat 23.5 x 76 x 5 - Plum/Beige
	M72431 09 U13	EA	Cover Asm - 3 Pillow Seat 23.5 x 76 x 5 - Blue/Gray
	M72431 10 U14	EA	Cover Asm - 3 Pillow Seat 23.5 x 76 x 5 - Melon
	M72431 09 U15	EA	Cover Asm - 3 Pillow seat 23.5 x 76 x 5 - Plum/Beige
2	072432 09 U13	EA	Cushion Asm - 3 Pillow Back - 15 x 76 x 5 - Blue/Gray
2	072432 10 U14	EA	Cushion Asm - 3 Pillow Back - 15 x 76 x 5 - Melon
2	072432 09 U15	EA	Cushion Asm - 3 Pillow Back 15 x 76 x 5 - Plum/Beige
	M72432-09 U13	EA	Cover Asm - 3 Pillow Back - 15 x 76 x 5 - Blue/Gray
	M72432-10 U14	EA	Cover Asm - 3 Pillow Back 15 x 76 x 5 - Melon
	M72432-09-U15	EA	Cover Asm - 3 Pillow Back 15 x 76 x 5 - Plum/Beige

**CURTAIN, CUSHION & PAD GROUP (CONTINUED)**

**REAR DINETTE CUSHIONS (OPTION)**

Key	Part Number	U/M	Description
3	081998-19-U13	EA	Cushion Asm - Rear Dinette Bottom - 17.5 x 44 x 5 - Blue/Gray
3	081998 22-U14	EA	Cushion Asm - Rear Dinette Bottom - 17.5 x 44 x 5 - Melon
3	081998-19 U15	EA	Cushion Asm - Rear Dinette Bottom - 17.5 x 44 x 5 - Plum/Beige
	M81998 19-U13	EA	Cover Asm - Rear Dinette Bottom - 17.5 x 44 x 5 - Blue/Gray
	M81998 22 U14	EA	Cover Asm - Rear Dinette Bottom 17.5 x 44 x 5 - Melon
	M81998 19 U15	EA	Cover Asm - Rear Dinette Bottom - 17.5 x 44 x 5 - Plum/Beige
4	081998 18 U13	EA	Cushion Asm - Rear Dinette Back - 19.25 x 44 x 5 - Blue/Gray
4	081998-21-U14	EA	Cushion Asm - Rear Dinette Back - 19.25 x 44 x 5 - Melon
4	081998 18 U15	EA	Cushion Asm - Rear Dinette Back - 19.25 x 44 x 5 - Plum/Beige
	M81998 18 U13	EA	Cover Asm - Rear Dinette Back - 19.25 x 44 x 5 - Blue/Gray
	M81998 21 U14	EA	Cover Asm - Rear Dinette Back - 19.25 x 44 x 5 - Melon
	M81998 18 U15	EA	Cover Asm - Rear Dinette Back - 19.25 x 44 x 5 - Plum/Beige

**SPRUNG COUCH CUSHION (OPTION)**

Key	Part Number	U/M	Description
5	073630 07-U13	EA	Cushion Asm - 3 Pillow Back - 15 x 76 x 5 - Blue/Gray
5	073630-08 U14	EA	Cushion Asm - 3 Pillow Back - 15 x 76 x 5 - Melon
5	073630-07-U15	EA	Cushion Asm - 3 Pillow back - 15 x 76 x 5 - Plum/Beige
	M73630 07 U13	EA	Cover Asm - 3 Pillow Back 15 x 76 x 5 - Blue/Gray
	M73630 08 U14	EA	Cover Asm - 3 Pillow Back - 15 x 76 x 5 - Melon
	M73630 07 U15	EA	Cover Asm - 3 Pillow Back 15 x 76 x 5 - Plum/Beige
6	073631-08 U13	EA	Cushion Asm - 3 Pillow Seat - 23.5 x 76 x 5 - Blue/Gray
6	073631 09 U14	EA	Cushion Asm - 3 Pillow Seat - 23.5 x 76 x 5 - Melon
6	073631 08 U15	EA	Cushion Asm - 3 Pillow Seat 23.5 x 76 x 5 - Plum/Beige
	M73631 08 U13	EA	Cover Asm - 3 Pillow Seat 23.5 x 76 x 5 - Blue/Gray
	M73631 09 U14	EA	Cover Asm - 3 Pillow Seat - 23.5 x 76 x 5 - Melon
	M73631 08 U15	EA	Cover Asm - 3 Pillow Seat 23.5 x 76 x 5 - Plum/Beige

**DINETTE CUSHIONS**

Key	Part Number	U/M	Description
7	081998-01-U10	EA	Cushion Asm - Angled Dinette Back - 19.25 x 38 x 5 - Blue/Gray (U13)
7	081998 07 U14	EA	Cushion Asm - Angled Dinette Back - 19.25 x 38 x 5 - Melon
7	081998-01 U12	EA	Cushion Asm - Angled Dinette Back - 19.25 x 38 x 5 - Plum/Beige (U15)
	M81998 01 U10	EA	Cover Asm - Angled Dinette Back - 19.25 x 38 x 5 - Blue/Gray (U13)
	M81998 07 U14	EA	Cover Asm - Angled Dinette Back - 19.25 x 38 x 5 - Melon
	M81998 01-U12	EA	Cover Asm - Angled Dinette Back - 19.25 x 38 x 5 - Plum/Beige (U15)
8	081998 02 U10	EA	Cushion Asm - Dinette Bottom - 17.5 x 38 x 5 - Blue/Gray (U13)
8	081998 08 U14	EA	Cushion Asm - Dinette Bottom - 17.5 x 38 x 5 - Melon
8	081998 02 U12	EA	Cushion Asm - Dinette Bottom - 17.5 x 38 x 5 - Plum/Beige (U15)
	M81998 02 U10	EA	Cover Asm - Dinette Bottom 17.5 x 38 x 5 - Blue/Gray (U13)
	M81998 08 U14	EA	Cover Asm - Dinette Bottom - 17.5 x 38 x 5 - Melon
	M81998 02 U12	EA	Cover Asm - Dinette Bottom - 17.5 x 38 x 5 - Plum/Beige (U15)

**1986 ITASCA  
TABLE OF CONTENTS**

IC420RG	A-01 - C 02
IC424RS	C-03 - E-10
ICN23RG	E-11 - G 23
ICN27RT	H 01 - J 14

**1986 ICN23RG INDEX**

Floor Plan	E 11 - E-12
Accessories Group	E-13 - E-15
Bath Group	E-16
Chassis Group	E-17 - E-20
Curtain Cushion & Pad Group	E-21 - F-04
Dinette Group	F-05 - F-06
Driver's Compartment Group	F-07 - F 09
Electrical Group	F-10 - F-12
Exterior Body Group	F-13 - F 20
Galley Group	F-21 - F-22
Heating & Air Conditioning Group	F-23
Interior Finish Group	F 24 - G-02
LP Group	G-03
Lounge Group	G-04 - G-05
Water & Sewage Group	G 06 - G 07
Window Vent & Exterior Door Group	G 09 - G 23



**CURTAIN, CUSHION & PAD GROUP (CONTINUED)**

**BUCKET SEATS**

Key	Part Number	U/M	Description
	079300-01-U10	EA	Seat Asm. - Vinyl (U13)
	079300-01-U11	EA	Seat Asm. - Vinyl (U14)
	079300-01-U12	EA	Seat Asm. - Vinyl (U15)
	M01862-01-U10	EA	Cover Asm. - Seat Bottom - Vinyl (U13)
	M01862-01-U11	EA	Cover Asm. - Seat Bottom - Vinyl (U14)
	M01862-01-U12	EA	Cover Asm. - Seat Bottom - Vinyl (U15)
	M01862-02-U10	EA	Cover Asm. - Seat Back - Vinyl (U13)
	M01862-02-U11	EA	Cover Asm. - Seat Back - Vinyl (U14)
	M01862-02-U12	EA	Cover Asm. - Seat Back - Vinyl (U15)
	078804-07-U13	EA	Seat Asm. - Granduer
	078804-07-U14	EA	Seat Asm. - Granduer
	078804-07-U15	EA	Seat Asm. - Granduer
	M01863-01-U13	EA	Cover Asm. - Granduer Seat Bottom
	M01863-01-U14	EA	Cover Asm. - Granduer Seat Bottom
	M01863-01-U15	EA	Cover Asm. - Granduer Seat Bottom
	M01863-02-U13	EA	Cover Asm. - Granduer Seat Back
	M01863-04-U14	EA	Cover Asm. - Granduer Seat Back
	M01863-04-U15	EA	Cover Asm. - Granduer Seat Back
	071126-16-U13	EA	Skirt Asm. - Granduer Bucket Seat
	071126-16-U14	EA	Skirt Asm. - Granduer Bucket Seat
	071126-16-U15	EA	Skirt Asm. - Granduer Bucket Seat
	080243-07-U10	EA	Armrest Asm. - Right (U13)
	080243-07-U11	EA	Armrest Asm. - Right (U14)
	080243-07-U12	EA	Armrest Asm. - Right (U15)
	080243-08-U10	EA	Armrest Asm. - Left (U13)
	080243-08-U11	EA	Armrest Asm. - Left (U14)
	080243-08-U12	EA	Armrest Asm. - Left (U15)
	M80243-01-U10	EA	Cover Asm. - Armrest - Right (U13)
	M80243-01-U11	EA	Cover Asm. - Armrest - Right (U14)
	M80243-01-U12	EA	Cover Asm. - Armrest - Right (U15)
	M80243-02-U10	EA	Cover Asm. - Armrest - Left (U13)
	M80243-02-U11	EA	Cover Asm. - Armrest - Left (U14)
	M80243-02-U12	EA	Cover Asm. - Armrest - Left (U15)
	080242-04-U10	EA	Headrest Asm. (U13)
	080242-04-U11	EA	Headrest Asm. (U14)
	080242-04-U12	EA	Headrest Asm. (U15)
	M80242-01-U10	EA	Cover Asm. - Headrest (U13)
	M80242-01-U11	EA	Cover Asm. - Headrest (U14)
	M80242-01-U12	EA	Cover Asm. - Headrest (U15)
	079281-02-U13	EA	Seat Asm. - Double Bucket
	079281-02-U14	EA	Seat Asm. - Double Bucket
	079281-02-U15	EA	Seat Asm. - Double Bucket
	M01874-03-U13	EA	Cover Asm. - Double Bucket - Bottom
	M01874-03-U14	EA	Cover Asm. - Double Bucket - Bottom
	M01874-03-U15	EA	Cover Asm. - Double Bucket - Bottom
	M01874-04-U13	EA	Cover Asm. - Double Bucket - Back
	M01874-04-U14	EA	Cover Asm. - Double Bucket - Back
	M01874-04-U15	EA	Cover Asm. - Double Bucket - Back
	071690-04-U13	EA	Skirt Asm. - Double Bucket
	071690-04-U14	EA	Skirt Asm. - Double Bucket
	071690-04-U15	EA	Skirt Asm. - Double Bucket
	080243-02-U13	EA	Armrest Asm. - Double Bucket
	080243-02-U14	EA	Armrest Asm. - Double Bucket
	080243-02-U15	EA	Armrest Asm. - Double Bucket
	M80243-02-U13	EA	Cover Asm. - Armrest
	M80243-02-U14	EA	Cover Asm. - Armrest
	M80243-02-U15	EA	Cover Asm. - Armrest
	080242-01-U13	EA	Headrest Asm. - Double Bucket
	080242-01-U14	EA	Headrest Asm. - Double Bucket
	080242-01-U15	EA	Headrest Asm. - Double Bucket
	M80242-01-U10	EA	Cover Asm. - Headrest - Double Bucket (U13)
	M80242-01-U11	EA	Cover Asm. - Headrest - Double Bucket (U14)
	M80242-01-U12	EA	Cover Asm. - Headrest - Double Bucket (U15)

**CURTAIN, CUSHION & PAD GROUP (CONTINUED)**

**FRONT OVERHEAD BUNK CUSHIONS**

Key	Part Number	U/M	Description
	079145-04-000	EA	Cushion Asm. - Front Bunk - 34" x 78" x 4"
	M79145-04-000	EA	Cover Asm. - Front Bunk Cushion - 34" x 78" x 4"

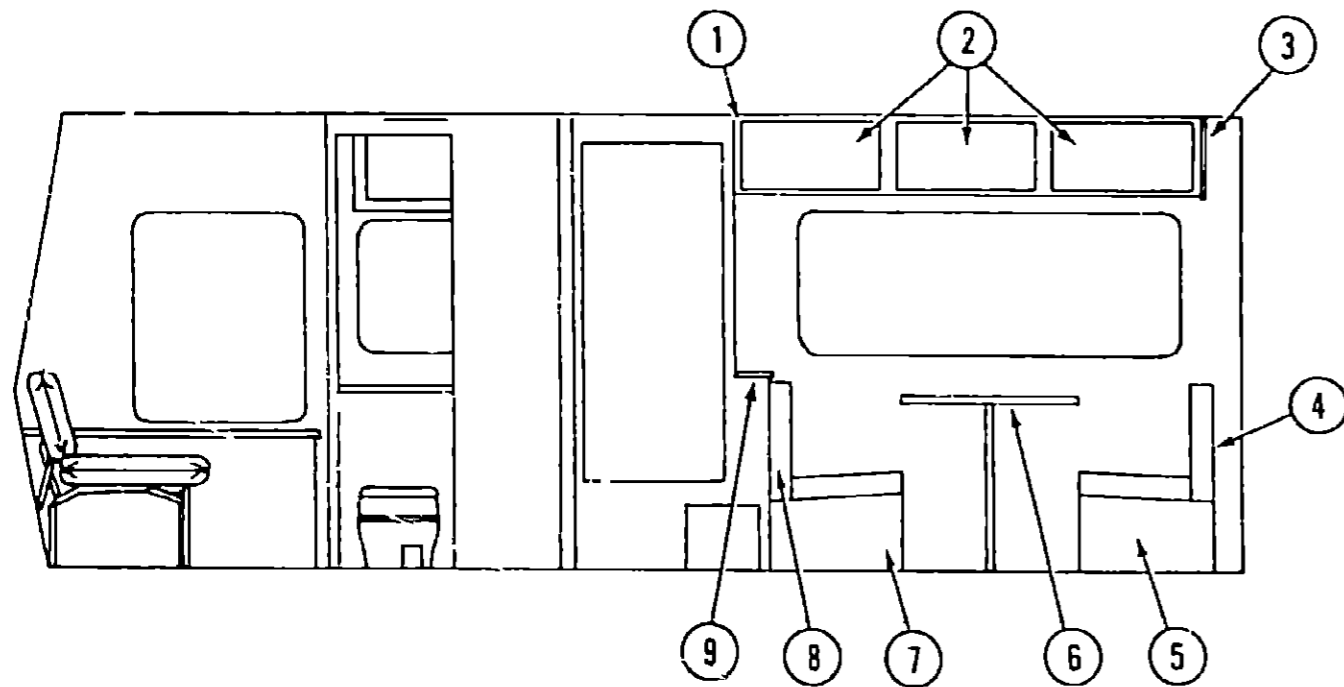
**1986 ITASCA  
TABLE OF CONTENTS**

IC420RG	A-01 - C-02
IC424RS	C-03 - E-10
ICN23RG	E-11 - G-23
ICN27RT	H-01 - J-14

**1986 ICN23RG INDEX**

Floor Plan	E-11 - E-12
Accessories Group	E-13 - E-15
Bath Group	E-16
Chassis Group	E-17 - E-20
Curtain, Cushion & Pad Group	E-21 - F-04
Dinette Group	F-05 - F-06
Driver's Compartment Group	F-07 - F-09
Electrical Group	F-10 - F-12
Exterior Body Group	F-13 - F-20
Galley Group	F-21 - F-22
Heating & Air Conditioning Group	F-23
Interior Finish Group	F-24 - G-02
L <sup>P</sup> Group	G-03
Lounge Group	G-04 - G-05
Water & Sewage Group	G-06 - G-07
Window, Vent & Exterior Door Group	G-08 - G-23

## DINETTE GROUP



CONVENTIONAL DINETTE & OVERHEAD CABINETRY

Key	Part Number	U/M	Description
1	M82419 02 U13	EA	Cabinet Asm - Dinette Overhead - w/o Doors or Hardware
2	M81506 01-T09	EA	Door Asm - Dinette Overhead - 21 8 x 12 8 w/o Hardware
3	081325-01-T03	EA	Pad Asm - End Cap - Dinette Overhead - Right - Sandrif Vinyl
4	M02486 01 U01	EA	Cabinet Asm - Dinette Back - Right
5	M02487-01-U04	EA	Cabinet Asm - Dinette Seat - Right
6	M02115-09 U10	EA	Table Asm - Dinette w/o Hardware - Northsea (U13)
6	M02115 09 U11	EA	Table Asm - Dinette w/o Hardware - Beige Crescent (U14)
6	M02115 09 U12	EA	Table Asm - Dinette - w/o Hardware Wild Rose (U15)
7	M02489-01 U04	EA	Cabinet Asm - Dinette Seat - Left
8	M02488 01 U01	EA	Cabinet Asm - Dinette Back - Left
9	M02518 01-U04	EA	Countertop Asm - Refrigerator
	053200-05 000	EA	Bracket - Upper Wall Mount - 23 5
	053201-01-000	EA	Bracket - Table Mount - 23
	024275 05-000	EA	Rod - Table Lift - 8 x 23 5
	024281-07-000	EA	Bracket - Lower Wall Mount - 22 12
	024276-14 000	EA	Leg Asm - Table - 29 5 - Brown
	064050-01-000	EA	Hinge - Table Leg
	024282-01-000	EA	Brace Table Leg
	024283 01 000	EA	Clip - 1 O D Tube
	049493 02 000	EA	Catch Table Leg - Mounts on Floor Brown
	064781 02 000	EA	Cup Holder - 3 47 O D x 2 75 I D x 1 5

Not illustrated  
The illustrated parts breakdown for this item is provided on the Common Items Fiche

## DINETTE GROUP (CONTINUED)

### SIDE COUCH W/TABLES (OPTION)

Key	Part Number	U/M	Description
	081298 02-T03	EA	Table Asm - Pedestal - w/o Hardware - Harbor Oak
	009040-04 000	EA	Leg - Pedestal Table - 27 5 x 2 25 O D
	009040-03 000	EA	Base - Table - Mounts on Table
	041194 01-000	EA	Base - Table - Mounts in Floor
	062046-01 000	EA	Clip - Pedestal Leg
	081922-01 000	EA	Base Asm Couch - Right
	081922 02-000	EA	Base Asm - Couch - Left
	081922 03 000	EA	Bars - Spacer - Couch Asm
	M75704-02 U13	EA	Panel Asm - Front - Couch
	M75704-02 U14	EA	Panel Asm - Front - Couch
	M75704 02 U15	EA	Panel Asm - Front - Couch
	082522 01-U04	EA	Panel Asm - Left Couch
	082524 01 U04	EA	Panel Asm - Right Couch
	082409 01 U13	EA	Pad Asm - Arm Rest - Couch
	082409 01 U14	EA	Pad Asm - Arm Rest - Couch
	082409 01 U15	EA	Pad Asm - Arm Rest - Couch

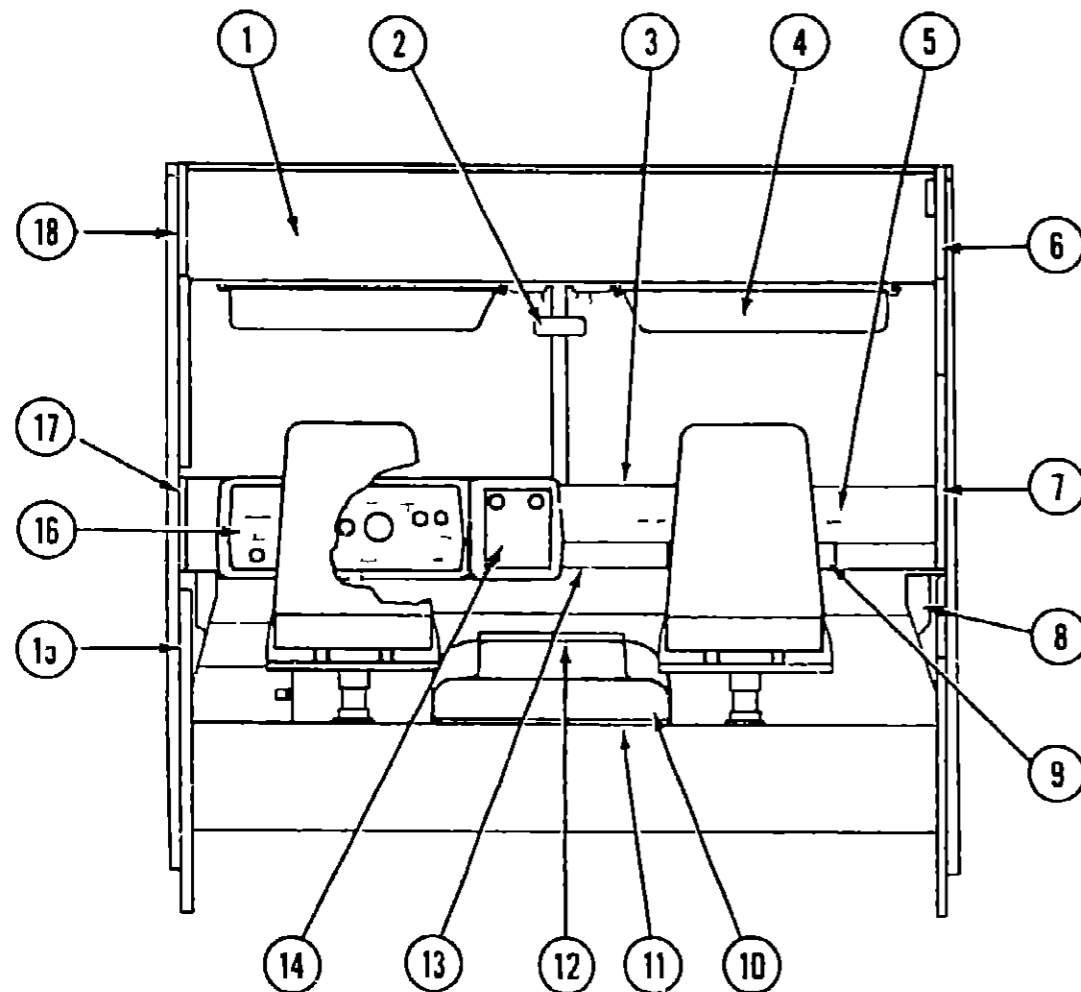
## 1986 ITASCA TABLE OF CONTENTS

IC420RG	A-01 - C-02
IC424RS	C-03 - E-10
ICN23RG	E-11 - G 23
ICN27RT	H 01 - J-14

## 1986 ICN23RG INDEX

Floor Plan	E-11 - E-12
Accessories Group	E 13 - E-15
Bath Group	E-16
Chassis Group	E-17 - E 20
Curtain Cushion & Pad Group	E-21 - F 04
Dinette Group	F 05 - F-06
Driver's Compartment Group	F 07 - F-09
Electrical Group	F-10 - F-12
Exterior Body Group	F-13 - F 20
Galley Group	F 21 - F-22
Heating & Air Conditioning Group	F-23
Interior Finish Group	F 24 - G-02
LP Group	G 03
Lounge Group	G 04 - G 05
Water & Sewage Group	G 06 - G 07
Window Vent & Exterior Door Group	G 08 - G-23

### DRIVER'S COMPARTMENT



MISCELLANEOUS DRIVER'S COMPARTMENT COMPONENTS

Key	Part Number	U/M	Description
1	080085-02-T03	EA	Header Trim Asm - Upper
	083917-01-U04	EA	Cabinet Asm - Front Overhead - w/o Bunk
2	040714 01-700	EA	Mirror - Inside Rear View - w/Button Support
	067490 01 000	EA	Button Support - Mirror
3	M01113-12 T03	EA	Dash Asm - Complete - w/Gauges & Switches
	079089 01 000	EA	Dash Pad - Passenger - Brown
	079088 01-000	EA	Dash Pad - Drivers - Brown
	024990-02-000	EA	Outlet - Defroster w/Jwivel 2 - Dark Brown
4	082286-01-U04	EA	Sunvisor Asm Left
	082286-02 U04	EA	Sunvisor Asm Right
	082286 03-U04	EA	Sunvisor Asm Right - w/Mirror
	081917-01 000	EA	Clip - Sunvisor - Black Plastic
5	039044-01-000	EA	Louver Asm - Air Conditioning Adjustable
6	080855 03 000	EA	Side Trim - Right Front - Upper (w/o Bunk)
	083918 01 U04	EA	Cabinet Asm - Front Overhead - Right - w/o Bunk
	080856-03 000	EA	Side Trim - Right Front Lower (w/o Bunk)
7	059414 06 000	EA	Pad Sidewall Trim - Passenger - Vinyl
8	072811 01 000	EA	Side Panel - Passenger - Plastic
	059467-04 T03	EA	Pad - Map Pocket Passenger Vinyl
9	022219 01 000	EA	Glove Compartment Door
	023892 01 000	EA	Glove Compartment Box - Black Fiberboard
	009118 01 000	EA	Glove Compartment Twist Lock
	024598 01 000	EA	Glove Compartment Hinge
	034309 01-000	EA	Glove Compartment Chain Door
10	075939 01 000	EA	Motor Cover - Fiberglass
	075564 01 000	EA	Mounting Bracket Motor Cover
11	039623 01 000	FT	Seal - Engine Cover Neoprene

Not illustrated  
NOTE To be special ordered only

### DRIVER'S COMPARTMENT GROUP (CONTINUED)

#### MISCELLANEOUS DRIVER'S COMPARTMENT COMPONENTS (CONT)

Key	Part Number	U/M	Description
12	080216-01-000	EA	Beverage Tray
13	023834-01-000	EA	Panel - Knee Kick - Bottom of Dash
14	076006-03 000	EA	Bezel - Entertainment Center - w/Radio & Generator Switch
	076006 02-000	EA	Bezel - Entertainment Center - w/Radio
15	059198 05 000	EA	Side Panel - Drivers - Plastic
	064499-02-000	EA	Panel - Drivers Door - Inner - Plastic
	059467-03 T03	EA	Pad - Map Pocket - Drivers - Vinyl
	046886-03 000	EA	Ash Tray Chrome
16	071668 01-000	EA	Bezel - Control Panel
	071668 03 000	EA	Bezel - Control Panel - (Aux Fuel)
16	078581 01 000	EA	Trim - Instrument Panel - Front - Passenger
	078582-01 000	EA	Trim - Instrument Panel - Front - Driver
	052367-01-000	EA	Cigarette Lighter Asm - 12 Volt
	007041 01-000	EA	Bezel - Cigarette Lighter
	061424 01 000	EA	Lamp Asm - Map/Gauge
	061400 06-000	EA	Assist Strap - 12 Medium Almond
17	059414 05 000	EA	Pad Sidewall Trim - Driver - Vinyl
18	080855 04 000	EA	Side Trim - Left Front - Upper (w/o Bunk)
	080856-04-000	EA	Side Trim - Left Front - Lower (w/o Bunk)
	083918 02-U04	EA	Cabinet Asm - Front Overhead - Left - w/o Bunk
	054250 01-000	EA	Support - Dimmer Switch - w/o Holes
	078579 01-000	EA	Windshield Trim - Interior Upper Passenger
	078579 02-000	EA	Windshield Trim - Interior - Upper Driver
	079765 01-000	EA	Windshield Trim - Center
	079206 01 000	EA	Windshield Trim - Interior - Post - Passenger
	079206-02 000	EA	Windshield Trim - Interior - Post - Driver
	078245 01 000	EA	Steering Column Boot - Vinyl
			Not illustrated

#### DASH SWITCHES & GAUGES

Key	Part Number	U/M	Description
	024461 01-000	EA	Switch - Battery
	024462-01-000	EA	Switch - Battery Condition
	024464 02-000	EA	Switch - Battery - Dual Boost
	024464 01-000	EA	Switch - Washer
	024465 01-000	EA	Switch - Fuel
	024467-01-000	EA	Switch - Wiper
	024976-01-000	EA	Switch - Generator w/o Circuit Board
	074007 01-000	EA	Switch Intermittent - Windshield Wiper
	024459 04 000	EA	Gauge - Voltmeter
	024460-04 000	EA	Gauge - Vacuum
	024460 02 000	EA	Mounting Bracket - Vacuum Gauge
	031035 02 000	EA	Gauge - Generator Hourmeter

#### ELECTRONIC INSTRUMENT PANEL (OPTION)

Key	Part Number	U/M	Description
	NOTE	EA	Electronic Instrument Panel
	071668-04 000	EA	Bezel Electronic - Instrument Panel
	071668 06-000	EA	Bezel Electronic - Instrument Panel (Aux Fuel)
	082124 01-000	EA	Bezel - Smoked Insert - Electronic Instrument Panel
	076006 06-000	EA	Bezel - Entertainment Center - w/Radio Black
	076006 07-000	EA	Bezel - Entertainment Center w/Radio & Generator Switch - Black

NOTE This item available from your Chrysler Service Center

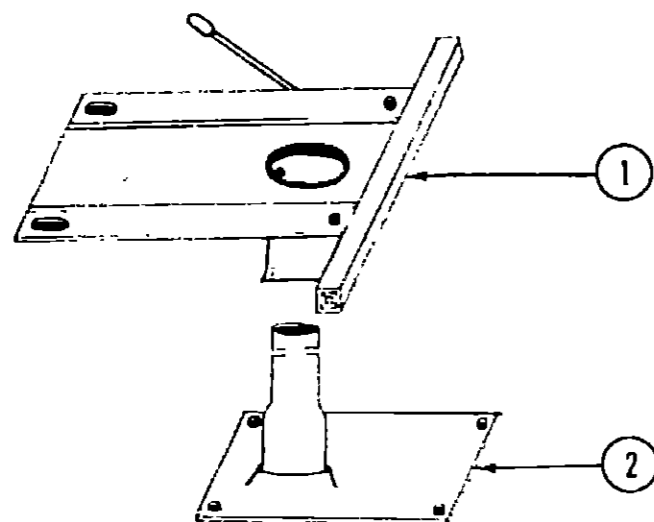
### 1986 ITASCA TABLE OF CONTENTS

IC420RG	A 01 C 02
IC424RS	C-03 - E-10
ICN23RG	E-11 - G 23
ICN27RT	H 01 J-14

### 1986 ICN23RG INDEX

Floor Plan	E 11 E 12
Accessories Group	E-13 E 15
Bath Group	E 16
Chassis Group	E-17 E 20
Curtain Cushion & Pad Group	E 21 F 04
Dinette Group	F 05 - F-06
Drivers Compartment Group	F 07 - F-09
Electrical Group	F-10 F 12
Exterior Body Group	F-13 - F 20
Galley Group	F-21 F 22
Heating & Air Conditioning Group	F 23
Interior Finish Group	F-24 - G 02
LP Group	G 03
Lounge Group	G 04 - G 05
Water & Sewage Group	G 06 G 07
Window Vent & Exterior Door Group	G 08 - G 23

**DRIVER'S COMPARTMENT GROUP (CONTINUED)**



**BUCKET SEAT PEDESTAL & SEAT BELTS**

Key	Part Number	U/M	Description
1	069585-04-000	EA	Plate - Top - Pedestal Asm. - Single Bucket Seat
1	069585-19-000	EA	Plate - Top - Pedestal Asm. - Powered Seat
1	069585-10-000	EA	Plate - Top - Pedestal Asm. - Double Bucket Seat
2	069585-08-000	EA	Plate - Sub - Pedestal Asm. - Bucket Seat
•	069585-05-000	EA	Hardware Kit - Bolt/Acorn Nut - 4 ea. - Pedestal Asm.
•	007019-01-000	EA	Belt Asm. - Seat - 2" x 84" - Black
•	007021-01-000	EA	Belt Asm. - Seat - 2" x 90" - Black
•	056271-01-000	EA	Belt Asm. - Seat - 2" x 72" - Black
•	069246-01-000	EA	Adjuster Asm. - Seat - w/Lock
•	069246-02-000	EA	Adjuster Asm. - Seat - w/o Lock
•	081373-02-000	EA	Power Seat Adjustment Asm. - w/Frame
•	081373-02-700	EA	Switch Asm. Package
•	081737-02-701	EA	Harness Asm. - Left
•	081737-02-702	EA	Harness Asm. - Right
•	081737-02-703	EA	Horizontal Adjustment Package
•	081737-02-704	EA	Vertical Adjustment Package
•			Not illustrated

**FRONT BUNK & PULL DOWN STORAGE**

Key	Part Number	U/M	Description
•	076760-02-000	EA	Overhead Bunk Hardware
•	076760-03-000	EA	Overhead Bunk Hardware
•	081717-01-U04	EA	Bed Asm. - Front Bunk
•	079144-02-T03	EA	Bunk Strap
•	042541-04-000	EA	Latch Asm. - w/o Strike - Brass
•	042541-05-000	EA	Latch Strike - Brass
•	078635-01-T03	EA	Panel Asm. - Front Bunk
•	080855-01-000	EA	Side Trim - Right Front - Upper
•	080855-06-000	EA	Side Trim - Right Front - Upper
•	080856-01-000	EA	Side Trim - Right Front - Lower
•	080856-05-000	EA	Side Trim - Right Front - Lower
•	080855-02-000	EA	Side Trim - Left Front - Upper
•	080855-06-000	EA	Side Trim - Left Front - Upper
•	080856-02-000	EA	Side Trim - Left Front - Lower
•	080856-06-000	EA	Side Trim - Left Front - Lower

\* Used after 9-23-85

**ELECTRICAL GROUP**

**BULBS**

Key	Part Number	U/M	Description
	008220-01-000	EA	Bulb - 12V - 25W
	008103-01-000	EA	Bulb - 53
	008213-01-000	EA	Bulb - 57
	008214-01-000	EA	Bulb - 67
	036196-01-000	EA	Bulb - 194
	008215-01-000	EA	Bulb - 1003
	067479-01-000	EA	Bulb - 1076
	063914-01-000	EA	Bulb - 1139
	008218-01-000	EA	Bulb - 1141
	037935-01-000	EA	Bulb - 1157
	056288-02-000	EA	Bulb - 9431808
	081633-01-700	EA	Bulb - Make-Up Light

**FUSES & CIRCUIT BREAKERS**

Key	Part Number	U/M	Description
	008233-01-000	EA	Fuse - 6 Amp. - 12 Volt
	008234-01-000	EA	Fuse - 10 Amp. - 12 Volt
	046893-01-000	EA	Fuse - 13 Amp. - 12 Volt
	008235-01-000	EA	Fuse - 15 Amp. - 12 Volt
	008236-01-000	EA	Fuse - 20 Amp. - 12 Volt
	008248-01-000	EA	Fuse - 30 Amp. - 110 Volt - AGU
	008252-01-000	EA	Fuse - 50 Amp. - 110 Volt
	056473-02-000	EA	Fuse - 5 Amp. - Slow Blow
	056473-01-000	EA	Fuse - 6 1/4 Amp. - Slow Blow
	062901-02-000	EA	Fuse - 5 Amp. - Automotive
	062901-05-000	EA	Fuse - 15 Amp. - Automotive
	008211-01-000	EA	Circuit Breaker - 6 Amp. - 12 Volt
	008208-01-000	EA	Circuit Breaker - 40 Amp. - 12 Volt
	033573-02-000	EA	Circuit Breaker - 15 Amp. - 12 Volt - w/Mount
	033573-01-000	EA	Circuit Breaker - 20 Amp. - 12 Volt - w/Mount
	044466-03-000	EA	Circuit Breaker - 25 Amp. - 12 Volt - w/Mount
	008268-01-000	EA	Circuit Breaker - 30 Amp. - 12 Volt - w/Mount
	083209-05-000	EA	Circuit Breaker - 20 Amp. - 120 Volt
	083209-04-000	EA	Circuit Breaker - 30 Amp. - 120 Volt
	083209-02-000	EA	Circuit Breaker - 15/15 Amp. - 120 Volt
	083209-03-000	EA	Circuit Breaker - 15/20 Amp. - 120 Volt
	083209-06-000	EA	Circuit Breaker - 15/30 Amp. - 120 Volt
	083209-07-000	EA	Circuit Breaker - 20/20 Amp. 120 Volt
	083209-08-000	EA	Circuit Breaker Blank
	050283-02-000	EA	Circuit Breaker - Buss Bar

**MISCELLANEOUS ELECTRICAL COMPONENTS**

Key	Part Number	U/M	Description
	047338-03-000	EA	Isolator - Dual Battery - 70 Amp
	008188-01-000	EA	Solenoid - Dual Battery - Relay
	063739-01-000	EA	Battery - 12V - Storage
	039861-01-000	EA	Sending Unit Kit - Wemac
	067762-01-000	EA	Converter - 40 Amp. w/Charger
	083208-01-000	EA	Control Center - 32 Amp.

**1986 ITASCA  
TABLE OF CONTENTS**

IC420RG	A-01 - C-02
IC424RS	C-03 - E-10
ICN23RG	E-11 - G-23
ICN27RT	H-01 - J-14

**1986 ICN23RG INDEX**

Floor Plan	E-11 - E-12
Accessories Group	E-13 - E-15
Bath Group	E-16
Chassis Group	E-17 - E-20
Curtain, Cushion & Pad Group	E-21 - F-04
Dinette Group	F-05 - F-06
Driver's Compartment Group	F-07 - F-09
Electrical Group	F-10 - F-12
Exterior Body Group	F-13 - F-20
Galley Group	F-21 - F-22
Heating & Air Conditioning Group	F-23
Interior Finish Group	F-24 - G-02
LP Group	G-03
Lounge Group	G-04 - G-05
Water & Sewage Group	G-06 - G-07
Window, Vent & Exterior Door Group	G-08 - G-23

**ELECTRICAL GROUP (CONTINUED)**

**INTERIOR LIGHT**

Key	Part Number	U/M	Description
	065202-02-000	EA	Lamp - Decor - Wall - Brass - 2 Bulb
	033508-02-000	EA	Light - Dome - Ivory - 1 Bulb - US
	033508-03-000	EA	Light - Dome - Ivory - 1 Bulb - CSA
	033509-02-000	EA	Light - Dome - Ivory - 2 Bulb - US
	033509-03-000	EA	Light - Dome - Ivory - 2 Bulb - CSA
	078424-01-000	EA	Light - Fluorescent - 12V
	061424-01-000	EA	Light - 12V Receptacle - Aisle - IP
	007309-01-000	EA	Light - Step Well
	072353-01-000	EA	Light - Reading - Single - 360° Swivel - Silver
	072353-03-000	EA	Light - Reading - Single - 360° Swivel - Almond
	072353-04-000	EA	Light - Reading - Double - 360° Swivel - Silver
	068937-02-000	EA	Dome Light - Surface - w/o Switch
	065201-02-000	EA	Lamp Shade - Parchment Fabric - Wall Lamp
	065202-03-000	EA	Wall Lamp - Decor - 2 Bulb - Brass
	081633-01-000	EA	Lamp - Make-Up Light

**EXTERIOR LIGHTS**

Key	Part Number	U/M	Description
	007309-01-000	EA	Light - Step Well
	081638-01-000	EA	Tail Lamp Asm. - Double - Black Trim
	081638-01-700	EA	Lens - Tail Lamp - Red
	081638-01-701	EA	Lens - Tail Lamp - Back Up
	042405-03-000	EA	Base - Rectangular Clearance Light
	079377-02-000	EA	Light - Clearance - Red
	042405-04-000	EA	Lens - Clearance Light - Red w/o Reflex
	079377-01-000	EA	Light - Clearance - Amber
	042405-05-000	EA	Light - Clearance Light - Amber w/o Reflex
	081250-01-000	EA	Light Asm. - Cab Marker - Amber
	081250-02-000	EA	Light Asm. - Cab Marker - Red
	008089-01-000	EA	Light - Porch - Recessed
	079941-01-000	EA	Lamp Asm. - Fog - w/Amber Cover
	059540-01-000	EA	Bracket - License Plate - Rear
	066432-01-000	EA	Light - Bracket - License Plate
	049185-01-000	EA	Headlight Capsule Asm. - High/Low Beam - Driver
	049186-01-000	EA	Headlight Capsule Asm. - High/Low Beam - Passenger
	049187-01-000	EA	Headlight Capsule Asm. - High Beam - Driver
	049188-01-000	EA	Headlight Capsule Asm. - High Beam - Passenger

**WINDSHIELD WIPERS & WASHER**

Key	Part Number	U/M	Description
**	056000-02-000	EA	Washer Asm. - Windshield
**	057653-01-000	EA	Arm - Windshield Wiper - 18" - Black
	067191-02-000	EA	Motor Asm. - Windshield Wiper - 2 Speed
	067192-01-000	EA	Link Asm. - Connecting - Left
	067193-01-000	EA	Link Asm. - Connecting - Right
**	049464-03-000	EA	Blade - Windshield Wiper - 20" - Black
**	067190-01-000	EA	Shaft & Pivot Asm.
	074007-01-000	EA	Switch - Wiper Delay
	057474-01-000	EA	Wiper Asm
**	The illustrated parts breakdown for this item is provided on the Common Items Fiche		

**ELECTRICAL GROUP (CONTINUED)**

**WIRE, SWITCHES & RECEPTACLES**

Key	Part Number	U/M	Description
	008058-01-000	EA	Adapter - Power Cord
	008288-01-000	EA	Box - Electrical - 3" x 3.5" - Plastic
	008289-01-000	EA	Box - Electrical - 4" x 4" - 1/2 & 3/4 Steel - UL
	008289-02-000	EA	Box - Electrical - 4" x 4" - 1/2 & 3/4 Steel - CSA
	058049-01-000	EA	Box - Electrical - 2" x 3" x 2.25" - Steel
	041953-01-000	EA	Conduit - Convolute Slit - .5" I.D.
	008353-01-000	EA	Connector - Clamping - 3/8 Cable - UL & CSA
	058028-01-000	EA	Connector - Pigtail - Clear Nylon
	008314-01-000	EA	Connector - Wire Nut - Gray
	008311-01-000	EA	Connector - Wire Nut - Red
	031968-01-000	EA	Contact Plug - Brass - Tin Plated
	031967-01-000	EA	Contact - Receptacle
	008054-01-000	EA	Cord - Power - 10-3 30 Amp. - 25' - UL
	008052-01-000	EA	Cord - Power - 10-3 30 Amp. - 25' - CSA
	069238-01-000	EA	Cover - Electrical Box - 4" x 4"
	058048-01-000	EA	Cover - Electrical Box - 4.5" x 2.75" - Rain Tight (Exterior)
	024571-03-000	EA	Cover Plate - Receptacle - Jumbo - Brown Plastic
	024571-04-000	EA	Cover Plate - Receptacle - Jumbo - Ivory Plastic
	008164-01-000	EA	Cover Plate - Switch - Brown
	008294-01-000	EA	Cover - Flat Blank - 4" x 4" - Steel - US
	008294-02-000	EA	Cover - Flat Blank - 4" x 4" - Steel - CSA
	009250-01-000	EA	Fuse Holder - In Line - 10 Amp
	008250-02-000	EA	Fuse Holder - In Line - 15 Amp.
	008277-01-000	EA	Fuse Holder - Panel Mount - Black
	064399-01-000	EA	Housing Asm. - Trailer Pin
	064450-01-000	EA	Housing Asm. - Trailer Plug
	064398-01-000	EA	Housing Asm. - Trailer Receptacle
	054532-01-000	EA	Housing Pin - 6 Position
	046885-01-000	EA	Plaqué - Mounting Switch
	075736-01-000	EA	Receptacle/Cover Asm. - Gray (Exterior)
	058705-01-000	EA	Receptacle - Duplex - Brown
	008157-01-000	EA	Receptacle - Duplex - Brown (Exterior Backwall)
	058708-02-000	EA	Receptacle - Duplex - Ivory
	053126-01-000	EA	Receptacle - Ground Fault Interrupter - 125 Volt - Ivory
	024924-02-000	EA	Receptacle - Power Cord
	058707-01-000	EA	Receptacle - Single - Brown
	063912-01-000	EA	Relay - Canister SPDT w/Ground
	075723-01-000	EA	Switch - Block Spacer - w/o Holes
	075723-02-000	EA	Switch - Block Spacer - w/Holes
	008162-01-000	EA	Switch - Double Toggle - Brown
	077942-02-000	EA	Switch - Dummy - Brown
	056264-01-000	EA	Switch - Leaf Actuator
	079362-01-000	EA	Switch Plate - 3 Gang - 2 Switches
	079362-01-000	EA	Switch Plate - Single - w/Switches
	079362-01-000	EA	Switch - On/Off Rocker - Brown
	008195-01-000	EA	Switch - Push Button - 12 Volt
	008163-01-000	EA	Switch - Toggle - Brown
	006050-01-000	EA	TV Jack - Ivory
	047443-02-000	EA	Terminal - .250 Receptacle - 12-10 AWG
	035417-01-000	EA	Terminal - Pin Receptacle - .125 Dia
	008348-01-000	EA	Terminal Ring - 2 - w/3/8 Stud
	008331-01-000	EA	Terminal Ring - 4 - w/3/8 Stud
	008328-01-000	EA	Terminal Ring - 12/10 Wire
	054865-01-000	EA	Wire Asm. - Generator Switch
	008028-01-000	FT	Wire - 18.5 Bonded - Blue/Red/Yellow/Orange/White
	008024-01-000	FT	Wire - 18.5 Bonded - Orange/White/Yellow/Blue/Brown
	008025-01-000	FT	Wire - 18.5 Bonded - Orange/White/Yellow/Blue/Green
	008026-01-000	FT	Wire w/Ground - Romex - 12/2

**1986 ITASCA  
TABLE OF CONTENTS**

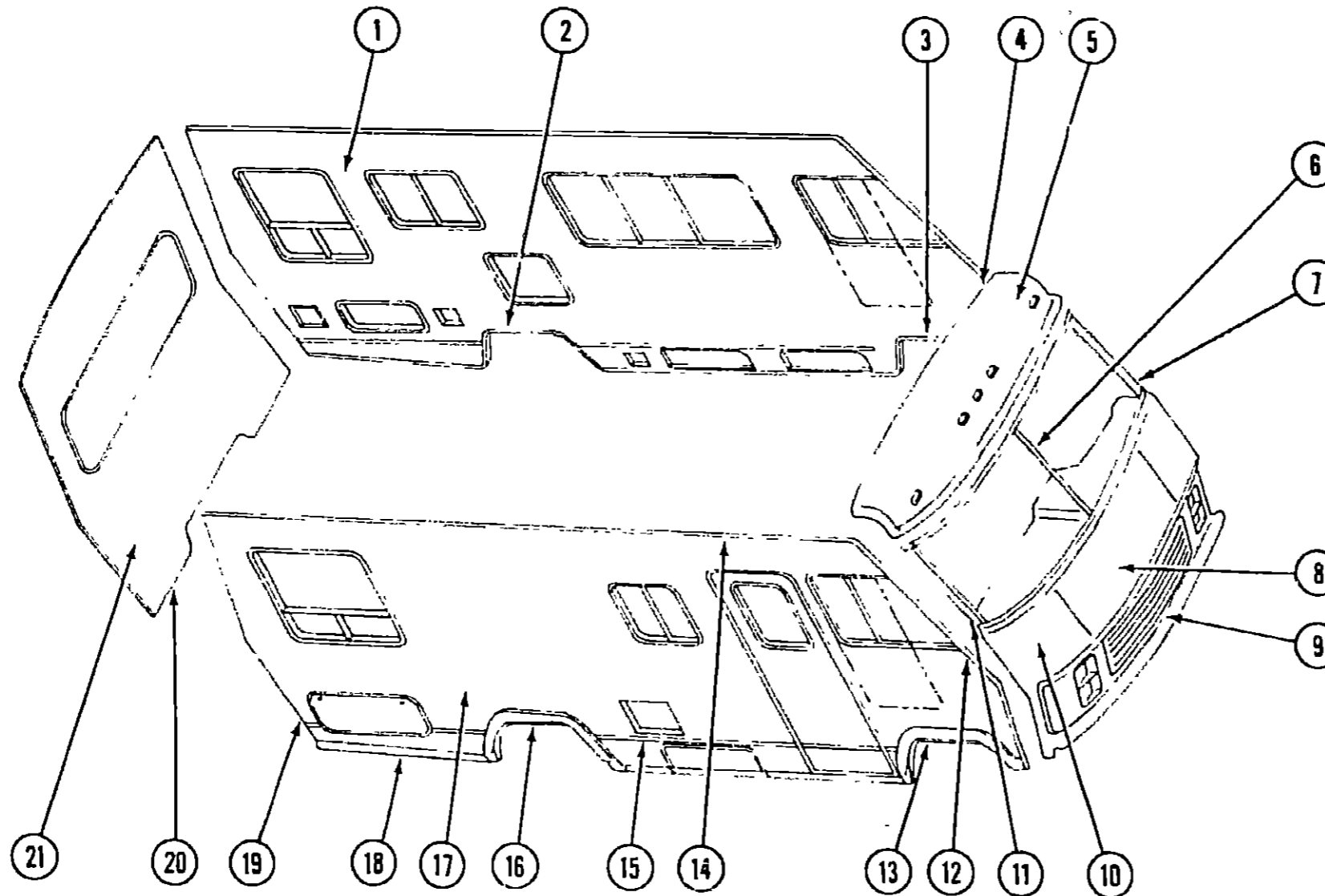
IC420RG	A-01 - C-02
IC424RS	C-03 - E-10
ICN23RG	E-11 - G-23
ICN27RT	H-01 - J-14

**1986 ICN23RG INDEX**

Floor Plan	E-11 - E-12
Accessories Group	E-13 - E-15
Bath Group	E-16
Chassis Group	E-17 - E-20
Curtain, Cushion & Pad Group	E-21 - F-04
Dinette Group	F-05 - F-06
Driver's Compartment Group	F-07 - F-09
Electrical Group	F-10 - F-12
Exterior Body Group	F-13 - F-20
Galley Group	F-21 - F-22
Heating & Air Conditioning Group	F-23
Interior Finish Group	F-24 - G-02
LP Group	G-03
Lounge Group	G-04 - G-05
Water & Sewage Group	G-06 - G-07
Window, Vent & Exterior Door Group	G-08 - G-23

# EXTERIOR BODY GROUP

## EXTERIOR BODY PANELS



Key	Part Number	U/M	Description
1	M82814-01-U13	EA	Sidewall Asm. - Driver
1	M82814-01-U14	EA	Sidewall Asm. - Driver
1	M82814-01-U15	EA	Sidewall Asm. - Driver
2	058487-07-000	EA	Trim - Wheel Well - Rear - U Channel - Driver or Passenger
3	073647-02-000	EA	Trim - Wheel Well - Front - U Channel - Driver or Passenger
4	078580-01-000	EA	Trim - Roof/Front Cap
5	M01899-01-T09	EA	Cap - Over Windshield - Gray
6	076676-02-000	EA	Trim - Molding - Windshield - Center
7	079225-02-000	EA	Trim - Contour - Windshield - Driver
•	077944-02-000	EA	Trim - Molding - Windshield - Upper
•	077945-02-000	EA	Trim - Molding - Windshield - Lower
8	078281-01-T09	EA	Access Panel - w/Hardware
9	080754-01-000	EA	Grille Molding - 47.25" - Top
9	080754-02-000	EA	Grille Molding - 91.50" - Bottom
•	076910-02-000	EA	Headlamp Bezel - Driver
•	076910-01-000	EA	Headlamp Bezel - Passenger
•	073308-01-000	EA	Screw Asm. - Headlamp - Adjusting
•	049359-01-000	EA	Spring - Headlamp Retainer
•	062207-01-000	EA	Headlamp Guard
10	M01114-12-U13	EA	Panel Asm. - Front Shroud (includes access panel)
11	079225-01-000	EA	Trim - Contour - Windshield - Passenger
•	077944-01-000	EA	Trim - Molding - Windshield - Upper
•	079945-01-000	EA	Trim - Molding - Windshield - Lower
12	079224-03-000	EA	Trim - Fiberglass Panel - Passenger - Gray

## 1986 ITASCA TABLE OF CONTENTS

IC420HG  
IC424RS  
ICN23RG  
ICN27RT

A-01 - C-02  
C-03 - E-10  
E-11 - G-23  
H-01 - J-14

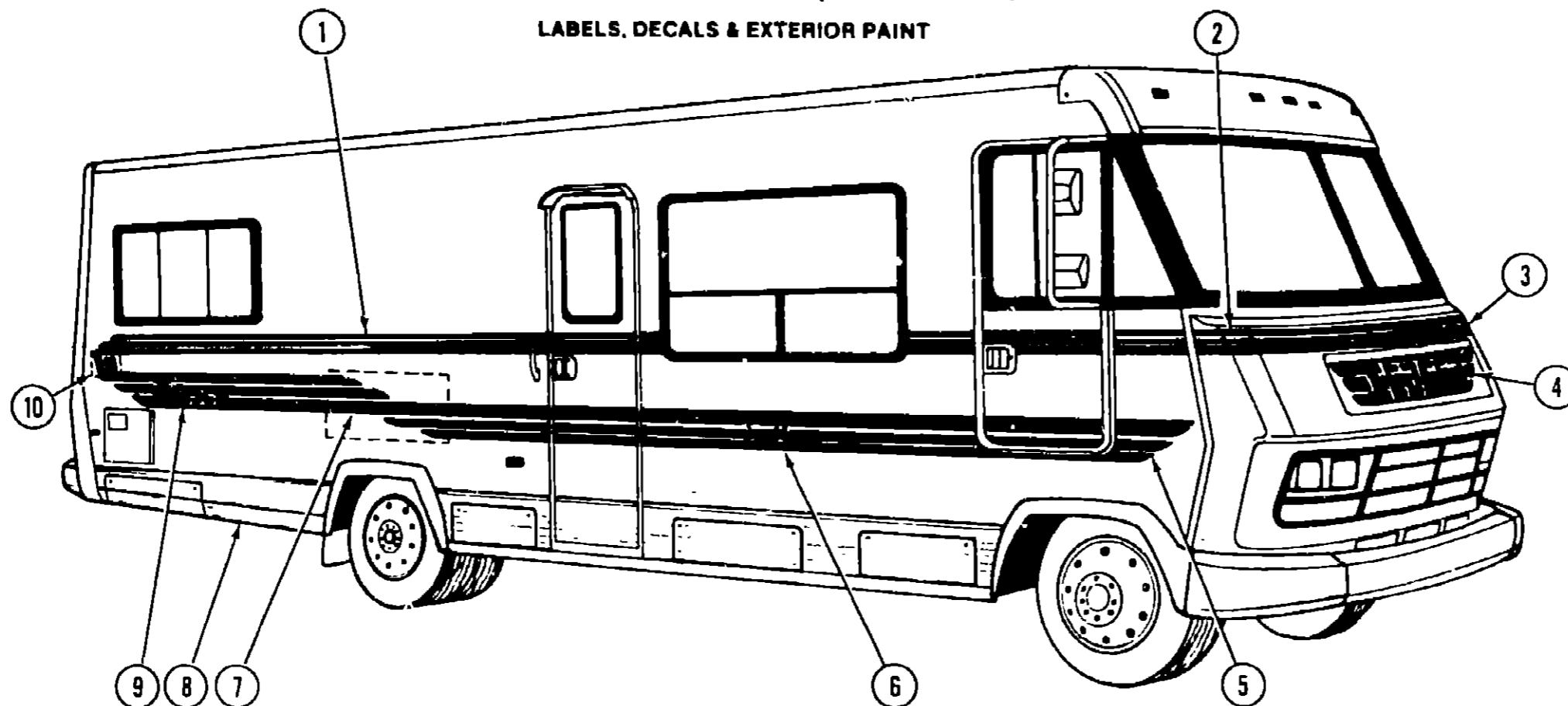
## 1986 ICN23RG INDEX

Key	Part Number	U/M	Description
•	079224-04-000	EA	Trim - Fiberglass Panel - Driver - Gray
13	078556-02-000	EA	Trim - Wheel Well - Front - Plastic - Passenger
•	078556-04-000	EA	Trim - Wheel Well - Front - Plastic - Driver
14	078600-09-000	EA	Trim - Sidewall - Upper - Driver or Passenger - Gray
15	059576-09-000	EA	Feature Strip - Extr. Beige - 14" - w/o Insert
•	009731-01-000	EA	End Cap - Feature Strip Insert
•	001030-11-100	EA	Insert - Feature Strip - Stucco - 17"
16	075070-05-000	EA	Trim - Wheel Well - Rear - Plastic - Passenger
•	075070-06-000	EA	Trim - Wheel Well - Rear - Plastic - Driver
17	M82812-01-U13	EA	Sidewall Asm. - Passenger
17	M82812-01-U14	EA	Sidewall Asm. - Passenger
17	M82812-01-U15	EA	Sidewall Asm. - Passenger
18	072639-01-001	EA	Extr. - Rocker Panel - 216"
19	073502-11-000	EA	Trim - Passenger Rear - Gray
•	073502-12-000	EA	Trim - Driver Rear - Gray
20	050406-05-000	EA	Trim - Backwall - Lower - Driver or Passenger
•	082884-01-U04	EA	Roof Asm.
21	082952-01-U13	EA	Backwall Asm. - Gray Fiberglass
•	M01898-05-T09	EA	Rear Cap - Fiberglass - Gray
•	078577-03-000	EA	Bumper End Cap - Front - Passenger - Gray
•	078577-04-000	EA	Bumper End Cap - Front - Driver - Gray
•	078578-03-000	EA	Bumper End Cap - Rear - Passenger - Gray
•	078578-04-000	EA	Bumper End Cap - Rear - Driver - Gray
•	Not illustrated		

Floor Plan	E-11 - E-12
Accessories Group	E-13 - E-15
Bath Group	E-16
Chassis Group	E-17 - E-20
Curtain, Cushion & Pad Group	E-21 - F-04
Dinette Group	F-05 - F-06
Driver's Compartment Group	F-07 - F-09
Electrical Group	F-10 - F-12
Exterior Body Group	F-13 - F-20
Galley Group	F-21 - F-22
Heating & Air Conditioning Group	F-23
Interior Finish Group	F-24 - G-02
LP Group	G-03
Lounge Group	G-04 - G-05
Water & Sewage Group	G-06 - G-07
Window, Vent & Exterior Door Group	G-08 - G-23

## EXTERIOR BODY GROUP (CONTINUED)

LABELS, DECALS & EXTERIOR PAINT



### 1986 ITASCA TABLE OF CONTENTS

IC420RG  
IC424RS  
ICN23RG  
ICN27RT

A-01 - C-02  
C-03 - E-10  
E-11 - G-23  
H-01 - J-14

Key	Part Number	U/M	Description
1	069245-81-000	FT	Film - Multi-Stripe - 2.36" x 150' - Blue/Gray
1	069245-82-000	FT	Film - Multi-Stripe - 2.36" x 150' - Melon
1	069245-83-000	FT	Film - Multi-Stripe - 2.36" x 150' - Plum/Beige
2	079399-07-000	EA	Decal - Corner Hood - Right - Blue/Gray
2	079399-09-000	EA	Decal - Corner Hood - Right - Melon
2	079399-11-000	EA	Decal - Corner Hood - Right - Plum/Beige
3	079399-08-000	EA	Decal - Corner Hood - Left - Blue/Gray
3	079399-10-000	EA	Decal - Corner Hood - Left - Melon
3	079399-12-000	EA	Decal - Corner Hood - Left - Plum/Beige
4	080764-04-000	EA	Decal - Logo - "Itasca" Hood - Blue/Gray
4	080764-05-000	EA	Decal - Logo - "Itasca" Hood - Melon
4	080764-06-000	EA	Decal - Logo - "Itasca" Hood - Plum/Beige
5	069245-78-000	FT	Film - Multi-Stripe - 8.00" x 150' - Blue/Gray
5	069245-79-000	FT	Film - Multi-Stripe - 8.00" x 150' - Melon
5	069245-80-000	FT	Film - Multi-Stripe - 8.00" x 150' - Plum/Beige
6	058718-02-000	EA	Decal - "Sunflyer"
7	078867-07-000	EA	Decal - Right Side - Center - Blue/Gray
7	078867-09-000	EA	Decal - Right Side - Center - Melon
7	078867-11-000	EA	Decal - Right Side - Center - Plum/Beige
.	078867-08-000	EA	Decal - Left Side - Center - Blue/Gray
.	078867-10-000	EA	Decal - Left Side - Center - Melon
.	078867-12-000	EA	Decal - Left Side - Center - Plum/Beige
8	041273-78-000	FT	Decal Stripping - 11"
9	078852-04-000	EA	Decal - Logo - "Itasca" - 6.62" x 26.67"
10	079651-07-000	EA	Decal - Right Side - Rear - Blue/Gray
10	079651-09-000	EA	Decal - Right Side - Rear - Melon
10	079651-11-000	EA	Decal - Right Side - Rear - Plum/Beige
.	079651-08-000	EA	Decal - Left Side - Rear - Blue/Gray
.	079651-10-000	EA	Decal - Left Side - Rear - Melon
.	079651-12-000	EA	Decal - Left Side - Rear - Plum/Beige
.	078852-03-000	EA	Decal Logo - "Itasca" - 5" x 20"
.	084075-01-000	EA	Decal - "By Winnebago Industries"
.			Not illustrated

### 1986 ICN23RG INDEX

Floor Plan	E-11 - E-12
Accessories Group	E-13 - E-15
Bath Group	E-16
Chassis Group	E-17 - E-20
Curtain, Cushion & Pad Group	E-21 - F-04
Dinette Group	F-05 - F-06
Driver's Compartment Group	F-07 - F-09
Electrical Group	F-10 - F-12
Exterior Body Group	F-13 - F-20
Galley Group	F-21 - F-22
Heating & Air Conditioning Group	F-23
Interior Finish Group	F-24 - G-02
LP Group	G-03
Lounge Group	G-04 - G-05
Water & Sewage Group	G-06 - G-07
Window, Vent & Exterior Door Group	G-08 - G-23

**EXTERIOR BODY GROUP (CONTINUED)**

**LABELS & EXTERIOR PAINT**

Key	Part Number	U/M	Description
	068383-01-000	EA	Label - Diesel Fuel
	006195-01-000	EA	Label - Electrical Test
	047731-01-000	EA	Label - Emergency Exit
	006199-01-000	EA	Label - Exit - Escape Window
	057467-04-000	EA	Label - Exterior Loading Limit
	064378-01-000	EA	Label - Flying "W" w/Thermo Panel
	061417-01-000	EA	Label - Fuel
	006196-01-000	EA	Label - Gas Test
	054531-01-000	EA	Label - LP Gas Only
	040944-01-000	EA	Label - Open - Entrance Door
	006015-01-000	EA	Label - Patent Motor Home
	056259-01-000	EA	Label - Safety Check List
	006064-01-000	EA	Label - Seat - w/o Seat Belts
	006187-01-000	EA	Label - Sewage
	066006-01-000	EA	Label - Thermo Panel - 21 1/4" x 2 1/4"
	075221-01-000	EA	Label - Trailer Hitch Capacity
	075220-01-000	EA	Label - Warning - Exterior Load Limit
	050225-01-000	EA	Label - Warning - Stove Vent - US
	006188-01-000	EA	Label - Waste Water
	006197-01-000	EA	Label - Water Test
	072853-01-000	EA	Nameplate - Diesel - 6.2L
	006052-01-000	EA	Tag - Electrical - 110 Volt Connection
	006040-01-000	EA	Tag - Gas - Refueling Warning
	044486-03-000	EA	Paint - Beige Acrylic Enamel - 16 oz. Aerosol (7533A Dupont)
	045681-03-000	EA	Paint - Gloss Black - Acrylic Enamel - 16 oz. Aerosol (99 Dupont)
	045637-05-000	EA	Paint - Gray Acrylic Enamel - 16 oz. Aerosol (71537 Dupont)
	041561-03-000	EA	Paint - Off White Acrylic Enamel - 16 oz. Aerosol (45396A Dupont)
	074559-01-000	EA	Label "LPG" - 3 3/4" x 1.75" - (Conf. Code)

**ACCESS PANEL HARDWARE**

Key	Part Number	U/M	Description
	072917-02-000	EA	Rod - Hood Prop
	062628-01-000	EA	Clip - Prop Rod
	058833-01-000	EA	Bracket - Prop Rod
	073340-01-000	EA	Hinge - Access Panel - Passenger
	073340-02-000	EA	Hinge - Access Panel - Drivers
	058960-01-000	EA	Bracket - Hinge Asm - Hood - Drivers
	058960-02-000	EA	Bracket - Hinge Asm - Hood - Passenger
	R77006-68-721	EA	Cable - Release (Access Panel)
	074178-01-000	EA	Bracket - Cable Release - Inside
	R77007-01-950	EA	Striker - Hood Latch
	079286-01-000	EA	Latch - Hood
	R77006-38-499	EA	Spring
	R77006-19-765	EA	Cable Sheath
	073333-02-000	EA	Bracket - Latch Support
	073337-02-000	EA	Brace Latch - Hood
	073341-01-000	EA	Bracket - Hood Latch
	058786-02-000	EA	Bolt - Hood Adjusting - 5/16" x 18 x 1 1/4

**EXTERIOR BODY GROUP (CONTINUED)**

**EXTERIOR ALUMINUM & FIBERGLASS SKINS**

Key	Part Number	U/M	Description
	077517-02-000	EA	Fiberglass - Sheet - 46.12" x 268" - Mesa
	077517-15-002	EA	Fiberglass - Sheet - 46.12" x 60" - Mesa
	001018-01-024	EA	Alum. - No Design - 48" x 96"
	000868-01-000	SF	Styrofoam - .75" x 24" x 96"
	000970-01-000	SF	Styrofoam - 1.5" x 24" x 96"
	000870-03-000	SF	Styrofoam - 1.34" x 48" x 96"

**MISCELLANEOUS EXTERNALLY MOUNTED PARTS**

Key	Part Number	U/M	Description
	011129-01-000	EA	Plumbing Seal - Roof Vent - 1.5"
	009126-01-000	EA	Assist Handle - Chrome
	010230-04-000	EA	Fill - City Water - Recessed - Gray
	058808-03-000	EA	Water Fill - Lockable - Gray
	072447-01-000	EA	Shroud - Fuel Fill
	078200-01-000	EA	Gasket - Fuel Fill

**1986 ITASCA  
TABLE OF CONTENTS**

IC420RG	A-01 - C-02
IC424RS	C-03 - E-10
ICN23RG	E-11 - G-23
ICN27RT	H-01 - J-14

**1986 ICN23RG INDEX**

Floor Plan	E-11 - E-12
Accessories Group	E-13 - E-15
Bath Group	E-16
Chassis Group	E-17 - E-20
Curtain, Cushion & Pad Group	F-21 - F-04
Dinette Group	F-05 - F-06
Driver's Compartment Group	F-07 - F-09
Electrical Group	F-10 - F-12
Exterior Body Group	F-13 - F-20
Galley Group	F-21 - F-22
Heating & Air Conditioning Group	F-23
Interior Finish Group	F-24 - G-02
L.P. Group	G-03
Lounge Group	G-04 - G-05
Water & Sewage Group	G-06 - G-07
Window, Vent & Exterior Door Group	G-08 - G-23



**EXTERIOR BODY GROUP (CONTINUED)**

**INTERIOR/EXTERIOR SCREWS & FASTENERS**

Key	Part Number	U/M	Description
	005200-01-000	EA	Bolt - Round Head - Square Neck w/SST Cap - 7/16 - 14 x 1 1/4
	058279-01-000	EA	Clip - Mounting - Front Panel
	035628-01-000	EA	Fastener - Blind Well Nut - 1 05 x 38
	000D15-06-00B	EA	Nut - Hex - 3/8 x 24 - Zinc
	005081-01-000	EA	Nut - Speed - C Type - #8 Screw
	000G54-04-20B	EA	Screw 1/4 - 20 x 1 1/4 PTH - Zinc
	000G54-04-22B	EA	Screw 1/4 - 20 x 1 3/8 PTH - Zinc
	000G53 04-06B	EA	Screw 1/4 - Machine - 20 x 3/8 PTH Zinc
	000G13-06 12P	EA	Screw #6 - 20 x 3/4 PFH - Dark Brown
	000G13-06 28X	EA	Screw #6 - 20 x 3/4" PTH - Gray
	000G13-06-16R	EA	Screw #6 - 20 x 1 PFH - Beige
	000G11-07-08B	EA	Screw #7 - 19 x 1/2 PPH - Zinc
	000G12-08-12M	EA	Screw #8 - 18 x 3/4 POH - Gray
	000G11-08 12R	EA	Screw #8 - 18 x 3/4 PPH - Beige
	000G11-08-12X	EA	Screw #8 - 18 x 3/4 PPH - Gray
	000G11-08-12B	EA	Screw #8 - 18 x 3/4 PPH - Zinc
	000G39-08-12R	EA	Screw #8 - 18 x 3/4 SDPH - Beige
	000G66-08-12M	EA	Screw #8 - 18 x 3/4 SDPH - Gray
	000G11-08-16R	EA	Screw #8 - 18 x 1 PFH - Gray
	000G66-08 16R	EA	Screw #8 - 18 x 1 SDPH - Beige
	000G12-08 28R	EA	Screw #8 - 18 x 1 3/4 POH Beige
	000G36-08-08E	EA	Screw #8 - 32 x 1/2 PFH - Chrome
	000C39-08-08B	EA	Screw #8 - Self Drilling 18 x 1/2 PPH - Zinc
	000G39-08 12B	EA	Screw #8 - Self Drilling 18 x 3/4 PPH Zinc
	000G39 08 12R	EA	Screw #8 - Self Drilling - 18 x 3/4 PPH - Beige
	000G39-08-16R	EA	Screw #8 - Self Drilling - 18 x 1 PPH - Beige
	000G39-08 16T	EA	Screw #8 - Self Drilling - 18 x 1 PPH - Black
	000G39 08 16P	EA	Screw #8 - Self Drilling - 18 x 1 PPH - Dark Brown
	000G39-08 16X	EA	Screw #8 - Self Drilling 18 x 1 PPH - Gray
	000G39-08 16E	EA	Screw #8 - Self Drilling - 18 x 1 PPH Chrome
	000G64-08-16M	EA	Screw #8 - Self Drilling - 18 x 1 SDPH - Gray
	000G67-10-08B	EA	Screw #10 - 12 x 1/2 PPH - Zinc
	000G67-10 10R	EA	Screw #10 12 x 5/8 PPH - Beige
	000G67-10-16P	EA	Screw #10 - 12 x 1 PPH Dark Brown
	000G67-10 16B	EA	Screw #10 - 12 x 1 PPH Zinc
	000G67-10-20B	EA	Screw #10 - 12 x 1 1/4 - PPH Zinc
	000G67-10-24B	EA	Screw #10 - 12 x 1 1/2 PPH - Zinc
	049465 04 000	EA	Screw #10 - 16 x 1 POH - w/Washer - Beige
	049465-05 000	EA	Screw #10 - 16 x 1 POH - w/Washer - Gray
	000G12 10 24E	EA	Screw #10 - 16 x 1 1/2 POH - Chrome
	000G11 10-08D	EA	Screw #10 - 16 x 1/2 PPH - Dark Brown
	000G11 10 12R	EA	Screw #10 - 16 x 3/4 PPH - Beige
	000G11-10-12S	EA	Screw #10 - 16 x 3/4 PPH - Off White
	000G11-10-12B	EA	Screw #10 - 16 x 3/4 PPH - Zinc
	000G11-10-16B	EA	Screw #10 - 16 x 1 PPH - Zinc
	000G11-10-40B	EA	Screw #10 - 16 x 2 1/2 PPH - CAD
	000G19 10-12B	EA	Screw #10 Machine - 32 TPI x 3/4
	075908 01 000	EA	Screw #10 - Machine - 32 x 56 PTH Zinc
	000G19-10 20B	EA	Screw #10 - Machine - 32 x 1 1/4 PPH - Zinc
	000G39 12 12E	EA	Screw #10 Self Drilling - 14 x 3/4 PPH - Chrome
	000G39 10-10R	EA	Screw #10 - Self Drilling - 16 x 62 PPH - Beige
	000G39 10 12R	EA	Screw #10 Self Drilling - 16 x 3/4 PPH - Beige
	000G39 10-12P	EA	Screw #10 Self Drilling - 16 x 3/4 PPH - Dark Brown
	000G56-12 48C	EA	Screw #12 Wood 11 x 3 POH - CAD

**EXTERIOR BODY GROUP (CONTINUED)**

**SEALANTS & ADHESIVES**

Key	Part Number	U/M	Description
	004020-01-000	QT	Adhesive - ABS Cement (Plastic Fittings)
	002337-01-000	EA	Adhesive - 1300 Tube - 3M (Windows)
	004005 02-000	GL	Adhesive - Swifts - Glue (Sidewalls)
	053766-07-000	EA	Bedding Compound - Tube - Beige (Exterior)
	053766-06-000	EA	Bedding Compound - Tube - Clear (Window)
	053766-08-000	EA	Bedding Compound - Tube - Gray (Exterior)
	053766-05 000	EA	Bedding Compound - Tube - Gray (Sidewalls to Floor)
	053766-02-000	EA	Bedding Compound - Tube - Off White (Exterior)
	002328-02-000	EA	Block - Rubber Spacer (Windshield)
	004336-01-000	EA	Caulk - Latex - Golden Walnut (Sidewalls)
	072891-02-000	QT	Primer - Glass - Black
	072891-01 000	QT	Primer - Glass - Clear
	035024 01-000	EA	Primer - Glass - Clear - Windshield
	072890-01 000	QT	Primer - Metal - Black
	035023 01 000	GL	Primer - Metal - Windshield
	077967-01 000	EA	Sealant - Acrylic Latex - Tube - Off White (Interior Sealant)
	034552-04-000	EA	Sealant - Silicone - Beige
	034552-02 000	EA	Sealant - Silicone - Clear
	034552-07-000	EA	Sealant - Silicone - Dark Gray
	034552-06-000	EA	Sealant - Silicone - Off White
	069637-01-000	EA	Sealant - Weatherban 404 Tube - White (Door Caulk)
	072889-01-000	EA	Sealant - Urethane - Black (Windshield)
	069640-01-000	FT	Sealer Ribbon - 25 Bead x 20
	069640-02-000	FT	Sealer Ribbon - 5 x 125 x 30
	069640-03-000	FT	Sealer Ribbon - 75 x 125 x 30
	069640-04 000	FT	Sealer Ribbon - 2 x 09 x 45 (P Series)
	069640-05-000	FT	Sealer Ribbon - 2 5 x 09 x 50
	069640-06-000	FT	Sealer Ribbon - 5/16 Bead x 15
	069640-07-000	FT	Sealer Ribbon - 2 x 3/32 x 30
	002316-01-000	FT	Sealer Tape - 3/32 x 3/8 - White (Window)
	002707-01-000	FT	Sealer Tape - 5/16 x 3/4
	002707-02-000	FT	Sealer Tape - 5/16 x 1/2
	040545 01-000	GL	Sealer - Seam Weld
	053752-04-000	EA	Seam Sealer - Tube - Aluminum (Roof)
	063642-01-000	FT	Tape - Adhesive 10 mm x 15 Wide
	038886-01-000	EA	Tape - Butyl - 31 x 31 x 148 (Windshield)
	076322 01-000	FT	Tape - Foam - Double Coated - 025 x 1 (Fiberglass Sidewall Seams)
	076322-02-000	FT	Tape - Foam - Double Coated - 045 x 1 (Fiberglass Sidewall Seams)
	009200 01-000	EA	Tape - Furnace - 1 5
	002825 01 000	FT	Weather Striping (Roof Vent)

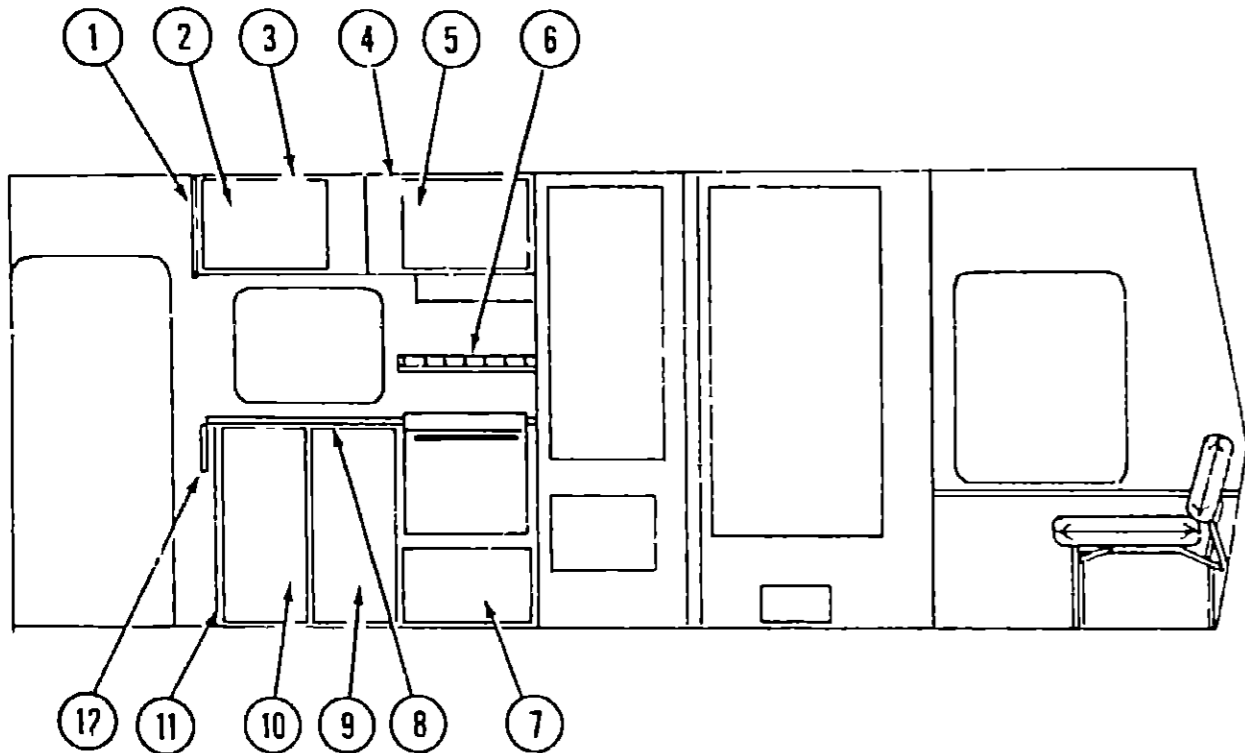
**1986 ITASCA  
TABLE OF CONTENTS**

IC420RG	A 01 C 02
IC424RS	C 03 E-10
ICN23RG	E-11 - G-23
ICN27RT	H 01 J-14

**1986 ICN23RG INDEX**

Floor Plan	E 11 - E-12
Accessories Group	E 13 - E-15
Bath Group	E-16
Chassis Group	E-17 - E-20
Curtain Cushion & Pad Group	E 21 F-04
Dinette Group	F-05 - F-06
Driver's Compartment Group	F-07 - F-09
Electrical Group	F-10 - F 12
Exterior Body Group	F-13 - F-20
Galley Group	F-21 - F-22
Heating & Air Conditioning Group	F-23
Interior Finish Group	F-24 - G-02
LP Group	G 03
Lounge Group	G 04 G 05
Water & Sewage Group	G 06 G 07
Window Vent & Exterior Door Group	G 08 G 23

## GALLEY GROUP



GALLEY CABINETRY

Key	Part Number	U/M	Description
1	081320-04 U04	EA	Pad Asm - End Cap - Galley Overhead - Almond Vinyl
2	M81524-04-T09	EA	Door Asm - Galley Overhead - w/o Hardware - Left
3	081656 06-U13	EA	Cabinet Asm - Galley Overhead - w/o Doors or Hardware
4	081460-06-U13	EA	Cabinet Asm - Galley Overhead - w/o Doors or Hardware
5	M81524-01-U10	EA	Door Asm - Galley Overhead - w/o Hardware - Left
6	074490-02-T03	EA	Spice Rack Asm - Oak
7	M81504-33-U13	EA	Door Asm - Galley Cabinet - w/o Hardware
8	M02533 01-U04	EA	Countertop Asm - Galley - Beige Crescent
9	M81504-03-U10	EA	Door Asm - Galley Cabinet - w/o Hardware
10	M81504 02 U10	EA	Door Asm - Galley Cabinet Left - w/o Hardware
11	M82959 01 U04	EA	Cabinet Asm - Galley - w/o Countertop - Doors - Drawers or Hardware
	077404-01-000	EA	Drawer - 20 x 12 7 - Plastic
12	080812 02 U01	EA	Extension Asm - Galley - Beige Crescent
	M81505 06 U13	EA	Door Asm - Refrigerator Cabinet - w/o Hardware - Left
	M81505 05 U13	EA	Door Asm - Refrigerator Cabinet - w/o Hardware - Right
			Not illustrated

## GALLEY GROUP (CONTINUED)

### GALLEY HARDWARE & APPLIANCES

Key	Part Number	U/M	Description
	079353 01 000	EA	Hood - Range - Powered w/Monitor - Almond - US
	079354-03 000	EA	Spacer - Hood Range
	064782-02 000	EA	Range w/Sma' Cven - 4 Burner - Almond - Magic Chef
	064782 02 700	EA	Top Main - 4 Burner - Almond
	064782-02 701	EA	Deflector Plate - Black
	064782 02 702	EA	Trim - Cabinet - Right - Black
	064782 02 703	EA	Trim - Cabinet - Left - Black
	064782 02-704	EA	Trim - Lower Outside Glass - Black
	067782 02-705	EA	Handle - Oven Door - Black
	064782 02 706	EA	Vertical Trim - Black
	064782 02 707	EA	Panel - Manifold
	064782 02 708	EA	Valve - Mercury
	064782 02 709	EA	Glass - Oven Door
	064782 02 710	EA	Clip - Glass Holder
	081374 01 000	EA	Range Top - 4 Burner - Almond
	081374 01-700	EA	Trim - Cab Top - Right
	081374 01-701	EA	Trim - Cab Top - Left
	081374 01-702	EA	Panel - Manifold - Warm Black
	081374 01-703	EA	Trim - Top Rear
	081374 01-704	EA	Guard - Fabric
	064473 02 000	EA	Refrigerator - 3 Way - 6 - Norcold
	075217-01-000	EA	Refrigerator - 3-Way - Norcold B
	075218 01 000	EA	Refrigerator - 3 Way - 10 Norcold
	054450-01-000	EA	Level Refrigerator
	065225 01 000	EA	Tiedown Plate - Refrigerator
	081379 01-000	EA	Microwave Oven - Convection Oven - Sharp
	081459 03 000	EA	Bracket Asm - Microwave - Right
	081459 04 000	EA	Bracket Asm - Microwave - Left
	081456 01 000	EA	Angle Asm - Microwave - Right
	081456 02 000	EA	Angle Asm - Microwave - Left
	081555 01-T03	EA	Trim Ring - Microwave
	082876 01-000	EA	Baffle - Microwave
	068615 01 000	EA	Sink - Stainless Steel - Double w/Bolts
	011053 01-000	EA	Faucet - Swing Spout - 8 - US
	011053 01 700	EA	Aerator - Swing Spout Faucet
	066437 01 000	EA	Strainer w/Basket - Sink
	081530-01 U01	EA	Sink Cover - Large - Beige Crescent
	009049 01 000	EA	Support - Drop Leaf Table
	009059 01 000	EA	Hinge - 2 - Gold - Drop Leaf Table
	074490 02 T03	EA	Spice Rack - Oak
	079606 03 U04	EA	Magazine Rack - Oak
	074981-01 000	EA	Cutting Board - Maple
	058334 01 000	EA	Wastebasket - 9 3/4 x 7 x 10 - White
	059877-01-000	EA	Support - Wastebasket - Metal - Galley Mount
	047744 01 000	EA	Kit - Drawer Guide - Plastic
	077409 01 000	EA	Slider - Drawer - 20 75 - Plastic
	077404 01 000	EA	Drawer - 20 x 12 70 - Plastic
	066435 01 000	EA	Nut Strainer
	011083 01 000	EA	Plug - 1 1/4 x 5 - w/Stopper

The illustrated parts breakdown for this item is provided on the Common Items Fiche

## 1986 ITASCA TABLE OF CONTENTS

IC420RG	A 01 - C-02
IC424RS	C-03 - E-10
ICN23RG	E-11 - G-23
ICN27RT	H-01 - J 14

## 1986 ICN23RG INDEX

Floor Plan	E-11 - E 12
Accessories Group	E 13 - E-15
Bath Group	E-16
Chassis Group	E 17 - E-20
Curtain Cushion & Pad Group	E-21 - F-04
Dinette Group	F-05 - F 06
Driver's Compartment Group	F-07 - F-09
Electrical Group	F-10 - F 12
Exterior Body Group	F-13 - F 20
Galley Group	F-21 - F-22
Heating & Air Conditioning Group	F-23
Interior Finish Group	F 24 - G 02
LP Group	G 03
Lounge Group	G 04 - G-05
Water & Sewage Group	G 06 - G 07
Window Vent & Exterior Door Group	G 08 - G-23

## HEATING & AIR CONDITIONING GROUP

### AUXILIARY HEATER ASSEMBLY

Key	Part Number	U/M	Description
	049401-01-000	EA	Heater Asm. - Rear - Auxiliary
	049401-01-700	EA	Valve - Heater Control
	049401-01-701	EA	Control Cable
	049401-01-702	EA	Motor Asm.
	049401-01-703	EA	Heater Core
	049401-01-704	EA	Switch
	058906-01-000	EA	Control Panel - Brown
	058893-01-000	EA	Bracket - Side Mount - Motor Aid
	076312-01-000	EA	Mesh - Grille - 7.38" x 6.75" - Gold Aluminum

### AUTOMOTIVE HEATER & AIR CONDITIONER

Key	Part Number	U/M	Description
	072341-04-000	EA	Heater/Evaporator Asm
	072341-07-000	EA	Heater/Evaporator Asm. - w/Pressure Sensor Switch
	072341-04-700	EA	Vacuum Motor - Front
	072341-04-701	EA	Vacuum Motor - Rear
	072341-04-702	EA	Relay
	072341-04-703	EA	Evaporator Coil
	072341-04-704	EA	Liquid Hose - #6
	072341-04-705	EA	Suction Hose - #10
	072341-04-706	EA	Blower Motor
	072341-04-707	EA	Blower Wheel
	072341-06-000	EA	Duct & Control Kit
	072341-08-000	EA	Duct & Control Kit - Used w/Pressure Sensor System
	072342-01-000	EA	Condenser Asm.
	072342-03-000	EA	Condenser Asm. - w/Fans & High Temp Sensor/Switch
	072342-04-000	EA	Condenser Asm. - w/High Temp Sensor/Switch - w/o Fans
	072342-02-700	EA	Receiver Drier - Condenser Asm
	072343-01-000	EA	Compressor/Clutch
	072343-04-000	EA	Compressor/Clutch - w/Rear Mounted Valves
	072344-01-000	EA	Package - Compressor Mount
	074026-01-000	EA	Package - Compressor Mount - 6.2 L Diesel
	039044-01-000	EA	Louver Asm. - A/C Adjustable
	007076-01-700	FT	Hose - Flexible PVC - 2" I.D.
	007281-01-700	FT	Hose - Flexible PVC - 2 1/2" I.D.
	007108-01-000	FT	Hose - Heater - 5/8" I.D. SAE 20R3
	062401-04-000	EA	Clamp - Worm Drive - .69" - 1.25" I.D.
	010227-01-000	EA	Tee - Plastic - Barb 5/8" or 3/4" Hose
	072341-03-300	EA	Core - Evaporator

### FURNACE & ROOF AIR CONDITIONER

Key	Part Number	U/M	Description
**	075696-01-000	EA	Furnace - 34,000 BTU - w/Direct Ignition - NT-34S
**	075695-01-000	EA	Furnace - 24,000 BTU - w/Direct Ignition - NT-24S
	069636-01-000	EA	Connector - 4" Duct
	009198-01-000	EA	Duct - Flexible - 4" I.D. x 25'
	056464-01-000	EA	Register - 4" Dia. - Plastic - w/Damper
	056464-02-000	EA	Register - 4" Dia. - Plastic - w/o Damper
	009200-01-000	EA	Tape - Furnace - 1 1/2"
	023146-01-000	EA	Clamp - Screw Type - 1"
**	073743-01-000	EA	Shroud Asm. - Ceiling - Inside - Roof Air 13,500 BTU - Cool Only
**	073744-01-000	EA	Shroud Asm. - Ceiling - Inside - Roof Air 13,500 BTU - Heat & Cool
**	073742-01-000	EA	Air Conditioner - 110 Volt - Roof Mount - 13,500 BTU Rotary
** The illustrated parts breakdown for this item is provided on the Common Items Fiche.			

## INTERIOR FINISH GROUP

### INTERIOR MOLDING & TRIM

Key	Part Number	U/M	Description
	042357-09-000	FT	Molding - Radius Corner - 7' Elm
	022992-08-000	FT	Molding - Reverse Cove - Champagne White
	079653-01-000	EA	Molding - Batt Strip - Kerfed - Sunset Oak
	069733-37-000	EA	Batt Strip - Sunset Oak - 8' (Lounge)
	069733-42-000	EA	Batt Strip - Scrimshaw Sand - 8' (w/o)
	069733-58-000	EA	Batt Strip - Gray - 8' (Galley & Bath)
	069733-59-000	EA	Batt Strip - Melon - 8' (Galley & Bath)
	069733-60-000	EA	Batt Strip - Plum - 8' (Galley & Bath)
	069733-62-000	EA	Batt Strip - Pebble Beach - 8' (Ceiling)
	070504-01-000	FT	U-Channel - .065" - Light Brown
	070504-02-000	FT	U-Channel - .815" - Light Brown
	075249-01-000	EA	Rail Asm. - Plain - 72"
	075250-01-000	EA	Corner Post - 1" x 1" x 2 1/2" - Oak
	078026-21-T03	EA	Trim - Valance - 82"
	002774-02-001	EA	Trim - Carpet - 192"
	009767-06-000	FT	Welting - Beige
	009767-07-000	FT	Welting - Grady Brown
	074045-01-000	EA	Plug - 1/2" Dia. - Oak
	041746-01-000	FT	Vinyl - Extr. - Bubble Seal

### CABINETRY & TABLE HARDWARE

Key	Part Number	U/M	Description
	053200-05-000	EA	Bracket - Upper Wall Mount - 23.5" - Beige
	024281-07-000	EA	Bracket - Lower Wall Mount - 22.12" - Beige
	024276-14-000	EA	Leg Asm. - Table - 26.5" - Brown
	064050-01-000	EA	Hinge - Table Leg
**	024282-01-000	EA	Brace - Table Leg
	049493-02-000	EA	Catch - Table Leg - Mounts on Floor - Brown
	009112-01-000	EA	Flange - 1" - Chrome - Closet Rod
	077409-01-000	EA	Slide - Drawer - Plastic - 20.75"
	009049-01-000	EA	Table Support - Drop Leaf
	009059-01-000	EA	Hinge - 2" - Drop Leaf Table - Gold
	076312-01-000	EA	Mesh - Grille - 13.80" x 8.80" - Gold Aluminum
	009021-01-000	EA	Catch - Nylon - Furnace Door
	009021-02-000	EA	Strike - Nylon Catch - Furnace Door
	074493-02-000	EA	Support - Sprung - Door
	066433-01-000	EA	Hook - Cup - Bright
	058034-02-000	EA	Latch - Door w/o Lock - Sliding Door
	075680-01-000	EA	Clothes Rod - Adjustable - 27" x 36"
	064467-01-000	EA	Guide - Wall Mount - Door Pocket
	078212-01-000	EA	Pull - Brass w/Dark Oak - Cabinet
	077523-01-000	EA	Latch Asm. - Cabinet Door
	077821-01-000	EA	Strike - Latch - Cabinet Door
	078210-01-000	EA	Knob - Antique Brass - w/Oak
	045586-02-000	EA	Spindle - Wood - 1.75" x 24" - Plain
	059777-01-000	EA	Hinge - Brass
	009016-01-000	EA	Catch - Elbow - Spring Loaded
	077461-01-000	EA	Cover - Strike
** The illustrated parts breakdown for this item is provided on the Common Items Fiche			

### MISCELLANEOUS PARTS

Key	Part Number	U/M	Description
	053552-02-T03	EA	Handle Asm. - Interior Assist - Medium Almond Vinyl
	041944-03-000	EA	Fire Extinguisher - w/Bracket
	054185-24-000	EA	Owner's Manual - 1986 Itasca & Winnebago
	040069-01-000	EA	Door Mat - 10 1/2" x 26" - Black Rubber
	075907-02-000	EA	Picture - Decor - Assorted Grasses

## 1986 ITASCA TABLE OF CONTENTS

IC420RG	A-01 - C-02
IC424RS	C-03 - E-10
ICN23RG	E-11 - G-23
ICN27RT	H-01 - J-14

## 1986 ICN23RG INDEX

Floor Plan	E-11 - E-12
Accessories Group	E-13 - E-15
Bath Group	E-16
Chassis Group	E-17 - E-20
Curtain, Cushion & Pad Group	E-21 - F-04
Dinette Group	F-05 - F-06
Driver's Compartment Group	F-07 - F-09
Electrical Group	F-10 - F-12
Exterior Body Group	F-13 - F-20
Galley Group	F-21 - F-22
Heating & Air Conditioning Group	F-23
Interior Finish Group	F-24 - G-02
LP Group	G-03
Lounge Group	G-04 - G-05
Water & Sewage Group	G-06 - G-07
Window, Vent & Exterior Door Group	G-08 - G-23

**INTERIOR FINISH GROUP (CONTINUED)**

**CURTAIN & CUSHION HARDWARE**

Key	Part Number	U/M	Description
	082139-01-000	EA	Bracket - Hold Down - Blinds
	056003-02-000	EA	Bracket - Drapery Retainer - Left
	056003-01-000	EA	Bracket - Drapery Retainer - Right
	056001-01-000	EA	Bracket - Shade - Left
	056002-01-000	EA	Bracket - Shade - Right
	076827-01-000	EA	Bracket - Curtain - Woven Wood - Right
	076927-02-000	EA	Bracket - Curtain - Woven Wood - Left
	079798-03-000	EA	Bracket Asm. - Curtain Rod - Right
	079798-04-000	EA	Bracket Asm. - Curtain Rod - Left
	082249-01-000	EA	Bracket - Blinds - Beige - Right
	082249-02-000	EA	Bracket - Blinds - Beige - Left
	079619-01-000	EA	Bracket - Tie Back
	009107-01-000	EA	Guide - Nylon Snap - Curtain
	056784-01-000	EA	Pull - Window Shade - Antique Brass
	056115-01-000	YD	Tape - Clear Plastic - w/Guide
	048394-01-000	YD	Tape - Hook - 1" x 2 1/2 YD - Beige
	029096-05-000	YD	Tape Hook - .50" - Velcro - Beige
	048395-01-000	YD	Tape Loop - 1" x 25 YD - Beige
	029090-01-000	FT	Tie - Drapery - Clear Vinyl
	056116-01-000	FT	Track - Curtain - Brown Plastic
	079446-01-000	EA	Track - Curtain - Wraparound - Right
	079446-02-000	EA	Track - Curtain - Wraparound - Left

**PANELING & COUNTERTOP MATERIAL**

Key	Part Number	U/M	Description
	074497-03-000	SF	Paneling - Decor - Sunset Oak - 48" x 84" (28 SF) (Cabinets & Wall)
	074497-04-000	SF	Paneling - Decor - Scrimshaw Sand - 48" x 84" (Wall)
	074496-32-000	SF	Paneling - Decor - Gray - 48" x 84" (28 SF) (Galley) (U13)
	074496-33-000	SF	Paneling - Decor - Melon - 48" x 84" (28 SF) (Galley) (U14)
	074496-34-000	SF	Paneling - Decor - Plum - 48" x 84" (28 SF) (Galley) (U15)
	074497-07-000	SF	Paneling - Pebble Beach - 48" x 96" (32 SF) (Ceiling)
	074498-10-000	SF	Plastic Laminate - Northsea - 48" x 96" (32 SF) (Dinette & Bath) (U13)
	074498-10-019	EA	Plastic Laminate - Northsea - 1.19" x 96"
	076325-11-000	FT	Molding - Edge Band - Northsea - 1 5/16" x .030"
	074498-11-000	SF	Plastic Laminate - Cayene - 48" x 96" (32 SF) (Dinette & Bath) (U14)
	074498-12-019	EA	Plastic Laminate - Cayene - 1.19" x 96"
	076325-12-000	FT	Molding - Edge Band - Cayene - 1 5/16" x .030"
	074498-12-000	SF	Plastic Laminate - Wild Rose - 48" x 96" (32 SF) (Dinette & Bath) (U15)
	074498-12-019	EA	Plastic Laminate - Wild Rose - 1.19" x 96"
	076325-13-000	FT	Molding - Edge Band - Wild Rose - 1 5/16" x .030"
	074498-06-000	SF	Plastic Laminate - Beige Crescent - 48" x 96" (32 SF) (Galley)
	074498-06-019	EA	Plastic Laminate - Beige Crescent - 1.19" x 96"
	076325-04-000	EA	Molding - Edge Band - Beige Crescent - 1.19" x 96"
	074498-05-000	SF	Plastic Laminate - Sunset Oak - 48" x 96" (32 SF) (Nightstand)
	074498-05-019	EA	Plastic Laminate - Sunset Oak - 1.19" x 96"
	076325-04-000	FT	Molding - Edge Band - Sunset Oak - 1 5/16" x .030"

**INTERIOR FINISH GROUP (CONTINUED)**

**FABRICS & CARPET**

Key	Part Number	U/M	Description
	072333-21-000	YD	Fabric - Drapery - Parchment
	077498-65-000	YD	Fabric w/Pattern - Upholstery - Stormy (U13)
	077498-66-000	YD	Fabric w/Pattern - Upholstery - Coral Reef (U14)
	077498-67-000	YD	Fabric w/Pattern - Upholstery - Sachet (U15)
	077498-68-000	YD	Fabric w/Pattern - Upholstery Accent - Oasis (U14)
	077498-70-000	YD	Fabric - Upholstery/Draperly - Accent - Plain - Pewter (U13)
	077498-71-000	YD	Fabric - Upholstery/Draperly - Accent - Plain - Melon (U14)
	077498-69-000	YD	Fabric - Upholstery/Draperly - Accent - Plain - Plum (U15)
	069729-25-000	YD	Fabric - Bedspread/Draperly - Main - Colonial (U13)
	069729-26-000	YD	Fabric - Bedspread/Draperly - Main - Peach (U14)
	069729-27-000	YD	Fabric - Bedspread/Draperly - Main - Mauve (U15)
	069729-28-000	YD	Fabric - Bedspread - Accent - Lemon (U13)
	069729-29-000	YD	Fabric - Bedspread - Accent - Green Silver (U14)
	069729-30-000	YD	Fabric - Bedspread - Accent - Mauve (U15)
	052859-01-T03	FT	Trim Asm - Accent - Sandrift
	052859-05-T03	FT	Trim Asm - Accent - Buckskin
	079680-01-000	YD	Vinyl - Expanded - 26 oz. - Buckskin
	072860-51-000	YD	Carpet - Gray (U13)
	072860-52-000	YD	Carpet - Rose (U14)
	072860-53-000	YD	Carpet - Violet (U15)

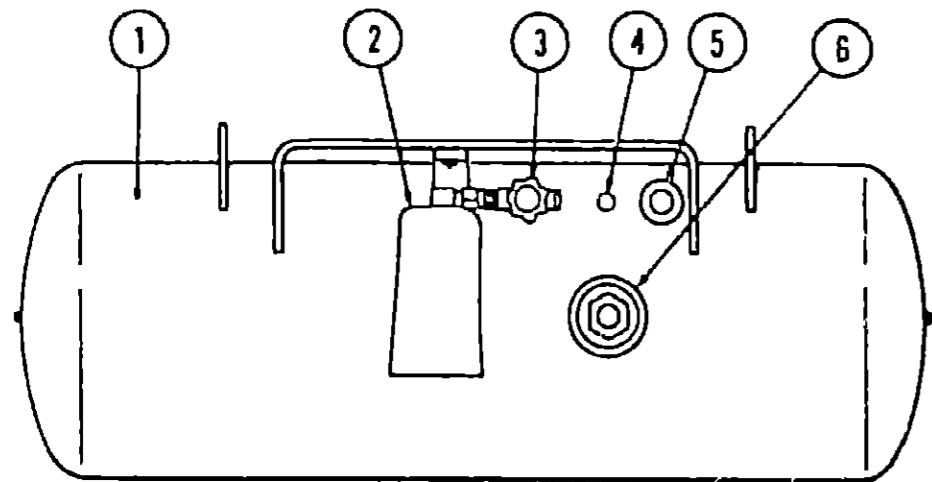
**1986 ITASCA  
TABLE OF CONTENTS**

IC420RG	A-01 - C-02
IC424RS	C-03 - E-10
ICN23RG	E-11 - G-23
ICN27RT	H-01 - J-14

**1986 ICN23RG INDEX**

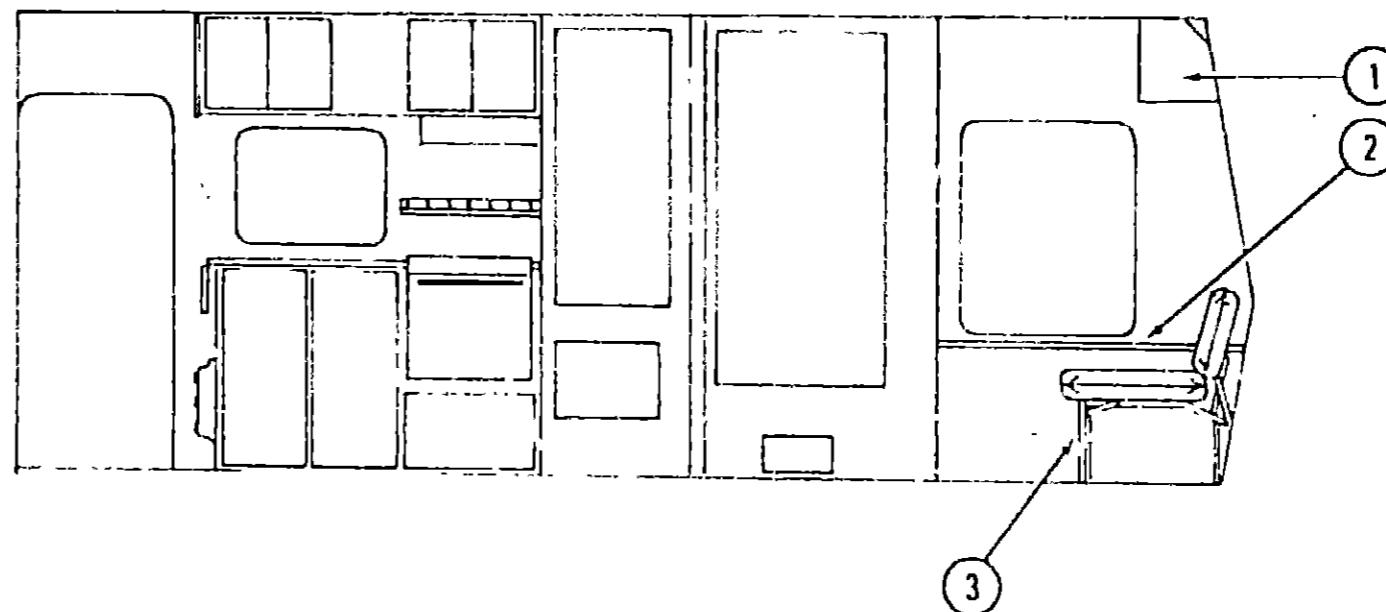
Floor Plan	E-11 - E-12
Accessories Group	E-13 - E-15
Bath Group	E-16
Chassis Group	E-17 - E-20
Curtain, Cushion & Pad Group	E-21 - F-04
Dinette Group	F-05 - F-06
Driver's Compartment Group	F-07 - F-09
Electrical Group	F-10 - F-12
Exterior Body Group	F-13 - F-20
Galley Group	F-21 - F-22
Heating & Air Conditioning Group	F-23
Interior Finish Group	F-24 - G-02
LP Group	G-03
Lounge Group	G-04 - G-05
Water & Sewage Group	G-06 - G-07
Window, Vent & Exterior Door Group	G-08 - G-23

**LP GROUP**



Key	Part Number	U/M	Description
1	074142-01-000	EA	Tank Asm. - LP - Frame Mount - 80 Pound - 13" x 44"
1	080450-01-000	EA	Tank Asm. - LP - Frame Mount - 42 Pound - 13" x 24"
*	065741-01-000	EA	Detector - LP Gas Leak - Marshalltown Instruments
2	081938-01-000	EA	Cover - Regulator - Two Stage
*	076301-01-000	EA	Regulator - Two Stage - US
*	076301-02-000	EA	Regulator - Two Stage - CSA
3	040421-01-703	EA	Valve - Vapor Relief
4	040421-01-700	EA	Gauge - Liquid Level - 20" LP
5	040421-01-701	EA	Valve - Filler - LP
*	040421-01-702	EA	Cap - Plastic Fill Valve
6	040421-01-707	EA	Gauge - Float - w/Visible Dial
*	065741-01-000	EA	Gauge - Diaphragm Pressure
*	040421-01-706	EA	Dial - Visible Face - Float Gauge (Tank w/o Electric Transmitter)
*	040440-01-000	EA	Dial - Transmitter - 0 - 90 Ohm (Float Gauge)
*	045703-01-000	EA	Hose Asm. - LP - 3/8" I D. x 24" - US
*	045703-02-000	EA	Hose Asm. - LP - 3/8" I D x 24" - CSA
*	045703-03-000	EA	Hose Asm. - LP - 3/8" I D x 18" - US
*	045703-04-000	EA	Hose Asm - LP - 3/8" I D x 14" - CSA
*	065742-01-000	EA	Tee - .38 F x .38 F x 25 FPT
*			Not illustrated

**LOUNGE GROUP**



Key	Part Number	U/M	Description
1	081707-02-U13	EA	Cabinet Asm. - Overhead - w/o Doors or Hardware
*	M81506-02-T09	EA	Door Asm. - Overhead Cabinet - w/o Hardware
2	M02523-01-U04	EA	Countertop Asm. - Hamper - Passenger - Sunset Oak
*	082422-01-U04	EA	Cabinet Asm. - Hamper - Passenger - w/o Countertops
*	082061-01-U04	EA	Cabinet Asm. - Hamper - Driver - w/o Countertop
*	M02187-01-T03	EA	Countertop Asm - Hamper - Driver - Sunset Oak
3	M82412-01-U04	EA	Cabinet Asm. - Couch - w/o Door or Hardware
*	M81504-38-U13	EA	Door Asm. - Couch - w/o Hardware
*	072709-04-000	EA	Base Asm - Couch
*			Not illustrated

**1986 ITASCA  
TABLE OF CONTENTS**

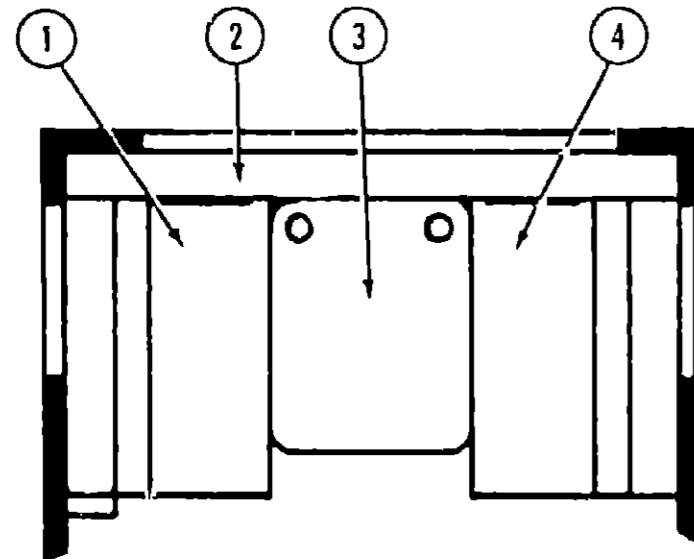
IC420RG	A-01 - C-02
IC424RS	C-03 - E-10
ICN23RG	E-11 - G-23
ICN27RT	H-01 - J-14

**1986 ICN23RG INDEX**

Floor Plan	E-11 - E-12
Accessories Group	E-13 - E-15
Bath Group	E-16
Chassis Group	E-17 - E-20
Curtain, Cushion & Pad Group	E-21 - F-04
Dinette Group	F-05 - F-06
Driver's Compartment Group	F-07 - F-09
Electrical Group	F-10 - F-12
Exterior Body Group	F-13 - F-20
Galley Group	F-21 - F-22
Heating & Air Conditioning Group	F-23
Interior Finish Group	F-24 - G-02
LP Group	G-03
Lounge Group	G-04 - G-05
Water & Sewage Group	G-06 - G-07
Window, Vent & Exterior Door Group	G-08 - G-23

**LOUNGE GROUP (CONTINUED)**

**LOUNGE GROUP (CONTINUED)**



**REAR DINETTE (OPTION)**

Key	Part Number	U/M	Description
1	M02515-02-U13	EA	Cabinet Asm. - Dinette Seat - Left
*	M02514-02-U04	EA	Cabinet Asm. - Dinette Back - Left
2	M02517-01-U04	EA	Countertop Asm. - Rear Dinette Shelf - Sunset Oak
3	M81299-03-U10	EA	Table Asm. - Dinette - w/o Hardware - Northsea (U13)
3	M81299-03-U11	EA	Table Asm. - Dinette - w/o Hardware - Beige Crescent (U14)
3	M81299-03-U12	EA	Table Asm. - Dinette - w/o Hardware - Wild Rose (U15)
*	081747-01-U04	EA	Spacer - Dinette Bed - Harbor Oak
*	024276-14-000	EA	Leg Asm. - Table - 29.5" - Brown
*	024282-01-000	EA	Brace - Table Leg
*	024283-01-000	EA	Clip - 1" O.D. - 1.125" O.D. Tube
*	053201-01-000	EA	Bracket - Table Mount - 23"
*	064050-01-000	EA	Hinge - Table Leg
*	024275-05-000	EA	Rod - Table Lift - 8" x 23.5"
*	024281-07-000	EA	Bracket - Lower Wall Mount - 22.12"
*	049493-02-000	EA	Catch - Table Leg - Mounts on Floor
*	053200-05-000	EA	Bracket - Upper Wall Mount - 23.5"
*	064781-02-000	EA	Cup Holder - 3.47" O.D. x 2.75" I.D. x 1.5"
4	M02515-01-U13	EA	Cabinet Asm. - Dinette Seat - Right
*	M02514-01-U04	EA	Cabinet Asm. - Dinette Back - Right
*			Not illustrated

**WATER & SEWAGE GROUP**

**PLUMBING & REPAIR PARTS**

Key	Part Number	U/M	Description
	033302-02-000	EA	Adapter Asm. - SWVC Strain - 1 1/2"
	010326-01-000	EA	Adapter - Flare - w/Cone Gasket
	062422-01-000	EA	Adapter - Hose Offset - Reducer - 3" x 1 1/2"
	052954-01-000	EA	Adapter - Hose Cone - 3/8 or 1/2 - Plastic
	010224-01-000	EA	Adapter - Plastic - 3/8 MPT x 3/8 Barb
	044927-01-000	EA	Adapter - Plastic - 1 1/4" MPT x 1 1/4 Barb
	031602-02-000	EA	Adapter - Plastic - 1 1/2 H x FPT
	062417-01-000	EA	Adapter - Termination - 3"
	004020-01-000	QT	Adhesive - ABS Cement
	011048-04-000	EA	Breaker - Vacuum - 1/8 MPT - Nylon
**	010121-01-000	EA	Bushing - Plastic - 1 1/2 S x 1 1/4 H
	010122-01-000	EA	Bushing - Plastic - 1 1/2 S x 1 1/4 T
	010123-01-000	EA	Bushing - Plastic - 2S x 1 1/2 H
	036522-02-000	EA	Cap - Brass - 1/2 Flare
	062415-01-000	EA	Cap - Sewer - 3"
	052959-02-000	EA	Connector - 1/2 F x 1/2 MPT - Plastic
	052959-03-000	EA	Connector - 1/2 F x 3/8 MPT - Plastic
	011091-02-000	EA	Continuous Waste - Double Sink - 11 7/8" - US
	053874-01-000	EA	Continuous Waste Asm. - Double Sink - CSA
	078406-01-000	EA	Coupler Rubber - 3" x 3"
	052960-01-000	EA	Drain Valve - 1/2 F x 1/2 F - Plastic
	010000-01-000	EA	Elbow - Plastic - 1/8 BD x 1 1/4 x 45° H x H
	010005-01-000	EA	Elbow - Plastic - 1/16 BD x 1 1/2
	010006-01-000	EA	Elbow - Plastic - 1/8 BD x 1 1/2 x 45° H x H
	010008-01-000	EA	Elbow - Plastic - 1/4 BD x 1 1/2 x 90° Left
	010051-01-000	EA	Elbow - ST - Plastic - 1/8 BD x 1 1/2 x 45°
	010219-01-000	EA	Elbow - 1 1/4 Barb x 1 1/4 MPT x 90°
	031111-01-000	EA	Elbow - Plastic - 1/4 BD x 1 1/4 x 90° Left
	034250-01-000	EA	Elbow - Plastic - 1/4 BD x 1 1/2 x 90° x H x H
	035539-01-000	EA	Elbow - Plastic - 3/8 MPT x 3/8 Barb
	052957-01-000	EA	Elbow - Plastic - 1/2 F x 3/8 MPT
	052957-02-000	EA	Elbow - Plastic - 1/2 F x 1/2 MPT (In Tank Filter)
	059536-01-000	EA	Elbow - 1 1/4 - Slip Joint Ends
	065120-01-000	EA	Elbow - Plastic - Swivel - 50
	070921-01-000	EA	Elbow - Plastic - Swivel - 1/2 MPT x 1/2 FP
	077954-01-000	EA	Filter/Screen (In Water Tank)
	039647-02-000	EA	Filter - Water Pump - 1/2" MPT
	039647-03-000	EA	Filter - Water Pump - 1/2" Flare
	010147-01-000	EA	Flange - Closet - 4" F x 3" FPT - US
	010147-02-000	EA	Flange - Closet - 4" F x 3" FPT - CSA
	079381-01-000	FT	Flexible Tubing - 1 1/4 I.D. x 10'
	061607-01-000	EA	Grommet - Holding Tank Coupler - 1 1/2"
	061607-02-000	EA	Grommet - Holding Tank Coupler - 3"
	062419-02-000	EA	Handle - Extension - w/6" Adapter
	052961-01-000	EA	Header - 1/2 F x 1/2 F x 1/2 F x 1/2 F
**	046524-01-000	EA	Kit - Holding Tank Fittings - Blank Tank
**	046524-02-000	EA	Kit - Water Tank Fittings - Blank Tank
	052953-01-000	EA	Nut - Faucet - 1/2 Tube x 1/2 FPT
	052952-01-000	EA	Nut - 1/2 F - Plastic
**	011066-03-000	EA	P-Trap - 1 1/4" Plastic - US
**	011066-02-000	EA	P-Trap - 1 1/4" Plastic - CSA
	053335-01-000	EA	P-Trap - Plastic - 1 1/4 H x H - w/Union - CSA
	010197-01-000	EA	Pipe - Plastic - 3" x 240" - Black
	045729-01-000	EA	Pump - Water - 2.8 G.P.M. - Direct Drive - Shurflo - US
	045729-02-000	EA	Pump - Water - 2.8 G.P.M. - Direct Drive - Shurflo - CSA
**	010201-01-000	EA	Sewer Hose - 3" x 8' w/Clamp
	042989-02-000	EA	Spinweld Fittings - Plastic - 1/2 FPT (In Tank Fitter)
	042989-03-000	EA	Spinweld Fittings - Plastic - 1/4 NPT
	042989-04-000	EA	Spinweld Fittings - Plastic - 3/8 FPT
	011069-02-000	EA	Tailpiece - 1 1/2" x 1 1/4" x 4" - Brass

\*\* The illustrated parts breakdown for this item is provided on the Common Items Fiche.

**1986 ITASCA  
TABLE OF CONTENTS**

IC420RG	A-01 - C-C2
IC421RS	C-03 - E-10
ICN23RG	E-11 - G-23
ICN27RT	H-01 - J-14

**1986 ICN23RG INDEX**

Floor Plan	E-11 - E-12
Accessories Group	E-13 - E-15
Bath Group	E-16
Chassis Group	E-17 - E-20
Curtain, Cushion & Pad Group	E-21 - F-04
Dinette Group	F-05 - F-06
Driver's Compartment Group	F-07 - F-09
Electrical Group	F-10 - F-12
Exterior Body Group	F-13 - F-20
Galley Group	F-21 - F-22
Heating & Air Conditioning Group	F-23
Interior Finish Group	F-24 - G-02
LP Group	G-03
Lounge Group	G-04 - G-05
Water & Sewage Group	G-06 - G-07
Window, Vent & Exterior Door Group	G-08 - G-23

**WATER & SEWAGE GROUP (CONTINUED)**

**PLUMBING & REPAIR PARTS (CONT.)**

Key	Part Number	U/M	Description
	010071-01-000	EA	Tee - Plastic - 1 1/2 x H x H x H
	010072-01-000	EA	Tee - Plastic - 1 1/2 H x 1 1/4 H x 1 1/2 H
**	010079-01-000	EA	Tee - Plastic 1 1/2 H x 1 1/2 H x 1 1/4 H
	046172-01-000	EA	Tee - Plastic - 3/8 B x 3/8 B x 3/8 MPT
	052955-01-000	EA	Tee - Plastic - 1/2 F x 1/2 F x 1/2 MPT
	052956-01-000	EA	Tee - Plastic - 1/2 F x 1/2 MPT x 1/2 F
	052958-01-000	EA	Tee - Plastic - 1/2 F x 1/2 F x 1/2 F
**	010133-01-000	EA	Trap Adapter - Plastic - 1 1/2 H x MPT
	039800-01-000	FT	Tubing - Polybutyl - 1/2 O.D. (Water Line)
	079381-01-000	FT	Tubing - Flexible - Smooth - 1 25 I.D.
	074462-02-000	FT	Tubing - Vinyl - 3/8 I.D.
	072346-01-000	EA	Valve Asm. - 3" Ell - w/2" Socket
	062421-01-000	EA	Valve - 1 1/2" - w/Handle
	062418-02-000	EA	Valve - 3" - w/o Handle
	052960-01-000	EA	Valve - Line Drain - 1/2 F x 1/2 F
	052962-01-000	EA	Valve - Stool - 90° - 1/2 F x 3/8 MPT
	010073-01-000	EA	Wye - Plastic - 1 1/2 x 45 H x H
**	The illustrated parts breakdown for this item is provided on the Common Items Fiche.		

**HOLDING TANKS & WATER HEATERS**

Key	Part Number	U/M	Description
	074510-03-000	EA	Tank Asm. - Water - 16 Gallon - w/Fittings (Dinette)
	M01275-43-000	EA	Tank Asm. - Water - 16 Gallon - w/Fittings (Couch)
	074510-01-000	EA	Tank - Water - 16 Gallon - w/o Fittings
	053520-05-000	EA	Tank Asm. - Water - 20 Gallon - w/Fittings (Dinette)
	M01275-42-000	EA	Tank Asm. - Water - 20 Gallon - w/Fittings (Couch)
	053520-01-000	EA	Tank - Water - 20 Gallon - w/o Fittings
	076845-01-000	EA	Tank Asm. - Waste Water - 20 Gallon - w/Fittings
	076845-01-000	EA	Tank - Waste Water - 20 Gallon - w/o Fittings
	076834 01-000	EA	Tank Asm. - Sewage - 40 Gallon - w/Fittings
	076834-01-000	EA	Tank - Sewage - 40 Gallon - w/o Fittings
**	051391-01-000	EA	Water Heater - w/o Motor Aid - G6A3
**	051391-03-000	EA	Water Heater - w/Electronic Ignition - G6A-3E
**	051393-01-000	EA	Water Heater - w/Motor Aid - GH6-3E
**	The illustrated parts breakdown for this item is provided on the Common Items Fiche.		

**WINDOW, VENT & EXTERIOR DOOR GROUP**

**VENTS**

Key	Part Number	U/M	Description
	071290-01-000	EA	Base - Refrigerator Vent
	071290-02-000	EA	Cover - Refrigerator Vent - 11 5/8" x 24 3/4" - Galvanized Steel
	055218-01-000	EA	Cover Asm. - Roof Vent
	071290-01-000	EA	Frame Asm. - Refrigerator Vent - 7 5" x 26.5" - Galvanized Steel
	079355-10-000	EA	Vent - Stovehood - Outside - Gray
	075056-01-000	EA	Vent Asm. - Roof - Non-Powered - w/o Screen
	048835-01-000	EA	Vent Asm. - Roof - Non Powered
	079537-01-000	EA	Vent Asm. - Roof - Powered - w/o Screen
	080507-01-000	EA	Skylight - Outside Panel
	080508-01-000	EA	Skylight - Inside Panel
	080258-01-000	EA	Collar - Skylight
	080262-01-000	EA	Shroud - Power Vent - Inner
	078785-01-T03	EA	Screen Asm. - Roof Vent
	078786-01-T03	EA	Screen Asm. - Roof Vent - Non Powered

**WINDSHIELD**

Key	Part Number	U/M	Description
	077675-01-000	EA	Glass - Windshield - Passenger
	077675-02-000	EA	Glass - Windshield - Driver
	072889-01-000	EA	Sealer Tape
	072890-01-000	QT	Primer - Metal Prep
	072891-01-000	QT	Primer - Glass Prep - Clear
	072892-01-000	QT	Primer - Glass Prep - Black
	058291-01-000	FT	Edge Molding - Windshield Glass
	002328-02-000	EA	Block - Windshield Spacer
	077944-01-000	EA	Revel Molding - Upper Right
	077944-02-000	EA	Revel Molding - Upper Left
	077945-01-000	EA	Revel Molding - Lower Right
	077945-02-000	EA	Revel Molding - Lower Left
	076676-02-000	EA	Revel Molding - T-Cap
	079225-01-000	EA	Trim Molding - Windshield Post - Right
	079225-02-000	EA	Trim Molding - Windshield Post - Left

**1986 ITASCA  
TABLE OF CONTENTS**

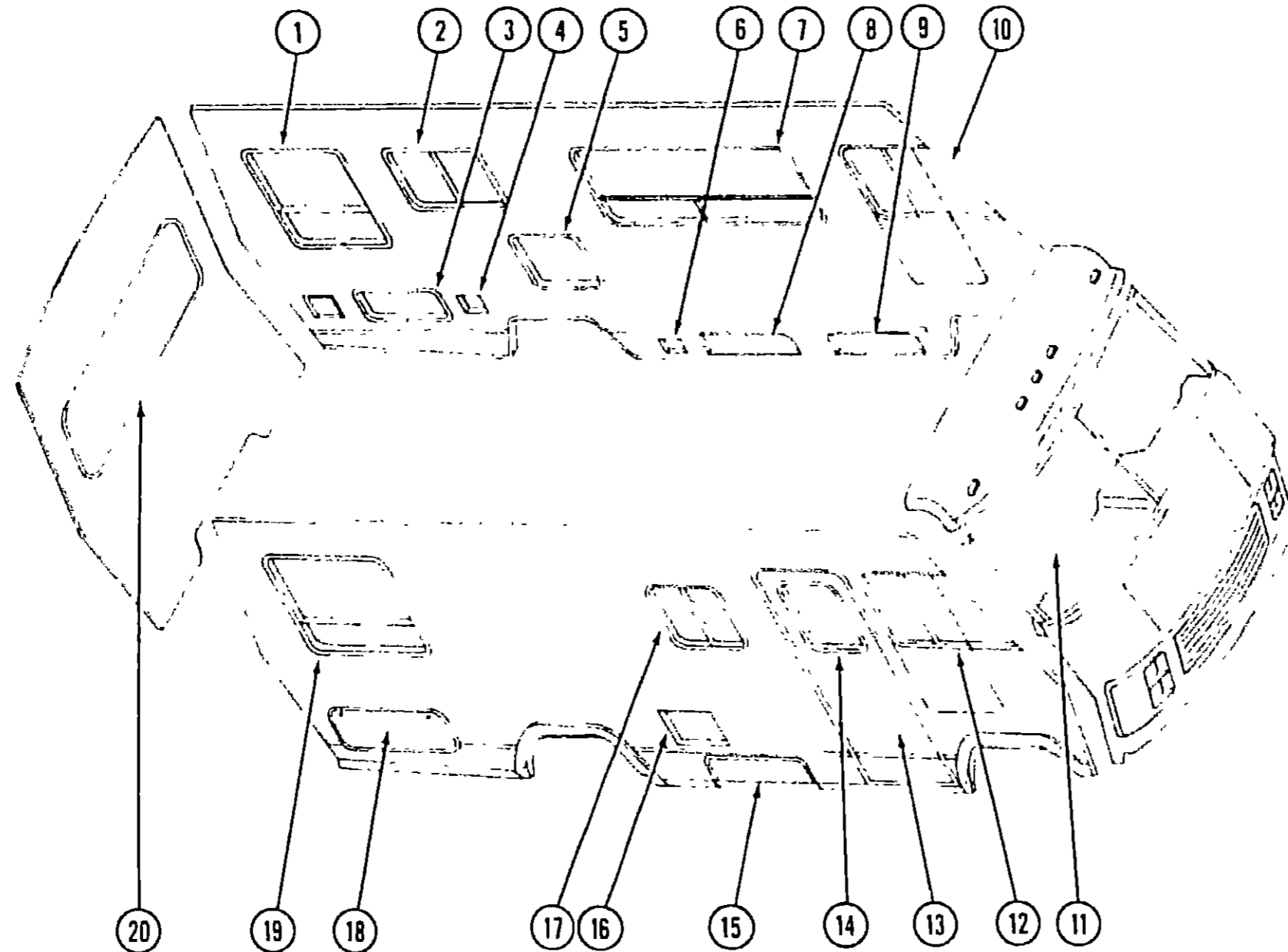
IC420RG	A-01 - C-02
IC424RS	C-03 - E-10
ICN23RG	E-11 - G-23
ICN27RT	H-01 - J-14

**1986 ICN23RG INDEX**

Floor Plan	E-11 - E-12
Accessories Group	E-13 - E-15
Bath Group	E-16
Chassis Group	E-17 - E-20
Curtain, Cushion & Pad Group	E-21 - F-04
Dinette Group	F-05 - F-06
Driver's Compartment Group	F-07 - F-09
Electrical Group	F-10 - F-12
Exterior Body Group	F-13 - F-20
Galley Group	F-21 - F-22
Heating & Air Conditioning Group	F-23
Interior Finish Group	F-24 - G-02
LP Group	G-03
Lounge Group	G-04 - G-05
Water & Sewage Group	G-06 - G-07
Window, Vent & Exterior Door Group	G-08 - G-23

## WINDOW, VENT & EXTERIOR DOOR GROUP (CONTINUED)

### WINDOWS & ACCESS DOORS



Key	Part Number	U/M	Description
1	081570-06-U07	EA	Window Asm. - Single Tipout
2	078266-04-T03	EA	Window Asm. - Single Slider
3	079578-01-T09	EA	Door Asm. - Storage
4	078010-05-000	EA	Door Asm. - Fuel Fill (See Access Door)
5	078969-04-T09	EA	Door Asm. - Refrigerator Access
6	078960-02-T09	EA	Door Asm. - Power Cord
7	081568-02-U01	EA	Window Asm. - Double Tipout
8	M79436-03-T09	EA	Door Asm. - LP
9	M79435-01-T09	EA	Door Asm. - Access
10	082057-02-U04	EA	Window Asm. - Left Front Slant Slider

Key	Part Number	U/M	Description
11	077675-01-000	EA	Glass - Windshield - Passenger
11	077675-02-000	EA	Glass - Windshield - Driver
12	082057-01-U04	EA	Window Asm. - Right Front Slant Slider
13	M01870-04-T09	EA	Door Asm. - Entrance w/Screen
14	079733-04-T03	EA	Window Asm. - Picture
15	M79435-02-T09	EA	Door Asm. - Storage
16	052009-03-000	EA	Door Asm. - Water Heater
17	078266-02-T03	EA	Window Asm. - Single Slider
18	M01883-01-T09	EA	Door Asm. - Generator
18	079578-02-T09	EA	Door Asm. - Luggage
19	081570-05-U07	EA	Window Asm. - Lower Slider
20	078536-01-T03	EA	Window Asm. - Escape

## 1986 ITASCA TABLE OF CONTENTS

IC420RG	A-01 - C-02
IC424RS	C-03 - E-10
ICN23RG	E-11 - G-23
ICN27RT	H-01 - J-14

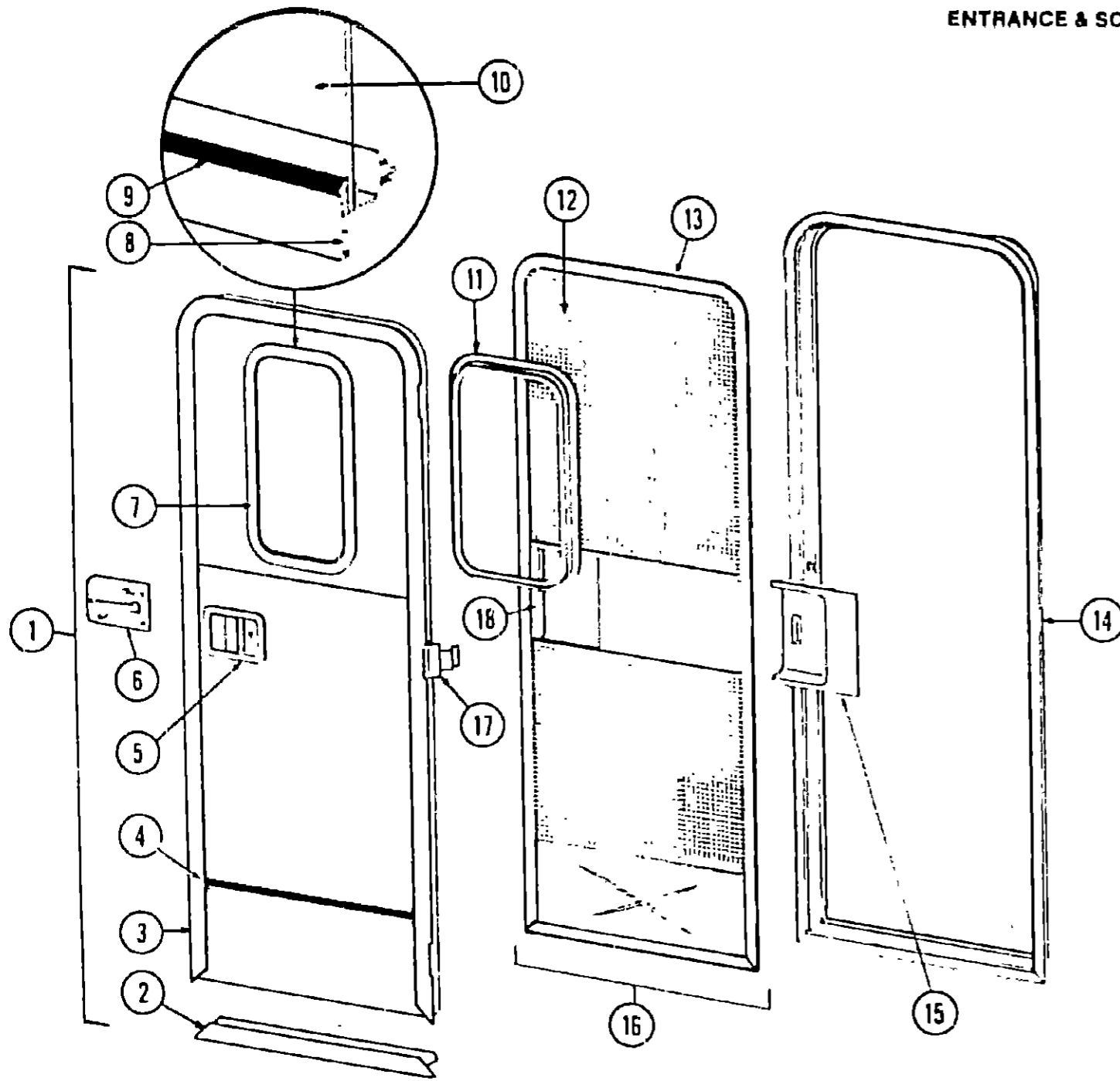
## 1986 ICN23RG INDEX

Floor Plan	E-11 - E-12
Accessories Group	E-13 - E-15
Bath Group	E-16
Chassis Group	E-17 - E-20
Curtain, Cushion & Pad Group	E-21 - F-04
Dinette Group	F-05 - F-06
Driver's Compartment Group	F-07 - F-09
Electrical Group	F-10 - F-12
Exterior Body Group	F-13 - F-20
Galley Group	F-21 - F-22
Heating & Air Conditioning Group	F-23
Interior Finish Group	F-24 - G-02
LP Group	G-03
Lounge Group	G-04 - G-05
Water & Sewage Group	G-06 - G-07
Window, Vent & Exterior Door Group	G-08 - G-23



# WINDOW, VENT & EXTERIOR DOOR GROUP (CONTINUED)

## ENTRANCE & SCREEN DOOR



Key	Part Number	U/M	Description
1	M01870-04-T09	EA	Door Asm. - Radius Entry w/Screen Door
2	077998-03-000	EA	Frame - Entry Door (Bottom Portion Only)
3	076863-03-000	EA	Frame - Entry Door (Except Bottom Portion)
4	059576-09-000	EA	Feature Strip w/o Insert - Extr. - 14"
5	001030-11-100	EA	Insert - Feature Strip - 17' - Stucco
6	009731-01-000	EA	End Cap - Feature Strip
7	045017-05-000	EA	Paddle Asm. - Door Lock - Exterior
8	045017-05-700	EA	Lock Cylinder w/Keys - Lynor
9	039539-01-000	EA	Striker Bolt - Entry Doors
10	039540-01-000	EA	Latch Claw - Entry Door
11	039738-01-000	EA	Dead Bolt - Entry Door
12	039979-01-000	EA	Plate - Inside Lock - Includes Inside Handle
13	052186-01-000	EA	Lock Asm. - Complete - Lynor
14	079733-04-T03	EA	Window Asm. - Picture - 17" x 25" - Black (w/o inside frame)
15	069640-06-000	FT	Ribbon Sealer - 5/16" Bead x 15'
16	002309-02-000	FT	Spline - Glass - 1/8" Black
17	002181-06-000	EA	Glass - Picture Window - 1/8" x 16.25" x 24" - Gray
18	067609-03-000	EA	Inside Frame - Beige (not included in assembly)
19	002293-02-000	SF	Screen - Window - 26" - Charcoal
20	056795-01-000	FT	Seal Tape - 1/8" x 3/8" - Press On
21	078591-02-000	EA	Jamb Asm. - Entrance Door
22	051049-01-000	EA	Jamb - Entrance Door - Bottom
23	079086-01-000	EA	Slider - Screen Door - Light Oak Plastic
24	079012-01-T03	EA	Door Asm. - Screen
25	079361-03-000	EA	Hinge - Entrance Door (3 used per door)
26	079087-01-000	EA	Cap - Screen Door - Light Oak Plastic
27	009016-01-000	EA	Catch - Elbow - Spring Loaded - Screen Door
28	039863-01-000	EA	Catch Asm. - Single Roller w/Strike - Screen Door
29	076321-01-000	EA	Spacer - Latch - Screen Door
30	077437-01-000	EA	Strike - Roller Catch
31	058025-02-000	EA	Clip - Roller Latch Catch
32	044582-01-000	EA	Drip Cap - Beige
33	079278-01-000	EA	Seal - Mocket - Entrance Door
34	073090-01-000	FT	Seal - Entrance Door
35	075739-02-000	EA	Stiffener - Entrance Door - Beige
36	075673-01-000	FT	Seal - Pile - Adhesive Back
37	075671-01-000	FT	Seal - Sponge - Lazy "T" Shaped
38	002294-01-000	FT	Spline - Black - .135" x .138" (Screen)
39	063638-02-000	EA	Strike - Screen Door
40	063729-04-000	EA	Rivnut - 10-32 UNF - .101-.080
41	075639-01-000	EA	Garnish - Radius - Entrance Door
42	083205-01-000	EA	Deadbolt - Press Kit - 5"
43	079173-01-000	EA	Gasket - Deadbolt - Exterior
44			Not illustrated

## 1986 ITASCA TABLE OF CONTENTS

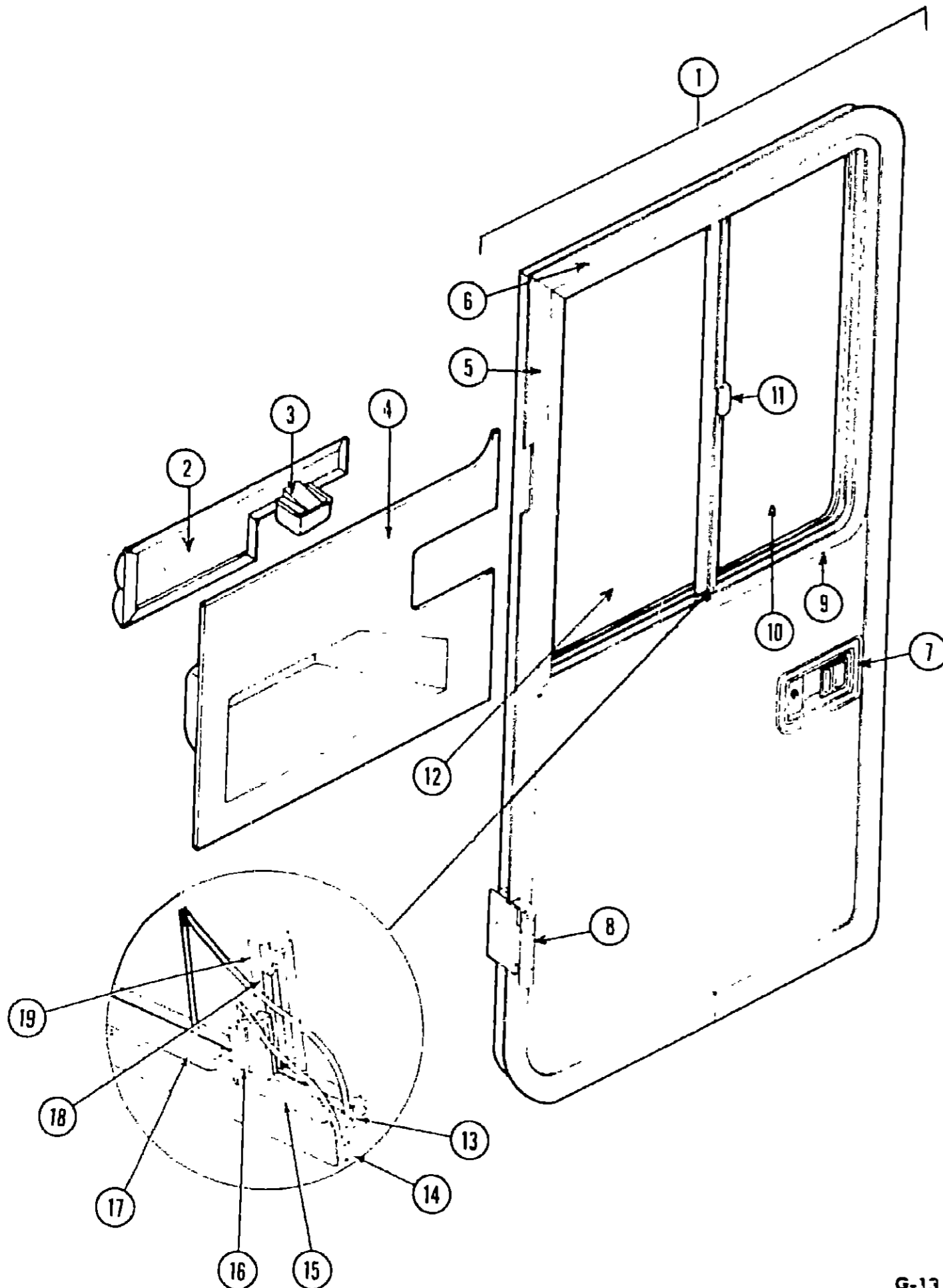
IC420RG	A-01 - C-02
IC424RS	C-03 - E-10
ICN23RG	E-11 - G-23
ICN27RT	H-01 - J-14

## 1986 ICN23RG INDEX

Floor Plan	E-11 - E-12
Accessories Group	E-13 - E-15
Bath Group	E-16
Chassis Group	E-17 - E-20
Curtain, Cushion & Pad Group	E-21 - F-04
Dinette Group	F-05 - F-06
Driver's Compartment Group	F-07 - F-09
Electrical Group	F-10 - F-12
Exterior Body Group	F-13 - F-20
Galley Group	F-21 - F-22
Heating & Air Conditioning Group	F-23
Interior Finish Group	F-24 - G-02
LP Group	G-03
Lounge Group	G-04 - G-05
Water & Sewage Group	G-06 - G-07
Window, Vent & Exterior Door Group	G-08 - G-23

# WINDOW, VENT & EXTERIOR DOOR GROUP (CONTINUED)

## DRIVER & PASSENGER JAMB DOORS



Key	Part Number	U/M	Description
1	079624-01-T09	EA	Door Asm. - Driver - Gray
1	079624-02-T09	EA	Door Asm. - Passenger - Gray
2	064088-03-000	EA	Pad Asm. - Trim - Belge Vinyl - Driver Door
2	064088-04-000	EA	Pad Asm. - Trim - Belge Vinyl - Passenger
.	061400-06-000	EA	Assist Strap - 12" - Belge Vinyl
3	046886-03-000	EA	Ash Tray Asm. - Chrome
4	064499-02-000	EA	Panel - Driver Door - Inner - Light Oak Plastic
4	064499-03-000	EA	Panel - Passenger Door - Inner - Light Oak Plastic
5	079214-03-000	EA	Door Frame - Front - Gray - Driver Door
6	079214-04-000	EA	Door Frame - Front - Gray - Passenger Door
6	079250-03-000	EA	Door Frame - Rear - Gray - Driver Door
6	079250-04-000	EA	Door Frame - Rear - Gray - Passenger Door
7	045017-05-000	EA	Paddle Asm. - Door Lock - Exterior - Driver
7	045017-07-000	EA	Paddle Asm. - Door Lock - Exterior - Passenger
.	045017-05-700	EA	Lock Cylinder w/Keys - Lynor
.	039979-02-000	EA	Inside Plate - Door Lock - w/Inside Handle
.	039540-02-000	EA	Latch Claw - Entry Door Lock
.	039738-01-000	EA	Deadbolt - Entrance Door Lock
.	039539-01-000	EA	Strike Bolt - Entrance Door (Jamb Mount)
.	063124-02-000	EA	Plate - Striker - 8 1/4" x 1" - Black
.	079249-07-000	EA	Jamb - Driver Door - Rear
.	079249-08-000	EA	Jamb - Passenger Door - Rear
.	078135-02-000	EA	Jamb - Driver Door - Front
.	078135-01-000	EA	Jamb - Passenger Door - Front
.	064184-01-000	EA	Drip Cap - Driver Door
.	064184-02-000	EA	Drip Cap - Passenger Door
.	063768-01-000	EA	Sill Plate
8	063993-10-000	EA	Hinge Asm. - Driver Door - Gray
8	063993-12-000	EA	Hinge Asm. - Passenger Door - Gray
.	066109-02-000	EA	Strap - Driver Door
.	064580-01-000	EA	Check Strap - Driver Door - Seat Belt Webbing
.	064219-01-000	EA	Retainer - Driver Door - Check Strap
.	063886-03-000	EA	Assist Handle - Belge Steel Tube (2 required per door)
.	064075-01-000	EA	Bulb Seal - 145"
9	079101-02-T03	EA	Window Asm. - Driver Door - Black (w/o inside frame)
9	079101-01-T03	EA	Window Asm. - Passenger Door - Black (w/o inside frame)
.	079577-02-T03	EA	Inside Frame - w/Slider Screen - Driver Door - Beige
.	079577-01-T03	EA	Inside Frame - w/Slider Screen - Passenger Door - Beige
.	079574-03-T03	EA	Slider Screen Asm. - Passenger Door
.	079574-04-T03	EA	Slider Screen Asm. - Driver Door
10	057657-04-000	EA	Glass - .19" x 28.11" x 12.25"
11	047369-01-700	EA	Latch - Window - Plastic w/Fastener
12	002188-06-000	EA	Glass - .19" x 28.11" x 12" - Stationary
13	002324-02-000	FT	Channel - Weatherstrip - Glass
14	069640-06-000	FT	Ribbon Sealer - 1/4" Bead x 20'
15	050216-02-000	FT	Spline - Glass - .19" Material - Black
16	002389-03-003	EA	Seal Holder w/Fin Seal - 23.19" - Black
17	041928-02-000	FT	Extr. Vinyl - Window Seal - Black
18	073740-01-000	FT	Seal - Fin - Pile - .460"
19	078562-07-000	EA	Inside Mullion - Slider Window - Black
20	002298-02-000	FT	Spline - .130" Dia. - Charcoal (Screen)
.	023713-02-000	EA	Weephole Cover - Black Plastic
.	002293-02-000	SF	Screen - Window - 26" - Charcoal
.	063977-08-000	EA	Step Asm. - Single - Driver
.	063977-09-000	EA	Step Asm. - Single - Passenger
.			Not illustrated

## 1986 ITASCA TABLE OF CONTENTS

IC420RG	A-01 - C-02
IC424RS	C-03 - E-10
ICN23RG	E-11 - G-23
ICN27RT	H-01 - J-14

## 1986 ICN23RG INDEX

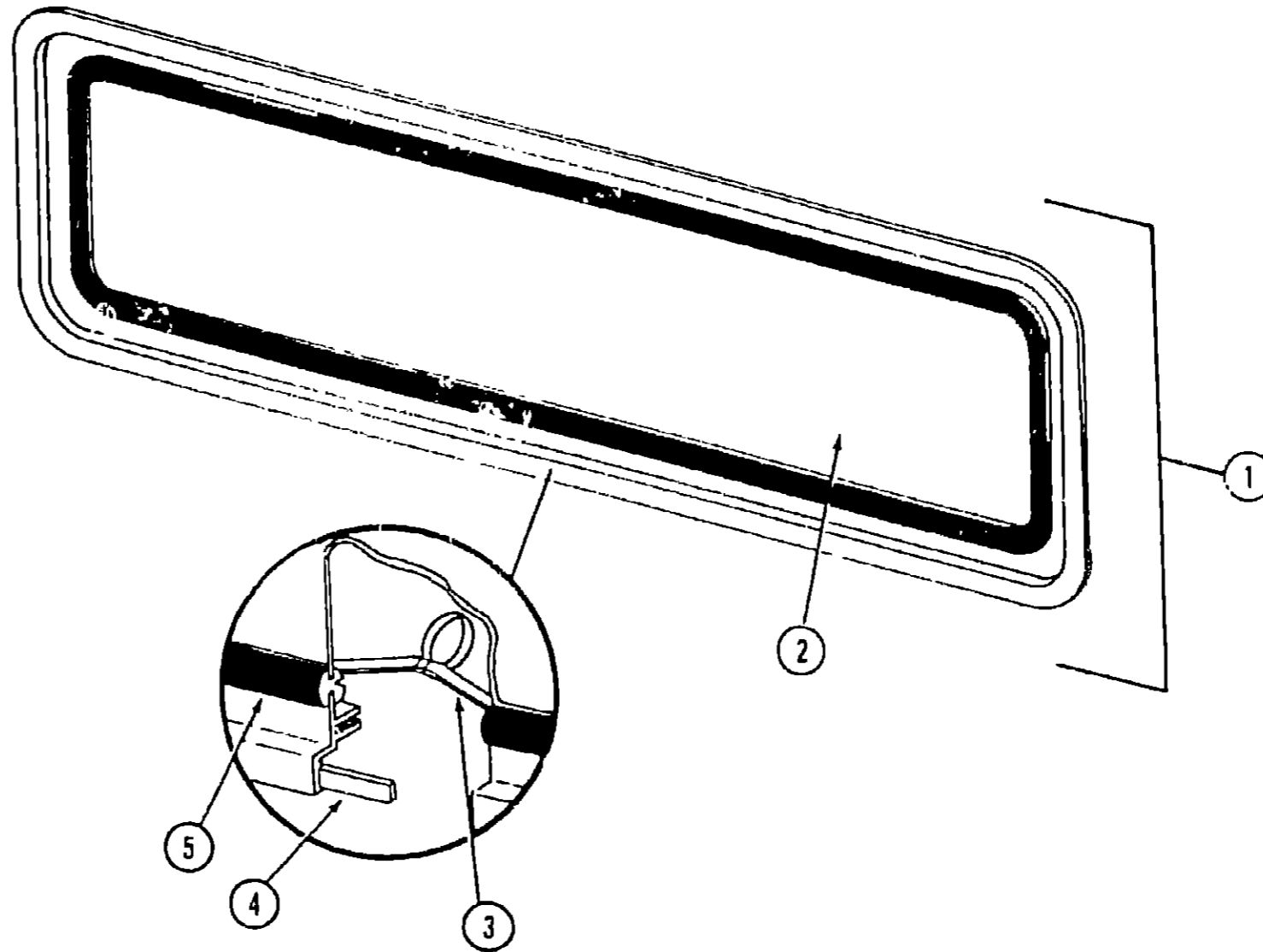
Floor Plan	E-11 - E-12
Accessories Group	E-13 - E-15
Bath Group	E-16
Chassis Group	E-17 - E-20
Curtain, Cushion & Pad Group	E-21 - F-04
Dinette Group	F-05 - F-06
Driver's Compartment Group	F-07 - F-09
Electrical Group	F-10 - F-12
Exterior Body Group	F-13 - F-20
Galley Group	F-21 - F-22
Heating & Air Conditioning Group	F-23
Interior Finish Group	F-24 - G-02
LP Group	G-03
Lounge Group	G-04 - G-05
Water & Sewage Group	G-06 - G-07
Window, Vent & Exterior Door Group	G-08 - G-23

**WINDOW, VENT & EXTERIOR DOOR GROUP (CONTINUED)**

**DRIVER DOOR W/ROLL-UP WINDOW**

Key	Part Number	U/M	Description
	M02202-01-U13	EA	Door Asm. - w/Roll-Up Window - Passenger
	M02202-02-U13	EA	Door Asm. - w/Roll-Up Window - Driver
	064184-02-000	EA	Drip Cap - Cab Door - Passenger
	064184-01-000	EA	Drip Cap - Cab Door - Driver
	M02684-03-000	EA	Jamb Asm. - Cab Door - Passenger
	M02684-04-000	EA	Jamb Asm. - Cab Door - Driver
	063993-12-000	EA	Hinge Asm. - Passenger
	063993-10-000	EA	Hinge Asm. - Driver
	082150-01-000	FT	Seal - Sponge (Jamb)
	082150-02-000	FT	Seal - Sponge (Door)
	063731-01-000	EA	Cap - Push On - Zinc
	061400-06-000	EA	Assist Strap - Sandstone
	064219-01-000	EA	Retainer Strap - Driver Door
	066109-02-000	EA	Strap - Driver Door
	063733-01-000	EA	Bushing - Flange - Nyliner
	063729-01-000	EA	Rivnut - 1/4 x 20 unc. - .030 - .125
	081903-01-000	EA	Shaft - Mounting Knob
	081905-01-000	EA	Knob - Control - Slide Bolt - Passenger
	081905-02-000	EA	Knob - Control - Slide Bolt - Driver
	081906-01-000	EA	Slide Bolt - Driver Door
	081907-01-000	EA	Regulator Asm. - Window - Passenger
	081907-02-000	EA	Regulator Asm. - Window - Driver
	081910-01-000	FT	Channel - Window - Sliding
	081912-01-000	EA	Weatherstrip - Rigid
	063806-06-000	EA	Assist Handle - Door
	075722-01-000	EA	Block - Switch - Spacer
	079215-01-000	EA	Frame Asm. - Front Slant Slider
	079421-01-T03	EA	Window Asm. - Front Slant Slider - Passenger
	079421-02-T03	EA	Window Asm. - Front Slant Slider - Driver
	073118-01-000	EA	Retainer - Attachment Plate
	073119-01-000	EA	Attachment Plate - Striker
	079561-01-000	EA	Shim - Strike - Cab Door
	050216-02-000	FT	Spline - Vinyl - Glass - .19
	057656-06-000	EA	Glas - .19" x 28.11" x 13.98"
	R77007-56-701	EA	Plate - Passenger Door Lock
	R77007-56-702	EA	Plate - Driver Door Lock
	R77040-01-538	EA	Door Handle
	R77007-05-374	EA	Plate - Door Handle Spacer
	R77006-50-326	EA	Door - Handle Inner - Driver
	R77006-50-261	EA	Door - Handle Inner - Passenger
	R77006-13-460	EA	Cap - Inner - Window Crank
	072035-01-000	EA	Crank - Hand - Glass Lift
	072036-02-000	EA	Cap - Crank - Hand
	073110-02-000	EA	Rod - Lock - Passenger
	073110-03-000	EA	Rod - Lock - Driver
	R77006-64-355	EA	Link - Door Handle - Control
	R77030-58-048	EA	Washer
	R77030-33-009	EA	Nut - w/Washer
	R77007-62-746	EA	Lock - Left Tumbler Assembly
	R77007-62-746	EA	Lock - Right Tumbler Assembly
	081488-01-000	EA	Glass - Door - Roll-Up
	083223-02-000	EA	Lock Asm. - Key Type (Set of 2)
	076542-03-000	EA	Rod Control - Latch - Passenger
	076542-04-000	EA	Rod Control - Latch - Driver

**WINDOW, VENT & EXTERIOR DOOR GROUP (CONTINUED)**



Key	Part Number	U/M	Description
1	078536-01-T03	EA	Window Asm. - Escape - 23" x 68" - Black (w/o inside frame)
	042027-05-000	EA	Inside Frame - Escape Window - Beige (not included in assembly)
2	002178-01-000	EA	Glass - 1/8" x 19.61" x 64.80"
3	002285-01-000	FT	Filler - Weatherstrip - Black
4	069640-01-000	FT	Tape - 1/4" Bead x 20"
5	002282-01-000	FT	Weatherstrip - Window - .125" - Black
	006199-01-000	EA	Label - Exit - Escape Window
			Not illustrated

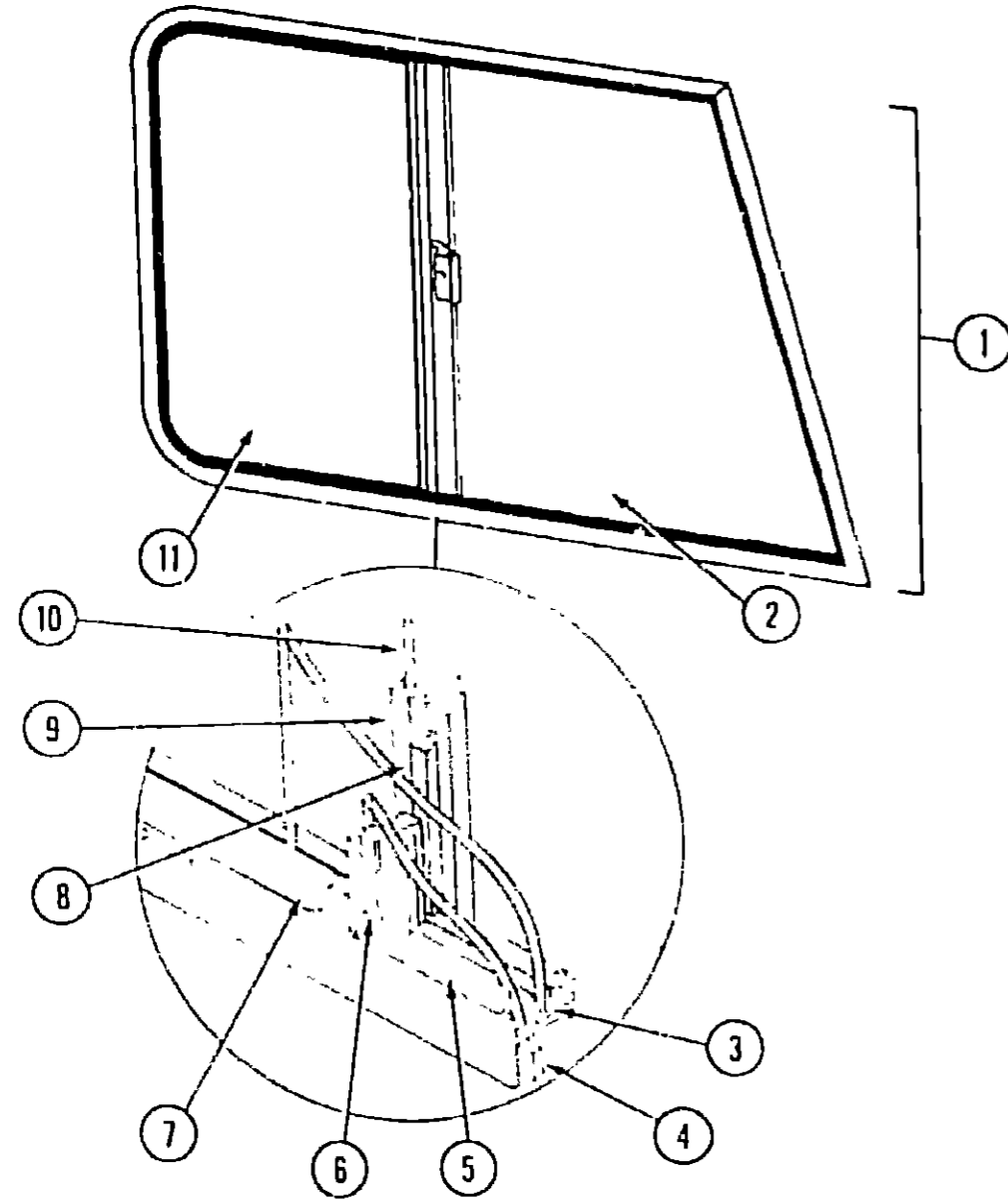
**1986 ITASCA  
TABLE OF CONTENTS**

IC420RG	A-01 - C-02
IC424RS	C-03 - E-10
ICN23RG	E-11 - G-23
ICN27RT	H-01 - J-14

**1986 ICN23RG INDEX**

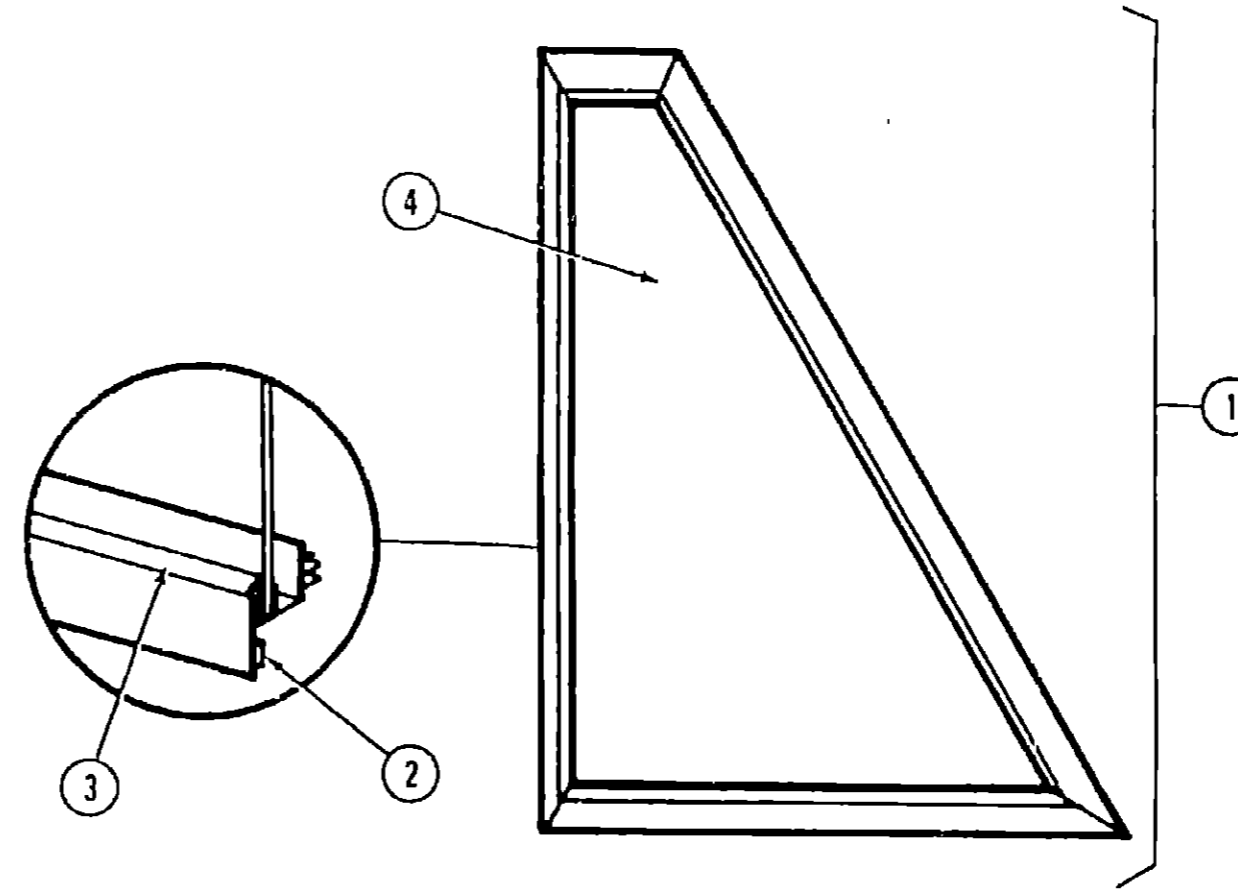
Floor Plan	E-11 - E-12
Accessories Group	E-13 - E-15
Bath Group	E-16
Chassis Group	E-17 - E-20
Curtain, Cushion & Pad Group	E-21 - F-04
Dinette Group	F-05 - F-06
Driver's Compartment Group	F-07 - F-09
Electrical Group	F-10 - F-12
Exterior Body Group	F-13 - F-20
Galley Group	F-21 - F-22
Heating & Air Conditioning Group	F-23
Interior Finish Group	F-24 - G-02
LP Group	G-03
Lounge Group	G-04 - G-05
Water & Sewage Group	G-06 - G-07
Window, Vent & Exterior Door Group	G-08 - G-23

WINDOW, VENT & EXTERIOR DOOR GROUP (CONTINUED)



Key	Part Number	U/M	Description
1	082057-01-U04	EA	Window Asm. - Front Slant Slider - Passenger (w/o inside frame)
1	082057-02-U04	EA	Window Asm. - Front Slant Slider - Driver (w/o inside frame)
•	082467-01-000	EA	Inside Frame - Slant Slider - Passenger (not included in assembly)
•	082467-02-000	EA	Inside Frame - Slant Slider - Driver (not included in assembly)
2	057656-03-000	EA	Glass - .19" x 28.11" x 27" - Stationary (Passenger)
2	057676-05-000	EA	Glass - .19" x 28.11" x 27" - Stationary (Driver)
3	042077-01-000	FT	Channel - Weatherstrip - 3/16" Glass
4	069640-01-000	FT	Ribbon Sealer - 1/4" Bead x 20'
5	050216-02-000	FT	Window Seal - .19" - Glass
6	002389-03-203	EA	Seal Holder w/Fin Seal - 27 1/2" - Black
7	057374-02-000	FT	Extr. Rubber - Window Seal - Black
8	073740-01-000	FT	Seal - Fin - Pile - .460"
9	078562-07-000	EA	Mullion - Slider Window - Black
10	002298-02-000	FT	Spline - .130" Dia. - Charcoal (Screen)
11	081980-06-000	EA	Glass - .19" x 28.11" x 14.88" - Sliding
•	079204-01-000	EA	Bracket - Mullion - Black
•	079574-01-T03	EA	Slider Screen Asm. - Passenger
•	079574-02-T03	EA	Slider Screen Asm. - Driver
•	078364-01-000	EA	Track - Slider Screen - Top
•	078365-01-000	EA	Track - Slider Screen - Bottom
•	002292-02-000	SF	Screen - Window - 20" - Charcoal
•	016310-03-000	EA	Handle - Slider Screen - Black
•	Not illustrated		

WINDOW, VENT & EXTERIOR DOOR GROUP (CONTINUED)



Key	Part Number	U/M	Description
1	079421-01-T03	EA	Window Asm. - Front Slant - Passenger (w/o inside frame)
1	079421-02-T03	EA	Window Asm. - Front Slant - Driver (w/o inside frame)
•	079215-01-000	EA	Inside Frame - Front Slant - Passenger - Beige (not included in assembly)
•	079215-02-000	EA	Inside Frame - Front Slant - Driver - Beige (not included in assembly)
2	069640-01-000	FT	Tape - 1/4" Bead x 20'
3	002309-02-000	FT	Spline - Glass - 1/8" - Black
4	057656-04-000	EA	Glass - .19" x 28.11" - 13.98"
•	Not illustrated		

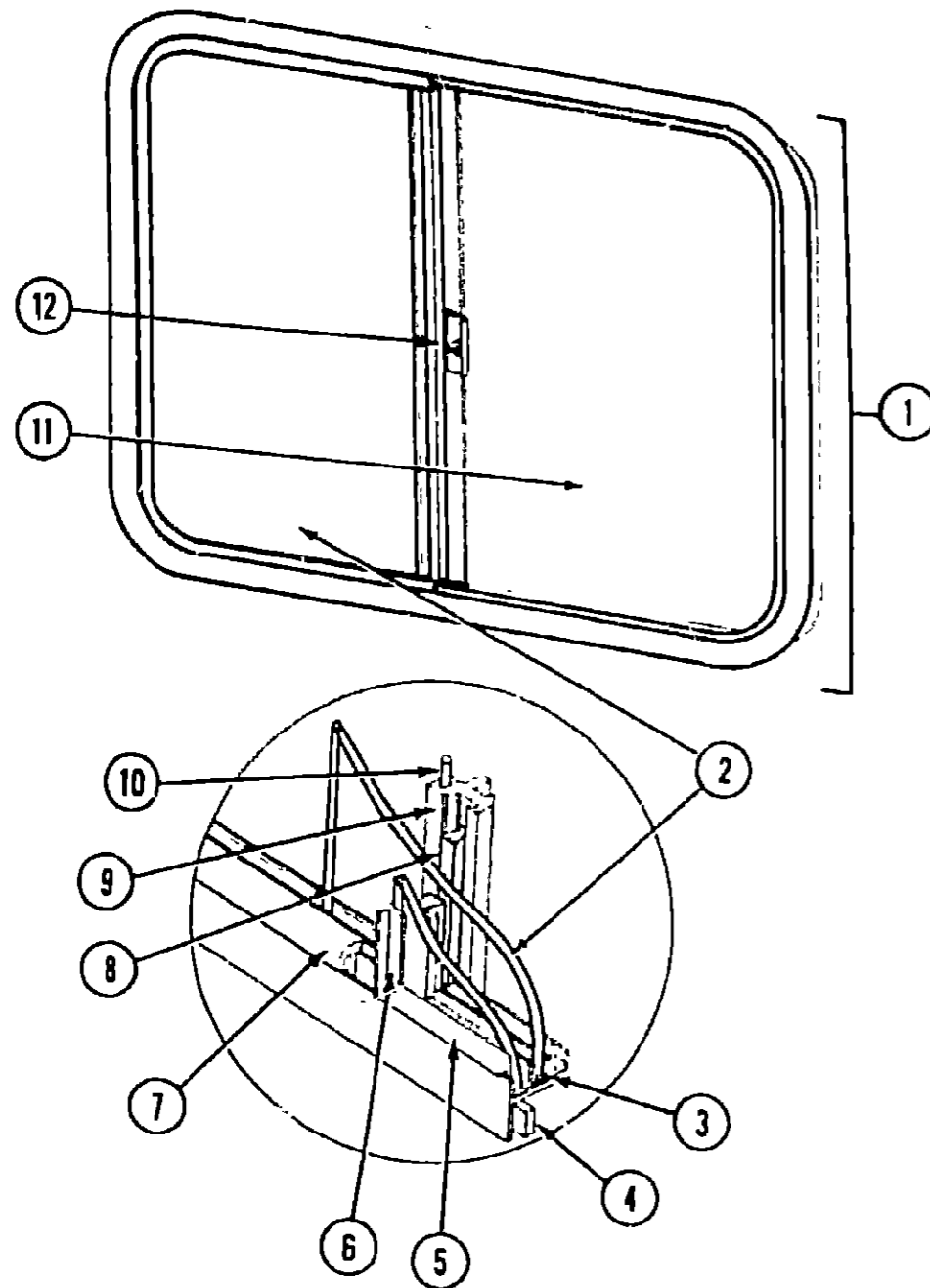
1986 ITASCA  
TABLE OF CONTENTS

IC420RG	A-01 - C-02
IC424RS	C-03 - E-10
ICN23RG	E-11 - G-23
ICN27RT	H-01 - J-14

1986 ICN23RG INDEX

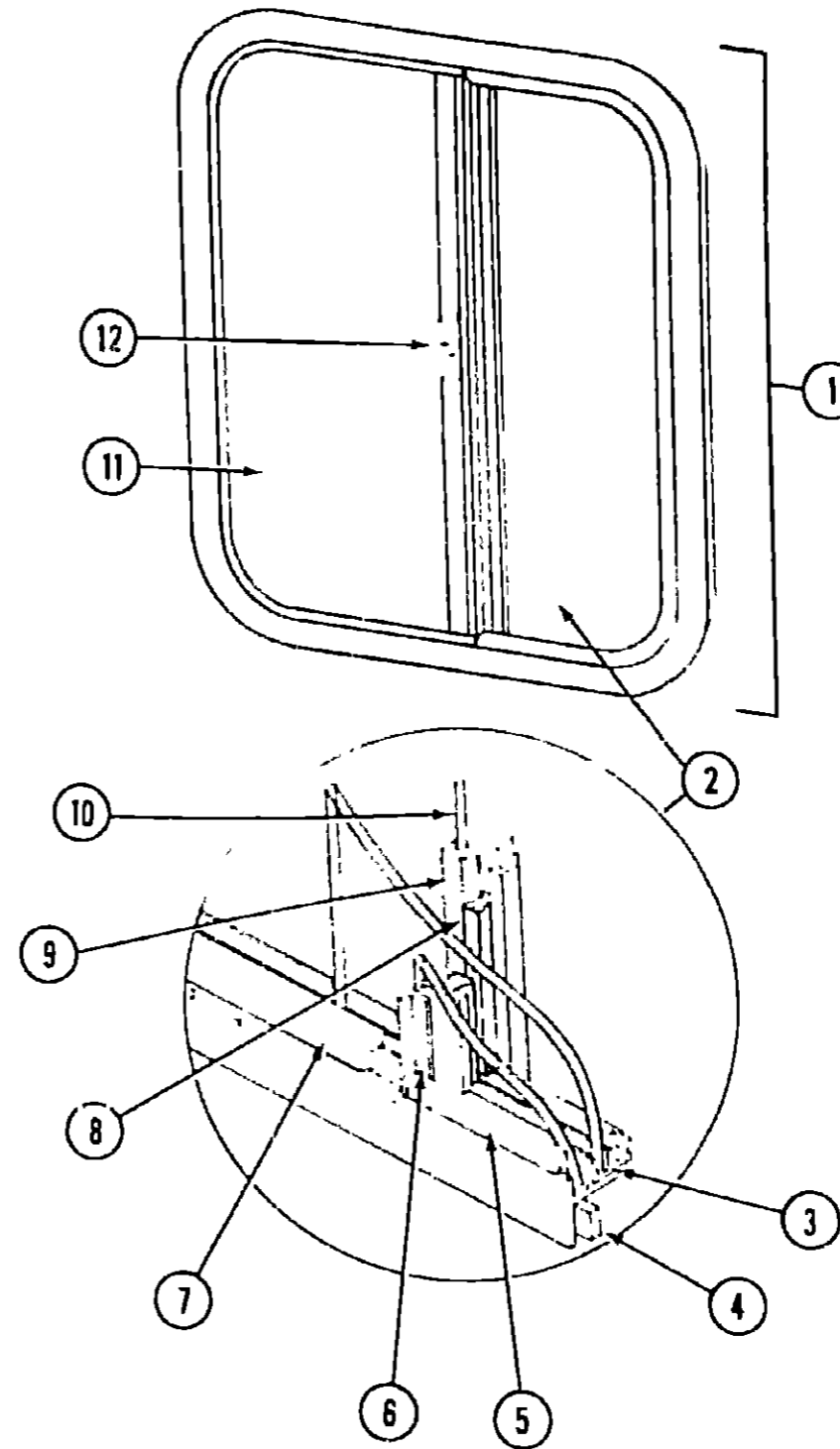
Floor Plan	E-11 - E-12
Accessories Group	E-13 - E-15
Bath Group	E-16
Chassis Group	E-17 - E-20
Curtain, Cushion & Pad Group	E-21 - F-04
Dinette Group	F-05 - F-06
Driver's Compartment Group	F-07 - F-09
Electrical Group	F-10 - F-12
Exterior Body Group	F-13 - F-20
Galley Group	F-21 - F-22
Heating & Air Conditioning Group	F-23
Interior Finish Group	F-24 - G-02
LP Group	G-03
Lounge Group	G-04 - G-05
Water & Sewage Group	G-06 - G-07
Window, Vent & Exterior Door Group	G-08 - G-23

WINDOW, VENT & EXTERIOR DOOR GROUP (CONTINUED)



Key	Part Number	U/M	Description
1	078266-04-T03	EA	Window Asm. - Left Single Slider - 23" x 29" - Black (w/o inside frame)
*	083122-03-000	EA	Inside Frame - Beige (not included in assembly)
2	081980-02-000	EA	Glass - Sliding - 1/8" x 22" x 13.68" - Gray
3	002324-02-000	FT	Channel - Weatherstrip - Glass Run - 1/8" Glass
4	069640-06-000	FT	Ribbon Sealer - 5/16" Bead x 15'
5	002309-02-000	FT	Spline - Glass - 1/8" - Black
6	M18025-03-000	EA	Seal Holder w/Fin Seal - 1/8" - Black
7	057374-02-000	FT	Extr. Vinyl - Window Seal - Black
8	073740-01-000	FT	Seal - Fin - Pile - .460"
9	078562-03-000	EA	Inside Mullion - Slider Window - Black
10	002298-02-000	FT	Spline - .130" Dia. - Charcoal (Screen)
11	081984-01-000	EA	Glass - Stationary
12	047369-01-700	EA	Latch Kit - Window - Plastic w/Fastener
*	002293-02-000	SF	Screen - Window - 26" - Charcoal
*			Not illustrated

WINDOW, VENT & EXTERIOR DOOR GROUP (CONTINUED)



Key	Part Number	U/M	Description
1	078266-02-T03	EA	Window Asm - Left Single Slider - Black (w/o inside frame)
*	083122-03-000	EA	Inside Frame - Beige (not included in assembly)
2	081980-05-000	EA	Glass - Sliding - 1/8" x 19" x 13.68" - Gray
3	002324-02-000	FT	Channel - Weatherstrip - Glass Run - 1/8" Glass
4	069640-06-000	FT	Ribbon Sealer - 5.16" Bead x 15'
5	002309-02-000	FT	Spline - Glass - 1/8" - Black
6	M69886-03-011	EA	Seal Holder w/Fin Seal - 1/8" - Black
7	057374-02-000	FT	Extr. Vinyl - Window Seal - Black
8	073740-01-000	FT	Seal - Fin - Pile - .460"
9	078562-02-000	EA	Inside Mullion - Slider Window - Black
10	002298-02-000	FT	Spline - .130" Dia. - Charcoal (Screen)
11	081984-03-000	EA	Glass - Stationary
12	047369-01-700	EA	Latch Kit - Window - Plastic w/Fastener
*	002292-02-000	SF	Screen - Window - 20" - Charcoal
*			Not illustrated

1986 ITASCA  
TABLE OF CONTENTS

IC420RG	A-01 - C-02
IC424RS	C-03 - E-10
ICN23RG	E-11 - G-23
ICN27RT	H-01 - J-14

1986 ICN23RG INDEX

Floor Plan	E-11 - E-12
Accessories Group	E-13 - E-15
Bath Group	E-16
Chassis Group	E-17 - E-20
Curtain, Cushion & Pad Group	E-21 - F-04
Dinette Group	F-05 - F-06
Driver's Compartment Group	F-07 - F-09
Electrical Group	F-10 - F-12
Exterior Body Group	F-13 - F-20
Galley Group	F-21 - F-22
Heating & Air Conditioning Group	F-23
Interior Finish Group	F-24 - G-02
LP Group	G-03
Lounge Group	G-04 - G-05
Water & Sewage Group	G-06 - G-07
Window, Vent & Exterior Door Group	G-08 - G-23

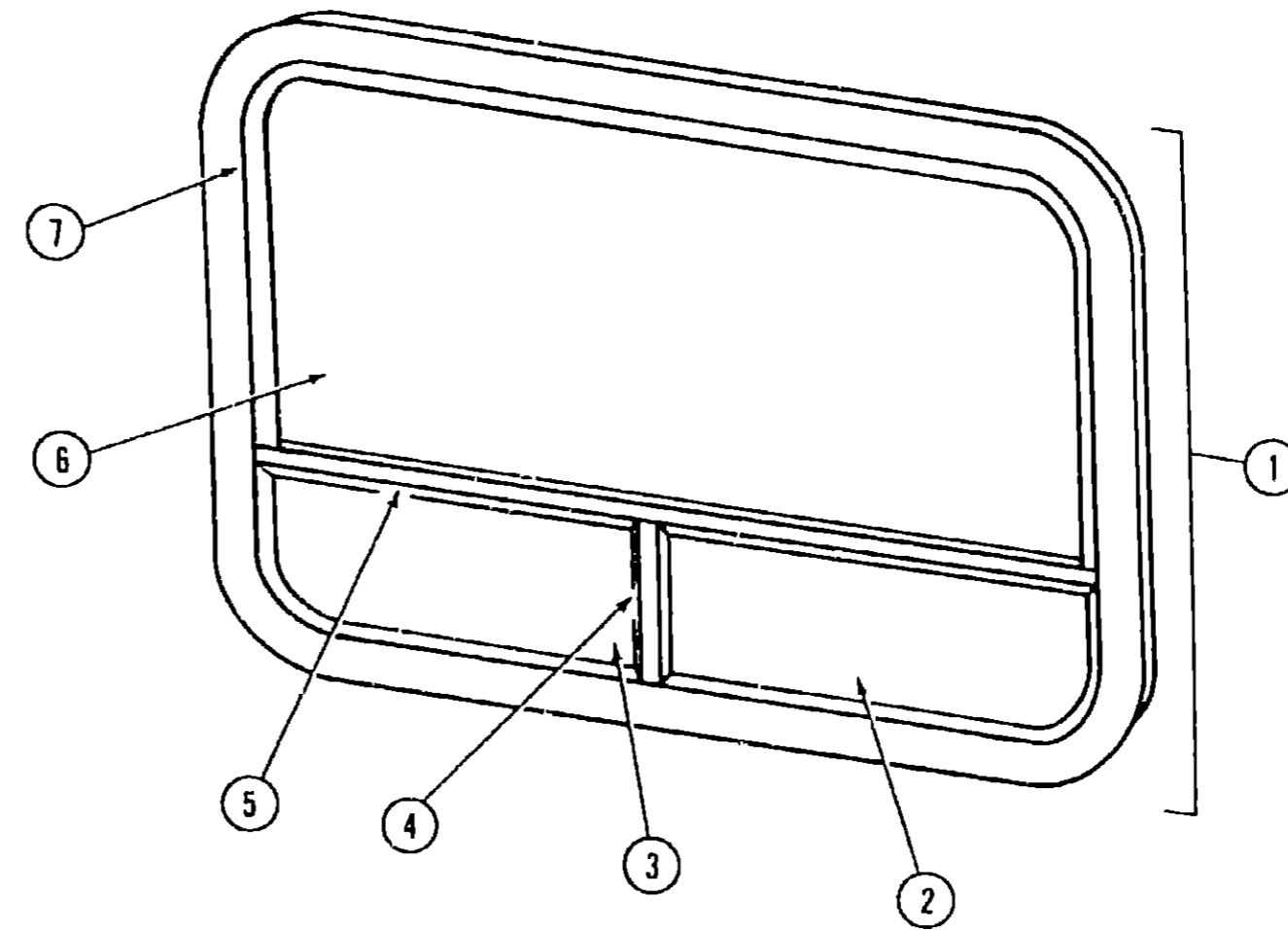
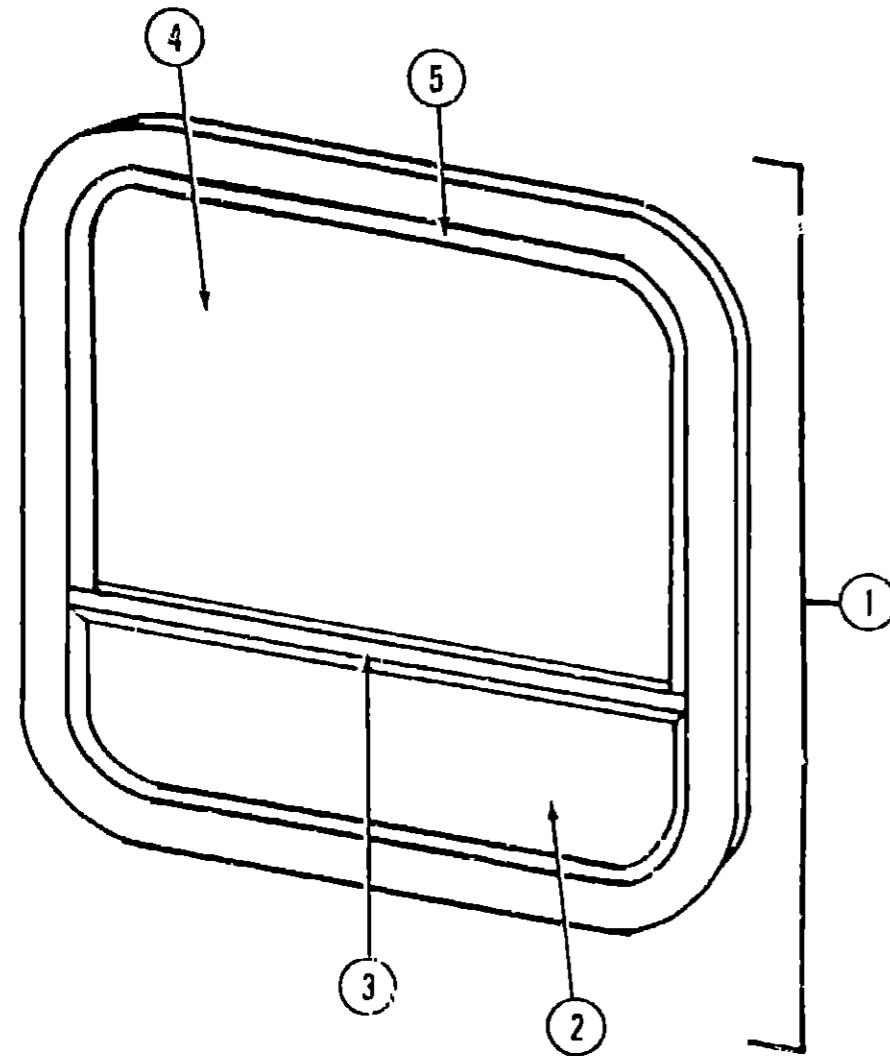
WINDOW, VENT & EXTERIOR DOOR GROUP (CONTINUED)

WINDOW, VENT & EXTERIOR DOOR GROUP (CONTINUED)

1986 ITASCA  
TABLE OF CONTENTS

IC420RG  
IC424RS  
ICN23RG  
ICN27RT

A-01 - C-02  
C-03 - E-10  
E-11 - G-23  
H-01 - J-14



Key	Part Number	U/M	Description
1	081570-05-U07	EA	Window Asm. - Single Tipout - Right
1	081570-06-U07	EA	Window Asm. - Single Tipout - Left
	084153-07-000	EA	Inside Frame - Black (not included in assembly)
2	081433-01-U07	EA	Window Asm. - Tipout
	081239-06-000	EA	Glass - Tipout - 1/8" x 25.07" x 8 7"
3	083112-01-000	EA	Mullion - Black
	084580-06-W07	EA	Screen Asm. - Tipout
	081243-01-000	EA	Screen Clip - Plastic - Black
	035302-01-000	EA	Operating Mech. - Right
	035302-02-000	EA	Operating Mech. - Left
4	081239-12-000	EA	Glass - Stationary - 1/8" x 25 7" x 25.1"
5	083180-01-000	EA	Window Seal
	081357-01-000	EA	Bulb Seal (Tipout)
	081359-01-000	EA	Window Seal (Tipout)
			Not illustrated

Key	Part Number	U/M	Description
1	081568-02-U01	EA	Window Asm. - 62" x 31" - Double Tipout
	084153-06-000	EA	Inside Frame - Black (not included in assembly)
2	081434-01-U01	EA	Window Asm. - Lower Tipout - Right Hand
3	081434-02-U01	EA	Window Asm. - Lower Tipout - Left Hand
	081239-07-000	EA	Glass - Tipout - 1/8" x 30" x 8 3/4" - Left or Right
4	083112-05-000	EA	Mullion - Black
5	081814-01-000	EA	Mullion - Black
	081422-01-U01	EA	Screen Asm. - Tipout - Right Hand
	081422-02-U01	EA	Screen Asm. - Tipout - Left Hand
	081243-01-000	EA	Screen Clip - Plastic - Black
	035302-01-000	EA	Operating Mech - Right Hand
	035302-02-000	EA	Operating Mech - Left Hand
6	081239-11-000	EA	Glass - Stationary - 1/8" x 61 3/4" x 20 1/2"
7	083180-01-000	EA	Window Seal
	081357-01-000	EA	Bulb Seal (Tipout)
			Not illustrated

1986 ICN23RG INDEX

Floor Plan	E-11 - E-12
Accessories Group	E-13 - E-15
Bath Group	E-16
Chassis Group	E-17 - E-20
Curtain, Cushion & Pad Group	E-21 - F-04
Dinette Group	F-05 - F-06
Driver's Compartment Group	F-07 - F-09
Electrical Group	F-10 - F-12
Exterior Body Group	F-13 - F-20
Galley Group	F-21 - F-22
Heating & Air Conditioning Group	F-23
Interior Finish Group	F-24 - G-02
LP Group	G-03
Lounge Group	G-04 - G-05
Water & Sewage Group	G-06 - G-07
Window, Vent & Exterior Door Group	G-08 - G-23

## WINDOW, VENT & EXTERIOR DOOR GROUP (CONTINUED)

### ACCESS DOORS

Key	Part Number	U/M	Description
	078010-05-000	EA	Door - Fuel Fill - Gray
	078200-01-000	EA	Gasket - Fuel Fill
	079578-01-T09	EA	Door Asm. - Storage - Gray
	079578-02-T09	EA	Door Asm. - Luggage - Gray
	M79435-01-T09	EA	Door Asm. - Luggage - Gray
	M79435-02-T09	EA	Door Asm. - Luggage - Gray
	063951-01-000	EA	Door Asm. - Battery (Interior) w/o Carpet
	M79436-03-T09	EA	Door Asm. - Storage - Gray
	M01883-01-T09	EA	Door Asm. - Generator w/o Baffle
	078969-04-T09	EA	Door Asm. - Refrigerator Access - Gray
	052009-03-000	EA	Door Asm. - Water Heater - Gray
	075726-01-000	EA	Outlet Extension - Sewage
	075730-01-000	EA	End Cap - Sewage Hose
	052423-03-000	EA	Door - Sewage - Gray
	063742-03-000	EA	Door - Power Cord - Gray
	052424-03-000	EA	Jamb - Power Cord - Gray
	054543-03-000	EA	Hatch - Power Cord Door
	052181-02-000	EA	Baffle - Generator Door
	054530-01-000	EA	Door Holder
	083615-03-000	EA	Door Holder - Gray Plastic
	041312-01-000	EA	Seal - Bulb - E" Section
	042442-01-000	EA	Lock Asm. - Twist Type - 90° Rotation - 1.5" Latch - .6" Depth
	009003-01-000	EA	Lock Asm. - Twist Type - w/Clip (Generator)
	047305-01-000	EA	Lock Asm. - Key Type - 90° Rotation - 1.5" Latch - 1.12" Depth
	077408-01-000	EA	Lock Asm. - Key Type - 90° Rotation - 2.5" Latch - 1" Depth
	079366-01-000	EA	Lock Asm. - Key Type - 90° Rotation 1.3" Latch - 2.1" Depth
	079927-01-000	EA	Lock Asm. - Twist Type - 1.3" Latch - 2.1" Depth
	042441-01-000	EA	Lock Asm. - Key Type - 90° Rotation - 1.25" Latch - .62" Depth
	052951-01-000	EA	Clip - Twist Lock - Retainer
	009118-01-000	EA	Lock - Twist - w/Nut

### 1986 ITASCA TABLE OF CONTENTS

IC420RG	A-01 - C-02
IC424RS	C-03 - E-10
ICN23RG	E-11 - G-23
ICN27RT	H-01 - J-14

### 1986 ICN23RG INDEX

Floor Plan	E-11 - E-12
Accessories Group	E-13 - E-15
Bath Group	E-16
Chassis Group	E-17 - E-20
Curtain, Cushion & Pad Group	E-21 - F-04
Dinette Group	F-05 - F-06
Driver's Compartment Group	F-07 - F-09
Electrical Group	F-10 - F-12
Exterior Body Group	F-13 - F-20
Galley Group	F-21 - F-22
Heating & Air Conditioning Group	F-23
Interior Finish Group	F-24 - G-02
LP Group	G-03
Lounger Group	G-04 - G-05
Water & Sewage Group	G-06 - G-07
Window, Vent & Exterior Door Group	G-08 - G-23