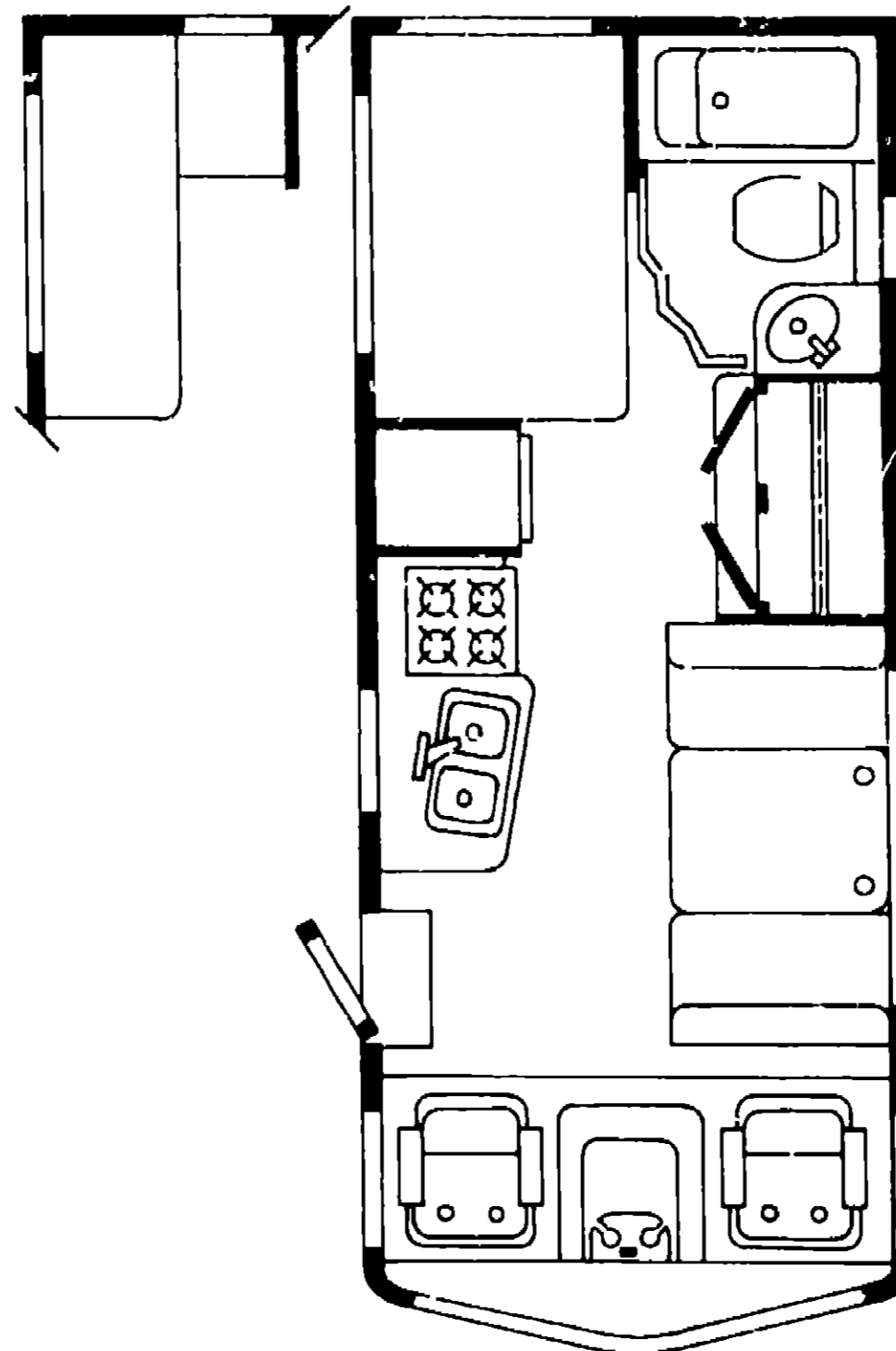


1986 ICN22RC



1986 ITASCA TABLE OF CONTENTS

INTRODUCTION	A 01
ABBREVIATIONS	A 01
ALPHABETICAL INDEX	A 02 - A 04
ICN22RC	A 05 - C-16
ICN27RU	C 17 - F 02
ICN31RT	F 03 - H-18
ICP31RT	H 19 - K 06

1986 ICN22RC INDEX

Floor Plan	A-05 - A 06
Accessories Group	A 07 - A-09
Bath Group	A-10 - A-11
Chassis Group	A-12 - A-14
Curtain Cushion & Pad Group	A-15 - A-21
Dinette Group	A-22
Driver's Compartment Group	A-23 - B 01
Electrical Group	B-02 - B-04
Exterior Body Group	B-05 - B-10
Galley Group	B-11 - B-13
Heating & Air Conditioning Group	B-14 - B-15
Interior Finish Group	B-16 - B 18
LP Group	B-19
Lounge Group	B 20
Water & Sewage Group	B 21 B 22
Window Vent & Exterior Door Group	B-23 - C-16

ACCESSORIES GROUP

RADIO & RELATED COMPONENTS

Key	Part Number	U/M	Description
	031105 01 000	EA	Antenna - Radio - Side Mount
	031105 01-700	EA	Antenna Holder - Radio - Upper
	064782 01 000	EA	Grille, Speaker - 5 25" - w/Mesh - Brown
	075903 01 000	EA	Radio - AM/FM/MPX w/Cassette
	075904 01 000	EA	Radio - AM/FM/MPX w/Cassette - Electronic Tuning
	074979 01 000	EA	Speaker Cover Protector - Plastic
	073741 02 000	EA	Speaker 4" x 6" Oval
	073431 01 000	CA	Speaker 5 25 - 3/Way (Pair)
	064781 01 000	EA	Speaker Recessed - 5 25"

ELECTRIC STEP ASSEMBLY

Key	Part Number	U/M	Description
	076411 01 000	EA	Electric Step Asm w/Light
	075461 01-700	EA	Motor
	041250 01 000	EA	Door Switch
	075461-01-704	EA	Under Step Control Unit
	075461 01-705	EA	4 Way Plug (Dash End)
	075461-01-706	EA	Kill Switch
	075461-01-707	EA	Step Light
	075461-01-708	EA	4 Way Plug (Control Box End)
	075461-01-709	EA	90 Degree Plug
	075461-01-710	EA	Gear
	075461 01-711	EA	Drive Link
	075241 01-000	EA	Support Asm Step
	075723 02 000	EA	Block Support Spacer w/Holes

GENERATORS & COMPONENTS

Key	Part Number	U/M	Description
	054429 01-000	EA	Generator Onan - 4 0 kw
	052168 01-000	EA	Generator - Onan - 4 25 kw
	072332-01-000	FA	Generator - Kohler - 4 5 kw - LP
	069229-01-000	EA	Generator - Kohler - 4 5 kw (CSA)
	068046-01-000	EA	LP Conversion Kit - Onan Generator
	701629-02-000	EA	Installation Package
	024732-01-016	EA	Tailpipe - 1 5" O D x 43 50'
	067753-01-000	EA	Muffler - Generator - w/Spark Arrestor - Nelson
	007067-01-000	EA	Insulation - Fiberglass - 1'

OPTIONAL FOG LAMPS & COMPONENTS

Key	Part Number	U/M	Description
	079941-01-000	EA	Lamp Asm - Fog w/Cover - Amber
	079941-01-700	EA	Lamp Asm Fog - Set of 2
	079941-01-701	EA	Lens & Cover - Only
	079941-01-702	EA	Switch - Fog Light
	079941-01-703	EA	Solenoid
	079941-01-704	EA	Shroud - Switch

CHROME WHEEL LINERS

Key	Part Number	U/M	Description
	081608-05 000	EA	Cover - Lug Nut - Chrome Liner
	081608-06 000	EA	Ring - Spiral Chrome Liner
	081608 07-000	EA	Cover - Rear Axle - Chrome Liner
	081608-08 000	EA	Cover - Front Axle - Chrome Liner
	081608 09 000	EA	Liner - Front Wheel - Chrome
	081608-10-000	EA	Liner - Rear Wheel Chrome

ACCESSORIES GROUP (CONTINUED)

MISCELLANEOUS ACCESSORIES

Key	Part Number	U/M	Description
	054185 24 000	EA	Owners Manual 1986 - Itasca & Winnebago
	706053 02 000	EA	Antenna - TV Skyliner w/6' Shaft Braund Delux
	076319 01-000	EA	Antenna - TV Roof Mount - 44 5" Mast
	076319 01 700	EA	RVSA Sensor Antenna
	076319 01 701	EA	Elevating Gear
	076319 01 702	EA	Shaft Elevating Asm
	076319 01 703	EA	Nylon Bearing 5"
	076319 01-704	FA	Nylon Bearing
	076319 01-705	EA	Nylon Bearing
	076319 01 706	EA	Elevating Crank w/Set Screw
	076319 02 000	EA	Antenna - TV Roof Mount - 23 5' Mast
	076319 03 000	FT	Cable Coaxial - 75 OHM
	076319 04 000	EA	Connector & Ferrule
	076319 05 000	EA	Wallplate - Power Supply - Ivory
	076319 06 000	EA	Adapter - Cable Roof Plate
	076319 07 000	EA	Wallplate Power Supply - Brown
	076319 08 000	EA	Wallplate Receptacle - Ivory
	076319 09 000	EA	Wallplate - Receptacle - Brown
	076319 11 000	EA	Adapter Coax w/Spiltter
	017516-01-000	EA	Mud Flap w/Holes 14' x 18" Black
	041944 03 000	EA	Fire Extinguisher 5BC
	041944 02 000	EA	Bracket - Fire Extinguisher
	081016-02-T03	EA	Ladder Asm
	081026-01-T03	EA	Rack Asm - Right
	081026-02-T03	EA	Rack Asm - Left
	067165 02 000	EA	Bracket - Mounting - Rack & Ladder
	081114 01 000	EA	End Cap - Ladder Step
	064093 01 000	EA	Luggage Carrier Assembly
	072366 01-000	EA	Speed Control Electronic 6 2L
	072366-01-700	EA	Hex Fitting
	072366-01-701	EA	Cable - w/Plastic End
	072366-01-702	EA	Regulator - Vacuum
	072366-01-703	EA	Control Switch & Lever Arm
	083212-04 000	EA	Speed Control - Electronic - Dana - Chevy
	083212-04-701	CA	Main Wiring Harness
	083212-04-702	EA	Servo Asm - Mounting Ready
	083212-04 703	EA	Bracket - Servo Mounting
	083212-04 704	EA	Bracket - Servo Mounting
	083212-02 000	EA	Switch - Speed Control A Body
	072852-01 000	EA	Smoke Detector w/9 Volt Battery
	079664-02-000	EA	Weather Center - 8 5' x 8 5'
	079664 01-000	EA	Clock - 8 5 x 8 5
	006069-01 000	EA	Key Case - Leather
	040069-01-000	EA	Door Mat - 10 5 x 26 Black Rubber
	081075-02-000	EA	Floor Mat - Entrance - Itasca
	081201-02-000	EA	Floor Mat - Front - Itasca Right
	081202-02-000	EA	Floor Mat - Front - Itasca - Left
	080208-01 000	EA	Lug Wrench
	080208-02-000	EA	Leverage Bar - Lug Wrench
	006113-01-000	EA	Jack - Hydraulic - 6 Ton - w/Handle
	080752-05-000	EA	Custom Steering Wheel
	080752-06-000	EA	Adaptor Hub - Custom Steering Wheel
	080752-07-000	EA	Button - Horn - Custom Steering Wheel
	080752-08 000	EA	Screw Custom Steering Wheel
	077497-01-000	EA	Horn Kit - Air - Chrome - Twin
	077497-01-700	EA	Solenoid Air Tank
	077497-01-701	EA	Switch - Compressor
	077497-01-702	EA	Switch - Toggle w/Wire
	077497-01-703	EA	Tank - Air
	077497-01 704	EA	Compressor w/Switch
	078239 01-000	EA	Plate Label - Horn
	083181-01 000	EA	Wheel Cover - 16 (Set of 4)
	083161-01-700	EA	Wheel Cover - 16 (1)

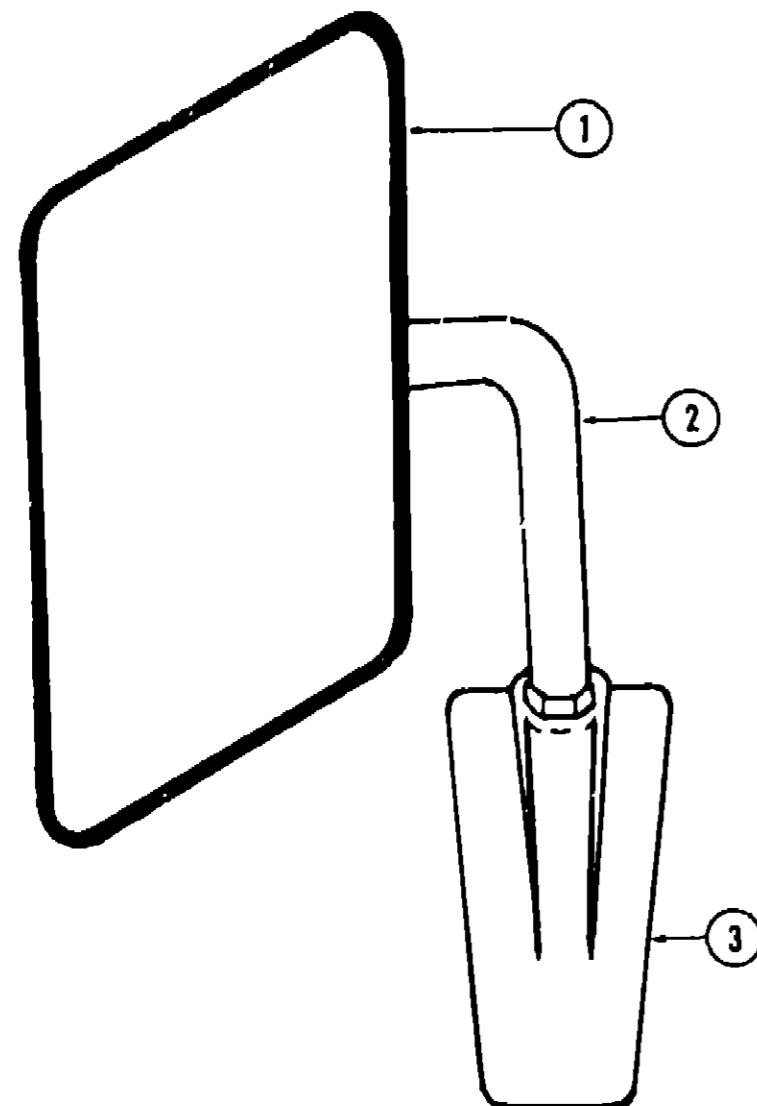
**1986 ITASCA
TABLE OF CONTENTS**

INTRODUCTION	A 01
ABBREVIATIONS	A 01
ALPHABETICAL INDEX	A 02 - A-04
ICN22RC	A 05 - C 16
ICN27RU	C 17 - F 02
ICN31RT	F 03 - H-18
ICP31RT	H 19 - K 06

1986 ICN22RC INDEX

Floor Plan	A 05 - A 06
Accessories Group	A-07 - A 09
Bath Group	A-10 - A-11
Chassis Group	A-12 - A-14
Curtain, Cushion & Pad Group	A-15 - A-21
Dinette Group	r 22
Drivers Compartment Group	A-23 - B-01
Electrical Group	B 02 - B-04
Exterior Body Group	B 05 - B-10
Galley Group	B-11 - B-13
Heating & Air Conditioning Group	B-14 - B 15
Interior Finish Group	B 16 - B-18
LP Group	B-19
Lounge Group	B-20
Water & Sewage Group	B-21 - B-22
Window Vent & Exterior Door Group	B 23 - C-16

ACCESSORIES GROUP (CONTINUED)



EXTERIOR MIRRORS

Key	Part Number	U/M	Description
1	049347-01-000	EA	Mirror Head - 7 1/2' x 10 1/2'
2	049348-03-000	EA	Arm - Low Mount Mirror - Black
3	049944-04-000	EA	Bracket - Mirror - Outside - Black
	077966-01-000	EA	Mirror - Wide Angle - Stainless Steel - Passenger
	077966-02-000	EA	Mirror - Wide Angle - Stainless Steel - Driver
	006043-01-000	EA	Mirror - Convex - Adhesive Back
			Not Illustrated

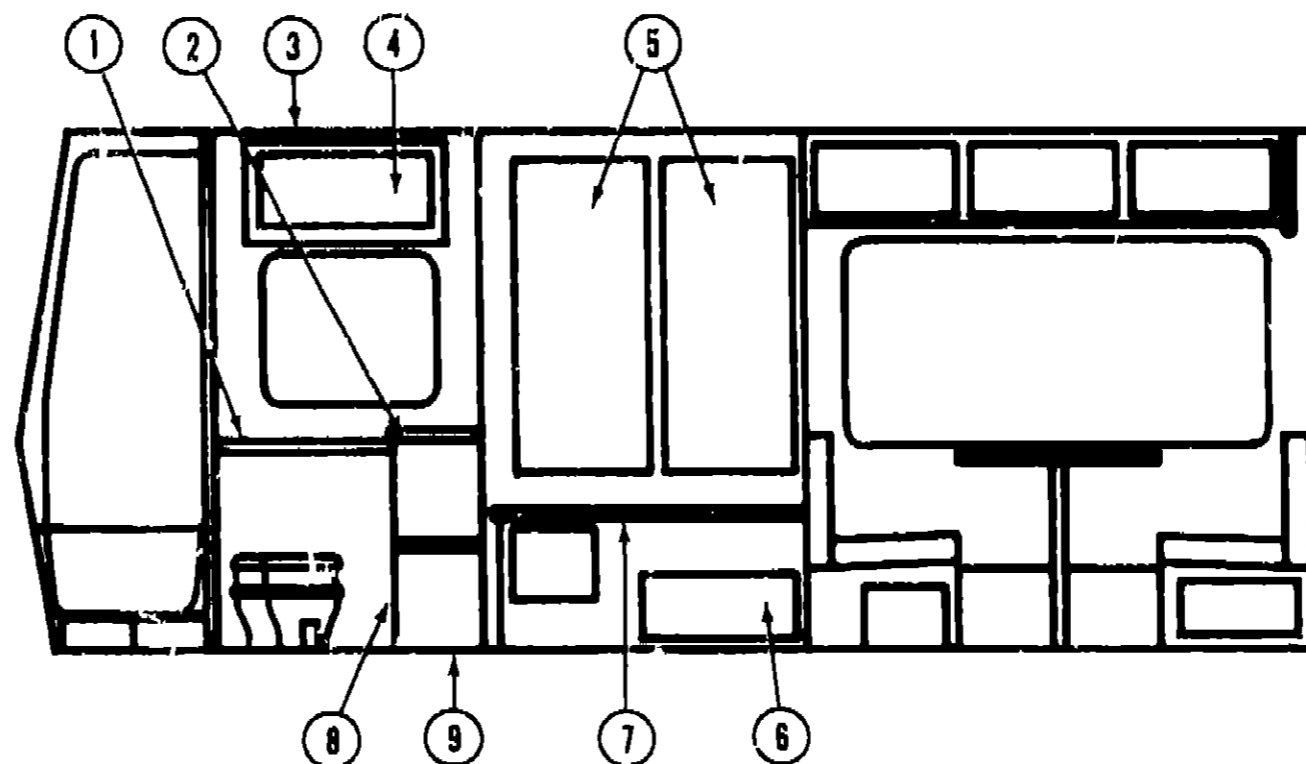
OPTIONAL MICROWAVE/CONVECTION OVEN & COMPONENTS

Key	Part Number	U/M	Description
	081279-01-000	EA	Microwave Oven - Convection - Sharp
	071459-03-000	EA	Bracket Asm - Microwave - Right
	081459-04-000	EA	Bracket Asm - Microwave - Left
	081555-01-000	EA	Trim Ring - Microwave
	082876-01-000	EA	Baffle Microwave
	081456-01-000	EA	Angle Asm - Microwave - Right
	081456-02-000	EA	Angle Asm - Microwave - Left

OPTIONAL STEERING WHEEL

Key	Part Number	U/M	Description
	080752-05-000	EA	Steering Wheel - Custom
	080752-06-000	EA	Hub Adapter - Steering Wheel
	080752-07-000	EA	Button - Horn - w/Wire
	080752-08-000	EA	Screw - Custom Steering Wheel

BATH GROUP



BATH & WARDROBE CABINETRY

Key	Part Number	U/M	Description
1	M02198-01-U13	EA	Countertop Asm - Pipe Cover
1	M02198-01-U14	EA	Countertop Asm - Pipe Cover
1	M02198-01-U15	EA	Countertop Asm - Pipe Cover
2	M02406-01-U13	EA	Countertop Asm - Lavatory Cabinet
2	M02406-01-U14	EA	Countertop Asm - Lavatory Cabinet
2	M02406-01-U15	EA	Countertop Asm - Lavatory Cabinet
3	076073-01-000	EA	Cabinet Asm - Medicine - w/o Door or Hardware
	076073-01-000	EA	Latch - Medicine Cabinet
4	081535-01-U04	EA	Door Asm - Medicine Cabinet - w/Mirror - w/o Hardware
5	M81501-16-U13	EA	Door Asm - Wardrobe Cabinet - w/o Hardware
6	M81504-11-T09	EA	Door Asm - Wardrobe Cabinet - w/o Hardware
7	M02426-01-U04	EA	Countertop Asm - Wardrobe (used w/Conventional Dinette)
7	M02427-01-U04	EA	Countertop Asm - Wardrobe (used w/Couch)
8	M81504-65-U13	EA	Door Asm - Lavatory Cabinet
9	M81548-01-U13	EA	Cabinet Asm - Lavatory w/o Countertop - Door or Drawers
	080224-01-000	EA	Door Asm - Folding - w/o Hardware
	075603-01-000	EA	Threshold - Bathroom Door
	081508-01-U04	EA	Drawer Asm - Wardrobe - 19 1/2 x 20 8 - w/o Hardware
			Not Illustrated

**1986 ITASCA
TABLE OF CONTENTS**

INTRODUCTION	A 01
ABBREVIATIONS	A 01
ALPHABETICAL INDEX	A 02 - A 04
ICN22RC	A 05 - C 16
ICN27RU	C 17 - F-02
ICN31RT	F 03 - H 18
ICP31RT	H 19 - K-06

1986 ICN22RC INDEX

Floor Plan	A-05	A 06
Accessories Group	A-07	A 09
Bath Group	A-10	A 11
Chassis Group	A-12	A-14
Curtain Cushion & Pad Group	A-15	A-21
Dinette Group		A-22
Driver's Compartment Group	A 23	B 01
Electrical Group	B-02	B-04
Exterior Body Group	B-05	B 10
Galley Group	B-11	B 13
Heating & Air Conditioning Group	B-14	B 15
Interior Finish Group	B-16	B 18
LP Group		B 19
Lounge Group		B 20
Water & Sewage Group	B 21	B 22
Window Vent & Exterior Door Group	B-23	C 16

BATH GROUP (CONTINUED)

BATH HARDWARE

Key	Part Number	U/M	Description
	M01817-01-T03	EA	Bathtub Asm w/Strainer
	075242 03 000	EA	Faucet - Tub & Shower - Brass
	075240-03-000	EA	Faucet - Lavatory - Brass
	011048 02-000	EA	Shower Head - w/80" Hose
	011048-04-000	EA	Vacuum Breaker - 1/8 MPT - Nylon - Shower Head
	075606-01-000	EA	Shower Panel - Faucet - Plastic
	066729-01-000	EA	Strainer - Bathtub Asm
	066435-01-000	EA	Nut Strainer - Plastic - Bathtub Asm
	066436-01-000	EA	Slip Nut - 1 5" Tall Piece Bathtub Asm
	069735-01 000	EA	Washer - Tail Piece - 1 5" Plastic - Bathtub Asm
	011069-02-000	EA	Tailpiece - 1 5" x 1 25' x 4" - Brass Bathtub Asm
	060257 01-000	EA	Shroud - Bathtub Asm Off White
	058713 01-000	EA	Sink - Oval - Ivory Plastic
	039341-02 000	EA	Toilet - Thetford - Aqua Magic - Ivory 8420SH
	009134 01-000	FA	Tissue Holder - Brass
	075454-U2-000	EA	Towel Ring - Brass w/Mounting Hardware
	079235-01-000	EA	Header - Track - Shower Door - Beige
	079234-01-000	EA	Jamb - Shower Door - Rear - Beige
	079234-02-000	EA	Jamb - Shower Door - Front - Beige
	058331-05-000	EA	Mirror - Tempered Glass - 12' x 26'
	058331-04-000	EA	Mirror - Tempered Glass - 12' x 42'
	009089-01-000	EA	Clip - Mirror
	057671-01-000	EA	Screw Cover - #8 - Antique White
	059777-01-000	EA	Hinge - Antique Brass
	060224-04-000	EA	Track - Folding Door - 90° Curve
	060224-01-700	EA	Latch & Catch Asm
	075680-01-000	EA	Rod - Clothes - Adjustable
	009112-01-000	EA	Flange - 1" - Clothes Rod
	076387-01-000	EA	Bracket - Medicine Cabinet

The illustrated parts breakdown for this item is provided on the Common Items Fiche

CHASSIS GROUP

MISCELLANEOUS

Key	Part Number	U/M	Description
	081057 03 000	EA	Alternator Kit - 105 Amp w/Regulator
	081057 01-700	EA	Brush Asm
	081057 01 701	EA	Diode Bridge
	081057 01 702	EA	Condenser
	081057 01-703	EA	Inside Bearing Spacer
	081057 01 704	EA	Front Bearing
	081057 01-705	EA	Outside Bearing Spacer
	081057-01-706	EA	Pulley
	081057 01-707	EA	Diode (x)
	081057-01 709	EA	Stator - 105 Amp
	081057 01 710	EA	Rotor
	081057 01 711	EA	Ground Terminal Kit
	081057 01 712	EA	Battery Terminal Kit
	081057 01-713	EA	Rear Bearing
	081057-03 700	FA	Pulley - Wide Bolt
	047441-01 000	EA	Battery Terminal - Horizontal Lug
	051697-01 000	EA	Bracket - Battery Tie Down - 6 9'
	078670 02 000	EA	Bracket Asm - Rear Bumper
	078584 01 000	EA	Bumper - Front - Mill Finish
	078584 08 000	EA	Bumper - Rear - Chrome
	078668 01 000	EA	Bumper - Rear - Support Angle
	007125 04 000	EA	Clamp Asm - Muffler - 1 12'
	010497 01 000	EA	Clamp - Close - 5/8 ID
	007161-01-000	EA	Clamp - Hose - Spring Type 112
	062401 01 000	EA	Clamp - Hose - Wormgear - 22 ID x 1' ID
	062401-02 000	EA	Clamp - Hose - Wormgear - 1 56 ID - 2 5' ID
	062401-03 000	EA	Clamp - Hose - Wormgear - 25" ID - 1 ID
	062401 04 000	EA	Clamp - Hose - Wormgear - 69' ID - 1 25 ID
	062401-05 000	EA	Clamp - Hose - Wormgear - 2 ID - 3 ID
	062401-06 000	EA	Clamp - Hose - Wormgear - 22 ID - 62' ID
	023146-01-000	EA	Clamp - Screw Type 4
	024490-01 000	EA	Compartment - Power Cord - Black Plastic
	071656-01-000	EA	Cover - Radiator - Rear
	071657-01-000	EA	Cover - Radiator - Rear Back (Fan Shroud)
	060722-01 000	EA	Cover - Radiator - Front
	020167-03-000	EA	Dirt Guard - Rear Wheel
	007131 01 000	EA	Hanger - Tail Pipe
	024138-01-000	FT	Hose - Fuel - 5/16 ID SAE 30RI
	006113-01-000	EA	Jack - Hydraulic - 6 Ton - w/Handle
	060208 02-000	EA	Leverage Bar - 22 - Lug Wrench
	060208-01-000	EA	Lug Wrench - 1 x 1 25' x 1 6 3
	017516-01 000	EA	Mud Flap w/Holes - 14 x 18 - Black
	079942-01-000	EA	Shock Absorber - Stabilizer - Front
	079942-02-000	EA	Shock Absorber - Stabilizer - Rear
	079942 07-000	EA	Bracket - Mounting Stabilizer
	077848-01-000	EA	Step Asm - Entry
	061411-03 000	EA	Tailpipe Extension - 2 25 x 10 5
	048594 01 000	EA	Tray - Battery
	008343-01 000	EA	Wire Tie - 6

NOTE: Remainder of exhaust components available from chassis service centers

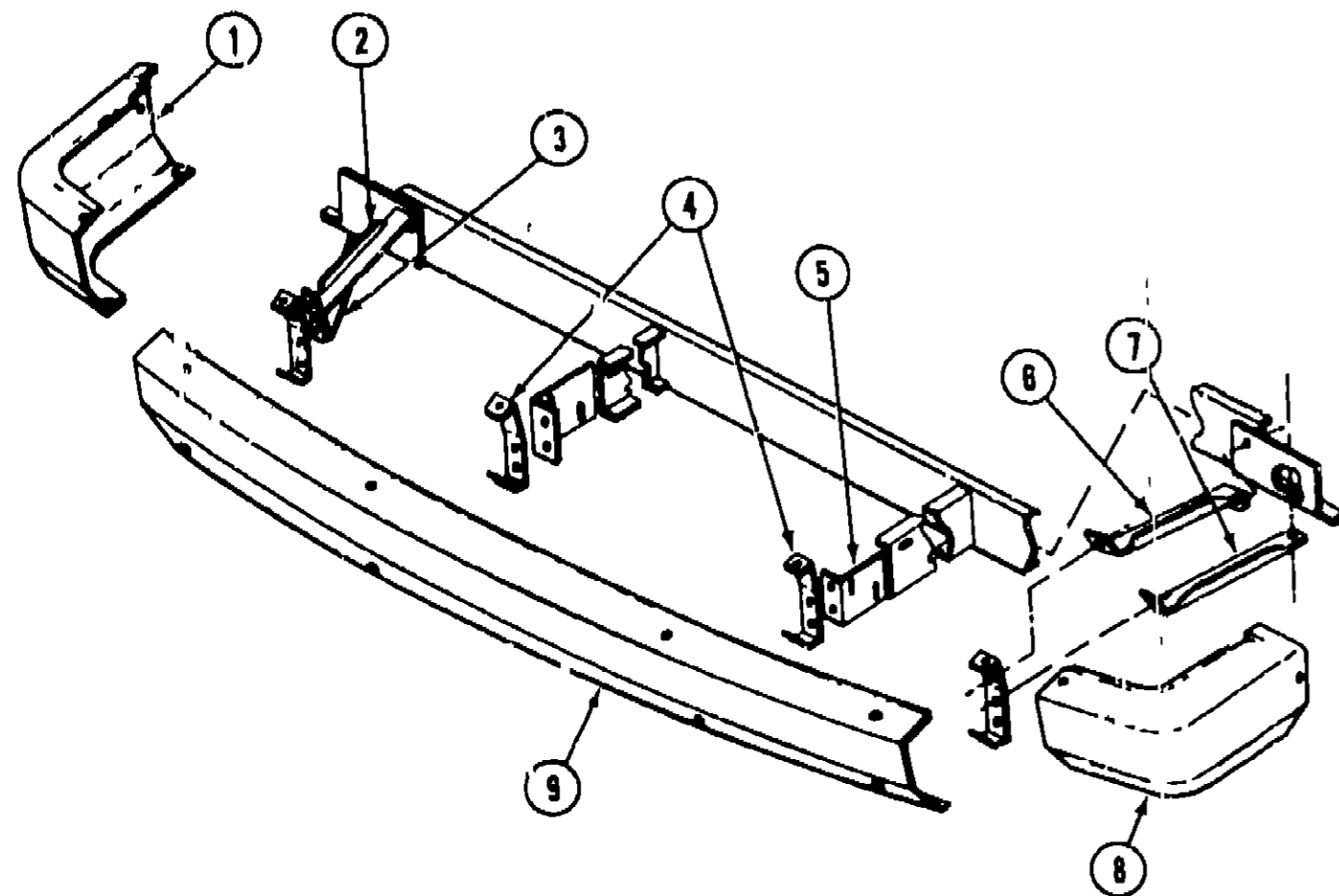
1986 ITASCA TABLE OF CONTENTS

INTRODUCTION	A 01
ABBREVIATIONS	A 01
ALPHABETICAL INDEX	A 02 - A 04
ICN22RC	A 05 - C 16
ICN27RIJ	C 17 - F 02
ICN31RT	F 03 - H-18
ICP31RT	H 19 - K-06

1986 ICN22RC INDEX

Floor Plan	A-05 - A-06
Accessories Group	A 07 - A 09
Bath Group	A-10 - A-11
Chassis Group	A-12 - A-14
Curtain Cushion & Pad Group	A-15 - A-21
Dinette Group	A-22
Driver's Compartment Group	A-23 - B-01
Electrical Group	B-02 - B-04
Exterior Body Group	B-05 - B 10
Galley Group	B 11 - B 13
Heating & Air Conditioning Group	B-14 - B-15
Interior Finish Group	B 16 - B-18
LP Group	B-19
Lounge Group	B 20
Water & Sewage Group	B-21 - B-22
Window Vent & Exterior Door Group	B 23 - C-16

CHASSIS GROUP (CONTINUED)



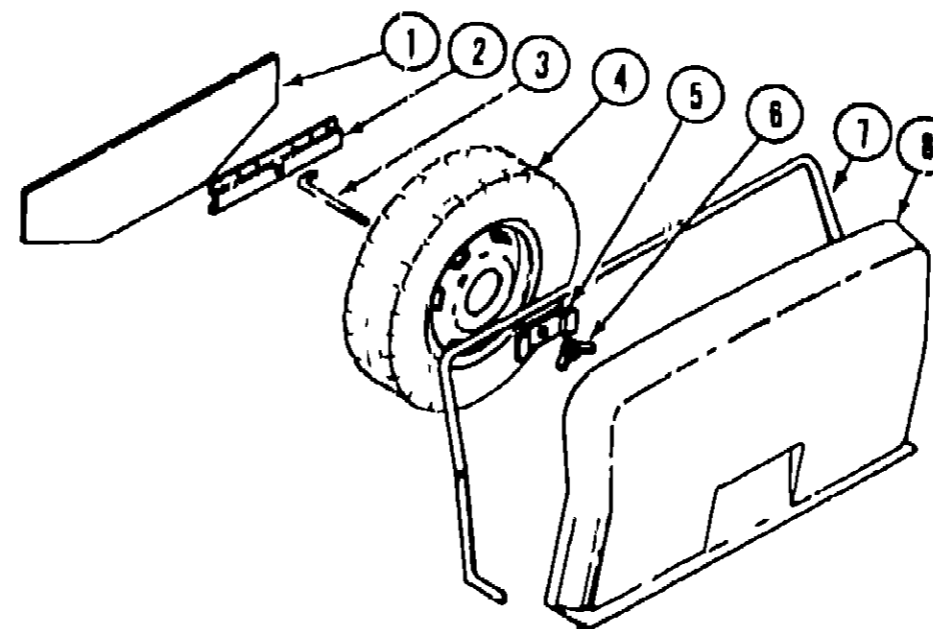
FRONT BUMPER

Key	Part Number	U/M	Description
1	078577-03-000	EA	Bumper End - Gray - Right Front
2	078002-01-000	EA	Brace - Upper Right - Front Bumper
3	078003-01-000	EA	Brace - Lower Right - Front Bumper
4	077852-01-000	EA	Bracket to Bumper - Front
5	078527-01-000	EA	Bracket to Frame - Front Bumper
6	078002-02-000	EA	Brace - Upper Left - Front Bumper
7	078003-02-000	EA	Brace - Lower Left - Front Bumper
8	078577-04-000	EA	Bumper End - Gray - Left Front
9	077850-01-000	EA	Bumper - Front - Primed
9	077850-07-000	EA	Bumper - Front - Chrome
	005200 01-000	EA	Carriage Bolt - Chrome 7/16 x 14 x 1 1/4
			Not illustrated

WHEELS & TIRES

Key	Part Number	U/M	Description
	050273-02-000	EA	Tire - 7 50 x 16 Michelin
	050273-03-000	EA	Tire - 7 50 x 16 White Sidewall - Radial
	040546-03-000	EA	Tire - 7 50 x 16 - 8 Ply - Goodyear
	051377-01-000	EA	Valve Stem Asm - TR500
	064962-02-000	EA	Wheel - 16 x 6 00
	055080 01-000	EA	Wheelwell - Plastic

CHASSIS GROUP (CONTINUED)



TRAILER HITCH & SPARE TIRE

Key	Part Number	U/M	Description
1	077395 01-000	EA	Dust Shield - Spare Tire
2	077403 01-000	EA	Rod Support - Spare Tire
3	077411 01-000	EA	Retaining Rod
4	073090 01-000	EA	Tire Cover Seal
5	077399-01-000	EA	Spare Tire Retainer
6	064081 01-000	EA	Wing Nut
7	079165-01-T09	EA	Tire Cover Asm
	077408-01-000	EA	Lock Asm - Tire Cover
	077759 01-000	EA	Support Spacer - Spare Tire
	077400-01-000	EA	Support - Spare Tire
			Not illustrated

**1986 ITASCA
TABLE OF CONTENTS**

INTRODUCTION	A-01
ABBREVIATIONS	A-01
ALPHABETICAL INDEX	A-02 - A-04
ICN22RC	A 05 - C 16
ICN27RU	C-17 - F-02
ICN31RT	F-03 - H 18
ICP31RT	H 19 - K-06

1986 ICN22RC INDEX

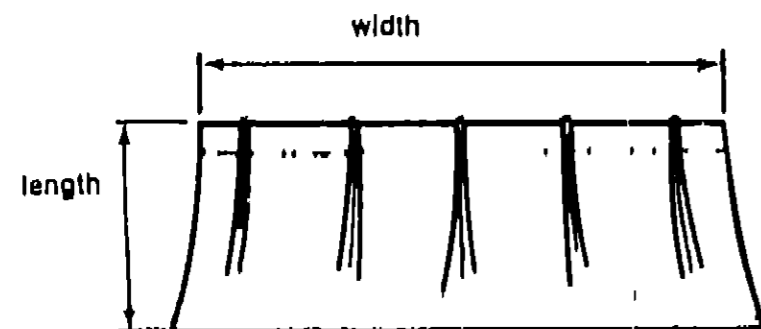
Floor Plan	A-05 - A 06
Accessories Group	A 07 - A-09
Bath Group	A-10 - A-11
Chassis Group	A-12 - A-14
Curtain Cushion & Pad Group	A-15 - A 21
Dinette Group	A 22
Driver's Compartment Group	A-23 - B 01
Electrical Group	B-02 - B-04
Exterior Body Group	B 05 - B 10
Galley Group	B-11 - B-13
Heating & Air Conditioning Group	B-14 - B-15
Interior Finish Group	B-16 B 18
LP Group	B 19
Lounge Group	B-20
Water & Sewage Group	B-21 B 22
Window Vent & Exterior Door Group	B 23 - C-16

CURTAIN, CUSHION & PAD GROUP

NOTICE

In order to assist our Parts Sales Dept. in providing interior software items, please include the serial number and the color code number from the vehicle certification label when ordering. This label is located on the left sidewall at the end of the dash (A-Body), or on the driver's door latch plate (C-Body).

An example of a color code number is P31, which designates an overall color scheme of a particular unit. The color listed after the item description on the microfiche, indicates the overall unit color. Order the item you desire according to unit color code.



NOTE

Use this illustration when determining length and width measurements for curtains. You will note the width measurement is taken on the top of the curtain with the curtain fully extended. The length measurement is taken from top to bottom.

CURTAIN HARDWARE

Key	Part Number	U/M	Description
	079798-03-000	EA	Bracket Asm - Curtain Rod - Right
	079798-04-000	EA	Bracket Asm - Curtain Rod - Left
	082249-01-000	EA	Bracket - Blinds - Beige - Right
	082249-02-000	EA	Bracket - Blinds - Beige - Left
	056001-01-000	EA	Bracket - Shade - Left
	056002-01-000	EA	Bracket - Shade - Right
	082677-01-000	EA	Bracket - Shade - Universal
	079619-01-000	EA	Bracket - Tie Back
	056003-01-000	EA	Bracket - Drapery Retainer - Right
	056003-02-000	EA	Bracket - Drapery Retainer - Left
	079619-01-000	EA	Bracket - Tie Back
	056784-01-000	EA	Pull - Shade - Antique Brass
	081381-01-000	EA	Swivel - Snap - Curtain Track
	048394-01-000	EA	Tape Hook - 1' x 50' YD - Beige
	029096-03-000	EA	Tape Hook - 1' - Black (Velcro)
	029096-05-000	EA	Tape Hook - 50' - Beige (Velcro)
	048395-01-000	EA	Tape Loop - 1' x 50' YD - Beige
	029094-04-000	EA	Tape Loop - 1' - Black (Velcro)
	029094-05-000	EA	Tape Loop - 50' - Beige (Velcro)
	079946-01-000	EA	Track - Curtain - Wraparound - Right
	079946-02-000	EA	Track - Curtain - Wraparound - Left
	056116-01-000	FT	Track - Curtain - Brown - Plastic
	079782-04-000	EA	Track - Curtain - 12' Beige

CURTAIN, CUSHION & PAD GROUP (CONTINUED)

FABRICS, TRIMS & PADS

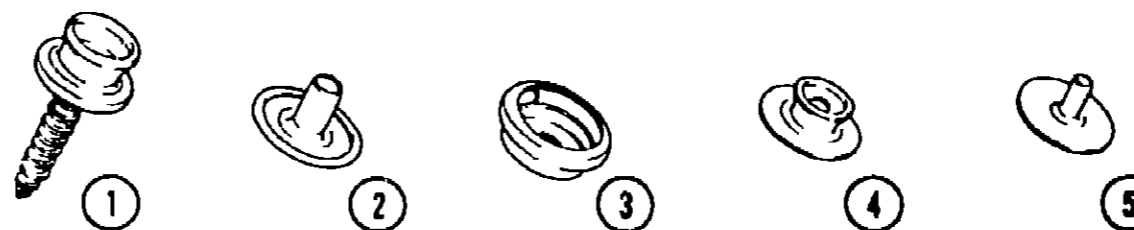
Key	Part Number	U/M	Description
	072333-21-000	YD	Fabric - Drapery - Parchment
	077498-65-000	YD	Fabric w/Pattern - Upholstery - Blue/Gray (U13)
	077498-66-000	YD	Fabric w/Pattern - Upholstery - Melon (U14)
	077498-67-000	YD	Fabric w/Pattern - Upholstery - Plum/Beige (U15)
	077498-68-000	YD	Fabric w/Pattern - Upholstery Accent - Melon (U14)
	077498-70-000	YD	Fabric - Upholstery/Draper - Accent - Plain - Blue/Gray (U13)
	077498-71-000	YD	Fabric - Upholstery/Draper - Accent - Plain - Melon (U14)
	077498-69-000	YD	Fabric - Upholstery/Draper - Accent - Plain - Plum/Beige (U15)
	089729-25-000	YD	Fabric - Bedspread/Draper - Main - Blue/Gray (U13)
	089729-26-000	YD	Fabric - Bedspread/Draper - Main - Melon (U14)
	069729-27-000	YD	Fabric - Bedspread/Draper - Main - Plum/Beige (U15)
	089729-28-000	YD	Fabric - Bedspread - Accent - Blue/Gray (U13)
	089729-29-000	YD	Fabric - Bedspread - Accent - Melon (U14)
	089729-30-000	YD	Fabric - Bedspread - Accent - Plum/Beige (U15)
	038421-01-000	YD	Fabric - Mattress Ticking
	052859-01-T03	FT	Trim Asm - Accent - Sandrift
	052859-05-T03	FT	Trim Asm - Accent - Buckskin
	079680-01-000	YD	Vinyl - Expanded - 28 oz - Buckskin
	079680-02-000	YD	Vinyl - Expanded - 26 oz - Sandrift
	070578-08-T03	EA	Button Asm - #30 - Vinyl
	057093-01-T03	EA	Button Asm - #60 - Vinyl
	057550-03-T03	EA	Button Asm - Nail - Vinyl
	071127-09-000	EA	Button Asm - #36 - Hook Back
	071127-10-U10	EA	Button Asm - #30 - Blue/Gray
	071127-10-U11	EA	Button Asm - #30 - Melon
	071127-10-U12	EA	Button Asm - #30 - Plum/Beige (U15)
	078155-01-000	EA	Strap Asm - Cushion
	079144-02-000	EA	Strap Asm - Bunk
	081325-01-T03	EA	End Cap Asm - Overhead - Dinette - Vinyl
	081320-04-U04	EA	End Cap Asm - Overhead - Galley - Vinyl
	081519-01-U10	EA	Pad Asm - Dinette - Front - Blue/Gray (U13)
	081519-01-U11	EA	Pad Asm - Dinette - Front - Melon (U14)
	081519-01-U12	EA	Pad Asm - Dinette - Front - Plum/Beige (U15)
	081519-02-U10	EA	Pad Asm - Dinette - Rear - Blue/Gray (U13)
	081519-02-U11	EA	Pad Asm - Dinette - Rear - Melon (U14)
	081519-02-U12	EA	Pad Asm - Dinette - Rear - Plum/Beige (U15)
	077463-16-U10	EA	Pad Asm - Headboard - Double Bed - Blue/Gray (U13)
	077463-16-U11	EA	Pad Asm - Headboard - Double Bed - Melon (U14)
	077463-16-U12	EA	Pad Asm - Headboard - Double Bed - Plum/Beige (U15)
	064088-03-000	EA	Pad Asm - Front Door - Driver
	064088-03-000	EA	Pad Asm - Front Door - Passenger

**1988 ITASCA
TABLE OF CONTENTS**

INTRODUCTION	A-01
ABBREVIATIONS	A-01
ALPHABETICAL INDEX	A-02 - A-04
ICN22RC	A-05 - C-18
ICN27RU	C-17 - F-02
ICN31RT	F-03 - H-18
ICP31RT	H-19 - K-06

1988 ICN22RC INDEX

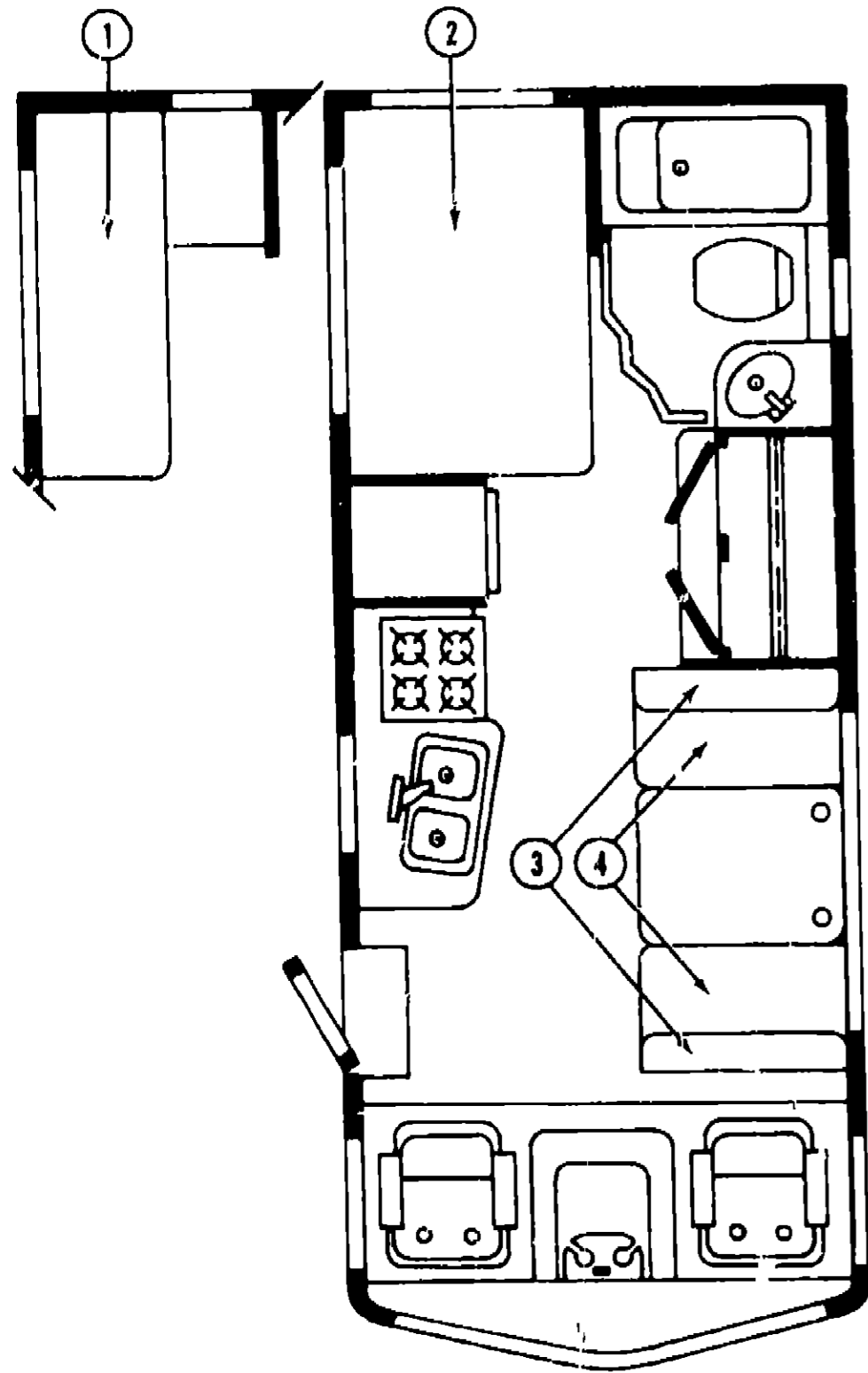
Floor Plan	A-05 - A-06
Accessories Group	A-07 - A-09
Bath Group	A-10 - A-11
Chassis Group	A-12 - A-14
Curtain, Cushion & Pad Group	A-15 - A-21
Dinette Group	A-22
Driver's Compartment Group	A-23 - B-01
Electrical Group	B-02 - B-04
Exterior Body Group	B-05 - B-10
Galley Group	B-11 - B-13
Heating & Air Conditioning Group	B-14 - B-15
Interior Finish Group	B-16 - B-18
LP Group	B-19
Lounge Group	B-20
Water & Sewage Group	B-21 - B-22
Window, Vent & Exterior Door Group	B-23 - C-16



Key	Part Number	U/M	Description
1	029130-01-000	EA	Socket - Snap Fastener
2	029155-01-000	EA	Cap - Snap 156 Dia x 17 Barrel
3	029153-01-000	EA	Socket - Snap Fastener
4	029092-01-000	EA	Stud - Nickel Finish
5	029093-01-000	EA	Eyelet - Nickel Finish

CURTAIN, CUSHION & PAD GROUP (CONTINUED)

CURTAIN, CUSHION & PAD GROUP (CONTINUED)



REAR BUNK CUSHIONS

Key	Part Number	U/M	Description
1	073519-01 U13	EA	Cushion - Rear Bunk - 29 x 75.5 - 4.5
1	073519-01-U14	EA	Cushion - Rear Bunk - 29 x 75.5 - 4.5
1	073519-01 U15	EA	Cushion - Rear Bunk - 29 x 75.5 - 4.5
	M73519-01-U13	EA	Cover - Rear Bunk Cushion - 29 x 75.5 - 4.5
	M73519-01-U14	EA	Cover - Rear Bunk Cushion - 29 x 75.5 - 4.5
	M73519-01-U15	EA	Cover - Rear Bunk Cushion - 29 x 75.5 - 4.5

DOUBLE BED MATTRESS

Key	Part Number	U/M	Description
2	003496-02 000	EA	Mattress - Foam Winnebago
2	077476-02 000	EA	Mattress - Inner Spring - Sealy - 48" x 75"
	081969-07-U10	EA	Bedsprad - Double Bed (U13)
	081969-07-U11	EA	Bedsprad - Double Bed (U14)
	081969-07-U12	EA	Bedsprad - Double Bed (U15)
	081997-01-U10	EA	Pillow Sham - 30' x 26" (U13)
	081997-01-U11	EA	Pillow Sham - 30' x 26" (U14)
	081997-01 U12	EA	Pillow Sham - 30' x 26" (U15)

DINETTE CUSHIONS

Key	Part Number	U/M	Description
3	081998-01-U10	EA	Cushion Asm - Dinette Back - 19.2" x 38" x 5" (U13)
3	081998-07-U11	EA	Cushion Asm - Dinette Back - 19.2" x 38" x 5" (U14)
3	081998-01 U12	EA	Cushion Asm - Dinette Back - 19.2" x 38" x 5" (U15)
	M81998-01 U10	EA	Cover Asm - Dinette Back Cushion (U13)
	M81998-07 U11	EA	Cover Asm - Dinette Back Cushion (U14)
	M81998-01 U12	EA	Cover Asm - Dinette Back Cushion (U15)
4	081998-02 U10	EA	Cushion Asm - Dinette Seat - 17.5" x 38" x 5" (U13)
4	081998-08 U11	EA	Cushion Asm - Dinette Seat - 17.5" x 38" x 5" (U14)
4	081998-02 U12	EA	Cushion Asm - Dinette Seat - 17.5" x 38" x 5" (U15)
	M81998-02 U10	EA	Cover Asm - Dinette Seat Cushion (U13)
	M81998-08 U11	EA	Cover Asm - Dinette Seat Cushion (U14)
	M81998-02-U12	EA	Cover Asm - Dinette Seat Cushion (U15)

CONTINENTAL BED

Key	Part Number	U/M	Description
5	079448-04 U13	EA	Bed Asm - Continental - 3 Pillow
5	079448-05-U14	EA	Bed Asm - Continental - 3 Pillow
5	079448-04 U15	EA	Bed Asm - Continental - 3 Pillow
6	081998-17-U13	EA	Pillow Asm - 16 x 23 x 5
6	081998-20-U14	EA	Pillow Asm - 16 x 23 x 5
6	081998-17 U15	EA	Pillow Asm - 16 x 23 x 5
	M81998-17-U13	EA	Cover Asm - Pillow
	M81998-20-U14	EA	Cover Asm - Pillow
	M81998-17-U15	EA	Cover Asm - Pillow

FRONT OVERHEAD BUNK CUSHIONS

Key	Part Number	U/M	Description
	079145-04-000	EA	Cushion Asm - Front Bunk - 34 x 78 x 4
	M79145-04-000	EA	Cover Asm - Front Bunk Cushion - 34 x 78 x 4

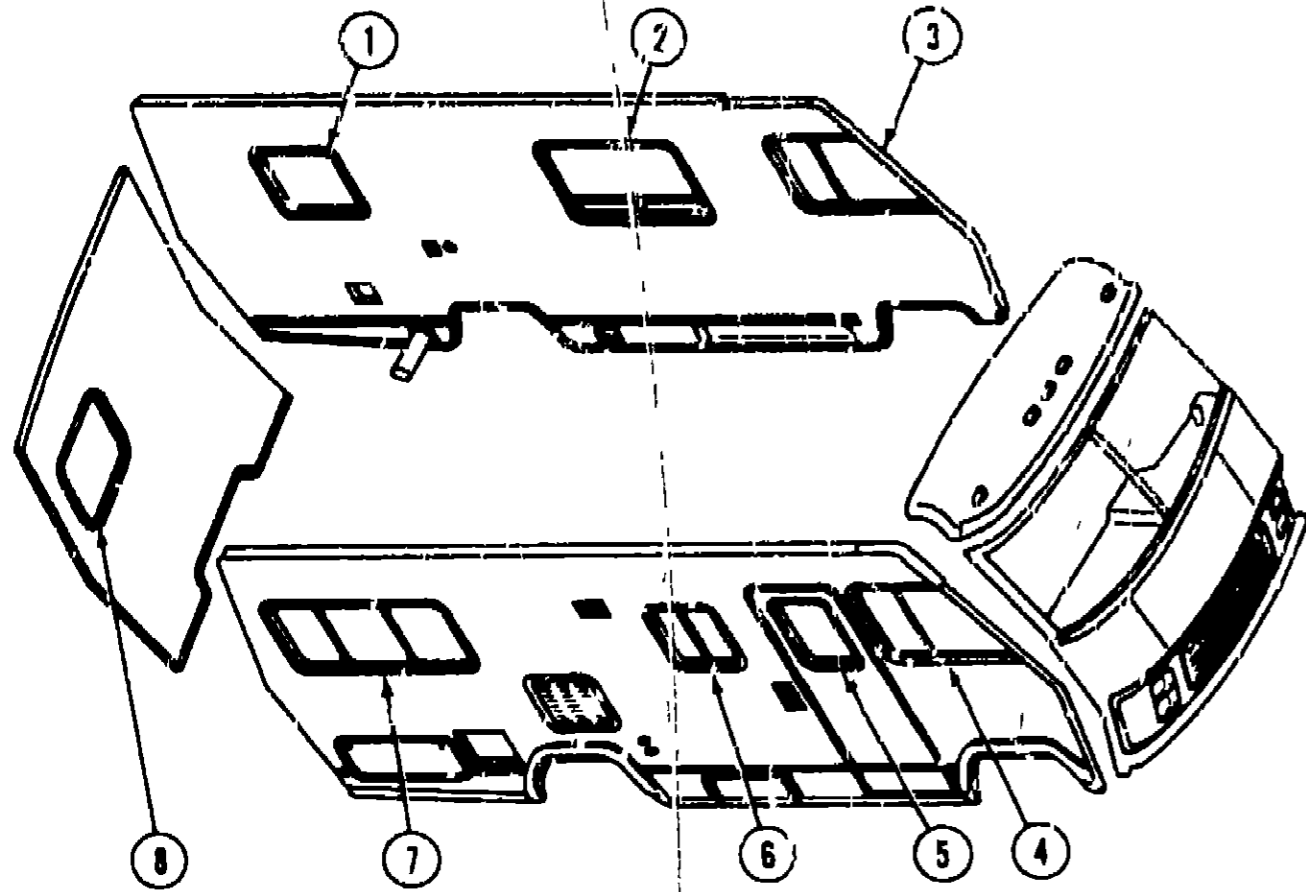
**1986 ITASCA
TABLE OF CONTENTS**

INTRODUCTION	A 01
ABBREVIATIONS	A 01
ALPHABETICAL INDEX	A 02 - A-04
ICN22RC	A 05 - C-16
ICN27RU	C-17 - F 02
ICN31RT	F 03 - H-18
ICP31RT	H-19 - K-06

1986 ICN22RC INDEX

Floor Plan	A-05 - A 06
Accessories Group	A-07 - A-09
Bath Group	A-10 - A-11
Chassis Group	A-12 - A-14
Curtain Cushion & Pad Group	A-15 - A-21
Dinette Group	A 22
Driver's Compartment Group	A-23 - B-01
Electrical Group	B 02 - B-04
Exterior Body Group	B 05 - B 10
Galley Group	B-11 - B-13
Heating & Air Conditioning Group	B-14 - B-15
Interior Finish Group	B-16 - B-18
LP Group	B-19
Lounge Group	B-20
Water & Sewage Group	B 21 - B 22
Window Vent & Exterior Door Group	B 23 - C-16

CURTAIN, CUSHION & PAD GROUP (CONTINUED)



CURTAINS, SHADES, VALANCES & TIEBACKS

Key	Part Number	U/M	Description
1	082176-02 U13	EA	Valance Asm Padded
1	082176-02 U14	EA	Valance Asm - Padded
1	082176-02 U15	EA	Valance Asm - Padded
1	082118-18-000	EA	Blind - 28' x 26' Drop (U13)
1	082118-17-000	EA	Blind - 28' x 26' Drop (U14)
1	082118-18-000	EA	Blind - 28' x 26' Drop (U15)
2	079542-12 U10	EA	Curtains w/Darts - 35" x 16 (U13)
2	079542-12 U11	EA	Curtains w/Darts - 35" x 16 (U14)
2	079542-12 U12	EA	Curtains w/Darts - 35" x 16 (U15)
2	M81977-15-U13	EA	Valance Asm - Padded
2	M81977-15-U14	EA	Valance Asm - Padded
2	M81977-15 U15	EA	Valance Asm - Padded
2	082118-31-000	EA	Blind - 65 x 34 Drop (U13)
2	082118-32-000	EA	Blind - 65 x 34 Drop (U14)
2	082118-33-000	EA	Blind - 65 x 34 Drop (U15)
2	079543-15-U10	EA	Curtain - 35 x 12 (Woven Wood) (U13)
2	079543-15 U11	EA	Curtain - 35 x 12 (Woven Wood) (U14)
2	079543-15 U12	EA	Curtain - 35 x 12 (Woven Wood) (U15)
2	082127-31-000	EA	Shade Asm Woven Wood - 65 x 35' Drop (U13)
2	082127-32-000	EA	Shade Asm Woven Wood - 65 x 35' Drop (U14)
2	082127-33-000	EA	Shade Asm Woven Wood - 65 x 35' Drop (U15)
3	073304-32-U09	EA	Curtain Asm w/Snaps - Front Wraparound - 32.5 x 86 - Left
4	073304-31-U09	EA	Curtain Asm w/Snaps - Front Wraparound - 32.5 x 86 - Right

CURTAIN, CUSHION & PAD GROUP (CONTINUED)

CURTAINS, SHADES, VALANCES & TIEBACKS (CONT)

Key	Part Number	U/M	Description
5	M81977-12 U13	EA	Valance Asm - Entrance Door
5	M81977-12-U14	EA	Valance Asm - Entrance Door
5	M81977-12-U15	EA	Valance Asm - Entrance Door
6	082118-19-000	EA	Shade - 24 25" x 40" (U13)
6	082118-20-000	EA	Shade - 24 25" x 40" (U14)
5	082118-21-000	EA	Shade - 24 25" x 40" (U15)
0	M81977-05 U10	EA	Valance Asm - Padded (U13)
0	M81977-05 U11	EA	Valance Asm - Padded (U14)
0	M81977-05-U12	EA	Valance Asm - Padded (U15)
6	082118-13-000	EA	Blind - 27" x 23" Drop (U13)
6	082118-14-000	EA	Blind - 27" x 23" Drop (U14)
6	082118-15-000	EA	Blind - 27" x 23" Drop (U15)
7	079559-03-U10	EA	Curtain w/Gathers - 32' x 41" (U13)
7	079559-03-U11	EA	Curtain w/Gathers - 32' x 41" (U14)
7	079559-03-U12	EA	Curtain w/Gathers - 32' x 41" (U15)
7	079558-02-U10	EA	Valance Asm w/Gathers - 6' x 120 (U13)
7	079558-02 U11	EA	Valance Asm w/Gathers - 6' x 120 (U14)
7	079558-02-U12	EA	Valance Asm w/Gathers - 6' x 120 (U15)
7	082120-13-000	EA	Shade - Fabric - 60 25' x 38" Drop (U13)
7	082120-14-000	EA	Shade - Fabric - 60 25' x 38" Drop (U14)
7	082120-15-000	EA	Shade - Fabric - 60 25' x 38" Drop (U15)
7	079542-03-U13	EA	Curtain w/Darts - 22" x 17"
7	079542-03-U14	EA	Curtain w/Darts - 22" x 17"
7	079542-03 U15	EA	Curtain w/Darts - 22" x 17"
7	082119-25-000	EA	Shade - 40 25' x 38" (U13)
7	082119-26-000	EA	Shade - 40 25' x 38" (U14)
7	082119-27-000	EA	Shade - 40 25' x 38" (U15)
8	079559-04-U13	EA	Curtain w/Gathers - 32' x 24"
8	079559-04-U14	EA	Curtain w/Gathers - 32' x 24"
8	079559-04 U15	EA	Curtain w/Gathers - 32' x 24"
8	079558-03-U10	EA	Valance Asm w/Gathers - 6' x 95 (U13)
8	079558-03 U11	EA	Valance Asm w/Gathers - 6' x 95 (U14)
8	079558-03-U12	EA	Valance Asm w/Gathers - 6' x 95 (U15)
8	082120-04-000	EA	Shade - 33 25' x 50 Drop (U13)
8	082120-05-000	EA	Shade - 33 25' x 50 Drop (U14)
8	082120-06-000	EA	Shade - 33 25' x 50 Drop (U15)
7	073251-24-U13	EA	Curtain w/Tape Top - 26 x 8
7	073251-24 U14	EA	Curtain w/Tape Top - 26 x 8
7	073251-24-U15	EA	Curtain w/Tape Top - 26 x 8
7	082119-16-000	EA	Shade - 14 25 x 38 (U13)
7	082119-17-000	EA	Shade - 14 25 x 38 (U14)
7	082119-18-000	EA	Shade - 14 25 x 38 (U15)
7	077591-05 U04	EA	Curtain w/Velcro Top - Bunk Privacy - 60 x 50 - Passenger
7	077591-06-U04	EA	Curtain w/Velcro Top - Bunk Privacy - 60 x 50 - Driver
7	073304-04 U04	EA	Curtain w/Snap Top - Privacy - 64 x 53
7	073260-16-U13	EA	Tieback Asm - 3' x 20 - Accent
7	073260-16-U14	EA	Tieback Asm - 3' x 20 - Accent
7	073260-16-U15	EA	Tieback Asm - 3' x 20 - Accent
7	073260-19 U10	EA	Tieback Asm - 3' x 20 - Bedspread (U13)
7	073260-19-U11	EA	Tieback Asm - 3' x 20 - Bedspread (U14)
7	073260-19-U12	EA	Tieback Asm - 3' x 20 - Bedspread (U15)
7	057534-01-000	EA	Tieback Asm - 6 - Clear Plastic
7	057534-03-000	EA	Tieback Asm - 7.5 - Clear Plastic
7	057534-04-000	EA	Tieback Asm - 20 - Clear Plastic

Not illustrated
Parts for bunkhouse options (not illustrated)

**1988 ITASCA
TABLE OF CONTENTS**

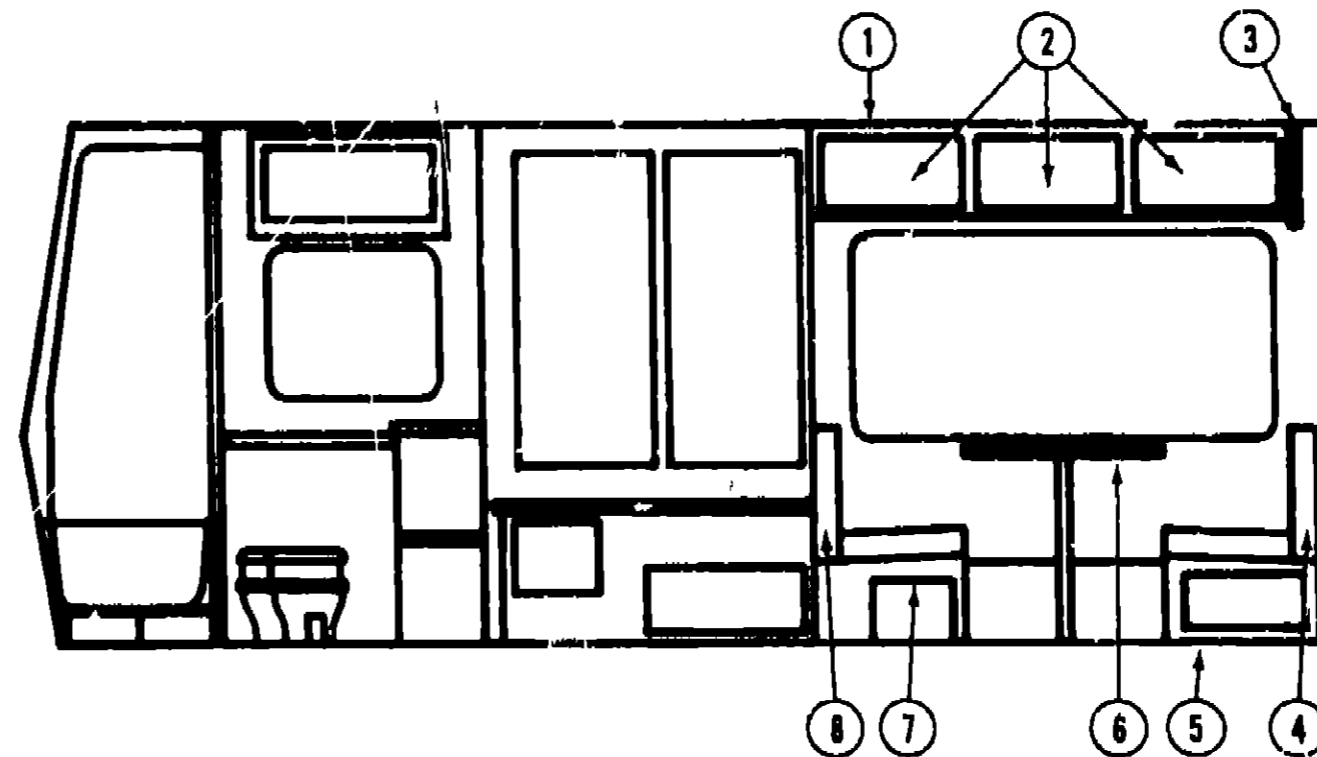
INTRODUCTION	A 01
ABBREVIATIONS	A 01
ALPHABETICAL INDEX	A 02 A 04
ICN22RC	A 05 - C 18
ICN27RIJ	C 17 - F 02
ICN31RT	F 03 H 18
ICP31RT	H 19 K 06

1988 ICN22RC INDEX

Floor Plan	A-05 - A-06
Accessories Group	A-07 - A 09
Bath Group	A-10 - A-11
Chassis Group	A-12 - A-14
Curtain, Cushion & Pad Group	A-15 - A-21
Dnette Group	A 22
Driver's Compartment Group	A-23 - B-01
Electrical Group	B-02 - B-04
Exterior Body Group	B-05 - B-10
Galley Group	B-11 - B-13
Heating & Air Conditioning Group	B-14 - B-15
Interior Finish Group	B-16 - B-18
LP Group	B 19
Lounge Group	B 20
Water & Sewage Group	B-21 - B-22
Window Vent & Exterior Door Group	B-23 - C 16

BUCKET SEATS

Key	Part Number	U/M	Description
	079300 01 U10	EA	Seat Asm - Vinyl (U13)
	079300 01 U11	EA	Seat Asm - Vinyl (U14)
	079300 01 U12	EA	Seat Asm - Vinyl (U15)
	M01862 01-U10	EA	Cover Asm - Seat Bottom - Vinyl (U13)
	M01862 01-U11	EA	Cover Asm - Seat Bottom - Vinyl (U14)
	M01862 01-U12	EA	Cover Asm - Seat Bottom - Vinyl (U15)
	M01862 02 U10	EA	Cover Asm - Seat Back - Vinyl (U13)
	M01862 02 U11	EA	Cover Asm - Seat Back - Vinyl (U14)
	M01862 02 U12	EA	Cover Asm - Seat Back - Vinyl (U15)
	078804-07-U13	EA	Seat Asm - Granduer
	078804 07 U14	EA	Seat Asm - Granduer
	078804-07-U15	EA	Seat Asm - Granduer
	M01863-01-U13	EA	Cover Asm - Granduer Seat Bottom
	M01863-01-U14	EA	Cover Asm - Granduer Seat Bottom
	M01863-01-U15	EA	Cover Asm - Granduer Seat Bottom
	M01863-02-U13	EA	Cover Asm - Granduer Seat Back
	M01863 04 U14	EA	Cover Asm - Granduer Seat Back
	M01863-04-U15	EA	Cover Asm - Granduer Seat Back
	071126-16-U13	EA	Skirt Asm - Granduer Bucket Seat
	071126 16-U14	EA	Skirt Asm - Granduer Bucket Seat
	071126-16-U15	EA	Skirt Asm - Granduer Bucket Seat
	080243-07-U10	EA	Armrest Asm - Right (U13)
	080243-07 U11	EA	Armrest Asm - Right (U14)
	080243 07-U12	EA	Armrest Asm - Right (U15)
	080243-08-U10	EA	Armrest Asm - Left (U13)
	080243-08-U11	EA	Armrest Asm - Left (U14)
	080243-08 U12	EA	Armrest Asm - Left (U15)
	M80243-01-U10	EA	Cover Asm - Armrest - Right (U13)
	M80243-01-U11	EA	Cover Asm - Armrest - Right (U14)
	M80243-01-U12	EA	Cover Asm - Armrest - Right (U15)
	M80243-02-U10	EA	Cover Asm - Armrest - Left (U13)
	M80243-02-U11	EA	Cover Asm - Armrest - Left (U14)
	M80243-02-U12	EA	Cover Asm - Armrest - Left (U15)
	080242-04-U10	EA	Headrest Asm (U13)
	080242-04 U11	EA	Headrest Asm (U14)
	080242-04 U12	EA	Headrest Asm (U15)
	M80242-01-U10	EA	Cover Asm - Headrest (U13)
	M80242-01-U11	EA	Cover Asm - Headrest (U14)
	M80242-01 U12	EA	Cover Asm - Headrest (U15)
	079281-02-U13	EA	Seat Asm - Double Bucket
	079281-02 U14	EA	Seat Asm - Double Bucket
	079281-02-U15	EA	Seat Asm - Double Bucket
	M01874-03-U13	EA	Cover Asm - Double Bucket - Bottom
	M01874-03 U14	EA	Cover Asm - Double Bucket - Bottom
	M01874-03-U15	EA	Cover Asm - Double Bucket - Bottom
	M01874-04 U13	EA	Cover Asm - Double Bucket - Back
	M01874-04 U14	EA	Cover Asm - Double Bucket - Back
	M01874-04 U15	EA	Cover Asm - Double Bucket - Back
	071690-04-U13	EA	Skirt Asm - Double Bucket
	071690-04 U14	EA	Skirt Asm - Double Bucket
	071690-04 U15	EA	Skirt Asm - Double Bucket
	080243-02 U13	EA	Armrest Asm - Double Bucket
	080243 02-U14	EA	Armrest Asm - Double Bucket
	080243-02-U15	EA	Armrest Asm - Double Bucket
	M80243-02-U13	EA	Cover Asm - Armrest
	M80243-02 U14	EA	Cover Asm - Armrest
	M80243-02 U15	EA	Cover Asm - Armrest
	080242-01 U13	EA	Headrest Asm - Double Bucket
	080242-01 U14	EA	Headrest Asm - Double Bucket
	080242-01-U15	EA	Headrest Asm - Double Bucket
	M80242-01-U10	EA	Cover Asm - Headrest - Double Bucket (U13)
	M80242-01 U11	EA	Cover Asm - Headrest - Double Bucket (U14)
	M80242 01 U12	EA	Cover Asm - Headrest - Double Bucket (U15)



1988 ITASCA
TABLE OF CONTENTS

INTRODUCTION	A-01
ABBREVIATIONS	A-01
ALPHABETICAL INDEX	A 02 - A-04
ICN22RC	A 05 - C 16
ICN27RU	C 17 - F-02
ICN31RT	F-03 - H-18
ICP31RT	H 19 - K-06

CONVENTIONAL DINETTE & OVERHEAD CABINERY

Key	Part Number	U/M	Description
1	081302-06-U13	EA	Cabinet Asm - Dinette Overhead - w/o Doors or Hardware
2	M81503-06-T09	EA	Door Asm - Dinette Overhead - w/o Hardware
3	081325-01 T03	EA	Pad Asm - End Cap - Dinette Overhead - Front - Vinyl
4	M02174-01-U01	EA	Cabinet Asm - Dinette Back - Right
5	M02175-02-U01	EA	Cabinet Asm - Dinette Back - Right - w/o Hardware
	M81504-10-U10	EA	Door Asm - Dinette Seat - w/o Hardware
6	081298-02 T03	EA	Table Asm - Dinette - w/o Hardware
7	M02175-04 U01	EA	Cabinet Asm - Dinette Seat - Left w/o Door or Hardware
8	M02174-03-U04	EA	Cabinet Asm - Dinette Back - Left
	053200-05-000	EA	Bracket - Upper Wall Mount - 23 5
	053201-03-000	EA	Bracket - Table Mount 23
	024275-05-000	EA	Rod - Table Lift - 8 x 23 5 - Beige
	024281-07-000	EA	Bracket - Lower Wall Mount - 22 12
	024276-14-000	EA	Leg Asm - Table - 29 5
	064050-01-000	EA	Hinge - Table Leg
	024262-01-000	EA	Brace - Table Leg
	024283-01 000	EA	Clip - 1 O D Tube
	049493-02-000	EA	Catch - Table Leg - Mounts on Floor
	064781-01-000	EA	Cup Holder 3 47 O D x 2 75 I D x 1 5

Not illustrated
The illustrated parts breakdown for this item is provided on the Common Items Fiche

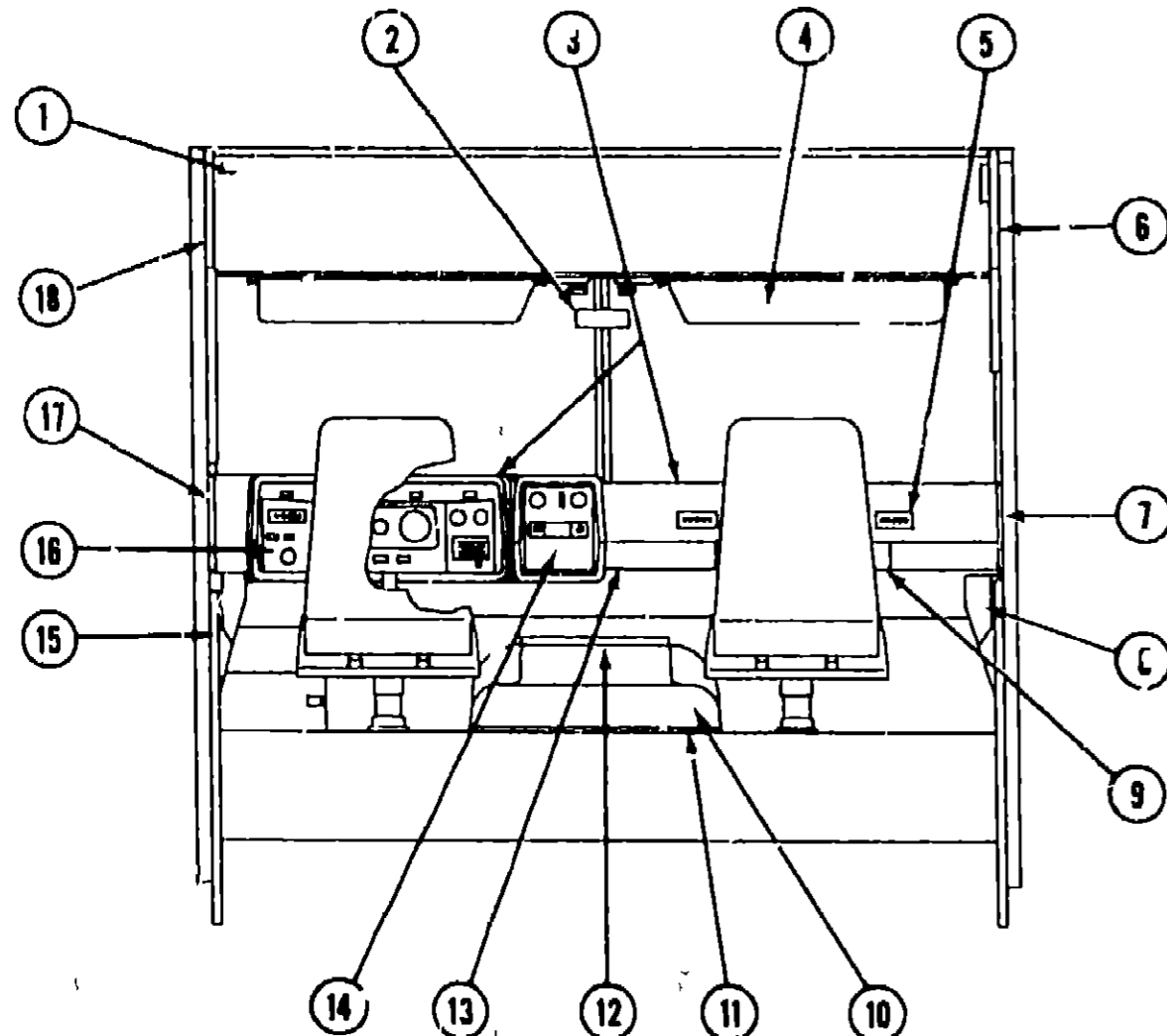
MAGIC BED W/TABLE (OPTION)

Key	Part Number	U/M	Description
	081298-02-T03	EA	Table Asm - Pedestal w/o Hardware
	009040-04 000	EA	Leg - Pedestal Table - 27 5 x 2 25 O D
	009040-03 000	EA	Base - Table Mount on Floor
	041194-01-000	EA	Base - Table - Mount in Floor
	062046-01-000	EA	Clip - Pedestal Leg

1988 ICN22RC INDEX

Floor Plan	A-05	A-06
Accessories Group	A-07	A-09
Bath Group	A-10	A-11
Chassis Group	A-12	A-14
Curtain Cushion & Pad Group	A-15	A-21
Dinette Group		A-22
Driver's Compartment Group	A-23	B-01
Electrical Group	B-02	B-04
Exterior Body Group	B-05	B-10
Galley Group	B 11	B-13
Heating & Air Conditioning Group	B-14	B-15
Interior Finish Group	B-16	B-18
LP Group		B-19
Lounge Group		B 20
Water & Sewage Group	B-21	B 22
Window Vent & Exterior Door Group	B-23	C-16

DRIVER'S COMPARTMENT GROUP



MISCELLANEOUS DRIVER'S COMPARTMENT COMPONENTS

Key	Part Number	U/M	Description
1	080085-02 T03	EA	Header Trim Asm - Upper
	083917 01 U04	EA	Cabinet Asm - Front Overhead (w/o Bunk)
	083918-01-U04	EA	Cabinet Asm - Front Overhead - Right (w/o Bunk)
	083918-02 U04	EA	Cabinet Asm - Front Overhead - Left (w/o Bunk)
2	040714-01-700	EA	Mirror - Inside Rear View - w/Button Support
3	M01113-12 T03	EA	Dash Asm Complete w/Gauges & Switches
	079089-01 000	EA	Dash Pad - Passenger - Brown
	079088-01-000	EA	Dash Pad - Drivers - Brown
	024590-02-000	EA	Outlet - Defroster w/Swivel - 2 - Dark Brown
4	082286-03-U04	EA	Sunvisor Asm - Passenger - w/Mirror
	082286-01 U04	EA	Sunvisor Asm - Passenger
	082286-01 U04	EA	Sunvisor Asm - Driver
	081917-01 000	EA	Clip - Sunvisor - Black
5	039044-01-000	EA	Lower Asm - Air Conditioning Adjustable
6	080855-03-000	EA	Side Trim - Front - Upper (w/o Bunk)
6	080855-05-000	EA	Side Trim - Front - Upper (w/Bunk)
	080856-03 000	EA	Side Trim - Front - Lower (w/o Bunk)
	080856-05-000	EA	Side Trim - Front - Lower (w/Bunk)
7	059414-06 000	EA	Pad - Sidewall Trim Passenger - Vinyl
8	072811 01 000	EA	Side Panel - Passenger - Plastic
8	064499 03 000	FA	Panel - Passenger Door - Inner - Plastic
	059467 04 T03	EA	Pad - Map Pocket - Passenger - Vinyl
9	022219-01-000	EA	Glove Compartment Door
	023892-01-000	EA	Glove Compartment Box - Black Fiberboard
	009118-01-000	EA	Glove Compartment Twist Lock
	024598-01-000	EA	Glove Compartment Hinge
	034309-01 000	EA	Glove Compartment Chain Door
			Not illustrated

NOTE To be special ordered only

DRIVER'S COMPARTMENT GROUP (CONTINUED)

MISCELLANEOUS DRIVER'S COMPARTMENT COMPONENTS (CONT)

Key	Part Number	U/M	Description
10	075939 01 000	EA	Motor Cover - Fiberglass
	075584 01 000	EA	Mounting Bracket - Motor Cover
	075584 02 000	EA	Bracket - Mounting - Motor Cover
	039823 01-000	FT	Seal - Engine Cover - Neoprene
12	080216 01 000	EA	Beverage Tray
13	023834 01 000	EA	Panel - Knee Kick Bottom of Dash
14	076006 01 000	EA	Bezel - Entertainment Center - w/Radio & Generator Switch
14	076006 05 000	EA	Bezel - Entertainment Center (used with electronic dash)
	Note	EA	Electronic Instrument Panel
	082124 01-000	EA	Bezel Instrument Panel - (used w/electronic dash)
15	059198 05 000	EA	Side Panel - Drivers Plastic
15	064499 02-000	EA	Panel - Drivers Door - Inner Plastic
	059467 03-T03	EA	Pad - Map Pocket - Driver's - Vinyl
	046886-03 000	EA	Ash Tray - Chrome
16	071668 01 000	EA	Bezel Control Panel
16	071668 04 000	EA	Bezel - Control Panel - (used w/electronic dash)
	078581 01 000	EA	Trim - Instrument Panel - Front - Passenger
	078582-01-000	EA	Trim - Instrument Panel - Front - Driver
	052367 01 000	EA	Cigarette Lighter Asm - 12 Volt
	007041 01-000	EA	Bezel - Cigarette Lighter
	058288 01-000	EA	Dome Light Asm
	056288-02-000	EA	Bulb Dome Light
	056288 03 000	EA	Housing - Dome Light
	056288-04-000	EA	Lens - Dome Light
	056288 05-000	EA	Clip - Dome Light
	061400 06-000	FA	Assist Strap - 12" - Medium Almond
17	059414-05 000	EA	Pad - Sidewall Trim - Driver Vinyl
18	080855 04-000	EA	Side Trim - Front - Upper (w/o Bunk)
18	080855 06-000	EA	Side Trim - Front - Upper (w/Bunk)
	080856-04-000	EA	Side Trim - Front - Lower (w/o Bunk)
	080856-06-000	EA	Side Trim - Front - Lower (w/Bunk)
	078245-01 000	EA	Boot - Rubber Steering Column
	054250-02-000	EA	Support - Dimmer Switch - w/o Holes
	078579-01-000	EA	Windshield Trim - Interior - Upper - Passenger
	078579-02 000	EA	Windshield Trim - Interior - Upper - Driver
	079765-01 000	EA	Windshield Trim - Center
	079206-01 000	EA	Windshield Trim - Interior - Pos - Passenger
	079206-02-000	EA	Windshield Trim - Interior - Post - Driver

Not illustrated

NOTE This item available from your Chrysler Service Center

DASH SWITCHES & GAUGES

Key	Part Number	U/M	Description
	024461-01-000	EA	Switch - Battery
	024462-01-000	EA	Switch - Battery Condition
	024464-02-000	EA	Switch - Battery - Dual Boost
	024464-01-000	EA	Switch - Washer
	024465-01-000	EA	Switch - Fuel
	056983-02 000	EA	Switch - Fuel Change Over
	024467-01-000	EA	Switch - Wiper
	024976-01-000	EA	Switch - Generator w/o Circuit Board
	074007-02-000	EA	Switch - Intermittent Windshield Wiper
	024459-04-000	EA	Gauge - Voltmeter
	024460-04-000	EA	Gauge - Vacuum
	024460-02-000	EA	Mounting Bracket - Vacuum Gauge
	031035-02-000	EA	Gauge - Generator Hourmeter
	072363 01-000	EA	Water Detector Probe - Fuel Line
	072364-01 000	EA	Water Detector Module - Fuel Line

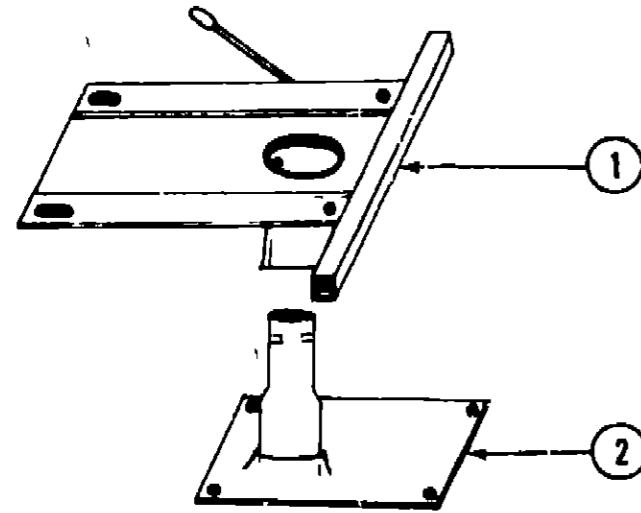
**1986 ITASCA
TABLE OF CONTENTS**

INTRODUCTION	A-01
ABBREVIATIONS	A-01
ALPHABETICAL INDEX	A-02 A-04
ICN22RC	A-05 - C-18
ICN27RU	C-17 F-02
ICN31RT	F-03 H-18
ICP31RT	H-19 K-08

1986 ICN22RC INDEX

Floor Plan	A-05 A-06
Accessories Group	A-07 - A-09
Bath Group	A-10 A-11
Chassis Group	A-12 A-14
Curtain, Cushion & Pad Group	A-15 - A-21
Dinette Group	A-22
Driver's Compartment Group	A-23 - B-01
Electrical Group	B-02 - B-04
Exterior Body Group	B-05 - B-10
Galley Group	B-11 - B-13
Heating & Air Conditioning Group	B-14 - B-15
Interior Finish Group	B-16 - B-18
LP Group	B-19
Lounge Group	B-20
Water & Sewage Group	B-21 B-22
Window Vent & Exterior Door Group	B-23 - C-16

DRIVER'S COMPARTMENT GROUP (CONTINUED)



BUCKET SEAT PEDESTAL & SEAT BELTS

Key	Part Number	U/M	Description
1	069585-04-000	EA	Plate - Top - Pedestal Asm - Single Bucket Seat
1	069585-10-000	EA	Plate - Top - Pedestal Asm - Double Bucket Seat
1	069585-19-000	EA	Plate - Top - Flat (Power Seat)
2	069585-08-000	EA	Plate - Sub - Pedestal Asm Bucket Seat
2	069585-15-000	EA	Plate - Sub - Vertical - 4 5' NOM (Power Seat)
	069585-05-000	EA	Hardware Kit Bolt/Acorn Nut 4 ea Pedestal Asm
	079467-04-000	EA	Loose Part Kit
	007019-01-000	EA	Belt Asm - Seat 2 x 84' - Black
	007021-01-000	EA	Belt Asm - Seat 2' x 90 - Black
	056271-02-000	EA	Belt Asm - Seat - 2 x 72 - Black
	057759-01-000	EA	Bracket - Seat Belt - Washer
	069246-01-000	EA	Adjuster Asm - Seat - w/Lock
	069246-02-000	EA	Adjuster Asm - Seat - w/o Lock
			Not Illustrated

FRONT BUNK & PULL DOWN STORAGE

Key	Part Number	U/M	Description
	078760-03-000	EA	Overhead Bunk Hardware
	079131-01-T03	EA	Board Asm Trlm Bunk
	079144-02-T03	EA	Bunk Strap
	042541-04-000	EA	Latch Asm - w/o Strike - Brass
	042541-05-000	EA	Latch Strike - Brass
	079098 0 000	EA	Pivot Asm - Spring Loaded Right (Storage Area)
	079098 02 000	EA	Pivot Asm - Spring Loaded - Left (Storage Area)
	078635-01-T03	EA	Panel Asm - Front Bunk
	081717-01-U04	EA	Bed Asm Front Bunk

POWER SEAT OPTION

Key	Part Number	U/M	Description
	081373 02 000	EA	Seat - Power - 6 Way
	081373 02 700	EA	Escutcheon & Switch Asm Package
	081373 02 701	EA	Harness Asm - Left Hand Package
	081373 02-702	EA	Harness Asm - Right Hand Package
	081373 02 703	EA	Horizontal Adjust Mtr Package
	081373 02 704	EA	Vertical Adj Mtr Package

ELECTRICAL GROUP

BULBS

Key	Part Number	U/M	Description
	008220-01-000	EA	Bulb - 12V - 25W
	008103-01-000	EA	Bulb - 53
	008213-01-000	EA	Bulb - 57
	008214-01-000	EA	Bulb - 67
	036196-01-000	EA	Bulb - 194
	008215-01-000	EA	Bulb - 1003
	067478-01-000	EA	Bulb - 1076
	063914-01-000	EA	Bulb - 1139
	008218-01-000	EA	Bulb - 1141
	037935-01-000	EA	Bulb - 1157
	037936-01-000	EA	Bulb - 1157A
	056288 02-000	EA	Bulb - 9431808
	081633-01 700	EA	Bulb - Make Up Light

FUSES & CIRCUIT BREAKERS

Key	Part Number	U/M	Description
	008234-01-000	EA	Fuse - 10 Amp - 12 Volt
	008235-01-000	EA	Fuse 15 Amp - 12 Volt
	082901-02-000	EA	Fuse - 5 Amp - Automotive
	082901-05-000	EA	Fuse - 15 Amp - Automotive
	008211-01-000	EA	Circuit Breaker - 6 Amp - 12 Volt
	008208 01 000	EA	Circuit Breaker - 40 Amp - 12 Volt
	033573-02-000	EA	Circuit Breaker - 15 Amp - 12 Volt w/Mount
	033573-01-000	EA	Circuit Breaker - 20 Amp - 12 Volt - w/Mount
	044466 03-000	EA	Circuit Breaker - 25 Amp - 12 Volt w/Mount
	008268 01 000	EA	Circuit Breaker - 30 Amp 12 Volt - w/Mount
	083279 01 000	EA	Circuit Breaker - 15 Amp - 120 Volt
	083210-02 000	EA	Circuit Breaker - 15 Amp 120 Volt (Ground Fault Interrupter)
	073735 02 000	EA	Circuit Breaker - 15 Amp - 120 volt (Ground Fault Interrupter)
	071279 05 000	EA	Circuit Breaker - 20 Amp - 120 Volt
	071279 04 000	EA	Circuit Breaker - 30 Amp 120 Volt
	071279 03 000	EA	Circuit Breaker - 15/20 Amp - 120 Volt
	083209 03 000	EA	Circuit Breaker - 15/20 Amp - 120 Volt
	071279 01-000	EA	Circuit Breaker - 15/20 Amp - 120 Volt
	083209 05 000	EA	Circuit Breaker - 20 Amp 120 Volt
	083209 04 000	EA	Circuit Breaker - 30 Amp, 120 Volt
	083209 06 000	EA	Circuit Breaker - 30/15 Amp - 120 Volt
	071279 06 000	EA	Circuit Breaker - 30/15 Amp - 120 Volt
	071280 01 000	EA	Circuit Breaker Blank
	050283 02 000	EA	Circuit Breaker - Buss Bar

MISCELLANEOUS ELECTRICAL COMPONENTS

Key	Part Number	U/M	Description
	047338 03 000	EA	Isolator - Dual Battery - 70 Amp
	008188 01 000	EA	Solenoid - Dual Battery - Relay
	083208 02 000	EA	Control Center 45 Amp - CSA
	083208 03 000	EA	Control Center - 45 Amp - US

**1986 ITASCA
TABLE OF CONTENTS**

INTRODUCTION	A-01
ABBREVIATIONS	A-01
ALPHABETICAL INDEX	A 02 - A-04
ICN22RC	A-05 - C-16
ICN27RU	C-17 - F-02
ICN31RT	F-03 - H-18
ICP31RT	H-19 - K-08

1986 ICN22RC INDEX

Floor Plan	A-05 - A-06
Accessories Group	A 07 - A-09
Bath Group	A 10 - A-11
Chassis Group	A-12 - A-14
Curtain, Cushion & Pad Group	A 15 - A 21
Dinette Group	A-22
Driver's Compartment Group	A 23 B-01
Electrical Group	B-02 - B-04
Exterior Body Group	B-05 - B 10
Galley Group	B 11 - B 13
Heating & Air Conditioning Group	B-14 - B 15
Interior Finish Group	B 16 B 18
LP Group	B 19
Lounge Group	B 20
Water & Sewage Group	B 21 - B 22
Window Vent & Exterior Door Group	B 23 C-16

ELECTRICAL GROUP (CONTINUED)

INTERIOR LIGHT

Key	Part Number	U/M	Description
	065202-03-000	EA	Lamp - Decor - Wall Brass - 2 Bulb
	065201-02-000	EA	Lamp Shade - Fabric - Parchment - Wall Lamp
	033506-02-000	EA	Light - Dome - Ivory - 1 Bulb - US
	033508-03-000	EA	Light - Dome - Ivory - 1 Bulb - CSA
	033509-02-000	EA	Light - Dome - Ivory - 2 Bulb - US
	033509-03-000	EA	Light - Dome - Ivory - 2 Bulb - CSA
	078424-02-000	EA	Light - Fluorescent - 12V
	061424-01-000	EA	Light - 12V Receptacle - Aisle - IP
	007309-01-000	EA	Light - Step Well
	072353-07-000	EA	Light - Reading - 360° Swivel - Tan
	072353-03-000	EA	Light - Reading - Single - 360° Swivel - Almond
	068937-02-000	EA	Dome Light - Surface - w/o Switch
	081633-01-000	EA	Light Make Up

EXTERIOR LIGHTS

Key	Part Number	U/M	Description
	081638-01-000	EA	Tall Lamp Asm - Double - w/Black Trim
	081638-01-700	EA	Lens Tall Lamp - Red
	081638-01-701	EA	Lens Tall Lamp - Back Up
	042405-03-000	FA	Base - Rectangular Clearance Light
	081850-01-000	EA	Light Asm Cab Marker - Amber
	081850-02-000	EA	Light Asm Cab Marker - Red
	008089-01-000	EA	Light - Porch - Recessed
	079941-01-000	EA	Lamp Asm - Fog - w/Amber Cover
	049185-01-000	EA	Headlight Capsule Asm - High/Low Beam - Driver
	049186-01-000	EA	Headlight Capsule Asm - High/Low Beam - Passenger
	049187-01-000	EA	Headlight Capsule Asm - High Beam - Driver
	049188-01-000	EA	Headlight Capsule Asm - High Beam - Passenger
	079764-03-000	EA	Mount - Turn Signal - Light - Right - Beige
	079764-04-000	EA	Mount - Turn Signal - Light - Left - Beige
	042405-02-000	EA	Lens - Amber Light w/Reflex
	042405-01-000	EA	Lens - Red Light w/Reflex

WINDSHIELD WIPERS & WASHER

Key	Part Number	U/M	Description
	056000-02-000	EA	Washer Asm - Windshield
	057653-01-000	EA	Arm - Windshield Wiper - 18 - Black
	067191-02-000	EA	Motor Asm - Windshield Wiper - 2 Speed
	067192-01-000	EA	Link Asm - Connecting - Left
	067193-01-000	EA	Link Asm - Connecting - Right
	049464-03-000	EA	Blade - Windshield Wiper - 20" - Black
	067190-01-000	EA	Shaft and Pivot Asm
	074007-02-000	EA	Switch - Wiper Delay
	057474-02-000	EA	Wiper Asm

The illustrated parts breakdown for this item is provided on the Common Items Fiche

ELECTRICAL GROUP (CONTINUED)

WIRE SWITCHES & RECEPTACLES

Key	Part Number	U/M	Description
	008288-01-000	EA	Box Electrical - 3' x 3 1/2 - Plastic
	008289-01-000	EA	Box - Electrical - 4' x 4" - 1/2 & 3/4 Steel - UL
	008289-02-000	EA	Box - Electrical - 4' x 4" - 1/2 & 3/4 Steel - CSA
	058049-01-000	EA	Box Electrical - 2' x 3' x 2 1/2 - Steel
	041653-01-000	FT	Conduit - Convolute Slit - 5' I D
	008353-01-000	EA	Connector - Clamping 3/8 Cable - UL & CSA
	058028-01-000	EA	Connector - Pigtail - Clear Nylon
	008314-01-000	EA	Connector - Wire Nut - Gray
	008311-01-000	EA	Connector - Wire Nut - Red
	031968-01-000	EA	Contact Plug Brass - Tin Plated
	031967-01-000	EA	Contact - Receptacle
	008054-01-000	EA	Cord - Power - 10-3 30 Amp - 25 - UL
	008052-01-000	EA	Cord - Power - 10-3 30 Amp - 25 - CSA
	069238-01-000	FA	Cover - Electrical Box - 4" x 4"
	024571-03-000	EA	Cover Plate - Receptacle - Jumbo - Brown Plastic
	008294-01-000	EA	Cover - Flat Blank - 4' x 4" - Steel - US
	008294-02-000	EA	Cover - Flat Blank - 4' x 4" - Steel - CSA
	064399-01-000	EA	Housing Asm - Trailer Pin
	064450-01-000	EA	Housing Asm - Trailer Plug
	064398-01-000	EA	Housing Asm - Trailer Receptacle
	054532-01-000	FA	Housing Pin - 6 Position
	075736-02-000	EA	Receptacle/Cover Asm - Off White (Exterior)
	058708-01-000	EA	Receptacle - Duplex - Brown
	058708-02-000	EA	Receptacle - Duplex - Ivory
	024924-02-000	EA	Receptacle - Power Cord
	058707-01-000	EA	Receptacle - Single - Brown
	063912-01-000	EA	Relay - Canister SPDT w/Ground
	075723-01-000	EA	Switch - Block Spacer - w/o Holes
	075723-02-000	EA	Switch - Block Spacer - w/Holes
	077942-02-000	EA	Switch - Dummy - Brown
	056264-01-000	EA	Switch - Leaf Actuator
	079362-01-000	EA	Switch Plate - 3 Gang - 2 Switches
	079363-01-000	EA	Switch Plate Single w/Switches
	079364-01-000	EA	Switch - On/Off Rocker - Brown
	008195-01-000	EA	Switch - Push Button 12 Volt
	047443-02-000	EA	Terminal 250 Receptacle - 12 10 AWG
	008348-01-000	EA	Terminal Ring - 2 - w/3/8 Stud
	008331-01-000	EA	Terminal Ring - 4 - w/3/8 Stud
	008328-01-000	EA	Terminal Ring - 12/10 Wire
	008028-01-000	FT	Wire - 18 5 Bonded - Blue/Red/Yellow/Orange/White
	008024-01-000	FT	Wire - 18 5 Bonded - Orange/White/Yellow/Blue/Brown
	008025-01-000	FT	Wire - 18 5 Bonded - Orange/White/Yellow/Blue/Green
	008026-01-000	FT	Wire w/Ground Romex - 12/2

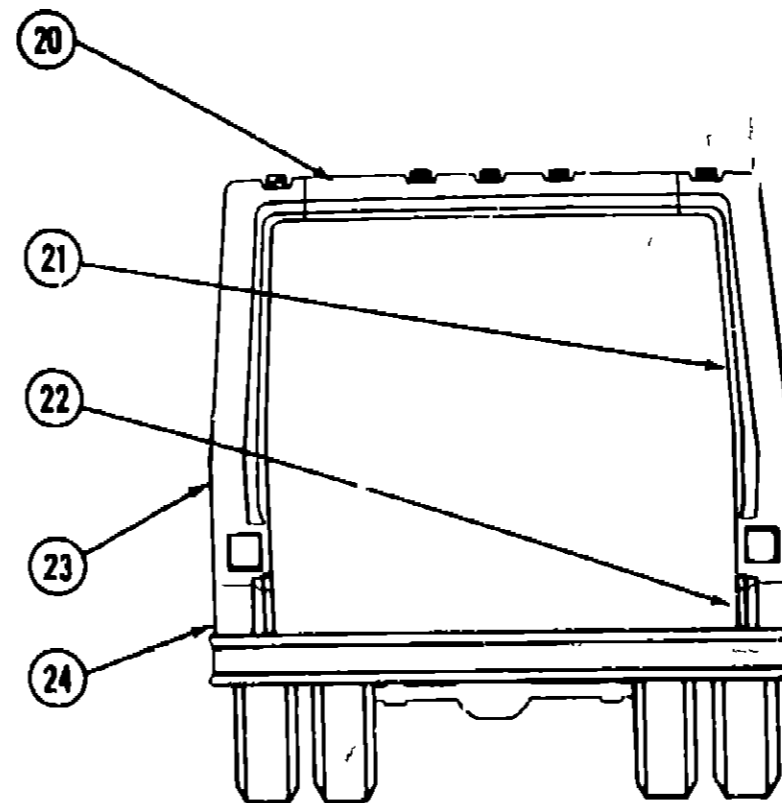
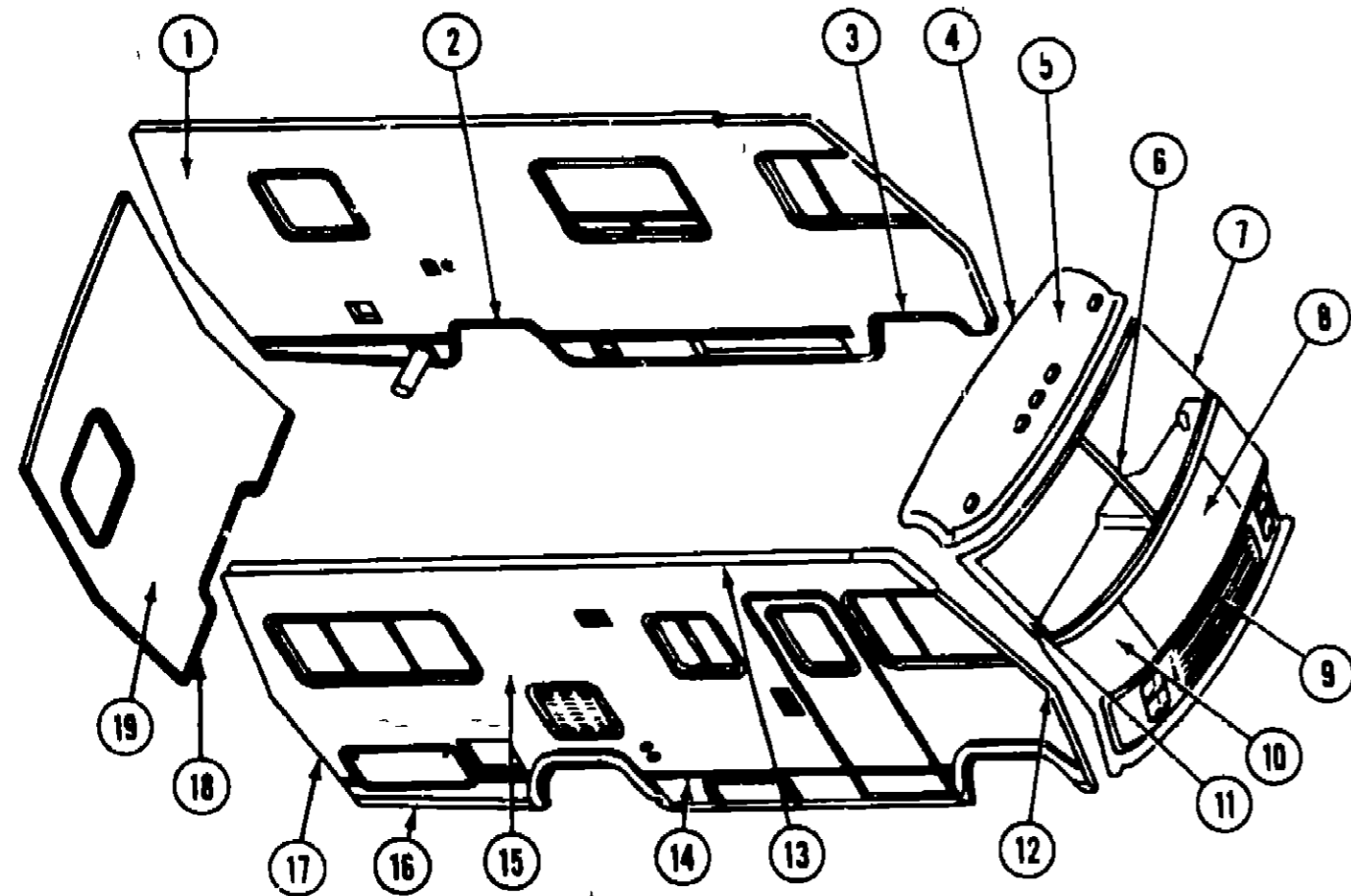
**1986 ITASCA
TABLE OF CONTENTS**

INTRODUCTION	A-01
ABBREVIATIONS	A-01
ALPHABETICAL INDEX	A 02 - A-04
ICN22RC	A 05 - C-16
ICN27RU	C 17 - F-02
ICN31RT	F-03 - H 18
ICP31RT	H-19 - K-06

1986 ICN22RC INDEX

Floor Plan	A-05 - A-06
Accessories Group	A-07 - A-09
Bath Group	A-10 - A-11
Chassis Group	A-12 - A-14
Curtain, Cushion & Pad Group	A-15 - A-21
Dinette Group	A-22
Driver's Compartment Group	A-23 - B-01
Electrical Group	B-02 - B-04
Exterior Body Group	B-05 - B 10
Galley Group	B-11 - B 13
Heating & Air Conditioning Group	B-14 - B-15
Interior Finish Group	B-16 - B 18
LP Group	B 19
Lounge Group	B 20
Water & Sewage Group	B-21 - B 22
Window Vent & Exterior Door Group	B 23 - C 16

EXTERIOR BODY GROUP
EXTERIOR BODY PANELS



1986 ITASCA
TABLE OF CONTENTS

INTRODUCTION	A-01
ABBREVIATIONS	A-01
ALPHABETICAL INDEX	A-02 - A-04
ICN22RC	A-05 - C-16
ICN27RU	C-17 - F-02
ICN31RT	F-03 - H-18
ICP31RT	H-19 - K-06

Key	Part Number	U/M	Description
1	M82253-01-U13	EA	Sidewall Asm - Driver
1	M82253-01-U14	EA	Sidewall Asm - Driver
1	M82253-01-U15	EA	Sidewall Asm - Driver
2	058487-07-000	EA	Trim - Wheel Well - Rear - U Channel - Driver or Passenger
	075070-05-000	EA	Trim - Wheel Well - Rear - Plastic - Passenger
	075070-06-000	EA	Trim - Wheel Well - Rear - Plastic - Driver
3	073647-02-000	EA	Trim - Wheel Well - Front - U Channel - Driver or Passenger
	078556-02-000	EA	Trim - Wheel Well - Front - Plastic - Passenger
	078556-04-000	EA	Trim - Wheel Well - Front - Plastic - Driver
4	078580-01-000	EA	Trim - Roof/Front Cap
5	M01899-01-T09	EA	Cap - Over Windshield - Gray
6	076676-02-000	EA	Trim - Molding - Windshield - Center
7	079225-02-000	EA	Trim - Contour - Windshield - Driver
	077944-02-000	EA	Trim - Molding - Windshield - Upper
	077945-02-000	EA	Trim - Molding - Windshield - Lower
	077952-02-000	EA	Cap - Reveal Molding
	076910-02-000	EA	Headlamp Bezel - Driver
8	078281-01-T09	EA	Access Panel - w/hardware
9	079793-01-000	EA	Mesh - Grille - Outside
9	079794-01-000	EA	Mesh - Grille - Inside
	080754-02-000	EA	Trim - Grille - Chrome 9150'
	076910-01-000	EA	Headlamp Bezel - Passenger
	073308-01-000	EA	Screw Asm - Headlamp - Adjusting
	049359-01-000	EA	Spring Headlamp Retainer
	062207-01-000	EA	Headlamp Guard
10	M01115-11-T09	EA	Panel Asm - Front Shroud (Includes access panel)
11	079225-01-000	EA	Trim - Contour - Windshield - Passenger
	077944-01-000	EA	Trim - Molding - Windshield - Upper
	079945-01-000	EA	Trim - Molding - Windshield - Lower
12	079224-03-000	EA	Trim - Fiberglass Panel - Passenger - Gray
	079224-04-000	EA	Trim - Fiberglass Panel - Driver - Gray

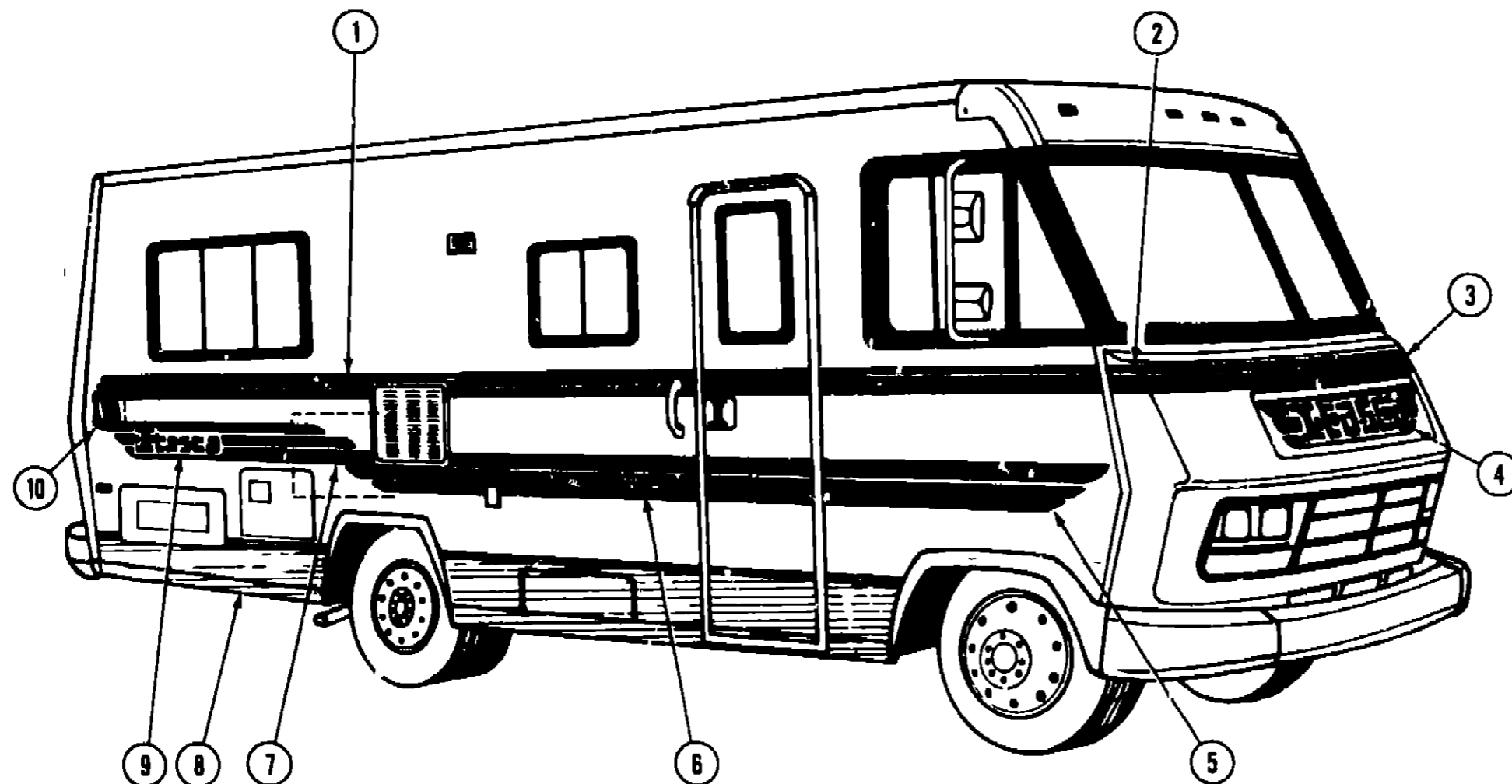
Key	Part Number	U/M	Description
13	078600-06-000	EA	Trim - Sidewall - Upper - Driver or Passenger - Gray
14	059576-09-000	EA	Feature Strip - Extr Charcoal - 14' - w/o Insert
	009731-01-000	EA	End Cap - Feature Strip Insert
	001030-11-100	EA	Insert - Feature Strip - Gray - 17'
15	M82255-01-U13	EA	Sidewall Asm - Passenger
15	M82255-01-U14	EA	Sidewall Asm - Passenger
15	M82255-01-U15	EA	Sidewall Asm - Passenger
16	072639-01-001	EA	Extr - Rocker Panel - 216'
17	073502-11-000	EA	Trim - Passenger Rear - Gray
	073502-12-000	EA	Trim - Driver Rear - Gray
18	050406-05-000	EA	Trim - Backwall - Lower - Driver (tr Passenger) - Gray
	082379-01-U04	EA	Roof Asm
19	082224-01-U13	EA	Backwall Asm w/Double Bed
19	082224-02-U13	EA	Backwall Asm w/Bunk Bed
20	M01893-02-000	EA	Trim - Rear - Center Upper - Plastic - Gray
21	082456-03-000	EA	Trim - Rear - Upper Passenger - Plastic - Gray
22	082457-03-000	EA	Trim - Rear - Lower Passenger - Plastic - Gray
23	082458-04-000	EA	Trim - Rear - Upper Driver - Plastic - Gray
24	082457-04-000	EA	Trim - Rear - Lower Driver - Plastic - Gray
	078577-03-000	EA	Bumper End Cap - Front Passenger Hand - Gray
	078577-04-000	EA	Bumper End Cap - Front Driver Hand - Gray
	078578-03-000	EA	Bumper End Cap - Rear Passenger - Gray
	078578-04-000	EA	Bumper End Cap - Rear Driver - Gray
	077517-15-000	EA	Fiberglass Sidewall Skin - 46 12' x 378' - Mesa
	077517-14-000	EA	Fiberglass Sidewall Skin - 46 12' x 315' - Mesa
	001054-01-011	EA	Alum - Beige - No Design - 48' x 96"
	044487-01-001	FA	Alum - Mill Finish - No Design (Roof) - 96' x 360"
	000868-01-000	SF	Styrofoam - 75" x 24" x 96"
	000870-01-000	SF	Styrofoam - 150" x 24" x 96"
	000870-03-000	SF	Styrofoam - 134" x 48" x 96"
			Not illustrated

1986 ICN22RC INDEX

Floor Plan	A-05 - A-06
Accessories Group	A-07 - A-09
Bath Group	A-10 - A-11
Chassis Group	A-12 - A-14
Curtain Cushion & Pad Group	A-15 - A-21
Dinette Group	A-22
Driver's Compartment Group	A-23 - B-01
Electrical Group	B-02 - B-04
Exterior Body Group	B-05 - B-10
Galley Group	B-11 - B-13
Heating & Air Conditioning Group	B-14 - B-15
Interior Finish Group	B-16 - B-18
LP Group	B-19
Lounge Group	B-20
Water & Sewage Group	B-21 - B-22
Window, Vent & Exterior Door Group	B-23 - C-16

EXTERIOR BODY GROUP (CONTINUED)

LABELS, DECALS & EXTERIOR PAINT



1986 ITASCA TABLE OF CONTENTS

INTRODUCTION
ABBREVIATIONS
ALPHABETICAL INDEX
ICN22RC
ICN27RU
ICN31RT
ICP31RT

A-01
A-01
A-02 - A-04
A-05 - C-16
C-17 - F-02
F-03 - H 18
H-19 - K-06

Key	Part Number	U/M	Description
1	069245 81 000	FT	Film - Multi-Stripe - 2 3/8' x 150' - Blue/Gray
1	069245-82 000	FT	Film - Multi-Stripe - 2 3/8' x 150' - Melon
1	069245 83 000	FT	Film - Multi-Stripe - 2 3/8' x 150' - Plum/Beige
2	079399 07 000	EA	Decal - Corner Hood - Blue/Gray
2	079399-08-000	EA	Decal - Corner Hood - Melon
2	079399 11-000	EA	Decal - Corner Hood - Plum/Beige
3	079399-08-000	EA	Decal - Corner Hood - Blue/Gray
3	079399-10 000	EA	Decal - Corner Hood - Melon
3	079399 12 000	EA	Decal - Corner Hood - Plum/Beige
4	080764 04 000	EA	Decal - Logo - Itasca' Hood - Blue/Gray
4	080764-05 000	EA	Decal - Logo - 'Itasca' Hood - Melon
4	080764 07 000	EA	Decal - Logo - Itasca' Hood - Plum/Beige
5	069245 79 000	FT	Film - Multi-Stripe - 8 00' x 150' - Blue/Gray
5	069245 80 000	FT	Film - Multi-Stripe - 8 00' x 150' - Melon
5	069245 80 000	FT	Film - Multi-Stripe - 8 00' x 150' - Plum/Beige
6	058718 02 000	EA	Decal - 'Sunflyer'
7	078867 07 000	EA	Decal - Side - Center - Blue/Gray
	078867 09 000	EA	Decal - Side - Center - Melon
7	078867-11 000	EA	Decal - Side - Center - Plum/Beige
	078867 08 000	EA	Decal - Side - Center - Blue/Gray
	078867 10 000	EA	Decal - Side - Center - Melon
	078867-12 0' 0	EA	Decal - Side - Center - Plum/Beige
8	041273 78 000	FT	Decal Stripping - 11"
9	078852 04 000	EA	Decal Logo - Itasca' - 6 82' x 26 67'
10	079651 07 000	EA	Decal - Rear Side - Rear - Blue/Gray
10	079651 09 000	EA	Decal - Rear Side - Rear - Melon
10	079651 11 000	EA	Decal - Rear Side - Rear - Plum/Beige
	079651 08 000	EA	Decal - Rear Side - Rear - Blue/Gray
	079651-10 000	EA	Decal - Rear Side - Rear - Melon
	079651 12 000	EA	Decal - Rear Side - Rear - Plum/Beige
	078852 03 000	EA	Decal Logo - 'Itasca' - 5' x 20'
	084075 01 000	EA	Decal - 'By Winnebago Industries

Key	Part Number	U/M	Description
	088383 01 000	EA	Label - Diesel Fuel
	006195-01-000	EA	Label - Electrical Test
	047731 01 000	EA	Label - Emergency Exit
	006199 01 000	EA	Label - Exit - Escape Window
	057467-04 000	EA	Label - Exterior Loading Limit
	064378 01-000	EA	Label - Flying 'W' w/Thermo Panel
	061417 01 000	EA	Label - Fuel
	006196 01-000	EA	Label - Gas Test
	054531-01-000	EA	Label - LP Gas Only
	040944 01 000	EA	Label - Open - Entrance Door
	006015 01 000	EA	Label - Patent Motor Home
	056259-01 000	EA	Label - Safety Check List
	006064-01-000	EA	Label - Seat - w/o Seat Belts
	006187-01 000	EA	Label - Sewage
	006006 01 000	EA	Label - Thermo Panel - 2 1/4' x 2 1/4"
	075221 01 000	EA	Label - Trailer Hitch Capacity
	075220 01-000	EA	Label - Warning - Exterior Load Limit
	077956 01 000	EA	Label - Warning - Smoke Detector
	050225 01-000	EA	Label - Warning - Stove Vent - US
	006188 01 000	EA	Label - Waste Water
	006197 01 000	EA	Label - Water Test
	072863 01 000	EA	Nameplate - Diesel - 6 2L
	006082 01 000	EA	Tag - Electrical - 110 Volt Connection
	006040-01 000	EA	Tag - Gas - Refueling Warning
	044486 03-000	EA	Paint - Beige Acrylic Enamel - 16 oz. Aerosol (7633A Dupont)
	045881-03 000	EA	Paint - Gloss Black - Acrylic Enamel - 16 oz. Aerosol (89 Dupont)
	053637-05 000	EA	Paint - Gray Acrylic Enamel - 16 oz. Aerosol (71537 Dupont)
	041561-03 000	EA	Paint - Off White Acrylic Enamel - 16 oz. Aerosol (45396A Dupont)
	074559 01-000	EA	Label - "LPG" - 3 3' x 1 75" (Calif. Code)
			Not illustrated

1986 ICN22RC INDEX

Floor Plan	A-05 - A-06
Accessories Group	A-07 - A-09
Bath Group	A-10 - A-11
Chassis Group	A-12 - A-14
Curtain Cushion & Pad Group	A-15 - A-21
Dinette Group	A-22
Driver's Compartment Group	A-23 - B-01
Electrical Group	B-02 - B-04
Exterior Body Group	B-05 - B-10
Galley Group	B-11 - B-13
Heating & Air Conditioning Group	B-14 - B-15
Interior Finish Group	B-16 - B-18
LP Group	B-19
Lounge Group	B-20
Water & Sewage Group	B-21 - B-22
Window Vent & Exterior Door Group	B-23 - C-16

EXTERIOR BODY GROUP (CONTINUED)

SEALANTS & ADHESIVES

Key	Part Number	U/M	Description
	004020-01-000	QT	Adhesive - ABS Cement (Plastic Fittings)
	002337-01-000	EA	Adhesive 1300 Tube 3M (Windows)
	004005-02-000	GL	Adhesive - Swifts Glue (Sidewalls)
	053766-07-000	EA	Bedding Compound Tube Beige (Exterior)
	053766-06-000	EA	Bedding Compound - Tube Clear (Window)
	053766-08-000	EA	Bedding Compound - Tube - Gray (Exterior)
	053766-05-000	EA	Bedding Compound - Tube - Gray (Sidewalls to Floor)
	053766-02-000	EA	Bedding Compound - Tube - Off White (Exterior)
	002328-02-000	EA	Block - Rubber Spacer (Windshield)
	004336-01-000	EA	Caulk Latex - Golden Walnut (Sidewalls)
	072091-02-000	QT	Primer - Glass - Black
	072091-01-000	QT	Primer - Glass - Clear
	035024-01-000	EA	Primer - Glass - Clear - Windshield
	072890-01-000	QT	Primer - Metal - Black
	015023-01-000	GL	Primer - Metal - Windshield
	077967-01-000	EA	Sealant - Acrylic Latex - Tube Off White (Interior Sealant)
	034552-04-000	EA	Sealant - Silicone - Beige
	034552-02-000	EA	Sealant - Silicone Clear
	034552-07-000	EA	Sealant - Silicone - Dark Gray
	034552-06-000	EA	Sealant - Silicone - Off White
	069637-01-000	EA	Sealant - Weatherban 404 - Tube - White (Door Caulk)
	072889-01-000	EA	Sealant - Urethane - Black (Windshield)
	069640-01-000	FT	Sealer Ribbon - 25 Bead x 20
	069640-02-000	FT	Sealer Ribbon 5" x 125' x 30'
	069640-03-000	FT	Sealer Ribbon - 75 x 125 x 30
	069640-04-000	FT	Sealer Ribbon - 2 x 09' x 45 (P Series)
	069640-05-000	FT	Sealer Ribbon - 25 x 09 x 50
	069640-06-000	FT	Sealer Ribbon - 5/16" Bead x 15'
	069640-07-000	FT	Sealer Ribbon - 2" x 3/32 x 30'
	002316-01-000	FT	Sealer Tape 3/32" x 3/8' - White (Window)
	002707-01-000	FT	Sealer Tape - 5/16 x 3/4
	002707-02-000	FT	Sealer Tape - 5/16' x 1/2
	040545-01-000	GL	Sealer - Seam Weld
	053752-04-000	EA	Seam Sealer - Tube Aluminum (Roof)
	063642-01-000	FT	Tape - Adhesive - 10 mm x 15' Wide
	038886-01-000	EA	Tape Butyl - 31 x 31 x 148 (Windshield)
	076322-01-000	FT	Tape Foam - Double Coated - 025 x 1 (Fiberglass Sidewall Seams)
	076322-02-000	FT	Tape Foam - Double Coated - 045 x 1' (Fiberglass Sidewall Seams)
	009200-01-000	EA	Tape Furnace - 15"
	002825-01-000	FT	Weather Striping (Roof Vent)

ACCESS PANEL HARDWARE

Key	Part Number	U/M	Description
	072917-02-000	EA	Rod - Hood Prop
	062628-01-000	EA	Clip - Prop Rod
	058833-01-000	EA	Bracket - Prop Rod
	073340-01-000	EA	Hinge - Access Panel - Passenger
	073340-02-000	EA	Hinge - Access Panel - Drivers
	058960-01-000	EA	Bracket - Hinge Asm - Hood - Drivers
	058960-02-000	EA	Bracket - Hinge Asm - Hood - Passenger
	R77006 68 721	EA	Cable - Release (Access Panel)
	074178-01-000	EA	Bracket - Cable Release - Inside
	R77007 01 950	EA	Striker - Hood Latch
	078286-01-000	EA	Latch - Hood
	R77006 38 499	EA	Spring
	R77006 19-765	EA	Cable Sheath
	073333-02-000	EA	Bracket - Latch Support
	073337-02-000	EA	Brace Latch - Hood
	073341-01-000	EA	Bracket - Hood Latch
	058786-02-000	EA	Bolt Hood Adjusting 5/16" x 18 x 1 1/4"
	079007-01-000	EA	Crossmember Asm - Latch Hood
	058767-03-000	EA	Mounting Bracket Hinge
	058767-04-000	EA	Mounting Bracket Hinge

B-9

EXTERIOR BODY GROUP (CONTINUED)

INTERIOR/EXTERIOR SCREWS & FASTENERS

Key	Part Number	U/M	Description
	005200-01-000	EA	Bolt - Round Head - Square Neck w/SST Cap - 7/16 - 14 x 1 1/4
	058279-01-000	EA	Fastener - Mounting - Front Panel
	035628-01-000	EA	Fastener - Blind Well Nut - 1.05 x 38'
	000D15-06-00B	EA	Nut - Hex - 3/8' x 24 - 7inc
	G05081-01-000	EA	Nut Speed - C Type - #8 Screw
	000G54-04-20B	EA	Screw 1/4 - 20 x 1 1/4 PTH - Zinc
	000G54-04-22B	EA	Screw 1/4 - 20 x 1 3/8' PTH - Zinc
	000G53-04-06B	EA	Screw 1/4 - Machine - 20 x 3/8 PTH - Zinc
	000G13-06-12P	EA	Screw #6 - 20 x 3/4 PFH - Dark Brown
	000G13-06-28X	EA	Screw #6 - 20 x 3/4 PFH - Gray
	000G13-06-16R	EA	Screw #6 - 20 x 1 PFH - Beige
	000G11-07-08B	EA	Screw #7 - 19 x 1/2 PPH - Zinc
	000G12-08-12M	EA	Screw #8 - 18 x 3/4' POH - Gray
	000G11-08-12R	EA	Screw #8 - 18 x 3/4' PPH - Beige
	000G11-08-12X	EA	Screw #8 - 18 x 3/4' PPH - Gray
	000G11-08-12B	EA	Screw #8 - 18 x 3/4' PPH - Zinc
	000G39-08-12R	EA	Screw #8 - 18 x 3/4" SDPH - Beige
	000G66-08-12M	EA	Screw #8 18 x 3/4' SDPH - Gray
	000G11-08-16R	EA	Screw #8 - 18 x 1' PFH - Gray
	000G66-08-16R	EA	Screw #8 - 18 x 1" SDPH - Beige
	000G12-08-28R	EA	Screw #8 - 18 x 1 3/4' POH - Beige
	000G38-08-08E	EA	Screw #8 - 32 x 1/2' PFH - Chrome
	000G39-08-08B	EA	Screw #8 Self Drilling - 18 x 1/2 PPH - Zinc
	000G39-08-12B	EA	Screw #8 Self Drilling - 18 x 3/4 PPH - Zinc
	000G39-08-12R	EA	Screw #8 - Self Drilling - 18 x 3/4 PPH - Beige
	000G39-08-16R	EA	Screw #8 - Self Drilling - 18 x 1 PPH - Beige
	000G39-08-16T	EA	Screw #8 - Self Drilling - 18 x 1' PPH - Black
	000G39-08-16P	EA	Screw #8 - Self Drilling - 18 x 1' PPH - Dark Brown
	000G39-08-16X	EA	Screw #8 - Self Drilling - 18 x 1 PPH Gray
	000G39-08-16E	EA	Screw #8 - Self Drilling - 18 x 1' PPH Chrome
	000G64-08-16M	EA	Screw #8 - Self Drilling - 18 x 1' SDPH - Gray
	000G67-10-08B	EA	Screw #10 - 12 x 1/2' PPH - Zinc
	000G67-10-10R	EA	Screw #10 - 12 x 5/8' PPH - Beige
	000G67-10-16P	EA	Screw #10 - 12 x 1" PPH - Dark Brown
	000G67-10-16B	EA	Screw #10 - 12 x 1" PPH - Zinc
	000G67-10-20B	EA	Screw #10 - 12 x 1 1/4" - PPH - Zinc
	000G67-10-24B	EA	Screw #10 - 12 x 1 1/2" PPH Zinc
	049465-04-000	EA	Screw #10 - 16 x 1" POH w/Washer Beige
	049465-05-000	EA	Screw #10 - 16 x 1" POH w/Washer - Gray
	000G12-10-24E	EA	Screw #10 16 x 1 1/2' POH Chrome
	000G11-10-08D	EA	Screw #10 16 x 1/2" PPH - Dark Brown
	000G11-10-12R	EA	Screw #10 - 16 x 3/4 PPH Beige
	000G11-10-12S	EA	Screw #10 16 x 3/4 PPH - Off White
	000G11-10-12B	EA	Screw #10 - 16 x 3/4 PPH - Zinc
	000G11-10-16B	EA	Screw #10 - 16 x 1 PPH - Zinc
	000G11-10-40B	EA	Screw #10 - 16 x 2 1/2' PPH CAD
	000G19-10-12B	EA	Screw #10 - Machine - 32 TPI x 3/4"
	075908-01-000	EA	Screw #10 - Machine - 32 x 56" PTH Zinc
	000G19-10-20B	EA	Screw #10 Machine 32 x 1 1/4 PPH - Zinc
	000G39-12-12E	EA	Screw #10 - Self Drilling 14 x 3/4" PPH - Chrome
	000G39-10-10R	EA	Screw #10 - Self Drilling - 16 x 62' PPH - Beige
	000G39-10-12R	EA	Screw #10 - Self Drilling 16 x 3/4' PPH Beige
	000G39-10-12P	EA	Screw #10 - Self Drilling 16 x 3/4' PPH - Dark Brown
	000G56-12-48C	EA	Screw #12 - Wood - 11 x 3 POH - CAD

MISCELLANEOUS EXTERNALLY MOUNTED PARTS

Key	Part Number	U/M	Description
	083558-01-000	EA	Plumbing Seal - Roof Vent 15"
	009126-01-000	EA	Assist Handle - Chrome
	081240-02-000	EA	Fill - City Water - Recessed Gray
	010230-04-000	EA	Fill - City Water - Recessed - Gray
	058808-03-000	EA	Water Fill - Lockable Gray
	072447-01-000	EA	Shroud - Fuel Fill
	063303-04-000	EA	Shroud - Fuel Fill - Lower

B-10

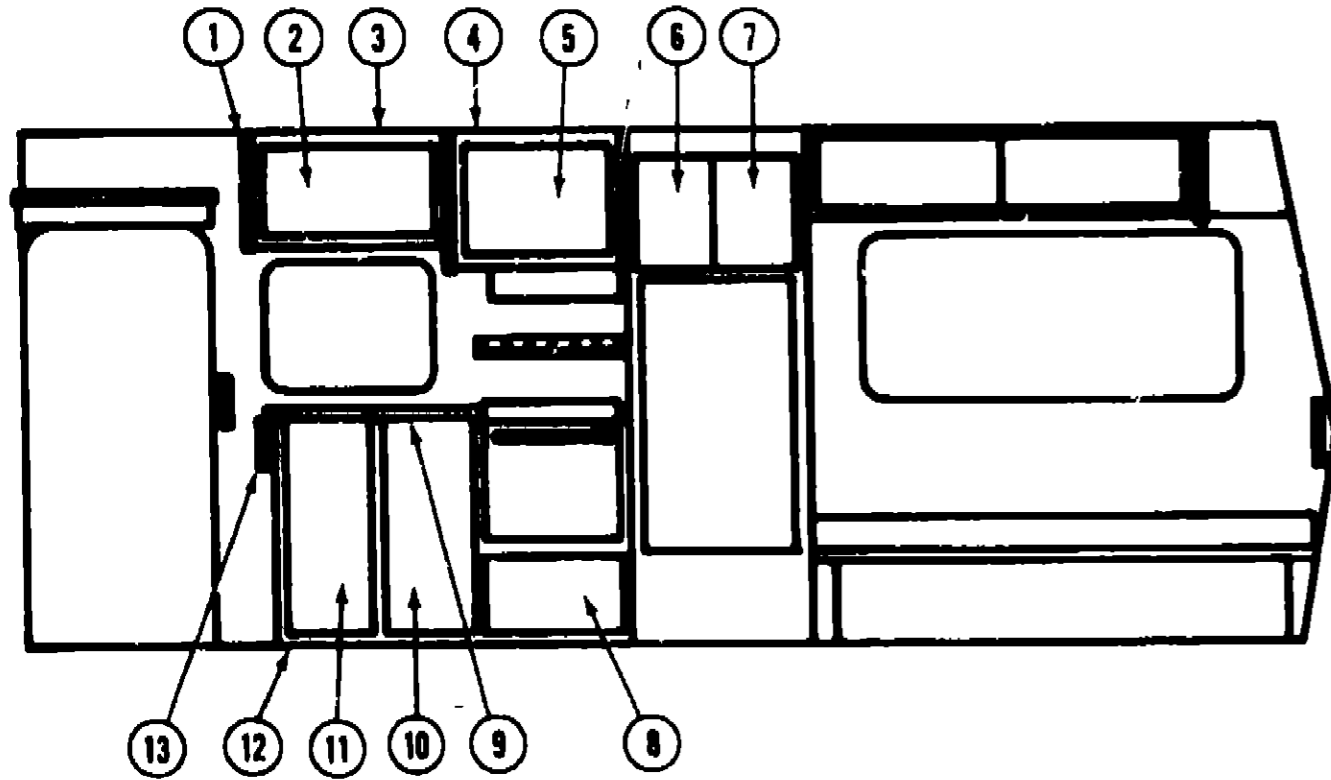
**1986 ITASCA
TABLE OF CONTENTS**

INTRODUCTION	A-01
ABBREVIATIONS	A-01
ALPHABETICAL INDEX	A-02 A-04
ICN22RC	A-05 C-16
ICN27RU	C-17 - F 02
ICN31RT	F-03 H 18
ICP31RT	H 19 - K-06

1986 ICN22RC INDEX

Floor Plan	A 05	A 06
Accessories Group	A 07 - A-09	
Bath Group	A 10 - A-11	
Chassis Group	A 12 - A-14	
Curtain Cushion & Pad Group	A 15 - A-21	
Dinette Group	A 22	
Driver's Compartment Group	A-23 - B-01	
Electrical Group	B 02 - B-04	
Exterior Body Group	B 05 - B-10	
Galley Group	B 11 - B-13	
Heating & Air Conditioning Group	B 14 - B-15	
Interior Finish Group	B 16 - B-18	
LP Group	B-19	
Lounge Group	B-20	
Water & Sewage Group	B-21 - B-22	
Window, Vent & Exterior Door Group	B 23	C-16

GALLEY GROUP



GALLEY CABINETRY

Key	Part Number	U/M	Description
1	081320-04-U04	EA	Pad Asm - End Cap - Galley Overhead Vinyl
2	M81524-04-T09	EA	Door Asm - Galley Overhead - w/o Hardware
3	001856-02-U13	EA	Cabinet Asm - Galley Overhead w/o Doors or Hardware
4	081480-06-U13	EA	Cabinet Asm - Galley Overhead - w/o Doors or Hardware
5	M81524-01-U10	EA	Door Asm - Galley Overhead - w/o Hardware
6	M81505-06-U13	EA	Door Asm - Refrigerator Cabinet - w/o Hardware
7	M81505-05-U13	EA	Door Asm - Refrigerator Cabinet - w/o Hardware
8	M81507-02-U04	EA	Door Asm - Furnace - Galley Cabinet w/o Hardware
	072469-07-000	EA	Mesh - Furnace Grille - 21 5' x 12"
9	M02465-01-U04	EA	Countertop Asm - Galley Cabinet
10	M81504-03-U10	EA	Door Asm Galley Cabinet - w/o Hardware
11	M81504-02-U10	EA	Door Asm Galley Cabinet - w/o Hardware
12	M82564-01-U04	EA	Cabinet Asm - Galley - w/o Countertop, Doors or Hardware
	M82564-03-U04	EA	Cabinet Asm Galley - w/o Countertop, Doors or Hardware
	M82184-04-T09	EA	Drawer Asm Galley Cabinet
13	080812-02-U01	EA	Extension Asm Galley Cabinet
	077404-01-000	EA	Drawer - Plastic - 20' x 12 7

Not illustrated
Parts used with microwave option

GALLEY HARDWARE & APPLIANCES

Key	Part Number	U/M	Description
	079353-03-000	EA	Hood - Range - Powered w/Monitor - Almond - US
	079353-03-700	EA	Water Pump/I P Switch
	079353-03-701	EA	Circuit Board - Tanks
	079353-03-702	EA	Control Panel Asm w/Panel
	079353-03-703	EA	Vent - Hood
	079353-04-000	EA	Hood - Range - Powered w/Monitor - Almond - C/A
	075470-04-000	EA	Duct Extension - Hood Range
	072351-02-700	FA	Clock Digital
	075470-01-702	EA	Switch On/Off
	075470-01-703	EA	Switch On - Momentary
	075470-01-704	EA	Switch - On/Off/On - Fan Motor
	075470-01-705	EA	Switch - On/Off/on Momentary
	075470-01-707	EA	Bulb - #812

GALLEY GROUP (CONTINUED)

GALLEY HARDWARE & APPLIANCES (CONT)

Key	Part Number	U/M	Description
	079353-01-700	EA	Test Connector
	079353-01-701	EA	Fan Blade
	079353-01-702	EA	Filter & Lens
	079353-01-703	EA	Motor
	079353-01-705	EA	Monitor Panel Asm - w/Face
	079353-01-706	EA	Housing - Vent Hood
	079353-01-707	EA	Face Plate - Black
	064782-02-000	EA	Range w/Small Oven - 4 Burner - Almond - Magic Chef
	064782-02-700	E/	Top - Main - 4 Burner - Almond
	064782-02-701	EA	Deflector Plate - Black
	064782-02-702	EA	Trim - Cabinet - Right - Black
	064782-02-703	EA	Trim - Cabinet - Left - Black
	064782-02-704	EA	Trim - Lower Outside Glass - Black
	067782-02-705	EA	Handle - Oven Door - Black
	064782-02-706	EA	Vertical Trim - Black
	064782-02-707	EA	Panel - Manifold
	064782-02-708	EA	Valve - Mercury
	081374-01-000	EA	Range Top - 4 Burner Almond
	081374-01-700	EA	Trim - Top - Right
	081374-01-701	EA	Trim - Top - Left
	081374-01-702	EA	Manifold Panel - Black
	081374-01-703	EA	Trim Top Rear
	081374-01-704	EA	Fabric - Guard
	075217-01-000	EA	Refrigerator - AC/DC/Gas - Norcold 8' - 838 EG3
	075217-01-700	EA	Shell Asm - Door - w/Trim
	075217-01-701	EA	Gasket Freezer Door
	075217-01-702	EA	Frame Asm - Door
	075217-01-703	EA	Trim - Decor - Top & Bottom
	075217-01-704	EA	Gasket - Refrigerator Door
	075217-01-706	EA	Cabinet Asm - Urethane
	075217-01-707	EA	Bulb - Light - DC
	075217-01-708	EA	Socket - Lamp
	075217-01-710	EA	Eyebrow Asm
	075217-01-711	EA	Breaker Strip - Top
	075217-01-713	EA	Crisper Drawer
	075217-01-714	EA	Thermostat Asm
	075217-01-715	EA	Knob - Thermostat
	075217-01-716	EA	Front Divider Asm
	075217-01-717	EA	Switch - Humidity
	075217-01-718	EA	Light Switch
	075217-01-719	EA	Eyebrow Board
	075217-01-720	EA	Eyebrow
	075217-01-721	EA	Lamp - Indicator - Amber
	075217-01-722	EA	Lamp - Indicator - Green
	075217-01-723	EA	Lamp - Indicator - Red
	075217-01-724	EA	Lamp - Indicator - Blue
	075217-01-725	EA	Rocker Switch - #615258
	075217-01-726	EA	Interface Board
	R77005-81-129	EA	Relay - Glow Plug
	075217-01-728	EA	Cover - Interface Board
	075217-01-729	EA	Fitting Outlet
	075217-01-730	EA	Valve - Gas
	075217-01-731	EA	Nipple
	075217-01-732	EA	Fitting - Inlet
	075217-01-733	EA	Shut-Off Cock
	075217-01-734	EA	Fuse - 3 Amp
	075217-01-735	EA	Ignition Electrode
	075217-01-736	EA	Sensing Electrode
	075217-01-737	EA	Control Module
	075217-01-738	EA	Rocker Switch #615259
	075217-01-739	EA	Heater

**1986 ITASCA
TABLE OF CONTENTS**

INTRODUCTION	A-01
ABBREVIATIONS	A-01
ALPHABETICAL INDEX	A-02 - A-04
ICN22RC	A-05 - C-16
ICN27RU	C-17 - F-02
ICN31RT	F-03 - H-18
ICP31RT	H-19 - K-06

1986 ICN22RC INDEX

Floor Plan	A-05 - A-06
Accessories Group	A-07 - A-09
Bath Group	A-10 - A-11
Chassis Group	A-12 - A-14
Curtain Cushion & Pad Group	A-15 - A-21
Dinette Group	A-22
Driver's Compartment Group	A-23 - B-01
Electrical Group	B-02 - B-04
Exterior Body Group	B-05 - B-10
Galley Group	B-11 - B-13
Heating & Air Conditioning Group	B-14 - B-15
Interior Finish Group	B-16 - B-18
LP Group	B-19
Lounge Group	B-20
Water & Sewage Group	B-21 - B-22
Window Vent & Exterior Door Group	B-23 - C-18

GALLEY GROUP (CONTINUED)

GALLEY HARDWARE & APPLIANCES (CONT)

Key	Part Number	U/M	Description
	075217-01-740	EA	Screw #6 - 32 x 2 3/8
	075217-01-741	EA	Wing - Nut #6 32
	075217-01-742	EA	Hex Nut
	075217-01-743	EA	Elbow - 90°
	075217-01-744	EA	Cable - Wiring
	075217-01-745	EA	Liner Asm, - Foamed Door
	075217-01-746	EA	Baffle Asm
	075217-01-747	EA	Liner Asm - Foamed - Lower - Door
	075218-01-000	EA	Refrigerator - 3 Way - 10 Nercold
	075218-01-700	EA	Gasket - Freezer Door
	075218-01-701	EA	Gasket - Refrigerator Door
	075218-01-702	EA	Connector Rod
	075218-01-703	EA	Frame Asm
	075218-01-704	EA	Cabinet - Urethane
	075218-01-705	EA	Breaker Strip - Bottom
	075218-01-707	EA	Divider - Front
	075218-01-708	EA	Cable - Wiring
	075218-01-709	EA	Door Liner Asm - Foamed
	075218-01-710	EA	Door Liner Asm - Foamed - Lower
	064450-01-000	EA	Level - Refrigerator
	065225-01-000	EA	Tiedown Plate - Refrigerator
	061379-01-000	EA	Microwave Oven - Convection Oven - Sharp
	061459-03-000	EA	Bracket Asm - Microwave - Right
	061459-04-000	EA	Bracket Asm - Microwave - Left
	061456-01-000	EA	Angle Asm - Microwave - Right
	061456-02-000	EA	Angle Asm - Microwave - Left
	061555-01-003	EA	Trim Ring - Microwave
	062876-01-000	EA	Baffle - Microwave
	023111-01-000	EA	Blender - Built In
	066615-01-000	EA	Sink - Stainless Steel - Double w/Bolts
	011053-01-000	EA	Faucet - Swing Spout - 8' - US
	011053-01-700	EA	Aerator - Swing Spout Faucet
	066437-01-000	EA	Strainer w/Basket - Sink
	061530-01-001	EA	Sink Cover - Large - Almond Loom
	009048-01-000	EA	Support - Drop Leaf Table
	009059-01-000	EA	Hinge - 2' - Gold - Drop Leaf Table
	074490-01-000	EA	Spice Rack - Oak
	074491-01-000	EA	Magazine Rack - Oak
	074961-01-000	EA	Cutting Board - Maple
	056334-01-000	EA	Wastebasket - 6 3/4' x 7" x 10 - White
	059677-01-000	EA	Support Wastebasket - Metal - Galley Mount
	058841-01-003	EA	Cover Wastebasket
	047744-01-000	EA	Kit - Drawer Guide - Plastic
	077409-01-000	EA	Slider Drawer 20 75' - Plastic
	077404-01-000	EA	Drawer - 20' x 12 70' - Plastic
	073306-01-000	EA	Slide - Drawer - Full Extension - 18' Left
	073306-02-000	EA	Slide - Drawer - Full Extension - 18' Right
	073306-03-000	EA	Slide - Cabinet - Full Extension - 18' - Left
	073306-04-000	EA	Slide - Cabinet - Full Extension - 18' - Right
	066435-01-000	EA	Nut Strainer
	011083-01-000	EA	Plug - 1 1/4' x 5' - w/Copper
	M81520-01-004	EA	Pantry Asm - Pullout
	082125-01-000	EA	Slide Asm - Pantry - w/Bracket
	082129-02-000	EA	Slide Asm - Pantry - w/Bracket - Opp
	076097-01-000	EA	Bracket Catch - Pantry
	076098-01-000	EA	Slide Bracket Pantry
	075451-01-000	EA	Storage Rack - Canned Goods
	075451-02-000	EA	Storage Rack Clip - White

The illustrated parts breakdown for this item is provided on the Common Items Fiche

HEATING & AIR CONDITIONING GROUP

AUTOMOTIVE HEATER & AIR CONDITIONER

Key	Part Number	U/M	Description
	072341-07-000	EA	Heater Evaporator - w/o Duct Control
	072341-07-700	EA	Resistor - Harness - Jumper
	072341-07-701	EA	Thermostat
	072341-04-000	EA	Heater/Evaporator Asm
	072341-04-700	EA	Vacuum Motor - Front
	072341-04-701	EA	Vacuum Motor - Rear
	072341-04-702	EA	Relay
	072341-04-703	EA	Evaporator Coil
	072341-04-704	EA	Liquid Hose - #6
	072341-04-705	EA	Suction Hose - #10
	072341-04-706	EA	Blower Motor
	072341-04-707	EA	Blower Wheel
	072341-08-000	EA	Duct & Control Kit
	072341-08-700	EA	Reservoir Vacuum
	072341-01-000	EA	Condenser Asm
	072342-03-000	EA	Condenser Asm w/Fans & High Temp Sensor Switch
	072342-03-700	EA	Coil - Condenser
	072342-03-701	EA	Receiver - Drier
	072342-03-702	EA	Fan - Condenser & Seal Asm
	072342-03-703	EA	Fan - Condenser
	072342-03-704	EA	Bracket - Mounting Condenser
	072342-03-705	EA	Switch - Temperature
	072342-04-000	EA	Condenser Asm - w/High Temperature Sensor Switch
	072343-01-000	EA	Compressor/Clutch
	072343-04-000	EA	Compressor/Clutch - Sayko 510
	072344-01-000	EA	Package - Compressor Mount
	072344-02-000	EA	Package - Rear Valve Compressor - Mounting Brackets
	074026-01-000	EA	Package - Compressor Mount 6 2 L Diesel
	039044-01-000	EA	Louver Asm - A/C Adjustable
	007076-01-700	FT	Hose - Flexible PVC - 2' I D
	007281-01-700	FT	Hose - Flexible PVC - 2 1/2' I D
	007108-01-000	FT	Hose - Heater 5/8 I D SAE 20R3
	062401-04-000	EA	Clamp - Worm Drive - 69' - 1 25 I D
	010227-01-000	EA	Tee - Plastic - Barb 5/8 or 3/4' Hose
	072341-03-000	EA	Core - Evaporator

AUXILIARY HEATER ASSEMBLY

Key	Part Number	U/M	Description
	049401-01-000	EA	Heater Asm - Rear - Auxiliary
	049401-01-700	EA	Valve - Heater Control
	049401-01-701	EA	Control Cable
	049401-01-702	EA	Motor Asm
	049401-01-703	EA	Heater Core
	049401-01-704	EA	Switch
	058906-01-000	EA	Control Panel - Brown
	058893-01-000	EA	Bracket Side Mount Motor Aid
	076312-01-000	EA	Mesh - Grille - 7 38' x 6 75' Gold Aluminum

1986 ITASCA TABLE OF CONTENTS

INTRODUCTION	A-01
ABBREVIATIONS	A-01
ALPHABETICAL INDEX	A-02 - A-04
ICN22RC	A-05 C 18
ICN27RU	C 17 - F-02
ICN31RT	F-03 - H 18
ICP31RT	H 19 - K-06

1986 ICN22RC INDEX

Floor Plan	A-05 - A-06
Accessories Group	A-07 - A-09
Bath Group	A-10 - A-11
Chassis Group	A-12 - A 14
Curtain, Cushion & Pad Group	A-15 - A-21
Dinette Group	A-22
Driver's Compartment Group	A-23 - B-01
Electrical Group	B 02 - B 04
Exterior Body Group	B 05 - B 10
Galley Group	B-11 - B-13
Heating & Air Conditioning Group	B-14 B 15
Interior Finish Group	B 16 B 18
LP Group	B 19
Lounge Group	B 20
Water & Sewage Group	B 21 - B 22
Window Vent & Exterior Door Group	B-23 - C-16

HEATING & AIR CONDITIONING GROUP (CONTINUED)

FURNACE & ROOF AIR CONDITIONER

Key	Part Number	U/M	Description
	075696-01-000	EA	Furnace - 34,000 BTU - w/Direct Ignition - NT-34S
	075695-01-000	EA	Furnace - 24 000 BTU - w/Direct Ignition - NT-24S
	074466-01-701	EA	Electrode Asm - #230782
	074466-01-702	EA	Relay - Time Delay
	074466-01-703	EA	Blower Wheel - Room Air - Clockwise
	074466-01-704	EA	Microswitch & Paddle Asm
	074466-01-705	EA	Motor
	074466-01-706	EA	Wheel - Combustion
	074466-01-707	EA	Blower Wheel - Room Air - Counter Clockwise
	074466-01-708	EA	Bushing, Blower
	074466-01-709	EA	Gasket - Combustion Air Crossover
	074466-01-710	EA	Gasket - Blower Motor - 2 1/8 Dia
	074466-01-711	EA	Bushing - Motor Mounting
	074466-01-712	EA	Gasket - Combustion Air Housing
	074466-01-713	EA	Thermostat
	074466-01-714	EA	Vent - Tube Asm
	074466-01-715	EA	Valve - Fenwell
	074466-01-716	EA	Electrode Asm - #230812
	074466-01-717	EA	Wall - Thermostat
	074466-01-718	EA	Valve - 12 Volt - L P Gas Only
	074466-01-719	EA	Cabinet Asm
	074466-01-720	EA	Pipe - Gas Inlet
	069636-02-000	EA	Connector - Duct
	009196-01-000	EA	Duct - Flexible - 4" I D x 25
	056464-01-000	EA	Register - 4' Dia - Plastic - w/Damper
	056464-02-000	EA	Register - 4' Dia - Plastic - w/o Damper
	009200-01-000	EA	Tape - Furnace - 1 1/2'
	023146-01-000	EA	Clamp - Screw Type - 4'
	073743-01-000	EA	Shroud Asm - Ceiling Inside - Roof Air 13 500 BTU - Cool Only
	073744-01-000	EA	Shroud Asm - Ceiling Inside - Roof Air 13 500 BTU - Heat & Cool
	073742-01-000	EA	Air Conditioner - 110 Volt - Roof Mount - 13 500 BTU Rotary
	073742-01-700	EA	Decal Package - Left & Right (Exterior)
	073742-01-701	EA	Selector Switch (5 Terminal)
	073742-01-702	EA	Decal - Cool Only
	073742-01-703	EA	Decal - Heat & Cool
	073742-01-704	EA	Decal Thermostat TSP

INTERIOR FINISH GROUP

INTERIOR MOLDING & TRIM

Key	Part Number	U/M	Description
	042357-09-000	FT	Molding - Radius Corner - 7' Elm
	022992-08-000	FT	Molding - Reverse Cove - Champagne White
	079653-01-000	EA	Molding - Batt Strip - Kerfed - Sunset Oak
	069733-37-000	EA	Batt Strip - Sunset Oak - 8 (Lounge)
	069733-42-000	EA	Batt Strip - Scrimshaw Sand - 8 (Wall)
	069733-53-000	EA	Batt Strip - Gray - 8' (Galley & Bath)
	069733-59-000	EA	Batt Strip - Melon - 8 (Galley & Bath)
	069733-60-000	EA	Batt Strip - Plum - 8 (Galley & Bath)
	069733-62-000	EA	Batt Strip - Pebble Beach - 8 (Ceiling)
	070504-01-000	FT	U-Channel - 065' - Light Brown
	070504-02-000	FT	U-Channel - 815 - Light Brown
	075249-01-000	EA	Rail Asm - Plain - 72'
	075250-01-000	EA	Corner Post - 1 x 1 x 2 1/2 - Oak
	076026-21-T03	EA	Trim - Valance - 82
	002774-02-001	EA	Trim - Carpet - 192'
	009767-06-000	FT	Wetling - Beige
	009767-07-000	FT	Wetling - Grady Brown
	074045-01-000	EA	Plug - 1/2" Dia - Oak
	011746-01-000	FT	Vinyl Extr - Bubble Seal

CABINETRY & TABLE HARDWARE

Key	Part Number	U/M	Description
	053200-05-000	EA	Bracket - Upper Wall Mount - 23 5 - Beige
	024281-07-000	EA	Bracket - Lower Wall Mount - 22 12 - Beige
	024276-14-000	EA	Leg Asm, - Table - 26 5' - Brown
	064050-01-000	EA	Hinge - Table Leg
	024282-01-000	EA	Brace - Table Leg
	049493-02-000	EA	Catch - Table Leg - Mounts on Floor - Brown
	009112-01-000	EA	Flange - 1' Chrome - Closet Rod
	077409-01-000	EA	Slide Drawer - Plastic - 20 75'
	009049-01-000	EA	Table Support - Drop Leaf
	009059-01-000	EA	Hinge - 2' - Drop Leaf Table - Gold
	076312-01-000	EA	Mesh - Grille - 13 80' x 8 80' - Gold Aluminum
	009021-01-000	EA	Catch - Nylon - Furnace Door
	009021-02-000	EA	Strike - Nylon Catch - Furnace Door
	074493-02-000	EA	Support - Sprung - Door
	068433-01-000	EA	Hook - Cup - Bright
	058034-02-000	EA	Latch - Door w/o Lock - Sliding Door
	075680-01-000	EA	Clothes Rod - Adjustable - 27' x 36"
	064467-01-000	EA	Guide - Wall Mount - Door Pocket
	078212-01-000	EA	Pull - Brass w/Dark Oak - Cabinet
	077523-01-000	EA	Latch Asm - Cabinet Door
	077821-01-000	EA	Strike - Latch - Cabinet Door
	078210-01-000	EA	Knob - Antique Brass - w/Oak
	045586-02-000	EA	Spindle - Wood - 1 75" x 24' - Plain
	059777-01-000	EA	Hinge - Brass
	009016-01-000	EA	Catch - Elbow - Spring Loaded
	077481-01-000	EA	Cover - Strike

The illustrated parts breakdown for this item is provided on the Common Items Fiche

MISCELLANEOUS PARTS

Key	Part Number	U/M	Description
	053552 02 T03	EA	Handle Asm - Interior Assist - Medlurn Almond Vinyl
	041944 03-000	EA	Fire Extinguisher - w/Bracket
	054185 24 000	EA	Owner's Manual - 1986 Itasca & Winnebago
	040069-01 000	EA	Door Mat - 10 1/2" x 26' - Black Rubber
	075907 02 000	EA	Picture - Decor - Assorted Grasses

**1986 ITASCA
TABLE OF CONTENTS**

INTRODUCTION	A-01
ABBREVIATIONS	A-01
ALPHABETICAL INDEX	A-02 - A-04
ICN22RC	A-05 - C-16
ICN27RU	C-17 - F-02
ICN31RT	F-03 - H-18
ICP31RT	H 19 - K-06

1986 ICN22RC INDEX

Floor Plan	A-05 - A-06
Accessories Group	A-07 - A-09
Bath Group	A-10 - A-11
Chassis Group	A-12 - A-14
Curtain Cushion & Pad Group	A-15 - A-21
Dinette Group	A-22
Driver's Compartment Group	A-23 - B-01
Electrical Group	B-02 - B-04
Exterior Body Group	B-05 - B-10
Galley Group	B-11 - B-13
Heating & Air Conditioning Group	B-14 - B-15
Interior Finish Group	B-16 - B 18
LP Group	B-19
Lounge Group	B 20
Water & Sewage Group	B 21 - B 22
Window, Vent & Exterior Door Group	B 23 - C-16

INTERIOR FINISH GROUP (CONTINUED)

CURTAIN & CUSHION HARDWARE

Key	Part Number	U/M	Description
	082139-01-000	EA	Bracket - Hold Down - Blinds
	056003-02-000	EA	Bracket - Drapery Retainer - Left
	056003-01-000	EA	Bracket - Drapery Retainer - Right
	056001-01-000	EA	Bracket - Shade - Left
	056002-01-000	EA	Bracket - Shade - Right
	076827-01-000	EA	Bracket - Curtain - Woven Wood - Right
	076827-02-000	EA	Bracket - Curtain - Woven Wood - Left
	077798-03-000	EA	Bracket Asm - Curtain Rod - Right
	079798-04-000	EA	Bracket Asm - Curtain Rod - Left
	082249-01-000	EA	Bracket - Blinds - Beige - Right
	082249-02-000	EA	Bracket - Blinds - Beige - Left
	079619-01-000	EA	Bracket - Tie Back
	009107-01-000	EA	Guide - Nylon Snap - Curtain
	056784-01-000	EA	Pull - Window Shade - Antique Brass
	056115-01-000	YD	Tape - Clear Plastic - w/Guide
	048394-01-000	YD	Tape - Hook - 1' x 25 YD - Beige
	029096-05-000	YD	Tape Hook - 50 - Velcro - Beige
	048395-01-000	YD	Tape Loop - 1' x 25 YD - Beige
	029090-01-000	FT	Tie - Drapery - Clear Vinyl
	056116-01-000	FT	Track - Curtain - Brown Plastic
	079446-01-000	EA	Track - Curtain - Wraparound - Right
	079446-02-000	EA	Track - Curtain - Wraparound - Left

PANELING & COUNTERTOP MATERIAL

Key	Part Number	U/M	Description
	074497-03-000	SF	Paneling - Decor - Sunset Oak - 48' x 84" (28 SF) (Cabinets & Wall)
	074497-04-000	SF	Paneling - Decor - Scrimshaw Sand - 48' x 84" (Wall)
	074496-32-000	SF	Paneling - Decor - Gray - 48' x 84" (28 SF) (Galley) (U13)
	074496-33-000	SF	Paneling - Decor - Melon - 48' x 84" (28 SF) (Galley) (U14)
	074496-34-000	SF	Paneling - Decor - Plum - 48' x 84" (28 SF) (Galley) (U15)
	074497-07-000	SF	Paneling - Pebble Beach - 48' x 96" (32 SF) (Ceiling)
	074496-10-000	SF	Plastic Laminate - Northsea - 48' x 96" (32 SF) (Dinette & Bath) (U13)
	074496-10-019	EA	Plastic Laminate - Northsea - 1 19' x 96"
	076325-11-000	FT	Molding - Edge Band - Northsea - 1 5/16" x 030'
	074496-11-000	SF	Plastic Laminate - Cayene - 48' x 96" (32 SF) (Dinette & Bath) (U14)
	074496-12-019	EA	Plastic Laminate - Cayene - 1 19' x 96"
	076325-12-000	FT	Molding - Edge Band - Cayene - 1 5/16" x 030'
	074496-12-000	SF	Plastic Laminate - Wild Rose - 48' x 96" (32 SF) (Dinette & Bath) (U15)
	074496-12-019	EA	Plastic Laminate - Wild Rose - 1 19' x 96"
	076325-13-000	FT	Molding - Edge Band - Wild Rose - 1 5/16" x 030'
	074496-06-000	SF	Plastic Laminate - Beige Crescent - 48' x 96" (32 SF) (Galley)
	074496-06-019	EA	Plastic Laminate - Beige Crescent - 1 19' x 96"
	076325-04-000	EA	Molding - Edge Band - Beige Crescent - 1 19' x 96"
	074496-05-000	SF	Plastic Laminate - Sunset Oak - 48' x 96" (32 SF) (Nightstand)
	074496-05-019	EA	Plastic Laminate - Sunset Oak - 1 19' x 96"
	076325-04-000	FT	Molding - Edge Band - Sunset Oak - 1 5/16" x 030'

INTERIOR FINISH GROUP (CONTINUED)

FABRICS & CARPET

Key	Part Number	U/M	Description
	072333-21-000	YD	Fabric - Drapery - Parchment
	077498-65-000	YD	Fabric w/Pattern - Upholstery - Stormy (U13)
	077498-66-000	YD	Fabric w/Pattern - Upholstery - Coral Reef (U14)
	077498-67-000	YD	Fabric w/Pattern - Upholstery - Sachet (U15)
	077498-68-000	YD	Fabric w/Pattern - Upholstery - Accent - Oasis (U14)
	077498-70-000	YD	Fabric - Upholstery/Draperies - Accent - Plain - Pewter (U13)
	077498-71-000	YD	Fabric - Upholstery/Draperies - Accent - Plain - Melon (U14)
	077498-69-000	YD	Fabric - Upholstery/Draperies - Accent - Plain - Plum (U15)
	069729-25-000	YD	Fabric - Bedsprad/Draperies - Main - Colonial (U13)
	069729-26-000	YD	Fabric - Bedsprad/Draperies - Main - Peach (U14)
	069729-27-000	YD	Fabric - Bedsprad/Draperies - Main - Mauve (U15)
	069729-28-000	YD	Fabric - Bedsprad - Accent - Lemon (U13)
	069729-29-000	YD	Fabric - Bedsprad - Accent - Greensilver (U14)
	069729-30-000	YD	Fabric - Bedsprad - Accent - Mauve (U15)
	052859-01-T03	FT	Trim Asm - Accent - Sandrift
	052859-05-T03	FT	Trim Asm - Accent - Buckskin
	079880-01-000	YD	Vinyl - Expanded - 26 oz - Buckskin
	072860-51-000	YD	Carpet - Gray (U13)
	072860-52-000	YD	Carpet - Rose (U14)
	072860-53-000	YD	Carpet - Violet (U15)

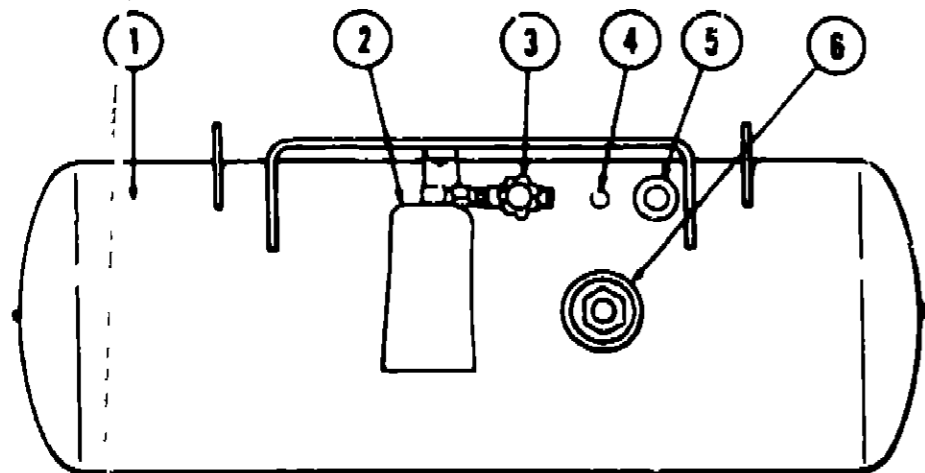
**1986 ITASCA
TABLE OF CONTENTS**

INTRODUCTION	A-01
ABBREVIATIONS	A-01
ALPHABETICAL INDEX	A-02 - A-04
ICN22RC	A-05 - C-16
ICN27RU	C-17 - F-02
ICN31RT	F-03 - H-18
ICP31RT	H-19 - K-06

1986 ICN22RC INDEX

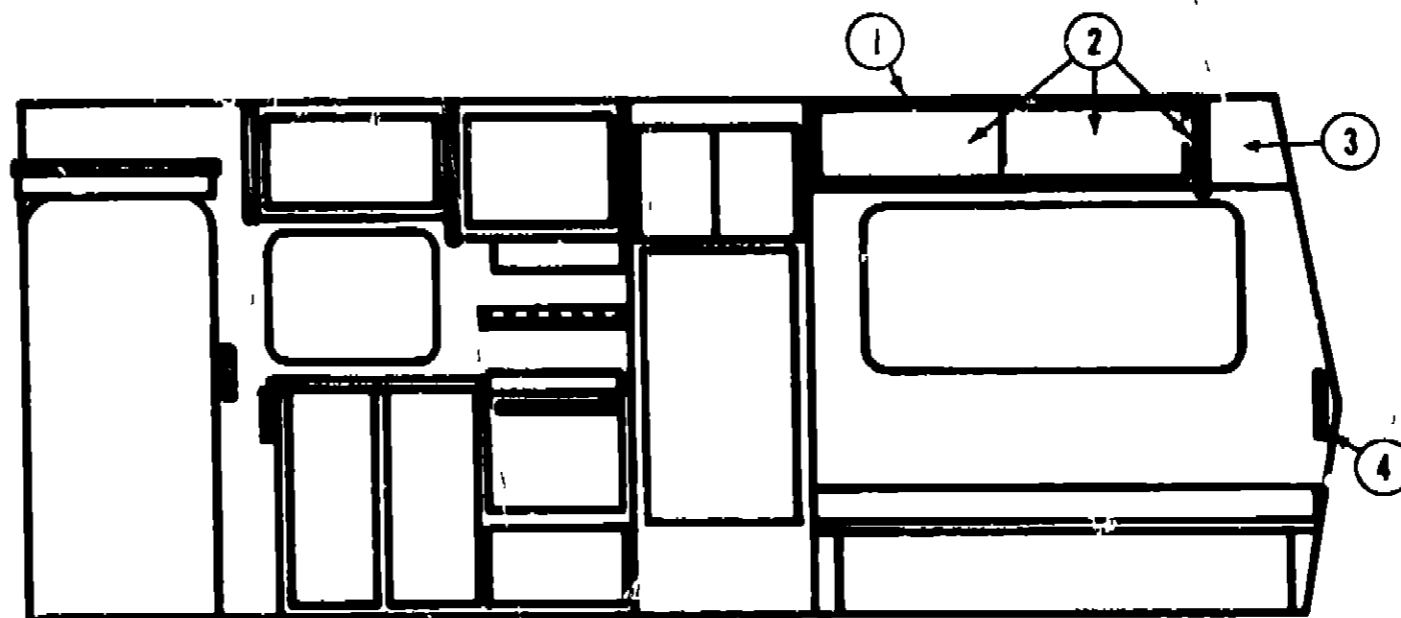
Floor Plan	A-05 - A-06
Accessories Group	A-07 - A-09
Bath Group	A-10 - A-11
Chassis Group	A-12 - A-14
Curtain, Cushion & Pad Group	A-15 - A-21
Dinette Group	A-22
Driver's Compartment Group	A-23 - B-01
Electrical Group	B-02 - B-04
Exterior Body Group	B-05 - B-10
Galley Group	B-11 - B-13
Heating & Air Conditioning Group	B-14 - B-15
Interior Finish Group	B-16 - B-18
LP Group	B-19
Lounge Group	B-20
Water & Sewage Group	B-21 - B-22
Window Vent & Exterior Door Group	B-23 - C-16

LP GROUP



Key	Part Number	U/M	Description
1	074142-01-000	EA	Tank Asm - LP - Frame Mount - 80 Pound - 13 x 44
1	080450-01-000	EA	Tank Asm - LP - 42 Pound 13 x 24
	085741-01-000	EA	Detector - LP Gas Leak Marshalltown Instruments
2	076277-01-000	EA	Cover - LP Regulator - Front (Dual)
	076278-01-000	EA	Cover - LP Regulator - Back (Dual)
	076301-01-000	EA	Regulator - Two Stage - US (Dual)
	076301-02-000	EA	Regulator - Two Stage - CSA (Dual)
3	040421-01-703	EA	Valve Vapor Relief
4	040421-01-700	EA	Gauge - Liquid Level 20% LP
5	040421-01-701	EA	Valve Filler - LP
	040421-01-702	EA	Cap - Plastic Fill Valve
6	040421-01-707	EA	Gauge - Float - w/Visible Dial
	040421-01-706	EA	Dial - Visible Face - Float Gauge (Tank w/o Electric Transmitter)
	040440-01-000	EA	Dial - Transmitter 0 - 90 Ohm (Float Gauge)
	045703-01-000	EA	Hose Asm LP - 3/8" I D x 24' - US
	045703-02-000	EA	Hose Asm - LP - 3/8" I D x 24' - CSA
	045703-03-000	EA	Hose Asm - LP - 3/8" I D x 18" - US
	045703-04-000	EA	Hose Asm - LP - 3/8" I D x 14' CSA
	085742-01-000	EA	Tee - 38 F x 39 F x 25 FPT
	068046-01-000	EA	Conversion Kit - LP Onan Generator
			Not illustrated

LOUNGE GROUP



DOUBLE BED CABINERY

Key	Part Number	U/M	Description
1	081536-02-U13	EA	Cabinet Asm - Lounge Overhead - w/o Door or Hardware
2	M81506-01-T09	EA	Door Asm - Overhead Cabinet - w/o Hardware
3	081540-02-U13	EA	Cabinet Asm - Rear Lounge Overhead - w/o Doors or Hardware
4	077463-16-U10	EA	Headboard Asm - Double Bed (U13)
4	077463-16-U11	EA	Headboard Asm - Double Bed (U14)
4	077463-16-U12	EA	Headboard Asm - Double Bed (U15)
	M81504-15 U13	EA	Door Asm - Double Bed
	M81543-01-U01	EA	Shelf Asm TV - w/o Plug
			Not illustrated

BUNK HOUSE OPTION

Key	Part Number	U/M	Description
	081537-01-U04	EA	Cabinet Asm - Nightstand - w/o Countertop Drawer or Hardware
	M02472 01 U04	EA	Countertop Asm, - Nightstand Cabinet
	M78921 03 U04	EA	Drawer Nightstand Cabinet - w/o Hardware
	081544 01 U04	EA	Cabinet Asm - Bunk

**1986 ITASCA
TABLE OF CONTENTS**

INTRODUCTION	A-01
ABBREVIATIONS	A-01
ALPHABETICAL INDEX	A-02 - A-04
ICN22RC	A-05 - C-16
ICN27RU	C-17 - F-02
ICN31RT	F-03 - H 18
ICP31RT	H-19 - K-08

1986 ICN22RC INDEX

Floor Plan	A-05 - A-06
Accessories Group	A-07 - A-09
Bath Group	A 10 - A-11
Chassis Group	A-12 - A 14
Curtain, Cushion & Pad Group	A-15 - A 21
Dinette Group	A-22
Driver's Compartment Group	A-23 - B-01
Electrical Group	B 02 - B-04
Exterior Body Group	B 05 - B-10
Galley Group	B 11 - B- 3
Heating & Air Conditioning Group	B 14 - B-15
Interior Finish Group	B 16 - B-18
LP Group	B-19
Lounge Group	B-20
Water & Sewage Group	B 21 - B-22
Window Vent & Exterior Door Group	B-23 - C-16

WATER & SEWAGE GROUP

PLUMBING & REPAIR PARTS

Key	Part Number	U/M	Description
	033302-02-000	EA	Adapter Asm - SWVC Strain - 1 1/2
	010326-01-000	EA	Adapter - Flare - w/Cone Gasket
	062422-01-000	EA	Adapter - Hose Offset - Reducer - 3 x 1 1/2
	052954-01-000	EA	Adapter - Hose Cone - 3/8 or 1/2 - Plastic
	010224-01-000	EA	Adapter - Plastic - 3/8 MPT x 3/8 Barb
	044927-01-000	EA	Adapter - Plastic - 1 1/4" MPT x 1 1/4 Barb
	031602-02-000	EA	Adapter - Plastic - 1 1/2 H x FPT
	011048-04-000	EA	Breaker - Vacuum - 1/8 MPT - Nylon
	010121-01-000	EA	Bushing - Plastic - 1 1/2 S x 1 1/4 H
	010122-01-000	EA	Bushing - Plastic - 1 1/2 S x 1 1/4 T
	010123-01-000	EA	Bushing - Plastic - 2S x 1 1/2 H
	036522-02-000	EA	Cap - Brass - 1/2 Flare
	075730-01-000	EA	Cap - Sewer - 3'
	052959-02-000	EA	Connector - 1/2 F x 1/2 MPT - Plastic
	052959-03-000	EA	Connector - 1/2 F x 3/8 MPT - Plastic
	011091-02-000	EA	Continuous Waste - Double Sink - 11 7/8 - US
	053874-01-000	EA	Continuous Waste Asm - Double Sink - CSA
	078406-01-000	EA	Coupler Rubber - 3 x 3
	052960-01-000	EA	Drain Valve - 1/2 F x 1/2 F - Plastic
	010000-01-000	EA	Elbow - Plastic - 1/8 BD x 1 1/4 x 45° H x H
	010005-01-000	EA	Elbow - Plastic - 1/16 BD x 1 1/2
	010006-01-000	EA	Elbow - Plastic - 1/8 BD x 1 1/2 x 45° H x H
	010008-01-000	EA	Elbow - Plastic - 1/4 BD x 1 1/2 x 90° Left
	010051-01-000	EA	Elbow - ST - Plastic - 1/8 BD x 1 1/2 x 45°
	010219-01-000	EA	Elbow - 1 1/4 Barb x 1 1/4 MPT x 90°
	031111-01-000	EA	Elbow - Plastic - 1/4 BD x 1 1/4 x 90° Left
	034250-01-000	EA	Elbow - Plastic - 1/4 BD x 1 1/2 x 90° x H x H
	035539-01-000	EA	Elbow - Plastic - 3/8 MPT x 3/8 Barb
	052957-01-000	EA	Elbow - Plastic - 1/2 F x 3/8 MPT
	052957-02-000	EA	Elbow - Plastic - 1/2 F x 1/2 MPT (In Tank Filter)
	065120-01-000	EA	Elbow - Plastic - Swivel - 50
	070924-01-000	EA	Elbow - Plastic - Swivel - 1/2 MPT x 1/2 FP
	077954-01-000	EA	Filter/Screen (In Water Tank)
	010147-01-000	EA	Flange - Closet - 4 F x 3 FPT - US
	010147-02-000	EA	Flange - Closet - 4" F x 3 FPT - CSA
	079381-01-000	FT	Flexible Tubing - 1 1/4 I D x 10
	061807-01-000	EA	Grommet - Holding Tank Coupler - 1 1/2'
	061807-02-000	EA	Grommet - Holding Tank Coupler - 3'
	052961-01-000	EA	Header - 1/2 F x 1/2 F x 1/2 F x 1/2 F
	052953-01-000	EA	Nut - Faucet - 1/2 Tube x 1/2 FPT
	052952-01-000	EA	Nut - 1/2 F - Plastic
	011066-03-000	EA	P Trap - 1 1/4 Plastic - US
	011066-02-000	EA	P Trap - 1 1/4 Plastic - CSA
	053335-01-000	EA	P Trap - Plastic - 1 1/4 H x H w/Unlon - CSA
	010197-01-000	EA	Pipe - Plastic - 3" x 240' - Black
	045729-01-000	EA	Pump - Water - 2 8 G P M - Direct Drive - Shurflo - US
	045729-02-000	EA	Pump - Water - 2 8 G P M - Direct Drive - Shurflo - CSA
	010201-01-000	EA	Sewer nose - 3' x 8' w/Clamp
	042989-02-000	EA	Spinweld Fittings - Plastic - 1/2 FPT (In Tank Filter)
	042989-03-000	EA	Spinweld Fittings - Plastic - 1/4 NPT
	042989-04-000	EA	Spinweld Fittings - Plastic - 3/8 FPT
	011069-02-000	EA	Tailpiece - 1 1/2' x 1 1/4' x 4 - Brass

The illustrated parts breakdown for this item is provided on the Common Items Fiche

WATER & SEWAGE GROUP (CONTINUED)

PLUMBING & REPAIR PARTS (CONT)

Key	Part Number	U/M	Description
	010071-01-000	EA	Tee - Plastic - 1 1/2 x H x H x H
	010072-01-000	EA	Tee - Plastic - 1 1/2 H x 1 1/4 H x 1 1/2 H
	010079-01-000	EA	Tee - Plastic - 1 1/2 H x 1 1/2 H x 1 1/4 H
	052955-01-000	EA	Tee - Plastic - 1/2 F x 1/2 F x 1/2 MPT
	052956-01-000	EA	Tee - Plastic - 1/2 F x 1/2 MPT x 1/2 F
	052958-01-000	EA	Tee - Plastic - 1/2 F x 1/2 F x 1/2 F
	039800-01-000	FT	Tubing - Polybutyl - 1/2 O D (Water Line)
	079381-01-000	FT	Tubing - Flexible - Smooth - 1 25 I D
	074462-02-000	FT	Tubing - Vinyl - 3/8 I D
	072346-01-000	EA	Valve Asm - 3' Ell - w/2' Spur
	062421-01-000	EA	Valve - 1 1/2' - w/Handle
	052960-01-000	EA	Valve - Line Drain - 1/2 F x 1/2 F
	010073-01-000	EA	Wye - Plastic - 1 1/2 x 45 H x H

The illustrated parts breakdown for this is provided on the Common Items Fiche

HOLDING TANKS & WATER HEATERS

Key	Part Number	U/M	Description
	075186-04-000	EA	Tank Asm - Water - 45 Gallon - w/Fittings
	075186-01-000	EA	Tank Asm - Water - 45 Gallon - w/o Fittings
	061805-04-000	EA	Tank Asm - Holding - 40 gallon - w/Fittings - Waste Water
	061805-01-000	EA	Tank - Holding - 40 Gallon - w/o Fittings - Waste Water
	074175-03-000	EA	Tank Asm - Holding - 44 Gallon - w/Fittings - Sewage
	074175-01-000	EA	Tank Asm - Holding - 44 Gallon - w/o Fittings - Sewage
	051391-01-000	EA	Water Heater - w/o Motor Aid - Atwood - G6A-3
	051391-03-000	EA	Water Heater - w/Motor Aid - Atwood - G6A-3E
	051393-01-000	EA	Water Heater - w/Motor Aid - Direct Ignition - Atwood - GH6-3E

The illustrated parts breakdown for this item is provided on the Common Items Fiche

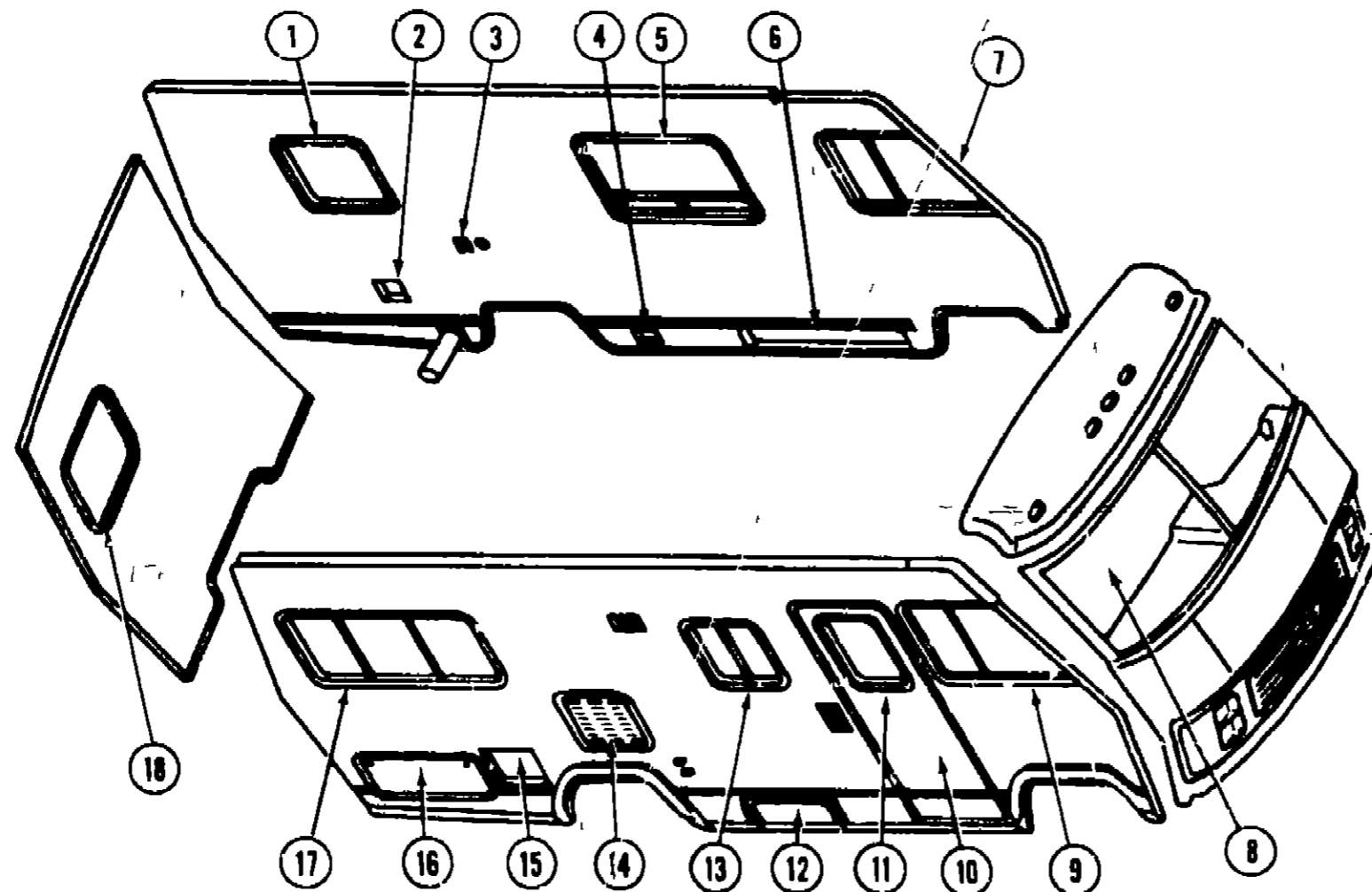
**1988 IT&SCA
TABLE OF CONTENTS**

INTRODUCTION	A-01
ABBREVIATIONS	A-01
ALPHABETICAL INDEX	A-02 - A-04
ICN22RC	A-05 - C-18
ICN27RU	C 17 - F-02
ICN31RT	F-03 - H 18
ICP31RT	H-19 - K-06

1988 ICN22PC INDEX

Floor Plan	A-05 - A-06
Accessories Group	A-07 - A-09
Bath Group	A-10 - A-11
Chassis Group	A-12 - A-14
Curtain, Cushion & Pad Group	A 15 - A-21
Dinette Group	A-22
Driver's Compartment Group	A 23 - B-01
Electrical Group	B-02 - B-04
Exterior Body Group	B-05 - B-10
Galley Group	B-11 - B 13
Heating & Air Conditioning Group	B 14 - B-15
Interior Finish Group	B 16 - B-18
LP Group	B-19
Lounge Group	B-20
Water & Sewage Group	B 21 - B-22
Window, Vent & Exterior Door Group	B 23 - C-16

WINDOW, VENTS & EXTERIOR DOOR GROUP
WINDOWS & ACCESS DOORS



Key	Part Number	U/M	Description
1	079729-02 T03	EA	Window Asm - Escape
2	078010-05-000	EA	Door Asm - Fuel Fill
3	081240-02-000	EA	Waterfill - Lockable
4	063742-03-000	EA	Door Asm - Power Cord
5	081568-02-U01	EA	Window Asm - Double
6	M79435-03-T09	EA	Door Asm - Storage
7	082057-02-U04	EA	Window Asm - Left Slant Slider
8	077675-01-000	EA	Glass - Windshield - Passenger
	077675-02 000	EA	Glass - Windshield - Driver
9	082057-01 U04	EA	Window Asm - Right Slant Slider
10	M01870-04 T09	EA	Door Asm - Entrance
11	079733-04-T03	EA	Window Asm - Picture
12	M79436 03 T09	EA	Door Asm - Storage
13	078266-02 T03	EA	Window Asm - Single Slider
14	078989 03 T09	EA	Door Asm - Refrigerator Access
15	052009 03 000	EA	Door Asm - Water Heater
16	079578 02 T09	EA	Door Asm - Luggage
16	M01883 01-T09	EA	Door Asm, - Generator
17	078271 01-T03	EA	Window Asm - Single Slider
	078271 01 T03	EA	Window Asm - Single Slider
18	079415 01 T03	EA	Window Asm - Rear Escape
	079733 01 T03	EA	Window Asm - Picture
	079733 01 T03	EA	Window Asm - Slant - Passenger
	079421 01 T03	EA	Window Asm - Slant - Driver

Not illustrated
Parts for bunkhouse option (not illustrated)

1986 ITASCA
TABLE OF CONTENTS

INTRODUCTION	A-01
ABBREVIATIONS	A-01
ALPHABETICAL INDEX	A-02 - A-04
ICN22RC	A-05 - C-16
ICN27RU	C-17 - F 02
ICN31RT	F-03 - H-18
ICP31RT	H-19 - K-06

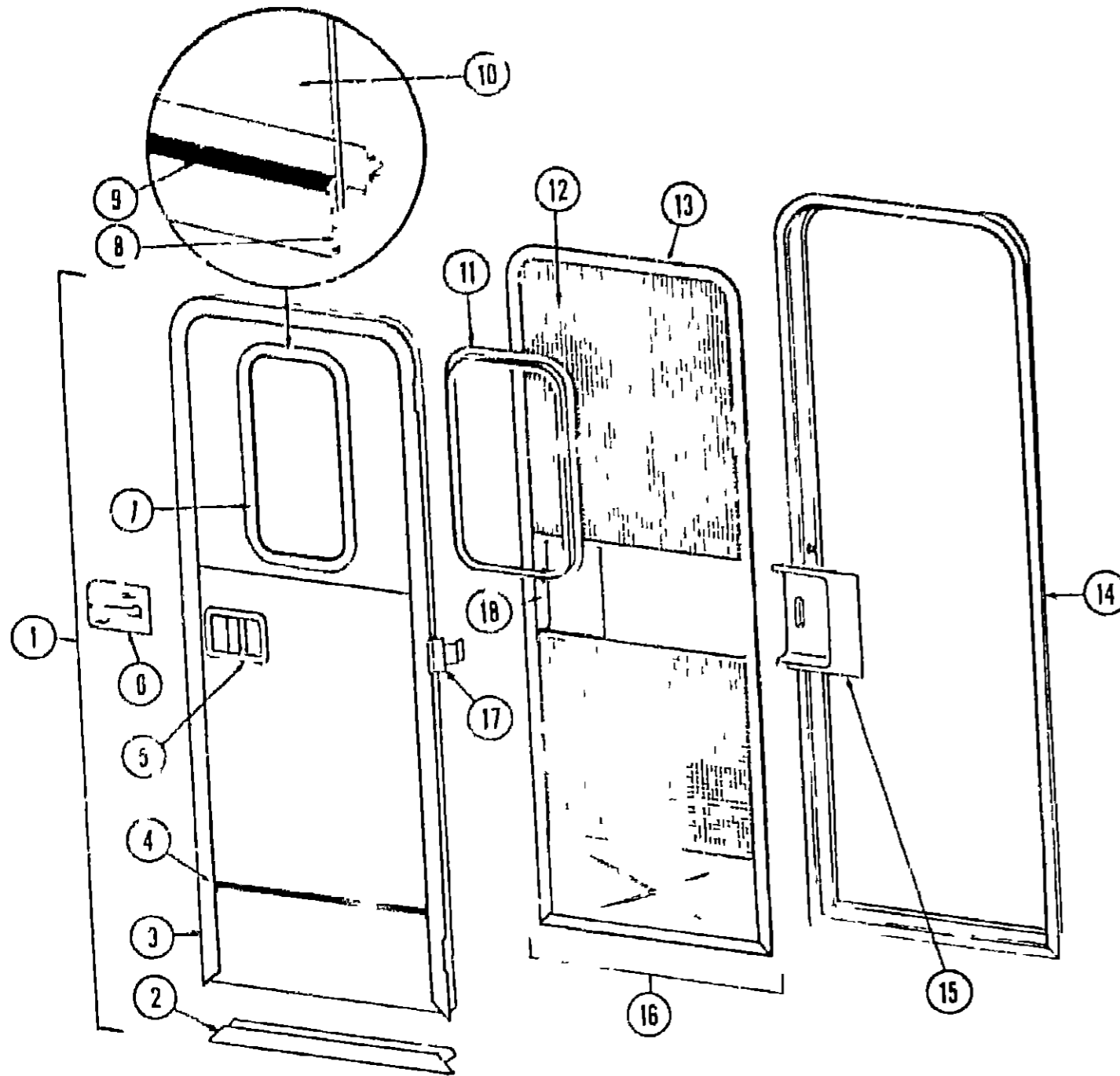
1986 ICN22RC INDEX

Floor Plan	A 05	A 06
Accessories Group	A 07	A 09
Bath Group	A 10	A 11
Chassis Group	A 12 - A 14	
Curtain, Cushion & Pad Group	A 15	A 21
Dinette Group		A 22
Driver's Compartment Group	A 23 - B 01	
Electrical Group	B 02	B 04
Exterior Body Group	B 05 - B 10	
Galley Group	B 11	B 13
Heating & Air Conditioning Group	B 14	B 15
Interior Finish Group	B 16	B 18
LP Group		B 19
Lounge Group		B 20
Water & Sewage Group	B 21 - B 22	
Window, Vent & Exterior Door Group	B 23	C 16

WINDOW, VENT & EXTERIOR DOOR GROUP (CONTINUED)

ENTRANCE & SCREEN DOOR

1986 ITASCA
TABLE OF CONTENTS



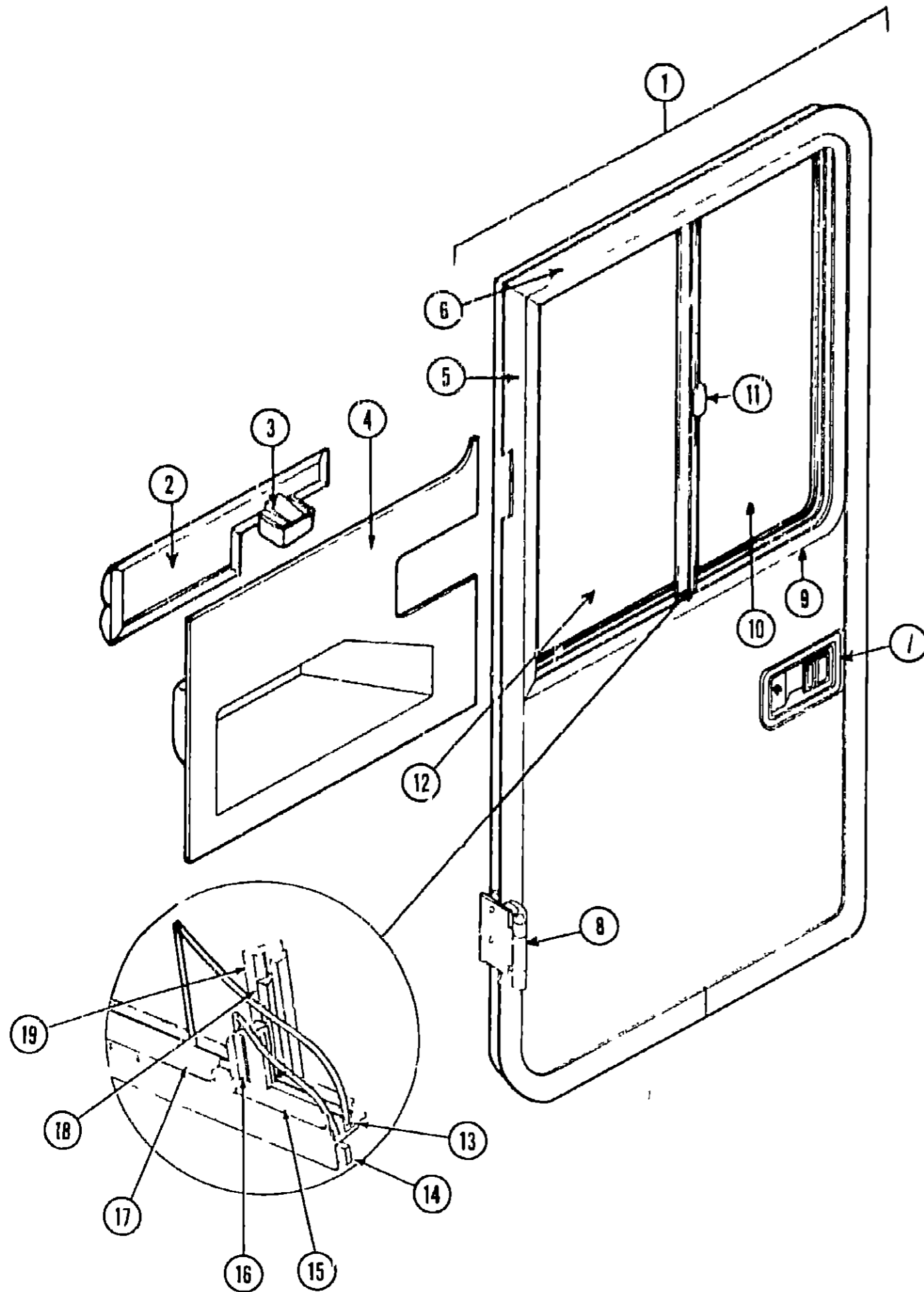
Key	Part Number	U/M	Description
1	M01870 04 T00	EA	Door Asm. Radius Entry w/Screen Door
2	077998 03 000	EA	Frame - Entry Door (Bottom Portion Only)
3	076863 03 000	FA	Frame - Entry Door (Except Bottom Portion)
4	059578 09 000	EA	Feature Strip w/o Insert Extr - 1 1/2'
	001030 11 100	EA	Insert - Feature Strip - 17' - Gray
	009731 01 000	EA	End Cap - Feature Strip
6	045017 05 000	EA	Paddle Asm - Door Lock Exterior
	045017 05 700	EA	Lock Cylinder w/Keys Lynor
	038539 01 000	CA	Striker Bolt - Entry Door
	039540 01 000	EA	Latch Claw - Entry Door
	019738 01 000	CA	Dead Bolt - Entry Door
8	039970 01 000	CA	Plate - Inside Lock - (Includes Inside Handle)
	052188 01 000	EA	Lock Asm. Complete - Lynor
7	070733 04 T03	EA	Window Asm. Picture 17" x 28" Black (w/o inside frame)
8	069640 08 000	FT	Ribbon Sealer - 5/16" Bend x 15'
9	002309 02 000	FT	Spline - Glass - 1/8" Black
10	002181 08 000	EA	Glass - Picture Window - 1/8" x 18 25" x 24" - Gray
11	067803 03 000	EA	Inside Frame Beige (not included in assembly)
12	002203 07 000	SF	Screen Window 20" Charcoal
13	056795 01 000	FT	Seal Tape 1/8" x 3/8" Press On
14	078591 01 000	CA	Jamb Asm. Entrance Door
	051010 01 000	EA	Jamb - Entrance Door Bottom
15	070088 01 000	EA	Slider - Screen Door - Light Oak Plastic
16	079012 01-T03	EA	Door Asm. Screen
17	079381 05 000	EA	Hinge - Entrance Door (3 used per door)
18	079087 01 000	EA	Cap Screen Door Light Oak Plastic
	009018 01 000	EA	Catch - Elbow Spring Loaded Screen Door
	039863 01 000	EA	Catch Asm. Single Roller w/Strike - Screen Door
	076231 01 000	EA	Spacer Latch - Screen Door
	077437 02 000	EA	Strike - Roller Catch
	058025 02 000	EA	Clip - Roller Latch Catch
	044582 06 000	EA	Drip Cap - Gray
	079278 01 000	EA	Seal Mocket Entrance Door
	073090 01 000	FT	Seal - Entrance Door
	075739 02 000	EA	Stiffener - Entrance Door Beige
	075673-01-000	FT	Seal Pile Adhesive Back
	075671-01 000	FT	Seal Sponge - Lazy T Shape
	002294 01 000	FT	Spline Black - 135' x 138' (Screen Door)
	063638 02 000	EA	Strike - Screen Door
	063729 04 000	EA	Rivnut - 10-32 UNF 010 - 080
	075639 01 000	EA	Garnish - Radius - Entrance Door
	078448 01 000	EA	Deadbolt Press Kit - 5'
	079173 01 000	EA	Gasket Deadbolt - Exterior
			Not illustrated

INTRODUCTION	A 01
ABBREVIATIONS	A 01
ALPHABETICAL INDEX	A 02 - A 04
ICN22RC	A 05 - C 16
ICN27RU	C 17 - F 02
ICN31RT	F 03 - H 18
ICP31RT	H 19 - K 06

1986 ICN22RC INDEX

Floor Plan	A 05 - A 06
Accessories Group	A 07 - A 09
Bath Group	A 10 - A-11
Chassis Group	A 12 - A 14
Curtain, Cushion & Pad Group	A-15 - A 21
Dinette Group	A 22
Driver's Compartment Group	A 23 - B 01
Electrical Group	B 02 - B 04
Exterior Body Group	B 05 - B 10
Galley Group	B-11 - B 13
Heating & Air Conditioning Group	B 14 - B 15
Interior Finish Group	B 16 - B 18
LP Group	B 19
Lounge Group	B 20
Water & Sewage Group	B-21 - B-22
Window Vent & Exterior Door Group	B 23 - C-16

WINDOW, VENT & EXTERIOR DOOR GROUP (CONTINUED)



DRIVER & PASSENGER CAB DOORS

Key	Part Number	U/M	Description
1	079624 01-T09	EA	Door Asm, - Driver - Gray
1	079624 02-T09	EA	Door Asm Passenger Gray
2	064088 03 000	EA	Pad Asm, - Trim - Belge Vinyl - Drivers Door
2	064088 04 000	EA	Pad Asm - Trim - Belge Vinyl - Passenger
	C01400 06 000	EA	Assist Strap - 12' - Belge Vinyl
3	048886-03 000	EA	Ash Tray Asm - Chrome
4	064499 02 000	EA	Panel - Driver Door Inner Light Oak Plastic
4	064499 03 000	EA	Panel - Passenger Door - Inner - Light Oak Plastic
5	079214 03 000	EA	Door Frame - Front - Gray - Drivers Door
6	079214 04 000	FA	Door Frame - Front Gray Passenger Door
6	079260 01 000	EA	Door Frame - Rear - Gray - Drivers Door
6	079260 04 000	EA	Door Frame - Rear - Gray - Passenger Door
7	045017 06 000	LA	Paddle Asm, Door Lock - Drivers
7	045017 07-000	EA	Paddle Asm, - Door Lock - Exterior Passenger
	045017 06 700	EA	Lock Cylinder w/Keys - Lynor
	039979 01 000	EA	Inside Plate - Door Lock - w/Inside Handle - Right
	039979 02 000	EA	Inside Plate - Door Lock w/Inside Handle - Left
	039540 02 000	EA	Latch Claw - Entry Door Lock
	039738 01 000	EA	Deadbolt - Entrance Door Lock
	039539 01 000	EA	Strike Bolt - Entrance Door (Jamb Mount)
	003124 02 000	EA	Plate - Striker - 8 1/4' x 1" Black
	078135 02 000	EA	Jamb - Driver Door - Front
	079249 07 000	EA	Jamb - Driver Door Rear
	078135 01 000	EA	Jamb - Passenger Door Front
	079249 08 000	EA	Jamb Passenger Door Rear
	064184 01-000	EA	Drip Cap Driver Door
	064184 02-000	EA	Drip Cap - Passenger Door
	063768 01-000	EA	Sill Plate
8	063993 10-000	EA	Hinge Asm - Driver Door - Gray
8	063993 12 000	EA	Hinge Asm - Passenger Door - Gray
	066109 02 000	EA	Strap - Driver's Door
	064580 01-000	EA	Check Strap Driver Door - Seat Belt Webbing
	064219 01 000	EA	Retainer - Driver Door Check Strap
	063888-03 000	EA	Assist Handle Belge Steel Tube (2 required per door)
	064075 01-000	EA	Bulb Seal 145
9	079101-02-T03	EA	Window Asm - Driver Door - Black (w/o inside frame)
9	079101 01-T03	EA	Window Asm - Passenger Door Black (w/o inside frame)
	079577 02-T03	EA	Inside Frame w/Slider Screen - Driver Door - Belge
	079577-01-T03	EA	Inside Frame - w/Slider Screen - Passenger Door - Belge
	079574-03-T03	EA	Slider Screen Asm - Right Door
	079574 04-T03	EA	Slider Screen Asm - Left Door
10	057657-04-000	EA	Glass - 19' x 28 11" x 12 25'
11	047369-01-700	EA	Latch - Window - Plastic w/Fastener
12	002188-06 000	EA	Glass - 19 x 28 11' x 12' - Stationary
13	002324-02-000	FT	Channel - Weatherstrip - Glass
14	069640-06-000	FT	Ribbon Sealer - 1/4' Bead x 20
15	050216-02-000	FT	Spline Glass 19 Material - Black
16	002389-03-000	EA	Seal Holder w/Fin Seal - 23 19 Black
17	041928 02-000	FT	Extr Vinyl Window Seal - Black
18	073740-01-000	FT	Seal - Fin - Pile 460
19	078562-07-000	EA	Inside Mullion - Slider Window - Black
	002298 02 000	FT	Spline - 130 Dia - Charcoal (Screen)
	023713-02 000	EA	Weephole Cover - Black Plastic
	002293 02 000	SF	Screen - Window - 26 - Charcoal
	063977-08-000	EA	Step Asm - Single
			Not illustrated

1986 ITASCA
TABLE OF CONTENTS

INTRODUCTION	A 01
ABBREVIATIONS	A 01
ALPHABETICAL INDEX	A-02 A-04
ICN22RC	A-05 - C-16
ICN27RU	C-17 - F 02
ICN31RT	F 03 H 18
ICP31RT	H-19 K 06

1986 ICN22RC INDEX

Floor Plan	A 05 A 06
Accessories Group	A 07 A 09
Bath Group	A-10 - A-11
Chassis Group	A-12 - A-14
Curtain, Cushion & Pad Group	A 15 - A 21
Dinette Group	A 22
Driver's Compartment Group	A 23 - B-01
Electrical Group	B 02 - B 04
Exterior Body Group	B 05 - B-10
Galley Group	B 11 - B 13
Heating & Air Conditioning Group	B 14 - B 15
Interior Finish Group	B 16 - B-18
LP Group	B-19
Lounge Group	B 20
Water & Sewage Group	B 21 - B 22
Window Vent & Exterior Door Group	B 23 - C-16

WINDOW, VENT & EXTERIOR DOOR GROUP (CONTINUED)

DRIVER DOOR W/ROLL-UP WINDOW

Key	Part Number	U/M	Description
M82202-01	U13	EA	Door Asm. - w/Roll Up Window - Passenger
M82202-02	U13	EA	Door Asm. w/Roll Up Window - Driver
064184-02	000	EA	Drip Cap - Cab Door - Passenger
064184-01	000	EA	Drip Cap - Cab Door - Driver
M02004-03	000	EA	Jamb Asm - Cab Door - Passenger
M02004-04	000	EA	Jamb Asm - Cab Door - Driver
063993-12	000	EA	Hinge Asm. - Passenger
063993-10	000	EA	Hinge Asm. - Driver
062150-01	000	FT	Seal - Sponge (Jamb)
062150-02	000	FT	Seal - Sponge (Door)
063731-01	000	EA	Cap - Push On - Zinc
061400-06	000	EA	Assist Strap - Sandstone
064219-01	000	EA	Retainer Strap - Driver Door
066109-02	000	EA	Strap - Driver Door
063733-01	000	EA	Bushing - Flange - Nylon
063729-01	000	EA	Rivet - 1/4 x 20 uncl. - 030 125
061903-01	000	EA	Shall - Mounting Knob
061905-01	000	EA	Knob - Control - Slide Bolt - Passenger
061905-02	000	EA	Knob Control Slide Bolt - Driver
061906-01	000	EA	Slide Bolt Driver Door
061907-01	000	EA	Regulator Asm - Window - Passenger
061907-02	000	EA	Regulator Asm - Window - Driver
061910-01	000	FT	Channel - Window - Sliding
061912-01	000	EA	Weatherstrip - Rldgld
063806-09	000	EA	Assist Handle - Door
075722-01	000	EA	Block - Switch - Spacer
079215-01	000	EA	Frame Asm - Front Slant Slider
079421-01	T03	EA	Window Asm - Front Slant Slider - Passenger
079421-02	T03	EA	Window Asm - Front Slant Slider - Driver
073118-01	000	EA	Retainer - Attachment Plate
073119-01	000	EA	Attachment Plate - Striker
079561-01	000	EA	Shim - Strike - Cab Door
050216-02	000	FT	Spilne - Vinyl - Glass 19
057656-06	000	EA	Glass - 19 x 28 11' x 13 98
R77007-56-701		EA	Plate - Passenger Door Lock
R77007-56-702		EA	Plate - Driver Door Lock
R77040-01	538	EA	Door Handle
R77007-05-374		EA	Plate - Door Handle Spacer
R77006-50-326		EA	Door - Handle Inner - Driver
R77006-50-261		EA	Door - Handle Inner - Passenger
R77006-13-460		EA	Cap - Inner - Window Crank
072035-01	000	EA	Crank - Hand - Glass Lift
072036-02-000		EA	Cap - Crank - Hand
073110-02	000	EA	Rod Lock - Passenger
073110-03-000		EA	Rod Lock - Driver
R77006-64-355		EA	Link - Door Handle - Control
R77030-58-048		EA	Washer
R77030-33-009		EA	Nut - w/Washer
R77007-62-746		EA	Lock - Left Tumbler Assembly
R77007-62-747		EA	Lock - Right Tumbler Assembly
061408-01-000		EA	Glass - Door - Roll-Up
063223-02-000		EA	Lock Asm - Key Type (Set of 2)
076542-03	000	EA	Rod Control - Latch - Passenger
076542-04	000	EA	Rod Control - Latch - Driver

WINDOW, VENT & EXTERIOR DOOR GROUP (CONTINUED)

VENTS

Key	Part Number	U/M	Description
	071290-01-000	EA	Base Refrigerator Vent
	071290-02-000	EA	Cover - Refrigerator Vent - 11 5/8" x 24 3/4" - Galvanized Steel
	055218-01-000	EA	Cover Asm - Roof Vent
	079355-09-000	EA	Vent Stovehood - Outside - Belge
	076056-01-000	EA	Vent Asm, Roof Non Powered - w/o Screen
	079537-01-000	EA	Vent Asm. - Roof - Powered - w/o Screen
	078786-01-T03	EA	Screen Asm - Roof Vent - Non Powered
	078786-01-T03	EA	Screen Asm - Roof Vent - Powered
	077467-01-000	EA	Skylight - Fixed Dome (Bath)
	077907-01-000	EA	Collar - Skylight
	080506-01-000	EA	Panel - Skylight Inner
	080507-01-000	EA	Panel - Skylight Outer
	080258-01-000	EA	Trim - Skylight

ACCESS DOORS

Key	Part Number	U/M	Description
	M79436-03-T09	EA	Door Asm Storage - 25 3" Gray
	079578-02-T09	EA	Door Asm - Storage - 30 30" - Gray
	069951-01-T09	EA	Door Asm - Battery Gray
	M01883-01-T09	EA	Door Asm - Generator Gray
	M79435-03-T09	EA	Door Asm, Storage - Gray
	078969-03-T09	EA	Door Asm, Refrigerator Access - Gray
	062009-03-000	EA	Door - Water Heater - Gray
	052423-03-000	EA	Door - Sewer Hose - Gray
	075726-01-000	EA	Outlet Extension - Sewage
	075730-07-000	EA	End Cap - Sewage Hose
	078010-05-000	EA	Door - Fuel Fill - Gray
	063742-03-000	EA	Door - Power Cord - Gray
	052424-03-000	EA	Jamb - Power Cord/Sewage - Gray
	054543-03-000	EA	Hatch - Power Cord
	052181-02-000	EA	Baffle - Generator Door
	083616-03-000	EA	Door Stop - Gray
	054530-01-000	EA	Door Holder
	041312-01-000	EA	Seal - Bulb - 'E' Section
	042442-01-000	EA	Lock Asm - Twist Type
	009003-01-000	EA	Lock Asm - Twist Type - w/Clip
	047305-01-000	EA	Lock Asm - Key Type w/Clip
	077408-01-000	EA	Lock Asm - Key Type
	079366-01-000	EA	Lock Asm - Key Type
	079927-01-000	EA	Lock Asm - Twist Type
	042441-01-000	EA	Lock Asm - Key Type
	083223-01-000	EA	Lock Asm - Key Type
	083223-02-000	EA	Lock Asm - Key Type

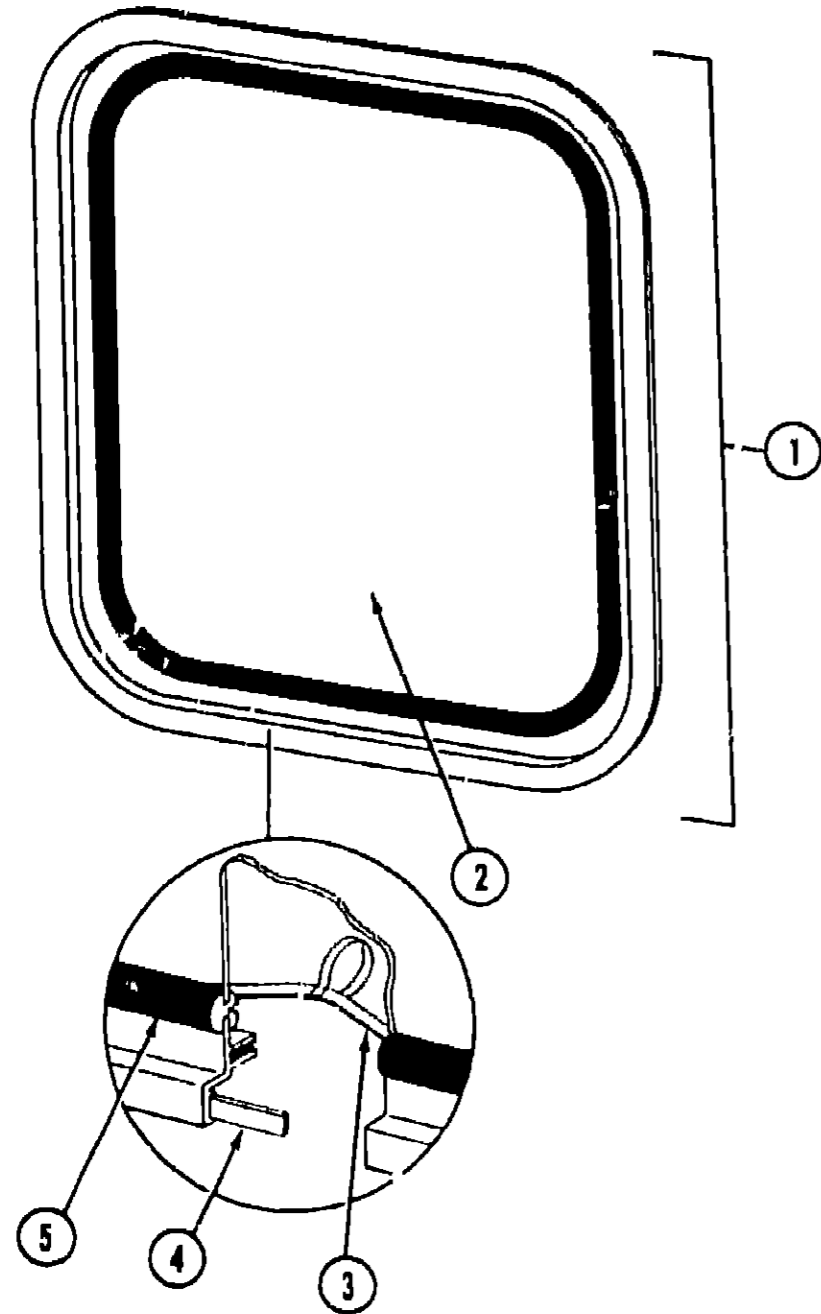
**1986 ITASCA
TABLE OF CONTENTS**

INTRODUCTION	A-01
ABBREVIATIONS	A 01
ALPHABETICAL INDEX	A 02 - A 04
ICN22RC	A 05 - C 16
ICN27RU	C 17 - F 02
ICN31RT	F 03 - H 18
ICP31RT	H-19 - K 06

1986 ICN22RC INDEX

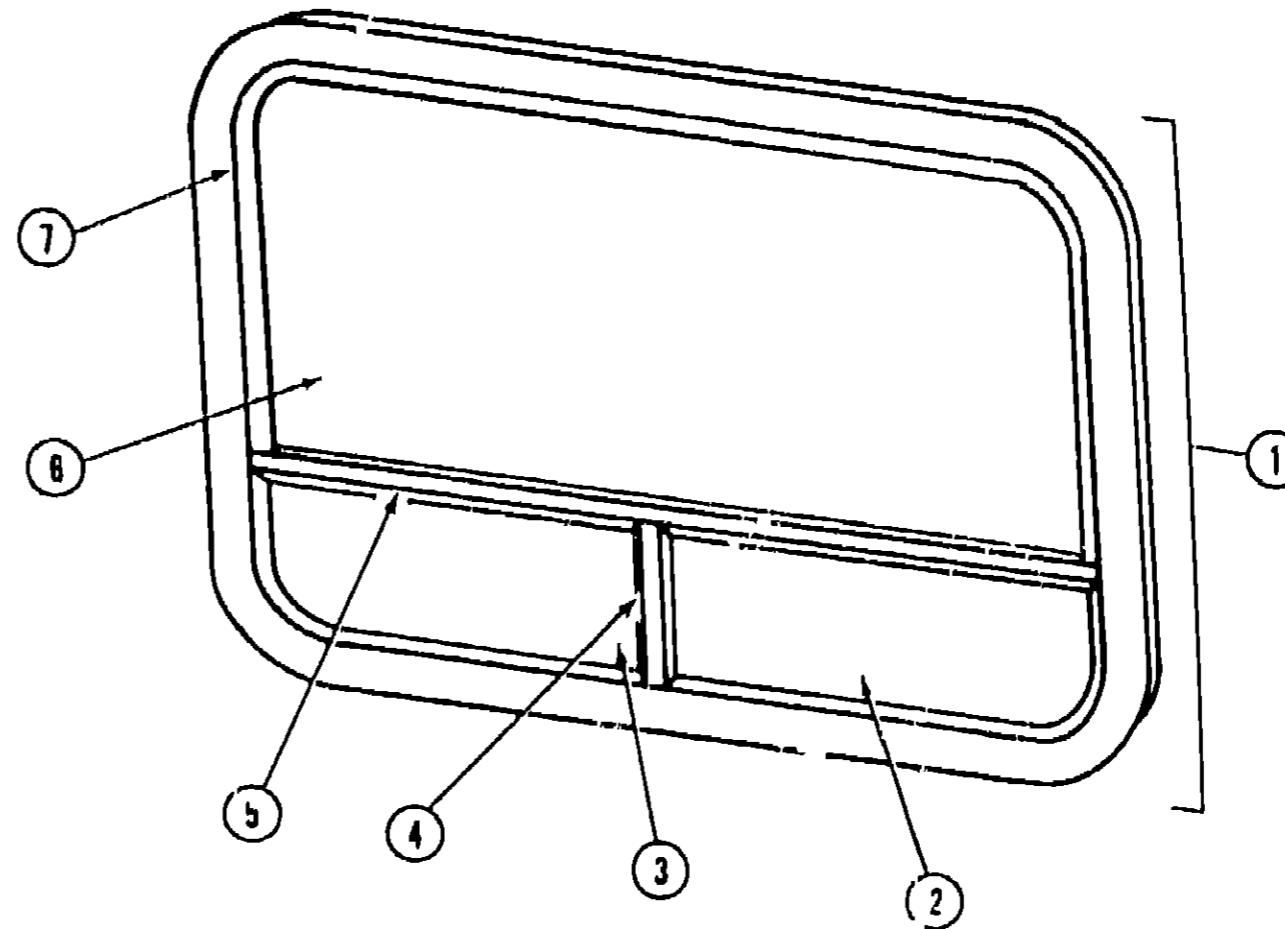
Floor Plan	A 05 - A 06
Accessories Group	A 07 - A 09
Bath Group	A 10 - A 11
Chassis Group	A 12 - A-14
Curtain Cushion & Pad Group	A 15 - A 21
Dinette Group	A 22
Driver's Compartment Group	A 23 - B-01
Electrical Group	B 02 - B-04
Exterior Body Group	B 05 - B-10
Galley Group	B-11 - B-13
Heating & Air Conditioning Group	B-14 - B 15
Interior Finish Group	B 16 - B-18
LP Group	B-19
Lounge Group	B-20
Water & Sewage Group	B 21 - B-22
Window Vent & Exterior Door Group	B-23 - C-16

WINDOW, VENT & EXTERIOR DOOR GROUP (CONTINUED)



Key	Part Number	U/M	Description
1	079729 02-T03	EA	Window Asm - Escape 22' x 24' - Black (w/o inside frame)
	079771-01 000	EA	Inside Frame - Window - Beige (not included in assembly)
2	041392-03 000	EA	Glass 1/8' x 21 65' x 19 61'
3	002285-01 000	FT	Filler Weatherstrip - Black
4	069640-06 000	FT	Ribbon Sealer 5/16 Bead x 15
5	002282-01 000	FT	Weatherstrip - Window - 125' - Black
	023713 02 000	EA	Weephole Cover - Black Plastic
	006199 01 000	EA	Label Exit - Escape Window
	Not illustrated		

WINDOW, VENT & EXTERIOR DOOR GROUP (CONTINUED)



Key	Part Number	U/M	Description
1	081588 02 U01	EA	Window Asm 62" x 31' - Double Tipout
	081822-06-000	EA	Inside Frame - Black (not included in assembly)
2	081434 01-U01	EA	Window Asm Lower - Tipout - Right Hand
3	081434 02-U01	EA	Window Asm Lower Tipout Left Hand
	081239 07-000	EA	Glass - Tipout - 1/8" x 30' x L 3/4' Left or Right
4	083112-05 000	EA	Mullion - Black
5	081814-01 000	EA	Mullion - Black
	081422-01-U01	EA	Screen Asm - Tipout - Right Hand
	081422-02-U01	EA	Screen Asm - Tipout - Left Hand
	081243-01 000	EA	Screen Clip - Plastic - Black
	035302 01-000	EA	Operating Mech - Right Hand
	035302-02 000	EA	Operating Mech - Left Hand
6	081239-11-000	EA	Glass - Stationary - 1/8' x 61 3/4' x 20 1/2'
7	003180-01-000	EA	Window Seal
	081357-01-000	EA	Bulb Seal (Tipout)
	081359 01-000	EA	Window Seal (Tipout)
	Not illustrated		

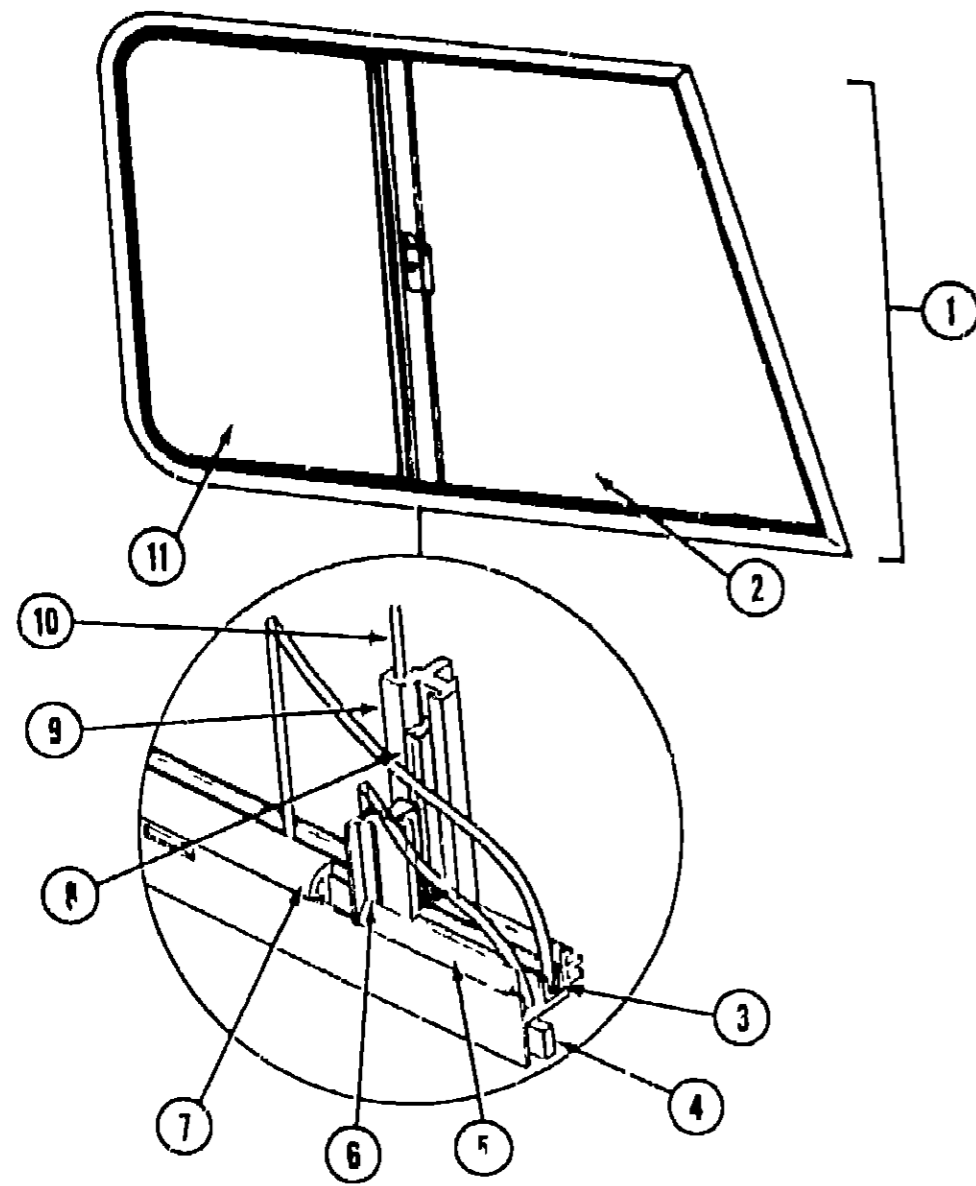
**1986 ITASCA
TABLE OF CONTENTS**

INTRODUCTION	A-01
ABBREVIATIONS	A-01
ALPHABETICAL INDEX	A 02 - A-04
ICN22RC	A 05 - C-16
ICN27RU	C 17 - F 02
ICN31RT	F 03 - H 18
ICP31RT	H 19 - K 06

1986 ICN22RC INDEX

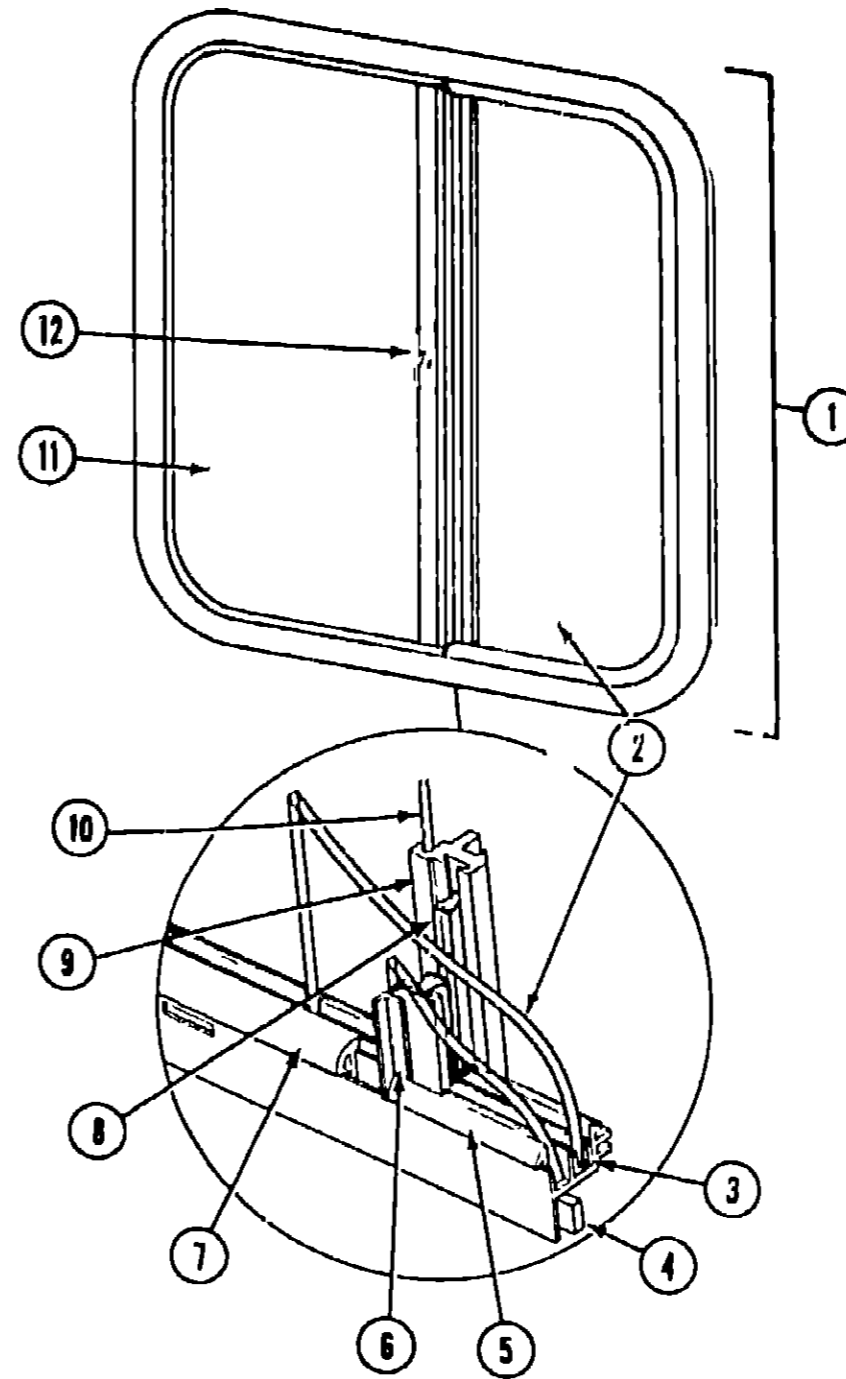
Floor Plan	A 05 - A-06
Accessories Group	A 07 - A 09
Bath Group	A-10 A 11
Chassis Group	A-12 A 14
Curtain Cushion & Pad Group	A-15 - A 21
DINETTE Group	A 22
Diver's Compartment Group	A 23 B 01
Electrical Group	B 02 - B-04
Exterior Body Group	B 05 B 10
Galleys Group	B 11 B 13
Heating & Air Conditioning Group	B 14 B 15
Interior Finish Group	B 16 - B-18
LP Group	B 19
Lounge Group	B 20
Water & Sewage Group	B 21 - B 22
Window Vent & Exterior Door Group	B 23 - C 16

WINDOW, VENT & EXTERIOR DOOR GROUP (CONTINUED)



Key	Part Number	U/M	Description
1	082057 01 U04	EA	Window Asm - Front Slant Slider - Passenger (w/o inside frame)
1	082057-02-U04	EA	Window Asm - Front Slant Slider - Driver (w/o inside frame)
	079573 01-T03	EA	Inside Frame - Slant Slider - Passenger (not included in assembly)
	079573 02-T03	EA	Inside Frame - Slant Slider - Driver (not included in assembly)
2	057656-03 000	EA	Glass - 19' x 28 11' x 27' - Stationary (Passenger)
2	057656-05 000	EA	Glass - 19' x 28 11' x 27' - Stationary (Driver)
3	042077-01 000	FT	Channel - Weatherstrip 3/16 Glass
4	069640-01-000	FT	Ribbon Sealer 1/4' Bead x 20
5	050216-02-000	FT	Window Seal - 19 - Glass
6	002389-03-203	EA	Seal Holder w/Fin Seal - 27 12 Black
7	057374-02-000	FT	Extr Rubber - Window Seal - Black
8	073740-01-000	FT	Seal Fin - Pile - 460
9	078562 07-000	EA	Mullion - Slider Window - Black
10	002298-02-000	FT	Spline - 130 Dia - Charcoal (Screen)
11	081980-06-000	EA	Glass - 19 x 28 11 x 14 88 Sliding
	079204-01-000	EA	Bracket - Mullion Black
	079574-01-T03	EA	Slider Screen Asm - Passenger
	079574-02-T03	EA	Slider Screen Asm - Driver
	002291-02-000	SF	Screen Window 16 Charcoal
	016310 03-000	EA	Handle Slider Screen Black
	047369-01-700	EA	Latch Kit - Window - Plastic w/Fastener
			Not illustrated

WINDOW, VENT & EXTERIOR DOOR GROUP (CONTINUED)



Key	Part Number	U/M	Description
1	078266-02-T03	EA	Window Asm - Single Slider (w/o inside frame)
	083122 03-000	EA	Inside Frame - Beige (not included in assembly)
2	081980-05-000	EA	Glass - Sliding - 1/8 x 19 x 13 68
3	002324-02-000	FT	Channel - Weatherstrip - Glass Run - 1/8 Glass
4	069640 06-000	FT	Ribbon Sealer - 5/16 Bead x 15
5	002309 02 000	FT	Spline - Glass 1/8 Material - Black
6	M69886-03 011	EA	Seal Holder w/Fin Seal - Black
7	057374-02-000	FT	Extr Rubber - Window Seal - Black
8	073740 01-000	FT	Seal - Fin - Pile - 460
9	078562-02 000	EA	Mullion - Slider Window - Black
10	002298 02 000	SF	Spline - 130 Dia - Charcoal (Screen)
11	081984-03 000	EA	Glass - Stationary - 1/8 x 19 x 12 30
12	047369-01-700	EA	Latch Kit - Window - Plastic w/Fastener
	079204-01-000	EA	Bracket - Mullion - Black
	002291-02-000	SF	Screen - Window 16 - Charcoal
			Not illustrated

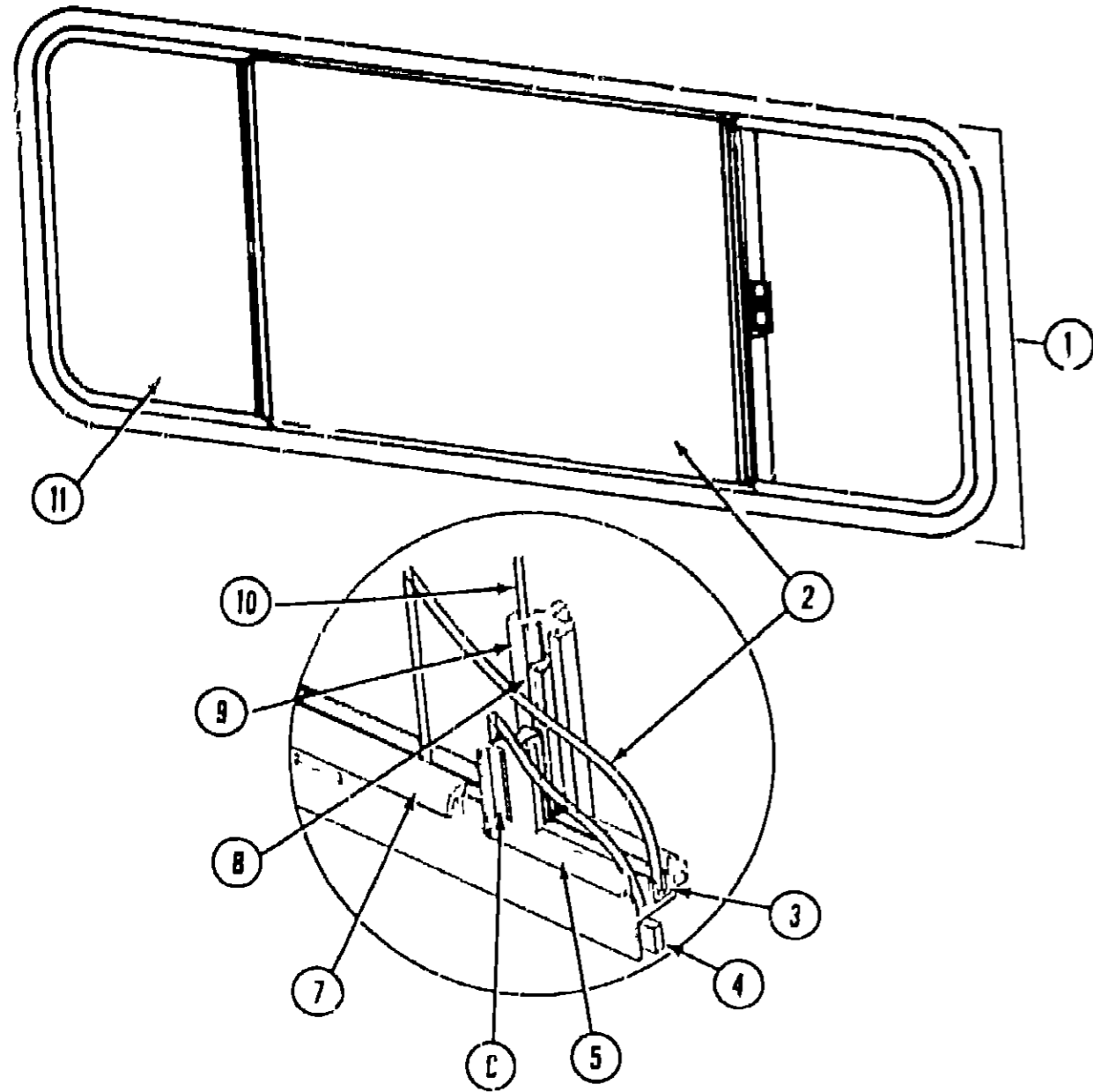
**1986 ITASCA
TABLE OF CONTENTS**

INTRODUCTION	A 01
ABBREVIATIONS	A 01
ALPHABETICAL INDEX	A 02 A 04
ICN22RC	A 05 - C 16
ICN27RU	C 17 - F 02
ICN31RT	F 03 - H 18
ICP31RT	H 19 K 06

1986 ICN22RC INDEX

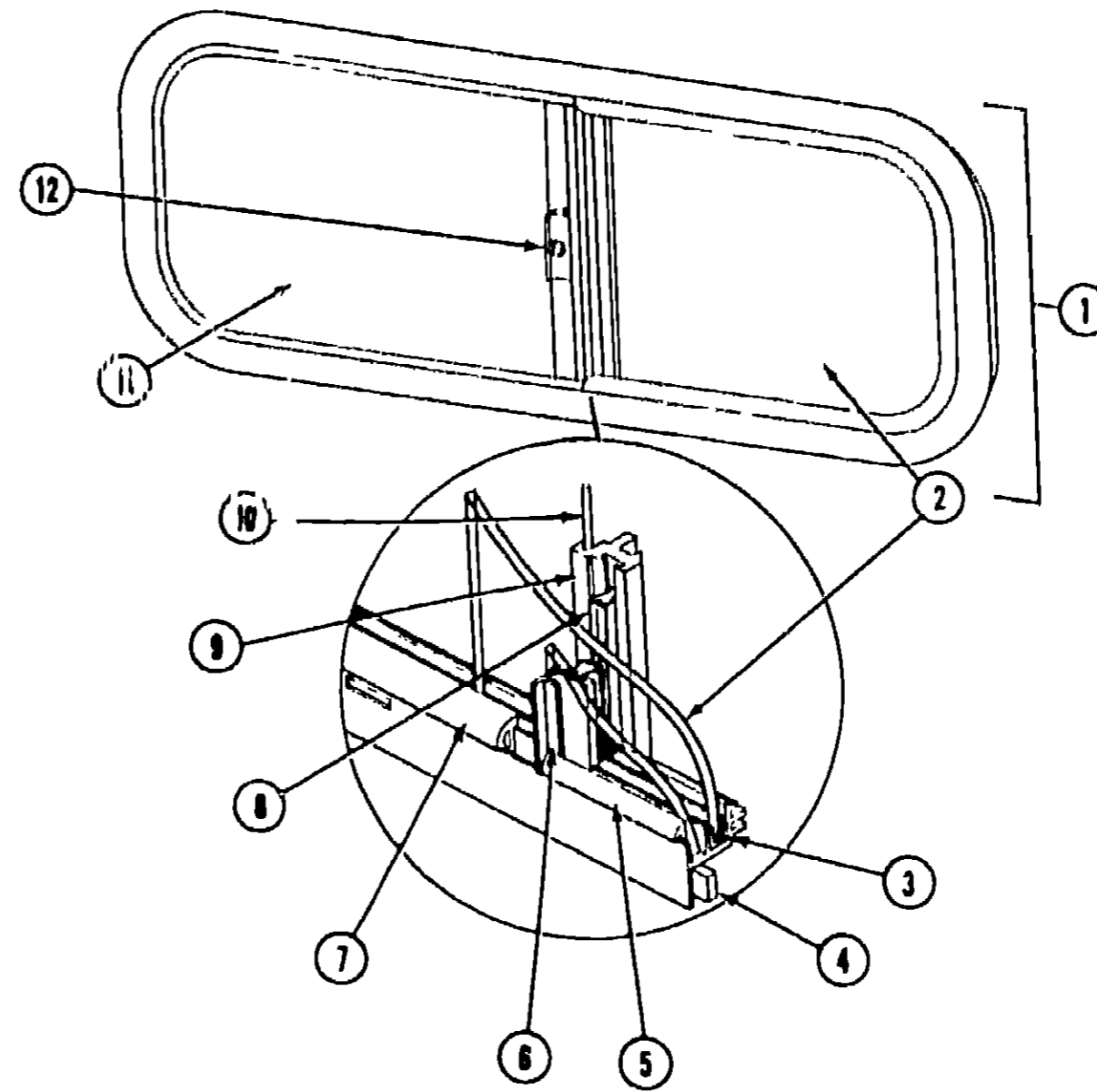
Floor Plan	A 05 - A 06
Accessories Group	A 07 A 09
Bath Group	A 10 - A 11
Chassis Group	A 12 - A-14
Curtain, Cushion & Pad Group	A-15 - A 21
Diante Group	A 22
Driver's Compartment Group	A 23 - B 01
Electrical Group	B 02 B 04
Exterior Body Group	B 05 - B 10
Galley Group	B 11 - B-13
Heating & Air Conditioning Group	B-14 - B-15
Interior Finish Group	B 16 - B-18
LP Group	B-19
Lounge Group	B 20
Water & Sewage Group	B 21 - B 22
Window, Vent & Exterior Door Group	C 23 - C-16

WINDOW, VENT & EXTERIOR DOOR GROUP (CONTINUED)



Key	Part Number	U/M	Description
1	078271-01-T03	EA	Window Asm - Center Slider (w/o inside frame)
	083122-11 000	EA	Inside Frame - Center Slider - Beige (not included in assembly)
2	066727-02-000	EA	Glass - Sliding - 1/8' x 25.5 x 24
3	002324-02 000	FT	Channel - Weatherstrip - Glass Run - 1/8 Glass
4	069640 06 000	FT	Ribbon Sealer 5/16 Bead x 15
5	002309-02-000	FT	Spline - Glass - 1/8 Material - Black
6	M69886-03-103	EA	Seal Holder w/Fin Seal - Black
7	057374-02-000	FT	Extr Rubber - Window Seal - Black
8	073740-01-100	FT	Seal - Fin Pile - 400
9	078562-02-000	EA	Mullion - Slider Window - Black
10	002298-02 000	FT	Spline - 130 Dia - Charcoal (Screen)
11	081984 07-000	EA	Glass - Stationary - 1/8' x 24 x 16.5
	079204-01-000	EA	Bracket - Mullion - Black
	047369-01-700	EA	Latch Kit - Window - Plastic w/Fastener
	002293-02 000	SF	Screen - Window 26 - Charcoal
			Not illustrated

WINDOW, VENT & EXTERIOR DOOR GROUP (CONTINUED)



Key	Part Number	U/M	Description
1	078266-01-T03	EA	Window Asm - Single Slider - Black (w/o inside frame)
	083122-01 000	EA	Inside Frame - Beige (not included in assembly)
2	081980-03-000	EA	Glass Slider - 1/8 x 14.40 x 19
3	002324-02 000	FT	Channel - Weatherstrip - Glass Run - 1/8 Glass
4	069640-06-000	FT	Ribbon Sealer 5/16 Bead x 15'
5	002309-02 000	FT	Spline - Glass - 1/8 Material - Black
6	M69886-03-007	EA	Seal Holder w/Fin Seal - Black
7	047273-01-000	FT	Extr Rubber - Window Seal - Black
8	073740-01-000	FT	Seal - Fin - Pile - 460
9	078562-01-000	EA	Mullion - Slider Window - Black
10	002298-02-000	FT	Spline - 130 Dia - Charcoal (Screen)
11	081984-02-000	EA	Glass - Stationary - 1/8 x 14.40 x 19.00
12	047369-01 700	EA	Latch Kit - Window - Plastic w/Fastener
	002291-02-000	SF	Screen - Window - 16 - Charcoal
	079204-01-000	EA	Bracket - Mullion - Black
			Not illustrated

**1986 ITASCA
TABLE OF CONTENTS**

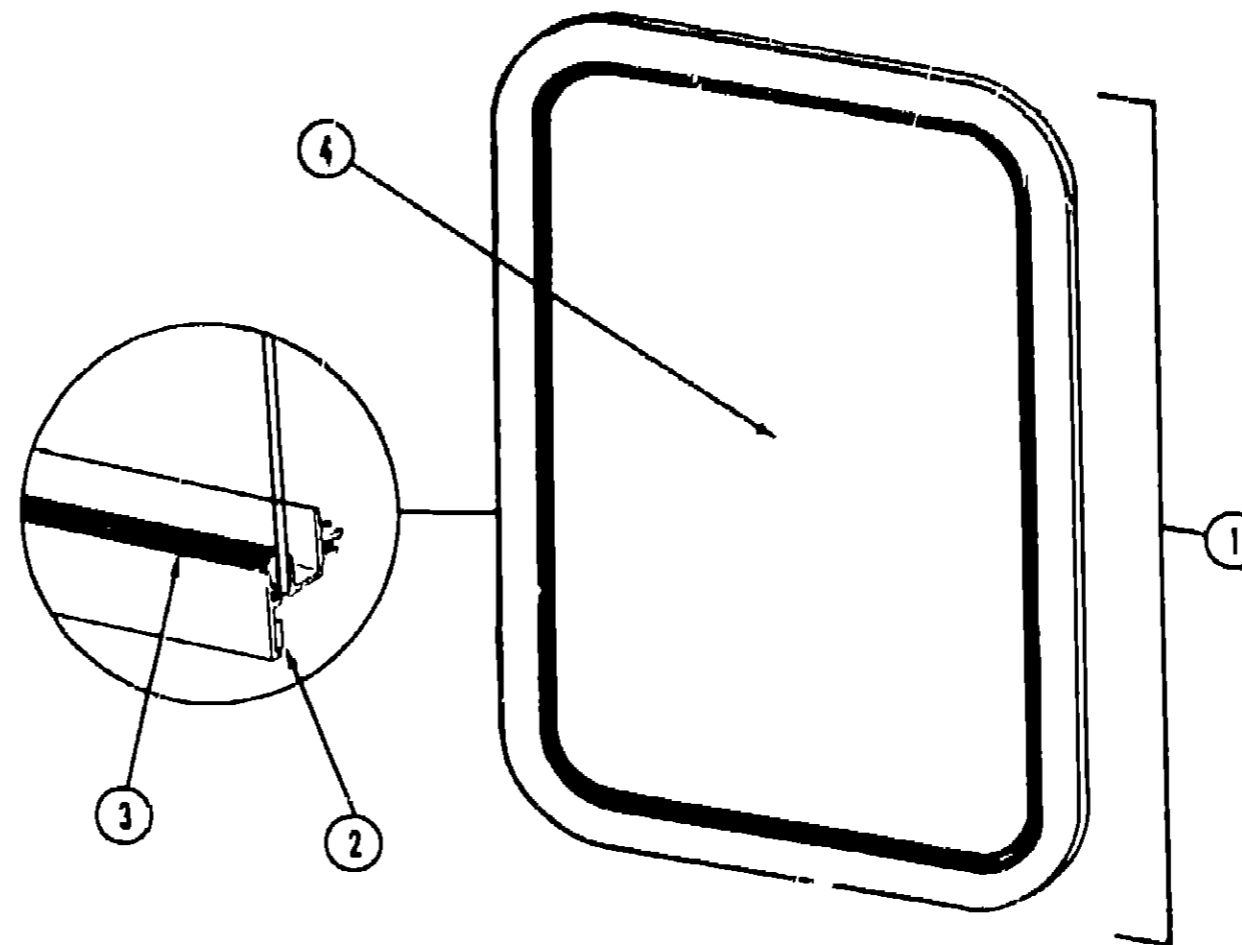
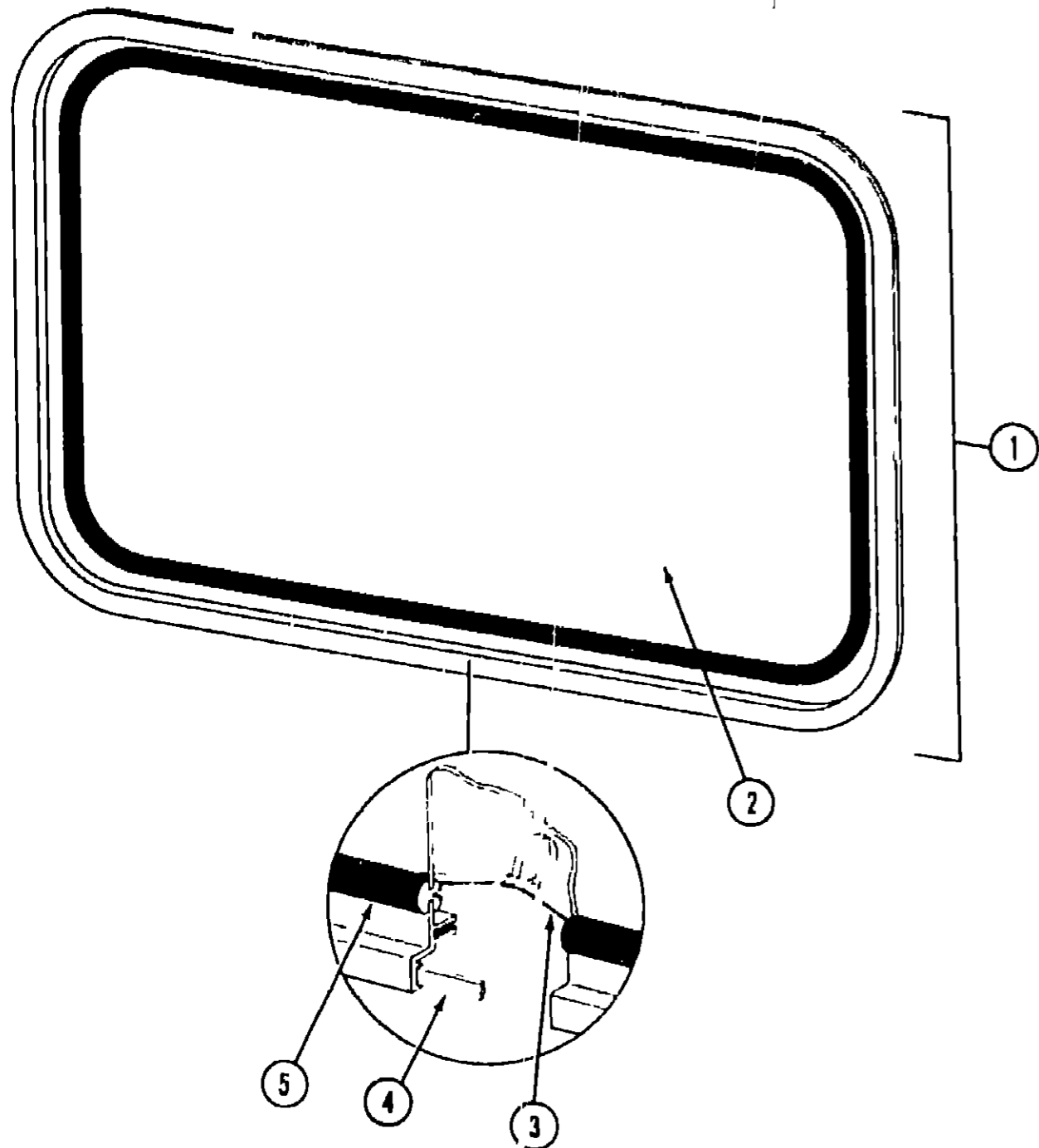
INTRODUCTION	A 01
ABBREVIATIONS	A 01
ALPHABETICAL INDEX	A 02 - A-04
ICN22RC	A-05 - C-16
ICN27RU	C 17 - F-02
ICN31RT	F 03 - H 18
ICP31RT	H 19 - K 00

1986 ICN22RC INDEX

Floor Plan	A 05 - A-06
Accessories Group	A-07 - A-09
Bath Group	A-10 - A-11
Chassis Group	A-12 - A-14
Curtain Cushion & Pad Group	A-15 - A 21
Dinette Group	A 22
Driver's Compartment Group	A-23 - B-01
Electrical Group	B 02 - B-04
Exterior Body Group	B-05 - B-10
Galley Group	B-11 - B 13
Heating & Air Conditioning Group	B-14 - B-15
Interior Finish Group	B 16 - B 18
LP Group	B-19
Lounger Group	B 20
Water & Sewage Group	B 21 - B-22
Window Vent & Exterior Door Group	B-23 - C-16

WINDOW, VENT & EXTERIOR DOOR GROUP (CONTINUED)

WINDOW, VENT & EXTERIOR DOOR GROUP (CONTINUED)



Key	Part Number	U/M	Description
1	079415-01-T03	EA	Window Asm - Escape - 23 x 29 Black (w/o inside frame)
	020749 03-000	EA	Inside Frame - Window - Brown (not included in assembly)
2	002174-01 000	EA	Glass 1/8 x 19 61 x 25 92
3	002285 01-000	FT	Filler Weatherstrip Black
4	069640-06-000	FT	Ribbon Sealer - 5/16 Bead x 15
5	002282-01-000	FT	Weatherstrip - Window - 125 Black
	023713 02-000	EA	Weephole Cover - Black Plastic
	006199 01-000	EA	Label - Exit - Escape Window
	Not illustrated		

Key	Part Number	U/M	Description
1	07973J 01 T03	EA	Window Asm - Picture (w/o inside frame)
	041696 15 000	EA	Inside Frame - Beige (not included in assembly)
2	069640 06 000	EA	Ribbon Sealer - 5/16 Bead x 15
3	002309 02 000	FT	Spline - Glass 1/8 Black
4	002181 01-000	EA	Glass - 1/8 x 12 x 22
	Not illustrated		

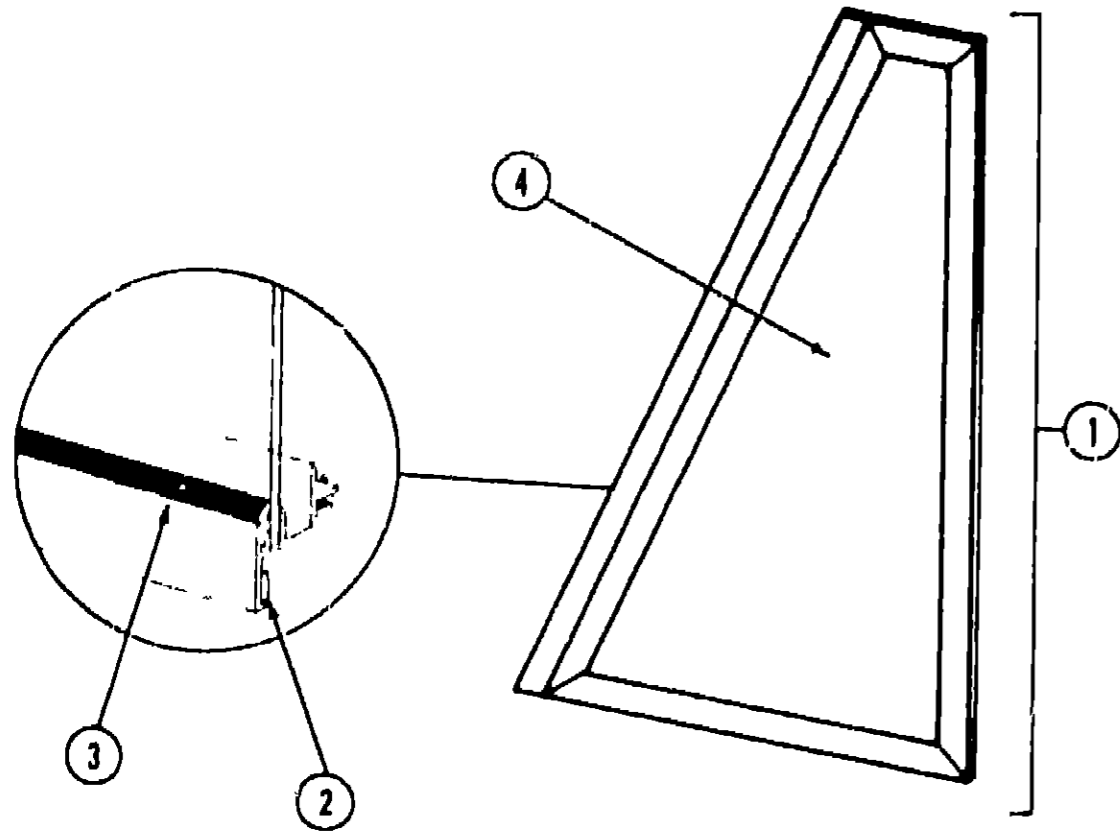
**1986 ITASCA
TABLE OF CONTENTS**

INTRODUCTION	A-01
ABBREVIATIONS	A 01
ALPHABETICAL INDEX	A 02 - A-04
ICN22RC	A 05 - C 16
ICN27RU	C 17 - F 02
ICN31RT	F 03 - H 18
ICP31RT	H 19 - K 06

1986 ICN22RC INDEX

Floor Plan	A 05	A-06
Accessories Group	A-07	A-09
Bath Group	A 10	A-11
Chassis Group	A-12	A-14
Curtain Cushion & Pad Group	A-15	A 21
Dinette Group		A 22
Driver's Compartment Group	A-23	B-01
Electrical Group	B-02	B-04
Exterior Body Group	B-05	B 10
Galley Group	B-11	B 13
Heating & Air Conditioning Group	B-14	B 15
Interior Finish Group	B-16	B 18
LP Group		B 19
Lounge Group		B 20
Water & Sewage Group	B 21	B 22
Window Vent & Exterior Door Group	B 23	C 16

WINDOW, VENT & EXTERIOR DOOR GROUP (CONTINUED)



Key	Part Number	U/M	Description
1	079421 01 T03	EA	Window Asm - Front Slant - Passenger (w/o inside frame)
1	079421-02 T03	EA	Window Asm - Front Slant - Drivers (w/o inside frame)
	079215 01-000	EA	Inside Frame - Front Slant - Passenger - Beige (not included in assembly)
	079215-02-000	EA	Inside Frame - Front Slant - Drivers - Beige (not included in assembly)
2	060640 01 000	EA	Tape - 1/4" Bead x 20'
3	002309-02 000	EA	Spigot - Glass - 1/8" - Black
4	057656-04 000	EA	Glass - 19 x 28 11' x 13 98
	Not illustrated		

**1986 ITASCA
TABLE OF CONTENTS**

INTRODUCTION	A 01
ABBREVIATIONS	A-01
ALPHABETICAL INDEX	A 02 A 04
ICN22RC	A 05 - C 16
ICN27RU	C-17 - F 02
ICN31RT	F 03 H 18
ICP31RT	H 19 K 08

1986 ICN22RC INDEX

Floor Plan	A 05 A 06
Accessories Group	A 07 - A-09
Bath Group	A-10 - A-11
Chassis Group	A-12 - A-14
Curtain Cushion & Pad Group	A-15 - A 21
Dinette Group	A-22
Driver's Compartment Group	A 23 - B-01
Electrical Group	B 02 - B 04
Exterior Body Group	B 05 B 10
Galley Group	B 11 - B 13
Heating & Air Conditioning Group	B 14 - B 15
Interior Finish Group	B 16 - B-18
LP Group	B 19
Lounge Group	B-20
Water & Sewage Group	B-21 - B 22
Window Vent & Exterior Door Group	B 23 - C-16