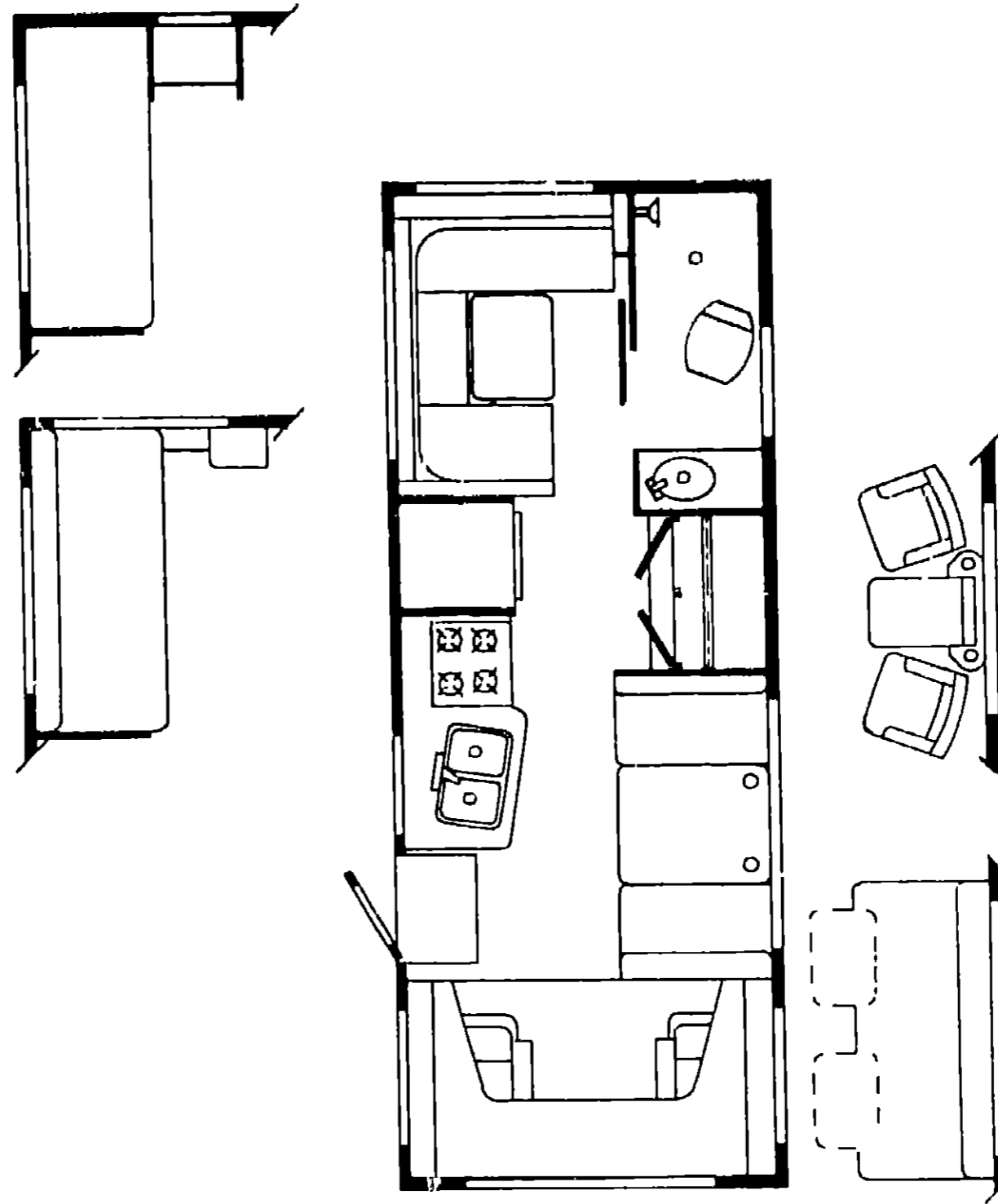


# 1986 IC424RS



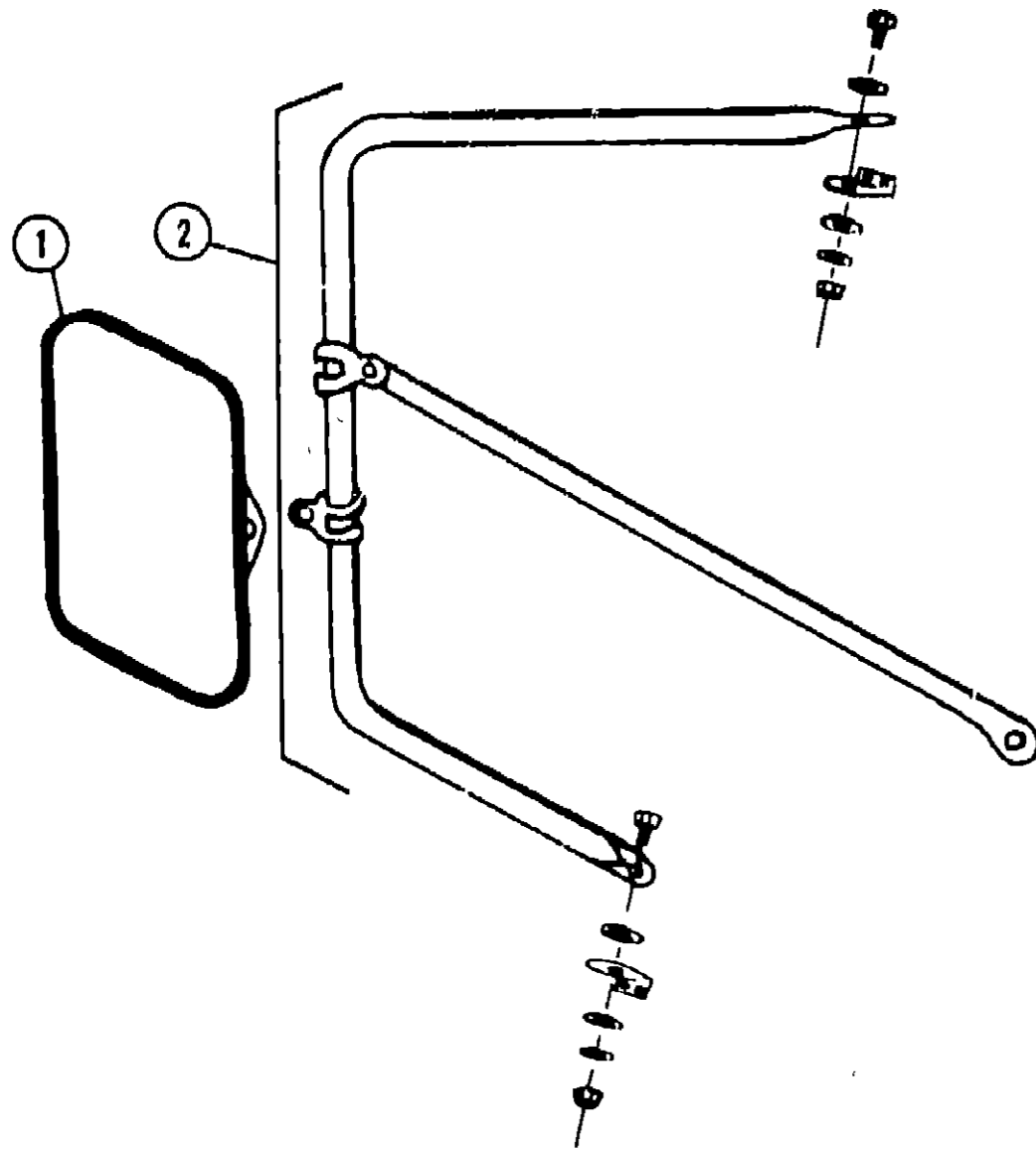
## 1986 ITASCA TABLE OF CONTENTS

IC420RG	A 01 - C 02
IC424RS	C 03 - E-10
ICN23RG	E-11 - C 23
ICN27RT	H 01 - J 14

## 1986 IC424RS INDEX

Floor Plan	C-03 - C 04
Accessories Group	C 05 - C 07
Bath Group	C 08
Chassis Group	C-09 - C 10
Curtain, Cushion & Pad Group	C 11 - C 19
Dinette Group	C-20 - C 21
Driver's Compartment Group	C-22 - C 23
Electrical Group	C-24 - D 02
Exterior Body Group	D 03 - D 08
Galley Group	D 09 - D 10
Heating & Air Conditioning Group	D 11
Interior Finish Group	D-12 - D 14
LP Group	D 15
Lounge Group	D-16 - D 17
Water & Sewage Group	D-18 - D 19
Window Vent & Exterior Door Group	D 20 - E 10

**ACCESSORIES GROUP**



**EXTERIOR MIRRORS**

Key	Part Number	U/M	Description
1	049347-01-000	EA	Mirror Head - 7 1/2 x 10 1/2 - Stainless Steel
2	062047-01-000	EA	Arm - West Coast Mirror - Stainless Steel
2	062047-02-000	EA	Arm - West Coast Mirror - Off White
.	006043-01-000	EA	Mirror - Convex - Adhesive Back
.			Not illustrated

**WHEEL COVER & MOUNTING HARDWARE**

Key	Part Number	U/M	Description
	064082-02-000	EA	Retaining Nut - Delmet - Wheel Cover
	073426-01-700	EA	Wheel Cover - Bolt On - 16" or 16 5" - Delmet (1)
	083181-02-000	EA	Wheel Cover - 16 5 (Set/4)
	083181-02-700	EA	Wheel Cover - 16 5" (1)

**ACCESSORIES GROUP (CONTINUED)**

**MISCELLANEOUS ACCESSORIES**

Key	Part Number	U/M	Description
	054185-24-000	EA	Owners Manual - 1988 - Itasca & Winnebago
	706033-02-000	EA	Antenna - TV Skyliner w/8" Shaft - Braund Delux
	078319-01-000	EA	Antenna - TV Roof Mount - 44.5" Mast
	078319-01-700	EA	RVSA Sensor Antenna
	078319-01-701	EA	Elevating Gear
	078319-01-702	EA	Shaft Elevating Asm.
	078319-01-703	EA	Nylon Bearing - #5
	078319-01-704	EA	Nylon Bearing
	078319-01-705	EA	Nylon Bearing
	078319-01-706	EA	Crank - Elevating - w/Set Screw
	078319-02-000	EA	Antenna - TV Roof Mount - 23.5" Mast
	078319-03-000	EA	Cable - Coaxial 1000' - 75 OHM
	078319-04-000	CA	Connector & Ferrule
	078319-05-000	EA	Wallplate - Power Supply - Ivory
	078319-06-000	EA	Adaptor - Cable Roof Plate
	078319-07-000	EA	Wallplate - Power Supply - Brown
	078319-08-000	EA	Wallplate - Receptacle - Ivory
	078319-09-000	EA	Wallplate - Receptacle - Brown
	064089-01-000	EA	Mud Flap - Rubber - Black (Front)
	017518-01-000	EA	Mud Flap w/Holes - 14" x 18" - Black (Back)
	041844-03-000	EA	Fire Extinguisher - w/Bracket - 5BC
	041844-02-000	EA	Bracket - Fire Extinguisher
	081379-01-000	EA	Microwave/Convection Oven - Sharp
	081459-01-000	EA	Bracket Asm. - Microwave - Right
	081459-02-000	EA	Bracket Asm. - Microwave - Left
	082878-01-000	EA	Baffle - Microwave
	081555-01-T03	EA	Trim Asm. - Microwave Oven
	081456-01-000	EA	Angle Asm. - Microwave Oven - Right
	081456-02-000	EA	Angle Asm. - Microwave Oven - Left
	080997-01-T03	EA	Ladder Asm. - Upper
	080997-01-T03	EA	Ladder Asm. - Lower
	081026-01-T03	EA	Rack Asm. - Right
	081026-02-T03	EA	Rack Asm. - Left
	044860-01-000	EA	Mat - Stepwell - Black - Passenger
	044860-02-000	EA	Mat - Stepwell - Black - Driver
	072852-01-000	EA	Smoke Detector w/9 Volt Battery
	079664-02-000	EA	Weather Center - 8.5" x 8 5"
	079664-01-000	EA	Clock - 8.5" x 8 5"
	006069-01-000	EA	Key Case - Leather
	080208-01-000	EA	Lug Wrench
	080208-02-000	EA	Leverage Bar - Lug Wrench
	006113-01-000	EA	Jack - Hydraulic - 6 Ton - w/Handle
	079941-01-000	EA	Lamp Asm - Fog w/Cover - Amber
**	083212-04-000	EA	Speed Control - Electric
**	The illustrated parts breakdown for this item is provided on the Common Items Fiche.		

**ELECTRIC STEP ASSEMBLY**

Key	Part Number	U/M	Description
	075461-01-000	EA	Electric Step Asm w/Light
	075461-01-700	EA	Motor
	041250-01-000	EA	Door Switch
	075461-01-704	EA	Under Step Control Unit
	075461-01-705	EA	4-Way Plug (Dash End)
	075461-01-706	EA	Kill Switch
	075461-01-707	EA	Step Light
	075461-01-708	EA	4-Way Plug (Control Box End)
	075461-01-709	EA	90 Degree Plug
	075461-01-710	EA	Gear
	075461-01-711	EA	Drive Link
	076241-01-000	EA	Support Asm - Step
	075723-02-000	EA	Block - Switch Spacer w/Holes

**1988 ITASCA  
TABLE OF CONTENTS**

IC420RG	A-01 - C-02
IC424RS	C-03 - E-10
ICN23RG	E-11 - G-23
ICN27RT	H-01 - J-14

**1988 IC424RS INDEX**

Floor Plan	C-03 - C-04
Accessories Group	C-05 - C-07
Bath Group	C-08
Chassis Group	C-09 - C-10
Curtain, Cushion & Pad Group	C-11 - C-19
Dinette Group	C-20 - C-21
Driver's Compartment Group	C-22 - C-23
Electrical Group	C-24 - D-02
Exterior Body Group	D-03 - D-08
Galley Group	D-09 - D-10
Heating & Air Conditioning Group	D-11
Interior Finish Group	D-12 - D-14
LP Group	D-15
Lounge Group	D-16 - D-17
Water & Sewage Group	D-18 - D-19
Window, Vent & Exterior Door Group	D-20 - E-10

## ACCESSORIES GROUP (CONTINUED)

### RADIO & RELATED COMPONENTS

Key	Part Number	U/M	Description
	007004 01 000	EA	Antenna Radio - Cab Mount
	064792 01 000	EA	Grille Speaker - 5 25" - w/Mesh - Brown
	074482 02 000	EA	Radio - AM/FM/MPX w/Cassette - Audiovox - HCC565
	073430 02 000	EA	Radio AM/FM/MPX w/Cassette - Electronic Tune Audiovox HCC1150
	074979 01 000	EA	Speaker Cover Protector - Plastic
	073431 01 000	EA	Speaker 5 25 3/Way (Pair)
	064791 01 000	EA	Speaker Recessed 5 25'
	073741 01 000	EA	Speaker 4" x 8" Oval

### GENERATORS & COMPONENTS

Key	Part Number	U/M	Description
	052188 01 000	EA	Generator - Onan 4 25 kw
	079654 04 000	EA	Generator - Emerald 4 0 kw
	701629 02 000	EA	Installation Package Onan
	701629 02 000	EA	Installation Package Emerald
	024732 01 016	EA	Tailpipe 1 5' O D x 43 50
	082272 01 000	EA	Muffler Generator w/Spark Arrestor Nelson
	007067 01 000	EA	Insulation - Fiberglass - 1'
	076045 01 000	EA	Plate Support Generator
	079654 05 000	EA	Pipe & Accessories Kit Emerald

### CHROME WHEEL LINERS

Key	Part Number	U/M	Description
	081608 05 000	EA	Cover - Lug Nut - Chrome Liner
	081608 06 000	EA	Ring Spiral - Chrome Liner
	081608 07 000	EA	Cover - Rear Axle - Chrome Liner
	081608 08 000	EA	Cover - Front Axle - Chrome Liner
	081608 09 000	EA	Liner Front Wheel - Chrome
	081608 10 000	EA	Liner Rear Wheel - Chrome

## BATH GROUP

### BATH CABINERY

Key	Part Number	U/M	Description
	M82257 01 U10	EA	Cabinetry Asm Lavatory - w/o Doors, Countertop, or Hardware
	M02413 01 U10	EA	Countertop Asm - Lavatory
	081894-02 U10	EA	Drawer Asm - Lavatory w/o Hardware
	M81505 11 U10	FA	Door Asm - Lavatory Cabinet Right - w/o Hardware
	M81505 12 U10	EA	Door Asm - Lavatory Cabinet Left w/o Hardware
	M82297-01 U01	EA	Cabinet Asm. - Medicine w/o Doors or Hardware
	M81504 30 U10	EA	Door Asm - Medicine Cabinet - 37 12" x 11 7' - w/o Hardware
	M82810 01 U01	EA	Door Asm Sliding - w/o Hardware
	058034 02 000	EA	Latch Door w/o Lock
	M81504 27 U10	EA	Door Asm - Wardrobe - 14" x 14 2" - w/o Hardware
	M81507 04 U01	EA	Door Asm - Furnace 14' x 18 4" w/o Hardware
	M81504 28 U10	EA	Door Asm - Wardrobe 48 9' x 18 8' - w/o Hardware
	M02420 01 U01	EA	Countertop Asm Wardrobe - w/Dinette
	M02420 02 U01	EA	Countertop Asm Wardrobe - w/Couch Option
	081535 05 U01	EA	Mirror Asm - 29 4' x 15 4' - w/o Hardware

### BATH HARDWARE

Key	Part Number	U/M	Description
	M01817 01 T03	EA	Bathtub Asm w/Strainer
	075241 03 000	EA	Faucet Tub & Shower
	075240 03 000	EA	Faucet - Lavatory
	011048 02 000	EA	Shower Head w/60' Hose
	011048 04 000	EA	Vacuum Breaker 1/8 MPT - Nylon Shower Head
	075606 01 000	EA	Shower Panel Faucet Plastic
	066435 01 000	EA	Nut Strainer - Plastic - Bathtub Asm
	066436 01 000	EA	Slip Nut - 1 5' Tail Piece Bathtub Asm
	069735 01 000	EA	Washer - Tail Piece - 1 5 Plastic - Bathtub Asm
	011069 02 000	EA	Tailpiece - 1 5 x 1 25 x 4" Brass - Bathtub Asm
	058713 01 000	EA	Sink - Oval - Ivory Plastic
	011083 01 000	EA	Tail Piece w/Stopper 1 25 x 5 Plastic Sink
	064070-01 000	EA	Toilet - Ivory
	009134 01-000	EA	Tissue Holder
	075454 02 000	EA	Towel Ring
	058331 05 000	EA	Mirror - Tempered Glass - 12 x 26
	058331-10 000	EA	Mirror Tempered Glass 14 x 17
	009089 01 000	EA	Clip - Mirror
	057671 01 000	EA	Screw Cover - #8 - Antique White
	050712 04 000	EA	Handle - Door Shower - Off White
	075680 01 000	EA	Rod Clothes Adjustable
	009112 01 000	EA	Flange 1 - Closet Rod
	075453 02 000	EA	Bar - Towel - 18 Brass
	023449 01 000	EA	Support - Towel Rack - Chrome
	009089 01 000	EA	Clip - Mirror
	046113 01 000	EA	Rosette - Plastic - Mirror Mounting
	042438 01 000	EA	Dowel - Wood - 1 00 Dia x 4
	009156 01 000	EA	Hanger Sliding Door
	076387 01 000	EA	Bracket Medicine Cabinet

## 1986 ITASCA TABLE OF CONTENTS

IC420RG	A 01 - C 02
IC424RS	C 03 - E-10
ICN23RG	E 11 - G 23
ICN27RT	H 01 - J-14

## 1986 IC424RS INDEX

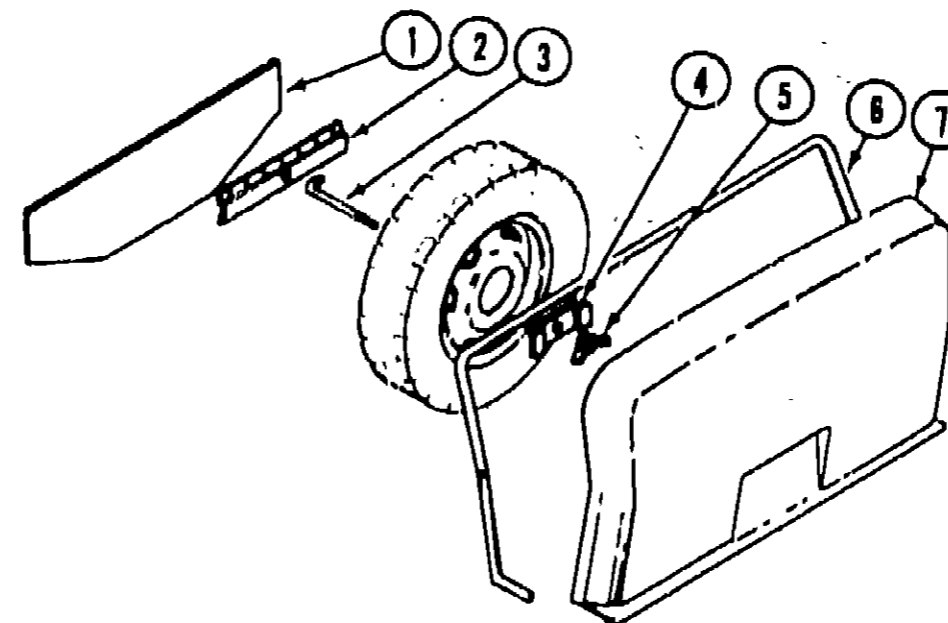
Floor Plan	C 03 - C 04
Accessories Group	C 05 - C-07
Bath Group	C 08
Chassis Group	C 09 - C-10
Curtain Cushion & Pad Group	C-11 - C-19
Dinette Group	C 20 - C-21
Driver's Compartment Group	C-22 - C-23
Electrical Group	C 24 - D-02
Exterior Body Group	D 03 - D-08
Galley Group	D-09 - D-10
Heating & Air Conditioning Group	D-11
Interior Finish Group	D-12 - D-14
LP Group	D 15
Lounge Group	D 16 - D-17
Water & Sewage Group	D-18 - D-19
Window Vent & Exterior Door Group	D-20 - E-10

## CHASSIS GROUP

Key	Part Number	U/M	Description
	074889-01-000	EA	Battery Tray Asm.
	047441-01-000	EA	Battery Terminal - Horizontal Lug
	081867-01-000	EA	Box - Power Cord
	059540-01-000	EA	Bracket - License Plate
	065451-02-000	EA	Bracket - Battery Tie Down - 10.82"
	065451-03-000	EA	Bracket - Battery Tie Down - 14"
	078670-02-000	EA	Bracket Asm. - Rear Bumper
	022150-01-000	EA	Bracket - Bumper Rear
	078584-09-000	EA	Bumper Asm. - Rear - Chrome
	007125-03-000	EA	Clamp Asm. - Muffler - 1.50"
	007125-04-000	EA	Clamp Asm. - Muffler - 1.12"
	010497-01-000	EA	Clamp - Closed - 5/8 I.D.
	007181-01-000	EA	Clamp - Hose - Spring Type 112
	062401-01-000	EA	Clamp - Hose - Wormgear - .22" I.D. - 1" I.D.
	062401-02-000	EA	Clamp - Hose - Wormgear - 1.56" I.D. - 2.5" I.D.
	062401-03-000	EA	Clamp - Hose - Wormgear - .25" I.D. - 1" I.D.
	062401-04-000	EA	Clamp - Hose - Wormgear - .69" I.D. - 1.25" I.D.
	062401-05-000	EA	Clamp - Hose - Wormgear - 2" I.D. - 3" I.D.
	062401-06-000	EA	Clamp - Hose - Wormgear - .22" I.D. - .82" I.D.
	023146-01-000	EA	Clamp - Screw Type - 4"
	081938-01-000	EA	Compartment - LP - Regulator
	073220-02-000	EA	Gas Cap - Non-Locking
	058488-01-000	EA	Heat Shield - Muffler
	007063-01-000	FT	Hose - Fuel - 1/4 I.D. x 1/2 O.D.
	008113-01-000	EA	Jack - Hydraulic - 6 Ton - w/Handle
	080208-02-000	EA	Leverage Bar - Lug Wrench
	080208-01-000	EA	Lug Wrench
	017516-01-000	EA	Mud Flap w/Holes - 14" x 18" - Black
	064089-01-000	EA	Splash Guard - Black Rubber
	080359-01-000	EA	Plate - Step Well
	079942-03-000	EA	Shock Absorber - Stabilizer - Front
	079942-04-000	EA	Shock Absorber - Stabilizer - Rear
	080449-01-000	EA	Step Asm. - Entrance w/Swing Arm
	076241-01-000	EA	Support Asm. - Step
	062400-02-000	EA	Wheel - 6.00" x 16.5" - 8 Holes
	057724-01-000	EA	Wheelwell - Plastic
	008343-01-000	EA	Wire Tie - 6"

NOTE: Remainder of exhaust components available from Chassis Service Center.

## CHASSIS GROUP (CONTINUED)



### TRAILER HITCH & SPARE TIRE

Key	Part Number	U/M	Description
1	077395-01-000	EA	Dust Shield - Spare Tire
2	077403-01-000	EA	Rod Support - Spare Tire
3	077411-01-000	EA	Retaining Rod
4	077941-01-000	EA	Tire Cover Seal
5	077399-01-000	EA	Spare Tire Retainer
6	064081-01-000	EA	Wing Nut
7	079165-01-U10	EA	Tire Cover Asm.
*	077408-01-000	EA	Lock Asm. - Tire Cover
*	077759-01-000	EA	Support Spacer - Spare Tire
*	034512-01-000	EA	Pin - Locking Drawbar
*	J34513-01-000	EA	Pin - Hitch - 3/16" Wire
*	077613-01-000	EA	Drawbar Asm.
*	077617-02-700	EA	Hitch Asm. - w/Drawbar
*	015365-01-000	EA	Pin - Tire Carrier
*	078584-09-000	EA	Bumper - Rear - Chrome
*	078668-01-000	EA	Support Angle - Bumper Rear
*	078670-02-000	EA	Bracket Asm. - Bumper Rear
*	079018-01-000	EA	Strap - Tire Carrier
*			Not illustrated

### WHEELS & TIRES

Key	Part Number	U/M	Description
	037291-01-000	EA	Tire - 8" x 16.5" - 8 Ply Polyester
	057665-01-000	EA	Tire - 8" x 16.5" - WSW Radial
	051377-01-000	EA	Valve Stem Asm. - TR500
	077030-02-000	EA	Valve Stem - Extension
	062400-02-000	EA	Wheel - 6" x 16.5" - 8 Hole

## 1986 ITASCA TABLE OF CONTENTS

IC420FG	A-01 - C-02
IC424RB	C-03 - E-10
ICN23RG	E-11 - G-23
ICN27RT	H-01 - J-14

## 1986 IC424RS INDEX

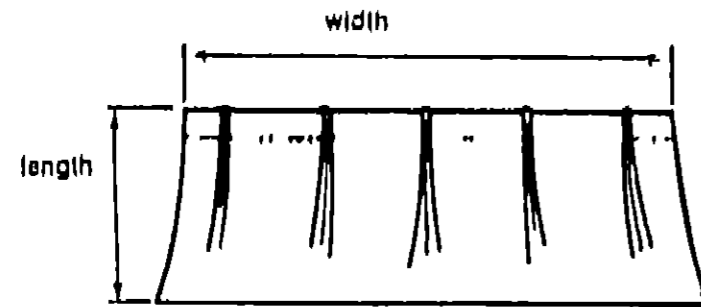
Floor Plan	C-03 - C-04
Accessories Group	C-05 - C-07
Bath Group	C-08
Chassis Group	C-09 - C-10
Curtain, Cushion & Pad Group	C-11 - C-19
Dinette Group	C-20 - C-21
Driver's Compartment Group	C-22 - C-23
Electrical Group	C-24 - D-02
Exterior Body Group	D-03 - D-08
Galley Group	D-09 - D-10
Heating & Air Conditioning Group	D-11
Interior Finish Group	D-12 - D-14
LP Group	D-15
Lounge Group	D-16 - D-17
Water & Sewage Group	D-18 - D-19
Window, Vent & Exterior Door Group	D-20 - E-10

**CURTAIN, CUSHION & PAD GROUP**

**NOTICE**

In order to assist our Parts Sales Dept. in providing interior software items, please include the serial number and the color code number from the vehicle certification label when ordering. This label is located on the left sidewall at the end of the dash (A Body), or on the driver's door latch plate (C Body).

An example of a color code number is P31, which designates an overall color scheme of a particular unit. The color listed after the item description on the microfiche, indicates the overall unit color. Order the item you desire according to unit color code.



**NOTE**

Use this illustration when determining length and width measurements for curtains. You will note the width measurement is taken on the top of the curtain with the curtain fully extended. The length measurement is taken from top to bottom.

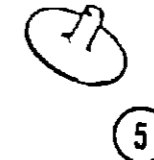
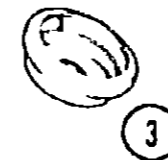
**CURTAIN & CUSHION HARDWARE**

Key	Part Number	U/M	Description
	082228 03 000	EA	Bracket - Curtain Rod - Right
	082228 04 000	EA	Bracket - Curtain Rod - Left
	056003 02 000	EA	Bracket - Drapery Retainer - Left
	056003 01 000	EA	Bracket - Drapery Retainer - Right
	056001-01-000	EA	Bracket - Shade - Left
	056002-01 000	EA	Bracket - Shade - Right
	082677-01-000	EA	Bracket - Shade - Universal
	009701-01-000	EA	Carrier - Curtain L Rod
	009107-01-000	EA	Guide - Nylon Snap - Curtain
	056784-02-000	FA	Pull - Window Shade - Antique Brass
	056115-01-000	YD	Tape - Clear Plastic - w/ Guides
	048394 01-000	YD	Tape Hook - 1 x 25 yd - Beige
	029096-05-000	YD	Tape Hook - 50 - Velcro - Beige
	048395-01-000	YD	Tape Loop - 1 x 25 YD - Beige
	056116-01-000	LA	Track - Curtain - Brown Plastic
	079798-03-000	EA	Bracket Asm - Curtain Rod - Right
	079798-04-000	EA	Bracket Asm - Curtain Rod - Left
	082249 01-000	EA	Bracket - Blinds - Beige - Right
	082249-02-000	EA	Bracket - Blinds - Beige - Left
	032139 02-000	EA	Bracket - Hold Down - Blinds
	079619-01-000	EA	Bracket - Tie Down

**CURTAIN, CUSHION & PAD GROUP (CONTINUED)**

**FABRICS & TRIMS**

Key	Part Number	U/M	Description
	072333 21 000	YD	Fabric - Drapery - Parchment
	077498 65 000	YD	Fabric w/Pattern - Upholstery - Blue/Gray (U10)
	077498 66 000	YD	Fabric w/Pattern - Upholstery - Melon (U11)
	077498 67 000	YD	Fabric w/Pattern - Upholstery - Plum/Beige (U12)
	077498 68 C30	YD	Fabric w/Pattern - Upholstery Accent - Melon (U11)
	077498 70 000	YD	Fabric - Upholstery/Drapery - Accent - Plain - Blue/Gray (U10)
	077498 71 000	YD	Fabric - Upholstery/Drapery - Accent - Plain - Melon (U11)
	077498 69 000	YD	Fabric - Upholstery/Drapery - Accent - Plain - Plum/Beige (U12)
	069729 25 000	YD	Fabric - Bedspread/Drapery - Main - Blue/Gray (U10)
	069729 26 000	YD	Fabric - Bedspread/Drapery - Main - Melon (U11)
	069729 27 000	YD	Fabric - Bedspread/Drapery - Main - Plum/Beige (U12)
	069729 28 000	YD	Fabric - Bedspread - Accent - Blue/Gray (U10)
	069729 29 000	YD	Fabric - Bedspread - Accent - Melon (U11)
	069729 30 000	YD	Fabric - Bedspread - Accent - Plum/Beige (U12)
	038421-01 000	YD	Fabric - Mattress Ticking
	052859 01-T03	FT	Trim Asm - Accent - Sandrift
	052859 05 T03	FT	Trim Asm - Accent - Buckskin
	079680 01 000	YD	Vinyl - Expanded - 26 oz - Buckskin
	079680 02 000	YD	Vinyl - Expanded - 26 oz - Sandrift
	070578 06 T03	EA	Button Asm - #30 - Vinyl
	057650 03 T03	EA	Button Asm - Nail - Vinyl
	071127-10 U10	EA	Button Asm - #30 - Blue/Gray
	071127-10 U11	EA	Button Asm - #30 - Melon
	071127-10 U12	EA	Button Asm - #30 - Plum/Beige
	078155 01-000	CA	Strap Asm - Cushion
	079144 02 000	EA	Strap Asm - Bunk
	081280 03 U01	EA	End Cap Asm - Overhead - Dinette - Vinyl
	081280 06 U01	EA	End Cap Asm - Overhead - Galley - Vinyl
	081280 13 U01	EA	End Cap Asm - Overhead - Rear Overhead - Vinyl
	081280 08 U01	EA	End Cap Asm - Overhead - Entrance Door - Vinyl



Key	Part Number	U/M	Description
1	029130 01 000	EA	Socket - Snap Fastener
2	029155 01 000	EA	Cap Snap - 156 Dia x 17 Barrel
3	029156 01 000	EA	Socket - Snap Fastener
4	029092-01-000	EA	Stud - Nickel Finish
5	029093 01 000	EA	Eyelet - Nickel Finish

**1986 ITASCA  
TABLE OF CONTENTS**

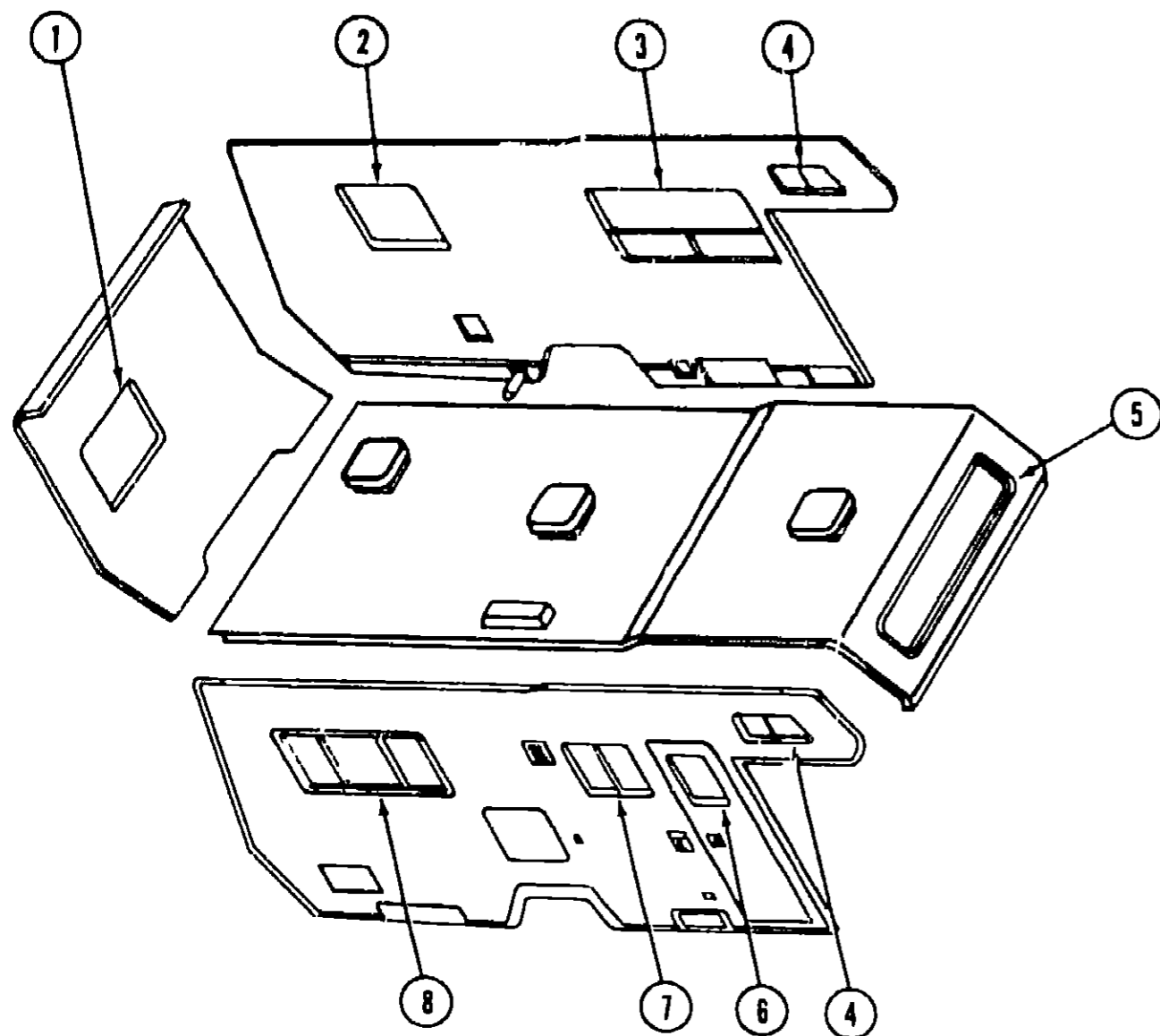
IC420RG	A 01 - C 02
IC424RS	C 03 - E 10
ICN23RG	E 11 - G 23
ICN27RT	H 01 - J-14

**1986 IC424RS INDEX**

Floor Plan	C 03 - C 04
Accessories Group	C 05 - C 07
Bath Group	C-08
Chassis Group	C-09 - C-10
Curtain, Cushion & Pad Group	C 11 - C-19
Dinette Group	C-20 - C-21
Driver's Compartment Group	C 22 - C-23
Electrical Group	C-24 - D-02
Exterior Body Group	D-03 - D-08
Galley Group	D-09 - D-10
Heating & Air Conditioning Group	D-11
Interior Finish Group	D-12 - D-14
LP Group	D-15
Lounge Group	D-16 - D-17
Water & Sewage Group	D-18 - D 19
Window, Vent & Exterior Door Group	D-20 - E-10

**CURTAIN, CUSHION & PAD GROUP (CONTINUED)**

**CURTAIN, CUSHION & PAD GROUP (CONTINUED)**



**CURTAIN SHADES, VALANCES & TIEBACKS**

Key	Part Number	U/M	Description
1	079542-13 U10	EA	Curtain Asm w/Darts - 29 5 x 16
1	079542-13 U11	EA	Curtain Asm w/Darts - 29 5 x 16
1	079542 13 U12	EA	Curtain Asm w/Darts - 29 5 x 16
1	M81977-03 U13	EA	Valance Asm Padded (U10)
1	M81977-03-U14	EA	Valance Asm - Padded (U11)
1	M81977-03 U15	EA	Valance Asm Padded (U12)
1	082118 25 000	EA	Blind - 39 x 27 Drop (U10)
1	082118-26 000	EA	Blind - 39 x 27 Drop (U11)
1	082118-27-000	EA	Blind - 39 x 27 Drop (U12)
	082127-22-000	EA	Shade - Woven Wood - 39 x 28 Drop (U10)
	082127-23 000	EA	Shade - Woven Wood - 39 x 28 Drop (U11)
	082127-24 000	EA	Shade - Woven Wood - 39 x 28 Drop (U12)
	079543 08 U10	EA	Curtain Asm w/Darts - 29 5 x 16 (Woven Wood)
	079543 08 U11	EA	Curtain Asm w/Darts - 29 5 x 16 (Woven Wood)
	079543-08 U12	EA	Curtain Asm w/Darts - 29 5 x 16 (Woven Wood)
†	073251-24-U13	EA	Curtain Asm w/Tape Top 26 x 8 (U10)
†	073251 24-U14	EA	Curtain Asm w/Tape Top 26 x 8 (U11)
†	073251-24-U15	EA	Curtain Asm w/Tape Top 26 x 8 (U12)
†	082119-16-000	EA	Shade Asm - Vinyl 14 25 x 38 (U10)
†	082119-17-000	EA	Shade Asm - Vinyl - 14 25 x 38 (U11)
†	082119-18 000	EA	Shade Asm - Vinyl 14 25 x 38 (U12)

**CURTAIN, SHADES, VALANCES & TIEBACKS (CONT )**

Key	Part Number	U/M	Description
2	082178 01 U10	EA	Lambrequin Asm - 36,1" x 27 5"
2	082178 01 U11	EA	Lambrequin Asm 36,1" x 27 5"
2	082178 01 U12	EA	Lambrequin Asm - 36,1" x 27 5"
2	082118 22 000	EA	Blind - 32' x 26" Drop (U10)
2	082118 23 000	EA	Blind - 32" x 26' Drop (U11)
2	082118 24 000	EA	Blind - 32' x 26" Drop (U12)
3	079542 12 U10	EA	Curtain Asm w/Darts - 35" x 18'
3	079542 12 U11	EA	Curtain Asm w/Darts 35" x 18'
3	079542 12 U12	EA	Curtain Asm w/Darts - 35" x 18'
3	M81977-15 U10	EA	Valance Asm, - Padded
3	M81977 15 U11	EA	Valance Asm - Padded
3	M81977-15 U12	EA	Valance Asm - Padded
3	082118 31-000	EA	Blind - 65" x 34" - Drop (U10)
3	082118-32 000	EA	Blind - 65" x 34" - Drop (U11)
3	082118 33 000	EA	Blind - 65' x 34" - Drop (U12)
	082127-31 000	EA	Shade Woven Wood - 65" x 39' - Drop (U10)
	082127-32 000	EA	Shade Woven Wood - 65" x 39 - Drop (U11)
	082127-33-000	EA	Shade - Woven Wood - 65" x 39' - Drop (U12)
	079542-13 U10	EA	Curtain Asm, - 35" x 12" (Woven Wood)
	079542-13 U11	EA	Curtain Asm, 35" x 12" (Woven Wood)
	079542-13 U12	EA	Curtain Asm - 35' x 12 (Woven Wood)
4	079558-08-U10	EA	Valance Asm w/Gathers - 8 x 75"
4	079558 08-U11	EA	Valance Asm w/Gathers - 8" x 75"
4	079558 08-U12	EA	Valance Asm w/Gathers 8' x 75"
4	082119-22-000	EA	Shade Asm Vinyl 33 25' x 30' (U10)
4	082119 23 000	EA	Shade Asm Vinyl - 33 25' x 30' (U11)
4	082119-24-000	EA	Shade Asm, Vinyl - 33 25" x 30 (U12)
5	079558-10 U10	EA	Valance Asm w/Gathers - 8' x 175'
5	079558 10 U11	EA	Valance Asm w/Gathers 8" x 175
5	079558-10 U12	EA	Valance Asm w/Gathers - 8' x 175'
5	082119 28 000	EA	Shade Asm - Vinyl - 75 25 x 30 (U10)
5	082119-29 000	EA	Shade Asm Vinyl 75 25' x 30 (U11)
5	082119-30 000	EA	Shade Asm - Vinyl - 75 25 x 30' (U12)
6	080824-04-U10	EA	Valance Asm - Entrance Door
6	080824 04-U11	EA	Valance Asm - Entrance Door
6	080824-04-U12	EA	Valance Asm - Entrance Door
6	082119-19 000	EA	Shade Asm - Vinyl - 24 25 x 40 (U10)
6	082119-20-000	EA	Shade Asm - Vinyl - 24 25 x 40 (U11)
6	082119-21-000	EA	Shade Asm Vinyl - 24 25 x 40 (U12)
7	M82763 01-U10	EA	Valance Asm - Padded
7	M82763-01-U11	EA	Valance Asm - Padded
7	M82763 01-U12	EA	Valance Asm Padded
7	082118 13 000	EA	Blind - 27 x 22' Drop (U10)
7	082118-14-000	EA	Blind 27 x 22 Drop (U11)
7	082118 15 000	EA	Blind - 27 x 22 Drop (U12)
8	079542-13 U10	EA	Curtain Asm w/Darts - 29 5 x 16
8	079542-13 U11	EA	Curtain Asm w/Darts - 29 5 x 16
8	079542-13 U12	EA	Curtain Asm w/Darts - 29 5 x 16
8	M81977-11 U10	EA	Valance Asm - Padded
8	M81977-11 U11	EA	Valance Asm - Padded
8	M81977-11-U12	EA	Valance Asm - Padded
8	082118 28 000	EA	Blinds - 59 x 28 Drop (U10)
8	082118 29 000	EA	Blinds - 59 x 28 Drop (U11)
8	082118 30 000	EA	Blinds - 59 x 28' Drop (U12)
	082127-28 000	EA	Shade - Woven Wood - 59 x 29 Drop (U10)
	082127-29-000	EA	Shade - Woven Wood - 59 x 29 Drop (U11)
	082127-30-000	EA	Shade Woven Wood - 59 x 29 Drop (U12)
	079543-08 U10	EA	Curtain Asm w/Darts - 29 5 x 16 (Woven Wood)
	079543 08 U11	EA	Curtain Asm w/Darts - 29 5 x 16 (Woven Wood)
	079543 08 U12	EA	Curtain Asm w/Darts 29 5 x 16 (Woven Wood)

Not illustrated  
 Parts used on the Woven Wood Option  
 † Parts used on the Bunkhouse Option (not illustrated)

**1988 ITASCA  
TABLE OF CONTENTS**

IC420RG	A 01 - U 02
IC424RS	C 03 - E 10
ICN23RG	E 11 G 23
ICN27RT	H 01 - J 14

**1986 IC424RS INDEX**

Floor Plan	C 03 - C 04
Accessories Group	C 05 - C-07
Bath Group	C-08
Chassis Group	C-09 - C-10
Curtain, Cushion & Pad Group	C-11 - C-19
Dinette Group	C-20 - C-21
Driver's Compartment Group	C-22 - C-23
Electrical Group	C 24 - D-02
Exterior Body Group	D 03 - D-08
Galley Group	D 09 - D-10
Heating & Air Conditioning Group	D-11
Interior Finish Group	D-12 - D 14
LP Group	D-15
Lounge Group	D-16 - D 17
Water & Sewage Group	D 18 - D-19
Window Vent & Exterior Door Group	D 20 - E-10

**CURTAIN, CUSHION & PAD GROUP (CONTINUED)**

**CURTAINS, SHADES, VALANCES & TIEBACKS (CONT.)**

Key	Part Number	U/M	Description
†	079542 03 U13	EA	Curtain Asm w/Darts - 22' x 16" (U10)
†	079542 03 U14	EA	Curtain Asm w/Darts - 22" x 16" (U11)
†	079542 03 U15	EA	Curtain Asm w/Darts 22" x 18" (U12)
†	M81977 03 U10	EA	Valance Asm, - Padded
†	M81977 03 U11	EA	Valance Asm Padded
†	M81977 03 U12	EA	Valance Asm - Padded
†	082119 25 000	EA	Shade Asm Vinyl - 40 25" x 38" (U10)
†	082119 26 000	EA	Shade Asm - Vinyl - 40 25" x 38" (U11)
†	082119 27 000	EA	Shade Asm - Vinyl - 40 25" x 38" (U12)
•	073304 28 U01	EA	Curtain Asm w/Snaps Room Divider - 64" x 40'
•	073295 02 U01	EA	Curtain w/Snaps - Front Wraparound - 23" x 64" (2 required)
•	077591-03 U01	EA	Curtain w/Velcro Top - Bunk Privacy - 70" x 50' Passenger
•	077591 04 U01	EA	Curtain w/Velcro Top - Bunk Privacy - 70 x 50' - Driver
•	073260 16 U13	EA	Tie Back Asm 3' x 20" - Accent (U10)
•	073260 16 U14	EA	Tie Back Asm - 3' x 20" - Accent (U11)
•	073260-16 U15	EA	Tie Back Asm - 3" x 20" - Accent (U12)
•	057534 01 000	EA	Tie Back Asm - 6 Clear Plastic

Not illustrated

Parts used on the Woven Wood Option

† Parts used on the Bunkhouse Option (not illustrated)

**PADS**

Key	Part Number	U/M	Description
	081519 01 U10	EA	Pad Asm - Dinette Front - Blue/Gray
	081519 01-U11	EA	Pad Asm - Dinette Front - Melon
	081519 01 U12	EA	Pad Asm - Dinette - Front - Plum/Beige
	081519 02 U10	EA	Pad Asm - Dinette - Rear - Blue/Gray
	081519 02-U11	EA	Pad Asm - Dinette - Rear - Melon
	081519-02 U12	EA	Pad Asm - Dinette - Rear - Plum/Beige
	077641 64 000	EA	Pad Asm - Wall - Dinette
	077641-65-000	EA	Pad Asm - Wall - Dinette
	077641-66-000	EA	Pad Asm - Wall - Dinette
	074891 01-U10	EA	Cover w/Pocket - Motor - Blue/Gray
	074891-01-U11	EA	Cover w/Pocket - Motor - Melon
	074891-01 U12	EA	Cover w/Pocket - Motor - Plum/Beige
	059491-01-U10	EA	Pad Asm - Door - Upper - Passenger
	059491-01-U11	EA	Pad Asm - Door - Upper - Passenger
	059491-01-U12	EA	Pad Asm - Door - Upper - Passenger
	059492-01-U10	EA	Pad Asm - Door - Upper - Driver
	059492-01-U11	EA	Pad Asm - Door - Upper - Driver
	059492-01-U12	EA	Pad Asm - Door - Upper - Driver
	082552-02-U10	EA	Pad Asm - Door - Lower - Passenger
	082552-02-U11	EA	Pad Asm - Door - Lower - Passenger
	082552-02-U12	EA	Pad Asm - Door - Lower - Passenger
	082552-03-U10	EA	Pad Asm - Door - Lower - Driver
	082552-03-U11	EA	Pad Asm - Door - Lower - Driver
	082552-03 U12	EA	Pad Asm - Door - Lower - Driver
	082888 01-U10	EA	Pad Asm - Corner Lounge - Rear
	082888-01-U11	EA	Pad Asm - Corner Lounge - Rear
	082888 01-U12	EA	Pad Asm - Corner Lounge - Rear
	M82889-01-U10	EA	Pad Asm - Corner Lounge - Side
	M82889-01-U11	EA	Pad Asm - Corner Lounge - Side
	M82889-C1-U12	EA	Pad Asm - Corner Lounge - Side
	074549-02-U10	EA	Pad Asm - Corner Lounge - Front
	074549-02 U11	EA	Pad Asm - Corner Lounge - Front
	074549-02-U12	EA	Pad Asm - Corner Lounge - Front
	M02657 01 U10	EA	Pad Asm - Couch - Front
	M02657-01 U11	EA	Pad Asm - Couch - Front
	M02657-01-U12	EA	Pad Asm - Couch - Front

**CURTAIN, CUSHION & PAD GROUP (CONTINUED)**

**SWIVEL CHAIR (OPTION)**

Key	Part Number	U/M	Description
	073518 16 U10	EA	Chair Asm, w/Pillow Back - Swivel (U10)
	073518 19 U14	EA	Chair Asm w/Pillow Back - Swivel (U11)
	073518 16-U12	EA	Chair Asm w/Pillow Back - Swivel (U12)
	076174 02 U13	EA	Skirt Asm, - Swivel Chair (U10)
	076174 04 U14	EA	Skirt Asm Swivel Chair (U11)
	076174 02 U15	EA	Skirt Asm - Swivel Chair (U12)
	035036 01 000	EA	Plate - Tilt & Swivel - Swivel Chair
	035036 04 000	EA	Base w/Legs Swivel Chair
	035036 05 000	EA	Extension - 7" Swivel Chair

**DINETTE CUSHION**

Key	Part Number	U/M	Description
	081998 01 U10	EA	Cushion Asm - Dinette Back - 19 25" x 38" x 5'
	081998 07 U11	EA	Cushion Asm - Dinette Back 19 25" x 38' x 5'
	081998 01 U12	EA	Cushion Asm - Dinette Back 19 25 x 38" x 5"
	M81998 01 U10	EA	Cover Asm - Dinette Back Curtain 19 25" x 38 x 5'
	M81998 07 U11	EA	Cover Asm - Dinette Back Curtain - 19 25' x 38" x 5'
	M81998 01 U12	EA	Cover Asm Dinette Back Curtain 19 25' x 38' x 5'
	081998 02 U10	EA	Cushion Asm - Dinette Bottom 17 5' x 38' x 5"
	081998 08 U11	EA	Cushion Asm Dinette Bottom - 17 5' x 38' x 5"
	081998 02 U12	EA	Cushion Asm - Dinette Bottom 17 5 x 38' x 5"
	M81998 02 U10	EA	Cover Asm Dinette Bottom Cushion 17 5' x 38 x 5'
	M81998 08 U11	EA	Cover Asm - Dinette Bottom Cushion 17 5' x 38' x 5'
	M81998 02 U12	EA	Cover Asm Dinette Bottom Cushion 17 5 x 38 x 5'

**FRONT OVERHEAD BUNK CUSHIONS**

Key	Part Number	U/M	Description
	073310 05 U10	EA	Cushion Asm - Front Bunk - Two Fold - 23 x 29 5' x 76 x 4
	073310-05 U11	EA	Cushion Asm - Front Bunk - Two Fold - 23' x 29 5 x 76' x 4
	073310 05 U12	EA	Cushion Asm - Front Bunk - Two Fold - 23 x 29 5 x 76' x 4
	M73310 05 U10	EA	Cover Asm Front Bunk Cushion - Two Fold
	M73310-05 U11	EA	Cover Asm Front Bunk Cushion - Two Fold
	M73310 05 U12	EA	Cover Asm - Front Bunk Cushion Two Fold

**SPRUNG COUCH (OPTION)**

Key	Part Number	U/M	Description
	072431-12 U10	EA	Cushion Asm - 3 Pillow - Seat
	072431-11 U11	EA	Cushion Asm 3 Pillow - Seat
	072431-12 U12	EA	Cushion Asm 3 Pillow - Seat
	M72431-12 U10	EA	Cover Asm 3 Pillow - Seat
	M72431-11 U11	EA	Cover Asm - 3 Pillow - Seat
	M72431-12-U12	EA	Cover Asm - 3 Pillow - Seat
	072432 12 U10	EA	Cushion Asm - 3 Pillow - Back
	072432 11 U11	EA	Cushion Asm 3 Pillow Back
	072432 12 U12	EA	Cushion Asm - 3 Pillow - Back
	M72432 12 U10	EA	Cover Asm 3 Pillow - Back
	M72432 11 U11	EA	Cover Asm - 3 Pillow - Back
	M72432 12 U12	EA	Cover Asm 3 Pillow - Back

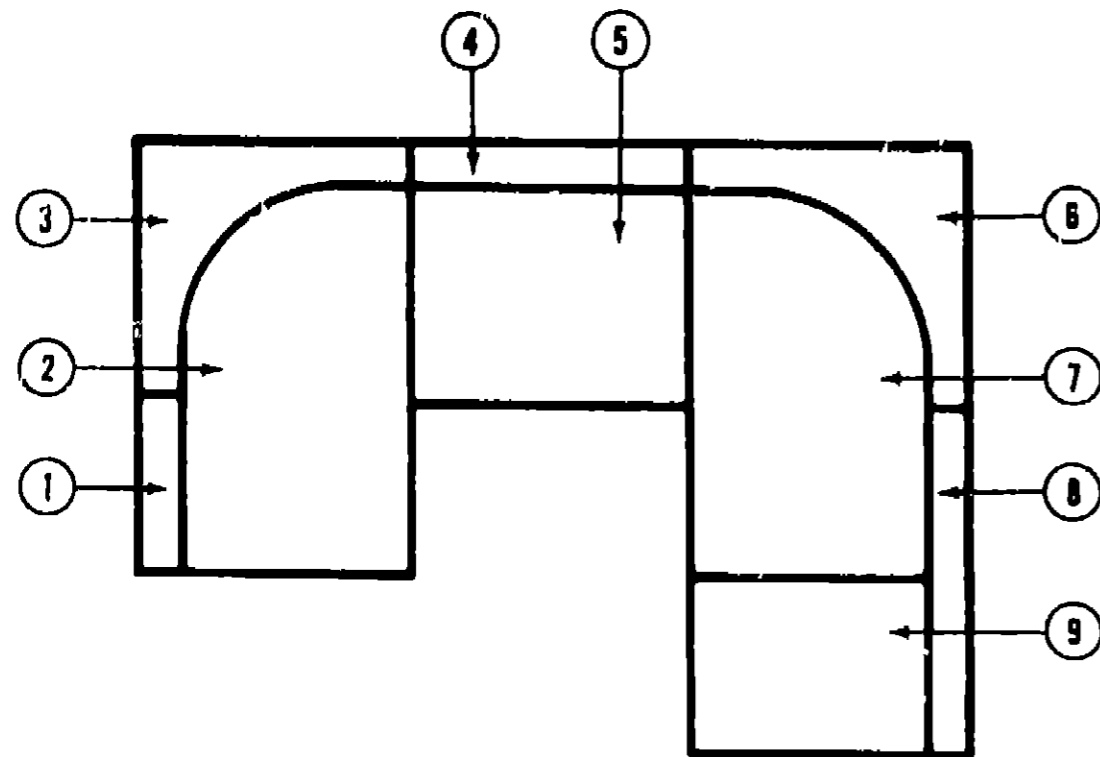
**1986 ITASCA  
TABLE OF CONTENTS**

IC420HG	A 01 - C-02
IC424RS	C 03 E-10
ICN23RG	E-11 G 23
ICN27RT	H 01 - J 14

**1986 IC424RS INDEX**

Floor Plan	C 03 - C 04
Accessories Group	C 05 - C-07
Bath Group	C-08
Chassis Group	C-09 - C-10
Curtain Cushion & Pad Group	C 11 - C-19
Dinette Group	C 20 - C-21
Driver's Compartment Group	C-22 - C-23
Electrical Group	C-24 - D 02
Exterior Body Group	D 03 - D 08
Galley Group	D-09 D 10
Heating & Air Conditioning Group	D 11
Interior Finish Group	D 12 - D 14
LP Group	D-15
Lounge Group	D 16 - D-17
Water & Sewage Group	D 18 - D-19
Window, Vent & Exterior Door Group	D 20 - E-10

**CURTAIN, CUSHION & PAD GROUP (CONTINUED)**



**CORNER LOUNGE**

Key	Part Number	U/M	Description
1	077813 04 U10	EA	Cushion Asm - Dinette Back - 4' x 13' x 16'
1	077813 07 U11	EA	Cushion Asm - Dinette Back - 4' x 13' x 16'
1	077813 04 U12	EA	Cushion Asm - Dinette Back - 4' x 13' x 16'
	M77813 04 U10	EA	Cover Asm - Dinette Back Cushion
	M77813 07 U11	EA	Cover Asm - Dinette Back Cushion
	M77813 04 U12	EA	Cover Asm - Dinette Back Cushion
2	081998 54 U10	EA	Cushion Asm - Dinette Seat - 24.5' x 38' x 5'
2	081998 55 U11	EA	Cushion Asm - Dinette Seat - 24.5' x 38' x 5'
2	081998 54 U12	EA	Cushion Asm - Dinette Seat - 24.5' x 38' x 5'
	M81998 54 U10	EA	Cover Asm - Dinette Seat Cushions
	M81998 55 U11	EA	Cover Asm - Dinette Seat Cushions
	M81998 54 U12	EA	Cover Asm - Dinette Seat Cushions
3	077814 12 U10	EA	Cushion Asm - Corner Dinette Back - 4' x 13' x 22.5' x 24.5'
3	077814-13-U11	EA	Cushion Asm - Corner Dinette Back - 4' x 13' x 22.5' x 24.5'
3	077814 12 U12	EA	Cushion Asm - Corner Dinette Back - 4' x 13' x 22.5' x 24.5'
	M77814-12 U10	EA	Cover Asm - Corner Dinette Back
	M77814 13 U11	EA	Cover Asm - Corner Dinette Back
	M77814 12 U12	EA	Cover Asm - Corner Dinette Back
4	077813 06-U10	EA	Cushion Asm - Dinette Back - 4' x 13' x 24.5'
4	077813 09 U11	EA	Cushion Asm - Dinette Back - 4' x 13' x 24.5'
4	077813 06-U12	EA	Cushion Asm - Dinette Back - 4' x 13' x 24.5'
	M77813 06 U10	EA	Cover Asm - Dinette Back Cushion
	M77813 09 U11	EA	Cover Asm - Dinette Back Cushion
	M77813-06 U12	EA	Cover Asm - Dinette Back Cushion
5	081998 28 U10	EA	Cushion Asm - Dinette Seat - 5' x 22.5' x 24.5'
5	081998 31 U11	EA	Cushion Asm - Dinette Seat - 5' x 22.5' x 24.5'
5	081998-28 U12	EA	Cushion Asm - Dinette Seat - 5' x 22.5' x 24.5'
	M81998 28 U10	EA	Cover Asm - Dinette Seat Cushion
	M81998 31 U11	EA	Cover Asm - Dinette Seat Cushion
	M81998-28 U12	EA	Cover Asm - Dinette Seat Cushion

**CURTAIN, CUSHION & PAD GROUP (CONTINUED)**

**CORNER LOUNGE (CONT)**

Key	Part Number	U/M	Description
6	077814 04 U10	EA	Cushion Asm - Corner Dinette Back - 4' x 13' x 22.5' x 24.5'
6	077814 05 U11	EA	Cushion Asm - Corner Dinette Back - 4' x 13' x 22.5' x 24.5'
6	077814 04-U12	EA	Cushion Asm - Corner Dinette Back - 4' x 13' x 22.5' x 24.5'
	M77814 04 U10	EA	Cover Asm - Corner Dinette Back
	M77814 05-U11	EA	Cover Asm - Corner Dinette Back
	M77814 04 U12	EA	Cover Asm - Corner Dinette Back
7	081998-29 U10	EA	Cushion Asm - Dinette Seat - 5' x 24.5' x 38'
7	081998 32-U11	EA	Cushion Asm - Dinette Seat - 5' x 24.5' x 38'
7	081998-29 U12	EA	Cushion Asm - Dinette Seat - 5' x 24.5' x 38'
	M81998-29 U10	EA	Cover Asm - Dinette Seat Cushion
	M81998-32-U11	EA	Cover Asm - Dinette Seat Cushion
	M81998 29 U12	EA	Cover Asm - Dinette Seat Cushion
8	077813 05-U10	EA	Cushion Asm - Dinette Back - 4' x 13' x 31.5'
8	077813 08 U11	EA	Cushion Asm - Dinette Back - 4' x 13' x 31.5'
8	077813 05-U12	EA	Cushion Asm - Dinette Back - 4' x 13' x 31.5'
	M77813 05-U10	EA	Cover Asm - Dinette Back Cushion
	M77813 08 U11	EA	Cover Asm - Dinette Back Cushion
	M77813 05-U12	EA	Cover Asm - Dinette Back Cushion
9	081998-30 U10	EA	Cushion Asm - Dinette Seat - 5' x 16' x 24.5'
9	081998 33-U11	EA	Cushion Asm - Dinette Seat - 5' x 16' x 24.5'
9	081998 30 U12	EA	Cushion Asm - Dinette Seat - 5' x 16' x 24.5'
	M81998 30 U10	EA	Cover Asm - Dinette Seat Cushion
	M81998-33 U11	EA	Cover Asm - Dinette Seat Cushion
	M81998-30 U12	EA	Cover Asm - Dinette Seat Cushion

**BUNK BED CUSHIONS (OPTION)**

Key	Part Number	U/M	Description
	073519 01-U13	EA	Mattress Cushion Asm - Rear Bunk - 29' x 75.5' x 4.5' (U10)
	073519-01-U14	EA	Mattress Cushion Asm - Rear Bunk - 29' x 75.5' x 4.5' (U11)
	073519 01-U15	EA	Mattress Cushion Asm - Rear Bunk - 29' x 75.5' x 4.5' (U12)
	M73519-01-U13	EA	Cover - Rear Bunk Cushion - 29' x 75.5' x 4.5' (U10)
	M73519 01-U14	EA	Cover - Rear Bunk Cushion - 29' x 75.5' x 4.5' (U11)
	M73519 01-U15	EA	Cover - Rear Bunk Cushion - 29' x 75.5' x 4.5' (U12)

**CONTINENTAL BED (OPTION)**

Key	Part Number	U/M	Description
	079448-04-U13	EA	Bed Asm - Continental Bed - 3 Pillow (U10)
	079448-05 U14	EA	Bed Asm - Continental Bed - 3 Pillow (U11)
	079448-04 U15	EA	Bed Asm - Continental Bed - 3 Pillow (U12)
	M79448-04 U13	EA	Cover Asm - Bed Asm - Continental Bed (U10)
	M79448 05 U14	EA	Cover Asm - Bed Asm - Continental Bed (U11)
	M79448 04-U15	EA	Cover Asm - Bed Asm - Continental Bed (U12)
	081998-17-U13	EA	Pillow Asm - Continental Bed (U10)
	081998-20-U14	EA	Pillow Asm - Continental Bed (U11)
	081998-17-U15	EA	Pillow Asm - Continental Bed (U12)
	M81998 17-U13	EA	Cover Asm - Pillow - Continental Bed (U10)
	M81998-20-U14	EA	Cover Asm - Pillow - Continental Bed (U11)
	M81998-17-U15	EA	Cover Asm - Pillow - Continental Bed (U12)

**1988 ITASCA  
TABLE OF CONTENTS**

IC420RG	A 01 - C-02
IC424RS	C 03 - E-10
ICN23RG	E-11 - G 23
ICN27RT	H 01 - J-14

**1986 IC424RS INDEX**

Floor Plan	C 03 - C-04
Accessories Group	C 05 - C 07
Bath Group	C 08
Chassis Group	C-09 - C-10
Curtain, Cushion & Pad Group	C-11 - C-19
Dinette Group	C-20 - C-21
Driver's Compartment Group	C-22 - C-23
Electrical Group	C-24 - D-02
Exterior Body Group	D-03 - D-08
Galley Group	D 09 - D-10
Heating & Air Conditioning Group	D-11
Interior Finish Group	D-12 - D-14
LP Group	D-15
Lounge Group	D-16 - D 17
Water & Sewage Group	D-18 - D-19
Window Vent & Exterior Door Group	D-20 - E 10

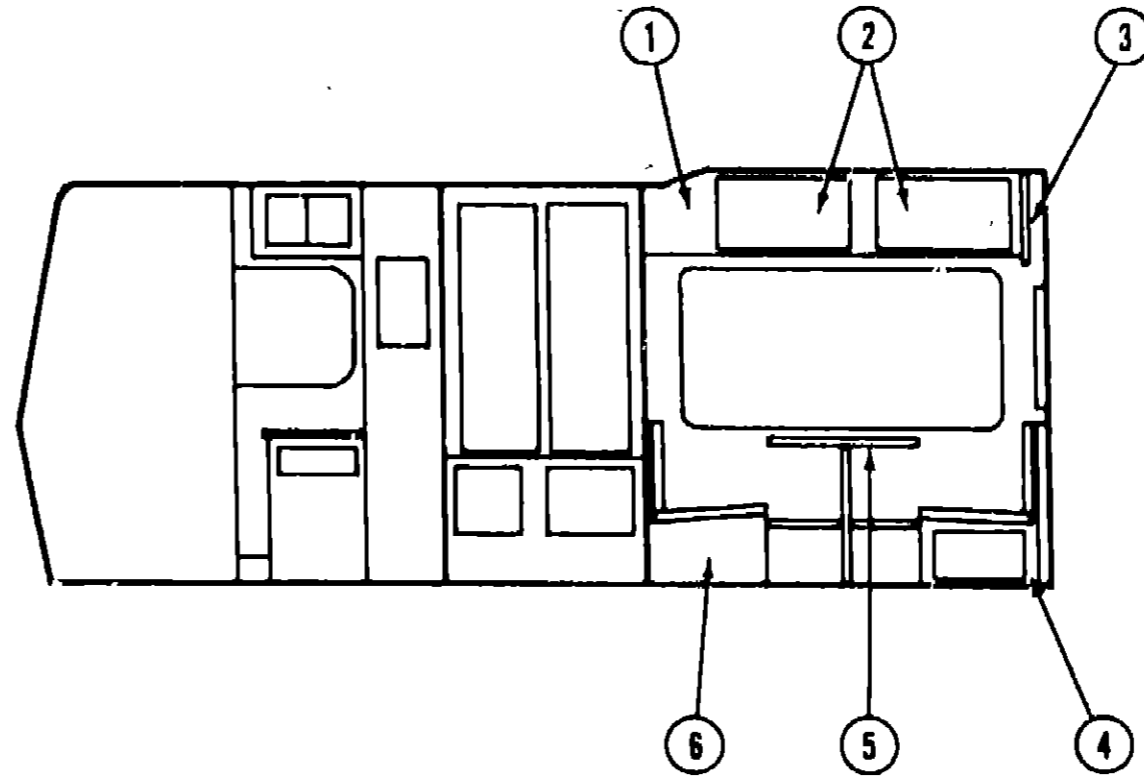


**CURTAIN, CUSHION & PAD GROUP (CONTINUED)**

**BUCKET SEATS**

Key	Part Number	U/M	Description
	079300-01-U10	EA	Seat Asm. - Vinyl
	079300-01-U11	EA	Seat Asm. - Vinyl
	079300-01-U12	EA	Seat Asm. - Vinyl
	M01862-01-U10	EA	Cover Asm. - Seat Bottom - Vinyl
	M01862-01-U11	EA	Cover Asm. - Seat Bottom - Vinyl
	M01862-01-U12	EA	Cover Asm. - Seat Bottom - Vinyl
	M01862-02-U10	EA	Cover Asm. - Seat Back - Vinyl
	M01862-02-U11	EA	Cover Asm. - Seat Back - Vinyl
	M01862-02-U12	EA	Cover Asm. - Seat Back - Vinyl
	078804-10-U10	EA	Seat Asm. - Granduer w/Left Armrest
	078804-10-U11	EA	Seat Asm. - Granduer w/Left Armrest
	078804-10-U12	EA	Seat Asm. - Granduer w/Left Armrest
	M01863-07-U10	EA	Cover Asm. - Bucket Seat Bottom
	M01863-07-U11	EA	Cover Asm. - Bucket Seat Bottom
	M01863-07-U12	EA	Cover Asm. - Bucket Seat Bottom
	M01863-08-U10	EA	Cover Asm. - Bucket Seat Back
	M01863-08-U11	EA	Cover Asm. - Bucket Seat Back
	M01863-08-U12	EA	Cover Asm. - Bucket Seat Back
	080243-08-U10	EA	Armrest Asm. - Left
	080243-08-U11	EA	Armrest Asm. - Left
	080243-08-U12	EA	Armrest Asm. - Left
	M80243-01-U10	EA	Cover Asm. - Armrest - Left
	M80243-01-U11	EA	Cover Asm. - Armrest - Left
	M80243-01-U12	EA	Cover Asm. - Armrest - Left
	078804-09-U10	EA	Seat Asm. - Granduer w/Right Armrest
	078804-09-U11	EA	Seat Asm. - Granduer w/Right Armrest
	078804-09-U12	EA	Seat Asm. - Granduer w/Right Armrest
	M01863-05-U10	EA	Cover Asm. - Bucket Seat Bottom
	M01863-05-U11	EA	Cover Asm. - Bucket Seat Bottom
	M01863-05-U12	EA	Cover Asm. - Bucket Seat Bottom
	M01863-06-U10	EA	Cover Asm. - Bucket Seat Back
	M01863-06-U11	EA	Cover Asm. - Bucket Seat Back
	M01863-06-U12	EA	Cover Asm. - Bucket Seat Back
	080243-07-U10	EA	Armrest Asm. - Right
	080243-07-U11	EA	Armrest Asm. - Right
	080243-07-U12	EA	Armrest Asm. - Right
	M80243-02-U10	EA	Cover Asm. - Armrest - Right
	M80243-02-U11	EA	Cover Asm. - Armrest - Right
	M80243-02-U12	EA	Cover Asm. - Armrest - Right
	080242-04-U10	EA	Headrest Asm.
	080242-04-U11	EA	Headrest Asm.
	080242-04-U12	EA	Headrest Asm.
	M80242-04-U10	EA	Cover Asm. - Headrest
	M80242-04-U11	EA	Cover Asm. - Headrest
	M80242-04-U12	EA	Cover Asm. - Headrest

**DINETTE GROUP**



**CONVENTIONAL DINETTE & OVERHEAD CABINERY**

Key	Part Number	U/M	Description
1	M82192-02-U10	EA	Cabinet Asm. - Dinette Overhead - w/o Doors or Hardware
2	M81523-02-U01	EA	Door Asm. - Dinette Overhead - w/o Hardware
3	081280-03-U01	EA	Pad Asm. - End Cap - Dinette Overhead - Vinyl
4	M02175-02-U01	EA	Cabinet Asm. - Dinette Seat - w/o Door or Hardware
	M81501-10-U01	EA	Door Asm. - Dinette Seat - 19.1" x 10.1" - w/o Hardware
	M02174-01-U01	EA	Cabinet Asm. - Dinette Back
5	M02115-09-U10	EA	Table Asm. - Dinette - w/o Hardware
5	M02115-09-U11	EA	Table Asm. - Dinette - w/o Hardware
5	M02115-09-U12	EA	Table Asm. - Dinette - w/o Hardware
6	M02196-01-U01	EA	Cabinet Asm. - Dinette Seat - w/o Door or Hardware
	M92197-01-U01	EA	Cabinet Asm. - Dinette Back
	M02420-01-U01	EA	Counterlop Asm. - Wardrobe - w/Dinette
	053200-01-000	EA	Bracket - Upper Wall Mount - 23.5"
**	053201-03-000	EA	Bracket - Table Mount - 23"
	024275-08-000	EA	Rod - Table Lift - 8" x 23.5" - Brown
	024281-03-000	EA	Bracket - Lower Wall Mount - Brown
	024276-14-000	EA	Leg Asm. - Table - 26.75" - Brown
**	064050-01-000	EA	Hinge - Table Leg
**	024282-01-000	EA	Brace - Table Leg
**	024283-01-000	EA	Clip - 1" O.D. Tube
	049493-02-000	EA	Catch - Table Leg - Mounts on Floor - Brown
	064781-03-000	EA	Cup Holder - 3.47" O.D. x 2.75" I.D. x 1.5" - Brown
			Not illustrated

\*\* The illustrated parts breakdown for this item is provided on the Common Items Fiche.

**1986 IT'ASCA  
TABLE OF CONTENTS**

IC420RG	A-01 - C-02
IC424RS	C-03 - E-10
ICN23RG	E-11 - G-23
ICN27RT	H-01 - J-14

**1986 IC424RS INDEX**

Floor Plan	C-03 - C-04
Accessories Group	C-05 - C-07
Bath Group	C-08
Chassis Group	C-09 - C-10
Curtain, Cushion & Pad Group	C-11 - C-19
Dinette Group	C-20 - C-21
Driver's Compartment Group	C-22 - C-23
Electrical Group	C-24 - D-02
Exterior Body Group	D-03 - D-08
Galley Group	D-09 - D-10
Heating & Air Conditioning Group	D-11
Interior Finish Group	D-12 - D-14
LP Group	D-15
Lounge Group	D-16 - D-17
Water & Sewage Group	D-18 - D-19
Window, Vent & Exterior Door Group	D-20 - E-10

## DINETTE GROUP (CONTINUED)

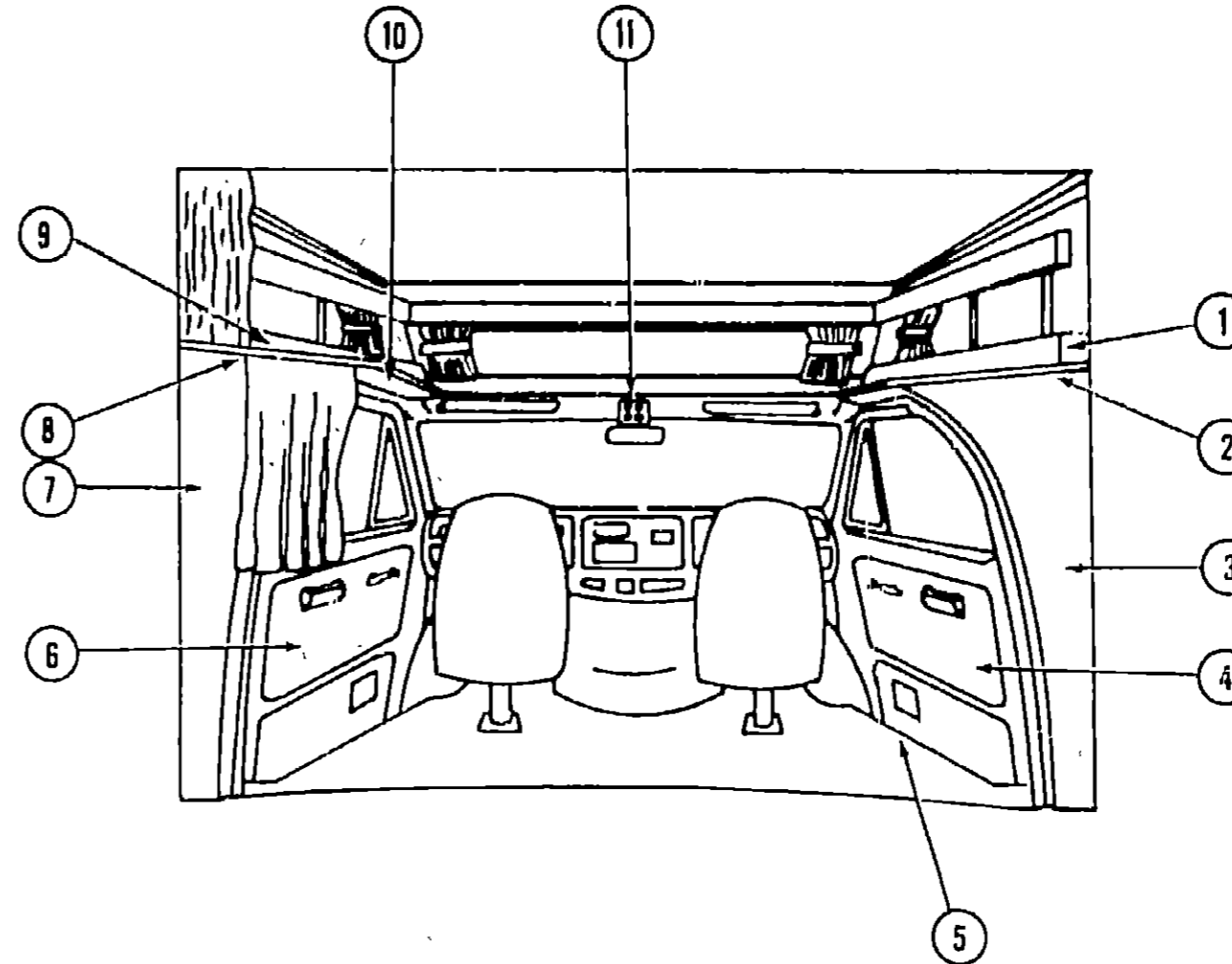
### SWIVEL CHAIR (OPTION)

Key	Part Number	U/M	Description
	M02420-02-U01	EA	Countertop Asm. - Wardrobe
	M02516-01-U04	EA	Table Asm. - Pullout w/o Hardware
	M02416-01-U04	EA	Table Asm. - Pullout Top - w/o Hardware
	M02414-01-U04	EA	Cup Holder Asm. - Top of Pullout Table
	079606-03-U04	EA	Rack Asm. - Magazine
	079921-01-000	EA	Roller Asm. - Nylon w/Shaft
	035036-04-000	EA	Base - Chair w/Holes in Leg
	035036-05-000	EA	Extension Asm. - 7" - Swivel Chair

### MAGIC BED W/TABLES (OPTION)

Key	Part Number	U/M	Description
	M02420-02-U01	EA	Countertop Asm. - Wardrobe
	081298-01-U04	EA	Table Asm. - Pedestal
	009040-03-000	EA	Base - Table - Raised
	009040-04-000	EA	Leg - Pedestal Table - 27.5 - Brown
	062046-01-000	EA	Clip - Pedestal - Table Leg
	041194-01-000	EA	Base - Flush Mount - Table

## DRIVER'S COMPARTMENT GROUP



## 1986 ITASCA TABLE OF CONTENTS

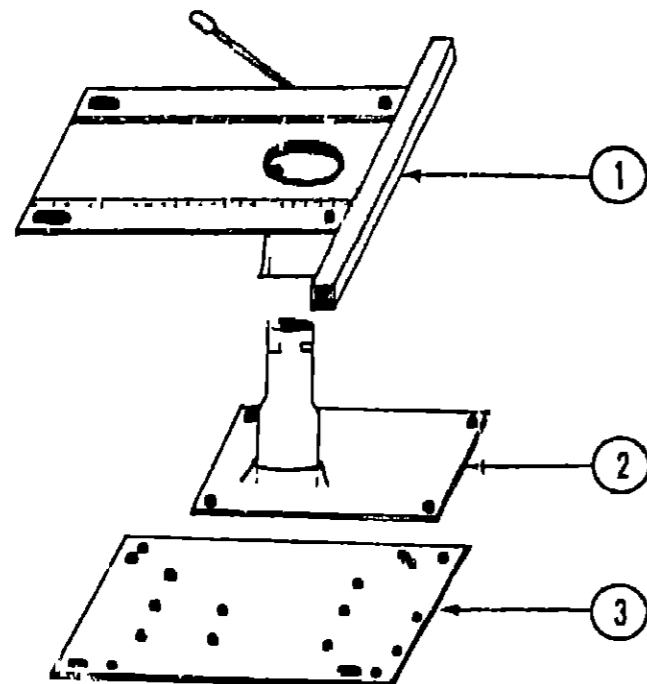
IC420RG	A-01 - C-02
IC424RS	C-03 - E-10
ICN23RG	E-11 - G-23
ICN27RT	H-01 - J-14

## MISCELLANEOUS DRIVER'S COMPARTMENT COMPONENTS

Key	Part Number	U/M	Description
1	082068-01-U01	EA	Cabinet Asm. - Headboard - Passenger
2	M81652-01-U01	EA	Panel Asm. - Sleeper Board - w/o Vinyl
	079800-01-U01	EA	Trim - Front Sleeper Board
3	M82554-01-U01	EA	Panel Asm. - Wingwall Transillon - Inner Passenger
4	059491-01-U10	EA	Side Panel - Cab Door - Passenger
4	059491-01-U11	EA	Side Panel - Cab Door - Passenger
4	059491-01-U12	EA	Side Panel - Cab Door - Passenger
5	044860-02-000	EA	Door Step Mat - Passenger - Black Rubber
	044860-01-000	EA	Door Step Mat - Driver - Black Rubber
6	059492-01-U10	EA	Panel Asm. - Cab Door - Driver
6	059492-01-U11	EA	Panel Asm. - Cab Door - Driver
6	059492-01-U12	EA	Panel Asm. - Cab Door - Driver
7	M82554-03-U01	EA	Panel Asm. - Wingwall Transillon - Inner Driver
8	082069-01-U01	EA	Accent Trim - Dark Sandrift Vinyl
9	082068-02-U01	EA	Cabinet Asm. - Headboard - Driver
10	076822-01-T03	EA	Headliner Asm. - Overhead Bunk - Vinyl
11	M01298-01-000	EA	Console - Overhead - 7.5" x 6.14" - Black
	083219-03-000	EA	Floor Mat - Front - Passenger - Itasca
	083219-04-000	EA	Floor Mat - Front - Driver - Itasca
	056288-01-000	EA	Dome Light Asm.
	056288-02-000	EA	Bulb - Dome Light Asm.
	056288-03-000	EA	Housing - Dome Light Asm.
	056288-04-000	EA	Lens - Dome Light Asm.
	056288-05-000	EA	Clip - Dome Light Asm.
	024461-01-000	EA	Switch - Battery
	024462-01-000	EA	Switch - Battery Condition
	024976-01-000	EA	Switch - Generator w/o Circuit Board
	031035-01-000	EA	Gauge - Generator Hourmeter
	024459-03-000	EA	Gauge - Voltmeter
	024459-02-000	EA	Bracket - Mounting - Voltmeter Gauge
			Not illustrated

## 1986 IC424RS INDEX

Floor Plan	C-03 - C-04
Accessories Group	C-05 - C-07
Bath Group	C-08
Chassis Group	C-09 - C-10
Curtain, Cushion & Pad Group	C-11 - C-19
Dinette Group	C-20 - C-21
Driver's Compartment Group	C-22 - C-23
Electrical Group	C-24 - D-02
Exterior Body Group	D-03 - D-08
Galley Group	D-09 - D-10
Heating & Air Conditioning Group	D-11
Interior Finish Group	D-12 - D-14
LP Group	D-15
Lounge Group	D-16 - D-17
Water & Sewage Group	D-18 - D-19
Window, Vent & Exterior Door Group	D-20 - E-10



BUCKET SEAT PEDESTAL & SEAT BELTS

Key	Part Number	U/M	Description
1	069585-27-000	EA	Plate - Top - Pedestal Asm - Bucket Seat
1	069585-19-000	FA	Plate - Top - Pedestal Asm - Power Seat
2	069585-03-000	GA	Plate - Sub - Pedestal Asm. - Bucket Seat
2	069585-18-000	EA	Plate - Sub - Pedestal Asm. - Power Seat
3	069585-02-000	EA	Plate - Base - Pedestal Asm. - Bucket Seat
*	081373-02-000	EA	Seat - Power
*	056271-02-000	EA	Belt Asm - Seat - 2" x 72" - Black
*	007021-01-000	EA	Belt Asm. - Seat - 2" x 90" - Black
*	057759-01-000	EA	Bracket - Seat Belt Washer
*	069246-01-000	EA	Adjuster Asm - Seat - w/Lock
*	069246-02-000	EA	Adjuster Asm - Seat - w/o Lock
*	080730-02-000	EA	Recliner Drive - Driver
*	080730-01-000	EA	Recliner Drive - Passenger
*	069585-29-000	EA	Bar - Seat Belt - 20"
*			Not illustrated

BULBS

Key	Part Number	U/M	Description
	008220-01-000	EA	Bulb - 11V - 25W
	008103-01-000	EA	Bulb - 53
	008213-01-000	EA	Bulb - 57
	008214-01-000	EA	Bulb - w/
	030196-01-000	EA	Bulb - 194
	008215-01-000	EA	Bulb - 1003
	037479-01-000	EA	Bulb - 1078
	083914-01-000	EA	Bulb - 1139
	008218-01-000	EA	Bulb - 1141
	037835-01-000	EA	Bulb - 1157
	058288-02-000	EA	Bulb - 9431808

FUSES & CIRCUIT BREAKERS

Key	Part Number	U/M	Description
	008234-01-000	EA	Fuse - 10 Amp. - 12 Volt
	008235-01-000	EA	Fuse - 15 Amp - 12 Volt
	062901-02-000	EA	Fuse - 5 Amp. - Automotive
	062901-05-000	EA	Fuse - 15 Amp - Automotive
	008211-01-000	EA	Circuit Breaker - 6 Amp. - 12 Volt
	008208-01-000	EA	Circuit Breaker - 40 Amp. - 12 Volt
	033573-02-000	EA	Circuit Breaker - 15 Amp. - 12 Volt - w/Mount
	033573-01-000	EA	Circuit Breaker - 20 Amp - 12 Volt - w/Mount
	044466-03-000	EA	Circuit Breaker - 25 Amp. - 12 Volt - w/Mount
	008268-01-000	EA	Circuit Breaker - 30 Amp - 12 Volt - w/Mount
	083209-01-000	EA	Circuit Breaker - 15 Amp - 120 Volt
	083210-02-000	EA	Circuit Breaker - 15 Amp. - 120 Volt (Ground Fault Interrupter)
	075735-02-000	EA	Circuit Breaker - 15 Amp. - 120 Volt (Ground Fault Interrupter)
	071279-05-000	EA	Circuit Breaker - 20 Amp. - 120 Volt
	071279-04-000	EA	Circuit Breaker - 30 Amp. - 120 Volt
	071279-03-000	EA	Circuit Breaker - 15/20 Amp. - 120 Volt
	083209-03-000	EA	Circuit Breaker - 15/20 Amp. - 120 Volt
	071279-01-000	EA	Circuit Breaker - 15/30 Amp. - 120 Volt
	083209-05-000	EA	Circuit Breaker - 20 Amp - 120 Volt
	083209-04-000	EA	Circuit Breaker - 30 Amp. - 120 Volt
	083209-06-000	EA	Circuit Breaker - 30/15 Amp. - 120 Volt
	071279-06-000	EA	Circuit Breaker - 30/15 Amp - 120 Volt
	071280-01-000	EA	Circuit Breaker Blank
	050283-02-000	EA	Circuit Breaker - Buss Bar

1986 ITASCA  
TABLE OF CONTENTS

IC420RG	A-01 - C-02
IC424RS	C-03 - E-10
ICN23RG	E-11 - G-23
ICN27RT	H-01 - J-14

1986 IC424RS INDEX

Floor Plan	C-03 - C-04
Accessories Group	C-05 - C-07
Bath Group	C-08
Chassis Group	C-09 - C-10
Curtain, Cushion & Pad Group	C-11 - C-19
Dinette Group	C-20 - C-21
Driver's Compartment Group	C-22 - C-23
Electrical Group	C-24 - D-02
Exterior Body Group	D-03 - D-08
Galley Group	D-09 - D-10
Heating & Air Conditioning Group	D-11
Interior Finish Group	D-12 - D-14
LP Group	D-15
Lounge Group	D-16 - D-17
Water & Sewage Group	D-18 - D-19
Window, Vent & Exterior Door Group	D-20 - E-10

**ELECTRICAL GROUP (CONTINUED)**

**WIRE, SWITCHES & RECEPTACLES**

Key	Part Number	U/M	Description
	008058-01-000	EA	Adapter - Power Cord
	008288-01-000	EA	Box - Electrical - 3' x 3' 5" - Plastic
	008289-01-000	EA	Box - Electrical - 4' x 4' - 1/2 & 3/4 Steel - UL
	008289-02-000	EA	Box - Electrical - 4' x 4' - 1/2 & 3/4 Steel - CSA
	058049-01-000	EA	Box - Electrical - 2' x 3' x 2 25" - Steel
	041953-01-000	EA	Conduit - Convoluted Slit - 5 I D
	001353-01-000	EA	Connector - Clamping 3/8 Cable - UL & CSA
	058028-01-000	EA	Connector - Pigtail - Clear Nylon
	008314-01-000	EA	Connector - Wire Nut - Gray
	008311-01-000	EA	Connector - Wire Nut - Red
	031968-01-000	EA	Contact Plug - Brass - Tin Plated
	031967-01-000	EA	Contact - Receptacle
	008054-01-000	EA	Cord - Power - 10-3 30 Amp - 25 - UL
	008052-01-000	EA	Cord - Power - 10-3 30 Amp - 25 - CSA
	069230-01-000	EA	Cover - Electrical Box - 4' x 4' -
	058048-01-000	EA	Cover - Electrical Box - 4 5" x 2 75" - Rain Tight (Exterior)
	024571-03-000	EA	Cover Plate - Receptacle Jumbo - Brown Plastic
	024571-04-000	EA	Cover Plate - Receptacle - Jumbo - Ivory Plastic
	008164-01-000	EA	Cover Plate - Switch - Brown
	008294-01-000	EA	Cover - Flat Blank - 4' x 4' - Steel - US
	008294-02-000	EA	Cover - Flat Blank - 4' x 4' - Steel - CSA
	008250-01-000	EA	Fuse Holder - In Line - 10 Amp
	008250-02-000	EA	Fuse Holder - In Line - 15 Amp
	008277-01-000	EA	Fuse Holder - Panel Mount - Black
	064399-01-000	EA	Housing Asm - Trailer Pin
	064450-01-000	EA	Housing Asm - Trailer Plug
	064399-01-000	EA	Housing Asm - Trailer Receptacle
	054532-01-000	EA	Housing Pin - 6 Position
	046885-01-000	EA	Plaque - Mounting Switch
	075736-02-000	EA	Receptacle/Cover Asm - Off White (Exterior)
	058708-01-000	EA	Receptacle - Duplex - Brown
	008157-01-000	EA	Receptacle - Duplex - Brown (Exterior Backwall)
	058708-02-000	EA	Receptacle - Duplex - Ivory
	053126-01-000	EA	Receptacle - Ground Fault Interrupter - 125 Volt - Ivory
	024924-02-000	EA	Receptacle - Power Cord
	058707-01-000	EA	Receptacle - Single - Brown
	063912-01-000	EA	Relay - Canister SPDT w/Ground
	075723-01-000	EA	Switch Block Spacer w/o Holes
	075723-02-000	EA	Switch Block Spacer w/Holes
	008162-01-000	EA	Switch - Double Toggle - Brown
	077942-02-000	EA	Switch - Dummy - Brown
	058204-01-000	EA	Switch - Leaf Actuator
	079362-01-000	EA	Switch Plate - 3 Gang - 2 Switches
	079363-01-000	EA	Switch Plate - Single w/Switches
	079364-01-000	EA	Switch - On/Off Rocker - Brown
	078195-01-000	EA	Switch - Push Button - 12 Volt
	08163-01-000	EA	Switch - Toggle - Brown
	073050-01-000	EA	TV Jack - Ivory
	047443-02-000	EA	Terminal - 250 Receptacle 12 10 AWG
	035417-01-000	EA	Terminal - Pin Receptacle 125 Dia
	008348-01-000	EA	Terminal Ring - 2 - w/3/8 Stud
	008331-01-000	EA	Terminal Ring - 4 - w/3/8 Stud
	008328-01-000	EA	Terminal Ring 12/10 Wire
	054865-01-000	EA	Wire Asm - Generator Switch
	008028-01-000	FT	Wire - 18 5 Bonded Blue/Red/Yellow/Orange/White
	008024-01-000	FT	Wire - 18 5 Bonded Orange/White/Yellow/Blue/Brown
	008025-01-000	FT	Wire - 18 5 Bonded Orange/White/Yellow/Blue/Green
	008026-01-000	FT	Wire w/Ground Romex 12/2

**ELECTRICAL GROUP (CONTINUED)**

**EXTERIOR LIGHTS**

Key	Part Number	U/M	Description
	042405-03-000	EA	Base - Rectangular Clearance Light
	042405-01-000	EA	Lens - Clearance Light - Red w/Reflex
	042405-02-000	EA	Lens - Clearance Light - Amber w/Reflex
	042405-05-000	EA	Lens - Clearance Light - Amber w/o Reflex
	048817-01-000	EA	Assist Handle Asm w/Light
	079941-01-000	EA	Lamp Asm - w/Cover Fog - Amber
	081250-02-000	EA	Light Asm - Cab Marker Red
	075459-04-000	EA	Lamp Asm - Tail - Red
	075459-05-000	EA	Lamp Asm - Turn - Amber
	075459-06-000	EA	Lamp Asm - Backup/Reflex
	073844-01-000	EA	Lamp Asm - License
	076795-01-000	EA	Light Asm - License

**INTERIOR LIGHT**

Key	Part Number	U/M	Description
	065202-03-000	EA	Lamp Decor - Wall Brass - 2 Bulb
	033508-02-000	EA	Light - Dome - Ivory - 1 Bulb - US
	033508-03-000	EA	Light - Dome - Ivory - 1 Bulb - CSA
	033509-02-000	EA	Light - Dome - Ivory - 2 Bulb - US
	033509-03-000	EA	Light - Dome - Ivory - 2 Bulb - CSA
	078424-02-000	EA	Light - Florescent 12V
	061424-01-000	EA	Light - 12V Receptacle - Aisle IP
	007309-01-000	EA	Light Step Well
	072353-02-000	EA	Light Reading Double - 360° Swivel - Silver
	072353-07-000	EA	Light Reading - Single 360° Swivel - Tan
	056288-01-000	EA	Light - Dome (Driver's Compartment)
	056283-04-000	EA	Lens - Dome Light (Driver's Compartment)

**MISCELLANEOUS ELECTRICAL COMPONENTS**

Key	Part Number	U/M	Description
	047338-03-000	EA	Isolator - Dual Battery - 70 Amp
	008188-01-000	EA	Solenoid - Dual Battery Relay
	083208-01-000	EA	Converter - 120 Amp w/Charger
	083208-01-000	EA	Control Center 32A 120V/12V

**1986 ITASCA  
TABLE OF CONTENTS**

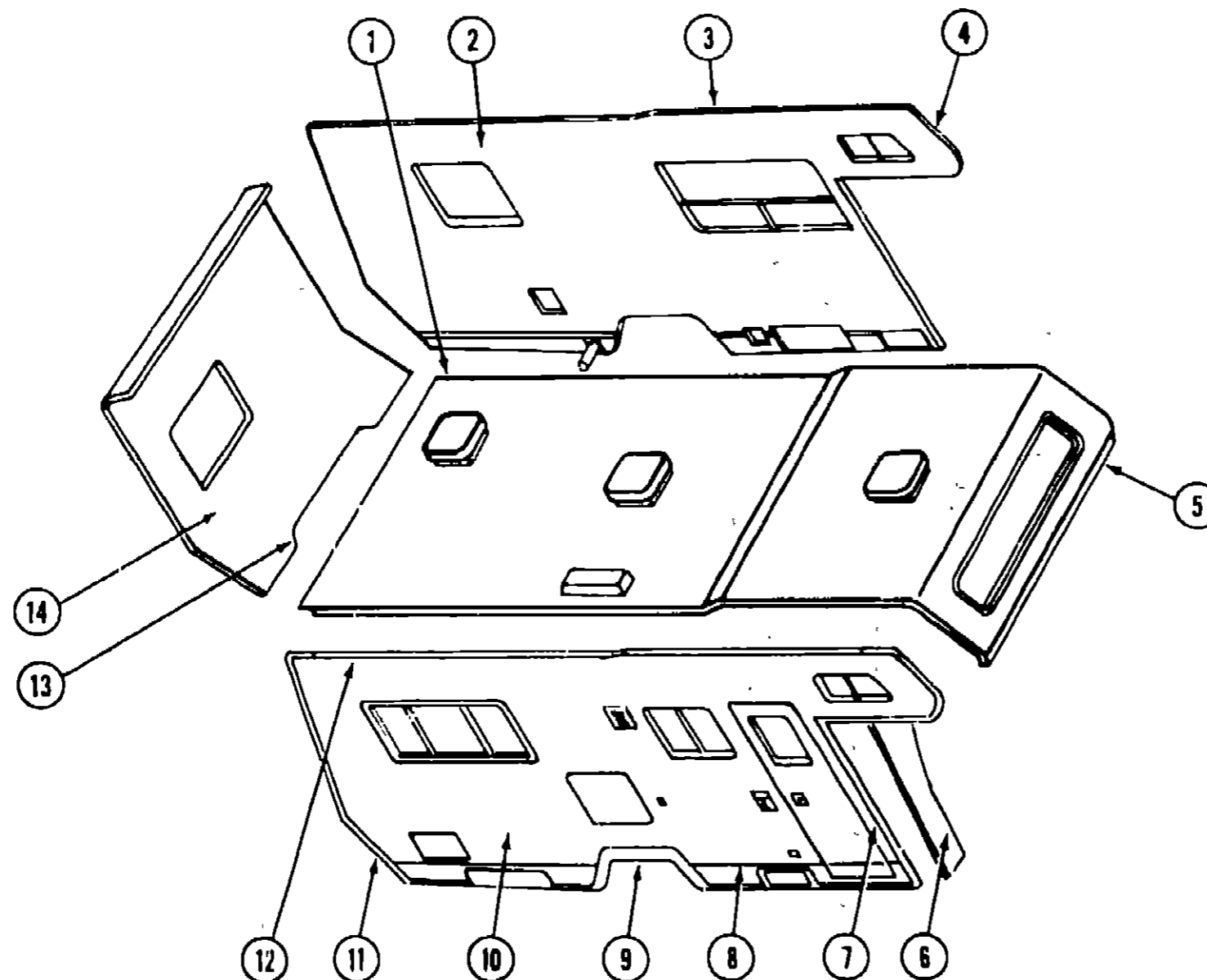
IC420RG	A-01 - C-02
IC424RS	C-03 - E-10
ICN23RG	E-11 - G 23
ICN27RT	H-01 J-14

**1986 IC424RS INDEX**

Floor Plan	C 03 - C-04
Accessories Group	C 05 - C 07
Bath Group	C-08
Chassis Group	C 09 - C-10
Curtain Cushion & Pad Group	C 11 - C-19
Dinette Group	C 20 - C-21
Driver's Compartment Group	C 22 - C-23
Electrical Group	C 24 - D 02
Exterior Body Group	D 03 - D-08
Galley Group	D 09 - D 10
Heating & Air Conditioning Group	D 11
Interior Finish Group	D 12 - D-14
LP Group	D 15
Lounge Group	D 16 - D-17
Water & Sewage Group	D 18 - D 19
Window Vent & Exterior Door Group	D 20 - E-10

## EXTERIOR BODY GROUP

### EXTERIOR BODY PANELS



Key	Part Number	U/M	Description
1	M81843-01-U01	EA	Roof Asm.
*	M76177-01-700	EA	Roof Section - Cab Over To First Seam
2	M81580-01-U10	EA	Sidewall Asm. - Driver
2	M81580-01-U11	EA	Sidewall Asm. - Driver
2	M81580-01-U12	EA	Sidewall Asm. - Driver
3	076802-06-000	EA	Trim - Contour - Upper Front - Driver - Off White
*	076802-05-000	EA	Trim - Contour - Upper Front - Passenger - Off White
4	076828-02-000	EA	Trim - Contour - Sleeper - Driver - Off White
*	076828-01-000	EA	Trim - Contour - Sleeper - Passenger - Off White
5	039644-08-000	EA	Trim - Sleeper Board - Front - Off White
6	M82343-01-U01	EA	Wingwall Asm. - Passenger
*	M82343-02-U01	EA	Wingwall Asm. - Driver
7	076975-03-000	EA	Trim - Wingwall Transition - Passenger - Off White
*	076975-04-000	EA	Trim - Wingwall Transition - Driver - Off White
8	002444-01-001	EA	Feature Strip - w/o Insert - Extr. - 14' - Brown
*	001030-02-003	EA	Insert - Feature Strip - 17' - Stucco - Off White
*	009731-01-000	EA	End Cap - Feature Strip
9	075189-01-000	EA	Trim - Wheel Well - Rear Passenger - Off White
*	075189-02-000	EA	Trim - Wheel Well - Rear Driver - Off White

Key	Part Number	U/M	Description
**10	M81679-01-U10	EA	Sidewall Asm. - Passenger
**10	M81679-01-U11	EA	Sidewall Asm. - Passenger
**10	M81679-01-U12	EA	Sidewall Asm. - Passenger
11	076805-01-000	EA	Trim - Contour - Rear Passenger - Off White
*	076805-02-000	EA	Trim - Contour - Rear Driver - Off White
12	077339-07-000	EA	Trim - Contour - Upper Rear Passenger - Off White
*	077339-08-000	EA	Trim - Contour - Upper Rear Driver - Off White
13	074966-02-000	EA	Trim - Backwall - Lower - Passenger or Driver
**14	082088-01-U10	EA	Backwall Asm.
*	002385-01-001	EA	U-Channel - Extrusion - 1" x 18'
*	002776-01-001	EA	U-Channel - Extrusion - 1.75" x 18'
*	077514-04-001	EA	Fiberglass Sheet - 48.08" x 259" - Mesa - Off White
*	077517-04-002	EA	Fiberglass Sheet - 48.08" x 60" - Mesa - Off White
*	001054-01-011	EA	Alum. - No Design - 48" x 96" - Off White
*	000868-01-000	SF	Styrofoam - .75" x 24" x 96"
*	000870-01-000	SF	Styrofoam - 1.5" x 24" x 96"
*	000870-03-000	SF	Styrofoam - 1.34" x 48" x 96"
*			Not Illustrated

\*\*When ordering designate double bed or bunkbed

## 1986 ITASCA TABLE OF CONTENTS

IC420RG  
IC424RS  
ICN23RG  
ICN27RT

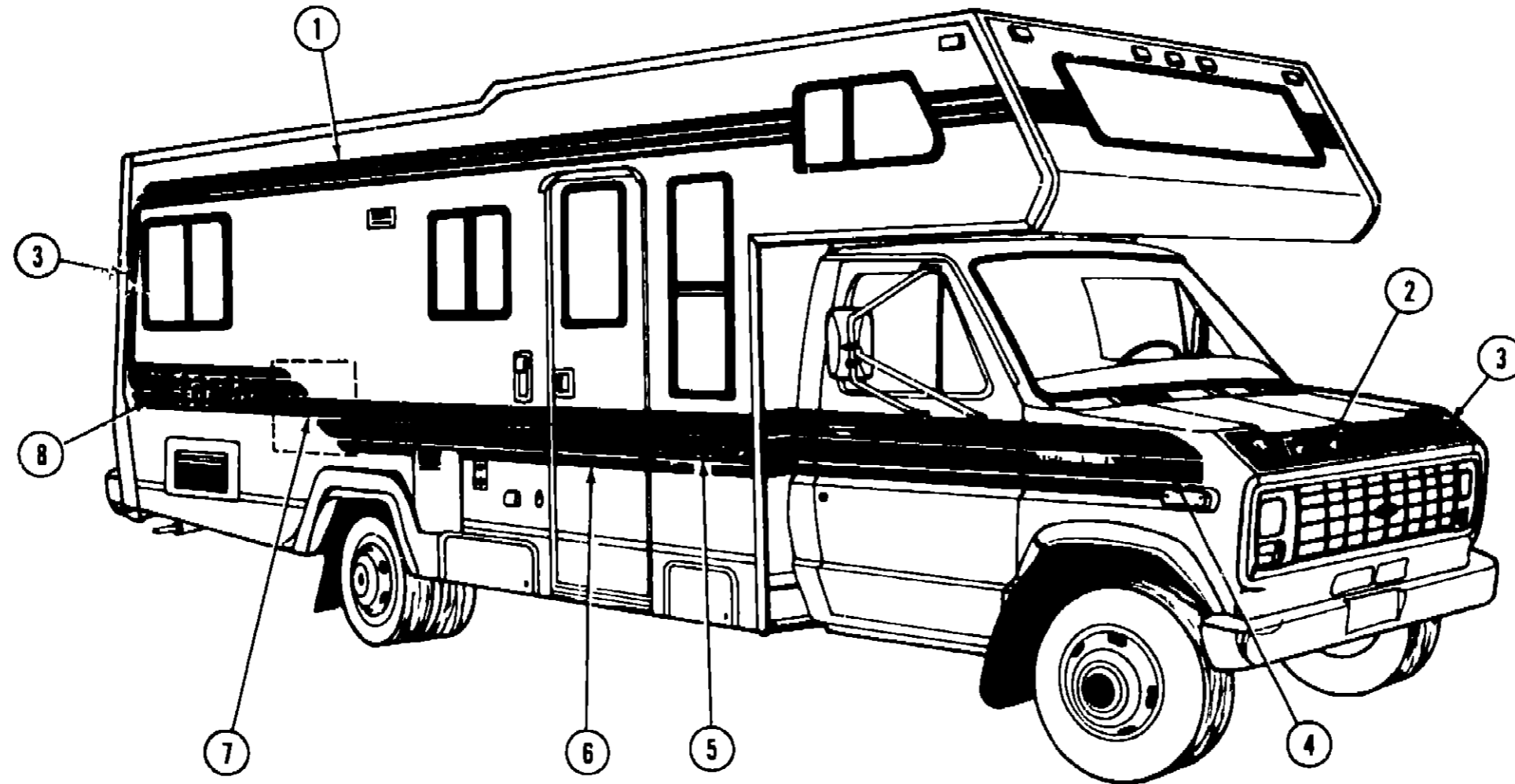
A-01 - C-02  
C-03 - E-10  
E-11 - G-23  
H-01 - J-14

## 1986 IC424RS INDEX

Floor Plan	C-03 - C-04
Accessories Group	C-05 - C-07
Bath Group	C-08
Chassis Group	C-09 - C-10
Curtain, Cushion & Pad Group	C-11 - C-19
Dinette Group	C-20 - C-21
Driver's Compartment Group	C-22 - C-23
Electrical Group	C-24 - D-02
Exterior Body Group	D-03 - D-08
Galley Group	D-09 - D-10
Heating & Air Conditioning Group	D-11
Interior Finish Group	D-12 - D-14
LP Group	D-15
Lounge Group	D-16 - D-17
Water & Sewage Group	D-18 - D-19
Window, Vent & Exterior Door Group	D-20 - E-10

## EXTERIOR BODY GROUP (CONTINUED)

### LABELS, DECALS & EXTERIOR PAINT



## 1986 ITASCA TABLE OF CONTENTS

IC420RG  
IC424RS  
ICN23RG  
ICN27RT

A-01 - C-02  
C-03 - E-10  
E-11 - G-23  
H-01 - J 14

Key	Part Number	U/M	Description
1	069245 75-000	FT	Film - Multistrip - 4 13" x 150' - Blue/Gray (U10)
1	069245-76 000	FT	Film - Multistrip - 4 13" x 150' - Melon (U11)
1	069245 77-000	FT	Film - Multistrip - 4 13" x 150' - Plum/Beige (U12)
2	078852-03-000	EA	Decal - Logo - Itasca - 5' x 20'
3	069245-72 000	FT	Film - Multistripe - 6" x 150' - Blue/Gray (U10)
3	069245 73 000	FT	Film - Multistripe - 6" x 150' - Melon (U11)
3	069245 74 000	FT	Film - Multistripe - 6" x 150' - Plum/Beige (U12)
4	078866 07-000	EA	Decal - Fender - Passenger - Blue/Gray (U10)
4	078866-09-000	EA	Decal - Fender - Passenger - Melon (U11)
4	078866-11 000	EA	Decal - Fender - Passenger - Plum/Beige (U12)
	078866-08 000	EA	Decal - Fender - Driver - Blue/Gray (U10)
	078866 10-000	EA	Decal - Fender - Driver - Melon (U11)
	078866-12 000	EA	Decal - Fender - Driver - Plum/Beige (U12)
5	078851-02 000	EA	Decal - Logo - 'Sunrancer'
6	069245 78-000	EA	Film - Multistripe - 8" x 150' - Blue/Gray (U10)
6	069245 79 000	EA	Film - Multistripe - 8" x 150' - Melon (U11)
6	069245 80 000	EA	Film - Multistripe - 8" x 150' - Plum/Beige (U12)
7	078867 07 000	EA	Decal - Side - Center - Passenger - Blue/Gray (U10)
7	078867 09 000	EA	Decal - Side - Center - Passenger - Melon (U11)
7	078867-11 000	EA	Decal - Side - Center - Passenger - Plum/Beige (U12)
	078867-08 000	EA	Decal - Side - Center - Driver - Blue/Gray (U10)
	078867-10 000	EA	Decal - Side - Center - Driver - Melon (U11)
	078867 12 000	EA	Decal - Side - Center - Driver - Plum/Beige (U12)
8	078852 04 000	EA	Decal - Logo - 'Itasca' 6 25' x 28 67'
	084075 01 000	EA	Decal - 'by Winnebago Industries'

Key	Part Number	U/M	Description
	068383 01 000	EA	Label - Diesel Fuel
	006195 01-000	EA	Label - Electrical Test
	047731 01-000	EA	Label - Emergency Exit
	006199 01-000	EA	Label - Exit - Escape Window
	057467-04 000	EA	Label - Exterior Loading Limit
	064378 01-000	EA	Label - Flying 'W' w/Thermo Panel
	061417 01-000	EA	Label - Fuel
	006196 01 000	EA	Label - Gas Test
	054531 01-000	EA	Label - LP Gas Only
	040944 01-000	EA	Label - Open - Entrance Door
	006015 01 000	EA	Label - Patent Motor Home
	056259 01-000	EA	Label - Safety Check List
	006064 01 000	EA	Label - Seat - w/o Seat Belts
	006187 01 000	EA	Label - Sewage
	006006 01 000	EA	Label - Thermo Panel 2 1/4" x 2 1/4"
	075221-01 000	EA	Label - Trailer Hitch Capacity
	075220-01 000	EA	Label - Warning - Exterior Load Limit
	077956 01-000	EA	Label - Warning - Smoke Detector
	050225 01 000	EA	Label - Warning - Stove Vent - US
	006188 01 000	EA	Label - Waste Water
	006197-01 000	EA	Label - Water Test
	072863 01 000	EA	Nameplate - Diesel - 6 2L
	006062 01-000	EA	Tag - Electrical 110 Volt Connection
	006040 01 000	EA	Tag - Gas - Refueling Warning
	044486 03 000	EA	Paint - Beige Acrylic Enamel - 16 oz Aerosol (7633A Dupont)
	045881 03 000	EA	Paint - Gloss Black Acrylic Enamel - 16 oz Aerosol (99 Dupont)
	058637 05 000	EA	Paint - Gray Acrylic Enamel - 16 oz Aerosol (71537 Dupont)
	041561 03 000	EA	Paint - Off White Acrylic Enamel - 16 oz Aerosol (45396A Dupont)
	074559 01 000	EA	Label - LPG' 3 3' x 1 75' (Calif Code)
			Not illustrated

## 1986 IC424RS INDEX

Floor Plan	C 03 - C 04
Accessories Group	C 05 - C-07
Bath Group	C-08
Chassis Group	C-09 - C-10
Curtain, Cushion & Pad Group	C 11 - C 19
Dinette Group	C 20 - C 21
Driver's Compartment Group	C-22 - C 23
Electrical Group	C 24 - D-02
Exterior Body Group	D 03 - D-08
Galley Group	D 09 - D 10
Heating & Air Conditioning Group	D 11
Interior Finish Group	D 12 - D 14
LP Group	D 15
Lounge Group	D 16 - D 17
Water & Sewage Group	D 18 - D-19
Window, Vent & Exterior Door Group	D 20 E 10

**EXTERIOR BODY GROUP (CONTINUED)**

**SEALANTS & ADHESIVES**

Key	Part Number	U/M	Description
	004020-01-000	QT	Adhesive - ABS Cement (Plastic Fittings)
	002337-01-000	EA	Adhesive - 1300 Tube - 3M (Windows)
	004005-02-000	GL	Adhesive - Swifts - Glue (Sidewalls)
	053766-07-000	EA	Bedding Compound - Tube - Beige (Exterior)
	053766-06-000	EA	Bedding Compound - Tube - Clear (Window)
	053766-08 000	EA	Bedding Compound - Tube - Gray (Exterior)
	053766 05-000	EA	Bedding Compound - Tube - Gray (Sidewalls to Floor)
	053766-02-000	EA	Bedding Compound - Tube - Off White (Exterior)
	002328-02-000	EA	Block Rubber Spacer (Windshield)
	004336-01-000	EA	Caulk - Latex - Golden Walnut (Sidewalls)
	072891-02-000	QT	Primer - Glass - Black
	072891 01-000	QT	Primer - Glass - Clear
	035024-01-000	EA	Primer - Glass Clear - Windshield
	072890-01-000	QT	Primer - Metal - Black
	035023-01-000	GL	Primer - Metal Windshield
	077967 01-000	EA	Sealant Acrylic Latex Tube - Off White (Interior Sealant)
	034552-04-000	EA	Sealant - Silicone - Beige
	034552-02 000	EA	Sealant - Silicone - Clear
	034552-07 000	EA	Sealant - Silicone - Dark Gray
	034552-06-000	EA	Sealant - Silicone - Off White
	069637 01-000	EA	Sealant - Weatherban 404 Tube - White (Door Caulk)
	072889 01-000	EA	Sealant - Urethane - Black (Windshield)
	069640-01-000	FT	Sealer Ribbon - 25' Bead x 20
	069640-02 000	FT	Sealer Ribbon - 5' x 125' x 30'
	069640-03 000	FT	Sealer Ribbon - 75' x 125' x 30
	069640-04 000	FT	Sealer Ribbon 2' x 09' x 45' (P Series)
	069640-05 000	FT	Sealer Ribbon 2.5" x 09' x 50'
	069640 06 000	FT	Sealer Ribbon 5/16' Bead x 15
	069640-07-000	FT	Sealer Ribbon 2' x 3/32' x 30
	002316 01-000	FT	Sealer Tape - 3/32' x 3/8' White (Window)
	002707-01-000	FT	Sealer Tape - 5/16' x 3/4
	002707 02 000	FT	Sealer Tape - 5/16' x 1/2
	040545 01 000	GL	Sealer - Seam Weld
	053752-04 000	EA	Seam Sealer - Tube - Aluminum (Roof)
	063642-01-000	FT	Tape Adhesive - 10 mm x 15 Wide
	038886-01-000	EA	Tape - Butyl - 31' x 31' x 148 (Windshield)
	076322 01 000	FT	Tape Foam - Double Coated - 025 x 1' (Fiberglass Sidewall Seams)
	076322-02 000	FT	Tape Foam - Double Coated - 045 x 1' (Fiberglass Sidewall Seams)
	009200 01 000	EA	Tape Furnace - 1.5'
	002825 01 000	FT	Weather Striping (Roof Vent)

**MISCELLANEOUS EXTERNALLY MOUNTED PARTS**

Key	Part Number	U/M	Description
	083558 01-000	EA	Plumbing Seal - Roof Vent - 1.5
	048817 01 000	EA	Assist Handle - w/Light
	048817 01-700	EA	Lens Assist Handle
	010230 02 000	EA	Fill - City Water - Recessed Off White
	081240 03 000	EA	Water Fill - Lockable - White
	078040 01-000	EA	Shroud Fuel Fill - Upper
	063303 04 000	EA	Shroud - Fuel Fill Lower
	083578 01-000	EA	Boot - Fuel Fill
	079384 01 000	EA	Running Board Set w/Wheel Flares
	079384 01-700	EA	Hardware Set Running Board
	079384 01-701	EA	Riser - Molding
	079384 01-702	EA	Wheel - Trim - Chrome
	079384 02 000	EA	Running Board Set w/Wheel Flares
	080359 01-000	EA	Plate Step Well
	080359 02 000	EA	Plate - Step Well

**EXTERIOR BODY GROUP (CONTINUED)**

**INTERIOR/EXTERIOR SCREWS & FASTENERS**

Key	Part Number	U/M	Description
	005200-01-000	EA	Bolt - Round Head - Square Neck w/SST Cap - 7/16 - 14 x 1 1/4
	058279-01-000	EA	Clip - Mounting - Front Panel
	035628-01 000	EA	Fastener - Blind Well Nut - 1.05 x .38
	000D15-06-00B	F \	Nut - Hex - 3/8 x 24 - Zinc
	005081-01-000	EA	Nut - Speed - C Type - #8 Screw
	000G54-04 20B	EA	Screw 1/4 - 20 x 1 1/4 PTH - Zinc
	000G54-04 22B	EA	Screw 1/4 - 20 x 1 3/8 PTH - Zinc
	000G53-04 06B	EA	Screw 1/4 - Machine - 20 x 3/8 PTH - Zinc
	000G13-06 12P	EA	Screw #6 - 20 x 3/4 PFH - Dark Brown
	000G13-06-28X	EA	Screw #6 - 20 x 3/4 PFH - Gray
	000G13 06-16R	EA	Screw #6 - 20 x 1 PFH - Beige
	000G11 07 08B	EA	Screw #7 - 19 x 1/2 PPH - Zinc
	000G12 08 12M	EA	Screw #8 - 18 x 3/4 POH - Gray
	000G11-08-12R	EA	Screw #8 - 18 x 3/4' PPH - Beige
	000G11 08 12X	EA	Screw #8 - 18 x 3/4' PPH - Gray
	000G11-08-12B	EA	Screw #8 - 18 x 3/4' PPH - Zinc
	000G39-08 12R	EA	Screw #8 - 18 x 3/4' SDPH - Beige
	000G66-08-12M	EA	Screw #8 - 18 x 3/4' SDPH - Gray
	000G11-08 16R	EA	Screw #8 - 18 x 1 PFH - Gray
	000G66-08-16R	EA	Screw #8 18 x 1" SDPH - Beige
	000G12 08 28R	EA	Screw #8 - 18 x 1 3/4" POH - Beige
	000G36-08 08E	EA	Screw #8 - 32 x 1/2' PFH - Chrome
	000G39-08 08B	EA	Screw #8 - Self Drilling - 18 x 1/2' PPH - Zinc
	000G39-08 12B	EA	Screw #8 - Self Drilling - 18 x 3/4" PPH Zinc
	000G39 08 12R	EA	Screw #8 - Self Drilling 18 x 3/4 PPH Beige
	000G39 08 16R	EA	Screw #8 - Self Drilling 18 x 1" PPH - Beige
	000G39 08-16T	EA	Screw #8 - Self Drilling - 18 x 1" PPH - Black
	000G39 08 16P	EA	Screw #8 - Self Drilling - 18 x 1" PPH - Dark Brown
	000G39-08 16X	EA	Screw #8 - Self Drilling - 18 x 1 PPH - Gray
	000G39 08 16E	EA	Screw #8 - Self Drilling - 18 x 1 PPH - Chrome
	000G64 08 16M	EA	Screw #8 - Self Drilling - 18 x 1' SDPH - Gray
	000G67-10 08B	EA	Screw #10 - 12 x 1/2' PPH - Zinc
	000G67 10-10R	EA	Screw #10 - 12 x 5/8' PPH - Beige
	000G67 10 16P	EA	Screw #10 - 12 x 1' PPH - Dark Brown
	000G67-10 16B	EA	Screw #10 - 12 x 1" PPH - Zinc
	000G67 10 20B	EA	Screw #10 - 12 x 1 1/4' - PPH Zinc
	000G67-10 24B	EA	Screw #10 - 12 x 1 1/2 PPH - Zinc
	049465 04 000	EA	Screw #10 - 16 x 1' POH - w/Washer - Beige
	049465 05 000	EA	Screw #10 - 16 x 1" POH - w/Washer - Gray
	000G12 10 24E	EA	Screw #10 - 16 x 1 1/2" POH - Chrome
	000G11 10 08D	EA	Screw #10 - 16 x 1/2" PPH - Dark Brown
	000G11-10 12R	EA	Screw #10 16 x 3/4" PPH - Beige
	000G11 10 12S	EA	Screw #10 - 16 x 3/4' PPH - Off White
	000G11 10 12B	EA	Screw #10 - 16 x 3/4" PPH - Zinc
	000G11 10 16B	EA	Screw #10 - 16 x 1" PPH - Zinc
	000G11-10 40B	EA	Screw #10 16 x 2 1/2' PPH - CAD
	000G19-10 12B	EA	Screw #10 Machine 32 TPI x 3/4'
	075908 01 000	EA	Screw #10 - Machine - 32 x 56" PTH - Zinc
	000G19 10 20B	EA	Screw #10 - Machine - 32 x 1 1/4" PPH Zinc
	000G39 12-12E	EA	Screw #10 - Self Drilling - 14 x 3/4' PPH - Chrome
	000G39 10 10R	EA	Screw #10 - Self Drilling 16 x 62' PPH - Beige
	000G39 10 12R	EA	Screw #10 Self Drilling - 16 x 3/4' PPH - Beige
	000G39 10 12P	EA	Screw #10 - Self Drilling 16 x 3/4' PPH - Dark Brown
	000G56 12 48C	EA	Screw #12 Wood - 11 x 3' POH CAD

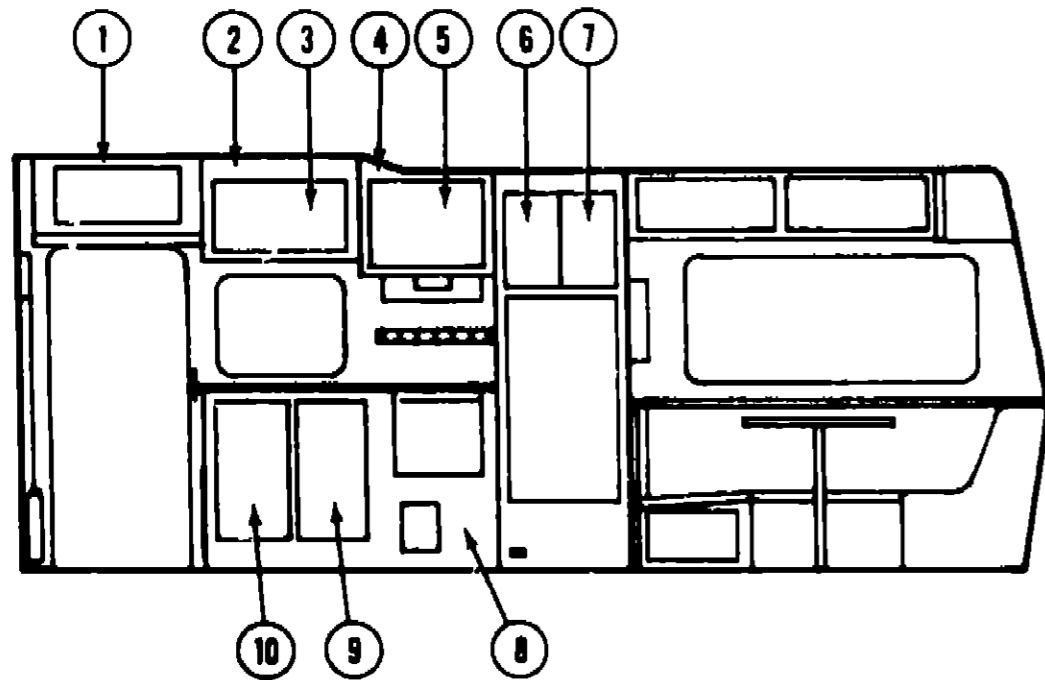
**1986 ITASCA  
TABLE OF CONTENTS**

IC420RG	A-01 - C-02
IC424RS	C-03 - E-10
ICN2JRG	E-11 - G-23
ICN27AT	H-01 - J-14

**1986 IC424RS INDEX**

Floor Plan	C-03 - C-04
Accessories Group	C-05 - C-07
Bath Group	C-08
Chassis Group	C-09 - C-10
Curtain, Cushion & Pad Group	C-11 - C-19
Dinette Group	C-20 - C-21
Driver's Compartment Group	C-22 - C-23
Electrical Group	C-24 - D-02
Exterior Body Group	D-03 - D-08
Galley Group	D-09 - D 10
Heating & Air Conditioning Group	D 11
Interior Finish Group	D 12 - D 14
LP Group	D 15
Lounge Group	D 16 - D 17
Water & Sewage Group	D-18 - D 19
Window Vent & Exterior Door Group	D 20 - E 10

## GALLEY GROUP



### GALLEY CABINETRY

Key	Part Number	U/M	Description
1	082655 01-U01	EA	Cabinet Asm - Entrance Door Overhead w/o Doors or Hardware
	081280-08 U01	EA	Pad Asm - End Cap - Entrance Door Overhead - Left - Vinyl
2	082354 02 U10	EA	Cabinet Asm - Galley Overhead - w/o Doors or Hardware
	081280-06 U01	EA	Pad Asm - End Cap - Galley Overhead - Left - Vinyl
J	M81524 02 U10	EA	Door Asm - Galley Overhead - w/o Hardware
4	082351-02 U10	EA	Cabinet Asm - Galley Overhead - w/o Door or Hardware
5	M81524 01-U10	EA	Door Asm - Galley Overhead w/o Hardware
6	M81505 06-U13	EA	Door Asm - Refrigerator Cabinet - 18 6" x 11 8' - Left - w/o Hardware
7	M81505 05 U13	EA	Door Asm - Refrigerator Cabinet - 18 6" x 11 8' - Right w/o Hardware
8	M81900-01-U01	EA	Cabinet Asm - Galley - w/o Countertop Doors, Drawers or Hardware
	M81900-03 U01	EA	Cabinet Asm - Galley w/o Countertop Doors Drawers, or Hardware
	M82184 01-U01	EA	Drawer Asm - Galley Cabinet - w/o Hardware
	M02421-01-U01	EA	Countertop Asm Galley
9	M81504-03-U10	EA	Door Asm - Galley Cabinet - 33 4' x 14 3 w/o Hardware
10	M81504 07 U10	EA	Door Asm - Galley Cabinet - 33 4" x 14 3 w/o Hardware
	080812 02 U01	EA	Extension Asm Galley
	077404 01 000	EA	Drawer Plastic - 20" x 12 7
			Not illustrated
			Parts used with Microwave Option

## GALLEY GROUP (CONTINUED)

### GALLEY HARDWARE & APPLIANCES

Key	Part Number	U/M	Description
	079352-01-000	EA	Hood - Range - Non Powered w/Light - Almond
	079353-01-000	EA	Hood - Range - Powered w/Monitor - Almond - US
	079353-02-000	EA	Hood - Range - Powered w/Monitor - Almond - CSA
	075470-04-000	EA	Duct Extension - Hood Range
	055282-02 000	EA	Range w/Small Oven - 4 Burner - Almond - Magic Chef
	055282 02-700	EA	Top - Main - Almond
	055282-01-700	EA	Frame - Door - Upper
	055282-01-701	EA	Frame - Door - Lower
	055282-01-702	EA	Glass - Door Front
	055282-01-703	EA	Panel Door Black
	081374-01-000	EA	Range Top 4 Burner - Almond
	081374 01-700	EA	Trim Cab Top - Right
	081374-01-701	EA	Trim - Cab Top - Left
	081374-01-702	EA	Manifold Panel Black
	081374-01-703	EA	Trim - Top - Rear
	081374 01-704	EA	Guard - Fabric
	064473-02-000	EA	Refrigerator - AC/DC/Gas Norcold 6 - 776-EG3
	075218 01-000	EA	Refrigerator - 3 Way - 10 Norcold
	054450-01-000	EA	Level - Refrigerator
	081379-01-000	EA	Microwave Oven - Sharp - Convection
	081459-01-000	EA	Bracket Asm - Microwave - Right
	081459-02 000	EA	Bracket Asm - Microwave - Left
	081555 01-T03	EA	Trim Ring - Microwave
	081456 01-000	EA	Angle Asm Microwave - Right
	081456-02 000	EA	Angle Asm - Microwave Left
	082876 01 000	EA	Baffle - Microwave
	075922-04 000	EA	Air Exhaust Duct - Microwave
	068615 01 000	EA	Sink - Stainless Steel - Double w/Bolts
	011053 01 000	EA	Faucet - Swing Spout - 8 US
	011053 02 000	EA	Faucet - Swing Spout - 8' CSA
	011053 01-700	EA	Aerator - Swing Spout Faucet
	068437 01 000	EA	Strainer w/Basket - Sink
	053424-04-T08	EA	Sink Cover Large
	009049 01 000	EA	Support - Drop Leaf Table
	009059 01-000	EA	Hinge - 2' - Gold - Drop Leaf Table
	074490 01 000	EA	Spice Rack - Oak
	079606 03 U04	EA	Rack Asm Magazine
	074981-01 000	EA	Cutting Board Maple
	058334 01 000	EA	Wastebasket - 9 3/4" x 7" x 10' - White
	059777 01 000	EA	Hinge - Cabinet Door - Antique Brass
	057898 01 000	EA	Hidden Latch w/Strike - Cabinet Door
	047744 01 000	EA	Kit Drawer Guide - Plastic
	077409 01 000	EA	Slide - Drawer 20 75 Plastic
	077404 01-000	EA	Drawer 20 x 12 70' - Plastic
	068435 01 000	EA	Nut Strainer
	011083 01 000	EA	Plug 1 1/4' x 5' w/Stopper
	066440 01 000	EA	Strainer w/Rubber Washer

The illustrated parts breakdown for this item is provided on the Common Items Fiche

## 1986 ITASCA TABLE OF CONTENTS

IC420RG	A-01 - C-02
IC424RS	C-03 - E 10
ICN23RG	E-11 - G 29
ICN27RT	H-01 - J 14

## 1986 IC424RS INDEX

Floor Plan	C 03 - C 04
Accessories Group	C 05 - C 07
Bath Group	C-08
Chassis Group	C-09 - C-10
Curtain, Cushion & Pad Group	C 11 - C-19
Dinette Group	C-20 - C 21
Driver's Compartment Group	C 22 C 23
Electrical Group	C-24 - D-02
Exterior Body Group	D-03 - D-08
Galley Group	D-09 - D 10
Heating & Air Conditioning Group	D-11
Interior Finish Group	D-12 D-14
LP Group	D 15
Lounge Group	D 16 D 17
Water & Sewage Group	D 18 D 19
Window Vent & Exterior Door Group	D 20 E 10



## HEATING & AIR CONDITIONING GROUP

### AUTOMOTIVE HEATER & AIR CONDITIONER

Key	Part Number	U/M	Description
	079373-01-000	EA	A/C - Compressor Mount Package - 350 C I D
	072343-01-000	EA	A/C - Compressor/Clutch - Sankyo 510
	073716-01-000	EA	A/C - Condenser Asm C - Tube O
	073716-01-700	EA	Coil Condenser
	073716-01-701	EA	Receiver Drier
	073716-01-702	EA	Hose Assy #6
	073716-01-703	EA	Hose Assy #8
	079372-01-000	EA	A/C - Evaporator Asm - Cutaway
	079372-01-700	EA	Evaporator Coil
	079372-01-701	EA	Expansion Valve
	079372-01-702	EA	Blower
	079372-01-703	EA	Blower Motor
	079372-01-704	EA	Motor Mount
	079372-01-705	EA	Blower Wheel
	079372-01-706	EA	Hose Assy #6 - Liquid
	079372-01-707	EA	Hose Assy #10 - Suction
	072341-01-716	EA	Valve Discharge
	072341-01-704	EA	Valve Section
	079372-01-708	EA	Thermostat
	079372-01-709	EA	Blower Switch
	079372-01-710	EA	Decal - Control Panel
	079372-01-711	EA	Plenum
	079372-01-712	EA	Lower
	079372-01-713	EA	Harness Wiring
	079372-01-714	EA	Switch - Snap Action
	079372-01-715	EA	Power - Jumper
	079372 01 716	EA	Plate - Control
	079372-01-717	EA	Valve Clamp
	079372-01-718	EA	Lower - Escutcheon
	079372 01-719	EA	Lower - Escutcheon - Assy
	079373-03-000	EA	Mount & Drive Kit
	007108-01-000	FT	Hose Heater - 5/8 I D SAE 20R
	049401-01-000	EA	Rear Heater Asm
	049401-01-700	EA	Valve Water Control
	049401-01-701	EA	Cable - Rear Auto Heater Control
	049401-01-702	EA	Motor Asm Evans
	049401-01-703	EA	Heater Core - Evans
	049401-01-704	EA	Switch Heater Evans
	049401-01-705	EA	Valve - 3 Part 2 Way
	049401 01-706	EA	Knob Heater
	049401-01-708	EA	Wire Assy.
	049401-01-709	EA	Wire Assy
	049401-01-710	EA	Wire Assy
	049401 01-711	EA	Knob Switch
	082401-04 000	EA	Clamp - Worm Drive - 69' 1 25 I D

### FURNACES & ROOF AIR CONDITIONER

Key	Part Number	U/M	Description
	075696 01 000	EA	Furnace - 34,000 BTU - w/Direct Ignition NT-34S
	075695 01 000	EA	Furnace - 24,000 BTU - w/Direct Ignition - NT-24S
	009198 01 000	FT	Duct Flexible 4 I D x 25'
	056464 01 000	EA	Register 4' Dia Plastic w/Damper
	056464 02 000	EA	Register - 4' Dia Plastic - w/o Damper
	009200 01-000	EA	Tape Furnace - 1 1/2'
	010326 01 000	EA	Adapter Flare - w/Cone Gasket
	023146 01 000	EA	Clamp - Screw Type 4'
	073743 01 000	EA	Shroud Asm Ceiling - Inside Roof Air Cool Only - 13,500 BTU
	073744 01 000	EA	Shroud Asm Ceiling - Inside - Roof Air Heat & Cool 13,500 BTU
	073742 01 000	EA	Air Conditioner 110 Volt & Roof Mount - 13,500 BTU Rotary

The illustrated parts breakdown for this item is provided on the Common Items Fiche

## INTERIOR FINISH GROUP

### INTERIOR MOLDING & TRIM

Key	Part Number	U/M	Description
	042357-09-000	FT	Molding - Radius Corner - 7 Elm
	022992-08-000	FT	Molding - Reverse Cove - Champagne White
	079653-01-000	EA	Molding - Batt Strip - Kerfed - Sunset Oak
	069733-37-000	EA	Batt Strip - Sunset Oak - 8 (Lounge)
	069733-42-000	EA	Batt Strip - Scrimshaw Sand - 8 (Bedroom)
	069733-58-000	EA	Batt Strip - Gray - 8 (Galley & Bath)
	067733-59-000	EA	Batt Strip - Melon - 8 (Galley & Bath)
	067733-60-000	EA	Batt Strip - Plum - 8 (Galley & Bath)
	069733-62-000	EA	Batt Strip - Pebble Beach - 8 (Ceiling)
	070504-01-000	FT	U Channel - 065 - Light Brown
	070504-02-000	FT	U Channel - 815" - Light Brown
	075249-01-000	EA	Rail Asm - Plain - 72
	075250-01-000	EA	Corner Post 1' x 1 x 2 1/2 - Oak
	078026-21-703	EA	Trim - Valance - 82
	002774-02 001	EA	Trim - Carpet 192'
	009767-06-000	FT	Walling - Beige
	009767-07-000	FT	Walling - Grady Brown
	074045-01 000	EA	Plug - 1/2 Dia - Oak
	041746-01-000	FT	Vinyl - Extr - Bubble Seal

### CABINETS & TABLE HARDWARE

Key	Part Number	U/M	Description
	053200-05 000	EA	Bracket - Upper Wall Mount - 23 5" - Beige
	024281-07-000	EA	Bracket - Lower Wall Mount 22 12 Beige
	024276-14-000	EA	Leg Asm - Table - 26 5 Brown
	064050-01 000	EA	Hinge - Table Leg
	024282 01 000	EA	Brace - Table Leg
	049493-02-000	EA	Catch - Table Leg - Mounts on Floor Brown
	009112-01-000	EA	Flange 1" - Chrome - Closet Rod
	077409-01 000	EA	Slide - Drawer - Plastic - 20 75'
	009049-01-000	EA	Table Support - Drop Leaf
	009059-01 000	EA	Hinge - 2" - Drop Leaf Table - Gold
	076312-01 000	EA	Mesh - Grille - 13 80" x 8 80" - Gold Aluminum
	009021-01-000	EA	Catch Nylon - Furnace Door
	009021-02 000	EA	Strike Nylon Catch - Furnace Door
	074493 02 000	EA	Support - Sprung - Door
	066433 01 000	EA	Hook - Cup - Bright
	058034 02 000	EA	Latch - Door w/o Lock - Sliding Door
	075680 01-000	EA	Clothes Rod Adjustable - 27" x 36'
	064467-01-000	EA	Guide Wall Mount - Door Pocket
	078212-01-000	EA	Pull Brass w/Dark Oak - Cabinet
	077523 01 000	EA	Latch Asm - Cabinet Door
	077821 01 000	EA	Strike Latch - Cabinet Door
	078210 01 000	EA	Knob - Antique Brass w/Oak
	084435 01 000	EA	Knob - Decorative Cabinet
	045586 02 000	EA	Spindle Wood 1 75" x 24' - Plain
	059777 01 000	EA	Hinge - Brass
	009016 01 000	EA	Catch - Elbow Spring Loaded
	077461 01 000	EA	Cover - Strike

The illustrated parts breakdown for this item is provided on the Common Items Fiche

## 1986 ITASCA TABLE OF CONTENTS

IC420RG	A-01 - C-02
IC424RS	C-03 E-10
ICN23RG	E-11 - G-23
ICN27RT	H-01 - J 14

## 1986 IC424RS INDEX

Floor Plan	C-03 - C-04
Accessories Group	C-05 - C-07
Bath Group	C-08
Chassis Group	C-09 - C-10
Curtain, Cushion & Pad Group	C-11 - C-19
Dinette Group	C 20 - C-21
Driver's Compartment Group	C 22 - C-23
Electrical Group	C-24 - D-02
Exterior Body Group	D-03 - D-08
Galley Group	D-09 - D 10
Heating & Air Conditioning Group	D 11
Interior Finish Group	D-12 - D-14
LP Group	D-15
Lounge Group	D-16 - D-17
Water & Sewage Group	D-18 - D-19
Window, Vent & Exterior Door Group	D 20 E-10

**INTERIOR FINISH GROUP (CONTINUED)**

**PANELING & COUNTERTOP MATERIAL**

Key	Part Number	U/M	Description
	074497-03-000	SF	Paneling - Decor - Sunset Oak - 48 x 84 (28 SF) (Cabinets & Wall)
	074497-04-000	SF	Paneling - Decor - Scrimshaw Sand - 48 x 84' (Wall)
	074496-45-000	SF	Paneling - Decor - Gray - 48 x 84 (28 SF) (Galley) (U10)
	074496-46-000	SF	Paneling - Decor - Melon - 48 x 84' (28 SF) (Galley) (U11)
	074496-47-000	SF	Paneling - Decor Plum - 48 x 84' (28 SF) (Galley) (U12)
	074497-07-000	SF	Paneling - Pebble Beach - 48 x 96 (32 SF) (Ceiling)
	074498-10-000	SF	Plastic Laminate - Northsea 48 x 96' (32 SF) (Dinette & Bath) (U10)
	074498-10-019	EA	Plastic Laminate - Northsea - 1 19 x 96
	076325 11-000	FT	Molding - Edge Band - Northsea - 1 5/16 x 030
	074498 11-000	SF	Plastic Laminate - Cayene - 48 x 96 (32 SF) (Dinette & Bath) (U11)
	074498-12-019	EA	Plastic Laminate Cayene - 1 19 x 96
	076325-12-000	FT	Molding - Edge Band - Cayene - 1 5/16 x 030
	074498-12-000	SF	Plastic Laminate Wild Rose - 48 x 96 (32 SF) (Dinette & Bath) (U12)
	074498-12-019	EA	Plastic Laminate - Wild Rose 1 19 x 96
	076325-13-000	FT	Molding - Edge Band - Wild Rose - 1 5/16 x 030
	074498-06-000	SF	Plastic Laminate - Beige Crescent - 48 x 96 (32 SF) (Galley)
	074498-06-019	EA	Plastic Laminate Beige Crescent - 1 19 x 96
	076325-05 000	EA	Molding Edge Band - Beige Crescent 1 19 x 96
	074498-05-000	SF	Plastic Laminate - Sunset Oak - 48 x 96 (32 SF) (Nightstand)
	074498-05-019	EA	Plastic Laminate - Sunset Oak - 1 19 x 96
	076325-04 000	FT	Molding Edge Band - Sunset Oak 1 15/16 x 030

**FABRICS & CARPET**

Key	Part Number	U/M	Description
	072333-21-000	YD	Fabric - Drapery - Parchment
	077498-65 000	YD	Fabric w/Pattern - Upholstery - Stormy (U10)
	077498 66-000	YD	Fabric w/Pattern Upholstery - Coral Reef (U11)
	077498 67 000	YD	Fabric w/Pattern - Upholstery - Sachet (U12)
	077498-68 000	YD	Fabric w/Pattern - Upholstery - Oasis (U11)
	077498 70 000	YD	Fabric - Upholstery/Draperies Accent Plain - Pewter (U10)
	077498 71-000	YD	Fabric - Upholstery/Draperies Accent Plain - Melon (U11)
	077498-69 000	YD	Fabric - Upholstery/Draperies Accent Plain - Plum (U12)
	069729-25 000	YD	Fabric - Bedspread/Draperies - Main - Colonial (U10)
	069729-26-000	YD	Fabric - Bedspread/Draperies - Main - Peach (U11)
	069729-27-000	YD	Fabric - Bedspread/Draperies - Main - Mauve (U12)
	069729 28 000	YD	Fabric - Bedspread - Accent - Lemon (U10)
	069729-29-000	YD	Fabric - Bedspread - Accent - Greensilver (U11)
	069729 30-000	YD	Fabric - Bedspread - Accent - Mauve (U12)
	052859-01-T03	FT	Trim Asm - Accent Sandrift
	052859-05 T03	FT	Trim Asm - Accent Buckskin
	079660-01-000	YD	Vinyl Expanded - 26 oz Buckskin
	072860-51-000	YD	Carpet Gray (U10)
	072860 52 000	YD	Carpet Rose (U11)
	072860 53 000	YD	Carpet Violet (U12)

**INTERIOR FINISH GROUP (CONTINUED)**

**MISCELLANEOUS PARTS**

Key	Part Number	U/M	Description
	053552-02-T03	EA	Handle Asm - Interior Assist - Medium Almond Vinyl
	041944-03-000	EA	Fire Extinguisher - w/Bracket
	054185-24-000	EA	Owner's Manual - 1986 Itasca & Winnebago
	007038-01-000	EA	Door Mat - 10 1/2 x 26 - Black Rubber
	075907-01-000	EA	Picture - Decor Assorted Grasses
	065201-02-000	EA	Shade - Lamp - Parchment - Fabric
	065202-03-000	EA	Lamp Decor Wall - Bright Brass
	065201-02-000	EA	Shade - Lamp - Parchment - Fabric
	065202-03 000	EA	Lamp - Decor Wall - Bright Brass

**CURTAIN & CUSHION HARDWARE**

Key	Part Number	U/M	Description
	082139-01-000	EA	Bracket - Hold Down - Blinds
	056003-02-000	EA	Bracket - Drapery Retainer - Left
	056003 01-000	EA	Bracket - Drapery Retainer - Right
	056001-01-000	EA	Bracket - Shade - Left
	056002-01-000	EA	Bracket - Shade - Right
	076827-01-000	EA	Bracket - Curtain - Woven Wood - Right
	076827-02-000	EA	Bracket - Curtain - Woven Wood - Left
	079798 03-000	EA	Bracket Asm - Curtain Rod - Right
	079798-04 000	EA	Bracket Asm - Curtain Rod - Left
	082249-01-000	EA	Bracket - Blinds - Beige Right
	082249-02-000	EA	Bracket - Blinds - Beige - Left
	079619-01-000	EA	Bracket - Tie Back
	009107-01-000	EA	Guide - Nylon Snap - Curtain
	056784-01-000	EA	Pull - Window Shade - Antique Brass
	056115 01-000	YD	Tape - Clear Plastic - w/Guide
	048394-01 000	YD	Tape - Hook - 1' x 25 YD - Beige
	029096 05 000	YD	Tape - Hook - 50 - Velcro - Beige
	048395 01-000	YD	Tape Loop - 1' x 25 YD - Beige
	029090 01 000	FT	Tie - Drapery - Clear Vinyl
	056116-01 000	FT	Track - Curtain - Brown Plastic
	079446 01 000	EA	Track - Curtain - Wraparound - Right
	079446 02 000	EA	Track - Curtain - Wraparound - Left

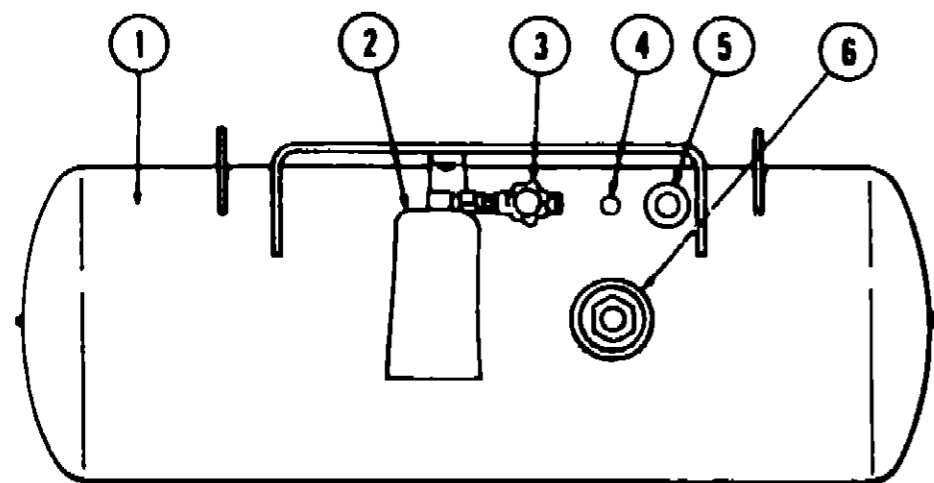
**1986 ITASCA  
TABLE OF CONTENTS**

IC420RG	A-01 - C-02
IC424RS	C-03 - E-10
ICN23RG	E-11 - G-23
ICN27RT	H-01 - J-14

**1986 IC424RS INDEX**

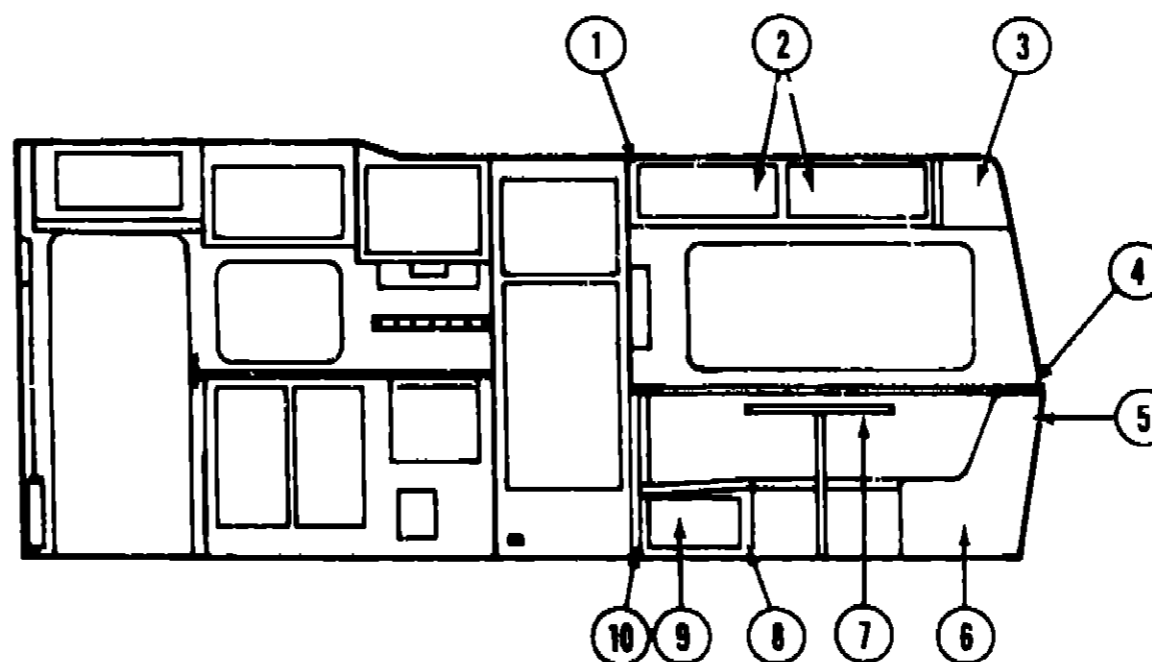
Floor Plan	C-03 - C-04
Accessories Group	C-05 - C-07
Bath Group	C-08
Chassis Group	C-09 - C-10
Curtain Cushion & Pad Group	C-11 - C-19
Dinette Group	C-20 - C-21
Driver's Compartment Group	C-22 - C-23
Electrical Group	C-24 - D-02
Exterior Body Group	D-03 - D-06
Galley Group	D-09 - D-10
Heating & Air Conditioning Group	D-11
Interior Finish Group	D-12 - D-14
LP Group	D-15
Lounge Group	D-16 - D-17
Water & Sewage Group	D-18 - D-19
Window, Vent & Exterior Door Group	D-20 - E-10

### LP GROUP



Key	Part Number	U/M	Description
1	081637-01-000	EA	Tank Asm - LP - Frame Mount - 68 Pound 14 x 32
1	080450-01-000	EA	Tank Asm - LP - Frame Mount - 42 Pound - 13 x 24
	065741-01-000	EA	Detector - LP Gas Leak - Marshalltown Instruments
2	076277-01-000	EA	Cover - LP Regulator - Front (Dual)
	076278-01-000	EA	Cover - LP Regulator - Back (Dual)
	076301-01-000	EA	Regulator - Two Stage - US (Dual)
	076301-02-000	EA	Regulator - Two Stage - CSA (Dual)
3	040421-01-703	EA	Valve Vapor Relief
4	040421-01-700	EA	Gauge - Liquid Level - 20% LP
5	040421-01-701	EA	Valve - Filler - LP
	040421-01-702	EA	Cap - Plastic Fill Valve
6	040421-01-707	EA	Gauge - Float - w/Visible Dial
	040421-01-706	EA	Dial - Visible Face Float Gauge (Tank w/o Electric Transmitter)
	040440-01-000	EA	Dial - Transmitter 0 - 90 Ohm (Float Gauge)
	045703-01-000	EA	Hose Asm - LP - 3/8" I.D x 24" - US
	045703-02-000	EA	Hose Asm - LP - 3/8" I.D x 24" - CSA
	045703-03-000	EA	Hose Asm - LP - 3/8" I.D x 18" - US
	045703-04-000	EA	Hose Asm - LP - 3/8" I.D x 14" - CSA
	085959-01-000	EA	Housing LP Gauge
	085742-01-000	EA	Tee 38 F x 39 F x 25 FPT
			Not illustrated

### LOUNGE GROUP



### CORNER LOUNGE

Key	Part Number	U/M	Description
1	082487-02-U10	EA	Cabinet Asm - Lounge Overhead - w/o Doors or Hardware
2	M81506-02-T09	EA	Door Asm - Lounge Overhead w/o Hardware
3	082500-02-U10	EA	Cabinet Asm - Rear Overhead - w/o Doors or Hardware
	082408-01-U01	EA	Pad Asm End Cap - Lounge Overhead - Rear - Vinyl
4	082888-01-U10	EA	Pad Asm Corner Lounge Rear
4	082888-01-U11	EA	Pad Asm - Corner Lounge - Rear
4	082888-01-U12	EA	Pad Asm - Corner Lounge - Rear
5	M02496-05-U01	EA	Cabinet Asm - Corner Lounge Back w/o Hardware
6	M02496-04-U01	EA	Cabinet Asm - Corner Lounge Base - w/o Doors or Hardware
	M02496-03-U01	EA	Cabinet Asm - Center Corner Lounge Base - w/o Hardware
	M82889-01-U10	EA	Pad Asm - Corner Lounge - Side
	082889-01-U11	EA	Pad Asm - Corner Lounge - Side
	M82889-01-U12	EA	Pad Asm - Corner Lounge - Side
7	081298-03-U01	EA	Table Asm - Corner Lounge - w/o Hardware
8	M02496-02-U01	EA	Cabinet Asm - Corner Lounge Base w/o Doors or Hardware
	M02496-01-U01	EA	Cabinet Asm - Corner Lounge Back w/o Hardware
9	M81504-10-U10	EA	Door Asm - Corner Lounge - w/o Hardware
10	074549-02-U10	EA	Pad Asm - Corner Lounge - Front
10	074549-02-U11	EA	Pad Asm - Corner Lounge - Front
10	074549-02-U12	EA	Pad Asm - Corner Lounge - Front
	041194-01-000	EA	Base - Flush Mount - Table
	009040-04-000	EA	Leg Pedestal Table 27 50'
	084357-01-000	EA	TV Stand Asm
			Not illustrated

### 1986 ITASCA TABLE OF CONTENTS

IC420RG	A-01 - C-02
IC424RS	C-03 - E-10
ICN23RG	E-11 - G-23
ICN27RT	H-01 - J-14

### 1986 IC424RS INDEX

Floor Plan	C-03 - C-04
Accessories Group	C-05 - C-07
Bath Group	C-08
Chassis Group	C-09 - C-10
Curtain, Cushion & Pad Group	C-11 - C-19
Dinette Group	C-20 - C-21
Driver's Compartment Group	C-22 - C-23
Electrical Group	C-24 - D-02
Exterior Body Group	D-03 - D-08
Galley Group	D-09 - D-10
Heating & Air Conditioning Group	D-11
Interior Finish Group	D-12 - D-14
LP Group	D-15
Lounge Group	D-16 - D-17
Water & Sewage Group	D-18 - D-19
Window Vent & Exterior Door Group	D-20 - E-10

**LOUNGE GROUP (CONTINUED)**

**BUNK BED (OPTION)**

Key	Part Number	U/M	Description
	M82371-02 U10	EA	Cabinet Asm - Nightstand - w/o Countertop, Doors or Hardware
	M02471-01 U01	EA	Countertop Asm - Nightstand - w/o Hardware
	M81805-01 U10	EA	Door Asm - Nightstand - Left - w/o Hardware
	M81805-02-U10	EA	Door Asm - Nightstand - Right - w/o Hardware
	M82497-01-U10	EA	Cabinet Asm Bunk - w/o Doors or Hardware
	M81504-08 U10	EA	Door Asm - Bunk Cabinet - w/o Hardware
	077404-01-000	EA	Drawer - Plastic 20 x 12 7
	077409-01-000	EA	Slide - Plastic Drawer - 20 75

**SPRUNG COUCH (OPTION)**

Key	Part Number	U/M	Description
	M82331-01-U01	EA	Cabinet Asm Nightstand - w/o Doors or Hardware
	M02428-01-U01	EA	Countertop Asm - Nightstand - w/o Hardware
	M02657-01 U10	EA	Panel Asm - Couch Face
	M02657-01-U11	EA	Panel Asm - Couch Face
	M02657-01-U12	EA	Panel Asm - Couch Face
	016604 02 000	EA	Brace - Seat Angle 2 50' - Brown
	057472 01 000	EA	Clip - Panel

**WATER & SEWAGE GROUP**

**PLUMBING & REPAIR PARTS**

Key	Part Number	U/M	Description
	033302-02-000	EA	Adapter Asm - SWVC Strain - 1 1/2
	010326-01-000	EA	Adapter - Flare - w/Cone Gasket
	062422-01-000	EA	Adapter - Hose Offset - Reducer - 3 x 1 1/2
	052954-01-000	EA	Adapter - Hose Cone - 3/8 or 1/2 - Plastic
	010224-01-000	EA	Adapter - Plastic - 3/8 MPT x 3/8 Barb
	049327-01 000	EA	Adapter - Plastic - 1 1/4 MPT x 1 1/4 Barb
	031602-02-000	EA	Adapter - Plastic - 1 1/2 H x FPT
	062417-01-000	EA	Adapter - Termination - 3
	004020-01-000	QT	Adhesive - ABS Cement
	011048-04-000	EA	Breaker - Vacuum - 1/8 MPT Nylon
	010121-01-000	EA	Bushing - Plastic - 1 1/2 S x 1 1/4 H
	010122 01 000	EA	Bushing - Plastic - 1 1/2 S x 1 1/4 T
	010123 01-000	EA	Bushing - Plastic - 2S x 1 1/2 H
	036522-02 000	EA	Cap - Brass - 1/2 Flare
	062415 01 000	EA	Cap - Sewer - 3'
	052959 02 000	EA	Connector - 1/2 F x 1/2 MPT - Plastic
	052959-03 000	EA	Connector - 1/2 F x 3/8 MPT - Plastic
	011091-02-000	EA	Continuous Waste - Double Sink - 11 7/8' - US
	053874 01 000	EA	Continuous Waste Asm - Double Sink CSA
	078406-01-000	EA	Coupler Rubber - 3" x 3"
	052960-01 000	EA	Drain Valve - 1/2 F x 1/2 F - Plastic
	010000-01 000	EA	Elbow - Plastic - 1/8 BD x 1 1/4 x 45° H x H
	010005-01-000	EA	Elbow - Plastic - 1/16 BD x 1 1/2
	010006-01-000	EA	Elbow - Plastic - 1/8 BD x 1 1/2 x 45° H x H
	010008-01 000	EA	Elbow - Plastic - 1/4 BD x 1 1/2 x 90° Left
	010051 01 000	EA	Elbow - ST - Plastic - 1/8 BD x 1 1/2 x 45°
	010219-01 000	EA	Elbow - 1 1/4 Barb x 1 1/4 MPT x 90°
	031111 01 000	EA	Elbow - Plastic 1/4 BD x 1 1/4 x 90° Left
	034250-01 000	EA	Elbow Plastic 1/4 BD x 1 1/2 x 90° x H x H
	035339-01 000	EA	Elbow - Plastic - 3/8 MPT x 3/8 Barb
	052957 01 000	EA	Elbow - Plastic - 1/2 F x 3/8 MPT
	052957 02 000	EA	Elbow Plastic - 1/2 F x 1/2 MPT (In Tank Filter)
	059536 01-000	EA	Elbow 1 1/4 Slip Joint Ends
	065120 01 000	EA	Elbow - Plastic Swivel 50
	070924 01 000	EA	Elbow Plastic - Swivel 1/2 MPT x 1/2 FP
	077954 01 000	EA	Filter/Screen (In Water Tank)
	039647 02 000	EA	Filter - Water Pump 1/2" MPT
	039647 03 000	EA	Filter - Water Pump 1/2" Flare
	010147 01 000	EA	Flange - Closet - 4" F x 3' FPT - US
	010147 02 000	EA	Flange Closet - 4 F x 3' FPT - CSA
	079381 01 000	FT	Flexible Tubing - 1 1/4 ID x 10'
	061607 01 000	EA	Grommet - Holding Tank Coupler - 1 1/2'
	061607 02 000	EA	Grommet - Holding Tank Coupler - 3"
	062419 02 000	EA	Handle Extension - w/6' Adapter
	052961 01 000	EA	Header - 1/2 F x 1/2 F x 1/2 F x 1/2 F
	046524 01 000	EA	Kit - Holding Tank Fittings - Blank Tank
	046524 01 000	CA	Kit - Water Tank Fittings - Blank Tank
	052953 01 000	EA	Nut - Facuet 1/2 Tube x 1/2 FPT
	052952 01 000	EA	Nut - 1/2 F - Plastic

The illustrated parts breakdown for this item is provided on the Common Items Fiche

**1986 ITASCA  
TABLE OF CONTENTS**

IC420RG	A-01	C-02
IC424RS	C-03	E-10
ICN23RG	E-11	G 23
ICN27RT	H-01	J 14

**1986 IC424RS INDEX**

Floor Plan	C 03	C-04
Accessories Group	C-05	C-07
Bath Group		C-08
Chassis Group	C-09	C 10
Curtain, Cushion & Pad Group	C-11	C 19
Dinette Group	C 20	C 21
Driver's Compartment Group	C 22	C 23
Electrical Group	C 24	D-02
Exterior Body Group	D-03	D-06
Galley Group	D-09	D 10
Heating & Air Conditioning Group		D 11
Interior Finish Group	D 12	D 14
LP Group		D 15
Lounge Group	D-16	D 17
Water & Sewage Group	D 18	D 19
Window Vent & Exterior Door Group	D 20	E 10

**WATER & SEWAGE GROUP (CONTINUED)**

**PLUMBING & REPAIR PARTS (CONT)**

Key	Part Number	U/M	Description
	011066-03-000	EA	P-Trap - 1 1/4 Plastic - US
	011066-02 000	EA	P-Trap - 1 1/4 Plastic - CSA
	053335-01-000	EA	P-Trap - Plastic - 1 1/4 H x H - w/Union - CSA
	010197-01-000	FT	Pipe - Plastic - 3 x 240 Black
	045729-01-000	EA	Pump - Water - 2 8 G P M - Direct Drive - Shurflo - US
	045729-02-000	EA	Pump - Water - 2 8 G P M Direct Drive - Shurflo - CSA
	010201-01-000	EA	Sewer Hose - 3 x 8 w/Clamp
	042969-02 000	EA	Spinweld Fittings - Plastic - 1/2 FPT (In Tank Fitter)
	042969-03-000	EA	Spinweld Fittings - Plastic - 1/4 NPT
	042969-04-000	EA	Spinweld Fittings - Plastic - 3/8 FPT
	011069-02-000	EA	Tallpiece 1 1/2' x 1 1/4 x 4 - Brass
	010071-01 000	EA	Tee - Plastic - 1 1/2 x H x H x H
	010072-01-000	EA	Tee - Plastic - 1 1/2 F x 1 1/4 H x 1 1/2 H
	010079-01-000	EA	Tee - Plastic - 1 1/2 H x 1 1/2 H x 1 1/4 H
	046172-01-000	EA	Tee - Plastic - 3/8 B x 3/8 B x 3/8 MPT
	052955 01-000	EA	Tee - Plastic - 1/2 F x 1/2 F x 1/2 MPT
	052956-01 000	EA	Tee - Plastic - 1/2 F x 1/2 MPT x 1/2 F
	052958-01-000	EA	Tee - Plastic - 1/2 F x 1/2 F x 1/2 F
	010133-01-000	EA	Trap Adapter - Plastic - 1 1/2 H x MPT
	039800-01-000	FT	Tubing - Polybutyl - 1/2 O D (Water Line)
	074346-02-000	FT	Tubing - Vinyl - 1/2 O D (Water Line)
	072346-01 000	EA	Valve Asm 3" Ell - w/2 Socket
	062418-02-000	EA	Valve - 1 1/2' - w/Handle
	062418 02-000	EA	Valve - 3 - w/o Handle
	052960-01 000	EA	Valve - Line Drain - 1/2 F x 1/2 F
	052962-01 000	EA	Valve - Stool - 90° - 1/2 F x 3/8 MPT
	010073 01 000	EA	Wye - Plastic 1 1/2 x 45 H x H

The illustrated parts breakdown for this item is provided on the Common Items Fiche

**HOLDING TANKS & WATER HEATER**

Key	Part Number	U/M	Description
	081767 02 000	EA	Tank Asm - Water - 34 Gallon
	081767 01 000	EA	Tank Water - 34 Gallon - w/o Fitting
	074870-01 000	EA	Tank - Holding 30 Gallon w/o Fitting
	074861-01 000	EA	Tank Holding - 35 Gallon w/o Fitting
	051391 01 000	EA	Water Heater - w/o Motor Aid - Atwood - G6A-3
	051391 03-000	EA	Water Heater - w/Motor Aid - Atwood - G6A 3A
	051393-01 000	EA	Water Heater - w/Motor Aid - Direct Ignition - G6A 3A
	051393 01 700	EA	Tank Inner (GH6-E Only)

The illustrated parts breakdown for this item is provided on the Common Items Fiche

**WINDOW, VENT & EXTERIOR DOOR GROUP**

**ACCESS DOORS**

Key	Part Number	U/M	Description
	079455-04 T95	EA	Door Asm - Battery - 9 x 21 7
	081787-01-U01	EA	Door Asm - Storage
	M79321-01-T03	EA	Door Asm - Generator
	079455 03 U01	EA	Door Asm - LP 9 5 x 21 7
	M02047 01-T95	EA	Door Panel Asm - Tire Cover
	079149-01-T03	EA	Door Asm - Luggage
	078969-01-T95	EA	Door Asm - Refrigerator Access - w/Twist Lock
	052009-01 000	EA	Door Asm - Water Heater
	052423-01-000	EA	Door Asm - Sewage
	078010-03 000	EA	Door - Fuel Fill
	063742 01 000	EA	Door - Power Cord
	012424-01 000	EA	Jamb - Power Cord/Fuel Fill Door
	054543 01-000	EA	Hatch Power Cord Door
	052181 01-000	EA	Baffle - Generator Door
	054530-01 000	EA	Door Holder
	041312 01 000	EA	Seal - Bulb - 'E Section
	042442 01 000	EA	Lock Asm - Twist Type
	009003 01-000	EA	Lock Asm - Twist Type - w/No (Battery Door)
	047305 01-000	EA	Lock Asm - Key Type w/Cl Metal (LP)
	077408 01-000	EA	Lock Asm Key Type
	079366-01 000	EA	Lock Asm - Key Type
	079927-01 000	EA	Lock Asm - Twist Type
	052951-01-000	EA	Clip - Twist Lock - Retainer
	052950 01-700	EA	Lock Asm - Twist Type White
	083615 01-000	EA	Door Stop - Plastic - Beige
	079246 01 000	EA	Jamb Asm - Generator Door

**VENTS**

Key	Part Number	U/M	Description
	071290-02 000	EA	Cover - Refrigerator Vent - 11 5/8" x 24 3/4" - Galvanized Steel
	071290-01 000	EA	Frame Asm - Refrigerator Vent 7 5" x 26 5" - Galvanized Steel
	048835 01-000	EA	Vent Asm Roof - Non Powered - w/o Screen - Aluminum
	048789 01-000	EA	Vent Asm Roof - Powered - w/o Screen - Aluminum
	064469-02 000	EA	Vent Asm Roof Powered - w/o Screen 14' x 14' CSA
	079355 08 000	EA	Vent Stovehood - Outside Off White
	084878 01 000	EA	Vent - Range Hood - Sidewall
	078785 01 T03	EA	Screen Asm Roof Vent - Powered
	078786 01 T03	EA	Screen Asm Roof Vent - Non Powered

The illustrated parts breakdown for this item is provided on the Common Items Fiche

**1986 ITASCA  
TABLE OF CONTENTS**

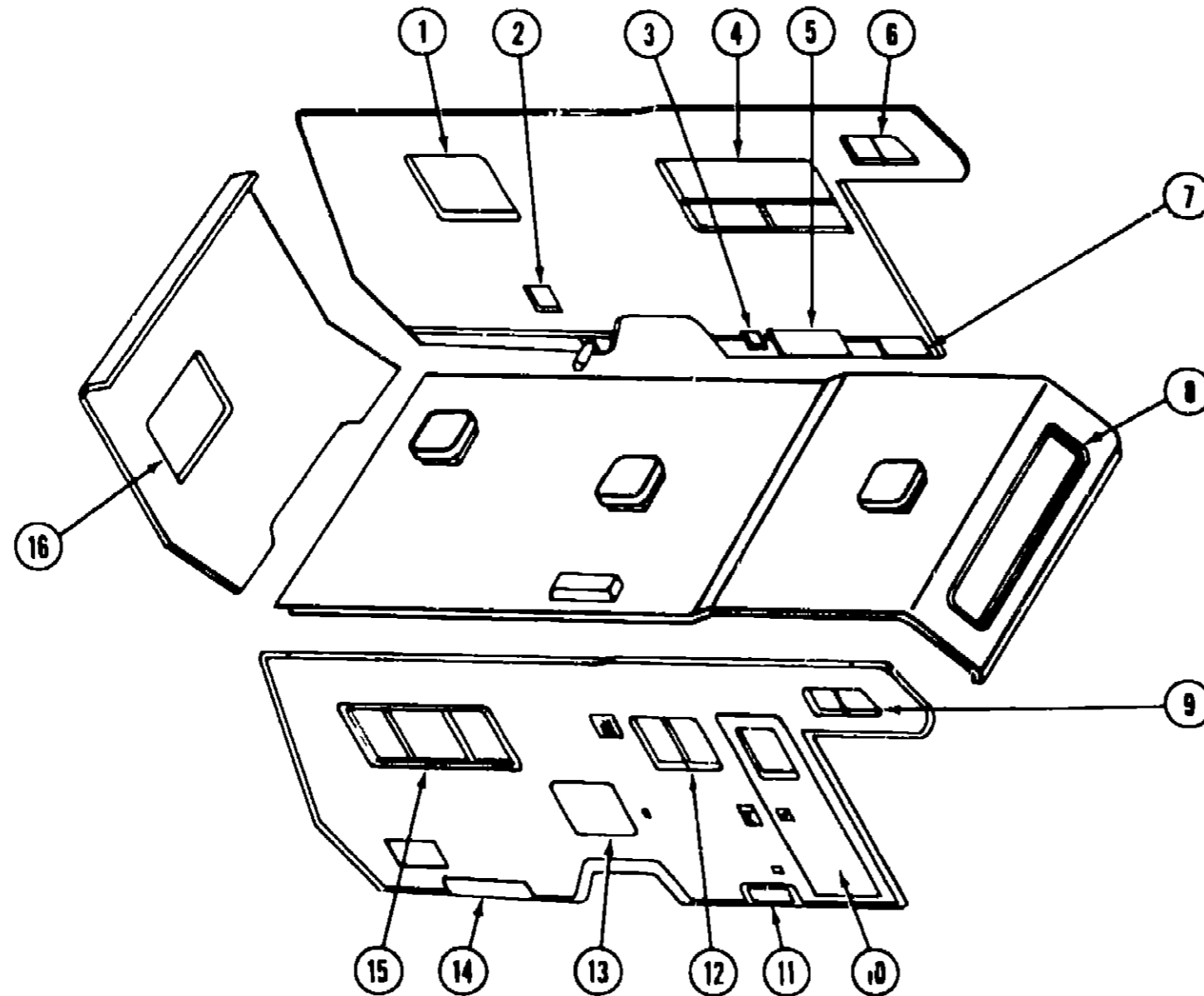
IC420RG	A-01 - C-02
IC424RS	C-03 - E-10
ICN23RG	E-11 - G-23
ICN27RT	H 01 - J-14

**1986 IC424RS INDEX**

Floor Plan	C 03 - C-04
Accessories Group	C 05 - C-07
Bath Group	C-08
Chassis Group	C-09 - C-10
Curtain, Cushion & Pad Group	C 11 - C-19
Dinette Group	C 20 - C 21
Driver's Compartment Group	C 22 - C 23
Electrical Group	C-24 - D-02
Exterior Body Group	D-03 - D-08
Galley Group	D-09 - D 10
Heating & Air Conditioning Group	D-11
Interior Finish Group	D 12 - D-14
LP Group	D 15
Lounge Group	D-16 - D-17
Water & Sewage Group	D 18 D 19
Window, Vent & Exterior Door Group	D 20 - E-10

## WINDOW, VENT & EXTERIOR DOOR GROUP (CONTINUED)

### WINDOWS & ACCESS DOORS



Key	Part Number	U/M	Description
1	079415-01-T03	EA	Window Asm - Escape
2	078010-01 000	EA	Door Asm - Fuel Fill
3	063742 01 000	EA	Door Asm - Power Cord
4	081568 02 U01	EA	Window Asm - Double
5	079149-01 T03	EA	Door Asm - Luggage
5	M79321-01-T03	EA	Door Asm - Generator
6	078272 02 T03	EA	Window Asm - Bunk Left
7	079455 04 T95	EA	Door Asm - Battery
8	078533 01 T03	EA	Window Asm - Front Picture
9	078272 01-T03	EA	Window Asm - Bunk Right
10	M01870 02 U01	EA	Door Asm - Entrance
*	079733 04 T03	EA	Window Asm - Picture
11	079455 03 U01	EA	Door Asm - LP
12	078266 02 T03	EA	Window Asm - Slider
13	078969 01-T95	EA	Door Asm - Refrigerator Access
14	081787 01-U01	EA	Door Asm - Storage
15	078271-01-T03	FA	Window Asm - Center Slider
*	078266 01-T03	EA	Window Asm - Single Slider
16	079729 01-T03	EA	Window Asm - Escape
*	079733 01 T03	EA	Window Asm - Picture

\* Not illustrated

Parts for bunkhouse option (not illustrated)

## 1986 ITASCA TABLE OF CONTENTS

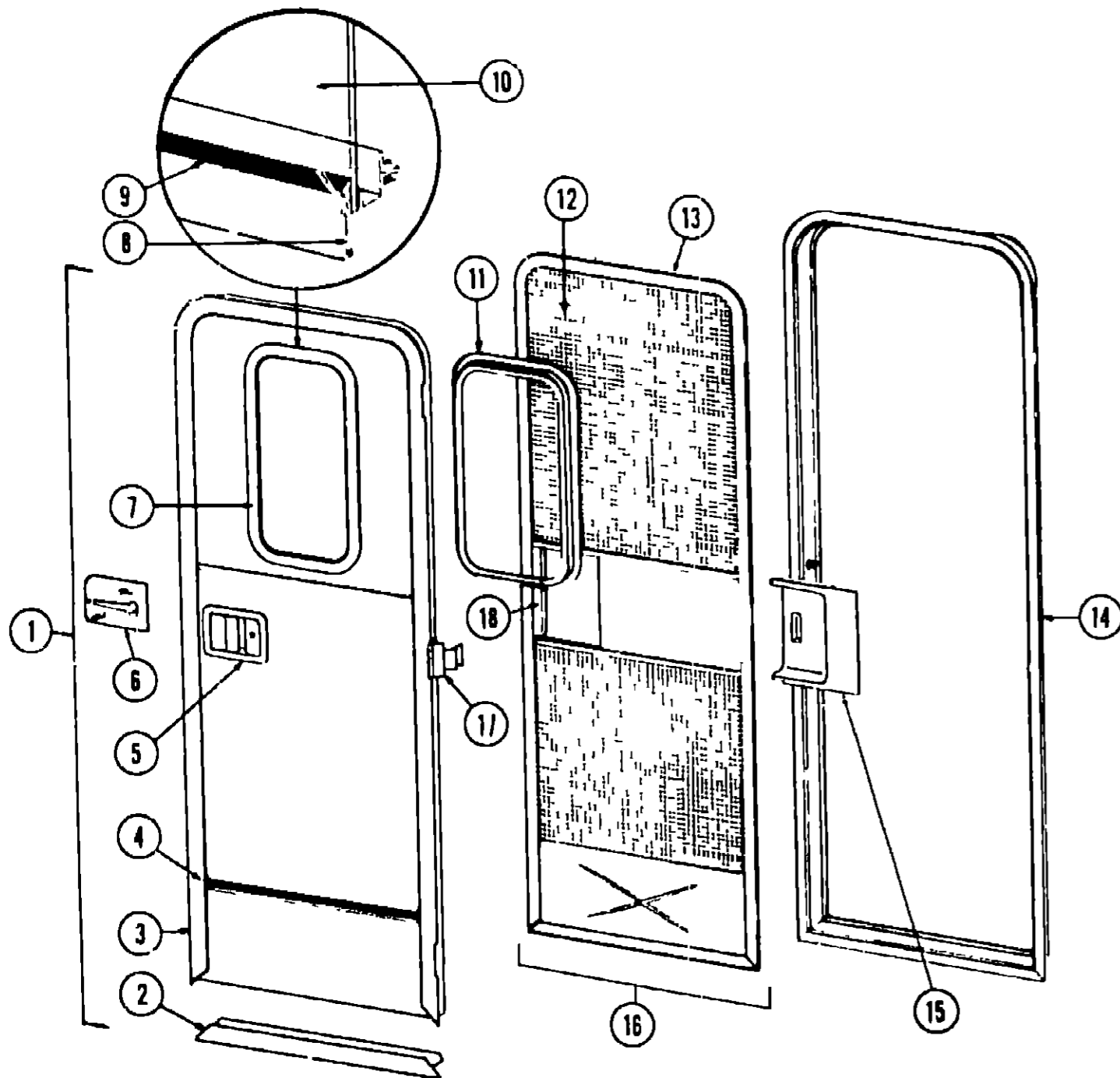
IC420RG	A-01 - C-02
IC424RS	C-03 - E-10
ICN23RG	E-11 - G-23
ICN27RT	H-01 J 14

## 1986 IC424RS INDEX

Floor Plan	C-03 - C-04
Accessories Group	C 05 C-07
Bath Group	C 08
Chassis Group	C-09 - C 10
Curtain, Cushion & Pad Group	C 11 C 19
Dinette Group	C 20 C 21
Driver's Compartment Group	C 22 C 23
Electrical Group	C 24 - D-02
Exterior Body Group	D-03 - D-06
Galley Group	D 09 D-10
Heating & Air Conditioning Group	D 11
Interior Finish Group	D 12 - D 14
LP Group	D 15
Lounge Group	D 16 - D 17
Water & Sewage Group	D 18 D 19
Window, Vent & Exterior Door Group	D 20 - E-10

# WINDOW, VENT & EXTERIOR DOOR GROUP (CONTINUED)

## ENTRANCE & SCREEN DOOR



Key	Part Number	U/M	Description
1	M01870-02 U01	EA	Door Asm - Radius Entry w/Screen Door - w/o Window
1	M01870-07-T03	EA	Door Asm - Radius Entry w/Screen Door
2	077998-01-000	EA	Frame - Entry Door (Bottom Portion Only)
3	078002 02-000	EA	Frame - Entry Door (Except Bottom Portion)
4	059176-03-000	EA	Feature Strip w/o Insert - Extr - 14" Brown
	001030 02 003	EA	Insert - Feature Strip - 17 - Stucco - Off White
	009731 01-000	EA	End Cap - Feature Strip
5	045107 05 000	EA	Paddle Asm - Door Lock Exterior
	045017-05 700	EA	Lock Cylinder w/Keys - Lynor
	039539 01 000	EA	Striker Bolt - Entry Door
	039540-01 000	EA	Latch Claw - Entry Door
	039738 01 000	EA	Dead Bolt - Entry Door
	083205 01 000	EA	Dead Bolt - Press Fit
6	039979 01 000	EA	Plate - Inside Lock - Includes Inside Handle
	052186 01 000	EA	Lock Asm - Complete - Lynor
7	079733 04 T03	EA	Window Asm - Picture - 17 x 25' - Black (w/o inside frame)
8	069640 06-000	FT	Ribbon Sealer - 5/16' Bead x 15
9	002309-02 000	FT	Spline Glass - 1/8' Black
10	073113 01 000	EA	Glass - Picture Window - 1/8' x 16 25' x 24 - Gray
11	068752 01 000	EA	Inside Frame - Beige (not included in assembly)
12	002293 02 000	SF	Screen - Window - 26' - Charcoal
13	056795 02 000	FT	Seal Tape - 1/8' x 3/8' - Press On
14	078591-03 000	EA	Jamb Asm - Entrance Door
	051049 01 000	EA	Jamb - Entrance Door - Bottom
15	071086 02 000	EA	Slider - Screen Door - Light Oak Plastic
16	079012 01 U01	EA	Door Asm - Screen
17	0711361 05 000	EA	Hinge - Entrance Door (3 used per door)
18	071081 01 000	EA	Cap - Screen Door - Light Oak Plastic
	001016 01 000	EA	Catch - Elbow - Spring Loaded - Screen Door
	031863 01 000	EA	Catch Asm, Single Roller w/Strike - Screen Door
	071231 01 000	EA	Spacer - Latch - Screen Door
	077437 02 000	EA	Strike - Roller Catch
	053025 02 000	EA	Clip - Roller Latch Catch
	044582 02 000	EA	Drip Cap - Off White
	073278 01 000	EA	Seal - Mocket - Entrance Door
	073090 01-000	FT	Seal - Entrance Door
	075739 01 U00	EA	Stiffener - Entrance Door - Off White
	075673 01 000	FT	Seal - Pile - Adhesive Back
	075671 01 000	FT	Seal - Sponge - Lazy 'T' Shaped
	002294 01 000	FT	Spline - Black - 135 x 138 (Screen Door)
	079087 02 000	CA	Strike - Screen Door
	063729 04 000	EA	Rivnut 10 32 UNF - 010 080
	075639 01 000	EA	Garnish - Radius Entrance Door

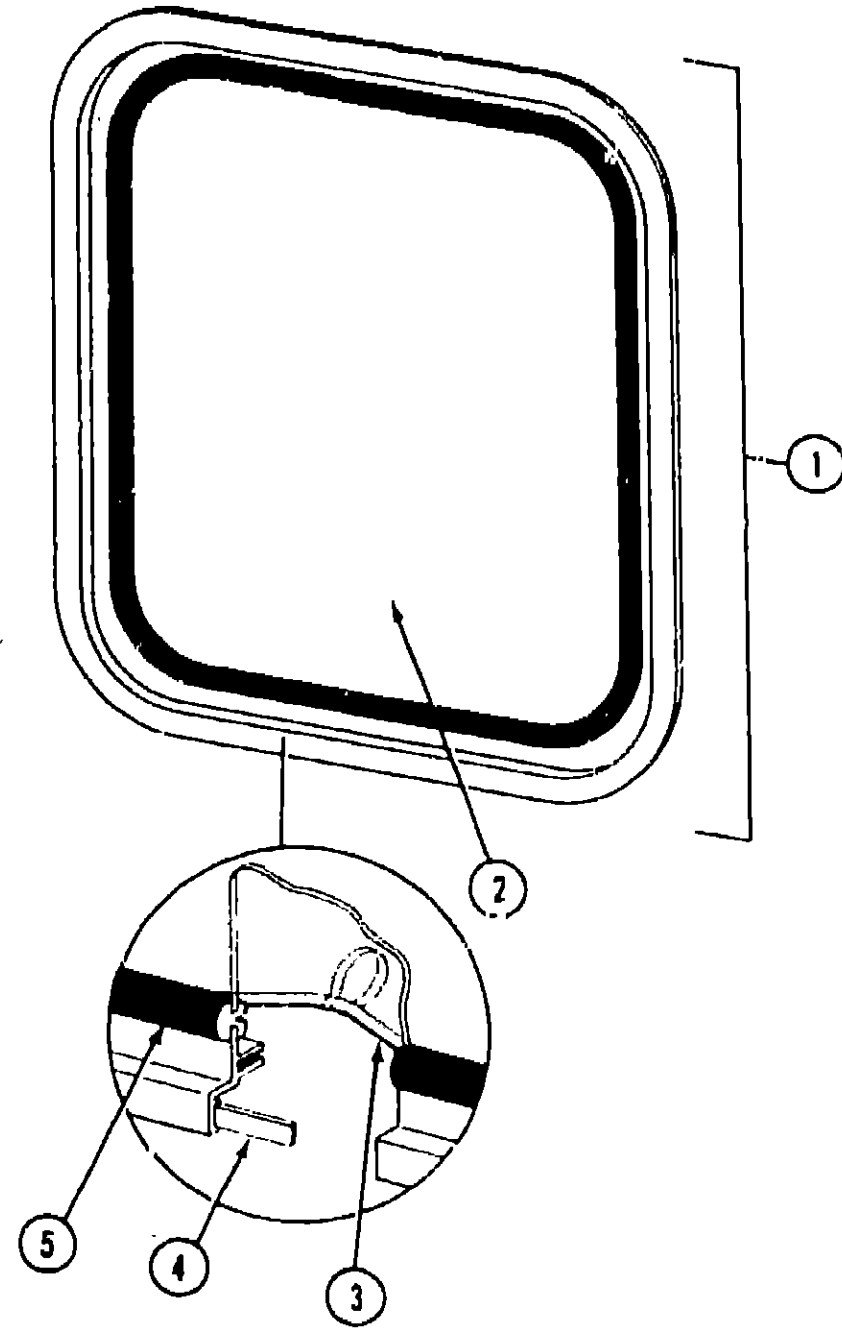
## 1986 ITASCA TABLE OF CONTENTS

IC420RG	A-01 - C-02
IC424RS	C 03 - E-10
ICN23RG	E-11 - G 23
ICN27RT	H 01 - J 14

## 1986 IC424RS INDEX

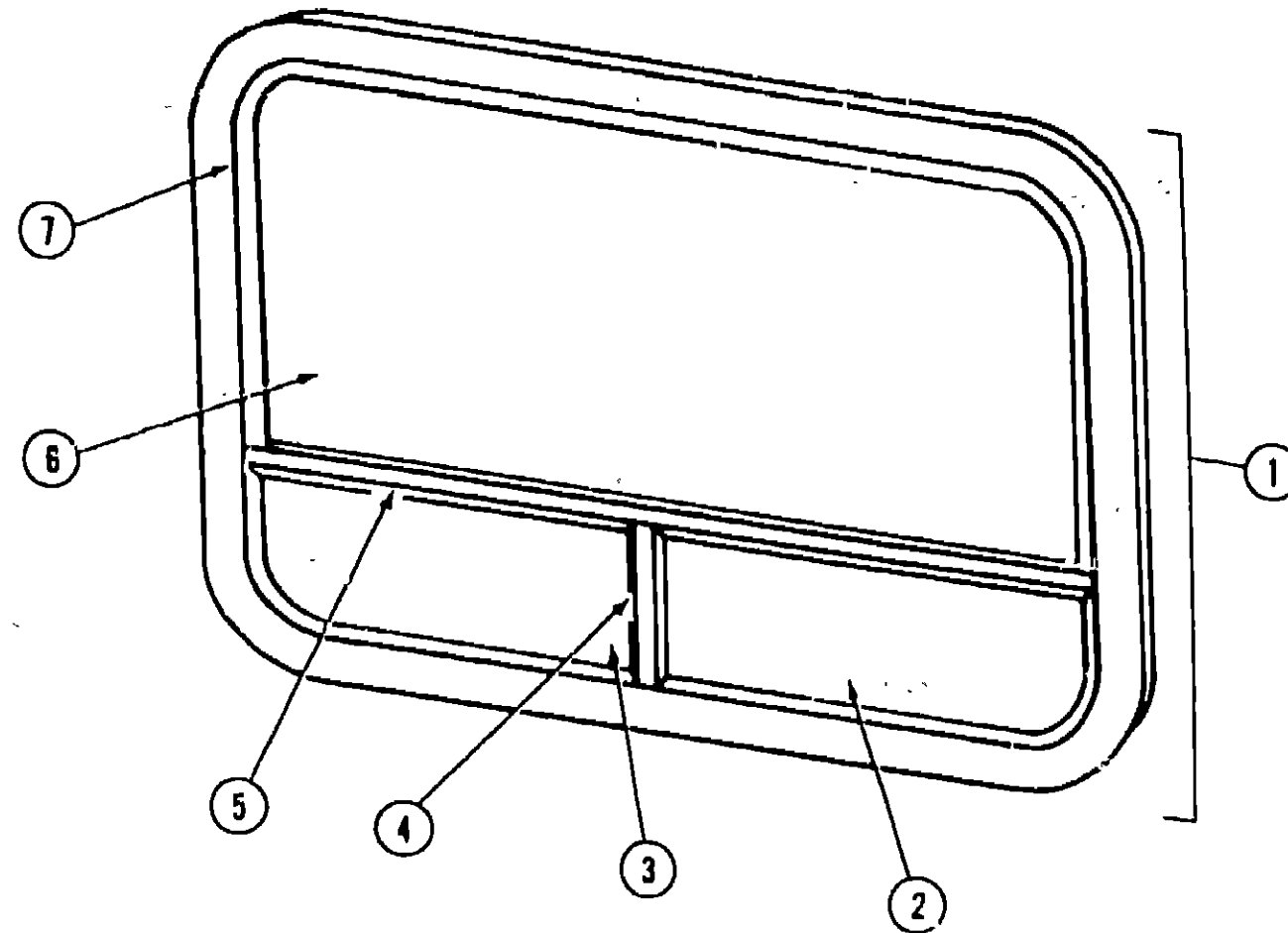
Floor Plan	C 03	C 04
Accessories Group	C 05	C 07
Bath Group		C 08
Chassis Group	C-09	C 10
Curtain Cushion & Pad Group	C-11	C 19
Dinette Group	C 20	C 21
Driver's Compartment Group	C 22 - C 23	
Electrical Group	C 24 - D 02	
Exterior Body Group	D 03	D 08
Galley Group	D 09	D 10
Heating & Air Conditioning Group		D 11
Interior Finish Group	D 12	D 14
I P Group		D 16
Lounge Group	D 16	D 17
Water & Sewage Group	D 18	D 19
Window, Vent & Exterior Door Group	D 20	E 10

**WINDOW, VENT & EXTERIOR DOOR GROUP (CONTINUED)**



Key	Part Number	U/M	Description
1	079415-01-T03	EA	Window Asm. - Rear Escape - 23" x 29" - Black (w/o inside frame)
	020749-03-000	EA	Inside Frame - Brown (not included in assembly)
2	002174-02-000	EA	Glass - 1/8" x 19.6" x 25.9"
3	002285-01-000	FT	Filler - Weatherstrip - Black
4	069640-05-000	FT	Ribbon Sealer - 5/16" Bead x 15'
5	002282-01-000	FT	Weatherstrip - 1.25" Window
	006199-01-000	EA	Label - Exit - Escape Window
			Not illustrated

**WINDOW, VENT & EXTERIOR DOOR GROUP (CONTINUED)**



Key	Part Number	U/M	Description
1	081568-02-U01	EA	Window Asm. - 62" x 31" - Double Tipout
	081822-06-000	EA	Inside Frame - Black (not included in assembly)
2	018434-01-U01	EA	Window Asm. - Tipout - Right Hand
3	081434-02-U01	EA	Window Asm. - Tipout - Left Hand
	081239-07-000	EA	Glass - Tipout - 1/8" x 30" x 8 3/4" - Left or Right
4	083112-05-000	EA	Mullion - Black
5	081814-01-000	EA	Mullion - Black
	081422-01-U01	EA	Screen Asm. - Tipout - Right Hand
	081422-02-U01	EA	Screen Asm. - Tipout - Left Hand
	081243-01-000	EA	Screen Clip - Plastic - Black
	035302-01-000	EA	Operating Mech - Right Hand
	035302-02-000	EA	Operating Mech - Left Hand
6	081239-11-000	EA	Glass - Stationary - 1/8" x 61 3/4" x 20 1/2"
7	083180-01-000	EA	Window Seal
	081357-01-000	EA	Bulb Seal (Tipout)
	081359-01-000	EA	Window Seal (Tipout)
	002291-02-000	SF	Screen - Window - 16" - Charcoal
	002298-02-000	FT	Spline - .130 Dia. - Charcoal
			Not illustrated

**1986 ITASCA  
TABLE OF CONTENTS**

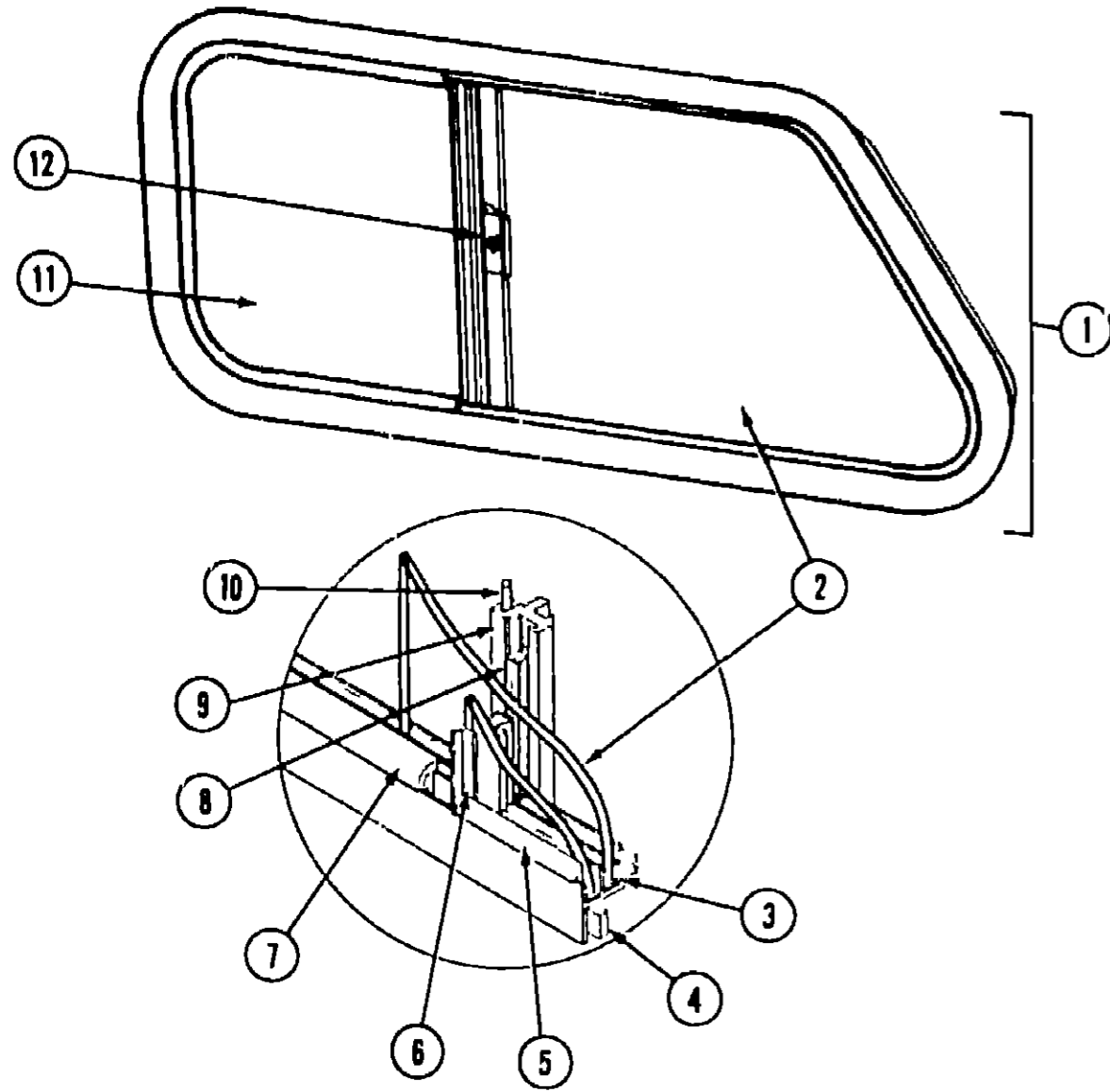
IC420RG	A-01 - C-02
IC424RS	C-03 - E-10
ICN23RG	E-11 - G-23
ICN27RT	H-01 - J-14

**1986 IC424RS INDEX**

Floor Plan	C-03 - C-04
Accessories Group	C-05 - C-07
Bath Group	C-08
Chassis Group	C-09 - C-10
Curtain, Cushion & Pad Group	C-11 - C-19
Dinette Group	C-20 - C-21
Driver's Compartment Group	C-22 - C-23
Electrical Group	C-24 - D-02
Exterior Body Group	D-03 - D-08
Galley Group	D-09 - D-10
Heating & Air Conditioning Group	D-11
Interior Finish Group	D-12 - D-14
LP Group	D-15
Lounge Group	D-16 - D-17
Water & Sewage Group	D-18 - D-19
Window, Vent & Exterior Door Group	D-20 - E-10

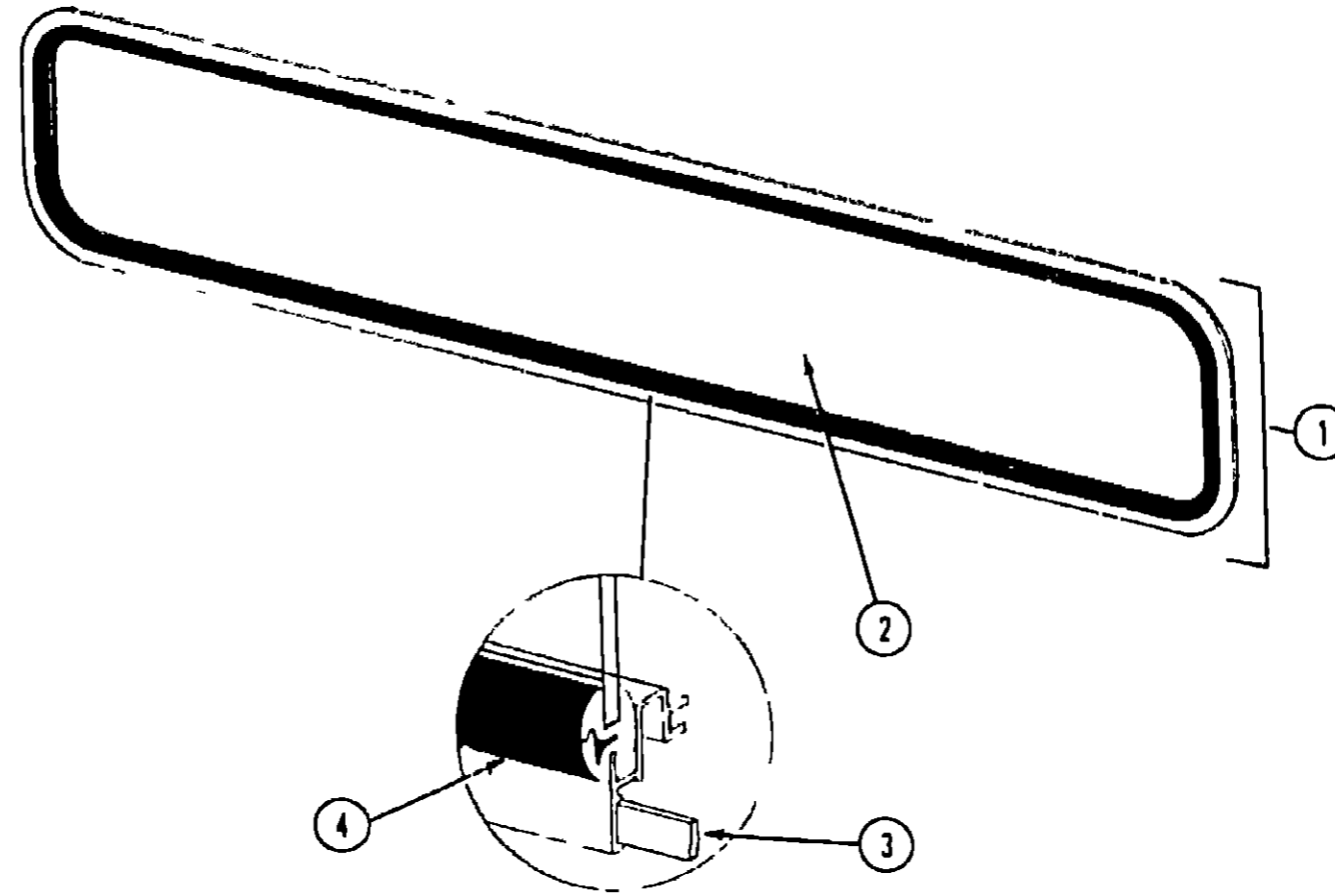


**WINDOW, VENT & EXTERIOR DOOR GROUP (CONTINUED)**



Key	Part Number	U/M	Description
1	078272 01 T03	EA	Window Asm - Bunk Single Slider Right
	083121 02 000	EA	Inside Frame - Brown (not included in assembly)
1	078272 02 T03	EA	Window Asm - Bunk - Single Slider - Left
	083121-04 000	EA	Inside Frame - Brown (not included in assembly)
2	081980-01 000	EA	Glass - Sliding - 1/8' x 11 98' x 11 98'
3	002324 02 000	FT	Channel - Weatherstrip - Glass Run - 1/8' Glass
4	069640-06 000	FT	Ribbon Sealer - 5/16' Bead x 15'
5	002309 02 000	FT	Spline - Glass - 1/8' Material - Black
6	M69886-03-005	EA	Seal Holder w/Fin Seal - Black
7	057374 02 000	FT	Extr Rubber - Window Seal - Black
8	073740-01 000	FT	Seal - Fin - Pile - 460
9	078562 05 000	EA	Mullion - Slider Window - Black
10	002298 02 000	FT	Spline 1" Dia Charcoal (Screen)
11	081983 01-000	EA	Glass - Stationary - 1/8' x 11 98' x 19 42'
12	047369 01-700	EA	Latch Kit Window - Plastic w/Fastener
	002293 01-000	SF	Screen - Window 16' Charcoal
	079204 01 000	EA	Bracket - Mullion - Black
			Not Illustrated

**WINDOW, VENT & EXTERIOR DOOR GROUP (CONTINUED)**



Key	Part Number	U/M	Description
1	078533 01-T03	EA	Window Asm - Front Picture - 14' x 69' - Black (v/o inside frame)
	041938-01-000	EA	Inside Frame - Brown (not included in assembly)
2	002200 02 000	EA	Glass - TP - Picture Window
3	069640 06-000	FT	Ribbon Sealer - 5/16' Bead x 15'
4	002281 01 000	FT	Weatherstrip - Self Seal - 06' Panel x 3/16' - Black
			Not illustrated

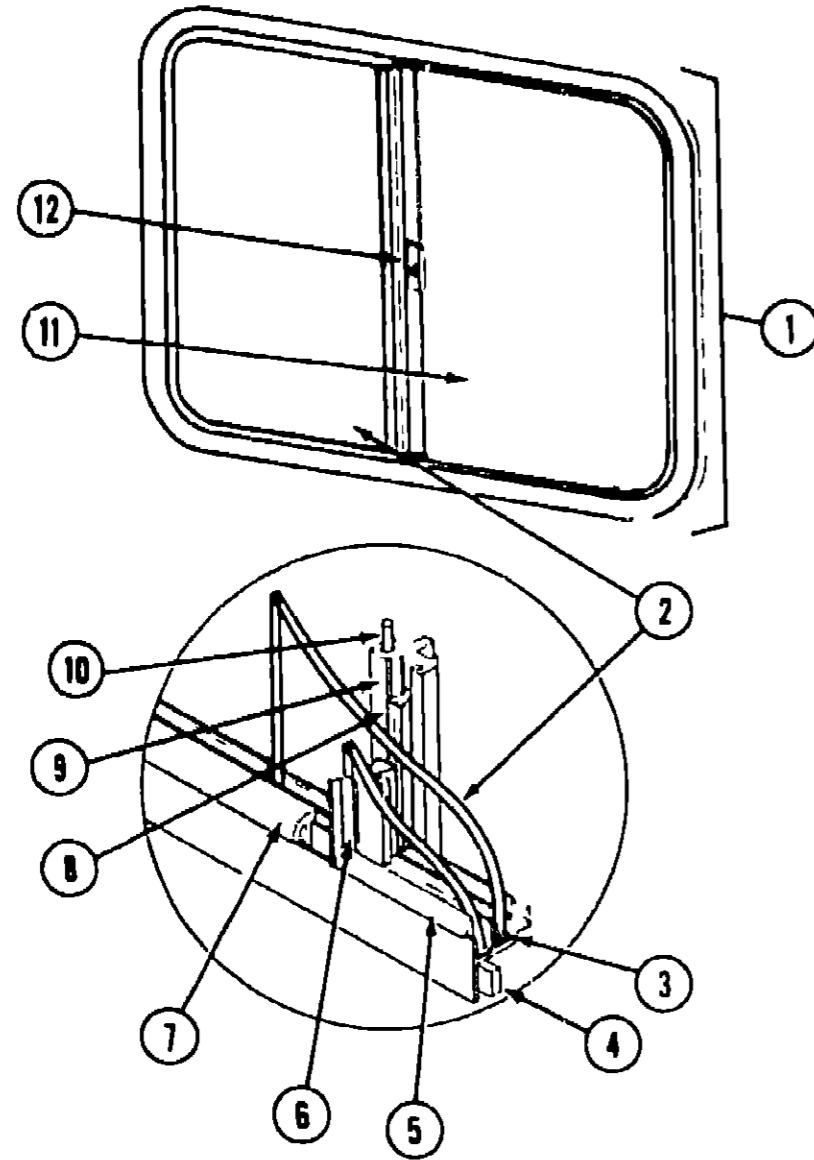
**1988 ITASCA  
TABLE OF CONTENTS**

IC420RG	A-01 - C-02
IC424RS	C-03 - E-10
ICN23RG	E-11 - G-23
ICN27RT	H-01 - J-14

**1986 IC424RS INDEX**

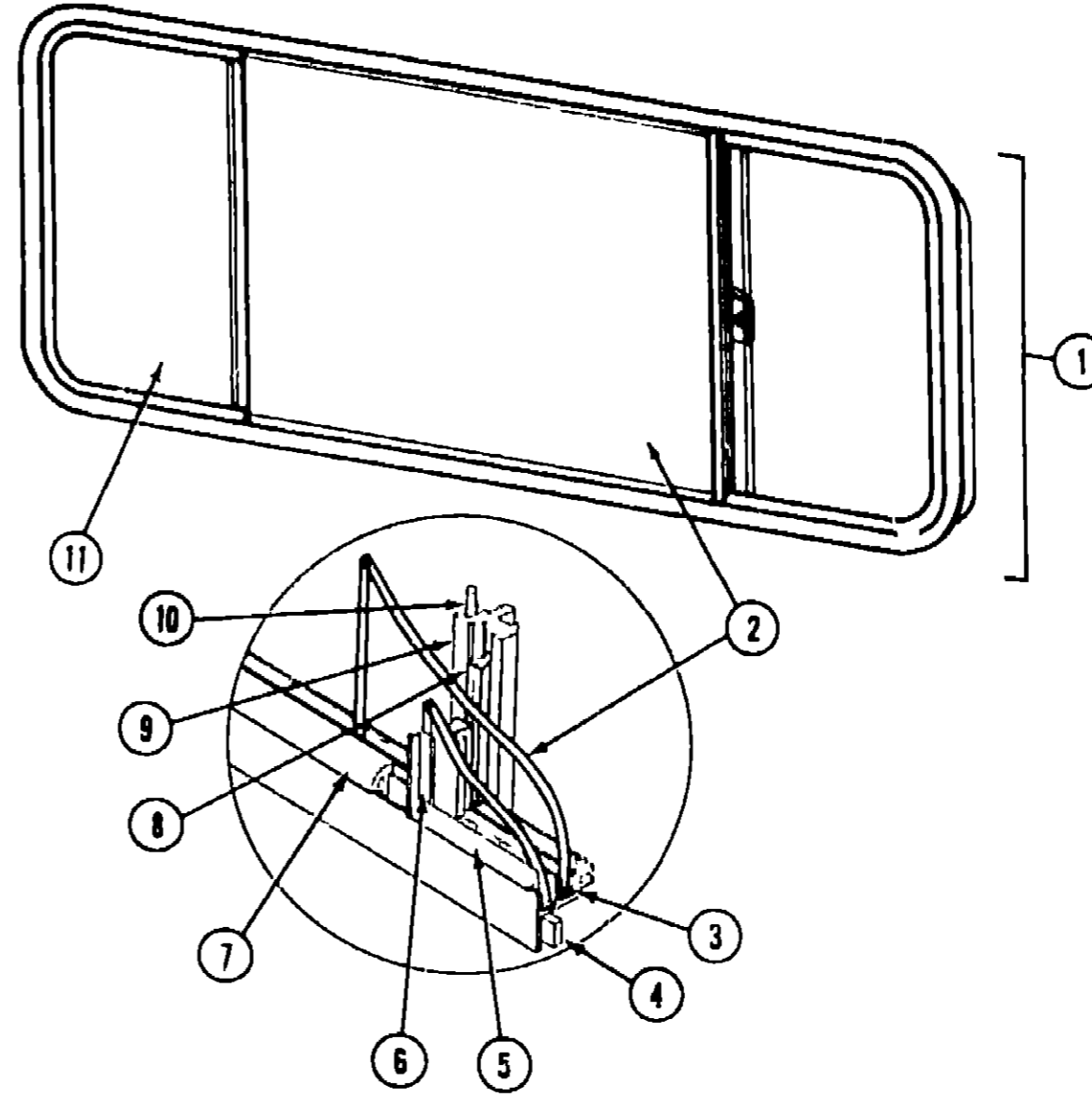
Floor Plan	C-03 - C-04
Accessories Group	C-05 - C-07
Bath Group	C-08
Chassis Group	C-09 - C-10
Curtain Cushion & Pad Group	C-11 - C-19
Dinette Group	C-20 - C-21
Driver's Compartment Group	C-22 - C-23
Electrical Group	C-24 - D-02
Exterior Body Group	D-03 - D-08
Galley Group	D-09 - D-10
Heating & Air Conditioning Group	D-11
Interior Finish Group	D-12 - D-14
LP Group	D-15
Lounge Group	D-16 - D-17
Water & Sewage Group	D-18 - D-19
Window Vent & Exterior Door Group	D-20 - E-10

**WINDOW, VENT & EXTERIOR DOOR GROUP (CONTINUED)**



Key	Part Number	U/M	Description
1	078266-02-T03	EA	Window Asm - Single Slider (w/o inside frame)
	083122 04-000	EA	Inside Frame - Brown (not included in assembly)
2	081980-05-000	EA	Glass - Sliding - 1/8' x 19' x 13 68
3	002324-02 000	FT	Channel - Weatherstrip - Glass Run - 1/8' Glass
4	069640-06-000	FT	Ribbon Sealer - 5/16 Bead x 15
5	002309-02 000	FT	Spline Glass - 1/8' Material - Black
6	M69886-03-011	EA	Seal Holder w/Fin Seal - Black
7	057374-02-000	FT	Extr Rubber - Window Seal - Black
8	073740-01-000	FT	Seal - Fin - Pile - 460
9	078562 02-000	EA	Mullion - Slider Window - Black
10	002298-02-000	SF	Spline - 130 Dia - Charcoal (Screen)
11	081984-03-000	EA	Glass - Stationary - 1/8' x 19' x 12 30
12	047369 01-700	EA	Latch Kit - Window - Plastic w/Fastener
	079204-01-000	EA	Bracket - Mullion - Black
	002291 02-000	SF	Screen - Window 16 Charcoal
			Not illustrated

**WINDOW, VENT & EXTERIOR DOOR GROUP (CONTINUED)**



Key	Part Number	U/M	Description
1	078271-01-T03	EA	Window Asm - Center Slider (w/o inside frame)
	083122-11 000	EA	Inside Frame - Center Slider - Beige (not included in assembly)
2	066727-02 000	EA	Glass - Sliding - 1/8' x 25 5' x 24
3	002324 02 000	FT	Channel - Weatherstrip - Glass Run - 1/8' Glass
4	069640-06-000	FT	Ribbon Sealer - 5/16 Bead x 15
5	002309-02 000	FT	Spline - Glass - 1/8' Material - Black
6	M69886-03-003	EA	Seal Holder w/Fin Seal - Black
7	057374-02-000	FT	Extr Rubber - Window Seal - Black
8	073740 01-000	FT	Seal - Fin Pile - 460
9	078562 02 000	EA	Mullion - Slider Window - Black
10	002298 02 000	FT	Spline - 130 Dia - Charcoal (Screen)
11	081984 07-000	EA	Glass - Stationary - 1/8' x 24' x 16 5
	079204 01 000	EA	Bracket - Mullion - Black
	047369 01 700	EA	Latch Kit - Window Plastic w/Fastener
	002293 02 000	SF	Screen - Window - 26 Charcoal
			Not illustrated

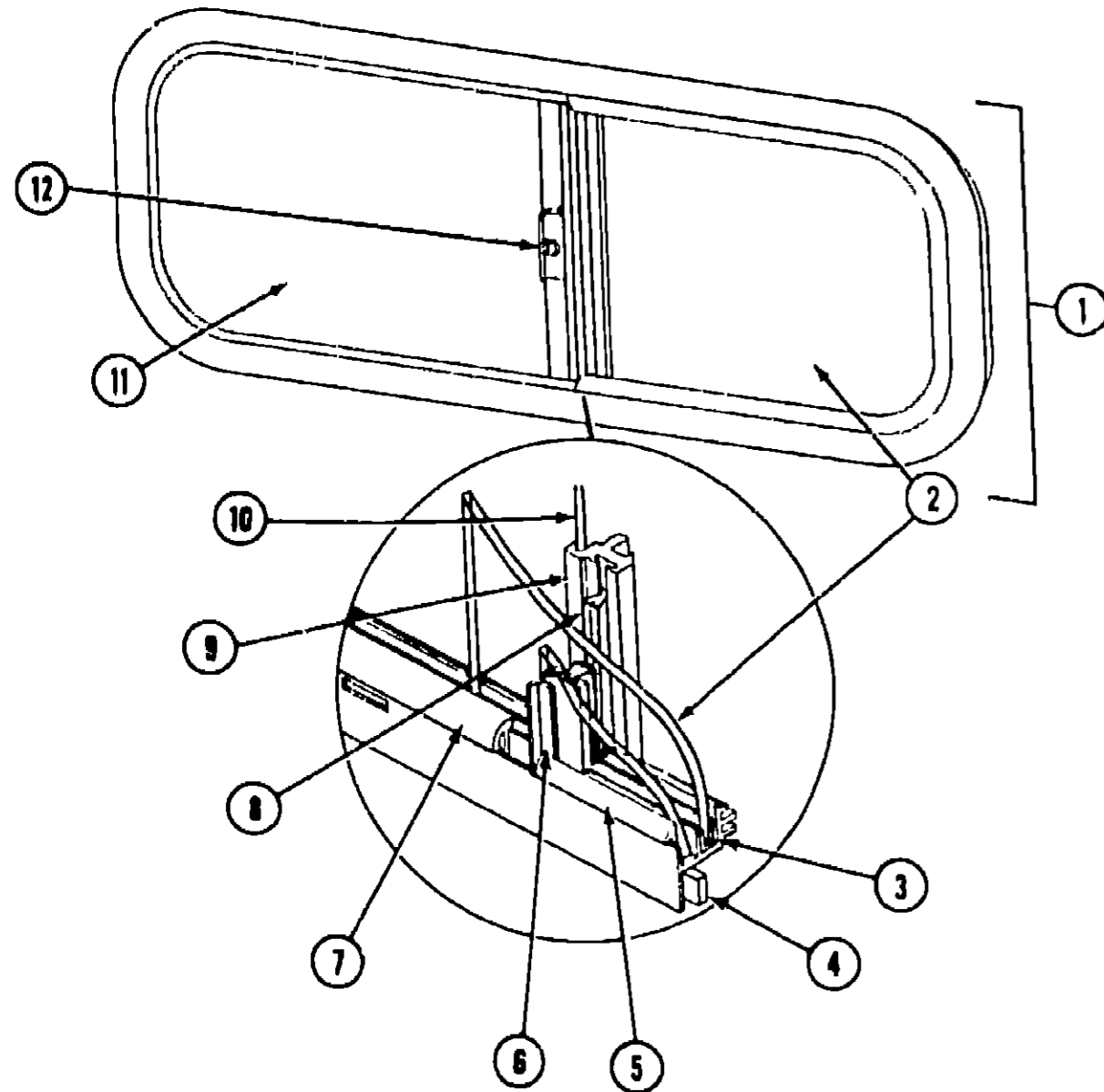
**1986 ITASCA  
TABLE OF CONTENTS**

IC420RG	A-01 - C-02
IC424RS	C-03 - E-10
ICN23RG	E-11 - G 23
ICN27RT	H 01 J 14

**1986 IC424RS INDEX**

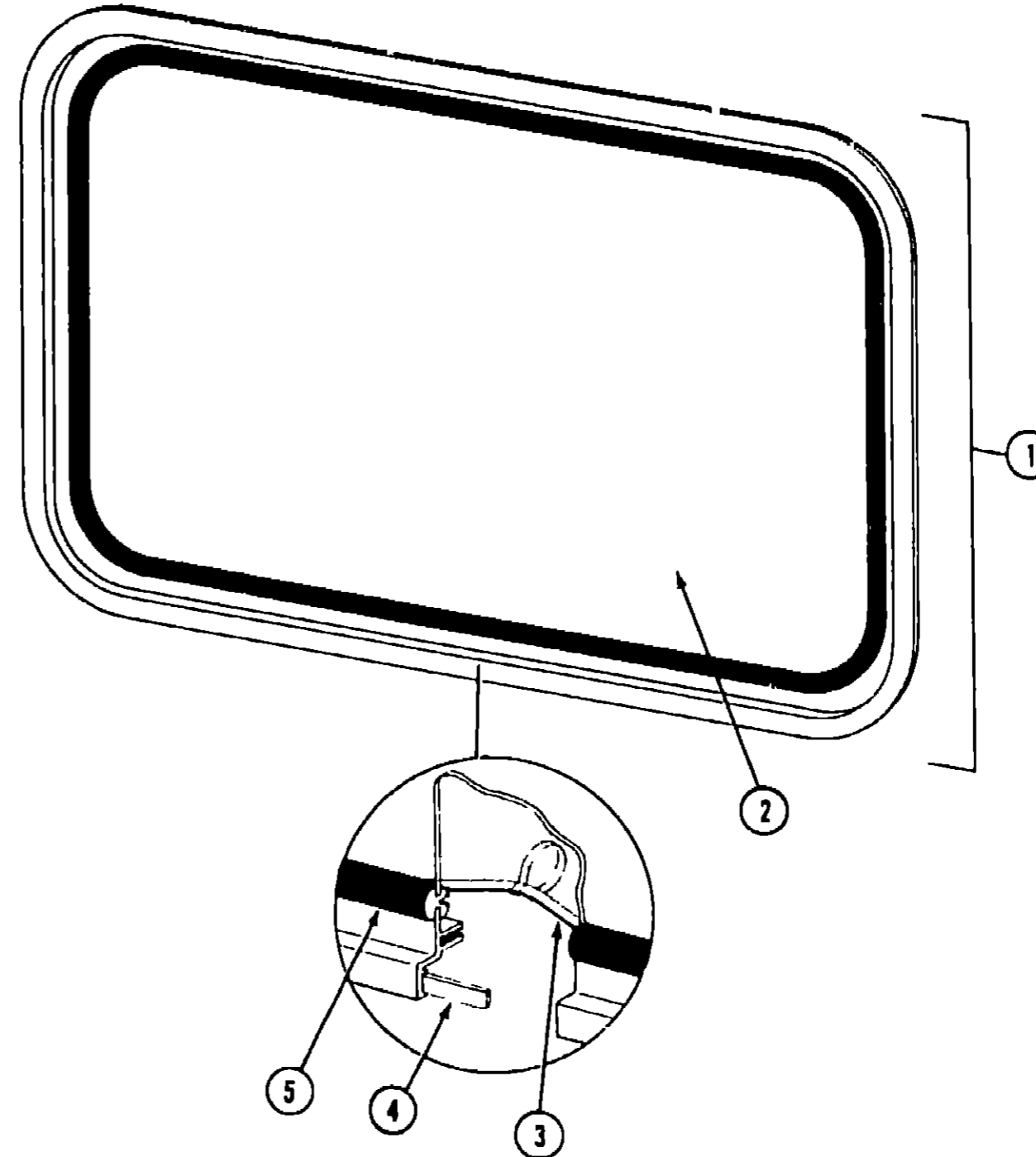
Floor Plan	C 03 - C-04
Accessories Group	C-05 - C-07
Bath Group	C-08
Chassis Group	C-09 - C-10
Curtain Cushion & Pad Group	C-11 - C 19
Dinette Group	C-20 - C-21
Driver's Compartment Group	C 22 - C-23
Electrical Group	C 24 - D-02
Exterior Body Group	D 03 - D 08
Galley Group	D 09 - D-10
Heating & Air Conditioning Group	D-11
Interior Finish Group	D-12 - D-14
LP Group	D 15
Lounge Group	D 16 - D-17
Water & Sewage Group	D 18 - D 19
Window Vent & Exterior Door Group	D 20 - E-10

**WINDOW, VENT & EXTERIOR DOOR GROUP (CONTINUED)**



Key	Part Number	U/M	Description
1	078266-01-T03	EA	Window Asm - Single Slider - Black (w/o inside frame)
	083122-02-000	EA	Inside Frame - Brown (not included in assembly)
2	081980-03-000	EA	Glass - Slider - 1/8' x 22 x 13 68
3	002324-02 000	FT	Channel Weatherstrip - Glass Run 1/8 Glass
4	069640-06-000	FT	Ribbon Sealer - 5/16 Bead x 15
5	002309-02-000	FT	Spline - Glass - 1/8 Material - Black
6	M69886-03 007	EA	Seal Holder w/Fin Seal - Black
7	057374 02-000	FT	Extr Rubber - Window Seal - Black
8	277740-01-000	FT	Seal - Fin - Pile 460
9	078562-01-000	EA	Mullion - Slider Window Black
10	002298-02 000	FT	Spline - 130 Dia Charcoal (Screen)
11	081984 02 000	EA	Glass - Stationary 1/8 x 22 x 16 53
12	047369-01-700	EA	Latch Kit - Window - Plastic w/Fastener
	002291-02 000	SF	Screen - Window 16 Charcoal
	079204-01-000	EA	Bracket - Mullion - Black
			Not illustrated

**WINDOW, VENT & EXTERIOR DOOR GROUP (CONTINUED)**



Key	Part Number	U/M	Description
1	079729-01-T03	EA	Window Asm - Rear Escape - 23 x 36 Black (w/o inside frame)
	079771-06-000	EA	Inside Frame (not included in assembly)
2	041392-01 000	EA	Glass - 1/8 x 33 2 x 19 6'
3	002285 01 000	FT	Filler - Weatherstrip - Black
4	069640-05 00J	FT	Ribbon Sealer - 5/16 Bead x 15
5	002282 01-000	FT	Weatherstrip - 125 Window
	006199 01-000	EA	Label - Exit - Escape Window
			Not illustrated

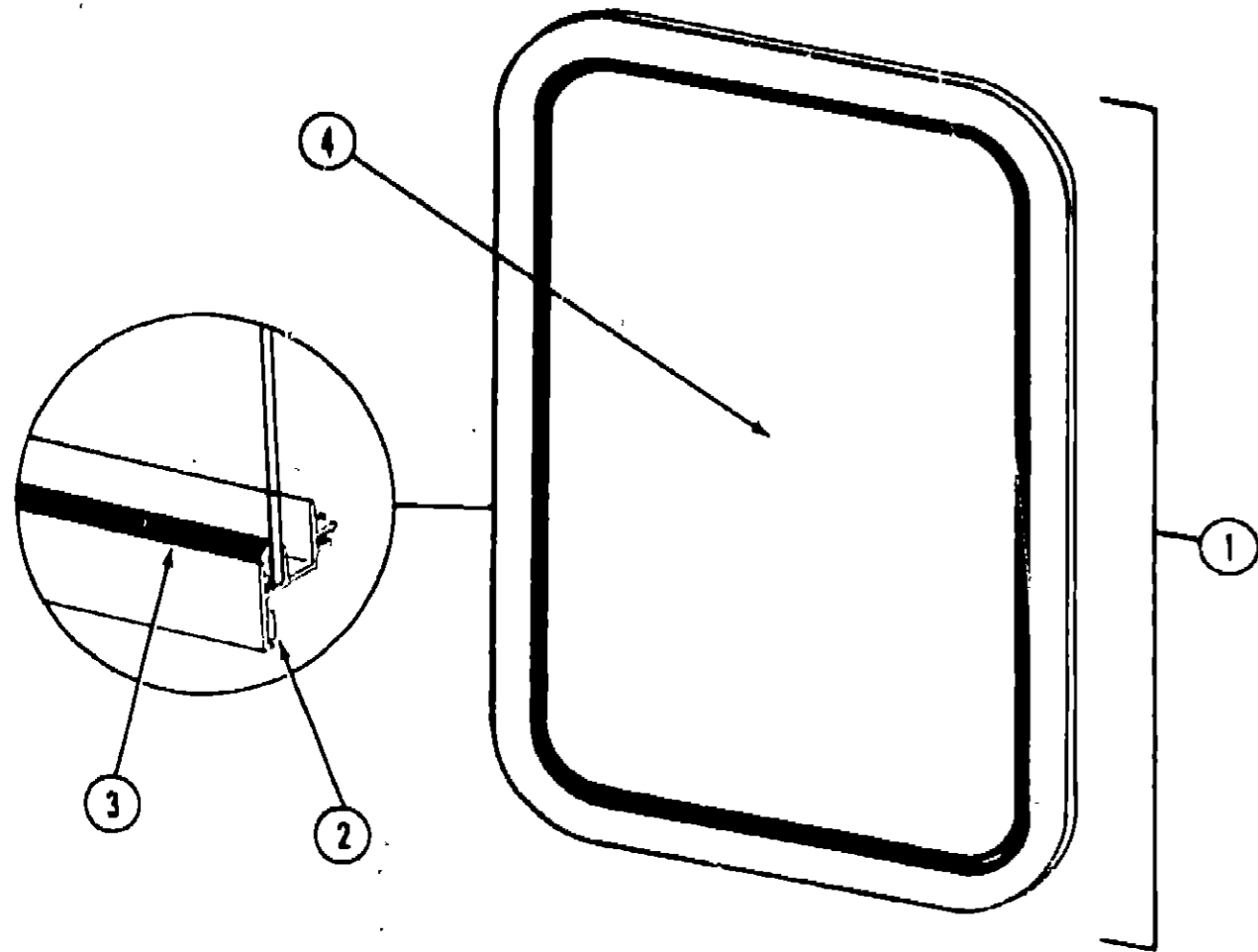
**1986 ITASCA  
TABLE OF CONTENTS**

IC420RG	A 01 - C-02
IC424RS	C-03 - L-10
ICN23RG	E-11 - G 23
ICN27RT	H 01 J 14

**1986 IC424RS INDEX**

Floor Plan	C 03 - C 04
Accessories Group	C 05 - C 07
Bath Group	C 08
Chassis Group	C-09 - C-10
Curtain, Cushion & Pad Group	C-11 - C 19
Dinette Group	C-20 C 21
Driver's Compartment Group	C-22 C 23
Electrical Group	C 24 - D-02
Exterior Body Group	D 03 D-08
Galley Group	D 09 D 10
Heating & Air Conditioning Group	D 11
Interior Finish Group	D-12 - D 14
LP Group	D 15
Lounge Group	D-16 - D 17
Water & Sewage Group	D-18 D 19
Window Vent & Exterior Door Group	D 20 E 10

**WINDOW, VENT & EXTERIOR DOOR GROUP (CONTINUED)**



Key	Part Number	U/M	Description
1	079733-01-T03	EA	Window Asm. - Picture - 13" x 23" - Black (w/o inside frame)
•	041696-02-000	EA	Inside Frame - Brown (not included in assembly)
2	069640-06-000	FT	Ribbon Sealer - 5/16" Bead x 15'
3	002309-02-000	FT	Spline - Glass - 1/8" - Black
4	002181-01-000	EA	Glass - .115" x 12" x 22"
•	Not Illustrated		

**1986 ITASCA  
TABLE OF CONTENTS**

IC420RG	A-01 - C-02
IC424RS	C-03 - E-10
ICN23RG	E-11 - G-23
ICN27RT	H-01 - J-14

**1986 IC424RS INDEX**

Floor Plan	C-03 - C-04
Accessories Group	C-05 - C-07
Bath Group	C-08
Chassis Group	C-09 - C-10
Curtain, Cushion & Pad Group	C-11 - C-19
Dinette Group	C-20 - C-21
Driver's Compartment Group	C-22 - C-23
Electrical Group	C-24 - D-02
Exterior Body Group	D-03 - D-08
Galley Group	D-09 - D-10
Heating & Air Conditioning Group	D-11
Interior Finish Group	D-12 - D-14
LP Group	D-15
Lounge Group	D-16 - D-17
Water & Sewage Group	D-18 - D-19
Window, Vent & Exterior Door Group	D-20 - E-10