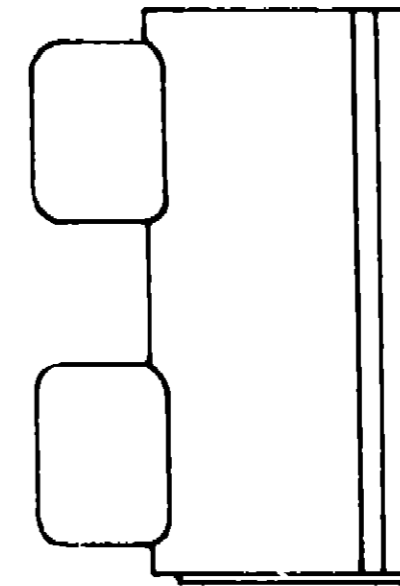
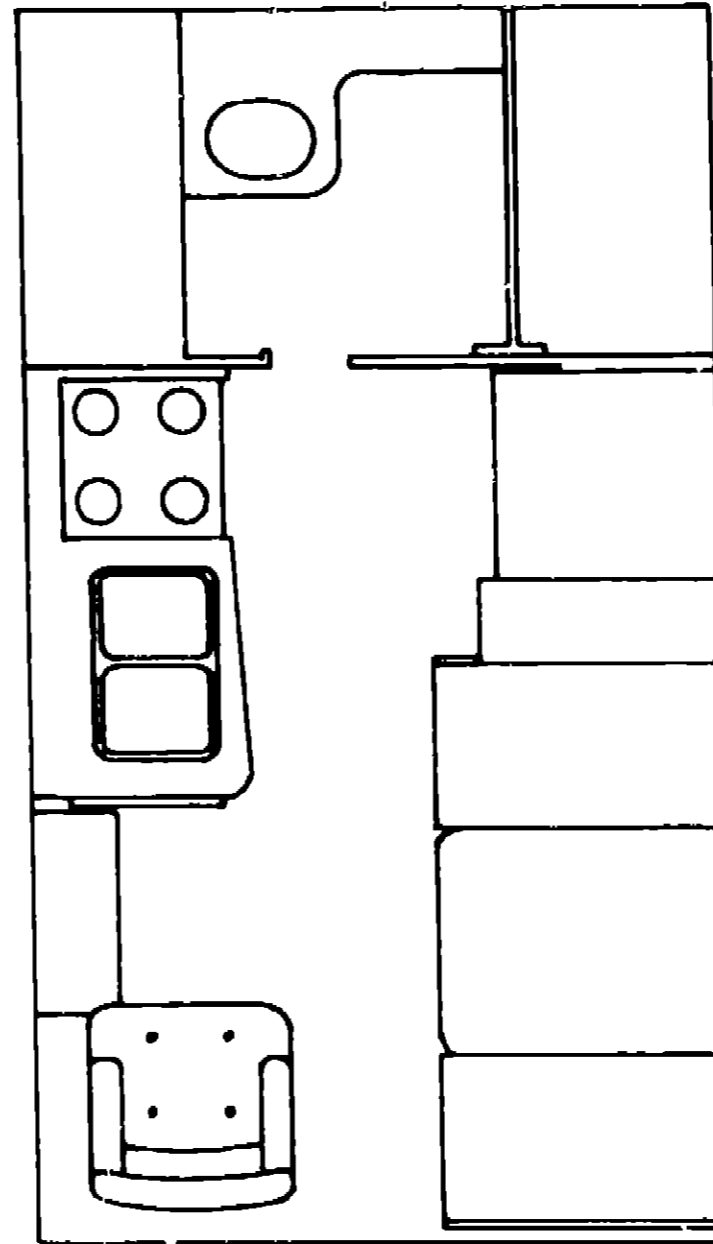


1986 IC421RB



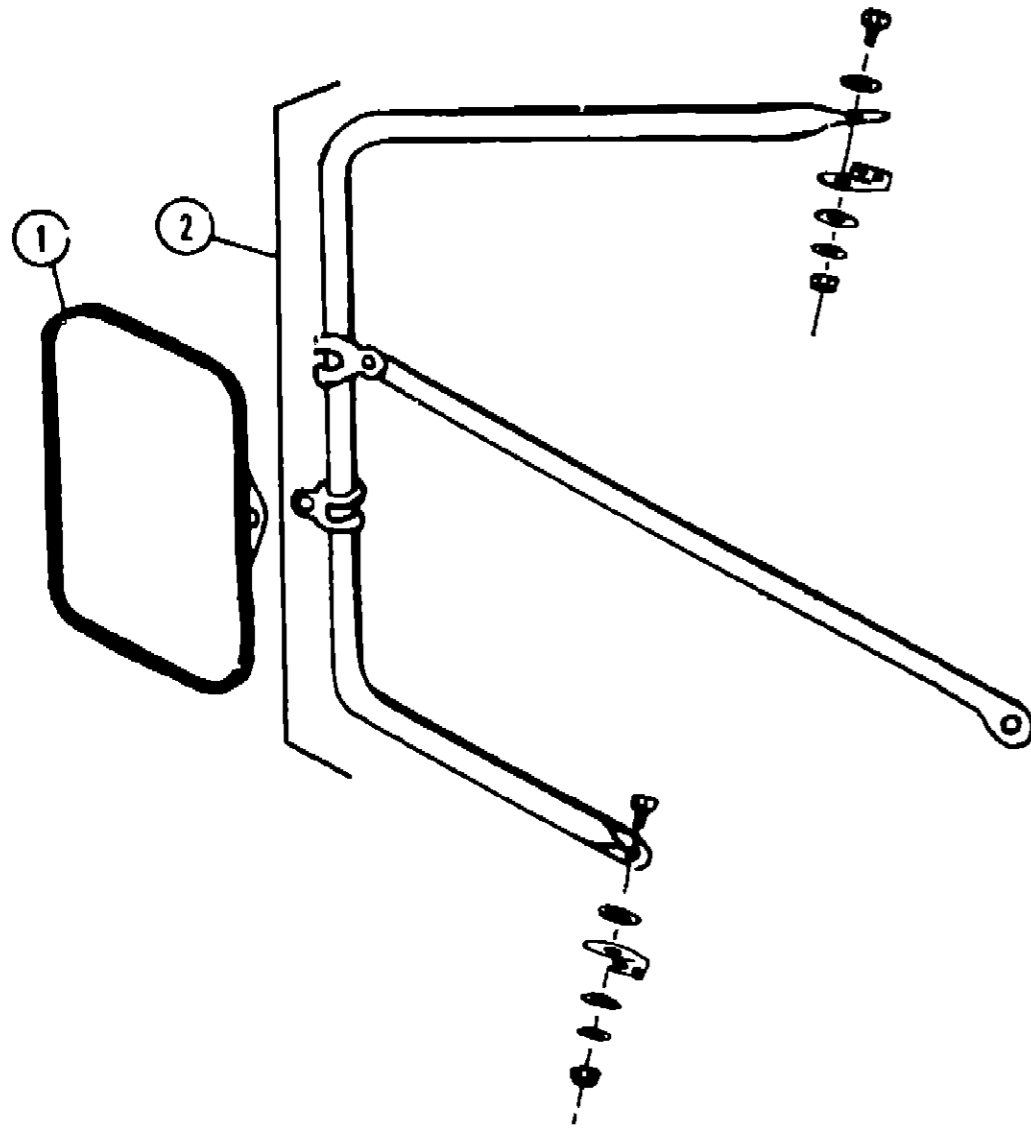
1986 ITASCA TABLE OF CONTENTS

IT319RB	A-01 - B-16
IC421RB	B-17 - D-16
IF426RT	D-17 - F-22
ICN26RH	F-23 - I-06
ICP28RU	I-07 - K-18

1986 IC421RB INDEX

Floor Plan	B-17 - B-18
Accessories Group	B-19 - B-21
Bath Group	B-22
Chassis Group	B-23 - B-24
Curtain Cushion & Pad Group	C-01 - C-07
Dinette Group	C-08
Driver's Compartment Group	C-09 - C-10
Electrical Group	C-11 - C-13
Exterior Body Group	C-14 - C-19
Galley Group	C-20 - C-21
Heating & Air Conditioning Group	C-22
Interior Finish Group	C-23 - D-01
LP Group	D-02
Lounge Group	D-03
Water & Sewage Group	D-04 - D-05
Window Vent & Exterior Door Group	D-06 - D-16

ACCESSORIES GROUP



EXTERIOR MIRRORS

Key	Part Number	U/M	Description
1	049347-01-000	EA	Mirror Head - 7 1/2 x 10 1/2 - Stainless Steel
2	062047-01-000	EA	Arm - West Coast Mirror - Stainless Steel
2	062047-02-000	EA	Arm - West Coast Mirror - Off White
	006043-01-000	EA	Mirror - Convex - Adhesive Back
			Not illustrated

WHEEL COVER & MOUNTING HARDWARE

Key	Part Number	U/M	Description
	064082-02-000	EA	Retaining Nut - Delmet - Wheel Cover
	073426-01-700	EA	Wheel Cover - Bolt On - 16 or 16.5 - Delmet (1)
	083181-02-000	EA	Wheel Cover - 16.5 (Set/4)
	083181-02-700	EA	Wheel Cover - 16.5 (1)
	085741-01-000	EA	Liner - Stainless Steel Wheel - 16.5 (Set/4)

ACCESSORIES GROUP (CONTINUED)

MISCELLANEOUS ACCESSORIES

Key	Part Number	U/M	Description
	054185-24-000	EA	Owners Manual - 1986 - Itasca & Winnebago
	706053-02-000	EA	Antenna - TV Skyliner w/6 Shaft - Braund Delux
	076319-01-000	EA	Antenna - TV Roof Mount - 44.5 Mast
	076319-01-700	EA	RVSA Sensor Antenna
	076319-01-701	EA	Elevating Gear
	076319-01-702	EA	Shaft Elevating Asm
	076319-01-703	EA	Nylon Bearing - #5
	076319-01-704	EA	Nylon Bearing
	076319-01-705	EA	Nylon Bearing
	076319-01-706	EA	Crank - Elevating - w/Set Screw
	076319-02-000	EA	Antenna - TV Roof Mount - 23.5 Mast
	076319-03-000	EA	Cable - Coaxial 1000 - 75 OHM
	076319-04-000	EA	Connector & Ferrule
	076319-05-000	EA	Wallplate - Power Supply - Ivory
	076319-06-000	EA	Adapter - Cable Roof Plate
	076319-07-000	EA	Wallplate - Power Supply - Brown
	076319-08-000	EA	Wallplate - Receptacle - Ivory
	076319-09-000	EA	Wallplate - Receptacle - Brown
	076319-11-000	EA	Adaptor - Coax w/Splitter
	064089-01-000	EA	Mud Flap - Rubber - Black (Front)
	017516-01-000	EA	Mud Flap w/Holes - 14 x 18 - Black (Back)
	041944-03-000	EA	Fire Extinguisher - w/Bracket - 5BC
	041944-02-000	EA	Bracket - Fire Extinguisher
	081379-01-000	EA	Microwave/Convection Oven - Sharp
	081459-08-000	EA	Bracket Asm - Microwave - Right
	081459-02-000	EA	Bracket Asm - Microwave - Left
	082876-01-000	EA	Baffle - Microwave
	081555-01-T03	EA	Trim Asm - Microwave Oven
	081456-01-000	EA	Angle Asm - Microwave Oven - Right
	081456-02-000	EA	Angle Asm - Microwave Oven - Left
	081016-01-T03	EA	Ladder Asm
	081026-01-T03	EA	Rack Asm - Right
	081026-02-T03	EA	Rack Asm - Left
	040069-01-000	EA	Door Mat - Black Rubber - 10 1/2 x 26
	044860-01-000	EA	Mat - Stepwell - Black - Passenger
	044860-02-000	EA	Mat - Stepwell - Black - Driver
	072852-01-000	EA	Smoke Detector w/9 Volt Battery
	079664-02-000	EA	Weather Center - 8.5 x 8.5
	079664-01-000	EA	Clock - 8.5 x 8.5
	006069-01-000	EA	Key Case - Leather
	080208-01-000	EA	Lug Wrench
	080208-02-000	EA	Leverage Bar - Lug Wrench
	006113-01-000	EA	Jack - Hydraulic - 6 Ton - w/Handle
	079941-01-000	EA	Lamp Asm - Fog w/Cover - Amber
	083212-04-000	EA	Speed Control Package - Electric - Chevy

CHROME WHEEL LINERS

Key	Part Number	U/M	Description
	081608-05-000	EA	Cover - Lug Nut - Chrome Liner
	081608-06-000	EA	Ring - Spiral - Chrome Liner
	081608-07-000	EA	Cover - Rear Axle - Chrome Liner
	081608-08-000	EA	Cover - Front Axle - Chrome Liner
	081608-09-000	EA	Liner - Front Wheel - Chrome
	081608-10-000	EA	Liner - Rear Wheel - Chrome

1986 ITASCA TABLE OF CONTENTS

IT319RB	A-01 - B-16
IC421RB	B-17 - C-16
IF426RT	C-17 - F-22
ICN26RH	F-23 - I-06
ICP28RU	I-07 - K-18

1986 IC421RB INDEX

Floor Plan	B-17 - B-18
Accessories Group	B-19 - B-21
Bath Group	B-22
Chairs Group	B-23 - B-24
Curtain Cushion & Pad Group	C-01 - C-07
Dinette Group	C-08
Driver's Compartment Group	C-09 - C-10
Electrical Group	C-11 - C-13
Exterior Body Group	C-14 - C-19
Galley Group	C-20 - C-21
Heating & Air Conditioning Group	C-22
Interior Finish Group	C-23 - D-01
LP Group	D-02
Lounge Group	D-03
Water & Sewage Group	D-04 - D-05
Window Vent & Exterior Door Group	D-06 - D-16

ACCESSORIES GROUP (CONTINUED)

RADIO & RELATED COMPONENTS

Key	Part Number	U/M	Description
	007004-01-000	EA	Antenna - Radio - Cab Mount
	064792-01-000	EA	Grille - Speaker - 5 25 - w/Mesh - Brown
	073430-02-000	EA	Radio - AM/FM/MPX - w/Cassette - Electronic Tune - Audiovox - HCC1150
	074979-01-000	EA	Speaker Cover Protector - Plastic
	073431-01-000	EA	Speaker - 5 25 - 3/Way (Pair)
	064791-01-000	EA	Speaker - Recessed - 5 25
	073741-01-000	EA	Speaker - 4 x 6 Oval

GENERATORS & COMPONENTS

Key	Part Number	U/M	Description
	079654-04-000	EA	Generator - Emerald - 4 0 kw
	701629-02-000	EA	Installation Package - Emerald
	079654-05-000	EA	Pipe & Accessories Kit - Emerald
	078045-01-000	EA	Support Plate - Generator
	079656-01-000	EA	Muffler - Generator - 4 0 Emerald
	007067-01-000	EA	Insulation - Fiberglass - 1"

BATH GROUP

BATH CABINERY

Key	Part Number	U/M	Description
	M82428-03-U10	EA	Cabinetry Asm - Lavatory - w/o Doors Countertop or Hardware
	M02556-01-U10	EA	Countertop Asm - Lavatory
	081894-02-U13	EA	Drawer Asm - Lavatory - w/o Hardware
	M81504-34-U10	EA	Door Asm - Lavatory Cabinet - 26 7 x 14 3 - w/o Hardware
	076073-01-000	EA	Cabinet Asm - Medicine - w/o Doors or Hardware
	081535-01-U04	EA	Door Asm - Medicine Cabinet - 45 5 x 15 5 - w/o Hardware
	080834-01-T03	EA	Door Asm - Sliding - w/o Hardware
	058034-02-000	EA	Latch Door w/o Lock
	M81504-51-U10	EA	Door Asm - Wardrobe - 39 5 x 12 8 - w/o Hardware
	M81504-50-U10	EA	Door Asm - Wardrobe - 53 9 x 16 1 - w/o Hardware
	075603-01-000	EA	Threshold - Bath door

BATH HARDWARE

Key	Part Number	U/M	Description
	M01817-01-T03	EA	Bathtub Asm w/Strainer
	075242-03-000	EA	Faucet - Tub & Shower - Brass
	075240-03-000	EA	Faucet - Lavatory
	011048-02-000	EA	Shower Head - w/60 Hose
	011048-04-000	EA	Vacuum Breaker - 1/8 MPT - Nylon - Shower Head
	075606-01-000	EA	Shower Panel - Faucet Plastic
	066729-01-000	EA	Strainer - Bathtub Asm
	080257-01-000	EA	Shroud - Bathtub Asm - Off White
	066435-01-000	EA	Nut Strainer - Plastic - Bathtub Asm
	066436-01-000	EA	Slip Nut - 1 5 Tail Piece - Bathtub Asm
	069735-01-000	EA	Washer - Tail Piece - 1 5 - Plastic - Bathtub Asm
	011069-02-000	EA	Tailpiece - 1 5 x 1 25 x 4 - Brass - Bathtub Asm
	058713-01-000	EA	Sink - Oval - Ivory Plastic
	011083-01-000	EA	Tail Piece w/Stopper - 1 25 x 5 - Plastic - Sink
	039341-02-000	EA	Toilet - Ivory
	075452-02-000	EA	Tissue Holder
	075454-02-000	EA	Towel Ring
	058331-05-000	EA	Mirror - Tempered Glass - 12 x 26
	058331-04-000	EA	Mirror - Tempered Glass - 12 x 42
	009089-01-000	EA	Clip - Mirror
	057671-01-000	EA	Screw Cover - #8 - Antique White
	079657-01-000	EA	Door Asm - Shower
	050712-04-000	EA	Handle - Door Shower - Off White
	075603-01-000	EA	Threshold - Track Shower Door - Beige
	079235-01-000	EA	Header - Track - Shower Door - Beige
	079234-01-000	EA	Jamb - Shower Door - Rear - Beige
	079234-02-000	EA	Jamb - Shower Door - Front - Beige
	075620-01-000	EA	Rod - Clothes - Adjustable
	009112-01-000	EA	Flange - 1" - Closet Rod
	075453-02-000	EA	Bar - Towel 18 Brass
	023449-01-000	EA	Support - Towel Rack - Chrome
	009089-01-000	EA	Clip - Mirror
	046113-01-000	EA	Rosette - Plastic - Mirror Mounting
	042438-01-000	EA	Dowel - Wood - 1 00 Dia x 4
	009156-01-000	EA	Hanger - Sliding Door
	064467-01-000	EA	Guide - Wall Mount - Sliding Door
	075149-04-000	EA	Track - 54 2 - Sliding Door
	075153-01-000	EA	End Cap - Cover - Beige

The illustrated parts breakdown for this item is provided on the Common Items Fiche

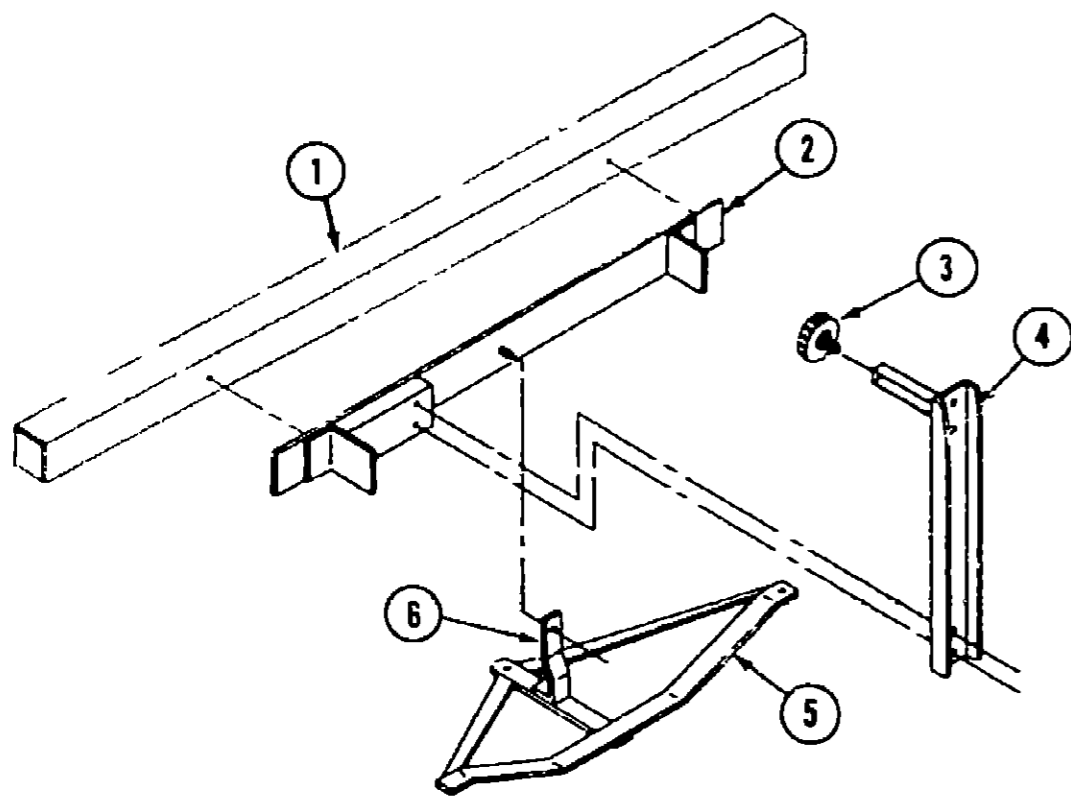
1986 ITASCA TABLE OF CONTENTS

IT319RB	A-01 - B-16
IC421RB	B-17 - D-10
IF426RT	D-17 - F-22
ICN26RH	F-23 - I-06
ICP28RU	I-07 - K-18

1986 IC421RB INDEX

Floor Plan	B-17 - B-18
Accessories Group	B-19 - B-21
Bath Group	B-22
Chassis Group	B-23 - B-24
Curtain, Cushion & Pad Group	C-01 - C-07
Dinette Group	C-08
Driver's Compartment Group	C-09 - C-10
Electrical Group	C-11 - C-13
Exterior Body Group	C-14 - C-19
Galley Group	C-20 - C-21
Heating & Air Conditioning Group	C-22
Interior Finish Group	C-23 - D-01
LP Group	D-02
Lounge Group	D-03
Water & Sewage Group	D-04 - D-05
Window Vent & Exterior Door Group	D-06 - D-16

CHASSIS GROUP



SPARE TIRE, REAR BUMPER & TRAILER HITCH

Key	Part Number	U/M	Description
1	064602-01-000	EA	Bumper Asm - Square - 92 - Off White
	022150-01-000	EA	Bracket - Bumper - Rear
	039779-01-000	EA	Cap - Rubber - 4 x 4
2	064601-01-000	EA	Bracket Asm - Bumper
3	064082-02-000	EA	Nut - Tire Cover Retainer - Delmet
4	079027-01-000	EA	Bracket Asm - Tire Cover
	079799-01-000	EA	Cover - Tire - Plastic - Off White
	M02047-01-T95	EA	Door - Tire Cover - Plastic
	077408-01-000	EA	Lock Asm - Key Type
5	064833-02-000	EA	Trailer Hitch Asm
	015365-01-000	EA	Pin - Tire Carrier - Cad Plated
	064399-01-000	EA	Housing Asm - Trailer Pin
6	064824-02-000	EA	Support - Trailer Hitch
			Not illustrated

WHEELS & TIRES

Key	Part Number	U/M	Description
	062400-02-000	EA	Wheel - 6.00 x 16.5 - 8 Hole
	050273-04-000	EA	Tire - 16.0 - White Sidewall
	057665-01-000	EA	Tire - 8.75 x 16.5 - Radial - White Sidewall
	051377-01-000	EA	Valve Stem Asm - TR500
	077030-01-000	EA	Extension - Valve Stem - 1.25

CHASSIS GROUP (CONTINUED)

Key	Part Number	U/M	Description
	047441-01-000	EA	Battery Terminal - Horizontal Lug
	059540-01-000	EA	Bracket - License Plate
	065451-02-000	EA	Bracket - Battery Tie Down - 10 B2
	065451-03-000	EA	Bracket - Battery Tie Down - 14
	007125-03-000	EA	Clamp Asm - Muffler - 1.2
	007125-04-000	EA	Clamp Asm - Muffler - 1.12
	010497-01-000	EA	Clamp - Closed - 5/8 I.D.
	007161-01-000	EA	Clamp - Hose - Spring Type 112
	062401-01-000	EA	Clamp - Hose - Wormgear - 22 I.D. - 1 I.D.
	062401-02-000	EA	Clamp - Hose - Wormgear - 1.56 I.D. - 2.5 I.D.
	062401-03-000	EA	Clamp - Hose - Wormgear - 25 I.D. - 1 I.D.
	062401-04-000	EA	Clamp - Hose - Wormgear - 69 I.D. - 1.25 I.D.
	062401-05-000	EA	Clamp - Hose - Wormgear - 2 I.D. - 3 I.D.
	062401-06-000	EA	Clamp - Hose - Wormgear - 22 I.D. - 62 I.D.
	023146-01-000	EA	Clamp - Screw Type - 4
	024490-01-000	EA	Compartment - Power Cord - Plastic
	073220-02-000	EA	Gas Cap - Non Locking
	007063-01-000	FT	Hose - Fuel - 1/4 I.D. x 1/2 O.D.
	006113-01-000	EA	Jack - Hydraulic - 6 Ton - w/Handle
	080208-02-000	EA	Leverage Bar - Lug Wrench
	080208-01-000	EA	Lug Wrench
	044860-01-000	EA	Mat - Stepwell - Driver - Black
	044860-02-000	EA	Mat - Stepwell - Passenger - Black
	040069-01-000	EA	Mat - Floor - 10 1/2 x 26
	017516-01-000	EA	Mud Flap w/Holes - 14 x 18 - Black
	080359-02-000	EA	Plate - Step Well (Ford)
	080359-01-000	EA	Plate - Step Well (Chevy)
	077848-01-000	EA	Step Asm - Pullout
	080449-01-000	EA	Step Asm - Entrance w/Swing Arm
	081667-01-000	EA	Shield Asm - Heat
	079942-03-000	EA	Shock Absorber - Stabilizer - Front
	079942-04-000	EA	Shock Absorber - Stabilizer - Rear
	064089-01-000	EA	Splash Guard - Black Rubber
	076241-01-000	EA	Support Asm - Step
	078137-02-000	EA	Tray Asm - Luggage Compartment
	057724-01-000	EA	Wheelwell - Plastic
	008343-01-000	EA	Wire Tie - 6"

NOTE: Remainder of exhaust components available from Chassis Service Center

1986 ITASCA TABLE OF CONTENTS

IT319RB	A-01 - B-16
IC421RB	B-17 - D-16
IF426RT	D-17 - F-22
ICN26PH	F-23 - I-06
ICP28RU	I-07 - K-18

1986 IC421RB INDEX

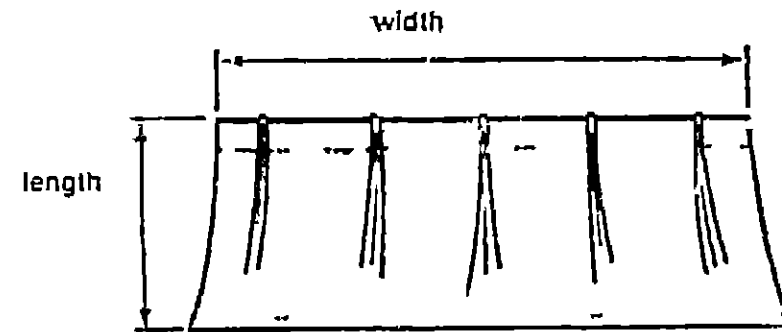
Floor Plan	B-17 - B-18
Accessories Group	B-19 - B-21
Bath Group	B-22
Chassis Group	B-23 - B-24
Curtain Cushion & Pad Group	C-01 - C-07
Dinette Group	C-08
Driver's Compartment Group	C-09 - C-10
Electrical Group	C-11 - C-13
Exterior Body Group	C-14 - C-19
Galley Group	C-20 - C-21
Heating & Air Conditioning Group	C-22
Interior Finish Group	C-23 - D-01
LP Group	D-02
Lounge Group	D-03
Water & Sewage Group	D-04 - D-05
Window Vent & Exterior Door Group	D-06 - D-16

CURTAIN, CUSHION & PAD GROUP

NOTICE

In order to assist our Parts Sales Dept. in providing interior software items, please include the serial number and the color code number from the vehicle certification label when ordering. This label is located on the left sidewall at the end of the dash (A-Body) or on the driver's door latch plate (F-Body).

An example of a color code number is P31, which designates an overall color scheme of a particular unit. The color listed after the item description on the microfiche indicates the overall unit color. Order the item you desire according to unit color code.



NOTE

Use this illustration when determining length and width measurements for curtains. You will note the width measurement is taken on the top of the curtain with the curtain fully extended. The length measurement is taken from top to bottom.

CURTAIN & CUSHION HARDWARE

Key	Part Number	U/M	Description
	082228-03-000	EA	Bracket - Curtain Rod - Right
	082228-04-000	EA	Bracket - Curtain Rod - Left
	056003-02-000	EA	Bracket - Drapery Retainer - Left
	056003-01-000	EA	Bracket - Drapery Retainer - Right
	082139-01-000	EA	Bracket - Hold Down - Blind
	009107-01-000	EA	Guide - Nylon Snap - Curtain
	056784-02-000	EA	Pull - Window Shade - Antique Brass
	056115-01-000	YD	Tape - Clear Plastic - w/Guides
	048394-01-000	YD	Tape Hook - 1" x 25 YD - Beige
	079096-05-000	YD	Tape Hook - 50" - Velcro - Beige
	048395-01-000	YD	Tape Loop - 1" x 25 YD - Beige
	029090-01-000	FT	Tie - Drapery - Clear Vinyl
	056116-01-000	EA	Track - Curtain - Brown Plastic
	053272-01-000	EA	Track - Curtain - 16
	076827-01-000	EA	Bracket - Curtain - Wovenwood - Right
	076827-02-000	EA	Bracket - Curtain - Wovenwood - Left
	079798-03-000	EA	Bracket Asm - Curtain Rod - Right
	079798-04-000	EA	Bracket Asm - Curtain Rod - Left
	082249-01-000	EA	Bracket - Blinds - Beige - Right
	082249-02-000	EA	Bracket - Blinds - Beige - Left
	079619-02-000	EA	Bracket - Tie Down
	082677-01-000	EA	Bracket - Shade Universal

CURTAIN, CUSHION & PAD GROUP (CONTINUED)

FABRICS, TRIMS & PADS

Key	Part Number	U/M	Description
	072333-21-000	YD	Fabric - Drapery - Parchment
	077498-65-000	YD	Fabric w/Pattern - Upholstery - Blue/Gray (U10)
	077498-66-000	YD	Fabric w/Pattern - Upholstery - Melon (U11)
	077498-67-000	YD	Fabric w/Pattern - Upholstery - Plum/Beige (U12)
	077498-68-000	YD	Fabric w/Pattern - Upholstery Accent - Melon (U11)
	077498-70-000	YD	Fabric - Upholstery/Draperies - Accent - Plain - Blue/Gray (U10)
	077498-71-000	YD	Fabric - Upholstery/Draperies - Accent - Plain - Melon (U11)
	077498-69-000	YD	Fabric - Upholstery/Draperies - Accent - Plain - Plum/Beige (U12)
	069729-25-000	YD	Fabric - Bedspread/Draperies - Main - Blue/Gray (U10)
	069729-26-000	YD	Fabric - Bedspread/Draperies - Main - Melon (U11)
	069729-27-000	YD	Fabric - Bedspread/Draperies - Main - Plum/Beige (U12)
	069729-28-000	YD	Fabric - Bedspread - Accent - Blue/Gray (U10)
	069729-29-000	YD	Fabric - Bedspread - Accent - Melon (U11)
	069729-30-000	YD	Fabric - Bedspread - Accent - Plum/Beige (U12)
	038421-01-000	YD	Fabric - Mattress Ticking
	052859-01-T03	FT	Trim Asm - Accent - Sandrift
	052859-05-T03	FT	Trim Asm - Accent - Buckskin
	079680-01-000	YD	Vinyl - Expanded - 26 oz - Buckskin
	079680-02-000	YD	Vinyl - Expanded - 26 oz - Sandrift
	070578-06-T03	EA	Button Asm - #30 - Vinyl
	057550-03-T03	EA	Button Asm - Nail - Vinyl
	071127-10-U10	EA	Button Asm - #30 - Blue/Gray
	071127-10-U11	EA	Button Asm - #30 - Melon
	071127-10-U12	EA	Button Asm - #30 - Plum/Beige
	078155-01-000	EA	Strap Asm - Cushion
	079144-02-000	EA	Strap Asm - Bunk
	081280-03-U01	EA	End Cap Asm - Overhead - Dinette - Vinyl
	081280-06-U01	EA	End Cap Asm - Overhead - Galley - Vinyl
	081280-10-U01	EA	End Cap Asm - Overhead - Microwave Overhead - Vinyl
	081280-08-U01	EA	End Cap Asm - Overhead - Entrance Door - Vinyl
	081519-01-U10	EA	Pad Asm - Dinette - Front - Blue/Gray
	081519-01-U11	EA	Pad Asm - Dinette - Front - Melon
	081519-01-U12	EA	Pad Asm - Dinette - Front - Plum/Beige
	081519-02-U10	EA	Pad Asm - Dinette - Rear - Blue/Gray
	081519-02-U11	EA	Pad Asm - Dinette - Rear - Melon
	081519-02-U12	EA	Pad Asm - Dinette - Rear - Plum/Beige
	069885-12-U10	EA	Cover w/Pocket - Motor - Blue/Gray
	069885-12-U11	EA	Cover w/Pocket - Motor - Melon
	069885-12-U12	EA	Cover w/Pocket - Motor - Plum/Beige
	059491-01-U10	EA	Pad Asm - Door - Passenger - Upper
	059491-01-U11	EA	Pad Asm - Door - Passenger - Upper
	059491-01-U12	EA	Pad Asm - Door - Passenger - Upper
	059492-01-U10	EA	Pad Asm - Door - Driver - Upper
	053492-01-U11	EA	Pad Asm - Door - Driver - Upper
	059492-01-U12	EA	Pad Asm - Door - Driver - Upper
	082552-03-U10	EA	Pad Asm - Door - Driver - Lower
	082552-03-U11	EA	Pad Asm - Door - Driver - Lower
	082552-03-U12	EA	Pad Asm - Door - Driver - Lower
	082552-02-U10	EA	Pad Asm - Door - Passenger - Lower
	082552-02-U11	EA	Pad Asm - Door - Passenger - Lower
	082552-02-U12	EA	Pad Asm - Door - Passenger - Lower
	M80881-01-U10	EA	Panel Asm - Couch Front
	M80881-01-U11	EA	Panel Asm - Couch Front
	M80881-01-U12	EA	Panel Asm - Couch Front

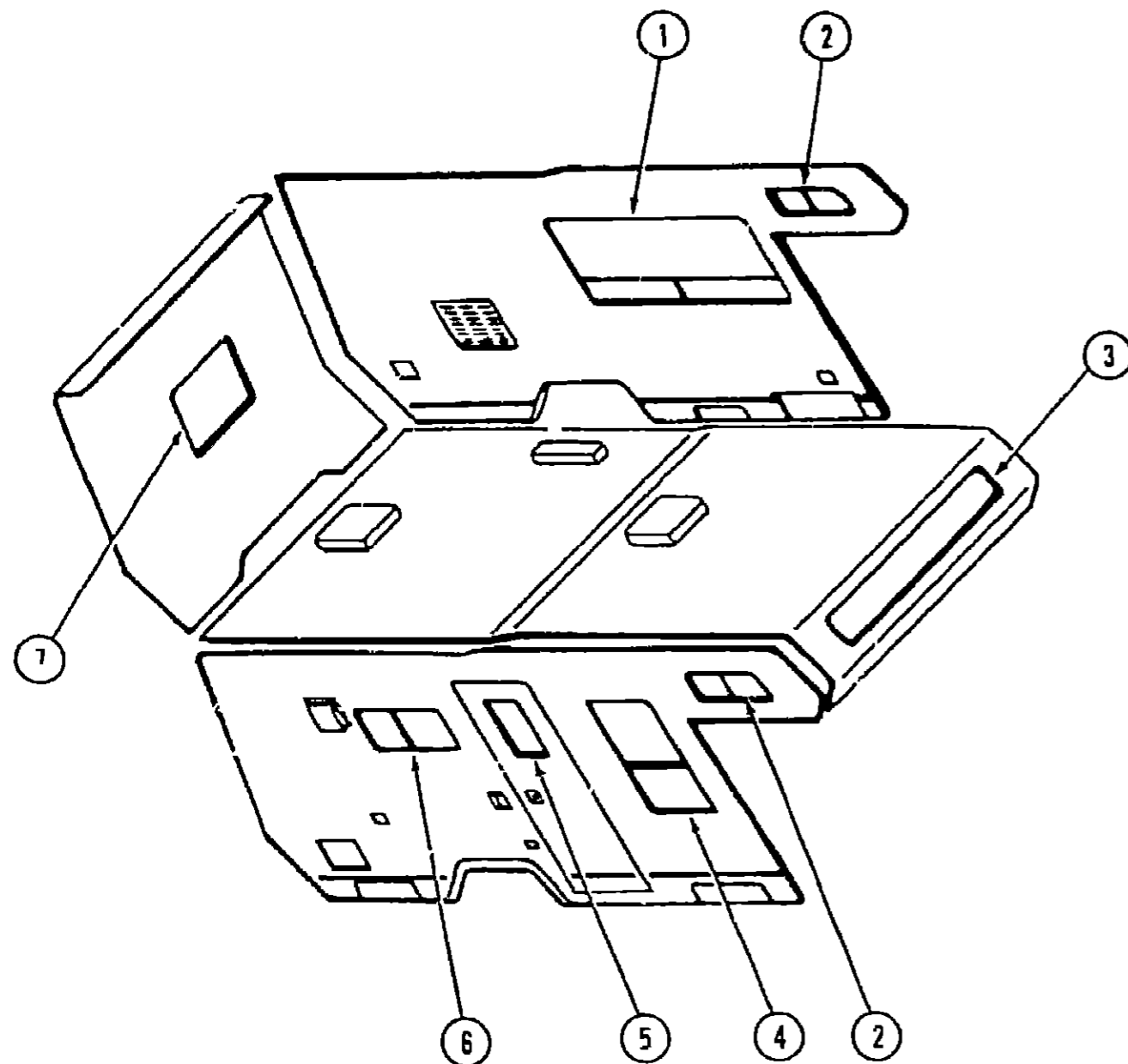
**1986 ITASCA
TABLE OF CONTENTS**

IT319RB	A-01 - B-16
IC421RB	B-17 - D-16
IF426RT	D-17 - F-22
ICN26RH	F-23 - I-06
ICP28RU	I-07 - K-18

1986 IC421RB INDEX

Floor Plan	B-17 - B-18
Accessories Group	B-19 - B-21
Bath Group	B-22
Chassis Group	B-23 - B-24
Curtain, Cushion & Pad Group	C-01 - C-07
Dinette Group	C-08
Driver's Compartment Group	C-09 - C-10
Electrical Group	C-11 - C-13
Exterior Body Group	C-14 - C-19
Galley Group	C-20 - C-21
Heating & Air Conditioning Group	C-22
Interior Finish Group	C-23 - D-01
LP Group	D-02
Lounge Group	D-03
Water & Sewage Group	D-04 - D-05
Window, Vent & Exterior Door Group	D-06 - D-16

CURTAIN, CUSHION & PAD GROUP (CONTINUED)



CURTAINS, SHADES, VALANCES & TIEBACKS

Key	Part Number	U/M	Description
1	079542-12-U10	EA	Curtain Asm w/Darts - 35" x 16
1	079542-12-U11	EA	Curtain Asm w/Darts - 35" x 16
1	079542-12-U12	EA	Curtain Asm w/Darts - 35" x 16
1	M81977-15-U10	EA	Valance Asm - Padded
1	M81977-15-U11	EA	Valance Asm - Padded
1	M81977-15-U12	EA	Valance Asm - Padded
1	082118-31-000	EA	Blind - 65" x 34" Drop (U10)
1	082118-32-000	EA	Blind - 65" x 34" Drop (U11)
1	082118-33-000	EA	Blind - 65" x 34" Drop (U12)
	082127-31-000	EA	Shade - Woven Wood - 65" x 34" Drop (U10)
	082127-32-000	EA	Shade - Woven Wood - 65" x 34" Drop (U11)
	082127-33-000	EA	Shade - Woven Wood - 65" x 34" Drop (U12)
2	079558-08-U10	EA	Valance Asm w/Gathers - 8" x 60
2	079558-08-U11	EA	Valance Asm w/Gathers - 8" x 60
2	079558-08-U12	EA	Valance Asm w/Gathers - 8" x 60
2	082119-22-000	EA	Shade - Vinyl - 33 25" x 30" (U10)
2	082119-23-000	EA	Shade - Vinyl - 33 25" x 30" (U11)
2	082119-24-000	EA	Shade - Vinyl - 33 25" x 30" (U12)

Parts used on the Woven Wood Option

CURTAIN, CUSHION & PAD GROUP (CONTINUED)

CURTAINS, SHADES, VALANCES & TIEBACKS (CONT)

Key	Part Number	U/M	Description
3	079558-10-U10	EA	Valance Asm w/Gathers - 8" x 150"
3	079558-10-U11	EA	Valance Asm w/Gathers - 8" x 150"
3	079558-10-U12	EA	Valance Asm w/Gathers - 8" x 150"
3	082119-28-000	EA	Shade - Vinyl - 75 25" x 30" (U10)
3	082119-29-000	EA	Shade - Vinyl - 75 25" x 30" (U11)
3	082119-30-000	EA	Shade - Vinyl - 75 25" x 30" (U12)
4	073251-34-U10	EA	Curtain Asm w/Tape Top - 45" x 9"
4	073251-34-U11	EA	Curtain Asm w/Tape Top - 45" x 9"
4	073251-34-U12	EA	Curtain Asm w/Tape Top - 45" x 9"
4	080824-01-U10	EA	Valance Asm - Padded - Lounge/Entrance Door
4	080824-01-U11	EA	Valance Asm - Padded - Lounge/Entrance Door
4	080824-01-U12	EA	Valance Asm - Padded - Lounge/Entrance Door
4	082119-07-000	EA	Blind - 19" x 45" Drop (U10)
4	082119-08-000	EA	Blind - 19" x 45" Drop (U11)
4	082119-09-000	EA	Blind - 19" x 45" Drop (U12)
	082126-10-000	EA	Shade - Woven Wood - 19" x 46" Drop (U10)
	082126-11-000	EA	Shade - Woven Wood - 19" x 46" Drop (U11)
	082126-12-000	EA	Shade - Woven Wood - 19" x 46" Drop (U12)
5	082119-19-000	EA	Shade - Vinyl - 24 25" x 40" (U10)
5	082119-20-000	EA	Shade - Vinyl - 24 25" x 40" (U11)
5	082119-21-000	EA	Shade - Vinyl - 24 25" x 40" (U12)
6	M81977-05-U10	EA	Valance Asm - Padded
6	M81977-05-U11	EA	Valance Asm - Padded
6	M81977-05-U12	EA	Valance Asm - Padded
6	082118-13-000	EA	Blind - 27" x 23" Drop (U10)
6	082118-14-000	EA	Blind - 27" x 23" Drop (U11)
6	082118-15-000	EA	Blind - 27" x 23" Drop (U12)
7	082176-01-U10	EA	Valance Asm - Padded
7	082176-01-U11	EA	Valance Asm - Padded
7	082176-01-U12	EA	Valance Asm - Padded
7	082118-22-000	EA	Blind - 32" x 26" Drop (U10)
7	082118-23-000	EA	Blind - 32" x 26" Drop (U11)
7	082118-24-000	EA	Blind - 32" x 26" Drop (U12)
	073295-02-U01	EA	Curtain w/Snaps - Front Wraparound - 23" x 64" (2 required)
	077591-03-U01	EA	Curtain w/Velcro Top - Bunk Privacy - 70" x 50" - Passenger
	077591-04-U01	EA	Curtain w/Velcro Top - Bunk Privacy - 70" x 50" - Driver
	073260-16-U13	EA	Tieback Asm - 3" x 20" - Accent (U10)
	073260-16-U14	EA	Tieback Asm - 3" x 20" - Accent (U11)
	073260-16-U15	EA	Tieback Asm - 3" x 20" - Accent (U12)
	057534-01-000	EA	Tieback Asm - 6" - Clear Plastic
	057531-04-000	EA	Tieback Asm - 20" - Clear Plastic

Not illustrated
Parts used on the Woven Wood Option



Key	Part Number	U/M	Description
1	029130-01-000	EA	Socket - Snap Fastener
2	029155-01-000	EA	Cap - Snap 156" Dia x 17" Barrel
3	029156-01-000	EA	Socket - Snap Fastener
4	029092-01-000	EA	Stud - Nickel Finish
5	029093-01-000	EA	Eyelet - Nickel Finish

**1986 ITASCA
TABLE OF CONTENTS**

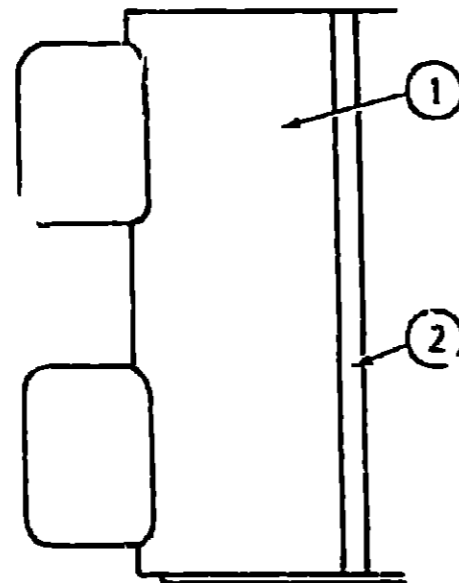
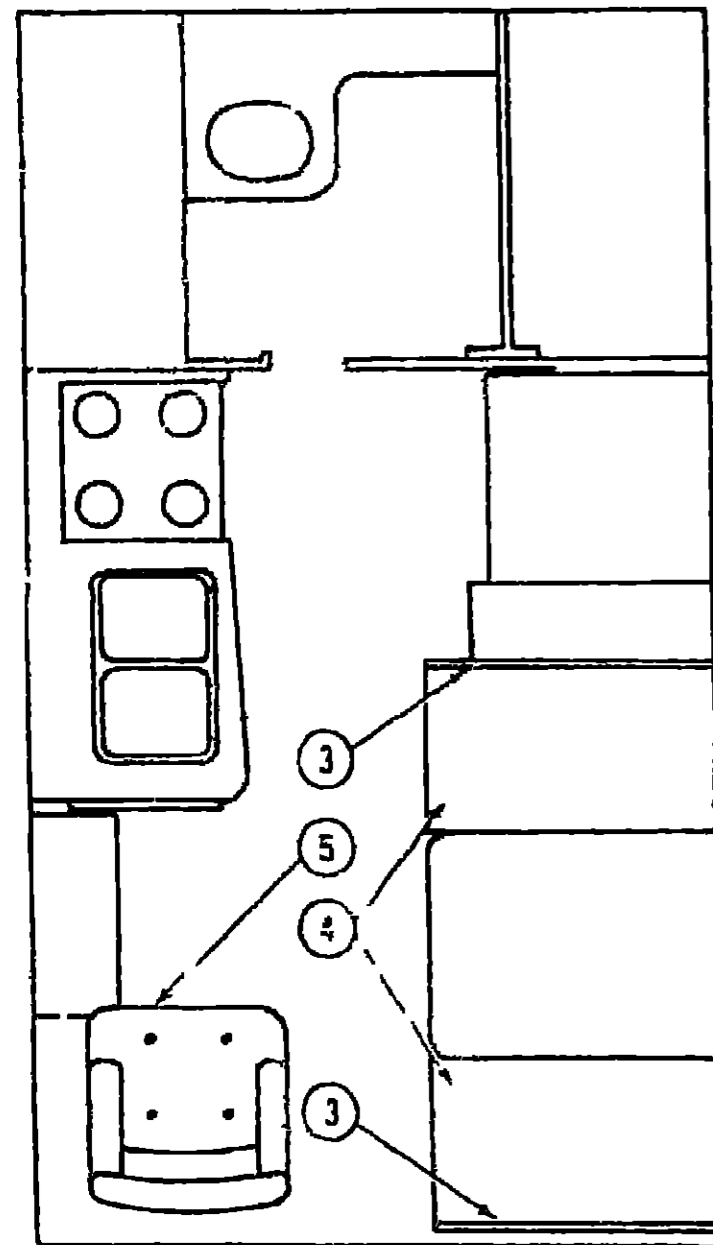
IT319RB	A 01 - B 16
IC 21RB	B-17 - D 15
IF426RT	D-17 - F-22
IC426RH	F 23 - I 05
ICP28RU	I 07 - K 18

1986 IC421RB INDEX

Door Floor	B 17 - B 19
Accessories Group	B-19 - B 21
Bath Group	B 22
Chassis Group	B 23 - B-24
Curtain Cushion & Pad Group	C-01 - C-07
Dinet's Group	C-08
Driver's Compartment Group	C-09 - C-10
Electrical Group	C-11 - C-13
Exterior Body Group	C 14 - C 19
Galley Group	C 20 - C-21
Heating & Air Conditioning Group	C 22
Interior Finish Group	C 23 - D 01
LP Group	D-02
Lounge Group	D 03
Water & Sewage Group	D 04 - D-05
Window Vent & Exterior Door Group	D-06 - D-16

CURTAIN, CUSHION & PAD GROUP (CONTINUED)

CURTAIN, CUSHION & PAD GROUP (CONTINUED)



DINETTE CUSHION

Key	Part Number	U/M	Description
3	081998-01-U10	EA	Cushion Asm - Dinette Back - 19 25" x 38" x 5"
3	081998-07 U11	EA	Cushion Asm - Dinette Back - 19 25" x 38" x 5"
3	081998-01 U12	EA	Cushion Asm - Dinette Back - 19 25" x 38" x 5"
	M81998-01 U10	EA	Cover Asm - Dinette Back Curtain - 19 25" x 38" x 5"
	M81998-07 U11	EA	Cover Asm - Dinette Back Curtain - 19 25" x 38" x 5"
	M81998-01 U12	EA	Cover Asm - Dinette Back Curtain - 19 25" x 38" x 5"
4	081998-02 U10	EA	Cushion Asm - Dinette Bottom - 17 5" x 38" x 5"
4	081998 08 U11	EA	Cushion Asm - Dinette Bottom - 17 5" x 38" x 5"
4	081998-02 U12	EA	Cushion Asm - Dinette Bottom - 17 5" x 38" x 5"
	M81998-02 U10	EA	Cover Asm - Dinette Bottom Cushion - 17 5" x 38" x 5"
	M81998 08-U11	EA	Cover Asm - Dinette Bottom Cushion - 17 5" x 38" x 5"
	M81998-02 U12	EA	Cover Asm - Dinette Bottom Cushion - 17 5" x 38" x 5"

SWIVEL CHAIR

Key	Part Number	U/M	Description
5	073518 16-U10	EA	Chair Asm w/Pillow Back - Swivel
5	073518-19 U14	EA	Chair Asm w/Pillow Back - Swivel
5	073518-16-U12	EA	Chair Asm w/Pillow Back - Swivel
	075174 02 U13	EA	Skirt Asm - Swivel Chair (U10)
	075174 04 U14	EA	Skirt Asm - Swivel Chair (U11)
	075174 02 U15	EA	Skirt Asm - Swivel Chair (U12)
	035036-01-000	EA	Plate - Tilt & Swivel - Swivel Chair
	035036-04-000	EA	Base w/Legs - Swivel Chair
	035036-05-000	EA	Extension - 7 - Swivel Chair

FRONT OVERHEAD BUNK CUSHIONS

Key	Part Number	U/M	Description
	073310-05 U10	EA	Cushion Asm - Front Bunk - Two Fold - 24 5" x 29 5" x 76" x 4"
	073310-05-U11	EA	Cushion Asm - Front Bunk - Two Fold - 24 5" x 29 5" x 76" x 4"
	073310-05-U12	EA	Cushion Asm - Front Bunk - Two Fold - 24 5" x 29 5" x 76" x 4"
	M73310-05-U10	EA	Cover Asm - Front Bunk Cushion - Two Fold
	M73310-05-U11	EA	Cover Asm - Front Bunk Cushion - Two Fold
	M73310-05-U12	EA	Cover Asm - Front Bunk Cushion - Two Fold

SPRUNG CUCH (OPTION)

Key	Part Number	U/M	Description
1	072431 13 U10	EA	Cushion Asm - 3 Pillows - Seat
1	072-31 14 U11	EA	Cushion Asm - 3 Pillows - Seat
1	072-31-13 U12	EA	Cushion Asm - 3 Pillows - Seat
	M72431 12 U10	EA	Cover Asm - 3 Pillow - Seat
	M72-31 10-U14	EA	Cover Asm - 3 Pillow - Sea (U11)
	M72431 12 U12	EA	Cover Asm - 3 Pillow - Seat
2	072-32 13 U10	EA	Cushion Asm - 3 Pillow - Back
2	072432-14 U11	EA	Cushion Asm - 3 Pillow - Back
2	072432 13-U12	EA	Cushion Asm - 3 Pillow - Back
	M72432-13-U10	EA	Cover Asm - 3 Pillow - Back
	M72-32-10-U14	EA	Cover Asm - 3 Pillow - Back (U11)
	M72432-13 U12	EA	Cover Asm - 3 Pillow - Back

**1986 ITASCA
TABLE OF CONTENTS**

IT31GRB	A-01 - B 16
IC421RB	B 17 - D 16
IF426RT	D-17 - F 22
ICN26RH	F-23 - I-06
ICP28RU	I-07 - K-18

1986 IC421RB INDEX

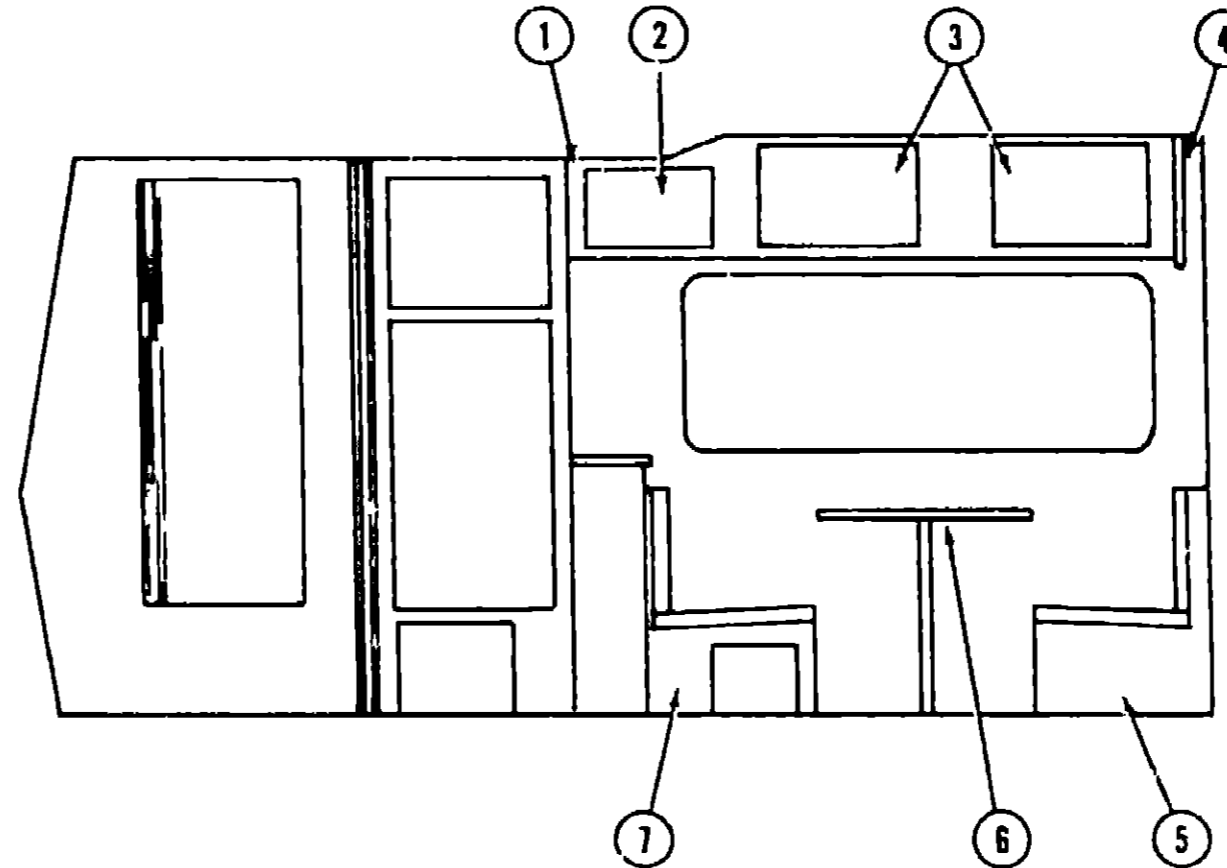
Floor Plan	B 17 - B-18
Accessories Group	B-19 - B-21
Bath Group	B-22
Chassis Group	B-23 - B-24
Curtain Cushion & Pad Group	C-01 - C 07
Dinette Group	C-08
Driver's Compartment Group	C-09 - C-10
Electrical Group	C 11 - C-13
Exterior Body Group	C-14 - C-19
Galley Group	C 20 - C-21
Heating & Air Conditioning Group	C-22
Interior Finish Group	C-23 - D-01
LP Group	D-02
Lounge Group	D-03
Water & Sewage Group	D 04 - D-05
Window Vent & Exterior Door Group	D-06 - D-16

CURTAIN, CUSHION & PAD GROUP (CONTINUED)

BUCKET SEATS

Key	Part Number	U/M	Description
	079300-01-U10	EA	Seat Asm - Vinyl
	079300-02 U11	EA	Seat Asm - Vinyl
	079300-02 U12	EA	Seat Asm - Vinyl
	M01862-01-U10	EA	Cover Asm - Seat Bottom - Vinyl
	M01862-01 U11	EA	Cover Asm - Seat Bottom - Vinyl
	M01862-01 U12	EA	Cover Asm - Seat Bottom - Vinyl
	M01862-02 U10	EA	Cover Asm - Seat Back - Vinyl
	M01862-02 U11	EA	Cover Asm - Seat Back - Vinyl
	M01862-02-U12	EA	Cover Asm - Seat Back - Vinyl
	078804-10-U10	EA	Seat Asm - Granduer w/Left Armrest
	078804 10-U11	EA	Seat Asm - Granduer w/Left Armrest
	078804 10-U12	EA	Seat Asm - Granduer w/Left Armrest
	M01863-07-U10	EA	Cover Asm - Bucket Seat Bottom
	M01863-07-U11	EA	Cover Asm - Bucket Seat Bottom
	M01863-07-U11	EA	Cover Asm - Bucket Seat Bottom
	M01863-08-U10	EA	Cover Asm - Bucket Seat Back
	M01863-08-U11	EA	Cover Asm - Bucket Seat Back
	M01863-08 U12	EA	Cover Asm - Bucket Seat Back
	080243-08 U10	EA	Armrest Asm - Left
	080243-08-U11	EA	Armrest Asm - Left
	080243-08-U12	EA	Armrest Asm - Left
	M80243-02-U10	EA	Cover Asm - Armrest - Left
	M80243-02-U11	EA	Cover Asm - Armrest - Left
	M80243-02-U12	EA	Cover Asm - Armrest - Left
	078804-09 U10	EA	Seat Asm - Granduer w/Right Armrest
	078804-09-U11	EA	Seat Asm - Granduer w/Right Armrest
	078804-09-U12	EA	Seat Asm - Granduer w/Right Armrest
	M01863-05-U10	EA	Cover Asm - Bucket Seat Bottom
	M01863-05-U11	EA	Cover Asm - Bucket Seat Bottom
	M01863-05-U12	EA	Cover Asm - Bucket Seat Bottom
	M01863-06-U10	EA	Cover Asm - Bucket Seat Back
	M01863-06-U11	EA	Cover Asm - Bucket Seat Back
	M01863-06-U12	EA	Cover Asm - Bucket Seat Back
	080243-07-U10	EA	Armrest Asm - Right
	080243-07-U11	EA	Armrest Asm - Right
	080243-07-U12	EA	Armrest Asm - Right
	M80243-01-U10	EA	Cover Asm - Armrest - Right
	M80243-01-U11	EA	Cover Asm - Armrest - Right
	M80243-01-U12	EA	Cover Asm - Armrest - Right
	080242-04-U10	EA	Headrest Asm
	080242-04-U11	EA	Headrest Asm
	080242 04 U12	EA	Headrest Asm
	M80242-01-U10	EA	Cover Asm - Headrest
	M80242-01-U11	EA	Cover Asm - Headrest
	M80242-01-U12	EA	Cover Asm - Headrest

DINETTE GROUP



Key	Part Number	U/M	Description
1	M83131-02 U10	EA	Cabinet Asm - Dinette Overhead - w/o Doors or Hardware
2	M81524 06-U10	EA	Door Asm - Dinette Overhead - 11 25" x 20 55" - w/o Hardware
3	M81524-02 U10	EA	Door Asm - Dinette Overhead - 15 3" x 27 2" - w/o Hardware
4	081280-03 U01	EA	Pad Asm - End Cap - Dinette Overhead - Vinyl
5	M02175-02 U01	EA	Cabinet Asm - Dinette Seat - w/o Door or Hardware
	M81504-10-U10	EA	Door Asm - Dinette Seat - 19 1" x 10 1" - w/o Hardware
	M02174-01-U01	EA	Cabinet Asm - Dinette Back
6	M02115-09-U10	EA	Table Asm - Dinette - w/o Hardware
7	M02550-01 U01	EA	Cabinet Asm - Dinette Seat - w/o Door or Hardware
	M02549-01 U01	EA	Cabinet Asm - Dinette Back
	053200-01-000	EA	Bracket - Upper Wall Mount - 23 5
	053201-03-000	EA	Bracket - Table Mount - 23
	024275-08-000	EA	Rod - Table Lift - 8" x 23 5" - Brown
	024281-03-000	EA	Bracket - Lower Wall Mount - Brown
	024276-14-000	EA	Leg Asm - Table - 26 75" - Brown
	064050-01-000	EA	Hinge - Table Leg
	024282-01-000	EA	Brace - Table Leg
	024283-01-000	EA	Clip - 1 O D Tube
	049493-02 000	EA	Catch - Table Leg - Mounts on Floor - Brown
	064781-03-000	EA	Cup Holder - 3 47" O D x 2 75" I D x 1 5" - Brown
	016004 02-000	EA	Angle Bracc. - Seat - 2 5" - Brown
	Not illustrated		

The illustrated parts breakdown for this item is provided on the Comm. Items Fiche

SPRUNG COUCH (OPTION)

Key	Part Number	U/M	Description
	081298-01-U04	EA	Table Asm - Pedestal
	009040-03-000	EA	Base - Table - Raised
	009040-04-000	EA	Leg - Pedestal Table - 27 5" - Brown
	062046-01-000	EA	Clip - Pedestal - Table Leg
	041194-01-000	EA	Base - Flush Mount - Table
	082936-01-U04	EA	Support - Table
	057472-01-000	EA	Clip - Panel
	077968-01-000	EA	Nylon Retainer
	076840-01-000	EA	Shock Cord Asm
	072708-04-000	EA	Frame - Fold Down Couch

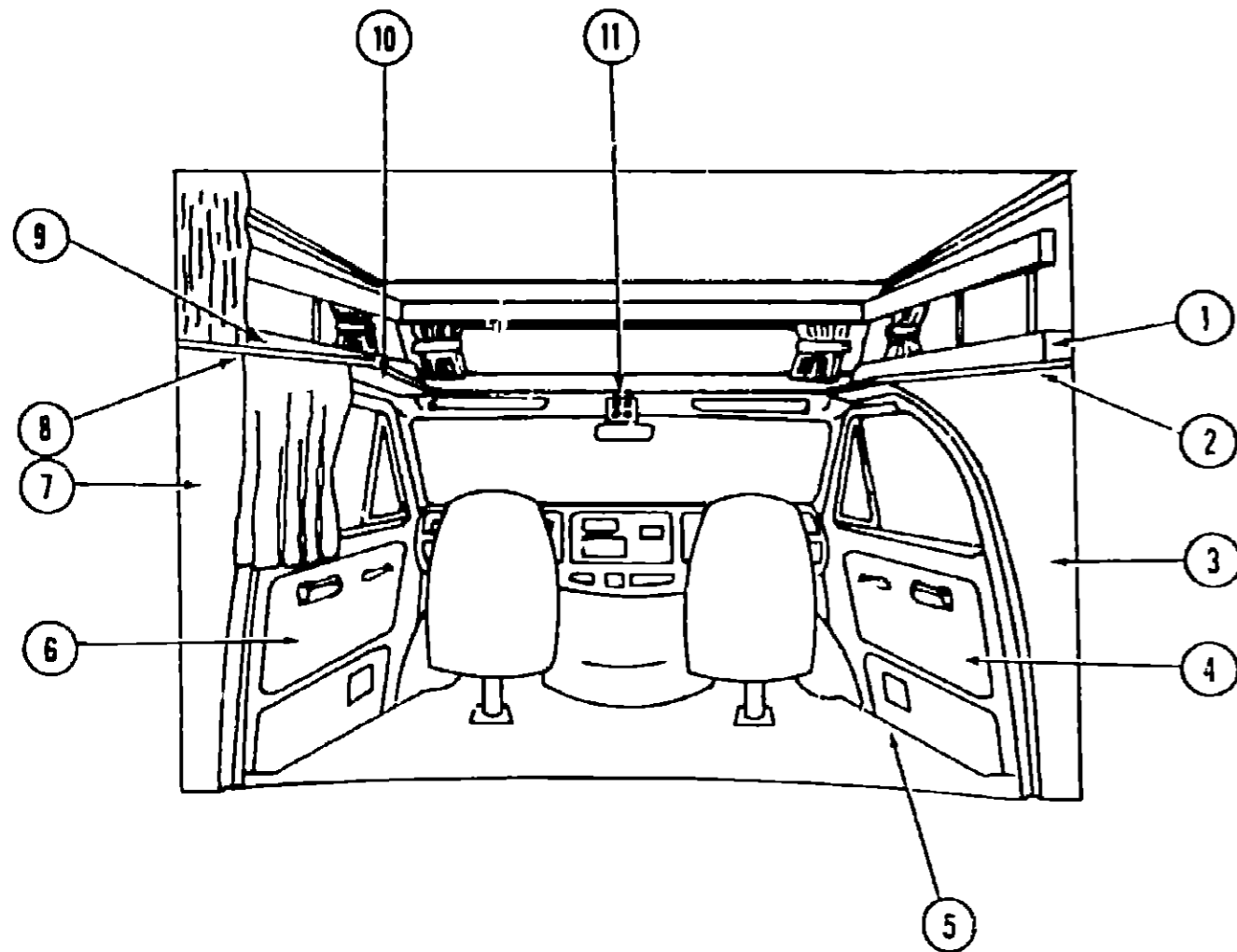
**1986 ITASCA
TABLE OF CONTENTS**

IT319RB	A-01 - B-16
IC421RB	B-17 - D-16
IF426RT	D-17 - F-22
ICN26RH	F-23 - I-06
ICP28RU	I 07 - K-18

1986 IC421RB INDEX

Floor Plan	B-17 - B-18
Accessories Group	B-19 - B-21
Bath Group	B 22
Chassis Group	B-23 - B 24
Curtain Cushion & Pad Group	C-01 - C-07
Dinette Group	C-08
Driver's Compartment Group	C-09 - C-10
Electrical Group	C-11 - C-13
Exterior Body Group	C-14 - C-19
Galley Group	C-20 - C-21
Heating & Air Conditioning Group	C-22
Interior Finish Group	C-23 - D-01
LP Group	D-02
Lounge Group	D-03
Water & Sewage Group	D 04 - D-05
Window Vent & Exterior Door Group	D-06 - D-16

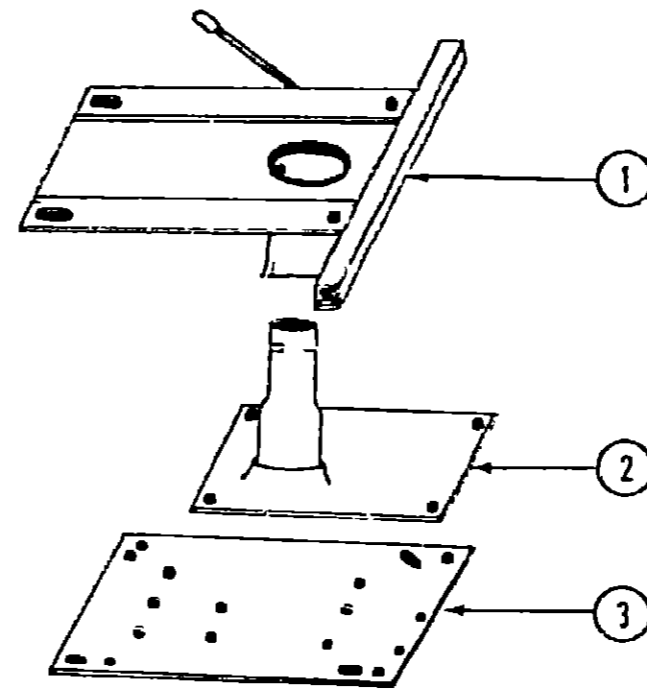
DRIVER'S COMPARTMENT GROUP



MICELLANEOUS DRIVER S COMPARTMENT COMPONENTS

Key	Part Number	U/M	Description
1	082068-01-U01	EA	Cabinet Asm - Headboard - Passenger
2	M81652-01-U01	EA	Panel Asm - Sleeper Board - w/o Vinyl
	079800-01-U01	EA	Trim - Front - Sleeper Board
3	M82554-01-U01	EA	Panel Asm - Wingwall Transition - Inner Passenger
4	059491-01-U01	EA	Side Panel - Cab Door - Passenger (U03)
4	059491-01-U02	EA	Side Panel - Cab Door - Passenger
5	044860-02-000	EA	Door Step Mat - Passenger - Black Rubber
5	044860-01-000	EA	Door Step Mat - Driver - Black Rubber
	074891-01-U01	EA	Motor Cover - Padded (U03)
	074891-01-U02	EA	Motor Cover - Padded
6	059492-01-U01	EA	Side Panel - Cab Door - Passenger (U03)
6	059492-01-U02	EA	Side Panel - Cab Door - Passenger
7	M82554-03-U01	EA	Panel Asm - Wingwall Transition - Inner - Driver
8	082069-01-U01	EA	Accent Trim - Dark Sandrift Vinyl
9	082068-02-U01	EA	Cabinet Asm - Headboard - Driver
10	084591-01-U01	EA	Headliner Asm - Overhead Bunk - Vinyl
11	M01298-03-000	EA	Console - Overhead - 7 1/2 x 6 1/4 Beige
	083216-03-000	EA	Floor Mat - Front - Passenger - Itasca
	083216-04-000	EA	Floor Mat - Front - Driver - Itasca
	068937-04-000	EA	Dome Light - Surface - No Switch
	068937-01-700	EA	Lense - Dome Light
	024461-01-000	EA	Switch - Battery
	024462-01-000	EA	Switch - Battery Condition
	024976-01-000	EA	Switch - Generator w/o Circuit Board
	031035-02-000	EA	Gauge - Generator Hourmeter
	024459-04-000	EA	Gauge - Voltmeter
	024459-02-000	EA	Bracket - Mounting - Voltmeter Gauge
			Not illustrated

DRIVER'S COMPARTMENT GROUP (CONTINUED)



BUCKET SEAT PEDESTAL & SEAT BELTS

Key	Part Number	U/M	Description
1	069585-27-000	EA	Plate - Top - Pedestal Asm - Bucket Seat
1	069585-19-000	EA	Plate - Top - Pedestal Asm - Power Seat
2	069585-03-000	EA	Plate - Sub - Pedestal Asm - Bucket Seat
2	069585-18-000	EA	Plate - Sub - Pedestal Asm - Power Seat
3	069585-02-000	EA	Plate - Base - Pedestal Asm - Bucket Seat
	081373-02-000	EA	Seat - Power
	056271-02-000	EA	Belt Asm - Seat - 2" x 72 - Black
	007021-01-000	EA	Belt Asm - Seat - 2" x 90 - Black
	057759-01-000	EA	Bracket - Seat Belt Washer
	069246-01-000	EA	Adjuster Asm - Seat - w/Lock
	069246-02-000	EA	Adjuster Asm - Seat - w/o Lock
	080730-02-000	EA	Recliner Drive - Driver
	080730-01-000	EA	Recliner Drive - Passenger
	069585-29-000	EA	Bar - Seat Belt - 20
			Not illustrated

**1986 ITASCA
TABLE OF CONTENTS**

IT319RB
IC421RB
IF426RT
ICN26RH
ICP28RU

A-01 - B-16
B 17 - D-16
D-17 - F-22
F-23 - I-06
I-07 - K-18

1986 IC421RB INDEX

Floor Plan	B 17 - B-18
Accessories Group	B-19 - B-21
Bath Group	B-22
Chassis Group	B-23 - B-24
Curtain Cushion & Pad Group	C-01 - C-07
Dinette Group	C-08
Driver's Compartment Group	C-09 - C-10
Electrical Group	C-11 - C-13
Exterior Body Group	C-14 - C-19
Galley Group	C-20 - C-21
Heating & Air Conditioning Group	C-22
Interior Finish Group	C-23 - D-01
LP Group	D-02
Lounge Group	D-03
Water & Sewage Group	D-04 - D-05
Window Vent & Exterior Door Group	D-06 - D-16

ELECTRICAL GROUP

BULBS

Key	Part Number	U/M	Description
	008220-01-000	EA	Bulb - 12V - 25W
	008103-01-000	EA	Bulb - 53
	008213-01-000	EA	Bulb - 57
	008214-01-000	EA	Bulb - 67
	036196-01-000	EA	Bulb - 194
	008215-01-000	EA	Bulb - 1003
	067479-01-000	EA	Bulb - 1076
	063914-01-000	EA	Bulb - 1139
	008218-01-000	EA	Bulb - 1141
	037935-01-000	EA	Bulb - 1157
	056288-02-000	EA	Bulb 9431808

FUSES & CIRCUIT BREAKERS

Key	Part Number	U/M	Description
	008234-01-000	EA	Fuse - 10 Amp - 12 Volt
	008235-01-000	EA	Fuse - 15 Amp - 12 Volt
	062901-02-000	EA	Fuse - 5 Amp Automotive
	062901-05-000	EA	Fuse - 15 Amp - Automotive
	008211-01-000	EA	Circuit Breaker - 6 Amp - 12 Volt
	008208-01-000	EA	Circuit Breaker - 40 Amp - 12 Volt
	033573-02-000	EA	Circuit Breaker - 15 Amp - 12 Volt - w/Mount
	033573-01-000	EA	Circuit Breaker - 20 Amp - 12 Volt - w/Mount
	044466-03-000	EA	Circuit Breaker - 25 Amp - 12 Volt - w/Mount
	008268-01-000	EA	Circuit Breaker - 30 Amp - 12 Volt - w/Mount
	083209-01-000	EA	Circuit Breaker - 15 Amp - 120 Volt
	083210-02-000	EA	Circuit Breaker - 15 Amp - 120 Volt (Ground Fault Interrupter)
	075735-02-000	EA	Circuit Breaker - 15 Amp - 120 Volt (Ground Fault Interrupter)
	071279-05-000	EA	Circuit Breaker - 20 Amp - 120 Volt
	071279-04-000	EA	Circuit Breaker - 30 Amp - 120 Volt
	071279-03-000	EA	Circuit Breaker - 15/20 Amp - 120 Volt
	083209-03-000	EA	Circuit Breaker - 15/20 Amp - 120 Volt
	071279-01-000	EA	Circuit Breaker - 15/30 Amp - 120 Volt
	083209-05-000	EA	Circuit Breaker - 20 Amp - 120 Volt
	083209-04-000	EA	Circuit Breaker - 30 Amp - 120 Volt
	083209-06-000	EA	Circuit Breaker - 30/15 Amp - 120 Volt
	071279-06-000	EA	Circuit Breaker - 30/15 Amp - 120 Volt
	071280-01-000	EA	Circuit Breaker Blank
	050283-02-000	EA	Circuit Breaker - Buss Bar

ELECTRICAL GROUP (CONTINUED)

WIRE, SWITCHES & RECEPTACLES

Key	Part Number	U/M	Description
	008058-01-000	EA	Adapter - Power Cord
	008288-01-000	EA	Box - Electrical - 3" x 3 5 - Plastic
	008289-01-000	EA	Box - Electrical - 4" x 4" - 1/2 & 3/4 Steel - UL
	008289-02-000	EA	Box - Electrical - 4" x 4" - 1/2 & 3/4 Steel - C ^c A
	058049-01-000	EA	Box - Electrical - 2 x 3 x 2 25" - Steel
	041953-01-000	EA	Conduit - Convoluted Slit - 5" I D
	008353-01-000	EA	Connector - Clamping - 3/8 Cable - UL & CSA
	058028-01-000	EA	Connector - Pigtail - Clear Nylon
	008314-01-000	EA	Connector - Wire Nut - Gray
	008311-01-000	EA	Connector - Wire Nut - Red
	031968-01-000	EA	Contact Plug - Brass - Tin Plated
	031967-01-000	EA	Contact - Receptacle
	008054-01-000	EA	Cord - Power - 10-3 30 Amp - 25' - UL
	008052-01-000	EA	Cord - Power - 10-3 30 Amp - 25' - CSA
	069238-01-000	EA	Cover - Electrical Box - 4 x 4"
	058048-01-000	EA	Cover - Electrical Box - 4 5 x 2.75" - Rain Tight (Exterior)
	024571-03-000	EA	Cover Plate - Receptacle - Jumbo - Brown Plastic
	024571-04-000	EA	Cover Plate - Receptacle - Jumbo - Ivory Plastic
	008164-01-000	EA	Cover Plate - Switch - Brown
	008294-01-000	EA	Cover - Flat Blank - 4" x 4" - Steel - US
	008294-02-000	EA	Cover - Flat Blank - 4" x 4" - Steel - CSA
	008250-01-000	EA	Fuse Holder - In Line - 10 Amp
	008250-02-000	EA	Fuse Holder - In Line - 15 Amp
	008277-01-000	EA	Fuse Holder - Panel Mount - Black
	064399-01-000	EA	Housing Asm - Trailer Pin
	064450-01-000	EA	Housing Asm - Trailer Plug
	064398-01-000	EA	Housing Asm - Trailer Receptacle
	054532-01-000	EA	Housing Pin - 6 Position
	046885-01-000	EA	Plaque - Mounting Switch
	075736-02-000	EA	Receptacle/Cover Asm - Off White (Exterior)
	058708-01-000	EA	Receptacle - Duplex - Brown
	008157-01-000	EA	Receptacle - Duplex - Brown (Exterior Backwall)
	058708-02-000	EA	Receptacle - Duplex - Ivory
	053126-01-000	EA	Receptacle - Ground Fault Interrupter - 125 Volt - Ivory
	024924-02-000	EA	Receptacle - Power Cord
	058707-01-000	EA	Receptacle - Single - Brown
	063912-01-000	EA	Relay - Canister SPD1 w/Ground
	075723-01-000	EA	Switch - Block Spacer - w/o Holes
	075723-02-000	EA	Switch - Block Spacer - w/Holes
	008162-01-000	EA	Switch - Double Toggle - Brown
	077942-02-000	EA	Switch - Dummy - Brown
	056264-01-000	EA	Switch - Leaf Actuator
	079362-01-000	EA	Switch Plate - 3 Gang - 2 Switches
	079363-01-000	EA	Switch Plate - Single - w/Switches
	079364-01-000	EA	Switch - On/Off Rocker - Brown
	008195-01-000	EA	Switch - Push Button - 12 Volt
	008163-01-000	EA	Switch - Toggle - Brown
	006050-01-000	EA	TV Jack - Ivory
	047443-02-000	EA	Terminal - 250 Receptacle - 12 10 AWG
	035417-01-000	EA	Terminal - Pin Receptacle - 125 Dia
	008348-01-000	EA	Terminal Ring - 2 - w/3/8 Stud
	008331-01-000	EA	Terminal Ring - 4 - w/3/8 Stud
	008328-01-000	EA	Terminal Ring - 12/10 Wire
	054865-01-000	EA	Wire Asm - Generator Switch
	008028-01-000	FT	Wire - 18 5 Bonded - Blue/Red/Yellow/Orange/White
	008024-01-000	FT	Wire - 18 5 Bonded - Orange/White/Yellow/Blue/Brown
	008025-01-000	FT	Wire - 18 5 Bonded - Orange/White/Yellow/Blue/Green
	008026-01-000	FT	Wire w/Ground - Romex - 12/2

1986 ITASCA TABLE OF CONTENTS

IT319RB	A-01 - B 16
IC421RB	B-17 - D-16
IF426RT	D-17 F 22
ICN26RH	F 23 - I-06
ICP28RU	I-07 - K-18

1986 IC421RB INDEX

Floor Plan	B 17 - B-18
Accessories Group	B-19 B 21
Bath Group	B 22
Chassis Group	B-23 - B 24
Curtain Cushion & Pad Group	C-01 - C-07
Dinette Group	C 08
Driver's Compartment Group	C-09 - C-10
Electrical Group	C-11 - C-13
Exterior Body Group	C-14 - C-19
Galley Group	C-20 - C-21
Heating & Air Conditioning Group	C-22
Interior Finish Group	C 23 - D-01
LP Group	D-02
Lounge Group	D-03
Water & Sewage Group	D-04 - D-05
Window Vent & Exterior Door Group	D 06 - D-16

ELECTRICAL GROUP (CONTINUED)

EXTERIOR LIGHTS

Key	Part Number	U/M	Description
	058032-01-000	EA	Tail Lamp Asm - 2 Bulb - Chrome - Driver/Passenger
	059036-01-000	EA	Bracket - Tail Lamp
	059540-01-000	EA	Bracket - License Plate
	062742-04-000	EA	Wedge - Tail Lamp w/License Plate - Left - Off White
	062740-04-000	EA	Wedge - Tail Lamp - Right - Off White
	042405-03-000	EA	Base - Rectangular Clearance Light
	042405-01-000	EA	Lens - Clearance Light - Red w/Reflex
	042405-04-000	EA	Lens - Clearance Light - Red w/o Reflex
	042405-02-000	EA	Lens - Clearance Light - Amber w/Reflex
	042405-05-000	EA	Lens - Clearance Light - Amber w/o Reflex
	048817-01-000	EA	Assist Handle Asm w/Light

INTERIOR LIGHT

Key	Part Number	U/M	Description
	065202-03-000	EA	Lamp - Decor - Wall - Brass - 2 Bulb
	033508-02-000	EA	Light - Dome - Ivory - 1 Bulb - US
	033508-03-000	EA	Light - Dome - Ivory - 1 Bulb - CSA
	033509-02-000	EA	Light - Dome - Ivory - 2 Bulb - US
	033509-03-000	EA	Light - Dome - Ivory - 2 Bulb - CSA
	078424-02-000	EA	Light - Florescent - 12V
	086280-01-000	EA	Light - Surface Mount - 12V
	061424-01-000	EA	Light - 12V Receptacle - Aisle - IP
	007309-01-000	EA	Light - Step Well
	072353-02-000	EA	Light - Reading - Double - 360° Swivel - Silver
	072353-07-000	EA	Light - Reading - Single - 360° Swivel - Tan
	068937-04-000	EA	Light - Dome - Surface - No Switch

MISCELLANEOUS ELECTRICAL COMPONENTS

Key	Part Number	U/M	Description
	047338-03-000	EA	Isolator - Dual Battery - 70 Amp
	008188-01-000	EA	Solenoid - Dual Battery - Relay
	083208-01-000	EA	Converter - 120 Amp w/Charger
	083208-01-000	EA	Control Center - 32A - 120V/12V

EXTERIOR BODY GROUP

SEALANTS & ADHESIVES

Key	Part Number	U/M	Description
	004020-01-000	QT	Adhesive - ABS Cement (Plastic Fittings)
	002337-01-000	CA	Adhesive - 1300 Tube - 3M (Windows)
	004005-02-000	GL	Adhesive - Swifts - Glue (Sidewalls)
	053766-07-000	EA	Bedding Compound - Tube - Beige (Exterior)
	053766-06-000	EA	Bedding Compound - Tube - Clear (Window)
	053766-08-000	EA	Bedding Compound - Tube - Gray (Exterior)
	053766-05-000	EA	Bedding Compound - Tube - Gray (Sidewalls to Floor)
	053766-02-000	EA	Bedding Compound - Tube - Off White (Exterior)
	002328-02-000	EA	Block - Rubber Spacer (Windshield)
	004336-01-000	EA	Caulk - Latex - Golden Walnut (Sidewalls)
	072891-02-000	QT	Primer - Glass - Black
	072891-01-000	QT	Primer - Glass - Clear
	035024-01-000	EA	Primer - Glass - Clear - Windshield
	072890-01-000	QT	Primer - Metal - Black
	035023-01-000	GL	Primer - Metal - Windshield
	077967-01-000	EA	Sealant - Acrylic Latex - Tube - Off White (Interior Sealant)
	034552-04-000	EA	Sealant - Silicone - Beige
	034552-02-000	EA	Sealant - Silicone - Clear
	034552-07-000	EA	Sealant - Silicone - Dark Gray
	034552-06-000	EA	Sealant - Silicone - Off White
	069637-01-000	EA	Sealant - Weatherban 404 - Tube - White (Door Caulk)
	072889-01-000	EA	Sealant - Urethane - Black (Windshield)
	069640-01-000	FT	Sealer Ribbon - 25" Bead x 20
	069640-02-000	FT	Sealer Ribbon - 5 x 125" x 30
	059640-03-000	FT	Sealer Ribbon - 75" x 125" x 30
	069640-04-000	FT	Sealer Ribbon - 2 x 09 x 45 (P Series)
	069640-05-000	FT	Sealer Ribbon - 2.5" x 09 x 50
	069640-06-000	FT	Sealer Ribbon - 5/16" Bead x 15
	069640-07-000	FT	Sealer Ribbon - 2" x 3/32" x 30
	002316-01-000	FT	Sealer Tape - 3/32" x 3/8" - White (Window)
	002707-01-000	FT	Sealer Tape - 5/16 x 3/4
	002707-02-000	FT	Sealer Tape - 5/16 x 1/2
	040545-01-000	GL	Sealer - Seam Weld
	053752-04-000	EA	Seam Sealer - Tube - Aluminum (Roof)
	063642-01-000	FT	Tape - Adhesive - 10 mm x 1 5/8" Wide
	038886-01-000	EA	Tape - Butyl - 31" x 31 x 148" (Windshield)
	076322-01-000	FT	Tape - Foam - Double Coated - 025 x 1 (Fiberglass Sidewall Seams)
	076322-02-000	FT	Tape - Foam - Double Coated - 045 x 1 (Fiberglass Sidewall Seams)
	009200-01-000	EA	Tape - Furnace - 1 5"
	002825-01-000	FT	Weather Striping (Roof Vent)

MISCELLANEOUS EXTERNALLY MOUNTED PARTS

Key	Part Number	U/M	Description
	083558-01-000	EA	Plumbing Seal - Roof Vent - 1 5"
	048817-01-000	EA	Assist Handle - w/Light
	048817-01-700	EA	Lens - Assist Handle
	010230-02-000	EA	Fill - City Water - Recessed - Off White
	079384-02-700	EA	Hardware Set - Running Board (Ford)
	079384-02-701	EA	Riser - Molding (Ford)
	079384-02-701	EA	Wheel - Trim - Chrome (Ford)
	081240-03-000	EA	Water Fill - Lockable - White
	078200-01-000	EA	Gasket - Fuel Fill
	072447-02-000	EA	Shroud Fuel Fill
	063303-04-000	EA	Shroud - Fuel Fill - Lower
	083578-01-000	EA	Boot - Fuel Fill
	080111-01-000	EA	Filler Neck - Fuel Fill
	079384-01-000	EA	Running Board Set - w/Wheel Flares
	079384-01-700	EA	Hardware Set - Running Board
	079384-01-701	EA	Riser - Molding
	079384-01-702	EA	Wheel - Trim - Chrome
	079384-02-000	EA	Running Board Set - w/Wheel Flares
	080359-01-000	EA	Plate - Step Well

**1986 ITASCA
TABLE OF CONTENTS**

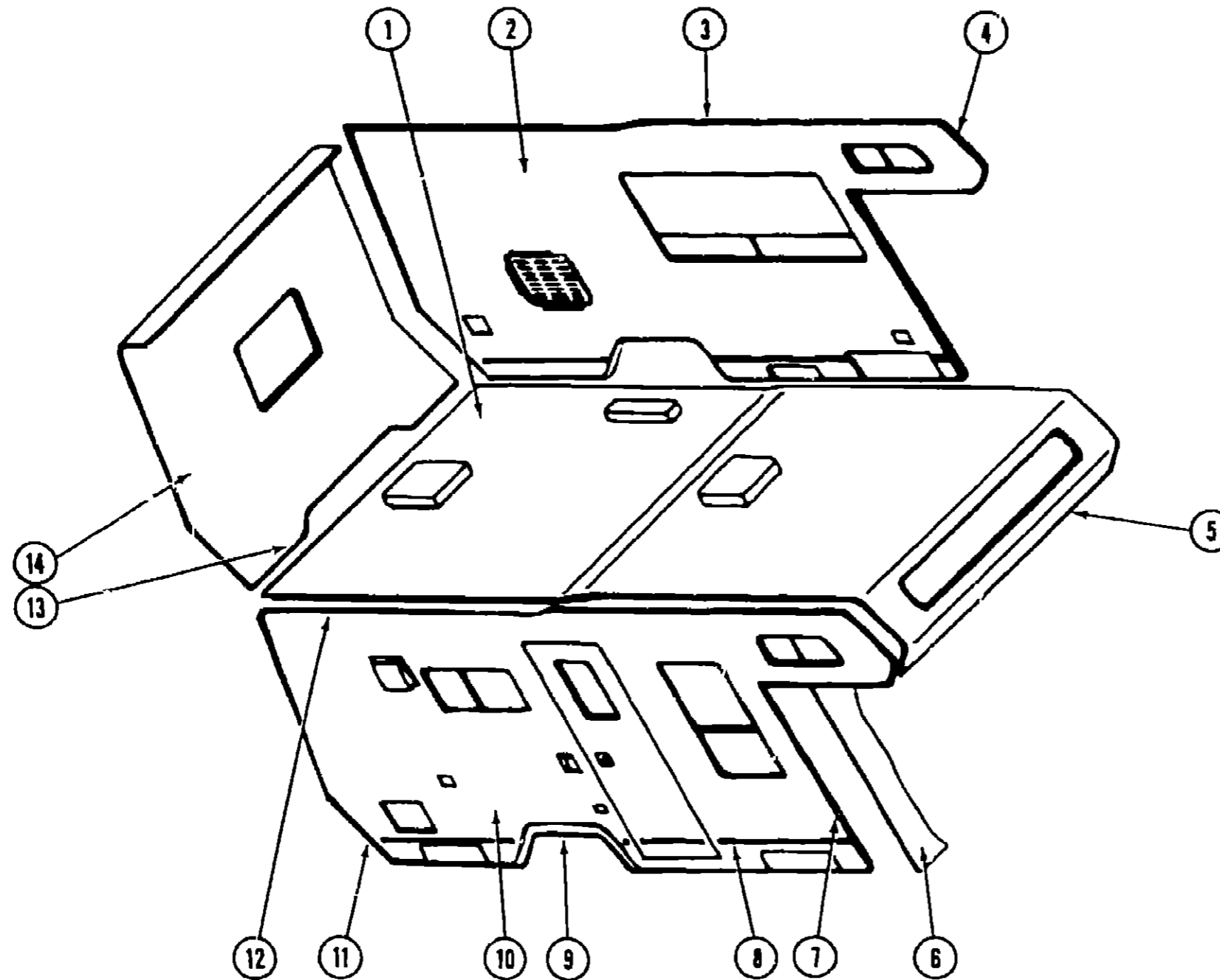
IT319RB	A-01 - B-16
IC421RB	B-17 - D-16
IF426RT	D-17 - F-22
ICN27-1	F-23 - I-06
ICP28HU	I-07 - K-18

1986 IC421RB INDEX

Floor Plan	B-17 - B-18
Accessories Group	B-19 - B-21
Bath Group	B-22
Chassis Group	B-23 - B-24
Curtain Cushion & Pad Group	C-01 - C-07
Dinette Group	C-08
Driver's Compartment Group	C-09 - C-10
Electrical Group	C-11 - C-13
Exterior Body Group	C-14 - C-19
Galley Group	C-20 - C-21
Heating & Air Conditioning Group	C-22
Interior Finish Group	C-23 - D-01
LP Group	D-02
Lounge Group	D-03
Water & Sewage Group	D-04 - D-05
Window Vent & Exterior Door Group	D-06 - D-16

EXTERIOR BODY GROUP (CONTINUED)

EXTERIOR BODY PANELS



Key	Part Number	U/M	Description
1	M80532-01-U01	EA	Roof Asm
	M76177-01-700	EA	Roof Section - Cab Over To First Seam
2	M83030-01 U10	EA	Sidewall Asm - Driver
3	076802-06-000	EA	Trim - Contour - Upper Front - Driver - Off White
	076802-05-000	EA	Trim - Contour - Upper Front - Passenger - Off White
4	076828-02-000	EA	Trim - Contour - Sleeper - Driver - Off White
	076828-01-000	EA	Trim - Contour - Sleeper - Passenger - Off White
5	039644-08-000	EA	Trim - Sleeper Board - Front - Off White
6	M82343-01-U01	EA	Wingwall Asm - Passenger
	M82343-02-U01	EA	Wingwall Asm - Driver
7	076975-03-000	EA	Trim - Wingwall Transition - Passenger - Off White
	076975-04-000	EA	Trim - Wingwall Transition - Driver - Off White
8	002444-01-001	EA	Feature Strip - w/o Insert - Extr - 14 - Brown
	001030-02-003	EA	Insert - Feature Strip - 17 - Stucco - Off White
	009731-01-000	EA	End Cap - Feature Strip
9	075189-03-000	EA	Trim - Wheel Well - Rear Passenger - Off White
	075189-04-000	EA	Trim - Wheelwell - Rear Driver - Off White

Key	Part Number	U/M	Description
10	M83031-01-U10	EA	Sidewall Asm - Passenger
	M83031-01-U11	EA	Sidewall Asm - Passenger
	M83031-01-U12	EA	Sidewall Asm - Passenger
11	076805-01-000	EA	Trim - Contour - Rear Passenger - Off White
	076805-02-000	EA	Trim - Contour - Rear Driver - Off White
12	077339-07-000	EA	Trim - Contour - Upper Rear Passenger - Off White
	077339-08-000	EA	Trim - Contour - Upper Rear Driver - Off White
13	074966-02-000	EA	Trim - Backwall - Lower - Passenger or Driver
14	M82397-01-U01	EA	Backwall Asm
	002365-01-001	EA	U Channel - Extrusion - 1" x 18
	002776-01-001	EA	U-Channel - Extrusion - 1.75" x 16
	077514-04-001	EA	Fiberglass Sheet - 48 08" x 259 - Mesa - Off White
	077517-04-002	EA	Fiberglass Sheet - 48 08" x 60 - Mesa - Off White
	001054-01-011	EA	Alum - No Design - 48" x 96 - Off White
	000668-01-000	SF	Styrofoam - 75 x 24 x 96
	000870-01-000	SF	Styrofoam - 1 5" x 24 x 96
	000870-03-000	SF	Styrofoam - 1 34" x 48" x 96"
			Not illustrated

**1986 ITASCA
TABLE OF CONTENTS**

IT319RB
IC421RB
IF426RT
ICN26RH
ICP28RU

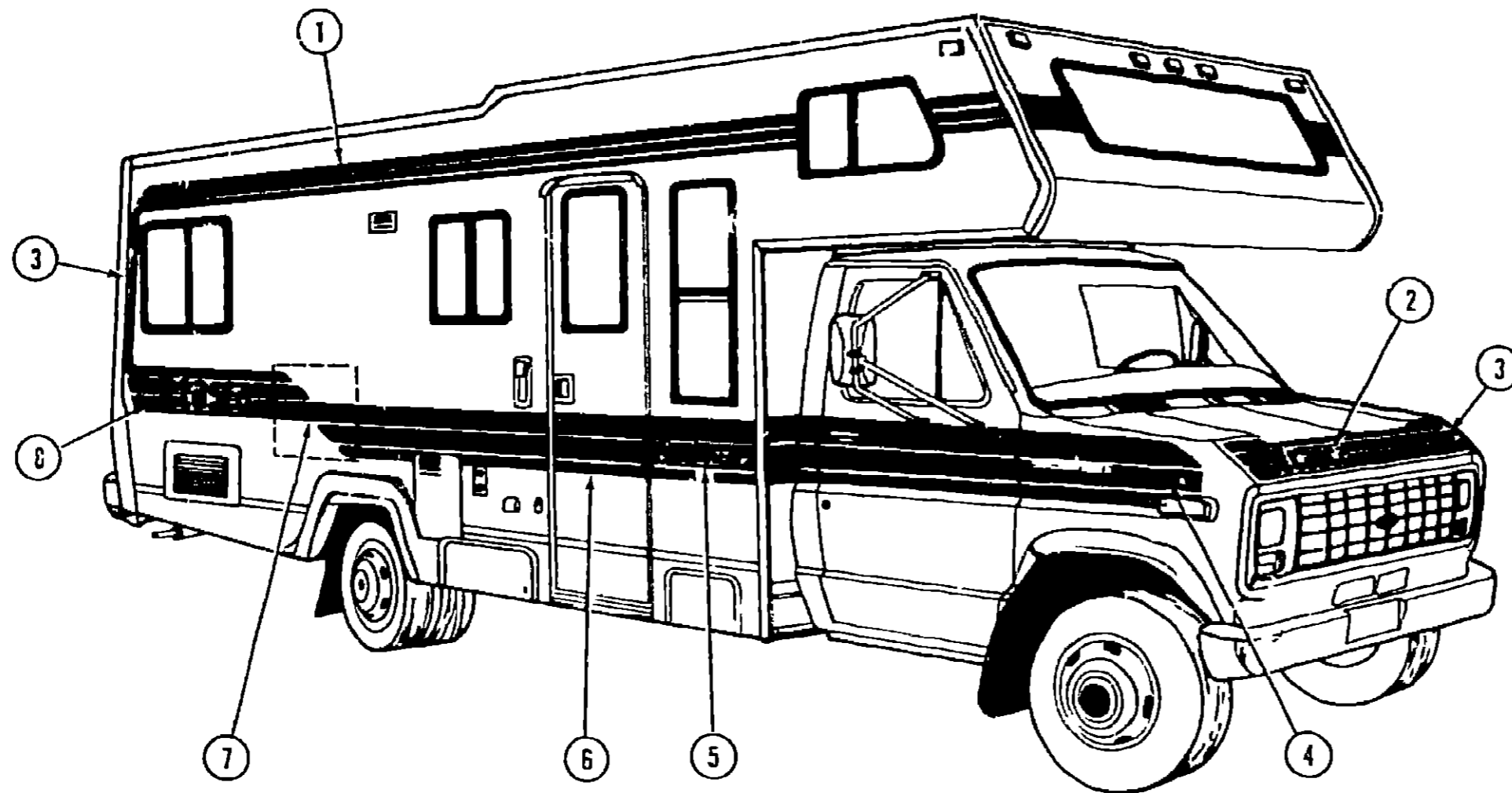
A-01 - B 16
B-17 - D-16
D-17 - F-22
F 23 - I 06
I-07 - K-18

1986 IC421RB INDEX

Floor Plan	E-17 - B 18
Accessories Group	B 19 - B 21
Bath Group	B 22
Ci assis Group	B 23 - B-24
Curtain Cushion & Pad Group	C 01 - C-07
Dinette Group	C-08
Driver's Compartment Group	C-L C-10
Electrical Group	C-11 - C-13
Exterior Body Group	C-14 - C-19
Galley Group	C-20 - C-21
Heating & Air Conditioning Group	C-22
Interior Finish Group	C 23 - D-01
LP Group	D 02
Lounge Group	D-03
Water & Sewage Group	D-04 - D-05
Window Vent & Exterior Door Group	D 06 - D-16

EXTERIOR BODY GROUP (CONTINUED)

LABELS DECALS & EXTERIOR PAINT



**1986 ITASCA
TABLE OF CONTENTS**

IT319RB
IC421RB
IF426RT
ICN26RH
ICP28RU

A-01 - B-16
E-17 - D-16
D-17 - F-22
F-23 - I-06
I-07 - K-18

Key	Part Number	U/M	Description
1	069245-75-000	FT	Film - Multistripe - 4 13" x 150 - Blue/Gray (U10)
1	069245-76-000	FT	Film - Multistripe - 4 13" x 150 - Melon (U11)
1	069245-77-000	FT	Film - Multistripe - 4 13" x 150 - Plum/Beige (U 2)
2	078852-03-000	EA	Decal - Logo - "Itasca" - 5" x 20
3	069245-72-000	FT	Film - Multistripe - 6" x 150 - Blue/Gray (U10)
3	069245-73-000	FT	Film - Multistripe - 6" x 150 - Melon (U11)
3	069245-74-000	FT	Film - Multistripe - 6" x 150 - Plum/Beige (U12)
4	078866-07-000	EA	Decal - Fender - Passenger - Blue/Gray (U10)
4	078866-09-000	EA	Decal - Fender - Passenger - Melon (U11)
4	078866-11-000	EA	Decal - Fender - Passenger - Plum/Beige (U12)
	078866-08-000	EA	Decal - Fender - Driver - Blue/Gray (U10)
	078866-10-000	EA	Decal - Fender - Driver - Melon (U11)
	078866-12-000	EA	Decal - Fender - Driver - Plum/Beige (U12)
5	078851-02-000	EA	Decal Logo - "Sundancer"
6	069245-78-000	EA	Film - Multistripe - 8" x 150 - Blue/Gray (U10)
6	069245-79-000	EA	Film - Multistripe - 8" x 150 - Melon (U11)
6	069245-80-000	EA	Film - Multistripe - 8" x 150 - Plum/Beige (U12)
7	078867-07-000	EA	Decal - Side - Center - Passenger - Blue/Gray (U10)
7	078867-09-000	EA	Decal - Side - Center - Passenger - Melon (U11)
7	078867-11-000	EA	Decal - Side - Center - Passenger - Plum/Beige (U12)
	078867-08-000	EA	Decal - Side - Center - Driver - Blue/Gray (U10)
	078867-10-000	EA	Decal - Side - Center - Driver - Melon (U11)
	078867-12-000	EA	Decal - Side - Center - Driver - Plum/Beige (U12)
8	078852-04-000	EA	Decal - Logo - "Itasca" - 6 25" x 26 67
	084075-01-000	EA	Decal - "by Winnebago Industries"
	068383-01-000	EA	Label - Diesel Fuel
	006195-01-000	EA	Label - Electrical Test
	047731-01-000	EA	Label - Emergency Exit

Key	Part Number	U/M	Description
	006199-01-000	EA	Label - Exit - Escape Window
	057467-04-000	EA	Label - Exterior Loading Limit
	064378-01-000	EA	Label - Flying "W" w/Thermo Panel
	061417-01-000	EA	Label - Fuel
	006196-01-000	EA	Label - Gas Test
	054531-01-000	EA	Label - LP Gas Only
	040944-01-000	EA	Label - Open - Entrance Door
	006015-01-000	EA	Label - Patent Motor Home
	056259-01-000	EA	Label - Safety Check List
	006064-01-000	EA	Label - Seat - w/o Seat Belts
	006187-01-000	EA	Label - Sewage
	006006-01-000	EA	Label - Thermo Panel - 2 1/4" x 2 1/4"
	075221-01-000	EA	Label - Trailer Hitch Capacity
	075220-01-000	EA	Label - Warning - Exterior Load Limit
	077956-01-000	EA	Label - Warning - Smoke Detector
	050225-01-000	EA	Label - Warning - Stove Vent - US
	006188-01-000	EA	Label - Waste Water
	006197-01-000	EA	Label - Water Test
	072853-01-000	EA	Nameplate - Diesel - 6 2L
	006062-01-000	EA	Tag - Electrical - 110 Volt Connection
	006040-01-000	EA	Tag - Gas - Refueling Warning
	044486-03-000	EA	Paint - Beige Acrylic Enamel - 16 oz. Aerosol (7633A Dupont)
	045681-03-000	EA	Paint - Gloss Black - Acrylic Enamel - 16 oz. Aerosol (99 Dupont)
	058637-05-000	EA	Paint - Gray Acrylic Enamel - 16 oz. Aerosol (71537 Dupont)
	041561-03-000	EA	Paint - Off White Acrylic Enamel - 16 oz. Aerosol (45396A Dupont)
	074559-01-000	EA	Label - "LPG 33" x 175" (Calif Code)
			Not illustrated

1986 IC421RB INDEX

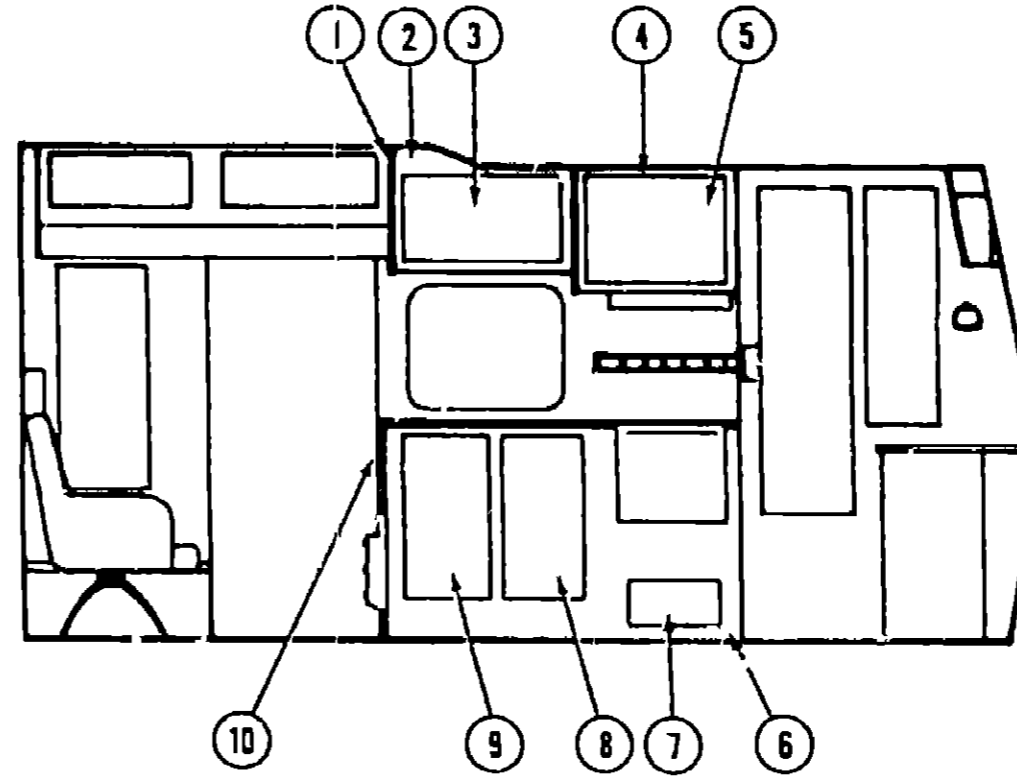
Floor Plan	B-17 - B-18
Accessories Group	B-19 - B-21
Bath Group	B-22
Chassis Group	B-23 - B-24
Curtain Cushion & Pad Group	C-01 - C-07
Dinette Group	C-08
Driver's Compartment Group	C-09 - C-10
Electrical Group	C-11 - C-13
Exterior Body Group	C-14 - C-19
Galley Group	C-20 - C-21
Heating & Air Conditioning Group	C-22
Interior Finish Group	C-23 - D-01
LP Group	D-02
Lounge Group	D-03
Water & Sewage Group	D-04 - D-05
Window Vent & Exterior Door Group	D-06 - D-16

EXTERIOR BODY GROUP (CONTINUED)

INTERIOR/EXTERIOR SCREWS & FASTENERS

Key	Part Number	U/M	Description
	005200-01-000	EA	Bolt - Round Head - Square Neck w/SST Cap - 7/16" - 14 x 1 1/4"
	05579-01-000	EA	Clip - Mounling - Front Panel
	035J28-01-000	EA	Fastener - Blind Well Nut - 1 05" x 38"
	000D15-06-00B	EA	Nut - Hex - 3/8" x 24 - Zinc
	005081-01 000	EA	Nut - Speed - C Type - #8 Screw
	000G54-04 20B	EA	Screw 1/4 - 20 x 1 1/4" PTH - Zinc
	000G54-04 22B	EA	Screw 1/4 - 20 x 1 3/8 PTH - Zinc
	000G53-04-06B	EA	Screw 1/4 - Machine 20 x 3/8" PTH - Zinc
	000G13-06-12P	EA	Screw #6 - 20 x 3/4" PFH - Dark Brown
	000G13 06-28X	EA	Screw #6 - 20 x 3/4 PFH - Gray
	000G13-06-16R	EA	Screw #6 - 20 x 1" PFH - Beige
	000G11 07-08B	EA	Screw #7 - 19 x 1/2" PPH - Zinc
	000G12-08-12M	EA	Screw #8 - 18 x 3/4" POH - Gray
	000G11-08 12R	EA	Screw #8 - 18 x 3/4 PPH - Beige
	000G11-08-12X	EA	Screw #8 - 18 x 3/4" PPH - Gray
	000G11-08-12B	EA	Screw #8 - 18 x 3/4" PPH - Zinc
	000G39-08-12R	EA	Screw #8 - 18 x 3/4" SDPH - Beige
	000G66-08-12M	EA	Screw #8 - 18 x 3/4" SDPH - Gray
	000G11-08-16R	EA	Screw #8 - 18 x 1" PFH - Gray
	000G66-08-16R	EA	Screw #8 - 18 x 1 SDPH - Beige
	000G12-08-28R	EA	Screw #8 - 18 x 1 3/4" POH - Beige
	000G36-08-08E	EA	Screw #8 - 32 x 1/2" PFH - Chrome
	000G39 08-08B	EA	Screw #8 - Self Drilling - 18 x 1/2" PPH - Zinc
	000G39-08-12B	EA	Screw #8 - Self Drilling - 18 x 3/4" PPH - Zinc
	000G39-08-12R	EA	Screw #8 - Self Drilling - 18 x 3/4" PPH - Beige
	000G39-08 16R	EA	Screw #8 - Self Drilling - 18 x 1" PPH - Beige
	000G39-08-16T	EA	Screw #8 - Self Drilling - 18 x 1" PPH - Black
	000G39-08-16P	EA	Screw #8 - Self Drilling - 18 x 1" PPH - Dark Brown
	000G39-08-16X	EA	Screw #8 - Self Drilling - 18 x 1" PPH - Gray
	000G39-08-16E	EA	Screw #8 - Self Drilling - 18 x 1 PPH - Chrome
	000G64-08-16M	EA	Screw #8 - Self Drilling - 18 x 1 SDPH - Gray
	000G67-10-08B	EA	Screw #10 - 12 x 1/2 PPH - Zinc
	000G67-10-10R	EA	Screw #10 - 12 x 5/8 PPH - Beige
	000G67-10 16P	EA	Screw #10 - 12 x 1" PPH - Dark Brown
	000G67-10-16B	EA	Screw #10 - 12 x 1 PPH - Zinc
	000G67-10 20B	EA	Screw #10 - 12 x 1 1/4" - PPH - Zinc
	000G67-10-24B	EA	Screw #10 - 12 x 1 1/2" PPH - Zinc
	043465-04-000	EA	Screw #10 - 16 x 1" POH - w/Washer - Beige
	049465-05-000	EA	Screw #10 - 16 x 1" POH - w/Washer - Gray
	000G12-10-24E	EA	Screw #10 - 16 x 1 1/2 POH - Chrome
	000G11-10-08D	EA	Screw #10 - 16 x 1/2" PPH - Dark Brown
	000G11-10-12R	EA	Screw #10 - 16 x 3/4" PPH - Beige
	000G11-10-12S	EA	Screw #10 - 16 x 3/4 PPH - Off White
	000G11-10-12B	EA	Screw #10 - 16 x 3/4" PPH - Zinc
	000G11-10-16B	EA	Screw #10 - 16 x 1 PPH Zinc
	000G11-10-40B	EA	Screw #10 - 16 x 2 1/2" PPH - CAD
	000G19-10-12B	EA	Screw #10 - Machine - 32 TPI x 3/4"
	075908-01-000	EA	Screw #10 - Machine - 32 x 56 PTH - Zinc
	000G19-10-20B	EA	Screw #10 - Machine - 32 x 1 1/4" PPH - Zinc
	000G39-12-12E	EA	Screw #10 - Self Drilling - 14 x 3/4" PPH - Chrome
	000G39-10-10R	EA	Screw #10 - Self Drilling - 16 x 62 PPH - Beige
	000G39-10-12R	EA	Screw #10 - Self Drilling - 16 x 3/4 PPH - Beige
	000G39-10-12P	EA	Screw #10 - Self Drilling - 16 x 3/4 PPH - Dark Brown
	000G56-12-48C	EA	Screw #12 - Wood - 11 x 3 POH - CAD

GALLEY GROUP



GALLEY CABINETRY

Key	Part Number	U/M	Description
1	081280-06 U01	EA	Pad Asm - End Cap - Galley Overhead - Left - Vinyl
2	083137-01-U10	EA	Cabinet Asm - Galley Overhead - w/o Doors or Hardware
3	M81524-02-U10	EA	Door Asm - Galley Overhead - 15 3 x 27 2 - w/o Hardware
4	081460-02 U10	EA	Cabinet Asm - Microwave Cabinet - w/o Door or Hardware
	031280-10-U01	EA	Pad Asm - End Cap - Microwave Cabinet - Vinyl
5	M81524-01 U10	EA	Door Asm - Microwave Overhead - 18 2" x 24" - w/o Hardware
6	M83136-01 U01	EA	Cabinet Asm - Galley - w/o Doors or Hardware
	M83136-03-U01	EA	Cabinet Asm - Galley - w/o Doors or Hardware
	M02553-01 U01	EA	Countertop Asm - Galley
7	M81504 52 U10	EA	Door Asm - Galley - 17 6" x 22 - w/o Hardware
	M82184-02 U10	EA	Drawer Asm - Galley Cabinet - w/o Hardware
8	M81504-02-U10	EA	Door Asm - Galley Cabinet - 33 4 x 14 3" - w/o Hardware
9	M81504-03 U10	EA	Door Asm - Galley Cabinet - 33 4" x 14 3" - w/o Hardware
10	080812-03 U01	EA	Extension Asm - Galley Countertop - w/o Hardware
	077404-01-000	EA	Drawer - Plastic - 20" x 12 7"
	M81505-06-U13	EA	Door Asm - Refrigerator Cabinet - Right - w/o Hardware
	M81505-05-U13	EA	Door Asm - Refrigerator Cabinet - Left - w/o Hardware
	M81507-08-U01	EA	Door Asm - Furnace - Refrigerator Cabinet - w/o Hardware
	079676-01 U01	EA	Cabinet Asm - Hamper
	M02068-01-U01	EA	Countertop Asm - Hamper Cabinet - Flip-Up
	M02069-01-T03	EA	Countertop Asm - Hamper Cabinet
			Not illustrated
			Parts used with Microwave Option

1986 ITASCA TABLE OF CONTENTS

IT319RB	A 01 - B-16
IC421RB	B 17 - D-16
IF426RT	D-17 - F-22
ICN26RH	F-23 - I-06
ICP28RU	I-07 - K-18

1986 IC421RB INDEX

Floor Plan	B-17 - B-18
Accessories Group	B-19 - B-21
Bath Group	B-22
Chassis Group	3-23 - B 24
Curtain Cushion & Pad Group	C-01 - C-07
Dinette Group	C-08
Driver's Compartment Group	C-09 - C-10
Electrical Group	C-11 - C-13
Exterior Body Group	C-14 - C-19
Galley Group	C-20 - C-21
Heating & Air Conditioning Group	C-22
Interior Finish Group	C-23 - D 01
LP Group	D-02
Lounge Group	D-03
Water & Sewage Group	D-04 - D-05
Window Vent & Exterior Door Group	D-06 - D-16

GALLEY GROUP (CONTINUED)

GALLEY HARDWARE & APPLIANCES

Key	Part Number	U/M	Description
	079352-01-000	EA	Hood - Range - Non-Powered w/Light - Almond
	079353-01-000	EA	Hood - Range - Powered w/Monitor - Almond - US
	079353-02-000	EA	Hood - Range - Powered w/Monitor - Almond - CSA
	075470-04-000	EA	Duct Extension - Hood Range
	055282-02-000	EA	Range w/Small Oven - 4 Burner - Almond - Magic Chef
	055282-02-700	EA	Top - Main - Almond
	055282-01-700	EA	Frame - Door - Upper
	055282-01-701	EA	Frame - Door - Lower
	055282-01-702	EA	Glass - Door Front
	055282-01-703	EA	Panel Door - Black
	081374-01-000	EA	Range Top - 4 Burner - Almond
	081374-01-700	EA	Trim - Cab Top - Right
	081374-01-701	EA	Trim - Cab Top - Left
	081374-01-702	EA	Manifold Panel - Black
	081374-01-703	EA	Trim - Top - Rear
	081374-01-704	EA	Guard - Fabric
	064473-02-000	EA	Refrigerator - AC/DC/Gas - Norcold 6 - 776-EG3
	075217-01-000	EA	Refrigerator - AC/DC/Gas - Norcold 8 - 838-EG3
	075218-01-000	EA	Refrigerator - 3 Way - 10 Norcold
	054450-01-000	EA	Level - Refrigerator
	081379-01-000	EA	Microwave Oven - Sharp - Convection
	081459-08-000	EA	Bracket Asm - Microwave - Right
	081459-02-000	EA	Bracket Asm - Microwave - Left
	081555-01-703	EA	Trim Ring - Microwave
	081456-01-000	EA	Angle Asm - Microwave - Right
	081456-02-000	EA	Angle Asm - Microwave - Left
	082876-01-000	EA	Baffle - Microwave
	075922-04-000	EA	Air Exhaust Duct - Microwave
	068615-01-000	EA	Sink - Stainless Steel - Double w/Bolts
	011053-01-000	EA	Faucet - Swing Spout - 8" - US
	011053-02-000	EA	Faucet - Swing Spout - 8" - CSA
	011053-01-700	EA	Aerator - Swing Spout Faucet
	066437-01-000	EA	Strainer w/Basket - Sink
	081530-01-U01	EA	Sink Cover - Large
	009049-01-000	EA	Support - Drop Leaf Table
	009059-01-000	EA	Hinge - 2 - Gold - Drop Leaf Table
	074490-01-000	EA	Spice Rack - Oak
	074491-01-000	EA	Rack Asm - Magazine
	074981-01-000	EA	Cutting Board - Maple
	058334-01-000	EA	Wastebasket - 9 3/4" x 7" x 10" - White
	059777-01-000	EA	Hinge - Cabinet Door - Antique Brass
	057898-01-000	EA	Hidden Latch w/Strike - Cabinet Door
	047744-01-000	EA	Kit - Drawer Guide - Plastic
	077409-01-000	EA	Slide - Drawer - 20 7/8" - Plastic
	077404-01-000	EA	Drawer - 20" x 12 7/8" - Plastic
	066435-01-000	EA	Nut Strainer
	011083-01-000	EA	Plug - 1 1/4" x 5" - w/Stopper
	066440-01-000	EA	Strainer w/Rubber Washer

The illustrated parts breakdown for this item is provided on the Common Items Fiche

HEATING & AIR CONDITIONING GROUP

AUTOMOTIVE HEATER & AIR CONDITIONER

Key	Part Number	U/M	Description
	079373-03-000	EA	A/C - Compressor Mount Package - 350 C I D
	072343-01-000	EA	A/C - Compressor/Clutch - Sankyo 510
	073716-01-000	EA	A/C - Condenser Asm - "C" - Tube O
	073716-01-700	EA	Coil Condenser
	073716-01-701	EA	Receiver Drier
	073716-01-702	EA	Hose Assy #6
	073716-01-703	EA	Hose Assy #8
	079372-01-000	EA	A/C - Evaporator Asm - Cutaway
	079372-01-700	EA	Evaporator Coil
	079372-01-701	EA	Expansion Valve
	079372-01-702	EA	Blower
	079372-01-703	EA	Blower Motor
	079372-01-704	EA	Motor Mount
	079372-01-705	EA	Blower Wheel
	079372-01-706	EA	Hose Assy #6 - Liquid
	079372-01-707	EA	Hose Assy #10 - Suction
	072341-01-716	EA	Valve Discharge
	072341-01-704	EA	Valve Section
	079372-01-708	EA	Thermos'at
	079372-01-709	EA	Blower Switch
	079372-01-710	EA	Decal - Control Panel
	079372-01-711	EA	Plenum
	079372-01-712	EA	Lower
	079372-01-713	EA	Harness Wiring
	079372-01-714	EA	Switch - Snap Action
	079372-01-715	EA	Power - Jumper
	079372-01-716	EA	Plate - Control
	079372-01-717	EA	Valve - Clamp
	079372-01-718	EA	Lower - Escutcheon
	079372-01-719	EA	Lower - Escutcheon - Assy
	079373-03-000	EA	Mount & Drive Kit
	007108-01-000	FT	Hose - Heater - 5/8" I D SAE 20R
	049401-01-000	EA	Rear Heater Asm
	049401-01-700	EA	Valve - Water Control
	049401-01-701	EA	Cable - Rear Auto Heater Control
	049401-01-702	EA	Motor Asm - Evans
	049401-01-703	EA	Heater Core - Evans
	049401-01-704	EA	Switch Heater - Evans
	049401-01-705	EA	Valve - 3 Part 2 Way
	049401-01-706	EA	Knob Heater
	049401-01-708	EA	Wire Assy
	049401-01-709	EA	Wire Assy
	049401-01-710	EA	Wire Assy
	049401-01-711	EA	Knob - Switch
	062401-04-000	EA	Clamp - Worm Drive - 69" - 1 25 I D

FURNACES & ROOF AIR CONDITIONER

Key	Part Number	U/M	Description
	075696-01-000	EA	Furnace - 34 000 BTU - w/Direct Ignition - NT-34S
	075695-01-000	EA	Furnace - 24 000 BTU - w/Direct Ignition - NT-24S
	009198-01-000	FT	Duct - Flexible - 4" I D x 25
	056464-01-000	EA	Register - 4" Dia - Plastic - w/Damper
	056464-02-000	EA	Register - 4" Dia - Plastic - w/o Damper
	009200-01-000	EA	Tape - Furnace - 1 1/2"
	010326-01-000	EA	Adapter - Flare - w/Cone Gasket
	023146-01-000	EA	Clamp - Screw Type - 4"
	073743-01-000	EA	Shroud Asm - Ceiling - Inside - Roof Air Cool Only - 13 500 BTU
	073744-01-000	EA	Shroud / - Ceiling - Inside - Roof Air Heat & Cool - 13 500 BTU
	073742-01-000	EA	Air Conditioner - 110 Volt & Roof Mount - 13 500 BTU Rotary

The illustrated parts breakdown for this item is provided on the Common Items Fiche

**1986 ITASCA
TABLE OF CONTENTS**

IT319RB	A-01 - B-16
IC421RB	B-17 - D-16
IF426RT	D-17 - F 22
ICN26RH	F 23 - I-06
ICP28RU	I-07 - K-18

1986 IC421RB INDEX

Floor Plan	B-17 - B 18
Accessories Group	B 19 - B-21
Bath Group	B-22
Chassis Group	B 23 - B-24
Curtain Cushion & Pad Group	C-01 - C-07
Dinette Group	C-08
Driver's Compartment Group	C-09 - C-10
Electrical Group	C-11 - C-13
Exterior Body Group	C 14 - C-19
Galley Group	C-20 - C-21
Heating & Air Conditioning Group	C-22
Interior Finish Group	C-23 - D-01
LP Group	D-02
LoNge Group	D-03
Water & Sewage Group	D-04 - D-05
Window Vent & Exterior Door Group	D-06 - D-16

INTERIOR FINISH GROUP

INTERIOR MOLDING & TRIM

Key	Part Number	U/M	Description
	042357-09-000	FT	Molding - Radius Corner - 7 Elm
	022992-08-000	FT	Molding - Reverse Cove - Champagne White
	079653-01-000	EA	Molding - Batt Strip - Kerfed - Sunset Oak
	069733-37-000	EA	Batt Strip - Sunset Oak - 8 (Lounge)
	069733-42-000	EA	Batt Strip - Scrimshaw Sand - 8 (Wall)
	069733-58-000	EA	Batt Strip - Gray - 8 (Galley & Bath)
	069733-59-000	EA	Batt Strip - Melon - 8 (Galley & Bath)
	069733-60-000	EA	Batt Strip - Plum - 8 (Galley & Bath)
	069733-62-000	EA	Batt Strip - Pebble Beach - 8 (Ceiling)
	070504-01-000	FT	U Channel - 065" - Light Brown
	070504-02-000	FT	U Channel - 815" - Light Brown
	075249-01-000	EA	Rail Asm - Plain - 72"
	075250-01-000	EA	Corner Post - 1" x 1" x 2 1/2" - Oak
	078026-21-T03	EA	Trim - Valance - 82"
	002774-02-001	EA	Trim - Carpet - 192"
	009767-06-000	FT	Welling - Beige
	009767-07-000	FT	Welling - Grady Brown
	074045-01-000	EA	Plug - 1/2" Dia - Oak
	041746-01-000	FT	Vinyl - Extr - Bubble Seal

CABINETRY & TABLE HARDWARE

Key	Part Number	U/M	Description
	053200-05-000	EA	Bracket - Upper Wall Mount - 23 5" - Beige
	024281-07-000	EA	Bracket - Lower Wall Mount - 22.12" - Beige
	024276-14-000	EA	Leg Asm - Table - 26 5" - Brown
	064050-01-000	EA	Hinge - Table Leg
	024282-01-000	EA	Brace - Table Leg
	049493-02-000	EA	Catch - Table Leg - Mounts on Floor - Brown
	009112-01-000	EA	Flange - 1" - Chrome - Closet Rod
	077409-01-000	EA	Slide - Drawer - Plastic - 20 75
	084466-02-000	EA	Slide Asm - Drawer - Right
	084466-03-000	EA	Slide Asm - Drawer - Left
	084466-04-000	EA	Slide Asm - Cabinet - Right
	084466-05-000	EA	Slide Asm - Cabinet - Left
	009049-01-000	EA	Table Support - Drop Leaf
	009059-01-000	EA	Hinge - 2" - Drop Leaf Table - Gold
	076312-01-000	EA	Mesh - Grille - 13 80" x 8 80" - Gold Aluminum
	009021-01-000	EA	Catch - Nylon - Furnace Door
	009021-02-000	EA	Strike - Nylon Catch - Furnace Door
	074493-02-000	EA	Support - Sprung - Door
	066433-01-000	EA	Hook - Cup - Bright
	058034-02-000	EA	Latch - Door w/o Lock - Sliding Door
	075680-01-000	EA	Clothes Rod - Adjustable - 27" x 36"
	064467-01-000	EA	Guide - Wall Mount - Door Pocket
	078212-01-000	EA	Pull - Brass w/Dark Oak - Cabinet
	077523-01-000	EA	Latch Asm - Cabinet Door
	077821-01-000	EA	Strike - Latch - Cabinet Door
	078210-01-000	EA	Knob - Antique Brass - w/Oak
	084435-01-000	EA	Knob - Decorative Cabinet
	045586-02-000	EA	Spindle - Wood - 1 75 x 24 - Plain
	059777-02-000	EA	Hinge - Light Brass
	009016-01-000	EA	Catch - Elbow - Spring Loaded
	077461-01-000	EA	Cover - Strike

The illustrated parts breakdown for this item is provided on the Common Items Fiche

INTERIOR FINISH GROUP (CONTINUED)

PANELING & COUNTERTOP MATERIAL

Key	Part Number	U/M	Description
	074497-03-000	SF	Paneling - Decor - Sunset Oak - 48" x 84" (26 SF) (Cabinets & Wall)
	074497-04-000	SF	Paneling - Decor - Scrimshaw Sand - 48" x 84" (Wall)
	074496-45-000	SF	Paneling - Decor - Gray - 48" x 84" (28 SF) (Galley) (U10)
	074496-46-000	SF	Paneling - Decor - Melon - 48" x 84" (28 SF) (Galley) (U11)
	074496-47-000	SF	Paneling - Decor - Plum - 48" x 84" (28 SF) (Galley) (U12)
	074497-07-000	SF	Paneling - Pebble Beach - 48" x 96" (32 SF) (Ceiling)
	074498-10-000	SF	Plastic Laminate - Northsea - 48" x 96" (32 SF) (Dinette & Bath) (U10)
	074498-10-019	EA	Plastic Laminate - Northsea - 1 19" x 96"
	076325-11-000	FT	Molding - Edge Band - Northsea - 1 5/16" x 0 30"
	074498-11-000	SF	Plastic Laminate - Cayene - 48" x 96" (32 SF) (Dinette & Bath) (U11) (U01 U07)
	074498-12-019	EA	Plastic Laminate - Cayene - 1 19" x 96"
	076325-12-000	FT	Molding - Edge Band - Cayene - 1 5/16" x 0 30"
	074498-12-000	SF	Plastic Laminate - Wild Rose - 48" x 96" (32 SF) (Dinette & Bath) (U12)
	074498-12-019	EA	Plastic Laminate - Wild Rose - 1 19" x 96"
	076325-13-000	FT	Molding - Edge Band - Wild Rose - 1 5/16" x 0 30"
	074498-06-000	SF	Plastic Laminate - Beige Crescent - 48" x 96" (32 SF) (Galley)
	074498-06-019	EA	Plastic Laminate - Beige Crescent - 1 19" x 96"
	076325-05-000	EA	Molding - Edge Band - Beige Crescent - 1 19" x 96"
	074498-05-000	SF	Plastic Laminate - Sunset Oak - 48" x 96" (32 SF) (Nightstand)
	074498-05-019	EA	Plastic Laminate - Sunset Oak - 1 19" x 96"
	076325-04-000	FT	Molding - Edge Band - Sunset Oak - 1 5/16" x 0 30"

FABRICS & CARPET

Key	Part Number	U/M	Description
	072333-21-000	YD	Fabric - Drapery - Parchment
	077498-65-000	YD	Fabric w/Pattern - Upholstery - Stormy (U13)
	077498-66-000	YD	Fabric w/Pattern - Upholstery - Coral Reef (U14)
	077498-67-000	YD	Fabric w/Pattern - Upholstery - Sachel (U15)
	077498-68-000	YD	Fabric w/Pattern - Upholstery - Accent - Oasis (U14)
	077498-70-000	YD	Fabric - Upholstery/Draperies - Accent - Plain - Pewter (U13)
	077498-71-000	YD	Fabric - Upholstery/Draperies - Accent - Plain - Melon (U14)
	077498-69-000	YD	Fabric - Upholstery/Draperies - Accent - Plain - Plum (U15)
	069729-25-000	YD	Fabric - Bedspread/Draperies - Main - Colonial (U13)
	069729-26-000	YD	Fabric - Bedspread/Draperies - Main - Peach (U14)
	069729-27-000	YD	Fabric - Bedspread/Draperies - Main - Mauve (U15)
	069729-28-000	YD	Fabric - Bedspread - Accent - Lemon (U13)
	069729-29-000	YD	Fabric - Bedspread - Accent - Greensilver (U14)
	069729-30-000	YD	Fabric - Bedspread - Accent - Mauve (U15)
	052859-01 T03	FT	Trim Asm - Accent - Sandrift
	052859 05-T03	FT	Trim Asm - Accent - Buckskin
	079680-01-000	YD	Vinyl - Expanded - 26 oz Buckskin
	072860-51-000	YD	Carpet - Gray (U13)
	072860-52-000	YD	Carpet - Rose (U14)
	072860-53-000	YD	Carpet - Violet (U15)

1986 ITASCA TABLE OF CONTENTS

IT319RB	A-01 - B-16
IC421RB	B-17 - D 16
IF426RT	D-17 - F-22
ICN26RH	F 23 - I C6
ICP28RU	I-07 - K-18

1986 IC421RB INDEX

Floor Plan	B-17 - B-18
Accessories Group	B-19 - B 21
Bath Group	B-22
Cnassis Group	B 23 - B 24
Curtain Cushion & Pad Group	C-01 - C-07
Dinette Group	C-08
Driver's Compartment Group	C-09 - C-10
Electrical Group	C-11 - C-13
Exterior Body Group	C 14 - C-19
Galley Group	C 20 - C-21
Heating & Air Conditioning Group	C-22
Interior Finish Group	C 23 - D-01
LP Group	D-02
Lounge Group	D 03
Water & Sewage Group	D-04 - D 05
Window Vent & Exterior Door Group	D-06 - D 16

INTERIOR FINISH GROUP (CONTINUED)

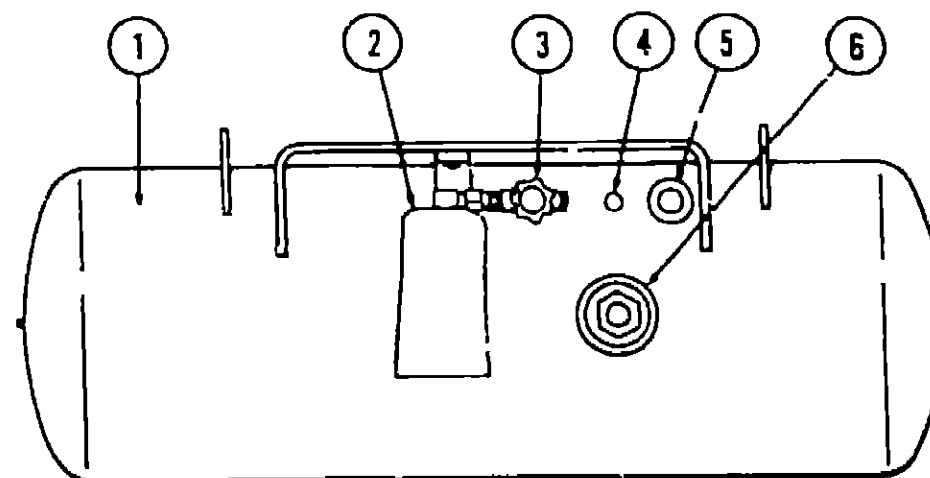
MISCELLANEOUS PARTS

Key	Part Number	U/M	Description
	053552-02-T03	EA	Handle Asm - Interior Assist - Medium Almond Vinyl
	041944-03-000	EA	Fire Extinguisher - w/Bracket
	054185-24-000	EA	Owner's Manual - 1986 Itasca & Winnebago
	040069-01-000	EA	Door Mat - 10 1/2 x 26 - Black Rubber
	075907-02-000	EA	Picture - Decor - Assorted Grasses

CURTAIN & CUSHION HARDWARE

Key	Part Number	U/M	Description
	082139-01-000	EA	Bracket - Hold Down - Blinds
	056003-02-000	EA	Bracket - Drapery Retainer - Left
	056003-01-000	EA	Bracket - Drapery Retainer - Right
	056001-01-000	EA	Bracket - Shade - Left
	056002-01-000	EA	Bracket - Shade - Right
	076827-01-000	EA	Bracket - Curtain - Woven Wood - Right
	076827-02-000	EA	Bracket - Curtain - Woven Wood - Left
	079798-03-000	EA	Bracket Asm - Curtain Rod - Right
	079798-04-000	EA	Bracket Asm - Curtain Rod - Left
	082249-01-000	EA	Bracket - Blinds - Beige - Right
	082249-02-000	EA	Bracket - Blinds - Beige - Left
	079619-01-000	EA	Bracket - Tie Back
	009107-01-000	EA	Guide - Nylon Snap - Curtain
	056784-01-000	EA	Pull - Window Shade - Antique Brass
	056115-01-000	YD	Tape - Clear Plastic - w/Guide
	048394-01-000	YD	Tape - Hook - 1 x 25 YD - Beige
	029096-05-000	YD	Tape Hook - 50 - Velcro - Beige
	048395-01-000	YD	Tape Loop - 1" x 25 YD - Beige
	029090-01-000	FT	Tie - Drapery - Clear Vinyl
	056116-01-000	FT	Track - Curtain - Brown Plastic
	079446-01-000	EA	Track - Curtain - Wraparound - Right
	079446-02-000	EA	Track - Curtain - Wraparound - Left

LP GROUP



Key	Part Number	U/M	Description
1	080450-01-000	EA	Tank Asm - LP - Frame Mount - 42 Pound - 13 x 24
	065741-01-000	EA	Detector - LP Gas Leak - Marshalltown Instruments
2	076277-01-000	EA	Cover - LP Regulator - Front (Dual)
	076278-01-000	EA	Cover - LP Regulator - Back (Dual)
	076301-01-000	EA	Regulator - Two Stage - US (Dual)
	076301-02-000	EA	Regulator - Two Stage - CSA (Dual)
3	040421-01-703	EA	Valve - Vapor Relief
4	040421-01-700	EA	Gauge - Liquid Level - 20% LP
5	040421-01-701	EA	Valve - Filler - LP
	040421-01-702	EA	Cap - Plastic Fill Valve
6	040421-01-707	EA	Gauge - Float - w/Visible Dial
	040421-01-706	EA	Dial - Visible Face - Float Gauge (Tank w/o Electric Transmitter)
	040440-01-000	EA	Dial - Transmitter - 0 - 50 Ohm (Float Gauge)
	045703-01-000	EA	Hose Asm - LP - 3/8" I D x 24' - US
	045703-02-000	EA	Hose Asm - LP - 3/8" I D x 24' - CSA
	045703-03-000	EA	Hose Asm - LP - 3/8" I D x 18' - US
	045703-04-000	EA	Hose Asm - LP - 3/8" I D x 14' - CSA
	065959-01-000	EA	Housing - LP Gauge
	065742-01-000	EA	Tee - 3/8 F x 3/8 F x 25 FPT
			Not illustrated

**1986 ITASCA
TABLE OF CONTENTS**

IT319RB	A 01 - B-16
IC421RB	B 17 - D-16
1F426RT	D 17 - F-22
ICN26RH	F-23 - I 06
ICP28RU	I-07 - K-18

1986 IC421RB INDEX

Floor Plan	B-17 - B-18
Accessories Group	B-19 - B 21
Bath Group	B-22
Chassis Group	B-23 - B 24
Curtain Cushion & Pad Group	C-01 - C-07
Dinette Group	C-08
Driver's Compartment Group	C-09 - C-10
Electrical Group	C-11 - C-13
Exterior Body Group	C-14 - C-19
Galley Group	C-20 - C-21
Heating & Air Conditioning Group	C 22
Interior Finish Group	C-23 - D 01
LP Group	D-02
Lounge Group	D 03
Water & Sewage Group	D 04 - D-05
Window Vent & Exterior Door Group	D-06 - D-16

LOUNGE GROUP

CORNER CABINETRY

Key	Part Number	U/M	Description
	M80801 01-U01	EA	Cabinet Asm - Overhead - Entrance Door
	081280-08-U01	EA	Pad Asm - End Cap - Entrance Overhead - Vinyl
	077663-03 T03	EA	Glass Holder - Overhead

WATER & SEWAGE GROUP

HOLDING TANKS & WATER HEATER

Key	Part Number	U/M	Description
	077989-03-000	EA	Tank Asm - Water - 35 Gallon
	077989-01-000	EA	Tank - Water - 35 Gallon - w/o Fitting
	080492-01-000	CA	Tank - Holding - 21 Gallon - w/o Fitting
	054033-01-000	EA	Tank - Holding - 32 Gallon - w/o Fitting
	051391-01-000	EA	Water Heater - w/o Motor Aid - Atwood - G6A 3
	051391-03-000	EA	Water Heater - w/Motor Aid - Atwood - G6A 3A
	051393-01-000	EA	Water Heater - w Motor Aid - Direct Ignition - G6A-3A

The illustrated parts breakdown for this item is provided on the Common Items Fiche

1986 ITASCA TABLE OF CONTENTS

IT319RB	A-01 - B-16
IC421RB	B-17 - D-16
IF426RT	D-17 - F-22
ICN26RH	F-23 - I-06
ICP28RU	I-07 - K-18

PLUMBING & REPAIR PARTS

Key	Part Number	U/M	Description
	033302-02-000	EA	Adapter Asm - SWVC Strain - 1 1/2"
	010326-01-000	EA	Adapter - Flare - w/Cone Gasket
	062422 01-000	EA	Adapter - Hose Offset - Reducer 3 x 1 1/2
	052954-01-000	EA	Adapter - Hose Cone - 3/8 or 1/2 - Plastic
	010224-01-000	EA	Adapter - Plastic - 3/8 MPT x 3/8 Barb
	044927-01-000	EA	Adapter - Plastic - 1 1/4" MPT x 1 1/4 Barb
	031602-02-000	EA	Adapter - Plastic - 1 1/2 H x FPT
	062417-01-000	EA	Adapter - Termination - 3
	004020-01-000	QT	Adhesive - ABS Cement
	011048-04-000	EA	Breaker - Vacuum - 1/8 MPT - Nylon
	010121-01-000	EA	Bushing - Plastic - 1 1/2 S x 1 1/4 H
	010122-01-000	EA	Bushing - Plastic - 1 1/2 S x 1 1/4 T
	010123-01-000	EA	Bushing - Plastic - 2S x 1 1/2 H
	036522-02 000	EA	Coupler - Brass - 1/2 Flare
	062415-01-000	EA	Coupler - Sewer - 3
	052959-02-000	EA	Connector - 1/2 F x 1/2 MPT - Plastic
	052959-03-000	EA	Connector - 1/2 F x 3/8 MPT - Plastic
	011091-02-000	EA	Continuous Waste - Double Sink - 11 7/8 US
	053874-01-000	EA	Continuous Waste Asm Double Sink CSA
	078406-01-000	EA	Coupler Rubber - 3 x 3
	052960-01 000	EA	Drain Valve - 1/2 F x 1/2 F - Plastic
	010000-01-000	EA	Elbow - Plastic - 1/8 BD x 1 1/4 x 45° H x H
	010005-01-000	EA	Elbow - Plastic - 1/16 BD x 1 1/2
	010006-01-000	EA	Elbow - Plastic - 1/8 BD x 1 1/2 x 45° H x H
	010008-01-000	EA	Elbow - Plastic - 1/4 BD x 1 1/2 x 90° Left
	010051-01-000	EA	Elbow - ST - Plastic - 1/8 BD x 1 1/2 x 45°
	010219-01-000	EA	Elbow - 1 1/4 Barb x 1 1/4 MPT x 90°
	031111-01-000	EA	Elbow - Plastic - 1/4 BD x 1 1/4 x 90° Left
	034250-01-000	EA	Elbow - Plastic - 1/4 BD x 1 1/2 x 90° x H x H
	035539-01-000	EA	Elbow - Plastic - 3/8 MPT x 3/8 Barb
	052957-01-000	EA	Elbow - Plastic - 1/2 F x 3/8 MPT
	052957-02-000	EA	Elbow - Plastic - 1/2 F x 1/2 MPT (In Tank Filter)
	059536-01-000	EA	Elbow - 1 1/4 - Slip Joint Ends
	065120-01-000	EA	Elbow - Plastic - Swivel - 50
	070924-01-000	EA	Elbow - Plastic - Swivel - 1/2 MPT x 1/2 FP
	077954 01-000	EA	Filter/Screen (In Water Tank)
	039647-02 000	EA	Filter - Water Pump - 1 2" MPT
	039647-03-000	EA	Filter - Water Pump - 1 2 Flare
	010147-01-000	EA	Flange - Closet - 4" F x 3 FPT - US
	010147 02-000	EA	Flange - Closet - 4" F x 3 FPT - CSA
	079381-01-000	FT	Flexible Tubing - 1 1/4 I D x 10
	061607-01-000	EA	Grommet - Holding Tank Coupler - 1 1/2
	061607 02-000	EA	Grommet - Holding Tank Coupler - 3
	062419-02-000	EA	Handle - Extension - w/6 Adapter
	052961-01 000	EA	Header - 1 2 F x 1/2 F x 1/2 F x 1/2 F
	046524-01-000	EA	Kit - Holding Tank Fittings - Blank Tank
	046524-01 000	EA	Kit - Water Tank Fittings - Blank Tank
	052953-01-000	EA	Nut - Facuet - 1/2 Tube x 1 2 FPT
	052952-01-000	EA	Nut - 1/2 F - Plastic

The illustrated parts breakdown for this item is provided on the Common Items Fiche

1986 IC421RB INDEX

Floor Plan	B-17 - B-18
Accessories Group	B-19 - B-21
Bath Group	B-22
Chassis Group	B-23 - B-24
Curtain Cushion & Pad Group	C-01 - C-07
Dinette Group	C-08
Driver's Compartment Group	C-09 - C-10
Electrical Group	C-11 - C-13
Exterior Body Group	C-14 - C-19
Galley Group	C-20 - C-21
Heating & Air Conditioning Group	C-22
Interior Finish Group	C-23 - D-01
LP Group	D-02
Lounge Group	D-03
Water & Sewage Group	D-04 - D-05
Window Vent & Exterior Door Group	D-06 - D-16

WATER & SEWAGE GROUP (CONTINUED)

PLUMBING & REPAIR PARTS (CONT)

Key	Part Number	U/M	Description
	011066-03-000	EA	P-Trap - 1 1/4" Plastic - US
	011066-02-000	EA	P-Trap - 1 1/4" Plastic - CSA
	053335-01-000	EA	P-Trap - Plastic - 1 1/4 H x H - w/Union - CSA
	010197-01-000	FT	Pipe - Plastic - 3" x 240" - Black
	045729-01-000	EA	Pump - Water - 2.8 G P M - Direct Drive - Shurflo - US
	045729-02-000	EA	Pump - Water - 2.8 G P M - Direct Drive - Shurflo - CSA
	010201-01-000	EA	Sewer Hose - 3" x 8' w/Clamp
	042989-02-000	EA	Spinweld Fittings - Plastic - 1/2 FPT (In Tank Filter)
	042989-03-000	EA	Spinweld Fittings - Plastic - 1/4 NPT
	042989-04-000	EA	Spinweld Fittings - Plastic - 3/8 FPT
	011069-02-000	EA	Tailpiece - 1 1/2" x 1 1/4" x 4" - Brass
	010071-01-000	EA	Tee - Plastic - 1 1/2" H x H x H
	010072-01-000	EA	Tee - Plastic - 1 1/2" H x 1 1/4" H x 1 1/2" H
	010079-01-000	EA	Tee - Plastic - 1 1/2" H x 1 1/2" H x 1 1/4" H
	046172-01-000	EA	Tee - Plastic - 3/8 B x 3/8 B x 3/8 MPT
	052935-01-000	EA	Tee - Plastic - 1/2 F x 1/2 F x 1/2 MPT
	052956-01-000	EA	Tee - Plastic - 1/2 F x 1/2 MPT x 1/2 F
	052958-01-000	EA	Tee - Plastic - 1/2 F x 1/2 F x 1/2 F
	010133-01-000	EA	Trap Adapter - Plastic - 1 1/2" H x MPT
	039800-01-000	FT	Tubing - Polybutyl - 1/2" O D (Water Line)
	074346-02-000	FT	Tubing - Vinyl - 1/2" O D (Water Line)
	072346-01-000	EA	Valve Asm - 3" Ell - w 2 Socket
	062418-02-000	EA	Valve - 1 1/2" - w/Handle
	062418-02-000	EA	Valve - 3" - w/o Handle
	052960-01-000	EA	Valve - Line Drain - 1/2 F x 1/2 F
	052962-01-000	EA	Valve - Stool - 90° - 1/2 F x 3/8 MPT
	010073-01-000	EA	Wye - Plastic - 1 1/2" x 45" H x H

The illustrated parts breakdown for this item is provided on the Common Items Fiche

WINDOW, VENT & EXTERIOR DOOR GROUP

ACCESS DOORS & HARDWARE

Key	Part Number	U/M	Description
	079455-06-T95	EA	Door Asm - Battery - 9" x 21 7"
	083264-01-000	EA	Door Asm - Storage
	M79321-01-T03	EA	Door Asm - Generator
	079455-03-U01	EA	Door Asm - LP - 9 5" x 21 7"
	M02047-01-T95	EA	Door Panel Asm - Tire Cover
	079149-01-T03	EA	Door Asm - Luggage - Off White
	078969-02-T95	EA	Door Asm - Refrigerator Access - w/Twist Lock - Off White
	052009-01-000	EA	Door Asm - Water Heater - Off White
	052423-01-000	EA	Door Asm - Sewage
	078010-05-000	EA	Door - Fuel Fill - Off White
	063742-01-000	EA	Door - Power Cord - Off White
	052424-01-000	EA	Jamb - Power Cord/Fuel Fill Door - Off White
	054543-01-000	EA	Hatch - Power Cord Door
	052181-01-000	EA	Baffle - Generator Door
	054530-01-000	EA	Door Holder
	041312-01-000	EA	Seal - Bulb - "E" Section
	042447-01-000	EA	Lock Asm - Twist Type
	009003-01-000	EA	Lock Asm - Twist Type - w/Clip (Battery Door)
	047305-01-000	EA	Lock Asm - Key Type w/Clip - Metal (LP)
	077408-02-000	EA	Lock Asm - Key Type
	079366-01-000	EA	Lock Asm - Key Type
	079927-01-000	EA	Lock Asm - Twist Type
	052951-01-000	EA	Clip - Twist Lock - Retainer
	052950-01-700	EA	Lock Asm - Twist Type - White
	079246-01-000	EA	Jamb Asm - Generator Door

VENTS

Key	Part Number	U/M	Description
	084073-04-000	EA	Base - Refrigerator Vent - Off White
	084073-01-000	EA	Roof Vent - Refrigerator - Off White
	048835-01-000	EA	Vent Asm - Roof - Non Powered - w/o Screen - Aluminum
	048789-01-000	EA	Vent Asm - Roof - Powered - w/o Screen - Aluminum
	079355-08-000	EA	Vent - Stovehood - Outside - Off White
	078785-01-T03	EA	Screen Asm - Roof Vent - Powered
	078786-01-T03	EA	Screen Asm - Roof Vent - Non Powered

The illustrated parts breakdown for this item is provided on the Common Items Fiche

**1986 ITASCA
TABLE OF CONTENTS**

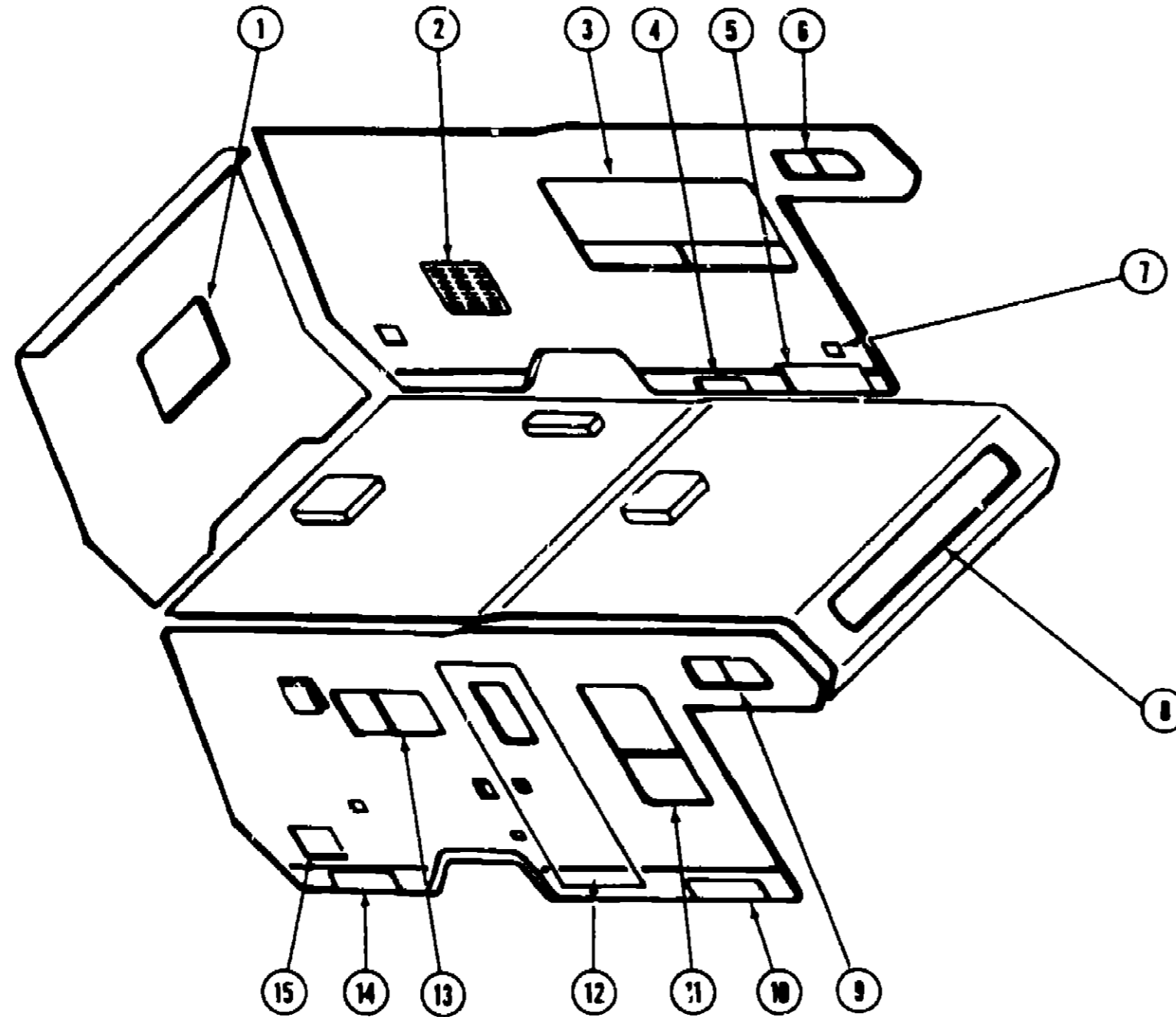
IT319RB	A-01 - B 16
IC421RB	B 17 - D 16
IF426RT	D 17 - F-22
ICN26RH	F-23 - I-06
ICP28RU	I-07 - K-18

1986 IC421RB INDEX

Floor Plan	B 17 - B-18
Accessories Group	B-19 - B-21
Bath Group	B-22
Chassis Group	B-23 - B-24
Curtain Cushion & Pad Group	C-01 - C-07
Dinette Group	C-08
Driver's Compartment Group	C-09 - C-10
Electrical Group	C-11 - C-13
Exterior Body Group	C-14 - C-19
Galley Group	C-20 - C 21
Heating & Air Conditioning Group	C 22
Interior Finish Group	C-23 - D-01
LP Group	D-02
Lounge Group	D-03
Water & Sewage Group	D-04 - D-05
Window Vent & Exterior Door Group	D-06 - D-16

WINDOW, VENT & EXTERIOR DOOR GROUP (CONTINUED)

WINDOWS & ACCESS DOORS



Key	Part Number	U/M	Description
1	079415-01-T03	EA	Window Asm - Escape
2	078969-02-T95	EA	Door Asm - Refrigerator Access
3	081568-02-U01	EA	Window Asm - Double Tipout
4	079455-06-T95	EA	Door Asm - Storage
5	M79321-01-T03	EA	Door Asm - Generator
6	078272-02-T03	EA	Window Asm - Bunk
7	063742-01-000	EA	Door Asm - Power Cord
8	078573-01-T03	EA	Window Asm - Front Bunk
9	078272-01-T03	EA	Window Asm - Bunk
10	079455-03-U01	EA	Door Asm - LP
11	078453-01-T03	EA	Window Asm - Vertical Slider
12	M01870-02-U01	EA	Door Asm - Entry w/Screen Door
	M01870-04-T03	EA	Door Asm - Entry w/Screen Door - w/o Window
	079733-04-T03	EA	Window Asm - Picture
13	078266-02-T03	EA	Window Asm - Slider
14	083264-01-U01	EA	Door Asm - Storage
15	052009-01-000	EA	Door Asm - Water Heater
			Not illustrated

1986 ITASCA TABLE OF CONTENTS

IT319RB
IC421RB
IF426RT
ICN26RH
ICP28RU

A-01 - B-16
B-17 - D-16
D-17 - F-22
F-23 - I-06
I-07 - K-18

1986 IC421RB INDEX

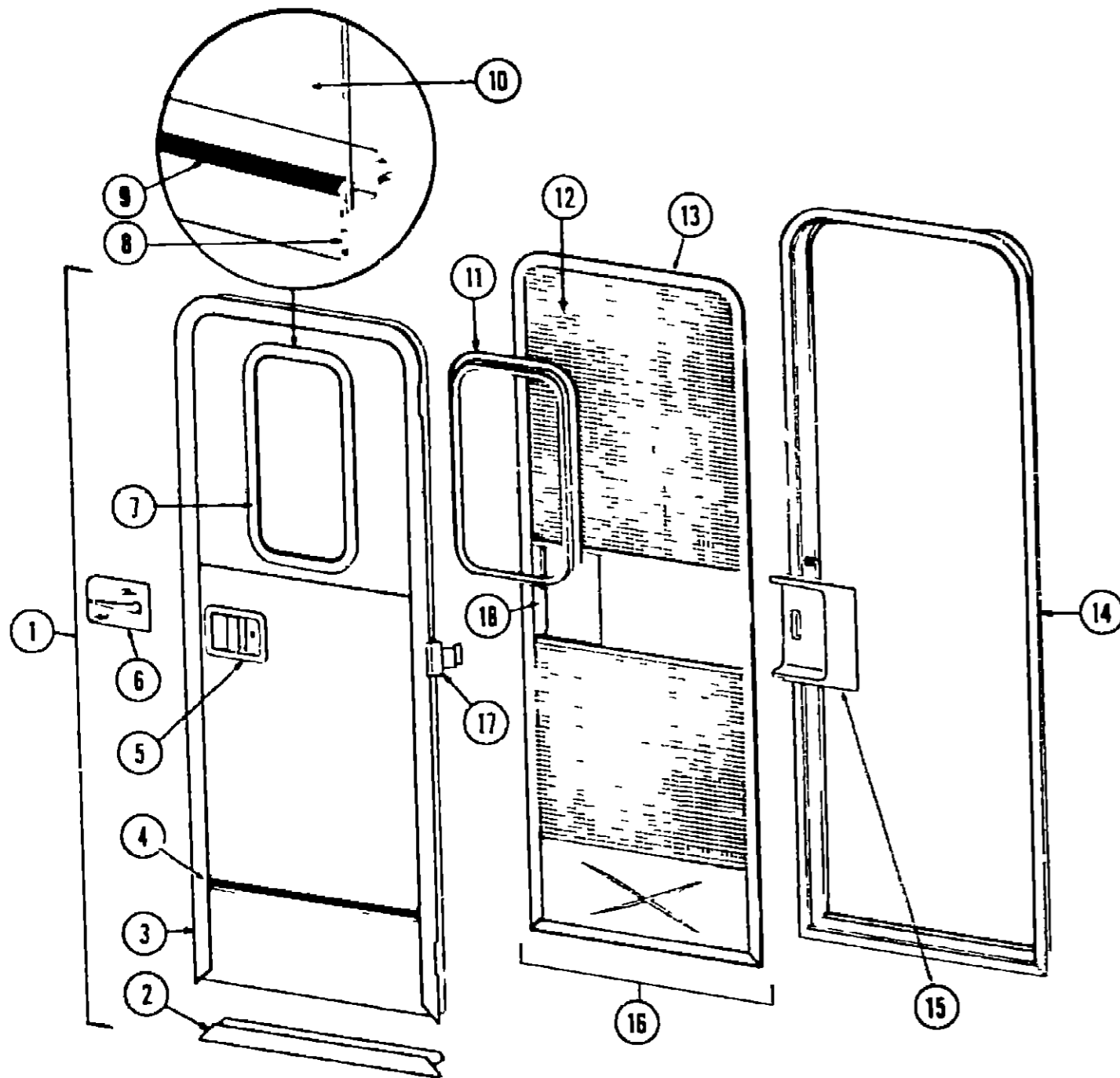
Floor Plan	B-17 - B-18
Accessories Group	B-19 - B-21
Bath Group	B-22
Chassis Group	B-23 - B-24
Curtain Cushion & Pad Group	C-01 - C-07
Dinette Group	C-08
Driver's Compartment Group	C-09 - C-10
Electrical Group	C-11 - C-13
Exterior Body Group	C-14 - C-19
Galley Group	C-20 - C-21
Heating & Air Conditioning Group	C-22
Interior Finish Group	C-23 - D-01
LP Group	D-02
Lounge Group	D-03
Water & Sewage Group	D-04 - D-05
Window Vent & Exterior Door Group	D-06 - D-16

WINDOW, VENT & EXTERIOR DOOR GROUP (CONTINUED)

WINDOW, VENT & EXTERIOR DOOR GROUP (CONTINUED)

ENTRANCE & SCREEN DOOR

**1986 ITASCA
TABLE OF CONTENTS**



Key	Part Number	U/M	Description
1	M01870-06-U01	EA	Door Asm - Radius Entry w/Screen Door - w/o Window
1	M01870-02-U01	EA	Door Asm - Radius Entry w/Screen Door
2	077998-01-000	EA	Frame - Entry Door (Bottom Portion Only)
3	078002-02-000	EA	Frame - Entry Door (Except Bottom Portion)
4	059576-03-000	EA	Feature Strip w/o Insert - Extr - 14 - Brown
	001030-02-003	EA	Insert - Feature Strip - 17 - Stucco - Off White
	009731-01-000	EA	End Cap - Feature Strip
5	045107-05-000	EA	Paddle Asm - Door Lock - Exterior
	045017-05-700	EA	Lock Cylinder w/Keys - Lynor
	039539-01-000	EA	Striker Bolt - Entry Door
	039540-01-000	EA	Latch Claw - Entry Door
	039738-01-000	EA	Dead Bolt - Entry Door
	083205-01-000	EA	Dead Bolt - Press Fit
6	039979-01-000	EA	Plate - Inside Lock - Includes Inside Handle
	052186-01-000	EA	Lock Asm - Complete - Lynor
7	079733-04-T03	EA	Window Asm - Picture - 17 x 25 - Black (w/o inside frame)
8	069640-06-000	FT	Ribbon Sealer - 5/16 Bead x 15
9	002309-02-000	FT	Spline - Glass - 1/8 Black
10	073113-01-000	EA	Glass - Picture Window - 1/8 x 16 25 x 24 - Gray
11	068752-01-000	EA	Inside Frame - Beige (not included in assembly)
12	002293-02-000	SF	Screen - Window - 26" - Charcoal
13	056795-02-000	FT	Seal Tape - 1/8" x 3/8" - Press On
14	078591-03-000	EA	Jamb Asm - Entrance Door
	051049-01-000	EA	Jamb - Entrance Door - Bottom
15	079086-02-000	EA	Slider - Screen Door - Light Oak Plastic
16	079012-01-U01	EA	Door Asm - Screen
17	079361-05-000	EA	Hinge - Entrance Door (3 used per door)
18	079081-01-000	EA	Cap - Screen Door - Light Oak Plastic
	009016-01-000	EA	Catch - Elbow - Spring Loaded - Screen Door
	039863-01-000	EA	Catch Asm - Single Roller w/Strike - Screen Door
	076231-01-000	EA	Spacer - Latch - Screen Door
	077437-02-000	EA	Strike - Roller Catch
	058025-02-000	EA	Clip - Roller Latch Catch
	044582-02-000	EA	Drip Cap - Off White
	079278-01-000	EA	Seal - Mocket - Entrance Door
	073090-01-000	FT	Seal - Entrance Door
	075739-01-000	EA	Stiffener - Entrance Door - Off White
	075673-01-000	FT	Seal - Pile - Adhesive Back
	075671-01-000	FT	Seal - Sponge - Lazy "T" Shaped
	002294-01-000	FT	Spline - Black - 135 x 138 (Screen Door)
	079087-02-000	EA	Strike - Screen Door
	063729-04-000	EA	Rivnut - 10-32 UNF - .010 - 080
	075639-01-000	EA	Garnish - Radius - Entrance Door
			Not illustrated

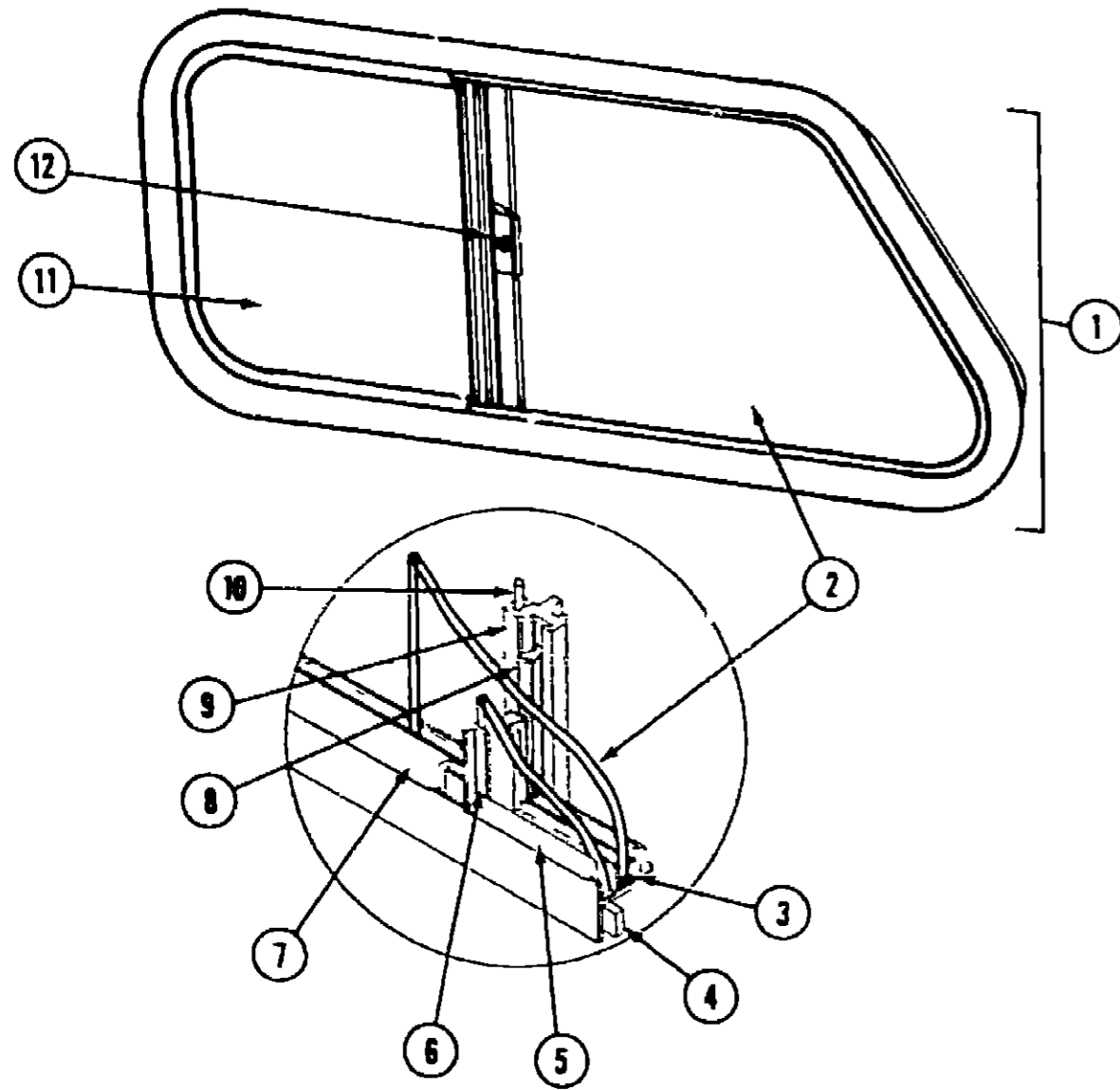
IT319RB	A-01 - B 16
IC421RB	B 17 - D 16
IF426RT	D 17 - F-22
ICN26RH	F-23 - I-06
ICP28RU	I-07 K 18

1986 IC421RB INDEX

Floor Plan	B-17 - B 18
Accessories Group	B-19 - B 21
Bath Group	B 22
Chassis Group	B 23 - B 24
Curtain Cushion & Pad Group	C-01 - C-07
Dinette Group	C-08
Driver's Compartment Group	C-09 - C-10
Electrical Group	C-11 - C-13
Exterior Body Group	C-14 - C-19
Galley Group	C 20 - C-21
Heating & Air Conditioning Group	C-22
Interior Finish Group	C-23 - D-01
LP Group	D 02
Lounge Group	D-03
Water & Sewage Group	D 04 - D 05
Window Vent & Exterior Door Group	D 06 - D 16

WINDOW, VENT & EXTERIOR DOOR GROUP (CONTINUED)

WINDOW, VENT & EXTERIOR DOOR GROUP (CONTINUED)



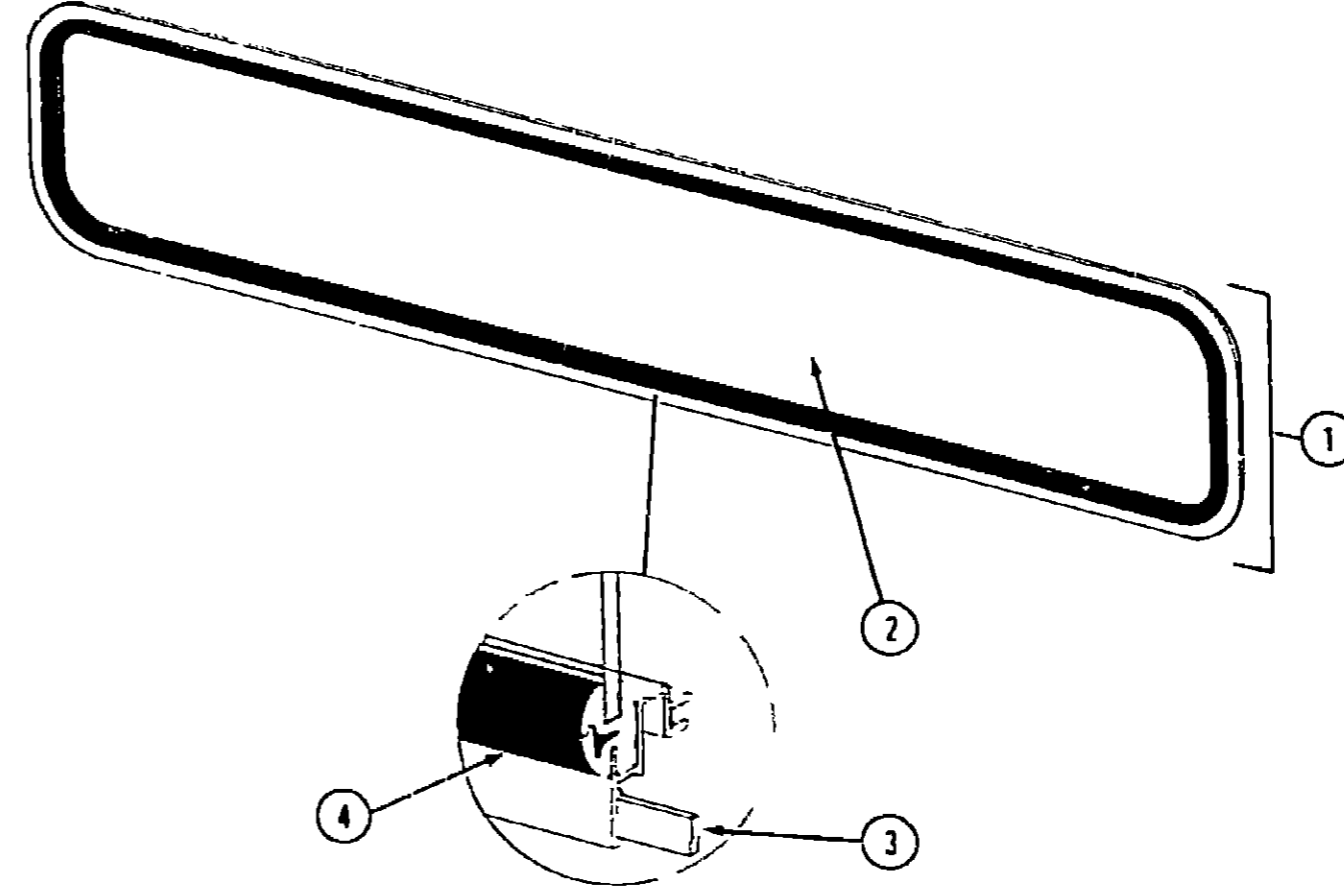
Key	Part Number	U/M	Description
1	078272-01-T03	EA	Window Asm - Bunk - Single Slider - Right (w/o inside frame)
	083121-02-000	EA	Inside Frame - Brown (not included in assembly)
1	078272-02-T03	EA	Window Asm - Bunk - Single Slider - Left
	083121-04-000	EA	Inside Frame - Brown (not included in assembly)
2	081980-01-000	EA	Glass - Sliding - 1/8" x 11.98" x 11.98"
3	002324-02-000	FT	Channel - Weatherstrip - Glass Run - 1/8" Glass
4	069640-06-000	FT	Ribbon Sealer - 5/16" Bead x 15
5	002309-02-000	FT	Spline - Glass - 1/8" Material - Black
6	M69886-03-005	EA	Seal Holder w/Fin Seal - Black
7	057374-02-000	FT	Extr Rubber - Window Seal - Black
8	073740-01-000	FT	Seal Fin - Pile - 460"
9	078562-05-000	EA	Mullion - Slider Window - Black
10	002298-02-000	FT	Spline - 130" Dia - Charcoal (Screen)
11	081983-01-000	EA	Glass - Stationary - 1/8" x 11.98" x 19.42"
12	047369-01-700	EA	Latch Kit - Window - Plastic w/Fastener
	002297-01-000	SF	Screen - Window 16" - Charcoal
	079204-01-000	EA	Bracket - Mullion - Black
			Not illustrated

Key	Part Number	U/M	Description
1	078533-01-T03	EA	Window Asm - Front Picture - 14" x 69" - Black (w/o inside frame)
	041938-01-000	EA	Inside Frame - Brown (not included in assembly)
2	002200-02-000	EA	Glass - TP - Picture Window
3	069640-06-000	FT	Ribbon Sealer - 5/16" Bead x 15
4	002281-01-000	FT	Weatherstrip - Self Seal - 06 Panel x 3/16" - Black
			Not illustrated

**1986 ITASCA
TABLE OF CONTENTS**

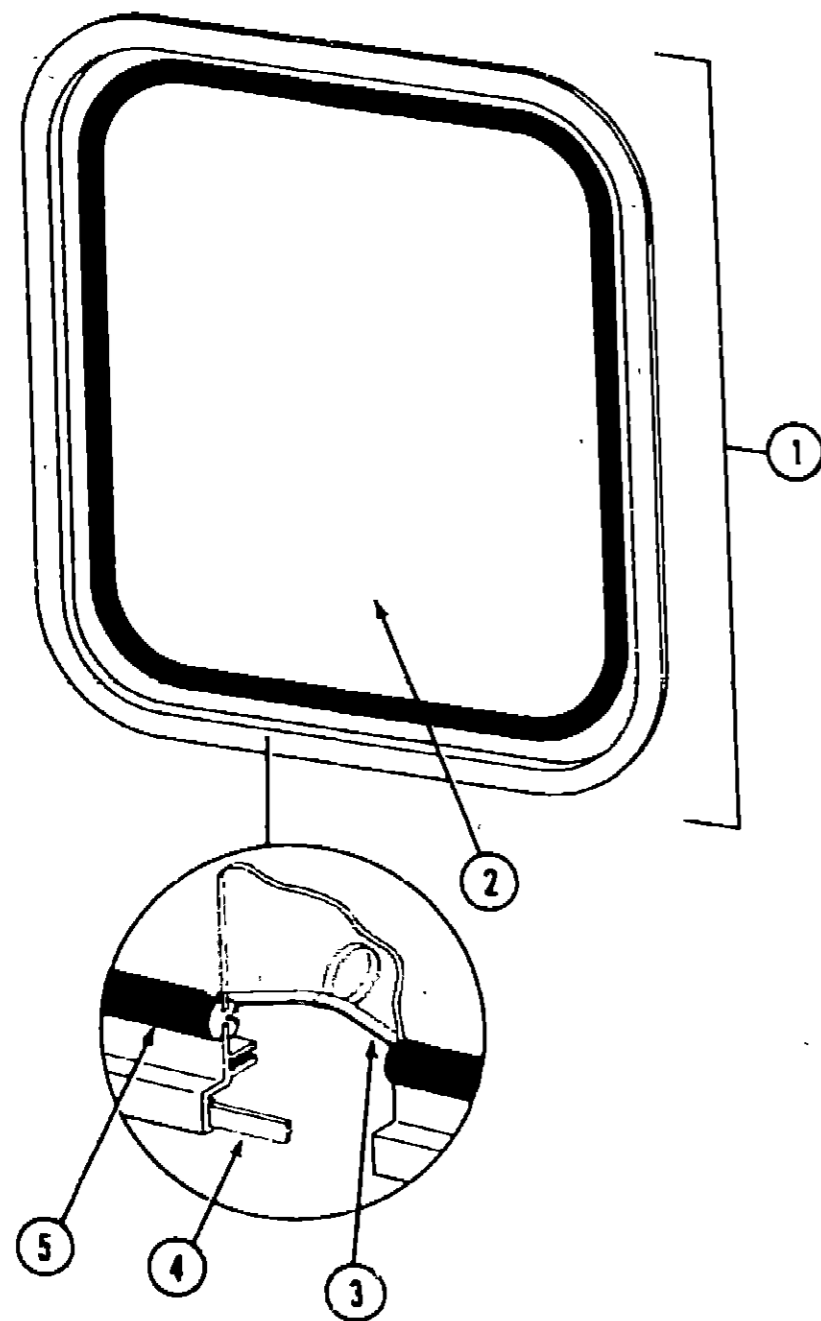
IT319RB
IC421RB
IF426RT
ILN26RH
ICP28RU

A 01 - B-16
B-17 - D 16
D-17 - F-22
F-23 - I-06
I 07 - K-18

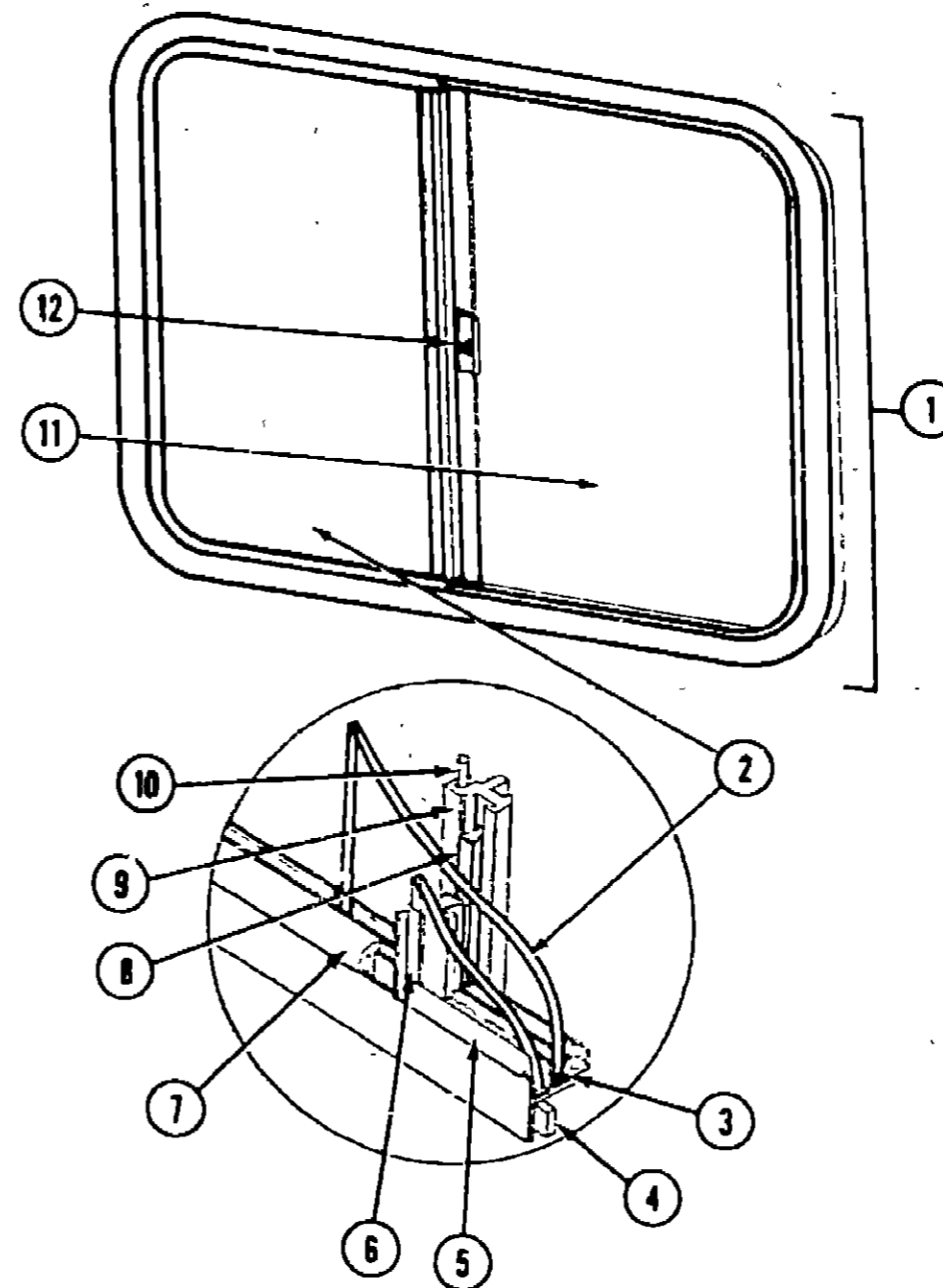


1986 IC421RB INDEX

Floor Plan	B-17 - B-18
Accessories Group	B 19 - B-21
Bath Group	B-22
Chassis Group	B 23 - B-24
Curtain Cushion & Pad Group	C-01 - C-07
Dinette Group	C-08
Driver's Compartment Group	C-09 - C-10
Electrical Group	C-11 - C-13
Exterior Body Group	C-14 - C-19
Galley Group	C-20 - C-21
Heating & Air Conditioning Group	C-22
Interior Finish Group	C-23 - D-01
LP Group	D-02
Lounge Group	D-03
Water & Sewage Group	D-04 - D-05
Window Vent & Exterior Door Group	D-06 - D-16



Key	Part Number	U/M	Description
1	079415-01-T03	EA	Window Asm. - Rear Escape - 23" x 29" - Black (w/o inside frame)
.	020749-03-000	EA	Inside Frame - Brown (not included in assembly)
2	002174-02-000	EA	Glass - 1/8" x 19.6" x 25.9"
3	002285-01-000	FT	Filler - Weatherstrip - Black
4	069640-05-000	FT	Ribbon Sealer - 5/16" Bead x 15'
5	002282-01-000	FT	Weatherstrip - 1.25" Window
.	006199-01-000	EA	Label - Exit - Escape Window
.			Not illustrated



Key	Part Number	U/M	Description
1	078266-02-T03	EA	Window Asm. - Single Slider (w/o inside frame)
.	083122-04-000	EA	Inside Frame - Brown (not included in assembly)
2	081980-05-000	EA	Glass - Sliding - 1/8" x 19" x 13.68"
3	002324-02-000	FT	Channel - Weatherstrip - Glass Run - 1/8" Glass
4	069640-06-000	FT	Ribbon Sealer - 5/16" Bead x 15'
5	002309-02-000	FT	Spline - Glass - 1/8" Material - Black
6	M69886-03-011	EA	Seal Holder w/Fin Seal - Black
7	057374-02-000	FT	Extr. Rubber - Window Seal - Black
8	073740-01-000	FT	Seal - Fin - Pile - .460"
9	078562-02-000	EA	Mullion - Slider Window - Black
10	002298-02-000	SF	Spline - .130" Dia. - Charcoal (Screen)
11	081984-03-000	EA	Glass - Stationary - 1/8" x 19" x 12.30"
12	047369-01-700	EA	Latch Kit - Window - Plastic w/Fastener
.	079204-01-000	EA	Bracket - Mullion - Black
.	002291-02-000	SF	Screen - Window 16" - Charcoal
.			Not illustrated

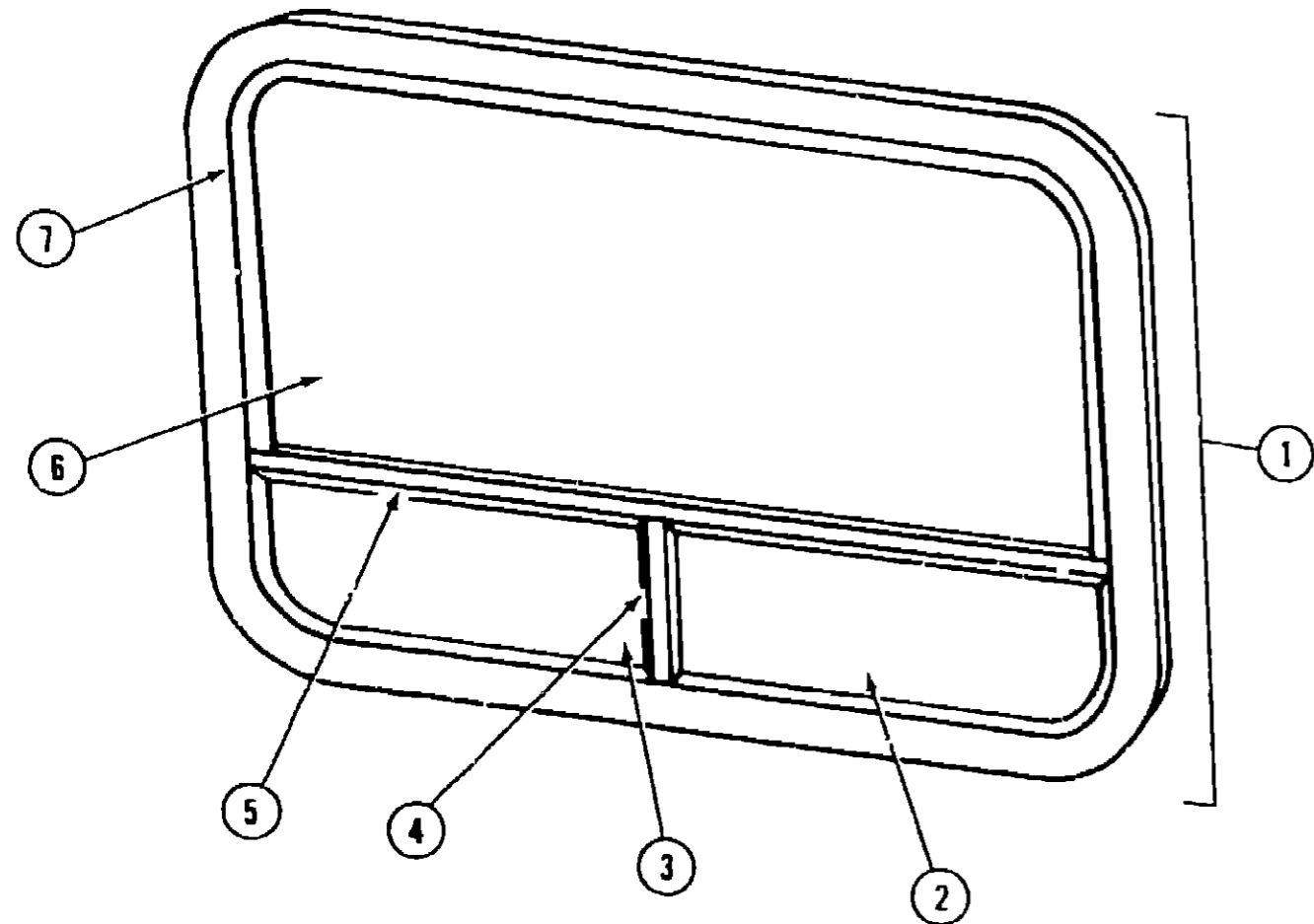
1986 ITASCA
TABLE OF CONTENTS

IT319RD	A-01 - B-16
IC421RB	B-17 - D-16
IF426RT	D-17 - F-22
ICN26RH	F-23 - I-06
ICP26RU	I-07 - K-18

1986 IC421RB INDEX

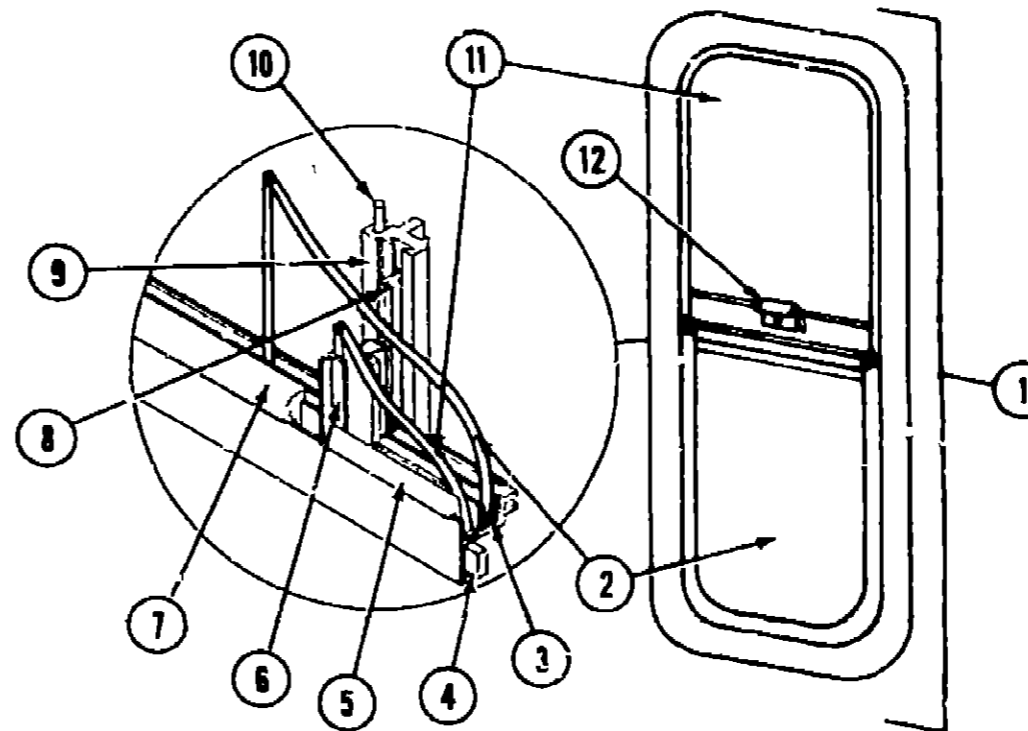
Floor Plan	B-17 - B-18
Accessories Group	B-19 - B-21
Bath Group	B-22
Chassis Group	B-23 - B-24
Curtain, Cushion & Pad Group	C-01 - C-07
Dinette Group	C-08
Driver's Compartment Group	C-09 - C-10
Electrical Group	C-11 - C-13
Exterior Body Group	C-14 - C-19
Galley Group	C-20 - C-21
Heating & Air Conditioning Group	C-22
Interior Finish Group	C-23 - D-01
LP Group	D-02
Lounge Group	D-03
Water & Sewage Group	D-04 - D-05
Window, Vent & Exterior Door Group	D-06 - D-16

WINDOW, VENT & EXTERIOR DOOR GROUP (CONTINUED)



Key	Part Number	U/M	Description
1	081568-02-U01	EA	Window Asm - 62 x 31 - Double Tipout (w/o inside frame)
*	081822-06-000	EA	Inside Frame - Black (not included in assembly)
2	018434-01-U01	EA	Window Asm - Tipout - Right Hand
3	081434-02-U01	EA	Window Asm - Tipout - Left Hand
	081239-07-000	EA	Glass - Tipout - 1/8 x 30 x 8 3/4 - Left or Right
4	083112-05-000	EA	Mullion - Black
5	081814-01-000	EA	Mullion - Black
	081422-01-U01	EA	Screen Asm - Tipout - Right Hand
	081422-02-U01	EA	Screen Asm - Tipout - Left Hand
	081243-01-000	EA	Screen Clip - Plastic - Black
	035302-01-000	EA	Operating Mech - Right Hand
	035302-02-000	EA	Operating Mech - Left Hand
6	081239-11-000	EA	Glass - Stationary - 1/8 x 61 3/4 x 20 1/2
7	083180-01-000	EA	Window Seal
	081357-01-000	EA	Bulb Seal (Tipout)
	081359-01-000	EA	Window Seal (Tipout)
	002291-02-000	SF	Screen - Window - 16 - Charcoal
	002298-02-000	FT	Spline - 130 Dia - Charcoal
*			Not illustrated

WINDOW, VENT & EXTERIOR DOOR GROUP (CONTINUED)



Key	Part Number	U/M	Description
1	078453-01-T03	EA	Window Asm - Vertical Slider - 37 x 15" - Black (w/o inside frame)
	083122-02-000	EA	Inside Frame - Brown (not included in assembly)
2	081980-03-000	EA	Glass - Slider - 1/8 x 14 4 x 19
3	002324-02-000	FT	Channel - Weatherstrip - Glass Run - 1/8 Glass
4	069640-06-000	FT	Ribbon Sealer - 5/16 Bead x 15
5	002309-02-007	FT	Spline - Glass - 1/8" Material - Black
6	M69886-03-007	EA	Seal Holder w/Fin Seal - Black
7	057374-02-000	FT	Extr Rubber - Window Seal - Black
8	073740-01-000	FT	Seal - Fin - Pile - 460
9	078562-01-000	EA	Mullion - Slider Window - Black
10	002298-02-000	FT	Spline - 130 Dia - Charcoal (Screen)
11	081984-02-000	EA	Glass - Stationary - 1/8 x 14 4 x 19
12	047369-01-700	EA	Latch Kit - Window - Plastic w/Fastener
	079204-01-000	EA	Bracket - Mullion - Black
	002291-02-000	SF	Screen - Window 16 - Charcoal
			Not illustrated

**1986 ITASCA
TABLE OF CONTENTS**

IT319RB
IC421RB
IF426RT
ICN26RH
ICP28RU

A-01 - B-16
B-17 - D-16
D-17 - F-22
F 23 - I 06
I-07 - K-18

1986 IC421RB INDEX

Floor Plan	B 17 - B-18
Accessories Group	B 19 - B-21
Bath Group	B-22
Chassis Group	B-23 - B-24
Curtain Cushion & Pad Group	C-01 - C-07
Dinette Group	C-08
Driver's Compartment Group	C-09 - C-10
Electrical Group	C-11 - C-13
Exterior Body Group	C-14 - C-19
Galley Group	C-20 - C-21
Heating & Air Conditioning Group	C-22
Interior Finish Group	C-23 - D-01
LP Group	D-02
Lounge Group	D-03
Water & Sewage Group	D 04 - D-05
Window, Vent & Exterior Door Group	D-06 - D-16