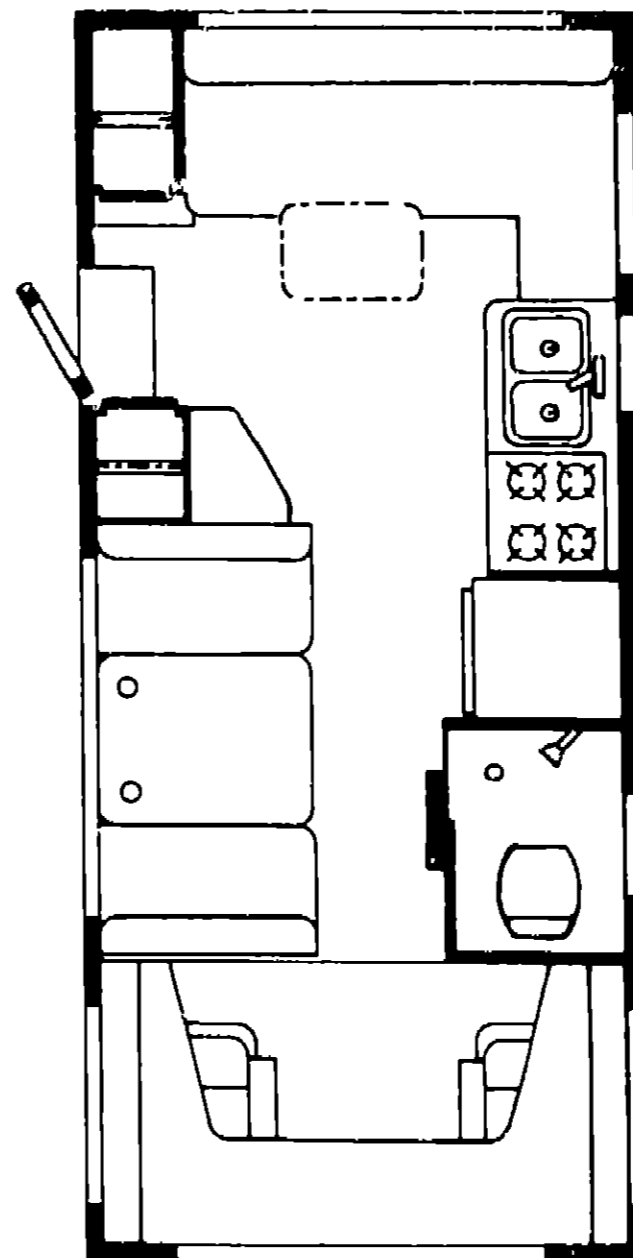


# 1986 IC420RG



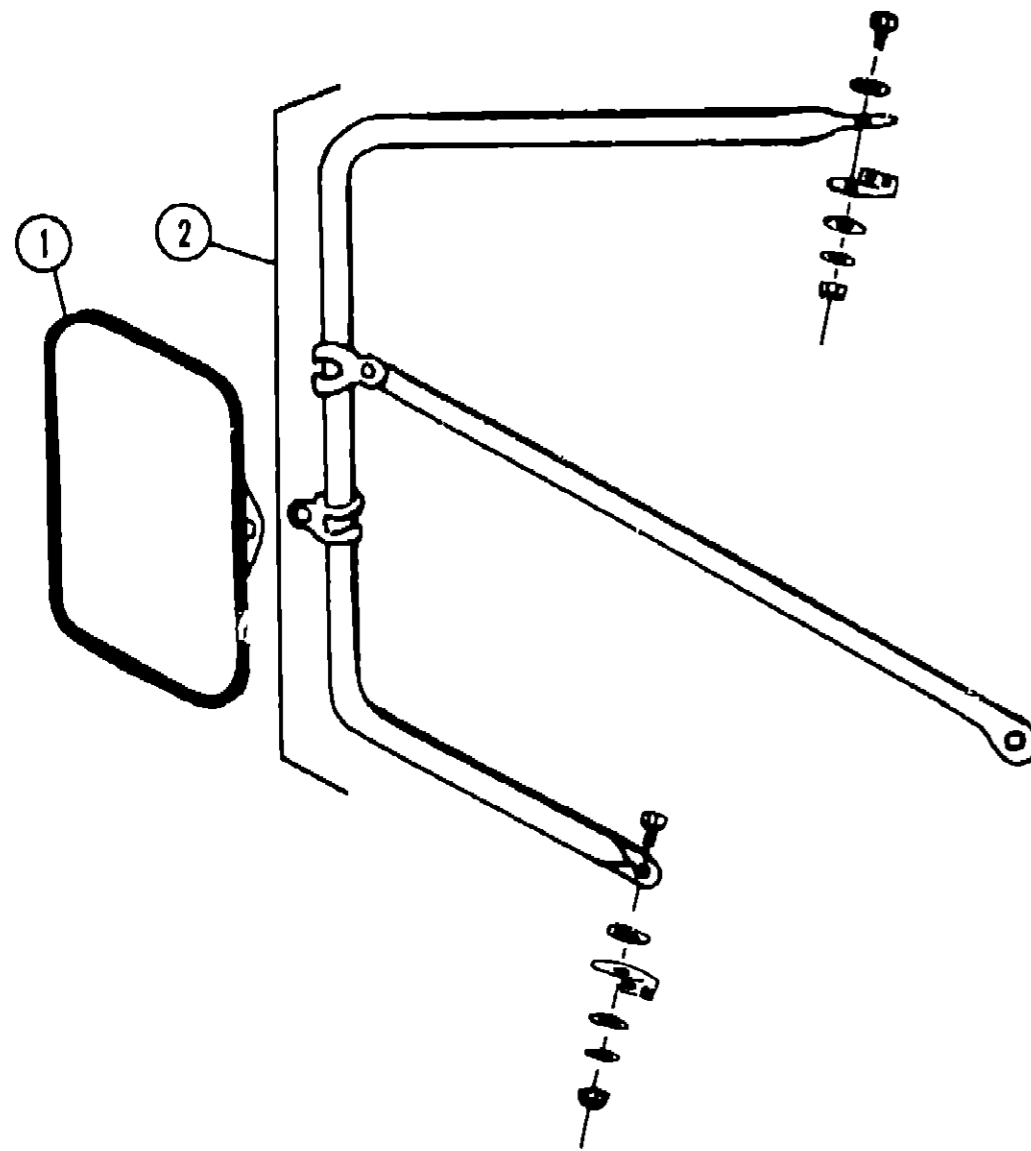
## 1986 ITASCA TABLE OF CONTENTS

IC420RG	A 01 - C 02
IC424RS	C 03 - F 10
ICN23RG	E-11 - G 23
ICN27RT	H 01 - J 14

## 1986 IC420RG INDEX

Floor Plan	A 01 - A-02
Accessories Group	A 03 - A 05
Bath Group	A-06
Chassis Group	A 07 - A-08
Curtain Cushion & Pad Group	A 09 - A-15
Dinette Group	A-16
Driver's Compartment Group	A 17 - A-18
Electrical Group	A 19 - A 21
Exterior Body Group	A-22 - B 03
Galley Group	B 04 - B-05
Heating & Air Conditioning Group	B 06
Interior Finish Group	B 07 - B 09
LP Group	B-10
Lounge Group	B-11
Water & Sewage Group	B-12 - B 13
Window Vent & Exterior Door Group	B 14 - C-02

## ACCESSORIES GROUP



EXTERIOR MIRRORS

Key	Part Number	U/M	Description
1	049347-01-000	EA	Mirror Head - 7.5 x 10.5 - Stainless Steel
2	062047-01-000	EA	Arm - West Coast Mirror - Stainless Steel
2	062047-02-000	EA	Arm - West Coast Mirror - Off White
	006043-01-000	EA	Mirror - Convex - Adhesive Back
	Not illustrated		

## GENERATORS & COMPONENTS

Key	Part Number	U/M	Description
	080475-01-000	EA	Panel Asm - Control - 2 kw Kohler
	080662-01-000	EA	Exhaust Pipe - 2.5 kw Kohler
	080749-01-000	EA	Muffler Kit - 2.5 kw Kohler
	083561-01-000	EA	Generator - 2.5 kw - Kohler
	052168-01-000	EA	Generator - Onan - 4.25 kw

## ACCESSORIES GROUP (CONTINUED)

### MISCELLANEOUS ACCESSORIES

Key	Part Number	U/M	Description
	054185-24-000	EA	Owner's Manual - 1986 - Itasca & Winnabago
	706053-02-000	EA	Antenna - TV Skyliner w/8' Shaft - Braun Delux
	076319-01-000	EA	Antenna - TV - Roof Mount - 44.5"
	076319-01-700	EA	Sensor - RVSA Antenna
	076319-01-701	EA	Elevating Gear - TV Antenna
	076319-01-702	EA	Elevating Shaft Asm - TV Antenna
	076319-01-703	FA	Nylon Bearing - 5" - TV Antenna
	076319-01-704	EA	Nylon Bearing - #200657 - TV Antenna
	076319-01-705	EA	Nylon Bearing - #200658 - TV Antenna
	076319-01-706	EA	Crank - TV Antenna
	076319-03-000	FT	Cable - Coaxial 1000' 75 OHM
	076319-04-000	EA	Connector & Ferrule
	076319-05-000	EA	Wall Plate - Power Supply - Ivory
	076319-06-000	EA	Adapter - Cable Roof Plate
	076319-07-000	EA	Wallplate - Power Supply - Brown
	076319-08-000	EA	Wallplate - Receptacle - Ivory
	076319-09-000	EA	Wallplate - Receptacle - Brown
	076319-11-000	CA	Adaptor - Coax w/Spiltter
	017516-01-000	EA	Mud Flap w/Holes - 14 x 18' - Black (Rear)
	064089-01-000	EA	Mud Flap - Black (Front)
	041944-03-000	EA	Fire Extinguisher w/Bracket - 5 BC
	081379-01-000	EA	Microwave Oven - Sharp
	082876-01-000	EA	Baffle Microwave
	081456-01-000	EA	Angle Asm - Microwave - Right
	081456-02-000	EA	Angle Asm - Microwave - Left
	081459-08-000	EA	Bracket Asm - Microwave - Right
	081459-02-000	EA	Bracket Asm - Microwave - Left
	081555-01-T03	EA	Trim - Microwave Oven
	081016-01-T03	EA	Ladder Asm
	067130-01-000	EA	Ladder Step
	081026-01-000	EA	Rack Asm - Left
	081026-02-T03	EA	Rack Asm - Right
	076980-02-000	EA	End Cap - Ladder Step
	081114-01-000	EA	Cap - Insert - Rack Rail
	067125-01-000	EA	Standoff - Rack & Ladder
	067105-01-000	EA	Mounting Bracket - Rack & Ladder
	069629-01-000	EA	Speed Control Package - Electric - Dana
	072852-01-000	EA	Smoke Detector w/9 Volt Battery
	079664-02-000	EA	Weather Center - 7 x 7 x 2
	079664-01-000	EA	Clock - 7 x 7 x 2
	006069-01-000	EA	Key Case - Leather
	040069-01-000	EA	Door Mat - 10.5 x 26 - Black Rubber
	080203-01-000	EA	Lug Wrench - 1 x 1.25 x 16.3
	080208-02-000	EA	Leverage Bar - 22 - Lug Wrench
	006113-01-000	EA	Jack - Hydraulic - 6 Ton - w/Handle
	079799-01-000	EA	Tire Cover Asm
	M02047-01-T95	EA	Panel Asm - Door - Tire Cover
	083181-02-000	EA	Wheel Cover - 16.5 - Delmet (Set/4)
	083187-02-700	EA	Wheel Cover - 16.5 - Delmet (1)

The illustrated parts breakdown for this item is provided on the Common Tables Fiche

## 1986 ITASCA TABLE OF CONTENTS

IC420RG	A 01 - C 02
IC424RS	C 03 - E-10
ICN23RG	E 11 - G-23
ICN27RT	H 01 - J-14

## 1986 IC420RG INDEX

Floor Plan	A-01 - A 02
Accessories Group	A-03 - A 05
Bath Group	A-06
Chassis Group	A 07 - A 08
Curtain Cushion & Pad Group	A-09 - A-15
Dinette Group	A 16
Driver's Compartment Group	A-17 - A 18
Electrical Group	A-19 - A-21
Exterior Body Group	A-22 B 03
Galley Group	B 04 B 05
Heating & Air Conditioning Group	B 06
Interior Finish Group	B 07 B 09
LP Group	B 10
Lounge Group	B 11
Water & Sewage Group	b-12 - B 13
Window Vent & Exterior Door Group	B-14 C 02

## ACCESSORIES GROUP (CONTINUED)

### RADIO & RELATED COMPONENTS

Key	Part Number	U/M	Description
	007004 01 000	EA	Antenna - Radio - Cab Mount
	064792 01 000	EA	Grille - Speaker - 5 25" - w/Mesh - Brown
	073430 02 000	EA	Radio - AM/FM MPX w/Cassette - Electronic Tune - Audlovox HCC1150
	074487 02 000	FA	Radio - AM/FM MPX w/Cassette - Audlovox - HCC365
	064791 01 000	EA	Speaker - Recessed - 5 25"
	073431 01 000	EA	Speaker 5 25" - 3/Way (Pair)
	073741 02 000	EA	Speaker - 4" x 6" - Oval
	074879 01 000	EA	Speaker Cover Protector - Plastic

### CHROME WHEEL LINERS

Key	Part Number	U/M	Description
	081608 07 000	EA	Cover - Rear Axle Chrome
	081608 08 000	EA	Cover - Front Axle Chrome
	081608 09 000	EA	Liner - Front Wheel - Chrome
	081608-10 000	EA	Liner - Rear Wheel - Chrome
	081608 05 000	EA	Lug Nut Cover Chrome
	081608 06 000	EA	Spiral Ring

## BATH GROUP

### BATH CABINETRY

Key	Part Number	U/M	Description
	083669 01 U01	EA	Door Asm Bathroom - 21,5" x 69 8' w/o Hardware
	080744 01 000	EA	Medicine Cabinet w/Oak Frame
	M02633 01 U01	EA	Cabinet Asm - Fold up Sink - Complete
	083642 01 U01	EA	Cabinet Asm Sink - Foldup
	083656 01 U22	EA	Cabinet Asm, - Lavatory
	M02596 01 U01	EA	Countertop Asm - Flip up Sink - Top
	M02597 01-U01	EA	Countertop Asm - Flip up Sink - Bottom
	082169 01 000	EA	Light Asm - Make up 3 Bulb

### BATH HARDWARE

Key	Part Number	U/M	Description
	075240 03 000	EA	Faucet Lavatory - US - Brass
	075241 03 000	EA	Faucet Shower - US Brass
	009134 01 000	EA	Holder Tissue
	075452 02 000	EA	Holder Tissue Brass
	059777-01-000	EA	Hinge Antique Brass
	066435 01-000	EA	Nut Strainer - Plastic
	057671-01 000	EA	Screw Cover (No 8)
	011048-02 000	EA	Shower Head w/60' Hose
	M02606 01-000	EA	Shower Pan
	083510 01-000	EA	Sink - Lavatory Batn - Fold Up
	083511-01-000	EA	Catch Basin - Lavatory Sink
	066436 01-000	EA	Slip Nut - 1 5 Tailpiece Bathtub
	066440 01-000	EA	Strainer - Shower Pan - w/Rubber Washer
	011083 01 000	EA	Tail Piece - 1 25' x 5' - Plastic - w/Stopper
	064076 01 000	EA	Toilet - Thetford - Aqua Magic - Ivory - Model 50
	083801-01-000	EA	Track Asm - Shower Curtain
	052586-01-000	EA	Ventilator - Skylight - Round
	033580-01-000	EA	Towel Ring - Chrome - w/Plastic Ring
	064467-01-000	EA	Door Guide - Wall Mount
	075454 02-000	EA	Towel Ring Brass
	050712-04 000	EA	Handle - Shower Door
	069735 01 000	EA	Washer - Tailpiece - 1 5 Plastic
	009156-01-000	EA	Hanger - Sliding Door
	074470 01-000	EA	Pull - Release Pin Hinge - Right
	074470 02-000	EA	Pull - Release Pin Hinge - Left

The illustrated parts breakdown for this item is provided on the Common Items Fiche

## 1986 ITASCA TABLE OF CONTENTS

IC420RG	A 01	C 02
IC424RS	C-03	E 10
ICN23RG	E-11	G 23
ICN27RT	H 01	J-14

## 1986 IC420RG INDEX

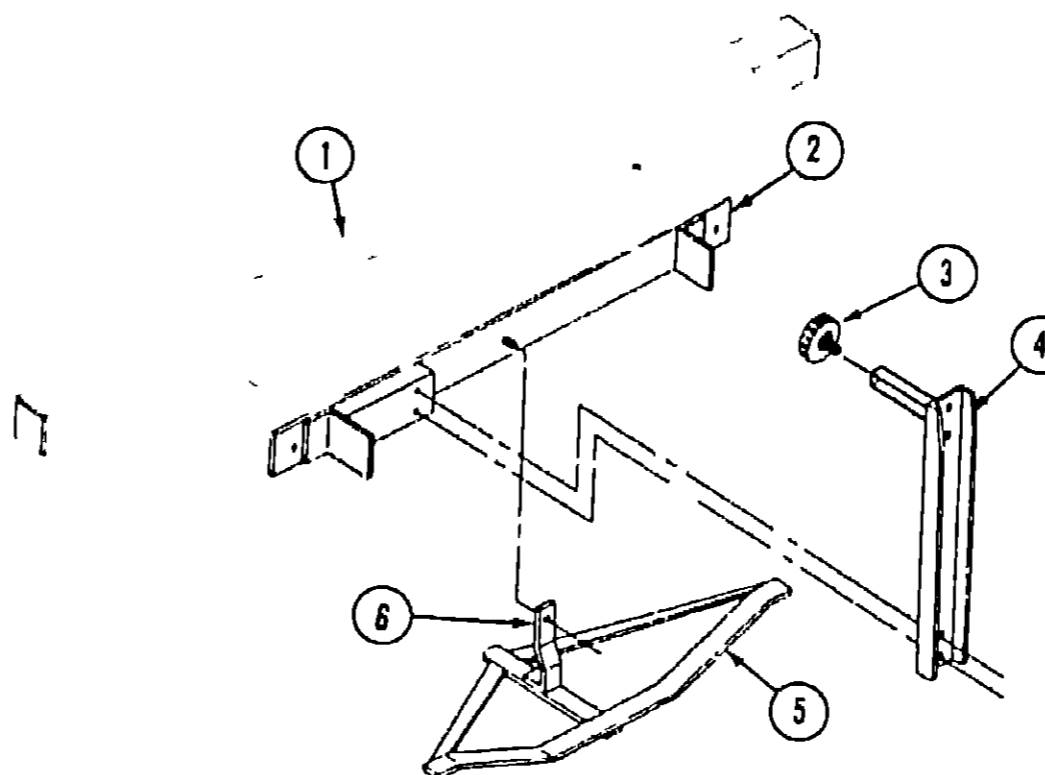
Floor Plan	A 01	A 02
Accessories Group	A 03 - A-05	
Bath Group		A-06
Chassis Group	A 07 - A-08	
Curtain Cushion & Pad Group	A 09 - A-15	
Dinette Group		A-16
Driver's Compartment Group	A 17 - A-18	
Electrical Group	A-19 - A-21	
Exterior Body Group	A 22	B-03
Galley Group	B-04 - B 05	
Heating & Air Conditioning Group		B-06
Interior Finish Group	B 07 - B-09	
LP Group		B 10
Lounge Group		B 11
Water & Sewage Group	B 12 - B-13	
Window Vent & Exterior Door Group	B 14	C-02

## CHASSIS GROUP

Key	Part Number	U/M	Description
	057622 01-000	EA	Battery Tray Asm
	047441 01 000	EA	Battery Terminal - Horizontal Lug
	065451 02 000	EA	Bracket - Battery Tie Down 10 8"
	065451 03 000	EA	Bracket - Battery Tie Down - 11"
	022150 01 000	EA	Bracket - Bumper - Rear
	010497 01-000	EA	Clamp - Closed 5/8" I D
	010499 01-000	EA	Clamp - Closed 3/8" I D
	007161 01 000	EA	Clamp Hose - Spring Type 112
	062401-01-000	EA	Clamp Hose - Wormgear 22" I D - 1" I D
	062401 03 000	EA	Clamp Hose - Wormgear - 25" I D - 1" I D
	062401 04 000	EA	Clamp Hose - Wormgear - 69" I D - 1 25" I D
	062401 09 000	EA	Clamp Hose - Wormgear - 2 8" x 3 75"
	023148-01 000	EA	Clamp Screw Type 4
	081938 01 000	EA	Compartment - LP Regulator
	007131 01 000	EA	Hanger - Tail Pipe
	058488 01 000	EA	Heat Shield Muffler
	024138 01-000	EA	Hose - Fuel - 5/16" I D SAF 30RI
	006113 01-000	EA	Jack - Hydraulic - 6 Ton w/Handle
	080208 02 000	EA	Leverage Bar Lug Wrench
	080208 01-000	EA	Lug Wrench 1 08 x 1
	017516 01-000	EA	Mud Flap w/Holes - 14 x 18 Black
	064089 01 000	EA	Splash Guard - Black Rubber
	062400 02 000	EA	Rim - Wheel - 10 5 x 6 00 - 8 Hole
	079942 03 000	EA	Shock Absorber Stabilizer - Front
	079942 04 000	EA	Shock Absorber Stabilizer - Rear
	080449 01 000	EA	Step Asm - Entry
	080359 01 000	EA	Step Well Plate
	037291-01-000	EA	Tire - 8 00 x 16 5 - 8 Ply Poly
	057665 02 000	EA	Tire 8 00 x 16 5 - White Sidewall - Radial
	051377-01 000	EA	Valve Stem Asm TR500
	077030 02 000	EA	Extension - Valve Stem
	057724-01-000	EA	Wheel Well - Plastic
	008343 01-000	EA	Wire Tie - 6
	063303 04-000	EA	Shroud - Fuel Fill Lower
	078040 01-000	EA	Shroud - Fuel Fill - Upper
	079384 01-000	EA	Running Board Set - w/Wheel Flares
	079384-01-700	EA	Hardware - Running Board
	079384-01-701	EA	Tread Molding
	079384 01-702	EA	Wheel Trim - Chrome
	079384-03 000	EA	Running Board - Right
	079384-04 000	EA	Running Board Left
	079384 07 000	EA	Mounting Bracket Running Board
	079384 08 000	EA	Hanger Strap - Running Board

NOTE Remainder of exhaust components available from Chassis Service Center

## CHASSIS GROUP (CONTINUED)



REAR BUMPER & TRAILER HITCH

Key	Part Number	U/M	Description
1	064602 01-000	EA	Bumper Asm - Square 92 Off White
	039779 01-000	EA	Cap - Rubber - 4 x 4 Square Bumper
2	064601 01-000	EA	Bracket Bumper Mount
3	064082-02-000	EA	Retaining Nut - Tire Cover
4	079027-01 000	EA	Bracket Asm - Spare Tire Cover
	079799-01 000	EA	Tire Cover Asm Off White
	077408 02 000	EA	Lock Asm Key Type
5	064833 02-000	EA	Trailer Hitch Asm
6	064824 02-000	EA	Support - Trailer Hitch
	041332-02 000	EA	Reflector - 6 5 x 7 5 - Bumper Cover
	041332 03 000	EA	Bumper Cover - Aluminum Fits 4 Square Bumper
	M02047-01-T95	EA	Door Asm - Tire Cover
			Not illustrated

## 1986 ITASCA TABLE OF CONTENTS

IC420RG	A-01	C 02
IC424RS	C 03	E-10
ICN23RG	E 11	G 23
ICN27RT	H 01	J 14

## 1986 IC420RG INDEX

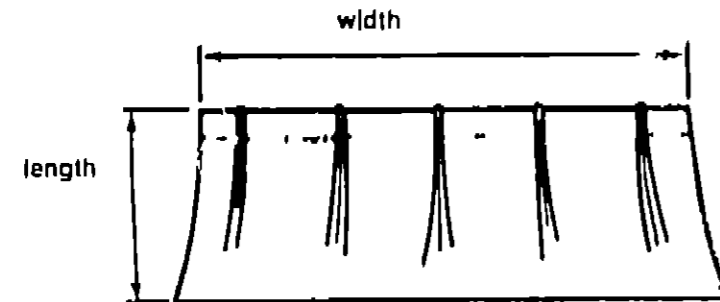
Floor Plan	A 01	A-02
Accessories Group	A 03	A 05
Bath Group		A-06
Chassis Group	A 07	A 08
Curtain Cushion & Pad Group	A 09	A 15
Dinette Group		A-16
Driver's Compartment Group	A-17	A 18
Electrical Group	A-19	A 21
Exterior Body Group	A 22	B 03
Galley Group	B 04	B 05
Heating & Air Conditioning Group		B-06
Interior Finish Group	B 07	B 09
LP Group		B 10
Lounge Group		B 11
Water & Sewage Group	B 12	B 13
Window Vent & Exterior Door Group	B-14	C-02

**CURTAIN, CUSHION & PAD GROUP**

**NOTICE**

In order to assist our Parts Sales Dept. in providing interior software items, please include the serial number and the color code number from the vehicle certification label when ordering. This label is located on the left sidewall at the end of the dash (A Body) or on the driver's door latch plate (C Body).

An example of a color code number is P31, which designates an overall color scheme of a particular unit. The color listed after the item description on the microfiche, indicates the overall unit color. Order the item you desire according to unit color code.



**NOTE**

Use this illustration when determining length and width measurements for curtains. You will note the width measurement is taken on the top of the curtain with the curtain fully extended. The length measurement is taken from top to bottom.

**CURTAIN & CUSHION HARDWARE**

Key	Part Number	U/M	Description
	075477-02 000	EA	Bracket - Blinds Retainer
	082228 01-000	EA	Bracket - Curtain Rod - Right
	082228 02 000	EA	Bracket - Curtain Rod - Left
	056003 02-000	EA	Bracket - Drapery Retainer - Left
	056003-01-000	EA	Bracket - Drapery Retainer - Right
	075477-03 000	EA	Bracket - Hold Down - Blind
	056001-01-000	EA	Bracket - Shade - Left
	056002-01-000	EA	Bracket - Shade - Right
	039175 01-000	EA	Curtain Rod - Extension 48 x 84
	009107-01-000	EA	Guide - Nylon Snap - Curtain
	056784 02-000	EA	Pull - Window Shade Brass
	056115 01 000	YD	Tape - Clear Plastic - w/Guides
	048394-01-000	YD	Tape Hook - 1' x 25 yd - Beige
	029096-05 000	YD	Tape Hook - 50' - Velcro - Beige
	048395 01 000	YD	Tape Loop - 1' x 25 YD Beige
	029090 01-000	FT	Tie - Drapery - Clear Vinyl
	056116-01 000	EA	Track - Curtain - Brown Plastic
	053272 01 000	EA	Track Curtain 16
	076827 01 000	EA	Bracket - Curtain Wovenwood - Right
	076827 02 000	EA	Bracket - Curtain - Wovenwood - Left
	079798 03 000	EA	Bracket Asm - Curtain Rod - Right
	079798 04 000	EA	Bracket Asm - Curtain Rod - Left
	082249 01 000	EA	Bracket Blinds - Beige - Right
	082249 02 000	EA	Bracket - Blinds - Beige - Left
	079619 01 000	EA	Bracket - Tie Down

**CURTAIN, CUSHION & PAD GROUP (CONTINUED)**

**FABRICS, TRIMS & PADS**

Key	Part Number	U/M	Description
	072333 21 000	YD	Fabric Drapery Parchment
	077498 65 000	YD	Fabric w/Pattern - Upholstery - Blue/Gray (U10)
	077498 66 000	YD	Fabric w/Pattern Upholstery - Melon (U11)
	077498 67 000	YD	Fabric w/Pattern - Upholstery Plum/Beige (U12)
	077498 68 000	YD	Fabric w/Pattern - Upholstery Accent Melon (U11)
	077498 70 000	YD	Fabric Upholstery/Draperies - Accent Plain Blue/Gray (U10)
	077498 71 000	YD	Fabric Upholstery/Draperies - Accent - Plain Melon (U11)
	077498 69 000	YD	Fabric - Upholstery/Draperies - Accent - Plain Plum/Beige (U12)
	069729 25 000	YD	Fabric - Bedsread/Draperies - Main - Blue/Gray (U10)
	069729 26 000	YD	Fabric Bedsread/Draperies - Main - Melon (U11)
	069729 27 000	YD	Fabric Bedsread/Draperies - Main - Plum/Beige (U12)
	069729 28 000	YD	Fabric - Bedsread - Accent - Blue/Gray (U10)
	069729 29 000	YD	Fabric - Bedsread - Accent - Melon (U11)
	069729 30 000	YD	Fabric - Bedsread - Accent - Plum/Beige (U12)
	038421 01 000	YD	Fabric - Mattress Ticking
	052859 01 T03	FT	Trim Asm - Accent - Sandrift
	052859 05 T03	FT	Trim Asm - Accent - Buckskin
	079680 01 000	YD	Vinyl - Expanded 26 oz - Buckskin
	079680 02 000	YD	Vinyl - Expanded 26 oz - Sandrift
	070578 06 T03	EA	Button Asm - #30 - Vinyl
	070578 04 U10	EA	Button Asm - Screw Stud #30 - Blue/Gray
	070578 04 U11	EA	Button Asm - Screw Stud #30 - Melon
	070578 04 U12	EA	Button Asm - Screw Stud #30 - Plum/Beige
	071127-10 U10	EA	Button Asm #30 - Blue/Gray
	071127-10 U11	EA	Button Asm #30 - Melon
	071127-10 U12	EA	Button Asm - #30 - Plum/Beige
	078155 01 000	EA	Strap Asm - Cushion
	079144 02 000	EA	Strap Asm - Bunk
	081200 04 U01	EA	End Cap Asm Overhead - Dinette - Vinyl
	082825 02-U01	EA	End Cap Asm - Overhead Galley Vinyl
	081280 10 U01	EA	End Cap Asm - Microwave - Overhead - Galley - Vinyl
	081519 01 U10	EA	Pad Asm - Dinette - Front - Blue/Gray
	081519 01 U11	EA	Pad Asm - Dinette - Front - Melon
	081519-01-U12	EA	Pad Asm - Dinette - Front - Plum/Beige
	081519 02 U10	EA	Pad Asm - Dinette - Rear - Blue/Gray
	081519 02-U11	EA	Pad Asm - Dinette - Rear - Melon
	081519-02-U12	EA	Pad Asm - Dinette - Rear - Plum/Beige
	059491 01 U10	EA	Pad Asm - Door - Upper - Passenger
	059491-01 U11	EA	Pad Asm - Door - Upper - Passenger
	059491 01 U12	EA	Pad Asm - Door - Upper - Passenger
	059492 01 U10	EA	Pad Asm - Door - Upper - Driver
	059492-01-U11	EA	Pad Asm - Door - Upper - Driver
	059492 01-U12	EA	Pad Asm - Door - Upper - Driver
	082552 02-U10	EA	Pad Asm - Door - Lower - Passenger
	082552 02-U11	EA	Pad Asm - Door - Lower - Passenger
	082552-02 U12	EA	Pad Asm - Door - Lower - Passenger
	082552 03 U10	EA	Pad Asm - Door - Lower - Driver
	082552-03 U11	EA	Pad Asm - Door - Lower - Driver
	082552 03 U12	EA	Pad Asm - Door - Lower - Driver

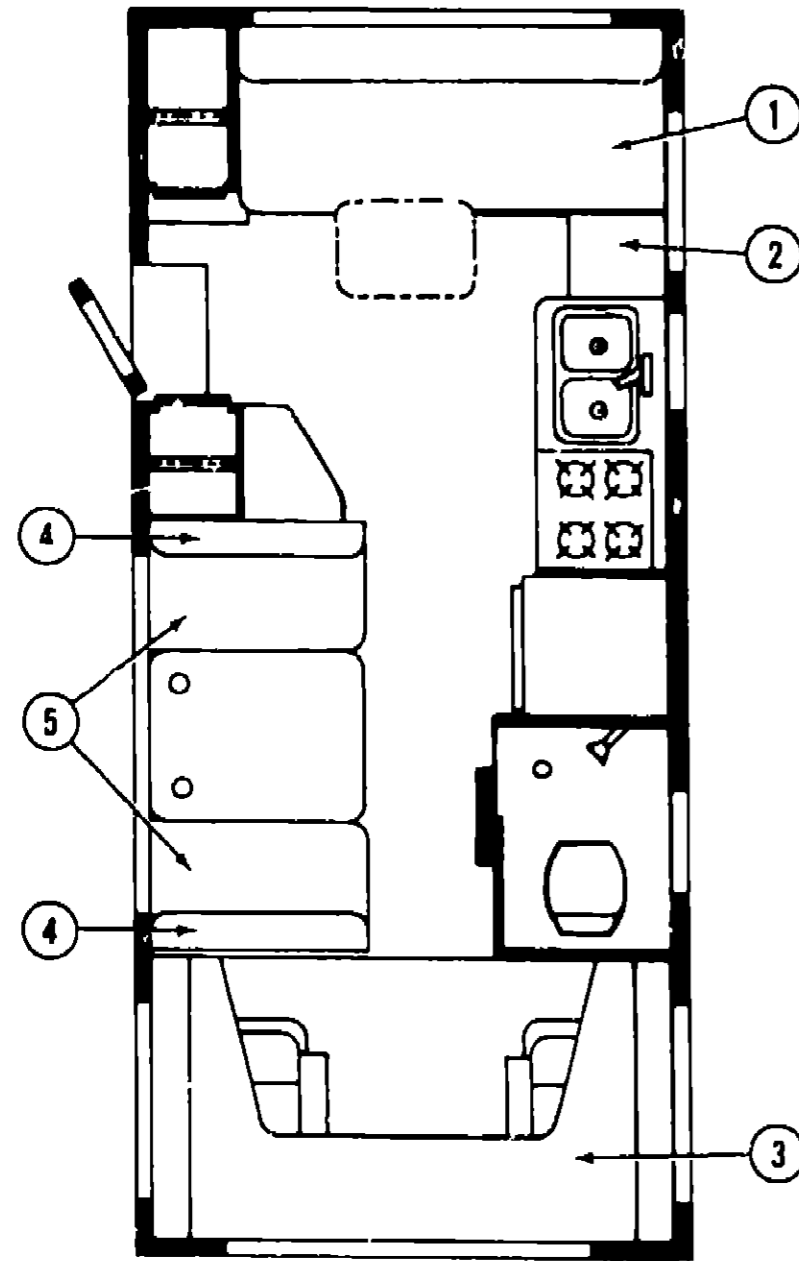
**1986 ITASCA  
TABLE OF CONTENTS**

IC420RG	A 01	C 02
IC424R1	C 03	E 10
ICN23R1	E 11	G 23
ICN27R1	H 01	J 14

**1986 IC420RG INDEX**

Floor Plan	A 01 - A 02
Accessories Group	A 03 - A-05
Bath Group	A-06
Chassis Group	A 07 - A-08
Curtain, Cushion & Pad Group	A 09 - A-15
Dinette Group	A-16
Driver's Compartment Group	A 17 - A-18
Electrical Group	A-19 - A-21
Exterior Body Group	A 22 - B 03
Galley Group	B 04 - B-05
Heating & Air Conditioning Group	B-06
Interior Finish Group	B 07 - B-09
LP Group	B-10
Lounge Group	B-11
Water & Sewage Group	B 12 - B-13
Window Vent & Exterior Door Group	B 14 - C-02

**CURTAIN, CUSHION & PAD GROUP (CONTINUED)**



**REAR LOUNGE CUSHIONS**

Key	Part Number	U/M	Description
1	073900 13 U10	EA	Cushion - Lester Lounge - Back & Bottom - 76
1	073900 14 U11	EA	Cushion - Lester Lounge - Back & Bottom - 76
1	073900-13 U12	EA	Cushion - Lester Lounge - Back & Bottom - 76
	M73900 13 U10	EA	Cover - Lester Lounge - Back & Bottom - 76
	M73900 14 U11	EA	Cover - Lester Lounge - Back & Bottom - 76
	M73900 13 U12	EA	Cover - Lester Lounge - Back & Bottom - 76
2	081998 38 U10	EA	Cushion - Lounge Bottom - 22.5 x 15 x 5
2	081998 44 U11	EA	Cushion - Lounge Bottom - 22.5 x 15 x 5
2	081998 38 U12	EA	Cushion - Lounge Bottom - 22.5 x 15 x 5
	M81998 38 U10	EA	Cover - Lounge Bottom Cushion - 22.5 x 15 x 5
	M81998 44 U11	EA	Cover - Lounge Bottom Cushion - 22.5 x 15 x 5
	M81998 38 U12	EA	Cover - Lounge Bottom Cushion - 22.5 x 15 x 5

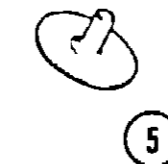
**CURTAIN, CUSHION & PAD GROUP (CONTINUED)**

**FRONT OVERHEAD BUNK CUSHIONS**

Key	Part Number	U/M	Description
3	073310 05 U10	EA	Cushion Asm - Front Bunk Two Fold - 24.5' x 29.5' x 76' x 4'
3	073310 05 U11	EA	Cushion Asm - Front Bunk Two Fold - 24.5' x 29.5' x 76' x 4'
3	073310 05 U12	EA	Cushion Asm - Front Bunk Two Fold - 24.5' x 29.5' x 76' x 4'
	M73310 05 U10	EA	Cover Asm - Front Bunk Cushion - Two Fold
	M73310 05 U11	EA	Cover Asm - Front Bunk Cushion - Two Fold
	M73310 05 U12	EA	Cover Asm - Front Bunk Cushion - Two Fold

**DINETTE CUSHION**

Key	Part Number	U/M	Description
4	081998 01 U10	EA	Cushion Asm - Dinette Back - 19.25' x 38' x 5'
4	081998 07-U11	EA	Cushion Asm - Dinette Back - 19.25' x 38' x 5'
4	081998 01-U12	EA	Cushion Asm - Dinette Back - 19.25' x 38' x 5'
	M81998 01 U10	EA	Cover Asm - Dinette Back Curtain - 19.25' x 38' x 5'
	M81998 07 U11	EA	Cover Asm - Dinette Back Curtain - 19.25' x 38' x 5'
	M81998 01 U12	EA	Cover Asm - Dinette Back Curtain - 19.25' x 38' x 5'
5	081998 02 U10	EA	Cushion Asm - Dinette Bottom - 17.5' x 38' x 5'
5	081998 08 U11	EA	Cushion Asm - Dinette Bottom - 17.5' x 38' x 5'
5	081998 02 U12	EA	Cushion Asm - Dinette Bottom - 17.5' x 38' x 5'
	M81998 02 U10	EA	Cover Asm - Dinette Bottom Cushion - 17.5' x 38' x 5'
	M81998 08 U11	EA	Cover Asm - Dinette Bottom Cushion - 17.5' x 38' x 5'
	M81998 02 U12	EA	Cover Asm - Dinette Bottom Cushion - 17.5' x 38' x 5'



Key	Part Number	U/M	Description
1	029130 01 000	EA	Socket - Snap Fastener
2	029155 01-000	EA	Cap - Snap - 156 Dia x 17 Barrel
3	029156 01 000	EA	Socket - Snap Fastener
4	029092 01 000	EA	Stud - Nickel Finish
5	029093 01-000	EA	Eyelet - Nickel Finish

**1986 ITASCA  
TABLE OF CONTENT'S**

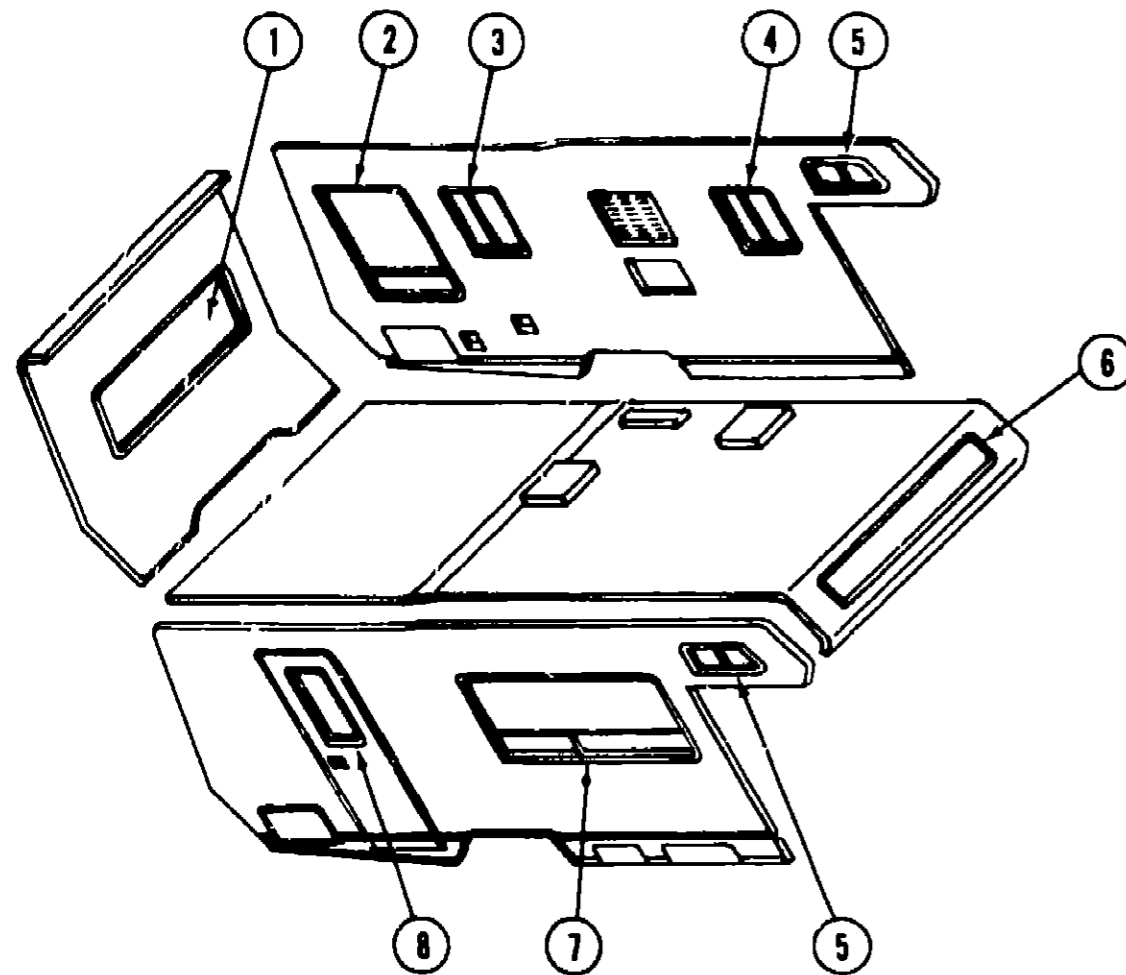
IC420RG	A 01 - C 02
IC424RS	C 03 - E-10
ICN23RG	L-11 - G 23
ICN27RT	H 01 - J 14

**1986 IC420RG INDEX**

Floor Plans	A-01 - A-02
Accessories Group	A-03 - A-05
Bath Group	A-06
Chassis Group	A-07 - A-08
Curtain Cushion & Pad Group	A-09 - A-15
Dinette Group	A-16
Driver's Compartment Group	A-17 - A-18
Electrical Group	A-19 - A-21
Exterior Body Group	A-22 - B-03
Galley Group	B-04 - B-05
Heating & Air Conditioning Group	B-06
Interior Finish Group	B-07 - B-09
LP Group	B-10
Lounge Group	B-11
Water & Sewage Group	B-12 - B-13
Window Vent & Exterior Door Group	B-14 - C-02

**CURTAIN, CUSHION & PAD GROUP (CONTINUED)**

**CURTAIN, CUSHION & PAD GROUP (CONTINUED)**



**CURTAIN, VALANCES, SHADES & TIEBACKS**

Key	Part Number	U/M	Description
1	079542-13-U10	EA	Curtain w/Darts - 29 5 x 16
1	079542-13-U11	EA	Curtain w/Darts - 29 5 x 16
1	079542-13-U12	EA	Curtain w/Darts - 29 5 x 16
1	M81977-09-U13	EA	Valance Asm - Padded (U10)
1	M81977-09-U14	EA	Valance Asm - Padded (U11)
1	M81977-09-U15	EA	Valance Asm - Padded (U12)
1	082118-34-000	EA	Blind - 71 x 29 Drop (U10)
1	082118-35-000	EA	Blind - 71 x 29 Drop (U11)
1	082118-36-000	EA	Blind - 71 x 29 Drop (U12)
1	079543-08-U10	EA	Curtain w/Darts - 31 x 16 (Woven Wood)
1	079543-08-U11	EA	Curtain w/Darts - 31 x 16 (Woven Wood)
1	079543-08-U12	EA	Curtain w/Darts - 31 x 16 (Woven Wood)
1	082127-34-000	EA	Shade Woven Wood - 71 x 30 Drop (U10)
1	082127-35-000	EA	Shade Woven Wood - 71 x 30 Drop (U11)
1	082127-36-000	EA	Shade Woven Wood - 71 x 30 Drop (U12)
2	070652-31-U10	EA	Curtain w/Tape Top - 41 x 10
2	070652-31-U11	EA	Curtain w/Tape Top - 41 x 10
2	070652-31-U12	EA	Curtain w/Tape Top - 41 x 10
2	M81977-08-U10	EA	Valance Asm - Padded - Lounge/Galley
2	M81977-08-U11	EA	Valance Asm - Padded - Lounge/Galley
2	M81977-08-U12	EA	Valance Asm - Padded - Lounge/Galley
2	082118-19-000	EA	Blind - 30 x 39 Drop (U10)
2	082118-20-000	EA	Blind - 30 x 39 Drop (U11)
2	082118-21-000	EA	Blind - 30 x 39 Drop (U12)
2	079543-14-U10	EA	Curtain w/Darts - 41 x 10 (Woven Wood)
2	079543-14-U11	EA	Curtain w/Darts - 41 x 10 (Woven Wood)
2	079543-14-U12	EA	Curtain w/Darts - 41 x 10 (Woven Wood)
2	082127-19-000	EA	Shade - Woven Wood - 30 x 40 Drop (U10)
2	082127-20-000	EA	Shade - Woven Wood - 30 x 40 Drop (U11)
2	082127-21-000	EA	Shade - Woven Wood - 30 x 40 Drop (U12)

**CURTAINS, VALANCES, SHADES & TIEBACKS (CONT)**

Key	Part Number	U/M	Description
3	M81977-08-U10	EA	Valance Asm - Padded Lounge/Galley
3	M81977-08-U11	EA	Valance Asm - Padded - Lounge/Galley
3	M81977-08-U12	EA	Valance Asm - Padded - Lounge/Galley
3	082118-A1-000	EA	Blind - 27' x 26" Drop (U10)
3	082118-A2-000	EA	Blind - 27' x 26" Drop (U11)
3	082118-A3-000	EA	Blind - 27' x 26" Drop (U12)
3	M81977-16-U10	EA	Valance Asm - Padded (Woven Wood)
3	M81977-16-U11	EA	Valance Asm - Padded (Woven Wood)
3	M81977-16-U12	EA	Valance Asm - Padded (Woven Wood)
4	084261-02-U04	EA	Valance Asm - Bath
4	082119-22-000	EA	Shade 33 1/4" x 30" Drop - Vinyl (U10)
4	082119-23-000	EA	Shade 33 1/4" x 30" Drop - Vinyl (U11)
4	082119-24-000	EA	Shade 33 1/4" x 30" Drop - Vinyl (U12)
5	079558-08-U10	EA	Valance Asm w/Gathers - 8' x 60"
5	079558-08-U11	EA	Valance Asm w/Gathers - 8' x 60"
5	079558-08-U12	EA	Valance Asm w/Gathers - 8' x 60"
5	082119-22-000	EA	Shade 33 1/4" x 30" Drop - Vinyl (U10)
5	082119-23-000	EA	Shade - 33 1/4" x 30" Drop - Vinyl (U11)
5	082119-24-000	EA	Shade 33 1/4" x 30" Drop - Vinyl (U12)
6	079558-10-U10	EA	Valance Asm w/Gathers - 8' x 150"
6	079558-10-U11	EA	Valance Asm w/Gathers - 8' x 150"
6	079558-10-U12	EA	Valance Asm w/Gathers - 8' x 150"
6	082119-28-000	EA	Shade - 75 1/4" x 30" Drop - Vinyl (U10)
6	082119-29-000	EA	Shade - 75 1/4" x 30" Drop - Vinyl (U11)
6	082119-30-000	EA	Shade - 75 1/4" x 30" Drop - Vinyl (U12)
7	079542-12-U10	EA	Curtain w/Darts - 35 x 16
7	079542-12-U11	EA	Curtain w/Darts - 35 x 16
7	079542-12-U12	EA	Curtain w/Darts - 35 x 16
7	M81977-15-U10	EA	Valance Asm - Padded
7	M81977-15-U11	EA	Valance Asm - Padded
7	M81977-15-U12	EA	Valance Asm - Padded
7	082118-31-000	EA	Blind - 65 x 34 Drop (U10)
7	082118-32-000	EA	Blind - 65 x 34 Drop (U11)
7	082118-33-000	EA	Blind - 65 x 34 Drop (U12)
7	079543-15-U10	EA	Curtain w/Pleated Bottom - 35 x 12 (Woven Wood)
7	079543-15-U11	EA	Curtain w/Pleated Bottom - 35 x 12 (Woven Wood)
7	079543-15-U12	EA	Curtain w/Pleated Bottom - 35 x 12 (Woven Wood)
7	082127-31-000	EA	Shade - Woven Wood - 65 x 35 Drop (U10)
7	082127-32-000	EA	Shade - Woven Wood - 65 x 35 Drop (U11)
7	082127-33-000	EA	Shade - Woven Wood - 65 x 35 Drop (U12)
7	073285-02-U01	EA	Curtain w/Snap Top - 23 x 64 - Wraparound (2 required)
8	073304-30-U10	EA	Curtain w/Snap Top - 34 x 37
8	073304-30-U12	EA	Curtain w/Snap Top - 34 x 37
8	073304-30-U13	EA	Curtain w/Snap Top - 34 x 37
	077591-03-U01	EA	Curtain w/Velcro Top - 70 x 50 Passenger
	077591-04-U01	EA	Curtain w/Velcro Top - 70 x 50 Driver
	073260-16-U13	EA	Tie Back Asm - 3 x 20 (U10)
	073260-16-U14	EA	Tie Back Asm - 3 x 20 (U11)
	073260-16-U15	EA	Tie Back Asm - 3 x 20 (U12)
	057534-01-000	EA	Tie Back Asm - 6 Clear Plastic
			Not illustrated

**1986 ITASCA  
TABLE OF CONTENTS**

IC420RG	A 01 - C 02
IC424RS	C 03 - E 10
ICN21RG	E-11 - G-23
ICN27RT	H 01 - J-14

**1986 IC420RG INDEX**

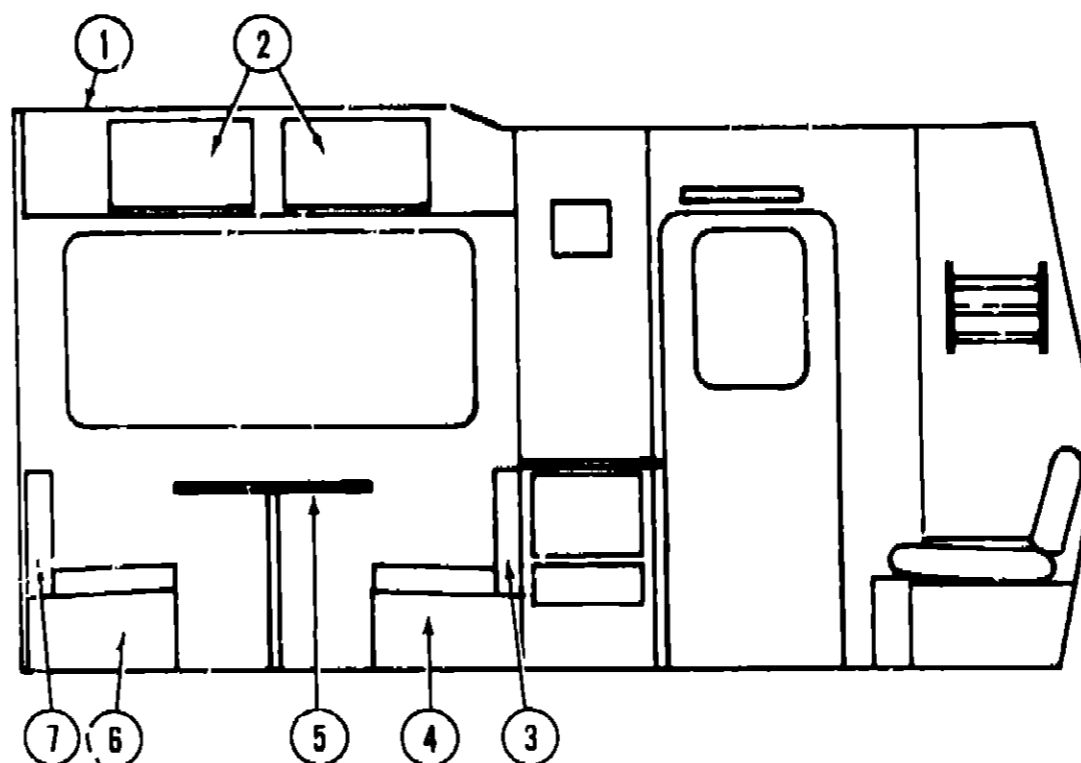
Floor Plan	A-01 - A 02
Accessories Group	A-03 - A-05
Bath Group	A-06
Chassis Group	A-07 - A-08
Curtain, Cushion & Pad Group	A-09 - A-15
Dinette Group	A-16
Driver's Compartment Group	A-17 - A-18
Electrical Group	A-19 - A-21
Exterior Body Group	A-22 - B-03
Galley Group	B-04 - B-05
Heating & Air Conditioning Group	B-06
Interior Finish Group	B-07 - B 09
LP Group	B 10
Lounge Group	B 11
Water & Sewage Group	B 12 - B-13
Window Vent & Exterior Door Group	B-14 - C 02

**CURTAIN, CUSHION & PAD GROUP (CONTINUED)**

**BUCKET SEATS**

Key	Part Number	U/M	Description
	079300 01 U10	EA	Seat Asm - Vinyl
	079300 01-U11	EA	Seat Asm - Vinyl
	079300 01-U12	EA	Seat Asm - Vinyl
	M01862 01 U10	EA	Cover Asm - Seat Bottom - Vinyl
	M01862 01 U11	EA	Cover Asm - Seat Bottom - Vinyl
	M01862 01 U12	EA	Cover Asm - Seat Bottom - Vinyl
	M01862 02 U10	EA	Cover Asm - Seat Back - Vinyl
	M01862 02 U11	EA	Cover Asm - Seat Back - Vinyl
	M01862 02 U12	EA	Cover Asm - Seat Back - Vinyl
	078804 10 U10	FA	Seat Asm - Granduer w/Left Armrest
	078804 10 U11	EA	Seat Asm - Granduer w/Left Armrest
	078804 10 U12	EA	Seat Asm - Granduer w/Left Armrest
	M01863 07-U10	EA	Cover Asm - Bucket Seat Bottom
	M01863 07 U11	FA	Cover Asm - Bucket Seat Bottom
	M01863 07-U12	EA	Cover Asm - Bucket Seat Bottom
	M01863-08 U10	EA	Cover Asm - Bucket Seat Back
	M01863 08 U11	EA	Cover Asm - Bucket Seat Back
	M01863-08 U12	EA	Cover Asm - Bucket Seat Back
	080243-08 U10	EA	Armrest Asm - Left
	080243-08 U11	EA	Armrest Asm - Left
	080243 08 U12	EA	Armrest Asm - Left
	M80243 01 U10	EA	Cover Asm - Armrest - Left
	M80243-01-U11	EA	Cover Asm - Armrest - Left
	M80243 01 U12	EA	Cover Asm - Armrest - Left
	078804-09 U10	EA	Seat Asm - Granduer w/Right Armrest
	078804 09-U11	EA	Seat Asm - Granduer w/Right Armrest
	078804-09-U12	FA	Seat Asm - Granduer w/Right Armrest
	M01863 05 U10	EA	Cover Asm - Bucket Seat Bottom
	M01863 05 U11	EA	Cover Asm - Bucket Seat Bottom
	M01863-05-U12	EA	Cover Asm - Bucket Seat Bottom
	M01863-06 U10	EA	Cover Asm - Bucket Seat Back
	M01863-06-U11	EA	Cover Asm - Bucket Seat Back
	M01863-06-U12	EA	Cover Asm - Bucket Seat Back
	080243-07-U10	EA	Armrest Asm - Right
	080243-07-U11	EA	Armrest Asm - Right
	080243-07-U12	EA	Armrest Asm - Right
	M80243-02-U10	EA	Cover Asm - Armrest - Right
	M80243-02 U11	EA	Cover Asm - Armrest - Right
	M80243-02-U12	EA	Cover Asm - Armrest - Right
	080242-04-U10	EA	Headrest Asm
	080242-04 U11	EA	Headrest Asm
	080242-04 U12	EA	Headrest Asm
	M80242-04-U10	EA	Cover Asm - Headrest
	M80242-04-U11	EA	Cover Asm - Headrest
	M80242-04 U12	EA	Cover Asm - Headrest

**DINETTE GROUP**



**CONVENTIONAL DINETTE & OVERHEAD CABINETRY**

Key	Part Number	U/M	Description
1	083638 02-U10	EA	Cabinet Asm - Dinette Overhead - w/o Doors or Hardware
	081280-04-U01	EA	Pad Asm - End Cap - Dinette Overhead Cabinet - Left - Vinyl
2	M81524 03 U10	EA	Door Asm - Dinette Overhead Cabinet - w/o Hardware
3	M02589 01 U01	EA	Cabinet Asm - Dinette Back - Right
4	M02590-01 U01	EA	Cabinet Asm - Dinette Seat - Right
5	M02115 09-U10	EA	Table Asm - Dinette - w/o Hardware
5	M02115 09 U11	EA	Table Asm - Dinette - w/o Hardware
5	M02115 09-U12	EA	Table Asm - Dinette - w/o Hardware
6	M02175 04 U01	EA	Cabinet Asm - Dinette Seat - Left - w/o Door or Hardware
	M81504 10 U10	EA	Door Asm - Dinette Seat - w/o Hardware
7	M02174 03 U04	EA	Cabinet Asm - Dinette Back - Left
	053200 01 000	EA	Bracket - Upper Wall Mount - 23 5
	053201 01 000	EA	Bracket - Table Mount - 23
	024275 08 000	EA	Rod - Table Lift - 8 x 23 5
	024281-03 000	EA	Bracket - Lower Wall Mount - 22 12
	024276-14 000	EA	Leg Asm - Table - 26 5
	064050 01 000	EA	Hinge - Table Leg
	024282 01-000	EA	Brace - Table Leg
	024283 01 000	EA	Clip - 1 - 1 25" O D Tube
	049493 02 000	EA	Catch - Table Leg - Mounts on Floor
	064781 02 000	EA	Cup Holder - 3 47" O D x 2 75" I D x 1 5

Not illustrated

The illustrated parts breakdown for this item is provided on the Common Items Fiche

**1986 ITASCA  
TABLE OF CONTENTS**

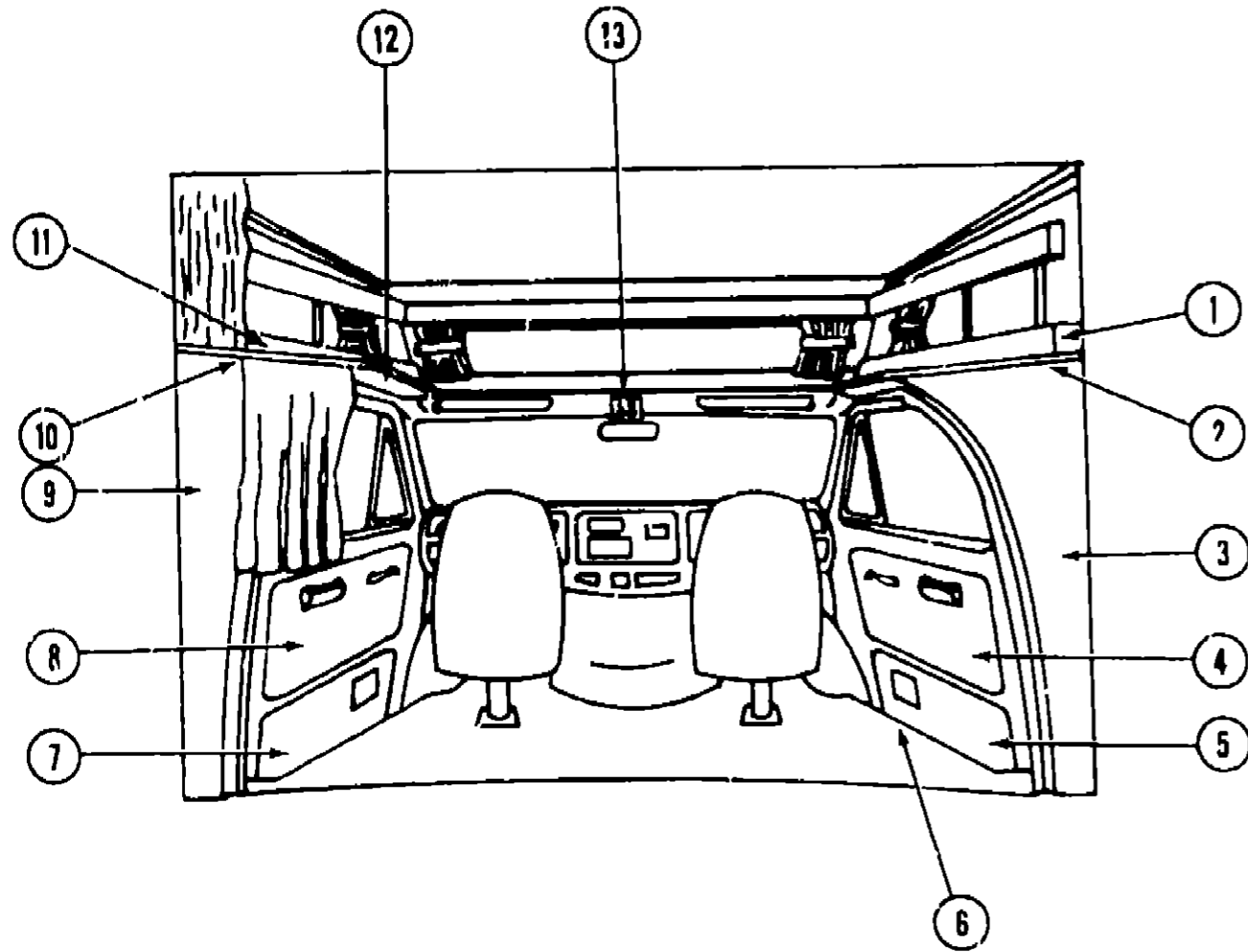
IC420RG	A 01 - C 02
IC424RS	C 03 - F-10
ICN23RG	E 11 - G 23
ICN27RT	H 01 - J-14

**1986 IC420RG INDEX**

Floor Plan	A 01 - A 02
Accessories Group	A 03 - A-05
Bath Group	A 06
Chassis Group	A-07 - A-08
Curtain-Cushion & Pad Group	A-09 - A-15
Dinette Group	A-16
Driver's Compartment Group	A-17 - A 18
Electrical Group	A-19 - A 21
Exterior Body Group	A 22 - B 03
Galley Group	B 04 - B 05
Heating & Air Conditioning Group	B-05
Interior Finish Group	B-07 - B-09
LP Group	B-10
Lounge Group	B 11
Water & Sewage Group	B-12 - B-13
Window Vent & Exterior Door Group	B-14 - C 02



**DRIVER'S COMPARTMENT GROUP**



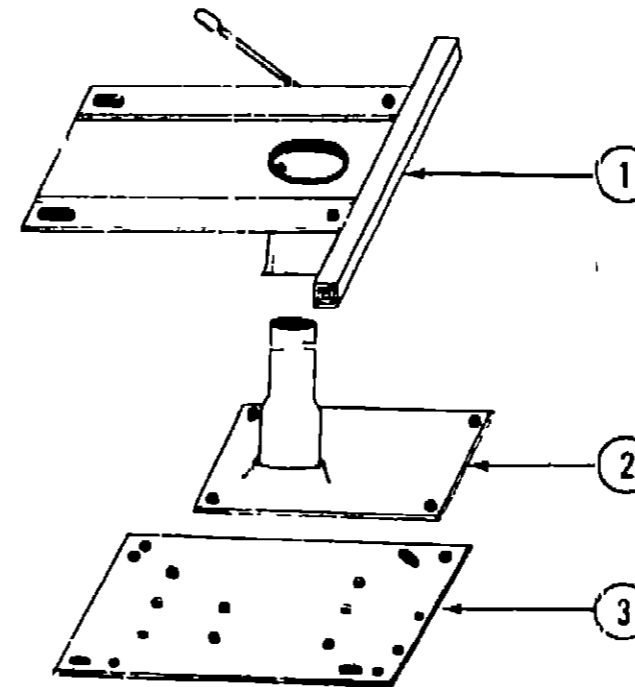
**MISCELLANEOUS DRIVER'S COMPARTMENT COMPONENTS**

Key	Part Number	U/M	Description
1	082068-01 U01	EA	Head Board Asm - Passenger
2	M81652-01-U01	EA	Panel Asm - Sleeper Board w/o Vinyl
	080742 01-000	FT	Trim - Front - Sleeper Board - Vinyl
	079800-01-000	EA	Trim - Sleeper Board - Brown
3	M82554 01 U01	EA	Panel Asm - Wingwall Transition Inner Passenger
4	059491-01 U10	EA	Side Panel - Cab Door - Passenger
4	059491-01 U11	EA	Side Panel - Cab Door - Passenger
4	059491-01-U12	EA	Side Panel - Cab Door - Passenger
5	082552-02 U10	EA	Panel Asm - Cab Door - Passenger
5	082552-02 U11	EA	Panel Asm - Cab Door - Passenger
5	082552-02-U12	EA	Panel Asm - Cab Door - Passenger
6	044860-02-000	EA	Door Step Mat - Passenger - Black Rubber
	044860 01-000	EA	Door Step Mat - Driver - Black Rubber
	083218 03-000	EA	Floor Mat - Front - Itasca - Right
	083218-04-000	EA	Floor Mat - Front - Itasca - Left
7	082552 03 U10	EA	Panel Asm - Cab Door - Driver
7	082552-03 U11	EA	Panel Asm - Cab Door - Driver
7	082552-03 U12	EA	Panel Asm - Cab Door - Driver
8	059492 01-U10	EA	Side Panel - Cab Door - Driver (U03)
8	059492 01-U11	EA	Side Panel - Cab Door - Driver
8	059492 01 U12	EA	Side Panel - Cab Door - Driver
9	M82554 03 U01	EA	Panel Asm - Wingwall Transition Inner Driver
			Not illustrated

**DRIVER'S COMPARTMENT GROUP (CONTINUED)**

**MISCELLANEOUS DRIVER'S COMPARTMENT COMPONENTS (CONT)**

Key	Part Number	U/M	Description
10	052859 01-T03	FT	Accent Trim - Dark Sandrift Vinyl
11	082068-02-U01	EA	Headboard Asm - Driver
12	084591-01-U01	EA	Headliner Asm - Overhead Bunk Vinyl
13	M01298 03 000	EA	Console - Overhead - 7'5" x 8'14" Beige
	056288-C1 000	EA	Dome Light Asm
	056288-02 000	EA	Bulb
	056288 03 000	EA	Housing
	057288 04 000	EA	Lens
	056288 05 000	EA	Clip
	024461-01-000	EA	Switch - Battery
	021462 01 000	EA	Switch - Battery Condition
	024976 01 000	EA	Switch - Generator w/o Circuit Board
	031035 02 000	EA	Gauge - Generator Hourmeter
	024459 04 000	EA	Gauge - Voltmeter
			Not illustrated



**BUCKET SEAT PEDESTAL & SEAT BELTS**

Key	Part Number	U/M	Description
1	069585 27 000	EA	Plate - Top - Pedestal Asm - Bucket Seat
1	069585 19 000	EA	Plate - Top - Pedestal Asm - Electric Bucket Seat
2	069585 03 000	EA	Plate - Sub - Pedestal Asm - Bucket Seat
2	069585 18 000	EA	Plate - Sub - Pedestal Asm - Electric Bucket Seat
3	069585 02 000	EA	Plate - Base - Pedestal Asm - Bucket Seat
	069585 05 000	EA	Hardware Kit - Bolt/Acorn Nut - 4 ea - Pedestal Asm
	079467 04 000	EA	Loose Parts Kit - Bucket Seat
	056271 02 000	EA	Belt Asm - Seat - 2 x 72 - Black
	007021 01 000	EA	Belt Asm - Seat - 2 x 90 - Black
	041322 01 000	EA	Washer - Flat 15/32 I.D. x 2 3/8 O.D. Seat Bolt
	057759 01-000	EA	Bracket - Seat Belt Washer
	069246 01 000	EA	Adjuster Asm - Seat - w/Lock
	069246 02 000	EA	Adjuster Asm - Seat - w/o Lock
	080730 02 000	EA	Recliner - Seat Back Left - Drive
	080731 02 000	EA	Recliner - Seat Back Left Hinge
	069575 29 000	EA	Bar - Seat Belt 20
			Not illustrated

**1986 ITASCA  
TABLE OF CONTENTS**

IC420HG	A 01 - C-02
IC424R3	C 03 - E-10
ICN23RG	E-11 - G-23
ICN27R1	H 01 - J 14

**1986 IC420RG INDEX**

Floor Plan	A 01 - A 02
Accessories Group	A-03 - A 05
Bath Group	A 06
Chassis Group	A-07 - A 08
Curtain Cushion & Pad Group	A-09 - A-15
Dinette Group	A 16
Driver's Compartment Group	A-17 - A 18
Electrical Group	A-19 - A 21
Exterior Body Group	A-22 - B 03
Galley Group	B-04 - B 05
Heating & Air Conditioning Group	B-06
Interior Finish Group	B 07 - B 09
LP Group	B 10
Lounge Group	B 11
Water & Sewage Group	B 12 - B 13
Window Vent & Exterior Door Group	B 14 - C 02

**ELECTRICAL GROUP**

**BULBS**

Key	Part Number	U/M	Description
	008220 01 000	EA	Bulb 12V - 25W
	008103-01 000	EA	Bulb - 53
	008213 01 000	EA	Bulb - 57
	008214 01 000	EA	Bulb - 67
	036196 01 000	EA	Bulb 194
	075470 01-707	EA	Bulb - 912
	008215 01 000	EA	Bulb - 1003
	067479 01 000	EA	Bulb - 1076
	063914 01 000	EA	Bulb - 1139
	008218 01 000	EA	Bulb 1141
	037935 01 000	EA	Bulb 1157
	056778 02 000	EA	Bulb - 9431808

**FUSES & CIRCUIT BREAKER**

Key	Part Number	U/M	Description
	008233 01-000	EA	Fuse - 6 Amp - 12 Volt
	008234 01 000	EA	Fuse - 10 Amp - 12 Volt
	008275 01 000	EA	Fuse - 15 Amp - 12 Volt
	008236 01 000	EA	Fuse - 20 Amp - 12 Volt
	062901 02 000	EA	Fuse - 5 Amp - Automotive
	062901 05 000	EA	Fuse - 15 Amp - Automotive
	008211 01-000	EA	Circuit Breaker - 6 Amp - 12 Volt
	008208 01 000	EA	Circuit Breaker - 40 Amp - 12 Volt
	033573 02 000	EA	Circuit Breaker - 15 Amp - 12 Volt - w/Mount
	033573 01-000	EA	Circuit Breaker - 20 Amp - 12 Volt - w/Mount
	008268 01 000	EA	Circuit Breaker - 30 Amp - 12 Volt - w/Mount
	075735 02 000	EA	Circuit Breaker - 15 Amp - 120 Volt (Ground Fault Interrupter)
	071279 05 000	EA	Circuit Breaker - 20 Amp - 120 Volt
	071279 04 000	EA	Circuit Breaker - 30 Amp - 120 Volt
	071279 02 000	EA	Circuit Breaker - 15/15 Amp - 120 Volt
	071279 03 000	EA	Circuit Breaker - 15/20 Amp - 120 Volt
	071279-01 000	EA	Circuit Breaker - 15/30 Amp - 120 Volt
	071279 06-000	EA	Circuit Breaker - 30/15 Amp - 120 Volt
	071280-01-000	EA	Circuit Breaker Blank
	083209-01-000	EA	Circuit Breaker - 15 Amp - 120 Volt
	083209 04-000	EA	Circuit Breaker - 30 Amp - 120 Volt
	083209-05 000	EA	Circuit Breaker - 20 Amp - 120 Volt
	083209 06 000	EA	Circuit Breaker - 30/15 - 120 Volt
	083210 02 000	EA	Circuit Breaker - GFI 15 Amp 120 Volt

**ELECTRICAL GROUP (CONTINUED)**

**WIRE, SWITCHES & RECEPTACLES**

Key	Part Number	U/M	Description
	008058 01 000	EA	Adaptor Power Cord
	008288 01 000	EA	Box Electrical - 3' x 3 5" - Plastic
	008289 01 000	EA	Box - Electrical - 4" x 4" - 1/2 & 3/4 - Steel UL
	008289 02 000	EA	Box Electrical - 4' x 4" - 1/2 & 3/4 - Steel CSA
	011141 01 000	EA	Box - Electrical - 4 11/16" x 4 11/16" - Steel
	008049 01 000	EA	Box - Electrical 2" x 3" x 2 25" - Steel
	041953 01 000	EA	Conduit - Convoluted Silt - 5' I D
	008353 01 000	EA	Connector Clamping - 3/8 Cable UL & CSA
	058028 01 000	EA	Connector Pigtail - Clear Nylon
	008314 01 000	EA	Connector - Wire Nut - Gray
	008311 01 000	EA	Connector - Wire Nut - Red
	031968 01 000	EA	Contact Plug - Brass - Tin Plated
	039167 01 000	EA	Contact - Receptacle
	008054 01 000	EA	Cord - Power 10 3 30 Amp - 25 - UL
	008057 01 000	EA	Cord - Power - 10 3 30 Amp - 25' - CSA
	069236 01 000	EA	Cover - Electrical Box 4" x 4'
	058048 01-000	EA	Cover - Electrical Box 4 5' x 2/75' Rain Tight (Exterior)
	024571 03 000	EA	Cover Plate - Receptacle - Jumbo - Brown Plastic
	024571 04 000	EA	Cover Plate - Receptacle - Jumbo - Ivory Plastic
	008164 01-000	EA	Cover Plate - Switch - Brown
	008294 01 000	EA	Cover - Flat Blank - 4' x 4' - Steel US
	008294 02 000	EA	Cover - Flat Blank - 4 x 4' Steel - CSA
	008250 02 000	EA	Fuse Holder - In Line - 15 Amp
	008277 01 000	EA	Fuse Holder Panel Mount - Black
	064399 01 000	EA	Housing Asm - Trailer Pin
	064398 01 000	EA	Housing Asm - Trailer Receptacle
	054532 01-000	EA	Housing Pin - 6 Position
	046885 01 000	EA	Plaque - Mounting Switch
	058708 01-000	EA	Receptacle - Duplex - Brown
	008157-01-000	EA	Receptacle - Duplex - Brown (Exterior Backwall)
	058708 02-000	EA	Receptacle - Duplex - Ivory
	053126 01-000	EA	Receptacle - Ground Fault Interrupter - 125 Volt - Ivory
	024924 02 000	EA	Receptacle - Power Cord
	058707 01 000	EA	Receptacle Single - Brown
	063912 01-000	EA	Relay - Canister SPDT w/Ground
	008188 01 000	EA	Relay Solenoid 3 Terminal
	031144 01-C00	EA	Switch - Control Off - DPDT - Black
	008162-01-000	EA	Switch - Double Toggle - Brown
	056264 01 000	EA	Switch - Leaf Actuator
	008195 01-000	EA	Switch - Push Button - 12 Volt
	008163 01 000	EA	Switch - Toggle - Brown
	079362 01-000	EA	Switch Plate - 3 Gang - 2 Switch
	079363-01-000	EA	Switch Plate - Single w/Switch
	079364-01-000	EA	Switch - On/Off - Rocker - Brown
	006050 01 000	EA	TV Jack - Ivory
	047443 02 000	EA	Terminal - 250 Receptacle - 12-10 AWG
	008348 01 000	EA	Terminal Ring 2 w/3/8 Stud
	008331 01-000	EA	Terminal Ring - 4 w/3/8 Stud
	008328 01-000	EA	Terminal Ring - 12/10 Wire
	008028 01-000	FT	Wire - 18 5 Bonded Blue/Red/Yellow/Orange/White
	008024-01-000	FT	Wire - 18 5 Bonded - Orange/White/Yellow/Blue/Brown
	008025-01 000	FT	Wire - 18 5 Bonded - Orange/White/Yellow/Blue/Green
	008026-01 000	FT	Wire w/Ground - Romex 12/2

**1986 ITASCA  
TABLE OF CONTENTS**

IC420RG	A 01 - C 02
IC424RS	C 03 - E-10
ICN23RG	E-11 - G 23
ICN27RT	H 01 - J 14

**1986 IC420RG INDEX**

Floor Plan	A-01 - A 02
Accessories Group	A 03 - A 05
Bath Group	A 06
Chassis Group	A-07 - A 08
Curtain Cushion & Pad Group	A-09 - A 15
Dinette Group	A-16
Drivers Compartment Group	A-17 - A-18
Electrical Group	A 19 - A-21
Exterior Body Group	A-22 - B-03
Galley Group	B 04 - B-05
Heating & Air Conditioning Group	B 06
Interior Finish Group	B 07 - B-09
LP Group	B 10
Lounge Group	B 11
Water & Sewage Group	B 12 - B-13
Window Vent & Exterior Door Group	B 14 - C 02

**ELECTRICAL GROUP (CONTINUED)**

**EXTERIOR LIGHTS**

Key	Part Number	U/M	Description
	058032 01 000	EA	Tail Lamp Asm 2 Bulb Chrome - Driver/Passenger
	059540 01 000	EA	Bracket - License Plate
	062742 04 000	EA	Wedge Tail Lamp w/License Plate Left Off White
	062740 04 000	EA	Wedge - Tail Lamp Right - Off White
	042405 03 000	EA	Base - Rectangular Clearance Light
	042405 01 000	EA	Lens - Clearance Light - Red w/Reflex
	042405 04 000	EA	Lens - Clearance Light - Red w/o Reflex
	042405 02 000	EA	Lens - Clearance Light Amber w/Reflex
	042405 05 000	EA	Lens - Clearance Light Amber w/o Reflex
	048817 01 000	EA	Assist Handle Asm w/Light

**INTERIOR LIGHTS**

Key	Part Number	U/M	Description
	033508 02 000	EA	Light - Dome - Ivory - 1 Bulb - US
	033508 03 000	EA	Light - Dome - Ivory - 1 Bulb - CSA
	033509 02-000	EA	Light - Dome - Ivory - 2 Bulb - US
	033509 03 000	EA	Light - Dome - Ivory - 2 Bulb - CSA
	061424 01 000	EA	Light - 12 V Receptacle - Aisle - IP
	007309-01 000	EA	Light - Step Well
	072353 07-000	EA	Light - Reading - Single - 360° Swivel - Tan
	056288 01 000	EA	Light - Dome (Driver's Compartment)
	082169 01 000	EA	Light - Make Up - 3 Bulb

**MISCELLANEOUS ELECTRICAL COMPONENTS**

Key	Part Number	U/M	Description
	008188 01 000	EA	Solenoid - Dual Battery - Relay
	083208 01 000	EA	Control Center - 32 Amp - 120 Volt/12 Volt

**EXTERIOR BODY GROUP**

**INTERIOR/EXTERIOR SCREWS & FASTENERS**

Key	Part Number	U/M	Description
	005200 01-000	EA	Bolt - Round Head - Square Neck w/SST Cap - 7/16" - 14 x 1 1/4"
	058278 01 000	EA	Clip - Mounting - Front Panel
	035628 01 000	EA	Fastener - Blind Well Nut - 1 05" x 38"
	000D15 08 00B	EA	Nut - Hex 3/8" x 24 - Zinc
	005081 01 000	EA	Nut - Speed - C Type #8 Screw
	000G54 04-20B	EA	Screw 1/4 - 20 x 1 1/4 PTH - Zinc
	000G54 04 22B	EA	Screw 1/4 - 20 x 1 3/8" PTH - Zinc
	000G53 04 06B	EA	Screw 1/4 Machine - 20 x 3/8" PTH - Zinc
	000G13 06 12P	EA	Screw #6 - 20 x 3/4" PFH - Dark Brown
	000G13 05 28X	EA	Screw #6 20 x 3/4" PFH - Gray
	000G13 06-16R	EA	Screw #6 20 x 1" PFH - Beige
	000G11 07-08B	EA	Screw #7 - 19 x 1/2" PPH - Zinc
	000G12 08-12M	EA	Screw #8 - 18 x 3/4" POH - Gray
	000G11 08 12R	EA	Screw #8 - 18 x 3/4" PPH - Beige
	000G11 08 12X	EA	Screw #8 18 x 3/4" PPH - Gray
	000G11 08 12B	EA	Screw #8 18 x 3/4" PPH - Zinc
	000G39 08 12R	EA	Screw #8 18 x 3/4" SDPH - Beige
	000G66-08 12M	EA	Screw #8 - 18 x 3/4" SDPH - Gray
	000G11 08 16R	EA	Screw #8 - 18 x 1" PFH - Gray
	000G66-08-16R	EA	Screw #8 18 x 1" SDPH - Beige
	000G12-06-28R	EA	Screw #8 - 18 x 1 3/4" POH - Beige
	000G36 08 08E	EA	Screw #8 - 32 x 1/2" PFH - Chrome
	000G39 08 08B	EA	Screw #8 Self Drilling - 18 x 1/2" PPH - Zinc
	000G39-08-12B	EA	Screw #8 Self Drilling - 18 x 3/4" PPH - Zinc
	000G39-08-12R	EA	Screw #8 - Self Drilling - 18 x 3/4" PPH - Beige
	000G39-08 16R	EA	Screw #8 - Self Drilling - 18 x 1" PPH - Beige
	000G39-08-.6T	EA	Screw #8 Self Drilling - 18 x 1" PPH - Black
	000G39-08 16P	EA	Screw #8 - Self Drilling - 18 x 1" PPH - Dark Brown
	000G39-09 16X	EA	Screw #8 - Self Drilling - 18 x 1" PPH - Gray
	000G39-08-1 3E	EA	Screw #8 - Self Drilling - 18 x 1" PPH - Chrome
	000G64-08-16M	EA	Screw #8 - Self Drilling - 18 x 1" SDPH - Gray
	000G67-10-04B	EA	Screw #10 - 12 x 1/2" PPH - Zinc
	000G67-10-10R	EA	Screw #10 12 x 5/8" PPH - Beige
	000G67-10-16P	EA	Screw #10 - 12 x 1" PPH - Dark Brown
	000G67-10-16B	EA	Screw #10 - 12 x 1" PPH - Zinc
	000G67-10-20B	EA	Screw #10 - 12 x 1 1/4" PPH - Zinc
	000G67-10-24B	EA	Screw #10 - 12 x 1 1/2" PPH - Zinc
	049465 04-000	EA	Screw #10 - 16 x 1" POH - w/Washer - Beige
	049465 05 000	EA	Screw #10 - 16 x 1" POH - w/Washer - Gray
	000G12-10-24E	EA	Screw #10 - 16 x 1 1/2" POH - Chrome
	000G11-10 08D	EA	Screw #10 - 16 x 1/2" PPH - Dark Brown
	000G11-10-12R	EA	Screw #10 - 16 x 3/4" PPH - Beige
	000G11-10-12S	EA	Screw #10 - 16 x 3/4" PPH - Off White
	000G11-10 12B	EA	Screw #10 16 x 3/4" PPH - Zinc
	000G11 10 16B	EA	Screw #10 - 16 x 1" PPH - Zinc
	000G11-10-40B	EA	Screw #10 - 16 x 2 1/2" PPH - CAD
	000G19 10-12B	EA	Screw #10 - Machine - 32 TPI x 3/4"
	075908-01-000	EA	Screw #10 - Machine - 32 x 56 PTH - Zinc
	000G19 10-20B	EA	Screw #10 - Machine - 32 x 1 1/4" PPH - Zinc
	000G39 12 12E	EA	Screw #10 - Self Drilling 14 x 3/4" PPH - Chrome
	000G39 10 10R	EA	Screw #10 Self Drilling - 16 x 62 PPH - Beige
	000G39-10-12R	EA	Screw #10 - Self Drilling - 16 x 3/4" PPH - Beige
	000G39-10 12P	EA	Screw #10 - Self Drilling - 16 x 3/4" PPH - Dark Brown
	000G56 12-48C	EA	Screw #12 - Wood - 11 x 3" POH - CAD

**1986 ITASCA  
TABLE OF CONTENTS**

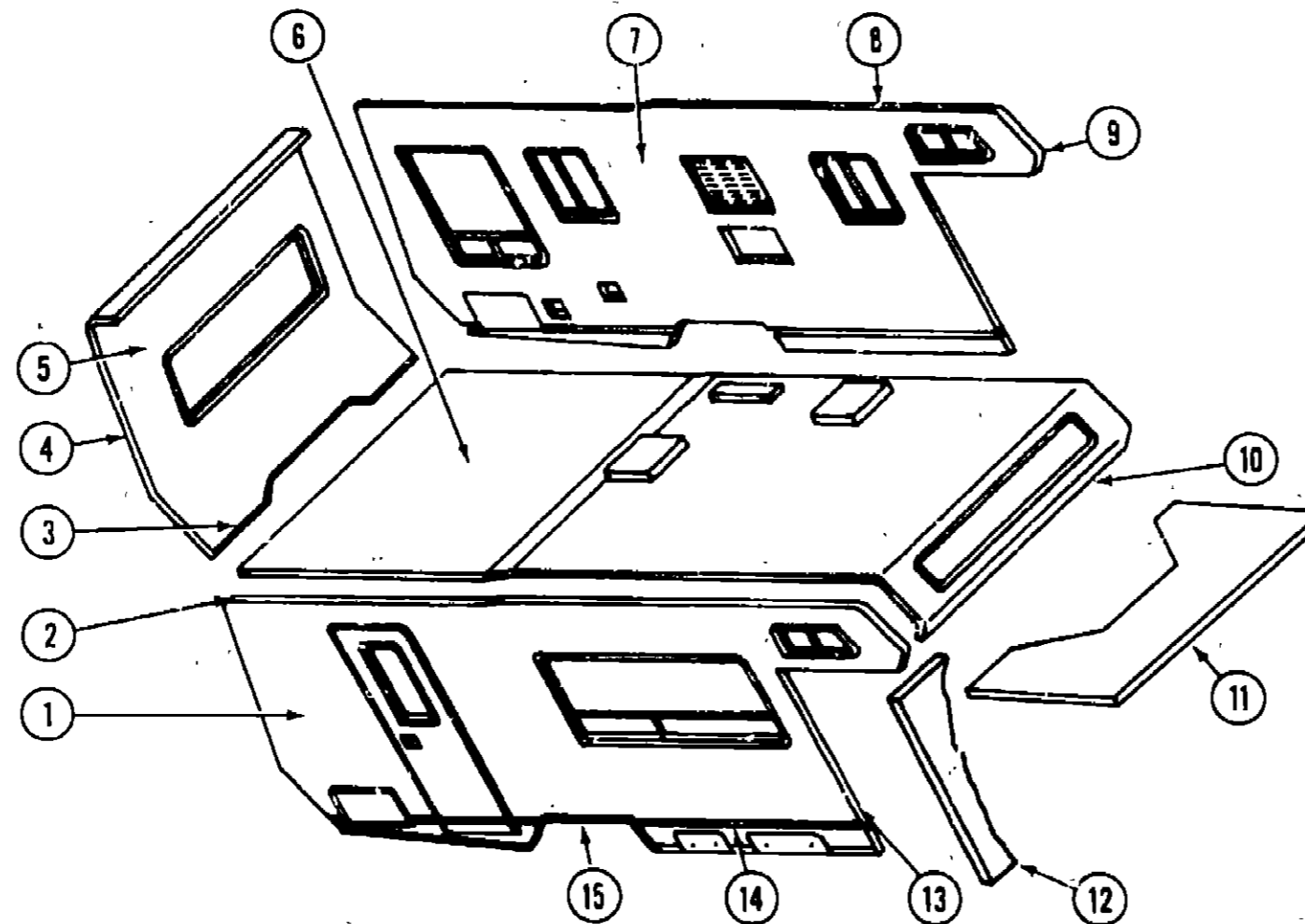
IC420RG	A 01 - C 02
IC424RS	C 03 - E-10
ICN23RG	E-11 - G 23
ICN27RT	H 01 - J 14

**1986 IC420RG INDEX**

Floor Plan	A-01 - A-02
Accessories Group	A-03 - A-05
Bath Group	A-06
Chassis Group	A-07 - A-08
Curtain Cushion & Pad Group	A-09 - A-15
Dinette Group	A-16
Driver's Compartment Group	A-17 - A-18
Electrical Group	A-19 - A-21
Exterior Body Group	A-22 - B-03
Galley Group	B-04 - B-05
Heating & Air Conditioning Group	B-06
Interior Finish Group	B-07 - B-09
LP Group	B-10
Lounge Group	B-11
Water & Sewage Group	B-12 - B-13
Window Vent & Exterior Door Group	B-14 - C 02

**EXTERIOR BODY GROUP (CONTINUED)**

**EXTERIOR BODY PANELS**



**1986 ITASCA  
TABLE OF CONTENTS**

IC420RG  
IC424RS  
ICN23RG  
ICN27RT

A-01 - C-02  
C-03 - E-10  
E-11 - Q-23  
H-01 - J-14

Key	Part Number	U/M	Description
1	M83436-01-U10	EA	Sidewall Asm. - Passenger
1	M83436-01-U11	EA	Sidewall Asm. - Passenger
1	M83436-01-U12	EA	Sidewall Asm. - Passenger
2	077339-11-000	EA	Contour Trim - Upper Rear Passenger - Off White
	077339-12-000	EA	Contour Trim - Upper Rear Driver - Off White
3	074966-02-000	EA	Backwall Trim - Lower - Driver or Passenger
4	076805-01-000	EA	Contour Trim - Backwall - Passenger - Off White
	076805-02-000	EA	Contour Trim - Backwall - Driver - Off White
5	M83695-01-U10	EA	Backwall Asm.
6	M83458-01-U10	EA	Roof Asm.
	M79589-01-700	EA	Roof Section - Cab Over to First Seam
7	M83435-01-U10	EA	Sidewall Asm. - Driver
7	M83435-01-U11	EA	Sidewall Asm. - Driver
7	M83435-01-U12	EA	Sidewall Asm. - Driver
8	076802-06-000	EA	Contour Trim - Upper Front Driver - Off White
	076802-05-000	EA	Contour Trim - Upper Front Passenger - Off White
9	076828-02-000	EA	Contour Trim - Sleeper - Driver - Off White
	076828-01-000	EA	Contour Trim - Sleeper - Passenger - Off White

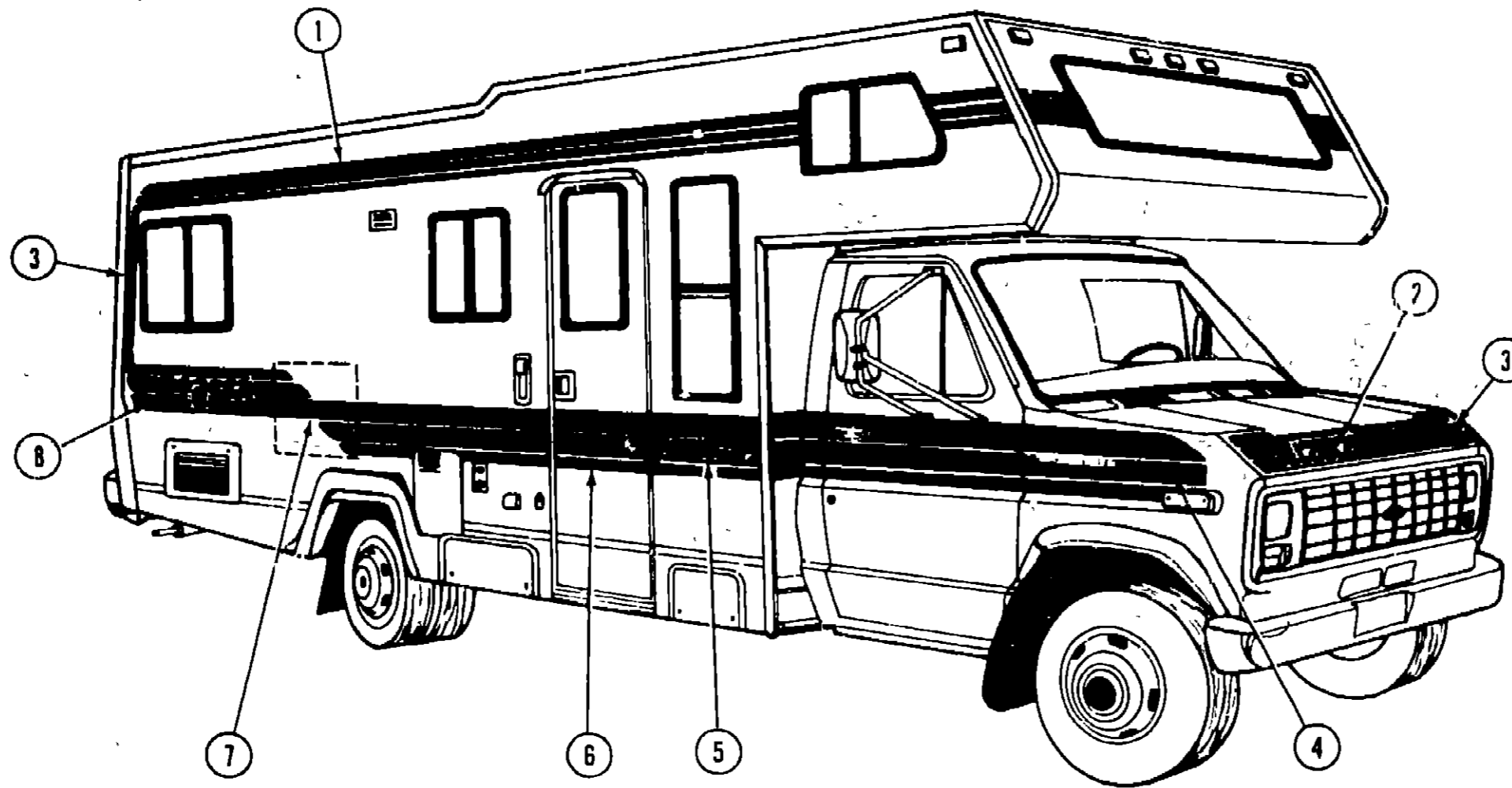
Key	Part Number	U/M	Description
10	039644-08-000	EA	Trim - Sleeper Board - Front
11	M81652-01-U10	EA	Sleeper Board Asm.
12	M82343-01-U01	EA	Wingwall Asm. - Passenger
	M82343-02-U01	EA	Wingwall Asm. - Driver - Gas
13	076975-03-000	EA	Trim - Wingwall Transition - Passenger - Off White
	076975-04-000	EA	Trim - Wingwall Transition - Driver - Off White
14	059576-05-000	EA	Feature Strip - Extr. Aluminum - 14.8' - Autumn White
	001030-02-100	EA	Insert - Feature Strip - 17' - Stucco - Off White
	009731-01-000	EA	End Cap - Feature Strip
	041746-01-000	FT	Extr. Vinyl - Bubble Seal - Wingwall
15	080266-02-000	EA	Rear Trim - Wheel Well - Driver or Passenger
	077517-04-001	EA	Fiberglass Sheets - 48.08" x 259" - Mesa - Off White
	077517-04-002	EA	Fiberglass Sheets - 48.08" x 60" - Mesa - Off White
	001054-01-011	EA	Aluminum - No Design - 48" x 96" - Off White
	000868-01-000	SF	Styrofoam - .75" x 24" x 96"
	000870-01-000	SF	Styrofoam - 1.5" x 24" x 96"
	000870-03-000	SF	Styrofoam - 1.34" x 48" x 96"
			Not illustrated

**1986 IC420RG INDEX**

Floor Plan	A-01 - A-02
Accessories Group	A-03 - A-05
Bath Group	A-06
Chassis Group	A-07 - A-08
Curtain, Cushion & Pad Group	A-09 - A-15
Dinette Group	A-16
Driver's Compartment Group	A-17 - A-18
Electrical Group	A-19 - A-21
Exterior Body Group	A-22 - B-03
Galley Group	B-04 - B-05
Heating & Air Conditioning Group	B-06
Interior Finish Group	B-07 - B-09
LP Group	B-10
Lounge Group	B-11
Water & Sewage Group	B-12 - B-13
Window, Vent & Exterior Door Group	B-14 - C-02

## EXTERIOR BODY GROUP (CONTINUED)

### DECALS, LABELS & EXTERIOR PAINT



## 1986 ITASCA TABLE OF CONTENTS

IC420RG  
IC424RS  
ICN23RG  
ICN27FT

A-01 - C-02  
C-03 - E-10  
E-11 - G-23  
H-01 - J-14

## 1986 IC420RG INDEX

Floor Plan	A-01 - A-02
Accessories Group	A-03 - A-05
Bath Group	A-06
Chassis Group	A-07 - A-08
Curtain, Cushion & Pad Group	A-09 - A-15
Dinette Group	A-16
Driver's Compartment Group	A-17 - A-18
Electrical Group	A-19 - A-21
Exterior Body Group	A-22 - B-03
Galley Group	B-04 - B-05
Heating & Air Conditioning Group	B-06
Interior Finish Group	B-07 - B-09
LP Group	B-10
Lounge Group	B-11
Water & Sewage Group	B-12 - B-13
Window, Vent & Exterior Door Group	B-14 - C-02

Key	Part Number
1	069245-75-000
1	069245-76-000
1	069245-77-000
2	078852-03-000
3	069245-72-000
3	069245-73-000
3	069245-74-000
4	078866-07-000
4	078866-09-000
4	078866-11-000
4	078866-08-000
4	078866-10-000
4	078866-12-000
5	078851-02-000
6	069245-78-000
6	069245-79-000
6	069245-80-000
7	078867-07-000
7	078867-09-000
7	078867-11-000
7	078867-08-000
7	078867-10-000
7	078867-12-000
8	078852-04-000
8	084075-01-000
8	068383-01-000
8	006195-01-000

U/M	Description
FT	Film - Multistripe - 4.13" x 150' - Blue/Gray (U10)
FT	Film - Multistripe - 4.13" x 150' - Melon (U11)
FT	Film - Multistripe - 4.13" x 150' - Plum/Belge (U12)
EA	Decal - Logo - "Itasca" - 5" x 20"
FT	Film - Multistripe - 6" x 150' - Blue/Gray (U10)
FT	Film - Multistripe - 6" x 150' - Melon (U11)
FT	Film - Multistripe - 6" x 150' - Plum/Belge (U12)
EA	Decal - Fender - Passenger - Chevy - Blue/Gray (U10)
EA	Decal - Fender - Passenger - Chevy - Melon (U11)
EA	Decal - Fender - Passenger - Chevy - Plum/Belge (U12)
EA	Decal - Fender - Driver - Chevy - Blue/Gray (U10)
EA	Decal - Fender - Driver - Chevy - Melon (U11)
EA	Decal - Fender - Driver - Chevy - Plum/Belge (U12)
EA	Decal Logo - "Sundancer"
EA	Film - Multistripe - 8" x 150' - Blue/Gray (U10)
EA	Film - Multistripe - 8" x 150' - Melon (U11)
EA	Film - Multistripe - 8" x 150' - Plum/Belge (U12)
EA	Decal - Side - Center - Passenger - Blue/Gray (U10)
EA	Decal - Side - Center - Passenger - Melon (U11)
EA	Decal - Side - Center - Passenger - Plum/Belge (U12)
EA	Decal - Side - Center - Driver - Blue/Gray (U10)
EA	Decal - Side - Center - Driver - Melon (U11)
EA	Decal - Side - Center - Driver - Plum/Belge (U12)
EA	Decal - Logo - "Itasca" - 6 25" x 26 67"
EA	Decal - "by Winnebago Industries"
EA	Label - Diesel Fuel
EA	Label - Electrical Test

Key	Part Number
•	047731-01-000
•	006199-01-000
•	057467-04-000
•	064378-01-000
•	061417-01-000
•	006196-01-000
•	054531-01-000
•	040944-01-000
•	006015-01-000
•	056259-01-000
•	006064-01-000
•	006187-01-000
•	006006-01-000
•	075221-01-000
•	075220-01-000
•	077956-01-000
•	050225-01-000
•	006188-01-000
•	006197-01-000
•	072863-01-000
•	006062-01-000
•	006040-01-000
•	044485-03-000
•	045681-03-000
•	058637-05-000
•	041561-03-000
•	074559-01-000
•	Not Illustrated

U/M	Description
EA	Label - Emergency Exit
EA	Label - Exit - Escape Window
EA	Label - Exterior Loading Limit
EA	Label - Flying "W" w/Thermo Panel
EA	Label - Fuel
EA	Label - Gas Test
EA	Label - LP Gas Only
EA	Label - Open - Entrance Door
EA	Label - Patent Motor Home
EA	Label - Safety Check List
EA	Label - Seat - w/o Seat Belts
EA	Label - Sewage
EA	Label - Thermo Panel - 2 1/4" x 2 1/4"
EA	Label - Trailer Hitch Capacity
EA	Label - Warning - Exterior Load Limit
EA	Label - Warning - Smoke Detector
EA	Label - Warning - Stove Vent - US
EA	Label - Waste Water
EA	Label - Water Test
EA	Nameplate - Diesel - 6.2L
EA	Tag - Electrical - 110 Volt Connection
EA	Tag - Gas - Refueling Warning
EA	Paint - Belge Acrylic Enamel - 16 oz. Aerosol (7633A Dupont)
EA	Paint - Gloss Black - Acrylic Enamel - 16 oz. Aerosol (99 Dupont)
EA	Paint - Gray Acrylic Enamel - 16 oz. Aerosol (71537 Dupont)
EA	Paint - Off White Acrylic Enamel - 16 oz. Aerosol (45396A Dupont)
EA	Label - "LPG" 3 3" x 1.75" (Call, Code)

**EXTERIOR BODY GROUP (CONTINUED)**

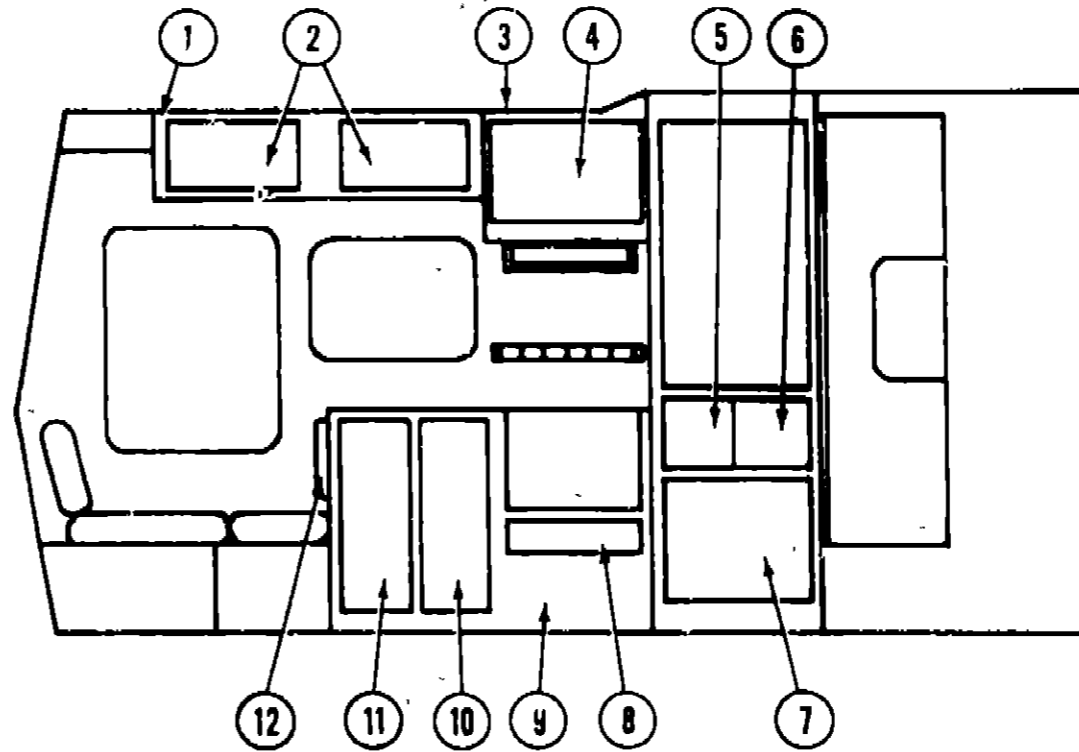
**SEALANTS & ADHESIVES**

Key	Part Number	U/M	Description
	004020-01-000	QT	Adhesive - ABS Cement (Plastic Fittings)
	002337-01-000	EA	Adhesive - 1300 Tube - 3M (Windows)
	004005-02-000	GL	Adhesive - Swifts - Glue (Sidewalls)
	053766-07-000	EA	Bedding Compound - Tube - Beige (Exterior)
	053766-06-000	EA	Bedding Compound - Tube - Clear (Window)
	053766-08-000	EA	Bedding Compound - Tube - Gray (Exterior)
	053766-05-000	EA	Bedding Compound - Tube - Gray (Sidewalls to Floor)
	053766-02-000	EA	Bedding Compound - Tube - Off White (Exterior)
	002328-02-000	EA	Block - Rubber Spacer (Windshield)
	004336-01-000	EA	Caulk - Latex - Golden Walnut (Sidewalls)
	072891-02-000	QT	Primer - Glass - Black
	072891-01-000	QT	Primer - Glass - Clear
	035024-01-000	EA	Primer - Glass - Clear - Windshield
	072890-01-000	QT	Primer - Metal - Black
	035023-01-000	GL	Primer - Metal - Windshield
	077967-01-000	EA	Sealant - Acrylic Latex - Tube - Off White (Interior Sealant)
	034552-04-000	EA	Sealant - Silicone - Beige
	034552-02-000	EA	Sealant - Silicone - Clear
	034552-07-000	EA	Sealant - Silicone - Dark Gray
	034552-06-000	EA	Sealant - Silicone - Off White
	069637-01-000	EA	Sealant - Weatherban 404 - Tube - White (Door Caulk)
	072889-01-000	EA	Sealant - Urethane - Black (Windshield)
	069640-01-000	FT	Sealer Ribbon - .25" Bead x 20'
	069640-02-000	FT	Sealer Ribbon - 5" x .125" x 30'
	069640-03-000	FT	Sealer Ribbon - .75" x .125" x 30'
	069640-04-000	FT	Sealer Ribbon - 2" x .09" x 45' (P Series)
	069640-05-000	FT	Sealer Ribbon - 2.5" x .09" x 50'
	069640-06-000	FT	Sealer Ribbon - 5/16" Bead x 15'
	069640-07-000	FT	Sealer Ribbon - 2" x 3/32" x 30'
	002316-01-000	FT	Sealer Tape - 3/32" x 3/8" - White (Window)
	002707-01-000	FT	Sealer Tape - 5/16" x 3/4"
	002707-02-000	FT	Sealer Tape - 5/16" x 1/2"
	040545-01-000	GL	Sealer - Seam Weld
	053752-04-000	EA	Seam Sealer - Tube - Aluminum (Roof)
	063642-01-000	FT	Tape - Adhesive - .10 mm. x 1.5" Wide
	038886-01-000	EA	Tape - Butyl - 31" x .31" x 148" (Windshield)
	076322-01-000	FT	Tape - Foam - Double Coated - .025 x 1" (Fiberglass Sidewall Seams)
	076322-02-000	FT	Tape - Foam - Double Coated - .045 x 1" (Fiberglass Sidewall Seams)
	009200-01-000	EA	Tape - Furnace - 1.5"
	002825-01-000	FT	Weather Striping (Roof Vent)

**MISCELLANEOUS EXTERNALLY MOUNTED PARTS**

Key	Part Number	U/M	Description
	083558-01-000	EA	Plumbing Seal - Roof Vent - 1.5" - w/Cap
	048817-01-000	EA	Asslt Handle - w/Light
	048817-01-700	EA	Lens - Asslt Handle
	010230-02-000	EA	Fill - City Water - Recessed - Off White
	081240-03-000	EA	Water Fill - Lockable - Off White
	078040-01-000	EA	Shroud - Fuel Fill - Upper
	079384-01-000	EA	Running Board w/Wheel Flares
	054530-01-000	EA	Door Holder
	083615-01-000	EA	Door Holder - Beige Plastic
	038327-01-000	EA	Tape - Antislip - 2" x 60'

**GALLEY GROUP**



**GALLEY CABINETRY**

Key	Part Number	U/M	Description
	1 083540-02-U10	EA	Cabinet Asm. - Galley Overhead - w/o Doors or Hardware
	2 M81506-03-U10	EA	Door Asm. - Galley Overhead Cabinet - w/o Hardware
	3 M83645-02-U10	EA	Cabinet Asm. - Microwave - w/o Doors or Hardware
	4 M81524-01-U10	EA	Door Asm. - Microwave Cabinet - Left - w/o Hardware
	5 M81505-14-U10	EA	Door Asm. - Refrigerator Cabinet - w/o Hardware
	6 M81505-13-U10	EA	Door Asm. - Refrigerator Cabinet - w/o Hardware
	7 M82757-03-U01	EA	Access Panel - Refrigerator Cabinet - w/o Hardware
	8 M81504-52-U10	EA	Door Asm. - Galley Cabinet
	9 M83663-01-U01	EA	Cabinet Asm. - Galley - w/o Countertop, Doors, Drawers or Hardware
	** M83663-03-U01	EA	Cabinet Asm. - Galley - w/o Countertop, Doors, Drawers or Hardware
	* 082184-04-T09	EA	Drawer Asm. - Galley Cabinet - w/o Hardware
	* M02607-01-U01	EA	Countertop Asm. - Galley Cabinet - Almond Loom
	10 M81504-55-U10	EA	Door Asm. - Galley Cabinet - w/o Hardware
	11 M81504-02-U10	EA	Door Asm. - Galley Cabinet - w/o Hardware
	12 080812-03-U01	EA	Extension Asm. - Galley Countertop - w/o Hardware - Beige Crescent
	* 077404-01-000	EA	Drawer Asm. - Galley Cabinet - 20" x 12.7"
	* 077409-01-000	EA	Drawer Slide - 20.75" Plastic
	* 081710-01-000	EA	Drawer Slide - Plastic
	* Not Illustrated		
	**		Parts used with microwave option.

**1986 ITASCA  
TABLE OF CONTENTS**

IC420RG	A-01 - C-02
IC424RS	C-03 - E-10
ICN23RG	E-11 - G-23
ICN27RT	H-01 - J-14

**1986 IC420RG INDEX**

Floor Plan	A-01 - A-02
Accessories Group	A-03 - A-05
Bath Group	A-06
Chassis Group	A-07 - A-08
Curtain, Cushion & Pad Group	A-09 - A-15
Dineite Group	A-16
Driver's Compartment Group	A-17 - A-18
Electrical Group	A-19 - A-21
Exterior Body Group	A-22 - B-03
Galley Group	B-04 - B-05
Heating & Air Conditioning Group	B-06
Interior Finish Group	B-07 - B-09
LP Group	B-10
Lounge Group	B-11
Water & Sewage Group	B-12 - B-13
Window, Vent & Exterior Door Group	B-14 - C-02

## GALLEY GROUP (CONTINUED)

### GALLEY APPLIANCES & HARDWARE

Key	Part Number	U/M	Description
	079352-01-000	EA	Hood - Range - Non-Powered w/Light - Almond
	079353-01-000	EA	Hood - Range - Powered - Almond - US
	079353-02-000	EA	Hood - Range - Powered w/Monitor - Almond - CSA
	079353-02 700	EA	Vent - Hood Only w/Wires
	079354-03-000	EA	Space - Range Hood - 3 85'
	081379-01-000	EA	Microwave/Convection Oven - Sharp
	055282-02 000	EA	Range - 4 Burner - Small Oven Magic Chef - Almond
	055282-02 700	EA	Top - Main - Almond
	081374 01-000	EA	Range Top 4 Burner Almond
	081374-01-700	FA	Trim Cab Top - Right
	081374 01-701	EA	Trim Cab - Top - Left
	081374 01-702	EA	Panel - Manifold - Black
	081374-01-703	EA	Trim - Top - Rear
	081374-01-704	EA	Guard Fabric
	081587 03-000	EA	Bracket - Range Top Tile Down - Right
	081507-04 000	EA	Bracket - Range Top Tile Down - Left
	064473-02-000	EA	Refrigerator - AC/DC/Gas - Norcold 6 - 766 EG3
	054450-01 000	EA	Level Refrigerator
	081459-08 000	EA	Bracket Asm - Microwave - Right
	081459-02 000	EA	Bracket Asm - Microwave - Left
	081456-01-000	EA	Angle Asm - Microwave - Right
	081456 02 000	EA	Angle Asm Microwave - Left
	081555-01-T03	EA	Trim - Microwave
	081530-01 U01	EA	Sink Cover - Large
	088615 01 000	EA	Sink Stainless Steel - Double w/Bolts
	011053 01-000	EA	Faucet - Swing Spout - 8' - US
	011053-01 700	EA	Aerator Swing Spout Faucet
	011053 02 000	EA	Faucet - Swing Spout - 8' CSA
	066437 01-000	CA	Strainer w/Basket Sink
	058334 01 000	EA	Wastebasket - 9 75' x 7" x 10 - White Rubbermaid
	074490 01 000	EA	Spice Rack - Oak
	074491 01 000	EA	Magazine Rack - Oak
	074981 01-000	EA	Cutting Board - Maple
	009049 01 000	EA	Table - Support Drop Leaf
	009059-01 000	EA	Hinge - 2 Gold
	059777-01 000	EA	Hinge - Cabinet Door - Antique Brass
	039873 01 000	EA	Latch - Cabinet Door
	074493 02 000	EA	Prop - Overhead Door
	078212 01 000	EA	Pulls - Door - Brass w/Oak Inlay

The illustrated parts breakdown for this item is provided on the Common Items Fiche

## HEATING & AIR CONDITIONING GROUP

### FURNACES & ROOF AIR CONDITIONER

Key	Part Number	U/M	Description
	075695-01-000	EA	Furnace - 24 000 BTU - w/Direct Ignition - NT 24S
	069633-01-705	EA	Vent Package - Furnace
	009198 01-000	FT	Duct - Flexible - 4 I D x 25
	056464 01 000	EA	Register - 4' Dia Plastic w/Damper
	056464 02-000	EA	Register - 4' Dia - Plastic w/o Damper
	009200-01-000	EA	Tape - Furnace 1 1/2'
	023146 01 000	EA	Clamp Screw Type - 4'
	073743-01 000	EA	Shroud Asm - Ceiling Inside - Roof Air - 13 500 BTU - Cool Only
	073744-01-000	EA	Shroud Asm Ceiling - Inside - Roof Air - 13 500 BTU - Heat & Cool
	073742 01 000	EA	Air Conditioner - 110 Volt - Roof Mount - 13 500 BTU Rotary

The illustrated parts breakdown for this item is provided on the Common Items Fiche

### AUTOMOTIVE HEATER & AIR CONDITIONER

Key	Part Number	U/M	Description
	074025-01-000	LA	A/C Compressor Mount Package - 350 C I D
	072343 01-000	EA	A/C - Compressor/Clutch - Sankyo 510
	073716 01-000	EA	A/C - Condenser Asm - C - Tube O
	074027-01-000	EA	A/C Evaporator Asm - Cutaway
	007108 01-000	FT	Hose - Heater 5/8' I D SAE20R3
	062401 04-000	EA	Clamp Worm Drive - 69 - 1 25 I D

## 1986 ITASCA TABLE OF CONTENTS

IC420RG	A 01 - C-02
IC424RS	C-03 - E-10
ICN23RG	E-11 - G 23
ICN27RT	H 01 - J-14

## 1986 IC420RG INDEX

Floor Plan	A 01 - A 02
Accessories Group	A 03 - A 05
Bath Group	A 06
Chassis Group	A 07 - A-08
Curtain Cushion & Pad Group	A-09 - A-15
Dinette Group	A-16
Driver's Compartment Group	A-17 - A-18
Electrical Group	A-19 - A 21
Exterior Body Group	A-22 - B-03
Galley Group	B-04 - B 05
Heating & Air Conditioning Group	B-06
Interior Finish Group	B 07 - B-09
LP Group	B-10
Lounge Group	B-11
Water & Sewage Group	B 12 - B-13
Window, Vent & Exterior Door Group	B 14 - C 02

## INTERIOR FINISH GROUP

### INTERIOR MOLDING & TRIM

Key	Part Number	U/M	Description
	042357-09-000	FT	Molding - Radius Corner - 7 Elm
	022992-08-000	FT	Molding - Reverse Cove - Champagne White
	079653-01-000	EA	Molding - Batt Strip - Kerfed - Sunset Oak
	069733 37 000	EA	Batt Strip - Sunset Oak - 8 (Lounge)
	069733-42-000	EA	Batt Strip - Scrimshaw Sand - 8 (Wall)
	069733-58-000	EA	Batt Strip - Gray - 8 (Galley & Bath)
	069733 59 000	EA	Batt Strip - Melon - 8 (Galley & Bath)
	069733-60-000	EA	Batt Strip - Plum - 8 (Galley & Bath)
	069733-62-000	EA	Batt Strip - Pebble Beach - 8 (Ceiling)
	070504-01 000	FT	U-Channel - 065 Light Brown
	070504-02-000	FT	U-Channel - 815 - Light Brown
	075249-01-000	EA	Rail Asm - Plain - 72'
	075250-01 000	EA	Corner Post 1 x 1' x 2 1/2' Oak
	078026 21-T03	EA	Trim - Valance - 82
	002774-02 001	EA	Trim - Carpet - 192
	009767 06-000	FT	Welting Beige
	009767-07 000	FT	Welting Grady Brown
	074045 01-000	EA	Plug - 1/2 Dia - Oak
	041746 01-000	FT	Vinyl - Extr - Bubble Seal

### CABINETS & TABLE HARDWARE

Key	Part Number	U/M	Description
	053200 05 000	EA	Bracket - Upper Wall Mount 23 5 - Beige
	024281 07 000	FA	Bracket - Lower Wall Mount - 22 12' - Beige
	024276 14 000	EA	Leg Asm - Table - 26 5" - Brown
	064050 01 000	EA	Hinge - Table Leg
	024282 01-000	EA	Brace - Table Leg
	049493 02 000	EA	Catch - Table Leg - Mounts on Floor Brown
	009112 01 000	EA	Flange - 1' - Chrome - Closet Rod
	077409 01 000	EA	Slide Drawer - Plastic 20 75
	009040 01 000	EA	Table Support - Drop Leaf
	009059 01 000	EA	Hinge - 2' Drop Leaf Table - Gold
	076312 01 000	EA	Mesh Grille - 13 80' x 8 80' Gold Aluminum
	009021 01 000	EA	Catch - Nylon - Furnace Door
	009021 02 000	EA	Strike - Nylon Catch - Furnace Door
	074493 02 000	EA	Support Sprung Door
	066433 01 000	EA	Hook Cup - Bright
	058034 02 000	EA	Latch Door w/o Lock - Sliding Door
	075680 01 000	EA	Clothes Rod - Adjustable - 27" x 36
	064467 01 000	EA	Guide - Wall Mount Door Pocket
	078212 01 000	EA	Pull - Brass w/Dark Oak Cabinet
	077523 01 000	EA	Latch Asm Cabinet Door
	077821 01 000	EA	Strike - Latch Cabinet Door
	078210 01 000	EA	Knob - Antique Brass - w/Oak
	084435 01 000	EA	Knob Decorative Cabinet
	045586 02 000	EA	Spindle Wood 1 75' x 24 - Plain
	059777 01 000	EA	Hinge - Brass
	009016 01 000	EA	Catch - Elbow Spring Loaded
	077461 01 000	EA	Cover - Strike

The illustrated parts breakdown for this item is provided on the Common Items Fiche

## INTERIOR FINISH GROUP (CONTINUED)

### PANELING & COUNTERTOP MATERIAL

Key	Part Number	U/M	Description
	074497 03 000	SF	Paneling - Decor Sunset Oak - 48' x 84' (28 SF) (Cabinets & Wall)
	074497-04-000	SF	Paneling - Decor - Scrimshaw Sand - 48' x 84' (Wall)
	074496 45-000	SF	Paneling - Decor - Gray - 48' x 84' (28 SF) (Galley) (U10)
	074496-46-000	SF	Paneling - Decor - Melon - 48' x 84' (28 SF) (Galley) (U11)
	074496-47-000	SF	Paneling - Decor - Plum - 48' x 84' (28 SF) (Galley) (U12)
	074497-07-000	SF	Paneling - Pebble Beach - 48' x 96' (32 SF) (Ceiling)
	074198-10-000	SF	Plastic Laminate - Northsea - 48' x 96' (32 SF) (Dinette & Bath) (U10)
	074498 10-019	EA	Plastic Laminate - Northsea - 1 19' x 96'
	076325-11-000	FT	Molding - Edge Band - Northsea - 1 5/16' x 030
	074498-11-000	SF	Plastic Laminate Cayene - 48' x 96' (32 SF) (Dinette & Bath) (U11) (U01 U02)
	074498-12-019	EA	Plastic Laminate - Cayene - 1 19' x 96'
	076325-12 000	FT	Molding - Edge Band - Cayene - 1 5/16' x 030'
	074498-12 000	SF	Plastic Laminate - Wild Rose - 48' x 96' (32 SF) (Dinette & Bath) (U12)
	074498-12-019	EA	Plastic Laminate - Wild Rose 1 19' x 96'
	076325-13 000	FT	Molding - Edge Band - Wild Rose - 1 5/16' x 030
	074498-06-000	SF	Plastic Laminate - Beige Crescent - 48' x 96' (32 SF) (Galley)
	074498-06 019	EA	Plastic Laminate Beige Crescent - 1 19' x 96'
	076325 05 000	EA	Molding - Edge Band - Beige Crescent - 1 19' x 96'
	074498 05 000	SF	Plastic Laminate - Sunset Oak - 48' x 96" (32 SF) (Nightstand)
	074498 05 019	EA	Plastic Laminate - Sunset Oak - 1 19' x 96'
	076325 04 000	FT	Molding - Edge Band Sunset Oak 1 15/16' x 030'

### FABRICS & CARPET

Key	Part Number	U/M	Description
	072333-21-000	YD	Fabric Drapery - Parchment
	077498 65 000	YD	Fabric w/Pattern - Upholstery - Stormy (U10)
	077498-66 000	YD	Fabric w/Pattern - Upholstery - Coral Reef (U11)
	077498-67-000	YD	Fabric w/Pattern - Upholstery - Sachet (U12)
	077498 68 000	YD	Fabric w/Pattern - Upholstery Accent Oasis (U11)
	077498-70 000	YD	Fabric - Upholstery/Draperies - Accent - Plain - Pewter (U10)
	077498-71 000	YD	Fabric - Upholstery/Draperies - Accent - Plain - Melon (U11)
	077498 69 000	YD	Fabric - Upholstery/Draperies - Accent - Plain - Plum (U12)
	069729 25 000	YD	Fabric - Bedspread/Draperies - Main - Colonial (U10)
	069729 26 000	YD	Fabric - Bedspread/Draperies - Main - Peach (U11)
	069729 27 000	YD	Fabric - Bedspread/Draperies - Main - Mauve (U12)
	069729-28 000	YD	Fabric - Bedspread - Accent - Lemon (U10)
	069729-29 000	YD	Fabric - Bedspread - Accent - Greensilver (U11)
	069279 30 000	YD	Fabric - Bedspread - Accent - Mauve (U12)
	052859 01-T03	FT	Trim Asm - Accent Sandrift
	052859 05 T03	FT	Trim Asm - Accent Buckskin
	079680 01 000	YD	Vinyl - Expanded 28 oz Buckskin
	072860 51 000	YD	Carpet Gray (U10)
	072860 52 000	YD	Carpet Rose (U11)
	072860 53 000	YD	Carpet Violet (U12)

## 1986 ICA/ASCA TABLE OF CONTENTS

IC420RG	A-01 - C-02
IC424RS	C-03 - E 10
ICN23RG	E-11 - G 23
ICN27RT	H-01 - J 14

## 1986 IC420RG INDEX

Floor Plan	A 01 - A 02
Accessories Group	A 03 - A 05
Bath Group	A-06
Chassis Group	A 07 - A 08
Curtain, Cushion & Pad Group	A 09 - A-15
Dinette Group	A-16
Driver's Compartment Group	A-17 - A-18
Electrical Group	A 19 - A 21
Exterior Body Group	A 22 - B 03
Galley Group	B 04 - B 05
Heating & Air Conditioning Group	B 06
Interior Finish Group	B-07 - B 09
LP Group	B-10
Lounge Group	B-11
Water & Sewage Group	B-12 - B 13
Window, Vent & Exterior Door Group	B 14 - C-02



**INTERIOR FINISH GROUP (CONTINUED)**

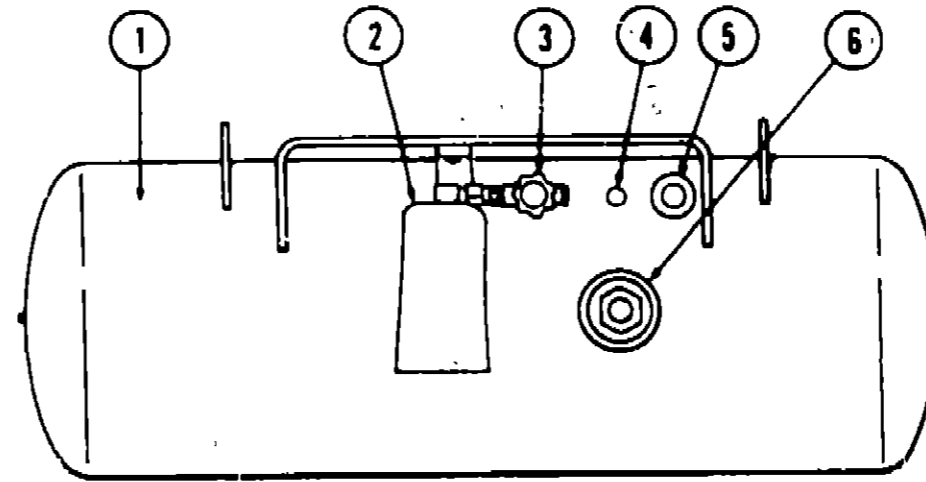
**MISCELLANEOUS PARTS**

Key	Part Number	U/M	Description
	053552-02-T03	EA	Handle Asm. - Interior Assist - Medium Almond Vinyl
	041944-03-000	EA	Fire Extinguisher - w/Bracket
	054185-24-000	EA	Owner's Manual - 1986 Itasca & Winnebago
	040069-01-000	EA	Door Mat - 10 1/2" x 26" - Black Rubber
	075907-02-000	EA	Picture - Decor - Assorted Grasses

**CURTAIN & CUSHION HARDWARE**

Key	Part Number	U/M	Description
	082139-01-000	EA	Bracket - Hold Down - Blinds
	056003-02-000	EA	Bracket - Drapery Retainer - Left
	056003-01-000	EA	Bracket - Drapery Retainer - Right
	056001-01-000	EA	Bracket - Shade - Left
	056002-01-000	EA	Bracket - Shade - Right
	076827-01-000	EA	Bracket - Curtain - Woven Wood - Right
	076827-02-000	EA	Bracket - Curtain - Woven Wood - Left
	079796-03-000	EA	Bracket Asm. - Curtain Rod - Right
	079796-04-000	EA	Bracket Asm. - Curtain Rod - Left
	082249-01-000	EA	Bracket - Blinds - Beige - Right
	082249-02-000	EA	Bracket - Blinds - Beige - Left
	079619-01-000	EA	Bracket - Tie Back
	009107-01-000	EA	Guide - Nylon Snap - Curtain
	056784-01-000	EA	Pull - Window Shade - Antique Brass
	056115-01-000	YD	Tape - Clear Plastic - w/Guide
	048394-01-000	YD	Tape - Hook - 1" x 25 YD - Beige
	029096-05-000	YD	Tape Hook - .50" - Velcro - Beige
	048395-01-000	YD	Tape Loop - 1" x 25 YD - Beige
	029090-01-000	FT	Tie - Drapery - Clear Vinyl
	056116-01-000	FT	Track - Curtain - Brown Plastic
	079446-01-000	EA	Track - Curtain - Wraparound - Right
	079446-02-000	EA	Track - Curtain - Wraparound - Left

**LP GROUP**



Key	Part Number	U/M	Description
1	080450-01-000	EA	Tank Asm. - LP Frame Mount - 42 Pound - 13" x 24"
	065741-01-000	EA	Detector - LP Gas Leak - Marshalltown Instruments
2	076277-01-000	EA	Cover - Regulator - Two Stage - Front
	076278-01-000	EA	Cover - Regulator - Two Stage - Back
	076301-01-000	EA	Regulator - Two Stage - LPG US
	076301-02-000	EA	Regulator - Two Stage - LPG CSA
3	040421-01-703	EA	Valve - Vapor Relief
4	040421-01-700	EA	Gauge - Liquid Level - 20% LP
5	040421-01-701	EA	Valve - Filler - LP
	040421-01-702	EA	Cap - Plastic Fill Valve
6	040421-01-707	EA	Gauge - Float - w/Visible Dial
	040421-01-706	EA	Dial - Visible Face - Float Gauge (Tank w/o Electric Transmitter)
	040440-01-000	EA	Dial - Transmitter - 0 - 90 Ohm (Float Gauge)
	045703-01-000	EA	Hose Asm. - LP - 3/8" I.D. x 24" - US
	045703-02-000	EA	Hose Asm. - LP - 3/8" I.D. x 24" - CSA
	045703-03-000	EA	Hose Asm. - LP - 3/8" I.D. x 18" - US
	045703-04-000	EA	Hose Asm. - LP - 3/8" I.D. x 14" - CSA
	065742-01-000	EA	Tee - .38 F x .39 F x .25 FPT
	058046-01-000	EA	Conversion Kit - LP - Onan Generator
			Not Illustrated

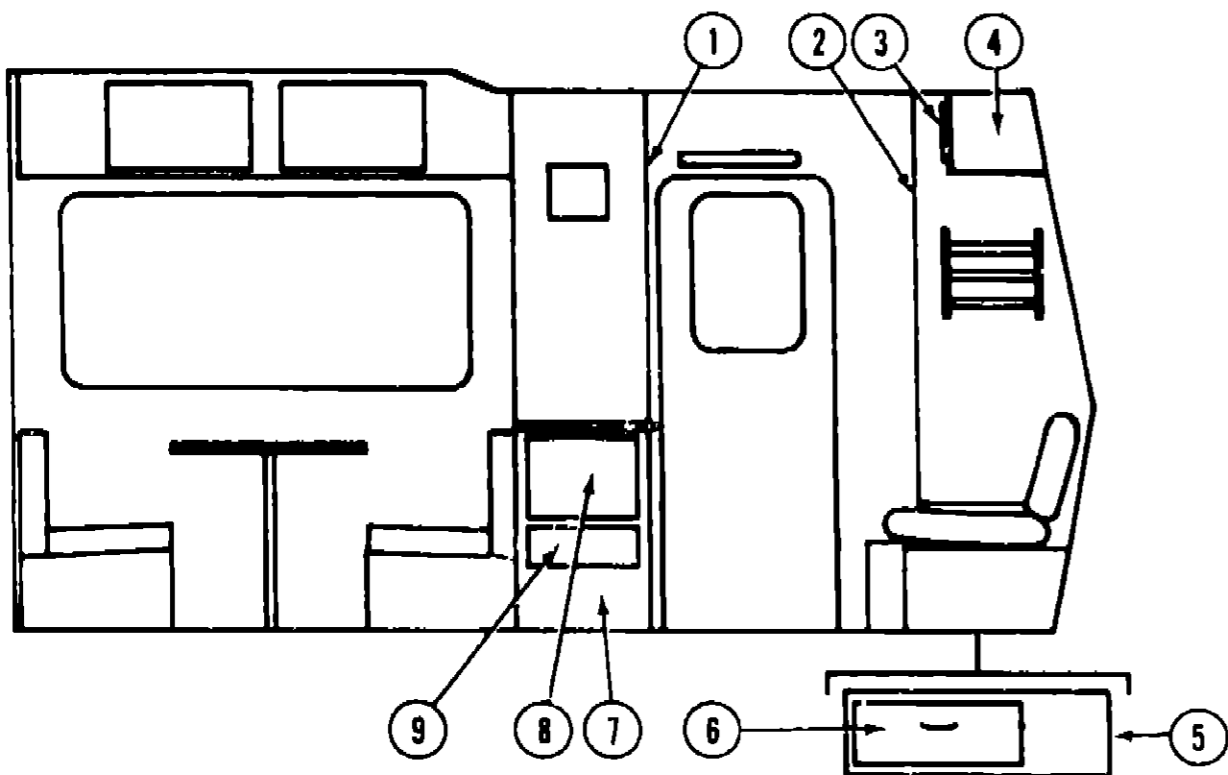
**1986 ITASCA  
TABLE OF CONTENTS**

IC420RG	A-01 - C-02
IC424RS	C-03 - E-10
ICN23RG	E-11 - G-23
ICN27RT	H-01 - J-14

**1986 IC420RG INDEX**

Floor Plan	A-01 - A-02
Accessories Group	A-03 - A-05
Bath Group	A-06
Chassis Group	A-07 - A-08
Curtain, Cushion & Pad Group	A-09 - A-15
Dinette Group	A-16
Driver's Compartment Group	A-17 - A-18
Electrical Group	A-19 - A-21
Exterior Body Group	A-22 - B-03
Galley Group	B-04 - B-05
Heating & Air Conditioning Group	B-06
Interior Finish Group	B-07 - B-09
LP Group	B-10
Lounge Group	B-11
Water & Sewage Group	B-12 - B-13
Window, Vent & Exterior Door Group	B-14 - C-02

## LOUNGE GROUP



LESTER LOUNGE, OVERHEAD & WARDROBE

Key	Part Number	U/M	Description
1	M81504 54 U10	EA	Door Asm - Wardrobe Cabinet - w/o Hardware
2	M81504 53 U01	EA	Door Asm - Wardrobe Cabinet - w/o Hardware
3	M81506-02-T09	EA	Door Asm - Rear Overhead Cabinet w/o Hardware
4	083545 02 U10	EA	Cabinet Asm - Rear Overhead - w/o Doors or Hardware
5	M83652 01 U01	EA	Cabinet Asm Couch w/o Drawers Doors or Hardware
6	M81504 54-U10	EA	Door Asm - w/o Hardware
	081298 01 U04	EA	Table Asm - Pedestal
7	M83481-02 U01	EA	Cabinet Asm - Furnace - w/o Countertop Door or Hardware
	M02591 01-U01	EA	Countertop Asm - Furnace Cabinet - Sunset Oak
8	M81507-04-U10	EA	Door Asm - Furnace w/Mesh Insert - 15 1/2 x 22 6' - w/o Hardware
9	081694 02-U13	EA	Drawer Asm - w/o Hardware
	074491-02-T03	EA	Magazine Rack - Oak
			Not Illustrated

### LOUNGE HARDWARE

Key	Part Number	U/M	Description
	009040 02 000	FA	Leg - Pedestal Table - 2 25 O.D x 27 5 Chrome
	038040 03-000	FA	Base - Table Leg Mounts on Table
	041194-01-000	EA	Base - Table Leg - Mounts in Floor
	056875 02-000	EA	Leg Asm - Couch
	076840 01 000	EA	Shock Cord
	022517-01 000	EA	End Cap - 1" x 1" - Brown
	053163 01-000	EA	Bracket Couch Slide
	053347-01 000	EA	Wire - Pin - Spring 3/32
	053348 01-000	EA	Steel Pin - 1/4" x 4' x 3/32 Hole
	054398 01 000	EA	Bracket - Center Support Lester Lounge Brown
	009150 01 000	EA	Warp Guard - 64
	009112-01-000	EA	Flange - 1" Closet Rod Chromo
	062046 01 000	EA	Clip Pedestal Leg
	009049 01 000	EA	Table Support Drop Leaf
	009059-01 000	EA	Hinge 2 Gold
	078212-01 000	EA	Pull - Drawer - Brass w/Oak Inlay
	009021-01-000	EA	Catch Nylon Furnace Door
	009021 02 000	EA	Strike Nylon Catch - Furnace Door

## WATER & SEWAGE GROUP

### PLUMBING & REPAIR PARTS

Key	Part Number	U/M	Description
	033302 02 000	EA	Adapter Asm - SWVC Strain 1 1/2
	010326-01 000	EA	Adapter - Flare - w/Conic Gasket
	062416-01-000	EA	Adapter - Hose - 3'
	062422-01-000	EA	Adapter - Hose Offset - Reducer 3/4 x 1 1/2
	052954 01-000	EA	Adapter - Hose Cone - 3/8 or 1/2 - Plastic
	010224 01-000	EA	Adapter - Plastic - 3/8 MPT x 3/8 Barb
	044927 01-000	EA	Adapter - Plastic - 1 1/4" MPT x 1 1/4 Barb
	031602-02-000	EA	Adapter - Plastic 1 1/2 H x FPT
	062417-01-000	EA	Adapter - Termination - 3
	004020 01-000	QT	Adhesive - ABS Cement
	011048-04-000	EA	Breaker Vacuum - 1/8 MPT - Nylon
	010121 01 000	EA	Bushing - Plastic - 1 1/2 S x 1 1/4 H
	010122 01-000	EA	Bushing - Plastic 1 1/2 S x 1 1/4 T
	010123 01 000	EA	Bushing - Plastic - 2S x 1 1/2 H
	036522-02-000	EA	Cap - Brass - 1/2 Flare
	062415 01 000	EA	Cap - Sewer - 3
	052959 02-000	EA	Connector 1/2 F x 1/2 MPT - Plastic
	052959 03 000	EA	Connector 1/2 F x 3/8 MPT - Plastic
	011091 02-000	EA	Continuous Waste - Double Sink - 11 7/8' - US
	053874 01-000	EA	Continuous Waste Asm - Double Sink - CSA
	078406-01-000	EA	Coupler Rubber 3' x 3'
	052960-01-000	EA	Drain Valve - 1/2 F x 1/2 F Plastic
	010000-01-000	EA	Elbow - Plastic - 1/8 BD x 1 1/4 x 45° H x H
	010005 01-000	EA	Elbow - Plastic - 1/16 BD x 1 1/2
	010006 01-000	EA	Elbow - Plastic - 1/8 BD x 1 1/2 x 45° H x H
	010008 01-000	EA	Elbow - Plastic - 1/4 BD x 1 1/2 x 90° Left
	010051-01 000	EA	Elbow - ST Plastic - 1/8 BD x 1 1/2 x 45°
	010219 01 000	EA	Elbow - 1 1/4 Barb x 1 1/4 MPT x 90°
	031111-01-000	EA	Elbow - Plastic - 1/4 BD x 1 1/4 x 90° Left
	034250 01 000	EA	Elbow - Plastic - 1/4 BD x 1 1/2 x 90° x H x H
	035539 01-000	EA	Elbow - Plastic - 3/8 MPT x 3/8 Barb
	052957 01 000	EA	Elbow - Plastic - 1/2 F x 3/8 MPT
	052957 02-000	EA	Elbow - Plastic - 1/2 F x 1/2 MPT (In Tank Filter)
	059536 01-000	EA	Elbow - 1 1/4 - Slip Joint Ends
	065120 01 000	EA	Elbow - Plastic - Swivel 50
	070924 01 000	EA	Elbow - Plastic - Swivel - 1/2 MPT x 1/2 FP
	077954 01 000	CA	Filter/Screen (In Water Tank)
	039647 02 000	EA	Filter - Water Pump - 1/2 MPT
	039647 03 000	EA	Filter - Water Pump 1/2" Flare
	063641-01 000	EA	Flange - Closet - 4" F x 3" FPT - US
	079381 01 000	FT	Flexible Tubing - 1 1/4 I.D x 1/2"
	061607-01 000	EA	Grommet - Holding Tank Coupler - 1 1/2
	061607 02 000	EA	Grommet - Holding Tank Coupler - 3
	062419 02 000	EA	Handle Extension - w/6" Adapter
	052961 01 000	EA	Header 1/2 F x 1/2 F x 1/2 F x 1/2 F
	046524 01 000	EA	Kit Holding Tank Fittings - Blank Tank
	046524 01-000	EA	Kit - Water Tank Fittings - Blank Tank
	052953 01 000	EA	Nut - Facet - 1/2 Tube x 1/2 FPT
	052952 01 000	EA	Nut - 1/2 F Plastic
	011066 03 000	EA	P Trap - 1 1/4" Plastic US
	011066 02 000	EA	P-Trap - 1 1/4" Plastic CSA
	053335 01 000	EA	P-Trap Plastic - 1 1/4 H x H - w/Union CSA
	010197 01 000	FT	Pipe Plastic 3' x 240' - Black
	045729 01 000	EA	Pump - Water - 2 8 G P M - Direct Drive - Shurflo US
	045729 02 000	EA	Pump - Water 2 8 G P M - Direct Drive - Shurflo CSA
	010201 01 000	EA	Sewer Hose - 3' x 8' w/Clamp
	042989 02 000	EA	Spinweld Fittings - Plastic - 1/2 FPT (In Tank Filter)
	042989 03 000	EA	Spinweld Fittings - Plastic - 1/4 NPT
	042989 04 000	EA	Spinweld Fittings - Plastic 3/8 FPT
	049032 01 000	EA	Spinweld Patch Plastic 3/8"

The illustrated parts breakdown for this item is provided on the Common Items Fiche

## 1986 ITASCA TABLE OF CONTENTS

IC420RG	A-01 - C-02
IC424RS	C-03 - E-10
ICN23RG	E-11 - G-23
ICN27RT	H-01 - J 14

## 1986 IC420RG INDEX

Floor Plan	A 01 - A-02
Accessories Group	A 03 - A 05
Bath Group	A 06
Chassis Group	A 07 - A 08
Curtain, Cushion & Pad Group	A 09 - A-15
Dinette Group	A 16
Driver's Compartment Group	A 17 - A 18
Electrical Group	A-19 - A-21
Exterior Body Group	A 22 - B 03
Galley Group	B 04 - B 05
Heating & Air Conditioning Group	B 06
Interior Finish Group	B 07 - B 09
LP Group	B 10
Lounge Group	B 11
Water & Sewage Group	B 12 - B 13
Window, Vent & Exterior Door Group	B 14 - C 02

**WATER & SEWAGE GROUP (CONTINUED)**

**PLUMBING & REPAIR PARTS (CONT)**

Key	Part Number	U/M	Description
	011069-03-000	EA	Tailpiece - 1 1/2' x 1 3/4' x 4' - Plastic
	010071-01-000	EA	Tee - Plastic - 1 1/2 x H x H x H
	010072-01 000	EA	Tee - Plastic - 1 1/2 H x 1 1/4 H x 1 1/2 H
	010079-01-000	EA	Tee - Plastic 1 1/2 H x 1 1/2 H x 1 1/4 H
	046172-01-000	EA	Tee - Plastic - 3/8 B x 3/8 B x 3/8 MPT
	052955-01-000	EA	Tee - Plastic - 1/2 F x 1/2 F x 1/2 MPT
	052956-01-000	EA	Tee - Plastic - 1/2 F x 1/2 MPT x 1/2 F
	052958-01-000	EA	Tee - Plastic - 1/2 F x 1/2 F x 1/2 F
	010133-01-000	EA	Trap Adapter - Plastic - 1 1/2 H x MPT
	039800-01-000	FT	Tubing - Polybutyl - 1/2 O D (Water Line)
	079381-01-000	FT	Tubing - Flexible - Smooth 1 25 I D
	074462-02 000	FT	Tubing - Vinyl 3/8 I D
	072346-01-000	EA	Valve Asm - 3' Ell - w/2 Socket
	070916-01-000	EA	Valve - Dual - 3' & 1 5' Dump
	062421-01-000	EA	Valve - 1 1/2" - w/Handle
	062418-02-000	EA	Valve - 3 - w/o Handle
	052960-01-000	EA	Valve - Line Dr/In - 1/2 F x 1/2 F
	052962 01-000	EA	Valve - Stool 90° - 1/2 F x 3/8 MPT
	010073-01-000	EA	Wye - Plastic - 1 1/2 x 45 H x H

The illustrated parts breakdown for this item is provided on the Common Items Fiche

**HOLDING TANKS & WATER HEATERS**

Key	Part Number	U/M	Description
	057063 02 000	EA	Tank Asm Water - 28 Gallon - w/Fittings
	057063 01 000	EA	Tank Water - 28 Gallon - w/o Fittings
	083268 01 000	EA	Tank - Holding - 25 Gallon - w/o Fittings - Main
	083269 01 000	EA	Tank Holding - 25 Gallon - w/o Fittings - Aux
	051391-01 000	EA	Water Heater - w/o Motor Aid - G6A3
	051391 03 000	EA	Water Heater - w/Electronic Ignition - G6A-3E

The illustrated parts breakdown for this item is provided on the Common Items Fiche

**WINDOW, VENT & EXTERIOR DOOR GROUP**

**ACCESS DOORS**

Key	Part Number	U/M	Description
	079455-03-T95	EA	Door Asm Battery
	083840-01-U01	EA	Door Asm - Generator w/o Baffle
	083839-01-U01	EA	Door Asm Luggage
	079123-01-T03	EA	Door Asm - Luggage
	078969-02-T95	EA	Door Asm - Refrigerator Access
	052009-01-000	EA	Door Asm - Water Heater Access
	078010-03-000	EA	Door - Fuel Fill - Off White
	063742 01-000	EA	Door - Power Cord - Off White
	052424-01-000	EA	Jamb - Power Cord/Fuel Fill Door
	052543-01-000	EA	Hatch - Power Cord Door
	054530-01-000	EA	Door Holder
	083615-01-000	EA	Door Holder - Beige Plastic
	042441-01-000	EA	Lock Asm - Key Type - Gas Fill
	079927-01 000	EA	Lock Asm Twist Type
	047305 01 000	EA	Lock Asm - Key Type w/Clip
	052950-01 700	EA	Lock Asm Kit - Twist Type w/Clip White Plastic
	052951-01-000	EA	Clip Twist Lock Retainer
	077408 02 000	EA	Lock Asm - Key Type
	079368-01-000	FT	Seal - Access Door
	083615-01-000	EA	Door Stop Plastic

**VENTS**

Key	Part Number	U/M	Description
	065103-02-000	EA	Cover - Refrigerator Vent - 9 88' x 20 5 - Plastic
	065103-01-000	EA	Frame Asm Refrigerator Vent - 8 17 x 22 94' - Plastic
	055218 01-000	EA	Cover Asm - Roof Vent
	079355-11-000	EA	Vent - Stovehood - Outside - Off White
	052586 01-000	EA	Ventllator Round Skylight Non Powered
	048835 01 000	EA	Vent Asm - Roof - Non Powered - w/o Screen Alum
	064469-02 000	EA	Vent Asm, - Roof - Powered 14' x 14" CSA
	048789-01-000	EA	Vent Asm - Roof - Powered
	078785 01-T03	EA	Screen Asm - Roof Vent
	078786 01-T03	EA	Screen Asm Roof Vent - Non Powered
	083558 01-000	EA	Roof Vent - Pipe Cover
	084616 01-000	EA	Shroud Vent - Range Hood

The illustrated parts breakdown for this item is provided on the Common Items Fiche

**1986 ITASCA  
TABLE OF CONTENTS**

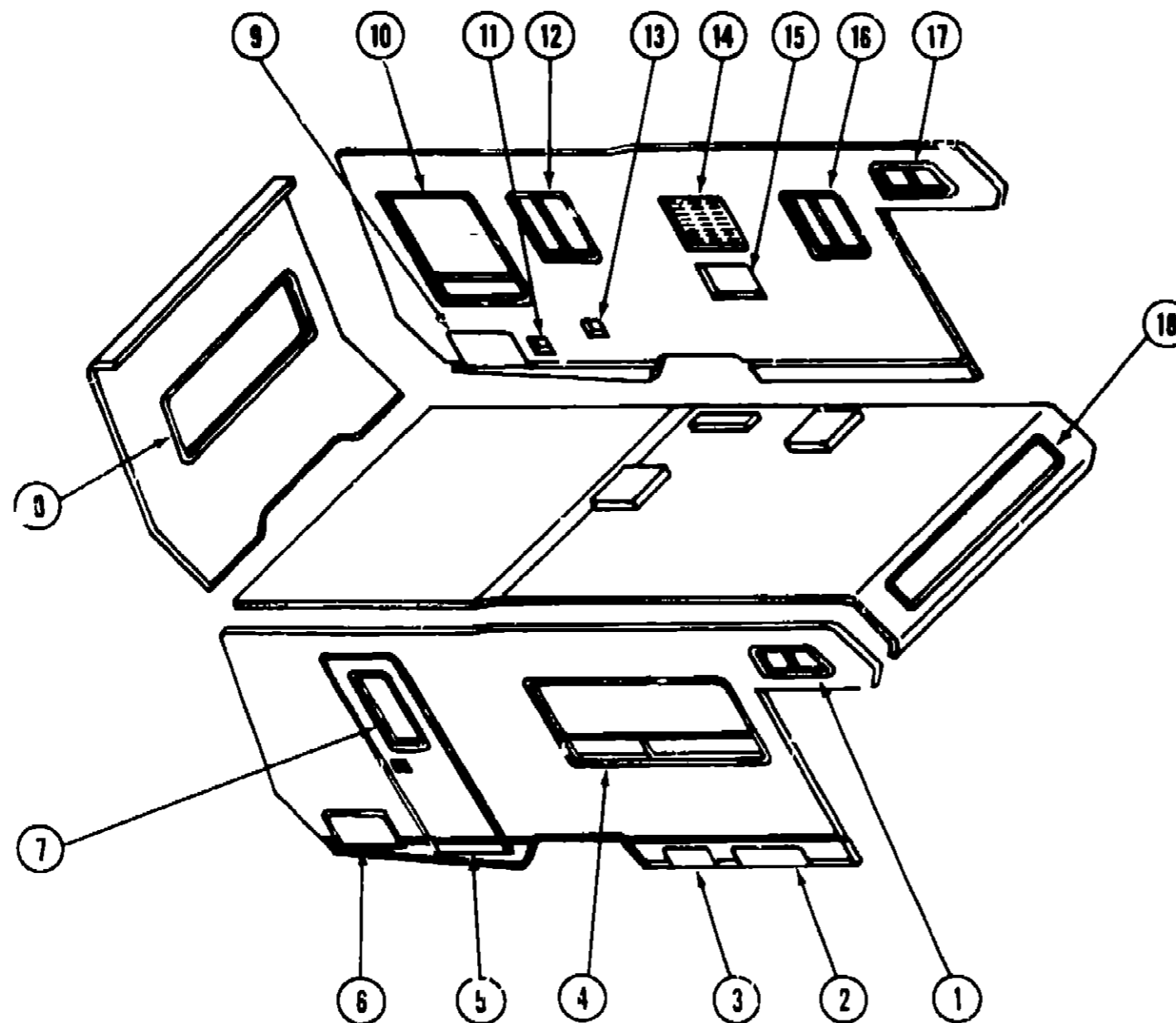
IC420RG	A-01 C-02
IC424RS	C-03 - E-10
ICN23RG	E 11 - G-23
ICN27RT	H-01 - J 14

**1986 IC420RG INDEX**

Floor Plan	A-01 - A-02
Accessories Group	A-03 - A-05
Bath Group	A-06
Chassis Group	A 07 - A-08
Curtain, Cushion & Pad Group	A 09 - A-15
Dinette Group	A-16
Driver's Compartment Group	A 17 - A-18
Electrical Group	A-19 - A 21
Exterior Body Group	A 22 - B-03
Galley Group	B 04 - B 05
Heating & Air Conditioning Group	B-06
Interior Finish Group	B 07 B 09
LP Group	B-10
Lounge Group	B 11
Water & Sewage Group	B-12 - B 13
Window, Vent & Exterior Door Group	B-14 - C 02

**WINDOW, VENT & EXTERIOR DOOR GROUP (CONTINUED)**

**WINDOWS & ACCESS DOORS**



Key	Part Number	U/M	Description
1	078272 01-T03	EA	Window Asm - Bunk Slant Slider
2	079455 03 T95	EA	Door Asm - Battery
3	079455 08 U01	EA	Door Asm - Storage
4	081568 02 U01	EA	Window Asm - Double Slider
5	M01870 03 U01	EA	Door Asm - Radius Entry w/Screen Door
6	079123 01 T03	EA	Door Asm - Luggage
7	079733 04 T03	EA	Window Asm - Picture
8	078536 01-T03	EA	Window Asm - Escape

Key	Part Number	U/M	Description
9	083840-01-U01	EA	Door Asm, - Generator
9	083839 01-U01	EA	Door Asm - Luggage
10	081570 06-U07	EA	Window Asm - Lower Slider
11	063742 01 000	EA	Door Asm - Power Cord
12	078266 03-T03	EA	Window Asm - Single Slider
13	078010 03 000	EA	Door Asm - Fuel Fill (See Access Door)
14	078969 02-T95	EA	Door Asm - Refrigerator Access
15	052009 01 000	EA	Door Asm - Water Heater Access
16	078266 04 T03	EA	Window Asm - Single Slider
17	078272 02 T03	FA	Window Asm - Bunk Slant Slider
18	078533 01-T03	EA	Window Asm - Front Picture

**1986 ITASCA  
TABLE OF CONTENTS**

IC420RG	A-01 - C-02
IC424RS	C-03 - E-10
ICN23RG	F-11 - G-23
ICN27RT	H-01 - J-14

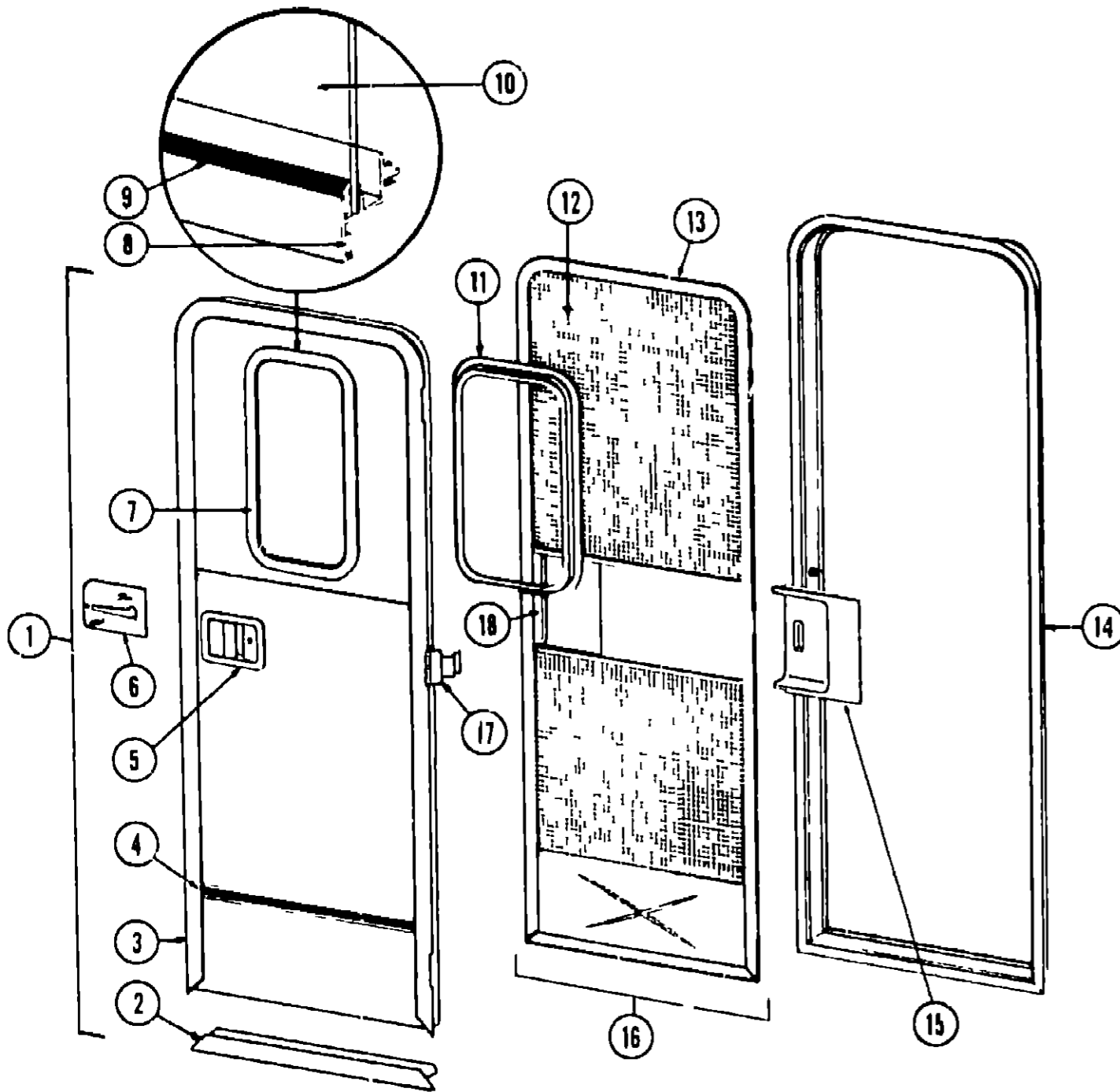
**1986 IC420RG INDEX**

Floor Plan	A 01 - A-02
Accessories Group	A 03 - A-05
Bath Group	A 06
Chassis Group	A 07 - A 08
Curtain, Cushion & Pad Group	A 09 - A-15
Dinette Group	A-16
Driver's Compartment Group	A-17 - A-18
Electrical Group	A-19 - A 21
Exterior Body Group	A-22 - B 03
Galley Group	B-04 - B-05
Heating & Air Conditioning Group	B 06
Interior Finish Group	B 07 - B-09
LP Group	B-10
Lounge Group	B 11
Water & Sewage Group	B 12 - B 13
Window Vent & Exterior Door Group	B 14 - C 02

**WINDOW, VENT & EXTERIOR DOOR GROUP (CONTINUED)**

**ENTRANCE & SCREEN DOOR**

**1986 ITASCA  
TABLE OF CONTENTS**



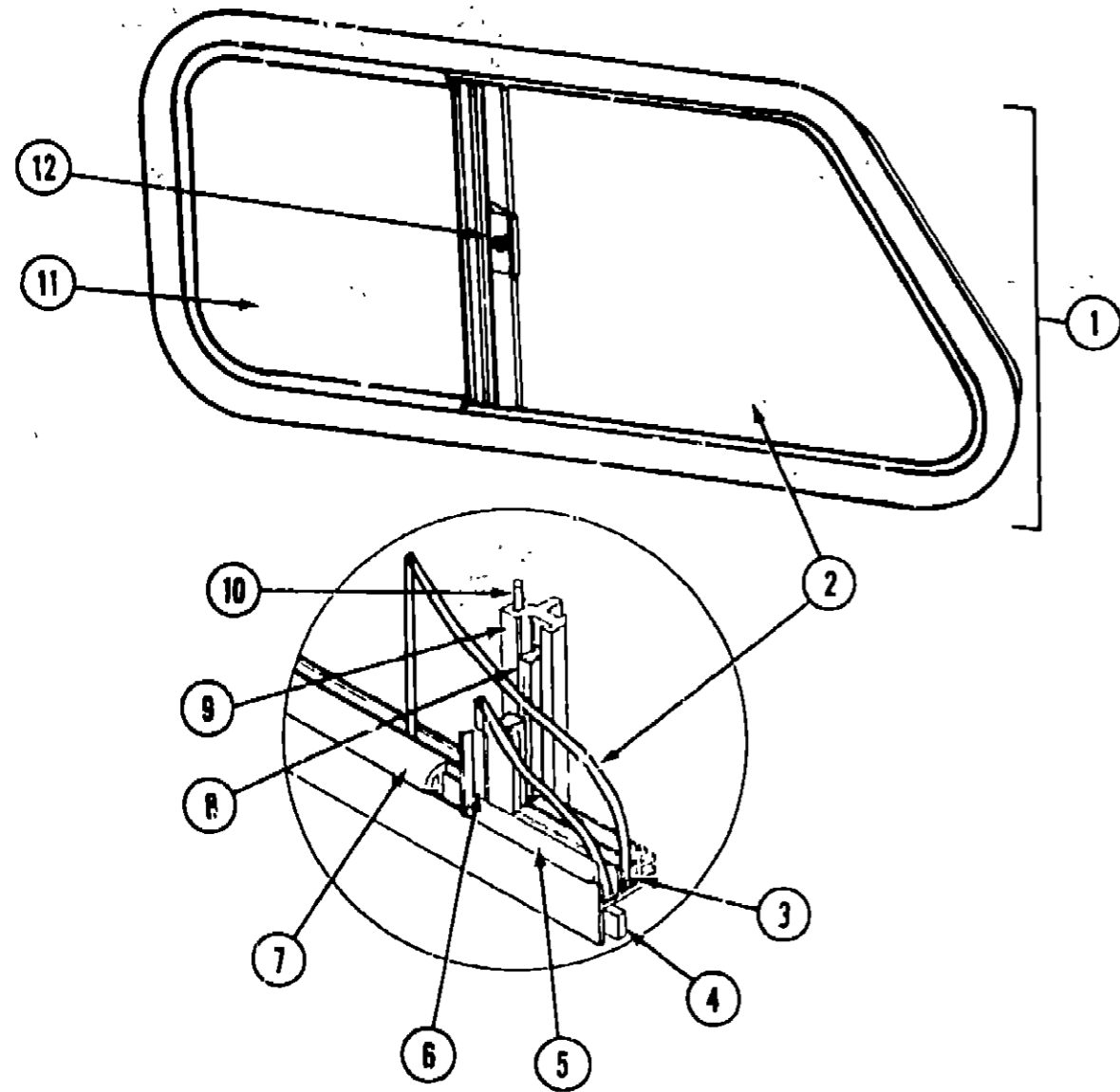
Key	Part Number	U/M	Description
1	M01870-05-U01	EA	Door Asm - Radius Entry w/Screen Door - w/o Window
1	M01870-03-U01	EA	Door Asm - Radius Entry w/Screen Door
2	077998 01-000	EA	Frame - Entry Door (Bottom Portion Only)
3	078000-02-000	EA	Frame - Entry Door (Except Bottom Portion)
4	059576-05-000	EA	Feature Strip w/o Insert - Extr - 14 - Brown
	001030-02 100	EA	Insert - Feature Strip 17 - Stucco - Off White
	009731 01 000	EA	End Cap - Feature Strip
5	045017 05 000	EA	Paddle Asm - Door Lock - Exterior
	045017 05-700	EA	Lock Cylinder w/Keys - Lynor
	039539-01 000	EA	Striker Bolt - Entry Door
	039540-01 000	EA	Latch Claw - Entry Door
	039738 01 000	EA	Dead Bolt - Entry Door
6	039979 01-000	EA	Plate - Inside Lock - Includes Inside Handle
	052186 01 000	EA	Lock Asm - Complete - Lynor
7	079733 04-T03	EA	Window Asm - Picture 17 x 25' - Black (w/o inside frame)
8	069640-06-000	FT	Ribbon Sealer - 5/16 Bead x 15
9	002309 02-000	FT	Spline - Glass - 1/8 Black
10	002181-06 001	EA	Glass - Picture Window 1/8 x 16 25' x 24 - Gray
11	067609-23 000	EA	Inside Frame - Beige (not included in assembly)
12	002293 02 000	SF	Screen - Window 26' - Charcoal
13	056795 02 000	FT	Seal Tape - 1/8' x 3/8' - Press On
14	078591-03-000	EA	Jamb Asm. - Entrance Door
	051049-01-000	EA	Jamb - Entrance Door - Bottom
15	079086-02 000	EA	Slider - Screen Door - Off White Plastic
16	079012 01-U01	FA	Door Asm - Screen
17	079361 02 000	EA	Hinge - Entrance Door (3 used per door)
18	078599-02 000	EA	Cap - Screen Door - Off White Plastic
	009016 01 U00	EA	Catch - Elbow Spring Loaded - Screen Door
	039863 01 000	EA	Roller Asm - Single Roller w/Striker - Screen Door
	076231-01-000	EA	Spacer - Latch - Screen Door
	077437-02 000	EA	Strike - Roller Catch
	058025 02 000	EA	Clip - Roller Latch Catch
	044582 02 000	EA	Drip Cap - Off White
	079278 01 000	EA	Seal - Mocket - Entrance Door
	073090 01-000	FT	Seal - Entrance Door
	075739 01 000	EA	Stiffener - Entrance Door - Off White
	075673 01 000	FT	Seal - Plate - Adhesive Back
	075871 01-000	FT	Seal - Sponge Lazy 'T' Shaped
	002294 01 000	FT	Spline - Black 135 x 138 (Screen Door)
	079087-02-000	EA	Strike - Screen Door
	063729 04 000	EA	Washer 10 32 UNF - 010 - 080
	075639 06 000	EA	Garnish - Radius - Entrance Door
	078448 01 000	EA	Deadbolt - Press Fit 5'
	077461 01-000	EA	Cover - Striker
	079173 01 000	EA	Gasket - Deadbolt
	083205 01-000	EA	Dead Bolt - Press Fit - Harloc
			Not Illustrated

IC420RG	A-01 - C-02
IC424RS	C-03 - E 10
ICN23RG	E-11 - G 23
ICN27RT	H-01 - J-14

**1986 IC420RG INDEX**

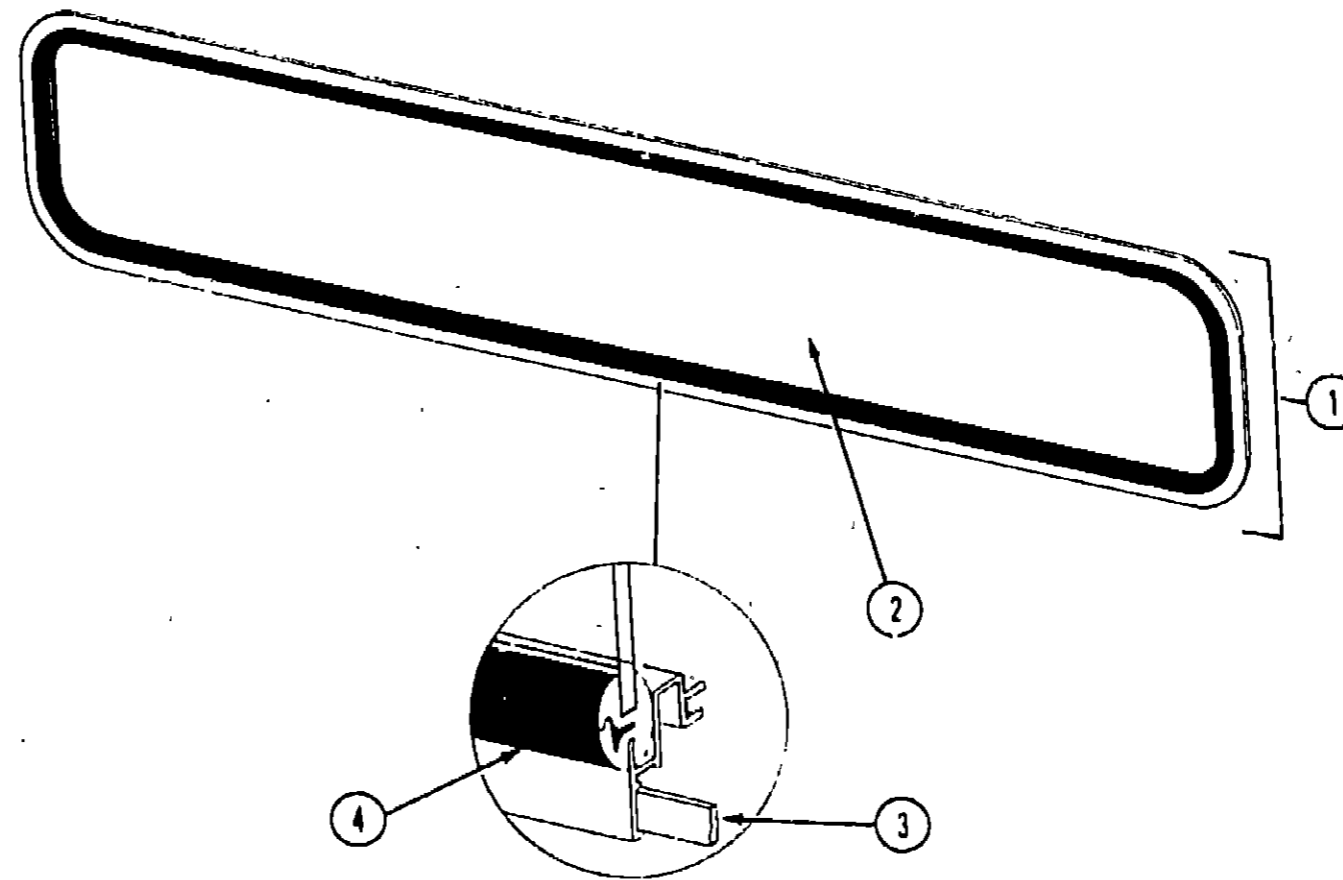
1st Floor Plan	A 01 - A 02
Accessories Group	A 03 - A 05
Bath Group	A 06
Chassis Group	A 07 - A 08
Curtain, Cushion & Pad Group	A 09 - A 15
Dinette Group	A-16
Driver's Compartment Group	A 17 - A 18
Electrical Group	A 19 - A 21
Exterior Body Group	A 22 - B 03
Galley Group	B 04 - B 05
Heating & Air Conditioning Group	B 06
Interior Finish Group	B 07 - B 09
LP Group	B 10
Lounge Group	B 11
Water & Sewage Group	B-12 - B 13
Window, Vent & Exterior Door Group	B 14 - C 02

**WINDOW, VENT & EXTERIOR DOOR GROUP (CONTINUED)**



Key	Part Number	U/M	Description
1	078272-02-T03	EA	Window Asm. - Bunk - Slanted Slider - Left - Black (w/o inside frame)
*	078555-04-000	EA	Inside Frame - Brown (not included)
1	078272-01-T03	EA	Window Asm. - Bunk - Slanted Slider - Right - Black (w/o inside frame)
*	078555-02-000	EA	Inside Frame - Brown (not included in assembly)
2	081983-01-000	EA	Glass - Stationary - 1/8" x 19.42" - Gray
3	002324-02-000	FT	Channel - Weatherstrip - Glass Run - 3/16" Glass
4	009640-06-000	FT	Ribbon Sealer Tape - 5/16" Bead x 15'
5	002309-02-000	FT	Spline - Glass - 1/8" - Black
6	M69886-03-005	EA	Seal Holder w/Fln Seal - 11.23 - Black
7	057374-02-000	FT	Extr. Vinyl - Window Seal - Black
8	073740-01-000	FT	Seal - Fln - Pile - .460"
9	078562-05-000	EA	Mullion - Black
*	002291-02-000	SF	Screen - Window - 16" - Charcoal
10	002298-02-000	FT	Spline - .130" Dia. Charcoal (Screen)
11	081980-01-000	EA	Glass - Sliding - 1/8" x 11.81" - Gray
12	047369-01-700	EA	Latch Kit - Window - Plastic w/Fastener
*			Not illustrated

**WINDOW, VENT & EXTERIOR DOOR GROUP (CONTINUED)**



Key	Part Number	U/M	Description
1	078533-01-T03	EA	Window Asm. - Front Picture - 14" x 69" - Black (w/o inside frame)
*	041938-03-000	EA	Inside Frame - Beige (not included in assembly)
2	002200-02-000	EA	Glass - TP - Picture Window
3	069640-06-000	FT	Ribbon Sealer - 5/16" Bead x 15'
4	002281-01-000	FT	Weatherstrip - Self Seal - .06" Panel x 3/16" - Black
*			Not illustrated

**1986 ITASCA  
TABLE OF CONTENTS**

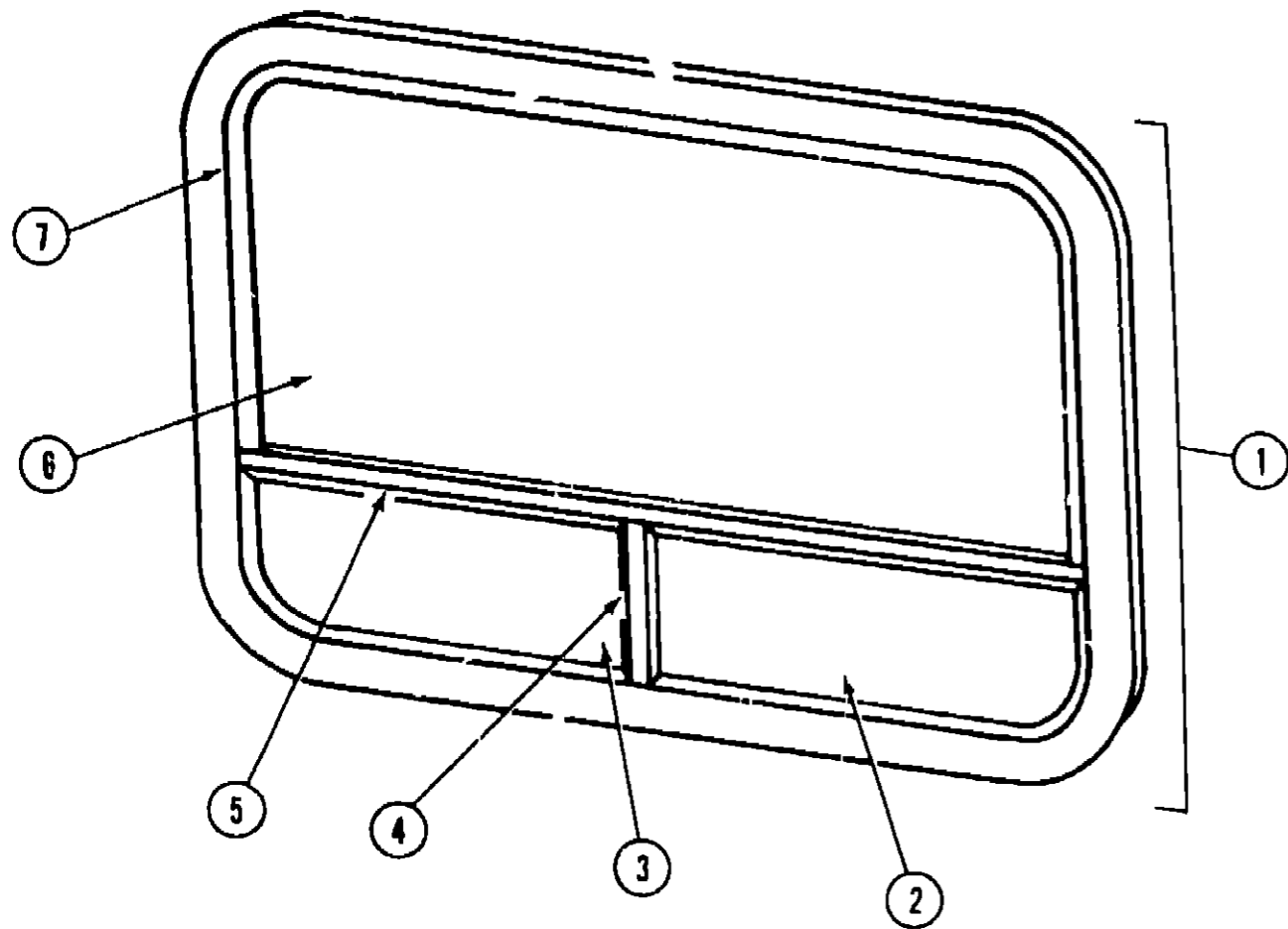
IC420RG	A-01 - C-02
IC424RS	C-03 - E-10
ICN23RG	E-11 - G-23
ICN27RT	H-01 - J-14

**1986 IC420RG INDEX**

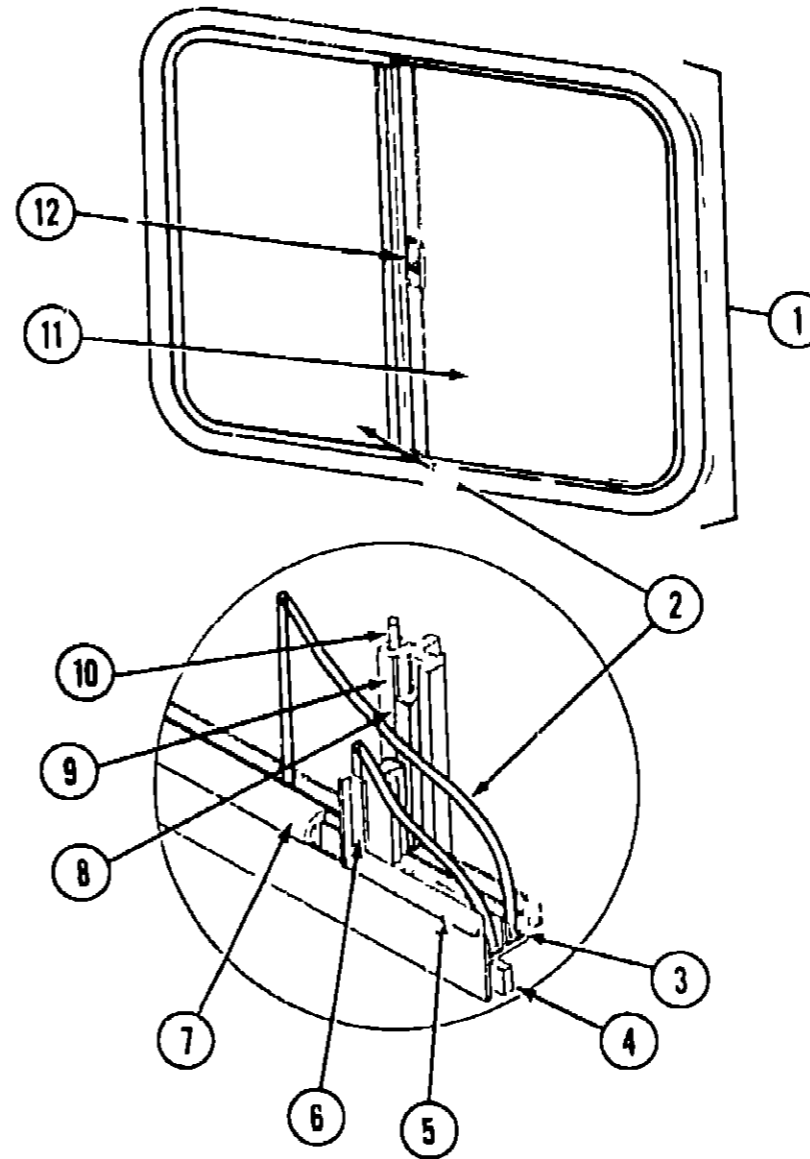
Floor Plan	A-01 - A-02
Accessories Group	A-03 - A-05
Bath Group	A-06
Chassis Group	A-07 - A-08
Curtain, Cushion & Pad Group	A-09 - A-15
Dinette Group	A-16
Driver's Compartment Group	A-17 - A-18
Electrical Group	A-19 - A-21
Exterior Body Group	A-22 - B-03
Galley Group	B-04 - B-05
Heating & Air Conditioning Group	B-06
Interior Finish Group	B-07 - B-09
LP Group	B-10
Lounge Group	B-11
Water & Sewage Group	B-12 - B-13
Window, Vent & Exterior Door Group	B-14 - C-02

**WINDOW, VENT & EXTERIOR DOOR GROUP (CONTINUED)**

**WINDOW, VENT & EXTERIOR DOOR GROUP (CONTINUED)**



Key	Part Number	U/M	Description
1	081568 02 U01	EA	Window Asm - 62' x 31' - Double Tipout (w/o inside frame)
	081822 06 000	EA	Inside Frame - Black (not included in assembly)
2	081434 01-UU1	EA	Window Asm - Tipout - Right Hand
3	081434 02 U01	EA	Window Asm - Tipout - Left Hand
	081239 07-000	EA	Glass - Tipout - 1/8' x 30' x 8 3/4' Left or Right
4	083112-05 000	EA	Mullion - Black
5	081814 01 000	EA	Mullion - Black
	084581 01-W07	EA	Screen Asm - Tipout - Right Hand
	084581 02 W07	EA	Screen Asm - Tipout - Left Hand
	081243 01-000	FA	Screen Clip - Plastic - Black
	002291 02 000	SF	Screen - Window 16' - Charcoal
	002298 02-000	FI	Spline 130 Dia Charcoal (Screen)
	035302 01-000	EA	Operating Mech - Right Hand
	035302 02-000	FA	Operating Mech - Left Hand
6	081239 11-000	EA	Glass Stationary 1/8 x 61 3/4 x 20 1/2'
7	083180 01-000	EA	Window Seal
	081357 01-000	EA	Bulb Seal (Tipout)
	081359 01-000	EA	Window Seal (Tipout)
			Not illustrated



Key	Part Number	U/M	Description
1	078286 04 T03	EA	Window Asm - Black (w/o inside frame)
	083122-06-000	EA	Inside Frame - Brown (not included in assembly)
2	081980 02 000	EA	Glass - Sliding 1/8" x 22" x 13 6/8'
3	002324 02 000	FT	Channel Weatherstrip Glass
4	089640 06 000	FT	Ribbon Sealer 5/16" Bead x 15'
5	002309 02 000	FT	Spline Glass 1.8" Material - Black
6	M18025 03 000	EA	Seal - Holder w/Fin Seal - Black
7	057374 02-000	FT	Extr Vinyl Window Seal - Black
8	073740 01 000	FT	Seal - Fin - Pile 460'
9	078562 03 000	EA	Mullion Slider Window Black
	002293 02 000	SF	Screen - Window 26' - Charcoal
10	002298 02-000	FT	Spline 130' Dia Charcoal (Screen)
11	081984 01 000	EA	Glass Stationary 1/8 x 22 x 16 5/8'
12	047369 01 700	EA	Latch Kit Window - Plastic w/Fastener
			Not illustrated

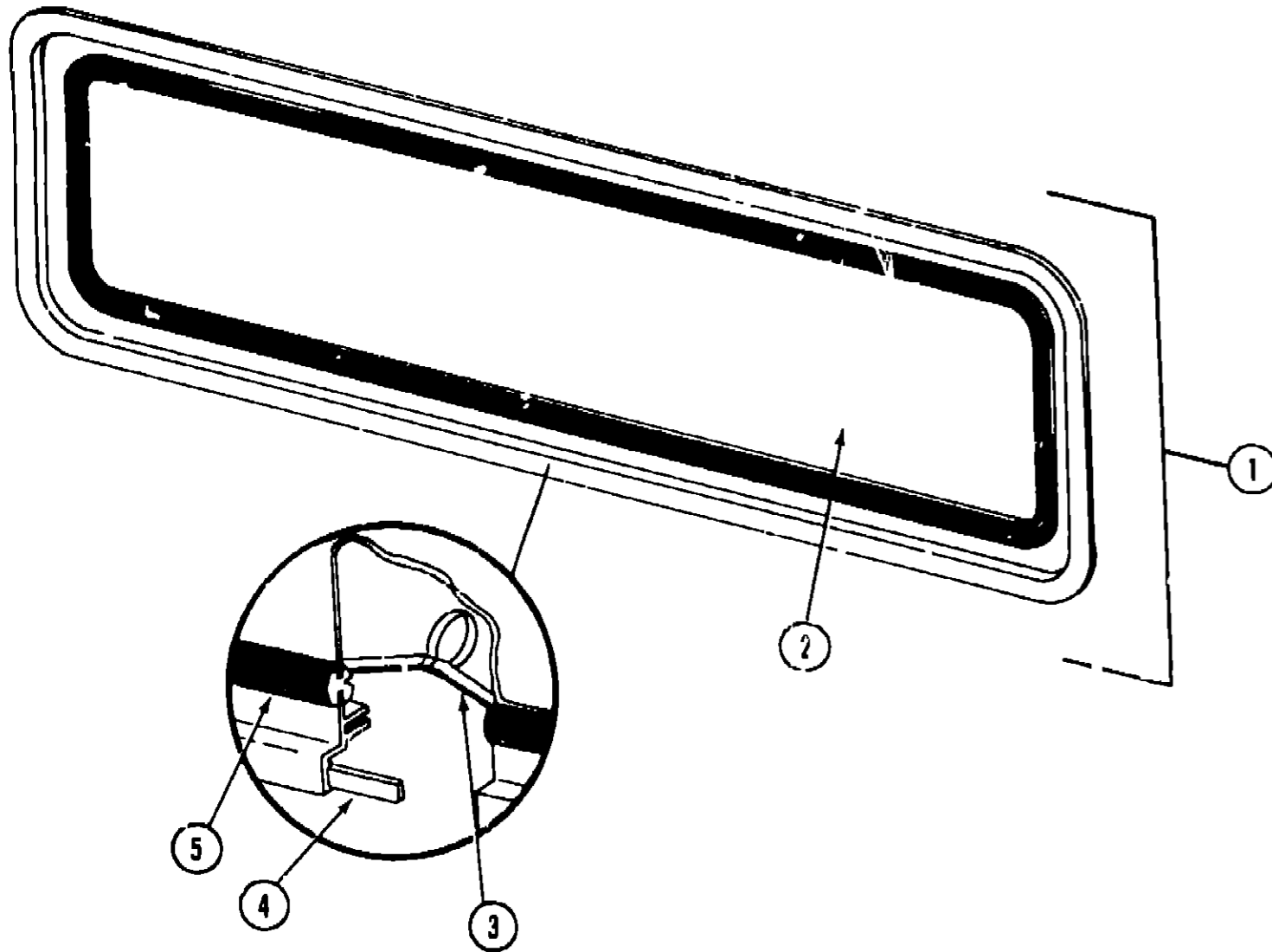
**1986 ITASCA  
TABLE OF CONTENTS**

IC420RG	A-01 - C-02
IC424RS	C-03 - E-10
ICN23RG	E-11 - G 23
ICN27RT	H 01 - J-14

**1986 IC420RG INDEX**

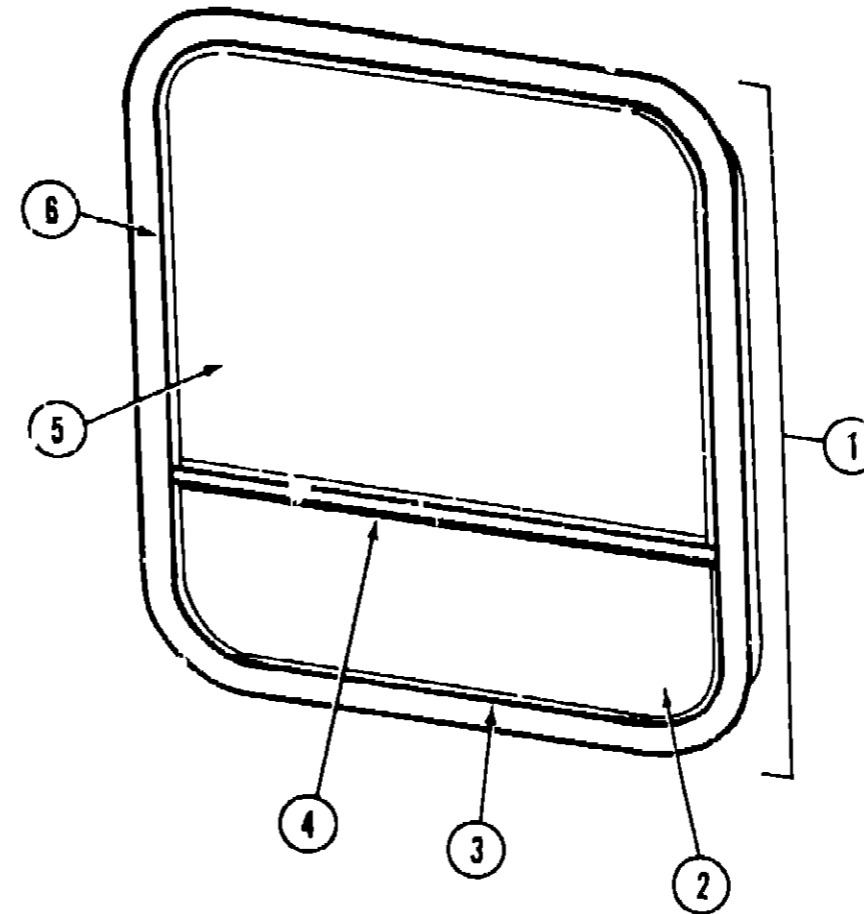
Floor Plan	A-01 - A-02
Accessories Group	A 03 - A 05
Bath Group	A-06
Chassis Group	A 07 - A 08
Curtain, Cushion & Pad Group	A 09 - A-15
Dinette Group	A-16
Driver's Compartment Group	A-17 - A-18
Electrical Group	A-19 - A-21
Exterior Body Group	A-22 - B 03
Galley Group	B 04 - B 05
Heating & Air Conditioning Group	B 06
Interior Finish Group	B 07 - B 09
LP Group	B-10
Lounge Group	B 11
Water & Sewage Group	B-12 B 13
Window Vent & Exterior Door Group	B 14 C 02

**WINDOW, VENT & EXTERIOR DOOR GROUP (CONTINUED)**



Key	Part Number	U/M	Description
1	078536 01-T03 042027-05 000	EA	Window Asm - Rear Escape - 23' x 69' Black (w/o inside frame)
2	002178 01-000	EA	Inside Frame (not included in assembly)
3	002285 01 000	EA	Glass - 1/8" x 19 1/2" x 64 80
4	002285 01 000	FT	Filler Weatherstrip Black
5	002282 01 000 006199 01 000	FT	Ribbon Sealer - 5/16" Bead x 15
		FT	Weatherstrip - 1 1/2" Window
		EA	Label - Exit Escape Window
			Not illustrated

**WINDOW, VENT & EXTERIOR DOOR GROUP (CONTINUED)**



Key	Part Number	U/M	Description
1	081570 06 U07 081822 07-000	EA	Window Asm - Lower Tipout (w/o inside frame)
2	081433 04 U07 081239 06 000 084580 06 W07	EA	Inside Frame - Black (not included in assembly)
3	081357-01-000 081359-01 000	EA	Window Asm - Tipout
4	081239 06 000 083112-01-000	EA	Glass - Sliding - 1/8' x 25 07" x 8 7"
5	081239 12 000	EA	Screen Asm - Tipout
6	083180 01 000 035302 01-000 081243-01 000	FT	Bulb Seal - Tipout Window
	002291-02 000	FT	Window Seal - Tipout Window
	002298 02 000	EA	Mullion - Horizontal - Black
	076778 03 000	EA	Glass - Stationary - 1/8' x 25 74"
	081354 01 000	FT	Window Seal - Stationary Window
	083226 02 000	EA	Operating Mech - Right Hand
	Not illustrated	EA	Screen Clip - Plastic Black
		SF	Screen - Window - 18' - Charcoal
		FT	Spline 130' Dia Charcoal (Screen)
		EA	Tivet Plastic Pin Drive Black
		EA	Sleeve - Torque Tube
		EA	Tube Asm - Torque

**1986 ITASCA  
TABLE OF CONTENTS**

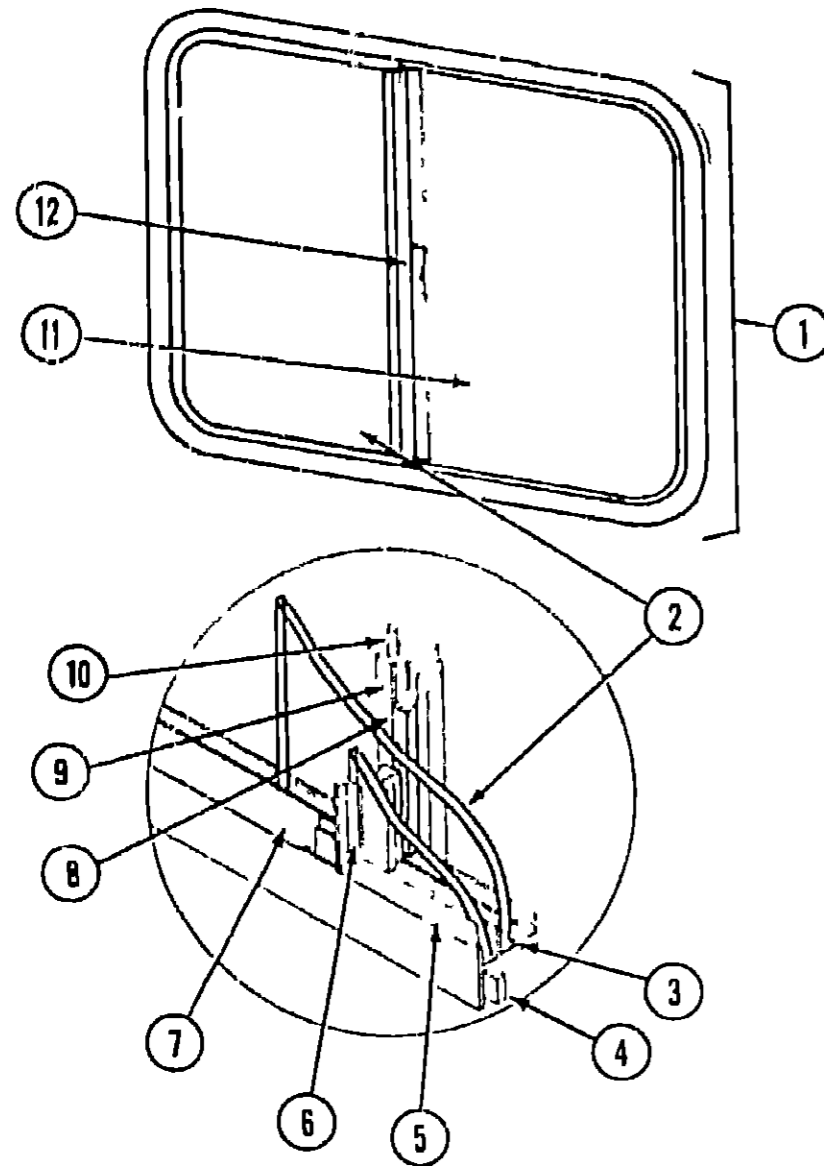
IC420RG	A-01 - C 02
IC424RS	C 03 - F 10
ICN23RG	E-11 - G 23
ICN27RT	H-01 J 14

**1986 IC420RG INDEX**

Floor Plan	A 01 - A 02
Accessories Group	A 03 - A 05
Bath Group	A 06
Chassis Group	A 07 - A 08
Curtain, Cushion & Pad Group	A 09 - A-15
Dinette Group	A-16
Driver's Compartment Group	A 17 - A-18
Electrical Group	A 19 - A 21
Exterior Body Group	A 22 - B-03
Galley Group	B 04 - B 05
Heating & Air Conditioning Group	B-06
Interior Finish Group	B 07 - B-09
LP Group	B 10
Lounge Group	B-11
Water & Sewage Group	B 12 - B-13
Window, Vent & Exterior Door Group	B 14 - C 02



**WINDOW, VENT & EXTERIOR DOOR GROUP (CONTINUED)**



Key	Part Number	U/M	Description
1	078266-03 T03	EA	Window Asm - Black (w/o inside frame)
	083122 04 000	EA	Inside Frame Brown (not included in assembly)
2	081980-05 000	EA	Glass - Sliding 1/8 x 19 x 13 68
3	002324 02 000	FT	Channel - Weatherstrip - Glass
4	069640-06-000	FT	Ribbon Sealer - 5/15' Bead x 15
5	002309-07 000	FT	Spline - Glass - 1/8 Material - Black
6	M69886-03 011	EA	Seal - Holder w/Fin Seal - Black
7	057374 02 000	FT	Extr Vinyl - Window Seal Black
8	073740 01 000	FT	Seat Fin - Pile - 460
9	078562 02 000	EA	Mullion - Slider Window - Black
	002292 02 000	SF	Screen - Window - 20 - Charcoal
10	002298 02 000	FT	Spline - 130 Dia - Charcoal (Screen)
11	081984 03 000	EA	Glass - Stationary - 1/8 x 19 x 12 3
12	047369 01 700	EA	Latch Kit - Window Plastic w/Fastener
			Not illustrated

**1986 ITASCA  
TABLE OF CONTENTS**

IC420RG	A 01 - C 02
IC424RB	C 03 E 10
ICN23RG	E 11 - G 23
ICN27RT	H 01 J 14

**1986 IC420RG INDEX**

Floor Plan	A 01	A 02
Accessories Group	A 03	A 05
Bath Group		A 06
Chassis Group	A 07 -	A 08
Curtain Cushion & Pad Group	A 09	A 15
Dinette Group		A 16
Driver's Compartment Group	A 17	A 18
Electrical Group	A 19	A-21
Exterior Body Group	A 22	B 03
Galley Group	B 04	B 05
Heating & Air Conditioning Group		B 06
Interior Finish Group	B 07	B 09
LP Group		B 10
Lounge Group		B-11
Water & Sewage Group	B 12 -	B-13
Window Vent & Exterior Door Group	B 14 -	C 02