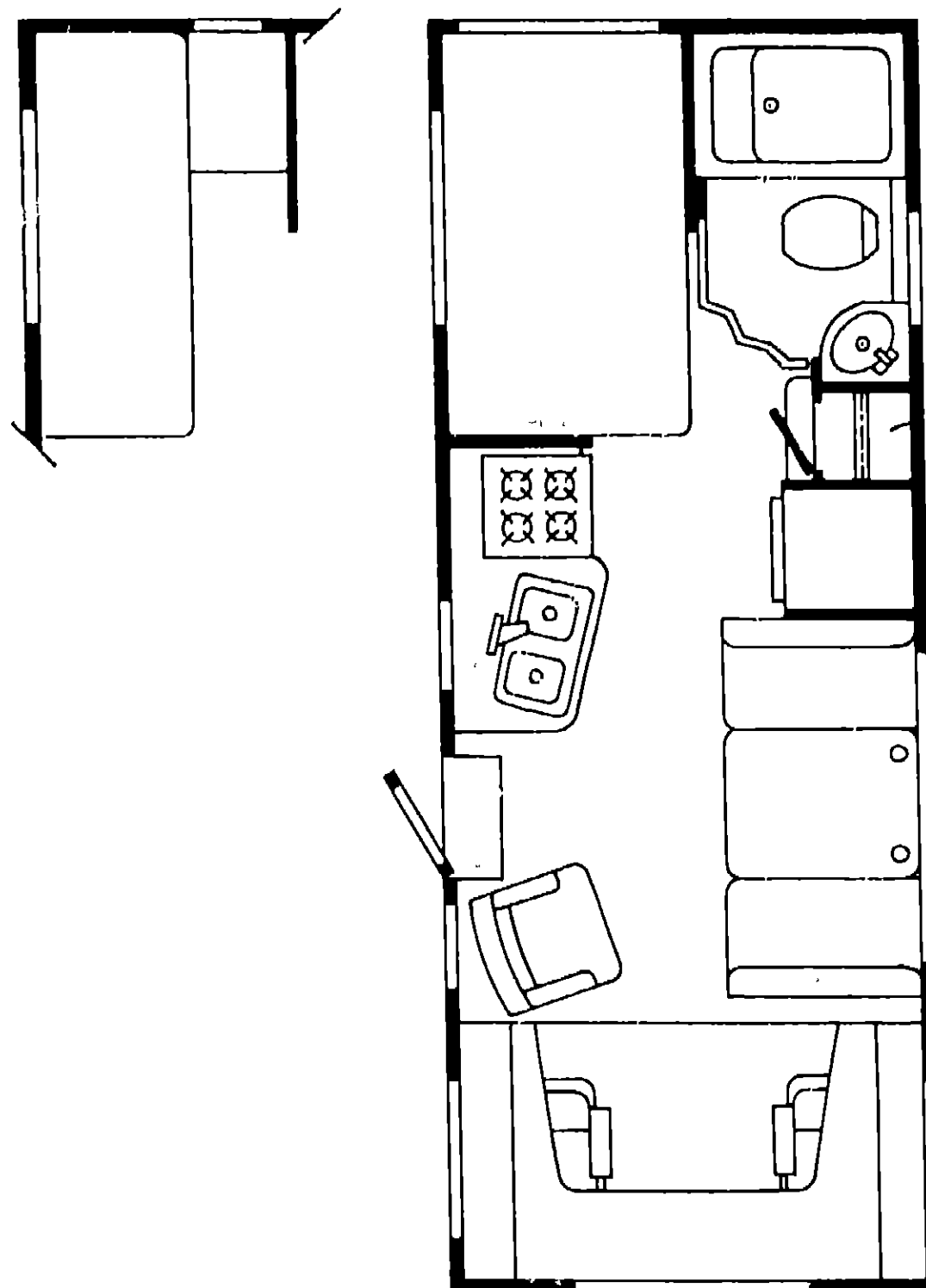


# 1986 IC/IF424RC



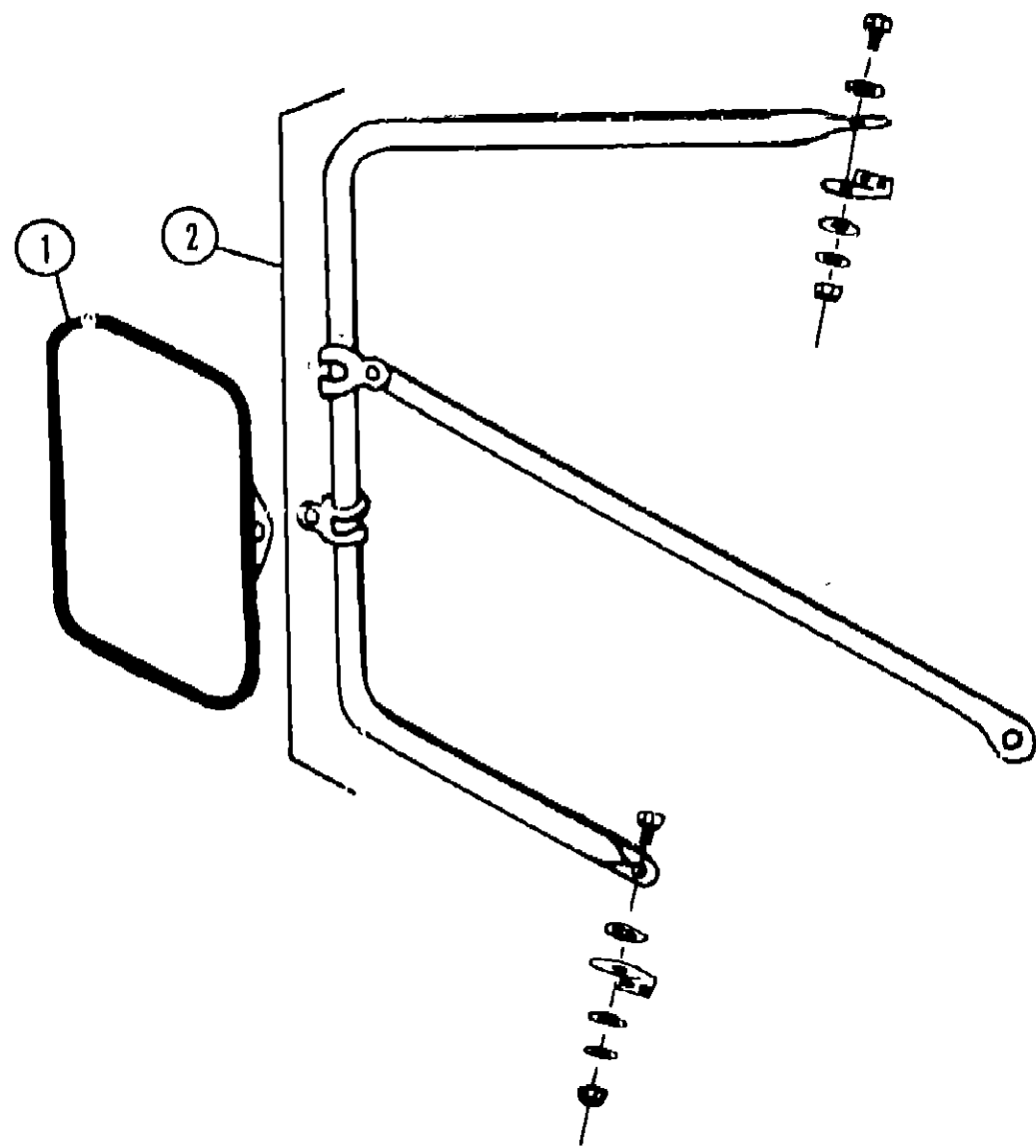
## 1986 ITACSA TABLE OF CONTENTS

IC/IF424RC	A-01 - C-08
IF426RU	C-09 - E-10
ICN33RU	E-11 - G-22
ICP34RU	G-23 - J-09

## 1986 IC/IF424RC INDEX

Floor Plan	A-01 - A-02
Accessories Group	A-03 - A-05
Bath Group	A-06 - A-07
Chassis Group	A-08 - A-09
Curtain, Cushion & Pad Group	A-10 - A-17
Dinette Group	A-18
Driver's Compartment Group	A-19 - A-21
Electrical Group	A-22 - A-24
Exterior Body Group	B-01 - B-07
Galley Group	B-08 - B-09
Heating & Air Conditioning Group	B-10
Interior Finish Group	B-11 - B-13
LP Group	B-14
Lounge Group	B-15
Water & Sewage Group	B-16 - B-17
Window, Vent & Exterior Door Group	B-18 - C-08

## ACCESSORIES GROUP



EXTERIOR MIRRORS

Key	Part Number	U/M	Description
1	049347-01-000	EA	Mirror Head - 7 1/2 x 10 1/2 - Stainless Steel
2	062047-01-000	EA	Arm - West Coast Mirror - Stainless Steel
2	062047-02-000	EA	Arm - West Coast Mirror - Off White
.	006043-01-000	EA	Mirror - Convex - Adhesive Back
.			Not illustrated

### WHEEL COVER & MOUNTING HARDWARE

Key	Part Number	U/M	Description
	083181-01-000	EA	Wheel Cover - 16" (Set/4) (Ford)
	083181-01-700	EA	Wheel Cover - 16" (1 only) (Ford)
	083181-02-000	EA	Wheel Cover - 16.5 (Set/4) (Chevy)
	083181-02-700	EA	Wheel Cover - 16.5" (1 only) (Chevy)
	083181-04-702	EA	Nut Cover - 16.5"
	083181-04-703	EA	Cap - Center Chrome

## ACCESSORIES GROUP (CONTINUED)

### GENERATORS & COMPONENTS

Key	Part Number	U/M	Description
	054429-01-000	EA	Generator - Onan - 4.0 kw
	052168-01-000	EA	Generator - Onan - 4.25 kw
	069229-01-000	EA	Generator - Kohler - 4.5 kw
	701620-02-000	EA	Installation Package
	024732-01-018	EA	Tallpipe - 1.5" O.D. x 43.50"
	067753-01-000	EA	Muffler - Generator - w/Spark Arrestor - Nelson
	007067-01-000	EA	Insulation - Fiberglass - 1"

### MISCELLANEOUS ACCESSORIES

Key	Part Number	U/M	Description
	054185-21-000	EA	Owners Manual - 1986 - Itasca & Winnebago
	706053-02-000	EA	Antenna - TV Skyliner w/6" Shaft - Braunl Delux
	076319-01-000	EA	Antenna - TV Roof Mount - 44.5" Mast
	076319-02-000	EA	Antenna - TV Roof Mount - 23.5" Mast
	076319-03-000	EA	Cable - Coaxial 1000' - 75 OHM
	076319-04-000	EA	Connector & Ferrule
	076319-05-000	EA	Wallplate - Power Supply - Ivory
	076319-06-000	EA	Adapter - Cable Roof Plate
	076319-07-000	EA	Wallplate - Power Supply - Brown
	076319-08-000	EA	Wallplate - Receptacle - Ivory
	076319-09-000	EA	Wallplate - Receptacle - Brown
	076319-11-000	EA	Adapter - Coax w/Splitter
	064089-01-000	EA	Mud Flap - Rubber - Black (Front)
	017516-01-000	EA	Mud Flap w/Holes - 14" x 18" - Black (Back)
	041944-03-000	EA	Fire Extinguisher - w/Bracket - 5BC
	041944-02-000	EA	Bracket - Fire Extinguisher
	081379-01-000	EA	Microwave/Convection Oven - Sharp
	081459-01-000	EA	Bracket Asm. - Microwave - Right
	081459-02-000	EA	Bracket Asm. - Microwave - Left
	082876-01-000	EA	Baffle - Microwave
	081555-01-T03	EA	Trim Asm. - Microwave Oven
	081456-01-000	EA	Angle Asm. - Microwave Oven - Right
	081456-02-000	EA	Angle Asm. - Microwave Oven - Left
	081016-01-T03	EA	Ladder Asm.
	081016-01-700	EA	Rack Asm.
	076980-02-000	EA	End Cap - Ladder Step
	067125-01-000	EA	Stand Off - Rack & Ladder Asm.
	067165-01-000	EA	Bracket - Mounting - Rack & Ladder
	040069-01-000	EA	Door Mat - Black Rubber - 10 1/2 x 26 - Itasca
	081075-02-000	EA	Floor Mat - Entrance - Itasca
	083206-01-000	EA	Mat - Stepwell - Black - Passenger (Ford)
	083206-02-000	EA	Mat - Stepwell - Black - Driver (Ford)
	044860-01-000	EA	Mat - Stepwell - Black - Passenger (Chevy)
	044060-02-000	EA	Mat - Stepwell - Black - Driver (Chevy)
	072852-01-000	EA	Smoke Detector w/9 Volt Battery
	079664-02-000	EA	Weather Center - 8.5" x 8.5"
	079664-01-000	EA	Clock - 8.5" x 8.5"
	006069-01-000	EA	Key Case - Leather
	080208-01-000	EA	Lug Wrench
	080208-02-000	EA	Leverage Bar - Lug Wrench
	006113-01-000	EA	Jack - Hydraulic - 6 Ton - w/Handle
	063708-01-000	EA	Cover - Roof Air Conditioner - Vinyl
	079799-01-000	EA	Tire Cover Asm. - Off White - Plastic
	M02047-01-T95	EA	Panel Asm. - Tire Cover Door
	079941-01-000	EA	Lamp Asm. - Fog w/Cover - Amber
**	083212-04-000	EA	Speed Control - Electric (Chevy)
**	083212-03-000	EA	Speed Control - Switch

\*\* The illustrated parts breakdown for this item is provided on the Common Items Fiche

## 1986 ITACSA TABLE OF CONTENTS

IC/IF424RC  
II'426RU  
ICN33RU  
ICP34RU

A-01 - C-08  
C-09 - E-10  
E-11 - G-22  
G-23 - J-09

## 1986 IC/IF424RC INDEX

Floor Plan	A-01 - A-02
Accessories Group	A-03 - A-05
Bath Group	A-06 - A-07
Chassis Group	A-08 - A-09
Curtain, Cushion & Pad Group	A-10 - A-17
Dinette Group	A-18
Driver's Compartment Group	A-19 - A-21
Electrical Group	A-22 - A-24
Exterior Body Group	B-01 - B-07
Galley Group	B-08 - B-09
Heating & Air Conditioning Group	B-10
Interior Finish Group	B-11 - B-13
LP Group	B-14
Lounge Group	B-15
Water & Sewage Group	B-16 - B-17
Window, Vent & Exterior Door Group	B-18 - C-08

**ACCESSORIES GROUP (CONTINUED)**

**ELECTRIC STEP ASSEMBLY**

Key	Part Number	U/M	Description
	075481-01-000	EA	Electric Step Asm. w/Light
	075481-01-700	EA	Motor
	041260-01-000	EA	Door Switch
	075481-01-704	EA	Under Step Control Unit
	075481-01-705	EA	4-Way Plug (Dash End)
	075481-01-706	EA	Kill Switch
	075481-01-707	EA	Step Light
	075481-01-708	EA	4-Way Plug (Control Box End)
	075481-01-709	EA	90 Degree Plug
	075481-01-710	EA	Gear
	075481-01-711	EA	Drive Link
	078241-01-000	EA	Support Asm. - Step
	075723-02-000	EA	Block - Switch Spacer w/Holes

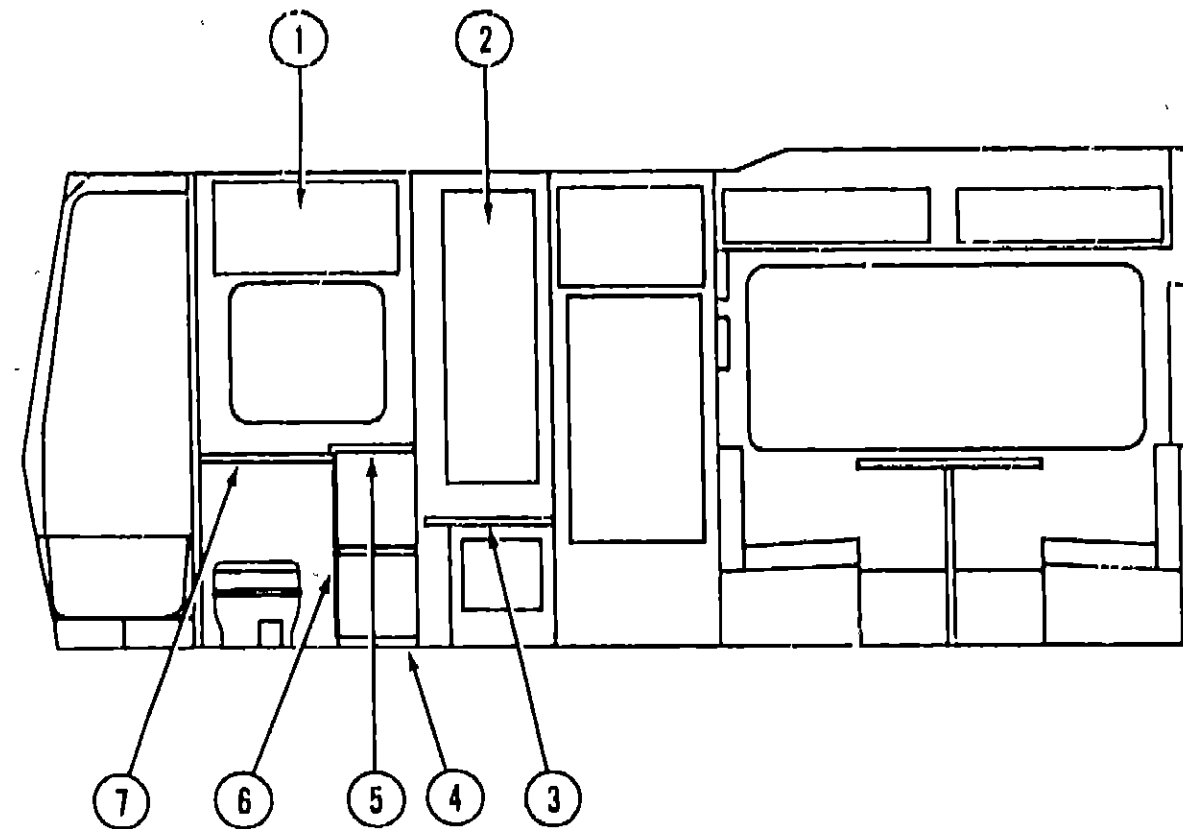
**CHROME WHEEL LINERS**

Key	Part Number	U/M	Description
	081608-05-000	EA	Cover - Lug Nut - Chrome Liner
	081608-06-000	EA	Ring - Spiral - Chrome Liner
	081608-07-000	EA	Cover - Rear Axle - Chrome Liner
	081608-08-000	EA	Cover - Front Axle - Chrome Liner
	081608-09-000	EA	Liner - Front Wheel - Chrome
	081608-10-000	EA	Liner - Rear Wheel - Chrome

**RADIO & RELATED COMPONENTS**

Key	Part Number	U/M	Description
	007004-01-000	EA	Antenna - Radio - Cab Mount
	064792-01-000	EA	Grille - Speaker - 5.25" - w/Mesh - Brown
	074482-02-000	EA	Radio - AM/FM/MPX - w/Cassette - Audiovox - HCC565
	073430-02-000	EA	Radio - AM/FM/MPX - w/Cassette - Electronic Tune - Audiovox - HCC1150
	074979-01-000	EA	Speaker Cover Protector - Plastic (Chevy)
	073431-01-000	EA	Speaker - 5.25 - 3/Way (Pair)
	064791-01-000	EA	Speaker - Recessed - 5.25"
	073741-01-000	EA	Speaker - 4" x 6" - Oval (Chevy)
	079385-02-000	EA	Radio Mounting Kit (Ford)
	081059-01-000	EA	Wire Asm. - Speaker & Power

**BATH GROUP**



**BATH CABINERY**

Key	Part Number	U/M	Description
1	081535-01-U04	EA	Door Asm. w/Mirror - Medicine Cabinet - 29.4" x 15.5" - w/o Hardware
	076073-01-000	EA	Cabinet Asm. - Medicine - Almond
	076387-01-000	EA	Bracket - Medicine Cabinet
2	M81504-31-U10	EA	Door Asm - w/Mirror - Medicine Cabinet - 29.4" x 15.5" - w/o Hardware
3	M02447-01-U01	EA	Countertop Asm. - Wardrobe
4	M81548-01-U13	EA	Cabinet Asm. - Lavatory - w/o Countertop or Door
5	M02406-01-U13	EA	Countertop Asm. - Lavatory Cabinet (U10)
5	M02406-01-U14	EA	Countertop Asm. - Lavatory Cabinet (U11)
5	M02406-01-U15	EA	Countertop Asm - Lavatory Cabinet (U12)
6	M81504-65-U13	EA	Door Asm - Lavatory - 23.8" x 13.4" - w/o Hardware
7	M02473-01-U10	EA	Countertop Asm - Pipe Cover
7	M02473-01-U11	EA	Countertop Asm - Pipe Cover
7	M02473-01-U12	EA	Countertop Asm - Pipe Cover
	080224-01-000	EA	Door Asm - Folding - 46" x 75"
	080224-01-700	EA	Latch & Catch Asm - Folding Door
	079657-01-000	EA	Door Asm. - Folding - 28.8" x 60" - Shower - Plastic
			Not illustrated

**1986 ITACSA  
TABLE OF CONTENTS**

IC/IF424RC	A-01 - C-08
IF426RU	C-09 - E-10
ICN33RU	E-11 - G-22
ICP34RU	G-23 - J-09

**1986 IC/IF424RC INDEX**

Floor Plan	A-01 - A-02
Accessories Group	A-03 - A-05
Bath Group	A-06 - A-07
Chassis Group	A-08 - A-09
Curtain, Cushion & Pad Group	A-10 - A-17
Dinette Group	A-18
Driver's Compartment Group	A-19 - A-21
Electrical Group	A-22 - A-24
Exterior Body Group	B-01 - B-07
Galley Group	B-08 - B-09
Heating & Air Conditioning Group	B-10
Interior Finish Group	B-11 - B-13
LP Group	B-14
Lounge Group	B-15
Water & Sewage Group	B-16 - B-17
Window, Vent & Exterior Door Group	B-18 - C-08

**BATH GROUP (CONTINUED)**

**BATH HARDWARE**

Key	Part Number	U/M	Description
	M01817-01-T03	EA	Bathtub Asm. w/Strainer
	076242-03-000	EA	Faucet - Tub & Shower
	076240-03-000	EA	Faucet - Lavatory
**	011048-02-000	EA	Shower Head - w/80" Hose
	011048-04-000	EA	Vacuum Breaker - 1/8 MPT - Nylon - Shower Head
	075606-01-000	EA	Shower Panel - Faucet Plastic
**	066729-01-000	EA	Strainer - Bathtub Asm.
	066435-01-000	EA	Nut Strainer - Plastic - Bathtub Asm.
	066436-01-000	EA	Slip Nut - 1.5" Tail Piece - Bathtub Asm.
	069735-01-000	EA	Washer - Tail Piece - 1.5" - Plastic - Bathtub Asm.
	011069-02-000	EA	Tailpiece - 1.5" x 1.25" x 4" - Brass - Bathtub Asm.
	080257-01-000	EA	Shroud - Bathtub Asm. - Off White
	058713-01-000	EA	Link - Oval - Ivory Plastic
	011083-01-000	EA	Tail Piece w/Stopper - 1.25" x 5" - Plastic - Sink
**	039341-02-000	EA	Toilet - Thetford - Aqua Magic - Ivory - 8420SH
	009134-01-000	EA	Tissue Holder
	075464-02-000	EA	Towel Ring - w/Mounting Hardware - Brass
	075603-01-000	EA	Threshold - Track Shower Door - Belge
	079235-01-000	EA	Header - Track - Shower Door - Belge
	079234-01-000	EA	Jamb - Shower Door - Rear - Belge
	079234-02-000	EA	Jamb - Shower Door - Front - Belge
	058331-05-000	EA	Mirror - Tempered Glass - 12" x 26"
	058331-04-000	EA	Mirror - Tempered Glass - 12" x 42"
	009089-01-000	EA	Clip - Mirror
	057671-01-000	EA	Screw Cover - #8 - Antique White
	066433-01-000	EA	Cup Hook - Bright
	050712-04-000	EA	Handle - Door Shower - Off White
	075680-01-000	EA	Rod - Clothes - Adjustable
	080224-04-000	EA	Track - Folding Door - "S" Curve
	009112-01-000	EA	Flange - 1" - Closet Rod
**	The illustrated parts breakdown for this item is provided on the Common Items Fiche		

**CHASSIS GROUP**

Key	Part Number	U/M	Description
	047441-01-000	EA	Battery Terminal - Horizontal Lug
	075723-01-000	EA	Block - Switch - Spacer w/o Holes
	059540-01-000	EA	Bracket - License Plate
	051097-01-000	EA	Bracket - Battery Tie Down - 6.9"
	065451-02-000	EA	Bracket - Battery Tie Down - 10.82"
	065451-03-000	EA	Bracket - Battery Tie Down - 14"
	022150-01-000	EA	Bracket - Bumper Rear
	007125-07-000	EA	Clamp Asm. - Muffler - 1.62"
	007125-01-000	EA	Clamp Asm. - Muffler - 2.50"
	010497-01-000	EA	Clamp - Closed - 5/8 I.D.
	007181-01-000	EA	Clamp - Hose - Spring Type 112
	062401-01-000	EA	Clamp - Hose - Wormgear - .22" I.D. - 1" I.D.
	062401-02-000	EA	Clamp - Hose - Wormgear - 1.56" I.D. - 2.5" I.D.
	062401-03-000	EA	Clamp - Hose - Wormgear - .25" I.D. - 1" I.D.
	062401-04-000	EA	Clamp - Hose - Wormgear - .69" I.D. - 1.25" I.D.
	062401-05-000	EA	Clamp - Hose - Wormgear - 2" I.D. - 3" I.D.
	062401-06-000	EA	Clamp - Hose - Wormgear - .22" I.D. - .62" I.D.
	023146-01-000	EA	Clamp - Screw Type - 4"
	024490-01-000	EA	Compartment - Power Cord - Black Plastic
	081938-01-000	EA	Compartment - LP - Regulator
	073220-02-000	EA	Gas Cap - Non-Locking
	007131-01-000	EA	Hanger - Tail Pipe
	024138-01-000	FT	Hose - Fuel - 5/16" I.D. SAE 30RI
	066732-01-000	FT	Hose - Fuel Fill - .62 I.D.
	007111-02-000	EA	Hose - Fuel Fill - 2.00 I.D.
	006113-01-000	EA	Jack - Hydraulic - 6 Ton - w/Handle
	080208-02-000	EA	Leverage Bar - Lug Wrench
	080208-01-000	EA	Lug Wrench
	017516-01-000	EA	Mud Flap w/Holes - 14" x 18" - Black
	074483-01-000	EA	Retainer Nut - Snap In - Speed Control
	079942-05-000	EA	Shock Absorber - Stabilizer - Front (Ford)
	079942-06-000	EA	Shock Absorber - Stabilizer - Rear (Ford)
	079942-03-000	EA	Shock Absorber - Stabilizer - Front (Chevy)
	079942-04-000	EA	Shock Absorber - Stabilizer - Rear (Chevy)
	064089-01-000	EA	Splash Guard - Black Rubber
	076241-01-000	EA	Support Asm. - Step
	080449-01-000	EA	Step Asm. - Entrance - Swing Arm
	074889-01-000	EA	Tray - Battery
	052431-02-000	EA	Tray - Luggage
	074481-01-000	EA	Valve Asm - Switch - Speed Control
	057724-01-000	EA	Wheelwell - Plastic
	008343-01-000	EA	Wire Tie - 6"

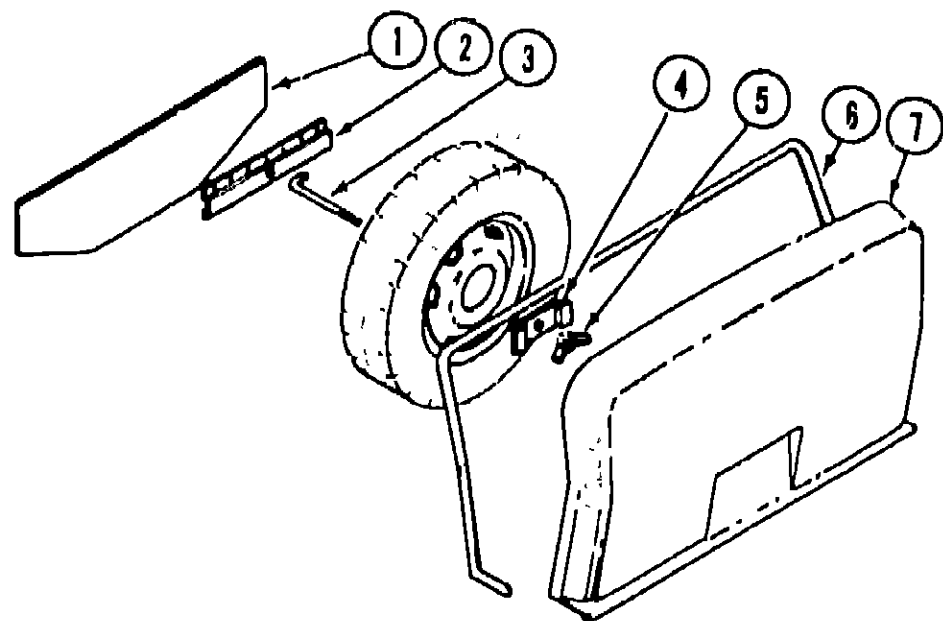
**1986 ITACSA  
TABLE OF CONTENTS**

IC/IF424RC	A-01 - C-08
IF426RU	C-09 - E-10
ICN33RU	E-11 - G-22
ICP34RU	G-23 - J-09

**1986 IC/IF424RC INDEX**

Floor Plan	A-01 - A-02
Accessories Group	A-03 - A-05
Bath Group	A-06 - A-07
Chassis Group	A-08 - A-09
Curtain, Cushion & Pad Group	A-10 - A-17
Dinette Group	A-18
Driver's Compartment Group	A-19 - A-21
Electrical Group	A-22 - A-24
Exterior Body Group	B-01 - B-07
Galley Group	B-08 - B-09
Heating & Air Conditioning Group	B-10
Interior Finish Group	B-11 - B-13
LP Group	B-14
Lounge Group	B-15
Water & Sewage Group	B-16 - B-17
Window, Vent & Exterior Door Group	B-18 - C-08

## CHASSIS GROUP (CONTINUED)



### TRAILER HITCH & SPARE TIRE

Key	Part Number	U/M	Description
1	077395-01-000	EA	Dust Shield - Spare Tire
2	077403-01-000	EA	Rod Support - Spare Tire
3	077411-01-000	EA	Retaining Rod
4	077941-01-000	EA	Tire Cover Seal
5	077399-01-000	EA	Spare Tire Retainer
6	064081-01-000	EA	Wing Nut
7	079165-01-U10	EA	Tire Cover Asm.
	077408-01-000	EA	Lock Asm. - Tire Cover
	077759-01-000	EA	Support Spacer - Spare Tire
	034512-01-000	EA	Pin - Locking Drawbar
	034513-01-000	EA	Pin - Hitch - 3/16" Wire
	077613-01-000	EA	Drawbar Asm.
	077617-02-700	LA	Hitch Asm. - w/Drawbar
	015365-01-000	EA	Pin - Tire Carrier
	078584-09-000	EA	Bumper - Rear - Chrome
	078668-01-000	EA	Support Angle - Bumper Rear
	078670-02-000	EA	Bracket Asm. - Bumper Rear
	079018-01-000	EA	Strap - Tire Carrier
	078578-05-000	EA	Bumper - End Cap - Rear - RH
	078578-06-000	EA	Bumper - End Cap - Rear - LH
			Not illustrated

### WHEELS & TIRES

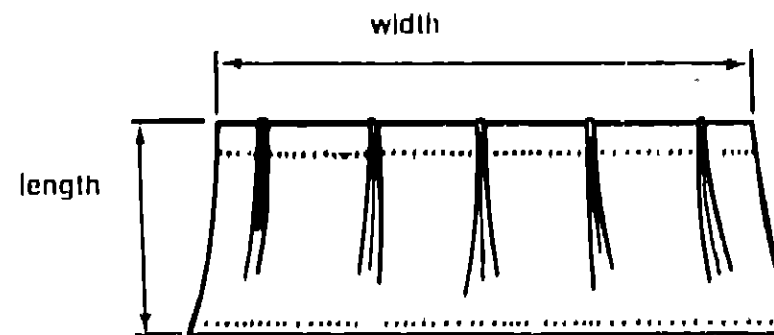
Key	Part Number	U/M	Description
	070917-02-000	EA	Tire - Radial - Metric - Michelin (Ford)
	037291-01-000	EA	Tire - 8" x 16 5" - 8 Ply Polyester (Chevy)
	057665-01-000	EA	Tire - 8" x 16 5" - WSW Radial (Chevy)
	057665-02-000	EA	Tire - 8 00" x 16 5" WSW Radial (Ford)
	051377-01-000	EA	Valve Stem Asm. - TR500
	062400-02-000	EA	Wheel - 6" x 16 5" - 8 Hole (Chevy)
	083617-01-000	EA	Wheel - 6" x 16" - 8 Hole (Ford)

## CURTAIN, CUSHION & PAD GROUP

### NOTICE

In order to assist our Parts Sales Dept. in providing interior software items, please include the serial number and the color code number from the vehicle certification label when ordering. This label is located on the left sidewall at the end of the dash (A-Body), or on the driver's door latch plate (C-Body).

An example of a color code number is P31, which designates an overall color scheme of a particular unit. The color listed after the item description on the microfiche, indicates the overall unit color. Order the item you desire according to unit color code.



### NOTE:

Use this illustration when determining length and width measurements for curtains. You will note the width measurement is taken on the top of the curtain with the curtain fully extended. The length measurement is taken from top to bottom.

### CURTAIN & CUSHION HARDWARE

Key	Part Number	U/M	Description
	082228-01-000	EA	Bracket - Curtain Rod - Right
	082228-02-000	EA	Bracket - Curtain Rod - Left
	056003-02-000	EA	Bracket - Drapery Retainer - Left
	056003-01-000	EA	Bracket - Drapery Retainer - Right
	075477-03-000	EA	Bracket - Hold Down - Blind
	056001-01-000	EA	Bracket - Shade - Left
	056002-01-000	EA	Bracket - Shade - Right
	079619-01-000	EA	Bracket - Tie Back
	009107-01-000	EA	Guide - Nylon Snap - Curtain
	056784-02-000	EA	Pull - Window Shade - Antique Brass
	056115-01-000	YD	Tape - Clear Plastic - w/Guides
	048394-01-000	YD	Tape Hook - 1" x 25 yd - Beige
	029096-05-000	YD	Tape Hook - 50" - Velcro - Beige
	048395-01-000	YD	Tape Loop - 1" x 25 YD - Beige
	029090-01-000	FT	Tie - Drapery - Clear Vinyl
	056116-01-000	EA	Track - Curtain - Brown Plastic
	076827-01-000	EA	Bracket - Curtain - Wovenwood - Right
	076827-02-000	EA	Bracket - Curtain - Wovenwood - Left
	079798-03-000	EA	Bracket Asm. - Curtain Rod - Right
	079798-04-000	EA	Bracket Asm. - Curtain Rod - Left
	082249-01-000	EA	Bracket - Blinds - Beige - Right
	082249-02-000	EA	Bracket - Blinds - Beige - Left
	082139-02-000	EA	Bracket - Hold Down - Blinds
	079619-01-000	EA	Bracket - Tie Down

## 1986 ITACSA TABLE OF CONTENTS

IC/IF424RC  
IF426RU  
ICN33RU  
ICP34RU

A-01 - C-08  
C-09 - E-10  
E-11 - G-22  
G-23 - J-09

### 1986 IC/IF424RC INDEX

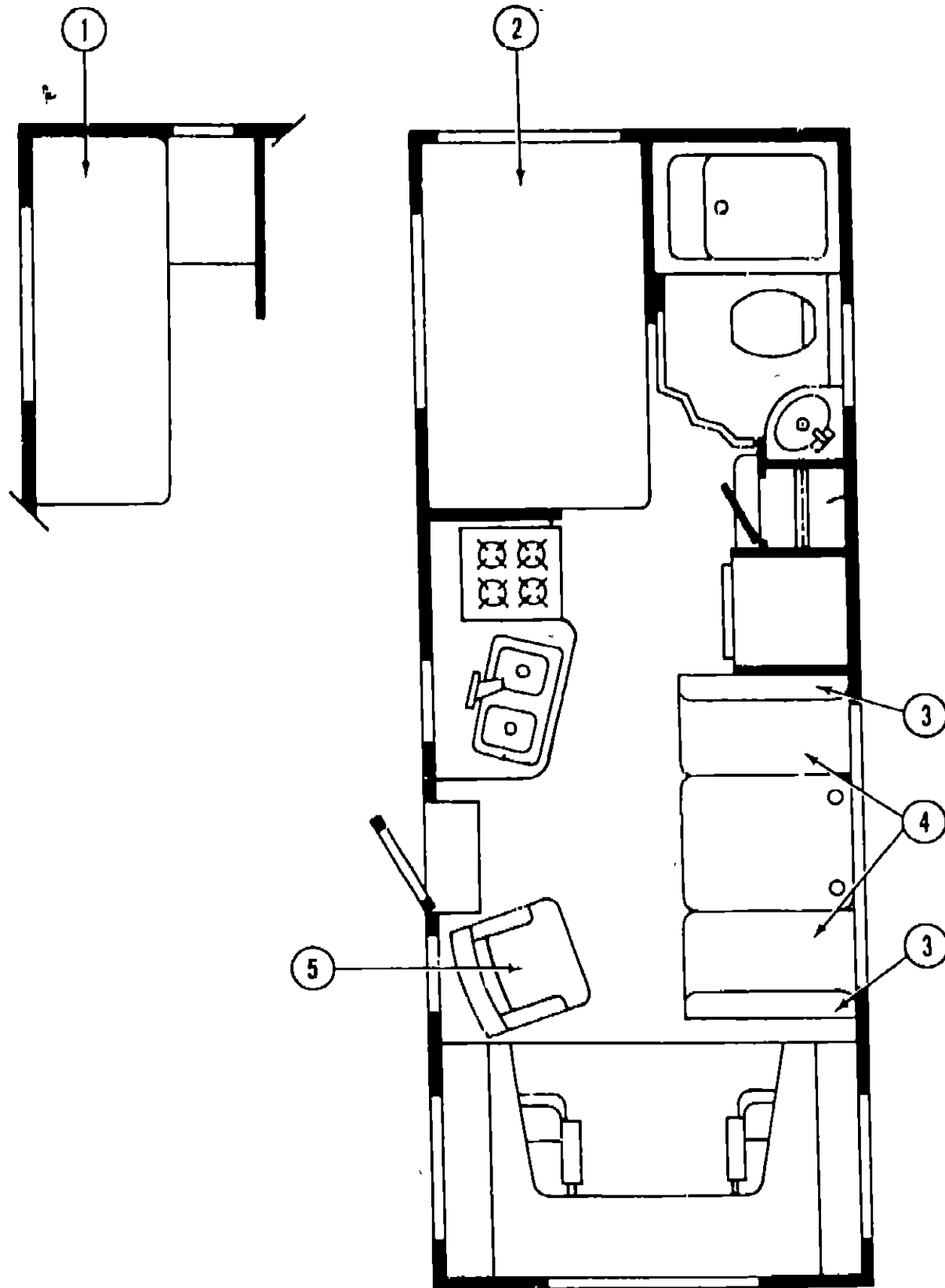
Floor Plan	A-01 - A-02
Accessories Group	A-03 - A-05
Bath Group	A-06 - A-07
Chassis Group	A-08 - A-09
Curtain, Cushion & Pad Group	A-10 - A-17
Dinette Group	A-18
Driver's Compartment Group	A-19 - A-21
Electrical Group	A-22 - A-24
Exterior Body Group	B-01 - B-07
Galley Group	B-08 - B-09
Heating & Air Conditioning Group	B-10
Interior Finish Group	B-11 - B-13
LP Group	B-14
Lounge Group	B-15
Water & Sewage Group	B-16 - B-17
Window, Vent & Exterior Door Group	B-18 - C-08

**CURTAIN, CUSHION & PAD GROUP (CONTINUED)**

**CURTAIN, CUSHION & PAD GROUP (CONTINUED)**

**DOUBLE BED MATTRESS**

**1986 ITACSA  
TABLE OF CONTENTS**



Key	Part Number	U/M	Description
2	083498-02-000	EA	Mattress - Foam - 48" x 75" - Winnebago
2	077478-02-000	EA	Mattress - Innerspring - 48" x 75"
	081989-07-U10	EA	Bedsprad - Double Bed - 48" x 76" - w/10" Ruffle
	081069-07-U11	EA	Bedsprad - Double Bed - 48" x 76" - w/10" Ruffle
	081889-07-U12	EA	Bedsprad - Double Bed - 48" x 76" - w/10" Ruffle
	081997-01-U10	EA	Pillow Sham - 30" x 26"
	081997-01-U11	EA	Pillow Sham - 30" x 26"
	081997-01-U12	EA	Pillow Sham - 30" x 26"

IC/IF424RC  
IF426RU  
ICN33RU  
ICP34RU

A-01 - C-08  
C-09 - F-10  
E-11 - G-22  
G-23 - J-09

**DINETTE CUSHION**

Key	Part Number	U/M	Description
3	081998-01-U10	EA	Cushion Asm. - Dinette Back - 19.25" x 38" x 5"
3	081998-07-U11	EA	Cushion Asm. - Dinette Back - 19.25" x 38" x 5"
3	081998-01-U12	EA	Cushion Asm. - Dinette Back - 19.25" x 38" x 5"
	M81998-01-U10	EA	Cover Asm. - Dinette Back Curtain - 19.25" x 38" x 5"
	M81998-07-U11	EA	Cover Asm. - Dinette Back Curtain - 19.25" x 38" x 5"
	M81998-01-U12	EA	Cover Asm. - Dinette Back Curtain - 19.25" x 38" x 5"
4	081998-02-U10	EA	Cushion Asm. - Dinette Bottom - 17.5" x 38" x 5"
4	081998-08-U11	EA	Cushion Asm. - Dinette Bottom - 17.5" x 38" x 5"
4	081998-02-U12	EA	Cushion Asm. - Dinette Bottom - 17.5" x 38" x 5"
	M81998-02-U10	EA	Cover Asm. - Dinette Bottom Cushion - 17.5" x 38" x 5"
	M81998-08-U11	EA	Cover Asm. - Dinette Bottom Cushion - 17.5" x 38" x 5"
	M81998-02-U12	EA	Cover Asm. - Dinette Bottom Cushion - 17.5" x 38" x 5"

**SWIVEL CHAIR**

Key	Part Number	U/M	Description
5	073518-16-U10	EA	Chair Asm. w/Pillow Back - Swivel
5	073518-19-U14	EA	Chair Asm. w/Pillow Back - Swivel (U11)
5	073518-16-U12	EA	Chair Asm. w/Pillow Back - Swivel
	075174-02-U13	EA	Skirt Asm. - Swivel Chair (U10)
	075174-04-U14	EA	Skirt Asm. - Swivel Chair (U11)
	075174-02-U15	EA	Skirt Asm. - Swivel Chair (U12)
	035036-01-000	EA	Plate - Tilt & Swivel - Swivel Chair
	035036-04-000	EA	Base w/Legs - Swivel Chair
	035036-05-000	EA	Extension - 7" - Swivel Chair
	Not illustrated		

**FRONT OVERHEAD BUNK CUSHIONS**

Key	Part Number	U/M	Description
	073310-05-U10	EA	Cushion Asm. - Front Bunk - Two Fold - 24.5" x 29.5" x 76" x 4"
	073310-05-U11	EA	Cushion Asm. - Front Bunk - Two Fold - 24.5" x 29.5" x 76" x 4"
	073310-05-U12	EA	Cushion Asm. - Front Bunk - Two Fold - 24.5" x 29.5" x 76" x 4"
	M73310-05-U10	EA	Cover Asm. - Front Bunk Cushion - Two Fold
	M73310-05-U11	EA	Cover Asm. - Front Bunk Cushion - Two Fold
	M73310-05-U12	EA	Cover Asm. - Front Bunk Cushion - Two Fold

**REAR BUNK CUSHIONS**

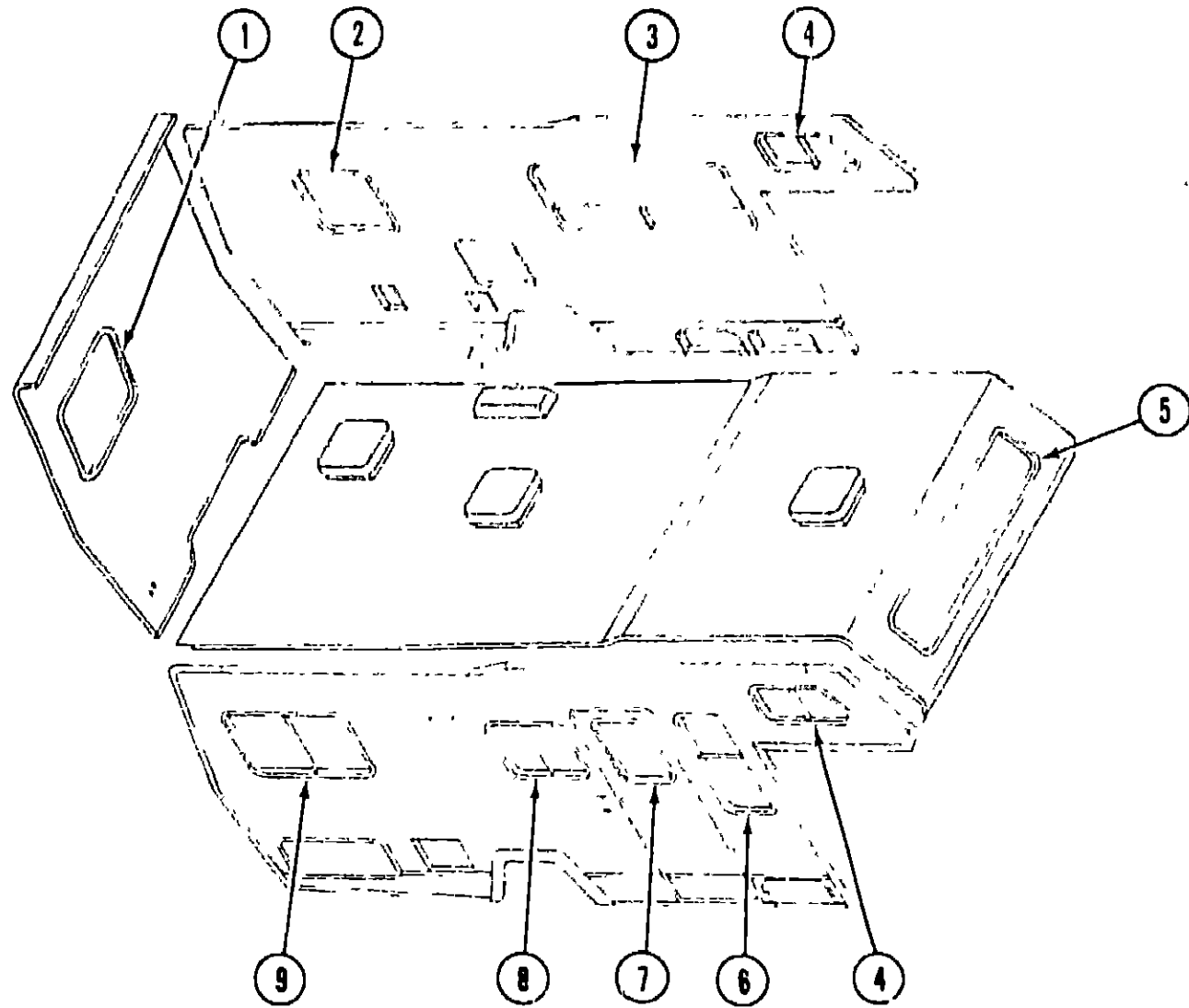
Key	Part Number	U/M	Description
1	073519-01-U13	EA	Mattress Cushion Asm. - Rear Bunk - 29" x 75.5" x 4.5" (U10)
1	073519-01-U14	EA	Mattress Cushion Asm. - Rear Bunk - 29" x 75.5" x 4.5" (U11)
1	073519-01-U15	EA	Mattress Cushion Asm. - Rear Bunk - 29" x 75.5" x 4.5" (U12)
	M73519-01-U13	EA	Cover - Rear Bunk Cushion - 29" x 75.5" x 4.5" (U10)
	M73519-01-U14	EA	Cover - Rear Bunk Cushion - 29" x 75.5" x 4.5" (U11)
	M73519-01-U15	EA	Cover - Rear Bunk Cushion - 29" x 75.5" x 4.5" (U12)

**1986 IC/IF424RC INDEX**

Floor Plan	A-01 - A-02
Accessories Group	A-03 - A-05
Bath Group	A-06 - A-07
Chassis Group	A-08 - A-09
Curtain, Cushion & Pad Group	A-10 - A-17
Dinette Group	A-18
Driver's Compartment Group	A-19 - A-21
Electrical Group	A-22 - A-24
Exterior Body Group	B-01 - B-07
Galley Group	B-08 - B-09
Heating & Air Conditioning Group	B-10
Interior Finish Group	B-11 - B-13
LP Group	B-14
Lounge Group	B-15
Water & Sewage Group	B-16 - B-17
Window, Vent & Exterior Door Group	B-18 - C-08

**CURTAIN, CUSHION & PAD GROUP (CONTINUED)**

**CURTAIN, CUSHION & PAD GROUP (CONTINUED)**



**CURTAINS, SHADES, VALANCES & TIEBACKS**

Key	Part Number	U/M	Description
1	079559-03-U10	EA	Curtain Asm. w/Gathers - 32" x 41"
1	079559-03-U11	EA	Curtain Asm. w/Gathers - 32" x 41"
1	079559-03-U12	EA	Curtain Asm. w/Gathers - 32" x 41"
1	079558-03-U10	EA	Valance Asm. w/Gathers - 6" x 95"
1	079558-03-U11	EA	Valance Asm. w/Gathers - 6" x 95"
1	079558-03-U12	EA	Valance Asm. w/Gathers - 6" x 95"
1	082120-04-000	EA	Shade - Fabric - 33.25" x 50" (U10)
1	082120-05-000	EA	Shade - Fabric - 33.25" x 50" (U11)
1	082120-06-000	EA	Shade - Fabric - 33.25" x 50" (U12)
†	073251-24-U13	EA	Curtain Asm. w/Tape Top - 26" x 8" (U10)
†	073251-24-U14	EA	Curtain Asm. w/Tape Top - 26" x 8" (U11)
†	073251-24-U15	EA	Curtain Asm. w/Tape Top - 26" x 8" (U12)
†	M81977-06-U13	EA	Valance Asm. - Padded (U10)
†	M81977-06-U14	EA	Valance Asm. - Padded (U11)
†	M81977-06-U15	EA	Valance Asm. - Padded (U12)
†	082119-16-000	EA	Shade - Vinyl - 14.25" x 38" (U10)
†	082119-17-000	EA	Shade - Vinyl - 14.25" x 38" (U11)
†	082119-18-000	EA	Shade - Vinyl - 14.25" x 38" (U12)
2	082176-02-U13	EA	Valance Asm. - Padded (U10)
2	082176-02-U14	EA	Valance Asm. - Padded (U11)
2	082176-02-U15	EA	Valance Asm. - Padded (U12)
2	082118-16-000	EA	Blind - 28" x 26" (U10)
2	082118-17-000	EA	Blind - 28" x 26" (U11)
2	082118-18-000	EA	Blind - 28" x 26" (U12)

**CURTAINS, SHADES, VALANCES & TIEBACKS (CONT.)**

Key	Part Number	U/M	Description
3	079542-12-U10	EA	Curtain Asm. w/Darts - 35" x 11"
3	079542-12-U11	EA	Curtain Asm. w/Darts - 35" x 16"
3	079542-12-U12	EA	Curtain Asm. w/Darts - 35" x 16"
3	M81977-15-U10	EA	Valance Asm. - Padded
3	M81977-15-U11	EA	Valance Asm. - Padded
3	M81977-15-U12	EA	Valance Asm. - Padded
3	082118-31-000	EA	Blind - 65" x 34" Drop (U10)
3	082118-32-000	EA	Blind - 65" x 34" Drop (U11)
3	082118-33-000	EA	Blind - 65" x 34" Drop (U12)
**	082127-31-000	EA	Shade - Woven Wood - 65" x 35" Drop (U10)
**	082127-32-000	EA	Shade - Woven Wood - 65" x 35" Drop (U11)
**	082127-33-000	EA	Shade - Woven Wood - 65" x 35" Drop (U12)
**	079543-15-U10	EA	Curtain Asm. - 35" x 12" (Woven Wood)
**	079543-15-U11	EA	Curtain Asm. - 35" x 12" (Woven Wood)
**	079543-15-U12	EA	Curtain Asm. - 35" x 12" (Woven Wood)
4	079558-08-U10	EA	Valance Asm. w/Gathers - 8" x 60"
4	079558-08-U11	EA	Valance Asm. w/Gathers - 8" x 60"
4	079558-08-U12	EA	Valance Asm. w/Gathers - 8" x 60"
4	082119-22-000	EA	Shade - Vinyl - 33.25" x 30" (U10)
4	082119-23-000	EA	Shade - Vinyl - 33.25" x 30" (U11)
4	082119-24-000	EA	Shade - Vinyl - 33.25" x 30" (U12)
5	079558-10-U10	EA	Valance Asm. w/Gathers - 8" x 150"
5	079558-10-U11	EA	Valance Asm. w/Gathers - 8" x 150"
5	079558-10-U12	EA	Valance Asm. w/Gathers - 8" x 150"
5	082119-28-000	EA	Shade - Vinyl - 75.25" x 30" (U10)
5	082119-29-000	EA	Shade - Vinyl - 75.25" x 30" (U11)
5	082119-30-000	EA	Shade - Vinyl - 75.25" x 30" (U12)
6	073251-34-U10	EA	Curtain Asm. w/Tape Top - 45" x 9"
6	073251-34-U11	EA	Curtain Asm. w/Tape Top - 45" x 9"
6	073251-34-U12	EA	Curtain Asm. w/Tape Top - 45" x 9"
6	080824-03-U10	EA	Valance Asm. - Padded
6	080824-03-U11	EA	Valance Asm. - Padded
6	080824-03-U12	EA	Valance Asm. - Padded
6	082118-07-000	EA	Blind - 19" x 44" Drop (U10)
6	082118-08-000	EA	Blind - 19" x 44" Drop (U11)
6	082118-09-000	EA	Blind - 19" x 44" Drop (U12)
**	082126-10-000	EA	Shade - Woven Wood - 19" x 46" Drop (U10)
**	082126-11-000	EA	Shade - Woven Wood - 19" x 46" Drop (U11)
**	082126-12-000	EA	Shade - Woven Wood - 19" x 46" Drop (U12)
7	082119-19-000	EA	Shade - Vinyl - 24.25" x 40" (U10)
7	082119-20-000	EA	Shade - Vinyl - 24.25" x 40" (U11)
7	082119-21-000	EA	Shade - Vinyl - 24.25" x 40" (U12)
8	M81977-05-U10	EA	Valance Asm. - Padded
8	M81977-05-U11	EA	Valance Asm. - Padded
8	M81977-05-U12	EA	Valance Asm. - Padded
8	082118-13-000	EA	Blind - 27" x 23" Drop (U10)
8	082118-14-000	EA	Blind - 27" x 23" Drop (U11)
8	082118-15-000	EA	Blind - 27" x 23" Drop (U12)
9	079559-03-U10	EA	Curtain Asm. w/Gathers - 32" x 41"
9	079559-03-U11	EA	Curtain Asm. w/Gathers - 32" x 41"
9	079559-03-U12	EA	Curtain Asm. w/Gathers - 32" x 41"
9	079558-03-U10	EA	Valance Asm. w/Gathers - 6" x 9"
9	079558-03-U11	EA	Valance Asm. w/Gathers - 6" x 9"
9	079558-03-U12	EA	Valance Asm. w/Gathers - 6" x 9"
9	082120-07-000	EA	Shade - Vinyl - 47.25" x 38" (U10)
9	082120-08-000	EA	Shade - Vinyl - 47.25" x 38" (U11)
9	082120-09-000	EA	Shade - Vinyl - 47.25" x 38" (U12)
.			Not illustrated
**			Parts used on the Woven Wood Option
†			Parts used on the Bunkhouse Option (not illustrated)

**1986 ITASCA  
TABLE OF CONTENTS**

IC/IF424RC	A-01 - C-08
IF426RU	C-09 - E-10
ICN33RU	E-11 - G-22
ICP34RU	G-23 - J-09

**1986 IC/IF424RC INDEX**

Floor Plan	A-01 - A-02
Accessories Group	A-03 - A-05
Bath Group	A-06 - A-07
Chassis Group	A-08 - A-09
Curtain, Cushion & Pad Group	A-10 - A-17
Dinette Group	A-18
Driver's Compartment Group	A-19 - A-21
Electrical Group	A-22 - A-24
Exterior Body Group	B-01 - B-07
Galley Group	B-08 - B-09
Heating & Air Conditioning Group	B-10
Interior Finish Group	B-11 - B-13
LP Group	B-14
Lounge Group	B-15
Water & Sewage Group	B-16 - B-17
Window, Vent & Exterior Door Group	B-18 - C-08

**CURTAIN, CUSHION & PAD GROUP (CONTINUED)**

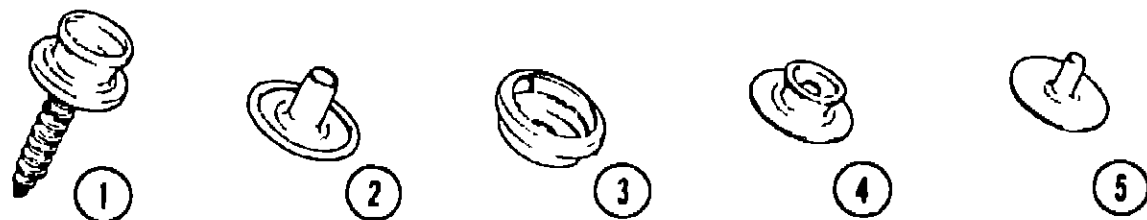
**CURTAINS, SHADES, VALANCES & TIEBACKS (CONT.)**

Key	Part Number	U/M	Description
†	079542-03-U13	EA	Curtain Asm. w/Darts - 22" x 17" Drop (U10)
†	079542-03-U14	EA	Curtain Asm. w/Darts - 22" x 17" Drop (U11)
†	079542-03-U15	EA	Curtain Asm. w/Darts - 22" x 17" Drop (U12)
†	M81977-03-U13	EA	Valance Asm. - Padded (U10)
†	M81977-03-U14	EA	Valance Asm. - Padded (U11)
†	M81977-03-U15	EA	Valance Asm. - Padded (U12)
†	082119-25-000	EA	Shade - Vinyl - 40.25" x 38" (U10)
†	082119-26-000	EA	Shade - Vinyl - 40.25" x 38" (U11)
†	082119-27-000	EA	Shade - Vinyl - 40.25" x 38" (U12)
•	073304-26-U01	EA	Curtain Asm. w/Snaps - Room Divider - 54" x 40"
•	073295-02-U01	EA	Curtain w/Snaps - Front Wraparound - 23" x 64" (2 required)
•	077591-03-U01	EA	Curtain w/Velcro Top - Bunk Privacy - 70" x 50" - Passenger
•	077591-04-U01	EA	Curtain w/Velcro Top - Bunk Privacy - 70" x 50" - Driver
•	073260-19-U10	EA	Tie Back Asm. - 4" x 18" - Bedspread
•	073260-19-U11	EA	Tie Back Asm. - 4" x 18" - Bedspread
•	073260-19-U12	EA	Tie Back Asm. - 4" x 18" - Bedspread
•	073260-16-U13	EA	Tie Back Asm. - 3" x 20" - Accent (U10)
•	073260-16-U14	EA	Tie Back Asm. - 3" x 20" - Accent (U11)
•	073260-16-U15	EA	Tie Back Asm. - 3" x 20" - Accent (U12)
•	057534-01-000	EA	Tie Back Asm. - 6" - Clear Plastic
•	057534-04-000	EA	Tie Back Asm. - 20" - Clear Plastic

• Not illustrated

•• Parts used on the Woven Wood Option

† Parts used on the Bunkhouse Option (not illustrated)



Key	Part Number	U/M	Description
1	029130-01-000	EA	Socket - Snap Fastener
2	029155-01-000	EA	Cap - Snap - 156" Dia x 17" Barrel
3	029156-01-000	EA	Socket - Snap Fastener
4	029092-01-000	EA	Stud - Nickel Finish
5	029093-01-000	EA	Eyelet - Nickel Finish

**CURTAIN, CUSHION & PAD GROUP (CONTINUED)**

**BUCKET SEATS**

Key	Part Number	U/M	Description
	078300-01-U10	EA	Seat Asm. - Vinyl
	078300-02-U11	EA	Seat Asm. - Vinyl
	078300-02-U12	EA	Seat Asm. - Vinyl
	M01862-01-U10	EA	Cover Asm. - Seat Bottom - Vinyl
	M01862-01-U11	EA	Cover Asm. - Seat Bottom - Vinyl
	M01862-01-U12	EA	Cover Asm. - Seat Bottom - Vinyl
	M01862-02-U10	EA	Cover Asm. - Seat Back - Vinyl
	M01862-02-U11	EA	Cover Asm. - Seat Back - Vinyl
	M01862-02-U12	EA	Cover Asm. - Seat Back - Vinyl
	078804-10-U10	EA	Seat Asm. - Granduer w/Left Armrest
	078804-10-U11	EA	Seat Asm. - Granduer w/Left Armrest
	078804-10-U12	EA	Seat Asm. - Granduer w/Left Armrest
	M01863-07-U10	EA	Cover Asm. - Bucket Seat Bottom
	M01863-07-U11	EA	Cover Asm. - Bucket Seat Bottom
	M01863-07-U12	EA	Cover Asm. - Bucket Seat Bottom
	M01863-08-U10	EA	Cover Asm. - Bucket Seat Back
	M01863-08-U11	EA	Cover Asm. - Bucket Seat Back
	M01863-08-U12	EA	Cover Asm. - Bucket Seat Back
	078804-09-U10	EA	Seat Asm. - Granduer w/Right Armrest
	078804-09-U11	EA	Seat Asm. - Granduer w/Right Armrest
	078804-09-U12	EA	Seat Asm. - Granduer w/Right Armrest
	M01863-05-U10	EA	Cover Asm. - Bucket Seat Bottom
	M01863-05-U11	EA	Cover Asm. - Bucket Seat Bottom
	M01863-05-U12	EA	Cover Asm. - Bucket Seat Bottom
	M01863-06-U10	EA	Cover Asm. - Bucket Seat Back
	M01863-06-U11	EA	Cover Asm. - Bucket Seat Back
	M01863-06-U12	EA	Cover Asm. - Bucket Seat Back
	080243-08-U10	EA	Armrest Asm. - Left
	080243-08-U11	EA	Armrest Asm. - Left
	080243-08-U12	EA	Armrest Asm. - Left
	M80243-02-U10	EA	Cover Asm. - Armrest - Left
	M80243-02-U11	EA	Cover Asm. - Armrest - Left
	M80243-02-U12	EA	Cover Asm. - Armrest - Left
	080243-07-U10	EA	Armrest Asm. - Right
	080243-07-U11	EA	Armrest Asm. - Right
	080243-07-U12	EA	Armrest Asm. - Right
	M80243-01-U10	EA	Cover Asm. - Armrest - Right
	M80243-01-U11	EA	Cover Asm. - Armrest - Right
	M80243-01-U12	EA	Cover Asm. - Armrest - Right
	080242-04-U10	EA	Headrest Asm.
	080242-04-U11	EA	Headrest Asm.
	080242-04-U12	EA	Headrest Asm.
	M80242-01-U10	EA	Cover Asm. - Headrest
	M80242-01-U11	EA	Cover Asm. - Headrest
	M80242-01-U12	EA	Cover Asm. - Headrest

**1986 ITASCA  
TABLE OF CONTENTS**

IC/IF424RC	A-01 - C-08
IF426RU	C-09 - E-10
ICN33RU	E-11 - G-22
ICP34RU	G-23 - J-09

**1986 IC/IF424RC INDEX**

Floor Plan	A-01 - A-02
Accessories Group	A-03 - A-05
Bath Group	A-06 - A-07
Chassis Group	A-08 - A-09
Curtain, Cushion & Pad Group	A-10 - A-17
Dinette Group	A-18
Driver's Compartment Group	A-19 - A-21
Electrical Group	A-22 - A-24
Exterior Body Group	B-01 - B-07
Galley Group	B-08 - B-09
Heating & Air Conditioning Group	B-10
Interior Finish Group	B-10 - B-13
LP Group	B-14
Lounge Group	B-15
Water & Sewage Group	B-16 - B-17
Window, Vent & Exterior Door Group	B-18 - C-08

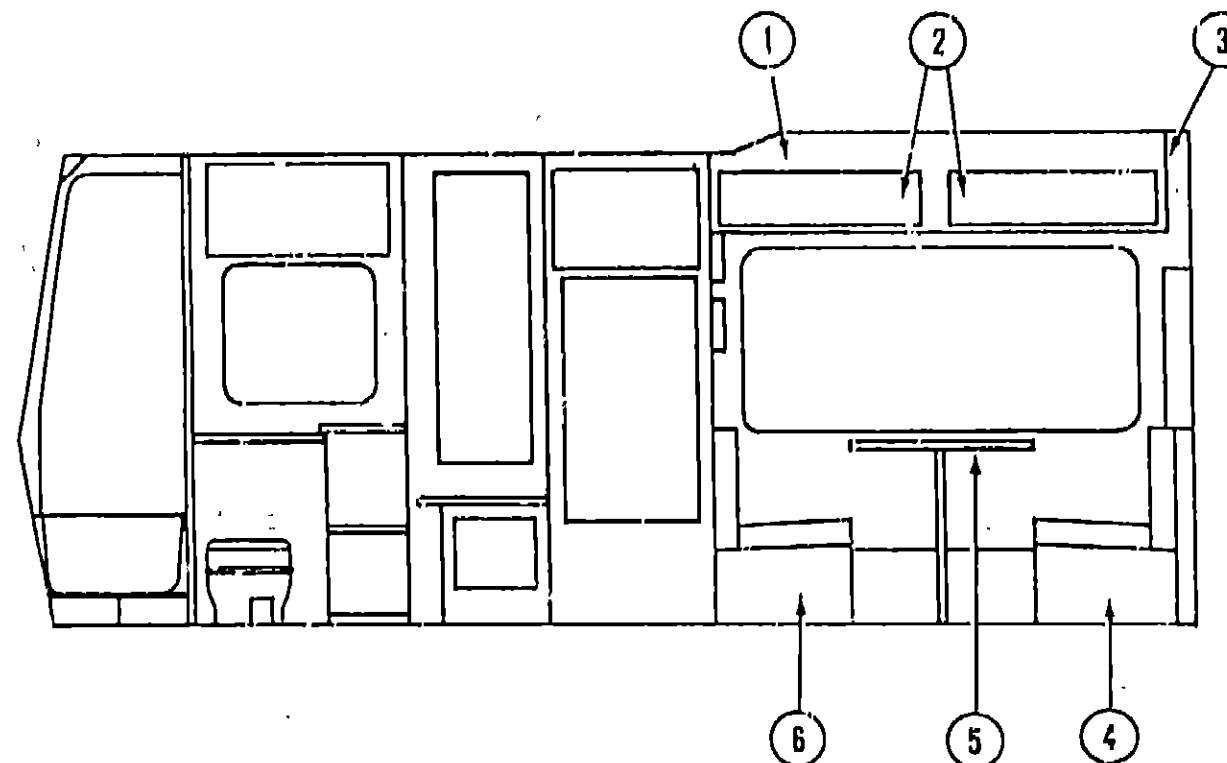


**CURTAIN, CUSHION & PAD GROUP (CONTINUED)**

**FABRICS, TRIMS & PADS**

Key	Part Number	U/M	Description
	072333-21-000	YD	Fabric - Drapery - Parchment
	077498-65-000	YD	Fabric w/Pattern - Upholstery - Blue/Gray (U10)
	077498-66-000	YD	Fabric w/Pattern - Upholstery - Melon (U11)
	077498-67-000	YD	Fabric w/Pattern - Upholstery - Plum/Belge (U12)
	077498-68-000	YD	Fabric w/Pattern - Upholstery Accent - Melon (U11)
	077498-70-000	YD	Fabric - Upholstery/Drapery - Accent - Plain - Blue/Gray (U10)
	077498-71-000	YD	Fabric - Upholstery/Drapery - Accent - Plain - Melon (U11)
	077498-09-000	YD	Fabric - Upholstery/Drapery - Accent - Plain - Plum/Beige (U12)
	069729-25-000	YD	Fabric - Bedspread/Drapery - Main - Blue/Gray (U10)
	069729-26-000	YD	Fabric - Bedspread/Drapery - Main - Melon (U11)
	039723-27-000	YD	Fabric - Bedspread/Drapery - Main - Plum/Belge (U12)
	069729-28-000	YD	Fabric - Bedspread - Accent - Blue/Gray (U10)
	069729-29-000	YD	Fabric - Bedspread - Accent - Melon (U11)
	069729-30-000	YD	Fabric - Bedspread - Accent - Plum/Belge (U12)
	038421-01-000	YD	Fabric - Mattress Ticking
	052859-01-T03	FT	Trim Asm. - Accent - Sandrift
	052859-05-T03	FT	Trim Asm. - Accent - Buckskin
	079680-01-000	YD	Vinyl - Expanded - 26 oz. - Buckskin
	079680-02-000	YD	Vinyl - Expanded - 26 oz. - Sandrift
	070578-06-T03	EA	Button Asm. - #30 - Vinyl
	057550-03-T03	EA	Button Asm. - Nail - Vinyl
	071127-10-U10	EA	Button Asm. - #30 - Blue/Gray
	071127-10-U11	EA	Button Asm. - #30 - Melon
	071127-10-U12	EA	Button Asm. - #30 - Plum/Belge
	078155-01-000	EA	Strap Asm. - Cushion
	079144-02-000	EA	Strap Asm. - Bunk
	081280-03-U01	EA	End Cap Asm. - Overhead - Dinette - Vinyl
	081280-06-U01	EA	End Cap Asm. - Overhead - Galley - Vinyl
	081280-13-U01	EA	End Cap Asm. - Overhead - Shirt Closet - Vinyl
	081280-08-U01	EA	End Cap Asm. - Overhead - Entrance Door - Vinyl
	081519-01-U10	EA	Pad Asm. - Dinette - Front - Blue/Gray
	081519-01-U11	EA	Pad Asm. - Dinette - Front - Melon
	081519-01-U12	EA	Pad Asm. - Dinette - Front - Plum/Belge
	081519-02-U10	EA	Pad Asm. - Dinette - Rear - Blue/Gray
	081519-02-U11	EA	Pad Asm. - Dinette - Rear - Melon
	081519-02-U12	EA	Pad Asm. - Dinette - Rear - Plum/Belge
	077463-16-U10	EA	Pad Asm. - Headboard - Double Bed - Blue/Gray
	077463-16-U11	EA	Pad Asm. - Headboard - Double Bed - Melon
	077463-16-U12	EA	Pad Asm. - Headboard - Double Bed - Plum/Belge
	069885-12-U10	EA	Cover w/Pocket - Motor - Blue/Gray (Ford)
	069885-12-U11	EA	Cover w/Pocket - Motor - Melon (Ford)
	069885-12-U12	EA	Cover w/Pocket - Motor - Plum/Belge (Ford)
	074891-01-U10	EA	Cover w/Pocket - Motor - Blue/Gray (Chevy)
	074891-01-U11	EA	Cover w/Pocket - Motor - Melon (Chevy)
	074891-01-U12	EA	Cover w/Pocket - Motor - Plum/Belge (Chevy)
	059491-01-U10	EA	Pad Asm. - Door - Upper - Passenger (Chevy)
	059491-01-U11	EA	Pad Asm. - Door - Upper - Passenger (Chevy)
	059491-01-U12	EA	Pad Asm. - Door - Upper - Passenger (Chevy)
	059492-01-U10	EA	Pad Asm. - Door - Upper - Driver (Chevy)
	059492-01-U11	EA	Pad Asm. - Door - Upper - Driver (Chevy)
	059492-01-U12	EA	Pad Asm. - Door - Upper - Driver (Chevy)
	082552-01-U10	EA	Pad Asm. - Door - Lower - Passenger (Chevy)
	082552-01-U11	EA	Pad Asm. - Door - Lower - Passenger (Chevy)
	082552-01-U12	EA	Pad Asm. - Door - Lower - Passenger (Chevy)
	082552-01-U10	EA	Pad Asm. - Door - Lower - Driver (Chevy)
	082552-01-U11	EA	Pad Asm. - Door - Lower - Driver (Chevy)
	082552-01-U12	EA	Pad Asm. - Door - Lower - Driver (Chevy)

**DINETTE GROUP**



Key	Part Number	U/M	Description
1	M81739-02-U10	EA	Cabinet Asm. - Dinette Overhead - w/o Doors or Hardware
2	M81524-02-U10	EA	Door Asm. - Dinette Overhead - w/o Hardware
3	081280-03-U01	EA	Pad Asm. - End Cap - Dinette Overhead - Vinyl
4	M02487-01-U01	EA	Cabinet Asm. - Dinette Seat - w/o Door or Hardware
*	M02486-01-U01	EA	Cabinet Asm. - Dinette Back
5	M02115-09-U10	EA	Table Asm. - Dinette - w/o Hardware
6	M02489-01-U01	EA	Cabinet Asm. - Dinette Seat - w/o Door or Hardware
*	M02488-01-U01	EA	Cabinet Asm. - Dinette Back
**	053200-01-000	EA	Bracket - Upper Wall Mount - 23.5"
*	053201-03-000	EA	Bracket - Table Mount - 23"
*	024275-08-000	EA	Rod - Table Lift - 8" x 23.5" - Brown
*	024281-03-000	EA	Bracket - Lower Wall Mount
*	024276-14-000	EA	Leg Asm. - Table - 26.75" - Brown
**	064050-01-000	EA	Hinge - Table Leg
**	024282-01-000	EA	Brace - Table Leg
**	024283-01-000	EA	Clip - 1" O.D. Tube
*	049493-02-000	EA	Catch - Table Leg - Mounts on Floor - Brown
*	064781-03-000	EA	Cup Holder - 3.47" O.D. x 2.75" I.D. x 1.5" - Brown
*			Not illustrated
**	The illustrated parts breakdown for this item is provided on the Common Items Fiche.		

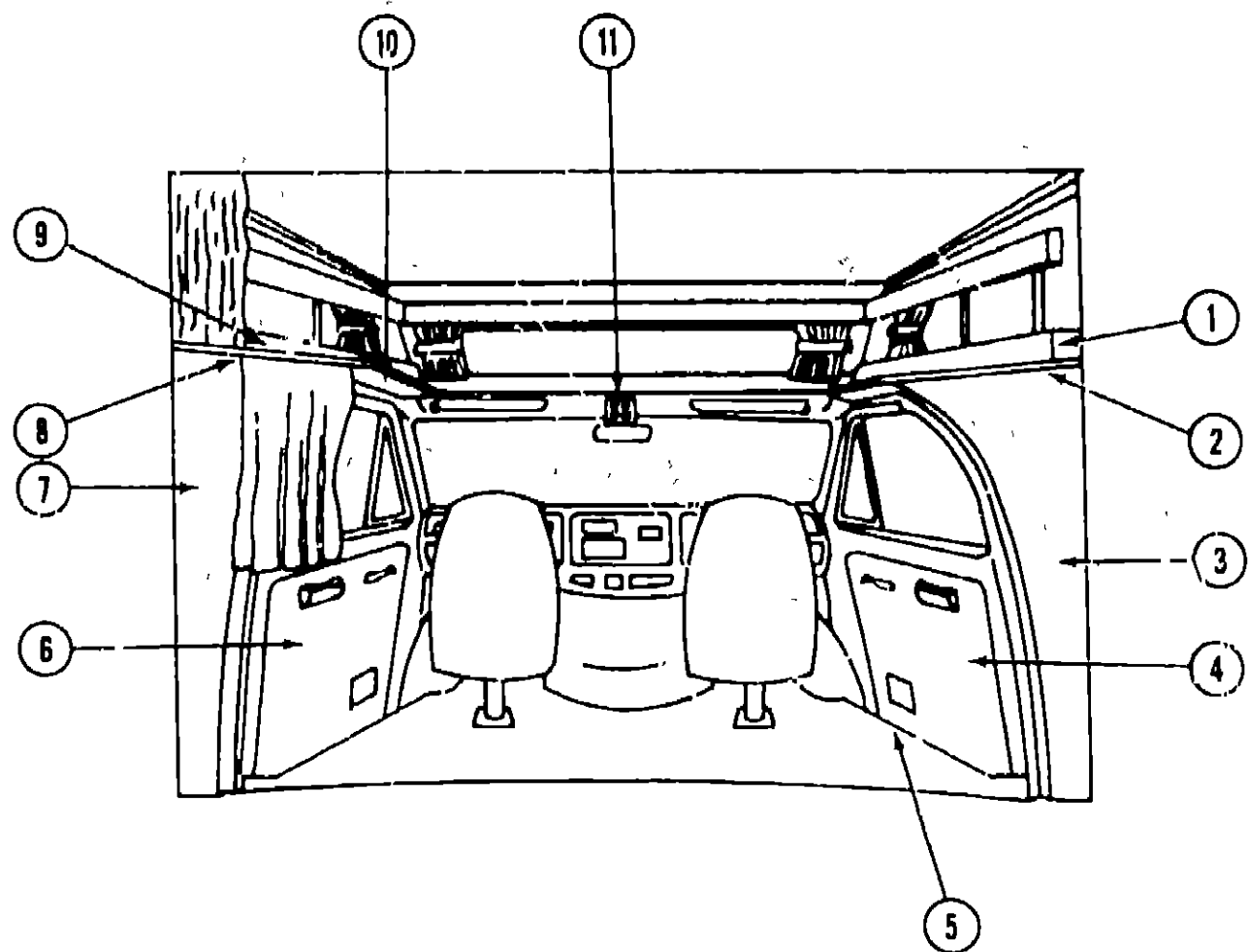
**1986 ITASCA  
TABLE OF CONTENTS**

IC/IF424RC	A-01 - C-08
IF428RU	C-09 - E-10
ICN33RU	E-11 - G-22
ICP34RU	G-23 - J-09

**1986 IC/IF424RC INDEX**

Floor Plan	A-01 - A-02
Accessories Group	A-03 - A-05
Bath Group	A-06 - A-07
Chassis Group	A-08 - A-09
Curtain, Cushion & Pad Group	A-10 - A-17
Dinette Group	A-18
Driver's Compartment Group	A-19 - A-21
Electrical Group	A-22 - A-24
Exterior Body Group	B-01 - B-07
Galley Group	B-08 - B-09
Heating & Air Conditioning Group	B-10
Interior Finish Group	B-10 - B-13
LP Group	B-14
Lounge Group	B-15
Water & Sewage Group	B-16 - B-17
Window, Vent & Exterior Door Group	B-18 - C-08

**DRIVER'S COMPARTMENT GROUP**

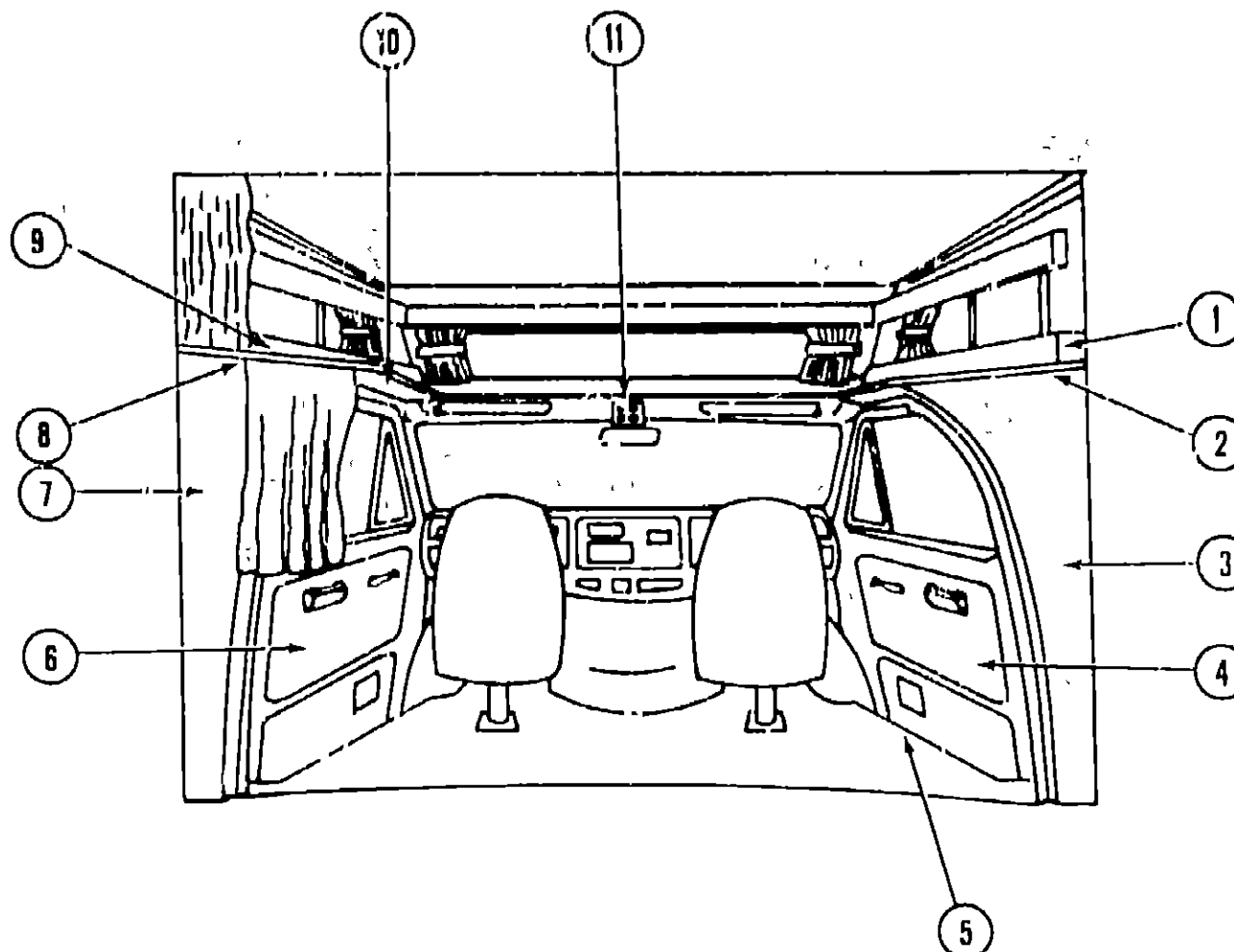


**MISCELLANEOUS DRIVER'S COMPARTMENT COMPONENTS (FORD)**

Key	Part Number	U/M	Description
1	082068-03-U01	EA	Cabinet Asm. - Headboard - Passenger
2	M81652-01-U01	EA	Panel Asm. - Sleeper Board - w/o Vinyl
	079800-01-U01	EA	Trim - Front Sleeper Board
3	M82066-01-U01	EA	Panel Asm. - Wingwall Transition - Inner Passenger
4	NOTE	EA	Side Panel - Cab Door - Passenger
5	083206-01-000	EA	Door Step Mat - Passenger - Black Rubber
	083206-02-000	EA	Door Step Mat - Driver - Black Rubber
6	NOTE	EA	Panel Asm. - Cab Door - Driver - Beige (U03)
7	M82066-02-U01	EA	Panel Asm. - Wingwall Transition - Inner Driver
8	082069-01-U01	EA	Accent Trim - Dark Sandrift Vinyl
9	082068-04-U01	EA	Cabinet Asm. - Headboard - Driver
10	078369-01-T03	EA	Headliner Asm. - Overhead Bunk - Vinyl
11	M01298-01-000	EA	Console - Overhead - 7.5" x 6 14" - Black
	083219-03-000	EA	Floor Mat - Front - Passenger - Itasca (Ford)
	083219-04-000	EA	Floor Mat - Front - Driver - Itasca (Ford)
	056288-01-000	EA	Dome Light Asm
	056288-02-000	EA	Bulb - Dome Light Asm
	056288-03-000	EA	Housing - Dome Light Asm
	056288-04-000	EA	Lens - Dome Light Asm
	056288-05-000	EA	Clip - Dome Light Asm
	024461-01-000	EA	Switch - Battery
	024462-01-000	EA	Switch - Battery Condition
	024976-01-000	EA	Switch - Generator w/o Circuit Board
	031035-02-000	EA	Gauge - Generator Hourmeter
	024459-04-000	EA	Gauge - Voltmeter
	024459-02-000	EA	Bracket - Mounting - Voltmeter Gauge

Not illustrated  
 \*\* This part is supplied by your Ford Dealer

**DRIVER'S COMPARTMENT GROUP (CONTINUED)**



**MISCELLANEOUS DRIVER'S COMPARTMENT COMPONENTS (CHEVY)**

Key	Part Number	U/M	Description
1	082553-01-U01	EA	Cabinet Asm. - Headboard - Passenger
2	M81652-01-U01	EA	Panel Asm. - Sleeper Board - w/o Vinyl
	079800-01-U01	EA	Trim - Front - Sleeper Board
3	M82554-01-U01	EA	Panel Asm. - Wingwall Transition - Inner Passenger
4	059491-01-U10	EA	Side Panel - Cab Door - Passenger
	059491-01-U11	EA	Side Panel - Cab Door - Passenger
	059491-01-U12	EA	Side Panel - Cab Door - Passenger
	082552-01-U10	EA	Pad Asm. - Door - Lower - Passenger
	082552-01-U11	EA	Pad Asm. - Door - Lower - Passenger
	082552-01-U12	EA	Pad Asm. - Door - Lower - Passenger
5	044860-02-000	EA	Door Step Mat - Passenger - Black Rubber
	044860-01-000	EA	Door Step Mat - Driver - Black Rubber
6	059492-01-U10	EA	Side Panel - Cab Door - Passenger
	059492-01-U11	EA	Side Panel - Cab Door - Passenger
	059492-01-U12	EA	Side Panel - Cab Door - Passenger
	082552-02-U10	EA	Pad Asm. - Door - Lower - Driver
	082552-02-U11	EA	Pad Asm. - Door - Lower - Driver
	082552-02-U12	EA	Pad Asm. - Door - Lower - Driver
7	M82554-03-U01	EA	Panel Asm. - Wingwall Transition - Inner - Driver
8	082069-01-U01	EA	Accent Trim - Dark Sandrift Vinyl
9	082553-02-U01	EA	Cabinet Asm. - Headboard - Driver
10	076822-01-T03	EA	Headliner Asm. - Overhead Bunk - Vinyl
11	M01298-03-000	EA	Console - Overhead - 7.5" x 6 14" - Beige
	056288-01-000	EA	Dome Light Asm
	056288-02-000	EA	Bulb
	056288-03-000	EA	Housing
	056288-04-000	EA	Lens
	056288-05-000	EA	Clip
	Not illustrated		

**1986 ITASCA  
TABLE OF CONTENTS**

IC/IF424RC  
 IF426RU  
 ICN33RU  
 ICP34RU

A-01 - C-08  
 C-09 - E-10  
 E-11 - Q-22  
 Q-23 - J-09

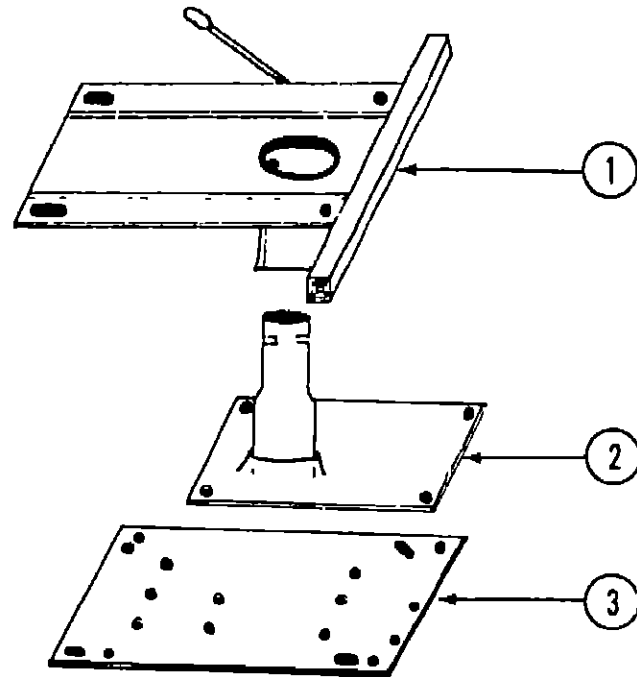
**1986 IC/IF424RC INDEX**

Floor Plan	A-01 - A-02
Accessories Group	A-03 - A-05
Bath Group	A-06 - A-07
Chassis Group	A-08 - A-09
Curtain, Cushion & Pad Group	A-10 - A-17
Dinette Group	A-18
Driver's Compartment Group	A-19 - A-21
Electrical Group	A-22 - A-24
Exterior Body Group	B-01 - B-07
Galley Group	B-08 - B-09
Heating & Air Conditioning Group	B-10
Interior Finish Group	B-10 - B-13
LP Group	B-14
Lounge Group	B-15
Water & Sewage Group	B-16 - B-17
Window, Vent & Exterior Door Group	B-18 - C-08

## DRIVER'S COMPARTMENT GROUP (CONTINUED)

### MISCELLANEOUS DRIVER'S COMPARTMENT COMPONENTS (CHEVY) (CONT.)

Key	Part Number	U/M	Description
•	024461-01-000	EA	Switch - Battery
•	024462-01-000	EA	Switch - Battery Condition
•	024876-01-000	EA	Switch - Generator w/o Circuit Board
•	031035-02-000	EA	Gauge - Generator Hourmeter
•	024459-04-000	EA	Gauge - Voltmeter
•	024459-02-000	EA	Bracket - Mounting - Voltmeter Gauge
•	Not Illustrated		



**BUCKET SEAT PEDESTAL & SEAT BELTS**

Key	Part Number	U/M	Description
1	069585-04-000	EA	Plate - Top - Pedestal Asm - Bucket Seat
1	069585-19-000	EA	Plate - Top - Flat - Power Seat
2	069585-03-000	EA	Plate - Sub - Pedestal Asm - Bucket Seat
2	069585-18-000	EA	Plate - Sub - Pedestal Asm - Power Seat
3	069585-02-000	EA	Plate - Base - Pedestal Asm - Bucket Seat
•	081373-02-000	EA	Seat - Power
•	069585-05-000	EA	Hardware Kit - Bolt/Acorn Nut - 4 ea - Pedestal Asm
•	056271-02-000	EA	Belt Asm. - Seat - 2" x 72" - Black
•	007021-01-000	EA	Belt Asm. - Seat - 2" x 90" - Black
•	041322-01-000	EA	Washer - Flat 15/32" I.D x 2 3/8" O.D - Seat Belt
•	057759-01-000	EA	Bracket - Seat Belt Washer
•	069246-01-000	EA	Adjuster Asm - Seat - w/Lock
•	069246-02-000	EA	Adjuster Asm. - Seat - w/o Lock
•	080730-02-000	EA	Recliner Drive - Driver
•	080730-01-000	EA	Recliner Drive - Passenger
•	079467-04-000	EA	Loose Parts Kit
•	069585-27-000	EA	Plate - Top - Pedestal
•	065585-29-000	EA	Bar - Seat Belt - 20"
•	Not Illustrated		

## ELECTRICAL GROUP

### BULBS

Key	Part Number	U/M	Description
	008220-01-000	EA	Bulb - 12V - 25W
	008103-01-000	EA	Bulb - 53
	008213-01-000	EA	Bulb - 57
	008214-01-000	EA	Bulb - 67
	036196-01-000	EA	Bulb - 194
	008215-01-000	EA	Bulb - 1003
	067479-01-000	EA	Bulb - 1076
	063914-01-000	EA	Bulb - 1139
	008218-01-000	EA	Bulb - 1141
	037935-01-000	EA	Bulb - 1157
	056288-02-000	EA	Bulb - 9431808

### FUSES & CIRCUIT BREAKERS

Key	Part Number	U/M	Description
	008234-01-000	EA	Fuse - 10 Amp. - 12 Volt
	008235-01-000	EA	Fuse - 15 Amp. - 12 Volt
	062901-02-000	EA	Fuse - 5 Amp. - Automotive
	062901-05-000	EA	Fuse - 15 Amp. - Automotive
	008211-01-000	EA	Circuit Breaker - 6 Amp. - 12 Volt
	008208-01-000	EA	Circuit Breaker - 40 Amp. - 12 Volt
	033573-02-000	EA	Circuit Breaker - 15 Amp. - 12 Volt - w/Mount
	033573-01-000	EA	Circuit Breaker - 20 Amp. - 12 Volt - w/Mount
	044466-03-000	EA	Circuit Breaker - 25 Amp. - 12 Volt - w/Mount
	008268-01-000	EA	Circuit Breaker - 30 Amp. - 12 Volt - w/Mount
	083209-01-000	EA	Circuit Breaker - 15 Amp. - 120 Volt
	083210-02-000	EA	Circuit Breaker - 15 Amp. - 120 Volt (Ground Fault Interrupter)
	075735-02-000	EA	Circuit Breaker - 15 Amp. - 120 Volt (Ground Fault Interrupter)
	071279-05-000	EA	Circuit Breaker - 20 Amp - 120 Volt
	071279-04-000	EA	Circuit Breaker - 30 Amp - 120 Volt
	071279-03-000	EA	Circuit Breaker - 15/20 Amp - 120 Volt
	083209-03-000	EA	Circuit Breaker - 15/20 Amp. - 120 Volt
	071279-01-000	EA	Circuit Breaker - 15/30 Amp - 120 Volt
	083209-05-000	EA	Circuit Breaker - 20 Amp - 120 Volt
	083209-04-000	EA	Circuit Breaker - 30 Amp - 120 Volt
	083209-06-000	EA	Circuit Breaker - 30/15 Amp - 120 Volt
	071279-06-000	EA	Circuit Breaker - 30/15 Amp - 120 Volt
	071280-01-000	EA	Circuit Breaker Blank
	050283-02-000	EA	Circuit Breaker - Buss Bar

## 1986 ITASCA TABLE OF CONTENTS

IC/IF424RC	A-01 - C-08
IF426RU	C-09 - E-10
ICN33RU	E-11 - G-22
ICP34RU	G-23 - J-09

## 1986 IC/IF424RC INDEX

Floor Plan	A-01 - A-02
Accessories Group	A-03 - A-05
Bath Group	A-06 - A-07
Chassis Group	A-08 - A-09
Curtain, Cushion & Pad Group	A-10 - A-17
Dinette Group	A-18
Driver's Compartment Group	A-19 - A-21
Electrical Group	A-22 - A-24
Exterior Body Group	B-01 - B-07
Galley Group	B-08 - B-09
Heating & Air Conditioning Group	B-10
Interior Finish Group	B-10 - B-13
LP Group	B-14
Lounge Group	B-15
Water & Sewage Group	B-16 - B-17
Window, Vent & Exterior Door Group	B-18 - C-08

**ELECTRICAL GROUP (CONTINUED)**

**WIRE, SWITCHES & RECEPTACLES**

Key	Part Number	U/M	Description
	008058-01-000	EA	Adapter - Power Cord
	008288-01-000	EA	Box - Electrical - 3" x 3.5" - Plastic
	008289-01-000	EA	Box - Electrical - 4" x 4" - 1/2 & 3/4 Steel - UL
	008289-02-000	EA	Box - Electrical - 4" x 4" - 1/2 & 3/4 Steel - CSA
	058049-01-000	EA	Box - Electrical - 2" x 3" x 2.25" - Steel
	041953-01-000	EA	Conduit - Convoluted Sill - .5" I.D.
	008353-01-000	EA	Connector - Clamping - 3/8 Cable - UL & CSA
	058028-01-000	EA	Connector - Pigtail - Clear Nylon
	008314-01-000	EA	Connector - Wire Nut - Gray
	008311-01-000	EA	Connector - Wire Nut - Red
	031968-01-000	EA	Contact Plug - Brass - Tin Plated
	031967-01-000	EA	Contact - Receptacle
	008054-01-000	EA	Cord - Power - 10-3 30 Amp. - 25' - UL
	008052-01-000	EA	Cord - Power - 10-3 30 Amp. - 25' - CSA
	069238-01-000	EA	Cover - Electrical Box - 4" x 4"
	058048-01-000	EA	Cover - Electrical Box - 4.5" x 2.75" - Rain Tight (Exterior)
	024571-03-000	EA	Cover Plate - Receptacle - Jumbo - Brown Plastic
	024571-04-000	EA	Cover Plate - Receptacle - Jumbo - Ivory Plastic
	008164-01-000	EA	Cover Plate - Switch - Brown
	008294-01-000	EA	Cover - Flat Blank - 4" x 4" - Steel - US
	008294-02-000	EA	Cover - Flat Blank - 4" x 4" - Steel - CSA
	008250-01-000	EA	Fuse Holder - In Line - 10 Amp.
	008250-02-000	EA	Fuse Holder - In Line - 15 Amp
	008277-01-000	EA	Fuse Holder - Panel Mount - Black
	064399-01-000	EA	Housing Asm - Trailer Pin
	064450-01-000	EA	Housing Asm. - Trailer Plug
	064398-01-000	EA	Housing Asm. - Trailer Receptacle
	054532-01-000	EA	Housing Pin - 6 Position
	046885-01-000	EA	Plaque - Mounting Switch
	075736-02-000	EA	Receptacle/Cover Asm. - Off White (Exterior)
	058708-01-000	EA	Receptacle - Duplex - Brown
	008157-01-000	EA	Receptacle - Duplex - Brown (Exterior Backwall)
	058708-02-000	EA	Receptacle - Duplex - Ivory
	053126-01-000	EA	Receptacle - Ground Fault Interrupter - 125 Volt - Ivory
	024924-02-000	EA	Receptacle - Power Cord
	058707-01-000	EA	Receptacle - Single - Brown
	063912-01-000	EA	Relay - Canister, SPDT w/Ground
	075723-01-000	EA	Switch - Block Spacer - w/o Holes
	075723-02-000	EA	Switch - Block Spacer - w/Holes
	008162-01-000	EA	Switch - Double Toggle - Brown
	077942-02-000	EA	Switch - Dummy - Brown
	056264-01-000	EA	Switch - Leaf Actuator
	079362-01-000	EA	Switch Plate - 3 Gang - 2 Switches
	079363-01-000	EA	Switch Plate - Single - w/Switches
	079364-01-000	EA	Switch - On/Off Rocker - Brown
	008195-01-000	EA	Switch - Push Button - 12 Volt
	008163-01-000	EA	Switch - Toggle - Brown
	006050-01-000	EA	TV Jack - Ivory
	047443-02-000	EA	Terminal - .250 Receptacle - 12-10 AWG
	035417-01-000	EA	Terminal - Pin Receptacle - .125 Dia
	008348-01-000	EA	Terminal Ring - 2 - w/3/8 Stud
	008331-01-000	EA	Terminal Ring - 4 - w/3/8 Stud
	008328-01-000	EA	Terminal Ring - 12/10 Wire
	054865-01-000	EA	Wire Asm. - Generator Switch
	008028-01-000	FT	Wire - 18 5 Bonded - Blue/Red/Yellow/Orange/White
	008024-01-000	FT	Wire - 18 5 Bonded - Orange/White/Yellow/Blue/Brown
	008025-01-000	FT	Wire - 18 5 Bonded - Orange/White/Yellow/Blue/Green
	008026-01-000	FT	Wire w/Ground - Romex - 12/2

**ELECTRICAL GROUP (CONTINUED)**

**EXTERIOR LIGHTS**

Key	Part Number	U/M	Description
	042405-03-000	EA	Base - Rectangular Clearance Light
	042405-01-000	EA	Lens - Clearance Light - Red w/Reflex
	042405-02-000	EA	Lens - Clearance Light - Amber w/Reflex
	042405-05-000	EA	Lens - Clearance Light - Amber w/o Reflex
	048817-01-000	EA	Assist Handle Asm w/Light
	079941-01-000	EA	Lamp Asm. - w/Cover - Fog - Amber
	007250-02-000	EA	Lamp Asm. - Cab Marker - Red
	075459-04-000	EA	Lamp Asm. - Tall - Red
	075459-05-000	EA	Lamp Asm. - Turn - Amber
	075459-06-000	EA	Lamp Asm. - Backup/Reflex
	073844-01-000	EA	Lamp Asm. - License
	076795-01-000	EA	Light Asm. - License

**INTERIOR LIGHT**

Key	Part Number	U/M	Description
	065202-03-000	EA	Lamp - Decor - Wall - Brass - 2 Bulb
	033508-02-000	EA	Light - Dome - Ivory - 1 Bulb - US
	033508-03-000	EA	Light - Dome - Ivory - 1 Bulb - CSA
	033509-02-000	EA	Light - Dome - Ivory - 2 Bulb - US
	033509-03-000	EA	Light - Dome - Ivory - 2 Bulb - CSA
	078424-02-000	EA	Light - Florescent - 12V
	061424-01-000	EA	Light - 12V Receptacle - Aisle - IP
	007309-01-000	EA	Light - Step Well
	072353-02-000	EA	Light - Reading - Double - 360° Swivel - Silver
	072353-07-000	EA	Light - Reading - Single - 360° Swivel - Tan
	056288-01-000	EA	Light - Dome (Driver's Compartment)
	056288-04-000	EA	Lens - Dome Light (Driver's Compartment)

**MISCELLANEOUS ELECTRICAL COMPONENTS**

Key	Part Number	U/M	Description
	063739-01-000	EA	Battery - 12V Storage - Gould
	083208-01-000	EA	Control Center - 32A - 120V/12V
	047338-03-000	EA	Isolator - Dual Battery - 70 Amp
	008188-01-000	EA	Solenoid - Dual Battery - Relay
	063208-01-000	EA	Convertor - 120 Amp w/Charger

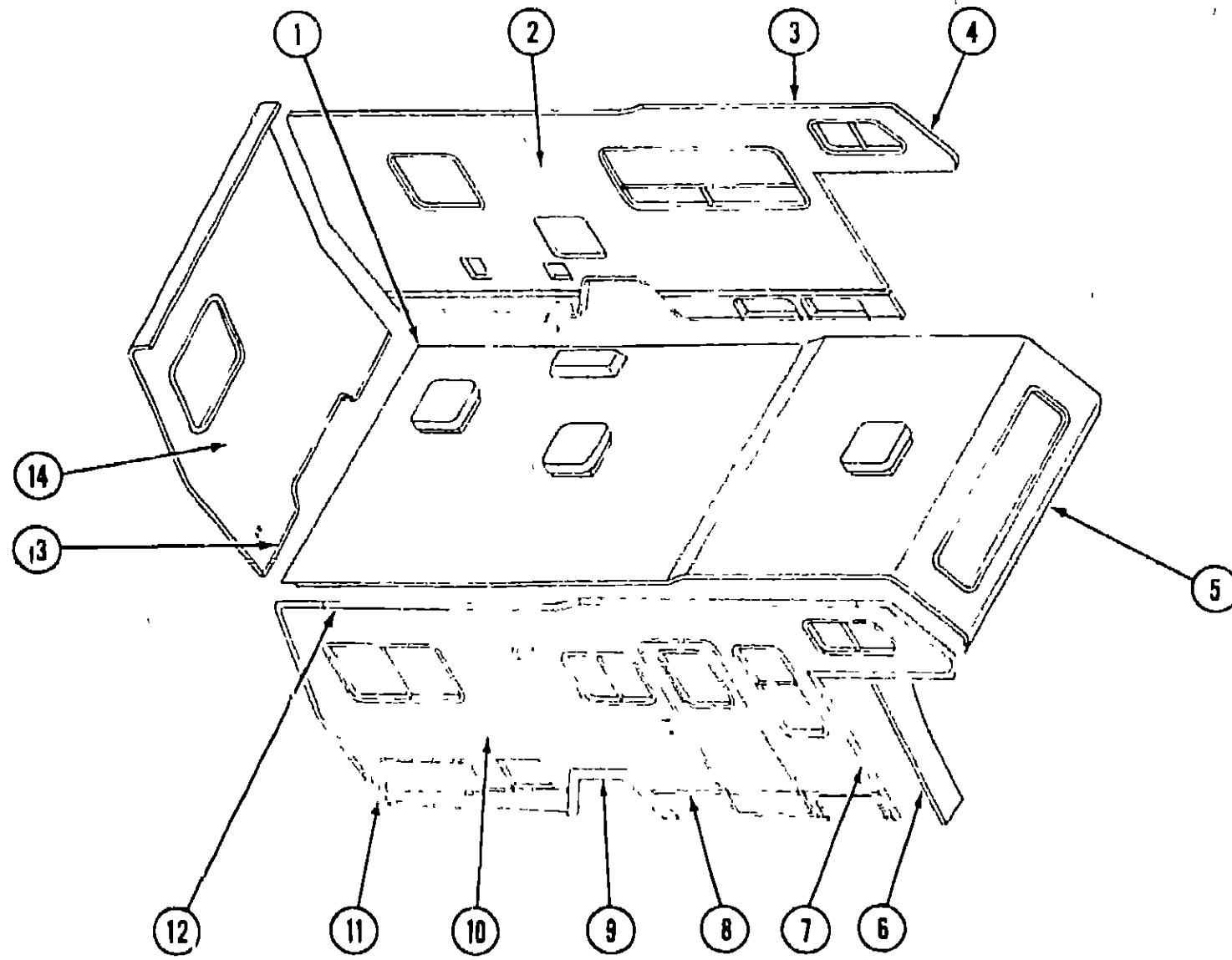
**1986 ITASCA  
TABLE OF CONTENTS**

IC/IF424RC	A-01 - C-08
IF426RU	C-09 - E-10
ICN33RU	E-11 - G-22
ICP34RU	G-23 - J-08

**1986 IC/IF424RC INDEX**

Floor Plan	A-01 - A-02
Accessories Group	A-03 - A-05
Bath Group	A-06 - A-07
Chassis Group	A-08 - A-09
Curtain, Cushion & Pad Group	A-10 - A-17
Dinette Group	A-18
Driver's Compartment Group	A-19 - A-21
Electrical Group	A-22 - A-24
Exterior Body Group	B-01 - B-07
Galley Group	B-08 - B-09
Heating & Air Conditioning Group	B-10
Interior Finish Group	B-10 - B-13
LP Group	B-14
Lounge Group	B-15
Water & Sewage Group	B-16 - B-17
Window, Vent & Exterior Door Group	B-18 - C-08

**EXTERIOR BODY GROUP  
EXTERIOR BODY PANELS**



**1986 ITACSA  
TABLE OF CONTENTS**

IC/IF424RC	A-01 - C-08
IF426RU	C-09 - E-10
ICN33RU	E-11 - G-22
ICP34RU	G-23 - J-09

Key	Part Number	U/M	Description
1	M82305-01-U01	EA	Roof Asm.
*	M76177-01-700	EA	Roof Section - Cab Over To First Seam
2	M82345-01-U10	EA	Sidewall Asm. - Driver
2	M82345-01-U11	EA	Sidewall Asm. - Driver
2	M82345-01-U12	EA	Sidewall Asm. - Driver
3	076802-06-000	EA	Trim - Contour - Upper Front - Driver - Off White
*	076802-06-000	EA	Trim - Contour - Upper Front - Passenger - Off White
4	076828-02-000	EA	Trim - Contour - Sleeper - Driver - Off White
*	076828-01-000	EA	Trim - Contour - Sleeper - Passenger - Off White
6	039644-08-000	EA	Trim - Sleeper Board - Front - Off White
6	M81653-01-U01	EA	Wingwall Asm. - Passenger (Ford)
*	M81653-02-U01	EA	Wingwall Asm. - Driver (Ford)
6	M82343-01-U01	EA	Wingwall Asm. - Passenger (Chevy)
*	M82343-02-U01	EA	Wingwall Asm. - Driver (Chevy)
7	076975-03-000	EA	Trim - Wingwall Transition - Passenger - Off White
*	076975-04-000	EA	Trim - Wingwall Transition - Driver - Off White
8	002444-01-001	EA	Feature Strip - w/o Insert - Extr. - 14' - Brown
*	001030-02-003	EA	Insert - Feature Strip - 17' - Stucco - Off White
*	009731-01-000	EA	End Cap - Feature Strip
9	075189-01-000	EA	Trim - Wheel Well - Rear Passenger - Off White
*	075189-02-000	EA	Trim - Wheel Well - Rear Driver - Off White

Key	Part Number	U/M	Description
**10	M82347-01-U10	EA	Sidewall Asm. - Passenger
**10	M82347-01-U11	EA	Sidewall Asm. - Passenger
**10	M82347-01-U12	EA	Sidewall Asm. - Passenger
11	076805-01-000	EA	Trim - Contour - Rear Passenger - Off White
*	076805-02-000	EA	Trim - Contour - Rear Driver - Off White
12	077339-09-000	EA	Trim - Contour - Upper Rear Passenger - Off White
*	077339-10-000	EA	Trim - Contour - Upper Rear Driver - Off White
13	074966-02-000	EA	Trim - Backwall - Lower - Passenger or Driver
**14	M82384-01-U10	EA	Backwall Asm.
*	078578-05-000	EA	End Cap - Bumper - Rear - Right
*	078578-06-000	EA	End Cap - Bumper - Rear - Left
*	002365-01-001	EA	U-Channel - Extrusion - 1" x 18'
*	002778-01-001	EA	U-Channel - Extrusion - 1.75" x 16'
*	077514-04-001	EA	Fiberglass Sheet - 48.08" x 259" - Mesa - Off White
*	077517-04-002	EA	Fiberglass Sheet - 48.08" x 60" - Mesa - Off White
*	001054-01-011	EA	Alum. - No Design - 48" x 96" - Off White
*	000888-01-000	SF	Styrofoam - 75" x 24" x 96"
*	000870-01-000	SF	Styrofoam - 15" x 24" x 98"
*	000870-03-000	SF	Styrofoam - 134" x 48" x 96"
*			Not Illustrated

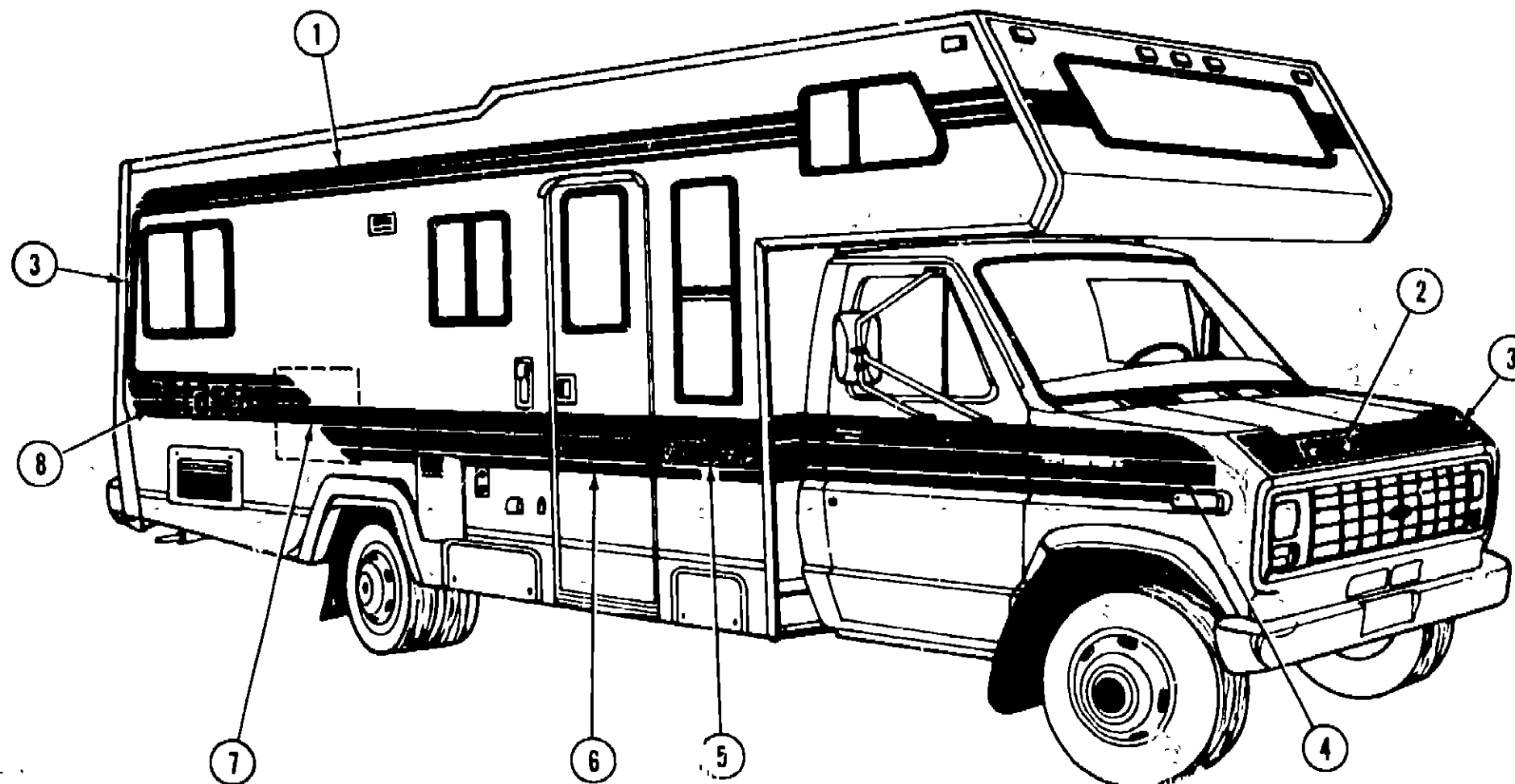
\*\*When ordering designate double bed or bunkbed

**1986 IC/IF424RC INDEX**

Floor Plan	A-01 - A-02
Accessories Group	A-03 - A-05
Bath Group	06 - A-07
Chassis Group	13 - A-09
Curtain, Cushion & Pad Group	A-10 - A-17
Dinette Group	A-18
Driver's Compartment Group	A-19 - A-21
Electrical Group	A-22 - A-24
Exterior Body Group	B-01 - B-07
Galley Group	B-08 - B-09
Heating & Air Conditioning Group	B-10
Interior Finish Group	B-10 - B-13
LP Group	B-14
Lounge Group	B-15
Water & Sewage Group	B-16 - B-17
Window, Vent & Exterior Door Group	B-18 - C-08

**EXTERIOR BODY GROUP (CONTINUED)**

**LABELS, DECALS & EXTERIOR PAINT**



**1986 ITACSA  
TABLE OF CONTENTS**

IC/IF424RC  
IF426RU  
ICN33RU  
ICP34RU

A-01 - C-08  
C-09 - E-10  
E-11 - G-22  
G-23 - J-09

Key	Part Number	U/M	Description
1	069245-75-000	FT	Film - Multistripe - 4.13" x 150' - Blue/Gray (U10)
1	069245-76-000	FT	Film - Multistripe - 4.13" x 150' - Melon (U11)
1	069245-77-000	FT	Film - Multistripe - 4.13" x 150' - Plum/Belge (U12)
2	078852-03-000	EA	Decal - Logo - "Itasca" - 5" x 20"
3	069245-72-000	FT	Film - Multistripe - 6" x 150' - Blue/Gray (U10)
3	069245-73-000	FT	Film - Multistripe - 6" x 150' - Melon (U11)
3	069245-74-000	FT	Film - Multistripe - 6" x 150' - Plum/Belge (U12)
4	078866-07-000	EA	Decal - Fender - Passenger - Chevy - Blue/Gray (U10)
4	078866-09-000	EA	Decal - Fender - Passenger - Chevy - Melon (U11)
4	078866-11-000	EA	Decal - Fender - Passenger - Chevy - Plum/Belge (U12)
4	078864-07-000	EA	Decal - Fender - Passenger - Ford - Blue/Gray (U10)
4	078864-09-000	EA	Decal - Fender - Passenger - Ford - Melon (U11)
4	078864-11-000	EA	Decal - Fender - Passenger - Ford - Plum/Belge (U12)
4	078866-08-000	EA	Decal - Fender - Driver - Chevy - Blue/Gray (U10)
4	078866-10-000	EA	Decal - Fender - Driver - Chevy - Melon (U11)
4	078866-12-000	EA	Decal - Fender - Driver - Chevy - Plum/Belge (U12)
4	078864-08-000	EA	Decal - Fender - Driver - Ford - Blue/Gray (U10)
4	078864-10-000	EA	Decal - Fender - Driver - Ford - Melon (U11)
4	078864-12-000	EA	Decal - Fender - Driver - Ford - Plum/Belge (U12)
5	078851-02-000	EA	Decal Logo - "Sundancer"
6	069245-78-000	EA	Film - Multistripe - 8" x 150' - Blue/Gray (U10)
6	069245-79-000	EA	Film - Multistripe - 8" x 150' - Melon (U11)
6	069245-80-000	EA	Film - Multistripe - 8" x 150' - Plum/Belge (U12)
7	078867-07-000	EA	Decal - Side - Center - Passenger - Blue/Gray (U10)
7	078867-09-000	EA	Decal - Side - Center - Passenger - Melon (U11)
7	078867-11-000	EA	Decal - Side - Center - Passenger - Plum/Belge (U12)
7	078867-08-000	EA	Decal - Side - Center - Driver - Blue/Gray (U10)
7	078867-10-000	EA	Decal - Side - Center - Driver - Melon (U11)
7	078867-12-000	EA	Decal - Side - Center - Driver - Plum/Belge (U12)
8	078852-04-000	EA	Decal - Logo - "Itasca" - 6 25" x 26 67"
8	084075-01-000	EA	Decal - "by Winnobago Industries"

Key	Part Number	U/M	Description
•	068383-01-000	EA	Label - Diesel Fuel
•	006195-01-000	EA	Label - Electrical Test
•	047731-01-000	EA	Label - Emergency Exit
•	006199-01-000	EA	Label - Exit - Escape Window
•	057467-04-000	EA	Label - Exterior Loading Limit
•	064378-01-000	EA	Label - Flying "W" w/Thermo Panel
•	061417-01-000	EA	Label - Fuel
•	006196-01-000	EA	Label - Gas Test
•	054531-01-000	EA	Label - LP Gas Only
•	040944-01-000	EA	Label - Open - Entrance Door
•	006015-01-000	EA	Label - Patent Motor Home
•	056259-01-000	EA	Label - Safety Check List
•	006064-01-000	EA	Label - Seat - w/o Seat Belts
•	006187-01-000	EA	Label - Sewage
•	006006-01-000	EA	Label - Thermo Panel - 2 1/4" x 2 1/4"
•	075221-01-000	EA	Label - Trailer Hitch Capacity
•	075220-01-000	EA	Label - Warning - Exterior Load Limit
•	077958-01-000	EA	Label - Warning - Smoke Detector
•	050225-01-000	EA	Label - Warning - Stove Vent - US
•	006188-01-000	EA	Label - Waste Water
•	006197-01-000	EA	Label - Water Test
•	072863-01-000	EA	Nameplate - Diesel - 6.2L
•	006062-01-000	EA	Tag - Electrical - 110 Volt Connection
•	006040-01-000	EA	Tag - Gas - Refueling Warning
•	044486-03-000	EA	Paint - Beige Acrylic Enamel - 16 oz. Aerosol (7633A Dupont)
•	045681-03-000	EA	Paint - Gloss Black - Acrylic Enamel - 16 oz. Aerosol (99 Dupont)
•	058637-05-000	EA	Paint - Gray Acrylic Enamel - 16 oz. Aerosol (71537 Dupont)
•	041561-03-000	EA	Paint - Off White Acrylic Enamel - 16 oz. Aerosol (45396A Dupont)
•	074559-01-000	EA	Label - "LPG" 3 3" x 1 75" (Cnlif Coda)
•			Not Illustrated

**1986 IC/IF424RC INDEX**

Floor Plan	A-01 - A-02
Accessories Group	A-03 - A-05
Bath Group	A-06 - A-07
Chassis Group	A-08 - A-09
Curtain, Cushion & Pad Group	A-10 - A-17
Dinette Group	A-18
Driver's Compartment Group	A-19 - A-21
Electrical Group	A-22 - A-24
Exterior Body Group	B-01 - B-07
Galley Group	B-08 - B-09
Heating & Air Conditioning Group	B-10
Interior Finish Group	B-10 - B-13
LP Group	B-14
Lounge Group	B-15
Water & Sewage Group	B-16 - B-17
Window, Vent & Exterior Door Group	B-18 - C-08

**EXTERIOR BODY GROUP (CONTINUED)**

**SEALANTS & ADHESIVES**

Key	Part Number	U/M	Description
	004020-01-000	QT	Adhesive - ABS Cement (Plastic Fittings)
	002337-01-000	EA	Adhesive - 1300 Tube - 3M (Windows)
	004005-02-000	GL	Adhesive - Swifts - Glue (Sidewalls)
	053766-07-000	EA	Bedding Compound - Tube - Beige (Exterior)
	053766-06-000	EA	Bedding Compound - Tube - Clear (Window)
	053766-08-000	EA	Bedding Compound - Tube - Gray (Exterior)
	053766-05-000	EA	Bedding Compound - Tube - Gray (Sidewalls to Floor)
	053766-02-000	EA	Bedding Compound - Tube - Off White (Exterior)
	002328-02-000	EA	Block - Rubber Spacer (Windshield)
	004336-01-000	EA	Caulk - Latex - Golden Walnut (Sidewalls)
	072091-02-000	QT	Primer - Glass - Black
	072891-01-000	QT	Primer - Glass - Clear
	035024-01-000	EA	Primer - Glass - Clear - Windshield
	072890-01-000	QT	Primer - Metal - Black
	035023-01-000	GL	Primer - Metal - Windshield
	077967-01-000	EA	Sealant - Acrylic Latex - Tube - Off White (Interior Sealant)
	034552-04-000	EA	Sealant - Silicone - Beige
	034552-02-000	EA	Sealant - Silicone - Clear
	034552-07-000	EA	Sealant - Silicone - Dark Gray
	034552-06-000	EA	Sealant - Silicone - Off White
	069637-01-000	EA	Sealant - Weatherban 404 - Tube - White (Door Caulk)
	072889-01-000	EA	Sealant - Urethane - Black (Windshield)
	069640-01-000	FT	Sealer Ribbon - .25" Bead x 20'
	069640-02-000	FT	Sealer Ribbon - 5" x 125" x 30'
	069640-03-000	FT	Sealer Ribbon - 75" x 125" x 30'
	069640-04-000	FT	Sealer Ribbon - 2" x .09" x 45' (P...)
	069640-05-000	FT	Sealer Ribbon - 2.5" x .09" x 50'
	069640-06-000	FT	Sealer Ribbon - 5/16" Bead x 15'
	069640-07-000	FT	Sealer Ribbon - 2" x 3/32" x 30'
	002316-01-000	FT	Sealer Tape - 3/32" x 3/8" - White (Window)
	002707-01-000	FT	Sealer Tape - 5/16" x 3/4"
	002707-02-000	FT	Sealer Tape - 5/16" x 1/2"
	040545-01-000	GL	Sealer - Seam Weld
	053752-04-000	EA	Seam Sealer - Tube - Aluminum (Roof)
	063642-01-000	FT	Tape - Adhesive - .10 mm x 1.5" Wide
	038886-01-000	EA	Tape - Butyl - .31" x 31" x 148" (Windshield)
	076322-01-000	FT	Tape - Foam - Double Coated - .025 x 1" (Fiberglass Sidewall Seams)
	076322-02-000	FT	Tape - Foam - Double Coated - .045 x 1" (Fiberglass Sidewall Seams)
	009200-01-000	EA	Tape - Furnace - 1.5"
	002825-01-000	FT	Weather Striping (Roof Vent)

**EXTERIOR BODY GROUP (CONTINUED)**

**INTERIOR/EXTERIOR SCREWS & FASTENERS**

Key	Part Number	U/M	Description
	005200-01-000	EA	Bolt - Round Head - Square Neck w/SST Cap - 7/16" - 14 x 1 1/4"
	058279-01-000	EA	Clip - Mounting - Front Panel
	035628-01-000	EA	Fastener - Blind Well Nut - 1.05" x .38"
	000D15-06-00B	EA	Nut - Hex - 3/8" x 24 - Zinc
	005081-01-000	EA	Nut - Speed - C Type - #8 Screw
	000G54-04-20B	EA	Screw 1/4 - 20 x 1 1/4" PTH - Zinc
	000G54-04-22B	EA	Screw 1/4 - 20 x 1 3/8" PTH - Zinc
	000G53-04-06B	EA	Screw 1/4 - Machine - 20 x 3/8" PTH - Zinc
	000G13-06-12P	EA	Screw #6 - 20 x 3/4" PFH - Dark Brown
	000G13-06-28X	EA	Screw #6 - 20 x 3/4" PFH - Gray
	000G13-06-16R	EA	Screw #6 - 20 x 1" PFH - Beige
	000G11-07-08B	EA	Screw #7 - 19 x 1/2" PPH - Zinc
	000G12-08-12M	EA	Screw #8 - 18 x 3/4" POH - Gray
	000G11-08-12R	EA	Screw #8 - 18 x 3/4" PPH - Beige
	000G11-08-12X	EA	Screw #8 - 18 x 3/4" PPH - Gray
	000G11-08-12B	EA	Screw #8 - 18 x 3/4" PPH - Zinc
	000G39-08-12R	EA	Screw #8 - 18 x 3/4" SDPH - Beige
	000G66-08-12M	EA	Screw #8 - 18 x 3/4" SDPH - Gray
	000G11-08-16R	EA	Screw #8 - 18 x 1" PFH - Gray
	000G66-08-16R	EA	Screw #8 - 18 x 1" SDPH - Beige
	000G12-08-28R	EA	Screw #8 - 18 x 1 3/4" POH - Beige
	000G36-08-08E	EA	Screw #8 - 32 x 1/2" PFH - Chrome
	000G39-08-08B	EA	Screw #8 - Self Drilling - 18 x 1/2" PPH - Zinc
	000G39-08-12B	EA	Screw #8 - Self Drilling - 18 x 3/4" PPH - Zinc
	000G39-08-12R	EA	Screw #8 - Self Drilling - 18 x 3/4" PPH - Beige
	000G39-08-16R	EA	Screw #8 - Self Drilling - 18 x 1" PPH - Beige
	000G39-08-16T	EA	Screw #8 - Self Drilling - 18 x 1" PPH - Black
	000G39-08-16P	EA	Screw #8 - Self Drilling - 18 x 1" PPH - Dark Brown
	000G39-08-16X	EA	Screw #8 - Self Drilling - 18 x 1" PPH - Gray
	000G39-08-16E	EA	Screw #8 - Self Drilling - 18 x 1" PPH - Chrome
	000G64-08-16M	EA	Screw #8 - Self Drilling - 18 x 1" SDPH - Gray
	000G67-10-08B	EA	Screw #10 - 12 x 1/2" PPH - Zinc
	000G67-10-10R	EA	Screw #10 - 12 x 5/8" PPH - Beige
	000G67-10-16P	EA	Screw #10 - 12 x 1" PPH - Dark Brown
	000G67-10-16B	EA	Screw #10 - 12 x 1" PPH - Zinc
	000G67-10-20B	EA	Screw #10 - 12 x 1 1/4" - PPH - Zinc
	000G67-10-24B	EA	Screw #10 - 12 x 1 1/2" PPH - Zinc
	049465-04-000	EA	Screw #10 - 16 x 1" POH - w/Washer - Beige
	049465-05-000	EA	Screw #10 - 16 x 1" POH - w/Washer - Gray
	000G12-10-24E	EA	Screw #10 - 16 x 1 1/2" POH - Chrome
	000G11-10-08D	EA	Screw #10 - 16 x 1/2" PPH - Dark Brown
	000G11-10-12R	EA	Screw #10 - 16 x 3/4" PPH - Beige
	000G11-10-12S	EA	Screw #10 - 16 x 3/4" PPH - Off White
	000G11-10-12B	EA	Screw #10 - 16 x 3/4" PPH - Zinc
	000G11-10-16B	EA	Screw #10 - 16 x 1" PPH - Zinc
	000G11-10-40B	EA	Screw #10 - 16 x 2 1/2" PPH - CAD
	000G19-10-12B	EA	Screw #10 - Machine - 32 TPI x 3/4"
	075908-01-000	EA	Screw #10 - Machine - 32 x .56" PTH - Zinc
	000G19-10-20B	EA	Screw #10 - Machine - 32 x 1 1/4" PPH - Zinc
	000G39-12-12E	EA	Screw #10 - Self Drilling - 14 x 3/4" PPH - Chrome
	000G39-10-10R	EA	Screw #10 - Self Drilling - 16 x .62" PPH - Beige
	000G39-10-12R	EA	Screw #10 - Self Drilling - 16 x 3/4" PPH - Beige
	000G39-10-12P	EA	Screw #10 - Self Drilling - 16 x 3/4" PPH - Dark Brown
	000G56-12-48C	EA	Screw #12 - Wood - 11 x 3" POH - CAD

**1986 ITACSA  
TABLE OF CONTENTS**

IC/IF424RC	A-01 - C-08
IF426RU	C-09 - E-10
ICN33RU	E-11 - G-22
ICP34RU	G-23 - J-09

**1986 IC/IF424RC INDEX**

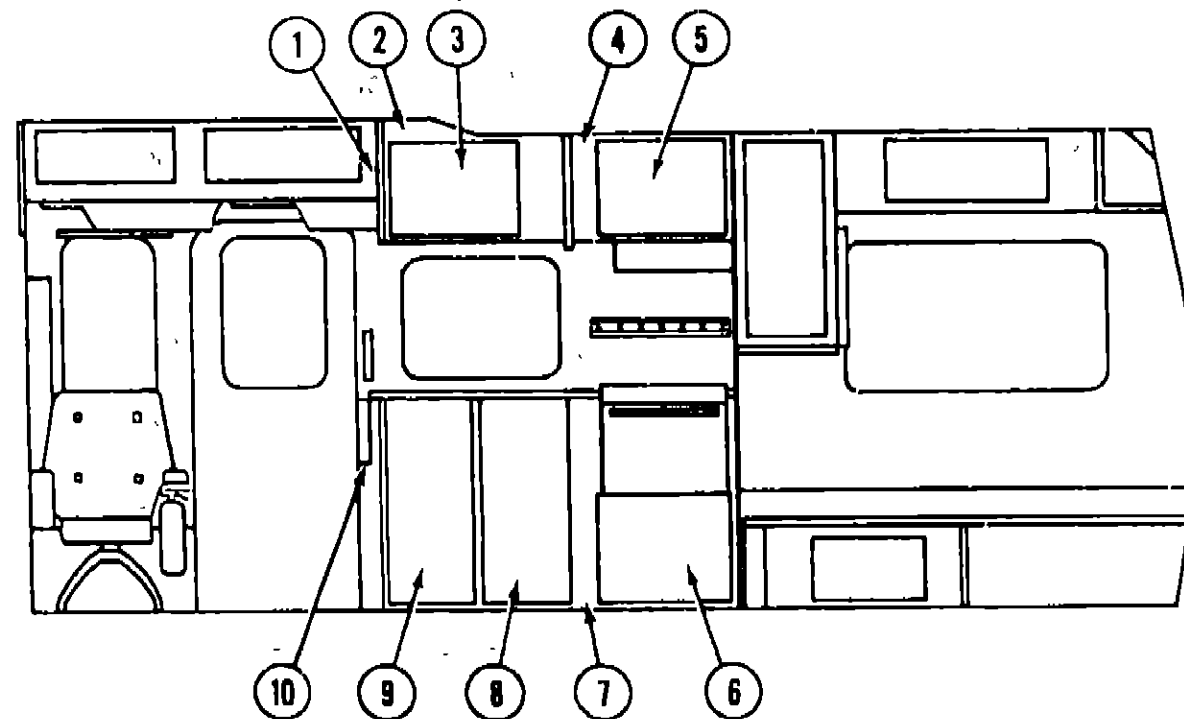
Floor Plan	A-01 - A-02
Accessories Group	A-03 - A-05
Bath Group	A-06 - A-07
Chassis Group	A-08 - A-09
Curtain, Cushion & Pad Group	A-10 - A-17
Dinette Group	A-18
Driver's Compartment Group	A-19 - A-21
Electrical Group	A-22 - A-24
Exterior Body Group	B-01 - B-07
Galley Group	B-08 - B-09
Heating & Air Conditioning Group	B-10
Interior Finish Group	B-11 - B-13
LP Group	B-14
Lounge Group	B-15
Water & Sewage Group	B-16 - B-17
Window, Vent & Exterior Door Group	B-18 - C-08

## EXTERIOR BODY GROUP (CONTINUED)

### MISCELLANEOUS EXTERNALLY MOUNTED PARTS

Key	Part Number	U/M	Description
	083558-01-000	EA	Plumbing Seal - Roof Vent - 1 5
	048817-01-000	EA	Assist Handle - w/Light
	048817-01-700	EA	Lens - Assist Handle
	010230-02-000	EA	Fill - City Water - Recessed - Off White
	081240-03-000	EA	Water Fill - Lockable - White
	063303-04-000	EA	Shroud - Fuel Fill - Lower
	072447-02-000	EA	Shroud - Fuel Fill
	079384-01-000	EA	Running Board Set - w/Wheel Flares (Chevy)
	079384-01-700	EA	Hardware Set - Running Board (Chevy)
	079384-01-701	EA	Riser - Molding (Chevy)
	079384-01-702	EA	Wheel - Trim - Chrome (Chevy)
	079384-03-000	EA	Running Board - Right (1 only) (Chevy)
	079384-04-000	EA	Running Board - Left (1 only) (Chevy)
	079384-02-000	EA	Running Board Set - w/Wheel Flares (Ford)
	079384-02-700	EA	Hardware Set - Running Board (Ford)
	079384-02-701	EA	Riser - Molding (Ford)
	079384-02-702	EA	Wheel - Trim - Chrome (Ford)
	079384-05-000	EA	Running Board - Right (1 only) (Ford)
	079384-06-000	EA	Running Board - Left (1 only) (Ford)
	080359-01-000	EA	Plate - Step Well (Chevy)
	080359-02-000	EA	Plate - Step Well (Ford)

## GALLEY GROUP



## GALLEY CABINETRY

Key	Part Number	U/M	Description
1	081280-06-U01	EA	Pad Asm. - End Cap - Galley Overhead - Vinyl
2	082340-02-U10	EA	Cabinet Asm. - Galley Overhead - w/o Doors or Hardware
3	M81524-02-U10	EA	Door Asm. - Galley Overhead - w/o Hardware
4	081460-02-U10	EA	Cabinet Asm. - Galley Overhead - w/o Door or Hardware
5	M81524-01-U10	EA	Door Asm. - Galley Overhead - w/o Hardware
6	M81534-03-U10	EA	Door Asm. - Galley Cabinet - Furnace - w/o Hardware
7	M82339-01-U01	EA	Cabinet Asm. - Galley - w/o Countertop, Doors, Drawers or Hardware
**	M82339-03-U01	EA	Cabinet Asm. - Galley - w/o Countertop, Doors, Drawers, or Hardware
**	M82184-02-U10	EA	Drawer Asm. - Galley Cabinet - w/o Hardware
*	M02503-01-U01	EA	Countertop Asm. - Galley
8	M81504-03-U10	EA	Door Asm. - Galley Cabinet - 33.4" x 14.3" w/o Hardware
9	M81504-02-U10	EA	Door Asm. - Galley Cabinet - 33.4" x 14.3" - w/o Hardware
10	080812-03-U01	EA	Extension Asm. - Galley
*	077404-01-000	EA	Drawer - Plastic - 20" x 12.7"
*	M81505-04-U10	EA	Door Asm. - Refrigerator Cabinet - Left - w/o Hardware
*	M81505-03-U10	EA	Door Asm. - Refrigerator Cabinet - Right - w/o Hardware
			Not Illustrated

\*\*Parts used with Microwave Option

## 1986 ITACSA TABLE OF CONTENTS

IC/IF424RC  
IF426RU  
ICN33RU  
ICP34RU

A-01 - C-08  
C-09 - E-10  
E-11 - G-22  
G-23 - J-09

## 1986 IC/IF424RC INDEX

Floor Plan	A-01 - A-02
Accessories Group	A-03 - A-05
Bath Group	A-06 - A-07
Chassis Group	A-08 - A-09
Curtain, Cushion & Pad Group	A-10 - A-17
Dinette Group	A-18
Driver's Compartment Group	A-19 - A-21
Electrical Group	A-22 - A-24
Exterior Body Group	B-01 - B-07
Galley Group	B-08 - B-09
Heating & Air Conditioning Group	B-10
Interior Finish Group	B-11 - B-13
LP Group	B-14
Lounge Group	B-15
Water & Sewage Group	B-16 - B-17
Window, Vent & Exterior Door Group	B-18 - C-08



**GALLEY GROUP (CONTINUED)**

**GALLEY HARDWARE & APPLIANCES**

Key	Part Number	U/M	Description
**	079352-01-000	EA	Hood - Range - Non-Powered w/Light - Almond
**	079353-01-000	EA	Hood - Range - Powered w/Monitor - Almond - US
**	079353-02-000	EA	Hood - Range - Powered w/Monitor - Almond - CSA
**	075470-04-000	EA	Duct Extension - Hood Range
**	079354-03-000	EA	Spacer - Hood Range
**	055282-02-000	EA	Range w/Small Oven - 4 Burner - Almond - Magic Chef
**	055282-02-700	EA	Frame - Door - Upper
**	055282-02-701	EA	Frame - Door - Lower
**	055282-02-702	EA	Glass - Door Front
**	055282-02-703	EA	Panel Door - Black
**	081374-01-000	EA	Range Top - 4 Burner - Almond
**	081374-01-700	EA	Trim - Cab Top - Right
**	081374-01-701	EA	Trim - Cab Top - Left
**	081374-01-702	EA	Panel - Manifold - Warm Black
**	081374-01-703	EA	Trim - Rear Top
**	081374-01-704	EA	Guard - Fabric
**	064473-02-000	EA	Refrigerator - AC/DC/Gas - Norcold 6' - 776-EG3
**	075217-01-000	EA	Refrigerator - AC/DC/Gas - Norcold 8' - 838-EG3
**	075218-01-000	EA	Refrigerator - 3 Way - 10' Norcold
**	054450-01-000	EA	Level - Refrigerator
**	081379-01-000	EA	Microwave Oven - Sharp - Convection
**	081459-01-000	EA	Bracket Asm - Microwave - Right
**	081459-07-000	EA	Bracket Asm - Microwave - Left
**	081555-01-703	EA	Trim Ring - Microwave
**	081456-01-000	EA	Angle Asm - Microwave - Right
**	081456-02-000	EA	Angle Asm - Microwave - Left
**	082876-01-000	EA	Baffle - Microwave
**	075922-04-000	EA	Air Exhaust Duct - Microwave
**	068615-01-000	EA	Sink - Stainless Steel - Double w/Bolts
**	011053-01-000	EA	Faucet - Swing Spout - 8" - US
**	011053-02-000	EA	Faucet - Swing Spout - 8" - CSA
**	011053-01-700	EA	Aerator - Swing Spout Faucet
**	066437-01-000	EA	Strainer w/Basket - Sink
**	081530-01-000	EA	Sink Cover - Large
**	009049-01-000	EA	Support - Drop Leaf Table
**	009059-01-000	EA	Hinge - 2" - Gold - Drop Leaf Table
**	074490-01-000	EA	Spice Rack - Oak
**	079606-03-U04	EA	Magazine Rack - Oak
**	074981-01-000	EA	Cutting Board - Maple
**	058334-01-000	EA	Wastebasket - 9 3/4" x 7" x 10" - White
**	058478-01-000	EA	Support - Wastebasket - Metal - Door Mount
**	059777-01-000	EA	Hinge - Cabinet Door - Antique Brass
**	057898-01-000	EA	Hidden Latch w/Strike - Cabinet Door
**	047744-01-000	EA	Kit - Drawer Guide - Plastic
**	077409-01-000	EA	Slide - Drawer - 20.75" - Plastic
**	073306-03-000	EA	Slide - Cabinet - Full Extension - 18" - Left
**	073306-04-000	EA	Slide - Cabinet - Full Extension - 18" - Right
**	077404-01-000	EA	Drawer - 20" x 12.70" - Plastic
**	066435-01-000	EA	Nut Strainer
**	011083-01-000	EA	Plug - 1 1/4" x 5" - w/Stopper

\*\* The illustrated parts breakdown for this item is provided on the Common Items Fiche.

**HEATING & AIR CONDITIONING GROUP**

**AUTOMOTIVE HEATER & AIR CONDITIONER**

Key	Part Number	U/M	Description
**	081051-01-000	EA	A/C - Compressor Mount Package - 350 C.I.D.
**	072343-01-000	EA	A/C - Compressor/Clutch - Sankyo 510
**	073716-01-000	EA	A/C - Condensor Asm - "C" - Tube O
**	073716-01-700	EA	Coil Condenser
**	073716-01-701	EA	Receiver Drier
**	073716-01-702	EA	Hose Assy. #6
**	073716-01-703	EA	Hose Assy #8
**	079372-01-000	EA	A/C - Evaporator Asm. - Cutaway (Ford)
**	079372-01-700	EA	Evaporator Coil
**	079372-01-701	EA	Expansion Valve
**	079372-01-702	EA	Blower
**	079372-01-703	EA	Blower Motor
**	079372-01-704	EA	Motor Mount
**	079372-01-705	EA	Blower Wheel
**	079372-01-706	EA	Hose Assy. #6 - Liquid
**	079372-01-707	EA	Hose Assy. #10 - Suction
**	072341-01-716	EA	Valve Discharge
**	072341-01-704	EA	Valve Section
**	079372-01-708	EA	Thermostat
**	079372-01-709	EA	Blower Switch
**	079372-01-710	EA	Decal - Control Panel
**	079372-01-711	EA	Plenum
**	079372-01-712	EA	Lower
**	079372-01-713	EA	Harness Wiring
**	079372-01-714	EA	Switch - Snap Action
**	079372-01-715	EA	Power - Jumper
**	079372-01-716	EA	Plate - Control
**	079372-01-717	EA	Valve - Clamp
**	079372-01-718	EA	Lower - Escutcheon
**	079372-01-719	EA	Lower - Escutcheon - Assy
**	074027-01-000	EA	Evaporator Asm. - A/C (Chevy)
**	074027-01-700	EA	Motor
**	074027-01-701	EA	Liquid Hose - #6
**	074027-01-702	EA	Hose - Suction - #10
**	074027-01-703	EA	Louver
**	074027-01-704	EA	Escutcheon
**	074027-01-705	EA	Thermostat
**	074027-01-706	EA	Knob - Thermostat
**	074027-01-707	EA	Knob - Air
**	074027-01-708	EA	Solenoid - Vacuum Switch
**	074027-01-709	EA	Center Lower - Escutcheon
**	074027-01-710	EA	Coil - Evaporator
**	074027-01-711	EA	Blower - Wheel
**	007108-01-000	FT	Hose - Heater - 5/8" I.D SAE 20R
**	049401-01-000	EA	Rear Heater Asm.
**	062401-04-000	EA	Clamp - Worm Drive - .69" - 1 25 I.D

**FURNACES & ROOF AIR CONDITIONER**

Key	Part Number	U/M	Description
**	075696-01-000	EA	Furnace - 34,000 BTU - w/Direct Ignition - NT-34S
**	075695-01-000	EA	Furnace - 24,000 BTU - w/Direct Ignition - NT-24S
**	009198-01-000	FT	Duct - Flexible - 4" I.D. x 25'
**	056484-01-000	EA	Register - 4" Dia. - Plastic - w/Damper
**	056462-02-000	EA	Register - 4" Dia. - Plastic - w/o Damper
**	009200-01-000	EA	Tapo - Furnace - 1 1/2"
**	010328-01-000	EA	Adapter - Flare - w/Cono Gasket
**	073148-01-000	EA	Clamp - Screw Type - 4"
**	073743-01-000	EA	Shroud Asm. - Colling - Inside - Roof Air Cool Only - 13,500 BTU
**	073744-01-000	EA	Shroud Asm. - Colling - Inside - Roof Air Heat & Cool - 13,500 BTU
**	073742-01-000	EA	Air Conditioner - 110 Volt & Roof Mount - 13,500 BTU Rotary

\*\* The illustrated parts breakdown for this item is provided on the Common Items Fiche

**1986 ITACSA  
TABLE OF CONTENTS**

IC/IF424RC	A-01 - C-08
IF426RU	C-09 - E-10
ICN33RU	E-11 - G-22
ICP34RU	G-23 - J-09

**1986 IC/IF424RC INDEX**

Floor Plan	A-01 - A-02
Accessories Group	A-03 - A-05
Bath Group	A-06 - A-07
Chassis Group	A-08 - A-09
Curtain, Cushion & Pad Group	A-10 - A-17
Dinette Group	A-18
Driver's Compartment Group	A-19 - A-21
Electrical Group	A-22 - A-24
Exterior Body Group	B-01 - B-07
Galley Group	B-08 - B-09
Heating & Air Conditioning Group	B-10
Interior Finish Group	B-11 - B-13
LP Group	B-14
Lounge Group	B-15
Water & Sewage Group	B-16 - B-17
Window, Vent & Exterior Door Group	B-18 - C-08

## INTERIOR FINISH GROUP

### INTERIOR MOLDING & TRIM

Key	Part Number	U/M	Description
	042357-09-000	FT	Molding - Radius Corner - 7" Elm
	022992-08-000	FT	Molding - Reverse Cove - Champagne White
	079653-01-000	EA	Molding - Batt Strip - Kerfed - Sunset Oak
	069733-37-000	EA	Batt Strip - Sunset Oak - 8' (Lounge)
	069733-42-000	EA	Batt Strip - Scrimshaw Sand - 8' (Wall)
	069733-58-000	EA	Batt Strip - Gray - 8' (Galley & Bath)
	069733-59-000	EA	Batt Strip - Melon - 8' (Galley & Bath)
	069733-60-000	EA	Batt Strip - Plum - 8' (Galley & Bath)
	069733-62-000	EA	Batt Strip - Pebble Beach - 8' (Ceiling)
	070504-01-000	FT	U-Channel - .065" - Light Brown
	070504-02-000	FT	U-Channel - .815" - Light Brown
	075249-01-000	EA	Rail Asm - Plain - 72"
	075250-01-000	EA	Corner Post - 1" x 1" x 2 1/2" - Oak
	078026-21-T03	EA	Trim - Valance - 82"
	002774-02-001	EA	Trim - Carpet - 192"
	009767-06-000	FT	Welling - Belge
	009767-07-000	FT	Welling - Grady Brown
	074045-01-000	EA	Plug - 1/2" Dia. - Oak
	041746-01-000	FT	Vinyl - Extr. - Bubble Seal

### CABINETS & TABLE HARDWARE

Key	Part Number	U/M	Description
	053200-05-000	EA	Bracket - Upper Wall Mount - 23.5" - Belge
	024281-07-000	EA	Bracket - Lower Wall Mount - 22.12" - Belge
	024276-14-000	EA	Leg Asm. - Table - 26.5" - Brown
	064050-01-000	EA	Hinge - Table Leg
	024282-01-000	EA	Brace - Table Leg
	049493-02-000	EA	Catch - Table Leg - Mounts on Floor - Brown
	009112-01-000	EA	Flange - 1" - Chrome - Closet Rod
	077409-01-000	EA	Slide - Drawer - Plastic - 20.75"
	009049-01-000	EA	Table Support - Drop Leaf
	009059-01-000	EA	Hinge - 2" - Drop Leaf Table - Gold
	076312-01-000	EA	Mesh - Grille - 13.80" x 8.80" - Gold Aluminum
	009021-01-000	EA	Catch - Nylon - Furnace Door
	009021-02-000	EA	Strike - Nylon Catch - Furnace Door
	074493-02-000	EA	Support - Spring - Door
	066433-01-000	EA	Hook - Cup - Bright
	058034-02-000	EA	Latch - Door w/o Lock - Sliding Door
	075680-01-000	EA	Clothes Rod - Adjustable - 27" x 36"
	064467-01-000	EA	Guide - Wall Mount - Door Pocket
	078212-01-000	EA	Pull - Brass w/Dark Oak - Cabinet
	077523-01-000	EA	Latch Asm. - Cabinet Door
	077821-01-000	EA	Strike - Latch - Cabinet Door
	078210-01-000	EA	Knob - Antique Brass - w/Oak
	084435-01-000	EA	Knob - Decorative Cabinet
	045586-02-000	EA	Spindle - Wood - 1.75" x 24" - Plain
	059777-01-000	EA	Hinge - Brass
	009016-01-000	EA	Catch - Elbow - Spring Loaded
	077461-01-000	EA	Cover - Strike

\*\* The illustrated parts breakdown for this item is provided on the Common Items Fiche.

## INTERIOR FINISH GROUP (CONTINUED)

### PANELING & COUNTERTOP MATERIAL

Key	Part Number	U/M	Description
	074497-03-000	SF	Paneling - Decor - Sunset Oak - 48" x 84" (28 SF) (Cabinets & Wall)
	074497-04-000	SF	Paneling - Decor - Scrimshaw Sand - 48" x 84" (Wall)
	074496-45-000	SF	Paneling - Decor - Gray - 48" x 84" (28 SF) (Galley) (U10)
	074496-46-000	SF	Paneling - Decor - Melon - 48" x 84" (28 SF) (Galley) (U11)
	074496-47-000	SF	Paneling - Decor - Plum - 48" x 84" (28 SF) (Galley) (U12)
	074497-07-000	SF	Paneling - Pebble Beach - 48" x 96" (32 SF) (Ceiling)
	074498-10-000	SF	Plastic Laminate - Northsea - 48" x 96" (32 SF) (Dinette & Bath) (U10)
	074498-10-019	EA	Plastic Laminate - Northsea - 1.19" x 96"
	076325-11-000	FT	Molding - Edge Band - Northsea - 1 5/16" x .030"
	074498-11-000	SF	Plastic Laminate - Cayene - 48" x 96" (32 SF) (Dinette & Bath) (U11)
	074498-12-019	EA	Plastic Laminate - Cayene - 1.19" x 96"
	076325-12-000	FT	Molding - Edge Band - Cayene - 1 5/16" x .030"
	074498-12-000	SF	Plastic Laminate - Wild Rose - 48" x 96" (32 SF) (Dinette & Bath) (U12)
	074498-12-019	EA	Plastic Laminate - Wild Rose - 1.19" x 96"
	076325-13-000	FT	Molding - Edge Band - Wild Rose - 1 5/16" x .030"
	074498-06-000	SF	Plastic Laminate - Belge Crescent - 48" x 96" (32 SF) (Galley)
	074498-06-019	EA	Plastic Laminate - Belge Crescent - 1.19" x 96"
	076325-05-000	EA	Molding - Edge Band - Belge Crescent - 1.19" x 96"
	074498-05-000	SF	Plastic Laminate - Sunset Oak - 48" x 96" (32 SF) (Nightstand)
	074498-05-019	EA	Plastic Laminate - Sunset Oak - 1.19" x 96"
	076325-04-000	FT	Molding - Edge Band - Sunset Oak - 1 5/16" x .030"

### FABRICS & CARPET

Key	Part Number	U/M	Description
	072333-21-000	YD	Fabric - Drapery - Parchment
	077498-65-000	YD	Fabric w/Pattern - Upholstery - Stormy (U10)
	077498-66-000	YD	Fabric w/Pattern - Upholstery - Coral Reef (U11)
	077498-67-000	YD	Fabric w/Pattern - Upholstery - Sachet (U12)
	077498-68-000	YD	Fabric w/Pattern - Upholstery Accent - Oasis (U11)
	077498-70-000	YD	Fabric - Upholstery/Draperies - Accent - Plain - Pewter (U10)
	077498-71-000	YD	Fabric - Upholstery/Draperies - Accent - Plain - Melon (U11)
	077498-69-000	YD	Fabric - Upholstery/Draperies - Accent - Plain - Plum (U12)
	069729-25-000	YD	Fabric - Bedspread/Draperies - Main - Colonial (U10)
	069729-26-000	YD	Fabric - Bedspread/Draperies - Main - Peach (U11)
	069729-27-000	YD	Fabric - Bedspread/Draperies - Main - Mauve (U12)
	069729-28-000	YD	Fabric - Bedspread - Accent - Lemon (U11)
	069729-29-000	YD	Fabric - Bedspread - Accent - Greensilver (U11)
	069729-30-000	YD	Fabric - Bedspread - Accent - Mauve (U12)
	052859-01-T03	FT	Trim Asm. - Accent - Sandrift
	052859-05-T03	FT	Trim Asm. - Accent - Buckskin
	079680-01-000	YD	Vinyl - Expanded - 26 oz. - Buckskin
	072860-51-000	YD	Carpet - Gray (U10)
	072860-52-000	YD	Carpet - Rose (U11)
	072860-53-000	YD	Carpet - Violet (U12)

## 1986 ITACSA TABLE OF CONTENTS

IC/IF424RC	I - C-08
IF426RU	09 - E-10
ICN33RU	L-11 - G-22
ICP34RU	G-23 - J-09

## 1986 IC/IF424RC INDEX

Floor Plan	A-01 - A-02
Accessories Group	A-03 - A-05
Bath Group	A-06 - A-07
Chassis Group	A-08 - A-09
Curtain, Cushion & Pad Group	A-10 - A-17
Dinette Group	A-18
Driver's Compartment Group	A-19 - A-21
Electrical Group	A-22 - A-24
Exterior Body Group	B-01 - B-07
Galley Group	B-08 - B-09
Heating & Air Conditioning Group	B-10
Interior Finish Group	B-11 - B-13
LP Group	E-14
Lounge Group	B-15
Water & Sewage Group	B-16 - B-17
Window, Vent & Exterior Door Group	B-18 - C-08

**INTERIOR FINISH GROUP (CONTINUED)**

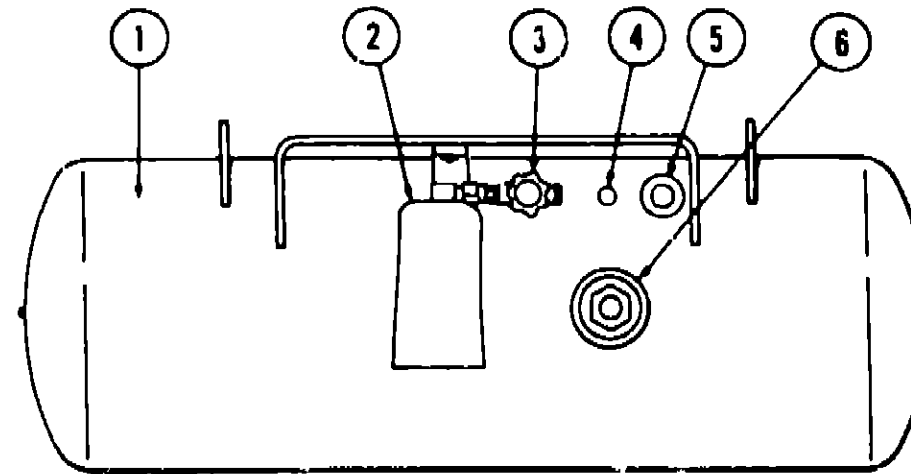
**MISCELLANEOUS PARTS**

Key	Part Number	U/M	Description
	053552 02 T03	EA	Handle Asm - Interior Assist - Medium Almond Vinyl
	041944-03 000	EA	Fire Extinguisher - w/Bracket
	054185 24 000	EA	Owner's Manual - 1986 Itasca & Winnebago
	040069-01-000	EA	Door Mat - 10 1/2' x 26' Black Rubber
	075907 02 000	EA	Picture - Decor - Assorted Grasses

**CURTAIN & CUSHION HARDWARE**

Key	Part Number	U/M	Description
	082139-01-000	EA	Bracket - Hold Down Blinds
	056003-02 000	EA	Bracket - Drapery Retainer Left
	056003 01 000	EA	Bracket - Drapery Retainer Right
	056001-01 000	EA	Bracket - Shade - Left
	056002-01-000	EA	Bracket - Shade - Right
	076827 01 000	EA	Bracket - Curtain - Woven Wood Right
	076827 02 000	EA	Bracket - Curtain - Woven Wood Left
	079798-03-000	EA	Bracket Asm - Curtain Rod Right
	079798 04 000	EA	Bracket Asm - Curtain Rod Left
	082249-01 000	EA	Bracket Blinds - Beige Right
	082249-02 000	EA	Bracket - Blinds - Beige - Left
	079619-01 000	EA	Bracket - Tie Back
	009107 01 000	EA	Guide - Nylon Snap - Curtain
	056784 01 000	EA	Pull - Window Shade - Antique Brass
	056115 01 000	YD	Tape - Clear Plastic - w/Guide
	048394 01 000	YD	Tape Hook - 1' x 25 YD - Beige
	029090 01 000	YD	Tape Hook - 50 - Velcro - Beige
	048395 01 000	YD	Tape Loop - 1' x 25 YD - Beige
	029090 01 000	FT	Tie - Drapery - Clear Vinyl
	056116 01 000	FT	Track - Curtain - Brown Plastic
	079446 01 000	EA	Track Curtain - Wraparound Right
	079446 02 000	EA	Track Curtain - Wraparound - Left

**LP GROUP**



Key	Part Number	U/M	Description
1	074142 01 000	EA	Tank Asm LP - Frame Mount - 80 Pound - 13' x 44'
1	080450 01-000	EA	Tank Asm LP - Frame Mount - 42 Pound - 13' x 24'
	065741 01 000	EA	Detector - LP Gas Leak - Marshalltown Instruments
2	076277 01 000	EA	Cover - LP Regulator - Front (Dual)
	076278 01 000	EA	Cover - LP Regulator - Back (Dual)
	076301-01 000	EA	Regulator Two Stage - US (Dual)
	076301 02 000	EA	Regulator - Two Stage CSA (Dual)
3	040421 01 703	EA	Valve - Vapor Relief
4	040421 01 700	EA	Gauge Liquid Level - 20% LP
5	040421 01 701	EA	Valve - Filler - LP
	040421 01-702	EA	Cap - Plastic Fill Valve
6	040421 01 707	EA	Gauge Float - w/Visible Dial
	040421 01-706	EA	Dial Visible Face Float Gauge (Tank w/o Electric Transmitter)
	040440 01 000	EA	Dial Transmitter - 0 - 90 Ohm (Float Gauge)
	045703 01 000	EA	Hose Asm LP 3/8" ID x 24' US
	045703 02 000	EA	Hose Asm LP - 3/8" ID x 24' CSA
	045703 03 000	EA	Hose Asm - LP - 3/8" ID x 18' US
	045703 04 000	EA	Hose Asm - LP 3/8" ID x 14' CSA
	065959 01 000	EA	Housing - LP Gauge
	065742-01-000	EA	Tee - 38 F x 39 F x 25 FPT
	068046 01 000	EA	Conversion Kit LP Onan Generator
			Not illustrated

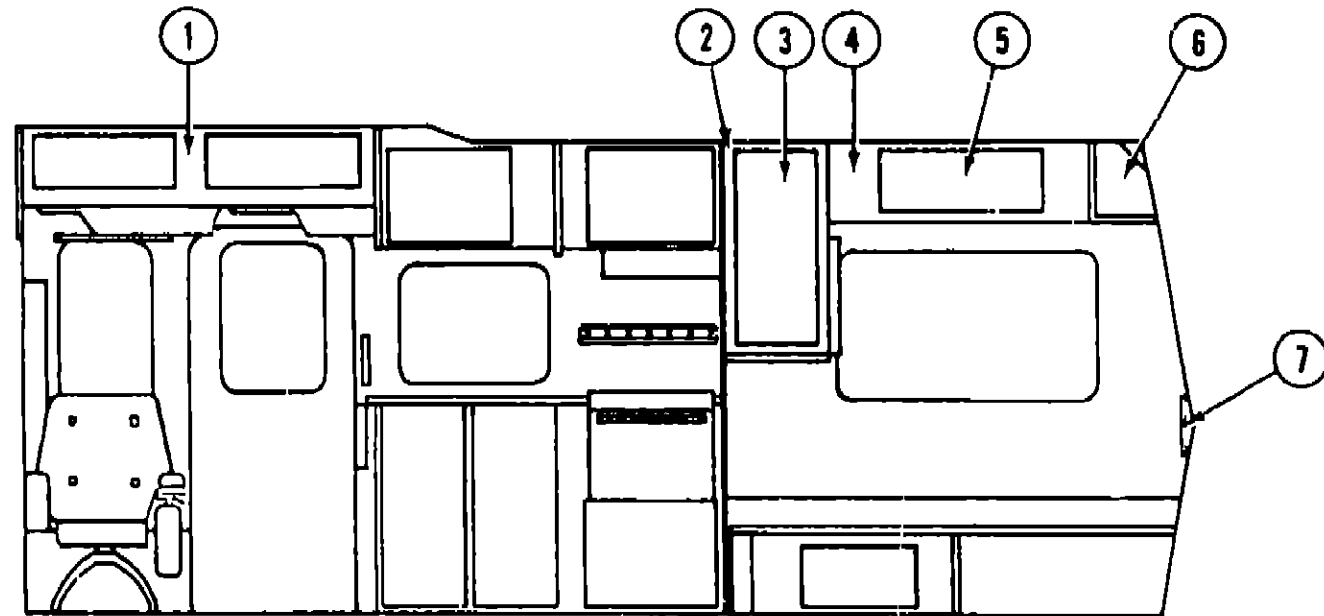
**1986 ITACSA  
TABLE OF CONTENTS**

IC/IF424RC	A 01 - C 08
IF426RU	C 09 - E-10
ICN33RU	E-11 - G 22
ICP34RU	G 23 - J-09

**1986 IC/IF424RC INDEX**

Floor Plan	A 01 - A 02
Accessories Group	A 03 - A-05
Bath Group	A 06 - A 07
Chassis Group	A 08 - A 09
Curtain Cushion & Pad Group	A 10 - A-17
Dinette Group	A-18
Driver's Compartment Group	A 19 - A-21
Electrical Group	A 22 - A 24
Exterior Body Group	B 01 - B 07
Galley Group	B 08 - B 09
Heating & Air Conditioning Group	B 10
Interior Finish Group	B 11 - B 13
LP Group	B 14
Lounge Group	B 15
Water & Sewage Group	B 16 - B 17
Window Vent & Exterior Door Group	B 18 - C 08

**LOUNGE GROUP**



**LOUNGE CABINETRY**

Key	Part Number	U/M	Description
1	082341-01-U01	EA	Cabinet Asm - Overhead - Entrance
	077663 04 U01	EA	Glass Holder - Overhead Cabinet
	081280 07 U01	EA	Pad Asm - End Cap - Entrance Door Overhead - Vinyl
2	M81735-11 U01	EA	Cabinet Asm - Overhead Shirt Closet - w/o Door or Hardware
3	M81503 07 U10	EA	Door Asm - Overhead Cabinet - 14 3' x 33 4" - w/o Hardware
	081280 13 U01	EA	Pad Asm - End Cap - Shirt Closet - Vinyl
4	081734 02 U10	EA	Cabinet Asm - Overhead Rear - w/o Doors or Hardware
5	M81506 02 T09	EA	Door Asm - Overhead Cabinet - w/o Hardware
6	081731 07 U10	EA	Cabinet Asm - Overhead Rear - w/o Doors or Hardware
7	077463 16 U10	EA	Head Asm - Double Bed
	M81504 15 U13	EA	Door Asm - Double Bed - 17 6' x 10 9' - w/o Hardware
	M81537 01 U04	EA	Cabinet Asm - Nightstand - w/o Countertop
	M02472 01 U04	EA	Countertop Asm - Nightstand
	081742 01 U01	EA	Cabinet Asm - Side Bunk Base
	M78921 03 U04	EA	Drawer Asm - Nightstand Cabinet 13 5" x 19 6" w/o Hardware
			Not illustrated
			Parts for bunkhouse option (not illustrated)

**WATER & SEWAGE GROUP**

**PLUMBING & REPAIR PARTS**

Key	Part Number	U/M	Description
	033302 02 000	EA	Adapter Asm - SWVC Strain - 1 1/2
	010326-01-000	EA	Adapter - Flare w/Cone Gasket
	062422 01-000	EA	Adapter - Hose Offset - Reducer 3' x 1 1/2
	052954 01 000	EA	Adapter - Hose Cone - 3/8 or 1/2 Plastic
	010224 01-000	EA	Adapter - Plastic - 3/4 MPT x 3/8 Barb
	044927 01 000	EA	Adapter - Plastic - 1 1/4" MPT x 1 1/4 Barb
	031602 02 000	EA	Adapter - Plastic - 1 1/2 H x FPT
	062417-01-000	EA	Adapter - Termination - 3
	004020-01-000	QT	Adhesive - ABS Cement
	011048 04 000	EA	Breaker - Vacuum 1/8 MPT Nylon
	010121 01 000	EA	Bushing - Plastic - 1 1/2 S x 1 1/4 H
	010122 01-000	EA	Bushing - Plastic - 1 1/2 S x 1 1/4 T
	010123 01 000	EA	Bushing - Plastic - 2S x 1 1/2 H
	036522-02-000	EA	Cap - Brass 1/2 Flare
	062415 01 000	EA	Cap - Sewer - 3
	052959-02 000	EA	Connector - 1/2 F x 1/2 MPT - Plastic
	052959-03 000	EA	Connector - 1/2 F x 3/8 MPT - Plastic
	011091 02 000	EA	Continuous Waste - Double Sink - 11 7/8 - US
	053874 01-000	EA	Continuous Waste Asm - Double Sink CSA
	078406-01-000	EA	Coupler Rubber - 3' x 3"
	052960 01 000	EA	Drain Valve 1/2 F x 1/2 F - Plastic
	010000 01 000	EA	Elbow - Plastic 1/8 BD x 1 1/4 x 45° H x H
	010005 01 000	EA	Elbow - Plastic 1/16 BD x 1 1/2
	010006 01 000	EA	Elbow - Plastic - 1/8 BD x 1 1/2 x 45° H x H
	010008 01-000	EA	Elbow - Plastic - 1/4 BD x 1 1/2 x 90° Left
	010051-01-000	EA	Elbow - ST Plastic - 1/8 BD x 1 1/2 x 45°
	010219 01 000	EA	Elbow 1 1/4 Barb x 1 1/4 MPT x 90°
	031111 01 000	EA	Elbow - Plastic 1/4 BD x 1 1/4 x 90° Left
	034250 01 000	EA	Elbow - Plastic - 1/4 BD x 1 1/2 x 90° x H x H
	035539-01 000	EA	Elbow - Plastic - 3/8 MPT x 3/8 Barb
	052957 01-000	EA	Elbow - Plastic - 1/2 F x 3/8 MPT
	052957 02 000	EA	Elbow - Plastic 1/2 F x 1/2 MPT (In Tank Filter)
	059536 01-000	EA	Elbow - 1 1/4 - Slip Joint Ends
	065120 01 000	EA	Elbow - Plastic - Swivel - 50
	070924 01 000	EA	Elbow - Plastic - Swivel - 1/2 MPT x 1/2 FP
	077954 01 000	EA	Filter/Screen (In Water Tank)
	039647 02 000	EA	Filter - Water Pump - 1/2 MPT
	039647-03 000	EA	Filter - Water Pump 1/2 Flare
	010147 01 000	EA	Flange - Closet - 4' F x 3" FPT - US
	010147-02 000	EA	Flange - Closet - 4' F x 3' FPT CSA
	079381-01-000	FI	Flexible Tubing - 1 1/4 I D x 10
	061607 01-000	EA	Grommet - Holding Tank Coupler 1 1/2
	061607-02 000	EA	Grommet - Holding Tank Coupler 3
	062419 02 000	EA	Handle Extension - w/8" Adapter
	052961 01 000	EA	Header 1/2 F x 1/2 F x 1/2 F x 1/2 F
	046524 01 000	EA	Kit - Holding Tank Fittings - Blank Tank
	046524 01 000	EA	Kit - Water Tank Fittings - Blank Tank
	052953 01-000	EA	Nut Facet 1/2 Tube x 1/2 FPT
	052952 01 000	EA	Nut - 1/2 F - Plastic

\* The illustrated parts breakdown for this item is provided on the Common Items Fiche

**1986 ITACSA  
TABLE OF CONTENTS**

IC/IF424RC	A 01 - C 08
IF426RU	C 09 - E-10
ICN33RU	E 11 - G 22
ICP34RU	G-23 - J-09

**1986 IC/IF424RC INDEX**

Floor Plan	A 01 - A 02
Accessories Group	A 03 A 05
Bath Group	A 06 - A 07
Chassis Group	A 08 - A 09
Curtain, Cushion & Pad Group	A 10 - A 17
Dinette Group	A-18
Driver's Compartment Group	A-19 A 21
Electrical Group	A-22 A 24
Exterior Body Group	B 01 B 07
Galley Group	B 08 - B 09
Heating & Air Conditioning Group	B 10
Interior Finish Group	B 11 B 13
LP Group	B-14
Lounge Group	B 15
Water & Sewage Group	B 16 B 17
Window Vent & Exterior Door Group	B 18 C 08

**WATER & SEWAGE GROUP (CONTINUED)**

**WINDOW, VENT & EXTERIOR DOOR GROUP**

**PLUMBING & REPAIR PARTS (CONT)**

Key	Part Number	U/M	Description
	011066-03-000	EA	P-Trap - 1 1/4' Plastic - US
	011066-02 000	EA	P-Trap - 1 1/4' Plastic - CSA
	053335 01 000	EA	P-Trap - Plastic - 1 1/4 H x H - w/Union - CSA
	010197 01-000	FT	Pipe - Plastic - 3' x 240 - Black
	045729-01 000	EA	Pump - Water - 2 8 G P M - Direct Drive - Shurflo - US
	045729-02 000	EA	Pump - Water - 2 8 G P M Direct Drive - Shurflo - CSA
	010201 01-000	EA	Sewer Hose - 3 x 8 w/Clamp
	042909 02 000	EA	Spinweld Fittings Plastic - 1/2 FPT (In Tank Fitter)
	042989-03 000	EA	Spinweld Fittings Plastic - 1/4 NPT
	042989 04 000	EA	Spinweld Fittings - Plastic - 3/8 FPT
	011069-02 000	EA	Tailpiece - 1 1/2 x 1 1/4 x 4' Brass
	010071 01-000	EA	Tee - Plastic 1 1/2 x H x H x H
	010072 01 000	EA	Tee - Plastic - 1 1/2 H x 1 1/4 H x 1 1/2 H
	010079 01-000	EA	Tee - Plastic - 1 1/2 H x 1 1/2 H x 1 1/4 H
	046172 01 000	EA	Tee - Plastic - 3/8 B x 3/8 B x 3/8 MPT
	052955 01-000	EA	Tee - Plastic - 1/2 F x 1/2 F x 1/2 MPT
	052956-01 000	EA	Tee - Plastic - 1/2 F x 1/2 MPT x 1/2 F
	052958 01-000	EA	Tee - Plastic - 1/2 F x 1/2 F x 1/2 F
	010133 01 000	EA	Trap Adapter Plastic - 1 1/2 H x MPT
	039800 01-000	FT	Tubing Polybutyl - 1/2 O D (Water Line)
	074346 02 000	FT	Tubing - Vinyl 1/2 O D (Water Line)
	072346 01-000	EA	Valve Asm - 3' Ell - w/2 Socket
	062418 02 000	EA	Valve 1 1/2 w/Handle
	062418 02 000	EA	Valve - 3 w/o Handle
	052960 01 000	EA	Valve Line Drain - 1/2 F x 1/2 F
	052962 01 000	EA	Valve - Stool 90° - 1/2 F x 3/8 N F I
	010073 01-000	EA	Wye Plastic 1 1/2 x 45 H x H

The illustrated parts breakdown for this item is provided on the Common Items Fiche

**HOLDING TANKS & WATER HEATER**

Key	Part Number	U/M	Description
	074510 03 000	EA	Tank Asm - Water 18 Gallon
	074510 01 000	EA	Tank - Water - 18 Gallon w/o Fitting
	053520 05 000	EA	Tank Asm - Water - 20 Gallon
	053520 01 000	EA	Tank - Water 20 Gallon - w/o Fitting
	074870 01 000	EA	Tank - Holding 30 Gallon - w/o Fitting
	074861 01 000	EA	Tank Holding - 35 Gallon - w/o Fitting
	051391 01 000	EA	Water Heater w/o Motor Aid Atwood - G6A 3
	051391 03 000	EA	Water Heater - w/Motor Aid Atwood G6A 3A
	051393 01 000	EA	Water Heater w/Motor Aid - G6A 3A

The illustrated parts breakdown for this item is provided on the Common Items Fiche

**ACCESS DOORS**

Key	Part Number	U/M	Description
	079455 04 T95	EA	Door Asm - Battery - 9' x 21 7'
	079455 02 T95	EA	Door Asm - Storage - 9 5' x 21 7'
	M01883-01-T95	EA	Door Asm - Generator
	079455 0J U01	EA	Door Asm - LP - 9 5' x 21 7'
	M02047-01-T95	EA	Door Panel Asm Tire Cover
	079578 02 T95	EA	Door Asm - Luggage Off White
	078969-02 T95	EA	Door Asm - Refrigerator Access - w/Twist Lock - Off White
	052009-01 000	EA	Door Asm - Water Heater Off White
	052423 01 000	EA	Door Asm Sewage
	078010 03 000	EA	Door - Fuel Fill - Off White
	063742 01 000	EA	Door - Power Cord - Off White
	052424 01-000	EA	Jamb - Power Cord/Fuel Fill Door - Off White
	054543 01 000	EA	Hatch - Power Cord Door
	052181 01-000	EA	Baffle - Generator Door
	054530-01-000	EA	Door Holder
	083615 01-000	EA	Door Stop - Plastic Beige
	041312 01-000	EA	Seal - Bulb E" Section
	042442 01-000	EA	Lock Asm - Twist Type
	009003 01 000	EA	Lock Asm - Twist Type - w/Clip (Battery Door)
	047305 01 000	EA	Lock Asm - Key Type w/Clip Metal (LP)
	077408 01-000	EA	Lock Asm - Key Type
	079366 01-000	EA	Lock Asm - Key Type
	079927-01 000	EA	Lock Asm - Twist Type
	052951 01-000	EA	Clip - Twist Lock Retainer
	042441 01-000	EA	Lock Asm - Key Type
	052950 01-700	EA	Lock Asm - Twist Type White

**VENTS**

Key	Part Number	U/M	Description
	071290 02 000	EA	Cover Refrigerator Vent - 11 5/8" x 24 3/4" Galvanized Steel
	071290 01 000	EA	Frame Asm Refrigerator Vent - 7 5" x 26 5" - Galvanized Steel
	048835 01-000	EA	Vent Asm Roof - Non Powered - w/o Screen - Aluminum
	048789 01-000	EA	Vent Asm - Roof - Powered - w/o Screen - Aluminum
	064469 02-000	EA	Vent Asm - Roof Powered w/o Screen - 14' x 14' CSA
	079355 08-000	EA	Vent - Stovehood - Outside Off White
	078785 01-T03	EA	Screen Asm - Roof Vent Powered
	078786 01-T03	EA	Screen Asm - Roof Vent - Non Powered

The illustrated parts breakdown for this item is provided on the Common Items Fiche

**1986 ITACSA  
TABLE OF CONTENTS**

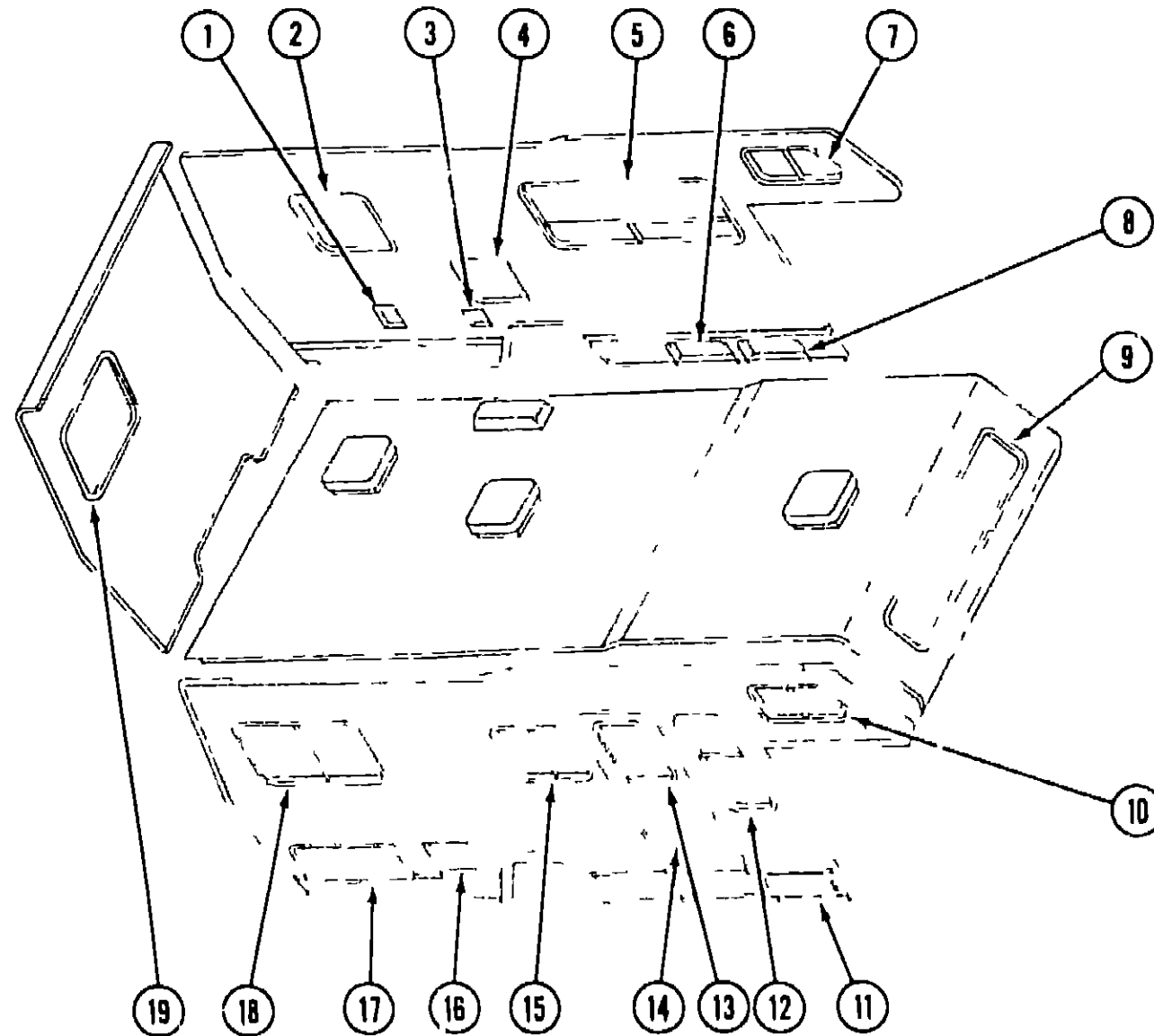
IC/IF424RC	A 01 C-08
IF426RU	C 09 E-10
ICN33RU	E-11 - G 22
ICP34RU	G-23 - J 09

**1986 IC/IF424RC INDEX**

Flour Plan	A 01 A 02
Accessories Group	A 03 A 05
Bath Group	A 06 A 07
Chassis Group	A 08 A 09
Curtain Cushion & Pad Group	A 10 A 17
Dinette Group	A 18
Driver's Compartment Group	A 19 - A 21
Electrical Group	A 22 - A 24
Exterior Body Group	B 01 - B 07
Galley Group	B 08 B 09
Heating & Air Conditioning Group	B 10
Interior Finish Group	B 11 - B 13
LP Group	B 14
Lounge Group	B 15
Water & Sewage Group	B 16 - B 17
Window Vent & Exterior Door Group	B 18 C 08

**WINDOW, VENT & EXTERIOR DOOR GROUP (CONTINUED)**

**WINDOWS & ACCESS DOORS**



**1986 ITACSA  
TABLE OF CONTENTS**

IC/IF424RC  
IF426RU  
ICN33RU  
ICP34RU

A-01 - C 08  
C-09 E-10  
E-11 - G-22  
G 23 - J 09

**1986 IC/IF424RC INDEX**

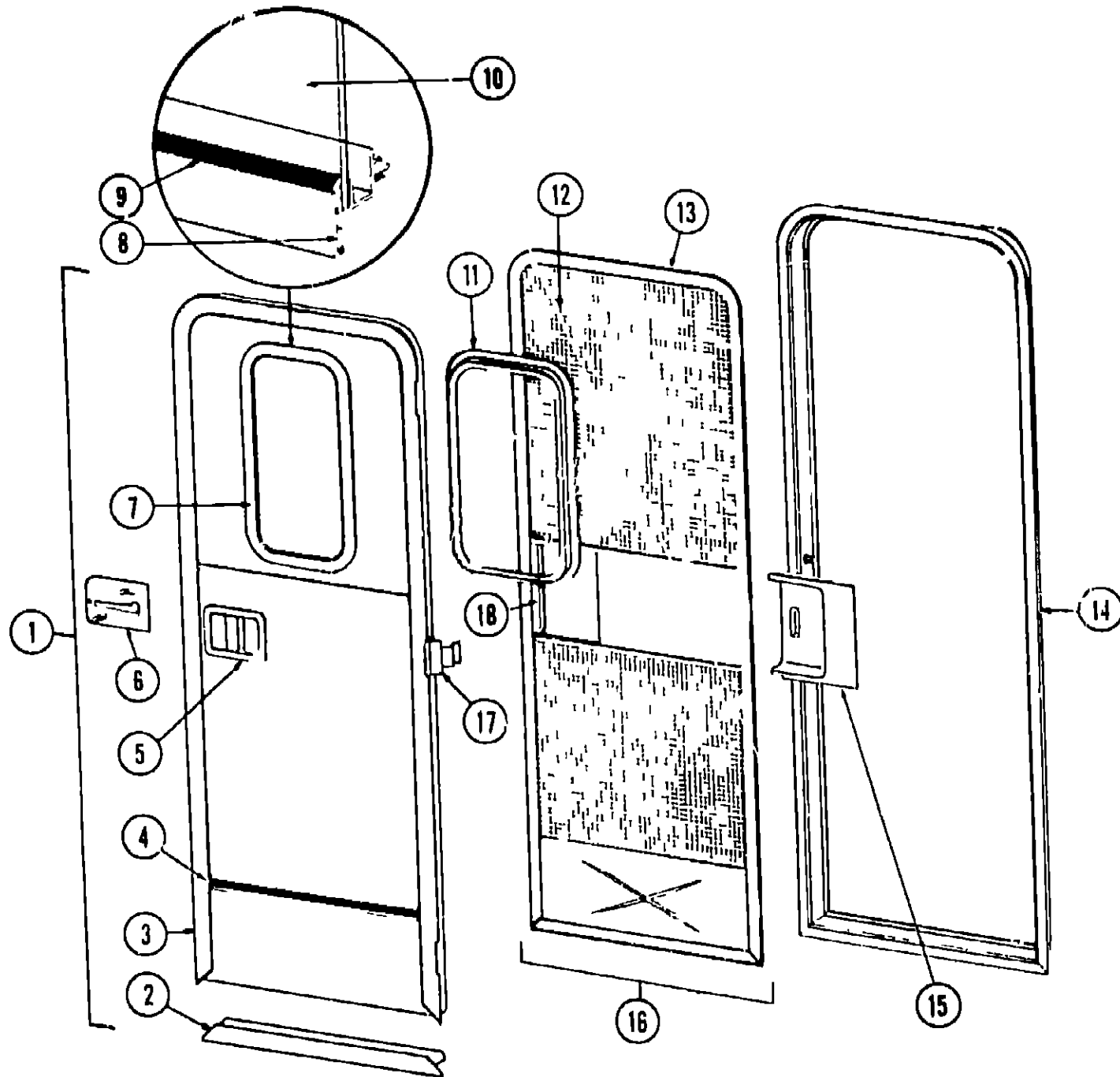
Floor Plan	A 01	A 02
Accessories Group	A 03 - A 05	
Bath Group	A 06	A 07
Chassis Group	A 08	A 09
Curtain Cushion & Pad Group	A 10 - A 17	
Dinette Group		A 18
Driver's Compartment Group	A 19	A 21
Electrical Group	A 22	A 24
Exterior Body Group	B 01	B 07
Galley Group	B 08	B 09
Heating & Air Conditioning Group		B 10
Interior Finish Group	B 10	B 13
LP Group		B 14
Lounge Group		B 15
Water & Sewage Group	B 16	B 17
Window Vent & Exterior Door Group	B 18	C 08

Key	Part Number	U/M	Description
1	078010 03 000	EA	Door Asm Fuel Fill
2	079729 02 T03	EA	Window Asm - Escape
3	063742 01 000	EA	Door - Power Cord
4	078969 02 T95	EA	Door Asm - Refrigerator Access
5	081568 02 U01	FA	Window Asm Crank Out
6	079455 02-T95	EA	Door Asm Storage
7	078272 02 T03	EA	Window Asm Bunk Slant Slider Left
8	079455 03 T95	EA	Door Asm - LP
9	078533 01-T03	EA	Window Asm Front Picture
10	078272 01-T03	EA	Window Asm Bunk Slant Slider - Right
11	079455 04 T95	EA	Door Asm Battery
12	078453 01-T03	EA	Window Asm Vertical Slider

Key	Part Number	U/M	Description
13	079733 04 T03	EA	Window Asm - Picture
14	M01870 02 U01	EA	Door Asm - Entrance
15	078266 02-T03	EA	Window Asm - Single Slider
16	052009 01 000	EA	Door Asm Water Heater
17	079578 02-T95	EA	Door Asm - Luggage
17	M01883 01 T95	EA	Door Asm - Generator
18	078268 05 T03	EA	Window Asm - Single Slider
	078266 01 T03	EA	Window Asm - Single Slider
19	079415 01 T03	EA	Window Asm - Escape
	079733 01 T03	EA	Window Asm - Picture

Parts for bunkhouse option (not illustrated)

**WINDOW, VENT & EXTERIOR DOOR GROUP (CONTINUED)**  
**ENTRANCE & SCREEN DOOR**



Key	Part Number	U/M	Description
1	M01870-02-U01	EA	Door Asm - Radius Entry w/Screen Door w/o Window
1	M01870 07-T03	EA	Door Asm - Radius Entry w/Screen Door
2	077998 01 000	EA	Frame - Entry Door (Bottom Portion Only)
3	078002 02 000	EA	Frame - Entry Door (Except Bottom Portion)
4	059576-03-000	EA	Feature Strip w/o Insert - Extr - 14 - Brown
	001030-02-003	EA	Insert - Feature Strip - 17 - Stucco Off White
	009731-01-000	EA	End Cap - Feature Strip
5	045107-05-000	EA	Paddle Asm - Door Lock Exterior
	045017-05 700	EA	Lock Cylinder w/Keys L'no,
	039539-01 000	EA	Striker Bolt - Entry Door
	039540-01-000	EA	Latch Claw - Entry Door
	039738 01-000	EA	Dead Bolt - Entry Door
	083205 01 000	EA	Dead Bolt - Press Fit
6	039979 01 000	EA	Plate - Inside Lock - Includes Inside Handle
	052186 01-000	EA	Lock Asm - Complete - Lynor
7	079733 04-T03	EA	Window Asm - Picture - 17' x 25' Black (w/o Inside frame)
8	069640-06 000	FT	Ribbon Sealer 5/16" Bead x 15
9	002309 02 000	FT	Spline Glass - 1/8' Black
10	002181-06 (A1)	EA	Glass - Picture Window - 1/8' 5 25' x 24 - Gray
11	067609 21 000	EA	Inside Frame Brown (not in assembly)
12	002293-02 000	GF	Screen - Window - 26 - Charcoal
13	056730-02 000	FT	Seal Tape - 1/8' x 3/8' Pre-imp
14	078591-03-000	EA	Jamb Asm - Entrance Door
	051049 01 000	EA	Jamb - Entrance Door - Bottom
15	079012 01-000	EA	Slider - Screen Door - Light Oak Plastic
16	079012 01-U01	EA	Door Asm - Screen
17	079361 02 000	EA	Hinge - Entrance Door (3 used per door)
18	079081 01 000	EA	Cap - Screen Door Light Oak Plastic
	009016 01 000	EA	Catch - Elbow Spring Loaded Screen Door
	039863 01 000	EA	Catch Asm - Single Roller w/Strike Screen Door
	076231 01 000	EA	Spacer - Latch - Screen Door
	077437 02 000	EA	Strike - Roller Catch
	058025 02 000	EA	Clip - Roller Latch Catch
	044582 02 000	EA	Drip Cap - Off White
	079278 01 000	EA	Seal - Mocket - Entrance Door
	073090 01 000	FT	Seal - Entrance Door
	075739 01 000	EA	Stiffener - Entrance Door - Off White
	075673 01 000	FT	Seal - Pile Adhesive Back
	075671 01 000	FT	Seal Sponge - Lazy T Shaped
	002294 01 000	FT	Spline - Black 135 x 138 (Screen Door)
	079087 02 000	EA	Strike Screen Door
	083729 04 000	EA	Rivnut 10 32 UNF 010 080
	075639 01 000	EA	Garnish Radius - Entrance Door
			Not illustrated

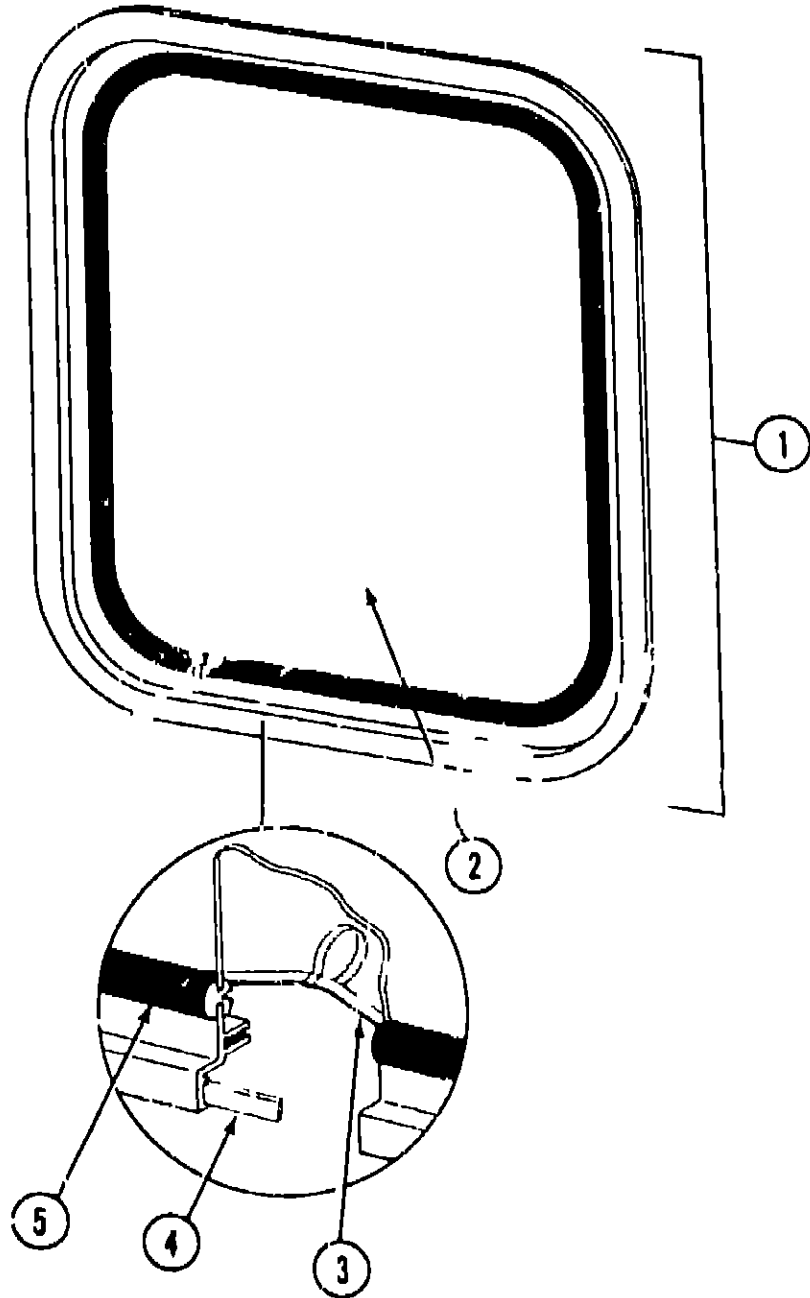
**1986 ITACSA**  
**TABLE OF CONTENTS**

IC/IF424RC	A 01 C-08
IF426RU	C 09 E-10
ICN33RU	E-11 - G 22
ICP34RU	G-23 J 09

**1986 IC/IF424RC INDEX**

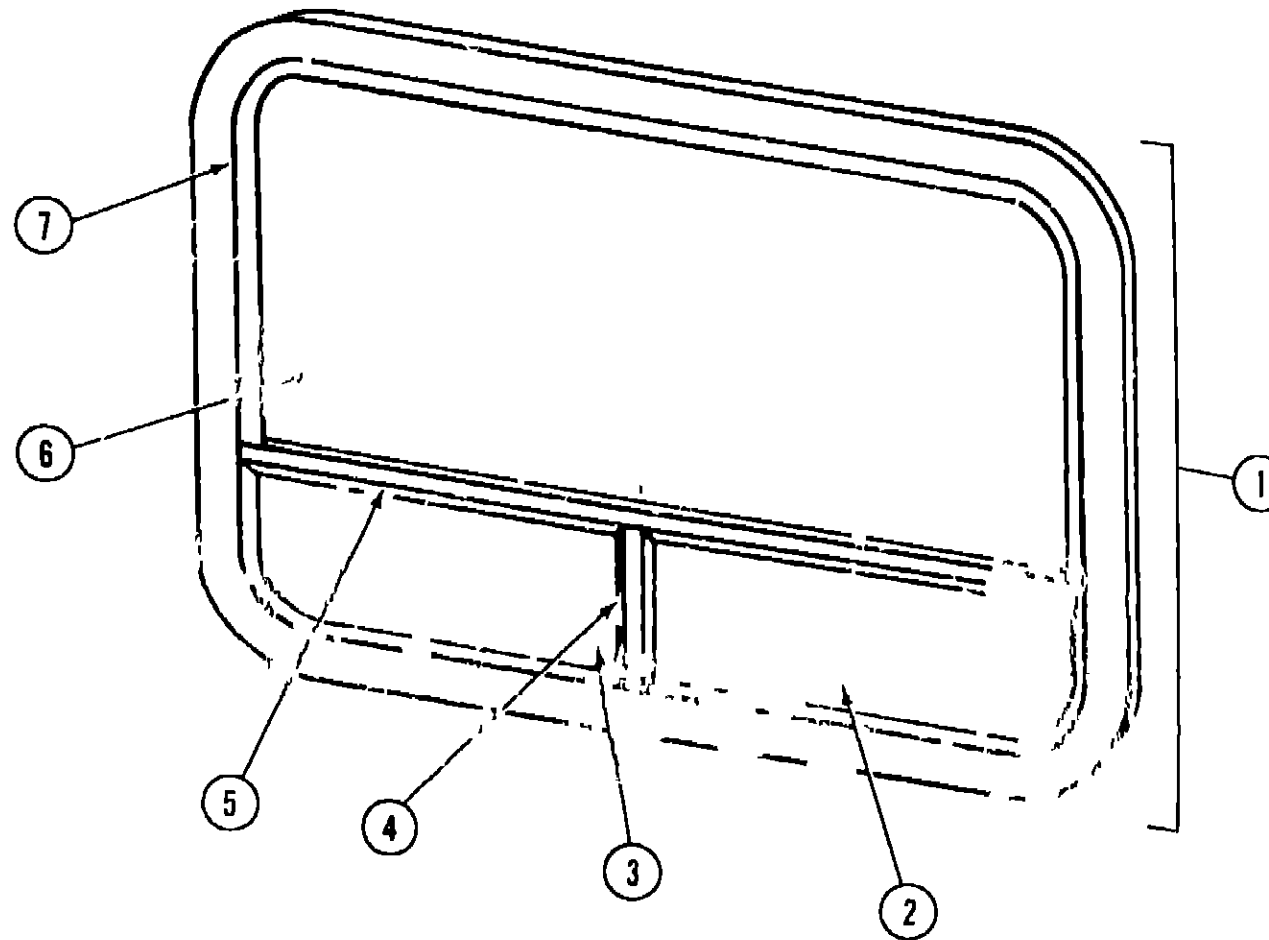
Floor Plan	A 01 - A 02
Accessories Group	A 03 A 05
Bath Group	A 06 A 07
Chassis Group	A 08 A 09
Curtain, Cushion & Pad Group	A 10 A 17
Dinette Group	A-18
Driver's Compartment Group	A 19 A 21
Electrical Group	A 22 A 24
Exterior Body Group	B 01 - B 07
Galley Group	B 08 - B 09
Heating & Air Conditioning Group	B 10
Interior Finish Group	B 10 - B 13
LP Group	B 14
Lounge Group	B 15
Water & Sewage Group	B 16 - B-17
Window Vent & Exterior Door Group	B 18 - C 08

WINDOW, VENT & EXTERIOR DOOR GROUP (CONTINUED)



Key	Part Number	U/M	Description
1	079729 02 1 U 079771-02 000	EA	Window Asm - Rear Escape - 22 5" x 24 5" - Black (w/o inside frame)
2	041392 03 000	EA	Glass - 1/8" x 21 6" x 19 6"
3	002285 01 000	FT	Filler - Weatherstrip - Black
4	069640 04 000	FT	Ribbon Sealer - 3/32" Bead x 45'
5	002282 01 000 06199 01 000 Not illustrated	FT CA	Weatherstrip - 125 Window Label - Exit - Escape Window

WINDOW, VENT & EXTERIOR DOOR GROUP (CONTINUED)



Key	Part Number	U/M	Description
1	081568 02 U01 081822 06 000 081434 01 U01	CA CA EA	Window Asm - 62' x 31' - Double Tipout Inside Frame - Black (not included in assembly) Window Asm - Tipout - Right Hand
2	081434 02 U01 081239 07 000	EA EA	Window Asm - Tipout - Left Hand Glass - Tipout - 1/8" x 30' x 8 3/4" - Left or Right
3	083112 05 000 081814 01 000	EA EA	Mullion - Black Mullion - Black
4	081422 01 U01 081422 02 U01 081243 01 000	EA EA EA	Screen Asm - Tipout - Right Hand Screen Asm - Tipout - Left Hand Screen Clip - Plastic - Black
5	035302 01 000 035302 02 000	EA EA	Operating Mech - Right Hand Operating Mech - Left Hand
6	081239 11 000	EA	Glass - Stationary - 1/8" x 61 3/4" x 20 1/2"
7	083180 01 000 081357 01 000 081359 01 000 Not illustrated	EA EA EA	Window Seal Bulb Seal (Tipout) Window Seal (Tipout)

1986 ITACSA  
TABLE OF CONTENTS

IC/IF424RC  
IF426RU  
ICN33RU  
ICP34RU

A 01 - C 08  
C 09 - E-10  
E 11 - G-22  
G 23 - J 09

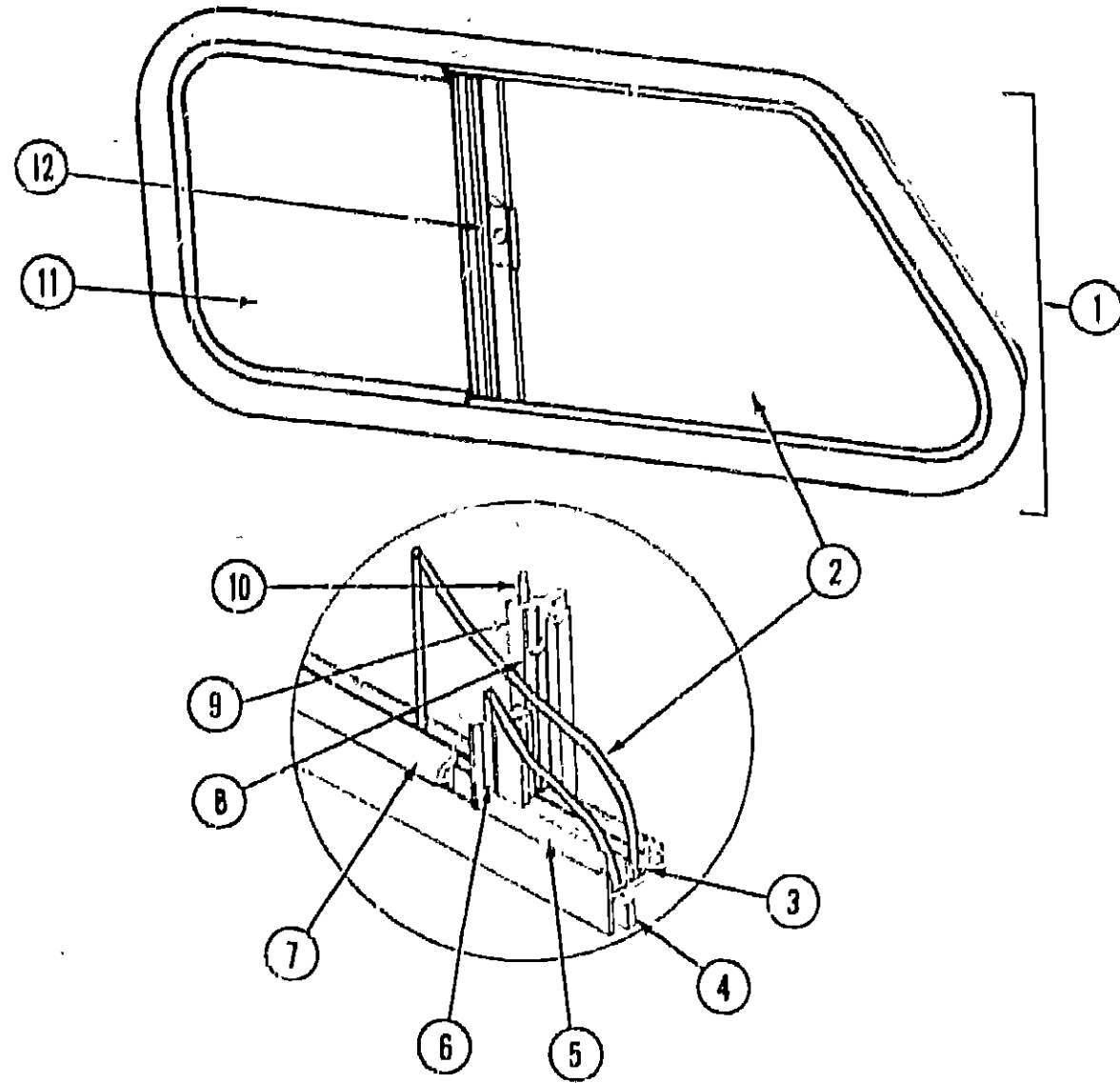
1986 IC/IF424RC INDEX

Floor Plan	A 01 - A 02
Accessories Group	A 03 - A 05
Bath Group	A 06 - A 07
Chassis Group	A 08 - A 09
Curtain, Cushion & Pad Group	A 10 - A 17
Dinette Group	A-18
Driver's Compartment Group	A-19 - A 21
Electrical Group	A 22 - A 24
Exterior Body Group	B 01 - B 07
Galley Group	B 08 - B 09
Heating & Air Conditioning Group	B 10
Interior Finish Group	B 10 - B-13
LP Group	B 14
Lounge Group	B-15
Water & Sewage Group	B 16 - B 17
Window, Vent & Exterior Door Group	B 18 - C 08



WINDOW, VENT & EXTERIOR DOOR GROUP (CONTINUED)

WINDOW, VENT & EXTERIOR DOOR GROUP (CONTINUED)



Key	Part Number	U/M	Description
1	078533-01-T03	EA	Window Asm. - Front Picture - 14" x 69" - Black (w/o inside frame)
•	041933-01-003	EA	Inside Frame - Brown (not included in assembly)
2	002200-02-000	EA	Glass - TP - Picture Window
3	069640-06-000	FT	Ribbon Sealer - 5/16" Bead x 15'
4	002281-01-000	FT	Weatherstrip - Self Seal - 06" Panel x 3/16" - Black
•	Not illustrated		

Key	Part Number	U/M	Description
1	078272-01-T03	EA	Window Asm. - Bunk - Single Slider - Right
•	083121-02-000	EA	Inside Frame - Brown (not included in assembly)
1	078272-02-T03	EA	Window Asm. - Bunk - Single Slider - Left
•	083121-04-000	EA	Inside Frame - Brown (not included in assembly)
2	081980-01-000	EA	Glass - Sliding - 1/8" x 11.98" x 11.98"
3	002324-02-000	FT	Channel - Weatherstrip - Glass Run - 1/8" Glass
4	069640-06-000	FT	Ribbon Sealer - 5/16" Bead x 15'
5	002309-02-000	FT	Spline - Glass - 1/8" Material - Black
6	M69886-03-005	EA	Seal Holder w/Fin Seal - Black
7	057374-02-000	FT	Extr. Rubber - Window Seal - Black
8	073740-01-000	FT	Seal - Fin - Pile - .460"
9	084170-05-000	EA	Mullion - Slider Window - Black
10	002298-02-000	FT	Spline - 130" Dia. - Charcoal (Screen)
11	081983-01-000	EA	Glass - Stationary - 1/8" x 11.98" x 19.42"
12	047369-01-700	EA	Latch Kit - Window - Plastic w/Fastener
•	002291-02-000	SF	Screen - Window 16" - Charcoal
•	079204-01-000	EA	Bracket - Mullion - Black
•	Not illustrated		

1986 ITACSA  
TABLE OF CONTENTS

IC/IF424RC  
IF428RU  
ICN33RU  
ICP34RU

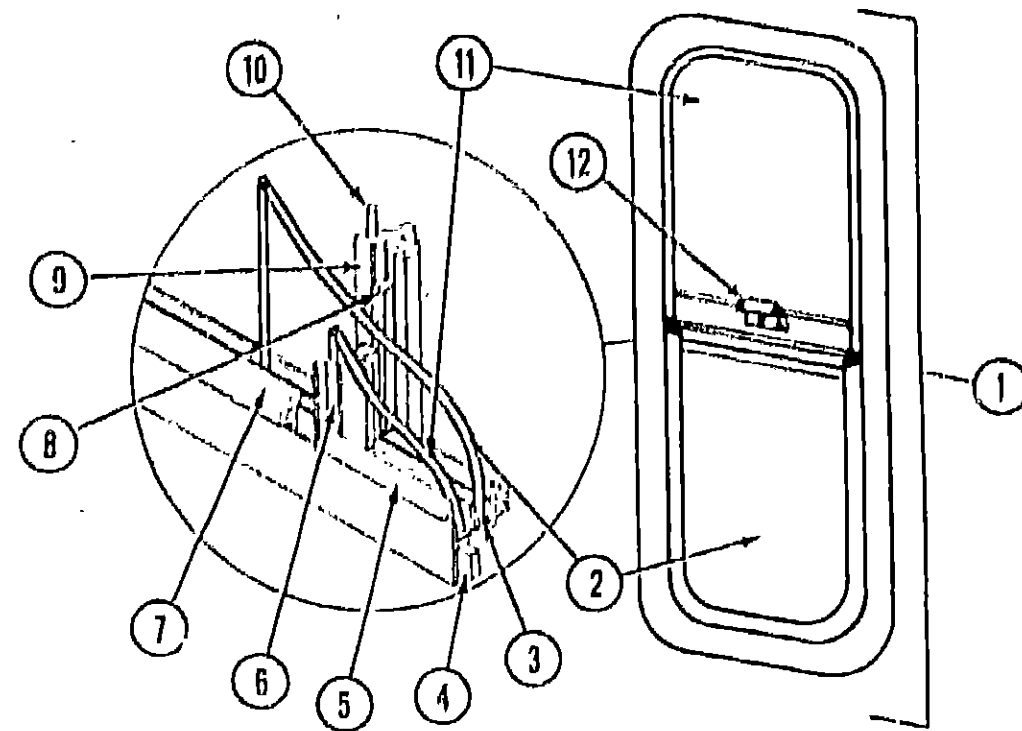
A-01 - C-08  
C-09 - E-10  
E-11 - G-22  
G-23 - J-09

Key	Part Number	U/M	Description
1	078533-01-T03	EA	Window Asm. - Front Picture - 14" x 69" - Black (w/o inside frame)
•	041933-01-003	EA	Inside Frame - Brown (not included in assembly)
2	002200-02-000	EA	Glass - TP - Picture Window
3	069640-06-000	FT	Ribbon Sealer - 5/16" Bead x 15'
4	002281-01-000	FT	Weatherstrip - Self Seal - 06" Panel x 3/16" - Black
•	Not illustrated		

1986 IC/IF424RC INDEX

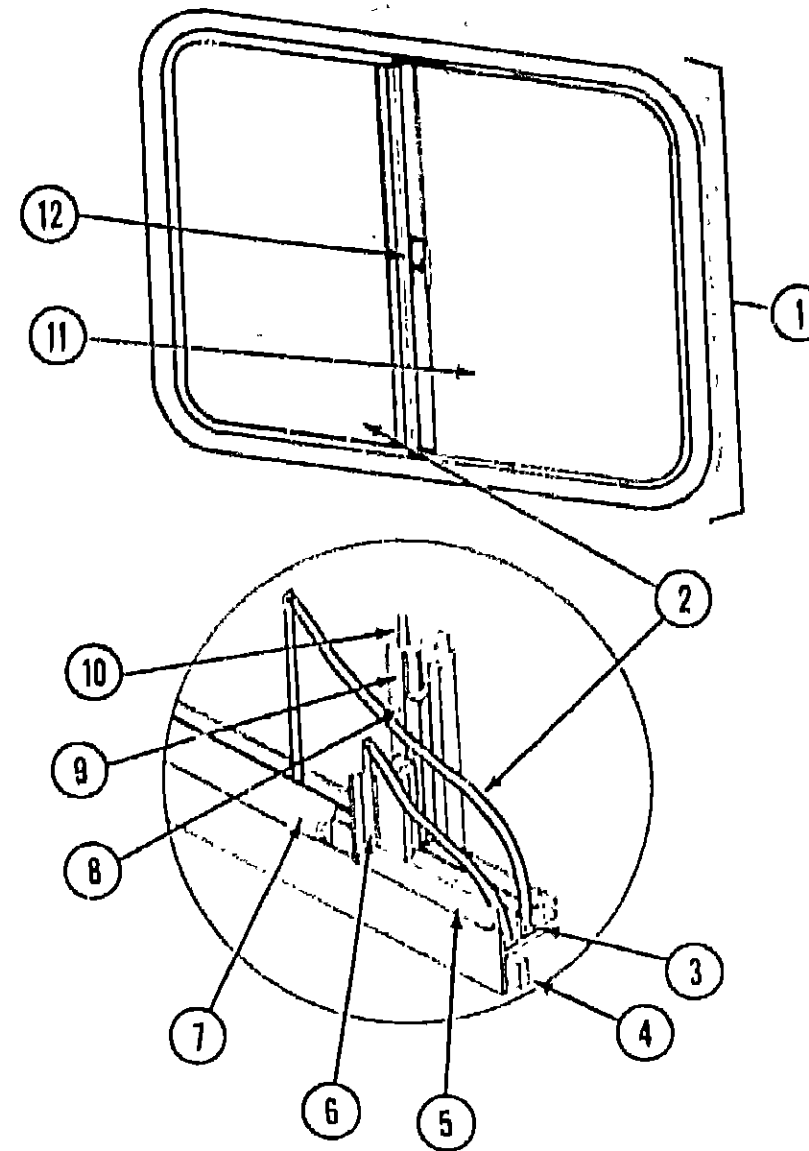
Floor Plan	A-01 - A-02
Accessories Group	A-03 - A-05
Bath Group	A-06 - A-07
Chassis Group	A-08 - A-09
Curtain, Cushion & Pad Group	A-10 - A-17
Dinette Group	A-18
Driver's Compartment Group	A-19 - A-21
Electrical Group	A-22 - A-24
Exterior Body Group	B-01 - B-07
Galley Group	B-08 - B-09
Heating & Air Conditioning Group	B-10
Interior Finish Group	B-10 - B-13
LP Group	B-14
Lounge Group	B-15
Water & Sewage Group	B-16 - B-17
Window, Vent & Exterior Door Group	B-18 - C-08

**WINDOW, VENT & EXTERIOR DOOR GROUP (CONTINUED)**



Key	Part Number	U/M	Description
1	070453-01-T03	EA	Window Asm. - Vertical Slider - 37" x 15" - Black (w/o inside frame)
•	083122-02-000	EA	Inside Frame - Brown (not included in assembly)
2	081980-03-000	EA	Glass - Slider - 1/8" x 14.4" x 19"
3	002324-02-000	FT	Channel - Weatherstrip - Glass Run - 1/8" Glass
4	069640-06-000	FT	Ribbon Sealer - 5/16" Bead x 15'
5	002309-02-000	FT	Spline - Glass - 1/8" Material - Black
6	M69886-03-007	EA	Seal Holder w/Fin Seal - Black
7	057374-02-000	FT	Extr. Ribbon - Window Seal - Black
8	073740-01-000	FT	Seal - Fin - Pile - .460"
9	084170-01-000	EA	Mullion - Slider Window - Black
10	002298-02-000	FT	Spline - .130" Dia. - Charcoal (Screen)
11	081984-02-000	EA	Glass - Stationary - 1/8" x 14.4" x 19"
12	047369-01-700	EA	Latch Kit - Window - Plastic w/Fastener
•	079204-01-000	EA	Bracket - Mullion - Black
•	002291-02-000	SF	Screen - Window 16" - Charcoal
•			Not illustrated

**WINDOW, VENT & EXTERIOR DOOR GROUP (CONTINUED)**



Key	Part Number	U/M	Description
1	070266-02-T03	EA	Window Asm. - Single Slider (w/o inside frame)
•	083122-04-000	EA	Inside Frame - Brown (not included in assembly)
2	081980-05-000	EA	Glass - Sliding - 1/8" x 19" x 13.68"
3	002324-02-000	FT	Channel - Weatherstrip - Glass Run - 1/8" Glass
4	069640-06-000	FT	Ribbon Sealer - 5/16" Bead x 15'
5	002309-02-000	FT	Spline - Glass - 1/8" Material - Black
6	M69886-03-011	EA	Seal Holder w/Fin Seal - Black
7	057374-02-000	FT	Extr. Rubber - Window Seal - Black
8	073740-01-000	FT	Seal - Fin - Pile - .460"
9	084170-02-000	EA	Mullion - Slider Window - Black
10	002298-02-000	SF	Spline - .130" Dia. - Charcoal (Screen)
11	081984-03-000	EA	Glass - Stationary - 1/8" x 19" x 12.30"
12	047369-01-700	EA	Latch Kit - Window - Plastic w/Fastener
•	079204-01-000	EA	Bracket - Mullion - Black
•	002292-02-000	SF	Screen - Window 20" - Charcoal
•			Not illustrated

**1986 ITACSA  
TABLE OF CONTENTS**

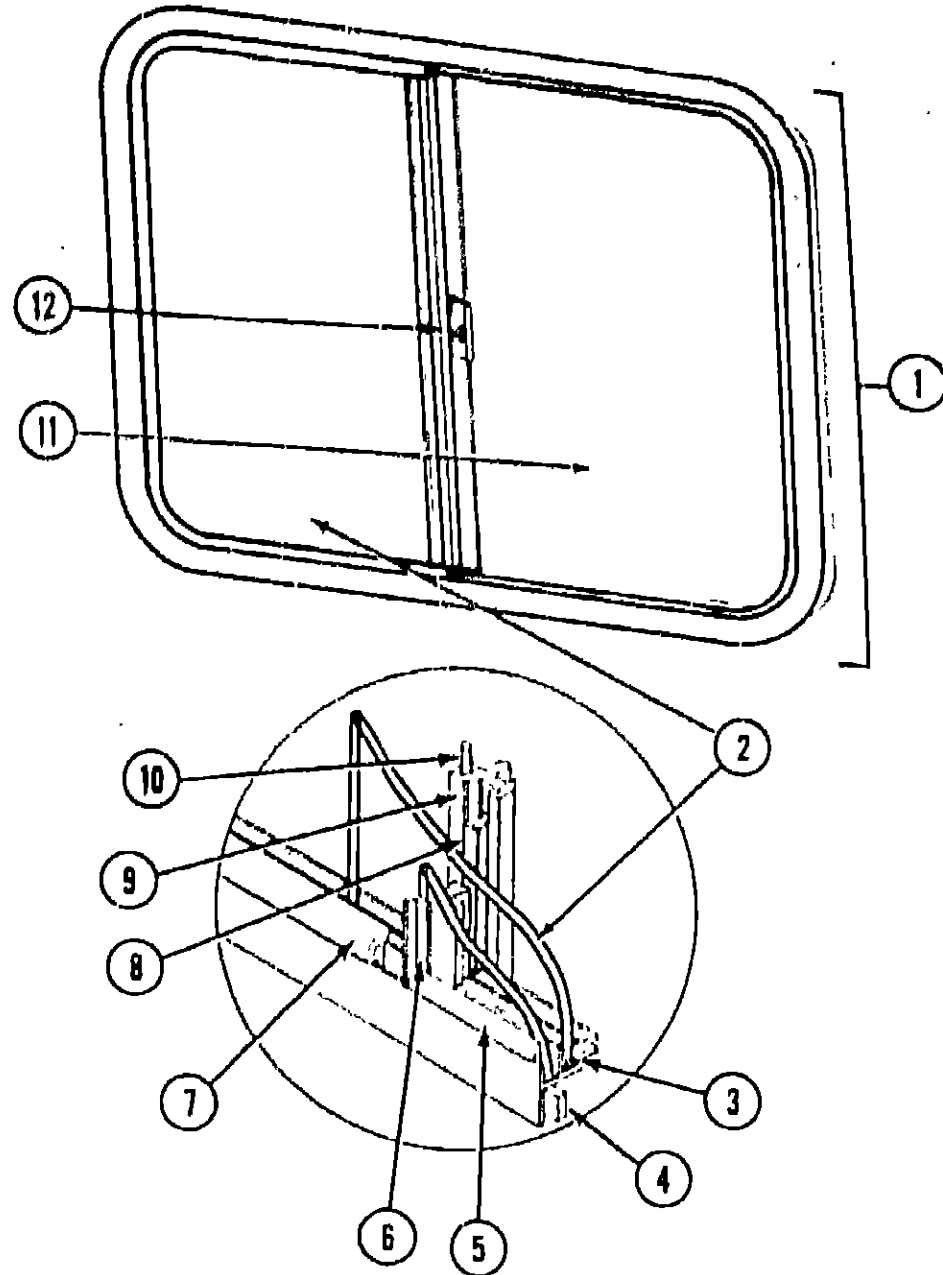
IC/IF424RC  
IF426RU  
ICN33RU  
ICP34RU

A-01 - C-08  
C-09 - E-10  
E-11 - G-22  
G-23 - J-08

**1986 IC/IF424RC INDEX**

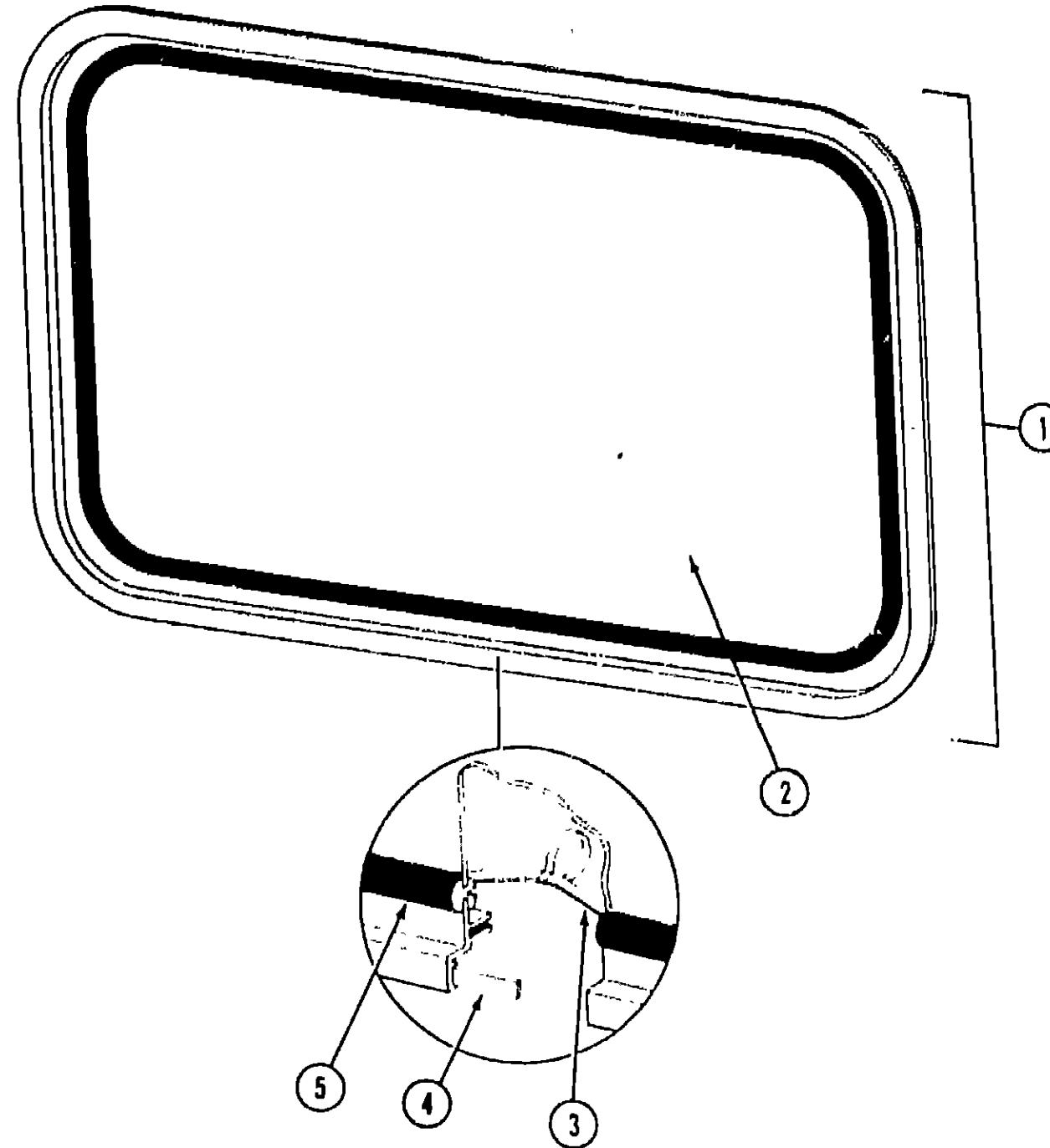
Floor Plan	A-01 - A-02
Accessories Group	A-03 - A-05
Bath Group	A-06 - A-07
Chassis Group	A-08 - A-09
Curtain, Cushion & Pad Group	A-10 - A-17
Dinette Group	A-18
Driver's Compartment Group	A-19 - A-21
Electrical Group	A-22 - A-24
Exterior Body Group	B-01 - B-07
Galley Group	B-08 - B-09
Heating & Air Conditioning Group	B-10
Interior Finish Group	B-10 - B-13
LP Group	B-14
Lounge Group	B-15
Water & Sewage Group	B-16 - B-17
Window, Vent & Exterior Door Group	B-18 - C-08

**WINDOW, VENT & EXTERIOR DOOR GROUP (CONTINUED)**



Key	Part Number	U/M	Description
1	078266-05-T03	EA	Window Asm. - Single Slider - Black (w/o inside frame)
	083122-08-000	EA	Inside Frame - Brown (not included in assembly)
2	081980-04-000	EA	Glass - Sliding - 1/8" x 24" x 21.03"
3	002324-02-000	FT	Channel - Weatherstrip - Glass Run - 1/8" Glass
4	069640-06-000	FT	Ribbon Sealer - 5/16" Bead x 15'
5	002309-02-000	FT	Spline - Glass - 1/8" Material - Black
6	M69886-03-003	EA	Seal Holder w/Fin Seal - Black
7	057374-02-000	FT	Extr. Rubber - Window Seal - Black
8	073740-01-000	FT	Seal - Fin - Pile - .460"
9	084170-04-000	EA	Mullion - Slider Window - Black
10	002298-02-000	FT	Spline - .130" Dia. Charcoal (Screen)
11	081984-05-000	EA	Glass - Stationary - 1/8" x 14.4" x 19"
12	047369-01-700	EA	Latch Kit - Window - Plastic w/Fastener
	079204-01-000	EA	Bracket - Mullion - Black
	002293-02-000	SF	Screen - Window 26" - Charcoal (Screen)
			Not illustrated

**WINDOW, VENT & EXTERIOR DOOR GROUP (CONTINUED)**



Key	Part Number	U/M	Description
1	079415-01-T03	EA	Window Asm. - Rear Escape - 23" x 29" - Black (w/o inside frame)
	020749-03-000	EA	Inside Frame - Brown (not included in assembly)
2	002174-01-000	EA	Glass - 1/8" x 19.6" x 25.9"
3	002285-01-000	FT	Filler - Weatherstrip - Black
4	069640-04-000	FT	Ribbon Sealer - 3/32" Bead x 45'
5	002282-01-000	FT	Weatherstrip - 1 25" Window
	006199-01-000	EA	Label - Exit - Escape Window
			Not illustrated

**1986 ITACSA  
TABLE OF CONTENTS**

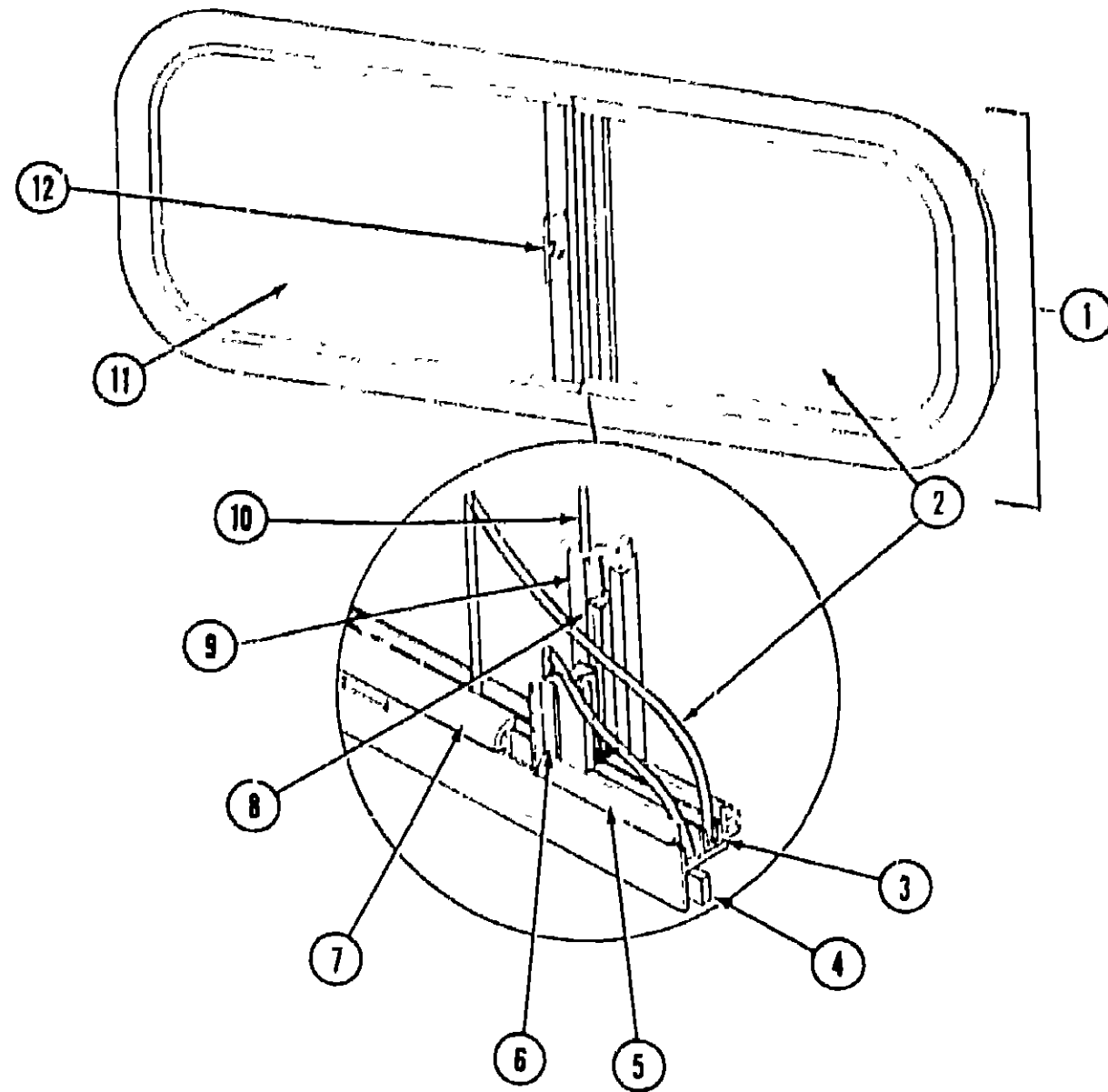
IC/IF424RC  
IF420RU  
ICN33RU  
IOP34RU

A-01 - C-08  
C-09 - E-10  
E-11 - G-22  
G-23 - J-09

**1986 IC/IF424RC INDEX**

Floor Plan	A-01 - A-02
Accessories Group	A-03 - A-05
Bath Group	A-06 - A-07
Chassis Group	A-08 - A-09
Curtain, Cushion & Pad Group	A-10 - A-17
Dinette Group	A-18
Driver's Compartment Group	A-19 - A-21
Electrical Group	A-22 - A-24
Exterior Body Group	B-01 - B-07
Galley Group	B-08 - B-09
Heating & Air Conditioning Group	B-10
Interior Finish Group	B-10 - B-13
LP Group	B-14
Lounge Group	B-15
Water & Sewage Group	B-16 - B-17
Window, Vent & Exterior Door Group	B-18 - C-08

**WINDOW, VENT & EXTERIOR DOOR GROUP (CONTINUED)**



Key	Part Number	U/M	Description
1	078266-01-T03	EA	Window Asm - Single Slider - Black (w/o inside frame)
*	083122-02-000	EA	Inside Frame - Brown (not included in assembly)
2	081980-03-000	EA	Glass - Slider - 1/8" x 22" x 13 68"
3	C72324-02-000	FT	Channel - Weatherstrip - Glass Run - 1/8" Glass
4	689640-06-000	FT	Ribbon Sealer - 5/16" Bead x 15'
5	002309-02-000	FT	Spline - Glass - 1/8" Material - Black
6	M69886-03-007	EA	Seal Holder w/Fin Seal - Black
7	057374-02-000	FT	Extr Rubber - Window Seal - Black
8	073740-01-000	FT	Seal - Fin - Pile - 460"
9	078562-01-000	EA	Mullion - Slider Window - Black
10	002298-02-000	FT	Spline - .130" Dia. - Charcoal (Screen)
11	081984-02-000	EA	Glass - Stationary - 1/8" x 22" x 16 53"
12	047369-01-700	EA	Latch Kit - Window - Plastic w/Fastener
*	002291-02-000	SF	Screen - Window 16" - Charcoal
*	079204-01-000	EA	Bracket - Mullion - Black
*			Not illustrated

**1986 ITASCA  
TABLE OF CONTENTS**

IC/IF424RC  
IF420RU  
ICN33RU  
ICP34RU

A-01 - C-08  
C-09 - E-10  
E-11 - G-22  
G-23 - J-08

**1986 IC/IF424RC INDEX**

Floor Plan	A-01 - A-02
Accessories Group	A-03 - A-05
Bath Group	A-06 - A-07
Chassis Group	A-08 - A-09
Curtain, Cushion & Pad Group	A-10 - A-17
Dinette Group	A-18
Driver's Compartment Group	A-19 - A-21
Electrical Group	A-22 - A-24
Exterior Body Group	B-01 - B-07
Galley Group	B-08 - B-09
Heating & Air Conditioning Group	B-10
Interior Finish Group	B-10 - B-13
LP Group	B-14
Lounge Group	B-15
Water & Sewage Group	B-16 - B-17
Window Vent & Exterior Door Group	B-18 - C-08