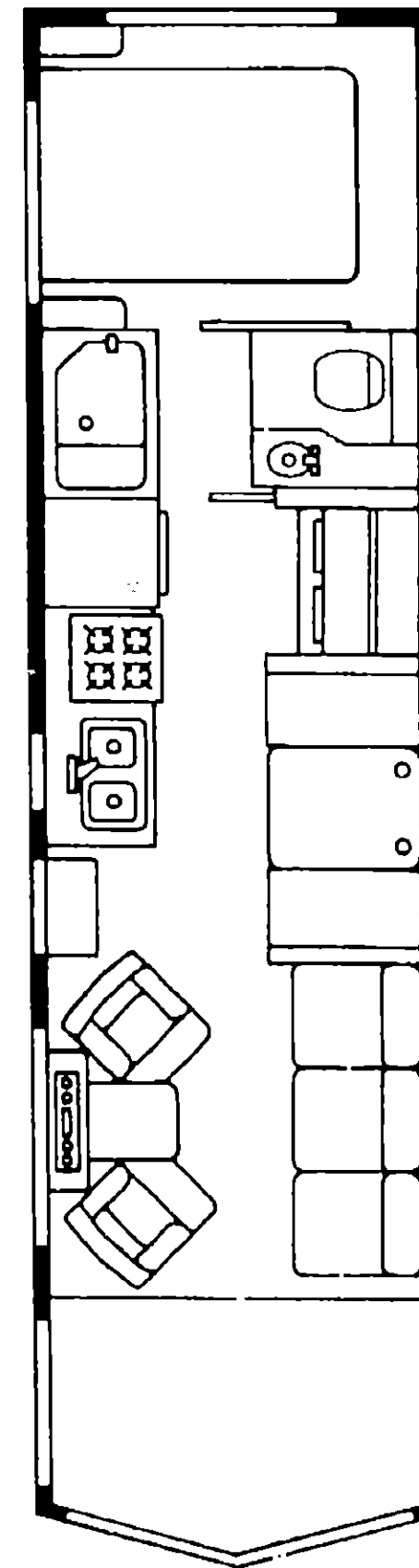
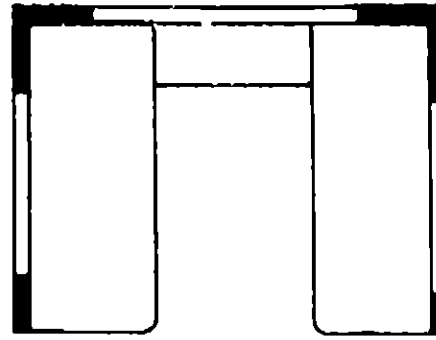


1984 WCN33RU



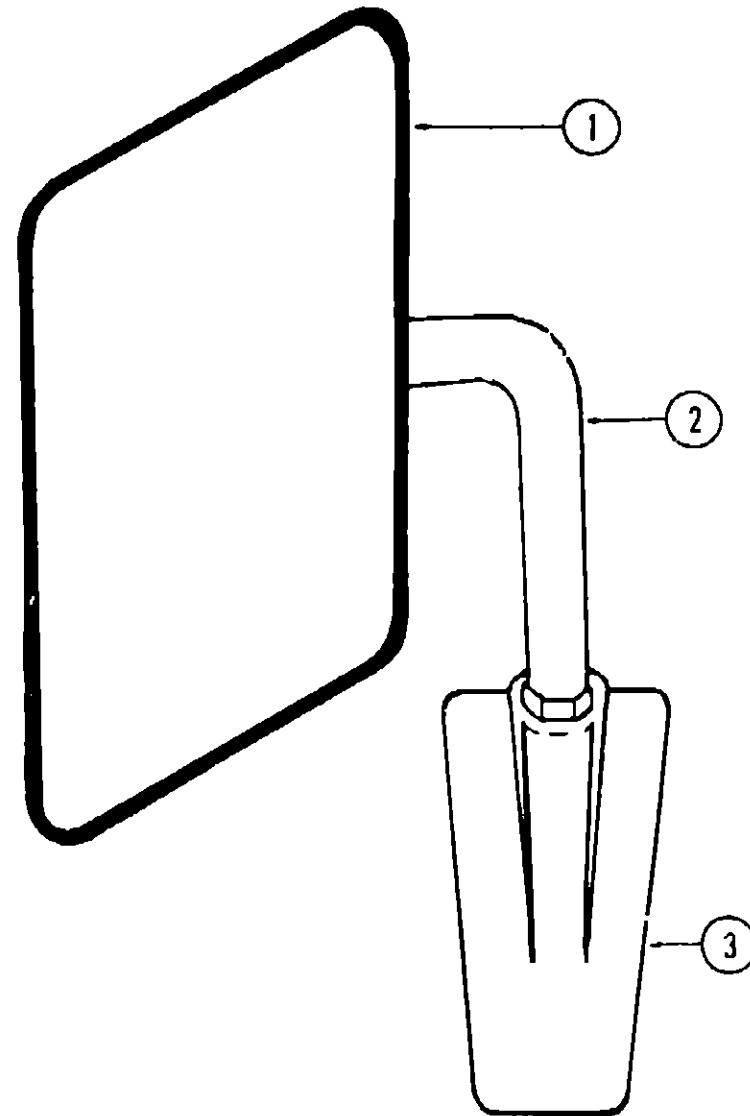
1984 WINNEBAGO TABLE OF CONTENTS

Introduction	A-01
Abbreviations	A-01
Alphabetical Index	A-02 - A-04
WC424RC	A-05 - C-16
WCN22RC	C-17 - F-06
WCN27RU	F-07 - H-20
WCN33RU	H-21 - K-08

1984 WCN33RU INDEX

Floor Plan	H-21 - H-22
Accessories Group	H-23 - I-01
Bath Group	I-02
Chassis Group	I-03 - I-04
Curtain, Cushion & Pad Group	I-05 - I-11
Dinette Group	I-12
Driver's Compartment Group	I-13 - I-16
Electrical Group	I-17 - I-19
Exterior Body Group	I-20 - J-05
Galley Group	J-06 - J-07
Heating & Air Conditioning Group	J-08 - J-09
Interior Finish Group	J-10 - J-12
LP Group	J-13
Lounge Group	J-14 - J-16
Water & Sewage Group	J-17 - J-18
Window, Vent & Exterior Door Group	J-19 - K-08

ACCESSORIES GROUP



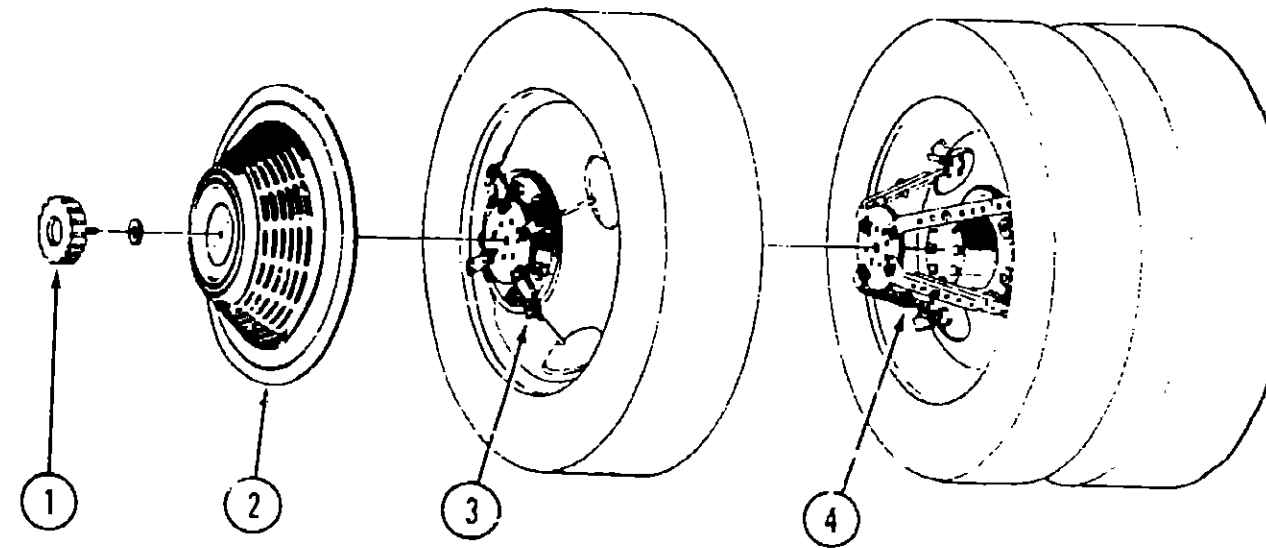
EXTERIOR MIRRORS

Key	Part Number	U/M	Description
1	049347-01-000	EA	Mirror Head - 7 1/2" - w/Convex - Stainless Steel
2	049348-03-000	EA	Arm - Low Mount Mirror - Black
3	049944-04-000	EA	Bracket - Mirror - Outside - Black
.	065116-01-000	EA	Mirror - West Coast - Double Mirror - Right
.	065116-02-000	EA	Mirror - West Coast - Double Mirror - Left
.	006043-01-000	EA	Mirror - Convex - Adhesive Back
.			Not illustrated

RADIOS AND RELATED COMPONENTS

Key	Part Number	U/M	Description
	031105-01-000	EA	Antenna - Radio - Side Mount
	031105-01-700	EA	Holder - Antenna - Radio - Upper
	064791-01-000	EA	Speaker - Recessed - 5 1/4"
	064792-01-000	EA	Grille - Speaker - 5 1/4" - Brown
	075903-01-000	EA	Radio - AM/FM MPX - w/Cassette
	075904-01-000	EA	Radio - AM/FM MPX - w/Cassette - Electronic Tuning
	073431-01-000	EA	Speaker - 3 Way - 5 1/4" (Pair)
	074979-01-000	EA	Speaker Cover Protector - Plastic

ACCESSORIES GROUP (CONTINUED)



WHEEL COVER AND MOUNTING HARDWARE

Key	Part Number	U/M	Description
1	064082-02-000	EA	Retaining Nut - Delmet - Wheel Cover
2	073426-02-700	EA	Wheel Cover - Bolt On - 19.5" - Delmet (1)
3	073426-05-700	EA	Retention Bracket Asm. - Wheel Cover Support - Heavy Duty - Front (1)
4	073426-05-701	EA	Retention Bracket Asm. - Wheel Cover Support - Heavy Duty - Rear (1)
.	073426-05-000	EA	Retention Bracket Asm. - Wheel Cover Support - Heavy Duty - (Set/4)
.	031396-02-000	EA	Wheel Cover - 19.5" - Clip On
.			Not illustrated
**			The illustrated parts breakdown for this item is provided on the Common Items Fiche.

GENERATORS AND INSTALLATION KITS

Key	Part Number	U/M	Description
**	054429-01-000	EA	Generator - Onan - 4.0 kw - BFA
**	054433-01-000	EA	Generator - Onan - 6.5 kw
.	069229-01-000	EA	Generator - Kohler - 4.5 kw
.	701629-02-000	EA	Onan Installation Package
.	067753-01-000	EA	Muffler - Generator - w/Spark Arrestor
.	740313-56-000	EA	Tray - Generator - 4.0 kw - Onan
.	740313-57-000	EA	Tray - Generator - 6.5 kw - Onan
**			The illustrated parts breakdown for this item is provided on the Common Items Fiche.

FRONT BUNK AND HARDWARE

Key	Part Number	U/M	Description
	076473-01-R10	EA	Cabinet Asm. - Front Overhead
	076184-02-R10	EA	Bunk Board Asm. - Front Overhead - w/Beige Rails
	053773-01-000	EA	Support - Overhead Bunk - Brown - Right
	053773-02-000	EA	Support - Overhead Bunk - Brown - Left
	039516-04-000	EA	Catch - Bunk - Beige
	023812-28-000	EA	Rail - Bunk - 77.1" - Beige
	053774-04-000	EA	Torsion Rod - Overhead Bunk - Brown
	041322-01-000	EA	Washer - Flat - 15/32" I.D. x 2 3/8" O.D. - Seat Belt
	074210-01-P01	EA	Pad Asm. - Front Side Overhead - Driver Door - Vinyl
	074210-02-P01	EA	Pad Asm. - Front Side Overhead - Left Vinyl
	074210-03-P01	EA	Pad Asm. - Front Side Overhead - Right - Vinyl
	048394-01-000	YD	Tape Hook - 1" x 25 YD - Beige
	048395-01-000	YD	Tap Loop - 1" x 25 YD - Beige
	007021-01-000	EA	Belt Asm. - Seat - 2" x 90" - Black
	040071-02-000	EA	Belt Asm. - 2" x 6" - Bunk Support

1984 WINNEBAGO TABLE OF CONTENTS

Introduction	A-01
Abbreviations	A-01
Alphabetical Index	A-02 - A-04
WC424RC	A-05 - C-16
WCN22RC	C-17 - F-06
WCN27RU	F-07 - H-20
WCN33RU	H-21 - K-08

1984 WCN33RU INDEX

Floor Plan	H-21 - H-22
Accessories Group	H-23 - I-01
Bath Group	I-02
Chassis Group	I-03 - I-04
Curtain, Cushion & Pad Group	I-05 - I-1*
Dinette Group	I-12
Driver's Compartment Group	I-13 - I-16
Electrical Group	I-17 - I-19
Exterior Body Group	I-20 - J-05
Galley Group	J-06 - J-07
Heating & Air Conditioning Group	J-08 - J-09
Interior Finish Group	J-10 - J-12
LP Group	J-13
Lounge Group	J-14 - J-16
Water & Sewage Group	J-17 - J-18
Window, Vent & Exterior Door Group	J-19 - K-08

ACCESSORIES GROUP (CONTINUED)

MISCELLANEOUS ACCESSORIES

Key	Part Number	U/M	Description
	054185-20-000	EA	Owners Manual - Itasca & Winnebago
	076319-01-000	EA	Antenna - TV - Winegard - 44.5" Mast
	076319-04-000	EA	Connector & Ferrule (Winegard)
	076319-03-000	FT	Coaxial Cable - 75 OHM (Winegard)
	076319-05-000	EA	Jack & 12 Volt Receptacle - Ivory
	006053-01-000	EA	Antenna - TV Braund Delux
	006093-01-000	EA	Jack - TV - Brown (Antenna)
	006050-01-000	EA	Jack - TV - Ivory (Antenna)
	017516-01-000	EA	Mud Flap - Black - 14" x 18" w/Holes
	041944-03-000	EA	Fire Extinguisher - w/Bracket - 5 BC
	075922-01-000	EA	Oven - Microwave
	075930-02-000	EA	Bracket Asm. Microwave
	076253-02-000	EA	Bracket Asm. Microwave - 6"
	067125-01-000	EA	Standoff (Support) Rack & Ladder
	067203-01-000	EA	Ladder Asm
	067203-02-000	EA	Rack Asm - Luggage
	067130-01-000	EA	Ladder Step
	076980-01-000	EA	End Cap - Ladder Step
	064093-01-000	EA	Luggage Carrier Assembly - 14" x 30" x 6.3"
	039881-01-000	EA	Catch and Strike - Luggage Carrier
	006069-01-000	EA	Key Case - Leather
	007038-01-000	EA	Door Mat - Black Rubber - 10 1/2" x 26"
	069590-01-000	EA	Lug Wrench - 1" x 1 1/4" x 16 3/4"
	069590-02-000	EA	Leverage Bar - Lug Wrench - 22"
	072373-01-000	EA	Weather Center - 7" x 7" x 2"
	072374-01-000	EA	Clock - 7" x 7" x 2"
	069629-01-000	EA	Speed Control Package - Electric - Dana
	072852-01-000	EA	Smoke Detector w/9 Volt Battery
	055285-01-000	EA	Vacuum Cleaner - Built In - Tevis Campbell
	055285-01-700	EA	Accessories Kit - Standard - Tevis Campbell
	055285-01-701	EA	Filter - 10 per Consumer Package - Tevis Campbell
	006113-01-000	EA	Jack - 6 Ton
	063708-01-000	EA	Cover - Roof Air Vinyl

ELECTRIC STEP

Key	Part Number	U/M	Description
	075461-01-000	EA	Step Asm - Electric (Kwikkee)
	075461-01-700	EA	Motor
	041250-01-000	EA	Door Switch
	075461-01-704	EA	Under Step Control Unit
	075461-01-705	EA	4-Way Plug (Dash End)
	075461-01-706	EA	Kill Switch
	075461-01-707	EA	Step Light
	075461-01-708	EA	4-Way Plug (Control Box End)
	075461-01-709	EA	90° Plug
	075461-01-710	EA	Gear
	075461-01-711	EA	Drive Link

BATH GROUP

BATH CABINETRY

Key	Part Number	U/M	Description
	M01458-01-R10	EA	Countertop Asm. - Wardrobe - Harbor Oak
	M01448-01-R10	EA	Cabinet Asm. - Lavatory (Rolled Door)
	M77587-01-R10	EA	Cabinet Asm. - Lavatory (Styled Rail Door)
	M01190-01-R10	EA	Countertop Asm. - Lavatory - Travertine (Rolled Door)
	M01635-01-R10	EA	Countertop Asm. - Lavatory - Travertine (Styled Rail Door)
	063224-12-R10	EA	Door Asm. - Rolled - Lavatory - 16.1" x 24" - Upper
	063224-11-R10	EA	Door Asm. - Rolled - Lavatory - 12.4" x 24" - Lower
	069852-58-R10	EA	Door Asm. - Lavatory - 12.1" x 24.7" - w/o Hardware
	077358-01-R07	EA	Drawer Asm. - Lavatory - Tillout
	M74347-01-R10	EA	Cabinet Asm. - Pipe Cover
	M01192-01-R10	EA	Countertop Asm. - Pipe Cover - Travertine
	M75928-01-R10	EA	Cabinet Asm. - Medicine - w/o Door or Hardware
	076073-01-000	EA	Cabinet Asm. - Medicine - w/o Door or Hardware - Metal - Beige
	M71646-02-R10	EA	Door Asm. - Medicine Cabinet - w/Mirror - w/o Hardware
	076353-01-R07	EA	Door Asm. - Medicine Cabinet - w/Mirror - w/o Hardware - Metal
	M75578-01-R10	EA	Door Asm. - Bathroom - w/o Hardware
	062906-01-000	EA	Door Asm. - Shower - Folding - Complete w/Frame
	062906-02-000	EA	Panel - Shower Door - Folding
	M74533-02-R10	EA	Door Asm. - Sliding - Rear - w/o Hardware
	073419-04-000	EA	Door Asm. - Folding - Rear - w/o Hardware (w/Twin Bed)
	073419-03-000	EA	Door Asm. - Folding - Front - w/o Hardware
	073419-01-700	EA	Latch Asm. - Folding Door - Front
	073419-01-701	EA	Roller - Folding Door
	069852-27-R10	EA	Door Asm. - Wardrobe - 16 7/8" x 47.1" - w/o Hardware
	069859-04-R10	EA	Door Asm. - Fixed Wall Mirror - 30.1" x 23.1"
			* w/o Countertop, Doors or Hardware

Key	Part Number	U/M	Description
	075240-01-000	EA	Faucet - Lavatory - Brass
	058713-01-000	EA	Sink - Oval - Ivory Plastic
	075242-01-000	EA	Faucet - Tub & Shower - Brass
**	011048-02-000	EA	Shower Head - w/60" Hose
**	011086-01-000	EA	Strainer
**	011069-02-000	EA	Tail Piece - 1 1/2" x 1 1/4" x 4" - Brass
	075452-01-000	EA	Holder - Tissue - Brass
	009151-01-000	EA	Warp Guard - 48"
	058331-05-000	EA	Mirror - Safety Glass - 12" x 26"
	058331-01-000	EA	Mirror - Safety Glass - 19" x 26"
	075687-01-000	EA	Latch - Bathroom Door
	009059-01-000	EA	Hinge - Bathroom Door
	075149-04-000	EA	Track - Sliding Door - 54.2" - Beige
	075145-05-000	EA	Cover - Sliding Door Track - 54.2" - Beige
	075153-01-000	EA	Cap - Sliding Door Track - Beige
	009156-01-000	EA	Hanger - Sliding Door
	064467-01-000	EA	Guide - Sliding Door - Bottom
	058034-02-000	EA	Latch - Sliding Door
	074812-04-000	EA	Track - Folding Door - Beige - Rear - (w/Twin Bed)
	075188-02-000	EA	Track - Folding Door - Beige - Front
	075680-01-000	EA	Rod - Clothes - Adjustable
	009112-01-000	EA	Flange - 1" - Closet Rod
	039341-02-000	EA	Toilet - Theford Aqua Magic - Ivory - 84205H
	036436-01-000	EA	Nut - Slip - 1.5" - Tailpiece
	066435-01-000	EA	Nut - Strainer
	006729-01-000	EA	Strainer - Tub - Shower Drain
	075453-01-000	EA	Towel Bar - Brass
	075454-01-000	EA	Towel Ring - Brass
	071632-01-000	EA	Bag - Hamper - 49" - w/Elastic
	M01407-01-000	EA	Tub Asm. - w/Strainer - Plastic
	MG1465-01-000	EA	Stall Asm. - Shower - Plastic
	075606-01-000	EA	Panel - Shower Faucet - Plastic

** The illustrated parts breakdown for this item is provided on the Common Items Fiche

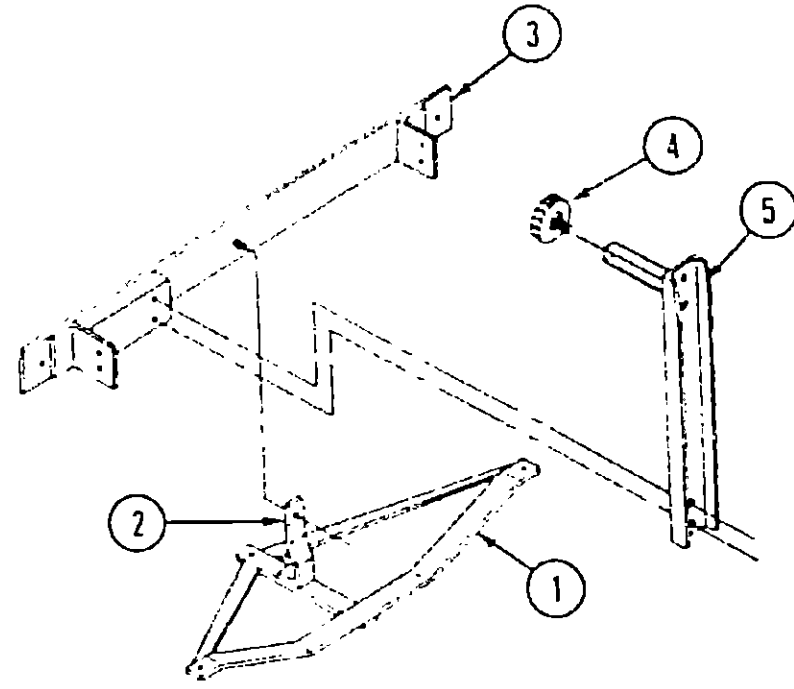
**1984 WINNEBAGO
TABLE OF CONTENTS**

Introduction	A-01
Abbreviations	A-01
Alphabetical Index	A-02 - A-04
WC424RC	A-05 - C-16
WCN22RC	C-17 - F-06
WCN27RU	F-07 - H-20
WCN33RU	H-21 - K-08

1984 WCN33RU INDEX

Floor Plan	H-21 - H-22
Accessories Group	H-23 - I-01
Bath Group	I-02
Chassis Group	I-03 - I-04
Curtain, Cushion & Pad Group	I-05 - I-11
Dinette Group	I-12
Driver's Compartment Group	I-13 - I-16
Electrical Group	I-17 - I-19
Exterior Body Group	I-20 - J-05
Galley Group	J-06 - J-07
Heating & Air Conditioning Group	J-08 - J-09
Interior Finish Group	J-10 - J-12
LP Group	J-13
Lounge Group	J-14 - J-16
Water & Sewage Group	J-17 - J-18
Window, Vent & Exterior Door Group	J-19 - K-08

CHASSIS GROUP



Key	Part Number	U/M	Description
1	064833-01-000	EA	Trailer Hitch Asm
2	064824-02-000	EA	Support - Trailer Hitch
3	064601-02-000	EA	Bracket - Bumper Mount Rear
4	064082-01-000	EA	Retaining Nut - Demet - Tire Cover
5	075286-01-000	EA	Bracket - U-Channel - Tire Carrier (Plastic Cover)
.	075068-04-R10	EA	Cover - Spare Tire - Plastic
.			Not illustrated

CHASSIS GROUP (CONTINUED)

Key	Part Number	U/M	Description
	073220-02-000	EA	Cap - Fuel Fill - Non Locking - Gas
	073220-03-000	EA	Cap - Fuel Fill - Non Locking - Diesel
	072309-02-000	EA	Shroud - Fill Neck
	072447-01-000	EA	Shroud - Fill Neck Cover - Upper - Main
	072309-02-000	EA	Shroud - Fill Neck Cover - Upper - Aux.
	063303-04-000	EA	Shroud - Floor - Lower - Main
	063303-05-000	EA	Shroud - Floor - Lower - Aux.
	075227-01-000	EA	Fill Neck - Main
	075914-01-000	EA	Fill Neck - Aux
	075684-01-000	EA	Hose - Fuel Fill - 45° Formed - Aux
	075228-01-000	EA	Neck Asm. - Lower - Main
	007111-03-000	EA	Hose - Fuel - 1.75" x 3"
	075230-01-000	EA	Tank - Fuel - 60 Gallon - Main
	075232-01-000	EA	Strap - Fuel Tank Mounting - Main
	075686-01-000	EA	Tank - Fuel - 30 Gallon - Aux
	075232-02-000	EA	Strap - Fuel Tank Mounting - Aux.
	057038-06-000	EA	Sending Unit - Fuel - 90 Ohm. - Main
	057038-08-000	EA	Sending Unit - Fuel - 90 Ohm. - Aux.
	043477-02-000	EA	Valve Asm. - Fuel - 6 Port Select - Aux
	065963-02-000	EA	Switch - Fuel - Change Over
	044317-01-000	FT	Hose - Fuel - 3/8"
	024138-01-000	EA	Hose - Fuel - 5/16" I.D. SAE 30RI
	024141-01-000	FT	Hose - Rubber - 1/2" I.D.
	007111-01-000	FT	Hose - Fuel - 2 1/4" I.D. SAE 30RI
	061411-01-000	EA	Tailpipe Extension - 2" x 10" - 350
	061411-03-000	EA	Tailpipe Extension - 2 25" x 10 5" - 454
	007131-01-000	EA	Tailpipe Hanger - 350
	007125-05-000	EA	Clamp - Tailpipe Hanger - 350
	007125-06-000	EA	Clamp - Tailpipe Hanger - 454
	007134-01-000	EA	Clamp - Hose - Spring Type - 9/16"
	007125-07-000	EA	Clamp - Muffler - 2 1/2"
	075146-01-000	EA	Shield - Heat Muffler
	051697-01-000	EA	Bracket - Battery Tie Down
	047441-01-000	EA	Terminal - Battery - Horizontal Lug
	071656-01-000	EA	Cover - Radiator - Rear
	071657-01-000	EA	Cover - Radiator - Rear Back (Fan Shroud)
	071654-01-000	EA	Hood Board - Upper - Right - Steel
	058404-01-000	EA	Hood Board - Upper - Left - Steel
	024652-01-700	EA	Step Asm. - Entry
	063977-04-000	EA	Step Asm. - Driver Door
	024490-01-000	EA	Power Cord Box - Plastic
	055374-01-000	EA	Wheelwell - Plastic
	017516-01-000	EA	Mud Flap - Black - 14" x 18" w/Holes
	072850-01-000	EA	Bumper - Front - Chrome
	048474-01-000	EA	Bumper - Rear - Chrome
	073352-01-000	EA	Bracket - License Plate - Front
	058439-01-000	EA	Bracket - Front Bumper - Left & Right
	064053-01-000	EA	Bracket - Front Bumper - (To Bracket)
	064601-02-000	EA	Bracket - Rear Bumper Mount
	005200-01-000	EA	Bolt - Bumper - 7/16" x 14 x 1 1/4" SST
	007324-01-000	EA	Tire - 800 x 19.5 - Radial
	007321-01-000	EA	Tire - 800 x 19.5 - 8 Ply Poly
	047743-01-000	EA	Spacer - Rear Spring/Axle Stop
	064963-01-000	EA	Rim - Wheel - 19 5" x 6.75"
	075068-04-R10	EA	Cover - Spare Tire - Plastic
	064082-02-000	EA	Retainer Nut - Plastic Tire Cover
	020167-03-000	EA	Dirt Guard - Rear Wheel

1984 WINNEBAGO TABLE OF CONTENTS

Introduction	A-01
Abbreviations	A-01
Alphabetical Index	A-02 - A-04
WC424RC	A-05 - C-16
WCN22RC	C-17 - F-06
WCN27RU	F-07 - H-20
WCN33RU	H-21 - K-08

1984 WCN33RU INDEX

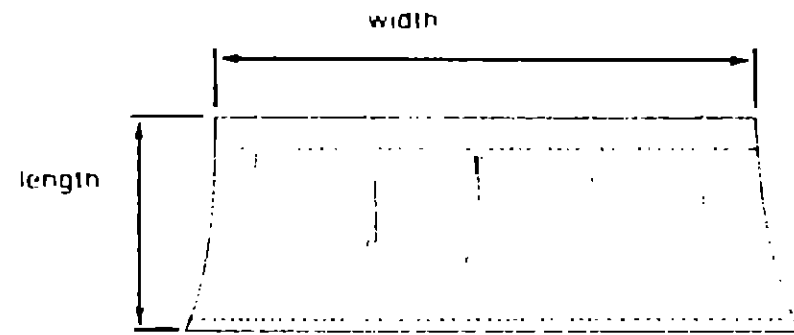
Floor Plan	H-21 - H-22
Accessories Group	H-23 - I-01
Bath Group	I-02
Chassis Group	I-03 - I-04
Curtain, Cushion & Pad Group	I-05 - I-11
Dinette Group	I-12
Driver's Compartment Group	I-13 - I-16
Electrical Group	I-17 - I-19
Exterior Body Group	I-20 - J-05
Galley Group	J-06 - J-07
Heating & Air Conditioning Group	J-08 - J-09
Interior Finish Group	J-10 - J-12
LP Group	J-13
Lounge Group	J-14 - J-16
Water & Sewage Group	J-17 - J-18
Window, Vent & Exterior Door Group	J-19 - K-08

CURTAIN, CUSHION & PAD GROUP

NOTICE

In order to assist our Parts Sales Dept. in providing interior software items, please include the serial number and the color code number from the vehicle certification label when ordering. This label is located on the left sidewall at the end of the dash (A-Body), or on the driver's door latch plate (C-Body).

An example of a color code number is P31, which designates an overall color scheme of a particular unit. The color listed after the item description on the microfiche, indicates the overall unit color. Order the item you desire according to unit color code.



NOTE

Use this illustration when determining length and width measurements for curtains. You will note the width measurement is taken on the top of the curtain with the curtain fully extended. The length measurement is taken from top to bottom.

CURTAIN HARDWARE

Key	Part Number	U/M	Description
	052327-05-009	EA	Track - Curtain - Beige Alum. - 76" w/Holes
	056116-01-000	EA	Track - Curtain - Brown Plastic
	059430-05-000	EA	Track - Curtain - Front Wraparound (2 per unit) - 43.75" x 36" - Beige
	059430-07-000	EA	Track - Curtain - Front Wraparound - 32.8" x 89.1" (Drivers Door) Beige
	056001-01-000	EA	Bracket - Shade - Left
	056002-01-000	EA	Bracket - Shade - Right
	056003-01-000	EA	Bracket - Drapery Retainer - Right
	056003-02-000	EA	Bracket - Drapery Retainer - Left
	056003-03-000	EA	Bracket - Drapery Retainer - Universal
	075477-19-000	EA	Bracket - Blinds Top
	075477-20-000	EA	Bracket - Blinds Top Center
	075477-21-000	EA	Bracket - Blinds Bottom
	099107-01-000	EA	Guide - Nylon Snap - Curtain
	056784-01-000	EA	Pull - Window Shade - Antique Brass
	039175-01-000	EA	Curtain Rod - Ext. 48" x 84"
	039175-03-000	EA	Curtain Rod - Ext. 28" x 48"
	039175-04-000	EA	Curtain Rod - Ext. 16" x 28"
	039175-02-000	EA	Bracket - Curtain Rod
	056115-01-000	YD	Tape - Clear Plastic - w/Guides
	048394-01-000	YD	Tape Hook - 1" x 25 YD - Beige
	048395-01-000	YD	Tape Loop - 1" x 25 YD - Beige

CURTAIN, CUSHION & PAD GROUP (CONTINUED)

FABRICS, TRIMS & PADS

Key	Part Number	U/M	Description
	072333-09-000	YD	Fabric - Drapery - Beige (Wraparound)
	072333-08-000	YD	Fabric - Drapery - Sheers
	074495-27-000	YD	Fabric - Upholstery/Accent (R10, R11)
	074495-28-000	YD	Fabric - Upholstery/Accent (R12)
	074495-25-000	YD	Fabric w/Pattern - Upholstery (R10)
	074495-24-000	YD	Fabric w/Pattern - Upholstery (R11)
	074495-26-000	YD	Fabric w/Pattern - Upholstery (R12)
	069729-08-000	YD	Fabric - Bedspread - Blue (R10)
	069729-05-000	YD	Fabric - Bedspread - Tan (R11)
	069729-07-000	YD	Fabric - Bedspread - Burgundy (R12)
	038421-01-000	YD	Fabric - Mattress Ticking
	070502-01-000	YD	Vinyl - Non Expanded - 12 Gauge Film
	057550-03-N07	EA	Button Asm. - Nail - #36 - 7/8" Shank - Vinyl
	057550-05-N07	EA	Button Asm. - Nail - #36 - 3/8" Shank - Vinyl
	057093-01-N07	EA	Button Asm. - Covered #60 - Nail - Vinyl
	071127-03-R10	EA	Button Asm. - Square #65 (R11)
	071127-03-R12	EA	Button Asm. - Square #65
	075269-01-R10	EA	Button Asm. - Square #65 - w/3/4" Stud
	075269-01-R11	EA	Button Asm. - Square #65 - w/3/4" Stud
	075269-01-R12	EA	Button Asm. - Square #65 - w/3/4" Stud
	071847-07-R10	EA	Pad Asm. - End Cap - Swivel Chair Overhead Vinyl - Left
	059414-03-000	EA	Pad - Sidewall Trim - Drivers - Vinyl
	059414-04-000	EA	Pad - Sidewall Trim - Passenger - Vinyl
	059467-03-N07	EA	Pad - Map Pocket - Drivers - Vinyl
	059467-04-N07	EA	Pad - Map Pocket - Passenger - Vinyl
	074210-03-P01	EA	Pad Asm. - Front Side Overhead - Right - Vinyl
	074210-02-P01	EA	Pad Asm. - Front Side Overhead - Left - Vinyl
	074210-01-P01	EA	Pad Asm. - Front Side Overhead - Left w/Drivers Door - Vinyl
	074549-01-R10	EA	Pad Asm. - Dinette - Right (R11)
	074549-01-R12	EA	Pad Asm. - Dinette - Right
	074549-02-R10	EA	Pad Asm. - Dinette - Left (R11)
	074549-02-R12	EA	Pad Asm. - Dinette - Left
	076188-01-R10	EA	Pad Asm. - Dinette Wall - 12" x 12" (R11)
	076188-01-R12	EA	Pad Asm. - Dinette Wall - 12" x 12"
	076188-02-R10	EA	Pad Asm. - Dinette Wall - 3 5" x 30" (R11)
	076188-02-R12	EA	Pad Asm. - Dinette Wall - 3 5" x 30"
	076188-03-R10	EA	Pad Asm. - Wall - 3 5" x 36" (R11)
	076188-03-R12	EA	Pad Asm. - Wall - 3 5" x 36"
	076188-04-R10	EA	Pad Asm. - Wall - 12" x 16" (R11)
	076188-04-R12	EA	Pad Asm. - Wall - 12" x 16"



Key	Part Number	U/M	Description
1	029130-01-000	EA	Socket - Snap Fastener
2	029155-01-000	EA	Cap - Snap - .156" Dia. x .17" Barrel
3	029156-01-000	EA	Socket - Snap Fastener
4	029092-01-000	EA	Stud - Nickel Finish
5	029093-01-000	EA	Eyelet - Nickel Finish

1984 WINNEBAGO TABLE OF CONTENTS

Introduction	A-01
Abbreviations	A-01
Alphabetical Index	A-02 - A-04
WC424RC	A-05 - C-16
WCN22RC	C-17 - F-06
WCN27RU	F-07 - H-20
WCN33RU	H-21 - K-08

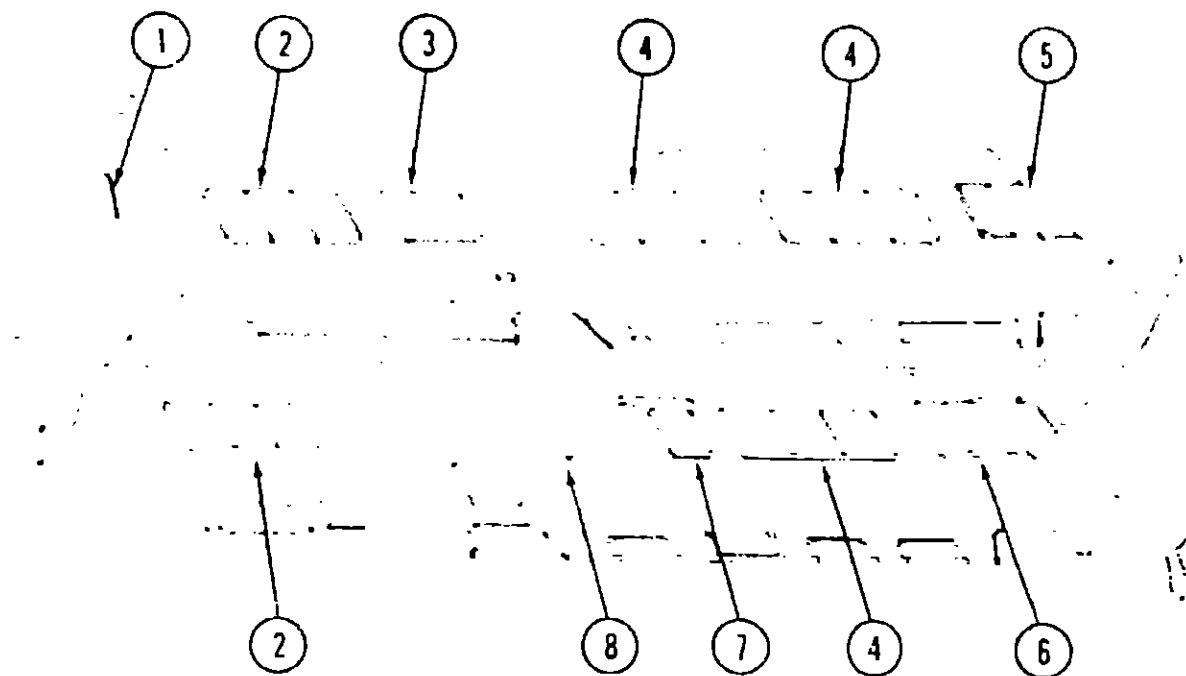
1984 WCN33RU INDEX

Floor Plan	H-21 - H-22
Accessories Group	H-23 - I-01
Bath Group	I-02
Chassis Group	I-03 - I-04
Curtain, Cushion & Pad Group	I-05 - I-11
Dinette Group	I-12
Driver's Compartment Group	I-13 - I-16
Electrical Group	I-17 - I-19
Exterior Body Group	I-20 - J-05
Galley Group	J-06 - J-07
Heating & Air Conditioning Group	J-08 - J-09
Interior Finish Group	J-10 - J-12
LP Group	J-13
Lounge Group	J-14 - J-16
Water & Sewage Group	J-17 - J-18
Window, Vent & Exterior Door Group	J-19 - K-08

CURTAIN, CUSHION & PAD GROUP (CONTINUED)

CURTAIN, CUSHION & PAD GROUP (CONTINUED)

CURTAIN, VALANCES, SHADES & TIE BACKS (CONT.)



CURTAIN, VALANCES, SHADES & TIE BACKS

Key	Part Number	U/M	Description
1	070652-12-R10	EA	Curtain w/Darts - 29" x 15"
1	070652-12-R11	EA	Curtain w/Darts - 29" x 15"
1	070652-12-R12	EA	Curtain w/Darts - 29" x 15"
1	070651-20-R10	EA	Valance Asm - 6" x 82" - Pleated
1	070651-20-R11	EA	Valance Asm - 6" x 82" - Pleated
1	070651-20-R12	EA	Valance Asm - 6" x 82" - Pleated
1	073323-02-R10	EA	Curtain - Sheers - 27 5" x 66"
1	065522-13-000	EA	Shade Asm - Vinyl - 72 25" x 38"
2	070652-12-R10	EA	Curtain w/Darts - 29" x 15"
2	070652-12-R11	EA	Curtain w/Darts - 29" x 15"
2	070652-12-R12	EA	Curtain w/Darts - 29" x 15"
2	070651-21-R10	EA	Valance Asm - 6" x 71" - Pleated
2	070651-21-R11	EA	Valance Asm - 6" x 71" - Pleated
2	070651-21-R12	EA	Valance Asm - 6" x 71" - Pleated
2	073323-02-R10	EA	Curtain - Sheers - 27 5" x 66"
2	065522-11-000	EA	Shade Asm - Vinyl - 60 25" x 38"
3	073251-20-R10	EA	Curtain w/Tape Top - 21 5" x 12" (R11)
3	073251-20-R12	EA	Curtain w/Tape Top - 21 5" x 12"
3	075753-02-R10	EA	Valance Asm - 6" x 42" - Pleated
3	075753-02-R11	EA	Valance Asm - 6" x 42" - Pleated
3	075753-02-R12	EA	Valance Asm - 6" x 42" - Pleated
3	065522-06-000	EA	Shade Asm - 33 25" x 38"
3	075477-26-000	EA	Blind - 31" Wide x 25"
3	070651-52-R07	EA	Valance Asm - Pleated - 6" x 39" - w/Woven Wood (R10)
3	070651-52-R08	EA	Valance Asm - Pleated - 6" x 39" - w/Woven Wood (R11)
3	070651-52-R09	EA	Valance Asm - Pleated - 6" x 39" - w/Woven Wood (R12)
3	075474-17-000	EA	Woven Wood Shade - 32" Wide x 26" (R10, R11)
3	075474-47-000	EA	Woven Wood Shade - 32" Wide x 26" (R12)
4	070652-18-R10	EA	Curtain - Darts - 27" x 15" (R11)
4	070652-18-R12	EA	Curtain - Darts - 27" x 15"
4	075753-05-R10	EA	Valance Asm - 6" x 80" - Pleated
4	075753-05-R11	EA	Valance Asm - 6" x 80" - Pleated
4	075753-05-R12	EA	Valance Asm - 6" x 80" - Pleated
4	073323-02-R10	EA	Curtain - Sheers - 27 5" x 66"
4	065522-12-000	EA	Shade Asm - Vinyl - 69 25" x 38"

4	075477-25-000	EA	Blind - 69" Wide x 28"
4	070651-49-R07	EA	Valance Asm - Pleated - 6" x 76" - w/Woven Wood (R10)
4	070651-49-R08	EA	Valance Asm - Pleated - 6" x 76" - w/Woven Wood (R11)
4	070651-49-R09	EA	Valance Asm - Pleated - 6" x 76" - w/Woven Wood (R12)
4	075474-14-000	EA	Woven Wood Shade - 69" Wide x 29" (R10, R11)
4	075474-46-000	EA	Woven Wood Shade - 69" Wide x 29" (R12)
5	059900-05-R10	EA	Curtain w/Snaps - 29" x 35" - w/Drivers Door
6	073304-03-R10	EA	Curtain w/Snaps - 27 5" x 125" - Front Wraparound - w/Drivers Door
*	073304-07-R10	EA	Curtain w/Snaps - 27 5" x 81" - Front Wraparound - w/o Drivers Door (2 required)
*	073304-02-R10	EA	Curtain w/Snap Top - Bunk Privacy - 22" x 96"
*	073304-23-R10	EA	Curtain w/Snap Top - Bunk Privacy - 40" x 85"
*	073304-25-R10	EA	Curtain w/Snap Top - Blackout - 60" x 86"
*	073304-21-R10	EA	Curtain w/Snap Top - Aisle Divider - 73" x 65"
*	073304-22-R10	EA	Curtain w/Snap Top - Aisle Divider - 54" x 50"
7	065522-02-000	EA	Shade Asm - Vinyl - 21 25" x 38
7	075694-01-R10	EA	Valance Asm - Pleated - Entrance Door
7	075694-01-R11	EA	Valance Asm - Pleated - Entrance Door
7	075694-01-R12	EA	Valance Asm - Pleated - Entrance Door
8	073251-21-R10	EA	Curtain w/Tape Top - 21 5" x 9" (R11)
8	073251-21-R12	EA	Curtain w/Tape Top - 21 5" x 9"
8	075753-08-R10	EA	Valance Asm - 6" x 38 5" - Pleated - Galley
8	075753-08-R11	EA	Valance Asm - 6" x 38 5" - Pleated - Galley
8	075753-08-R12	EA	Valance Asm - 6" x 38 5" - Pleated - Galley
8	065522-16-000	EA	Shade Asm - Vinyl - 28 5" x 38"
8	075477-27-000	EA	Blind - 28" Wide x 22"
8	070651-50-R07	EA	Valance Asm - Pleated - 6" x 35" - w/Woven Wood (R10)
8	070651-50-R08	EA	Valance Asm - Pleated - 6" x 35" - w/Woven Wood (R11)
8	070651-50-R09	EA	Valance Asm - Pleated - 6" x 35" - w/Woven Wood (R12)
8	075474-26-000	EA	Woven Wood Shade - 32" Wide x 26" (R10, R11)
8	075474-48-000	EA	Woven Wood Shade - 32" Wide x 26" (R12)
*	057534-01-000	EA	Tie Back - Clear Plastic - 6"
*	057534-04-000	EA	Tie Back - Clear Plastic - 20"
*	073260-10-R10	EA	Tie Back - Curtain - 3" x 16" (R11)
*	073260-10-R12	EA	Tie Back - Curtain - 3" x 16"
*	073260-12-R10	EA	Tie Back - Curtain - Bedspread - 3" x 16"
*	073260-12-R11	EA	Tie Back - Curtain - Bedspread - 3" x 16"
*	073260-12-R12	EA	Tie Back - Curtain - Bedspread - 3" x 16"
*	Not illustrated		

**1984 WINNEBAGO
TABLE OF CONTENTS**

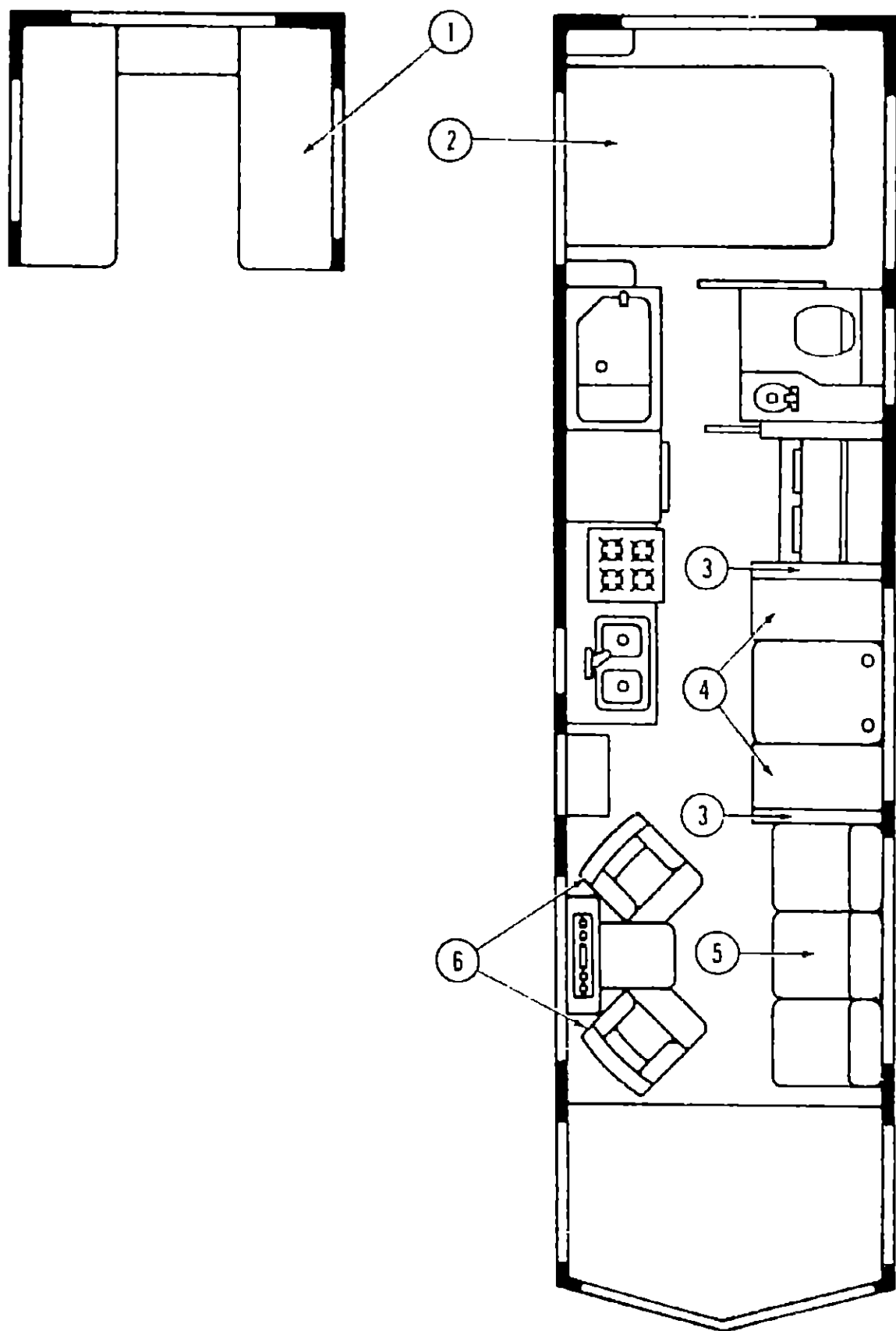
Introduction	A-01
Abbreviations	A-01
Alphabetical Index	A-02 - A-04
WC424FC	A-05 - C-16
WCN22RC	C-17 - F-06
WCN27RU	F-07 - H-20
WCN33RU	H-21 - K-08

1984 WCN33RU INDEX

Floor Plan	H-21 - H-22
Accessories Group	H-23 - I-01
Bath Group	I-02
Chassis Group	I-03 - I-04
Curtain, Cushion & Pad Group	I-05 - I-11
Dinette Group	I-12
Driver's Compartment Group	I-13 - I-16
Electrical Group	I-17 - I-19
Exterior Body Group	I-20 - J-05
Galley Group	J-06 - J-07
Heating & Air Conditioning Group	J-08 - J-09
Interior Finish Group	J-10 - J-12
LP Group	J-13
Lounge Group	J-14 - J-16
Water & Sewage Group	J-17 - J-18
Window, Vent & Exterior Door Group	J-19 - K-08

CURTAIN, CUSHION & PAD GROUP (CONTINUED)

CURTAIN, CUSHION & PAD GROUP (CONTINUED)



SINGLE AND DOUBLE BED MATTRESS

Key	Part Number	U/M	Description
1	058709-01-000	EA	Mattress - Inner Spring - Sealy - 30" x 75"
2	058709-02-000	EA	Mattress - Inner Spring - Sealy - 54" x 75"
.	066343-03-R10	EA	Bedspread - 92" x 82 5"
.	066343-03-R11	EA	Bedspread - 92" x 82 5"
.	066343-03-R12	EA	Bedspread - 92" x 82 5"
.	070653-01-R10	EA	Bedspread - Twin Fitted
.	070653-01-R11	EA	Bedspread - Twin Fitted
.	070653-01-R12	EA	Bedspread - Twin Fitted
.	070654-01-R10	EA	Pillow Cover - Sham - 20" x 26"
.	070654-01-R11	EA	Pillow Cover - Sham - 20" x 26"
.	070654-01-R12	EA	Pillow Cover - Sham - 20" x 26"
.	Not illustrated		

DINETTE CUSHIONS

Key	Part Number	U/M	Description
3	072430-20-R10	EA	Cushion - Dinette Back - 19 2" x 38" x 5"
3	072430-03-R11	EA	Cushion - Dinette Back - 19 2" x 38" x 5"
3	072430-03-R12	EA	Cushion - Dinette Back - 19 2" x 38" x 5"
.	M72430-20-R10	EA	Cover - Dinette Back Cushion - 19 2" x 38" x 5"
.	M72430-03-R11	EA	Cover - Dinette Back Cushion - 19 2" x 38" x 5"
.	M72430-03-R12	EA	Cover - Dinette Back Cushion - 19 2" x 38" x 5"
4	072430-21-R10	EA	Cushion - Dinette Bottom - 17 5" x 38" x 5"
4	072430-04-R11	EA	Cushion - Dinette Bottom - 17 5" x 38" x 5"
4	072430-04-R12	EA	Cushion - Dinette Bottom - 17 5" x 38" x 5"
.	M72430-21-R10	EA	Cover - Dinette Bottom Cushion - 17 5" x 38" x 5"
.	M72430-04-R11	EA	Cover - Dinette Bottom Cushion - 17 5" x 38" x 5"
.	M72430-04-R12	EA	Cover - Dinette Bottom Cushion - 17 5" x 38" x 5"

MAGIC BED

Key	Part Number	U/M	Description
5	075475-02-000	EA	Magic Bed - 3 Pillow - R10
5	075475-01-000	EA	Magic Bed - 3 Pillow - R11
5	075475-03-000	EA	Magic Bed - 3 Pillow - R12

SWIVEL CHAIR

Key	Part Number	U/M	Description
6	073518-09-R10	EA	Chair Asm w Pillow Back - Swivel
6	073518-09-R11	EA	Chair Asm w Pillow Back - Swivel
6	073518-09-R12	EA	Chair Asm w Pillow Back - Swivel
.	075174-02-R10	EA	Skirt Asm - Swivel Chair
.	075174-02-R11	EA	Skirt Asm - Swivel Chair
.	075174-02-R12	EA	Skirt Asm - Swivel Chair
.	035036-01-000	EA	Plate - Tilt and Swivel - Swivel Chair
.	035036-02-000	EA	Base w Leg - Swivel Chair
.	035036-04-000	EA	Base w Leg - Swivel Chair - Low Base
.	035036-05-000	EA	Extension - 7" - Swivel Chair - Low Base

**1984 WINNEBAGO
TABLE OF CONTENTS**

Introduction	A-01
Abbreviations	A-01
Alphabetical Index	A-02 - A-04
WC424RC	A-05 - C-16
WCN22RC	C-17 - F-06
WCN27RU	F-07 - H-20
WCN33RU	H-21 - K-08

1984 WCN33RU INDEX

Floor Plan	H-21 - H-22
Accessories Group	H-23 - I-01
Bath Group	I-02
Chassis Group	I-03 - I-04
Curtain, Cushion, & Pad Group	I-05 - I-11
Dinette Group	I-12
Driver's Compartment Group	I-13 - I-16
Electrical Group	I-17 - I-19
Exterior Body Group	I-20 - J-05
Galley Group	J-06 - J-07
Heating & Air Conditioning Group	J-08 - J-09
Interior Finish Group	J-10 - J-12
LP Group	J-13
Lounge Group	J-14 - J-16
Water & Sewage Group	J-17 - J-18
Window, Vent & Exterior Door Group	J-19 - K-08

CURTAIN, CUSHION & PAD GROUP (CONTINUED)

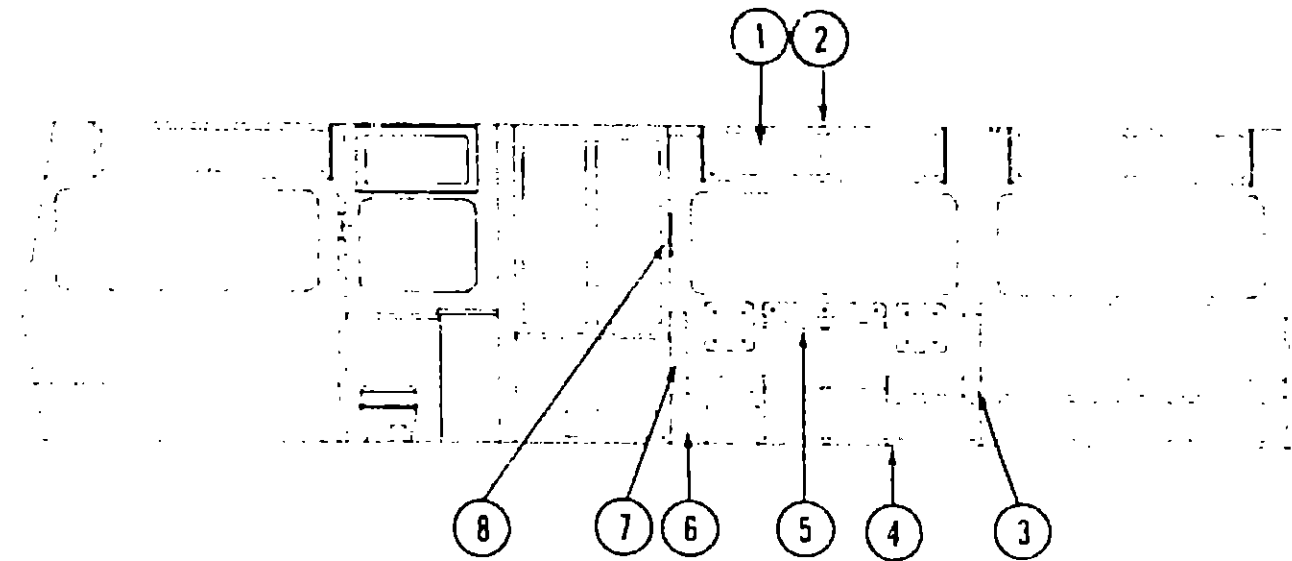
FRONT OVERHEAD BUNK CUSHIONS

Key	Part Number	U/M	Description
	073467-05-R10	EA	Cushion Asm. - Front Bunk - 41.5" x 76" x 4"
	073467-05-R11	EA	Cushion Asm. - Front Bunk - 41.5" x 76" x 4"
	073467-05-R12	EA	Cushion Asm. - Front Bunk - 41.5" x 76" x 4"
	M73467-05-R10	EA	Cover - Front Bunk Cushion - 41.5" x 76" x 4"
	M73467-05-R11	EA	Cover - Front Bunk Cushion - 41.5" x 76" x 4"
	M73467-05-R12	EA	Cover - Front Bunk Cushion - 41.5" x 76" x 4"

BUCKET SEATS

Key	Part Number	U/M	Description
	075966-08-R10	EA	Seat Asm. - Single Bucket - w/Armrests
	075966-08-R11	EA	Seat Asm. - Single Bucket - w/Armrests
	075966-08-R12	EA	Seat Asm. - Single Bucket - w/Armrests
	M00784-13-R10	EA	Cover - Back - Single Bucket
	M00784-13-R11	EA	Cover - Back - Single Bucket
	M00784-13-R12	EA	Cover - Back - Single Bucket
	M00784-14-R10	EA	Cover - Bottom - Single Bucket
	M00784-14-R11	EA	Cover - Bottom - Single Bucket
	M00784-14-R12	EA	Cover - Bottom - Single Bucket
	071126-04-R10	EA	Skirt - Single Bucket (R11)
	071126-04-R12	EA	Skirt - Single Bucket
	075967-03-R10	EA	Seat Asm. - Double Bucket w/Armrests
	075967-03-R11	EA	Seat Asm. - Double Bucket w/Armrests
	075967-03-R12	EA	Seat Asm. - Double Bucket w/Armrests
	M00784-15-R10	EA	Cover - Back - Double Bucket
	M00784-15-R11	EA	Cover - Back - Double Bucket
	M00784-15-R12	EA	Cover - Back - Double Bucket
	M00784-16-R10	EA	Cover - Bottom - Double Bucket
	M00784-16-R11	EA	Cover - Bottom - Double Bucket
	M00784-16-R12	EA	Cover - Bottom - Double Bucket
	071690-02-R10	EA	Skirt - Double Bucket (R11)
	071690-02-R12	EA	Skirt - Double Bucket
	071122-11-R10	EA	Armrest Asm. - Right
	071122-11-R11	EA	Armrest Asm. - Right
	071122-11-R12	EA	Armrest Asm. - Right
	071122-12-R10	EA	Armrest Asm. - Left
	071122-12-R11	EA	Armrest Asm. - Left
	071122-12-R12	EA	Armrest Asm. - Left
	071123-06-R10	EA	Cover - Armrest - Right or Left
	071123-06-R11	EA	Cover - Armrest - Right or Left
	071123-06-R12	EA	Cover - Armrest - Right or Left

DINETTE GROUP



CONVENTIONAL DINETTE AND OVERHEAD CABINERY

Key	Part Number	U/M	Description
1	069852-72-R10	EA	Door Asm. - Dinette Overhead
2	075775-05-R10	EA	Cabinet Asm. - Dinette Overhead - w/o Door or Hardware
3	M01431-01-R10	EA	Cabinet Asm. - Dinette Seat Back - Right (Front)
4	M01430-01-R10	EA	Cabinet Asm. - Dinette Seat - Right (Front)
5	M75501-01-R10	EA	Table Asm. - Dinette - w/o Hardware - w/o Cupholders
	064781-03-000	EA	Cup Holder - Brown
6	M01430-05-R10	EA	Cabinet Asm. - Dinette Seat - Left (Rear)
7	M01431-05-R10	EA	Cabinet Asm. - Dinette Seat - Back - Left (Rear)
8	075907-01-000	EA	Pictures & Frames - 8" x 10" Assorted
	053200-05-000	EA	Wall Support - Upper - Table
	024281-07-000	EA	Wall Bracket - Lower - Table
	024275-05-000	EA	Rod - Table
	053201-03-000	EA	Hanger Bracket - Table
	024276-14-000	EA	Leg - Table - Brown
	024282-01-000	EA	Brace - Table Leg
	064050-01-000	EA	Hinge - Table Leg
	024283-01-000	EA	Clip
	049493-02-000	EA	Holder - Table Leg - Floor
	074549-01-R10	EA	Pad Asm. - Dinette Seat Back - Right
	074549-01-R11	EA	Pad Asm. - Dinette Seat Back - Right
	074549-01-R12	EA	Pad Asm. - Dinette Seat Back - Right
	074549-02-R10	EA	Pad Asm. - Dinette Seat Back - Left
	074549-02-R11	EA	Pad Asm. - Dinette Seat Back - Left
	074549-02-R12	EA	Pad Asm. - Dinette Seat Back - Left
	Not illustrated		

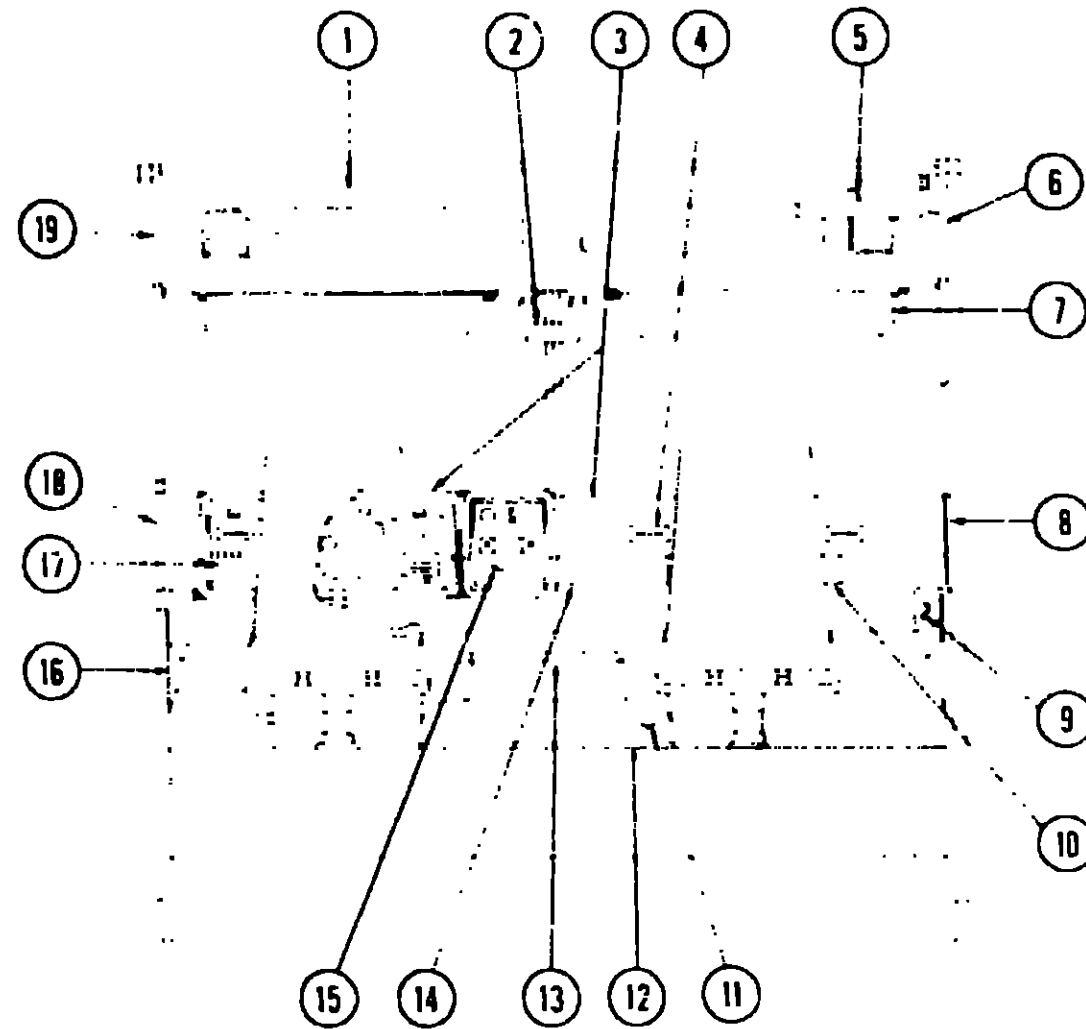
**1984 WINNEBAGO
TABLE OF CONTENTS**

Introduction	A-01
Abbreviations	A-01
Alphabetical Index	A-02 - A-04
WC424RC	A-05 - C-16
WCN22RC	C-17 - F-06
WCN27RU	F-07 - H-20
WCN33RU	H-21 - K-08

1984 WCN33RU INDEX

Floor Plan	H-21 - H-22
Accessories Group	H-23 - I-01
Bath Group	I-02
Chassis Group	I-03 - I-04
Curtain, Cushion & Pad Group	I-05 - I-11
Dinette Group	I-12
Driver's Compartment Group	I-13 - I-16
Electrical Group	I-17 - I-19
Exterior Body Group	I-20 - J-05
Galley Group	J-06 - J-07
Heating & Air Conditioning Group	J-08 - J-09
Interior Finish Group	J-10 - J-12
LP Group	J-13
Lounge Group	J-14 - J-16
Water & Sewage Group	J-17 - J-18
Window, Vent & Exterior Door Group	J-19 - K-08

DRIVER'S COMPARTMENT GROUP



MISCELLANEOUS DRIVER'S COMPARTMENT COMPONENTS

Key	Part Number	U/M	Description
1	076473-01-R10	EA	Cabinet Asm - Front Overhead
2	040714-01-000	EA	Mirror - Inside - Rear View - Glare Proof
	067490-01-000	EA	Button - Mirror - Rear View - Support
**3	M01113-08-000	EA	Dash Asm - Complete w/Gauges and Switches
	022548-04-000	EA	Pad - Dash - Right - Dark Brown
	023242-06-000	EA	Pad - Dash - Left - Dark Brown
	024990-02-000	EA	Outlet - Defroster w/Swivel - 2" Dark Brown
4	039044-01-000	EA	Louver Asm - A C Adjustable
5	076184-02-R10	EA	Bunk Board Asm - Front Overhead - Beige
6	074210-03-P01	EA	Pad Asm - Front Side Overhead - Right - Vinyl
7	075588-01-P01	EA	Sunvisor Asm - Right & Left - Vinyl - w/o Mirror
	040695-02-000	EA	Clip - Sunvisor
	061350-03-000	EA	Windshield Trim - Interior - "A" Post - Light Oak Plastic - Right
	061350-04-000	EA	Windshield Trim - Interior - "A" Post - Light Oak Plastic - Left
8	059414-04-000	EA	Pad - Sidewall Trim - Passenger - Vinyl

DRIVER'S COMPARTMENT GROUP (CONTINUED)

MISCELLANEOUS DRIVER'S COMPARTMENT COMPONENTS (CONT.)

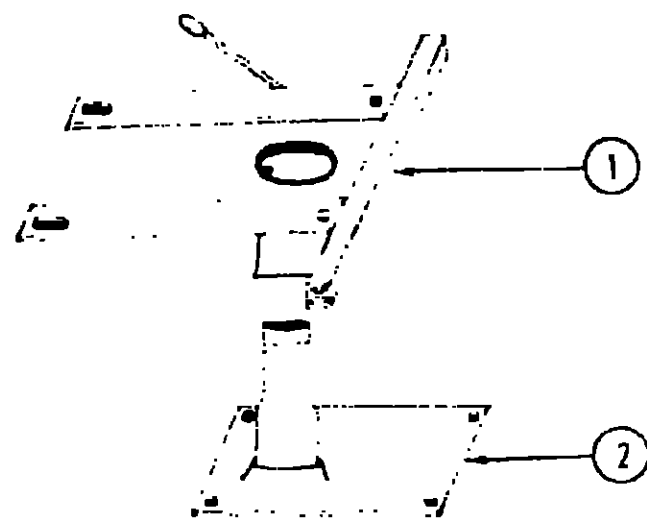
Key	Part Number	U/M	Description
9	072811-01-000	EA	Panel - Side - Passenger - Light Oak Plastic
	059467-04-N07	EA	Pad - Map Pocket - Passenger - Vinyl
10	022219-01-000	EA	Glove Compartment Door
	023892-01-000	EA	Glove Compartment Box - Black Fiberboard
	009188-01-000	EA	Glove Compartment Twist Lock
	024598-01-000	EA	Glove Compartment Hinge - 1 1/16" x 19"
	034309-01-000	EA	Glove Compartment Chain - Door
11	067213-03-000	EA	Motor Cover - Fiberglass
12	035368-05-000	EA	Seal - Motor Cover - Alum Beige
	039623-01-000	FT	Seal - Cover - Engine - Neoprene
	052783-04-000	EA	Seal - Cover - Motor - Upper - Beige
	039057-01-000	EA	Latch - Rubber - Draw Handle - 5 3/4" w/Strike
	039856-01-000	EA	Latch - Rubber - Draw Handle - 3" w/Strike
13	071714-04-000	EA	Beverage Tray Asm - Oak
14	023834-01-000	EA	Panel - Knee Kick - Bottom of Dash
15	076006-03-000	EA	Bezel - Entertainment Center No 3 - w/Cut Out for Radio, Hourmeter and Generator Start/Stop Switch
	007308-01-000	EA	Dash Clock
16	059198-05-000	EA	Panel - Side - Drivers - Light Oak Plastic
16	064499-02-000	EA	Panel - Drivers Door - Light Oak Plastic
	059467-03-N07	EA	Pad - Map Pocket - Drivers - Vinyl
	050796-01-000	EA	Pocket - Ash Tray - Plastic
	050797-01-000	EA	Ash Tray - Plastic
	046886-01-000	EA	Ash Tray Asm - Flush Mount - Chrome
17	071668-01-000	EA	Bezel - Control Panel
	052367-01-000	EA	Cigarette Lighter Asm - 12 Volt
	007041-01-000	EA	Bezel - Cigarette Lighter
	061424-01-000	EA	Lamp Asm - Map Gauge
	061400-03-000	EA	Assist Strap - 12" - Vinyl
18	059414-03-000	EA	Pad - Sidewall Trim - Drivers - Vinyl
19	074210-02-P01	EA	Pad Asm - Front Overhead Cabinet - Left - Vinyl
19	074210-01-P01	EA	Pad Asm - Front Overhead Cabinet - Driver Door - Vinyl
	063886-03-000	EA	Assist Handle - Drivers Door - Beige
	040519-01-000	EA	Rubber Boot - Steering Column
	040520-01-000	EA	Retainer Boot - Steering Column
	054250-01-000	EA	Support - Dimmer Switch
	024849-01-000	EA	Damper Asm - Fresh Air
			Not illustrated
** NOTE: To Be Special Ordered Only			

**1984 WINNEBAGO
TABLE OF CONTENTS**

Introduction	A-01
Abbreviations	A-01
Alphabetical Index	A-02 - A-04
WC424RC	A-05 - C-16
WCN22HC	C-17 - F-06
WCN27RU	F-07 - H-20
WCN33RU	H-21 - K-08

1984 WCN33RU INDEX

Floor Plan	H-21 - H-22
Accessories Group	H-23 - I-01
Bath Group	I-02
Chassis Group	I-03 - I-04
Curtain, Cushion & Pad Group	I-05 - I-11
Dinette Group	I-12
Driver's Compartment Group	I-13 - I-16
Electrical Group	I-17 - I-19
Exterior Body Group	I-20 - J-05
Galley Group	J-06 - J-07
Heating & Air Conditioning Group	J-08 - J-09
Interior Finish Group	J-10 - J-12
LP Group	J-13
Lounge Group	J-14 - J-16
Water & Sewage Group	J-17 - J-18
Window Vent & Exterior Door Group	J-19 - K-08



BUCKET SEAT PEDESTAL AND SEAT BELTS

Key	Part Number	U/M	Description
1	069585-04-000	EA	Plate - Top - Pedestal Asm - Single Bucket Seat
1	069585-10-000	EA	Plate - Top - Pedestal Asm - Double Bucket Seat
2	069585-08-000	EA	Plate - Sub - Pedestal Asm - Bucket Seat
.	069585-05-000	EA	Hardware Kit - Bolt/Acorn Nut - 4 ea - Pedestal Asm
.	056271-02-000	EA	Belt Asm. - Seat - 2" x 72" - Black
.	041322-01-000	EA	Washer - Flat 15/32" I D x 2 3/8" O D - Seat Belt
.	007021-01-000	EA	Belt Asm. - Seat - 2" x 90" - Black
.	007222-01-000	EA	Belt Asm. - Seat - 2" x 60" - Black
.	043910-01-000	EA	Bracket Asm - Seat Belt
.	058375-01-000	EA	Bracket - Seat Belt - Washer
.	069246-01-000	EA	Adjuster Asm - Seat w/ Lock
.	069246-02-000	EA	Adjuster Asm - Seat w/o Lock
.	068601-01-000	EA	Recliner Drive - Left Hand
.	068601-02-000	EA	Recliner Drive - Right Hand
.			Not illustrated

FRONT BUNK AND HARDWARE

Key	Part Number	U/M	Description
	076473-01-R10	EA	Cabinet Asm - Front Overhead
	076184-02-R10	EA	Bunk Board Asm - Front Overhead - w Beige Rails
	053773-01-000	EA	Support - Overhead Bunk - Brown - Right
	053773-02-000	EA	Support - Overhead Bunk - Brown - Left
	039516-04-000	EA	Catch - Bunk - Beige
	023812-28-000	EA	Rail - Bunk - 77 1/2" - Beige
	053774-04-000	EA	Torsion Rod - Overhead Bunk - Brown
	041322-01-000	EA	Washer - Flat - 15/32" I D x 2 3/8" O D - Seat Belt
	074210-03-P01	EA	Pad Asm - Front Side Overhead - Right - Vinyl
	074210-02-P01	EA	Pad Asm - Front Side Overhead - Left - Vinyl
	074210-01-P01	EA	Pad Asm - Front Side Overhead - Driver Door - Vinyl
	048394-01-000	YD	Tape Hook - 1" x 25 YD - Beige
	048395-01-000	YD	Tape Loop - 1" x 25 YD - Beige
	007021-01-000	EA	Belt Asm - Seat - 2" x 90" - Black
	040071-02-000	EA	Belt Asm - 2" x 6" - Bunk Support

DASH SWITCHES AND GAUGES

Key	Part Number	U/M	Description
	024461-01-000	EA	Switch - Battery
	024462-01-000	EA	Switch - Battery Condition
	024464-02-000	EA	Switch - Battery - Dual Boost
	024464-01-000	EA	Switch - Washer
	065963-02-000	EA	Switch - Fuel
	024467-01-000	EA	Switch - Wiper
	024976-01-000	EA	Switch - Generator w/o Circuit Board
	024459-03-000	EA	Gauge - Voltmeter
	024460-03-000	EA	Gauge - Vacuum
	031035-01-000	EA	Gauge - Generator Hourmeter
	074007-01-000	EA	Switch - Intermittent - Windshield Wiper

**1984 WINNEBAGO
TABLE OF CONTENTS**

Introduction	A-01
Abbreviations	A-01
Alphabetical Index	A-02 - A-04
WC424RC	A-05 - C-16
WCN22RC	C-17 - F-06
WCN27RU	F-07 - H-20
WCN33RU	H-21 - K-08

1984 WCN33RU INDEX

Floor Plan	H-21 - H-22
Accessories Group	H-23 - I-01
Bath Group	I-02
Chassis Group	I-03 - I-04
Curtain, Cushion & Pad Group	I-05 - I-11
Dinette Group	I-12
Driver's Compartment Group	I-13 - I-16
Electrical Group	I-17 - I-19
Exterior Body Group	I-20 - J-05
Galley Group	J-06 - J-07
Heating & Air Conditioning Group	J-08 - J-09
Interior Finish Group	J-10 - J-12
LP Group	J-13
Lounge Group	J-14 - J-16
Water & Sewage Group	J-17 - J-18
Window Vent & Exterior Door Group	J-19 - K-08

ELECTRICAL GROUP

EXTERIOR LIGHTS

Key	Part Number	U/M	Description
	007309-01-000	EA	Light - Step Well
	058030-01-000	EA	Tail Lamp Asm - 3 Bulb - Chrome - Right
	058030-02-000	EA	Tail Lamp Asm - 3 Bulb - Chrome - Left
	058031-01-700	EA	Lens - Tail Lamp - Amber
	058031-01-701	EA	Lens - Tail Lamp - Red
	058031-01-702	EA	Lens - Tail Lamp - Back Up
	042405-03-000	EA	Base - Rectangular Clearance Light
	042405-01-000	EA	Lens - Clearance Light - Red w/Reflex
	042405-04-000	EA	Lens - Clearance Light - Red w/o Reflex
	042405-02-000	EA	Lens - Clearance Light - Amber w/Reflex
	042405-05-000	EA	Lens - Clearance Light - Amber w/o Reflex
	008089-01-000	EA	Light - Porch - Recessed
	058030-01-000	EA	Parking Lamp Asm

INTERIOR LIGHTS

Key	Part Number	U/M	Description
	033508-02-000	EA	Light - Dome - Ivory - 1 Bulb - US
	033508-03-000	EA	Light - Dome - Ivory - 1 Bulb - CSA
	033509-02-000	EA	Light - Dome - Ivory - 2 Bulb - US
	033509-03-000	EA	Light - Dome - Ivory - 2 Bulb - CSA
	061424-01-000	EA	Light - 12V Receptacle - Aisle - IP
	024418-01-000	EA	Lamp Asm - Map/Gauge/Aisle
	072353-03-000	EA	Light - Reading - 360° Swivel - Almond
	072353-04-000	EA	Light - Reading - 360° Double Swivel
	008089-01-000	EA	Porch Light - Recessed
	007309-01-000	EA	Light - Step Well
	065202-01-000	EA	Lamp - Wall - Brass - 2 Bulb
	065201-02-000	EA	Lamp Shade - Fabric - Parchment

WINDSHIELD WIPER AND WASHER

Key	Part Number	U/M	Description
**	056000-02-000	EA	Washer Asm - Windshield
**	057653-01-000	EA	Arm - Windshield Wiper - 18" - Black
	067191-02-000	EA	Motor Asm - Windshield Wiper - 2 Speed
	067192-01-000	EA	Link Asm - Connecting - Left
	067193-01-000	EA	Link Asm - Connecting - Right
**	049464-03-000	EA	Blade - Windshield Wiper - 20" - Black
**	067190-01-000	EA	Shaft and Pivot Asm
**	074007-01-000	EA	Switch - Wiper Delay

The illustrated parts breakdown for this item is provided on the Common Items Fiche

BULBS

Key	Part Number	U/M	Description
	037935-01-000	EA	Bulb - 1157
	063914-01-000	EA	Bulb - 1139
	008103-01-000	EA	Bulb - 53
	008213-01-000	EA	Bulb - 57
	008214-01-000	EA	Bulb - 67
	008215-01-000	EA	Bulb - 1003
	008216-01-000	EA	Bulb - 1034
	008217-01-000	EA	Bulb - 1073
	008218-01-000	EA	Bulb - 1141
	008220-01-000	EA	Bulb - 12V - 25W
	036196-01-000	EA	Bulb - 194

ELECTRICAL GROUP (CONTINUED)

FUSE & CIRCUIT BREAKER

Key	Part Number	U/M	Description
	056473-02-000	EA	Fuse - Slow Blow - 5 Amp - 32 Volt Capacity
	056473-01-000	EA	Fuse - Slow Blow - 6 1/4 Amp
	008233-01-000	EA	Fuse - 12 Volt - 6 Amp
	008234-01-000	EA	Fuse - 12 Volt - 10 Amp
	046893-01-000	EA	Fuse - 12 Volt - 13 Amp
	008235-01-000	EA	Fuse - 12 Volt - 15 Amp
	008236-01-000	EA	Fuse - 12 Volt - 20 Amp
	008248-01-000	EA	Fuse - 110 Volt - 30 Amp - AGU
	008252-01-000	EA	Fuse - 110 Volt - 50 Amp
	008208-01-000	EA	Circuit Breaker - 12 Volt - 40 Amp
	008211-01-000	EA	Circuit Breaker - 12 Volt - 6 Amp
	008268-01-000	EA	Circuit Breaker - 12 Volt - 30 Amp w. Mount
	033573-02-000	EA	Circuit Breaker - 12 Volt - 15 Amp w. Mount
	033573-01-000	EA	Circuit Breaker - 12 Volt - 20 Amp w. Mount
	040051-01-000	EA	Circuit Breaker - 110 Volt - 20 Amp TQL
	071279-01-000	EA	Circuit Breaker - 120 Volt - 30/15 Amp
	071279-02-000	EA	Circuit Breaker - 120 Volt - 15/15 Amp
	071279-03-000	EA	Circuit Breaker - 15.20 Amp TQL
	072179-05-000	EA	Circuit Breaker - 120 Volt - 20 Amp
	008299-01-000	EA	Circuit Breaker - 115 Amp TQL
	008297-01-000	EA	Circuit Breaker - 120 Amp TQL
	008293-01-000	EA	Circuit Breaker - 130 Amp TQL
	071280-01-000	EA	Circuit Breaker Blank
	075735-02-000	EA	Circuit Breaker - 120 Volt - 15 Amp

MISCELLANEOUS ELECTRICAL COMPONENTS

Key	Part Number	U/M	Description
	047338-01-000	EA	Isolator - Dual Battery
	063739-01-000	EA	Battery - 12 Volt - 80 Amp - Gould
	008188-01-000	EA	Solenoid - Dual Battery - Relay
	071278-01-000	EA	Control Center - 32 Amp
	071278-02-000	EA	Control Center - 45 Amp
	031720-01-000	EA	Spacer - Receptacle - Brown Plastic - CSA
	039950-01-702	EA	Circuit Board - Control Center
	024459-01-000	EA	Gauge - Voltmeter
	024462-01-000	EA	Switch - Battery Condition
	031035-01-000	EA	Gauge - Hourmeter - Generator
	024976-01-000	EA	Switch - Generator w/o Circuit Board
	024460-03-000	EA	Gauge - Vacuum
	039861-01-000	EA	Sending Unit Kit - Wemac
	071278-01-700	EA	Door - Control Center - w Catch - Brown
	071278-01-701	EA	Converter Module
	071278-01-702	EA	Label - 45 Amp
	071278-01-703	EA	Catch - Control Center Door

1984 WINNEBAGO TABLE OF CONTENTS

Introduction	A-01
Abbreviations	A-01
Alphabetical Index	A-02 - A-04
WC424RC	A-05 - C-16
WCN22RC	C-17 - F-06
WCN27RU	F-07 - H-20
WCN33RU	H-21 - K-08

1984 WCN33RU INDEX

Floor Plan	H-21 - H-22
Accessories Group	H-23 - I-01
Bath Group	I-02
Chassis Group	I-03 - I-04
Curtain Cushion & Pad Group	I-05 - I-11
Dinette Group	I-12
Driver's Compartment Group	I-13 - I-16
Electrical Group	I-17 - I-19
Exterior Body Group	I-20 - J-05
Galley Group	J-06 - J-07
Heating & Air Conditioning Group	J-08 - J-09
Interior Finish Group	J-10 - J-12
LP Group	J-13
Lounge Group	J-14 - J-16
Water & Sewage Group	J-17 - J-18
Window, Vent & Exterior Door Group	J-19 - K-08

ELECTRICAL GROUP (CONTINUED)

WIRE, SWITCHES AND RECEPTACLES

Key	Part Number	U/M	Description
	008024-01-000	FT	Wire - 18 5 Bonded - Orange/White/Yellow/Blue/Brown
	008025-01-000	FT	Wire - 18 5 Bonded - Orange/White/Yellow/Blue/Green
	008028-01-000	FT	Wire - 18 5 Bonded - Blue/Red/Yellow/Orange/White
	008030-01-000	FT	Wire - 18 4 Bonded - Red/Blue/Orange/Green
	008277-01-000	EA	Holder - Fuse - Black - Panel Mount
	008195-01-000	EA	Switch - Push Button - 12 Volt
	006077-01-000	EA	Plaque - Compressor Switch
	008054-01-000	EA	Cord - Power - 10-3 30 Amp - 25' UP
	008052-01-000	EA	Cord - Power - 10-3 30 Amp - 25' CSA
	024571-04-000	EA	Cover Plate - Receptacle - Jumbo Plastic - Ivory
	058028-01-000	EA	Connector - Pigtail - Clear - Nylon
	008162-01-000	EA	Switch - Double Toggle - Spade Brown
	008163-01-000	EA	Switch - Toggle - Brown
	056264-01-000	EA	Switch - Leaf Actuator
	073937-01-000	EA	Switch - Rotary - A-C
	063912-01-000	EA	Relay - Canister Spot w'Ground
	008164-01-000	EA	Cover Plate - Switch - Brown
	024924-02-000	EA	Receptacle - Power Cord
	069238-01-000	EA	Cover - Electrical - 4 x 4 Box
	008058-01-000	EA	Adaptor - Power Cord
	053126-01-000	EA	Receptacle - Ground Fault Interrupter - 125 Volt - Ivory
	053126-02-000	EA	Receptacle - Ground Fault Interrupter - 125 Volt - Brown
	058707-01-000	EA	Receptacle - Single - Brown
	058708-01-000	EA	Receptacle - Duplex - Brown
	008157-01-000	EA	Receptacle - Duplex - Brown (Exterior Backwall)
	058048-01-000	EA	Cover - Electrical Box - 4 5" x 2.75" - Rain Tight (Exterior Backwall)
	008294-01-000	EA	Cover - Steel - Flat Blank - 4" x 4"
	008288-01-000	EA	Box - Electrical - Plastic - 3" x 3 5"
	008289-01-000	EA	Box - Electrical - Steel - 4 x 4 - 1/2 & 3/4 UL
	064398-01-000	EA	Housing Asm - Trailer Receptacle
	064399-01-000	EA	Housing Asm - Trailer Pin
	064450-01-000	EA	Housing Asm - Trailer Plug
	035417-01-000	EA	Terminal - Pin Receptacle 125 Dia
	054532-01-000	EA	Housing - Pin - 6 Position
	031968-01-000	EA	Contact - Plug - Brass - Tin Plated
	035290-17-000	EA	Cable Asm - Battery - 1 AWG Strand - 282"
	054865-01-000	EA	Wire Asm - Generator Switch
	058708-02-000	EA	Receptacle - Duplex - Ivory
	075736-03-000	EA	Receptacle - Cover Extension - Beige
	008162-02-000	EA	Switch - Double Toggle - Spade - Ivory
	008174-01-000	EA	Cover Plate - Single Switch - Ivory
	008160-01-000	EA	Cover Plate - Receptacle - Ivory

EXTERIOR BODY GROUP

MISCELLANEOUS EXTERNALLY MOUNTED PARTS

Key	Part Number	U/M	Description
**	011129-01-000	EA	Plumbing Seal - Roof Vent - 1 5"
	009126-01-000	EA	Assist Handle - Chrome
	010230-03-000	EA	Fill - City Water - Recessed - Beige
	058808-02-000	EA	Water Fill - Lockable - Beige
	072447-01-000	EA	Shroud - Fuel Fill
	063303-04-000	EA	Shroud - Fuel Fill - Lower
	072309-02-000	EA	Shroud - Fill Neck
	072863-01-000	EA	Nameplate - Diesel 6 2L"
	054530-01-000	EA	Exterior Door Holder
	076054-10-003	EA	Fiberglass Sidewall Skin - 45 75" x 352" - Greyhound
	077517-10-001	EA	Fiberglass Sidewall Skin - 46 12" x 378" - Mesa
	077517-10-002	EA	Fiberglass Sidewall Skin - 46 12" x 60" - Mesa
	039155-30-008	EA	Alum - Beige - Mesa II - 024" x 48" x 384"
	039155-30-004	EA	Alum - Beige - Mesa II - 024" x 36" x 384"
	039155-30-011	EA	Alum - Beige - Mesa II - 024" x 12" x 384"
	039155-09-001	EA	Alum - Beige - Greyhound Design - 48" x 96"
	001018-01-024	EA	Alum - Beige - No Design - 48" x 96"
	044487-01-001	EA	Alum - Mill Finish - No Design (Roof) - 96" x 360"
	000868-01-000	SF	Styrofoam - 1 1/2" x 24" x 96"
	000870-01-000	SF	Styrofoam - 1 1/2" x 24" x 96"
	000870-02-000	SF	Styrofoam - 1 1/2" x 48" x 96"

** The illustrated parts breakdown for this item is provided on the Common Items Fiche

1984 WINNEBAGO TABLE OF CONTENTS

Introduction	A-01
Abbreviations	A-01
Alphabetical Index	A-02 - A-04
WC424RC	A-05 - C-16
WCN22RC	C-17 - F-06
WCN27RU	F-07 - H-20
WCN33RU	H-21 - K-08

1984 WCN33RU INDEX

Floor Plan	H-21 - H-22
Accessories Group	H-23 - I-01
Bath Group	I-02
Chassis Group	I-03 - I-04
Curtain, Cushion & Pad Group	I-05 - I-11
Dinette Group	I-12
Driver's Compartment Group	I-13 - I-16
Electrical Group	I-17 - I-19
Exterior Body Group	I-20 - J-05
Galley Group	J-06 - J-07
Heating & Air Conditioning Group	J-08 - J-09
Interior Finish Group	J-10 - J-12
LP Group	J-13
Lounge Group	J-14 - J-16
Water & Sewage Group	J-17 - J-18
Window, Vent & Exterior Door Group	J-19 - K-08

EXTERIOR BODY GROUP (CONTINUED)

INTERIOR/EXTERIOR SCREWS & FASTENERS

Key	Part Number	U/M	Description
	005200-01-000	EA	Bolt - Round Head - Square Neck w/SST Cap - 7/16" - 14 x 1 1/4"
	058279-01-000	EA	Clip - Mounting - Front Panel
	035628-01-000	EA	Fastener - Blind Well Nut - 1.05" x 38"
	000D15-06-00B	EA	Nut - Hex - 3/8" x 24 - Zinc
	005081-01-000	EA	Nut - Speed - C Type - #8 Screw
	000G54-04-20B	EA	Screw 1/4 - 20 x 1 1/4" PTH - Zinc
	000G54-04-22B	EA	Screw 1/4 - 20 x 1 3/8" PTH - Zinc
	000G53-04-06B	EA	Screw 1/4 - Machine - 20 x 3/8" PTH - Zinc
	000G13-06-12P	EA	Screw #6 - 20 x 3/4" PFH - Dark Brown
	000G13-06-28X	EA	Screw #6 - 20 x 3/4" PFH - Gray
	000G13-06-16R	EA	Screw #6 - 20 x 1" PFH - Beige
	000G11-07-08B	EA	Screw #7 - 19 x 1/2" PPH - Zinc
	000G12-08-12M	EA	Screw #8 - 18 x 3/4" POH - Gray
	000G11-08-12R	EA	Screw #8 - 18 x 3/4" PPH - Beige
	000G11-08-12X	EA	Screw #8 - 18 x 3/4" PPH - Gray
	000G11-08-12B	EA	Screw #8 - 18 x 3/4" PPH - Zinc
	000G39-08-12R	EA	Screw #8 - 18 x 3/4" SDPH - Beige
	000G66-08-12M	EA	Screw #8 - 18 x 3/4" SDPH - Gray
	000G11-08-16R	EA	Screw #8 - 18 x 1" PFH - Gray
	000G66-08-16R	EA	Screw #8 - 18 x 1" SDPH - Beige
	000G12-08-28R	EA	Screw #8 - 18 x 1 3/4" POH - Beige
	000G36-08-08E	EA	Screw #8 - 32 x 1/2" PFH - Chrome
	000G39-08-08B	EA	Screw #8 - Self Drilling - 18 x 1/2" PPH - Zinc
	000G39-08-12B	EA	Screw #8 - Self Drilling - 18 x 3/4" PPH - Zinc
	000G39-08-12R	EA	Screw #8 - Self Drilling - 18 x 3/4" PFH - Beige
	000G39-08-16R	EA	Screw #8 - Self Drilling - 18 x 1" PPH - Beige
	000G39-08-16T	EA	Screw #8 - Self Drilling - 18 x 1" PPH - Black
	000G39-08-16P	EA	Screw #8 - Self Drilling - 18 x 1" PPH - Dark Brown
	000G39-08-16X	EA	Screw #8 - Self Drilling - 18 x 1" PPH - Gray
	000G39-08-16E	EA	Screw #8 - Self Drilling - 18 x 1" PPH - Chrome
	000G64-08-16M	EA	Screw #8 - Self Drilling - 18 x 1" SDPH - Gray
	000G67-10-08B	EA	Screw #10 - 12 x 1/2" PPH - Zinc
	000G67-10-10R	EA	Screw #10 - 12 x 5/8" PPH - Beige
	000G67-10-16P	EA	Screw #10 - 12 x 1" PPH - Dark Brown
	000G67-10-16B	EA	Screw #10 - 12 x 1" PPH - Zinc
	000G67-10-20B	EA	Screw #10 - 12 x 1 1/4" - PPH - Zinc
	000G67-10-24B	EA	Screw #10 - 12 x 1 1/2" PPH - Zinc
	049465-04-000	EA	Screw #10 - 16 x 1" POH - w/Washer - Beige
	049465-05-000	EA	Screw #10 - 16 x 1" POH - w/Washer - Gray
	000G12-10-24E	EA	Screw #10 - 16 x 1 1/2" POH - Chrome
	000G11-10-08D	EA	Screw #10 - 16 x 1/2" PPH - Dark Brown
	000G11-10-12R	EA	Screw #10 - 16 x 3/4" PPH - Beige
	000G11-10-12S	EA	Screw #10 - 16 x 3/4" PPH - Off White
	000G11-10-12B	EA	Screw #10 - 16 x 3/4" PPH - Zinc
	000G11-10-16B	EA	Screw #10 - 16 x 1" PPH - Zinc
	000G11-10-40B	EA	Screw #10 - 16 x 2 1/2" PPH - CAD
	000G19-10-12B	EA	Screw #10 - Machine - 32 TPI x 3/4"
	075908-01-000	EA	Screw #10 - Machine - 32 x .56" PTH - Zinc
	000G19-10-20B	EA	Screw #10 - Machine - 32 x 1 1/4" PPH - Zinc
	000G39-12-12E	EA	Screw #10 - Self Drilling - 14 x 3/4" PPH - Chrome
	000G39-10-10R	EA	Screw #10 - Self Drilling - 16 x .62" PPH - Beige
	000G39-10-12R	EA	Screw #10 - Self Drilling - 16 x 3/4" PPH - Beige
	000G39-10-12P	EA	Screw #10 - Self Drilling - 16 x 3/4" PPH - Dark Brown
	000G56-12-48C	EA	Screw #12 - Wood - 11 x 3" POH - CAD

EXTERIOR BODY GROUP (CONTINUED)

SEALANTS & ADHESIVES

Key	Part Number	U/M	Description
	004020-01-000	QT	Adhesive - ABS Cement (Plastic Fittings)
	002337-01-000	EA	Adhesive - 1300 Tube - 3M (Windows)
	004005-02-000	GL	Adhesive - Swifts - Glue (Sidewalls)
	053766-07-000	EA	Bedding Compound - Tube - Beige (Exterior)
	053766-06-000	EA	Bedding Compound - Tube - Clear (Window)
	053766-08-000	EA	Bedding Compound - Tube - Gray (Exterior)
	053766-05-000	EA	Bedding Compound - Tube - Gray (Sidewalls to Floor)
	053766-02-000	EA	Bedding Compound - Tube - Off White (Exterior)
	002328-02-000	EA	Block - Rubber Spacer (Windshield)
	004336-01-000	EA	Caulk - Latex - Golden Walnut (Sidewalls)
	072891-02-000	QT	Primer - Glass - Black
	072891-01-000	QT	Primer - Glass - Clear
	035024-01-000	EA	Primer - Glass - Clear - Windshield
	072890-01-000	QT	Primer - Metal - Black
	035023-01-000	GL	Primer - Metal - Windshield
	077967-01-000	EA	Sealant - Acrylic Latex - Tube - Off White (Interior Sealant)
	034552-04-000	EA	Sealant - Silicone - Beige
	034552-02-000	EA	Sealant - Silicone - Clear
	034552-07-000	EA	Sealant - Silicone - Dark Gray
	034552-06-000	EA	Sealant - Silicone - Off White
	069637-01-000	EA	Sealant - Weatherbar 404 - Tube - White (Door Caulk)
	072889-01-000	EA	Sealant - Urethane - Black (Windshield)
	069640-01-000	FT	Sealer Ribbon - .25" Bead x 20'
	069640-02-000	FT	Sealer Ribbon - .5" x .125" x 30'
	069640-03-000	FT	Sealer Ribbon - .75" x .125" x 30'
	069640-04-000	FT	Sealer Ribbon - 2" x .09" x 45' (P Series)
	069640-05-000	FT	Sealer Ribbon - 2.5" x .09" x 50'
	069640-06-000	FT	Sealer Ribbon - 5/16" Bead x 15'
	069640-07-000	FT	Sealer Ribbon - 2" x 3/32" x 30'
	002316-01-000	FT	Sealer Tape - 3/32" x 3/8" - White (Window)
	002707-01-000	FT	Sealer Tape - 5/16" x 3/4"
	002707-02-000	FT	Sealer Tape - 5/16" x 1/2"
	040545-01-000	GL	Sealer - Seam Weld
	053752-04-000	EA	Seam Sealer - Tube - Aluminum (Roof)
	063642-01-000	FT	Tape - Adhesive - .10 mm. x 1.5" Wide
	038886-01-000	EA	Tape - Butyl - .31" x .31" x 146" (Windshield)
	076322-01-000	FT	Tape - Foam - Double Coated - .025 x 1 0" (Fiberglass Sidewall Seams)
	076322-02-000	FT	Tape - Foam - Double Coated - .045 x 1" (Fiberglass Sidewall Seams)
	009200-01-000	EA	Tape - Furnace - 1.5"
	002825-01-000	FT	Weather Striping (Roof Vent)

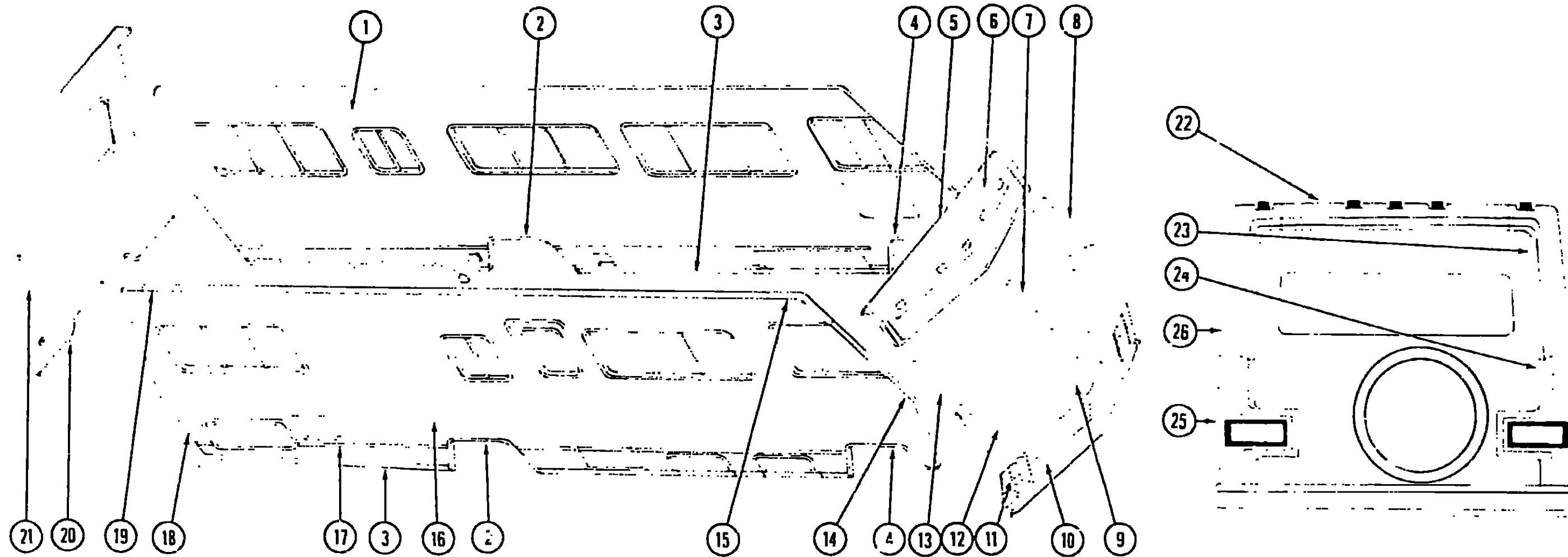
**1984 WINNEBAGO
TABLE OF CONTENTS**

Introduction	A-01
Abbreviations	A-01
Alphabetical Index	A-02 - A-04
WC424RC	A-05 - C-16
WCN22RC	C-17 - F-06
WCN27RU	F-07 - H-20
WCN33RU	H-21 - K-08

1984 WCN33RU INDEX

Floor Plan	H-21 - H-22
Accessories Group	H-23 - I-01
Bath Group	I-02
Chassis Group	I-03 - I-04
Curtain, Cushion & Pad Group	I-05 - I-11
Dinette Group	I-12
Driver's Compartment Group	I-13 - I-16
Electrical Group	I-17 - I-19
Exterior Body Group	I-20 - J-05
Galley Group	J-06 - J-07
Heating & Air Conditioning Group	J-08 - J-09
Interior Finish Group	J-10 - J-12
LP Group	J-13
Lounge Group	J-14 - J-16
Water & Sewage Group	J-17 - J-18
Window, Vent & Exterior Door Group	J-19 - K-08

EXTERIOR BODY GROUP (CONTINUED)



1984 WINNEBAGO TABLE OF CONTENTS

Introduction	A-01
Abbreviations	A-01
Alphabetical Index	A-02 - A-04
WC424RC	A-05 - C-16
WCN22RC	C-17 - F-06
WCN27RU	F-07 - H-20
WCN33RU	H-21 - K-08

EXTERIOR BODY PANELS & SHEET ALUMINUM

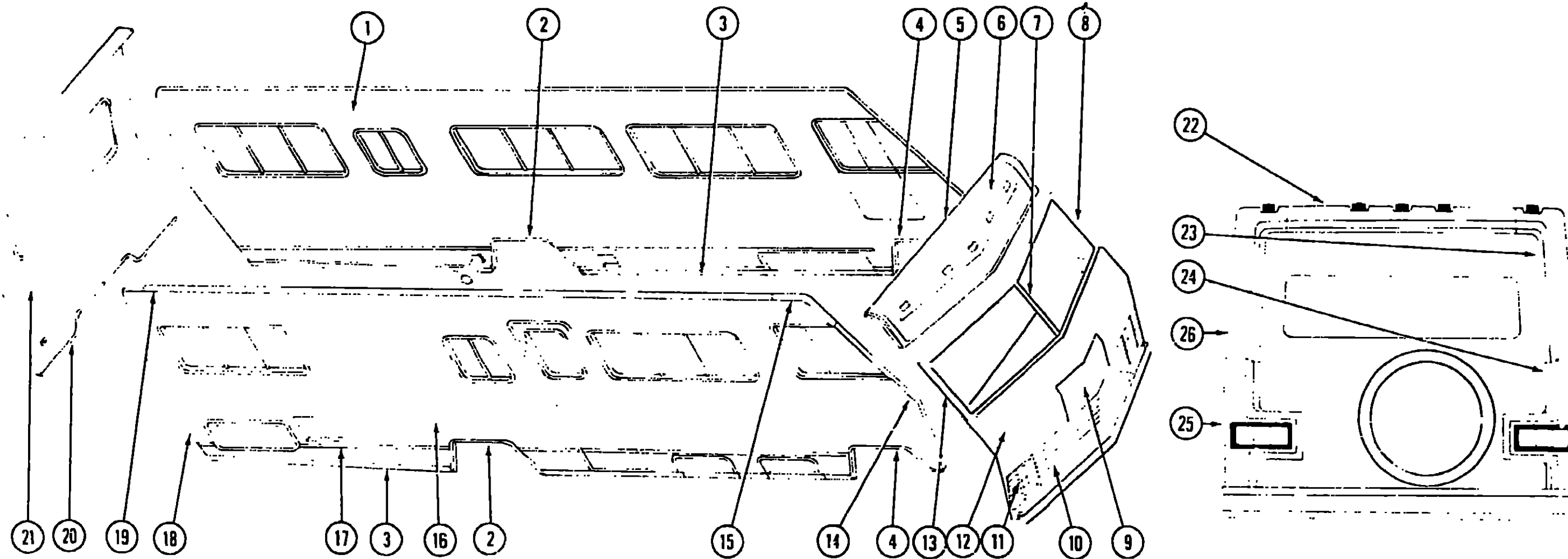
Key	Part Number	U/M	Description
1	M75954-01-R10	EA	Sidewall Asm. - Left - Alum.
1	M75954-01-R11	EA	Sidewall Asm. - Left - Alum.
1	M75954-01-R12	EA	Sidewall Asm. - Left - Alum.
2	058487-03-000	EA	Trim - Wheelwell - Rear - U-Channel - Left or Right
	075070-01-000	EA	Trim - Wheelwell - Rear - Plastic - Right
	075070-03-000	EA	Trim - Wheelwell - Rear - Plastic - Left
3	072639-01-001	EA	Rocker Panel - 216"
4	073647-01-000	EA	Trim - Wheelwell - Front - U-Channel - Left or Right
	075069-01-000	EA	Trim - Wheelwell - Front - Plastic - Right
	075069-03-000	EA	Trim - Wheelwell - Front - Plastic - Left
5	062396-01-000	EA	Trim - Roof/Front Cap/Rear Cap
6	055401-02-000	EA	Cap - Over Windshield - Beige
7	058288-01-000	EA	Trim - Molding - Windshield - Center
8	058289-01-000	EA	Trim - Contour - Windshield - Left
	058287-01-000	EA	Trim - Molding - Windshield - Upper/Lower
9	073064-02-000	EA	Access Panel - w/Hardware
10	074636-01-000	EA	Grille Asm.
	074588-01-000	EA	Mesh Asm. - Grille
11	073651-01-000	EA	Trim - Corner Grille - Right
	073651-02-000	EA	Trim - Corner Grille - Left
	070817-04-000	EA	Headlamp Bezel - Right
	070817-03-000	EA	Headlamp Bezel - Left
12	073065-02-000	EA	Panel Asm. - Front Shroud (includes Access Panel)
13	058289-02-000	EA	Trim - Contour - Windshield - Right
	042743-01-000	EA	Corner Support - Windshield - Lower - Steel
	042743-02-000	EA	Corner Support - Windshield - Upper - Steel

Key	Part Number	U/M	Description
14	073861-01-000	EA	Trim to Fiberglass Panel - Right - Beige
	073861-02-000	EA	Trim to Fiberglass Panel - Left - Beige
15	058284-04-000	EA	Trim - Contour - Right Front - Upper - Beige
	058284-03-000	EA	Trim - Contour - Left Front - Upper - Beige
16	M75950-01-R10	EA	Sidewall Asm. - Right - Alum.
16	M75950-01-R11	EA	Sidewall Asm. - Right - Alum.
16	M75950-01-R12	EA	Sidewall Asm. - Right - Alum.
17	059576-06-000	EA	Feature Strip - Extr. Brown - 14' - w/o Insert
	009731-01-000	EA	End Cap - Feature Strip Insert
	C01030-12-001	EA	Insert - Feature Strip - Beige - 17'
18	073502-01-000	EA	Trim - Right Rear - Beige
	073502-02-000	EA	Trim - Left Rear - Beige
19	034922-14-000	EA	Trim - Sidewall - Upper - Left or Right - Beige - 175"
20	050406-06-000	EA	Trim - Backwall - Lower - Left or Right
	075971-01-R10	EA	Roof Asm.
21	075507-01-R10	EA	Backwall Asm.
	072917-02-000	EA	Rod - Hood Prop
	072010-01-000	EA	Cable - Release (Access Panel)
	073611-01-000	EA	Striker - Hood Latch
	074178-01-000	EA	Bracket - Cable Release - Inside
	074202-01-000	EA	Latch - Hood
	072013-01-000	EA	Spring - Hood Release
	072011-01-000	EA	Cable Sheath
22	073571-01-000	EA	Trim - Rear - Center Upper - Plastic - Beige
23	073654-01-000	EA	Trim - Rear - Upper Right - Plastic - Beige
24	073570-01-000	EA	Trim - Rear - Lower Right - Plastic - Beige
25	073570-03-000	EA	Trim - Rear - Lower Left - Plastic - Beige
26	073754-03-000	EA	Trim - Rear - Upper Left - Plastic - Beige
			Not illustrated

1984 WCN33RU INDEX

Floor Plan	H-21 - H-22
Accessories Group	H-23 - I-01
Bath Group	I-02
Classis Group	I-03 - I-04
Curtain, Cushion & Pad Group	I-05 - I-11
Dinette Group	I-12
Driver's Compartment Group	I-13 - I-16
Electrical Group	I-17 - I-19
Exterior Body Group	I-20 - J-05
Galley Group	J-06 - J-07
Heating & Air Conditioning Group	J-08 - J-09
Interior Finish Group	J-10 - J-12
LP Group	J-13
Lounge Group	J-14 - J-16
Water & Sewage Group	J-17 - J-18
Window, Vent & Exterior Door Group	J-19 - K-08

EXTERIOR BODY GROUP (CONTINUED)



1984 WINNEBAGO TABLE OF CONTENTS

Introduction	A-01
Abbreviations	A-01
Alphabetical Index	A-02 - A-04
WC424RC	A-05 - C-16
WCN22RC	C-17 - F-06
WCN27RU	F-07 - H-20
WCN33RU	H-21 - K-08

EXTERIOR BODY PANELS & SHEET FIBERGLASS

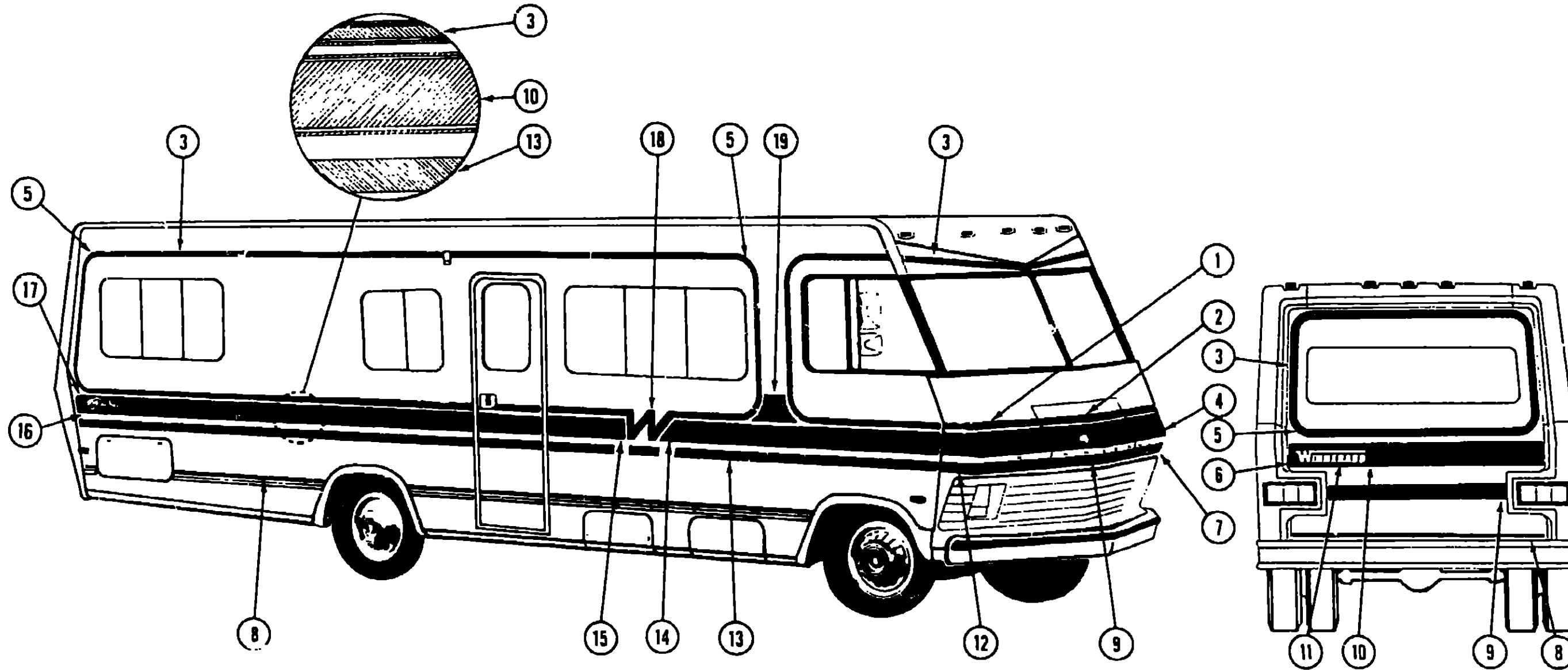
Key	Part Number	U/M	Description
1	M76667-01-R10	EA	Sidewall Asm. - Left - Fiberglass Greyhound
1	M76667-01-R11	EA	Sidewall Asm. - Left - Fiberglass Greyhound
1	M76667-01-R12	EA	Sidewall Asm. - Left - Fiberglass Greyhound
1	M77781-01-R10	EA	Sidewall Asm. - Left - Fiberglass - Mesa
1	M77781-01-R11	EA	Sidewall Asm. - Left - Fiberglass - Mesa
1	M77781-01-R12	EA	Sidewall Asm. - Left - Fiberglass - Mesa
2	058487-03-000	EA	Trim - Wheelwell - Rear - U-Channel - Left or Right
.	075070-01-000	EA	Trim - Wheelwell - Rear - Plastic - Right
.	075070-03-000	EA	Trim - Wheelwell - Rear - Plastic - Left
3	072639-01-001	EA	Rocker Panel - 216"
4	073647-01-000	EA	Trim - Wheelwell - Front - U-Channel - Left or Right
.	075069-01-000	EA	Trim - Wheelwell - Front - Plastic - Right
.	075069-03-000	EA	Trim - Wheelwell - Front - Plastic - Left
5	062396-01-000	EA	Trim - Roof/Front Cap/Rear Cap
6	055401-02-000	EA	Cap - Over Windshield - Beige
7	058288-01-000	EA	Trim - Molding - Windshield - Center
8	058289-01-000	EA	Trim - Contour - Windshield - Left
.	058287-01-000	EA	Trim - Molding - Windshield - Upper/Lower
9	073064-02-000	EA	Access Panel - w/Hardware
10	074636-01-000	EA	Grille Asm.
.	07458E-01-000	EA	Mesh Asm. - Grille
11	073651-01-000	EA	Trim - Corner Grille - Right
.	073651-02-000	EA	Trim - Corner Grille - Right
.	070817-04-000	EA	Headlamp Bezel - Right
.	070817-03-000	EA	Headlamp Bezel - Left
12	073065-02-000	EA	Panel Asm. - Front Shroud (includes Access Panel)
13	058289-02-000	EA	Trim - Contour - Windshield - Right
.	042743-01-000	EA	Corner Support - Windshield - Lower - Steel
.	042743-02-000	EA	Corner Support - Windshield - Upper - Steel

Key	Part Number	U/M	Description
14	073861-01-000	EA	Trim to Fiberglass Panel - Right - Beige
.	073861-02-000	EA	Trim to Fiberglass Panel - Left - Beige
15	076598-01-000	EA	Trim - Contour - Right - Front Upper - Beige
.	076598-02-000	EA	Trim - Contour - Left Front Upper - Beige
16	M76666-01-R10	EA	Sidewall Asm. - Right - Fiberglass Greyhound
16	M76666-01-R11	EA	Sidewall Asm. - Right - Fiberglass Greyhound
16	M76666-01-R12	EA	Sidewall Asm. - Right - Fiberglass Greyhound
16	M77780-01-R10	EA	Sidewall Asm. - Right - Fiberglass - Mesa
16	M77780-01-R11	EA	Sidewall Asm. - Right - Fiberglass - Mesa
16	M77780-01-R12	EA	Sidewall Asm. - Right - Fiberglass - Mesa
17	059576-06-000	EA	Feature Strip - Extr. Brown - 14' w/o Insert
.	009731-01-000	EA	End Cap - Feature Strip Insert
.	001030-12-001	EA	Insert - Feature Strip - Beige - 17'
18	073502-01-000	EA	Trim - Right Rear - Beige
.	073502-02-000	EA	Trim - Left Rear - Beige
19	076610-05-000	EA	Trim - Sidewall - Upper - Left or Right - 13.7'
.	076613-01-000	EA	Extr. - Roof to Sidewall - 16'
20	050406-06-000	EA	Trim - Backwall - Lower - Left or Right
.	077801-01-R10	EA	Roof Asm.
21	075507-01-R10	EA	Backwall Asm.
.	072917-02-000	EA	Rod - Hood Prop
.	072010-01-000	EA	Cable - Release (Access Panel)
.	073611-01-000	EA	Striker - Hood Latch
.	074178-01-000	EA	Bracket - Cable Release - Inside
.	074202-01-000	EA	Latch - Hood
.	072013-01-000	EA	Spring - Hood Release
.	072011-01-000	EA	Cable Sheath
22	073571-01-000	EA	Trim - Rear - Center Upper - Plastic - Beige
23	073654-01-000	EA	Trim - Rear - Upper Right - Plastic - Beige
24	073570-01-000	EA	Trim - Rear - Lower Right - Plastic - Beige
25	073570-03-000	EA	Trim - Rear - Lower Left - Plastic - Beige
26	073654-03-000	EA	Trim - Rear - Upper Left - Plastic - Beige
.			Not illustrated

1984 WCN33RU INDEX

Floor Plan	H-21 - H-22
Accessories Group	H-23 - I-01
Bath Group	I-02
Chassis Group	I-03 - I-04
Curtain, Cushion & Pad Group	I-05 - I-11
Dinette Group	I-12
Driver's Compartment Group	I-13 - I-16
Electrical Group	I-17 - I-19
Exterior Body Group	I-20 - J-05
Galley Group	J-06 - J-07
Heating & Air Conditioning Group	J-08 - J-09
Interior Finish Group	J-10 - J-12
LP Group	J-13
Lounge Group	J-14 - J-16
Water & Sewage Group	J-17 - J-18
Window, Vent & Exterior Door Group	J-19 - K-08

EXTERIOR BODY GROUP (CONTINUED)



DECALS

Key	Part Number	U/M	Description
1	073728-07-000	EA	Decal - Corner - Right - Medium Blue Metallic/Dark Brown Metallic
1	073728-09-000	EA	Decal - Corner - Right - Light Brown Metallic/Dark Brown Metallic
1	073728-03-000	EA	Decal - Corner - Right - Burgundy Metallic/Dark Brown Metallic
2	073727-04-000	EA	Decal - Hood - Medium Blue Metallic/Dark Brown Metallic
2	073727-05-000	EA	Decal - Hood - Light Brown Metallic/Dark Brown Metallic
2	073727-02-000	EA	Decal - Hood - Burgundy Metallic/Dark Brown Metallic
3	069245-08-000	FT	Film - Multi-Stripe - 1.69" x 150" - Dark Brown Metallic
4	073728-08-000	EA	Decal - Corner - Left - Medium Blue Metallic/Dark Brown Metallic
4	073728-10-000	EA	Decal - Corner - Left - Light Brown Metallic/Dark Brown Metallic
4	073728-04-000	EA	Decal - Corner - Left - Burgundy Metallic/Dark Brown Metallic
5	073718-01-000	EA	Decal - 180° Turn - Dark Brown Metallic
6	073722-04-000	EA	Decal - End Cap - 6" - Left or Right - Medium Blue Metallic
6	073722-05-000	EA	Decal - End Cap - 6" - Left or Right - Light Brown Metallic
6	073722-02-000	EA	Decal - End Cap - 6" - Left or Right - Burgundy Metallic
7	073726-02-000	EA	Decal - Corner Stripe - Bottom - Left - Dark Brown Metallic
8	041273-74-000	FT	Decal - Striping - 1" - Medium Blue Metallic
8	041273-75-000	FT	Decal - Striping - 1" - Light Brown Metallic
8	041273-60-000	FT	Decal - Striping - 1" - Burgundy Metallic
9	041273-63-000	FT	Decal - Striping - 2.69" - Dark Brown Metallic
10	069245-13-000	FT	Film - Multi-Stripe - 6" x 150" - Medium Blue Metallic
10	069245-14-000	FT	Film - Multi-Stripe - 6" x 150" - Light Brown Metallic
10	069246-10-000	FT	Film - Multi-Stripe - 6" x 150" - Burgundy Metallic
.	069745-03-000	EA	Decal - "Winnie"
.	069745-04-000	EA	Decal - "Bago"
.	041273-73-000	FT	Decal - Chrome - .19" (Headlamps)

J-3

Key	Part Number	U/M	Description
11	050313-22-000	EA	Decal - Winnebago - Rear
12	073726-01-000	EA	Decal - Corner Stripe - Bottom - Right - Dark Brown Metallic
13	041273-62-000	FT	Decal - Striping - 2.5" - Dark Brown Metallic
14	073719-08-000	EA	Decal - W Surround - Right - Medium Blue Metallic
14	073719-10-000	EA	Decal - W Surround - Right - Light Brown Metallic
14	073719-04-000	EA	Decal - W Surround - Right - Burgundy Metallic
15	073719-07-000	EA	Decal - W Surround - Left - Medium Blue Metallic
15	073719-09-000	EA	Decal - W Surround - Left - Light Brown Metallic
15	073719-03-000	EA	Decal - W Surround - Left - Burgundy Metallic
16	058719-02-000	EA	Decal - Chieftain
17	073721-07-000	EA	Decal - End Cap - 6" - Right - Medium Blue Metallic
17	073721-09-000	EA	Decal - End Cap - 6" - Right - Light Brown Metallic
17	073721-03-000	EA	Decal - End Cap - 6" - Right - Burgundy Metallic
.	073721-08-000	EA	Decal - End Cap - 6" - Left - Medium Blue Metallic
.	073721-10-000	EA	Decal - End Cap - 6" - Left - Light Brown Metallic
.	073721-04-000	EA	Decal - End Cap - 6" - Left - Burgundy Metallic
18	073725-01-000	EA	Decal - Flying W - Dark Brown Metallic
19	073723-04-000	EA	Decal - Number Plaque - Medium Blue Metallic
19	073723-05-000	EA	Decal - Number Plaque - Light Brown Metallic
19	073723-02-000	EA	Decal - Number Plaque - Burgundy Metallic
.	073724-09-000	EA	Decal - Logo - 33 - Chrome
.	065960-01-000	EA	Decal - LP Power
.	074559-01-000	EA	Decal - Winnebago LPG
.			Not illustrated

J-4

1984 WINNEBAGO TABLE OF CONTENTS

Introduction	A-01
Abbreviations	A-01
Alphabetical Index	A-02 - A-04
WC424RC	A-05 - C-16
WCN22RC	C-17 - F-06
WCN27RU	F-07 - H-20
WCN33RU	H-21 - K-08

1984 WCN33RU INDEX

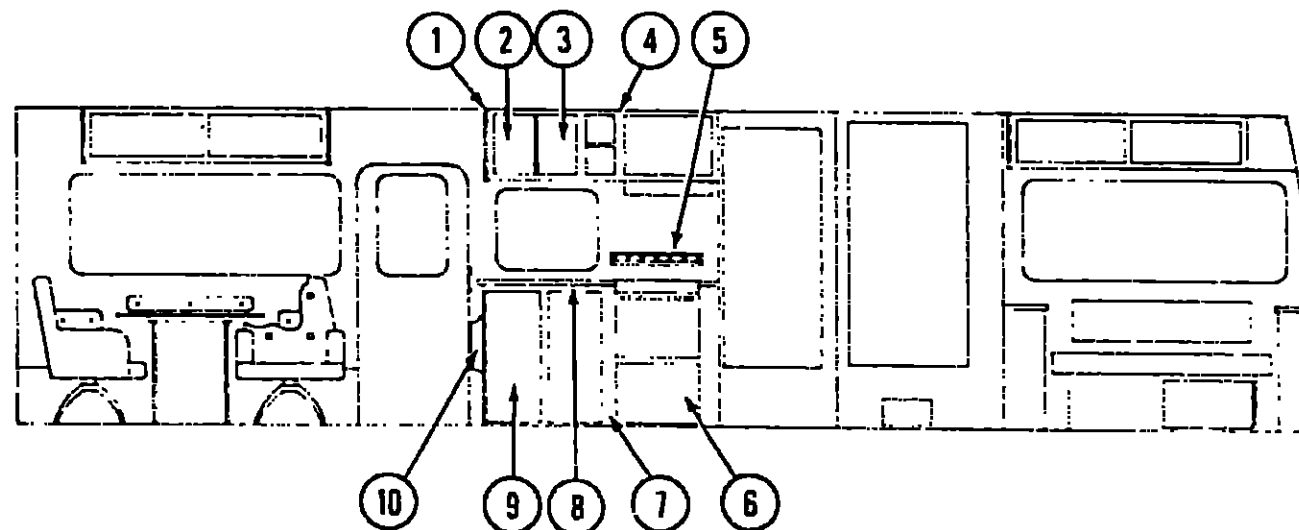
Floor Plan	H-21 - H-22
Accessories Group	H-23 - I-01
Bath Group	I-02
Chassis Group	I-03 - I-04
Curtain, Cushion & Pad Group	I-05 - I-11
Dinette Group	I-12
Driver's Compartment Group	I-13 - I-16
Electrical Group	I-17 - I-19
Exterior Body Group	I-20 - J-05
Galley Group	J-06 - J-07
Heating & Air Conditioning Group	J-08 - J-09
Interior Finish Group	J-10 - J-12
LP Group	J-13
Lounge Group	J-14 - J-16
Water & Sewage Group	J-17 - J-18
Window, Vent & Exterior Door Group	J-19 - K-08

EXTERIOR BODY GROUP (CONTINUED)

LABELS & EXTERIOR PAINT

Key	Part Number	U/M	Description
	068383-01-000	EA	Label - Diesel Fuel
	006195-01-000	EA	Label - Electrical Test
	047731-01-000	EA	Label - Emergency Exit
	006199-01-000	EA	Label - Exit - Escape Window
	057467-04-000	EA	Label - Exterior Loading Limit
	064378-01-000	EA	Label - Flying "W" w/Thermc Panel
	061417-01-000	EA	Label - Fuel
	006196-01-000	EA	Label - Gas Test
	054531-01-000	EA	Label - LP Gas Only
	040944-01-000	EA	Label - Open - Entrance Door
	006015-01-000	EA	Label - Patent Motor Home
	056259-01-000	EA	Label - Safety Check List
	006064-01-000	EA	Label - Seat - w/o Seat Belts
	006187-01-000	EA	Label - Sewage
	006006-01-000	EA	Label - Thermo Panel - 2 1/4" x 2 1/4"
	075221-01-000	EA	Label - Trailer Hitch Capacity
	075220-01-000	EA	Label - Warning - Exterior Load Limit
	050225-01-000	EA	Label - Warning - Stove Vent - US
	006188-01-000	EA	Label - Waste Water
	006197-01-000	EA	Label - Water Test
	072863-01-000	EA	Nameplate - Diesel - 6.2L
	006062-01-000	EA	Tag - Electrical - 110 Volt Connection
	006040-01-000	EA	Tag - Gas - Refueling Warning
	044486-03-000	EA	Paint - Beige Acrylic Enamel - 13 oz. Aerosol (7633A Dupont)
	045681-03-000	EA	Paint - Gloss Black - Acrylic Enamel - 16 oz. Aerosol (99 Dupont)
	058637-05-000	EA	Paint - Gray Acrylic Enamel - 16 oz. Aerosol (71537 Dupont)
	041561-07-000	EA	Paint - Off White Acrylic Enamel - 16 oz. Aerosol (45396A Dupont)

GALLEY GROUP



GALLEY CABINETRY

Key	Part Number	U/M	Description
1	071847-05-R10	EA	End Cap - Pad - Galley Overhead - Medium Almond Vinyl
2	073521-06-R10	EA	Door Asm. - Galley Overhead - Left - w/o Hardware
3	073521-05-R10	EA	Door Asm. - Galley Overhead - Right - w/o Hardware
4	M75847-01-R10	EA	Cabinet Asm. - Galley Overhead - w/o Doors or Hardware
5	074490-02-R10	EA	Spice Rack - Oak
6	072718-04-R10	EA	Door Asm. - Furnace - w/Mesh Insert - w/o Hardware
7	M75805-01-R10	EA	Cabinet Asm. - Galley - w/o Doors, Drawers, Countertop or Hardware
8	M01445-01-R10	EA	Countertop Asm. - Galley Cabinet - Almond Loom
9	069852-40-R10	EA	Door Asm. - Galley Cabinet - w/o Hardware
10	074491-02-R10	EA	Magazine Rack - Oak
*	077404-01-000	EA	Drawer - Galley Cabinet - 20" x 12 7" - Plastic
*	069852-27-R10	EA	Door Asm. - Wardrobe Cabinet - 16.7" x 47 1" - w/o Hardware
*	M01458-01-R10	EA	Countertop Asm. - Wardrobe - Harbor Oak
*	072393-01-000	EA	Drawer Slide - Galley Cabinet
*	057898-01-000	EA	Latch - Hidden
*	066529-01-R10	EA	Extension Asm. - Galley - Almond Loom
*	053331-01-000	EA	Hinge - Offset - Side Mount
*	M73918-02-R10	EA	Door Asm. - Wardrobe - Access Panel
*	052654-22-R10	EA	Shelf - Galley Overhead - w/o Microwave
*			Not illustrated

GALLEY HARDWARE

Key	Part Number	U/M	Description
	068615-01-000	EA	Sink - Stainless Steel - Double w/Bolts
**	011053-01-000	EA	Faucet - 8" - Swing Spout - U.S
**	011053-02-000	EA	Faucet - 8" - Swing Spout - C S A
	065250-01-000	EA	Bracket Asm. - Tie Down - Refrigerator
**	011053-01-700	EA	Aerator - Swing Spout Faucet
**	066437-01-000	EA	Strainer - Sink - w/Basket
	053424-04-R10	EA	Cover - Sink - Large - Almond
	058334-01-000	EA	Wastebasket - 9 3/4" x 7" x 10" - White - Rubbermaid
	058478-01-000	EA	Wastebasket - Support Bracket
	058841-01-R10	EA	Cover - Wastebasket - Almond Loom
	749045-01-740	EA	Cover - Stovetop Bifold - Magic Chef
	074981-01-000	EA	Cutting Board - Maple
	072393-01-000	EA	Drawer Slide
	075569-01-R10	EA	Pantry Asm. - w/o Hardware
	076098-01-000	EA	Bracket - Pantry Asm. to Wardrobe
	074316-01-000	EA	Slide Asm. - Pantry
	075451-01-000	EA	Rack - Canned Goods
	075451-02-000	EA	Clip - Canned Goods Rack
	061604-01-000	EA	Bolt - Pantry Asm. Lock
	076097-01-000	EA	Catch Plate - Pantry Asm. Lock

** The illustrated parts breakdown for this item is provided on the Common Items Fiche.

1984 WINNEBAGO TABLE OF CONTENTS

Introduction	A-01
Abbreviations	A-01
Alphabetical Index	A-02 - A-04
WC424RC	A-05 - C-16
WCN22RC	C-17 - F-06
WCN27RU	F-07 - H-20
WCN33RU	H-21 - K-08

1984 WCN33RU INDEX

Floor Plan	H-21 - H-22
Accessories Group	H-23 - I-01
Bath Group	I-02
Chassis Group	I-03 - I-04
Curtain, Cushion & Pad Group	I-05 - I-11
Dinette Group	I-12
Driver's Compartment Group	I-13 - I-16
Electrical Group	I-17 - I-19
Exterior Body Group	I-20 - J-05
Galley Group	J-06 - J-07
Heating & Air Conditioning Group	J-08 - J-09
Interior Finish Group	J-10 - J-12
LP Group	J-13
Lounge Group	J-14 - J-16
Water & Sewage Group	J-17 - J-18
Window, Vent & Exterior Door Group	J-19 - K-08

GALLEY GROUP (CONTINUED)

GALLEY APPLIANCES

Key	Part Number	U/M	Description
	053332-04-000	EA	Hood - Stove - Non Powered - Almond - CSA
	053331-05-000	EA	Hood - Stove - Non Powered - Almond - US
	075470-02-000	EA	Hood - Stove - w/Monitor - Almond - CSA
	075470-01-000	EA	Hood - Stove - w/Monitor - Almond - US
	075470-03-000	EA	Spacer - Stove Hood
	075470-04-000	EA	Duct Extension - Stove Hood
	075470-01-700	EA	Monitor Panel
	075470-01-701	EA	Clock - Digital - Jensen
	072351-02-700	EA	Clock - Digital - LVS
	075470-01-702	EA	Switch - On/Off
	075470-01-703	EA	Switch - On - Momentary
	075740-01-704	EA	Switch - On/Off/On - Fan Motor
	075470-01-705	EA	Switch - On/Off/On - Momentary
	075470-01-706	EA	Rivets - Plastic
	075470-01-707	EA	Bulb - #912
	075470-01-708	EA	Panel Asm - Complete
	075470-01-709	EA	Fan Blade - Stove Hood - LVS
	075470-01-710	EA	Filter & Lens - Stove Hood - LVS
	075470-01-711	EA	Motor - Stove Hood - LVS
	048649-01-000	EA	Fan Blade - Stove Hood - Jensen
	049930-01-700	EA	Filter - Stove Hood - Jensen
	048648-01-000	EA	Motor - Stove Hood - Jensen
	049930-01-701	EA	Lens - Stove Hood - Jensen
	064782-02-000	EA	Range - 4 Burner - Almond Top
	064782-01-700	EA	Frame - Upper Glass
	064782-01-701	EA	Glass - Outside
	064782-01-702	EA	Panel - Door - Black
	064782-01-703	EA	Trim - Cabinet - Right
	064782-01-704	EA	Trim - Cabinet - Left
	064782-01-705	EA	Washer - Door Handle
	064782-02-700	EA	Top - 4 Burner - Almond
	064782-02-701	EA	Deflector - Plate - Black
	064782-02-702	EA	Trim - Cabinet - Right - Black
	064782-02-703	EA	Trim - Cabinet - Left - Black
	064782-02-704	EA	Trim - Glass - Lower Outside - Black
	064782-02-705	EA	Handle - Oven Door - Black
	064782-02-706	EA	Trim - Vertical - Black
	064782-02-707	EA	Panel - Manifold
	064782-02-708	EA	Valve - Mercury
	749045-01-740	EA	Cover - Stovetop Bifold - Magic Chef
	075922-01-000	EA	Microwave
	075922-03-000	EA	Trim Ring - Microwave
	075922-04-000	EA	Exhaust Duct - Microwave
	075930-02-000	EA	Bracket - Microwave - Left
	075930-01-000	EA	Bracket - Microwave - Right
	076253-02-000	EA	Bracket - 6" - Microwave
	075218-01-000	EA	Refrigerator - 3 Way - 10' Norcold 8310-EG3
	075218-01-700	EA	Gasket - Freezer Door - 10' only 8310EG3
	075218-01-701	EA	Gasket - Refrigerator Door - 10' only 8310EG3
	075218-01-702	EA	Connector Rod - 10' only 8310EG3
	075218-01-703	EA	Frame Asm. - Door 10' only 8310EG3
	075218-01-704	EA	Cabinet - Urethane - 10' only 8310EG3
	075218-01-705	EA	Breaker Strip - Bottom - 10' only 8310EG3
	075218-01-707	EA	Divider - Front - 10' only 8310EG3
	075218-01-708	EA	Cable - Wiring
	075218-01-709	EA	Door Liner Asm - Formed 10' only 8310EG3
	075218-01-710	EA	Door Liner Asm - Formed - Lower 10' only 8310EG3
	054450-01-000	EA	Leveler - Refrigerator

HEATING & AIR CONDITIONING GROUP

AUTOMOTIVE HEATER & AIR CONDITIONER

Key	Part Number	U/M	Description
	039044-01-000	EA	Louver Asm. - A/C Adjustable
	024990-02-000	EA	Defroster Outlet - w/Swivel - 2"
	072342-01-000	EA	Condenser Asm.
	072343-01-000	EA	Compressor & Clutch
	072344-01-000	EA	Package - Compressor Mount 454 C.I.D.
	072341-01-700	EA	Wheel - Blower
	072341-01-701	EA	Heater Core
	072341-01-702	EA	Evaporator Coil
	072341-01-703	EA	Expansion Valve
	072341-01-704	EA	Valve - Suction Service - 5/8"
	072341-01-705	EA	Switch - Pressure Low Cut Out
	072341-01-706	EA	Resistor
	072341-01-707	EA	Thermostat
	074013-02-712	EA	Motor - Blower
	072341-01-708	EA	Motor - Vacuum
	072341-01-709	EA	Relay - w/Tab - Bosh
	072341-01-710	EA	Control Head Asm
	072341-01-711	EA	Cable - 72"
	072341-01-712	EA	Switch - Vacuum
	072341-01-713	EA	Switch - Jumper Control
	072341-01-714	EA	Valve - Heater Control
	072341-01-715	EA	Louver Adapter Asm
	072341-01-716	EA	Valve - Discharge - 1/2"
	072341-04-000	EA	Heater & Evaporator - w/o Duct Control
	072341-06-000	EA	Kit - Duct & Control
	072342-02-700	EA	Receiver Drier
	007076-01-000	FT	Hose - Flexible PVC - 2" I.D.
	007108-01-000	FT	Hose - Heater - 5/8" I.D. SAE 20R3
	007281-01-000	FT	Hose - Flexible PVC - 2 1/2" I.D.
	007140-01-000	EA	Clamp - Hose - 2" - 3" Dia.
	033258-01-000	EA	Hose - Refrigerant - 50" I.D. x 34.50"
	034222-01-000	EA	Hose - Refrigerant - 31" I.D. x 26"
	034222-02-000	EA	Hose - Refrigerant - 31" I.D. x 32"
	031960-01-000	EA	Hose - Refrigerant - 34" I.D. x 30"
	031961-01-000	EA	Hose - Refrigerant - 31" I.D. x 14.75"
	031961-02-000	EA	Hose - Refrigerant - 31" I.D. x 19"
	049401-01-000	EA	Heater Asm - Rear - Auxiliary
	049401-01-700	EA	Valve - Water Control (Aux Heater)
	049401-01-701	EA	Control Cable (Aux Heater)
	049401-01-702	EA	Motor Asm (Aux Heater)
	049401-01-703	EA	Heater Core (Aux Heater)
	049401-01-704	EA	Switch (Aux Heater)
	058906-01-000	EA	Control Panel (Auxiliary Rear Heater)
	010227-01-000	EA	Tee - Plastic - Barb 5/8" or 3/4" Hose

1984 WINNEBAGO TABLE OF CONTENTS

Introduction	A-01
Abbreviations	A-01
Alphabetical Index	A-02 - A-04
WC424RC	A-05 - C-16
WCN22RC	C-17 - F-06
WCN27RU	F-07 - H-20
WCN33RU	H-21 - K-08

1984 WCN33RU INDEX

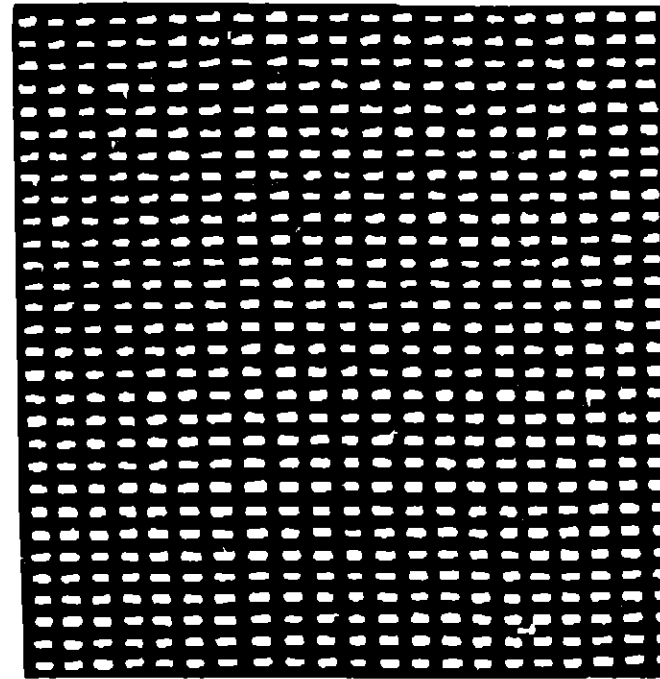
Floor Plan	H-21 - H-22
Accessories Group	H-23 - I-01
Bath Group	I-02
Chassis Group	I-03 - I-04
Curtain, Cushion & Pad Group	I-05 - I-11
Dinette Group	I-12
Driver's Compartment Group	I-13 - I-16
Electrical Group	I-17 - I-19
Exterior Body Group	I-20 - J-05
Galley Group	J-06 - J-07
Heating & Air Conditioning Group	J-08 - J-09
Interior Finish Group	J-10 - J-12
LP Group	J-13
Lounge Group	J-14 - J-16
Water & Sewage Group	J-17 - J-18
Window, Vent & Exterior Door Group	J-19 - K-08

HEATING & AIR CONDITIONING GROUP (CONTINUED)

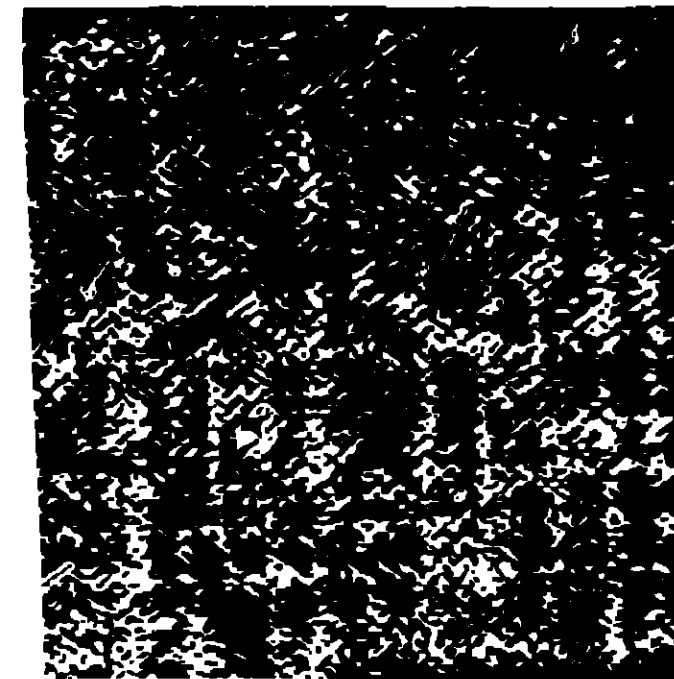
FURNACE & ROOF AIR CONDITIONERS

Key	Part Number	U/M	Description
	074466-01-000	EA	Furnace - 45,000 BTU - w/Direct Ignition
	074466-01-702	EA	Relay - Time Delay
	074466-01-703	EA	Wheel - Room Air Blower - Clockwise
	074466-01-704	EA	Microswitch & Paddle Asm
	074466-01-705	EA	Motor - Blower
	074466-01-706	EA	Wheel - Combustion
	074466-01-707	EA	Wheel - Room Air Blower - Counter Clockwise
	074466-01-708	EA	Bushing - Blower
	074466-01-709	EA	Gasket - Combustion Air Crossover
	074466-01-710	EA	Gasket - Blower - Motor 2 1/8" Dia.
	074466-01-711	EA	Bushing - Motor Mounting
	074466-01-712	EA	Gasket - Combustion Air Housing
	074466-01-714	EA	Vent Tube Asm
	074466-01-715	EA	Valve - Fenwell
	074466-01-716	EA	Electrode Asm.
	074466-01-717	EA	Thermostat - Wall
	074466-01-718	EA	Valve - 12 Volt L.P.
	074466-01-719	EA	Cabinet Asm
	074466-01-720	EA	Pipe - Gas Inlet
	069634-01-716	EA	Valve - L.P. Shut Off - Manual
	069633-01-701	EA	Orifice - Main Burner
	069633-01-700	EA	Limit Switch
	069634-01-709	EA	Elbow - 90° Black Iron
	069634-01-705	EA	Basket - Electrode
	069634-01-706	EA	Module Board
	009198-01-000	EA	Duct - Flexible - 4" I.D. x 25'
	009200-01-000	EA	Tape - Furnace - 1 1/2"
	023146-01-000	EA	Clamp - Screw Type - 4"
	056464-02-000	EA	Heat Register - 4" - w/o Damper
	069633-01-705	EA	Vent Package - Furnace - 3-5" Wall
	073743-01-000	EA	Shroud Asm. - Ceiling - Inside - Roof Air Cool Only - 13,500 BTU - Coleman
	073744-01-000	EA	Shroud Asm. - Ceiling - Inside - Roof Air Heat and Cool Only - 13,500 BTU - Coleman
	073742-01-000	EA	Air Conditioner - 110 Volt - Roof Mount - 13,500 BTU Rotary
	073742-01-700	EA	Decal Package - Mack 3 - Left & Right
	073742-01-701	EA	Switch - Selector - 5 Terminal
	073742-01-702	EA	Decal - Cool Only
	073742-01-703	EA	Decal - Heat & Cool
	073742-01-704	EA	Decal - Thermostat

INTERIOR FINISH GROUP



1



2

PANELING & COUNTERTOP MATERIALS

Key	Part Number	U/M	Description
	068344-05-000	SF	Paneling - 159 Elm - 48" x 96"
	072336-20-000	SF	Paneling - Jakarta Burlap - 48" x 96" (Wall, Ceiling)
	074496-03-000	SF	Paneling - Decor - Galley and Bath - 48" x 84" (R10)
	074496-04-000	SF	Paneling - Decor - Galley and Bath - 48" x 84" (R11)
	074496-05-000	SF	Paneling - Decor - Galley and Bath - 48" x 84" (R12)
1	072336-19-000	SF	Paneling - Wicker Weave - 48" x 84" (Refrigerator Door)
1	057880-05-000	SF	Paneling - Wicker Weave - 48" x 84" (Style & Rail Door)
2	057880-05-700	SF	Paneling - Jamaica Weave - 48" x 84" (Style & Rail Door)
	072336-19-700	SF	Paneling - Jamaica Weave - 48" x 84" (Refrigerator Door)
	074498-01-000	SF	Plastic Laminate - Harbor Oak - Table & Countertops - 48" x 96"
	074498-01-019	EA	Plastic Laminate - Harbor Oak - Table & Countertop - 1 19" x 96"
	072337-03-000	SF	Plastic Laminate - Almond Loom - Galley - 48" x 96"
	072337-03-019	EA	Plastic Laminate - Almond Loom - Galley - 1 19" x 96"
	072337-02-000	SF	Plastic Laminate - Travertine - Bath - 48" x 96"
	072337-02-019	EA	Plastic Laminate - Travertine - Bath - 1 19" x 96"
			Not illustrated

MISCELLANEOUS PARTS

Key	Part Number	U/M	Description
	053552-01-R10	EA	Handle Asm. - Interior Assist - Medium Almond Vinyl
	041944-03-000	EA	Fire Extinguisher - w/Bracket - 5BC
	054185-20-000	EA	Owner's Manual - Itasca - Winnebago
	007038-01-000	EA	Door Mat - Black Rubber - 10 1/2" x 26"
	065201-02-000	EA	Lamp Shade - Fabric - Parchment
	065202-01-000	EA	Lamp - Brass Wall - 2 Bulb
	073419-03-000	EA	Door - Folding (Wood) - 35 x 75 - LH
	075188-02-000	EA	Track - Folding Door

1984 WINNEBAGO TABLE OF CONTENTS

Introduction	A-01
Abbreviations	A-01
Alphabetical Index	A-02 - A-04
WC424RC	A-05 - C-15
WCN22RC	C-17 - F-06
WCN27RU	F-07 - H-20
WCN33RU	H-21 - K-08

1984 WCN33RU INDEX

Floor Plan	H-21 - H-22
Accessories Group	H-23 - I-01
Bath Group	I-02
Chassis Group	I-03 - I-04
Curtain, Cushion & Pad Group	I-05 - I-11
Dinette Group	I-12
Driver's Compartment Group	I-13 - I-16
Electrical Group	I-17 - I-19
Exterior Body Group	I-20 - J-05
Galley Group	J-06 - J-07
Heating & Air Conditioning Group	J-08 - J-09
Interior Finish Group	J-10 - J-12
LP Group	J-13
Lounge Group	J-14 - J-16
Water & Sewage Group	J-17 - J-18
Window, Vent & Exterior Door Group	J-19 - K-08

INTERIOR FINISH GROUP (CONTINUED)

CABINERY & TABLE HARDWARE

Key	Part Number	U/M	Description
	053200-05-000	EA	Bracket - Upper Wall Mount - Beige - 23 5"
**	053201-03-000	EA	Bracket - Table Mount - 23"
	024275-05-000	EA	Rod - Table Lift - 8" x 23 5" - Beige
	024281-07-000	EA	Bracket - Lower Wall Mount - Beige - 22 12"
	024276-14-000	EA	Leg Asm - Table - 29 5"
**	024282-01-000	EA	Brace - Table Leg
**	024293-01-000	EA	Clip - 1" O D Tube
**	049493-02-000	EA	Catch - Table Leg - Mounts on Floor
**	057898-01-000	EA	Latch - Hidden - Cabinet Door
**	057898-02-000	EA	Strike - Hidden Latch - Cabinet Door
	009112-01-000	EA	Flange - 1" - Chrome - Closet Rod
	074493-01-000	EA	Door Prop - Overhead
	072393-01-000	EA	Slide - Drawer
	057571-01-000	EA	Screw Cover - #8
	072363-03-000	EA	Mesh - Grill - Brass - 17 9" x 6 7"
	009021-01-000	EA	Catch - Nylon
	009021-02-000	EA	Strike - Nylon Catch
	053331-01-000	EA	Hinge - Offset Side Mount
	064781-03-000	EA	Cup Holder - Plastic
	041389-02-000	EA	Hinge - Table - Wall Mount
	024276-15-000	EA	Leg - Fold Up
	064050-01-000	EA	Hinge - Table Leg
	024282-01-000	EA	Brace - Table Leg
	024283-01-000	EA	Clip - Table Leg
	049493-02-000	EA	Catch - Table Leg - Floor
**	The illustrated parts breakdown for this item is provided on the Common Items Fiche		

INTERIOR MOLDINGS & TRIMS

Key	Part Number	U/M	Description
	009809-08-000	FT	Molding - F - 1"
	009812-08-000	FT	Molding - F - 50"
	024700-17-000	EA	Cover - Sidewall Roll Bar - Beige
	009812-08-000	FT	Molding - Outside Corner - 50"
	009767-06-000	FT	Welting - Beige
	009815-03-000	FT	T-Molding - .75" - Light Brown
	022992-08-000	FT	Molding - Reverse Cove - Champagne White
	042357-09-000	EA	Molding - Radius Corner - 159 Elm - 7'
	045375-52-000	EA	Molding Retainer - Alum - 16'
	076325-01-000	FT	Molding - Edge (Table, Countertop) Harbor Oak
	070504-02-000	FT	U-Channel - 82" - Light Brown
	009778-03-000	FT	U-Channel - 1" - Light Brown
	070504-01-000	FT	U-Channel - 065" - Light Brown
	052859-01-N01	FT	Accent Trim - Medium Almond Vinyl (Beige)
	059352-01-000	FT	Insert - Vinyl - Style and Rail Door
	069733-30-000	EA	Batt Strip - Galley and Bath - R10
	069733-31-000	EA	Batt Strip - Galley and Bath - R11
	069733-32-000	EA	Batt Strip - Galley and Bath - R12
	069733-23-000	EA	Batt Strip - Jakarta Burlap - 8' (Ceiling & Wall)
	058204-01-000	EA	Batt Strip - 159 Elm - 8'
	064382-01-000	FT	Extension - Plastic Trim - Rotted Door
	042356-01-000	EA	Plug - Button - Mahogany - 3/8" Diameter

INTERIOR FINISH GROUP (CONTINUED)

CURTAIN HARDWARE

Key	Part Number	U/M	Description
	053272-01-001	EA	Track - Curtain - Alum. - 16' - w/Holes
	056116-01-000	EA	Track - Curtain - Brown Plastic
	059430-05-000	EA	Track - Curtain - Front Wraparound (2 per unit) - 36" x 43.75" - Beige
	059430-07-000	EA	Track - Curtain - Front Wraparound - 36" x 86.2" (w/Drivers Door) - Beige
	056001-01-000	EA	Bracket - Shade - Left
	056002-01-000	EA	Bracket - Shade - Right
	009107-01-000	EA	Guide - Nylon Snap - Curtain
	018031-48-000	EA	Track - Curtain - "L" Rod - Alum Extr - 16'
	009701-01-000	EA	Carrier - "L" Rod - Curtain
	009702-01-000	EA	End Stop - "L" Rod - Curtain
	056784-01-000	EA	Pull - Window Shade - Antique Brass
	039175-01-000	EA	Curtain Rod - Ext. 48" - 84"
	039175-02-000	EA	Bracket - Curtain Rod
	056115-02-000	YD	Tape - Clear Plastic - w/Guides
	048394-01-000	YD	Tape - Hook - 1" x 25 YD - Beige
	048395-01-000	YD	Tape - Loop - 1" x 25 YD - Beige
	056003-01-000	EA	Bracket - Drapery Retainer - Right
	056003-02-000	EA	Bracket - Drapery Retainer - Left
	056003-03-000	EA	Bracket - Drapery Retainer - Universal

FABRICS & CARPET

Key	Part Number	U/M	Description
	072333-09-000	YD	Fabric - Drapery - Wraparound (R10, R11, R12)
	072333-08-000	YD	Fabric - Drapery - Sheers (R10, R11, R12)
	074495-27-000	YD	Fabric - Upholstery - Accent - Blue, Brown (R10, R11)
	074495-28-000	YD	Fabric - Upholstery - Accent - Burgundy (R12)
	074495-25-000	YD	Fabric - Upholstery - Blue (R10)
	074495-24-000	YD	Fabric - Upholstery - Brown (R11)
	074495-26-000	YD	Fabric - Upholstery - Burgundy (R12)
	069729-08-000	YD	Fabric - Drapery - Bedspread - Blue (R10)
	069729-05-000	YD	Fabric - Drapery - Bedspread - Brown (R11)
	069729-07-000	YD	Fabric - Drapery - Bedspread - Burgundy (R12)
	038421-01-000	YD	Ticking - Mattress - Gold
	072860-16-000	SY	Carpet - Blue (R10)
	072860-15-000	SY	Carpet - Brown (R11)
	072860-17-000	SY	Carpet - Burgundy (R12)
	075233-01-000	SY	Carpet Pad - 375 x 6"

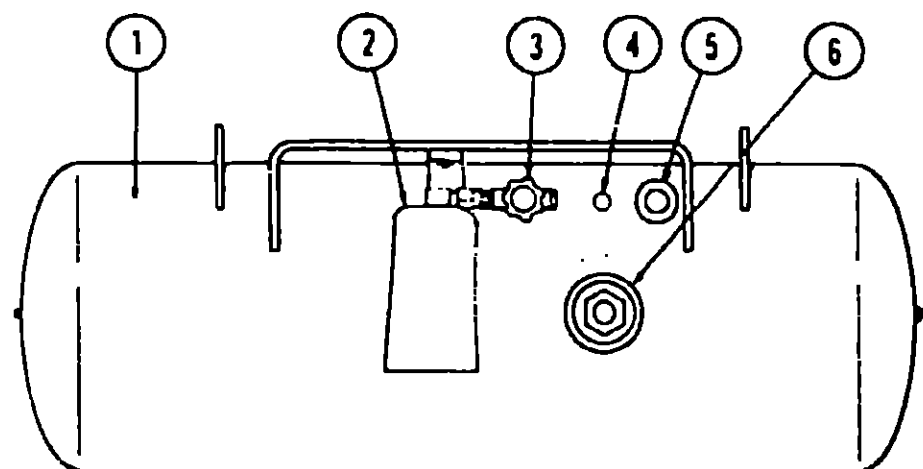
**1984 WINNEBAGO
TABLE OF CONTENTS**

Introduction	A-01
Abbreviations	A-01
Alphabetical Index	A-02 - A-04
WC424RC	A-05 - C-16
WCN22RC	C-17 - F-06
WCN27RU	F-07 - H-20
WCN33RU	I-21 - K-08

1984 WCN33RU INDEX

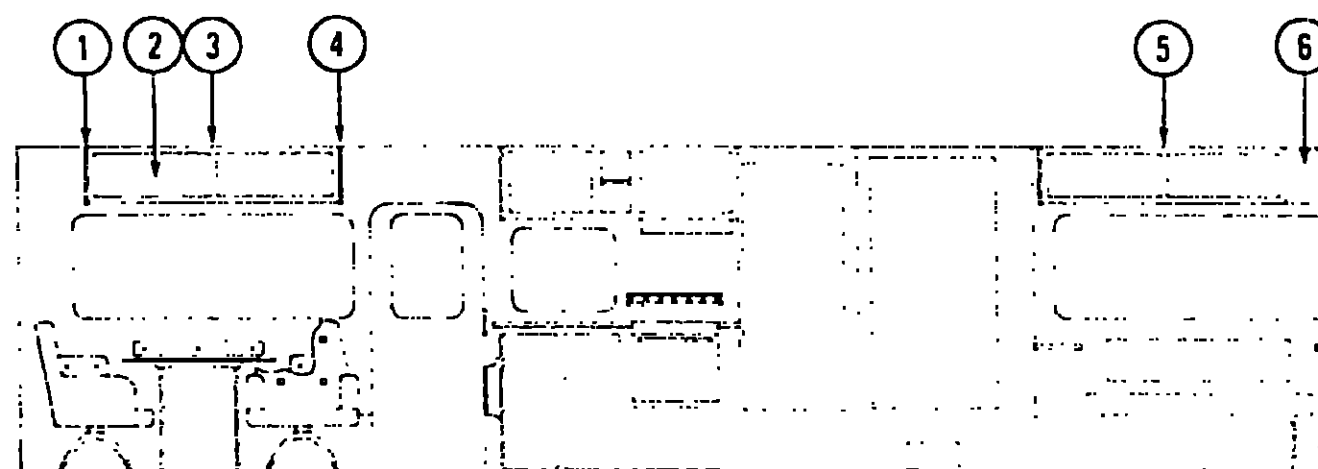
Floor Plan	H-21 - H-22
Accessories Group	H-23 - I-01
Bath Group	I-02
Chassis Group	I-03 - I-04
Curtain, Cushion & Pad Group	I-05 - I-11
Dinette Group	I-12
Driver's Compartment Group	I-13 - I-16
Electrical Group	I-17 - I-19
Exterior Body Group	I-20 - J-05
Galley Group	J-06 - J-07
Heating & Air Conditioning Group	J-08 - J-09
Interior Finish Group	J-10 - J-12
LP Group	J-13
Lounge Group	J-14 - J-16
Water & Sewage Group	J-17 - J-18
Window Vent & Exterior Door Group	J-19 - K-08

LP GROUP



Key	Part Number	U/M	Description
1	074142-01-000	EA	Tank Asm - LP - Frame Mount - 80 Pound
2	076277-01-000	EA	Compartment - LP Regulator - Front
2	076278-01-000	EA	Compartment - LP Regulator - Back
*	076301-01-000	EA	Regular - Two Stage - LP Gas
3	040421-01-703	EA	Valve - Vapor Relief
4	040421-01-700	EA	Gauge - Liquid Level - 20% LP
5	040421-01-701	EA	Valve - Filler - LP
*	040421-01-702	EA	Cap - Plastic Fill Valve
6	040421-01-707	EA	Gauge - Float w/Visible Dial - 80 Pound Tank
*	040421-01-706	EA	Dial - Visible Face - Float Gauge (Tank w/o Electric Transmitter)
*	040440-01-000	EA	Dial - Transmitter - 0 - 90 Ohm (Float Gauge)
*	045703-03-000	EA	Hose Asm - LP - 3/8" I.D. x 18" - US
*	045703-04-000	EA	Hose Asm - LP - 3/8" I.D. x 14" - CSA
*			Not illustrated

LOUNGE GROUP



LOUNGE OVERHEAD CABINETRY

Key	Part Number	U/M	Description
1	071846-02-R10	EA	Pad Asm - End Cap - Front Lounge Overhead - Beige Vinyl
2	069852-72-R10	EA	Door Asm - Overhead Cabinet - 11 3/4" x 28" - w/o Hardware
3	075775-01-R10	EA	Cabinet Asm - Front Lounge Overhead - w/o Doors or Hardware - Right
4	071846-01-R10	EA	Pad Asm - End Cap - Front Lounge Overheads - Beige Vinyl - Right Hand
5	075826-01-R10	EA	Cabinet Asm - Rear Overhead - Right Sidewall - w/o Doors or Hardware
*	075826-02-R10	EA	Cabinet Asm - Rear Overhead - Left Sidewall - w/o Doors or Hardware
6	075273-02-R10	EA	Cabinet Asm - Rear Overhead - Backwall - w/o Doors or Hardware
*	069852-76-R10	EA	Door Asm - Rear Overhead - Right & Left - w/o Hardware
*	075775-03-R10	EA	Cabinet Asm - Front Lounge Overhead - w/o Doors or Hardware - Left
*			Not illustrated

ENTERTAINMENT CENTER & ICEMAKER

Key	Part Number	U/M	Description
	077808-01-R04	EA	Cabinet Asm - Ice Maker - w/o Countertop
	M01646-01-R04	EA	Countertop Asm - Ice Maker - Harbor Oak
	M01647-01-R04	EA	Countertop Asm - Ice Maker Pullout - Harbor Oak
	074489-01-000	EA	Beverage Holder - w/Tray - Oak
	076799-01-000	EA	Ice Maker - Black Glass
	077841-01-000	EA	Bracket - Tie Down - Ice Maker - Right
	077841-02-000	EA	Bracket - Tie Down - Ice Maker - Left
	M77807-01-R04	EA	Cabinet Asm - Entertainment Center - w/o Countertop & Hardware
	M01649-01-R04	EA	Countertop Asm - Entertainment Center - Harbor Oak
	M01648-01-R04	EA	T V Stand - Entertainment Center
	077773-01-R04	EA	Guide - Wine Glass - Entertainment Center
	M77447-01-R04	EA	Door Asm - Entertainment Center - Right
	M77447-02-R04	EA	Door Asm - Entertainment Center - Left

MAGIC BED

Key	Part Number	U/M	Description
	075475-02-000	EA	Magic Bed - 3 Pillow - R10
	075475-01-000	EA	Magic Bed - 3 Pillow - R11
	075475-03-000	EA	Magic Bed - 3 Pillow - R12

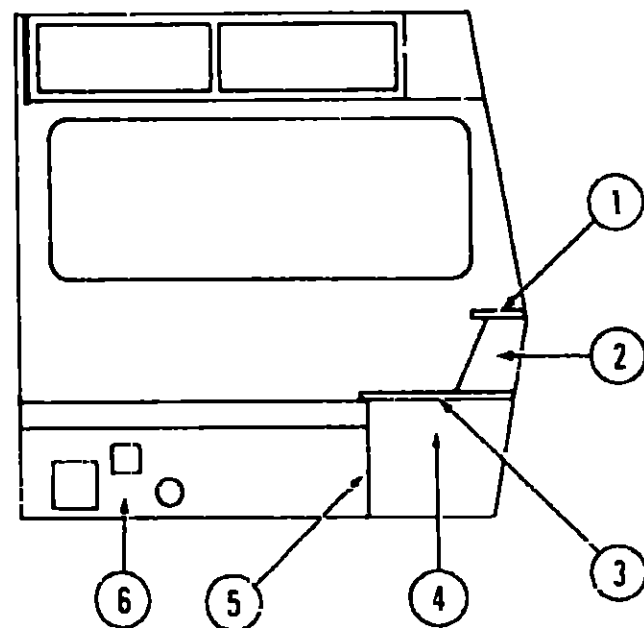
1984 WINNEBAGO TABLE OF CONTENTS

Introduction	A-01
Abbreviations	A-01
Alphabetical Index	A-02 - A-04
WC424RC	A-05 - C-16
WCN22RC	C-17 - F-06
WCN27RU	F-07 - H-20
WCN33RU	H-21 - K-08

1984 WCN33RU INDEX

Floor Plan	H-21 - H-22
Accessories Group	H-23 - I-01
Bath Group	I-02
Chassis Group	I-03 - I-04
Curtain, Cushion & Pad Group	I-05 - I-11
Dinette Group	I-12
Driver's Compartment Group	I-13 - I-16
Electrical Group	I-17 - I-19
Exterior Body Group	I-20 - J-05
Galley Group	J-06 - J-07
Heating & Air Conditioning Group	J-08 - J-09
Interior Finish Group	J-10 - J-12
LP Group	J-13
Lounge Group	J-14 - J-16
Water & Sewage Group	J-17 - J-18
Window, Vent & Exterior Door Group	J-19 - K-08

LOUNGE GROUP (CONTINUED)



TWIN BED CABINERY

Key	Part Number	U/M	Description
1	053999-01-R10	EA	Countertop Asm - Nightstand Top - 23 1/2" x 8 1/2" - Harbor Oak
2	M75804-01-R10	EA	Cabinet Asm - Nightstand Top - w/o Roll Up Door & Countertop
	043255-01-000	EA	Track - Roll Up Door - Brown Plastic
	043256-01-000	EA	Spiral - Roll Up Door - Plastic - Right
	043256-02-000	EA	Spiral - Roll Up Door - Plastic - Left
	063224-28-R10	EA	Door Asm - Rolled
3	M01444-01-R10	EA	Countertop Asm - Nightstand Base - 24 1/2" x 23 3/8" - Harbor Oak
4	M75806-01-R10	EA	Cabinet Asm - Nightstand Base - w/o Countertop, Doors or Hardware
5	069852-14-R10	EA	Door Asm - Nightstand Cabinet - 20" x 16 2" - w/o Hardware
6	M74797-01-R10	EA	Cabinet Asm - Twin Bed - Left - w/o Door or Hardware
	075814-01-R10	EA	Cabinet Asm - Twin Bed - Right - w/o Door or Hardware
	069852-59-R10	EA	Door Asm - Twin Bed Cabinet - 21 1" x 16 3" - w/o Hardware
			Not illustrated

DOUBLE BED W/NIGHTSTAND

Key	Part Number	U/M	Description
	075815-01-R10	EA	Cabinet Asm - Nightstand - w/o Countertop (Rear)
	M01440-01-R10	EA	Countertop Asm - Nightstand Cabinet - Harbor Oak
	M75837-01-R10	EA	Cabinet Asm - Double Bed Base - w/o Door or Hardware
	072969-02-R10	EA	Headboard Asm
	069852-06-R10	EA	Door Asm - Double Bed Base - 21 9" x 11 1" - w/o Hardware
	075816-01-R10	EA	Cabinet Asm - Nightstand - w/o Countertop (Front)
	M01440-02-R10	EA	Countertop Asm - Nightstand Cabinet - Harbor Oak

LOUNGE GROUP (CONTINUED)

SWIVEL CHAIRS W/PULLOUT TABLE

Key	Part Number	U/M	Description
	M75171-02-R10	EA	Table Asm - Foldout - Harbor Oak
	M00675-35-R10	EA	Countertop Asm - Foldout Table Cabinet - Harbor Oak
	035036-01-000	EA	Plate - Tilt and Swivel - Swivel Chair
	035036-02-000	EA	Base w/Leg - Swivel Chair
	035036-04-000	EA	Base w/Leg - Swivel Chair - Low Base
	035036-05-000	EA	Extension - 7" - Swivel Chair - Low Base
	024276-15-000	EA	Table Leg - Beige
	024282-01-000	EA	Brace - Table Leg
	024283-01-000	EA	Clip - Table Leg
	064050-01-000	EA	Hinge - Table Leg
	041389-02-000	EA	Hinge - Table - Wall Mount
	049493-02-000	EA	Catch - Table Leg - Mounts on Floor - Brown
**	Note	EA	Swivel Chairs
**	074489-02-R10	EA	Beverage Holder w/Tray - Oak
**			See Curtain, Cushion & Pad Group

**1984 WINNEBAGO
TABLE OF CONTENTS**

Introduction	A-01
Abbreviations	A-01
Alphabetical Index	A-02 - A-04
WC424RC	A-C5 - C-15
WCN22RC	C-17 - F-01
WCN27RU	F-07 - H-20
WCN33RU	H-21 - K-08

1984 WCN33RU INDEX

Floor Plan	H-21 - H-22
Accessories Group	H-23 - I-01
Bath Group	I-02
Chassis Group	I-03 - I-04
Curtain, Cushion & Pad Group	I-05 - I-11
Dinette Group	I-12
Driver's Compartment Group	I-13 - I-16
Electrical Group	I-17 - I-19
Exterior Body Group	I-20 - J-05
Galley Group	J-06 - J-07
Heating & Air Conditioning Group	J-08 - J-09
Interior Finish Group	J-10 - J-12
LP Group	J-13
Lounge Group	J-14 - J-16
Water & Sewage Group	J-17 - J-18
Window Vent & Exterior Door Group	J-19 - K-08

WATER & SEWAGE GROUP

PLUMBING & REPAIR PARTS

Key	Part Number	U/M	Description
	045729-01-000	EA	Pump - Water Flow - 2.8 G P M US
	045729-02-000	EA	Pump - Water Flow - 2.8 G P M CSA
	039647-03-000	EA	Filter - Water Pump - 1/2" Flare
	052952-01-000	EA	Nut - Plastic - 1/2 F
	052953-01-000	EA	Nut Faucet - 1/2 Tube x 1/2 FPT
	052954-01-000	EA	Adapter - Nose Cone - 3/8" or 1/2"
	052955-01-000	EA	Tee - Plastic - 1/2 F x 1/2 F x 1/2 MPT
	052957-01-000	EA	Elbow - Plastic - 1/2 F x 3/8 MPT
	052958-01-000	EA	Tee - Plastic - 1/2 F x 1/2 F x 1/2 F
	052959-03-000	EA	Connector - 1/2 F x 3/8 MPT - Plastic
	052960-01-000	EA	Drain Valve - 1/2 F x 1/2 F - Plastic
**	046524-02-000	EA	Kit - Water Tank Fittings - Blank Tank
**	010079-01-000	EA	Tee - Plastic - 1 1/2 H x 1 1/2 H x 1 1/4 H
**	010091-01-000	EA	Wye - Plastic - 3" x 45° H x H x H
**	010121-01-000	EA	Bushing - Plastic - 1 1/2 S x 1 1/4 H
**	010006-01-000	EA	Elbow - Plastic - 1 1/2 x 45° H x H
**	010133-01-000	EA	Trap Adaptor - 1 1/2 H x MPT
	010134-01-000	EA	Adaptor - Plastic - 1 1/2 M x MPT
	062422-01-000	EA	Adaptor - Offset Reducer - 3" x 1 1/2"
	010224-01-000	EA	Adaptor - Plastic - 3/8 MPT x 3/8 Barb
	010000-01-000	EA	Elbow - Plastic - 1 1/4 x 45° H x H
	010197-01-000	EA	Pipe - Plastic - 3" x 240"
	031111-01-000	EA	Elbow - Plastic - 1 1/4 x 90° - Long Turn H x H
**	062632-01-000	EA	Wye - 3" x 3" x 1 1/2" Slip
**	010201-01-000	EA	Sewer Hose - 3" x 8' w/Clamp
	062415-01-000	EA	Sewage Cap - 3"
	075730-01-000	EA	End Cap - Sewer Hose Compartment
	075726-01-000	EA	Extension Outlet - Sewer Hose Compartment
	062416-01-000	EA	Hose Adaptor - 3"
	062417-01-000	EA	Termination Adaptor - 3"
	052962-01-000	EA	Valve - Stool - 90° 1/2 F x 3/8 MPT
	039800-01-000	FT	Tubing - Polybutyl - 1/2 O D x 20 Ft
	072346-01-000	EA	Valve - 3" Ell - w/2" Socket
	011069-02-000	EA	Tail Piece - 1 1/2 x 1 1/4 x 4 - Brass
	065120-01-000	EA	Elbow - Plastic - Swivel - 1/2"
	074462-01-000	FT	Tubing - Vinyl - 1 1/4 I D
	010195-01-000	EA	Pipe - Plastic - 1 1/2" x 240" - Black
	070924-01-000	EA	Elbow - Plastic - Swivel - 1/2 MPT x 1/2 FP
	063641-01-000	EA	Flange - Closet - 4" x 3"
	010219-01-000	EA	Elbow - 1 1/4 Barb x 1 1/4 MPT 90°
	023441-01-000	EA	Tee - Plastic - 3/8 Barb
	035539-01-000	EA	Elbow - Plastic - 3/8 MPT x 3/8 Barb
	054535-01-000	EA	Vent - Mechanical Trap Arm
	044928-01-000	EA	Tubing - Flex - 1 1/4 I D x 10'
	062421-01-000	EA	Valve - 1 1/2" - w/Handle
	061607-01-000	EA	Grommet - Holding Tank Coupler - 1 1/2"
	061607-02-000	EA	Grommet - Holding Tank Coupler - 3"
	053335-01-000	EA	P-Trap - Plastic - 1 1/4 H x H - w/Union
**	011066-01-000	EA	P-Trap - 1 1/4" - Plastic
**	011091-01-000	EA	Waste - Continuous - Double Sink - 11 7/8"
**	031126-02-000	EA	Elbow - 3" x 90° x Long Turn - CSA
**	050780-01-000	EA	Rubber Coupler - 3" x 3"
	004020-01-000	QT	Adhesive - ABS Cement
**	035539-01-000	EA	Elbow - Plastic - 3/8 MPT x 3/8 Barb
**	The illustrated parts breakdown for this item is provided on the Common Items Fiche		

WATER & SEWAGE GROUP (CONTINUED)

HOLDING TANKS & WATER HEATERS

Key	Part Number	U/M	Description
	061805-01-000	EA	Tank Asm - Holding - 40 Gallon - w/o Fittings - Waste Water
	074175-01-000	EA	Tank Asm - Holding - 44 Gallon - w/o Fittings - Sewage
	M01275-17-000	EA	Tank Asm - Water - Plastic - 47 Gallon - w/Fittings
	072444-01-000	EA	Tank Asm - Water - Plastic - 47 Gallon - w/o Fittings
	M00070-96-000	EA	Tank Asm - Water - Plastic - 20 Gallon - w/Fittings
	053520-01-000	EA	Tank Asm - Water - Plastic - 20 Gallon - w/o Fittings
	077954-01-000	EA	Filter - In Water Tank
	052957-02-000	EA	Elbow - Plastic - 1/2 F x 1/2 MPT - In Water Tank Filter
	042989-02-000	EA	Fitting - Spinweld - Plastic - 1/2 NPT - In Water Tank Filter
	051391-03-000	EA	Water Heater - Gas/Electric - w/o Motor Aid
**	051393-01-000	EA	Water Heater - Motor Aid - Direct Ignition - GH6-3E
**	The illustrated parts breakdown for this item is provided on the Common Items Fiche		

1984 WINNEBAGO TABLE OF CONTENTS

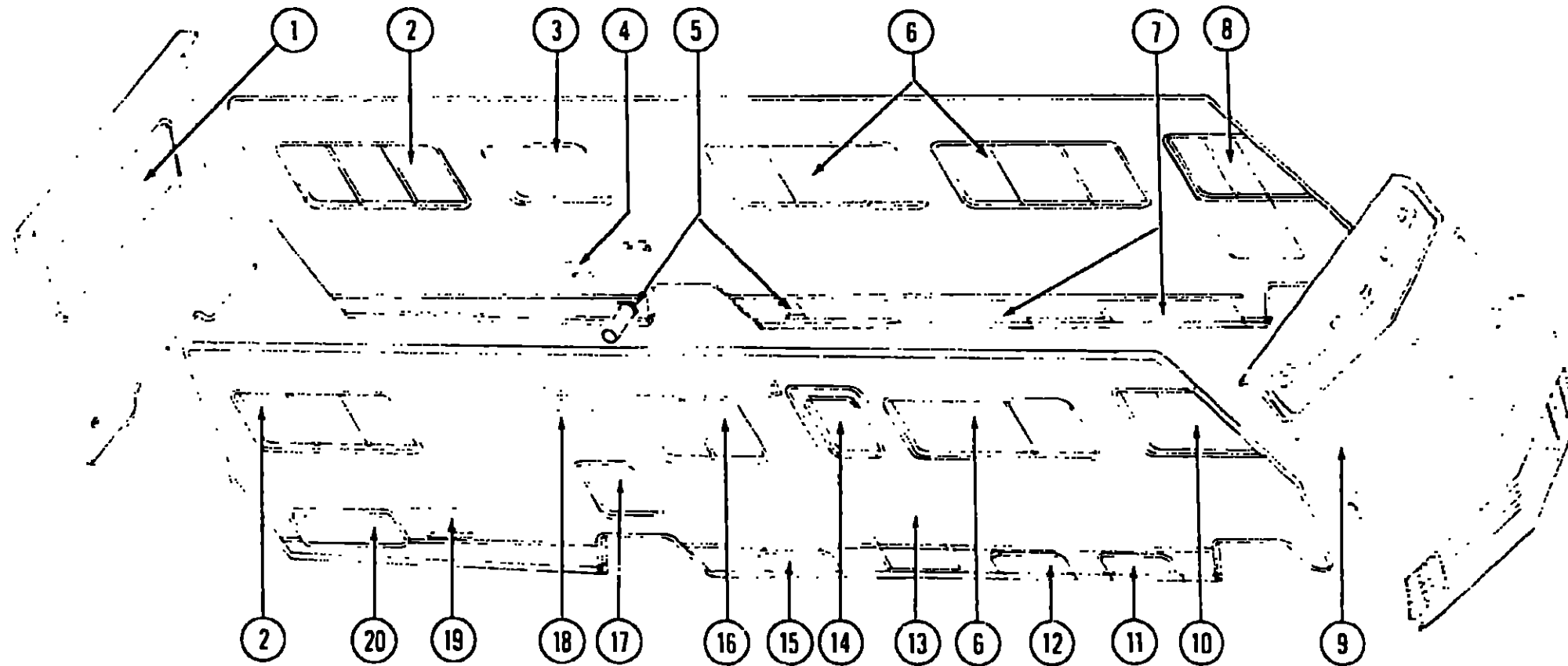
Introduction	A-01
Abbreviations	A-01
Alphabetical Index	A-02 - A-04
WC424RC	A-05 - C-16
WCN22RC	C-17 - F-06
WCN27RU	F-07 - H-20
WCN33RU	H-21 - K-08

1984 WCN33RU INDEX

Floor Plan	H-21 - H-22
Accessories Group	H-23 - I-01
Bath Group	I-02
Chassis Group	I-03 - I-04
Curtain, Cushion & Pad Group	I-05 - I-11
Dinette Group	I-12
Driver's Compartment Group	I-13 - I-16
Electrical Group	I-17 - I-19
Exterior Body Group	I-20 - J-05
Galley Group	J-06 - J-07
Heating & Air Conditioning Group	J-08 - J-09
Interior Finish Group	J-10 - J-12
LP Group	J-13
Lounge Group	J-14 - J-16
Water & Sewage Group	J-17 - J-18
Window, Vent & Exterior Door Group	J-19 - K-08

WINDOW, VENT & EXTERIOR DOOR GROUP

WINDOWS & ACCESS DOORS



1984 WINNEBAGO TABLE OF CONTENTS

Introduction	A-01
Abbreviations	A-01
Alphabetical Index	A-02 - A-04
WC424RC	A-05 - C-16
WCN22RC	C-17 - F-06
WCN27RU	F-07 - H-20
WCN33RU	H-21 - K-08

Key	Part Number	U/M	Description
1	020754-03-000	EA	Window Asm - Escape - 23" x 68" - Black (w/o inside frame)
2	066785-02-000	EA	Window Asm - Single Slider - 25" x 56" - Black (w/o inside frame)
3	048631-08-000	EA	Window Asm - Single Slider - Left - 23" x 29" (w/o inside frame)
4	Note	EA	Door Asm - Fuel Fill (See Access Doors)
5	Note	EA	Door Asm - Power Cord (See Access Doors)
6	075738-01-000	EA	Window Asm - Double Slider - 25" x 65" - Black (w/o inside frame)
7	073925-01-000	EA	Door Asm - Luggage - 9" x 48" - Beige - w/Key Lock
*7	076852-01-000	EA	Door Asm - Luggage - 9" x 48" - Beige - w/Key Lock
8	059046-02-000	EA	Window Asm - Left Front Slant Slider - 23" x 39" - Black (w/o inside frame)
9	057459-01-000	EA	Glass - Windshield - Right or Left
10	059046-01-000	EA	Window Asm - Right Front Slant Slider - 23" x 39" - Black (w/o inside frame)
11	073925-05-000	EA	Access Door - 25 3/4" x 9" - Beige w/Key Type Lock (Battery)
*11	076852-05-000	EA	Access Door - 25 3/4" x 9" - Beige w/Key Type Lock (Battery)
12	073925-10-000	EA	Access Door - Beige w/Key Type Lock
*12	076852-10-000	EA	Access Door - Beige w/Key Type Lock

Key	Part Number	EA	Description
13	M01414-01-000	EA	Door Asm - Radius Entry - w/Screen Door - Beige
*13	M01414-05-000	EA	Door Asm - Radius Entry - w/Screen Door - Beige - Greyhound Fiberglass
*13	M01414-11-000	EA	Door Asm - Radius Entry - w/Screen Door - Beige - Mesa Fiberglass
14	041875-09-000	EA	Window Asm - Picture - 17" x 25" - Black (w/o inside frame)
15	073925-03-000	EA	Access Door - Beige - w/Key Type Lock
*15	076852-03-000	EA	Access Door - Beige - w/Key Type Lock
16	048631-03-000	EA	Window Asm - Single Slider - 20" x 25" - Black (w/o inside frame)
17	069762-03-000	EA	Door Asm - Refrigerator Access - Beige - w/Twist Type Lock
*17	069762-04-000	EA	Door Asm - Refrigerator Access - Beige - w/Twist Type Lock
18	049352-02-000	EA	Vent - Stovehood - Outside - Beige
19	052009-02-000	EA	Door Asm - Water Heater - Beige
20	M00685-08-000	EA	Door Asm - Generator - Beige - w/Twist Type Lock
*20	M01552-01-000	EA	Door Asm - Generator - Beige - w/Twist Type Lock
20	047233-04-000	EA	Door Asm - Luggage - Beige - w/Key Type Lock
*20	076854-02-000	EA	Door Asm - Luggage - Beige - w/Key Type Lock

* Parts used on fiberglass sidewalls

1984 WCN33RU INDEX

Floor Plan	H-21 - H-22
Accessories Group	H-23 - I-01
Bath Group	I-02
Chassis Group	I-03 - I-04
Curtain, Cushion & Pad Group	I-05 - I-11
Dinette Group	I-12
Driver's Compartment Group	I-13 - I-16
Electrical Group	I-17 - I-19
Exterior Body Group	I-20 - J-05
Galley Group	J-06 - J-07
Heating & Air Conditioning Group	J-08 - J-09
Interior Finish Group	J-10 - J-12
LP Group	J-13
Lounge Group	J-14 - J-16
Water & Sewage Group	J-17 - J-18
Window, Vent & Exterior Door Group	J-19 - K-08

WINDOW, VENT & EXTERIOR DOOR GROUP (CONTINUED)

ACCESS DOORS

Key	Part Number	U/M	Description
	073925-01-000	EA	Door Asm - Luggage - 9" x 48" - Beige w/Key Type Lock
	076852-01-000	EA	Door Asm - Luggage - 9" x 48" - Beige w/Key Type Lock
	073925-10-000	EA	Door Asm - Luggage - Beige w/Key Type Lock
	076852-10-000	EA	Door Asm - Luggage - Beige w/Key Type Lock
	073925-03-000	EA	Door Asm - LP - Beige w/Key Type Lock
	076852-03-000	EA	Door Asm - LP - Beige w/Key Type Lock
	069762-03-000	EA	Door Asm - Refrigerator - Beige w/Twist Lock
	047233-04-000	EA	Door Asm - Luggage - Beige w/Twist Lock
	076854-02-000	EA	Door Asm - Luggage - Beige w/Twist Lock
	042441-01-000	EA	Lock Asm - Key Type - Gas Fill
	047305-01-000	EA	Lock Asm - Key Type - w/Clip
	M00685-08-000	EA	Door Asm - Generator - Beige w/Twist Type Lock - w/o Baffle
	M01552-01-000	EA	Door Asm - Generator - Beige w/Twist Type Lock - w/o Baffle
	052181-03-000	EA	Baffle - Generator Door
	042442-01-000	EA	Lock Asm - Twist Type
	052009-02-000	EA	Door Asm - Water Heater - Beige
	041312-01-000	FT	Door Seal - Bulb - e Section
	052423-02-000	EA	Door Asm - Fuel Fill - Beige
	052424-02-000	EA	Jamb - Fuel Fill/Power Cord - Beige
	063742-02-000	EA	Door - Power Cord - Beige
	034543-02-000	EA	Hatch - Power Cord Door - Beige
	073925-05-000	EA	Door Asm - Battery - Beige w/Key Lock
	076852-05-000	EA	Door Asm - Battery - Beige w/Key Lock
	054530-01-000	EA	Door Stop and Holder
	009003-01-000	EA	Lock Asm - Twist Type - w/Clip
	Parts used on fiberglass sidewalls		

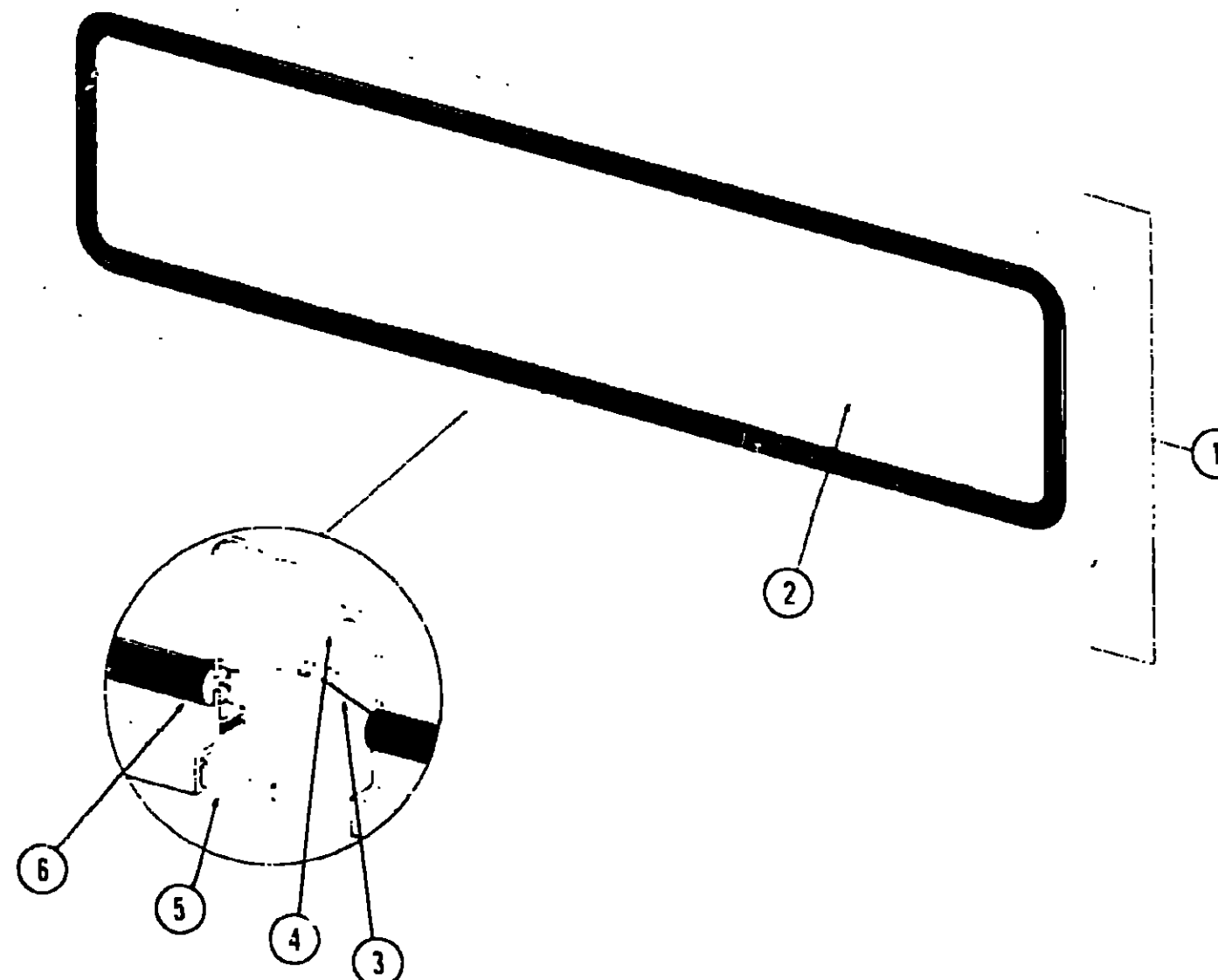
WINDSHIELD

Key	Part Number	U/M	Description
	058272-02-000	EA	Frame Asm - Windshield w/o Glass
	057459-01-000	EA	Glass - Windshield - Right or Left
	038886-01-000	EA	Tape - Butyl - .31" x .31" x 148"
	042743-01-000	EA	Corner - Windshield - Lower
	042743-02-000	EA	Corner - Windshield - Upper

VENTS

Key	Part Number	U/M	Description
	049352-02-000	EA	Vent - Stovehood - Outside - Beige
	048789-01-000	EA	Vent Asm - Roof - Powered - w/o Screen - Alum
	048835-01-000	EA	Vent Asm - Roof - Non Powered - w/o Screen - Alum
	056119-01-000	EA	Vent Asm - Roof - Powered/Lighted - Jensen - White
	071290-01-000	EA	Base - Refrigerator Roof Vent
	071290-02-000	EA	Cap - Refrigerator Roof Vent - Plastic
	The illustrated parts breakdown for this item is provided on the Common Items Fiche		

WINDOW, VENT & EXTERIOR DOOR GROUP (CONTINUED)



Key	Part Number	U/M	Description
1	020754-03-000	EA	Window Asm - Escape - 23" x 68" - Black (w/o inside frame)
2	002178-01-000	EA	Glass - 1/8" x 19.61" x 64.80"
3	002285-01-000	FT	Weatherstrip - Filler - Black
4	020395-01-000	EA	Slip Ring - Pull
5	069640-01-000	FT	Weatherstrip - 1/4" Bead x 20' - Gray - 3M
6	002282-01-000	FT	Weatherstrip - Window - .125" Black
	042027-05-000	EA	Inside Frame Window - Escape - Beige (not included in assembly)
	006199-01-000	EA	Label - Exit - Escape Window
	Not illustrated		

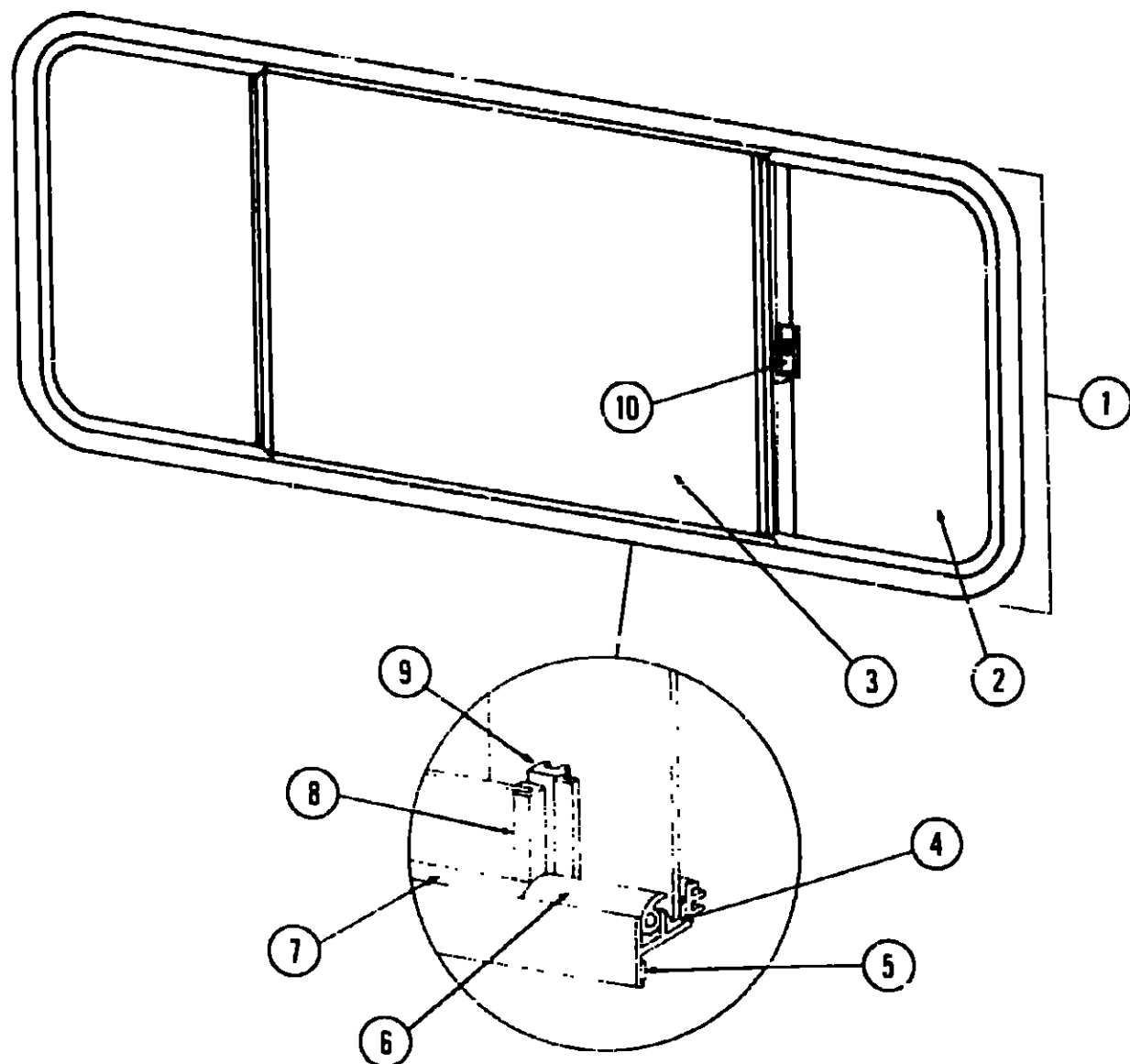
**1984 WINNEBAGO
TABLE OF CONTENTS**

Introduction	A-01
Abbreviations	A-01
Alphabetical Index	A-02 - A-04
WC424RC	A-05 - C-16
WCN22RC	C-17 - F-06
WCN27RU	F-07 - H-20
WCN33RU	H-21 - K-08

1984 WCN33RU INDEX

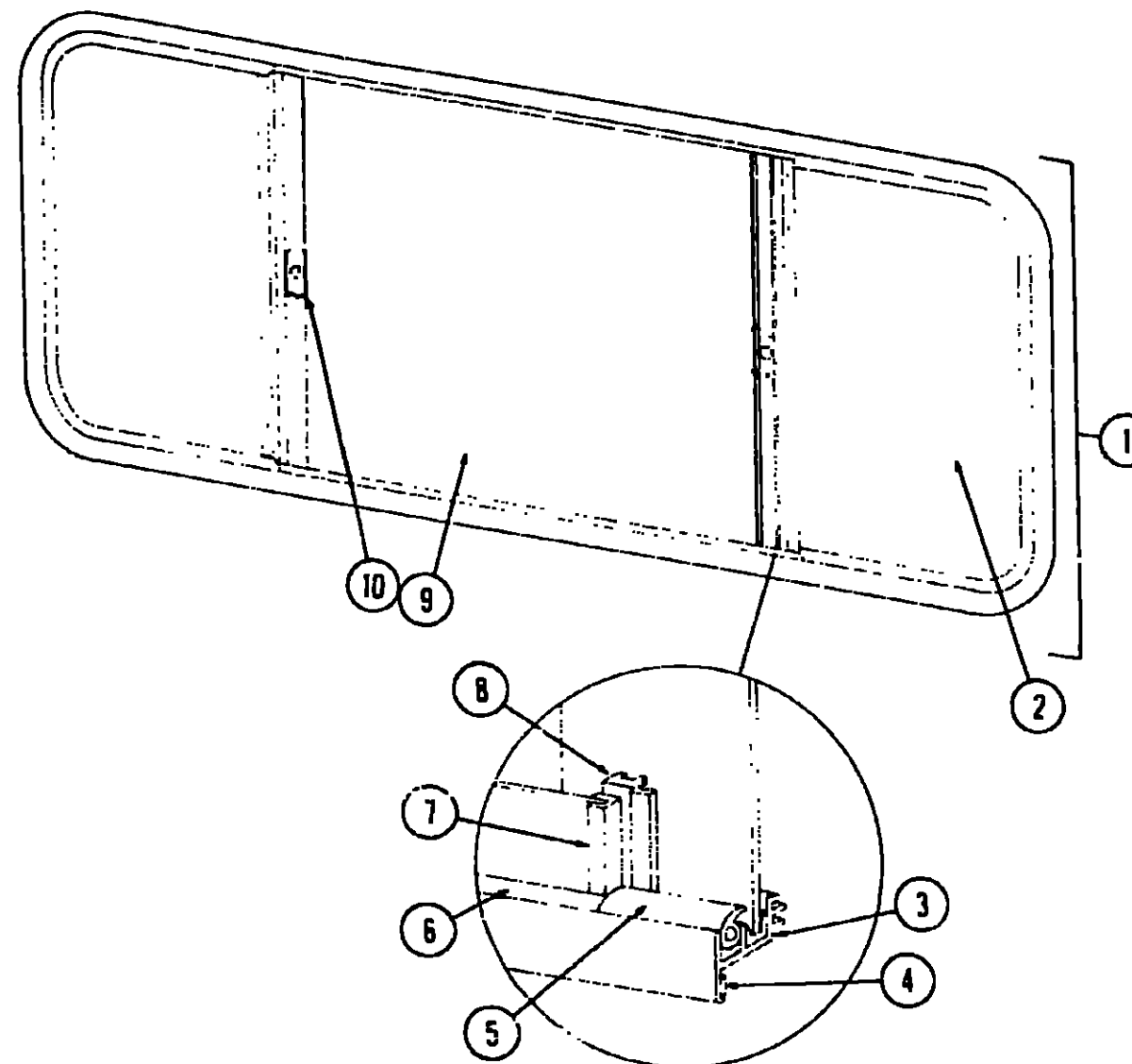
Floor Plan	H-21 - H-22
Accessories Group	H-23 - I-01
Bath Group	I-02
Chassis Group	I-03 - I-04
Curtain, Cushion & Pad Group	I-05 - I-11
Dinette Group	I-12
Driver's Compartment Group	I-13 - I-16
Electrical Group	I-17 - I-19
Exterior Body Group	I-20 - J-05
Galley Group	J-06 - J-07
Heating & Air Conditioning Group	J-08 - J-09
Interior Finish Group	J-10 - J-12
LP Group	J-13
Lounge Group	J-14 - J-16
Water & Sewage Group	J-17 - J-18
Window, Vent & Exterior Door Group	J-19 - K-08

WINDOW, VENT & EXTERIOR DOOR GROUP (CONTINUED)



Key	Part Number	U/M	Description
1	066785-02-000	EA	Window Asm. - Single Slider - 25" x 56" - Black (w/o inside frame)
.	067609-07-000	EA	Inside Frame - Beige (not included in assembly)
2	066726-01-000	EA	Glass - Stationary - 1/8" x 16.5" x 24"
3	066727-02-000	EA	Glass - Sliding - 1/8" x 25.5" x 24"
4	002324-02-000	FT	Channel - Weatherstrip - Glass
5	069640-01-000	FT	Tape - 1/4" Bead x 20' - Gray - 3M
6	057374-02-000	FT	Extr. Vinyl - Window Seal - Black
7	002309-02-000	FT	Spline - Glass - 1/8" Material - Black
8	069886-03-003	EA	Extr. Holder - Glass Seal - 23.19" - Black
9	069896-02-000	EA	Mullion - Slider Window - Black
10	047369-01-700	EA	Latch - Window - Plastic w/Fastener
.	002293-01-000	SF	Screen - Window - 26" - Gray
.	002298-01-000	FT	Spline - .130 Dia. - Gray (Screen)
.	042076-01-000	FT	Seal - Fin - Pile - .34"
.			Not illustrated

WINDOW, VENT & EXTERIOR DOOR GROUP (CONTINUED)



Key	Part Number	U/M	Description
1	075738-01-000	EA	Window Asm - Double Slider - 25" x 65" - Black (w/o inside frame)
.	067609-06-000	EA	Inside Frame - Beige (not included in assembly)
2	047822-04-000	EA	Glass - Sliding - 1/8" x 21.03" x 24"
3	002324-02-000	FT	Channel - Weatherstrip - Glass
4	069640-01-000	FT	Tape - 1/4" Bead x 20' - Gray - 3M
5	057374-02-000	FT	Extr. Vinyl - Window Seal - Black
6	002309-02-000	FT	Spline - Glass - 1/8" Material - Black
7	M69886-03-003	EA	Seal Holder w/Fin Seal - 23.19"
8	069896-02-000	EA	Mullion - Slider Window - Black
9	002188-05-000	EA	Glass - Stationary - 1/8" x 25.5" x 24"
10	047369-01-700	EA	Latch - Window - Plastic - w/Fastener
.	002293-01-000	SF	Screen - Window - 26" - Gray
.	002298-01-000	FT	Spline - .130" Dia. - Gray (Screen)
.	073740-01-000	FT	Seal - Fin - Pile - .460"
.	023713-02-000	EA	Weephole Cover - Black Plastic
.			Not illustrated

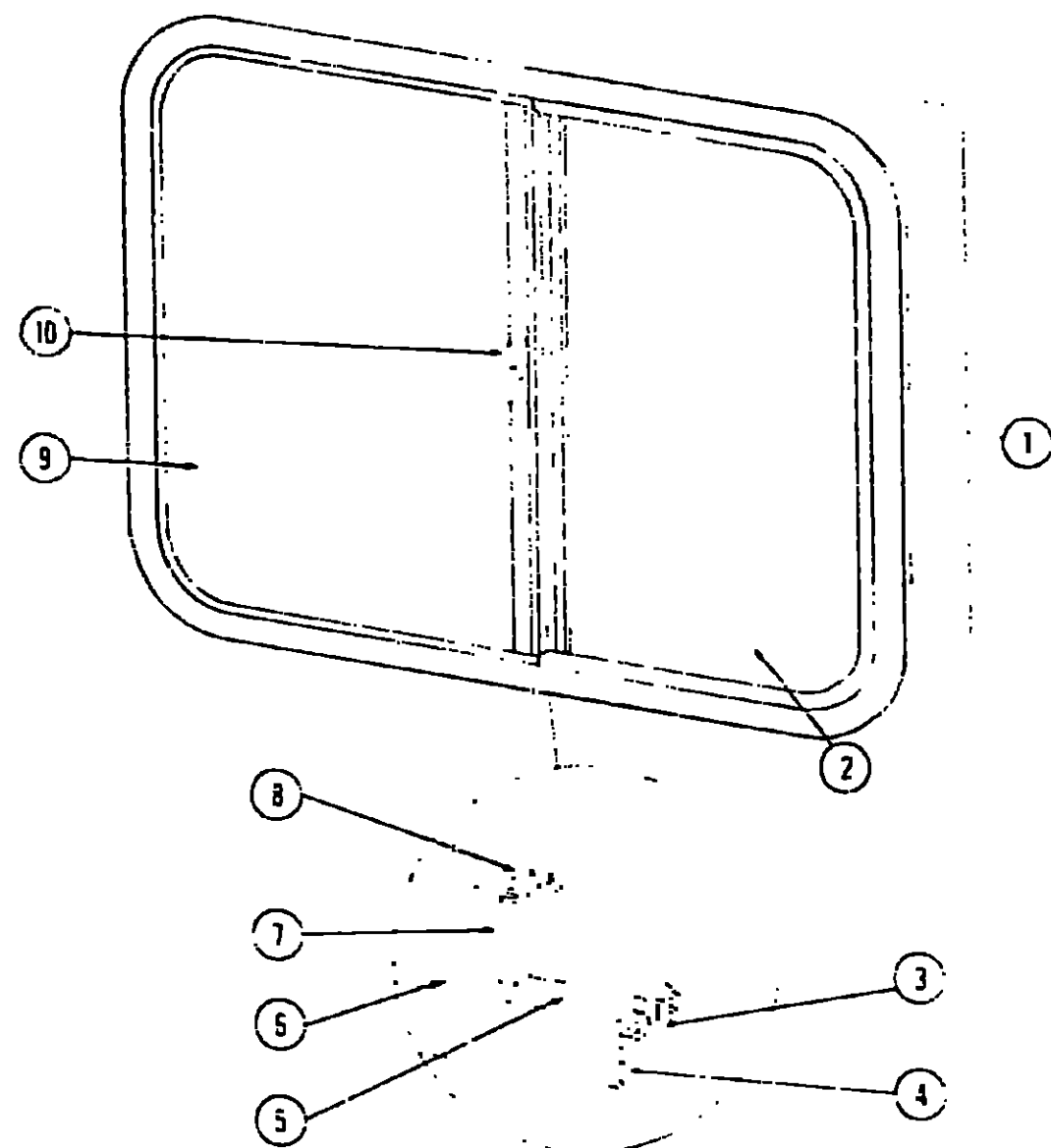
**1984 WINNEBAGO
TABLE OF CONTENTS**

Introduction	A-01
Abbreviations	A-01
Alphabetical Index	A-02 - A-04
WC424RC	A-05 - C-16
WCN22RC	C-17 - F-06
WCN27RU	F-07 - H-20
WCN33RU	H-21 - K-08

1984 WCN33RU INDEX

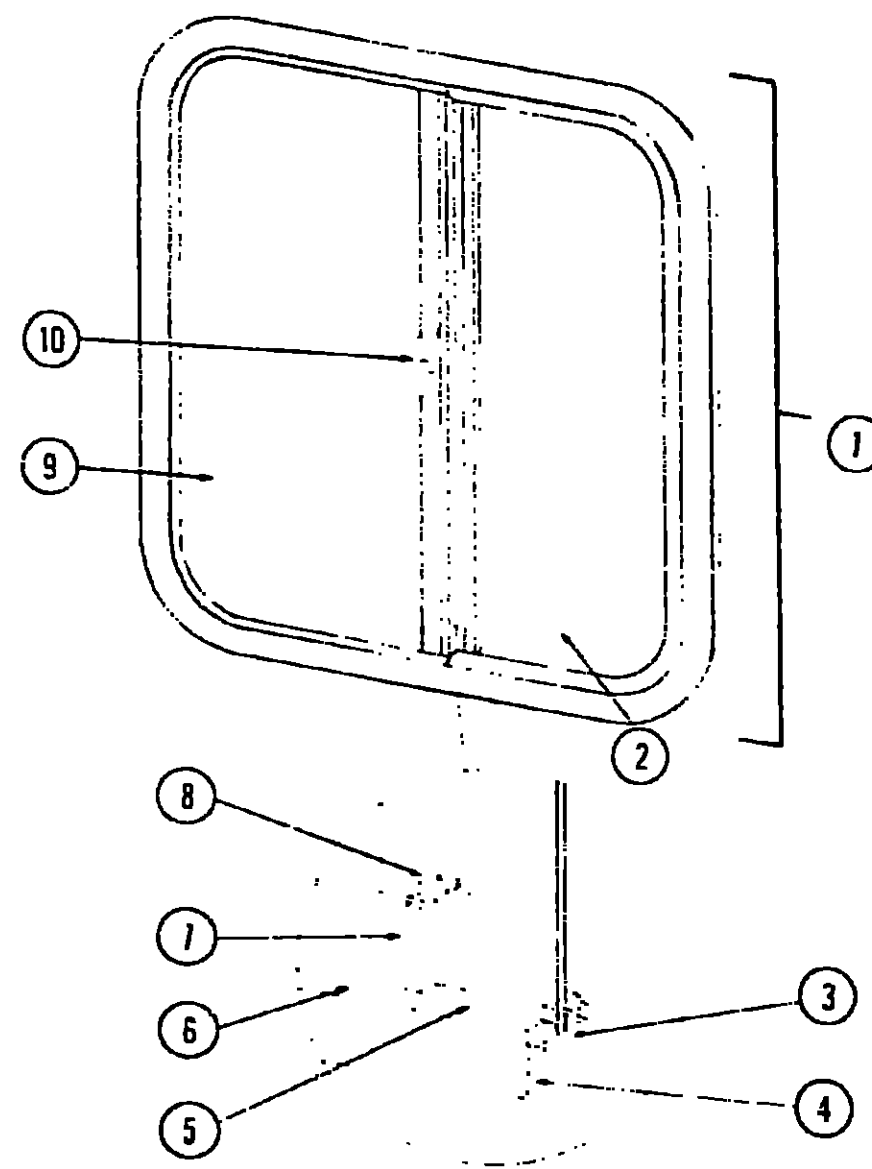
Floor Plan	H-21 - H-22
Accessories Group	H-23 - I-01
Bath Group	I-02
Chassis Group	I-03 - I-04
Curtain, Cushion & Pad Group	I-05 - I-11
Dinette Group	I-12
Driver's Compartment Group	I-13 - I-16
Electrical Group	I-17 - I-19
Exterior Body Group	I-20 - J-05
Galley Group	J-06 - J-07
Heating & Air Conditioning Group	J-08 - J-09
Interior Finish Group	J-10 - J-12
LP Group	J-13
Lounge Group	J-14 - J-16
Water & Sewage Group	J-17 - J-18
Window, Vent & Exterior Door Group	J-19 - K-08

WINDOW, VENT & EXTERIOR DOOR GROUP (CONTINUED)



Key	Part Number	U/M	Description
1	048631-08-000	EA	Window Asm. - Left Single Slider - 23" x 29" - Black (w/o inside frame)
*	067609-14-000	EA	Inside Frame - Beige (not included in assembly)
2	047813-01-000	EA	Glass - Sliding - w/Hole - 1/8" x 22" x 13.68"
3	002324-02-000	FT	Channel - Weatherstrip - Glass
4	069640-01-000	FT	Tape - 1/4" Bead x 20" - Gray - 3M
5	057374-02-000	FT	Extr. Vinyl - Window Seal - Black
6	002309-02-000	FT	Spline - Glass - 1/8" Material - Black
7	M18025-03-000	EA	Extr. Holder - Glass Seal - 21" - Black
8	069696-01-000	EA	Mullion - Slider Window - Black
9	002184-01-000	EA	Glass - Stationary - 1/8" x 16.5" x 22"
10	047369-01-000	EA	Latch - Window - Plastic - w/Fastener
*	002293-01-000	SF	Screen - Window - 26" - Gray
*	002298-01-000	FT	Spline - .130" Dia. - Gray (Screen)
*	073740-01-000	FT	Seal - Fin - Pile - .460"
*			Not illustrated

WINDOW, VENT & EXTERIOR DOOR GROUP (CONTINUED)



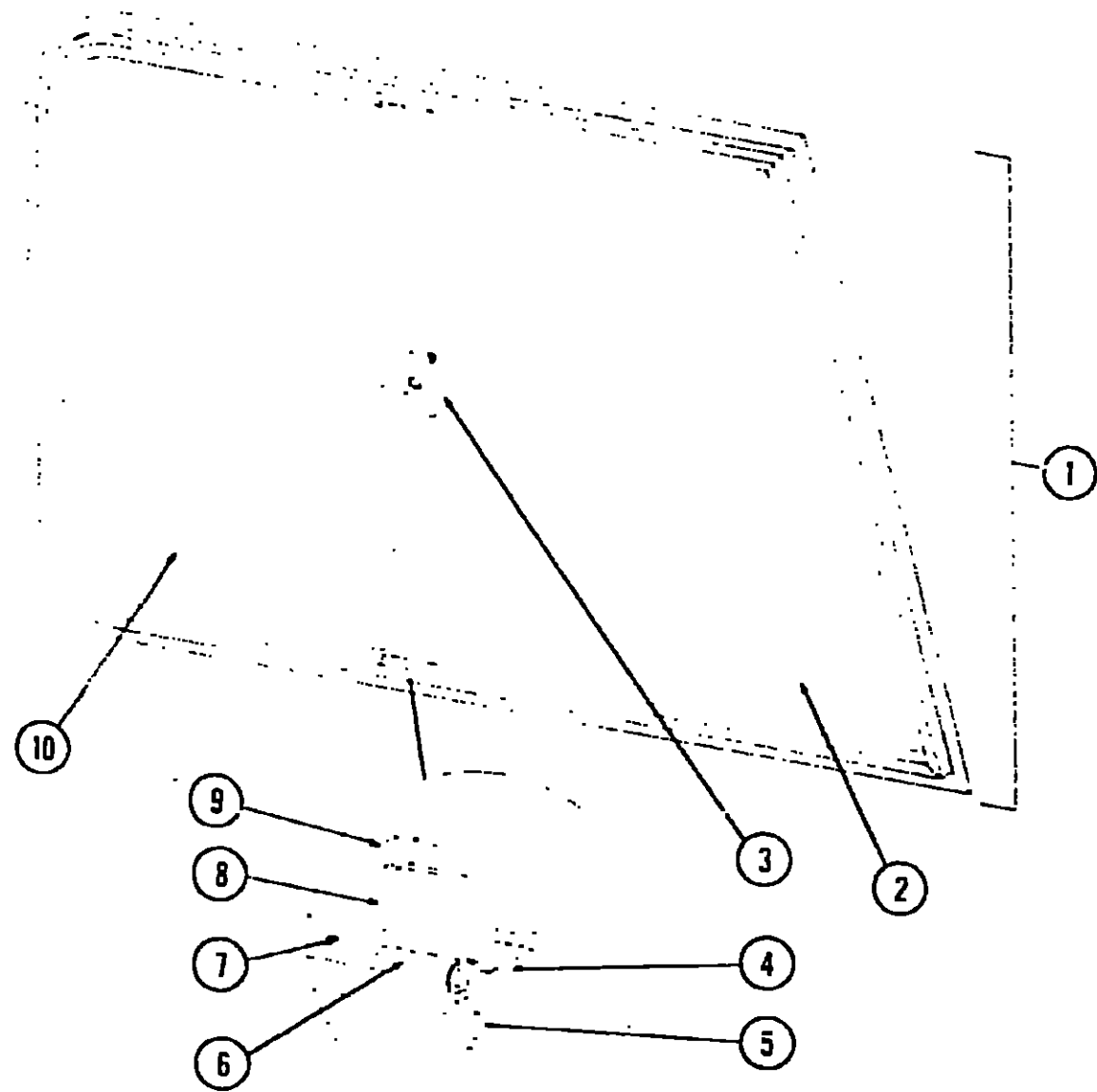
Key	Part Number	U/M	Description
1	048631-03-000	EA	Window Asm. - Left - Single Slider - 20" x 25" - Black (w/o inside frame)
*	042147-12-000	EA	Inside Frame - Beige (not included in assembly)
2	047820-01-000	EA	Glass - Sliding - w/Hole - 1/8" x 13/68" x 19"
3	002324-02-000	FT	Channel - Weatherstrip - Glass
4	069640-01-000	FT	Tape - 1/4" Bead x 20" - Gray - 3M
5	057374-02-000	FT	Extr. Vinyl - Window Seal - Black
6	002309-02-000	FT	Spline - Glass - 1/8" Material - Black
7	M69886-03-011	EA	Extr. Holder - Glass Seal - 18.19" - Black
8	041894-12-000	EA	Mullion - Slider Window - Black
9	002241-02-000	EA	Glass - Stationary - 1/8" x 12.3" x 19"
10	047369-01-700	EA	Latch - Window - Plastic - w/Fastener
*	002293-01-000	SF	Screen - Window - 26" - Gray
*	002298-01-000	FT	Spline - .130" Dia. - Gray (Screen)
*	073740-01-000	FT	Seal - Fin - Pile - .460"
*			Not illustrated

1984 WINNEBAGO
TABLE OF CONTENTS

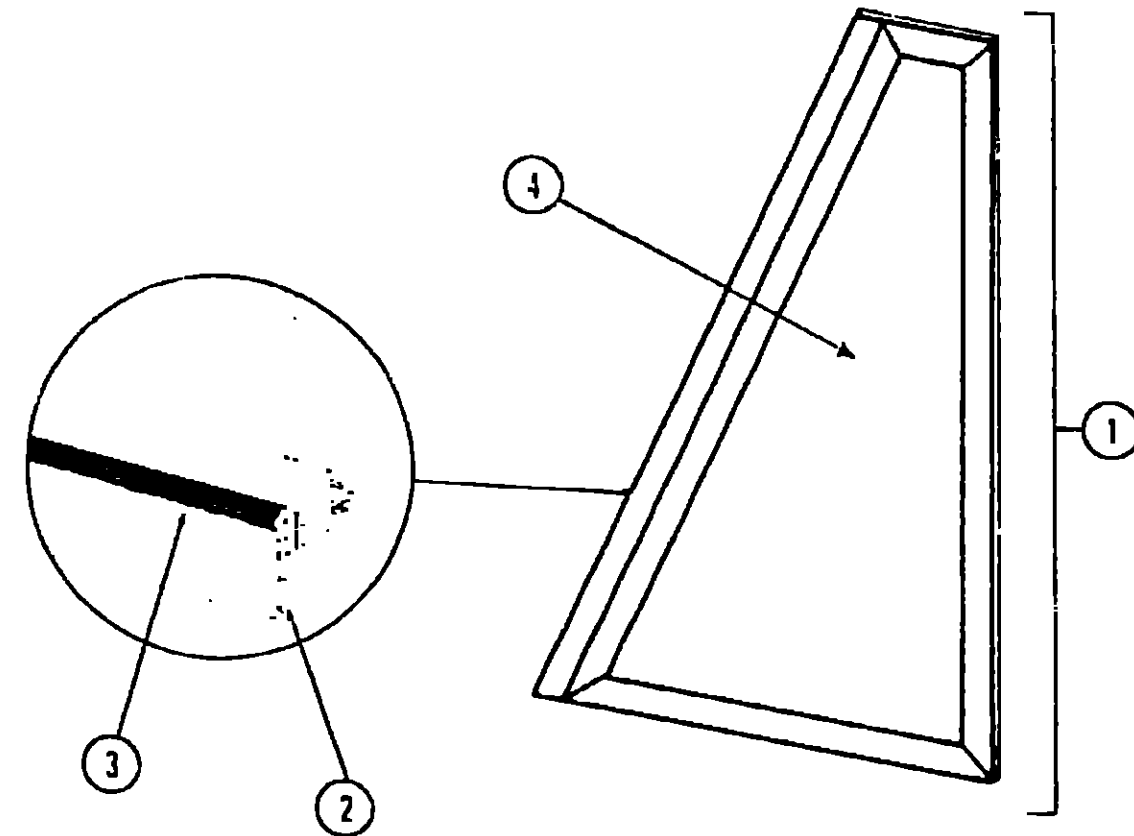
Introduction	A-01
Abbreviations	A-01
Alphabetical Index	A-02 - A-04
WC424RC	A-05 - C-16
WCN22RC	C-17 - F-05
WCN27RU	F-07 - H-20
WCN33RU	H-21 - K-08

1984 WCN33RU INDEX

Floor Plan	H-21 - H-22
Accessories Group	H-23 - I-01
Bath Group	I-02
Chassis Group	I-03 - I-04
Curtain, Cushion & Pad Group	I-05 - I-11
Dinette Group	I-12
Driver's Compartment Group	I-13 - I-16
Electrical Group	I-17 - I-19
Exterior Body Group	I-20 - J-05
Galley Group	J-06 - J-07
Heating & Air Conditioning Group	J-08 - J-09
Interior Finish Group	J-10 - J-12
LP Group	J-13
Lounge Group	J-14 - J-16
Water & Sewage Group	J-17 - J-18
Window, Vent & Exterior Door Group	J-19 - K-08



Key	Part Number	U/M	Description
1	059046-01-000	EA	Window Asm. - Right Front Slant Slider - 23" x 39" (w/o inside frame)
1	059046-02-000	EA	Window Asm. - Left Front Slant Slider - 23" x 39" (w/o inside frame)
2	057656-01-000	EA	Glass - .19" x 24.88" x 25.3" - Stationary
3	947369-01-700	EA	Latch - Window - Plastic w/Fastener
.	023320-01-000	EA	Foam Pad - 3/8" Dia. (used with plastic latch)
4	042077-01-000	FT	Channel - Weatherstrip - Glass Run - 3/16" Glass
5	069640-01-000	FT	Tape - 1/2" x 1/8" x 20" - Gray - 3M
6	050216-02-000	FT	Spline - 3/16" Glass
7	041928-02-000	FT	Extr. Vinyl - Window Seal - Black
8	002389-03-206	EA	Holder - Glass Seal - Black Anod. - 24.13"
9	057644-04-000	EA	Mullion - Window - Slant Slider
10	057657-01-000	EA	Glass - .19" x 24.88" x 14.70" - Sliding
.	059042-03-000	EA	Inside Frame - Right Front Slant Slider - Beige (not included in assembly)
.	059042-04-000	EA	Inside Frame - Left Front Slant Slider - Beige (not included in assembly)
.	023713-02-000	EA	Cover - Weephole - Black
.	055164-05-000	EA	Slider Screen Asm. - Right or Left - Black
.	016310-03-000	EA	Handle - Slider Screen - Black
.	002292-01-000	SF	Screen - Window - 20" - Gray
.	002298-01-000	FT	Spline - Gray - .130" Dia.
.	Not illustrated		



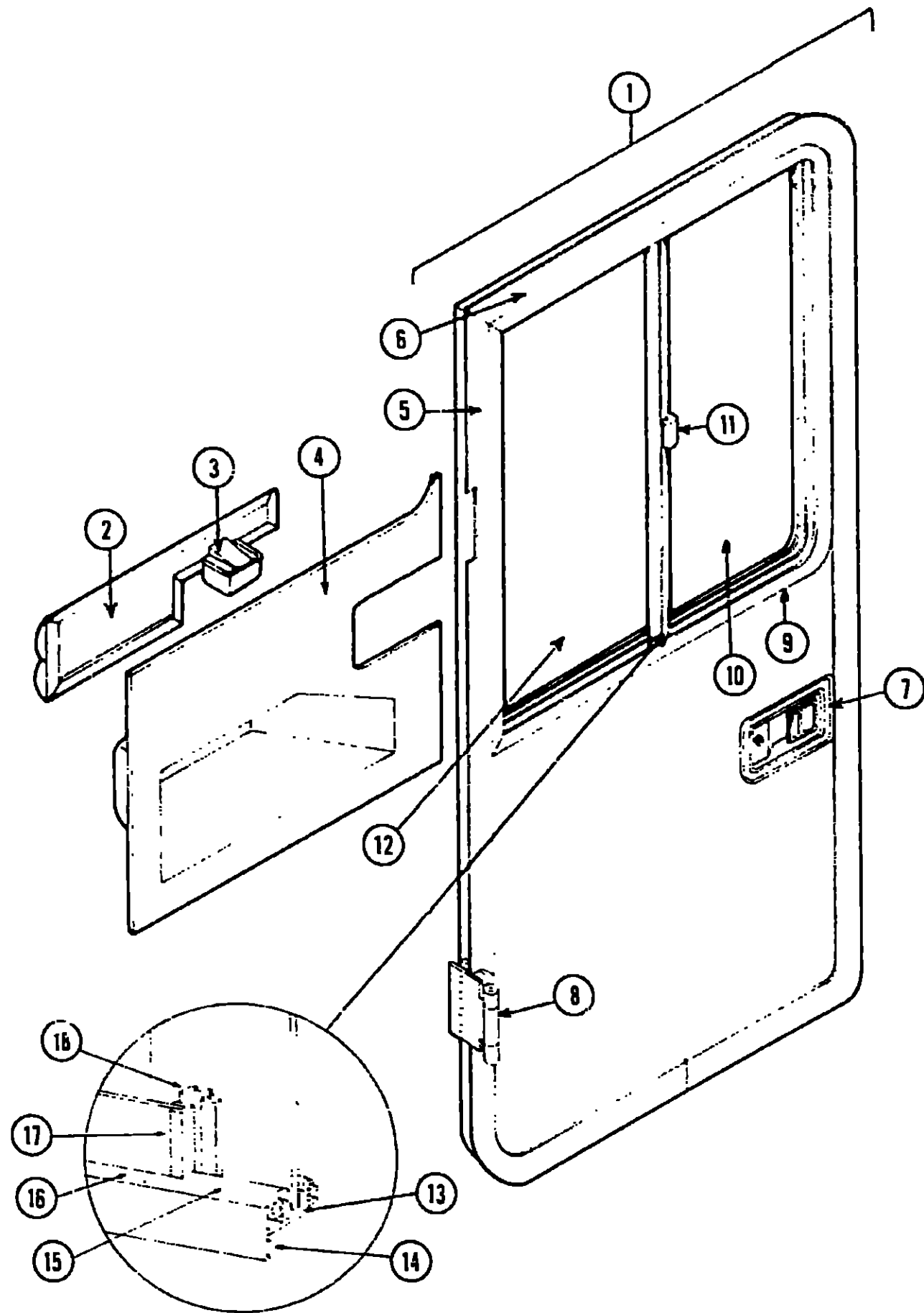
Key	Part Number	U/M	Description
1	062896-01-000	EA	Window Asm. - Stationary - Drivers Slant - 14" x 25 3/2"
2	069640-01-000	FT	Tape - 1/4" Bead x 20" - Gray - 3M
3	002309-02-000	FT	Spline - Glass - 1/8" - Black
4	057646-02-000	EA	Glass - 3/16" x 24 8/8"
.	063420-02-000	EA	Inside Frame - Front Slant Window - Beige (not included in assembly)
.	Not illustrated		

1984 WINNEBAGO
TABLE OF CONTENTS

Introduction	A-01
Abbreviations	A-01
Alphabetical Index	A-02 - A-04
WC424RC	A-05 - C-16
WCN22RC	C-17 - F-06
WCN27RU	F-07 - H-20
WCN33RU	H-21 - K-08

1984 WCN33RU INDEX

Floor Plan	H-21 - H-22
Accessories Group	H-23 - I-01
Bath Group	I-02
Chassis Group	I-03 - I-04
Curtain, Cushion & Pad Group	I-05 - I-11
Dinette Group	I-12
Driver's Compartment Group	I-13 - I-16
Electrical Group	I-17 - I-19
Exterior Body Group	I-20 - J-05
Galley Group	J-06 - J-07
Heating & Air Conditioning Group	J-08 - J-09
Interior Finish Group	J-10 - J-12
LP Group	J-13
Lounge Group	J-14 - J-16
Water & Sewage Group	J-17 - J-18
Window, Vent & Exterior Door Group	J-19 - K-08



DRIVER DOOR

Key	Part Number	U/M	Description
1	063991-04-R10	EA	Door Asm - Driver
1	063991-07-R10	EA	Door Asm - Driver - Fiberglass Insert
2	064088-02-000	EA	Pad Asm. - Trim - Upper - Light Oak
	061400-03-000	EA	Assist STRap - 12" - Beige
3	046885-01-000	EA	Ash Tray Asm - Flush Mount - Chrome
4	064499-02-000	EA	Panel - Driver Door - Inner - Light Oak
5	063350-01-000	EA	Trim - Door Frame - Front - Beige
5	076862-01-000	EA	Trim - Door Frame - Front - Beige - Fiberglass Insert
6	063351-01-000	EA	Trim - Door Frame - Rear - Beige
6	076861-01-000	EA	Trim - Door Frame - Rear - Beige - Fiberglass Insert
7	045017-03-000	EA	Paddle - Door Lock - Exterior
	045017-05-700	EA	Lock Cylinder w/Keys - Lynor
	039979-02-000	EA	Inside Plate - Door Lock - w/Inside Handle
	039540-02-000	EA	Latch Claw - Entry Door Lock
	039738-01-000	EA	Deadbolt - Entrance Door Lock
	039539-01-000	EA	Strike Bolt - Entrance Door (Jamb Mount)
	063124-02-000	EA	Plate - Striker - 8 1/4" x 1" - Black
	063357-02-000	EA	Jamb - Driver Door - Front - Beige
	063358-04-000	EA	Jamb - Driver Door - Rear - Beige
	064199-01-000	EA	Trim - Door Jamb - Rear - w/Drip Cap - Beige
	064184-01-000	EA	Drip Cap - Driver Door
	063358-01-000	EA	Trim - Door Jamb - Front - Beige
	063768-01-000	EA	Sill Plate - Driver Door
8	063993-01-000	EA	Hinge Asm. - Driver Door - Beige
	064580-01-000	EA	Check Strap - Driver Door - Seat Belt Webbing
	064219-01-000	EA	Retainer - Driver Door Check Strap
	063886-03-000	EA	Assist Handle - Driver Door - Beige Steel Tube (2 required per door)
	064075-01-000	EA	Bulb Seal - Driver Door - 145"
9	062982-01-000	EA	Window Asm - Driver Door - Single Slider - 23" x 25 5" (w/o inside frame)
10	057657-02-000	EA	Glass - 3/16" x 24.88" x 12" - Sliding
11	047369-01-700	EA	Latch - Window - Plastic w/Fastener
12	002188-04-000	EA	Glass - 3/16" x 24.88" x 12" - Stationary
13	002324-02-000	FT	Channel - Weatherstrip - Glass (un - 1/8" Glass
14	069640-01-000	FT	Tape - 1/4" Bead x 20' - Gray - 3M
15	024096-02-000	FT	Seal - Window Channel - Black
16	002309-02-000	FT	Spline - Glass - Black
17	002389-03-204	EA	Holder - Glass Seal - Anod. Black - 25 14"
	002288-01-000	FT	Weatherstrip - Glass Seal
18	057644-04-000	EA	Mullion - Slider Window - Black Anod.
	063422-02-000	EA	Inside Frame - Driver Door Window - Beige
	023713-02-000	EA	Cover - Weephole - Black Plastic
	055164-06-000	EA	Screen Asm. - Slider
	002292-01-000	SF	Screen - Window - 20" - Gray
	002298-01-000	FT	Spline - Gray - Screen - .130" Dia
	016310-03-000	EA	Screen Handle
	043485-02-000	FT	Screen Seal - Extr Vinyl
			Not illustrated

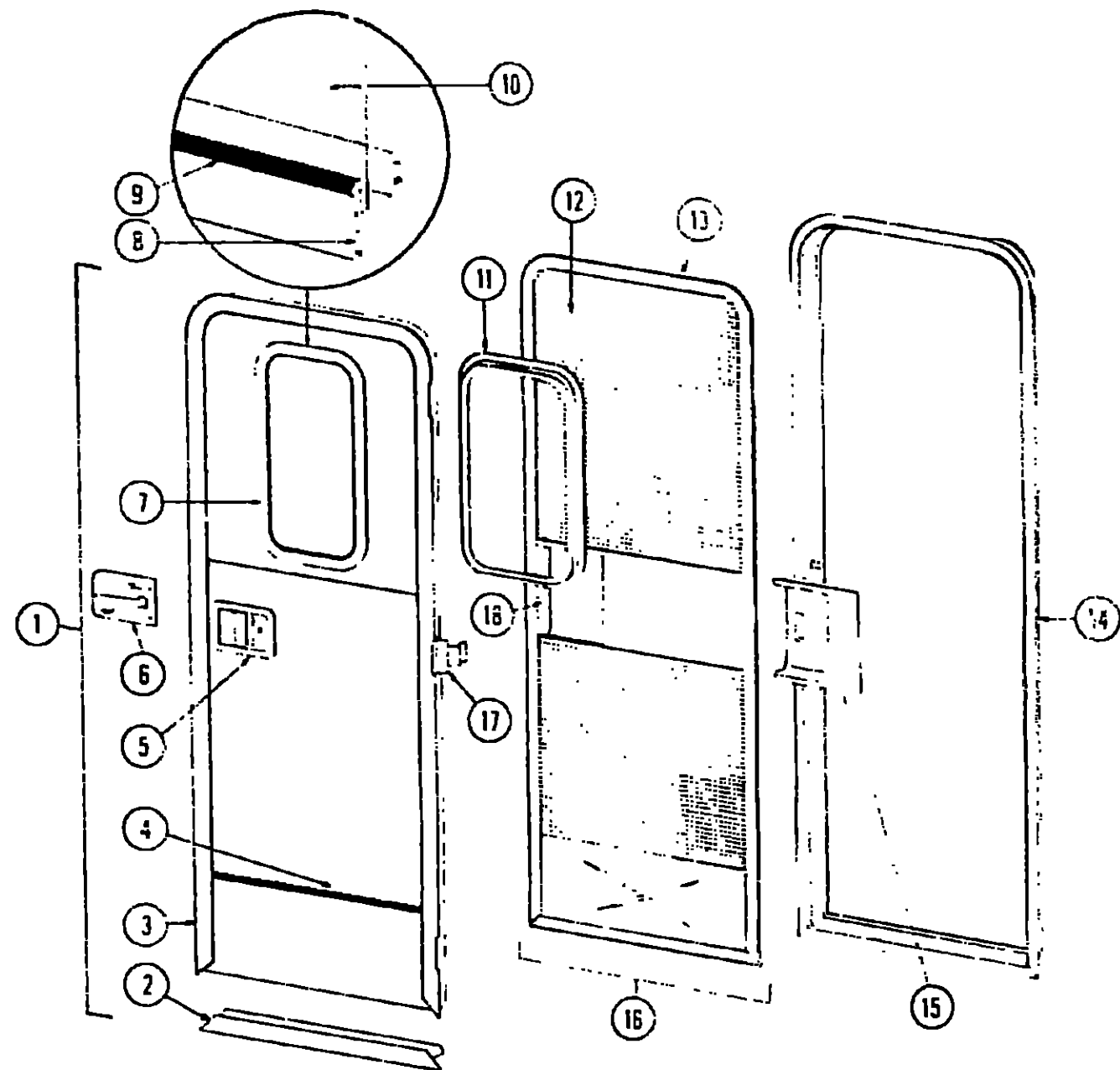
1984 WINNEBAGO
TABLE OF CONTENTS

Introduction	A-01
Abbreviations	A-01
Alphabetical Index	A-02 - A-04
WC424RC	A-05 - C-16
WCN22RC	C-17 - F-06
WCN27RU	F-07 - H-20
WCN33RU	H-21 - K-08

1984 WCN33RU INDEX

Floor Plan	H-21 - H-22
Accessories Group	H-23 - I-01
Bath Group	I-02
Chassis Group	I-03 - I-04
Curtain, Cushion & Pad Group	i-05 - I-11
Dinette Group	I-12
Driver's Compartment Group	I-13 - I-16
Electrical Group	I-17 - I-19
Exterior Body Group	I-20 - J-05
Galley Group	J-06 - J-07
Heating & Air Conditioning Group	J-08 - J-09
Interior Finish Group	J-10 - J-12
LP Group	J-13
Lounge Group	J-14 - J-16
Water & Sewage Group	J-17 - J-18
Window, Vent & Exterior Door Group	J-19 - K-08

WINDOW, VENT & EXTERIOR DOOR GROUP (CONTINUED)



ENTRANCE DOOR

Key	Part Number	U/M	Description
1	01414-01-000	EA	Door Asm - Radius Entry w/Screen Door
1	01414-05-000	EA	Door Asm - Radius Entry w/Screen Door - Fiberglass - Gray/Beige
1	01414-11-000	EA	Door Asm - Radius Entry w/Screen Door - Fiberglass - Merlot
2	039737-02-000	EA	Frame - Entry Door (Bottom Portion Only)
2	077998-02-000	EA	Frame - Entry Door (Bottom Portion Only) - Fiberglass
3	039736-02-000	EA	Frame - Entry Door (Except Bottom Portion)
3	076853-02-000	EA	Frame - Entry Door (Except Bottom Portion) - Fiberglass
4	059576-06-000	EA	Feature Strip - Brown - 14"
4	001030-12-001	EA	Insert - Feature Strip - Beige - 17"
5	045017-05-000	EA	Paddle Asm - Door Lock - Exterior
5	045017-01-000	EA	Lock Cylinder w/Keys
5	039539-01-000	EA	Striker Bolt - Entry Door
5	039540-01-000	EA	Latch Claw - Entry Door
6	039979-01-000	EA	Plate - Lock - Interior - Including Inside Handle
6	052185-01-000	EA	Lock Asm - Complete - Nylon
7	041875-09-000	EA	Window Asm - Picture - 17" x 25" - Black (w/o inside frame)
8	069540-01-000	FT	Tape - 1/4" Bead x 25" - Gray - 3M
8	002309-02-000	EA	Spine - Glass - 1/8" Black
8	044582-01-000	EA	Cap - Drip Jamb - Mounted - Beige
10	002181-06-000	EA	Glass - Picture Window - 1/8" x 115" x 16 25" x 24"
11	057609-03-000	EA	Frame - Window - Inside - 17" x 25" - Beige
12	002293-01-000	SF	Screen - Window - 26" - Gray
13	056795-01-000	FT	Seal Tape - 1/8" x 3.8" - Press On
14	075636-01-000	EA	Jamb Asm - Entry Door
15	015580-02-000	EA	Slider - Screen Door - Light Oak Plastic
16	053170-05-000	EA	Door Asm - Screen - Light Oak
16	002294-01-000	FT	Spline - 135" x 138" - Black
17	039520-01-000	EA	Hinge - Entry Door (3 used per door)
18	015551-02-000	EA	Cap - Screen Door - Light Oak Plastic
18	053552-01-R10	EA	Assist Handle - Almond (Beige) Vinyl
18	053638-01-000	EA	Striker - Screen Door
18	039863-01-000	EA	Catch Asm - Single Roller w/Strike - Screen Door
18	051390-01-000	FT	Seal - Jamb - Entry Door - Bulb Seal
18	039800-01-000	FT	Tubing - Polycutyl - 1 2" O D - Jamb
18	009016-01-000	EA	Catch - Elbow - Spring Loaded - Zinc
18	009018-01-000	EA	Catch Asm - Single Roller
18	039735-01-000	EA	Dead Bolt - Asm
18	075673-01-000	FT	Seal - File - Adhesive Back
18	076231-01-000	EA	Spacer - Screen Door Latch
18	Not illustrated		

1984 WINNEBAGO TABLE OF CONTENTS

Introduction	A-01
Abbreviations	A-01
Alphabetical Index	A-02 - A-04
WC424RC	A-05 - C-16
WCN22RC	C-17 - F-06
WCN27RU	F-07 - H-20
WCN33RU	H-21 - K-08

1984 WCN33RU INDEX

Floor Plan	H-21 - H-22
Accessories Group	H-23 - I-01
Bath Group	I-02
Chassis Group	I-03 - I-04
Curtain, Cushion & Pad Group	I-05 - I-11
Dinette Group	I-12
Driver's Compartment Group	I-13 - I-16
Electrical Group	I-17 - I-19
Exterior Body Group	I-20 - J-05
Galley Group	J-06 - J-07
Heating & Air Conditioning Group	J-08 - J-09
Interior Finish Group	J-10 - J-12
LP Group	J-13
Lounge Group	J-14 - J-16
Water & Sewage Group	J-17 - J-18
Window, Vent & Exterior Door Group	J-19 - K-08