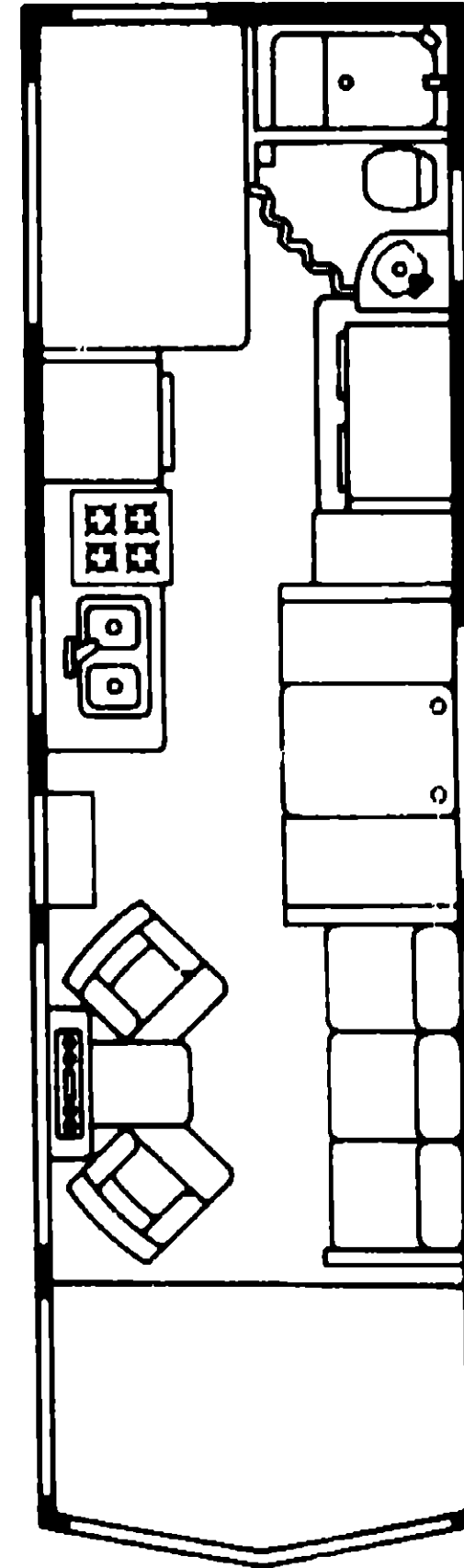


# 1984 WCN30RC



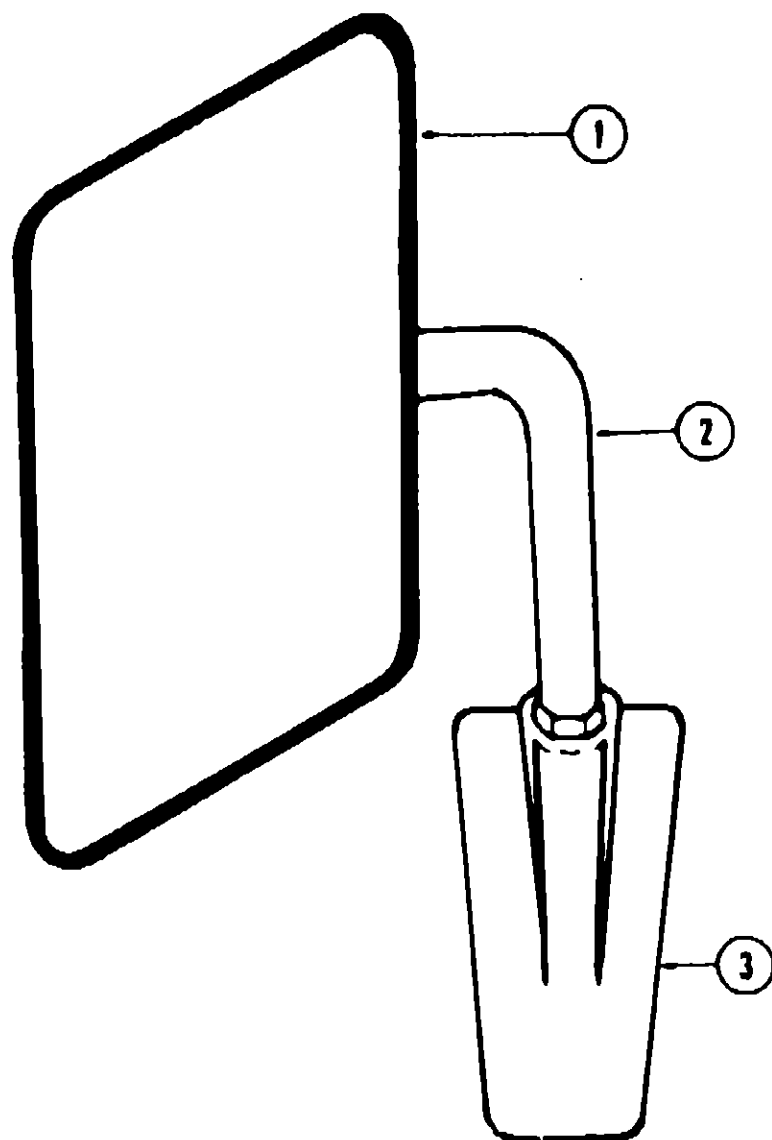
## 1984 WINNEBAGO TABLE OF CONTENTS

WC420RG	A-01 - C-04
WCN23RG	C-05 - E-14
WCN30RC	E-15 - G-24
WCP31RT	H-01 - J-04

## 1984 WCN30RC INDEX

Floor Plan	E-15 - E-16
Accessories Group	E-17 - E-19
Bath Group	E-20 - E-21
Chassis Group	E-22 - E-23
Curtain, Cushion & Pad Group	E-24 - F-06
Dinette Group	F-07
Driver's Compartment Group	F-08 - F-10
Electrical Group	F-11 - F-13
Exterior Body Group	F-14 - F-22
Galley Group	F-23 - G-01
Heating & Air Conditioning Group	G-02 - G-03
Interior Finish Group	G-04 - G-06
LP Group	G-07
Lounge Group	G-08 - G-09
Water & Sewage Group	G-09 - G-10
Window, Vent & Exterior Door Group	G-11 - G-24

**ACCESSORIES GROUP**



**EXTERIOR MIRRORS**

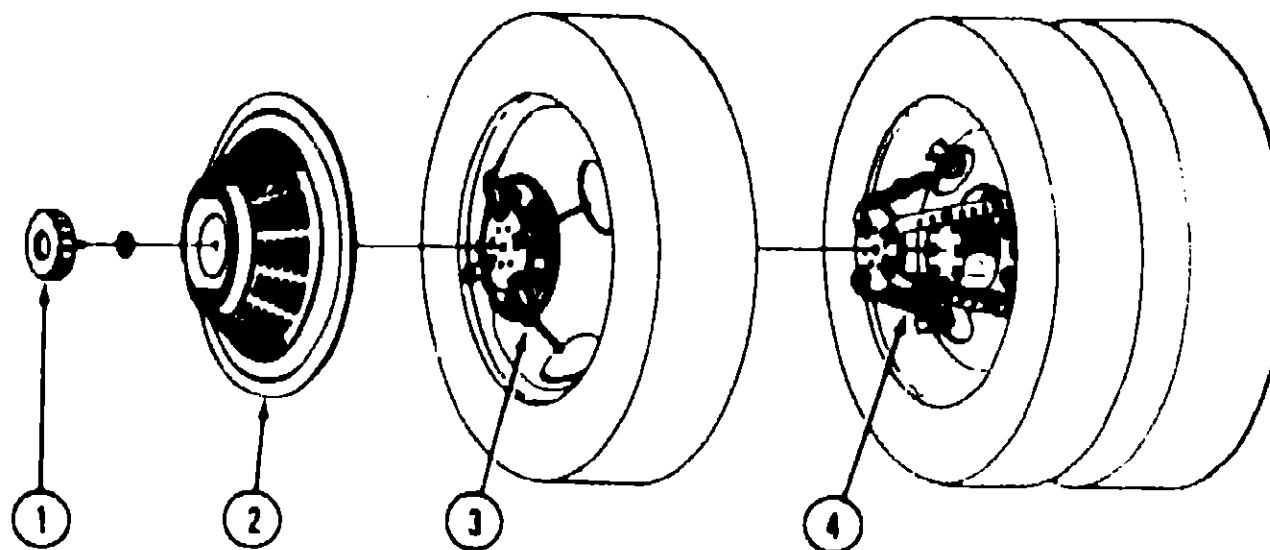
Key	Part Number	U/M	Description
1	049347-01-000	EA	Mirror Head - 7 1/2" x 10 1/2" - Beige
2	049348-03-000	EA	Arm - Low Mount Mirror - Black
3	049944-04-000	EA	Bracket - Mirror - Outside - Black
.	065116-01-000	EA	Mirror - West Coast - Double - Right
.	065116-02-000	EA	Mirror - West Coast - Double - Left
.	006043-01-000	EA	Mirror - Convex - Adhesive Back
.			Not illustrated

**GENERATOR & COMPONENTS**

Key	Part Number	U/M	Description
**	054429-01-000	EA	Generator - Onan - 4.0 kw
	052168-01-000	EA	Generator - Onan - 4.25 kw - CSA
	701629-02-000	EA	Onan Installation Package
	024732-01-016	EA	Tailpipe - 1.5" O.D. x 43.50"
	067753-01-000	EA	Muffler - Generator - w/Spark Arrestor - Nelson
	740313-56-000	EA	Tray - Generator - Onan - 4.0 kw
	007067-01-000	SF	Insulation - 1" - Fiberglass
	068046-01-000	EA	Conversion Kit - LP - Onan Generator

\*\* The illustrated parts breakdown for this item is provided on the Common Items Fiche.

**ACCESSORIES GROUP (CONTINUED)**



**WHEEL COVER & MOUNTING HARDWARE**

Key	Part Number	U/M	Description
1	064082-02-000	EA	Retaining Nut - Delmet - Wheel Cover
2	073426-02-700	EA	Wheel Cover - Bolt On - 19.5" - Delmet (1)
3	073426-04-700	EA	Retention Bracket Asm. - Wheel Cover Support - Heavy Duty - Front (1)
4	073426-04-701	EA	Retention Bracket Asm. - Wheel Cover Support - Heavy Duty - Rear (1)
.	073426-04-000	EA	Retention Bracket Asm. - Wheel Cover Support - Heavy Duty (Set/4)
.	031396-02-000	EA	Wheel Cover - 19.5" - Clip On
.			Not illustrated

**FRONT BUNK & HARDWARE**

Key	Part Number	U/M	Description
	076473-01-R10	EA	Cabinet Asm. - Front Overhead
	076184-02-R10	EA	Bunk Board Asm. - Front Overhead - w/Beige Rails
	053773-01-000	EA	Support - Overhead Bunk - Right - Brown
	053773-02-000	EA	Support - Overhead Bunk - Left - Brown
	040071-02-000	EA	Support - Bunk - Seat Belt
	039516-04-000	EA	Catch - Bunk - Beige
	023812-28-000	EA	Rail - Bunk - 77.1" - Beige
	053774-04-000	EA	Torsion Rod - Overhead Bunk - Brown
	041322-01-000	EA	Washer - Flat - 15/32" I.D. x 2 3/8" O.D. - Seat Belt
	074210-03-P01	EA	Pad Asm. - Front Side Overhead - Right - Beige Vinyl
	074210-02-P01	EA	Pad Asm. - Front Side Overhead - Left - Beige Vinyl
	074210-01-P01	EA	Pad Asm. - Front Side Overhead - Driver Door - Beige Vinyl
	048394-01-000	YD	Tape Hook - 1" x 25 YD - Beige
	048395-01-000	YD	Tape Loop - 1" x 25 YD - Beige
	007021-01-000	EA	Seat Belt Asm. - 2" x 90" - Black

**ELECTRIC STEP ASSEMBLY**

Key	Part Number	U/M	Description
	075461-01-000	EA	Electric Step Asm. w/Light
	075461-01-700	EA	Motor
	041250-01-000	EA	Door Switch
	075461-01-704	EA	Under Step Control Unit
	075461-01-705	EA	4-Way Plug
	075461-01-706	EA	Kill Switch
	075461-01-707	EA	Step Light
	075461-01-708	EA	4-Way Plug
	075461-01-709	EA	90 Degree Plug
	075461-01-710	EA	Gear
	075461-01-711	EA	Drive Link

**1984 WINNEBAGO  
TABLE OF CONTENTS**

WC420RG  
WCN23RG  
WCN30RC  
WCP31RT

A-01 - C-04  
C-05 - E-14  
E-15 - G-24  
H-01 - J-04

**1984 WCN30RC INDEX**

Floor Plan	E-15 - E-16
Accessories Group	E-17 - E-19
Bath Group	E-20 - E-21
Chassis Group	E-22 - E-23
Curtain, Cushion & Pad Group	E-24 - F-06
Dinette Group	F-07
Driver's Compartment Group	F-08 - F-10
Electrical Group	F-11 - F-13
Exterior Body Group	F-14 - F-22
Galley Group	F-23 - G-01
Heating & Air Conditioning Group	G-02 - G-03
Interior Finish Group	G-04 - G-06
LP Group	G-07
Lounge Group	G-08 - G-09
Water & Sewage Group	G-09 - G-10
Window, Vent & Exterior Door Group	G-11 - G-24

# ACCESSORIES GROUP (CONTINUED)

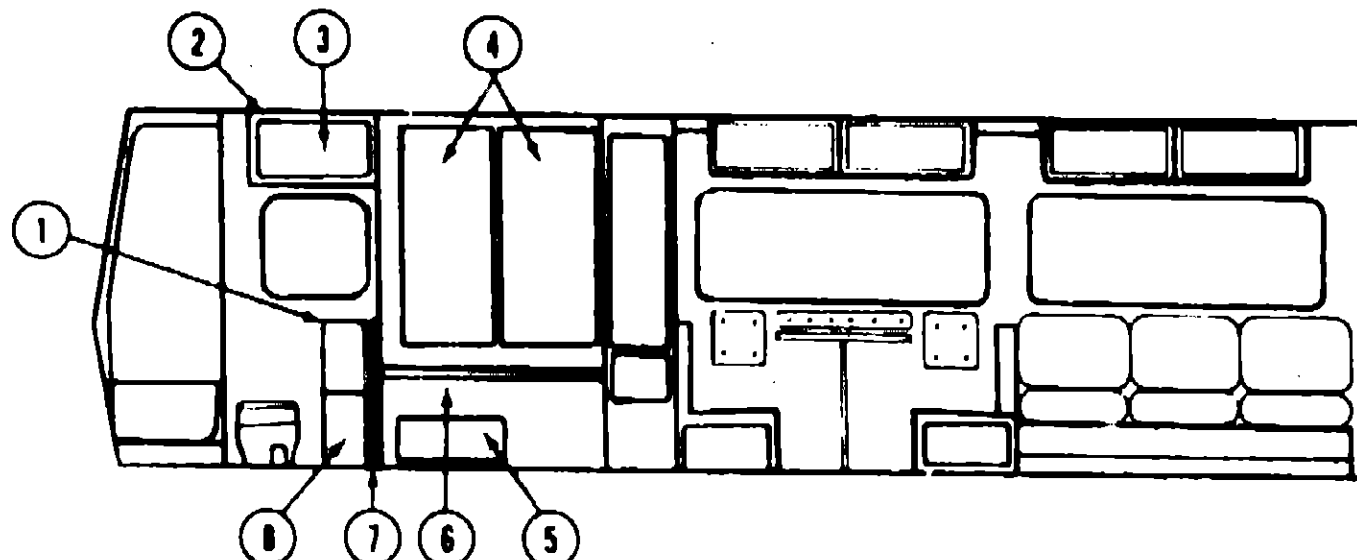
## MISCELLANEOUS ACCESSORIES

Key	Part Number	U/M	Description
	054185-20-000	EA	Owner's Manual - 1984 - Itasca & Winnebago
	044982-01-000	EA	Pouch - Home Owners Plans - Plastic
	706053-02-000	EA	Antenna - TV Skyliner - w/8" Shaft - Braund Delux
	008050-01-000	EA	Jack - TV - Ivory (Antenna)
	076319-01-000	EA	Antenna - TV - Roof Mount - 44.5"
	076319-03-000	FT	Cable - Coaxial - 1000' - 75 OHM
	076319-04-000	EA	Connector & Ferrule
	076319-05-000	EA	Wall Plate - Power Supply - Ivory
	076319-08-000	EA	Adapter - Cable Roof Plate
	017516-01-000	EA	Mud Flap - 14" x 18" - w/Holes - Black
	041944-03-000	EA	Fire Extinguisher - w/Bracket - 5 BC
	075922-01-000	EA	Microwave Oven - Litton - 1450
	075930-01-000	EA	Bracket Asm. - Microwave - Right
	075930-02-000	EA	Bracket Asm. - Microwave - Left
	076253-02-000	EA	Bracket Asm. - Microwave - Bottom (2 required)
	075922-03-000	EA	Trim Ring - Microwave Oven
	075922-04-000	EA	Air Exhaust Duct - Microwave Oven
	067203-01-000	EA	Ladder Asm.
	067130-01-000	EA	Ladder Step
	076980-01-000	EA	End Cap - Ladder Step
	067125-01-000	EA	Stand Off - Rack & Ladder Asm.
	067203-02-000	EA	Luggage Rack Asm.
	064093-01-000	EA	Luggage Carrier Assembly - 34" x 30" x 60"
	039881-01-000	EA	Catch & Strike - Luggage Carrier
	072366-01-000	EA	Speed Control Package - Electric - Diesel - Dana
	072366-01-700	EA	Hex Fitting
	072366-01-701	EA	Cable Only
	072366-01-702	EA	Vacuum Regulator
	072366-01-703	EA	Control Switch & Lever Asm
	069629-01-000	EA	Speed Control Package
	069629-01-700	EA	Regulator Asm. - Electronic
	069629-01-701	EA	Vacuum Valve & Electric Switch
	069629-01-702	EA	Control Switch & Lever Assembly
	069629-01-703	EA	Harness Asm. - Main Wiring
	069629-01-704	EA	Signal Generator
	069629-01-705	EA	Key - Adaptor
	072852-01-000	EA	Smoke Detector w/9 Volt Battery
	072373-01-000	EA	Weather Center - 7" x 7" x 2"
	072374-01-000	EA	Clock - 7" x 7" x 2"
	006069-01-000	EA	Key Case - Leather
	007038-01-000	EA	Door Mat - 10.5" x 26" - Black Rubber
	069580-01-000	EA	Lug Wrench - 1" x 1.25" x 16.3"
	069580-02-000	EA	Leverage Bar - 22" - Lug Wrench
	006113-01-000	EA	Jack - Hydraulic - 6 Ton - w/Handle
	063708-01-000	EA	Cover - Roof Air Conditioner - Vinyl
	075068-04-R10	EA	Tire Cover - Plastic - w/Decal

## RADIOS & RELATED COMPONENTS

Key	Part Number	U/M	Description
	031105-01-000	EA	Antenna - Radio - Side Mount
	031105-01-700	EA	Holder - Antenna - Radio - Upper
	064791-01-000	EA	Speaker - Recessed - 5.25"
	064792-01-000	EA	Grille - Speaker - 5.25" - w/Mesh - Brown
	074979-01-000	EA	Speaker Cover Protector - Plastic
	073431-01-000	EA	Speaker - 5.25" - 3 Way
	075903-01-000	EA	Radio - AM/FM Stereo - Mechanical Tune
	075904-01-000	EA	Radio - AM/FM Stereo - Electrical Tune

# BATH GROUP



## BATH CABINETRY

Key	Part Number	U/M	Description
1	M01425-01-R10	EA	Countertop Asm. - Lavatory Cabinet - Travertine
2	076073-01-000	EA	Cabinet Asm. - Medicine - w/o Doors or Hardware
3	076353-01-R07	EA	Door Asm. - Medicine Cabinet w/Mirror - 16.1" x 30.1" - w/o Hardware
4	G69852-63-R10	EA	Door Asm. - Wardrobe - 47.9" x 20.6" - w/o Hardware
5	069852-71-R10	EA	Door Asm. - Wardrobe - 25.1" x 10.9" - w/o Hardware
6	M01429-01-R10	EA	Countertop Asm. - Wardrobe
7	063224-01-700	EA	Door - Rolled - 30" x 48" - Universal
8	M75634-01-R10	EA	Cabinet Asm. - Lavatory - w/o Countertop & Doors
	073419-01-000	EA	Door Asm. - Folding - 46" x 75" - Walnut
	059915-08-R10	EA	Drawer Asm. - Wardrobe
			Not illustrated

## 1984 WINNEBAGO TABLE OF CONTENTS

WC420RG	A-01 - C-04
WCN23RG	C-05 - E-14
WCN30RC	E-15 - G-24
WCP31RT	H-01 - J-04

## 1984 WCN30RC INDEX

Floor Plan	E-15 - E-16
Accessories Group	E-17 - E-19
Bath Group	E-20 - E-21
Chassis Group	E-22 - E-23
Curtain, Cushion & Pad Group	E-24 - F-06
Dinette Group	F-07
Driver's Compartment Group	F-08 - F-10
Electrical Group	F-11 - F-13
Exterior Body Group	F-14 - F-22
Galley Group	F-23 - G-01
Heating & Air Conditioning Group	G-02 - G-03
Interior Finish Group	G-04 - G-06
LP Group	G-07
Lounge Group	G-08 - G-09
Water & Sewage Group	G-09 - G-10
Window, Vent & Exterior Door Group	G-11 - G-24

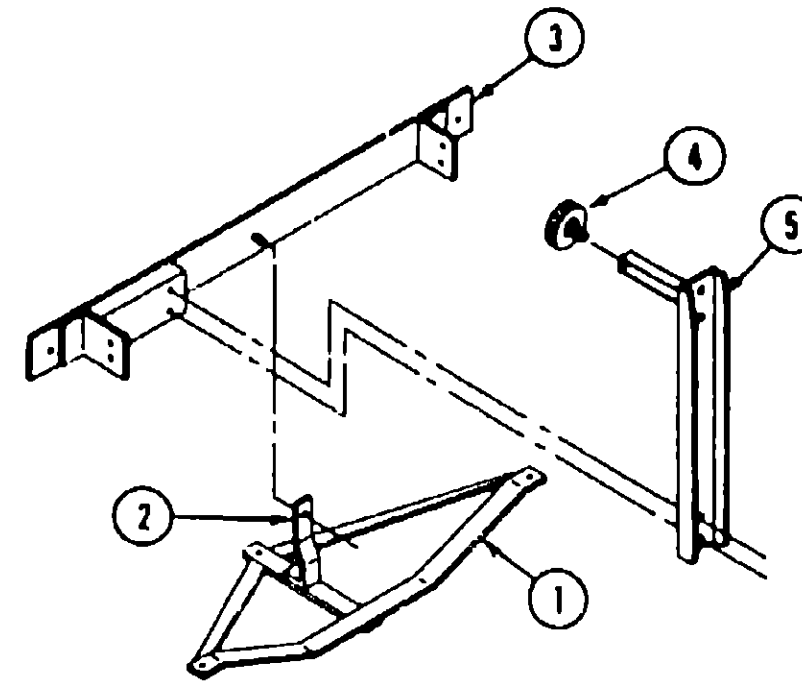
## BATH GROUP (CONTINUED)

### BATH & WARDROBE HARDWARE

Key	Part Number	U/M	Description
	075240-02-000	EA	Faucet - Lavatory - Antique Brass
	075242-02-000	EA	Faucet - Tub & Shower - Antique Brass
	058713-01-000	EA	Sink Oval - Ivory Plastic
	M01407-01-000	EA	Bathtub Asm.
	M01465-01-000	EA	Shroud - Bathtub w/Reinforcement
	011083-01-000	EA	Tail Piece 1.25" x 5" - Plastic - w/Stopper
**	011048-02-000	EA	Shower Head - w/60" Hose
**	066729-01-000	EA	Strainer - Shower Pan & Tub
	066436-01-000	EA	Slip Nut - 1.5" Tail Piece - Bathtub
	011069-02-000	EA	Tail Piece - 1.5" x 1.25" x 4" - Brass
	069735-01-000	EA	Washer - Tail Piece - 1.5" - Plastic
	066435-01-000	EA	Nut - Strainer - Plastic
	011048-04-000	EA	Vacuum Breaker - 1/8 MPT - Nylon
	075452-01-000	EA	Tissue Holder - Antique Brass
	075453-01-000	EA	Towel Bar - 18" - Antique Brass
	075454-01-000	EA	Towel Ring - Antique Brass
	073419-01-700	EA	Latch - Folding Door - Bath
	073419-01-701	EA	Roller - Folding Door - Bath
	072650-01-000	EA	Panel - Shower Plastic
	062906-02-000	EA	Door Asm. - Shower
	073689-03-000	EA	Track - Folding Door - 30.5" - Beige
	009112-01-000	EA	Flange - 1" Closet Rod
	075680-01-000	EA	Closet Rod - Adjustable
	057671-01-000	EA	Screw Cover (No. 8)
	039341-02-000	EA	Toilet - Thetford - Aqua Magic - Ivory - B420 SH
	076137-01-000	EA	Trim - Jamb - Bath
	058331-05-000	EA	Mirror - Safety Glass - 12" x 26"
	075606-01-000	EA	Panel - Shower Faucet
	M75965-01-R10	EA	Pantry Asm. - w/o Racks
	074316-01-000	EA	Slide Asm. - Full Extension - Pantry (Pair)
	075451-01-000	EA	Storage Rack - Canned Goods
	075451-02-000	EA	Clip - Storage Rack - White
	061604-01-000	EA	Slide Bolt - Storage Rack - Antique Brass
	076097-01-000	EA	Bracket - Catch - Pantry
	076098-01-000	EA	Bracket - Slide - Pantry
	059915-08-R10	EA	Drawer Asm. - Wardrobe - 19.1" x 20.8"

\*\* The illustrated parts breakdown for this item is provided on the Common Items Fiche.

## CHASSIS GROUP



Key	Part Number	U/M	Description
1	064833-01-000	EA	Trailer Hitch Asm.
2	064824-02-000	EA	Support - Trailer Hitch
3	064601-02-000	EA	Bracket - Bumper Mount Rear
4	064082-01-000	EA	Retaining Nut - Demet - Tire Cover
5	075286-01-000	EA	Bracket - U-Channel - Tire Carrier (Plastic Cover)
.	075068-04-R10	EA	Cover - Spare Tire - Plastic
.			Not illustrated

## 1984 WINNEBAGO TABLE OF CONTENTS

WC420RG	A-01 - C-04
WCN23RG	C-05 - E-14
WCN30RC	E-15 - G-24
WCP31RT	H-01 - J-04

## 1984 WCN30RC INDEX

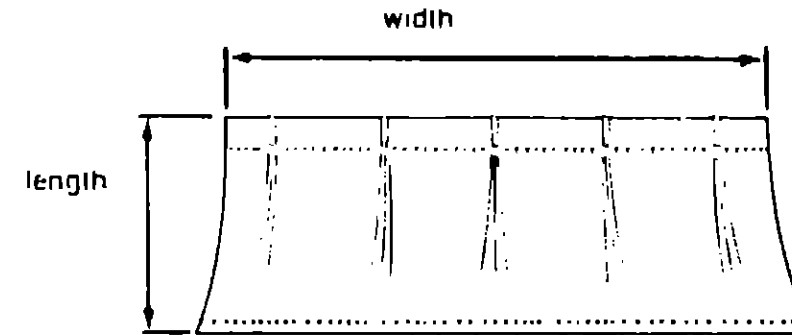
Floor Plan	E-15 - E-16
Accessories Group	E-17 - E-19
Bath Group	E-20 - E-21
Chassis Group	E-22 - E-23
Curtain, Cushion & Pad Group	E-24 - F-06
Dinette Group	F-07
Driver's Compartment Group	F-08 - F-10
Electrical Group	F-11 - F-13
Exterior Body Group	F-14 - F-22
Galley Group	F-23 - G-01
Heating & Air Conditioning Group	G-02 - G-03
Interior Finish Group	G-04 - G-06
LP Group	G-07
Lounge Group	G-08 - G-09
Water & Sewage Group	G-09 - G-10
Window, Vent & Exterior Door Group	G-11 - G-24

Key	Part Number	U/M	Description
	073220-02-000	EA	Cap - Fuel Fill - Non Locking - Gas
	073220-03-000	EA	Cap - Fuel Fill - Non Locking - Diesel
	072309-02-000	EA	Shroud - Fill Neck
	072447-01-000	EA	Shroud - Fill Neck Cover - Upper - Main
	072309-02-000	EA	Shroud - Fill Neck Cover - Upper - Aux.
	063303-04-000	E	Shroud - Floor - Lower - Main
	063303-05-000	EA	Shroud - Floor - Lower - Aux.
	075227-01-000	EA	Fill Neck - Main
	075914-01-000	EA	Fill Neck - Aux.
	075684-01-000	EA	Hose - Fuel Fill - 45° Formed - Aux.
	075228-01-000	EA	Neck Asm. - Lower - Main
	007111-03-000	EA	Hose - Fuel - 1 7/8" x 3"
	075230-01-000	EA	Tank - Fuel - 60 Gallon - Main
	075232-01-000	EA	Strap - Fuel Tank Mounting - Main
	075686-01-000	EA	Tank - Fuel - 30 Gallon - Aux.
	075232-02-000	EA	Strap - Fuel Tank Mounting - Aux.
	057038-06-000	EA	Sending Unit - Fuel - 90 Ohm. - Main
	057038-08-000	EA	Sending Unit - Fuel - 90 Ohm. - Aux.
	043477-02-000	EA	Valve Asm. - Fuel - 6 Port Select - Aux.
	065963-02-000	EA	Switch - Fuel - Change Over
	044317-01-000	FT	Hose - Fuel - 3/8"
	024138-01-000	EA	Hose - Fuel - 5/16" I.D. SAE 30RI
	024141-01-000	FT	Hose - Rubber - 1/2" I.D.
	007111-01-000	FT	Hose - Fuel - 2 1/4" I.D. SAE 30RI
	061411-01-000	EA	Tailpipe Extension - 2" x 10" - 350
	061411-03-000	EA	Tailpipe Extension - 2.25" x 10.5" - 454
	007131-01-000	EA	Tailpipe Hanger - 350
	007125-05-000	EA	Clamp - Tailpipe Hanger - 350
	007125-06-000	EA	Clamp - Tailpipe Hanger - 454
	007134-01-000	EA	Clamp - Hose - Spring Type - 9/16"
	007125-07-000	EA	Clamp - Muffler - 2 1/2"
	075146-01-000	EA	Shield - Heat Muffler
	051197-01-000	EA	Bracket - Battery Tie Down
	047411-01-000	EA	Terminal - Battery - Horizontal Lug
	071636-01-000	EA	Cover - Radiator - Rear
	071657-01-000	EA	Cover - Radiator - Rear Back (Fan Shroud)
	071651-01-000	EA	Hood Board - Upper - Right - Steel
	058404-01-000	EA	Hood Board - Upper - Left - Steel
	024652-01-700	EA	Step Asm. - Entry
	063977-04-000	EA	Step Asm. - Driver Door
	024490-01-000	EA	Power Cord Box - Plastic
	055374-01-000	EA	Wheelwell - Plastic
	017516-01-000	EA	Mud Flap - Black - 14" x 18" w/Holes
	072850-01-000	EA	Bumper - Front - Chrome
	048474-01-000	EA	Bumper - Rear - Chrome
	073352-01-000	EA	Bracket - License Plate - Front
	051387-03-000	EA	Bolt - Carriage - 5/16" x 14 x 1 1/4"
	058439-01-000	EA	Bracket - Front Bumper - Left & Right
	064053-01-000	EA	Bracket - Front Bumper - (To Bracket)
	064601-02-000	EA	Bracket - Rear Bumper Mount
	005200-01-000	EA	Bolt - Bumper - 7/16" x 14 x 1 1/4" SST
	007324-01-000	EA	Tire - 800 x 19.5 - Radial
	007321-01-000	EA	Tire - 800 x 19.5 - 8 Ply Poly
	047743-01-000	EA	Spacer - Rear Spring/Axle Stop
	064963-01-000	EA	Rim - Wheel - 19.5" x 6.75"
	075068-04-R10	EA	Cover - Spare Tire - Plastic
	064082-02-000	EA	Retainer Nut - Plastic Tire Cover
	020167-03-000	EA	Dirt Guard - Rear Wheel
	072359-01-000	EA	Bottle - Coolant Expansion

**NOTICE**

In order to assist our Parts Sales Dept. in providing interior software items, please include the serial number and the color code number from the vehicle certification label when ordering. This label is located on the left sidewall at the end of the dash (A-Body), or on the driver's door latch plate (C-Body).

An example of a color code number is P31, which designates an overall color scheme of a particular unit. The color listed after the item description on the microfiche, indicates the overall unit color. Order the item you desire according to unit color code.



**NOTE:**

Use this illustration when determining length and width measurements for curtains. You will note the width measurement is taken on the top of the curtain with the curtain fully extended. The length measurement is taken from top to bottom.

**CURTAIN HARDWARE**

Key	Part Number	U/M	Description
	052327-05-009	EA	Track - Curtain - Beige Alum. - 76" w/Holes
	056116-01-000	EA	Track - Curtain - Brown Plastic
	059430-05-000	EA	Track - Curtain - Front Wraparound (2 per unit) - 43.75" x 36" - Beige
	059430-07-000	EA	Track - Curtain - Front Wraparound - 32.8" x 89.1" (Drivers Door) Beige
	056001-01-000	EA	Bracket - Shade - Left
	056002-01-000	EA	Bracket - Shade - Right
	056003-01-000	EA	Bracket - Drapery Retainer - Right
	056003-02-000	EA	Bracket - Drapery Retainer - Left
	056003-03-000	EA	Bracket - Drapery Retainer - Universal
	075477-19-000	EA	Bracket - Blinds Top
	075477-20-000	EA	Bracket - Blinds Top Center
	075477-21-000	EA	Bracket - Blinds Bottom
	009107-01-000	EA	Guide - Nylon Snap - Curtain
	056784-01-000	EA	Pull - Window Shade - Antique Brass
	039175-01-000	EA	Curtain Rod - Ext. 48" x 84"
	039175-03-000	EA	Curtain Rod - Ext. 28" x 48"
	039175-04-000	EA	Curtain Rod - Ext. 16" x 28"
	039175-02-000	EA	Bracket - Curtain Rod
	056115-01-000	YD	Tape - Clear Plastic - w/Guides
	048394-01-000	YD	Tape Hook - 1" x 25 YD - Beige
	048395-01-000	YD	Tape Loop - 1" x 25 YD - Beige

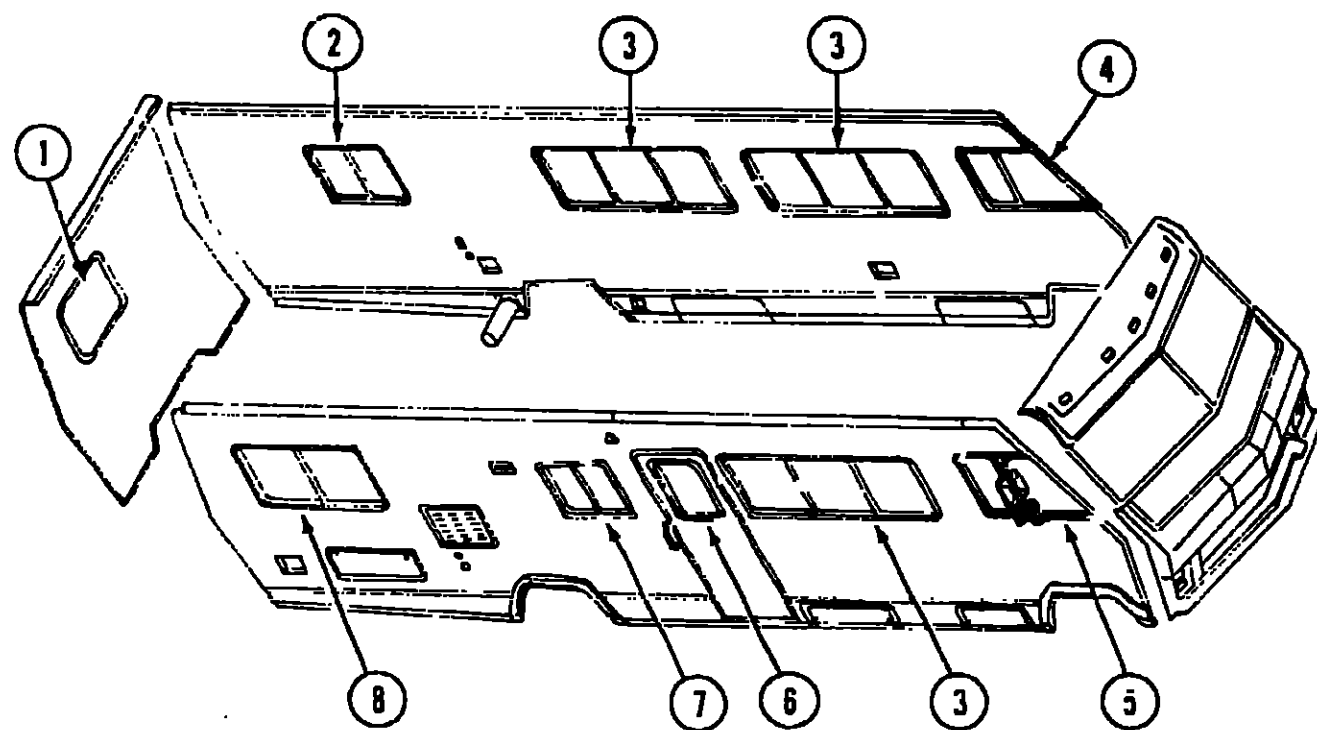
**1984 WINNEBAGO  
TABLE OF CONTENTS**

WC420RG	A-01 - C-04
WCN23RG	C-05 - E-14
WCN30RC	E-15 - G-24
WCP31RT	H-01 - J-04

**1984 WCN30RC INDEX**

Floor Plan	E-15 - E-16
Accessories Group	E-17 - E-19
Bath Group	E-20 - E-21
Chassis Group	E-22 - E-23
Curtain, Cushion & Pad Group	E-24 - F-06
Dinette Group	F-07
Driver's Compartment Group	F-08 - F-10
Electrical Group	F-11 - F-13
Exterior Body Group	F-14 - F-22
Galley Group	F-23 - G-01
Heating & Air Conditioning Group	G-02 - G-03
Interior Finish Group	G-04 - G-06
LP Group	G-07
Lounge Group	G-08 - G-09
Water & Sewage Group	G-09 - G-10
Window, Vent & Exterior Door Group	G-11 - G-24

**CURTAIN, CUSHION & PAD GROUP (CONTINUED)**



**CURTAIN, VALANCES, SHADES & TIE BACKS**

Key	Part Number	U/M	Description
1	070652-12-R10	EA	Curtain w/Darts - 29" x 15" - Blue
1	070652-12-R11	EA	Curtain w/Darts - 29" x 15" - Brown
1	070652-12-R12	EA	Curtain w/Darts - 29" x 15" - Burgundy
1	070651-19-R10	EA	Valance Asm. - 6" x 44" - Pleated - Blue
1	070651-19-R11	EA	Valance Asm. - 6" x 44" - Pleated - Brown
1	070651-19-R12	EA	Valance Asm. - 6" x 44" - Pleated - Burgundy
1	073323-19-R07	EA	Curtain - Sheers - 29" x 30"
1	065522-06-000	EA	Shade Asm. - Vinyl - 33.25" x 38"
2	073251-20-R10	EA	Curtain w/Tape Top - 21.5" x 12" - Blue - Brown (R11)
2	073251-20-R12	EA	Curtain w/Tape Top - 21.5" x 12" - Burgundy
2	075753-02-R10	EA	Valance Asm. - 6" x 42" - Blue
2	075753-02-R11	EA	Valance Asm. - 6" x 42" - Brown
2	075753-02-R12	EA	Valance Asm. - 6" x 42" - Burgundy
2	065522-06-000	EA	Shade Asm. - 33.25" x 38"
2	075477-26-000	EA	Blind - 31" Wide x 25"
2	070651-52-R07	EA	Valance Asm. - 6" x 39" - w/Woven Wood - Blue - Brown (R10, R11)
2	070651-52-R09	EA	Valance Asm. - 6" x 39" - w/Woven Wood - Burgundy (R12)
2	075474-17-000	EA	Woven Wood Shade - 32" Wide x 26" (R10, R11)
2	075474-47-000	EA	Woven Wood Shade - 32" Wide x 26" (R12)
3	070652-18-R10	EA	Curtain - Darts - 29" x 15" - Blue - Brown (R11)
3	070652-18-R12	EA	Curtain - Darts - 29" x 15" - Burgundy
3	075753-05-R10	EA	Valance Asm. - 4.5" x 71.2" - Padded - Blue
3	075753-05-R11	EA	Valance Asm. - 4.5" x 71.2" - Padded - Brown
3	075753-05-R12	EA	Valance Asm. - 4.5" x 71.2" - Padded - Burgundy
3	073323-18-R07	EA	Curtain - Sheers - 27.5" x 66"
3	065522-12-000	EA	Shade Asm. - Vinyl - 69.25" x 38"
3	075477-25-000	EA	Blind - 69" Wide x 28"
3	070651-49-R07	EA	Valance Asm. - Pleated - 6" x 76" - w/Woven Wood - Blue - Brown (R10, R11)
3	070651-49-R09	EA	Valance Asm. - Pleated - 6" x 76" - w/Woven Wood - Burgundy (R12)
3	075474-14-000	EA	Woven Wood Shade - 69" Wide x 29" - Blue - Brown (R10, R11)
3	075474-46-000	EA	Woven Wood Shade - 69" Wide x 29" - Burgundy (R12)

**CURTAIN, CUSHION & PAD GROUP (CONTINUED)**

**CURTAIN, VALANCES, SHADES & TIE BACKS (CONT.)**

Key	Part Number	U/M	Description
4	059900-05-R10	EA	Curtain w/Snaps - 29" x 35" - w/Drivers Door
5	073304-03-R10	EA	Curtain w/Snaps - 27.5" x 125" - Front Wraparound - w/Drivers Door
•	073304-07-R10	EA	Curtain w/Snaps - 27.5" x 81" - Front Wraparound - w/o Drivers Door (2 required)
•	073304-02-R10	EA	Curtain w/Snap Top - Bunk Privacy - 22" x 96"
•	073304-23-R10	EA	Curtain w/Snap Top - Bunk Privacy - 40" x 85"
•	073304-25-R10	EA	Curtain w/Snap Top - Blackout - 60" x 86"
•	073304-21-R10	EA	Curtain w/Snap Top - Aisle Divider - 73" x 65"
•	073304-22-R10	EA	Curtain w/Snap Top - Aisle Divider - 54" x 50"
6	065522-02-000	EA	Shade Asm. - Vinyl - 21.25" x 38"
6	075694-01-R10	EA	Valance Asm. - Padded - Entrance Door - Blue
6	075694-01-R11	EA	Valance Asm. - Padded - Entrance Door - Brown
6	075694-01-R12	EA	Valance Asm. - Padded - Entrance Door - Burgundy
7	073251-21-R10	EA	Curtain w/Tape Top - 21.5" x 9" - Blue - Brown (R11)
7	073251-21-R12	EA	Curtain w/Tape Top - 21.5" x 9" - Burgundy
7	M01652-02-R10	EA	Valance Asm. - Face & End - Padded - Blue
7	M01663-02-R10	EA	Valance Asm. - Top - Padded - Blue
7	M01652-02-R11	EA	Valance Asm. - Face & End - Padded - Brown
7	M01663-02-R11	EA	Valance Asm. - Top - Padded - Brown
7	M01662-02-R12	EA	Valance Asm. - Face & End - Burgundy
7	M01663-02-R12	EA	Valance Asm. - Top - Padded - Burgundy
7	065522-16-000	EA	Shade Asm. - Vinyl - 28.5" x 38"
7	075477-27-000	EA	Blind - 28" Wide x 22"
7	070651-50-R07	EA	Valance Asm. - 6" x 35" - w/Woven Wood - Blue - Brown (R10, R11)
7	070651-50-R09	EA	Valance Asm. - 6" x 35" - w/Woven Wood - Burgundy (R12)
7	075474-26-000	EA	Woven Wood Shade - 32" Wide x 26" - Blue - Brown (R10, R11)
7	075474-48-000	EA	Woven Wood Shade - 32" Wide x 26" - Burgundy (R12)
8	070652-16-R10	EA	Curtain w/Darts - 28" x 15" - Blue
8	070652-16-R11	EA	Curtain w/Darts - 28" x 15" - Brown
8	070652-16-R12	EA	Curtain w/Darts - 28" x 15" - Burgundy
8	070651-18-R10	EA	Valance Asm. - 6.5" x 70" - Blue
8	070651-18-R11	EA	Valance Asm. - 6.5" x 70" - Brown
8	070651-18-R12	EA	Valance Asm. - 6.5" x 70" - Burgundy
8	073323-18-R07	EA	Curtain - Sheers - 27.5" x 66"
8	065522-11-000	EA	Shade Asm. - Vinyl - 60.25" x 38"
•	057534-01-000	EA	Tie Back - Clear Plastic - 6"
•	073260-10-R10	EA	Tie Back - Curtain - 3" x 16" - Blue - Brown (R11)
•	073260-10-R12	EA	Tie Back - Curtain - 3" x 16" - Burgundy
•	073260-12-R10	EA	Tie Back - Curtain - Bedsread - 3" x 16" - Blue
•	073260-12-R11	EA	Tie Back - Curtain - Bedsread - 3" x 16" - Brown
•	073260-12-R12	EA	Tie Back - Curtain - Bedsread - 3" x 16" - Burgundy
•			Not illustrated

**1984 WINNEBAGO  
TABLE OF CONTENTS**

WC420RG	A-01 - C-04
WCN23RG	C-05 - E-14
WCN30RC	E-15 - G-24
WCP31RT	H-01 - J-04

**1984 WCN30RC INDEX**

Floor Plan	E-15 - E-16
Accessories Group	E-17 - E-19
Bath Group	E-20 - E-21
Chassis Group	E-22 - E-23
Curtain, Cushion & Pad Group	E-24 - F-06
Dinette Group	F-07
Driver's Compartment Group	F-08 - F-10
Electrical Group	F-11 - F-13
Exterior Body Group	F-14 - F-22
Galley Group	F-23 - G-01
Heating & Air Conditioning Group	G-02 - G-03
Interior Finish Group	G-04 - G-06
LP Group	G-07
Lounge Group	G-08 - G-09
Water & Sewage Group	G-09 - G-10
Window, Vent & Exterior Door Group	G-11 - G-24

**CURTAIN, CUSHION & PAD GROUP (CONTINUED)**

**FABRICS, TRIMS & PADS**

Key	Part Number	U/M	Description
	072333-09-000	YD	Fabric - Drapery - Beige (Wraparound)
	072333-13-000	YD	Fabric - Drapery - Sheers
	074495-27-000	YD	Fabric - Upholstery/Accent (R10, R11)
	074495-28-000	YD	Fabric - Upholstery/Accent (R12)
	074495-25-000	YD	Fabric w/Pattern - Upholstery (R10)
	074495-24-000	YD	Fabric w/Pattern - Upholstery (R11)
	074495-26-000	YD	Fabric w/Pattern - Upholstery (R12)
	069729-08-000	YD	Fabric - Bedspread - Blue (R10)
	069729-05-000	YD	Fabric - Bedspread - Tan (R11)
	069729-07-000	YD	Fabric - Bedspread - Burgundy (R12)
	038421-01-000	YD	Fabric - Mattress Ticking
	070502-01-000	YD	Vinyl - Non Expanded - 12 Gauge Film
	057550-03-N07	EA	Button Asm. - Nail - #36 - 7/8" Shank - Vinyl
	057550-05-N07	EA	Button Asm. - Nail - #36 - 3/8" Shank - Vinyl
	057093-01-N07	EA	Button Asm. - Covered #60 - Nail - Vinyl
	071127-03-R10	EA	Button Asm. - Square #65 (R11)
	071127-03-R12	EA	Button Asm. - Square #65
	075269-01-R10	EA	Button Asm. - Square #65 - w/3/4" Stud
	075269-01-R11	EA	Button Asm. - Square #65 - w/3/4" Stud
	075269-01-R12	EA	Button Asm. - Square #65 - w/3/4" Stud
	071847-07-R10	EA	Pad Asm. - End Cap - Swivel Chair Overhead Vinyl - Left
	059414-03-000	EA	Pad - Sidewall Trim - Drivers - Vinyl
	059414-04-000	EA	Pad - Sidewall Trim - Passenger - Vinyl
	059467-03-N07	EA	Pad - Map Pocket - Drivers - Vinyl
	059467-04-N07	EA	Pad - Map Pocket - Passenger - Vinyl
	074210-03-P01	EA	Pad Asm. - Front Side Overhead - Right - Vinyl
	074210-02-P01	EA	Pad Asm. - Front Side Overhead - Left - Vinyl
	074210-01-P01	EA	Pad Asm. - Front Side Overhead - Left w/Drivers Door - Vinyl
	074549-01-R10	EA	Pad Asm. - Dinette - Right (R11)
	074549-01-R12	EA	Pad Asm. - Dinette - Right
	074549-02-R10	EA	Pad Asm. - Dinette - Left (R11)
	074549-02-R12	EA	Pad Asm. - Dinette - Left
	076188-01-R10	EA	Pad Asm. - Dinette Wall - 12" x 12" (R11)
	076188-01-R12	EA	Pad Asm. - Dinette Wall - 12" x 12"
	076188-02-R10	EA	Pad Asm. - Dinette Wall - 3.5" x 30" (R11)
	076188-02-R12	EA	Pad Asm. - Dinette Wall - 3.5" x 30"
	076188-03-R10	EA	Pad Asm. - Wall - 3.5" x 36" (R11)
	076188-03-R12	EA	Pad Asm. - Wall - 3.5" x 36"
	076188-04-R10	EA	Pad Asm. - Wall - 12" x 16" (R11)
	076188-04-R12	EA	Pad Asm. - Wall - 12" x 16"
	077641-13-000	EA	Pad Asm. - Dinette Wall - 12" x 12" - Quilted - Blue - Brown (R10, R11)
	077641-15-000	EA	Pad Asm. - Dinette Wall - 12" x 12" - Quilted - Burgundy (R12)
	077642-01-000	EA	Pad Asm. - Dinette Wall - 3.5" x 30" - Quilted - Blue - Brown (R10, R11)
	077642-03-000	EA	Pad Asm. - Dinette Wall - 3.5" x 30" - Quilted - Burgundy (R12)
	077642-02-000	EA	Pad Asm. - Wall - 3.5" x 36" - Quilted - Blue - Brown (R10, R11)
	077642-04-000	EA	Pad Asm. - Wall - 3.5" x 36" - Quilted - Burgundy (R12)
	077641-14-000	EA	Pad Asm. - 12" x 16" - Quilted - Blue - Brown (R10, R11)
	077641-16-000	EA	Pad Asm. - 12" x 16" - Quilted - Burgundy (R12)

**CURTAIN, CUSHION & PAD GROUP (CONTINUED)**

**BUCKET SEATS**

Key	Part Number	U/M	Description
	075966-08-R10	EA	Seat Asm. - Single Bucket - w/Armrests
	075966-08-R11	EA	Seat Asm. - Single Bucket - w/Armrests
	075966-08-R12	EA	Seat Asm. - Single Bucket - w/Armrests
	M00784-13-R10	EA	Cover - Back - Single Bucket
	M00784-13-R11	EA	Cover - Back - Single Bucket
	M00784-13-R12	EA	Cover - Back - Single Bucket
	M00784-14-R10	EA	Cover - Bottom - Single Bucket
	M00784-14-R11	EA	Cover - Bottom - Single Bucket
	M00784-14-R12	EA	Cover - Bottom - Single Bucket
	071126-04-R10	EA	Skirt - Single Bucket (R11)
	071126-04-R12	EA	Skirt - Single Bucket
	075967-03-R10	EA	Seat Asm. - Double Bucket w/Armrests
	075967-03-R11	EA	Seat Asm. - Double Bucket w/Armrests
	075967-03-R12	EA	Seat Asm. - Double Bucket w/Armrests
	M00784-15-R10	EA	Cover - Back - Double Bucket
	M00784-15-R11	EA	Cover - Back - Double Bucket
	M00784-15-R12	EA	Cover - Back - Double Bucket
	M00784-16-R10	EA	Cover - Bottom - Double Bucket
	M00784-16-R11	EA	Cover - Bottom - Double Bucket
	M00784-16-R12	EA	Cover - Bottom - Double Bucket
	071690-02-R10	EA	Skirt - Double Bucket (R11)
	071690-02-R12	EA	Skirt - Double Bucket
	071122-11-R10	EA	Armrest Asm. - Right
	071122-11-R11	EA	Armrest Asm. - Right
	071122-11-R12	EA	Armrest Asm. - Right
	071122-12-R10	EA	Armrest Asm. - Left
	071122-12-R11	EA	Armrest Asm. - Left
	071122-12-R12	EA	Armrest Asm. - Left
	071123-06-R10	EA	Cover - Armrest - Right or Left
	071123-06-R11	EA	Cover - Armrest - Right or Left
	071123-06-R12	EA	Cover - Armrest - Right or Left

**FRONT OVERHEAD BUNK CUSHIONS**

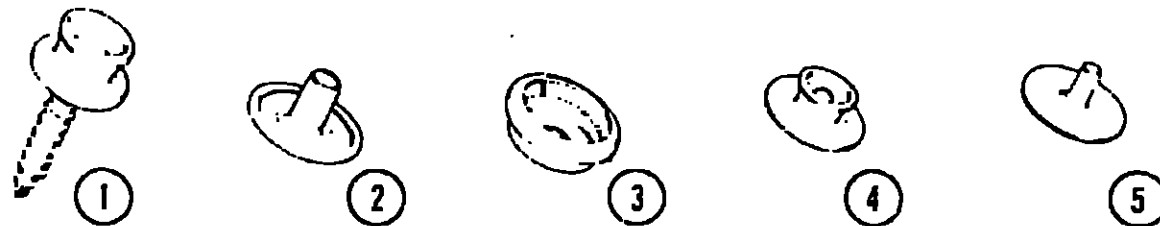
Key	Part Number	U/M	Description
	073467-05-R10	EA	Cushion Asm. - Front Bunk - 41.5" x 76" x 4"
	073467-05-R11	EA	Cushion Asm. - Front Bunk - 41.5" x 76" x 4"
	073467-05-R12	EA	Cushion Asm. - Front Bunk - 41.5" x 76" x 4"
	M73467-05-R10	EA	Cover - Front Bunk Cushion - 41.5" x 76" x 4"
	M73467-05-R11	EA	Cover - Front Bunk Cushion - 41.5" x 76" x 4"
	M73467-05-R12	EA	Cover - Front Bunk Cushion - 41.5" x 76" x 4"

**1984 WINNEBAGO  
TABLE OF CONTENTS**

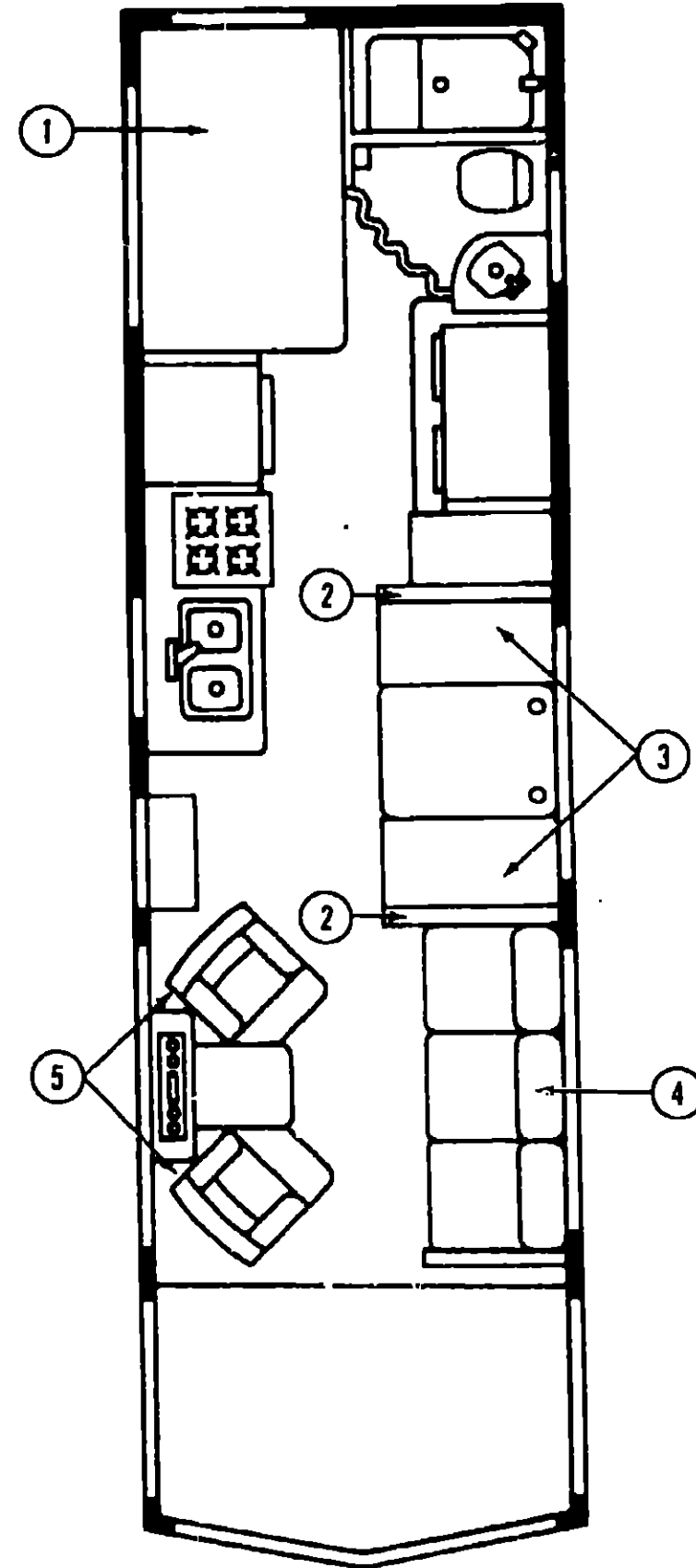
WC420RG	A-01 - C-04
WCN23RG	C-05 - E-14
WCN30RC	E-15 - G-24
WCP31RT	H-01 - J-04

**1984 WCN30RC INDEX**

Floor Plan	E-15 - E-16
Accessories Group	E-17 - E-19
Bath Group	E-20 - E-21
Chassis Group	E-22 - E-23
Curtain, Cushion & Pad Group	E-24 - F-06
Dinette Group	F-07
Driver's Compartment Group	F-08 - F-10
Electrical Group	F-11 - F-13
Exterior Body Group	F-14 - F-22
Galley Group	F-23 - G-01
Heating & Air Conditioning Group	G-02 - G-03
Interior Finish Group	G-04 - G-06
LP Group	G-07
Lounge Group	G-08 - G-09
Water & Sewage Group	G-09 - G-10
Window, Vent & Exterior Door Group	G-11 - G-24



Key	Part Number	U/M	Description
1	029130-01-000	EA	Socket - Snap Fastener
2	029155-01-000	EA	Cap - Snap - .156" Dia. x .17" Barrel
3	029156-01-000	EA	Socket - Snap Fastener
4	029092-01-000	EA	Stud - Nickel Finish
5	029093-01-000	EA	Eyelet - Nickel Finish



**SINGLE AND DOUBLE BED MATTRESS**

Key	Part Number	U/M	Description
1	058709-03-000	EA	Mattress - Inner Spring - Sealy - 48" x 75"
	070653-02-R10	EA	Bedspread - Double Fitted
	070653-02-R11	EA	Bedspread - Double Fitted
	070653-02-R12	EA	Bedspread - Double Fitted
	070654-01-R10	EA	Pillow Cover - Sham - 20" x 26"
	070654-01-R11	EA	Pillow Cover - Sham - 20" x 26"
	070654-01-R12	EA	Pillow Cover - Sham - 20" x 26"

**DINETTE CUSHIONS**

Key	Part Number	U/M	Description
2	072430-20-R10	EA	Cushion - Dinette Back - 19.2" x 38" x 5"
2	072430-03-R11	EA	Cushion - Dinette Back - 19.2" x 38" x 5"
2	072430-03-R12	EA	Cushion - Dinette Back - 19.2" x 38" x 5"
	M72430-20-R10	EA	Cover - Dinette Back Cushion - 19.2" x 38" x 5"
	M72430-03-R11	EA	Cover - Dinette Back Cushion - 19.2" x 38" x 5"
	M72430-03-R12	EA	Cover - Dinette Back Cushion - 19.2" x 38" x 5"
3	072430-21-R10	EA	Cushion - Dinette Bottom - 17.5" x 38" x 5"
3	072430-04-R11	EA	Cushion - Dinette Bottom - 17.5" x 38" x 5"
3	072430-04-R12	EA	Cushion - Dinette Bottom - 17.5" x 38" x 5"
	M72430-21-R10	EA	Cover - Dinette Bottom Cushion - 17.5" x 38" x 5"
	M72430-04-R11	EA	Cover - Dinette Bottom Cushion - 17.5" x 38" x 5"
	M72430-04-R12	EA	Cover - Dinette Bottom Cushion - 17.5" x 38" x 5"

**MAGIC BED**

Key	Part Number	U/M	Description
4	075475-02-000	EA	Magic Bed - 3 Pillow (R10)
4	075475-01-000	EA	Magic Bed - 3 Pillow (R11)
4	075475-03-000	EA	Magic Bed - 3 Pillow (R12)

**SWIVEL CHAIR**

Key	Part Number	U/M	Description
5	073518-09-R10	EA	Chair Asm. w/Pillow Back - Swivel
5	073518-09-R11	EA	Chair Asm. w/Pillow Back - Swivel
5	073518-09-R12	EA	Chair Asm. w/Pillow Back - Swivel
	075174-02-R10	EA	Skirt Asm. - Swivel Chair
	075174-02-R11	EA	Skirt Asm. - Swivel Chair
	075174-02-R12	EA	Skirt Asm. - Swivel Chair
	035036-01-000	EA	Plate - Tilt and Swivel - Swivel Chair
	035036-02-000	EA	Base w/Leg - Swivel Chair
	035036-04-000	EA	Base w/Leg - Swivel Chair - Low Base
	035036-05-000	EA	Extension - 7" - Swivel Chair - Low Base

**1984 WINNEBAGO  
TABLE OF CONTENTS**

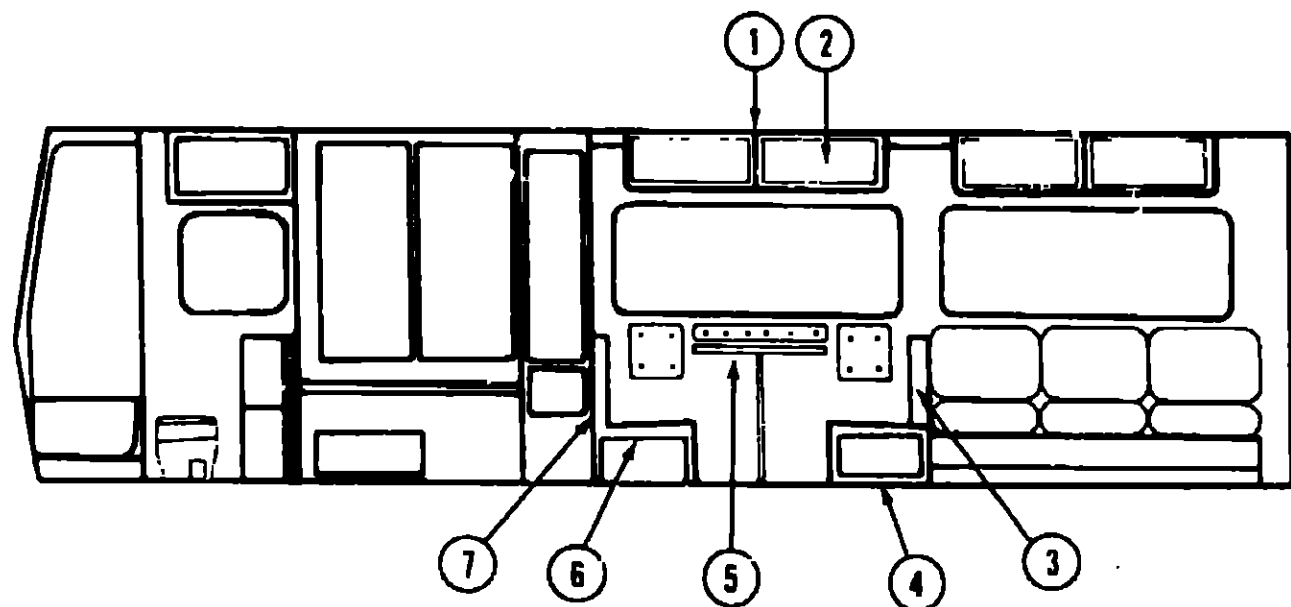
WC420RG	A-01 - C-04
WCN23RG	C-05 - E-14
WCN30RC	E-15 - G-24
WCP31RT	H-01 - J-04

**1984 WCN30RC INDEX**

Floor Plan	E-15 - E-16
Accessories Group	E-17 - E-19
Bath Group	E-20 - E-21
Chassis Group	E-22 - E-23
Curtain, Cushion & Pad Group	E-24 - F-06
Dinette Group	F-07
Driver's Compartment Group	F-08 - F-10
Electrical Group	F-11 - F-13
Exterior Body Group	F-14 - F-22
Galley Group	F-23 - G-01
Heating & Air Conditioning Group	G-02 - G-03
Interior Finish Group	G-04 - G-06
LP Group	G-07
Lounge Group	G-08 - G-09
Water & Sewage Group	G-09 - G-10
Window, Vent & Exterior Door Group	G-11 - G-24



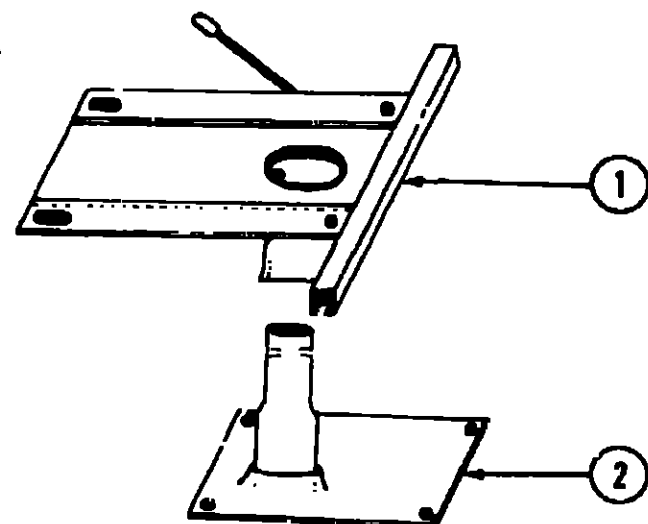
## DINETTE GROUP



### CONVENTIONAL DINETTE & OVERHEAD CABINETRY

Key	Part Number	U/M	Description
1	075775-04-R10	EA	Cabinet Asm. - Dinette Overhead - w/o Doors or Hardware
2	069852-72-R10	EA	Door Asm. - Dinette Overhead - w/o Hardware
3	M01431-01-R10	EA	Cabinet Asm. - Dinette Back - Right
4	M01430-01-R10	EA	Cabinet Asm. - Dinette Seat - Right - w/o Doors or Hardware
5	069352-70-R10	EA	Door Asm. - Dinette Seat - Right or Left - w/o Hardware
6	M75501-01-R10	EA	Table Asm. - Dinette - w/o Hardware - Harbor Oak
7	M01430-04-R10	EA	Cabinet Asm. - Dinette Seat - Left - w/o Doors or Hardware
	M01431-04-R10	EA	Cabinet Asm. - Dinette Back - Left
	053200-05-000	EA	Bracket - Upper Wall Mount - 23.5" - Beige
	053201-03-000	EA	Bracket - Table Mount - 23"
	024275-05-000	EA	Rod - Table Lift - 8" x 23.5" - Beige
	024281-07-000	EA	Bracket - Lower Wall Mount - 22.12" - Beige
	024276-14-000	EA	Leg Asm. - Table - 29.5" - Brown
	064050-01-000	EA	Hinge - Table Leg
	024282-01-000	EA	Brace - Table Leg
	024283-01-000	EA	Clip - 1" O.D. Tube
	049493-02-000	EA	Catch - Table Leg - Mounts on Floor - Brown
	064781-03-000	EA	Cup Holder - 3 47" O.D. x 2 75" I.D. x 1 5" - Brown Plastic
			Not illustrated
	The illustrated parts breakdown for this item is provided on the Common Items Fiche.		

## DRIVER'S COMPARTMENT GROUP



### BUCKET SEAT PEDESTAL AND SEAT BELTS

Key	Part Number	U/M	Description
1	069585-04-000	EA	Plate - Top - Pedestal Asm. - Single Bucket Seat
1	069585-10-000	EA	Plate - Top - Pedestal Asm. - Double Bucket Seat
2	069585-08-000	EA	Plate - Sub - Pedestal Asm. - Bucket Seat
	069585-05-000	EA	Hardware Kit - Bolt/Acorn Nut - 4 ea. - Pedestal Asm.
	056271-02-000	EA	Belt Asm. - Seat - 2" x 72" - Black
	041322-01-000	EA	Washer - Flat 15/32" I.D. x 2 3/8" O.D. - Seat Belt
	007021-01-000	EA	Belt Asm. - Seat - 2" x 90" - Black
	007222-01-000	EA	Belt Asm. - Seat - 2" x 60" - Black
	043910-01-000	EA	Bracket Asm. - Seat Belt
	058375-01-000	EA	Bracket - Seat Belt - Washer
	069246-01-000	EA	Adjuster Asm. - Seat w/Lock
	069246-02-000	EA	Adjuster Asm. - Seat w/o Lock
	068601-06-000	EA	Recliner Drive - Left Hand
	068601-07-000	EA	Recliner Drive - Right Hand
	068601-C5-700	EA	Hand Wheel Kit - Recliner Drive
			Not illustrated

### FRONT BUNK AND HARDWARE

Key	Part Number	U/M	Description
	076184-02-R10	EA	Bunk Board Asm. - Front Overhead - w/Beige Rails
	053773-01-000	EA	Support - Overhead Bunk - Brown - Right
	053773-02-000	EA	Support - Overhead Bunk - Brown - Left
	039516-04-000	EA	Catch - Bunk - Beige
	023812-28-000	EA	Rail - Bunk - 77 1" - Beige
	053774-04-000	EA	Torsion Rod - Overhead Bunk - Brown
	041322-01-000	EA	Washer - Flat - 15/32" I.D. x 2 3/8" O.D. - Seat Belt
	048394-01-000	YD	Tape Hook - 1" x 25 YD - Beige
	048395-01-000	YD	Tape Loop - 1" x 25 YD - Beige
	007021-01-000	EA	Belt Asm. - Seat - 2" x 90" - Black
	040071-02-000	EA	Belt Asm. - 2" x 6" - Bunk Support

## 1984 WINNEBAGO TABLE OF CONTENTS

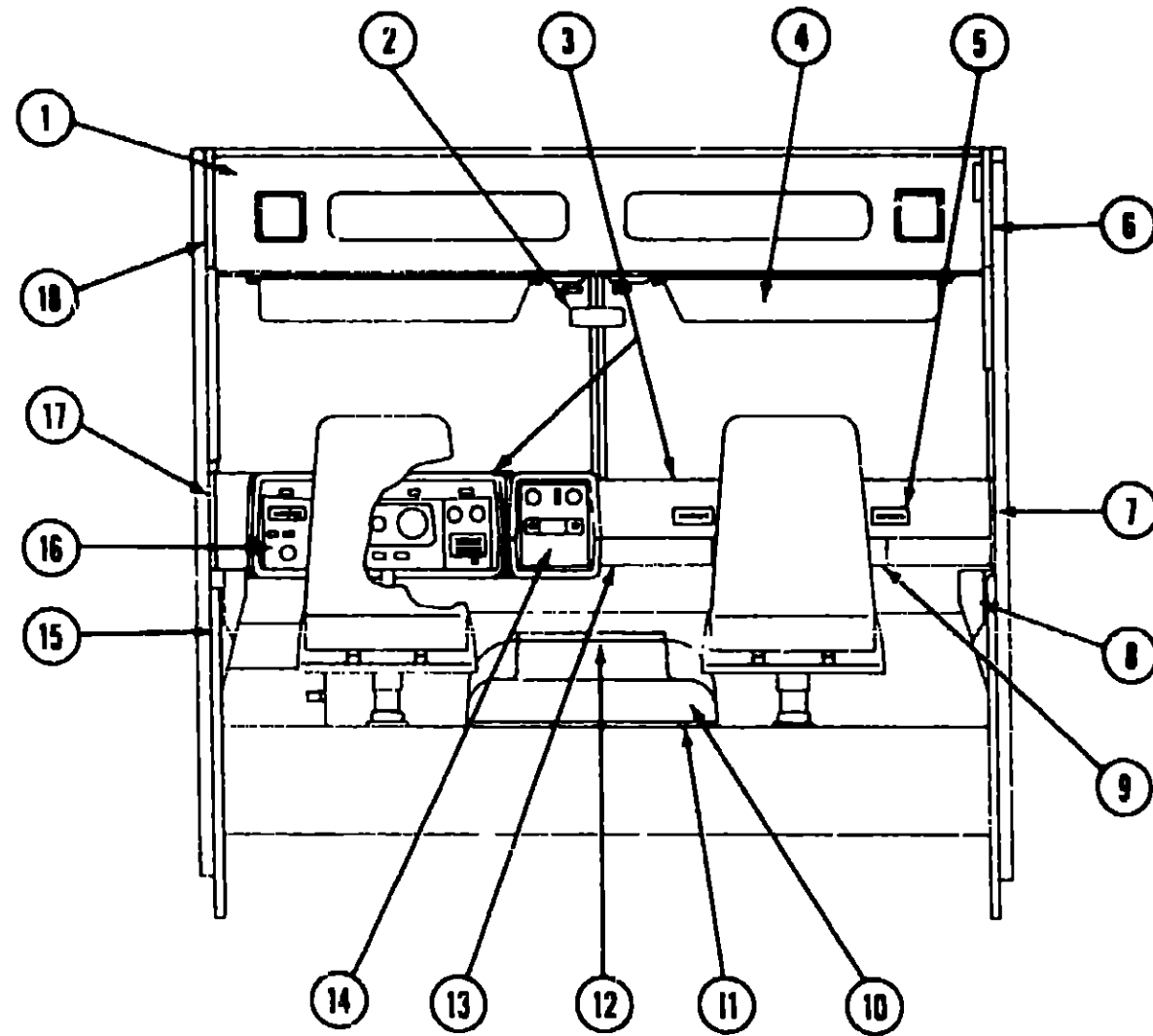
WC420RG  
WCN23RG  
WCN30RC  
WCP31RT

A-01 - C-04  
C-05 - E-14  
E-15 - G-24  
H-01 - J-04

### 1984 WCN30RC INDEX

Floor Plan	E-15 - E-16
Accessories Group	E-17 - E-19
Bath Group	E-20 - E-21
Chassis Group	E-22 - E-23
Curtain, Cushion & Pad Group	E-24 - F-06
Dinette Group	F-07
Driver's Compartment Group	F-08 - F-10
Electrical Group	F-11 - F-13
Exterior Body Group	F-14 - F-22
Galley Group	F-23 - G-01
Heating & Air Conditioning Group	G-02 - G-03
Interior Finish Group	G-04 - G-06
LP Group	G-07
Lounge Group	G-08 - G-09
Water & Sewage Group	G-09 - G-10
Window, Vent & Exterior Door Group	G-11 - G-24

**DRIVER'S COMPARTMENT GROUP (CONTINUED)**



**MISCELLANEOUS DRIVER'S COMPARTMENT COMPONENTS**

Key	Part Number	U/M	Description
1	076473-01-R10	EA	Cabinet Asm. - Front Overhead
2	040714-01-000	EA	Mirror - Inside - Rear View - Glare Proof
	067490-01-000	EA	Button - Mirror - Rear View - Support
3	M01113-08-000	EA	Dash Asm. - Complete w/Gauges and Switches
	022548-04-000	EA	Pad - Dash - Right - Dark Brown
	023242-06-000	EA	Pad - Dash - Left - Dark Brown
	024990-02-000	EA	Outlet - Defroster w/Swivel - 2" Dark Brown
4	075588-01-P01	EA	Sunvisor Asm. - Right & Left - Vinyl - w/o Mirror
	040695-02-000	EA	Clip - Sunvisor
	061350-03-000	EA	Windshield Trim - Interior - "A" Post - Light Oak Plastic - Right
	061350-04-000	EA	Windshield Trim - Interior - "A" Post - Light Oak Plastic - Left
5	039044-01-000	EA	Louver Asm - A/C Adjustable
6	074210-03-P01	EA	Pad Asm - Front Side Overhead - Right - Vinyl
7	059414-04-000	EA	Pad - Sidewall Trim - Passenger - Vinyl

**DRIVER'S COMPARTMENT GROUP (CONTINUED)**

**MISCELLANEOUS DRIVER'S COMPARTMENT COMPONENTS (CONT.)**

Key	Part Number	U/M	Description
8	072811-01-000	EA	Panel - Side - Passenger - Light Oak Plastic
	059467-04-N07	EA	Pad - Map Pocket - Passenger - Vinyl
9	022219-01-000	EA	Glove Compartment Door
	023892-01-000	EA	Glove Compartment Box - Black Fiberboard
	009188-01-000	EA	Glove Compartment Twist Lock
	024598-01-000	EA	Glove Compartment Hinge - 1 1/16" x 19"
	034309-01-000	EA	Glove Compartment Chain - Door
10	067213-03-000	EA	Motor Cover - Fiberglass
11	035368-05-000	EA	Seal - Motor Cover - Alum. - Beige
	039623-01-000	FT	Seal - Cover - Engine - Neoprene
	052783-04-000	EA	Seal - Cover - Motor - Upper - Beige
	039857-01-000	EA	Latch - Rubber - Draw Handle - 5 3/4" w/Strike
	039856-01-000	EA	Latch - Rubber - Draw Handle - 3" w/Strike
12	071714-04-000	EA	Beverage Tray Asm. - Oak
13	023834-01-000	EA	Panel - Knee Kick - Bottom of Dash
14	076006-03-000	EA	Bezel - Entertainment Center No. 3 - w/Cut Out for Radio, Hourmeter and Generator Start/Stop Switch
	007308-01-000	EA	Dash Clock
15	059198-05-000	EA	Panel - Side - Drivers - Light Oak Plastic
15	064499-02-000	EA	Panel - Drivers Door - Light Oak Plastic
	059467-03-N07	EA	Pad - Map Pocket - Drivers - Vinyl
	050796-01-000	EA	Pocket - Ash Tray - Plastic
	050797-01-000	EA	Ash Tray - Plastic
	046886-03-000	EA	Ash Tray Asm. - Flush Mount - Chrome
16	071668-01-000	EA	Bezel - Control Panel
	052367-01-000	EA	Cigarette Lighter Asm. - 12 Volt
	007041-01-000	EA	Bezel - Cigarette Lighter
	061424-01-000	EA	Lamp Asm - Map/Gauge
	061400-03-000	EA	Assist Strap - 12" - Vinyl
17	059414-03-000	EA	Pad - Sidewall Trim - Drivers - Vinyl
18	074210-02-P01	EA	Pad Asm - Front Overhead Cabinet - Left - Vinyl
18	074210-01-P01	EA	Pad Asm. - Front Overhead Cabinet - Driver Door - Vinyl
	063886-03-000	EA	Assist Handle - Drivers Door - Beige
	040519-01-000	EA	Rubber Boot - Steering Column
	040520-01-000	EA	Retainer Boot - Steering Column
	054250-01-000	EA	Support - Dimmer Switch
	024849-01-000	EA	Damper Asm - Fresh Air
			Not Illustrated

NOTE: To Be Special Ordered Only

**DASH SWITCHES AND GAUGES**

Key	Part Number	U/M	Description
	024461-01-000	EA	Switch - Battery
	024462-01-000	EA	Switch - Battery Condition
	024464-02-000	EA	Switch - Battery - Dual Boost
	024464-01-000	EA	Switch - Washer
	065963-02-000	EA	Switch - Fuel
	024467-01-000	EA	Switch - Wiper
	024976-01-000	EA	Switch - Generator w.c Circuit Board
	024459-03-000	EA	Gauge - Voltmeter
	024460-03-000	EA	Gauge - Vacuum
	031035-01-000	EA	Gauge - Generator Hourmeter
	074007-01-000	EA	Switch - Intermittent - Windshield Wiper

**1984 WINNEBAGO  
TABLE OF CONTENTS**

WC420RG	A-01 - C-04
WCN23RG	C-05 - E-14
WCN30RC	E-15 - G-24
WCP31RT	H-01 - J-04

**1984 WCN30RC INDEX**

Floor Plan	E-15 - E-16
Accessories Group	E-17 - E-19
Bath Group	E-20 - E-21
Chassis Group	E-22 - E-23
Curtain, Cushion & Pad Group	E-24 - F-06
Dinette Group	F-07
Driver's Compartment Group	F-08 - F-10
Electrical Group	F-11 - F-13
Exterior Body Group	F-14 - F-22
Galley Group	F-23 - G-01
Heating & Air Conditioning Group	G-02 - G-03
Interior Finish Group	G-04 - G-06
LP Group	G-07
Lounge Group	G-08 - G-09
Water & Sewage Group	G-09 - G-10
Window, Vent & Exterior Door Group	G-11 - G-24

## ELECTRICAL GROUP

### EXTERIOR LIGHTS

Key	Part Number	U/M	Description
	058030-01-000	EA	Tail Lamp Asm. - 3 Bulb - Chrome - Right
	058030-02-000	EA	Tail Lamp Asm. - 3 Bulb - Chrome - Left
	058031-01-700	EA	Lens - Tail Lamp - Amber
	058031-01-701	EA	Lens - Tail Lamp - Red
	058031-01-702	EA	Lens - Tail Lamp - Back Up
	042405-03-000	EA	Base - Rectangular Clearance Light
	042405-01-000	EA	Lens - Clearance Light - Red w/Reflex
	042405-04-000	EA	Lens - Clearance Light - Red w/o Reflex
	042405-02-000	EA	Lens - Clearance Light - Amber w/Reflex
	042405-05-000	EA	Lens - Clearance Light - Amber w/o Reflex
	008089-01-000	EA	Light - Porch - Recessed
	058330-01-000	EA	Parking Lamp Asm.

### INTERIOR LIGHTS

Key	Part Number	U/M	Description
	033508-02-000	EA	Light - Dome - Ivory - 1 Bulb - US
	033508-03-000	EA	Light - Dome - Ivory - 1 Bulb - CSA
	033509-02-000	EA	Light - Dome - Ivory - 2 Bulb - US
	033509-03-000	EA	Light - Dome - Ivory - 2 Bulb - CSA
	061424-01-000	EA	Light - 12V Receptacle - Aisle - IP
	024418-01-000	EA	Lamp Asm. - Map/Gauge/Aisle
	072353-03-000	EA	Light - Reading - 360° Swivel - Almond
	072353-04-000	EA	Light - Reading - 360° Double Swivel
	007309-01-000	EA	Light - Step Well
	065202-01-000	EA	Lamp - Wall - Brass - 2 Bulb
	065201-02-000	EA	Lamp Shade - Fabric - Parchment

### WINDSHIELD WIPER AND WASHER

Key	Part Number	U/M	Description
	057474-01-000	EA	Wiper Asm.
**	056000-02-000	EA	Washer Asm. - Windshield
**	057653-01-000	EA	Arm - Windshield Wiper - 18" - Black
	067191-02-000	EA	Motor Asm. - Windshield Wiper - 2 Speed
	067192-01-000	EA	Link Asm. - Connecting - Left
	067193-01-000	EA	Link Asm. - Connecting - Right
**	049464-03-000	EA	Blade - Windshield Wiper - 20" - Black
**	067190-01-000	EA	Shaft and Pivot Asm
**	074007-01-000	EA	Switch - Wiper Delay
** The illustrated parts breakdown for this item is provided on the Common Items Fiche.			

### BULBS

Key	Part Number	U/M	Description
	037935-01-000	EA	Bulb - 1157
	063914-01-000	EA	Bulb - 1139
	008103-01-000	EA	Bulb - 53
	008213-01-000	EA	Bulb - 57
	008214-01-000	EA	Bulb - 67
	008215-01-000	EA	Bulb - 1003
	008216-01-000	EA	Bulb - 1034
	008217-01-000	EA	Bulb - 1073
	008218-01-000	EA	Bulb - 1141
	008220-01-000	EA	Bulb - 12V - 25W
	036196-01-000	EA	Bulb - 194
	067479-01-000	EA	Bulb - 1076 - 12V - 1 80 Amp.

## ELECTRICAL GROUP (CONTINUED)

### FUSE & CIRCUIT BREAKER

Key	Part Number	U/M	Description
	056473-02-000	EA	Fuse - Slow Blow - 5 Amp. - 32 Volt Capacity
	056473-01-000	EA	Fuse - Slow Blow - 6 1/4 Amp.
	008233-01-000	EA	Fuse - 12 Volt - 6 Amp.
	008234-01-000	EA	Fuse - 12 Volt - 10 Amp.
	046893-01-000	EA	Fuse - 12 Volt - 13 Amp.
	008235-01-000	EA	Fuse - 12 Volt - 15 Amp.
	008236-01-000	EA	Fuse - 12 Volt - 20 Amp.
	008248-01-000	EA	Fuse - 110 Volt - 30 Amp. - AGU
	008252-01-000	EA	Fuse - 110 Volt - 50 Amp.
	009208-01-000	EA	Circuit Breaker - 12 Volt - 40 Amp.
	008211-01-000	EA	Circuit Breaker - 12 Volt - 6 Amp.
	008268-01-000	EA	Circuit Breaker - 12 Volt - 30 Amp. w/Mount
	033573-02-000	EA	Circuit Breaker - 12 Volt - 15 Amp. w/Mount
	033573-01-000	EA	Circuit Breaker - 12 Volt - 20 Amp. w/Mount
	040051-01-000	EA	Circuit Breaker - 110 Volt - 20 Amp. TQL
	071279-01-000	EA	Circuit Breaker - 120 Volt - 30/15 Amp.
	071279-02-000	EA	Circuit Breaker - 120 Volt - 15/15 Amp.
	071279-03-000	EA	Circuit Breaker - 120 Volt - 15/20 Amp.
	071279-04-000	EA	Circuit Breaker - 120 Volt - 30 Amp.
	072179-05-000	EA	Circuit Breaker - 120 Volt - 20 Amp.
	071279-06-000	EA	Circuit Breaker - 120 Volt - 30/15 Amp.
	008299-01-000	EA	Circuit Breaker - 115 Amp. TQL
	008297-01-000	EA	Circuit Breaker - 120 Amp. TQL
	008293-01-000	EA	Circuit Breaker - 130 Amp. TQL
	071280-01-000	EA	Circuit Breaker Blank
	075735-02-000	EA	Circuit Breaker - 120 Volt - 15 Amp.

### MISCELLANEOUS ELECTRICAL COMPONENTS

Key	Part Number	U/M	Description
	047338-01-000	EA	Isolator - Dual Battery
	063739-01-000	EA	Battery - 12 Volt - 80 Amp - Gould
	008188-01-000	EA	Solenoid - Dual Battery - Relay
	071278-01-000	EA	Control Center - 32 Amp.
	071278-02-000	EA	Control Center - 45 Amp
	031720-01-000	EA	Spacer - Receptacle - Brown Plastic - CSA
	039950-01-702	EA	Circuit Board - Control Center
	024459-01-000	EA	Gauge - Voltmeter
	024462-01-000	EA	Switch - Battery Condition
	031035-01-000	EA	Gauge - Hourmeter - Generator
	024976-01-000	EA	Switch - Generator w/o Circuit Board
	024460-03-000	EA	Gauge - Vacuum
	039861-01-000	EA	Sending Unit Kit - Wemac
	071278-01-700	EA	Door - Control Center - w/Catch - Brown
	071278-01-701	EA	Converter Module
	071278-01-702	EA	Label - 45 Amp
	071278-01-703	EA	Catch - Control Center Door
	052367-01-000	EA	Lighter Asm - Cigarette

## 1984 WINNEBAGO TABLE OF CONTENTS

WC420RG	A-01 - C-04
WCN23RG	C-05 - E-14
WCN30RC	E-15 - G-24
WCP31RT	H-01 - J-04

## 1984 WCN30RC INDEX

Floor Plan	E-15 - E-16
Accessories Group	E-17 - E-19
Bath Group	E-20 - E-21
Chassis Group	E-22 - E-23
Curtain, Cushion & Pad Group	E-24 - F-06
Dinette Group	F-07
Driver's Compartment Group	F-08 - F-10
Electrical Group	F-11 - F-13
Exterior Body Group	F-14 - F-22
Galley Group	F-23 - G-01
Heating & Air Conditioning Group	G-02 - G-03
Interior Finish Group	G-04 - G-06
LP Group	G-07
Lounge Group	G-08 - G-09
Water & Sewage Group	G-09 - G-10
Window, Vent & Exterior Door Group	G-11 - G-24

## ELECTRICAL GROUP (CONTINUED)

### WIRE, SWITCHES AND RECEPTACLES

Key	Part Number	U/M	Description
	008024-01-000	FT	Wire - 18.5 Bonded - Orange/White/Yellow/Blue/Brown
	008025-01-000	FT	Wire - 18.5 Bonded - Orange/White/Yellow/Blue/Green
	008028-01-000	FT	Wire - 18.5 Bonded - Blue/Red/Yellow/Orange/White
	008030-01-000	FT	Wire - 18.4 Bonded - Red/Blue/Orange/Green
	008026-01-000	FT	Wire - w/Ground - Romex - 12/2
	008277-01-000	EA	Holder - Fuse - Black - Panel Mount
	008195-01-000	EA	Switch - Push Button - 12 Volt
	006077-01-000	EA	Plaque - Compressor Switch
	008054-01-000	EA	Cord - Power - 10-3 30 Amp. - 25' UP
	008052-01-000	EA	Cord - Power - 10-3 30 Amp. - 25' CSA
	024571-04-000	EA	Cover Plate - Receptacle - Jumbo Plastic - Ivory
	058028-01-000	EA	Connector - Pigtail - Clear - Nylon
	008162-01-000	EA	Switch - Double Toggle - Spade Brown
	008163-01-000	EA	Switch - Toggle - Brown
	056264-01-000	EA	Switch - Leaf Actuator
	008195-01-000	EA	Switch - Push Button - 12 Volt
	041250-01-000	EA	Switch - Push Button - Door
	073937-01-000	EA	Switch - Rotary - A/C
	063912-01-000	EA	Relay - Canister Spot w/Ground
	008164-01-000	EA	Cover Plate - Switch - Brown
	024924-02-000	EA	Receptacle - Power Cord
	069238-01-000	EA	Cover - Electrical - 4 x 4 Box
	008058-01-000	EA	Adaptor - Power Cord
	075736-03-000	EA	Receptacle - Exterior - w/Cover - Beige
	053126-01-000	EA	Receptacle - Ground Fault Interrupter - 125 Volt - Ivory
	053126-02-000	EA	Receptacle - Ground Fault Interrupter - 125 Volt - Brown
	058707-01-000	EA	Receptacle - Single - Brown
	058708-01-000	EA	Receptacle - Duplex - Brown
	008157-010-00	EA	Receptacle - Duplex - Brown (Exterior Backwall)
	058048-01-000	EA	Cover - Electrical Box - 4.5" x 2.75" - Rain Tight (Exterior Backwall)
	008294-02-000	EA	Cover - Steel - Flat Blank - 4" x 4"
	008288-01-000	EA	Box - Electrical - Plastic - 3" x 3.5"
	008289-01-000	EA	Box - Electrical - Steel - 4 x 4 - 1/2 & 3/4 UL
	064398-01-000	EA	Housing Asm. - Trailer Receptacle
	064399-01-000	EA	Housing Asm. - Trailer Pin
	064450-01-000	EA	Housing Asm. - Trailer Plug
	035417-01-000	EA	Terminal - Pin Receptacle 125 Dia.
	054532-01-000	EA	Housing - Pin - 6 Position
	031968-01-000	EA	Contact - Plug - Brass - Tin Plated
	035290-17-000	EA	Cable Asm. - Battery - 1 AWG Strand - 282"
	054865-01-000	EA	Wire Asm. - Generator Switch
	058708-02-000	EA	Receptacle - Duplex - Ivory
	075736-03-000	EA	Receptacle - Cover Extension - Beige
	008162-02-000	EA	Switch - Double Toggle - Spade - Ivory
	008174-01-000	EA	Cover Plate - Single Switch - Ivory
	008160-01-000	EA	Cover Plate - Receptacle - Ivory

## EXTERIOR BODY GROUP

### MISCELLANEOUS EXTERNALLY MOUNTED PARTS

Key	Part Number	U/M	Description
**	011129-01-000	EA	Plumbing Seal - Roof Vent - 1.5"
	009126-01-000	EA	Assist Handle - Chrome
	010230-03-000	EA	Fill - City Water - Recessed - Beige
	058808-02-000	EA	Water Fill - Lockable - Beige
	072447-01-000	EA	Shroud - Fuel Fill
	063303-04-000	EA	Shroud - Fuel Fill - Lower
	072309-02-000	EA	Shroud - Fill Neck
	072863-01-000	EA	Nameplate - Diesel 6.2L"
	054530-01-000	EA	Exterior Door Holder
	076054-10-003	EA	Fiberglass Sidewall Skin - 45.75" x 382" - Greyhound
	077517-10-001	EA	Fiberglass Sidewall Skin - 46.12" x 378" - Mesa
	077517-10-002	EA	Fiberglass Sidewall Skin - 46.12" x 60" - Mesa
	039155-30-008	EA	Alum. - Beige - Mesa II - .024" x 48" x 384"
	039155-30-004	EA	Alum. - Beige - Mesa II - .024" x 36" x 384"
	039155-30-011	EA	Alum. - Beige - Mesa II - .024" x 12" x 384"
	039155-09-001	EA	Alum. - Beige - Greyhound Design - 48" x 96"
	001018-01-024	EA	Alum. - Beige - No Design - 48" x 96"
	044487-01-001	EA	Alum. - Mill Finish - No Design (Roof) - 96" x 360"
	000868-01-000	SF	Styrofoam - 3/4" x 24" x 96"
	000870-01-000	SF	Styrofoam - 1 1/2" x 24" x 96"
	000870-02-000	SF	Styrofoam - 1 1/2" x 48" x 96"

\*\* The illustrated parts breakdown for this item is provided on the Common Items Fiche.

### LABELS & EXTERIOR PAINT

Key	Part Number	U/M	Description
	068383-01-000	EA	Label - Diesel Fuel
	006195-01-000	EA	Label - Electrical Test
	047731-01-000	EA	Label - Emergency Exit
	006199-01-000	EA	Label - Exit - Escape Window
	057467-04-000	EA	Label - Exterior Loading Limit
	064378-01-000	EA	Label - Flying "W" w/Thermo Panel
	061417-01-000	EA	Label - Fuel
	006196-01-000	EA	Label - Gas Test
	054531-01-000	EA	Label - LP Gas Only
	040944-01-000	EA	Label - Open - Entrance Door
	006015-01-000	EA	Label - Patent Motor Home
	056259-01-000	EA	Label - Safety Check List
	006064-01-000	EA	Label - Seat - w/o Seat Belts
	006187-01-000	EA	Label - Sewage
	006006-01-000	EA	Label - Thermo Panel - 2 1/4" x 2 1/4"
	075221-01-000	EA	Label - Trailer Hitch Capacity
	075220-01-000	EA	Label - Warning - Exterior Load Limit
	050225-01-000	EA	Label - Warning - Stove Vent - US
	006188-01-000	EA	Label - Waste Water
	006197-01-000	EA	Label - Water Test
	072863-01-000	EA	Nameplate - Diesel - 6.2L
	006062-01-000	EA	Tag - Electrical - 110 Volt Connection
	006040-01-000	EA	Tag - Gas - Refueling Warning
	044486-03-000	EA	Paint - Beige Acrylic Enamel - 16 oz. Aerosol (7633A Dupont)
	045681-03-000	EA	Paint - Gloss Black - Acrylic Enamel - 16 oz. Aerosol (99 Dupont)
	058637-05-000	EA	Paint - Gray Acrylic Enamel - 16 oz. Aerosol (71537 Dupont)
	041561-03-000	EA	Paint - Off White Acrylic Enamel - 16 oz. Aerosol (45396A Dupont)
	074559-01-000	EA	Label "LPG" - 3.3" x 1.75" - (Calif Code)

## 1984 WINNEBAGO TABLE OF CONTENTS

WC420RG	A-01 - C-04
WCN23RG	C-05 - E-14
WCN30RC	E-15 - G-24
WCP31RT	H-01 - J-04

## 1984 WCN30RC INDEX

Floor Plan	E-15 - E-16
Accessories Group	E-17 - E-19
Bath Group	E-20 - E-21
Chassis Group	E-22 - E-23
Curtain, Cushion & Pad Group	E-24 - F-06
Dinette Group	F-07
Driver's Compartment Group	F-08 - F-10
Electrical Group	F-11 - F-13
Exterior Body Group	F-14 - F-22
Galley Group	F-23 - G-01
Heating & Air Conditioning Group	G-02 - G-03
Interior Finish Group	G-04 - G-06
LP Group	G-07
Lounge Group	G-08 - G-09
Water & Sewage Group	G-09 - G-10
Window, Vent & Exterior Door Group	G-11 - G-24

**EXTERIOR BODY GROUP (CONTINUED)**

**INTERIOR/EXTERIOR SCREWS & FASTENERS**

Key	Part Number	U/M	Description
	005200-01-000	EA	Bolt - Round Head - Square Neck w/SST Cap - 7/16" - 14 x 1 1/4"
	058270-01-000	EA	Clip - Mounting - Front Panel
	035628-01-000	EA	Fastener - Blind Well Nut - 1.05" x .38"
	000315-06-00B	EA	Nut - Hex - 3/8" x 24 - Zinc
	075081-01-000	EA	Nut - Speed - C Type - #8 Screw
	000G54-04-20B	EA	Screw 1/4 - 20 x 1 1/4" PTH - Zinc
	000G54-04-22B	EA	Screw 1/4 - 20 x 1 3/8" PTH - Zinc
	000G53-04-06B	EA	Screw 1/4 - Machine - 20 x 3/8" PTH - Zinc
	000G13-06-12P	EA	Screw #6 - 20 x 3/4" PFH - Dark Brown
	000G13-06-28X	EA	Screw #6 - 20 x 3/4" PFH - Gray
	000G13-06-16R	EA	Screw #6 - 20 x 1" PFH - Beige
	000G11-07-08B	EA	Screw #7 - 19 x 1 1/2" PPH - Zinc
	000G12-08-12M	EA	Screw #8 - 18 x 3/4" POH - Gray
	000G11-09-12R	EA	Screw #8 - 18 x 3/4" PPH - Beige
	000G11-08-12X	EA	Screw #8 - 18 x 3/4" PPH - Gray
	000G11-08-12B	EA	Screw #8 - 18 x 3/4" PPH - Zinc
	000G39-08-12R	EA	Screw #8 - 18 x 3/4" SDPH - Beige
	000G66-08-12M	EA	Screw #8 - 18 x 3/4" SDPH - Gray
	000G11-08-16R	EA	Screw #8 - 18 x 1" PFH - Gray
	000G66-08-16R	EA	Screw #8 - 18 x 1" SDPH - Beige
	000G12-08-28R	EA	Screw #8 - 18 x 1 3/4" POH - Beige
	000G36-08-08E	EA	Screw #8 - 32 x 1/2" PFH - Chrome
	000G39-08-08B	EA	Screw #8 - Self Drilling - 18 x 1/2" PPH - Zinc
	000G39-08-12B	EA	Screw #8 - Self Drilling - 18 x 3/4" PPH - Zinc
	000G39-08-12R	EA	Screw #8 - Self Drilling - 18 x 3/4" PPH - Beige
	000G39-08-16R	EA	Screw #8 - Self Drilling - 18 x 1" PPH - Beige
	000G39-08-16T	EA	Screw #8 - Self Drilling - 18 x 1" PPH - Black
	000G39-08-16P	EA	Screw #8 - Self Drilling - 18 x 1" PPH - Dark Brown
	000G39-08-16X	EA	Screw #8 - Self Drilling - 18 x 1" PPH - Gray
	000G39-05-16E	EA	Screw #8 - Self Drilling - 18 x 1" PPH - Chrome
	000G64-08-16M	EA	Screw #8 - Self Drilling - 18 x 1" SDPH - Gray
	000G67-10-08B	EA	Screw #10 - 12 x 1/2" PPH - Zinc
	000G67-10-10R	EA	Screw #10 - 12 x 5/8" PPH - Beige
	000G67-10-16P	EA	Screw #10 - 12 x 1" PPH - Dark Brown
	000G67-10-16B	EA	Screw #10 - 12 x 1" PPH - Zinc
	000G67-10-20B	EA	Screw #10 - 12 x 1 1/4" PPH - Zinc
	000G67-10-24B	EA	Screw #10 - 12 x 1 1/2" PPH - Zinc
	049465-04-000	EA	Screw #10 - 16 x 1" POH - w/Washer - Beige
	049475-05-000	EA	Screw #10 - 16 x 1" POH - w/Washer - Gray
	000G12-10-24E	EA	Screw #10 - 16 x 1 1/2" POH - Chrome
	000G11-10-08D	EA	Screw #10 - 16 x 1/2" PPH - Dark Brown
	000G11-10-12R	EA	Screw #10 - 16 x 3/4" PPH - Beige
	000G11-10-12S	EA	Screw #10 - 16 x 3/4" PPH - Off White
	000G11-10-12B	EA	Screw #10 - 16 x 3/4" PPH - Zinc
	000G11-10-16B	EA	Screw #10 - 16 x 1" PPH - Zinc
	000G11-10-40B	EA	Screw #10 - 16 x 2 1/2" PPH - CAD
	000G19-10-12B	EA	Screw #10 - Machine - 32 TPI x 3/4"
	075908-01-000	EA	Screw #10 - Machine - 32 x 56" PTH - Zinc
	000G19-10-20B	EA	Screw #10 - Machine - 32 x 1 1/4" PPH - Zinc
	000G39-12-12E	EA	Screw #10 - Self Drilling - 14 x 3/4" PPH - Chrome
	000G39-10-10R	EA	Screw #10 - Self Drilling - 16 x 62" PPH - Beige
	000G39-10-12H	EA	Screw #10 - Self Drilling - 16 x 3/4" PPH - Beige
	000G39-10-12P	EA	Screw #10 - Self Drilling - 16 x 3/4" PPH - Dark Brown
	000G56-12-48C	EA	Screw #12 - Wood - 11 x 3" POH - CAD

**EXTERIOR BODY GROUP (CONTINUED)**

**SEALANTS & ADHESIVES**

Key	Part Number	U/M	Description
	004020-01-000	QT	Adhesive - ABS Cement (Plastic Fittings)
	002337-01-000	EA	Adhesive - 1300 Tube - 3M (Windows)
	004005-02-000	GL	Adhesive - Swifts - Glue (Sidewalls)
	053766-07-000	EA	Bedding Compound - Tube - Beige (Exterior)
	053766-06-000	EA	Bedding Compound - Tube - Clear (Window)
	053766-08-000	EA	Bedding Compound - Tube - Gray (Exterior)
	053766-05-000	EA	Bedding Compound - Tube - Gray (Sidewalls to Floor)
	053766-02-000	EA	Bedding Compound - Tube - Off White (Exterior)
	002328-02-000	EA	Block - Rubber Spacer (Windshield)
	004336-01-000	EA	Caulk - Latex - Golden Walnut (Sidewalls)
	072891-02-000	QT	Primer - Glass - Black
	072891-01-000	QT	Primer - Glass - Clear
	035024-01-000	EA	Primer - Glass - Clear - Windshield
	072890-01-000	QT	Primer - Metal - Black
	035023-01-000	GL	Primer - Metal - Windshield
	077967-01-000	EA	Sealant - Acrylic Latex - Tube - Off White (Interior Sealant)
	034552-04-000	EA	Sealant - Silicone - Beige
	034552-02-000	EA	Sealant - Silicone - Clear
	034552-07-000	EA	Sealant - Silicone - Dark Gray
	034552-06-000	EA	Sealant - Silicone - Off White
	069637-01-000	EA	Sealant - Weatherban 404 - Tube - White (Door Caulk)
	072889-01-000	EA	Sealant - Urethane - Black (Windshield)
	069640-01-000	FT	Sealer Ribbon - .25" Bead x 20'
	069640-02-000	FT	Sealer Ribbon - .5" x .125" x 30'
	069640-03-000	FT	Sealer Ribbon - .75" x .125" x 30'
	069640-04-000	FT	Sealer Ribbon - 2" x .09" x 45' (P Series)
	069640-05-000	FT	Sealer Ribbon - 2.5" x .09" x 50'
	069640-06-000	FT	Sealer Ribbon - 5/16" Bead x 15'
	069640-07-000	FT	Sealer Ribbon - 2" x 3/32" x 30'
	002316-01-000	FT	Sealer Tape - 3/32" x 3/8" - White (Window)
	002707-01-000	FT	Sealer Tape - 5/16" x 3/4"
	002707-02-000	FT	Sealer Tape - 5/16" x 1/2"
	040545-01-000	GL	Sealer - Seam Weld
	053752-04-000	EA	Seam Sealer - Tube - Aluminum (Roof)
	063642-01-000	FT	Tape - Adhesive - .10 mm. x 1.5" Wide
	038886-01-000	EA	Tape - Butyl - .31" x 31" x 148" (Windshield)
	076322-01-000	FT	Tape - Foam - Double Coated - .025 x 1" (Fiberglass Sidewall Seams)
	076322-02-000	FT	Tape - Foam - Double Coated - .045 x 1" (Fiberglass Sidewall Seams)
	009200-01-000	EA	Tape - Furnace - 1.5"
	002825-01-000	FT	Weather Striping (Roof Vent)

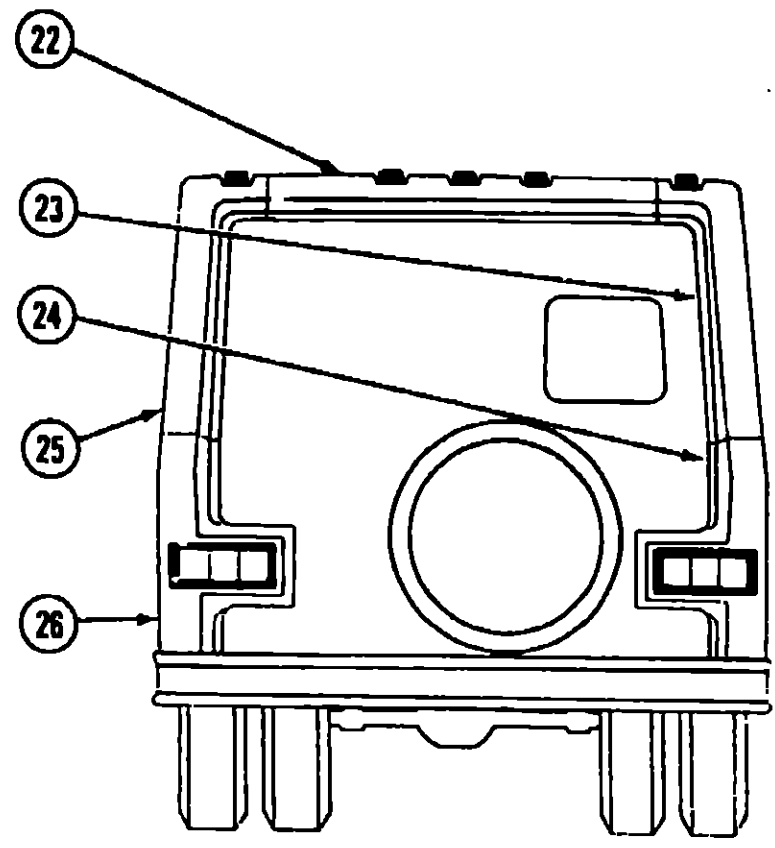
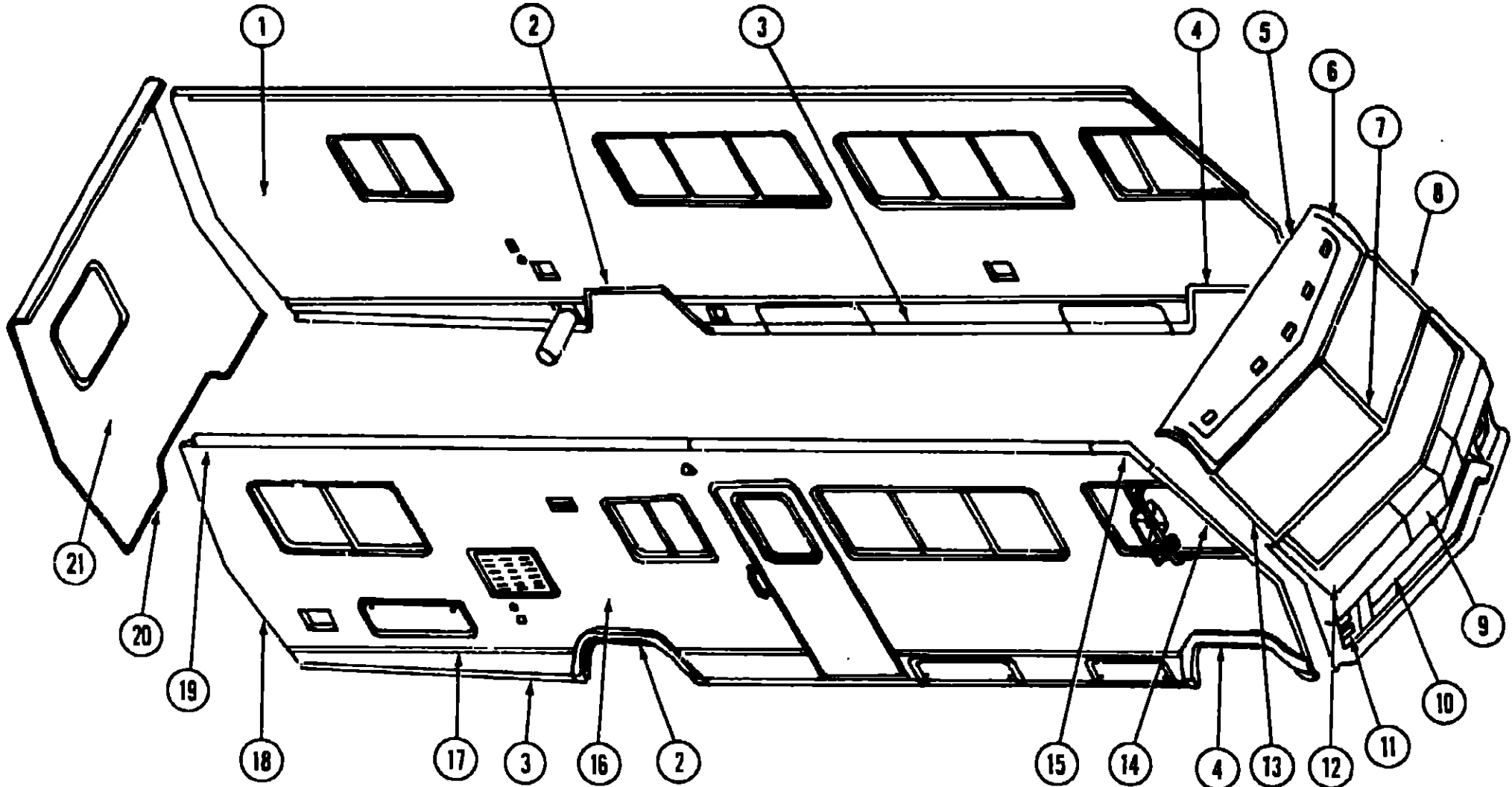
**1984 WINNEBAGO  
TABLE OF CONTENTS**

WC420RG	A-01 - C-04
WCN23RG	C-05 - E-14
WCN30RC	E-15 - G-24
WCP31RT	H-01 - J-04

**1984 WCN30RC INDEX**

Floor Plan	E-15 - E-16
Accessories Group	E-17 - E-19
Bath Group	E-20 - E-21
Chassis Group	E-22 - E-23
Curtain, Cushion & Pad Group	E-24 - F-06
Dinetia Group	F-07
Driver's Compartment Group	F-08 - F-10
Electrical Group	F-11 - F-13
Exterior Body Group	F-14 - F-22
Galley Group	F-23 - G-01
Heating & Air Conditioning Group	G-02 - G-03
Interior Finish Group	G-04 - G-06
LP Group	G-07
Lounge Group	G-08 - G-09
Water & Sewage Group	G-09 - G-10
Window, Vent & Exterior Door Group	G-11 - G-24

**EXTERIOR BODY GROUP (CONTINUED)**  
EXTERIOR BODY PANELS & SHEET ALUMINUM



Key	Part Number	U/M	Description
1	M75615-01-R10	EA	Sidewall Asm. - Left - Alum.
1	M75615-01-R11	EA	Sidewall Asm. - Left - Alum.
1	M75615-01-R12	EA	Sidewall Asm. - Left - Alum.
2	058487-03-000	EA	Trim - Wheelwell - Rear - U-Channel - Left or Right
	075070-01-000	EA	Trim - Wheelwell - Rear - Plastic - Right
	075070-03-000	EA	Trim - Wheelwell - Rear - Plastic - Left
3	072639-01-001	EA	Rocker Panel - 216"
4	073647-01-000	EA	Trim - Wheelwell - Front - U-Channel - Left or Right
	075069-01-000	EA	Trim - Wheelwell - Front - Plastic - Right
	075069-03-000	EA	Trim - Wheelwell - Front - Plastic - Left
5	062396-01-000	EA	Trim - Roof/Front Cap/Rear Cap
6	055401-03-000	EA	Cap - Over Windshield - Beige
7	058288-01-000	EA	Trim - Molding - Windshield - Center
8	058289-01-000	EA	Trim - Contour - Windshield - Left
	058287-01-000	EA	Trim - Molding - Windshield - Upper/Lower
9	073064-02-000	EA	Access Panel - w/Hardware
10	074636-01-000	EA	Grille Asm
	074588-01-000	EA	Mesh Asm - Grille
11	073651-01-000	EA	Trim - Corner Grille - Right
	073651-02-000	EA	Trim - Corner Grille - Left
	070817-04-000	EA	Headlamp Bezel - Right
	070817-03-000	EA	Headlamp Bezel - Left
12	073065-02-000	EA	Panel Asm - Front Shroud (includes Access Panel)
13	058289-02-000	EA	Trim - Contour - Windshield - Right
	042743-01-000	EA	Corner Support - Windshield - Lower - Steel
	042743-02-000	EA	Corner Support - Windshield - Upper - Stee.
14	073861-01-000	EA	Trim to Fiberglass Panel - Right - Beige
	073861-02-000	EA	Trim to Fiberglass Panel - Left - Beige

Key	Part Number	U/M	Description
15	058284-04-000	EA	Trim - Contour - Right Front - Upper - Beige
	058284-03-000	EA	Trim - Contour - Left Front - Upper - Beige
16	M75614-01-R10	EA	Sidewall Asm. - Right - Alum.
16	M75614-01-R11	EA	Sidewall Asm. - Right - Alum.
16	M75614-01-R12	EA	Sidewall Asm. - Right - Alum.
17	059576-06-000	EA	Feature Strip - Extr. Brown - 14' - w/o Insert
	009731-01-000	EA	End Cap - Feature Strip Insert
	001030-12-001	EA	Insert - Feature Strip - Beige - 17'
18	073502-01-000	EA	Trim - Right Rear - Beige
	073502-02-000	EA	Trim - Left Rear - Beige
19	034922-14-000	EA	Trim - Sidewall - Upper - Left or Right - Beige - 175"
20	050406-06-000	EA	Trim - Backwall - Lower - Left or Right
	075740-01-R10	EA	Roof Asm.
21	075601-01-R10	EA	Backwall Asm
	072917-02-000	EA	Rod - Hood Prop
	072010-01-000	EA	Cable - Release (Access Panel)
	073611-01-000	EA	Striker - Hood Latch
	074178-01-000	EA	Bracket - Cable Release - Inside
	074202-01-000	EA	Latch - Hood
	072013-01-000	EA	Spring - Hood Release
	072011-01-000	EA	Cable Sheath
22	073571-01-000	EA	Trim - Rear - Center Upper - Plastic - Beige
23	073654-01-000	EA	Trim - Rear - Upper Right - Plastic - Beige
24	073570-01-000	EA	Trim - Rear - Lower Right - Plastic - Beige
25	073570-03-000	EA	Trim - Rear - Lower Left - Plastic - Beige
26	073754-03-000	EA	Trim - Rear - Upper Left - Plastic - Beige
			Not illustrated

F-17

**1984 WINNEBAGO  
TABLE OF CONTENTS**

WC420RG  
WCN23RG  
WCN30RC  
WCP31RT

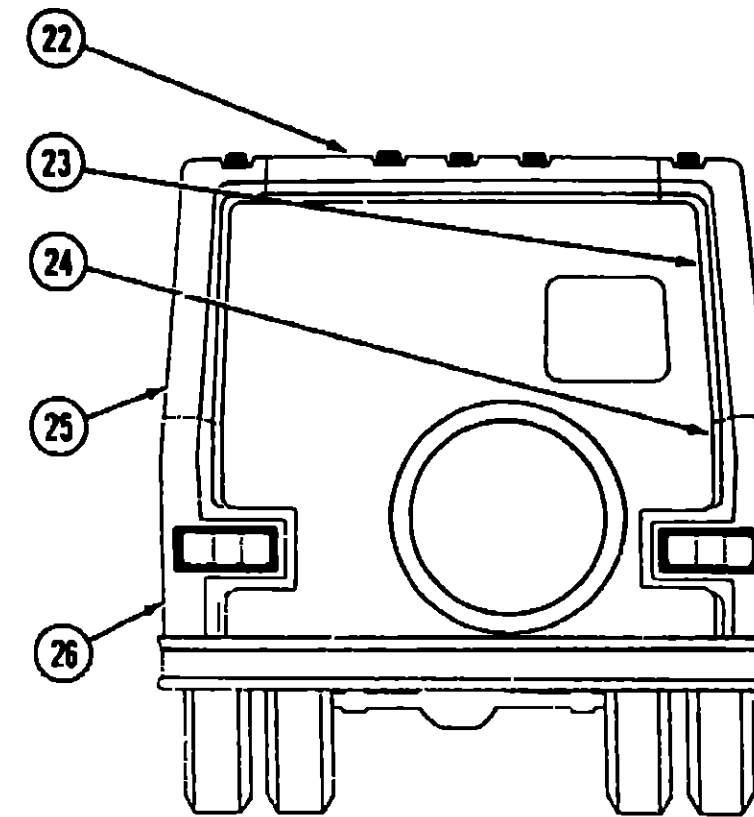
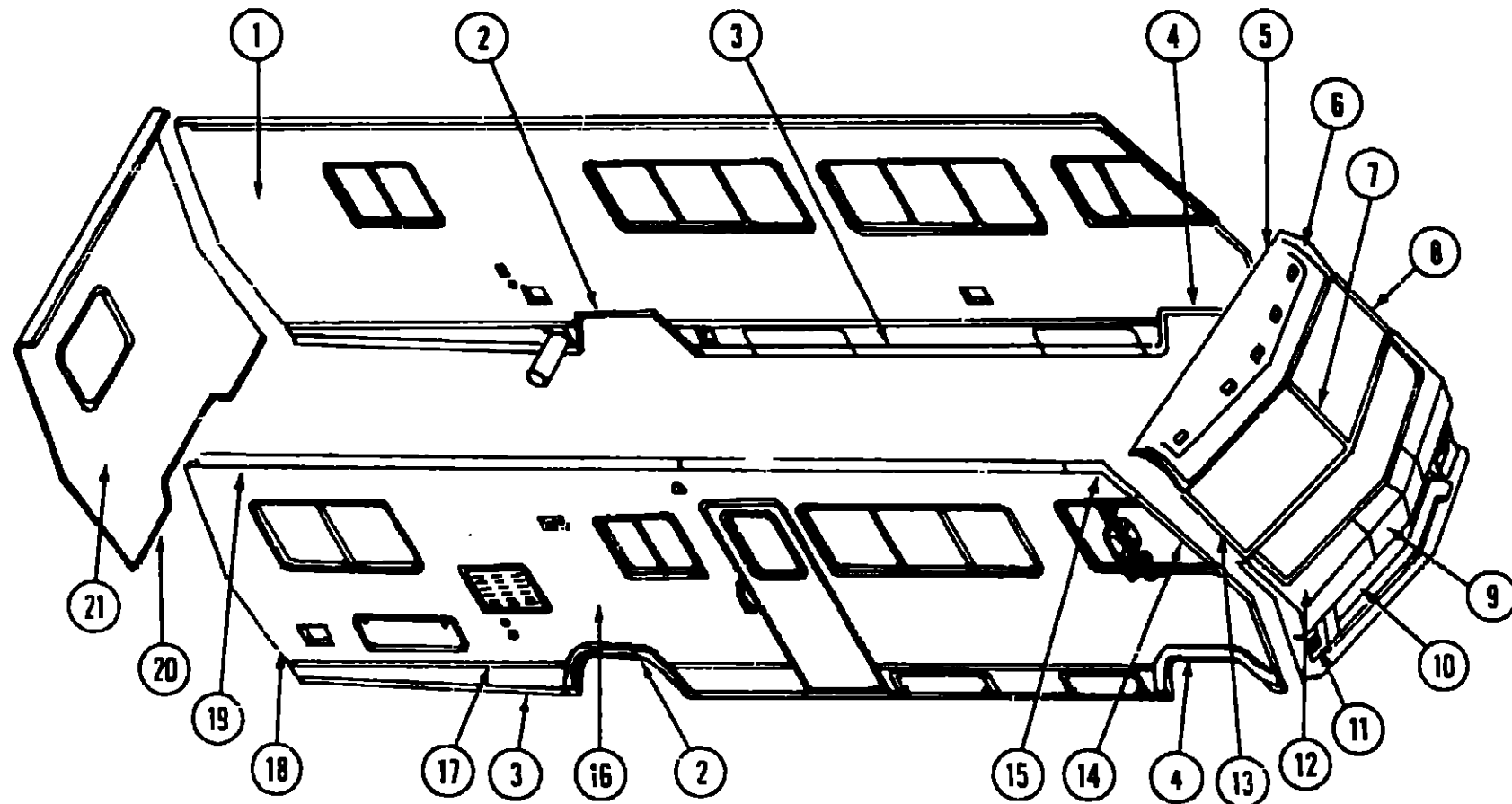
A-01 - C-04  
C-05 - E-14  
E-15 - G-24  
H-01 - J-04

**1984 WCN30RC INDEX**

Floor Plan	E-15 - E-16
Accessories Group	E-17 - E-19
Bath Group	E-20 - E-21
Chassis Group	E-22 - E-23
Curtain, Cushion & Pad Group	E-24 - F-06
Dinette Group	F-07
Driver's Compartment Group	F-08 - F-10
Electrical Group	F-11 - F-13
Exterior Body Group	F-14 - F-22
Galley Group	F-23 - G-01
Heating & Air Conditioning Group	G-02 - G-03
Interior Finish Group	G-04 - G-06
LP Group	G-07
Lounge Group	G-08 - G-09
Water & Sewage Group	G-09 - G-10
Window, Vent & Exterior Door Group	G-11 - G-24

F-18

**EXTERIOR BODY GROUP (CONTINUED)**  
**EXTERIOR BODY PANELS & SHEET FIBERGLASS**



**1984 WINNEBAGO**  
**TABLE OF CONTENTS**

WC420RG  
 WCN23RG  
 WCN30RC  
 WCP31RT

A-01 - C-04  
 C-05 - E-14  
 E-15 - G-24  
 H-01 - J-04

Key	Part Number	U/M	Description
1	M76812-01-R10	EA	Sidewall Asm - Left - Fiberglass Greyhound
1	M76812-01-R11	EA	Sidewall Asm - Left - Fiberglass Greyhound
1	M76812-01-R12	EA	Sidewall Asm - Left - Fiberglass Greyhound
1	M77791-01-R10	EA	Sidewall Asm - Left - Fiberglass - Mesa
1	M77791-01-R11	EA	Sidewall Asm - Left - Fiberglass - Mesa
1	M77791-01-R12	EA	Sidewall Asm - Left - Fiberglass - Mesa
2	058487-03-000	EA	Trim - Wheelwell - Rear - U-Channel - Left or Right
2	075070-01-000	EA	Trim - Wheelwell - Rear - Plastic - Right
2	075070-03-000	EA	Trim - Wheelwell - Rear - Plastic - Left
3	072639-01-001	EA	Rocker Panel - 216"
4	073647-01-000	EA	Trim - Wheelwell - Front - U-Channel - Left or Right
4	075069-01-000	EA	Trim - Wheelwell - Front - Plastic - Right
4	075069-03-000	EA	Trim - Wheelwell - Front - Plastic - Left
5	062391-01-000	EA	Trim - Roof/Front Cap/Rear Cap
6	055401-03-000	EA	Cap - Over Windshield - Beige
7	058288-01-000	EA	Trim - Molding - Windshield - Center
8	058289-01-000	EA	Trim - Contour - Windshield - Left
8	058287-01-000	EA	Trim - Molding - Windshield - Upper-Lower
9	073064-02-000	EA	Access Panel - w. Hardware
10	074636-01-000	EA	Grille Asm
10	074588-01-000	EA	Mesh Asm - Grille
11	073651-01-000	EA	Trim - Corner Grille - Right
11	073651-02-000	EA	Trim - Corner Grille - Right
11	070817-04-000	EA	Headlamp Bezel - Right
11	070817-03-000	EA	Headlamp Bezel - Left
12	073065-02-000	EA	Panel Asm - Front Shroud (includes Access Panel)
13	058289-02-000	EA	Trim - Contour - Windshield - Right
13	042743-01-000	EA	Corner Support - Windshield - Lower - Steel
13	042743-02-000	EA	Corner Support - Windshield - Upper - Steel
14	073861-01-000	EA	Trim to Fiberglass Panel - Right - Beige
14	073861-02-000	EA	Trim to Fiberglass Panel - Left - Beige

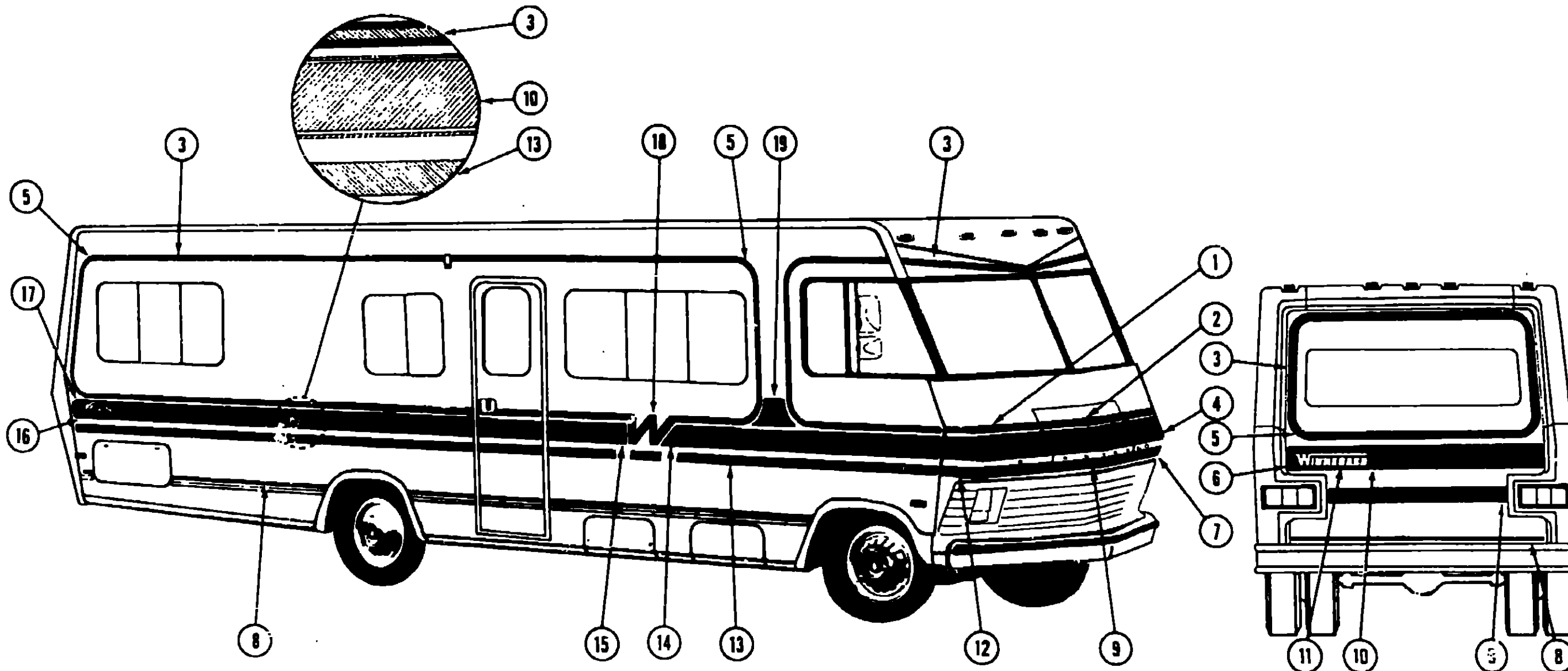
Key	Part Number	U/M	Description
15	076598-01-000	EA	Trim - Contour - Right - Front Upper - Beige
15	076598-02-000	EA	Trim - Contour - Left Front Upper - Beige
16	M76715-01-R10	EA	Sidewall Asm - Right - Fiberglass Greyhound
16	M76715-01-R11	EA	Sidewall Asm - Right - Fiberglass Greyhound
16	M76715-01-R12	EA	Sidewall Asm - Right - Fiberglass Greyhound
16	M77790-01-R10	EA	Sidewall Asm - Right - Fiberglass - Mesa
16	M77790-01-R11	EA	Sidewall Asm - Right - Fiberglass - Mesa
16	M77790-01-R12	EA	Sidewall Asm - Right - Fiberglass - Mesa
17	059576-06-000	EA	Feature Strip - Extr. Brown - 14' w/o Insert
17	009731-01-000	EA	End Cap - Feature Strip Insert
17	001030-12-001	EA	Insert - Feature Strip - Beige - 17'
18	073502-01-000	EA	Trim - Right Rear - Beige
18	073502-02-000	EA	Trim - Left Rear - Beige
19	076610-05-000	EA	Trim - Sidewall - Upper - Left or Right - 13 7'
19	076613-01-000	EA	Extr - Roof to Sidewall - 16"
20	050406-06-000	EA	Trim - Backwall - Lower - Left or Right
20	076819-01-R10	EA	Roof Asm - Fiberglass Sidewalls
20	077800-01-R10	EA	Roof Asm - Mesa Fiberglass Sidewalls
21	075601-01-R10	EA	Backwall Asm - Fiberglass Sidewalls
21	077829-01-R07	EA	Backwall Asm - Mesa Fiberglass Sidewalls
21	072917-02-000	EA	Rod - Hood Prop
21	072010-01-000	EA	Cable - Release (Access Panel)
21	073611-01-000	EA	Striker - Hood Latch
21	074170-01-000	EA	Bracket - Cable Release - Inside
21	074202-01-000	EA	Latch - Hood
21	072013-01-000	EA	Spring - Hood Release
21	072011-01-000	EA	Cable Sheath
22	073571-01-000	EA	Trim - Rear - Center Upper - Plastic - Beige
23	073654-01-000	EA	Trim - Rear - Upper Right - Plastic - Beige
24	073570-01-000	EA	Trim - Rear - Lower Right - Plastic - Beige
25	073570-03-000	EA	Trim - Rear - Lower Left - Plastic - Beige
26	073654-03-000	EA	Trim - Rear - Upper Left - Plastic - Beige
			Not illustrated

**1984 WCN30RC INDEX**

Floor Plan	E-15 - E-16
Accessories Group	E-17 - E-19
Bath Group	E-20 - E-21
Chassis Group	E-22 - E-23
Curtain, Cushion & Pad Group	E-24 - F-06
Dinette Group	F-07
Driver's Compartment Group	F-08 - F-10
Electrical Group	F-11 - F-13
Exterior Body Group	F-14 - F-22
Galley Group	F-23 - G-01
Heating & Air Conditioning Group	G-02 - G-03
Interior Finish Group	G-04 - G-06
LP Group	G-07
Lounge Group	G-08 - G-09
Water & Sewage Group	G-09 - G-10
Window, Vent & Exterior Door Group	G-11 - G-24

# EXTERIOR BODY GROUP (CONTINUED)

## DECALS



Key	Part Number	U/M	Description
1	073728-07-000	EA	Decal - Corner - Right - Medium Blue Metallic/Light Brown Metallic
1	073728-09-000	EA	Decal - Corner - Right - Light Brown Metallic/Light Brown Metallic
1	073728-03-000	EA	Decal - Corner - Right - Burgundy Metallic/Light Brown Metallic
2	073727-04-000	EA	Decal - Hood - Top Stripe - Medium Blue Metallic
2	073727-05-000	EA	Decal - Hood - Top Stripe - Light Brown Metallic
2	073727-02-000	EA	Decal - Hood - Top Stripe - Burgundy Metallic
3	069245-08-000	FT	Film - Multi-Stripe - 1 69" x 150" - Dark Brown Metallic
4	074728-08-000	EA	Decal - Corner - Left - Medium Blue Metallic/Light Brown Metallic
4	074728-10-000	EA	Decal - Corner - Left - Light Brown Metallic/Light Brown Metallic
4	074728-04-000	EA	Decal - Corner - Left - Burgundy Metallic/Light Brown Metallic
5	073718-01-000	EA	Decal - 180° Turn - Dark Brown Metallic
6	073722-04-000	EA	Decal - End Cap - 6" - Left or Right - Medium Blue Metallic
6	073722-05-000	EA	Decal - End Cap - 6" - Left or Right - Light Brown Metallic
6	073722-02-000	EA	Decal - End Cap - 6" - Left or Right - Burgundy Metallic
7	073726-02-000	EA	Decal - Corner Stripe - Bottom - Left - Dark Brown Metallic
8	041273-74-000	FT	Decal - Striping - 1" - Medium Blue Metallic
8	041273-75-000	FT	Decal - Striping - 1" - Light Brown Metallic
8	041273-60-000	FT	Decal - Striping - 1" - Burgundy Metallic
9	041273-63-000	FT	Decal - Striping - 2 69" - Dark Brown Metallic
10	069245-13-000	FT	Film - Multi-Stripe - 6" x 150" - Medium Blue Metallic
10	069245-14-000	FT	Film - Multi-Stripe - 6" x 150" - Light Brown Metallic
10	069245-10-000	FT	Film - Multi-Stripe - 6" x 150" - Burgundy Metallic
.	069745-03-000	EA	Decal - Winne (Front)
.	069745-04-000	EA	Decal - Bago (Front)
.	041273-73-000	FT	Decal - Chrome - 19" (Headlamps)

Key	Part Number	U/M	Description
11	050313-22-000	EA	Decal - Winnebago - Rear
12	073726-01-000	EA	Decal - Corner Stripe - Bottom - Right - Dark Brown Metallic
13	041273-62-000	FT	Decal - Striping - 2.5" - Dark Brown Metallic
14	073719-08-000	EA	Decal - W Surround - Right - Medium Blue Metallic
14	073719-10-000	EA	Decal - W Surround - Right - Light Brown Metallic
14	073719-04-000	EA	Decal - W Surround - Right - Burgundy Metallic
15	073719-07-000	EA	Decal - W Surround - Left - Medium Blue Metallic
15	073719-09-000	EA	Decal - W Surround - Left - Light Brown Metallic
15	073719-03-000	EA	Decal - W Surround - Left - Burgundy Metallic
16	058719-02-000	EA	Decal - Chieftain
17	073721-07-000	EA	Decal - End Cap - 6" - Right - Medium Blue Metallic
17	073721-09-000	EA	Decal - End Cap - 6" - Right - Light Brown Metallic
17	073721-03-000	EA	Decal - End Cap - 6" - Right - Burgundy Metallic
.	073721-08-000	EA	Decal - End Cap - 6" - Left - Medium Blue Metallic
.	073721-10-000	EA	Decal - End Cap - 6" - Left - Light Brown Metallic
.	073721-04-000	EA	Decal - End Cap - 6" - Left - Burgundy Metallic
18	073725-01-000	EA	Decal - Flying W - Dark Brown Metallic
19	073723-04-000	EA	Decal - Number Plaque - Medium Blue Metallic
19	073723-05-000	EA	Decal - Number Plaque - Light Brown Metallic
19	073723-02-000	EA	Decal - Number Plaque - Burgundy Metallic
.	073724-08-000	EA	Decal - Logo - 30 - Chrome
.	065960-01-000	EA	Decal - LP Power
.	074559-01-000	EA	Decal - Winnebago LPG
.			Not illustrated

## 1984 WINNEBAGO TABLE OF CONTENTS

WC420RG  
WCN23RG  
WCN30RC  
WCP31RT

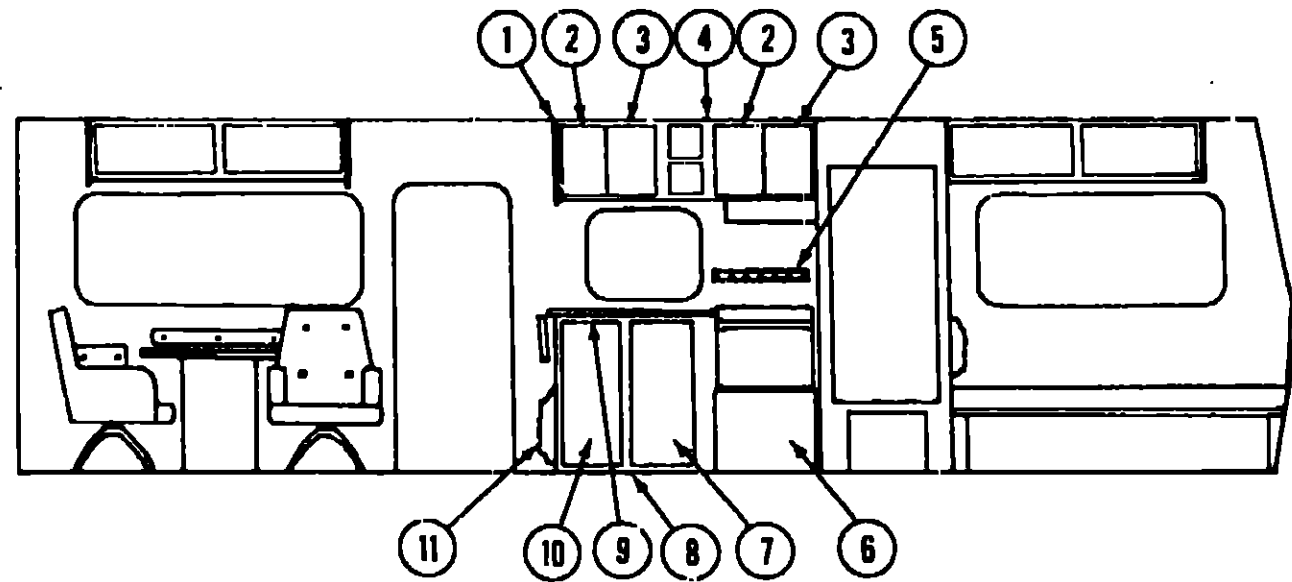
A-01 - C-04  
C-05 - E-14  
E-15 - G-24  
H-01 - J-04

## 1984 WCN30RC INDEX

Floor Plan	E-15 - E-16
Accessories Group	E-17 - E-19
Bath Group	E-20 - E-21
Chassis Group	E-22 - E-23
Curtain, Cushion & Pad Group	E-24 - F-06
Dinette Group	F-07
Driver's Compartment Group	F-08 - F-10
Electrical Group	F-11 - F-13
Exterior Body Group	F-14 - F-22
Galley Group	F-23 - G-01
Heating & Air Conditioning Group	G-02 - G-03
Interior Finish Group	G-04 - G-06
LP Group	G-07
Lounge Group	G-08 - G-09
Water & Sewage Group	G-09 - G-10
Window, Vent & Exterior Door Group	G-11 - G-24



## GALLEY GROUP



### GALLEY CABINETRY

Key	Part Number	U/M	Description
1	071847-05-R10	EA	End Cap - Pad - Galley Overhead - Medium Almond Vinyl
2	073521-06-R10	EA	Door Asm. - Galley Overhead - Left - w/o Hardware
3	073521-05-R10	EA	Door Asm. - Galley Overhead - Right - w/o Hardware
4	M75772-01-R10	EA	Cabinet Asm. - Galley Overhead - w/o Doors or Hardware
5	074490-02-R10	EA	Spice Rack - Oak
6	M69856-01-R10	EA	Door Asm. - Furnace - w/Mesh Insert - w/o Hardware
7	073521-18-R10	EA	Door Asm. - 16" x 20" - w/o Hardware
8	M75586-01-R10	EA	Cabinet Asm. - Galley - w/o Doors, Drawers, Countertop or Hardware
9	M01424-01-R10	EA	Countertop Asm. - Galley Cabinet - Almond Loom
10	069852-40-R10	EA	Door Asm. - Galley Cabinet - w/o Hardware
11	074491-02-R10	EA	Magazine Rack - Oak
	077404-01-000	EA	Drawer - Galley Cabinet - 20" x 12.7" - Plastic
	072393-01-000	EA	Drawer Slide - Galley Cabinet
	057898-01-000	EA	Latch - Hidden
	066529-01-R10	EA	Extension Asm. - Galley - Almond Loom
	053331-01-000	EA	Hinge - Offset - Side Mount
	069852-75-R10	EA	Door Asm. - Pantry - 51.2" x 13.8"

### GALLEY HARDWARE

Key	Part Number	U/M	Description
	068615-01-000	EA	Sink - Stainless Steel - Double w/Bolts
**	011053-01-000	EA	Faucet - 8" - Swing Spout - U.S.
**	011053-02-000	EA	Faucet - 8" - Swing Spout - C.S.A.
	065250-01-000	EA	Bracket Asm. - Tie Down - Refrigerator
**	011053-01-700	EA	Aerator - Swing Spout Faucet
**	066437-01-000	EA	Strainer - Sink - w/Basket
	053424-04-R10	EA	Cover - Sink - Large - Almond
	058334-01-000	EA	Wastebasket - 9 3/4" x 7" x 10" - White - Rubbermaid
	058478-01-000	EA	Wastebasket - Support Bracket
	058841-01-R10	EA	Cover - Wastebasket - Almond Loom
	749045-01-740	EA	Cover - Stovetop Bifold - Magic Chef
	074981-01-000	EA	Cutting Board - Maple
	077409-01-000	EA	Drawer Slide
	M75965-01-R10	EA	Pantry Asm. - w/o Hardware
	076174-01-000	EA	Bracket - Pantry Asm. to Wardrobe
	074316-02-000	EA	Slide Asm. - Pantry
	075451-01-000	EA	Rack - Canned Goods
	075451-02-000	EA	Clip - Canned Goods Rack
	061604-01-000	EA	Bolt - Pantry Asm. Lock
	076097-01-000	EA	Catch Plate - Pantry Asm. Lock

\*\* The illustrated parts breakdown for this item is provided on the Common Items Fiche

## GALLEY GROUP (CONTINUED)

### GALLEY APPLIANCES

Key	Part Number	U/M	Description
	053333-04-000	EA	Hood - Stove - Non Powered - Almond - CSA
	053333-05-000	EA	Hood - Stove - Non Powered - Almond - US
	075470-02-000	EA	Hood - Stove - w/Monitor - Almond - CSA
	075470-01-000	EA	Hood - Stove - w/Monitor - Almond - US
	075470-03-000	EA	Spacer - Stove Hood
	075470-04-000	EA	Duct Extension - Stove Hood
	075470-01-700	EA	Monitor Panel
	075470-01-701	EA	Clock - Digital - Jensen
	072351-02-700	EA	Clock - Digital - LVS
	075470-01-702	EA	Switch - On/Off
	075470-01-703	EA	Switch - On - Momentary
	075470-01-704	EA	Switch - On/Off/On - Fan Motor
	075470-01-705	EA	Switch - On/Off/On - Momentary
	075470-01-706	EA	Rivets - Plastic
	075470-01-707	EA	Bulb - #912
	075470-01-708	EA	Panel Asm. - Complete
	075470-01-709	EA	Fan Blade - Stove Hood - LVS
	075470-01-710	EA	Filler & Lens - Stove Hood - LVS
	075470-01-711	EA	Motor - Stove Hood - LVS
	048649-01-000	EA	Fan Blade - Stove Hood - Jensen
	049930-01-700	EA	Filter - Stove Hood - Jensen
	048648-01-000	EA	Motor - Stove Hood - Jensen
	049930-01-701	EA	Lens - Stove Hood - Jensen
	064782-02-000	EA	Range - 4 Burner - Almond Top
	064782-01-700	EA	Frame - Upper Glass
	064782-01-701	EA	Glass - Outside
	064782-01-702	EA	Panel - Door - Black
	064782-01-703	EA	Trim - Cabinet - Right
	064782-01-704	EA	Trim - Cabinet - Left
	064782-01-705	EA	Washer - Door Handle
	064782-02-700	EA	Top - 4 Burner - Almond
	064782-02-701	EA	Deflector - Plate - Black
	064782-02-702	EA	Trim - Cabinet - Right - Black
	064782-02-703	EA	Trim - Cabinet - Left - Black
	064782-02-704	EA	Trim - Glass - Lower Outside - Black
	064782-02-705	EA	Handle - Oven Door - Black
	064782-02-706	EA	Trim - Vertical - Black
	064782-02-707	EA	Panel - Manifold
	064782-02-708	EA	Valve - Mercury
	749045-01-740	EA	Cover - Stovetop Bifold - Magic Chef
	075922-01-000	EA	Microwave
	075922-03-000	EA	Trim Ring - Microwave
	075922-04-000	EA	Exhaust Duct - Microwave
	075930-02-000	EA	Bracket - Microwave - Left
	075930-01-000	EA	Bracket - Microwave - Right
	076253-02-000	EA	Bracket - 6" - Microwave
	075218-01-000	EA	Refrigerator - 3 Way - 10' Norcold 8310-EG3
	075218-01-700	EA	Gasket - Freezer Door - 10' only
	075218-01-701	EA	Gasket - Refrigerator Door - 10' only
	075218-01-702	EA	Connector Rod - 10' only
	075218-01-703	EA	Frame Asm. - Door 10' only
	075218-01-704	EA	Cabinet - Urethane - 10' only
	075218-01-705	EA	Breaker Strip - Bottom - 10' only
	075218-01-707	EA	Divider - Front - 10' only
	075218-01-708	EA	Cable - Wiring
	075218-01-709	EA	Door Liner Asm. - Formed 10' only
	075218-01-710	EA	Door Liner Asm. - Formed - Lower 10' only
	054450-01-000	EA	Leveler - Refrigerator

## 1984 WINNEBAGO TABLE OF CONTENTS

WC420RG	A-01 - C-04
WCN23RG	C-05 - E-14
WCN30RC	E-15 - G-24
WCP31RT	H-01 - J-04

## 1984 WCN30RC INDEX

Floor Plan	E-15 - E-16
Accessories Group	E-17 - E-19
Bath Group	E-20 - E-21
Chassis Group	E-22 - E-23
Curtain, Cushion & Pad Group	E-24 - F-06
Dinette Group	F-07
Driver's Compartment Group	F-08 - F-10
Electrical Group	F-11 - F-13
Exterior Body Group	F-14 - F-22
Galley Group	F-23 - G-01
Heating & Air Conditioning Group	G-02 - G-03
Interior Finish Group	G-04 - G-06
LP Group	G-07
Lounge Group	G-08 - G-09
Water & Sewage Group	G-09 - G-10
Window, Vent & Exterior Door Group	G-11 - G-24

## GALLEY GROUP (CONTINUED)

### GALLEY APPLIANCES (CONT.)

Key	Part Number	U/M	Description
	064473-02-000	EA	Refrigerator - AC/DC/Gas - Norcold 6' - 776-EG3
	064473-02-700	EA	Cooling Unit (Service Pak)
	064473-02-701	EA	Door Frame
	064473-02-702	EA	Breaker Strip - Left - Bronze
	064473-02-703	EA	Breaker Strip - Right - Bronze
	064473-02-704	EA	Breaker Strip - Top - Bronze
	075217-01-000	EA	Refrigerator - AC/DC/Gas - Norcold 0' - 038-EG3
	075217-01-700	EA	Shelf Asm. - Door - w/Trim
	075217-01-701	EA	Gasket - Door - Freezer
	075217-01-702	EA	Frame Asm. - Door
	075217-01-703	EA	Decor Trim - Top & Bottom
	075217-01-704	EA	Gasket - Door - Refrigerator
	075217-01-706	EA	Cabinet Asm. - Urethane
	075217-01-707	EA	Bulb - Light - DC
	075217-01-708	EA	Lamp Socket
	075217-01-710	EA	Eyebrow Asm.
	075217-01-711	EA	Breaker Strip - Top
	075217-01-713	EA	Crisper Drawer
	075217-01-714	EA	Thermostat Asm.
	075217-01-715	EA	Knob - Thermostat
	075217-01-716	EA	Front Divider Asm.
	075217-01-717	EA	Humidity Switch
	075217-01-718	EA	Light Switch
	075217-01-719	EA	Eyebrow Board
	075217-01-720	EA	Eyebrow
	075217-01-721	EA	Lamp - Indicator - Amber
	075217-01-722	EA	Lamp - Indicator - Green
	075217-01-723	EA	Lamp - Indicator - Red
	075217-01-724	EA	Lamp - Indicator - Blue
	075217-01-725	EA	Rocker Switch - #615258
	075217-01-726	EA	Interface Board
	075217-01-728	EA	Cover - Interface Board
	075217-01-729	EA	Fitting - Outlet
	075217-01-730	EA	Gas Valve
	075217-01-731	EA	Nipple
	075217-01-732	EA	Fitting - Inlet
	075217-01-733	EA	Shut-Off Cock
	075217-01-734	EA	Fuse - 3 Amp.
	075217-01-735	EA	Inglition Electrode
	075217-01-736	EA	Sensing Electrode
	075217-01-737	EA	Control Module
	075217-01-738	EA	Rocker Switch - #615259
	075217-01-739	EA	Heater
	075217-01-740	EA	Screw #6 - 32" x 2 3/8"
	075217-01-741	EA	Wing - Nut #6 - 32
	075217-01-742	EA	Hex Nut
	075217-01-743	EA	Elbow - 90°
	075217-01-744	EA	Cable - Wiring
	075217-01-745	EA	Liner Asm. - Foamed - Door
	075217-01-746	EA	Baffle Asm.
	075217-01-747	EA	Liner Asm. - Foamed - Lower - Door

## HEATING & AIR CONDITIONING GROUP

### AUTOMOTIVE HEATER & AIR CONDITIONER

Key	Part Number	U/M	Description
	039044-01-000	EA	Louver Asm. - A/C Adjustable
	024990-02-000	EA	Defroster Outlet - w/Swivel - 2"
	072342-01-000	EA	Condenser Asm.
	072343-01-000	EA	Compressor & Clutch
	072344-01-000	EA	Package - Compressor Mount 454 C.I.D.
	072341-01-000	EA	Wheel - Blower
	072341-01-701	EA	Heater Core
	072341-01-702	EA	Evaporator Coil
	072341-01-703	EA	Expansion Valve
	072341-01-704	EA	Valve - Suction Service - 5/8"
	072341-01-705	EA	Switch - Pressure Low Cut Out
	072341-01-706	EA	Resistor
	072341-01-707	EA	Thermostat
	074013-02-712	EA	Motor - Blower
	072341-01-708	EA	Motor - Vacuum
	072341-01-709	EA	Relay - w/Tab - Bosh
	072341-01-710	EA	Control Head Asm.
	072341-01-711	EA	Cable - 72"
	072341-01-712	EA	Switch - Vacuum
	072341-01-713	EA	Switch - Jumper Control
	072341-01-714	EA	Valve - Heater Control
	072341-01-715	EA	Louver Adapter Asm.
	072341-01-716	EA	Valve - Discharge - 1/2"
	072341-04-000	EA	Heater & Evaporator - w/o Duct Control
	072341-06-000	EA	Kit - Duct & Control
	072342-02-700	EA	Receiver Drier
	007076-01-000	FT	Hose - Flexible PVC - 2" I.D.
	007108-01-000	FT	Hose - Heater - 5/8" I.D. SAE 20R3
	007281-01-000	FT	Hose - Flexible PVC - 2 1/2" I.D.
	007140-01-000	EA	Clamp - Hose - 2" - 3" Dia.
	033258-01-000	EA	Hose - Refrigerant - .50" I.D. x 34.50"
	034222-01-000	EA	Hose - Refrigerant - .31" I.D. x 26"
	034222-02-000	EA	Hose - Refrigerant - .31" I.D. x 32"
	031960-01-000	EA	Hose - Refrigerant - .34" I.D. x 30"
	031961-01-000	EA	Hose - Refrigerant - .31" I.D. x 14.75"
	031961-02-000	EA	Hose - Refrigerant - .31" I.D. x 19"
	049401-01-000	EA	Heater Asm. - Rear - Auxiliary
	049401-01-700	EA	Valve - Water Control (Aux. Heater)
	049401-01-701	EA	Control Cable (Aux. Heater)
	049401-01-702	EA	Motor Asm. (Aux. Heater)
	049401-01-703	EA	Heater Core (Aux. Heater)
	049401-01-704	EA	Switch (Aux. Heater)
	058906-01-000	EA	Control Panel (Auxiliary Rear Heater)
	010227-01-000	EA	Tee - Plastic - Barb 5/8" or 3/4" Hose

## 1984 WINNEBAGO TABLE OF CONTENTS

WC420RG	A-01 - C-04
WCN23RG	C-05 - E-14
WCN30RC	E-15 - G-24
WCP31RT	H-01 - J-04

## 1984 WCN30RC INDEX

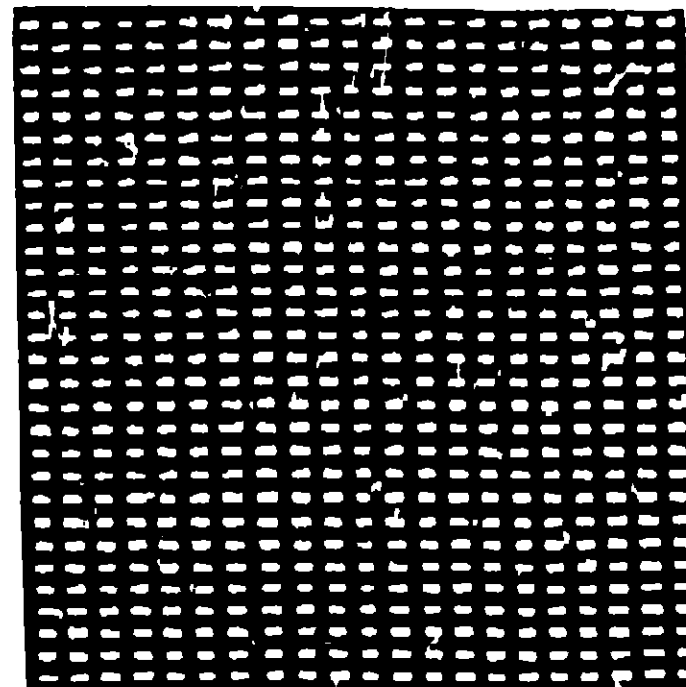
Floor Plan	E-15 - E-16
Accessories Group	E-17 - E-19
Bath Group	E-20 - E-21
Chassis Group	E-22 - E-23
Curtain, Cushion & Pad Group	E-24 - F-06
Dinette Group	F-07
Driver's Compartment Group	F-08 - F-10
Electrical Group	F-11 - F-13
Exterior Body Group	F-14 - F-22
Galley Group	F-23 - G-01
Heating & Air Conditioning Group	G-02 - G-03
Interior Finish Group	G-04 - G-06
LP Group	G-07
Lounge Group	G-08 - G-09
Water & Sewage Group	G-09 - G-10
Window, Vent & Exterior Door Group	G-11 - G-24

## HEATING & AIR CONDITIONING GROUP (CONTINUED)

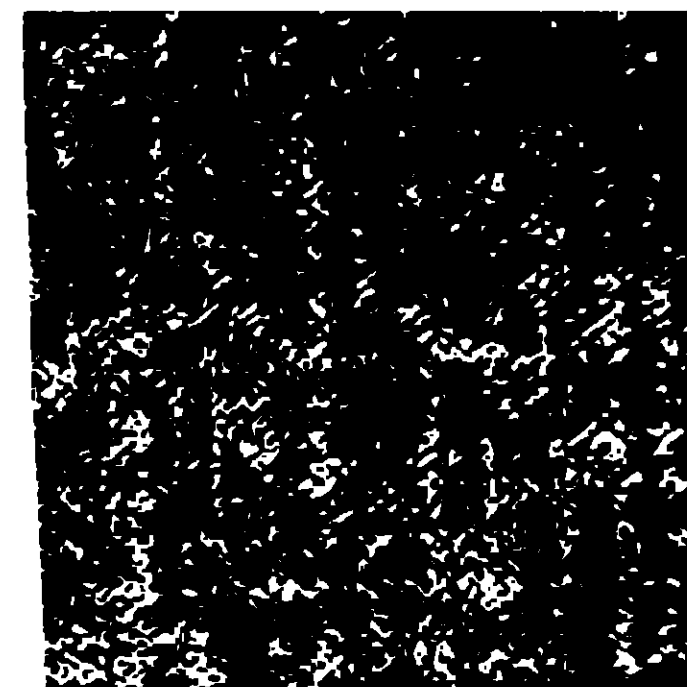
### FURNACE & ROOF AIR CONDITIONERS

Key	Part Number	U/M	Description
	075696-01-000	EA	Furnace - 34,000 BTU - w/Direct Ignition
	069634-01-710	EA	Valve - L.P. Shut Off - Manual
	069633-01-701	EA	Orifice - Main Burner
	069633-01-700	EA	Limit Switch
	069634-01-709	EA	Elbow - 90° Black Iron
	069634-01-705	EA	Basket - Electrode
	069634-01-706	EA	Module Board
	009198-01-000	EA	Duct - Flexible - 4" I.D. x 25'
	009200-01-000	EA	Tape - Furnace - 1 1/2"
	023146-01-000	EA	Clamp - Screw Type - 4"
	056464-02-000	EA	Heat Register - 4" - w/o Damper
	069633-01-705	EA	Vent Package - Furnace - 3-6" Wall
	073743-01-000	EA	Shroud Asm. - Ceiling - Inside - Roof Air Cool Only - 13,500 BTU - Coleman
	073744-01-000	EA	Shroud Asm. - Ceiling - Inside - Roof Air Heat and Cool Only - 13,500 BTU - Coleman
	073742-01-000	EA	Air Conditioner - 110 Volt - Roof Mount - 13,500 BTU Rotary
	073742-01-700	EA	Decal Package - Mack 3 - Left & Right
	073742-01-701	EA	Switch - Selector - 5 Terminal
	073742-01-702	EA	Decal - Cool Only
	073742-01-703	EA	Decal - Heat & Cool
	073742-01-704	EA	Decal - Thermostat

## INTERIOR FINISH GROUP



Wicker Weave Pattern



Jamaica Weave Pattern

### 1984 WINNEBAGO TABLE OF CONTENTS

WC420PG  
WCN23RG  
WCN30RC  
WCP31RT

A-01 - C-04  
C-05 - E-14  
E-15 - G-24  
H-01 - J-04

### PANELING & COUNTERTOP MATERIALS

Key	Part Number	U/M	Description
	068344-05-000	SF	Paneling - 159 Elm - 48" x 96"
	072336-20-000	SF	Paneling - Jakarta Burlap - 48" x 96" (Wall, Ceiling)
	074496-03-000	SF	Paneling - Decor - Galley and Bath - 48" x 84" (R10)
	074496-04-000	SF	Paneling - Decor - Galley and Bath - 48" x 84" (R11)
	074496-05-000	SF	Paneling - Decor - Galley and Bath - 48" x 84" (R12)
	072336-19-000	SF	Paneling - Wicker Weave - 48" x 84" (Refrigerator Door)
	057880-05-000	SF	Paneling - Wicker Weave - 48" x 84" (Style & Rail Door)
	057880-05-700	SF	Paneling - Jamaica Weave - 48" x 84" (Style & Rail Door)
	074498-01-000	SF	Plastic Laminate - Harbor Oak - Table & Countertops - 48" x 96"
	074498-01-019	EA	Plastic Laminate - Harbor Oak - Table & Countertop - 1.19" x 96"
	072337-03-000	SF	Plastic Laminate - Almond Loom - Galley - 48" x 96"
	072337-03-019	EA	Plastic Laminate - Almond Loom - Galley - 1.19" x 96"
	072337-02-000	SF	Plastic Laminate - Travertine - Bath - 48" x 96"
	072337-02-019	EA	Plastic Laminate - Travertine - Bath - 1.19" x 96"
			Reference above illustration.

### MISCELLANEOUS PARTS

Key	Part Number	U/M	Description
	053552-01-R10	EA	Handle Asm. - Interior Assist - Medium Almond Vinyl
	041944-03-000	EA	Fire Extinguisher - w/Bracket - 5BC
	054185-20-000	EA	Owner's Manual - Itasca - Winnebago
	007038-01-000	EA	Door Mat - Black Rubber - 10 1/2" x 26"
	065201-02-000	EA	Lamp Shade - Fabric - Parchment
	065202-01-000	EA	Lamp - Brass Wall - 2 Bulb
	073419-01-000	EA	Door - Folding (Wood) - 46" x 75"
	073689-03-000	EA	Track - Folding Door
	075907-01-000	EA	Picture - Assorted Decor

### 1984 WCN30RC INDEX

Floor Plan	E-15 - E-16
Accessories Group	E-17 - E-19
Bath Group	E-20 - E-21
Chassis Group	E-22 - E-23
Curtain, Cushion & Pad Group	E-24 - F-06
Dinette Group	F-07
Driver's Compartment Group	F-06 - F-10
Electrical Group	F-11 - F-13
Exterior Body Group	F-14 - F-22
Galley Group	F-23 - G-01
Heating & Air Conditioning Group	G-02 - G-03
Interior Finish Group	G-04 - G-06
LP Group	G-07
Lounge Group	G-08 - G-09
Water & Sewage Group	G-09 - G-10
Window, Vent & Exterior Door Group	G-11 - G-24

## INTERIOR FINISH GROUP (CONTINUED)

### INTERIOR MOLDINGS & TRIMS

Key	Part Number	U/M	Description
	009809-08-000	FT	Molding - F - 1"
	009812-08-000	FT	Molding - F - 50"
	024700-17-000	EA	Cover - Sidewall Roll Bar - Beige
	009812-08-000	FT	Molding - Outside Corner - .50"
	009767-06-000	FT	Wetling - Beige
	009815-03-000	FT	T-Molding - .75" - Light Brown
	022992-08-000	FT	Molding - Reverse Cove - Champagne White
	042357-09-000	EA	Molding - Radius Corner - 159 Elm - 7'
	045375-52-000	EA	Molding Retainer - Alum - 16'
	076325-01-000	FT	Molding - Edge (Table, Countertop) Harbor Oak
	070504-02-000	FT	U-Channel - 82" - Light Brown
	009778-03-000	FT	U-Channel - 1" - Light Brown
	070504-01-000	FT	U-Channel - .065" - Light Brown
	052859-01-N01	FT	Accent Trim - Medium Almond Vinyl (Beige)
	059352-01-000	FT	Insert - Vinyl - Style and Rail Door
	069733-30-000	EA	Batt Strip - Galley and Bath - R10
	069733-31-000	EA	Batt Strip - Galley and Bath - R11
	069733-32-000	EA	Batt Strip - Galley and Bath - R12
	069733-23-000	EA	Batt Strip - Jakarta Burlap - 8' (Ceiling & Wall)
	058204-01-000	EA	Batt Strip - 159 Elm - 8'
	064382-01-000	FT	Extrusion - Plastic Trim - Rolled Door
	042356-01-000	EA	Plug - Button - Mahogany - 3/8" Diameter
	073321-01-000	EA	Wall Trim - Carpet - 7' - Beige

### CABINETRY & TABLE HARDWARE

Key	Part Number	U/M	Description
	053200-05-000	EA	Bracket - Upper Wall Mount - Beige - 23 5"
**	053201-03-000	EA	Bracket - Table Mount - 23"
	024275 05-000	EA	Rod - Table Lift - 8" x 23.5" - Beige
	024281-07-000	EA	Bracket - Lower Wall Mount - Beige - 22.12"
	024276-14-000	EA	Leg Asm. - Table - 29 5"
**	024282-01-000	EA	Brace - Table Leg
**	024283-01-000	EA	Clip - 1" O.D. Tube
	049493-02-000	EA	Catch - Table Leg - Mounts on Floor
**	057898-01-000	EA	Latch - Hidden - Cabinet Door
**	057898-02-000	EA	Strike - Hidden Latch - Cabinet Door
	009112-01-000	EA	Flange - 1" - Chrome - Closet Rod
	074493-01-000	EA	Door Prop - Overhead
	072393-01-000	EA	Slide - Drawer
	057671-01-000	EA	Screw Cover - #8
	072369-03-000	EA	Mesh - Grill - Brass - 17.9" x 6 7"
	009021-01-000	EA	Catch - Nylon
	009021-02-000	EA	Strike - Nylon Catch
	053331-01-000	EA	Hinge - Offset Side Mount
	064781-03-000	EA	Cup Holder - Plastic
	041389-02-000	EA	Hinge - Table - Wall Mount
	024276-15-000	EA	Leg - Fold Up
	064050-01-000	EA	Hinge - Table Leg
	024282-01-000	EA	Brace - Table Leg
	024283-01-000	EA	Clip - Table Leg
	049493-02-000	EA	Catch - Table Leg - Floor

\*\* The illustrated parts breakdown for this item is provided on the Common Items Fiche

## INTERIOR FINISH GROUP (CONTINUED)

### FABRICS & CARPET

Key	Part Number	U/M	Description
	072333-09-000	YD	Fabric - Drapery - Wraparound (R10, R11, R12)
	072333-08-000	YD	Fabric - Drapery - Sheers (R10, R11, R12)
	074495-27-000	YD	Fabric - Upholstery - Accent - Blue, Brown (R10, R11)
	074495-28-000	YD	Fabric - Upholstery - Accent - Burgundy (R12)
	074495-25-000	YD	Fabric - Upholstery - Blue (R10)
	074495-24-000	YD	Fabric - Upholstery - Brown (R11)
	074495-26-000	YD	Fabric - Upholstery - Burgundy (R12)
	069729-08-000	YD	Fabric - Drapery - Bedspread - Blue (R10)
	069729-05-000	YD	Fabric - Drapery - Bedspread - Brown (R11)
	069729-07-000	YD	Fabric - Drapery - Bedspread - Burgundy (R12)
	038421-01-000	YD	Ticking - Mattress - Gold
	072860-16-000	SY	Carpet - Blue (R10)
	072860-15-000	SY	Carpet - Brown (R11)
	072860-17-000	SY	Carpet - Burgundy (R12)
	075233-01-000	SY	Carpet Pad - .375 x 6"

### CURTAIN HARDWARE

Key	Part Number	U/M	Description
	053272-01-001	EA	Track - Curtain - Alum. - 16' - w/Holes
	056116-01-000	EA	Track - Curtain - Brown Plastic
	059430-05-000	EA	Track - Curtain - Front Wraparound (2 per unit) - 36" x 43.75" - Beige
	059430-07-000	EA	Track - Curtain - Front Wraparound - 36" x 86 2" (w/Drivers Door) - Beige
	056001-01-000	EA	Bracket - Shade - Left
	056002-01-000	EA	Bracket - Shade - Right
	009107-01-000	EA	Guide - Nylon Snap - Curtain
	018031-48-000	EA	Track - Curtain - "L" Rod - Alum Extr. - 16'
	009701-01-000	EA	Carrier - "L" Rod - Curtain
	009702-01-000	EA	End Stop - "L" Rod - Curtain
	056784-01-000	EA	Pull - Window Shade - Antique Brass
	039175-01-000	EA	Curtain Rod - Ext 48" - 84"
	039175-02-000	EA	Bracket - Curtain Rod
	056115-02-000	YD	Tape - Clear Plastic - w/Guides
	048394-01-000	YD	Tape - Hook - 1" x 25 YD - Beige
	048395-01-000	YD	Tape - Loop - 1" x 25 YD - Beige
	056003-01-000	EA	Bracket - Drapery Retainer - Right
	056003-02-000	EA	Bracket - Drapery Retainer - Left
	056003-03-000	EA	Bracket - Drapery Retainer - Universal

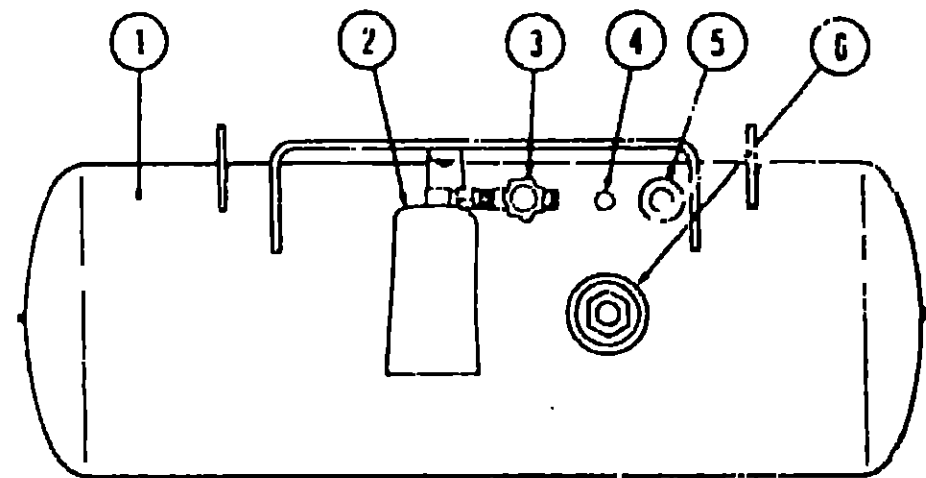
## 1984 WINNEBAGO TABLE OF CONTENTS

WC420RG	A-01 - C-04
WCN23RG	C-05 - E-14
WCN30RC	E-15 - G-24
WCP31RT	H-01 - J-04

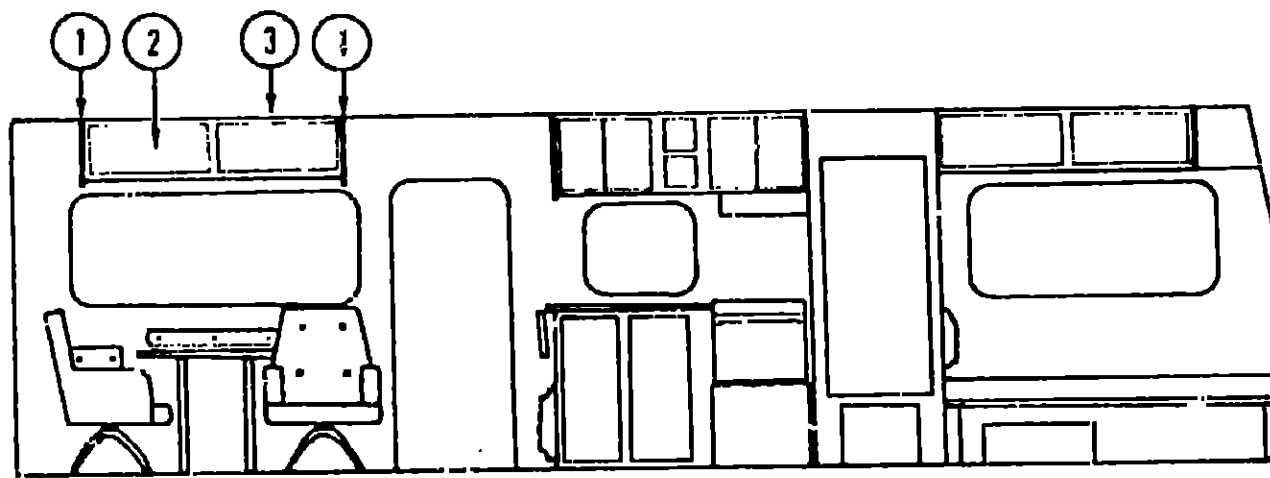
## 1984 WCN30RC INDEX

Floor Plan	E-15 - E-16
Accessories Group	E-17 - E-19
Bath Group	E-20 - E-21
Chassis Group	E-22 - E-23
Curtain, Cushion & Pad Group	E-24 - F-06
Dinette Group	F-07
Driver's Compartment Group	F-08 - F-10
Electrical Group	F-11 - F-13
Exterior Body Group	F-14 - F-22
Galley Group	F-23 - G-01
Heating & Air Conditioning Group	G-02 - G-03
Interior Finish Group	G-04 - G-06
LP Group	G-07
Lounge Group	G-08 - G-09
Water & Sewage Group	G-09 - G-10
Window, Vent & Exterior Door Group	G-11 - G-24

**LP GROUP**



**LOUNGE GROUP**



**1984 WINNEBAGO  
TABLE OF CONTENTS**

WC420RG  
WCN23RG  
WCN30RC  
WCP31RT

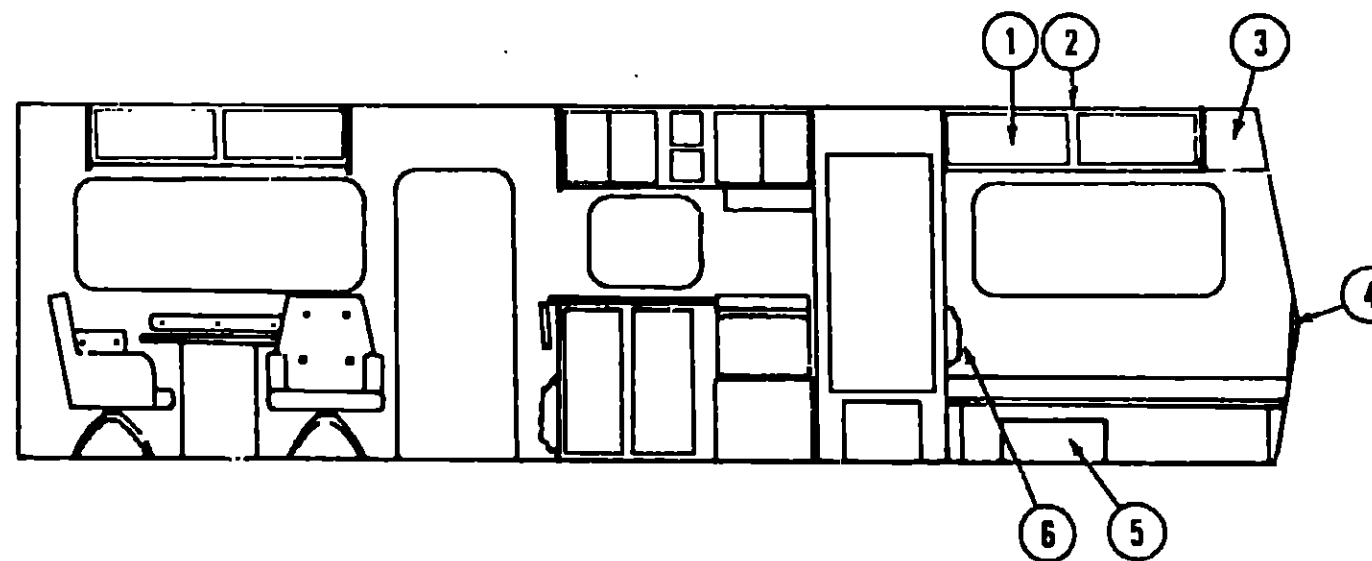
A-01 - C-04  
C-05 - E-14  
E-15 - G-24  
H-01 - J-04

**LP GROUP**

Key	Part Number	U/M	Description
1	074142-01-000	EA	Tank Arm - LP - Frame Mount - 80 Pound
2	076277-01-000	EA	Compartment - LP Regulator - Front
3	076278-01-000	EA	Compartment - LP Regulator - Back
4	076301-01-000	EA	Regular - Two Stage - LP Gas
5	040421-01-703	EA	Valve - Vapor Relief
6	040421-C1-700	EA	Gauge - Liquid Level - 20% I.P
7	040421-01-701	EA	Valve - Filler - LP
8	040421-01-702	EA	Cap - Plastic Fill Valve
9	040421-01-707	EA	Gauge - Float w/Visible Dial - 80 Pound Tank
10	040421-01-706	EA	Dial - Visible Face - Float Gauge (Tank w/o Electric Transmitter)
11	040440-01-000	EA	Dial - Transmitter - 0 - 90 Ohm (Float Gauge)
12	045703-03-000	EA	Hose Asm - LP - 3/8" I.D. x 18" - US
13	045703-04-000	EA	Hose Asm - LP - 3/8" I.D. x 14" - CSA
14	Not illustrated		

**FRONT LOUNGE OVERHEAD CABINETRY**

Key	Part Number	U/M	Description
1	071846-02-R10	EA	Pad Asm. - End Cap - Front Lounge Overhead - Beige Vinyl - Left Hand
2	069852-72-R10	EA	Door Asm. - Overhead Cabinet - 11.3" x 28" - w/o Hardware
3	075775-01-R10	EA	Cabinet Asm. - Front Lounge Overhead - w/o Doors or Hardware - Right
4	075775-02-R10	EA	Cabinet Asm. - Front Lounge Overhead - w/o Doors or Hardware - Left
5	071846-01-R10	EA	Pad Asm. - End Cap - Front Lounge Overheads - Beige Vinyl - Right Hand
6	Not illustrated		



**REAR LOUNGE**

Key	Part Number	U/M	Description
1	069852-76-R10	EA	Door Asm. - Rear Overhead - w/o Hardware
2	075745-01-R10	EA	Cabinet Asm. - Rear Overhead - w/o Doors or Hardware
3	075725-01-R10	EA	Cabinet Asm. - Backwall Overhead - w/o Doors or Hardware
4	069852-72-R10	EA	Door Asm. - Backwall Overhead - w/o Hardware
5	072969-01-R10	EA	Headboard Asm
6	069852-77-R10	EA	Door Asm. - 17 8" x 10.7" - Double Bed
7	074491-02-R10	EA	Magazine Rack - Oak
8	Not illustrated		

**1984 WCN30RC INDEX**

Floor Plan	E-15 - E-16
Accessories Group	E-17 - E-19
Bath Group	E-20 - E-21
Chassis Group	E-22 - E-23
Curtain, Cushion & Pad Group	E-24 - F-06
Dinette Group	F-07
Driver's Compartment Group	F-08 - F-10
Electrical Group	F-11 - F-13
Exterior Body Group	F-14 - F-22
Galley Group	F-23 - G-01
Heating & Air Conditioning Group	G-02 - G-03
Interior Finish Group	G-04 - G-06
LP Group	G-07
Lounge Group	G-08 - G-09
Water & Sewage Group	G-09 - G-10
Window, Vent & Exterior Door Group	G-11 - G-24

**LOUNGE GROUP (CONTINUED)**

**SWIVEL CHAIRS W/PULLOUT TABLE**

Key	Part Number	U/M	Description
	M75171-02-R10	EA	Table Asm - Foldout - Harbor Oak
	M00675-35-R10	EA	Countertop Asm - Foldout Table Cabinet - Harbor Oak
	035036-01-000	EA	Plate - Tilt and Swivel - Swivel Chair
	035036-02-000	EA	Base w/Leg - Swivel Chair
	035036-04-000	EA	Base w/Leg - Swivel Chair - Low Base
	035036-05-000	EA	Extension - 7" - Swivel Chair - Low Base
	024276-15-000	EA	Table Leg - Beige
	024202-01-000	EA	Brace - Table Leg
	024283-01-000	EA	Clip - Table Leg
	064050-01-000	EA	Hinge - Table Leg
	041389-02-000	EA	Hinge - Table - Wall Mount
	049493-02-000	EA	Catch - Table Leg - Mounts on Floor - Brown
**	Note	EA	Swivel Chairs
**	074489-02-R10	EA	Beverage Holder w/Tray - Oak
**	See Curtain, Cushion & Pad Group		

**ENTERTAINMENT CENTER & ICEMAKER**

Key	Part Number	U/M	Description
	077808-01-R04	EA	Cabinet Asm. - Ice Maker - w/o Countertop
	M01646-01-R04	EA	Countertop Asm - Ice Maker - Harbor Oak
	M01647-01-R04	EA	Countertop Asm. - Ice Maker Pullout - Harbor Oak
	074489-01-000	EA	Beverage Holder - w/Tray - Oak
	076799-01-000	EA	Ice Maker - Black Glass
	077841-01-000	EA	Bracket - Tie Down - Ice Maker - Right
	077841-02-000	EA	Bracket - Tie Down - Ice Maker - Left
	M77807-01-R04	EA	Cabinet Asm. - Entertainment Center - w/o Countertop & Hardware
	M01649-01-R04	EA	Countertop Asm. - Entertainment Center - Harbor Oak
	M01648-01-R04	EA	T V Stand - Entertainment Center
	077773-01-R04	EA	Guide - Wine Glass - Entertainment Center
	M77447-01-R04	EA	Door Asm - Entertainment Center - Right
	M77447-02-R04	EA	Door Asm - Entertainment Center - Left

**WATER & SEWAGE GROUP**

**HOLDING TANKS & WATER HEATERS**

Key	Part Number	U/M	Description
	075551-01-000	EA	Tank Asm. - Holding - 42 Gallon - w/o Fittings - Waste Water
	074175-01-000	EA	Tank Asm. - Holding - 44 Gallon - w/o Fittings - Sewage
	M01275-16-000	EA	Tank Asm. - Water - Plastic - 58 Gallon - w/Fittings
	075550-01-000	EA	Tank Asm. - Water - Plastic - 58 Gallon - w/o Fittings
	077954-01-000	EA	Filter - In Water Tank
	052957-02-000	EA	Elbow - Plastic - 1/2 F x 1/2 MPT - In Water Tank Filter
	042989-02-000	EA	Fitting - Spinwell - Plastic - 1/2 MPT - In Water Tank Filter
**	051391-03-000	EA	Water Heater - G6A - 3
**	051391-03-000	EA	Water Heater - Gas/Electric - w/o Motor Aid
**	051393-01-000	EA	Water Heater - Motor Aid - Direct Ignition - GH6-3E
**	The illustrated parts breakdown for this item is provided on the Common Items Fiche.		

**WATER & SEWAGE GROUP (CONTINUED)**

**PLUMBING & REPAIR PARTS**

Key	Part Number	U/M	Description
	045729-01-000	EA	Pump - Water Flow - 2.8 G.P.M. US
	045729-02-000	EA	Pump - Water Flow - 2.8 G.P.M. CSA
	039647-03-000	EA	Filler - Water Pump - 1/2" Flare
	052952-01-000	EA	Nut - Plastic - 1/2 F
	052953-01-000	EA	Nut Faucet - 1/2 Tube x 1/2 FPT
	052954-01-000	EA	Adapter - Nose Cone - 3/8" or 1/2"
	052955-01-000	EA	Tee - Plastic - 1/2 F x 1/2 F x 1/2 MPT
	052957-01-000	EA	Elbow - Plastic - 1/2 F x 3/8 MPT
	052958-01-000	EA	Tee - Plastic - 1/2 F x 1/2 F x 1/2 F
	052959-03-000	EA	Connector - 1/2 F x 3/8 MPT - Plastic
	052960-01-000	EA	Drain Valve - 1/2 F x 1/2 F - Plastic
**	046524-02-000	EA	Kit - Water Tank Fittings - Blank Tank
**	010079-01-000	EA	Tee - Plastic - 1 1/2 H x 1 1/2 H x 1 1/4 H
**	010091-01-000	EA	Wye - Plastic - 3" x 45° H x H x H
**	010121-01-000	EA	Bushing - Plastic - 1 1/2 S x 1 1/4 H
**	010006-01-000	EA	Elbow - Plastic - 1 1/2 x 45° H x H
**	010133-01-000	EA	Trap Adaptor - 1 1/2 H x MPT
	010134-01-000	EA	Adaptor - Plastic - 1 1/2 M x MPT
	062422-01-000	EA	Adaptor - Offset Reducer - 3" x 1 1/2"
	010224-01-000	EA	Adaptor - Plastic - 3/8 MPT x 3/8 Barb
	010000-01-000	EA	Elbow - Plastic - 1 1/4 x 45° H x H
	010197-01-000	EA	Pipe - Plastic - 3" x 240"
	031111-01-000	EA	Elbow - Plastic - 1 1/4 x 90° - Long Turn H x H
**	062632-01-000	EA	Wye - 3" x 3" x 1 1/2" Slip
**	010201-01-000	EA	Sewer Hose - 3" x 8' w/Clamp
	062415-01-000	EA	Sewage Cap - 3"
	075730-01-000	EA	End Cap - Sewer Hose Compartment
	075726-01-000	EA	Extension Outlet - Sewer Hose Compartment
	062416-01-000	EA	Hose Adaptor - 3"
	062417-01-000	EA	Termination Adaptor - 3"
	052962-01-000	EA	Valve - Stool - 90° 1/2 F x 3/8 MPT
	039800-01-000	FT	Tubing - Polybutyl - 1/2 O.D. x 20 Ft.
	072346-01-000	EA	Valve - 3" Ell - w/2" Socket
	011069-02-000	EA	Tail Piece - 1 1/2 x 1 1/4 x 4 - Brass
	065120-01-000	EA	Elbow - Plastic - Swivel - 1/2"
	074462-01-000	FT	Tubing - Vinyl - 1 1/4 I.D.
	010195-01-000	EA	Pipe - Plastic - 1 1/2" x 240" - Black
	070924-01-000	EA	Elbow - Plastic - Swivel - 1/2 MPT x 1/2 FP
	063641-01-000	EA	Flange - Closet - 4" x 3"
	010219-01-000	EA	Elbow - 1 1/4 Barb x 1 1/4 MPT 90°
	023441-01-000	EA	Tee - Plastic - 3/8 Barb
	035539-01-000	EA	Elbow - Plastic - 3/8 MPT x 3/8 Barb
	054535-01-000	EA	Vent - Mechanical Trap Arm
	044928-01-000	EA	Tubing - Flex - 1 1/4 I.D. x 10'
	062421-01-000	EA	Valve - 1 1/2" - w/Handle
	061607-01-000	EA	Grommet - Holding Tank Coupler - 1 1/2"
	061607-02-000	EA	Grommet - Holding Tank Coupler - 3"
	053335-01-000	EA	P-Trap - Plastic - 1 1/4 H x H - w/Union
**	011066-01-000	EA	P-Trap - 1 1/4" - Plastic
**	011091-01-000	EA	Waste - Continuous - Double Sink - 11 7/8"
**	031126-02-000	EA	Elbow - 3" x 90° x Long Turn - CSA
**	050780-01-000	EA	Rubber Coupler - 3" x 3"
	004020-01-000	QT	Adhesive - ABS Cement
**	035539-01-000	EA	Elbow - Plastic - 3/8 MPT x 3/8 Barb
**	The illustrated parts breakdown for this item is provided on the Common Items Fiche		

**1984 WINNEBAGO  
TABLE OF CONTENTS**

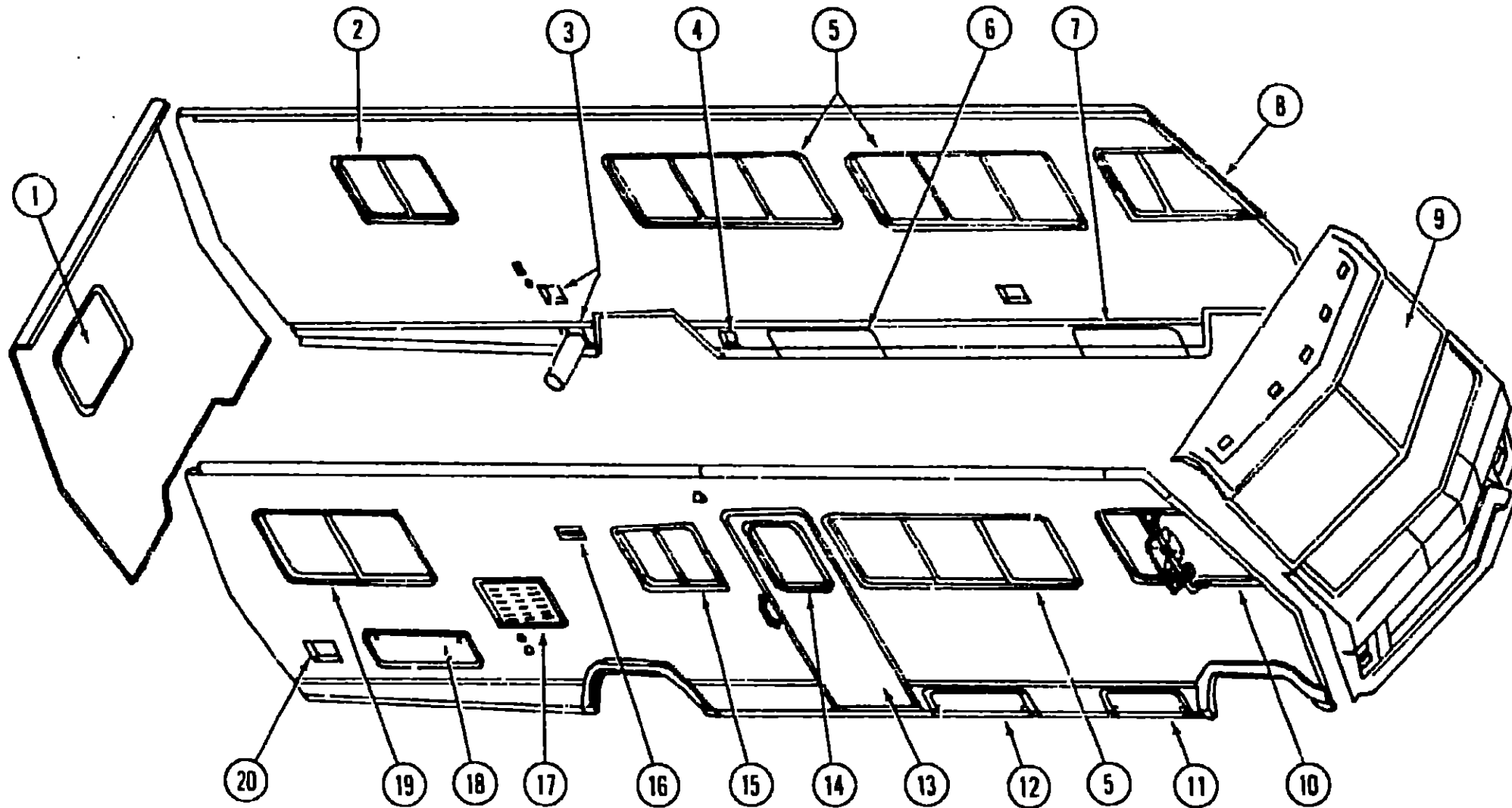
WC420RG	A-01 - C-04
WCN23RG	C-05 - E-14
WCN30RC	E-15 - G-24
WCP31RT	H-01 - J-04

**1984 WCN30RC INDEX**

Floor Plan	E-15 - E-16
Accessories Group	E-17 - E-19
Bath Group	E-20 - E-21
Chassis Group	E-22 - E-23
Curtain, Cushion & Pad Group	E-24 - F-06
Dinette Group	F-07
Driver's Compartment Group	F-08 - F-10
Electrical Group	F-11 - F-13
Exterior Body Group	F-14 - F-22
Galley Group	F-23 - G-01
Heating & Air Conditioning Group	G-02 - G-03
Interior Finish Group	G-04 - G-06
LP Group	G-07
Lounge Group	G-08 - G-09
Water & Sewage Group	G-09 - G-10
Window, Vent & Exterior Door Group	G-11 - G-24

# WINDOW, VENT & EXTERIOR DOOR GROUP

## WINDOWS & ACCESS DOORS



## 1984 WINNEBAGO TABLE OF CONTENTS

WC420RG  
WCN23RG  
WCN30RC  
WCP31RT

A-01 - C-04  
C-05 - E-14  
E-15 - G-24  
H-01 - J-04

## 1984 WCN30RC INDEX

Floor Plan	E-15 - E-16
Accessories Group	E-17 - E-19
Bath Group	E-20 - E-21
Chassis Group	E-22 - E-23
Curtain, Cushion & Pad Group	E-24 - F-06
Dinette Group	F-07
Driver's Compartment Group	F-08 - F-10
Electrical Group	F-11 - F-13
Exterior Body Group	F-14 - F-22
Galley Group	F-23 - G-01
Heating & Air Conditioning Group	G-02 - G-03
Interior Finish Group	G-04 - G-06
LP Group	G-07
Lounge Group	G-08 - G-09
Water & Sewage Group	G-09 - G-10
Window, Vent & Exterior Door Group	G-11 - G-24

Key	Part Number	U/M	Description
1	020751-03-000	EA	Window Asm - Escape - 23" x 68" - Black (w/o inside frame)
2	018631-08-000	EA	Window Asm - Single Slider - Left - 23" x 29" (w/o inside frame)
2	048631-35-000	EA	Window Asm - Single Slider - Left - 23" x 29" - Black w/Black Screen (w/o inside frame)
3	Note	EA	Door Asm - Fuel Fill (See Access Doors)
4	Note	EA	Door Asm - Power Cord (See Access Doors)
5	075738-01-000	EA	Window Asm - Double Slider - 25" x 65" - Black (w/o inside frame)
5	075738-02-000	EA	Window Asm - Double Slider - 25" x 65" - Black w/Black Screen (w/o inside frame)
6	073925-03-000	EA	Door Asm - Luggage - 9" x 48" - Beige - w/Key Lock
6	076852-10-000	EA	Door Asm - Luggage - 9" x 48" - Beige - w/Key Lock
7	073925-10-000	EA	Door Asm - Luggage - 9" x 36" - Beige - w/Key Type Lock
7	076852-03-000	EA	Door Asm - Luggage - 9" x 36" - Beige - w/Key Type Lock
8	059046-02-000	EA	Window Asm - Left Front Slant Slider - 23" x 39" - Black (w/o inside frame or screen)
9	057459-01-000	EA	Glass - Windshield - Right or Left
10	059046-01-000	EA	Window Asm - Right Front Slant Slider - 23" x 39" - Black (w/o inside frame or screen)
11	073925-05-000	EA	Access Door - 25 3/4" x 9" - Beige w/Key Type Lock (Battery)
11	076852-05-000	EA	Access Door - 25 3/4" x 9" - Beige w/Key Type Lock (Battery)

G-11

Key	Part Number	U/M	Description
12	073925-10-000	EA	Access Door - Beige w/Key Type Lock
12	076852-10-000	EA	Access Door - Beige w/Key Type Lock
13	M01414-01-000	EA	Door Asm - Radius Entry - w/Screen Door - Beige
13	M01414-05-000	EA	Door Asm - Radius Entry - w/Screen Door - Beige - Greyhound Fiberglass
13	M01414-11-000	EA	Door Asm - Radius Entry - w/Screen Door - Beige - Mesa Fiberglass
14	041875-09-000	EA	Window Asm - Picture - 17" x 25" - Black (w/o inside frame)
15	048631-03-000	EA	Window Asm - Single Slider - 20" x 25" - Black (w/o inside frame)
15	048631-33-000	EA	Window Asm - Single Slider - 20" x 25" - Black w/Black Screen (w/o inside frame)
16	049352-02-000	EA	Vent - Stovehood - Outside - Beige
17	069762-03-000	EA	Door Asm - Refrigerator Access - Beige - w/Twist Type Lock
17	069762-04-000	EA	Door Asm - Refrigerator Access - Beige - w/Twist Type Lock
18	M00685-08-000	EA	Door Asm - Generator - Beige - w/Twist Type Lock
18	M01552-01-000	EA	Door Asm - Generator - Beige - w/Twist Type Lock
18	047233-04-000	EA	Door Asm - Luggage - Beige - w/Key Type Lock
18	076854-02-000	EA	Door Asm - Luggage - Beige - w/Key Type Lock
19	066785-02-000	EA	Window Asm - Single Slider - 25" x 56" - Black (w/o inside frame)
19	066785-05-000	EA	Window Asm - Single Slider - 25" x 56" - Black w/Black Screen (w/o inside frame)
20	052009-02-000	EA	Door Asm - Water Heater - Beige

Parts used on fiberglass sidewalls.

G-12

ACCESS DOORS

Key	Part Number	U/M	Description
	073925-03-000	EA	Door Asm - Luggage - 9" x 48" - Beige w/Key Type Lock
	076852-10-000	EA	Door Asm - Luggage - 9" x 48" - Beige w/Key Type Lock
	073925-10-000	EA	Door Asm - Luggage - Beige w/Key Type Lock
	076852-10-000	EA	Door Asm - Luggage - Beige w/Key Type Lock
	069762-03-000	EA	Door Asm - Refrigerator - Beige w/Twist Lock
	069762-04-000	EA	Door Asm - Refrigerator - Beige w/Twist Lock (Fiberglass Sidewall)
	047233-04-000	EA	Door Asm - Luggage - Beige w/Twist Lock
	076854-02-000	EA	Door Asm - Luggage - Beige w/Twist Lock
	042441-01-000	EA	Lock Asm - Key Type - Gas Fill
	047395-01-000	EA	Lock Asm - Key Type - w/Clip
	1400605-08-000	EA	Door Asm - Generator - Beige w/Twist Type Lock - w/o Baffle
	1401552-01-000	EA	Door Asm - Generator - Beige w/Twist Type Lock - w/o Baffle
	052181-03-000	EA	Baffle - Generator Door
	042442-01-000	EA	Lock Asm - Twist Type
	052005-02-000	EA	Door Asm - Water Heater - Beige
	041312-01-000	FT	Door Seal - Bulb - e Section
	052423-02-000	EA	Door Asm - Fuel Fill - Beige
	052424-02-000	EA	Jamb - Fuel Fill/Power Cord - Beige
	063742-02-000	EA	Door - Power Cord - Beige
	054543-02-000	EA	Hatch - Power Cord Door - Beige
	073925-05-000	EA	Door Asm - Battery - Beige w/Key Lock
	076852-05-000	EA	Door Asm - Battery - Beige w/Key Lock
	054530-01-000	EA	Door Stop and Holder
	009003-01-000	EA	Lock Asm - Twist Type - w/Clip

Parts used on fiberglass sidewalls

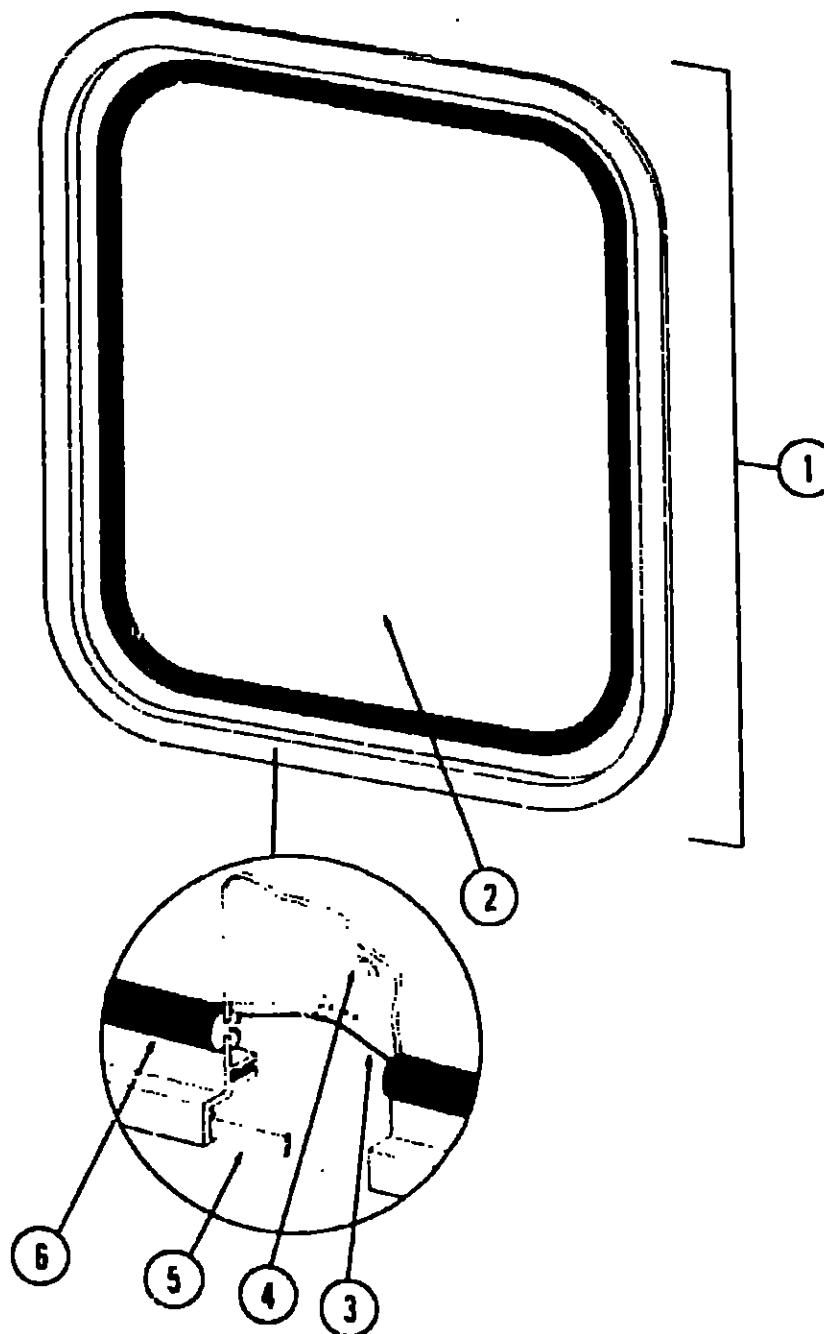
WINDSHIELD

Key	Part Number	U/M	Description
	058272-02-000	EA	Frame Asm - Windshield w/o Glass
	057459-01-000	EA	Glass - Windshield - Right or Left
	038886-01-000	EA	Tape - Butyl - 31" x 31" x 148"
	042743-01-000	EA	Corner - Windshield - Lower
	042743-02-000	EA	Corner - Windshield - Upper

VENTS

Key	Part Number	U/M	Description
	049352-02-000	EA	Vent - Stovehood - Outside - Beige
**	048789-01-000	EA	Vent Asm - Roof - Powered - w/o Screen - Alum
**	048835-01-000	EA	Vent Asm - Roof - Non Powered - w/o Screen - Alum
**	064469-02-000	EA	Vent Asm - Roof - Powered/Lighted - Jensen - White - CSA
	048695-03-000	EA	Screen Asm - Roof Vent - Powered - Beige Frame/Gray Screen
	048695-06-000	EA	Screen Asm - Roof Vent - Powered - Beige Frame/Black Screen
	016335-03-000	EA	Screen Asm - Roof Vent - Non-Powered - Beige Frame/Gray Screen
	016335-07-000	EA	Screen Asm - Roof Vent - Non-Powered - Beige Frame/Black Screen
	071290-01-000	EA	Base - Refrigerator Roof Vent
	071290-02-000	EA	Cap - Refrigerator Roof Vent - Plastic

\*\* The illustrated parts breakdown for this item is provided on the Common Items Fiche



Key	Part Number	U/M	Description
1	020751-03-000	EA	Window Asm - Rear Escape - 23" x 29" - Black (w/o inside frame)
*	020749-05-000	EA	Inside Frame - Escape Window - Beige (not included in assembly)
2	002174-01-000	EA	Glass - 1/8" x 19 6" x 25 92"
3	002285-01-000	FT	Filler - Weatherstrip - Black
4	069640-06-000	FT	Ribbon Sealer - 5/16" Bead x 15'
5	002282-01-000	FT	Weatherstrip - 125" Window
*	023713-02-000	EA	Weephole Cover - Black Plastic
*	006199-01-000	EA	Label - Exit - Escape Window
*			Not illustrated

1984 WINNEBAGO  
TABLE OF CONTENTS

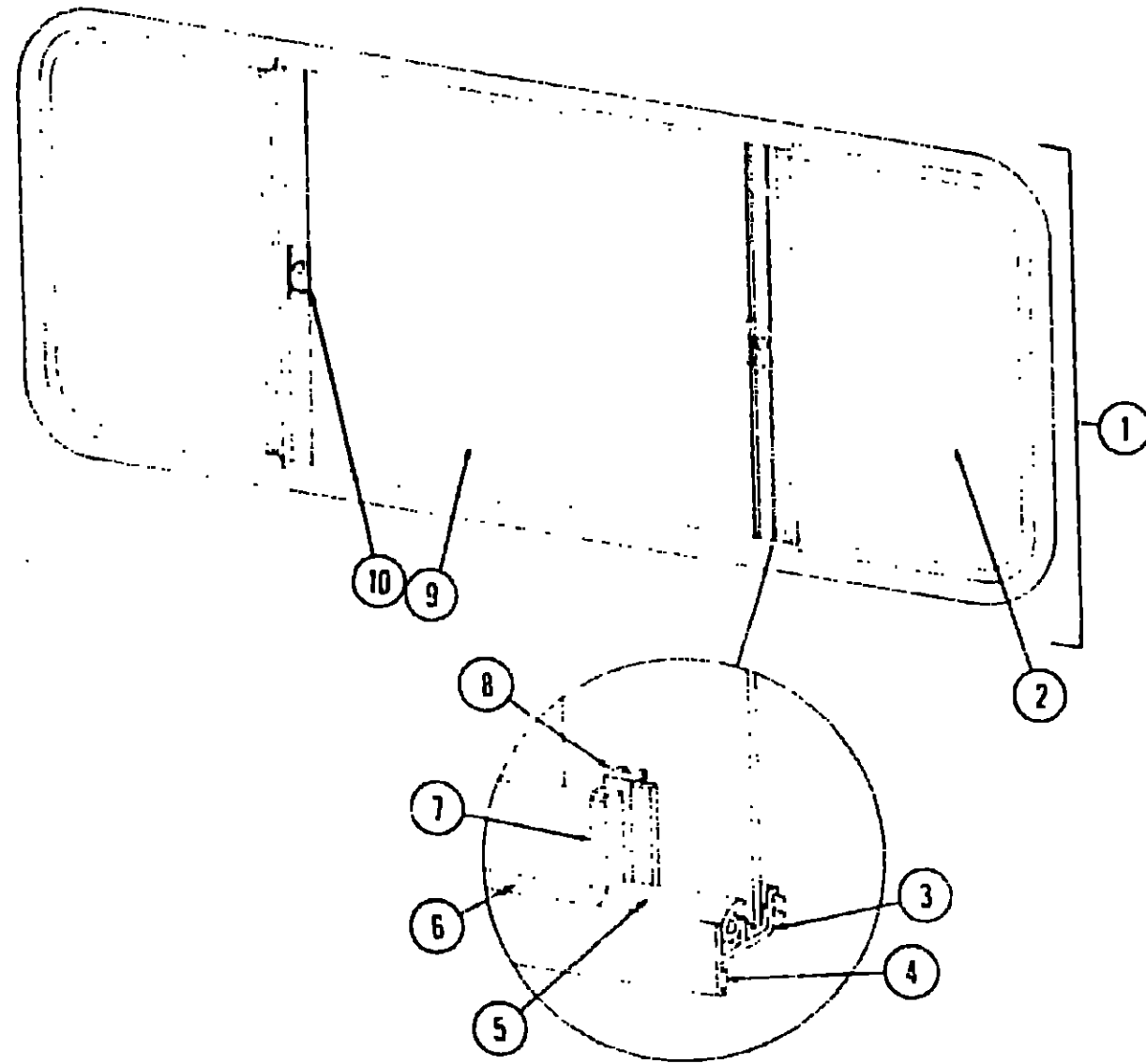
WC420RG	A-01 - C-04
WCN23RG	C-05 - E-14
WCN30RC	E-15 - G-24
WCP31RT	H-01 - J-04

1984 WCN30RC INDEX

Floor Plan	E-15 - E-16
Accessories Group	E-17 - E-19
Bath Group	E-20 - E-21
Chassis Group	E-22 - E-23
Curtain, Cushion & Pad Group	E-24 - F-06
Dinette Group	F-07
Driver's Compartment Group	F-08 - F-10
Electrical Group	F-11 - F-13
Exterior Body Group	F-14 - F-22
Galley Group	F-23 - G-01
Heating & Air Conditioning Group	G-02 - G-03
Interior Finish Group	G-04 - G-06
LP Group	G-07
Lounge Group	G-08 - G-09
Water & Sewage Group	G-09 - G-10
Window, Vent & Exterior Door Group	G-11 - G-24

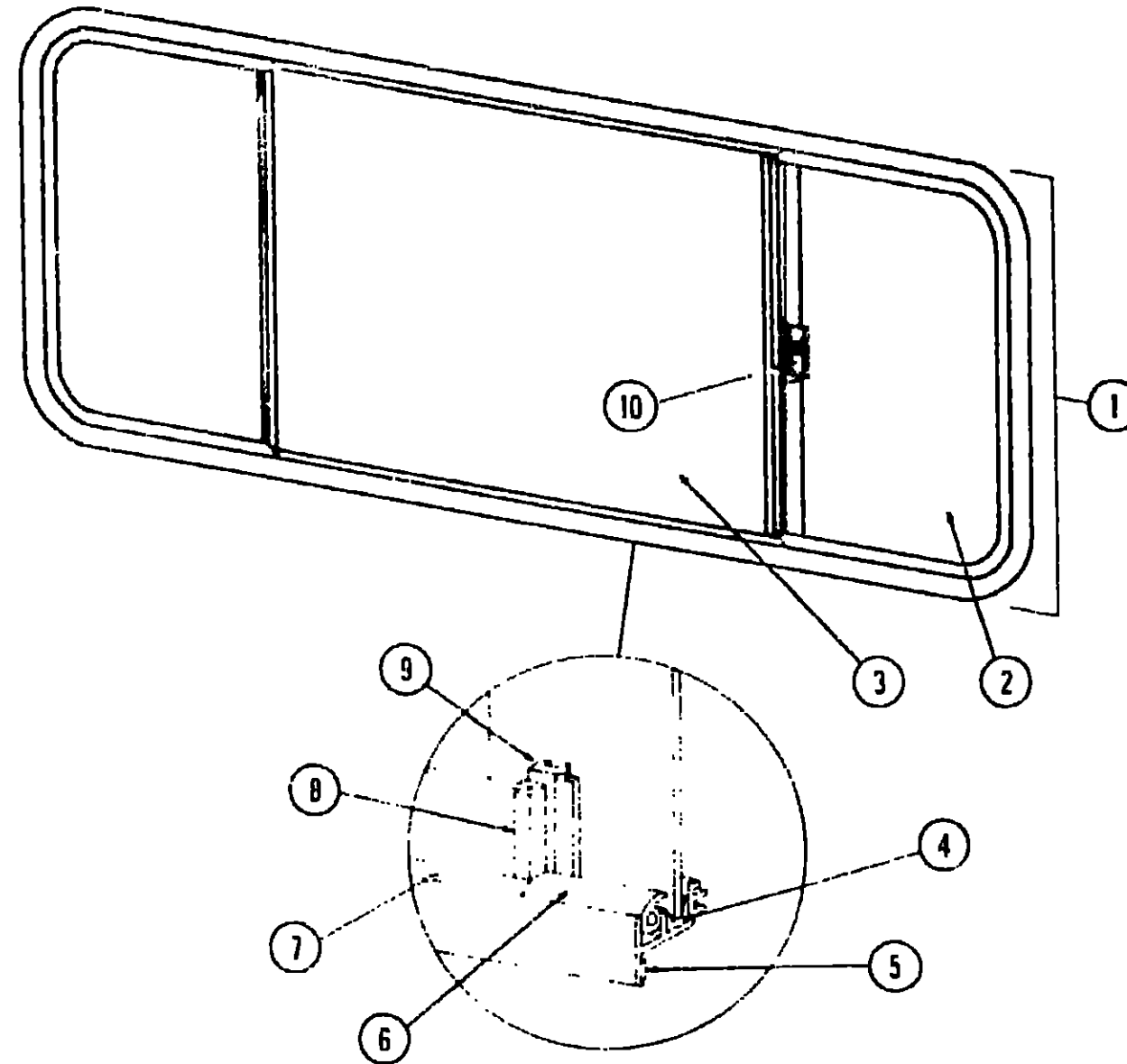


**WINDOW, VENT & EXTERIOR DOOR GROUP (CONTINUED)**



Key	Part Number	U/M	Description
1	075738-01-000	EA	Window Asm - Double Slider - 25" x 65" - Black (w/o inside frame)
1	075738-02-000	EA	Window Asm - w Charcoal Screen - Double Slider - 25" x 65" - Black (w/o inside frame)
1	067609-06-000	EA	Inside Frame - Beige (not included in assembly)
2	047822-04-000	EA	Glass - Sliding - 1 8" x 21 03" x 24"
3	002324-02-000	FT	Channel - Weatherstrip - Glass
4	069640-01-000	FT	Tape - 1 4" Bead x 20 - Gray - 3M
5	057374-02-000	FT	Extr Vinyl - Window Seal - Black
6	002309-02-000	FT	Spline - Glass - 1 8" Material - Black
7	M69886-03-003	EA	Seal Holder w Fin Seal - 23 19"
8	069896-02-000	EA	Mullion - Slider Window - Black
9	002108-05-000	EA	Glass - Stationary - 1 8" x 25 5" x 24"
10	047369-01-700	EA	Latch - Window - Plastic - w Fastener
1	002293-01-000	SF	Screen - Window - 26" - Gray
1	002293-02-000	SF	Screen - Window - 26" - Charcoal
1	002298-01-000	FT	Spline - 130" Dia - Gray (Screen)
1	002298-02-000	FT	Spline - 130" Dia - Charcoal (Screen)
1	073740-01-000	FT	Seal - Fin - Pile - 460"
1	023713-02-000	EA	Weephole Cover - Black Plastic
1	Not illustrated		

**WINDOW, VENT & EXTERIOR DOOR GROUP (CONTINUED)**



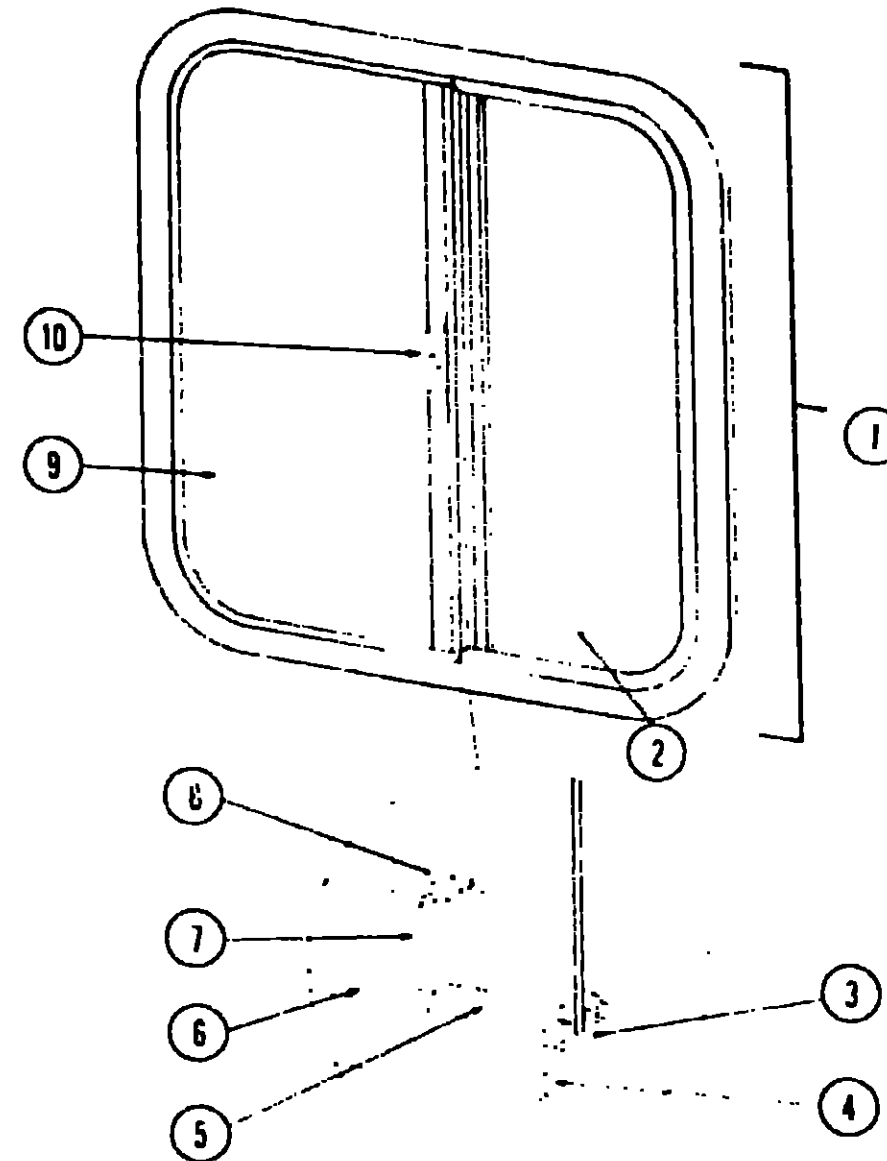
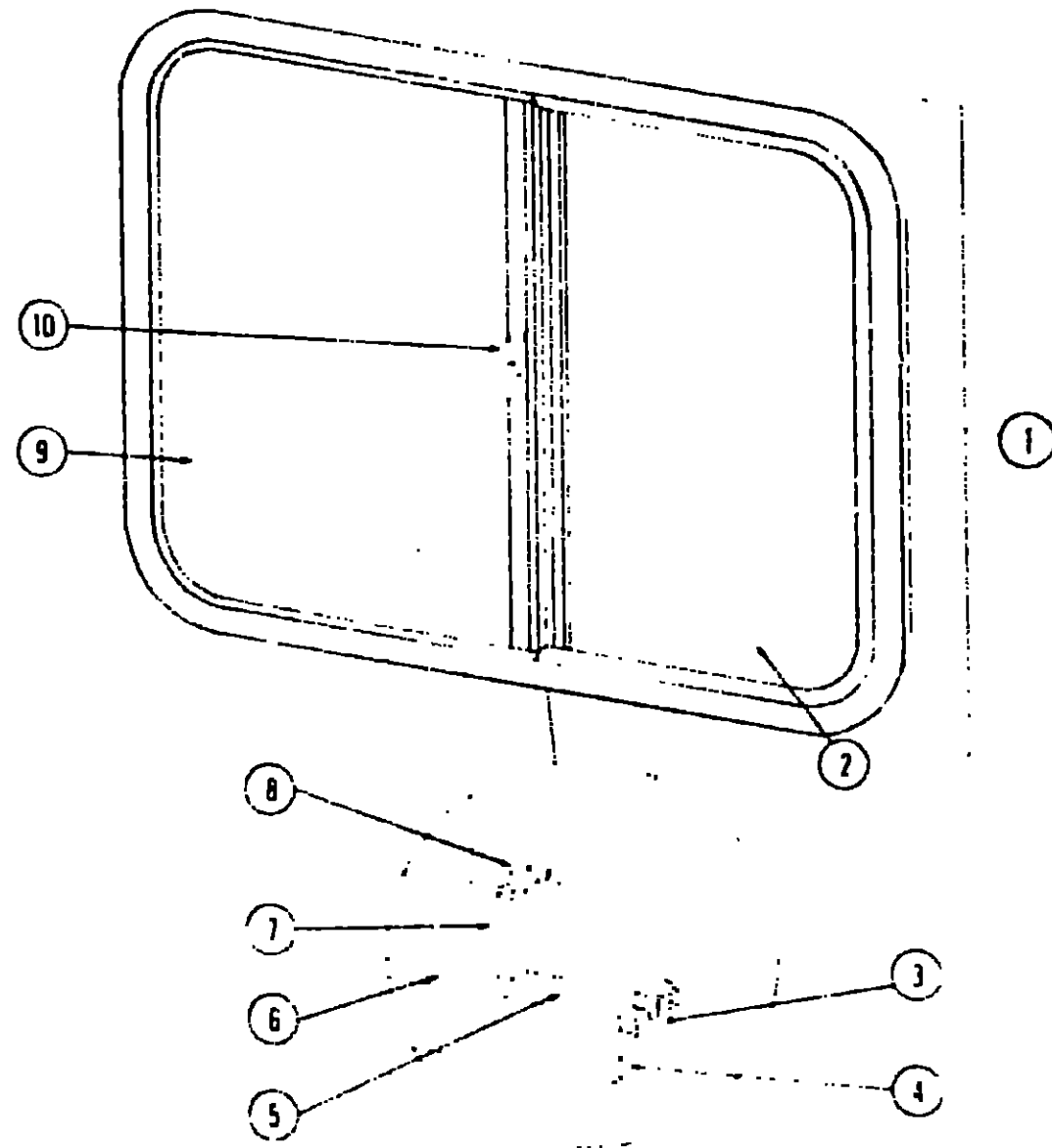
Key	Part Number	U/M	Description
1	066785-02-000	EA	Window Asm - Single Slider - 25" x 56" - Black (w/o inside frame)
1	066785-05-000	EA	Window Asm - w Charcoal Screen - Single Slider - 25" x 56" - Black (w/o inside frame)
1	067609-07-000	EA	Inside Frame - Beige (not included in assembly)
2	066726-01-000	EA	Glass - Stationary - 1 8" x 16 5" x 24"
3	066727-02-000	EA	Glass - Sliding - 1 8" x 25 5" x 24"
4	002324-02-000	FT	Channel - Weatherstrip - Glass
5	069640-01-000	FT	Tape - 1 4" Bead x 20 - Gray - 3M
6	057374-02-000	FT	Extr Vinyl - Window Seal - Black
7	002309-02-000	FT	Spline - Glass - 1 8" Material - Black
8	069886-03-003	EA	Extr Holder - Glass Seal - 23 19" - Black
9	069896-02-000	EA	Mullion - Slider Window - Black
10	047369-01-700	EA	Latch - Window - Plastic w Fastener
1	002293-01-000	SF	Screen - Window - 26" - Gray
1	002293-02-000	SF	Screen - Window - 26" - Charcoal
1	002298-01-000	FT	Spline - 130 Dia - Gray (Screen)
1	002298-02-000	FT	Spline - 130 Dia - Charcoal (Screen)
1	042076-01-000	FT	Seal - Fin - Pile - 34"
1	Not illustrated		

**1984 WINNEBAGO  
TABLE OF CONTENTS**

WC420RG	A-01 - C-04
WCN23RG	C-05 - E-14
WCN30RC	E-15 - G-24
WCP31RT	H-01 - J-04

**1984 WCN30RC INDEX**

Floor Plan	E-15 - E-16
Accessories Group	E-17 - E-19
Bath Group	E-20 - E-21
Chassis Group	E-22 - E-23
Curtain, Cushion & Pad Group	E-24 - F-06
Dinette Group	F-07
Driver's Compartment Group	F-08 - F-10
Electrical Group	F-11 - F-13
Exterior Body Group	F-14 - F-22
Galley Group	F-23 - G-01
Heating & Air Conditioning Group	G-02 - G-03
Interior Finish Group	G-04 - G-06
LP Group	G-07
Lounge Group	G-08 - G-09
Water & Sewage Group	G-09 - G-10
Window, Vent & Exterior Door Group	G-11 - G-24



Key	Part Number	U/M	Description
1	048631-08-000	EA	Window Asm - Left Single Slider - 23" x 29" - Black (w/o inside frame)
1	048631-35-000	EA	Window Asm - w/Charcoal Screen - Left Single Slider - 23" x 29" - Black (w/o inside frame)
.	067609-14-000	EA	Inside Frame - Beige (not included in assembly)
2	047813-01-000	EA	Glass - Sliding - w/Hole - 1 8" x 22" x 13 68"
3	002324-02-000	FT	Channel - Weatherstrip - Glass
4	069640-01-000	FT	Tape - 1 4" Bead x 20" - Gray - 3M
5	057374-02-000	FT	Extr Vinyl - Window Seal - Black
6	002309-02-000	FT	Spline - Glass - 1 8" Material - Black
7	M118025-03-000	EA	Extr Holder - Glass Seal - 21" - Black
8	069896-01-000	EA	Mullion - Slider Window - Black
9	002184-01-000	EA	Glass - Stationary - 1 8" x 16 5" x 22"
10	047369-01-000	EA	Latch - Window - Plastic - w/Fastener
.	002293-01-000	SF	Screen - Window - 26" - Gray
.	002293-02-000	SF	Screen - Window - 26" - Charcoal
.	002298-01-000	FT	Spline - 130" Dia - Gray (Screen)
.	002298-02-000	FT	Spline - 130" Dia - Charcoal (Screen)
.	073740-01-000	FT	Seal - Fin - Pile - 460"
.			Not illustrated

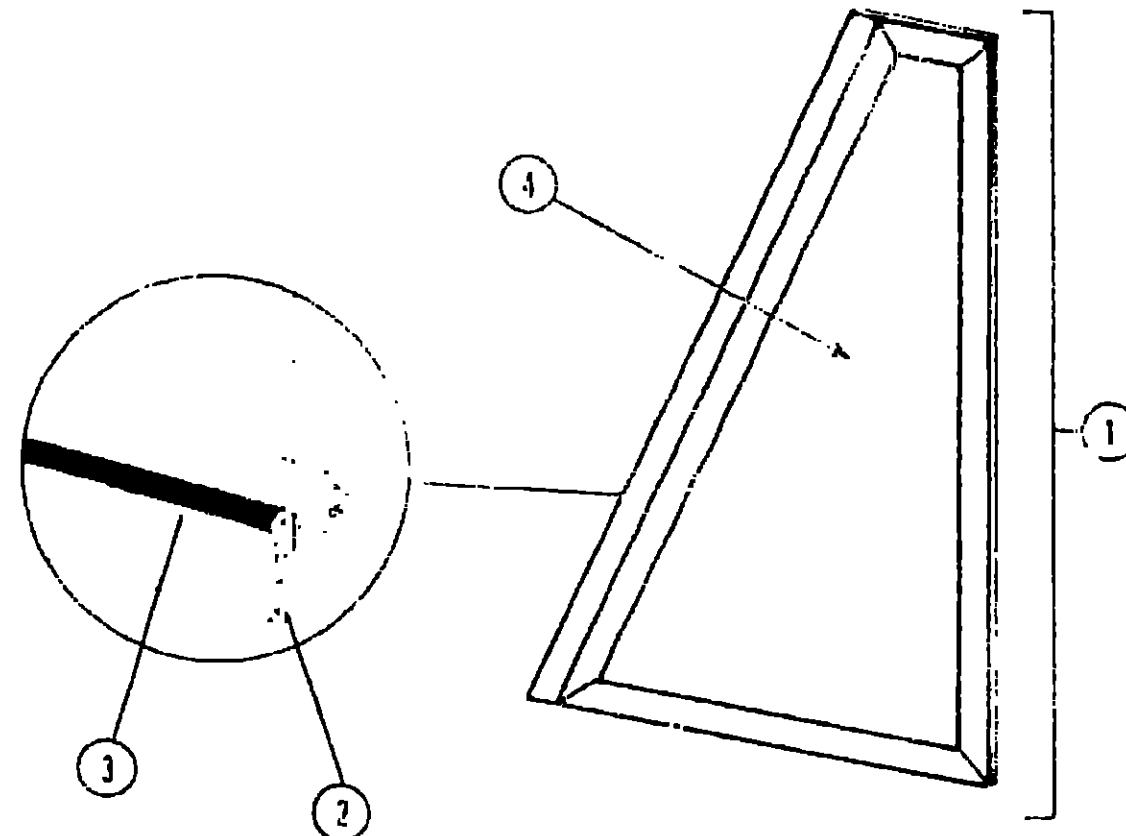
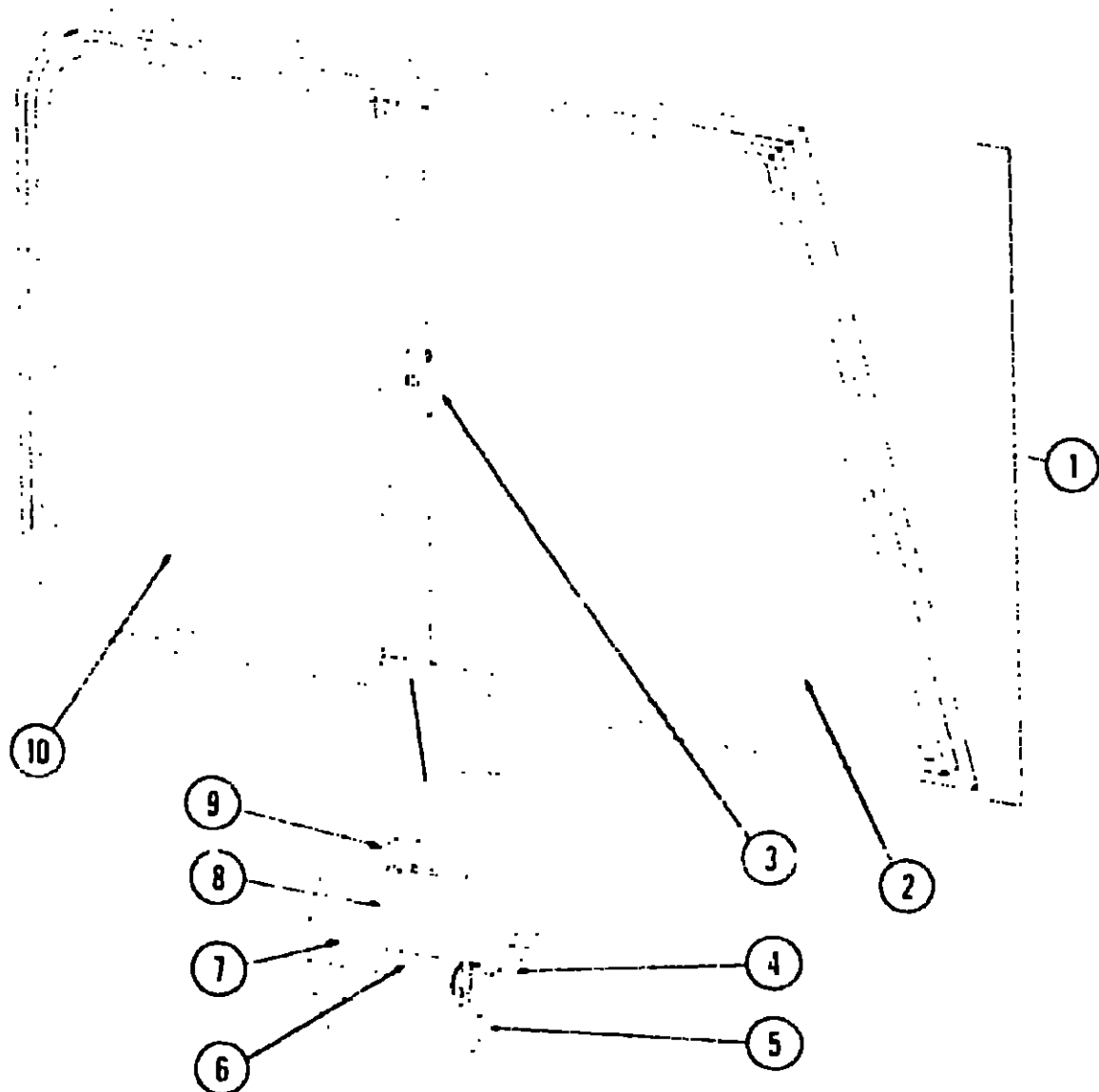
Key	Part Number	U/M	Description
1	048631-03-000	EA	Window Asm - Left - Single Slider - 20" x 25" - Black (w/o inside frame)
1	048631-33-000	EA	Window Asm - w/Charcoal Screen - Left - Single Slider - 20" x 25" - Black (w/o inside frame)
.	042147-12-000	EA	Inside Frame - Beige (not included in assembly)
2	047820-01-000	EA	Glass - Sliding - w/Hole - 1 8" x 13 68" x 19"
3	002324-02-000	FT	Channel - Weatherstrip - Glass
4	069640-01-000	FT	Tape - 1 4" Bead x 20" - Gray - 3M
5	057374-02-000	FT	Extr Vinyl - Window Seal - Black
6	002309-02-000	FT	Spline - Glass - 1 8" Material - Black
7	M69886-03-011	EA	Extr Holder - Glass Seal - 18 19" - Black
8	041894-12-000	EA	Mullion - Slider Window - Black
9	002241-02-000	EA	Glass - Stationary - 1 8" x 12 3" x 19"
10	047369-01-700	EA	Latch - Window - Plastic - w/Fastener
.	002293-01-000	SF	Screen - Window - 26" - Gray
.	002293-02-000	SF	Screen - Window - 26" - Charcoal
.	002298-01-000	FT	Spline - 130" Dia - Gray (Screen)
.	002298-02-000	FT	Spline - 130" Dia - Charcoal (Screen)
.	073740-01-000	FT	Seal - Fin - Pile - 460"
.			Not illustrated

1984 WINNEBAGO  
TABLE OF CONTENTS

WC420RG	A-01 - C-04
WCN23RG	C-05 - E-14
WCN30RC	E-15 - G-24
WCP31RT	H-01 - J-04

1984 WCN30RC INDEX

Floor Plan	E-15 - E-16
Accessories Group	E-17 - E-19
Bath Group	E-20 - E-21
Chassis Group	E-22 - E-23
Curtain, Cushion & Pad Group	E-24 - F-06
Dinette Group	F-07
Driver's Compartment Group	F-08 - F-10
Electrical Group	F-11 - F-13
Exterior Body Group	F-14 - F-22
Galley Group	F-23 - G-01
Heating & Air Conditioning Group	G-02 - G-03
Interior Finish Group	G-04 - G-06
LP Group	G-07
Lounge Group	G-08 - G-09
Water & Sewage Group	G-09 - G-10
Window, Vent & Exterior Door Group	G-11 - G-24



Key	Part Number	U/M	Description
1	059046-01-000	EA	Window Asm - Right Front Slant Slider - 23" x 39" (w/o inside frame)
1	059046-02-000	EA	Window Asm - Left Front Slant Slider - 23" x 39" (w/o inside frame)
2	057656-01-000	EA	Glass - 19" x 24 88" x 25 3" - Stationary
3	047369-01-700	EA	Latch - Window - Plastic w Fastener
4	023420-01-000	EA	Foam Pad - 3 8" Dia (used with plastic latch)
4	042077-01-000	FT	Channel - Weatherstrip - Glass Run - 3 16" Glass
5	069640-01-000	FT	Tape - 1 2" x 1 8" x 20" - Gray - 3M
6	050216-02-000	FT	Spline - 3 16" Glass
7	041928-02-000	FT	Extr Vinyl - Window Seal - Black
8	002389-03-206	EA	Holder - Glass Seal - Black Anod - 24 13
9	057644-04-000	EA	Mullion - Window - Slant Slider
10	057657-01-000	EA	Glass - 19" x 24 88" x 14 70" - Sliding
	059042-03-000	EA	Inside Frame - Right Front Slant Slider - Beige (not included in assembly)
	059042-04-000	EA	Inside Frame - Left Front Slant Slider - Beige (not included in assembly)
	023713-02-000	EA	Cover - Weephole - Black
	055164-05-000	EA	Slider Screen Asm - Right or Left - Black
	055164-07-000	EA	Slider Screen Asm - Right or Left - Black - w Black Screen
	016310-03-000	EA	Handle - Slider Screen - Black
	002292-01-000	SF	Screen - Window - 20" - Gray
	002298-01-000	FT	Spline - Gray - 130" Dia
			Not illustrated

Key	Part Number	U/M	Description
1	062896-01-000	EA	Window Asm - Stationary - Drivers Slant - 14" x 25 32" - Black (w/o inside frame)
2	065640-01-000	FT	Tape - 1 4" Bead x 20" - Gray - 3M
3	002309-02-000	FT	Spline - Glass - 1 8" - Black
4	057646-02-000	EA	Glass - 3 16" x 24 88"
	063420-02-000	EA	Inside Frame - Front Slant Window - Beige (not included in assembly)
			Not illustrated

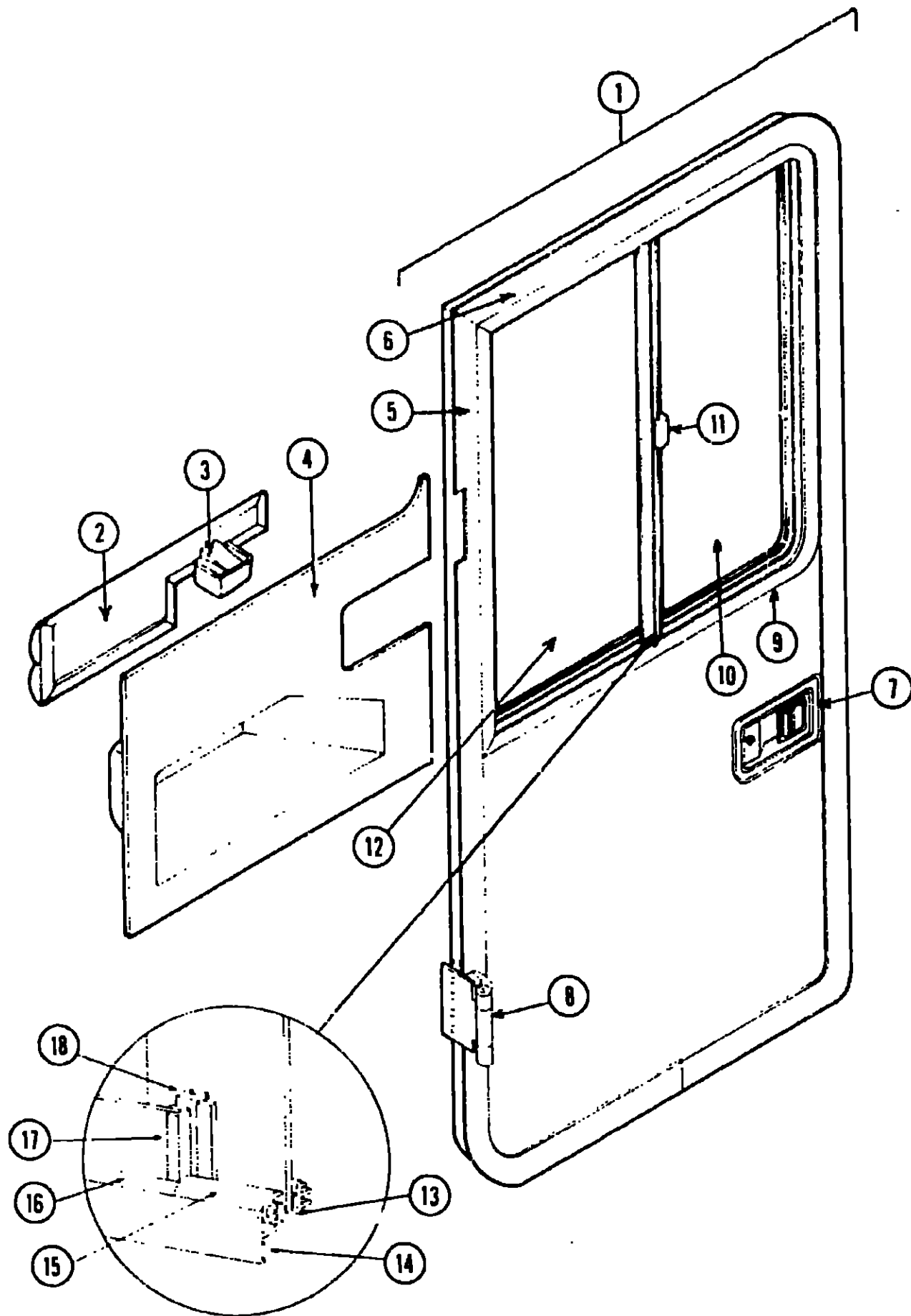
1984 WINNEBAGO  
TABLE OF CONTENTS

WC420RG	A-01 - C-01
WCN23RG	C-05 - E-14
WCN30RC	E-15 - G-24
WCP31RT	H-01 - J-04

1984 WCN30RC INDEX

Floor Plan	E-15 - E-16
Accessories Group	E-17 - E-19
Bath Group	E-20 - E-21
Chassis Group	E-22 - E-23
Curtain, Cushion & Pad Group	E-24 - F-06
Dinette Group	F-07
Driver's Compartment Group	F-08 - F-10
Electrical Group	F-11 - F-13
Exterior Body Group	F-14 - F-22
Galley Group	F-23 - G-01
Heating & Air Conditioning Group	G-02 - G-03
Interior Finish Group	G-04 - G-06
LP Group	G-07
Lounge Group	G-08 - G-09
Water & Sewage Group	G-09 - G-10
Window, Vent & Exterior Door Group	G-11 - G-24

WINDOW, VENT & EXTERIOR DOOR GROUP (CONTINUED)



DRIVER DOOR

Key	Part Number	U/M	Description
1	063991-04-R10	EA	Door Asm. - Driver
1	063991-07-R10	EA	Door Asm. - Driver - Fiberglass Insert
2	064088-02-000	EA	Pad Asm. - Trim - Upper - Light Oak
	051400-03-000	EA	Assist STRap - 12" - Beige
3	046886-03-000	EA	Ash Tray Asm. - Flush Mount - Chrome
4	064499-02-000	EA	Panel - Driver Door - Inner - Light Oak
5	063350-01-000	EA	Trim - Door Frame - Front - Beige
5	076862-01-000	EA	Trim - Door Frame - Front - Beige - Fiberglass Insert
6	063351-01-000	EA	Trim - Door Frame - Rear - Beige
6	076861-01-000	EA	Trim - Door Frame - Rear - Beige - Fiberglass Insert
7	045017-03-000	EA	Paddle - Door Lock - Exterior
	045017-05-700	EA	Lock Cylinder w/Keys - Lynor
	039979-02-000	EA	Inside Plate - Door Lock - w/Inside Handle
	039540-02-000	EA	Latch Claw - Entry Door Lock
	039738-01-000	EA	Deadbolt - Entrance Door Lock
	039539-01-000	EA	Strike Bolt - Entrance Door (Jamb Mount)
	063124-02-000	EA	Plate - Striker - 8 1/4" x 1" - Black
	063357-02-000	EA	Jamb - Driver Door - Front - Beige
	063358-04-000	EA	Jamb - Driver Door - Rear - Beige
	064199-01-000	EA	Trim - Door Jamb - Rear - w/Drip Cap - Beige
	064184-01-000	EA	Drip Cap - Driver Door
	063358-01-000	EA	Trim - Door Jamb - Front - Beige
	063768-01-000	EA	Sill Plate - Driver Door
8	063993-01-000	EA	Hinge Asm. - Driver Door - Beige
	064580-01-000	EA	Check Strap - Driver Door - Seat Belt Webbing
	064219-01-000	EA	Retainer - Driver Door Check Strap
	063886-03-000	EA	Assist Handle - Driver Door - Beige Steel Tube (2 required per door)
	064075-01-000	EA	Bulb Seal - Driver Door - 145"
9	062982-01-000	EA	Window Asm. - Driver Door - Single Slider - 23" x 25 5" (w/o inside frame)
10	057657-02-000	EA	Glass - 3/16" x 24 88" x 12" - Sliding
11	047369-01-700	EA	Latch - Window - Plastic w/Fastener
12	002188-04-000	EA	Glass - 3/16" x 24 88" x 12" - Stationary
13	002324-02-000	FT	Channel - Weatherstrip - Glass Run - 1/8" Glass
14	069640-01-000	FT	Tape - 1/4" Bead x 20' - Gray - 3M
15	024096-02-000	FT	Seal - Window Channel - Black
16	002309-02-000	FT	Spline - Glass - Black
17	002389-03-204	EA	Holder - Glass Seal - Anod. Black - 25 14"
	002288-01-000	FT	Weatherstrip - Glass Seal
18	057644-04-000	EA	Mulion - Slider Window - Black Anod
	063422-02-000	EA	Inside Frame - Driver Door Window - Beige
	023713-02-000	EA	Cover - Weephole - Black Plastic
			Not illustrated

1984 WINNEBAGO  
TABLE OF CONTENTS

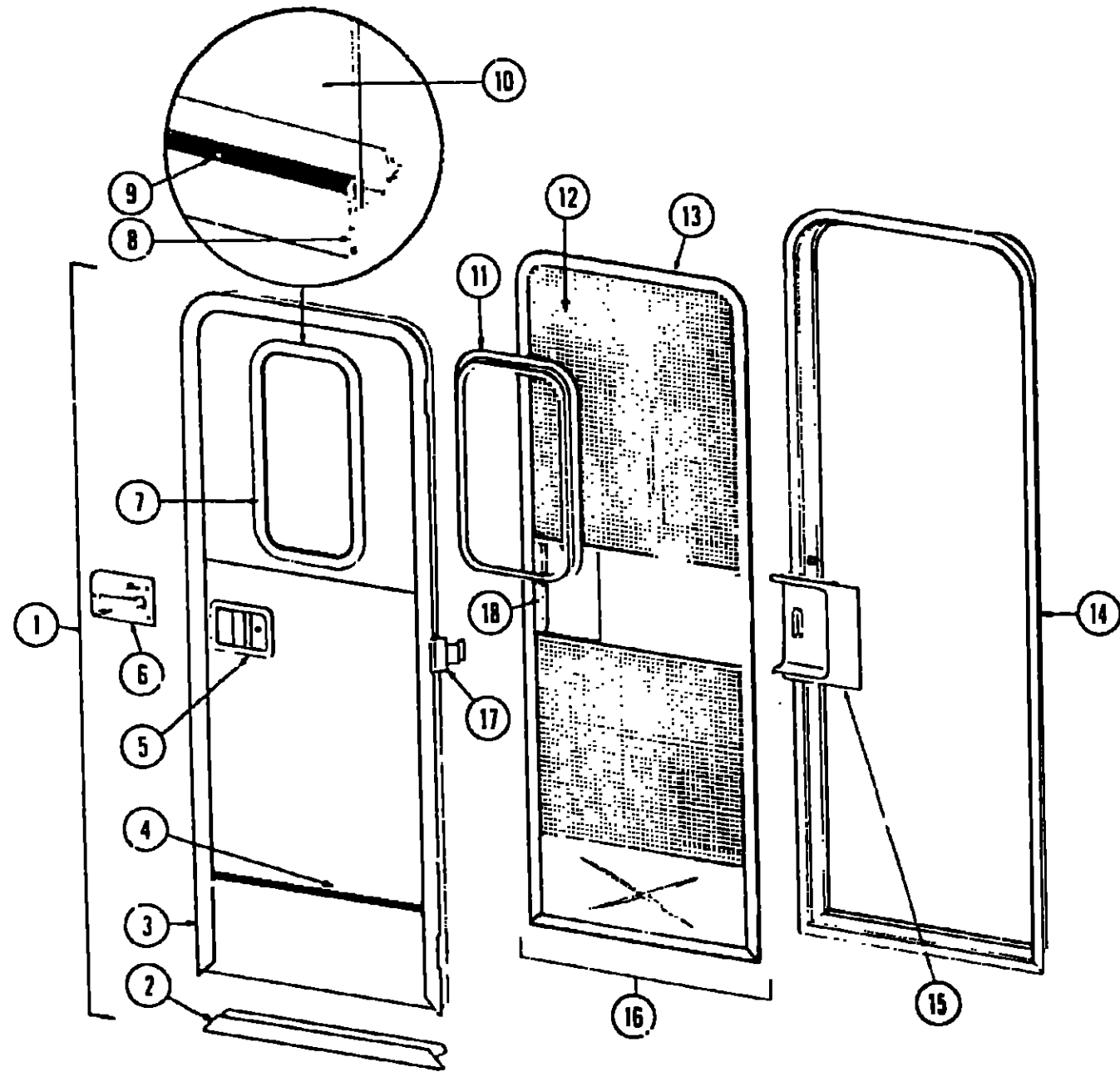
WC420RG	A-01 - C-04
WCN23RG	C-05 - E-14
WCN30RC	E-15 - G-24
WCP31RT	H-01 - J-04

1984 WCN30RC INDEX

Floor Plan	E-15 - E-16
Accessories Group	E-17 - E-19
Bath Group	E-20 - E-21
Chassis Group	E-22 - E-23
Curtain, Cushion & Pad Group	E-24 - F-06
Dinette Group	F-07
Driver's Compartment Group	F-08 - F-10
Electrical Group	F-11 - F-13
Exterior Body Group	F-14 - F-22
Galley Group	F-23 - G-01
Heating & Air Conditioning Group	G-02 - G-03
Interior Finish Group	G-04 - G-06
LP Group	G-07
Lounge Group	G-08 - G-09
Water & Sewage Group	G-09 - G-10
Window, Vent & Exterior Door Group	G-11 - G-24

# WINDOW, VENT & EXTERIOR DOOR GROUP (CONTINUED)

## ENTRANCE DOOR



Key	Part Number	U/M	Description
1	M01414-01-000	EA	Door Asm. - Radius Entry w/Screen Door
1	M01414-05-000	EA	Door Asm. - Radius Entry w/Screen Door - Fiberglass - Greyhound
1	M01414-11-000	EA	Door Asm. - Radius Entry w/Screen Door - Fiberglass - Mesa
2	039737-02-000	EA	Frame - Entry Door (Bottom Portion Only)
2	077998-02-000	EA	Frame - Entry Door (Bottom Portion Only) - Fiberglass
3	039736-02-000	EA	Frame - Entry Door (Except Bottom Portion)
3	076863-02-000	EA	Frame - Entry Door (Except Bottom Portion) - Fiberglass
4	059576-06-000	EA	Feature Strip - Brown - 14'
4	001030-12-001	EA	Insert - Feature Strip - Beige - 17'
5	045017-05-000	EA	Paddle Asm. - Door Lock - Exterior
	045017-01-700	EA	Lock Cylinder w/Keys
	039539-01-000	EA	Striker Bolt - Entry Door
	039540-01-000	EA	Latch: Claw - Entry Door
6	039979-01-000	EA	Plate - Lock - Interior - Including Inside Handle
	052186-01-000	EA	Lock Asm. - Complete - Lynor
7	041875-09-000	EA	Window Asm. - Picture - 17" x 25" - Black (w/o inside frame)
8	069640-01-000	FT	Tape - 1/4" Bead x 20' - Gray - 3M
9	002309-02-000	EA	Spline - Glass - 1/8" Black
	044582-01-000	EA	Cap - Drip Jamb - Mounted - Beige
10	002181-06-000	EA	Glass - Picture Window - 1/8" x .115" x 16 25" x 24"
11	067609-03-000	EA	Frame - Window - Inside - 17" x 25" - Beige
12	002293-01-000	SF	Screen - Window - 26" - Gray
13	056795-01-000	FT	Seal Tape - 1/8" x 3/8" - Press On
14	075636-01-000	EA	Jamb Asm. - Entry Door
15	015580-02-000	EA	Slider - Screen Door - Light Oak Plastic
16	053170-08-000	EA	Door Asm. - Screen - Light Oak
	002294-01-000	FT	Spline - .135" x 138" - Black
17	039520-01-000	EA	Hinge - Entry Door (3 used per door)
18	015581-02-000	EA	Cap - Screen Door - Light Oak Plastic
	053552-01-R10	EA	Assist Handle - Almond (Beige) Vinyl
	063638-01-000	EA	Striker - Screen Door
	039863-01-000	EA	Catch Asm. - Single Roller w/Strike - Screen Door
	051390-01-000	FT	Seal - Jamb - Entry Door - Bulb Seal
	039800-01-000	FT	Tubing - Polybutyl - 1/2" O.D. - Jamb
	009016-01-000	EA	Catch - Elbow - Spring Loaded - Zinc
	009018-01-000	EA	Catch Asm. - Single Roller
	039738-01-000	EA	Dead Bolt - Asm.
	075673-01-000	FT	Seal - Pile - Adhesive Back
	076231-01-000	EA	Spacer - Screen Door Latch
			Not illustrated

## 1984 WINNEBAGO TABLE OF CONTENTS

WC420RG	A-01 - C-04
WCN23RG	C-05 - E-14
WCN30RC	E-15 - G-24
WCP31RT	H-01 - J-04

## 1984 WCN30RC INDEX

Floor Plan	E-15 - E-16
Accessories Group	E-17 - E-19
Bath Group	E-20 - E-21
Chassis Group	E-22 - E-23
Curtain, Cushion & Pad Group	E-24 - F-06
Dinette Group	F-07
Driver's Compartment Group	F-08 - F-10
Electrical Group	F-11 - F-13
Exterior Body Group	F-14 - F-22
Galley Group	F-23 - G-01
Heating & Air Conditioning Group	G-02 - G-03
Interior Finish Group	G-04 - G-06
LP Group	G-07
Lounge Group	G-08 - G-09
Water & Sewage Group	G-09 - G-10
Window, Vent & Exterior Door Group	G-11 - G-24