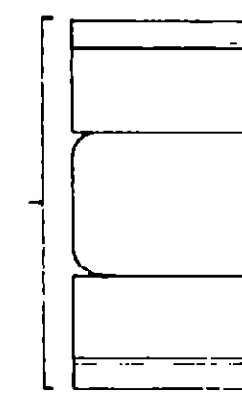
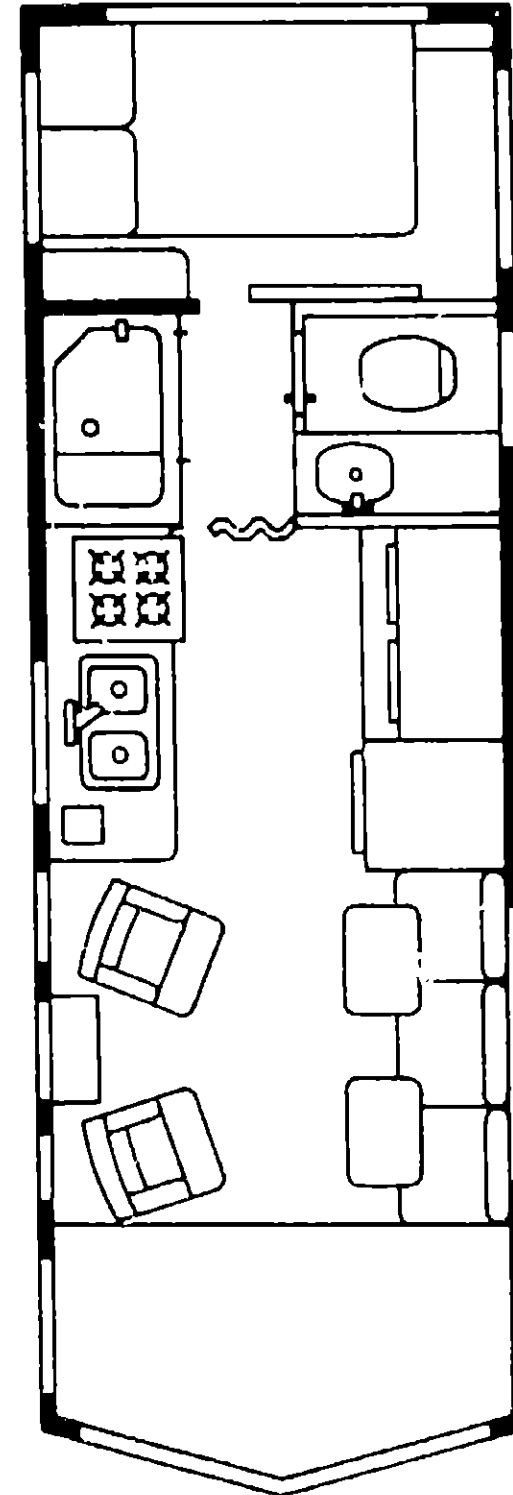
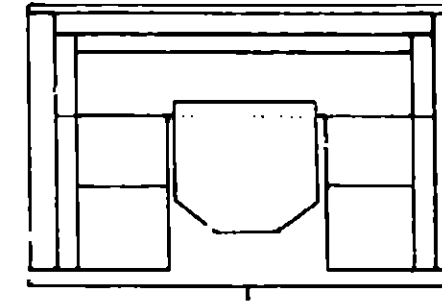


1984 WCN27RU



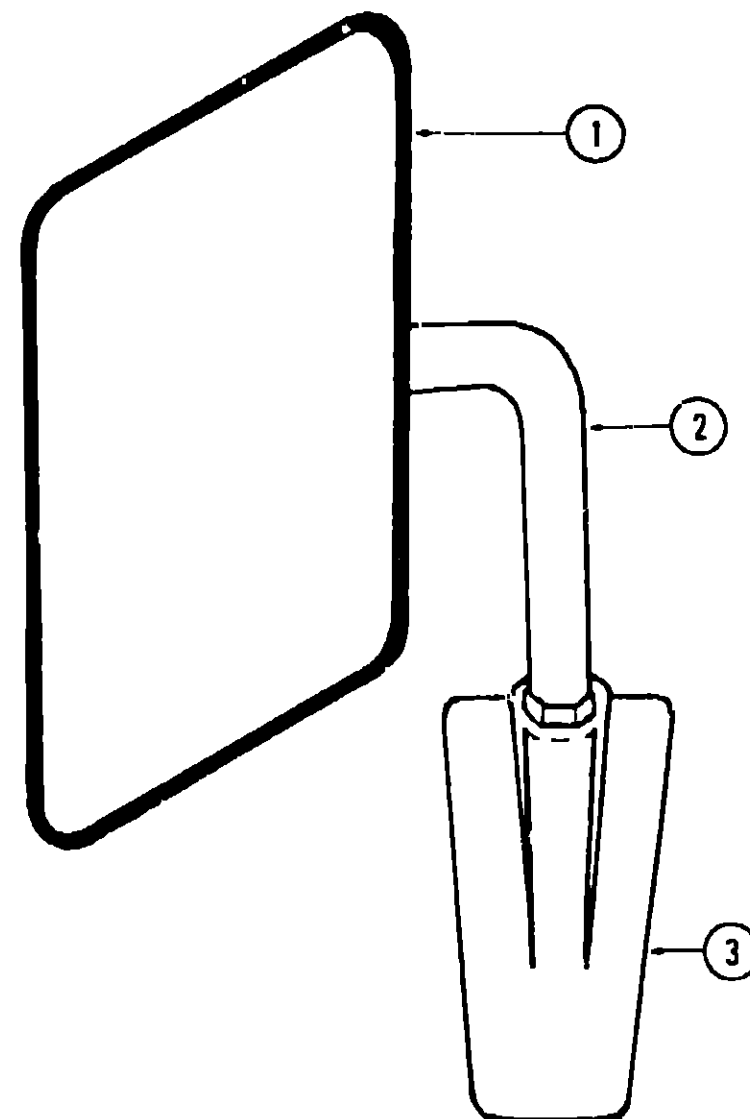
1984 WINNEBAGO TABLE OF CONTENTS

Introduction	A-01
Abbreviations	A-01
Alphabetical Index	A-02 - A-04
WC424RC	A-05 - C-16
WCN22RC	C-17 - F-06
WCN27RU	F-07 - H-20
WCN33RU	H-21 - K-08

1984 WCN27RU INDEX

Floor Plan	F-07 - F-08
Accessories Group	F-09 - F-12
Bath Group	F-13
Chassis Group	F-14 - F-15
Curtain, Cushion & Pad Group	F-16 - F-23
Dinette Group	F-24
Driver's Compartment Group	G-01 - G-03
Electrical Group	G-04 - G-06
Exterior Body Group	G-07 - G-16
Galley Group	G-17 - G-19
Heating & Air Conditioning Group	G-20 - G-21
Interior Finish Group	G-22 - G-24
LP Group	H-01
Lounge Group	H-02 - H-03
Water & Sewage Group	H-04 - H-05
Window Vent & Exterior Door Group	H-06 - H-20

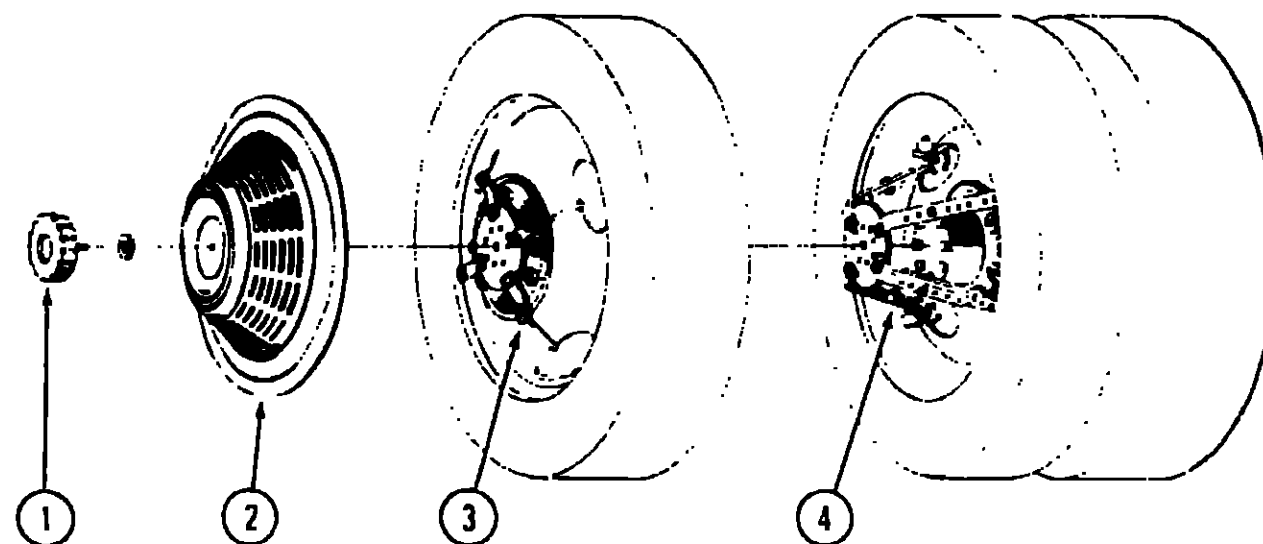
ACCESSORIES GROUP



EXTERIOR MIRRORS

Key	Part Number	U/M	Description
1	049347-02-000	EA	Mirror Head - 7 1/2" x 10 1/2" - Off White
2	049348-03-000	EA	Arm - Low Mount Mirror - Black
3	049944-04-000	EA	Bracket - Mirror - Outside - Black
.	065116-01-000	EA	Mirror - West Coast - Double Mirror - Right
.	065116-02-000	EA	Mirror - West Coast - Double Mirror - Left
.	006043-01-000	EA	Mirror - Convex - Adhesive Back
.			Not illustrated

ACCESSORIES GROUP (CONTINUED)



WHEEL COVER & MOUNTING HARDWARE

Key	Part Number	U/M	Description
1	064082-02-000	EA	Retaining Nut - Delmet - Wheel Cover
2	073426-01-700	EA	Wheel Cover - Bolt On - 16" or 16 5/8" - Delmet (1)
3	073426-04-700	EA	Retention Bracket Asm - Wheel Cover Support - Heavy Duty - Front (1)
4	073426-04-701	EA	Retention Bracket Asm - Wheel Cover Support - Heavy Duty - Rear (1)
.	073426-04-000	EA	Retention Bracket Asm - Wheel Cover Support - Heavy Duty (Set/4)
..	031396-04-000	EA	Wheel Cover - 16" - Clip On
.			Not illustrated
..			The illustrated parts breakdown for this item is provided on the Common Items Fiche

GENERATORS & COMPONENTS

Key	Part Number	U/M	Description
..	054429-01-000	EA	Generator - Onan - 4.0 kw
	701629-02-000	EA	Onan Installation Package
	024732-01-016	EA	Tailpipe - 1 5/8" O.D. x 43 5/8"
	067753-01-000	EA	Muffler - Generator - w/ Spark Arrestor - Nelson
	740313-56-000	EA	Tray - Generator - 4.0 kw - Onan
	068046-01-000	EA	Conversion Kit - LP - Onan Generator
..			The illustrated parts breakdown for this item is provided on the Common Items Fiche

RADIO & RELATED COMPONENTS

Key	Part Number	U/M	Description
	031105-01-000	EA	Antenna - Radio - Side Mount
	031105-01-700	EA	Holder - Antenna - Radio - Upper
	064791-01-000	EA	Speaker - Recessed - 5 25"
	064792-01-000	EA	Grille - Speaker - 5 25" - w Mesh - Brown
	074979-01-000	EA	Speaker Cover Protector - Plastic
	075903-01-000	EA	Radio - AM/FM MPX - w Cassette
	075904-01-000	EA	Radio - AM/FM Stereo Cassette - Electric Tuning
	073431-01-000	EA	Speaker - 5 25" - 3 Way (Pair)
	068002-01-000	EA	Mount Plate - Radio
	073432-01-000	EA	Amplifier - Radio - 4 x 15 Watts
	073433-01-000	EA	Adaptor - Radio to Amplifier

1984 WINNEBAGO TABLE OF CONTENTS

Introduction	A-01
Abbreviations	A-01
Alphabetical Index	A-02 - A-04
WC424RC	A-05 - C-16
WCN22RC	C-17 - F-06
WCN27RU	F-07 - H-20
WCN33RU	H-21 - K-08

1984 WCN27RU INDEX

Floor Plan	F-07 - F-08
Accessories Group	F-09 - F-12
Bath Group	F-13
Chassis Group	F-14 - F-15
Curtain, Cushion & Pad Group	F-16 - F-23
Dinette Group	F-24
Driver's Compartment Group	G-01 - G-03
Electrical Group	G-04 - G-06
Exterior Body Group	G-07 - G-16
Galley Group	G-17 - G-19
Heating & Air Conditioning Group	G-20 - G-21
Interior Finish Group	G-22 - G-24
LP Group	H-01
Lounge Group	H-02 - H-03
Water & Sewage Group	H-04 - H-05
Window Vent & Exterior Door Group	H-06 - H-20

ACCESSORIES GROUP (CONTINUED)

MISCELLANEOUS ACCESSORIES

Key	Part Number	U/M	Description
	054185-20-000	EA	Owners Manual - 1984 - Itasca & Winnebago
	006053-01-000	EA	Antenna - TV Braund Delux
	006050-01-000	EA	Jack - TV - Ivory (Braund Antenna)
	006093-01-000	EA	Jack - TV - Brown (Braund Antenna)
	076319-01-000	EA	Antenna - TV - (Wineguard Antenna)
	076319-03-000	FT	Coaxial Cable - 75 Ohm (Wineguard Antenna)
	076319-04-000	EA	Connector & Ferrule (Wineguard Antenna)
	076319-09-000	EA	Wall Plate/Receptacle - Brown (Wineguard Antenna)
	017516-01-000	EA	Mud Flap - Black - 14" x 18" w/Holes
	041944-03-000	EA	Fire Extinguisher - w/Bracket - 5 BC
	075922-01-000	EA	Oven - Microwave - Litton
	075930-01-000	EA	Bracket Asm - Microwave - Right
	075930-02-000	EA	Bracket Asm - Microwave - Left
	075922-03-000	EA	Trim Ring - Microwave
	075922-04-000	EA	Air Duct - Exhaust - Microwave
	076253-02-000	EA	Bracket Asm - Microwave (2 required)
	072373-01-000	EA	Weather Center - 7" x 7" x 2"
	075907-01-000	EA	Decor Pictures - Assorted Grasses & Feilds
	055285-01-000	EA	Vacuum Cleaner - Built In - Tevis Cambell
	055285-01-700	EA	Accessories Kit - Standard - Tevis Cambell
	055285-01-701	EA	Filter - 10 per Consumer Package - Tevis Cambell
	072366-01-000	EA	Speed Control Package - Electric - Diesel - Dana
**	069629-01-000	EA	Speed Control Package - Electric - Dana
	072852-01-000	EA	Smoke Detector w. 9 Volt Battery
	072373-01-000	EA	Weather Center - 7" x 7" x 2"
	006069-01-000	EA	Key Case - Leather
	007038-01-000	EA	Door Mat - 10 5" x 25" - Black Rubber
	069580-01-000	EA	Lug Wrench - 1" x 1 25" x 16 3"
	069580-02-000	EA	Leverage Bar - 22" - Lug Wrench
	063708-01-000	EA	Cover - Air Conditioning - Vinyl
	006113-01-000	EA	Jack - Hydraulic - 6 Ton - w/Handle
	072374-01-000	EA	Clock - 7" x 7" x 2"
	073322-04-000	EA	Tire Cover - Vinyl - 32"

** The illustrated parts breakdown for this item is provided on the Common Items Fiche

ACCESSORIES GROUP (CONTINUED)

FRONT BUNK & HARDWARE

Key	Part Number	U/M	Description
	076473-01-R10	EA	Cabinet Asm. - Front Overhead
	076184-02-R10	EA	Bunk Board Asm - Front Overhead - w/Beige Rails
	053773-01-000	EA	Support - Overhead Bunk - Brown - Right
	053773-02-000	EA	Support - Overhead Bunk - Brown - Left
	040071-02-000	EA	Support - Bunk - Seat Belt
	039516-03-000	EA	Catch - Bunk - Beige
	023812-29-000	EA	Rail - Bunk - 77 1' - Beige
	053774-04-000	EA	Torsion Rod - Overhead Bunk - Brown
	041322-01-000	EA	Washer - Flat - 15/32" I.D x 2 3/8" O D - Seat Belt
	074210-03-P01	EA	Pad Asm - Front Side Overhead - Right - Beige Vinyl
	074210-02-P01	EA	Pad Asm - Front Side Overhead - Left - Beige Vinyl
	074210-01-P01	EA	Pad Asm - Front Side Overhead - Driver Door - Beige Vinyl
	048394-01-000	YD	Tape Hook - 1" - Beige
	048395-01-000	YD	Tape Loop - 1" - Beige
	007071-01-000	EA	Seat Belt Asm - 2" x 90" - Black

ELECTRIC STEP

Key	Part Number	U/M	Description
	075461-01-000	EA	Step Asm - Electric (Kwikkee)
	075461-01-700	EA	Motor
	041250-01-000	EA	Door Switch
	075461-01-704	EA	Under Step Control Unit
	075461-01-705	EA	4-Way Plug (Dash End)
	075461-01-706	EA	Kill Switch
	075461-01-707	EA	Step Light
	075461-01-708	EA	4-Way Plug (Control Box End)
	075461-01-709	EA	90° Plug
	075461-01-710	EA	Gear
	075461-01-711	EA	Drive Link

**1984 WINNEBAGO
TABLE OF CONTENTS**

Introduction	A-01
Abbreviations	A-01
Alphabetical Index	A-02 - A-04
WC424RC	A-05 - C-16
WCN22RC	C-17 - F-06
WCN27RU	F-07 - H-20
WCN33RU	H-21 - K-08

1984 WCN27RU INDEX

Floor Plan	F-07 - F-08
Accessories Group	F-09 - F-12
Bath Group	F-13
Chassis Group	F-14 - F-15
Curtain, Cushion & Pad Group	F-16 - F-23
Dinette Group	F-24
Driver's Compartment Group	G-01 - G-03
Electrical Group	G-04 - G-06
Exterior Body Group	G-07 - G-16
Galley Group	G-17 - G-19
Heating & Air Conditioning Group	G-20 - G-21
Interior Finish Group	G-22 - G-24
LP Group	H-01
Lounge Group	H-02 - H-03
Water & Sewage Group	H-04 - H-05
Window Vent & Exterior Door Group	H-06 - H-20

BATH GROUP

BATH CABINETRY

Key	Part Number	U/M	Description
	M01448-02-R10	EA	Cabinet Asm - Lavatory (Rolled Door) w/o Countertop, Doors or Hardware
	M77587-02-R10	EA	Cabinet Asm - Lavatory (Styled Rail Door) w/o Countertop, Doors or Hardware
	M01190-01-R10	EA	Countertop Asm - Lavatory (Rolled Doors) Travertine
	M01635-01-R10	EA	Countertop Asm - Lavatory (Styled Rail Door) Travertine
	063224-01-700	EA	Door Asm - Rolled - 30" x 48"
	069852-58-R10	EA	Door Asm - Vanity Cabinet - 12 1" x 24.1" - w/o Hardware
	M01192-01-R10	EA	Countertop Asm - Pipe Cover - Travertine
	M75928-01-R10	EA	Cabinet Asm - Medicine - w/o Door or Hardware
	076073-01-000	EA	Cabinet Asm - Medicine - Metal - Almond - w/o Door or Hardware
	M71646-02-R10	EA	Door Asm - Medicine Cabinet w/Mirror - 16.1" x 30 1" - w/o Hardware
	076353-01-R07	EA	Door Asm - Metal Medicine Cabinet w/Mirror - w/o Hardware
	M74533-02-R10	EA	Door Asm - Sliding - 25" x 72 5" - w/o Latch
	062906-01-000	EA	Door Asm - Shower
	062906-02-000	EA	Panel - Shower Door - Folding
	073419-03-000	EA	Door Asm - Folding Door - 35" x 75" - Wood
	M75578-01-R10	EA	Door Asm - Bath - w/o Hardware
	069852-63-R10	EA	Door Asm - Wardrobe Cabinet - 47" x 20 6" - w/o Hardware
	M01421-01-R10	EA	Countertop asm - Wardrobe - Harbor Oak
	M69856-01-R10	EA	Door Asm - Furnace - Wardrobe Cabinet - 14 2" x 18 6" - w/Gold Mesh
	072369-01-000	EA	Gold Mesh - 10 1" x 14 3" - Furnace Grille
	059915-07-R10	EA	Drawer Asm - Wardrobe Cabinet
	069859-04-R10	EA	Door Asm - Fixed Wall Mirror - 30 1" x 23 1"
	077358-01-R07	EA	Drawer Asm - Lavatory - Tiltout

BATH HARDWARE

Key	Part Number	U/M	Description
	075240-01-000	EA	Faucet - Lavatory
	075242-01-000	EA	Faucet - Tub & Shower
	058713-01-000	EA	Sink Oval - Ivory Plastic
	M01407-01-000	EA	Bathtub Asm w/Strainer
	075606-01-000	EA	Panel - Shower Faucet
	011083-01-000	EA	Tail Piece 1 25" x 5" - Plastic - w/Stopper
**	011048-02-000	EA	Shower Head - w/60" Hose
**	066729-01-000	EA	Strainer - Shower Pan & Tub
	066436-01-000	EA	Slip Nut - 1 5" Tail Piece - Bathtub
	066435-01-000	EA	Nut - Strainer - Plastic
	075452-01-000	EA	Holder - Tissue
	075680-01-000	EA	Clothes Rod - Adjustable
	075453-01-000	EA	Bar - Towel Rack
	009151-01-000	EA	Warp Guard - 48"
	075454-01-000	EA	Towel Ring - Antique Brass
	075687-01-000	EA	Lock Set - Bath Door - Bronze Stone
	009156-01-000	EA	Hanger - Sliding Door
	064467-01-000	EA	Guide - Sliding Door - Bottom Door Guide
	062906-02-000	EA	Shower Door Asm
	009112-01-000	EA	Flange - 1" Closet Rod
	057671-01-000	EA	Screw Cover (No 8)
	058331-01-000	EA	Mirror - Tempered Glass - 19" x 25"
	058331-05-000	EA	Mirror - Tempered Glass - 12" x 26"
	071632-01-000	EA	Hamper Bag - Fabric
	039341-02-000	EA	Toilet - Theiford - Aqua Magic - Ivory - 8420 SH
**	The illustrated parts breakdown for this item is provided on the Common Items Fiche		

CHASSIS GROUP

MISCELLANEOUS

Key	Part Number	U/M	Description
	075227-01-000	EA	Gas Fill - w/Vent
	073220-02-000	EA	Cap - Fuel Fill - Non Lock (Gas)
	073220-03-000	EA	Cap - Fuel Fill - Non Lock (Diesel)
	024141-01-000	FT	Hose - Rubber - 1/2" I.D.
	007134-01-000	EA	Clamp - Hose - Spring Type 9/16"
	075230-01-000	EA	Tank - Fuel - 60 Gallon
	057038-02-000	EA	Sending Unit - Fuel - 90 Ohm (454 Engine)
	057038-05-000	EA	Sending Unit - Fuel - 90 Ohm (Diesel Engine)
	063386-01-000	EA	Strap - Fuel Tank Mounting
	063386-02-000	EA	Hanger - Fuel Tank Mounting
	064091-01-000	EA	Hose - Fuel - 2" I.D. x 90° Bend
	061411-03-000	EA	Extension - Exhaust - 2 25" O D x 10.5" (454 Engine)
	022655-02-000	EA	Extension - Exhaust - 2 25" O D x 8" (Diesel Engine)
	007111-02-000	FT	Hose - Fuel - 2" I.D. SAE 30RI (3')
	024490-01-000	EA	Power Cord Box - Plastic
	055080-01-000	EA	Wheel Well - Plastic
	052431-01-000	EA	Tray - Luggage
	007125-05-000	EA	Clamp Asm - Muffler - 2"
	017516-01-000	EA	Mud Flap - Black - 14" x 18"
	051697-04-000	EA	Bracket - Battery Tie Down - 9"
	048594-01-000	EA	Battery Tray Asm
	071654-01-000	EA	Hood Board - Upper - Right - Steel
	058404-01-000	EA	Hood Board - Upper - Left - Steel
	071656-01-000	EA	Cover - Radiator - Rear
	071657-01-000	EA	Cover - Radiator - Rear Back (Fan Shroud)
	072850-01-000	EA	Bumper - Front - Chrome
	072850-07-000	EA	Bumper - Front - Primed
	048474-01-000	EA	Bumper - Rear Chrome
	020858-03-700	EA	Bumper - Rear - Primed
	058425-01-000	EA	Bracket - Front Bumper - Left
	058425-02-000	EA	Bracket - Front Bumper - Right
	064053-01-000	EA	Bracket - Front Bumper - Reinforcement
	058439-01-000	EA	Bracket - Front Bumper (Mounts Bumper to Frame)
	064601-02-000	EA	Bracket - Bumper Mount - Rear Bumper
	063977-03-000	EA	Step Asm - Driver Door
	024652-01-700	EA	Step Asm - Entry
	047441-01-000	EA	Battery Terminal - Horizontal Lug
	077479-02-000	EA	Battery Terminal Boot
	040546-03-000	EA	Tire - 7 50 x 16 - 8 Ply - Tube Type
	064962-02-000	EA	Rim - Wheel - 16 x 6 00
	050273-02-000	EA	Tire - 7 50 x R16 x CA T8 - Tubeless
	064225-02-000	EA	Hold Down - Spare Tire Carrier
	064179-01-000	EA	Tire Carrier - Side Compartment
	072363-01-000	EA	Water Detector Probe - Fuel Line
	072364-01-000	EA	Water Detector Module - Fuel Line
	073352-01-000	EA	Bracket - License Plate - Front
	069580-01-000	EA	Lug Wrench - 1" x 1 25" x 16 3
	069580-02-000	EA	Leverage Bar - 22" - Lug Wrench
	006113-01-000	EA	Jack - Hydraulic - 6 Ton - w Handle
	072850-01-700	EA	Bumper Kit - Rubber - Front
	020167-03-000	EA	Dirt Guard - Wheel Well

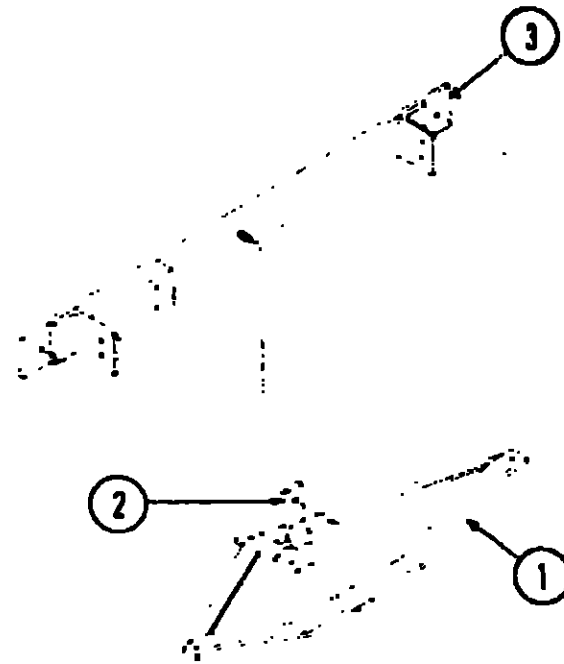
1984 WINNEBAGO TABLE OF CONTENTS

Introduction	A-01
Abbreviations	A-01
Alphabetical Index	A-02 - A-04
WC424RC	A-05 - C-16
WCN22RC	C-17 - F-06
WCN27RU	F-07 - H-20
WCN33RU	H-21 - K-08

1984 WCN27RU INDEX

Floor Plan	F-07 - F-08
Accessories Group	F-09 - F-12
Bath Group	F-13
Chassis Group	F-14 - F-15
Curtain, Cushion & Pad Group	F-16 - F-23
Dinette Group	F-24
Driver's Compartment Group	G-01 - G-03
Electrical Group	G-04 - G-06
Exterior Body Group	G-07 - G-16
Galley Group	G-17 - G-19
Heating & Air Conditioning Group	G-20 - G-21
Interior Finish Group	G-22 - G-24
LP Group	H-01
Lounge Group	H-02 - H-03
Water & Sewage Group	H-04 - H-05
Window Vent & Exterior Door Group	H-06 - H-20

CHASSIS GROUP (CONTINUED)



Key	Part Number	U/M	Description
1	064833-01-000	EA	Trailer Hitch Asm
2	064824-02-000	EA	Support - Trailer Hitch
3	064601-02-000	EA	Bracket - Bumper Mount - Rear

CURTAIN, CUSHION AND PAD GROUP

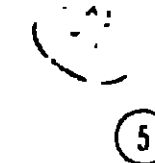
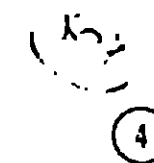
NOTICE

In order to assist our Parts Sales Dept. in providing interior software items, please include the serial number and the color code number from the vehicle certification label when ordering. This label is located on the left sidewall at the end of the dash (A-Body), or on the driver's door latch plate (C-Body).

An example of a color code number is P31 which designates an overall color scheme of a particular unit. The color listed after the item description on the microfiche, indicates the overall unit color. Order the item you desire according to unit color code.

CURTAIN HARDWARE

Key	Part Number	U/M	Description
	052327-05-009	EA	Track - Curtain - Beige Alum. - 76" w/Holes
	056116-01-000	EA	Track - Curtain - Brown Plastic
	059430-05-000	EA	Track - Curtain - Front Wraparound (2 per unit) - 43 75" x 36" - Beige
	059430-07-000	EA	Track - Curtain - Front Wraparound - 32 8" x 89 1" (Drivers Door) Beige
	056001-01-000	EA	Bracket - Shade - Left
	056002-01-000	EA	Bracket - Shade - Right
	056003-01-000	EA	Bracket - Drapery Retainer - Right
	056003-02-000	EA	Bracket - Drapery Retainer - Left
	056003-03-000	EA	Bracket - Drapery Retainer - Universal
	009107-01-000	EA	Guide - Nylon Snap - Curtain
	056784-01-000	EA	Pull - Window Shade - Antique Brass
	039175-01-000	EA	Curtain Rod - Ext 48" x 84"
	039175-03-000	EA	Curtain Rod - Ext 28" x 48"
	039175-04-000	EA	Curtain Rod - Ext 16" x 28"
	039175-02-000	EA	Bracket - Curtain Rod
	056115-01-000	YD	Tape - Clear Plastic - w/Guides
	048394-01-000	YD	Tape Hook - 1" x 25 YD - Beige
	048395-01-000	YD	Tape Loop - 1" x 25 YD - Beige



Key	Part Number	U/M	Description
1	029130-01-000	EA	Socket - Snap Fastener
2	029155-01-000	EA	Cap - Snap - 156" Dia x 17" Barrel
3	029156-01-000	EA	Socket - Snap Fastener
4	029092-01-000	EA	Stud - Nickel Finish
5	029093-01-000	EA	Eyelet - Nickel Finish

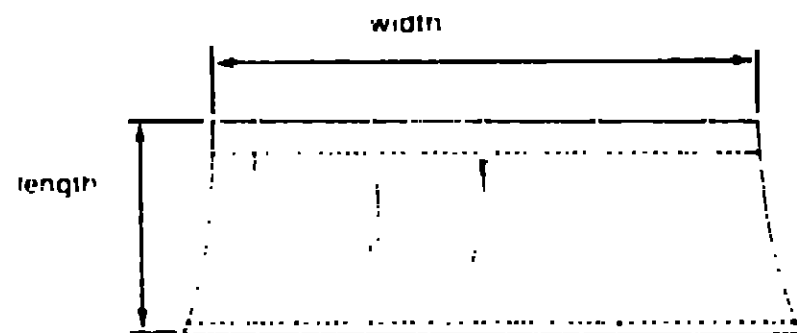
1984 WINNEBAGO TABLE OF CONTENTS

Introduction	A-01
Abbreviations	A-01
Alphabetical Index	A-02 - A-04
WC424RC	A-05 - C-16
WCN22RC	C-17 - F-06
WCN27RU	F-07 - H-20
WCN33RU	H-21 - K-08

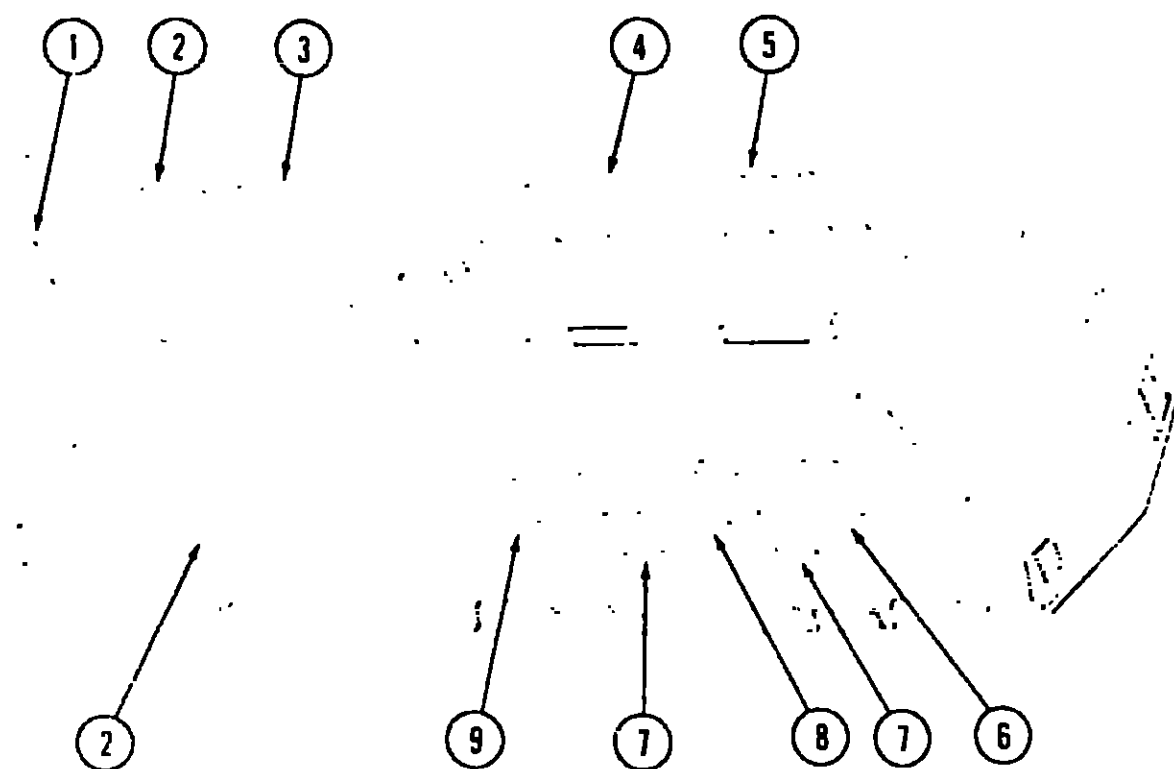
1984 WCN27RU INDEX

Floor Plan	F-07 - F-08
Accessories Group	F-09 - F-12
Bath Group	F-13
Chassis Group	F-14 - F-15
Curtain, Cushion & Pad Group	F-16 - F-23
Dinette Group	F-24
Driver's Compartment Group	G-01 - G-03
Electrical Group	G-04 - G-06
Exterior Body Group	G-07 - G-16
Galley Group	G-17 - G-19
Heating & Air Conditioning Group	G-20 - G-21
Interior Finish Group	G-22 - G-24
LP Group	H-01
Lounge Group	H-02 - H-03
Water & Sewage Group	H-04 - H-05
Window Vent & Exterior Door Group	H-06 - H-20

CURTAIN, CUSHION & PAD GROUP (CONTINUED)



NOTE
Use this illustration when determining length and width measurements for curtains. You will note the width measurement is taken on the top of the curtain with the curtain fully extended. The length measurement is taken from top to bottom.



CURTAINS, VALANCES, SHADES AND TIEBACKS

Key	Part Number	U/M	Description
1	070652-12-R10	EA	Curtain w/Darts - 29" x 15" - Bedspread
1	070652-12-R11	EA	Curtain w/Darts - 29" x 15" - Bedspread
1	070652-12-R12	EA	Curtain w/Darts - 29" x 15" - Bedspread
1	070652-18-R10	EA	Curtain w/Tape Top - 29" x 15" - Horseshoe Lounge (R11)
1	070652-18-R12	EA	Curtain w/Tape Top - 29" x 15" - Horseshoe Lounge
1	073323-02-R10	EA	Curtain w/Rod Top & Bottom - Sheer - 27.5" x 66"
1	070651-20-R10	EA	Valance Asm - 6" x 82" - Pleated - Bedspread
1	070651-20-R11	EA	Valance Asm - 6" x 82" - Pleated - Bedspread
1	070651-20-R12	EA	Valance Asm - 6" x 82" - Pleated - Bedspread
1	075753-10-R10	EA	Valance Asm - 4.8" x 73.8" - Stapled - Horseshoe Lounge
1	075753-10-R11	EA	Valance Asm - 4.8" x 73.8" - Stapled - Horseshoe Lounge
1	075753-10-R12	EA	Valance Asm - 4.8" x 73.8" - Stapled - Horseshoe Lounge
1	065522-13-000	EA	Shade Asm - Vinyl - 72.25" x 38"

CURTAIN, CUSHION & PAD GROUP (CONTINUED)

CURTAIN, VALANCES, SHADES & TIE BACKS (CONT.)

Key	Part Number	U/M	Description
2	070652-12-R10	EA	Curtain w/Darts - 29" x 15" - Bedspread
2	070652-12-R11	EA	Curtain w/Darts - 29" x 15" - Bedspread
2	070652-12-R12	EA	Curtain w/Darts - 29" x 15" - Bedspread
2	070652-18-R10	EA	Curtain w/Tape Top - 29" x 15" - Horseshoe Lounge (R11)
2	070652-18-R12	EA	Curtain w/Tape Top - 29" x 15" - Horseshoe Lounge
2	073323-08-R10	EA	Curtain w/Rod Top & Bottom - Sheer - 27.5" x 45"
2	070651-34-R10	EA	Valance Asm - 6" x 58" - Pleated - Bedspread
2	070651-34-R11	EA	Valance Asm - 6" x 58" - Pleated - Bedspread
2	070651-34-R12	EA	Valance Asm - 6" x 58" - Pleated - Bedspread
2	075753-04-R10	EA	Valance Asm - 4.8" x 49.8" - Stapled - Horseshoe Lounge
2	075753-04-R11	EA	Valance Asm - 4.8" x 49.8" - Stapled - Horseshoe Lounge
2	075753-04-R12	EA	Valance Asm - 4.8" x 49.8" - Stapled - Horseshoe Lounge
2	065522-14-000	EA	Shade Asm - Vinyl - 47.25" x 38"
3	073251-20-R10	EA	Curtain w/Tape Top - 25.5" x 12" (R11)
3	073251-20-R12	EA	Curtain w/Tape Top - 25.5" x 12"
3	075753-02-R10	EA	Valance Asm - 5" x 35" - Stapled - Bath
3	075753-02-R11	EA	Valance Asm - 5" x 35" - Stapled - Bath
3	075753-02-R12	EA	Valance Asm - 5" x 35" - Stapled - Bath
3	070651-52-R07	EA	Valance Asm - 6" x 39" (Woven Wood) Bath (R10)
3	070651-52-R08	EA	Valance Asm - 6" x 39" (Woven Wood) Bath (R11)
3	070651-52-R09	EA	Valance Asm - 6" x 39" (Woven Wood) Bath (R12)
3	075474-17-000	EA	Woven Wood Shade - 32" Wide x 26" (R10, R11)
3	075474-47-000	EA	Woven Wood Shade - 32" Wide x 26" (R12)
3	065522-06-000	EA	Shade Asm - Vinyl - 52.25" x 38"
3	075477-26-000	EA	Blinds - 31" Wide x 5" - Old English
4	070652-18-R10	EA	Curtain w/Tape Top - 39" x 9" (R11)
4	070652-18-R12	EA	Curtain w/Tape Top - 39" x 9"
4	073323-02-000	EA	Curtain w/Rod Top & Bottom - Sheer - 27.5" x 66"
4	075753-05-R10	EA	Valance Asm - 5" x 71" - Stapled
4	075753-05-R11	EA	Valance Asm - 5" x 71" - Stapled
4	075753-05-R12	EA	Valance Asm - 5" x 71" - Stapled
4	070651-49-R07	EA	Valance Asm - 6" x 76" (Woven Wood) Dinette (R10)
4	070651-49-R08	EA	Valance Asm - 6" x 76" (Woven Wood) Dinette (R11)
4	070651-49-R09	EA	Valance Asm - 6" x 76" (Woven Wood) Dinette (R12)
4	075474-14-000	EA	Woven Wood Shade - 69" Wide x 29" (R10, R11)
4	075474-46-000	EA	Woven Wood Shade - 69" Wide x 29" (R12)
4	065522-12-000	EA	Shade Asm - Vinyl - 69.25" x 38"
4	075477-25-000	EA	Blinds - 69" Wide x 28" - Old English
5	059900-05-R10	EA	Curtain w/Snaps - Drivers Door - 29" x 35"
6	073304-07-R10	EA	Curtain w/Snaps - Front Wraparound - 27.5" x 81" (2 required)
6	073304-03-R10	EA	Curtain w/Snaps - Front Wraparound - Drivers Door - 27.5" x 125"
7	073251-22-R10	EA	Curtain w/Tape Top - 39" x 9" (R11)
7	073251-22-R12	EA	Curtain w/Tape Top - 39" x 9"
7	073323-09-R10	EA	Curtain w/Rod Top & Bottom - Sheer - 39" x 15"
7	075753-01-R10	EA	Valance Asm - 5" x 21" - Stapled
7	075753-01-R11	EA	Valance Asm - 5" x 21" - Stapled
7	075753-01-R12	EA	Valance Asm - 5" x 21" - Stapled
7	070651-48-R07	EA	Valance Asm - 6" x 27" (Woven Wood) TT Lounge (R10)
7	070651-48-R08	EA	Valance Asm - 6" x 27" (Woven Wood) TT Lounge (R11)
7	070651-48-R09	EA	Valance Asm - 6" x 27" (Woven Wood) TT Lounge (R12)
7	075474-20-000	EA	Woven Wood Shade - 19" Wide x 41" (R10, R11)
7	075474-49-000	EA	Woven Wood Shade - 19" Wide x 41" (R12)
7	065522-15-000	EA	Shade Asm - Vinyl - 19" x 52"
7	075477-28-000	EA	Blinds - 19" Wide x 40" - Old English
8	075694-01-R10	EA	Valance Asm - 4.8" x 29.6"
8	075694-01-R11	EA	Valance Asm - 4.8" x 29.6"
8	075694-01-R12	EA	Valance Asm - 4.8" x 29.6"
8	065522-02-000	EA	Shade Asm - Vinyl - 21.25" x 38"
-	Not illustrated		

**1984 WINNEBAGO
TABLE OF CONTENTS**

Introduction	A-01
Abbreviations	A-01
Alphabetical Index	A-02 - A-04
WC424RC	A-05 - C-16
WCN22RC	C-17 - F-06
WCN27RU	F-07 - H-25
WCN33RU	H-21 - K-08

1984 WCN27RU INDEX

Floor Plan	F-07 - F-08
Accessories Group	F-09 - F-12
Bath Group	F-13
Chassis Group	F-14 - F-15
Curtain, Cushion & Pad Group	F-16 - F-23
Dinette Group	F-24
Driver's Compartment Group	G-01 - G-03
Electrical Group	G-04 - G-06
Exterior Body Group	G-07 - G-16
Galley Group	G-17 - G-19
Heating & Air Conditioning Group	G-20 - G-21
Interior Finish Group	G-22 - G-24
LP Group	H-01
Lounge Group	H-02 - H-03
Water & Sewage Group	H-04 - H-05
Window Vent & Exterior Door Group	H-06 - H-20

CURTAIN, CUSHION & PAD GROUP (CONTINUED)

CURTAIN, VALANCES, SHADES & TIE BACKS (CONT.)

Key	Part Number	U/M	Description
9	073251-21-R10	EA	Curtain w/Tape Top - 21.5" x 9" (R11)
9	073251-21-R12	EA	Curtain w/Tape Top - 21.5" x 9"
9	075753-08-R10	EA	Valance Asm. - 5" x 38.5" - Stapled - Galley
9	075753-08-R11	EA	Valance Asm. - 5" x 38.5" - Stapled - Galley
9	075753-08-R12	EA	Valance Asm. - 5" x 38.5" - Stapled - Galley
9	070651-50-R07	EA	Valance Asm. - 6" x 35" (Woven Wood) Galley (R10)
9	070651-50-R08	EA	Valance Asm. - 6" x 35" (Woven Wood) Galley (R11)
9	070651-50-R09	EA	Valance Asm. - 6" x 35" (Woven Wood) Galley (R12)
9	075474-26-000	EA	Woven Wood Shade - 28" Wide x 23 (R10, R11)
9	075474-48-000	EA	Woven Wood Shade - 28" Wide x 23" (R12)
9	065522-16-000	EA	Shade Asm. - Vinyl - 28.5" x 30"
9	075477-27-000	EA	Blinds - 28" Wide x 22" - Old English
•	073304-23-R10	EA	Curtain w/Snap Top - 40" x 85" - Privacy
•	073304-25-R10	EA	Curtain w/Snap Top - 60" x 86" - Privacy
•	073304-02-R10	EA	Curtain w/Snap Top - Bunk Privacy - 22" x 96"
•	073260-10-R10	EA	Tie Back Asm - 3" x 16" (R11)
•	073260-10-R12	EA	Tie Back Asm - 3" x 16"
•	073260-12-R10	EA	Tie Back Asm - 3" x 16" - Bedspread
•	073260-12-R11	EA	Tie Back Asm - 3" x 16" - Bedspread
•	073260-12-R12	EA	Tie Back Asm - 3" x 16" - Bedspread
•	057534-01-000	EA	Tie Back - Clear Plastic - 6"
•	057534-03-000	EA	Tie Back - Clear Plastic - 7 5"
•	057534-04-000	EA	Tie Back - Clear Plastic - 20"
•			Not illustrated

BUCKET SEATS

Key	Part Number	U/M	Description
	075966-08-R10	EA	Seat Asm - Single Bucket - w/Armrests
	075966-08-R11	EA	Seat Asm - Single Bucket - w/Armrests
	075966-08-R12	EA	Seat Asm - Single Bucket - w/Armrests
	M00784-13-R10	EA	Cover - Back - Single Bucket
	M00784-13-R11	EA	Cover - Back - Single Bucket
	M00784-13-R12	EA	Cover - Back - Single Bucket
	M00784-14-R10	EA	Cover - Bottom - Single Bucket
	M00784-14-R11	EA	Cover - Bottom - Single Bucket
	M00784-14-R12	EA	Cover - Bottom - Single Bucket
	071126-04-R10	EA	Skirt - Single Bucket (R11)
	071126-04-R12	EA	Skirt - Single Bucket
	075967-03-R10	EA	Seat Asm - Double Bucket w/Armrests
	075967-03-R11	EA	Seat Asm - Double Bucket w/Armrests
	075967-03-R12	EA	Seat Asm - Double Bucket w/Armrests
	M00784-15-R10	EA	Cover - Back - Double Bucket
	M00784-15-R11	EA	Cover - Back - Double Bucket
	M00784-15-R12	EA	Cover - Back - Double Bucket
	M00784-16-R10	EA	Cover - Bottom - Double Bucket
	M00784-16-R11	EA	Cover - Bottom - Double Bucket
	M00784-16-R12	EA	Cover - Bottom - Double Bucket
	071690-02-R10	EA	Skirt - Double Bucket (R11)
	071690-02-R12	EA	Skirt - Double Bucket
	071127-11-R10	EA	Armrest Asm - Right
	071127-11-R11	EA	Armrest Asm - Right
	071127-11-R12	EA	Armrest Asm - Right
	071127-12-R10	EA	Armrest Asm - Left
	071127-12-R11	EA	Armrest Asm - Left
	071127-12-R12	EA	Armrest Asm - Left
	071123-06-R10	EA	Cover - Armrest - Right or Left
	071123-06-R11	EA	Cover - Armrest - Right or Left
	071123-06-R12	EA	Cover - Armrest - Right or Left

CURTAIN, CUSHION & PAD GROUP (CONTINUED)

FABRICS, TRIMS & PADS

Key	Part Number	U/M	Description
	072333-09-000	YD	Fabric - Drapery - Beige (Wraparound)
	072333-08-000	YD	Fabric - Drapery - Sheers
	074495-27-000	YD	Fabric - Upholstery/Accent (R10, R11)
	074495-28-000	YD	Fabric - Upholstery/Accent (R12)
	074495-25-000	YD	Fabric w/Pattern - Upholstery (R10)
	074495-24-000	YD	Fabric w/Pattern - Upholstery (R11)
	074495-26-000	YD	Fabric w/Pattern - Upholstery (R12)
	069729-08-000	YD	Fabric - Bedspread - Blue (R10)
	069729-05-000	YD	Fabric - Bedspread - Tan (R11)
	069729-07-000	YD	Fabric - Bedspread - Burgundy (R12)
	038421-01-000	YD	Fabric - Mattress Ticking
	070502-01-000	YD	Vinyl - Non Expanded - 12 Gauge Film
	057550-03-N07	EA	Button Asm - Nail - #36 - 7/8" Shank - Vinyl
	057550-05-N07	EA	Button Asm - Nail - #36 - 3/8" Shank - Vinyl
	057093-01-N07	EA	Button Asm - Covered #60 - Nail - Vinyl
	071127-03-R10	EA	Button Asm - Square #65 (R11)
	071127-03-R12	EA	Button Asm - Square #65
	075269-01-R10	EA	Button Asm - Square #65 - w/3/4" Stud
	075269-01-R11	EA	Button Asm - Square #65 - w/3/4" Stud
	075269-01-R12	EA	Button Asm - Square #65 - w/3/4" Stud
	071847-07-R10	EA	Pad Asm. - End Cap - Swivel Chair Overhead Vinyl - Left
	059414-03-000	EA	Pad - Sidewall Trim - Drivers - Vinyl
	059414-04-000	EA	Pad - Sidewall Trim - Passenger - Vinyl
	059467-03-N07	EA	Pad - Map Pocket - Drivers - Vinyl
	059467-04-N07	EA	Pad - Map Pocket - Passenger - Vinyl
	074212-12-P01	EA	Pad Asm - Front Side Overhead - Right - Vinyl
	074210-02-P01	EA	Pad Asm - Front Side Overhead - Left - Vinyl
	074210-01-P01	EA	Pad Asm - Front Side Overhead - Left w/Drivers Door - Vinyl
	074549-01-R10	EA	Pad Asm - Dinette - Right (R11)
	074549-01-R12	EA	Pad Asm - Dinette - Right
	074549-02-R10	EA	Pad Asm - Dinette - Left (R11)
	074549-02-R12	EA	Pad Asm - Dinette - Left
	076188-01-R10	EA	Pad Asm - Dinette Wall - 12" x 12" (R11)
	076188-01-R12	EA	Pad Asm - Dinette Wall - 12" x 12"
	076188-02-R10	EA	Pad Asm - Dinette Wall - 3 5" x 30" (R11)
	076188-02-R12	EA	Pad Asm - Dinette Wall - 3 5" x 30"

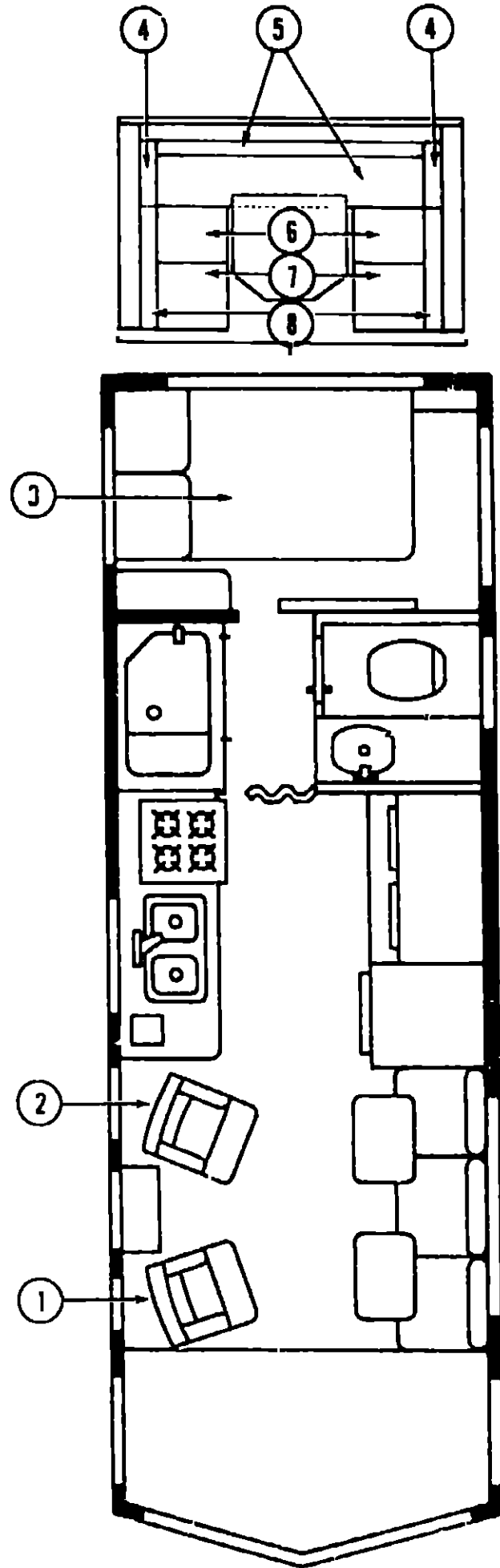
**1984 WINNEBAGO
TABLE OF CONTENTS**

Introduction	A-01
Abbreviations	A-01
Alphabetical Index	A-02 - A-04
WC424RC	A-05 - C-16
WCN22RC	C-17 - F-06
WCN27RU	F-07 - H-20
WCN33RU	H-21 - K-08

1984 WCN27RU INDEX

Floor Plan	F-07 - F-08
Accessories Group	F-09 - F-12
Bath Group	F-13
Chassis Group	F-14 - F-15
Curtain, Cushion & Pad Group	F-16 - F-23
Dinette Group	F-24
Driver's Compartment Group	G-01 - G-03
Electrical Group	G-04 - G-06
Exterior Body Group	G-07 - G-16
Galley Group	G-17 - G-19
Heating & Air Conditioning Group	G-20 - G-21
Interior Finish Group	G-22 - G-24
LP Group	H-01
Lounge Group	H-02 - H-03
Water & Sewage Group	H-04 - H-05
Window, Vent & Exterior Door Group	H-06 - H-20

CURTAIN, CUSHION & PAD GROUP (CONTINUED)



CURTAIN, CUSHION & PAD GROUP (CONTINUED)

SWIVEL CHAIRS

Key	Part Number	U/M	Description
1	073518-04-R10	EA	Chair Asm. w/Pillow Back - Swivel/Recline
1	073518-04-R11	EA	Chair Asm. w/Pillow Back - Swivel/Recline
1	073518-04-R12	EA	Chair Asm. w/Pillow Back - Swivel/Recline
2	073518-10-R10	EA	Chair Asm. w/Pillow Back - Generator Box
2	073518-10-R11	EA	Chair Asm. w/Pillow Back - Generator Box
2	073518-10-R12	EA	Chair Asm. w/Pillow Back - Generator Box
.	075174-02-R10	EA	Skirt Asm. - Swivel Chair (R11)
.	075174-02-R12	EA	Skirt Asm. - Swivel Chair
.	035036-01-000	EA	Plate - Tilt & Swivel - Swivel Chair - High Base
.	035036-05-000	EA	Extension - 7" - Swivel Chair - Low Base
.	035036-02-000	EA	Base w/Legs - Swivel Chair - High Base
.	035036-04-000	EA	Base w/Legs - Swivel Chair - Low Base
.	074376-01-000	EA	Base - Swivel - Ball Bearing - 6" x 6" (Generator Box)
.			Not illustrated

DOUBLE BED MATTRESS

Key	Part Number	U/M	Description
3	058709-03-000	EA	Mattress - Inner Spring - Sealy - 48" x 75"
	075653-02-R10	EA	Bedspread - Double Fitted
	070653-02-R11	EA	Bedspread - Double Fitted
	070653-02-R12	EA	Bedspread - Double Fitted
	070654-01-R10	EA	Pillow Sham - 20" x 26"
	070654-01-R11	EA	Pillow Sham - 20" x 26"
	070654-01-R12	EA	Pillow Sham - 20" x 26"

HORSESHOE LOUNGE CUSHIONS

Key	Part Number	U/M	Description
4	072430-25-R10	EA	Cushion - Lounge Back - 20" x 10" x 5"
4	072430-25-R11	EA	Cushion - Lounge Back - 20" x 10" x 5"
4	072430-25-R12	EA	Cushion - Lounge Back - 20" x 10" x 5"
	M72430-25-R10	EA	Cover - Cushion - 20" x 10" x 5"
	M72430-25-R11	EA	Cover - Cushion - 20" x 10" x 5"
	M72430-25-R12	EA	Cover - Cushion - 20" x 10" x 5"
5	073900-04-R10	EA	Cushion Asm. - Lester Lounge - Back & Bottom - 80"
5	073900-04-R11	EA	Cushion Asm. - Lester Lounge - Back & Bottom - 80"
5	073900-04-R12	EA	Cushion Asm. - Lester Lounge - Back & Bottom - 80"
	M73900-04-R10	EA	Cover - Lester Lounge - Back & Bottom - 80"
	M73900-04-R11	EA	Cover - Lester Lounge - Back & Bottom - 80"
	M73900-04-R12	EA	Cover - Lester Lounge - Back & Bottom - 80"
6	072430-22-R10	EA	Cushion - Lounge Seat - 24" x 13" x 6"
6	072430-22-R11	EA	Cushion - Lounge Seat - 24" x 13" x 6"
6	072430-22-R12	EA	Cushion - Lounge Seat - 24" x 13" x 6"
	M72430-22-R10	EA	Cover - Cushion - 24" x 13" x 6"
	M72430-22-R11	EA	Cover - Cushion - 24" x 13" x 6"
	M72430-22-R12	EA	Cover - Cushion - 24" x 13" x 6"
7	072430-23-R10	EA	Cushion - Lounge Seat - 24" x 15" x 6"
7	072430-23-R11	EA	Cushion - Lounge Seat - 24" x 15" x 6"
7	072430-23-R12	EA	Cushion - Lounge Seat - 24" x 15" x 6"
	M72430-23-R10	EA	Cover - Cushion - 24" x 15" x 6"
	M72430-23-R11	EA	Cover - Cushion - 24" x 15" x 6"
	M72430-23-R12	EA	Cover - Cushion - 24" x 15" x 6"
8	072430-24-R10	EA	Cushion - Lounge Back - 28" x 10" x 5"
8	072430-24-R11	EA	Cushion - Lounge Back - 28" x 10" x 5"
8	072430-24-R12	EA	Cushion - Lounge Back - 28" x 10" x 5"
	M72430-24-R10	EA	Cover - Cushion - 28" x 10" x 5"
	M72430-24-R11	EA	Cover - Cushion - 28" x 10" x 5"
	M72430-24-R12	EA	Cover - Cushion - 28" x 10" x 5"

**1984 WINNEBAGO
TABLE OF CONTENTS**

Introduction	A-01
Abbreviations	A-01
Alphabetical Index	A-02 - A-04
WC424RC	A-05 - C-16
WCN22RC	C-17 - F-06
WCN27RU	F-07 - H-20
WCN33RU	H-21 - K-08

1984 WCN27RU INDEX

Floor Plan	F-07 - F-08
Accessories Group	F-09 - F-12
Bath Group	F-13
Chassis Group	F-14 - F-15
Curtain, Cushion & Pad Group	F-16 - F-23
Dinette Group	F-24
Driver's Compartment Group	G-01 - G-03
Electrical Group	G-04 - G-06
Exterior Body Group	G-07 - G-16
Galley Group	G-17 - G-19
Heating & Air Conditioning Group	G-20 - G-21
Interior Finish Group	G-22 - G-24
LP Group	H-01
Lounge Group	H-02 - H-03
Water & Sewage Group	H-04 - H-05
Window, Vent & Exterior Door Group	H-06 - H-20

CURTAIN, CUSHION & PAD GROUP (CONTINUED)

MAGIC BED

Key	Part Number	U/M	Description
9	075475-02-000	EA	Magic Bed - 3 Pillow - R10
9	075475-01-000	EA	Magic Bed - 3 Pillow - R11
9	075475-03-000	EA	Magic Bed - 3 Pillow - R12

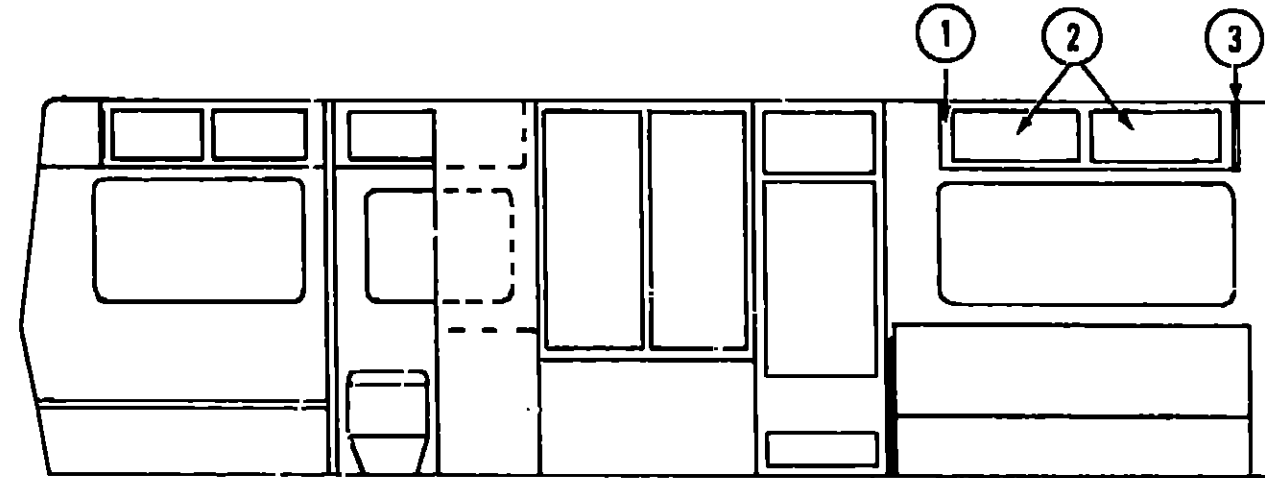
DINETTE CUSHIONS

Key	Part Number	U/M	Description
10	072430-20-R10	EA	Cushion - Dinette Back - 19.2" x 38" x 5"
10	072430-03-R11	EA	Cushion - Dinette Back - 19.2" x 38" x 5"
10	072430-03-R12	EA	Cushion - Dinette Back - 19.2" x 38" x 5"
	M72430-20-R10	EA	Cover - Dinette Back Cushion - 19.2" x 38" x 5"
	M72430-03-R11	EA	Cover - Dinette Back Cushion - 19.2" x 38" x 5"
	M72430-03-R12	EA	Cover - Dinette Back Cushion - 19.2" x 38" x 5"
11	072430-21-R10	EA	Cushion - Dinette Bottom - 17.5" x 38" x 5"
11	072430-04-R11	EA	Cushion - Dinette Bottom - 17.5" x 38" x 5"
11	072430-04-R12	EA	Cushion - Dinette Bottom - 17.5" x 38" x 5"
	M72430-21-R10	EA	Cover - Dinette Bottom Cushion - 17.5" x 38" x 5"
	M72430-04-R11	EA	Cover - Dinette Bottom Cushion - 17.5" x 38" x 5"
	M72430-04-R12	EA	Cover - Dinette Bottom Cushion - 17.5" x 38" x 5"

FRONT OVERHEAD BUNK CUSHIONS

Key	Part Number	U/M	Description
	073467-05-R10	EA	Cushion Asm. - Front Bunk - 41.5" x 76" x 4"
	073467-05-R11	EA	Cushion Asm. - Front Bunk - 41.5" x 76" x 4"
	073467-05-R12	EA	Cushion Asm. - Front Bunk - 41.5" x 76" x 4"
	M73467-05-R10	EA	Cover - Front Bunk Cushion - 41.5" x 76" x 4"
	M73467-05-R11	EA	Cover - Front Bunk Cushion - 41.5" x 76" x 4"
	M73467-05-R12	EA	Cover - Front Bunk Cushion - 41.5" x 76" x 4"

DINETTE GROUP



MAGIC BED & OVERHEAD CABINERY

Key	Part Number	U/M	Description
1	075775-10-R10	EA	Cabinet Asm. - Overhead - w/o Door or Hardware
2	069852-72-R10	EA	Door Asm. - Overhead - 28.1" x 11.4" - w/o Hardware
3	071846-01-R10	EA	Pad Asm. - End Cap - Overhead - Right - Beige Vinyl
	075475-02-000	EA	Magic Bed - 3 Pillow (R10)
	075475-01-000	EA	Magic Bed - 3 Pillow (R11)
	075475-03-000	EA	Magic Bed - 3 Pillow (R12)
	053248-02-R10	EA	Table Asm. w/o Hardware - Harbor Oak
	009040-01-000	EA	Leg - Pedestal Table - 25.5" x 2.25" O.D. - Chrome
	009040-04-000	EA	Pedestal Table - 2.25" O.D. x 27.5" - Brown
	009040-03-000	EA	Base - Table Leg - Mounts on Table
	041194-01-000	EA	Base - Table Leg - Mounts in Floor
	062046-01-000	EA	Clip - Pedestal Leg
			Not illustrated

DINETTE (OPTION)

Key	Part Number	U/M	Description
	069852-70-R10	EA	Door Asm. - Dinette Seat Cabinet - Right - 10.1" x 19.1" - w/o Hardware
	M01430-01-R10	EA	Cabinet Asm. - Dinette Seat - Right - w/o Door or Hardware
	M01430-04-R10	EA	Cabinet Asm. - Dinette Seat - Left - w/o Door or Hardware
	M01431-04-R10	EA	Cabinet Asm. - Dinette Seat Back - Left
	M01431-01-R10	EA	Cabinet Asm. - Dinette Seat Back - Right
	M75501-01-R10	EA	Table Asm. - Dinette - w/o Hardware
	053200-05-000	EA	Bracket - Upper Wall Mount - 23.5" - Beige
	053201-03-000	EA	Bracket - Table Mount - 23"
	024275-05-000	EA	Rod - Table Lift - 8" x 23.5" - Beige
	024276-14-000	EA	Leg Asm. - Table - 29.5" - Brown
	024281-07-000	EA	Bracket - Lower Wall Mount - 22.12" - Beige
	024282-01-000	EA	Brace - Table Leg
	024283-01-000	EA	Clip - 1" O.D. Tube
	049493-02-000	EA	Catch - Table Leg - Mounts on Floor - Brown
	064050-01-000	EA	Hinge - Table Leg

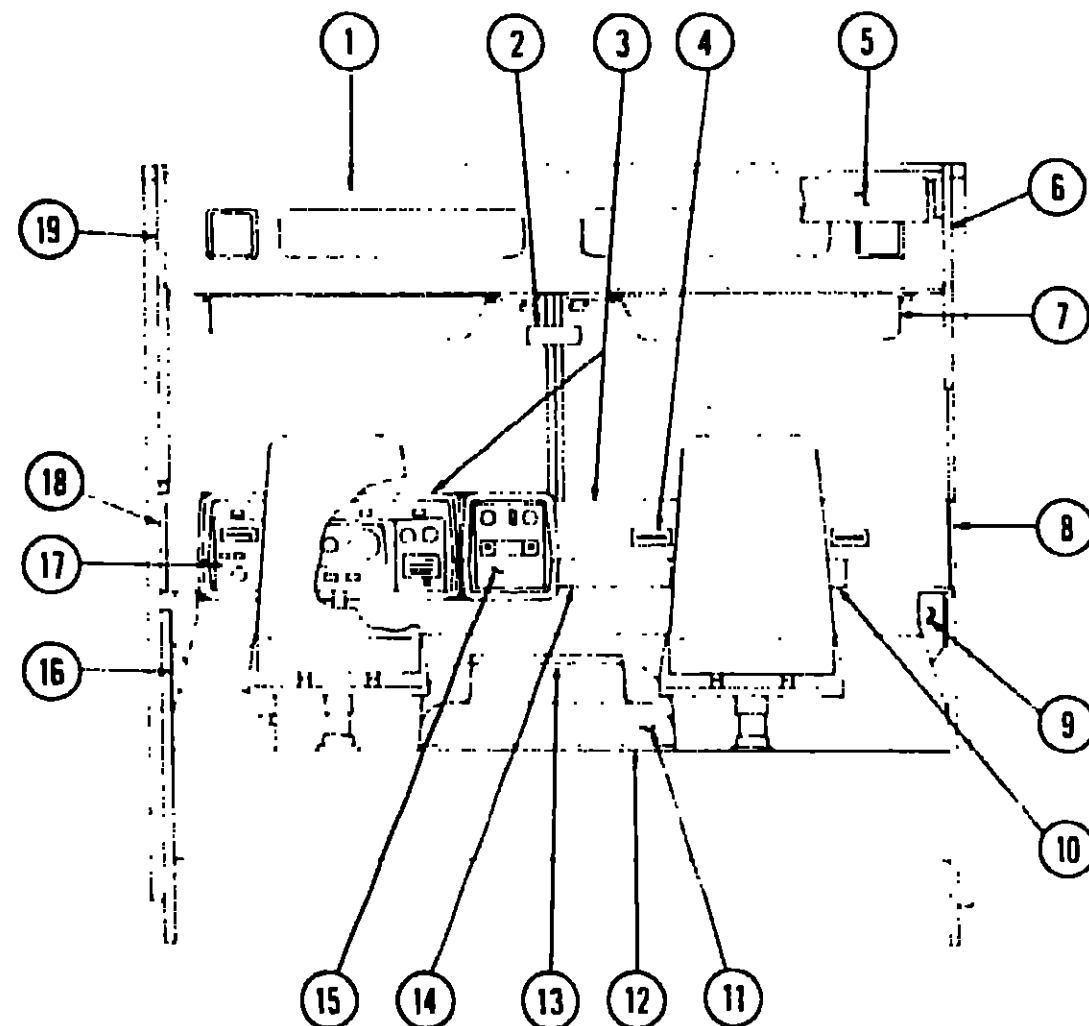
**1984 WINNEBAGO
TABLE OF CONTENTS**

Introduction	A-01
Abbreviations	A-01
Alphabetical Index	A-02 - A-04
WC424RC	A-05 - C-16
WCN22RC	C-17 - F-06
WCN27RU	F-07 - H-20
WCN33RU	H-21 - K-08

1984 WCN27RU INDEX

Floor Plan	F-07 - F-08
Accessories Group	F-09 - F-12
Bath Group	F-13
Chassis Group	F-14 - F-15
Curtain, Cushion & Pad Group	F-16 - F-23
Dinette Group	F-24
Driver's Compartment Group	G-01 - G-03
Electrical Group	G-04 - G-06
Exterior Body Group	G-07 - G-16
Galley Group	G-17 - G-19
Heating & Air Conditioning Group	G-20 - G-21
Interior Finish Group	G-22 - G-24
LP Group	H-01
Lounge Group	H-02 - H-03
Water & Sewage Group	H-04 - H-05
Window, Vent & Exterior Door Group	H-06 - H-20

DRIVER'S COMPARTMENT GROUP



MISCELLANEOUS DRIVER'S COMPARTMENT COMPONENTS

Key	Part Number	U/M	Description
1	076473-01-R10	EA	Cabinet Asm. - Front Overhead
2	040714-01-000	EA	Mirror - Inside - Rear View - Glare Proof
•	067490-01-000	EA	Button - Mirror - Rear View - Support
**3	M01113-01-000	EA	Dash Asm. - Complete - w/Gauges and Switches (w/o Clock)
•	022548-04-000	EA	Pad - Dash - Right - Dark Brown
•	023242-06-000	EA	Pad - Dash - Left - Dark Brown
•	024990-02-000	EA	Outlet - Defroster w/Swivel - 2" Dark Brown
4	039044-01-000	EA	Louver Asm. - A/C Adjustable
5	076184-02-R10	EA	Bunk Board Asm. - Front Overhead - w/Beige Rails
6	074212-01-P01	EA	Pad Asm. - Front Side Overhead - Right - Beige Vinyl
7	075588-01-P01	EA	Sunvisor Asm. - Right & Left - Almond Vinyl - w/o Mirror
•	040695-02-000	EA	Clip - Sunvisor
•	074012-01-000	EA	Clip - Sunvisor - Square - Pinch On
•	CJ1350-03-000	EA	Windshield Trim - Interior - "A" Post - Light Oak Plastic - Right
•	061350-04-000	EA	Windshield Trim - Interior - "A" Post - Light Oak Plastic - Left
8	059414-04-000	EA	Pad - Sidewall Trim - Passenger - Beige Vinyl
9	072811-01-000	EA	Panel - Side - Passenger - Light Oak Plastic
•	C59467-04-N07	EA	Pad - Map Pocket - Passenger - Beige Vinyl
10	022219-01-000	EA	Glove Compartment Door
•	023892-01-000	EA	Glove Compartment Box - Black Fiberboard
•	009118-01-000	EA	Glove Compartment Twist Lock
•	024598-01-000	EA	Glove Compartment Hinge - 1 1/16" x 19"
•	034309-01-000	EA	Glove Compartment Chain - Door
11	067213-03-000	EA	Motor Cover - Fiberglass

DRIVER'S COMPARTMENT GROUP (CONTINUED)

MISCELLANEOUS DRIVER'S COMPARTMENT COMPONENTS (CONT.)

Key	Part Number	U/M	Description
12	035368-05-000	EA	Seal - Motor Cover - Alum. - Beige
•	039623-01-000	FT	Seal - Cover - Engine - Neoprene
•	052783-04-000	EA	Seal - Cover - Motor - Upper - Beige
•	039857-01-000	EA	Latch - Rubber - Draw Handle - 5 3/4" w/Strike
•	039856-01-000	EA	Latch - Rubber - Draw Handle - 3" w/Strike
•	042541-01-000	EA	Latch Asm. - w/Strike - Chrome
13	074489-01-000	EA	Beverage Tray
14	023834-01-000	EA	Panel - Knee Kick - Bottom of Dash
15	076006-03-000	EA	Bezel - Entertainment Center - w/Cut Out for Radio, Generator Start Stop Switch
•	007308-01-000	EA	Dash Clock
16	059198-05-000	EA	Panel - Side - Drivers - Light Oak Plastic
16	064499-02-000	EA	Panel - Drivers Door - Inner - Light Oak Plastic
•	059467-03-N07	EA	Pad - Map Pocket - Drivers - Beige Vinyl
•	050796-01-000	EA	Pocket - Ash Tray - Plastic
•	050797-01-000	EA	Ash Tray - Plastic
•	C16883-01-000	EA	Ash Tray - Flush Mount - Chrome
17	071668-01-000	EA	Bezel - Control Panel
•	052367-01-000	EA	Cigarette Lighter Asm. - 12 Volt
•	007041-01-000	EA	Bezel - Cigarette Lighter
•	061424-01-000	EA	Lamp Asm. - Map/Gauge
•	061400-03-000	EA	Assist Strap - 12" - Medium Almond
18	059414-03-000	EA	Pad - Sidewall Trim - Drivers - Beige Vinyl
19	074210-02-P01	EA	Pad Asm. - Front Overhead Cabinet - Left - Beige Vinyl
19	074210-01-P01	EA	Pad Asm. - Front Overhead Cabinet - Driver Door - Beige Vinyl
•	040519-01-000	EA	Boot - Rubber Steering Column
•	040520-01-000	EA	Boot Retainer - Steering Column
•	054250-01-000	EA	Support - Dimmer Switch - w/o Holes
•	024849-01-000	EA	Damper Asm. - Fresh Air
•			Not illustrated
**			NOTE: To be special ordered only.

1984 WINNEBAGO TABLE OF CONTENTS

Introduction	A-01
Abbreviations	A-01
Alphabetical Index	A-02 - A-04
WC424RC	A-05 - C-16
WCN22RC	C-17 - F-06
WCN27RU	F-07 - H-20
WCN33RU	H-21 - K-08

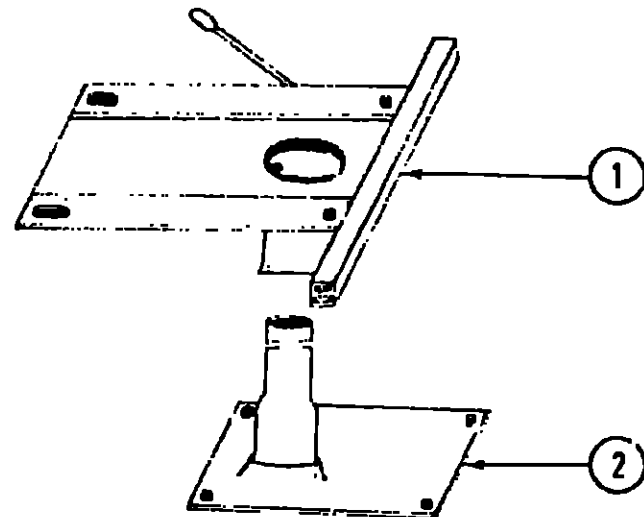
DASH SWITCHES AND GAUGES

Key	Part Number	U/M	Description
	024461-01-000	EA	Switch - Battery
	024462-01-000	EA	Switch - Battery Condition
	024464-02-000	EA	Switch - Battery - Dual Boost
	024464-01-000	EA	Switch - Washer
	024465-01-000	EA	Switch - Fuel
	024467-01-000	EA	Switch - Wiper
	024976-01-000	EA	Switch - Generator w/o Circuit Board
	074007-01-000	EA	Switch - Intermittent - Windshield Wiper
	024459-03-000	EA	Gauge - Voltmeter
	024460-03-000	EA	Gauge - Vacuum
	031035-01-000	EA	Gauge - Generator Hourmeter
	072363-01-000	EA	Water Detector Probe - Fuel Line
	072364-01-000	EA	Water Detector Module - Fuel Line

1984 WCN27RU INDEX

Floor Plan	F-07 - F-08
Accessories Group	F-09 - F-12
Bath Group	F-13
Chassis Group	F-14 - F-15
Curtain, Cushion & Pad Group	F-16 - F-23
Dinette Group	F-24
Driver's Compartment Group	G-01 - G-03
Electrical Group	G-04 - G-06
Exterior Body Group	G-07 - G-16
Galley Group	G-17 - G-19
Heating & Air Conditioning Group	G-20 - G-21
Interior Finish Group	G-22 - G-24
LP Group	H-01
Lounge Group	H-02 - H-03
Water & Sewage Group	H-04 - H-05
Window, Vent & Exterior Door Group	H-06 - H-20

DRIVER'S COMPARTMENT GROUP (CONTINUED)



BUCKET SEAT PEDESTAL AND SEAT BELTS

Key	Part Number	U/M	Description
1	069585-06-000	EA	Plate - Top - Pedestal Asm - Single Bucket Seat
1	069585-10-000	EA	Plate - Top - Pedestal Asm - Double Bucket Seat
2	069585-08-000	EA	Plate - Sub - Pedestal Asm - Bucket Seat
.	069585-05-000	EA	Hardware Kit - Bolt/Acorn Nut - 4 ea - Pedestal Asm.
.	007019-01-000	EA	Belt Asm. - Seat - 2" x 84" - Black
.	007021-01-000	EA	Belt Asm. - Seat - 2" x 90" - Black
.	056271-02-000	EA	Belt Asm. - Seat - 2" x 72" - Black
.	041322-01-000	EA	Washer - Flat 15/32" I.D. x 2 3/8" O.D. - Seat Belt
.	058375-01-000	EA	Bracket - Seat Belt - Washer
.	069246-01-000	EA	Adjuster Asm - Seat - w/Lock
.	069246-02-000	EA	Adjuster Asm - Seat - w/o Lock
.	068601-01-000	EA	Recliner Drive - Single Bucket - Driver
.	068601-02-000	EA	Recliner Drive - Single Bucket - Passenger
.	068601-06-000	EA	Recliner Drive - Double Bucket - Driver
.	068601-07-000	EA	Recliner Drive - Double Bucket - Passenger
.			Not illustrated

FRONT BUNK & HARDWARE

Key	Part Number	U/M	Description
	076473-01-R10	EA	Cabinet Asm. - Front Overhead
	076184-02-R10	EA	Bunk Board Asm. - Front Overhead - w/Beige Rails
	053773-01-000	EA	Support - Overhead Bunk - Brown - Right
	053773-02-000	EA	Support - Overhead Bunk - Brown - Left
	040071-02-000	EA	Support - Bunk - Seat Belt
	039516-04-000	EA	Catch - Bunk - Beige
	023812-28-000	EA	Rail - Bunk - 77.1" - Beige
	053774-04-000	EA	Torsion Rod - Overhead Bunk - Brown
	041322-01-000	EA	Washer - Flat - 15/32" I.D. x 2 3/8" O.D. - Seat Belt
	074210-03-P01	EA	Pad Asm. - Front Side Overhead - Right - Beige Vinyl
	074210-02-P01	EA	Pad Asm. - Front Side Overhead - Left - Beige Vinyl
	074210-01-P01	EA	Pad Asm. - Front Side Overhead - Driver Door - Beige Vinyl
	048394-01-000	YD	Tape Hook - 1" - Beige
	048395-01-000	YD	Tape Loop - 1" - Beige
	007021-01-000	EA	Belt Asm. - Seat - 2" x 90" - Black

ELECTRICAL GROUP

BULBS

Key	Part Number	U/M	Description
	037935-01-000	EA	Bulb - 1157
	063914-01-000	EA	Bulb - 1139
	008103-01-000	EA	Bulb - 53
	008213-01-000	EA	Bulb - 57
	008214-01-000	EA	Bulb - 67
	008215-01-000	EA	Bulb - 1003
	008216-01-000	EA	Bulb - 1034
	008217-01-000	EA	Bulb - 1073
	008218-01-000	EA	Bulb - 1141
	008220-01-000	EA	Bulb - 12V - 25W
	036196-01-000	EA	Bulb - 194
	067479-01-000	EA	Bulb - 1076 - 12V - 1 80 Amp.

FUSES AND CIRCUIT BREAKERS

Key	Part Number	U/M	Description
	056473-02-000	EA	Fuse - Slow Blow - 5 Amp. - 32 Volt Capacity
	056473-01-000	EA	Fuse - Slow Blow - 6 1/4 Amp.
	008233-01-000	EA	Fuse - 12 Volt - 6 Amp.
	008234-01-000	EA	Fuse - 12 Volt - 10 Amp.
	046893-01-000	EA	Fuse - 12 Volt - 13 Amp.
	008235-01-000	EA	Fuse - 12 Volt - 15 Amp.
	008236-01-000	EA	Fuse - 12 Volt - 20 Amp.
	008248-01-000	EA	Fuse - 110 Volt - 30 Amp. - AGU
	008252-01-000	EA	Fuse - 110 Volt - 50 Amp.
	062901-02-000	EA	Fuse - Automotive - 5 Amp.
	062901-05-000	EA	Fuse - Automotive - 15 Amp.
	008208-01-000	EA	Circuit Breaker - 12 Volt - 40 Amp.
	008211-01-000	EA	Circuit Breaker - 12 Volt - 6 Amp.
	008268-01-000	EA	Circuit Breaker - 12 Volt - 30 Amp. w/Mount
	033573-02-000	EA	Circuit Breaker - 12 Volt - 15 Amp. w/Mount
	033573-01-000	EA	Circuit Breaker - 12 Volt - 20 Amp. w/Mount
	040051-01-000	EA	Circuit Breaker - 110 Volt - 20 Amp. TQL
	071279-01-000	EA	Circuit Breaker - 120 Volt - 15 Amp
	008273-03-000	EA	Circuit Breaker - 15/20 Amp. TQL
	008299-01-000	EA	Circuit Breaker - 115 Amp. TQL
	008297-01-000	EA	Circuit Breaker - 120 Amp. TQL
	008293-01-000	EA	Circuit Breaker - 130 Amp. TQL
	071279-02-000	EA	Circuit Breaker - 15/15 Amp. - 120 Volt
	071279-03-000	EA	Circuit Breaker - 15/20 Amp. - 120 Volt
	071279-04-000	EA	Circuit Breaker - 30 Amp. - 120 Volt
	071279-05-000	EA	Circuit Breaker - 20 Amp. - 120 Volt
	071279-06-000	EA	Circuit Breaker - 30/15 Amp. - 120 Volt
	071279-07-000	EA	Circuit Breaker - 20/20 Amp. - 120 Volt
	071280-01-000	EA	Circuit Breaker Blank

1984 WINNEBAGO TABLE OF CONTENTS

Introduction	A-01
Abbreviations	A-01
Alphabetical Index	A-02 - A-04
WC424RC	A-05 - C-16
WCN22RC	C-17 - F-06
WCN27RU	F-07 - H-20
WCN33RU	H-21 - K-08

1984 WCN27RU INDEX

Floor Plan	F-07 - F-08
Accessories Group	F-09 - F-12
Bath Group	F-13
Chassis Group	F-14 - F-15
Curtain, Cushion & Pad Group	F-16 - F-23
Dinette Group	F-24
Driver's Compartment Group	G-01 - G-03
Electrical Group	G-04 - G-06
Exterior Body Group	G-07 - G-16
Galley Group	G-17 - G-19
Heating & Air Conditioning Group	G-20 - G-21
Interior Finish Group	G-22 - G-24
LP Group	H-01
Lounge Group	H-02 - H-03
Water & Sewage Group	H-04 - H-05
Window, Vent & Exterior Door Group	H-06 - H-20

ELECTRICAL GROUP (CONTINUED)

WIRE, SWITCHES & RECEPTACLES

Key	Part Number	U/M	Description
	008024-01-000	FT	Wire - 18 5 Bonded - Orange/White/Yellow/Blue/Brown
	008025-01-000	FT	Wire - 18 5 Bonded - Orange/White/Yellow/Blue/Green
	008028-01-000	FT	Wire - 18 5 Bonded - Blue/Red/Yellow/Orange/White
	008030-01-000	FT	Wire - 18 4 Bonded - Red/Blue/Orange/Green
	008277-01-000	EA	Holder - Fuse - Black - Panel Mount
	006077-01-000	EA	Plaque - Compressor Switch
	008054-01-000	EA	Cord - Power - 10-3 30 Amp - 25' - UL
	008052-01-000	EA	Cord - Power - 10-3 30 Amp - 25' - CSA
	024571-03-000	EA	Cover Plate - Receptacle - Jumbo Plastic - Brown
	024571-04-000	EA	Cover Plate - Receptacle - Jumbo Plastic - Ivory
	008160-01-000	EA	Cover Plate - Receptacle - Plastic - Ivory
	008164-01-000	EA	Cover Plate - Switch - Brown
	006050-01-000	EA	TV Jack - Ivory (Braund Antenna)
	006093-01-000	EA	TV Jack - Brown (Braund Antenna)
	076319-09-000	EA	TV Wall Plate/Receptacle - Brown (Winegard Antenna)
	058028-01-000	EA	Connector - Pigtail - Clear - Nylon
	008162-02-000	EA	Switch - Double Toggle - Ivory
	008162-01-000	EA	Switch - Double Toggle - Brown
	008163-01-000	EA	Switch - Toggle Brown
	008195-01-000	EA	Switch - Push Button - 12 Volt
	056264-01-000	EA	Switch - Lea. Actuator
	024462-01-000	EA	Switch - Battery Condition
	024464-01-000	EA	Switch - Washer
	024467-01-000	EA	Switch - Wiper
	024976-01-000	EA	Switch - Generator w/o Circuit Board
	074007-01-000	EA	Switch - Intermittent - Windshield Wiper
	063912-01-000	EA	Relay - Canister Spot w/Ground
	069238-01-000	EA	Cover - Electrical - 4 x 4 Box
	008058-01-000	EA	Adaptor - Power Cord
	024924-02-000	EA	Receptacle - Power Cord
	053126-01-000	EA	Receptacle - Ground Fault Interrupter - 125 Volt - Ivory
	053126-02-000	EA	Receptacle - Ground Fault Interrupter - 125 Volt - Brown
	058707-01-000	EA	Receptacle - Single - Brown
	058708-01-000	EA	Receptacle - Duplex - Brown
	008157-01-000	EA	Receptacle - Duplex - Brown (Exterior Backwall)
	058048-01-000	EA	Cover - Electrical Box - 4 5" x 2 75" - Rain Tight (Exterior)
	008294-01-000	EA	Cover - Steel - Flat Blank - 4" x 4"
	008288-01-000	EA	Box - Electrical - Plastic - 3" x 3 5"
	008289-01-000	EA	Box - Electrical - Steel - 4 x 4 - 1/2 & 3/4 UL
	058049-01-000	EA	Box - Electrical - 2" 3" x 2 25" - Steel
	064398-01-000	EA	Housing Asm - Trailer Receptacle
	064399-01-000	EA	Housing Asm - Trailer Pin
	064450-01-000	EA	Housing Asm - Trailer Plug
	035417-01-000	EA	Terminal - Pin Receptacle - 125 Dia
	054532-01-000	EA	Housing Pin - 6 Position
	031968-01-000	EA	Contact - Plug - Brass - Tin Plated
	035290-17-000	EA	Cable Asm - Battery - 1 AWG Strand - 282"
	054865-01-000	EA	Wire Asm - Generator Switch

ELECTRICAL GROUP (CONTINUED)

EXTERIOR LIGHTS

Key	Part Number	U/M	Description
	007309-01-000	EA	Light - Step Well
	058030-01-000	EA	Tail Lamp Asm - 3 Bulb - Chrome - Right Hand
	058030-02-000	EA	Tail Lamp Asm - 3 Bulb - Chrome - Left Hand
	059540-01-000	EA	Bracket - License Plate
	042405-03-000	EA	Base - Rectangular - Clearance Light
	042405-01-000	EA	Lens - Clearance Light - Red w/Reflex
	042405-04-000	EA	Lens - Clearance Light - Red w/o Reflex
	042405-02-000	EA	Lens - Clearance Light - Amber w/Reflex
	042405-05-000	EA	Lens - Clearance Light - Amber w/o Reflex
	008089-01-000	EA	Light - Porch - Recessed
	058330-01-000	EA	Lamp Asm - Parking
	058330-02-000	EA	Socket Asm - Parking Lamp w/Wire

INTERIOR LIGHTS

Key	Part Number	U/M	Description
	033508-02-000	EA	Light - Dome - Ivory - 1 Bulb - US
	033508-03-000	EA	Light - Dome - Ivory - 1 Bulb - CSA
	033509-02-000	EA	Light - Dome - Ivory - 2 Bulb - US
	033509-03-000	EA	Light - Dome - Ivory - 2 Bulb - CSA
	061424-01-000	EA	Light - 12 V Receptacle - Aisle - IP
	007309-01-000	EA	Light - Step Well
	065202-01-000	EA	Wall Lamp - Decor - 2 Bulb - Brass
	065201-01-000	EA	Lamp Shade - Fabric - White Flax - Wall Lamp
	072353-03-000	EA	Light - Reading - Single - 360° Swivel - Almond
	072353-04-000	EA	Light - Reading - Double - 360° Swivel - Silver

MISCELLANEOUS ELECTRICAL COMPONENTS

Key	Part Number	U/M	Description
	047338-03-000	EA	Isolator - Dual Battery - 70 Amp
	063739-01-000	EA	Battery - 12 Volt - 80 Amp Gould
	008188-01-000	EA	Solenoid - Dual Battery - Relay
	024459-03-000	EA	Gauge - Voltmeter - w/o Bracket
	031035-01-000	EA	Gauge - Hourmeter - Generator
	024460-03-000	EA	Gauge - Vacuum - w/o Bracket
	008343-01-000	EA	Wire Tie - Plastic - 6"
	052367-01-000	EA	Lighter Asm - Cigarette
	067762-01-000	EA	Converter - 40 Amp - w. Charger
	024461-01-000	EA	Switch - Dual Battery
	071278-02-000	EA	Control Center - 45 Amp
	071278-01-700	EA	Door - w/Catch - Brown
	071278-01-701	EA	Converter Module
	071278-01-702	EA	Label - 45 Amp
	071278-01-703	EA	Door Catch

WINDSHIELD WIPER & WASHER

Key	Part Number	U/M	Description
**	056000-02-000	EA	Washer Asm - Windshield - w/o Nozzles
**	057653-01-000	EA	Arm - Windshield Wiper - 18" - Black
	067191-02-000	EA	Motor Asm - Windshield Wiper - 2 Speed
	067192-01-000	EA	Link Asm - Connecting - Left
	067193-01-000	EA	Link Asm - Connecting - Right
**	049464-03-000	EA	Blade - Windshield wiper - 20" Black
**	067190-01-000	EA	Shaft & Pivot Asm
**	The illustrated parts breakdown for this item is provided on the Common Items Fiche		

**1984 WINNEBAGO
TABLE OF CONTENTS**

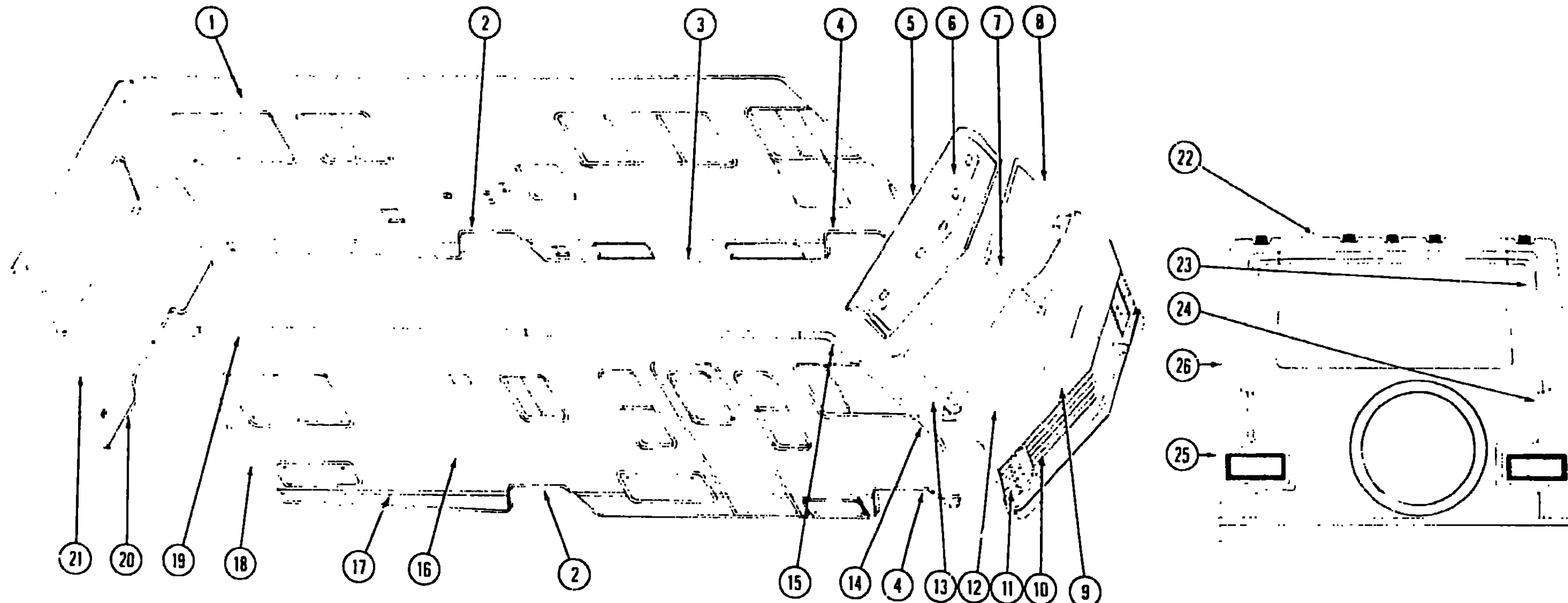
Introduction	A-01
Abbreviations	A-01
Alphabetical Index	A-02 - A-04
WC424RC	A-05 - C-16
WCN22RC	C-17 - F-06
WCN27RU	F-07 - H-20
WCN33RU	H-21 - K-08

1984 WCN27RU INDEX

Floor Plan	F-07 - F-08
Accessories Group	F-09 - F-12
Bath Group	F-13
Chassis Group	F-14 - F-15
Curtain, Cushion & Pad Group	F-16 - F-23
Dinette Group	F-24
Driver's Compartment Group	G-01 - G-03
Electrical Group	G-04 - G-06
Exterior Body Group	G-07 - G-16
Galley Group	G-17 - G-19
Heating & Air Conditioning Group	G-20 - G-21
Interior Finish Group	G-22 - G-24
LP Group	H-01
Lounge Group	H-02 - H-03
Water & Sewage Group	H-04 - H-05
Window, Vent & Exterior Door Group	H-06 - H-20

EXTERIOR BODY GROUP

EXTERIOR BODY PANELS & TRIMS (ALUMINUM SIDEWALLS)



Key	Part Number	U/M	Description
1	M75520-01-R10	EA	Sidewall Asm - Left
1	M75520-01-R11	EA	Sidewall Asm - Left
1	M75520-01-R12	EA	Sidewall Asm - Left
2	058487-03-000	EA	Trim - Wheel Well - Rear - U-Channel - Left or Right
•	075070-01-000	EA	Trim - Wheel Well - Rear - Plastic - Passenger Side
•	075070-03-000	EA	Trim - Wheel Well - Rear - Plastic - Driver Side
3	072639-01-000	EA	Extr - Rocker Panel
4	073647-01-000	EA	Trim - Wheel Well - Front - U-Channel - Left or Right
•	075069-01-000	EA	Trim - Wheel Well - Front - Plastic - Passenger Side
•	075069-03-000	EA	Trim - Wheel Well - Front - Plastic - Drivers Side
5	062396-01-000	EA	Trim - Roof/Front Cap
6	055401-02-000	EA	Cap - Over Windshield - Beige
7	058288-01-000	EA	Trim - Molding - Windshield - Center
8	058289-01-000	EA	Trim - Contour - Windshield - Left
•	058287-01-000	EA	Trim - Molding - Windshield - Upper/Lower
•	070817-03-000	EA	Headlamp Bezel - Left
9	073064-02-000	EA	Access Panel - w/Hardware
10	074636-01-000	EA	Grille Asm.
•	074588-01-000	EA	Mesh Asm - Grille
11	073651-01-000	EA	Trim - Corner - Grille - Right
•	073651-02-000	EA	Trim - Corner - Grille - Left
•	070817-04-000	EA	Headlamp Bezel - Right
12	073065-02-000	EA	Panel Asm. - Front Shroud (includes access panel)
13	058289-02-000	EA	Trim - Contour - Windshield - Right
•	042743-01-000	EA	Corner Support - Windshield - Lower - Steel
•	042743-02-000	EA	Corner Support - Windshield - Upper - Steel
14	073661-01-000	EA	Trim - Fiberglass Panel - Right - Beige
•	073661-02-000	EA	Trim - Fiberglass Panel - Left - Beige
15	058284-04-000	EA	Trim - Contour - Right Front Upper - Beige
•	058284-03-000	EA	Trim - Contour - Left Front Upper - Beige

Key	Part Number	U/M	Description
16	M75519-01-R10	EA	Sidewall Asm. - Right
16	M75519-01-R11	EA	Sidewall Asm - Right
16	M75519-01-R12	EA	Sidewall Asm - Right
17	059576-06-000	EA	Feature Strip - Extr Brown - 14' - w/o Insert
•	009731-01-000	EA	End Cap - Feature Strip Insert
•	001030-09-001	EA	Insert - Feature Strip - Beige - 17'
18	073502-01-000	EA	Trim - Right Rear - Beige
•	073502-02-000	EA	Trim - Left Rear - Beige
•	039964-04-000	EA	Trim - Rear Upper Asm
19	034922-14-000	EA	Trim - Sidewall - Upper - Left or Right - Beige
20	050406-06-000	EA	Trim - Backwall - Lower - Left or Right
•	075643-01-R10	EA	Roof Asm
21	075507-01-R10	EA	Backwall Asm
•	072917-02-000	EA	Rod - Hood Prop
•	072010-01-000	EA	Cable - Release (Access Panel)
•	073611-01-000	EA	Striker - Hood Latch
•	074178-01-000	EA	Bracket - Cable Release - Inside
•	074202-01-000	EA	Latch - Hood
•	072013-01-000	EA	Spring - Hood Release
•	072011-01-000	EA	Cable Sheath
22	073571-01-000	EA	Trim - Rear - Center Upper - Plastic - Beige
23	073654-01-000	EA	Trim - Rear - Upper Right - Plastic - Beige
24	073570-01-000	EA	Trim - Rear - Lower Right - Plastic - Beige
25	073570-03-000	EA	Trim - Rear - Lower Left - Plastic - Beige
26	073654-03-000	EA	Trim - Rear - Upper Left - Plastic - Beige
•	Not illustrated		

1984 WINNEBAGO TABLE OF CONTENTS

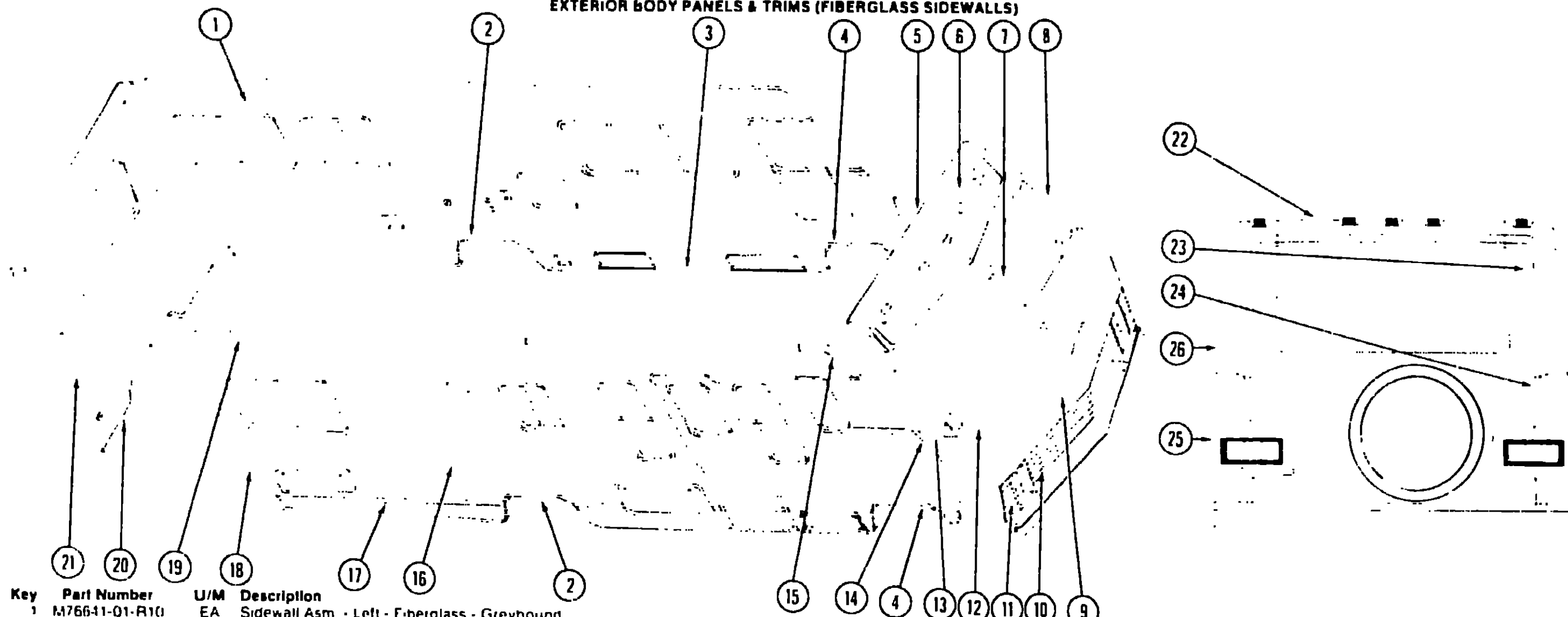
Introduction	A-01
Abbreviations	A-01
Alphabetical Index	A-02 - A-04
WC424RC	A-05 - C-16
WCN22RC	C-17 - F-06
WCN27RU	F-07 - H-20
WCN33RU	H-21 - K-08

1984 WCN27RU INDEX

Floor Plan	F-07 - F-08
Accessories Group	F-09 - F-12
Bath Group	F-13
Chassis Group	F-14 - F-15
Curtain, Cushion & Pad Group	F-16 - F-23
Dinette Group	F-24
Driver's Compartment Group	G-01 - G-03
Electrical Group	G-04 - G-06
Exterior Body Group	G-07 - G-16
Galley Group	G-17 - G-19
Heating & Air Conditioning Group	G-20 - G-21
Interior Finish Group	G-22 - G-24
LP Group	H-01
Lounge Group	H-02 - H-03
Water & Sewage Group	H-04 - H-05
Window, Vent & Exterior Door Group	H-06 - H-20

EXTERIOR BODY GROUP (CONTINUED)

EXTERIOR BODY PANELS & TRIMS (FIBERGLASS SIDEWALLS)



Key	Part Number	U/M	Description
1	M76641-01-R10	EA	Sidewall Asm - Left - Fiberglass - Greyhound
1	M76641-01-R11	EA	Sidewall Asm - Left - Fiberglass - Greyhound
1	M76641-01-R12	EA	Sidewall Asm - Left - Fiberglass - Greyhound
1	M77775-01-R10	EA	Sidewall Asm - Left - Fiberglass - Mesa
1	M77775-01-R11	EA	Sidewall Asm - Left - Fiberglass - Mesa
1	M77775-01-R12	EA	Sidewall Asm - Left - Fiberglass - Mesa
2	058487-03-000	EA	Trim - Wheel Well - Rear - U Channel - Left or Right
	075070-01-000	EA	Trim - Wheel Well - Rear - Plastic - Passenger Side
	075070-03-000	EA	Trim - Wheel Well - Rear - Plastic - Driver Side
3	072639-01-000	EA	Extr - Rocker Panel
4	073647-01-000	EA	Trim - Wheel Well - Front - U Channel - Left or Right
	075069-01-000	EA	Trim - Wheel Well - Front - Plastic - Passenger Side
	075069-03-000	EA	Trim - Wheel Well - Front - Plastic - Drivers Side
5	062396-01-000	EA	Trim - Roof Front Cap
6	055401-02-000	EA	Cap - Over Windshield - Beige
7	058288-01-000	EA	Trim - Molding - Windshield - Center
8	058289-01-000	EA	Trim - Contour - Windshield - Left
	058287-01-000	EA	Trim - Molding - Windshield - Upper Lower
	070817-03-000	EA	Headlamp Bezel - Left
9	073064-02-000	EA	Access Panel - w Hardware
10	074636-01-000	EA	Grille Asm
	074588-01-000	EA	Mesh Asm - Grille
11	073651-01-000	EA	Trim - Corner - Grille - Right
	073651-02-000	EA	Trim - Corner - Grille - Left
	070817-04-000	EA	Headlamp Bezel - Right
12	073065-02-000	EA	Panel Asm - Front Shroud (includes access panel)
13	058289-02-000	EA	Trim - Contour - Windshield - Right
	042743-01-000	EA	Corner Support - Windshield - Lower - Steel
	042743-02-000	EA	Corner Support - Windshield - Upper - Steel
14	073661-01-000	EA	Trim - Fiberglass Panel - Right - Beige
	073661-02-000	EA	Trim - Fiberglass Panel - Left - Beige
15	076598-01-000	EA	Trim - Contour - Right Front Upper - Beige
	076598-02-000	EA	Trim - Contour - Left Front Upper - Beige

Key	Part Number	U/M	Description
16	M76640-01-R10	EA	Sidewall Asm - Right - Fiberglass - Greyhound
16	M76640-01-R11	EA	Sidewall Asm - Right - Fiberglass - Greyhound
16	M76640-01-R12	EA	Sidewall Asm - Right - Fiberglass - Greyhound
16	M77774-01-R10	EA	Sidewall Asm - Right - Fiberglass - Mesa
16	M77774-01-R11	EA	Sidewall Asm - Right - Fiberglass - Mesa
16	M77774-01-R12	EA	Sidewall Asm - Right - Fiberglass - Mesa
17	059576-06-000	EA	Feature Strip - Extr Brown - 14' - w o Insert
	009731-01-000	EA	End Cap - Feature Strip Insert
	001030-09-001	EA	Insert - Feature Strip - Beige - 17'
18	073502-01-000	EA	Trim - Right Rear - Beige
	073502-02-000	EA	Trim - Left Rear - Beige
	039964-04-000	EA	Trim - Rear Upper Asm
19	076610-03-000	EA	Trim - Sidewall - Upper - Left or Right - Beige
20	050406-06-000	EA	Trim - Backwall - Lower - Left or Right
	076704-01-R10	EA	Roof Asm - Greyhound Sidewalls
	077802-01-R10	EA	Roof Asm - Mesa Sidewalls
21	077827-01-R10	EA	Backwall Asm - Mesa Sidewall
21	075507-01-R10	EA	Backwall Asm - Greyhound Sidewall
	072917-02-000	EA	Rod - Hood Prop
	072010-01-000	EA	Cable - Release (Access Panel)
	073611-01-000	EA	Striker - Hood Latch
	074178-01-000	EA	Bracket - Cable Release - Inside
	074202-01-000	EA	Latch - Hood
	072013-01-000	EA	Spring - Hood Release
	072011-01-000	EA	Cable Sneath
22	073571-01-000	EA	Trim - Rear - Center Upper - Plastic - Beige
23	073654-01-000	EA	Trim - Rear - Upper Right - Plastic - Beige
24	073570-01-000	EA	Trim - Rear - Lower Right - Plastic - Beige
25	073570-03-000	EA	Trim - Rear - Lower Left - Plastic - Beige
26	073654-03-000	EA	Trim - Rear - Upper Left - Plastic - Beige
			Nct illustrated

**1984 WINNEBAGO
TABLE OF CONTENTS**

Introduction	A-01
Abbreviations	A-01
Alphabetical Index	A-02 - A-04
WC424RC	A-05 - C-16
WCN22RC	C-17 - F-06
WCN27RU	F-07 - H-20
WCN33R11	H-21 - K-08

1984 WCN27RU INDEX

Floor Plan	F-07 - F-08
Accessories Group	F-09 - F-12
Bath Group	F-13
Chassis Group	F-14 - F-15
Curtain, Cushion & Pad Group	F-16 - F-23
Dinette Group	F-24
Driver's Compartment Group	G-01 - G-03
Electrical Group	G-04 - G-06
Exterior Body Group	G-07 - G-16
Galley Group	G-17 - G-19
Heating & Air Conditioning Group	G-20 - G-21
Interior Finish Group	G-22 - G-24
LP Group	H-01
Lounge Group	H-02 - H-03
Water & Sewage Group	H-04 - H-05
Window, Vent & Exterior Door Group	H-06 - H-20

EXTERIOR BODY GROUP (CONTINUED)

MISCELLANEOUS EXTERNALLY MOUNTED PARTS

Key	Part Number	U/M	Description
**	011129-01-000	EA	Plumbing Seal - Roof Vent - 1 5"
	009126-01-000	EA	Assist Handle - Chrome
	010230-03-000	EA	Fill - City Water - Recessed - Beige
	058808-02-000	EA	Water Fill - Lockable - Beige
	072447-01-000	EA	Shroud - Fuel Fill
	063553-04-000	EA	Shroud - Fuel Fill - Lower
	072309-02-000	EA	Shroud - Fill Neck
	054530-01-000	EA	Exterior Door Holder

** The illustrated parts breakdown for this item is provided on the Common Items Fiche

SHEET FIBERGLASS, ALUMINUM & STYROFOAM

Key	Part Number	U/M	Description
	076054-10-003	EA	Fiberglass Sidewall Skin - 45 75" x 382" - Greyhound
	077517-10-001	EA	Fiberglass Sidewall Skin - 46 12" x 378" - Mesa
	077517-10-002	EA	Fiberglass Sidewall Skin - 46 12" x 68" - Mesa
	039155-30-007	EA	Alum - Beige - Mesa II - 024" x 48" x 360"
	039155-30-003	EA	Alum - Beige - Mesa II - 024" x 36" x 360"
	039155-30-019	EA	Alum - Beige - Mesa II - 024" x 12" x 360"
	039155-09-001	EA	Alum - Beige - Greyhound Design - 48" x 96"
	001018-01-024	EA	Alum - Beige - No Design - 48" x 96"
	044487-01-001	EA	Alum - Mill Finish - No Design (Roof) - 96" x 360"
	000868-01-000	SF	Styrofoam - 3 4" x 24" x 96"
	010870-01-000	SF	Styrofoam - 1 1 2" x 24" x 96"
	000870-02-000	SF	Styrofoam - 1 1 2" x 48" x 96"

EXTERIOR BODY GROUP (CONTINUED)

INTERIOR/EXTERIOR SCREWS & FASTENERS

Key	Part Number	U/M	Description
	005200-01-000	EA	Bolt - Round Head - Square Neck w SST Cap - 7 16" - 14 x 1 1 4"
	058279-01-000	EA	Clip - Mounting - Front Panel
	035628-01-000	EA	Fastener - Blind Well Nut - 1 05" x 38"
	000D15-06-00B	CA	Nut - Hex - 3 8" x 24" - Zinc
	005081-01-000	EA	Nut - Speed - C Type - #8 Screw
	000G54-04-20B	EA	Screw 1.4 - 20 x 1 1 4" PTH - Zinc
	000G54-04-22B	EA	Screw 1.4 - 20 x 1 3 8" PTH - Zinc
	000G53-04-06B	EA	Screw 1.4 - Machine - 20 x 3 8" PTH - Zinc
	000G13-06-12P	EA	Screw #6 - 20 x 3 4" PFH - Dark Brown
	000G13-06-28X	EA	Screw #6 - 20 x 3 4" PFH - Gray
	000G13-06-16R	EA	Screw #6 - 20 x 1" PFH - Beige
	000G11-07-08B	EA	Screw #7 - 19 x 1 2" PPH - Zinc
	000G12-08-12M	EA	Screw #8 - 18 x 3 4" POH - Gray
	000G11-08-12R	EA	Screw #8 - 18 x 3 4" PPH - Beige
	000G11-08-12X	EA	Screw #8 - 18 x 3 4" PPH - Gray
	000G11-08-12B	EA	Screw #8 - 18 x 3 4" PPH - Zinc
	000G39-08-12R	EA	Screw #8 - 18 x 3 4" SDPH - Beige
	000G66-08-12M	EA	Screw #8 - 18 x 3 4" SDPH - Gray
	000G11-08-16R	EA	Screw #8 - 18 x 1" PFH - Gray
	000G66-08-16R	EA	Screw #8 - 18 x 1" SDPH - Beige
	000G12-08-28R	EA	Screw #8 - 18 x 1 3 4" POH - Beige
	000G36-08-08E	EA	Screw #8 - 32 x 1 2" PFH - Chrome
	000G39-08-08B	EA	Screw #8 - Self Drilling - 18 x 1 2" PPH - Zinc
	000G39-08-12B	EA	Screw #8 - Self Drilling - 18 x 3 4" PPH - Zinc
	000G39-08-12R	EA	Screw #8 - Self Drilling - 18 x 3 4" PPH - Beige
	000G39-08-16R	EA	Screw #8 - Self Drilling - 18 x 1" PPH - Beige
	000G39-08-16T	EA	Screw #8 - Self Drilling - 18 x 1" PPH - Black
	000G39-08-16P	EA	Screw #8 - Self Drilling - 18 x 1" PPH - Dark Brown
	000G39-08-16X	EA	Screw #8 - Self Drilling - 18 x 1" PPH - Gray
	000G33-08-16E	EA	Screw #8 - Self Drilling - 18 x 1" PPH - Chrome
	000G64-08-16M	EA	Screw #8 - Self Drilling - 18 x 1" SDPH - Gray
	000G67-10-08B	EA	Screw #10 - 12 x 1 2" PPH - Zinc
	000G67-10-10R	EA	Screw #10 - 12 x 5 8" PPH - Beige
	000G67-10-16P	EA	Screw #10 - 12 x 1" PPH - Dark Brown
	000G67-10-16B	EA	Screw #10 - 12 x 1" PPH - Zinc
	000G67-10-20B	EA	Screw #10 - 12 x 1 1 4" PPH - Zinc
	000G67-10-24B	EA	Screw #10 - 12 x 1 1 2" PPH - Zinc
	049465-04-000	EA	Screw #10 - 16 x 1" POH - w Washer - Beige
	049465-05-000	EA	Screw #10 - 16 x 1" POH - w Washer - Gray
	000G12-10-24E	EA	Screw #10 - 16 x 1 1 2" POH - Chrome
	000G11-10-08D	EA	Screw #10 - 16 x 1 2" PPH - Dark Brown
	000G11-10-12R	EA	Screw #10 - 16 x 3 4" PPH - Beige
	000G11-10-12S	EA	Screw #10 - 16 x 3 4" PPH - Off White
	000G11-10-12B	EA	Screw #10 - 16 x 3 4" PPH - Zinc
	000G11-10-16B	EA	Screw #10 - 16 x 1" PPH - Zinc
	000G11-10-40B	EA	Screw #10 - 16 x 2 1 2" PPH - CAD
	000G19-10-12B	EA	Screw #10 - Machine - 32 TPI x 3 4"
	075908-01-000	EA	Screw #10 - Machine - 32 x 56" PTH - Zinc
	000G19-10-20B	EA	Screw #10 - Machine - 32 x 1 1 4" PPH - Zinc
	000G39-12-12E	EA	Screw #10 - Self Drilling - 14 x 3 4" PPH - Chrome
	000G39-10-10R	EA	Screw #10 - Self Drilling - 16 x 62" PPH - Beige
	000G39-10-12R	EA	Screw #10 - Self Drilling - 16 x 3 4" PPH - Beige
	000G39-10-12P	EA	Screw #10 - Self Drilling - 16 x 3 4" PPH - Dark Brown
	000G56-12-48C	EA	Screw #12 - Wood - 11 x 3" POH - CAD

**1984 WINNEBAGO
TABLE OF CONTENTS**

Introduction	A-01
Abbreviations	A-01
Alphabetical Index	A-02 - A-04
WC424RC	A-05 - C-16
WCN22RC	C-17 - F-06
WCN27RU	F-07 - H-20
WCN33RU	H-21 - K-08

1984 WCN27RU INDEX

Floor Plan	F-07 - F-08
Accessories Group	F-09 - F-12
Bath Group	F-13
Chassis Group	F-14 - F-15
Curtain, Cushion & Pad Group	F-16 - F-23
Dinette Group	F-24
Driver's Compartment Group	G-01 - G-03
Electrical Group	G-04 - G-06
Exterior Body Group	G-07 - G-16
Galley Group	G-17 - G-19
Heating & Air Conditioning Group	G-20 - G-21
Interior Finish Group	G-22 - G-24
LP Group	H-01
Lounge Group	H-02 - H-03
Water & Sewage Group	H-04 - H-05
Window, Vent & Exterior Door Group	H-06 - H-20

EXTERIOR BODY GROUP (CONTINUED)

SEALANTS & ADHESIVES

Key	Part Number	U/M	Description
	004020-01-000	QT	Adhesive - ABS Cement (Plastic Fittings)
	002337-01-000	EA	Adhesive - 1300 Tube - 3M (Windows)
	004005-02-000	GL	Adhesive - Swifts - Glue (Sidewalls)
	053766-07-000	EA	Bedding Compound - Tube - Beige (Exterior)
	053766-06-000	EA	Bedding Compound - Tube - Clear (Window)
	053766-08-000	EA	Bedding Compound - Tube - Gray (Exterior)
	053766-05-000	EA	Bedding Compound - Tube - Gray (Sidewalls to Floor)
	053766-02-000	EA	Bedding Compound - Tube - Off White (Exterior)
	002328-02-000	EA	Block - Rubber Spacer (Windshield)
	004336-01-000	EA	Caulk - Latex - Golden Walnut (Sidewalls)
	072891-02-000	QT	Primer - Glass - Black
	072891-01-000	QT	Primer - Glass - Clear
	035024-01-000	EA	Primer - Glass - Clear - Windshield
	072890-01-000	QT	Primer - Metal - Black
	035023-01-000	GL	Primer - Metal - Windshield
	077967-01-000	EA	Sealant - Acrylic Latex - Tube - Off White (Interior Sealant)
	034552-04-000	EA	Sealant - Silicone - Beige
	034552-02-000	EA	Sealant - Silicone - Clear
	034552-07-000	EA	Sealant - Silicone - Dark Gray
	034552-06-000	EA	Sealant - Silicone - Off White
	069637-01-000	EA	Sealant - Weatherban 404 - Tube - White (Door Caulk)
	072889-01-000	EA	Sealant - Urethane - Black (Windshield)
	069640-01-000	FT	Sealer Ribbon - 25" Bead x 20'
	069640-02-000	FT	Sealer Ribbon - 5" x 125" x 30'
	069640-03-000	FT	Sealer Ribbon - 75" x 125" x 30'
	069640-04-000	FT	Sealer Ribbon - 2" x 09" x 45' (P Series)
	059640-05-000	FT	Sealer Ribbon - 2 5" x 09" x 50'
	069640-06-000	FT	Sealer Ribbon - 5 16" Bead x 15'
	069640-07-000	FT	Sealer Ribbon - 2" x 3 32" x 30'
	002316-01-000	FT	Sealer Tape - 3 32" x 3 8" - White (Window)
	002707-01-000	FT	Sealer Tape - 5 16" x 3 4"
	002707-02-000	FT	Sealer Tape - 5 16" x 1 2"
	040545-01-000	GL	Sealer - Seam Weld
	053752-04-000	EA	Seam Sealer - Tube - Aluminum (Roof)
	063642-01-000	FT	Tape - Adhesive - 10 mm x 1 5" Wide
	038886-01-000	EA	Tape - Butyl - 31" x 31" x 148" (Windshield)
	076322-01-000	FT	Tape - Foam - Double Coated - 025 x 1 0" (Fiberglass Sidewall Seams)
	076322-02-000	FT	Tape - Foam - Double Coated - 045 x 1" (Fiberglass Sidewall Seams)
	009200-01-000	EA	Tape - Furnace - 1 5"
	002825-01-000	FT	Weather Striping (Roof Vent)

EXTERIOR BODY GROUP (CONTINUED)

LABELS & EXTERIOR PAINT

Key	Part Number	U/M	Description
	068383-01-000	EA	Label - Diesel Fuel
	006195-01-000	EA	Label - Electrical Test
	047731-01-000	EA	Label - Emergency Exit
	006199-01-000	EA	Label - Exit - Escape Window
	057467-04-000	EA	Label - Exterior Loading Limit
	064378-01-000	EA	Label - Flying "W" w/Thermo Panel
	061417-01-000	EA	Label - Fuel
	006196-01-000	EA	Label - Gas Test
	051531-01-000	EA	Label - LP Gas Only
	040944-01-000	EA	Label - Open - Entrance Door
	005015-01-000	EA	Label - Patent Motor Home
	056259-01-000	EA	Label - Safety Check List
	006064-01-000	EA	Label - Seat - w/o Seat Belts
	006187-01-000	EA	Label - Sewage
	006006-01-000	EA	Label - Thermo Panel - 2 1 4" x 2 1 4"
	075221-01-000	EA	Label - Trailer Hitch Capacity
	075220-01-000	EA	Label - Warning - Exterior Load Limit
	050225-01-000	EA	Label - Warning - Stove Vent - US
	006188-01-000	EA	Label - Waste Water
	006197-01-000	EA	Label - Water Test
	072863-01-000	EA	Nameplate - Diesel - 6 2L
	006062-01-000	EA	Tag - Electrical - 110 Volt Connection
	006040-01-000	EA	Tag - Gas - Refueling Warning
	044486-03-000	EA	Paint - Beige Acrylic Enamel - 16 oz Aerosol (7633A Dupont)
	045681-03-000	EA	Paint - Gloss Black - Acrylic Enamel - 16 oz Aerosol (99 Dupont)
	058637-05-000	EA	Paint - Gray Acrylic Enamel - 16 oz Aerosol (71537 Dupont)
	041561-03-000	EA	Paint - Off White Acrylic Enamel - 16 oz Aerosol (45396A Dupont)

**1984 WINNEBAGO
TABLE OF CONTENTS**

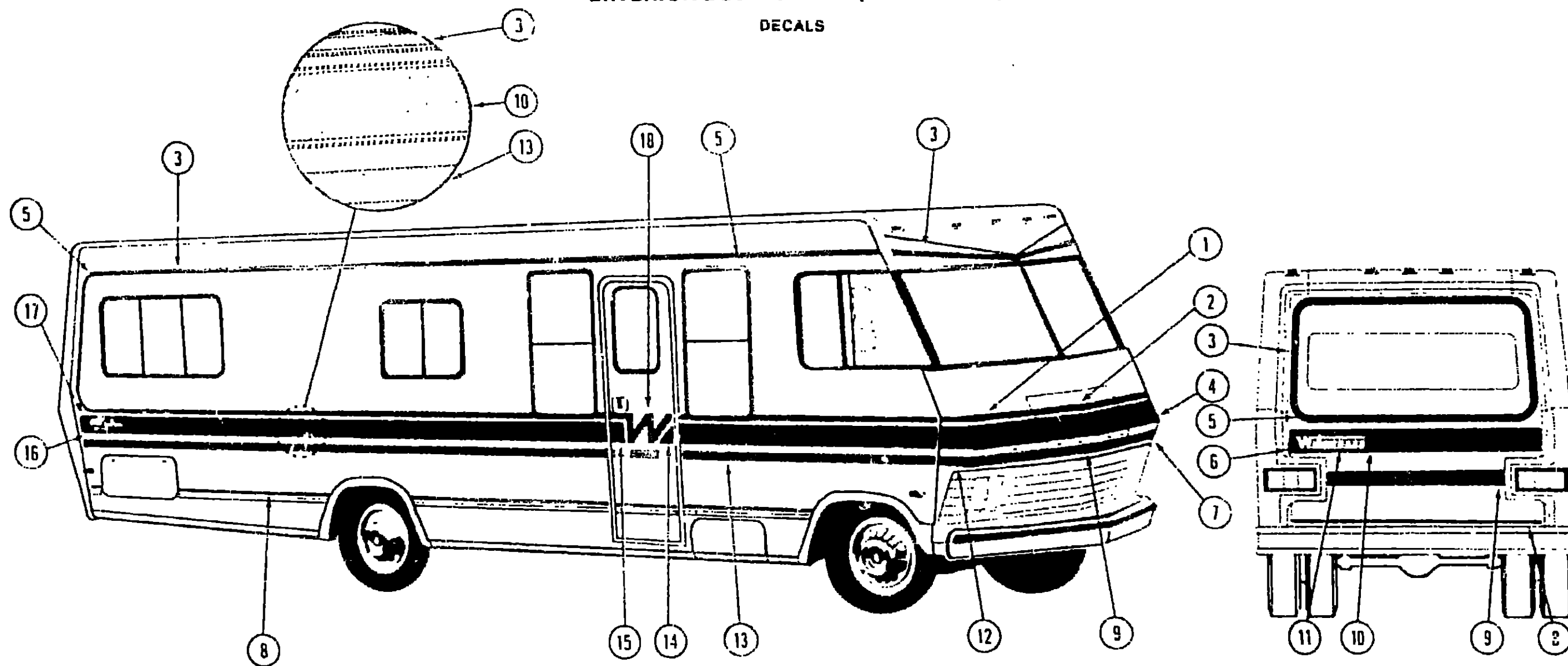
Introduction	A-01
Abbreviations	11
Alphabetical Index	A-02 - A-1
WC424RC	A-05 - C-1
WCN22RC	C-17 - F-0
WCN27RU	F-07 - H-20
WCN33RU	H-21 - K-08

1984 WCN27RU INDEX

Floor Plan	F-07 - F-08
Accessories Group	F-09 - F-12
Bath Group	F-13
Chassis Group	F-14 - F-15
Curtain, Cushion & Pad Group	F-16 - F-23
Dinette Group	F-24
Driver's Compartment Group	G-01 - G-03
Electrical Group	G-04 - G-06
Exterior Body Group	G-07 - G-16
Galley Group	G-17 - G-19
Heating & Air Conditioning Group	G-20 - G-21
Interior Finish Group	G-22 - G-24
LP Group	H-01
Lounge Group	H-02 - H-03
Water & Sewage Group	H-04 - H-05
Window, Vent & Exterior Door Group	H-06 - H-20

EXTERIOR BODY GROUP (CONTINUED)

DECALS



Key	Part Number	U/M	Description
1	073728-07-000	EA	Decal - Corner - Right - Medium Blue Metallic Dark Brown Metallic
1	073728-09-000	EA	Decal - Corner - Right - Light Brown Metallic Dark Brown Metallic
1	073728-03-000	EA	Decal - Corner - Right - Burgundy Metallic Dark Brown Metallic
2	073727-04-000	EA	Decal - Hood - Medium Blue Metallic Dark Brown Metallic
2	073727-05-000	EA	Decal - Hood - Light Brown Metallic Dark Brown Metallic
2	073727-02-000	EA	Decal - Hood - Burgundy Metallic Dark Brown Metallic
3	069245-08-000	FT	Film - Multi-Stripe - 1 69" x 150" - Dark Brown Metallic
4	073728-08-000	EA	Decal - Corner - Left - Medium Blue Metallic Dark Brown Metallic
4	073728-10-000	EA	Decal - Corner - Left - Light Brown Metallic Dark Brown Metallic
4	073728-04-000	EA	Decal - Corner - Left - Burgundy Metallic Dark Brown Metallic
5	073718-01-000	EA	Decal - 180° Turn - Dark Brown Metallic
6	073722-04-000	EA	Decal - End Cap - 6" - Left or Right - Medium Blue Metallic
6	073722-05-000	EA	Decal - End Cap - 6" - Left or Right - Light Brown Metallic
6	073722-02-000	EA	Decal - End Cap - 6" - Left or Right - Burgundy Metallic
7	073726-02-000	EA	Decal - Corner Stripe - Bottom - Left - Dark Brown Metallic
8	041273-74-000	FT	Decal - Striping - 1 - Medium Blue Metallic
8	041273-75-000	FT	Decal - Striping - 1 - Light Brown Metallic
8	041273-60-000	FT	Decal - Striping - 1 - Burgundy Metallic
9	041273-63-000	FT	Decal - Striping - 2 69" - Dark Brown Metallic
10	069245-13-000	FT	Film - Multi-Stripe - 6" x 150" - Medium Blue Metallic
10	069245-14-000	FT	Film - Multi-Stripe - 6" x 150" - Light Brown Metallic
10	069245-10-000	FT	Film - Multi-Stripe - 6" x 150" - Burgundy Metallic
*	069745-03-000	EA	Decal - Winnie
*	069745-04-000	EA	Decal - Banq
*	041273-73-000	FT	Decal - Chrome - 19 (Headlamps)

Key	Part Number	U/M	Description
11	050313-22-000	EA	Decal - Winnebago - Rear
12	073726-01-000	EA	Decal - Corner Stripe - Bottom - Right - Dark Brown Metallic
13	041273-62-000	FT	Decal - Striping - 2 5" - Dark Brown Metallic
14	073719-08-000	EA	Decal - W Surround - Right - Medium Blue Metallic
14	073719-10-000	EA	Decal - W Surround - Right - Light Brown Metallic
14	073719-04-000	EA	Decal - W Surround - Right - Burgundy Metallic
15	073719-07-000	EA	Decal - W Surround - Left - Medium Blue Metallic
15	073719-09-000	EA	Decal - W Surround - Left - Light Brown Metallic
15	073719-03-000	EA	Decal - W Surround - Left - Burgundy Metallic
16	058719-02-000	EA	Decal - Chieftain
17	073721-07-000	EA	Decal - End Cap - 6" - Right - Medium Blue Metallic
17	073721-09-000	EA	Decal - End Cap - 6" - Right - Light Brown Metallic
17	073721-03-000	EA	Decal - End Cap - 6" - Right - Burgundy Metallic
*	073721-08-000	EA	Decal - End Cap - 6" - Left - Medium Blue Metallic
*	073721-10-000	EA	Decal - End Cap - 6" - Left - Light Brown Metallic
*	073721-04-000	EA	Decal - End Cap - 6" - Left - Burgundy Metallic
18	073725-04-000	EA	Decal - Flying W - Dark Brown Metallic
*	073724-07-000	EA	Decal - Logo - 27 - Chrome
*	065960-01-000	EA	Decal - LP Power
*	074559-01-000	EA	Decal - Winnebago LPG
*			Not illustrated

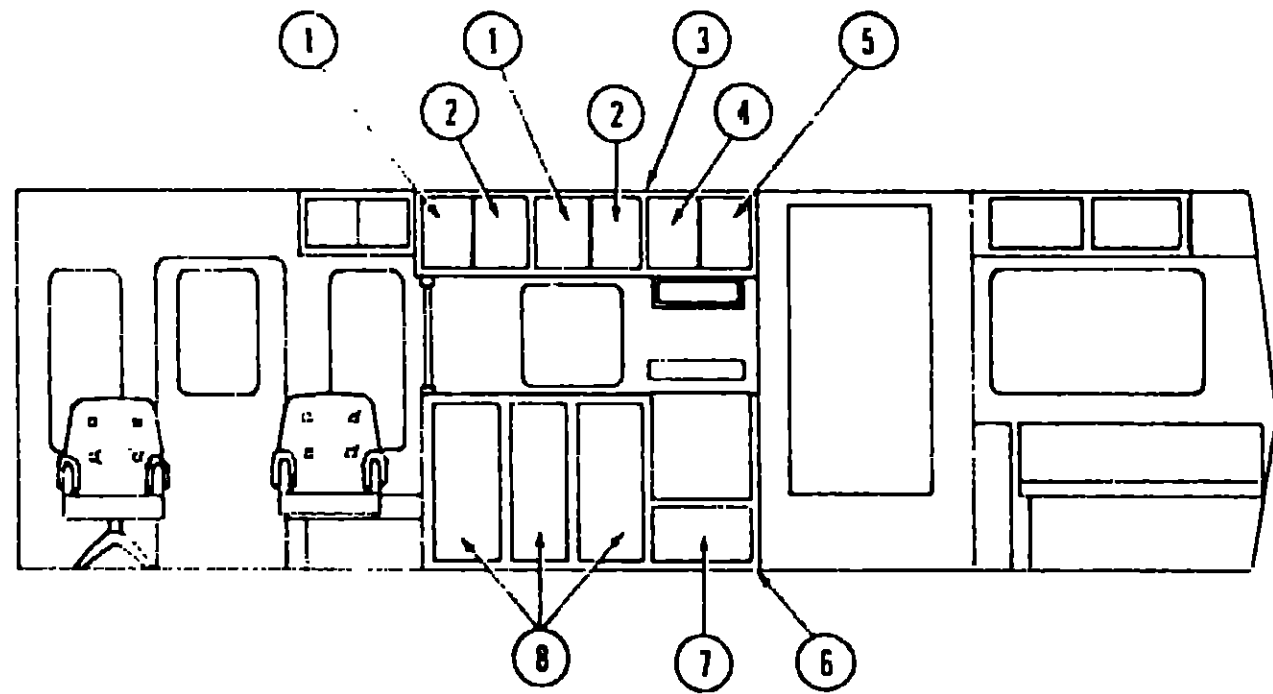
1984 WINNEBAGO
TABLE OF CONTENTS

Introduction	A-01
Abbreviations	A-01
Alphabetical Index	A-02 - A-04
WC424RC	A-05 - C-16
WCN27RC	C-17 - F-06
WCN27RU	F-07 - H-20
WCN53RU	H-21 - K-08

1984 WCN27RU INDEX

Floor Plan	F-07 - F-08
Accessories Group	F-09 - F-12
Bath Group	F-13
Chassis Group	F-14 - F-15
Curtain, Cushion & Pad Group	F-16 - F-23
Dinette Group	F-24
Driver's Compartment Group	G-01 - G-03
Electrical Group	G-04 - G-06
Exterior Body Group	G-07 - G-16
Galley Group	G-17 - G-19
Heating & Air Conditioning Group	G-20 - G-21
Interior Finish Group	G-22 - G-24
LP Group	H-01
Lounge Group	H-02 - H-03
Water & Sewage Group	H-04 - H-05
Window, Vent & Exterior Door Group	H-06 - H-20

GALLEY GROUP



GALLEY CABINETRY

Key	Part Number	U/M	Description
1	073521-04-R10	EA	Door Asm - Galley Overhead - 15 8" x 10 7" - w/o Hardware
2	073521-03-R10	EA	Door Asm - Galley Overhead - 15 8" x 10 7" - w/o Hardware
3	M75275-01-R10	EA	Cabinet Asm - Galley Overhead - w/o Doors or Hardware
4	073521-06-R10	EA	Door Asm - Galley Overhead - 15 8" x 11 6" - w/o Hardware
5	073521-05-R10	EA	Door Asm - Galley Overhead - 15 8" x 11 6" - w/o Hardware
6	M75278-01-R10	EA	Cabinet Asm - Galley - w/o Doors Drawers Countertop or Hardware
7	M01294-01-R10	EA	Countertop Asm - Galley Cabinet - Almond Loom
8	073521-18-R10	EA	Door Asm - Galley Cabinet - 17 6" x 22 0" - w/o Hardware
8	069852-40-R10	EA	Door Asm - Galley Cabinet - 33 4" x 14 3" - w/o Hardware
*	073521-07-R10	EA	Door Asm - Refrigerator Cabinet - 17 6" x 12 5" - Right - w/o Hardware
*	073521-08-R10	EA	Door Asm - Refrigerator Cabinet - 17 6" x 12 5" - Left - w/o Hardware
*	045586-02-000	EA	Wood Spindle - 1 75" x 24"
*			Not illustrated

GALLEY HARDWARE

Key	Part Number	U/M	Description
	053424-04-R10	EA	Sink Cover - Large - Almond Loom
	068615-01-000	EA	Sink - Stainless Steel - Double w Bolts
**	011053-01-000	EA	Faucet - Swing Spout - 8" - US
**	011053-02-000	EA	Faucet - Swing Spout - 8" - CSA
	066437-01-000	EA	Strainer w Basket - Sink
**	011053-01-700	EA	Aerator - Swing Spout Faucet
	058334-01-000	EA	Wastebasket - 9 3/4" x 7" x 10" - White Rubbermaid
	059877-01-000	EA	Support - Wastebasket - Plastic - Galley Mount
	058841-01-R10	EA	Cover - Wastebasket - Almond Loom
	072394-01-000	EA	Drawer Slide - Without Bend Tabs - Metal
	072394-02-000	EA	Drawer Slide - With Bend Tabs - Metal
	068700-01-000	EA	Drawer - Plastic - 20" x 13"
	077404-01-000	EA	Drawer - Plastic - 20" x 12 7"
	076096-01-000	EA	Slide Bracket - Pantry
	075451-01-000	EA	Storage Rack - Canned Goods
	075451-02-000	EA	Storage Rack Clip - White
**	052932-01-J30	EA	Hinge Kit - Cabinet Door - Antique Brass
	074490-02-R10	EA	Spice Rack - Oak
	074491-02-R10	EA	Magazine Rack - Oak
	074981-01-000	EA	Cutting Board - Maple
**	057898-01-000	EA	Latch - Hidden - Cabinet Door
**	057898-02-000	EA	Strike - Hidden Latch - Cabinet Door
**	054450-01-000	EA	Level - Refrigerator

** The illustrated parts breakdown for this item is provided on the Common Items Fiche

GALLEY GROUP (CONTINUED)

GALLEY APPLIANCES

Key	Part Number	U/M	Description
	053333-04-000	EA	Hood - Stove - Non Powered - Almond - CSA
	053333-05-000	EA	Hood - Stove - Non Powered - Almond - US
	075470-02-000	EA	Hood - Stove - w Monitor - Almond - CSA
	075470-01-000	EA	Hood - Stove - w Monitor - Almond - US
	075470-03-000	EA	Spacer - Stove Hood
	075470-04-000	EA	Duct Extension - Stove Hood
	075470-01-700	EA	Monitor Panel
	075470-01-701	EA	Clock - Digital - Jensen
	072351-02-700	EA	Clock - Digital - LVS
	075470-01-702	EA	Switch - On Off
	075470-01-703	EA	Switch - On - Momentary
	075470-01-704	EA	Switch - On Off On - Fan Motor
	075470-01-705	EA	Switch - On Off On - Momentary
	075470-01-706	EA	Rivets - Plastic
	075470-01-707	EA	Bulb - #912
	075470-01-708	EA	Panel Asm - Complete
	075470-01-709	EA	Fan Blade - Stove Hood - LVS
	075470-01-710	EA	Filter & Lens - Stove Hood - LVS
	075470-01-711	EA	Motor - Stove Hood - LVS
	048649-01-000	EA	Fan Blade - Stove Hood - Jensen
	049930-01-700	EA	Filter - Stove Hood - Jensen
	048648-01-000	EA	Motor - Stove Hood - Jensen
	049930-01-701	EA	Lens - Stove Hood - Jensen
	064473-02-000	EA	Refrigerator - AC DC Gas - Norcold 6 - 776-EG3
	064473-02-700	EA	Cooling Unit (Service Package)
	064473-02-701	EA	Frame - Door
	064473-02-702	EA	Breaker Strip - Left - Bronze
	064473-02-703	EA	Breaker Strip - Right - Bronze
	064473-02-704	EA	Breaker Strip - Top - Bronze
	075217-01-000	EA	Refrigerator - 3 Way - 8" Norcold 838 EG3
	075217-01-700	EA	Shelf Asm - Door - 8" & 10" 838 & 8310 EG3
	075217-01-701	EA	Gasket - Freezer Door - 8" Only 838 EG3
	075217-01-702	EA	Frame Asm - Door - 10" Only - 8310 EG3
	075217-01-703	EA	Trim - Decor - Top & Bottom - F M T L
	075217-01-704	EA	Gasket - Refrigerator Door - 8" Only 838 EG3
	075217-01-705	EA	Trim - Door Shelf Asm - 8" & 10" 838 & 8310 EG3
	075217-01-706	EA	Cabinet - Urethane Asm - 8" Only 838 EG3
	075217-01-707	EA	Bulb - DC Light 8" & 10" 838 & 8310 EG3
	075217-01-708	EA	Light Socket - 8" & 10" 838 & 8310 EG3
	075217-01-709	EA	Thermostat Asm - 8" & 10" 838 & 8310 EG3
	075217-01-710	EA	Eyebrow Asm - 8" & 10" 838 & 8310 EG3
	075217-01-711	EA	Breaker Strip - Top - 8" & 10" 838 & 8310 EG3
	075217-01-712	EA	Divider Asm - Front - 8" & 10" 838 & 8310 EG3
	075217-01-713	EA	Drawer - Crisper - 8" & 10" 838 & 8310 EG3
	075217-01-714	EA	Thermostat - 8" & 10" 838 & 8310 EG3
	075217-01-715	EA	Knob - Thermostat - 8" & 10" 838 & 8310 EG3
	075217-01-716	EA	Divider - Front - 8" only - 838 EG3
	075217-01-717	EA	Switch - Humidity - 8" & 10" 838 & 8310 EG3
	075217-01-718	EA	Switch - Light - 8" & 10" 838 & 8310 EG3
	075217-01-719	EA	Board - Eyebrow - 8" & 10" 838 & 8310 EG3
	075217-01-720	EA	Eyebrow - 8" & 10" 838 & 8310 EG3
	075217-01-721	EA	Light - Indicator - Amber - 8" & 10" 838 & 8310 EG3
	075217-01-722	EA	Light - Indicator - Green - 8" & 10" 838 & 8310 EG3
	075217-01-723	EA	Light - Indicator - Red - 8" & 10" 838 & 8310 EG3
	075217-01-724	EA	Light - Indicator - Blue - 8" & 10" 838 & 8310 EG3
	075217-01-725	EA	Switch - Rocker - 8" & 10" 838 & 8310 EG3
	075217-01-726	EA	Interface Board - 8" & 10" 838 & 8310 EG3
	075217-01-727	EA	Relay - 8" & 10" 838 & 8310 EG3

1984 WINNEBAGO TABLE OF CONTENTS

Introduction	A-01
Abbreviations	A-01
Alphabetical Index	A-02 - A-04
WC424RC	A-05 - C-16
WCN22RC	C-17 - F-06
WCN27RU	F-07 - H-20
WCN33RU	H-21 - K-08

1984 WCN27RU INDEX

Floor Plan	F-07 - F-08
Accessories Group	F-09 - F-12
Bath Group	F-13
Chassis Group	F-14 - F-15
Curtain, Cushion & Pad Group	F-16 - F-23
Dinette Group	F-24
Driver's Compartment Group	G-01 - G-03
Electrical Group	G-04 - G-06
Exterior Body Group	G-07 - G-16
Galley Group	G-17 - G-19
Heating & Air Conditioning Group	G-20 - G-21
Interior Finish Group	G-22 - G-24
LP Group	H-01
Lounge Group	H-02 - H-03
Water & Sewage Group	H-04 - H-05
Window Vent & Exterior Door Group	H-06 - H-20

GALLEY GROUP (CONTINUED)

GALLEY APPLIANCES (CONT.)

Key	Part Number	U/M	Description
	075217-01-728	EA	Cover - Interface Board - 8' & 10' 838 & 8310 EG3
	075217-01-729	EA	Fitting - Outlet - 8' & 10' 838 & 8310 EG3
	075217-01-730	EA	Valve - Gas - 8' & 10' 838 & 8310 EG3
	075217-01-731	EA	Nipple - 3' & 10' 838 & 8310 EG3
	075217-01-732	EA	Fitting - Inlet - 8' & 10' 838 & 8310 EG3
	075217-01-733	EA	Valve - Shut Off - 8' & 10' 838 & 8310 EG3
	075217-01-734	EA	Fuse - 3 Amp - 8' & 10' 838 & 8310 EG3
	075217-01-735	EA	Electrode - Ignition - 8' & 10' 838 & 8310 EG3
	075217-01-736	EA	Electrode - Sensing - 8' & 10' 838 & 8310 EG3
	075217-01-737	EA	Module - Control - 8' & 10' 838 & 8310 EG3
	075217-01-738	EA	Switch - Rocker - 8' & 10' 838 & 8310 EG3
	075217-01-739	EA	Heater - 8' & 10' 838 & 8310 EG3
	075217-01-740	EA	Screw - #6 - 32 x 23 x 8
	075217-01-741	EA	Wing Nut - #6 - 32
	075217-01-742	EA	Hex Nut
	075217-01-743	EA	Elbow - 90°
	075217-01-744	EA	Cable - Wiring
	075217-01-745	EA	Liner - Foamed Door Asm - 8' & 10' 838 & 8310 EG3
	075217-01-746	EA	Baffle Asm
	075217-01-747	EA	Liner - Foamed Door Asm - Lower
	075218-01-000	EA	Refrigerator - 3 Way - 10' Norcold 8310 EG3
	075218-01-700	EA	Gasket - Freezer Door - 10' Only - 8310 EG3
	075218-01-701	EA	Gasket - Refrigerator Door - 10' Only - 8310 EG3
	075218-01-702	EA	Connector Rod - 10' Only 8310 EG3
	075218-01-703	EA	Frame Asm - Door 10' Only, 8310 EG3
	075218-01-704	EA	Cabinet - Urethane - 10' Only 8310 EG3
	075218-01-705	EA	Breaker Strip - Bottom - 10' Only - 8310 EG3
	075218-01-707	EA	Divider - Front - 10' Only 8310 EG3
	075218-01-708	EA	Cable - Wiring
	075218-01-709	EA	Door Liner Asm - Foamed 10' Only 8310 EG3
	075218-01-710	EA	Door Liner Asm - Framed - Lower - 10' Only 8310 EG3
	064782-02-000	EA	Range - 4 Burner - Almond Top
	064782-01-700	EA	Frame - Upper Glass
	064782-01-701	EA	Glass - Outside
	064782-01-702	EA	Pane - Door - Black
	064782-01-703	EA	Trim - Cabinet - Right
	064782-01-704	EA	Trim - Cabinet - Left
	064782-01-705	EA	Washer - Door Handle
	064782-02-700	EA	Top - 4 Burner - Almond
	064782-02-701	EA	Deflector - Plate - Black
	064782-02-702	EA	Trim - Cabinet - Right - Black
	064782-02-703	EA	Trim - Cabinet - Left - Black
	064782-02-704	EA	Trim - Glass - Lower Outside - Black
	064782-02-705	EA	Handle - Oven Door - Black
	064782-02-706	EA	Trim - Vertical - Black
	064782-02-707	EA	Panel - Manifold
	064782-02-708	EA	Valve - Mercury
	749045-01-740	EA	Cover - Stovetop Bifold - Magic Chef
	075922-01-000	EA	Microwave
	075922-03-000	EA	Trim Ring - Microwave
	075922-04-000	EA	Exhaust Duct - Microwave
	075930-02-000	EA	Bracket - Microwave - Left
	075930-01-000	EA	Bracket - Microwave - Right
	076253-02-000	EA	Bracket - 6" - Microwave

HEATING & AIR CONDITIONING GROUP

AUTOMOTIVE HEATER & AIR CONDITIONER

Key	Part Number	U/M	Description
	072341-01-700	EA	Wheel - w Retainer & Index Clip - A R A
	072341-01-701	EA	Core - Heater - A R A
	072341-01-702	EA	Coil - Evaporator - A R A
	072341-01-703	EA	Valve - Expansion - A R A
	072341-01-704	EA	Valve - Suction - A R A
	072341-01-705	EA	Switch - Pressure - Low Cut Out - A R A
	072341-01-706	EA	Resistor - A R A
	072341-01-707	EA	Thermostat - A R A
	072341-01-708	EA	Motor - Vacuum - A R A
	072341-01-709	EA	Relay - w Tab - Bosch - A R A
	072341-01-710	EA	Control Asm - Heater A C - A R A
	072341-01-711	EA	Cable - Bowden - 72" - A R A
	072341-01-712	EA	Switch - Vacuum - A R A
	072341-01-713	EA	Switch - Jumper Control - A R A
	072341-01-714	EA	Valve - Heater - Water Flow Control - A R A
	072341-04-000	EA	Heater Evaporator Asm - A R A
	072342-01-000	EA	Condenser Asm - A R A
	072343-01-000	EA	Compressor Clutch - A R A
	072344-01-000	EA	Package - Compressor Mount
	074026-01-000	EA	Package - Compressor Mount - 6.2 L Diesel
	039044-01-000	EA	Louver Asm - A C - Adjustable
	074013-02-712	EA	Motor 12 Volt - 3 Speed - Heater - Air Conditioner
	031043-01-000	EA	Valve - Heater - Water Flow Control
	007076-01-700	FT	Hose - Flexible PVC - 2" I.D.
	007108-01-000	FT	Hose - Heater - 5/8" I.D. SAE 20R3
	007781-01-700	FT	Hose - Flexible PVC - 2 1/2" I.D.
	007140-01-000	EA	Clamp - Worm Drive - 2" - 3" I.D.
	033258-01-000	EA	Hose - Refrigerant - 50" I.D. x 3/4 50"
	034222-01-000	EA	Hose - Refrigerant - 31" I.D. x 3/6
	034222-02-000	EA	Hose - Refrigerant - 31" I.D. x 3/2"
	031960-01-000	EA	Hose - Refrigerant - 34" I.D. x 30"
	031961-01-000	EA	Hose - Refrigerant - 31" I.D. x 14.75
	031961-02-000	EA	Hose - Refrigerant - 31" I.D. x 19"
	049401-01-000	EA	Heater Asm - Rear - Auxiliary
	049401-01-700	EA	Valve - Water Control (Aux Heater)
	049401-01-701	EA	Control Cable (Aux Heater)
	049401-01-702	EA	Motor Asm (Aux Heater)
	049401-01-703	EA	Heater Core (Aux Heater)
	049401-01-704	EA	Switch (Aux Heater)
	058906-02-000	EA	Control Panel - Beige (Auxiliary Rear Heater)
	058906-01-000	EA	Control Panel - Brown (Auxiliary Rear Heater)
	072342-02-700	EA	Receiver - Dehydrator
	031044-01-000	EA	Clamp - Receiver Dehydrator
	031962-01-000	EA	Bracket - Receiver Dehydrator
	024851-01-000	EA	Door Asm - Defroster - A C
	010227-01-000	EA	Tee - Plastic - Barb 5/8" or 3/4" Hose
	024855-01-000	EA	Duct Asm - Fresh Air
	024849-01-000	EA	Damper Asm - Fresh Air
	072341-06-000	EA	Duct & Control Kit

1984 WINNEBAGO TABLE OF CONTENTS

Introduction	A-01
Abbreviations	A-01
Alphabetical Index	A-02 - A-04
WC424RC	A-05 - C-16
WCN22RC	C-17 - F-06
WCN27RU	F-07 - H-20
WCN33RU	H-21 - K-08

1984 WCN27RU INDEX

Floor Plan	F-07 - F-08
Accessories Group	F-09 - F-17
Bath Group	F-13
Chassis Group	F-14 - F-15
Curtain, Cushion & Pad Group	F-16 - F-23
Dinette Group	F-24
Driver's Compartment Group	G-01 - G-03
Electrical Group	G-04 - G-06
Exterior Body Group	G-07 - G-16
Galley Group	G-17 - G-19
Heating & Air Conditioning Group	G-20 - G-21
Interior Finish Group	G-22 - G-24
LP Group	H-01
Lounge Group	H-02 - H-03
Water & Sewage Group	H-04 - H-05
Window, Vent & Exterior Door Group	H-06 - H-20

HEATING & AIR CONDITIONING GROUP (CONTINUED)

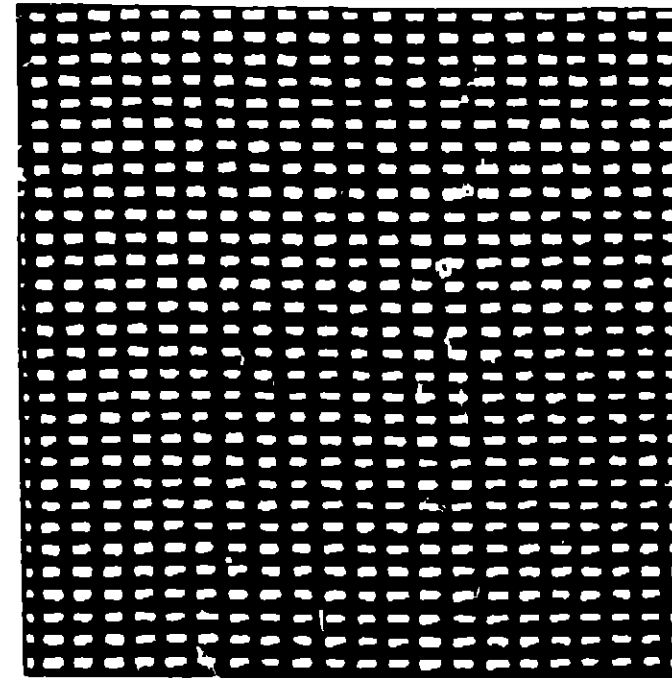
FURNACES & ROOF AIR CONDITIONER

Key	Part Number	U/M	Description
**	075696-01-000	EA	Furnace - 34,000 BTU - w/Direct Ignition - NT-34S
**	075695-01-000	EA	Furnace - 24,000 BTU - w/Direct Ignition - NT-24S
	009198-01-000	FT	Duct - Flexible - 4" I.D. x 25'
	056464-01-000	EA	Register - 4" Dia. - Plastic - w/Damper
	056464-02-000	EA	Register - 4" Dia. - Plastic - w/o Damper
	009200-01-000	EA	Tape - Furnace - 1 1/2"
	023146-01-000	EA	Clamp Screw Type - 4"
	069633-01-705	EA	Vent Package - Furnace - Suburban
	069634-01-723	EA	Thermostat - Wall Mount - Suburban
**	073743-01-000	EA	Shroud Asm - Ceiling - Inside - Roof Air Cool Only - 13,500 BTU - Coleman
**	073744-01-000	EA	Shroud Asm - Ceiling - Inside - Roof Air Heat and Cool - 13,500 BTU - Coleman
	073742-01-000	EA	Air Conditioner - 110 Volt - Roof Mount - 13,500 BTU Rotary
	073742-01-700	EA	Decal Package - Mack 3 - Left & Right
	073742-01-701	EA	Switch - Selector - 5 Terminal
	073742-01-702	EA	Decal - Cool Only
	073742-01-703	EA	Decal - Heat & Cool
	073742-01-704	EA	Decal - Thermostat

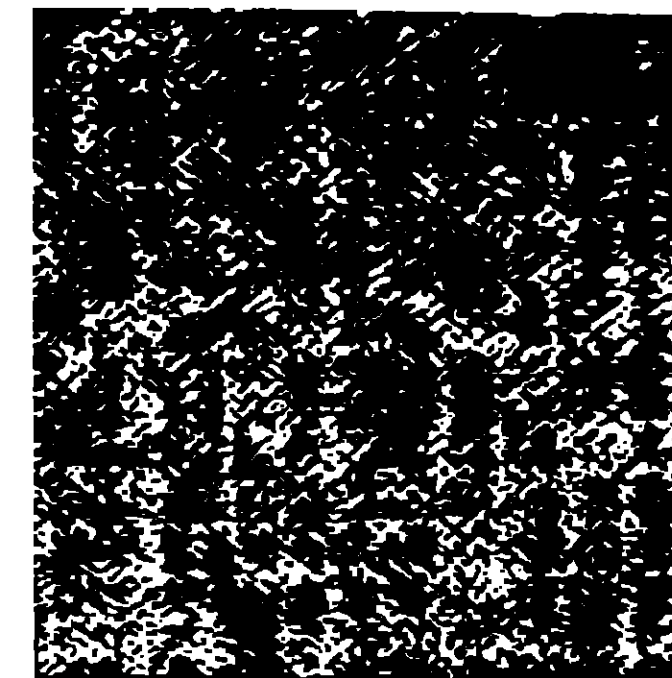
** The illustrated parts breakdown for this item is provided on the Common Items Fiche

INTERIOR FINISH GROUP

PANELING & COUNTERTOP MATERIALS



1



2

Key	Part Number	U/M	Description
1	072336-19-000	SF	Paneling - Wicker Weave - 48" x 84" (Refrigerator Door)
1	057880-05-000	SF	Paneling - Wicker Weave - 48" x 84" (Style & Rail Door)
2	072336-19-700	SF	Paneling - Jamaca Weave - 48" x 84" (Refrigerator Door)
2	057880-05-700	SF	Paneling - Jamaca Weave - 48" x 84" (Style & Rail Door)
.	068344-05-000	SF	Paneling - 159 Elm - 48" x 96"
.	072336-20-000	SF	Paneling - Jakarta Burlap - 48" x 96" (Wall, Ceiling)
.	074496-03-000	SF	Paneling - Decor - Galley & Bath - 48" x 84" (R10)
.	074496-03-010	SF	Paneling - Decor - Galley & Bath - 48" x 84" (R11)
.	074456-03-000	SF	Paneling - Decor - Galley & Bath - 48" x 84" (R12)
.	074498-01-000	SF	Plastic Laminate - Harbor Oak - Table & Countertops - 48" x 96"
.	072337-03-000	SF	Plastic Laminate - Almond Loom - Galley - 48" x 96"
.	072337-03-019	EA	Plastic Laminate - Almond Loom - Galley - 1.19" x 96"
.	074498-01-019	EA	Plastic Laminate - Harbor Oak - Table & Countertop - 1.19" x 96"
.	072337-02-019	EA	Plastic Laminate - Travertine - 1.19" x 96"
.	072337-02-000	SF	Plastic Laminate - Travertine - Bath - 48" x 96"
.			Not illustrated

1984 WINNEBAGO TABLE OF CONTENTS

Introduction	A-01
Abbreviations	A-01
Alphabetical Index	A-02 - A-04
WC424RC	A-05 - C-16
WCN22RC	C-17 - F-06
WCN27RU	F-07 - H-20
WCN33RU	H-21 - K-08

1984 WCN27RU INDEX

Floor Plan	F-07 - F-08
Accessories Group	F-09 - F-12
Bath Group	F-13
Chassis Group	F-14 - F-15
Curtain, Cushion & Pad Group	F-16 - F-23
Dinette Group	F-24
Driver's Compartment Group	G-01 - G-03
Electrical Group	G-04 - G-06
Exterior Body Group	G-07 - G-16
Galley Group	G-17 - G-19
Heating & Air Conditioning Group	G-20 - G-21
Interior Finish Group	G-22 - G-24
LP Group	H-01
Lounge Group	H-02 - H-03
Water & Sewage Group	H-04 - H-05
Window, Vent & Exterior Door Group	H-06 - H-20

INTERIOR FINISH GROUP (CONTINUED)

INTERIOR MOLDINGS & TRIMS

Key	Part Number	U/M	Description
	024700-18-000	EA	Cover - Sidewall Roll Bar - 85" - Beige
	042430-01-000	EA	Molding - Shelf - Wood
	009809-08-000	FT	Molding - Outside Corner - 1" 159 Elm
	009812-08-000	FT	Molding - Outside Corner - 50" - Teak
	042357-09-000	FT	Molding - Outside - .75" - 159 Elm
	009767-06-000	FT	Welling - Beige
	009815-03-000	FT	T-Molding - .75" - Light Brown
	022992-08-000	FT	Molding - Reverse Cove - Champagne White
	070504-02-000	FT	U-Channel - 815" - Light Brown
	009778-03-000	FT	U-Channel - 1" - Light Brown
	009779-03-000	FT	U-Channel - 1 1/2" - Light Brown
	052859-01-P01	FT	Accent Trim - Medium Almond Vinyl (Beige)
	059352-01-000	FT	Insert - Vinyl - Style & Rail Door
	058204-01-000	EA	Ball Strip - 159 Elm - 8'
	059733-23-000	EA	Ball Strip - Jakarta Burlap - 8'
	069733-30-000	EA	Ball Strip - Spring Blossom - 8' (R10)
	069733-31-000	EA	Ball Strip - Spring Blossom - 8' (R11)
	069733-32-000	EA	Ball Strip - Spring Blossom - 8' (R12)
	064382-01-000	FT	Extrusion - Plastic Trim - Rolled Door
	042356-01-000	EA	Plug - Button - Mahogany - 3/8" Diameter
	045375-52-000	EA	Molding Retainer - Aluminum - 16'
	024700-19-000	EA	Cover - Sidewall Roll Bar - 53" - Beige

FABRICS & CARPET

Key	Part Number	U/M	Description
	072333-08-000	YD	Fabric - Drapery - Cream (Sheers)
	072333-09-000	YD	Fabric - Drapery - Beige (Wraparound)
	074495-27-000	YD	Fabric - Upholstery/Accent - Brown (R10, R11)
	074495-28-000	YD	Fabric - Upholstery/Accent - Burgundy (R12)
	074495-25-000	YD	Fabric w/Pattern - Upholstery (R10)
	074495-24-000	YD	Fabric w/Pattern - Upholstery (R11)
	074495-26-000	YD	Fabric w/Pattern - Upholstery (R12)
	069729-08-000	YD	Fabric - Bedspread - Blue (R10)
	069729-05-000	YD	Fabric - Bedspread - Tan (R11)
	069729-07-000	YD	Fabric - Bedspread - Burgundy (R12)
	038421-01-000	YD	Fabric - Mattress Ticking
	070502-01-000	YD	Vinyl - Non-Expanded - 12 Gauge Film - Medium Almond (Beige)
	072860-16-000	SY	Carpet - Beige (R10)
	072860-15-000	SY	Carpet - Cinnamon (R11)
	068340-17-000	SY	Carpet - Burgundy (R12)

MISCELLANEOUS PARTS

Key	Part Number	U/M	Description
	053552-01-R10	EA	Handle Asm. - Interior Assist - Medium Almond Vinyl
	041944-03-000	EA	Fire Extinguisher - w/Bracket - 5BC
	054185-20-000	EA	Owner's Manual - Itasca - Winnebago
	007038-01-000	EA	Door Mat - Black Rubber - 10 1/2" x 26"
	065201-01-000	EA	Lamp Shade - Fabric - White Flax
	045586-02-000	EA	Wood Spindle - Galley - 1.75" x 2.4"

INTERIOR FINISH GROUP (CONTINUED)

CURTAIN HARDWARE

Key	Part Number	U/M	Description
	052327-05-009	EA	Track - Curtain - Beige Alum. - 76" w/Holes
	056116-01-000	EA	Track - Curtain - Brown Plastic
	059430-05-000	EA	Track - Curtain - Front Wraparound (2 per unit) - 43.75" x 36" - Beige
	059430-07-000	EA	Track - Curtain - Front Wraparound - 32.8" x 89 1" (Drivers Door) Beige
	056001-01-000	EA	Bracket - Shade - Left
	056002-01-000	EA	Bracket - Shade - Right
	056003-01-000	EA	Bracket - Drapery Retainer - Right
	056003-02-000	EA	Bracket - Drapery Retainer - Left
	056003-03-000	EA	Bracket - Drapery Retainer - Universal
	009107-01-000	EA	Guide - Nylon Snap - Curtain
	056784-01-000	EA	Pull - Window Shade - Antique Brass
	039175-01-000	EA	Curtain Rod - Ext. 48" - 84"
	039175-03-000	EA	Curtain Rod - Ext. 28" - 48"
	039185-04-000	EA	Curtain Rod - Ext. 16" - 28"
	039175-02-000	EA	Bracket - Curtain Rod
	056115-01-000	YD	Tape - Clear Plastic - w/Guides
	048394-01-000	YD	Tape Hook - 1" x 25 YD - Beige
	049385-01-000	YD	Tape Loop - 1" x 25 YD - Beige

CABINETY & TABLE HARDWARE

Key	Part Number	U/M	Description
	053200-05-000	EA	Bracket - Upper Wall Mount - Beige - 23 5"
**	053201-03-000	EA	Bracket - Table Mount - 23"
	024275-05-000	EA	Rod - Table Lift - 8" x 23 5" - Beige
	024281-07-000	EA	Bracket - Lower Wall Mount - Beige - 22.12"
	024276-14-000	EA	Leg Asm. - Table - 29.5" - Brown
	064050-01-000	EA	Hinge - Table Leg
**	024282-01-000	EA	Brace - Table Leg
**	024283-01-000	EA	Clip - 1" O.C. Tube
	049493-02-000	EA	Catch - Table Leg - Mounts on Floor - Brown
	057898-01-000	EA	Latch - Hidden - Cabinet Door
	057898-02-000	EA	Strike - Hidden Latch - Cabinet Door
	009112-01-000	EA	Flange - 1" Chrome - Closet Rod
	059753-01-000	EA	Slide - Drawer - Left
	059753-02-000	EA	Slide - Drawer - Right
**	037688-01-000	FT	Rail - Drawer
**	047744-01-000	EA	Kit - Drawer Glide
	057671-01-000	EA	Screw Cover - #8 - Off White
	072369-01-000	EA	Mesh - Grille - Brass - 14.3" x 10.1"
	009040-02-000	EA	Leg - Pedestal Table - 27.5" x 2.25" O.D. - Chrome
	009040-03-000	EA	Base - Table Leg - Mounts on Table
	041194-01-000	EA	Base - Table Leg - Mounts in Floor
	062046-01-000	EA	Clip - Leg Pedestal
	075687-01-000	EA	Lock Set - Bath Door - Bronze Stone
	009050-01-000	EA	Warp Guard - 64"
	009051-01-000	EA	Warp Guard - 48"
	009021-01-000	EA	Catch - Nylon - Furnace Door
	009021-02-000	EA	Strike - Nylon Catch - Furnace Door
**	052932-01-J30	EA	Hinge Kit - Cabinet Door - Antique Brass
**	074493-01-000	EA	Overhead Door Support - Sprung

** The illustrated parts breakdown for this item is provided on the Common Items Fiche.

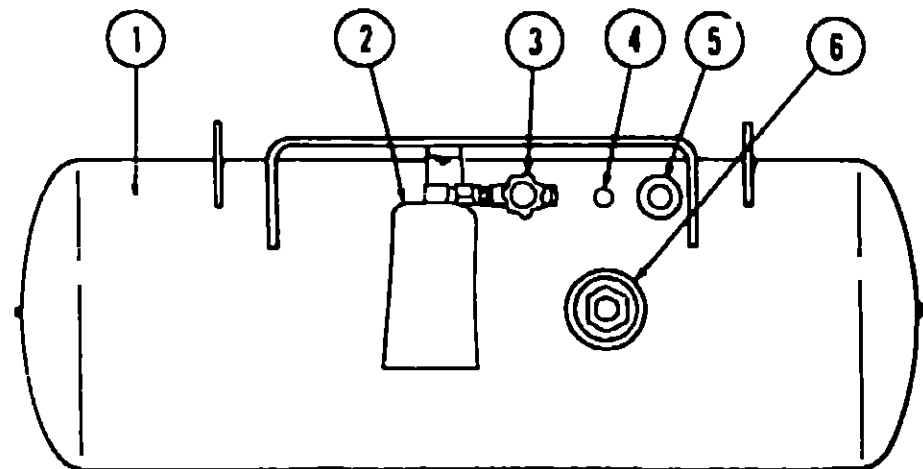
**1984 WINNEBAGO
TABLE OF CONTENTS**

Introduction	A-01
Abbreviations	A-01
Alphabetical Index	A-02 - A-04
WC424RC	A-05 - C-16
WCN22RC	C-17 - F-06
WCN27RU	F-07 - H-20
WCN33RU	H-21 - K-08

1984 WCN27RU INDEX

Floor Plan	F-07 - F-08
Accessories Group	F-09 - F-12
Bath Group	F-13
Chassis Group	F-14 - F-15
Curtain, Cushion & Pad Group	F-16 - F-23
Dinette Group	F-24
Driver's Compartment Group	G-01 - G-03
Electrical Group	G-04 - G-06
Exterior Body Group	G-07 - G-16
Galley Group	G-17 - G-19
Heating & Air Conditioning Group	G-20 - G-21
Interior Finish Group	G-22 - G-24
LP Group	H-01
Lounge Group	H-02 - H-03
Water & Sewage Group	H-04 - H-05
Window, Vent & Exterior Door Group	H-06 - H-20

LP GROUP

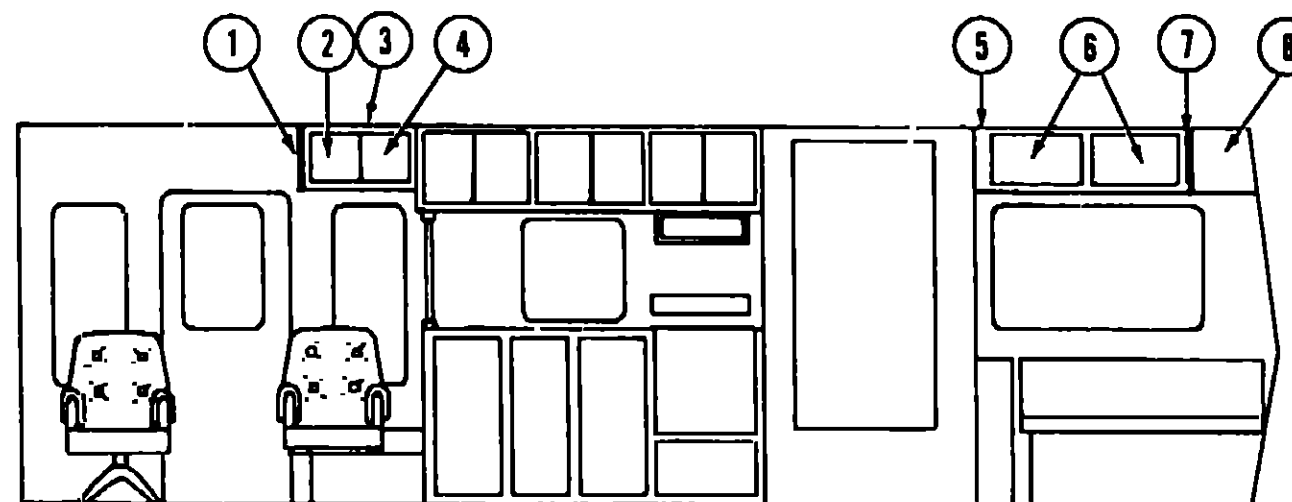


Key	Part Number	U/M	Description
1	074142-01-000	EA	Tank Asm. - LP - Frame Mount - 80 Pound - 13" x 44
1	074141-01-000	EA	Tank Asm. - LP - Frame Mount - 42 Pound - 12" x 28"
2	077277-01-000	EA	Compartment - LP Regulator - Front
2	076288-01-000	EA	Compartment - LP Regulator - Back
•	076301-01-000	EA	Regulator - Two Stage - LP Gas
3	040421-01-703	EA	Valve - Vapor Relief
4	040421-01-700	EA	Gauge - Liquid Level - 20% LP
5	040421-01-701	EA	Valve - Filler - LP
•	040421-01-702	EA	Cap - Plastic Fill Valve
6	040421-01-707	EA	Gauge - Float - w/Visible Dial - 80 Pound Tank
•	040421-01-706	EA	Dial - Visible Face - Float Gauge (Tank w/o Electric Transmitter)
•	040440-01-000	EA	Dial - Transmitter - 0 - 90 Ohm (Float Gauge)
•	045703-01-000	EA	Hose Asm. - LP - 3/8" I.D. x 24" - US
•	045703-02-000	EA	Hose Asm. - LP - 3/8" I.D. x 24" - CSA
•	045703-03-000	EA	Hose Asm. - LP - 3/8" I.D. x 18" - US
•	045703-04-000	EA	Hose Asm. - LP - 3/8" I.D. x 14" - CSA
•	068046-01-000	EA	Conversion Kit - LP - Onan Generator
•			Not illustrated

WINN AIR WITH LANDI-HARTOG (A-BODY)

Key	Part Number	U/M	Description
	065287-02-000	EA	Valve - Gasoline Shut-Off
	068050-07-000	EA	LP Mixer (350 Engine)
	068050-12-000	EA	LP Mixer (454 Engine)
	065802-01-000	EA	Gauge - LP Level w/Hardware
	068050-05-000	EA	Switch - LP/Gas Changeover
	068050-01-000	EA	Converter - LP
	068050-02-000	EA	LP Lock Off
	068050-03-000	EA	Switch - LP - Vacuum Safety

LOUNGE GROUP



LOUNGE OVERHEAD CABINETRY

Key	Part Number	U/M	Description
1	071846-01-R10	EA	Pad Asm. - End Cap - Front Lounge Overhead - Beige Vinyl
2	M75272-01-R10	EA	Cabinet Asm. - Front Lounge Overhead - w/o Doors or Hardware
3	072718-02-R10	EA	Door Asm. - Overhead Cabinet - w/Wire Mesh - w/o Hardware
4	072718-03-R10	EA	Door Asm. - Overhead Cabinet - w/Wire Mesh - w/o Hardware
•	072369-04-000	EA	Gold Mesh - Expanded Aluminum - 17.9" x 6.7"
5	M75276-01-R10	EA	Cabinet Asm. - Rear Overhead - Right Sidewall - w/o Doors or Hardware
6	069852-74-R10	EA	Door Asm. - Rear Overhead Cabinet - Right & Left Sidewall - 18.7" x 11.4" - w/o Hardware
7	069852-72-R10	EA	Door Asm. - Rear Overhead Cabinet - Backwall - 28.1" x 11.4" w/o Hardware
8	075273-01-R10	EA	Cabinet Asm. - Rear Overhead - Backwall - w/o Doors or Hardware
•	M75277-01-R10	EA	Cabinet Asm. - Rear Overhead - Left Sidewall - w/o Doors or Hardware
•			Not illustrated

SWIVEL CHAIR HARDWARE

Key	Part Number	U/M	Description
	035036-01-000	EA	Plate - Tilt & Swivel - Swivel Chair - High Base
	035036-05-000	EA	Extension - 7" - Swivel Chair - Low Base
	035036-02-000	EA	Base w/Legs - Swivel Chair - High Base
	035036-04-000	EA	Base w/Legs - Swivel Chair - Low Base
	074376-01-000	EA	Base - Swivel - Ball Bearing - 6" x 6" (Generator Box)

DOUBLE BED W/NIGHT STAND

Key	Part Number	U/M	Description
	075280-01-R10	EA	Cabinet Asm. - Nightstand - w/o Countertop
	M01413-01-R10	EA	Countertop Asm. - Nightstand Cabinet - Harbor Oak
	069852-71-R07	EA	Door Asm. - Double Bed Base - 25.1" x 10" - w/o Hardware

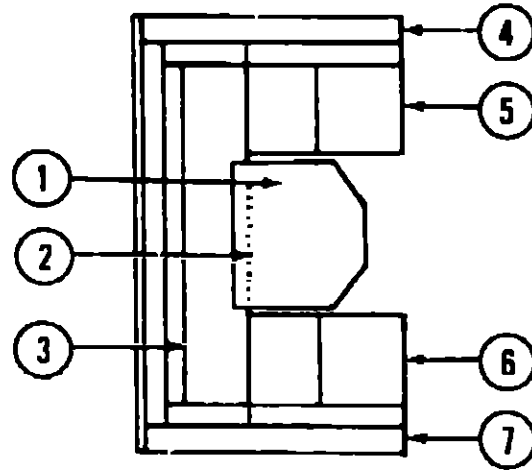
1984 WINNEBAGO TABLE OF CONTENTS

Introduction	A-01
Abbreviations	A-01
Alphabetical Index	A-02 - A-04
WC424RC	A-05 - C-16
WCN22RC	C-17 - F-06
WCN27RU	F-07 - H-20
WCN33RU	H-21 - K-08

1984 WCN27RU INDEX

Floor Plan	F-07 - F-08
Accessories Group	F-09 - F-12
Bath Group	F-13
Chassis Group	F-14 - F-15
Curtain, Cushion & Pad Group	F-16 - F-23
Dinette Group	F-24
Driver's Compartment Group	G-01 - G-03
Electrical Group	G-04 - G-06
Exterior Body Group	G-07 - G-16
Galley Group	G-17 - G-19
Heating & Air Conditioning Group	G-20 - G-21
Interior Finish Group	G-22 - G-24
LP Group	H-01
Lounge Group	H-02 - H-03
Water & Sewage Group	H-04 - H-05
Window, Vent & Exterior Door Group	H-06 - H-20

LOUNGE GROUP (CONTINUED)



HORSESHOE LOUNGE W/PEDESTAL TABLE

Key	Part Number	U/M	Description
1	M75271-01-R10	EA	Table Asm. - Pedestal - Harbor Oak - w/o Hardware
2	069852-20-R10	EA	Door Asm. - Center Gaucho - 10.1" x 26" - w/o Hardware
3	M70663-01-R10	EA	Cabinet Asm. - Center Gaucho
4	075397-01-R10	EA	Cabinet Asm. - Hamper - Left
5	M75399-01-R10	EA	Cabinet Asm. - Gaucho - Left
6	M75398-01-R10	EA	Cabinet Asm. - Gaucho - Right
7	075397-02-R10	EA	Cabinet Asm. - Hamper - Right
.	009040-03-000	EA	Base - Pedestal Table - Table Mount
.	041194-01-000	EA	Base - Pedestal Table - Floor Mount
.	009040-02-000	EA	Leg - Pedestal Table - 2 25" O.D. x 27.5" - Chrome
.	009040-04-000	EA	Leg - Pedestal Table - 2 25" O.D. x 27.5" - Brown
.	M01523-01-000	EA	Countertop Asm. - Hamper - Harbor Oak - Left Hand
.	M01523-02-000	EA	Countertop Asm. - Hamper - Harbor Oak - Right Hand
.	062046-01-000	EA	Clip Pedestal Leg
.	053163-01-000	EA	Couch Slide Bracket
.	053347-01-000	EA	Hitch Pin - 3/32" - Wire
.	053348-01-000	EA	Steel Pin w/Hole - 1/4" x 4"
.	064781-02-000	EA	Cup Holder - 3 47" O.D. x 2 75" I.D. x 1.5" - Beige
.			Not illustrated

WATER & SEWAGE GROUP

PLUMBING AND REPAIR PARTS

Key	Part Number	U/M	Description
	045729-01-000	EA	Pump - Water - 2.8 G.P.M. - Direct Drive - Shurflo - US
	045729-02-000	EA	Pump - Water - 2.8 G.P.M. - Direct Drive - Shurflo - CSA
	039647-02-000	EA	Filter - Water Pump - 1/2" MPT
	039647-03-000	EA	Filter - Water Pump - 1/2" Flare
	052959-03-000	EA	Connector - 1/2 F x 3/8 MPT - Plastic
	052960-01-000	EA	Drain Valve - 1/2 F x 1/2 F - Plastic
	052961-01-000	EA	Header - 1/2 F x 1/2 F x 1/2 F x 1/2 F
**	046524-02-000	EA	Kit - Water Tank Fittings - Blank Tank
**	010079-01-000	EA	Tee - Plastic - 1 1/2 H x 1 1/2 H x 1 1/4 H
**	010121-01-000	EA	Bushing - Plastic - 1 1/2 S x 1 1/4 H
**	010133-01-000	EA	Trap Adapter - Plastic - 1 1/2 H x MPT
**	052954-01-000	EA	Adapter - Nose Cone - 5/8 or 1/2 - Plastic
**	010201-01-000	EA	Sewer Hose - 3" x 8" w/Clamp
**	050780-01-000	EA	Coupler Rubber - 3" x 3"
	062415-01-000	EA	Cap - Sewer - 3"
	062416-01-000	EA	Hose Adapter - 3"
	062417-01-000	EA	Adapter - Termination - 3"
	062421-01-000	EA	Valve - 1 1/2" - w/Handle
**	011066-01-000	EA	P-Trap - 1 1/4" - Plastic
	010071-01-000	EA	Tee - Plastic - 1 1/2" x H x H x H
	010072-01-000	EA	Tee - Plastic - 1 1/2" H x 1 1/4 H x 1 1/2 H
	052956-01-000	EA	Tee - Plastic - 1/2 F x 1/2 MPT x 1/2 F
	052958-01-000	EA	Tee - Plastic - 1/2 F x 1/2 F x 1/2 F
	053335-01-000	EA	P-Trap - Plastic - 1 1/4 H x H - w/Union
**	011091-01-000	EA	Waste - Continuous - Double Sink - 11 7/8"
	061607-01-000	EA	Grommet - Holding Tank Coupler - 1 1/2"
	061607-02-000	EA	Grommet - Holding Tank Coupler - 3"
	010000-01-000	EA	Elbow - Plastic - 1/8 BD x 1 1/4" x 45° H x H
	010006-01-000	EA	Elbow - Plastic - 1/8 BD x 1 1/2 x 45° H x H
	010051-01-000	EA	Elbow - ST - Plastic - 1/8 BD x 1 1/2 x 45°
	010219-01-000	EA	Elbow - 1 1/4 Barb x 1 1/4 MPT x 90°
	034250-01-000	EA	Elbow - Plastic - 1/4 BD x 1 1/2 x 90° H x H
	052957-01-000	EA	Elbow - Plastic - 1/2 F x 3/8 MPT
	052957-02-000	EA	Elbow - Plastic - 1/2 F x 1/2 MPT
	065120-01-000	EA	Elbow - Plastic - Swivel - .50"
	070924-01-000	EA	Elbow - Plastic - Swivel - 1/2 MPT x 1/2 FP
	010123-01-000	EA	Bushing - Plastic - 2S x 1 1/2 H
	033302-02-000	EA	Adapter Asm. - SWVC Strain - 1 1/2"
	072346-01-000	EA	Valve Asm. - 3" Ell - w/2" Socket
	039800-01-000	FT	Tubing - Polybutyl - 1.2 O D (Water Line)
	044928-01-000	FT	Flexible Tubing - 1 1/4 I D
	004020-01-000	OT	Adhesive - ABS Cement
	077954-01-000	EA	Filter/Screen - Plastic Water Tank
	042989-02-000	EA	Plastic Fitting - Spinweid (Filter/Screen)
	062422-01-000	EA	Adapter - Hose Offset - Reducer - 3" x 1 1/2"
	052962-01-000	EA	Valve - Stool - 90° x 1/2 F x 3/8 MPT
	010147-01-000	EA	Flange - Closet - 4" F x 3" FPT
	010224-01-000	EA	Adapter - Plastic - 3/8 MPT x 3 & Barb
	007108-01-000	EA	Hose - Heater - 5/8"
	054535-01-000	EA	Vent - Mechanical Trap Arm
	075726-01-000	EA	Extension Outlet - Sewer Hose Compartment
	075730-01-000	EA	End Cap - Sewer Hose Compartment
**			The illustrated parts breakdown for this item is provided on the Common Items Fiche

1984 WINNEBAGO TABLE OF CONTENTS

Introduction	A-01
Abbreviations	A-01
Alphabetical Index	A-02 - A-04
WC424RC	A-05 - C-16
WCN22RC	C-17 - F-06
WCN27RU	F-07 - H-20
WCN33RU	H-21 - K-08

1984 WCN27RU INDEX

Floor Plan	F-07 - F-08
Accessories Group	F-09 - F-12
Bath Group	F-13
Chassis Group	F-14 - F-15
Curtain, Cushion & Pad Group	F-16 - F-23
Dinette Group	F-24
Driver's Compartment Group	G-01 - G-03
Electrical Group	G-04 - G-06
Exterior Body Group	G-07 - G-16
Galley Group	G-17 - G-19
Heating & Air Conditioning Group	G-20 - G-21
Interior Finish Group	G-22 - G-24
LP Group	H-01
Lounge Group	H-02 - H-03
Water & Sewage Group	H-04 - H-05
Window, Vent & Exterior Door Group	H-06 - H-20

WATER & SEWAGE GROUP (CONTINUED)

HOLDING TANKS & WATER HEATERS

Key	Part Number	U/M	Description
	M01275-08-000	EA	Tank Asm. - Water - 45 Gallon - w/Fittings
	075186-01-000	EA	Tank - Water - 45 Gallon - w/o Fittings
	061805-01-000	EA	Tank - Waste Water - 40 Gallon - w/o Fittings
	074175-01-000	EA	Tank - Sewage - 44 Gallon - w/o Fittings
**	051391-03-000	EA	Water Heater - w/o Motor Aid - G6A-3E
**	051393-01-000	EA	Water Heater - w/Motor Aid - GH6-3E

** The illustrated parts breakdown for this item is provided on the Common Items Fiche.

WINDOW, VENT & EXTERIOR DOOR GROUP

ACCESS DOOR

Key	Part Number	U/M	Description
	047233-04-000	EA	Door Asm. - Luggage - Beige - w/Key Lock
*	076854-02-000	EA	Door Asm. - Luggage - Beige - w/Key Lock
	059727-02-000	EA	Door Asm. - Storage - Insulated - Beige - w/Key Lock
*	076855-01-000	EA	Door Asm. - Storage - Insulated - Beige - w/Key Lock
	069762-04-000	EA	Door Asm. - Refrigerator Access - Beige - w/Twist Lock
	073925-10-000	EA	Door Asm. - Spare Tire Compartment - Beige - w/Key Lock
*	076852-10-000	EA	Door Asm. - Spare Tire Compartment - Beige - w/Key Lock
	073925-03-000	EA	Door Asm. - LP w/Twist Type Lock
*	076852-03-000	EA	Door Asm. - LP w/Twist Type Lock
	073925-05-000	EA	Door Asm. - Access - Beige - w/Key Lock (Battery)
*	076852-05-000	EA	Door Asm. - Access - Beige - w/Key Lock (Battery)
	M00685-08-000	EA	Door Asm. - Generator - Beige - w/Twist Lock
*	M01552-01-000	EA	Door Asm. - Generator - Beige - w/Twist Lock
	052009-02-000	EA	Door Asm. - Water Heater - Beige
	052181-01-000	EA	Baffle - Generator Door
	052423-02-000	EA	Door - Fuel Fill - Beige
	052424-02-000	EA	Jamb - Power Cord/Fuel Fill Door - Beige
	063742-02-000	EA	Door - Power Cord - Beige
	054543-02-000	EA	Hatch - Power Cord Door - Beige
	054530-01-000	EA	Door Holder
	042441-01-000	EA	Lock Asm. - Key Type - Gas Fill
	047305-01-000	EA	Lock Asm. - Key Type w/Clip - Luggage
	052950-01-700	EA	Lock Kit - Twist Type - w/Clip - Power Cord

* Parts used on fiberglass sidewalls

WINDSHIELD

Key	Part Number	U/M	Description
	057459-01-000	EA	Glass - Windshield - Flat
	058272-02-000	EA	Frame Asm. - Windshield
	038886-01-000	EA	Tape - Butyl - .31" x .31" x 148"
	042743-01-000	EA	Corner - Windshield - Lower
	042743-02-000	EA	Corner - Windshield - Upper

VENTS

Key	Part Number	U/M	Description
	071290-02-000	EA	Cover - Refrigerator Vent - 11 5/8" x 24 3/4" - Galv Steel
	071290-01-000	EA	Roof Base - Refrigerator Vent - 7.5" x 26.5" - Galv Steel
	049352-02-000	EA	Vent - Stovehood - Outside - Beige
**	048789-01-000	EA	Vent Asm. - Roof - Powered - w/o Screen - Alum
**	048835-01-000	EA	Vent Asm. - Roof - Non Powered - w/o Screen - Alum
	016335-04-000	EA	Screen Asm. - Roof Vent - Non Powered - Off White
	048695-04-000	EA	Screen Asm. - Roof Vent - Powered - Off White

** The illustrated parts breakdown for this item is provided on the Common Items Fiche

**1984 WINNEBAGO
TABLE OF CONTENTS**

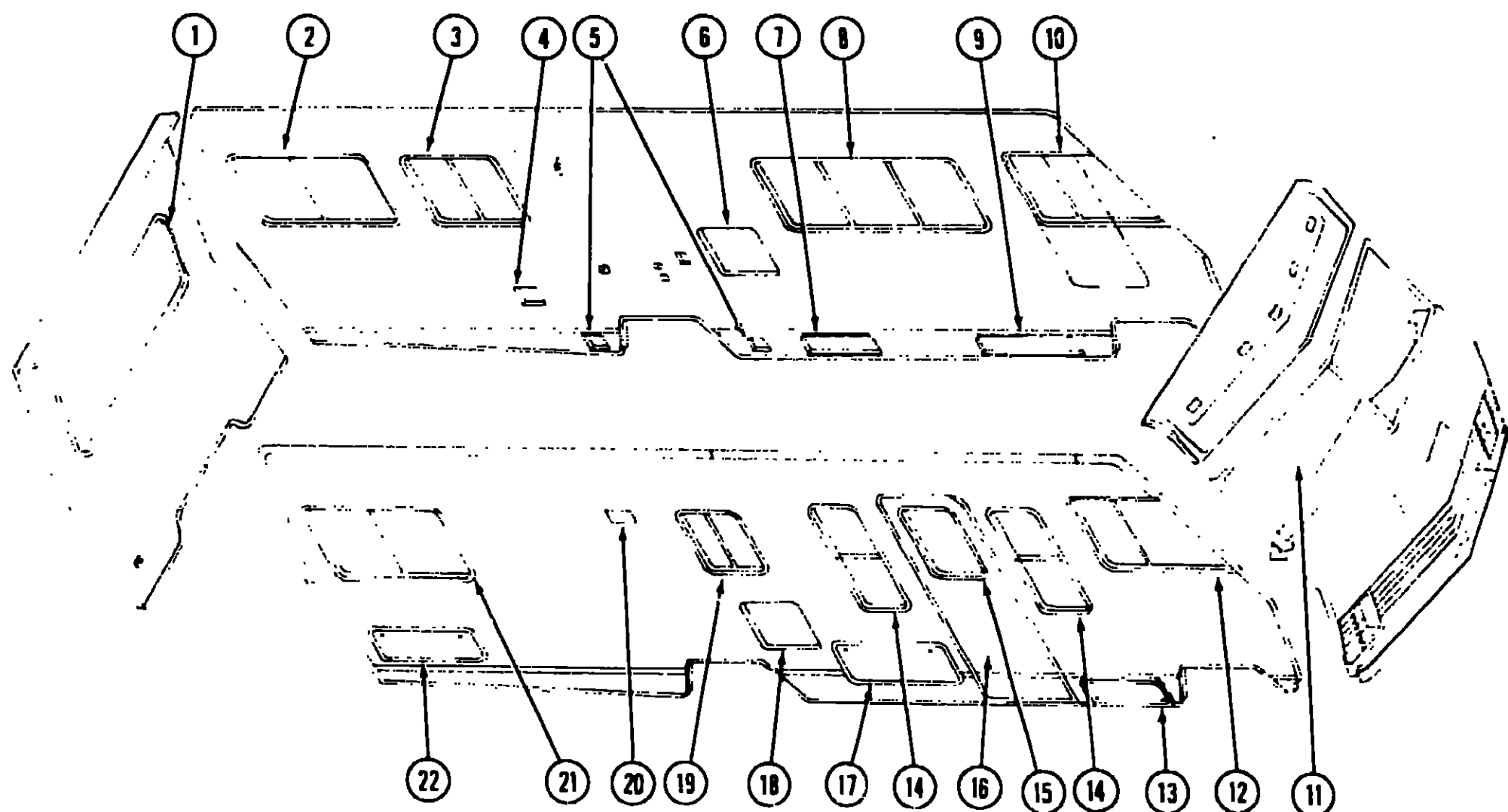
Introduction	A-01
Abbreviations	A-01
Alphabetical Index	A-02 - A-04
WC424RC	A-05 - C-16
WCN22RC	C-17 - F-06
WCN27RU	F-07 - H-20
WCN33RU	H-21 - K-08

1984 WCN27RU INDEX

Floor Plan	F-07 - F-08
Accessories Group	F-09 - F-12
Bath Group	F-13
Chassis Group	F-14 - F-15
Curtain, Cushion & Pad Group	F-16 - F-23
Dinette Group	F-24
Driver's Compartment Group	G-01 - G-03
Electrical Group	G-04 - G-06
Exterior Body Group	G-07 - G-16
Galley Group	G-17 - G-19
Heating & Air Conditioning Group	G-20 - G-21
Interior Finish Group	G-22 - G-24
LP Group	H-01
Lounge Group	H-02 - H-03
Water & Sewage Group	H-04 - H-05
Window, Vent & Exterior Door Group	H-06 - H-20

WINDOW, VENT & EXTERIOR DOOR GROUP (CONTINUED)

WINDOWS AND ACCESS DOORS



Key	Part Number	U/M	Description
1	020754-03-000	EA	Window Asm - Rear Escape - 23" x 68" - Black (w/o inside frame)
2	048631-20-000	EA	Window asm - Left Single Slider - 25" x 44" - Black (w/o inside frame)
3	048631-08-000	EA	Window Asm - Left Single Slider - 23" x 29" - Black (w/o inside frame)
4	NOTE	EA	Door Asm - Fuel Fill (See Access Doors)
5	NOTE	EA	Door Asm - Power Cord (See Access Doors)
6	069762-04-000	EA	Door Asm - Refrigerator Access - w/Twist Lock - Beige
7	073925-03-000	EA	Door Asm - Access - Twist Type Lock - Beige
7	076852-03-000	EA	Door Asm - Access - Twist Type Lock - Beige
8	075738-01-000	EA	Window Asm - Double Slider - 25" x 65" (w/o inside frame)
9	073925-10-000	EA	Door Asm - Spare Tire Compartment - Beige
9	076852-10-000	EA	Door Asm - Spare Tire Compartment - Beige
10	059046-02-000	EA	Window Asm - Left Front Slant Slider - 23" x 39" - Black (w/o inside frame)
11	057459-01-000	EA	Glass - Windshield - Flat
12	059046-01-000	EA	Window Asm - Right Front Slant Slider - 23" x 39" - Black (w/o inside frame)

Key	Part Number	U/M	Description
13	073925-05-000	EA	Door Asm. - w/Key Type Lock - Beige
13	076852-05-000	EA	Door Asm. - w/Key Type Lock - Beige
14	074348-01-000	EA	Window Asm. - Vertical Slider - Black (w/o inside frame)
15	041875-09-000	EA	Window Asm - Picture - 17" x 25" - Black (w/o inside frame)
16	M01414-01-000	EA	Door Asm - Radius Entry w/Screen Door
16	M01414-11-000	EA	Door Asm - Radius Entry w/Screen Door - Mesa
16	M01414-05-000	EA	Door Asm - Radius Entry w/Screen Door - Greyhound
17	047233-04-000	EA	Door Asm - Luggage - Beige - w/Key Lock
17	076854-02-000	EA	Door Asm - Luggage - Beige - w/Key Lock
17	M00685-08-000	EA	Door Asm. - Generator - Beige - w/Twist Lock
18	M01552-01-000	EA	Door Asm - Water Heater - Beige
19	048631-03-000	EA	Window Asm - Right Single Slider - 20" x 25" - Black (w/o inside frame)
20	049352-01-000	EA	Vent - Stovehood - Outside - Beige
21	048631-19-000	EA	Window Asm - Right Single Slider - 25" x 44" - Black (w/o inside frame)
22	059727-02-000	EA	Door Asm - Storage - Insulated - Beige - w/Key Lock
22	076855-01-000	EA	Door Asm - Storage - Insulated - Beige - w/Key Lock

Parts used on fiberglass sidewalls

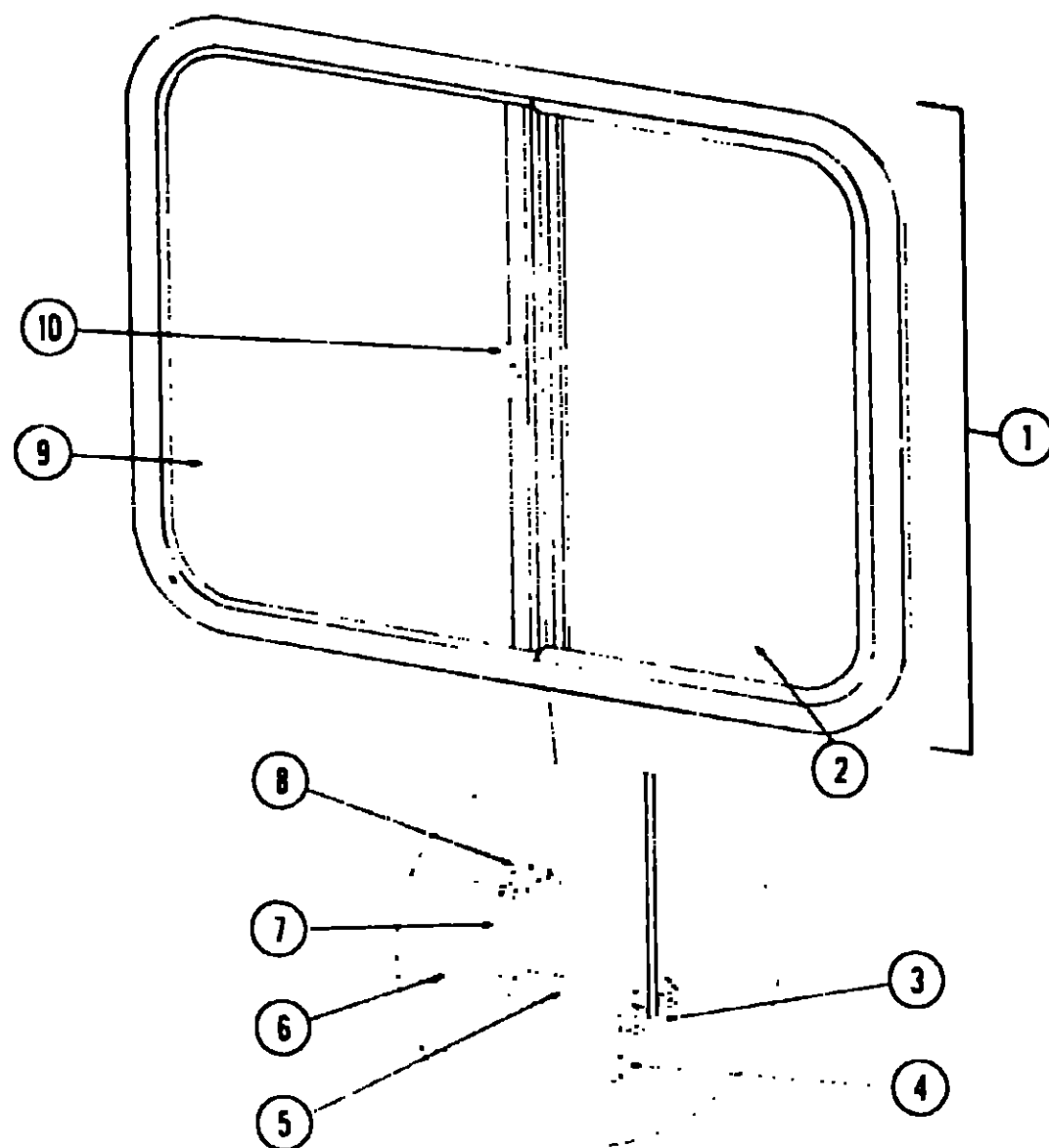
1984 WINNEBAGO TABLE OF CONTENTS

Introduction	A-01
Abbreviations	A-01
Alphabetical Index	A-02 - A-04
WC424RC	A-05 - C-16
WCN22RC	C-17 - F-06
WCN27RU	F-07 - H-20
WCN33RU	H-21 - K-0R

1984 WCN27RU INDEX

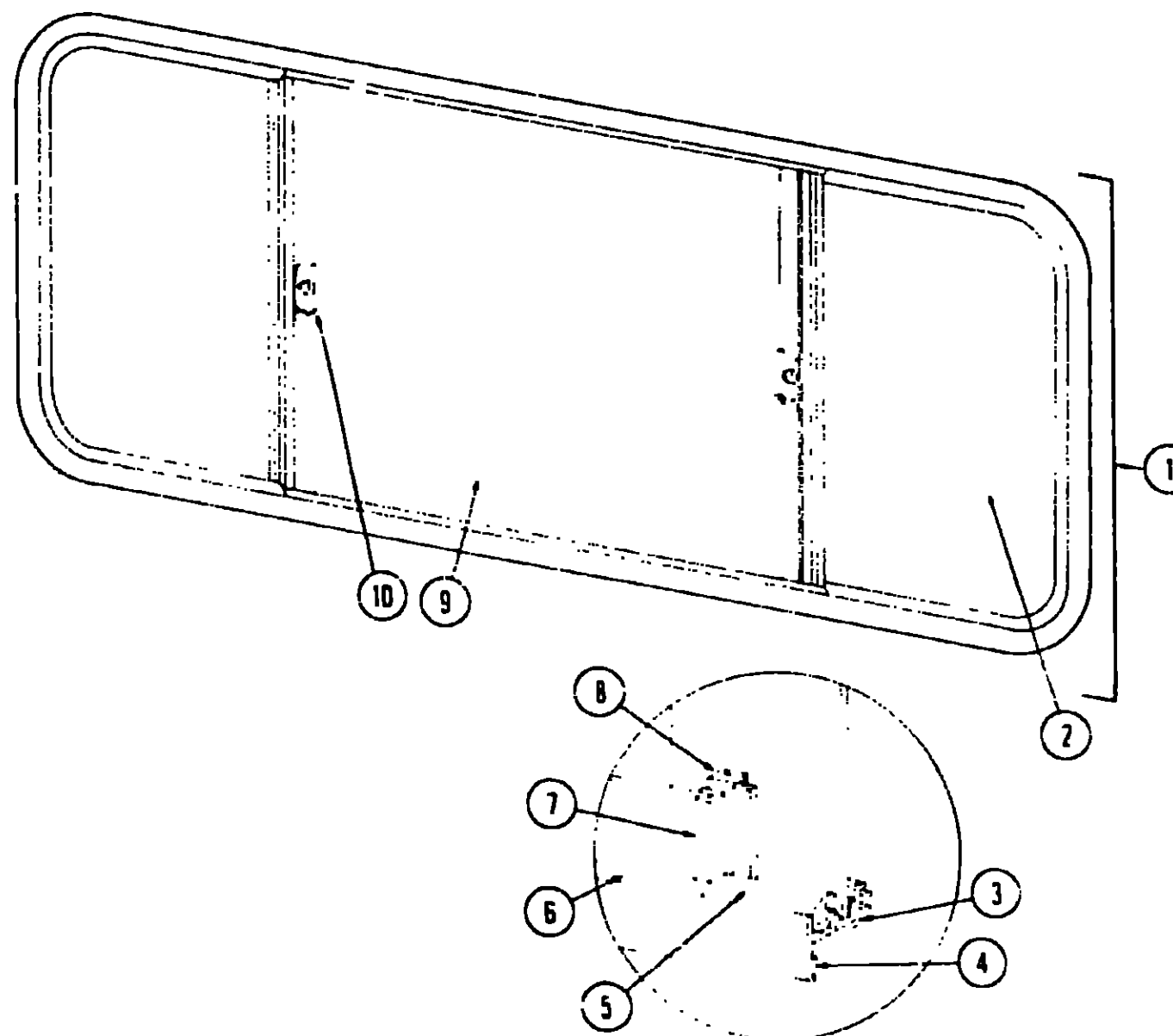
Floor Plan	F-07 - F-08
Accessories Group	F-09 - F-12
Bath Group	F-13
Chassis Group	F-14 - F-15
Curtain, Cushion & Pad Group	F-16 - F-23
Dinette Group	F-24
Driver's Compartment Group	G-01 - G-03
Electrical Group	G-04 - G-06
Exterior Body Group	G-07 - G-16
Galley Group	G-17 - G-19
Heating & Air Conditioning Group	G-20 - G-21
Interior Finish Group	G-22 - G-24
LP Group	H-01
Lounge Group	H-02 - H-03
Water & Sewage Group	H-04 - H-05
Window, Vent & Exterior Door Group	H-06 - H-20

WINDOW, VENT & EXTERIOR DOOR GROUP (CONTINUED)



Key	Part Number	U/M	Description
1	048631-19-000	EA	Window Asm - Right Single Slider - 25" x 44" - Black (w/o inside frame)
1	048631-20-000	EA	Window Asm - Left Single Slider - 25" x 44" - Black (w/o inside frame)
2	047822-04-000	EA	Glass - Sliding - 1/8" x 24" x 21 03" - Gray
3	002324-02-000	FT	Channel - Weatherstrip - Glass Run - 1/8" Glass
4	059640-01-000	FT	Tape - 1/4" Bead x 20' - Gray - 3M
5	047374-02-000	FT	Seal - Window Channel - Black
6	002309-02-000	FT	Spline - Glass - 1/8" - Black
7	M69886-03-003	EA	Seal Holder w/Fin Seal - 23 19"
7	073740-01-000	FT	Seal - Fin - Pile - 460"
7	002288-01-000	FT	Weatherstrip - Glass Seal - 30 Pile
8	069896-02-000	EA	Mullion - Black
9	042076-01-000	FT	Weatherstrip - Mullion - 34 Pile
9	002183-03-000	EA	Glass - Stationary - 1 8" x 24" x 23 49" - Gray
10	047369-01-700	EA	Latch - Window - Plastic w/Fastener
•	023320-01-000	EA	Foam Pad - 3/8" Dia (use w plastic latch)
•	067609-13-000	EA	Inside Frame - Single Slider - Right or Left - 24 66" x 43 44" - Beige (not included in assembly)
•	023713-02-000	EA	Weephole Cover - Black Plastic
•	002293-01-000	SF	Screen - Window - 26" - Gray
•	002298-01-000	FT	Spline - Screen - 13 Dia - Gray
•			Not illustrated

WINDOW, VENT & EXTERIOR DOOR GROUP (CONTINUED)



Key	Part Number	U/M	Description
1	075738-01-000	EA	Window Asm - Double Slider - 25" x 65" - Black (w/o inside frame)
•	067609-06-000	EA	Inside Frame - Beige (not included in assembly)
2	047822-04-000	EA	Glass - Sliding - 1 8" x 21 03" x 24"
3	002324-02-000	FT	Channel - Weatherstrip - Glass
4	069640-01-000	FT	Tape - 1/4" Bead x 20' - Gray - 3M
5	057374-02-000	FT	Extr Vinyl - Window Seal - Black
6	002309-02-000	FT	Spline - Glass - 1/8" Material - Black
7	M69886-03-003	EA	Seal Holder w/Fin Seal - 23 19"
8	069896-02-000	EA	Mullion - Slider Window - Black
9	002188-05-000	EA	Glass - Stationary - 1 8" x 25 5" x 24"
10	047369-01-700	EA	Latch - Window - Plastic - w Fastener
•	002293-01-000	SF	Screen - Window - 26" - Gray
•	002298-01-000	FT	Spline - 130" Dia - Gray (Screen)
•	073740-01-000	FT	Seal - Fin - Pile - 460"
•	023713-02-000	EA	Weephole Cover - Black Plastic
•			Not illustrated

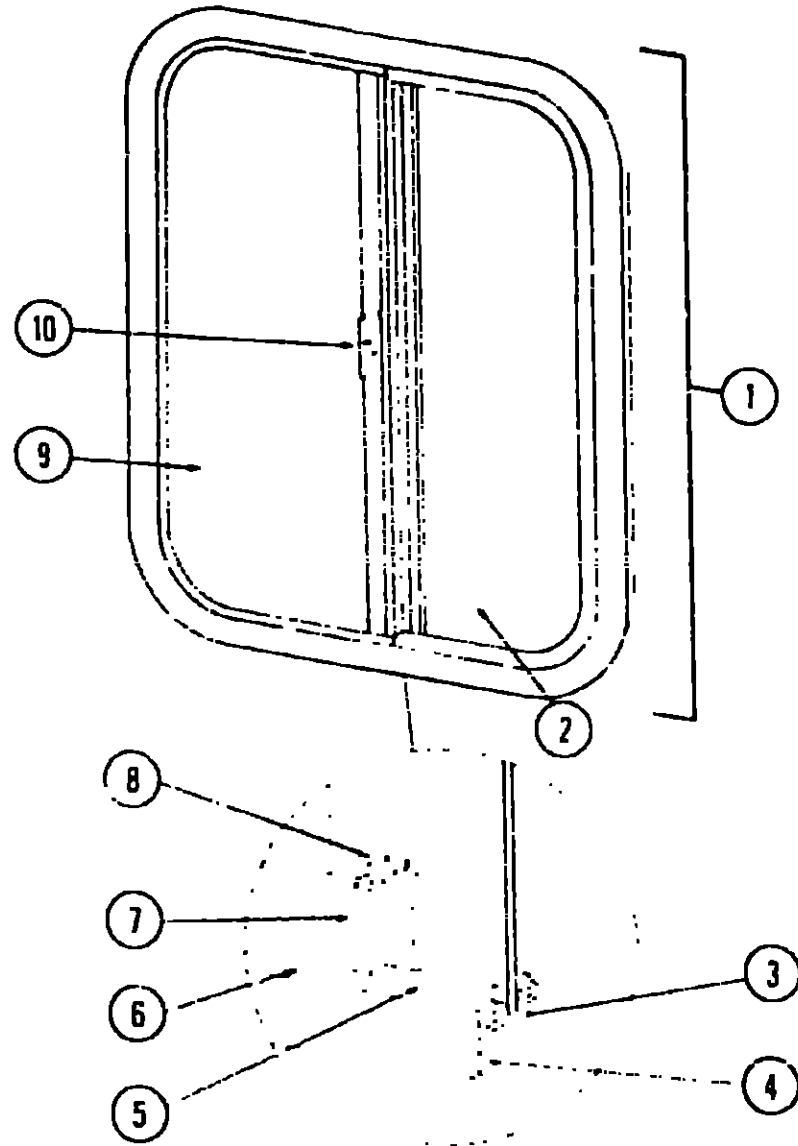
**1984 WINNEBAGO
TABLE OF CONTENTS**

Introduction	A-01
Abbreviations	A-01
Alphabetical Index	A-02 - A-04
WC424RC	A-05 - C-16
WCN22RC	C-17 - F-06
WCN27RU	F-07 - H-20
WCN33RU	H-21 - K-08

1984 WCN27RU INDEX

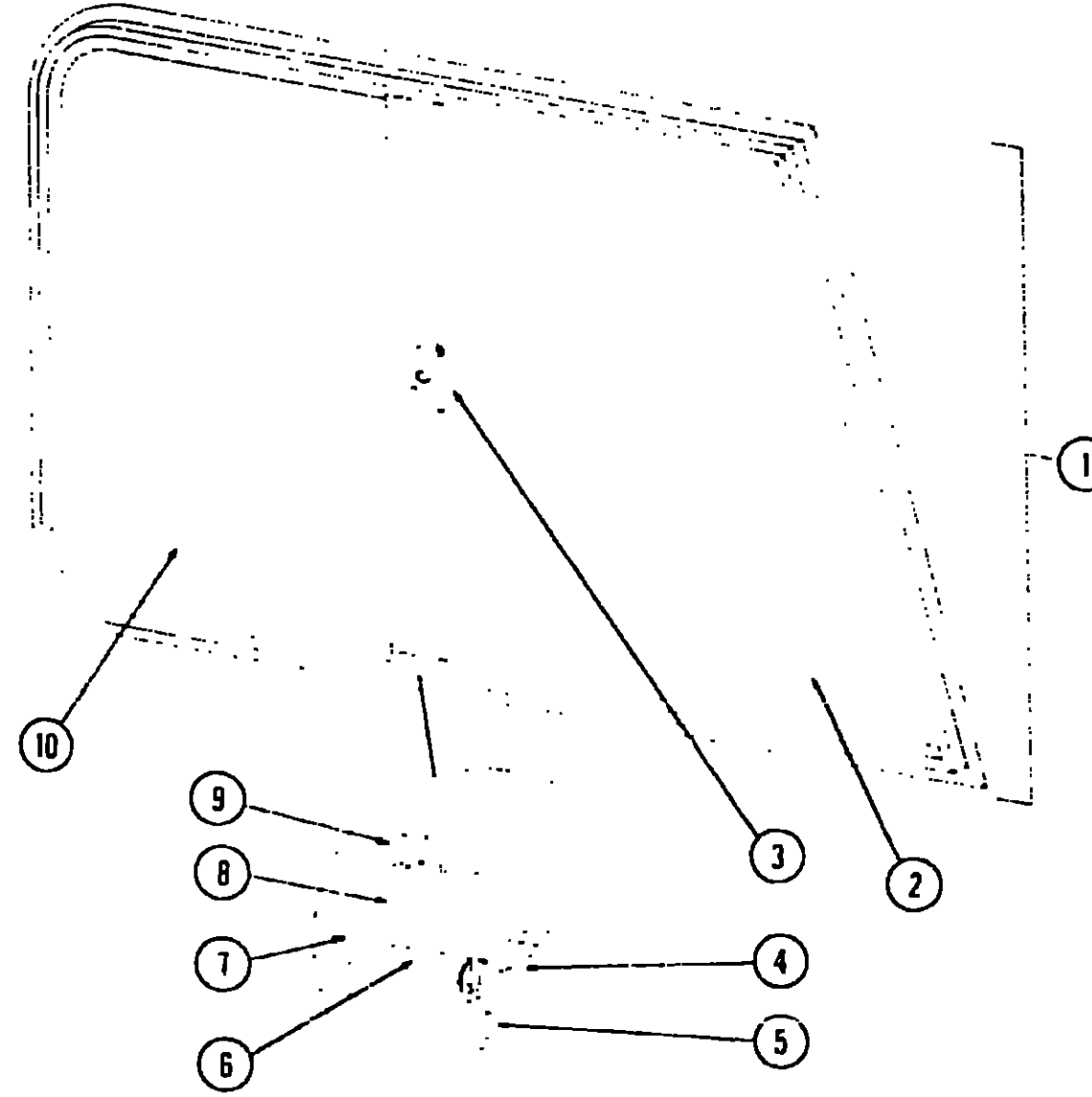
Floor Plan	F-07 - F-08
Accessories Group	F-09 - F-12
Bath Group	F-13
Chassis Group	F-14 - F-15
Curtain, Cushion & Pad Group	F-16 - F-23
Dinette Group	F-24
Driver's Compartment Group	G-01 - G-03
Electrical Group	G-04 - G-06
Exterior Body Group	G-07 - G-16
Galley Group	G-17 - G-19
Heating & Air Conditioning Group	G-20 - G-21
Interior Finish Group	G-22 - G-24
LP Group	H-01
Lounge Group	H-02 - H-03
Water & Sewage Group	H-04 - H-05
Window Vent & Exterior Door Group	H-06 - H-20

WINDOW, VENT & EXTERIOR DOOR GROUP (CONTINUED)



Key	Part Number	U/M	Description
1	042631-03-000	EA	Window Asm - Right Single Slider - 20" x 25" - Black (w/o inside frame)
1	042147-12-000	EA	Inside Frame - Beige (not included in assembly)
2	047820-01-000	EA	Glass - Sliding - w Hole - 1'8" x 13'67" x 19"
3	002324-02-000	FT	Channel - Weatherstrip - Glass
4	069640-01-000	FT	Tape - 1'4" Bead x 20" - Gray - 3M
5	057374-02-000	FT	Extr Vinyl - Window Seal - Black
6	002309-02-000	FT	Spline - Glass - 1'8" Material - Black
7	M69886-03-011	EA	Extr - Holder - Glass Seal - 18'19" - Black
8	041894-12-000	EA	Mullion - Slider Window - Black
9	002241-02-000	EA	Glass - Stationary - 1'8" x 12'3" x 19"
10	047369-01-700	EA	Latch - Window - Plastic - w/Fastener
1	002293-01-000	SF	Screen - Window - 26" - Gray
1	002298-01-000	FT	Spline - 130" Dia - Gray - (Screen)
1	073740-01-000	FT	Seal - Fin - Pile - 460"
1	Not illustrated		

WINDOW, VENT & EXTERIOR DOOR GROUP (CONTINUED)



Key	Part Number	U/M	Description
1	059046-01-000	EA	Window Asm - Right Front Slant Slider - 23" x 39" - Black (w/o inside frame)
1	059046-02-000	EA	Window Asm - Left Front Slant Slider - 23" x 39" - Black (w/o inside frame)
2	057656-01-000	EA	Glass - 3/16" x 24'88" x 25'30" - Stationary
3	047369-01-700	EA	Latch - Window - Plastic w/Fastener
1	023320-01-000	EA	Foam Pad - 3/8" Dia (used with plastic latch)
4	042077-01-000	FT	Channel - Weatherstrip - Glass Run - 3'10" Glass
5	069640-02-000	FT	Tape - 1'2" x 1'8" x 30" - Gray - 3M
6	050216-02-000	FT	Spline - 3/16" Glass
7	057374-02-000	FT	Extr Vinyl - Window Seal - Black
1	002389-03-206	EA	Holder - Glass Seal - Black - 24'13"
9	057644-04-000	EA	Mullion - Window - Slant Slider
10	057657-01-000	EA	Glass - 3/16" x 24'88" x 14'70" - Sliding
1	059042-03-000	EA	Inside Frame - Right Front Slant Slider - Beige (not included in assembly)
1	059042-04-000	EA	Inside Frame - Left Front Slant Slider - Beige (not included in assembly)
1	023713-02-000	EA	Weephole Cover - Black Plastic
1	055161-05-000	EA	Slider Screen Asm - Right or Left - Black
1	U16310-03-000	EA	Handle - Slider Screen - Black
1	002292-01-000	SF	Screen - Window - 20" - Gray
1	002298-01-000	FT	Spline - Gray - 130" Dia
1	073740-01-000	FT	Seal - Fin - Pile - 460"
1	Not illustrated		

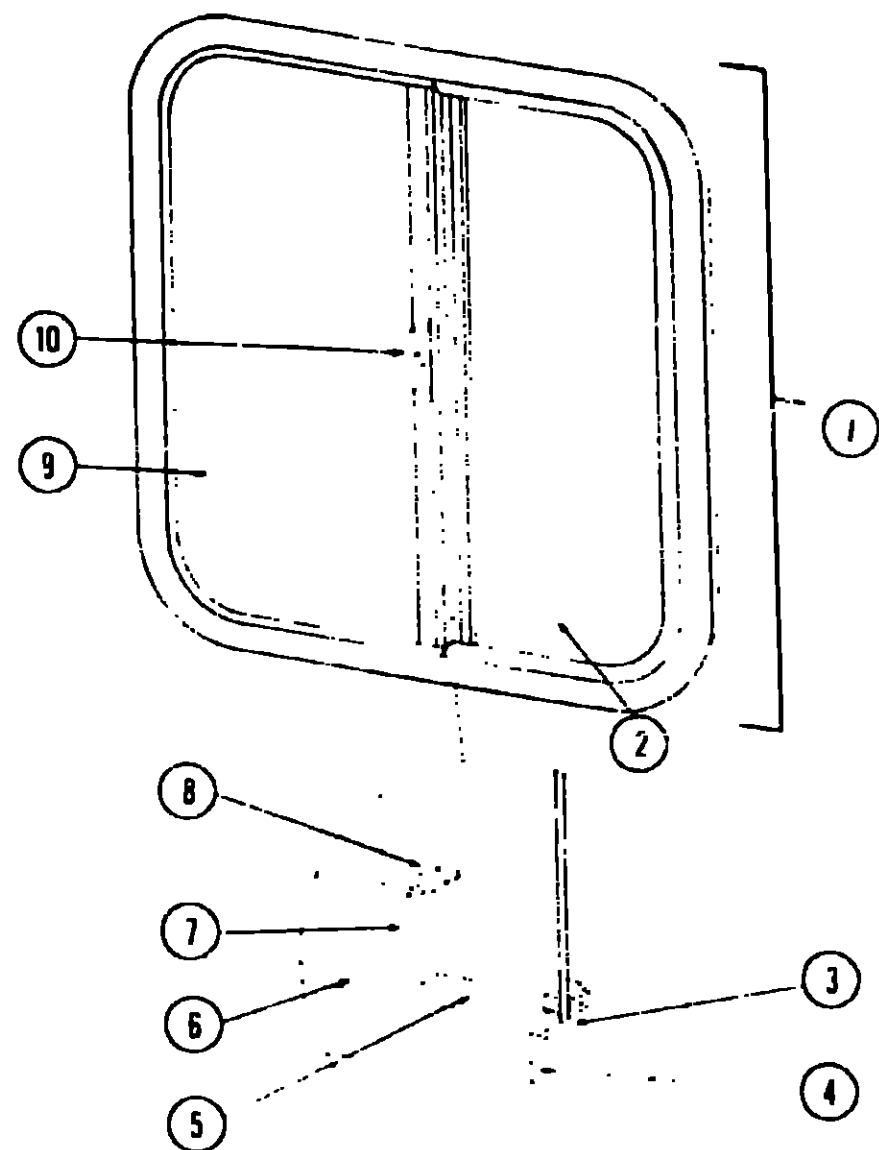
**1984 WINNEBAGO
TABLE OF CONTENTS**

Introduction	A-01
Abbreviations	A-01
Alphabetical Index	A-02 - A-04
WC424RC	A-05 - C-16
WCN22RC	C-17 - F-06
WCN27RU	F-07 - H-20
WCN33RU	H-21 - K-08

1984 WCN27RU INDEX

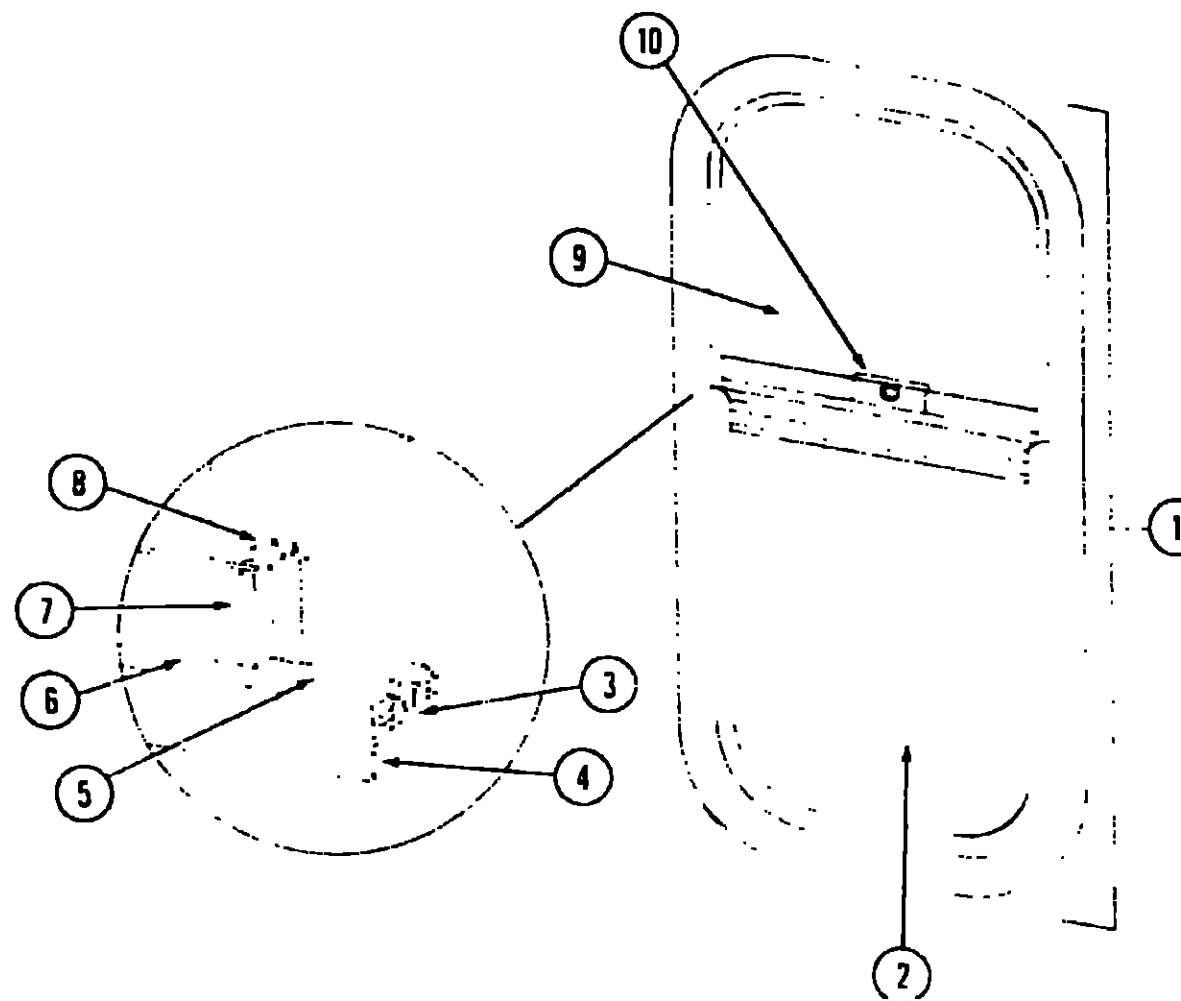
Floor Plan	F-07 - F-08
Accessories Group	F-09 - F-12
Bath Group	F-13
Chassis Group	F-14 - F-15
Curtain, Cushion & Pad Group	F-16 - F-23
Dinette Group	F-24
Driver's Compartment Group	G-01 - G-03
Electrical Group	G-04 - G-06
Exterior Body Group	G-07 - G-16
Galley Group	G-17 - G-19
Heating & Air Conditioning Group	G-20 - G-21
Interior Finish Group	G-22 - G-24
LP Group	H-01
Lounge Group	H-02 - H-03
Water & Sewage Group	H-04 - H-05
Window, Vent & Exterior Door Group	H-06 - H-20

WINDOW, VENT & EXTERIOR DOOR GROUP (CONTINUED)



Key	Part Number	U/M	Description
1	048631-08-000	EA	Window Asm - Left Single Slider - 23" x 29" - Black (w/o inside frame)
•	067609-14-000	EA	Inside Frame - Beige (not included in assembly)
2	047813-01-000	EA	Glass - Sliding - w/Hole - 1 8" x 22" x 13 68"
3	002324-02-000	FT	Channel - Weatherstrip - Glass
4	069640-01-000	FT	Tape - 1 4" Bead x 20' - Gray - 3M
5	057374-02-000	FT	Extr Vinyl - Window Seal - Black
6	002309-02-000	FT	Spline - Glass - 1 8" Material - Black
7	M18025-03-000	EA	Extr - Holder - Glass Seal - 21" - Black
8	069896-01-000	EA	Mullion - Slider Window - Black
9	002184-01-000	EA	Glass - Stationary - 1 8" x 16 5" x 22"
10	047369-01-700	EA	Latch - Window - Plastic - w Fastener
•	002293-01-000	SF	Screen - Window - 26" - Gray
•	002298-01-000	FT	Spline - 130' Dia - Gray (Screen)
•	073740-01-000	FT	Seal - Fin - Pile - 460'
•			Not illustrated

WINDOW, VENT & EXTERIOR DOOR GROUP (CONTINUED)



Key	Part Number	U/M	Description
1	074348-01-000	EA	Window Asm - Vertical Slider - Black (w/o inside frame)
•	067609-10-000	EA	Inside Frame - Beige (not included in assembly)
2	002208-02-000	EA	Glass - Sliding - 1 8" x 14 4" x 19"
3	002324-02-000	FT	Channel - Weatherstrip - Glass
4	069640-01-000	FT	Tape - 1 4" Bead x 20' - Gray - 3M
5	057374-02-000	FT	Extr Vinyl - Window Seal - Black
6	002309-02-000	FT	Spline - Glass - 1 8" Material - Black
7	M69886-03-007	EA	Seal Holder w Fin Seal - 13 60"
8	069896-06-000	EA	Mullion - Slider Window - Black
9	048324-02-000	EA	Glass - Stationary - 1 8" x 14 4" x 19"
10	047369-01-700	EA	Latch - Window - Plastic - w Fastener
•	002291-01-000	SF	Screen - Window - 16" - Gray
•	002298-01-000	FT	Spline - 130' Dia - Gray (Screen)
•	073740-01-000	FT	Seal - Fin - Pile - 460'
•			Not illustrated

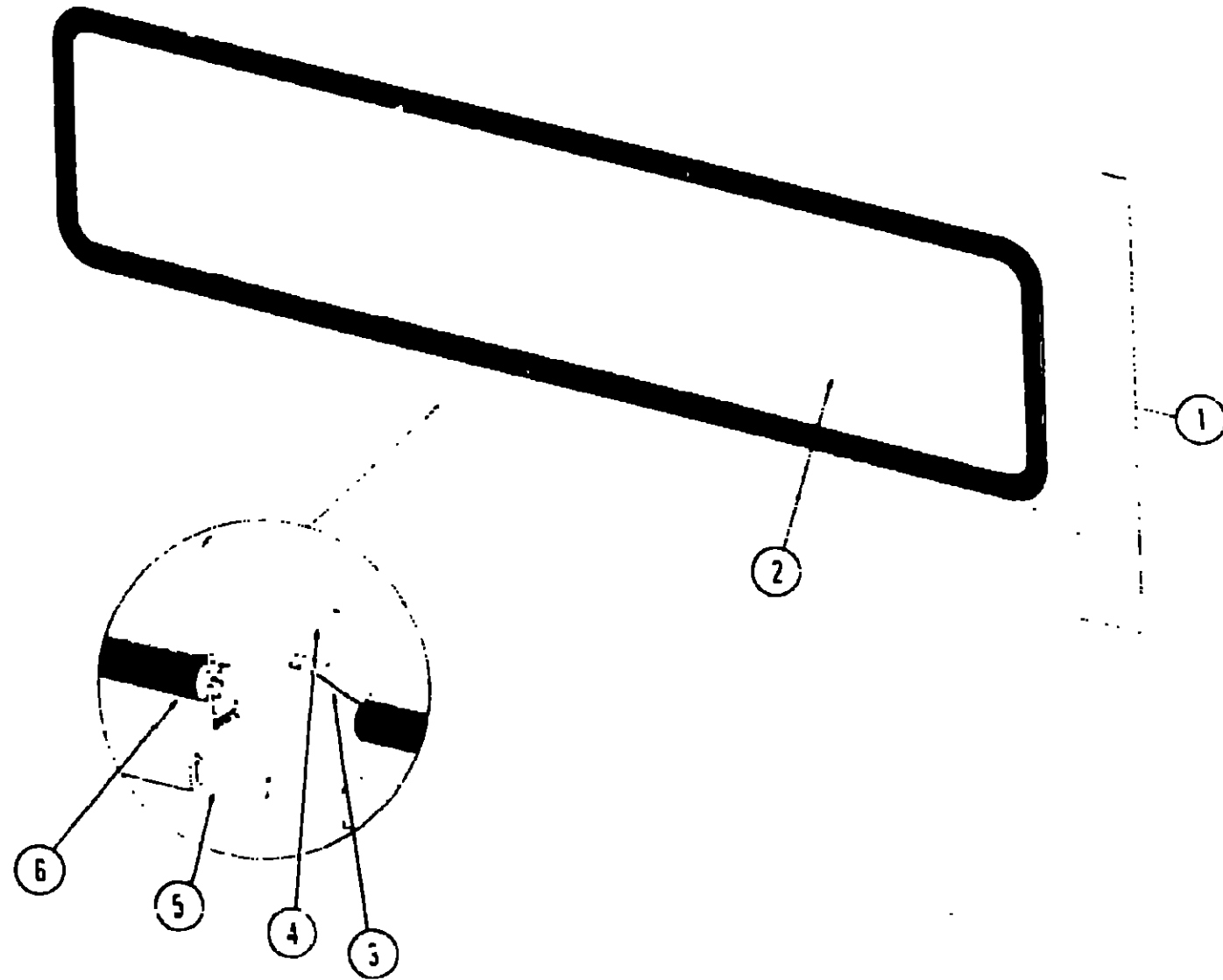
**1984 WINNEBAGO
TABLE OF CONTENTS**

Introduction	A-01
Abbreviations	A-01
Alphabetical Index	A-02 - A-04
WC424RC	A-05 - C-16
WCN22RC	C-17 - F-06
WCN27RU	F-07 - H-20
WCN33RU	H-21 - K-08

1984 WCN27RU INDEX

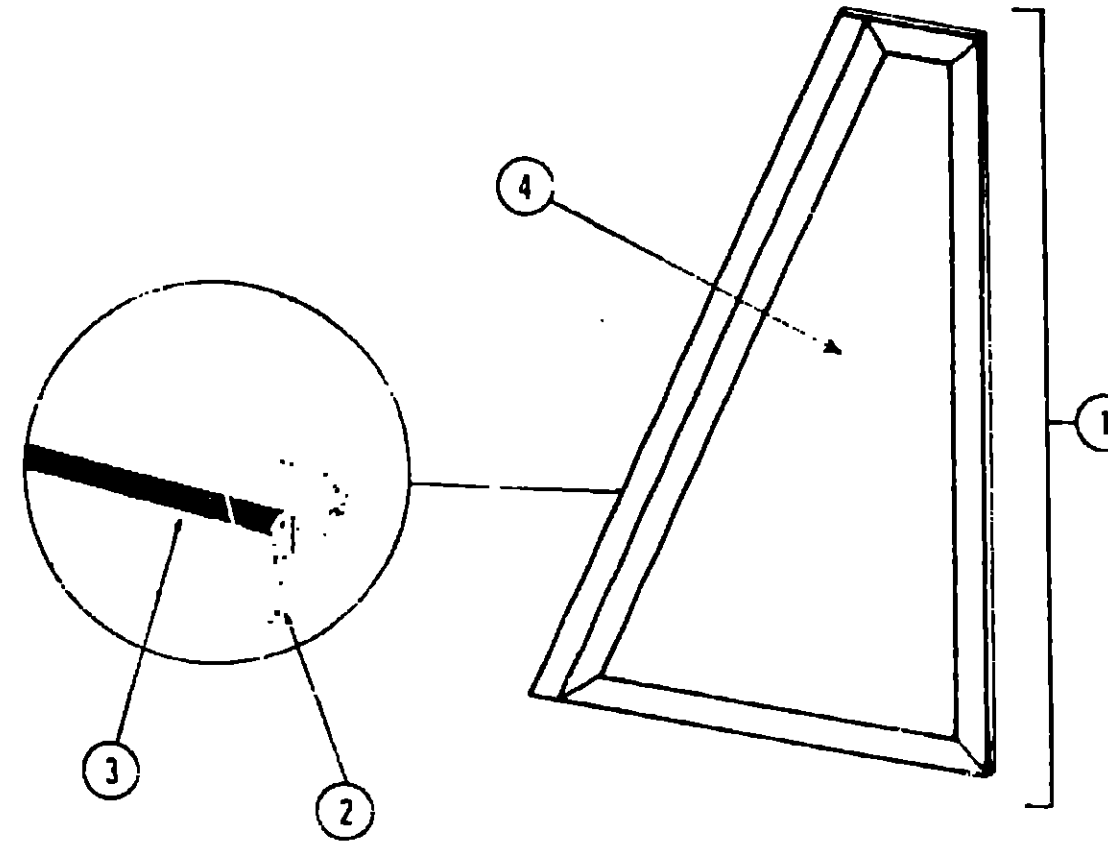
Floor Plan	F-07 - F-08
Accessories Group	F-09 - F-12
Bath Group	F-13
Chassis Group	F-14 - F-15
Curtain, Cushion & Pad Group	F-16 - F-23
Dinette Group	F-24
Driver's Compartment Group	G-01 - G-03
Electrical Group	G-04 - G-06
Exterior Body Group	G-07 - G-16
Galley Group	G-17 - G-19
Heating & Air Conditioning Group	G-20 - G-21
Interior Finish Group	G-22 - G-24
LP Group	H-01
Lounge Group	H-02 - H-03
Water & Sewage Group	H-04 - H-05
Window Vent & Exterior Door Group	H-06 - H-20

WINDOW, VENT & EXTERIOR DOOR GROUP (CONTINUED)



Key	Part Number	U/M	Description
1	020754-03-000	EA	Window Asm - Escape - 23" x 68" Black (w/o inside frame)
2	002178-01-000	EA	Glass - 1'8" x 19'61" x 64'80"
3	002285-01-000	FT	Weatherstrip - Filler - Black
4	020395-01-000	EA	Slip Ring - Pull
5	069640-01-000	FT	Tape - 1/4" Bead x 20' - Gray - 3M
6	002282-01-000	FT	Weatherstrip - Window - 125' - Black
.	042027-05-000	EA	Inside Frame - Window - Escape - Beige (not included in assembly)
.	006199-01-000	EA	Label - Exit - Escape Window
.			Not illustrated

WINDOW, VENT & EXTERIOR DOOR GROUP (CONTINUED)



Key	Part Number	U/M	Description
1	062896-01-000	EA	Window Asm - Stationary - Drivers Slant - 14" x 25'32" Black (w/o inside frame)
2	069640-01-000	FT	Tape - 1/4" Bead x 20' - Gray - 3M
3	002309-02-000	FT	Spline - Glass - 1'8" - Black
4	057656-02-000	EA	Glass - 19" x 24'88" x 13'66"
.	063420-02-000	EA	Inside Frame - Front Slant Window - Beige (not included in assembly)
.			Not illustrated

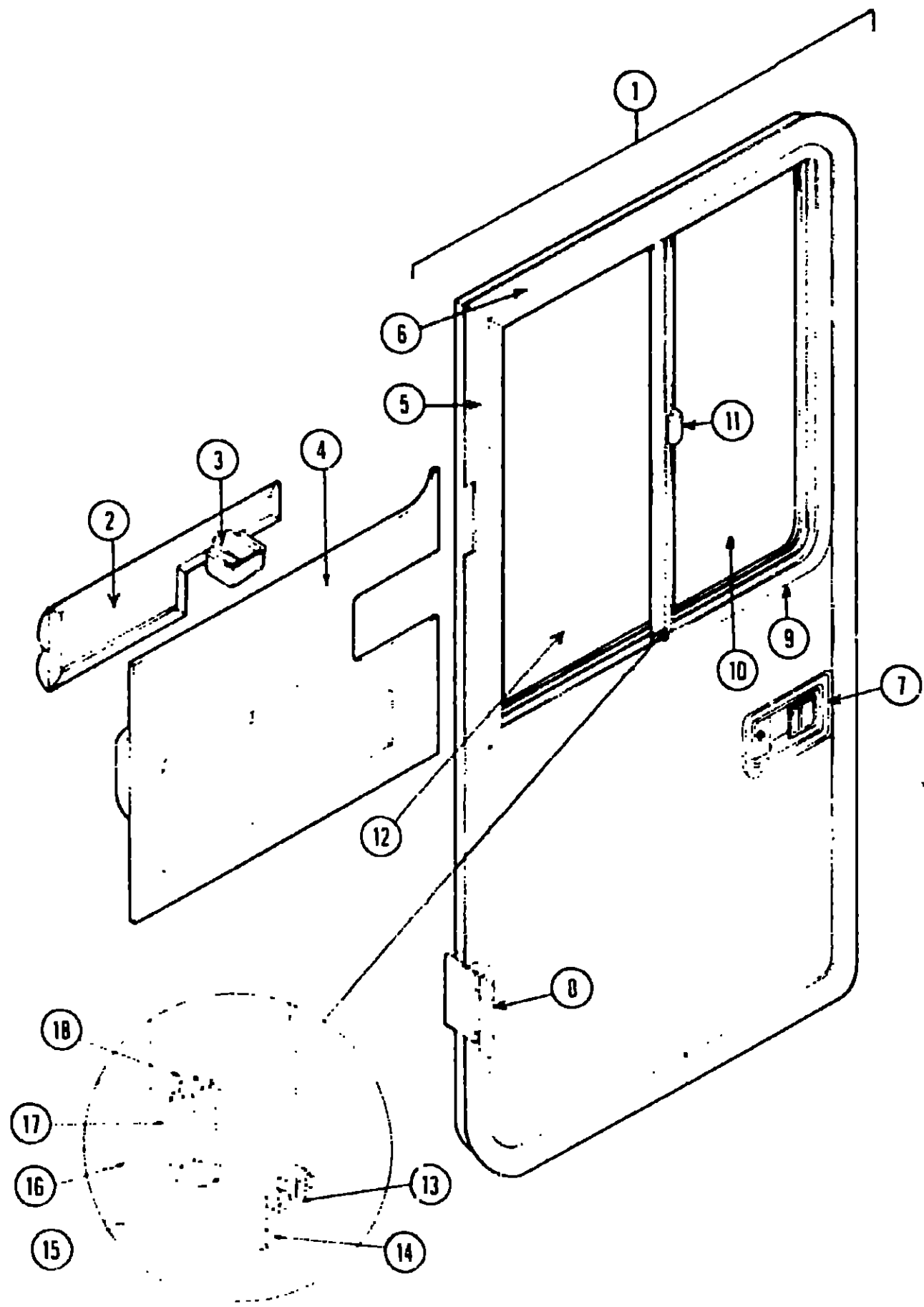
**1984 WINNEBAGO
TABLE OF CONTENTS**

Introduction	A-01
Abbreviations	A-01
Alphabetical Index	A-02 - A-04
WC424RC	A-05 - C-16
WCN22RC	C-17 - F-06
WCN27RU	F-07 - H-20
WCN33RU	H-21 - K-08

1984 WCN27RU INDEX

Floor Plan	F-07 - F-08
Accessories Group	F-09 - F-12
Bath Group	F-13
Chassis Group	F-14 - F-15
Curtain, Cushion & Pad Group	F-16 - F-23
Dinette Group	F-24
Driver's Compartment Group	G-01 - G-03
Electrical Group	G-04 - G-06
Exterior Body Group	G-07 - G-16
Galley Group	G-17 - G-19
Heating & Air Conditioning Group	G-20 - G-21
Interior Finish Group	G-22 - G-24
LP Group	H-01
Lounge Group	H-02 - H-03
Water & Sewage Group	H-04 - H-05
Window, Vent & Exterior Door Group	H-06 - H-20

WINDOW, VENT & EXTERIOR DOOR GROUP (CONTINUED)



DRIVER DOOR

Key	Part Number	U/M	Description
1	063991-04-R10	EA	Door Asm - Driver - Beige (Metal Sidewall)
1	063991-07-R10	EA	Door Asm - Driver - Beige (Fiberglass Sidewall)
2	064088-02-000	EA	Pad Asm - Trim - Upper - Beige Vinyl - Drivers Door
	061400-03-000	EA	Assist Strap - 12" - Beige Vinyl
3	546886-01-000	EA	Ash Tray Asm - Flush Mount - Chrome
4	076940-01-000	EA	Panel - Driver Door - Inner - Light Oak Plastic
5	063350-01-000	EA	Trim - Door Frame - Front - Beige - Metal Insert
5	076562-01-000	EA	Trim - Door Frame - Front - Beige - Fiberglass Insert
6	063351-01-000	EA	Trim - Door Frame - Rear - Beige - Metal Insert
6	076861-01-000	EA	Trim - Door Frame - Rear - Beige - Fiberglass Insert
7	045017-06-000	EA	Paddie Asm - Door Lock - Exterior
	045017-05-700	EA	Lock Cylinder w/Keys - Lynor
	039979-02-000	EA	Inside Plate - Door Lock - w. Inside Handle
	039540-02-000	EA	Latch Claw - Entry Door Lock
	039738-01-000	EA	Deadbolt - Entrance Door Lock
	039539-01-000	EA	Strike Bolt - Entrance Door (Jamb Mount)
	063124-02-000	EA	Plate - Striker - 8 1/4" x 1" - Black
	063357-02-000	EA	Jamb - Driver Door - Front - Beige
	063358-04-000	EA	Jamb - Driver Door - Rear - Beige
	064199-04-000	EA	Trim - Door Jamb - Rear - w Drip Cap - Beige
	064184-01-000	EA	Drip Cap - Driver Door
	063358-04-000	EA	Trim - Door Jamb - Beige
	063768-01-000	EA	Sill Plate - Driver Door
8	063993-01-000	EA	Hinge Asm - Driver Door - Beige
	064580-01-000	EA	Check Strap - Driver Door - Seat Belt Webbing
	064219-01-000	EA	Retainer - Driver Door Check Strap
	063886-03-000	EA	Assist Handle - Driver Door - Beige Steel Tube (2 required per door)
	064075-01-000	EA	Bulb Seal - Driver Door - 145"
9	062982-01-000	EA	Window Asm - Driver Door - Single Slider Black (w/o inside frame)
10	057657-02-000	EA	Glass - 19" x 24 88" x 12"
11	047369-01-700	EA	Latch - Window - Plastic w Fastener
12	002188-04-000	EA	Glass - 19" x 24 88" x 12" - Stationary
13	042077-01-000	FT	Channel - Weatherstrip - Glass Run - 19" Glass
14	069640-01-000	FT	Tape - 1/4" Bead x 20' - Gray - 3M
15	041928-02-000	FT	Seal - Window Channel - Black
16	050216-02-000	FT	Spline - Glass - Black
17	M02389-03-206	EA	Holder - Glass Seal - Black - 24 13'
	002288-01-000	FT	Weatherstrip - Glass Seal
18	057644-05-000	EA	Mullion - Slider Window - Black
	063422-02-000	EA	Inside Frame - Driver Door Window - Beige (not included in assembly)
	023713-02-000	EA	Weep Hole Cover - Black Plastic
	055164-05-000	EA	Screen Asm - Slider
	002292-01-000	SF	Screen - Window - 16" - Gray
	002298-01-000	FT	Spline - Gray - Screen - 130' Dia
	016310-03-000	EA	Screen Handle - Black
	043485-02-000	FT	Screen Seal - Extr Vinyl
	063977-03-000	EA	Step Asm - Single - Door
			Not illustrated

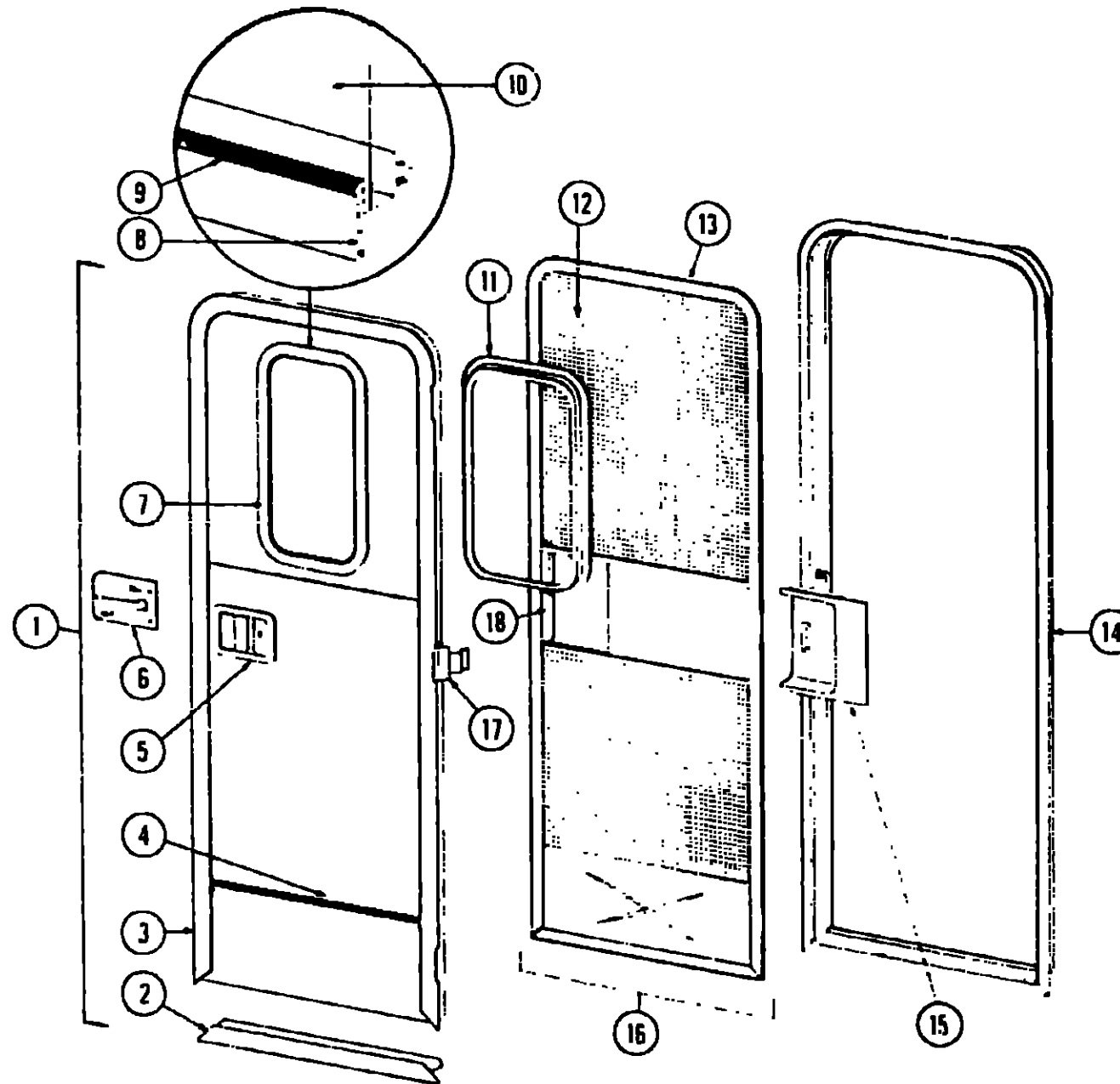
1984 WINNEBAGO TABLE OF CONTENTS

Introduction	A-01
Abbreviations	A-01
Alphabetical Index	A-02 - A-04
WC424RC	A-05 - C-16
WCN22RC	C-17 - F-06
WCN27RU	F-07 - H-20
WCN33RU	H-21 - K-08

1984 WCN27RU INDEX

Floor Plan	F-07 - F-08
Accessories Group	F-09 - F-12
Bath Group	F-13
Chassis Group	F-14 - F-15
Curtain Cushion & Pad Group	F-16 - F-23
Dinette Group	F-24
Driver's Compartment Group	G-01 - G-03
Electrical Group	G-04 - G-06
Exterior Body Group	G-07 - G-16
Galley Group	G-17 - G-19
Heating & Air Conditioning Group	G-20 - G-21
Interior Finish Group	G-22 - G-24
LP Group	H-01
Lounge Group	H-02 - H-03
Water & Sewage Group	H-04 - H-05
Window, Vent & Exterior Door Group	H-06 - H-20

WINDOW, VENT & EXTERIOR DOOR GROUP (CONTINUED)



Key	Part Number	U/M	Description
1	M01414-01-000	EA	Door Asm - Radius Entry w. Screen Door - Metal Sidewall
1	M01414-05-000	EA	Door Asm - Radius Entry w. Screen Door - Fiberglass Sidewall - Greyhound
1	M01414-11-000	EA	Door Asm - Radius Entry w. Screen Door - Fiberglass Sidewall - Mesa
2	039737-02-000	EA	Frame - Entry Door (Bottom Portion Only)
2	077998-02-000	EA	Frame - Entry Door (Bottom Portion Only) Fiberglass
3	039736-02-000	EA	Frame - Entry Door (Except Bottom Portion)
3	076863-02-000	EA	Frame - Entry Door (Except Bottom Portion) Fiberglass
4	059576-06-000	EA	Feature Strip - Brown - 14'
4	001030-12-001	EA	Insert - Feature Strip - Beige - 17'
5	045017-05-000	EA	Paddle Asm - Door Lock - Exterior
	045017-05-700	EA	Lock Cylinder w/Keys - Lynor
	039539-01-000	EA	Striker Bolt - Entry Door
	039540-01-000	EA	Latch Claw - Entry Door
	039738-01-000	EA	Dead Bolt - Entry Door
6	039979-01-000	EA	Plate - Lock - Inside - Including Inside Handle
	052186-01-000	EA	Lock Asm - Complete - Lynor
7	041875-09-000	EA	Window Asm - Picture - 17" x 25" - Black (w/o inside frame)
8	069640-01-000	FT	Tape - 1 4" Bead x 20 - Gray - 3M
9	002309-02-000	FT	Spline - Glass - 1 8" Black
10	002181-06-000	EA	Glass - Picture Window - 12 5/8" x 16 25/32" x 24" - Gray
11	067609-03-000	EA	Inside Frame - Window - 17" x 25" - Beige (not included in assembly)
17	002293-01-000	SF	Screen - Window - 26" - Gray

**1984 WINNEBAGO
TABLE OF CONTENTS**

Introduction	A-01
Abbreviations	A-01
Alphabetical Index	A-02 - A-04
WC424RC	A-05 - C-16
WCN22RC	C-17 - F-06
WCN27RU	F-07 - H-20
WCN33RU	H-21 - K-38

1984 WCN27RU INDEX

Floor Plan	F-07 - F-08
Accessories Group	F-09 - F-12
Bath Group	F-13
Chassis Group	F-14 - F-15
Curtain, Cushion & Pad Group	F-16 - F-23
Dinette Group	F-24
Driver's Compartment Group	G-01 - G-03
Electrical Group	G-04 - G-06
Exterior Body Group	G-07 - G-16
Galley Group	G-17 - G-19
Heating & Air Conditioning Group	G-20 - G-21
Interior Finish Group	G-22 - G-24
LP Group	H-01
Lounge Group	H-02 - H-03
Water & Sewage Group	H-04 - H-05
Window, Vent & Exterior Door Group	H-06 - H-20