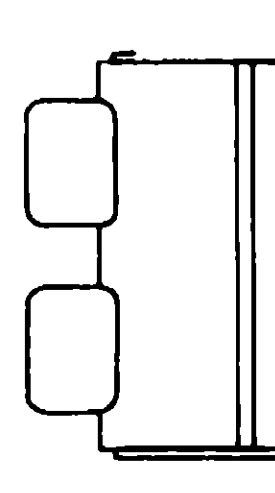
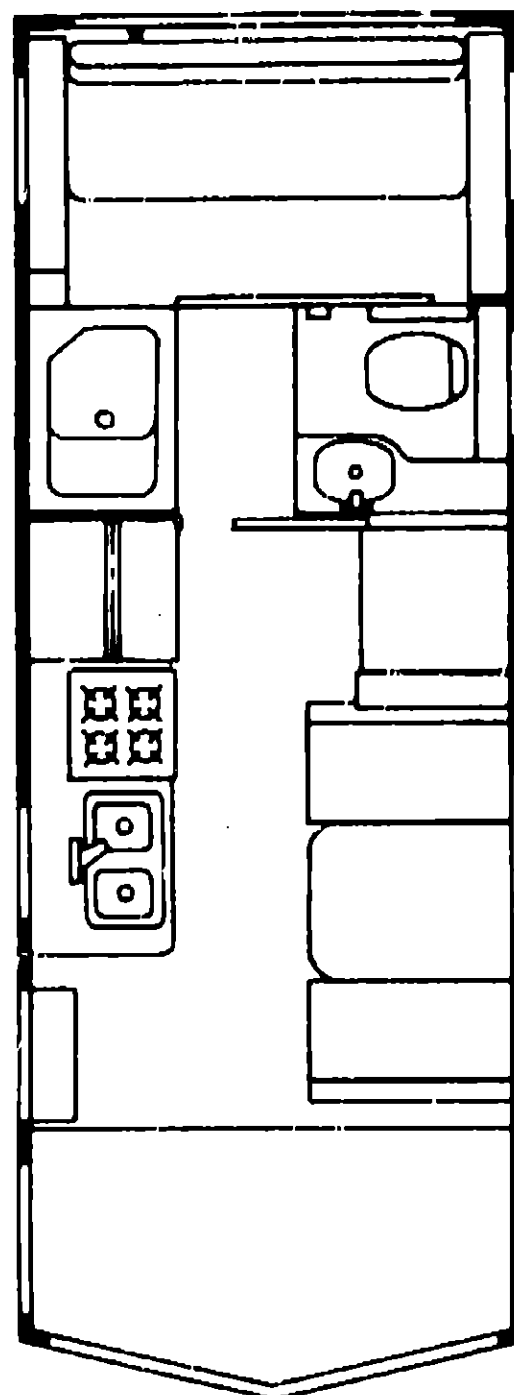
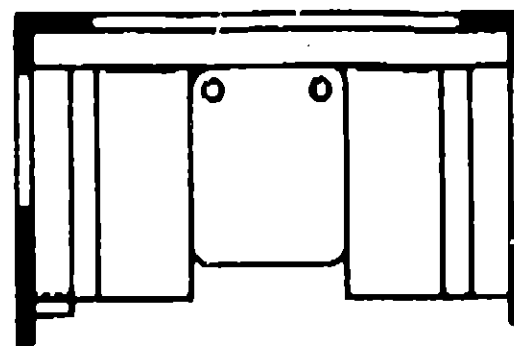


# 1984 WCN23RG



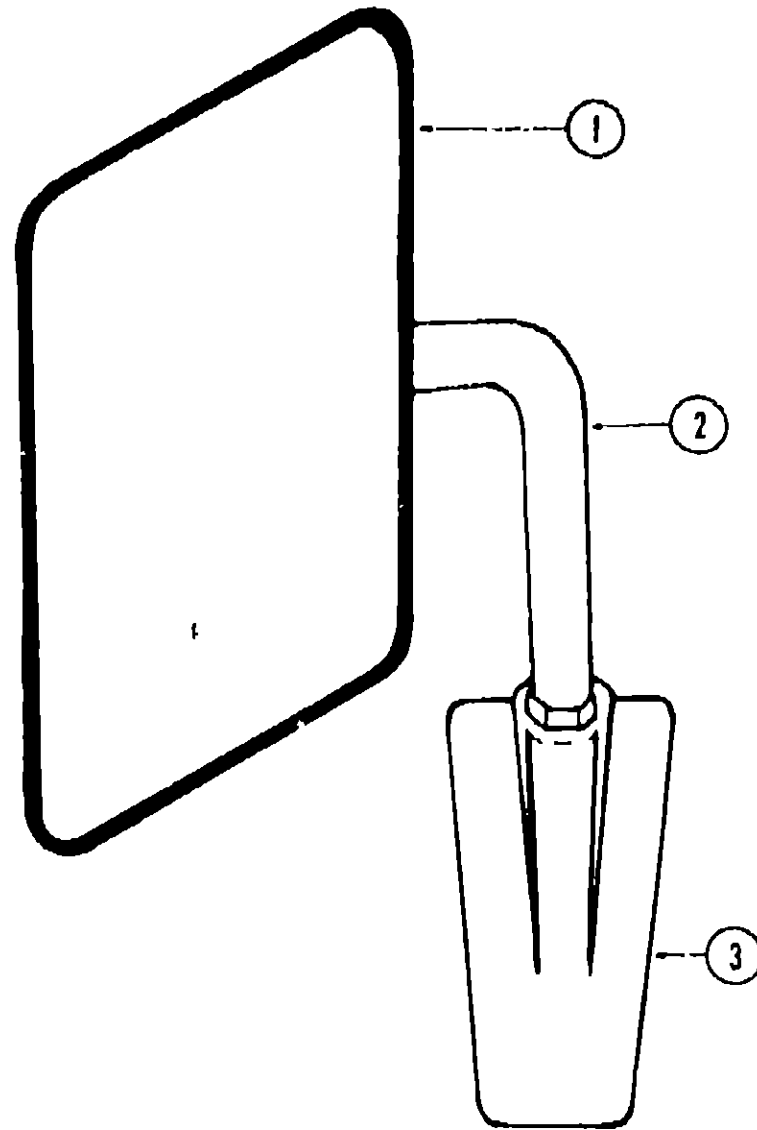
## 1984 WINNEBAGO TABLE OF CONTENTS

|         |             |
|---------|-------------|
| WC420RG | A-01 - C-04 |
| WCN23RG | C-05 - E-14 |
| WCN30RC | E-15 - G-24 |
| WCP31RT | H-01 - J-04 |

## 1984 WCN23RG INDEX

|                                    |             |
|------------------------------------|-------------|
| Floor Plan                         | C-05 - C-06 |
| Accessories Group                  | C-07 - C-09 |
| Bath Group                         | C-10        |
| Chassis Group                      | C-11 - C-12 |
| Curtain, Cushion & Pad Group       | C-13 - C-20 |
| Dinette Group                      | C-21        |
| Driver's Compartment Group         | C-22 - C-24 |
| Electrical Group                   | D-01 - D-03 |
| Exterior Body Group                | D-04 - D-10 |
| Galley Group                       | D-11 - D-14 |
| Heating & Air Conditioning Group   | D-15 - D-16 |
| Interior Finish Group              | D-17 - D-19 |
| LP Group                           | D-20        |
| Lounge Group                       | D-21 - D-22 |
| Water & Sewage Group               | D-23 - D-24 |
| Window, Vent & Exterior Door Group | E-01 - E-14 |

## ACCESSORIES GROUP



### EXTERIOR MIRRORS

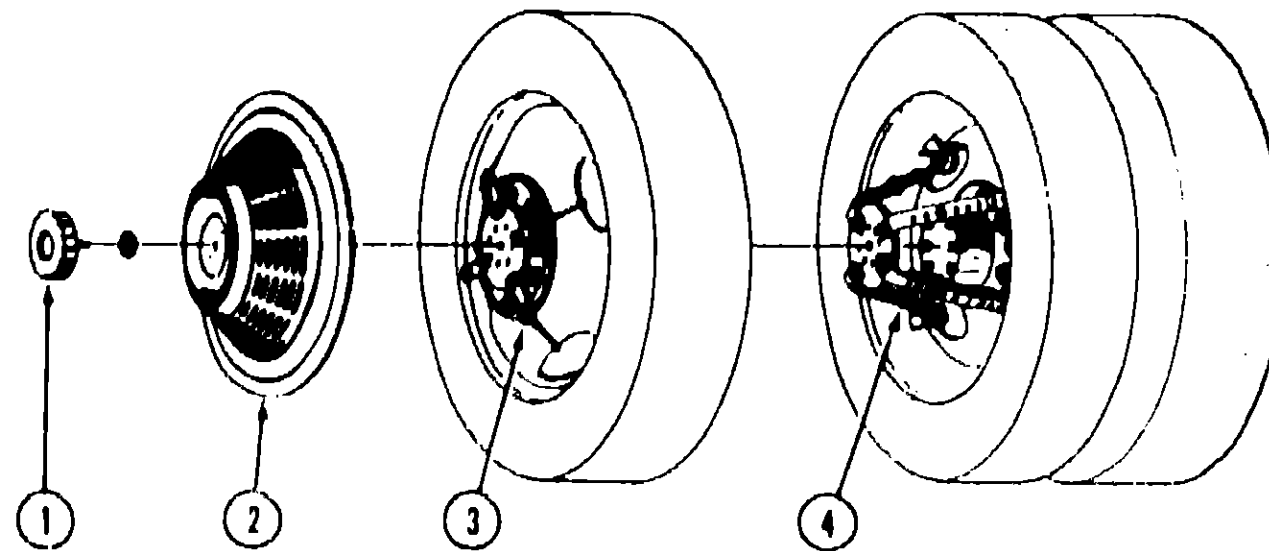
| Key | Part Number   | U/M | Description                              |
|-----|---------------|-----|--|
| 1   | 049347-01-000 | EA  | Mirror Head - 7 1/2" x 10 1/2"           |
| 2   | 049348-03-000 | EA  | Arm - Low Mount Mirror - Black           |
| 3   | 049944-04-000 | EA  | Bracket - Mirror - Outside - Black       |
| .   | 065116-01-000 | EA  | Mirror - West Coast - Double - Passenger |
| .   | 065116-02-000 | EA  | Mirror - West Coast - Double - Driver    |
| .   | 006043-01-000 | EA  | Mirror - Convex - Adhesive Back          |
| .   |               |     | Not illustrated                          |

### GENERATORS & COMPONENTS

| Key | Part Number   | U/M | Description                                     |
|-----|---------------|-----|---|
| ..  | 054429-01-000 | EA  | Generator - Onan - 4.0 kw                       |
|     | 052168-01-000 | EA  | Generator - Onan - 4.25 kw                      |
|     | 068046-01-000 | EA  | Conversion Kit - LP - Onan Generator            |
|     | 024732-01-016 | EA  | Tailpipe - 1.5" O.D. x 43.5"                    |
|     | 067753-01-000 | EA  | Muffler - Generator - w/Spark Arrestor - Nelson |
|     | 007067-01-000 | SF  | Insulation - 1" - Fiberglass                    |
|     | 701629-02-000 | EA  | Installation Package                            |
|     | 069229-01-000 | EA  | Generator - Kohler - 4.5 kw - UL                |
|     | 069229-02-000 | EA  | Generator - Kohler - 4.5 kw - CSA               |
|     | 072332-01-000 | EA  | Generator - LP - Kohler - 4.5 kw                |

.. The illustrated parts breakdown for this item is provided on the Common Items Fiche.

## ACCESSORIES GROUP (CONTINUED)



### WHEEL COVER & MOUNTING HARDWARE

| Key | Part Number   | U/M | Description   |
|-----|---------------|-----|---|
| 1   | 064082-02-000 | EA  | Retaining Nut - Delmet - Wheel Cover  |
| 2   | 073426-01-700 | EA  | Wheel Cover - Bolt On - 16" or 16.5" - Delmet (1)                                   |
| 3   | 073426-04-700 | EA  | Retention Bracket Asm. - Wheel Cover Support - Heavy Duty - Front (1)               |
| 4   | 073426-04-701 | EA  | Retention Bracket Asm. - Wheel Cover Support - Heavy Duty - Rear (1)                |
| .   | 073426-04-000 | EA  | Retention Bracket Asm. - Wheel Cover Support - Heavy Duty (Set/4)                   |
| ..  | 031398-04-000 | EA  | Wheel Cover - 16" - Clip On   |
| .   |               |     | Not illustrated   |
| ..  |               |     | The illustrated parts breakdown for this item is provided on the Common Items Fiche |

### RADIO & RELATED COMPONENTS

| Key | Part Number   | U/M | Description   |
|-----|---------------|-----|---|
|     | 031105-01-000 | EA  | Antenna - Radio - Side Mount  |
|     | 031105-01-700 | EA  | Holder - Antenna - Radio - Upper  |
|     | 064791-01-000 | EA  | Speaker - Recessed - 5.25"  |
|     | 073431-01-000 | EA  | Speaker - 5.25" - 3/Way (Pair)  |
|     | 074979-01-000 | EA  | Speaker Cover Protector - Plastic                                       |
|     | 064792-01-000 | EA  | Grille - Speaker - 5.25" - w/Mesh - Brown                               |
|     | 075903-01-000 | EA  | Radio - AM/FM Stereo - w/Cassette - Audiovox - GMJSPG                   |
|     | 075904-01-000 | EA  | Radio - AM/FM Stereo - w/Cassette - Electronic Tune - Audiovox - GMJDGQ |

### ELECTRIC STEP ASSEMBLY

| Key | Part Number   | U/M | Description                   |
|-----|---------------|-----|-------------------------------|
|     | 075461-01-000 | EA  | Electric Step Asm. w/Light    |
|     | 075461-01-700 | EA  | Motor                         |
|     | 041250-01-000 | EA  | Switch - Door - Electric Step |
|     | 075461-01-704 | EA  | Control Unit - Understeps     |
|     | 075461-01-705 | EA  | 4-Way Plug (Dash End)         |
|     | 075461-01-706 | EA  | Kill Switch                   |
|     | 075461-01-707 | EA  | Step Light                    |
|     | 075461-01-708 | EA  | 4-Way Plug (Control Box End)  |
|     | 075461-01-709 | EA  | 90° Plug                      |
|     | 075461-01-710 | EA  | Gear                          |
|     | 075461-01-711 | EA  | Drive Link                    |
|     | 076241-02-000 | EA  | Support Asm.                  |

## 1984 WINNEBAGO TABLE OF CONTENTS

WC420RG  
WCN23RG  
WCN30RC  
WCP31RT

A-01 - C-04  
C-05 - E-14  
E-15 - Q-24  
H-01 - J-04

## 1984 WCN23RG INDEX

|                                    |             |
|------------------------------------|-------------|
| Floor Plan                         | C-05 - C-06 |
| Accessories Group                  | C-07 - C-09 |
| Bath Group                         | C-10        |
| Chassis Group                      | C-11 - C-12 |
| Curtain, Cushion & Pad Group       | C-13 - C-20 |
| Dinette Group                      | C-21        |
| Driver's Compartment Group         | C-22 - C-24 |
| Electrical Group                   | D-01 - D-03 |
| Exterior Body Group                | D-04 - D-10 |
| Galley Group                       | D-11 - D-14 |
| Heating & Air Conditioning Group   | D-15 - D-16 |
| Interior Finish Group              | D-17 - D-19 |
| LP Group                           | D-20        |
| Lounge Group                       | D-21 - D-22 |
| Water & Sewage Group               | D-23 - D-24 |
| Window, Vent & Exterior Door Group | E-01 - E-14 |

## ACCESSORIES GROUP (CONTINUED)

### MISCELLANEOUS ACCESSORIES

| Key | Part Number   | U/M | Description  |
|-----|---------------|-----|--|
|     | 054185-20-000 | EA  | Owner's Manual - 1984 - Itasca & Winnebago             |
|     | 076319-01-000 | EA  | Antenna - TV - Roof Mount - w/44.5" Mast               |
|     | 076319-03-000 | EA  | Cable - Coaxial - Roof Mount TV Antenna                |
|     | 076319-04-000 | EA  | Connector & Ferrule - Roof Mount TV Antenna            |
|     | 076319-05-000 | EA  | Wallplate/Power Supply - Ivory - Roof Mount TV Antenna |
|     | 076319-06-000 | EA  | Adapter - Cable Roof Plate - Roof Mount TV Antenna     |
|     | 017516-01-000 | EA  | Mud Flap w/Holes - 14" x 18" - Black                   |
|     | 064089-01-000 | EA  | Splash Guard - Black Rubber                            |
|     | 041944-03-000 | EA  | Fire Extinguisher w/Bracket - 5 BC                     |
|     | 044982-01-000 | EA  | Pouch - Home Owner's Plan - Plastic                    |
|     | 075922-01-000 | EA  | Microwave Oven - Litton - 1450                         |
|     | 075930-01-000 | EA  | Bracket Asm. - Microwave - Right                       |
|     | 075930-02-000 | EA  | Bracket Asm. - Microwave - Left                        |
|     | 076253-02-000 | EA  | Bracket Asm. - Microwave - Bottom (2 required)         |
|     | 075922-03-000 | EA  | Trim Ring - Microwave Oven                             |
|     | 075922-04-000 | EA  | Air Exhaust Duct - Microwave Oven                      |
|     | 067203-01-000 | EA  | Ladder Asm.  |
|     | 067130-01-000 | EA  | Ladder Step  |
|     | 076980-01-000 | EA  | End Cap - Ladder Step                                  |
|     | 067125-01-000 | EA  | Stand Off - Rack & Ladder Asm.                         |
|     | 067203-02-000 | EA  | Luggage Rack Asm.                                      |
|     | 064093-01-000 | EA  | Luggage Carrier Assembly - 14" x 30" x 60"             |
|     | 072366-01-000 | EA  | Speed Control Package - Electric - Diesel - Dana       |
|     | 072366-01-700 | EA  | Hex Filling - Speed Control - Diesel                   |
|     | 072356-01-701 | EA  | Cable Only - Speed Control - Diesel                    |
|     | 072360-01-702 | EA  | Vacuum Regulator - Speed Control - Diesel              |
|     | 072366-01-703 | EA  | Control Switch & Lever Asm. - Speed Control - Diesel   |
|     | 069629-01-000 | EA  | Speed Control Package - Electric - Dana                |
|     | 069629-01-700 | EA  | Regulator Asm. - Electronic - Speed Control            |
|     | 069629-01-701 | EA  | Vacuum Valve & Electric Switch - Speed Control         |
|     | 069629-01-702 | EA  | Control Switch & Lever Asm. - Speed Control            |
|     | 069629-01-703 | EA  | Harness Asm. (Main Wiring) - Speed Control             |
|     | 069629-01-704 | EA  | Generator Signal - Speed Control                       |
|     | 069629-01-705 | EA  | Adapter Key - Speed Control                            |
|     | 072852-01-000 | EA  | Smoke Detector w/9 Volt Battery                        |
|     | 072373-01-000 | EA  | Weather Center - 7" x 7" x 2"                          |
|     | 072374-01-000 | EA  | Clock - 7" x 7" x 2"                                   |
|     | 006069-01-000 | EA  | Key Case - Leather                                     |
|     | 007038-01-000 | EA  | Door Mat - 10 5" x 26" - Black Rubber                  |
|     | 069580-01-000 | EA  | Lug Wrench - 1" x 1 25" x 16.3"                        |
|     | 069580-02-000 | EA  | Leverage Bar - 22" - Lug Wrench                        |
|     | 006113-01-000 | EA  | Jack - Hydraulic - 6 Ton - w/Handle                    |
|     | 063708-01-000 | EA  | Cover - Roof Air Conditioner - Vinyl                   |
|     | 075068-01-R07 | EA  | Tire Cover - Beige Plastic                             |

## BATH GROUP

### BATH/WARDROBE CABINETRY & HARDWARE

| Key | Part Number   | U/M | Description  |
|-----|---------------|-----|--|
|     | M77227-01-R07 | EA  | Cabinet Asm. - Lavatory - w/o Countertop & Doors                       |
|     | M01601-01-R07 | EA  | Countertop Asm. - Lavatory Cabinet - Travertine                        |
|     | 069852-58-R10 | EA  | Door Asm. - Lavatory Cabinet - 24.7" x 12.1" - w/o Hardware            |
|     | 069852-60-R07 | EA  | Door Asm. - Lavatory Cabinet - 16.1" x 12.6" - w/o Hardware            |
|     | 077358-01-R07 | EA  | Drawer Asm. - Lavatory Cabinet   |
|     | 076073-01-000 | EA  | Cabinet Asm. - Medicine - 15 4" x 29.4" - w/o Door - Almond            |
|     | 076353-01-R07 | EA  | Door Asm. - Medicine Cabinet - w/Mirror - 16.1" x 30.1" - w/o Hardware |
|     | 069859-04-R07 | EA  | Door Asm. - Fixed Wall Mirror - 23.1" x 30.1"                          |
|     | M01579-01-R07 | EA  | Countertop Asm. - Pipe Cover - Travertine                              |
|     | M75578-01-R07 | EA  | Door Asm. - Bath - 19.2" x 73" - w/o Hardware                          |
|     | M74533-02-R10 | EA  | Door Asm. - Sliding - 28" x 72.5" - w/o Hardware                       |
|     | M77143-01-R07 | EA  | Door Asm. - Sliding - 26" x 86.5" - w/o Hardware                       |
|     | 062908-02-000 | EA  | Door Asm. - Folding - Shower - 28.8" x 60" - Plastic                   |
|     | 059915-01-R07 | EA  | Drawer Asm. - Wardrobe - 19.1" x 20.8"                                 |
|     | 069852-61-R10 | EA  | Door Asm. - Wardrobe - 47.9" x 20.6" - w/o Hardware                    |
|     | M76353-03-R07 | EA  | Door Asm. - Furnace - Wardrobe Cabinet - w/o Hardware                  |
|     | 061407-01-000 | EA  | Bathlbat Asm. w/Strainer   |
|     | 075242-02-000 | EA  | Faucet - Tub & Shower - Antique Brass                                  |
|     | 031558-01-000 | EA  | Faucet - Tub & Shower - CSA  |
|     | 031558-01-700 | EA  | Adapter - Shower Hose/Faucet   |
| **  | 011048-02-000 | EA  | Shower Head - w/60" Hose   |
|     | 011048-04-000 | EA  | Vacuum Breaker - 1/8 MPT - Nylon - Shower Head                         |
|     | 072650-01-000 | EA  | Shower Panel w/Soap Dish - Plastic                                     |
|     | 075606-01-000 | EA  | Shower Panel - Faucet - Plastic  |
|     | 076137-01-000 | EA  | Trim - Jamb - Bathlbat Asm.  |
| **  | 066729-01-000 | EA  | Strainer - Bathlbat Asm.   |
|     | 066435-01-000 | EA  | Nut - Strainer - Plastic - Bathlbat Asm.                               |
|     | 066436-01-000 | EA  | Slip Nut - 1.5" Tail Piece - Bathlbat Asm.                             |
|     | 069735-01-000 | EA  | Washer - Tail Piece - 1.5" - Plastic - Bathlbat Asm.                   |
|     | 011069-02-000 | EA  | Tail Piece - 1.5" x 1.25" x 4" - Brass - Bathlbat Asm.                 |
|     | M01465-01-000 | EA  | Shroud w/Reinforcement - Bathlbat Asm.                                 |
|     | 058713-01-000 | EA  | Sink - Oval - Ivory Plastic  |
|     | 075240-02-000 | EA  | Faucet - Lavatory - Antique Brass                                      |
|     | 011056-02-000 | EA  | Faucet - Lavatory - CSA  |
|     | 011083-01-000 | EA  | Tail Piece w/Stopper - 1.25" x 5" - Plastic - Sink                     |
|     | 039341-02-000 | EA  | Toilet - Thetford - Aqua Magic - Ivory - 8420 SH                       |
|     | 075452-01-000 | EA  | Tissue Holder - Antique Brass  |
|     | 075453-01-000 | EA  | Towel Bar - 18" - Antique Brass  |
|     | 075454-01-000 | EA  | Towel Ring - Antique Brass   |
|     | 064467-01-000 | EA  | Guide - Sliding Door - Mounts on Wall                                  |
|     | 009156-01-000 | EA  | Hanger - Sliding Door  |
|     | 075145-06-000 | EA  | Cover - Sliding Door Track - 54.2"                                     |
|     | 075153-01-000 | EA  | Cover - End Cap - Sliding Door Track - Beige                           |
|     | 075149-04-000 | EA  | Track - Sliding Door - 54.2"   |
|     | 058034-02-000 | EA  | Latch - Sliding Door - w/o Lock  |
|     | 075687-01-000 | EA  | Latch Asm. - Bathroom Door - Privacy                                   |
|     | 009112-01-000 | EA  | Flange - 1" Closet Rod   |
|     | 075680-01-000 | EA  | Closet Rod - Adjustable  |
|     | 009150-01-000 | EA  | Warp Guard - 64"   |
|     | 058331-01-000 | EA  | Mirror - Tempered Glass - 19" x 26"                                    |
|     | 058331-05-000 | EA  | Mirror - Tempered Glass - 12" x 26"                                    |
|     | 057671-01-000 | EA  | Screw Cover - #8 - Antique White                                       |
|     | 066433-01-000 | EA  | Cup Hook - Bright  |
|     | 071632-01-000 | EA  | Hamper Bag - 49" - w/Elastic   |

\*\* The illustrated parts breakdown for this item is provided on the Common Items Fiche.

## 1984 WINNEBAGO TABLE OF CONTENTS

|         |             |
|---------|-------------|
| WC420RG | A-01 - C-04 |
| WCN23RG | C-05 - E-14 |
| WCN30RC | E-15 - G-24 |
| WCP31RT | H-01 - J-04 |

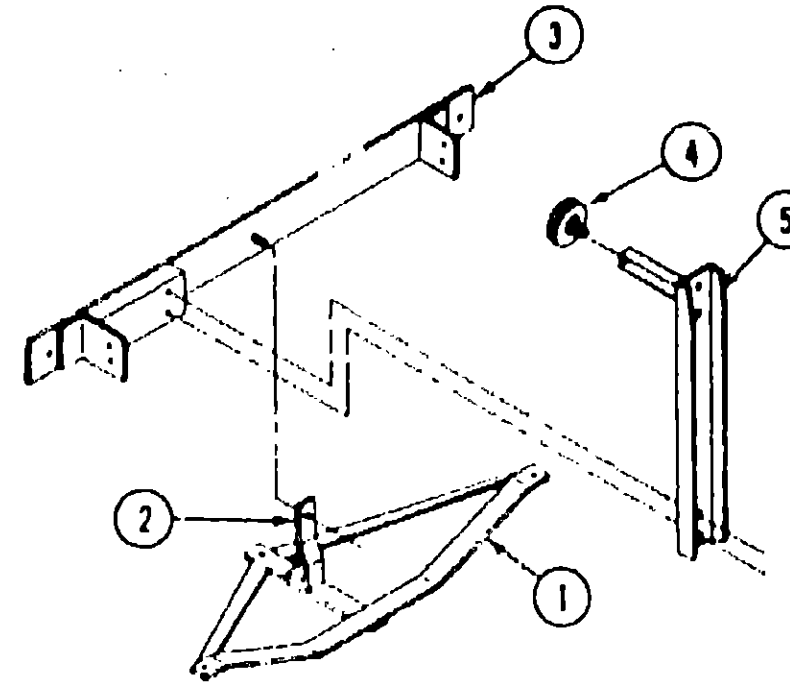
## 1984 WCN23RG INDEX

|                                    |             |
|------------------------------------|-------------|
| Floor Plan                         | C-05 - C-06 |
| Accessories Group                  | C-07 - C-09 |
| Bath Group                         | C-10        |
| Chassis Group                      | C-11 - C-12 |
| Curtain, Cushion & Pad Group       | C-13 - C-20 |
| Dinette Group                      | C-21        |
| Driver's Compartment Group         | C-22 - C-24 |
| Electrical Group                   | D-01 - D-03 |
| Exterior Body Group                | D-04 - D-10 |
| Galley Group                       | D-11 - D-14 |
| Heating & Air Conditioning Group   | D-15 - D-16 |
| Interior Finish Group              | D-17 - D-19 |
| LP Group                           | D-20        |
| Lounge Group                       | D-21 - D-22 |
| Water & Sewage Group               | D-23 - D-24 |
| Window, Vent & Exterior Door Group | E-01 - E-14 |

## CHASSIS GROUP

| Key | Part Number   | U/M | Description   |
|-----|---------------|-----|---|
|     | 047441-01-000 | EA  | Battery Terminal - Horizontal Lug   |
|     | 005200-01-000 | EA  | Bolt - Round Head w/Square Neck - 7/16 - 14 x 1 1/4 - Stainless Steel Cap |
|     | 051697-04-000 | EA  | Bracket - Battery Tie Down - 9"   |
|     | 051697-02-000 | EA  | Bracket - Battery Tie Down - 12"  |
|     | 058425-01-000 | EA  | Bracket - Bumper Front  |
|     | 064053-01-000 | EA  | Bracket - Bumper Front - Reinforcement                                    |
|     | 058439-01-000 | EA  | Bracket - Bumper Front - Mounts Bumper to Frame                           |
|     | 022150-01-000 | EA  | Bracket - Bumper Rear   |
|     | 073352-01-000 | EA  | Bracket - License Plate - Front   |
|     | 072850-01-000 | EA  | Bumper - Front - Chrome   |
|     | 072850-07-000 | EA  | Bumper - Front - Primed   |
|     | 048474-01-000 | EA  | Bumper - Rear - Chrome  |
|     | 020858-01-700 | EA  | Bumper - Rear - Primed  |
|     | 072850-01-700 | EA  | Bumper Kit Asm. - Front - Rubber  |
|     | 007125-06-000 | EA  | Clamp Asm. - Muffler - 2 25" Dia  |
|     | 010499-01-000 | EA  | Clamp - Closed - 3/8" I.D.  |
|     | 010497-01-000 | EA  | Clamp - Closed - 5/8" I.D.  |
|     | 007161-01-000 | EA  | Clamp - Hose - Spring Type 112  |
|     | 062401-01-000 | EA  | Clamp - Hose - Wormgear 22" I.D. - 1" I.D.                                |
|     | 062401-03-000 | EA  | Clamp - Hose - Wormgear 25" I.D. - 1" I.D.                                |
|     | 062401-04-000 | EA  | Clamp - Hose - Wormgear 69" I.D. - 1 25" I.D.                             |
|     | 062401-02-000 | EA  | Clamp - Hose - Wormgear 1.56" I.D. - 2.5" I.D.                            |
|     | 062401-05-000 | EA  | Clamp - Hose - Wormgear 2" I.D. - 3" I.D.                                 |
|     | 062401-09-000 | EA  | Clamp - Hose - Wormgear 2 8" I.D. - 3.75" I.D.                            |
|     | 072359-01-000 | EA  | Coolant Expansion Bottle  |
|     | 071656-01-000 | EA  | Cover - Radiator - Rear   |
|     | 071657-01-000 | EA  | Cover - Radiator - Rear Back (Fan Shroud)                                 |
|     | 020167-03-000 | EA  | Dirt Guard - Mud Flap   |
|     | 061411-03-000 | EA  | Extension - Exhaust - 2 25" O.D. x 10 5" (454 Engine)                     |
|     | 022655-02-000 | EA  | Extension - Exhaust - 2 25" O.D. x 8" (Diesel Engine)                     |
|     | 071654-01-000 | EA  | Hood Board - Upper - Right - Steel  |
|     | 058404-01-000 | EA  | Hood Board - Upper - Left - Steel   |
|     | 024138-01-000 | EA  | Hose - Fuel - 5/16" I.D. SAE 30RI   |
|     | 007067-01-000 | SF  | Insulation - 1" - Fiberglass  |
|     | 006113-01-000 | EA  | Jack - Hydraulic - 6 Ton - w/Handle                                       |
|     | 069580-02-000 | EA  | Leverage Bar - 22" - Lug Wrench   |
|     | 069580-01-000 | EA  | Lug Wrench - 1" x 1 25" x 16 3"   |
|     | 017510-01-000 | EA  | Mud Flap w/Holes - 14" x 18" - Black                                      |
|     | 024490-01-000 | EA  | Power Cord Box - Plastic  |
|     | 072361-01-000 | EA  | Reducer - 3/4 Barb to 5/8 Barb - Diesel                                   |
|     | 064962-02-000 | EA  | Rim - Wheel - 16 x 6 00   |
|     | 041791-01-000 | FT  | Seal - U-Channel - Flex - .156" x .375" - Brown Vinyl                     |
|     | 063977-03-000 | EA  | Step Asm. - Driver's Door   |
|     | 024652-01-700 | EA  | Step Asm. - Entry   |
|     | 076241-02-000 | EA  | Support Asm. - Electric Step  |
|     | 050273-02-000 | EA  | Tire - 7.50 x 16 x CA T8 - Tubeless                                       |
|     | 040546-01-000 | EA  | Tire - 7.50 x 16 - 8 Ply Poly   |
|     | 052431-01-000 | EA  | Tray - Luggage  |
|     | 051377-01-000 | EA  | Valve Stem Asm. - TR500   |
|     | 055080-01-000 | EA  | Wheel Well - Plastic  |
|     | 008343-01-000 | EA  | Wire Tie - 6"   |

## CHASSIS GROUP (CONTINUED)



| Key | Part Number   | U/M | Description                     |
|-----|---------------|-----|---------------------------------|
| 1   | 064833-01-000 | EA  | Trailer Hitch Asm.              |
| 2   | 064824-02-000 | EA  | Support - Trailer Hitch         |
| 3   | 064601-02-000 | EA  | Bracket - Bumper Mount          |
| 4   | 064082-02-000 | EA  | Retaining Nut - Tire Cover      |
| 5   | 075286-01-000 | EA  | Bracket Asm. - Spare Tire Cover |
| *   | 075068-01-R07 | EA  | Tire Cover Asm. - Beige Plastic |
| *   |               |     | Not illustrated                 |

## 1984 WINNEBAGO TABLE OF CONTENTS

|         |             |
|---------|-------------|
| WC420RG | A-01 - C-04 |
| WCN23RG | C-05 - E-14 |
| WCN30RC | E-15 - G-24 |
| WCP31RT | H-01 - J-04 |

## 1984 WCN23RG INDEX

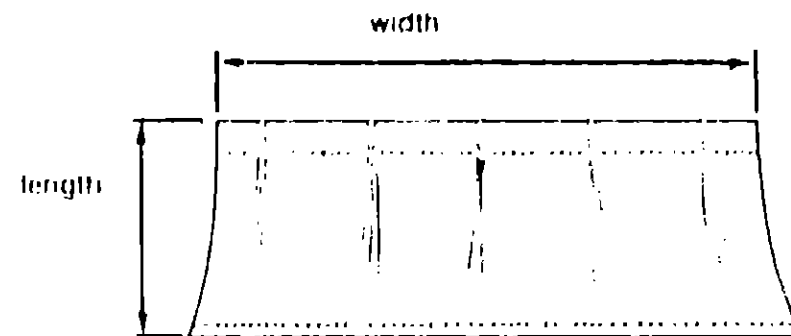
|                                    |             |
|------------------------------------|-------------|
| Floor Plan                         | C-05 - C-06 |
| Accessories Group                  | C-07 - C-09 |
| Bath Group                         | C-10        |
| Chassis Group                      | C-11 - C-12 |
| Curtain, Cushion & Pad Group       | C-13 - C-20 |
| Dinette Group                      | C-21        |
| Driver's Compartment Group         | C-22 - C-24 |
| Electrical Group                   | D-01 - D-03 |
| Exterior Body Group                | D-04 - D-10 |
| Galley Group                       | D-11 - D-14 |
| Heating & Air Conditioning Group   | D-15 - D-16 |
| Interior Finish Group              | D-17 - D-19 |
| LP Group                           | D-20        |
| Lounge Group                       | D-21 - D-22 |
| Water & Sewage Group               | D-23 - D-24 |
| Window, Vent & Exterior Door Group | E-01 - E-14 |

# CURTAIN, CUSHION & PAD GROUP

## NOTICE

In order to assist our Parts Sales Dept. in providing interior software items, please include the serial number and the color code number from the vehicle certification label when ordering. This label is located on the left sidewall at the end of the dash (A-Body), or on the driver's door latch plate (C-Body).

An example of a color code number is P31, which designates an overall color scheme of a particular unit. The color listed after the item description on the microfiche, indicates the overall unit color. Order the item you desire according to unit color code.



### NOTE

Use this illustration when determining length and width measurements for curtains. You will note the width measurement is taken on the top of the curtain with the curtain fully extended. The length measurement is taken from top to bottom.

# CURTAIN, CUSHION & PAD GROUP (CONTINUED)

## CURTAIN & CUSHION HARDWARE

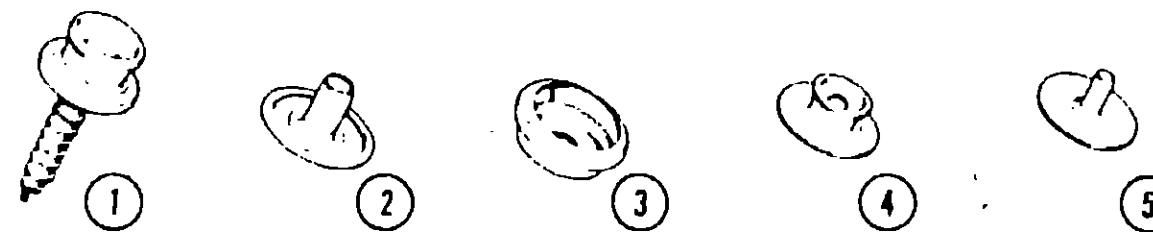
| Key | Part Number   | U/M | Description  |
|-----|---------------|-----|--|
|     | 056116-01-000 | EA  | Track - Curtain - Brown Plastic  |
|     | 056430-05-000 | EA  | Track - Front Wraparound (2 per unit) - 43.75" x .36" - Beige            |
|     | 056430-07-000 | EA  | Track - Front Wraparound (Driver's Door) - 86.2" x .36" - Beige          |
|     | 056001-01-000 | EA  | Bracket - Shade - Left   |
|     | 056002-01-000 | EA  | Bracket - Shade - Right  |
|     | 056003-01-000 | EA  | Bracket - Drapery Retainer - Right                                       |
|     | 056003-02-000 | EA  | Bracket - Drapery Retainer - Left  |
|     | 056003-03-000 | EA  | Bracket - Drapery Retainer - Universal                                   |
|     | 075477-21-000 | EA  | Bracket - Hold Down - Blinds   |
|     | 075477-36-000 | EA  | Bracket - Installation - Blinds - Left or Right                          |
|     | 009107-01-000 | EA  | Guide - Nylon Snap - Curtain   |
|     | 056784-01-000 | EA  | Pull - Window Shade - Antique Brass                                      |
|     | 039175-01-000 | EA  | Curtain Rod - Extension 48" - 84"  |
|     | 039175-03-000 | EA  | Curtain Rod - Extension 28" - 48"  |
|     | 039175-04-000 | EA  | Curtain Rod - Extension 16" - 28"  |
|     | 039175-02-000 | EA  | Bracket - Curtain Rod  |
|     | 056115-02-000 | YD  | Tape - Clear Plastic - w/Guides  |
|     | 048394-01-000 | YD  | Tape Hook - 1" x 25 YD - Beige   |
|     | 048395-01-000 | YD  | Tape Loop - 1" x 25 YD - Beige   |
|     | 069759-01-000 | EA  | Frame Asm. - Single Bucket Back - w/Recliner Drive                       |
|     | 069106-01-000 | EA  | Frame Asm. - Single Bucket Bottom - w/Recliner Mounting Plate (Armrests) |
|     | 069759-05-000 | EA  | Frame Asm. - Double Bucket Back w/Recliner Drive                         |
|     | 070573-01-000 | EA  | Frame Asm. - Double Bucket Bottom w/Recliner Mounting Plate              |
|     | 036658-03-000 | EA  | Screw - Shoulder - 1/2 x 1 3/4 - Hex Armrest Asm.                        |
|     | 029050-01-000 | EA  | Silicone Spray   |

## 1984 WINNEBAGO TABLE OF CONTENTS

|         |             |
|---------|-------------|
| WC420RG | A-01 - C-01 |
| WCN23RG | C-05 - E-14 |
| WCN30RC | E-15 - G-24 |
| WCP31RT | H-01 - J-04 |

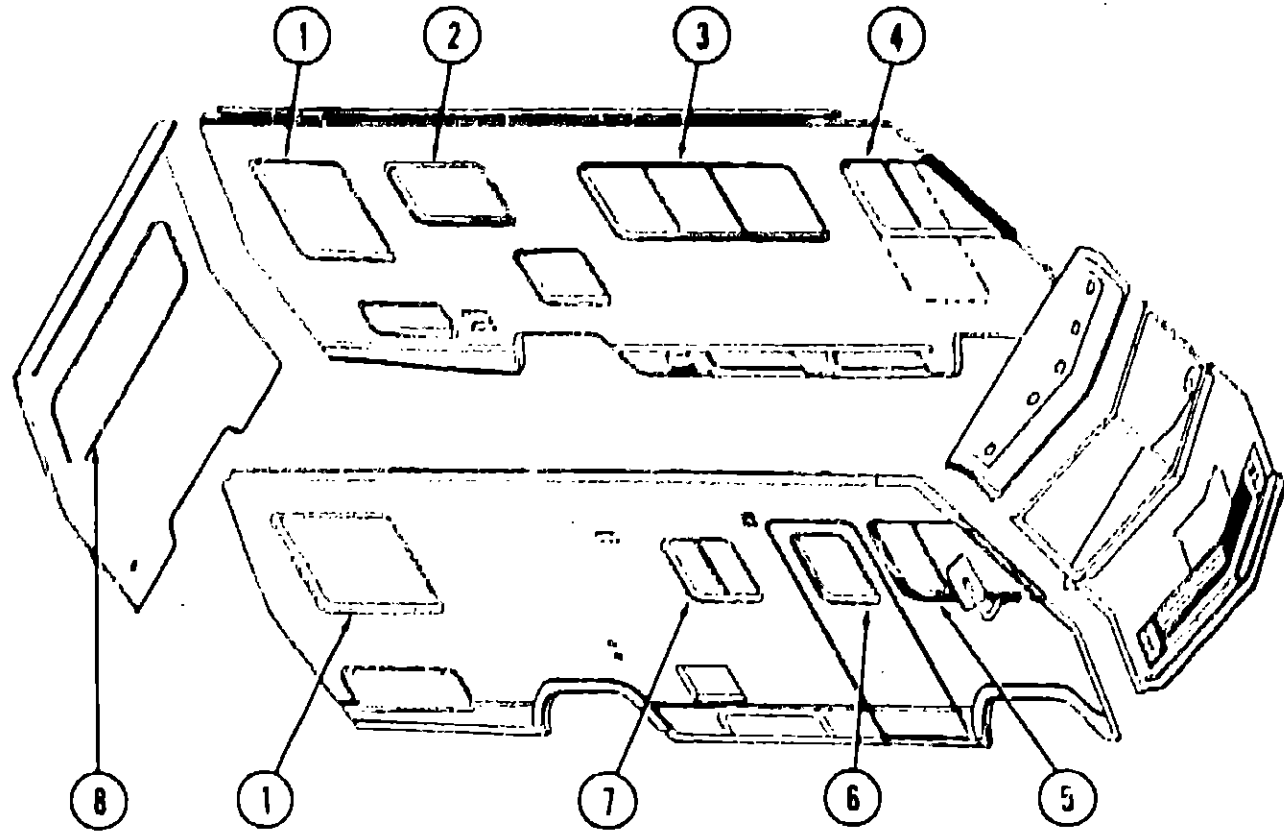
## 1984 WCN23RG INDEX

|                                    |             |
|------------------------------------|-------------|
| Floor Plan                         | C-05 - C-06 |
| Accessories Group                  | C-07 - C-09 |
| Bath Group                         | C-10        |
| Chassis Group                      | C-11 - C-12 |
| Curtain, Cushion & Pad Group       | C-13 - C-20 |
| Dinette Group                      | C-21        |
| Driver's Compartment Group         | C-22 - C-24 |
| Electrical Group                   | D-01 - D-03 |
| Exterior Body Group                | D-04 - D-10 |
| Galley Group                       | D-11 - D-14 |
| Heating & Air Conditioning Group   | D-15 - D-16 |
| Interior Finish Group              | D-17 - D-19 |
| LP Group                           | D-20        |
| Lounge Group                       | D-21 - D-22 |
| Water & Sewage Group               | D-23 - D-24 |
| Window, Vent & Exterior Door Group | E-01 - E-14 |



| Key | Part Number   | U/M | Description                           |
|-----|---------------|-----|---------------------------------------|
| 1   | 029130-01-000 | EA  | Socket - Snap Fastener                |
| 2   | 029155-01-000 | EA  | Cap - Snap - .156" Dia. x .17" Barrel |
| 3   | 029156-01-000 | EA  | Socket - Snap Fastener                |
| 4   | 029092-01-000 | EA  | Stud - Nickel Finish                  |
| 5   | 029093-01-000 | EA  | Eyelet - Nickel Finish                |

**CURTAIN, CUSHION & PAD GROUP (CONTINUED)**



**CURTAINS, SHADES, VALANCES & TIEBACKS**

| Key | Part Number   | U/M | Description  |
|-----|---------------|-----|--|
| 1   | 070652-26-R07 | EA  | Curtain w/Darts - 37.5" x 15"                          |
| 1   | 073323-12-R07 | EA  | Curtain w/Rod Top - Sheers - 38.25" x 30"              |
| 1   | M01681-02-R07 | EA  | Valance Asm. - 37.1" x 4.5" x 4.8" - Blue              |
| 1   | M01681-02-R08 | EA  | Valance Asm. - 37.1" x 4.5" x 4.8" - Brown             |
| 1   | M01681-02-R09 | EA  | Valance Asm. - 37.1" x 4.5" x 4.8" - Burgundy          |
| 1   | 065522-07-000 | EA  | Shade Asm. - Vinyl - 33.25" x 50"                      |
| 1   | 075477-37-000 | EA  | Blinds - 31" x 39" Drop                                |
| 1   | 075474-58-000 | EA  | Shade Asm. - Woven Wood - 31" x 40" (R07, R08)         |
| 1   | 075474-55-000 | EA  | Shade Asm. - Woven Wood - 31" x 40" (R09)              |
| 1   | 070652-27-R07 | EA  | Curtain w/Darts - 37.5" x 15" (Woven Wood) (R08)       |
| 1   | 070652-27-R09 | EA  | Curtain w/Darts - 37.5" x 15" (Woven Wood)             |
| 1   | 070651-42-R07 | EA  | Valance Asm. - 6.5" x 39" - Pleated (Woven Wood) (R08) |
| 1   | 070651-42-R09 | EA  | Valance Asm. - 6.5" x 39" - Pleated (Woven Wood)       |
| 2   | 073251-04-R07 | EA  | Curtain w/Tape Top - 25" x 12"                         |
| 2   | 075753-02-R10 | EA  | Valance Asm. - 35.8" x 3.8" x 5" - Blue (R07)          |
| 2   | 075753-02-R11 | EA  | Valance Asm. - 35.8" x 3.8" x 5" - Brown (R08)         |
| 2   | 075753-02-R12 | EA  | Valance Asm. - 35.8" x 3.8" x 5" - Burgundy (R09)      |
| 2   | 065522-06-000 | EA  | Shade Asm. - Vinyl - 33.25" x 38" Drop                 |
| 2   | 075477-26-000 | EA  | Blinds - 31" x 25" Drop                                |
| 2   | 075474-17-000 | EA  | Shade Asm. - Woven Wood - 32" x 26" Drop (R07, R08)    |
| 2   | 075474-47-000 | EA  | Shade Asm. - Woven Wood - 32" x 26" Drop (R09)         |
| 2   | 070651-52-R07 | EA  | Valance Asm. - 6" x 39" - Pleated (Woven Wood) (R08)   |
| 2   | 070651-52-R09 | EA  | Valance Asm. - 6" x 39" - Pleated (Woven Wood)         |

**CURTAIN, CUSHION & PAD GROUP (CONTINUED)**

**CURTAINS, SHADES, VALANCES & TIEBACKS (CONT)**

| Key | Part Number   | U/M | Description   |
|-----|---------------|-----|---|
| 3   | 070652-19-R07 | EA  | Curtain w/Darts - 29" x 15"                                       |
| 3   | 073323-02-R07 | EA  | Curtain w/Rod Top - Sheers - 27.5" x 66"                          |
| 3   | 075753-05-R10 | EA  | Valance Asm. - 71.8" x 4.8" x 5" - Blue (R07)                     |
| 3   | 075753-05-R11 | EA  | Valance Asm. - 71.8" x 4.8" x 5" - Brown (R08)                    |
| 3   | 075753-05-R12 | EA  | Valance Asm. - 71.8" x 4.8" x 5" - Burgundy (R09)                 |
| 3   | 065522-12-000 | EA  | Shade Asm. - Vinyl - 69.25" x 38"                                 |
| 3   | 075477-25-000 | EA  | Blinds - 69" x 28" Drop   |
| 3   | 075474-14-000 | EA  | Shade Asm. - Woven Wood - 69" x 29" Drop (R07, R08)               |
| 3   | 075474-46-000 | EA  | Shade Asm. - Woven Wood - 69" x 29" Drop (R09)                    |
| 3   | 070652-18-R07 | EA  | Curtain w/Darts - 29" x 15" (Woven Wood) (R08)                    |
| 3   | 070652-10-R09 | EA  | Curtain w/Darts - 29" x 15" (Woven Wood)                          |
| 3   | 070651-49-R07 | EA  | Valance Asm. - 8" x 76" - Pleated (Woven Wood) (R08)              |
| 3   | 070651-49-R09 | EA  | Valance Asm. - 8" x 76" - Pleated (Woven Wood)                    |
| 4   | 059900-05-R07 | EA  | Curtain w/Snaps - Driver's Door - 29" x 35"                       |
| 5   | 073304-03-R07 | EA  | Curtain w/Snaps - Front Wraparound - Driver's Door - 27.5" x 125" |
| 5   | 073304-07-R07 | EA  | Curtain w/Snaps - Front Wraparound (2 required) - 27.5" x 81"     |
| 5   | 073304-25-R07 | EA  | Curtain w/Snaps - Bunk Privacy - 60" x 88"                        |
| 6   | 075694-01-R07 | EA  | Valance Asm. - 4.8" x 4.2" x 29.6" - Blue                         |
| 6   | 075694-01-R08 | EA  | Valance Asm. - 4.8" x 4.2" x 29.6" - Brown                        |
| 6   | 075694-01-R09 | EA  | Valance Asm. - 4.8" x 4.2" x 29.6" - Burgundy                     |
| 6   | 065522-02-000 | EA  | Shade Asm. - Vinyl - 21.25" x 9"                                  |
| 7   | M01662-02-R07 | EA  | Valance Asm. - 3.8" x 4.5" x 32.3" - Face & Ends - Blue           |
| 7   | M01662-02-R08 | EA  | Valance Asm. - 3.8" x 4.5" x 32.3" - Face & Ends - Brown          |
| 7   | M01662-02-R09 | EA  | Valance Asm. - 3.8" x 4.5" x 32.3" - Face & Ends - Burgundy       |
| 7   | M01663-02-R07 | EA  | Valance Asm. - 32.3" - Top - Blue                                 |
| 7   | M01663-02-R08 | EA  | Valance Asm. - 32.3" - Top - Brown                                |
| 7   | M01663-02-R09 | EA  | Valance Asm. - 32.3" - Top - Burgundy                             |
| 7   | 065522-16-000 | EA  | Shade Asm. - Vinyl - 28.50" x 30"                                 |
| 7   | 075477-27-000 | EA  | Blinds - 28" x 22" Drop   |
| 7   | 075474-26-000 | EA  | Shade Asm. - Woven Wood - 28" x 23" Drop (R07, R08)               |
| 7   | 075474-48-000 | EA  | Shade Asm. - Woven Wood - 28" x 23" Drop (R09)                    |
| 7   | 070651-50-R07 | EA  | Valance Asm. - 6" x 35" - Pleated (Woven Wood) (R08)              |
| 7   | 070651-50-R09 | EA  | Valance Asm. - 6" x 35" - Pleated (Woven Wood)                    |
| 8   | 070652-19-R07 | EA  | Curtain w/Darts - 29" x 15"                                       |
| 8   | 073323-02-R07 | EA  | Curtain w/Rod Top - Sheers - 27.5" x 66"                          |
| 8   | 075753-10-R10 | EA  | Valance Asm. - 73.8" x 4.8" x 5" - Blue (R07)                     |
| 8   | 075753-10-R11 | EA  | Valance Asm. - 73.8" x 4.8" x 5" - Brown (R08)                    |
| 8   | 075753-10-R12 | EA  | Valance Asm. - 73.8" x 4.8" x 5" - Burgundy (R09)                 |
| 8   | 065522-13-000 | EA  | Shade Asm. - Vinyl - 72.25" x 38"                                 |
| 8   | 075477-31-000 | EA  | Blinds - 71" x 30" Drop   |
| 8   | 075474-32-000 | EA  | Shade Asm. - Woven Wood - 71" x 31" Drop (R07, R08)               |
| 8   | 075474-52-000 | EA  | Shade Asm. - Woven Wood - 71" x 31" Drop (R09)                    |
| 8   | 070652-18-R07 | EA  | Curtain w/Darts - 29" x 15" (Woven Wood) (R08)                    |
| 8   | 070652-18-R09 | EA  | Curtain w/Darts - 29" x 15" (Woven Wood)                          |
| 8   | 070651-41-R07 | EA  | Valance Asm. - 6.5" x 78" - Pleated (Woven Wood) (R08)            |
| 8   | 070651-41-R09 | EA  | Valance Asm. - 6.5" x 78" - Pleated (Woven Wood)                  |
| 8   | 073260-10-R10 | EA  | Tie Back Asm. - 3" x 16" (R07, R08)                               |
| 8   | 073260-10-R12 | EA  | Tie Back Asm. - 3" x 16" (R09)                                    |
| 8   | 057534-01-000 | EA  | Tie Back Asm. - 6" - Clear Plastic                                |
| 8   | 057534-03-000 | EA  | Tie Back Asm. - 7.5" - Clear Plastic                              |
| 8   | 057534-04-000 | EA  | Tie Back Asm. - 20" - Clear Plastic                               |
| 8   |               |     | Not illustrated   |

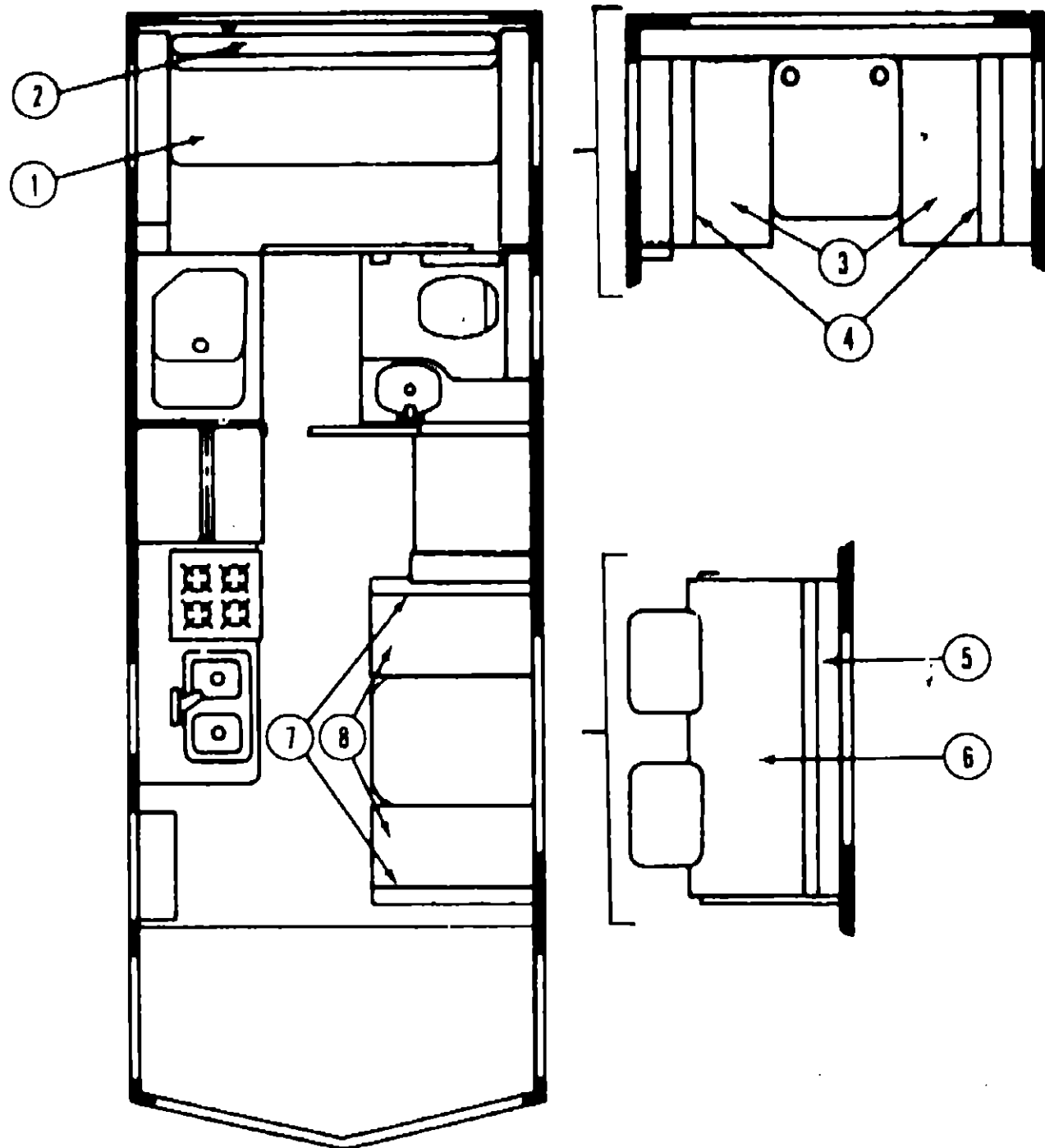
**1984 WINNEBAGO  
TABLE OF CONTENTS**

|         |             |
|---------|-------------|
| WC420RG | A-01 - C-04 |
| WCN23RG | C-05 - E-14 |
| WCN30RC | E-15 - G-24 |
| WCP31RT | H-01 - J-04 |

**1984 WCN23RG INDEX**

|                                    |             |
|------------------------------------|-------------|
| Floor Plan                         | C-05 - C-06 |
| Accessories Group                  | C-07 - C-09 |
| Bath Group                         | C-10        |
| Chassis Group                      | C-11 - C-12 |
| Curtain, Cushion & Pad Group       | C-13 - C-20 |
| Dinette Group                      | C-21        |
| Driver's Compartment Group         | C-22 - C-24 |
| Electrical Group                   | D-01 - D-03 |
| Exterior Body Group                | D-04 - D-10 |
| Galley Group                       | D-11 - D-14 |
| Heating & Air Conditioning Group   | D-15 - D-16 |
| Interior Finish Group              | D-17 - D-19 |
| LP Group                           | D-20        |
| Lounge Group                       | D-21 - D-22 |
| Water & Sewage Group               | D-23 - D-24 |
| Window, Vent & Exterior Door Group | E-01 - E-14 |

**CURTAIN, CUSHION & PAD GROUP (CONTINUED)**



**REAR COUCH CUSHIONS**

| Key | Part Number   | U/M | Description  |
|-----|---------------|-----|--|
| 1   | 072431-05-R07 | EA  | Cushion Asm. - 3 Pillow Seat - 23.5" x 76" x 5" - Blue     |
| 1   | 072431-06-R08 | EA  | Cushion Asm. - 3 Pillow Seat - 23.5" x 76" x 5" - Brown    |
| 1   | 072431-06-R09 | EA  | Cushion Asm. - 3 Pillow Seat - 23.5" x 76" x 5" - Burgundy |
|     | M72431-05-R07 | EA  | Cover Asm. - 3 Pillow Seat - 23.5" x 76" x 5" - Blue       |
|     | M72431-06-R08 | EA  | Cover Asm. - 3 Pillow Seat - 23.5" x 76" x 5" - Brown      |
|     | M72431-06-R09 | EA  | Cover Asm. - 3 Pillow seat - 23.5" x 76" x 5" - Burgundy   |
| 2   | 072432-05-R07 | EA  | Cushion Asm. - 3 Pillow Back - 15" x 76" x 5" - Blue       |
| 2   | 072432-06-R08 | EA  | Cushion Asm. - 3 Pillow Back - 15" x 76" x 5" - Brown      |
| 2   | 072432-06-R09 | EA  | Cushion Asm. - 3 Pillow Back - 15" x 76" x 5" - Burgundy   |
|     | M72432-05-R07 | EA  | Cover Asm. - 3 Pillow Back - 15" x 76" x 5" - Blue         |
|     | M72432-06-R08 | EA  | Cover Asm. - 3 Pillow Back - 15" x 76" x 5" - Brown        |
|     | M72432-06-R09 | EA  | Cover Asm. - 3 Pillow Back - 15" x 76" x 5" - Burgundy     |

**REAR DINETTE CUSHIONS (OPTION)**

| Key | Part Number   | U/M | Description  |
|-----|---------------|-----|--|
| 3   | 072430-32-R07 | EA  | Cushion Asm. - Rear Dinette Bottom - 17.5" x 45" x 5" - Blue     |
| 3   | 072430-34-R08 | EA  | Cushion Asm. - Rear Dinette Bottom - 17.5" x 45" x 5" - Brown    |
| 3   | 072430-34-R09 | EA  | Cushion Asm. - Rear Dinette Bottom - 17.5" x 45" x 5" - Burgundy |
|     | M72430-32-R07 | EA  | Cover Asm. - Rear Dinette Bottom - 17.5" x 45" x 5" - Blue       |
|     | M72430-34-R08 | EA  | Cover Asm. - Rear Dinette Bottom - 17.5" x 45" x 5" - Brown      |
|     | M72430-34-R09 | EA  | Cover Asm. - Rear Dinette Bottom - 17.5" x 45" x 5" - Burgundy   |
| 4   | 072430-33-R07 | EA  | Cushion Asm. - Rear Dinette Back - 19.25" x 45" x 5" - Blue      |
| 4   | 072430-35-R08 | EA  | Cushion Asm. - Rear Dinette Back - 19.25" x 45" x 5" - Brown     |
| 4   | 072430-35-R09 | EA  | Cushion Asm. - Rear Dinette Back - 19.25" x 45" x 5" - Burgundy  |
|     | M72430-33-R07 | EA  | Cover Asm. - Rear Dinette Back - 19.25" x 45" x 5" - Blue        |
|     | M72430-35-R08 | EA  | Cover Asm. - Rear Dinette Back - 19.25" x 45" x 5" - Brown       |
|     | M72430-35-R09 | EA  | Cover Asm. - Rear Dinette Back - 19.25" x 45" x 5" - Burgundy    |

**SIDE COUCH CUSHION (OPTION)**

| Key | Part Number   | U/M | Description  |
|-----|---------------|-----|--|
| 5   | 073630-02-R07 | EA  | Cushion Asm. - 3 Pillow Back - 15" x 76" x 5" - Blue       |
| 5   | 073630-01-R08 | EA  | Cushion Asm. - 3 Pillow Back - 15" x 76" x 5" - Brown      |
| 5   | 073630-01-R09 | EA  | Cushion Asm. - 3 Pillow back - 15" x 76" x 5" - Burgundy   |
|     | M73630-02-R07 | EA  | Cover Asm. - 3 Pillow Back - 15" x 76" x 5" - Blue         |
|     | M73630-01-R08 | EA  | Cover Asm. - 3 Pillow Back - 15" x 76" x 5" - Brown        |
|     | M73630-01-R09 | EA  | Cover Asm. - 3 Pillow Back - 15" x 76" x 5" - Burgundy     |
| 6   | 073631-03-R07 | EA  | Cushion Asm. - 3 Pillow Seat - 23.5" x 76" x 5" - Blue     |
| 6   | 073631-01-R08 | EA  | Cushion Asm. - 3 Pillow Seat - 23.5" x 76" x 5" - Brown    |
| 6   | 073631-01-R09 | EA  | Cushion Asm. - 3 Pillow Seat - 23.5" x 76" x 5" - Burgundy |
|     | M73631-03-R07 | EA  | Cover Asm. - 3 Pillow Seat - 23.5" x 76" x 5" - Blue       |
|     | M73631-01-R08 | EA  | Cover Asm. - 3 Pillow Seat - 23.5" x 76" x 5" - Brown      |
|     | M73631-01-R09 | EA  | Cover Asm. - 3 Pillow Seat - 23.5" x 76" x 5" - Burgundy   |

**DINETTE CUSHIONS**

| Key | Part Number   | U/M | Description   |
|-----|---------------|-----|---|
| 7   | 072430-20-R07 | EA  | Cushion Asm. - Dinette Back - 19.25" x 38" x 5" - Blue      |
| 7   | 072430-03-R08 | EA  | Cushion Asm. - Dinette Back - 19.25" x 38" x 5" - Brown     |
| 7   | 072430-03-R09 | EA  | Cushion Asm. - Dinette Back - 19.25" x 38" x 5" - Burgundy  |
|     | M72430-20-R07 | EA  | Cover Asm. - Dinette Back - 19.25" x 38" x 5" - Blue        |
|     | M72430-03-R08 | EA  | Cover Asm. - Dinette Back - 19.25" x 38" x 5" - Brown       |
|     | M72430-03-R09 | EA  | Cover Asm. - Dinette Back - 19.25" x 38" x 5" - Burgundy    |
| 8   | 072430-21-R07 | EA  | Cushion Asm. - Dinette Bottom - 17.5" x 38" x 5" - Blue     |
| 8   | 072430-04-R08 | EA  | Cushion Asm. - Dinette Bottom - 17.5" x 38" x 5" - Brown    |
| 8   | 072430-04-R09 | EA  | Cushion Asm. - Dinette Bottom - 17.5" x 38" x 5" - Burgundy |
|     | M72430-21-R07 | EA  | Cover Asm. - Dinette Bottom - 17.5" x 38" x 5" - Blue       |
|     | M72430-04-R08 | EA  | Cover Asm. - Dinette Bottom - 17.5" x 38" x 5" - Brown      |
|     | M72430-04-R09 | EA  | Cover Asm. - Dinette Bottom - 17.5" x 38" x 5" - Burgundy   |

**1984 WINNEBAGO  
TABLE OF CONTENTS**

|         |             |
|---------|-------------|
| WC420HG | A-01 - C-04 |
| WCN23RG | C-05 - E-14 |
| WCN30RC | E-15 - G-24 |
| WCP31RT | H-01 - J-04 |

**1984 WCN23RG INDEX**

|                                    |             |
|------------------------------------|-------------|
| Floor Plan                         | C-05 - C-06 |
| Accessories Group                  | C-07 - C-09 |
| Bath Group                         | C-10        |
| Chassis Group                      | C-11 - C-12 |
| Curtain, Cushion & Pad Group       | C-13 - C-20 |
| Dinette Group                      | C-21        |
| Driver's Compartment Group         | C-22 - C-24 |
| Electrical Group                   | D-01 - D-03 |
| Exterior Body Group                | D-04 - D-10 |
| Galley Group                       | D-11 - D-14 |
| Heating & Air Conditioning Group   | D-15 - D-16 |
| Interior Finish Group              | D-17 - D-19 |
| LP Group                           | D-20        |
| Lounge Group                       | D-21 - D-22 |
| Water & Sewage Group               | D-23 - D-24 |
| Window, Vent & Exterior Door Group | E-01 - E-14 |

**CURTAIN, CUSHION & PAD GROUP (CONTINUED)**

**BUCKET SEATS**

| Key | Part Number   | U/M | Description  |
|-----|---------------|-----|--|
|     | 075966-08-R07 | EA  | Seat Asm. - Single Bucket - w/Armrests - Blue      |
|     | 075966-08-R08 | EA  | Seat Asm. - Single Bucket - w/Armrests - Brown     |
|     | 075966-08-R09 | EA  | Seat Asm. - Single Bucket - w/Armrests - Burgundy  |
|     | M00784-13-R07 | EA  | Cover Asm. - Back - Single Bucket - Blue           |
|     | M00784-13-R08 | EA  | Cover Asm. - Back - Single Bucket - Brown          |
|     | M00784-13-R09 | EA  | Cover Asm. - Back - Single Bucket - Burgundy       |
|     | M00784-14-R07 | EA  | Cover Asm. - Bottom - Single Bucket - Blue         |
|     | M00784-14-R08 | EA  | Cover Asm. - Bottom - Single Bucket - Brown        |
|     | M00784-14-R09 | EA  | Cover Asm. - Bottom - Single Bucket - Burgundy     |
|     | 071126-04-R07 | EA  | Skirt Asm. - Single Bucket - Blue                  |
|     | 071126-04-R11 | EA  | Skirt Asm. - Single Bucket - Brown (R08)           |
|     | 071126-04-R09 | EA  | Skirt Asm. - Single Bucket - Burgundy              |
|     | 075967-03-R07 | EA  | Seat Asm. - Double Bucket - w/Armrests - Blue      |
|     | 075967-03-R08 | EA  | Seat Asm. - Double Bucket - w/Armrests - Brown     |
|     | 075967-03-R09 | EA  | Seat Asm. - Double Bucket - w/Armrests - Burgundy  |
|     | M00784-15-R07 | EA  | Cover Asm. - Back - Double Bucket - Blue           |
|     | M00784-15-R08 | EA  | Cover Asm. - Back - Double Bucket - Brown          |
|     | M00784-15-R09 | EA  | Cover Asm. - Back - Double Bucket - Burgundy       |
|     | M00784-16-R07 | EA  | Cover Asm. - Bottom - Double Bucket - Blue         |
|     | M00784-16-R08 | EA  | Cover Asm. - Bottom - Double Bucket - Brown        |
|     | M00784-16-R09 | EA  | Cover Asm. - Bottom - Double Bucket - Burgundy     |
|     | 071690-02-R08 | EA  | Skirt Asm. - Double Bucket (R07)                   |
|     | 071690-02-R09 | EA  | Skirt Asm. - Double Bucket                         |
|     | 071122-11-R07 | EA  | Armrest Asm. - Right - Blue                        |
|     | 071122-11-R08 | EA  | Armrest Asm. - Right - Brown                       |
|     | 071122-11-R09 | EA  | Armrest Asm. - Right - Burgundy                    |
|     | 071122-12-R07 | EA  | Armrest Asm. - Left - Blue                         |
|     | 071122-12-R08 | EA  | Armrest Asm. - Left - Brown                        |
|     | 071122-12-R09 | EA  | Armrest Asm. - Left - Burgundy                     |
|     | 071123-06-R07 | EA  | Cover Asm. - Armrest - Right or Left - Blue        |
|     | 071123-06-R11 | EA  | Cover Asm. - Armrest - Right or Left - Brown (R08) |
|     | 071123-06-R09 | EA  | Cover Asm. - Armrest - Right or Left - Burgundy    |
|     | 069005-02-R07 | EA  | Seat Asm. - Single Bucket - Blue                   |
|     | 069005-02-R08 | EA  | Seat Asm. - Single Bucket - Brown                  |
|     | 069005-02-R09 | EA  | Seat Asm. - Single Bucket - Burgundy               |
|     | M00435-03-R07 | EA  | Cover Asm. - Back - Single Bucket - Blue           |
|     | M00435-03-R08 | EA  | Cover Asm. - Back - Single Bucket - Brown          |
|     | M00435-03-R09 | EA  | Cover Asm. - Back - Single Bucket - Burgundy       |
|     | M00435-04-R07 | EA  | Cover Asm. - Bottom - Single Bucket - Blue         |
|     | M00435-04-R08 | EA  | Cover Asm. - Bottom - Single Bucket - Brown        |
|     | M00435-04-R09 | EA  | Cover Asm. - Bottom - Single Bucket - Burgundy     |

**FRONT OVERHEAD BUNK CUSHIONS**

| Key | Part Number   | U/M | Description   |
|-----|---------------|-----|---|
|     | 073467-04-R07 | EA  | Cushion Asm. - Front Bunk - 31.5" x 76" - 4" - Blue           |
|     | 073467-04-R08 | EA  | Cushion Asm. - Front Bunk - 31.5" x 76" - 4" - Brown          |
|     | 073467-04-R09 | EA  | Cushion Asm. - Front Bunk - 31.5" x 76" - 4" - Burgundy       |
|     | M73467-04-R07 | EA  | Cover Asm. - Front Bunk Cushion - 31.5" x 76" x 4" - Blue     |
|     | M73467-04-R08 | EA  | Cover Asm. - Front Bunk Cushion - 31.5" x 76" x 4" - Brown    |
|     | M73467-04-R09 | EA  | Cover Asm. - Front Bunk Cushion - 31.5" x 76" x 4" - Burgundy |

**CURTAIN, CUSHION & PAD GROUP (CONTINUED)**

**FABRICS, TRIMS & PADS**

| Key | Part Number   | U/M | Description   |
|-----|---------------|-----|---|
|     | 072333-07-000 | YD  | Fabric - Drapery  |
|     | 072333-08-000 | YD  | Fabric - Drapery - Sheers                                     |
|     | 074495-27-000 | YD  | Fabric - Drapery/Accent (R07, R08)                            |
|     | 074495-28-000 | YD  | Fabric - Drapery/Accent (R09)                                 |
|     | 074495-26-000 | YD  | Fabric w/Pattern - Upholstery - Blue (R07)                    |
|     | 074495-24-000 | YD  | Fabric w/Pattern - Upholstery - Brown (R08)                   |
|     | 074495-26-000 | YD  | Fabric w/Pattern - Upholstery - Burgundy (R09)                |
|     | 070502-01-000 | YD  | Vinyl - Non-Expanded - 12 Gauge Film                          |
|     | 038421-01-000 | YD  | Tickling - Mattress   |
|     | 029012-01-000 | BF  | Foam - Rolled - 3/8"  |
|     | 057650-03-P07 | EA  | Button Asm. - Nail - #36 - 7/8" Shank - Vinyl                 |
|     | 057093-05-P07 | EA  | Button Asm. - Covered #60 - Nail Vinyl                        |
|     | 071127-03-R10 | EA  | Button Asm. - Square #65 (R07, R08)                           |
|     | 071127-03-R12 | EA  | Button Asm. - Square #65 (R09)                                |
|     | 075269-01-R11 | EA  | Button Asm. - Square #65 - 3/4" Stud (R07, R08)               |
|     | 070269-01-R09 | EA  | Button Asm. - Square #65 - 3/4" Stud (R09)                    |
|     | 070578-04-R10 | EA  | Button Asm. - Screw Stud - #30 (R07, R08)                     |
|     | 070578-04-R12 | EA  | Button Asm. - Screw Stud - #30 (R09)                          |
|     | 071848-01-R07 | EA  | Pad Asm. - End Cap - Dinette Overhead - Right - Vinyl         |
|     | 071847-05-R07 | EA  | Pad Asm. - End Cap - Galley Overhead - Left - Vinyl           |
|     | 074549-01-R07 | EA  | Pad Asm. - Dinette - Right (R08)                              |
|     | 074549-01-R09 | EA  | Pad Asm. - Dinette - Right                                    |
|     | 074549-02-R07 | EA  | Pad Asm. - Dinette - Left (R08)                               |
|     | 074549-02-R09 | EA  | Pad Asm. - Dinette - Left                                     |
|     | 074549-08-R07 | EA  | Pad Asm. - Rear Dinette - Right (R08)                         |
|     | 074549-08-R09 | EA  | Pad Asm. - Rear Dinette - Right                               |
|     | 074549-09-R07 | EA  | Pad Asm. - Rear Dinette - Left (R08)                          |
|     | 074549-09-R09 | EA  | Pad Asm. - Rear Dinette - Left                                |
|     | 059414-03-000 | EA  | Pad - Sidewall Trim - Driver - Vinyl                          |
|     | 059414-04-000 | EA  | Pad - Sidewall Trim - Passenger - Vinyl                       |
|     | 059467-03-N07 | EA  | Pad - Map Pocket - Driver - Vinyl                             |
|     | 059467-04-N07 | EA  | Pad - Map Pocket - Passenger - Vinyl                          |
|     | 074211-01-P01 | EA  | Pad Asm. - Front Side Overhead - Passenger - Vinyl            |
|     | 074210-02-P01 | EA  | Pad Asm. - Front Side Overhead - Driver - Vinyl               |
|     | 074210-01-P01 | EA  | Pad Asm. - Front Side Overhead - w/Driver's Door - Vinyl      |
|     | 076188-01-R07 | EA  | Wall Pad Asm. - Dinette - 12" x 12" (R08)                     |
|     | 076188-01-R09 | EA  | Wall Pad Asm. - Dinette - 12" x 12"                           |
|     | 076188-02-R07 | EA  | Wall Pad Asm. - Dinette - 3.5" x 30" (R08)                    |
|     | 076188-02-R09 | EA  | Wall Pad Asm. - Dinette - 3.5" x 30"                          |
|     | 076188-05-R07 | EA  | Wall Pad Asm. - Rear Dinette - 15" x 9" (R08)                 |
|     | 076188-05-R09 | EA  | Wall Pad Asm. - Rear Dinette - 15" x 9"                       |
|     | 077641-13-000 | EA  | Wall Pad Asm. w/Quilting - Dinette - 12" x 12" (R07, R08)     |
|     | 077641-15-000 | EA  | Wall Pad Asm. w/Quilting - Dinette - 12" x 12" (R09)          |
|     | 077642-01-000 | EA  | Wall Pad Asm. w/Quilting - Dinette - 3.5" x 30" (R07, R08)    |
|     | 077642-03-000 | EA  | Wall Pad Asm. w/Quilting - Dinette - 3.5" x 30" (R09)         |
|     | 077641-23-000 | EA  | Wall Pad Asm. w/Quilting - Rear Dinette - 15" x 9" (R07, R08) |
|     | 077641-24-000 | EA  | Wall Pad Asm. w/Quilting - Rear Dinette - 15" x 9" (R09)      |
|     | 077171-01-R07 | EA  | Pad Asm. - Armrest - Side Couch - Blue                        |
|     | 077171-01-R08 | EA  | Pad Asm. - Armrest - Side Couch - Brown                       |
|     | 077171-01-R09 | EA  | Pad Asm. - Armrest - Side Couch - Burgundy                    |

**1984 WINNEBAGO  
TABLE OF CONTENTS**

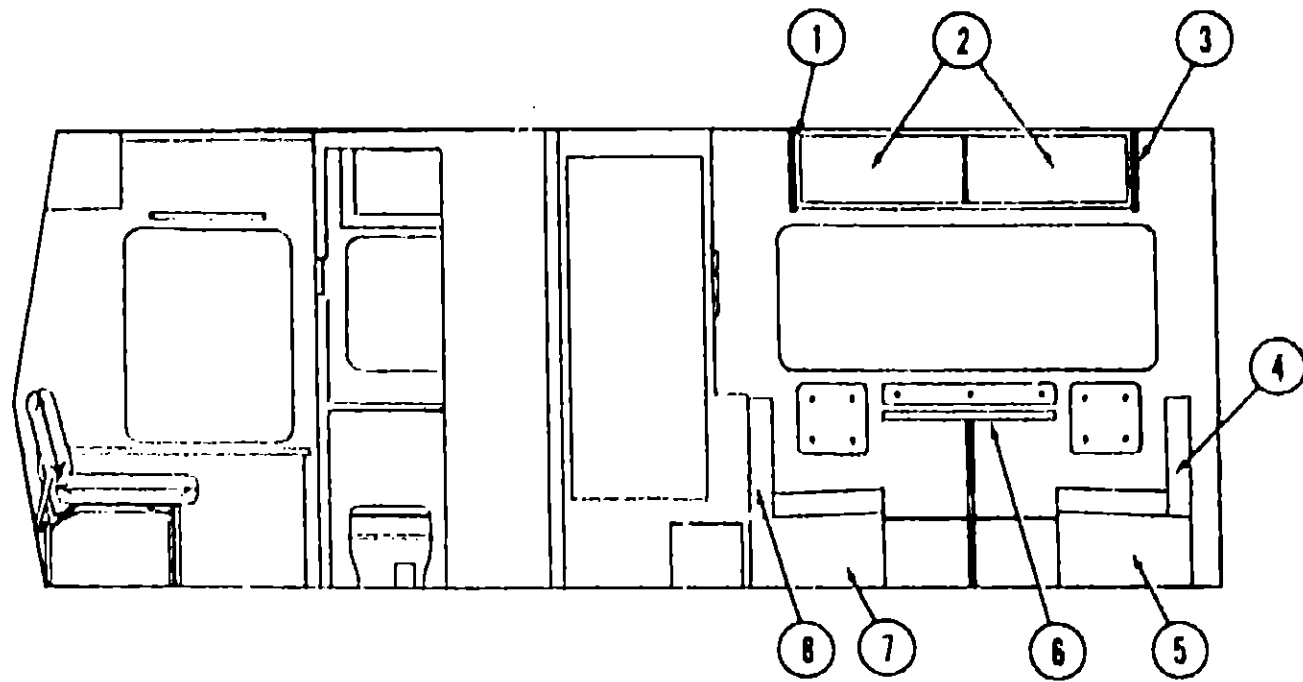
|         |             |
|---------|-------------|
| WC420RG | A-01 - C-04 |
| WCN23RG | C-05 - E-14 |
| WCN30RC | E-15 - G-24 |
| WGP31RT | H-01 - J-04 |

**1984 WCN23RG INDEX**

|                                    |             |
|------------------------------------|-------------|
| Floor Plan                         | C-05 - C-06 |
| Accessories Group                  | C-07 - C-09 |
| Bath Group                         | C-10        |
| Chassis Group                      | C-11 - C-12 |
| Curtain, Cushion & Pad Group       | C-13 - C-20 |
| Dinette Group                      | C-21        |
| Driver's Compartment Group         | C-22 - C-24 |
| Electrical Group                   | D-01 - D-03 |
| Exterior Body Group                | D-04 - D-10 |
| Galley Group                       | D-11 - D-14 |
| Heating & Air Conditioning Group   | D-15 - D-16 |
| Interior Finish Group              | D-17 - D-19 |
| LP Group                           | D-20        |
| Lounge Group                       | D-21 - D-22 |
| Water & Sewage Group               | D-23 - D-24 |
| Window, Vent & Exterior Door Group | E-01 - E-14 |



## DINETTE GROUP



### CONVENTIONAL DINETTE & OVERHEAD CABINERY

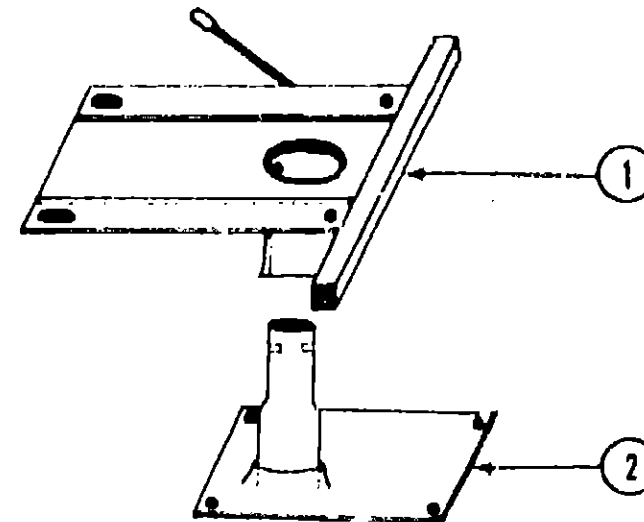
| Key | Part Number   | U/M | Description  |
|-----|---------------|-----|--|
| 1   | 075775-11-R07 | EA  | Cabinet Asm. - Dinette Overhead - w/o Doors or Hardware      |
| 2   | 069852-72-R10 | EA  | Door Asm. - Dinette Overhead - 28.1" x 11.4" - w/o Hardware  |
| 3   | 071846-01-R07 | EA  | Pad Asm. - End Cap - Dinette Overhead - Right - Almond Vinyl |
| 4   | M01481-01-R07 | EA  | Cabinet Asm. - Dinette Back - Right                          |
| 5   | M01482-01-R07 | EA  | Cabinet Asm. - Dinette Seat - Right                          |
| 6   | M01281-50-R07 | EA  | Table Asm. - Dinette - w/o Hardware - Harbor Oak             |
| 7   | M01482-02-R07 | EA  | Cabinet Asm. - Dinette Seat - Left                           |
| 8   | M01481-02-R07 | EA  | Cabinet Asm. - Dinette Back - Left                           |
| .   | M01581-01-R07 | EA  | Countertop Asm. - Refrigerator - Harbor Oak                  |
| .   | 053200-05-000 | EA  | Bracket - Upper Wall Mount - 23.5"                           |
| ..  | 053201-03-000 | EA  | Bracket - Table Mount - 23"                                  |
| .   | 024275-05-000 | EA  | Rod - Table Lift - 8" x 23.5"                                |
| .   | 024281-07-000 | EA  | Bracket - Lower Wall Mount - 22.12"                          |
| .   | 024276-14-000 | EA  | Leg Asm. - Table - 29.5" - Brown                             |
| ..  | 064050-01-000 | EA  | Hinge - Table Leg  |
| ..  | 024282-01-000 | EA  | Brace - Table Leg  |
| ..  | 024283-01-000 | EA  | Clip - 1" O.D. Tube  |
| .   | 049493-02-000 | EA  | Catch - Table Leg - Mounts on Floor - Brown                  |
| .   | 064781-03-000 | EA  | Cup Holder - 3.47" O.D. x 2.75" I.D. x 1.5"                  |
| .   |               |     | Not illustrated  |

The illustrated parts breakdown for this item is provided on the Common Items Fiche.

### SIDE COUCH W/TABLES (OPTION)

| Key | Part Number   | U/M | Description                                       |
|-----|---------------|-----|---|
|     | M00684-43-R07 | EA  | Table Asm. - Pedestal - w/o Hardware - Harbor Oak |
|     | 009040-04-000 | EA  | Leg - Pedestal Table - 27.5" x 2.25" O.D.         |
|     | 009040-03-000 | EA  | Base - Table - Mounts on Table                    |
|     | 041194-01-000 | EA  | Base - Table - Mounts in Floor                    |
|     | 062046-01-000 | EA  | Clip - Pedestal Leg                               |
|     | 057468-02-000 | EA  | Base Asm. - Couch - Right                         |
|     | 057468-03-000 | EA  | Base Asm. - Couch - Left                          |
|     | 057468-04-000 | EA  | Base Asm. - Couch - Spacers                       |
|     | 057469-05-000 | EA  | Leg Asm. - Couch                                  |
|     | 057472-01-000 | EA  | Panel Clip  |

## DRIVER'S COMPARTMENT GROUP



### BUCKET SEAT PEDESTAL & SEAT BELTS

| Key | Part Number   | U/M | Description   |
|-----|---------------|-----|---|
| 1   | 069585-04-000 | EA  | Plate - Top - Pedestal Asm. - Single Bucket Seat      |
| 1   | 069585-10-000 | EA  | Plate - Top - Pedestal Asm. - Double Bucket Seat      |
| 2   | 069585-08-000 | EA  | Plate - Sub - Pedestal Asm. - Bucket Seat             |
| .   | 069585-05-000 | EA  | Hardware Kit - Bolt/Acorn Nut - 4 ea. - Pedestal Asm. |
| .   | 056271-02-000 | EA  | Belt Asm. - Seat - 2" x 72" - Black                   |
| .   | 007019-01-000 | EA  | Belt Asm. - Seat - 2" x 84" - Black                   |
| .   | 007021-01-000 | EA  | Belt Asm. - Seat - 2" x 90" - Black                   |
| .   | 041322-01-000 | EA  | Washer - Flat 15/32" I.D. x 2 3/8" O.D. - Seat Belt   |
| .   | 069246-01-000 | EA  | Adjuster Asm. - Seat - w/Lock                         |
| .   | 069246-02-000 | EA  | Adjuster Asm. - Seat - w/o Lock                       |
| .   | 068601-06-000 | EA  | Recliner Drive - Single or Double Bucket - Driver     |
| .   | 068601-07-000 | EA  | Recliner Drive - Single or Double Bucket - Passenger  |
| .   | 068601-05-700 | EA  | Hand Wheel Kit - Recliner Drive                       |
| .   |               |     | Not illustrated                                       |

### FRONT BUNK & HARDWARE

| Key | Part Number   | U/M | Description  |
|-----|---------------|-----|--|
|     | 076473-01-R10 | EA  | Cabinet Asm. - Front Overhead                                |
|     | 076184-01-R07 | EA  | Bunk Board Asm. - Front Overhead - w/Beige Rails             |
|     | 053773-01-000 | EA  | Support - Overhead Bunk - Passenger - Brown                  |
|     | 053773-02-000 | EA  | Support - Overhead Bunk - Driver - Brown                     |
|     | 040071-02-000 | EA  | Support - Bunk - Seat Belt                                   |
|     | 039516-04-000 | EA  | Catch - Bunk - Beige   |
|     | 023812-28-000 | EA  | Rail - Bunk - 77.1" - Beige                                  |
|     | 053774-04-000 | EA  | Torsion Rod - Overhead Bunk - Brown                          |
|     | 074211-01-P01 | EA  | Pad Asm. - Front Side Overhead - Passenger - Beige Vinyl     |
|     | 074210-02-P01 | EA  | Pad Asm. - Front Side Overhead - Driver - Beige Vinyl        |
|     | 074210-01-P01 | EA  | Pad Asm. - Front Side Overhead - Driver's Door - Beige Vinyl |
|     | 048394-01-000 | YD  | Tape Hook - 1" x 25 YD - Beige                               |
|     | 048395-01-000 | YD  | Tape Loop - 1" x 25 YD - Beige                               |
|     | 007021-01-000 | EA  | Belt Asm. - Seat - 2" x 90" - Black                          |
|     | 041322-01-000 | EA  | Washer - Flat - 15/32" I.D. x 2 3/8" O.D. - Seat Belt        |

## 1984 WINNEBAGO TABLE OF CONTENTS

WC420RG  
WCN23RG  
WCN30RC  
WCP31RT

A-01 - C-04  
C-05 - E-14  
E-15 - G-24  
H-01 - J-04

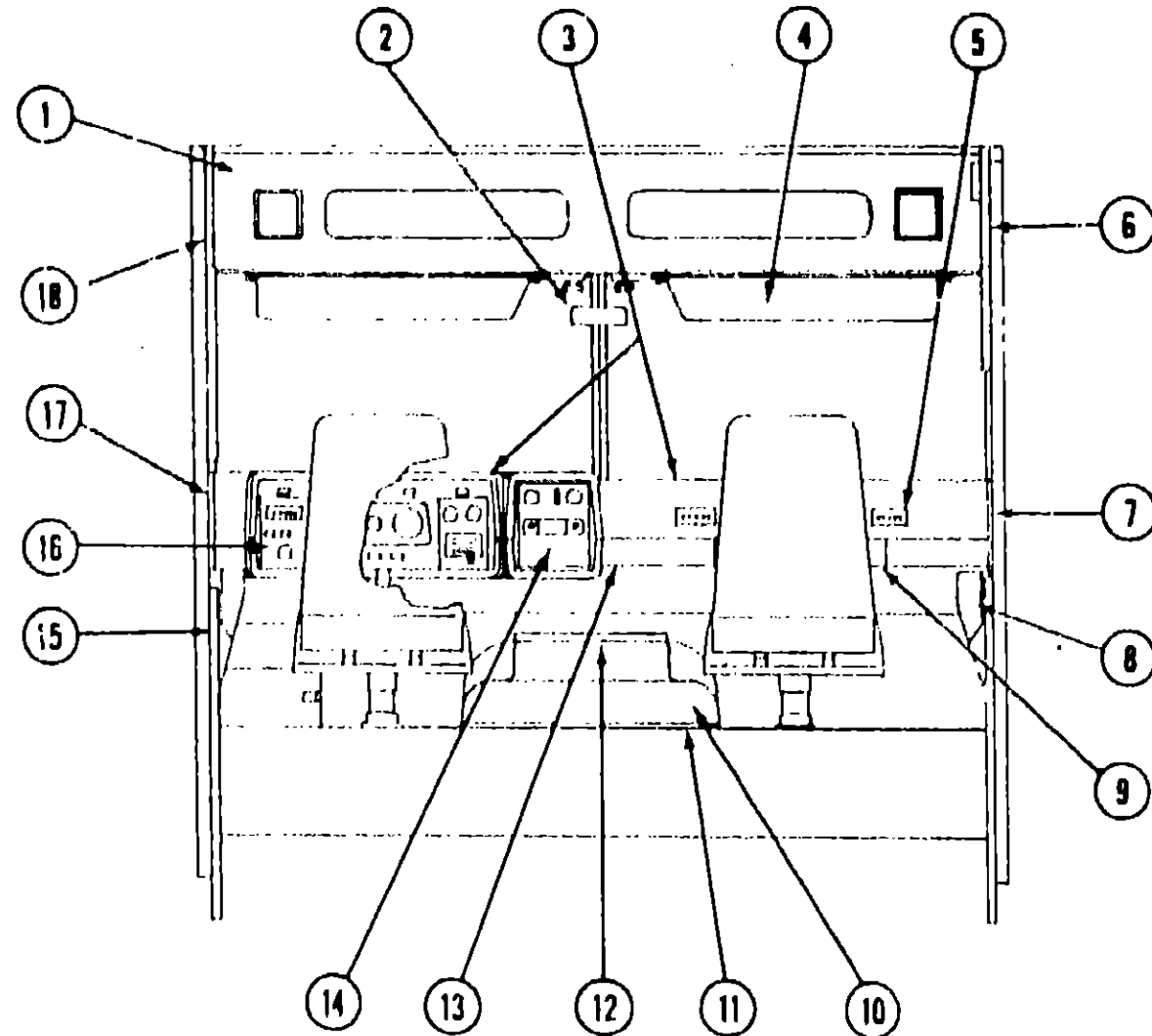
### 1984 WCN23RG INDEX

|                                    |             |
|------------------------------------|-------------|
| Floor Plan                         | C-05 - C-06 |
| Accessories Group                  | C-07 - C-09 |
| Bath Group                         | C-10        |
| Chassis Group                      | C-11 - C-12 |
| Curtain, Cushion & Pad Group       | C-13 - C-20 |
| Dinette Group                      | C-21        |
| Driver's Compartment Group         | C-22 - C-24 |
| Electrical Group                   | D-01 - D-03 |
| Exterior Body Group                | D-04 - D-10 |
| Galley Group                       | D-11 - D-14 |
| Heating & Air Conditioning Group   | D-15 - D-16 |
| Interior Finish Group              | D-17 - D-19 |
| LP Group                           | D-20        |
| Lounge Group                       | D-21 - D-22 |
| Water & Sewage Group               | D-23 - D-24 |
| Window, Vent & Exterior Door Group | E-01 - E-14 |

**DRIVER'S COMPARTMENT GROUP (CONTINUED)**

**DRIVER'S COMPARTMENT GROUP (CONTINUED)**

**MISCELLANEOUS DRIVER'S COMPARTMENT COMPONENTS (CONT)**



**MISCELLANEOUS DRIVER'S COMPARTMENT COMPONENTS**

| Key | Part Number   | U/M | Description   |
|-----|---------------|-----|---|
| 1   | 076473-01-R10 | EA  | Cabinet Asm. - Front Overhead   |
| 2   | 040714-01-700 | EA  | Mirror Kit/Rear View - w/Button Support                               |
| **3 | M01113-08-000 | EA  | Dash Asm. - Complete - w/Gauges & Switches (w/o Clock)                |
| **3 | M01113-09-000 | EA  | Dash Asm. - Complete - w/Gauges & Switches (w/o Clock) - Diesel       |
| .   | 007308-01-000 | EA  | Dash Clock  |
| .   | 038846-01-000 | EA  | Retainer - Dash - 1" x .25" - w/.188" Dia. Hole                       |
| .   | 038846-02-000 | EA  | Retainer - Dash - 3" x .17" - w/.140" Dia. Hole                       |
| .   | 022548-04-000 | EA  | Dash Pad - Passenger - Dark Brown                                     |
| .   | 023242-06-000 | EA  | Dash Pad - Driver - Dark Brown  |
| .   | 065610-01-000 | EA  | Plate - Mounting - Fuse Block   |
| .   | 024990-02-000 | EA  | Outlet - Defroster w/Swivel Dark Brown                                |
| 4   | 075588-01-P01 | EA  | Sunvisor Asm. - Passenger or Driver - Almond Vinyl - w/o Mirror       |
| .   | 040695-02-000 | EA  | Clip - Sunvisor & Support Asm.  |
| .   | 074012-01-000 | EA  | Clip - Sunvisor - Square - Pinch On                                   |
| .   | 061350-03-000 | EA  | Windshield Trim - Interior - "A" Post - Passenger - Light Oak Plastic |
| .   | 061350-04-000 | EA  | Windshield Trim - Interior - "A" Post - Driver - Light Oak Plastic    |
| 5   | 039044-01-000 | EA  | Louver Asm. - A/C Adjustable  |
| 6   | 074211-01-P01 | EA  | Pad Asm. - Front Side Overhead - Passenger - Beige Vinyl              |
| 7   | 059414-04-000 | EA  | Pad - Sidewall Trim - Passenger - Beige Vinyl                         |
| 8   | 072811-01-000 | EA  | Panel - Side - Passenger - Light Oak Plastic                          |
| .   | 059467-04-N07 | EA  | Pad - Map Pocket - Passenger - Beige Vinyl                            |
| 9   | 022219-01-000 | EA  | Glove Compartment Door  |
| .   | 023892-01-000 | EA  | Glove Compartment Box - Black Fiberboard                              |
| .   | 009118-01-000 | EA  | Glove Compartment Twist Lock  |
| .   | 024598-01-000 | EA  | Glove Compartment Hinge - 1 1/16" x 19"                               |
| .   | 034309-01-000 | EA  | Glove Compartment Chain - Door  |
| 10  | 067213-02-000 | EA  | Engine Cover - Fiberglass   |

| Key | Part Number   | U/M | Description   |
|-----|---------------|-----|---|
| 11  | 077570-01-000 | EA  | Seal - Engine Cover - 34.19"  |
| .   | 039623-01-000 | FT  | Seal - Engine Cover - Neoprene  |
| .   | 052783-04-000 | EA  | Seal - Engine Cover - Upper - Beige   |
| .   | 042541-01-000 | EA  | Latch Asm. - w/Strike - Chrome  |
| 12  | 071714-04-000 | EA  | Beverage Tray Asm.  |
| 13  | 023834-01-000 | EA  | Panel - Knee Kick - Bottom of Dash  |
| 14  | 076006-02-000 | EA  | Bezel - Entertainment Center - w/Cut Out for Radio                                |
| 14  | 076006-03-000 | EA  | Bezel - Entertainment Center - w/Cut Out for Radio, Generator & Start/Stop Switch |
| 15  | 059198-05-000 | EA  | Panel - Side - Driver - Light Oak Plastic   |
| 15  | 064499-02-000 | EA  | Panel - Side - Driver's Door - Inner - Light Oak Plastic                          |
| .   | 059467-03-N07 | EA  | Pad - Map Pocket - Driver - Beige Vinyl   |
| .   | 050796-01-000 | EA  | Pocket - Ash Tray - Plastic   |
| .   | 046886-03-000 | EA  | Ash Tray Asm. - Flush Mount - Chrome  |
| 18  | 039847-08-000 | EA  | Bezel - Control Panel   |
| .   | 071668-01-000 | EA  | Bezel - Instrument Panel  |
| .   | 077369-01-000 | EA  | Access Panel - Instrument Panel - Lower - Black                                   |
| .   | 052387-01-000 | EA  | Cigarette Lighter Asm. - 12 Volt  |
| .   | 007041-01-000 | EA  | Bezel - Cigarette Lighter   |
| .   | 061424-01-000 | EA  | Lump Asm. - Map/Gauge   |
| .   | 061400-03-000 | EA  | Assist Strap - 12" - Medium Almond  |
| 17  | 059414-03-000 | EA  | Pad - Sidewall Trim - Driver - Beige Vinyl  |
| 18  | 074210-02-P01 | EA  | Pad Asm. - Front Overhead Cabinet - Driver - Beige Vinyl                          |
| 18  | 074210-01-P01 | EA  | Pad Asm. - Front Overhead Cabinet - Driver's Door - Beige Vinyl                   |
| .   | 040519-01-000 | EA  | Boot - Rubber Steering Column   |
| .   | 040520-01-000 | EA  | Boot Retainer - Steering Column   |
| .   | 054250-01-000 | EA  | Support - Dimmer Switch - w/o Holes   |
| .   | 024849-01-000 | EA  | Damper Asm. - Fresh Air   |
| .   | .             | .   | Not illustrated   |

\*\*NOTE: To be special ordered only.

**1984 WINNEBAGO  
TABLE OF CONTENTS**

|         |             |
|---------|-------------|
| WC420RG | A-01 - C-04 |
| WCN23RG | C-05 - E-14 |
| WCN30RC | E-15 - G-24 |
| WCP31RT | H-01 - J-04 |

**DASH SWITCHES & GAUGES**

| Key | Part Number   | U/M | Description                              |
|-----|---------------|-----|--|
|     | 024461-01-000 | EA  | Switch - Battery                         |
|     | 024462-01-000 | EA  | Switch - Battery Condition               |
|     | 024464-01-000 | EA  | Switch - Washer                          |
|     | 024467-01-000 | EA  | Switch - Wiper                           |
|     | 024976-01-000 | EA  | Switch - Generator w/o Circuit Board     |
|     | 024459-03-000 | EA  | Gauge - Voltmeter                        |
|     | 024460-03-000 | EA  | Gauge - Vacuum                           |
|     | 024460-02-000 | EA  | Bracket - Mounting - Vacuum Gauge        |
|     | 031035-01-000 | EA  | Gauge - Generator/Hourmeter              |
|     | 074007-01-000 | EA  | Switch - Intermittent - Windshield Wiper |

**1984 WCN23RG INDEX**

|                                    |             |
|------------------------------------|-------------|
| Floor Plan                         | C-05 - C-06 |
| Accessories Group                  | C-07 - C-09 |
| Bath Group                         | C-10        |
| Chassis Group                      | C-11 - C-12 |
| Curtain, Cushion & Pad Group       | C-13 - C-20 |
| Dinette Group                      | C-21        |
| Driver's Compartment Group         | C-22 - C-24 |
| Electrical Group                   | D-01 - D-03 |
| Exterior Body Group                | D-04 - D-10 |
| Galley Group                       | D-11 - D-14 |
| Heating & Air Conditioning Group   | D-15 - D-16 |
| Interior Finish Group              | D-17 - D-19 |
| LP Group                           | D-20        |
| Lounge Group                       | D-21 - D-22 |
| Water & Sewage Group               | D-23 - D-24 |
| Window, Vent & Exterior Door Group | E-01 - E-14 |

## ELECTRICAL GROUP

### BULBS

| Key | Part Number   | U/M | Description      |
|-----|---------------|-----|------------------|
|     | 008220-01-000 | EA  | Bulb - 12V - 25W |
|     | 008103-01-000 | EA  | Bulb - 52        |
|     | 008213-01-000 | EA  | Bulb - 57        |
|     | 008214-01-000 | EA  | Bulb - 67        |
|     | 036196-01-000 | EA  | Bulb - 194       |
|     | 008215-01-000 | EA  | Bulb - 1003      |
|     | 067479-01-000 | EA  | Bulb - 1076      |
|     | 063914-01-000 | EA  | Bulb - 1139      |
|     | 008218-01-000 | EA  | Bulb - 1141      |
|     | 037935-01-000 | EA  | Bulb - 1157      |

### FUSES & CIRCUIT BREAKER

| Key | Part Number   | U/M | Description   |
|-----|---------------|-----|---|
|     | 008234-01-000 | EA  | Fuse - 10 Amp. - 12 Volt  |
|     | 062901-02-000 | EA  | Fuse - 5 Amp. - Automotive                                      |
|     | 062901-05-000 | EA  | Fuse - 15 Amp. - Automotive                                     |
|     | 008211-01-000 | EA  | Circuit Breaker - 6 Amp. - 12 Volt                              |
|     | 008208-01-000 | EA  | Circuit Breaker - 40 Amp - 12 Volt                              |
|     | 033573-02-000 | EA  | Circuit Breaker - 15 Amp. - 12 Volt - w/Mount                   |
|     | 033573-01-000 | EA  | Circuit Breaker - 20 Amp - 12 Volt - w/Mount                    |
|     | 008268-01-000 | EA  | Circuit Breaker - 30 Amp. - 12 Volt - w/Mount                   |
|     | 075735-02-000 | EA  | Circuit Breaker - 15 Amp. - 120 Volt (Ground Fault Interrupter) |
|     | 071279-05-000 | EA  | Circuit Breaker - 20 Amp. - 120 Volt                            |
|     | 071279-03-000 | EA  | Circuit Breaker - 15/20 Amp. - 120 Volt                         |
|     | 071279-01-000 | EA  | Circuit Breaker - 15/30 Amp. - 120 Volt                         |
|     | 071279-06-000 | EA  | Circuit Breaker - 30/15 Amp. - 120 Volt                         |
|     | 071280-01-000 | EA  | Circuit Breaker Blank   |

### WINDSHIELD WIPER & WASHER

| Key | Part Number   | U/M | Description                             |
|-----|---------------|-----|---|
| **  | 056000-02-000 | EA  | Washer Asm. - Windshiled - w/o Nozzels  |
| **  | 057653-01-000 | EA  | Arm - Windshiled Wiper - 18" - Black    |
|     | 067191-02-000 | EA  | Motor Asm. - Windshiled Wiper - 2 Speed |
|     | 067192-01-000 | EA  | Link Asm. - Connecting - Left           |
|     | 067193-01-000 | EA  | Link Asm. - Connecting - Right          |
| **  | 049464-03-000 | EA  | Blade - Windshiled Wiper - 20" - Black  |
| **  | 067190-01-000 | EA  | Shaft & Pivot Asm.                      |
| **  | 057474-01-000 | EA  | Wiper Asm.                              |

\*\* The illustrated parts breakdown for this item is provided on the Common Items Fiche.

## ELECTRICAL GROUP (CONTINUED)

### WIRE, SWITCHES & RECEPTACLES

| Key | Part Number   | U/M | Description   |
|-----|---------------|-----|---|
|     | 008058-01-000 | EA  | Adapter - Power Cord  |
|     | 008298-01-000 | EA  | Box - Electrical - 3" x 3.5" - Plastic                        |
|     | 008289-01-000 | EA  | Box - Electrical - 4" x 4" - 1/2 & 3/4 - Steel - UL           |
|     | 008289-02-000 | EA  | Box - Electrical - 4" x 4" - 1/2 & 3/4 - Steel - CSA          |
|     | 058049-01-000 | EA  | Box - Electrical - 2" x 3" x 2.25" - Steel                    |
|     | 024490-01-000 | EA  | Compartment - Power Cord - Black Plastic                      |
|     | 041953-01-000 | EA  | Conduit - Convoluted Slit - .5" I.D.                          |
|     | 008353-01-000 | EA  | Connector - Clamping - 3/8 Cable - UL & CSA                   |
|     | 058028-01-000 | EA  | Connector - Pigtail - Clear Nylon                             |
|     | 008311-01-000 | EA  | Connector - Wire Nut - Red                                    |
|     | 031968-01-000 | EA  | Contact Plug - Brass - Tin Plated                             |
|     | 031967-01-000 | EA  | Contact - Receptacle  |
|     | 008054-01-000 | EA  | Cord - Power - 10-3 30 Amp. - 25' - UL                        |
|     | 008052-01-000 | EA  | Cord - Power - 10-3 30 Amp. - 25' - CSA                       |
|     | 069238-01-000 | EA  | Cover - Electrical Box - 4" x 4"                              |
|     | 058048-01-000 | EA  | Cover - Electrical Box - 4.5" x 2.75" - Rain Tight (Exterior) |
|     | 024571-03-000 | EA  | Cover Plate - Receptacle - Jumbo - Brown Plastic              |
|     | 008164-01-000 | EA  | Cover Plate - Switch - Brown                                  |
|     | 008294-01-000 | EA  | Cover - Flat Blank - 4" x 4" - Steel - US                     |
|     | 008294-02-000 | EA  | Cover - Flat Blank - 4" x 4" - Steel - CSA                    |
|     | 008250-01-000 | EA  | Fuse Holder - In Line - 10 Amp.                               |
|     | 064399-01-000 | EA  | Housing Asm. - Trailer Pin                                    |
|     | 064398-01-000 | EA  | Housing Asm. - Trailer Receptacle                             |
|     | 054532-01-000 | EA  | Housing Pin - 6 Position                                      |
|     | 065610-01-000 | EA  | Plate - Mounting - Fuse Block                                 |
|     | 075736-01-000 | EA  | Receptacle/Cover Asm. - Gray (Exterior)                       |
|     | 058708-01-000 | EA  | Receptacle - Duplex - Brown                                   |
|     | 008157-01-000 | EA  | Receptacle - Duplex - Brown (Exterior Backwall)               |
|     | 058708-02-000 | EA  | Receptacle - Duplex - Ivory                                   |
|     | 024924-02-000 | EA  | Receptacle - Power Cord                                       |
|     | 058707-01-000 | EA  | Receptacle - Single - Brown                                   |
|     | 063912-01-000 | EA  | Relay - Canister SPDT w/Ground                                |
|     | 008162-01-000 | EA  | Switch - Double Toggle - Brown                                |
|     | 056264-01-000 | EA  | Switch - Leaf Actuator  |
|     | 008195-01-000 | EA  | Switch - Push Button - 12 Volt                                |
|     | 041250-01-000 | EA  | Switch - Push Button - On/Off                                 |
|     | 008163-01-000 | EA  | Switch - Toggle - Brown                                       |
|     | 008173-01-000 | EA  | Switch - Toggle - Ivory                                       |
|     | 047443-02-000 | EA  | Terminal - .250 Receptacle - 12-10 AWG                        |
|     | 008348-01-000 | EA  | Terminal Ring - 2 - 3/8" Stud                                 |
|     | 008331-01-000 | EA  | Terminal Ring - 4 - 3/8" Stud                                 |
|     | 008328-01-000 | EA  | Terminal Ring - 12/10 Wire                                    |
|     | 008028-01-000 | FT  | Wire - 18.5 Bonded - Blue/Red/Yellow/Orange/White             |
|     | 008024-01-000 | FT  | Wire - 18.5 Bonded - Orange/White/Yellow/Blue/Brown           |
|     | 008025-01-000 | FT  | Wire - 18.5 Bonded - Orange/White/Yellow/Blue/Green           |
|     | 008026-01-000 | FT  | Wire w/Ground - Romex - 12/2                                  |

## 1984 WINNEBAGO TABLE OF CONTENTS

|         |             |
|---------|-------------|
| WC420RG | A-01 - C-04 |
| WCN23RG | C-05 - E-14 |
| WCN30RC | E-15 - G-24 |
| WCP31RT | H-01 - J-04 |

## 1984 WCN23RG INDEX

|                                    |             |
|------------------------------------|-------------|
| Floor Plan                         | C-05 - C-06 |
| Accessories Group                  | C-07 - C-09 |
| Bath Group                         | C-10        |
| Chassis Group                      | C-11 - C-12 |
| Curtain, Cushion & Pad Group       | C-13 - C-20 |
| Dinette Group                      | C-21        |
| Driver's Compartment Group         | C-22 - C-24 |
| Electrical Group                   | D-01 - D-03 |
| Exterior Body Group                | D-04 - D-10 |
| Galley Group                       | D-11 - D-14 |
| Heating & Air Conditioning Group   | D-15 - D-18 |
| Interior Finish Group              | D-17 - D-19 |
| LP Group                           | D-20        |
| Lounge Group                       | D-21 - D-22 |
| Water & Sewage Group               | D-23 - D-24 |
| Window, Vent & Exterior Door Group | E-01 - E-14 |

## ELECTRICAL GROUP (CONTINUED)

### EXTERIOR LIGHTS

| Key | Part Number   | U/M | Description                                  |
|-----|---------------|-----|--|
|     | 058030-01-000 | EA  | Tail Lamp Asm. - 3 Bulb - Chrome - Passenger |
|     | 058030-02-000 | EA  | Tail Lamp Asm. - 3 Bulb - Chrome - Driver    |
|     | 059540-01-000 | EA  | Bracket - License Plate                      |
|     | 042405-03-000 | EA  | Base - Rectangular - Clearance Light         |
|     | 042405-01-000 | EA  | Lens - Clearance Light - Red w/Reflex        |
|     | 042405-04-000 | EA  | Lens - Clearance Light - Red w/o Reflex      |
|     | 042405-02-000 | EA  | Lens - Clearance Light - Amber w/Reflex      |
|     | 042405-05-000 | EA  | Lens - Clearance Light - Amber w/o Reflex    |
|     | 008089-01-000 | EA  | Light - Porch - Recessed                     |
|     | 058330-01-000 | EA  | Lamp Asm. - Parking                          |
|     | 058330-02-000 | EA  | Socket Asm. - Parking Lamp - w/Wire          |

### INTERIOR LIGHTS

| Key | Part Number   | U/M | Description  |
|-----|---------------|-----|--|
|     | 033508-02-000 | EA  | Light - Dome - Ivory - 1 Bulb - US   |
|     | 033508-03-000 | EA  | Light - Dome - Ivory - 1 Bulb - CSA  |
|     | 033509-02-000 | EA  | Light - Dome - Ivory - 2 Bulb - US   |
|     | 033509-03-000 | EA  | Light - Dome - Ivory - 2 Bulb - CSA  |
|     | 061424-01-000 | EA  | Light - 12 V Receptacle - Aisle - IP   |
|     | 007309-01-000 | EA  | Light - Step Well  |
|     | 072353-01-000 | EA  | Light - Reading - Single - 360° Swivel - Silver                              |
|     | 072353-03-000 | EA  | Light - Reading - Single - 360° Swivel - Almond                              |
|     | 072353-04-000 | EA  | Light - Reading - Dbl. - 360° Swivel - w/Aux. Remote Control Switch - Silver |
|     | 065202-01-000 | EA  | Wall Lamp - Decor - 2 Bulb - Brass   |
|     | 065201-02-000 | EA  | Lamp Shade - Fabric - Parchment - Wall Lamp                                  |

### MISCELLANEOUS ELECTRICAL COMPONENTS

| Key | Part Number   | U/M | Description                              |
|-----|---------------|-----|--|
|     | 047338-03-000 | EA  | Isolator - Dual Battery - 70 Amp.        |
|     | 008188-01-000 | EA  | Solenoid - Dual Battery - Relay          |
|     | 039861-01-000 | EA  | Sending Unit Kit - Wamac                 |
|     | 048812-12-000 | EA  | Refrigerator Sensor - Refrigerator Alarm |
|     | 067762-01-000 | EA  | Converter - 40 Amp. w/Charger            |
|     | 071278-01-000 | EA  | Control Center - 32 Amp.                 |
|     | 071278-01-700 | EA  | Door w/Catch - Brown                     |
|     | 071278-01-701 | EA  | Converter Module                         |
|     | 071278-01-703 | EA  | Catch - Door                             |
|     | 022755-01-000 | EA  | Cover - Control Panel - Plastic          |
|     | 052367-01-000 | EA  | Lighter Asm. - Cigarette                 |

## EXTERIOR BODY GROUP

### LABELS & EXTERIOR PAINT

| Key | Part Number   | U/M | Description   |
|-----|---------------|-----|---|
|     | 068383-01-000 | EA  | Label - Diesel Fuel   |
|     | 006195-01-000 | EA  | Label - Electrical Test   |
|     | 047731-01-000 | EA  | Label - Emergency Exit  |
|     | 008199-01-000 | EA  | Label - Exit - Escape Window                                      |
|     | 057467-04-000 | EA  | Label - Exterior Loading Limit                                    |
|     | 064378-01-000 | EA  | Label - Flying "W" w/Thermo Panel                                 |
|     | 061417-01-000 | EA  | Label - Fuel  |
|     | 006196-01-000 | EA  | Label - Gas Test  |
|     | 054531-01-000 | EA  | Label - LP Gas Only   |
|     | 040944-01-000 | EA  | Label - Open - Entrance Door                                      |
|     | 006015-01-000 | EA  | Label - Patent Motor Home   |
|     | 056259-01-000 | EA  | Label - Safety Check List   |
|     | 006064-01-000 | EA  | Label - Seat - w/o Seat Belts                                     |
|     | 006187-01-000 | EA  | Label - Sewage  |
|     | 006006-01-000 | EA  | Label - Thermo Panel - 2 1/4" x 2 1/4"                            |
|     | 075221-01-000 | EA  | Label - Trailer Hitch Capacity                                    |
|     | 075220-01-000 | EA  | Label - Warning - Exterior Load Limit                             |
|     | 050225-01-000 | EA  | Label - Warning - Stove Vent - US                                 |
|     | 006188-01-000 | EA  | Label - Waste Water   |
|     | 008197-01-000 | EA  | Label - Water Test  |
|     | 072863-01-000 | EA  | Nameplate - Diesel - 6.2L   |
|     | 006062-01-000 | EA  | Tag - Electrical - 110 Volt Connection                            |
|     | 006040-01-000 | EA  | Tag - Gas - Refuelling Warning                                    |
|     | 044486-03-000 | EA  | Paint - Beige Acrylic Enamel - 16 oz. Aerosol (7633A Dupont)      |
|     | 045681-03-000 | EA  | Paint - Gloss Black - Acrylic Enamel - 16 oz. Aerosol (99 Dupont) |
|     | 058637-05-000 | EA  | Paint - Gray Acrylic Enamel - 16 oz. Aerosol (71537 Dupont)       |
|     | 041561-03-000 | EA  | Paint - Off White Acrylic Enamel - 16 oz. Aerosol (45396A Dupont) |
|     | 074559-01-000 | EA  | Label "LPG" - 3.3" x 1.75" - (Calif. Code)                        |

### EXTERIOR ALUMINUM & FIBERGLASS SKINS

| Key | Part Number   | U/M | Description  |
|-----|---------------|-----|--|
|     | 001018-01-024 | EA  | Alum. - No Design - 48" x 96" - Beige                  |
|     | 044487-01-001 | EA  | Alum. - No Design (Roof) - 96" x 360" - Mill Finish    |
|     | 076054-10-003 | EA  | Fiberglass - Sheet - 45.75" x 382" - Greyhound - Beige |
|     | 077517-10-001 | EA  | Fiberglass - Sheet - 46.12" x 378" - Mesa - Beige      |
|     | 077517-04-002 | EA  | Fiberglass - Sheet - 46.12" x 60" - Mesa - Beige       |
|     | 000868-01-000 | SF  | Styrofoam - .75" x 24" x 96"                           |
|     | 000870-01-000 | SF  | Styrofoam - 1.5" x 24" x 96"                           |
|     | 000870-02-000 | SF  | Styrofoam - 1.5" x 48" x 96"                           |
|     | 000870-03-000 | SF  | Styrofoam - 1.34" x 48" x 96"                          |

### MISCELLANEOUS EXTERNALLY MOUNTED PARTS

| Key | Part Number   | U/M | Description                          |
|-----|---------------|-----|--------------------------------------|
|     | 011129-01-000 | EA  | Plumbing Seal - Roof Vent - 1.5"     |
|     | 009126-01-000 | EA  | Assist Handle - Chrome               |
|     | 010230-03-000 | EA  | Fill - City Water - Recessed - Beige |
|     | 058808-02-000 | EA  | Water Fill - Lockable - Beige        |
|     | 072447-01-000 | EA  | Shroud - Fuel Fill                   |
|     | J63303-04-000 | EA  | Shroud - Fuel Fill - Lower           |
|     | 072309-02-000 | EA  | Shroud - Fill Neck                   |

## 1984 WINNEBAGO TABLE OF CONTENTS

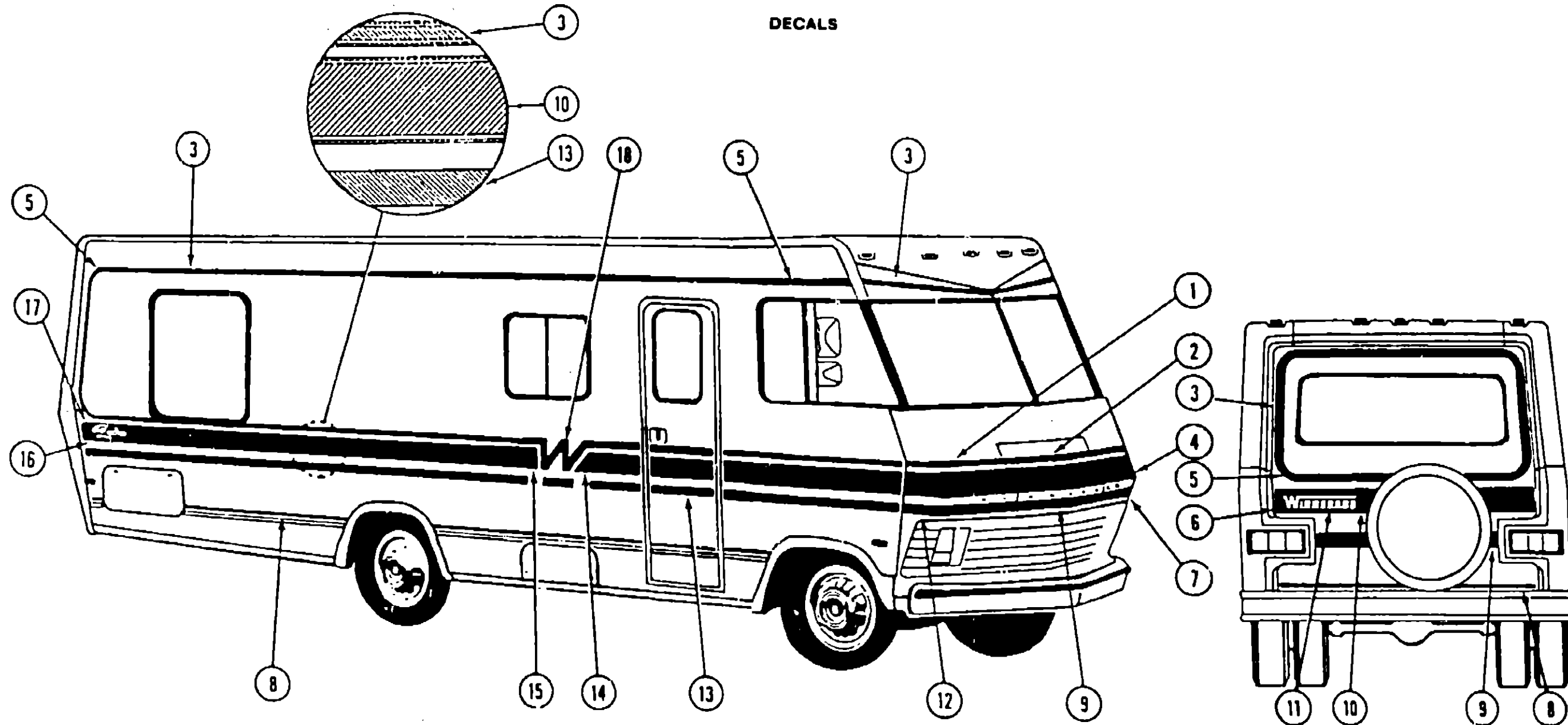
|          |             |
|----------|-------------|
| WC420RG  | A-01 - C-04 |
| V/CN23RG | C-05 - E-14 |
| WCN30RC  | E-15 - G-24 |
| WCP31RT  | H-01 - J-04 |

## 1984 WCN23RG INDEX

|                                   |             |
|-----------------------------------|-------------|
| Floor Plan                        | C-05 - C-06 |
| Accessories Group                 | C-07 - C-09 |
| Bath Group                        | C-10        |
| Chassis Group                     | C-11 - C-12 |
| Curtain, Cushion & Pad Group      | C-13 - C-20 |
| Dinette Group                     | C-21        |
| Driver's Compartment Group        | C-22 - C-24 |
| Electrical Group                  | D-01 - D-03 |
| Exterior Body Group               | D-04 - D-10 |
| Galley Group                      | D-11 - D-14 |
| Heating & Air Conditioning Group  | D-15 - D-16 |
| Interior Finish Group             | D-17 - D-19 |
| LP Group                          | D-20        |
| Lounge Group                      | D-21 - D-22 |
| Water & Sewage Group              | D-23 - D-24 |
| Window Vent & Exterior Door Group | E-01 - E-14 |

EXTERIOR BODY GROUP (CONTINUED)

DECALS



1984 WINNEBAGO  
TABLE OF CONTENTS

WC420RG  
WCN23RG  
WCN30RC  
WCP31RT

A-01 - C-04  
C-05 - E-14  
E-15 - G-24  
H-01 - J-04

1984 WCN23RG INDEX

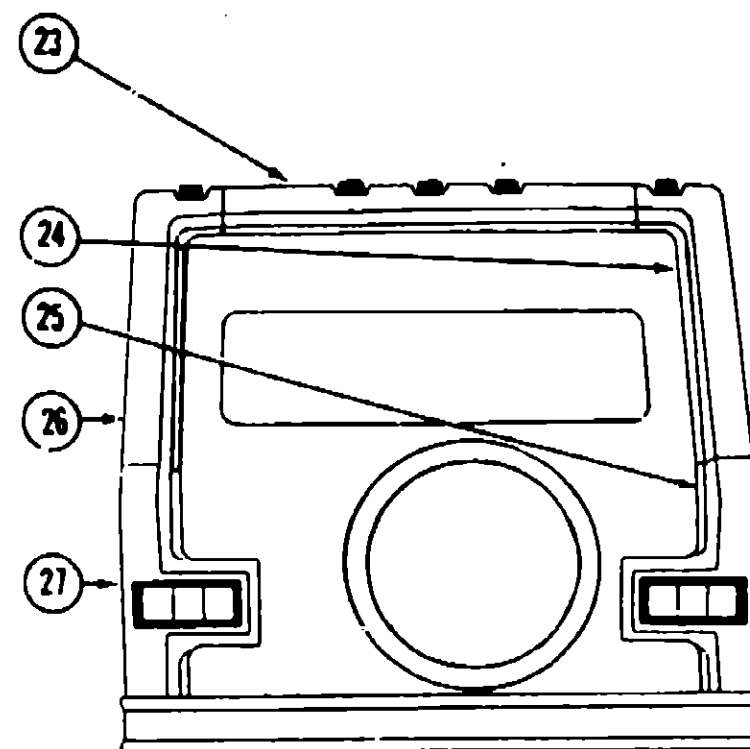
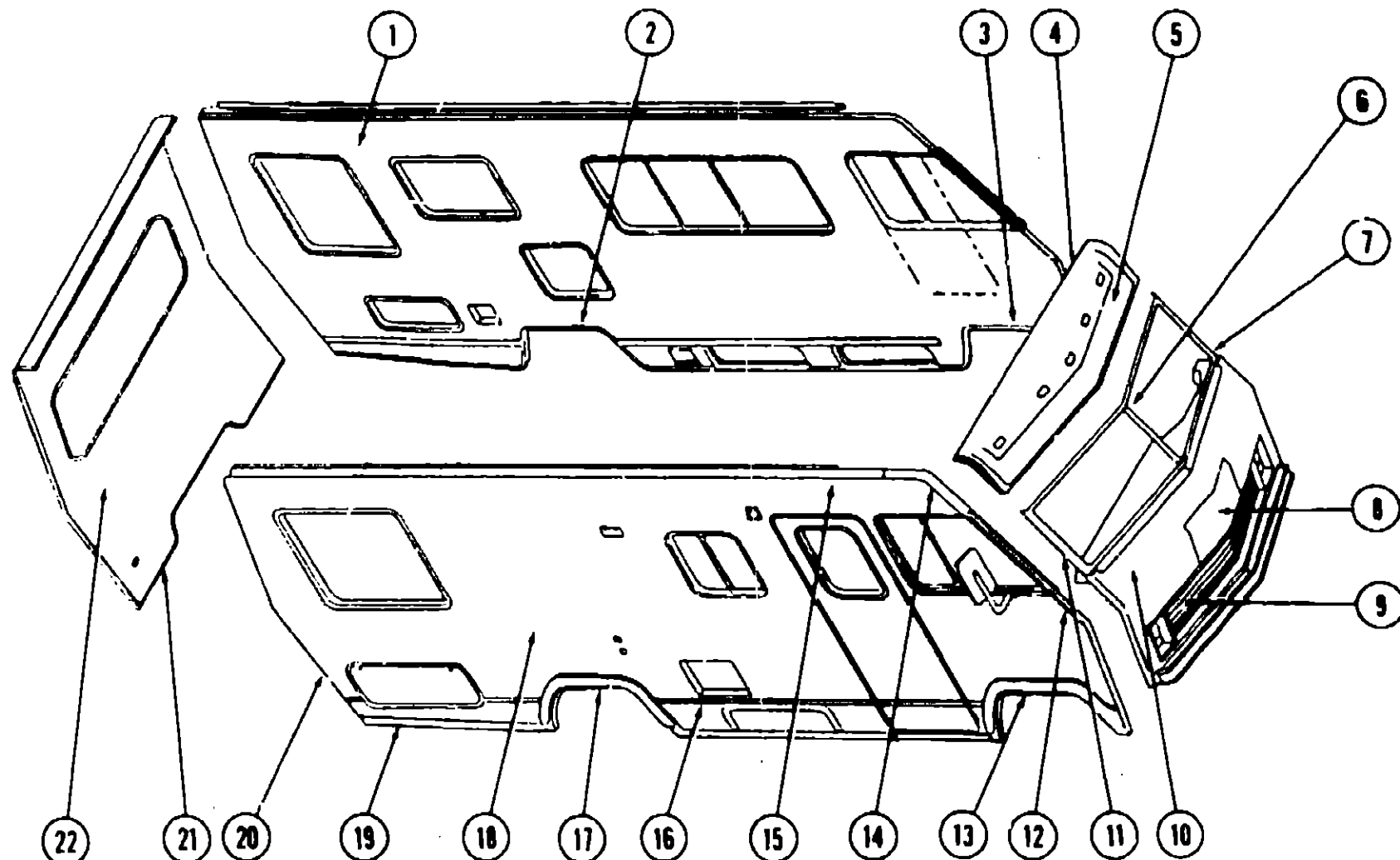
|                                    |             |
|------------------------------------|-------------|
| Floor Plan                         | C-05 - C-06 |
| Accessories Group                  | C-07 - C-09 |
| Bath Group                         | C-10        |
| Chassis Group                      | C-11 - C-12 |
| Curtain, Cushion & Pad Group       | C-13 - C-20 |
| Dinette Group                      | C-21        |
| Driver's Compartment Group         | C-22 - C-24 |
| Electrical Group                   | D-01 - D-03 |
| Exterior Body Group                | D-04 - D-10 |
| Galley Group                       | D-11 - D-14 |
| Heating & Air Conditioning Group   | D-15 - D-16 |
| Interior Finish Group              | D-17 - D-19 |
| LP Group                           | D-20        |
| Lounge Group                       | D-21 - D-22 |
| Water & Sewage Group               | D-23 - D-24 |
| Window, Vent & Exterior Door Group | E-01 - E-14 |

| Key | Part Number   | U/M | Description   |
|-----|---------------|-----|---|
| 1   | 073728-07-000 | EA  | Decal - Corner - Right - Medium Blue Metallic/Dark Brown Metallic |
| 1   | 073728-09-000 | EA  | Decal - Corner - Right - Light Brown Metallic/Dark Brown Metallic |
| 1   | 073728-03-000 | EA  | Decal - Corner - Right - Burgundy Metallic/Dark Brown Metallic    |
| 2   | 073727-04-000 | EA  | Decal - Hood - Medium Blue Metallic/Dark Brown Metallic           |
| 2   | 073727-05-000 | EA  | Decal - Hood - Light Brown Metallic/Dark Brown Metallic           |
| 2   | 073727-02-000 | EA  | Decal - Hood - Burgundy Metallic/Dark Brown Metallic              |
| 3   | 069245-08-000 | FT  | Film - Multi-Stripe - 1.69" x 150' - Dark Brown Metallic          |
| 4   | 073728-08-000 | EA  | Decal - Corner - Left - Medium Blue Metallic/Dark Brown Metallic  |
| 4   | 073728-10-000 | EA  | Decal - Corner - Left - Light Brown Metallic/Dark Brown Metallic  |
| 4   | 073728-04-000 | EA  | Decal - Corner - Left - Burgundy Metallic/Dark Brown Metallic     |
| 5   | 073718-01-000 | EA  | Decal - 180° Turn - Dark Brown Metallic                           |
| 6   | 073722-04-000 | EA  | Decal - End Cap - 6" - Left or Right - Medium Blue Metallic       |
| 6   | 073722-05-000 | EA  | Decal - End Cap - 6" - Left or Right - Light Brown Metallic       |
| 6   | 073722-02-000 | EA  | Decal - End Cap - 6" - Left or Right - Burgundy Metallic          |
| 7   | 073726-02-000 | EA  | Decal - Corner Stripe - Bottom - Left - Dark Brown Metallic       |
| 8   | 041273-74-000 | FT  | Decal - Striping - 1" - Medium Blue Metallic                      |
| 8   | 041273-75-000 | FT  | Decal - Striping - 1" - Light Brown Metallic                      |
| 8   | 041273-60-000 | FT  | Decal - Striping - 1" - Burgundy Metallic                         |
| 9   | 041273-63-000 | FT  | Decal - Striping - 2.69" - Dark Brown Metallic                    |
| 10  | 069245-13-000 | FT  | Film - Multi-Stripe - 6" x 150' - Medium Blue Metallic            |
| 10  | 069245-14-000 | FT  | Film - Multi-Stripe - 6" x 150' - Light Brown Metallic            |
| 10  | 069246-10-000 | FT  | Film - Multi-Stripe - 6" x 150' - Burgundy Metallic               |

| Key | Part Number   | U/M | Description  |
|-----|---------------|-----|--|
| 11  | 050313-22-000 | EA  | Decal - "Winnebago" - Rear - 2.8" - Chrome                   |
| 12  | 073726-01-000 | EA  | Decal - Corner Stripe - Bottom - Right - Dark Brown Metallic |
| 13  | 041273-62-000 | FT  | Decal - Striping - 2.5" - Dark Brown Metallic                |
| 14  | 073719-08-000 | EA  | Decal - W Surround - Right - Medium Blue Metallic            |
| 14  | 073719-10-000 | EA  | Decal - W Surround - Right - Light Brown Metallic            |
| 14  | 073719-03-000 | EA  | Decal - W Surround - Right - Burgundy Metallic               |
| 15  | 073719-07-000 | EA  | Decal - W Surround - Left - Medium Blue Metallic             |
| 15  | 073719-09-000 | EA  | Decal - W Surround - Left - Light Brown Metallic             |
| 15  | 073719-03-000 | EA  | Decal - W Surround - Left - Burgundy Metallic                |
| 16  | 058719-02-000 | EA  | Decal - Logo - "Chieftain"                                   |
| 17  | 073721-07-000 | EA  | Decal - End Cap - 6" - Right - Medium Blue Metallic          |
| 17  | 073721-09-000 | EA  | Decal - End Cap - 6" - Right - Light Brown Metallic          |
| 17  | 073721-03-000 | EA  | Decal - End Cap - 6" - Right - Burgundy Metallic             |
| *   | 073721-08-000 | EA  | Decal - End Cap - 6" - Left - Medium Blue Metallic           |
| *   | 073721-10-000 | EA  | Decal - End Cap - 6" - Left - Light Brown Metallic           |
| *   | 073721-04-000 | EA  | Decal - End Cap - 6" - Left - Burgundy Metallic              |
| 18  | 073725-01-000 | EA  | Decal - Flying "W" - Dark Brown Metallic                     |
| *   | 073724-05-000 | EA  | Decal - Logo - 23" - Chrome                                  |
| *   | 069745-03-000 | EA  | Decal - "Winnie" - Chrome                                    |
| *   | 069745-04-000 | EA  | Decal - "Bago" - Chrome                                      |
| *   | 041273-73-000 | FT  | Decal - Chrome - 19" (Headlamps)                             |
| *   |               |     | Not illustrated  |

# EXTERIOR BODY GROUP (CONTINUED)

## FIBERGLASS EXTERIOR BODY PANELS



| Key | Part Number   | U/M | Description                                     |
|-----|---------------|-----|---|
| 1   | M76970-01-R07 | EA  | Sidewall Asm. - Greyhound - Left                |
| 1   | M76970-01-R08 | EA  | Sidewall Asm. - Greyhound - Left                |
| 1   | M76970-01-R09 | EA  | Sidewall Asm. - Greyhound - Left                |
| 1   | M77835-01-R07 | EA  | Sidewall Asm. - Mesa - Left                     |
| 1   | M77835-01-R08 | EA  | Sidewall Asm. - Mesa - Left                     |
| 1   | M77835-01-R09 | EA  | Sidewall Asm. - Mesa - Left                     |
| 2   | 058487-03-000 | EA  | Trim - Wheel Well - Rear - Right or Left        |
| 3   | 073647-01-000 | EA  | Trim - Wheel Well - Front - Right or Left       |
| 4   | 062396-01-000 | EA  | Trim - Roof/Front Cap                           |
| 5   | 055401-03-000 | EA  | Cap Asm. - Over Windshield - Beige              |
| 6   | 058288-01-000 | EA  | Trim Molding - Windshield - Center              |
| 7   | 058289-01-000 | EA  | Trim - Contour - Windshield - Left              |
| 8   | 050287-01-000 | EA  | Trim - Molding - Windshield - Upper & Lower     |
| 8   | 058291-01-000 | FT  | Molding Edge - Windshield                       |
| 8   | 073064-02-000 | EA  | Access Panel - w/o Hardware - Beige             |
| 9   | 074636-01-000 | EA  | Grille Asm.                                     |
| 9   | 074588-01-000 | EA  | Mesh Asm. - Grille                              |
| 9   | 070817-03-000 | EA  | Headlamp Bezel - Driver                         |
| 9   | 070817-04-000 | EA  | Headlamp Bezel - Passenger                      |
| 9   | 049359-01-000 | EA  | Spring - Headlight Retainer                     |
| 9   | 062207-01-000 | EA  | Guard - Headlamp                                |
| 9   | 073651-01-000 | EA  | Trim - Corner - Grille - Right                  |
| 9   | 073651-02-000 | EA  | Trim - Corner - Grille - Left                   |
| 10  | M01115-05-000 | EA  | Panel Asm. - Front Shroud - Beige               |
| 11  | 058289-02-000 | EA  | Trim - Contour - Windshield - Right             |
| 11  | 042743-01-000 | EA  | Corner Support - Windshield - Lower - Steel     |
| 11  | 042743-02-000 | EA  | Corner Support - Windshield - Upper - Steel     |
| 12  | 073861-01-000 | EA  | Trim - Fiberglass Panel - Right - Beige         |
| 12  | 073861-02-000 | EA  | Trim - Fiberglass Panel - Left - Beige          |
| 13  | 075069-01-000 | EA  | Trim - Wheel Well - Front Right - Beige Plastic |
| 13  | 075069-03-000 | EA  | Trim - Wheel Well - Front Left - Beige Plastic  |

| Key | Part Number   | U/M | Description  |
|-----|---------------|-----|--|
| 14  | 078598-01-000 | EA  | Trim - Contour - Front Upper Right - Beige                         |
| 14  | 078598-02-000 | EA  | Trim - Contour - Front Upper Left - Beige                          |
| 15  | 076610-12-000 | EA  | Trim - Sidewall - Upper - 109.5" - Left or Right - Beige           |
| 16  | 059576-03-000 | EA  | Feature Strip - Extr. Alum. - 14" - w/o Insert - Brown             |
| 16  | 009731-01-000 | EA  | End Cap - Feature Strip Insert                                     |
| 16  | 001030-09-100 | EA  | Insert - Feature Strip - 17" - Brown                               |
| 17  | 075070-01-000 | EA  | Trim - Wheel Well - Rear Right - Beige Plastic                     |
| 17  | 075070-03-000 | EA  | Trim - Wheel Well - Rear Left - Beige Plastic                      |
| 18  | M76969-01-R07 | EA  | Sidewall Asm. - Greyhound - Right                                  |
| 18  | M76969-01-R08 | EA  | Sidewall Asm. - Greyhound - Right                                  |
| 18  | M76969-01-R09 | EA  | Sidewall Asm. - Greyhound - Right                                  |
| 18  | M77834-03-R07 | EA  | Sidewall Asm. - Mesa - Right                                       |
| 18  | M77834-03-R08 | EA  | Sidewall Asm. - Mesa - Right                                       |
| 18  | M77834-03-R09 | EA  | Sidewall Asm. - Mesa - Right                                       |
| 19  | 072639-01-001 | EA  | Rocker Panel - 216"  |
| 20  | 073502-01-000 | EA  | Trim - Right Rear - Beige  |
| 20  | 073502-02-000 | EA  | Trim - Left Rear - Beige   |
| 21  | 050406-06-000 | EA  | Trim - Backwall - Lower  |
| 22  | 05507-01-R07  | EA  | Backwall Asm. - Greyhound  |
| 22  | 077827-01-R10 | EA  | Backwall Asm. - Mesa   |
| 22  | 077009-01-R07 | EA  | Roof Asm. - Greyhound  |
| 22  | 077836-01-R07 | EA  | Roof Asm. - Mesa   |
| 23  | M01229-01-000 | EA  | Trim - Rear - Center Upper - Beige Plastic                         |
| 24  | 073654-01-000 | EA  | Trim - Rear - Upper Right - Beige Plastic                          |
| 25  | 073570-01-000 | EA  | Trim - Rear - Lower Right - Beige Plastic                          |
| 26  | 073654-03-000 | EA  | Trim - Rear - Upper Left - Beige Plastic                           |
| 27  | M73570-03-000 | EA  | Trim - Rear - w/License Plate Bracket - Lower Left - Beige Plastic |
|     |               |     | Not illustrated  |

## 1984 WINNEBAGO TABLE OF CONTENTS

WC420RG  
WCN23RG  
WCN30RC  
WCP31RT

A-01 - C-04  
C-05 - E-14  
E-15 - G-24  
H-01 - J-04

## 1984 WCN23RG INDEX

|                                    |             |
|------------------------------------|-------------|
| Floor Plan                         | C-05 - C-06 |
| Accessories Group                  | C-07 - C-09 |
| Bath Group                         | C-10        |
| Chassis Group                      | C-11 - C-12 |
| Curtain, Cushion & Pad Group       | C-13 - C-20 |
| Dinette Group                      | C-21        |
| Driver's Compartment Group         | C-22 - C-24 |
| Electrical Group                   | D-01 - D-03 |
| Exterior Body Group                | D-04 - D-10 |
| Galley Group                       | D-11 - D-14 |
| Heating & Air Conditioning Group   | D-15 - D-16 |
| Interior Finish Group              | D-17 - D-19 |
| LP Group                           | D-20        |
| Lounge Group                       | D-21 - D-22 |
| Water & Sewage Group               | D-23 - D-24 |
| Window, Vent & Exterior Door Group | E-01 - E-14 |

**EXTERIOR BODY GROUP (CONTINUED)**

**ACCESS PANEL HARDWARE**

| Key | Part Number   | U/M | Description                                 |
|-----|---------------|-----|---|
|     | 072917-02-000 | EA  | Rod - Hood Prop                             |
|     | 062628-01-000 | EA  | Clip - Prop Rod                             |
|     | 058833-01-000 | EA  | Bracket - Prop Rod                          |
|     | 073340-01-000 | EA  | Hinge - Access Panel - Passenger            |
|     | 073340-02-000 | EA  | Hinge - Access Panel - Driver               |
|     | 058960-01-000 | EA  | Bracket - Hinge Asm. - Hood - Drivers       |
|     | 058960-02-000 | EA  | Bracket - Hinge Asm. - Hood - Passenger     |
|     | R77006-68-721 | EA  | Cable - Release (Access Panel)              |
|     | 074178-01-000 | EA  | Bracket - Cable Release - Inside            |
|     | R77007-01-950 | EA  | Striker - Hood Latch                        |
|     | R77006-59-931 | EA  | Latch - Hood                                |
|     | R77006-38-499 | EA  | Spring                                      |
|     | R77006-19-765 | EA  | Cable Sheath                                |
|     | 073333-01-000 | EA  | Bracket - Latch Support                     |
|     | 073337-01-000 | EA  | Brace Latch - Hood                          |
|     | 073341-01-000 | EA  | Bracket - Hood Latch                        |
|     | 058786-02-000 | EA  | Bolt - Hood Adjusting - 5/16" x 18 x 1 1/4" |

**SEALANTS & ADHESIVES**

| Key | Part Number   | U/M | Description   |
|-----|---------------|-----|---|
|     | 004020-01-000 | QT  | Adhesive - ABS Cement (Plastic Fittings)                            |
|     | 002337-01-000 | EA  | Adhesive - 1300 Tube - 3M (Windows)                                 |
|     | 004005-02-000 | GL  | Adhesive - Swifts - Glue (Sidewalls)                                |
|     | 053766-07-000 | EA  | Bedding Compound - Tube - Beige (Exterior)                          |
|     | 053766-06-000 | EA  | Bedding Compound - Tube - Clear (Window)                            |
|     | 053766-08-000 | EA  | Bedding Compound - Tube - Gray (Exterior)                           |
|     | 053766-05-000 | EA  | Bedding Compound - Tube - Gray (Sidewalls to Floor)                 |
|     | 053766-02-000 | EA  | Bedding Compound - Tube - Off White (Exterior)                      |
|     | 002328-02-000 | EA  | Block - Rubber Spacer (Windshield)                                  |
|     | 004336-01-000 | EA  | Caulk - Latex - Golden Walnut (Sidewalls)                           |
|     | 072891-02-000 | QT  | Primer - Glass - Black  |
|     | 072891-01-000 | QT  | Primer - Glass - Clear  |
|     | 035024-01-000 | EA  | Primer - Glass - Clear - Windshield                                 |
|     | 072890-01-000 | QT  | Primer - Metal - Black  |
|     | 035023-01-000 | GL  | Primer - Metal - Windshield   |
|     | 077967-01-000 | EA  | Sealant - Acrylic Latex - Tube - Off White (Interior Sealant)       |
|     | 034552-04-000 | EA  | Sealant - Silicone - Beige  |
|     | 034552-02-000 | EA  | Sealant - Silicone - Clear  |
|     | 034552-07-000 | EA  | Sealant - Silicone - Dark Gray                                      |
|     | 034552-06-000 | EA  | Sealant - Silicone - Off White                                      |
|     | 069637-01-000 | EA  | Sealant - Weatherban 404 - Tube - White (Door Caulk)                |
|     | 072883-01-000 | EA  | Sealant - Urethane - Black (Windshield)                             |
|     | 069640-01-000 | FT  | Sealer Ribbon - .25" Bead x 20'                                     |
|     | 069640-02-000 | FT  | Sealer Ribbon - .5" x .125" x 30'                                   |
|     | 069640-03-000 | FT  | Sealer Ribbon - .75" x .125" x 30'                                  |
|     | 069640-04-000 | FT  | Sealer Ribbon - 2" x .09" x 45' (P Series)                          |
|     | 069640-05-000 | FT  | Sealer Ribbon - 2.5" x .09" x 50'                                   |
|     | 069640-06-000 | FT  | Sealer Ribbon - 5/16" Bead x 15'                                    |
|     | 069640-07-000 | FT  | Sealer Ribbon - 2" x 3/32" x 30'                                    |
|     | 002316-01-000 | FT  | Sealer Tape - 3/32" x 3/8" - White (Window)                         |
|     | 002707-01-000 | FT  | Sealer Tape - 5/16" x 3/4"  |
|     | 002707-02-000 | FT  | Sealer Tape - 5/16" x 1/2"  |
|     | 040545-01-000 | GL  | Sealer - Seam Weld  |
|     | 053752-04-000 | EA  | Seam Sealer - Tube - Aluminum (Roof)                                |
|     | 063642-01-000 | FT  | Tape - Adhesive - 10 mm x 1.5" Wide                                 |
|     | 038886-01-000 | EA  | Tape - Butyl - 31" x 31" x 148" (Windshield)                        |
|     | 076322-01-000 | FT  | Tape - Foam - Double Coated - .025 x 1" (Fiberglass Sidewall Seams) |
|     | 076322-02-000 | FT  | Tape - Foam - Double Coated - .045 x 1" (Fiberglass Sidewall Seams) |
|     | 009200-01-000 | EA  | Tape - Furnace - 1.5"   |
|     | 002825-01-000 | FT  | Weather Striping (Roof Vent)  |

**EXTERIOR BODY GROUP (CONTINUED)**

**INTERIOR/EXTERIOR SCREWS & FASTENERS**

| Key | Part Number   | U/M | Description   |
|-----|---------------|-----|---|
|     | 005200-01-000 | EA  | Bolt - Round Head - Square Neck w/SST Cap - 7/16" - 14 x 1 1/4" |
|     | 058279-01-000 | EA  | Clip - Mounting - Front Panel                                   |
|     | 035628-01-000 | EA  | Fastener - Blind Well Nut - 1.05" x .38"                        |
|     | 000D15-08-00B | EA  | Nut - Hex - 3/8" x 24 - Zinc                                    |
|     | 005081-01-000 | EA  | Nut - Speed - C Type - #8 Screw                                 |
|     | 000G54-04-20B | EA  | Screw 1/4 - 20 x 1 1/4" PTH - Zinc                              |
|     | 000G54-04-22B | EA  | Screw 1/4 - 20 x 1 3/8" PTH - Zinc                              |
|     | 000G53-04-06B | EA  | Screw 1/4 - Machine - 20 x 3/8" PTH - Zinc                      |
|     | 000G13-06-12P | EA  | Screw #6 - 20 x 3/4" PFH - Dark Brown                           |
|     | 000G13-06-26X | EA  | Screw #6 - 20 x 3/4" PFH - Gray                                 |
|     | 000G13-06-16R | EA  | Screw #6 - 20 x 1" PFH - Beige                                  |
|     | 000G11-07-08B | EA  | Screw #7 - 19 x 1/2" PPH - Zinc                                 |
|     | 000G12-08-12M | EA  | Screw #8 - 18 x 3/4" POH - Gray                                 |
|     | 000G11-08-12R | EA  | Screw #8 - 18 x 3/4" PPH - Beige                                |
|     | 000G11-08-12X | EA  | Screw #8 - 18 x 3/4" PPH - Gray                                 |
|     | 000G11-08-12B | EA  | Screw #8 - 18 x 3/4" PPH - Zinc                                 |
|     | 000G39-08-12R | EA  | Screw #8 - 18 x 3/4" SDPH - Beige                               |
|     | 000G66-08-12M | EA  | Screw #8 - 18 x 3/4" SDPH - Gray                                |
|     | 000G11-08-16R | EA  | Screw #8 - 18 x 1" PFH - Gray                                   |
|     | 000G66-08-16R | EA  | Screw #8 - 18 x 1" SDPH - Beige                                 |
|     | 000G12-08-28R | EA  | Screw #8 - 18 x 1 3/4" POH - Beige                              |
|     | 000G36-08-08E | EA  | Screw #8 - 32 x 1/2" PFH - Chrome                               |
|     | 000G39-08-08B | EA  | Screw #8 - Self Drilling - 18 x 1/2" PPH - Zinc                 |
|     | 000G39-08-12B | EA  | Screw #8 - Self Drilling - 18 x 3/4" PPH - Zinc                 |
|     | 000G39-08-12R | EA  | Screw #8 - Self Drilling - 18 x 3/4" PPH - Beige                |
|     | 000G39-08-16R | EA  | Screw #8 - Self Drilling - 18 x 1" PPH - Beige                  |
|     | 000G39-08-16T | EA  | Screw #8 - Self Drilling - 18 x 1" PPH - Black                  |
|     | 000G39-08-16P | EA  | Screw #8 - Self Drilling - 18 x 1" PPH - Dark Brown             |
|     | 000G39-08-16X | EA  | Screw #8 - Self Drilling - 18 x 1" PPH - Gray                   |
|     | 000G39-08-16E | EA  | Screw #8 - Self Drilling - 18 x 1" PPH - Chrome                 |
|     | 000G64-08-16M | EA  | Screw #8 - Self Drilling - 18 x 1" SDPH - Gray                  |
|     | 000G67-10-08B | EA  | Screw #10 - 12 x 1/2" PPH - Zinc                                |
|     | 000G67-10-10R | EA  | Screw #10 - 12 x 5/8" PPH - Beige                               |
|     | 000G67-10-16P | EA  | Screw #10 - 12 x 1" PPH - Dark Brown                            |
|     | 000G67-10-16B | EA  | Screw #10 - 12 x 1" PPH - Zinc                                  |
|     | 000G67-10-20B | EA  | Screw #10 - 12 x 1 1/4" PPH - Zinc                              |
|     | 000G67-10-24B | EA  | Screw #10 - 12 x 1 1/2" PPH - Zinc                              |
|     | 049465-04-000 | EA  | Screw #10 - 16 x 1" POH - w/Washer - Beige                      |
|     | 049465-05-000 | EA  | Screw #10 - 16 x 1" POH - w/Washer - Gray                       |
|     | 000G12-10-24E | EA  | Screw #10 - 16 x 1 1/2" POH - Chrome                            |
|     | 000G11-10-08D | EA  | Screw #10 - 16 x 1/2" PPH - Dark Brown                          |
|     | 000G11-10-12R | EA  | Screw #10 - 16 x 3/4" PPH - Beige                               |
|     | 000G11-10-12S | EA  | Screw #10 - 16 x 3/4" PPH - Off White                           |
|     | 000G11-10-12B | EA  | Screw #10 - 16 x 3/4" PPH - Zinc                                |
|     | 000G11-10-16B | EA  | Screw #10 - 16 x 1" PPH - Zinc                                  |
|     | 000G11-10-40B | EA  | Screw #10 - 16 x 2 1/2" PPH - CAD                               |
|     | 000G19-10-12B | EA  | Screw #10 - Machine - 32 TPI x 3/4"                             |
|     | 075908-01-000 | EA  | Screw #10 - Machine - 32 x 5/8" PTH - Zinc                      |
|     | 000G19-10-20B | EA  | Screw #10 - Machine - 32 x 1 1/4" PPH - Zinc                    |
|     | 000G39-12-12E | EA  | Screw #10 - Self Drilling - 14 x 3/4" PPH - Chrome              |
|     | 000G39-10-10R | EA  | Screw #10 - Self Drilling - 16 x .62" PPH - Beige               |
|     | 000G39-10-12R | EA  | Screw #10 - Self Drilling - 16 x 3/4" PPH - Beige               |
|     | 000G39-10-12P | EA  | Screw #10 - Self Drilling - 16 x 3/4" PPH - Dark Brown          |
|     | 000G56-12-48C | EA  | Screw #12 - Wood - 11 x 3" POH - CAD                            |

**1984 WINNEBAGO  
TABLE OF CONTENTS**

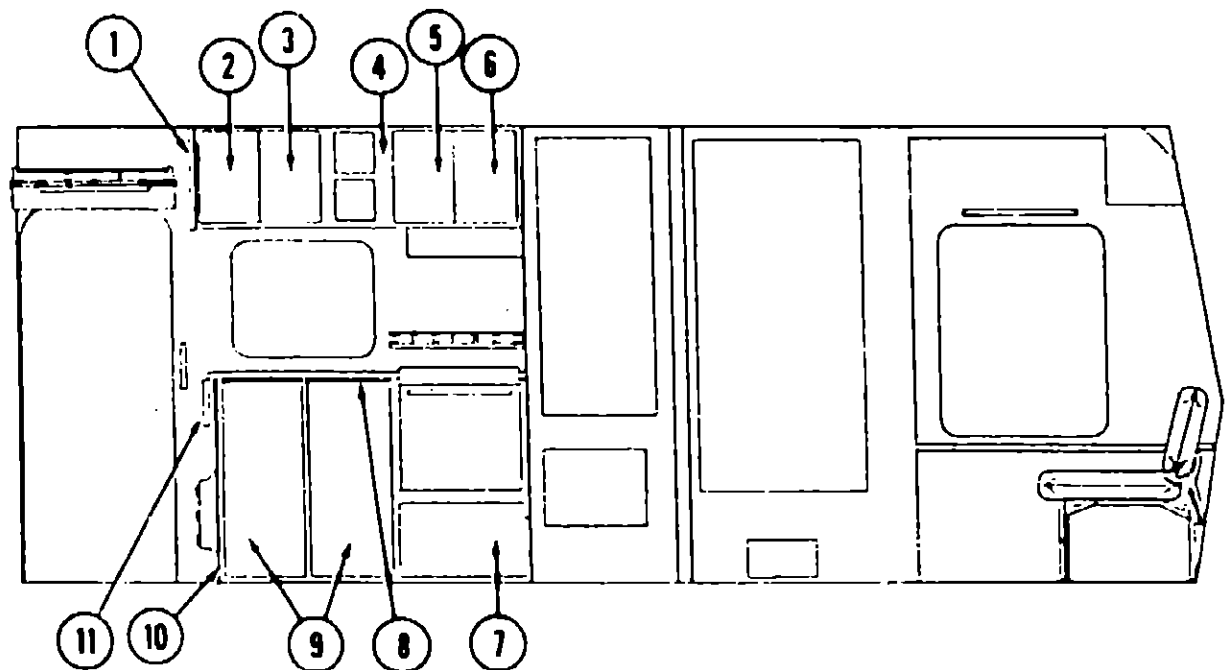
|         |             |
|---------|-------------|
| WC420RG | A-01 - C-05 |
| WCN23RG | C-06 - E-14 |
| WCN30RC | E-15 - G-24 |
| WCP31RT | H-01 - J-04 |

**1984 WCN23RG INDEX**

|                                    |             |
|------------------------------------|-------------|
| Floor Plan                         | C-05 - C-06 |
| Accessories Group                  | C-07 - C-09 |
| Bath Group                         | C-10        |
| Chassis Group                      | C-11 - C-12 |
| Curtain, Cushion & Pad Group       | C-13 - C-20 |
| Dinette Group                      | C-21        |
| Driver's Compartment Group         | C-22 - C-24 |
| Electrical Group                   | D-01 - D-03 |
| Exterior Body Group                | D-04 - D-10 |
| Galley Group                       | D-11 - D-14 |
| Heating & Air Conditioning Group   | D-15 - D-16 |
| Interior Finish Group              | D-17 - D-19 |
| LP Group                           | D-20        |
| Lounge Group                       | D-21 - D-22 |
| Water & Sewage Group               | D-23 - D-24 |
| Window, Vent & Exterior Door Group | E-01 - E-14 |



## GALLEY GROUP



### GALLEY CABINETRY

| Key | Part Number   | U/M | Description   |
|-----|---------------|-----|---|
| 1   | 071847-05-R07 | EA  | Pad Asm. - End Cap - Galley Overhead - Almond Vinyl                     |
| 2   | 073521-04-R10 | EA  | Door Asm. - Galley Overhead - 15.8" x 10.7" - w/o Hardware - Left       |
| 3   | 073521-03-R10 | EA  | Door Asm. - Galley Overhead - 15.8" x 10.7" - w/o Hardware - Right      |
| 4   | M76185-01-R07 | EA  | Cabinet Asm. - Galley Overhead - w/o Doors or Hardware                  |
| 5   | 073521-06-R07 | EA  | Door Asm. - Galley Overhead - 15.8" x 11.6" - w/o Hardware - Left       |
| 6   | 073521-05-R10 | EA  | Door Asm. - Galley Overhead - 15.8" x 11.6" - w/o Hardware - Right      |
| 7   | 073521-18-R10 | EA  | Door Asm. - Galley Cabinet - 16" x 22" - w/o Hardware                   |
| 8   | M01577-01-R07 | EA  | Countertop Asm. - Galley - Almond Loom                                  |
| 9   | 069852-40-R10 | EA  | Door Asm. - Galley Cabinet - 33.4" x 14.3" - w/o Hardware               |
| 10  | M77156-01-R07 | EA  | Cabinet Asm. - Galley - w/o Countertop, Doors, Drawers or Hardware      |
|     | 077404-01-000 | EA  | Drawer - 20" x 12.7" - Plastic  |
| 11  | 066529-01-R10 | EA  | Extension Asm. - Galley - Almond Loom                                   |
|     | 073521-08-R10 | EA  | Door Asm. - Refrigerator Cabinet - 17.5" x 12.5" - w/o Hardware - Left  |
|     | 073521-07-R10 | EA  | Door Asm. - Refrigerator Cabinet - 17.6" x 12.5" - w/o Hardware - Right |
|     |               |     | Not illustrated   |

## GALLEY GROUP (CONTINUED)

### GALLEY APPLIANCES

| Key | Part Number   | U/M | Description                                     |
|-----|---------------|-----|---|
|     | 064473-02-000 | EA  | Refrigerator - AC/DC/Gas - Norcold 6' - 776-EG3 |
|     | 064473-02-700 | EA  | Cooling Unit (Service Pak)                      |
|     | 064473-02-701 | EA  | Door Frame                                      |
|     | 064473-02-702 | EA  | Breaker Strip - Left - Bronze                   |
|     | 064473-02-703 | EA  | Breaker Strip - Right - Bronze                  |
|     | 064473-02-704 | EA  | Breaker Strip - Top - Bronze                    |
|     | 075217-01-000 | EA  | Refrigerator - AC/DC/Gas - Norcold 8' - 838-EG3 |
|     | 075217-01-700 | EA  | Shelf Asm. - Door - w/Trim                      |
|     | 075217-01-701 | EA  | Gasket - Door - Freezer                         |
|     | 075217-01-702 | EA  | Frame Asm. - Door                               |
|     | 075217-01-703 | EA  | Decor Trim - Top & Bottom                       |
|     | 075217-01-704 | EA  | Gasket - Door - Refrigerator                    |
|     | 075217-01-706 | EA  | Cabinet Asm. - Urethane                         |
|     | 075217-01-707 | EA  | Bulb - Light - DC                               |
|     | 075217-01-708 | EA  | Lamp Socket                                     |
|     | 075217-01-710 | EA  | Eyebrow Asm.                                    |
|     | 075217-01-711 | EA  | Breaker Strip - Top                             |
|     | 075217-01-713 | EA  | Crisper Drawer                                  |
|     | 075217-01-714 | EA  | Thermostat Asm.                                 |
|     | 075217-01-715 | EA  | Knob - Thermostat                               |
|     | 075217-01-716 | EA  | Front Divider Asm.                              |
|     | 075217-01-717 | EA  | Humidity Switch                                 |
|     | 075217-01-718 | EA  | Light Switch                                    |
|     | 075217-01-719 | EA  | Eyebrow Board                                   |
|     | 075217-01-720 | EA  | Eyebrow   |
|     | 075217-01-721 | EA  | Lamp - Indicator - Amber                        |
|     | 075217-01-722 | EA  | Lamp - Indicator - Green                        |
|     | 075217-01-723 | EA  | Lamp - Indicator - Red                          |
|     | 075217-02-724 | EA  | Lamp - Indicator - Blue                         |
|     | 075217-01-725 | EA  | Rocker Switch - DPST                            |
|     | 075217-01-726 | EA  | Interface Board                                 |
|     | 075217-01-728 | EA  | Cover - Interface Board                         |
|     | 075217-01-729 | EA  | Fitting - Outlet                                |
|     | 075217-01-730 | EA  | Gas Valve                                       |
|     | 075217-01-731 | EA  | Nipple  |
|     | 075217-01-732 | EA  | Fitting - Inlet                                 |
|     | 075217-01-733 | EA  | Shut-Off Clock                                  |
|     | 075217-01-734 | EA  | Fuse - 3 Amp.                                   |
|     | 075217-01-735 | EA  | Ignition Electrode                              |
|     | 075217-01-736 | EA  | Sensing Electrode                               |
|     | 075217-01-737 | EA  | Control Module                                  |
|     | 075217-01-738 | EA  | Rocker Switch - DPDT                            |
|     | 075217-01-739 | EA  | Heater  |
|     | 075217-01-740 | EA  | Screw #6 - 32" x 2 3/8"                         |
|     | 075217-01-741 | EA  | Wing - Nut #6 - 32                              |
|     | 075217-01-742 | EA  | Hex Nut   |
|     | 075217-01-743 | EA  | Elbow - 90°                                     |
|     | 075217-01-744 | EA  | Cable - Wiring                                  |
|     | 075217-01-745 | EA  | Liner Asm. - Foamed - Door                      |
|     | 075217-01-746 | EA  | Baffle Asm.                                     |
|     | 075217-01-747 | EA  | Liner Asm. - Foamed - Lower - Door              |

Items are interchangeable between Norcold Model #838-EG3 & #8310-EG

## 1984 WINNEBAGO TABLE OF CONTENTS

|         |             |
|---------|-------------|
| WC420RG | A-01 - C-04 |
| WCN23RG | C-05 - E-14 |
| WCN30RC | E-15 - G-24 |
| WCP31RT | H-01 - J-04 |

## 1984 WCN23RG INDEX

|                                    |             |
|------------------------------------|-------------|
| Floor Plan                         | C-05 - C-06 |
| Accessories Group                  | C-07 - C-09 |
| Bath Group                         | C-10        |
| Chassis Group                      | C-11 - C-12 |
| Curtain, Cushion & Pad Group       | C-13 - C-20 |
| Dinette Group                      | C-21        |
| Driver's Compartment Group         | C-22 - C-24 |
| Electrical Group                   | D-01 - D-03 |
| Exterior Body Group                | D-04 - D-10 |
| Galley Group                       | D-11 - D-14 |
| Heating & Air Conditioning Group   | D-15 - D-16 |
| Interior Finish Group              | D-17 - D-19 |
| LP Group                           | D-20        |
| Lounge Group                       | D-21 - D-22 |
| Water & Sewage Group               | D-23 - D-24 |
| Window, Vent & Exterior Door Group | E-01 - E-14 |



## GALLEY GROUP (CONTINUED)

### GALLEY APPLIANCES (CONT.)

| Key | Part Number   | U/M | Description   |
|-----|---------------|-----|---|
|     | 075218-01-000 | EA  | Refrigerator - AC/DC/Gas - Norcold 10' - 8310-EG        |
|     | 075218-01-700 | EA  | Gasket - Door - Freezer                                 |
|     | 075218-01-701 | EA  | Gasket - Door - Refrigerator                            |
|     | 075218-01-702 | EA  | Connector Rod   |
|     | 075218-01-703 | EA  | Frame Asm. - Door                                       |
|     | 075218-01-704 | EA  | Cabinet Asm. - U:ethane                                 |
|     | 075218-01-705 | EA  | Breaker Strip - Bottom                                  |
|     | 075218-01-707 | EA  | Front Divider Asm.                                      |
|     | 075218-01-708 | EA  | Cable - Wiring  |
|     | 075218-01-709 | EA  | Liner Asm. - Foamed - Door                              |
|     | 075218-01-710 | EA  | Liner Asm. - Foamed - Lower - Door                      |
|     | 075922-01-000 | EA  | Microwave Oven - Litton - 1450                          |
|     | 064782-02-000 | EA  | Range - 4 Burner - w/Almond Top - Magic Chef - BT18KA4Z |
|     | 064782-02-700 | EA  | Top - Main - 4 Burner - Almond                          |
|     | 064782-02-701 | EA  | Deflector Plate - Black                                 |
|     | 064782-02-702 | EA  | Trim - Cabinet - Right - Black                          |
|     | 064782-02-703 | EA  | Trim - Cabinet - Left - Black                           |
|     | 064782-02-704 | EA  | Trim - Lower - Outside Glass - Black                    |
|     | 064782-02-705 | EA  | Handle - Oven Door - Black                              |
|     | 064782-02-706 | EA  | Trim - Vertical - Black                                 |
|     | 064782-02-707 | EA  | Panel - Manifold  |
|     | 064782-02-708 | EA  | Mercury Valve   |
| **  | 053333-04-000 | EA  | Hood - Range - Non-Powered - Almond - CSA               |
| **  | 053333-05-000 | EA  | Hood - Range - Non-Powered - Almond - US                |
|     | 075470-01-000 | EA  | Hood - Range - w/Monitor - Almond - US                  |
|     | 075470-02-000 | EA  | Hood - Range - w/Monitor - Almond - CSA                 |
|     | 075470-01-700 | EA  | Monitor Panel - Sub Asm.                                |
|     | 075470-01-701 | EA  | Digital Clock - Sub Asm.                                |
|     | 075370-01-702 | EA  | Switch - On/Off   |
|     | 075470-01-703 | EA  | Switch - On - Momentary                                 |
|     | 075470-01-704 | EA  | Switch - On/Off/On - Fan Motor                          |
|     | 075470-01-705 | EA  | Switch - On/Off/On - Momentary                          |
|     | 075470-01-706 | EA  | Rivets - Plastic  |
|     | 075470-01-707 | EA  | Bulb - #912   |
|     | 075470-01-708 | EA  | Panel Asm - Complete                                    |

\*\* The illustrated parts breakdown for this item is provided on the Common Items Fiche.

## GALLEY GROUP (CONTINUED)

### GALLEY HARDWARE

| Key | Part Number   | U/M | Description  |
|-----|---------------|-----|--|
|     | 053424-04-R07 | EA  | Sink Cover - Large - Almond Loom                   |
|     | 068615-01-000 | EA  | Sink - Stainless Steel - Double w/Bolts            |
| **  | 011053-01-000 | EA  | Faucet - Swing Spout - 8" - US                     |
| **  | 011053-01-700 | EA  | Aerator - Swing Spout Faucet                       |
| **  | 011053-02-000 | EA  | Faucet - Swing Spout - 8" - CSA                    |
|     | 066437-01-000 | EA  | Strainer w/Basket - Sink                           |
|     | 058334-01-000 | EA  | Wastebasket - 9 3/4" x 7" x 10" - White Rubbermaid |
|     | 058478-01-000 | EA  | Support - Wastebasket - Metal - Door Mount         |
|     | 054450-01-000 | EA  | Level Refrigerator                                 |
|     | 075930-01-000 | EA  | Bracket Asm. - Microwave - Right                   |
|     | 075930-02-000 | EA  | Bracket Asm. - Microwave - Left                    |
|     | 076253-02-000 | EA  | Bracket Asm. - Microwave - Bottom (2 required)     |
|     | 075922-03-000 | EA  | Trim - Ring - Microwave                            |
|     | 075922-04-000 | EA  | Duct - Air - Exhaust - Microwave                   |
|     | 075470-03-000 | EA  | Spacer - Range Hood                                |
|     | 075470-04-000 | EA  | Duct Extension - Range Hood                        |
|     | 074490-02-R10 | EA  | Spice Rack - Oak                                   |
|     | 074491-02-R10 | EA  | Magazine Rack - Oak                                |
|     | 074981-01-000 | EA  | Cutting Board - Maple                              |
|     | 009049-01-000 | EA  | Table - Support - Drop Leaf                        |
|     | 009059-01-000 | EA  | Hinge - 2" - Gold                                  |
| **  | 052932-01-M10 | EA  | Hinge Kit - Cabinet Door - Antique Brass           |
| **  | 057898-01-000 | EA  | Hidden Latch w/Strike - Cabinet Door               |
| **  | 047744-01-000 | EA  | Kit - Drawer Guide - Plastic                       |
|     | 072394-01-000 | EA  | Slide - Drawer - w/Tab - Left                      |
|     | 072394-02-000 | EA  | Slide - Drawer - w/o Tab - Right                   |
|     | 077409-01-000 | EA  | Slide - Drawer - 20.75" - Plastic                  |

\*\* The illustrated parts breakdown for this item is provided on the Common Items Fiche.

## 1984 WINNEBAGO TABLE OF CONTENTS

|         |             |
|---------|-------------|
| WC420RG | A-01 - C-04 |
| WCN23RG | C-05 - E-14 |
| WCN30RC | E-15 - G-24 |
| WCP31RT | H-01 - J-04 |

## 1984 WCN23RG INDEX

|                                    |             |
|------------------------------------|-------------|
| Floor Plan                         | C-05 - C-06 |
| Accessories Group                  | C-07 - C-09 |
| Bath Group                         | C-10        |
| Chassis Group                      | C-11 - C-12 |
| Curtain, Cushion & Pad Group       | C-13 - C-20 |
| Dinette Group                      | C-21        |
| Driver's Compartment Group         | C-22 - C-24 |
| Electrical Group                   | D-01 - D-03 |
| Exterior Body Group                | D-04 - D-10 |
| Galley Group                       | D-11 - D-14 |
| Heating & Air Conditioning Group   | D-15 - D-16 |
| Interior Finish Group              | D-17 - D-19 |
| I.P. Group                         | D-20        |
| Lounge Group                       | D-21 - D-22 |
| Water & Sewage Group               | D-23 - D-24 |
| Window, Vent & Exterior Door Group | E-01 - E-14 |

## HEATING & AIR CONDITIONING GROUP

## HEATING & AIR CONDITIONING GROUP (CONTINUED)

### AUTOMOTIVE HEATER & AIR CONDITIONER

| Key | Part Number   | U/M | Description                                  |
|-----|---------------|-----|--|
|     | 072341-04-000 | EA  | Heater/Evaporator Asm. - A.R.A.              |
|     | 072341-01-700 | EA  | Wheel - w/Retainer & Index Clip              |
|     | 072341-01-701 | EA  | Core - Heater - A.R.A.                       |
|     | 072341-01-702 | EA  | Coil - Evaporator - A.R.A.                   |
|     | 072341-01-703 | EA  | Valve - Expansion - A.R.A.                   |
|     | 072341-01-704 | EA  | Valve - Suction - A.R.A.                     |
|     | 072341-01-705 | EA  | Switch - Pressure - Low Cut Out              |
|     | 072341-01-706 | EA  | Resistor - A.R.A.                            |
|     | 072341-01-707 | EA  | Thermostat - A.R.A.                          |
|     | 072341-01-708 | EA  | Motor - Vacuum - A.R.A.                      |
|     | 056455-01-702 | EA  | Blower - Evaporator Motor                    |
|     | R77005-81-129 | EA  | Relay - Glow Plug                            |
|     | 072341-01-710 | EA  | Control Asm. - Heater A/C - A.R.A.           |
|     | 072341-01-711 | EA  | Cable - Bowden - 72" - A.R.A.                |
|     | 072341-01-712 | EA  | Switch - Vacuum - A.R.A.                     |
|     | 072341-01-713 | EA  | Switch - Jumper Control - A.R.A.             |
|     | 072341-01-714 | EA  | Valve - Heater - Water Flow Control - A.R.A. |
|     | 072341-01-715 | EA  | Escape & Louver Adapter Asm.                 |
|     | 072341-01-716 | EA  | Discharge Valve - 1/2"                       |
|     | 072341-06-000 | EA  | Duct & Control Kit                           |
|     | 072342-01-000 | EA  | Condenser Asm. - A.R.A.                      |
|     | 072342-02-700 | EA  | Receiver Drier - Condenser Asm.              |
|     | 072343-01-000 | EA  | Compressor/Clutch - A.R.A.                   |
|     | 072344-01-000 | EA  | Package - Compressor Mount                   |
|     | 074026-01-000 | EA  | Package - Compressor Mount - 6.2 L Diesel    |
|     | 039044-01-000 | EA  | Louver Asm. - A/C Adjustable                 |
|     | 0C7076-01-700 | FT  | Hose - Flexible PVC - 2" I.D.                |
|     | 007281-01-700 | FT  | Hose - Flexible PVC - 2 1/2" I.D.            |
|     | 007108-01-000 | FT  | Hose - Heater - 5/8" I.D. SAE 20R3           |
|     | 062401-04-000 | EA  | Clamp - Worm Drive - .69" - 1.25" I.D.       |
|     | 010227-01-000 | EA  | Tee - Plastic - Barb 5/8" or 3/4" Hose       |

### AUXILIARY HEATER ASSEMBLY

| Key | Part Number   | U/M | Description                                     |
|-----|---------------|-----|---|
|     | 049401-01-000 | EA  | Heater Asm. - Rear - Auxiliary                  |
|     | 049401-01-700 | EA  | Valve - Water Control                           |
|     | 049401-01-701 | EA  | Control Cable                                   |
|     | 049401-01-702 | EA  | Motor Asm.                                      |
|     | 049401-01-703 | EA  | Heater Core                                     |
|     | 049401-01-704 | EA  | Switch  |
|     | 058906-02-000 | EA  | Control Panel - Belge                           |
|     | 058893-01-000 | EA  | Bracket - Side Mount - Motor Aid                |
|     | 076312-01-000 | EA  | Mesh - Grille - 7 3/8" x 6 7/8" - Gold Aluminum |

### FURNACES & ROOF AIR CONDITIONER

| Key | Part Number   | U/M | Description  |
|-----|---------------|-----|--|
|     | 075696-01-000 | EA  | Furnace - 34,000 BTU - w/Direct Ignition - NT-34S                    |
|     | 075695-01-000 | EA  | Furnace - 24,000 BTU - w/Direct Ignition - NT-24S                    |
|     | 069634-01-723 | EA  | Thermostat - Furnace   |
|     | 075695-01-701 | EA  | Electrode Asm. - Furnace   |
|     | 075695-01-702 | EA  | Vent Cap Asm. - Furnace  |
|     | 075695-01-703 | EA  | Gas Inlet Pipe - Furnace   |
|     | 075695-01-704 | EA  | Manifold Asm. - Furnace  |
|     | 075695-01-705 | EA  | Burner Asm. - Furnace  |
|     | 075695-01-707 | EA  | Motor Furnace - 34,000 BTU   |
|     | 075695-01-708 | EA  | Micro Switch Asm. - 24,000 BTU Furnace                               |
|     | 075695-01-709 | EA  | Micro Switch Asm. - 34,000 BTU Furnace                               |
|     | 075695-01-710 | EA  | Cabinet - Front  |
|     | 075695-01-711 | EA  | Cabinet Asm.   |
|     | 069633-01-705 | EA  | Vent Package - Furnace - Suburban                                    |
|     | 069636-01-000 | EA  | Connector - 4" Duct  |
|     | 009198-01-000 | FT  | Duct - Flexible - 4" I.D. x 25'                                      |
|     | 056464-01-000 | EA  | Register - 4" Dia. - Plastic - w/Damper                              |
|     | 056464-02-000 | EA  | Register - 4" Dia. - Plastic - w/o Damper                            |
|     | 009200-01-000 | EA  | Tape - Furnace - 1 1/2"  |
|     | 023146-01-000 | EA  | Clamp - Screw Type - 4"  |
|     | 073743-01-000 | EA  | Shroud Asm. - Ceiling - Inside - Roof Air - 13,500 BTU - Cool Only   |
|     | 073744-01-000 | EA  | Shroud Asm. - Ceiling - Inside - Roof Air - 13,500 BTU - Heat & Cool |
|     | 073742-01-000 | EA  | Air Conditioner - 110 Volt - Roof Mount - 13,500 BTU Rotary          |
|     | 073742-01-700 | EA  | Decal Package - Left & Right (Exterior)                              |
|     | 073742-01-701 | EA  | Selector Switch (5 Terminal)   |
|     | 073742-01-702 | EA  | Decal - Cool Only  |
|     | 073742-01-703 | EA  | Decal - Heat & Cool  |
|     | 073742-01-704 | EA  | Decal - Thermostat - TSR   |

### 1984 WINNEBAGO TABLE OF CONTENTS

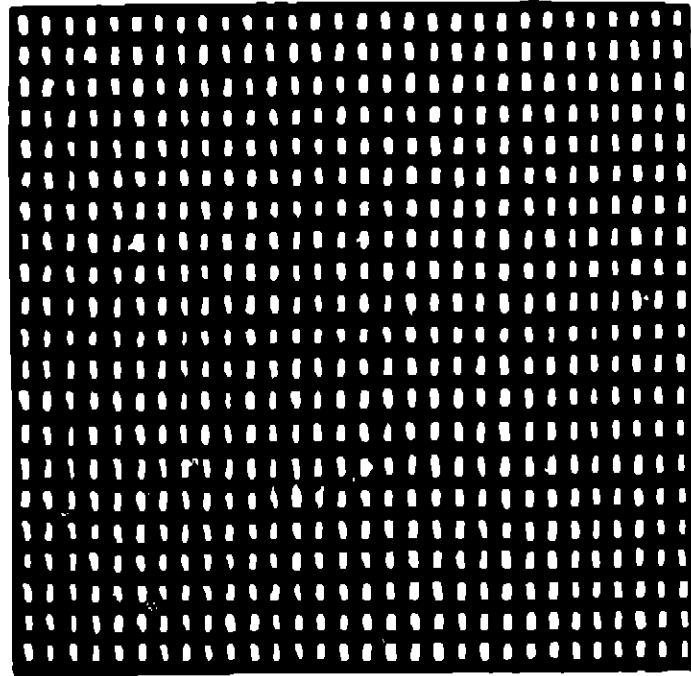
|         |             |
|---------|-------------|
| WC420RG | A-01 - C-04 |
| WCN23RG | C-05 - E-14 |
| WCN30RC | E-15 - G-24 |
| WCP31RT | H-01 - J-04 |

### 1984 WCN23RG INDEX

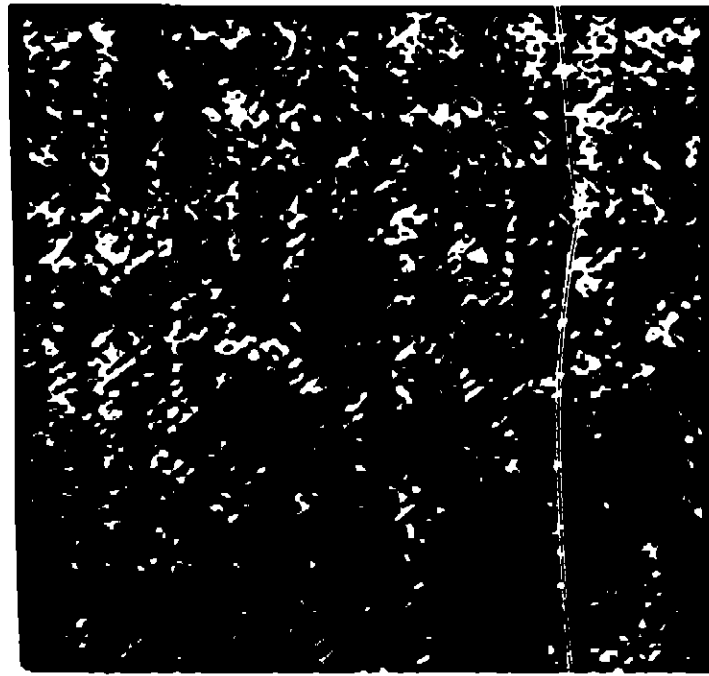
|                                    |             |
|------------------------------------|-------------|
| Floor Plan                         | C-05 - C-06 |
| Accessories Group                  | C-07 - C-09 |
| Bath Group                         | C-10        |
| Chassis Group                      | C-11 - C-12 |
| Curtain, Cushion & Pad Group       | C-13 - C-20 |
| Dinette Group                      | C-21        |
| Driver's Compartment Group         | C-22 - C-24 |
| Electrical Group                   | D-01 - D-03 |
| Exterior Body Group                | D-04 - D-10 |
| Galley Group                       | D-11 - D-14 |
| Heating & Air Conditioning Group   | D-15 - D-16 |
| Interior Finish Group              | D-17 - D-19 |
| LP Group                           | D-20        |
| Lounge Group                       | D-21 - D-22 |
| Water & Sewage Group               | D-23 - D-24 |
| Window, Vent & Exterior Door Group | E-01 - E-14 |

**INTERIOR FINISH GROUP**

**INTERIOR FINISH GROUP (CONTINUED)**



Wicker Weave Pattern



Jamaica Weave Pattern

**PANELING & COUNTERTOP MATERIALS**

| Key | Part Number   | U/M | Description  |
|-----|---------------|-----|--|
|     | 068344-05-000 | SF  | Paneling - Elm - 48" x 84" (23 SF) (Wall)  |
|     | 072336-20-000 | SF  | Paneling - Decor - Jakarta Burlap - 48" x 96" (32 SF) (Ceiling)                      |
|     | 072336-19-000 | SF  | Paneling - Decor - Wicker Weave - 48" x 84" (28 SF) (Refrigerator)                   |
|     | 072336-19-700 | SF  | Paneling - Decor - Jamaica Weave - 48" x 84" (28 SF) (Refrigerator)                  |
|     | 074496-03-000 | SF  | Paneling - Decor - Spring Blossom - 48" x 84" (28 SF) (Galley & Bath) Blue (R07)     |
|     | 074496-04-000 | SF  | Paneling - Decor - Spring Blossom - 48" x 84" (28 SF) (Galley & Bath) Brown (R08)    |
|     | 074496-05-000 | SF  | Paneling - Decor - Spring Blossom - 48" x 84" (27 SF) (Galley & Bath) Burgundy (R09) |
|     | 057880-05-000 | SF  | Pluswood Board - Wicker Weave/Elm (Headboard Asm.)                                   |
|     | 057880-05-700 | SF  | Pluswood Board - Jamaica Weave/Elm (Headboard Asm.)                                  |
|     | 072337-03-000 | SF  | Plastic Laminate - Almond Loom - 48" x 96" (32 SF) (Galley)                          |
|     | 072337-03-019 | EA  | Plastic Laminate - Almond Loom - 1.19" x 96"   |
|     | 074498-01-000 | SF  | Plastic Laminate - Harbor Oak - 48" x 96" (32 SF) (Dinette Table)                    |
|     | 074498-01-019 | EA  | Plastic Laminate - Harbor Oak - 1.19" x 96"  |
|     | 072337-02-000 | SF  | Plastic Laminate - Travertine - 48" x 96" (32 SF) (Bath)                             |
|     | 072337-02-019 | EA  | Plastic Laminate - Travertine - 1.19" x 96"  |

Reference above illustration

| Key | Part Number   | U/M | Description  |
|-----|---------------|-----|--|
|     | 024700-18-000 | EA  | Cover - Sidewall Roll Bar - 85 5/8" - Beige              |
|     | 042430-02-R07 | EA  | Molding - Shelf - Wood                                   |
|     | 009812-08-000 | FT  | Molding - Outside Corner - .50" - Teak                   |
|     | 042357-09-000 | FT  | Molding - Corner - Radius - 7" - Elm                     |
|     | 076325-01-000 | FT  | Molding - Edge Band - 1 5/16" x .030" - Harbor Oak       |
|     | 045375-09-000 | FT  | Molding - Corner - w/Holes - 77"                         |
|     | 045753-01-000 | EA  | Molding - Corner Cap - Rear Dinette - Dark Brown         |
|     | 077065-01-000 | EA  | Molding - 2" Cove - Plastic                              |
|     | 022992-08-000 | FT  | Molding - Reverse Cove - Champagne White                 |
|     | 009815-03-000 | FT  | T-Molding - .75" - Light Brown                           |
|     | 070504-01-000 | FT  | U-Channel - .085" - Light Brown                          |
|     | 070504-02-000 | FT  | U-Channel - .815" - Light Brown                          |
|     | 009767-06-000 | FT  | Welting - Beige  |
|     | 052859-01-R13 | FT  | Accent Trim - Medium Almond Vinyl (Beige)                |
|     | 059352-01-000 | FT  | Insert - Vinyl - Style & Rail Door                       |
|     | 042356-01-000 | EA  | Plug - Button - 3/8" Dia. - Mahogany                     |
|     | 058204-01-000 | EA  | Batt Strip - Elm - 8' (Wall)                             |
|     | 069733-23-000 | EA  | Batt Strip - Jakarta Burlap - 8' (Ceiling)               |
|     | 069733-30-000 | EA  | Batt Strip - Spring Blossom - 8' (Galley) Blue (R07)     |
|     | 069733-31-000 | EA  | Batt Strip - Spring Blossom - 8' (Galley) Brown (R08)    |
|     | 069733-32-000 | EA  | Batt Strip - Spring Blossom - 8' (Galley) Burgundy (R09) |
|     | 064675-06-000 | EA  | Angle - Steel Roof Joint - 96" - Beige                   |

**FABRICS & CARPETS**

| Key | Part Number   | U/M | Description  |
|-----|---------------|-----|--|
|     | 072333-07-000 | YD  | Fabric - Drapery - Ivory                                     |
|     | 072333-08-000 | YD  | Fabric - Drapery - Cream (Sheers)                            |
|     | 074495-27-000 | YD  | Fabric - Upholstery/Accent - Caramel (Brown) (R07, R08)      |
|     | 074495-28-000 | YD  | Fabric - Upholstery/Accent - Lacquer (Burgundy) (R09)        |
|     | 074495-25-000 | YD  | Fabric w/Pattern - Upholstery - Blue (R07)                   |
|     | 074495-24-000 | YD  | Fabric w/Pattern - Upholstery - Brown (R08)                  |
|     | 074495-26-000 | YD  | Fabric w/Pattern - Upholstery - Burgundy (R09)               |
|     | 038421-01-000 | YD  | Fabric - Mattress Ticking                                    |
|     | 070502-01-000 | YD  | Vinyl - Non-Expanded - 12 Gauge Film - Medium Almond (Beige) |
|     | 072860-16-000 | SY  | Carpet - Formality (Light Brown) (R07)                       |
|     | 072860-15-000 | SY  | Carpet - Golden Anniversary (Golden Brown) (R08)             |
|     | 072860-17-000 | SY  | Carpet - Curtain Call (Burgundy) (R09)                       |

**CURTAIN HARDWARE**

| Key | Part Number   | U/M | Description  |
|-----|---------------|-----|--|
|     | 056116-01-000 | EA  | Track - Curtain - Brown Plastic  |
|     | 059430-05-000 | EA  | Track - Curtain - Front Wraparound - 43.75" x 36" - Beige (2 per unit)   |
|     | 059430-07-000 | EA  | Track - Curtain - Front Wraparound - 32 8" x 88.1" (Driver's Door) Beige |
|     | 056001-01-000 | EA  | Bracket - Shade - Left   |
|     | 056002-01-000 | EA  | Bracket - Shade - Right  |
|     | 056003-01-000 | EA  | Bracket - Drapery Retainer - Right                                       |
|     | 056003-02-000 | EA  | Bracket - Drapery Retainer - Left  |
|     | 056003-03-000 | EA  | Bracket - Drapery Retainer - Universal                                   |
|     | 075477-21-000 | EA  | Bracket - Hold Down - Blinds   |
|     | 075477-38-000 | EA  | Bracket - Installation - Blinds - Left or Right                          |
|     | 009107-01-000 | EA  | Guide - Nylon Snap - Curtain   |
|     | 056784-01-000 | EA  | Pull - Window Shade - Antique Brass                                      |
|     | 039175-01-000 | EA  | Curtain Rod - Ext. 48" - 84"   |
|     | 039175-03-000 | EA  | Curtain Rod - Ext. 28" - 48"   |
|     | 039175-04-000 | EA  | Curtain Rod - Ext. 16" - 28"   |
|     | 039175-02-000 | EA  | Bracket - Curtain Rod  |
|     | 056115-01-000 | YD  | Tape - Clear Plastic - w/Guides  |
|     | 048394-01-000 | YD  | Tape Hook - 1" x 25 YD - Beige   |
|     | 048395-01-000 | YD  | Tape Loop - 1" x 25 YD - Beige   |

**1984 WINNEBAGO  
TABLE OF CONTENTS**

|         |             |
|---------|-------------|
| WC420RG | A-01 - C-04 |
| WCN23RG | C-05 - E-14 |
| WCN30RC | E-15 - G-24 |
| WCP31RT | H-01 - J-04 |

**1984 WCN23RG INDEX**

|                                    |             |
|------------------------------------|-------------|
| Floor Plan                         | C-05 - C-06 |
| Accessories Group                  | C-07 - C-09 |
| Bath Group                         | C-10        |
| Chassis Group                      | C-11 - C-12 |
| Curtain, Cushion & Pad Group       | C-13 - C-20 |
| Dinette Group                      | C-21        |
| Driver's Compartment Group         | C-22 - C-24 |
| Electrical Group                   | D-01 - D-03 |
| Exterior Body Group                | D-04 - D-10 |
| Galley Group                       | D-11 - D-14 |
| Heating & Air Conditioning Group   | D-15 - D-16 |
| Interior Finish Group              | D-17 - D-19 |
| LP Group                           | D-20        |
| Lounge Group                       | D-21 - D-22 |
| Water & Sewage Group               | D-23 - D-24 |
| Window, Vent & Exterior Door Group | E-01 - E-14 |

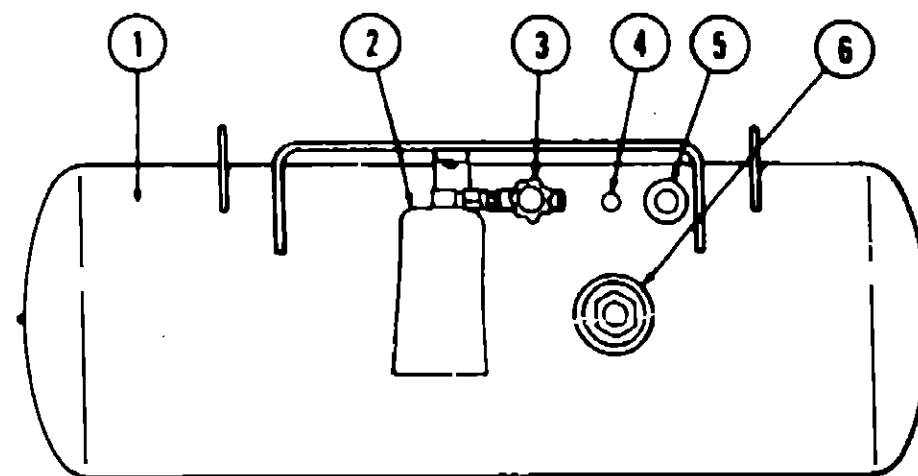
**CABINERY & TABLE HARDWARE**

| Key | Part Number   | U/M | Description                                  |
|-----|---------------|-----|--|
| ..  | 053200-05-000 | EA  | Bracket - Upper Wall Mount - 23.5"           |
| ..  | 053201-03-000 | EA  | Bracket - Table Mount - 23"                  |
| ..  | 024275-05-000 | EA  | Rod - Table Lift - 8" x 23.5"                |
| ..  | 024281-07-000 | EA  | Bracket - Lower Wall Mount - 22.12"          |
| ..  | 024276-14-000 | EA  | Leg Asm. - Table - 29.5" - Brown (Dinette)   |
| ..  | 064050-01-000 | EA  | Hinge - Table Leg                            |
| ..  | 024282-01-000 | EA  | Brace - Table Leg                            |
| ..  | 024283-01-000 | EA  | Clip - 1" O.D. Tube                          |
| ..  | 049493-02-000 | EA  | Catch - Table Leg - Mounts on Floor - Brown  |
| ..  | 009040-04-000 | EA  | Leg - Pedestal Table - 27.5" x 2.25" O.D.    |
| ..  | 009040-03-000 | EA  | Base - Pedestal Table - Mounts on Table      |
| ..  | 041194-01-000 | EA  | Base - Pedestal Table - Mounts in Floor      |
| ..  | 062046-01-000 | EA  | Clip - Pedestal Leg                          |
| ..  | 023320-01-000 | EA  | Foam Pad - 3/8" Dia. - Cabinet Doors         |
| ..  | 057898-01-000 | EA  | Hidden Latch w/Strike - Cabinet Door         |
| ..  | 009112-01-000 | EA  | Flange - 1" - Chrome - Closet Rod            |
| ..  | 072394-01-000 | EA  | Slide - Drawer - Left - w/Tab                |
| ..  | 072394-01-000 | EA  | Slide - Drawer - Right - w/o Tab             |
| ..  | 077409-01-000 | EA  | Slide - Drawer - 20.75" - Plastic            |
| ..  | 037688-01-000 | FT  | Rail - Drawer                                |
| ..  | 047744-01-000 | EA  | Kit - Drawer Glide                           |
| ..  | 074493-01-000 | EA  | Support - Sprung - Door Prop                 |
| ..  | 009049-01-000 | EA  | Table Support - Drop Leaf                    |
| ..  | 009059-01-000 | EA  | Hinge - 2" - Gold                            |
| ..  | 057671-01-000 | EA  | Screw Cover - #8 - Off White                 |
| ..  | 075687-01-000 | EA  | Latch Asm. - Bathroom Door - Privacy         |
| ..  | 058034-02-000 | EA  | Latch - Sliding Door - w/o Lock              |
| ..  | 064467-01-000 | EA  | Guide - Sliding Door - Mounts on Wall        |
| ..  | 0C9156-01-000 | EA  | Hanger - Sliding Door                        |
| ..  | 075145-06-000 | EA  | Cover - Sliding Door Track - 54.2"           |
| ..  | 075153-01-000 | EA  | Cover - End Cap - Sliding Door Track - Beige |
| ..  | 075149-04-000 | EA  | Track - Sliding Door - 54.2"                 |
| ..  | 009150-01-000 | EA  | Warp Guard - 64"                             |
| ..  | 009021-01-000 | EA  | Catch - Nylon - Furnace Door                 |
| ..  | 009021-02-000 | EA  | Strike - Nylon Catch - Furnace Door          |
| ..  | 052932-01-M10 | EA  | Hinge Kit - Cabinet Door - Antique Brass     |
| ..  | 041939-01-000 | EA  | Hinge - Double Acting - Overhead Door        |

The illustrated parts breakdown for this item is provided on the Common Items Fiche.

**MISCELLANEOUS PARTS**

| Key | Part Number   | U/M | Description   |
|-----|---------------|-----|---|
| ..  | 053552-01-R07 | EA  | Handle Asm. - Interior Assist - Medium Almond Vinyl |
| ..  | 041944-03-000 | EA  | Fire Extinguisher - w/Bracket - 5BC                 |
| ..  | 054185-20-000 | EA  | Owner's Manual - 1984 - Itasca & Winnebago          |
| ..  | 007038-01-000 | EA  | Door Mat - 10 1/2" x 26" - Black Rubber             |
| ..  | 063951-01-000 | EA  | Door Asm. - Battery - w/o Carpet                    |
| ..  | 042541-01-000 | EA  | Latch Asm. - w/Strike Chrome (Battery Door)         |
| ..  | 065201-02-000 | EA  | Shade Wall - Lamp - Fabric - Parchment              |
| ..  | 065202-01-000 | EA  | Lamp - Decor - Wall - Brass - 2 Bulb                |
| ..  | 075907-01-000 | EA  | Picture - Decor - Assorted Grasses                  |



| Key | Part Number   | U/M | Description   |
|-----|---------------|-----|---|
| 1   | 074142-01-000 | EA  | Tank Asm. - LP - Frame Mount - 80 Pound - 13" x 44"               |
| 1   | 074141-01-000 | EA  | Tank Asm. - LP - Frame Mount - 42 Pound - 12" x 28"               |
| *   | 065741-01-000 | EA  | Detector - LP Gas Leak - Marshalltown Instruments                 |
| 2   | 076277-01-000 | EA  | Cover - Regulator - Two Stage - Front                             |
| 2   | 076278-01-000 | EA  | Cover - Regulator - Two Stage - Back                              |
| *   | 076301-01-000 | EA  | Regulator - Two Stage - US  |
| *   | 076301-02-000 | EA  | Regulator - Two Stage - CSA                                       |
| 3   | 040421-01-703 | EA  | Valve - Vapor Relief  |
| 4   | 040421-01-700 | EA  | Gauge - Liquid Level - 20% LP                                     |
| 5   | 040421-01-701 | EA  | Valve - Filler - LP   |
| *   | 040421-01-702 | EA  | Cap - Plastic Fill Valve  |
| 6   | 040421-01-707 | EA  | Gauge - Float - w/Visible Dial                                    |
| *   | 040421-01-706 | EA  | Dial - Visible Face - Float Gauge (Tank w/o Electric Transmitter) |
| *   | 040440-01-000 | EA  | Dial - Transmitter - 0 - 90 Ohm (Float Gauge)                     |
| *   | 045703-01-000 | EA  | Hose Asm. - LP - 3/8" I.D. x 24" - US                             |
| *   | 045703-02-000 | EA  | Hose Asm. - LP - 3/8" I.D. x 24" - CSA                            |
| *   | 045703-03-000 | EA  | Hose Asm. - LP - 3/8" I.D. x 18" - US                             |
| *   | 045703-04-000 | EA  | Hose Asm. - LP - 3/8" I.D. x 14" - CSA                            |
| *   | 068046-01-000 | EA  | Conversion Kit - LP - Onan Generator                              |
| *   |               |     | Not illustrated   |

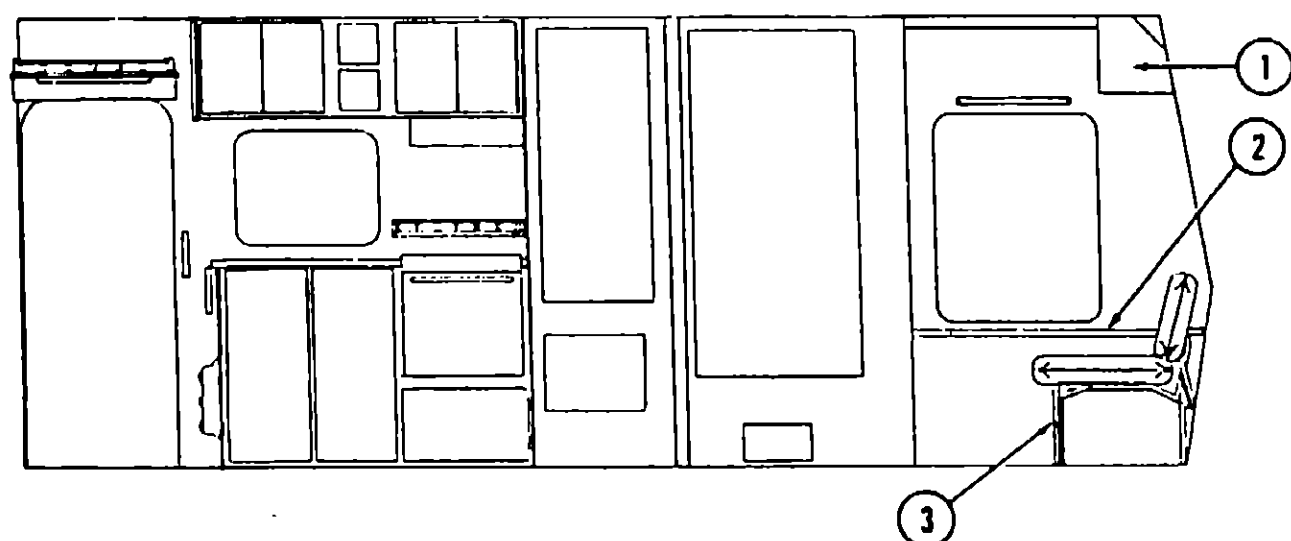
**1984 WINNEBAGO  
TABLE OF CONTENTS**

|         |             |
|---------|-------------|
| WC420RG | A-01 - C-04 |
| WCN23RG | C-05 - E-14 |
| WCN30RC | E-15 - G-24 |
| WCP31RT | H-01 - J-04 |

**1984 WCN23RG INDEX**

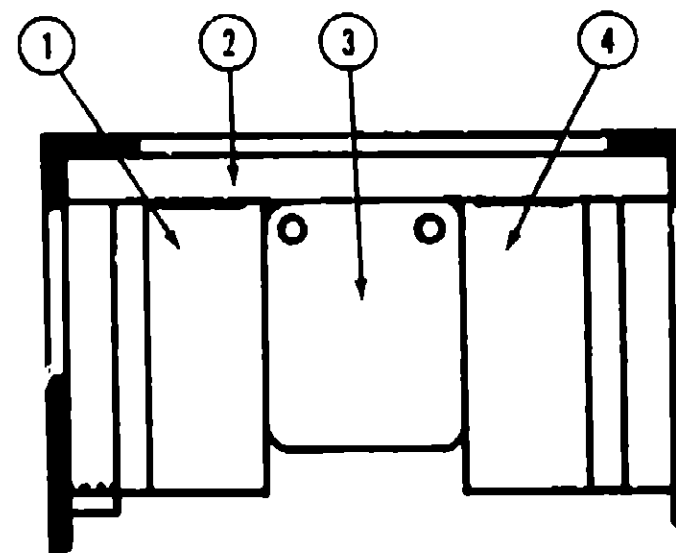
|                                    |             |
|------------------------------------|-------------|
| Floor Plan                         | C-05 - C-06 |
| Accessories Group                  | C-07 - C-09 |
| Bath Group                         | C-10        |
| Chassis Group                      | C-11 - C-12 |
| Curtain, Cushion & Pad Group       | C-13 - C-20 |
| Dinette Group                      | C-21        |
| Driver's Compartment Group         | C-22 - C-24 |
| Electrical Group                   | D-01 - D-03 |
| Exterior Body Group                | D-04 - D-10 |
| Galley Group                       | D-11 - D-14 |
| Heating & Air Conditioning Group   | D-15 - D-16 |
| Interior Finish Group              | D-17 - D-19 |
| LP Group                           | D-20        |
| Lounge Group                       | D-21 - D-22 |
| Water & Sewage Group               | D-23 - D-24 |
| Window, Vent & Exterior Door Group | E-01 - E-14 |

## LOUNGE GROUP



| Key | Part Number   | U/M | Description  |
|-----|---------------|-----|--|
| 1   | 076966-01-R07 | EA  | Cabinet Asm. - Overhead - w/o Doors or Hardware              |
|     | 069852-72-R10 | EA  | Door Asm. - Overhead Cabinet - 28.1" x 11.4" - w/o Hardware  |
| 2   | 077363-02-R07 | EA  | Countertop Asm. - Hamper - Passenger - Harbor Oak            |
|     | M01606-01-R07 | EA  | Countertop Asm. - Stationary Hamper - Passenger - Harbor Oak |
|     | M77360-01-R07 | EA  | Cabinet Asm. - Hamper - Passenger - w/o Countertops          |
|     | 077359-01-R07 | EA  | Cabinet Asm. - Hamper - Driver - w/o Countertop              |
|     | 077363-01-R07 | EA  | Countertop Asm. - Hamper - Driver - Harbor Oak               |
| 3   | M77361-01-R07 | EA  | Cabinet Asm. - Couch - w/o Door or Hardware                  |
|     | 069852-53-R07 | EA  | Door Asm. - Couch - 37.1" x 11.7" - w/o Hardware             |
|     |               |     | Not illustrated  |

## LOUNGE GROUP (CONTINUED)



### REAR DINETTE (OPTION)

| Key | Part Number   | U/M | Description                                       |
|-----|---------------|-----|---|
| 1   | M01589-02-R07 | EA  | Cabinet Asm. - Dinette Seat - Left                |
|     | M01588-02-R07 | EA  | Cabinet Asm. - Dinette Back - Left                |
| 2   | M01614-01-R07 | EA  | Countertop Asm. - Rear Dinette Shelf - Harbor Oak |
| 3   | M01559-28-R07 | EA  | Table Asm. - Dinette - w/o Hardware - Harbor Oak  |
|     | 077795-01-R07 | EA  | Spacer - Dinette Bed - Harbor Oak                 |
|     | 024276-14-000 | EA  | Leg Asm. - Table - 29.5" - Brown                  |
|     | 024282-01-000 | EA  | Brace - Table Leg                                 |
|     | 024283-01-000 | EA  | Clip - 1" O.D. - 1.125" O.D. Tube                 |
|     | 053201-03-000 | EA  | Bracket - Table Mount - 23"                       |
|     | 064050-01-000 | EA  | Hinge - Table Leg                                 |
|     | 024275-05-000 | EA  | Rod - Table Lift - 8" x 23.5"                     |
|     | 024281-07-000 | EA  | Bracket - Lower Wall Mount - 22.12"               |
|     | 049493-02-000 | EA  | Catch - Table Leg - Mounts on Floor               |
|     | 053200-05-000 | EA  | Bracket - Upper Wall Mount - 23.5"                |
|     | 064781-03-000 | EA  | Cup Holder - 3.47" O.D. x 2.75" I.D. x 1.5"       |
| 4   | M01589-01-R07 | EA  | Cabinet Asm. - Dinette Seat - Right               |
|     | M01588-01-R07 | EA  | Cabinet Asm. - Dinette Back - Right               |
|     |               |     | Not illustrated                                   |

## 1984 WINNEBAGO TABLE OF CONTENTS

|         |             |
|---------|-------------|
| WC420RG | A-01 - C-04 |
| WCN23RG | C-05 - E-14 |
| WCN30RC | E-15 - G-24 |
| WCP31RT | H-01 - J-04 |

## 1984 WCN23RG INDEX

|                                    |             |
|------------------------------------|-------------|
| Floor Plan                         | C-05 - C-06 |
| Accessories Group                  | C-07 - C-09 |
| Bath Group                         | C-10        |
| Chassis Group                      | C-11 - C-12 |
| Curtain, Cushion & Pad Group       | C-13 - C-20 |
| Dinette Group                      | C-21        |
| Driver's Compartment Group         | C-22 - C-24 |
| Electrical Group                   | D-01 - D-03 |
| Exterior Body Group                | D-04 - D-10 |
| Galley Group                       | D-11 - D-14 |
| Heating & Air Conditioning Group   | D-15 - D-16 |
| Interior Finish Group              | D-17 - D-19 |
| LP Group                           | D-20        |
| Lounge Group                       | D-21 - D-22 |
| Water & Sewage Group               | D-23 - D-24 |
| Window, Vent & Exterior Door Group | E-01 - E-14 |

# WATER & SEWAGE GROUP

## PLUMBING & REPAIR PARTS

| Key | Part Number   | U/M | Description  |
|-----|---------------|-----|--|
|     | 033302-02-000 | EA  | Adapter Asm. - SWVC Strain - 1 1/2                       |
|     | 062422-01-000 | EA  | Adapter - Hose Offset - Reducer - 3" x 1 1/2"            |
|     | 062416-01-000 | EA  | Adapter - Hose - 3"                                      |
|     | 052954-01-000 | EA  | Adapter - Nose Cone - 3/8 or 1/2 - Plastic               |
|     | 010224-01-000 | EA  | Adapter - Plastic - 3/8 MPT x 3/8 Barb                   |
|     | 031602-02-000 | EA  | Adapter - Plastic - 1 1/2 H x FPT                        |
|     | 010134-01-000 | EA  | Adapter - Plastic - 1 1/2 Male x MPT                     |
|     | 004020-01-000 | QT  | Adhesive - ABS Cement                                    |
| **  | 010121-01-000 | EA  | Bushing - Plastic - 1 1/2 S x 1 1/4 H                    |
|     | 010123-01-000 | EA  | Bushing - Plastic - 2S x 1 1/2 H                         |
|     | 036522-02-000 | EA  | Cap - 1/2 Flare - Brass                                  |
|     | 075730-01-000 | EA  | Cap - End - Sewer Hose                                   |
|     | 062415-01-000 | EA  | Cap - Sewer - 3"   |
|     | 052959-02-000 | EA  | Connector - 1/2 F x 1/2 MPT - Plastic (In Tank Filter)   |
|     | 052959-03-000 | EA  | Connector - 1/2 F x 3/8 MPT - Plastic                    |
| **  | 011091-01-000 | EA  | Continuous Waste - Double Sink - 11 7/8" - US            |
|     | 053874-01-000 | EA  | Continuous Waste Asm. - Double Sink - CSA                |
| **  | 050780-01-000 | EA  | Coupler Rubber - 3" x 3"                                 |
|     | 052960-01-000 | EA  | Drain Valve - 1/2 F x 1/2 F - Plastic                    |
|     | 010005-01-000 | EA  | Elbow - Plastic - 1/16 BD x 1 1/2                        |
|     | 010006-01-000 | EA  | Elbow - Plastic - 1/8 BD x 1 1/2 x 45° H x H             |
|     | 010008-01-000 | EA  | Elbow - Plastic - 1/4 BD x 1 1/2 x 90° Left              |
|     | 010051-01-000 | EA  | Elbow - ST - Plastic - 1/8 BD x 1 1/2 x 45°              |
|     | 010219-01-000 | EA  | Elbow - 1 1/4 Barb x 1 1/4 MPT x 90°                     |
|     | 034250-01-000 | EA  | Elbow - Plastic - 1/4 BD x 1 1/2 x 90° x H x H           |
|     | 035539-01-000 | EA  | Elbow - Plastic - 3/8 MPT x 3/8 Barb                     |
|     | 052957-01-000 | EA  | Elbow - Plastic - 1/2 F x 3/8 MPT                        |
|     | 052957-02-000 | EA  | Elbow - Plastic - 1/2 F x 1/2 MPT                        |
|     | 065120-01-000 | EA  | Elbow - Plastic - Swivel - .50"                          |
|     | 070924-01-000 | EA  | Elbow - Plastic - Swivel - 1/2 MPT x 1/2 FP              |
|     | 075726-01-000 | EA  | Extension - Outlet - Sewer Hose                          |
|     | 010147-01-000 | EA  | Flange - Closet - 4" F x 3" FPT - US                     |
|     | 010147-02-000 | EA  | Flange - Closet - 4" F x 3" FPT - CSA                    |
|     | 077954-01-000 | EA  | Filter/Screen (In Water Tank)                            |
|     | 044928-01-000 | FT  | Flexible Tubing - 1 1/4 I.D. x 10'                       |
|     | 061607-01-000 | EA  | Grommet - Holding Tank Coupler - 1 1/2"                  |
|     | 061607-02-000 | EA  | Grommet - Holding Tank Coupler - 3"                      |
|     | 052961-01-000 | EA  | Header - 1/2 F x 1/2 F x 1/2 F x 1/2 F                   |
| **  | 046524-01-000 | EA  | Kit - Holding Tank Fittings - Blank Tank                 |
| **  | 046524-02-000 | EA  | Kit - Water Tank Fittings - Blank Tank                   |
|     | 052953-01-000 | EA  | Nut - Faucet - 1/2 Tube x 1/2 FPT                        |
|     | 052952-01-000 | EA  | Nut - 1/2 F - Plastic                                    |
| **  | 011066-01-000 | EA  | P-Trap - 1 1/4" - Plastic - US                           |
| **  | 011066-02-000 | EA  | P-Trap - 1 1/4" - Plastic - CSA                          |
|     | 053335-01-000 | EA  | P-Trap - Plastic - 1 1/4 H x H - w/Union - CSA           |
|     | 075666-01-000 | EA  | Pipe - PVC - DWV - 4" I.D. x 10'                         |
|     | 045729-01-000 | EA  | Pump - Water - 2.8 G.P.M. - Direct Drive - Shurflo - US  |
|     | 045729-02-000 | EA  | Pump - Water - 2.8 G.P.M. - Direct Drive - Shurflo - CSA |
| **  | 010201-01-000 | EA  | Sewer Hose - 3" x 8' w/Clamp                             |
|     | 042989-04-000 | EA  | Spinweld Fittings - Plastic - 3/8 FPT                    |
|     | 042989-02-000 | EA  | Spinweld Fittings - Plastic - 1/2 FPT (In Tank Filter)   |
|     | 042989-03-000 | EA  | Spinweld Fittings - Plastic - 1 1/4" NPT                 |
|     | 010071-01-000 | EA  | Tee - Plastic - 1 1/2 x H x H x H                        |
|     | 010072-01-000 | EA  | Tee - Plastic - 1 1/2 H x 1 1/4 H x 1 1/2 H              |
| **  | 010079-01-000 | EA  | Tee - Plastic - 1 1/2 H x 1 1/2 H x 1 1/4 H              |
|     | 046172-01-000 | EA  | Tee - Plastic - 3/8 B x 3/8 B x 3/8 MPT                  |
|     | 052955-01-000 | EA  | Tee - Plastic - 1/2 F x 1/2 F x 1/2 MPT                  |
|     | 052956-01-000 | EA  | Tee - Plastic - 1/2 F x 1/2 MPT x 1/2 F                  |

# WATER & SEWAGE GROUP (CONTINUED)

## PLUMBING & REPAIR PARTS (CONT.)

| Key | Part Number  | U/M | Description                                |
|-----|--|-----|--|
|     | 039800-01-000  | FT  | Tubing - Polybutyl - 1/2 O.D. (Water Line) |
|     | 074462-02-000  | FT  | Tubing - Vinyl - 3/8" I.D.                 |
|     | 072346-01-000  | EA  | Valve Asm. - 3" Ell - w/2" Socket          |
|     | 062411-01-000  | EA  | Valve - 1 1/2" - w/Handle                  |
|     | 062418-02-000  | EA  | Valve - 3" - w/o Handle                    |
|     | 052962-01-000  | EA  | Valve - Stool - 90° x 1/2 F x 3/8 MPT      |
| **  | The illustrated parts breakdown for this item is provided on the Common Items Fiche. |     |  |

## HOLDING TANKS & WATER HEATERS

| Key | Part Number  | U/M | Description  |
|-----|--|-----|--|
|     | M01275-41-000  | EA  | Tank Asm. - Water - 16 Gallon - w/Fittings (Dinette) |
|     | M01275-43-000  | EA  | Tank Asm. - Water - 16 Gallon - w/Fittings (Couch)   |
|     | 074510-01-000  | EA  | Tank - Water - 16 Gallon - w/o Fittings              |
|     | M01275-40-000  | EA  | Tank Asm. - Water - 20 Gallon - w/Fittings (Dinette) |
|     | M01275-42-000  | EA  | Tank Asm. - Water - 20 Gallon - w/Fittings (Couch)   |
|     | 053520-01-000  | EA  | Tank - Water - 20 Gallon - w/o Fittings              |
|     | M01275-36-000  | EA  | Tank Asm. - Waste Water - 20 Gallon - w/Fittings     |
|     | 076845-01-000  | EA  | Tank - Waste Water - 20 Gallon - w/o Fittings        |
|     | M01275-34-000  | EA  | Tank Asm. - Sewage - 40 Gallon - w/Fittings          |
|     | 076834-01-000  | EA  | Tank - Sewage - 40 Gallon - w/o Fittings             |
| **  | 051391-01-000  | EA  | Water Heater - w/o Motor Aid - G6A3                  |
| **  | 051391-03-000  | EA  | Water Heater - w/Electronic Ignition - G6A-3E        |
| **  | 051393-01-000  | EA  | Water Heater - w/Motor Aid - GH6-3E                  |
| **  | The illustrated parts breakdown for this item is provided on the Common Items Fiche. |     |  |

## 1984 WINNEBAGO TABLE OF CONTENTS

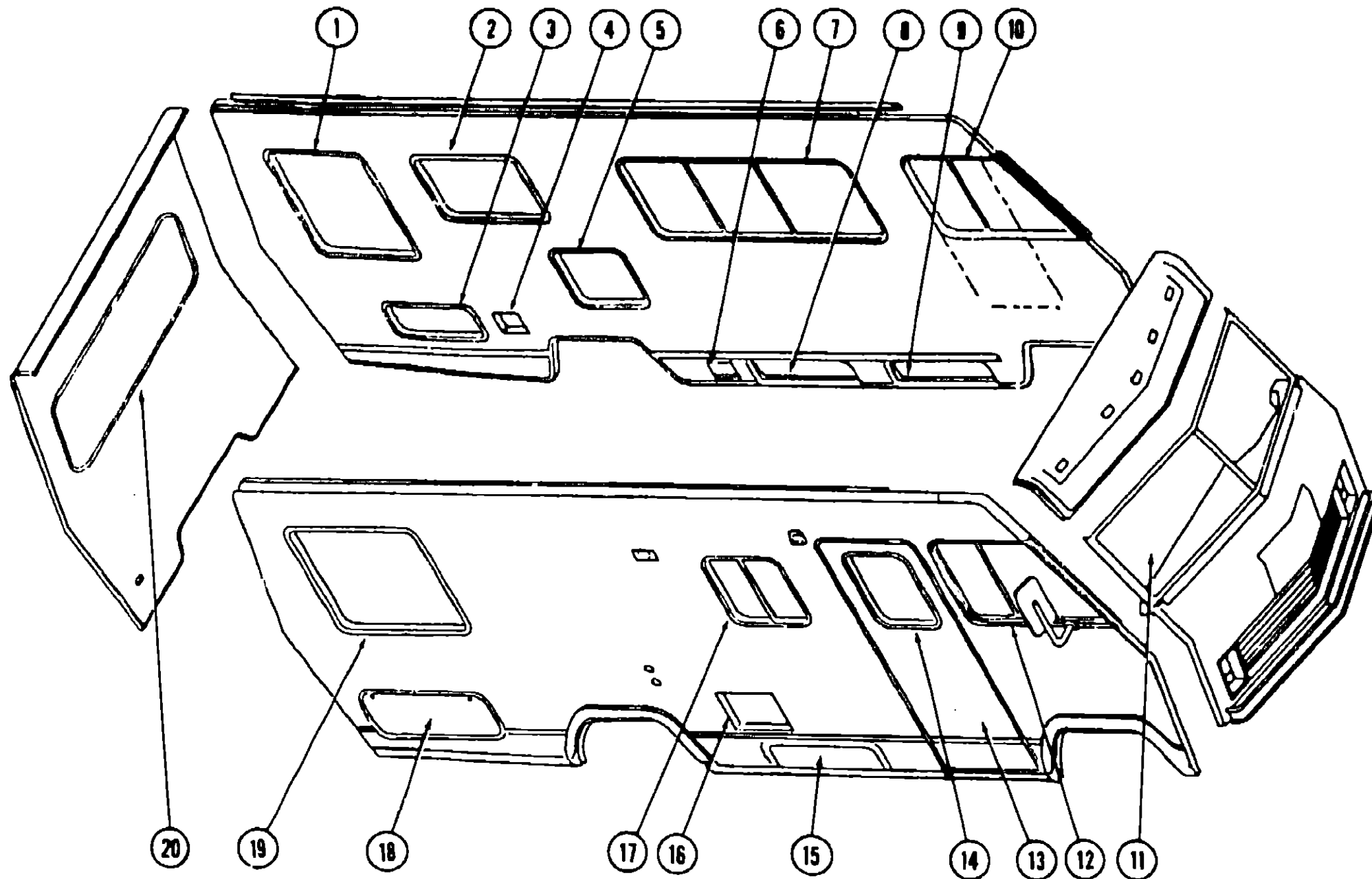
|         |             |
|---------|-------------|
| WC420RG | A-01 - C-04 |
| WCN23RG | C-05 - E-14 |
| WCN30RC | E-15 - G-24 |
| WCP31RT | H-01 - J-04 |

## 1984 WCN23RG INDEX

|                                    |             |
|------------------------------------|-------------|
| Floor Plan                         | C-05 - C-06 |
| Accessories Group                  | C-07 - C-09 |
| Bath Group                         | C-10        |
| Chassis Group                      | C-11 - C-12 |
| Curtain, Cushion & Pad Group       | C-13 - C-20 |
| Dinette Group                      | C-21        |
| Driver's Compartment Group         | C-22 - C-24 |
| Electrical Group                   | D-01 - D-03 |
| Exterior Body Group                | D-04 - D-10 |
| Galley Group                       | D-11 - D-14 |
| Heating & Air Conditioning Group   | D-15 - D-16 |
| Interior Finish Group              | D-17 - D-19 |
| LP Group                           | D-20        |
| Lounge Group                       | D-21 - D-22 |
| Water & Sewage Group               | D-23 - D-24 |
| Window, Vent & Exterior Door Group | E-01 - E-14 |

# WINDOW, VENT & EXTERIOR DOOR GROUP

## WINDOWS & ACCESS DOORS



### 1984 WINNEBAGO TABLE OF CONTENTS

WC420RG  
WCN23RG  
WCN30RC  
WCP31RT

A-01 - C-04  
C-05 - E-14  
E-15 - G-24  
H-01 - J-04

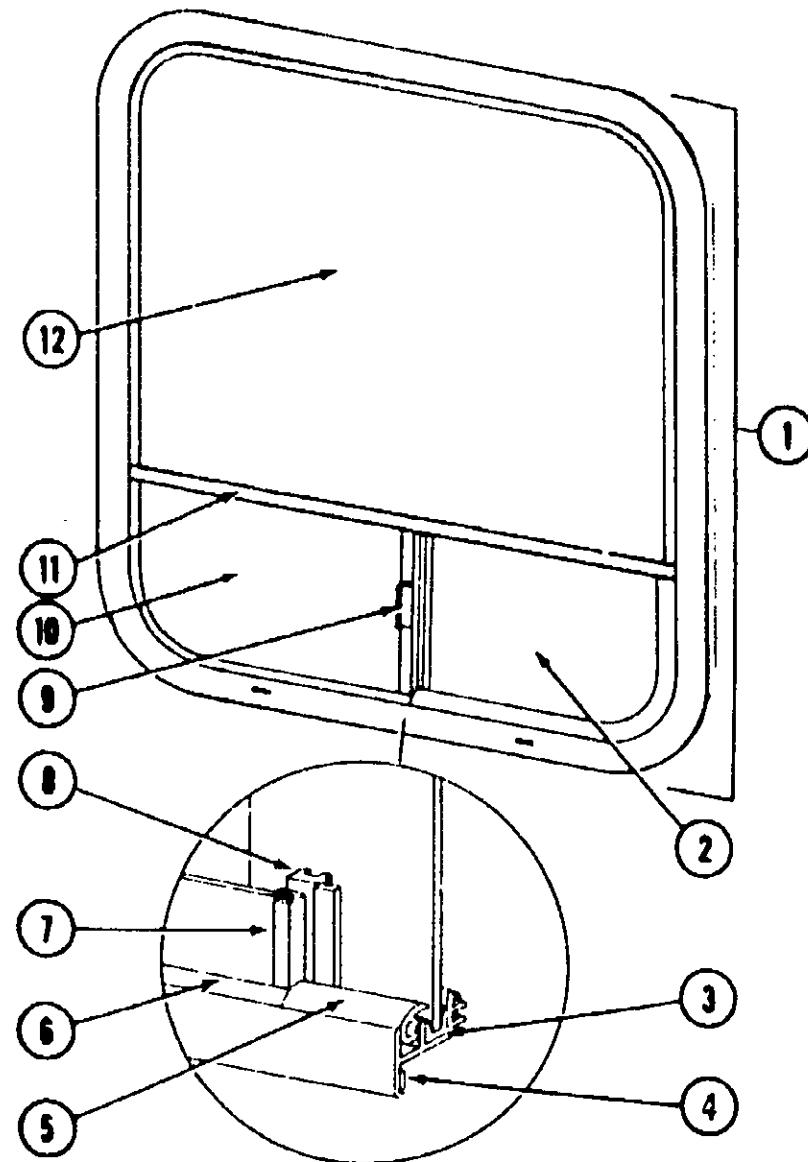
### 1984 WCN23RG INDEX

|                                    |             |
|------------------------------------|-------------|
| Floor Plan                         | C-05 - C-06 |
| Accessories Group                  | C-07 - C-09 |
| Bath Group                         | C-10        |
| Chassis Group                      | C-11 - C-12 |
| Curtain, Cushion & Pad Group       | C-13 - C-20 |
| Dinette Group                      | C-21        |
| Driver's Compartment Group         | C-22 - C-24 |
| Electrical Group                   | D-01 - D-03 |
| Exterior Body Group                | D-04 - D-10 |
| Galley Group                       | D-11 - D-14 |
| Heating & Air Conditioning Group   | D-15 - D-16 |
| Interior Finish Group              | D-17 - D-19 |
| LP Group                           | D-20        |
| Lounge Group                       | D-21 - D-22 |
| Water & Sewage Group               | D-23 - D-24 |
| Window, Vent & Exterior Door Group | E-01 - E-14 |

| Key | Part Number   | U/M | Description   |
|-----|---------------|-----|---|
| 1   | 064236-03-000 | EA  | Window Asm. w/Charcoal Screen - Lower Slider - 29" x 36" - Driver (w/o inside frame)        |
| 1   | 064236-01-000 | EA  | Window Asm. w/Gray Screen - Lower Slider - 29" x 36" - Driver (w/o inside frame)            |
| 2   | 048631-35-000 | EA  | Window Asm. w/Charcoal Screen - Left - Single Slider - 23" x 29" - Black (w/o inside frame) |
| 2   | 048631-08-000 | EA  | Window Asm. w/Gray Screen - Left - Single Slider - 23" x 29" - Black (w/o inside frame)     |
| 3   | 076855-01-000 | EA  | Door Asm. - Insulated Storage - w/Key Lock - Beige  |
| 4   | NOTE          | EA  | Door Asm. - Fuel Fill (See Access Doors)  |
| 5   | 069762-04-000 | EA  | Door Asm. - Refrigerator Access - w/Twist Lock - Beige                                      |
| 6   | NOTE          | EA  | Door Asm. - Power Cord (See Access Doors)   |
| 7   | 075738-02-000 | EA  | Window Asm. w/Charcoal Screen - Double Slider (w/o inside frame)                            |
| 7   | 075738-01-000 | EA  | Window Asm. w/Gray Screen - Double Slider (w/o inside frame)                                |
| 8   | 076852-03-000 | EA  | Door Asm. - LP - 25.3" x 9" - w/Twist Lock - Beige  |
| 9   | 076852-05-000 | EA  | Door Asm. - Access - 25.3" x 9" - w/Key Lock - Beige  |
| 10  | 059046-02-000 | EA  | Window Asm. - Driver Front Slant Slider - 23" x 29" - Black (w/o inside frame)              |
|     | 062896-01-000 | EA  | Window Asm. - Stationary - Driver's Slant - 14" x 25.32" - Black (w/o inside frame)         |
| 11  | 057459-01-000 | EA  | Glass - Windshield - Flat   |

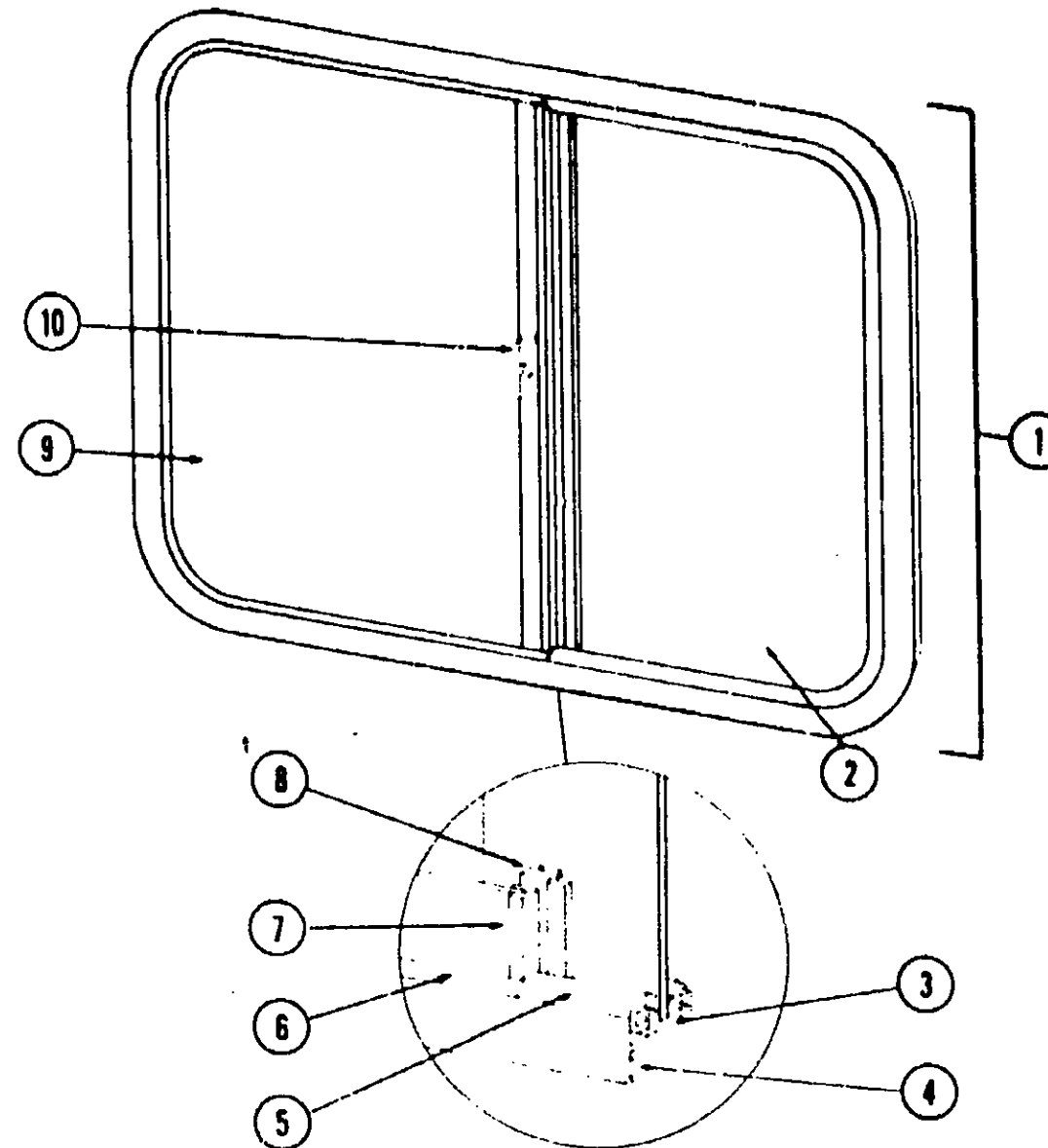
| Key | Part Number     | U/M | Description  |
|-----|-----------------|-----|--|
| 12  | 059046-01-000   | EA  | Window Asm. - Passenger Front Slant Slider - 23" x 29" - Black (w/o inside frame)          |
| 13  | M01414-05-000   | EA  | Door Asm. - Radius Entry w/Screen Door - Greyhound   |
| 13  | M01414-11-000   | EA  | Door Asm. - Radius Entry w/Screen Door - Mesa  |
| 14  | 041875-09-000   | EA  | Window Asm. - Picture - 17" x 25" - Black (w/o inside frame)                               |
| 15  | 076852-10-000   | EA  | Door Asm. - Storage - 34.5" x 9" - w/Key Lock - Beige                                      |
| 16  | 052009-02-000   | EA  | Door Asm. - Water Heater - Beige   |
| 17  | 048631-33-000   | EA  | Window Asm. w/Charcoal Screen - Right Single Slider - 20" x 25" - Black (w/o inside frame) |
| 17  | 048631-03-000   | EA  | Window Asm. w/Gray Screen - Right Single Slider - 20" x 25" - Black (w/o inside frame)     |
| 18  | M01552-01-000   | EA  | Door Asm. - Generator - 13.5" x 35.5" - w/o Raffle   |
| 18  | 076854-02-000   | EA  | Door Asm. - Luggage - 13.5" x 35.5" - w/Key Lock - Beige                                   |
| 19  | 064236-04-000   | EA  | Window Asm. w/Charcoal Screen - Lower Slider - 29" x 36" - Passenger (w/o inside frame)    |
| 19  | 064236-02-000   | EA  | Window Asm. w/Gray Screen - Lower Slider - 29" x 36" - Passenger (w/o inside frame)        |
| 20  | 020754-03-000   | EA  | Window Asm. - Escape - 23" x 68" - Black (w/o inside frame)                                |
|     | Not illustrated |     |  |

**WINDOW, VENT & EXTERIOR DOOR GROUP (CONTINUED)**



| Key | Part Number     | U/M | Description   |
|-----|-----------------|-----|---|
| 1   | 064236-03-000   | EA  | Window Asm. w/Charcoal Screen - Lower Slider - 29" x 36" - Driver (w/o inside frame)    |
| 1   | 064236-04-000   | EA  | Window Asm. w/Charcoal Screen - Lower Slider - 29" x 36" - Passenger (w/o inside frame) |
| 1   | 064236-01-000   | EA  | Window Asm. w/Gray Screen - Lower Slider - 29" x 36" - Driver (w/o inside frame)        |
| 1   | 064236-02-000   | EA  | Window Asm. w/Gray Screen - Lower Slider - 29" x 36" - Passenger (w/o inside frame)     |
| *   | 067609-08-000   | EA  | Inside Frame - Beige (not included in assembly)   |
| 2   | 064568-01-000   | EA  | Glass - Lower - Slider - .12" x 14.8" x 8.9"  |
| 3   | 002324-02-000   | EA  | Channel - Weatherstrip - Glass Run 3/16" Glass  |
| 4   | 069640-06-000   | EA  | Ribbon Sealer - 5/16" Bead x 15'  |
| 5   | 041928-02-000   | FT  | Seal - Window Channel - Black   |
| 6   | 002309-02-000   | FT  | Spline - Glass  |
| 7   | M69886-03-002   | EA  | Holder - Glass Seal - Black   |
| 8   | 064235-01-000   | EA  | Mullion - Vertical - Slider Window - Driver   |
| 8   | 064235-02-000   | EA  | Mullion - Vertical - Slider Window - Passenger  |
| 9   | 047369-01-700   | EA  | Latch Kit - Window - Plastic - w/Fastener   |
| 10  | 064568-02-000   | EA  | Glass - Lower - Stationary - .12" x 14.8" x 8.9"  |
| 11  | 064234-01-000   | EA  | Mullion - Horizontal - Driver   |
| 11  | 064234-02-000   | EA  | Mullion - Horizontal - Passenger  |
| 12  | 002184-03-000   | EA  | Glass - Upper - Stationary - .115" x 28.25" x 26.04"                                    |
| *   | 073740-01-000   | FT  | Seal - Fin - Pile - .46" - Mullion  |
| *   | 023713-02-000   | EA  | Washhole Cover - Black Plastic  |
| *   | 002298-02-000   | FT  | Spline - Screen - .13" Dia. - Charcoal  |
| *   | 002298-01-000   | FT  | Spline - Screen - .13" Dia. - Gray  |
| *   | 002291-02-000   | SF  | Screen - Window - 16" - Charcoal  |
| *   | 002291-01-000   | SF  | Screen - Window - 16" - Gray  |
| *   | Not illustrated |     |   |

**WINDOW, VENT & EXTERIOR DOOR GROUP (CONTINUED)**



| Key | Part Number     | U/M | Description   |
|-----|-----------------|-----|---|
| 1   | 048631-35-000   | EA  | Window Asm. w/Charcoal Screen - Left Single Slider - 23" x 29" - Black (w/o inside frame) |
| 1   | 048631-08-000   | EA  | Window Asm. w/Gray Screen - Left Single Slider - 23" x 29" - Black (w/o inside frame)     |
| *   | 067609-14-000   | EA  | Inside Frame - Beige (not included in assembly)   |
| 2   | 047813-01-000   | EA  | Glass - Sliding - w/Hole - 1/8" x 22" x 13.68"  |
| 3   | 002324-02-000   | FT  | Channel - Weatherstrip - Glass  |
| 4   | 069640-06-000   | FT  | Ribbon Tape - 5/16" Bead x 15'  |
| 5   | 057374-02-000   | FT  | Extr. Vinyl - Window Seal - Black   |
| 6   | 002309-02-000   | FT  | Spline - Glass - 1/8" Material - Black  |
| 7   | M18025-03-000   | EA  | Extr. - Holder - Glass Seal - 21" - Black   |
| 8   | 069896-01-000   | EA  | Mullion - Slider Window - Black   |
| 9   | 002184-01-000   | EA  | Glass - Stationary - 1/8" x 16.5" x 22"   |
| 10  | 047369-01-700   | EA  | Latch Kit - Window - Plastic - w/Fastener   |
| *   | 002293-02-000   | SF  | Screen - Window - 26" - Charcoal  |
| *   | 002293-01-000   | SF  | Screen - Window - 16" - Gray  |
| *   | 002298-02-000   | FT  | Spline - Screen - .13" Dia. - Charcoal  |
| *   | 002298-01-000   | FT  | Spline - Screen - .13" Dia. - Gray  |
| *   | 073740-01-000   | FT  | Seal - Fin - Pile - .46"  |
| *   | Not illustrated |     |   |

**1984 WINNEBAGO  
TABLE OF CONTENTS**

WC420RG  
WCN23RG  
WCN30RC  
WCP31RT

A-01 - C-04  
C-05 - E-14  
E-15 - G-24  
H-01 - J-04

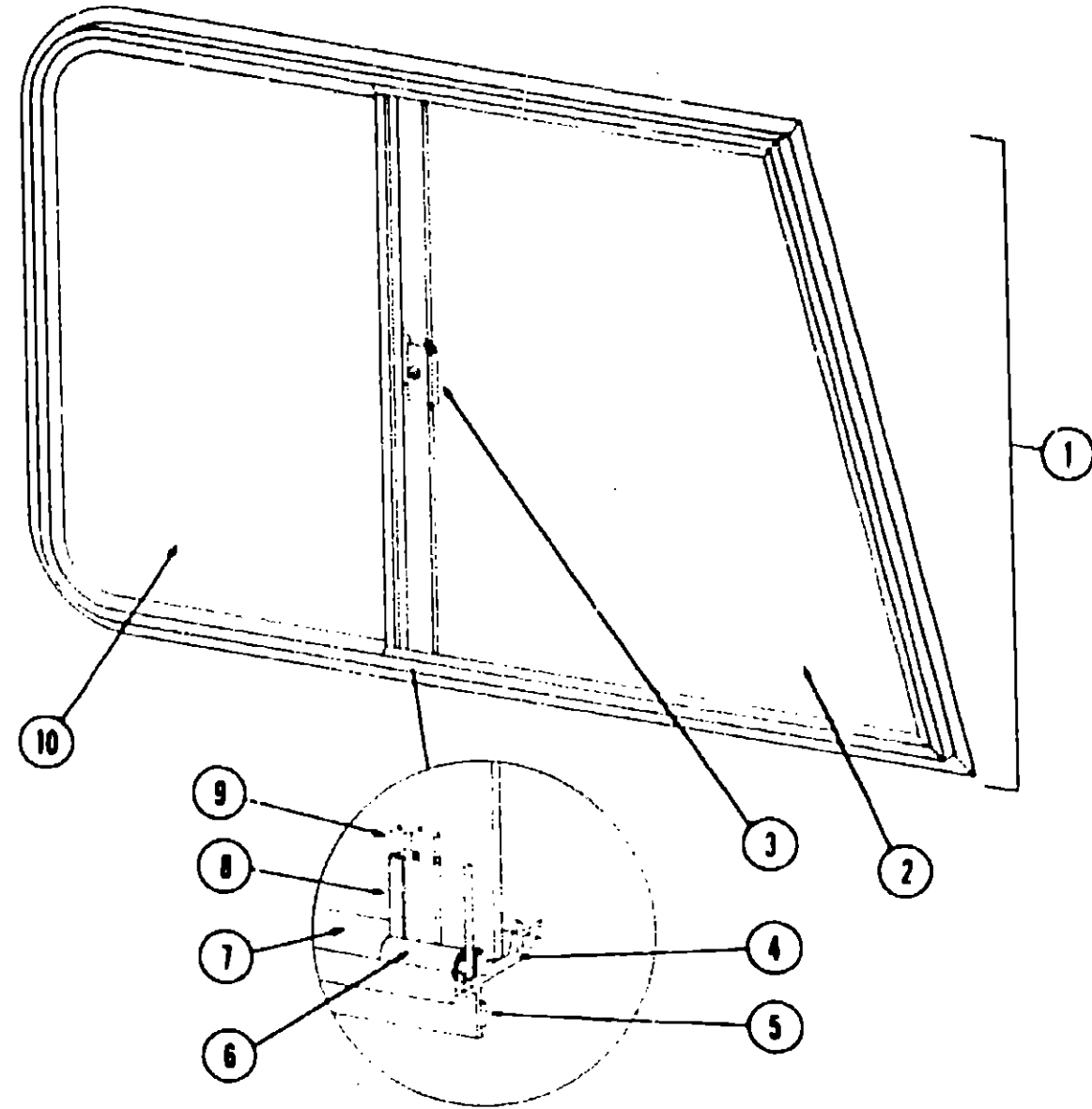
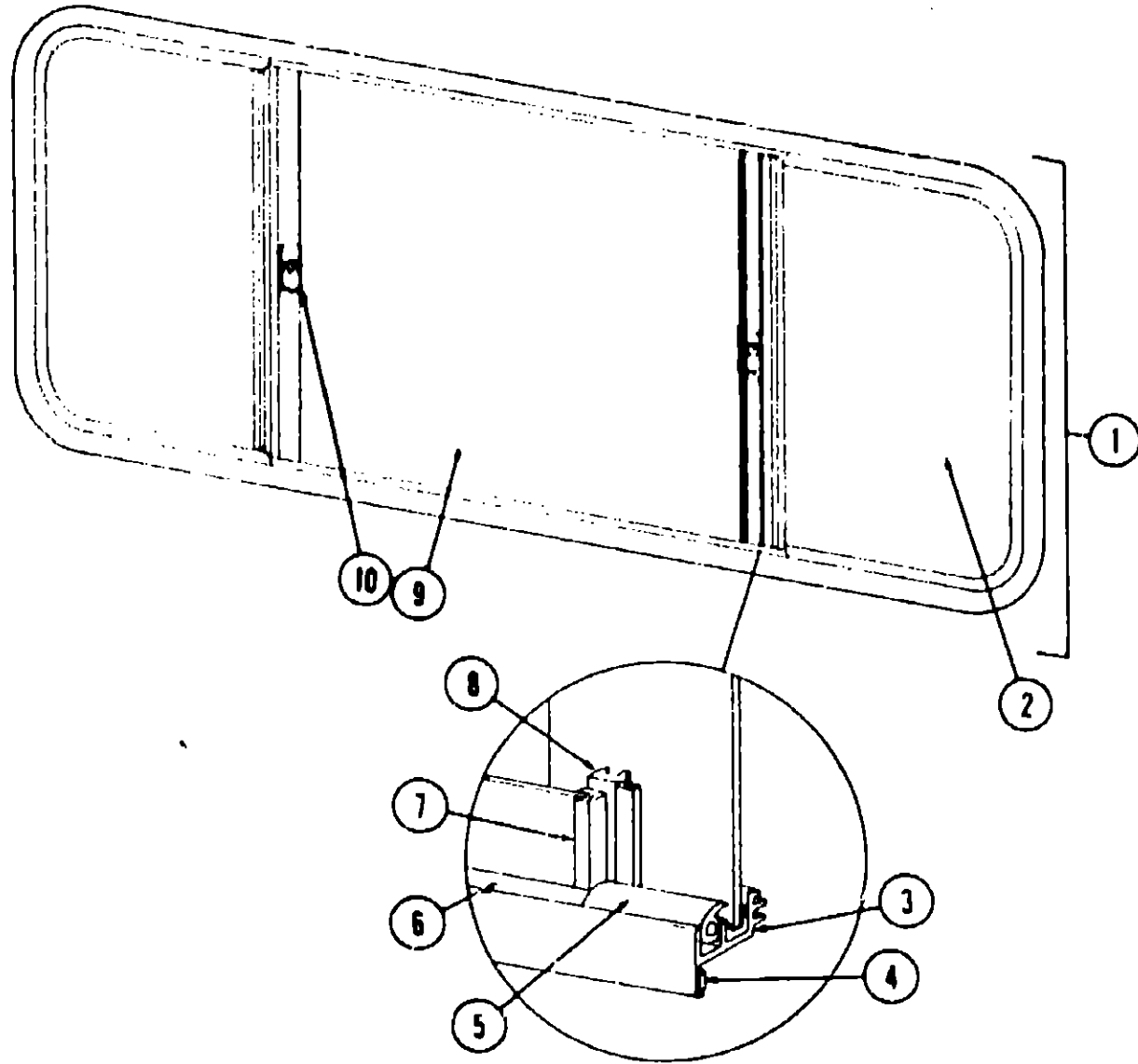
**1984 WCN23FG INDEX**

|                                    |             |
|------------------------------------|-------------|
| Floor Plan                         | C-05 - C-06 |
| Accessories Group                  | C-07 - C-09 |
| Bath Group                         | C-10        |
| Chassis Group                      | C-11 - C-12 |
| Curtain, Cushion & Pad Group       | C-13 - C-20 |
| Dinette Group                      | C-21        |
| Driver's Compartment Group         | C-22 - C-24 |
| Electrical Group                   | D-01 - D-03 |
| Exterior Body Group                | D-04 - D-10 |
| Galley Group                       | D-11 - D-14 |
| Heating & Air Conditioning Group   | D-15 - D-16 |
| Interior Finish Group              | D-17 - D-19 |
| LP Group                           | D-20        |
| Lounge Group                       | D-21 - D-22 |
| Water & Sewage Group               | D-23 - D-24 |
| Window, Vent & Exterior Door Group | E-01 - E-14 |



**WINDOW, VENT & EXTERIOR DOOR GROUP (CONTINUED)**

**WINDOW, VENT & EXTERIOR DOOR GROUP (CONTINUED)**



**1984 WINNEBAGO  
TABLE OF CONTENTS**

WC420RG  
WCN23RG  
WCN30RC  
WCP31RT

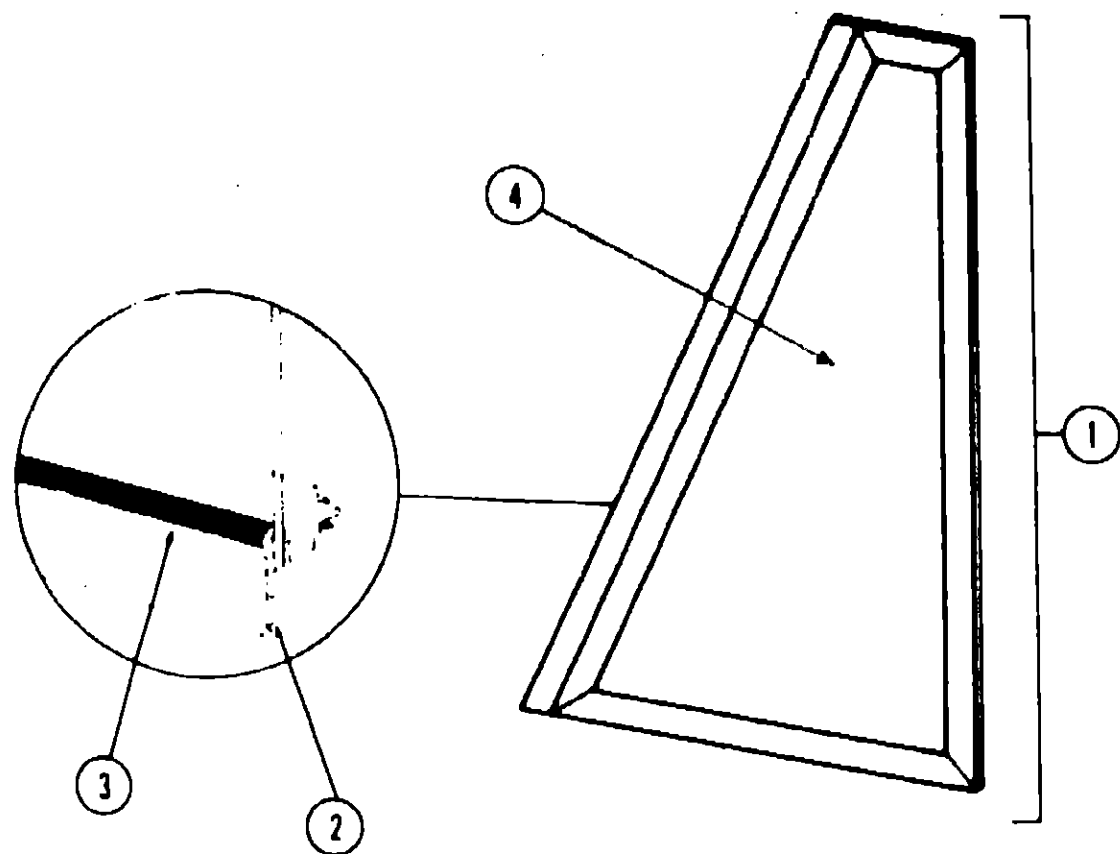
A-01 - C-04  
C-06 - E-14  
E-15 - G-24  
H-01 - J-04

| Key | Part Number   | U/M | Description  |
|-----|---------------|-----|--|
| 1   | 075738-02-000 | EA  | Window Asm. w/Charcoal Screen - Double Slider (w/o inside frame) |
| 1   | 075738-01-000 | EA  | Window Asm. w/Gray Screen - Double Slider (w/o inside frame)     |
| .   | 067609-06-000 | EA  | Inside Frame - Beige (not included in assembly)                  |
| 2   | 047822-04-000 | EA  | Glass - Sliding - 1/8" x 24" x 21.03"                            |
| 3   | 002324-02-000 | FT  | Channel - Weatherstrip - Glass                                   |
| 4   | 069640-06-000 | FT  | Ribbon Sealer - 5/16" Bead x 15'                                 |
| 5   | 057374-02-000 | FT  | Extr. Vinyl - Window Seal - Black                                |
| 6   | 002309-02-000 | FT  | Spline - Glass - 1/8" Material - Black                           |
| 7   | M69886-03-003 | EA  | Seal Holder - w/Fin Seal - 23.19" - Black                        |
| 8   | 069896-02-000 | EA  | Mullion - Slider Window - Black                                  |
| 9   | 002188-05-000 | EA  | Glass - Stationary - .125" x 24" x 25.5"                         |
| 10  | 047369-01-700 | EA  | Latch Kit - Window - Plastic w/Fastener                          |
| .   | 002293-02-000 | SF  | Screen - Window - 26" - Charcoal                                 |
| .   | 002293-01-000 | SF  | Screen - Window - 26" - Gray                                     |
| .   | 002298-02-000 | FT  | Spline - Screen - .13" Dia. - Charcoal                           |
| .   | 002298-01-000 | FT  | Spline - Screen - .13" Dia. - Gray                               |
| .   | 073740-01-000 | FT  | Seal - Fin - Pile - .46"   |
| .   |               |     | Not illustrated  |

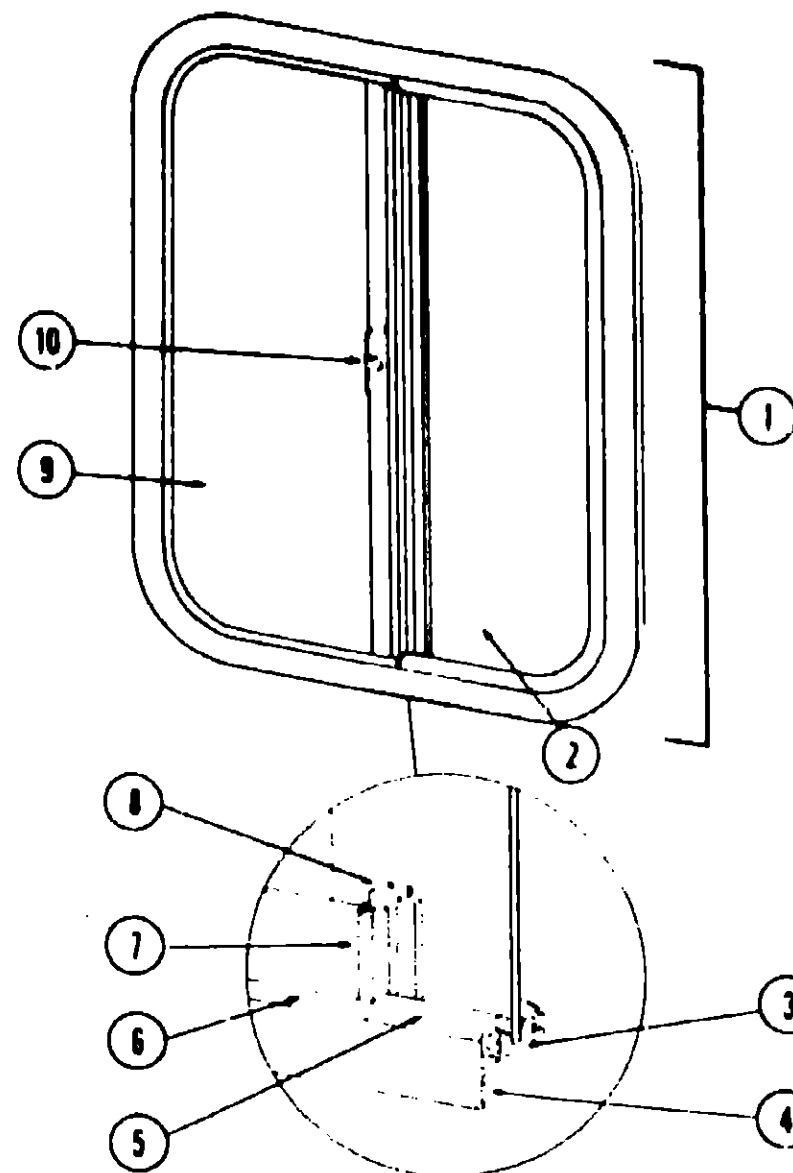
| Key | Part Number   | U/M | Description   |
|-----|---------------|-----|---|
| 1   | 059046-01-000 | EA  | Window Asm. - Passenger Front Slant Slider - 23" x 39" - Black (w/o inside frame) |
| 1   | 059046-02-000 | EA  | Window Asm. - Driver Front Slant Slider - 23" x 39" - Black (w/o inside frame)    |
| .   | 059042-03-000 | EA  | Inside Frame - Passenger Front Slant Slider - Beige (not included in assembly)    |
| .   | 059042-04-000 | EA  | Inside Frame - Driver Front Slant Slider - Beige (not included in assembly)       |
| 2   | 057656-01-000 | EA  | Glass - 3/16" x 24.88" x 25.3" - Stationary                                       |
| 3   | 047369-01-700 | EA  | Latch Kit - Window - Plastic - w/Fastener   |
| 4   | 042077-01-000 | FT  | Channel - Weatherstrip - Glass Run - 3/16" Glass                                  |
| 5   | 069640-06-000 | FT  | Ribbon Sealer - 5/16" Bead x 15'  |
| 6   | 050216-02-000 | FT  | Spline - Glass - 1/8" Material - Black  |
| 7   | 041928-02-000 | FT  | Seal - Window Channel - 3/16" Glass - Black                                       |
| 8   | M02389-03-206 | EA  | Seal Holder w/Fin Seal - 24.13" - Black   |
| 9   | M01621-01-000 | EA  | Mullion - Window - Slant Slider   |
| 10  | 057657-01-000 | EA  | Glass - 3/16" x 24.88" x 14.7" - Sliding  |
| .   | 073740-01-000 | FT  | Seal - Fin - Pile - .46"  |
| .   | 023713-02-000 | EA  | Weephole Cover - Black  |
| .   | 055164-07-000 | EA  | Charcoal Slider Screen Asm. - Passenger or Driver - Black                         |
| .   | 055164-05-000 | EA  | Gray Slider Screen Asm. - Passenger or Driver - Black                             |
| .   | 016310-03-000 | EA  | Handle - Slider Screen - Black  |
| .   | 002292-02-000 | SF  | Screen - 20" - Charcoal   |
| .   | 002291-01-000 | SF  | Screen - 16" - Gray   |
| .   | 002298-02-000 | FT  | Spline - Screen - .13" Dia. - Charcoal  |
| .   | 002298-01-000 | FT  | Spline - Screen - .13" Dia. - Gray  |
| .   | 053085-01-000 | EA  | Corner Key - Slider Screen  |
| .   |               |     | Not illustrated   |

**1984 WCN23RG INDEX**

|                                    |             |
|------------------------------------|-------------|
| Floor Plan                         | C-05 - C-06 |
| Accessories Group                  | C-07 - C-09 |
| Bath Group                         | C-10        |
| Chassis Group                      | C-11 - C-12 |
| Curtain, Cushion & Pad Group       | C-13 - C-20 |
| Dinette Group                      | C-21        |
| Driver's Compartment Group         | C-22 - C-24 |
| Electrical Group                   | D-01 - D-03 |
| Exterior Body Group                | D-04 - D-10 |
| Galley Group                       | D-11 - D-14 |
| Heating & Air Conditioning Group   | D-15 - D-16 |
| Interior Finish Group              | D-17 - D-19 |
| LP Group                           | D-20        |
| Lounge Group                       | D-21 - D-22 |
| Water & Sewage Group               | D-23 - D-24 |
| Window, Vent & Exterior Door Group | E-01 - E-14 |



| Key | Part Number   | U/M | Description   |
|-----|---------------|-----|---|
| 1   | 062896-01-000 | EA  | Window Asm. - Stationary - Driver's Slant - 14" x 25.32" Black (w/o inside frame) |
| *   | 063420-02-000 | EA  | Inside Frame - Front Slant Window - Beige (not included in assembly)              |
| 2   | 069640-06-000 | FT  | Ribbon Sealer - 5/16" Bead x 15'  |
| 3   | 002309-02-000 | FT  | Spline - Glass - 1/8" - Black   |
| 4   | 057656-02-000 | EA  | Glass - .19" x 24.88" x 13.66"  |
| *   |               |     | Not illustrated   |



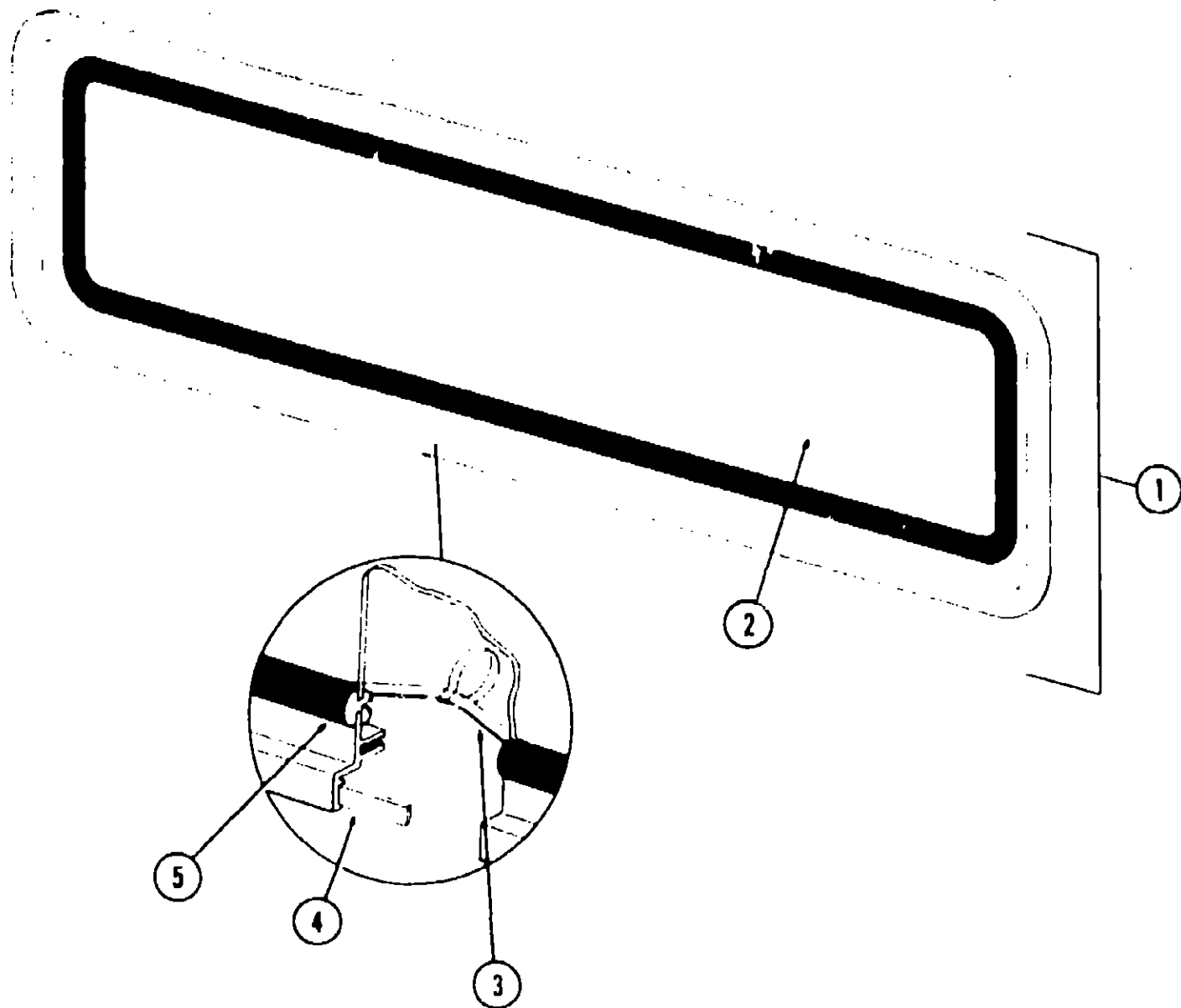
| Key | Part Number   | U/M | Description  |
|-----|---------------|-----|--|
| 1   | 048631-33-000 | EA  | Window Asm. w/Charcoal Screen - Right Single Slider - 20" x 25" - Black (w/o inside frame) |
| *   | 048631-03-000 | EA  | Window Asm. w/Gray Screen - Right Single Slider - 20" x 25" - Black (w/o inside frame)     |
| *   | 042147-12-000 | EA  | Inside Frame - Beige (not included in assembly)  |
| 2   | 047820-01-000 | EA  | Glass - Sliding - w/Hole - 1/8" x 13.68" x 19"   |
| 3   | 002324-02-000 | EA  | Channel - Weatherstrip - Glass   |
| 4   | 069640-06-000 | FT  | Ribbon Sealer - 5/16" Bead x 15'   |
| 5   | 057374-02-000 | FT  | Extr. Vinyl - Window Seal - Black  |
| 6   | 002309-02-000 | FT  | Spline - Glass - 1/8" Material - Black   |
| 7   | M69886-03-011 | EA  | Seal Holder w/Fin Seal - 18.19" - Black  |
| 8   | 041894-12-000 | EA  | Mullion - Slider Window - Black  |
| 9   | 002241-02-000 | EA  | Glass - Stationary - 1/8" x 12.3" x 19"  |
| *   | 047369-01-700 | EA  | Latch Kit - Window - Plastic - w/Fastener  |
| *   | 041928-02-000 | FT  | Seal - Window - Channel - 3/16"  |
| *   | 002293-02-000 | SF  | Screen - Window - 26" - Charcoal   |
| *   | 002293-01-000 | SF  | Screen - Window - 26" - Gray   |
| *   | 002298-02-000 | FT  | Spline - Screen - .13" Dia. - Charcoal   |
| *   | 002298-01-000 | FT  | Spline - Screen - .13" Dia. - Gray   |
| *   | 073740-01-000 | FT  | Seal - Fin - Pile - .46"   |
| *   |               |     | Not illustrated  |

1984 WINNEBAGO  
TABLE OF CONTENTS

|         |             |
|---------|-------------|
| WC420RG | A-01 - C-04 |
| WCN23RG | C-05 - E-14 |
| WCN30RC | E-15 - G-24 |
| WCP31RT | H-01 - J-04 |

1984 WCN23RG INDEX

|                                    |             |
|------------------------------------|-------------|
| Floor Plan                         | C-05 - C-06 |
| Accessories Group                  | C-07 - C-09 |
| Bath Group                         | C-10        |
| Chassis Group                      | C-11 - C-12 |
| Curtain, Cushion & Pad Group       | C-13 - C-20 |
| Dinette Group                      | C-21        |
| Driver's Compartment Group         | C-22 - C-24 |
| Electrical Group                   | D-01 - D-03 |
| Exterior Body Group                | D-04 - D-10 |
| Galley Group                       | D-11 - D-14 |
| Heating & Air Conditioning Group   | D-15 - D-16 |
| Interior Finish Group              | D-17 - D-19 |
| LP Group                           | D-20        |
| Lounge Group                       | D-21 - D-22 |
| Water & Sewage Group               | D-23 - D-24 |
| Window, Vent & Exterior Door Group | E-01 - E-14 |



| Key | Part Number   | U/M | Description   |
|-----|---------------|-----|---|
| 1   | 020754-03-000 | EA  | Window Asm. - Escape - 23" x 68" - Black (w/o inside frame) |
| .   | 042027-05-000 | EA  | Inside Frame - Beige (not included in assembly)             |
| 2   | 002178-01-000 | EA  | Glass - 1/8" x 19.61" x 64.80"                              |
| 3   | 002285-01-000 | FT  | Weatherstrip - Filler - Black                               |
| 4   | 069640-06-000 | FT  | Ribbon Sealer - 5/16" Bead x 15'                            |
| 5   | 002282-01-000 | FT  | Weatherstrip - Window - .125" - Black                       |
| .   | 047731-01-000 | EA  | Label - Emergency Exit                                      |
| .   | 023713-02-000 | EA  | Weephole Cover - Black Plastic                              |
| .   |               |     | Not illustrated   |

ACCESS DOORS

| Key | Part Number   | U/M | Description   |
|-----|---------------|-----|---|
|     | 076852-05-000 | EA  | Door Asm. - Access - 25.3" x 9" - w/Key Lock - Beige        |
|     | M01552-01-000 | EA  | Door Asm. - Generator - 13.5" x 35.5" - w/o Baffle - Beige  |
|     | 076855-01-000 | EA  | Door Asm. - Insulated Storage - w/Key Lock - Beige          |
|     | 076852-03-000 | EA  | Door Asm. - LP - 25.3" x 9" - w/Twist Lock - Beige          |
|     | 076854-02-000 | EA  | Door Asm. - Luggage - 13.5" x 35.5" - w/Key Lock - Beige    |
|     | 069782-04-000 | EA  | Door Asm. - Refrigerator Access - w/Twist Lock - Beige      |
|     | 076852-10-000 | EA  | Door Asm. - Storage - 34.5" x 9" - w/Key Lock - Beige       |
|     | 052009-02-000 | EA  | Door Asm. - Water Heater - Beige                            |
|     | 052423-02-000 | EA  | Door - Fuel Fill - Beige                                    |
|     | 063742-02-000 | EA  | Door - Power Cord - Beige                                   |
|     | 052424-02-000 | EA  | Jamb - Fuel Fill/Power Cord Door - Beige                    |
|     | 054543-02-000 | EA  | Hatch - Power Cord Door - Beige                             |
|     | 052181-03-000 | EA  | Baffle - Generator Door - Beige                             |
|     | 054530-01-000 | EA  | Door Holder   |
|     | 041312-01-000 | FT  | Seal - Bulb - e Section                                     |
|     | 042441-01-000 | EA  | Lock Asm. - Key Type - Gas Fill                             |
|     | 042442-01-000 | EA  | Lock Asm. - Twist Type                                      |
|     | 009003-01-000 | EA  | Lock Asm. - Twist Type - w/Clip (Generator Door)            |
|     | 047305-01-000 | EA  | Lock Asm. - Key Type w/Clip - Metal (LP)                    |
|     | 052950-01-700 | EA  | Lock Asm. Kit - Twist Type w/Clip - White Plastic           |
|     | 052950-03-700 | EA  | Lock Asm. Kit - Twist Type - Straight Cam (Power Cord Door) |
|     | 009118-01-000 | EA  | Lock - Twist - w/Nut  |

WINDSHIELD

| Key | Part Number   | U/M | Description                       |
|-----|---------------|-----|-----------------------------------|
|     | 057459-01-000 | EA  | Glass - Windshield - Flat         |
|     | 058272-02-000 | EA  | Frame Asm. - Windshield           |
|     | 038886-01-000 | EA  | Tape - Butyl - .3" x .31" x 148"  |
|     | 042743-01-000 | EA  | Corner - Windshield Frame - Lower |
|     | 042743-02-000 | EA  | Corner - Windshield Frame - Upper |
|     | 058291-01-000 | FT  | Edge - Molding                    |

VENTS

| Key | Part Number   | U/M | Description  |
|-----|---------------|-----|--|
|     | 065103-02-000 | EA  | Cover - Refrigerator Vent - 9.88" x 20.5" - Plastic              |
|     | 065103-01-000 | EA  | Frame Asm. - Refrigerator Vent - 8.17" x 22.94" - Plastic        |
|     | 071290-02-000 | EA  | Cover - Refrigerator Vent - 11.63" x 24.75" - Galvanized Steel   |
|     | 071290-01-000 | EA  | Frame Asm. - Refrigerator Vent - 7.5" x 26.5" - Galvanized Steel |
|     | 049352-02-000 | EA  | Vent - Stovehood - Outside - Beige                               |
| **  | 048789-01-000 | EA  | Vent Asm. - Roof - Powered - w/o Screen - Alum.                  |
|     | 048695-03-000 | EA  | Gray Screen Asm. - Powered Roof Vent Asm.                        |
|     | 048695-06-000 | EA  | Charcoal Screen Asm. - Powered Roof Vent Asm.                    |
| **  | 048835-01-000 | EA  | Vent Asm. - Roof - Non-Powered - w/o Screen - Alum.              |
|     | 016335-03-000 | EA  | Gray Screen Asm. - Non-Powered Roof Vent Asm.                    |
|     | 016335-07-000 | EA  | Charcoal Screen Asm. - Non-Powered Roof Vent Asm.                |
|     | 064469-02-000 | EA  | Vent Asm. - Roof - Powered - 14" x 14"                           |

\*\* The illustrated parts breakdown for this item is provided on the Common Items Fiche.

1984 WINNEBAGO  
TABLE OF CONTENTS

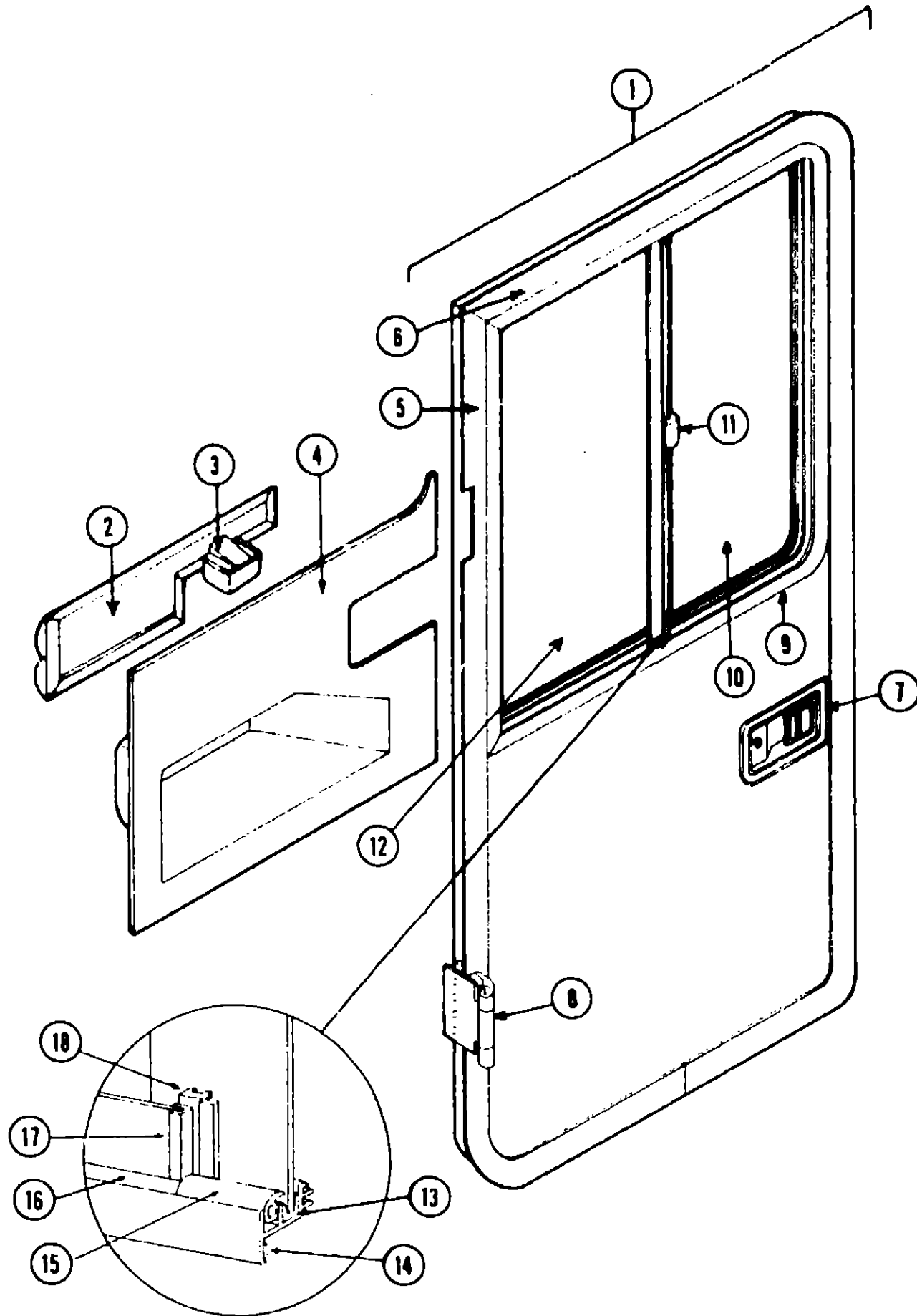
|         |             |
|---------|-------------|
| WC420RG | A-01 - C-04 |
| WCN23RG | C-05 - E-14 |
| WCN30RC | E-15 - G-24 |
| WCP31RT | H-01 - J-04 |

1984 WCN23RG INDEX

|                                    |             |
|------------------------------------|-------------|
| Floor Plan                         | C-05 - C-06 |
| Accessories Group                  | C-07 - C-09 |
| Bath Group                         | C-10        |
| Chassis Group                      | C-11 - C-12 |
| Curtain, Cushion & Pad Group       | C-13 - C-20 |
| Dinette Group                      | C-21        |
| Driver's Compartment Group         | C-22 - C-24 |
| Electrical Group                   | D-01 - D-03 |
| Exterior Body Group                | D-04 - D-10 |
| Galley Group                       | D-11 - D-14 |
| Heating & Air Conditioning Group   | D-15 - D-16 |
| Interior Finish Group              | D-17 - D-19 |
| LP Group                           | D-20        |
| Lounge Group                       | D-21 - D-22 |
| Water & Sewage Group               | D-23 - D-24 |
| Window, Vent & Exterior Door Group | E-01 - E-14 |

# WINDOW, VENT & EXTERIOR DOOR GROUP (CONTINUED)

## DRIVER'S DOOR



| Key | Part Number   | U/M | Description  |
|-----|---------------|-----|--|
| 1   | 063991-07-R07 | EA  | Door Asm. - Driver's - Beige   |
| 2   | 064088-02-000 | EA  | Pad Asm. - Trim - Upper - Driver's Door - Beige Vinyl                  |
|     | 061400-03-000 | EA  | Assist Strap - 12" - Beige Vinyl                                       |
| 3   | 046886-03-000 | EA  | Ash Tray Asm. - Flush Mount - Chrome                                   |
| 4   | 064499-02-000 | EA  | Panel - Driver's Door - Inner - Light Oak Plastic                      |
| 5   | 076882-01-000 | EA  | Trim - Door Frame - Front - Beige                                      |
| 6   | 076881-01-000 | EA  | Trim - Door Frame - Rear - Beige                                       |
|     | 062878-01-000 | EA  | Frame Asm. - Inner - Driver's Door                                     |
| 7   | 045017-06-000 | EA  | Paddle Asm. - Door Lock - Exterior                                     |
|     | 045017-05-700 | EA  | Lock Cylinder w/Keys - Lynor   |
|     | 039979-02-000 | EA  | Inside Plate - Door Lock - w/Inside Handle                             |
|     | 039540-02-000 | EA  | Latch Claw - Entrance Door Lock  |
|     | 039738-01-000 | EA  | Deadbolt - Entrance Door Lock  |
|     | 039539-01-000 | EA  | Strike Bolt - Entrance Door (Jamb Mount)                               |
|     | 063124-02-000 | EA  | Plate - Striker - 8.25" x 1" - Black                                   |
|     | 062879-01-000 | EA  | Jamb - Driver's Door   |
|     | 064199-04-000 | EA  | Trim - Door Jamb - Rear - w/Drip Cap - Beige                           |
|     | 064184-01-000 | EA  | Drip Cap - Driver's Door   |
|     | 063358-04-000 | EA  | Trim - Door Jamb - Beige   |
|     | 063768-01-000 | EA  | Sill Plate - Driver's Door   |
| 8   | 063993-01-000 | EA  | Hinge Asm. - Driver's Door - Beige                                     |
|     | 063731-01-000 | EA  | Cap - Push On - Zinc   |
|     | 064580-01-000 | EA  | Check Strap - Driver's Door - Seat Belt Webbing                        |
|     | 064219-01-000 | EA  | Retainer - Driver's Door Check Strap                                   |
|     | 063886-01-000 | EA  | Assist Handle - Driver's Door - Beige Steel Tube (2 required per door) |
|     | 064075-01-000 | EA  | Bulb Seal - Driver's Door - 145"                                       |
| 9   | 062982-01-000 | EA  | Window Asm. - Driver's Door - Single Slider                            |
|     | 063422-02-000 | EA  | Inside Frame - Driver's Door Window - Beige (not included in assembly) |
| 10  | 057657-02-000 | EA  | Glass - .19" x 24.88" x 12"  |
| 11  | 047369-01-700 | EA  | Latch Kit - Window - Plastic - w/Fastener                              |
| 12  | 002188-04-000 | EA  | Glass - .19" x 24.88" x 12" - Stationary                               |
| 13  | 042077-01-000 | FT  | Channel - Weatherstrip - Glass   |
| 14  | 069640-06-000 | FT  | Ribbon Sealer - 5/16" Bead x 15'                                       |
| 15  | 041928-02-000 | FT  | Seal - Window Channel - Black  |
| 16  | 050216-02-000 | FT  | Spline - Glass - Black   |
| 17  | M02389-03-206 | EA  | Seal Holder w/Fin Seal - 24.13" - Black                                |
| 18  | M01621-01-000 | EA  | Mullion - Slider Window - Black  |
|     | 073740-01-000 | FT  | Seal Fin - Pile - .460"  |
|     | 023713-02-000 | EA  | Weep hole Cover - Black Plastic  |
|     | 063977-03-000 | EA  | Step Asm. - Single - Door  |
|     | 063729-01-000 | EA  | Rivnut - 1/4 x 20 UNC - 030" - .125                                    |
|     | 063730-01-000 | EA  | J Nut - .438 - 14  |
|     | 041250-01-000 | EA  | Switch - Push Button - On/Off - Door                                   |
|     | 075722-01-000 | EA  | Block - Switch Spacer  |
|     | 066109-02-000 | EA  | Strap - Driver's Door  |
|     |               |     | Not illustrated  |

## 1984 WINNEBAGO TABLE OF CONTENTS

|         |             |
|---------|-------------|
| WC420RG | A-01 - C-04 |
| WCN23RG | C-06 - E-14 |
| WCN30RC | E-15 - G-24 |
| WCP31RT | H-01 - J-04 |

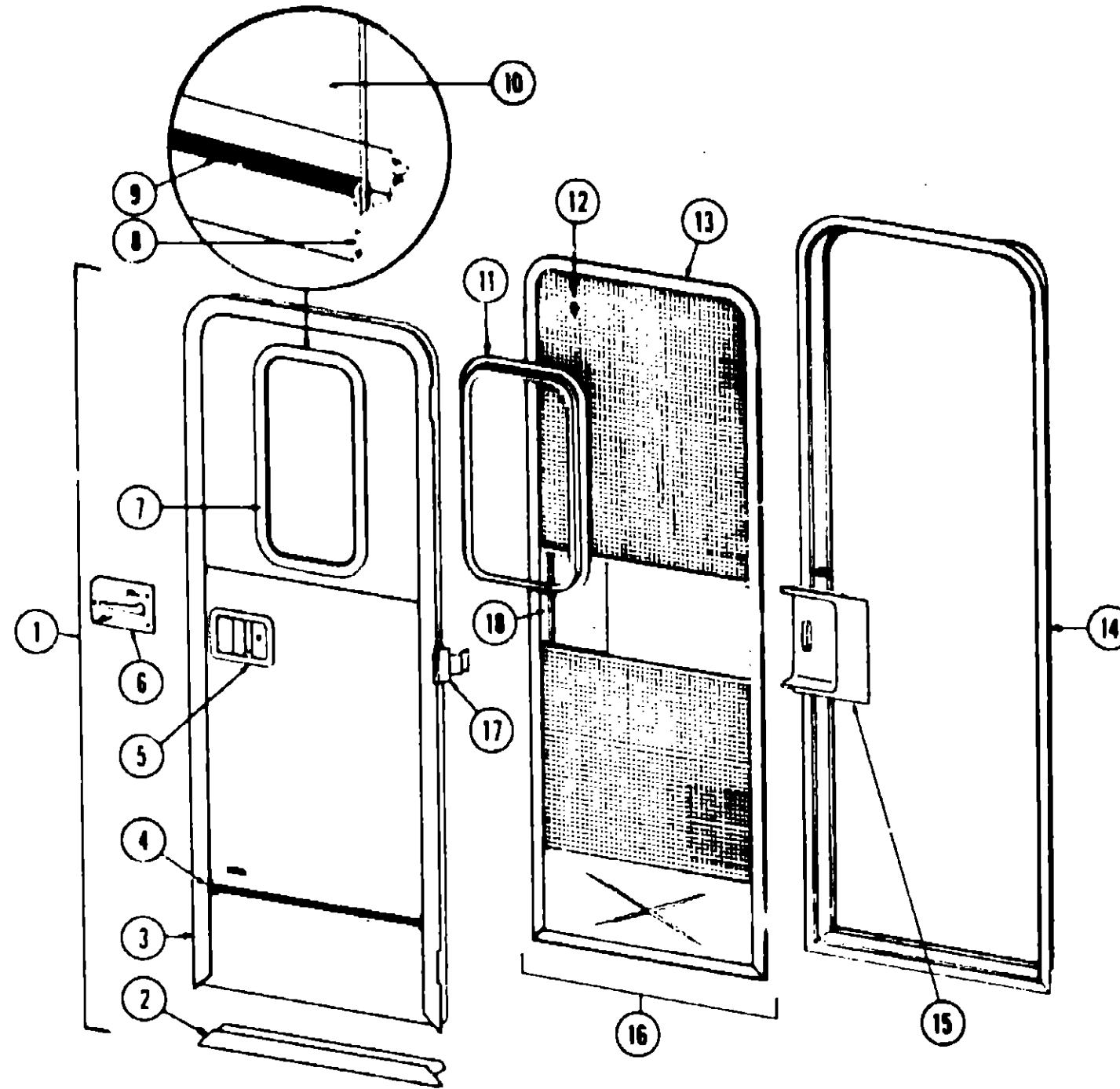
## 1984 WCN23RG INDEX

|                                    |             |
|------------------------------------|-------------|
| Floor Plan                         | C-05 - C-06 |
| Accessories Group                  | C-07 - C-09 |
| Bath Group                         | C-10        |
| Chassis Group                      | C-11 - C-12 |
| Curtain, Cushion & Pad Group       | C-13 - C-20 |
| Dinette Group                      | C-21        |
| Driver's Compartment Group         | C-22 - C-24 |
| Electrical Group                   | D-01 - D-03 |
| Exterior Body Group                | D-04 - D-10 |
| Galley Group                       | D-11 - D-14 |
| Heating & Air Conditioning Group   | D-15 - D-16 |
| Interior Finish Group              | D-17 - D-19 |
| LP Group                           | D-20        |
| Lounge Group                       | D-21 - D-22 |
| Water & Sewage Group               | D-23 - D-24 |
| Window, Vent & Exterior Door Group | E-01 - E-14 |

# WINDOW, VENT & EXTERIOR DOOR GROUP (CONTINUED)

## ENTRANCE & SCREEN DOOR

| Key | Part Number   | U/M | Description  |
|-----|---------------|-----|--|
| 1   | M01414-05-000 | EA  | Door Asm - Radius Entry w/Screen Door - Greyhound            |
| 1   | M01414-11-000 | EA  | Door Asm - Radius Entry w/Screen Door - Mesa                 |
| 2   | 076878-02-000 | EA  | Frame - Entry Door (Bottom Portion Only) Greyhound           |
| 2   | 077998-02-000 | EA  | Frame - Entry Door (Bottom Portion Only) Mesa                |
| 3   | 076863-02-000 | EA  | Frame - Entry Door (Except Bottom Portion)                   |
| 4   | 059576-03-000 | EA  | Feature Strip w/o Insert - Extr. - 14' - Brown               |
| .   | 001030-09-100 | EA  | Insert - Feature Strip - 17' - Brown                         |
| .   | 009731-01-000 | EA  | End Cap - Feature Strip                                      |
| 5   | 045017-05-000 | EA  | Paddle Asm - Door Lock - Exterior                            |
| .   | 045017-05-700 | EA  | Lock Cylinder w/Keys - Lynor                                 |
| .   | 039539-01-000 | EA  | Striker Bolt - Entry Door                                    |
| .   | 039540-01-000 | EA  | Latch Claw - Entry Door                                      |
| .   | 039738-01-000 | EA  | Dead Bolt - Entry Door                                       |
| 6   | 039979-01-000 | EA  | Plate - Lock - Inside - Including Inside Handle              |
| .   | 052186-01-000 | EA  | Lock Asm. - Complete - Lynor                                 |
| 7   | 041875-09-000 | EA  | Window Asm. - Picture - 17" x 25" - Black (w/o inside frame) |
| 8   | 069640-06-000 | FT  | Ribbon Sealer - 5/16" Bead x 15'                             |
| 9   | 002309-02-000 | FT  | Spline - Glass - 1/8" Black                                  |
| 10  | 002181-06-000 | EA  | Glass - Picture Window - 1/8" x 16 25" x 24" - Gray          |
| 11  | 067609-03-000 | EA  | Inside Frame - Window - Beige (not included in assembly)     |
| 12  | 002293-02-000 | SF  | Screen - Window - 26" - Charcoal                             |
| 13  | 056795-01-000 | FT  | Seal Tape - 1/8" x 3/8" - Press On                           |
| 14  | 075636-01-000 | EA  | Jamb Asm. - Entrance Door                                    |
| .   | 051049-01-000 | EA  | Jamb - Bottom - Entrance Door                                |
| 15  | 015580-02-000 | EA  | Slider - Screen Door - Light Oak Plastic                     |
| 16  | 053170-10-000 | EA  | Door Asm. - Screen w/Light Oak Trim                          |
| 17  | 039520-01-000 | EA  | Hinge - Entry Door (3 used per door)                         |
| 18  | 015581-02-000 | EA  | Cap - Screen Door - Light Oak Plastic                        |
| .   | 009016-01-000 | EA  | Catch - Elbow - Spring Loaded - Screen Door                  |
| .   | 039863-01-000 | EA  | Catch Asm. - Single Roller w/Strike - Screen Door            |
| .   | 076231-01-000 | EA  | Spacer - Latch - Screen Door                                 |
| .   | 077437-02-000 | EA  | Strike - Roller Catch  |
| .   | 058025-02-000 | EA  | Clip - Filler Latch Catch                                    |
| .   | 044582-01-000 | EA  | Drip Cap - Beige   |
| .   | 075802-01-000 | EA  | Seal - Mocket - Entrance                                     |
| .   | 075739-02-000 | EA  | Stiffener - Entrance Door - Beige                            |
| .   | 075673-01-000 | FT  | Seal - Pile - Adhesive Back                                  |
| .   | 075671-01-000 | FT  | Seal - Sponge - Lazy "T" Shaped                              |
| .   | 002294-01-000 | FT  | Spline - .135" x .138" - Black (Screen Door)                 |
| .   | 063638-01-000 | EA  | Strike - Screen Door   |
| .   | 063729-04-000 | EA  | Rivnut - 10 - 32 UNF - .010-.080                             |
| .   | 075639-01-000 | EA  | Garnish - Radius - Entrance                                  |
| .   | 069739-01-000 | EA  | Bumper - .25" x .5" Dia.                                     |
| .   |               |     | Not illustrated  |



### 1984 WINNEBAGO TABLE OF CONTENTS

|         |             |
|---------|-------------|
| WC420RG | A-01 - C-04 |
| WCN23RG | C-05 - E-14 |
| WCN30RC | E-15 - G-24 |
| WCP31RT | H-01 - J-04 |

### 1984 WCN23RG INDEX

|                                    |             |
|------------------------------------|-------------|
| Floor Plan                         | C-05 - C-06 |
| Accessories Group                  | C-07 - C-09 |
| Bath Group                         | C-10        |
| Chassis Group                      | C-11 - C-12 |
| Curtain, Cushion & Pad Group       | C-13 - C-20 |
| Dinette Group                      | C-21        |
| Driver's Compartment Group         | C-22 - C-24 |
| Electrical Group                   | D-01 - D-03 |
| Exterior Body Group                | D-04 - D-10 |
| Galley Group                       | D-11 - D-14 |
| Heating & Air Conditioning Group   | D-15 - D-16 |
| Interior Finish Group              | D-17 - D-19 |
| LP Group                           | D-20        |
| Lounge Group                       | D-21 - D-22 |
| Water & Sewage Group               | D-23 - D-24 |
| Window, Vent & Exterior Door Group | E-01 - E-14 |