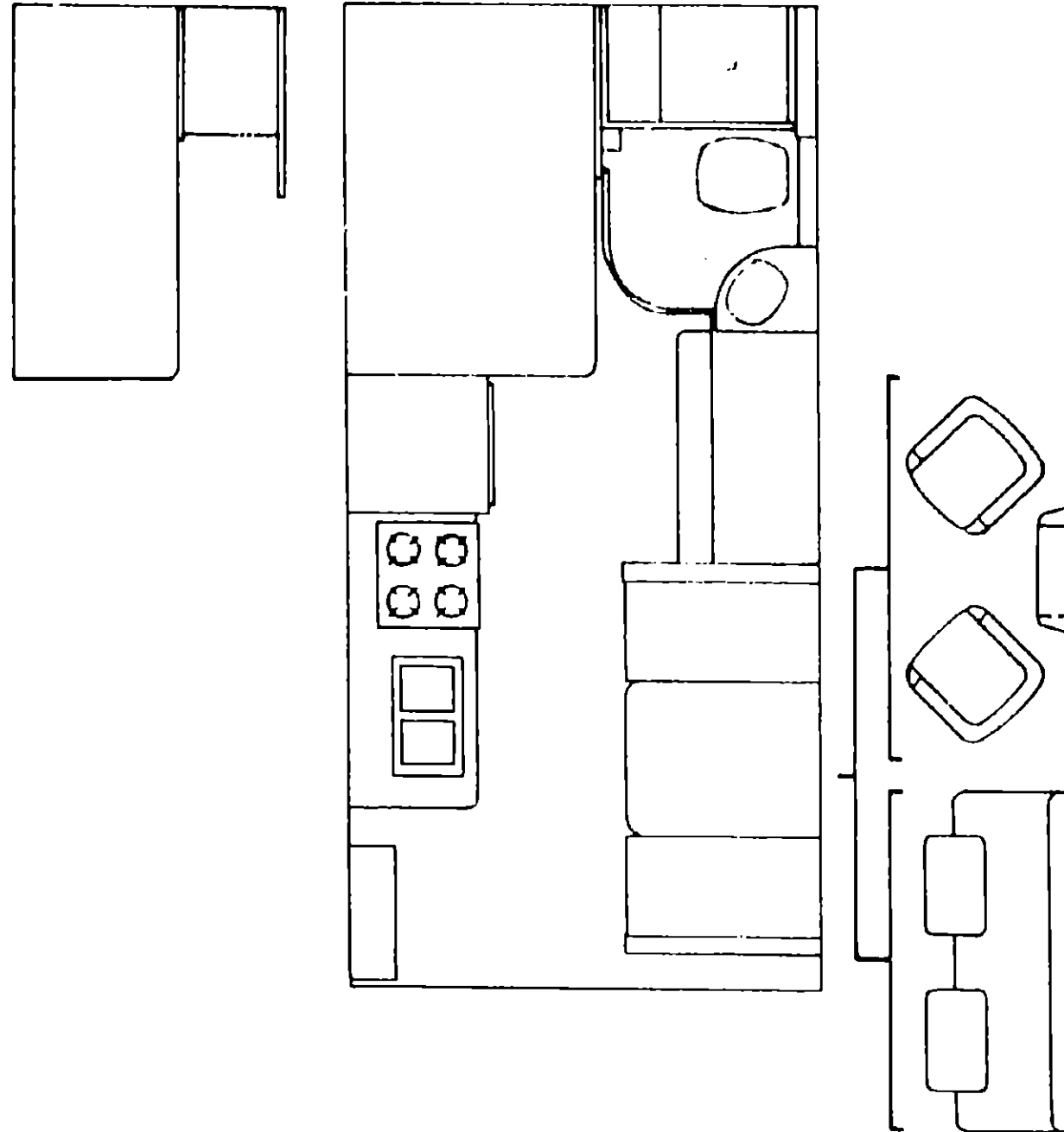


1984 WCN22RC



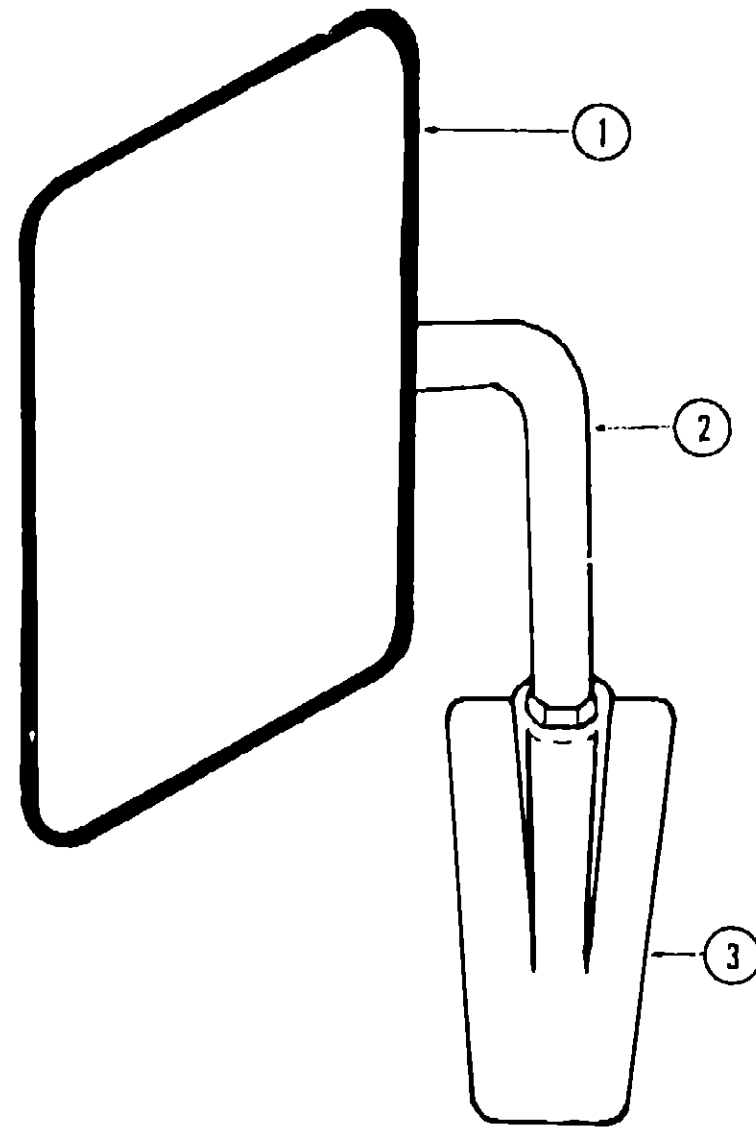
1984 WINNEBAGO TABLE OF CONTENTS

Introduction	A-01
Abbreviations	A-01
Alphabetical Index	A-02 - A-04
WC424RC	A-05 - C-16
WCN22RC	C-17 - F-06
WCN27RU	F-07 - H-20
WCN33RU	H-21 - K-08

1984 WCN22RC INDEX

Floor Plan	C-17 - C-18
Accessories Group	C-19 - C-21
Bath Group	C-22 - C-23
Chassis Group	C-24 - D-01
Curtain, Cushion & Pad Group	D-02 - D-08
Dinette Group	D-09 - D-10
Driver's Compartment Group	D-11 - D-13
Electrical Group	D-14 - D-16
Exterior Body Group	D-17 - E-01
Galley Group	E-02 - E-04
Heating & Air Conditioning Group	E-05 - E-06
Interior Finish Group	E-07 - E-10
LP Group	E-11
Lounge Group	E-12
Water & Sewage Group	E-13 - E-14
Window, Vent & Exterior Door Group	E-15 - F-06

ACCESSORIES GROUP



EXTERIOR MIRRORS

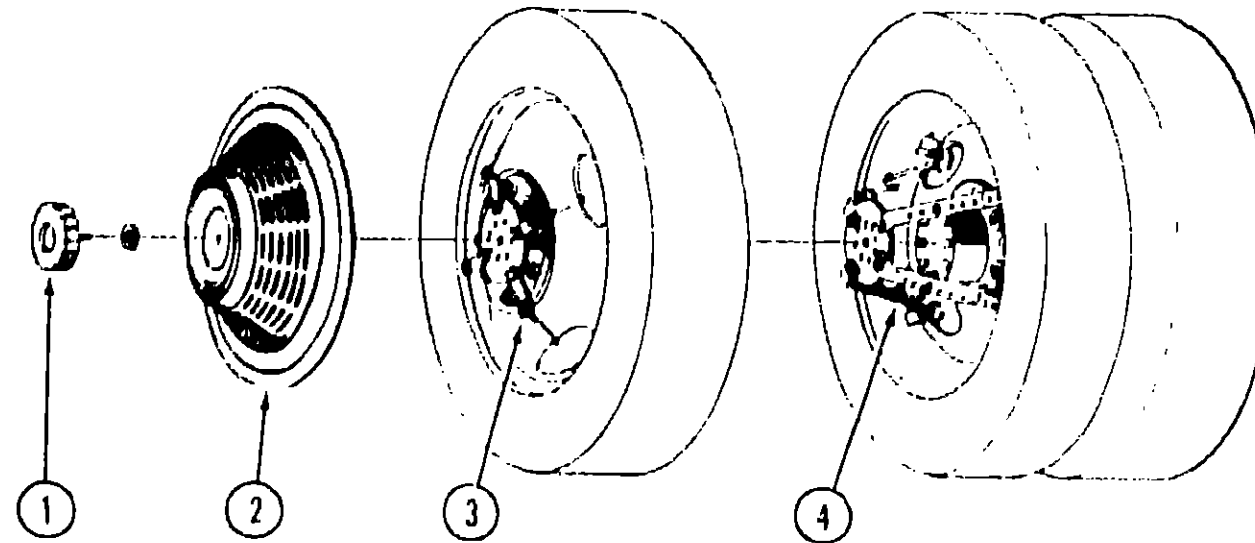
Key	Part Number	U/M	Description
1	049347-01-000	EA	Mirror Head - 7 1/2" x 10 1/2" - Beige
2	049348-03-000	EA	Arm - Low Mount Mirror - Black
3	049944-04-000	EA	Bracket - Mirror - Outside - Black
.	065116-01-000	EA	Mirror - West Coast - Double - Right
.	065116-02-000	EA	Mirror - West Coast - Double - Left
.	006043-01-000	EA	Mirror - Convex - Adhesive Back
.			Not illustrated

GENERATOR & COMPONENTS

Key	Part Number	U/M	Description
**	054429-01-000	EA	Generator - Onan - 4.0 kw
	052168-01-000	EA	Generator - Onan - 4.25 kw - CSA
	701629-02-000	EA	Onan Installation Package
	024732-01-016	EA	Tailpipe - 1.5" O.D. x 43.50"
	067753-01-000	EA	Muffler - Generator - w/Spark Arrestor - Nelson
	740313-56-000	EA	Tray - Generator - Onan - 4.0 kw
	007067-01-000	SF	Insulation - 1" - Fiberglass
	068046-01-000	EA	Conversion Kit - LP - Onan Generator

** The illustrated parts breakdown for this item is provided on the Common Items Fiche.

ACCESSORIES GROUP (CONTINUED)



WHEEL COVER & MOUNTING HARDWARE

Key	Part Number	U/M	Description
1	064082-02-000	EA	Retaining Nut - Delmet - Wheel Cover
2	073426-01-700	EA	Wheel Cover - Bolt On - 18" or 18.5" - Delmet (1)
3	073426-04-700	EA	Retention Bracket Asm. - Wheel Cover Support - Heavy Duty - Front (1)
4	073426-04-701	EA	Retention Bracket Asm. - Wheel Cover Support - Heavy Duty - Rear (1)
.	073426-04-000	EA	Retention Bracket Asm. - Wheel Cover Support - Heavy Duty (3et/4)
.	031396-04-000	EA	Wheel Cover - 16" - Clip On
.			Not illustrated

RADIOS & RELATED COMPONENTS

Key	Part Number	U/M	Description
	031105-01-000	EA	Antenna - Radio - Side Mount
	031105-01-700	EA	Holder - Antenna - Radio - Upper
	064791-01-000	EA	Speaker - Recessed - 5.25"
	064792-01-000	EA	Grille - Speaker - 5.25" - w/Mesh - Brown
	074979-01-000	EA	Speaker Cover Protector - Plastic
	073431-01-000	EA	Speaker - 5.25" - 3 Way
	075903-01-000	EA	Radio - AM/FM Stereo - Mechanical Tune
	075904-01-000	EA	Radio - AM/FM Stereo - Electrical Tune

FRONT BUNK & HARDWARE

Key	Part Number	U/M	Description
	076473-01-R10	EA	Cabinet Asm. - Front Overhead
	076184-01-R07	EA	Bunk Board Asm. - Front Overhead - w/Beige Rails
	053773-01-000	EA	Support - Overhead Bunk - Right - Brown
	053773-02-000	EA	Support - Overhead Bunk - Left - Brown
	040071-02-000	EA	Support - Bunk - Seat Belt
	039516-04-000	EA	Catch - Bunk - Beige
	023812-28-000	EA	Rail - Bunk - 77.1" - Beige
	053774-04-000	EA	Torsion Rod - Overhead Bunk - Brown
	041322-01-000	EA	Washer - Flat - 15/32" I.D. x 2 3/8" O.D. - Seat Belt
	074211-01-P01	EA	Pad Asm. - Front Side Overhead - Right - Beige Vinyl
	074210-02-P01	EA	Pad Asm. - Front Side Overhead - Left - Beige Vinyl
	074210-01-P01	EA	Pad Asm. - Front Side Overhead - Driver Door - Beige Vinyl
	048394-01-000	YD	Tape Hook - 1" x 25 YD - Beige
	048395-01-000	YD	Tape Loop - 1" x 25 YD - Beige
	007021-01-000	EA	Seat Belt Asm. - 2" x 90" - Black

**1984 WINNEBAGO
TABLE OF CONTENTS**

Introduction	A-01
Abbreviations	A-01
Alphabetical Index	A-02 - A-04
WC424RC	A-05 - C-18
WCN22RC	C-17 - F-08
WCN27RU	F-07 - H-20
WCN33RU	H-21 - K-08

1984 WCN22RC INDEX

Floor Plan	C-17 - C-18
Accessories Group	C-19 - C-21
Bath Group	C-22 - C-23
Chassis Group	C-24 - D-01
Curtain, Cushion & Pad Group	D-02 - D-08
Dinette Group	D-09 - D-10
Driver's Compartment Group	D-11 - D-13
Electrical Group	D-14 - D-16
Exterior Body Group	D-17 - E-01
Geiley Group	E-02 - E-04
Heating & Air Conditioning Group	E-05 - E-06
Interior Finish Group	E-07 - E-10
LP Group	E-11
Lounge Group	E-12
Water & Sewage Group	E-13 - E-14
Window, Vent & Exterior Door Group	E-15 - F-06

ACCESSORIES GROUP (CONTINUED)

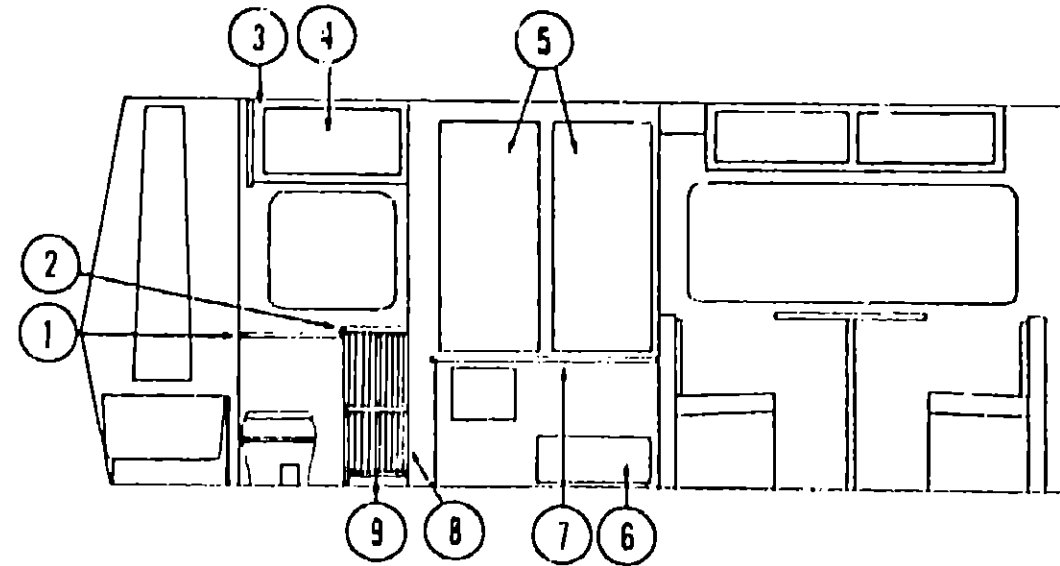
MISCELLANEOUS ACCESSORIES

Key	Part Number	U/M	Description
	054185-20-000	EA	Owner's Manual - 1984 - Itasca & Winnebago
	044982-01-000	EA	Pouch - Home Owners Plans - Plastic
	706053-02-000	EA	Antenna - TV Skyliner - w/6" Shaft - Braund Delux
	006050-01-000	EA	Jack - TV - Ivory (Antenna)
	078319-01-000	EA	Antenna - TV - Roof Mount - 44.5"
	078319-03-000	FT	Cable - Coaxial - 1000' - 75 OHM
	076319-04-000	EA	Connector & Ferrule
	078319-05-000	EA	Wall Plate - Power Supply - Ivory
	078319-06-000	EA	Adapter - Cable Roof Plate
	017516-01-000	EA	Mud Flap - 14" x 18" - w/Holes - Black
	041914-03-000	EA	Fire Extinguisher - w/Bracket - 5 BC
	075922-01-000	EA	Microwave Oven - Lilton - 1450
	075930-01-000	EA	Bracket Asm. - Microwave - Right
	075930-02-000	EA	Bracket Asm. - Microwave - Left
	078253-02-000	EA	Bracket Asm. - Microwave - Bottom (2 required)
	075922-03-000	EA	Trim Ring - Microwave Oven
	075922-04-000	EA	Air Exhaust Duct - Microwave Oven
	067203-01-000	EA	Ladder Asm.
	067130-01-000	EA	Ladder Step
	076980-01-000	EA	End Cap - Ladder Step
	067125-01-000	LA	Stand Off - Rack & Ladder Asm.
	067203-02-000	EA	Luggage Rack Asm.
	064093-01-000	EA	Luggage Carrier Assembly - 14" x 30" x 60"
	039881-01-000	EA	Catch & Strike - Luggage Carrier
	072366-01-000	EA	Speed Control Package - Electric - Diesel - Dana
	072366-01-700	EA	Hex Fitting
	072366-01-701	EA	Cable Only
	072366-01-702	EA	Vacuum Regulator
	072366-01-703	EA	Control Switch & Lever Asm.
	069629-01-000	EA	Speed Control Package - Electric - Dana
	072852-01-000	EA	Smoke Detector w/9 Volt Battery
	072373-01-000	EA	Weather Center - 7" x 7" x 2"
	072374-01-000	EA	Clock - 7" x 7" x 2"
	006069-01-000	EA	Key Case - Leather
	007038-01-000	EA	Door Mat - 10.5" x 26" - Black Rubber
	069580-01-000	EA	Lug Wrench - 1" x 1.25" x 16.3"
	069580-02-000	EA	Leverage Bar - 22" - Lug Wrench
	006113-01-000	EA	Jack - Hydraulic - 6 Ton - w/Handle
	063708-01-000	EA	Cover - Roof Air Conditioner - Vinyl
	075068-01-R09	EA	Tire Cover - Plastic - w/Decal

ELECTRIC STEP ASSEMBLY

Key	Part Number	U/M	Description
	075461-01-000	EA	Electric Step Asm. w/Light
	075461-01-700	EA	Motor
	041250-01-000	EA	Door Switch
	075461-01-704	EA	Under Step Control Unit
	075461-01-705	EA	4-Way Plug
	075461-01-706	EA	Kill Switch
	075461-01-707	EA	Step Light
	075461-01-708	EA	4-Way Plug
	075461-01-709	EA	90 Degree Plug
	075461-01-710	EA	Gear
	075461-01-711	EA	Drive Link

BATH GROUP



BATH CABINERY

Key	Part Number	U/M	Description
1	M01461-01-R07	EA	Countertop Asm. - Pipe Cover - Travertine
2	M00917-01-R07	EA	Countertop Asm. - Lavatory Cabinet - Travertine
3	076073-01-000	EA	Cabinet Asm. - Medicine - w/o Doors or Hardware
4	076353-01-R07	EA	Door Asm. - Medicine Cabinet w/Mirror - 16.1" x 30.1" - w/o Hardware
5	069852-63-R10	EA	Door Asm. - Wardrobe - 47.9" x 20.6" - w/o Hardware
6	069852-71-R07	EA	Door Asm. - Wardrobe - 25.1" x 10.0" - w/o Hardware
*	072718-04-R10	EA	Door Asm. - Furnace - Wardrobe - w/o Hardware
*	072369-03-000	EA	Mesh Insert - Furnace Door - 6.7" x 17.9" - Gold Aluminum
7	M01485-01-R07	EA	Countertop Asm. - Wardrobe (used w/Conventional Dinette)
7	M01486-01-R07	EA	Countertop Asm. - Wardrobe (used w/Couch or Swivel Chairs)
8	063244-01-700	EA	Door - Rolled - 30" x 48" - Universal
9	M72641-01-R07	EA	Cabinet Asm. - Lavatory - w/o Countertop & Doors
*	073419-01-000	EA	Door Asm. - Folding - 46" x 75" - Walnut
*			Not illustrated

1984 WINNEBAGO TABLE OF CONTENTS

Introduction	A-01
Abbreviations	A-01
Alphabetical Index	A-02 - A-04
WC424RC	A-05 - C-16
WCN22RC	C-17 - F-06
WCN27RU	F-07 - H-20
WCN33RU	H-21 - K-08

1984 WCN22RC INDEX

Floor Plan	C-17 - C-18
Accessories Group	C-19 - C-21
Bath Group	C-22 - C-23
Chassis Group	C-24 - D-01
Curtain, Cushion & Pad Group	D-02 - D-08
Dinette Group	D-09 - D-10
Driver's Compartment Group	D-11 - D-13
Electrical Group	D-14 - D-16
Exterior Body Group	D-17 - E-01
Galley Group	E-02 - E-04
Heating & Air Conditioning Group	E-05 - E-06
Interior Finish Group	E-07 - E-10
LP Group	E-11
Lounge Group	E-12
Water & Sewage Group	E-13 - E-14
Window, Vent & Exterior Door Group	E-15 - F-06

BATH GROUP (CONTINUED)

BATH & WARDROBE HARDWARE

Key	Part Number	U/M	Description
	075240-02-000	EA	Faucet - Lavatory - Antique Brass
	075242-02-000	EA	Faucet - Tub & Shower - Antique Brass
	058713-01-000	EA	Sink Oval - Ivory Plastic
	M01407-01-000	EA	Bathtub Asm.
	M01485-01-000	EA	Shroud - Bathtub w/Reinforcement
	011083-01-000	EA	Tail Piece 1.25" x 6" Plastic - w/Stopper
**	011048-02-000	EA	Shower Head - w/6.3" Hose
**	066729-01-000	EA	Strainer - Shower Pan & Tub
	066436-01-000	EA	Slip Nut - 1.5" Tail Piece - Bathtub
	011069-02-000	EA	Tail Piece - 1.5" x 1.25" x 4" - Brass
	069735-01-000	EA	Washer - Tail Piece - 1.5" - Plastic
	066435-01-000	EA	Nut - Strainer - Plastic
	011048-04-000	EA	Vacuum Breaker - 1/8 MPT - Nylon
	075452-01-000	EA	Tissue Holder - Antique Brass
	075453-01-000	EA	Towel Bar - 18" - Antique Brass
	075454-01-000	EA	Towel Ring - Antique Brass
	009050-01-000	EA	Warp Guard - 64"
	058335-02-000	EA	Latch - Bathroom - w/o Lock
	072650-01-000	EA	Panel - Shower Plastic
	062906-02-000	EA	Door Panel Asm. - Shower
	073689-03-000	LA	Track - Folding Door - 30.5" - Beige
	009112-01-000	EA	Flange - 1" Closet Rod
	075680-01-000	EA	Closet Rod - Adjustable
	057671-01-000	EA	Screw Cover (No. 8)
	039341-02-000	EA	Toilet - Thetford - Aqua Magic - Ivory - 8420 SH
	076137-01-000	EA	Trim - Jamb - Bath
	058331-05-000	EA	Mirror - Safety Glass - 12" x 26"
	075606-01-000	EA	Panel - Shower Faucet
	M75569-01-R10	EA	Pantry Asm. - w/o Racks
	074316-01-000	EA	Slide Asm. - Full Extension - Pantry (Pair)
	075451-01-000	EA	Storage Rack - Canned Goods
	075451-02-000	EA	Clip - Storage Rack - White
	061604-01-000	EA	Slide Bolt - Storage Rack - Antique Brass
	076097-01-000	EA	Bracket - Catch - Pantry
	076098-01-000	EA	Bracket - Slide - Pantry
	059915-08-R07	EA	Drawer Asm. - Wardrobe - 19.1" x 20.8"

** The illustrated parts breakdown for this item is provided on the Common Items Fiche.

CHASSIS GROUP

Key	Part Number	U/M	Description
	024611-04-000	EA	Cap - Gas - Pressure - 1.50" - Chrome
	024138-01-000	FT	Hose - Fuel - 5/16" I.D. SAE 30RI
	024141-01-000	FT	Hose - Rubber - 1/2" I.D.
	007134-01-000	EA	Clamp - Hose - Spring Type 9.16"
	067058-03-000	EA	Tank - Fuel - 69.7" Gallon
	057038-02-000	EA	Sending Unit - Fuel - 90 Ohm (454 Engine)
	057038-05-000	EA	Sending Unit - Fuel - 90 Ohm (Diesel Engine)
	063386-01-000	EA	Strap - Fuel Tank Mounting
	063386-02-000	EA	Hanger - Fuel Tank Mounting
	064091-01-000	EA	Hose - Fuel - 2" I.D. x 90° Bend
	061411-03-000	EA	Extension - Exhaust - 2.25" O.D. x 10.5" (454 Engine)
	022655-02-000	EA	Extension - Exhaust - 2.25" O.D. x 8" (Diesel Engine)
	007111-02-000	FT	Hose - Fuel - 2" I.D. SAE 30RI (3')
	024490-01-000	EA	Power Cord Box - Plastic
	052431-01-000	EA	Tray - Luggage
	007125-05-000	EA	Clamp Asm. - Muffler - 2"
	017516-01-000	EA	Mud Flap - Black - 14" x 18" w/Holes
	051697-02-000	EA	Bracket - Battery Tie Down - 12"
	058401-01-000	EA	Hood Board - Upper - Right - Steel
	058404-01-000	EA	Hood Board - Upper - Left - Steel
	071856-01-000	EA	Cover - Radiator - Rear
	071657-01-000	EA	Cover - Radiator - Rear Back (Fan Shroud)
	020858-01-700	EA	Bumper - Rear - 8" x 94" - Primed
	072850-01-000	EA	Bumper - Front - Chrome
	072850-07-000	EA	Bumper - Front - Primed
	058425-01-000	EA	Bracket - Front Bumper - Left
	058425-02-000	EA	Bracket - Front Bumper - Right
	064053-01-000	EA	Bracket - Front Bumper - Reinforcement
	058439-01-000	EA	Bracket - Front Bumper - Mounts Bumper to Frame
	064001-02-000	EA	Bracket Asm. - Bumper Mount
	063977-03-000	EA	Step Asm. - Driver Door
	024852-01-700	EA	Step Asm. - Entry
	062401-04-000	EA	Clamp - Wormgear - 69" - 1.25"
	062401-05-000	EA	Clamp - Wormgear - 2" - 3"
	062401-09-000	EA	Clamp - Wormgear - 2.8" x 3.75"
	007067-01-000	SF	Insulation - 1" - Fiberglass
	047441-01-000	EA	Battery Terminal - Horizontal Lug
	040546-01-000	EA	Tire - 750 x 16 - 8 Ply Poly
	064962-02-000	EA	Rim - Wheel - 16 x 6.00
	050273-02-000	EA	Tire - 750 x 16 x CA T8 - Tubeless
	055080-01-000	EA	Wheel Well - Plastic
	051377-01-000	EA	Valve Stem Asm. TR500
	072363-01-000	EA	Water Detector Probe - Fuel Line
	072364-01-000	EA	Water Detector Module - Fuel Line
	073352-01-000	EA	Bracket - License Plate - Front
	069530-01-000	EA	Lug Wrench - 1" x 1.25" x 16.3"
	069580-02-000	EA	Leverage Bar - 22" - Lug Wrench
	006113-01-000	EA	Jack - Hydraulic - 6 Ton - w/Handle
	052165-03-000	EA	Shock Cord - Rubber - 24" (Spare Tire)
	072359-01-000	EA	Bottle - Coolant Expansion
	072850-01-700	EA	Bumper Kit - Rubber (Front)

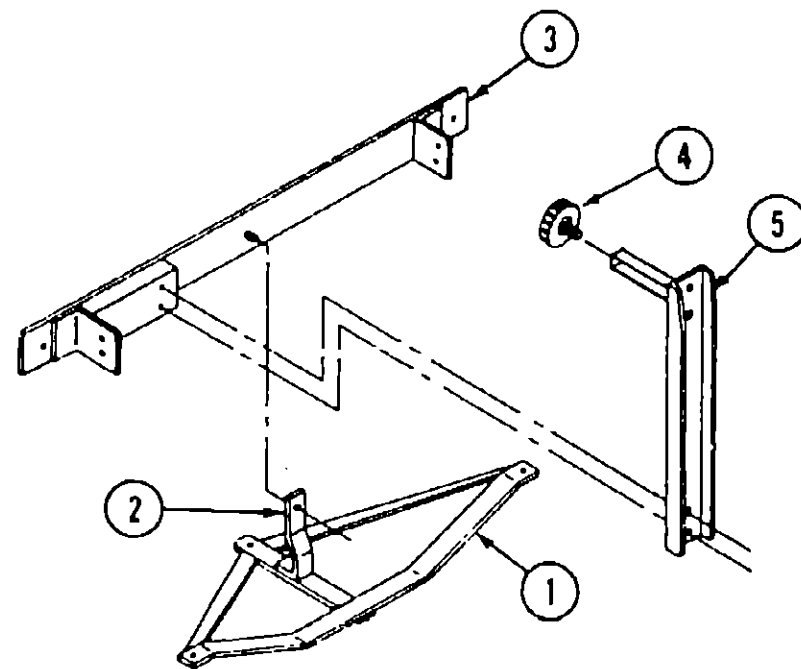
1984 WANNABAGO TABLE OF CONTENTS

Introduction	A-01
Abbreviations	A-01
Alphabetical Index	A-02 - A-04
WC424RC	A-05 - C-16
WCN22RC	C-17 - F-06
WCN27RU	F-07 - H-20
WCN33RU	H-21 - K-08

1984 WCN22RC INDEX

Floor Plan	C-17 - C-18
Accessories Group	C-19 - C-21
Bath Group	C-22 - C-23
Chassis Group	C-24 - D-01
Curtain, Cushion & Pad Group	D-02 - D-08
Dinette Group	D-09 - D-10
Driver's Compartment Group	D-11 - D-13
Electrical Group	D-14 - D-16
Exterior Body Group	D-17 - E-01
Galley Group	E-02 - E-04
Heating & Air Conditioning Group	E-05 - E-06
Interior Finish Group	E-07 - E-10
LP Group	E-11
Lounge Group	E-12
Water & Sewage Group	E-13 - E-14
Window, Vent & Exterior Door Group	E-15 - F-06

CHASSIS GROUP (CONTINUED)



Key	Part Number	U/M	Description
1	064833-01-000	EA	Trailer Hitch Asm.
2	064824-02-000	EA	Support - Trailer Hitch
3	064601-02-000	EA	Bracket - Bumper Mount
4	064082-02-000	EA	Retaining Nut - Tire Cover
5	075286-02-000	EA	Bracket Asm. - Spare Tire Carrier

CURTAIN, CUSHION & PAD GROUP

NOTICE

In order to assist our Parts Sales Dept. in providing Interior software items, please include the serial number and the color code number from the vehicle certification label when ordering. This label is located on the left sidewall at the end of the dash (A-Body), or on the driver's door latch plate (C-Body).

An example of a color code number is P31, which designates an overall color scheme of a particular unit. The color listed after the item description on the microfiche, indicates the overall unit color. Order the item you desire according to unit color code.

FABRIC, TRIMS & PADS

Key	Part Number	U/M	Description
	072333-07-000	YD	Fabric - Drapery
	072333-08-000	YD	Fabric - Drapery - Sheers
	074495-27-000	YD	Fabric - Drapery/Accent (R07, R08)
	074495-28-000	YD	Fabric - Drapery/Accent (R09)
	074495-25-000	YD	Fabric w/Pattern - Upholstery - Blue (R07)
	074495-24-000	YD	Fabric w/Pattern - Upholstery - Brown (R08)
	074495-26-000	YD	Fabric w/Pattern - Upholstery - Burgundy (R09)
	069729-08-000	YD	Fabric - Bedspread - Blue (R07)
	069729-05-000	YD	Fabric - Bedspread - Brown (R08)
	069729-07-000	YD	Fabric - Bedspread - Burgundy (R09)
	070502-01-000	YD	Vinyl - Non-Expanded - 12 Gauge Film
	057550-03-N07	EA	Button Asm. - Nail - #36 - 7/8" Shank - Vinyl
	057093-01-N07	EA	Button Asm. - Covered #60 - Nail Vinyl
	071127-03-R10	EA	Button Asm. - Square #65 (R07, R08)
	071127-03-R12	EA	Button Asm. - Square #65 (R09)
	075269-01-R11	EA	Button Asm. - Square #65 - w/3/4" Stud (R07, R08)
	075269-01-R09	EA	Button Asm. - Square #65 - w/3/4" Stud (R09)
	070578-04-R10	EA	Button Asm. - Screw Stud - #30 (R07, R08)
	070578-04-R12	EA	Button Asm. - Screw Stud - #30 (R09)
	071846-01-R07	EA	Pad Asm. - End Cap - Dinette Overhead - Right - Vinyl
	071846-05-R07	EA	Pad Asm. - End Cap - Galley Overhead - Left - Vinyl
	074549-01-R07	EA	Pad Asm. - Dinette - Right (R08)
	074549-01-R09	EA	Pad Asm. - Dinette - Right
	074549-02-R07	EA	Pad Asm. - Dinette - Left (R08)
	074549-02-R09	EA	Pad Asm. - Dinette - Left
	059414-03-000	EA	Pad - Sidewall Trim - Driver - Vinyl
	059414-04-000	EA	Pad - Sidewall Trim - Passenger - Vinyl
	059467-03-N07	EA	Pad - Map Pocket - Driver - Vinyl
	059467-04-N07	EA	Pad - Map Pocket - Passenger - Vinyl
	074211-01-P01	EA	Pad Asm. - Front Side Overhead - Passenger - Vinyl
	074210-02-P01	EA	Pad Asm. - Front Side Overhead - Driver - Vinyl
	074210-01-P01	EA	Pad Asm. - Front Side Overhead - w/Driver's Door - Vinyl
	076188-01-R07	EA	Wall Pad Asm. - Dinette - 12" x 12" (R08)
	076188-01-R09	EA	Wall Pad Asm. - Dinette - 12" x 12"
	076188-02-R07	EA	Wall Pad Asm. - Dinette - 3.5" x 30" (R08)
	076188-02-R09	EA	Wall Pad Asm. - Dinette - 3.5" x 30"
	076188-03-R07	EA	Wall Pad Asm. - Swivel Chairs - 12" x 16" (R08)
	076188-03-R09	EA	Wall Pad Asm. - Swivel Chairs - 12" x 16"
	076188-04-R07	EA	Wall Pad Asm. - Swivel Chairs - 3.5" x 30" (R08)
	076188-04-R09	EA	Wall Pad Asm. - Swivel Chairs - 3.5" x 30"
	077641-13-000	EA	Wall Pad Asm. w/Quilting - Dinette - 12" x 12" (R07, R08)
	077641-15-000	EA	Wall Pad Asm. w/Quilting - Dinette - 12" x 12" (R09)
	077642-01-000	EA	Wall Pad Asm. w/Quilting - Dinette - 3.5" x 30" (R07, R08)
	077642-03-000	EA	Wall Pad Asm. w/Quilting - Dinette - 3.5" x 30" (R09)
	077642-02-000	EA	Wall Pad Asm. w/Quilting - Swivel Chairs - 12" x 16" (R07, R08)
	077642-04-000	EA	Wall Pad Asm. w/Quilting - Swivel Chairs - 12" x 16" (R09)
	077641-14-000	EA	Wall Pad Asm. w/Quilting - Swivel Chairs - 3.5" x 30" (R07, R08)
	077641-16-000	EA	Wall Pad Asm. w/Quilting - Swivel Chairs - 3.5" x 30" (R09)

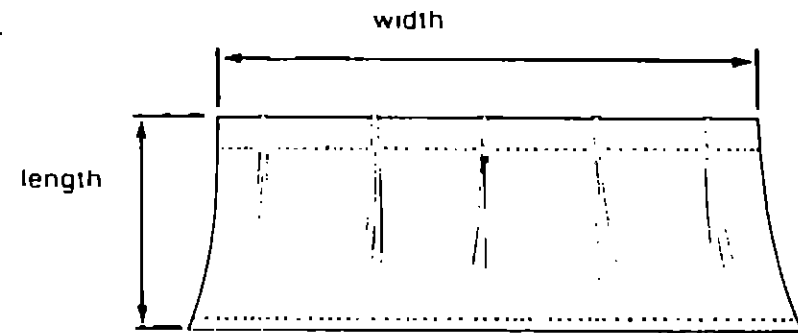
1984 WINNEBAGO TABLE OF CONTENTS

Introduction	A-01
Abbreviations	A-01
Alphabetical Index	A-02 - A-04
WC424RC	A-05 - C-16
WCN22RC	C-17 - F-06
WCN27RU	F-07 - H-20
WCN33RU	H-21 - K-08

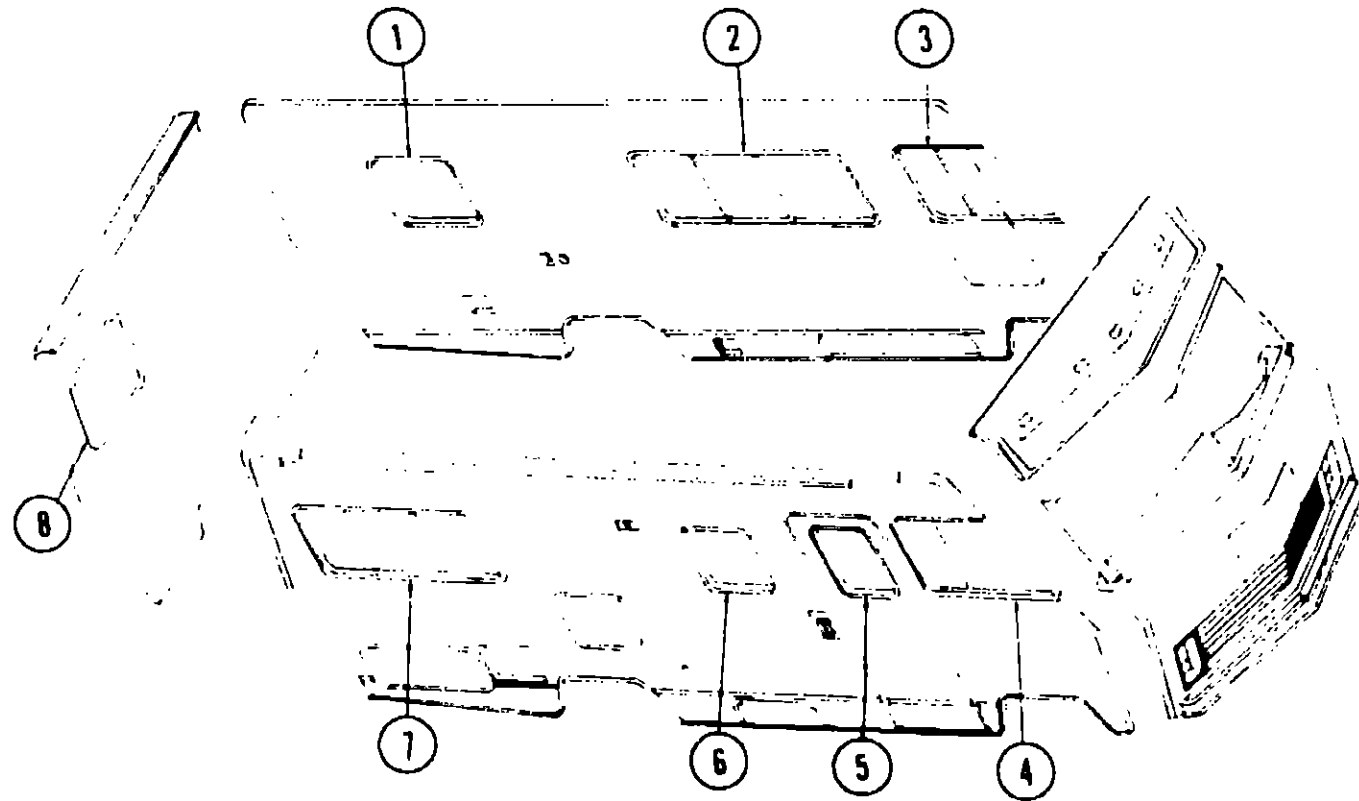
1984 WCN22RC INDEX

Floor Plan	C-17 - C-18
Accessories Group	C-19 - C-21
Bath Group	C-22 - C-23
Chassis Group	C-24 - D-01
Curtain, Cushion & Pad Group	D-02 - D-08
Dinette Group	D-09 - D-10
Driver's Compartment Group	D-11 - D-13
Electrical Group	D-14 - D-18
Exterior Body Group	D-17 - E-01
Galley Group	E-02 - E-04
Heating & Air Conditioning Group	E-05 - E-06
Interior Finish Group	E-07 - E-10
LP Group	E-11
Lounge Group	E-12
Water & Sewage Group	E-13 - E-14
Window, Vent & Exterior Door Group	E-15 - F-06

CURTAIN, CUSHION & PAD GROUP (CONTINUED)



NOTE:
Use this illustration when determining length and width measurements for curtains. You will note the width measurement is taken on the top of the curtain with the curtain fully extended. The length measurement is taken from top to bottom.



CURTAINS, SHADES, VALANCES & TIEBACKS

Key	Part Number	U/M	Description
1	073251-04-R07	EA	Curtain w/Tape Top - 25" x 12"
1	M01494-06-R07	EA	Valance Asm. - 2.8" x 5" x 29.8" - Blue
1	M01494-06-R08	EA	Valance Asm. - 2.8" x 5" x 29.8" - Brown
1	M01494-06-R09	EA	Valance Asm. - 2.8" x 5" x 29.8" - Burgundy
1	065522-04-000	EA	Shade Asm. - Vinyl - 27.25" x 38"
1	075477-26-000	EA	Blinds - 31" x 25" Drop
1	075474-17-000	EA	Shade Asm. - Woven Woods - 32" x 26" Drop (R07, R08)
1	075474-47-000	EA	Shade Asm. - Woven Woods - 32" x 26" Drop (R09)
1	070651-50-R07	EA	Valance Asm. - 6" x 35" - Pleated (Woven Woods) (R08)
1	070651-50-R09	EA	Valance Asm. - 6" x 35" - Pleated (Woven Woods)
2	070652-19-R07	EA	Curtain w/Darts - 29" x 15"
2	073323-02-R07	EA	Curtain w/Rod Top - Sheers - 27.5" x 66"
2	M01494-05-R07	EA	Valance Asm. - 4.8" x 5" x 71.8" - Blue
2	M01494-05-R08	EA	Valance Asm. - 4.8" x 5" x 71.8" - Brown
2	M01494-05-R09	EA	Valance Asm. - 4.8" x 5" x 71.8" - Burgundy

CURTAIN, CUSHION & PAD GROUP (CONTINUED)

CURTAINS, SHADES, VALANCES & TIEBACKS (CONT.)

Key	Part Number	U/M	Description
2	065522-12-000	EA	Shade Asm. - Vinyl - 69.25" x 38"
2	075477-25-000	EA	Blinds - 69" x 28" Drop
2	075474-14-000	EA	Shade Asm. - Woven Woods - 69" x 29" Drop (R07, R08)
2	075474-46-000	EA	Shade Asm. - Woven Woods - 69" x 29" Drop (R09)
2	070651-49-R07	EA	Valance Asm. - 6" x 76" - Pleated (Woven Woods) (R08)
2	070651-49-R09	EA	Valance Asm. - 6" x 76" - Pleated (Woven Wood)
3	059900-05-R07	EA	Curtain w/Snaps - Drivers Door - 29" x 35"
4	073304-03-R10	EA	Curtain w/Snaps - Front Wraparound - Driver's Door - 27.5" x 125"
	073304-07-R07	EA	Curtain w/Snaps - Front Wraparound (2 required) - 27.5" x 81"
	073304-25-R07	EA	Curtain w/Snaps - Bunk Privacy - 60" x 86"
5	M01497-01-R07	EA	Valance Asm. - 4.8" x 4.2" x 29.6" - Blue
5	M01497-01-R08	EA	Valance Asm. - 4.8" x 4.2" x 29.6" - Brown
5	M01497-01-R09	EA	Valance Asm. - 4.8" x 4.2" x 29.6" - Burgundy
5	065522-02-000	EA	Shade Asm. - Vinyl - 21.25" x 38"
6	073251-05-R07	EA	Curtain w/Tape Top - 21.5" x 9"
6	M01494-08-R07	EA	Valance Asm. - 3.8" x 5" x 32.3" - Blue
6	M01494-08-R08	EA	Valance Asm. - 3.8" x 5" x 32.3" - Brown
6	M01494-08-R09	EA	Valance Asm. - 3.8" x 5" x 32.3" - Burgundy
6	065522-16-000	EA	Shade Asm. - Vinyl - 28.50" x 30"
6	075477-27-000	EA	Blinds - 28" x 22" Drop
6	075474-26-000	EA	Shade Asm. - Woven Woods - 28" x 23" Drop (R07, R08)
6	075474-48-000	EA	Shade Asm. - Woven Woods - 28" x 23" Drop (R09)
6	070651-52-R07	EA	Valance Asm. - 6" x 39" - Pleated (Woven Wood) (R08)
6	070651-52-R09	EA	Valance Asm. - 6" x 39" - Pleated (Woven Wood)
7	070652-16-R07	EA	Curtain w/Darts - 28" x 15" - Bedspread - Blue
7	070652-16-R08	EA	Curtain w/Darts - 28" x 15" - Bedspread - Brown
7	070652-16-R09	EA	Curtain w/Darts - 28" x 15" - Bedspread - Burgundy
7	073323-02-R07	EA	Curtain w/Rod Top Sheer - 27.5" x 66"
7	070651-18-R07	EA	Valance Asm. - 6.5" x 70" - Pleated - Bedspread - Blue
7	070651-18-R08	EA	Valance Asm. - 6.5" x 70" - Pleated - Bedspread - Brown
7	070651-18-R09	EA	Valance Asm. - 6.5" x 70" - Pleated - Bedspread - Burgundy
7	065522-12-000	EA	Shade Asm. - Vinyl - 69.25" x 38"
**	070652-20-R07	EA	Curtain w/Darts - 21" x 15"
**	073323-03-R07	EA	Curtain w/Rod Top - Sheer - 20" x 42"
**	M01494-03-R07	EA	Valance Asm. - 4.8" x 5" x 41.8" - Blue
**	M01494-03-R08	EA	Valance Asm. - 4.8" x 5" x 41.8" - Brown
**	M01494-03-R09	EA	Valance Asm. - 4.8" x 5" x 41.8" - Burgundy
**	065522-09-000	EA	Shade Asm. - Vinyl - 40.25" x 38"
8	070652-06-R07	EA	Curtain w/Darts - 27" x 19" - Bedspread - Blue
8	070652-06-R08	EA	Curtain w/Darts - 27" x 19" - Bedspread - Brown
8	070652-06-R09	EA	Curtain w/Darts - 27" x 19" - Bedspread - Burgundy
8	073323-01-R07	EA	Curtain w/Rod Top - Sheer - 27.5" x 30"
8	070651-19-R07	EA	Valance Asm. - 6" x 44" - Pleated - Bedspread - Blue
8	070651-19-R08	EA	Valance Asm. - 6" x 44" - Pleated - Bedspread - Brown
8	070651-19-R09	EA	Valance Asm. - 6" x 44" - Pleated - Bedspread - Burgundy
8	065522-06-000	EA	Shade Asm. - Vinyl - 33.25" x 38"
**	073251-09-R07	EA	Curtain w/Tape Top - 26" x 8"
**	M01494-07-R07	EA	Valance Asm. - 4.8" x 5" x 16.8" - Blue
**	M01494-07-R08	EA	Valance Asm. - 4.8" x 5" x 16.8" - Brown
**	M01494-07-R09	EA	Valance Asm. - 4.8" x 5" x 16.8" - Burgundy
**	065522-01-000	EA	Shade Asm. - Vinyl - 15.5" x 38"
	073304-04-R07	EA	Curtain w/Snaps - Room Divider - 64" x 53"
	073260-12-R07	EA	Tie Back Asm. - 3" x 16" - Bedspread - Blue
	073260-12-R08	EA	Tie Back Asm. - 3" x 16" - Bedspread - Brown
	073260-12-R09	EA	Tie Back Asm. - 3" x 16" - Bedspread - Burgundy
	073260-10-R10	EA	Tie Back Asm. - 3" x 16" - (R07, R08)
	073260-10-R12	EA	Tie Back Asm. - 3" x 16" - (R09)
	057534-01-000	EA	Tie Back Asm. - 6" - Clear Plastic
	057534-03-000	EA	Tie Back Asm. - 7.5" - Clear Plastic
			Not illustrated
**			Part for bunkhouse option (Not illustrated)

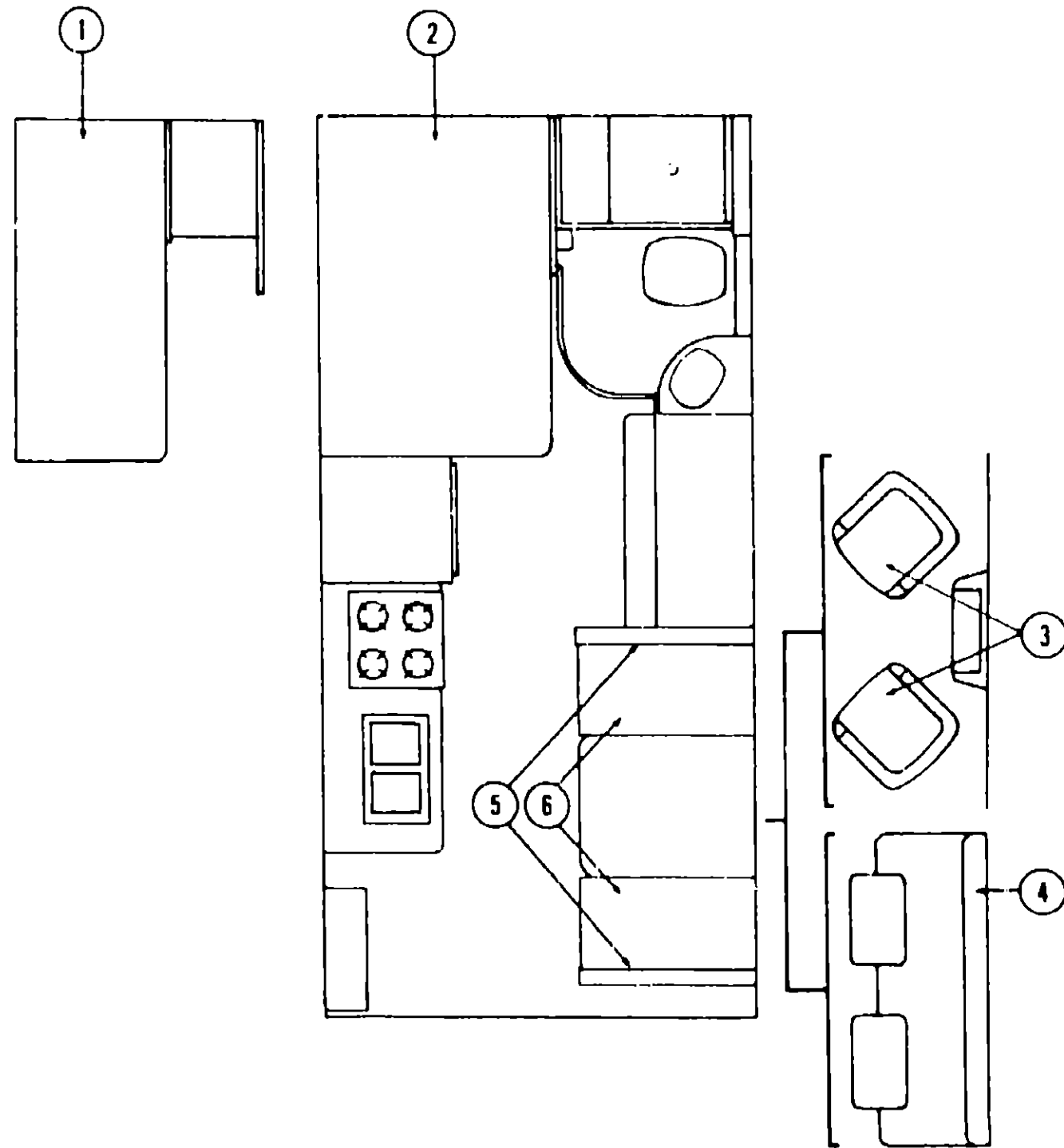
**1984 WINNEBAGO
TABLE OF CONTENTS**

Introduction	A-01
Abbreviations	A-01
Alphabetical Index	A-02 - A-04
WC424RC	A-05 - C-16
WCN22RC	C-17 - F-06
WCN27RU	F-07 - H-20
WCN33RU	H-21 - K-08

1984 WCN22RC INDEX

Floor Plan	C-17 - C-18
Accessories Group	C-19 - C-21
Bath Group	C-22 - C-23
Chassis Group	C-24 - D-01
Curtain, Cushion & Pad Group	D-02 - D-08
Dinette Group	D-09 - D-10
Driver's Compartment Group	D-11 - D-13
Electrical Group	D-14 - D-16
Exterior Body Group	D-17 - E-01
Galley Group	E-02 - E-04
Heating & Air Conditioning Group	E-05 - E-06
Interior Finish Group	E-07 - E-10
LP Group	E-11
Lounge Group	E-12
Water & Sewage Group	E-13 - E-14
Window, Vent & Exterior Door Group	E-15 - F-06

CURTAIN, CUSHION & PAD GROUP (CONTINUED)



REAR BUNK CUSHIONS

Key	Part Number	U/M	Description
1	073519-01-R07	EA	Cushion - Rear Bunk - 29" x 75.5" x 4.5" - Blue
1	073519-01-R08	EA	Cushion - Rear Bunk - 29" x 75.5" x 4.5" - Brown
1	073519-01-R09	EA	Cushion - Rear Bunk - 29" x 75.5" x 4.5" - Burgundy
	M73519-01-R07	EA	Cover - Rear Bunk Cushion - 29" x 75.5" x 4.5" - Blue
	M73519-01-R08	EA	Cover - Rear Bunk Cushion - 29" x 75.5" x 4.5" - Brown
	M73519-01-R09	EA	Cover - Rear Bunk Cushion - 29" x 75.5" x 4.5" - Burgundy

CURTAIN, CUSHION & PAD GROUP (CONTINUED)

DOUBLE BED MATTRESS

Key	Part Number	U/M	Description
2	058709-03-000	EA	Mattress - Inner Spring - Sealy - 48" x 75"
	070653-02-R10	EA	Bedsread - Double Fitted - Blue (R07)
	070653-02-R11	EA	Bedsread - Double Fitted - Brown (R08)
	070653-02-R12	EA	Bedsread - Double Fitted - Burgundy (R09)
	070654-01-R10	EA	Pillow Sham - 20" x 26" - Blue (R07)
	070654-01-R11	EA	Pillow Sham - 20" x 26" - Brown (R08)
	070654-01-R12	EA	Pillow Sham - 20" x 26" - Burgundy (R09)

SWIVEL CHAIRS

Key	Part Number	U/M	Description
3	073519-09-R07	EA	Chair Asm. w/Pillow Back - Swivel - Blue
3	073518-09-R08	EA	Chair Asm. w/Pillow Back - Swivel - Brown
3	073518-09-R09	EA	Chair Asm. w/Pillow Back - Swivel - Burgundy
	075174-02-R07	EA	Skirt Asm. - Swivel Chair - Blue
	075174-02-R08	EA	Skirt Asm. - Swivel Chair - Brown
	075174-02-R09	EA	Skirt Asm. - Swivel Chair - Burgundy
	035036-01-000	EA	Plate - Tilt and Swivel - Swivel Chair
	035036-02-000	EA	Base w/Legs - Swivel Chair
			Not illustrated

MAGIC BED

Key	Part Number	U/M	Description
4	075475-02-000	EA	Magic Bed - Complete - Blue
4	075475-01-000	EA	Magic Bed - Complete - Brown
4	075475-03-000	EA	Magic Bed - Complete - Burgundy

DINETTE CUSHIONS

Key	Part Number	U/M	Description
5	072430-20-R07	EA	Cushion - Dinette Back - 19.2" x 38" x 5" - Blue
5	072430-03-R08	EA	Cushion - Dinette Back - 19.2" x 38" x 5" - Brown
5	072430-03-R08	EA	Cushion - Dinette Back - 19.2" x 38" x 5" - Burgundy
	M72430-20-R07	EA	Cover - Dinette Back Cushion - 19.2" x 38" x 5" - Blue
	M72430-03-R08	EA	Cover - Dinette Back Cushion - 19.2" x 38" x 5" - Brown
	M72430-03-R09	EA	Cover - Dinette Back Cushion - 19.2" x 38" x 5" - Burgundy
6	072430-21-R07	EA	Cushion - Dinette Bottom - 17.5" x 38" x 5" - Blue
6	072430-04-R08	EA	Cushion - Dinette Bottom - 17.5" x 38" x 5" - Brown
6	072430-04-R09	EA	Cushion - Dinette Bottom - 17.5" x 38" x 5" - Burgundy
	M72430-21-R07	EA	Cover - Dinette Bottom Cushion - 17.5" x 38" x 5" - Blue
	M72430-04-R08	EA	Cover - Dinette Bottom Cushion - 17.5" x 38" x 5" - Brown
	M72430-04-R09	EA	Cover - Dinette Bottom Cushion - 17.5" x 38" x 5" - Burgundy



Key	Part Number	U/M	Description
1	029130-01-000	EA	Socket - Snap Fastener
2	029155-01-000	EA	Cap - Snap - 1.56" Dia x .17" Barrel
3	029156-01-000	EA	Socket - Snap Fastener
4	029092-01-000	EA	Stud - Nickel Finish
5	029093-01-000	EA	Eyelet - Nickel Finish

**1984 WINNEBAGO
TABLE OF CONTENTS**

Introduction	A-01
Abbreviations	A-01
Alphabetical Index	A-02 - A-04
WC424RC	A-05 - C-16
WCN22RC	C-17 - F-06
WCN27RU	F-07 - H-20
WCN33RU	H-21 - K-08

1984 WCN22RC INDEX

Floor Plan	C-17 - C-18
Accessories Group	C-19 - C-21
Bath Group	C-22 - C-23
Chassis Group	C-24 - D-01
Curtain, Cushion & Pad Group	D-02 - D-08
Dinette Group	D-09 - D-10
Driver's Compartment Group	D-11 - D-13
Electrical Group	D-14 - D-16
Exterior Body Group	D-17 - E-01
Galley Group	E-02 - E-04
Heating & Air Conditioning Group	E-05 - E-06
Interior Finish Group	E-07 - E-10
LP Group	E-11
Lounge Group	E-12
Water & Sewage Group	E-13 - E-14
Window, Vent & Exterior Door Group	E-15 - F-06

CURTAIN, CUSHION & PAD GROUP (CONTINUED)

BUCKET SEATS

Key	Part Number	U/M	Description
	075966-06-R07	EA	Seat Asm. - Single Bucket - w/Armrests - Blue
	075966-06-R08	EA	Seat Asm. - Single Bucket - w/Armrests - Brown
	075966-06-R09	EA	Seat Asm. - Single Bucket - w/Armrests - Burgundy
	M00784-13-R07	EA	Cover - Back - Single Bucket - Blue
	M00784-13-R08	EA	Cover - Back - Single Bucket - Brown
	M00784-13-R09	EA	Cover - Back - Single Bucket - Burgundy
	M00784-14-R07	EA	Cover - Bottom - Single Bucket - Blue
	M00784-14-R08	EA	Cover - Bottom - Single Bucket - Brown
	M00784-14-R09	EA	Cover - Bottom - Single Bucket - Burgundy
	071126-04-R07	EA	Skirt - Single Bucket - Blue
	071126-04-R08	EA	Skirt - Single Bucket - Brown
	071126-04-R09	EA	Skirt - Single Bucket - Burgundy
	075967-03-R07	EA	Seat Asm. - Double Bucket - w/Armrests - Blue
	075967-03-R08	EA	Seat Asm. - Double Bucket - w/Armrests - Brown
	075967-03-R09	EA	Seat Asm. - Double Bucket - w/Armrests - Burgundy
	M00784-15-R07	EA	Cover - Back - Double Bucket - Blue
	M00784-15-R08	EA	Cover - Back - Double Bucket - Brown
	M00784-15-R09	EA	Cover - Back - Double Bucket - Burgundy
	M00784-16-R07	EA	Cover - Bottom - Double Bucket - Blue
	M00784-16-R08	EA	Cover - Bottom - Double Bucket - Brown
	M00784-16-R09	EA	Cover - Bottom - Double Bucket - Burgundy
	071690-02-R07	EA	Skirt - Double Bucket - Blue
	071690-02-R08	EA	Skirt - Double Bucket - Brown
	071690-02-R09	EA	Skirt - Double Bucket - Burgundy
	071122-11-R07	EA	Armrest Asm. - Right - Blue
	071122-11-R08	EA	Armrest Asm. - Right - Brown
	071122-11-R09	EA	Armrest Asm. - Right - Burgundy
	071122-12-R07	EA	Armrest Asm. - Left - Blue
	071122-12-R08	EA	Armrest Asm. - Left - Brown
	071122-12-R09	EA	Armrest Asm. - Left - Burgundy
	071123-06-R07	EA	Cover - Armrest - Right or Left - Blue
	071123-06-R08	EA	Cover - Armrest - Right or Left - Brown
	071123-06-R09	EA	Cover - Armrest - Right or Left - Burgundy
	069005-02-R07	EA	Seat Asm. - Single Bucket - Blue
	069005-02-R08	EA	Seat Asm. - Single Bucket - Brown
	069005-02-R09	EA	Seat Asm. - Single Bucket - Burgundy
	M00435-03-R07	EA	Cover - Back - Single Bucket - Blue
	M00435-03-R08	EA	Cover - Back - Single Bucket - Brown
	M00435-03-R09	EA	Cover - Back - Single Bucket - Burgundy
	M00435-04-R07	EA	Cover - Bottom - Single Bucket - Blue
	M00435-04-R08	EA	Cover - Bottom - Single Bucket - Brown
	M00435-04-R09	EA	Cover - Bottom - Single Bucket - Burgundy

CURTAIN, CUSHION & PAD GROUP (CONTINUED)

CURTAIN & CUSHION HARDWARE

Key	Part Number	U/M	Description
	056116-01-000	EA	Track - Curtain - Brown Plastic
	059430-05-000	EA	Track - Front Wraparound (2 per unit) - 43 75" x 36" - Beige
	059430-07-000	EA	Track - Front Wraparound (Driver's Door) - 86.2" x 36" - Beige
	056001-01-000	EA	Bracket - Shade - Left
	056002-01-000	EA	Bracket - Shade - Right
	056003-01-000	EA	Bracket - Drapery Retainer - Right
	056003-02-000	EA	Bracket - Drapery Retainer - Left
	056003-03-000	EA	Bracket - Drapery Retainer - Universal
	075477-21-000	EA	Bracket - Hold Down - Blinds
	009107-01-000	EA	Guide - Nylon Snap - Curtain
	056784-01-000	EA	Pull - Window Shade - Antique Brass
	039175-01-000	EA	Curtain Rod - Extension 48" - 84"
	039175-03-000	EA	Curtain Rod - Extension 28" - 48"
	039175-04-000	EA	Curtain Rod - Extension 16" - 28"
	039175-02-000	EA	Bracket - Curtain Rod
	056115-02-000	YD	Tape - Clear Plastic - w/Guides
	048394-01-000	YD	Tape Hook - 1" x 25 YD - Beige
	048395-01-000	YD	Tape Loop - 1" x 25 YD - Beige
	069759-05-000	EA	Frame Asm. - Double Back
	036658-03-000	EA	Screw - Shoulder - 1/2 x 1 3/4 - Hex - Armrest Asm.

FRONT OVERHEAD BUNK CUSHIONS

Key	Part Number	U/M	Description
	073467-04-R07	EA	Cushion Asm. - Front Bunk - 31.5" x 76" - 4" - Blue
	073467-04-R08	EA	Cushion Asm. - Front Bunk - 31.5" x 76" - 4" - Brown
	073467-04-R09	EA	Cushion Asm. - Front Bunk - 31.5" x 76" - 4" - Burgundy
	M73467-04-R07	EA	Cover - Front Bunk Cushion - 31.5" x 76" x 4" - Blue
	M73467-04-R08	EA	Cover - Front Bunk Cushion - 31.5" x 76" x 4" - Brown
	M73467-04-R09	EA	Cover - Front Bunk Cushion - 31.5" x 76" x 4" - Burgundy

**1984 WINNEBAGO
TABLE OF CONTENTS**

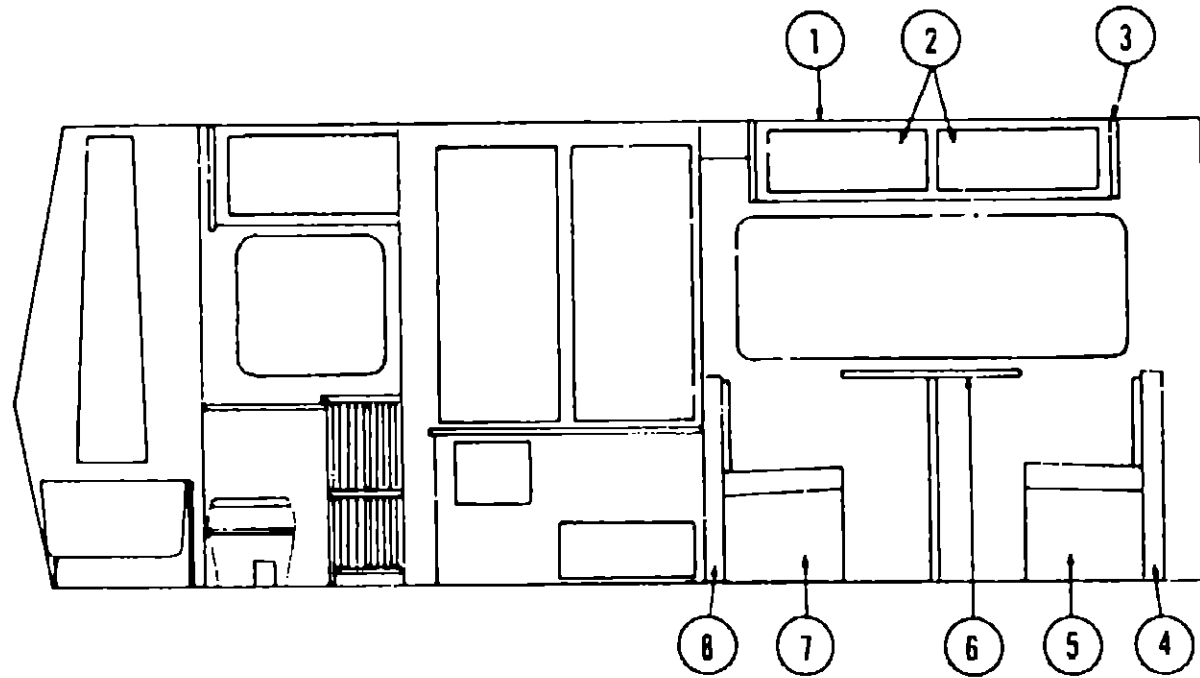
Introduction	A-01
Abbreviations	A-01
Alphabetical Index	A-02 - A-04
WC424RC	A-05 - C-16
WCN22RC	C-17 - F-06
WCN27RU	F-07 - H-20
WCN33RU	H-21 - K-08

1984 WCN22RC INDEX

Floor Plan	C-17 - C-18
Accessories Group	C-19 - C-21
Bath Group	C-22 - C-23
Chassis Group	C-24 - D-01
Curtain, Cushion & Pad Group	D-02 - D-08
Dinette Group	D-09 - D-10
Driver's Compartment Group	D-11 - D-13
Electrical Group	D-14 - D-16
Exterior Body Group	D-17 - E-01
Galley Group	E-02 - E-04
Heating & Air Conditioning Group	E-05 - E-06
Interior Finish Group	E-07 - E-10
LP Group	E-11
Lounge Group	E-12
Water & Sewage Group	E-13 - E-14
Window, Vent & Exterior Door Group	E-15 - F-06

DINETTE GROUP

DINETTE GROUP (CONTINUED)



CONVENTIONAL DINETTE & OVERHEAD CABINETS

Key	Part Number	U/M	Description
1	075775-06-R07	EA	Cabinet Asm. - Dinette Overhead - w/o Doors or Hardware
2	069852-72-R10	EA	Door Asm. - Dinette Overhead - w/o Hardware
3	071846-01-R07	EA	Pad Asm. - End Cap - Dinette Overhead - Right - Almond Vinyl
4	M01431-01-R10	EA	Cabinet Asm. - Dinette Back - Right
5	M01430-01-R10	EA	Cabinet Asm. - Dinette Seat - Right - w/o Doors or Hardware
6	069852-70-R10	EA	Door Asm. - Dinette Seat - Right or Left - w/o Hardware
7	M01291-50-R07	EA	Table Asm. - Dinette - w/o Hardware - Harbor Oak
8	M01430-03-R07	EA	Cabinet Asm. - Dinette Seat - Left - w/o Doors or Hardware
	M01431-03-R07	EA	Cabinet Asm. - Dinette Back - Left
**	053200-05-000	EA	Bracket - Upper Wall Mount - 23.5" - Beige
**	053201-03-000	EA	Bracket - Table Mount - 23"
**	024275-05-000	EA	Rod - Table Lift - 8" x 23.5" - Beige
**	024281-07-000	EA	Bracket - Lower Wall Mount - 22.12" - Beige
**	024276-14-000	EA	Leg Asm. - Table - 29.5" - Brown
**	064050-01-000	EA	Hinge - Table Leg
**	024282-01-000	EA	Brace - Table Leg
**	024283-01-000	EA	Clip - 1" O.D. Tube
**	049493-02-000	EA	Catch - Table Leg - Mounts on Floor - Brown
**	064781-03-000	EA	Cup Holder - 3.47" O.D. x 2.75" I.D. x 1.5" - Brown Plastic
**			Not illustrated
**	The illustrated parts breakdown for this item is provided on the Common Items Fiche.		

SWIVEL CHAIRS W/FOLD OUT TABLE (OPTION)

Key	Part Number	U/M	Description
	M00675-35-R07	EA	Table Asm. - Fold Out - Harbor Oak
	M01270-01-R07	EA	Countertop Asm. - Fold Out Table - Harbor Oak
	024276-15-000	EA	Leg Asm. - Table - 25.18" - Brown
**	064050-01-000	EA	Hinge - Table Leg
**	024282-01-000	EA	Brace - Table Leg
**	024283-01-000	EA	Clip - 1" O.D. Tube
	049493-03-000	EA	Catch - Table Leg - Mounts on Floor - Beige
	048395-01-000	YD	Tape Hook - 1" x 25 YD - Beige
	048395-01-000	YD	Tape Loop - 1" x 25 YD - Beige
	035036-01-000	EA	Plate - Swivel Chair
	035036-02-000	EA	Base - w/Leg - Swivel Chair
	063224-01-700	EA	Door - Rolled - 30" x 48" - Universal
	J74489-02-R10	EA	Holder - Beverage - w/Tray - Oak
**	The illustrated parts breakdown for this item is provided on the Common Items Fiche		

MAGIC BED W/TABLE (OPTION)

Key	Part Number	U/M	Description
	M00684-43-R07	EA	Table Asm. - Pedestal - w/o Hardware - Harbor Oak
	009040-04-000	EA	Leg - Pedestal Table - 27.5" x 2.25" O.D. - Brown
	009040-03-000	EA	Base - Table - Mounts on Floor
	041194-01-000	EA	Base - Table - Mounts in Floor
	062046-01-000	EA	Clip - Pedestal Leg
	075475-02-000	EA	Magic Bed - Complete - Blue
	075475-01-000	EA	Magic Bed - Complete - Brown
	075475-03-000	EA	Magic Bed - Complete - Burgundy

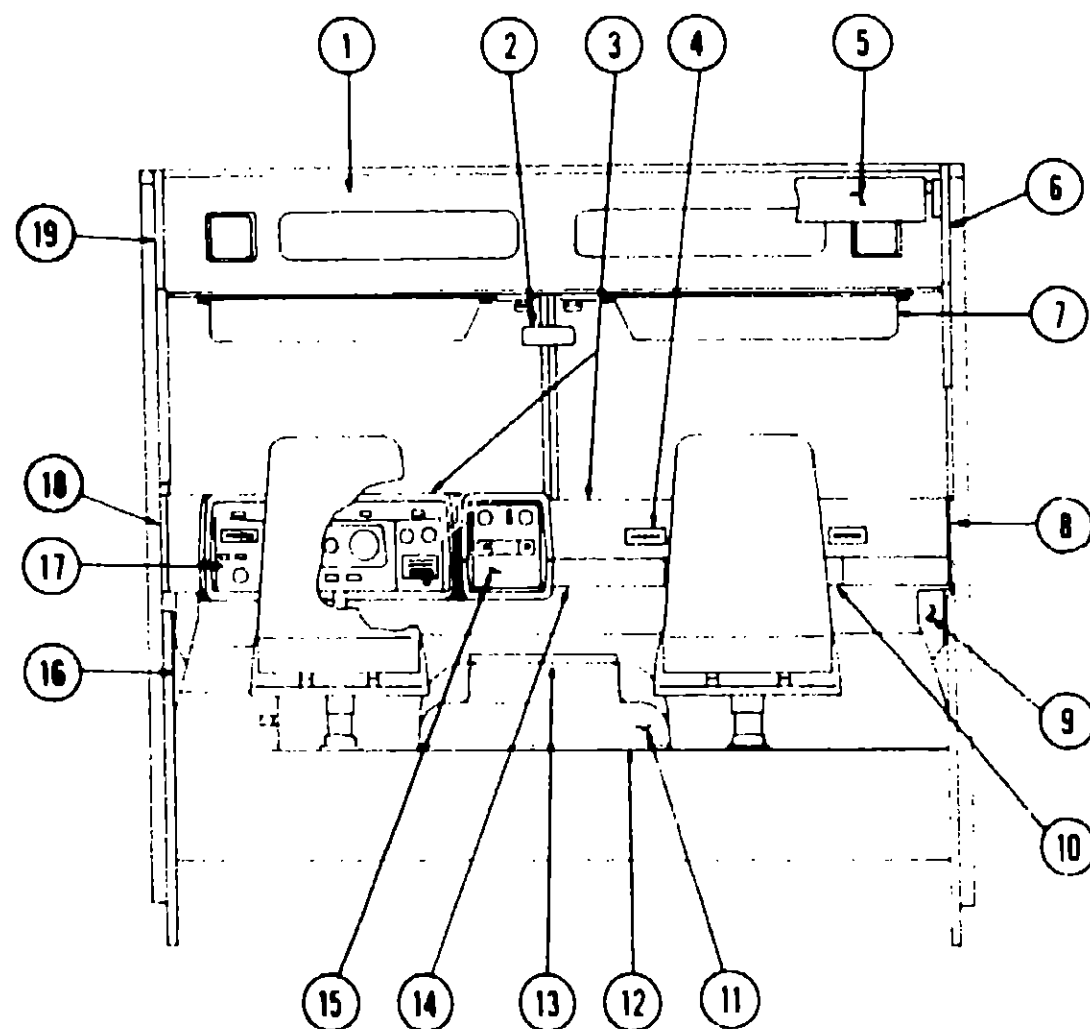
1984 WINNEBAGO TABLE OF CONTENTS

Introduction	A-01
Abbreviations	A-01
Alphabetical Index	A-02 - A-04
WC424RC	A-05 - C-16
WCN22RC	C-17 - F-06
WCN27RU	F-07 - H-20
WCN33RU	H-21 - K-08

1984 WCN22RC INDEX

Floor Plan	C-17 - C-18
Accessories Group	C-19 - C-21
Bath Group	C-22 - C-23
Chassis Group	C-24 - D-01
Curtain, Cushion & Pad Group	D-02 - D-06
Dinette Group	D-09 - D-10
Driver's Compartment Group	D-11 - D-13
Electrical Group	D-14 - D-16
Exterior Body Group	D-17 - E-01
Galley Group	E-02 - E-04
Heating & Air Conditioning Group	E-05 - E-06
Interior Finish Group	E-07 - E-10
LP Group	E-11
Lounge Group	E-12
Water & Sewage Group	E-13 - E-14
Window, Vent & Exterior Door Group	E-15 - F-06

DRIVER'S COMPARTMENT GROUP



MISCELLANEOUS DRIVER'S COMPARTMENT COMPONENTS

Key	Part Number	U/M	Description
1	074637-01-R07	EA	Cabinet Asm. - Front Overhead
2	040714-01-700	EA	Mirror Kit/Rear View - w/Button Support
**3	M01113-07-000	EA	Dash Asm. - Complete - w/Gauges & Switches (w/o Clock)
**3	M01113-09-000	EA	Dash Asm. - Complete - w/Gauges & Switches (w/o Clock) - Diesel
.	038846-01-000	EA	Retainer - Dash - 1" x 25" - w/ 188" Dia Hole
.	038846-02-000	EA	Retainer - Dash - 3" x 17" - w/ 140" Dia Hole
.	022548-04-000	EA	Pad - Dash - Right - Dark Brown
.	023z-2-06-000	EA	Pad - Dash - Left - Dark Brown
.	024990-02-000	EA	Outlet - Defroster w/Swivel - 2" Dark Brown
4	039044-01-000	EA	Louver Asm. - A/C Adjustable
5	076184-01-R07	EA	Bunk Board Asm. - Front Overhead - w/Beige Rails
6	074211-01-P01	EA	Pad Asm. - Front Side Overhead - Right - Beige Vinyl
7	075588-01-P01	EA	Sunvisor Asm. - Right & Left - Beige Vinyl
.	040695-02-000	EA	Clip - Sunvisor
.	074012-01-000	EA	Clip - Sunvisor - Square - Pinch On
.	061350-03-000	EA	Windshield Trim - Interior - "A" Post - Light Oak Plastic - Right
.	061350-04-000	EA	Windshield Trim - Interior - "A" Post - Light Oak Plastic - Left
8	059414-04-000	EA	Pad - Sidewall Trim - Passenger - Beige Vinyl
9	072811-01-000	EA	Panel - Side - Passenger - Light Oak Plastic
.	059467-04-N07	EA	Pad - Map Pocket - Passenger - Beige Vinyl
10	022219-01-000	EA	Glove Compartment Door
.	023892-01-000	EA	Glove Compartment Box - Black Fiberboard
.	009118-01-000	EA	Glove Compartment Twist Lock
.	024598-01-000	EA	Glove Compartment Hinge - 1 1/16" x 19"
.	034309-01-000	EA	Glove Compartment Chain - Door
11	067213-03-000	EA	Engine Cover - Fiberglass

DRIVER'S COMPARTMENT GROUP (CONTINUED)

MISCELLANEOUS DRIVER'S COMPARTMENT COMPONENTS (CONT)

Key	Part Number	U/M	Description
12	035368-05-000	EA	Seal - Engine Cover - Alum. - Beige
.	039623-01-000	FT	Seal - Cover - Engine - Neoprene
.	052783-04-000	EA	Seal - Cover - Engine - Upper - Beige
.	039857-01-000	EA	Latch - Rubber - Draw Handle - 5 3/4" w/Strike
.	039856-01-000	EA	Latch - Rubber - Draw Handle - 3" w/Strike
.	042541-01-000	EA	Latch Asm. - w/Strike - Chrome
13	071714-04-000	EA	Beverage Tray Asm.
14	023834-01-000	EA	Panel - Knee Kick - Bottom of Dash
15	076006-01-000	EA	Bezel - Entertainment Center - Blank
.	007308-01-000	EA	Dash Clock
16	059198-05-000	EA	Panel - Side - Driver - Light Oak Plastic
16	064499-02-000	EA	Panel - Side Driver's Door - Inner - Light Oak Plastic
.	059467-03-N07	EA	Pad - Map Pocket - Driver - Beige Vinyl
.	050796-01-000	EA	Pocket - Ash Tray - Plastic
.	050797-01-000	EA	Ash Tray - Plastic
.	046886-01-000	EA	Ash Tray Asm. - Flush Mount - Chrome
17	039847-06-000	EA	Bezel - Control Panel
.	052367-01-000	EA	Cigarette Lighter Asm. - 12 Volt
.	007041-01-000	EA	Bezel - Cigarette Lighter
.	061424-01-000	EA	Lamp Asm. - Map/Gauge
.	061400-03-000	EA	Assist Strap - 12" - Medium Almond
18	059414-03-000	EA	Pad - Sidewall Trim - Driver - Beige Vinyl
19	074210-02-P01	EA	Pad Asm. - Front Overhead Cabinet - Left - Beige Vinyl
19	074210-01-P01	EA	Pad Asm. - Front Overhead Cabinet - Driver's Door - Beige Vinyl
.	040519-01-000	EA	Boot - Rubber Steering Column
.	040520-01-000	EA	Boot Retainer - Steering Column
.	054250-01-000	EA	Support - Dimmer Switch - w/o Holes
.	024849-01-000	EA	Damper Asm. - Fresh Air
.			Not illustrated
**			NOTE To be special ordered only

FRONT BUNK & HARDWARE

Key	Part Number	U/M	Description
	074637-01-P01	EA	Cabinet Asm. - Front Overhead
	076184-01-R07	EA	Bunk Board Asm. - Front Overhead - w/Beige Rails
	053773-01-000	EA	Support - Overhead Bunk - Right - Brown
	053773-02-000	EA	Support - Overhead Bunk - Left - Brown
	040071-02-000	EA	Support - Bunk - Seat Belt
	039516-04-000	EA	Catch - Bunk - Beige
	023812-28-000	EA	Rail - Bunk - 77 1" - Beige
	053774-04-000	EA	Torsion Rod - Overhead Bunk - Brown
	074211-01-P01	EA	Pad Asm. - Front Side Overhead - Right - Beige Vinyl
	074210-02-P01	EA	Pad Asm. - Front Side Overhead - Left - Beige Vinyl
	074210-01-P01	EA	Pad Asm. - Front Side Overhead - Driver's Door - Beige Vinyl
	048394-01-000	YD	Tape Hook - 1" x 25 YD - Beige
	048395-01-000	YD	Tape Loop - 1" x 25 YD - Beige
	007021-01-000	EA	Belt Asm. - Seat - 2" x 90" - Black
	041322-01-000	EA	Washer - Flat - 15/32" I D x 2 3/8" O D - Seat Belt

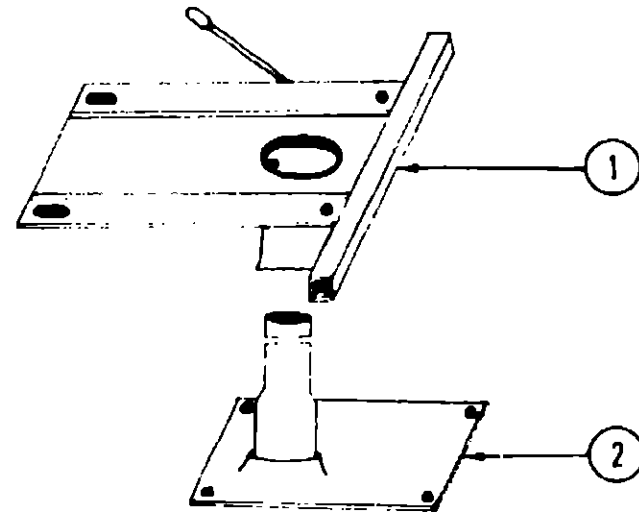
1984 WINNEBAGO TABLE OF CONTENTS

Introduction	A-01
Abbreviations	A-01
Alphabetical Index	A-02 - A-04
WC424RC	A-05 - C-16
WCN22RC	C-17 - F-06
WCN27RU	F-07 - H-20
WCN33RU	H-21 - K-08

1984 WCN22RC INDEX

Floor Plan	C-17 - C-18
Accessories Group	C-19 - C-21
Bath Group	C-22 - C-23
Chassis Group	C-24 - D-01
Curtain, Cushion & Pad Group	D-02 - D-08
Dinette Group	D-09 - D-10
Driver's Compartment Group	D-11 - D-13
Electrical Group	D-14 - D-16
Exterior Body Group	D-17 - E-01
Galley Group	E-02 - E-04
Heating & Air Conditioning Group	E-05 - E-06
Interior Finish Group	E-07 - E-10
LP Group	E-11
Lounge Group	E-12
Water & Sewage Group	E-13 - E-14
Window Vent & Exterior Door Group	E-15 - F-06

DRIVER'S COMPARTMENT GROUP (CONTINUED)



BUCKET SEAT PEDESTAL & SEAT BELTS

Key	Part Number	U/M	Description
1	069585-04-000	EA	Plate - Top - Pedestal Asm. - Single - Bucket Seat
1	069585-10-000	EA	Plate - Top - Pedestal Asm. - Double Bucket Seat
2	069585-08-000	EA	Plate - Sub - Pedestal Asm. - Bucket Seat
.	069585-05-000	EA	Hardware Kit - Bolt/Acorn Nut - 4 ea. - Pedestal Asm
.	056271-02-000	EA	Belt Asm - Seat - 2" x 72" - Black
.	007019-01-000	EA	Belt Asm - Seat - 2" x 84" - Black
.	007021-01-000	EA	Belt Asm. - Seat - 2" x 90" - Black
.	041322-01-000	EA	Washer - Flat 15/32" I D x 2 3/8" O D - Seat Belt
.	069246-01-000	EA	Adjuster Asm - Seat - w/Lock
.	069246-02-000	EA	Adjuster Asm - Seat - w/o Lock
.	068601-01-000	EA	Recliner Drive - Single Bucket - Driver
.	058601-02-000	EA	Recliner Drive - Single Bucket - Passenger
.	068601-06-000	EA	Recliner Drive - Double Bucket - Driver
.	068601-07-000	EA	Recliner Drive - Double Bucket - Passenger
.	068601-05-700	EA	Hand Wheel Kit - Recliner Drive
.			Not illustrated

DASH SWITCHES & GAUGES

Key	Part Number	U/M	Description
	024461-01-000	EA	Switch - Battery
	024462-01-000	EA	Switch - Battery Condition
	024464-01-000	EA	Switch - Washer
	024467-01-000	EA	Switch - Wiper
	024976-01-000	EA	Switch - Generator w/o Circuit Board
	024459-03-000	EA	Gauge - Voltmeter
	024460-03-000	EA	Gauge - Vacuum
	031035-01-000	EA	Gauge - Generator Hourmeter
	072341-01-701	EA	Control Asm. - Heater A/C - A.R.A
	074007-01-000	EA	Switch - Intermittent - Windshield Wiper
	072363-01-000	EA	Water Detector Probe - Fuel Line (Diesel)
	072364-01-000	EA	Water Detector Module - Fuel Line (Diesel)

ELECTRICAL GROUP

BULBS

Key	Part Number	U/M	Description
	008220-01-000	EA	Bulb - 12V - 25W
	008103-01-000	EA	Bulb - 53
	008213-01-000	EA	Bulb - 57
	008214-01-000	EA	Bulb - 67
	036196-01-000	EA	Bulb - 194
	008215-01-000	EA	Bulb - 1003
	067479-01-000	EA	Bulb - 1076 - 12V - 1.80 Amp
	063914-01-000	EA	Bulb - 1139
	008218-01-000	EA	Bulb - 1141
	037935-01-000	EA	Bulb - 1157

FUSES & CIRCUIT BREAKER

Key	Part Number	U/M	Description
	056473-02-000	EA	Fuse - Slow Blow - 5 Amp. - 32 Volt Capacity
	056473-01-000	EA	Fuse - Slow Blow - 6 1/4 Amp.
	008233-01-000	EA	Fuse - 6 Amp. - 12 Volt
	008234-01-000	EA	Fuse - 10 Amp - 12 Volt
	046895-01-000	EA	Fuse - 13 Amp - 12 Volt
	008235-01-000	EA	Fuse - 15 Amp - 12 Volt
	008236-01-000	EA	Fuse - 20 Amp. - 12 Volt
	008248-01-000	EA	Fuse - 30 Amp. - 110 Volt - AGU
	008252-01-000	EA	Fuse - 50 Amp - 110 Volt
	062901-02-000	EA	Fuse - 5 Amp. - Automotive
	062901-05-000	EA	Fuse - 15 Amp - Automotive
	008211-01-000	EA	Circuit Breaker - 6 Amp. - 12 Volt
	008208-01-000	EA	Circuit Breaker - 40 Amp - 12 Volt
	033573-02-000	EA	Circuit Breaker - 15 Amp - 12 Volt - w/Mount
	033573-01-000	EA	Circuit Breaker - 20 Amp - 12 Volt - w/Mount
	008268-01-000	EA	Circuit Breaker - 30 Amp - 12 Volt - w/Mount
	040051-01-000	EA	Circuit Breaker - 20 Amp - 110 Volt - TQL
	008297-01-000	EA	Circuit Breaker - 120 Amp - TQL
	008293-01-000	EA	Circuit Breaker - 130 Amp. - TQL
	075735-02-000	EA	Circuit Breaker - 15 Amp - 120 Volt (Ground Fault Interrupter)
	071279-05-000	EA	Circuit Breaker - 20 Amp. - 120 Volt
	071279-04-000	EA	Circuit Breaker - 30 Amp. - 120 Volt
	071279-02-000	EA	Circuit Breaker - 15/15 Amp - 120 Volt
	071279-03-000	EA	Circuit Breaker - 15/20 Amp. - 120 Volt
	071279-01-000	EA	Circuit Breaker - 15/30 Amp - 120 Volt
	071279-06-000	EA	Circuit Breaker - 30/15 Amp - 120 Volt
	071280-01-000	EA	Circuit Breaker Blank

**1984 WINNEBAGO
TABLE OF CONTENTS**

Introduction	A-01
Abbreviations	A-01
Alphabetical Index	A-02 - A-04
WC424RC	A-05 - C-16
WCN22RC	C-17 - F-06
WCN27RU	F-07 - H-20
WCN33RU	H-21 - K-08

1984 WCN22RC INDEX

Floor Plan	C-17 - C-18
Accessories Group	C-19 - C-21
Bath Group	C-22 - C-23
Chassis Group	C-24 - D-01
Curtain, Cushion & Pad Group	D-02 - D-08
Dinette Group	D-09 - D-10
Driver's Compartment Group	D-11 - D-13
Electrical Group	D-14 - D-16
Exterior Body Group	D-17 - E-01
Galley Group	E-02 - E-04
Heating & Air Conditioning Group	E-05 - E-06
Interior Finish Group	E-07 - E-10
LP Group	E-11
Lounge Group	E-12
Water & Sewage Group	E-13 - E-14
Window, Vent & Exterior Door Group	E-15 - F-06

ELECTRICAL GROUP (CONTINUED)

WIRE, SWITCHES & RECEPTACLES

Key	Part Number	U/M	Description
	008058-01-000	EA	Adapter - Power Cord
	008288-01-000	EA	Box - Electrical - 3" x 3.5" - Plastic
	008289-01-000	EA	Box - Electrical - 4" x 4" - 1/2 & 3/4 - Steel - UL
	008289-02-000	EA	Box - Electrical - 4" x 4" - 1/2 & 3/4 - Steel - CSA
	058049-01-000	EA	Box - Electrical - 2" x 3" x 2.25" - Steel
	041953-01-000	EA	Conduit - Convoluted Slit - .5" I.D.
	008353-01-000	EA	Connector - Clamping - 3/8 Cable - UL & CSA
	058028-01-000	EA	Connector - Pigtail - Clear Nylon
	008314-01-000	EA	Connector - Wire Nut - Gray
	008311-01-000	EA	Connector - Wire Nut - Red
	031968-01-000	EA	Contact Plug - Brass - Tin Plated
	008054-01-000	EA	Cord - Power - 10-3 30 Amp - 25' - UL
	008052-01-000	EA	Cord - Power - 10-3 30 Amp - 25' - CSA
	069238-01-000	EA	Cover - Electrical Box - 4" x 4"
	058048-01-000	EA	Cover - Electrical Box - 4 5" x 2.75" - Rain Tight (Exterior)
	024571-03-000	EA	Cover Plate - Receptacle - Jumbo - Brown Plastic
	024571-04-000	EA	Cover Plate - Receptacle - Jumbo - Ivory Plastic
	008164-01-000	EA	Cover Plate - Switch - Brown
	008294-01-000	EA	Cover - Flat Blank - 4" x 4" - Steel - US
	008294-02-000	EA	Cover - Flat Blank - 4" x 4" - Steel - CSA
	008250-01-000	EA	Fuse Holder - In Line - 10 Amp
	008250-02-000	EA	Fuse Holder - In Line - 15 Amp
	008277-01-000	EA	Fuse Holder - Panel Mount - Black
	064399-01-000	EA	Housing Asm - Trailer Pin
	064450-01-000	EA	Housing Asm - Trailer Plug
	064398-01-000	EA	Housing Asm - Trailer Receptacle
	054532-01-000	EA	Housing Pin - 6 Position
	046885-01-000	EA	Plaque - Mounting Switch
	075736-01-000	EA	Receptacle/Cover Asm - Gray (Exterior)
	058708-01-000	EA	Receptacle - Duplex - Brown
	008157-01-000	EA	Receptacle - Duplex - Brown (Exterior Backwall)
	058708-02-000	EA	Receptacle - Duplex - Ivory
	053126-01-000	EA	Receptacle - Ground Fault Interrupter - 125 Volt - Ivory
	024924-02-000	EA	Receptacle - Power Cord
	058707-01-000	EA	Receptacle - Single - Brown
	063912-01-000	EA	Relay - Canister SPDT - w/Ground
	008162-01-000	EA	Switch - Double Toggle - Brown
	056264-01-000	EA	Switch - Leaf Actuator
	008195-01-000	EA	Switch - Push Button - 12 Volt
	041250-01-000	EA	Switch - Push Button - Door - On/Off
	008163-01-000	EA	Switch - Toggle - Brown
	006050-01-000	EA	TV Jack - Ivory
	047443-02-000	EA	Terminal - 250 Receptacle - 12-10 AWG
	035417-01-000	EA	Terminal - Pin Receptacle - .125 Dia
	008348-01-000	EA	Terminal Ring - 2 - w/3/8" Stud
	008331-01-000	EA	Terminal Ring - 4 - w/3/8" Stud
	008328-01-000	EA	Terminal Ring - 12/10 Wire
	008028-01-000	FT	Wire - 18 5 Bonded - Blue/Red/Yellow/Orange/White
	008024-01-000	FT	Wire - 18 5 Bonded - Orange/White/Yellow/Blue/Brown
	008025-01-000	FT	Wire - 18 5 Bonded - Orange/White/Yellow/Blue/Green
	008026-01-000	FT	Wire w/Ground - Romex - 12/2

ELECTRICAL GROUP (CONTINUED)

EXTERIOR LIGHTS

Key	Part Number	U/M	Description
	058030-01-000	EA	Tail Lamp Asm - 3 Bulb - Chrome - Right
	058030-02-000	EA	Tail Lamp Asm - 3 Bulb - Chrome - Left
	059036-01-000	EA	Bracket - Tail Lamp
	059540-01-000	EA	Bracket - License Plate
	062742-04-000	EA	Wedge - Tail Lamp w/License Plate - Off White - Left
	062740-04-000	EA	Wedge - Tail Lamp - Off White - Right
	042405-03-000	EA	Base - Rectangular Clearance Light
	042405-01-000	EA	Lens - Clearance Light - Red w/Reflex
	042405-04-000	EA	Lens - Clearance Light - Red w/o Reflex
	042405-02-000	EA	Lens - Clearance Light - Amber w/Reflex
	042405-05-000	EA	Lens - Clearance Light - Amber w/o Reflex
	008089-01-000	EA	Light - Porch - Recessed
	058330-01-000	EA	Lamp Asm - Parking
	058330-02-000	EA	Socket Asm - Parking Lamp w/Wire

INTERIOR LIGHTS

Key	Part Number	U/M	Description
	033508-02-000	EA	Light - Dome - Ivory - 1 Bulb - US
	033508-03-000	EA	Light - Dome - Ivory - 1 Bulb - CSA
	033509-02-000	EA	Light - Dome - Ivory - 2 Bulb - US
	033509-03-000	EA	Light - Dome - Ivory - 2 Bulb - CSA
	061424-01-000	EA	Light - 12 V Receptacle - Aisle - IP
	007309-01-000	EA	Light - Step Well
	072353-01-000	EA	Light - Reading - Single - 360° Swivel - Silver
	072353-04-000	EA	Light - Reading - Double - 360° Swivel - w/Auxiliary Remote Control Switch - Silver

WINDSHIELD WIPER & WASHER

Key	Part Number	U/M	Description
	056000-02-000	EA	Washer Asm - Windshield - w/o Nozzels
	057474-01-000	EA	Wiper Asm
	057653-01-000	EA	Arm - Windshield Wiper - 18" - Black
	067191-02-000	EA	Motor Asm - Windshield Wiper - 2 Speed
	067192-01-000	EA	Link Asm - Connecting - Left
	057193-01-000	EA	Link Asm - Connecting - Right
	049464-03-000	EA	Blade - Windshield Wiper - 20" Black
	067190-01-000	EA	Shaft & Pivot Asm
	The illustrated parts breakdown for this item is provided on the Common Items Fiche		

MISCELLANEOUS ELECTRICAL COMPONENTS

Key	Part Number	U/M	Description
	047338-03-000	EA	Isolator - Dual Battery - 70 Amp
	008188-01-000	EA	Solenoid - Dual Battery - Relay
	071278-01-000	EA	Control Center - 32 Amp
	039950-01-702	EA	Circuit Board - Control Center
	052367-01-000	EA	Lighter Asm - Cigarette

1984 WINNEBAGO TABLE OF CONTENTS

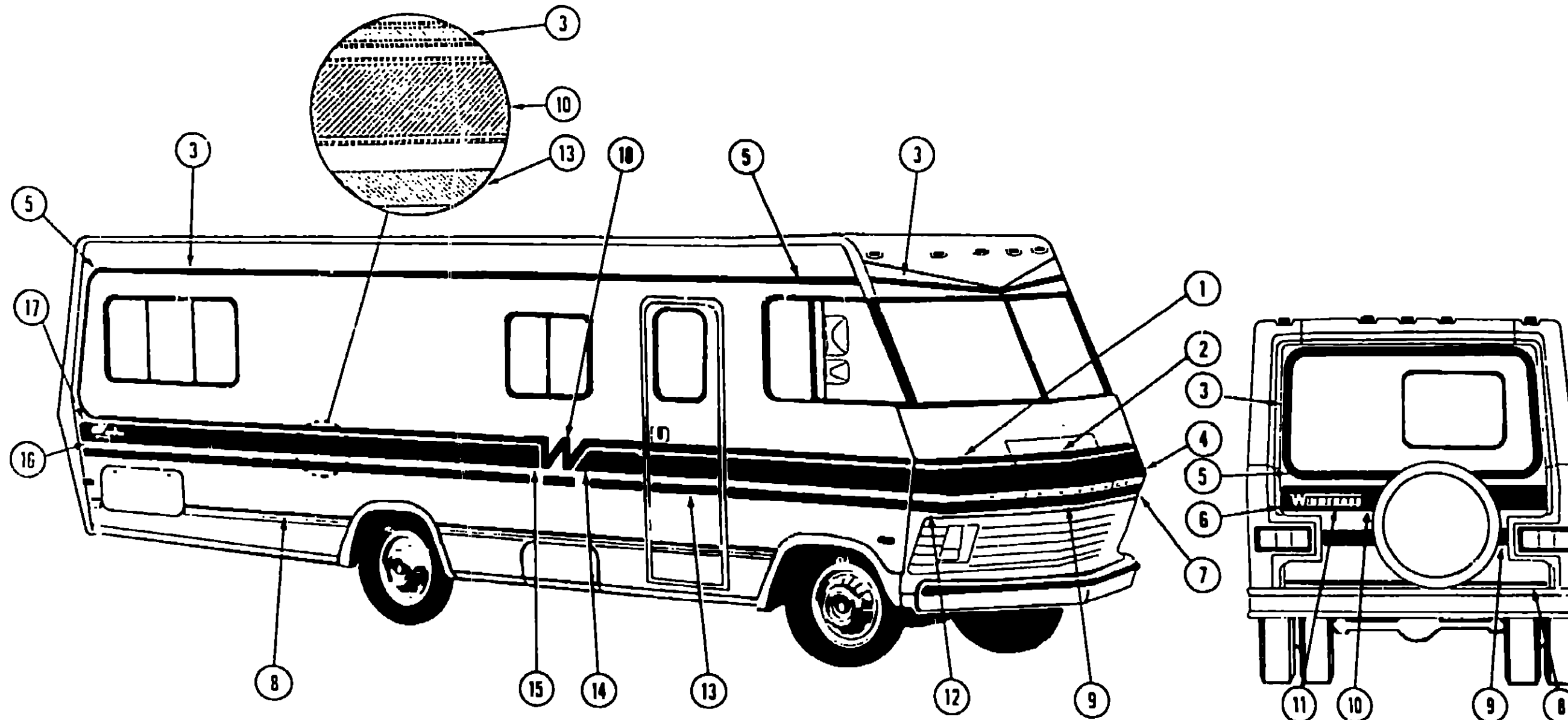
Introduction	A-01
Abbreviations	A-01
Alphabetical Index	A-02 - A-04
WC424RC	A-05 - C-16
WCN22RC	C-17 - F-06
WCN27RU	F-07 - H-20
WCN33RU	H-21 - K-03

1984 WCN22RC INDEX

Floor Plan	C-17 - C-18
Accessories Group	C-19 - C-21
Bath Group	C-22 - C-23
Chassis Group	C-24 - D-01
Curtain, Cushion & Pad Group	D-02 - D-08
Dinette Group	D-09 - D-10
Driver's Compartment Group	D-11 - D-13
Electrical Group	D-14 - D-16
Exterior Body Group	D-17 - E-01
Galley Group	E-02 - E-04
Heating & Air Conditioning Group	E-05 - E-06
Interior Finish Group	E-07 - E-10
LP Group	E-11
Lounge Group	E-12
Water & Sewage Group	E-13 - E-14
Window, Vent & Exterior Door Group	E-15 - F-06

EXTERIOR BODY GROUP

DECALS



Key	Part Number	U/M	Description
1	073728-07-000	EA	Decal - Corner - Right - Medium Blue Metallic/Dark Brown Metallic
1	073728-09-000	EA	Decal - Corner - Right - Light Brown Metallic/Dark Brown Metallic
1	073728-03-000	EA	Decal - Corner - Right - Burgundy Metallic/Dark Brown Metallic
2	073727-04-000	EA	Decal - Hood - Medium Blue Metallic/Dark Brown Metallic
2	073727-05-000	EA	Decal - Hood - Light Brown Metallic/Dark Brown Metallic
2	073727-02-000	EA	Decal - Hood - Burgundy Metallic/Dark Brown Metallic
3	069245-08-000	FT	Film - Multi-Stripe - 1 69" x 150" - Dark Brown Metallic
4	073728-08-000	EA	Decal - Corner - Left - Medium Blue Metallic/Dark Brown Metallic
4	073728-10-000	EA	Decal - Corner - Left - Light Brown Metallic/Dark Brown Metallic
4	073728-04-000	EA	Decal - Corner - Left - Burgundy Metallic/Dark Brown Metallic
5	073718-01-000	EA	Decal - 180° Turn - Dark Brown Metallic
6	073722-04-000	EA	Decal - End Cap - 6" - Left or Right - Medium Blue Metallic
6	073722-05-000	EA	Decal - End Cap - 6" - Left or Right - Light Brown Metallic
6	073722-02-000	EA	Decal - End Cap - 6" - Left or Right - Burgundy Metallic
7	073726-02-000	EA	Decal - Corner Stripe - Bottom - Left - Dark Brown Metallic
8	041273-74-000	FT	Decal - Striping - 1" - Medium Blue Metallic
8	041273-75-000	FT	Decal - Striping - 1" - Light Brown Metallic
8	041273-60-000	FT	Decal - Striping - 1" - Burgundy Metallic
9	041273-63-000	FT	Decal - Striping - 2 69" - Dark Brown Metallic
10	069245-13-000	FT	Film - Multi-Stripe - 6" x 150" - Medium Blue Metallic
10	069245-14-000	FT	Film - Multi-Stripe - 6" x 150" - Light Brown Metallic
10	069246-10-000	FT	Film - Multi-Stripe - 6" x 150" - Burgundy Metallic

Key	Part Number	U/M	Description
11	050313-22-000	EA	Decal - "Winnebago" - Rear
12	073726-01-000	EA	Decal - Corner Stripe - Bottom - Right - Dark Brown Metallic
13	041273-62-000	FT	Decal - Striping - 2.5" - Dark Brown Metallic
14	073719-08-000	EA	Decal - W Surround - Right - Medium Blue Metallic
14	073719-10-000	EA	Decal - W Surround - Right - Light Brown Metallic
14	073719-04-000	EA	Decal - W Surround - Right - Burgundy Metallic
15	073719-07-000	EA	Decal - W Surround - Left - Medium Blue Metallic
15	073719-09-000	EA	Decal - W Surround - Left - Light Brown Metallic
15	073719-03-000	EA	Decal - W Surround - Left - Burgundy Metallic
16	050719-02-000	EA	Decal - "Chieftain"
17	073721-07-000	EA	Decal - End Cap - 6" - Right - Medium Blue Metallic
17	073721-09-000	EA	Decal - End Cap - 6" - Right - Light Brown Metallic
17	073721-03-000	EA	Decal - End Cap - 6" - Right - Burgundy Metallic
	073721-08-000	EA	Decal - End Cap - 6" - Left - Medium Blue Metallic
	073721-10-000	EA	Decal - End Cap - 6" - Left - Light Brown Metallic
	073721-04-000	EA	Decal - End Cap - 6" - Left - Burgundy Metallic
18	073725-04-000	EA	Decal - Flying "W" - Dark Brown Metallic
	073724-04-000	EA	Decal - Logo - "22" - Chrome
	069745-03-000	EA	Decal - "Winnie"
	069745-04-000	EA	Decal - "Bago"
	041273-73-000	FT	Decal - Chrome - 19" (Headlamps)
			Not illustrated

1984 WINNEBAGO TABLE OF CONTENTS

Introduction	A-01
Abbreviations	A-01
Alphabetical Index	A-02 - A-04
WC424RC	A-05 - C-16
WCN22RC	C-17 - F-06
WCN27RU	F-07 - H-20
WCN33RU	H-21 - K-08

1984 WCN22RC INDEX

Floor Plan	C-17 - C-18
Accessories Group	C-19 - C-21
Bath Group	C-22 - C-23
Chassis Group	C-24 - D-01
Curtain, Cushion & Pad Group	D-02 - D-08
Dinette Group	D-09 - D-10
Driver's Compartment Group	D-11 - D-13
Electrical Group	D-14 - D-16
Exterior Body Group	D-17 - E-01
Galley Group	E-02 - E-04
Heating & Air Conditioning Group	E-05 - E-06
Interior Finish Group	E-07 - E-10
LP Group	E-11
Lounge Group	E-12
Water & Sewage Group	E-13 - E-14
Window, Vent & Exterior Door Group	E-15 - F-06

EXTERIOR BODY GROUP (CONTINUED)

SEALANTS, ADHESIVES & FASTENERS

Key	Part Number	U/M	Description
	004020-01-000	QT	Adhesive - ABS Cement (Plastic Fittings)
	002337-01-000	EA	Adhesive - 1300 Tube - 3M (Windows)
	004005-02-000	GL	Adhesive - Swifts - Glue (Sidewalls)
	053766-07-000	EA	Bedding Compound - Tube - Beige (Sidewall & Floor)
	053766-06-000	EA	Bedding Compound - Tube - Clear (Windows)
	053766-05-000	EA	Bedding Compound - Tube - Gray (Sidewall & Floor)
	000G54-04-20B	EA	Screw #1/4 - 20 x 1 1/4" PTH - Zinc
	000G54-04-22B	EA	Screw #1/4 - 20 x 1 3/8" PTH - Zinc
	000G53-04-06B	EA	Screw #1/4 - Machine - 20 x 3/8" - PTH - Zinc
	000G13-06-16R	EA	Screw #6 - 20 x 1" PFH - Beige
	000G11-08-16R	EA	Screw #8 - 18 x 1" PFH - Beige
	000G39-08-12R	EA	Screw #8 - 18 x 3/4" SDPH - Beige
	000G39-08-08B	EA	Screw #8 - Self Drilling - 18 x 1/2" PPH - Zinc
	000G39-08-12B	EA	Screw #8 - Self Drilling - 18 x 3/4" PPH - Zinc
	000G39-08-12R	EA	Screw #8 - Self Drilling - 18 x 3/4" PPH - Beige
	000G39-08-16R	EA	Screw #8 - Self Drilling - 18 x 1" PPH - Beige
	000G39-08-16X	EA	Screw #8 - Self Drilling - 18 x 1" PPH - Gray
	000G39-08-16E	EA	Screw #8 - Self Drilling - 18 x 1" PPH - Chrome
	000G64-08-16M	EA	Screw #8 - Self Drilling - 18 x 1" SDPH - Gray
	000G11-10-08D	EA	Screw #10 - 16 x 1/2" PPH - Dark Brown
	000G11-10-12R	EA	Screw #10 - 16 x 3/4" PPH - Beige
	000G11-10-12S	EA	Screw #10 - 16 x 3/4" PPH - Off White
	000G11-10-16B	EA	Screw #10 - 16 x 1" PPH - Zinc
	000G67-10-08B	EA	Screw #10 - 12 x 1/2" PPH - Zinc
	000G67-10-16B	EA	Screw #10 - 12 x 1" PPH - Zinc
	000G67-10-20D	EA	Screw #10 - 12 x 1 1/4" PPH - Zinc
	000G19-10-12B	EA	Screw #10 - Machine - 32 TPI x 3/4"
	000G19-10-20B	EA	Screw #10 - Machine - 32 x 1 1/4" PPH - Zinc
	000G39-10-10R	EA	Screw #10 - Self Drilling - 16 x .62" PPH - Beige
	000G39-12-12E	EA	Screw #10 - Self Drilling - 14 x 3/4" PPH - Chrome
	077967-01-000	EA	Sealant - Acrylic Latex - Tube - Off White (Interior Sealant)
	034552-04-000	EA	Sealant - Silicone - Beige
	034552-02-000	EA	Sealant - Silicone - Clear
	034552-06-000	EA	Sealant - Silicone - Off White
	069637-01-000	EA	Sealant - Weatherban 404 Tube - White (Door Caulk)
	069640-01-000	FT	Sealer Ribbon - .25" Bead x 20'
	069640-02-000	FT	Sealer Ribbon - .5" x .125" x 30'
	069640-03-000	FT	Sealer Ribbon - .75" x .125" x 30'
	069640-04-000	FT	Sealer Ribbon - 2" x .09" x 45'
	069640-05-000	FT	Sealer Ribbon - 2.5" x .09" x 50'
	069640-06-000	FT	Sealer Ribbon - 5/16" Bead x 15'
	002316-01-000	FT	Sealer Tape - 3/32" x 3/8" - White (Window)
	053752-04-000	EA	Seam Sealer - Tube - Aluminum (Roof)
	038886-01-000	EA	Tape - Butyl - .31" x .31" x 148" (Windshield)
	076322-02-000	FT	Tape - Foam - Double Coated - .045" x 1" (Fiberglass Sidewall Seams)
	009200-01-000	EA	Tape - Furnace - 1.5"
	002825-01-000	FT	Weather Stripping (Roof Vent)

EXTERIOR BODY GROUP (CONTINUED)

LABELS & EXTERIOR PAINT

Key	Part Number	U/M	Description
	008383-01-000	EA	Label - Diesel Fuel
	006195-01-000	EA	Label - Electrical Test
	047731-01-000	EA	Label - Emergency Exit
	006199-01-000	EA	Label - Exit - Escape Window
	057467-04-000	EA	Label - Exterior Loading Limit
	064376-01-000	EA	Label - Flying "W" w/Thermo Panel
	061417-01-000	EA	Label - Fuel
	006196-01-000	EA	Label - Gas Test
	054531-01-000	EA	Label - LP Gas Only
	040944-01-000	EA	Label - Open - Entrance Door
	006015-01-000	EA	Label - Patent Motor Home
	056259-01-000	EA	Label - Safety Check List
	006064-01-000	EA	Label - Seat - w/o Seat Belts
	006187-01-000	EA	Label - Sewage
	006006-01-000	EA	Label - Thermo Panel - 2 1/4" x 2 1/4"
	075221-01-000	EA	Label - Trailer Hitch Capacity
	075220-01-000	EA	Label - Warning - Exterior Load Limit
	050225-01-000	EA	Label - Warning - Stove Vent - US
	006188-01-000	EA	Label - Waste Water
	006197-01-000	EA	Label - Water Test
	072863-01-000	EA	Nameplate - Diesel - 6.2L
	006062-01-000	EA	Tag - Electrical - 110 Volt Connection
	006040-01-000	EA	Tag - Gas - Refueling Warning
	044486-03-000	EA	Paint - Beige Acrylic Enamel - 16 oz. Aerosol
	045681-03-000	EA	Paint - Gloss Black - Acrylic Enamel - 16 oz. Aerosol (99 Dupont)

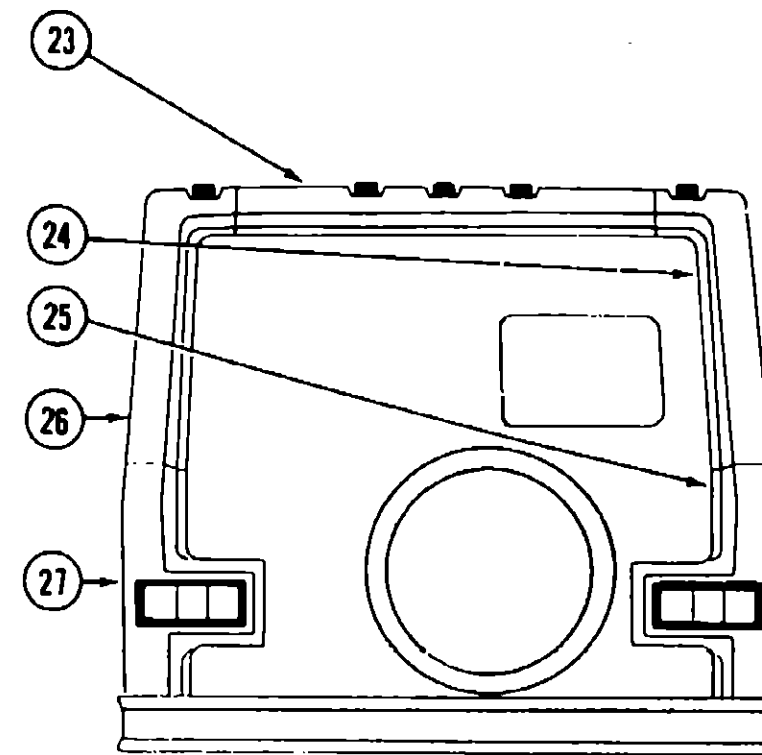
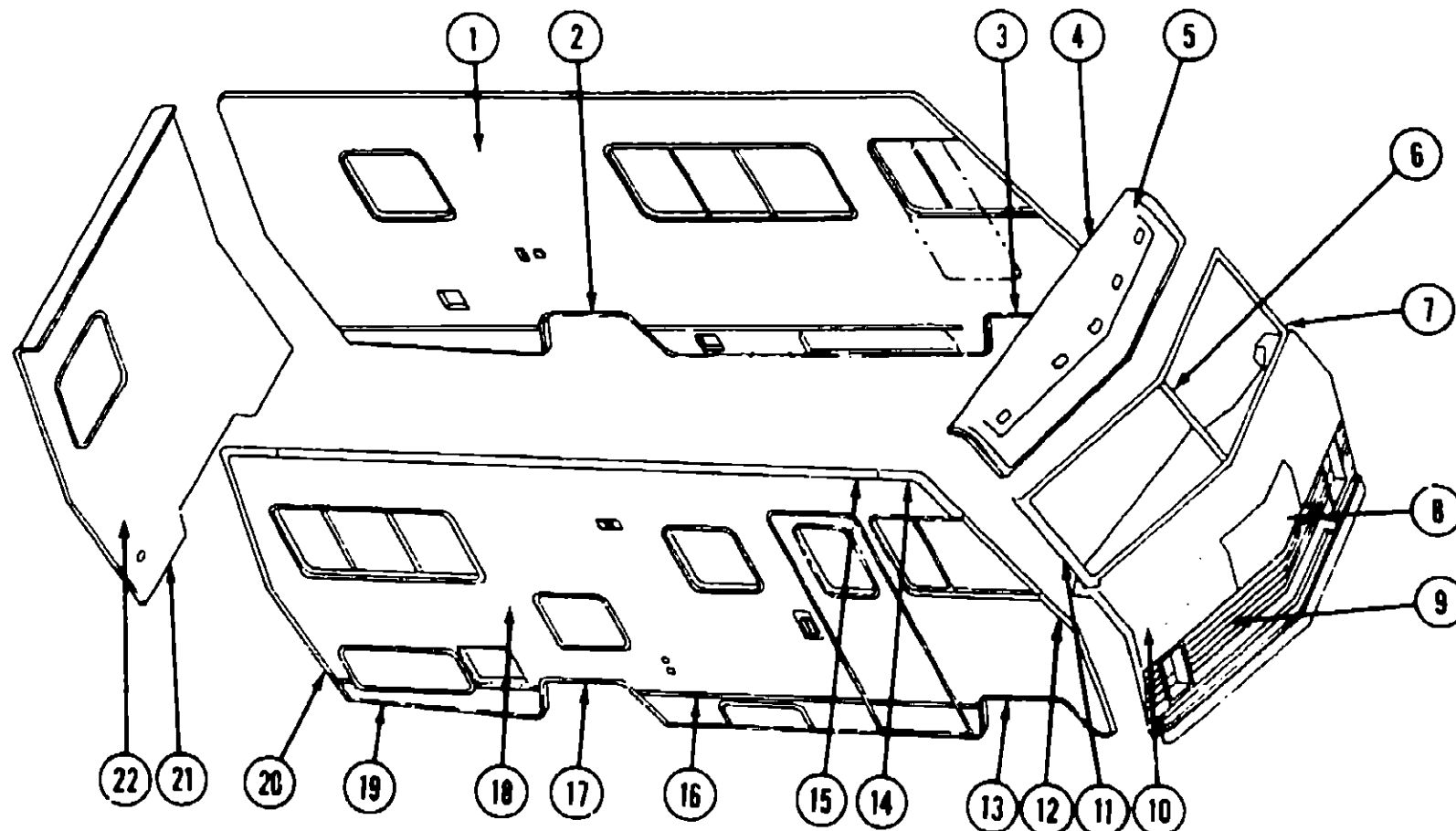
**1984 WINNEBAGO
TABLE OF CONTENTS**

Introduction	A-01
Abbreviations	A-01
Alphabetical Index	A-02 - A-04
WC424RC	A-05 - C-16
WCN22RC	C-17 - F-06
WCN27RU	F-07 - H-20
WCN33RU	H-21 - K-08

1984 WCN22RC INDEX

Floor Plan	C-17 - C-18
Accessories Group	C-19 - C-21
Bath Group	C-22 - C-23
Chassis Group	C-24 - D-01
Curtain, Cushion & Pad Group	D-02 - D-08
Dinette Group	D-09 - D-10
Driver's Compartment Group	D-11 - D-13
Electrical Group	D-14 - D-16
Exterior Body Group	D-17 - E-01
Galley Group	E-02 - E-04
Heating & Air Conditioning Group	E-05 - E-06
Interior Finish Group	E-07 - E-10
LP Group	E-11
Lounge Group	E-12
Water & Sewage Group	E-13 - E-14
Window, Vent & Exterior Door Group	E-15 - F-06

EXTERIOR BODY GROUP (CONTINUED)
ALUMINUM EXTERIOR BODY PANELS



Key	Part Number	U/M	Description
1	M76021-01-R07	EA	Sidewall Asm. - Left
1	M76021-01-R08	EA	Sidewall Asm. - Left
1	M76021-01-R09	EA	Sidewall Asm. - Left
2	058487-03-000	EA	Trim - Wheel Well - Rear - Right or Left
3	073647-01-000	EA	Trim - Wheel Well - Front - Right or Left
4	062396-01-000	EA	Trim - Roof/Front Cap
5	055401-03-000	EA	Cap Asm. - Over Windshield - Beige
6	058288-01-000	EA	Trim - Molding - Windshield - Center
7	058209-01-000	EA	Trim - Contour - Windshield - Left
•	058287-01-000	EA	Trim - Molding - Windshield - Upper & Lower
•	058291-01-000	FT	Molding Edge - Windshield
8	073064-02-000	EA	Access Panel - w/o Hardware - Beige
9	074638-01-000	EA	Grille Asm.
•	070817-03-000	EA	Headlamp Bezel - Driver
•	070817-04-000	EA	Headlamp Bezel - Passenger
•	073651-01-000	EA	Trim - Corner - Grille - Right
•	073651-02-000	EA	Trim - Corner - Grille - Left
10	M01115-05-000	EA	Panel Asm. - Front Shroud - Beige
11	058289-02-000	EA	Trim - Contour - Windshield - Right
•	042743-01-000	EA	Corner Support - Windshield - Lower - Steel
•	042743-02-000	EA	Corner Support - Windshield - Upper - Steel
12	073861-01-000	EA	Trim - Fiberglass Panel - Right - Beige
•	073861-02-000	EA	Trim - Fiberglass Panel - Left - Beige
13	075069-01-000	EA	Trim - Wheel Well - Front Right - Beige Plastic
•	075069-03-000	EA	Trim - Wheel Well - Front Left - Beige Plastic
14	058284-04-000	EA	Trim - Contour - Right - Front Upper - Beige
•	058284-03-000	EA	Trim - Contour - Left - Front Upper - Beige
15	034922-33-000	EA	Trim - Sidewall - Upper - Left or Right - Beige
16	059576-03-000	EA	Feature Strip - Extr. Alum. - 14' - w/o Insert - Brown
•	009731-01-000	EA	End Cap - Feature Strip Insert
•	001030-09-100	EA	Insert - Feature Strip - 17' - Beige
17	075070-01-000	EA	Trim - Wheel Well - Rear Right - Beige Plastic
•	075070-03-000	EA	Trim - Wheel Well - Rear Left - Beige Plastic

Key	Part Number	U/M	Description
18	M76020-01-R07	EA	Sidewall Asm. - Right
18	M76020-01-R08	EA	Sidewall Asm. - Right
18	M76020-01-R09	EA	Sidewall Asm. - Right
•	M76020-03-R07	EA	Sidewall Asm. - Bunk House - Right
•	M76020-03-R08	EA	Sidewall Asm. - Bunk House - Right
•	M76020-03-R09	EA	Sidewall Asm. - Bunk House - Right
19	072839-01-001	EA	Rocker Panels - 216"
20	073502-01-000	EA	Trim - Contour - Right Rear - Beige
•	073502-02-000	EA	Trim - Contour - Left Rear - Beige
21	050406-06-000	EA	Trim - Backwall - Lower
22	075601-01-R07	EA	Backwall Asm. - w/Double Bed
•	075601-03-R07	EA	Backwall Asm. - w/Single Bed
•	076022-01-R07	EA	Roof Asm.
23	M01229-01-000	EA	Trim - Rear - Center Upper - Beige Plastic
24	073654-01-000	EA	Trim - Rear - Upper Right - Beige Plastic
25	073570-01-000	EA	Trim - Rear - Lower Right - Beige Plastic
26	073654-03-000	EA	Trim - Rear - Upper Left - Beige Plastic
27	M73570-03-000	EA	Trim - Rear - w/License Plate Bracket - Lower Left - Beige Plastic
•	072917-02-000	EA	Hood Prop Rod
•	062628-01-000	EA	Clip - Prop Rod
•	072013-01-000	EA	Spring - Access Door Release
•	073340-01-000	EA	Hinge - Access Panel - Right
•	073340-02-000	EA	Hinge - Access Panel - Left
•	074178-01-000	EA	Bracket - Cable Release - Inside
•	072010-01-000	EA	Cable - Release (Access Panel)
•	073611-01-000	EA	Striker - Hood Latch
•	074202-01-000	EA	Latch Hood
•	072011-01-000	EA	Cable Sheath
•	073333-01-000	EA	Bracket - Latch Support
•	073337-01-000	EA	Brace - Latch - Hood
•	062207-01-000	EA	Guard - Headlamp
•	058833-01-000	EA	Bracket - Prop Rod
•	058960-01-000	EA	Bracket - Hinge Arm - Hood
•	058786-02-000	EA	Bolt - Hood Adjusting
•			Not illustrated

1984 WINNEBAGO
TABLE OF CONTENTS

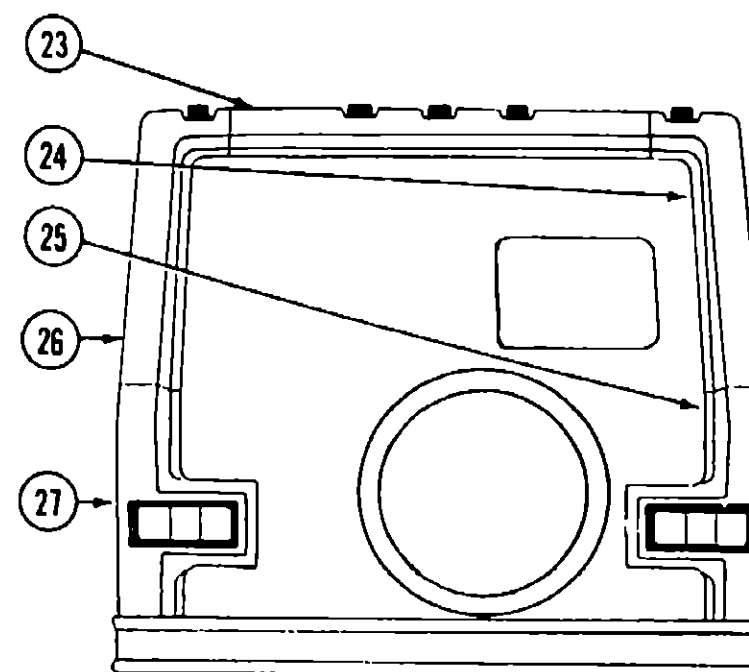
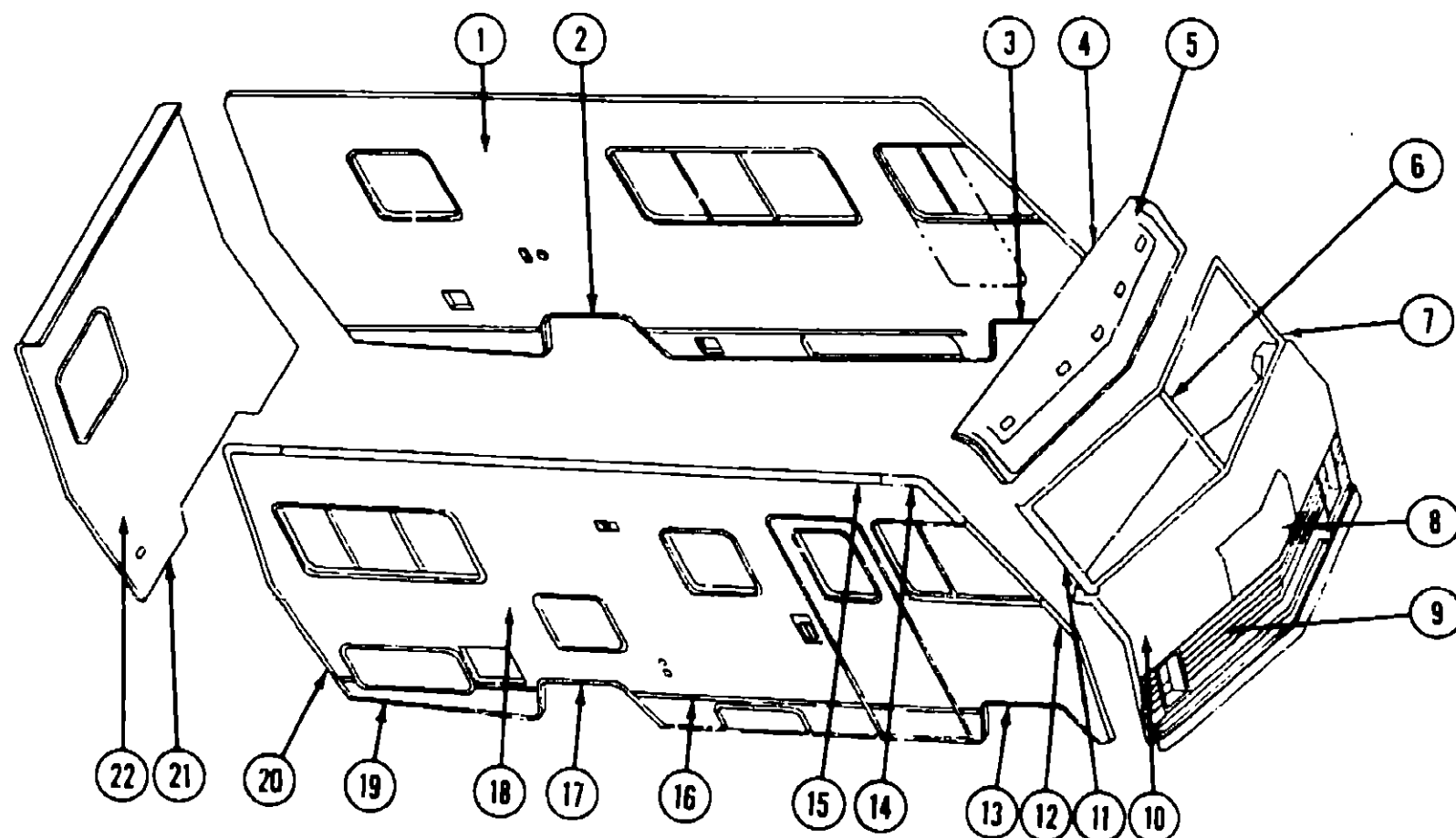
Introduction	A-01
Abbreviations	A-01
Alphabetical Index	A-02 - A-04
WC424RC	A-05 - C-16
WCN22RC	C-17 - F-06
WCN27RU	F-07 - H-20
WCN33RU	H-21 - K-08

1984 WCN22RC INDEX

Floor Plan	C-17 - C-18
Accessories Group	C-19 - C-21
Bath Group	C-22 - C-23
Chassis Group	C-24 - D-01
Curtain, Cushion & Pad Group	D-02 - D-08
Dinette Group	D-09 - D-10
Driver's Compartment Group	D-11 - D-13
Electrical Group	D-14 - D-16
Exterior Body Group	D-17 - E-01
Galley Group	E-02 - E-04
Heating & Air Conditioning Group	E-05 - E-06
Interior Finish Group	E-07 - E-10
LP Group	E-11
Lounge Group	E-12
Water & Sewage Group	E-13 - E-14
Window, Vent & Exterior Door Group	E-15 - F-06

EXTERIOR BODY GROUP (CONTINUED)

FIBERGLASS EXTERIOR BODY PANELS



1984 WINNEBAGO TABLE OF CONTENTS

Introduction	A-01
Abbreviations	A-01
Alphabetical Index	A-02 - A-04
WC424RC	A-05 - C-16
WCN22RC	C-17 - F-06
WCN27RU	F-07 - H-20
WCN33RU	H-21 - K-08

Key	Part Number	U/M	Description
1	M76655-01-R07	EA	Sidewall Asm. - Greyhound - Left
1	M76655-01-R08	EA	Sidewall Asm. - Greyhound - Left
1	M76655-01-R09	EA	Sidewall Asm. - Greyhound - Left
1	M77783-01-R07	EA	Sidewall Asm. - Mesa - Left
1	M77783-01-R08	EA	Sidewall Asm. - Mesa - Left
1	M77783-01-R09	EA	Sidewall Asm. - Mesa - Left
2	058487-03-000	EA	Trim - Wheel Well - Rear - Right or Left
3	073647-01-000	EA	Trim - Wheel Well - Front - Right or Left
4	062396-01-000	EA	Trim - Roof/Front Cap
5	055401-03-000	EA	Cap Asm. - Over Windshield - Beige
6	058288-01-000	EA	Trim Molding - Windshield - Center
7	058289-01-000	EA	Trim - Contour - Windshield - Left
	058287-01-000	EA	Trim - Molding - Windshield - Upper & Lower
	058291-01-000	FT	Molding Edge - Windshield
8	073064-02-000	EA	Access Panel - w/o Hardware - Beige
9	074636-01-000	EA	Grille Asm.
	070817-03-000	EA	Headlamp Bezel - Driver
	070817-04-000	EA	Headlamp Bezel - Passenger
	073651-01-000	EA	Trim - Corner - Grille - Right
	073051-02-000	FA	Trim - Corner - Grille - Left
10	M01115-05-000	EA	Panel Asm. - Front Shroud - Beige
11	058289-02-000	EA	Trim - Contour - Windshield - Right
	042743-01-000	EA	Corner Support - Windshield - Lower - Steel
	042743-02-000	EA	Corner Support - Windshield - Upper - Steel
12	073861-01-000	EA	Trim - Fiberglass Panel - Right - Beige
	073861-02-000	EA	Trim - Fiberglass Panel - Left - Beige
13	075069-01-000	EA	Trim - Wheel Well - Front Right - Beige Plastic
	075069-03-000	EA	Trim - Wheel Well - Front Left - Beige Plastic
14	076598-01-000	EA	Trim - Contour - Right - Front Upper - Beige
	076598-02-000	EA	Trim - Contour - Left - Front Upper - Beige

D-23

Key	Part Number	U/M	Description
15	076610-09-000	EA	Trim - Sidewall - Upper - Left or Right - Beige
16	059576-03-000	EA	Feature Strip - Extr. Alum. - 14' - w/o Insert - Brown
	009731-01-000	EA	End Cap - Feature Strip Insert
	001030-09-100	EA	Insert - Feature Strip - 17' - Beige
17	075070-01-000	EA	Trim - Wheel Well - Rear Right - Beige Plastic
	075070-02-000	EA	Trim - Wheel Well - Rear Left - Beige Plastic
18	M76654-01-R07	EA	Sidewall Asm. - Greyhound - Right
18	M76654-01-R08	EA	Sidewall Asm. - Greyhound - Right
18	M76654-01-R09	EA	Sidewall Asm. - Greyhound - Right
18	M77782-01-R07	EA	Sidewall Asm. - Mesa - Right
18	M77782-01-R08	EA	Sidewall Asm. - Mesa - Right
18	M77782-01-R09	EA	Sidewall Asm. - Mesa - Right
	M76654-03-R07	EA	Sidewall Asm. - Bunk House - Greyhound - Right
	M76654-03-R08	EA	Sidewall Asm. - Bunk House - Greyhound - Right
	M76654-03-R09	EA	Sidewall Asm. - Bunk House - Greyhound - Right
	M77782-03-R07	EA	Sidewall Asm. - Bunk House - Mesa - Right
	M77782-03-R08	EA	Sidewall Asm. - Bunk House - Mesa - Right
	M77782-03-R09	EA	Sidewall Asm. - Bunk House - Mesa - Right
19	072639-01-001	EA	Rocker Panel - 216"
20	073502-01-000	EA	Trim - Right Rear - Beige
	073502-02-000	EA	Trim - Left Rear - Beige
21	050406-06-000	EA	Trim - Backwall - Lower
22	077829-01-R07	EA	Backwall Asm. - w/Double Bed
	077829-03-R07	EA	Backwall Asm. - w/Bunk Bed
	076818-01-R07	EA	Roof Asm.
23	M01229-01-000	EA	Trim - Rear - Center Upper - Beige Plastic
24	073654-01-000	EA	Trim - Rear - Upper Right - Beige Plastic
25	073570-01-000	EA	Trim - Rear - Lower Right - Beige Plastic
26	073654-03-000	EA	Trim - Rear - Upper Left - Beige Plastic
27	M73570-03-000	EA	Trim - Rear - w/License Plate Bracket - Lower Left - Beige Plastic
			Not illustrated

D-24

1984 WCN22RC INDEX

Floor Plan	C-17 - C-18
Accessories Group	C-19 - C-21
Bath Group	C-22 - C-23
Chassis Group	C-24 - D-01
Curtain, Cushion & Pad Group	D-02 - D-08
Dinette Group	D-09 - D-10
Driver's Compartment Group	D-11 - D-13
Electrical Group	D-14 - D-16
Exterior Body Group	D-17 - E-01
Galley Group	E-02 - E-04
Heating & Air Conditioning Group	E-05 - E-06
Interior Finish Group	E-07 - E-10
LP Group	E-11
Lounge Group	E-12
Water & Sewage Group	E-13 - E-14
Window, Vent & Exterior Door Group	E-15 - F-06

EXTERIOR BODY GROUP (CONTINUED)

FIBERGLASS EXTERIOR BODY PANELS (CONT.)

Key	Part Number	U/M	Description
.	072917-02-000	EA	Hood Prop Rod
.	062628-01-000	EA	Clip - Prop Rod
.	072013-01-000	EA	Spring - Access Door Release
.	073340-01-000	EA	Hinge - Access Panel - Right
.	073340-02-000	EA	Hinge - Access Panel - Left
.	074178-01-000	EA	Bracket - Cable Release - Inside
.	072010-01-000	EA	Cable - Release (Access Panel)
.	073811-01-000	EA	Striker - Hood Latch
.	074202-01-000	EA	Latch - Hood
.	072011-01-000	EA	Cable Sheath
.	073333-01-000	EA	Bracket - Latch Support
.	073337-01-000	EA	Brace - Latch - Hood
.	062207-01-000	EA	Guard - Headlamp
.	058833-01-000	EA	Bracket - Prop Rod
.	058960-01-000	EA	Bracket - Hinge Arm - Hood
.	058786-02-000	EA	Bolt - Hood Adjusting
.			Not illustrated

EXTERIOR ALUMINUM & FIBERGLASS SKINS

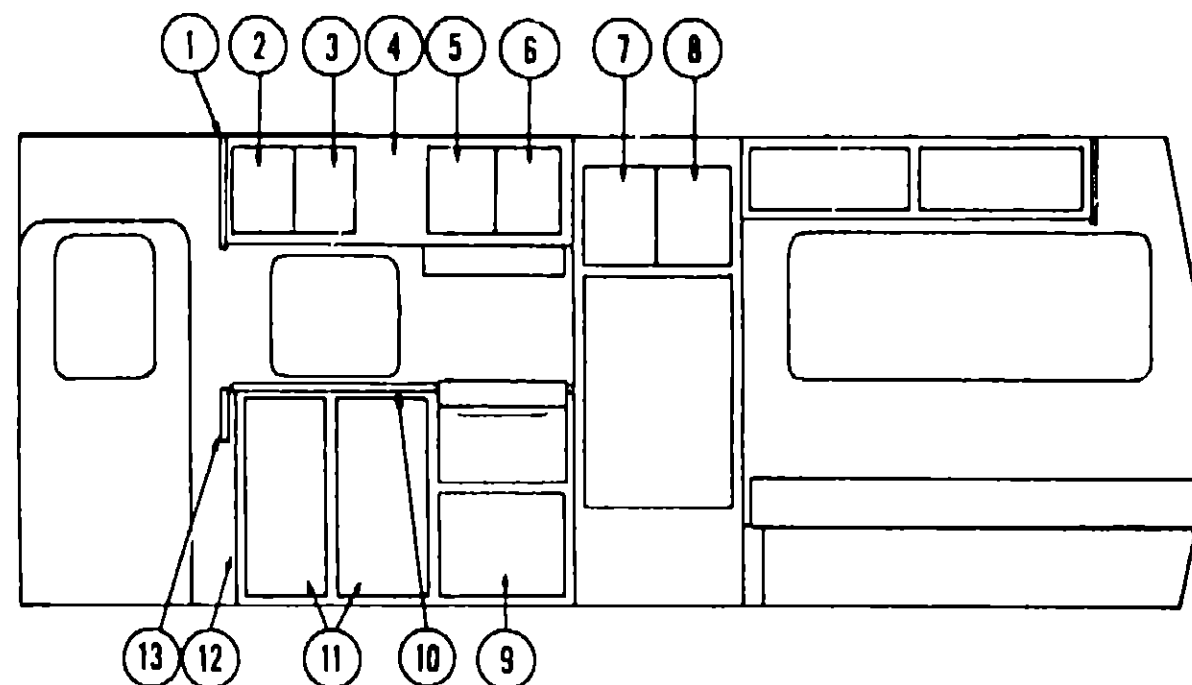
Key	Part Number	U/M	Description
	039155-30-007	EA	Alum. - Mesa II - .024" x 48" x 360" - Beige
	039155-30-003	EA	Alum. - Mesa II - .024" x 36" x 360" - Beige
	039155-30-009	EA	Alum. - Mesa II - .024" x 12" x 360" - Beige
	001018-01-024	EA	Alum. - No Design - 48" x 96" - Beige
	044487-01-001	EA	Alum. - No Design (Roof) - 96" x 360" - Mill Finish
	076054-10-003	EA	Fiberglass - Sheet - 45.75" x 382" - Greyhound - Beige
	077517-10-001	EA	Fiberglass - Sheet - 46.12" x 378" - Mesa - Beige
	077517-10-002	EA	Fiberglass - Sheet - 46.12" x 60" - Mesa - Beige
	000868-01-000	SF	Styrofoam - .75" x 24" - 96"
	000870-01-000	SF	Styrofoam - 1.5" x 24" - 96"
	000870-02-000	SF	Styrofoam - 1.5" x 48" x 96"
	000870-03-000	SF	Styrofoam - 1.34" x 48" x 96"

MISCELLANEOUS EXTERNALLY MOUNTED PARTS

Key	Part Number	U/M	Description
**	011129-01-000	EA	Plumbing Seal - Roof Vent - 1.5"
	048817-01-000	EA	Assist Handle - w/Light
	048817-01-700	EA	Lens - Assist Handle
	010230-03-000	EA	Fill - City Water - Recessed - Beige
	058808-02-000	EA	Water Fill - Lockable - Beige
	072441-01-000	EA	Shroud - Fuel Fill
	063303-04-000	EA	Shroud - Fuel Fill - Lower
	072309-02-000	EA	Shroud - Fill Neck

** The illustrated parts breakdown for this item is provided on the Common Items Fiche.

GALLEY GROUP



1984 WINNEBAGO TABLE OF CONTENTS

Introduction	A-01
Abbreviations	A-01
Alphabetical Index	A-02 - A-04
WC424RC	A-05 - C-16
WCN22RC	C-17 - F-06
WCN27RU	F-07 - H-20
WCN33RU	H-21 - K-08

GALLEY CABINETRY

Key	Part Number	U/M	Description
1	071847-05-R07	EA	Pad Asm. - End Cap - Galley Overhead - Almond Vinyl
2	073521-04-R10	EA	Door Asm. - Galley Overhead - 15.8" x 10.7" - w/o Hardware - Left
3	073521-03-R10	EA	Door Asm. - Galley Overhead - 15.8" x 10.7" - w/o Hardware - Right
4	M76185-01-R07	EA	Cabinet Asm. - Galley Overhead - w/o Doors or Hardware
5	073521-06-R07	EA	Door Asm. - Galley Overhead - 15.8" x 11.6" - w/o Hardware - Left
6	073521-05-R10	EA	Door Asm. - Galley Overhead - 15.8" x 11.6" - w/o Hardware - Right
7	073521-08-R10	EA	Door Asm. - Refrigerator Cabinet - 17.6" x 12.5" - w/o Hardware - Left
8	073521-07-R10	EA	Door Asm. - Refrigerator Cabinet - 17.6" x 12.5" - w/o Hardware - Right
9	072718-04-R10	EA	Door Asm. - Furnace - Galley Cabinet - 15.9" x 22" - w/Gold Mesh
.	072369-03-000	EA	Mesh - Furnace Grille - 17.9" x 6.7" - Gold Aluminum
10	M01462-01-R07	EA	Countertop Asm. - Galley - Almond Loom
11	069852-40-R10	EA	Door Asm. - Galley Cabinet - 14.3" x 33.4" - w/o Hardware
12	M76085-01-R07	EA	Cabinet Asm. - Galley - w/o Countertop, Doors, Drawers or Hardware
13	066529-01-R07	EA	Extension Asm. - Galley - Almond Loom
.	077404-01-000	EA	Drawer - Plastic - 20" x 12.7"
.			Not illustrated

1984 WCN22RC INDEX

Floor Plan	C-17 - C-18
Accessories Group	C-19 - C-21
Bath Group	C-22 - C-23
Chassis Group	C-24 - D-01
Curtain, Cushion & Pad Group	D-02 - D-08
Dinette Group	D-09 - D-10
Driver's Compartment Group	D-11 - D-13
Electrical Group	D-14 - D-16
Exterior Body Group	D-17 - E-01
Galley Group	E-02 - E-04
Heating & Air Conditioning Group	E-05 - E-06
Interior Finish Group	E-07 - E-10
LP Group	E-11
Lounge Group	E-12
Water & Sewage Group	E-13 - E-14
Window, Vent & Exterior Door Group	E-15 - F-06

GALLEY GROUP (CONTINUED)

GALLEY HARDWARE & APPLIANCES

Key	Part Number	U/M	Description
	053424-04-R07	EA	Sink Cover - Large - Almond Loom
	068615-01-000	EA	Sink - Stainless Steel - Double w/Bolts
..	011053-01-000	EA	Faucet - Swing Spout - 8" - US
..	011053-02-000	EA	Faucet - Swing Spout - 8" - CSA
	066437-01-000	EA	Strainer w/Basket - Sink
..	011053-01-700	EA	Aerator - Swing Spout Faucet
	058334-01-000	EA	Wastebasket - 9 3/4" x 7" x 10" - White Rubbermaid
	058478-01-000	EA	Support - Wastebasket - Metal - Door Mount
	064473-02-000	EA	Refrigerator - AC/DC/Gas - Norcold 6' - 776-EG3
	064473-02-700	EA	Cooling Unit (Service Pak)
	064473-02-701	EA	Door Frame
	064473-02-702	EA	Breaker Strip - Left - Bronze
	064473-02-703	EA	Breaker Strip - Right - Bronze
	064473-02-704	EA	Breaker Strip - Top - Bronze
	075217-01-000	EA	Refrigerator - AC/DC/Gas - Norcold 8' - 838-EG3
	075217-01-700	EA	Shelf Asm. - Door - w/Trim
	075217-01-701	EA	Gasket - Door - Freezer
	075217-01-702	EA	Frame Asm. - Door
	075217-01-703	EA	Decor Trim - Top & Bottom
	075217-01-704	EA	Gasket - Door - Refrigerator
	075217-01-706	EA	Cabinet Asm. - Urethane
	075217-01-707	EA	Bulb - Light - DC
	075217-01-708	EA	Lamp Socket
	075217-01-710	EA	Eyebrow Asm.
	075217-01-711	EA	Breaker Strip - Top
	075217-01-713	EA	Crisper Drawer
	075217-01-714	EA	Thermostat Asm.
	075217-01-715	EA	Knob - Thermostat
	075217-01-716	EA	Front Divider Asm.
	075217-01-717	EA	Humidity Switch
	075217-01-718	EA	Light Switch
	075217-01-719	EA	Eyebrow Board
	075217-01-720	EA	Eyebrow
	075217-01-721	EA	Lamp - Indicator - Amber
	075217-01-722	EA	Lamp - Indicator - Green
	075217-01-723	EA	Lamp - Indicator - Red
	075217-01-724	EA	Lamp - Indicator - Blue
	075217-01-725	EA	Rocker Switch - #615258
	075217-01-726	EA	Interface Board
	R77005-81-129	EA	Relay - Glow Plug
	075217-01-728	EA	Cover - Interface Board
	075217-01-729	EA	Fitting - Outlet
	075217-01-730	EA	Gas Valve
	075217-01-731	EA	Nipple
	075217-01-732	EA	Fitting - Inlet
	075217-01-733	EA	Shut-Off Cock
	075217-01-734	EA	Fuse - 3 Amp.
	075217-01-735	EA	Ingrintion Electrode
	075217-01-736	EA	Sensing Electrode
	075217-01-737	EA	Control Module
	075217-01-738	EA	Rocker Switch - #615259
	075217-01-739	EA	Heater
	075217-01-740	EA	Screw #6 - 32 x 2 3/8"
	075217-01-741	EA	Wing - Nut #6 - 32
	075217-01-742	EA	Hex Nut
	075217-01-743	EA	Elbow - 90°
	075217-01-744	EA	Cable - Wiring
	075217-01-745	EA	Liner Asm. - Foamed - Door
	075217-01-746	EA	Baffle Asm.
	075217-01-747	EA	Liner Asm. - Foamed - Lower - Door

GALLEY GROUP (CONTINUED)

GALLEY HARDWARE & APPLIANCES (CONT.)

Key	Part Number	U/M	Description
	075218-01-000	EA	Refrigerator - AC/DC/Gas - Norcold 10' - 8310-EG
	075218-01-700	EA	Gasket - Door - Freezer
	075218-01-701	EA	Gasket - Door - Refrigerator
	075218-01-702	EA	Connector Rod
	075218-01-703	EA	Frame Asm. - Door
	075218-01-704	EA	Cabinet Asm. - Urethane
	075218-01-705	EA	Breaker Strip - Bottom
	075218-01-707	EA	Front Divider Asm.
	075218-01-708	EA	Cable - Wiring
	075218-01-709	EA	Liner Asm. - Foamed - Door
	075218-01-710	EA	Liner Asm. - Foamed - Lower - Door
	054450-01-000	EA	Level - Refrigerator
	075922-01-000	EA	Microwave Oven - Litton - 1450
	075930-01-000	EA	Bracket Asm. - Microwave - Right
	075930-02-000	EA	Bracket Asm. - Microwave - Left
	076253-02-000	EA	Bracket Asm. Microwave - Bottom (2 required)
	075922-03-000	EA	Trim - Ring - Microwave
	075922-04-000	EA	Duct - Air - Exhaust - Microwave
	064782-02-000	EA	Range - 4 Burner - w/Almond Top - Magic Chef - BT18
	064782-02-700	EA	Top - Main - 4 Burner - Almond
	064782-02-701	EA	Deflector Plate - Black
	064782-02-702	EA	Trim - Cabinet - Right - Black
	064782-02-703	EA	Trim - Cabinet - Left - Black
	064782-02-704	EA	Trim - Lower - Outside Glass - Black
	064782-02-705	EA	Handle - Oven Door - Black
	064782-02-706	EA	Trim - Vertical - Black
	064782-02-707	EA	Panel - Manifold
	064782-02-708	EA	Mercury Valve
	749045-01-740	EA	Cover - Range Top - Bifold - Chrome - Magic Chef
..	053333-04-000	EA	Hood - Range - Non-Powered - Almond - CSA
..	053333-05-000	EA	Hood - Range - Non-Powered - Almond - US
	075470-01-000	EA	Hood - Range - w/Monitor - Almond - US
	075470-02-000	EA	Hood - Range - w/Monitor - Almond - CSA
	075470-01-700	EA	Monitor Panel - Sub Asm.
	075470-01-701	EA	Digital Clock - Sub Asm.
	075470-01-702	EA	Switch - On/Off
	075470-01-703	EA	Switch - On - Momentary
	075470-01-704	EA	Switch - On/Off/On - Fan Motor
	075470-01-705	EA	Switch - On/Off/On - Momentary
	075470-01-706	EA	Rivets - Plastic
	075470-01-707	EA	Bulb - #912
	075470-01-708	EA	Panel Asm. - Complete
	075470-03-000	EA	Spacer - Range Hood
	075470-04-000	EA	Duct Extension - Range Hood
	074490-02-R10	EA	Spice Rack - Oak
	074491-02-R10	EA	Magazine Rack - Oak
	074981-01-000	EA	Cutting Board - Maple
	M75569-01-R10	EA	Pantry Asm. w/o Racks
	075451-01-000	EA	Rack - Storage - Canned Goods
	075451-02-000	EA	Clip - Storage - Rack - White
	061604-01-000	EA	Slide Bolt Pantry - Antique Brass
	076097-01-000	EA	Bracket - Catch - Pantry
	076098-01-000	EA	Bracket - Slide - Pantry
	074316-01-000	EA	Slide Asm. - Full Extension - Pantry (Pair)
	009049-01-000	EA	Table - Support - Drop Leaf
	009059-01-000	EA	Hinge - 2" - Gold - Drop Leaf Table
..	052932-01-M10	EA	Hinge Kit - Cabinet Door - Antique Brass
..	057898-01-000	EA	Hidden Latch w/Strike - Cabinet Door
	047744-01-000	EA	Kit - Drawer Guide - Plastic
	072394-01-000	EA	Slide - Drawer - w/Tab - Left
	072394-02-000	EA	Slide - Drawer - w/o Tab - Right
	077409-01-000	EA	Slide - Drawer - 20.75" - Plastic

.. The illustrated parts breakdown for this item is provided on the Common Items Fiche.

**1984 WINNEBAGO
TABLE OF CONTENTS**

Introduction	A-01
Abbreviations	A-01
Alphabetical Index	A-02 - A-04
WC424RC	A-05 - C-16
WCN22RC	C-17 - F-06
WCN27RU	F-07 - H-20
WCN33RU	H-21 - K-08

1984 WCN22RC INDEX

Floor Plan	C-17 - C-18
Accessories Group	C-19 - C-21
Bath Group	C-22 - C-23
Chassis Group	C-24 - D-01
Curtain, Cushion & Pad Group	D-02 - D-08
Dinette Group	D-09 - D-10
Driver's Compartment Group	D-11 - D-13
Electrical Group	D-14 - D-16
Exterior Body Group	D-17 - E-01
Galley Group	E-02 - E-04
Heating & Air Conditioning Group	E-05 - E-06
Interior Finish Group	E-07 - E-10
LP Group	E-11
Lounge Group	E-12
Water & Sewage Group	E-13 - E-14
Window, Vent & Exterior Door Group	E-15 - F-06

HEATING & AIR CONDITIONING GROUP

HEATING & AIR CONDITIONING GROUP (CONTINUED)

AUTOMOTIVE HEATER & AIR CONDITIONER

Key	Part Number	U/M	Description
	072341-01-700	EA	Wheel - w/Retainer & Index Clip - A R A
	072341-01-701	EA	Core - Heater - A R A
	072341-01-702	EA	Coil - Evaporator - A R A
	072341-01-703	EA	Valve - Expansion - A R A
	072341-01-704	EA	Valve - Suction - A R A
	072341-01-705	EA	Switch - Pressure - Low Cut Out - A R A
	072341-01-706	EA	Resistor - A R A
	072341-01-707	EA	Thermostat - A R A
	072341-01-708	EA	Motor - Vacuum - A.R.A.
	072341-01-709	EA	Relay - w/Tab - Bosh - A R A
	072341-01-710	EA	Control Asm. - Heater A/C - A R A
	072341-01-711	EA	Cable - Bowden - 72" - A R A
	072341-01-712	EA	Switch - Vacuum - A R A
	072341-01-713	EA	Switch - Jumper Control - A R A
	072341-01-714	EA	Valve - Heater - Water Flow Control - A R A
	072341-04-000	EA	Heater/Evaporator Asm. - A R A
	072341-05-000	EA	Heater w/o Air Conditioning
	072341-06-000	EA	Duct & Control Kit
	047046-01-000	EA	Motor 12 Volt - 3 Speed - Heater - Air Conditioner
	031043-01-000	EA	Valve - Heater - Water Flow Control
	033860-02-000	EA	Cable - Control - Flexible - 46"
	031170-01-000	EA	Clamp - Cable - 3/16" Dia.
	024996-01-000	EA	Clutch - Magnetic - Compressor
	051770-01-000	EA	Compressor - Auto Air - 10.3 Cubic Inch
	049401-01-000	EA	Heater Asm. - Rear - Auxiliary
	049401-01-700	EA	Valve - Water Control (Aux. Heater)
	049401-01-701	EA	Control Cable (Aux. Heater)
	040401-01-702	EA	Motor Asm. (Aux. Heater)
	049401-01-703	EA	Heater Core (Aux. Heater)
	049401-01-704	EA	Switch (Aux. Heater)
	058906-01-000	EA	Control Panel - Brown (Auxiliary Rear Heater)
	058893-01-000	EA	Bracket - Side Mount - Motor Aid - Heater Asm
	071291-01-000	EA	Package - Compressor Mount - 454 C I D
	048801-01-000	EA	Condensor - Radiator Mount
	031376-01-000	EA	Control Asm. - Heater - 3 Speed
	055279-01-000	EA	Control Asm. - Heater A/C - 3 Speed
	055280-01-000	EA	Switch - Fan - 3 Speed - Control Asm - Heater & A/C
	007108-01-000	FT	Hose - Heater - 5/8" I.D. SAE 20R3
	062401-04-000	EA	Clamp - Worm Drive - .69" - 1.25" I.D.
	033258-01-000	EA	Hose - Refrigerant - .50" I.D. x 34 50"
	031961-02-000	EA	Hose - Refrigerant - .31" I.D. x 19"
	024868-01-000	EA	Receiver - Dehydrator
	031044-01-000	EA	Clamp - Receiver Dehydrator
	010227-01-000	EA	Tee - Plastic - Barb 5/8" or 3/4" Hose
	024849-01-000	EA	Damper Asm. - Fresh Air - w/Duct

FURNACES & ROOF AIR CONDITIONER

Key	Part Number	U/M	Description
	075696-01-000	EA	Furnace - 34,000 BTU - w/Direct Ignition - NT-34S
	075695-01-000	EA	Furnace - 24,000 BTU - w/Direct Ignition - NT-24S
	069634-01-723	EA	Thermostat - Furnace
	075695-01-701	EA	Electrode Asm. - Furnace
	075695-01-702	EA	Vent Cap Asm - Furnace
	075695-01-703	EA	Gas Inlet Pipe - Furnace
	075695-01-704	EA	Manifold Asm - Furnace
	075695-01-705	EA	Burner Asm. - Furnace
	075695-01-707	EA	Motor - NT-34S
	075695-01-708	EA	Micro Switch Asm. - 24,000 BTU Furnace
	075695-01-709	EA	Micro Switch Asm. - 34,000 BTU Furnace
	075695-01-710	EA	Cabinet - Front
	075695-01-711	EA	Cabinet Asm
	069633-01-705	EA	Vent Package - Furnace - Suburban
	069636-01-000	EA	Connector - 4" Duct
	009198-01-000	FT	Duct - Flexible - 4" I D x 25'
	056464-01-000	EA	Register - 4" Dia - Plastic - w/Damper
	056464-02-000	EA	Register - 4" Dia - Plastic - w/o Damper
	009200-01-000	EA	Tape - Furnace - 1 1/2"
	023146-01-000	EA	Clamp - Screw Type - 4"
	073743-01-000	EA	Shroud Asm. - Ceiling - Inside - Roof Air Cool Only - 13,500 BTU - Coleman
	073744-01-000	EA	Shroud Asm - Ceiling - Inside - Roof Air Heat & Cool - 13,500 BTU - Coleman
	073742-01-000	EA	Air Conditioner - 110 Volt - Roof Mount - 13,500 BTU Rotary
	073742-01-700	EA	Decal Package - Left & Right (Exterior)
	073742-01-701	EA	Selector Switch (5 Terminal)
	073742-01-702	EA	Decal - Cool Only
	073742-01-703	EA	Decal - Heat & Cool
	073742-01-704	EA	Decal - Thermostat - TSR

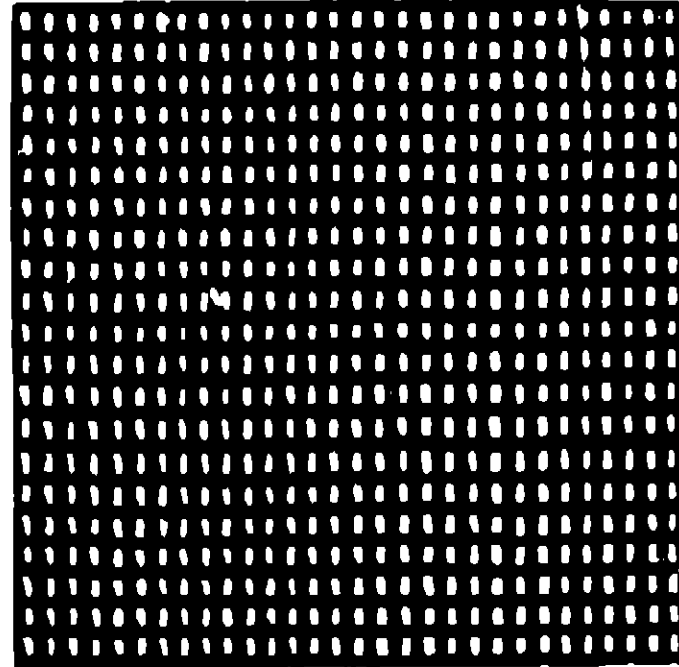
1984 WINNEBAGO TABLE OF CONTENTS

Introduction	A-01
Abbreviations	A-01
Alphabetical Index	A-02 - A-04
WC424RC	A-05 - C-16
WCN22RC	C-17 - F-06
WCN27RU	F-07 - H-20
WCN33RU	H-21 - K-08

1984 WCN22RC INDEX

Floor Plan	C-17 - C-18
Accessories Group	C-19 - C-21
Bath Group	C-22 - C-23
Chassis Group	C-24 - D-01
Curtain, Cushion & Pad Group	D-02 - D-08
Dinette Group	D-09 - D-10
Driver's Compartment Group	D-11 - D-13
Electrical Group	D-14 - D-16
Exterior Body Group	D-17 - E-01
Galley Group	E-02 - E-04
Heating & Air Conditioning Group	E-05 - E-06
Interior Finish Group	E-07 - E-10
LP Group	E-11
Lounge Group	E-12
Water & Sewage Group	E-13 - E-14
Window, Vent & Exterior Door Group	E-15 - F-06

INTERIOR FINISH GROUP



①



②

PANELING & COUNTERTOP MATERIALS

Key	Part Number	U/M	Description
1	072336-19-000	SF	Paneling - Decor - Wicker Weave - 48" x 84" (28SF) (Refrigerator)
1	057880-05-000	SF	Pluswood Board - Wicker Weave/Elm (Headboard Asm.)
2	072336-19-700	SF	Paneling - Decor - Jamaica Weave - 48" x 84" (28SF) (Refrigerator)
2	057880-05-700	SF	Pluswood Board - Jamaica Weave/Elm (Headboard Asm.)
*	074496-03-000	SF	Paneling - Decor - Spring Blossom - 48" x 84" (28SF) (Galley & Bath) Blue (R07)
*	074496-04-000	SF	Paneling - Decor - Spring Blossom - 48" x 84" (28SF) (Galley & Bath) Brown (R08)
*	074496-05-000	SF	Paneling - Decor - Spring Blossom - 48" x 84" (27SF) (Galley & Bath) Burgundy (R09)
*	068344-05-000	SF	Paneling - Elm - 48" x 84" (28SF) (Wall)
*	072336-20-000	SF	Paneling - Decor - Jakarta Burlap - 48" x 96" (32SF) (Ceiling)
*	072337-03-000	SF	Plastic Laminate - Almond Loom - 48" x 96" (32SF) (Galley)
*	072337-03-019	EA	Plastic Laminate - Almond Loom - 1.19" x 96"
*	074498-01-000	SF	Plastic Laminate - Harbor Oak - 48" x 96" (32SF) (Dinette Table)
*	074498-01-019	EA	Plastic Laminate - Harbor Oak - 1.19" x 96"
*	072337-02-000	SF	Plastic Laminate - Travertine - 48" x 96" (32SF) (Bath)
*	072337-02-019	EA	Plastic Laminate - Travertine - 1.19" x 96"
*	Not illustrated		

INTERIOR FINISH GROUP (CONTINUED)

INTERIOR MOLDINGS & TRIMS

Key	Part Number	U/M	Description
	024700-18-000	EA	Cover - Sidewall Roll Bar - 85" - Beige
	042430-02-R07	EA	Molding - Shelf - Wood
	009812-08-000	FT	Molding - Outside Corner - .50" - Teak
	009809-08-000	FT	Molding - Outside - 1" - Teak
	042357-09-000	FT	Molding - Corner - Radius - 7" - Elm
	076325-01-000	FT	Molding - Edge Band - 1 5/16" x .030" - Harbor Oak
	045375-09-000	FT	Molding - Corner - w/Holes - 77"
	022992-08-000	FT	Molding - Reverse Cove - Champagne White
	009815-03-000	FT	T-Molding - 75" - Light Brown
	070504-01-000	FT	U-Channel - .065 - Light Brown
	070504-02-000	FT	U-Channel - .815" - Light Brown
	009779-03-000	FT	U-Channel - 1.125" - Light Brown
	005137-06-000	FT	Welting - Beige
	052811-01-N01	FT	Accent Trim - Medium Almond Vinyl (Beige)
	059352-01-000	FT	Insert - Vinyl - Style and Rail Door
	064382-01-000	FT	Extrusion - Plastic Trim - Rolled Door
	058204-01-000	EA	Batt Strip - Elm - 8' (Wall)
	069733-23-000	EA	Batt Strip - Jakarta Burlap - 8' (Ceiling)
	069733-30-000	EA	Batt Strip - Spring Blossom - 8' (Galley) Blue (R07)
	069733-31-000	EA	Batt Strip - Spring Blossom - 8' (Galley) Brown (R08)
	069733-32-000	EA	Batt Strip - Spring Blossom - 8' (Galley) Burgundy (R09)
	064675-06-000	EA	Angle - Steel Roof Joint - 96" - Beige

FABRICS & CARPET

Key	Part Number	U/M	Description
	072333-07-000	YD	Fabric - Drapery - Ivory
	072333-08-000	YD	Fabric - Drapery - Cream (Sheers)
	074495-27-000	YD	Fabric - Upholstery/Accent - Caramel (Brown) (R07, R08)
	074495-28-000	YD	Fabric - Upholstery/Accent - Lacquer (Burgundy) (R09)
	074495-25-000	YD	Fabric w/Pattern - Upholstery - Blue (R07)
	074495-24-000	YD	Fabric w/Pattern - Upholstery - Brown (R08)
	074495-26-000	YD	Fabric w/Pattern - Upholstery - Burgundy (R09)
	069729-08-000	YD	Fabric - Bedspread - Navy (Blue) (R07)
	069729-05-000	YD	Fabric - Bedspread - Mocna (Brown) (R08)
	069729-07-000	YD	Fabric - Bedspread - Plum (Burgundy) (R09)
	038421-01-000	YD	Fabric - Mattress Ticking
	070502-01-000	YD	Vinyl - Non-Expanded - 12 Gauge Film - Medium Almond (Beige)
	072860-16-000	SY	Carpet - Formality (Light Brown) (R07)
	072860-15-000	SY	Carpet - Golden Anniversary (Golden Brown) (R08)
	072860-17-000	SY	Carpet - Curtain Call (Burgundy) (R09)

**1984 WINNEBAGO
TABLE OF CONTENTS**

Introduction	A-01
Abbreviations	A-01
Alphabetical Index	A-02 - A-04
WC424RC	A-05 - C-16
WCN22RC	C-17 - F-06
WCN27RU	F-07 - H-20
WCN33RU	H-21 - K-08

1984 WCN22RC INDEX

Floor Plan	C-17 - C-18
Accessories Group	C-19 - C-21
Bath Group	C-22 - C-23
Chassis Group	C-24 - D-01
Curtain, Cushion & Pad Group	D-02 - D-08
Dinette Group	D-09 - D-10
Driver's Compartment Group	D-11 - D-13
Electrical Group	D-14 - D-16
Exterior Body Group	D-17 - E-01
Galley Group	E-02 - E-04
Heating & Air Conditioning Group	E-05 - E-06
Interior Finish Group	E-07 - E-10
LP Group	E-11
Lounge Group	E-12
Water & Sewage Group	E-13 - E-14
Window, Vent & Exterior Door Group	E-15 - F-06

MISCELLANEOUS PARTS

Key	Part Number	U/M	Description
	053552-01-N07	EA	Handle Asm. - Interior Assist - Medium Almond Vinyl
	041944-03-000	EA	Fire Extinguisher - w/Bracket - 5BC
	054185-20-000	EA	Owner's Manual - 1984 - Itasca & Winnebago
	007038-01-000	EA	Door Mat - 10 1/2" x 26" - Black Rubber
	064693-01-000	EA	Door Asm - Battery - w/o Carpet
	042541-01-000	EA	Latch Asm - w/Strike Chrome (Battery Door)
	065201-02-000	EA	Shade Lamp - Fabric - Parchment
	065202-01-000	EA	Lamp - Decor - Wall - Brass - 2 Bulb
	075907-01-000	EA	Picture - Decor Assorted Grasses

CURTAIN HARDWARE

Key	Part Number	U/M	Description
	052327-05-009	EA	Track - Curtain - 76" w/Holes - Beige Alum
	056116-01-000	EA	Track - Curtain - Brown Plastic
	059430-05-000	EA	Track - Curtain - Front Wraparound - 43 75" x 36" - Beige (2 per unit)
	059430-07-000	EA	Track - Curtain - Front Wraparound - 32 8" x 89 1" (Driver's Door) Beige
	056001-01-000	EA	Bracket - Shade - Left
	056002-01-000	EA	Bracket - Shade - Right
	056003-01-000	EA	Bracket - Drapery Retainer - Right
	056003-02-000	EA	Bracket - Drapery Retainer - Left
	056003-03-000	EA	Bracket - Drapery Retainer - Universal
	075477-21-000	EA	Bracket - Hold Down - Blinds
	009107-01-000	EA	Guide - Nylon Snap - Curtain
	056784-01-000	EA	Pull - Window Shade - Antique Brass
	039175-01-000	EA	Curtain Rod - Ext 48" - 84"
	039175-03-000	EA	Curtain Rod - Ext 28" - 48"
	039175-04-000	EA	Curtain Rod - Ext 16" x 28"
	039175-02-000	EA	Bracket - Curtain Rod
	056115-01-000	YD	Tape - Clear Plastic - w/Guides
	048394-01-000	YD	Tape Hook - 1" x 25 YD - Beige
	048395-01-000	YD	Tape Loop - 1" x 25 YD - Beige

CABINETS & TABLE HARDWARE

Key	Part Number	U/M	Description
	053200-05-000	EA	Bracket - Upper Wall Mount - 23 5" - Beige
**	053201-03-000	EA	Bracket - Table Mount - 23"
	024275-05-000	EA	Rod - Table Lift - 8" x 23 5" - Beige
	024281-07-000	EA	Bracket - Lower Wall Mount - 22.12" - Beige
	024276-14-000	EA	Leg Asm - Table - 29 5" - Brown (Dinette)
	024276-15-000	EA	Leg Asm - Table - 25 18" - Brown (Fold Out Table)
	064050-01-000	EA	Hinge - Table Leg
**	024282-01-000	EA	Brace - Table Leg
**	024283-01-000	EA	Clip - 1" O D Tube
**	049493-02-000	EA	Catch - Table Leg - Mounts on Floor - Brown
**	057898-01-000	EA	Hidden Latch w/Strike - Cabinet Door
	009112-01-000	EA	Flange - 1" - Chrome - Closet Rod
	072394-01-000	EA	Slide - Drawer - Left - w/Tab
	072394-02-000	EA	Slide - Drawer - Right - w/o Tab
	077409-01-000	EA	Slide - Drawer - 20 75" - Plastic
**	037688-01-000	FT	Rail - Drawer
**	047744-01-000	EA	Kit - Drawer Glide
	074493-01-000	EA	Support - Sprung - Door Asm
	009049-01-000	EA	Table Support - Drop Leaf
	009059-01-000	EA	Hinge - 2" - Gold - Drop Leaf Table
	057671-01-000	EA	Screw Cover - #8 - Off White
	072369-01-000	EA	Mesh - Furnace Grille - 17 9" x 6 7" - Gold Aluminum
	058335-02-000	EA	Latch - Bathroom Door w/o Lock
	009050-01-000	EA	Warp Guard - 64"
	009021-01-000	EA	Catch - Nylon - Furnace Door
	009021-02-000	EA	Strike - Nylon Catch - Furnace Door
**	052932-01-M1L	EA	Hinge Kit - Cabinet Door - Antique Brass
**	041939-01-000	EA	Hinge Kit - Double Acting - Overhead Door

** The illustrated parts breakdown for this item is provided on the Common Items Fiche

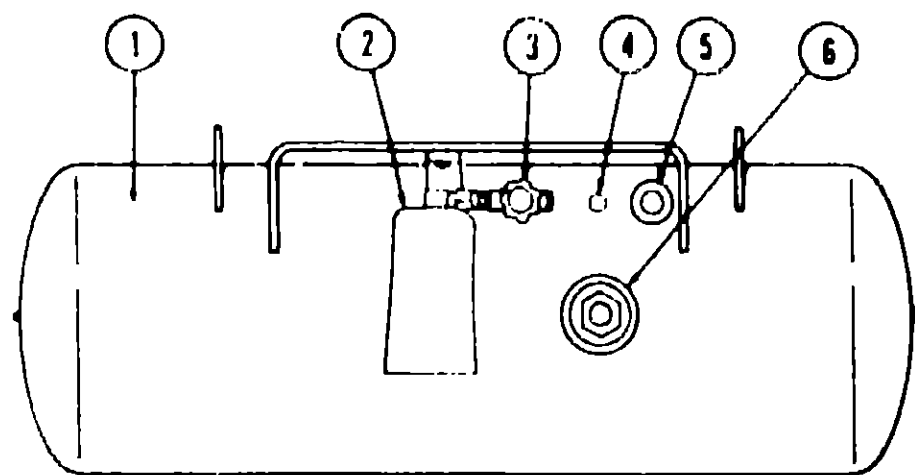
**1984 WINNEBAGO
TABLE OF CONTENTS**

Introduction	A-01
Abbreviations	A-01
Alphabetical Index	A-02 - A-04
WC424RC	A-05 - C-16
WCN22RC	C-17 - F-06
WCN27RU	F-07 - H-20
WCN33RU	H-21 - K-08

1984 WCN22RC INDEX

Floor Plan	C-17 - C-18
Accessories Group	C-19 - C-21
Bath Group	C-22 - C-23
Chassis Group	C-24 - D-01
Curtain, Cushion & Pad Group	D-02 - D-08
Dinette Group	D-09 - D-10
Driver's Compartment Group	D-11 - D-13
Electrical Group	D-14 - D-16
Exterior Body Group	D-17 - E-01
Galley Group	E-02 - E-04
Heating & Air Conditioning Group	E-05 - E-06
Interior Finish Group	E-07 - E-10
LP Group	E-11
Lounge Group	E-12
Water & Sewage Group	E-13 - E-14
Window, Vent & Exterior Door Group	E-15 - F-06

LP GROUP

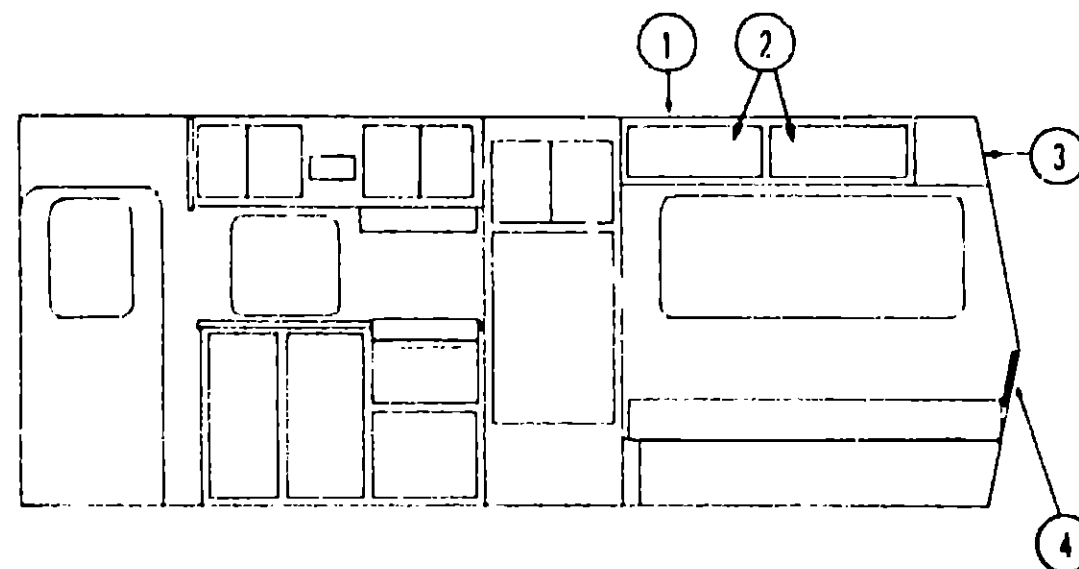


Key	Part Number	U/M	Description
1	074142-01-000	EA	Tank Asm - LP - Frame Mount - 80 Pound - 13" x 44"
1	074141-01-000	EA	Tank Asm - LP - Frame Mount - 42 Pound - 12" x 28"
.	065741-01-000	EA	Detector - LP Gas Leak - Marshalltown Instruments
2	076277-01-000	EA	Cover - Regulator - Two Stage - Top (Dual)
2	076278-01-000	EA	Cover - Regulator - Two Stage - Bottom (Dual)
.	076301-01-000	EA	Regulator - Two Stage - LPG (Dual) US
.	076301-02-000	EA	Regulator - Two Stage - LPG (Dual) CSA
3	040421-01-703	EA	Valve - Vapor Relief
4	040421-01-700	EA	Gauge - Liquid Level - 20% LP
5	040421-01-701	EA	Valve - Filler - LP
.	040421-01-702	EA	Cap - Plastic Fill Valve
6	040421-01-707	EA	Gauge - Float - w/Visible Dial
.	040421-01-706	EA	Dial - Visible Face - Float Gauge (Tank w/o Electric Transmitter)
.	040440-01-000	EA	Dial - Transmitter - 0 - 90 Ohm (Float Gauge)
.	045703-01-000	EA	Hose Asm - LP - 3/8" I.D. x 24" - US
.	045703-02-000	EA	Hose Asm - LP - 3/8" I.D. x 24" - CSA
.	045703-03-000	EA	Hose Asm - LP - 3/8" I.D. x 18" - US
.	045703-04-000	EA	Hose Asm - LP - 3/8" I.D. x 14" - CSA
.	068046-01-000	EA	Conversion Kit - LP - Onan Generator
.			Not illustrated

WINN AIR WITH LANDI-HARTOG (A-BODY)

Key	Part Number	U/M	Description
	065287-02-000	EA	Valve - Gasoline Shut-Off
	068050-07-000	EA	LP Mixer (350 Engine)
	068050-12-000	EA	LP Mixer (454 Engine)
	065802-01-000	EA	Gauge - LP Level w/Hardware
	068050-05-000	EA	Switch - LP/Gas Changeover
	068050-01-000	EA	Converter - LP
	068050-02-000	EA	LP Lock Off
	068050-03-000	EA	Switch - LP - Vacuum Safety

LOUNGE GROUP



DOUBLE BED & SIDE BUNKS

Key	Part Number	U/M	Description
1	075745-01-R07	EA	Cabinet Asm - Overhead - Lounge - w/o Doors or Hardware
2	069852-76-R10	EA	Door Asm - Overhead Cabinet - 11 4" x 25 9" - w/o Hardware
3	075725-01-R10	EA	Cabinet Asm - Overhead - Lounge Rear - w/o Doors or Hardware
.	069852-72-R10	EA	Door Asm - Rear Lounge Overhead - 28 1" x 11 4" - w/o Hardware
4	072989-01-R07	EA	Headboard Asm - Double Bed
.	069852-59-R10	EA	Door Asm - 19 8" - 10 7" - Double Bed
.	076086-01-R07	EA	Cabinet Asm - Side Bunk Base
.	M73124-01-R07	EA	Cabinet Asm - Nightstand - w/o Countertop (Bunk House)
.	M00972-01-R07	EA	Countertop Asm - Nightstand Cabinet - Harbor Oak
.	M59913-12-R07	EA	Drawer - Nightstand Cabinet - 13 3" x 19 8" - w/o Hardware
.			Not illustrated

1984 WINNEBAGO TABLE OF CONTENTS

Introduction	A-01
Abbreviations	A-01
Alphabetical Index	A-02 - A-04
WC424RC	A-05 - C-16
WCN22RC	C-17 - F-06
WCN27RU	F-07 - H-20
WCN33RU	H-21 - K-08

1984 WCN22RC INDEX

Floor Plan	C-17 - C-18
Accessories Group	C-19 - C-21
Bath Group	C-22 - C-23
Chassis Group	C-24 - D-01
Curtain, Cushion & Pad Group	D-02 - D-08
Dinette Group	D-09 - D-10
Driver's Compartment Group	D-11 - D-13
Electrical Group	D-14 - D-16
Exterior Body Group	D-17 - E-01
Galley Group	E-02 - E-04
Heating & Air Conditioning Group	E-05 - E-06
Interior Finish Group	E-07 - E-10
LP Group	E-11
Lounge Group	E-12
Water & Sewage Group	E-13 - E-14
Window, Vent & Exterior Door Group	E-15 - F-06

WATER & SEWAGE GROUP

PLUMBING & REPAIR PARTS

Key	Part Number	U/M	Description
	033302-02-000	EA	Adapter Asm - SWVC Strain - 1 1/2"
	062422-01-000	EA	Adapter - Hose Offset - Reducer - 3" x 1 1/2"
	052954-01-000	EA	Adapter - Nose Cone - 3/8 or 1/2 - Plastic
	010224-01-000	EA	Adapter - Plastic - 3/8 MPT x 3/8 Barb
	031602-02-000	EA	Adapter - Plastic - 1 1/2 H x FPT
	062417-01-000	EA	Adapter - Termination - 3"
	004020-01-000	QT	Adhesive - ABS Cement
**	010121-01-000	EA	Bushing - Plastic - 1 1/2 S x 1 1/4 H
	010123-01-000	EA	Bushing - Plastic - 2S x 1 1/2 H
	062415-01-000	EA	Cap - Sewer - 3"
	052959-02-000	EA	Connector - 1/2 F x 1/2 MPT - Plastic
	052959-03-000	EA	Connector - 1/2 F x 3/8 MPT - Plastic
**	011091-01-000	EA	Continuous Waste - Double Sink - 11 7/8" - US
	053874-01-000	EA	Continuous Waste Asm - Double Sink - CSA
**	050780-01-000	EA	Coupler Rubber - 3" x 3"
	052960-01-000	EA	Drain Valve - 1 2 F x 1/2 F - Plastic
	010000-01-000	EA	Elbow - Plastic - 1/8 BD x 1 1/4 x 45° H x H
	010005-01-000	EA	Elbow - Plastic - 1/16 BD x 1 1/2
	010006-01-000	EA	Elbow - Plastic - 1/8 BD x 1 1/2 x 45° H x H
	010008-01-000	EA	Elbow - Plastic - 1/4 BD x 1 1/2 x 90° Left
	010051-01-000	EA	Elbow - ST - Plastic - 1/8 BD x 1 1/2 x 45°
	010219-01-000	EA	Elbow - 1 1/4 Barb x 1 1/4 MPT x 90°
	031111-01-000	EA	Elbow - Plastic - 1/4 BD x 1 1/4 x 90° Left
	034250-01-000	EA	Elbow - Plastic - 1/4 BD x 1 1/2 x 90° x H x H
	035539-01-000	EA	Elbow - Plastic - 3/8 MPT x 3/8 Barb
	052957-01-000	EA	Elbow - Plastic - 1/2 F x 3/8 MPT
	052957-02-000	EA	Elbow - Plastic - 1/2 F x 1/2 MPT (In Tank Filter)
	059536-01-000	EA	Elbow - 1 1/4 - Slip Joint Ends
	065120-01-000	EA	Elbow - Plastic - Swivel - 50°
	070924-01-000	EA	Elbow - Plastic - Swivel - 1/2 MPT x 1/2 FP
	077954-01-000	EA	Filter/Screen (In Water Tank)
	039647-02-000	EA	Filter - Water Pump - 1/2" MPT
	039647-03-000	EA	Filter - Water Pump - 1/2" Flare
	010147-01-000	EA	Flange - Closet - 4" F x 3" FPT - US
	010147-02-000	EA	Flange - Closet - 4" F x 3" FPT - CSA
	044928-01-000	FT	Flexible Tubing - 1 1/4 I.D. x 10'
	061607-01-000	EA	Grommet - Holding Tank Coupler - 1 1/2"
	061607-02-000	EA	Grommet - Holding Tank Coupler - 3"
	062419-02-000	EA	Handle - Extension - w/6" Adapter
	052961-01-000	EA	Header - 1/2 F x 1/2 F x 1/2 F x 1/2 F
**	046524-01-000	EA	Kit - Holding Tank Fittings - Blank Tank
**	046524-02-000	EA	Kit - Water Tank Fittings - Blank Tank
	052953-01-000	EA	Nut - Faucet - 1/2 Tube x 1/2 FPT
	052952-01-000	EA	Nut - 1/2 F - Plastic
**	011066-01-000	EA	P-Trap - 1 1/4" - Plastic - US
**	011066-02-000	EA	P-Trap - 1 1/4" - Plastic - CSA
	053335-01-000	EA	P-Trap - Plastic - 1 1/4 H x H - w/Union - CSA
	045729-01-000	EA	Pump - Water - 2 8 G P M - Direct Drive - Shurflo - US
	045729-02-000	EA	Pump - Water - 2 8 G P M - Direct Drive - Shurflo - CSA
**	010201-01-000	EA	Sewer Hose - 3" x 8' w/Clamp
	042989-02-000	EA	Spinweld Fittings - Plastic - 1/2 FPT (In Tank Filter)
	010071-01-000	EA	Tee - Plastic - 1 1/2 x H x H x H
	010072-01-000	EA	Tee - Plastic - 1 1/2 H x 1 1/4 H x 1 1/2 H
**	010079-01-000	EA	Tee - Plastic - 1 1/2 H x 1 1/2 H x 1 1/4 H
	046172-01-000	EA	Tee - Plastic - 3/8 B x 3/8 B x 3/8 MPT
	052955-01-000	EA	Tee - Plastic - 1/2 F x 1/2 F x 1/2 MPT
	052956-01-000	EA	Tee - Plastic - 1/2 F x 1/2 MPT x 1/2 F
	052958-01-000	EA	Tee - Plastic - 1/2 F x 1/2 F x 1/2 F
**	010133-01-000	EA	Trap Adapter - Plastic - 1 1/2 H x MPT
	039800-01-000	FT	Tubing - Polybutyl - 1/2 O.D. (Water Line)
	072346-01-000	EA	Valve Asm - 3" Ell - w/2" Socket
	062421-01-000	EA	Valve - 1 1/2" - w/Handle
	062418-02-000	EA	Valve - 3" - w/o Handle
	052962-01-000	EA	Valve - Stool - 90° x 1/2 F x 3/8 MPT
**	The illustrated parts breakdown for this item is provided on the Common Items Fiche		

WATER & SEWAGE GROUP (CONTINUED)

HOLDING TANKS & WATER HEATERS

Key	Part Number	U/M	Description
	M00070-75-000	EA	Tank Asm - Water - 47 Gallon - w/Fittings
	072444-01-000	EA	Tank - Water - 47 Gallon - w/o Fittings
	M00070-73-000	EA	Tank Asm - Waste Water - 25 Gallon - w/Fittings
	064592-01-000	EA	Tank - Waste Water - 25 Gallon - w/o Fitting
	M01275-20-000	EA	Tank Asm - Sewage - 32 Gallon - w/Fittings
	072388-01-000	EA	Tank - Sewage - 32 Gallon - w/o Fittings
**	051391-01-000	EA	Water Heater - w/o Motor Aid - G6A3
**	051391-03-000	EA	Water Heater - w/Electronic Ignition - G6A-3E
**	051393-01-000	EA	Water Heater - w/Motor Aid - GH6-3E
**	The illustrated parts breakdown for this item is provided on the Common Items Fiche		

**1984 WINNEBAGO
TABLE OF CONTENTS**

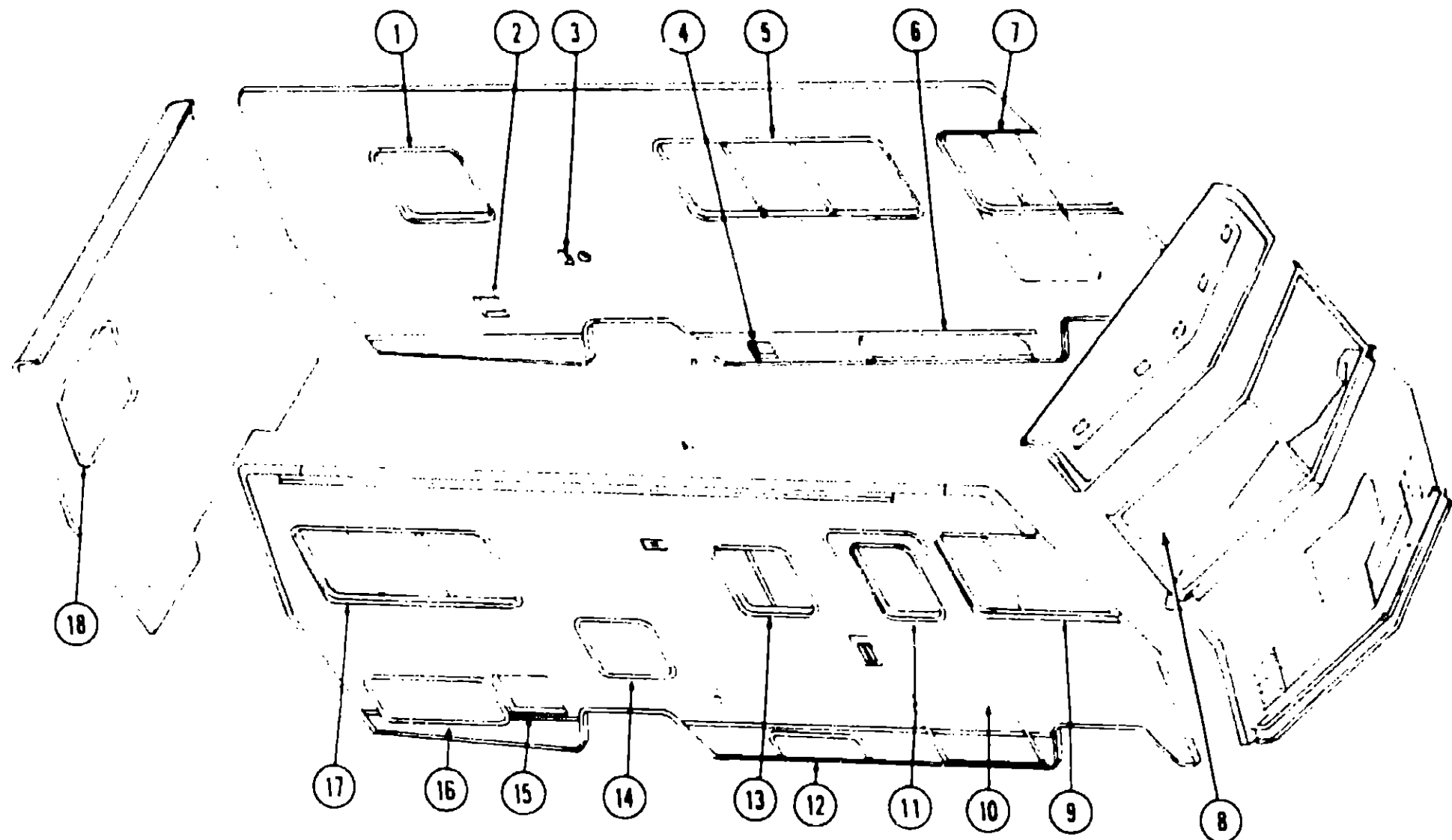
Introduction	A-01
Abbreviations	A-01
Alphabetical Index	A-02 - A-04
WC424RC	A-05 - C-16
WCN22RC	C-17 - F-06
WCN27RU	F-07 - H-20
WCN33RU	H-21 - K-08

1984 WCN22RC INDEX

Floor Plan	C-17 - C-18
Accessories Group	C-19 - C-21
Bath Group	C-22 - C-23
Chassis Group	C-24 - D-01
Curtain, Cushion & Pad Group	D-02 - D-08
Dinette Group	D-09 - D-10
Driver's Compartment Group	D-11 - D-13
Electrical Group	D-14 - D-16
Exterior Body Group	D-17 - E-01
Galley Group	E-02 - E-04
Heating & Air Conditioning Group	E-05 - E-06
Interior Finish Group	E-07 - E-10
LP Group	E-11
Lounge Group	E-12
Water & Sewage Group	E-13 - E-14
Window, Vent & Exterior Door Group	E-15 - F-06

WINDOW, VENT & EXTERIOR DOOR GROUP

WINDOW & ACCESS DOORS



Key	Part Number	U/M	Description
1	042959-03-000	EA	Window Asm - Rear Escape - 22 5" x 24.5" - Black (w/o inside frame)
2	NOTE	EA	Door Asm - Fuel Fill (See Access Doors)
3	058808-02-000	EA	Water Fill - Lockable
4	NOTE	EA	Door Asm - Power Cord (See Access Doors)
5	075738-01-000	EA	Window Asm - Double Slider (w/o inside frame)
6	073925-01-000	EA	Door Asm - LP - 48" x 9" - w/Twist Lock - Aluminum Sidewalls
6	076852-01-000	EA	Door Asm - LP - 48" x 9" - w/Twist Lock - Fiberglass Sidewalls
7	059046-02-000	EA	Window Asm - Left Front Slant Slider - 23 x 39 - Black (w/o inside frame)
8	057459-01-000	EA	Glass - Windshield - Flat
9	059046-01-000	EA	Window Asm - Right Front Slant Slider - 23" x 39" - Black (w/o inside frame)
10	M01414-01-000	EA	Door Asm - Radius Entry - w/Screen Door - Aluminum Sidewall
10	M01414-05-000	EA	Door Asm - Radius Entry - w/Screen Door - Greyhound Sidewall
10	M01414-11-000	EA	Door Asm - Radius Entry - w/Screen Door - Mesa Sidewall
11	041875-09-000	EA	Window Asm - Picture - 17" x 25" - Black (w/o inside frame)

Key	Part Number	U/M	Description
12	073925-03-000	EA	Door Asm - Access - 25 3" x 9" - w/Twist Lock - Aluminum Sidewalls
12	076852-03-000	EA	Door Asm - Access - 25 3" x 9" - w/Twist Lock - Fiberglass Sidewalls
13	048631-03-000	EA	Window Asm - Right Single Slider - 20" x 25" - Black (w/o inside frame)
14	069762-03-000	EA	Door Asm - Refrigerator Access - w/Twist Lock - Beige
15	052009-02-000	EA	Door Asm - Water Heater - Beige
16	047233-04-000	EA	Door Asm - Luggage - 13 5" x 35 5" - w/Key Lock - Aluminum Sidewalls
16	M00685-08-000	EA	Door Asm - Generator - 13 5" x 35.5" - w/c Baffle - Aluminum Sidewalls
16	076854-02-000	EA	Door Asm - Luggage - 13 5" x 35 5" - w/Key Lock - Fiberglass Sidewalls
16	M01552-01-000	EA	Door Asm - Generator - 13 5" x 35 5" - w/o Baffle - Fiberglass Sidewalls
17	066785-02-000	EA	Window Asm - Single Slider - 25" x 56" - Black (w/o inside frame)
**	045556-06-000	EA	Window Asm - Right Single Slider - 15" x 37" - Black (w/o inside frame)
18	029751-03-000	EA	Window Asm - Rear Escape - 23" x 29" - Black (w/o inside frame)
**	041875-02-000	EA	Window Asm - Picture - 13" x 23" - Black (w/o inside frame)
*	062896-01-000	EA	Window Asm - Stationary - Driver's Slant - 14" x 25 32" - Black (w/o inside frame)

* Not illustrated
** Parts for bunkhouse option (Not illustrated)

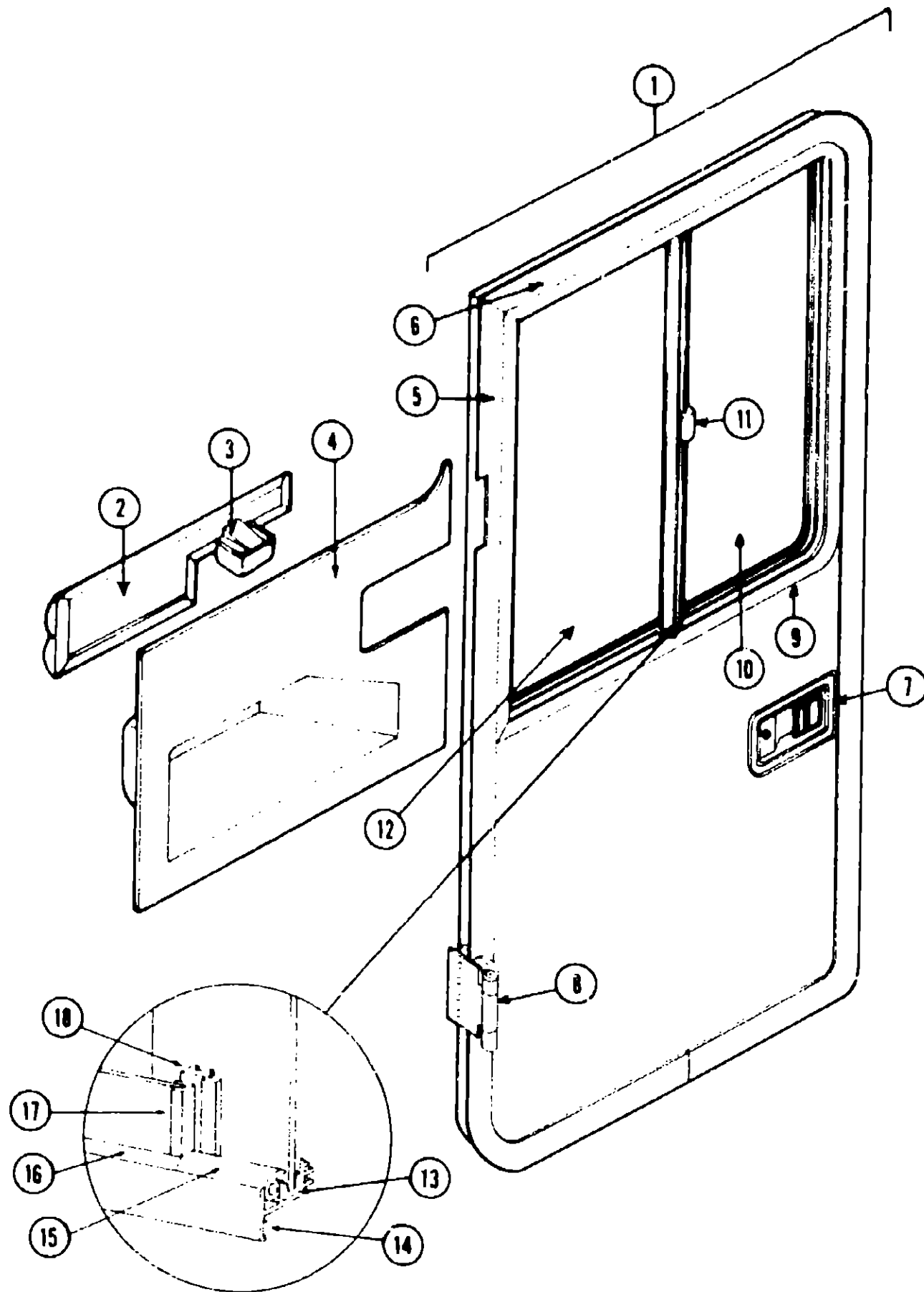
1984 WINNEBAGO TABLE OF CONTENTS

Introduction	A-01
Abbreviations	A-01
Alphabetical Index	A-02 - A-04
WC424RC	A-05 - C-16
WCN22RC	C-17 - F-06
WCN27RU	F-07 - H-20
WCN33RU	H-21 - K-08

1984 WCN22RC INDEX

Floor Plan	C-17 - C-18
Accessories Group	C-19 - C-21
Bath Group	C-22 - C-23
Chassis Group	C-24 - D-01
Curtain, Cushion & Pad Group	D-02 - D-08
Dinette Group	D-09 - D-10
Driver's Compartment Group	D-11 - D-13
Electrical Group	D-14 - D-16
Exterior Body Group	D-17 - E-01
Galley Group	E-02 - E-04
Heating & Air Conditioning Group	E-05 - E-06
Interior Finish Group	E-07 - E-10
LP Group	E-11
Lounge Group	E-12
Water & Sewage Group	E-13 - E-14
Window, Vent & Exterior Door Group	E-15 - F-06

WINDOW, VENT & EXTERIOR DOOR GROUP (CONTINUED)



DRIVER DOOR

Key	Part Number	U/M	Description
1	063991-04-R07	EA	Door Asm. - Driver - Aluminum - Beige
1	063991-07-R07	EA	Door Asm. - Driver - Fiberglass - Beige
2	064088-02-000	EA	Pad Asm. - Trim - Upper - Beige Vinyl - Drivers Door
	061400-03-000	EA	Assist Strap - 12" - Beige Vinyl
3	046886-01-000	EA	Ash Tray Asm. - Flush Mount - Chrome
4	064499-02-000	EA	Panel - Driver Door - Inner - Light Oak Plastic
5	063350-01-000	EA	Trim - Door Frame - Front - Aluminum - Beige
5	076862-01-000	EA	Trim - Door Frame - Front - Fiberglass - Beige
6	063351-01-000	EA	Trim - Door Frame - Aluminum - Beige
6	076861-01-000	EA	Trim - Door Frame - Fiberglass - Beige
7	045017-06-000	EA	Paddle - Door Lock - Exterior
	045017-05-700	EA	Lock Cylinder w/Keys - Lynor
	039979-02-000	EA	Inside Plate - Door Lock - w/Inside Handle
	039549-02-000	EA	Latch Claw - Entry Door Lock
	039738-01-000	EA	Deadbolt - Entrance Door Lock
	039539-01-000	EA	Strike Bolt - Entrance Door (Jamb Mount)
	063124-02-000	EA	Plate - Striker - 8 1/4" x 1" - Black
	062879-01-000	EA	Jamb - Driver Door
	064199-04-000	EA	Trim - Door Jamb - Rear - w/Drip Cap - Beige
	064184-01-000	EA	Drip Cap - Driver Door
	063358-04-000	EA	Trim - Door Jamb - Front - Beige
	063768-01-000	EA	Sill Plate - Driver Door
8	063993-01-000	EA	Hinge Asm. - Driver Door - Beige
8	063993-04-000	EA	Hinge Asm. - Driver Door - Black
	064580-01-000	EA	Check Strap - Driver Door - Seat Belt Webbing
	064219-01-000	EA	Retainer - Driver Door Check Strap
	063886-03-000	EA	Assist Handle - Driver Door - Beige - Steel Tube (2 required per door)
	064075-01-000	EA	Bulb Seal - Driver Door - 145"
9	062982-01-000	EA	Window Asm. - Driver Door - Single Slider - 23" x 25 5/8" - Black (w/o inside frame)
	063422-02-000	EA	Inside Frame - Driver door Window - Beige (not included in assembly)
10	057657-02-000	EA	Glass - 3/16" x 24 88" x 12" - Sliding
11	047369-01-700	EA	Latch - Window - Plastic w/Fastener
12	002188-04-000	EA	Glass - 3/16" x 24 88" x 12" - Stationary
13	042077-01-000	FT	Channel - Weatherstrip - Glass Run - 1/8" Glass
14	069640-06-000	FT	Ribbon Sealer - 5/16" Bead x 15'
15	041928-02-000	FT	Seal - Window Channel - Black
16	050216-02-000	FT	Spline - Glass - Black
	002389-03-206	EA	Holder - Glass Seal - Black - 24 13"
	M01621-01-000	EA	Mullion - Slider Window - Black
	073740-01-000	FT	Seal Fin - .460 Pile
	023713-02-000	EA	Weephole Cover - Black Plastic
	055164-05-000	EA	Screen Asm. - Slider
	002292-01-000	SF	Screen - Window - 20" - Gray
	002298-01-000	FT	Spline - Gray - Screen - 130" Dia
	016310-03-000	EA	Screen Handle - Black
	043485-02-000	FT	Screen Seal - Extr. Vinyl
	039540-02-000	EA	Latch Asm. - Hock - Inside - Left
	063977-03-000	EA	Step Asm. - Upper - Door
	063729-01-000	EA	Rivnut - 1/4 x 20 ounce
			Not illustrated

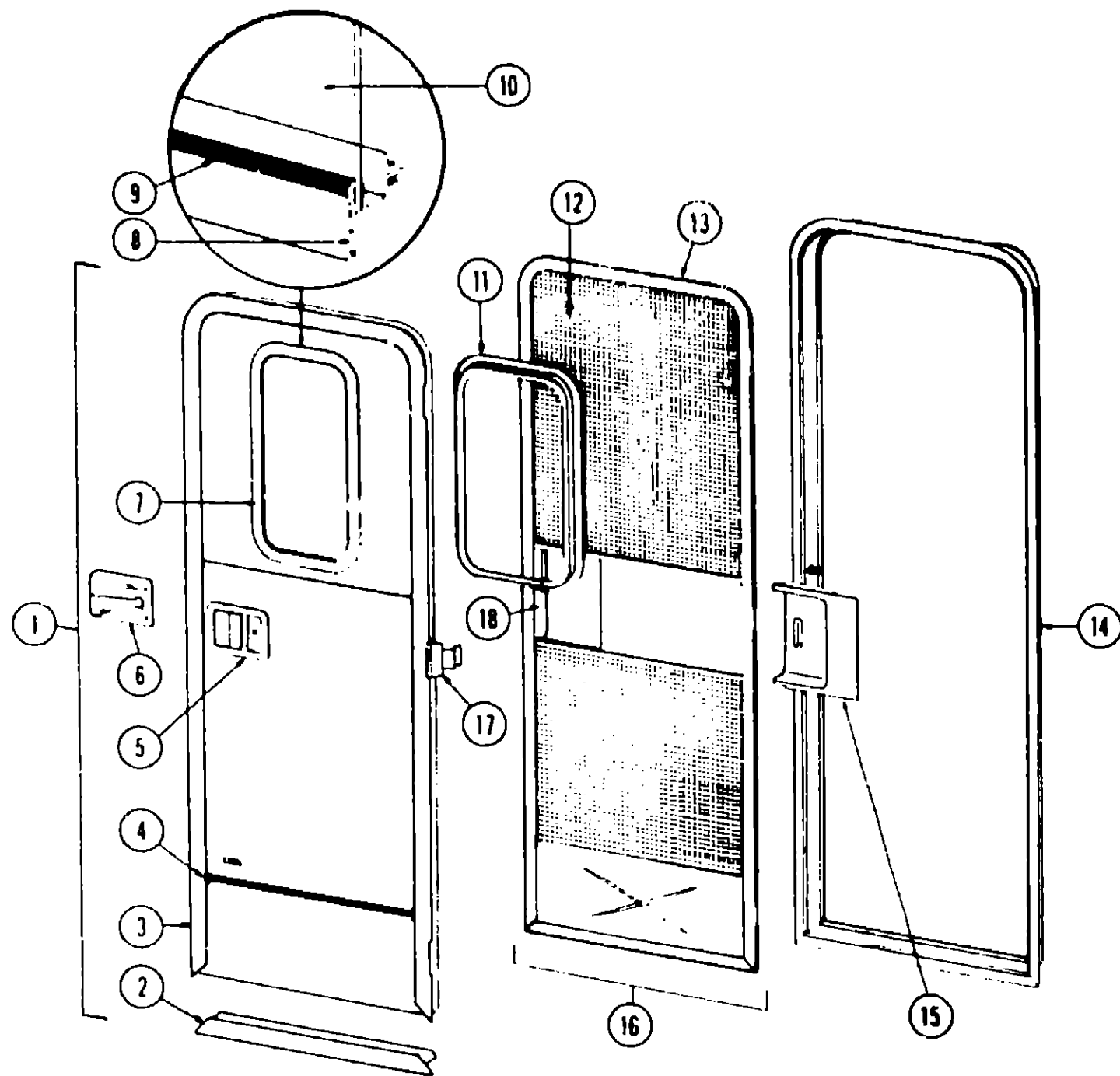
1984 WINNEBAGO TABLE OF CONTENTS

Introduction	A-01
Abbreviations	A-01
Alphabetical Index	A-02 - A-04
WC424RC	A-05 - C-16
WCN22RC	C-17 - F-06
WCN27RU	F-07 - H-20
WCN33RU	H-21 - K-08

1984 WCN22RC INDEX

Floor Plan	C-17 - C-18
Accessories Group	C-19 - C-21
Bath Group	C-22 - C-23
Chassis Group	C-24 - D-01
Curtain, Cushion & Pad Group	D-02 - D-08
Dinette Group	D-09 - D-10
Driver's Compartment Group	D-11 - D-13
Electrical Group	D-14 - D-16
Exterior Body Group	D-17 - E-01
Galley Group	E-02 - E-04
Heating & Air Conditioning Group	E-05 - E-06
Interior Finish Group	E-07 - E-10
LP Group	E-11
Lounge Group	E-12
Water & Sewage Group	E-13 - E-14
Window, Vent & Exterior Door Group	E-15 - F-06

WINDOW, VENT & EXTERIOR DOOR GROUP (CONTINUED)



ENTRANCE & SCREEN DOOR

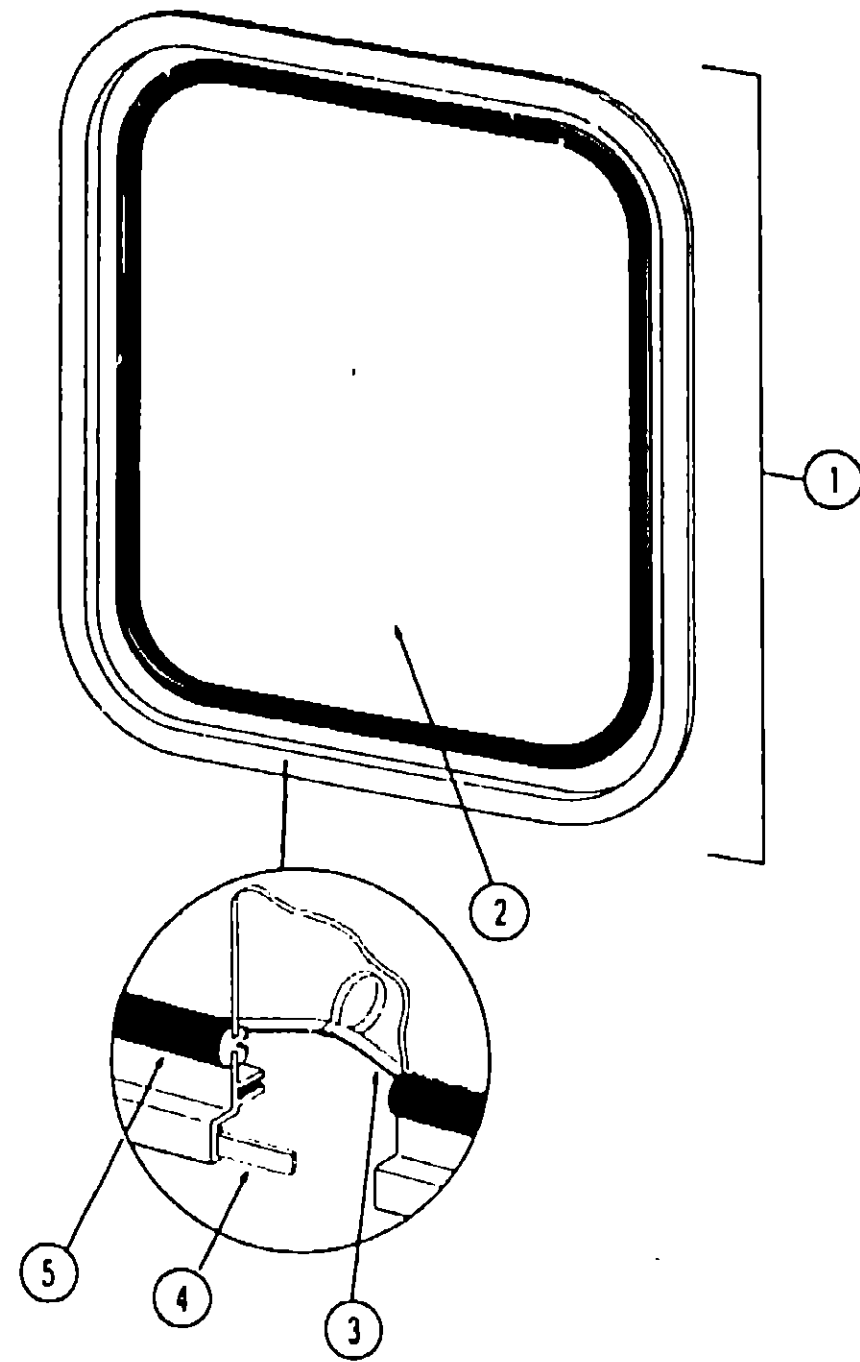
Key	Part Number	U/M	Description
1	M01414-01-000	EA	Door Asm. - Radius Entry w/Screen Door - Aluminum
1	M01414-05-000	EA	Door Asm. - Radius Entry w/Screen Door - Grayhound Fiberglass
1	M01414-11-000	EA	Door Asm. - Radius Entry w/Screen Door - Mesa Fiberglass
2	039737-02-000	EA	Frame - Entry Door (Bottom Portion Only) Aluminum
2	076878-02-000	EA	Frame - Entry Door (Bottom Portion Only) Grayhound Fiberglass
2	077998-01-000	EA	Frame - Entry Door (Bottom Portion Only) Mesa Fiberglass
3	039736-02-000	EA	Frame - Entry Door (Except Bottom Portion) Aluminum
3	076863-02-000	EA	Frame - Entry Door (Except Bottom Portion) Fiberglass
4	059576-03-000	EA	Feature Strip w/o Insert - Extr. - 14' - Brown
.	001030-09-100	EA	Insert - Feature Strip - 17' - Beige
.	009731-01-000	EA	End Cap - Feature Strip
5	045017-05-000	EA	Paddle Asm. - Door Lock - Exterior
.	045017-05-700	EA	Lock Cylinder w/Keys - Lynor
.	039539-01-000	EA	Striker Bolt - Entry Door
.	039540-01-000	EA	Latch Claw - Entry Door
.	039738-01-000	EA	Dead Bolt - Entry Door
6	039979-01-000	EA	Plate - Lock - Inside - Including Inside Handle
.	052186-01-000	EA	Lock Asm. - Complete - Lynor
7	041875-09-000	EA	Window Asm. - Picture - 17" x 25" - Black (w/o inside frame)
8	089640-06-000	FT	Ribbon Sealer - 5/16" Bead x 15'
9	002309-02-000	FT	Spline - Glass - 1/8" Black
10	002181-06-000	EA	Glass - Picture Window - 1/8" x 16 25" x 24" - Gray
11	067609-03-000	EA	Inside Frame - Window - Beige (not included in assembly)
12	002293-01-000	SF	Screen - Window - 26" - Gray
13	056795-01-000	FT	Seal Tape - 1/8" x 3/8" - Press On
14	075636-01-000	EA	Jamb Asm. - Entry Door
15	015580-02-000	EA	Slider - Screen Door - Light Oak Plastic
16	053170-08-000	EA	Door Asm. - Screen w/Light Oak Trim
17	039520-01-000	EA	Hinge - Entry Door (3 used per door)
18	015581-02-000	EA	Cap - Screen Door - Light Oak Plastic
.	049176-01-000	EA	Hedlok II - 3/4" Diameter - Screw Mount (Retains screen door to entry door)
.	009016-01-000	EA	Catch - Elbow - Spring Loaded - Screen Door
.	039863-01-000	EA	Catch Asm. - Single Roller w/Strike - Screen Door
.	076231-01-000	EA	Spacer - Latch - Screen Door
.	039800-03-000	FT	Tubing - Polybutyl - 3/8" O.D. Jamb
.	077437-02-000	EA	Strike - Roller Catch
.	058025-02-000	EA	Clip - Roller Latch Catch
.	044582-01-000	EA	Drip Cap - Beige
.	075802-01-000	EA	Seal - Mocket - Entrance
.	075739-02-000	EA	Stiffener - Entrance Door - Beige
.	075673-01-000	FT	Seal - Pile - Adhesive Back
.	075671-01-000	FT	Seal - Sponge - Lazy "T" Shaped
.	002294-01-000	FT	Spline - Black - .135" x .138" (Screen Door)
.	063638-01-000	EA	Strike - Screen Door
.	063729-04-000	EA	Rivnut - 10 - 32 UNF - 010-080
.	075639-01-000	EA	Garnish - Radius - Entrance
.			Not illustrated

1984 WINNEBAGO TABLE OF CONTENTS

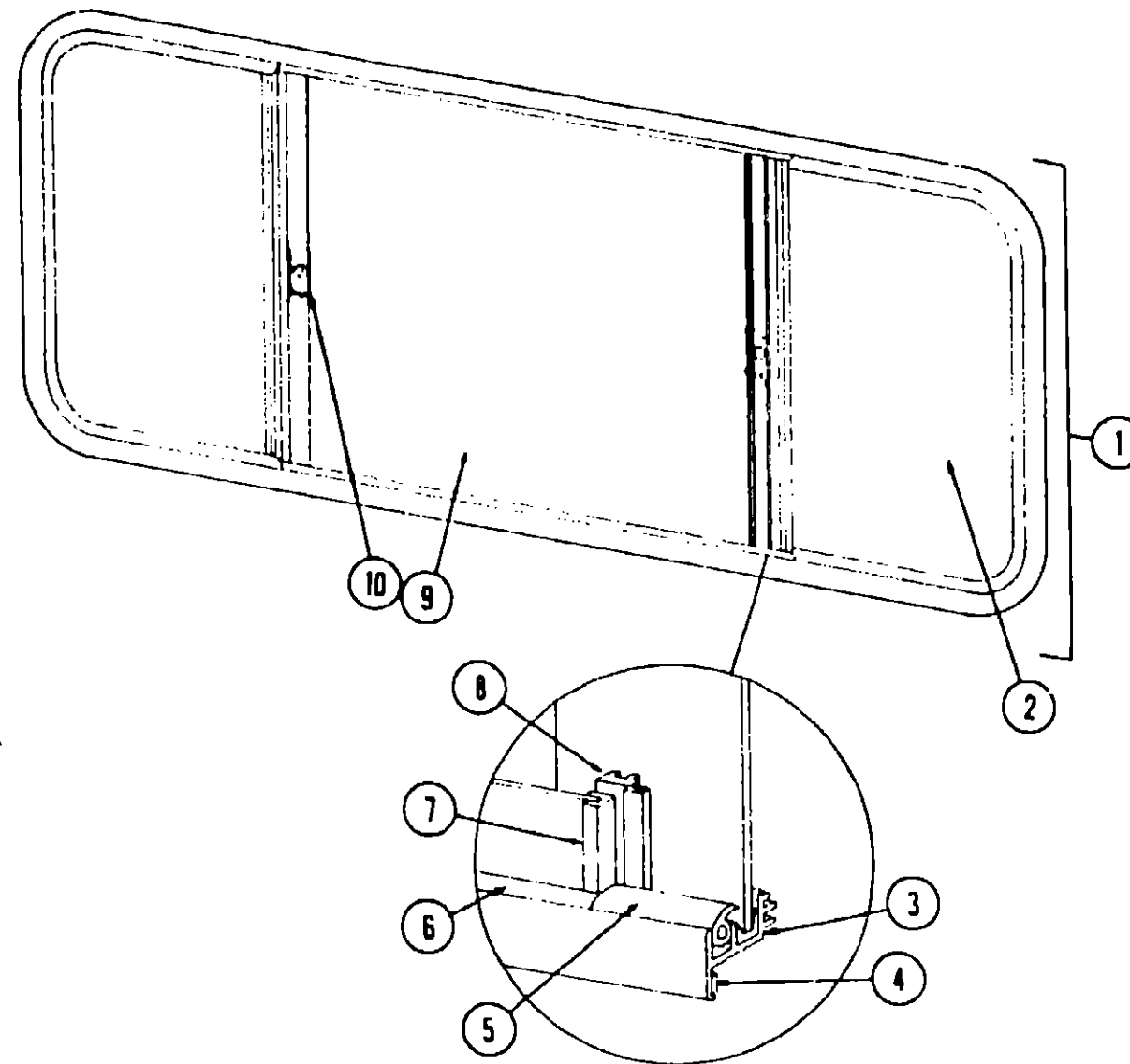
Introduction	A-01
Abbreviations	A-01
Alphabetical Index	A-02 - A-04
WC424RC	A-05 - C-16
WCN22RC	C-17 - F-06
WCN27RU	F-07 - H-20
WCN33RU	H-21 - K-08

1984 WCN22RC INDEX

Floor Plan	C-17 - C-18
Accessories Group	C-19 - C-21
Bath Group	C-22 - C-23
Chassis Group	C-24 - D-01
Curtain, Cushion & Pad Group	D-02 - D-08
Dinette Group	D-09 - D-10
Driver's Compartment Group	D-11 - D-13
Electrical Group	D-14 - D-16
Exterior Body Group	D-17 - E-01
Galley Group	E-02 - E-04
Heating & Air Conditioning Group	E-05 - E-06
Interior Finish Group	E-07 - E-10
LP Group	E-11
Lounge Group	E-12
Water & Sewage Group	E-13 - E-14
Window, Vent & Exterior Door Group	E-15 - F-06



Key	Part Number	U/M	Description
1	042959-03-000	EA	Window Asm. - Rear Escape - 22.5" x 24.5" - Black (w/o inside frame)
•	072842-01-000	EA	Inside Frame - Escape Window - Beige (not included in assembly)
2	041392-03-000	EA	Glass - 1/8" x 19.6" x 21.65"
3	002285-01-000	FT	Filler - Weatherstrip - Black
4	069640-06-000	FT	Ribbon Sealer - 5/16" Bead x 15'
5	002282-01-000	FT	Weatherstrip - .125" Window
•			Not illustrated



Key	Part Number	U/M	Description
1	075738-01-000	EA	Window Asm. - Double Slider (w/o inside frame)
•	067609-06-000	EA	Inside Frame - Beige (not included in assembly)
2	047822-04-000	EA	Glass - Sliding - 1/8" x 24" x 21.03"
3	002324-02-000	FT	Channel - Weatherstrip - Glass
4	069640-06-000	FT	Ribbon Sealer - 1/4" Bead x 15'
5	057374-02-000	FT	Extr. Vinyl - Window Seal - Black
6	002309-02-000	FT	Spline - Glass - 1/8" Material - Black
7	M69886-03-003	EA	Seal Holder w/Fin Seal - 23.19" - Black
8	069896-02-000	EA	Mullion - Slider Window - Black
9	002188-05-000	EA	Glass - Stationary - .125" x 24" x 25.5"
10	047369-01-700	EA	Latch Kit - Window - Plastic w/Fastener
•	002293-01-000	SF	Screen - Window - 26" - Gray
•	002298-01-000	FT	Spline - 130" Dia. - Gray (Screen)
•	073740-01-000	FT	Seal - Fin - Pile - .460"
•			Not illustrated

1984 WINNEBAGO
TABLE OF CONTENTS

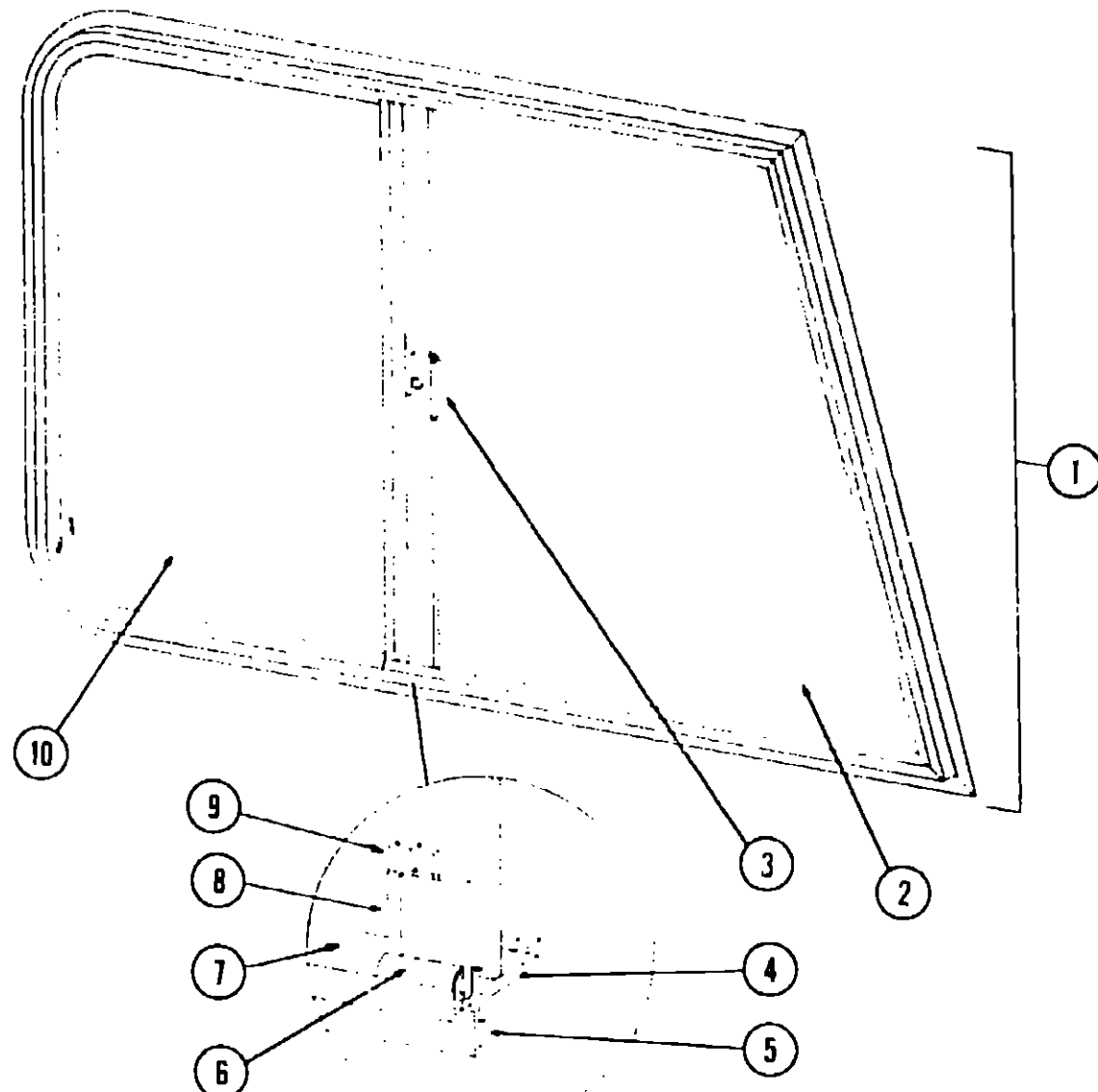
Introduction	A-01
Abbreviations	A-01
Alphabetical Index	A-02 - A-04
WC424RC	A-05 - C-16
WCN22RC	C-17 - F-06
WCN27RU	F-07 - H-20
WCN33RU	H-21 - K-08

1984 WCN22RC INDEX

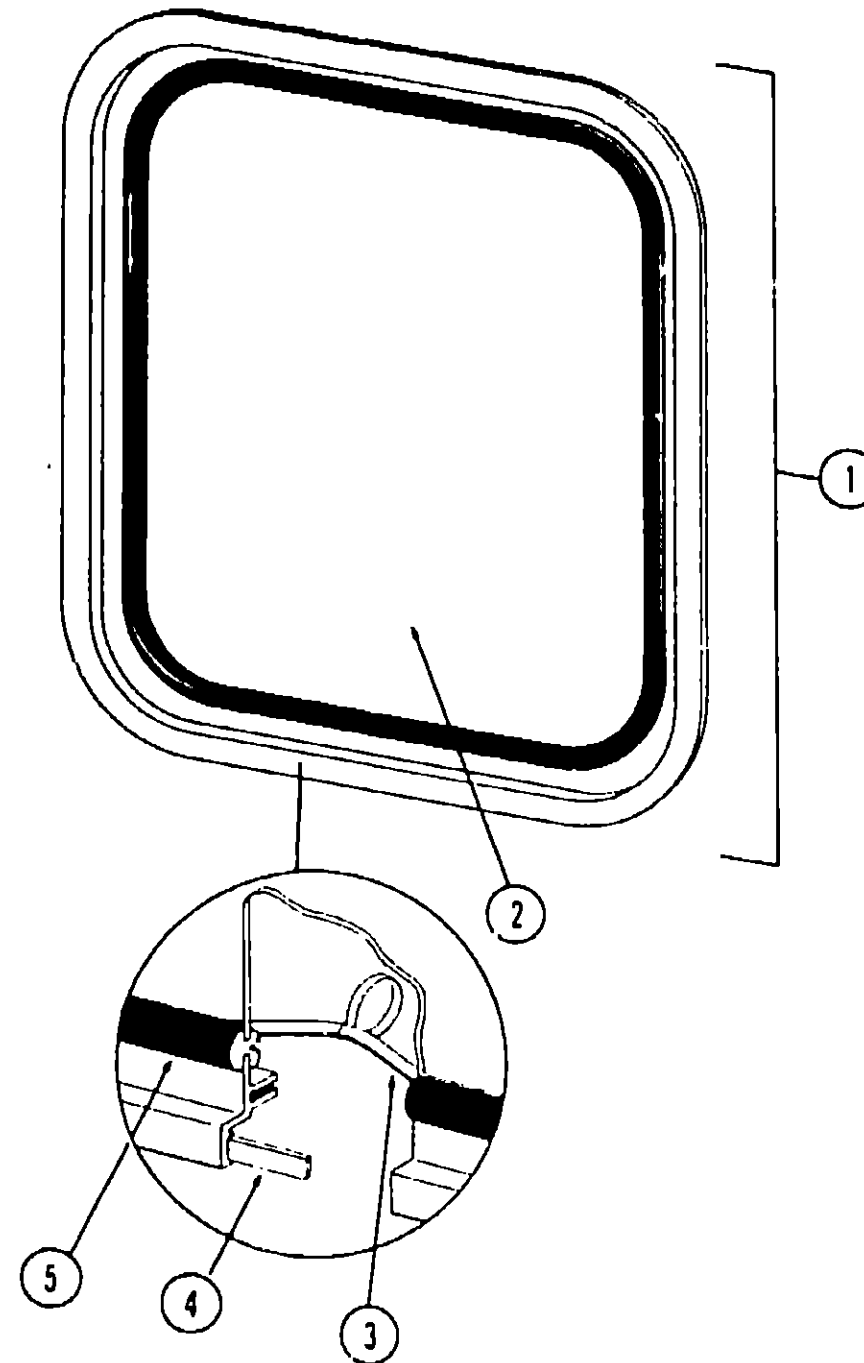
Floor Plan	C-17 - C-18
Accessories Group	C-19 - C-21
Bath Group	C-22 - C-23
Chassis Group	C-24 - D-01
Curtain, Cushion & Pad Group	D-02 - D-08
Dinette Group	D-09 - D-10
Driver's Compartment Group	D-11 - D-13
Electrical Group	D-14 - D-16
Exterior Body Group	D-17 - E-01
Galley Group	E-02 - E-04
Heating & Air Conditioning Group	E-05 - E-06
Interior Finish Group	E-07 - E-10
LP Group	E-11
Lounge Group	E-12
Water & Sewage Group	E-13 - E-14
Window, Vent & Exterior Door Group	E-15 - F-06

WINDOW, VENT & EXTERIOR DOOR GROUP (CONTINUED)

WINDOW, VENT & EXTERIOR DOOR GROUP (CONTINUED)



Key	Part Number	U/M	Description
1	059046-01-000	EA	Window Asm. - Right Front Slant Slider - 23" x 39" - Black (w/o inside frame)
1	059046-02-000	EA	Window Asm. - Left Front Slant Slider - 23" x 39" - Black (w/o inside frame)
.	059042-03-000	EA	Inside Frame - Right Front Slant Slider - Beige (not included in assembly)
.	059042-04-000	EA	Inside Frame - Left Front Slant Slider - Beige (not included in assembly)
2	057656-01-000	EA	Glass - 3/16" x 24.88" x 25.30" - Stationary
3	047369-01-700	EA	Latch Kit - Window - Plastic w/Fastener
4	042077-01-000	FT	Channel - Weatherstrip - Glass Run - 3/16" Glass
5	069640-06-000	FT	Ribbon Sealer - 5/16" Bead x 15'
6	050216-02-000	FT	Spline - Glass - 1/8" Material - Black
7	041928-02-000	FT	Seal - Window Channel - 3/16" Glass - Black
8	M02389-03-206	EA	Seal Holder w/Fin Seal - 24.13" - Black
9	057644-04-000	EA	Mullion - Window - Slant Slider
10	057657-01-000	EA	Glass - 3/16" x 24.88" x 14.70" - Sliding
.	073740-01-000	FT	Seal - Fin - Pile - .460"
.	023713-02-000	EA	Weephole Cover - Black
.	055164-05-000	EA	Slider Screen Asm. - Right or Left - Black
.	016310-03-000	EA	Handle - Slider Screen - Black
.	002291-01-000	SF	Screen - Window - 16" - Gray
.	002298-01-000	FT	Spline - Gray - .130" Dia.
.			Not illustrated



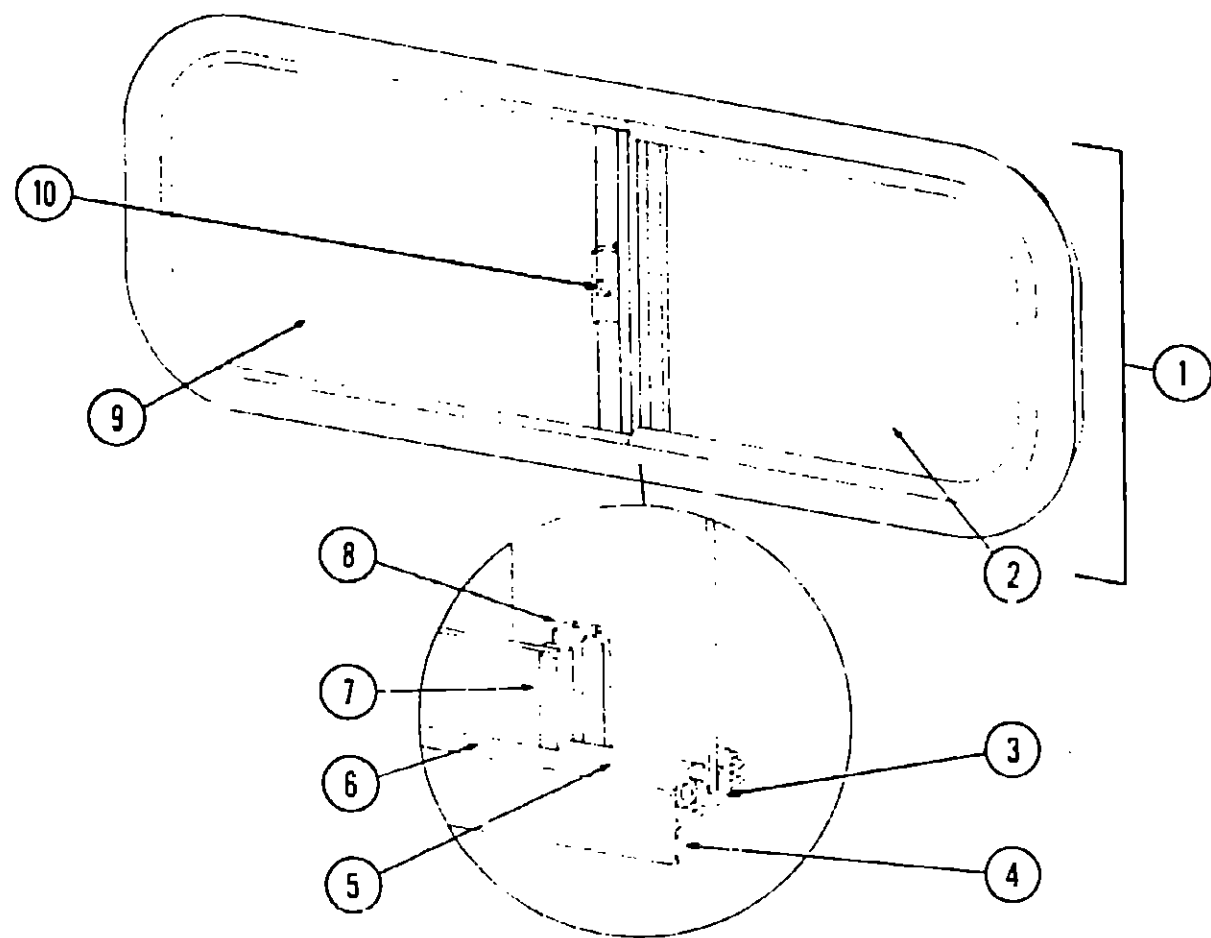
Key	Part Number	U/M	Description
1	020751-03-000	EA	Window Asm. - Rear Escape - 23" x 29" - Black (w/o inside frame)
.	020749-05-000	EA	Inside Frame - Escape Window - Beige (not included in assembly)
2	002174-01-000	EA	Glass - 1/8" x 19.6" x 25.92"
3	002295-01-000	FT	Filler - Weatherstrip - Black
4	069640-06-000	FT	Ribbon Sealer - 5/16" Bead x 15'
5	002282-01-000	FT	Weatherstrip - .125" Window
.	023713-02-000	EA	Weephole Cover - Black Plastic
.	006199-01-000	EA	Label - Exit - Escape Window
.			Not illustrated

**1984 WINNEBAGO
TABLE OF CONTENTS**

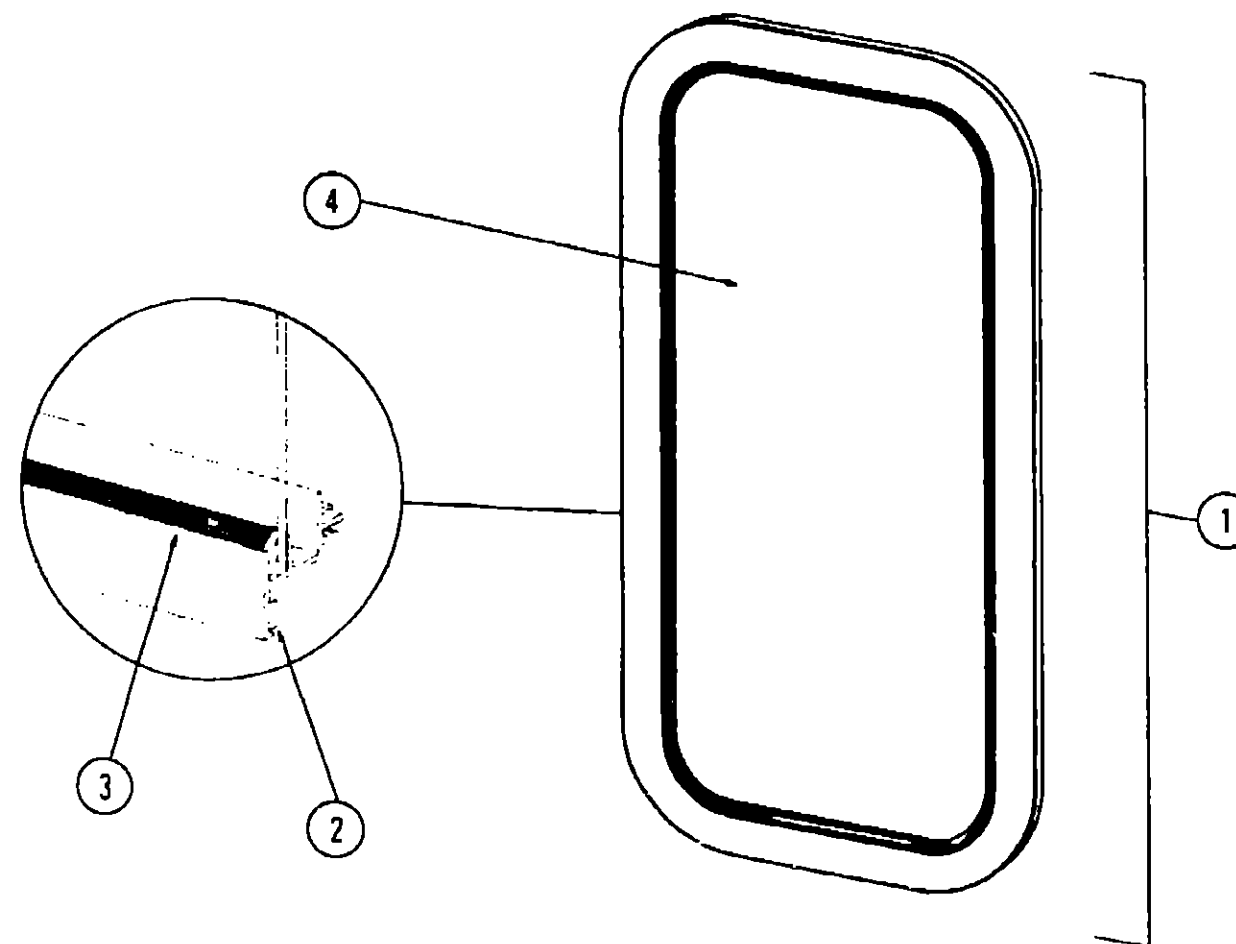
Introduction	A-01
Abbreviations	A-01
Alphabetical Index	A-02 - A-04
WC424RC	A-05 - C-16
WCN22RC	C-17 - F-06
WCN27RU	F-07 - H-20
WCN33RU	H-21 - K-08

1984 WCN22RC INDEX

Floor Plan	C-17 - C-18
Accessories Group	C-19 - C-21
Bath Group	C-22 - C-23
Chassis Group	C-24 - D-01
Curtain, Cushion & Pad Group	D-02 - D-08
Dinette Group	D-09 - D-10
Driver's Compartment Group	D-11 - D-13
Electrical Group	D-14 - D-16
Exterior Body Group	D-17 - E-01
Galley Group	E-02 - E-04
Heating & Air Conditioning Group	E-05 - E-06
Interior Finish Group	E-07 - E-10
LP Group	E-11
Lounge Group	E-12
Water & Sewage Group	E-13 - E-14
Window, Vent & Exterior Door Group	E-15 - F-06



Key	Part Number	U/M	Description
1	045556-06-000	EA	Window Asm - Right Single Slider - 15" x 37" - Black (w/o inside frame)
•	067609-10-000	EA	Inside Frame - Single Slider Window - Beige - 15" x 37" (not included in assembly)
2	048324-02-000	EA	Glass - Sliding - 1/8" x 14.4" x 19" - Gray
3	002324-02-000	FT	Channel - Weatherstrip - Glass Run - 1/8" Glass
4	069640-06-000	FT	Ribbon Sealer - 5/16" Bead x 15"
5	057374-02-000	FT	Seal - Window Channel - 1/8" Glass - Black
6	002309-02-000	FT	Spline - Glass - 1/8" - Black
7	M69886-03-007	EA	Seal Holder w/Fin Seal - 13.60" - Black
8	069896-06-000	EA	Mullion - Slider Window - Black
9	002208-02-000	EA	Glass - Stationary - 1/8" x 14.4" x 19" - Gray
10	047369-01-700	EA	Latch Kit - Window - Plastic w/Fastener
•	023813-02-000	EA	Weep hole Cover - Black Plastic
•	002298-01-000	FT	Spline - Gray - .130" Dia. (Screen)
•	002291-01-000	FT	Screen - Window - 16" - Gray
•	073740-01-000	FT	Seal Fin - Pile .460"
•			Not illustrated



Key	Part Number	U/M	Description
1	041875-02-000	EA	Window Asm - Picture - 13" x 23" - Black (w/o inside frame)
•	041696-15-000	EA	Inside Frame - Window - Beige (not included in assembly)
2	069637-01-000	EA	Sealant - 404 Weatherban - 3M
3	002309-02-000	FT	Spline - Glass - 1/8" - Black
4	002181-01-000	EA	Glass - 115" x 12" x 22"
•			Not illustrated

**1984 WINNEBAGO
TABLE OF CONTENTS**

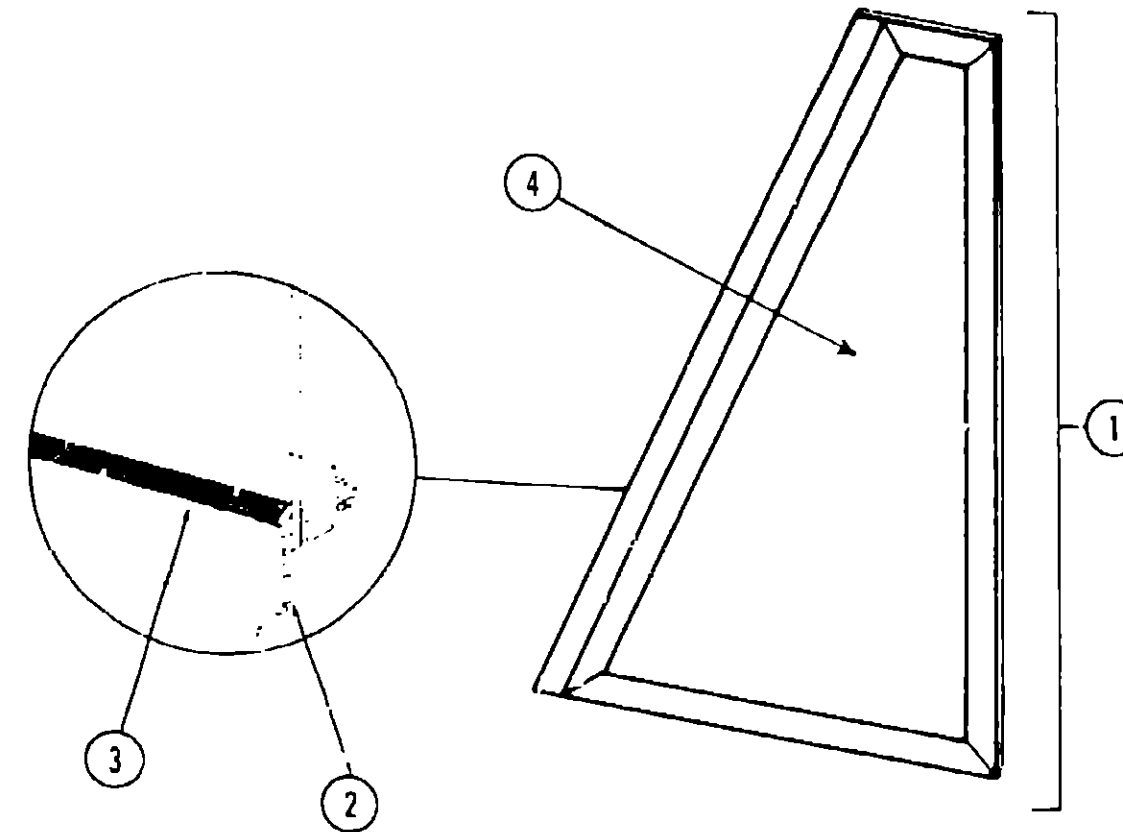
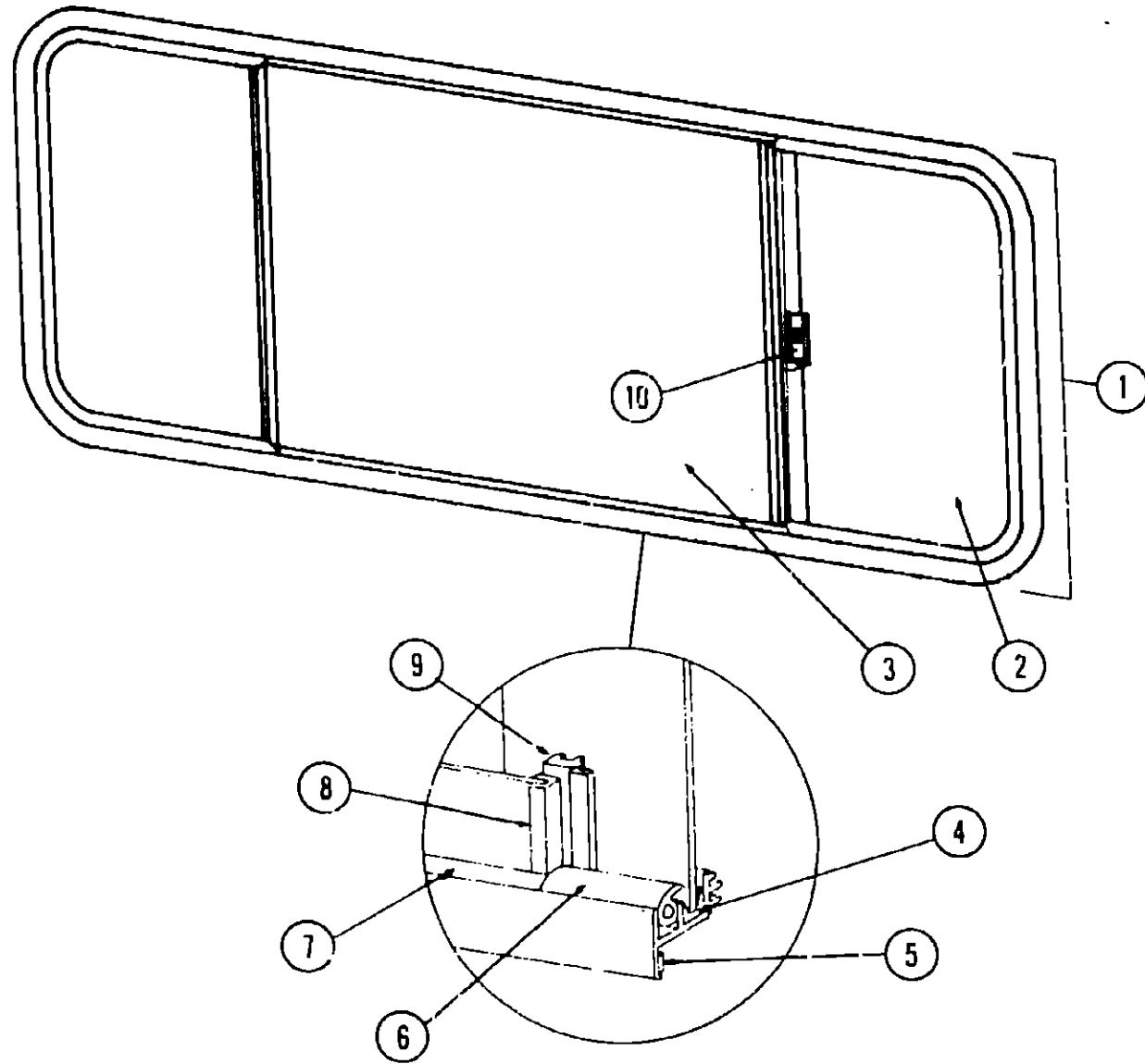
Introduction	A-01
Abbreviations	A-01
Alphabetical Index	A-02 - A-04
WC424RC	A-05 - C-16
WCN22RC	C-17 - F-06
WCN27RU	F-07 - H-20
WCN33RU	H-21 - K-08

1984 WCN22RC INDEX

Floor Plan	C-17 - C-18
Accessories Group	C-19 - C-21
Bath Group	C-22 - C-23
Chassis Group	C-24 - D-01
Curtain, Cushion & Pad Group	D-02 - D-08
Dinette Group	D-09 - D-10
Driver's Compartment Group	D-11 - D-13
Electrical Group	D-14 - D-16
Exterior Body Group	D-17 - E-01
Galley Group	E-02 - E-04
Heating & Air Conditioning Group	E-05 - E-06
Interior Finish Group	E-07 - E-10
LP Group	E-11
Lounge Group	E-12
Water & Sewage Group	E-13 - E-14
Window, Vent & Exterior Door Group	E-15 - F-06

WINDOW, VENT & EXTERIOR DOOR GROUP (CONTINUED)

WINDOW, VENT & EXTERIOR DOOR GROUP (CONTINUED)



Key	Part Number	U/M	Description
1	066785-02-000	EA	Window Asm. - Single Slider - 25" x 56" - Black (w/o inside frame)
*	067609-07-000	EA	Inside Frame - Beige (not included in assembly)
2	066726-01-000	EA	Glass - Stationary - 1/3" x 16.5" x 24"
3	066727-02-000	EA	Glass - Sliding - 1/8" x 25.5" x 24"
4	002324-02-000	FT	Channel - Weatherstrip - Glass
5	069640-06-000	FT	Ribbon Sealer - 5/16" Bead x 15'
6	057374-02-000	FT	Extr. Vinyl - Window Seal - Black
7	002309-02-000	FT	Spline - Glass - 1/8" Material - Black
8	M69886-03-003	EA	Seal Holder w/Fin Seal - 23.19" - Black
9	069896-02-000	EA	Mullion - Slider Window - Black
10	047369-01-700	EA	Latch Kit - Window - Plastic w/Fastener
*	002293-01-000	SF	Screen - Window - 26" - Gray
*	002298-01-000	FT	Spline - .130" Dia. - Gray (Screen
*	073740-01-000	FT	Seal - Fin - Pile - .460"
*			Not illustrated

Key	Part Number	U/M	Description
1	062896-01-000	EA	Window Asm. - Stationary - Drivers Slant - 14" x 25 3/2"
*	063420-02-000	EA	Black (w/o inside frame)
2	069640-06-000	FT	Ribbon Sealer - 5/16" Bead x 15'
3	002309-02-000	FT	Spline - Glass - 1/8" - Black
4	057656-02-000	EA	Glass - 19" x 24 8/8" x 13 6/6"
*			Not illustrated

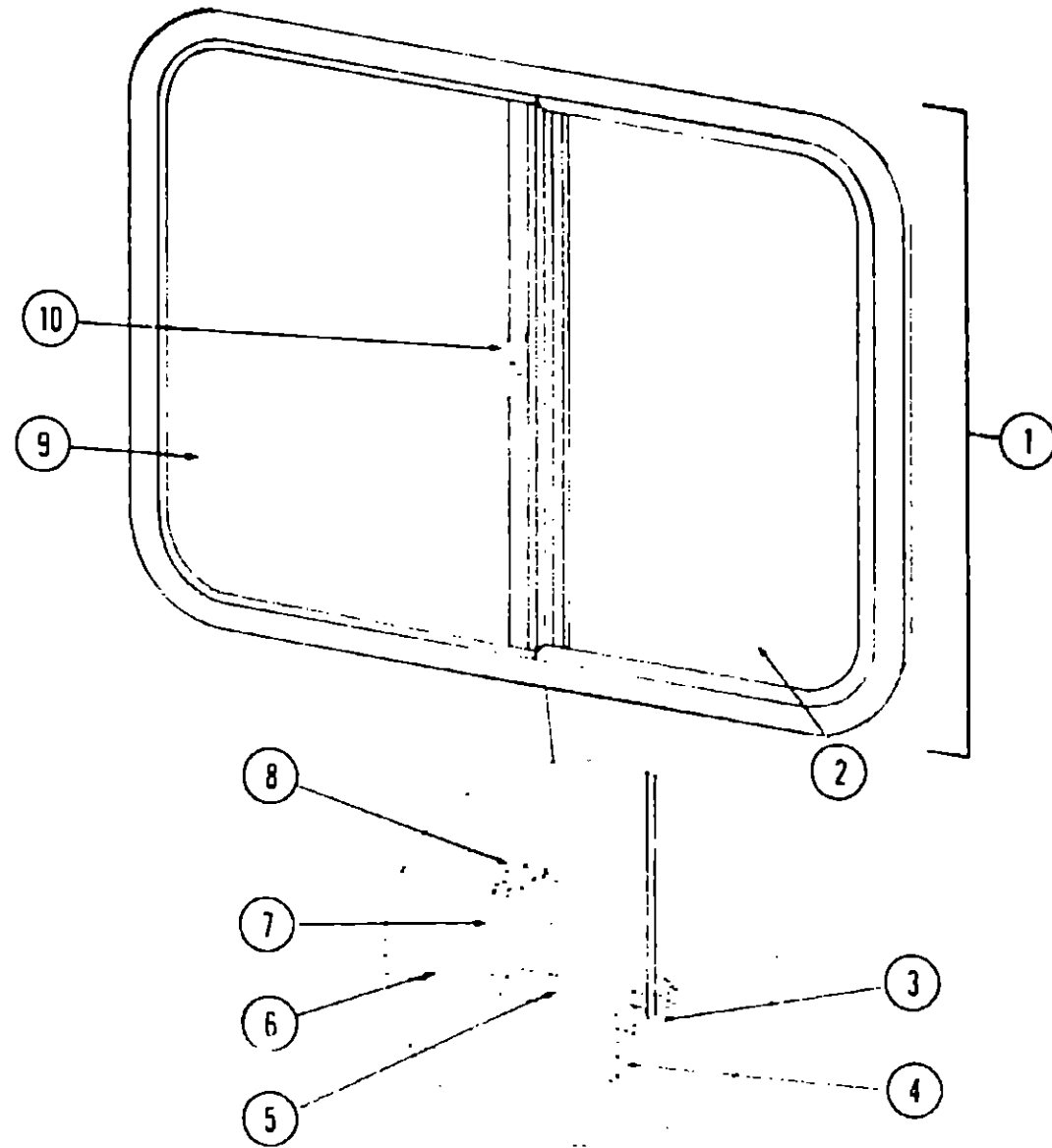
**1984 WINNEBAGO
TABLE OF CONTENTS**

Introduction	A-01
Abbreviations	A-01
Alphabetical Index	A-02 - A-04
WC424RC	A-05 - C-16
WCN22RC	C-17 - F-06
WCN27RU	F-07 - H-20
WCN33RU	H-21 - K-08

1984 WCN22RC INDEX

Floor Plan	C-17 - C-18
Accessories Group	C-19 - C-21
Bath Group	C-22 - C-23
Chassis Group	C-24 - D-01
Curtain, Cushion & Pad Group	D-02 - D-08
Dinette Group	D-09 - D-10
Driver's Compartment Group	D-11 - D-13
Electrical Group	D-14 - D-16
Exterior Body Group	D-17 - E-01
Galley Group	E-02 - E-04
Heating & Air Conditioning Group	E-05 - E-06
Interior Finish Group	E-07 - E-10
LP Group	E-11
Lounge Group	E-12
Water & Sewage Group	E-13 - E-14
Window, Vent & Exterior Door Group	E-15 - F-06

WINDOW, VENT & EXTERIOR DOOR GROUP (CONTINUED)



Key	Part Number	U/M	Description
1	048631-03-000	EA	Window Asm - Right Single Slider - 20" x 25" - Black (w/o inside frame)
•	042147-12-000	EA	Inside Frame - Beige (not included in assembly)
2	047820-01-000	EA	Glass - Sliding - w/Hole - 1/8" x 13 68" x 19"
3	002324-02-000	EA	Channel - Weatherstrip - Glass
4	069640-06-000	FT	Ribbon Sealer - 5/16" Bead x 15'
5	057374-02-000	FT	Extr Vinyl - Window Seal - Black
6	002309-02-000	FT	Spline - Glass - 1/8" Material - Black
7	M69886-03-011	EA	Seal Holder w/Fin Seal - 18 19" - Black
8	041894-12-000	EA	Mullion - Slider Window - Black
9	002241-02-000	EA	Glass - Stationary - 1/8" x 12 3" x 19"
10	047369-01-700	EA	Latch Kit - Window - Plastic - w/Fastener
•	041928-02-000	FT	Seal - Window - Channel - 3/16"
•	002293-01-000	SF	Screen - Window - 26" - Gray
•	002298-01-000	FT	Spline - 130" Dia - Gray (Screen)
•	073740-01-000	FT	Seal - Fin - Pile - 460"
•			Not illustrated

WINDOW, VENT & EXTERIOR DOOR GROUP (CONTINUED)

ACCESS DOORS

Key	Part Number	U/M	Description
	047233-04-000	EA	Door Asm. - Luggage - 13 5" x 35 5" - w/Key Lock - Aluminum Sidewall
	076854-02-000	EA	Door Asm. - Luggage - 13 5" x 35 5" - w/Key Lock - Fiberglass Sidewall
	052009-02-000	EA	Door Asm. - Water Heater - Beige
	069762-03-000	EA	Door Asm. - Refrigerator Access - w/Twist Lock - Beige
	073925-01-000	EA	Door Asm. - LP - 48" x 9" - w/Twist Lock - Aluminum Sidewall
	076852-01-000	EA	Door Asm. - LP - 48" x 9" - w/Twist Lock - Fiberglass Sidewall
	073925-03-000	EA	Door Asm. - Access - 25 3" x 9" - w/Twist Lock - Aluminum Sidewall
	076852-03-000	EA	Door Asm. - Access - 25 3" x 9" - w/Twist Lock - Fiberglass Sidewall
	M00685-08-000	EA	Door Asm. - Generator - 13 5" x 35 5" - w/o Baffle - Aluminum Sidewall
	M01552-01-000	EA	Door Asm. - Generator - 13 5" x 35 5" - w/o Baffle - Fiberglass Sidewall
			NOTE
	052423-02-000	EA	Door - Fuel Fill - Beige
	063742-02-000	EA	Door - Power Cord - Beige
	052424-02-000	EA	Jamb - Fuel Fill/Power Cord Door - Beige
	054543-02-000	EA	Hatch - Power Cord Door - Beige
	052181-03-000	EA	Baffle - Generator Door - Beige
	054530-01-000	EA	Door Holder
	042441-01-000	EA	Lock Asm - Key Type - Gas Fill
	052950-03-700	EA	Lock Asm - Twist Type - Straight Cam (Power Cord Door)
	047305-01-000	EA	Lock Asm. - Key Type w/Clip - Metal (Luggage)
	052950-01-700	EA	Lock Asm - Twist Type w/Clip - White Plastic
	039003-01-000	EA	Lock Asm - Twist Type - w/Clip (LP Door)
	009118-01-000	EA	Lock - Twist - w/Nut
	052951-01-000	EA	Clip - Twist - Lock Retainer

WINDSHIELD

Key	Part Number	U/M	Description
	057459-01-000	EA	Glass - Windshield - Flat
	058272-02-000	EA	Frame Asm. - Windshield
	038886-01-000	EA	Tape - Butyl - .31" x 31" x 148"
	042743-01-000	EA	Corner - Windshield Frame - Lower
	042743-02-000	EA	Corner - Windshield Frame - Upper
	058291-01-000	FT	Edge - Molding

VENTS

Key	Part Number	U/M	Description
	065103-02-000	EA	Cover - Refrigerator Vent - 9 88" x 20 5" - Plastic
	065103-01-000	EA	Frame Asm. - Refrigerator Vent - 8 17" x 22 94" - Plastic
	071290-02-000	EA	Cover - Refrigerator Vent - 1 : 5'8" x 24 3/4" - Galvanized Steel
	071290-01-000	EA	Frame Asm. - Refrigerator Vent - 7 5" x 26 5" - Galvanized Steel
	049352-02-000	EA	Vent - Stovehood - Outside - Beige
**	048789-01-000	EA	Vent Asm. - Roof - Powered - w/o Screen - Alum
**	048835-01-000	EA	Vent Asm. - Roof - Non-Powered - w/o Screen - Alum
** The illustrated parts breakdown for this item is provided on the Common Items Fiche			

**1984 WINNEBAGO
TABLE OF CONTENTS**

Introduction	A-01
Abbreviations	A-01
Alphabetical Index	A-02 - A-04
WC424RC	A-05 - C-16
WCN22RC	C-17 - F-06
WCN27RU	F-07 - H-20
WCN33RU	H-21 - K-08

1984 WCN22RC INDEX

Floor Plan	C-17 - C-18
Accessories Group	C-19 - C-21
Bath Group	C-22 - C-23
Chassis Group	C-24 - D-01
Curtain, Cushion & Pad Group	D-02 - D-08
Dinette Group	D-09 - D-10
Driver's Compartment Group	D-11 - D-13
Electrical Group	D-14 - D-16
Exterior Body Group	D-17 - E-01
Galley Group	E-02 - E-04
Heating & Air Conditioning Group	E-05 - E-06
Interior Finish Group	E-07 - E-10
LP Group	E-11
Lounge Group	E-12
Water & Sewage Group	E-13 - E-14
Window, Vent & Exterior Door Group	E-15 - F-06