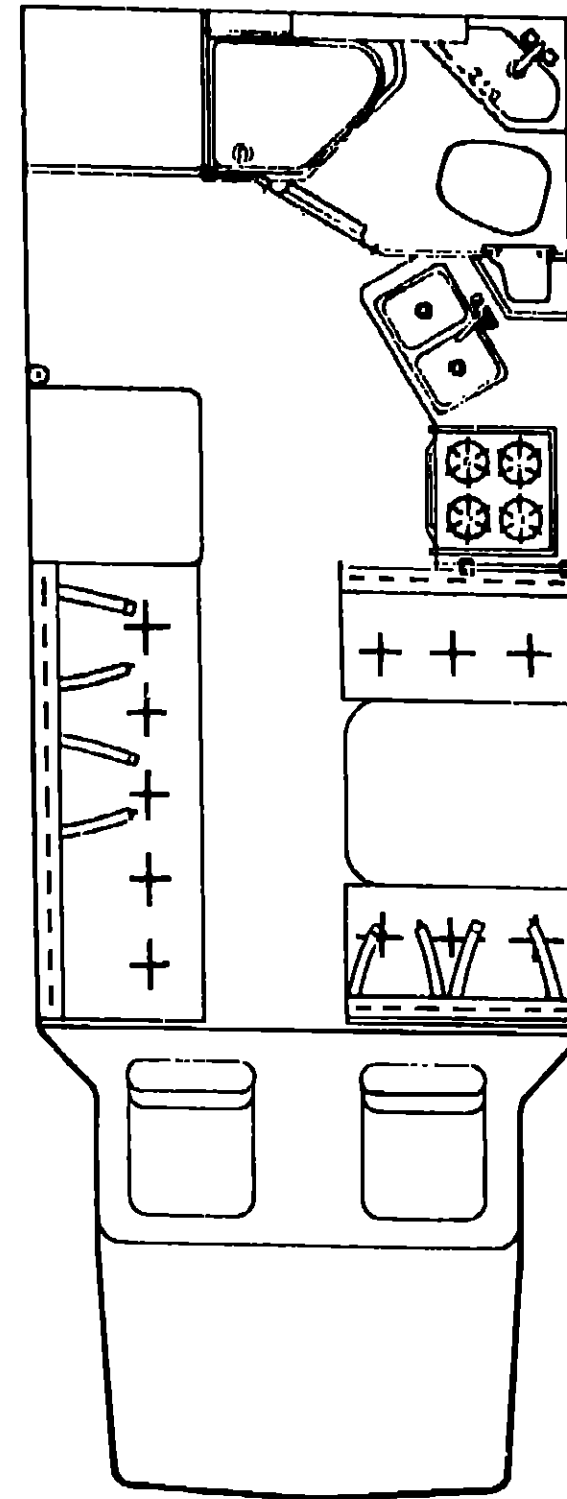


1984 WC723RB

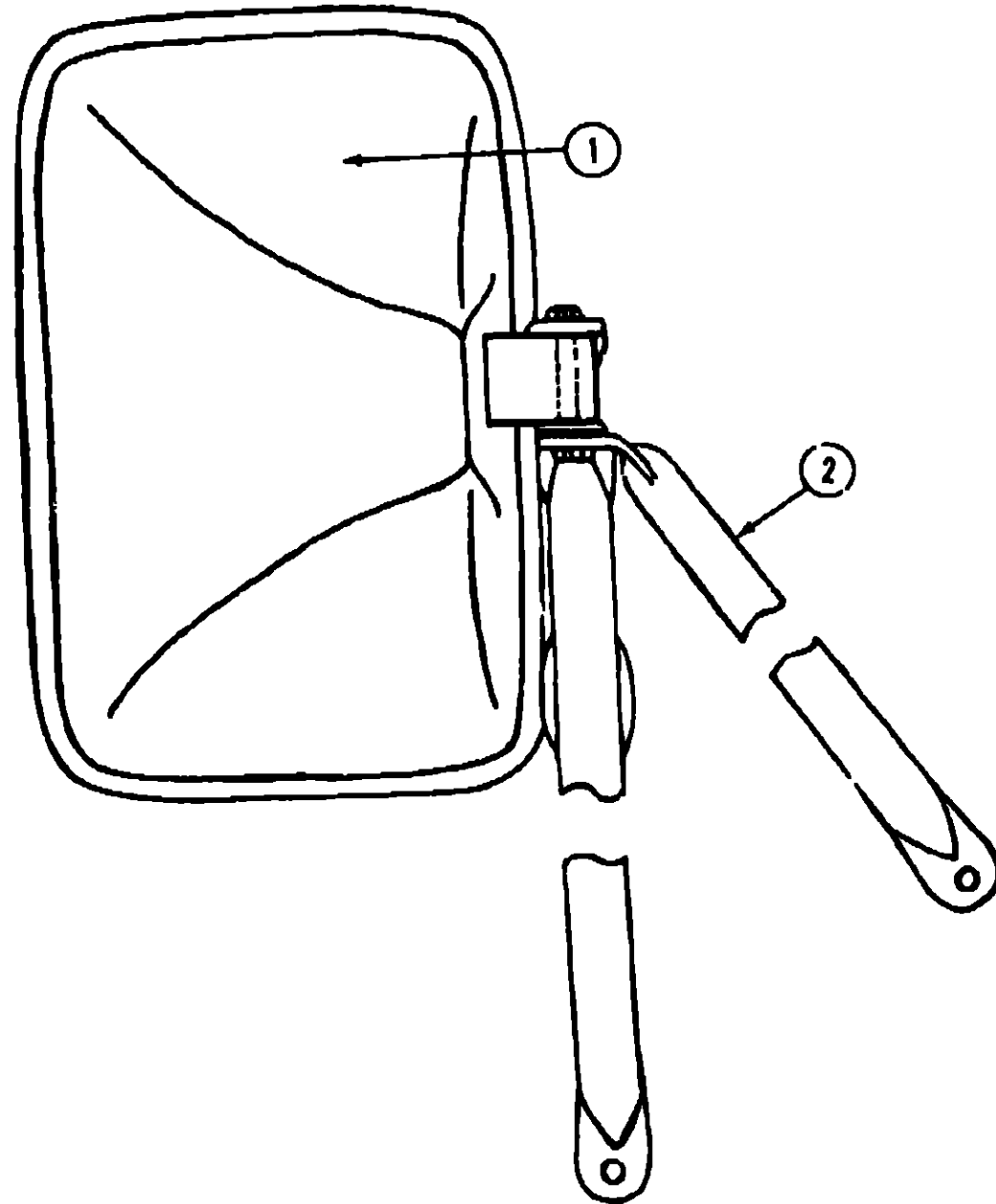


1984 WINNEBAGO TABLE OF CONTENTS

WC723RB	A-01 - B-20
WCN26RB	B-21 - E-06
WCN26RH	E-07 - G-18
WCN30RT	G-17 - J-06

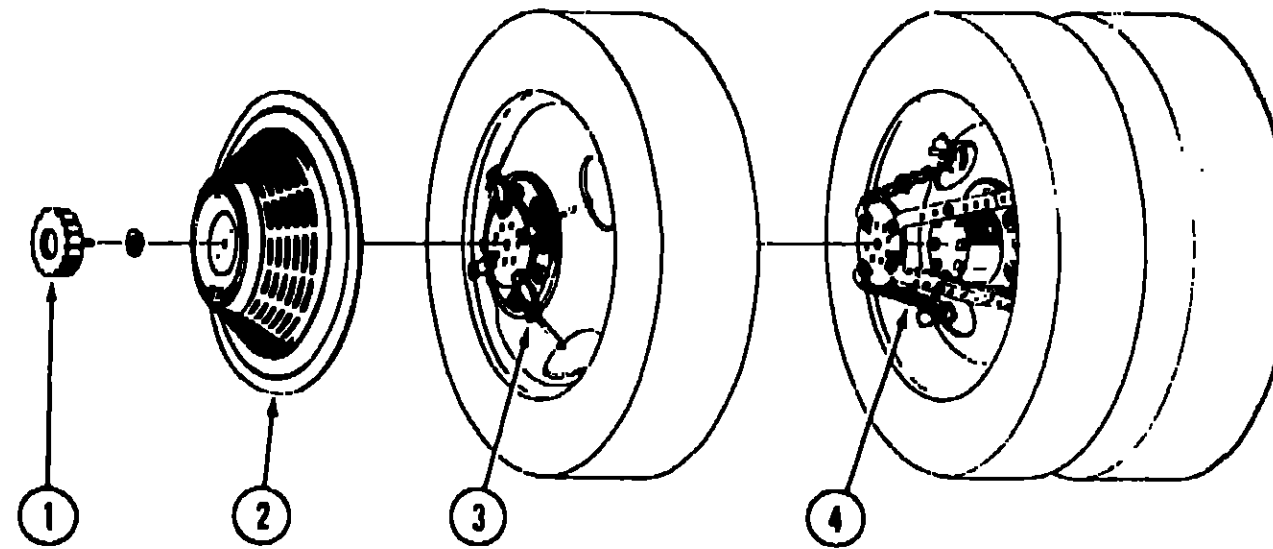
1984 WC723RB INDEX

Floor Plan	A-01 - A-02
Accessories Group	A-03 - A-05
Bath Group	A-06
Chassis Group	A-07
Curtain, Cushion & Pad Group	A-08 - A-13
Dinette Group	A-14 - A-15
Driver's Compartment Group	A-16 - A-17
Electrical Group	A-18 - A-20
Exterior Body Group	A-21 - B-04
Galley Group	B-05
Heating & Air Conditioning Group	B-06
Interior Finish Group	B-07 - B-08
LP Group	B-09
Lounge Group	B-10
Water & Sewage Group	B-11 - B-12
Window, Vent & Exterior Door Group	B-13 - B-20



EXTERIOR MIRRORS

Key	Part Number	U/M	Description
1	066431-02-000	EA	Mirror Head - 6.75" x 10.25"
2	066431-09-000	EA	Arm - West Coast Mirror - Stainless Steel - Right
2	066431-10-000	EA	Arm - West Coast Mirror - Stainless Steel - Left
.	006043-01-000	EA	Mirror - Convex - Adhesive Back
.			Not illustrated



WHEEL COVER AND MOUNTING HARDWARE

Key	Part Number	U/M	Description
1	064082-02-000	EA	Retaining Nut - Delmat - Wheel Cover
2	073426-01-700	EA	Wheel Cover - Bolt On - 16" or 16.5" - Delmat (1)
3	073426-03-700	EA	Retention Bracket Asm. - Wheel Cover Support - Light Duty - Front (1)
4	073426-03-701	EA	Retention Bracket Asm. - Wheel Cover Support - Light Duty - Rear (1)
.	073426-03-000	EA	Retention Bracket Asm. - Wheel Cover Support - Light Duty (Set/4)
.			Not illustrated

RADIO AND RELATED COMPONENTS

Key	Part Number	U/M	Description
	007004-01-000	EA	Antenna - Radio - Cab Mount
	048153-01-000	EA	Antenna - CB - Camper Style
	031105-01-700	EA	Holder - Antenna - Radio - Upper
	064791-01-000	EA	Speaker - Recessed - 5 1/4"
	064790-01-000	EA	Speaker - 4" x 6" - Oval
	073431-01-000	EA	Speaker - 5 1/4" 3/Way (Pair) w/Grille
	073430-01-000	EA	Radio - Am/FM/MPX - Electronic Tuning - Audiovox
	064792-01-000	EA	Grille - Speaker - 5 1/4" - w/Mesh - Brown
	064787-01-000	EA	Radio - AM/FM MPX - w/Cassette - Audiovox - WIMCHI

**1984 WINNEBAGO
TABLE OF CONTENTS**

WC723RB	A-01 - B-20
WCN26RB	B-21 - E-06
WCN26RH	E-07 - G-16
WCN30RT	G-17 - J-06

1984 WC723RB INDEX

Floor Plan	A-01 - A-02
Accessories Group	A-03 - A-05
Bath Group	A-06
Chassis Group	A-07
Curtain, Cushion & Pad Group	A-08 - A-13
Dinette Group	A-14 - A-15
Driver's Compartment Group	A-16 - A-17
Electrical Group	A-18 - A-20
Exterior Body Group	A-21 - B-04
Galley Group	B-05
Heating & Air Conditioning Group	B-06
Interior Finish Group	B-07 - B-08
LP Group	B-09
Lounge Group	B-10
Water & Sewage Group	B-11 - B-12
Window, Vent & Exterior Door Group	B-13 - B-20

ACCESSORIES GROUP (CONTINUED)

GENERATORS AND COMPONENTS

Key	Part Number	U/M	Description
**	054427-01-000	EA	Generator - Onan - 3.0 kw
	052168-01-000	EA	Generator - Onan - 4.25 kw
	701829-02-000	EA	Onan Installation Package
	024732-01-018	EA	Tailpipe - 1.5" O.D. x 23"
	052014-01-000	EA	Exhaust Pipe - 90° Elbow - 1.5" I.D.
	057852-01-000	EA	Muffler - Generator - 3.0 AJ - Onan
	067753-01-000	EA	Muffler - Generator - w/Spark Arrestor
	068046-01-000	EA	Conversion Kit - LP - Onan Generator

** The illustrated parts breakdown for this item is provided on the Common Items Fiche.

MISCELLANEOUS ACCESSORIES

Key	Part Number	U/M	Description
	054185-20-000	EA	Owners Manual - 1984 - Itasca & Winnebago
	044982-01-000	EA	Pouch - Owners Manual
	006053-01-000	EA	Antenna - TV Braun & Dolux
	006050-01-000	EA	Jack - TV - Ivory (Antenna)
	017518-01-000	EA	Mud Flap - Black - 14" x 18" w/Holes
	064089-01-000	EA	Mud Flap - Front Splash Guard - Black
	041944-03-000	EA	Fire Extinguisher - w/Bracket - 5 BC
	069629-01-000	EA	Speed Control Package - Electric - Dana
	069629-01-700	EA	Regulator Asm. - Electronic
	069629-01-701	EA	Vacuum Valve & Electric Switch
	069629-01-702	EA	Control Switch & Lever Asm.
	069629-01-703	EA	Harness Asm. (Main Wiring)
	069629-01-704	EA	Generator Signal
	069629-01-705	EA	Adapter Key
	072852-01-000	EA	Smoke Detector w/9 Volt Battery
	006069-01-000	EA	Key Case - Leather
	007038-01-000	EA	Door Mat - 10.5" x 26" - Black Rubber
	069580-03-000	EA	Lug Wrench - 7/8" x 1/16" x 16.3"
	069580-02-000	EA	Leverage Bar - 22" - Lug Wrench
	006113-01-000	EA	Jack - Hydraulic - 6 Ton - w/Handle
	063708-01-000	EA	Cover - Roof Air Conditioner - Vinyl
	073322-02-000	EA	Tire Cover - Vinyl - 29" - Beige

BATH GROUP

BATH CABINETRY

Key	Part Number	U/M	Description
	068747-01-000	EA	Cabinet Asm - Lavatory
	069852-54-R04	EA	Door Asm. - Lavatory Cabinet - 10" x 23" - w/o Hardware
	008574-01-R04	EA	Door Asm. - Bath - 23" x 71" - w/Hardware
	069852-41-R04	EA	Door Asm. - Wardrobe Cabinet - 21" x 48" - w/o Hardware
	073521-12-R04	EA	Door Asm. - Wardrobe Cabinet - 10" x 17" - w/o Hardware - Right
	073521-11-R04	EA	Door Asm. - Wardrobe Cabinet - 10" x 17" - w/o Hardware - Left
	068501-01-000	EA	Sink - Lavatory
	068755-01-000	EA	Cabinet Asm. - Medicine
	069852-55-R04	EA	Door Asm. - Medicine Cabinet - 10" x 17" - w/o Hardware
	046112-02-000	EA	Mirror - Wall - 24" x 30"
	046113-01-000	EA	Rosette - Plastic - Mirror Mounting
	057898-01-000	EA	Hidden Latch - Cabinet Door
	057898-02-000	EA	Strike - Hidden Latch - Cabinet Door
	058335-02-000	EA	Bath Door Latch
	068495-01-000	EA	Rack - Shelf - Bath Door
	068495-02-000	EA	Rack - Towel - Bath Door
	068521-01-000	EA	Tray - Storage - Lower Bath Door
	071210-01-000	EA	Panel - Backwall - Shower Pan - Plastic
	071211-01-000	EA	Cover - Soap Dish - Shower Pan Backwall Panel - Plastic
	075452-01-000	EA	Holder - Tissue - Antique Brass
	069777-01-000	EA	Valance - Window - Plastic
	011058-01-000	EA	Faucet - Lavatory - US
**	011056-02-000	EA	Faucet - Lavatory - CSA
	011083-01-000	EA	Tail Piece - 1.25" x 5" - Plastic - w/Stopper
	069270-01-000	EA	Track - Shower Curtain
**	011048-02-000	EA	Shower Head - w/60" Hose
	059783-01-000	EA	Clothes Rod - Aluminum - Slotted - 7'
	M00799-02-000	EA	Shower Pan w/Strainer
**	011059-03-000	EA	Faucet - Shower - US
	011059-01-000	EA	Faucet - Shower - CSA
**	039341-02-000	EA	Toilet - Thetford Aqua Magic - Ivory - 8420 SH
	011048-04-000	EA	Breaker - Vacuum - 1/8 MPT - Nylon
	011069-02-000	EA	Tailpiece - 1 1/2" x 1 1/4" x 4" Brass
	066435-01-000	EA	Nut - Strainer
	066436-01-000	EA	Nut - Slip - 1.5" Tailpiece
	075453-01-000	EA	Towel Bar - Antique Brass - 18"
	075240-01-000	EA	Faucet - Lavatory - Antique Brass
	075241-01-000	EA	Faucet - Shower - Antique Brass

** The illustrated parts breakdown for this item is provided in the Common Items Fiche.

1984 WINNEBAGO TABLE OF CONTENTS

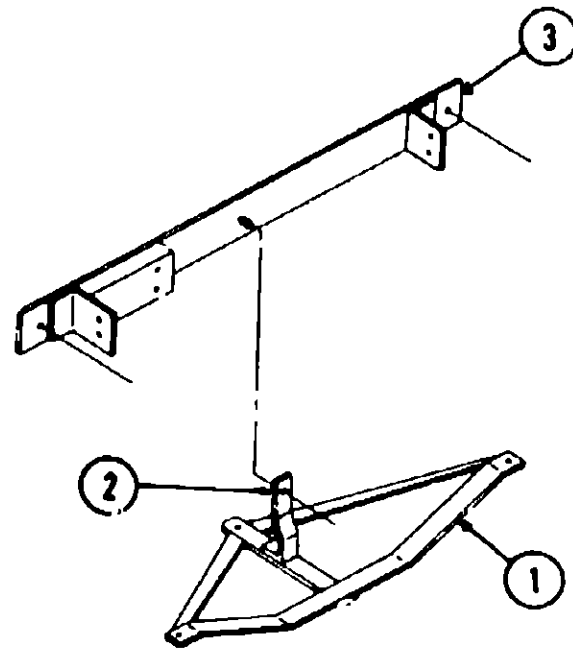
WC723RB	A-01 - B-20
WCN26RB	B-21 - E-06
WCN26RH	E-07 - G-16
WCN30RT	G-17 - J-08

1984 WC723RB INDEX

Floor Plan	A-01 - A-02
Accessories Group	A-03 - A-05
Bath Group	A-06
Chassis Group	A-07
Curtain, Cushion & Pad Group	A-08 - A-13
Dinette Group	A-14 - A-15
Driver's Compartment Group	A-16 - A-17
Electrical Group	A-18 - A-20
Exterior Body Group	A-21 - B-04
Galley Group	B-05
Heating & Air Conditioning Group	B-06
Interior Finish Group	B-07 - B-08
LP Group	B-09
Lounge Group	B-10
Water & Sewage Group	B-11 - B-12
Window, Vent & Exterior Door Group	B-13 - B-20

CHASSIS GROUP

Key	Part Number	U/M	Description
	070925-01-000	EA	Wheel Well - Plastic - Left or Right Rear
	040912-01-000	EA	Step Asm. Assist - Cab
	068738-01-000	EA	Step Asm. - Entrance Door
	017516-02-000	EA	Mud Flap - 14" x 12.5" - w/Holes
	064089-01-000	EA	Mud Flap - Front Splash Guard - Black
	069209-01-000	EA	Box - Power Cord
	057664-02-000	EA	Tire - 8.75 x 16.5 - 10 Ply - Black Tubeless
	070906-01-000	EA	Wheel - 6.75 x 16.5
	069618-01-000	EA	Spare Tire Carrier
	069619-01-000	EA	Spare Tire Support Arm - Right
	069620-01-000	EA	Spare Tire Support Arm - Left
	073322-02-000	EA	Tire Cover - Vinyl - 29" - Beige
	047441-01-000	EA	Battery Terminal - Horizontal Lug
	007131-01-000	EA	Hangar - Tail Pipe
	059784-02-000	EA	Controller - Wiper - Intermittent
	040784-01-000	EA	Blade Asm. - Windshield Wiper
	068688-01-000	EA	Bracket Asm. - Front Bumper - Right
	068688-02-000	EA	Bracket Asm. - Front Bumper - Left
	068639-03-000	EA	Bumper - Rear - Contoured - Bright
	068686-03-000	EA	Bumper - Front - Contoured - Bright
	047743-01-000	EA	Spacer - Rear Spring - Axle Stop
	065427-02-000	EA	Support Asm. - Radiator - Right
	065451-02-000	EA	Bracket - Battery Tie Down - 10.8"
	040671-02-000	EA	Weatherstrip - Cab Door - Driver
	040672-02-000	EA	Weatherstrip - Cab Door - Passenger
	064089-01-000	EA	Splashguard - Black Rubber
	040716-01-000	EA	Nozzle - Windshield Washer



Key	Part Number	U/M	Description
1	068656-01-000	EA	Trailer Hitch Asm. - w/o Support
2	064824-03-000	EA	Support - Trailer Hitch
3	068657-01-000	EA	Bracket - Bumper Mount - Rear

CURTAIN, CUSHION & PAD GROUP

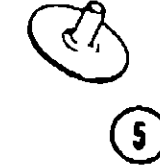
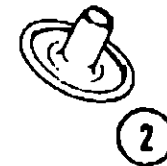
NOTICE

In order to assist our Parts Sales Dept. in providing interior software items, please include the serial number and the color code number from the vehicle certification label when ordering. This label is located on the left sidewall at the end of the dash (A-Body), or on the driver's door latch plate (C-Body).

An example of a color code number is P31, which designates an overall color scheme of a particular unit. The color listed after the item description on the microfiche, indicates the overall unit color. Order the item you desire according to unit color code.

CURTAIN HARDWARE

Key	Part Number	U/M	Description
	037872-02-000	EA	Bracket - Curtain Rod
	037872-01-000	EA	Rod - Curtain - Extension 48" - 84"
	050788-02-000	EA	Center Support - Curtain Rod
	050784-01-000	EA	Pull - Window Shade - Antique Brass
	056001-01-000	EA	Bracket - Shade - Left
	056002-01-000	EA	Bracket - Shade - Right
	009107-01-000	EA	Guide - Nylon Snap - Curtain
	052327-05-009	EA	Track - Curtain - 76" w/Holes - Beige Alum.
	053272-05-005	EA	Track - Curtain - Ceiling Mount - 72" w/Holes - Beige Alum.
	073671-01-000	EA	Track - Curtain - Front Overhead Bunk - Beige Alum.
	069270-01-000	EA	Track - Shower Curtain - "L" Rod - Beige Alum.
	009701-01-000	EA	Curtain Carrier - "L" Rod
	009702-01-000	EA	End Stop - "L" Rod
	056115-01-000	YD	Tape - Plastic - Clear w/Guides
	056116-01-000	FT	Track - Curtain - Plastic - Brown
	048394-01-000	YD	Tape Hook - 1" x 25 Yd. - Beige
	048395-01-000	YD	Tape Loop - 1" x 25 Yd. - Beige



Key	Part Number	U/M	Description
1	029130-01-000	EA	Socket - Snap Fastener
2	029155-01-000	EA	Cap - Snap - .156" Dia. x .17" Barrel
3	029156-01-000	EA	Socket - Snap Fastener
4	029092-01-000	EA	Stud - Nickel Finish
5	029093-01-000	EA	Eyelet - Nickel Finish

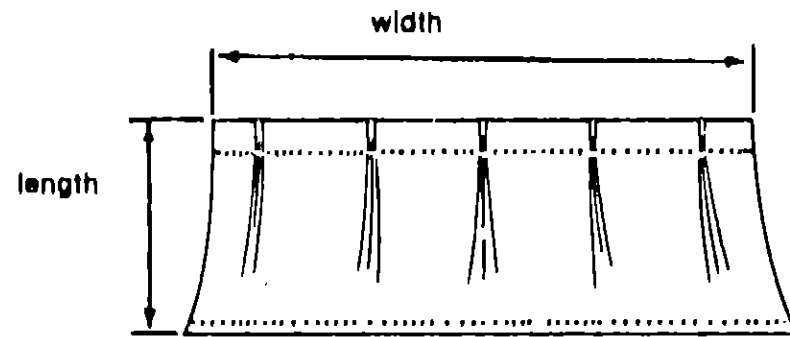
1984 WINNEBAGO TABLE OF CONTENTS

WC723RB	A-01 - B-20
WCN26RB	B-21 - E-06
WCN20RH	E-07 - G-16
WCN30RT	G-17 - J-06

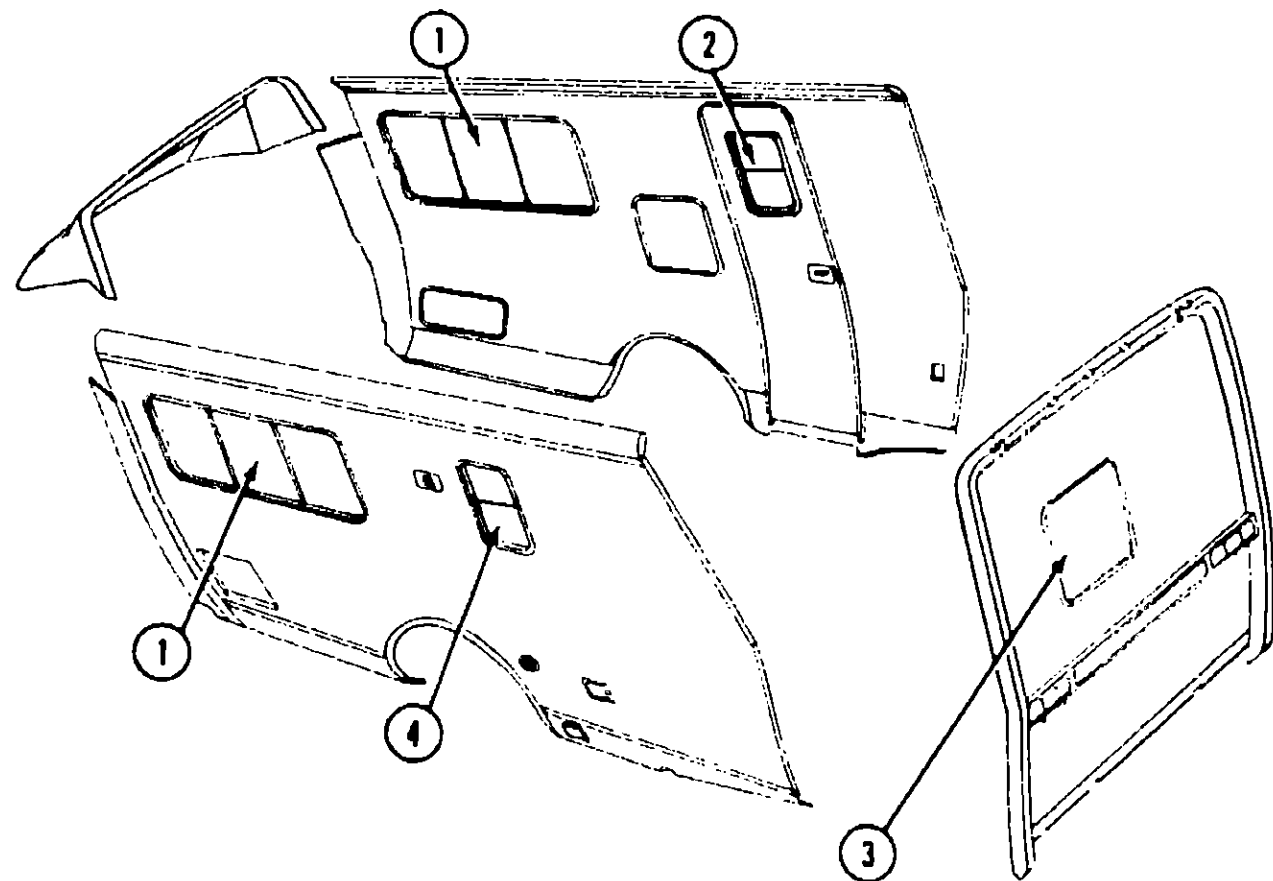
1984 WC723RB INDEX

Floor Plan	A-01 - A-02
Accessories Group	A-03 - A-05
Bath Group	A-06
Chassis Group	A-07
Curtain, Cushion & Pad Group	A-08 - A-13
Dinette Group	A-14 - A-15
Driver's Compartment Group	A-16 - A-17
Electrical Group	A-18 - A-20
Exterior Body Group	A-21 - B-04
Galley Group	B-05
Heating & Air Conditioning Group	B-06
Interior Finish Group	B-07 - B-08
LP Group	B-09
Lounge Group	B-10
Water & Sewage Group	B-11 - B-12
Window, Vent & Exterior Door Group	B-13 - B-20

CURTAIN, CUSHION & PAD GROUP (CONTINUED)



NOTE:
Use this illustration when determining length and width measurements for curtains. You will note the width measurement is taken on the top of the curtain with the curtain fully extended. The length measurement is taken from top to bottom.



CURTAIN, CUSHION & PAD GROUP (CONTINUED)

CURTAINS, VALANCES, SHADES AND TIEBACKS

Key	Part Number	U/M	Description
1	066226-04-R04	EA	Curtain w/Rod Top - 26" x 45"
1	064915-07-R04	EA	Valance Asm. - 5" x 77.5" - Rod Top - Blue
1	064915-07-R05	EA	Valance Asm. - 5" x 77.5" - Rod Top - Brown
1	064915-07-R06	EA	Valance Asm. - 5" x 77.5" - Rod Top - Burgundy
1	075477-34-000	EA	Blinds - 88" Wide x 26" - Old English
2	073226-04-R04	EA	Curtain w/Snaps Top & Bottom - 25.75" x 12"
3	069777-01-000	EA	Valance - Plastic - Light Oak
3	065522-06-000	EA	Shade - 33.25" x 38" - Bath
4	073226-06-R04	EA	Curtain w/Snaps Top & Bottom - 24" x 9"
4	075477-35-000	EA	Blinds - 23" Wide x 21" - Old English
	059900-07-R04	EA	Curtain w/Snaps - Front Wraparound - 24" x 62" (2 required)
	073260-06-R04	EA	Tie Back Asm. - 2" x 18" - Blue
	073260-06-R05	EA	Tie Back Asm. - 2" x 18" - Brown
	073260-00-R06	EA	Tie Back Asm. - 2" x 18" - Burgundy
	057534-03-000	EA	Tie Back Asm. - Clear Plastic - 7.50"
			Not illustrated

**1984 WINNEBAGO
TABLE OF CONTENTS**

WC723RB	A-01 - B-20
WCN26RB	B-21 - E-06
WCN26RH	E-07 - G-16
WCN30RT	G-17 - J-06

FABRICS, TRIMS AND PADS

Key	Part Number	U/M	Description
	072333-07-000	YD	Fabric - Drapery - Wraparound (R04, R05, R06)
	074495-27-000	YD	Fabric - Upholstery - Accent - Blue, Brown (R04, R05)
	074495-28-000	YD	Fabric - Upholstery - Accent - Burgundy (R06)
	074495-25-000	YD	Fabric - Upholstery - Blue (R04)
	074495-24-000	YD	Fabric - Upholstery - Brown (R05)
	074495-26-000	YD	Fabric - Upholstery - Burgundy (R06)
	038421-01-000	YD	Ticking - Mattress - Gold
	070502-01-000	YD	Vinyl - Non Expanded - 12 Gauge Film
	053552-01-R04	EA	Assist Handle - Entry Door - Vinyl
	071127-03-R04	EA	Button Asm. - Fabric - #65 - Square - Blue
	071127-03-R05	EA	Button Asm. - Fabric - #65 - Square - Brown
	071127-03-R06	EA	Button Asm. - Fabric - #65 - Square - Burgundy
	075269-01-R04	EA	Button Asm. - Fabric - #65 - Square with 3/4" Stud - Blue
	075269-01-R05	EA	Button Asm. - Fabric - #65 - Square with 3/4" Stud - Brown
	075269-01-R06	EA	Button Asm. - Fabric - #65 - Square with 3/4" Stud - Burgundy
	074549-03-R04	EA	Pad Asm. - Dinette - Right - Blue
	074549-03-R05	EA	Pad Asm. - Dinette - Right - Brown
	074549-03-R06	EA	Pad Asm. - Dinette - Right - Burgundy
	074549-04-R04	EA	Pad Asm. - Dinette - Left - Blue
	074549-04-R05	EA	Pad Asm. - Dinette - Left - Brown
	074549-04-R06	EA	Pad Asm. - Dinette - Left - Burgundy
	076188-01-R04	EA	Pad Asm. - Dinette Wall - 12" x 12" - Blue
	076188-01-R05	EA	Pad Asm. - Dinette Wall - 12" x 12" - Brown
	076188-01-R06	EA	Pad Asm. - Dinette Wall - 12" x 12" - Burgundy
	076188-02-R04	EA	Pad Asm. - Dinette Wall - 3.5" x 30" - Blue
	076188-02-R05	EA	Pad Asm. - Dinette Wall - 3.5" x 30" - Brown
	076188-02-R06	EA	Pad Asm. - Dinette Wall - 3.5" x 30" - Burgundy

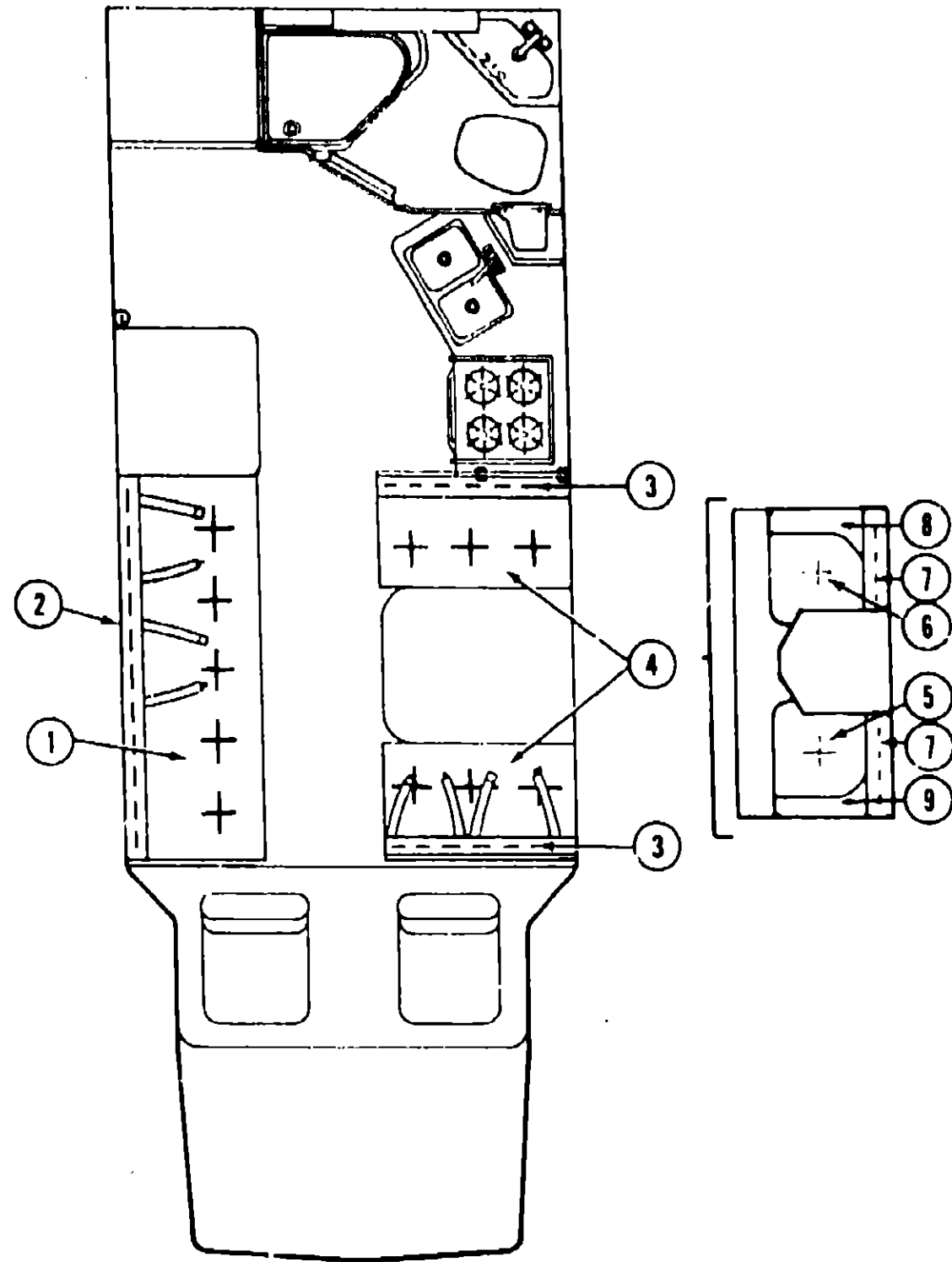
1984 WC723RB INDEX

Floor Plan	A-01 - A-02
Accessories Group	A-03 - A-05
Bath Group	A-06
Chassis Group	A-07
Curtain, Cushion & Pad Group	A-08 - A-13
Dinette Group	A-14 - A-15
Driver's Compartment Group	A-16 - A-17
Electrical Group	A-18 - A-20
Exterior Body Group	A-21 - B-04
Galley Group	B-05
Heating & Air Conditioning Group	B-06
Interior Finish Group	B-07 - B-08
LP Group	B-09
Lounge Group	B-10
Water & Sewage Group	B-11 - B-12
Window, Vent & Exterior Door Group	B-13 - B-20

OVERHEAD SIDE BUNK

Key	Part Number	U/M	Description
	069894-02-000	EA	Mattress - Side Overhead Bunk - 25" x 71.5" x 3"
	M69894-02-000	EA	Cover - Side Overhead Bunk Mattress - 25" x 71.5" x 3"

CURTAIN, CUSHION & PAD GROUP (CONTINUED)



FOLD DOWN COUCH CUSHIONS

Key	Part Number	U/M	Description
1	072431-04-R04	EA	Cushion Asm. - Fold Down Couch Bottom - Blue
1	072431-02-R05	EA	Cushion Asm. - Fold Down Couch Bottom - Brown
1	072431-02-R06	EA	Cushion Asm. - Fold Down Couch Bottom - Burgundy
	M72431-04-R04	EA	Cover - Fold Down Couch Bottom - Blue
	M72431-02-R05	EA	Cover - Fold Down Couch Bottom - Brown
	M72431-02-R06	EA	Cover - Fold Down Couch Bottom - Burgundy
2	072432-04-R04	EA	Cushion Asm. - Fold Down Couch Back - Blue
2	072432-02-R05	EA	Cushion Asm. - Fold Down Couch Back - Brown
2	072432-02-R06	EA	Cushion Asm. - Fold Down Couch Back - Burgundy
	M72432-04-R04	EA	Cover - Fold Down Couch Back - Blue
	M72432-02-R05	EA	Cover - Fold Down Couch Back - Brown
	M72432-02-R06	EA	Cover - Fold Down Couch Back - Burgundy

CURTAIN, CUSHION & PAD GROUP (CONTINUED)

DINETTE CUSHIONS

Key	Part Number	U/M	Description
3	072430-20-R04	EA	Cushion - Dinette Back - 19.25" x 38" x 5" - Blue
3	072430-03-R05	EA	Cushion - Dinette Back - 19.25" x 38" x 5" - Brown
3	072430-03-R06	EA	Cushion - Dinette Back - 19.25" x 38" x 5" - Burgundy
	M72430-20-R04	EA	Cover - Dinette Back Cushion - 19.25" x 38" x 5" - Blue
	M72430-03-R05	EA	Cover - Dinette Back Cushion - 19.25" x 38" x 5" - Brown
	M72430-03-R06	EA	Cover - Dinette Back Cushion - 19.25" x 38" x 5" - Burgundy
4	072430-21-R04	EA	Cushion - Dinette Bottom - 17.5" x 38" x 5" - Blue
4	072430-04-R05	EA	Cushion - Dinette Bottom - 17.5" x 38" x 5" - Brown
4	072430-04-R06	EA	Cushion - Dinette Bottom - 17.5" x 38" x 5" - Burgundy
	M72430-21-R04	EA	Cover - Dinette Bottom Cushion - 17.5" x 38" x 5" - Blue
	M72430-04-R05	EA	Cover - Dinette Bottom Cushion - 17.5" x 38" x 5" - Brown
	M72430-04-R06	EA	Cover - Dinette Bottom Cushion - 17.5" x 38" x 5" - Burgundy
5	059743-10-R04	EA	Cushion - Lounge Chair Bottom - Front - Blue
5	059743-08-R05	EA	Cushion - Lounge Chair Bottom - Front - Brown
5	059743-08-R06	EA	Cushion - Lounge Chair Bottom - Front - Burgundy
	059746-08-R04	EA	Cover - Lounge Chair Bottom Cushion Front - Blue
	059746-06-R05	EA	Cover - Lounge Chair Bottom Cushion Front - Brown
	059746-06-R06	EA	Cover - Lounge Chair Bottom Cushion Front - Burgundy
6	059743-11-R04	EA	Cushion - Lounge Chair Bottom Right Rear - Blue
6	059743-09-R05	EA	Cushion - Lounge Chair Bottom Right Rear - Brown
6	059743-09-R06	EA	Cushion - Lounge Chair Bottom Right Rear - Burgundy
	059746-09-R04	EA	Cover - Lounge Chair Bottom Cushion Right Rear - Blue
	059746-07-R05	EA	Cover - Lounge Chair Bottom Cushion Right Rear - Brown
	059746-07-R06	EA	Cover - Lounge Chair Bottom Cushion Right Rear - Burgundy
7	059742-09-R04	EA	Cushion - Lounge Chair Back - Blue
7	059742-08-R05	EA	Cushion - Lounge Chair Back - Brown
7	059742-08-R06	EA	Cushion - Lounge Chair Back - Burgundy
	059745-07-R04	EA	Cover - Lounge Chair Back Cushion - Blue
	059745-06-R05	EA	Cover - Lounge Chair Back Cushion - Brown
	059745-06-R06	EA	Cover - Lounge Chair Back Cushion - Burgundy
8	059744-18-R04	EA	Cushion - Chair Wedge - Rear - Blue
8	059744-16-R05	EA	Cushion - Chair Wedge - Rear - Brown
8	059744-16-R06	EA	Cushion - Chair Wedge - Rear - Burgundy
	059747-14-R04	EA	Cover - Chair Wedge - Rear - Blue
	059747-12-R05	EA	Cover - Chair Wedge - Rear - Brown
	059747-12-R06	EA	Cover - Chair Wedge - Rear - Burgundy
9	059744-17-R04	EA	Cushion - Chair Wedge - Front - Blue
9	059744-15-R05	EA	Cushion - Chair Wedge - Front - Brown
9	059744-15-R06	EA	Cushion - Chair Wedge - Front - Burgundy
	059747-13-R04	EA	Cover - Chair Wedge Cushion - Front - Blue
	059747-11-R05	EA	Cover - Chair Wedge Cushion - Front - Brown
	059747-11-R06	EA	Cover - Chair Wedge Cushion - Front - Burgundy

**1984 WINNEBAGO
TABLE OF CONTENTS**

WC723RB	A-01 - B-20
WCN26RB	B-21 - E-06
WCN26RH	E-07 - G-16
WCN30RT	G-17 - J-06

1984 WC723RB INDEX

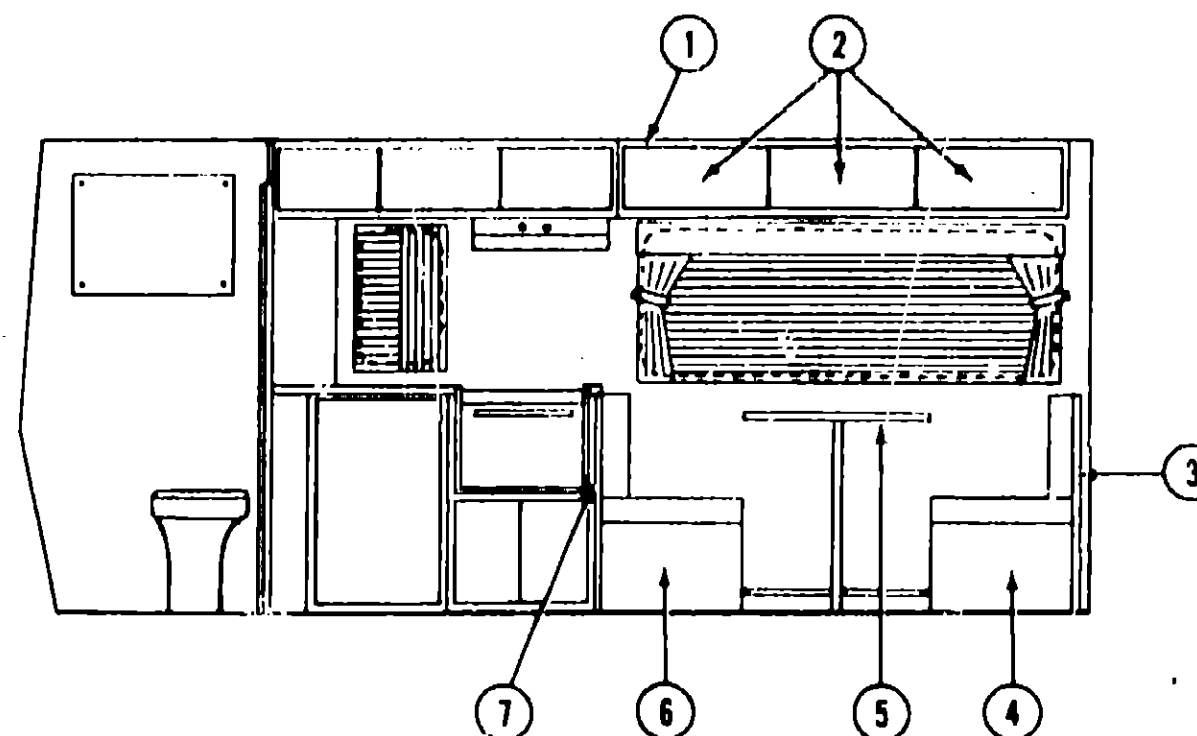
Floor Plan	A-01 - A-02
Accessories Group	A-03 - A-05
Bath Group	A-06
Chassis Group	A-07
Curtain, Cushion & Pad Group	A-08 - A-13
Dinette Group	A-14 - A-15
Driver's Compartment Group	A-16 - A-17
Electrical Group	A-18 - A-20
Exterior Body Group	A-21 - B-04
Galley Group	B-05
Heating & Air Conditioning Group	B-06
Interior Finish Group	B-07 - B-08
LP Group	B-09
Lounge Group	B-10
Water & Sewage Group	B-11 - B-12
Window, Vent & Exterior Door Group	B-13 - B-20

CURTAIN, CUSHION & PAD GROUP (CONTINUED)

BUCKET SEATS

Key	Part Number	U/M	Description
	069005-02-R04	EA	Seat Asm. - Single Bucket - Low Back - Blue
	069005-02-R05	EA	Seat Asm. - Single Bucket - Low Back - Brown
	069005-02-R06	EA	Seat Asm. - Single Bucket - Low Back - Burgundy
	M00435-03-R04	EA	Cover - Back - Low Back - Blue
	M00435-03-R08	EA	Cover - Back - Low Back - Brown (R05)
	M00435-03-R09	EA	Cover - Back - Low Back - Burgundy (R08)
	M00435-04-R04	EA	Cover - Bottom - Low Back - Blue
	M00435-04-R08	EA	Cover - Bottom - Low Back - Brown
	M00435-04-R09	EA	Cover - Bottom - Low Back - Burgundy
	075966-09-R04	EA	Seat Asm. - Single Bucket - Narrow Square Back - Youth Bed - Right - Blue
	075966-09-R05	EA	Seat Asm. - Single Bucket - Narrow Square Back - Youth Bed - Right - Brown
	075966-09-R06	EA	Seat Asm. - Single Bucket - Narrow Square Back - Youth Bed - Right - Burgundy
	075966-10-R04	EA	Seat Asm. - Single Bucket - Narrow Square Back - Youth Bed - Left - Blue
	075966-10-R05	EA	Seat Asm. - Single Bucket - Narrow Square Back - Youth Bed - Left - Brown
	075996-10-R06	EA	Seat Asm. - Single Bucket - Narrow Square Back - Youth Bed - Left - Burgundy
	M00784-06-R04	EA	Cover - Back - Narrow Square Back - Youth Bed - Blue
	M00784-06-R05	EA	Cover - Back - Narrow Square Back - Youth Bed - Brown
	M00784-06-R06	EA	Cover - Back - Narrow Square Back - Youth Bed - Burgundy
	M00784-05-R04	EA	Cover - Bottom - Narrow Square Back - Youth Bed - Blue
	M00784-05-R05	EA	Cover - Bottom - Narrow Square Back - Youth Bed - Brown
	M00784-05-R06	EA	Cover - Bottom - Narrow Square Back - Youth Bed - Burgundy
	070553-02-R04	EA	Cushion Asm. - Wedge - Youth Bed - Blue
	070553-02-R08	EA	Cushion Asm. - Wedge - Youth Bed - Brown
	070553-02-R09	EA	Cushion Asm. - Wedge - Youth Bed - Burgundy
	071122-11-R04	EA	Armrest Asm. w/Cover - Right - Blue
	071122-11-R05	EA	Armrest Asm. w/Cover - Right - Brown
	071122-11-R06	EA	Armrest Asm. w/Cover - Right - Burgundy
	071122-12-R04	EA	Armrest Asm. w/Cover - Left - Blue
	071122-12-R05	EA	Armrest Asm. w/Cover - Left - Brown
	071122-12-R06	EA	Armrest Asm. w/Cover - Left - Burgundy
	071123-06-R04	EA	Cover - Armrest - Right or Left - Blue
	071123-06-R05	EA	Cover - Armrest - Right or Left - Brown
	071123-06-R06	EA	Cover - Armrest - Right or Left - Burgundy

DINETTE GROUP



**1984 WINNEBAGO
TABLE OF CONTENTS**

WC723RB	A-01 - B-20
WCN26RB	B-21 - E-06
WCN26RH	E-07 - G-16
WCN30RT	G-17 - J-06

CONVENTIONAL DINETTE AND OVERHEAD CABINETRY

Key	Part Number	U/M	Description
1	068907-03-R04	EA	Cabinet Asm. - Dinette Overhead - w/o Doors or Hardware
2	069852-54-R04	EA	Door Asm. - Dinette Overhead Cabinet - 10" x 23" - w/o Hardware
3	M00988-03-R04	EA	Cabinet Asm. - Dinette Back - Right Hand
4	M00987-02-R04	EA	Cabinet Asm. - Dinette Seat - Right Hand
5	M75191-01-R04	EA	Table Asm. - Dinette - w/o Hardware & Cup Holders - Palomino
6	M00987-01-R04	EA	Cabinet Asm. - Dinette Seat - Left Hand
7	M00988-01-R04	EA	Cabinet Asm. - Dinette Back - Left Hand
*	053200-05-000	EA	Bracket - Upper Wall Mount - 23.5" - Beige
*	053201-03-000	EA	Bracket - Table Mount - 23"
*	024275-05-000	EA	Rod - Table Lift - 8" x 23.5"
*	024281-07-000	EA	Bracket - Lower Wall Mount - 22.12" - Beige
*	024276-16-000	EA	Leg Asm. - Table - 28.38" - Brown
**	064050-01-000	EA	Hinge - Table Leg
**	024282-01-000	EA	Brace - Table Leg
**	024283-01-000	EA	Clip - 1" O.D. Tube
*	049493-02-000	EA	Catch - Table Leg - Mounts on Floor - Brown
*	064781-02-000	EA	Cup Holder - 3.47" O.D. x 2.75" I.D. x 1.5"
*			Not illustrated
**	The illustrated parts breakdown for this item is provided on the Common Items Fiche.		

1984 WC723RB INDEX

Floor Plan	A-01 - A-02
Accessories Group	A-03 - A-05
Bath Group	A-06
Chassis Group	A-07
Curtain, Cushion & Pad Group	A-08 - A-13
Dinette Group	A-14 - A-15
Driver's Compartment Group	A-16 - A-17
Electrical Group	A-18 - A-20
Exterior Body Group	A-21 - B-04
Galley Group	B-05
Heating & Air Conditioning Group	B-06
Interior Finish Group	B-07 - B-08
LP Group	B-09
Lounge Group	B-10
Water & Sewage Group	B-11 - B-12
Window, Vent & Exterior Door Group	B-13 - B-20

DINETTE OVERHEAD SIDE BUNK

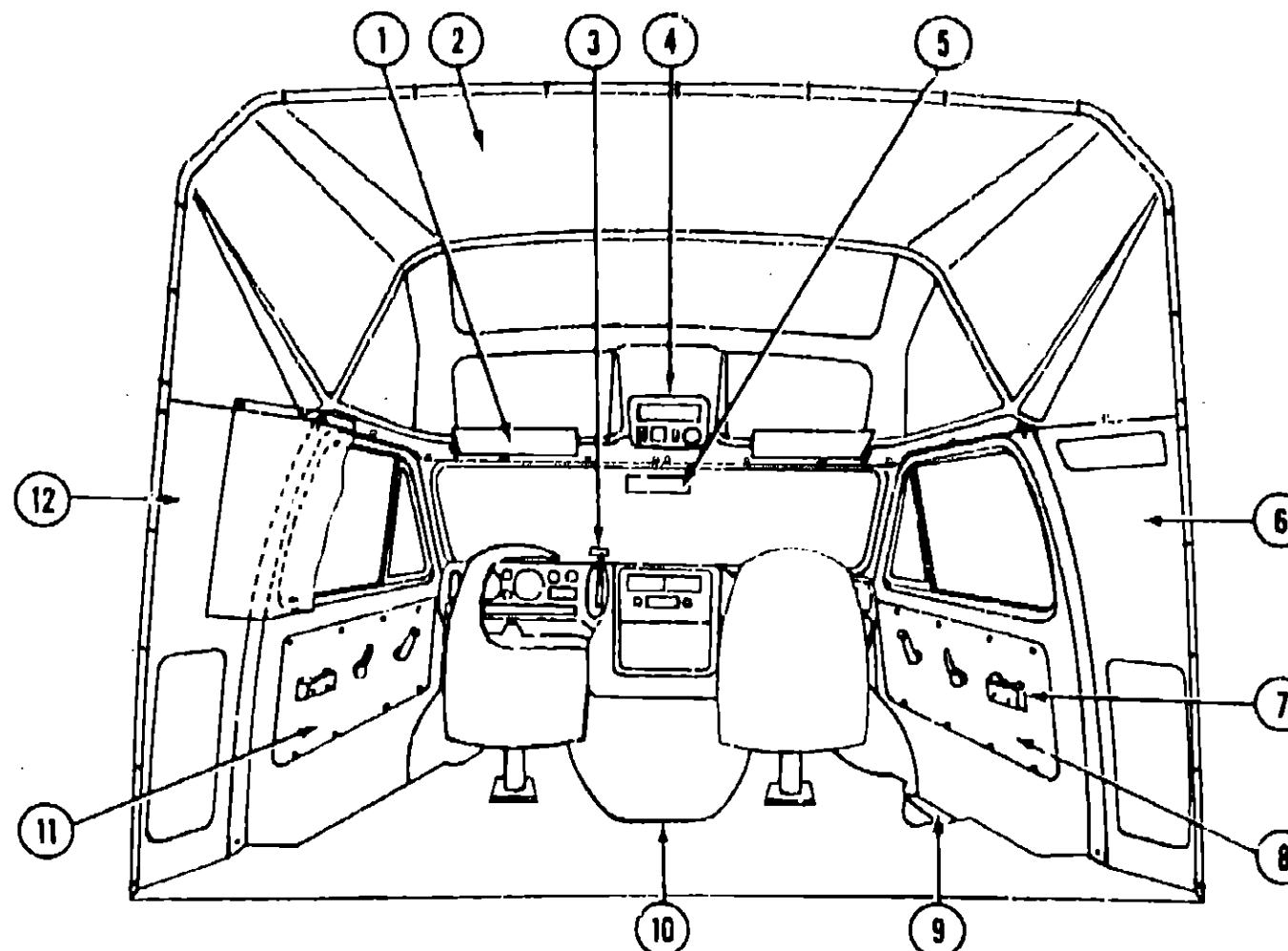
Key	Part Number	U/M	Description
	069890-02-R04	EA	Bunk Asm. - Overhead - 72"
	069868-01-000	EA	Strap - Bunk Asm.
	M70526-02-000	EA	Cabinet Asm. - Overhead Bunk - w/o Doors
	069875-01-000	EA	Door Asm. - Overhead Bunk Cabinet - Sliding
	069647-01-000	EA	Spring - Torsion - Right Hand
	069647-02-000	EA	Spring - Torsion - Left Hand
	071165-02-000	EA	Panel Asm. - Center - Overhead Bunk Cabinet
	007021-01-000	EA	Belt Asm. - Seat - 2" x 90"
	070632-01-000	EA	Support - Seat Belt
	042541-02-000	EA	Latch Asm. - w/o Strike - Chrome
	042541-03-000	EA	Strike - Latch Asm.

DINETTE GROUP (CONTINUED)

CORNER LOUNGE TABLE (OPTION)

Key	Part Number	U/M	Description
	M01510-08-R04	EA	Table Asm. - Corner Lounges - w/o Hardware - Harbor Oak
	053201-04-000	EA	Bracket - Table Mount - 13.5"
	024275-08-000	EA	Rod - Table Lift
	024281-08-000	EA	Bracket - Lower Wall Mount - Belge
	053200-08-000	EA	Bracket - Upper Wall Mount - Belge
	061082-01-000	EA	Leg Asm. - Table - 18.1"

DRIVER'S COMPARTMENT GROUP



MISCELLANEOUS DRIVER'S COMPARTMENT COMPONENTS

Key	Part Number	U/M	Description
1	056802-04-000	EA	Sunvisor Asm. - Medium Almond - Right or Left
2	068951-01-000	EA	Panel Asm. - Upper Front Cap - Plastic - Inner
3	701631-01-000	EA	Shifting Knob and Button - Transmission Control
	701632-01-000	EA	Retainer - Shifting Knob - Transmission Control
	069213-01-000	EA	Bezel - Instrument - Overhead Console (Dual Battery Switch)
	066501-01-000	EA	Shifter Asm. - Modified
4	069213-04-000	EA	Bezel - Instrument - Overhead Console (Voltmeter w/Battery Switch, Generator Switch, Hourmeter, Dual Battery Switch, Travel Center)
	069213-03-000	EA	Bezel - Instrument - Overhead Console (Generator Switch, Hourmeter, Dual Battery Switch)
	069213-02-000	EA	Bezel - Instrument - Overhead Console (Voltmeter w/Battery Switch, Travel Center, Dual Battery Switch)
	052744-04-000	EA	Bezel - Transmission Control
	064956-01-000	EA	Panel - Travel Center - Black
5	040714-01-700	EA	Mirror - Inside Rear View
	067490-01-000	EA	Button - Mirror - Rear View Support
6	068950-01-000	EA	Panel Asm. - Wingwall Transition - Plastic - Inner Right Hand
7	056581-04-000	EA	Armrest Asm. - Cab Door - Medium Almond
8	059491-01-R04	EA	Side Panel - Cab Door - Right - Blue
8	059491-01-R05	EA	Side Panel - Cab Door - Right - Burgundy
8	059491-01-R06	EA	Side Panel - Cab Door - Right - Rust
9	044860-01-000	EA	Mat - Door Step - Rubber - Black - Driver
9	044860-02-000	EA	Mat - Door Step - Rubber - Black - Passenger
10	071645-01-000	EA	Engine Cover - w/o Carpet
	048223-01-000	EA	Bracket - Engine Cover
	056673-04-000	EA	Cover - Lighter/Ash Tray
11	059492-01-P13	EA	Side Panel - Cab Door - Left - Blue
11	059492-01-P14	EA	Side Panel - Cab Door - Left - Burgundy
11	059492-01-P15	EA	Side Panel - Cab Door - Left - Rust
			Not illustrated

1984 WINNEBAGO TABLE OF CONTENTS

WC723RB	A-01 - B-20
WCN26RB	B-21 - E-06
WCN26RH	E-07 - G-16
WCN30RT	G-17 - J-06

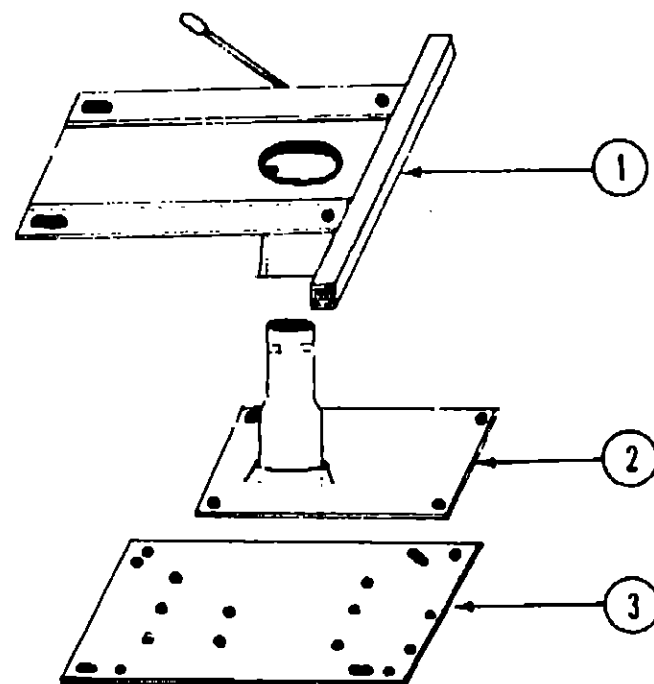
1984 WC723RB INDEX

Floor Plan	A-01 - A-02
Accessories Group	A-03 - A-05
Bath Group	A-06
Chassis Group	A-07
Curtain, Cushion & Pad Group	A-08 - A-13
Dinette Group	A-14 - A-15
Driver's Compartment Group	A-16 - A-17
Electrical Group	A-18 - A-20
Exterior Body Group	A-21 - B-04
Galley Group	B-05
Heating & Air Conditioning Group	B-06
Interior Finish Group	B-07 - B-08
LP Group	B-09
Lounge Group	B-10
Water & Sewage Group	B-11 - B-12
Window, Vent & Exterior Door Group	B-13 - B-20

DRIVER'S COMPARTMENT GROUP (CONTINUED)

MISCELLANEOUS DRIVER'S COMPARTMENT COMPONENTS (CONT.)

Key	Part Number	U/M	Description
.	042541-02-000	EA	Latch Asm. - w/o Striker
.	042541-03-000	EA	Striker
12	068950-02-000	EA	Panel Asm. - Wingwall Transition - Plastic - Inner Left Hand
.	056602-01-000	EA	Panel Asm. - Dash - Passenger
.	056603-01-000	EA	Panel Asm. - Dash - Driver
.	070524-01-000	EA	Pad - Dash - Medium Dark Almond
.	069586-01-000	EA	Belt Asm. - Shoulder - Passenger
.	069586-02-000	EA	Belt Asm. - Shoulder - Driver
.	024461-01-000	EA	Switch - Battery
.	024462-01-000	EA	Switch - Battery Condition
.	024978-01-000	EA	Switch - Generator w/o Circuit Board
.	056552-02-000	EA	Switch - Wiper/Washer
.	059784-03-000	EA	Switch - Intermittent - Windshield Wiper
.	059784-02-000	EA	Intermittent Wiper Controller
.	024459-03-000	EA	Gauge - Voltmeter
.	031035-01-000	EA	Gauge - Generator Hourmeter
.	058119-03-000	EA	Control Asm. - Heater
.	058119-04-000	EA	Control Asm. - Heater/Air Conditioner
.	061576-01-000	EA	Cable Asm. - Defrost
.	061577-01-000	EA	Cable Asm. - Temperature
.			Not illustrated



BUCKET SEAT PEDESTAL AND SEAT BELTS

Key	Part Number	U/M	Description
1	069585-06-000	EA	Plate - Top - Pedestal Asm. - Bucket Seat
2	069585-03-000	EA	Plate - Sub - Pedestal Asm. - Bucket Seat
3	069585-02-000	EA	Plate - Base - Pedestal Asm. - Bucket Seat
.	069585-05-000	EA	Hardware Kit - Bolt/Acorn Nut - 4 Ea. - Pedestal Asm.
.	056271-02-000	EA	Belt Asm. - Seat - 2" x 72" - Black
.	007021-01-000	EA	Belt Asm. - Seat - 2" x 90" - Black
.	041322-01-000	EA	Washer - Flat 15/32" I.D. x 2 3/8" O.D. - Seat Belt
.	058375-01-000	EA	Bracket - Seat Belt - Washer
.	069586-01-000	EA	Belt Asm. - Shoulder - Passenger
.	069586-02-000	EA	Belt Asm. - Shoulder - Driver
.	069585-09-000	EA	Stabilizer - Seat Belt Retractor
.	069586-02-000	EA	Plug - Shoulder Belt Asm.
.	069246-01-000	EA	Adjuster Asm. - Seat - w/Lock
.	069246-02-000	EA	Adjuster Asm. - Seat - w/o Lock
.	068601-06-000	EA	Recliner Drive - Bucket Seat - Left
.	068601-07-000	EA	Recliner Drive - Bucket Seat - Right
.			Not illustrated

ELECTRICAL GROUP

BULBS

Key	Part Number	U/M	Description
	037935-01-000	EA	Bulb - 1157
	037936-01-000	EA	Bulb - 1157A
	063914-01-000	EA	Bulb - 1139
	008103-01-000	EA	Bulb - 53
	008213-01-000	EA	Bulb - 57
	008214-01-000	EA	Bulb - 67
	008215-01-000	EA	Bulb - 1003
	008216-01-000	EA	Bulb - 1034
	008217-01-000	EA	Bulb - 1073
	008218-01-000	EA	Bulb - 1141
	008220-01-000	EA	Bulb - 12V - 25W
	036196-02-000	EA	Bulb - 194A
	067479-01-000	EA	Bulb - 1076 - 12V - 1.80 Amp.

FUSES AND CIRCUIT BREAKER

Key	Part Number	U/M	Description
	056473-01-000	EA	Fuse - Slow Blow - 6 1/4 Amp.
	008203-01-000	EA	Fuse - 12 Volt - 6 Amp.
	008204-01-000	EA	Fuse - 12 Volt - 10 Amp.
	008235-01-000	EA	Fuse - 12 Volt - 15 Amp.
	008236-01-000	EA	Fuse - 12 Volt - 20 Amp.
	008248-01-000	EA	Fuse - 110 Volt - 30 Amp. - AGU
	008252-01-000	EA	Fuse - 110 Volt - 50 Amp.
	008208-01-000	EA	Circuit Breaker - 12 Volt - 40 Amp.
	008211-01-000	EA	Circuit Breaker - 12 Volt - 6 Amp.
	008268-01-000	EA	Circuit Breaker - 12 Volt - 30 Amp. w/Mount
	033573-02-000	EA	Circuit Breaker - 12 Volt - 15 Amp. w/Mount
	033573-01-000	EA	Circuit Breaker - 12 Volt - 20 Amp. w/Mount
	040051-01-000	EA	Circuit Breaker - 110 Volt - 20 Amp. TQL
	008273-03-000	EA	Circuit Breaker - 15/20 Amp. TQL
	008299-01-000	EA	Circuit Breaker - 115 Amp. TQL
	008297-01-000	EA	Circuit Breaker - 120 Amp. TQL
	008293-01-000	EA	Circuit Breaker - 130 Amp. TQL
	071279-05-000	EA	Circuit Breaker - 20 Amp. - 120 Volt
	071279-01-000	EA	Circuit Breaker - 15 Amp. - 120 Volt
	071279-02-000	EA	Circuit Breaker - 15/15 Amp. - 120 Volt
	071279-03-000	EA	Circuit Breaker - 15/20 Amp. - 120 Volt
	071279-04-000	EA	Circuit Breaker - 30 Amp. - 120 Volt
	071279-05-000	EA	Circuit Breaker - 20 Amp. - 120 Volt
	071279-06-000	EA	Circuit Breaker - 30/15 Amp. - 120 Volt
	071279-07-000	EA	Circuit Breaker - 20/20 Amp. - 120 Volt
	071280-01-000	EA	Circuit Breaker - Blank

1984 WINNEBAGO TABLE OF CONTENTS

WC723RB	A-01 - B-20
WCN26RB	B-21 - E-06
WCN26RH	E-07 - G-16
WCN30RT	G-17 - J-06

1984 WC723RB INDEX

Floor Plan	A-01 - A-02
Accessories Group	A-03 - A-05
Bath Group	A-06
Chassis Group	A-07
Curtain, Cushion & Pad Group	A-08 - A-13
Dinette Group	A-14 - A-15
Driver's Compartment Group	A-16 - A-17
Electrical Group	A-18 - A-20
Exterior Body Group	A-21 - B-04
Galley Group	B-05
Heating & Air Conditioning Group	B-06
Interior Finish Group	B-07 - B-08
LP Group	B-09
Lounge Group	B-10
Water & Sewage Group	B-11 - B-12
Window, Vent & Exterior Door Group	B-13 - B-20

ELECTRICAL GROUP (CONTINUED)

WIRE, SWITCHES AND RECEPTACLES

Key	Part Number	U/M	Description
	008024-01-000	FT	Wire - 18.5 Bonded - Orange/White/Yellow/Blue/Brown
	008025-01-000	FT	Wire - 18.5 Bonded - Orange/White/Yellow/Blue/Green
	008028-01-000	FT	Wire - 18.5 Bonded - Blue/Red/Yellow/Orange/White
	008030-01-000	FT	Wire - 18.4 Bonded - Red/Blue/Orange/Green
	008250-02-000	EA	Fuse Holder - In Line - 15 Amp.
	008277-01-000	EA	Holder - Fuse - Panel Mount - Black
	008077-01-000	EA	Plaque - Compressor Switch
	046885-01-000	EA	Plaque - Mounting Switch
	003054-01-000	EA	Cord - Power - 10-3 30 Amp. - 25' - UL
	008052-01-000	EA	Cord - Power - 10-3 30 Amp. - 25' - CSA
	024571-03-000	EA	Cover Plate - Receptacle - Jumbo Plastic - Brown
	024571-04-000	EA	Cover Plate - Receptacle - Jumbo Plastic - Ivory
	008158-01-000	EA	Cover Plate - Receptacle - Single - Plastic - Brown
	008184-01-000	EA	Cover Plate - Switch - Brown
	006050-01-000	EA	TV Jack - Ivory
	058028-01-000	EA	Connector - Pigtail - Clear - Nylon
	008162-01-000	EA	Switch - Double Toggle - Spade Brown
	008163-01-000	EA	Switch - Toggle Brown
	008195-01-000	EA	Switch - Push Button - 12 Volt
	056264-01-000	EA	Switch - Leaf Actuator
	024462-01-000	EA	Switch - Battery Condition
	024976-01-000	EA	Switch - Generator w/o Circuit Board
	059784-03-000	EA	Switch - Intermittent - Windshield Wiper
	069238-01-000	EA	Cover - Electrical - 4 x 4 Box
	008058-01-000	EA	Adapter - Power Cord
	024924-02-000	EA	Receptacle - Power Cord
	053126-01-000	EA	Receptacle - Ground Fault Interrupter - 125 Volt - Ivory
	053126-02-000	EA	Receptacle - Ground Fault Interrupter - 125 Volt - Brown
	058707-01-000	EA	Receptacle - Single - Brown
	058708-01-000	EA	Receptacle - Duplex - Brown
	058708-02-000	EA	Receptacle - Duplex - Ivory
	008157-01-000	EA	Receptacle - Duplex - Brown (Exterior Backwall)
	058048-01-000	EA	Cover - Electrical Box - 4.5" x 2.75" - Rain Tight (Exterior)
	008294-01-000	EA	Cover - Steel - Flat Blank 4" x 4"
	008288-01-000	EA	Box - Electrical - Plastic - 3" x 3.5"
	008289-01-000	EA	Box - Electrical - Steel - 4 x 4 - 1/2 & 3/4 UL
	058049-01-000	EA	Box - Electrical - 2" x 3" x 2.25" - Steel
	064398-01-000	EA	Housing Asm. - Trailer Receptacle
	064399-01-000	EA	Housing Asm. - Trailer Pin
	064450-01-000	EA	Housing Asm. - Trailer Plug
	035417-01-000	EA	Terminal - Pin Receptacle - .125 Dia.
	054532-01-000	EA	Housing Pin - 6 Position
	031968-01-000	EA	Contact - Plug - Brass - Tin Plated
	035290-10-000	EA	Cable Asm. - Battery - 1 AWG Strand - 160"
	054865-01-000	EA	Wire Asm. - Generator Switch

ELECTRICAL GROUP (CONTINUED)

MISCELLANEOUS ELECTRICAL COMPONENTS

Key	Part Number	U/M	Description
	047338-03-000	EA	Isolator - Dual Battery - 70 Amp.
	003739-01-000	EA	Battery - 12 Volt - 80 Amp. Gould
	008188-01-000	EA	Solenoid - Dual Battery - Relay
	039950-01-702	EA	Circuit Board - Control Center
	024459-03-000	EA	Gauge - Voltmeter - w/o Bracket
	031035-01-000	EA	Gauge - Hourmeter - Generator
	039861-01-000	EA	Sending Unit Kit - Wornac
	048812-12-000	EA	Refrigerator Sensor - Refrigerator Alarm
	048812-04-000	EA	Control Panel - Basic
	048812-09-000	EA	Control Panel - Insert - w/LP Gauge - Digital / Refrigerator Alarm
	072351-03-000	EA	Control Panel Complete - Digital Alarm - L.P. Refrigerator Alarm
	072351-01-000	EA	Control Panel Complete - Digital Alarm - L.P. Refrigerator Alarm
	022755-01-000	EA	Cover - Control Panel - Plastic
	024461-01-000	EA	Switch - Dual Battery
	071278-01-000	EA	Control Center - 32 Amp.
	071278-01-700	EA	Door - w/Catch - Brown
	071278-01-701	EA	Converter Module
	071278-01-702	EA	Label - 45 Amp.
	071278-01-703	EA	Catch - Door
	071278-02-000	EA	Control Center - 45 Amp.
	052367-01-000	EA	Lighter Asm. - Cigarette
	064956-01-000	EA	Panel - Travel Center - Black

INTERIOR LIGHTS

Key	Part Number	U/M	Description
	033508-02-000	EA	Light - Dome - Ivory - 1 Bulb - US - Progressive Dynamics, Inc.
	033508-03-000	EA	Light - Dome - Ivory - 1 Bulb - CSA - Progressive Dynamics, Inc.
	033509-02-000	EA	Light - Dome - Ivory - 2 Bulb - US - Progressive Dynamics, Inc.
	033509-03-000	EA	Light - Dome - Ivory - 2 Bulb - CSA - Progressive Dynamics, Inc.
	061424-01-000	EA	Light - 12 V Receptacle - Aisle - IP
	007309-01-000	EA	Light - Step Well
	068937-01-000	EA	Light - Dome - Surface w/Switch
	068937-02-000	EA	Light - Dome - Surface w/o Switch
	068621-01-000	EA	Light - Dome & 2 Swivel

EXTERIOR LIGHTS

Key	Part Number	U/M	Description
	007309-01-000	EA	Light - Step Well
	058031-01-000	EA	Tail Lamp Asm. - 3 Bulb - Chrome
	059540-01-000	EA	Bracket - License Plate
	058031-01-700	EA	Lens - Tail Lamp - Amber
	058031-01-701	EA	Lens - Tail Lamp - Red
	058031-01-702	EA	Lens - Tail Lamp - Back Up
	042405-03-000	EA	Base - Rectangular Clearance Light
	042405-01-000	EA	Lens - Clearance Light - Red w/Reflex
	042405-04-000	EA	Lens - Clearance Light - Red w/o Reflex
	042405-02-000	EA	Lens - Clearance Light - Amber w/Reflex
	042405-05-000	EA	Lens - Clearance Light - Amber w/o Reflex
	008089-01-000	EA	Light - Porch - Recessed
	008089-01-700	EA	Lens - Recessed Porch Light
	067789-01-000	EA	Socket Asm. - Lamp - Front Marker
	067784-01-000	EA	Lamp Asm. - Parking - Left Hand
	067784-02-000	EA	Lamp Asm. - Parking - Right Hand

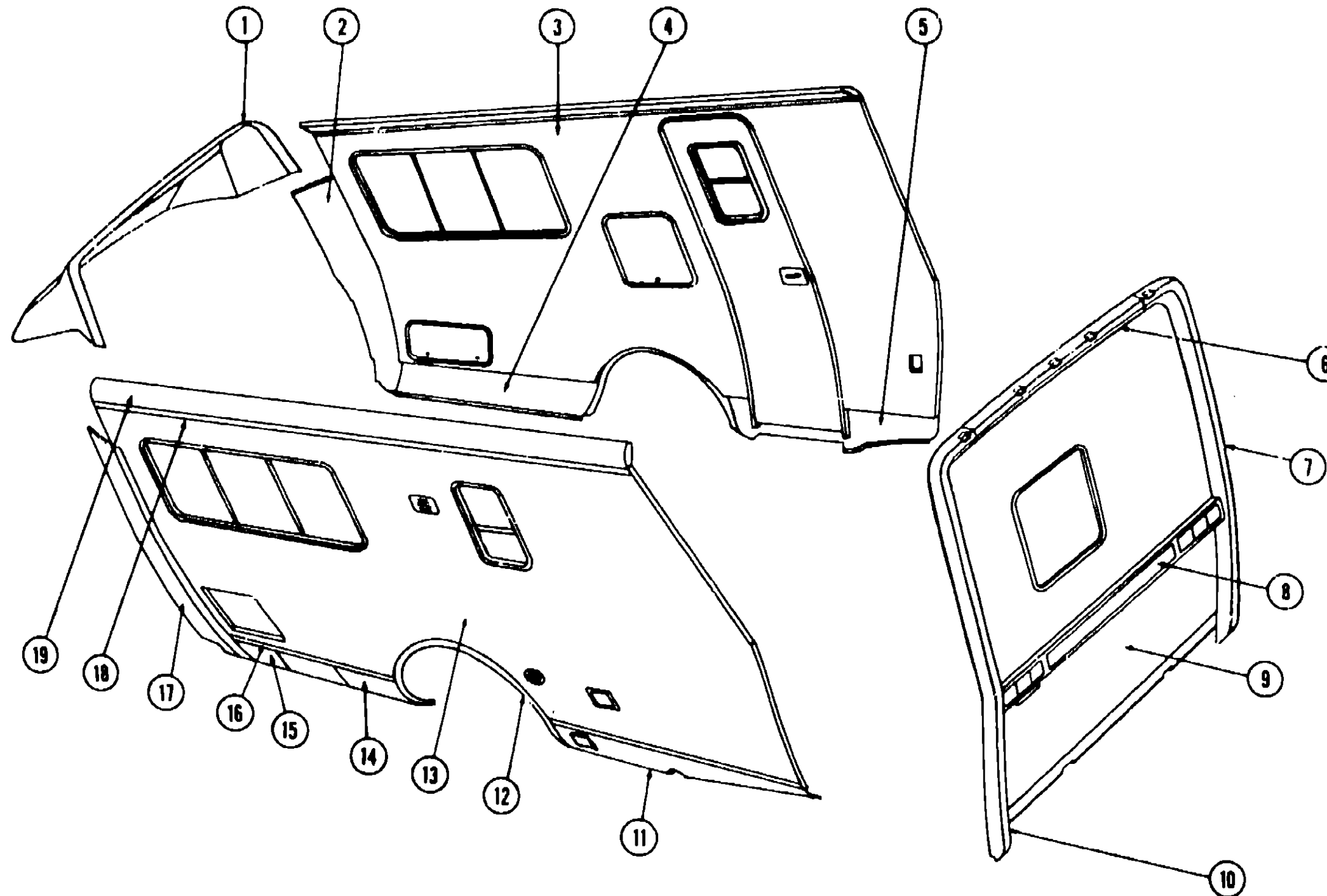
1984 WINNEBAGO TABLE OF CONTENTS

WC723RB	A-01 - B-20
WCN26RB	B-21 - E-06
WCN26RH	E-07 - G-16
WCN30RT	G-17 - J-06

1984 WC723RB INDEX

Floor Plan	A-01 - A-02
Accessories Group	A-03 - A-05
Bath Group	A-06
Chassis Group	A-07
Curtain, Cushion & Pad Group	A-08 - A-13
Dinette Group	A-14 - A-15
Driver's Compartment Group	A-16 - A-17
Electrical Group	A-18 - A-20
Exterior Body Group	A-21 - B-04
Galley Group	B-05
Heating & Air Conditioning Group	B-06
Interior Finish Group	B-07 - B-08
LP Group	B-09
Lounge Group	B-10
Water & Sewage Group	B-11 - B-12
Window, Vent & Exterior Door Group	B-13 - B-20

EXTERIOR BODY GROUP
EXTERIOR BODY PANELS AND SHEET ALUMINUM



1984 WINNEBAGO
TABLE OF CONTENTS

WC723RB	A-01 - B-20
WCN26RB	B-21 - E-06
WCN26RH	E-07 - G-16
WCN30RT	G-17 - J-08

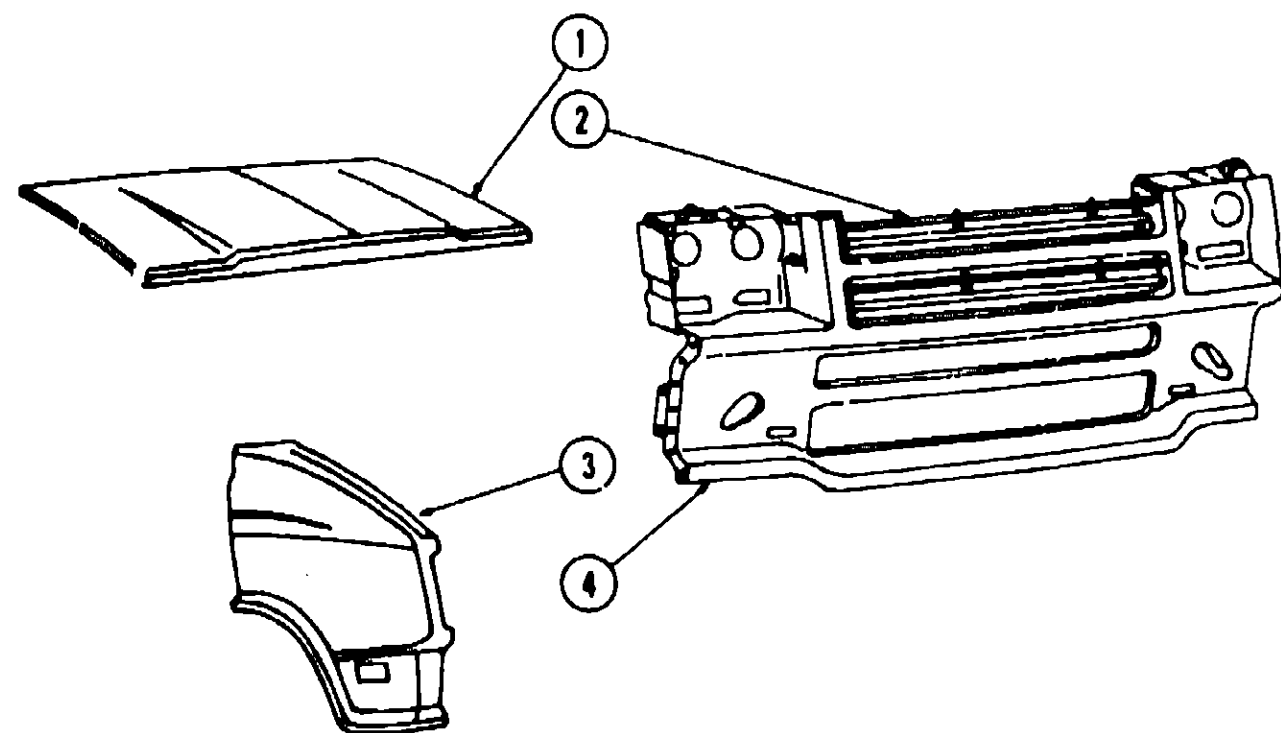
1984 WC723RB INDEX

Floor Plan	A-01 - A-02
Accessories Group	A-03 - A-05
Bath Group	A-06
Chassis Group	A-07
Curtain, Cushion & Pad Group	A-08 - A-13
Dinette Group	A-14 - A-15
Driver's Compartment Group	A-16 - A-17
Electrical Group	A-18 - A-20
Exterior Body Group	A-21 - B-04
Galley Group	B-05
Heating & Air Conditioning Group	B-06
Interior Finish Group	B-07 - B-08
LP Group	B-09
Lounge Group	B-10
Water & Sewage Group	B-11 - B-12
Window, Vent & Exterior Door Group	B-13 - B-20

Key	Part Number	U/M	Description
1	068917-01-000	EA	Panel Asm. - Front Cap - Beige
2	068915-01-000	EA	Panel Asm. - Transition Wingwall - Outer Right Hand
3	072914-01-R04	EA	Sidewall Asm. - Right
4	068952-03-000	EA	Valance Panel - Right Front - Beige
5	068953-03-000	EA	Valance Panel - Right Rear - Beige
6	068920-01-000	EA	Panel Asm. - Backwall - Upper - Roof Line - Beige
7	068922-01-000	EA	Panel Asm. - Backwall - Right Hand - Beige
8	068924-01-000	EA	Panel Asm. - Backwall - Lower - Taillights - Beige
9	068768-01-R04	EA	Backwall Asm.
10	068922-02-000	EA	Panel Asm. - Backwall - Left Hand - Beige
11	068956-03-000	EA	Valance Panel - Left Rear - Beige
12	071474-01-000	EA	Fender Trim - Rear Wheel Well - Left or Right
13	072912-01-R04	EA	Sidewall Asm. - Left
13	072912-01-R05	EA	Sidewall Asm. - Left
13	072912-01-R06	EA	Sidewall Asm. - Left
	M73506-01-R04	EA	Roof Asm.

Key	Part Number	U/M	Description
14	068955-03-000	EA	Valance Panel - Left Center - Beige
15	068954-01-000	EA	Valance Panel - Left Front - Beige
16	069221-17-000	EA	Trim - Sidewall - 92.38" - w/o Insert - Beige
17	068915-02-000	EA	Panel Asm. - Transition Wingwall - Outer Left Hand
18	069217-01-000	EA	Trim - Sidewall - w/o Insert - Beige
19	069192-01-000	EA	Trim - Roof/Sidewall Joint - 165" - Right
	069192-07-000	EA	Trim - Roof/Sidewall Joint - 165" - Left
	072942-07-000	EA	Insert - Upper Sidewall Trim - Beige
	001030-12-002	EA	Insert - Feature Strip - 17" - Beige
	073644-05-000	EA	End Cap - Upper Sidewall Trim
	000868-01-000	EA	Styrofoam - 3/4" x 24" x 96"
	000870-01-000	EA	Styrofoam - 1 1/2" x 24" x 96"
	03°155-38-001	EA	Alum. - Smooth - .024" x 48" x 240" - Beige
	069775-01-000	EA	Trim - Backwall Cap - Right - Beige
	069775-02-000	EA	Trim - Backwall Cap - Left - Beige
			Not illustrated

EXTERIOR BODY GROUP (CONTINUED)



EXTERIOR BODY PANELS (FRONT)

Key	Part Number	U/M	Description
1	068912-01-000	EA	Hood Asm.
•	057896-02-000	EA	Hinge Asm. - Hood
•	058723-01-000	EA	Hood Latch Asm.
•	068974-03-000	EA	Bracket Asm. - Hood Hinge - Right Hand
•	068974-04-000	EA	Bracket Asm. - Hood Hinge - Left Hand
•	062628-01-000	EA	Clip - Prop Rod
•	069071-02-000	EA	Rod Asm. - Hood Prop
2	070607-01-000	EA	Grille Asm.
•	067785-01-000	EA	Bezel - Headlamp - Left - Chrome
•	067785-02-000	EA	Bezel - Headlamp - Right - Chrome
•	049185-01-000	EA	Capsule Asm. - Headlamp Rectangular - Left - High/Low Beam
•	049186-01-000	EA	Capsule Asm. - Headlamp Rectangular - Right - High/Low Beam
•	067786-01-000	EA	Capsule Asm. - Headlamp Rectangular - Left - High Beam
•	057787-01-000	EA	Capsule Asm. - Headlamp Rectangular - Right - High Beam
•	050030-01-000	EA	Wire Housing Asm. - Headlamp
•	054863-02-000	EA	Panel - Wheel House - Front Half - Right
•	054863-01-000	EA	Panel - Wheel House - Front Half - Left
3	068908-01-000	EA	Fender - Right Hand
•	068908-02-000	EA	Fender - Left Hand
4	068910-01-000	EA	Front Panel Asm. - Fiberglass - w/o Grille & Headlamps
•	Not illustrated		

EXTERIOR BODY GROUP (CONTINUED)

MISCELLANEOUS EXTERNALLY MOUNTED PARTS

Key	Part Number	U/M	Description
	011129-01-000	EA	Plumbing Seal - Roof Vent - 1 1/2"
	010230-03-000	EA	Fill - City Water - Recessed - Bulge
	058808-02-000	EA	Water Fill - Lockable - Beige
	048789-01-000	EA	Vent Asm. - Roof Powered - Unan
	048835-01-000	EA	Vent Asm. - Roof Non Powered - Unan
	065103-02-000	EA	Cover - Refrigerator Vent - Plastic
	065103-01-000	EA	Base - Frame - Refrigerator Vent w/o Cover
	008089-01-000	EA	Light - Porch - Recessed
	068888-01-000	EA	Shroud - Fuel Fill
	068895-01-000	EA	Shroud - Fill Neck

LABELS & EXTERIOR PAINT

Key	Part Number	U/M	Description
	068383-01-000	EA	Label - Diesel Fuel
	006195-01-000	EA	Label - Electrical Test
	047731-01-000	EA	Label - Emergency Exit
	006199-01-000	EA	Label - Exit - Escape Window
	057467-04-000	EA	Label - Exterior Loading Limit
	064378-01-000	EA	Label - Flying "W" w/Thermo Panel
	061417-01-000	EA	Label - Fuel
	006196-01-000	EA	Label - Gas Test
	054531-01-000	EA	Label - LP Gas Only
	040944-01-000	EA	Label - Open - Entrance Door
	006015-01-000	EA	Label - Patent Motor Home
	056259-01-000	EA	Label - Safety Check List
	006064-01-000	EA	Label - Seat - w/o Seat Belts
	006187-01-000	EA	Label - Sewage
	006006-01-000	EA	Label - Thermo Panel - 2 1/4" x 2 1/4"
	075221-01-000	EA	Label - Trailer Hitch Capacity
	075220-01-000	EA	Label - Warning - Exterior Load Limit
	050225-01-000	EA	Label - Warning - Stove Vent - US
	006188-01-000	EA	Label - Waste Water
	006197-01-000	EA	Label - Water Test
	072863-01-000	EA	Nameplate - Diesel - 6.2L
	006062-01-000	EA	Tag - Electrical - 110 Volt Connection
	006040-01-000	EA	Tag - Gas - Refueling Warning
	044486-03-000	EA	Paint - Beige Acrylic Enamel - 16 oz. Aerosol (7633A Dupont)
	045681-03-000	EA	Paint - Gloss Black - Acrylic Enamel - 16 oz. Aerosol (99 Dupont)
	058637-05-000	EA	Paint - Gray Acrylic Enamel - 16 oz. Aerosol (71537 Dupont)
	041561-03-000	EA	Paint - Off White Acrylic Enamel - 16 oz. Aerosol (45396A Dupont)
	074559-01-000	EA	Label "LPG" - 3.3" x 1.75" - (Calif. Code)

**1984 WINNEBAGO
TABLE OF CONTENTS**

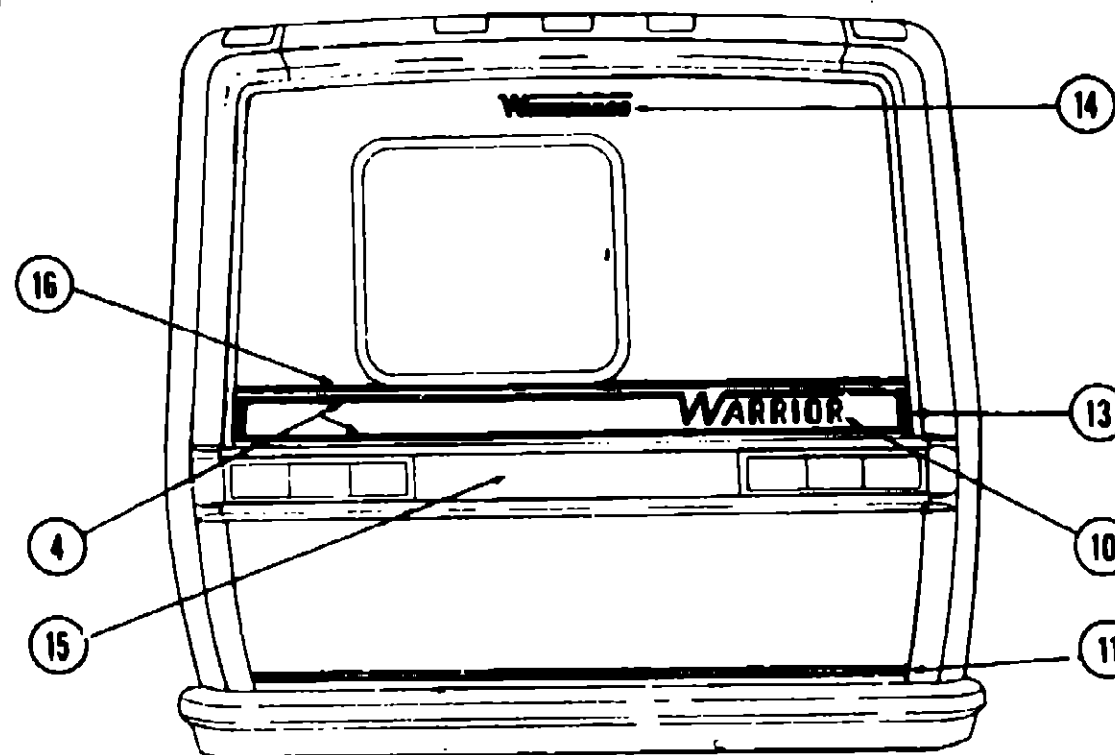
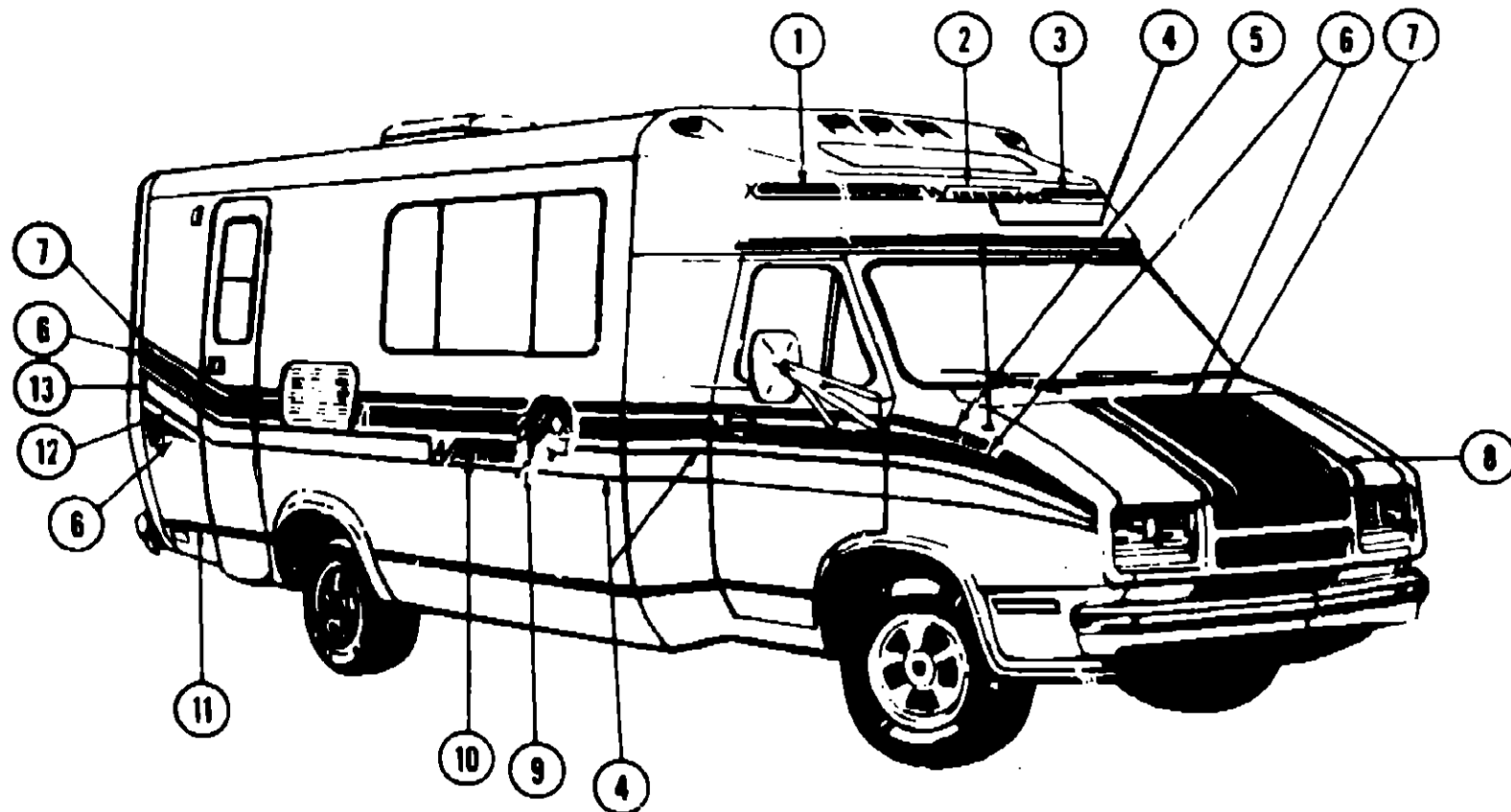
WC723RB	A-01 - B-20
WCN26RB	B-21 - E-06
WCN26RH	E-07 - G-10
WCN30RT	G-17 - J-06

1984 WC723RB INDEX

Floor Plan	A-01 - A-02
Accessories Group	A-03 - A-05
Bath Group	A-06
Chassis Group	A-07
Curtain, Cushion & Pad Group	A-08 - A-13
Dinette Group	A-14 - A-15
Driver's Compartment Group	A-16 - A-17
Electrical Group	A-18 - A-20
Exterior Body Group	A-21 - B-04
Galley Group	B-05
Heating & Air Conditioning Group	B-06
Interior Finish Group	B-07 - B-08
LP Group	B-09
Lounge Group	B-10
Water & Sewage Group	B-11 - B-12
Window, Vent & Exterior Door Group	B-13 - B-20

EXTERIOR BODY GROUP (CONTINUED)

DECALS & EXTERIOR PAINT



1984 WINNEBAGO TABLE OF CONTENTS

WC723RB
WCN26RB
WCN26RH
WCN30RT

A-01 - B-20
B-21 - E-06
E-07 - G-16
G-17 - J-06

Key	Part Number	U/M	Description
1	068619-05-000	EA	Decal - Right - Upper Front - Light Blue Metallic (R04)
1	068619-07-000	EA	Decal - Right - Upper Front - Light Brown Metallic (R05)
1	068619-09-000	EA	Decal - Right - Upper Front - Light Burgundy Metallic (R06)
2	050313-23-000	EA	Decal - Front Winnebago Logo - 2.8" x 22" - Light Blue Metallic (R04)
2	050313-24-000	EA	Decal - Front Winnebago Logo - 2.8" x 22" - Light Brown Metallic (R05)
2	050313-25-000	EA	Decal - Front Winnebago Logo - 2.8" x 22" - Light Burgundy Metallic (R06)
	050313-20-000	EA	Decal - Rear Winnebago Logo - Dark Brown Metallic
3	068619-06-000	EA	Decal - Left Upper Front - Light Blue Metallic (R04)
3	068619-08-000	EA	Decal - Left Upper Front - Light Brown Metallic (R05)
3	068619-10-000	EA	Decal - Left Upper Front - Light Burgundy Metallic (R06)
4	041273-38-000	EA	Decal - Center Upper Front - .75" - Dark Brown Metallic
5	068618-05-000	EA	Decal - Right Fender - Light Blue Metallic (R04)
	068618-06-000	EA	Decal - Left Fender - Light Blue Metallic (R04)
5	068618-07-000	EA	Decal - Right Fender - Light Brown Metallic (R05)
	068618-08-000	EA	Decal - Left Fender - Light Brown Metallic (R05)
5	068618-09-000	EA	Decal - Right Fender - Light Burgundy Metallic (R06)
	068619-10-000	EA	Decal - Left Fender - Light Burgundy Metallic (R06)
6	075681-03-000	EA	Paint - Light Blue Metallic - Acrylic Enamel - 16 oz. Aerosol (R04)
6	075682-03-000	EA	Paint - Light Brown Metallic - Acrylic Enamel - 16 oz. Aerosol (R05)
6	075683-03-000	EA	Paint - Light Burgundy Metallic - Acrylic Enamel - 16 oz. Aerosol (R06)

Key	Part Number	U/M	Description
7	041273-80-000	FT	Decal - Striping - 1.5" - Light Blue Metallic (R04)
7	041273-81-000	FT	Decal - Striping - 1.5" - Light Brown Metallic (R05)
7	041273-82-000	FT	Decal - Striping - 1.5" - Light Burgundy Metallic (R06)
8	065217-33-000	FT	Film Strip - .75" - Dark Brown Metallic
	068617-03-000	EA	Decal - Striping - Hood - .50/1.00" Radius - Dark Brown Metallic
9	068620-01-000	EA	Decal - Warrior Head - Right - Black
	068620-02-000	EA	Decal - Warrior Head - Left - Black
10	068616-02-000	EA	Decal - "Warrior" - Dark Brown Metallic
11	065217-30-000	FT	Film Strip - .75" - Dark Brown Metallic/Light Blue Metallic (R04)
11	065217-31-000	FT	Film Strip - .75" - Dark Brown Metallic/Light Brown Metallic (R05)
11	065217-32-000	FT	Film Strip - .75" - Dark Brown Metallic/Light Burgundy Metallic (R06)
12	041273-38-000	FT	Decal - Striping - .75" - Dark Brown Metallic
13	041273-37-000	FT	Decal - Striping - .75" - Dark Brown Metallic
14	050313-20-000	EA	Decal - Rear Winnebago Logo - 2.8" x 22" - Dark Brown Metallic
15	069642-01-000	EA	Decal - Brushed Aluminum on Loxan
16	065217-34-000	FT	Film Strip - .75" - Light Blue Metallic (R04)
16	065217-35-000	FT	Film Strip - .75" - Light Brown Metallic (R05)
16	065217-36-000	FT	Film Strip - .75" - Light Burgundy Metallic (R06)
			Not Illustrated

1984 WC723RB INDEX

Floor Plan	A-01 - A-02
Accessories Group	A-03 - A-05
Bath Group	A-06
Chassis Group	A-07
Curtain, Cushion & Pad Group	A-08 - A-13
Dinette Group	A-14 - A-15
Driver's Compartment Group	A-16 - A-17
Electrical Group	A-18 - A-20
Exterior Body Group	A-21 - B-04
Galley Group	B-05
Heating & Air Conditioning Group	B-06
Interior Finish Group	B-07 - B-08
LP Group	B-09
Lounge Group	B-10
Water & Sewage Group	B-11 - B-12
Window, Vent & Exterior Door Group	B-13 - B-20

EXTERIOR BODY GROUP (CONTINUED)

INTERIOR/EXTERIOR SCREWS & FASTENERS

Key	Part Number	U/M	Description
	005200-01-000	EA	Bolt - Round Head - Square Neck w/SST Cap - 7/16" - 14 x 1 1/4"
	058279-01-000	EA	Clip - Mounting - Front Panel
	035628-01-000	EA	Fastener - Blind Well Nut - 1.05" x .38"
	000D15-06-006	EA	Nut - Hex - 3/8" x 24 - Zinc
	005081-01-000	EA	Nut - Speed - C Type - #8 Screw
	000G54-04-20B	EA	Screw 1/4 - 20 x 1 1/4" PTH - Zinc
	000G54-04-22B	EA	Screw 1/4 - 20 x 1 3/8" PTH - Zinc
	000G53-04-06B	EA	Screw 1/4 - Machine - 20 x 3/8" PTH - Zinc
	000G13-06-12P	EA	Screw #6 - 20 x 3/4" PFH - Dark Brown
	000G13-06-28X	EA	Screw #6 - 20 x 3/4" PFH - Gray
	000G13-06-16R	EA	Screw #6 - 20 x 1" PFH - Beige
	000G11-07-08B	EA	Screw #7 - 19 x 1/2" PPH - Zinc
	000G12-08-12M	EA	Screw #8 - 18 x 3/4" POH - Gray
	000G11-08-12R	EA	Screw #8 - 18 x 3/4" PPH - Beige
	000G11-08-12X	EA	Screw #8 - 18 x 3/4" PPH - Gray
	000G11-08-12B	EA	Screw #8 - 18 x 3/4" PPH - Zinc
	000G39-08-12R	EA	Screw #8 - 18 x 3/4" SDPH - Beige
	000G66-08-12M	EA	Screw #8 - 18 x 3/4" SDPH - Gray
	000G11-08-16R	EA	Screw #8 - 18 x 1" PFH - Gray
	000G66-08-16R	EA	Screw #8 - 18 x 1" SDPH - Beige
	000G12-08-28R	EA	Screw #8 - 18 x 1 3/4" POH - Beige
	000G36-08-08E	EA	Screw #8 - 32 x 1/2" PFH - Chrome
	000G39-08-08B	EA	Screw #8 - Self Drilling - 18 x 1/2" PPH - Zinc
	000G39-08-12B	EA	Screw #8 - Self Drilling - 18 x 3/4" PPH - Zinc
	000G39-08-12R	EA	Screw #8 - Self Drilling - 18 x 3/4" PPH - Beige
	000G39-08-16R	EA	Screw #8 - Self Drilling - 18 x 1" PPH - Beige
	000G39-08-16T	EA	Screw #8 - Self Drilling - 18 x 1" PPH - Black
	000G39-08-16P	EA	Screw #8 - Self Drilling - 18 x 1" PPH - Dark Brown
	000G39-08-16X	EA	Screw #8 - Self Drilling - 18 x 1" PPH - Gray
	000G39-08-16E	EA	Screw #8 - Self Drilling - 18 x 1" PPH - Chrome
	000G64-08-16M	EA	Screw #8 - Self Drilling - 18 x 1" SDPH - Gray
	000G67-10-08B	EA	Screw #10 - 12 x 1/2" PPH - Zinc
	000G67-10-10R	EA	Screw #10 - 12 x 5/8" PPH - Beige
	000G67-10-16P	EA	Screw #10 - 12 x 1" PPH - Dark Brown
	000G67-10-16B	EA	Screw #10 - 12 x 1" PPH - Zinc
	000G67-10-20B	EA	Screw #10 - 12 x 1 1/4" - PPH - Zinc
	000G67-10-24B	EA	Screw #10 - 12 x 1 1/2" PPH - Zinc
	049465-04-000	EA	Screw #10 - 16 x 1" POH - w/Washer - Beige
	049465-05-000	EA	Screw #10 - 16 x 1" POH - w/Washer - Gray
	000G12-10-24E	EA	Screw #10 - 16 x 1 1/2" POH - Chrome
	000G11-10-08D	EA	Screw #10 - 16 x 1/2" PPH - Dark Brown
	000G11-10-12R	EA	Screw #10 - 16 x 3/4" PPH - Beige
	000G11-10-12S	EA	Screw #10 - 16 x 3/4" PPH - Off White
	000G11-10-12B	EA	Screw #10 - 16 x 3/4" PPH - Zinc
	000G11-10-16B	EA	Screw #10 - 16 x 1" PPH - Zinc
	000G11-10-40B	EA	Screw #10 - 16 x 2 1/2" PPH - CAD
	000G19-10-12B	EA	Screw #10 - Machine - 32 TPI x 3/4"
	075908-01-000	EA	Screw #10 - Machine - 32 x 56" PTH - Zinc
	000G19-10-20B	EA	Screw #10 - Machine - 32 x 1 1/4" PPH - Zinc
	000G39-12-12E	EA	Screw #10 - Self Drilling - 14 x 3/4" PPH - Chrome
	000G39-10-10R	EA	Screw #10 - Self Drilling - 16 x 62" PPH - Beige
	000G39-10-12R	EA	Screw #10 - Self Drilling - 16 x 3/4" PPH - Beige
	000G39-10-12P	EA	Screw #10 - Self Drilling - 16 x 3/4" PPH - Dark Brown
	000G56-12-48C	EA	Screw #12 - Wood - 11 x 3" POH - CAD

EXTERIOR BODY GROUP (CONTINUED)

SEALANTS & ADHESIVES

Key	Part Number	U/M	Description
	004020-01-000	QT	Adhesive - ABS Cement (Plastic Fittings)
	002337-01-000	EA	Adhesive - 1300 Tube - 3M (Windows)
	004005-02-000	GL	Adhesive - Swifts - Glue (Sidewalls)
	053766-07-000	EA	Bedding Compound - Tube - Beige (Exterior)
	053766-06-000	EA	Bedding Compound - Tube - Clear (Window)
	053766-08-000	EA	Bedding Compound - Tube - Gray (Exterior)
	053766-05-000	EA	Bedding Compound - Tube - Gray (Sidewalls to Floor)
	053766-02-000	EA	Bedding Compound - Tube - Off White (Exterior)
	002328-02-000	EA	Block - Rubber Spacer (Windshield)
	004336-01-000	EA	Caulk - Latex - Golden Walnut (Sidewalls)
	072891-02-000	QT	Primer - Glass - Black
	072891-01-000	QT	Primer - Glass - Clear
	035024-01-000	EA	Primer - Glass - Clear - Windshield
	072890-01-000	QT	Primer - Metal - Black
	035023-01-000	GL	Primer - Metal - Windshield
	077967-01-000	EA	Sealant - Acrylic Latex - Tube - Off White (Interior Sealant)
	034552-04-000	EA	Sealant - Silicone - Beige
	034552-02-000	EA	Sealant - Silicone - Clear
	034552-07-000	EA	Sealant - Silicone - Dark Gray
	034552-06-000	EA	Sealant - Silicone - Off White
	069637-01-000	EA	Sealant - Weatherban 404 - Tube - White (Door Caulk)
	072889-01-000	EA	Sealant - Urethane - Black (Windshield)
	063640-01-000	FT	Sealer Ribbon - .25" Bead x 20'
	069640-02-000	FT	Sealer Ribbon - .5" x .125" x 30'
	069640-03-000	FT	Sealer Ribbon - .75" x .125" x 30'
	069640-04-000	FT	Sealer Ribbon - 2" x .09" x 45' (P Series)
	069640-05-000	FT	Sealer Ribbon - 2.5" x .09" x 50'
	069640-06-000	FT	Sealer Ribbon - 5/16" Bead x 15'
	069640-07-000	FT	Sealer Ribbon - 2" x 3/32" x 30'
	002316-01-000	FT	Sealer Tape - 3/32" x 3/8" - White (Window)
	002707-01-000	FT	Sealer Tape - 5/16" x 3/4"
	002707-02-000	FT	Sealer Tape - 5/16" x 1/2"
	040545-01-000	GL	Sealer - Seam Weld
	053752-04-000	EA	Seam Sealer - Tube - Aluminum (Roof)
	063642-01-000	FT	Tape - Adhesive - .10 mm. x 1.5" Wide
	038886-01-000	EA	Tape - Butyl - .31" x .31" x 148" (Windshield)
	076322-01-000	FT	Tape - Foam - Double Coated - .025 x 1" (Fiberglass Sidewall Seams)
	076322-02-000	FT	Tape - Foam - Double Coated - .045 x 1" (Fiberglass Sidewall Seams)
	009200-01-000	EA	Tape - Furnace - 1.5"
	002825-01-000	FT	Weather Striping (Roof Vent)

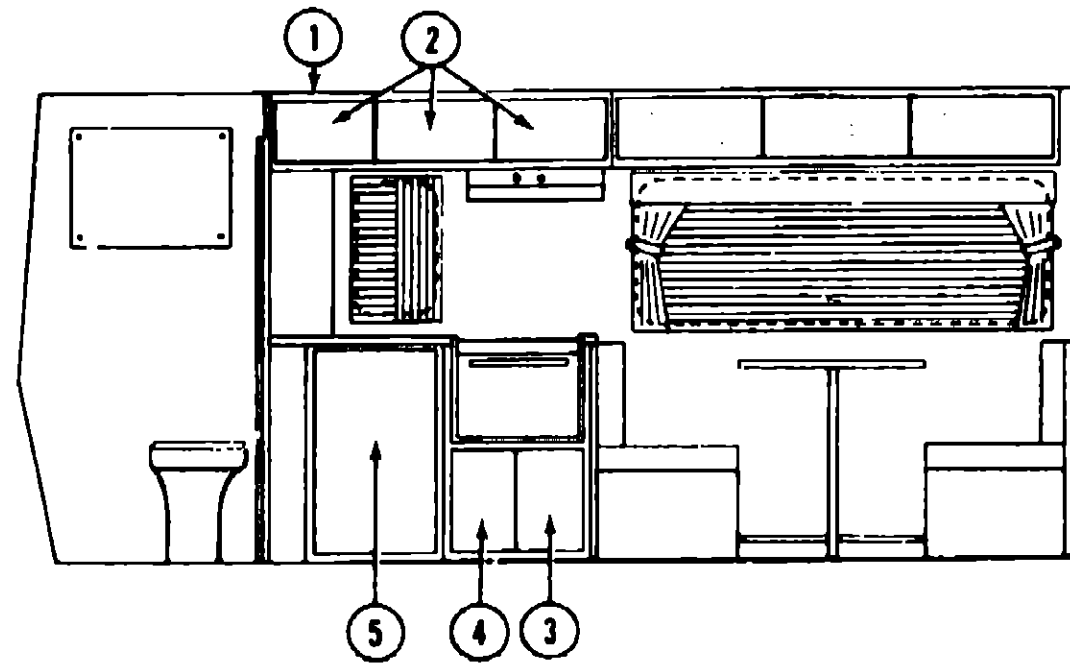
**1984 WINNEBAGO
TABLE OF CONTENTS**

WC723RB	A-01 - B-20
WCN26RB	B-21 - E-06
WCN26RH	E-07 - G-16
WCN30RT	G-17 - J-06

1984 WC723RB INDEX

Floor Plan	A-01 - A-02
Accessories Group	A-03 - A-05
Bath Group	A-06
Chassis Group	A-07
Curtain, Cushion & Pad Group	A-08 - A-13
Dinette Group	A-14 - A-15
Driver's Compartment Group	A-16 - A-17
Electrical Group	A-18 - A-20
Exterior Body Group	A-21 - B-04
Galley Group	B-05
Heating & Air Conditioning Group	B-06
Interior Finish Group	B-07 - B-08
LP Group	B-09
Lounge Group	B-10
Water & Sewage Group	B-11 - B-12
Window, Vent & Exterior Door Group	B-13 - B-20

GALLEY GROUP



GALLEY CABINETRY

Key	Part Number	U/M	Description
1	070894-03-R04	EA	Cabinet Asm. - Galley Overhead - w/o Doors or Hardware
2	069852-55-R04	EA	Door Asm. - Galley Overhead - 10" x 17" - w/o Hardware
3	073521-14-R04	EA	Door Asm. - Galley Cabinet - 10" x 17" - w/o Hardware - Right
4	073521-13-R04	EA	Door Asm. - Galley Cabinet - 10" x 17" - w/o Hardware - Left
5	069852-56-R04	EA	Door Asm. - Galley Cabinet - 21.5" x 32.6" - w/o Hardware
	077404-01-000	EA	Drawer Asm. - Plastic - Galley Cabinet - 12.7" x 20"
	M00962-01-R04	EA	Countertop Asm. - Galley Cabinet - Almond Loom
	M00954-01-R04	EA	Countertop Asm. - Refrigerator Cabinet - Almond Loom
			Not illustrated

GALLEY HARDWARE AND APPLIANCES

Key	Part Number	U/M	Description
	068615-02-000	EA	Sink - Double - Stainless Steel w/Bolts
**	011053-01-000	EA	Faucet - 8" - Swing Spout - US
	011053-02-000	EA	Faucet - 8" - Swing Spout - CSA
	067051-02-000	EA	Stove Spatter Guard - Safety Glass
	009145-02-000	EA	Bracket - Spatter Guard
**	066437-01-000	EA	Strainer - Sink - w/Basket
	049930-03-000	EA	Hood - Stove - Powered - Black Face
	053333-01-000	EA	Hood - Stove - Non Power - Black Face
	064473-02-000	EA	Refrigerator - 3 Way - 6 cu. ft. Norcold
	054450-01-000	EA	Level - Refrigerator
	055282-03-000	EA	Range - 4 Burner - Small Oven - Magic Chef
	749045-01-740	EA	Cover - Stovetop - Bifold - Chrome - Magic Chef
	069022-01-000	EA	Slide - Drawer - Left
	069022-02-000	EA	Slide - Drawer - Right
**			The illustrated parts breakdown for this item is provided on the Common Items Fiche

HEATING & AIR CONDITIONING GROUP

FURNACES AND ROOF AIR CONDITIONER

Key	Part Number	U/M	Description
	075695-01-000	EA	Furnace - 24,000 BTU - w/Direct Ignition - NT-24S
	069634-01-723	EA	Thermostat - Wall Mount
	075695-01-701	EA	Electrode Asm. - Furnace
	075695-01-702	EA	Vent Cap Asm. - Furnace
	075695-01-703	EA	Gas Inlet Pipe - Furnace
	075695-01-704	EA	Manifold Asm. - Furnace
	075695-01-705	EA	Burner Asm. - Furnace
	069634-01-722	EA	Motor - NT - 34S - Furnace
	075695-01-708	EA	Micro Switch Asm. - NT - 24S - Furnace
	075695-01-709	EA	Micro Switch Asm. - NT - 34S - Furnace
	075695-01-710	EA	Cabinet - Front
	075695-01-711	EA	Cabinet Asm.
	009198-01-000	FT	Duct - Flexible - 4" I.D. x 25'
	056464-01-000	EA	Register - 4" Dia. - Plastic - w/Damper
	056464-02-000	EA	Register - 4" Dia. - Plastic - w/o Damper
	009200-01-000	EA	Tape - Furnace - 1 1/2"
	023146-01-000	EA	Clamp - Screw Type - 4"
	069633-01-705	EA	Vent Package - Furnace - Suburban
	069634-01-723	EA	Thermostat - Wall Mount - Suburban
	073743-01-000	EA	Shroud Asm. - Ceiling - Inside - Roof Air Cool Only - 13,500 BTU - Coleman
	073744-01-000	EA	Shroud Asm. - Ceiling - Inside - Roof Air Heat and Cool - 13,500 BTU - Coleman
	073742-01-000	EA	Air Conditioner - 110 Volt - Roof Mount - 13,500 BTU Rotary

AUTOMOTIVE HEATER & AIR CONDITIONER

Key	Part Number	U/M	Description
	074025-01-000	EA	A/C - Compressor Mount Package - 350 C.I.D.
	072343-01-000	EA	A/C - Compressor/Clutch - Sankyo 510
	073716-01-000	EA	A/C - Condenser Asm. - "C" - Tube O
	056455-02-000	EA	A/C - Evaporator Asm.
	058119-03-000	EA	Control Asm. - Heater - 3 Speed
	058119-04-000	EA	Control Asm. - Heater A/C - 3 Speed
	061577-01-000	EA	Cable Asm. - Temperature
	061576-01-000	EA	Cable Asm. - Defroster
	007076-01-700	FT	Hose - Flexible PVC - 2" I.D.
	007108-01-000	FT	Hose - Heater - 5/8" I.D. SAE 20R3
	007281-01-700	FT	Hose - Flexible PVC - 2 1/2" I.D.
	058109-01-000	EA	Hose Asm. - Auto Air
	062401-04-000	EA	Clamp - Worm Drive - .69" - 1.25" I.D.
	033258-01-000	EA	Hose - Refrigerant - .50" I.D. x 34.50"
	031960-01-000	EA	Hose - Refrigerant - .34" I.D. x 30"
	031961-02-000	EA	Hose - Refrigerant - .31" I.D. x 19"

1984 WINNEBAGO TABLE OF CONTENTS

WC723RB	A-01 - B-20
WCN26RB	B-21 - E-06
WCN26RH	E-07 - G-16
WCN30RT	G-17 - J-06

1984 WC723RB INDEX

Floor Plan	A-01 - A-02
Accessories Group	A-03 - A-05
Bath Group	A-06
Chassis Group	A-07
Curtain, Cushion & Pad Group	A-08 - A-13
Dinette Group	A-14 - A-15
Driver's Compartment Group	A-16 - A-17
Electrical Group	A-18 - A-20
Exterior Body Group	A-21 - B-04
Galley Group	B-05
Heating & Air Conditioning Group	B-06
Interior Finish Group	B-07 - B-08
LP Group	B-09
Lounge Group	B-10
Water & Sewage Group	B-11 - B-12
Window, Vent & Exterior Door Group	B-13 - B-20

INTERIOR FINISH GROUP

PANELING AND COUNTERTOP MATERIALS

Key	Part Number	U/M	Description
	074496-08-000	SF	Paneling - Wet Bath - 48" x 84" (28SF) Almond
	074496-03-000	SF	Paneling - Decor Spring Blossom - Blue - 48" x 84" (28SF) (Galley) (R04)
	074496-04-000	SF	Paneling - Decor Spring Blossom - Brown - 48" x 84" (28SF) (Galley) (R05)
	074496-05-000	SF	Paneling - Decor Spring Blossom - Burgundy - 48" x 84" (28SF) (Galley) (R06)
	057880-05-000	SF	Paneling - Wicker Weave - Back Elm - 48" x 84"
	072336-19-000	SF	Paneling - Wicker Weave - Refrigerator Door - 48" x 84"
	068344-05-000	SF	Paneling - Elm - Cabinets
	068344-06-000	SF	Paneling - Wall - Suede Craft - 48" x 84" (28SF)
	072337-03-000	SF	Plastic Laminate - Almond Loom (Galley) - 48" x 96" (32SF)
	072337-03-019	EA	Plastic Laminate - Almond Loom (Galley) - 1.19" x 96"
	074498-01-000	EA	Plastic Laminate - Harbor Oak (Table Top) 48" x 96"
	074498-01-019	EA	Plastic Laminate - Harbor Oak (Table Top) 1.19" x 96"

INTERIOR MOLDINGS AND TRIMS

Key	Part Number	U/M	Description
	047354-06-000	EA	Batt Strip - Suede Beige - 8'
	069733-30-000	EA	Batt Strip - Decor - Spring Blossom - 8' (Galley) Blue (R04)
	069733-31-000	EA	Batt Strip - Decor - Spring Blossom - 8' (Galley) Brown (R05)
	069733-32-000	EA	Batt Strip - Decor - Spring Blossom - 8' (Galley) Burgundy (R06)
	069733-35-000	EA	Batt Strip - Wet Bath - A' (Bath) Almond
	009812-11-000	EA	Molding - Outside Corner - .50" - Tan
	009812-10-000	FT	Molding - Corner - Outside .50"
	045375-52-000	EA	Molding Retainer - Aluminum - 16'
	042357-09-000	EA	Molding - Radius - Elm
	022992-08-000	FT	Molding - Reverse Cove - Champagne White
	009767-06-000	FT	Welting - Beige
	070504-02-000	FT	U-Channel - .815" - Light Brown
	009778-03-000	FT	U-Channel - 1" - Light Brown
	070504-01-000	FT	U-Channel - .065" - Light Brown
	009809-11-000	FT	F-Molding - 1" - Beige
	009809-08-000	FT	F-Molding - 1" - Beige
	052859-01-N07	FT	Trim Asm. - Accent - Medium Almond Vinyl (Beige)
	068452-01-000	FT	Cove Trim - Vinyl

CABINERY AND TABLE HARDWARE

Key	Part Number	U/M	Description
**	057898-01-000	EA	Hidden Latch - Cabinet Door
**	057898-02-000	EA	Strike - Hidden Latch - Cabinet Door
	053331-02-000	EA	Hinge - Cabinet Door - Overlay - Flat Black
	053331-01-000	EA	Hinge - Cabinet Door - Overlay - Antique Brass
	009112-01-000	EA	Flange - 1" - Closet Rod
	024276-16-000	EA	Leg Asm. - Table - Brown"
**	024282-01-000	EA	Brace - Table Leg
**	064050-01-000	EA	Hinge - Table Leg
	053201-03-000	EA	Bracket - Table Mount - 23"
**	024283-01-000	EA	Clip - 1" O.D. Tube
	024275-05-000	EA	Rod - Table Lift - Beige - 8" x 23.5"
	024281-07-000	EA	Bracket - Table Lift - Lower Wall Mount - Beige
	049483-02-000	EA	Catch - Table Leg - Mounts on Floor
	053200-05-000	EA	Bracket - Table Lift - Upper Wall Mount - Beige
	045795-01-000	EA	Glass Holder - Plastic
**	069022-01-000	EA	Slide - Drawer - Left
**	069022-02-000	EA	Slide - Drawer - Right
	009021-01-000	EA	Nylon Catch
**	009021-02-000	EA	Strike - Nylon Catch

** The illustrated parts breakdown for this item is provided on the Common Items Fiche

INTERIOR FINISH GROUP (CONTINUED)

CURTAIN HARDWARE

Key	Part Number	U/M	Description
	056001-01-000	EA	Bracket - Shade - Left
	056002-01-000	EA	Bracket - Shade - Right
	009107-01-000	EA	Guide - Nylon Snap - Curtain
	052327-05-009	EA	Track - Curtain - Beige Alum. - 76" w/Holes
	053272-05-005	EA	Track - Curtain - Beige Alum. - Ceiling Mount - 72" w/Holes
	073671-01-000	EA	Track - Curtain - Beige Alum. - Front Overhead Bunk
	069270-01-000	EA	Track - Shower Curtain - "L" Rod - Beige Alum.
	009701-01-000	EA	Carrier - "L" Rod - Curtain
	009702-01-000	EA	End Stop - "L" Rod - Curtain
	037872-01-000	EA	Rod - Curtain - Double Extension - 40" - 84"
	037872-02-000	EA	Bracket - Curtain Rod
	050788-02-000	EA	Center Support - Curtain Rod
	056784-01-000	EA	Pull - Window Shade - Antique Brass
	056115-01-000	YD	Tape - Plastic - Clear w/Guides
	056116-01-000	FT	Track - Curtain - Plastic - Brown
	048394-01-000	YD	Tape - Hook - 1" x 25 yd. - Beige
	048395-01-000	YD	Tape - Loop - 1" x 25 yd. - Beige

MISCELLANEOUS PARTS

Key	Part Number	U/M	Description
	053552-01-R04	EA	Handle Asm. - Interior Assist - Medium Almond Vinyl
	041944-03-000	EA	Fire Extinguisher - w/Bracket - 5BC
	054185-20-000	EA	Owner's Manual - 1984 - Winnebago & Itasca
	007038-01-000	EA	Door Mat - Black Rubber - 10 1/2" x 26" w/Winnebago Logo

FABRICS & CARPETS

Key	Part Number	U/M	Description
	072333-07-000	YD	Fabric - Drapery - Wraparound (R04, R05, R06)
	074495-27-000	YD	Fabric - Upholstery - Accent - Blue, Brown (R04, R05)
	074495-28-000	YD	Fabric - Upholstery - Accent - Burgundy (R06)
	074495-25-000	YD	Fabric - Upholstery - Blue (R04)
	074495-24-000	YD	Fabric - Upholstery - Brown (R05)
	074495-26-000	YD	Fabric - Upholstery - Burgundy (R06)
	038421-01-000	YD	Ticking - Mattress - Gold
	072860-16-000	SY	Carpet - Blue (R04)
	072860-15-000	SY	Carpet - Brown (R05)
	072860-17-000	SY	Carpet - Burgundy (R06)
	075233-01-000	SY	Carpet Pad - 375 x 6"

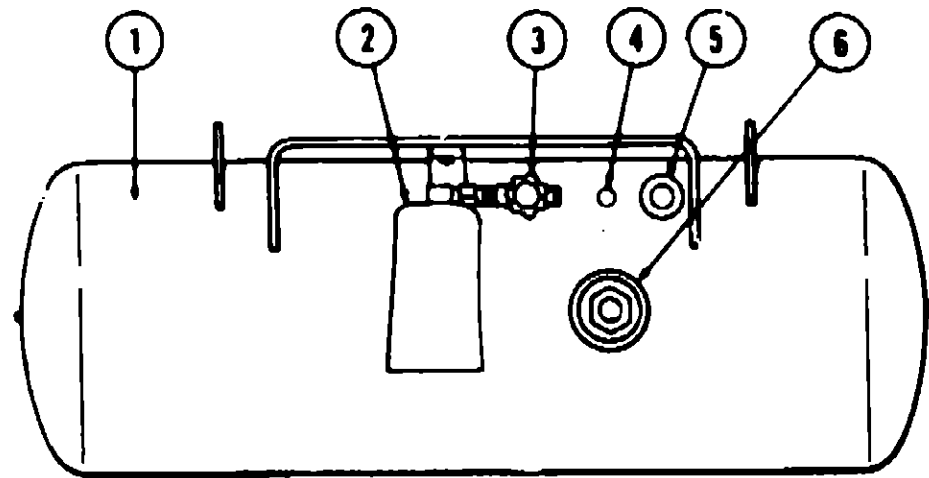
1984 WINNEBAGO TABLE OF CONTENTS

WC723RB	A-01 - B-20
WCN26RB	B-21 - E-06
WCN26RH	E-07 - G-16
WCN30RT	G-17 - J-06

1984 WC723RB INDEX

Floor Plan	A-01 - A-02
Accessories Group	A-03 - A-05
Bath Group	A-06
Chassis Group	A-07
Curtain, Cushion & Pad Group	A-08 - A-13
Dinette Group	A-14 - A-15
Driver's Compartment Group	A-16 - A-17
Electrical Group	A-18 - A-20
Exterior Body Group	A-21 - B-04
Galley Group	B-05
Heating & Air Conditioning Group	B-06
Interior Finish Group	B-07 - B-08
LP Group	B-09
Lounge Group	B-10
Water & Sewage Group	B-11 - B-12
Window, Vent & Exterior Door Group	B-13 - B-20

LP GROUP

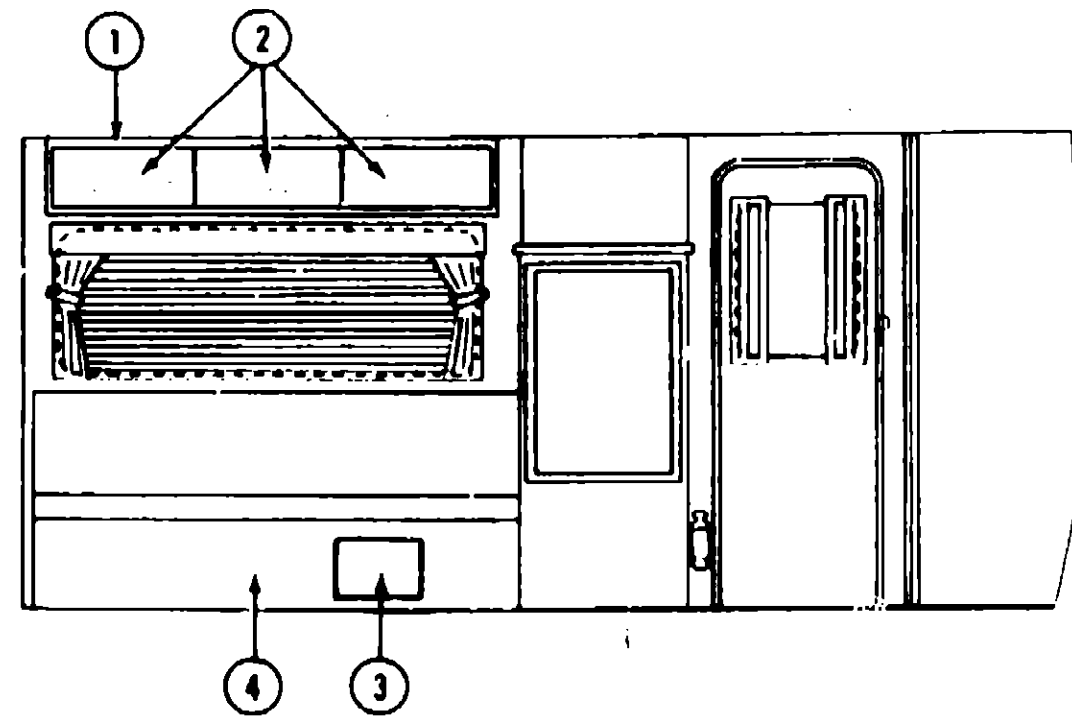


Key	Part Number	U/M	Description
1	074143-02-000	EA	Tank Asm. - LP - Frame Mount - 85 Pound - 14" x 40"
1	074142-01-000	EA	Tank Asm. - LP - Frame Mount - 80 Pound - 13" x 44"
1	074141-01-000	EA	Tank Asm. - LP - Frame Mount - 42 Pound - 12" x 28"
1	074140-01-000	EA	Tank Asm. - LP - Frame Mount - 28 Pound - 10" x 23"
.	065741-01-000	EA	Detector - LP Gas Leak - Marshalltown Instruments
2	076279-01-000	EA	Compartment - LP Regulator - Front
2	076278-01-000	EA	Compartment - LP Regulator - Back
.	076301-01-000	EA	Regulator - Two Stage - LP Gas
3	040421-01-703	EA	Valve - Vapor Relief
4	065802-01-000	EA	Gauge - Liquid Level - 20% LP
5	040421-01-701	EA	Valve - Filler - LP
.	040421-01-702	EA	Cap - Plastic Fill Valve
6	040421-01-707	EA	Gauge - Float - w/Visible Dial - 80 Pound Tank
.	040421-01-706	EA	Dial - Visible Face - Float Gauge (Tank w/o Electric Transmitter)
.	040440-01-000	EA	Dial - Transmitter - 0 - 90 Ohm (Float Gauge)
.	045703-01-000	EA	Hose Asm. - LP - 3/8" I.D. x 24" - US
.	045703-02-000	EA	Hose Asm. - LP - 3/8" I.D. x 24" - CSA
.	045703-03-000	EA	Hose Asm. - LP - 3/8" I.D. x 18" - US
.	045703-04-000	EA	Hose Asm. - LP - 3/8" I.D. x 14" - CSA
.	047737-02-000	EA	Support - LP Tank - 89 25"
.	047737-03-000	EA	Support - LP Tank - 30 50"
.	053112-02-000	EA	Bracket - LP Support
.			Not illustrated

WINN AIR WITH LANDI-HARTOG (C-BODY)

Key	Part Number	U/M	Description
	065287-02-000	EA	Valve - Gasoline Shut-Off
	068050-07-000	EA	LP Mixer (350 Engine)
	065802-01-000	EA	Gauge - LP Level w/Hardware
	068050-05-000	EA	Switch - LP/Gas Changeover
	068050-01-000	EA	Converter - LP
	068050-02-000	EA	LP Lock Off
	068050-03-000	EA	Switch - LP - Vacuum Safety

LOUNGE GROUP



FOLD DOWN COUCH AND OVERHEAD CABINET

Key	Part Number	U/M	Description
1	068907-03-R04	EA	Cabinet Asm. - Lounge Overhead - w/o Doors or Hardware
2	069852-54-R04	EA	Door Asm. - Lounge Overhead Cabinet - 10" x 23" - w/o Hardware
3	M69856-04-R04	EA	Furnace - w/Mesh Insert - 12.9" x 17.9" - w/o Hardware
.	072369-02-000	EA	Gold Mesh - 13.8" x 8.8" - Furnace Grille
4	M72813-01-R04	EA	Cabinet Asm. - Couch - w/o Door or Hardware
.	M00684-43-R04	EA	Table Asm. - Pedestal - Harbor Oak
.	009040-02-000	EA	Leg - Pedestal Table - 27.5"
.	041194-01-000	EA	Base - Pedestal Table - Mounts in Floor
.	009040-03-000	EA	Base - Pedestal Table - Mounts on Table
.	062390-02-000	EA	Support - Leg - Pivot
.	062046-01-000	EA	Clip - Pedestal Leg
.			Not illustrated

1984 WINNEBAGO TABLE OF CONTENTS

WC723RB	A-01 - B-20
WCN26RB	B-21 - E-06
WCN26RH	E-07 - G-16
WCN30RT	G-17 - J-06

1984 WC723RB INDEX

Floor Plan	A-01 - A-02
Accessories Group	A-03 - A-05
Bath Group	A-06
Chassis Group	A-07
Curtain, Cushion & Pad Group	A-08 - A-13
Dinette Group	A-14 - A-15
Driver's Compartment Group	A-16 - A-17
Electrical Group	A-18 - A-20
Exterior Body Group	A-21 - B-04
Galley Group	B-05
Heating & Air Conditioning Group	B-06
Interior Finish Group	B-07 - B-08
LP Group	B-09
Lounge Group	B-10
Water & Sewage Group	B-11 - B-12
Window, Vent & Exterior Door Group	B-13 - B-20

WATER & SEWAGE GROUP

PLUMBING AND REPAIR PARTS

Key	Part Number	U/M	Description
	045729-01-000	EA	Pump - Water - 2.8 G.P.M. - Direct Drive - Shurflo - US
	045729-02-000	EA	Pump - Water - 2.8 G.P.M. - Direct Drive - Shurflo - CSA
	039647-02-000	EA	Filter - Water Pump - 1/2" MPT
	039647-03-000	EA	Filter - Water Pump - 1/2" Flare
	052959-03-000	EA	Connector - 1/2 F x 3/8 MPT - Plastic
	052960-01-000	EA	Drain Valve - 1/2 F x 1/2 F - Plastic
	052961-01-000	EA	Header - 1/2 F x 1/2 F x 1/2 F x 1/2 F
**	046524-02-000	EA	Kit - Water Tank Fittings - Blank Tank
**	046524-01-000	EA	Kit - Holding Tank Fittings - Blank Tank
**	010079-01-000	EA	Tee - Plastic - 1 1/2 H x 1 1/2 H x 1 1/4 H
**	010121-01-000	EA	Bushing - Plastic - 1 1/2 S x 1 1/4 H
**	010133-01-000	EA	Trap Adapter - Plastic - 1 1/2 H x MPT
**	052954-01-000	EA	Adapter - Nose Cone - 3/8 or 1/2 - Plastic
**	010201-01-000	EA	Sewer Hose - 3" x 8' w/Clamp
**	050780-01-000	EA	Coupler Rubber - 3" x 3"
	062415-01-000	EA	Cap - Sewer - 3"
	062416-01-000	EA	Hose Adapter - 3"
	062417-01-000	EA	Adapter - Termination - 3"
	062418-01-000	EA	Valve - 3" - w/ Handle
	062419-02-000	EA	Handle - Extension - w.6" Adapter
	062421-01-000	EA	Valve - 1 1/2" - w/Handle
**	011066-01-000	EA	P-Trap - 1 1/4" - Plastic
	010071-01-000	EA	Tee - Plastic - 1 1/2" x H x H x H
	010072-01-000	EA	Tee - Plastic - 1 1/2" H x 1 1/4 H x 1 1/2 H
	046172-01-000	EA	Tee - Plastic - 3/8 B x 3/8 B x 3/8 MPT
	052955-01-000	EA	Tee - Plastic - 1/2 F x 1/2 F x 1/2 MPT
	052956-01-000	EA	Tee - Plastic - 1/2 F x 1/2 MPT x 1/2 F
	052958-01-000	EA	Tee - Plastic - 1/2 F x 1/2 F x 1/2 F
**	053335-01-000	EA	P-Trap - Plastic - 1 1/4 H x H - w/Union
**	011091-01-000	EA	Waste - Continuous - Double Sink - 11 7/8"
	061607-01-000	EA	Grommet - Holding Tank Coupler - 1 1/2"
	061607-02-000	EA	Grommet - Holding Tank Coupler - 3"
	071015-14-000	EA	Grommet - .38" I D x .125" O D
	010000-01-000	EA	Elbow - Plastic - 1/8 BD x 1 1/4 x 45° H x H
	010006-01-000	EA	Elbow - Plastic - 1/8 BD x 1 1/2 x 45° H x H
	010008-01-000	EA	Elbow - Plastic - 1/4 BD x 1 1/2 x 90° Left
	010051-01-000	EA	Elbow - ST - Plastic - 1/8 BD x 1 1/2 x 45°
	010219-01-000	EA	Elbow - 1 1/4 Barb x 1 1/4 MPT x 90°
	031111-01-000	EA	Elbow - Plastic - 1/4 BD x 1 1/4 x 90° Left
	034250-01-000	EA	Elbow - Plastic - 1/4 BD x 1 1/2 x 90° x H x H
	035539-01-000	EA	Elbow - Plastic - 3/8 MPT x 3/8 Barb
	052957-01-000	EA	Elbow - Plastic - 1/2 F x 3/8 MPT
	052957-02-000	EA	Elbow - Plastic - 1/2 F x 1/2 MPT
	059556-01-000	EA	Elbow - 1 1/4 - Slip Joint Ends
	065120-01-000	EA	Elbow - Plastic - Swivel - 50"
	070924-01-000	EA	Elbow - Plastic - Swivel - 1/2 MPT x 1-2 FP
	010123-01-000	EA	Bushing - Plastic - 2S x 1 1/2 H
	031602-02-000	EA	Adapter - Plastic - 1 1/2 H x FPT
	033702-02-000	EA	Adapter Asm - SWVC Strain - 1 1/2
	072346-01-000	EA	Valve Asm - 3" Ell - w/2" Socket
	039800-02-000	FT	Tubing - Polybutyl - 5/8 O D (Water Line)
	044928-01-000	FT	Flexible Tubing - 1 1/4 I D
	004020-01-000	QT	Adhesive - ABS Cement
	037845-01-000	FT	Tape - Butyl - 3/16" Bead - Black
	062422-01-000	EA	Adapter - Hose Offset - Reducer - 3" x 1 1/2"
	052962-01-000	EA	Valve - Stool - 90° x 1/2 F x 3/8 MPT
	010147-01-000	EA	Flange - Closet - 4" F x 3" FPT
	010224-01-000	EA	Adapter - Plastic - 3/8 MPT x 3/8 Barb
	044927-01-000	EA	Adapter - Plastic - 1 1/4 MPT x 1 1/4 Barb
	054535-01-000	EA	Vent - Mechanical - Trap Arm

** The illustrated parts breakdown for this item is provided on the Common Items Fiche

WATER & SEWAGE GROUP (CONTINUED)

PLUMBING REPAIR PARTS (CONT.)

Key	Part Number	U/M	Description
	065979-01-000	EA	Compartment Asm. - Sewer Hose - Off White
	007108-01-000	EA	Hose - Heater - 5/8"
	010194-01-000	FT	Pipe - Black - Plastic - 1.25" - ABS
	010195-01-000	FT	Pipe - Black - Plastic - 1.5" - ABS
	010197-01-000	FT	Pipe - Black - 3" - ABS

HOLDING TANKS AND WATER HEATERS

Key	Part Number	U/M	Description
	M00070-44-000	EA	Tank Asm - Water - 20 Gallon w/Fittings
	068520-01-000	EA	Tank - Water - 20 Gallon w/o Fittings
	068519-01-000	EA	Tank - Holding - 20 Gallon (Sewage) w/o Fittings
	051391-01-000	EA	Water Heater - w/o Motor Aid

1984 WINNEBAGO TABLE OF CONTENTS

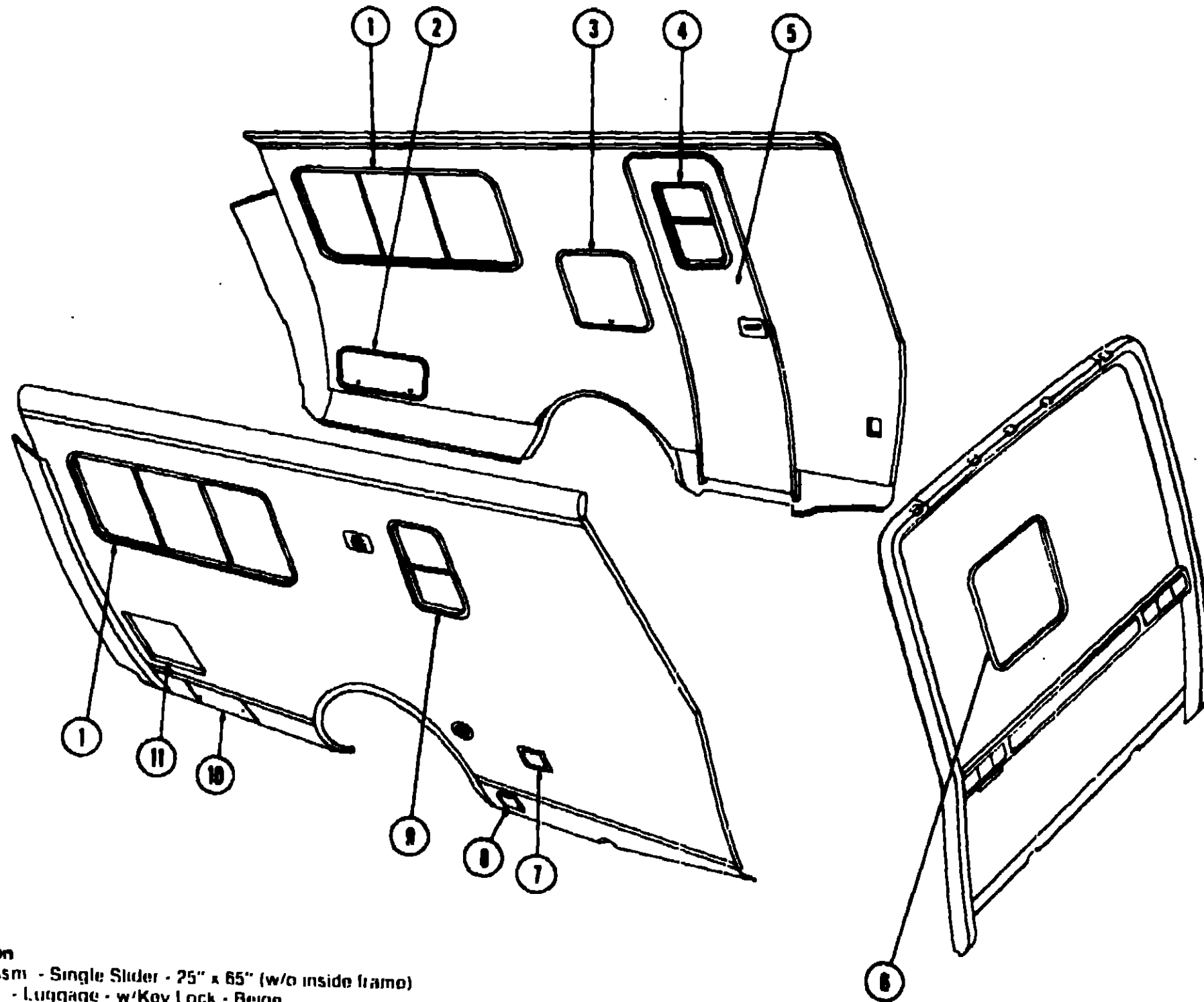
WC723RB	A-01 - B-20
WCN26RB	B-21 - E-06
WCN26RH	E-07 - G-16
WCN30RT	G-17 - J-06

1984 WC723RB INDEX

Floor Plan	A-01 - A-02
Accessories Group	A-03 - A-05
Bath Group	A-06
Chassis Group	A-07
Curtain, Cushion & Pad Group	A-08 - A-13
Dinette Group	A-14 - A-15
Driver's Compartment Group	A-16 - A-17
Electrical Group	A-18 - A-20
Exterior Body Group	A-21 - B-04
Galley Group	B-05
Heating & Air Conditioning Group	B-06
Interior Finish Group	B-07 - B-08
LP Group	B-09
Lounge Group	B-10
Water & Sewage Group	B-11 - B-12
Window, Vent & Exterior Door Group	B-13 - B-20

WINDOW, VENT & EXTERIOR DOOR GROUP

WINDOWS AND ACCESS DOORS



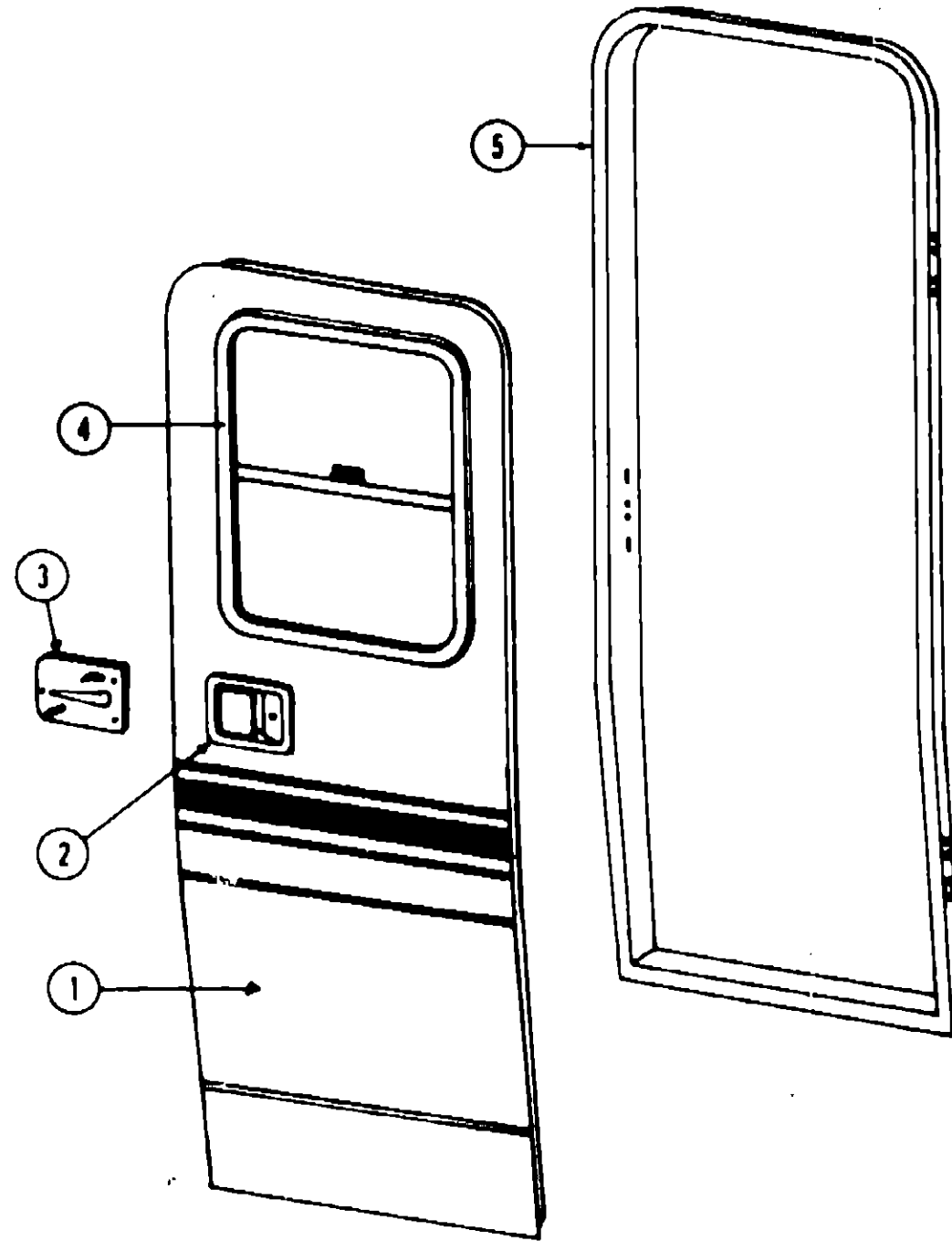
Key	Part Number	U/M	Description
1	066785-03-000	EA	Window Asm - Single Slider - 25" x 65" (w/o inside frame)
2	064842-02-000	EA	Door Asm - Luggage - w/Key Lock - Beige
2	064841-02-000	EA	Door Asm - Generator - w/Twist Lock - Beige
3	059247-05-000	EA	Door Asm - Refrigerator Access - w/Twist Lock - Beige
4	069383-01-000	EA	Window Asm - Entrance Door - 17 8" x 23" (w/o inside frame)
5	MD0983-02-P13	EA	Door Asm - Entry - w/Latch and Hinges
6	020751-03-000	EA	Window Asm - Rear Escape - 23" x 29" (w/o inside frame)
7	NOTE	EA	Door Asm - Power Cord (See Access Doors)
8	NOTE	EA	Door Asm - Fuel Fill (See Access Doors)
9	074853-01-000	EA	Window Asm - Vertical Slider - 13" x 23" (w/o inside frame)
10	068958-01-000	EA	Door Asm - LP Storage - Valance Panel - Beige
11	052009-02-000	EA	Door Asm - Water Heater - Beige

1984 WINNEBAGO TABLE OF CONTENTS

WC723RB	A-01 - B-20
WCN26RB	B-21 - E-06
WCN26RH	E-07 - G-16
WCN30RT	G-17 - J-06

1984 WC723RB INDEX

Floor Plan	A-01 - A-02
Accessories Group	A-03 - A-05
Bath Group	A-06
Chassis Group	A-07
Curtain, Cushion & Pad Group	A-08 - A-13
Dinette Group	A-14 - A-15
Driver's Compartment Group	A-16 - A-17
Electrical Group	A-18 - A-20
Exterior Body Group	A-21 - B-04
Galley Group	B-05
Heating & Air Conditioning Group	B-06
Interior Finish Group	B-07 - B-08
LP Group	B-09
Lounge Group	B-10
Water & Sewage Group	B-11 - B-12
Window, Vent & Exterior Door Group	B-13 - D-20



ENTRANCE DOOR

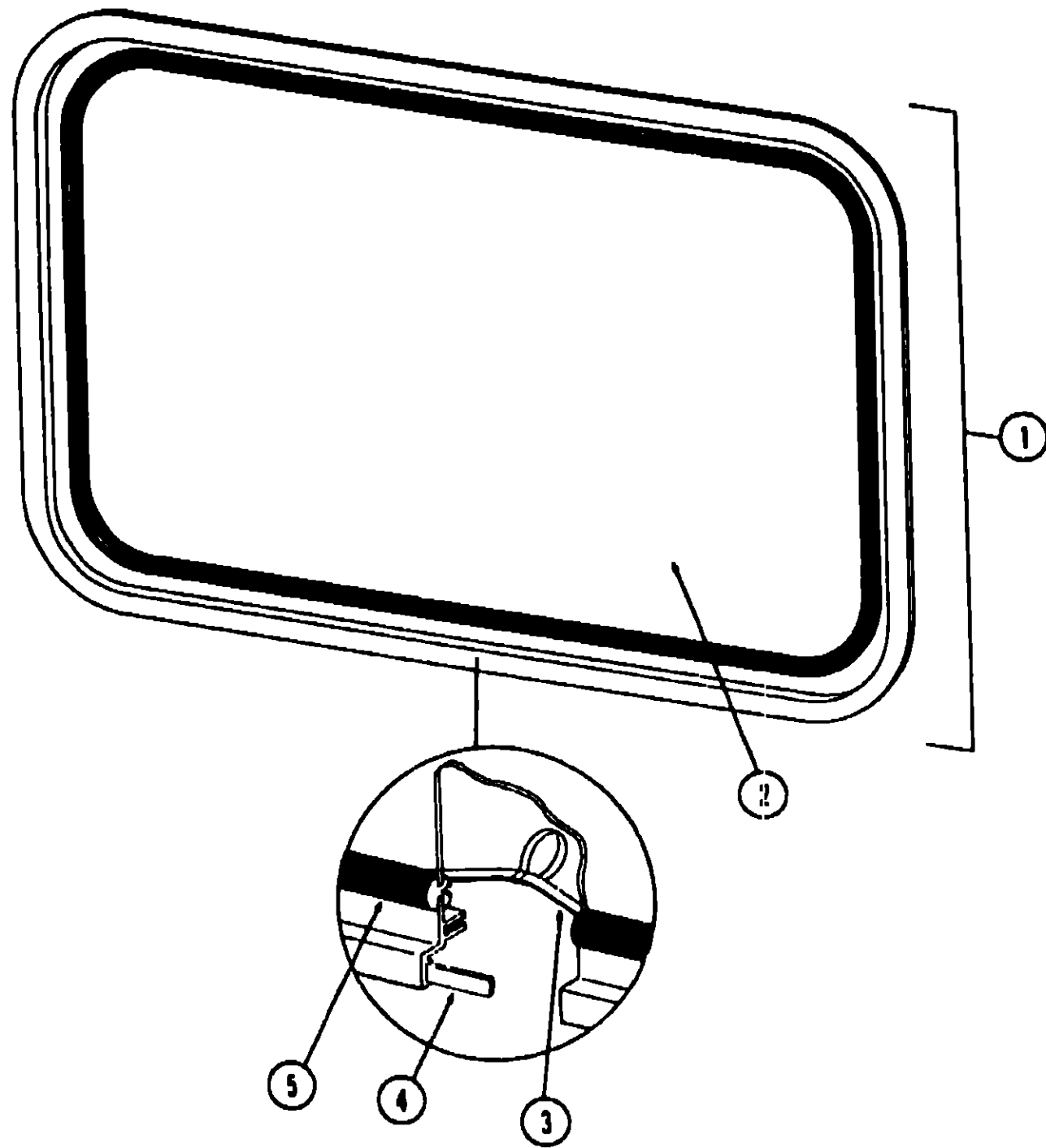
Key	Part Number	U/M	Description
1	M00983-02-P13	EA	Door Asm. - Entry - w/Latch and Hinges
2	045017-05-000	EA	Paddle Asm. - Door Lock - Exterior
	045017-05-700	EA	Lock Cylinder w/Keys - Lynor
	039539-01-000	EA	Striker Bolt - Entry Door
	039540-01-000	EA	Latch Claw - Entry Door
3	039979-01-000	EA	Plate - Lock - Inside - Including Inside Handle
	052186-01-000	EA	Lock Asm. - Complete - Lynor
4	069383-01-000	EA	Window Asm. - Vertical Slider - 17" x 25" - Black (w/o inside frame)
	068743-01-000	EA	Glass - Sliding - 1/8" x 17.5" x 12.6" - Black (w/o inside frame)
	002324-02-000	FT	Channel - Weatherstrip - Glass Run - 3/16"
	057374-02-000	FT	Seal - Window Channel - Black
	002309-02-000	FT	Spline - Glass - 1/8" Material - Black
	M18025-04-000	EA	Seal Holder w/Fin Seal - 16.5"
	069796-07-000	EA	Mullion - Vertical - Slider Window
	068742-01-000	EA	Glass - Stationary - 1/8" x 17.4" x 11.5"
	047369-01-700	EA	Latch - Window - Plastic - w/Fastener
	073740-01-000	FT	Seal - Fin - Pile - .460"
	068752-01-000	EA	Inside Frame - Window - Beige (not included in assembly)
	002298-01-000	FT	Spline - Screen - .130" Dia. - Gray
	002292-01-000	SF	Screen - Window - 20" - Gray
5	068675-01-000	EA	Jamb Asm. - Entry Door - Beige
	064075-01-000	FT	Seal - Entry Door Jamb - Rubber
	068723-01-000	EA	Hinge Asm. - Entry Door - Lower
	068720-01-000	EA	Hinge Asm. - Entry Door - Upper
	064219-01-000	EA	Retainer Strap
	063729-01-000	EA	Rivnut - 1/4" x 20 UNC - .030 - .125
	039738-01-000	EA	Deadbolt Lock - Entrance Door
	067621-03-000	EA	Trim - Exterior Bottom Door - Beige
	067696-02-000	EA	Sill Plate - Entrance Door
	068662-01-000	EA	Frame Asm. - Entrance Door
	068725-01-000	EA	Striker Plate - Entrance Door
			Not illustrated

1984 WINNEBAGO
TABLE OF CONTENTS

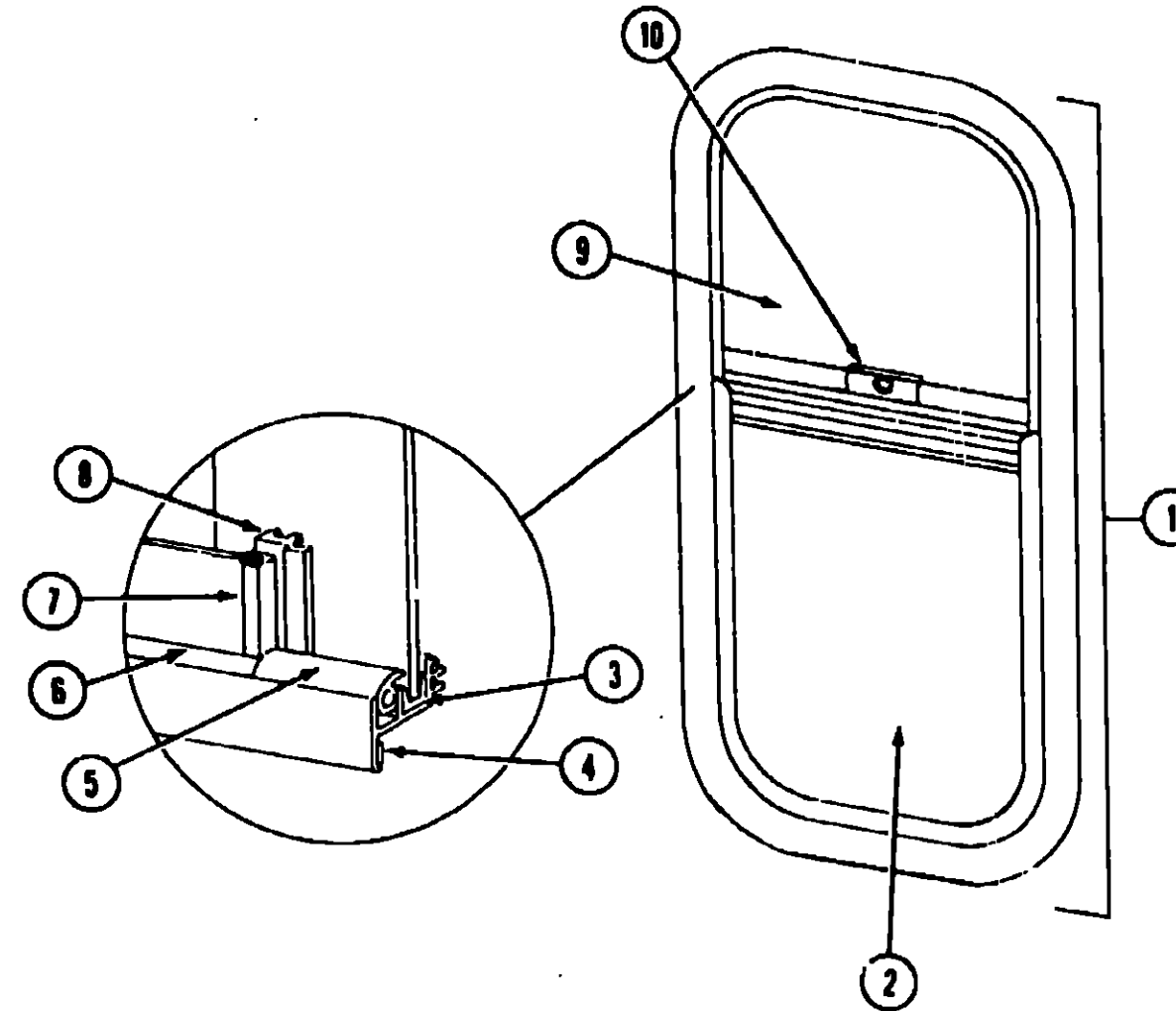
WC723RB	A-01 - B-20
WCN26RB	B-21 - E-06
WCN26RH	E-07 - G-16
WCN30RT	G-17 - J-06

1984 WC723RB INDEX

Floor Plan	A-01 - A-02
Accessories Group	A-03 - A-05
Bath Group	A-06
Chassis Group	A-07
Curtain, Cushion & Pad Group	A-08 - A-13
Dinette Group	A-14 - A-15
Driver's Compartment Group	A-16 - A-17
Electrical Group	A-18 - A-20
Exterior Body Group	A-21 - B-04
Galley Group	B-05
Heating & Air Conditioning Group	B-06
Interior Finish Group	B-07 - B-08
LP Group	B-09
Lounge Group	B-10
Water & Sewage Group	B-11 - B-12
Window, Vent & Exterior Door Group	B-13 - B-20



Key	Part Number	U/M	Description
1	020751-03-000	EA	Window Asm - Rear Escape - 23" x 29" - Black (w/o inside frame)
2	002174-01-000	EA	Glass - 1/8" x 19.6" x 25.9"
3	002285-01-000	FT	Filler - Weatherstrip - Black
4	020395-01-000	EA	Pull Ring - Escape Window
5	069640-01-000	FT	Tape - 1/4" Bead x 20' - Gray - 3M
6	002282-01-000	FT	Weatherstrip - 125" Window
•	020749-05-000	EA	Inside Frame - Escape Window - 23" x 29" Beige (not included in assembly)
•	006199-01-000	EA	Label - Exit - Escape Window
•			Not illustrated



Key	Part Number	U/M	Description
1	074853-01-000	EA	Window Asm - Vertical Slider - 13" x 23" - Black (w/o inside frame)
•	067609-15-000	EA	Inside Frame - Window - Beige (not included in assembly)
2	074837-01-000	EA	Glass - Sliding - 1/8" x 12" x 10.9"
3	002324-02-000	FT	Channel - Weatherstrip - Glass Run - 3/16"
4	069640-01-000	FT	Tape - 1/4" Bead x 20' - Gray - 3M
5	002309-02-000	FT	Spline - Glass - 1/8" - Black
6	057374-02-000	FT	Extr. Vinyl - Window Seal - Black
7	M69886-03-012	EA	Seal Holder w/Fin Seal - 11.18" - Black
8	069896-04-000	EA	Mullion - Sliding Window
9	074836-01-000	EA	Glass - Stationary - 1/8" x 12" x 10.9"
10	047369-01-700	EA	Latch - Window - Plastic w/Fastener
•	023320-01-000	EA	Foam Pad - 3/8" Dia. (used w/Plastic Latch)
•	073740-01-000	FT	Seal - Fin - Pile - .460"
•	002298-01-000	EA	Spline - Gray - .130" Dia. (Screen)
•	023713-02-000	EA	Weep Hole Cover - Plastic - Black
•	002291-01-000	SF	Screen - Window - 15" - Gray
•			Not illustrated

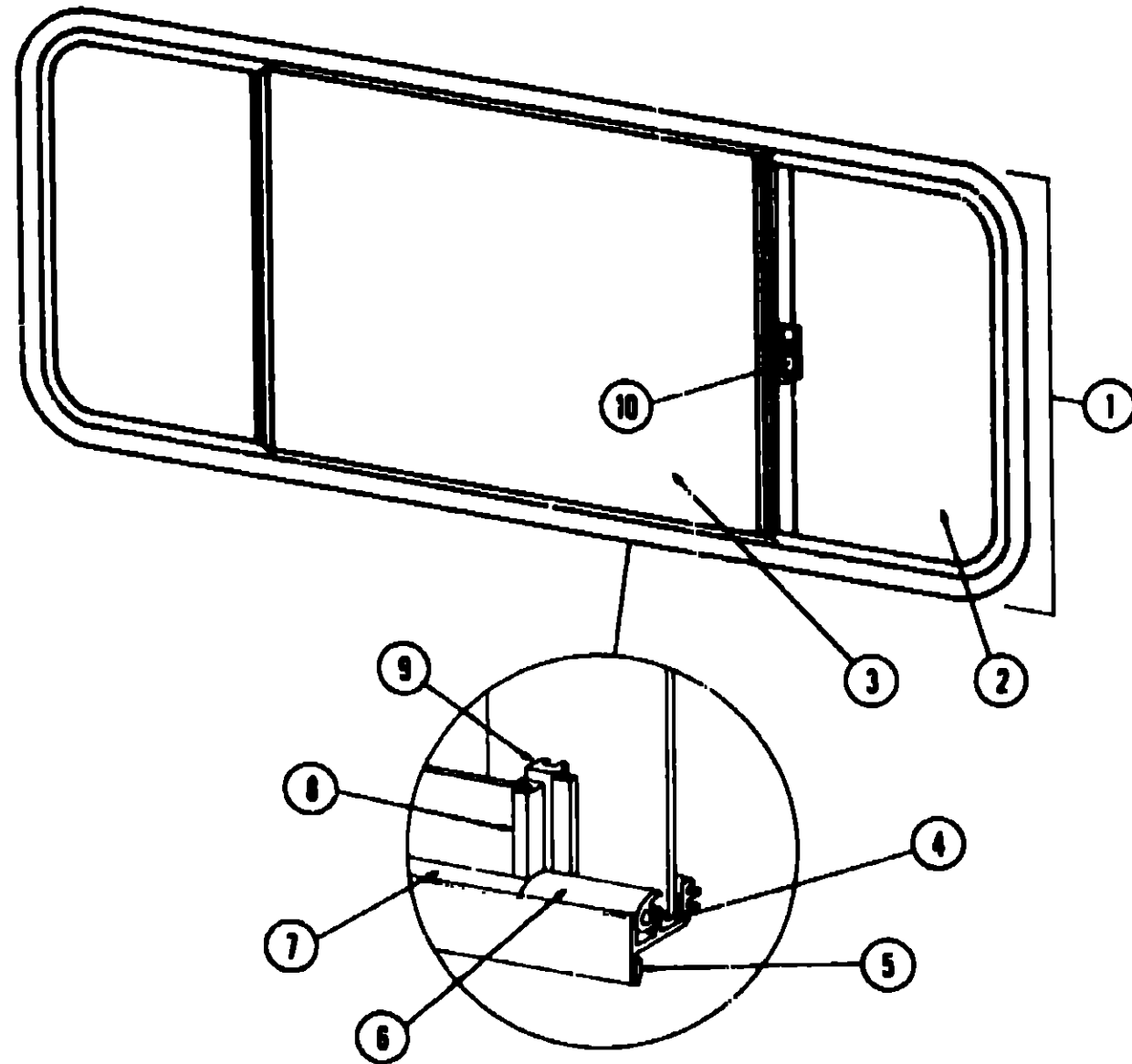
1984 WINNEBAGO
TABLE OF CONTENTS

WC723RB	A-01 - B-20
WCN26RB	B-21 - E-06
WCN26RH	E-07 - G-16
WCN30RT	G-17 - J-06

1984 WC723RB INDEX

Floor Plan	A-01 - A-02
Accessories Group	A-03 - A-05
Bath Group	A-06
Chassis Group	A-07
Curtain, Cushion & Pad Group	A-08 - A-13
Dinette Group	A-14 - A-15
Driver's Compartment Group	A-16 - A-17
Electrical Group	A-18 - A-20
Exterior Body Group	A-21 - B-04
Galley Group	B-05
Heating & Air Conditioning Group	B-06
Interior Finish Group	B-07 - B-08
LP Group	B-09
Lounge Group	B-10
Water & Sewage Group	B-11 - B-12
Window, Vent & Exterior Door Group	B-13 - B-20

WINDOW, VENT & EXTERIOR DOOR GROUP (CONTINUED)



Key	Part Number	U/M	Description
1	066785-03-000	EA	Window Asm. - Single Slider - 25" x 85"
	067609-06-000	EA	Inside Frame - Beige (not included in assembly)
2	066726-02-000	EA	Glass - Stationary - 1/8" x 21.3" x 24"
3	066727-02-000	EA	Glass - Sliding - 1/8" x 12" x 24"
4	002324-02-000	FT	Channel - Weatherstrip - Glass
5	069640-01-000	FT	Tape - 1/4" Bead x 20' - Gray - 3M
6	057374-02-000	FT	Extr. Vinyl - Window Seal - Black
7	002309-02-000	FT	Spline - Glass - 1/8" Material - Black
8	M69886-03-003	EA	Seal Holder w/Fin Seal - 23.9" - Black
9	069896-02-000	EA	Mullion - Slider Window - Black
10	047369-01-700	EA	Latch - Window - Plastic - w/Fastener
	002293-01-000	SF	Screen - Window - 26" - Gray
	002298-01-000	FT	Spline - .130" Dia - Gray (Screen)
	073740-01-000	FT	Seal - Fin - Pile - 460"
			Not illustrated

WINDOW, VENT & EXTERIOR DOOR GROUP (CONTINUED)

ACCESS DOORS

Key	Part Number	U/M	Description
	042442-01-000	EA	Lock Asm. - Twist Type (Power Cord)
	064842-02-000	EA	Door Asm. - Luggage - w/Key Lock - Beige
	059247-05-000	EA	Door Asm. - Refrigerator Access - w/Twist Lock - Beige
	064841-02-000	EA	Door Asm. - Generator - w/Twist Lock - Beige
	052009-02-000	EA	Door Asm. - Water Heater - Beige
	047305-01-000	EA	Lock Asm. - Key Type w/Clip
	042441-01-000	EA	Lock Asm. - Key Type (Gas Fill)
	052423-02-000	EA	Door - Fuel Fill - Beige
	068958-01-000	EA	Door Asm. - LP/Storage - Valance Panel - Beige
	009003-01-000	EA	Lock Asm. - Twist Type - Metal
	052424-02-000	EA	Door Jamb - Power Cord & Fuel Fill - Beige
	054543-02-000	EA	Door Hatch - Power Cord - Beige
	063742-02-000	EA	Door - Power Cord - Beige
	041312-01-000	FT	Door Seal - e/Section
	054530-01-000	EA	Door Holder

WINDSHIELD

Key	Part Number	U/M	Description
	040795-02-000	EA	Glass Asm. - Windshield - Tinted

VENTS

Key	Part Number	U/M	Description
	065103-02-000	EA	Cover - Refrigerator Vent - 9.88" x 20.5" - Plastic
	065103-01-000	EA	Frame Asm. - Refrigerator Vent - 8.17" x 22.94" - Plastic
	071290-02-000	EA	Cover - Refrigerator Vent - 11 5/8" x 24 3/4" - Galvanized Steel
	071290-01-000	EA	Frame Asm. - Refrigerator Vent - 7.5" x 26.5" - Galvanized Steel
	049352-02-000	EA	Vent - Stovehood - Outside - Beige
**	048789-01-000	EA	Vent Asm. - Roof - Powered - w/o Screen - Alum.
**	048835-01-000	EA	Vent Asm. - Roof - Non Powered - w/o Screen - Alum.
**	064469-02-000	EA	Vent Asm. - Roof - Powered - w/o Screen - 14" x 14" - CSA

The illustrated parts breakdown for this item is provided on the Common Items Fiche.

**1984 WINNEBAGO
TABLE OF CONTENTS**

WC723RB	A-01 - B-20
WCN26RB	B-21 - E-06
WCN26RH	E-07 - G-16
WCN30RT	G-17 - J-06

1984 WC723RB INDEX

Floor Plan	A-01 - A-02
Accessories Group	A-03 - A-05
Bath Group	A-06
Chassis Group	A-07
Curtain, Cushion & Pad Group	A-08 - A-13
Dinette Group	A-14 - A-15
Driver's Compartment Group	A-16 - A-17
Electrical Group	A-18 - A-20
Exterior Body Group	A-21 - B-04
Galley Group	B-05
Heating & Air Conditioning Group	B-06
Interior Finish Group	B-07 - B-08
LP Group	B-09
Lounge Group	B-10
Water & Sewage Group	B-11 - B-12
Window, Vent & Exterior Door Group	B-13 - B-20