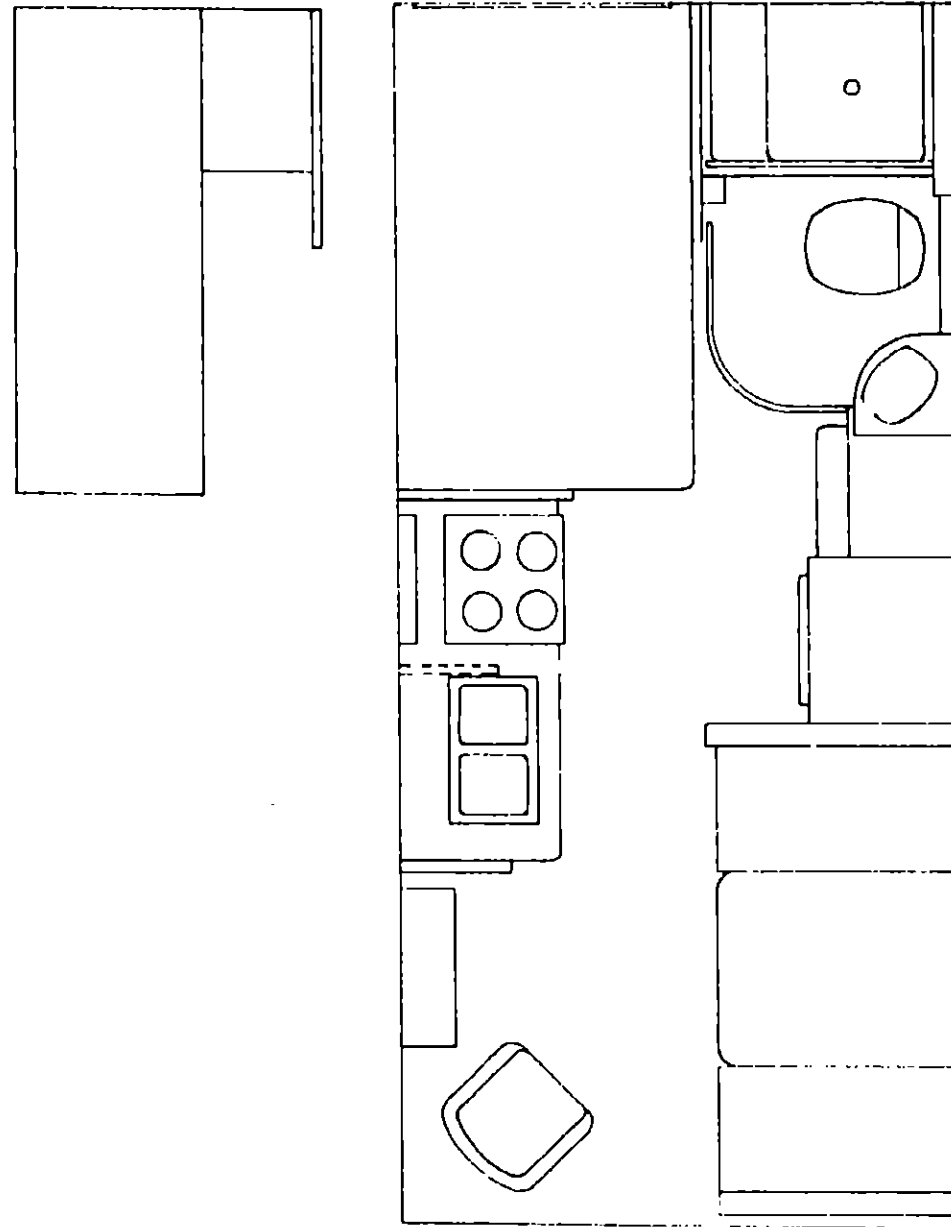


# 1984 WC424RC



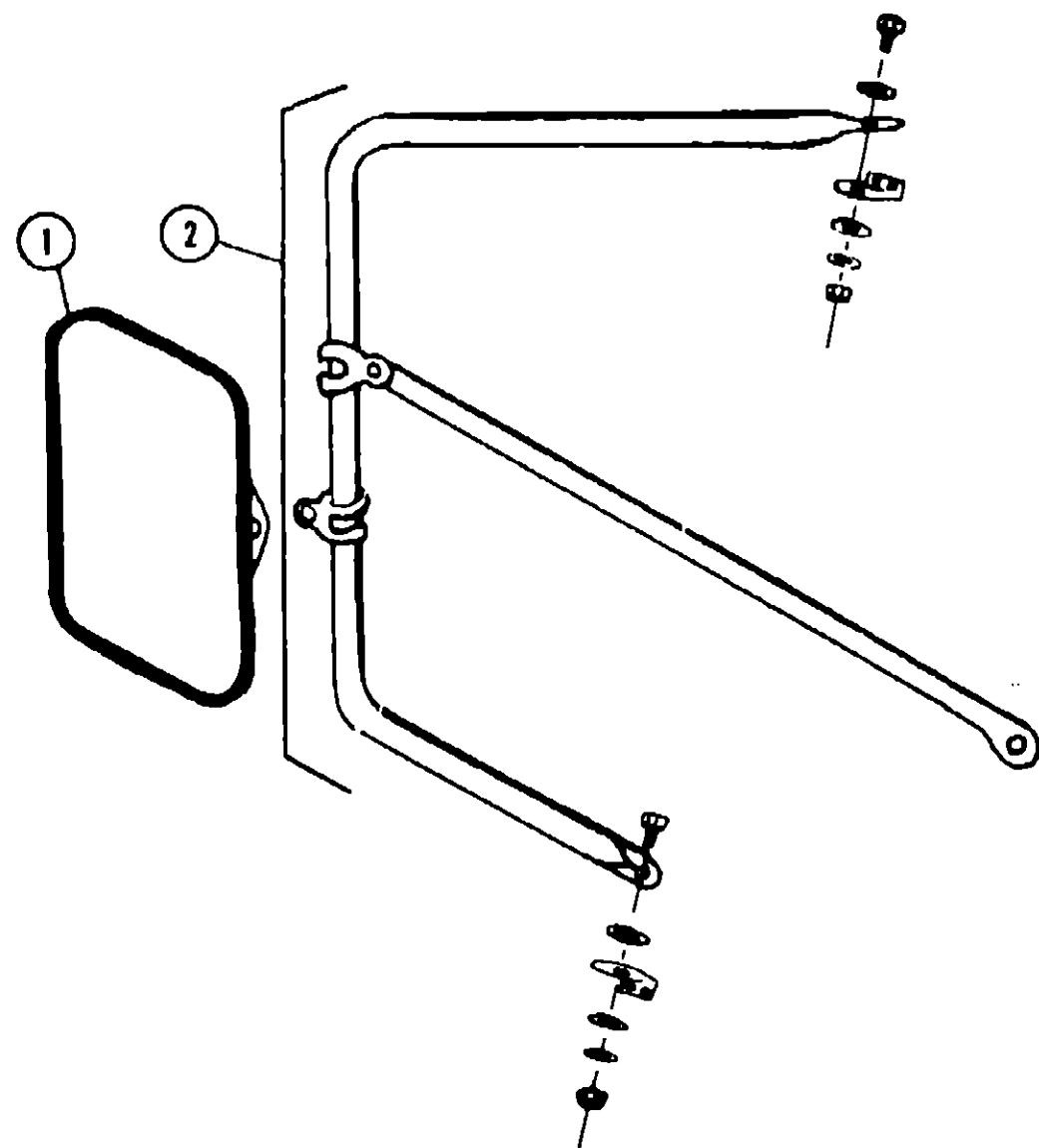
## 1984 WINNEBAGO TABLE OF CONTENTS

Introduction	A-01
Abbreviations	A-01
Alphabetical Index	A-02 - A-04
WC424RC	A-05 - C-16
WCN22RC	C-17 - F-06
WCN27RU	F-07 - H-20
WCN33RU	H-21 - K-08

## 1984 WC424RC INDEX

Floor Plan	A-05 - A-06
Accessories Group	A-07 - A-09
Bath Group	A-10 - A-11
Chassis Group	A-12 - A-13
Curtain, Cushion & Pad Group	A-14 - A-21
Dinette Group	A-22
Driver's Compartment Group	A-23 - A-24
Electrical Group	B-01 - B-03
Exterior Body Group	B-04 - B-12
Galley Group	B-13 - B-15
Heating & Air Conditioning Group	B-16
Interior Finish Group	B-17 - B-20
LP Group	B-21
Lounge Group	B-22
Water & Sewage Group	B-23 - B-24
Window, Vent & Exterior Door Group	C-01 - C-16

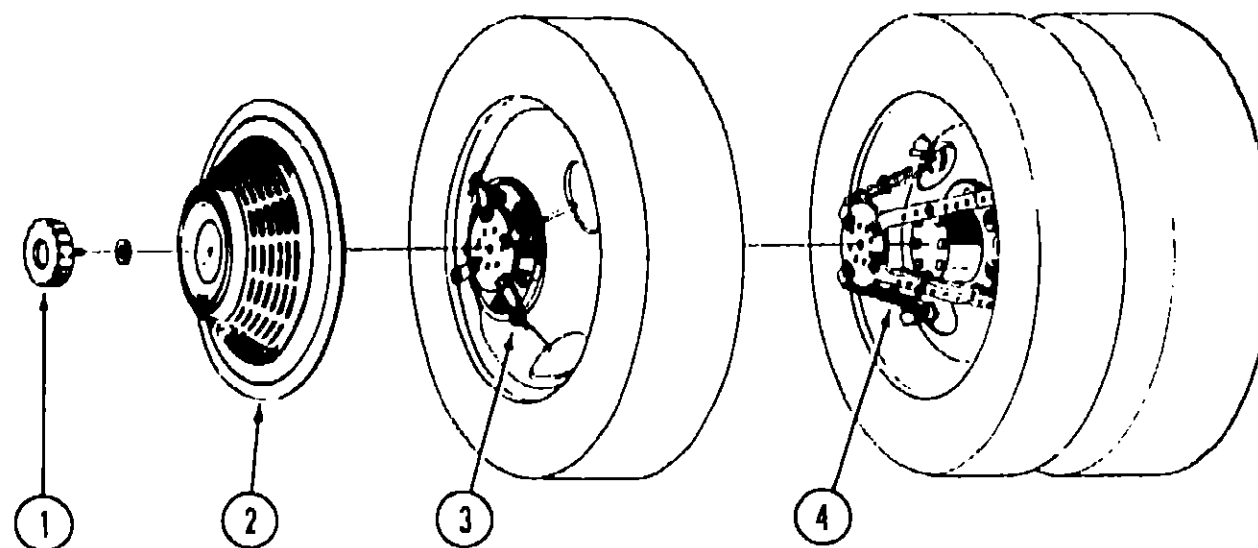
**ACCESSORIES GROUP**



**EXTERIOR MIRRORS**

Key	Part Number	U/M	Description
1	049347-01-000	EA	Mirror Head - 7 1/2" x 10 1/2" - Stainless Steel
2	062047-01-000	EA	Arm - West Coast Mirror - Stainless Steel
.	006043-01-000	EA	Mirror - Convex - Adhesive Back
.			Not illustrated

**ACCESSORIES GROUP (CONTINUED)**



**WHEEL COVER & MOUNTING HARDWARE**

Key	Part Number	U/M	Description
1	064082-02-000	EA	Retaining Nut - Delmet - Wheel Cover
2	073426-01-700	EA	Wheel Cover - Bolt On - 16" or 16.5" - Delmet (1)
3	073426-04-700	EA	Retention Bracket Asm. - Wheel Cover Support - Heavy Duty - Front (1)
4	073426-04-701	EA	Retention Bracket Asm. - Wheel Cover Support - Heavy Duty - Rear (1)
.	073426-04-000	EA	Retention Bracket Asm. - Wheel Cover Support - Heavy Duty (Set/4)
.			Not illustrated

**GENERATORS & COMPONENTS**

Key	Part Number	U/M	Description
**	054429-01-000	EA	Generator - Onan - 4.0 kw
	052168-01-000	EA	Generator - Onan - 4.25 kw
	701629-02-000	EA	Onan Installation Package
	024732-01-016	EA	Tailpipe - 1.5" O.D. x 43.50"
	067753-01-000	EA	Muffler - Generator - w/Spark Arrestor - Nelson
	740313-56-000	EA	Tray - Generator - 4.0 kw - Onan
	007067-01-000	SF	Insulation - 1" - Fiberglass
	068046-01-000	EA	Conversion Kit - LP - Onan Generator
**			The illustrated parts breakdown for this item is provided on the Common Items Fiche.

**RADIO & RELATED COMPONENTS**

Key	Part Number	U/M	Description
	007004-01-000	EA	Antenna - Radio - Cab Mount
	031105-01-700	EA	Holder - Antenna - Radio - Upper
	064791-01-000	EA	Speaker - Recessed - 5.25"
	073431-01-000	EA	Speaker - 5.25" - 3/Way (Pair)
	073741-01-000	EA	Speaker - 4" x 6" - Oval
	074979-01-000	EA	Speaker Cover Protector - Plastic
	064792-01-000	EA	Grille - Speaker - 5.25" - w/Mesh - Brown
	064787-01-000	EA	Radio - AM/FM MPX - w/Cassette - Audiovox - WIMCHI
	073430-01-000	EA	Radio - AM/FM MPX - w/Cassette - Electronic Tune - Audiovox - HCC1200
	074482-01-000	EA	Radio - AM/FM MPX - w/Cassette - Audiovox - HCC565
	064794-01-000	EA	Trim Plate - Radio
	073432-01-000	EA	Amplifier - Radio - 4 x 15 Watts
	073433-01-000	EA	Adapter - Radio to Amplifier

**1984 WINNEBAGO  
TABLE OF CONTENTS**

Introduction	A-01
Abbreviations	A-01
Alphabetical Index	A-02 - A-04
WC424RC	A-05 - C-18
WCN22RC	C-17 - F-06
WCN27RU	F-07 - H-20
WCN33RU	H-21 - K-08

**1984 WC424RC INDEX**

Floor Plan	A-05 - A-06
Accessories Group	A-07 - A-09
Bath Group	A-10 - A-11
Chassis Group	A-12 - A-13
Curtain, Cushion & Pad Group	A-14 - A-21
Dinette Group	A-22
Driver's Compartment Group	A-23 - A-24
Electrical Group	B-01 - B-03
Exterior Body Group	B-04 - B-12
Galley Group	B-13 - B-15
Heating & Air Conditioning Group	B-16
Interior Finish Group	B-17 - B-20
LP Group	B-21
Lounge Group	B-22
Water & Sewage Group	B-23 - B-24
Window, Vent & Exterior Door Group	C-01 - C-16

## ACCESSORIES GROUP (CONTINUED)

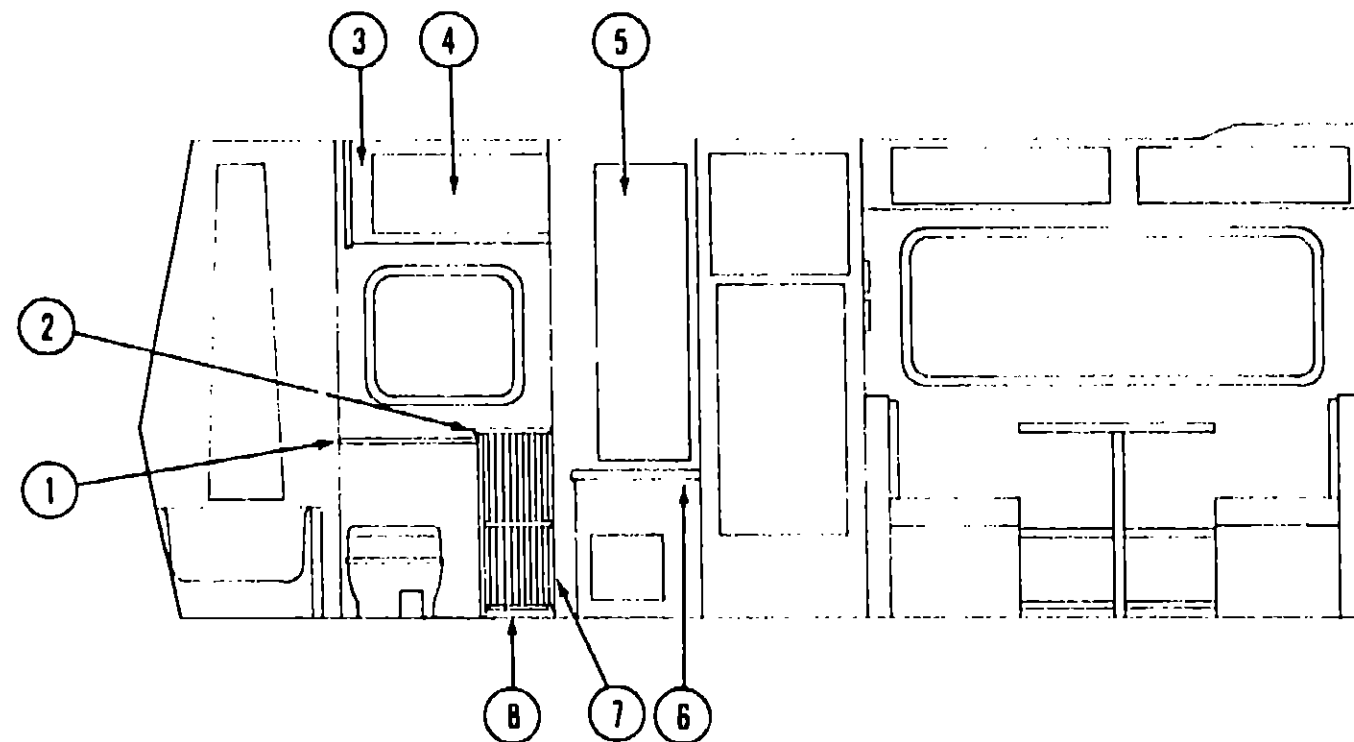
### MISCELLANEOUS ACCESSORIES

Key	Part Number	U/M	Description
	054185-20-000	EA	Owner's Manual - 1984 - Itasca & Winnebago
	706953-02-000	EA	Antenna - TV Skyliner w/6" Shaft - Braund Delux
	006050-01-000	EA	Jack - TV - Ivory (Antenna)
	017518-01-000	EA	Mud Flap w/Holes - 14" x 18" - Black
	064089-01-000	EA	Splash Guard - Black Rubber
	041944-03-000	EA	Fire Extinguisher - w/Bracket - 5 BC
	075922-01-000	EA	Microwave Oven - Litton - 1450
	075930-01-000	EA	Bracket Asm. - Microwave - Right
	075930-02-000	EA	Bracket Asm. - Microwave - Left
	076253-02-000	EA	Bracket Asm. - Microwave - Bottom (2 required)
	075922-03-000	EA	Trim Ring - Microwave Oven
	075922-04-000	EA	Air Exhaust Duct - Microwave Oven
	087203-01-000	EA	Ladder Asm.
	087130-01-000	EA	Ladder Step
	076980-01-000	EA	End Cap - Ladder Step
	067125-01-000	EA	Stand Off - Rack & Ladder Asm.
	067203-02-000	EA	Luggage Rack Asm.
	064093-01-000	EA	Luggage Carrier Assembly - 14" x 30" x 60"
	039881-01-000	EA	Catch and Strike - Luggage Carrier
	072366-01-000	EA	Speed Control Package - Electric - Diesel - Dana
	072366-01-700	EA	Hex Fitting
	072366-01-701	EA	Cable Only
	072366-01-702	EA	Vacuum Regulator
	072366-01-703	EA	Control Switch & Lever Asm.
	069629-01-000	EA	Speed Control Package - Electric - Dana
	069629-01-700	EA	Regulator Asm. - Electronic
	069629-01-701	EA	Vacuum Valve & Electric Switch
	069629-01-702	EA	Control Switch & Lever Asm.
	069629-01-703	EA	Harness Asm. (Main Wiring)
	069629-01-704	EA	Generator Signal
	069629-01-705	EA	Adapter Key
	074481-01-000	EA	Valve Asm. - Switch - Speed Control
	074483-01-000	EA	Retainer Nut - Snap In - Speed Control
	072852-01-000	EA	Smoke Detector w/9 Volt Battery
	072373-01-000	EA	Weather Center - 7" x 7" x 2"
	072374-01-000	EA	Clock - 7" x 7" x 2"
	006069-01-000	EA	Key Case - Leather
	007038-01-000	EA	Door Mat - 10.5" x 26" - Black Rubber
	069580-01-000	EA	Lug Wrench - 1" x 1.25" x 16.3"
	069580-02-000	EA	Leverage Bar - 22" - Lug Wrench
	006113-01-000	EA	Jack - Hydraulic - 6 Ton - w/Handle
	063708-01-000	EA	Cover - Roof Air Conditioner - Vinyl
	075068-05-000	EA	Tire Cover Asm. - 29.5" - Off White Plastic

### ELECTRIC STEP ASSEMBLY

Key	Part Number	U/M	Description
	075461-01-000	EA	Electric Step Asm. w/Light
	075461-01-700	EA	Motor
	041250-01-000	EA	Door Switch
	075461-01-704	EA	Under Step Control Unit
	075461-01-705	EA	4-Way Plug (Dash End)
	075461-01-706	EA	Kill Switch
	075461-01-707	EA	Step Light
	075461-01-708	EA	4-Way Plug (Control Box End)
	075461-01-709	EA	90 Degree Plug
	075461-01-710	EA	Gear
	075461-01-711	EA	Drive Link

## BATH GROUP



### BATH CABINETRY

Key	Part Number	U/M	Description
1	M01484-01-R07	EA	Countertop Asm. - Pipe Cover - Travertine
2	M00917-01-R07	EA	Countertop Asm. - Lavatory Cabinet - Travertine
3	076073-01-000	EA	Cabinet Asm. - Medicine - 15.4" x 29.4" - Almond
4	076353-01-R07	EA	Door Asm. - Medicine Cabinet - w/Mirror - 16.1" x 30.1" - w/o Hardware
5	069859-03-R07	EA	Door Asm. - Wardrobe - w/Mirror - 46.1" x 16.1" - w/o Hardware
6	M01260-01-R07	EA	Countertop Asm. - Wardrobe - Harbor Oak
7	063224-01-700	EA	Door - Rolled - Universal - 30" x 48"
8	M01491-01-R07	EA	Cabinet Asm. - Lavatory - w/o Countertop & Doors
*	073419-01-000	EA	Door Asm. - Folding - 46" x 75" - Walnut
*	062906-02-000	EA	Door Asm. - Folding - 28.8" x 60" - Shower - Plastic
*			Not Illustrated

## 1984 WINNEBAGO TABLE OF CONTENTS

Introduction	A-01
Abbreviations	A-01
Alphabetical Index	A-02 - A-04
WC424RC	A-05 - C-16
WCN22RC	C-17 - F-06
WCN27RU	F-07 - H-20
WCN33RU	H-21 - K-08

## 1984 WC424RC INDEX

Floor Plan	A-05 - A-06
Accessories Group	A-07 - A-09
Bath Group	A-10 - A-11
Chassis Group	A-12 - A-13
Curtain, Cushion & Pad Group	A-14 - A-21
Dinette Group	A-22
Driver's Compartment Group	A-23 - A-24
Electrical Group	B-01 - B-03
Exterior Body Group	B-04 - B-12
Galley Group	B-13 - B-15
Heating & Air Conditioning Group	B-16
Interior Finish Group	B-17 - B-20
LP Group	B-21
Lounge Group	B-22
Water & Sewage Group	B-23 - B-24
Window, Vent & Exterior Door Group	C-01 - C-16

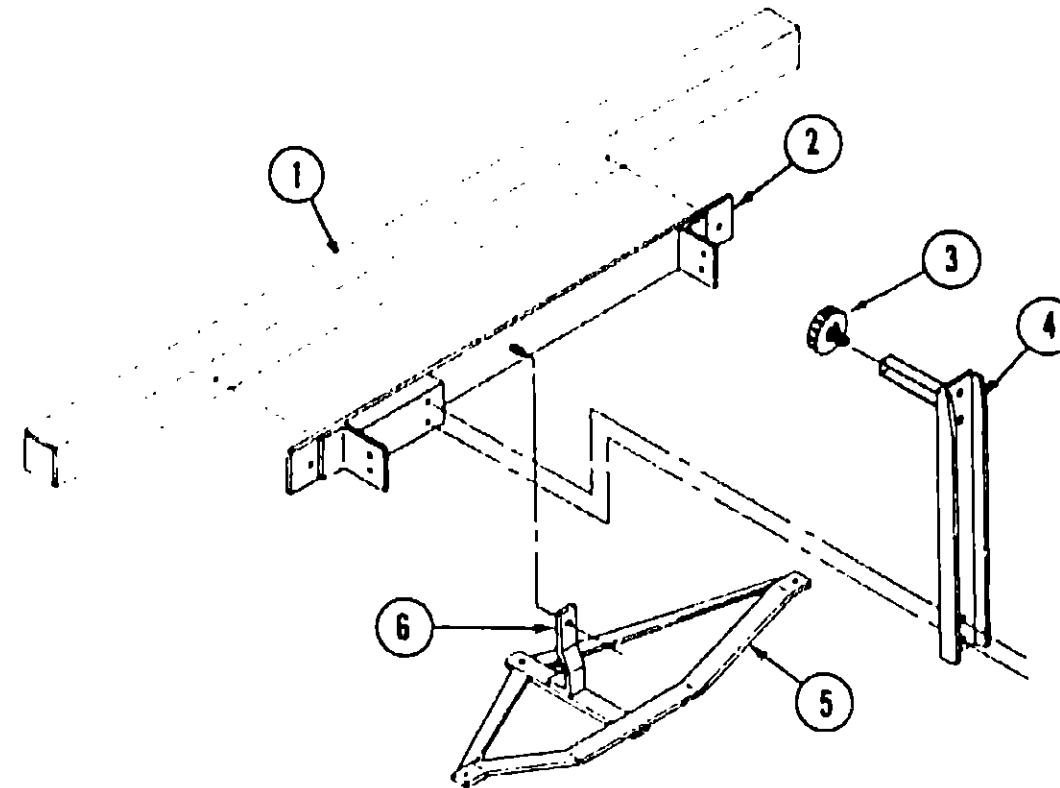
# BATH GROUP (CONTINUED)

## BATH HARDWARE

Key	Part Number	U/M	Description
	M01407-01-000	EA	Bathtub Asm. w/Strainer
	075242-01-000	EA	Faucet - Tub & Shower - Antique Brass
**	011048-02-000	EA	Shower Head - w/60" Hose
	011048-04-000	EA	Vacuum Breaker - 1/8 MPT - Nylon - Shower Head
	072650-01-000	EA	Shower Panel w/Soap Dish - Plastic
	075606-01-000	EA	Shower Panel - Faucet - Plastic
	078137-01-000	EA	Trim - Jamb - Bathtub Asm.
**	066729-01-000	EA	Strainer - Bathtub Asm.
	066435-01-000	EA	Nut - Strainer - Plastic - Bathtub Asm.
	066436-01-000	EA	Slip Nut - 1.5" Tail Piece - Bathtub Asm.
	069735-01-000	EA	Washer - Tail Piece - 1.5" - Plastic - Bathtub Asm.
	011069-02-000	EA	Tail Piece - 1.5" x 1.25" x 4" - Brass - Bathtub Asm.
	M01465-01-000	EA	Shroud w/Reinforcement - Bathtub Asm.
	058713-01-000	EA	Sink - Oval - Ivory Plastic
	075240-01-000	EA	Faucet - Lavatory - Antique Brass
	011083-01-000	EA	Tail Piece w/Stopper - 1.25" x 5" - Plastic - Sink
	039341-02-000	EA	Toilet - Thetford - Aqua Magic - Ivory - 8420 SH
	075452-01-000	EA	Tissue Holder - Antique Brass
	075453-01-000	EA	Towel Bar - 18" - Antique Brass
	075454-01-000	EA	Towel Ring - Antique Brass
	073689-03-000	EA	Track - Folding Door - 30 5" - Beige
	075680-01-000	EA	Clothes Rod - Adjustable 26" - 32"
	009112-01-000	EA	Flange - 1" Closet Rod
	009150-01-000	EA	Warp Guard - 64"
	058331-04-000	EA	Mirror - Tempered Glass - 12" x 42"
	058331-05-000	EA	Mirror - Tempered Glass - 12" x 26"
	057671-01-000	EA	Screw Cover - #8 - Antique White

\*\* The illustrated parts breakdown for this item is provided on the Common Items Fiche.

# CHASSIS GROUP



Key	Part Number	U/M	Description
1	064602-05-000	EA	Bumper Asm. - Square - 92" - Primed
*	039779-01-000	EA	Cap - Rubber - 4" x 4" - Square Bumper
2	064601-01-000	EA	Bracket - Bumper Mount
3	064082-02-000	EA	Retaining Nut - Tire Cover
4	075286-02-000	EA	Bracket Asm. - Spare Tire Carrier
*	015365-01-000	EA	Pin - Tire Carrier
5	064833-02-000	EA	Trailer Hitch Asm.
6	064824-02-000	EA	Support - Trailer Hitch
*	041332-02-000	EA	Reflector - 6 1/2" x 3/4" - Bumper Cover
*	041332-03-000	EA	Bumper Cover - Aluminum Fits 4" Square Bumper
*			Not illustrated

## 1984 WINNEBAGO TABLE OF CONTENTS

Introduction	A-01
Abbreviations	A-01
Alphabetical Index	A-02 - A-04
WC424RC	A-05 - C-16
WCN22RC	C-17 - F-06
WCN27RU	F-07 - H-20
WCN33RU	H-21 - K-08

## 1984 WC424RC INDEX

Floor Plan	A-05 - A-06
Accessories Group	A-07 - A-09
Bath Group	A-10 - A-11
Chassis Group	A-12 - A-13
Curtain, Cushion & Pad Group	A-14 - A-21
Dinette Group	A-22
Driver's Compartment Group	A-23 - A-24
Electrical Group	B-01 - B-03
Exterior Body Group	B-04 - B-12
Galley Group	B-13 - B-15
Heating & Air Conditioning Group	B-16
Interior Finish Group	B-17 - B-20
LP Group	B-21
Lounge Group	B-22
Water & Sewage Group	B-23 - B-24
Window, Vent & Exterior Door Group	C-01 - C-16

## CHASSIS GROUP (CONTINUED)

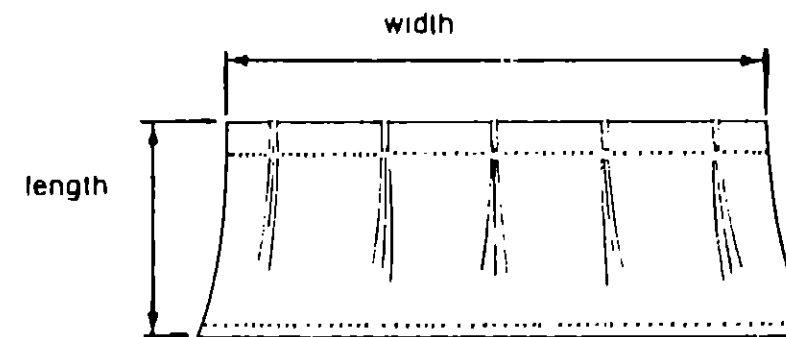
Key	Part Number	U/M	Description
	047441-01-000	EA	Battery Terminal - Horizontal Lug
	051697-01-000	EA	Bracket - Battery Tie Down - 6.9"
	051697-02-000	EA	Bracket - Battery Tie Down - 12"
	022150-01-000	EA	Bracket - Bumper Rear
	024611-04-000	EA	Cap - Gas - Pressure - 1.50" - Chrome
	007125-05-000	EA	Clamp Asm. - Muffler - 2"
	010497-01-000	EA	Clamp - Closed - 5/8" I.D.
	007161-01-000	EA	Clamp - Hose - Spring Type 112
	062401-01-000	EA	Clamp - Hose - Wormgear .22" I.D. - 1" I.D.
	062401-02-000	EA	Clamp - Hose - Wormgear .25" I.D. - 1" I.D.
	062401-04-000	EA	Clamp - Hose - Wormgear .69" I.D. - 1.25" I.D.
	007131-01-000	EA	Hanger - Tail Pipe
	024138-01-000	EA	Hose - Fuel - 5/16" I.D. SAE 30RI
	044317-01-000	FT	Hose - Fuel - 3/8" I.D.
	007067-01-000	SF	Insulation - 1" - Fiberglass
	006113-01-000	EA	Jack - Hydraulic - 6 Ton - w/Handle
	069580-02-000	EA	Leverage Bar - 22" - Lug Wrench
	069580-01-000	EA	Lug Wrench - 1" x 1.25" x 16.3"
	017516-01-000	EA	Mud Flap w/Holes - 14" x 18" - Black
	074483-01-000	EA	Retainer Nut - Snap In - Speed Control
	062400-02-000	EA	Rim - Wheel - 10.5 x 6.00 - 8 Hole
	052165-03-000	EA	Shock Cord - 24" - Rubber (Spare Tire)
	064089-01-000	EA	Splash Guard - Black Rubber
	024652-01-700	EA	Step Asm. - Entry
	037291-01-000	EA	Tire - 8.00 x 16.5 - 8 Ply Poly
	052431-01-000	EA	Tray - Luggage
	064456-02-000	EA	Tube - Fuel Vent - .5" O.D. x 46"
	074461-01-000	EA	Valve Asm. - Switch - Speed Control
	051377-01-000	EA	Valve Stem Asm. - TR500
	057724-01-000	EA	Wheel Well - Plastic
	008343-01-000	EA	Wire Tie - 6"

## CURTAIN, CUSHION & PAD GROUP

### NOTICE

In order to assist our Parts Sales Dept. in providing interior software items, please include the serial number and the color code number from the vehicle certification label when ordering. This label is located on the left sidewall at the end of the dash (A-Body), or on the driver's door latch plate (C-Body).

An example of a color code number is P31, which designates an overall color scheme of a particular unit. The color listed after the item description on the microfiche, indicates the overall unit color. Order the item you desire according to unit color code.

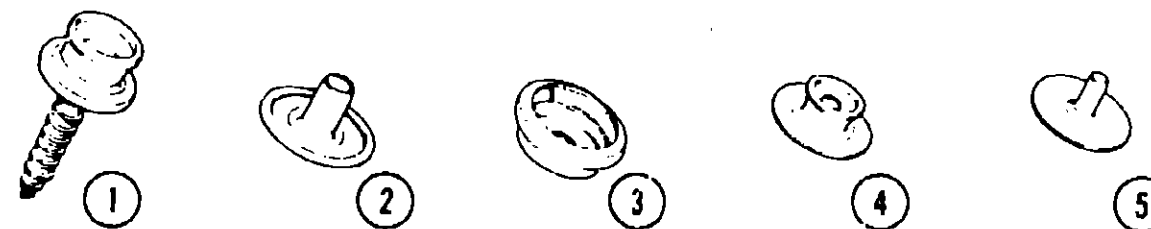


#### NOTE:

Use this illustration when determining length and width measurements for curtains. You will note the width measurement is taken on the top of the curtain with the curtain fully extended. The length measurement is taken from top to bottom.

## 1984 WINNEBAGO TABLE OF CONTENTS

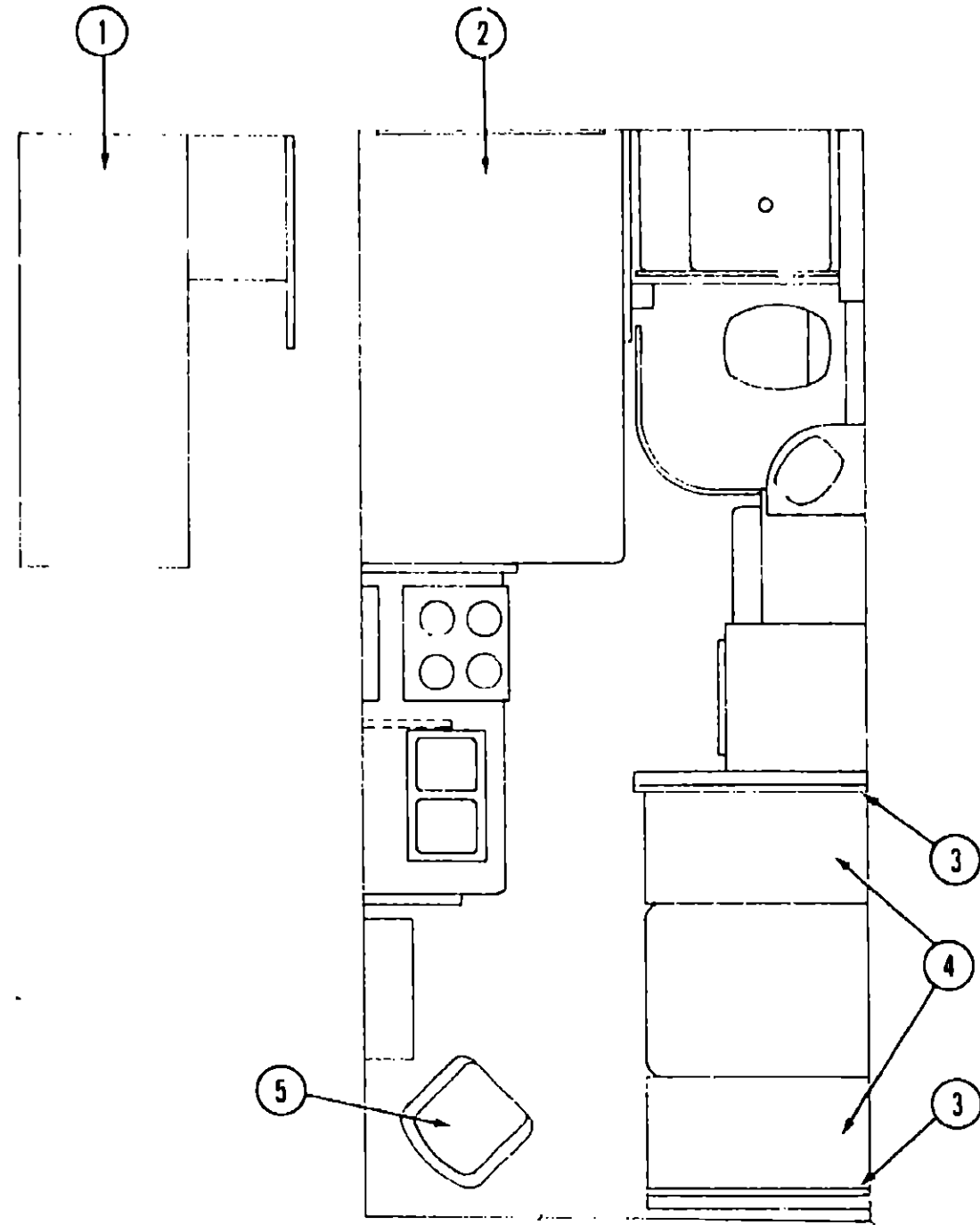
Introduction	A-01
Abbreviations	A-01
Alphabetical Index	A-02 - A-04
WC424RC	A-05 - C-16
WCN22RC	C-17 - F-06
WCN27RU	F-07 - H-20
WCN33RU	H-21 - K-08



Key	Part Number	U/M	Description
1	029130-01-000	EA	Socket - Snap Fastener
2	029155-01-000	EA	Cap - Snap - .156" Dia. x .17" Barrel
3	029156-01-000	EA	Socket - Snap Fastener
4	029092-01-000	EA	Stud - Nickel Finish
5	029093-01-000	EA	Eyelet - Nickel Finish

## 1984 WC424RC INDEX

Floor Plan	A-05 - A-06
Accessories Group	A-07 - A-09
Bath Group	A-10 - A-11
Chassis Group	A-12 - A-13
Curtain, Cushion & Pad Group	A-14 - A-21
Dinette Group	A-22
Driver's Compartment Group	A-23 - A-24
Electrical Group	B-01 - B-03
Exterior Body Group	B-04 - B-12
Galley Group	B-13 - B-15
Heating & Air Conditioning Group	B-16
Interior Finish Group	B-17 - B-20
LP Group	B-21
Lounge Group	B-22
Water & Sewage Group	B-23 - B-24
Window, Vent & Exterior Door Group	C-01 - C-16



Key	Part Number	U/M	Description
1	073519-01-R07	EA	Mattress Cushion Asm. - Rear Bunk - 29" x 75.5" x 4.5" - Blue
1	073519-01-R08	EA	Mattress Cushion Asm. - Rear Bunk - 29" x 75.5" x 4.5" - Brown
1	073519-01-R09	EA	Mattress Cushion Asm. - Rear Bunk - 29" x 75.5" x 4.5" - Burgundy
	M73519-01-R07	EA	Cover - Rear Bunk Cushion - 29" x 75.5" x 4.5" - Blue
	M73519-01-R08	EA	Cover - Rear Bunk Cushion - 29" x 75.5" x 4.5" - Brown
	M73519-01-R09	EA	Cover - Rear Bunk Cushion - 29" x 75.5" x 4.5" - Burgundy

**DOUBLE BED MATTRESS**

Key	Part Number	U/M	Description
2	058709-03-000	EA	Mattress - Innerspring - 48" x 75"
	070653-02-R07	EA	Bedsprad - Double Fitted - Blue (R07)
	070653-02-R08	EA	Bedsprad - Double Fitted - Brown (R08)
	070653-02-R09	EA	Bedsprad - Double Fitted - Burgundy (R09)
	070654-01-R10	EA	Pillow Sham - 20" x 26" - Blue (R07)
	070654-01-R11	EA	Pillow Sham - 20" x 26" - Brown (R08)
	070654-01-R12	EA	Pillow Sham - 20" x 26" - Burgundy (R09)

**DINETTE CUSHIONS**

Key	Part Number	U/M	Description
3	072430-20-R07	EA	Cushion - Dinette Back - 19.2" x 38" x 5" - Blue
3	072430-03-R08	EA	Cushion - Dinette Back - 19.2" x 38" x 5" - Brown
3	072430-03-R09	EA	Cushion - Dinette Back - 19.2" x 36" x 5" - Burgundy
	M72430-20-R07	EA	Cover - Dinette Back Cushion - 19.2" x 38" x 5" - Blue
	M72430-03-R08	EA	Cover - Dinette Back Cushion - 19.2" x 38" x 5" - Brown
	M72430-03-R09	EA	Cover - Dinette Back Cushion - 19.2" x 38" x 5" - Burgundy
4	072430-21-R07	EA	Cushion - Dinette Bottom - 17.5" x 38" x 5" - Blue
4	072430-04-R08	EA	Cushion - Dinette Bottom - 17.5" x 38" x 5" - Brown
4	072430-04-R09	EA	Cushion - Dinette Bottom - 17.5" x 38" x 5" - Burgundy
	M72430-21-R07	EA	Cover - Dinette Bottom Cushion - 17.5" x 38" x 5" - Blue
	M72430-04-R08	EA	Cover - Dinette Bottom Cushion - 17.5" x 38" x 5" - Brown
	M72430-04-R09	EA	Cover - Dinette Bottom Cushion - 17.5" x 38" x 5" - Burgundy

**SWIVEL CHAIRS**

Key	Part Number	U/M	Description
5	073518-09-R07	EA	Chair Asm. w/Pillow Back - Swivel - Blue
5	073518-09-R08	EA	Chair Asm. w/Pillow Back - Swivel - Brown
5	073518-09-R09	EA	Chair Asm. w/Pillow Back - Swivel - Burgundy
	075174-02-R07	EA	Skirt Asm. - Swivel Chair - Blue
	075174-02-R08	EA	Skirt Asm. - Swivel Chair - Brown
	075174-02-R09	EA	Skirt Asm. - Swivel Chair - Burgundy
	035036-01-000	EA	Plate - Tilt and Swivel - Swivel Chair
	035036-04-000	EA	Base w/Legs - Swivel Chair
			Not illustrated

**1984 WINNEBAGO  
TABLE OF CONTENTS**

Introduction	A-01
Abbreviations	A-01
Alphabetical Index	A-02 - A-04
WC424RC	A-05 - C-16
WCN22RC	C-17 - F-06
WCN27RU	F-07 - H-20
WCN33RU	H-21 - K-08

**1984 WC424RC INDEX**

Floor Plan	A-05 - A-06
Accessories Group	A-07 - A-09
Bath Group	A-10 - A-11
Chassis Group	A-12 - A-13
Curtain, Cushion & Pad Group	A-14 - A-21
Dinette Group	A-22
Driver's Compartment Group	A-23 - A-24
Electrical Group	B-01 - B-03
Exterior Body Group	B-04 - B-12
Galley Group	B-13 - B-15
Heating & Air Conditioning Group	B-16
Interior Finish Group	B-17 - B-20
LP Group	B-21
Lounge Group	B-22
Water & Sewage Group	B-23 - B-24
Window, Vent & Exterior Door Group	C-01 - C-16

**CURTAIN, CUSHION & PAD GROUP (CONTINUED)**

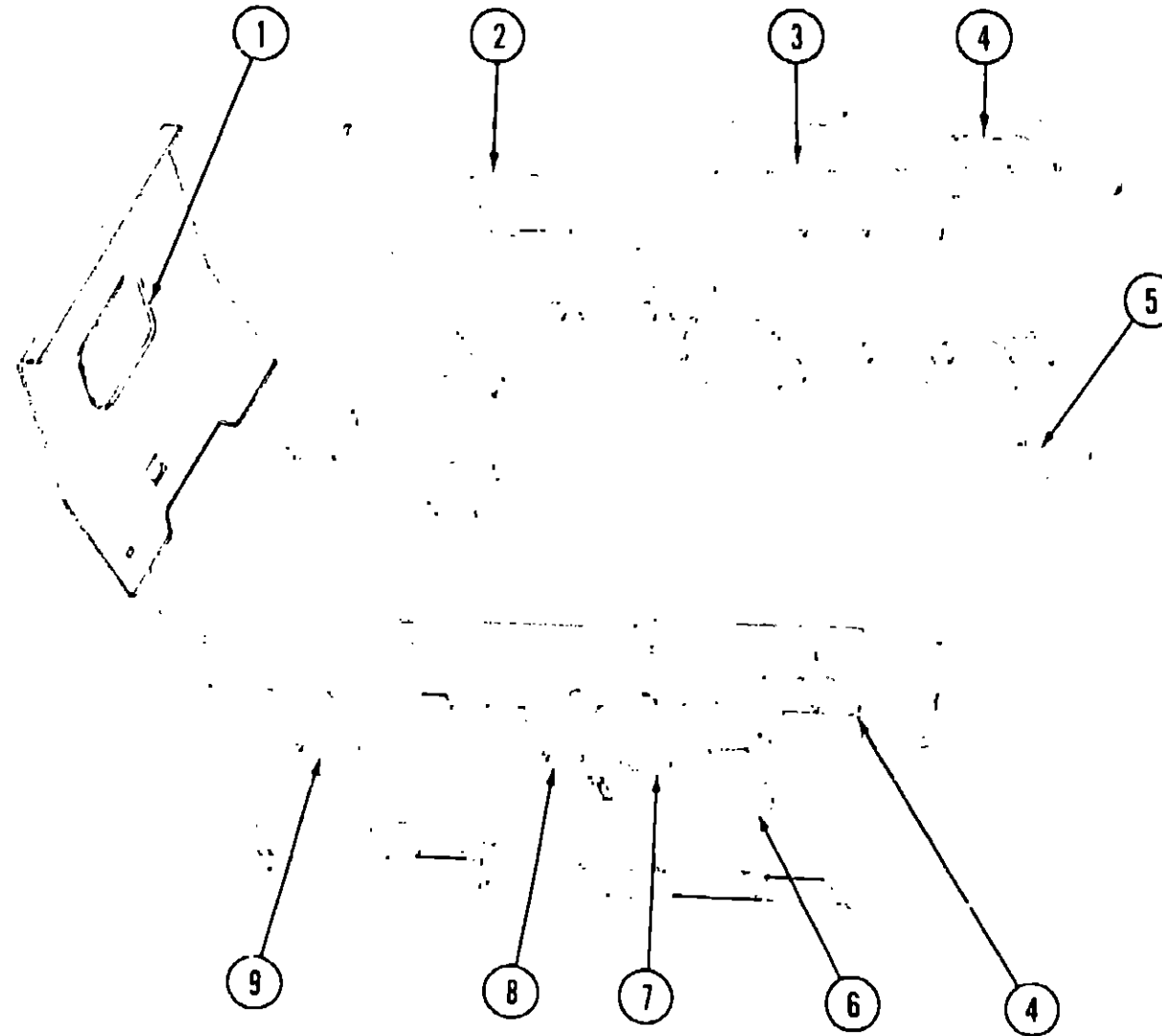
**FRONT OVERHEAD BUNK CUSHIONS**

Key	Part Number	U/M	Description
	073310-03-R07	EA	Mattress Cushion Asm. - Front Bunk - Two Fold - 24.5" x 29.5" x 76" x 4" - Blue
	073310-03-R08	EA	Mattress Cushion Asm. - Front Bunk - Two Fold - 24.5" x 29.5" x 76" x 4" - Brown
	073310-03-R09	EA	Mattress Cushion Asm. - Front Bunk - Two Fold - 24.5" x 29.5" x 76" x 4" - Burgundy
	M73310-05-R07	EA	Cover - Front Bunk Cushion - Two Fold - 24.5" x 29.5" x 76" x 4" - Blue
	M73310-03-R08	EA	Cover - Front Bunk Cushion - Two Fold - 24.5" x 29.5" x 76" x 4" - Brown
	M73310-03-R09	EA	Cover - Front Bunk Cushion - Two Fold - 24.5" x 29.5" x 76" x 4" - Burgundy

**BUCKET SEATS**

Key	Part Number	U/M	Description
	075966-10-R07	EA	Seat Asm. - Youth Bed w/Left Armrest - Blue
	075966-10-R08	EA	Seat Asm. - Youth Bed w/Left Armrest - Brown
	075966-10-R09	EA	Seat Asm. - Youth Bed w/Left Armrest - Burgundy
	075966-09-R07	EA	Seat Asm. - Youth Bed w/Right Armrest - Blue
	075966-09-R08	EA	Seat Asm. - Youth Bed w/Right Armrest - Brown
	075966-09-R09	EA	Seat Asm. - Youth Bed w/Right Armrest - Burgundy
	M00784-05-R07	EA	Cover - Seat Asm. - Bottom - Right or Left - Blue
	M00784-05-R08	EA	Cover - Seat Asm. - Bottom - Right or Left - Brown
	M00784-05-R09	EA	Cover - Seat Asm. - Bottom - Right or Left - Burgundy
	M00784-06-R07	EA	Cover - Seat Asm. - Back - Right or Left - Blue
	M00784-06-R08	EA	Cover - Seat Asm. - Back - Right or Left - Brown
	M00784-06-R09	EA	Cover - Seat Asm. - Back - Right or Left - Burgundy
	071122-11-R07	EA	Armrest Asm. - Right - Blue
	071122-11-R08	EA	Armrest Asm. - Right - Brown
	071122-11-R09	EA	Armrest Asm. - Right - Burgundy
	071122-12-R07	EA	Armrest Asm. - Left - Blue
	071122-12-R08	EA	Armrest Asm. - Left - Brown
	071122-12-R09	EA	Armrest Asm. - Left - Burgundy
	071123-06-R07	EA	Cover - Armrest - Right or Left - Blue
	071123-06-R08	EA	Cover - Armrest - Right or Left - Brown
	071123-06-R09	EA	Cover - Armrest - Right or Left - Burgundy
	069005-02-R07	EA	Seat Asm. - Single Bucket - Low Back - Blue
	069005-02-R08	EA	Seat Asm. - Single Bucket - Low Back - Brown
	069005-02-R09	EA	Seat Asm. - Single Bucket - Low Back - Burgundy
	M00435-03-R07	EA	Cover - Back - Single Bucket - Low Back - Blue
	M00435-03-R08	EA	Cover - Back - Single Bucket - Low Back - Brown
	M00435-03-R09	EA	Cover - Back - Single Bucket - Low Back - Burgundy
	M00435-04-R07	EA	Cover - Bottom - Single Bucket - Low Back - Blue
	M00435-04-R08	EA	Cover - Bottom - Single Bucket - Low Back - Brown
	M00435-04-R09	EA	Cover - Bottom - Single Bucket - Low Back - Burgundy

**CURTAIN, CUSHION & PAD GROUP (CONTINUED)**



**1984 WINNEBAGO  
TABLE OF CONTENTS**

Introduction	A-01
Abbreviations	A-01
Alphabetical Index	A-02 - A-04
WC424RC	A-05 - C-18
WCN22RC	C-17 - F-06
WCN27RU	F-07 - H-20
WCN33RU	H-21 - K-08

**CURTAINS, VALANCES, SHADES & TIEDACKS**

Key	Part Number	U/M	Description
1	070652-12-R07	EA	Curtain w/Darts - 29" x 15" - Bedspread - Blue
1	070652-12-R08	EA	Curtain w/Darts - 29" x 15" - Bedspread - Brown
1	070652-12-R09	EA	Curtain w/Darts - 29" x 15" - Bedspread - Burgundy
1	073323-10-R07	EA	Curtain w/Rod Top - Sheer - 29" x 30"
1	070651-19-R07	EA	Valance Asm. - 6" x 44" - Pleated - Bedspread - Blue
1	070651-19-R08	EA	Valance Asm. - 6" x 44" - Pleated - Bedspread - Brown
1	070651-19-R09	EA	Valance Asm. - 6" x 44" - Pleated - Bedspread - Burgundy
1	065522-06-000	EA	Shade Asm. - Vinyl - 33.25" x 38"
**	073251-09-R07	EA	Curtain w/Tape Top - 26" x 8"
**	M01494-07-R07	EA	Valance Asm. - 4.8" x 5" x 16.8" - Blue
**	M01494-07-R08	EA	Valance Asm. - 4.8" x 5" x 16.8" - Brown
**	M01494-07-R09	EA	Valance Asm. - 4.8" x 5" x 16.8" - Burgundy
**	065522-01-000	EA	Shade Asm. - Vinyl - 15.5" x 38"
2	073251-04-R07	EA	Curtain w/Tape Top - 25" x 12"
2	M01494-06-R07	EA	Valance Asm. - 3.8" x 5" x 29.8" - Blue
2	M01494-06-R08	EA	Valance Asm. - 3.8" x 5" x 29.8" - Brown
2	M01494-06-R09	EA	Valance Asm. - 3.8" x 5" x 29.8" - Burgundy
2	065522-04-000	EA	Shade Asm. - Vinyl - 27.25" x 38"
2	075477-29-000	EA	Blinds - 28" x 24.5" Drop
2	070651-50-R07	EA	Valance Asm. - 6" x 35" - Pleated (Woven Wood) (R08)
2	070651-50-R09	EA	Valance Asm. - 6" x 35" - Pleated (Woven Wood)
2	075474-29-000	EA	Shade Asm. - Woven Wood - 28" x 25.5" Drop (R07, R08)
2	075474-50-000	EA	Shade Asm. - Woven Wood - 28" x 25.5" Drop (R09)
**			Parts for bunkhouse option (Not illustrated)

**1984 WC424RC INDEX**

Floor Plan	A-05 - A-06
Accessories Group	A-07 - A-09
Bath Group	A-10 - A-11
Chassis Group	A-12 - A-13
Curtain, Cushion & Pad Group	A-14 - A-21
Dinette Group	A-22
Driver's Compartment Group	A-23 - A-24
Electrical Group	B-01 - B-03
Exterior Body Group	B-04 - B-12
Galley Group	B-13 - B-15
Heating & Air Conditioning Group	B-16
Interior Finish Group	B-17 - B-20
LP Group	B-21
Lounge Group	B-22
Water & Sewage Group	B-23 - B-24
Window, Vent & Exterior Door Group	C-01 - C-16

**C'JRTAIN, CUSHION & PAD GROUP (CONTINUED)**

**CURTAINS, VALANCES, SHADES & TIEBACKS (CONT.)**

Key	Part Number	U/M	Description
3	070652-19-R07	EA	Curtain w/Darts - 29" x 15"
3	073323-02-R07	EA	Curtain w/Rod Top - Sheer - 27.5" x 60"
3	M01494-05-R07	EA	Valance Asm. - 4.8" x 5" x 71.8" - Blue
3	M01494-05-R08	EA	Valance Asm. - 4.8" x 5" x 71.8" - Brown
3	M01494-05-R09	EA	Valance Asm. - 4.8" x 5" x 71.9" - Burgundy
3	065522-12-000	EA	Shade Asm. - Vinyl - 69.25" x 38"
3	075477-25-000	EA	Blinds - 69" x 28" Drop
3	070652-18-R07	EA	Curtain w/Darts - 29" x 15" (Woven Wood) (R08)
3	070652-18-R09	EA	Curtain w/Darts - 29" x 15" (Woven Wood)
3	070651-49-R07	EA	Valance Asm. - 6" x 76" - Pleated (Woven Wood) (R08)
3	070651-49-R09	EA	Valance Asm. - 6" x 76" - Pleated (Woven Wood)
3	075414-14-000	EA	Shade Asm. - Woven Wood - 69" x 29" Drop (R07, R08)
3	075414-46-000	EA	Shade Asm. - Woven Wood - 69" x 29" Drop (R09)
4	073304-11-R07	EA	Curtain w/Snaps - 15.5" x 42"
5	073226-05-R07	EA	Curtain w/Snaps - 17.5" x 42"
6	073251-23-R07	EA	Curtain w/Tape Top - 40" x 9"
6	073323-09-R07	EA	Curtain w/Rod Top - Sheer - 39" x 15"
6	M01494-01-R07	EA	Valance Asm. - 4.8" x 5" x 21.8" - Blue
6	M01494-01-R08	EA	Valance Asm. - 4.8" x 5" x 21.8" - Brown
6	M01494-01-R09	EA	Valance Asm. - 4.8" x 5" x 21.8" - Burgundy
6	065522-15-000	EA	Shade Asm. - Vinyl - 19" x 52"
6	075477-28-000	EA	Blinds - 19" x 40" Drop
6	070651-48-R07	EA	Valance Asm. - 6" x 27" - Pleated (Woven Wood) (R08)
6	070651-48-R09	EA	Valance Asm. - 6" x 27" - Pleated (Woven Wood)
6	075474-20-000	EA	Shade Asm. - Woven Wood - 19" x 41" Drop (R07, R08)
6	075474-46-000	EA	Shade Asm. - Woven Wood - 19" x 41" Drop (R09)
7	075694-01-R07	EA	Valance Asm. - 4.8" x 4.2" x 29.6" - Blue
7	075694-01-R08	EA	Valance Asm. - 4.8" x 4.2" x 29.6" - Brown
7	075694-01-R09	EA	Valance Asm. - 4.8" x 4.2" x 29.6" - Burgundy
7	065522-02-000	EA	Shade Asm. - Vinyl - 21.25" x 38"
8	073251-05-R07	EA	Curtain w/Tape Top - 21.5" x 9"
8	M01494-08-R07	EA	Valance Asm. - 3.8" x 5" x 32.3" - Blue
8	M01494-08-R08	EA	Valance Asm. - 3.8" x 5" x 32.3" - Brown
8	M01494-08-R09	EA	Valance Asm. - 3.8" x 5" x 32.3" - Burgundy
8	065522-16-000	EA	Shade Asm. - Vinyl - 28.50" x 30"
8	075477-27-000	EA	Blinds - 28" x 22" Drop
8	070651-50-R07	EA	Valance Asm. - 6" x 35" - Pleated (Woven Wood) (R08)
8	070651-50-R09	EA	Valance Asm. - 6" x 35" - Pleated (Woven Wood)
8	075474-26-000	EA	Shade Asm. - Woven Wood - 28" x 23" Drop (R07, R08)
8	075474-48-000	EA	Shade Asm. - Woven Wood - 28" x 23" Drop (R09)
9	070652-06-R07	EA	Curtain w/Darts - 27" x 19" - Bedspread - Blue
9	070652-06-R08	EA	Curtain w/Darts - 27" x 19" - Bedspread - Brown
9	070652-06-R09	EA	Curtain w/Darts - 27" x 19" - Bedspread - Burgundy
9	073323-08-R07	EA	Curtain w/Rod Top - Sheer - 27.5" x 45"
9	070651-34-R07	EA	Valance Asm. - 6" x 58" - Pleated - Bedspread - Blue
9	070651-34-R08	EA	Valance Asm. - 6" x 58" - Pleated - Bedspread - Brown
9	070651-34-R09	EA	Valance Asm. - 6" x 58" - Pleated - Bedspread - Burgundy
9	065522-14-000	EA	Shade Asm. - Vinyl - 47.25" x 38"
**	070652-20-R07	EA	Curtain w/Tape Top - 21" x 15"
**	073323-03-R07	EA	Curtain w/Rod Top - Sheer - 20" x 42"
**	M01494-03-R07	EA	Valance Asm. - 4.8" x 5" x 41.8" - Blue
**	M01494-03-R08	EA	Valance Asm. - 4.8" x 5" x 41.8" - Brown
**	M01494-03-R09	EA	Valance Asm. - 4.8" x 5" x 41.8" - Burgundy
**	065522-09-000	EA	Shade Asm. - Vinyl - 40.25" x 38"
*	073295-02-R07	EA	Curtain w/Snaps - Front Wraparound - 23" x 64" (2 required)
*	073304-24-R07	EA	Curtain w/Snaps - Bunk Privacy - 70" x 96"
*	073304-26-R07	EA	Curtain w/Snap Top - Room Divider - 54" x 40"

**CURTAIN, CUSHION & PAD GROUP (CONTINUED)**

**CURTAINS, VALANCES, SHADES & TIEBACKS (CONT.)**

Key	Part Number	U/M	Description
*	073260-12-R07	EA	Tie Back Asm. - 3" x 16" - Bedspread - Blue
*	073260-12-R11	EA	Tie Back Asm. - 3" x 16" - Bedspread - Brown (R08)
*	073260-12-R09	EA	Tie Back Asm. - 3" x 16" - Bedspread - Burgundy
*	073260-09-R07	EA	Tie Back Asm. - 2" x 18" - Privacy
*	073260-10-R10	EA	Tie Back Asm. - 3" x 16" (R07, R08)
*	073260-10-R12	EA	Tie Back Asm. - 3" x 16" (R09)
*	057534-01-000	EA	Tie Back Asm. - 6" - Clear Plastic
*	057534-03-000	EA	Tie Back Asm. - 7.5" - Clear Plastic
*			Not Illustrated
**			Parts for bunkhouse option (Not illustrated)

**FABRICS, TRIMS & PADS**

Key	Part Number	U/M	Description
	072333-07-000	YD	Fabric - Drapery
	072333-08-000	YD	Fabric - Drapery - Sheers
	074495-27-000	YD	Fabric - Drapery/Accent (R07, R08)
	074495-28-000	YD	Fabric - Drapery/Accent (R09)
	074495-25-000	YD	Fabric w/Pattern - Upholstery - Blue (R07)
	074495-24-000	YD	Fabric w/Pattern - Upholstery - Brown (R08)
	074495-26-000	YD	Fabric w/Pattern - Upholstery - Burgundy (R09)
	069729-08-000	YD	Fabric - Bedspread - Blue (R07)
	069729-05-000	YD	Fabric - Bedspread - Brown (R08)
	069729-07-000	YD	Fabric - Bedspread - Burgundy (R09)
	038421-01-000	YD	Fabric - Mattress Ticking
	052859-01-N01	FT	Trim Asm. - Accent
	070502-01-000	YD	Vinyl - Non-Expanded - 12 Gauge Film
	070578-04-R10	EA	Button Asm. - Screw Stud - #30 (R07, R08)
	070578-04-R12	EA	Button Asm. - Screw Stud - #30 (R09)
	071127-03-R10	EA	Button Asm. - Square #65 (R07, R08)
	071127-03-R12	EA	Button Asm. - Square #65 (R09)
	075269-01-R11	EA	Button Asm. - Square #65 - w/3/4" Stud (R07, R08)
	075269-01-R09	EA	Button Asm. - Square #65 - w/3/4" Stud
	074494-01-000	EA	Button Back - Round - #36
	071847-05-R07	EA	Pad Asm. - End Cap - Galley Overhead - Left - Vinyl
	071847-09-R07	EA	Pad Asm. - End Cap - Dinette Overhead - Right - Vinyl
	071847-10-R07	EA	Pad Asm. - End Cap - Shirt Closet - Vinyl
	074549-01-R07	EA	Pad Asm. - Dinette - Right - Blue
	074549-01-R08	EA	Pad Asm. - Dinette - Right - Brown
	074549-01-R09	EA	Pad Asm. - Dinette - Right - Burgundy
	074549-02-R07	EA	Pad Asm. - Dinette - Left - Blue
	074549-02-R08	EA	Pad Asm. - Dinette - Left - Brown
	074549-02-R09	EA	Pad Asm. - Dinette - Left - Burgundy
	076188-01-R07	EA	Pad Asm. - Dinette Wall - 12" x 12" (R08)
	076188-01-R09	EA	Pad Asm. - Dinette Wall - 12" x 12"
	076188-02-R07	EA	Pad Asm. - Dinette Wall - 3.5" x 30" (R08)
	076188-02-R09	EA	Pad Asm. - Dinette Wall - 3.5" x 30"
	077641-13-000	EA	Pad Asm. w/Quilting - Dinette Wall - 12" x 12" (R07, R08)
	077641-15-000	EA	Pad Asm. w/Quilting - Dinette Wall - 12" x 12" (R09)
	077642-01-000	EA	Pad Asm. w/Quilting - Dinette Wall - 3.5" x 30" (R07, R08)
	077642-03-000	EA	Pad Asm. w/Quilting - Dinette Wall - 3.5" x 30" (R09)

**1984 WINNEBAGO  
TABLE OF CONTENTS**

Introduction	A-01
Abbreviations	A-01
Alphabetical Index	A-02 - A-04
WC424RC	A-05 - C-16
WCN22RC	C-17 - F-06
WCN27RU	F-07 - H-20
WCN33RU	H-21 - K-08

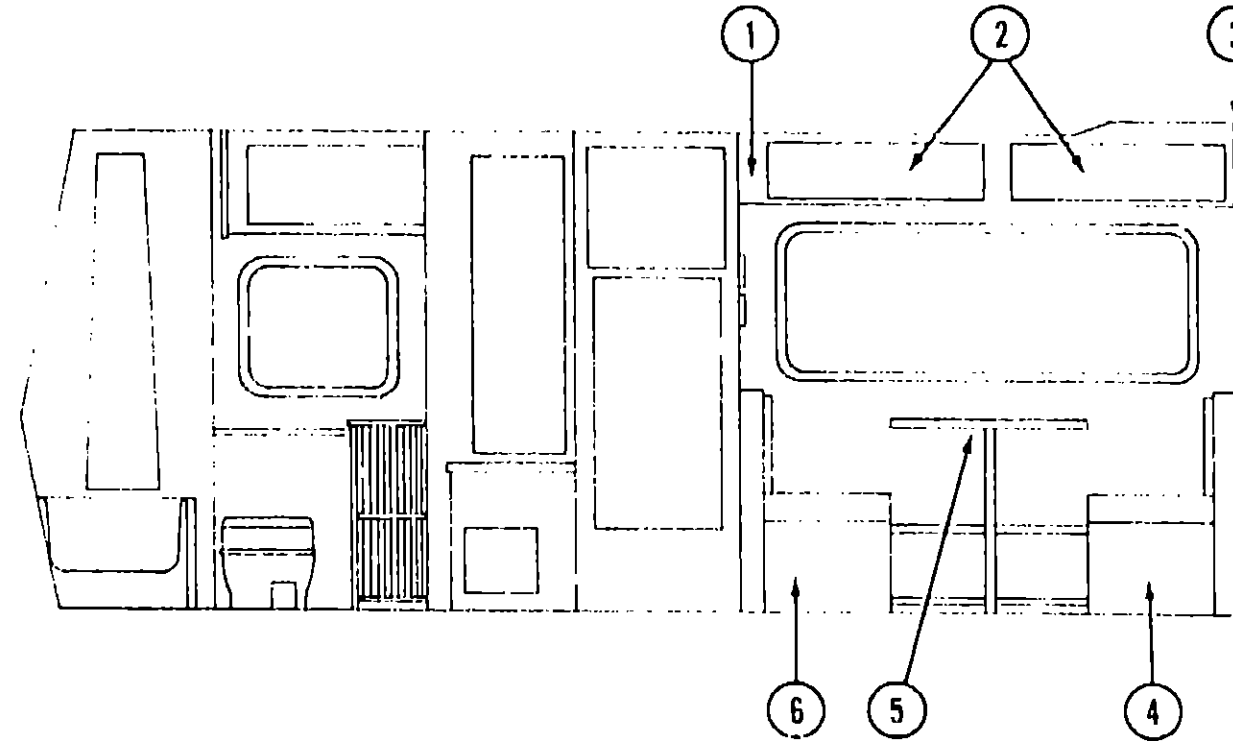
**1984 WC424RC INDEX**

Floor Plan	A-05 - A-06
Accessories Group	A-07 - A-09
Bath Group	A-10 - A-11
Chassis Group	A-12 - A-13
Curtain, Cushion & Pad Group	A-14 - A-21
Dinette Group	A-22
Driver's Compartment Group	A-23 - A-24
Electrical Group	B-01 - B-03
Exterior Body Group	B-04 - B-12
Galley Group	B-13 - B-15
Heating & Air Conditioning Group	B-16
Interior Finish Group	B-17 - B-20
LP Group	B-21
Lounge Group	B-22
Water & Sewage Group	B-23 - B-24
Window, Vent & Exterior Door Group	C-01 - C-16



**CURTAIN & CUSHION HARDWARE**

Key	Part Number	U/M	Description
	056116-01-000	EA	Track - Curtain - Brown Plastic
	053272-05-009	EA	Track - Curtain - 80" - Beige
	052327-05-009	EA	Track - Curtain - 70" - Beige
	056001-01-000	EA	Bracket - Shade - Left
	056002-01-000	EA	Bracket - Shade - Right
	056003-01-000	EA	Bracket - Drapery Retainer - Right
	056003-02-000	EA	Bracket - Drapery Retainer - Left
	056003-03-000	EA	Bracket - Drapery Retainer - Universal
	009107-01-000	EA	Guide - Nylon Snap - Curtain
	056784-01-000	EA	Pull - Window Shade - Antique Brass
	039175-01-000	EA	Curtain Rod - Extension 48" - 84"
	039175-03-000	EA	Curtain Rod - Extension 28" - 48"
	039175-04-000	EA	Curtain Rod - Extension 16" - 28"
	039175-02-000	EA	Bracket - Curtain Rod
	075477-21-000	EA	Bracket - Blinds Retainer
	056115-01-000	YD	Tape - Clear Plastic - w/Guides
	048394-01-000	YD	Tape Hook - 1" x 25 YD - Beige
	048395-01-000	YD	Tape Loop - 1" x 25 YD - Beige
	036658-03-000	EA	Shoulder Screw - 1/2 x 1 3/4 Hex Socket - Armrest Asm.
	069106-01-000	EA	Frame Asm. - Bottom - Single Bucket - w/Recliner Plate Mount
	069106-02-000	EA	Frame Asm. - Bottom - Youth Bed - w/Recliner Plate Mount
	069759-04-000	EA	Frame Asm. - Back - Youth Bed - w/Recliner Drive



**1984 WINNEBAGO  
TABLE OF CONTENTS**

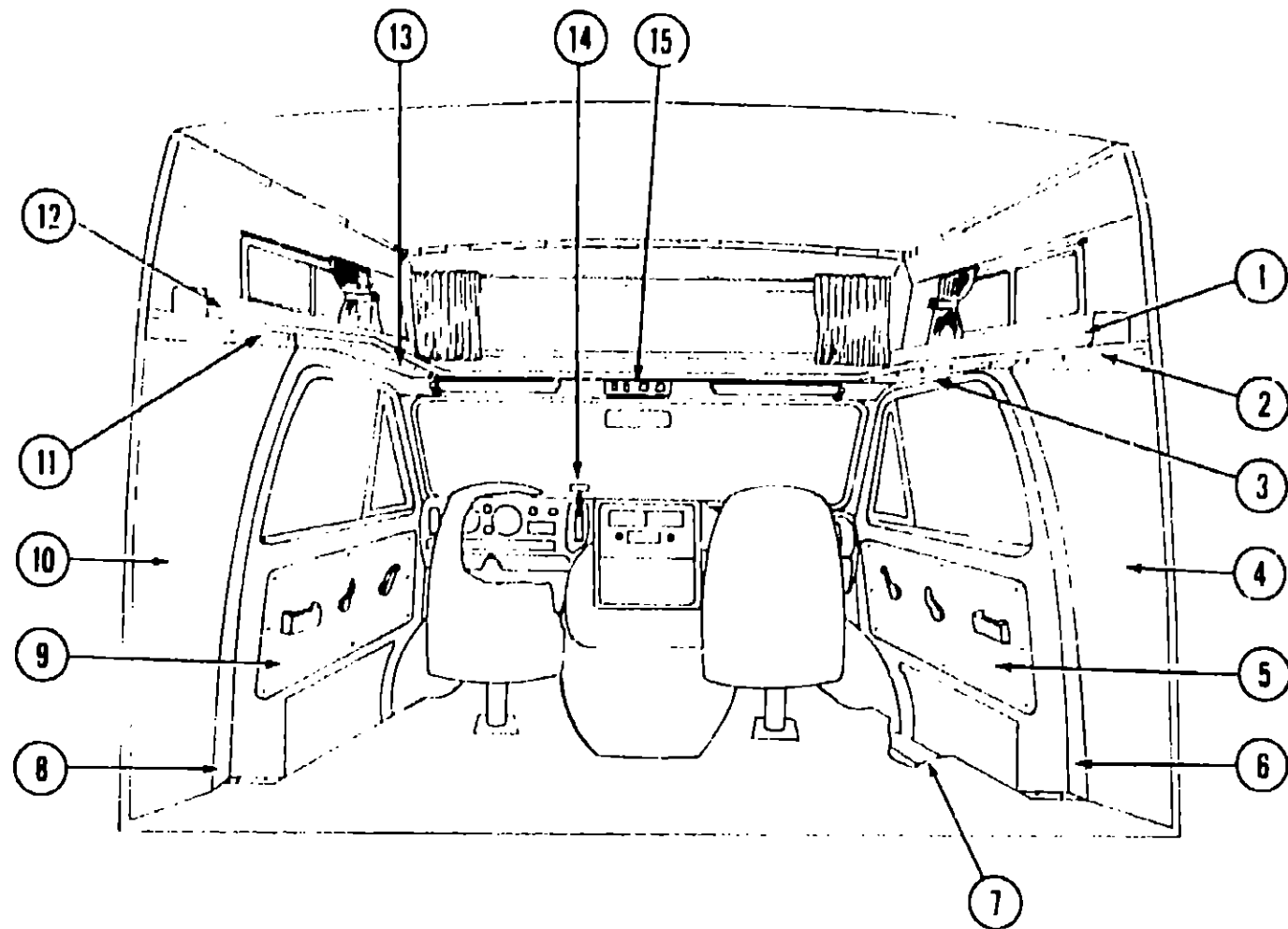
Introduction	A-01
Abbreviations	A-01
Alphabetical Index	A-02 - A-04
WC424RC	A-05 - C-16
WCN22RC	C-17 - F-06
WCN27RU	F-07 - H-20
WCN33RU	H-21 - K-08

Key	Part Number	U/M	Description
1	074969-01-R07	EA	Cabinet Asm - Dinette Overhead - w/o Doors or Hardware
2	069852-78-R07	EA	Door Asm. - Dinette Overhead - 35.1" x 10.2" - w/o Hardware
3	071847-09-R07	EA	Pad Asm. - End Cap - Dinette Overhead - Right - Vinyl
4	M01482-01-R07	EA	Cabinet Asm. - Dinette Seat - Right
	M01481-01-R07	EA	Cabinet Asm. - Dinette Back - Right
5	M01291-50-R07	EA	Table Asm. - Dinette - w/o Hardware - Harbor Oak
6	M01482-02-R07	EA	Cabinet Asm. - Dinette Seat - Left
	M01481-02-R07	EA	Cabinet Asm. - Dinette Back - Left
	074493-01-000	EA	Support - Sprung - Door Asm.
	053200-05-000	EA	Bracket - Upper Wall Mount - 23.5" - Beige
**	053201-03-000	EA	Bracket - Table Mount - 23"
	024275-05-000	EA	Rod - Table Lift - 8" x 23.5" - Beige
	024281-07-000	EA	Bracket - Lower Wall Mount - 22.12" - Beige
	024276-14-000	EA	Leg Asm. - Table - 26.75" - Brown
**	064050-01-000	EA	Hinge - Table Leg
**	024282-01-000	EA	Brace - Table Leg
**	024283-01-000	EA	Clip - 1" O.D. Tube
	049493-02-000	EA	Catch - Table Leg - Mounts on Floor - Brown
	064781-03-000	EA	Cup Holder - 3.47" O.D. x 2.75" I.D. x 1.5" - Brown Plastic
			Not illustrated
**	The illustrated parts breakdown for this item is provided on the Common Items Fiche.		

**1984 WC424RC INDEX**

Floor Plan	A-05 - A-06
Accessories Group	A-07 - A-09
Bath Group	A-10 - A-11
Chassis Group	A-12 - A-13
Curtain, Cushion & Pad Group	A-14 - A-21
Dinette Group	A-22
Driver's Compartment Group	A-23 - A-24
Electrical Group	B-01 - B-03
Exterior Body Group	B-04 - B-12
Galley Group	B-13 - B-15
Heating & Air Conditioning Group	B-16
Interior Finish Group	B-17 - B-20
LP Group	B-21
Lounge Group	B-22
Water & Sewage Group	B-23 - B-24
Window, Vent & Exterior Door Group	C-01 - C-16

## DRIVER'S COMPARTMENT GROUP



## DRIVER'S COMPARTMENT GROUP (CONTINUED)

### MISCELLANEOUS DRIVER'S COMPARTMENT COMPONENTS (CONT.)

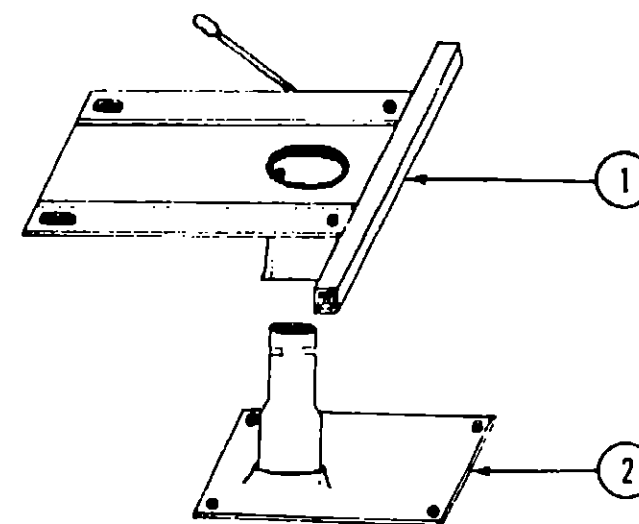
Key	Part Number	U/M	Description
15	M01298-03-000	EA	Console - Overhead - 7.5" x 6.14" - Blank
.	056288-01-000	EA	Dome Light Asm.
.	056288-04-000	EA	Lens - Dome Light Asm.
.	024461-01-000	EA	Switch - Battery
.	024462-01-000	EA	Switch - Battery Condition
.	024976-01-000	EA	Switch - Generator w/o Circuit Board
.	074007-01-000	EA	Switch - Intermittent - Windshield Wiper
.	024464-01-000	EA	Switch - Washer
.	024467-01-000	EA	Switch - Wiper
.	031035-01-000	EA	Gauge - Generator Hourmeter
.	024460-03-000	EA	Gauge - Vacuum
.	024459-03-000	EA	Gauge - Voltmeter
.	Not Illustrated		

## 1984 WINNEBAGO TABLE OF CONTENTS

Introduction	A-01
Abbreviations	A-01
Alphabetical Index	A-02 - A-04
WC424RC	A-05 - C-16
WCN22RC	C-17 - F-06
WCN27RU	F-07 - H-20
WCN33RU	H-21 - K-08

### MISCELLANEOUS DRIVER'S COMPARTMENT COMPONENTS

Key	Part Number	U/M	Description
1	076193-01-R07	EA	Cabinet Asm. - Head Board - Passenger
2	M56379-02-R07	EA	Panel Asm. - Sleeper Board
3	054015-02-R07	EA	Trim Asm. - Over Door - Passenger - Vinyl
.	054015-01-R07	EA	Trim Asm. - Over Door - Driver - Vinyl
4	075766-01-R07	EA	Panel Asm. - Wingwall Transition - Inner Passenger
5	059491-01-R07	EA	Side Panel - Cab Door - Passenger (R08)
5	059491-01-R09	EA	Side Panel - Cab Door - Passenger
6	076823-02-R07	EA	Panel Asm. - Side - Passenger
7	044860-02-000	EA	Door Step Mat - Passenger - Black Rubber
.	044860-01-000	EA	Door Step Mat - Driver - Black Rubber
8	076823-01-R07	EA	Panel Asm. - Side - Gas - Driver
.	076823-03-R07	EA	Panel Asm. - Side - Diesel - Driver
9	059492-01-R07	EA	Side Panel - Cab Door - Driver (R08)
9	059492-01-R09	EA	Side Panel - Cab Door - Driver
10	075766-02-R07	EA	Panel Asm. - Wingwall Transition - Inner Driver
11	052859-01-R13	FT	Accent Trim - Beige Vinyl
12	076193-02-R07	EA	Cabinet Asm. - Head Board - Driver
13	076822-01-R07	EA	Headliner Asm. - 3.6" x 29.8" x 57.75" - Vinyl
14	701631-01-000	EA	Shifting Knob & Button - Transmission Control
.	701632-01-000	EA	Retainer - Shifting Knob - Transmission Control



### BUCKET SEAT PEDESTAL & SEAT BELTS

Key	Part Number	U/M	Description
1	069585-06-000	EA	Plate - Top - Pedestal Asm. - Single - Bucket Seat
2	069585-03-000	EA	Plate - Sub - Pedestal Asm. - Bucket Seat
.	069585-05-000	EA	Hardware Kit - Bolt/Acorn Nut - 4 ea. - Pedestal Asm.
.	056271-02-000	EA	Belt Asm. - Seat - 2" x 72" - Black
.	007021-01-000	EA	Belt Asm. - Seat - 2" x 90" - Black
.	041322-01-000	EA	Washer - Flat 15/32" I.D. x 2 3/8" O.D. - Seat Belt
.	069246-01-000	EA	Adjuster Asm. - Seat - w/Lock
.	069246-02-000	EA	Adjuster Asm. - Seat - w/o Lock
.	068601-01-000	EA	Recliner Drive - Single Bucket - Driver
.	068601-02-000	EA	Recliner Drive - Single Bucket - Passenger
.	068601-05-700	EA	Hand Wheel Kit - Recliner Drive
.	Not illustrated		

## 1984 WC424RC INDEX

Floor Plan	A-05 - A-06
Accessories Group	A-07 - A-09
Bath Group	A-10 - A-11
Chassis Group	A-12 - A-13
Curtain, Cushion & Pad Group	A-14 - A-21
Dinette Group	A-22
Driver's Compartment Group	A-23 - A-24
Electrical Group	B-01 - B-03
Exterior Body Group	B-04 - B-12
Galley Group	B-13 - B-15
Heating & Air Conditioning Group	B-16
Interior Finish Group	B-17 - B-20
LP Group	B-21
Lounge Group	B-22
Water & Sewage Group	B-23 - B-24
Window, Vent & Exterior Door Group	C-01 - C-16

## ELECTRICAL GROUP

### BULBS

Key	Part Number	U/M	Description
	008220-01-000	EA	Bulb - 12V - 25W
	008103-01-000	EA	Bulb - 53
	008213-01-000	EA	Bulb - 57
	008214-01-000	EA	Bulb - 67
	036196-01-000	EA	Bulb - 194
	008215-01-000	EA	Bulb - 1003
	067479-01-000	EA	Bulb - 1076
	063914-01-000	EA	Bulb - 1139
	008218-01-000	EA	Bulb - 1141
	037935-01-000	EA	Bulb - 1157
	056288-02-000	EA	Bulb - 9431808

### FUSES & CIRCUIT BREAKER

Key	Part Number	U/M	Description
	008233-01-000	EA	Fuse - 6 Amp. - 12 Volt
	008234-01-000	EA	Fuse - 10 Amp. - 12 Volt
	046893-01-000	EA	Fuse - 13 Amp. - 12 Volt
	008235-01-000	EA	Fuse - 15 Amp. - 12 Volt
	008236-01-000	EA	Fuse - 20 Amp. - 12 Volt
	008248-01-000	EA	Fuse - 30 Amp. - 110 Volt - AGU
	008252-01-000	EA	Fuse - 50 Amp. - 110 Volt
	056473-02-000	EA	Fuse - 5 Amp. - Slow Blow
	056473-01-000	EA	Fuse - 6 1/4 Amp. - Slow Blow
	062901-02-000	EA	Fuse - 5 Amp. - Automotive
	062901-05-000	EA	Fuse - 15 Amp. - Automotive
	008211-01-000	EA	Circuit Breaker - 6 Amp. - 12 Volt
	008208-01-000	EA	Circuit Breaker - 40 Amp. - 12 Volt
	033573-02-000	EA	Circuit Breaker - 15 Amp. - 12 Volt - w/Mount
	033573-01-000	EA	Circuit Breaker - 20 Amp. - 12 Volt - w/Mount
	008268-01-000	EA	Circuit Breaker - 30 Amp. - 12 Volt - w/Mount
	040051-01-000	EA	Circuit Breaker - 20 Amp. - 110 Volt - TQL
	008297-01-000	EA	Circuit Breaker - 120 Amp. - TQL
	008293-01-000	EA	Circuit Breaker - 130 Amp. - TQL
	075735-02-000	EA	Circuit Breaker - 15 Amp. - 120 Volt (Ground Fault Interrupter)
	071279-05-000	EA	Circuit Breaker - 20 Amp. - 120 Volt
	071279-04-000	EA	Circuit Breaker - 30 Amp. - 120 Volt
	071279-02-000	EA	Circuit Breaker - 15/15 Amp. - 120 Volt
	071279-03-000	EA	Circuit Breaker - 15/20 Amp. - 120 Volt
	071279-01-000	EA	Circuit Breaker - 15/30 Amp. - 120 Volt
	071279-06-000	EA	Circuit Breaker - 30/15 Amp. - 120 Volt
	071280-01-000	EA	Circuit Breaker Blank

## ELECTRICAL GROUP (CONTINUED)

### WIRE, SWITCHES & RECEPTACLES

Key	Part Number	U/M	Description
	008058-01-000	EA	Adapter - Power Cord
	008288-01-000	EA	Box - Electrical - 3" x 3.5" - Plastic
	008289-01-000	EA	Box - Electrical - 4" x 4" - 1/2 & 3/4 - Steel - UL
	008289-02-000	EA	Box - Electrical - 4" x 4" - 1/2 & 3/4 - Steel - CSA
	058049-01-000	EA	Box - Electrical - 2" x 3" x 2.25" - Steel
	041953-01-000	EA	Conduit - Convolute Slit - .5" I.D.
	008353-01-000	EA	Connector - Clamping - 3/8 Cable - UL & CSA
	058028-01-000	EA	Connector - Pigtail - Clear Nylon
	008314-01-000	EA	Connector - Wire Nut - Gray
	008311-01-000	EA	Connector - Wire Nut - Red
	031968-01-000	EA	Contact Plug - Brass - Tin Plated
	008054-01-000	EA	Cord - Power - 10-3 30 Amp. - 25' - UL
	008052-01-000	EA	Cord - Power - 10-3 30 Amp. - 25' - CSA
	069238-01-000	EA	Cover - Electrical Box - 4" x 4"
	058048-01-000	EA	Cover - Electrical Box - 4.5" x 2.75" - Rain Tight (Exterior)
	024571-03-000	EA	Cover Plate - Receptacle - Jumbo - Brown Plastic
	024571-04-000	EA	Cover Plate - Receptacle - Jumbo - Ivory Plastic
	008164-01-000	EA	Cover Plate - Switch - Brown
	008294-01-000	EA	Cover - Flat Blank - 4" x 4" - Steel - US
	008294-02-000	EA	Cover - Flat Blank - 4" x 4" - Steel - CSA
	008250-01-000	EA	Fuse Holder - In Line - 10 Amp.
	008250-02-000	EA	Fuse Holder - In Line - 15 Amp.
	008277-01-000	EA	Fuse Holder - Panel Mount - Black
	064399-01-000	EA	Housing Asm. - Trailer Pin
	064450-01-000	EA	Housing Asm. - Trailer Plug
	064398-01-000	EA	Housing Asm. - Trailer Receptacle
	054532-01-000	EA	Housing Pin - 6 Position
	046885-01-000	EA	Plaque - Mounting Switch
	075736-01-000	EA	Receptacle/Cover Asm. - Gray (Exterior)
	058708-01-000	EA	Receptacle - Duplex - Brown
	008157-01-000	EA	Receptacle - Duplex - Brown (Exterior Backwall)
	058708-02-000	EA	Receptacle - Duplex - Ivory
	053126-01-000	EA	Receptacle - Ground Fault Interrupter - 125 Volt - Ivory
	024924-02-000	EA	Receptacle - Power Cord
	058707-01-000	EA	Receptacle - Single - Brown
	063912-01-000	EA	Relay - Canister SPDT w/Ground
	008162-01-000	EA	Switch - Double Toggle - Brown
	056264-01-000	EA	Switch - Leaf Actuator
	008195-01-000	EA	Switch - Push Button - 12 Volt
	008163-01-000	EA	Switch - Toggle - Brown
	006050-01-000	EA	TV Jack - Ivory
	047443-02-000	EA	Terminal - 250 Receptacle - 12-10 AWG
	035417-01-000	EA	Terminal - Pin Receptacle - .125 Dia.
	008348-01-000	EA	Terminal Ring - 2 - w/3/8 Stud
	008331-01-000	EA	Terminal Ring - 4 - w/3/8 Stud
	008328-01-000	EA	Terminal Ring - 12/10 Wire
	054865-01-000	EA	Wire Asm. - Generator Switch
	008028-01-000	FT	Wire - 18.5 Bonded - Blue/Red/Yellow/Orange/White
	008024-01-000	FT	Wire - 18.5 Bonded - Orange/White/Yellow/Blue/Brown
	008025-01-000	FT	Wire - 18.5 Bonded - Orange/White/Yellow/Blue/Green
	008026-01-000	FT	Wire w/Ground - Romex - 12/2

## 1984 WINNEBAGO TABLE OF CONTENTS

Introduction	A-01
Abbreviations	A-01
Alphabetical Index	A-02 - A-04
WC424RC	A-05 - C-16
WCN22RC	C-17 - F-06
WCN27RU	F-07 - H-20
WCN33RU	H-21 - K-08

## 1984 WC424RC INDEX

Floor Plan	A-05 - A-08
Accessories Group	A-07 - A-09
Bath Group	A-10 - A-11
Chassis Group	A-12 - A-13
Curtain, Cushion & Pad Group	A-14 - A-21
Dinette Group	A-22
Driver's Compartment Group	A-23 - A-24
Electrical Group	B-01 - B-03
Exterior Body Group	B-04 - B-12
Galley Group	B-13 - B-15
Heating & Air Conditioning Group	B-16
Interior Finish Group	B-17 - B-20
LP Group	B-21
Lounge Group	B-22
Water & Sewage Group	B-23 - B-24
Window, Vent & Exterior Door Group	C-01 - C-16

## ELECTRICAL GROUP (CONTINUED)

### EXTERIOR LIGHTS

Key	Part Number	U/M	Description
	058032-01-000	EA	Tail Lamp Asm. - 2 Bulb - Chrome - Driver/Passenger
	059036-01-000	EA	Bracket - Tail Lamp
	059540-01-000	EA	Bracket - License Plate
	062742-04-000	EA	Wedge - Tail Lamp w/License Plate - Left - Off White
	062740-04-000	EA	Wedge - Tail Lamp - Right - Off White
	042405-03-000	EA	Base - Rectangular Clearance Light
	042405-01-000	EA	Lens - Clearance Light - Red w/Reflex
	042405-04-000	EA	Lens - Clearance Light - Red w/o Reflex
	042405-02-000	EA	Lens - Clearance Light - Amber w/Reflex
	042405-05-000	EA	Lens - Clearance Light - Amber w/o Reflex
	048817-01-000	EA	Assist Handle Asm. w/Light

### INTERIOR LIGHTS

Key	Part Number	U/M	Description
	033508-02-000	EA	Light - Dome - Ivory - 1 Bulb - US
	033508-03-000	EA	Light - Dome - Ivory - 1 Bulb - CSA
	033509-02-000	EA	Light - Dome - Ivory - 2 Bulb - US
	033509-03-000	EA	Light - Dome - Ivory - 2 Bulb - CSA
	061424-01-000	EA	Light - 12 V Receptacle - Aisle - IP
	007309-01-000	EA	Light - Step Well
	072353-01-000	EA	Light - Reading - Single - 360° Swivel - Silver
	072353-02-000	EA	Light - Reading - Double - 360° Swivel - Silver
	056288-01-000	EA	Light - Dome (Driver's Compartment)
	056286-04-000	EA	Lens - Dome Light (Driver's Compartment)

### MISCELLANEOUS ELECTRICAL COMPONENTS

Key	Part Number	U/M	Description
	047338-03-000	EA	Isolator - Dual Battery - 70 Amp.
	008188-01-000	EA	Solenoid - Dual Battery - Relay
	039861-01-000	EA	Sending Unit Kit - Wemac
	048812-12-000	EA	Refrigerator Sensor - Refrigerator Alarm
	022755-01-000	EA	Cover - Control Panel - Plastic
	067762-01-000	EA	Convertor - 40 Amp. w/Charger
	071278-01-000	EA	Control Center - 32 Amp.
	052367-01-000	EA	Lighter Asm. - Cigarette

## EXTERIOR BODY GROUP

### SEALANTS, ADHESIVES & FASTENERS

Key	Part Number	U/M	Description
	004020-01-000	QT	Adhesive - ABS Cement (Plastic Fittings)
	002337-01-000	EA	Adhesive - 1300 Tube - 3M (Windows)
	004005-02-000	GL	Adhesive - Swifts - Glue (Sidewalls)
	053766-07-000	EA	Bedding Compound - Tube - Beige (Sidewall & Floor)
	053766-06-000	EA	Bedding Compound - Tube - Clear (Windows)
	053766-05-000	EA	Bedding Compound - Tube - Gray (Sidewall & Floor)
	000G39-08-08B	EA	Screw #8 - Self Drilling - 18 x 1/2" PPH - Zinc
	000G39-08-12B	EA	Screw #8 - Self Drilling - 18 x 3/4" PPH - Zinc
	000G39-08-16R	EA	Screw #8 - Self Drilling - 18 x 1" PPH - Beige
	000G64-08-16M	EA	Screw #8 - Self Drilling - 18 x 1" SDPH - Gray
	000G64-08-16S	EA	Screw #8 - Self Drilling - 18 x 1" SDPH - Off White
	000G66-08-12R	EA	Screw #8 - 18 x 3/4" SDPH - Beige
	000G66-08-16S	EA	Screw #8 - 18 x 3/4" SDPH - Off White
	077967-01-000	EA	Sealant - Acrylic Latex - Tube - Off White (Interior Sealant)
	034552-04-000	EA	Sealant - Silicone - Beige
	034552-02-000	EA	Sealant - Silicone - Clear
	034552-06-000	EA	Sealant - Silicone - Off White
	069637-01-000	EA	Sealant - Weatherban 404 Tube - White (Door Caulk)
	069640-01-000	FT	Sealer Ribbon - .25" Bead x 20'
	069640-02-000	FT	Sealer Ribbon - .5" x .125" x 30'
	069640-03-000	FT	Sealer Ribbon - .75" x .125" x 30'
	069640-04-000	FT	Sealer Ribbon - 2" x .09" x 45'
	069640-05-000	FT	Sealer Ribbon - 2.5" x .09" x 50'
	069640-06-000	FT	Sealer Ribbon - 5/16" Bead x 15'
	002316-01-000	FT	Sealer Tape - 3/32" x 3/8" - White (Window)
	053752-04-000	EA	Seam Sealer - Tube - Aluminum (Roof)
	038886-01-000	EA	Tape - Butyl - .31" x .31" x 148" (Windshield)
	076322-02-000	FT	Tape - Foam - Double Coated - .045" x 1" (Fiberglass Sidewall Seams)
	009200-01-000	EA	Tape - Furnace - 1.5"
	002825-01-000	FT	Weather Stripping (Roof Vent)

### MISCELLANEOUS EXTERNALLY MOUNTED PARTS

Key	Part Number	U/M	Description
	011129-01-000	EA	Plumbing Seal - Roof Vent - 1.5"
	048817-01-000	EA	Assist Handle - w/Light
	048817-01-700	EA	Lens - Assist Handle
	010230-02-000	EA	Fill - City Water - Recessed - Off White
	059808-01-000	EA	Water Fill - Lockable - White
	063303-04-000	EA	Shroud - Fuel Fill
	072447-01-000	EA	Shroud - Fuel Fill - Lower
	072309-02-000	EA	Shroud - Fill Neck
**	The illustrated parts breakdown for this item is provided on the Common Items Fiche.		

## 1984 WINNEBAGO TABLE OF CONTENTS

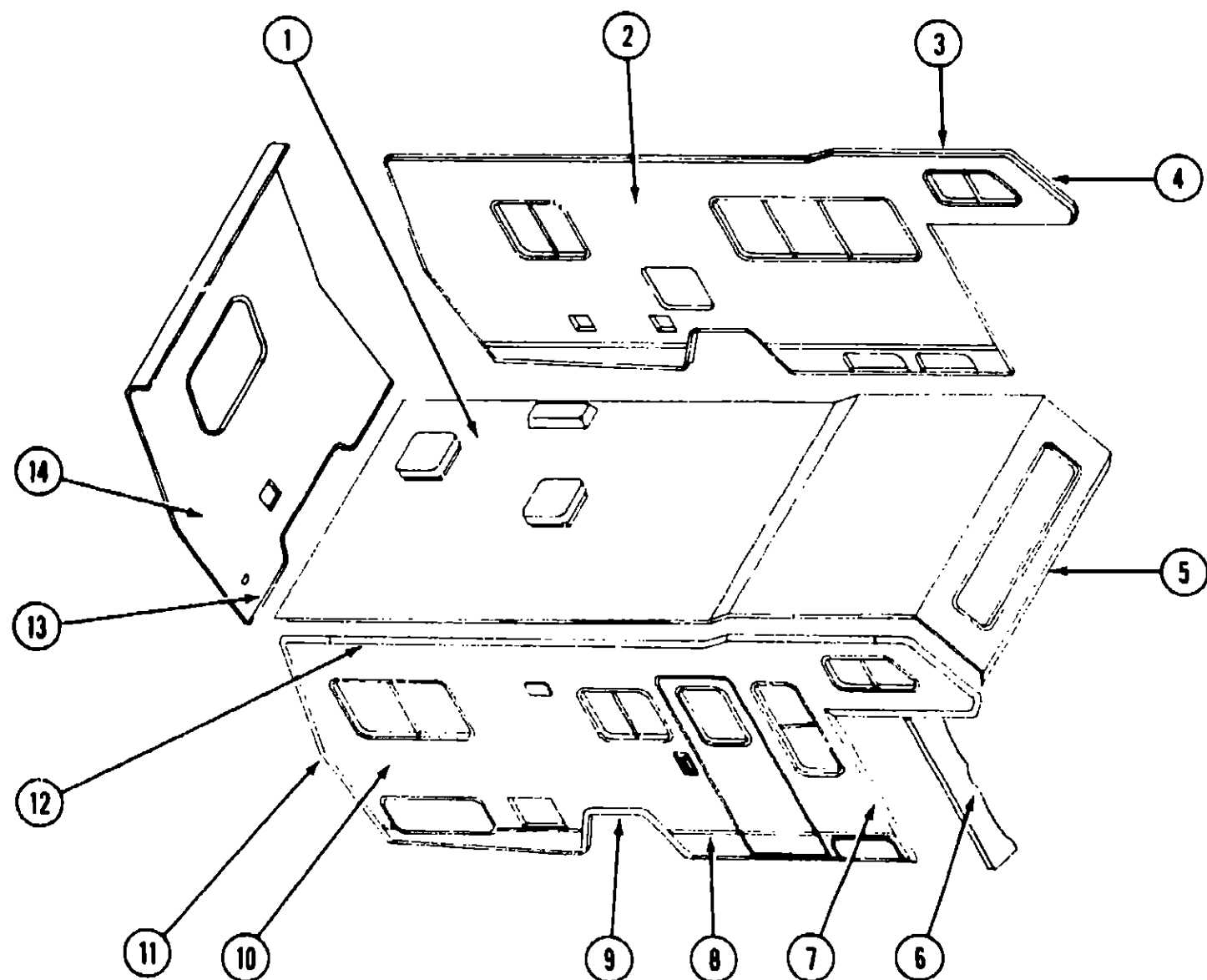
Introduction	A-01
Abbreviations	A-01
Alphabetical Index	A-02 - A-04
WC424RC	A-05 - C-16
WCN22RC	C-17 - F-06
WCN27RU	F-07 - H-20
WCN33RU	H-21 - K-08

## 1984 WC424RC INDEX

Floor Plan	A-05 - A-06
Accessories Group	A-07 - A-09
Bath Group	A-10 - A-11
Chassis Group	A-12 - A-13
Curtain, Cushion & Pad Group	A-14 - A-21
DINETTE Group	A-22
Driver's Compartment Group	A-23 - A-24
Electrical Group	B-01 - B-03
Exterior Body Group	B-04 - B-12
Galley Group	B-13 - B-15
Heating & Air Conditioning Group	B-16
Interior Finish Group	B-17 - B-20
LP Group	B-21
Lounge Group	B-22
Water & Sewage Group	B-23 - B-24
Window, Vent & Exterior Door Group	C-01 - C-16

## EXTERIOR BODY GROUP (CONTINUED)

### ALUMINUM EXTERIOR BODY PANELS



Key	Part Number	U/M	Description
1	M76177-01-R07	EA	Roof Asm.
•	M76177-01-700	EA	Roof Section - Cab Over to First Seam
2	M01501-01-R07	EA	Sidewall Asm. - Driver
3	056240-04-000	EA	Trim - Contour - Upper Front - Driver - Off White
•	056240-03-000	EA	Trim - Contour - Upper Front - Passenger - Off White
4	075147-02-000	EA	Trim - Contour - Sleeper - Driver - Off White
•	075147-01-000	EA	Trim - Contour - Sleeper - Passenger - Off White
5	039644-05-000	EA	Trim - Sleeper Board - Front - Off White
6	M74961-03-R07	EA	Wingwall Asm. - Passenger
•	M74961-04-R07	EA	Wingwall Asm. - Driver
7	036476-15-000	EA	Trim - Wingwall Transition - Passenger - Off White
•	036476-16-000	EA	Trim - Wingwall Transition - Driver - Off White
8	059576-03-000	EA	Feature Strip w/o Insert - Extr. - 14' - Brown
•	001030-02-003	EA	Insert - Feature Strip - 17' - Stucco - Off White
•	009731-01-000	EA	End Cap - Feature Strip
9	075189-01-000	EA	Trim - Wheel Well - Rear Passenger - Off White Plastic
•	075189-02-000	EA	Trim - Wheel Well - Rear Driver - Off White Plastic
•	052671-05-000	EA	Trim - Wheel Well - Rear - Passenger or Driver
10	M76176-01-R07	EA	Sidewall Asm. - Passenger
10	M76176-01-R08	EA	Sidewall Asm. - Passenger
10	M76176-01-R09	EA	Sidewall Asm. - Passenger
•	M76176-02-R07	EA	Sidewall Asm. - Bunk House - Passenger

Key	Part Number	U/M	Description
•	M76176-02-R08	EA	Sidewall Asm. - Bunk House - Passenger
•	M76176-02-R09	EA	Sidewall Asm. - Bunk House - Passenger
11	039964-01-000	EA	Trim - Contour - Rear Passenger - Off White
•	039964-02-000	EA	Trim - Contour - Rear Driver - Off White
12	042170-09-000	EA	Trim - Contour - Upper Rear Passenger - Off White
•	042170-10-000	EA	Trim - Contour - Upper Rear Driver - Off White
13	074966-01-000	EA	Trim - Backwall - Lower - Passenger or Driver
14	M76211-01-R07	EA	Backwall Asm. w/Double Bed
14	M76211-02-R07	EA	Backwall Asm. w/Bunk Bed
•	002365-02-001	EA	U-Channel - Extrusion - 1" x 18"
•	002776-02-001	EA	U-Channel - Extrusion - 1.75" x 16"
•	039155-28-006	EA	Alum. - Mesa II - .024" x 48" x 360" - Off White
•	039155-28-003	EA	Alum. - Mesa II - .024" x 36" x 360" - Off White
•	039155-28-007	EA	Alum. - Mesa II - .024" x 12" x 360" - Off White
•	001054-01-011	EA	Alum. - No Design - 48" x 96" - Off White
•	000868-01-000	SF	Styrofoam - 75" x 24" x 96"
•	000870-01-000	SF	Styrofoam - 15" x 24" x 96"
•	000870-03-000	SF	Styrofoam - 1.34" x 48" x 96"
•	Not illustrated		

## 1984 WINNEBAGO TABLE OF CONTENTS

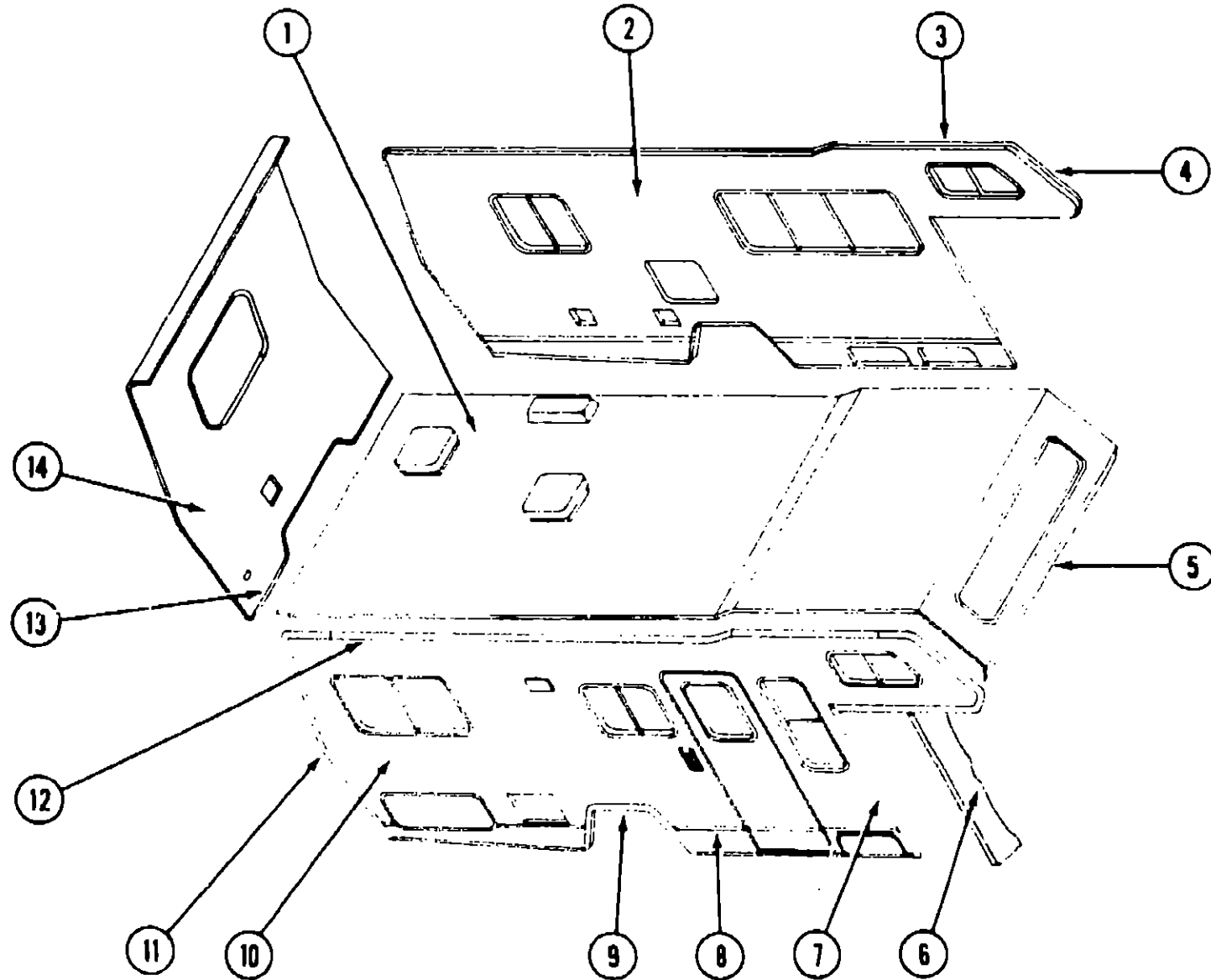
Introduction	A-01
Abbreviations	A-01
Alphabetical Index	A-02 - A-04
WC424RC	A-05 - C-16
WCN22RC	C-17 - F-06
WCN27RU	F-07 - H-20
WCN33RU	H-21 - K-08

## 1984 WC424RC INDEX

Floor Plan	A-05 - A-06
Accessories Group	A-07 - A-09
Bath Group	A-10 - A-11
Chassis Group	A-12 - A-13
Curtain, Cushion & Pad Group	A-14 - A-21
Dinette Group	A-22
Driver's Compartment Group	A-23 - A-24
Electrical Group	B-01 - B-03
Exterior Body Group	B-04 - B-12
Galley Group	B-13 - B-15
Heating & Air Conditioning Group	B-16
Interior Finish Group	B-17 - B-20
LP Group	B-21
Lounge Group	B-22
Water & Sewage Group	B-23 - B-24
Window, Vent & Exterior Door Group	C-01 - C-16

**EXTERIOR BODY GROUP (CONTINUED)**

**FIBERGLASS EXTERIOR BODY PANELS**



Key	Part Number	U/M	Description
1	M76979-01-R07	EA	Roof Asm. - Greyhound
1	M77823-01-R07	EA	Roof Asm. - Mesa
•	M76979-01-700	EA	Roof Section - Cab Over to First Seam - Greyhound
•	M77823-01-700	EA	Roof Section - Cab Over to First Seam - Mesa
2	M76846-01-R07	EA	Sidewall Asm. - Driver - Greyhound
2	M76846-01-R08	EA	Sidewall Asm. - Driver - Greyhound
2	M76846-01-R09	EA	Sidewall Asm. - Driver - Greyhound
2	M77806-01-R07	EA	Sidewall Asm. - Driver - Mesa
2	M77806-01-R08	EA	Sidewall Asm. - Driver - Mesa
2	M77806-01-R09	EA	Sidewall Asm. - Driver - Mesa
3	076802-04-000	EA	Trim - Contour - Upper Front - Driver - Off White
•	076802-03-000	EA	Trim - Contour - Upper Front - Passenger - Off White
4	076828-02-000	EA	Trim - Contour - Sleeper - Driver - Off White
•	076828-01-000	EA	Trim - Contour - Sleeper - Passenger - Off White
5	039644-08-003	EA	Trim - Sleeper Board - Front - Off White
6	M77839-01-R07	EA	Wingwall Asm. - Passenger
•	M77839-02-R07	EA	Wingwall Asm. - Driver
7	076975-03-000	EA	Trim - Wingwall Transition - Passenger - Off White
•	076975-04-000	EA	Trim - Wingwall Transition - Driver - Off White
8	059576-03-000	EA	Feature Strip w/o Insert - Extr. - 14' - Brown
•	001030-02-003	EA	Insert - Feature Strip - 17' - Stucco - Off White
•	009731-01-000	EA	End Cap - Feature Strip
9	075189-01-000	EA	Trim - Wheel Well - Rear Passenger - Off White Plastic
•	075189-02-000	EA	Trim - Wheel Well - Rear Driver - Off White Plastic
•	052671-07-000	EA	Trim - Wheel Well - Rear - Passenger or Driver - Off White
10	M76847-01-R07	EA	Sidewall Asm. - Passenger - Greyhound

Key	Part Number	U/M	Description
10	M76847-01-R08	EA	Sidewall Asm. - Passenger - Greyhound
10	M76847-01-R09	EA	Sidewall Asm. - Passenger - Greyhound
•	M76847-02-R07	EA	Sidewall Asm. - Bunk House - Passenger - Greyhound
•	M76847-02-R08	EA	Sidewall Asm. - Bunk House - Passenger - Greyhound
•	M76847-02-R09	EA	Sidewall Asm. - Bunk House - Passenger - Greyhound
10	M77805-01-R07	EA	Sidewall Asm. - Passenger - Mesa
10	M77805-01-R08	EA	Sidewall Asm. - Passenger - Mesa
10	M77805-01-R09	EA	Sidewall Asm. - Passenger - Mesa
•	M77805-02-R07	EA	Sidewall Asm. - Bunk House - Passenger - Mesa
•	M77805-02-R08	EA	Sidewall Asm. - Bunk House - Passenger - Mesa
•	M77805-02-R09	EA	Sidewall Asm. - Bunk House - Passenger - Mesa
11	076805-01-000	EA	Trim - Contour - Rear Passenger - Off White
•	076805-02-000	EA	Trim - Contour - Rear Driver - Off White
12	077339-03-000	EA	Trim - Contour - Upper Rear Passenger - Off White
•	077339-04-000	EA	Trim - Contour - Upper Rear Driver - Off White
13	074966-02-000	EA	Trim - Backwall - Lower - Passenger or Driver - Off White
14	M76211-03-R07	EA	Backwall Asm. w/Double Bed
•	M76211-04-R07	EA	Backwall Asm. w/Bunk Bed
•	002365-01-001	EA	U-Channel - Extrusion - 1" x 18'
•	002776-02-001	EA	U-Channel - Extrusion - 1 7/8" x 16'
•	076054-04-003	EA	Fiberglass Sheets - 47 25" x 260" - Greyhound - Off White
•	077517-04-001	EA	Fiberglass Sheets - 48 08" x 259" - Mesa - Off White
•	001054-01-011	EA	Alum. - No Design - 48" x 96" - Off White
•	000868-01-000	SF	Styrofoam - 75" x 24" x 96"
•	000870-01-000	SF	Styrofoam - 1 5" x 24" x 96"
•	000870-03-000	SF	Styrofoam - 1 3/4" x 48" x 96"
•			Not illustrated

**1984 WINNEBAGO  
TABLE OF CONTENTS**

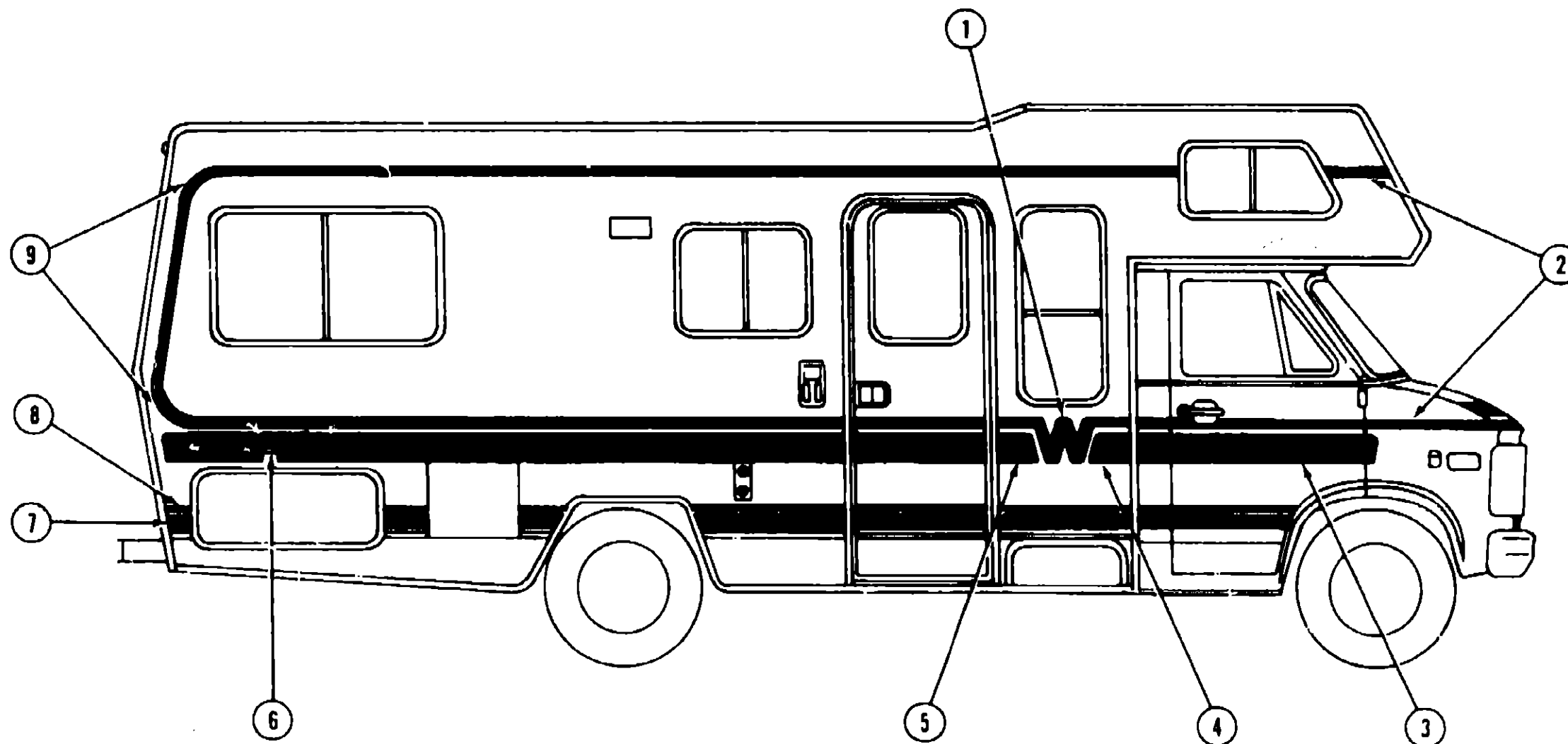
Introduction	A-01
Abbreviations	A-01
Alphabetical Index	A-02 - A-04
WC424RC	A-05 - C-16
WCN22RC	C-17 - F-06
WCN27RU	F-07 - H-20
WCN33RU	H-21 - K-08

**1984 WC424RC INDEX**

Floor Plan	A-05 - A-06
Accessories Group	A-07 - A-09
Bath Group	A-10 - A-11
Chassis Group	A-12 - A-13
Curtain, Cushion & Pad Group	A-14 - A-21
Dinette Group	A-22
Driver's Compartment Group	A-23 - A-24
Electrical Group	B-01 - B-03
Exterior Body Group	B-04 - B-12
Galley Group	B-13 - B-15
Heating & Air Conditioning Group	B-16
Interior Finish Group	B-17 - B-20
LP Group	B-21
Lounge Group	B-22
Water & Sewage Group	B-23 - B-24
Window, Vent & Exterior Door Group	C-01 - C-16

## EXTERIOR BODY GROUP (CONTINUED)

### LABELS, DECALS & EXTERIOR PAINT



Key	Part Number	U/M	Description
1	073725-02-000	EA	Decal - Flying "W" - 13" x 8.4" - Dark Brown Metallic
2	069245-08-000	FT	Film - Multi Stripe - 1.7" x 150" - Dark Brown Metallic
3	069245-13-000	FT	Film - Multi Stripe - 6" x 150" - Medium Blue Metallic (R07)
3	069245-14-000	FT	Film - Multi Stripe - 6" x 150" - Light Brown Metallic (R08)
3	069245-10-000	FT	Film - Multi Stripe - 6" x 150" - Burgundy Metallic (R09)
4	073719-08-000	EA	Decal - W Surround - Right - Medium Blue Metallic (R07)
4	073719-10-000	EA	Decal - W Surround - Right - Light Brown Metallic (R08)
4	073719-04-000	EA	Decal - W Surround - Right - Burgundy Metallic (R09)
5	073719-07-000	EA	Decal - W Surround - Left - Medium Blue Metallic (R07)
5	073719-09-000	EA	Decal - W Surround - Left - Light Brown Metallic (R08)
5	073719-03-000	EA	Decal - W Surround - Left - Burgundy Metallic (R09)
6	075478-01-000	EA	Decal - Logo - "Minnie Winnie" - Chrome
7	041273-62-000	FT	Decal - Striping - 2.5" - Dark Brown Metallic
8	041273-74-000	FT	Decal - Striping - 1" - Medium Blue Metallic (R07)
8	041273-75-000	FT	Decal - Striping - 1" - Light Brown Metallic (R08)
8	041273-60-000	FT	Decal - Striping - 1" - Burgundy Metallic (R09)
9	073718-01-000	EA	Decal - 180° Turn - Dark Brown Metallic
	045681-03-000	EA	Paint - Gloss Black - Acrylic Enamel - 16 oz. Aerosol (99A Dupont)
	041561-03-000	EA	Paint - Off White - Acrylic Enamel - 16 oz. Aerosol

Key	Part Number	U/M	Description
	075922-02-000	EA	Label - CSA Approved - Microwave Oven
	068383-01-000	EA	Label - Diesel Fuel
	006195-01-000	EA	Label - Electrical Test
	047731-01-000	EA	Label - Emergency Exit
	006199-01-000	EA	Label - Exit - Escape Window
	057467-04-000	EA	Label - Exterior Loading Limit
	064378-01-000	EA	Label - Flying "W" w/Thermo Panel
	061417-01-000	EA	Label - Fuel
	006196-01-000	EA	Label - Gas Test
	054531-01-000	EA	Label - LP Gas Only
	040944-01-000	EA	Label - Open - Entrance Door
	006015-01-000	EA	Label - Patent Motor Home
	056259-01-000	EA	Label - Safety Check List
	006064-01-000	EA	Label - Seat - w/o Seat Belt - US
	006187-01-000	EA	Label - Sewage
	006006-01-000	EA	Label - Thermo Panel - 2 1/4" x 2 1/4"
	075221-01-000	EA	Label - Trailer Hitch Capacity
	075220-01-000	EA	Label - Warning - Exterior Load
	050225-01-000	EA	Label - Warning - Stove Vent - US
	006188-01-000	EA	Label - Waste Water
	006197-01-000	EA	Label - Water Test
			Not Illustrated

## 1984 WINNEBAGO TABLE OF CONTENTS

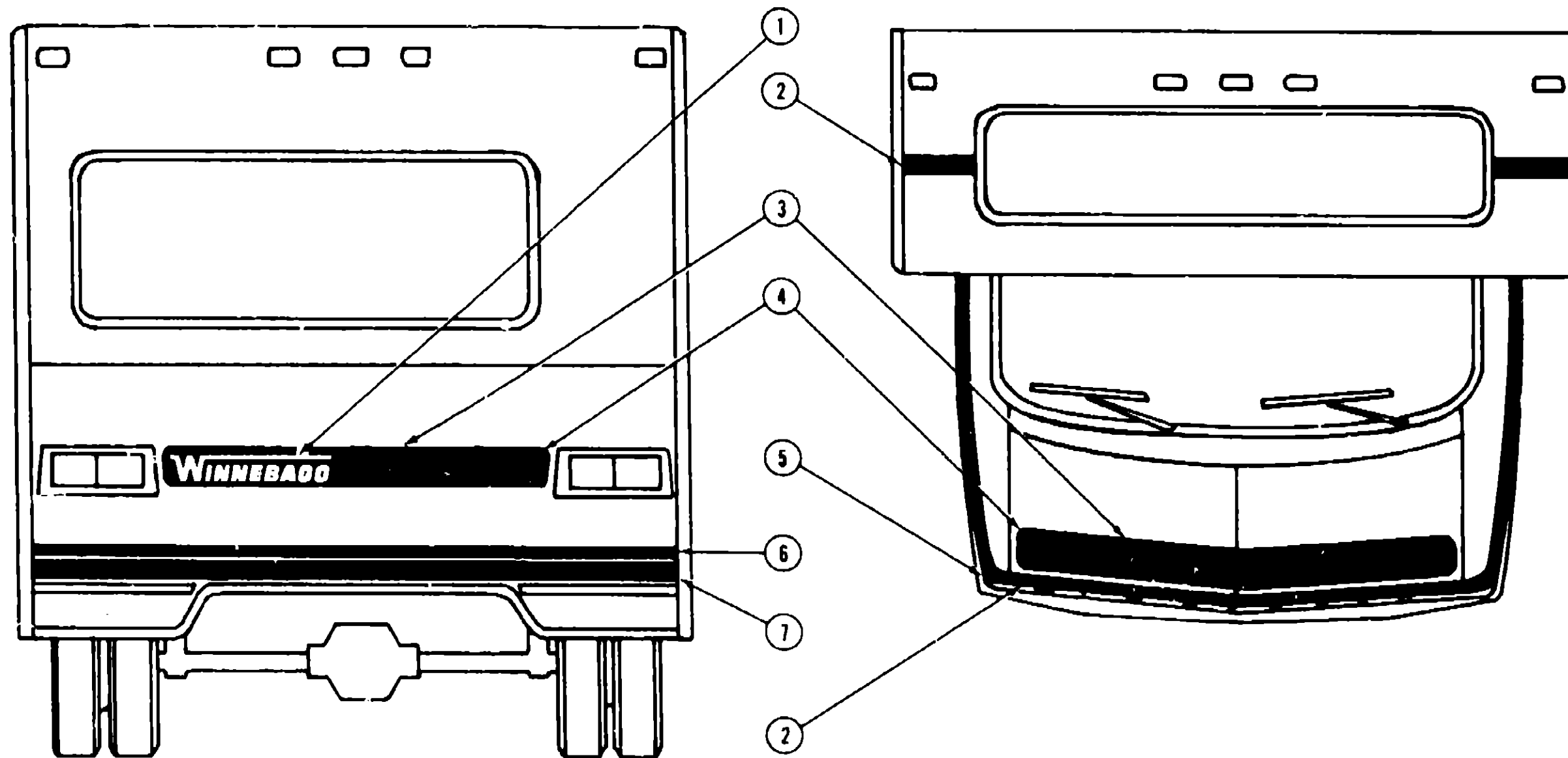
Introduction	A-01
Abbreviations	A-01
Alphabetical Index	A-02 - A-04
WC424RC	A-05 - C-16
WCN22RC	C-17 - F-06
WCN27RU	F-07 - H-20
WCN33RU	H-21 - K-08

## 1984 WC424RC INDEX

Floor Plan	A-05 - A-06
Accessories Group	A-07 - A-09
Bath Group	A-10 - A-11
Chassis Group	A-12 - A-13
Curtain, Cushion & Pad Group	A-14 - A-21
Dinette Group	A-22
Driver's Compartment Group	A-23 - A-24
Electrical Group	B-01 - B-03
Exterior Body Group	B-04 - B-12
Galley Group	B-13 - B-15
Heating & Air Conditioning Group	B-16
Interior Finish Group	B-17 - B-20
LP Group	B-21
Lounge Group	B-22
Water & Sewage Group	B-23 - B-24
Window, Vent & Exterior Door Group	C-01 - C-16

## EXTERIOR BODY GROUP (CONTINUED)

### LABELS, DECALS & EXTERIOR PAINT (CONT.)



Key	Part Number	U/M	Description
1	050313-22-000	EA	Decal - "Winnebago" - 2 8" - Chrome
2	069245-08-000	FT	Film - Multi Stripe - 1.7" x 150" - Dark Brown Metallic
3	069245-13-000	FT	Film - Multi Stripe - 6" x 150" - Medium Blue Metallic (R07)
3	069245-14-000	FT	Film - Multi Stripe - 6" x 150" - Light Brown Metallic (R08)
3	069245-10-000	FT	Film - Multi Stripe - 6" x 150" - Burgundy Metallic (R09)
4	075479-01-000	EA	Decal - End Cap - Hood & Rear - Passenger - Medium Blue Metallic (R07)
4	075479-05-000	EA	Decal - End Cap - Hood & Rear - Passenger - Light Brown Metallic (R08)
4	075479-03-000	EA	Decal - End Cap - Hood & Rear - Passenger - Burgundy Metallic (R09)
.	075479-02-000	EA	Decal - End Cap - Hood & Rear - Driver - Medium Blue Metallic (R07)
.	075479-06-000	EA	Decal - End Cap - Hood & Rear - Driver - Light Brown Metallic (R08)
.	075479-04-000	EA	Decal - End Cap - Hood & Rear - Driver - Burgundy Metallic (R09)

Key	Part Number	U/M	Description
5	075480-01-000	EA	Decal - Corner - Fender - Passenger - Dark Brown Metallic
.	075480-02-000	EA	Decal - Corner - Fender - Driver - Dark Brown Metallic
6	041273-74-000	FT	Decal - Striping - 1" - Medium Blue Metallic (R07)
6	041273-75-000	FT	Decal - Striping - 1" - Light Brown Metallic (R08)
6	041273-60-000	FT	Decal - Striping - 1" - Burgundy Metallic (R09)
7	041273-62-000	FT	Decal - Striping - 2.5" - Dark Brown Metallic
.	069745-03-000	EA	Decal - "WINNIE" - 1 25"
.	069745-04-000	EA	Decal - "BAGO" - 1 25"
.			Not illustrated

## 1984 WINNEBAGO TABLE OF CONTENTS

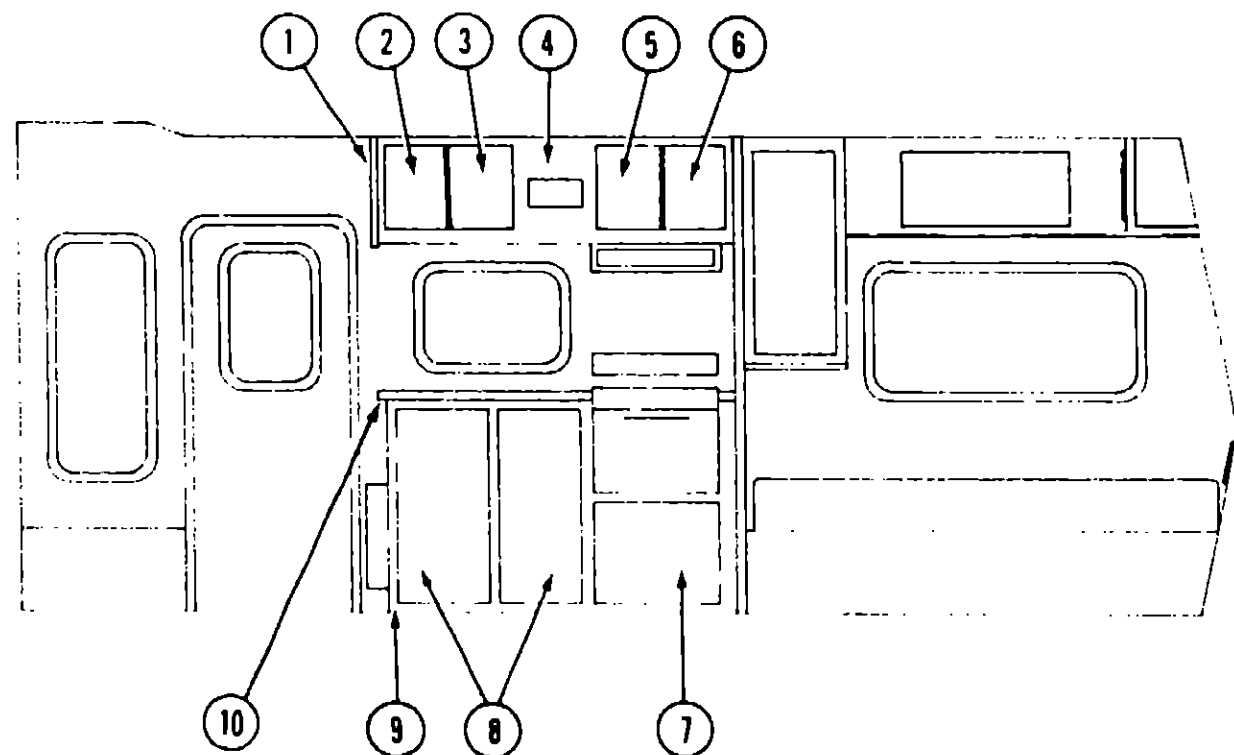
Introduction	A-01
Abbreviations	A-01
Alphabetical Index	A-02 - A-04
WC424RC	A-05 - C-16
WCN22RC	C-17 - F-06
WCN27RU	F-07 - H-20
WCN33RU	H-21 - K-08

## 1984 WC424RC INDEX

Floor Plan	A-05 - A-06
Accessories Group	A-07 - A-09
Bath Group	A-10 - A-11
Chassis Group	A-12 - A-13
Curtain, Cushion & Pad Group	A-14 - A-21
Dinette Group	A-22
Driver's Compartment Group	A-23 - A-24
Electrical Group	B-01 - B-03
Exterior Body Group	B-04 - B-12
Galley Group	B-13 - B-15
Heating & Air Conditioning Group	B-16
Interior Finish Group	B-17 - B-20
LP Group	B-21
Lounge Group	B-22
Water & Sewage Group	B-23 - B-24
Window, Vent & Exterior Door Group	C-01 - C-16



## GALLEY GROUP



### GALLEY CABINETRY

Key	Part Number	U/M	Description
1	071847-05-R07	EA	Pad Asm. - End Cap - Galley Overhead Cabinet - Almond Vinyl
2	073521-04-R10	EA	Door Asm. - Galley Overhead - 15.80" x 10.70" - w/o Hardware - Left
3	073521-03-R10	EA	Door Asm. - Galley Overhead - 15.80" x 10.70" - w/o Hardware - Right
4	M76185-01-R07	EA	Cabinet Asm. - Galley Overhead - w/o Doors or Hardware
5	073521-05-R07	EA	Door Asm. - Galley Overhead - 15.80" x 11.60" - w/o Hardware - Left
6	073521-05-R10	EA	Door Asm. - Galley Overhead - 15.80" x 11.60" - w/o Hardware - Right
*	073521-06-R10	EA	Door Asm. - Refrigerator Cabinet - 17.6" x 12.5" - w/o Hardware - Left
*	073521-07-R10	EA	Door Asm. - Refrigerator Cabinet - 17.6" x 12.5" - w/o Hardware - Right
7	072718-01-R07	EA	Door Asm. - Galley - Furnace - 17.6" x 22" - w/o Hardware
*	072369-03-000	FT	Mesh Insert - Furnace Door - 17.9" x 6.7" - Gold
8	069852-40-R10	EA	Door Asm. - Galley Cabinet - 14.3" x 33.4" - w/o Hardware
9	M74989-01-R07	EA	Cabinet Asm. - Galley - w/o Countertop, Doors, Drawers or Hardware
10	M01267-01-R07	EA	Countertop Asm - Galley - Almond Loom
*	077404-01-000	EA	Drawer - Plastic - 20" x 12.7"
*			Not illustrated

## GALLEY GROUP (CONTINUED)

### GALLEY HARDWARE & APPLIANCES

Key	Part Number	U/M	Description
**	053333-04-000	EA	Hood - Stove - Non Powered - Almond - CSA
**	053333-05-000	EA	Hood - Stove - Non Powered - Almond - US
	075470-01-000	EA	Hood w/Monitor - Stove - Almond - US
	075470-01-700	EA	Monitor Panel - Sub. Asm.
	075470-01-701	EA	Digital Clock - Sub. Asm.
	075470-01-702	EA	Switch - On/Off
	075470-01-703	EA	Switch - On - Momentary
	075740-01-704	EA	Switch - On/Off/On - Fan Motor
	075470-01-705	EA	Switch - On/Off/On - Momentary
	075740-01-706	EA	Rivets - Plastic
	075740-01-707	EA	Bulb - #912
	075740-01-708	EA	Panel Asm. - Complete
	075740-01-709	EA	Fan Blade - Hood
	075740-01-710	EA	Filter & Lens - Hood
	075470-01-711	EA	Motor - Stove Hood
	075470-02-000	EA	Hood w/Monitor - Stove - Almond - CSA
	055282-02-000	EA	Range w/Small Oven - 4 Burner - Almond - Magic Chef
	055282-02-700	EA	Stove Top - Almond
	749045-01-740	EA	Cover - Stovetop - Bifold - Chrome - Magic Chef
	064473-02-000	EA	Refrigerator - AC/DC/Gas - Norcold 6' - 776-EG3
	064473-02-700	EA	Cooling Unit (Service Package)
	064473-02-701	EA	Frame - Door
	064473-02-702	EA	Breaker Strip - Left - Bronze
	064473-02-703	EA	Breaker Strip - Right - Bronze
	064473-02-704	EA	Breaker Strip - Top - Bronze
	075217-01-000	EA	Refrigerator - AC/DC/Gas - Norcold 8' - 838-EG3
	075217-01-700	EA	Shelf Asm. - Door - w/Trim
	075217-01-701	EA	Gasket - Freezer Door
	075217-01-702	EA	Frame Asm. - Door
	075217-01-703	EA	Trim - Decor - Top & Bottom
	075217-01-704	EA	Gasket - Refrigerator Door
	075217-01-706	EA	Cabinet Asm. - Urethane
	075217-01-707	EA	Bulb - Light - DC
	075217-01-708	EA	Socket - Lamp
	075217-01-710	EA	Eyebrow Asm.
	075217-01-711	EA	Breaker Strip - Top
	075217-01-713	EA	Crisper Drawer
	075217-01-714	EA	Thermostat Asm.
	075217-01-715	EA	Knob - Thermostat
	075217-01-716	EA	Front Divider Asm.
	075217-01-717	EA	Switch - Humidity
	075217-01-718	EA	Light Switch
	075217-01-719	EA	Eyebrow Board
	075217-01-720	EA	Eyebrow
	075217-01-721	EA	Lamp - Indicator - Amber
	075217-01-722	EA	Lamp - Indicator - Green
	075217-01-723	EA	Lamp - Indicator - Red
	075217-01-724	EA	Lamp - Indicator - Blue
	075217-01-725	EA	Rocker Switch - #615258
	075217-01-726	EA	Interface Board
	R77005-81-129	EA	Relay - Glow Plug
	075217-01-728	EA	Cover - Interface Board
	075217-01-729	EA	Fitting - Outlet
	075217-01-730	EA	Gas Valve
	075217-01-731	EA	Nipple
	075217-01-732	EA	Fitting - Inlet
	075217-01-733	EA	Shut-Off Cock
	075217-01-734	EA	Fuse - 3 Amp
	075217-01-735	EA	Ignition Electrode

\*\* The illustrated parts breakdown for this item is provided on the Common Items Fiche

## 1984 WINNEBAGO TABLE OF CONTENTS

Introduction	A-01
Abbreviations	A-01
Alphabetical Index	A-02 - A-04
WC424RC	A-05 - C-16
WCN22RC	C-17 - F-06
WCN27RU	F-07 - H-20
WCN33RU	H-21 - K-08

## 1984 WC424RC INDEX

Floor Plan	A-05 - A-06
Accessories Group	A-07 - A-09
Bath Group	A-10 - A-11
Chassis Group	A-12 - A-13
Curtain, Cushion & Pad Group	A-14 - A-21
Dinette Group	A-22
Driver's Compartment Group	A-23 - A-24
Electrical Group	B-01 - B-03
Exterior Body Group	B-04 - B-12
Galley Group	B-13 - B-15
Heating & Air Conditioning Group	B-16
Interior Finish Group	B-17 - B-20
LP Group	B-21
Lounge Group	B-22
Water & Sewage Group	B-23 - B-24
Window, Vent & Exterior Door Group	C-01 - C-16

## GALLEY GROUP (CONTINUED)

### GALLEY HARDWARE & APPLIANCES (CONT.)

Key	Part Number	U/M	Description
	075217-01-736	EA	Sensing Electrode
	075217-01-737	EA	Control Module
	075217-01-738	EA	Rocker Switch - #615259
	075217-01-739	EA	Heater
	075217-01-740	EA	Screw #6 - 32 x 2 3/8"
	075217-01-741	EA	Wing - Nut #6 - 32
	075217-01-742	EA	Hex Nut
	075217-01-743	EA	Elbow - 90°
	075217-01-744	EA	Cable - Wiring
	075217-01-745	EA	Liner Asm. - Foamed - Door
	075217-01-746	EA	Baffle Asm.
	075217-01-747	EA	Liner Asm. - Foamed - Lower - Door
	054450-01-000	EA	Level - Refrigerator
	075922-01-000	EA	Microwave Oven - Litton - 1450
	075930-01-000	EA	Bracket Asm - Microwave - Right
	075930-02-000	EA	Bracket Asm. - Microwave - Left
	076253-02-000	EA	Bracket Asm. - Microwave - Bottom (2 required)
	075922-03-000	EA	Trim Ring - Microwave
	075922-04-000	EA	Air Exhaust Duct - Microwave
	068615-01-000	EA	Sink - Stainless Steel - Double w/Bolts
**	011053-01-000	EA	Faucet - Swing Spout - 8" - US
**	011053-02-000	EA	Faucet - Swing Spout - 8" - CSA
**	011053-01-700	EA	Aerator - Swing Spout Faucet
	066437-01-000	EA	Strainer w/Basket - Sink
	053424-04-R07	EA	Sink Cover - Large - Almond Loom
	066529-01-R07	EA	Table Asm. - Drop Leaf - Almond Loom
	009049-01-000	EA	Support - Drop Leaf Table
	009059-01-000	EA	Hinge - 2" - Gold - Drop Leaf Table
	074490-02-R10	EA	Spice Rack - Oak
	074491-02-R10	EA	Magazine Rack - Oak
	074961-01-000	EA	Cutting Board - Maple
	058334-01-000	EA	Wastebasket - 9 3/4" x 7" x 10" - White
	058478-01-000	EA	Support - Wastebasket - Metal - Door Mount
	052932-01-M10	EA	Hinge Kit - Cabinet Door - Antique Brass
**	057898-01-000	EA	Hidden Latch w/Strike - Cabinet Door
	047744-01-000	EA	Kit - Drawer Guide - Plastic
	072394-01-000	EA	Slide - Drawer - Left - w/Tab
	072394-02-000	EA	Slide - Drawer - Right - w/o Tab
**	077409-01-000	EA	Slide - Drawer - 20.75" - Plastic

\*\* The illustrated parts breakdown for this item is provided on the Common Items Fiche.

## HEATING & AIR CONDITIONING GROUP

### FURNACES & ROOF AIR CONDITIONER

Key	Part Number	U/M	Description
	075696-01-000	EA	Furnace - 34,000 BTU - w/Direct Ignition - NT-34S
	075695-01-000	EA	Furnace - 24,000 BTU - w/Direct Ignition - NT-24S
	069634-01-723	EA	Thermostat - Wall Mount
	075695-01-701	EA	Electrode Asm. - Furnace
	075695-01-702	EA	Vent Cap Asm. - Furnace
	075695-01-703	EA	Gas Inlet Pipe - Furnace
	075695-01-704	EA	Manifold Asm. - Furnace
	075695-01-705	EA	Burner Asm. - Furnace
	075695-01-707	EA	Motor - NT - 34S - Furnace
	075695-01-708	EA	Micro Switch Asm. - NT - 24S - Furnace
	075695-01-709	EA	Micro Switch Asm. - NT - 34S - Furnace
	075695-01-710	EA	Cabinet - Front
	075695-01-711	EA	Cabinet Asm.
	069633-01-705	EA	Vent Package - Furnace - Suburban
	009198-01-000	FT	Duct - Flexible - 4" I.D. x 25'
	056464-01-000	EA	Register - 4" Dia. - Plastic - w/Damper
	056464-02-000	EA	Register - 4" Dia. - Plastic - w/o Damper
	009200-01-000	EA	Tape - Furnace - 1 1/2"
	023146-01-000	EA	Clamp - Screw Type - 4"
	073743-01-000	EA	Shroud Asm. - Ceiling - Inside - Roof Air Cool Only - 13,500 BTU - Coleman
	073744-01-000	EA	Shroud Asm. - Ceiling - Inside - Roof Air Heat and Cool - 13,500 BTU - Coleman
	073742-01-000	EA	Air Conditioner - 110 Volt - Roof Mount - 13,500 BTU Rotary
	073742-01-700	EA	Decal Package - Left & Right (Exterior)
	073742-01-701	EA	Selector Switch (5 Terminal)
	073742-01-702	EA	Decal - Cool Only
	073742-01-703	EA	Decal - Heat & Cool
	073742-01-704	EA	Decal - Thermostat - TSR

### AUTOMOTIVE HEATER & AIR CONDITIONER

Key	Part Number	U/M	Description
	074025-01-000	EA	A/C - Compressor Mount Package - 350 C.I.D.
	072343-01-000	EA	A/C - Compressor/Clutch - Sankyo 510
	073716-01-000	EA	A/C - Condenser Asm. - "C" - Tube O
	074027-01-000	EA	A/C - Evaporator Asm. - Cutaway
	056779-01-000	EA	A/C - Clutch - 7" Drive
	055280-01-000	EA	Switch - Fan - 3 Speed - Control Asm. - Heater & A/C
	007108-01-000	FT	Hose - Heater - 5/8" I.D. SAE 20R3
	062401-04-000	EA	Clamp - Worm Drive - 69" - 1.25" I.D.
	033258-01-000	EA	Hose - Refrigerant - .50" I.D. x 34.50"

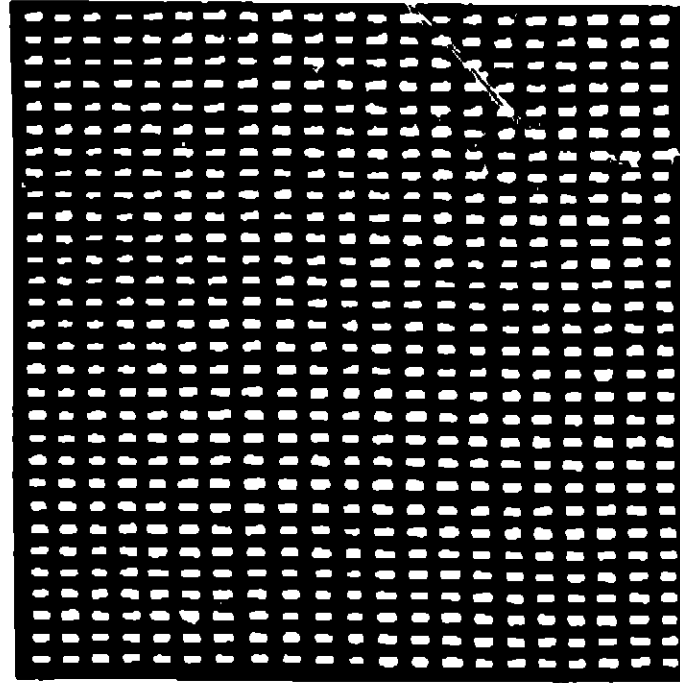
## 1984 WINNEBAGO TABLE OF CONTENTS

Introduction	A-01
Abbreviations	A-01
Alphabetical Index	A-02 - A-04
WC424RC	A-05 - C-16
WCN22RC	C-17 - F-06
WCN27RU	F-07 - H-20
WCN33RU	H-21 - K-08

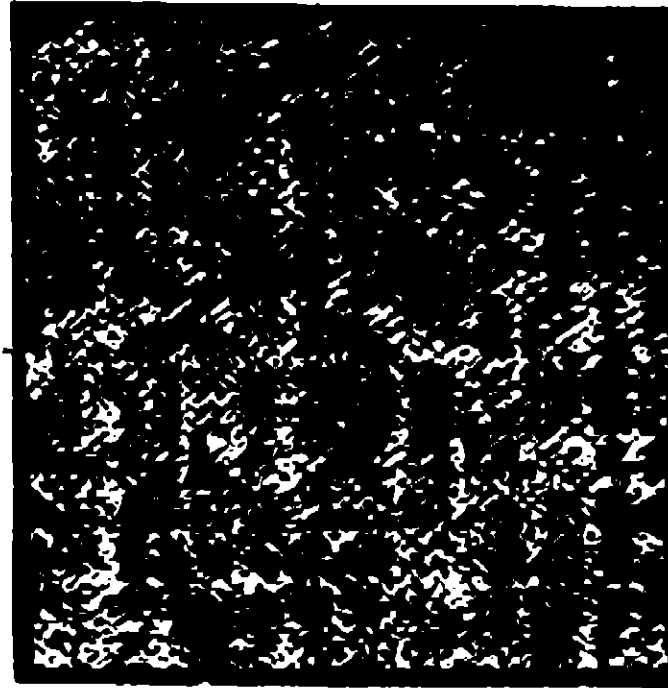
## 1984 WC424RC INDEX

Floor Plan	A-05 - A-06
Accessories Group	A-07 - A-09
Bath Group	A-10 - A-11
Chassis Group	A-12 - A-13
Curtain, Cushion & Pad Group	A-14 - A-21
Dinette Group	A-22
Driver's Compartment Group	A-23 - A-24
Electrical Group	B-01 - B-03
Exterior Body Group	B-04 - B-12
Galley Group	B-13 - B-15
Heating & Air Conditioning Group	B-16
Interior Finish Group	B-17 - B-20
LP Group	B-21
Lounge Group	B-22
Water & Sewage Group	B-23 - B-24
Window, Vent & Exterior Door Group	C-01 - C-16

**INTERIOR FINISH GROUP**



①



②

**PANELLING & COUNTERTOP MATERIALS**

Key	Part Number	U/M	Description
1	072336-19-000	SF	Paneling - Decor - Wicker Weave - 48" x 84" (28SF) (Refrigerator)
1	057880-05-000	SF	Pluswood Board - Wicker Weave/Elm (Headboard & Door Asm.)
2	072336-19-700	SF	Paneling - Decor - Jamaica Weave - 48" x 84" (28SF) (Refrigerator)
2	057880-05-700	SF	Pluswood Board - Jamaica Weave/Elm (Headboard & Door Asm.)
•	074496-03-000	SF	Paneling - Decor - Spring Blossom - 48" x 84" (28SF) (Galley & Bath) Blue (R07)
•	074496-04-000	SF	Paneling - Decor - Spring Blossom - 48" x 84" (28SF) (Galley & Bath) Brown (R08)
•	074496-05-000	SF	Paneling - Decor - Spring Blossom - 48" x 84" (27SF) (Galley & Bath) Burgundy (R09)
•	068344-05-000	SF	Paneling - Elm - 48" x 84" (28SF) (Wall)
•	072336-20-000	SF	Paneling - Decor - Jakarta Burlap - 48" x 96" (32SF) (Ceiling)
•	072337-03-000	SF	Plastic Laminate - Almond Loom - 48" x 96" (32SF) (Galley)
•	072337-03-019	EA	Plastic Laminate - Almond Loom - 1.19" x 96"
•	074498-01-000	SF	Plastic Laminate - Harbor Oak - 48" x 96" (32SF) (Dinette Table)
•	074498-01-019	EA	Plastic Laminate - Harbor Oak - 1.19" x 96"
•	072337-02-000	SF	Plastic Laminate - Travertine - 48" x 96" (32SF) (Bath)
•	072337-02-019	EA	Plastic Laminate - Travertine - 1.19" x 96"
•	Not illustrated		

**INTERIOR FINISH GROUP (CONTINUED)**

**CABINETS & TABLE HARDWARE**

Key	Part Number	U/M	Description
	053200-05-000	EA	Bracket - Upper Wall Mount - 23.5" - Beige
**	053201-03-000	EA	Bracket - Table Mount - 23"
	024275-05-000	EA	Rod - Table Lift - 8" x 23.5" - Beige
	024281-07-000	EA	Bracket - Lower Wall Mount - 22.12" - Beige
	024276-14-000	EA	Leg Asm. - Table - 26.5" - Brown
	064050-01-000	EA	Hinge - Table Leg
**	024282-01-000	EA	Brace - Table Leg
**	024283-01-000	EA	Clip - 1" O.D. Tube
	049493-02-000	EA	Catch - Table Leg - Mounts on Floor - Brown
**	057898-01-000	EA	Latch - Hidden - Cabinet Door - w/Strike
	009112-01-000	EA	Flange - 1" - Chrome - Closet Rod
	072394-01-000	EA	Slide - Drawer - Left - w/Tab
	072394-02-000	EA	Slide - Drawer - Right - w/o Tab
	077409-01-000	EA	Slide - Drawer - Plastic - 20.75"
	009049-01-000	EA	Table Support - Drop Leaf
	009059-01-000	EA	Hinge - 2" - Gold - Drop Leaf Table
**	037688-01-000	FT	Rail - Drawer - V Guide
**	047744-01-000	EA	Kit - Drawer Glide
	057671-01-000	EA	Screw Cover - #8 - Off White
	072369-03-000	EA	Mesh - Grille - 17.9" x 6.7" - Gold Aluminum
	009050-01-000	EA	Warp Guard - 64"
	009021-01-000	EA	Catch - Nylon - Furnace Door
	009021-02-000	EA	Strike - Nylon Catch - Furnace Door
**	052932-01-M10	EA	Hinge Kit - Cabinet Door - Antique Brass
**	041939-01-000	EA	Hinge Kit - Double Acting - Overhead Door
	074493-01-000	EA	Support - Sprung - Door
**	The illustrated parts breakdown for this item is provided on the Common Items Fiche.		

§

**MISCELLANEOUS PARTS**

Key	Part Number	U/M	Description
	053552-01-P01	EA	Handle Asm. - Interior Assist - Medium Almond Vinyl
	041944-03-000	EA	Fire Extinguisher - w/Bracket - 5BC
	054185-02-000	EA	Owner's Manual - 1984 Itasca & Winnebago
	007038-01-000	EA	Door Mat - 10 1/2" x 26" - Black Rubber
	075907-01-000	EA	Picture - Decor - Assorted Grasses

**1984 WINNEBAGO  
TABLE OF CONTENTS**

Introduction	A-01
Abbreviations	A-01
Alphabetical Index	A-02 - A-04
WC424RC	A-05 - C-16
WCN22RC	C-17 - F-06
WCN27RU	F-07 - H-20
WCN33RU	H-21 - K-08

**1984 WC424RC INDEX**

Floor Plan	A-05 - A-06
Accessories Group	A-07 - A-09
Bath Group	A-10 - A-11
Chassis Group	A-12 - A-13
Curtain, Cushion & Pad Group	A-14 - A-21
Dinette Group	A-22
Driver's Compartment Group	A-23 - A-24
Electrical Group	B-01 - B-03
Exterior Body Group	B-04 - B-12
Galley Group	B-13 - B-15
Heating & Air Conditioning Group	B-16
Interior Finish Group	B-17 - B-20
LP Group	B-21
Lounge Group	B-22
Water & Sewage Group	B-23 - B-24
Window, Vent & Exterior Door Group	C-01 - C-16

**INTERIOR FINISH GROUP (CONTINUED)**

**FABRICS & CARPET**

Key	Part Number	U/M	Description
	072333-07-000	YD	Fabric - Drapery - Ivory
	072333-08-000	YD	Fabric - Drapery - Cream (Sheers)
	074495-27-000	YD	Fabric - Drapery/Accent - Caramel (Brown) (R07, R08)
	074495-28-000	YD	Fabric - Drapery/Accent - Lacquer (Burgundy) (R09)
	074495-25-000	YD	Fabric w/Pattern - Upholstery - Blue (R07)
	074495-24-000	YD	Fabric w/Pattern - Upholstery - Brown (R08)
	074495-26-000	YD	Fabric w/Pattern - Upholstery - Burgundy (R09)
	069729-08-000	YD	Fabric - Bedspread - Navy (R07)
	069729-05-000	YD	Fabric - Bedspread - Mocha (Light Brown) (R08)
	069729-07-000	YD	Fabric - Bedspread - Plum (Burgundy) (R09)
	038421-01-000	YD	Fabric - Mattress Ticking
	029012-01-000	BF	Foam - Rolled - 3/8"
	070502-01-000	YD	Vinyl - Non-Expanded - 12 Gauge Film - Medium Almond (Beige)
	072860-16-000	SY	Carpet - Formality (Light Brown) (R07)
	072860-15-000	SY	Carpet - Golden Anniversary (Golden Brown) (R08)
	072860-17-000	SY	Carpet - Curtain Call (Burgundy) (R09)

**INTERIOR MOLDING & TRIMS**

Key	Part Number	U/M	Description
	024700-17-000	EA	Cover - Sidewall Roll Bar - Beige
	042430-02-R07	EA	Molding - Shelf - Wood
	042375-09-000	EA	Molding w/Holes - Corner - 77"
	076325-01-000	FT	Molding - Edge Band - 1 5/16" x .030" - Harbor Oak
	042357-09-000	FT	Molding - Radius Corner - 7' - Elm
	022992-01-000	FT	Molding - Reverse Cove - White
	022992-08-000	FT	Molding - Reverse Cove - Champagne White
	058204-01-000	EA	Batt Strip - Elm - 8' (Wall)
	069733-23-000	EA	Batt Strip - Jakarta Burlap - 8' (Ceiling)
	069733-30-000	EA	Batt Strip - Spring Blossom - 8' (Galley & Bath) - Blue (R07)
	069733-31-000	EA	Batt Strip - Spring Blossom - 8' (Galley & Bath) - Brown (R08)
	069733-32-000	EA	Batt Strip - Spring Blossom - 8' (Galley & Bath) - Burgundy (R09)
	069733-35-000	EA	Batt Strip - Design Tile - 8' (Bath)
	070504-01-000	FT	U-Channel - .065" - Light Brown
	070504-02-000	FT	U-Channel - .815" - Light Brown
	009778-03-000	FT	U-Channel - 1" - Light Brown
	009779-03-000	FT	U-Channel - 1.125" - Light Brown
	009815-03-000	FT	T-Molding - .75" - Light Brown
	002774-02-001	EA	Trim - Carpet - 192"
	064675-06-000	EA	Angle - Steel Roof Joint - 96" - Beige
	064382-01-000	FT	Extrusion - Rolled Door Trim - 8' - Plastic
	052859-01-N01	FT	Accent Trim - Medium Almond Vinyl (Beige)
	059352-01-000	FT	Insert - Vinyl - Style & Rail Door
	000767-06-000	FT	Welling - Beige

**INTERIOR FINISH GROUP (CONTINUED)**

**CURTAIN HARDWARE**

Key	Part Number	U/M	Description
	052327-05-009	EA	Track - Curtain - 76" - Beige
	056116-01-000	EA	Track - Curtain - Brown Plastic
	053272-05-009	EA	Track - Curtain - 89" - Beige
	056001-01-000	EA	Bracket - Shade - Left
	056002-01-000	EA	Bracket - Shade - Right
	056003-01-000	EA	Bracket - Drapery Retainer - Right
	056003-02-000	EA	Bracket - Drapery Retainer - Left
	056003-03-000	EA	Bracket - Drapery Retainer - Universal
	009107-01-000	EA	Guide - Nylon Snap - Curtain
	056784-01-000	EA	Pull - Window Shade - Antique Brass
	039175-01-000	EA	Curtain Rod - Extension 48" - 84"
	039175-03-000	EA	Curtain Rod - Extension 28" - 48"
	039175-04-000	EA	Curtain Rod - Extension 16" - 28"
	039175-02-000	EA	Bracket - Curtain Rod
	075477-21-000	EA	Bracket - Blinds Retainer
	056115-01-000	YD	Tape - Clear Plastic - w/Guides
	018394-01-000	YD	Tape Hook - 1" x 25 YD - Beige
	048395-01-000	YD	Tape Loop - 1" x 25 YD - Beige

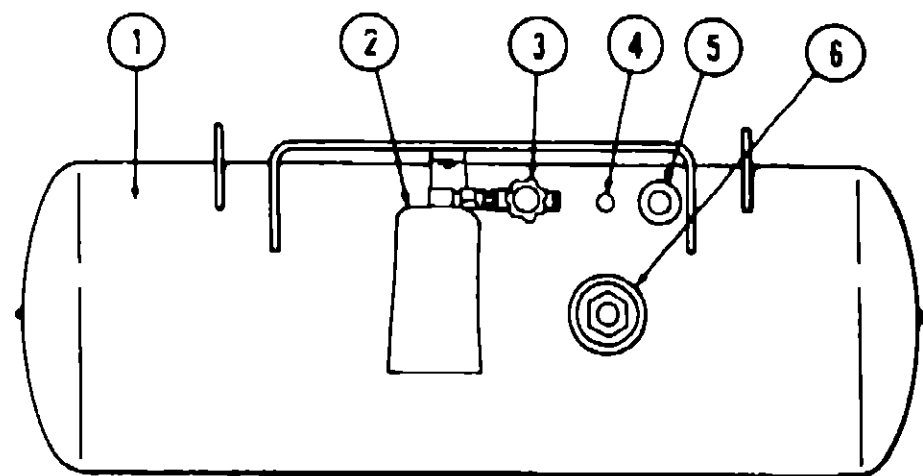
**1984 WINNEBAGO  
TABLE OF CONTENTS**

Introduction	A-01
Abbreviations	A-01
Alphabetical Index	A-02 - A-04
WC424RC	A-05 - C-16
WCN22RC	C-17 - F-06
WCN27RU	F-07 - H-20
WCN33RU	H-21 - K-08

**1984 WC424RC INDEX**

Floor Plan	A-05 - A-06
Accessories Group	A-07 - A-09
Bath Group	A-10 - A-11
Chassis Group	A-12 - A-13
Curtain, Cushion & Pad Group	A-14 - A-21
Dinette Group	A-22
Driver's Compartment Group	A-23 - A-24
Electrical Group	B-01 - B-03
Exterior Body Group	B-04 - B-12
Galley Group	B-13 - B-15
Heating & Air Conditioning Group	B-16
Interior Finish Group	B-17 - B-20
LP Group	B-21
Lounge Group	B-22
Water & Sewage Group	B-23 - B-24
Window, Vent & Exterior Door Group	C-01 - C-16

### LP GROUP

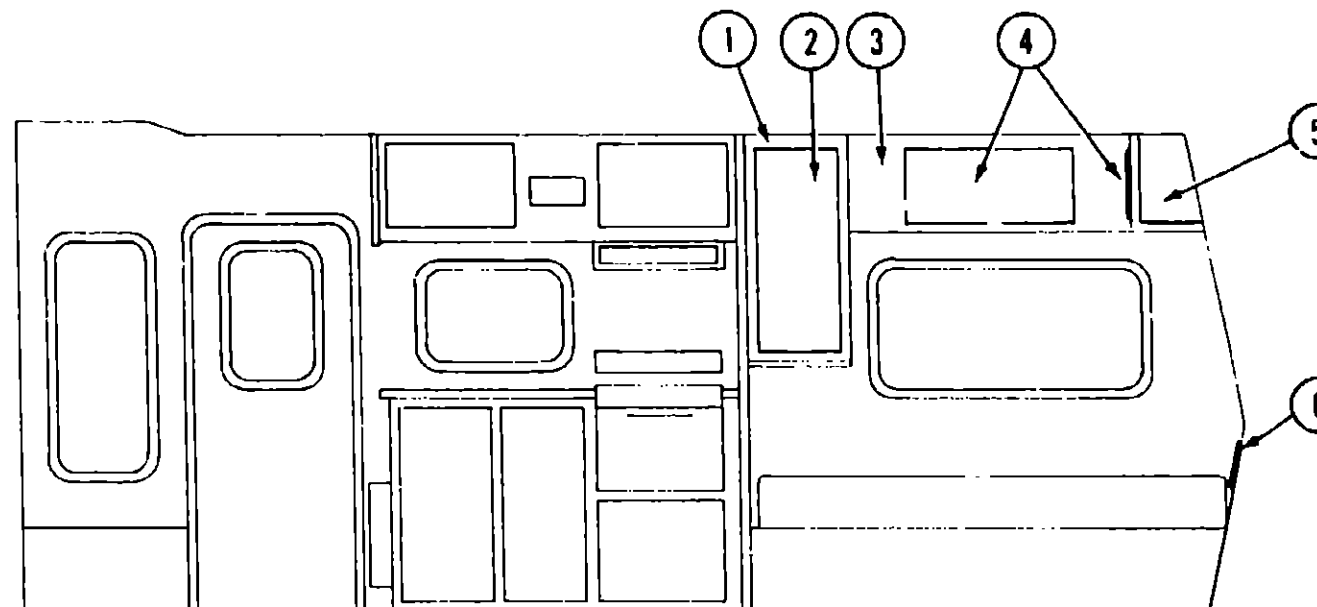


Key	Part Number	U/M	Description
1	074143-02-000	EA	Tank Asm. - LP - Frame Mount - 85 Pound - 14" x 40"
1	074142-01-000	EA	Tank Asm. - LP - Frame Mount - 80 Pound - 13" x 44"
1	074141-01-000	EA	Tank Asm. - LP Frame Mount - 42 Pound - 12" x 28"
•	065741-01-000	EA	Detector - LP Gas Leak - Marshalltown Instruments
2	076277-01-000	EA	Cover - LP Regulator - Top (Dual)
•	076278-01-000	EA	Cover - LP Regulator - Bottom (Dual)
•	076301-01-000	EA	Regulator - Two Stage - US (Dual)
•	076301-02-000	EA	Regulator - Two Stage - CSA (Dual)
3	040421-01-703	EA	Valve - Vapor Relief
4	040421-01-700	EA	Gauge - Liquid Level - 20% LP
5	040421-01-701	EA	Valve - Filler - LP
•	040421-01-702	EA	Cap - Plastic Fill Valve
6	040421-01-707	EA	Gauge - Float - w/Visible Dial
•	040421-01-706	EA	Dial - Visible Face - Float Gauge (Tank w/o Electric Transmitter)
•	040440-01-000	EA	Dial - Transmitter - 0 - 90 Ohm (Float Gauge)
•	045703-01-000	EA	Hose Asm. - LP - 3/8" I.D. x 24" - US
•	045703-02-000	EA	Hose Asm. - LP - 3/8" I.D. x 24" - CSA
•	045703-03-000	EA	Hose Asm. - LP - 3/8" I.D. x 18" - US
•	045703-04-000	EA	Hose Asm. - LP - 3/8" I.D. x 14" - CSA
•	065959-01-000	EA	Housing - LP Gauge
•	065742-01-000	EA	Tee - .38 F x .39 F x .25 FPT
•	068046-01-000	EA	Conversion Kit - LP - Onan Generator
•	Not Illustrated		

### WINN AIR WITH LANDI-HARTOG (C-BODY)

Key	Part Number	U/M	Description
	065287-02-000	EA	Valve - Gasoline Shut-Off
	068050-07-000	EA	LP Mixer (350 Engine)
	065802-01-000	EA	Gauge - LP Level w/Hardware
	068050-05-000	EA	Switch - LP/Gas Changeover
	068050-01-000	EA	Converter - LP
	068050-02-000	EA	LP Lock Off
	068050-03-000	EA	Switch - LP - Vacuum Safety

### LOUNGE GROUP



### DOUBLE BED & SIDE BUNKS

Key	Part Number	U/M	Description
1	M75051-01-R07	EA	Cabinet Asm. - Overhead Shirt Closet - w/o Doors or Hardware
2	069852-40-R10	EA	Door Asm. - Shirt Closet - 14.3" x 33.4" - w/o Hardware
•	071847-10-R07	EA	Pad Asm. - End Cap - Shirt Closet - Vinyl
3	075061-01-R07	EA	Cabinet Asm. - Overhead Rear Right - w/o Doors or Hardware
4	069852-72-R10	EA	Door Asm. - Overhead Cabinet - 11.4" x 28.1" - w/o Hardware
5	075057-01-R07	EA	Cabinet Asm. - Overhead Rear - w/o Doors or Hardware
6	072969-01-R07	EA	Headboard Asm. - Double Bed
•	069852-59-R07	EA	Door Asm. - Double Bed - 19.8" x 10.7" - w/o Hardware
•	075063-01-R07	EA	Cabinet Asm. - Side Bunk Base
•	M73124-01-R07	EA	Cabinet Asm. - Nightstand - w/o Countertop (Bunk House)
•	M00972-01-R07	EA	Countertop Asm. - Nightstand Cabinet - Harbor Oak
•	M70621-07-R07	EA	Drawer Asm. - Nightstand Cabinet - 13.3" x 19.8" - w/o Hardware
•	Not illustrated		

### 1984 WINNEBAGO TABLE OF CONTENTS

Introduction	A-01
Abbreviations	A-01
Alphabetical Index	A-02 - A-04
WC424RC	A-05 - C-16
WCN22RC	C-17 - F-06
WCN275U	F-07 - H-20
WCN333U	H-21 - K-08

### 1984 WC424RC INDEX

Floor Plan	A-05 - A-06
Accessories Group	A-07 - A-09
Bath Group	A-10 - A-11
Chassis Group	A-12 - A-13
Curtain, Cushion & Pad Group	A-14 - A-21
Dinette Group	A-22
Driver's Compartment Group	A-23 - A-24
Electrical Group	B-01 - B-03
Exterior Body Group	B-04 - B-12
Galley Group	B-13 - B-15
Heating & Air Conditioning Group	B-16
Interior Finish Group	B-17 - B-20
LP Group	B-21
Lounge Group	B-22
Water & Sewage Group	B-23 - B-24
Window, Vent & Exterior Door Group	C-01 - C-16

**WATER & SEWAGE GROUP**

**PLUMBING & REPAIR PARTS**

Key	Part Number	U/M	Description
	033302-02-000	EA	Adapter Asm. - SWVC Strain - 1 1/2
	062422-01-000	EA	Adapter - Hose Offset - Reducer - 3" x 1 1/2"
	051101-01-000	EA	Adapter - Nose Cone - 3/8 or 1/2 - Plastic
	010224-01-000	EA	Adapter - Plastic - 3/8 MPT x 3/8 Barb
	031602-02-000	EA	Adapter - Plastic - 1 1/2 H x FPT
	062417-01-000	EA	Adapter - Termination - 3"
	004020-01-000	QT	Adhesive - ABS Cement
**	010121-01-000	EA	Bushing - Plastic - 1 1/2 S x 1 1/4 H
	010123-01-000	EA	Bushing - Plastic - 2S x 1 1/2 H
	062415-01-000	EA	Cap - Sewer - 3"
	052959-02-000	EA	Connector - 1/2 F x 1/2 MPT - Plastic
	052959-03-000	EA	Connector - 1/2 F x 3/8 MPT - Plastic
**	011091-01-000	EA	Continuous Waste - Double Sink - 11 7/8" - US
	053874-01-000	EA	Continuous Waste Asm. - Double Sink - CSA
**	050780-01-000	EA	Coupler Rubber - 3" x 3"
	052960-01-000	EA	Drain Valve - 1/2 F x 1/2 F - Plastic
	010000-01-000	EA	Elbow - Plastic - 1/8 BD x 1 1/4 x 45° H x H
	010005-01-000	EA	Elbow - Plastic - 1/16 BD x 1 1/2
	010006-01-000	EA	Elbow - Plastic - 1/8 BD x 1 1/2 x 45° H x H
	010008-01-000	EA	Elbow - Plastic - 1/4 BD x 1 1/2 x 90° Left
	010051-01-000	EA	Elbow - ST - Plastic - 1/8 BD x 1 1/2 x 45°
	010219-01-000	EA	Elbow - 1 1/4 Barb x 1 1/4 MPT x 90°
	031111-01-000	EA	Elbow - Plastic - 1/4 BD x 1 1/4 x 90° Left
	034250-01-000	EA	Elbow - Plastic - 1/4 BD x 1 1/2 x 90° x H x H
	035539-01-000	EA	Elbow - Plastic - 3/8 MPT x 3/8 Barb
	052957-01-000	EA	Elbow - Plastic - 1/2 F x 3/8 MPT
	052957-02-000	EA	Elbow - Plastic - 1/2 F x 1/2 MPT (In Tank Filter)
	059536-01-000	EA	Elbow - 1 1/4 - Slip Joint Ends
	065120-01-000	EA	Elbow - Plastic - Swivel - .50"
	070924-01-000	EA	Elbow - Plastic - Swivel - 1/2 MPT x 1/2 FP
	077954-01-000	EA	Filter/Screen (In Water Tank)
	039647-02-000	EA	Filter - Water Pump - 1/2" MPT
	039647-03-000	EA	Filter - Water Pump - 1/2" Flare
	010147-01-000	EA	Flange - Closet - 4" F x 3" FPT - US
	010147-02-000	EA	Flange - Closet - 4" F x 3" FPT - CSA
	044928-01-000	FT	Flexible Tubing - 1 1/4 I.D. x 10'
	061607-01-000	EA	Grommet - Holding Tank Coupler - 1 1/2"
	061607-02-000	EA	Grommet - Holding Tank Coupler - 3"
	062419-02-000	EA	Handle - Extension - w/6" Adapter
	052961-01-000	EA	Header - 1/2 F x 1/2 F x 1/2 F x 1/2 F
**	046524-01-000	EA	Kit - Holding Tank Fittings - Blank Tank
**	046524-02-000	EA	Kit - Water Tank Fittings - Blank Tank
	052953-01-000	EA	Nut - Faucet - 1/2 Tube x 1/2 FPT
	052952-01-000	EA	Nut - 1/2 F - Plastic
**	011066-01-000	EA	P-Trap - 1 1/4" - Plastic - US
**	011066-02-000	EA	P-Trap - 1 1/4" - Plastic - CSA
	053335-01-000	EA	P-Trap - Plastic - 1 1/4 H x H - w/Unlon - CSA
	045729-01-000	EA	Pump - Water - 2.8 G.P.M. - Direct Drive - Shurflo - US
	045729-02-000	EA	Pump - Water - 2.8 G.P.M. - Direct Drive - Shurflo - CSA
**	010201-01-000	EA	Sewer Hose - 3" x 8' w/Clamp
	042989-02-000	EA	Spinweld Fittings - Plastic - 1/2 FPT (In Tank Filter)
	010071-01-000	EA	Tee - Plastic - 1 1/2 x H x H x H
	010072-01-000	EA	Tee - Plastic - 1 1/2 H x 1 1/4 H x 1 1/2 H
**	010079-01-000	EA	Tee - Plastic - 1 1/2 H x 1 1/2 H x 1 1/4 H
	046172-01-000	EA	Tee - Plastic - 3/8 B x 3/8 B x 3/8 MPT
	052955-01-000	EA	Tee - Plastic - 1/2 F x 1/2 F x 1/2 MPT
	052956-01-000	EA	Tee - Plastic - 1/2 F x 1/2 MPT x 1/2 F
	052958-01-000	EA	Tee - Plastic - 1/2 F x 1/2 F x 1/2 F
**	010133-01-000	EA	Trap Adapter - Plastic - 1 1/2 H x MPT
	039800-01-000	FT	Tubing - Polybutyl - 1/2 O.D. (Water Line)
	072346-01-000	EA	Valve Asm. - 3" Ell - w/2" Socket
	062421-01-000	EA	Valve - 1 1/2" - w/Handle
	062418-02-000	EA	Valve - 3" - w/o Handle
	052962-01-000	EA	Valve - Stool - 90° x 1/2 F x 3/8 MPT

\*\* The illustrated parts breakdown for this item is provided on the Common Items Fiche.

**WATER & SEWAGE GROUP (CONTINUED)**

**HOLDING TANKS AND WATER HEATERS**

Key	Part Number	U/M	Description
	M01275-41-000	EA	Tank Asm. - Water - 16 Gallon - w/Fittings
	074510-01-000	EA	Tank - Water - 16 Gallon - w/o Fittings
	053520-05-000	EA	Tank Asm. - Water - 20 Gallon - w/Fittings
	053520-01-000	EA	Tank - Water - 20 Gallon - w/o Fittings
	M01275-06-000	EA	Tank Asm. - Waste Water - 35 Gallon - w/Fittings
	074861-01-000	EA	Tank - Waste Water - 35 Gallon - w/o Fittings
	M01275-04-000	EA	Tank Asm. - Sewage - 30 Gallon - w/Fittings
	074870-01-000	EA	Tank - Sewage - 30 Gallon - w/o Fittings
**	051391-01-000	EA	Water Heater - w/o Motor Aid - Atwood - G6A-3
**	051391-03-000	EA	Water Heater - w/Motor Aid - Atwood - G6A-3E

\*\* The illustrated parts breakdown for this item is provided on the Common Items Fiche.

**1984 WINNEBAGO  
TABLE OF CONTENTS**

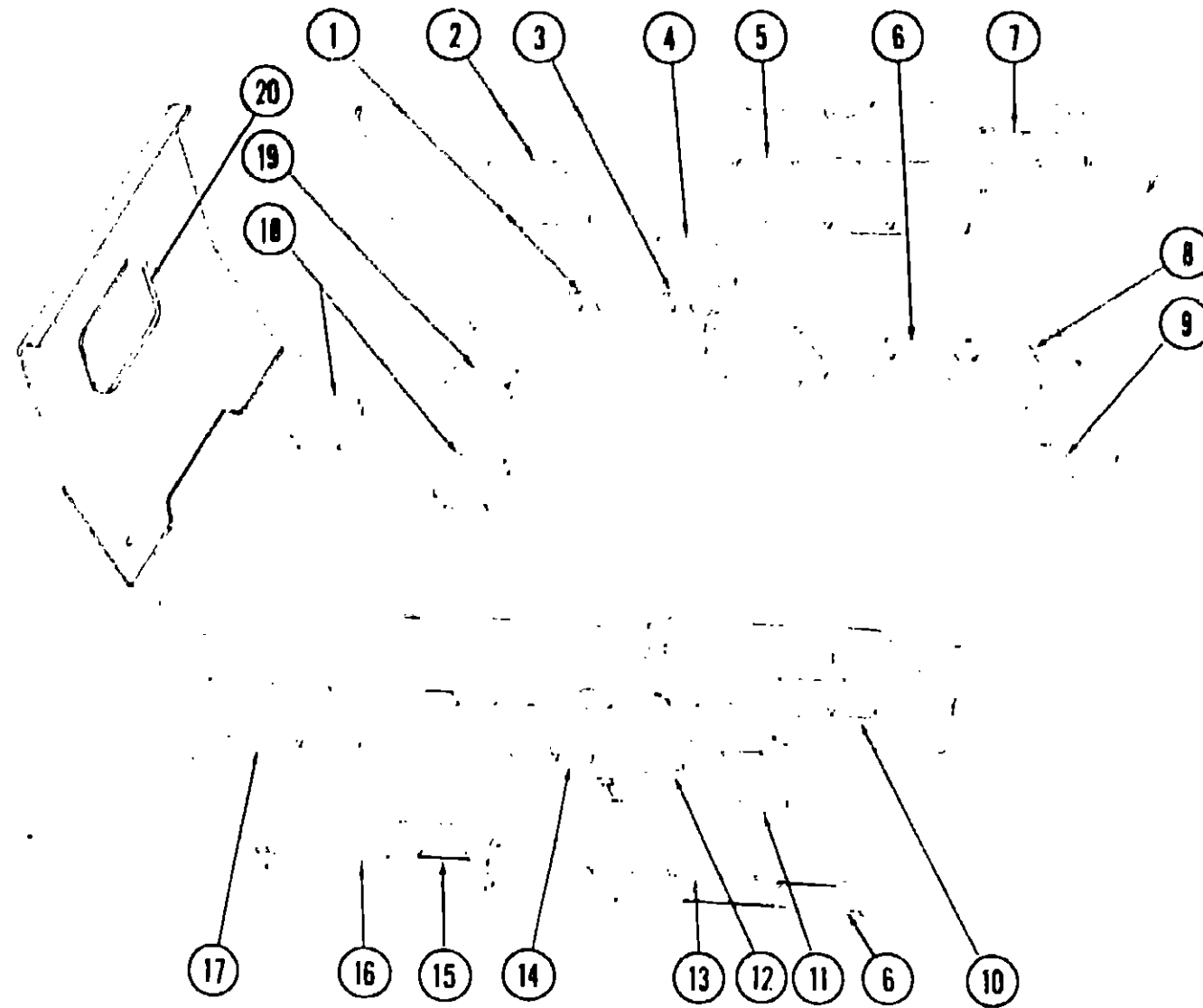
Introduction	A-01
Abbreviations	A-01
Alphabetical Index	A-02 - A-04
WC424RC	A-05 - C-16
WCN22RC	C-17 - F-06
WCN27RU	F-07 - H-20
WCN33RU	H-21 - K-08

**1984 WC424RC INDEX**

Floor Plan	A-05 - A-06
Accessories Group	A-07 - A-09
Bath Group	A-10 - A-11
Chassis Group	A-12 - A-13
Curtain, Cushion & Pad Group	A-14 - A-21
Dinette Group	A-22
Driver's Compartment Group	A-23 - A-24
Electrical Group	B-01 - B-03
Exterior Body Group	B-04 - B-12
Galley Group	B-13 - B-15
Heating & Air Conditioning Group	B-16
Interior Finish Group	B-17 - B-20
LP Group	B-21
Lounge Group	B-22
Water & Sewage Group	B-23 - B-24
Window, Vent & Exterior Door Group	C-01 - C-16

# WINDOW, VENT & EXTERIOR DOOR GROUP

## WINDOWS & ACCESS DOORS



Key	Part Number	U/M	Description
1	NOTE	EA	Door Asm. - Fuel Fill (See Access Doors)
2	042959-03-000	EA	Window Asm. - Rear Escape - 22.5" x 24.5" - Black (w/o inside frame)
3	NOTE	EA	Door Asm. - Power Cord (See Access Doors)
4	069762-02-000	EA	Door Asm. - Refrigerator Access - Off White - w/Twist Lock
5	075738-01-000	EA	Window Asm. - Double Slider - (w/o inside frame)
6	033333-62-000	EA	Door Asm. - Battery/Storage - 9" x 21.7" - Aluminum Sidewalls
6	076906-02-000	EA	Door Asm. - Battery/Storage - 9" x 21.7" - Fiberglass Sidewalls
7	048632-04-000	EA	Window Asm. - Bunk - Slanted Slider - Left - Black (w/o inside frame)
8	033333-61-000	EA	Door Asm. - LP - 9" x 21.7" - w/Twist Lock - Aluminum Sidewalls
8	076906-01-000	EA	Door Asm. - LP - 9" x 21.7" - w/Twist Lock - Fiberglass Sidewalls
9	041936-01-000	EA	Window Asm. - Front Picture - 14" x 69" - Black (w/o inside frame)
10	048632-03-000	EA	Window Asm. - Bunk - Slanted Slider - Right - Black (w/o inside frame)
11	074348-01-000	EA	Window Asm. - Vertical Slider - Black (w/o inside frame)
12	041875-09-000	EA	Window Asm. - Picture - 17" x 25" - Black (w/o inside frame)
13	M01414-04-000	EA	Door Asm. - Radius Entry w/Screen Door - Aluminum
13	M01414-08-000	EA	Door Asm. - Radius Entry w/Screen Door - Greyhound Fiberglass
13	M01414-09-000	EA	Door Asm. - Radius Entry w/Screen Door - Mesa Fiberglass
14	048631-03-000	EA	Window Asm. - Right Single Slider - 20" x 25" - Black (w/o inside frame)

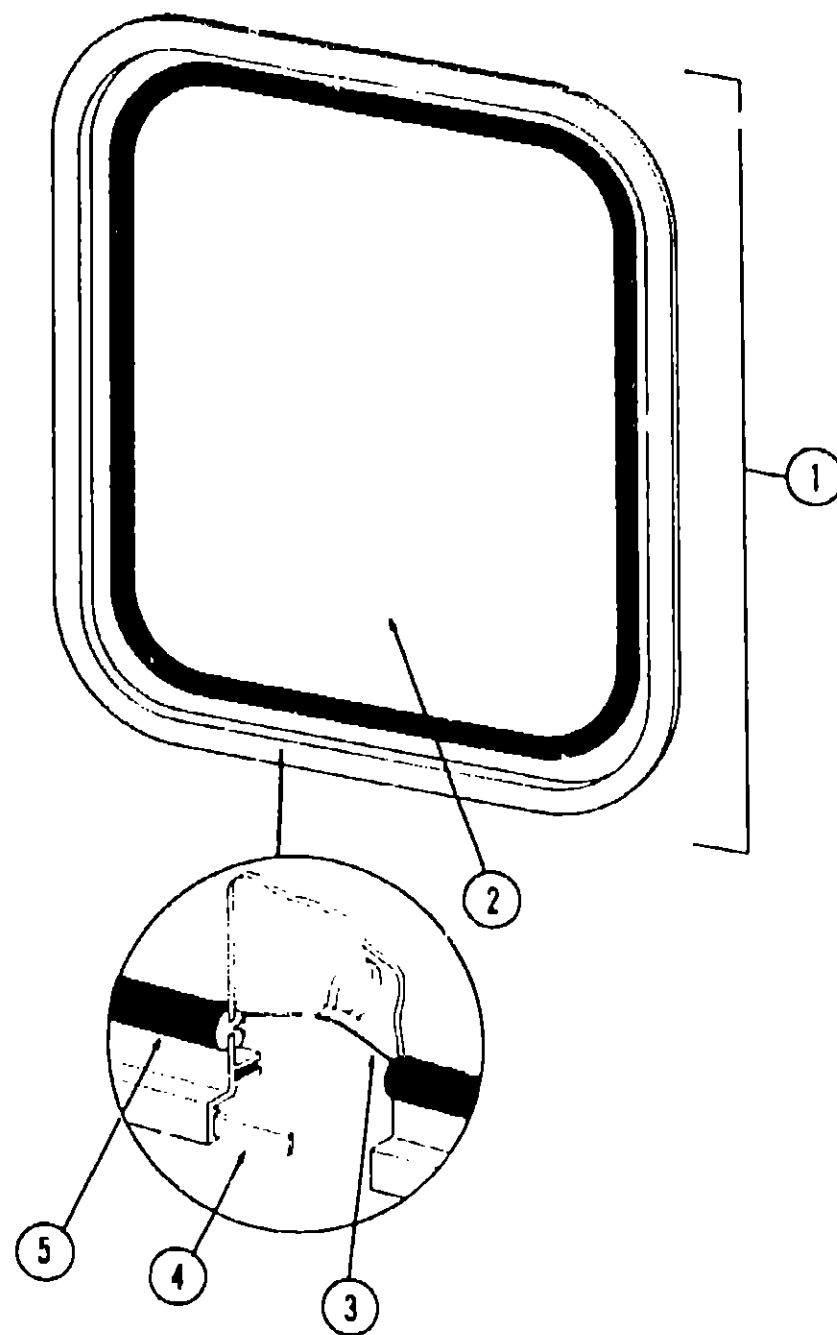
Key	Part Number	U/M	Description
15	052009-01-000	EA	Door Asm. - Water Heater - Off White
16	047233-02-000	EA	Door Asm. - Luggage - 13.5" x 35.5" - w/Key Lock - Aluminum Sidewalls
16	M00685-07-000	EA	Door Asm. - Generator - 13.5" x 35.5" - w/o Baffle - Aluminum Sidewalls
16	076854-03-000	EA	Door Asm. - Luggage - 13.5" x 35.5" - w/Key Lock - Fiberglass Sidewalls
16	M01552-03-000	EA	Door Asm. - Generator - 13.5" x 35.5" - w/o Baffle - Fiberglass Sidewalls
17	048631-19-000	EA	Window Asm. - Right Single Slider - 25" x 44" - Black (w/o inside frame)
**	045556-06-000	EA	Window Asm. - Right Single Slider - 15" x 37" - Black (w/o inside frame)
18	048835-01-000	EA	Vent Asm. - Roof - Non Powered - w/o Screen - Alum.
18	048789-01-000	EA	Vent Asm. - Roof - Powered - w/o Screen - Alum.
18	064469-02-000	EA	Vent Asm. - Roof - Powered - w/o Screen - 14" x 14" - CSA
19	071290-02-000	EA	Cover - Refrigerator Vent - 11 5/8" x 24 3/4" - Galvanized Steel
*	071290-01-000	EA	Frame Asm. - Refrigerator Vent - 7.5" x 26.5" - Galvanized Steel
20	020751-03-000	EA	Window Asm. - Rear Escape - 23" x 29" - Black (w/o inside frame)
**	041875-02-000	EA	Window Asm. - Picture - 13" x 23" - Black (w/o inside frame)
**	Not illustrated		
**	Parts for bunkhouse option (Not illustrated)		

## 1984 WINNEBAGO TABLE OF CONTENTS

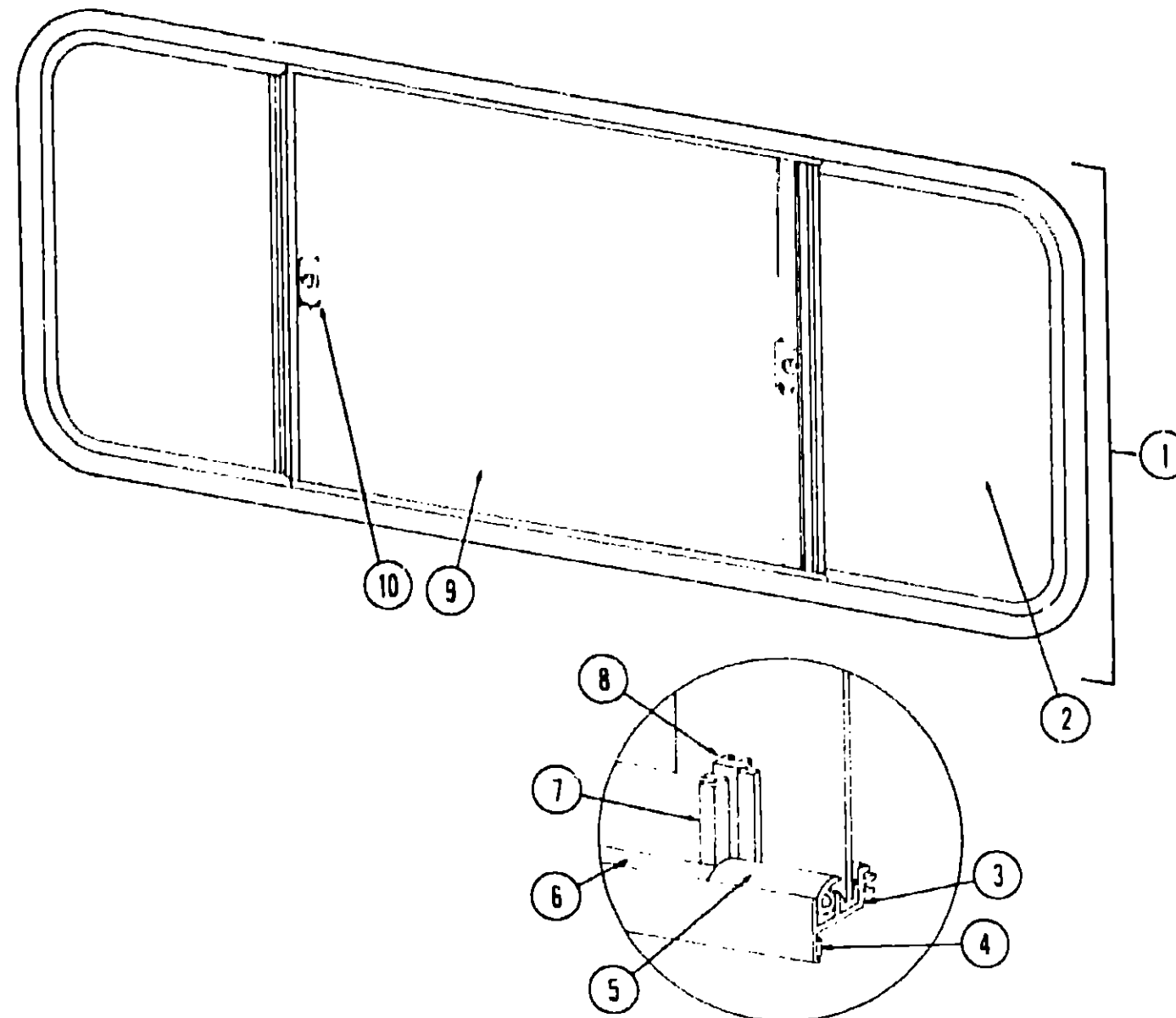
Introduction	A-01
Abbreviations	A-01
Alphabetical Index	A-02 - A-04
WC424RC	A-05 - C-10
WCN22RC	C-17 - F-06
WCN27RU	F-07 - H-20
WCN33RU	H-21 - K-08

## 1984 WC424RC INDEX

Floor Plan	A-05 - A-06
Accessories Group	A-07 - A-09
Bath Group	A-10 - A-11
Chassis Group	A-12 - A-13
Curtain, Cushion & Pad Group	A-14 - A-21
Dinette Group	A-22
Driver's Compartment Group	A-23 - A-24
Electrical Group	B-01 - B-03
Exterior Body Group	B-04 - B-12
Galley Group	B-13 - B-15
Heating & Air Conditioning Group	B-16
Interior Finish Group	B-17 - B-20
LP Group	B-21
Lounge Group	B-22
Water & Sewage Group	B-23 - B-24
Window, Vent & Exterior Door Group	C-01 - C-16



Key	Part Number	U/M	Description
1	042959-03-000	EA	Window Asm. - Rear Escape - 22.5" x 24.5" - Black (w/o inside frame)
.	072842-01-000	EA	Inside Frame - Escape Window - Beige (not included in assembly)
2	041392-03-000	EA	Glass - 1/8" x 19.6" x 21.65"
3	002285-01-000	FT	Filler - Weatherstrip - Black
4	069640-06-000	FT	Ribbon Sealer - 5/16" Bead x 15'
5	002282-01-000	FT	Weatherstrip - .125" Window
.	006199-01-000	EA	Label - Exit - Escape Window
.			Not illustrated



Key	Part Number	U/M	Description
1	075738-01-000	EA	Window Asm. - Double Slider (w/o inside frame)
.	067609-06-000	EA	Inside Frame - Beige (not included in assembly)
2	047822-04-000	EA	Glass - Sliding - 1/8" x 24" x 21.03"
3	002324-02-000	FT	Channel - Weatherstrip - Glass
4	069640-06-000	FT	Ribbon Sealer - 5/16" Bead x 15'
5	057374-02-000	FT	Extr. Vinyl - Window Seal - Black
6	002309-02-000	FT	Spline - Glass - 1/8" Material - Black
7	M69886-03-003	EA	Seal Holder w/Fin Seal - 23.19" - Black
8	069896-02-000	EA	Mullion - Slider Window - Black
9	002188-05-000	EA	Glass - Stationary - .125" x 24" x 25.5"
10	047369-01-700	EA	Latch Kit - Window - Plastic - w/Fastener
.	002293-01-000	SF	Screen - Window - 26" - Gray
.	002298-01-000	FT	Spline - Screen - .130" Dia - Gray
.	073740-01-000	FT	Seal - Fin - Pile - .460"
.			Not illustrated

1984 WINNEBAGO  
TABLE OF CONTENTS

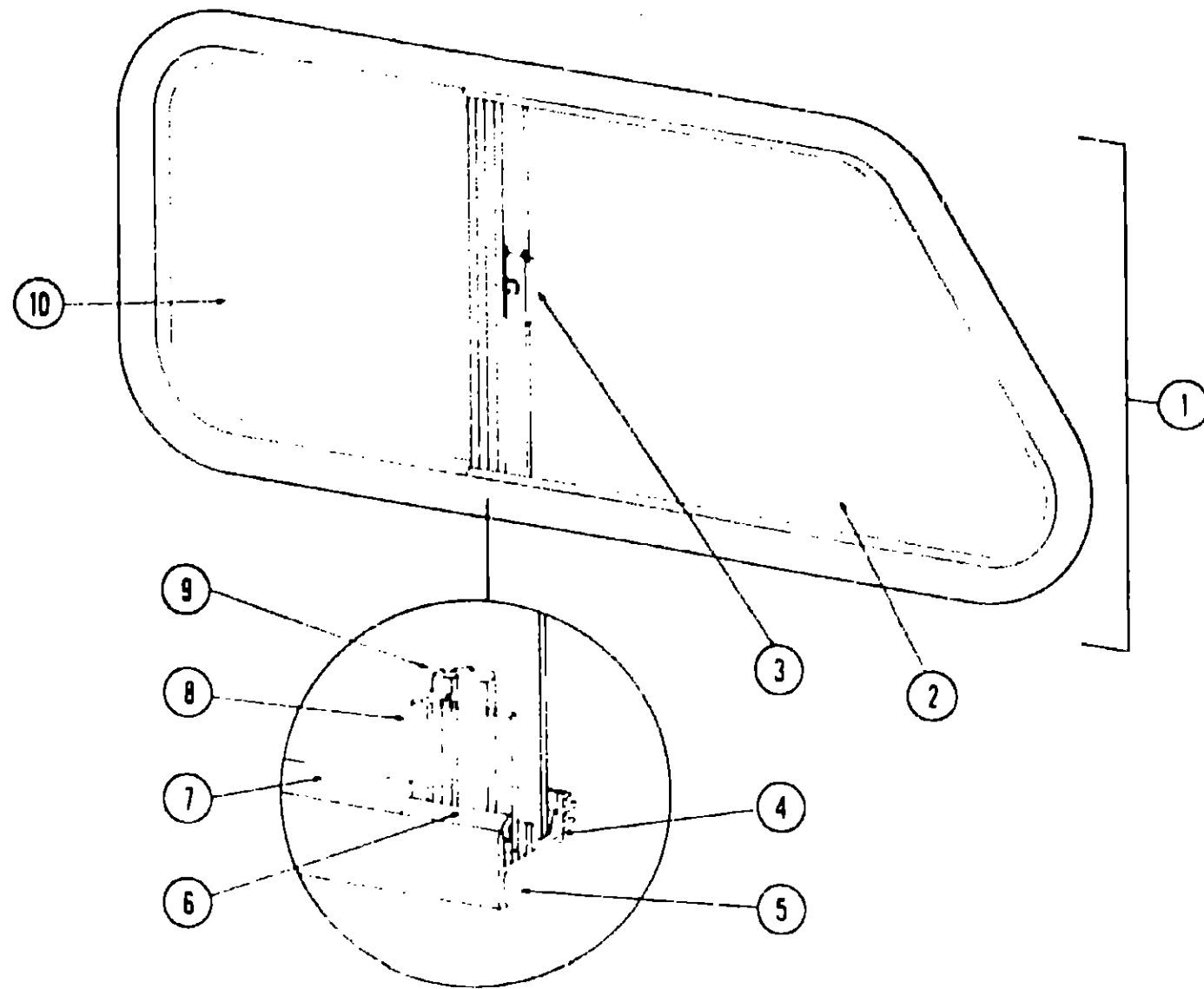
Introduction	A-01
Abbreviations	A-01
Alphabetical Index	A-02 - A-04
WC424RC	A-05 - C-16
WCN22RC	C-17 - F-06
WCN27RU	F-07 - H-20
WCN33RU	H-21 - K-08

1984 WC424RC INDEX

Floor Plan	A-05 - A-06
Accessories Group	A-07 - A-09
Bath Group	A-10 - A-11
Chassis Group	A-12 - A-13
Curtain, Cushion & Pad Group	A-14 - A-21
Dinette Group	A-22
Driver's Compartment Group	A-23 - A-24
Electrical Group	B-01 - B-03
Exterior Body Group	B-04 - B-12
Galley Group	B-13 - B-15
Heating & Air Conditioning Group	B-16
Interior Finish Group	B-17 - B-20
LP Group	B-21
Lounge Group	B-22
Water & Sewage Group	B-23 - B-24
Window, Vent & Exterior Door Group	C-01 - C-16

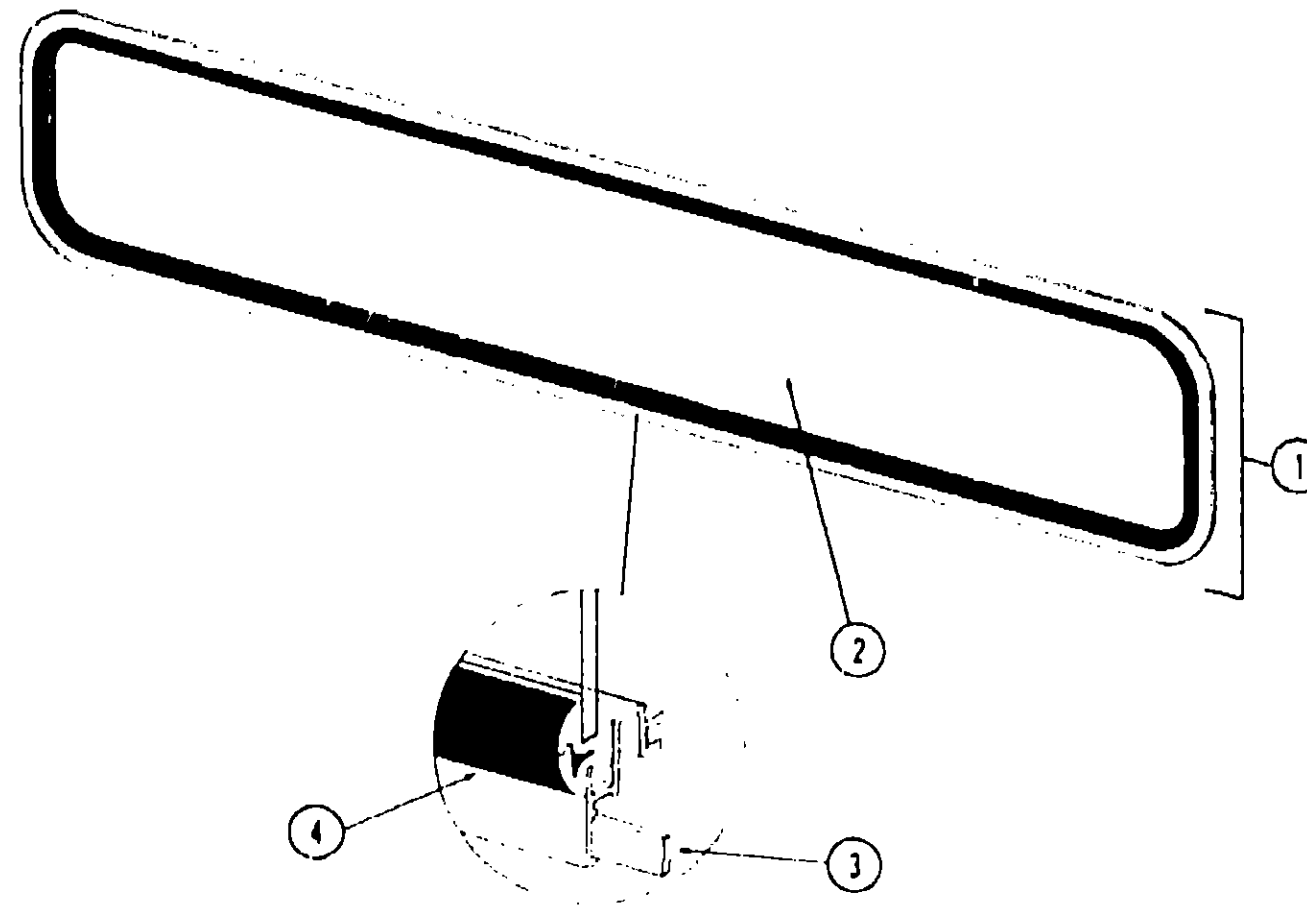


**WINDOW, VENT & EXTERIOR DOOR GROUP (CONTINUED)**



Key	Part Number	U/M	Description
1	048632-04-000	EA	Window Asm - Bunk - Slanted Slider - Left - Black (w/o inside frame)
1	048632-03-000	EA	Window Asm - Bunk - Slanted Slider - Right - Black (w/o inside frame)
2	040919-01-000	EA	Glass - 1/8" x 19.42" - Gray - Stationary
3	047369-01-700	EA	Latch Kit - Window - Plastic w/Fastener
4	002324-02-000	FT	Channel - Weatherstrip - Glass Run - 3/16" Glass
5	069640-06-000	FT	Ribbon Sealer Tape - 5/16" Bead x 15'
6	002309-02-000	FT	Spline - Glass - 1/8" - Black
7	057374-02-000	FT	Extr. Vinyl - Window Seal - Black
8	M69886-03-005	EA	Holder - Glass Seal - Extr. - Black - 11.23"
9	069896-04-000	EA	Mullion - Black
10	047815-01-000	EA	Glass - 1/8" x 11.81" - Gray - Sliding
.	041928-02-000	FT	Seal - Window Channel
.	023713-02-000	EA	Weephole Cover - Black
.	002298-01-000	FT	Spline - Screen - .130" Dia.
.	002291-01-000	SF	Screen - Window - 16" - Gray
.	073740-01-000	FT	Seal - Fin - Pile - .460"
.			Not illustrated

**WINDOW, VENT & EXTERIOR DOOR GROUP (CONTINUED)**



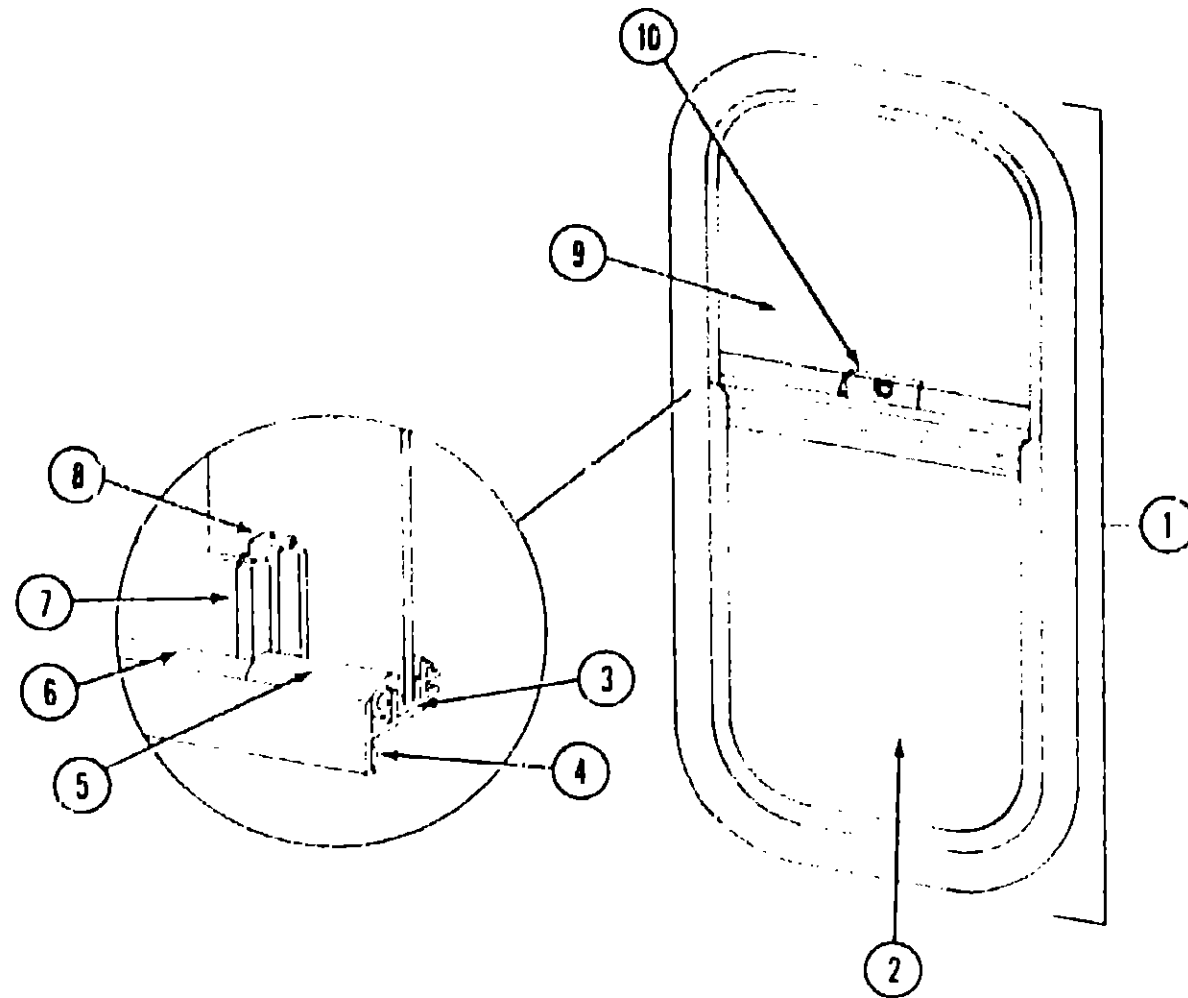
Key	Part Number	U/M	Description
1	041936-01-000	EA	Window Asm - Front Picture - 14" x 69" - Black (w/o inside frame)
.	041938-03-000	EA	Inside Frame - Picture Window - Beige (not included in assembly)
2	002200-02-000	EA	Glass - TP - Picture Window
3	069640-06-000	FT	Ribbon Sealer - 5/16" Bead x 15'
4	002281-01-000	FT	Weatherstrip - Self Seal - .06" Panel x 3/16" - Black
.			Not illustrated

**1984 WINNEBAGO  
TABLE OF CONTENTS**

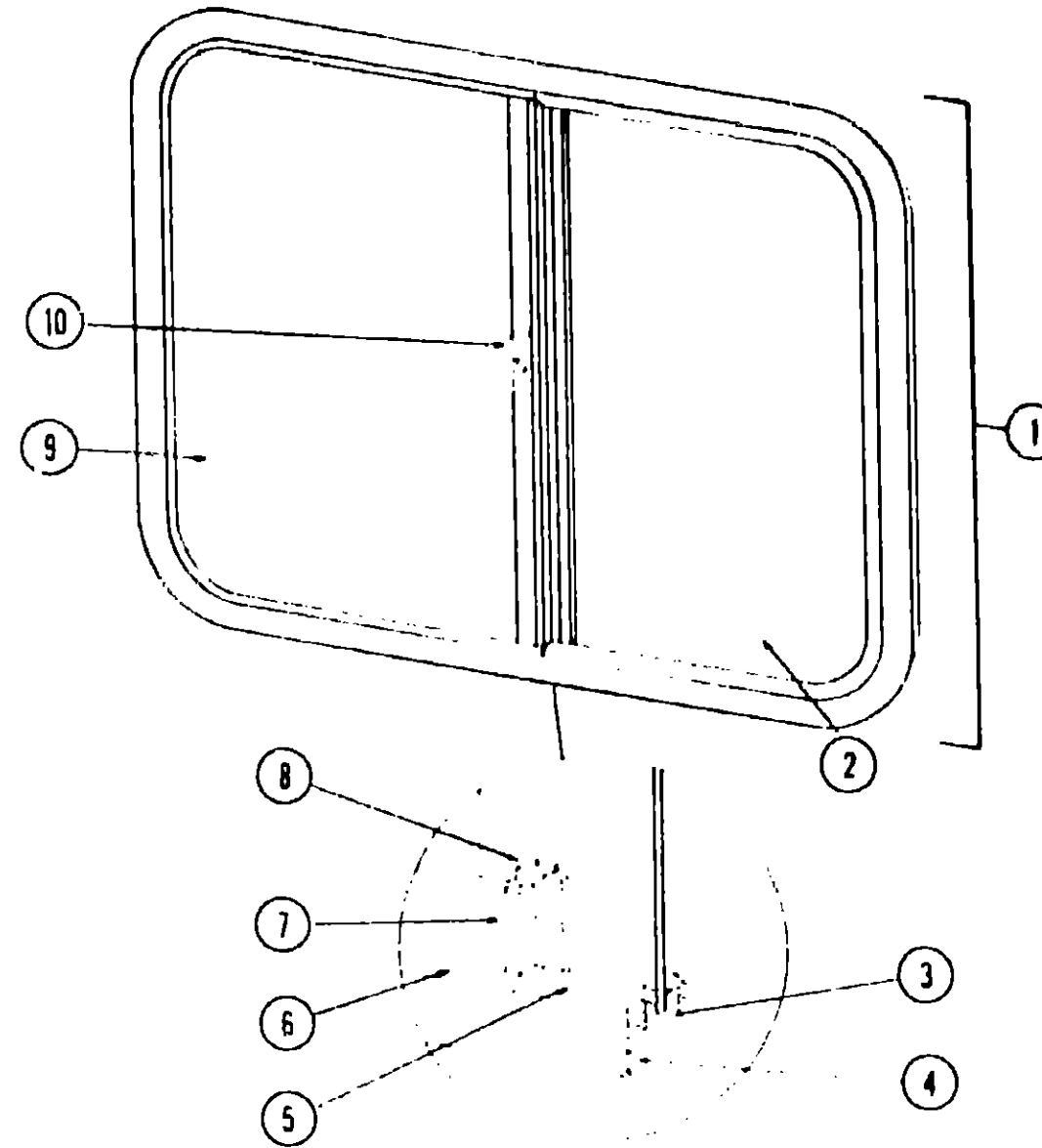
Introduction	A-01
Abbreviations	A-01
Alphabetical Index	A-02 - A-04
WC424RC	A-05 - C-16
WCN27RC	C-17 - F-06
WCN27RU	F-07 - H-20
WCN33RU	H-21 - K-08

**1984 WC424RC INDEX**

Floor Plan	A-05 - A-06
Accessories Group	A-07 - A-09
Bath Group	A-10 - A-11
Chassis Group	A-12 - A-13
Curtain, Cushion & Pad Group	A-14 - A-21
Dinette Group	A-22
Driver's Compartment Group	A-23 - A-24
Electrical Group	B-01 - B-03
Exterior Body Group	B-04 - B-12
Galley Group	B-13 - B-15
Heating & Air Conditioning Group	B-16
Interior Finish Group	B-17 - B-20
LP Group	B-21
Lounge Group	B-22
Water & Sewage Group	B-23 - B-24
Window, Vent & Exterior Door Group	C-07 - C-16



Key	Part Number	U/M	Description
1	074348-01-000	EA	Window Asm - Vertical Slider - Black (w/o inside frame)
•	067E09-10-000	EA	Inside Frame - Beige (not included in assembly)
2	002208-02-000	EA	Glass - Sliding - 1/8" x 14.4" x 19"
3	002324-02-000	FT	Channel - Weatherstrip - Glass
4	069640-06-000	FT	Ribbon Sealer - 5/16" Bead x 15'
5	057374-02-000	FT	Extr. Vinyl - Window Seal - Black
6	002309-02-000	FT	Spline - Glass - 1/8" Material - Black
7	M69886-03-007	EA	Seal Holder w/Fin Seal - 13.60" - Black
8	069896-06-000	EA	Mullion - Slider Window - Black
9	048324-02-000	EA	Glass - Stationary - 1.8" x 14.4" x 19"
10	047369-01-700	EA	Latch Kit - Window - Plastic w/Fastener
•	002291-01-000	SF	Screen - Window - 16" - Gray
•	002298-01-000	FT	Spline - .130" Dia. - Gray (Screen)
•	073740-01-000	FT	Seal - Fin - Pile - .460"
•			Not illustrated



Key	Part Number	U/M	Description
1	048631-03-000	EA	Window Asm - Right Single Slider - 20" x 25" - Black (w/o inside frame)
•	042147-12-000	EA	Inside Frame - Beige (not included in assembly)
2	047820-01-000	EA	Glass - Sliding - w/Hole - 1/8" x 13/68" x 19"
3	041894-12-000	EA	Mullion - Slider Window - Black
4	002324-02-000	FT	Channel - Weatherstrip - Glass
5	069640-06-000	FT	Ribbon Sealer - 5/16" Bead x 15'
6	057374-02-000	FT	Extr Vinyl - Window Seal - Black
7	002309-02-000	FT	Spline - Glass - 1/8" Material - Black
8	M69886-03-011	EA	Seal Holder w/Fin Seal - 18.19" - Black
9	002241-02-000	EA	Glass - Stationary - 1.8" x 12.3" x 19"
10	047369-01-700	EA	Latch Kit - Window - Plastic - w/Fastener
•	041928-02-000	FT	Seal - Window Channel
•	002293-01-000	SF	Screen - Window - 26" - Gray
•	002298-01-000	FT	Spline - Screen - 130" Dia - Gray
•	073740-01-000	FT	Seal - Fin - Pile - .460"
•			Not illustrated

1984 WINNEBAGO  
TABLE OF CONTENTS

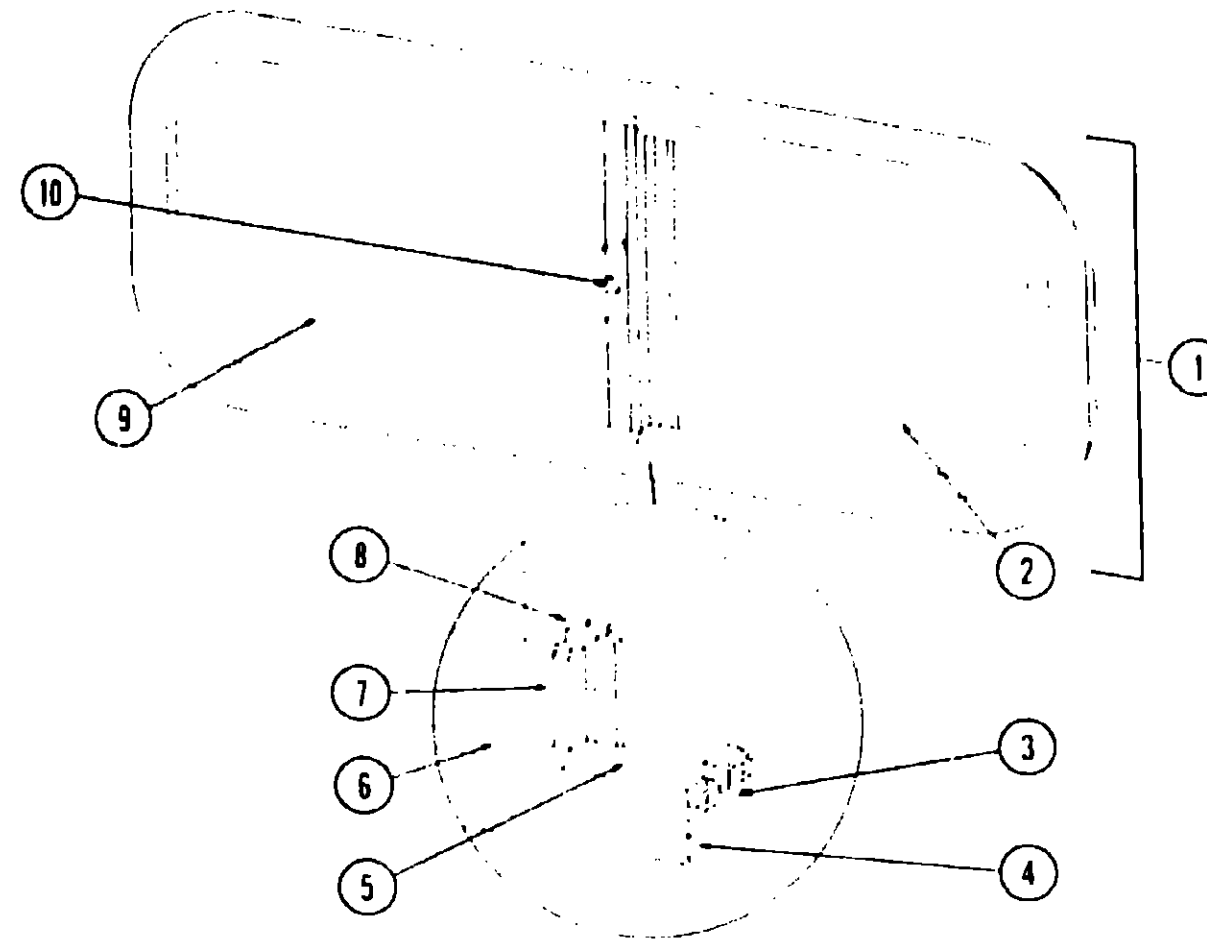
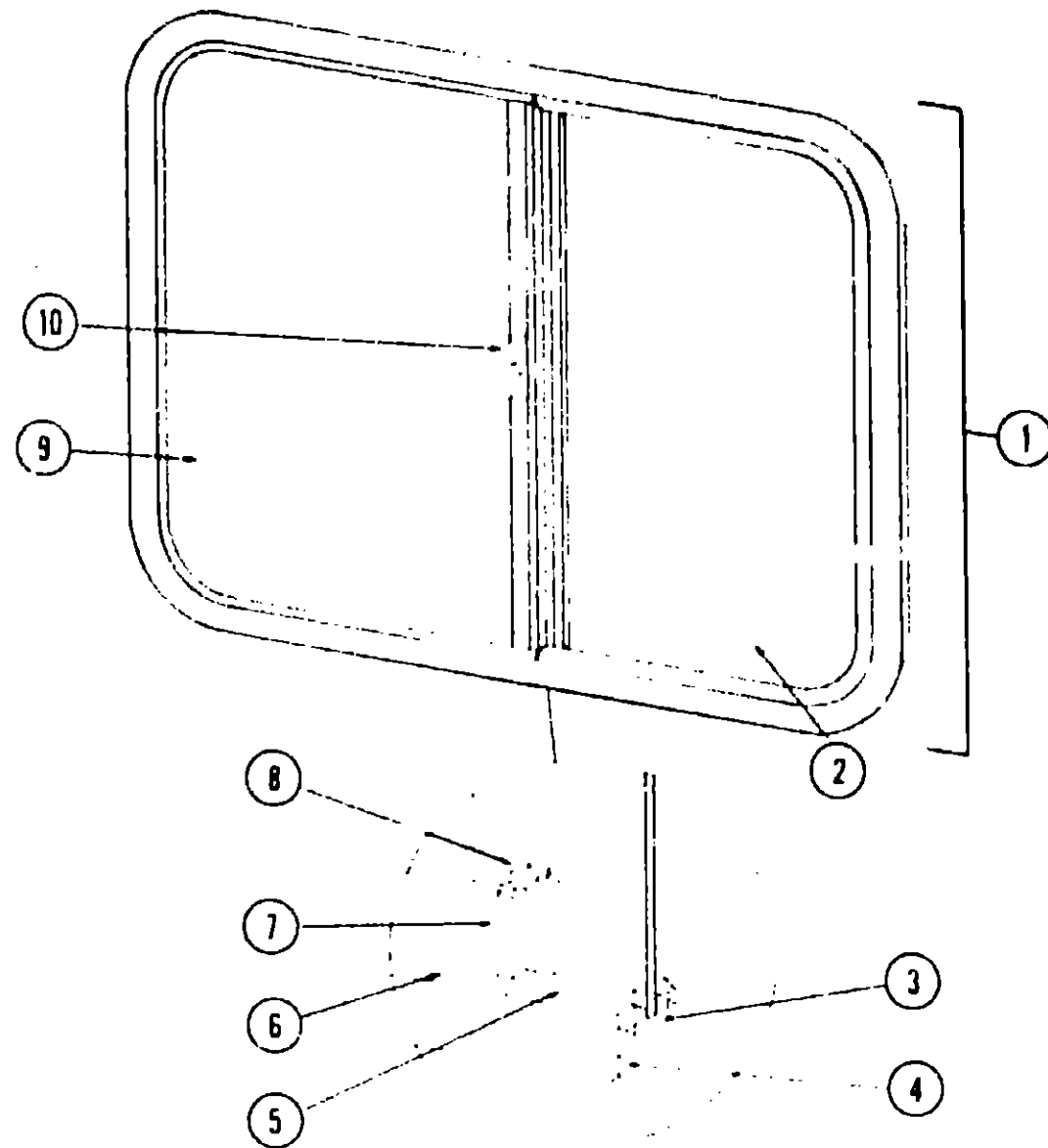
Introduction	A-01
Abbreviations	A-01
Alphabetical Index	A-02 - A-04
WC424RC	A-05 - C-16
WCN22RC	C-17 - F-06
WCN27RU	F-07 - H-20
WCN33RU	H-21 - K-08

1984 WC424RC INDEX

Floor Plan	A-05 - A-06
Accessories Group	A-07 - A-09
Bath Group	A-10 - A-11
Chassis Group	A-12 - A-13
Curtain, Cushion & Pad Group	A-14 - A-21
Dinette Group	A-22
Driver's Compartment Group	A-23 - A-24
Electrical Group	B-01 - B-03
Exterior Body Group	B-04 - B-12
Galley Group	B-13 - B-15
Heating & Air Conditioning Group	B-16
Interior Finish Group	B-17 - B-20
LP Group	B-21
Lounge Group	B-22
Water & Sewage Group	B-23 - B-24
Window, Vent & Exterior Door Group	C-01 - C-16

**WINDOW, VENT & EXTERIOR DOOR GROUP (CONTINUED)**

**WINDOW, VENT & EXTERIOR DOOR GROUP (CONTINUED)**



**1984 WINNEBAGO  
TABLE OF CONTENTS**

Introduction	A-01
Abbreviations	A-01
Alphabetical Index	A-02 - A-04
WC424RC	A-05 - C-16
WCN22RC	C-17 - F-06
WCN27RU	F-07 - H-20
WCN33RU	H-21 - K-08

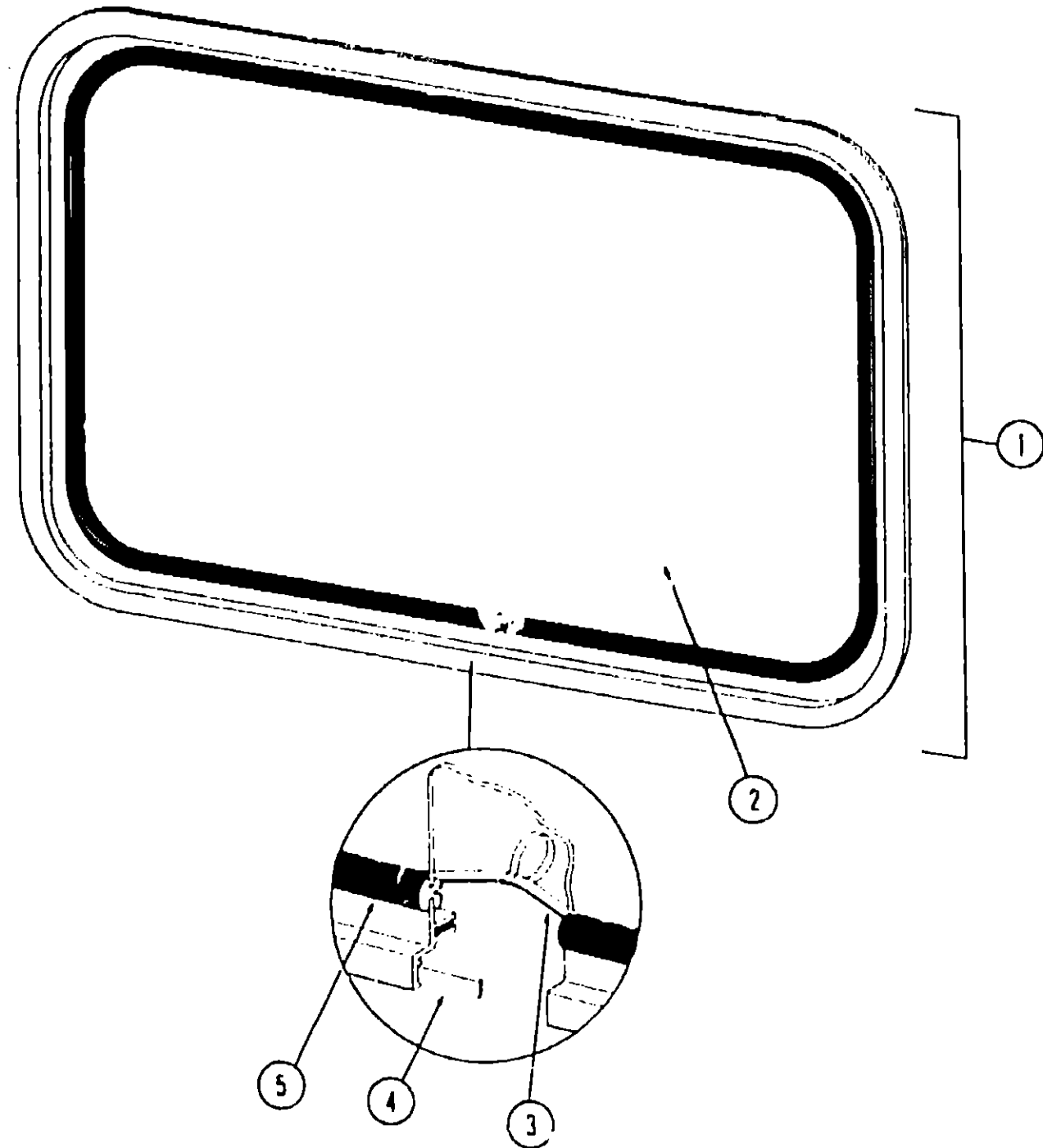
Key	Part Number	U/M	Description
1	048631-19-000	EA	Window Asm. - Right Single Slider - 25" x 44" - Black (w/o inside frame)
	067609-13-000	EA	Inside Frame - Single Slider - 24 66" x 43 44" - Beige (not included in assembly)
2	047822-04-000	EA	Glass - Sliding - 1/8" x 24" x 21 03" - Gray
3	002324-02-000	FT	Channel - Weatherstrip - Glass Run - 1 8" Glass
4	069640-06-000	FT	Ribbon Sealer - 5/16" Bead x 15'
5	057374-02-000	FT	Extr Vinyl - Window Seal - Black
6	002309-02-000	FT	Spline - Glass - 1 8" - Black
7	M69886-03-0G3	EA	Seal Holder w/Fin Seal - 23 19" - Black
	073740-01-000	FT	Seal - Fin - Pile - 460"
8	069896-02-000	EA	Mullion - Black
	042076-01-000	FT	Weatherstrip - Mullion - .34 Pile
9	002183-03-000	EA	Glass - Stationary - 1/8" x 24" x 23 49" - Gray
10	047369-01-700	EA	Latch Kit - Window - Plastic w/Fastener
	023713-02-000	EA	Weephole Cover - Black Plastic
	002293-01-000	SF	Screen - Window - 26" - Gray
	002298-01-000	FT	Spline - Screen - 13" Dia - Gray
			Not illustrated

Key	Part Number	U/M	Description
1	045556-06-000	EA	Window Asm. - Right Single Slider - 15" x 37" - Black (w/o inside frame)
	067609-10-000	EA	Inside Frame - Single Slider Window - Beige - 15" x 37" (not included in assembly)
2	048324-02-000	EA	Glass - Sliding - 1/8" x 14 4" x 19" - Gray
3	002324-02-000	FT	Channel - Weatherstrip - Glass Run - 1/8" Glass
4	069640-05-000	FT	Ribbon Sealer - 5/16" Bead x 15'
5	057374-02-000	FT	Seal - Window Channel - 1/8" Glass - Black
6	002309-02-000	FT	Spline - Glass - 1/8" - Black
7	M69886-03-007	EA	Seal Holder w/Fin Seal - 13 60" - Black
8	069896-06-000	EA	Mullion - Slider Window - Black
9	002208-02-000	EA	Glass - Stationary - 1/8" x 14 4" x 19" - Gray
	047369-01-700	EA	Latch Kit - Window - Plastic w/Fastener
	023813-02-000	EA	Weephole Cover - Plastic - Black
	002298-01-000	FT	Spline - Gray - 130" Dia (Screen)
	002291-01-000	SF	Screen - Window - 16" - Gray
	073740-01-000	FT	Seal - Fin - Pile - 460"
			Not illustrated

**1984 WC424RC INDEX**

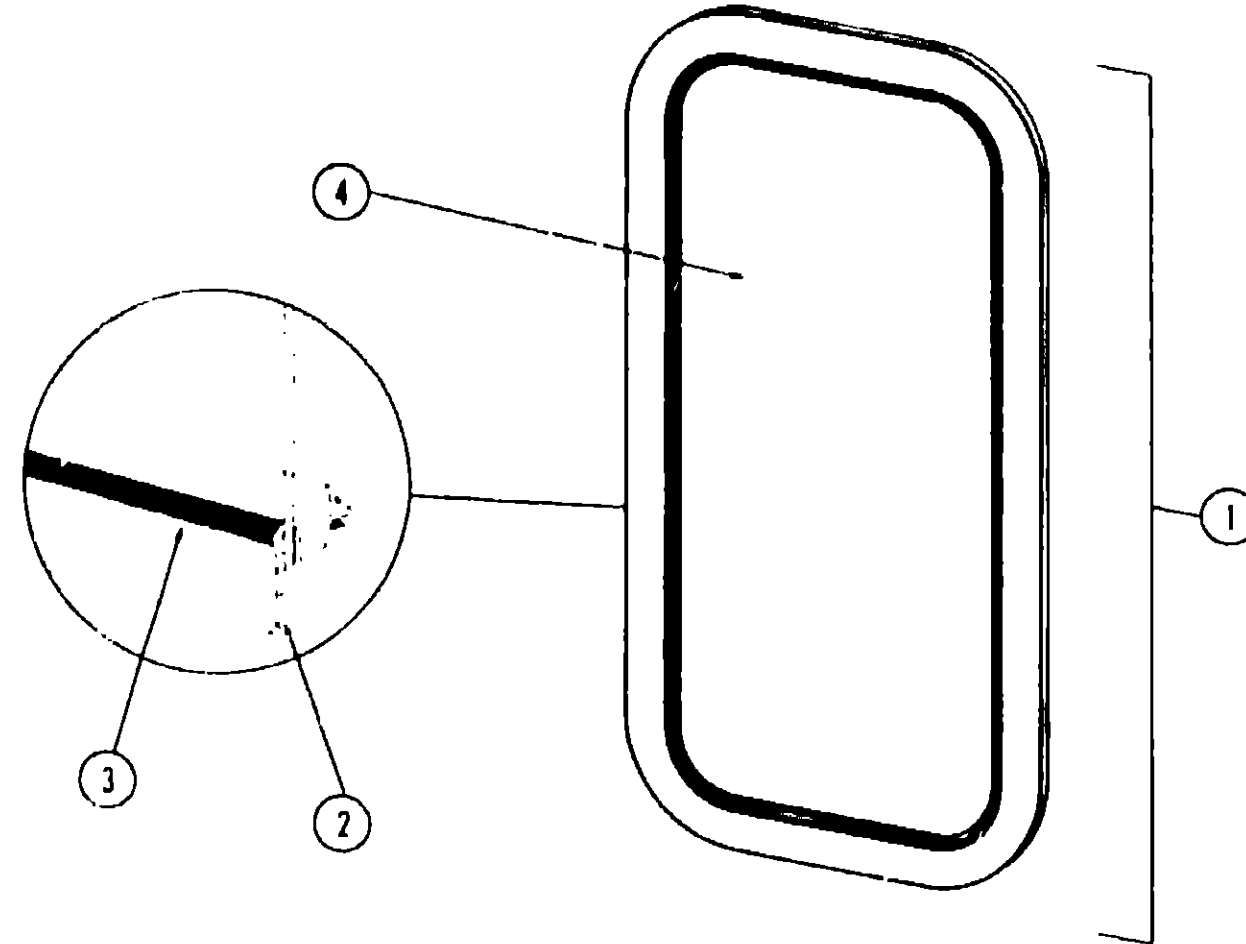
Floor Plan	A-05 - A-06
Accessories Group	A-07 - A-09
Bath Group	A-10 - A-11
Chassis Group	A-12 - A-13
Curtain, Cushion & Pad Group	A-14 - A-21
Dinette Group	A-22
Driver's Compartment Group	A-23 - A-24
Electrical Group	B-01 - B-03
Exterior Body Group	B-04 - B-12
Galley Group	B-13 - B-15
Heating & Air Conditioning Group	B-16
Interior Finish Group	B-17 - B-20
LP Group	B-21
Lounge Group	B-22
Water & Sewage Group	B-23 - B-24
Window, Vent & Exterior Door Group	C-01 - C-16

**WINDOW, VENT & EXTERIOR DOOR GROUP (CONTINUED)**



Key	Part Number	U/M	Description
1	020751-03-000	EA	Window Asm - Rear Escape - 23" x 29" - Black (w/o inside frame)
.	020749-05-000	EA	Inside Frame - Escape Window - Beige (not included in assembly)
2	002174-01-000	EA	Glass - 1/8" x 19 6" x 25 92"
3	002285-01-000	FT	Filler - Weatherstrip - Black
4	069640-06-000	FT	Ribbon Sealer - 5/16" Bead x 15'
5	002282-01-000	FT	Weatherstrip - 125" Window
.	006199-01-000	EA	Label - Exit - Escape Window
.			Not illustrated

**WINDOW, VENT & EXTERIOR DOOR GROUP (CONTINUED)**



Key	Part Number	U/M	Description
1	041875-02-000	EA	Window Asm - Picture - 13" x 23" - Black (w/o inside frame)
.	041696-15-000	EA	Inside Frame - Window - Beige (not included in assembly)
2	069640-06-000	FT	Ribbon Sealer - 5/16" Bead x 15'
3	002309-02-000	FT	Spline - Glass - 1.8" - Black
4	002181-01-000	EA	Glass - 115" x 12" x 22"
.			Not illustrated

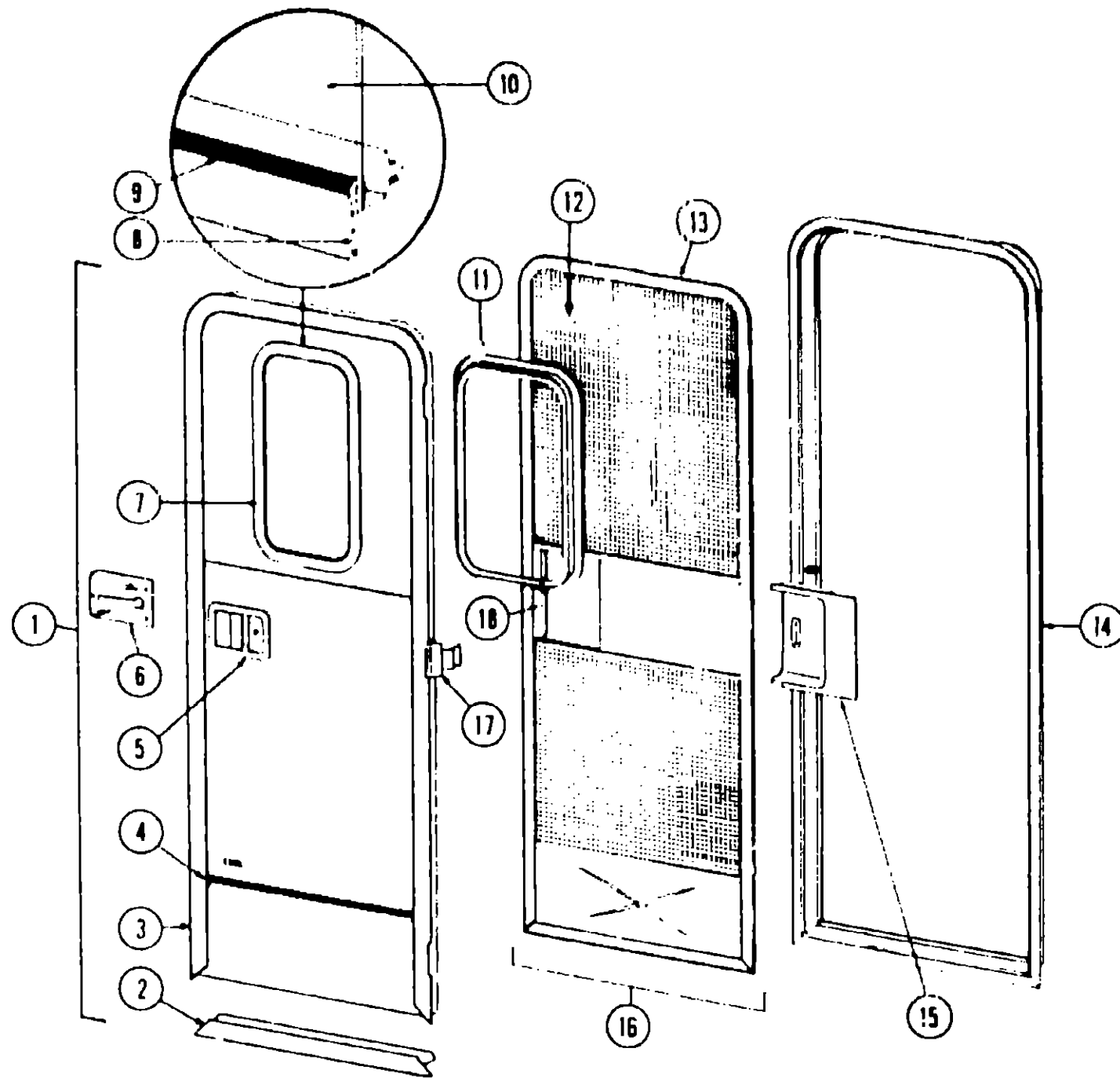
**1984 WINNEBAGO  
TABLE OF CONTENTS**

Introduction	A-01
Abbreviations	A-01
Alphabetical Index	A-02 - A-04
WC424RC	A-05 - C-16
WCN27RC	C-17 - F-06
WCN27RU	F-07 - H-20
WCN33RU	H-21 - K-08

**1984 WC424RC INDEX**

Floor Plan	A-05 - A-06
Accessories Group	A-07 - A-09
Bath Group	A-10 - A-11
Chassis Group	A-12 - A-13
Curtain Cushion & Pad Group	A-14 - A-21
Dinette Group	A-22
Driver's Compartment Group	A-23 - A-24
Electrical Group	B-01 - B-03
Exterior Body Group	B-04 - B-12
Galley Group	B-13 - B-15
Heating & Air Conditioning Group	B-16
Interior Finish Group	B-17 - B-20
LP Group	B-21
Lounge Group	B-22
Water & Sewage Group	B-23 - B-24
Window, Vent & Exterior Door Group	C-01 - C-16

ENTRANCE & SCREEN DOOR



Key	Part Number	U/M	Description
1	M01414-04-000	EA	Door Asm - Radius Entry w/Screen Door - Aluminum
1	M01414-08-000	EA	Door Asm - Radius Entry w/Screen Door - Greyhound Fiberglass
1	M01414-09-000	EA	Door Asm - Radius Entry w/Screen Door - Mesa Fiberglass
2	039737-01-000	EA	Frame - Entry Door (Bottom Portion Only) Aluminum
2	076878-01-000	EA	Frame - Entry Door (Bottom Portion Only) Greyhound Fiberglass
2	077998-01-000	EA	Frame - Entry Door (Bottom Portion Only) Mesa Fiberglass
3	039736-01-000	EA	Frame - Entry Door (Except Bottom Portion) Aluminum
3	076862-01-000	EA	Frame - Entry Door (Except Bottom Portion) Greyhound Fiberglass
3	076000-02-000	EA	Frame - Entry Door (Except Bottom Portion) Mesa Fiberglass
4	059576-03-000	L'	Feature Strip w/o Insert - Extr - 14' - Brown
*	091030-02-003	EA	Insert - Feature Strip - 17' - Stucco - Off White
*	009731-01-000	EA	End Cap - Feature Strip
5	045017-05-000	EA	Paddle Asm - Door Lock - Exterior
*	045017-05-700	EA	Lock Cylinder w/Keys - Lynor
*	039533-01-000	EA	Striker Bolt - Entry Door
*	039540-01-000	EA	Latch Claw - Entry Door
*	039738-01-000	EA	Dead Bolt - Entry Door
6	039979-01-000	EA	Plate - Lock - Inside - Including Inside Handle
*	052186-01-000	EA	Lock Asm - Complete - Lynor
7	041875-09-000	EA	Window Asm - Picture - 17" x 25" - Black (w/o inside frame)
8	069640-06-000	FT	Ribbon Sealer - 5/16" Bead x 15'
9	002309-02-000	FT	Spline - Glass - 1/8" Black
10	002181-06-000	EA	Glass - Picture Window - 1/8" x 16.25" x 24" - Gray
11	067609-03-000	EA	Inside Frame - Window - Beige (not included in assembly)
12	002293-01-000	SF	Screen - Window - 26" - Gray
13	056795-01-000	FT	Seal Tape - 1/8" x 3/8" - Press On
14	075636-02-000	EA	Jamb Asm - Entry Door - Aluminum & Greyhound Fiberglass
14	075636-04-000	EA	Jamb Asm - Entry Door - Mesa Fiberglass
15	015580-02-000	EA	Slider - Screen Door - Light Oak Plastic
16	053170-08-000	EA	Door Asm - Screen w/Light Oak Trim
17	039520-01-000	EA	Hinge - Entry Door (3 used per door)
18	015581-02-000	EA	Cap - Screen Door - Light Oak Plastic
*	049176-01-000	EA	Hedlok II - 3/4" Diameter - Screw Mount (Retains screen door to entry door)
*	009016-01-000	EA	Catch - Elbow - Spring Loaded - Screen Door
*	039863-01-000	EA	Catch Asm - Single Roller w/Strike - Screen Door
*	076231-01-000	EA	Spacer - Latch - Screen Door
*	039800-03-000	FT	Tubing - Polybutyl - 3.8" O D Jamb
*	077437-02-000	EA	Strike - Roller Catch
*	058025-02-000	EA	Clip - Roller Latch Catch
*	044582-02-000	EA	Drip Cap - Off White
*	075802-01-000	EA	Seal - Mocket - Entrance
*	075739-01-000	EA	Stiffener - Entrance Door - Off White
*	075673-01-000	FT	Seal - Pile - Adhesive Back
*	075671-01-000	FT	Seal - Sponge - Lazy "T" Shaped
*	002294-01-000	FT	Spline - Black - 135 x 138 (Screen Door)
*	063638-01-000	EA	Strike - Screen Door
*	063729-04-000	EA	Rivnut - 10 - 32 UNF - 010 - 080
*	075639-01-000	EA	Garnish - Radius - Entrance Door
*			Not illustrated

1984 WINNEBAGO TABLE OF CONTENTS

Introduction	A-01
Abbreviations	A-01
Alphabetical Index	A-02 - A-04
WC424RC	A-05 - C-16
WCN22RC	C-17 - F-06
WCN27RU	F-07 - H-20
WCN33RU	H-21 - K-08

1984 WC424RC INDEX

Floor Plan	A-05 - A-06
Accessories Group	A-07 - A-09
Bath Group	A-10 - A-11
Chassis Group	A-12 - A-13
Curtain, Cushion & Pad Group	A-14 - A-21
Dinette Group	A-22
Driver's Compartment Group	A-23 - A-24
Electrical Group	B-01 - B-03
Exterior Body Group	B-04 - B-12
Galley Group	B-13 - B-15
Heating & Air Conditioning Group	B-16
Interior Finish Group	B-17 - B-20
LP Group	B-21
Lounge Group	B-22
Water & Sewage Group	B-23 - B-24
Window, Vent & Exterior Door Group	C-01 - C-16

## WINDOW, VENT & EXTERIOR DOOR GROUP (CONTINUED)

### ACCESS DOORS

Key	Part Number	U/M	Description
	033333-62-000	EA	Door Asm - Battery/Storage - 9" x 21.7" - Aluminum Sidewalls
	076906-02-000	EA	Door Asm - Battery/Storage - 9" x 21.7" - Fiberglass Sidewalls
	M00685-07-000	EA	Door Asm - Generator - 13.5" x 35.5" - w/o Baffle - Aluminum Sidewalls
	M01552-03-000	EA	Door Asm - Generator - 13.5" x 35.5" - w/o Baffle - Fiberglass Sidewalls
	033333-61-000	EA	Door Asm - LP - 9" x 21.7" - w/Twist Lock - Aluminum Sidewalls
	076906-01-000	EA	Door Asm - LP - 9" x 21.7" - w/Twist Lock - Fiberglass Sidewalls
	047233-02-000	EA	Door Asm - Luggage - 13.5" x 35.5" - w/Key Lock - Aluminum Sidewalls
	076854-03-000	EA	Door Asm - Luggage - 13.5" x 35.5" - w/Key Lock - Fiberglass Sidewalls
	069762-02-000	EA	Door Asm - Refrigerator Access - w/Twist Lock - Off White
	052009-01-000	EA	Door Asm - Water Heater - Off White
	052423-01-000	EA	Door - Fuel Fill - Off White
	063742-01-000	EA	Door - Power Cord - Off White
	052424-01-000	EA	Jamb - Power Cord/Fuel Fill Door - Off White
	054543-01-000	EA	Hatch - Power Cord Door
	052181-01-000	EA	Baffle - Generator Door
	054530-01-000	EA	Door Holder
	042441-01-000	EA	Lock Asm - Key Type - Gas Fill
	042442-01-000	EA	Lock Asm - Twist Type
	009003-01-000	EA	Lock Asm - Twist Type - w/Clip (Battery Door)
	047305-01-000	EA	Lock Asm - Key Type w/Clip - Metal (LP)
	052950-01-700	EA	Lock Asm Kit - Twist Type w/Clip - White Plastic
	052950-03-700	EA	Lock Asm Kit - Twist Type - Straight Cam (Power Cord Door)

### VENTS

Key	Part Number	U/M	Description
	065103-02-000	EA	Cover - Refrigerator Vent - 9.88" x 20.5" - Plastic
	065103-01-000	EA	Frame Asm - Refrigerator Vent - 8.17" x 22.94" - Plastic
	071290-02-000	EA	Cover - Refrigerator Vent - 11.5/8" x 24.3/4" - Galvanized Steel
	071290-01-000	EA	Frame Asm - Refrigerator Vent - 7.5" x 26.5" - Galvanized Steel
	049352-01-000	EA	Vent - Stovehood - Outside - Off White
**	048789-01-000	EA	Vent Asm - Roof - Powered - w/o Screen - Alum
**	048835-01-000	EA	Vent Asm - Roof - Non Powered - w/o Screen - Alum
**	064469-02-000	EA	Vent Asm - Roof - Powered - w/o Screen - 14" x 14" - CSA
**	The illustrated parts breakdown for this item is provided on the Common Items Fiche		

### 1984 WINNEBAGO TABLE OF CONTENTS

Introduction	A-U1
Abbreviations	A-01
Alphabetical Index	A-02 - A-04
WC424RC	A-05 - C-16
WCN22RC	C-17 - F-08
WCN27RU	F-07 - H-20
WCN33RU	H-21 - K-08

### 1984 WC424RC INDEX

Floor Plan	A-05 - A-06
Accessories Group	A-07 - A-09
Bath Group	A-10 - A-11
Chassis Group	A-12 - A-13
Curtain, Cushion & Pad Group	A-14 - A-21
Dinette Group	A-22
Driver's Compartment Group	A-23 - A-24
Electrical Group	B-01 - B-03
Exterior Body Group	H-04 - B-12
Galley Group	B-13 - B-15
Heating & Air Conditioning Group	B-16
Interior Finish Group	B-17 - B-20
LP Group	B-21
Lounge Group	B-22
Water & Sewage Group	B-23 - B-24
Window, Vent & Exterior Door Group	C-01 - C-16