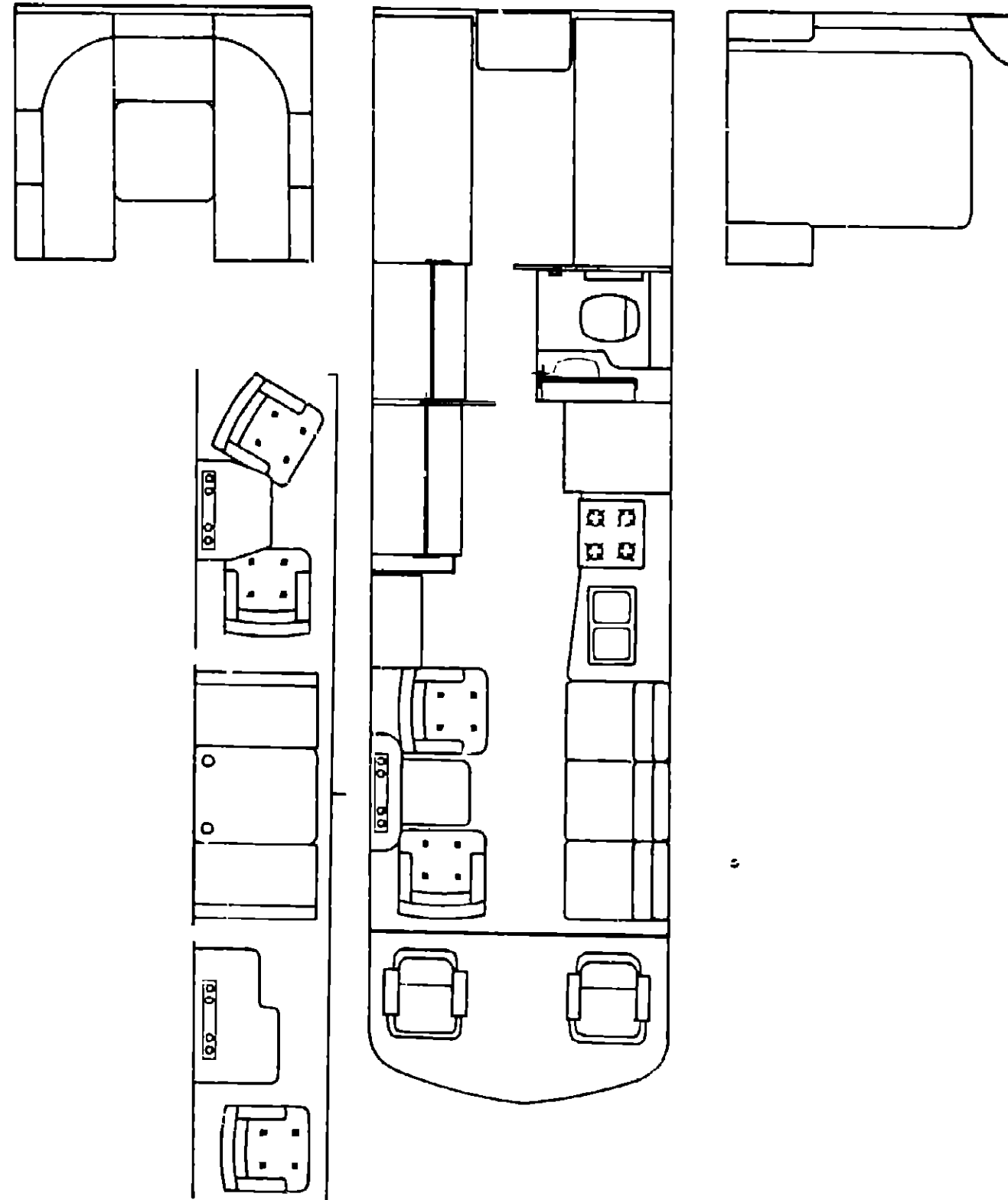


1984 ICP31RT



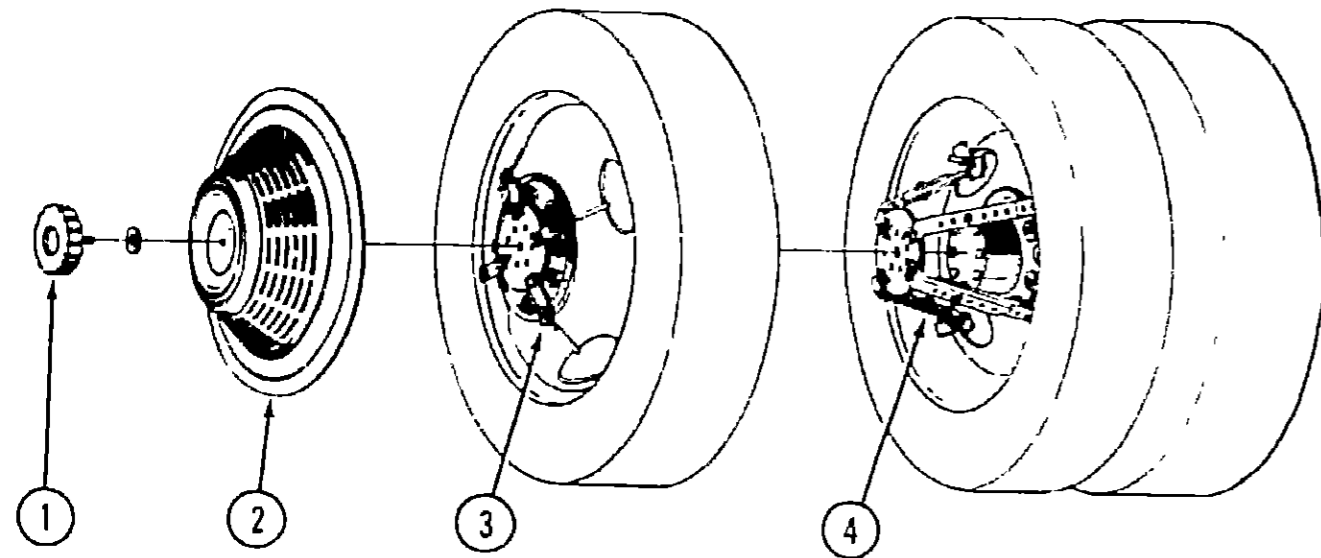
1984 ITASCA TABLE OF CONTENTS

Introduction	A-01
Abbreviations	A-01
Alphabetical Index	A-02 - A-04
ICN22RC	A-05 - C-20
ICN27RU	C-21 - F-10
ICN33RU	F-11 - H-22
ICP31RT	H-23 - J-24

1984 ICP31RT INDEX

Floor Plan	H-23 - H-24
Accessories Group	I-01 - I-02
Bath Group	I-03
Chassis Group	I-04 - I-05
Curtain Cushion & Pad Group	I-06 - I-14
Dinette Group	I-15
Driver's Compartment Group	I-16 - I-19
Electrical Group	I-20 - I-22
Exterior Body Group	I-23 - J-08
Galley Group	J-09 - J-10
Heating & Air Conditioning Group	J-11
Interior Finish Group	J-12 - J-13
LP Group	J-14
Lounge Group	J-15 - J-16
Water & Sewage Group	J-17
Window, Vent & Exterior Door Group	J-18 - J-24

ACCESSORIES GROUP



WHEEL COVER AND MOUNTING HARDWARE

Key	Part Number	U/M	Description
1	064082-02-000	EA	Retaining Nut - Delmet - Wheel Cover
2	073426-02-700	EA	Wheel Cover - Bolt On - 19 5" - Delmet (1)
3	073426-05-700	EA	Retention Bracket Asm - Wheel Cover Support - Heavy Duty - Front (1)
4	073426-05-701	EA	Retention Bracket Asm - Wheel Cover Support - Heavy Duty - Rear (1)
*	073426-05-000	EA	Retention Bracket Asm - Wheel Cover Support - Heavy Duty - (Set/4)
**	031396-02-000	EA	Wheel Cover - 19 5" - Clip On
*			Not Illustrated
**			The illustrated parts breakdown for this item is provided on the Common Items Fiche

GENERATORS & COMPONENTS

Key	Part Number	U/M	Description
**	054429-01-000	EA	Generator - Onan - 4 0 kw
**	069229-01-000	EA	Generator - Kohler - 4 5 kw
**	054433-01-000	EA	Generator - Onan - 6 5 kw
**	051911-01-000	EA	Generator - Kohler - 7 000 kw - US
**	053756-01-000	EA	Generator - Kohler - 7 000 kw - CSA
**	701629-02-000	EA	Onan Installation Package
**	024732-01-016	EA	Tailpipe - 1 5" O D x 43 5'
**	067753-01-000	EA	Muffler - Generator - w/Spark Arrestor - Nelson
**	052431-01-000	EA	Tray - Luggage Compartment
**	068046-01-000	EA	Conversion Kit - LP - Onan Generator
**			The illustrated parts breakdown for this item is provided on the Common Items Fiche

RADIO & RELATED COMPONENTS

Key	Part Number	U/M	Description
	077069-01-000	EA	Antenna - Radio
	031105-01-700	EA	Holder - Antenna - Radio - Upper
	064791-01-000	EA	Speaker - Recessed - 5 25"
	073741-01-000	EA	Speaker - 4' x 6" - Oval
	073431-01-000	EA	Speaker - 5 25" - 3 Way (Pair)
	064792-01-000	EA	Grille - Speaker - 5 25" - w/Mesh - Brown
	074979-01-000	EA	Speaker Cover Protector - Plastic
	075903-01-000	EA	Radio - AM/FM MPX - w/Cassette
	075904-01-000	EA	Radio - AM/FM Stereo Cassette - Electric Tuning

ACCESSORIES GROUP (CONTINUED)

EXTERIOR MIRRORS

Key	Part Number	U/M	Description
	077051-01-000	EA	Mirror Asm - Exterior - Right
	077051-02-000	EA	Mirror Asm - Exterior - Left (Drivers)
	006043-01-000	EA	Mirror - Convex - Adhesive Back

MISCELLANEOUS ACCESSORIES

Key	Part Number	U/M	Description
	054185-20-000	EA	Owners Manual - 1984 - Itasca & Winnebago
	076319-01-000	EA	Antenna - TV - (Wineguard Antenna)
	076319-03-000	FT	Coaxial Cable - 75 Ohm (Wineguard Antenna)
	076319-04-000	EA	Connector & Ferrule (Wineguard Antenna)
	076319-07-000	EA	Wall Plate - Power Supply - Brown (Wineguard Antenna)
	076319-09-000	EA	Wall Plate/Receptacle - Brown (Wineguard Antenna)
	064093-01-000	EA	Luggage Box - 14' x 30' x 60" - Roof Mount
	076840-01-000	EA	Shock Cord Asm
	078408-01-000	EA	Ladder Asm (Luggage Rack)
	078408-02-000	EA	Luggage Rack Asm
	076516-02-000	EA	Mudflap - Black - 14" x 12' - Front
	017516-01-000	EA	Mud Flap - Black - 14" x 18' w/Holes - Rear
	041944-03-000	EA	Fire Extinguisher - w/Bracket - 5 BC
	075922-01-000	EA	Oven - Microwave - Litton
	076683-01-000	EA	Bracket Asm - Microwave - Right
	076683-02-000	EA	Bracket Asm - Microwave - Left
	075922-03-000	EA	Trim Ring - Microwave
	075922-04-000	EA	Air Duct - Exhaust - Microwave
	076253-02-000	EA	Bracket Asm - Microwave (2 required)
	075907-01-000	EA	Decor Pictures - Assorted Grasses & Fields
	055285-01-000	EA	Vacuum Cleaner - Built In - Tevis Cambell
	055285-01-700	EA	Accessories Kit - Standard - Tevis Cambell
	055285-01-701	EA	Filter - 10 per Consumer Package - Tevis Cambell
	069679-01-000	EA	Speed Control Package - Electric - Dana
	072852-01-000	EA	Smoke Detector w/9 Volt Battery
	006069-01-000	EA	Key Case - Leather
	040069-01-000	EA	Door Mat - 10 5" x 26" - Black Rubber
	059580-01-000	EA	Lug Wrench - 1" x 1 25" x 16 3'
	069580-02-000	EA	Leverage Bar - 22' - Lug Wrench
	063708-01-000	EA	Cover - Air Conditioning - Vinyl
	006113-01-000	EA	Jack - Hydraulic - 6 Ton - w/Handle
	036420-02-000	EA	Defroster Fan - 6' - 2 Speed
	077497-01-000	EA	Air Horns - Roof Mount - Chrome

ELECTRIC STEP

Key	Part Number	U/M	Description
	075461-01-000	EA	Step Asm - Electric (Kwikkee)
	075461-01-700	EA	Motor
	041250-01-000	EA	Door Switch
	075461-01-704	EA	Under Step Control Unit
	075461-01-705	EA	4-Way Plug (Dash End)
	075461-01-706	EA	Kill Switch
	075461-01-707	EA	Step Light
	075461-01-708	EA	4-Way Plug (Control Box End)
	075461-01-709	EA	90° Plug
	075461-01-710	EA	Gear
	075461-01-711	EA	Drive Link

1984 ITASCA TABLE OF CONTENTS

Introduction	A-01
Abbreviations	A-01
Alphabetical Index	A-02 - A-04
ICN22RC	A-05 - C-20
ICN27RU	C-21 - F-10
ICN33RU	F-11 - H-22
ICP31RT	H-23 - J-24

1984 ICP31RT INDEX

Floor Plan	H-23 - H-24
Accessories Group	I-01 - I-02
Bath Group	I-03
Chassis Group	I-04 - I-05
Curtain, Cushion & Pad Group	I-06 - I-14
Dinette Group	I-15
Driver's Compartment Group	I-16 - I-19
Electrical Group	I-20 - I-22
Exterior Body Group	I-23 - J-08
Galley Group	J-09 - J-10
Heating & Air Conditioning Group	J-11
Interior Finish Group	J-12 - J-13
LP Group	J-14
Lounge Group	J-15 - J-16
Water & Sewage Group	J-17
Window, Vent & Exterior Door Group	J-18 - J-24

BATH GROUP

BATH & WARDROBE CABINETRY

Key	Part Number	U/M	Description
	M76922-02-R13	EA	Cabinet Asm - Lavatory w/o Countertop Doors or Hardware
	M01580-01-R13	EA	Countertop Asm - Lavatory - Travertine
	M77472-03-R13	EA	Door Asm - Vanity Cabinet - 12 1' x 24 1' - w/o Hardware (Hamper)
	M77467-06-R13	EA	Door Asm - Vanity Cabinet - 14 5" x 22 5"
	M01551-01-R13	EA	Countertop Asm - Pipe Cover - Travertine
	076073-01-000	EA	Cabinet Asm - Medicine - Metal - Almond - w/o Door or Hardware
	M71646-02-R13	EA	Door Asm - Medicine Cabinet w/Mirror - 16 1" x 30 1" - w/o Hardware
	076353-01-R07	EA	Door Asm - Metal Medicine Cabinet w/Mirror - w/o Hardware
	M76993-01-R13	EA	Door Asm - Sliding - Front - w/o Latch - Empire Walnut
	M76995-01-R13	EA	Door Asm - Sliding - Rear - w/o Latch - Empire Walnut
	M76876-01-R13	EA	Door Asm - Bath - w/o Hardware
	M77467-05-R13	EA	Door Asm - Wardrobe Cabinet - 14 5" x 27 5" - w/o Hardware
	M76858-01-R13	EA	Door Asm - Furnace - Wardrobe Cabinet - 14 2' x 18 6' - w/Gold Mesh
	076312-01-000	EA	Gold Mesh - 10 1" x 14 3' - Furnace Grille
	077358-02-R13	EA	Drawer Asm - Lavatory - Tiltout
	076955-01-R13	EA	Shelf Asm - Book & Nic-Nac

BATH & WARDROBE HARDWARE

Key	Part Number	U/M	Description
	075240-01-000	EA	Faucet - Lavatory
	075242-02-000	EA	Faucet - Tub & Shower
	058713-01-000	EA	Sink Oval - Ivory Plastic
	M01407-01-000	EA	Bathtub Asm - w/Strainer
	M01465-01-000	EA	Bathtub Shroud Asm
	009059-01-000	EA	Hinge - 2" Gold
	059777-01-000	EA	Hinge - Antique Brass
	077058-01-000	EA	Knob - Porcelain - 1 1/4" Diameter
	077523-01-000	EA	Latch Asm - Cabinet Door
	039873-01-700	EA	Nylon Catch & Spring Steel Strike
	058034-02-000	EA	Latch - Sliding Door
	075606-01-000	EA	Panel - Shower Faucet
	011083-01-000	EA	Tail Piece 1 25" x 5" - Plastic - w/Stopper
	011048-02-000	EA	Shower Head - w/60' Hose
	066729-01-000	EA	Strainer - Shower Pan & Tub
	066436-01-000	EA	Slip Nut - 1 5" Tail Piece - Bathtub
	066435-01-000	EA	Nut - Strainer - Plastic
	075452-01-000	EA	Holder - Tissue
	075680-01-000	EA	Clothes Rod - Adjustable
	075453-01-000	EA	Bar - Towel Rack
	009151-01-000	EA	Warp Guard - 48"
	075454-01-000	EA	Towel Ring - Antique Brass
	075687-01-000	EA	Lock Set - Bath Door - Bronze Stone
	009156-01-000	EA	Hanger - Sliding Door
	064467-01-000	EA	Guide - Sliding Door - Bottom Door Guide
	062906-02-000	EA	Shower Door Asm
	009112-01-000	EA	Flange - 1' Closet Rod
	057671-01-000	EA	Screw Cover (No 8)
	058331-08-000	EA	Mirror - Tempered Glass - 24" x 30"
	058331-05-000	EA	Mirror - Tempered Glass - 12" x 26"
	009089-01-000	EA	Mirror Clip
	071632-01-000	EA	Hamper Bag - Fabric
	039341-02-000	EA	Toilet - Thetford - Aqua Magic - Ivory - 8420 SH

CHASSIS GROUP

MISCELLANEOUS

Key	Part Number	U/M	Description
	075227-01-000	EA	Gas Fill - w/Vent (Upper)
	075228-01-000	EA	Gas Fill (Lower)
	075914-01-000	EA	Gas Fill - w/Vent (Auxiliary)
	073220-02-000	EA	Cap - Fuel Fill - Non Lock (Gas)
	024141-01-000	FT	Hose - Rubber - 1/2" I.D.
	007134-01-000	EA	Clamp - Hose - Spring Type 9/16"
	075230-01-000	EA	Tank - Fuel - 60 Gallon
	075686-01-000	EA	Tank - Fuel - 30 Gallon (Auxiliary)
	057038-06-000	EA	Sending Unit - Fuel - 90 Ohm (Main Tank)
	057038-08-000	EA	Sending Unit - Fuel - 90 Ohm (Auxiliary Tank)
	075232-01-000	EA	Strap - Fuel Tank Mounting (Main)
	075231-01-000	EA	Hanger - Fuel Tank Mounting (Main)
	075685-01-000	EA	Hanger - Fuel Tank Mounting (Auxiliary)
	043477-02-000	EA	Valve Asm - Fuel Select - 6 Port
	022655-06-000	EA	Tailpipe - 2 1/2" x 14"
	007125-07-000	EA	Clamp Asm - Muffler - 2 5"
	007111-02-000	FT	Hose - Fuel - 2" I.D. SAE 30RI (3')
	075158-01-000	EA	Wheel Well - Plastic - Rear - Left/Right
	065450-01-000	EA	Battery Tie Down
	076476-01-000	EA	Bumper - Front - Chrome
	076477-01-000	EA	Bumper - Rear - Chrome
	058425-01-000	EA	Bracket - Front Bumper - Left
	058425-02-000	EA	Bracket - Front Bumper - Right
	064053-01-000	EA	Bracket - Front Bumper - Reinforcement
	058439-01-000	EA	Bracket - Front Bumper (Mounts Bumper to Frame)
	064601-02-000	EA	Bracket - Bumper Mount - Rear Bumper
	005200-01-000	EA	Carrage Bolt - Chrome - 7/16" x 14 x 1 1/4" (Bumper)
	077100-01-000	EA	Step Asm - Entry
	047441-01-000	EA	Battery Terminal - Horizontal Lug
	077479-02-000	EA	Battery Terminal Boot
	069580-01-000	EA	Lug Wrench - 1' x 1 25' x 16 3"
	069580-02-000	EA	Leverage Bar - 22" - Lug Wrench
	006113-01-000	EA	Jack - Hydraulic - 6 Ton - w Handle
	020167-03-000	EA	Dirt Guard - Wheel Well

WHEELS & TIRES

Key	Part Number	U/M	Description
	077043-01-000	EA	Lug Nut - 2 Pc - Cone Seat & Flange
	077044-01-000	EA	Lug Nut Cover - Chrome w/ Skirt
	077045-01-000	EA	Front Hub Cover - Chrome
	077045-02-000	EA	Rear Hub Cover - Chrome
	007324-04-000	EA	Tire - 8R19 5XZA - Michelin
	007321-02-000	EA	Tire - 8 00 x 19 5 - 8 Ply - Tubeless
	051377-01-000	EA	Valve Stem Asm - TR500
	077042-01-000	EA	Wheel - 19 5 x 6 - Aluminum - Front - Outside Polish
	077042-02-000	EA	Wheel - 19 5 x 6 - Aluminum - Rear - Inside Polish

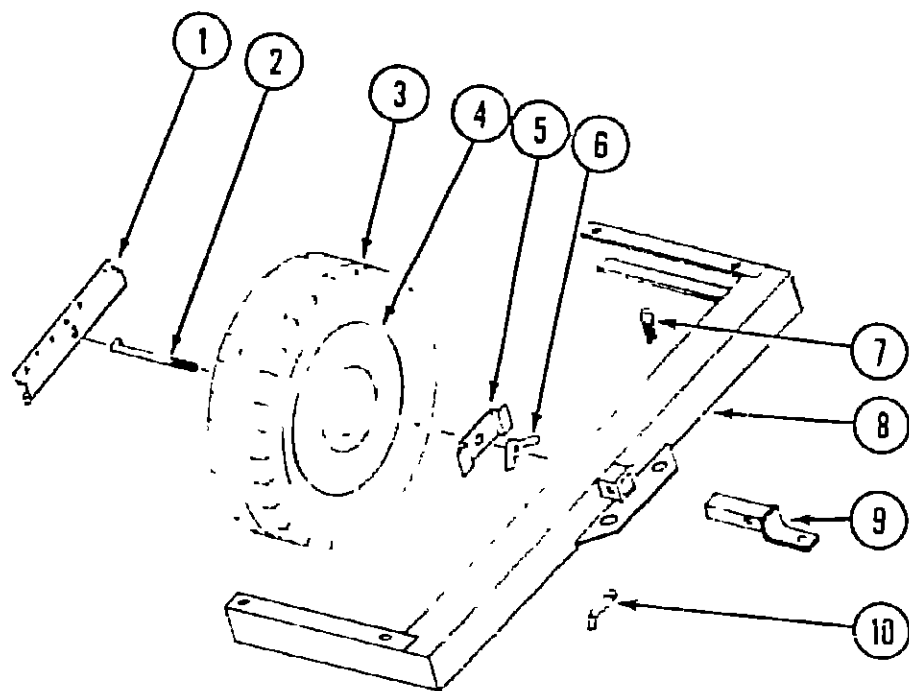
1984 ITASCA TABLE OF CONTENTS

Introduction	A-01
Abbreviations	A-01
Alphabetical Index	A-02 - A-04
ICN22RC	A-05 - C-20
ICN27RU	C-21 - F-10
ICN33RU	F-11 - H-22
ICP31RT	H-23 - J-24

1984 ICP31RT INDEX

Floor Plan	H-23 - H-24
Accessories Group	I-01 - I-02
Bath Group	I-03
Chassis Group	I-04 - I-05
Curtain, Cushion & Pad Group	I-06 - I-14
Dinette Group	I-15
Driver's Compartment Group	I-16 - I-19
Electrical Group	I-20 - I-22
Exterior Body Group	I-23 - J-08
Galleys Group	J-09 - J-10
Heating & Air Conditioning Group	J-11
Interior Finish Group	J-12 - J-13
LP Group	J-14
Lounge Group	J-15 - J-16
Water & Sewage Group	J-17
Window Vent & Exterior Door Group	J-18 - J-24

CHASSIS GROUP (CONTINUED)



SPARE TIRE CARRIER & TRAILER HITCH

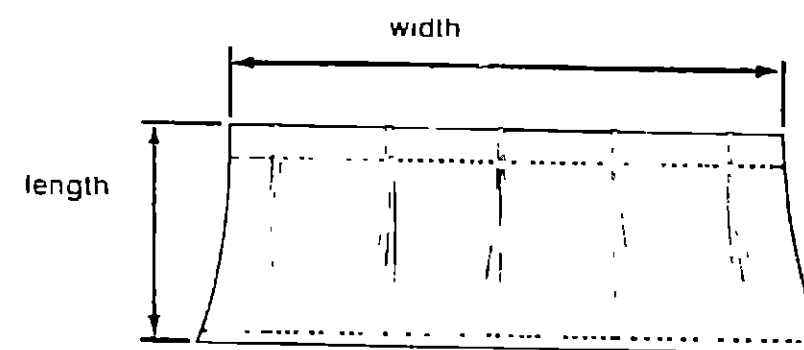
Key	Part Number	U/M	Description
1	077403-01-000	EA	Support - Spare Tire Rod
2	077411-01-000	EA	Retaining Rod - Spare Tire
3	051759-01-000	EA	Tire - 8 00 x 19 5 - 10 Ply Poly
4	064963-01-000	EA	Rim - Wheel - 19 5 x 6 75
5	077399-01-000	EA	Spare Tire Retainer
6	064081-01-000	EA	Wing Nut
7	034513-01-000	EA	Pin - Hitch - 3/16 Wire
8	077617-01-000	EA	Drawbar Asm
9	077606-01-000	EA	Drawbar - Ball Mount
10	034512-01-000	EA	Locking Pin - Drawbar

CURTAIN CUSHION & PAD GROUP

NOTICE

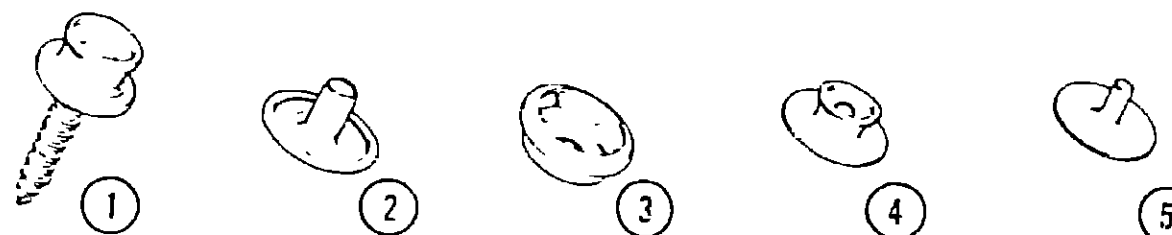
In order to assist our Parts Sales Dept in providing interior software items, please include the serial number and the color code number from the vehicle certification label when ordering. This label is located on the left sidewall at the end of the dash (A-Body), or on the driver's door latch plate (C-Body).

An example of a color code number is P31, which designates an overall color scheme of a particular unit. The color listed after the item description on the microfiche, indicates the overall unit color. Order the item you desire according to unit color code.



NOTE

Use this illustration when determining length and width measurements for curtains. You will note the width measurement is taken on the top of the curtain with the curtain fully extended. The length measurement is taken from top to bottom.



Key	Part Number	U/M	Description
1	029130-01-000	EA	Socket - Snap Fastener
2	029155-01-000	EA	Cap - Snap - 156 Dia x 17" Barrel
3	029156-01-000	EA	Socket - Snap Fastener
4	029092-01-000	EA	Stud - Nickel Finish
5	029093-01-000	EA	Eyelet - Nickel Finish

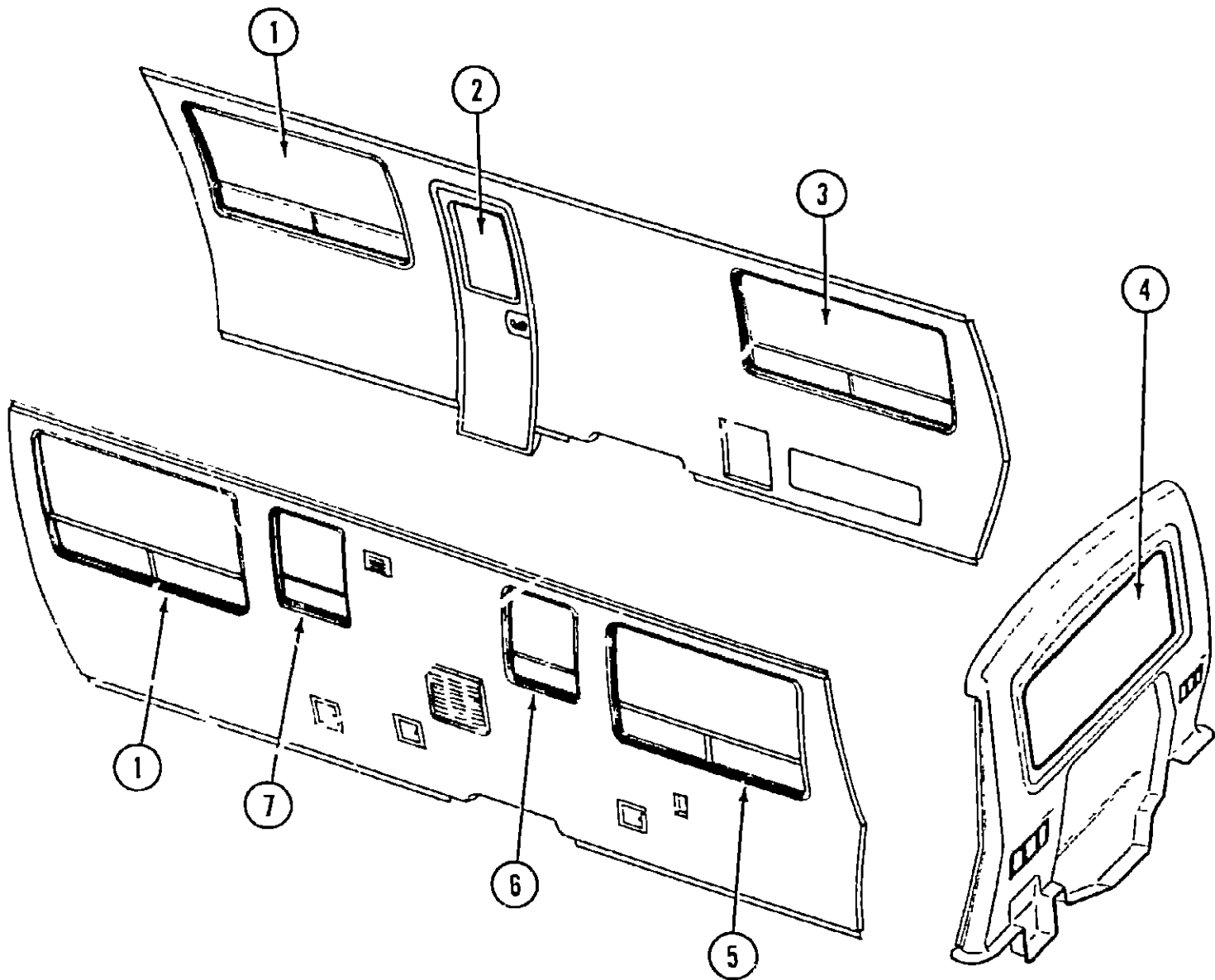
1984 ITASCA TABLE OF CONTENTS

Introduction	A-01
Abbreviations	A-01
Alphabetical Index	A-02 - A-04
ICN22RC	A-05 - C-20
ICN27RU	C-21 - F-10
ICN33RU	F-11 - H-22
ICP31RT	H-23 - J-24

1984 ICP31RT INDEX

Floor Plan	H-23 - H-24
Accessories Group	I-01 - I-02
Bath Group	I-03
Chassis Group	I-04 - I-05
Curtain, Cushion & Pad Group	I-06 - I-14
Dinette Group	I-15
Driver's Compartment Group	I-16 - I-19
Electrical Group	I-20 - I-22
Exterior Body Group	I-23 - J-03
Galley Group	J-09 - J-10
Heating & Air Conditioning Group	J-11
Interior Finish Group	J-12 - J-13
LP Group	J-14
Lounge Group	J-15 - J-16
Water & Sewage Group	J-17
Window Vent & Exterior Door Group	J-18 - J-24

CURTAIN, CUSHION & PAD GROUP (CONTINUED)



CURTAINS, VALANCES, SHADES & TIEBACKS

Key	Part Number	U/M	Description
1	077444-01-R28	EA	Curtain w/Tape Top & Bottom - 39" x 15" - Blue
1	077444-01-R29	EA	Curtain w/Tape Top & Bottom - 39" x 15" - Brown
1	077444-01-R30	EA	Curtain w/Tape Top & Bottom - 39" x 15" - Burgundy
1	077070-05-000	EA	Woven Wood Shade - 64.5" Wide x 38" (R28)
1	077070-04-000	EA	Woven Wood Shade - 64.5" Wide x 38" (R29)
1	077070-06-000	EA	Woven Wood Shade - 64.5" Wide x 38" (R30)
2	M77188-02-R28	EA	Valance Asm - 4 3" x 31 6" - Blue
2	M77188-02-R29	EA	Valance Asm - 4 3" x 31 6" - Brown
2	M77188-02-R30	EA	Valance Asm - 4 3" x 31 6" - Burgundy
2	065522-02-000	EA	Shade Asm - Vinyl - 21 25" x 38"
3	077444-02-R28	EA	Curtain w/Darts - 39" x 15" - Bedspread - Blue
3	077444-02-R29	EA	Curtain w/Darts - 39" x 15" - Bedspread - Brown
3	077444-02-R30	EA	Curtain w/Darts - 39" x 15" - Bedspread - Burgundy
3	077444-01-R28	EA	Curtain w/Tape Top - 39" x 15" - Horseshoe Lounge - Blue
3	077444-01-R29	EA	Curtain w/Tape Top - 39" x 15" - Horseshoe Lounge - Brown
3	077444-01-R30	EA	Curtain w/Tape Top - 39" x 15" - Horseshoe Lounge - Burgundy
3	073323-13-R13	EA	Curtain w/Rod Top & Bottom - Sheer - 36 5" x 86" (Cream)
3	077070-05-000	EA	Woven Wood Shade - 64.5" Wide x 38" (R28)
3	077070-04-000	EA	Woven Wood Shade - 64.5" Wide x 38" (R29)
3	077070-06-000	EA	Woven Wood Shade - 64.5" Wide x 38" (R30)
3	065522-18-000	EA	Shade Asm - Vinyl - 64 25" x 42"

CURTAIN, CUSHION & PAD GROUP (CONTINUED)

CURTAIN, VALANCES, SHADES & TIEBACK (CONT.)

Key	Part Number	U/M	Description
4	077444-02-R28	EA	Curtain w/Darts - 37.5" x 15" - Bedspread - Blue
4	077444-02-R29	EA	Curtain w/Darts - 37.5" x 15" - Bedspread - Brown
4	077444-02-R30	EA	Curtain w/Darts - 37.5" x 15" - Bedspread - Burgundy
4	077444-01-R28	EA	Curtain w/Tape Top - 39" x 15" - Horseshoe Lounge - Blue
4	077444-01-R29	EA	Curtain w/Tape Top - 39" x 15" - Horseshoe Lounge - Brown
4	077444-01-R30	EA	Curtain w/Tape Top - 39" x 15" - Horseshoe Lounge - Burgundy
4	073323-13-R13	EA	Curtain w/Rod Top & Bottom - Sheer - 36 5" x 86" (Cream)
4	M01602-01-R28	EA	Valance Asm - Quilted - Bedspread (Double Bed) Blue
4	M01602-01-R29	EA	Valance Asm - Quilted - Bedspread (Double Bed) Brown
4	M01602-01-R30	EA	Valance Asm - Quilted - Bedspread (Double Bed) Burgundy
4	M77215-01-R28	EA	Valance Asm - Quilted - Bedspread (Twin Bed) Blue
4	M77215-01-R29	EA	Valance Asm - Quilted - Bedspread (Twin Bed) Brown
4	M77215-01-R30	EA	Valance Asm - Quilted - Bedspread (Twin Bed) Burgundy
4	M01873-01-R28	EA	Valance Asm - 4 3" x 64" - Horseshoe Lounge - Blue
4	M01873-01-R29	EA	Valance Asm - 4 3" x 64" - Horseshoe Lounge - Brown
4	M01873-01-R30	EA	Valance Asm - 4 3" x 64" - Horseshoe Lounge - Burgundy
4	065522-11-000	EA	Shade Asm - Vinyl - 60 25" x 38"
5	077444-02-R28	EA	Curtain w/Darts - 39" x 15" - Bedspread - Blue
5	077444-02-R29	EA	Curtain w/Darts - 39" x 15" - Bedspread - Brown
5	077444-02-R30	EA	Curtain w/Darts - 39" x 15" - Bedspread - Burgundy
5	077444-01-R28	EA	Curtain w/Tape Top - 39" x 15" - Horseshoe Lounge - Blue
5	077444-01-R29	EA	Curtain w/Tape Top - 39" x 15" - Horseshoe Lounge - Brown
5	077444-01-R30	EA	Curtain w/Tape Top - 39" x 15" - Horseshoe Lounge - Burgundy
5	073323-13-R13	EA	Curtain w/Rod Top & Bottom - Sheer - 36 5" x 86" (Cream)
5	M01603-01-R28	EA	Valance Asm - Quilted - Bedspread (Double Bed) Blue
5	M01603-01-R29	EA	Valance Asm - Quilted - Bedspread (Double Bed) Brown
5	M01603-01-R30	EA	Valance Asm - Quilted - Bedspread (Double Bed) Burgundy
5	077070-05-000	EA	Woven Wood Shade - 64.5" Wide x 38" (R28)
5	077070-04-000	EA	Woven Wood Shade - 64.5" Wide x 38" (R29)
5	077070-06-000	EA	Woven Wood Shade - 64.5" Wide x 38" (R30)
5	065522-18-000	EA	Shade Asm - Vinyl - 64 25" x 42"
6	073251-27-R28	EA	Curtain w/Tape Top - 31 5" x 9" - Blue
6	073251-27-R29	EA	Curtain w/Tape Top - 31 5" x 9" - Brown
6	073251-27-R30	EA	Curtain w/Tape Top - 31 5" x 9" - Burgundy
6	M77188-01-R28	EA	Valance Asm - 4 3" x 36" - Bath - Blue
6	M77188-01-R29	EA	Valance Asm - 4 3" x 36" - Bath - Brown
6	M77188-01-R30	EA	Valance Asm - 4 3" x 36" - Bath - Burgundy
6	075477-22-000	EA	Blinds - 30" Wide x 30" - Vanilla
7	075477-22-000	EA	Blinds - 30" Wide x 30" - Vanilla
.	073304-31-R13	EA	Curtain w/Snaps - Front Wraparound - Passenger Side
.	073304-32-R13	EA	Curtain w/Snaps - Front Wraparound - Driver Side
.	077591-01-R13	EA	Curtain w/Velcro Top - 52" x 40" - Blackout
.	077591-02-R13	EA	Curtain w/Velcro Top - 52" x 42" - Blackout
.	073260-13-R28	EA	Tie Back Asm - 3" x 16" - Blue
.	073260-13-R29	EA	Tie Back Asm - 3" x 16" - Brown
.	073260-13-R30	EA	Tie Back Asm - 3" x 16" - Burgundy
.	057534-05-000	EA	Tie Back Asm - Vinyl - 6" - Brown
.	057534-01-000	EA	Tie Back - Clear Plastic - 6"
.	057534-03-000	EA	Tie Back - Clear Plastic - 7.5"
.	057534-04-000	EA	Tie Back - Clear Plastic - 20"
.			Not illustrated

**1984 ITASCA
TABLE OF CONTENTS**

Introduction	A-01
Abbreviations	A-01
Alphabetical Index	A-02 - A-04
ICN22RC	A-05 - C-20
ICN27RU	C-21 - F-10
ICN33RU	F-11 - H-22
ICP31RT	H-23 - J-24

1984 ICP31RT INDEX

Floor Plan	H-23 - H-24
Accessories Group	I-01 - I-02
Bath Group	I-03
Chassis Group	I-04 - I-05
Curtain, Cushion & Pad Group	I-06 - I-14
Dinette Group	I-15
Driver's Compartment Group	I-16 - I-19
Electrical Group	I-20 - I-22
Exterior Body Group	I-23 - J-08
Galley Group	J-09 - J-10
Heating & Air Conditioning Group	J-11
Interior Finish Group	J-12 - J-13
LP Group	J-14
Lounge Group	J-15 - J-16
Water & Sewage Group	J-17
Window, Vent & Exterior Door Group	J-18 - J-24

CURTAIN, CUSHION & PAD GROUP (CONTINUED)

CURTAIN HARDWARE

Key	Part Number	U/M	Description
	056116-01-000	EA	Track - Curtain - Brown - Plastic
	077046-01-000	EA	Track - Curtain - Front Wraparound - Passenger
	077046-02-000	EA	Track - Curtain - Front Wraparound - Drivers
	056001-01-000	EA	Bracket - Shade - Left
	056002-01-000	EA	Bracket - Shade - Right
	056003-01-000	EA	Bracket - Drapery Retainer - Right
	056003-02-000	EA	Bracket - Drapery Retainer - Left
	056003-03-000	EA	Bracket - Drapery Retainer - Universal
	056784-01-000	EA	Pull - Window Shade - Antique Brass
	039175-01-000	EA	Curtain Rod - Ext 48" - 84"
	039175-03-000	EA	Curtain Rod - Ext 28" - 43"
	039175-04-000	EA	Curtain Rod - Ext 16" x 28"
	039175-02-000	EA	Bracket - Curtain Rod
	056115-02-000	YD	Tape - Clear Plastic - w/Guides
	048394-01-000	YD	Tape Hook - 1" x 25 YD - Beige (Velcro)
	048395-01-000	YD	Tape Loop - 1" x 25 YD - Beige (Velcro)
	075477-01-000	EA	Bracket Installation - Blinds
	075477-03-000	EA	Bracket Hold Down - Blinds

FABRIC & TRIMS

Key	Part Number	U/M	Description
	072333-09-000	YD	Fabric - Drapery - Beige (Wraparound)
	072333-08-000	YD	Fabric - Drapery - Sheers (Cream)
	074495-52-000	YD	Fabric - Upholstery/Accent (Drapery & Seat Covers) (R28)
	074495-51-000	YC	Fabric - Upholstery/Accent (Drapery & Seat Covers) (R29)
	074495-53-000	YD	Fabric - Upholstery/Accent (Drapery & Seat Covers) (R30)
	074495-10-000	YD	Fabric w/Pattern - Upholstery (Magic Bed) (R28)
	074495-09-000	YD	Fabric w/Pattern - Upholstery (Magic Bed) (R29)
	074495-11-000	YD	Fabric w/Pattern - Upholstery (Magic Bed) (R30)
	074495-07-000	YD	Fabric w/Pattern - Upholstery (Bucket Seat) (R28)
	074495-06-000	YD	Fabric w/Pattern - Upholstery (Bucket Seat) (R29)
	074495-08-000	YD	Fabric w/Pattern - Upholstery (Bucket Seat) (R30)
	069729-11-000	YD	Fabric - Bedspread - Blue (R28)
	069729-13-000	YD	Fabric - Bedspread - Brown (R29)
	069729-12-000	YD	Fabric - Bedspread - Burgundy (R30)
	038421-01-000	YD	Fabric - Mattress Ticking
	070502-01-000	YD	Vinyl - Non-Expanded - 12 Gauge Film
	057550-03-N07	EA	Button Asm - Nail - #36 - 7/8" Shank - Vinyl
	057550-05-N07	EA	Button Asm - Nail - #36 - 3/8" Shank - Vinyl
	057093-01-N07	EA	Button Asm - Covered #60 - Nail - Vinyl
	071127-03-R28	EA	Button Asm - Square #65 - Blue
	071127-03-R29	EA	Button Asm - Square #65 - Brown
	071127-03-R30	EA	Button Asm - Square #65 - Burgundy
	075269-01-R28	EA	Button Asm - Square #65 - w/3/4" Stud - Blue
	075269-01-R29	EA	Button Asm - Square #65 - w/3/4" Stud - Brown
	075269-01-R30	EA	Button Asm - Square #65 - w/3/4" Stud - Burgundy

CURTAIN, CUSHION & PAD GROUP (CONTINUED)

TRIM PADS

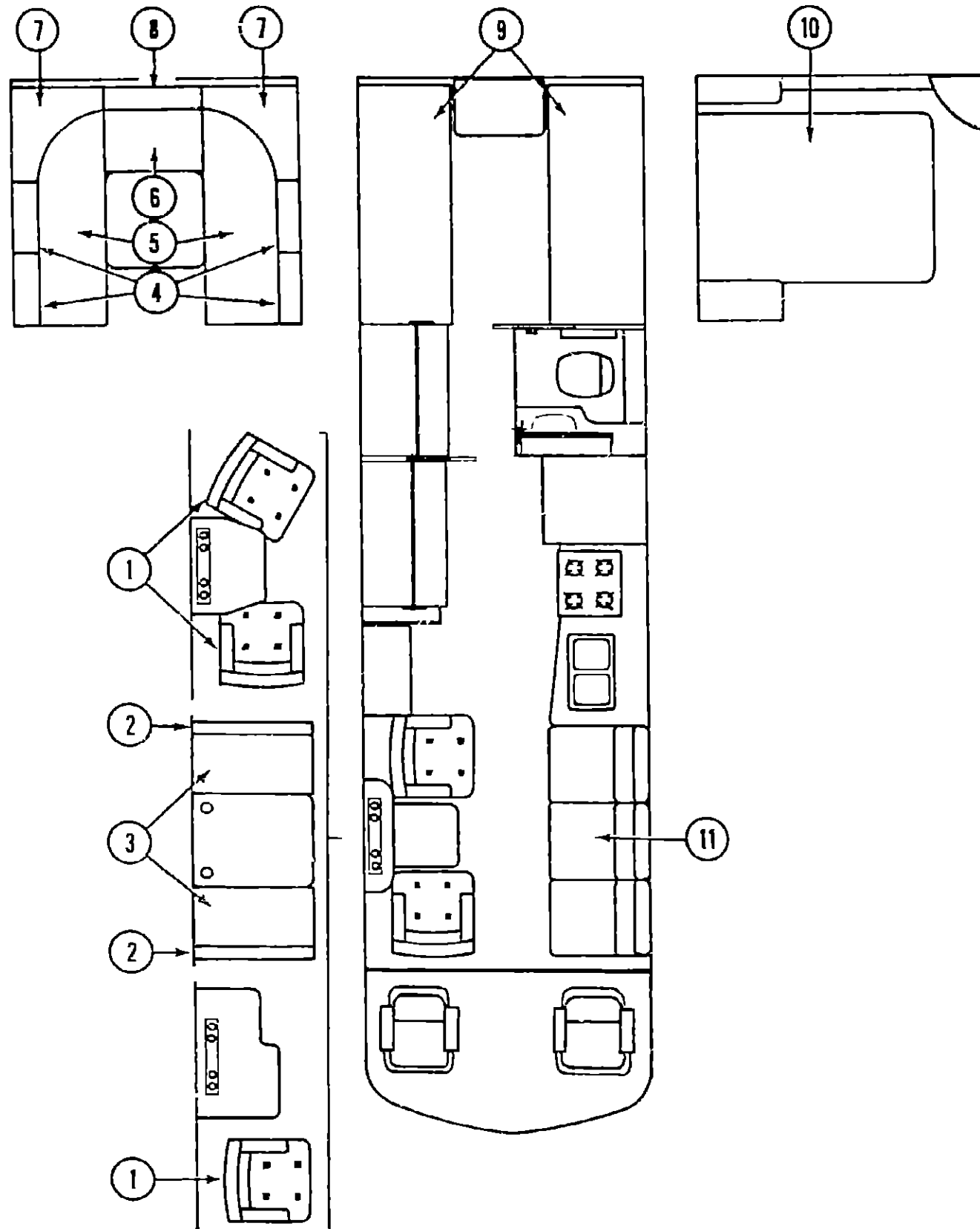
Key	Part Number	U/M	Description
	M01640-01-R28	EA	Insert - Upper Passenger Door - 2 5" x 6 25 - Blue
	M01640-01-R29	EA	Insert - Upper Passenger Door - 2.5" x 6 25" - Brown
	M01640-01-R30	EA	Insert - Upper Passenger Door - 2.5" x 6 25" - Burgundy
	M01640-02-R28	EA	Insert - Upper Drivers Door - 2 5" x 6 25" - Blue
	M01640-02-R29	EA	Insert - Upper Drivers Door - 2 5" x 6 25" - Brown
	M01640-02-R30	EA	Insert - Upper Drivers Door - 2.5" x 6 25" - Burgundy
	M01640-03-R28	EA	Insert - Lower Passenger Door - 14 2" x 28 25" - Blue
	M01640-03-R29	EA	Insert - Lower Passenger Door - 14 2" x 28 25" - Brown
	M01640-03-R30	EA	Insert - Lower Passenger Door - 14 2" x 28 25" - Burgundy
	M01640-04-R28	EA	Insert - Lower Drivers Door - 14 2" x 28 25" - Blue
	M01640-04-R29	EA	Insert - Lower Drivers Door - 14 2" x 28 25" - Brown
	M01640-04-R30	EA	Insert - Lower Drivers Door - 14 2" x 28 25" - Burgundy
	M01640-05-R28	EA	Insert - Map Pocket - Passenger Door - 5 75" x 7 6" - Blue
	M01640-05-R29	EA	Insert - Map Pocket - Passenger Door - 5 75" x 7 6" - Brown
	M01640-05-R30	EA	Insert - Map Pocket - Passenger Door - 5 75" x 7 6" - Burgundy
	M01640-06-R28	EA	Insert - Map Pocket - Drivers Door - 5 75" x 7 6" - Blue
	M01640-06-R29	EA	Insert - Map Pocket - Drivers Door - 5 75" x 7 6" - Brown
	M01640-06-R30	EA	Insert - Map Pocket - Drivers Door - 5 75" x 7 6" - Burgundy
	M01640-17-R28	EA	Insert - Double Bed - Roof Cove - 9 25" x 69 75" - Blue
	M01640-17-R29	EA	Insert - Double Bed - Roof Cove - 9 25" x 69 75" - Brown
	M01640-17-R30	EA	Insert - Double Bed - Roof Cove - 9 25" x 69 75" - Burgundy
	M01640-15-R28	EA	Insert - Bath - Roof Cove - 9 25" x 35" - Blue
	M01640-15-R29	EA	Insert - Bath - Roof Cove - 9 25" x 35" - Brown
	M01640-15-R30	EA	Insert - Bath - Roof Cove - 9 25" x 35" - Burgundy
	M01640-16-R23	EA	Insert - Entrance Door - Roof Cove - 9 25" x 41.25" - Blue
	M01640-16-R29	EA	Insert - Entrance Door - Roof Cove - 9 25" x 41 25" - Brown
	M01640-16-R30	EA	Insert - Entrance Door - Roof Cove - 9 25" x 41 25" - Burgundy
	076188-04-R28	EA	Insert - TT Chair Lounge - 12" x 16" - Blue
	076188-04-R29	EA	Insert - TT Chair Lounge - 12" x 16" - Brown
	076188-04-R30	EA	Insert - TT Chair Lounge - 12" x 16" - Burgundy
	076188-01-R28	EA	Insert - Dinette Lounge - 12" x 12" - Blue
	076188-01-R29	EA	Insert - Dinette Lounge - 12" x 12" - Brown
	076188-01-R30	EA	Insert - Dinette Lounge - 12" x 12" - Burgundy
	M01640-07-R28	EA	Insert - Front Center Overhead - 19 5" x 4" - Blue
	M01640-07-R29	EA	Insert - Front Center Overhead - 19 5" x 4" - Brown
	M01640-07-R30	EA	Insert - Front Center Overhead - 19 5" x 4" - Burgundy
	M01640-08-R28	EA	Insert - Front Overhead (Sunvisor) 2 8' x 23 2" - Blue
	M01640-08-R29	EA	Insert - Front Overhead (Sunvisor) 2 8' x 23 2' - Brown
	M01640-08-R30	EA	Insert - Front Overhead (Sunvisor) 2 8' x 23 2" - Burgundy
	M01640-09-R28	EA	Insert - Side Upper - Drivers - 2 6" x 3 14" - Blue
	M01640-09-R29	EA	Insert - Side Upper - Drivers - 2 6" x 3 14" - Brown
	M01640-09-R30	EA	Insert - Side Upper - Drivers - 2 6" x 3 14" - Burgundy
	M01640-11-R28	EA	Insert - Side Upper - Passenger - 2 6" x 17 1" - Blue
	M01640-11-R29	EA	Insert - Side Upper - Passenger - 2 6" x 17 1" - Brown
	M01640-11-R30	EA	Insert - Side Upper - Passenger - 2 6" x 17 1" - Burgundy
	M01640-10-R28	EA	Insert - Side Lower - Drivers - 9 3" x 21 3" - Blue
	M01640-10-R29	EA	Insert - Side Lower - Drivers - 9 3" x 21 3" - Brown
	M01640-10-R30	EA	Insert - Side Lower - Drivers - 9 3" x 21 3" - Burgundy
	M01640-12-R28	EA	Insert - Side Lower - Passenger - 9 2" x 28" - Blue
	M01640-12-R29	EA	Insert - Side Lower - Passenger - 9 2" x 28" - Brown
	M01640-12-R30	EA	Insert - Side Lower - Passenger - 9 2" x 28" - Burgundy
	M01640-13-R28	EA	Insert - Lower Bunk - 22 5" x 67 1" - Blue
	M01640-13-R29	EA	Insert - Lower Bunk - 22 5" x 67 1" - Brown
	M01640-13-R30	EA	Insert - Lower Bunk - 22 5" x 67 1" - Burgundy
	M01640-14-R28	EA	Insert - Bunk - Rear - 8 75" x 74 5" - Blue
	M01640-14-R29	EA	Insert - Bunk - Rear - 8 75" x 74 5" - Brown
	M01640-14-R30	EA	Insert - Bunk - Rear - 8 75" x 74.5" - Burgundy
	077140-01-R28	EA	Insert - Bunk - Rear Upper - 5" x 56" - Blue
	077140-01-R29	EA	Insert - Bunk - Rear Upper - 5" x 56" - Brown
	077140-01-R30	EA	Insert - Bunk - Rear Upper - 5" x 56" - Burgundy

**1984 ITASCA
TABLE OF CONTENTS**

Introduction	A-01
Abbreviations	A-01
Alphabetical Index	A-02 - A-04
ICN22RC	A-05 - C-20
ICN27RL	C-21 - F-10
ICN33RU	F-11 - H-22
ICP31RT	H-23 - J-24

1984 ICP31RT INDEX

Floor Plan	H-23 - H-24
Accessories Group	I-01 - I-02
Bath Group	I-03
Chassis Group	I-04 - I-05
Curtain, Cushion & Pad Group	I-06 - I-14
Dinette Group	I-15
Driver's Compartment Group	I-16 - I-19
Electrical Group	I-20 - I-22
Exterior Body Group	I-23 - J-08
Galley Group	J-09 - J-10
Heating & Air Conditioning Group	J-11
Interior Finish Group	J-12 - J-13
LP Group	J-14
Lounge Group	J-15 - J-16
Waste & Sewage Group	J-17
Window, Vent & Exterior Door Group	J-18 - J-24



SWIVEL CHAIRS

Key	Part Number	U/M	Description
1	073518-11-R28	EA	Chair Asm w/Pillow Back - Swivel/Recline - Blue
1	073518-11-R29	EA	Chair Asm w/Pillow Back - Swivel/Recline - Brown
1	073518-11-R30	EA	Chair Asm. w/Pillow Back - Swivel/Recline - Burgundy
	075174-02-R28	EA	Skirt Asm - Swivel Chair - Blue
	075174-02-R29	EA	Skirt Asm - Swivel Chair - Brown
	075174-02-R30	EA	Skirt Asm - Swivel Chair - Burgundy
	035036-01-000	EA	Plate - Tilt & Swivel - Swivel Chair
	035036-05-000	EA	Extension - 7" - Swivel Chair
	035036-04-000	EA	Base w/Legs - Swivel Chair

DINETTE CUSHIONS

Key	Part Number	U/M	Description
2	072430-44-R28	EA	Cushion - Dinette Back - 19 2" x 36" x 5" - Blue
2	072430-44-R29	EA	Cushion - Dinette Back - 19 2" x 36" x 5" - Brown
2	072430-44-R30	EA	Cushion - Dinette Back - 19 2" x 36" x 5" - Burgundy
	M72430-44-R28	EA	Cushion - Dinette Back Cushion - 19 2" x 35" x 5" - Blue
	M72430-44-R29	EA	Cushion - Dinette Back Cushion - 19 2" x 36" x 5" - Brown
	M72430-44-R30	EA	Cushion - Dinette Back Cushion - 19 2" x 36" x 5" - Burgundy
3	072430-45-R28	EA	Cushion - Dinette Bottom - 17 5" x 36" x 5" - Blue
3	072430-45-R29	EA	Cushion - Dinette Bottom - 17 5" x 36" x 5" - Brown
3	072430-45-R30	EA	Cushion - Dinette Bottom - 17 5" x 36" x 5" - Burgundy
	M72430-45-R28	EA	Cover - Dinette Bottom Cushion - 17 5" x 36" x 5" - Blue
	M72430-45-R29	EA	Cover - Dinette Bottom Cushion - 17 5" x 36" x 5" - Brown
	M72430-45-R30	EA	Cover - Dinette Bottom Cushion - 17 5" x 36" x 5" - Burgundy

HORSESHOE LOUNGE CUSHIONS

Key	Part Number	U/M	Description
4	077813-01-R28	EA	Cushion Asm - Bolster - 10" x 22 5" x 8" - Blue
4	077813-01-R29	EA	Cushion Asm - Bolster - 10" x 22.5" x 8" - Brown
4	077813-01-R30	EA	Cushion Asm - Bolster - 10" x 22 5" x 8" - Burgundy
	M77813-01-R28	EA	Cover Asm - Bolster - 10" x 22 5" x 8" - Blue
	M77813-01-R29	EA	Cover Asm - Bolster - 10" x 22 5" x 8" - Brown
	M77813-01-R30	EA	Cover Asm - Bolster - 10" x 22 5" x 8" - Burgundy
5	072430-41-R28	EA	Cushion Asm - Bottom - 30 5" x 75 5" x 5" - Blue
5	072430-41-R29	EA	Cushion Asm - Bottom - 30 5" x 75 5" x 5" - Brown
5	072430-41-R30	EA	Cushion Asm - Bottom - 30 5" x 75 5" x 5" - Burgundy
	M72430-41-R28	EA	Cover Asm - Bottom - 30 5" x 75 5" x 5" - Blue
	M72430-41-R29	EA	Cover Asm - Bottom - 30 5" x 75 5" x 5" - Brown
	M72430-41-R30	EA	Cover Asm - Bottom - 30 5" x 75 5" x 5" - Burgundy
6	072430-42-R28	EA	Cushion Asm - Bottom - 27 5" x 27 5" x 5" - Blue
6	072430-42-R29	EA	Cushion Asm - Bottom - 27 5" x 27 5" x 5" - Brown
6	072430-42-R30	EA	Cushion Asm - Bottom - 27 5" x 27 5" x 5" - Burgundy
	M72430-42-R28	EA	Cover Asm - Bottom - 27 5" x 27 5" x 5" - Blue
	M72430-42-R29	EA	Cover Asm - Bottom - 27 5" x 27 5" x 5" - Brown
	M72430-42-R30	EA	Cover Asm - Bottom - 27 5" x 27 5" x 5" - Burgundy
7	077814-01-R28	EA	Cushion Asm - Corner Bolster - 30 5" x 30 5" x 11" - Blue
7	077814-01-R29	EA	Cushion Asm - Corner Bolster - 30 5" x 30 5" x 11" - Brown
7	077814-01-R30	EA	Cushion Asm - Corner Bolster - 30 5" x 30 5" x 11" - Burgundy
	M77814-01-R28	EA	Cover Asm - Corner Bolster - 30 5" x 30 5" x 11" - Blue
	M77814-01-R29	EA	Cover Asm - Corner Bolster - 30 5" x 30 5" x 11" - Brown
	M77814-01-R30	EA	Cover Asm - Corner Bolster - 30 5" x 30 5" x 11" - Burgundy
8	072430-43-R28	EA	Cushion Asm - Bolster - 10" x 27 5" x 8" - Blue
8	072430-43-R29	EA	Cushion Asm - Bolster - 10" x 27 5" x 8" - Brown
8	072430-43-R30	EA	Cushion Asm - Bolster - 10" x 27 5" x 8" - Burgundy
	M72430-43-R28	EA	Cover Asm - Bolster - 10" x 27 5" x 8" - Blue
	M72430-43-R29	EA	Cover Asm - Bolster - 10" x 27 5" x 8" - Brown
	M72430-43-R30	EA	Cover Asm - Bolster - 10" x 27 5" x 8" - Burgundy

1984 ITASCA
TABLE OF CONTENTS

Introduction	A-01
Abbreviations	A-01
Alphabetical Index	A-02 - A-04
ICN22RC	A-05 - C-20
ICN27RU	C-21 - F-10
ICN33RU	F-11 - H-22
ICP31RT	H-23 - J-24

1984 ICP31RT INDEX

Floor Plan	H-23 - H-24
Accessories Group	I-01 - I-02
Bath Group	I-03
Chassis Group	I-04 - I-05
Curtain, Cushion & Pad Group	I-06 - I-14
Dinette Group	I-15
Driver's Compartment Group	I-16 - I-19
Electrical Group	I-20 - I-22
Exterior Body Group	I-23 - J-08
Galley Group	J-09 - J-10
Heating & Air Conditioning Group	J-11
Interior Finish Group	J-12 - J-13
LP Group	J-14
Lounge Group	J-15 - J-16
Water & Sewage Group	J-17
Window Vent & Exterior Door Group	J-18 - J-2

CURTAIN, CUSHION & PAD GROUP (CONTINUED)

SINGLE & DOUBLE BED

Key	Part Number	U/M	Description
9	077427-01-000	EA	Mattress - Inner Spring - 30" x 75"
10	077478-03-000	EA	Mattress - Inner Spring - 54" x 75"
	070653-01-R28	EA	Bedsread - Twin Fitted - Blue
	070653-01-R29	EA	Bedsread - Twin Fitted - Brown
	070653-01-R30	EA	Bedsread - Twin Fitted - Burgundy
	066343-03-R28	EA	Bedsread - Double Fitted - Blue
	066343-03-R29	EA	Bedsread - Double Fitted - Brown
	066343-03-R30	EA	Bedsread - Double Fitted - Burgundy
	077463-01-R28	EA	Headboard Asm. - Twin - Blue
	077463-01-R29	EA	Headboard Asm. - Twin - Brown
	077463-01-R30	EA	Headboard Asm. - Twin - Burgundy
	077463-02-R28	EA	Headboard Asm. - Double - Blue
	077463-02-R29	EA	Headboard Asm. - Double - Brown
	077463-02-R30	EA	Headboard Asm. - Double - Burgundy
	J70654-01-R28	EA	Pillow Sham - 20" x 26" - Blue
	070654-01-R29	EA	Pillow Sham - 20" x 26" - Brown
	070654-01-R30	EA	Pillow Sham - 20" x 26" - Burgundy

MAGIC BED

Key	Part Number	U/M	Description
11	075475-17-000	EA	Magic Bed - 3 Pillow - Blue (R28)
11	075475-16-000	EA	Magic Bed - 3 Pillow - Brown (R29)
11	075475-18-000	EA	Magic Bed - 3 Pillow - Burgundy (R30)

FRONT OVERHEAD BUNK CUSHIONS

Key	Part Number	U/M	Description
	073467-06-R28	EA	Cushion Asm. - Front Bunk - 30" x 72" x 4" - Blue
	073467-06-R29	EA	Cushion Asm. - Front Bunk - 30" x 72" x 4" - Brown
	073467-06-R30	EA	Cushion Asm. - Front Bunk - 30" x 72" x 4" - Burgundy
	M73467-06-R28	EA	Cover - Front Bunk Cushion - 30" x 72" x 4" - Blue
	M73467-06-R29	EA	Cover - Front Bunk Cushion - 30" x 72" x 4" - Brown
	M73467-06-R30	EA	Cover - Front Bunk Cushion - 30" x 72" x 4" - Burgundy

CURTAIN, CUSHION & PAD GROUP (CONTINUED)

BUCKET SEATS

Key	Part Number	U/M	Description
	075966-12-R28	EA	Seat Asm. - Single Bucket - w/Armrests - Blue
	075966-12-R29	EA	Seat Asm. - Single Bucket - w/Armrests - Brown
	075966-12-R30	EA	Seat Asm. - Single Bucket - w/Armrests - Burgundy
	M00784-24-R28	EA	Cover - Back - Single Bucket - Blue
	M00784-24-R29	EA	Cover - Back - Single Bucket - Brown
	M00784-24-R30	EA	Cover - Back - Single Bucket - Burgundy
	M00784-23-R28	EA	Cover - Bottom - Single Bucket - Blue
	M00784-23-R29	EA	Cover - Bottom - Single Bucket - Brown
	M00784-23-R30	EA	Cover - Bottom - Single Bucket - Burgundy
	071126-04-R28	EA	Skirt - Single Bucket - Blue
	071126-04-R29	EA	Skirt - Single Bucket - Brown
	071126-04-R30	EA	Skirt - Single Bucket - Burgundy
	075967-04-R28	EA	Seat Asm. - Double Bucket w/Armrests - Blue
	075967-04-R29	EA	Seat Asm. - Double Bucket w/Armrests - Brown
	075967-04-R30	EA	Seat Asm. - Double Bucket w/Armrests - Burgundy
	M00784-26-R28	EA	Cover - Back - Double Bucket - Blue
	M00784-26-R29	EA	Cover - Back - Double Bucket - Brown
	M00784-26-R30	EA	Cover - Back - Double Bucket - Burgundy
	M00784-25-R28	EA	Cover - Bottom - Double Bucket - Blue
	M00784-25-R29	EA	Cover - Bottom - Double Bucket - Brown
	M00894-25-R30	EA	Cover - Bottom - Double Bucket - Burgundy
	071690-02-R28	EA	Skirt - Double Bucket - Blue
	071690-02-R29	EA	Skirt - Double Bucket - Brown
	071690-02-R30	EA	Skirt - Double Bucket - Burgundy
	071122-15-R28	EA	Armrest Asm. - Right - Blue
	071122-15-R29	EA	Armrest Asm. - Right - Brown
	071122-15-R30	EA	Armrest Asm. - Right - Burgundy
	071122-16-R28	EA	Armrest Asm. - Left - Blue
	071122-16-R29	EA	Armrest Asm. - Left - Brown
	071122-16-R30	EA	Armrest Asm. - Left - Burgundy
	071122-08-R28	EA	Cover - Armrest - Right - Blue
	071122-08-R29	EA	Cover - Armrest - Right - Brown
	071122-08-R30	EA	Cover - Armrest - Right - Burgundy
	071123-09-R28	EA	Cover - Armrest - Left - Blue
	071123-09-R29	EA	Cover - Armrest - Left - Brown
	071123-09-R30	EA	Cover - Armrest - Left - Burgundy

**1984 ITASCA
TABLE OF CONTENTS**

Introduction	A-01
Abbreviations	A-01
Alphabetical Index	A-02 - A-04
ICN22RC	A-05 - C-20
ICN27RU	C-21 - F-10
ICN33RU	F-11 - H-22
ICP31RT	H-23 - J-24

1984 ICP31RT INDEX

Floor Plan	H-23 - H-24
Accessories Group	I-01 - I-02
Bath Group	I-03
Chassis Group	I-04 - I-05
Curtain, Cushion & Pad Group	I-06 - I-14
Dinette Group	I-15
Driver's Compartment Group	I-16 - I-19
Electrical Group	I-20 - I-22
Exterior Body Group	I-23 - J-08
Galley Group	J-09 - J-10
Heating & Air Conditioning Group	J-11
Interior Finish Group	J-12 - J-13
LP Group	J-14
Lounge Group	J-15 - J-16
Water & Sewage Group	J-17
Window Vent & Exterior Door Group	J-18 - J-24

SWIVEL CHAIRS W/PULLOUT TABLE

Key	Part Number	U/M	Description
	M01544-09-R13	EA	Table Asm. - Foldout - Empire Walnut
	M01554-01-R13	EA	Countertop Asm - Foldout Table Cabinet - Empire Walnut
	076606-04-R13	EA	Cabinet Asm - Overhead - w/o Doors or Hardware
	M77472-01-R13	EA	Door Asm - Overhead Cabinet - w/o Hardware
	009040-04-000	EA	Leg - Pedestal Table - 27 5"
	M00604-43-R13	EA	Table Asm - Pedestal Table - Empire Walnut
	009040-03-000	EA	Base - Table Leg - Mounts on Table
	062046-01-000	EA	Leg Clip - Pedestal
	035036-04-000	EA	Base w/Leg - Swivel Chair
	035036-05-000	EA	Extension - 7" - Swivel Chair
	024276-15-000	EA	Table Leg - Brown
	024282-01-000	EA	Brace - Table Leg
	024283-01-000	EA	Clip - Table Leg
	064050-01-000	EA	Hinge - Table Leg
	049493-02-000	EA	Catch - Table Leg - Mounts on Floor - Brown
**	NOTE	EA	Swivel Chairs
	074489-02-R10	EA	Beverage Holder w/Tray - Oak
	076548-01-R13	EA	Pad Asm - Dinette Overhead - Right Hand
	076548-02-R13	EA	Pad Asm - Dinette Overhead - Left Hand
**	See Curtain, Cushion & Pad Group		

SWIVEL CHAIRS & ICE MAKER

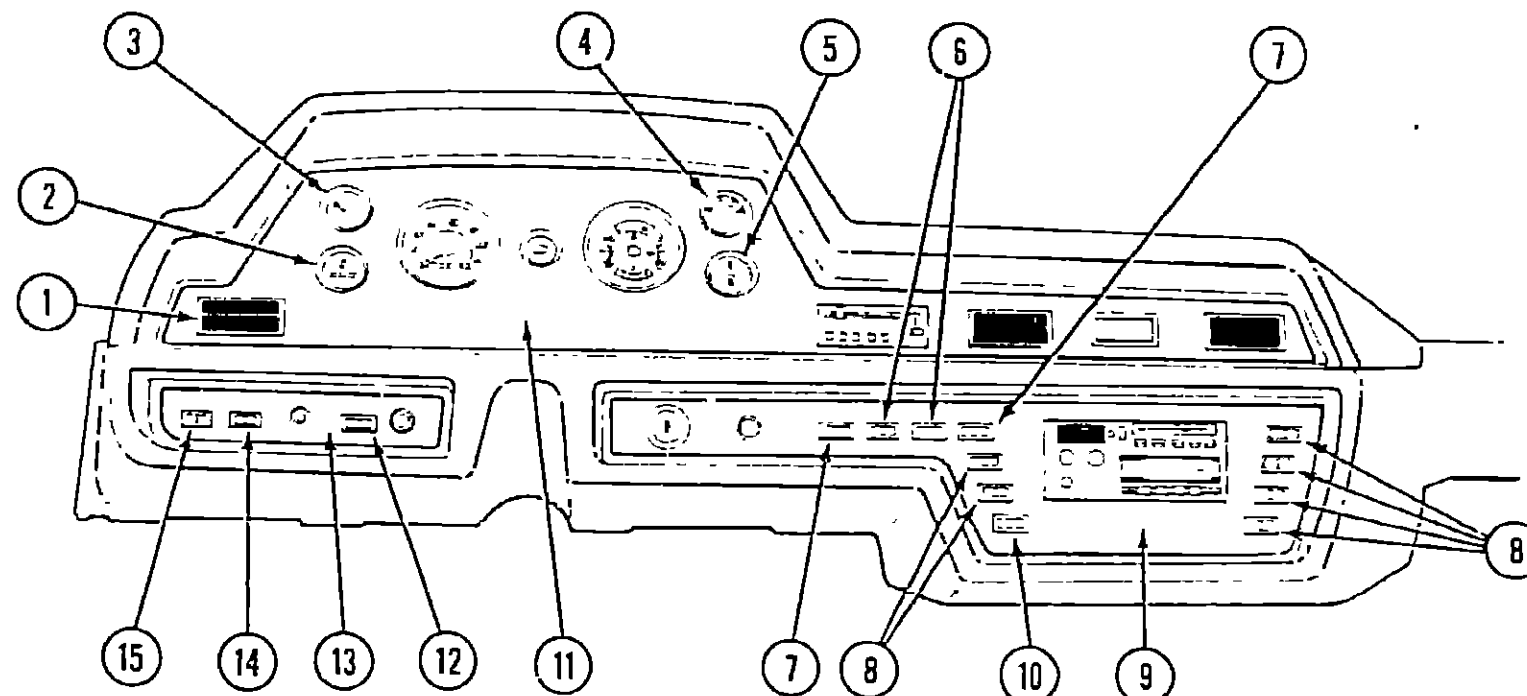
Key	Part Number	U/M	Description
	M77600-01-R13	EA	Cabinet Asm - Ice Maker
	M01636-01-R13	EA	Countertop Asm - Ice Maker - Empire Walnut
	M01637-01-R13	EA	Slideout Table
	076799-01-000	EA	Ice Maker - Black Glass
	078238-02-R13	EA	Access Panel
	074489-02-R13	EA	Beverage Holder - w/Tray

ENTERTAINMENT CENTER

Key	Part Number	U/M	Description
	M76977-02-R13	EA	Cabinet Asm - Entertainment Center
	M01619-01-R13	EA	Countertop - Entertainment Center - Empire Walnut
	077582-01-R13	EA	Bottle Holder - Lower
	077583-01-R13	EA	Bottle Holder - Upper
	077663-01-R13	EA	Glass Holder
	077773-01-R13	EA	Wineglass Guide
	M77833-05-R13	EA	Door Asm - 9 75" x 26 25" - Right Hand
	M77833-06-R13	EA	Door Asm - 9 75" x 26 25" - Left Hand
	076799-01-000	EA	Ice Maker - Black Glass
	074489-02-R13	EA	Beverage Holder - w/Tray

DINETTE (OPTION)

Key	Part Number	U/M	Description
	M75171-07-R13	EA	Door Asm. - Dinette Seat Cabinet - Right - 10" x 19" - w/o Hardware
	M77467-08-R13	EA	Door Asm - Dinette Seat Cabinet - Left - 10" x 19" - w/o Hardware
	M01570-03-R13	EA	Cabinet Asm - Dinette Seat - Right - w/o Door or Hardware
	M01570-04-R13	EA	Cabinet Asm - Dinette Seat - Left - w/o Door or Hardware
	M01571-04-R13	EA	Cabinet Asm - Dinette Seat Back - Left
	M01571-03-R13	EA	Cabinet Asm - Dinette Seat Back - Right
	M75501-03-R13	EA	Table Asm - Dinette - w/o Hardware
	053200-05-000	EA	Bracket - Upper Wall Mount - 23 5" - Beige
	053201-03-000	EA	Bracket - Table Mount - 23"
	024275-05-000	EA	Rod - Table Lift - 8' x 23 5" - Beige
	024276-14-000	EA	Leg Asm - Table - 29 5" - Brown
	024281-07-000	EA	Bracket - Lower Wall Mount - 22 12" - Beige
	024282-01-000	EA	Brace - Table Leg
	024283-01-000	EA	Clip - 1" O D Tube
	049493-02-000	EA	Catch - Table Leg - Mount on Floor - Brown
	064050-01-000	EA	Hinge - Table Leg
	064781-03-000	EA	Cup Holder - 3 5" x 1 5"



DASH SWITCHES AND GAUGES

Key	Part Number	U/M	Description
1	076783-02-000	EA	Louver Asm - A/C Adjustable
2	031035-02-000	EA	Gauge - Hourmeter - Generator
3	024460-04-000	EA	Gauge - Vacuum
4	024459-04-000	EA	Gauge - Voltmeter
5	076761-01-000	EA	Gauge - Auxiliary Fuel
6	076759-05-000	EA	Switch - 3 Position
7	076759-04-000	EA	Switch - 3 Position
8	076759-01-000	EA	Switch - 2 Position
9	076217-01-000	EA	Instrument Panel - Lower
10	076800-01-000	EA	Switch w/Thermometer
11	076216-01-000	EA	Instrument Panel - Upper
12	076759-07-000	EA	Switch - 2 Position
13	076218-01-000	EA	Instrument Panel - Lower Left
14	076759-02-000	EA	Switch - 2 Position
15	076759-03-000	EA	Switch - 3 Position

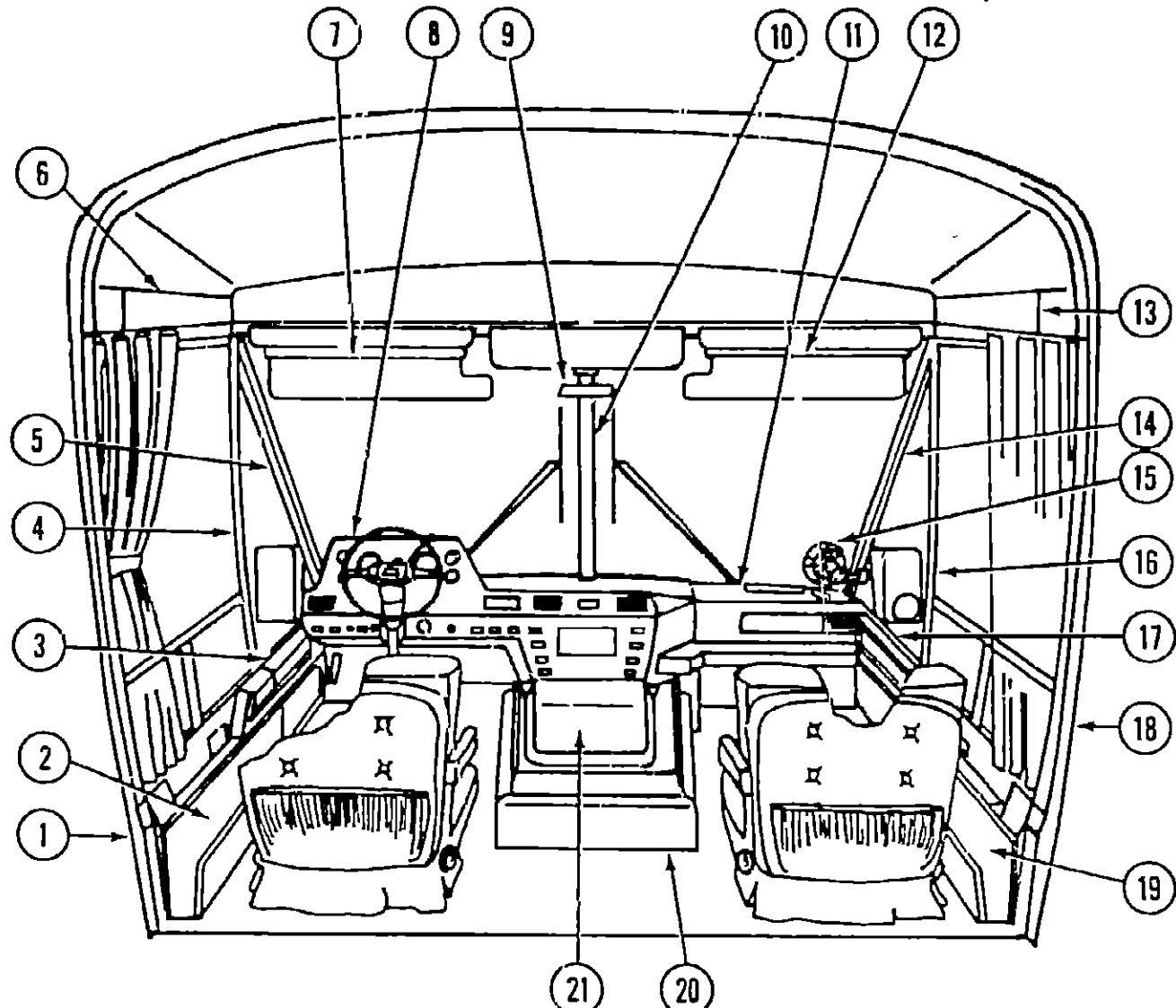
**1984 ITASCA
TABLE OF CONTENTS**

Introduction	A-01
Abbreviations	A-01
Alphabetical Index	A-02 - A-04
ICN22RC	A-05 - C-20
ICN27RU	C-21 - F-10
ICN33RU	F-11 - H-22
ICP31RT	H-23 - J-24

1984 ICP31RT INDEX

Floor Plan	H-23 - H-24
Accessories Group	I-01 - I-02
Bath Group	I-03
Chassis Group	I-04 - I-05
Curtain, Cushion & Pad Group	I-06 - I-14
Dinette Group	I-15
Driver's Compartment Group	I-16 - I-19
Electrical Group	I-20 - I-22
Exterior Body Group	I-23 - J-08
Galley Group	J-09 - J-10
Heating & Air Conditioning Group	J-11
Interior Finish Group	J-12 - J-13
LP Group	J-14
Lounge Group	J-15 - J-16
Water & Sewage Group	J-17
Window, Vent & Exterior Door Group	J-18 - J-24

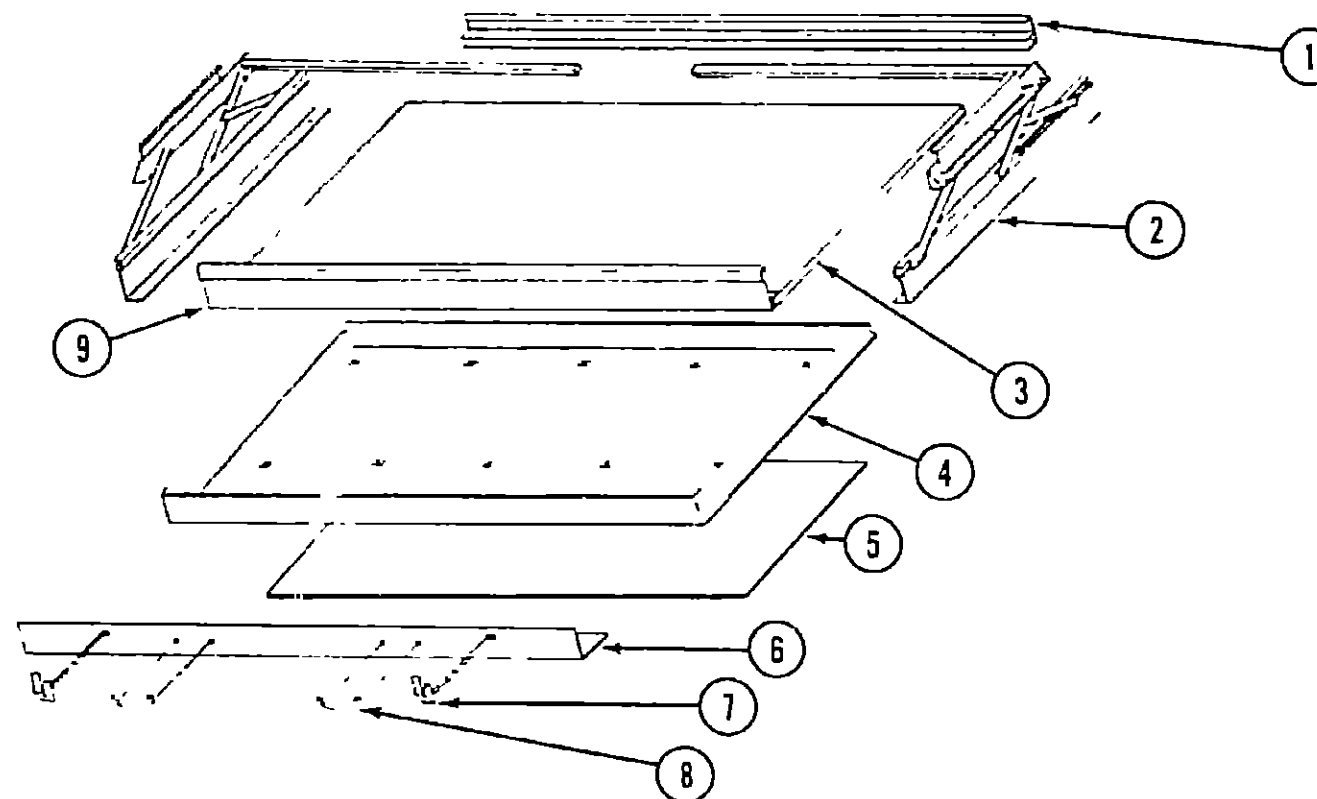
DRIVER'S COMPARTMENT GROUP (CONTINUED)



MISCELLANEOUS DRIVER'S COMPARTMENT COMPONENTS

Key	Part Number	U/M	Description
1	077111-04-000	EA	Trim Panel - Drivers Side - Gray
2	077117-04-000	EA	Trim - Side Panel - Door - Gray
3	077116-02-000	EA	Trim - Side Panel - Front - Gray
4	077113-04-000	EA	Trim Panel - Hinge Pillar - Gray
5	077112-04-000	EA	Trim - Windshield - Interior - 'A' Post - Left - Gray
6	077110-04-000	EA	Trim Cover - w/Bunk - Left - Gray
6	077110-08-000	EA	Trim Cover - w/o Bunk - Left - Gray
7	076765-03-000	EA	Sunvisor Asm - Drivers - Vinyl - Gray
8	077469-02-000	EA	Dash Panel - Left Upper
9	040714-01-000	EA	Mirror - Inside - Rearview - Glare Proof
*	067490-01-000	EA	Button - Mirror - Rearview - Support
10	077114-01-000	EA	Trim Panel - Pillar - Center - Gray
*	024990-02-000	EA	Outlet - Defroster w/Swivel - 2" Dark Brown
*	076783-02-000	EA	Louver Asm - A/C Adjustable
11	077470-02-000	EA	Dash Panel - Right Hand
12	076765-04-000	EA	Sunvisor Asm - Passenger - Vinyl - Gray
13	077110-03-000	EA	Trim Cover - w/Bunk - Right - Gray
13	077110-07-000	EA	Trim Cover - w/o Bunk - Right - Gray
14	077112-03-000	EA	Trim - Windshield - Interior - 'A' Post - Right - Gray
15	036420-02-000	EA	Defroster Fan
16	077113-03-000	EA	Trim Panel - Hinge Pillar - Gray
17	077115-02-000	EA	Trim - Side Panel - Front - Gray
18	077111-03-000	EA	Trim Panel - Passenger Side - Gray
19	077117-02-000	EA	Trim - Side Panel - Door - Gray
20	077660-01-000	EA	Motor Cover
21	076734-02-000	EA	Beverage Tray (Support) - Gray
*	074489-02-R13	EA	Beverage Tray - Oak
*	052367-01-000	EA	Cigarette Lighter
*			Not illustrated

DRIVER'S COMPARTMENT GROUP (CONTINUED)



FRONT BUNK & HARDWARE

Key	Part Number	U/M	Description
1	077246-02-000	EA	Bunk Rail - Front - Gray
2	076760-01-000	EA	Bunk Supports - Overhead - Complete
3	077243-01-000	EA	Bunkboard Asm - w/Rails - Gray
4	077121-02-000	EA	Trim Panel - Front Bunk - Gray
5	077133-04-000	EA	Bunk Insert - Lower - Blue (R28)
5	077133-05-000	EA	Bunk Insert - Lower - Brown (R29)
5	077133-06-000	EA	Bunk Insert - Lower - Burgundy (R30)
6	077132-04-000	EA	Bunk Insert - Rear - Blue (R28)
6	077132-05-000	EA	Bunk Insert - Rear - Brown (R29)
6	077132-06-000	EA	Bunk Insert - Rear - Burgundy (R30)
7	042541-01-000	EA	Latch Asm - w/Strike - Chrome
8	077039-01-000	EA	Grab Handle - Swivel - Black
9	077244-02-000	EA	Bunk Rail - Rear - Gray

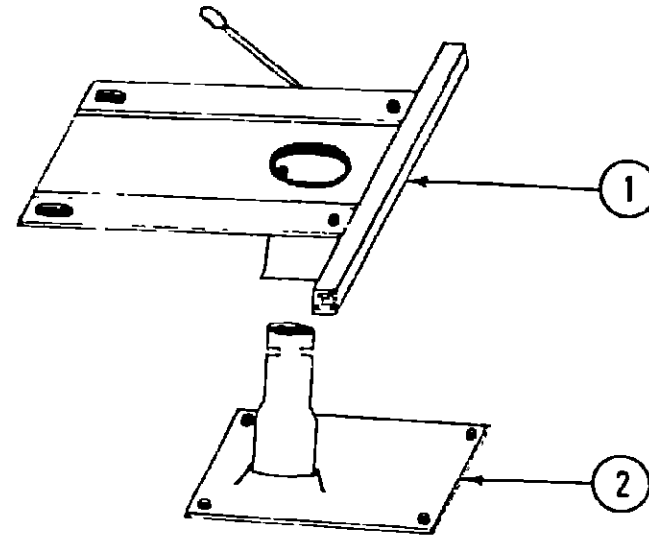
**1984 ITASCA
TABLE OF CONTENTS**

Introduction	A-01
Abbreviations	A-01
Alphabetical index	A-02 - A-04
ICN22RC	A-05 - C-20
ICN27RU	C-21 - F-10
ICN33RU	F-11 - H-22
ICP31RT	H-23 - J-24

1984 ICP31RT INDEX

Floor Plan	H-23 - H-24
Accessories Group	I-01 - I-32
Bath Group	I-03
Chassis Group	I-04 - I-05
Curtain, Cushion & Pad Group	I-06 - I-14
Dinette Group	I-15
Driver's Compartment Group	I-16 - I-19
Electrical Group	I-20 - I-22
Exterior Body Group	I-23 - J-08
Galley Group	J-09 - J-10
Heating & Air Conditioning Group	J-11
Interior Finish Group	J-12 - J-13
LP Group	J-14
Lounge Group	J-15 - J-16
Water & Sewage Group	J-17
Window Vent & Exterior Door Group	J-18 - J-24

DRIVER'S COMPARTMENT GROUP (CONTINUED)



BUCKET SEAT PEDESTAL & SEAT BELTS

Key	Part Number	U/M	Description
1	069585-06-000	EA	Plate - Top - Pedestal Asm - Single Bucket Seat
1	069585-04-000	EA	Plate - Top - Pedestal Asm - Double Bucket Seat
2	069585-08-000	EA	Plate - Sub - Pedestal Asm - Bucket Seat
.	069585-05-000	EA	Hardware Kit - Bolt/Acorn Nut - 4 ea - Pedestal Asm
.	007019-01-000	EA	Belt Asm - Seat - 2" x 84" - Black
.	007021-01-000	EA	Belt Asm - Seat - 2" x 90" - Black
.	056271-02-000	EA	Belt Asm. - Seat - 2" x 72" - Black
.	041322-01-000	EA	Washer - Flat 15/32" I D. x 2 3/8" O D - Seat Belt
.	058375-01-000	EA	Bracket - Seat Belt - Washer
.	069246-01-000	EA	Adjuster Asm - Seat - w/Lock
.	069246-02-000	EA	Adjuster Asm - Seat - w/o Lock
.	068601-06-000	EA	Recliner Drive - Left Side
.	068601-07-000	EA	Recliner Drive - Right Side
.	068601-05-700	EA	Hand Wheel - Recliner Drive
.			Not illustrated

ELECTRICAL GROUP

BULBS

Key	Part Number	U/M	Description
	037935-01-000	EA	Bulb - 1157
	063914-01-000	EA	Bulb - 1139
	008103-01-000	EA	Bulb - 53
	008213-01-000	EA	Bulb - 57
	008214-01-000	EA	Bulb - 67
	008215-01-000	EA	Bulb - 1003
	008216-01-000	EA	Bulb - 1034
	008217-01-000	EA	Bulb - 1073
	008218-01-000	EA	Bulb - 1141
	008220-01-000	EA	Bulb - 12V - 25W
	036196-01-000	EA	Bulb - 194
	067479-01-000	EA	Bulb - 1076 - 12V - 1 80 Amp

FUSES AND CIRCUIT BREAKERS

Key	Part Number	U/M	Description
	056473-02-000	EA	Fuse - Slow Blow - 5 Amp - 32 Volt Capacity
	056473-01-000	EA	Fuse - Slow Blow - 6 1/4 Amp.
	008233-01-000	EA	Fuse - 12 Volt - 6 Amp
	008234-01-000	EA	Fuse - 12 Volt - 10 Amp
	046893-01-000	EA	Fuse - 12 Volt - 13 Amp
	008235-01-000	EA	Fuse - 12 Volt - 15 Amp.
	008236-01-000	EA	Fuse - 12 Volt - 20 Amp.
	008248-01-000	EA	Fuse - 110 Volt - 30 Amp - AGU
	008252-01-000	EA	Fuse - 110 Volt - 50 Amp
	062901-02-000	EA	Fuse - Automotive - 5 Amp
	062901-05-000	EA	Fuse - Automotive - 15 Amp
	044466-03-000	EA	Circuit Breaker - 12 Volt - 25 Amp - DC
	008208-01-000	EA	Circuit Breaker - 12 Volt - 40 Amp.
	008211-01-000	EA	Circuit Breaker - 12 Volt - 6 Amp
	008268-01-000	EA	Circuit Breaker - 12 Volt - 30 Amp. w/Mount
	033573-02-000	EA	Circuit Breaker - 12 Volt - 15 Amp w/Mount
	033573-01-000	EA	Circuit Breaker - 12 Volt - 20 Amp w/Mount
	040051-01-000	EA	Circuit Breaker - 110 Volt - 20 Amp TQL
	071279-01-000	EA	Circuit Breaker - 120 Volt - 15 Amp
	008273-03-000	EA	Circuit Breaker - 15/20 Amp TQL
	008299-01-000	EA	Circuit Breaker - 115 Amp TQL
	008297-01-000	EA	Circuit Breaker - 120 Amp TQL
	008293-01-000	EA	Circuit Breaker - 130 Amp TQL
	071279-02-000	EA	Circuit Breaker - 15/15 Amp - 120 Volt
	071279-03-000	EA	Circuit Breaker - 15/20 Amp - 120 Volt
	071279-04-000	EA	Circuit Breaker - 30 Amp - 120 Volt
	075735-02-000	EA	Circuit Breaker - GF 115 Amp - 120 Volt
	071279-05-000	EA	Circuit Breaker - 20 Amp - 120 Volt
	071279-06-000	EA	Circuit Breaker - 30/15 Amp - 120 Volt
	071279-07-000	EA	Circuit Breaker - 20/20 Amp - 120 Volt
	071280-01-000	EA	Circuit Breaker Blank

MISCELLANEOUS ELECTRICAL COMPONENTS

Key	Part Number	U/M	Description
	063739-01-000	EA	Battery - 12 Volt - 80 Amp. Gould
	008188-01-000	EA	Solenoid - Dual Battery - Relay
	024459-04-000	EA	Gauge - Voltmeter - w/c Bracket
	031035-02-000	EA	Gauge - Hourmeter - Generator
	024460-04-000	EA	Gauge - Vacuum - w/o Bracket
	008343-01-000	EA	Wire Tie - Plastic - 6"
	052367-01-000	EA	Lighter Asm - Cigarette
	071278-02-000	EA	Control Center - 45 Amp
	071278-01-700	EA	Door - w/Catch - Brown
	071278-01-701	EA	Converter Module
	071278-01-702	EA	Label - 45 Amp
	071278-01-703	EA	Door Catch

1984 ITASCA TABLE OF CONTENTS

Introduction	A-01
Abbreviations	A-01
Alphabetical Index	A-02 - A-04
ICN22RC	A-05 - C-20
ICN27RU	C-21 - F-10
ICN33RU	F-11 - H-22
ICP31RT	H-23 - J-24

1984 ICP31RT INDEX

Floor Plan	H-23 - H-24
Accessories Group	I-01 - I-02
Bath Group	I-03
Chassis Group	I-04 - I-05
Curtain Cushion & Pad Group	I-06 - I-14
Dinette Group	I-15
Driver's Compartment Group	I-16 - I-19
Electrical Group	I-20 - I-22
Exterior Body Group	I-23 - J-08
Galley Group	J-09 - J-10
Heating & Air Conditioning Group	J-11
Interior Finish Group	J-12 - J-13
LP Group	J-14
Lounge Group	J-15 - J-16
Water & Sewage Group	J-17
Window Vent & Exterior Door Group	J-18 - J-24

ELECTRICAL GROUP (CONTINUED)

WINDSHIELD WIPER & WASHER

Key	Part Number	U/M	Description
**	056000-02-000	EA	Washer Asm - Windshield - w/o Nozzles
	072472-04-000	EA	Arm - Windshield Wiper - 29" - Black
**	049464-03-000	EA	Blade - Windshield Wiper - 20" Black
	067188-01-000	EA	Crank Stud - Wiper
	067190-01-000	EA	Shaft & Pivot Asm. - Wiper
	067192-01-000	EA	Connecting Link Asm - Drivers Side
	067193-01-000	EA	Connecting Link Asm - Passenger Side
	067191-01-700	EA	Wiper Motor Asm.
**	The illustrated parts breakdown for this item is provided on the Common Items Fiche		

WIRE, SWITCHES & RECEPTACLES

Key	Part Number	U/M	Description
	008024-01-000	FT	Wire - 18 5 Bonded - Orange/White/Yellow/Blue/Brown
	008025-01-000	FT	Wire - 18 5 Bonded - Orange/White/Yellow/Blue/Green
	008028-01-000	FT	Wire - 18 5 Bonded - Blue/Red/Yellow/Orange/White
	008277-01-000	EA	Holder - Fuse - Black - Panel Mount
	008054-01-000	EA	Cord - Power - 10-3 30 Amp - 25' - UL
	008052-01-000	EA	Cord - Power - 10-3 30 Amp - 25' - CSA
	024571-03-000	EA	Cover Plate - Receptacle - Jumbo Plastic - Brown
	024571-04-000	EA	Cover Plate - Receptacle - Jumbo Plastic - Ivory
	008160-01-000	EA	Cover Plate - Receptacle - Plastic - Ivory
	008164-01-000	EA	Cover Plate - Switch - Brown
	076319-09-000	EA	TV Wall Plate/Receptacle - Brown (Winegard Antenna)
	076319-07-000	EA	TV Wall Plate - Power Supply - Brown (Winegard Antenna)
	074151-01-000	EA	Switch Plate - On/Off - Jensen
	058028-01-000	EA	Connector - Pigtail - Clear - Nylon
	008162-02-000	EA	Switch - Double Toggle - Ivory
	008162-01-000	EA	Switch - Double Toggle - Brown
	008163-01-000	EA	Switch - Toggle Brown
	056264-01-000	EA	Switch - Leaf Actuator
	074007-01-000	EA	Switch - Intermittent - Windshield Wiper
	063912-01-000	EA	Relay - Canister Spot w/Ground
	069238-01-000	EA	Cover - Electrical - 4 x 4 Box
	008058-01-000	EA	Adaptor - Power Cord
	024924-02-000	EA	Receptacle - Power Cord
	058707-01-000	EA	Receptacle - Single - Brown
	058708-01-000	EA	Receptacle - Duplex - Brown
	058708-02-000	EA	Receptacle - Duplex - Ivory
	075736-01-000	EA	Receptacle/Cover - Exterior
	008294-01-000	EA	Cover - Steel - Flat Blank - 4" x 4"
	008288-01-000	EA	Box - Electrical - Plastic - 3" x 3 5"
	008289-01-000	EA	Box - Electrical - Steel - 4 x 4 - 1/2 & 3/4 UL
	058049-01-000	EA	Box - Electrical - 2" 3" x 2 25' - Steel
	064398-01-000	EA	Housing Asm - Trailer Receptacle
	064399-01-000	EA	Housing Asm - Trailer Pir
	064450-01-000	EA	Housing Asm - Trailer Plug
	035417-01-000	EA	Terminal - Pin Receptacle - 125 Dia
	054532-01-000	EA	Housing Pin - 6 Position
	054532-02-000	EA	Housing Pin - 4 Position
	031966-01-000	EA	Contact - Plug - Brass - Tin Plated
	073937-01-000	EA	Switch - Roof Air - A/C Selector - 3 Deck Rotary

ELECTRICAL GROUP (CONTINUED)

EXTERIOR LIGHTS

Key	Part Number	U/M	Description
	075458-02-000	EA	Light Asm - Rear Side Marker - Red
	075458-01-000	EA	Light Asm - Side Marker - Amber
	075458-03-000	EA	Socket Asm - Side Marker
	075459-01-000	EA	Lamp Asm - Taillight - Red
	075459-02-000	EA	Lamp Asm - Taillight - Amber
	075459-03-000	EA	Lamp Asm - Taillight - Back up w/Reflex
	008089-01-000	EA	Light - Porch - Recessed

INTERIOR LIGHTS

Key	Part Number	U/M	Description
	033508-02-000	EA	Light - Dome - Ivory - 1 Bulb - US
	033508-03-000	EA	Light - Dome - Ivory - 1 Bulb - CSA
	033509-02-000	EA	Light - Dome - Ivory - 2 Bulb - US
	033509-03-000	EA	Light - Dome - Ivory - 2 Bulb - CSA
	061424-01-000	EA	Light - 12 V Receptacle - Aisle - IP
	065202-01-000	EA	Wall Lamp - Decor - 2 Bulb - Brass - (Stationary)
	065202-01-000	EA	Wall Lamp - Decor - 2 Bulb - Brass - Swivel
	065201-02-000	EA	Lamp Shade - Fabric - Parchment - Wall Lamp
	077026-01-000	EA	Lens - Courtesy Light - Clear - Front Door Panels

**1984 ITASCA
TABLE OF CONTENTS**

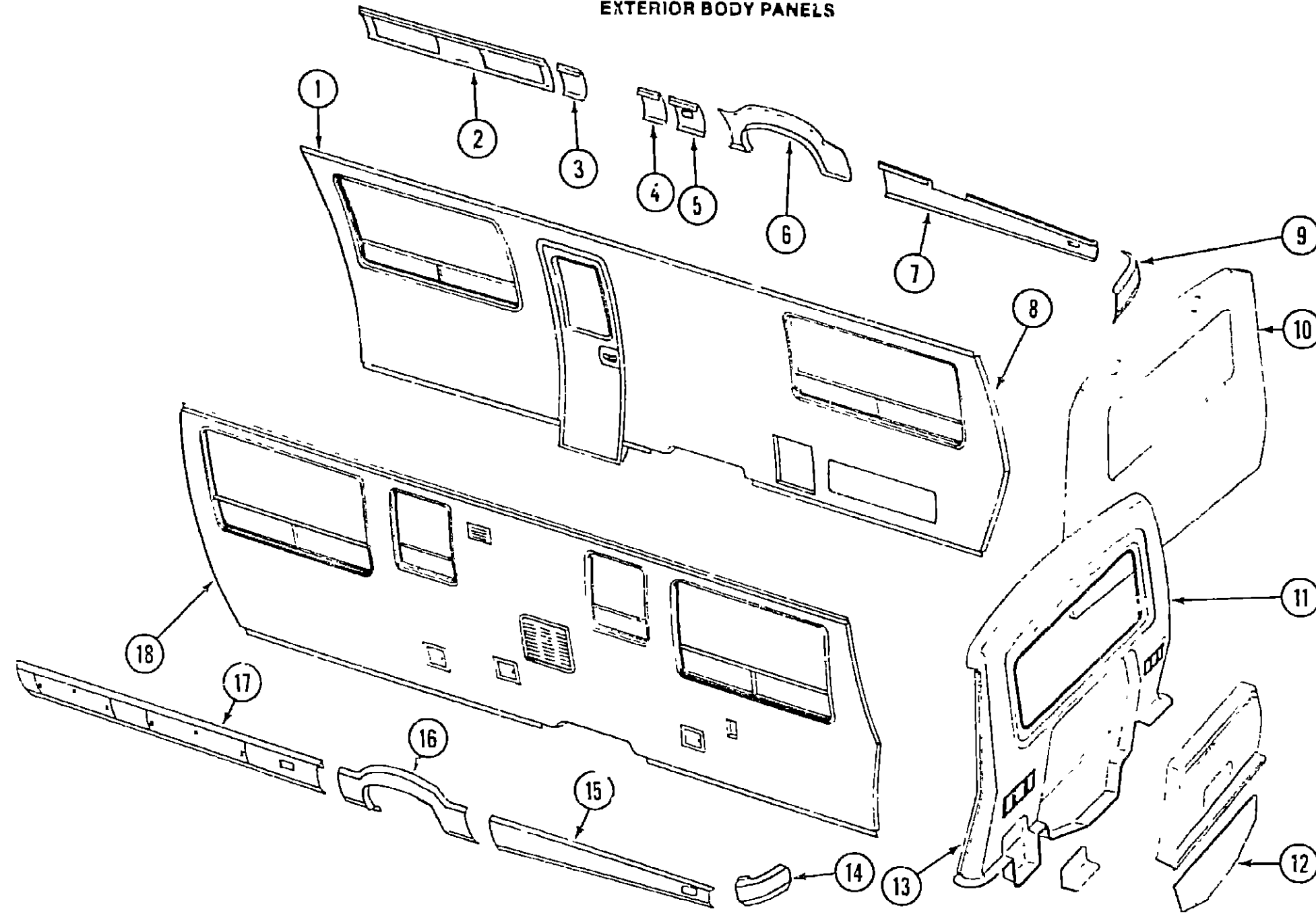
Introduction	A-01
Abbreviations	A-01
Alphabetical Index	A-02 - A-04
ICN22RC	A-05 - C-20
ICN27RU	C-21 - F-10
ICN33RU	F-11 - H-22
ICP31RT	H-23 - J-24

1984 ICP31RT INDEX

Floor Plan	H-23 - H-24
Accessories Group	I-01 - I-02
Bath Group	I-03
Chassis Group	I-04 - I-05
Curtain, Cushion & Pad Group	I-06 - I-14
Dinette Group	I-15
Drivers Compartment Group	I-16 - I-19
Electrical Group	I-20 - I-22
Exterior Body Group	I-23 - J-08
Galley Group	J-09 - J-10
Heating & Air Conditioning Group	J-11
Interior Finish Group	J-12 - J-13
LP Group	J-14
Lounge Group	J-15 - J-16
Water & Sewage Group	J-17
Window Vent & Exterior Door Group	J-18 - J-24

EXTERIOR BODY GROUP

EXTERIOR BODY PANELS



Key	Part Number	U/M	Description
1	M76685-02-R13	EA	Sidewall Asm - Right
2	076236-04-000	EA	Valance Panel - Right Front
3	076949-06-000	EA	Valance Panel - End Cap (Right)
4	076949-08-000	EA	Valance Panel - End Cap (Left)
5	076235-04-000	EA	Valance Panel - Right Center
6	076234-06-000	EA	Wheelwell Trim - Rear Right - Gray
7	076238-04-000	EA	Valance Panel - Right Rear
8	073502-09-000	EA	Fiberglass Trim - Right Rear - Gray
9	077330-02-000	EA	Bumper End - Rear Right
10	077141-01-R13	EA	Backwall Asm
11	076233-02-000	EA	Rear Cap Panel - Gray
12	077395-01-000	EA	Spare Tire Shield
13	073502-10-000	EA	Fiberglass Trim - Rear Left - Gray

Key	Part Number	U/M	Description
14	077330-04-000	EA	Bumper End - Rear Left
15	077792-10-000	EA	Valance Panel - Left Rear
16	076234-08-000	EA	Wheelwell Trim - Rear Left - Gray
17	076237-04-000	EA	Valance Panel - Left Front
18	M76684-02-R13	EA	Sidewall Asm - Left
	M01628-02-R28	EA	Roof Asm - Gray
	073505-08-000	EA	Roof Trim - 180" - Gray
	076515-01-000	EA	Trim - Wheelwell - Rear - Left/Right
	077412-03-000	EA	Trim Cap - Rear Upper Right Corner - Sidewall
	077412-04-000	EA	Trim Cap - Rear Upper Left Corner - Sidewall
			Not illustrated

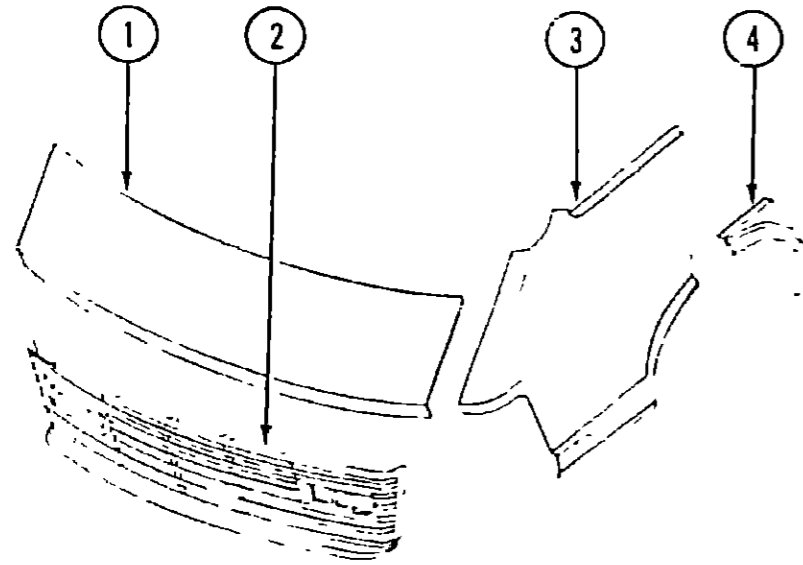
1984 ITASCA TABLE OF CONTENTS

Introduction	A-01
Abbreviations	A-01
Alphabetical Index	A-02 - A-04
ICN22RC	A-05 - C-20
ICN27RU	C-21 - F-10
ICN33RU	F-11 - H-22
ICP31RT	H-23 - J-24

1984 ICP31RT INDEX

Floor Plan	H-23 - H-24
Accessories Group	I-01 - I-02
Bath Group	I-03
Chassis Group	I-04 - I-05
Curtain, Cushion & Pad Group	I-06 - I-14
Dinette Group	I-15
Driver's Compartment Group	I-16 - I-19
Electrical Group	I-20 - I-22
Exterior Body Group	I-23 - J-08
Galley Group	J-09 - J-10
Heating & Air Conditioning Group	J-11
Interior Finish Group	J-12 - J-13
LP Group	J-14
Lounge Group	J-15 - J-16
Water & Sewage Group	J-17
Window, Vent & Exterior Door Group	J-18 - J-24

EXTERIOR BODY GROUP (CONTINUED)



EXTERIOR BODY PANELS (CAB)

Key	Part Number	U/M	Description
1	077229-02-000	EA	Hood Panel
2	075763-01-000	EA	Grill Panel - Gray
3	077228-04-000	EA	Fender Panel - Front Left
•	077228-03-000	EA	Fender Panel - Front Right
4	075759-04-000	EA	Fender Panel - Rear Left
•	075759-02-000	EA	Fender Panel - Rear Right
•	058786-02-000	EA	Hood Bolt - Adjusting
•	R77006-38-499	EA	Spring - Hood Latch Cable
•	077257-03-000	EA	Hinge Asm - Hood - Right
•	077257-04-000	EA	Hinge Asm - Hood - Left
•	077252-01-000	EA	Hinge Pin - Stainless Steel
•	077407-01-000	EA	Bracket - Hood Release Cable
•	049185-01-000	EA	Headlamp Capsule Asm - Drivers - High/Low Beam
•	049186-01-000	EA	Headlamp Capsule Asm - Right Hand - High/Low Beam
•	049187-01-000	EA	Headlamp Capsule Asm - Drivers - High Beam
•	049188-01-000	EA	Headlamp Capsule Asm - Right Hand - High Beam
•	076910-01-000	EA	Headlamp Bezel - Chrome - Right Hand
•	076910-02-000	EA	Headlamp Bezel - Chrome - Drivers Side
•	076343-01-000	EA	Lamp Asm - Park/Turn - Clear - Drivers Side
•	076343-02-000	EA	Lamp Asm - Park/Turn - Clear - Right Side
•	M01615-02-000	EA	Roof Cap - Front Cab
•			Not illustrated

MISCELLANEOUS EXTERNALLY MOUNTED PARTS

Key	Part Number	U/M	Description
	011129-01-000	EA	Plumbing Seal - Roof Vent - 1 1/2"
	010230-04-000	EA	Fill - City Water - Recessed - Gray
	058808-03-000	EA	Water Fill - Lockable - Gray
	063303-04-000	EA	Shroud - Fuel Fill - Lower
	078032-01-000	EA	Shroud - Fuel Fill Upper
	072309-02-000	EA	Shroud - Fuel Fill Neck

EXTERIOR BODY GROUP (CONTINUED)

SEALANTS & ADHESIVES

Key	Part Number	U/M	Description
	004020-01-000	QT	Adhesive - ABS Cement (Plastic Fittings)
	002337-01-000	EA	Adhesive - 1300 Tube - 3M (Windows)
	004005-02-000	GL	Adhesive - Swifts - Glue (Sidewalls)
	053766-07-000	EA	Bedding Compound - Tube - Beige (Exterior)
	053766-06-000	EA	Bedding Compound - Tube - Clear (Window)
	053766-08-000	EA	Bedding Compound - Tube - Gray (Exterior)
	053766-05-000	EA	Bedding Compound - Tube - Gray (Sidewalls to Floor)
	053766-02-000	EA	Bedding Compound - Tube - Off White (Exterior)
	002328-02-000	EA	Block - Rubber Spacer (Windshield)
	004336-01-000	EA	Caulk - Latex - Golden Walnut (Sidewalls)
	072891-02-000	QT	Primer - Glass - Black
	072891-01-000	QT	Primer - Glass - Clear
	035024-01-000	EA	Primer - Glass - Clear - Windshield
	072890-01-000	QT	Primer - Metal - Black
	035023-01-000	GL	Primer - Metal - Windshield
	077967-01-000	EA	Sealant - Acrylic Latex - Tube - Off White (Interior Sealant)
	034552-04-000	EA	Sealant - Silicone - Beige
	034552-02-000	EA	Sealant - Silicone - Clear
	034552-07-000	EA	Sealant - Silicone - Dark Gray
	034552-06-000	EA	Sealant - Silicone - Off White
	069637-01-000	EA	Sealant - Weatherban 404 - Tube - White (Door Caulk)
	072889-01-000	EA	Sealant - Urethane - Black (Windshield)
	069640-01-000	FT	Sealer Ribbon - 25" Bead x 20'
	069640-02-000	FT	Sealer Ribbon - 5" x 125" x 30'
	069640-03-000	FT	Sealer Ribbon - 75" x 125" x 30'
	069640-04-000	FT	Sealer Ribbon - 2" x 09" x 45' (P Series)
	069640-05-000	FT	Sealer Ribbon - 2 5/8" x 09' x 50'
	069640-06-000	FT	Sealer Ribbon - 5/16" Bead x 15'
	069640-07-000	FT	Sealer Ribbon - 2" x 3/32" x 30'
	002316-01-000	FT	Sealer Tape - 3/32" x 3/8" - White (Window)
	002707-01-000	FT	Sealer Tape - 5/16" x 3/4"
	002707-02-000	FT	Sealer Tape - 5/16" x 1/2"
	040545-01-000	GL	Sealer - Seam Weld
	053752-04-000	EA	Seam Sealer - Tube - Aluminum (Roof)
	063642-01-000	FT	Tape - Adhesive - .10 mm x 1 5/8" Wide
	038886-01-000	EA	Tape - Butyl - 31" x 31" x 148" (Windshield)
	076322-01-000	FT	Tape - Foam - Double Coated - 025 x 1" (Fiberglass Sidewall Seams)
	076322-02-000	FT	Tape - Foam - Double Coated - 045 x 1" (Fiberglass Sidewall Seams)
	009200-01-000	EA	Tape - Furnace - 1 5/8"
	002825-01-000	FT	Weather Striping (Roof Vent)

SHEET FIBERGLASS, ALUMINUM & STYROFOAM

Key	Part Number	U/M	Description
	076054-25-001	EA	Fiberglass Sheet - 44' x 290" - Gray
	076054-28-001	EA	Fiberglass Sheet - 25 6/8" x 74 25/8" - Gray
	076054-22-001	EA	Fiberglass Sheet - 27.4' x 290" - Gray
	044487-01-001	EA	Alum - Mill Finish - No Design (Roof) - 96" x 360"
	000868-01-000	SF	Styrofoam - 3/4" x 24" x 95"
	000870-01-000	SF	Styrofoam - 1 1/2" x 24" x 96"
	000870-02-000	SF	Styrofoam - 1 1/2" x 48" x 96"

**1984 ITASCA
TABLE OF CONTENTS**

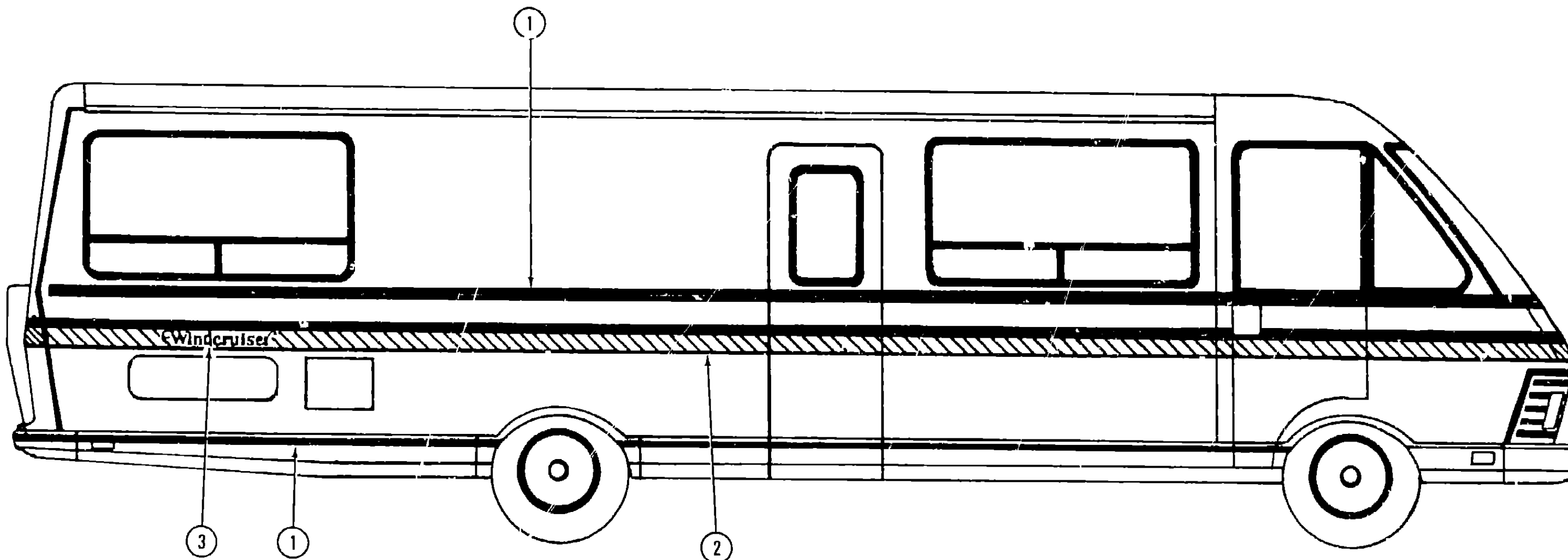
Introduction	A-01
Abbreviations	A-01
Alphabetical Index	A-02 - A-04
ICN22RC	A-05 - C-20
ICN27RU	C-21 - F-10
ICN33RU	F-11 - H-22
ICP31RT	H-23 - J-24

1984 ICP31RT INDEX

Floor Plan	H-23 - H-24
Accessories Group	I-01 - I-02
Bath Group	I-03
Chassis Group	I-04 - I-05
Curtain, Cushion & Pad Group	I-06 - I-14
Dinette Group	I-15
Driver's Compartment Group	I-16 - I-19
Electrical Group	I-20 - I-22
Exterior Body Group	I-23 - J-08
Galley Group	J-09 - J-10
Heating & Air Conditioning Group	J-11
Interior Finish Group	J-12 - J-13
LP Group	J-14
Lounge Group	J-15 - J-16
Water & Sewage Group	J-17
Window, Vent & Exterior Door Group	J-18 - J-24

EXTERIOR BODY GROUP (CONTINUED)

DECALS & FILM STRIPE



Key	Part Number	U/M	Description
1	065217-44-000	FT	Film Stripe - Medium Blue Metallic Over Light Blue Metallic (R28)
1	065217-43-000	FT	Film Stripe - Brown Metallic Over Light Brown Metallic (R29)
1	065217-45-000	FT	Film Stripe - Burgundy Metallic Over Light Burgundy Metallic (R30)
2	065217-50-000	FT	Film Stripe - Light Blue Metallic Over Medium Blue Metallic (R28)
2	065217-49-000	FT	Film Stripe - Light Brown Metallic Over Brown Metallic (R29)
2	065217-51-000	FT	Film Stripe - Light Burgundy Metallic Over Burgundy Metallic (R30)
3	076336-01-000	EA	Decal - "Windcruiser" - Black

1984 ITASCA
TABLE OF CONTENTS

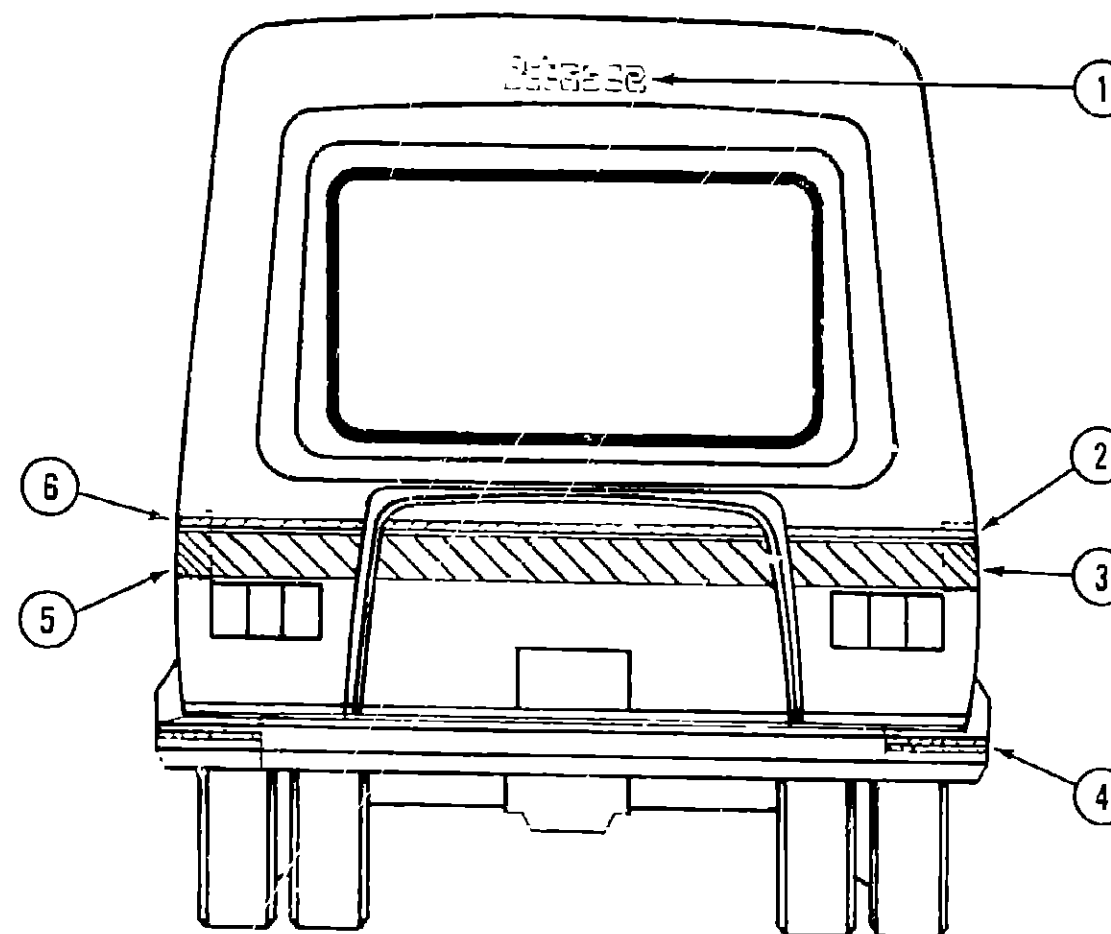
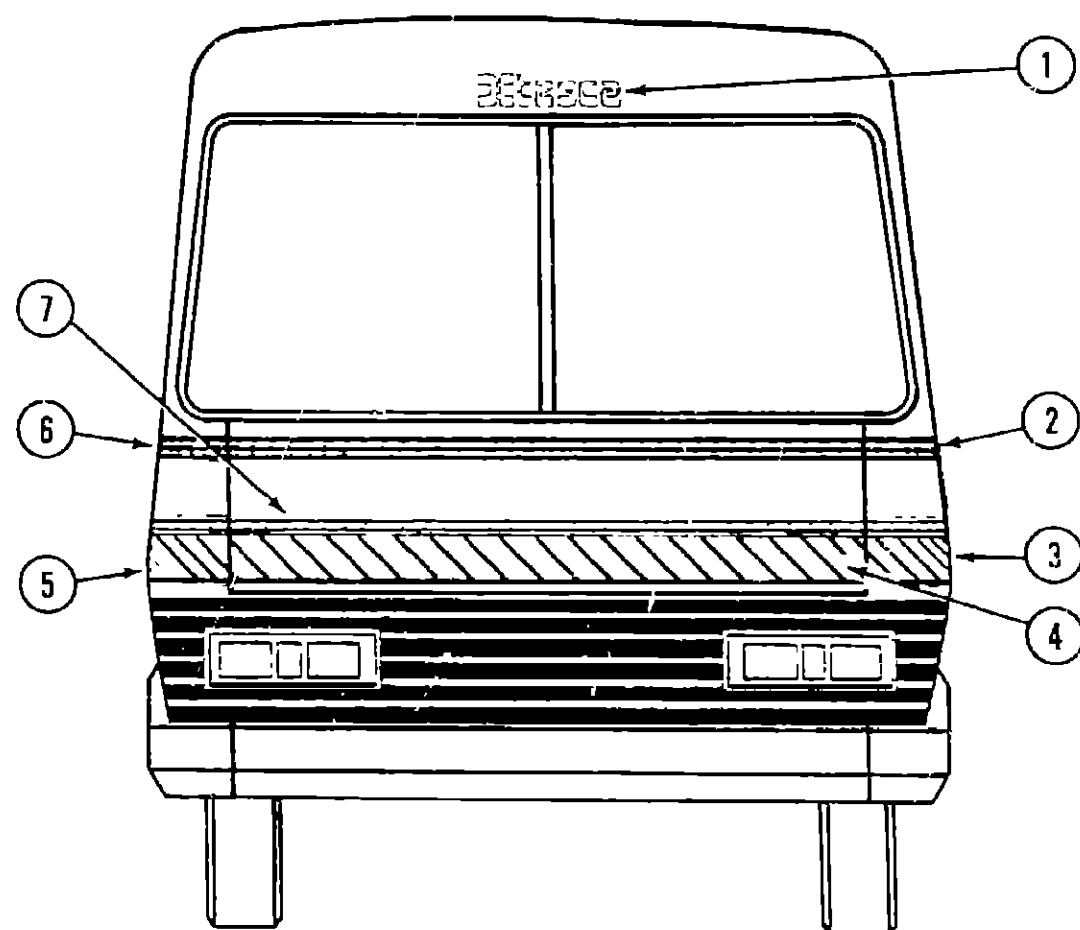
Introduction	A-01
Abbreviations	A-01
Alphabetical Index	A-02 - A-04
ICN22RC	A-05 - C-20
ICN27RU	C-21 - F-10
ICN33RU	F-11 - H-22
ICP31RT	H-23 - J-24

1984 ICP31RT INDEX

Floor Plan	H-23 - H-24
Accessories Group	I-01 - I-02
Bath Group	I-03
Chassis Group	I-04 - I-05
Curtain, Cushion & Pad Group	I-06 - I-14
Dinette Group	I-15
Driver's Compartment Group	I-16 - I-19
Electrical Group	I-20 - I-22
Exterior Body Group	I-23 - J-08
Galley Group	J-09 - J-10
Heating & Air Conditioning Group	J-11
Interior Finish Group	J-12 - J-13
LP Group	J-14
Lounge Group	J-15 - J-16
Water & Sewage Group	J-17
Window Vent & Exterior Door Group	J-18 - J-24

EXTERIOR BODY GROUP (CONTINUED)

DECALS & FILM STRIPE



Key	Part Number	U/M	Description
1	069227-04-000	EA	Decal - 'Itasca'
2	076332-03-000	EA	Decal - Medium Blue Metallic Over Light Blue Metallic (R28)
2	076332-01-000	EA	Decal - Brown Metallic Over Light Brown Metallic (R29)
2	076332-05-000	EA	Decal - Burgundy Metallic Over Light Burgundy Metallic (R30)
3	076333-03-000	EA	Decal - Light Blue Metallic Over Medium Blue Metallic (R28)
3	076333-01-000	EA	Decal - Light Brown Metallic Over Brown Metallic (R29)
3	076333-05-000	EA	Decal - Light Burgundy Metallic Over Burgundy Metallic (R30)
4	076334-02-000	EA	Decal - Medium Blue Metallic (R28)
4	076334-01-000	EA	Decal - Brown Metallic (R29)
4	076334-05-000	EA	Decal - Burgundy Metallic (R30)
5	076333-04-000	EA	Decal - Light Blue Metallic Over Medium Blue Metallic (R28)
5	076333-02-000	EA	Decal - Light Brown Metallic Over Brown Metallic (R29)
5	076333-06-000	EA	Decal - Light Burgundy Metallic Over Burgundy Metallic (R30)
6	076332-04-000	EA	Decal - Medium Blue Metallic Over Light Blue Metallic (R28)
6	076332-02-000	EA	Decal - Brown Metallic Over Light Brown Metallic (R29)
6	076332-06-000	EA	Decal - Burgundy Metallic Over Light Burgundy Metallic (R30)
7	041273-59-000	EA	Decal - Light Blue Metallic (R28)
7	041273-75-000	EA	Decal - Light Brown Metallic (R29)
7	041273-88-000	EA	Decal - Light Burgundy Metallic (R30)

Key	Part Number	U/M	Description
1	069227-04-000	EA	Decal - "Itasca"
2	077062-04-000	EA	Decal - Light Blue Metallic (R28)
2	077062-02-000	EA	Decal - Light Brown Metallic (R29)
2	077062-06-000	EA	Decal - Light Burgundy Metallic (R30)
3	007063-04-000	EA	Decal - Medium Blue Metallic (R28)
3	007063-02-000	EA	Decal - Brown Metallic (R29)
3	007063-06-000	EA	Decal - Burgundy Metallic (R30)
4	065217-44-000	FT	Film Stripe - Medium Blue Metallic Over Light Blue Metallic (R28)
4	065217-43-000	FT	Film Stripe - Brown Metallic Over Light Brown Metallic (R29)
4	065217-45-000	FT	Film Stripe - Burgundy Metallic Over Light Burgundy Metallic (R30)
5	077063-03-000	EA	Decal - Medium Blue Metallic (R28)
5	077063-01-000	EA	Decal - Brown Metallic (R29)
5	077063-05-000	EA	Decal - Burgundy Metallic (R30)
6	077062-03-000	EA	Decal - Light Blue Metallic (R28)
6	077062-01-000	EA	Decal - Light Brown Metallic (R29)
6	077062-05-000	EA	Decal - Light Burgundy Metallic (R30)

1984 ITASCA TABLE OF CONTENTS

Introduction	A-01
Abbreviations	A-01
Alphabetical Index	A-02 - A-04
ICN22RC	A-05 - C-20
ICN27RU	C-21 - F-10
ICN33RU	F-11 - H-22
ICP31RT	H-23 - J-24

1984 ICP31RT INDEX

Floor Plan	H-23 - H-24
Accessories Group	I-01 - I-02
Bath Group	I-03
Chassis Group	I-04 - I-05
Curtain, Cushion & Pad Group	I-06 - I-14
Dinette Group	I-15
Driver's Compartment Group	I-16 - I-19
Electrical Group	I-20 - I-22
Exterior Body Group	I-23 - J-08
Galley Group	J-09 - J-10
Heating & Air Conditioning Group	J-11
Interior Finish Group	J-12 - J-13
LP Group	J-14
Lounge Group	J-15 - J-16
Water & Sewage Group	J-17
Window, Vent & Exterior Door Group	J-18 - J-24

EXTERIOR BODY GROUP (CONTINUED)

INTERIOR/EXTERIOR SCREWS & FASTENERS

Key	Part Number	U/M	Description
	005200-01-000	EA	Bolt - Round Head - Square Neck w/SST Cap - 7/16" - 14 x 1 1/4"
	058279-01-000	EA	Clip - Mounting - Front Panel
	035628-01-000	EA	Fastener - Blind Well Nut - 1 05" x 38"
	000D15-06-00B	EA	Nut - Hex - 3/8" x 24 - Zinc
	005081-01-000	EA	Nut - Speed - Chrome - #8 Screw
	000G54-04-20B	EA	Screw 1/4 - 20 x 1/4" PTH - Zinc
	000G54-04-22B	EA	Screw 1/4 - 20 x 1 3/8" PTH - Zinc
	000G53-04-06B	EA	Screw 1/4 - Machine - 20 x 3/8" PTH - Zinc
	000G13-06-12P	EA	Screw #6 - 20 x 3/4" PFH - Dark Brown
	000G13-06-28X	EA	Screw #6 - 20 x 3/4" PFH - Gray
	000G13-06-16R	EA	Screw #6 - 20 x 1" PFH - Beige
	000G11-07-08B	EA	Screw #7 - 19 x 1/2" PPH - Zinc
	000G12-08-12M	EA	Screw #8 - 18 x 3/4" POH - Gray
	000G11-08-12R	EA	Screw #8 - 18 x 3/4" PPH - Beige
	000G11-08-12X	EA	Screw #8 - 18 x 3/4" PPH - Gray
	000G11-08-12B	EA	Screw #8 - 18 x 3/4" PPH - Zinc
	000G39-08-12R	EA	Screw #8 - 18 x 3/4" SDPH - Beige
	000G66-08-12M	EA	Screw #8 - 18 x 3/4" SDPH - Gray
	000G11-08-16R	EA	Screw #8 - 18 x 1" PFH - Gray
	000G66-08-16R	EA	Screw #8 - 18 x 1" SDPH - Beige
	000G12-08-28R	EA	Screw #8 - 18 x 1 3/4" POH - Beige
	000G36-08-08E	EA	Screw #8 - 32 x 1/2" PFH - Chrome
	000G39-08-08B	EA	Screw #8 - Self Drilling - 18 x 1/2" PPH - Zinc
	000G39-08-12B	EA	Screw #8 - Self Drilling - 18 x 3/4" PPH - Zinc
	000G39-08-12R	EA	Screw #8 - Self Drilling - 18 x 3/4" PPH - Beige
	000G39-08-16R	EA	Screw #8 - Self Drilling - 18 x 1" PPH - Beige
	000G39-08-16T	EA	Screw #8 - Self Drilling - 18 x 1" PPH - Black
	000G39-08-16P	EA	Screw #8 - Self Drilling - 18 x 1" PPH - Dark Brown
	000G39-08-16X	EA	Screw #8 - Self Drilling - 18 x 1" PPH - Gray
	000G39-08-16E	EA	Screw #8 - Self Drilling - 18 x 1" PPH - Chrome
	000G64-08-16M	EA	Screw #8 - Self Drilling - 18 x 1" SDPH - Gray
	000G67-10-08B	EA	Screw #10 - 12 x 1/2" PPH - Zinc
	000G67-10-10R	EA	Screw #10 - 12 x 5/8" PPH - Beige
	000G67-10-16P	EA	Screw #10 - 12 x 1" PPH - Dark Brown
	000G67-10-16B	EA	Screw #10 - 12 x 1" PPH - Zinc
	000G67-10-20B	EA	Screw #10 - 12 x 1 1/4" - PPH - Zinc
	000G67-10-24B	EA	Screw #10 - 12 x 1 1/2" PPH - Zinc
	049465-04-000	EA	Screw #10 - 16 x 1" POH - w/Washer - Beige
	049465-05-000	EA	Screw #10 - 16 x 1" POH - w/Washer - Gray
	000G12-10-24E	EA	Screw #10 - 16 x 1 1/2" POH - Chrome
	000G11-10-08D	EA	Screw #10 - 16 x 1/2" PPH - Dark Brown
	000G11-10-12R	EA	Screw #10 - 16 x 3/4" PPH - Beige
	000G11-10-12S	EA	Screw #10 - 16 x 3/4" PPH - Off White
	000G11-10-12B	EA	Screw #10 - 16 x 3/4" PPH - Zinc
	000G11-10-16B	EA	Screw #10 - 16 x 1" PPH - Zinc
	000G11-10-40B	EA	Screw #10 - 16 x 2 1/2" PPH - CAD
	000G19-10-12B	EA	Screw #10 - Machine - 32 TPI x 3/4"
	075J08-01-000	EA	Screw #10 - Machine - 32 x 56" PTH - Zinc
	000G19-10-20B	EA	Screw #10 - Machine - 32 x 1 1/4" PPH - Zinc
	000G39-12-12E	EA	Screw #10 - Self Drilling - 14 x 3/4" PPH - Chrome
	000G39-10-10R	EA	Screw #10 - Self Drilling - 16 x 62" PPH - Beige
	000G39-10-12R	EA	Screw #10 - Self Drilling - 16 x 3/4" PPH - Beige
	000G39-10-12P	EA	Screw #10 - Self Drilling - 16 x 3/4" PPH - Dark Brown
	000G56-12-48C	EA	Screw #12 - Wood - 11 x 3" POH - CAD

EXTERIOR BODY GROUP (CONTINUED)

LABELS & EXTERIOR PAINT

Key	Part Number	U/M	Description
	068383-01-000	EA	Label - Diesel Fuel
	006195-01-000	EA	Label - Electrical Test
	047731-01-000	EA	Label - Emergency Exit
	006199-01-000	EA	Label - Exit - Escape Window
	057467-04-000	EA	Label - Exterior Loading Limit
	064378-01-000	EA	Label - Flying "W" w/Thermo Panel
	061417-01-000	EA	Label - Fuel
	006196-01-000	EA	Label - Gas Test
	054531-01-000	EA	Label - LP Gas Only
	040944-01-000	EA	Label - Open - Entrance Door
	006015-01-000	EA	Label - Patent Motor Home
	056259-01-000	EA	Label - Safety Check List
	006064-01-000	EA	Label - Seat - w/o Seat Belts
	006187-01-000	EA	Label - Sewage
	006006-01-000	EA	Label - Thermo Panel - 2 1/4" x 2 1/4"
	075221-01-000	EA	Label - Trailer Hitch Capacity
	075220-01-000	EA	Label - Warning - Exterior Load Limit
	050225-01-000	EA	Label - Warning - Stove Vent - US
	006188-01-000	EA	Label - Waste Water
	006197-01-000	EA	Label - Water Test
	072863-01-000	EA	Nameplate - Diesel - 6 2L
	006062-01-000	EA	Tag - Electrical - 110 Volt Connection
	006040-01-000	EA	Tag - Gas - Refueling Warning
	044486-03-000	EA	Paint - Beige Acrylic Enamel - 16 oz Aerosol (7633A Dupont)
	045601-03-000	EA	Paint - Gloss Black - Acrylic Enamel - 16 oz Aerosol (99 Dupont)
	058637-05-000	EA	Paint - Gray Acrylic Enamel - 16 oz Aerosol (71537 Dupont)
	041561-03-000	EA	Paint - Off White Acrylic Enamel - 16 oz Aerosol (45396A Dupont)

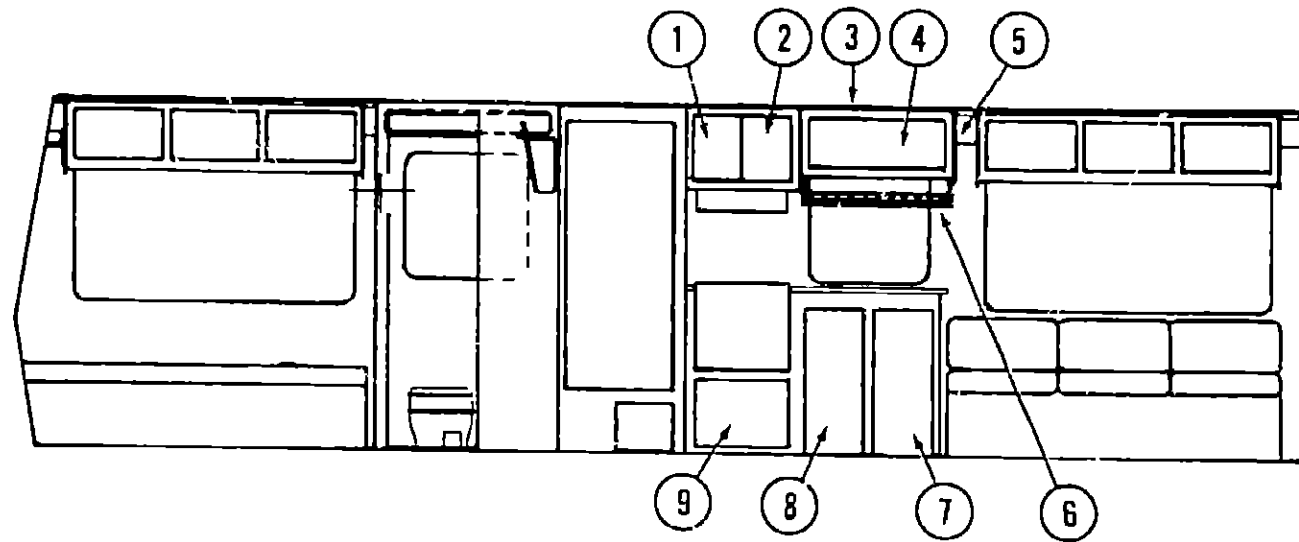
1984 ITASCA TABLE OF CONTENTS

Introduction	A-01
Abbreviations	A-01
Alphabetical Index	A-02 - A-04
ICN22RC	A-05 - C-20
ICN27RU	C-21 - F-10
ICN33RU	F-11 - H-22
ICP31RT	H-23 - J-24

1984 ICP31RT INDEX

Floor Plan	H-23 - H-24
Accessories Group	I-01 - I-02
Bath Group	I-03
Chassis Group	I-04 - I-05
Curtain, Cushion & Pad Group	I-06 - I-14
Dinette Group	I-15
Driver's Compartment Group	I-16 - I-19
Electrical Group	I-20 - I-22
Exterior Body Group	I-23 - J-08
Galley Group	J-09 - J-10
Heating & Air Conditioning Group	J-11
Interior Finish Group	J-12 - J-13
LP Group	J-14
Lounge Group	J-15 - J-16
Water & Sewage Group	J-17
Window, Vent & Exterior Door Group	J-18 - J-24

GALLEY GROUP



GALLEY CABINETRY

Key	Part Number	U/M	Description
1	077833-02-R13	EA	Door Asm - Galley Overhead - w/o Hardware
2	077833-01-R13	EA	Door Asm - Galley Overhead - w/o Hardware
3	076643-03-R13	EA	Cabinet Asm - Galley Overhead - w/o Doors or Hardware
4	M77472-02-R13	EA	Door Asm. - Galley Overhead - 31 25" x 12" - w/o Hardware
5	076548-01-R13	EA	Pad Asm - Galley Overhead
6	076570-01-R13	EA	Spice Rack Asm
7	M76877-02-R13	EA	Cabinet Asm. - Galley - w/o Doors, Drawers, Countertop or Hardware
*	M01555-01-R13	EA	Countertop Asm - Galley Cabinet - Almond Woodsong
8	M77467-01-R13	EA	Door Asm - Galley Cabinet - 33" x 14" - w/o Hardware
9	M77467-02-R13	EA	Door Asm - Galley Cabinet - 33" x 14" - w/o Hardware
*	M77467-03-R13	EA	Door Asm - Galley Cabinet - 22" x 16" - w/o Hardware
*			Not illustrated

GALLEY HARDWARE

Key	Part Number	U/M	Description
	053424-04-R13	EA	Sink Cover - Large - Almond Woodsong
	068615-01-000	EA	Sink - Stainless Steel - Double w/Bolts
**	011053-01-000	EA	Faucet - Swing Spout - 8" - US
**	011053-02-000	EA	Faucet - Swing Spout - 8" - CSA
	066437-01-000	EA	Strainer w/Basket - Sink
**	011053-01-700	EA	Aerator - Swing Spout Faucet
	058334-01-000	EA	Wastebasket - 9 3/4" x 7" x 10" - White Rubbermaid
	058478-01-000	EA	Support - Wastebasket
	077409-01-000	EA	Drawer Slide - Plastic - 20 75"
	077404-01-000	EA	Drawer - Plastic - 20" x 12 7"
	061604-01-000	EA	Slide Bolt - Antique Brass
	074316-01-000	EA	Slide - Pantry
	076098-01-000	EA	Slide Bracket - Pantry
	075451-01-000	EA	Storage Rack - Canned Goods
	075451-02-000	EA	Storage Rack Clip - White
	037688-01-000	EA	Drawer Rail - V Guide
	039873-01-000	EA	Door Catch & Strike - Nylon & Spring Steel
	076997-02-000	EA	Sliding Door Track - Aisle Overhead - Brown
	076998-02-000	EA	Sliding Door Track Cover - Aisle Overhead - Brown
**	052932-01-J30	EA	Hinge Kit - Cabinet Door - Antique Brass
	074981-01-000	EA	Cutting Board - Maple
	054450-01-000	EA	Level - Refrigerator

** The illustrated parts breakdown for this item is provided on the Common Items Fiche

GALLEY GROUP (CONTINUED)

GALLEY APPLIANCES

Key	Part Number	U/M	Description
	075470-02-000	EA	Hood - Stove - w/Monitor - Almond - CSA
	075470-01-000	EA	Hood - Stove - w/Monitor - Almond - US
	075470-05-000	EA	Spacer - Stove Hood
	075470-04-000	EA	Duct Extension - Stove Hood
	075470-01-700	EA	Monitor Panel
	075470-01-701	EA	Clock - Digital - Jensen
	072351-02-700	EA	Clock - Digital - LVS
	075470-01-702	EA	Switch - On/Off
	075470-01-703	EA	Switch - On - Momentary
	075740-01-704	EA	Switch - On/Off/On - Fan Motor
	075470-01-705	EA	Switch - On/Off/On - Momentary
	075470-01-706	EA	Rivets - Plastic
	075470-01-707	EA	Bulb - #912
	075470-01-708	EA	Panel Asm - Complete
	075470-01-709	EA	Fan Blade - Stove Hood - LVS
	075470-01-710	EA	Filter & Lens - Stove Hood - LVS
	075470-01-711	EA	Motor - Stove Hood - LVS
	048649-01-000	EA	Fan Blade - Stove Hood - Jensen
	049030-01-700	EA	Filter - Stove Hood - Jensen
	048648-01-000	EA	Motor - Stove Hood - Jensen
	049930-01-701	EA	Lens - Stove Hood - Jensen
	075218-01-000	EA	Refrigerator - 3 Way - 10 Norcold
	075218-01-700	EA	Gasket - Freezer Door
	075218-01-701	EA	Gasket - Refrigerator Door
	075218-01-702	EA	Connector Rod
	075218-01-703	EA	Frame Asm
	075218-01-704	EA	Cabinet - Urethane
	075218-01-705	EA	Breaker Strip - Bottom
	075218-01-707	EA	Divider - Front
	075218-01-708	EA	Cable - Wiring
	075218-01-709	EA	Door Liner Asm - Foamed
	075218-01-710	EA	Door Liner Asm - Foamed - Lower
	064782-02-000	EA	Range - 4 Burner - Almond Top
	064782-01-700	EA	Frame - Upper Glass
	064782-01-701	EA	Glass - Outside
	064782-01-702	EA	Panel - Door - Black
	064782-01-703	EA	Trim - Cabinet - Right
	064782-01-704	EA	Trim - Cabinet - Left
	064782-01-705	EA	Washer - Door Handle
	064782-02-700	EA	Top - 4 Burner - Almond
	064782-02-701	EA	Deflector - Plate - Black
	064782-02-702	EA	Trim - Cabinet - Right - Black
	064782-02-703	EA	Trim - Cabinet - Left - Black
	064782-02-704	EA	Trim - Glass - Lower Outside - Black
	064782-02-705	EA	Handle - Oven Door - Black
	064782-02-706	EA	Trim - Vertical - Black
	064782-02-707	EA	Panel - Manifold
	064782-02-708	EA	Valve - Mercury
	749045-01-740	EA	Cover - Stovetop Bifold - Magic Chef
	075922-01-000	EA	Microwave
	075922-03-000	EA	Trim Ring - Microwave
	075922-04-000	EA	Exhaust Duct - Microwave
	075930-02-000	EA	Bracket - Microwave - Left
	075930-01-000	EA	Bracket - Microwave - Right
	076253-02-000	EA	Bracket - 6" - Microwave

1984 ITASCA TABLE OF CONTENTS

Introduction	A-01
Abbreviations	A-01
Alphabetical Index	A-02 - A-04
ICN22RC	A-05 - C-20
ICN27RU	C-21 - F-10
ICN33RU	F-11 - H-22
ICP31RT	H-23 - J-24

1984 ICP31RT INDEX

Floor Plan	H-23 - H-24
Accessories Group	I-01 - I-02
Bath Group	I-03
Chassis Group	I-04 - I-05
Curtain, Cushion & Pad Group	I-06 - I-14
Dinette Group	I-15
Driver's Compartment Group	I-16 - I-19
Electrical Group	I-20 - I-22
Exterior Body Group	I-23 - J-08
Galley Group	J-09 - J-10
Heating & Air Conditioning Group	J-11
Interior Finish Group	J-12 - J-13
LP Group	J-14
Lounge Group	J-15 - J-16
Water & Sewage Group	J-17
Window, Vent & Exterior Door Group	J-18 - J-24

HEATING & AIR CONDITIONING GROUP

AUTOMOTIVE HEATER & AIR CONDITIONER

Key	Part Number	U/M	Description
	077052-01-000	EA	Heater/Evaporator Asm - A R A
	072342-01-000	EA	Condensor Asm - A R A
	072343-01-000	EA	Compressor/Clutch - A R A
	072344-01-000	EA	Package - Compressor Mount
	049401-01-000	EA	Heater Asm - Rear - Auxiliary
	049401-01-700	EA	Valve - Water Control (Aux. Heater)
	049401-01-701	EA	Control Cable (Aux. Heater)
	049401-01-702	EA	Motor Asm (Aux. Heater)
	049401-01-703	EA	Heater Core (Aux. Heater)
	049401-01-704	EA	Switch (Aux. Heater)
	058906-01-000	EA	Control Panel - Brown (Aux. Rear Heater)

FURNACES & ROOF AIR CONDITIONER

Key	Part Number	U/M	Description
**	075696-01-000	EA	Furnace - 34,000 BTU - w/Direct Ignition - NT-34S
	009198-01-000	FT	Duct - Flexible - 4" I D x 25'
	056464-01-000	EA	Register - 4" Dia - Plastic - w/Damper
	056464-02-000	EA	Register - 4" Dia - Plastic - w/o Damper
	009200-01-000	EA	Tape - Furnace - 1 1/2"
	023146-01-000	EA	Clamp Screw Type - 4"
	069633-01-705	EA	Vent Package - Furnace - Suburban
	069634-01-723	EA	Thermostat Wall Mount - Suburban
**	073743-01-000	EA	Shroud Asm - Ceiling - Inside - Roof Air Cool Only - 13,500 BTU - Coleman
**	073744-01-000	EA	Shroud Asm - Ceiling - Inside - Roof Air Heat and Cool - 13,500 BTU - Coleman
	073742-02-000	EA	Air Conditioner - 110 V - Roof Mount - 13,500 BTU Rotary
	073742-01-700	EA	Decal Package - Mack 3 - Left & Right
	073742-01-701	EA	Switch - Selector - 5 Terminal
	073742-01-702	EA	Decal - Cool Only
	073742-01-703	EA	Decal - Heat & Cool
	073742-01-704	EA	Decal - Thermostat
	073742-02-700	EA	Shroud - Gray w/o Decals
	073742-02-701	EA	Motor - 115 V - 2 7A - 06H2
	073742-02-702	EA	Start Capacitor
	073742-02-703	EA	Start Relay
	073742-02-704	EA	Run Capacitor - Compressor

** The illustrated parts breakdown for this item is provided on the Common Items Fiche

Key	Part Number	U/M	Description
	072336-19-000	SF	Paneling - Wicker Weave - 48" x 84" (Refrigerator Door)
	074496-01-000	SF	Paneling - Chevron Almond - 48" x 84" (Wall)
	072335-03-000	SF	Paneling - Leather Spray - 48" x 96" (Ceiling)
	074497-01-000	SF	Paneling - Empire Walnut - 48" x 96" (Wall)
	074496-10-000	SF	Paneling - Decor - Galley & Bath - 48" x 84" (R28)
	074496-09-000	SF	Paneling - Decor - Galley & Bath - 48" x 84" (R29)
	074496-11-000	SF	Paneling - Decor - Galley & Bath - 48" x 84" (R30)
	074498-03-000	SF	Plastic Laminate - Empire Walnut - Table & Countertops - 48" x 96"
	074498-02-000	SF	Plastic Laminate - Almond Woodsong - Galley - 48" x 95"
	074498-02-019	EA	Plastic Laminate - Almond Woodsong - Galley - 1.19" x 36"
	074498-03-019	EA	Plastic Laminate - Empire Walnut - Table & Countertop - 1.19" x 96"
	072337-02-019	EA	Plastic Laminate - Travertine - 1 19" x 96"
	072337-02-000	SF	Plastic Laminate - Travertine - Bath - 48" x 96"

INTERIOR MOLDINGS & TRIM

Key	Part Number	U/M	Description
	074045-01-000	EA	Oak Plug - 50" Dia
	075400-09-000	EA	Oak Railing - 52"
	075400-10-000	EA	Oak Railing - 62 4"
	075400-11-000	EA	Oak Railing - 68 6"
	009812-14-000	FT	Molding - Outside Corner - 50" - Empire Walnut
	009757-06-000	FT	Welling - Beige
	009767-01-000	FT	Welling - Brown
	009815-03-000	FT	T-Molding - 75" - Light Brown
	022992-08-000	FT	Molding - Reverse Cove - Champagne White
	070504-01-000	FT	U-Channel - 138" - Light Brown
	009778-03-000	FT	U-Channel - 1" - Light Brown
	069733-25-000	EA	Batt Strip - Chevron Almond (Wall) 8'
	069733-36-000	EA	Batt Strip - Leather Spray (Ceiling) 8'
	069733-24-000	EA	Batt Strip - Empire Walnut (Wall) 8'
	069733-27-000	EA	Batt Strip - Jakarta Garden - 8' (R28)
	069733-26-000	EA	Batt Strip - Jakarta Garden - 8' (R29)
	069733-28-000	EA	Batt Strip - Jakarta Garden - 8' (R30)
	064382-01-000	FT	Extrusion - Plastic Trim - Rolled Door
	041666-01-003	EA	Molding Retainer - Aluminum - 16'
	076325-02-000	EA	Molding - Table Edgeband - Empire Walnut
	073321-01-000	EA	Wall Trim - Carpet

FABRICS & CARPET

Key	Part Number	U/M	Description
	072333-09-000	YD	Fabric - Drapery - Beige (Wraparound)
	072333-08-000	YD	Fabric - Drapery - Sheers (Cream)
	074495-52-000	YD	Fabric - Upholstery/Accent (Drapery & Seat Covers) (R28)
	074495-51-000	YD	Fabric - Upholstery/Accent (Drapery & Seat Covers) (R29)
	074495-53-000	YD	Fabric - Upholstery/Accent (Drapery & Seat Covers) (R30)
	074495-10-000	YD	Fabric w/Pattern - Upholstery (Magic Bed) (R28)
	074495-09-000	YD	Fabric w/Pattern - Upholstery (Magic Bed) (R29)
	074495-11-000	YD	Fabric w/Pattern - Upholstery (Magic Bed) (R30)
	074495-07-000	YD	Fabric w/Pattern - Upholstery (Bucket Seat) (R28)
	074495-06-000	YD	Fabric w/Pattern - Upholstery (Bucket Seat) (R29)
	074495-08-000	YD	Fabric w/Pattern - Upholstery (Bucket Seat) (R30)
	069729-11-000	YD	Fabric - Bedspread - Blue (R28)
	069729-13-000	YD	Fabric - Bedspread - Brown (R29)
	069729-12-000	YD	Fabric - Bedspread - Burgundy (R30)
	038421-01-000	YD	Fabric - Mattress Ticking
	070502-01-000	YD	Vinyl - Non-Expanded - 12 Gauge Film - Medium Almond (Beige)
	072860-10-000	SY	Carpet - Blue (R28)
	072860-18-000	SY	Carpet - Dark Brown (R29)
	072860-11-000	SY	Carpet - Burgundy (R30)

INTERIOR FINISH GROUP

PANELING & COUNTERTOP MATERIALS

1984 ITASCA TABLE OF CONTENTS

Introduction	A-01
Abbreviations	A-01
Alphabetical Index	A-02 - A-04
ICN22RC	A-05 - C-20
ICN27RU	C-21 - F-10
ICN33RU	F-11 - H-22
ICP31RT	H-23 - J-24

1984 ICP31RT INDEX

Floor Plan	H-23 - H-24
Accessories Group	I-01 - I-02
Bath Group	I-03
Chassis Group	I-04 - I-05
Curtain, Cushion & Pad Group	I-06 - I-14
Dinette Group	I-15
Driver's Compartment Group	I-16 - I-19
Electrical Group	I-20 - I-22
Exterior Body Group	I-23 - J-08
Galley Group	J-09 - J-10
Heating & Air Conditioning Group	J-11
Interior Finish Group	J-12 - J-13
LP Group	J-14
Lounge Group	J-15 - J-16
Water & Sewage Group	J-17
Window, Vent & Exterior Door Group	J-18 - J-24

INTERIOR FINISH GROUP (CONTINUED)

MISCELLANEOUS PARTS

Key	Part Number	U/M	Description
	053552-01-R10	EA	Handle Asm. - Interior Assist - Medium Almond Vinyl
	041944-03-000	EA	Fire Extinguisher - w/Bracket - 5 BC
	054185-20-000	EA	Owner's Manual - Itasca - Winnebago
	040069-01-000	EA	Door Mat - Black Rubber - 10 1/2" x 26"
	065201-02-000	EA	Lamp Shade - Fabric - Parchment

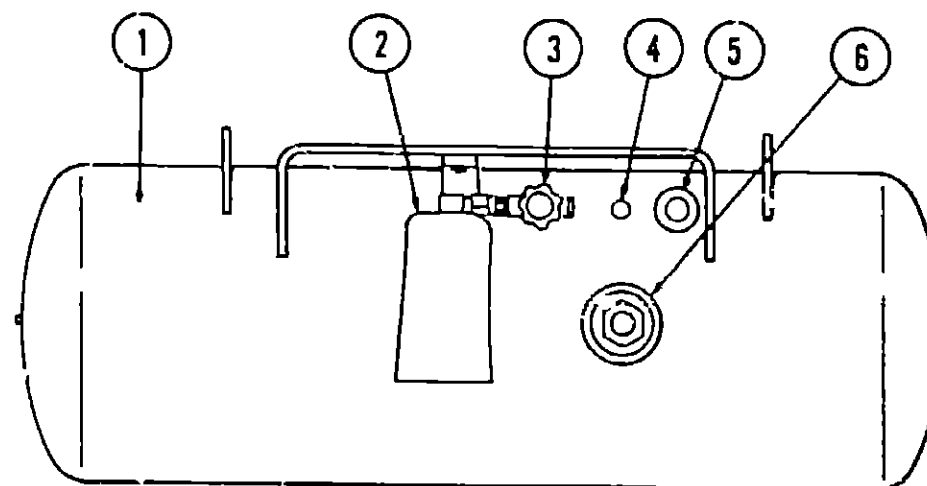
CABINETRY & TABLE HARDWARE

Key	Part Number	U/M	Description
	053200-05-000	EA	Bracket - Upper Wall Mount - Beige - 23 5"
..	053201-03-000	EA	Bracket - Table Mount - 23"
	024275-05-000	EA	Rod - Table Lift - 8" x 23 5" - Beige
	024281-07-000	EA	Bracket - Lower Wall Mount - Beige - 22 12"
	024276-14-000	EA	Leg Asm - Table - 29 5" - Brown
	064050-01-000	EA	Hinge - Table Leg
..	024282-01-000	EA	Brace - Table Leg
..	024283-01-000	EA	Clip - 1" O.D. Tube
	049493-02-000	EA	Catch - Table Leg - Mounts on Floor - Brown
	077523-01-000	EA	Latch Asm - Cabinet Door
	009112-01-000	EA	Flange - 1" Chrome - Closet Rod
	077409-01-000	EA	Slide - Drawer - Plastic
..	037688-01-000	FT	Rail - Drawer
	076312-01-000	EA	Mesh - Grille - Brass - 7 3" x 6 8" (Rear Lounge)
	009040-02-000	EA	Leg - Pedestal Table - 27 5" x 2 25" O.D. - Chrome
	009040-04-000	EA	Leg - Pedestal Table - 27 5" x 2 25" O.D. - Brown
	039873-01-700	EA	Nylon Catch & Spring Steel Strike
	009040-03-000	EA	Base - Table Leg - Mounts on Table
	041194-01-000	EA	Base - Table Leg - Mounts in Floor
	062046-01-000	EA	Clip - Leg Pedestal - 2 25" O.D. Tube
	075687-01-000	EA	Lock Set - Bath Door - Bronze Stone
	009050-01-000	EA	Warp Guard - 64"
	009051-01-000	EA	Warp Guard - 48"
..	052932-01-J30	EA	Hinge Kit - Cabinet Door - Antique Brass
..	074493-01-000	EA	Overhead Door Support - Sprung

CURTAIN HARDWARE

Key	Part Number	U/M	Description
	056116-01-000	EA	Track - Curtain - Brown - Plastic
	077046-01-000	EA	Track - Curtain - Front Wraparound - Passenger
	077046-02-000	EA	Track - Curtain - Front Wraparound - Drivers
	056001-01-000	EA	Bracket - Shade - Left
	056002-01-000	EA	Bracket - Shade - Right
	056003-01-000	EA	Bracket - Drapery Retainer - Right
	056003-02-000	EA	Bracket - Drapery Retainer - Left
	056003-03-000	EA	Bracket - Drapery Retainer - Universal
	056784-01-000	EA	Pull - Window Shade - Antique Brass
	039175-01-000	EA	Curtain Rod - Ext 48" - 84"
	039175-03-000	EA	Curtain Rod - Ext 28" - 48"
	039175-04-000	EA	Curtain Rod - Ext 16" - 28"
	039175-02-000	EA	Bracket - Curtain Rod
	056115-01-000	YD	Tape - Clear Plastic - w/Guides
	048394-01-000	YD	Tape Hood - 1" x 25 YD - Beige (Velcro)
	049385-01-000	YD	Tape Loop - 1" x 25 YD - Beige (Velcro)

LP GROUP



Key	Part Number	U/M	Description
1	074142-01-000	EA	Tank Asm - LP - Frame Mount - 80 Pound - 13" x 44"
2	077277-01-000	EA	Compartment - LP Regulator - Front
2	076288-01-000	EA	Compartment - LP Regulator - Back
.	076301-01-000	EA	Regulator - Two Stage - LP Gas
3	040421-01-703	EA	Valve - Vapor Relief
4	040421-01-700	EA	Gauge - Liquid Level - 20% LP
5	040421-01-701	EA	Valve - Filler - LP
.	040421-01-702	EA	Cap - Plastic Fill Valve
6	040421-01-707	EA	Gauge - Float - w/Visible Dial - 80 Pound Tank
.	040421-01-706	EA	Dial - Visible Face - Float Gauge (Tank w/o Electric Transmitter)
.	040440-01-000	EA	Dial - Transmitter - 0-90 Ohm (Float Gauge)
.	045703-01-000	EA	Hose Asm - LP - 3/8" I.D. x 24" - US
.	045703-02-000	EA	Hose Asm - LP - 3/8" I.D. x 24" - CSA
.	045703-03-000	EA	Hose Asm - LP - 3/8" I.D. x 18" - US
.	045703-04-000	EA	Hose Asm - LP - 3/8" I.D. x 14" - CSA
.	065741-01-000	EA	Gauge - Diaphragm Pressure - Test Leak
.			Not illustrated

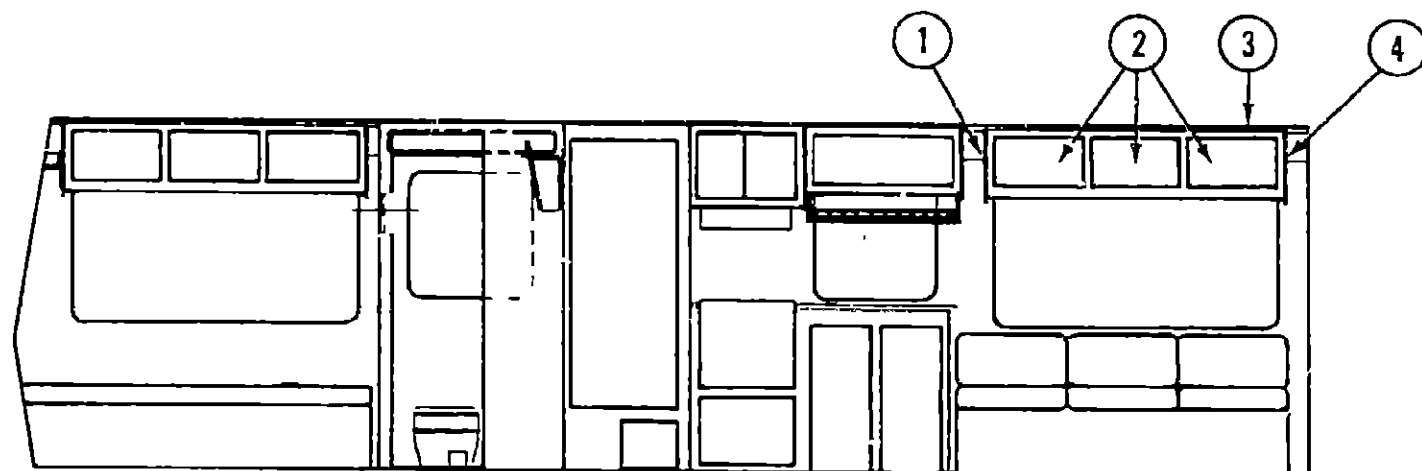
**1984 ITASCA
TABLE OF CONTENTS**

Introduction	A-01
Abbreviations	A-01
Alphabetical Index	A-02 - A-04
ICN22RC	A-05 - C-20
ICN27RU	C-21 - F-10
ICN33RU	F-11 - H-22
ICP31RT	H-23 - J-24

1984 ICP31RT INDEX

Floor Plan	H-23 - H-24
Accessories Group	I-01 - I-02
Bath Group	I-03
Chassis Group	I-04 - I-05
Curtain, Cushion & Pad Group	I-06 - I-14
Dinette Group	I-15
Driver's Compartment Group	I-16 - I-19
Electrical Group	I-20 - I-22
Exterior Body Group	I-23 - J-08
Galley Group	J-09 - J-10
Heating & Air Conditioning Group	J-11
Interior Finish Group	J-12 - J-13
LP Group	J-14
Lounge Group	J-15 - J-16
Water & Sewage Group	J-17
Window, Vent & Exterior Door Group	J-18 - J-24

LOUNGE GROUP



FRONT LOUNGE OVERHEAD CABINERY

Key	Part Number	U/M	Description
1	076549-02-R13	EA	Pad Asm - End Cap - Front Lounge Overhead - Beige Vinyl - Left
2	M77472-01-R13	EA	Door Asm - Overhead Cabinet - 11 3' x 28" - w/o Hardware
3	076606-06-R13	EA	Cabinet Asm - Front Lounge Overhead - w/o Doors or Hardware
4	076548-01-R13	EA	Pad Asm - End Cap - Front Lounge Overhead - Beige Vinyl - Right

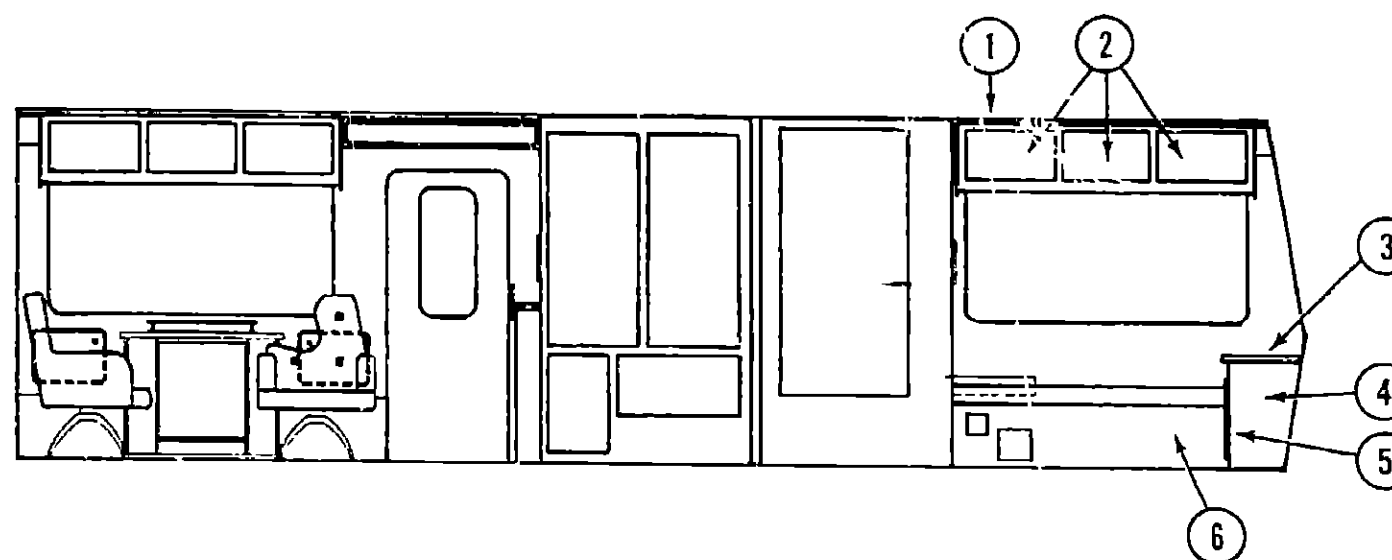
HORSESHOE LOUNGE W/PEDESTAL TABLE

Key	Part Number	U/M	Description
	M01544-37-R13	EA	Table Asm - Pedestal - Empire Walnut - w/o Hardware
	M77467-07-R13	EA	Door Asm - Center Couch - 10" x 19 25" - w/o Hardware
	M77372-02-R13	EA	Cabinet Asm - Center Couch
	009040-03-000	EA	Base - Pedestal Table - Table Mount
	041194-01-000	EA	Base - Pedestal Table - Floor Mount
	009040-02-000	EA	Leg - Pedestal Table - 2 25" O D x 27 5" - Chrome
	009040-04-000	EA	Leg - Pedestal Table - 2 25" O D x 27 5" - Brown
	062046-C1-000	EA	Clip - Pedestal Leg

DOUBLE BED W/NIGHT STAND (OPTIONAL)

Key	Part Number	U/M	Description
	M77136-01-R13	EA	Cabinet Asm - Nightstand - w/o Countertop
	M01568-01-R13	EA	Countertop Asm - Nightstand Cabinet - Empire Walnut
	077004-01-R13	EA	Cabinet Asm - Nightstand - Rear Wall - w/o Countertop
	M01567-01-R13	EA	Countertop Asm - Nightstand - Rear Wall - Empire Walnut
	M76968-01-R13	EA	Cabinet Asm - Double Bed Base
	M77202-01-R13	EA	Drawer - Nightstand Cabinet - 8" x 20"
	077022-01-R13	EA	Table Asm - Rear Corner
	077434-03-000	EA	Rear Left Overhead Trim - Plastic Cove

LOUNGE GROUP (CONTINUED)



TWIN BED & OVERHEAD CABINERY

Key	Part Number	U/M	Description
1	076606-05-R13	EA	Cabinet Asm - Overhead - Rear - Passenger Side
	076606-08-R13	EA	Cabinet Asm - Overhead - Rear - Drivers Side
2	M77472-01-R13	EA	Door Asm - Rear Overhead Cabinet - w/o Hardware
3	M01566-01-R13	EA	Countertop Asm - Nightstand Top - Empire Walnut
4	M76985-02-R13	EA	Cabinet Asm - w/o Door & Countertop
	072393-03-000	EA	Drawer Slide - 13 75" - Brown
5	M77833-03-R13	EA	Door Asm - Nightstand Cabinet - 21" x 12 25" - w/o Hardware - Right Hand
5	M77833-04-R13	EA	Door Asm - Nightstand Cabinet - 21" x 12 25" - w/o Hardware - Left Hand
	076915-01-R13	EA	Cabinet Asm - Twin Bed - Left
6	076916-01-R13	EA	Cabinet Asm - Twin Bed - Right
			Not illustrated

1984 ITASCA TABLE OF CONTENTS

Introduction	A-01
Abbreviations	A-01
Alphabetical Index	A-02 - A-04
ICN22RC	A-05 - C-20
ICN27RU	C-21 - F-10
ICN33RU	F-11 - H-22
ICP31RT	H-23 - J-24

1984 ICP31RT INDEX

Floor Plan	H-23 - H-24
Accessories Group	I-01 - I-02
Bath Group	I-03
Chassis Group	I-04 - I-05
Curtain Cushion & Pad Group	I-06 - I-14
Dinette Group	I-15
Driver's Compartment Group	I-16 - I-19
Electrical Group	I-20 - I-22
Exterior Body Group	I-23 - J-08
Galley Group	J-09 - J-10
Heating & Air Conditioning Group	J-11
Interior Finish Group	J-12 - J-13
LP Group	J-14
Lounge Group	J-15 - J-16
Water & Sewage Group	J-17
Window, Vent & Exterior Door Group	J-18 - J-24

WATER & SEWAGE GROUP

PLUMBING AND REPAIR PARTS

Key	Part Number	U/M	Description
	045729-01-000	EA	Pump - Water - 2 8 G P M - Direct Drive - Shurflo - US
	045729-02-000	EA	Pump - Water - 2 8 G.P.M - Direct Drive - Shurflo - CSA
	039647-02-000	EA	Filter - Water Pump - 1/2" MPT
	039647-03-000	EA	Filter - Water Pump - 1/2" Flare
	052959-03-000	EA	Connector - 1/2 F x 3/8 MPT - Plastic
	052960-01-000	EA	Drain Valve - 1/2 F x 1/2 F - Plastic
	052961-01-000	EA	Header - 1/2 F x 1/2 F x 1/2 F x 1/2 F
**	046524-02-000	EA	Kit - Water Tank Fittings - Blank Tank
**	010079-01-000	EA	Tee - Plastic - 1 1/2 H x 1 1/2 H x 1 1/4 H
**	010121-01-000	EA	Bushing - Plastic - 1 1/2 S x 1 1/4 H
**	010133-01-000	EA	Trap Adapter - Plastic - 1 1/2 H x MPT
	052954-01-000	EA	Adapter - Nose Cone - 5/8 or 1/2 - Plastic
**	010201-01-000	EA	Sewer Hose - 3" x 8' w/Clamp
**	050780-01-000	EA	Coupler Rubber - 3" x 3"
	062415-01-000	EA	Cap - Sewer - 3"
	062416-01-000	EA	Hose Adapter - 3'
	062417-01-000	EA	Adapter - Termination - 3"
	062418-01-000	EA	Valve - 3" - w/Handle
	062421-01-000	EA	Valve - 1 1/2" - w/Handle
**	011066-01-000	EA	P-Trap - 1 1/4" - Plastic
	010071-01-000	EA	Tee - Plastic - 1 1/2" x H x H x H
	010072-01-000	EA	Tee - Plastic - 1 1/2" H x 1 1/4 H x 1 1/2 H
	052956-01-000	EA	Tee - Plastic - 1/2 F x 1/2 MPT x 1/2 F
	052958-01-000	EA	Tee - Plastic - 1/2 F x 1/2 F x 1/2 F
**	053335-01-000	EA	P-Trap - Plastic - 1 1/4 H x H - w/Union
**	011091-01-000	EA	Waste - Continuous - Double Sink - 11 7/8"
	061607-01-000	EA	Grommet - Holding Tank Coupler - 1 1/2"
	061607-02-000	EA	Grommet - Holding Tank Coupler - 3"
	010000-01-000	EA	Elbow - Plastic - 1/8 BD x 1 1/4" x 45° H x H
	010006-01-000	EA	Elbow - Plastic - 1/8 BD x 1 1/2 x 45° H x H
	010051-01-000	EA	Elbow - ST - Plastic - 1/8 BD x 1 1/2 x 45°
	010219-01-000	EA	Elbow - 1 1/4 Barb x 1 1/4 MPT x 90°
	034250-01-000	EA	Elbow - Plastic - 1/4 BD x 1 1/2 x 90° H x H
	052957-01-000	EA	Elbow - Plastic - 1/2 F x 3/8 MPT
	052957-02-000	EA	Elbow - Plastic - 1/2 F x 1/2 MPT
	065120-01-000	EA	Elbow - Plastic - Swivel - 50"
	070924-01-000	EA	Elbow - Plastic - Swivel - 1/2 MPT x 1/2 FP
	010123-01-000	EA	Bushing - Plastic - 2S x 1 1/2 H
	033302-02-000	EA	Adapter Asm - SWVC Strain - 1 1/2"
	072346-01-000	EA	Valve Asm - 3" Ell - w/2" Socket
	039800-01-000	FT	Tubing - Polybutyl - 1/2 O D (Water Line)
	044928-01-000	FT	Flexible Tubing - 1 1/4 I D
	004020-01-000	QT	Adhesive - ABS Cement
	077954-01-000	EA	Filter/Screen - Plastic Water Tank
	042989-02-000	EA	Plastic Fitting - Spinweld (Filter/Screen)
	062422-01-000	EA	Adapter - Hose Offset - Reducer - 3" x 1 1/2"
	052962-01-000	EA	Valve - Stool - 90° x 1/2 F x 3/8 MPT
	010147-01-000	EA	Flange - Closet - 4" F x 3" FPT
	010224-01-000	EA	Adapter - Plastic - 3/8 MPT x 3/8 Barb
**	007108-01-000	EA	Hose - Heater - 5/8'

** The illustrated parts breakdown for this item is provided on the Common Items Fiche

HOLDING TANKS & WATER HEATERS

Key	Part Number	U/M	Description
	M01275-38-000	EA	Tank Asm - Water - 54 Gallon - w/Fittings (Twin Bed)
	M01275-39-000	EA	Tank Asm - Water - 54 Gallon - w/Fittings (Double Bed)
	M76625-01-000	EA	Tank - Water - 54 Gallon - w/o Fittings
	M01275-46-000	EA	Tank - Waste Water - 16 Gallon - w/o Fittings
	M76573-01-000	EA	Tank - Sewage - 40 Gallon - w/o Fittings
**	051393-01-000	EA	Water Heater - w/Motor Aid - GH6-3E

** The illustrated parts breakdown for this item is provided on the Common Items Fiche

WINDOW, VENT & EXTERIOR DOOR GROUP

DRIVER & PASSENGER CAB DOORS

Key	Part Number	U/M	Description
	M01595-02-R28	EA	Door Complete - Passenger
	M01595-02-R29	EA	Door Complete - Passenger
	M01595-02-R30	EA	Door Complete - Passenger
	M01596-02-R28	EA	Door Complete - Drivers
	M01596-02-R29	EA	Door Complete - Drivers
	M01596-02-R30	EA	Door Complete - Drivers
	M77210-01-000	EA	Window Asm - Passenger Door - w/Support
	M77210-02-000	EA	Window Asm - Drivers Door - w/Support
	M02389-53-001	EA	Seal Holder - w/Fin Seal
	002324-02-000	EA	Channel - Weatherstrip - Glass
	041928-02-000	EA	Seal - Window Channel
	050216-02-000	EA	Spline - Vinyl Glass - 19 Black
	077036-01-000	EA	Glass - 19" x 28 9" x 22"
	077037-01-000	EA	Glass - 19" x 15" x 9 3"
	077038-01-000	EA	Glass - 19" x 15" x 9 3" - w/Hole
	077224-01-000	EA	Window Mullion - Horizontal - Passenger
	077224-02-000	EA	Window Mullion - Horizontal - Driver
	077226-01-000	EA	Window Mullion - Vertical - Passenger
	077226-02-000	EA	Window Mullion - Vertical - Driver
	061400-04-000	EA	Assist Strap - 12" - w/Woodgrain
	075671-01-000	FT	Sponge Seal - Lazy T Shape
	076542-01-000	EA	Control Rod - Right Hand Latch
	076543-01-000	EA	Control Rod - Right Hand Lock
	076542-02-000	EA	Control Rod - Left Hand Latch
	076543-02-000	EA	Control Rod - Left Hand Lock
	077167-01-000	EA	Door Prop Rod - Passenger
	077167-02-000	EA	Door Prop Rod - Drivers
	076783-01-000	EA	Louver/Bezel Asm - Black - 2'
	076813-01-000	FT	Seal - Entrance Door
	077179-01-000	EA	Hose Adapter - 2" - Snap In
	077000-01-000	EA	Socket Asm - w/8" Pigtail Leads
	077117-03-000	EA	Door Panel - Front Inner - Passenger
	077117-04-000	EA	Door Panel - Front Inner - Driver
	077209-01-000	EA	Inside Frame Asm - Window - Passenger
	077209-02-000	EA	Inside Frame Asm - Window - Driver
	063886-04-000	EA	Assist Handle - Gray Steel Tube
	R77007-56-702	EA	Bolt Lock - Left
	R77040-01-538	EA	Door Handle - Exterior
	R77007-05-374	EA	Gasket - Door Handle - Exterior
	R77006-50-326	EA	Door Handle - Interior - Left
	R77007-04-136	EA	Lock Bracket
	R77006-89-269	EA	Control Arm Lock
	R77030-67-257	EA	Spline Pin
	R77007-18-283	EA	Latch Asm - Inner - Left
	R77007-51-201	EA	Cylinder & Key
	R77006-64-355	EA	Control Link

1984 ITASCA TABLE OF CONTENTS

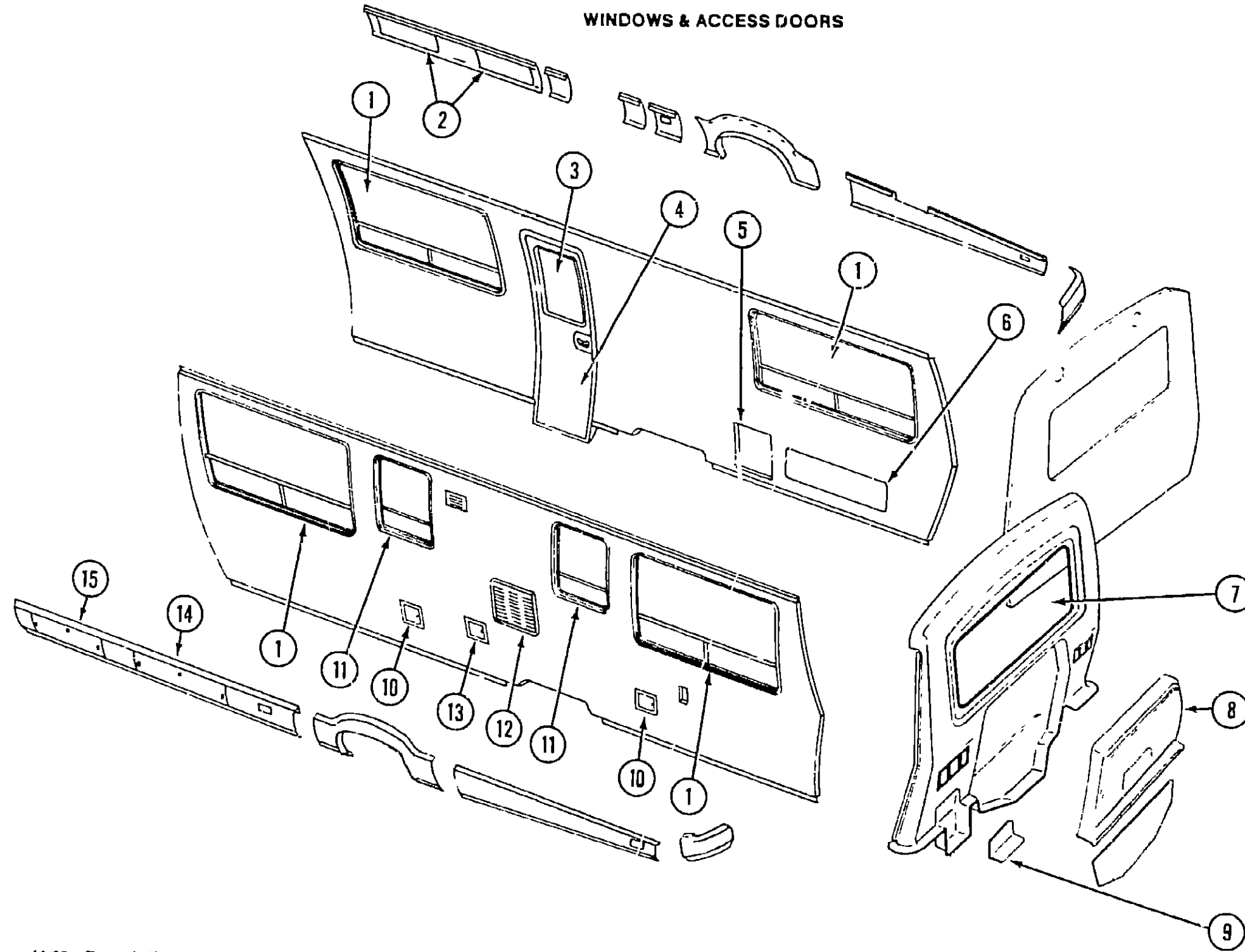
Introduction	A-01
Abbreviations	A-01
Alphabetical Index	A-02 - A-04
ICN22RC	A-05 - C-20
ICN27RU	C-21 - F-10
ICN33RU	F-11 - H-22
ICP31RT	H-23 - J-24

1984 ICP31RT INDEX

Floor Plan	H-23 - H-24
Accessories Group	I-01 - I-02
Bath Group	I-03
Chassis Group	I-04 - I-05
Curtain, Cushion & Pad Group	I-06 - I-14
Dinette Group	I-15
Driver's Compartment Group	I-16 - I-19
Electrical Group	I-20 - I-22
Exterior Body Group	I-23 - J-08
Galley Group	J-09 - J-10
Heating & Air Conditioning Group	J-11
Interior Finish Group	J-12 - J-13
LP Group	J-14
Lounge Group	J-15 - J-16
Water & Sewage Group	J-17
Window Vent & Exterior Door Group	J-18 - J-24

WINDOW, VENT & EXTERIOR DOOR GROUP (CONTINUED)

WINDOWS & ACCESS DOORS



Key	Part Number	U/M	Description
1	075901-02-000	EA	Window Asm - Crankout (w/o inside frame)
1	075901-06-000	EA	Inside Frame - Black
2	076510-02-000	EA	Door Asm - Storage - w/Twist & Key Lock - Gray
3	041875-09-000	EA	Window Asm - Picture (w/o inside frame)
3	067609-03-000	EA	Inside Frame - Beige
4	M01630-01-R29	EA	Door Asm - Entrance - Gray
5	052009-03-000	EA	Door Asm - Water Heater
6	077343-04-000	EA	Door Asm - Luggage - Gray
6	M77343-02-000	EA	Door Asm - Generator - Gray
7	076648-01-000	EA	Window Asm - Rear Escape (w/o inside frame)
7	076650-01-000	EA	Inside Frame - Escape - Black
8	076232-02-000	EA	Spare Tire Door Cover - Gray
8	077137-02-000	EA	Door - Sewer Hose Compartment - Gray

Key	Part Number	U/M	Description
10	NOTE	EA	Door Asm - Fuel Fill (See Access Doors)
11	075901-01-000	EA	Window Asm - Crankout (w/o inside frame)
11	075901-05-000	EA	Inside Frame - Black
12	059247-09-000	EA	Door Asm - Refrigerator Access - Gray
13	NOTE	EA	Door Asm - Power Cord (See Access Doors)
14	075510-04-000	EA	Door Asm - Storage Compartment w/Locks
15	076510-02-000	EA	Door Asm - Storage Compartment w/Locks
.	M77210-02-000	EA	Window Asm - Driver Door (w/o inside frame)
.	077209-02-000	EA	Inside Frame - Driver Door Window - Black
.	M77210-01-000	EA	Window Asm - Passenger Door (w/o inside frame)
.	077209-01-000	EA	Inside Frame - Passenger Door Window - Black
.	Not illustrated		

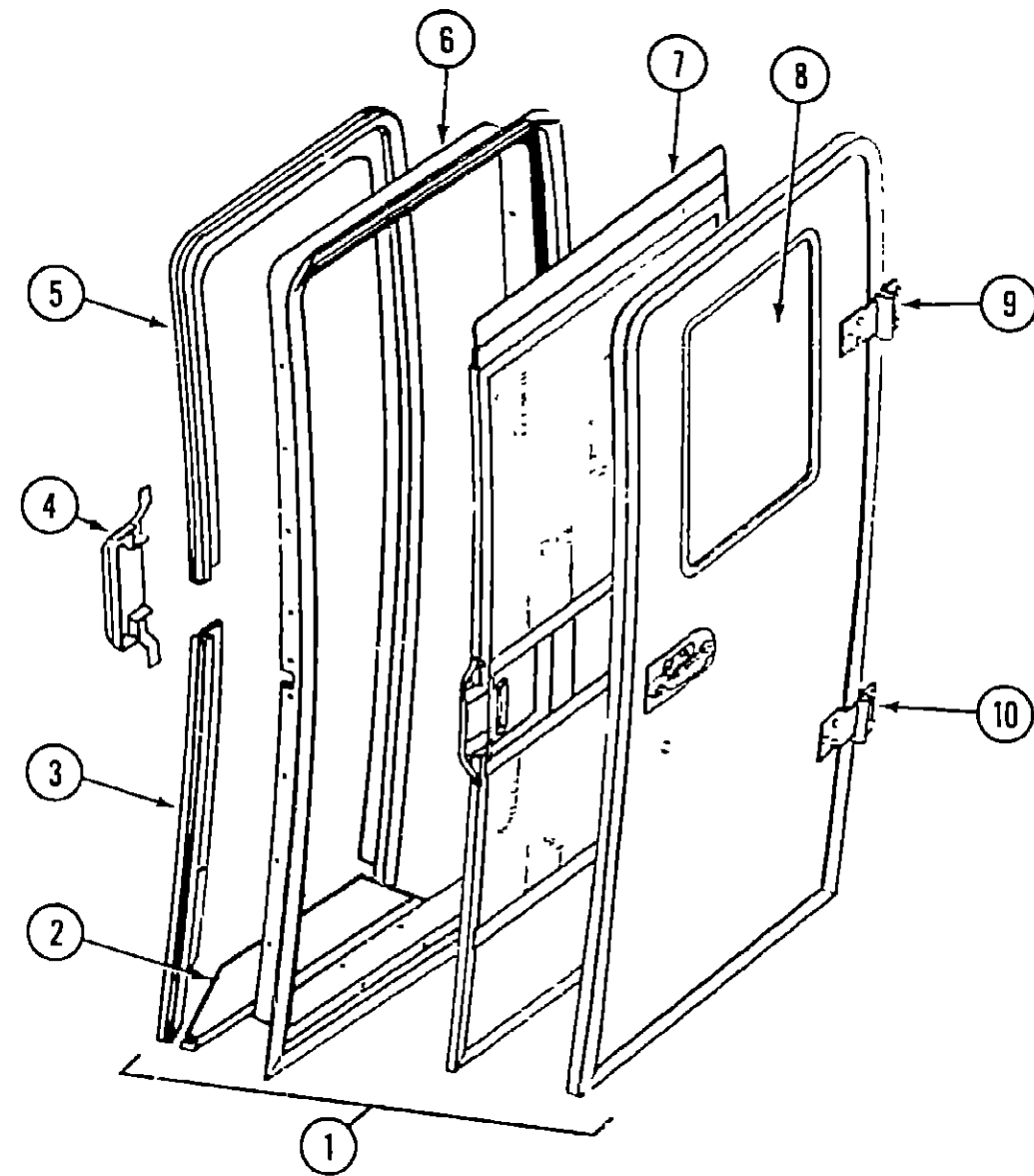
1984 ITASCA TABLE OF CONTENTS

Introduction	A-01
Abbreviations	A-01
Alphabetical Index	A-02 - A-04
ICN22RC	A-05 - C-20
ICN27RU	C-21 - F-10
ICN33RU	F-11 - H-22
ICP31RT	H-23 - J-24

1984 ICP31RT INDEX

Floor Plan	H-23 - H-24
Accessories Group	I-01 - I-02
Bath Group	I-03
Chassis Group	I-04 - I-05
Curtain, Cushion & Pad Group	I-06 - I-14
Linette Group	I-15
Driver's Compartment Group	I-16 - I-19
Electrical Group	I-20 - I-22
Exterior Body Group	I-23 - J-08
Galley Group	J-09 - J-10
Heating & Air Conditioning Group	J-11
Interior Finish Group	J-12 - J-13
LP Group	J-14
Lounge Group	J-15 - J-16
Water & Sewage Group	J-17
Window, Vent & Exterior Door Group	J-18 - J-24

WINDOW, VENT & EXTERIOR DOOR GROUP (CONTINUED)



ENTRANCE DOOR

Key	Part Number	U/M	Description
1	M01630-01-R28	EA	Door Asm - Radius Entry w/Screen Door - Fiberglass - Gray
2	076929-01-000	EA	Trim - Entrance Door - Lower
3	076936-01-000	EA	Trim - Entrance Door - Side
4	076726-01-000	EA	Strike Cover
5	076928-01-000	EA	Trim - Entrance Door Upper
6	076947-02-000	EA	Jamb Asm (w/o Bottom Portion)
	076942-01-000	EA	Jamb Asm (Bottom Portion Only)
7	076981-01-000	EA	Screen Door - Complete
	076727-01-000	EA	Slider - Screen Door - Light Oak Plastic
8	041875-09-000	EA	Window Asm - Picture (w/o inside frame)
	067609-03-000	EA	Inside Window Frame - Beige
9	076720-03-000	EA	Hinge Asm - Upper - Gray
10	076719-03-000	EA	Hinge Asm - Lower - Gray
	076838-01-000	EA	Hinge Shim
	076810-01-000	EA	Gasket - Hinge Shim
	041875-09-000	EA	Assist Handle - Black
	R77040-01-538	EA	Door Handle - Exterior
	R77006-50-261	EA	Door Handle - Interior
	073303-01-000	EA	Latch Asm - Inner
	076728-02-000	EA	Panel Trim - Light Oak - Plastic
	R77007-56-701	EA	Lock Bolt
	R77007-51-201	EA	Cylinder & Key Set
	075671-02-000	EA	Sponge Seal - Lazy T Shape
			Not illustrated

WINDOW, VENT & EXTERIOR DOOR GROUP (CONTINUED)

CRANKOUT WINDOW HARDWARE

Key	Part Number	U/M	Description
	075901-01-000	EA	Window Asm - 10" Awning Type - 26 3/8" x 27 3/8" - Left Mech - Hehr
	075901-01-700	EA	Operating Mech - Left Hand
	075901-01-701	EA	Operating Mech - Right Hand
	075901-01-702	EA	Knob - Black
	075901-01-703	EA	Screen Clip
	075901-02-000	EA	Window Asm - 10" Awning Type - Double - 62 3/8" x 33 3/8" - Hehr
	075901-03-000	EA	Window Asm - 10" Awning Type - 42 3/8" x 33 3/8" - Left Mech - Hehr
	075901-04-000	EA	Window Asm - 10" Awning Type - 15 3/8" x 33 3/8" - Left Mech - Hehr
	075901-05-000	EA	Window Frame - Inside - 26 3/8" x 27 3/8" - Black
	075901-06-000	EA	Window Frame - Inside - 62 3/8" x 33 3/8" - Black
	075901-07-000	EA	Window Frame - Inside - 42 3/8" x 33 3/8" - Black
	075901-08-000	EA	Window Frame - Inside - 15 3/8" x 33 3/8" - Black
	075901-09-000	EA	Window Asm - 10" Awning Type - 24 7/8" x 25" - Right Mech - Hehr
	075901-10-000	EA	Window Asm - 10" Awning Type - 24 7/8" x 25" - Left Mech - Hehr
	075901-11-000	EA	Window Frame - Inside - 24 7/8" x 25" - Black
	075901-11-700	EA	Window Frame - Inside - 24 5/8" x 24 3/4" - Black

VENTS & DOMES

Key	Part Number	U/M	Description
	071290-02-000	EA	Cover - Refrigerator Vent - 11 5/8" x 24 3/4" - Galv Steel
	071290-01-000	EA	Roof Base - Refrigerator Vent - 7 5" x 26 5" - Galv Steel
	049352-03-000	EA	Vent - Stovehood - Outside - Gray
	077487-01-000	EA	Skylight - Fixed Dome (Bath)
	077902-01-000	EA	Colar - Skylight
	075056-01-000	EA	Vent Asm - Roof - Non-Powered - w/o Screen
	016335-07-000	EA	Screen Asm - Roof - Non-Powered - Beige/Black Screen
	064469-01-000	EA	Vent - Power Roof - 14 x 14 - 12 Volt - Off White - Jensen (Bath) - US
	064469-02-000	EA	Vent - Power Roof - 14 x 14 - 12 Volt - Off White - Jensen (Bath) - CSA
	064469-03-000	EA	Vent - Power Roof - 12 Volt - UL
	064469-03-700	EA	Switch - On/Off/On
	064469-03-701	EA	Switch - Rocker - On/Off
	064469-03-702	EA	Lid - Vent - White
	064469-03-703	EA	Screen Frame/Light Assembly
	064469-03-704	EA	Screw - 10-24
	064469-03-705	EA	Garnish - Vent - 2 5" Wide
	064469-03-706	EA	Lift Mechanism
	064469-03-707	EA	Motor Lift
	064469-03-708	EA	Gear Drive
	064469-03-709	EA	Gear - Motor Pinion
	064469-03-710	EA	Lens - Light w/o Switch Holes
	064469-04-000	EA	Vent - Non-Power Roof - 12 Volt - Jensen (Bath) - UL
	064469-05-000	EA	Vent - Non-Power Roof - 12 Volt - Jensen (Bath) - CSA

**1984 ITASCA
TABLE OF CONTENTS**

Introduction	A-01
Abbreviations	A-01
Alphabetical Index	A-02 - A-04
ICN22RC	A-05 - C-20
ICN27RU	C-21 - F-10
ICN33RU	F-11 - H-22
ICP31RT	H-23 - J-24

1984 ICP31RT INDEX

Floor Plan	H-23 - H-24
Accessories Group	I-01 - I-02
Bath Group	I-03
Chassis Group	I-04 - I-05
Curtain, Cushion & Pad Group	I-06 - I-14
Dinette Group	I-15
Driver's Compartment Group	I-16 - I-19
Electrical Group	I-20 - I-22
Exterior Body Group	I-23 - J-08
Galley Group	J-09 - J-10
Heating & Air Conditioning Group	J-11
Interior Finish Group	J-12 - J-13
LP Group	J-14
Lounge Group	J-15 - J-16
Water & Sewage Group	J-17
Window, Vent & Exterior Door Group	J-18 - J-24

WINDSHIELD & SIDE VENT WINDOWS

Key	Part Number	U/M	Description
	074887-01-000	EA	Glass - Windshield - Passenger
	074887-02-000	EA	Glass - Windshield - Drivers
	076671-01-000	EA	Glass - Front Corner Vent - Drivers
	076671-03-000	EA	Glass - Front Corner Vent - w/Shade Band - Drivers
	076671-02-000	EA	Glass - Front Corner Vent - Passenger
	076671-04-000	EA	Glass - Front Corner Vent - w/Shade Band - Passenger
	002328-02-000	EA	Cushion Block - Windshield
	076672-01-000	EA	Molding Seal - Passenger Windshield - Rubber
	076672-02-000	EA	Molding Seal - Drivers Windshield - Rubber
	076676-01-000	EA	Molding Seal - Windshield Center

ACCESS DOORS

Key	Part Number	U/M	Description
	077343-04-000	EA	Door Asm - Luggage - Gray - w/Locks
	076510-04-000	EA	Door Asm. - Storage - Insulated - Gray - w/Locks
	076510-02-000	EA	Door Asm. - Storage - Insulated - Gray - w/Locks
	059247-09-000	EA	Door Asm - Refrigerator Access - Gray - w/Twist Lock
	076232-02-000	EA	Door Asm - Spare Tire Compartment - Gray
	M77343-02-000	EA	Door Asm - Generator - Gray - w/Twist Locks
	052009-03-000	EA	Door Asm - Water Heater - Gray
	052181-01-000	EA	Baffle - Generator Door
	052423-03-000	EA	Door - Fuel Fill - Gray
	052424-03-000	EA	Jamb - Power Cord/Fuel Fill Door - Gray
	063742-02-000	EA	Door - Power Cord - Gray
	054543-02-000	EA	Hatch - Power Cord Door - Gray
	054530-01-000	EA	Door Holder
	042441-01-000	EA	Lock Asm - Key Type - Gas Fill
	077486-01-000	EA	Lock Asm - Key Type w/Clip (Storage)
	042442-02-000	EA	Lock Asm - Twist Type - w/Clip (Storage)
	009003-01-000	EA	Lock Asm - Twist Type - w/Clip (Generator)
	047305-02-000	EA	Lock Asm - Key Type - w/Clip (Luggage)
	077408-01-000	EA	Lock Asm - Key Type - w/Clip (Tire Cover)
	077392-01-000	EA	Strike Asm (Tire Cover)
	041312-01-000	EA	Door Seal e-Section - Rubber

**1984 ITASCA
TABLE OF CONTENTS**

Introduction	A-01
Abbreviations	A-01
Alphabetical Index	A-02 - A-04
ICN22RC	A-05 - C-20
ICN27RU	C-21 - F-10
ICN33RU	F-11 - H-22
ICP31RT	H-23 - J-24

1984 ICP31RT INDEX

Floor Plan	H-23 - H-24
Accessories Group	I-01 - I-02
Bath Group	I-03
Chassis Group	I-04 - I-05
Curtain, Cushion & Pad Group	I-06 - I-14
Dinette Group	I-15
Driver's Compartment Group	I-16 - I-19
Electrical Group	I-20 - I-22
Exterior Body Group	I-23 - J-08
Galley Group	J-09 - J-10
Heating & Air Conditioning Group	J-11
Interior Finish Group	J-12 - J-13
LP Group	J-14
Lounge Group	J-15 - J-16
Water & Sewage Group	J-17
Window Vent & Exterior Door Group	J-18 - J-24