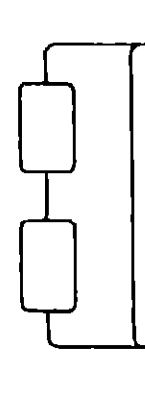
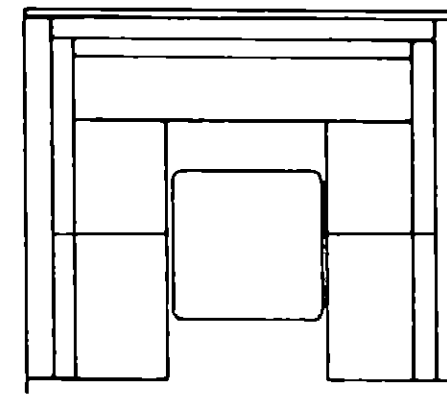
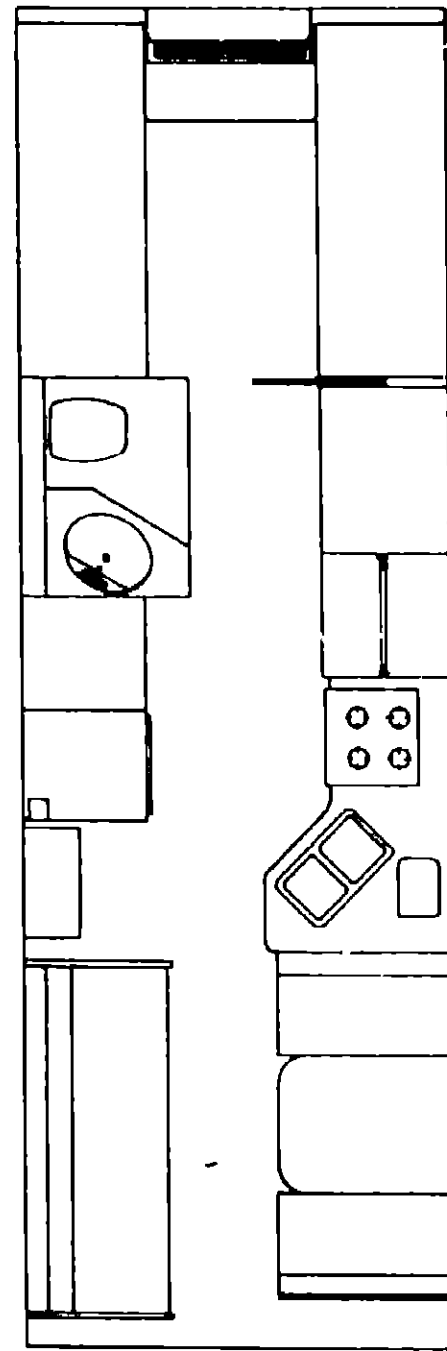
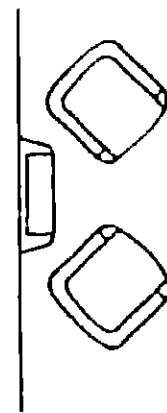
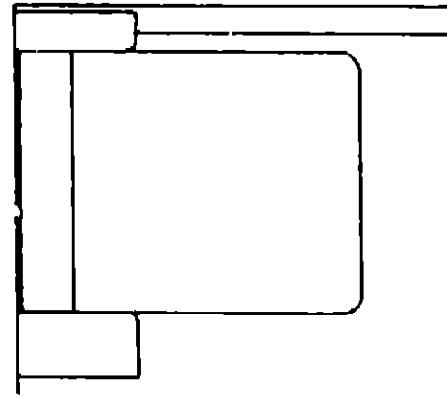


1984 ICN30RT



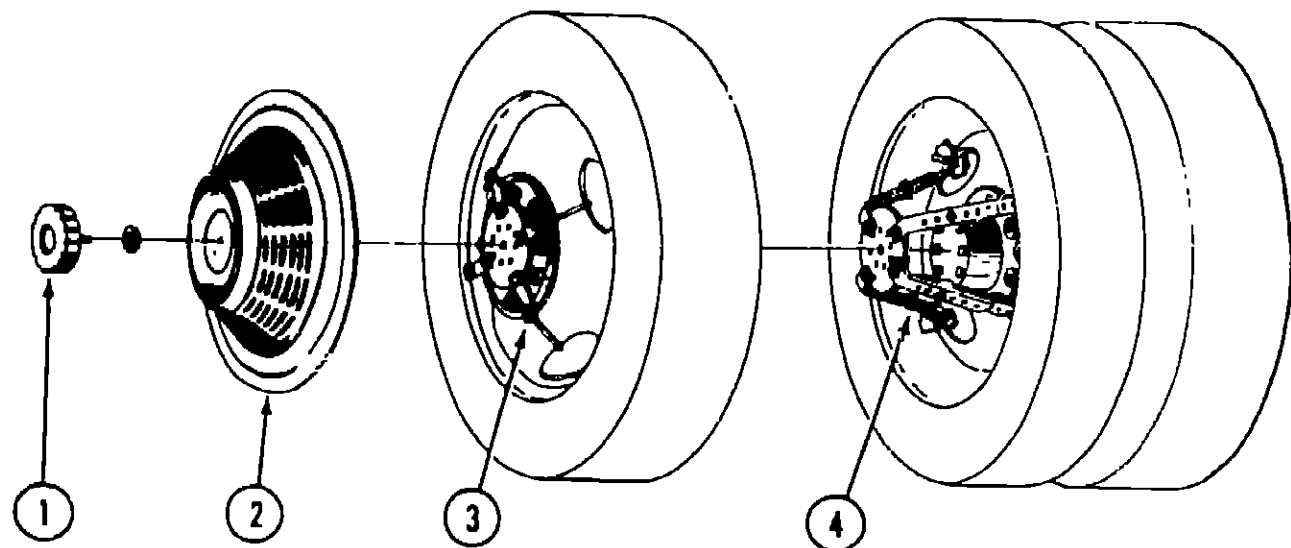
1984 ITASCA TABLE OF CONTENTS

| | |
|---------|-------------|
| IC420RG | A-01 - C-06 |
| IC424RC | C-07 - E-18 |
| ICN23RG | E-19 - H-06 |
| ICN30RT | H-07 - J-20 |

1984 ICN30RT INDEX

| | |
|------------------------------------|-------------|
| Floor Plan | H-07 - H-08 |
| Accessories Group | H-09 - H-11 |
| Bath Group | H-12 - H-13 |
| Chassis Group | H-14 - H-15 |
| Curtain, Cushion & Pad Group | H-16 - H-23 |
| Dinette Group | H-24 |
| Driver's Compartment Group | I-01 - I-03 |
| Electrical Group | I-04 - I-06 |
| Exterior Body Group | I-07 - I-14 |
| Galley Group | I-15 - I-17 |
| Heating & Air Conditioning Group | I-18 - I-19 |
| Interior Finish Group | I-20 - I-22 |
| LP Group | I-23 |
| Lounge Group | I-24 - J-02 |
| Water & Sewage Group | J-03 - J-04 |
| Window, Vent & Exterior Door Group | J-05 - J-20 |

ACCESSORIES GROUP



WHEEL COVER AND MOUNTING HARDWARE

| Key | Part Number | U/M | Description |
|-----|---------------|-----|---|
| 1 | 064082-02-000 | EA | Retaining Nut - Delmet - Wheel Cover |
| 2 | 073426-02-700 | EA | Wheel Cover - Bolt On - 19 5" - Delmet (1) |
| 3 | 073426-05-700 | EA | Retention Bracket Asm. - Wheel Cover Support - Heavy Duty - Front (1) |
| 4 | 073426-05-701 | EA | Retention Bracket Asm - Wheel Cover Support - Heavy Duty - Rear (1) |
| * | 073426-05-000 | EA | Retention Bracket Asm - Wheel Cover Support - Heavy Duty - (Set/4) |
| ** | 031396-02-000 | EA | Wheel Cover - 19 5" - Clip On |
| * | | | Not illustrated |
| ** | | | The illustrated parts breakdown for this item is provided on the Common Items Fiche |

GENERATORS AND INSTALLATION KITS

| Key | Part Number | U/M | Description |
|-----|---------------|-----|--|
| ** | 054429-01-000 | EA | Generator - Onan - 4 0 kw - BFA |
| ** | 054433-01-000 | EA | Generator - Onan - 6 5 kw |
| ** | 069229-01-000 | EA | Generator - Kohler - 4 5 kw |
| ** | 051911-01-000 | EA | Generator - Kohler - 7 0 kw |
| ** | 007131-01-000 | EA | Hanger - Generator Muffler |
| ** | 007125-01-000 | EA | Clamp - Tailpipe Hanger - 1 62' Dia |
| ** | 701629-02-000 | EA | Onan Installation Package |
| ** | 024732-01-000 | EA | Tailpipe - 1 1/2" O D x 23" |
| ** | 067753-01-000 | EA | Muffler - Generator - w/Spark Arrestor |
| ** | | | The illustrated parts breakdown for this item is provided on the Common Items Fiche. |

RADIOS AND RELATED COMPONENTS

| Key | Part Number | U/M | Description |
|-----|---------------|-----|--|
| | 064791-01-000 | EA | Speaker - Recessed - 5 1/4" |
| | 031105-01-000 | EA | Antenna - Radio - Side Mount |
| | 031105-01-700 | EA | Holder - Antenna - Radio - Upper |
| | 044328-01-000 | EA | Switch - Fader - Speaker Balance |
| | 064792-01-000 | EA | Grille - Speaker - 5 1/4" |
| | 064794-01-000 | EA | Trim Plate - AM Radio |
| | 064785-01-000 | EA | Radio - AM |
| | 064787-01-000 | EA | Radio - AM/FM MPX - w/Cassette |
| | 073430-01-000 | EA | Radio - AM/FM MPX - w/Cassette - Electronic Tuning |
| | 073432-01-000 | EA | Radio Amplifier - 4 x 15 Watts |
| | 073433-01-000 | EA | Adaptor - Radio TV Amplifier |
| | 073439-01-000 | EA | Wiring Asm - Radio Power Lead |
| | 073431-01-000 | EA | Speaker - 3 Way - 5 1/4" (Pair) |
| | 074979-01-000 | EA | Speaker Cover Protector - Plastic |

ACCESSORIES GROUP (CONTINUED)

MISCELLANEOUS ACCESSORIES

| Key | Part Number | U/M | Description |
|-----|---------------|-----|---|
| | 065116-01-000 | EA | Mirror - West Coast - Double Mirror - Right |
| | 065116-02-000 | EA | Mirror - West Coast - Double Mirror - Left |
| | 006043-01-000 | EA | Mirror - Convex - Adhesive Back |
| | 054185-20-000 | EA | Owners Manual - Itasca & Winnebago |
| | 076319-01-000 | EA | Antenna - TV - Winegard - 44 5" Mast |
| | 076319-04-000 | EA | Connector & Ferrule (Winegard) |
| | 076319-03-000 | FT | Coaxial Cable - 75 OHM (Winegard) |
| | 076319-05-000 | EA | Jack & 12 Volt Receptacle - Ivory |
| | 006053-01-000 | EA | Antenna - TV Braund Delux |
| | 006093-01-000 | EA | Jack - TV - Brown (Antenna) |
| | 006050-01-000 | EA | Jack - TV - Ivory (Antenna) |
| | 017516-01-000 | EA | Mud Flap - Black - 14" x 18" w/Holes |
| | 041944-03-000 | EA | Fire Extinguisher - w/Bracket - 5 BC |
| | 075922-01-000 | EA | Oven - Microwave |
| | 075922-03-000 | EA | Trim Ring - Microwave |
| | 075922-04-000 | EA | Duct Exhaust - Microwave |
| | 075930-01-000 | EA | Bracket Asm - Microwave - Right |
| | 075930-02-000 | EA | Bracket Asm - Microwave - Left |
| | 076253-02-000 | EA | Bracket Asm Microwave - 6" |
| | 067125-01-000 | EA | Standoff (Support) Rack & Ladder |
| | 067203-01-000 | EA | Ladder Asm |
| | 067203-02-000 | EA | Rack Asm - Luggage |
| | 067130-01-000 | EA | Ladder Step |
| | 076980-01-000 | EA | End Cap - Ladder Step |
| | 064093-01-000 | EA | Luggage Carrier Assembly - 14 x 30" x 60" |
| | 039881-01-000 | EA | Catch and Strike - Luggage Carrier |
| | 006069-01-000 | EA | Key Case - Leather |
| | 040069-01-000 | EA | Door Mat - Black Rubber - 10 1/2' x 26" |
| | 069580-01-000 | EA | Lug Wrench - 1" x 1 1/4" x 16 3" |
| | 069580-02-000 | EA | Leverage Bar - Lug Wrench - 22" |
| | 072373-01-000 | EA | Weather Center - 7" x 7' x 2" |
| | 072374-01-000 | EA | Clock - 7" x 7' x 2" |
| | 069629-01-000 | EA | Speed Control Package - Electric - Dana |
| | 069629-01-700 | EA | Regulator Asm - Electronic |
| | 069629-01-701 | EA | Vacuum Valve & Elect Switch |
| | 069629-01-702 | EA | Control Switch & Lever Asm |
| | 069629-01-703 | EA | Harness Asm - Main Wiring |
| | 069629-01-704 | EA | Signal Generator |
| | 069629-01-705 | EA | Key - Adaptor |
| | 072852-01-000 | EA | Smoke Detector w/9 Volt Battery |
| | 055285-01-000 | EA | Vacuum Cleaner - Built In - Tevis Campbell |
| | 055285-01-700 | EA | Accessories Kit - Standard - Tevis Campbell |
| | 055285-01-701 | EA | Filter - 10 per Consumer Package - Tevis Campbell |
| | 006113-01-000 | EA | Jack - 6 Ton |
| | 063708-01-000 | EA | Cover - Roof Air Vinyl |

1984 ITASCA TABLE OF CONTENTS

| | |
|---------|-------------|
| IC420RG | A-01 - C-06 |
| IC424RC | C-07 - E-18 |
| ICN23RG | E-19 - H-06 |
| ICN30RT | H-07 - J-20 |

1984 ICN30RT INDEX

| | |
|------------------------------------|-------------|
| Floor Plan | H-07 - H-08 |
| Accessories Group | H-09 - H-11 |
| Bath Group | H-12 - H-13 |
| Chassis Group | H-14 - H-15 |
| Curtain, Cushion & Pad Group | H-16 - H-23 |
| Dinette Group | H-24 |
| Driver's Compartment Group | I-01 - I-03 |
| Electrical Group | I-04 - I-06 |
| Exterior Body Group | I-07 - I-14 |
| Galley Group | I-15 - I-17 |
| Heating & Air Conditioning Group | I-18 - I-19 |
| Interior Finish Group | I-20 - I-22 |
| LP Group | I-23 |
| Lounge Group | I-24 - J-02 |
| Water & Sewage Group | J-03 - J-04 |
| Window, Vent & Exterior Door Group | J-05 - J-20 |

ACCESSORIES GROUP (CONTINUED)

FRONT BUNK AND HARDWARE

| Key | Part Number | U/M | Description |
|-----|---------------|-----|---|
| | 058044-04-R10 | EA | Bunk Board Asm - Front Overhead - w/Beige Rails |
| | 053773-01-000 | EA | Support - Overhead Bunk - Brown - Right |
| | 053773-02-000 | EA | Support - Overhead Bunk - Brown - Left |
| | 039516-04-000 | EA | Catch - Bunk - Beige |
| | 023812-29-000 | EA | Rail - Bunk - 77 1" - Beige |
| | 053774-04-000 | EA | Torsion Rod - Overhead Bunk - Brown |
| | 041322-01-000 | EA | Washer - Flat - 15/32" I D x 2 3/8" O D - Seat Belt |
| | 074212-01-P01 | EA | Pad Asm - Front Side Overhead - Right - Vinyl |
| | 074212-02-P01 | EA | Pad Asm - Front Side Overhead - Left - Vinyl |
| | 074212-03-P01 | EA | Pad Asm - Front Side Overhead - Driver Door - Vinyl |
| | 048394-01-000 | YD | Tape Hook - 1" x 25 YD - Beige |
| | 048395-01-000 | YD | Tape Loop - 1" x 25 YD - Beige |
| | 007021-01-000 | EA | Belt Asm. - Seat - 2" x 90" - Black |
| | 040071-02-000 | EA | Belt Asm - 2" x 6" - Bunk Support |

ELECTRIC STEP

| Key | Part Number | U/M | Description |
|-----|---------------|-----|--------------------------------|
| | 075461-01-000 | EA | Step Asm. - Electric (Kwikkee) |
| | 075461-01-700 | EA | Motor |
| | 041250-01-000 | EA | Door Switch |
| | 075461-01-704 | EA | Under Step Control Unit |
| | 075461-01-705 | EA | 4-Way Plug (Dash End) |
| | 075461-01-706 | EA | Kill Switch |
| | 075461-01-707 | EA | Step Light |
| | 075461-01-708 | EA | 4-Way Plug (Control Box End) |
| | 075461-01-709 | EA | 90° Plug |
| | 075461-01-710 | EA | Gear |
| | 075461-01-711 | EA | Drive Link |

BATH GROUP

BATH CABINETRY

| Key | Part Number | U/M | Description |
|-----|---------------|-----|---|
| | M61941-01-R25 | EA | Cabinet Asm. - Lavatory - w/o Countertop, Doors or Hardware |
| | 061940-01-R10 | EA | Countertop Asm - Lavatory Cabinet - Travertine |
| | 063224-18-R10 | EA | Door Asm - Rolled - Lavatory Cabinet - 20 9" x 28" |
| | M73390-01-R25 | EA | Cabinet Asm - Medicine - w/o Doors or Hardware |
| | 069859-02-R10 | EA | Door Asm - Medicine Cabinet - w/Mirror - 16 1" x 30 1" - w/o Hardware |
| | 069852-19-R10 | EA | Door Asm - Medicine Cabinet - 11.5" x 20.7" - w/o Hardware |
| | M68593-03-R25 | EA | Door Asm - Bathroom - 74 2" x 23" - w/o Towel Rack or Hardware |
| | 069859-03-R10 | EA | Door Asm - Wardrobe - 16 1" x 46 1" - w/Mirror w/o Hardware |
| | M69856-03-R10 | EA | Door Asm - Furnace - 22 2" x 14 7" - w/o Hardware |
| | 062906-01-000 | EA | Door Asm - Shower - Folding - Complete w/Frame |
| | M65889-01-R25 | EA | Door Asm - Sliding - 28" x 74 1" - w/o Hardware |
| | 069859-04-R10 | EA | Door Asm - Fixed Wall Mirror - 30 1" x 23 1" |

BATH HARDWARE

| Key | Part Number | U/M | Description |
|-----|---------------|-----|---|
| ** | 011056-01-000 | EA | Faucet - Lavatory - U S |
| ** | 011056-02-000 | EA | Faucet - Lavatory - C S A |
| | 058640-01-000 | EA | Sink - Oval - Ivory Plastic |
| ** | 031558-01-000 | EA | Faucet - Tub and Shower - Metal |
| | 031558-03-000 | EA | Faucet - Tub and Shower - Plastic |
| ** | 011048-02-000 | EA | Shower Head - w/60" Hose |
| | 010495-01-000 | EA | Hose Clamp - 9/16" |
| ** | 011086-01-000 | EA | Strainer - Shower Pan |
| ** | 011069-01-000 | EA | Tailpiece - 1 1/4" x 4" - Brass |
| | 009134-01-000 | EA | Holder - Tissue |
| | 009151-01-000 | EA | Warp Guard - 48" |
| | 072369-01-000 | EA | Mesh - Furnace Door - Gold Aluminum - 14 5" x 10 1" |
| | 058331-01-000 | EA | Mirror - Safety Glass - 19" x 26" |
| | 058331-04-000 | EA | Mirror - Safety Glass - 12" x 42" |
| | 058331-05-000 | EA | Mirror - Safety Glass - 12" x 26" |
| | 058335-01-000 | EA | Latch - Bathroom Door |
| | 071817-01-000 | EA | Track - Sliding Door |
| | 009156-01-000 | EA | Hanger - Sliding Door |
| | 058034-01-000 | EA | Latch - Sliding Door |
| | 009112-01-000 | EA | Flange - 1" - Closet Rod |
| ** | 039341-02-000 | EA | Toilet - Thetford Aqua Magic - Ivory - B420 SH |
| | 066436-01-000 | EA | Nut - Slip - 1 5" Tailpiece |
| | 066435-01-000 | EA | Nut - Strainer |
| | 066729-01-000 | EA | Strainer - Tub - Shower Drain |
| | 009133-01-000 | EA | Towel Bar |
| | 023449-01-000 | EA | Towel Bar Supports |

** The illustrated parts breakdown for this item is provided on the Common Items Fiche

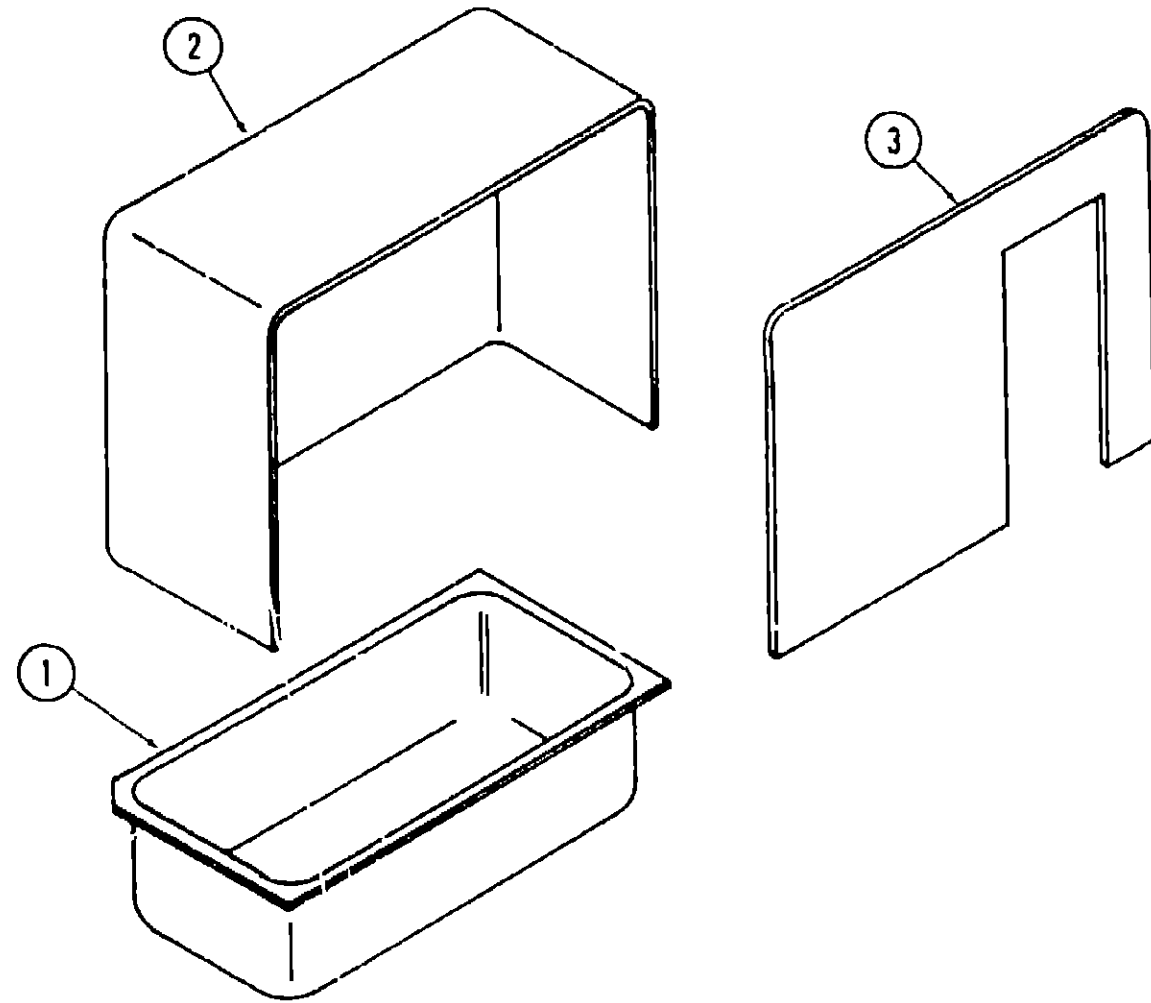
1984 ITASCA TABLE OF CONTENTS

| | |
|---------|-------------|
| IC420RG | A-01 - C-06 |
| IC424RC | C-07 - E-18 |
| ICN23RG | E-19 - H-06 |
| ICN30RT | H-07 - J-20 |

1984 ICN30RT INDEX

| | |
|------------------------------------|-------------|
| Floor Plan | H-07 - H-08 |
| Accessories Group | H-09 - H-11 |
| Bath Group | H-12 - H-13 |
| Chassis Group | H-14 - H-15 |
| Curtain, Cushion & Pad Group | H-16 - H-23 |
| Dinette Group | H-24 |
| Driver's Compartment Group | I-01 - I-03 |
| Electrical Group | I-04 - I-06 |
| Exterior Body Group | I-07 - I-14 |
| Galley Group | I-15 - I-17 |
| Heating & Air Conditioning Group | I-18 - I-19 |
| Interior Finish Group | I-20 - I-22 |
| LP Group | I-23 |
| Lounge Group | I-24 - J-02 |
| Water & Sewage Group | J-03 - J-04 |
| Window, Vent & Exterior Door Group | J-05 - J-20 |

BATH GROUP (CONTINUED)



| Key | Part Number | U/M | Description |
|-----|---------------|-----|--------------------------------|
| 1 | M00622-01-000 | EA | Bathtub Bottom - Ivory Plastic |
| 2 | 062249-01-000 | EA | Bathtub Rear - Ivory Plastic |
| 3 | 062247-01-000 | EA | Bathtub Front - Ivory Plastic |

CHASSIS GROUP

| Key | Part Number | U/M | Description |
|-----|---------------|-----|---|
| | 068624-01-000 | EA | Gas Fill - w/Vent |
| | 024611-04-000 | EA | Cap - Gas - Pressure - 1 5" Chrome |
| | 024138-01-000 | EA | Hose - Fuel - 5/16" I D SAE 30RI |
| | 024141-01-000 | FT | Hose Rubber - 1/2" I D |
| | 007134-01-000 | EA | Clamp - Hose - Spring Type - 9/16" |
| | 063383-01-000 | EA | Tank - Fuel - 69 7" Gallon |
| | 057038-02-000 | EA | Sending Unit - Fuel - 90 Ohm |
| | 063386-03-000 | EA | Strap - Fuel Tank Mounting |
| | 063386-02-000 | EA | Hanger - Fuel Tank Mounting |
| | 050227-01-000 | EA | Canister Asm. - Vapor - 2 Stage - 3 Port |
| | 007111-01-000 | FT | Hose - Fuel - 2 1/4" I D SAE 30RI |
| | 024490-01-000 | EA | Power Cord Box - Plastic |
| | 055374-01-000 | EA | Wheel Well - Plastic |
| | 052431-01-000 | EA | Luggage Tray |
| | 022655-02-000 | EA | Tailpipe - 2 1/4" x 8" |
| | 007125-07-000 | EA | Clamp Asm - Muffler - 2 1/2" |
| | 017516-01-000 | EA | Mud Flap - Black - 14" x 18" w/Holes |
| | 051697-01-000 | EA | Bracket - Battery Tie Down |
| | 048594-01-000 | EA | Battery Tray Asm |
| | 047441-01-000 | EA | Terminal - Battery - Horizontal Lug |
| | 024652-01-700 | EA | Step Asm - Entry |
| | 048474-01-000 | EA | Bumper - Rear - Chrome |
| | 022150-01-000 | EA | Bracket - Bumper - Rear |
| | 058401-01-000 | EA | Hood Board - Upper - Right - Steel |
| | 058404-01-000 | EA | Hood Board - Upper - Left - Steel |
| | 056818-01-000 | EA | Cover - Radiator - Rear |
| | 056817-01-000 | EA | Cover - Radiator - Rear Back (Fan Shroud) |
| | 072850-01-000 | EA | Bumper - Front - Chrome |
| | 051387-03-000 | EA | Bolt - Carriage - 5/16" x 14 x 1 1/4" |
| | 058439-01-000 | EA | Bracket - Front Bumper - Black |
| | 058416-01-000 | EA | Bar - Front Bumper - Black |
| | 063977-03-000 | EA | Step Asm - Driver Door - Black |
| | 044967-01-000 | EA | Shield - Heat Muffler |
| | 064053-01-000 | EA | Bracket - Front Bumper Support |
| | 056832-01-000 | EA | Filler - Radiator Cover |
| | 047743-01-000 | EA | Spacer - Rear Spring/Axle Stop |
| | 007131-01-000 | EA | Hanger - Tail Pipe |
| | 007324-01-000 | EA | Tire - 800 x 19 5 - Radial |
| | 051759-01-000 | EA | Tire - 800 x 19 5 - 10 Ply Poly |
| | 052165-03-000 | EA | Shock Cord - Rubber - 24" (Spare Tire) |
| | 061661-01-000 | EA | Bracket - Tire Cover |
| | 064963-01-000 | EA | Rim - Wheel - 19 5" x 6 75" |
| | 075068-03-R10 | EA | Spare Tire Cover - Plastic |
| | 073352-01-000 | EA | Bracket - License Plate - Front |
| | 020167-03-000 | EA | Dirt Guard - Rear Wheel |

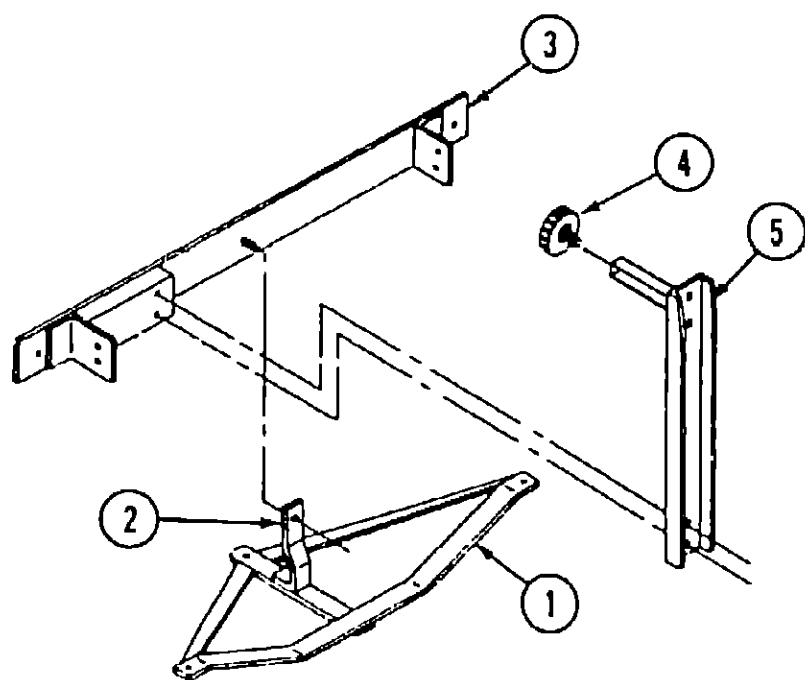
1984 ITASCA TABLE OF CONTENTS

| | |
|---------|-------------|
| IC420RG | A-01 - C-06 |
| IC424RC | C-07 - E-18 |
| ICN23RG | E-19 - H-06 |
| ICN30RT | H-07 - J-20 |

1984 ICN30RT INDEX

| | |
|------------------------------------|-------------|
| Floor Plan | H-07 - H-08 |
| Accessories Group | H-09 - H-11 |
| Bath Group | H-12 - H-13 |
| Chassis Group | H-14 - H-15 |
| Curtain, Cushion & Pad Group | H-16 - H-23 |
| Dinette Group | H-24 |
| Driver's Compartment Group | I-01 - I-03 |
| Electrical Group | I-04 - I-06 |
| Exterior Body Group | I-07 - I-14 |
| Galley Group | I-15 - I-17 |
| Heating & Air Conditioning Group | I-18 - I-19 |
| Interior Finish Group | I-20 - I-22 |
| LP Group | I-23 |
| Lounge Group | I-24 - J-02 |
| Water & Sewage Group | J-03 - J-04 |
| Window, Vent & Exterior Door Group | J-05 - J-20 |

CHASSIS GROUP (CONTINUED)



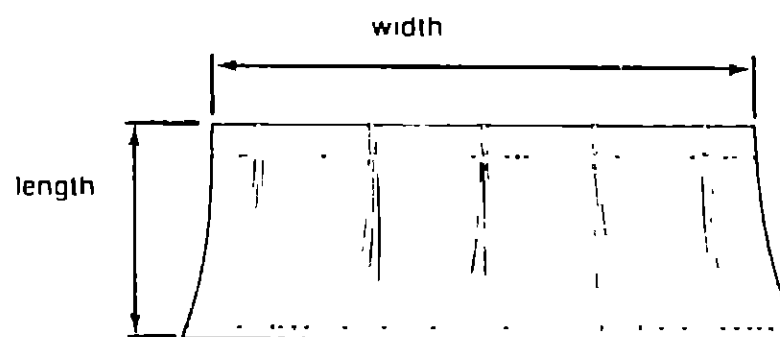
| Key | Part Number | U/M | Description |
|-----|---------------|-----|---|
| 1 | 064833-01-000 | EA | Trailer Hitch Asm |
| 2 | 064824-02-000 | EA | Support - Trailer Hitch |
| 3 | 064601-02-000 | EA | Bracket - Bumper Mount - Rear |
| 4 | 064082-01-000 | EA | Retaining Nut - Demet - Tire Cover |
| 5 | 075286-01-000 | EA | Bracket - IJ-Channel - Tire Carrier (Plastic Cover) |
| . | 075068-03-R10 | EP | Cover - Spare Tire - Plastic |
| . | | | Not illustrated |

CURTAIN, CUSHION & PAD GROUP

NOTICE

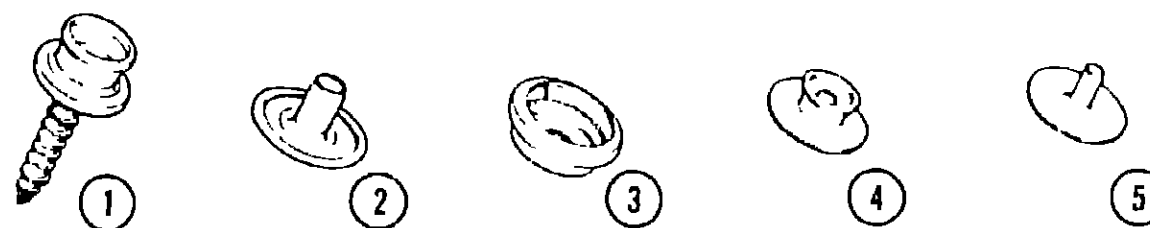
In order to assist our Parts Sales Dept in providing interior software items, please include the serial number and the color code number from the vehicle certification label when ordering. This label is located on the left sidewall at the end of the dash (A-Body), or on the driver's door latch plate (C-Body).

An example of a color code number is P31, which designates an overall color scheme of a particular unit. The color listed after the item description on the microfiche, indicates the overall unit color. Order the item you desire according to unit color code.



NOTE

Use this illustration when determining length and width measurements for curtains. You will note the width measurement is taken on the top of the curtain with the curtain fully extended. The length measurement is taken from top to bottom.



| Key | Part Number | U/M | Description |
|-----|---------------|-----|------------------------------------|
| 1 | 029130-01-000 | EA | Socket - Snap Fastener |
| 2 | 029155-01-000 | EA | Cap - Snap - 156" Dia x 17" Barrel |
| 3 | 029156-01-000 | EA | Socket - Snap Fastener |
| 4 | 029092-01-000 | EA | Stud - Nickel Finish |
| 5 | 029093-01-000 | EA | Eyelet - Nickel Finish |

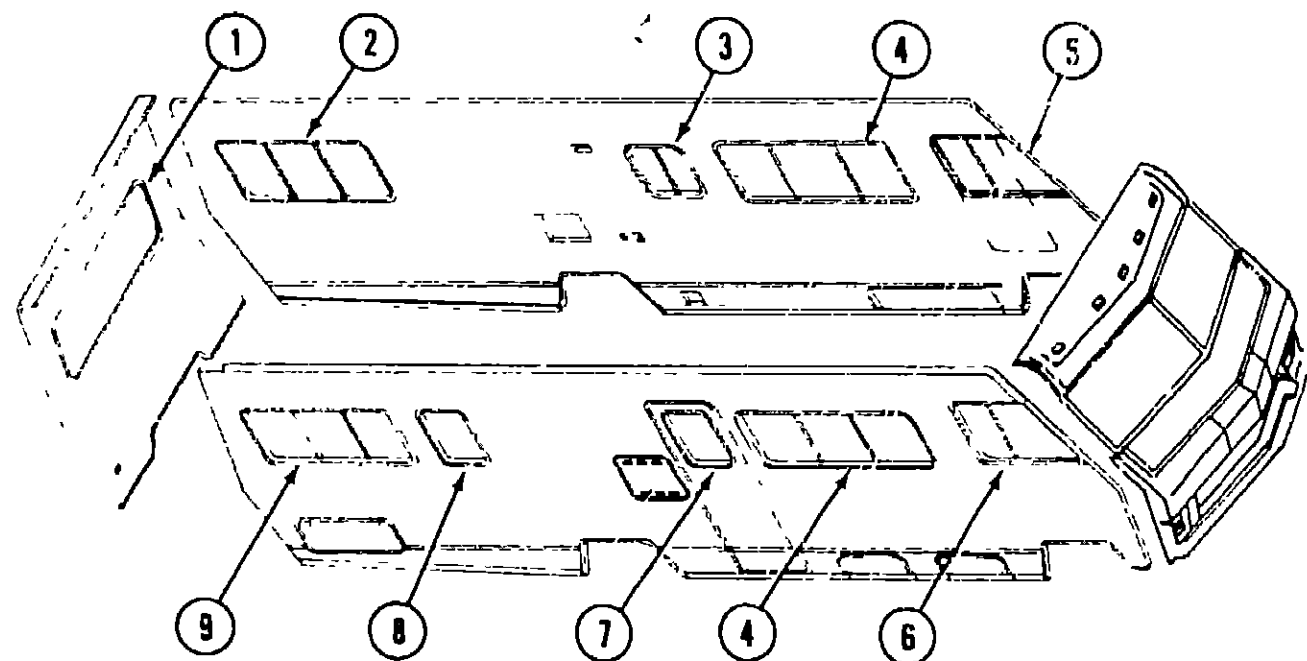
1984 ITASCA TABLE OF CONTENTS

| | |
|---------|-------------|
| IC420RG | A-01 - C-06 |
| IC424RC | C-07 - E-13 |
| ICN23RG | E-19 - H-06 |
| ICN30RT | H-07 - J-20 |

1984 ICN30RT INDEX

| | |
|------------------------------------|-------------|
| Floor Plan | H-07 - H-08 |
| Accessories Group | H-09 - H-11 |
| Bath Group | H-12 - H-13 |
| Chassis Group | H-14 - H-15 |
| Curtain, Cushion & Pad Group | H-16 - H-23 |
| Dinette Group | H-24 |
| Driver's Compartment Group | I-01 - I-03 |
| Electrical Group | I-04 - I-06 |
| Exterior Body Group | I-07 - I-14 |
| Galley Group | I-15 - I-17 |
| Heating & Air Conditioning Group | I-18 - I-19 |
| Interior Finish Group | I-20 - I-22 |
| LP Group | I-23 |
| Lounge Group | I-24 - J-02 |
| Water & Sewage Group | J-03 - J-04 |
| Window, Vent & Exterior Door Group | J-05 - J-20 |

CURTAIN, CUSHION & PAD GROUP (CONTINUED)



CURTAIN, VALANCE, SHADES & TIEBACKS

| Key | Part Number | U/M | Description |
|-----|---------------|-----|--|
| 1 | 070652-18-R25 | EA | Curtain w/Darts - 29" x 15" - Horseshoe Lounge (Blue/Gray) |
| 1 | 070652-18-R26 | EA | Curtain w/Darts - 29" x 15" - Horseshoe Lounge (Navy/Beige) |
| 1 | 070652-18-R27 | EA | Curtain w/Darts - 29" x 15" - Horseshoe Lounge (Rust) |
| 1 | 070651-24-R25 | EA | Valance Asm - 6" x 82" - Pleated - Horseshoe Lounge (Blue/Gray) |
| 1 | 070651-24-R26 | EA | Valance Asm - 6" x 82" - Pleated - Horseshoe Lounge (Navy/Beige) |
| 1 | 070651-24-R27 | EA | Valance Asm - 6" x 82" - Pleated - Horseshoe Lounge (Rust) |
| 1 | 070652-12-R25 | EA | Curtain w/Darts - 29" x 15" - Rear Bed (Blue/Gray) |
| 1 | 070652-12-R26 | EA | Curtain w/Darts - 29" x 15" - Rear Bed (Navy/Beige) |
| 1 | 070652-12-R27 | EA | Curtain w/Darts - 29" x 15" - Rear Bed (Rust) |
| 1 | 070651-20-R25 | EA | Valance Asm - 6" x 82" - Pleated - Rear Bed (Blue/Gray) |
| 1 | 070651-20-R26 | EA | Valance Asm - 6" x 82" - Pleated - Rear Bed (Navy/Beige) |
| 1 | 070651-20-R27 | EA | Valance Asm - 6" x 82" - Pleated - Rear Bed (Rust) |
| 1 | 073323-02-R07 | EA | Curtain - Sheers - 27 5" x 66" |
| 1 | 065522-13-000 | EA | Shade Asm. - Vinyl - 72 25" x 38" |
| 2 | 070652-18-R25 | EA | Curtain w/Darts - 29" x 15" - Horseshoe Lounge (Blue/Gray) |
| 2 | 070652-18-R26 | EA | Curtain w/Darts - 29" x 15" - Horseshoe Lounge (Navy/Beige) |
| 2 | 070652-18-R27 | EA | Curtain w/Darts - 29" x 15" - Horseshoe Lounge (Rust) |
| 2 | 070651-26-R25 | EA | Valance Asm - 6" x 71" - Pleated - Horseshoe Lounge (Blue/Gray) |
| 2 | 070651-26-R26 | EA | Valance Asm - 6" x 71" - Pleated - Horseshoe Lounge (Navy/Beige) |
| 2 | 070651-26-R27 | EA | Valance Asm - 6" x 71" - Pleated - Horseshoe Lounge (Rust) |
| 2 | 070652-12-R25 | EA | Curtain w/Darts - 29" x 15" - Rear Bed (Blue/Gray) |
| 2 | 070652-12-R26 | EA | Curtain w/Darts - 29" x 15" - Rear Bed (Navy/Beige) |
| 2 | 070652-12-R27 | EA | Curtain w/Darts - 29" x 15" - Rear Bed (Rust) |
| 2 | 070651-20-R25 | EA | Valance Asm - 6" x 82" - Pleated - Rear Bed (Blue/Gray) |
| 2 | 070651-20-R26 | EA | Valance Asm - 6" x 82" - Pleated - Rear Bed (Navy/Beige) |
| 2 | 070651-20-R27 | EA | Valance Asm - 6" x 82" - Pleated - Rear Bed (Rust) |
| 2 | 073323-02-R07 | EA | Curtain Sheers - 27 5" x 66" |
| 2 | 065522-11-000 | EA | Shade Asm - Vinyl - 60 25" x 38" |

CURTAIN, CUSHION & PAD GROUP (CONTINUED)

CURTAINS, VALANCES, SHADES & TIEBACKS (CONT)

| | | | |
|---|-----------------|----|--|
| 3 | 073251-21-R25 | EA | Curtain w/Tape Top - 21 5" x 9" (Blue/Gray) |
| 3 | 073251-21-R26 | EA | Curtain w/Tape Top - 21 5" x 9" (Navy/Beige) |
| 3 | 073251-21-R27 | EA | Curtain w/Tape Top - 21 5" x 9" (Rust) |
| 3 | 070651-35-R25 | EA | Valance Asm - 6" x 38 5" - Pleated (Blue/Gray) |
| 3 | 070651-35-R26 | EA | Valance Asm - 6" x 38 5" - Pleated (Navy/Beige) |
| 3 | 070651-35-R27 | EA | Valance Asm - 6" x 38 5" - Pleated (Rust) |
| 3 | 065522-16-000 | EA | Shade Asm - 28 5" x 38" |
| 3 | 070651-50-R22 | EA | Valance Asm - 6" x 35" - Pleated - w/Woven Wood (R25 - Blue/Gray) |
| 3 | 070651-50-R23 | EA | Valance Asm - 6" x 35" - Pleated - w/Woven Wood (R26 - Navy/Beige) |
| 3 | 070651-50-R24 | EA | Valance Asm - 6" x 35" - Pleated - w/Woven Wood (R27 - Rust) |
| 3 | 075474-27-000 | EA | Woven Wood Shade - 28" Wide x 23" (R25 - Blue/Gray) |
| 3 | 075474-25-000 | EA | Woven Wood Shade - 28" Wide x 23" (R26 - Navy/Beige) |
| 3 | 075474-26-000 | EA | Woven Wood Shade - 28" Wide x 23" (R27 - Rust) |
| 4 | 070652-18-R25 | EA | Curtain Asm - Darted - 29" x 15" (Blue/Gray) |
| 4 | 070652-18-R26 | EA | Curtain Asm - Darted - 29" x 15" (Navy/Beige) |
| 4 | 070652-18-R27 | EA | Curtain Asm - Darted - 29" x 15" (Rust) |
| 4 | 070651-25-R25 | EA | Valance Asm - Pleated - 6" x 80" (Blue/Gray) |
| 4 | 070651-25-R26 | EA | Valance Asm - Pleated - 6" x 80" (Navy/Beige) |
| 4 | 070651-25-R27 | EA | Valance Asm - Pleated - 6" x 80" (Rust) |
| 4 | 073323-02-R07 | EA | Curtain - Sheers - 27 5" x 66" |
| 4 | 065522-12-000 | EA | Shade Asm - 69 25" x 38" |
| 4 | 070651-49-R22 | EA | Valance Asm - Pleated - 6" x 76" - w/Woven Wood (R25 - Blue/Gray) |
| 4 | 070651-49-R23 | EA | Valance Asm - Pleated - 6" x 76" - w/Woven Wood (R26 - Navy/Beige) |
| 4 | 070651-49-R24 | EA | Valance Asm - Pleated - 6" x 76" - w/Woven Wood (R27 - Rust) |
| 4 | 075474-15-000 | EA | Woven Wood Shade - 69" Wide x 29" (R25 - Blue/Gray) |
| 4 | 075474-13-000 | EA | Woven Wood Shade - 69" Wide x 29" (R26 - Navy/Beige) |
| 4 | 075474-14-000 | EA | Woven Wood Shade - 69" Wide x 29" (R27 - Rust) |
| 5 | 059900-05-R10 | EA | Curtain w/Snaps - 29" x 35" - w/Drivers Door |
| 6 | 073304-03-R10 | EA | Curtain w/Snaps - 27 5" x 125" - Front Wraparound - w/Drivers Door |
| 6 | 073304-07-R10 | EA | Curtain w/Snaps - 27 5" x 81" - Front Wraparound - w/o Drivers Door (2 required) |
| 6 | 073304-02-R10 | EA | Curtain w/Snap Top - Bunk Privacy - 22" x 96" |
| 6 | 073304-23-R10 | EA | Curtain w/Snap Top - Bunk Privacy - 40" x 85" |
| 6 | 073304-25-R10 | EA | Curtain w/Snap Top - Blackout - 60" x 86" |
| 7 | 073304-10-R25 | EA | Curtain w/Snap Top - 29" x 37" (Blue/Gray) |
| 7 | 073304-10-R26 | EA | Curtain w/Snap Top - 29" x 37" (Navy/Beige) |
| 7 | 073304-10-R27 | EA | Curtain w/Snap Top - 29" x 37" (Rust) |
| 8 | 073251-26-R25 | EA | Curtain Asm - Tape Top - 29" x 9" (Blue/Gray) |
| 8 | 073251-26-R26 | EA | Curtain Asm - Tape Top - 29" x 9" (Navy/Beige) |
| 8 | 073251-26-R27 | EA | Curtain Asm - Tape Top - 29" x 9" (Rust) |
| 8 | 070651-23-R25 | EA | Valance Asm - Pleated - 6" x 31" (Blue/Gray) |
| 8 | 070651-23-R26 | EA | Valance Asm - Pleated - 6" x 31" (Navy/Beige) |
| 8 | 070651-23-R27 | EA | Valance Asm - Pleated - 6" x 31" (Rust) |
| 8 | 065522-02-000 | EA | Shade Asm - 21 25" x 38" |
| 8 | 070651-48-R22 | EA | Valance Asm - Pleated - 6" x 27" - w/Woven Wood (R25 - Blue/Gray) |
| 8 | 070651-48-R23 | EA | Valance Asm - Pleated - 6" x 27" - w/Woven Wood (R26 - Navy/Beige) |
| 8 | 070651-48-R24 | EA | Valance Asm - Pleated - 6" x 27" - w/Woven Wood (R27 - Rust) |
| 8 | 075474-21-000 | EA | Woven Wood Shade - 19" Wide x 41" (R25 - Blue/Gray) |
| 8 | 075474-19-000 | EA | Woven Wood Shade - 19" Wide x 41" (R26 - Navy/Beige) |
| 8 | 075474-20-000 | EA | Woven Wood Shade - 19" Wide x 41" (R27 - Rust) |
| 8 | 057534-01-000 | EA | Tie Back - Clear Plastic - 6" |
| 8 | 057534-04-000 | EA | Tie Back - Clear Plastic - 20" |
| 8 | 073260-10-R25 | EA | Tie Back Asm - 3" x 16" (Blue/Gray) |
| 8 | 073260-10-R26 | EA | Tie Back Asm - 3" x 16" (Navy/Beige) |
| 8 | 073260-10-R27 | EA | Tie Back Asm - 3" x 16" (Rust) |
| 8 | 073260-12-R25 | EA | Tie Back Asm - Bedspread - 3" x 16" (Blue/Gray) |
| 8 | 073260-12-R26 | EA | Tie Back Asm - Bedspread - 3" x 16" (Navy/Beige) |
| 8 | 073260-12-R27 | EA | Tie Back Asm - Bedspread - 3" x 16" (Rust) |
| 8 | Not illustrated | | |

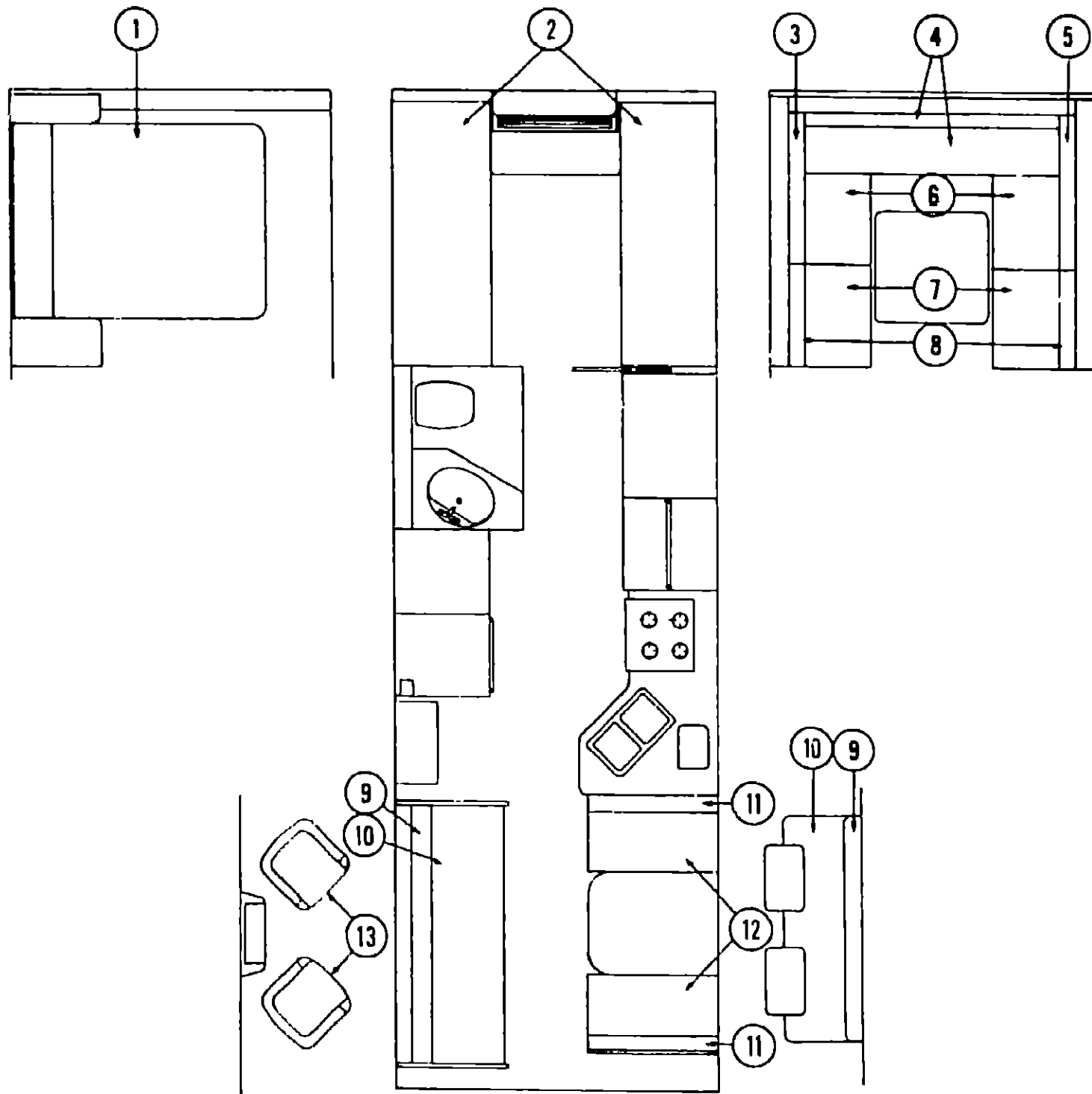
**1984 ITASCA
TABLE OF CONTENTS**

| | |
|---------|-------------|
| IC420RG | A-01 - C-06 |
| IC424RC | C-07 - E-18 |
| ICN23RG | E-19 - H-06 |
| ICN30RT | H-07 - J-20 |

1984 ICN30RT INDEX

| | |
|------------------------------------|-------------|
| Floor Plan | H-07 - H-08 |
| Accessories Group | H-09 - H-11 |
| Bath Group | H-12 - H-13 |
| Chassis Group | H-14 - H-15 |
| Curtain, Cushion & Pad Group | H-16 - H-23 |
| Dinette Group | H-24 |
| Driver's Compartment Group | I-01 - I-03 |
| Electrical Group | I-04 - I-06 |
| Exterior Body Group | I-07 - I-14 |
| Galley Group | I-15 - I-17 |
| Heating & Air Conditioning Group | I-18 - I-19 |
| Interior Finish Group | I-20 - I-22 |
| LP Group | I-23 |
| Lounge Group | I-24 - J-02 |
| Water & Sewage Group | J-03 - J-04 |
| Window, Vent & Exterior Door Group | J-05 - J-20 |

CURTAIN, CUSHION & PAD GROUP (CONTINUED)



SINGLE AND DOUBLE BED MATTRESS

| Key | Part Number | U/M | Description |
|-----|---------------|-----|--|
| 1 | 058709-02-000 | EA | Mattress - Inner Spring - Sealy - 54" x 75" |
| 2 | 058709-01-000 | EA | Mattress - Inner Spring - Sealy - 30" x 75" |
| . | 066343-03-P25 | EA | Bedspread - 92" x 82 5" (Blue/Gray) |
| . | 066343-03-P26 | EA | Bedspread - 92" x 82 5" (Navy/Beige) |
| . | 066343-03-P27 | EA | Bedspread - 92" x 82 5" (Rust) |
| . | 070653-01-P25 | EA | Bedspread - Twin Fitted (Blue/Gray) |
| . | 070653-01-P26 | EA | Bedspread - Twin Fitted (Navy/Beige) |
| . | 070653-01-P27 | EA | Bedspread - Twin Fitted (Rust) |
| . | 070654-01-P25 | EA | Pillow Cover - Sham - 20" x 26" (Blue/Gray) |
| . | 070654-01-P26 | EA | Pillow Cover - Sham - 20" x 26" (Navy/Beige) |
| . | 070654-01-P27 | EA | Pillow Cover - Sham - 20" x 26" (Rust) |
| . | | | Not illustrated |

CURTAIN, CUSHION & PAD GROUP (CONTINUED)

HORSESHOE LOUNGE CUSHIONS

| Key | Part Number | U/M | Description |
|-----|---------------|-----|---|
| 3 | 073837-03-R25 | EA | Cushion - Lounge Back - 16" x 39" x 5" - Right (Blue/Gray) |
| 3 | 073837-03-R26 | EA | Cushion - Lounge Back - 16" x 39" x 5" - Right (Navy/Beige) |
| 3 | 073837-03-R27 | EA | Cushion - Lounge Back - 16" x 39" x 5" - Right (Rust) |
| | M73837-03-R25 | EA | Cover - Cushion - 16" x 39" x 5" - Right (Blue/Gray) |
| | M73837-03-R26 | EA | Cover - Cushion - 16" x 39" x 5" - Right (Navy/Beige) |
| | M73837-03-R27 | EA | Cover - Cushion - 16" x 39" x 5" - Right (Rust) |
| 4 | 073900-03-R25 | EA | Cushion - Lester Lounge - Back & Bottom (Blue/Gray) |
| 4 | 073900-03-R26 | EA | Cushion - Lester Lounge - Back & Bottom (Navy/Beige) |
| 4 | 073900-03-R27 | EA | Cushion - Lester Lounge - Back & Bottom (Rust) |
| | M73900-03-R25 | EA | Cover - Lester Lounge - Back & Bottom (Blue/Gray) |
| | M73900-03-R26 | EA | Cover - Lester Lounge - Back & Bottom (Navy/Beige) |
| | M73900-03-R27 | EA | Cover - Lester Lounge - Back & Bottom (Rust) |
| 5 | 073837-04-R25 | EA | Cushion - Lounge Back - 16" x 39" x 5" - Left (Blue/Gray) |
| 5 | 073837-04-R26 | EA | Cushion - Lounge Back - 16" x 39" x 5" - Left (Navy/Beige) |
| 5 | 073837-04-R27 | EA | Cushion - Lounge Back - 16" x 39" x 5" - Left (Rust) |
| | M73837-04-R25 | EA | Cover - Cushion - 16" x 39" x 5" - Left (Blue/Gray) |
| | M73837-04-R26 | EA | Cover - Cushion - 16" x 39" x 5" - Left (Navy/Beige) |
| | M73837-04-R27 | EA | Cover - Cushion - 16" x 39" x 5" - Left (Rust) |
| 6 | 072430-17-R25 | EA | Cushion - Lounge Seat - 24" x 15" x 5" (Blue/Gray) |
| 6 | 072430-17-R26 | EA | Cushion - Lounge Seat - 24" x 15" x 5" (Navy/Beige) |
| 6 | 072430-17-R27 | EA | Cushion - Lounge Seat - 24" x 15" x 5" (Rust) |
| | M72430-17-R25 | EA | Cover - Cushion - 24" x 15" x 5" (Blue/Gray) |
| | M72430-17-R26 | EA | Cover - Cushion - 24" x 15" x 5" (Navy/Beige) |
| | M72430-17-R27 | EA | Cover - Cushion - 24" x 15" x 5" (Rust) |
| 7 | 072430-27-R25 | EA | Cushion - Lounge Seat - 24" x 32" x 5 5" (Blue/Gray) |
| 7 | 072430-27-R26 | EA | Cushion - Lounge Seat - 24" x 32" x 5 5" (Navy/Beige) |
| 7 | 072430-27-R27 | EA | Cushion - Lounge Seat - 24" x 32" x 5 5" (Rust) |
| | M72430-27-R25 | EA | Cover - Cushion - 24" x 32" x 5 5" (Blue/Gray) |
| | M72430-27-R26 | EA | Cover - Cushion - 24" x 32" x 5 5" (Navy/Beige) |
| | M72430-27-R27 | EA | Cover - Cushion - 24" x 32" x 5 5" (Rust) |
| 8 | 072430-26-R25 | EA | Cushion - Lounge Back - 16" x 32" x 5" (Blue/Gray) |
| 8 | 072430-26-R26 | EA | Cushion - Lounge Back - 16" x 32" x 5" (Navy/Beige) |
| 8 | 072430-26-R27 | EA | Cushion - Lounge Back - 16" x 32" x 5" (Rust) |
| | M72430-26-R25 | EA | Cover - Cushion - 16" x 32" x 5" (Blue/Gray) |
| | M72430-26-R26 | EA | Cover - Cushion - 16" x 32" x 5" (Navy/Beige) |
| | M72430-26-R27 | EA | Cover - Cushion - 16" x 32" x 5" (Rust) |

SPRUNG COUCH CUSHIONS

| Key | Part Number | U/M | Description |
|-----|---------------|-----|--|
| 9 | 073630-03-R25 | EA | Cushion Asm - Sprung Couch - Back (Blue/Gray) |
| 9 | 073630-03-R26 | EA | Cushion Asm - Sprung Couch - Back (Navy/Beige) |
| 9 | 073630-03-R27 | EA | Cushion Asm - Sprung Couch - Back (Rust) |
| | M73630-03-R25 | EA | Cover - Sprung Couch Back (Blue/Gray) |
| | M73630-03-R26 | EA | Cover - Sprung Couch Back (Navy/Beige) |
| | M73630-03-R27 | EA | Cover - Sprung Couch Back (Rust) |
| 10 | 073631-04-R25 | EA | Cushion Asm - Sprung Couch - Bottom (Blue/Gray) |
| 10 | 073631-04-R26 | EA | Cushion Asm - Sprung Couch - Bottom (Navy/Beige) |
| 10 | 073631-04-R27 | EA | Cushion Asm - Sprung Couch - Bottom (Rust) |
| | M73631-04-R25 | EA | Cover - Sprung Couch Bottom (Blue/Gray) |
| | M73631-04-R26 | EA | Cover - Sprung Couch Bottom (Navy/Beige) |
| | M73631-04-R27 | EA | Cover - Sprung Couch Bottom (Rust) |

**1984 ITASCA
TABLE OF CONTENTS**

| | |
|---------|-------------|
| IC420RG | A-01 - C-06 |
| IC424RC | C-07 - E-18 |
| ICN23RG | E-19 - H-06 |
| ICN30RT | H-07 - J-20 |

1984 ICN30RT INDEX

| | |
|------------------------------------|-------------|
| Floor Plan | H-07 - H-08 |
| Accessories Group | H-09 - H-11 |
| Bath Group | H-12 - H-13 |
| Chassis Group | H-14 - H-15 |
| Curtain, Cushion & Pad Group | H-16 - H-23 |
| Dinette Group | H-24 |
| Driver's Compartment Group | I-01 - I-03 |
| Electrical Group | I-04 - I-06 |
| Exterior Body Group | I-07 - I-14 |
| Galle/ Group | I-15 - I-17 |
| Heating & Air Conditioning Group | I-18 - I-19 |
| Interior Finish Group | I-20 - I-22 |
| LP Group | I-23 |
| Lounge Group | I-24 - J-02 |
| Water & Sewage Group | J-03 - J-04 |
| Window, Vent & Exterior Door Group | J-05 - J-20 |

CURTAIN, CUSHION & PAD GROUP (CONTINUED)

DINETTE CUSHIONS

| Key | Part Number | U/M | Description |
|-----|---------------|-----|--|
| 11 | 072430-14-R25 | EA | Cushion - Dinette Back - 19 2" x 38" x 5" - Blue/Gray |
| 11 | 072430-14-R26 | EA | Cushion - Dinette Back - 19 2" x 38" x 5" - Navy/Beige |
| 11 | 072430-14-R27 | EA | Cushion - Dinette Back - 19 2" x 38" x 5" - Rust |
| | M72430-14-R25 | EA | Cover - Dinette Back Cushion - 19 2" x 38" x 5" - Blue/Gray |
| | M72430-14-R26 | EA | Cover - Dinette Back Cushion - 19 2" x 38" x 5" - Navy/Beige |
| | M72430-14-R27 | EA | Cover - Dinette Back Cushion - 19 2" x 38" x 5" - Rust |
| 12 | 072430-15-R25 | EA | Cushion - Dinette Bottom - 17 5" x 38" x 5" - Blue/Gray |
| 12 | 072430-15-R26 | EA | Cushion - Dinette Bottom - 17 5" x 38" x 5" - Navy/Beige |
| 12 | 072430-15-R27 | EA | Cushion - Dinette Bottom - 17.5" x 38" x 5" - Rust |
| | M72430-15-R25 | EA | Cover - Dinette Bottom Cushion - 17 5" x 38" x 5" - Blue/Gray |
| | M72430-15-R26 | EA | Cover - Dinette Bottom Cushion - 17 5" x 38" x 5" - Navy/Beige |
| | M72430-15-R27 | EA | Cover - Dinette Bottom Cushion - 17 5" x 38" x 5" - Rust |

SWIVEL CHAIR

| Key | Part Number | U/M | Description |
|-----|---------------|-----|---|
| 13 | 073518-07-R25 | EA | Chair Asm w/Pillow Back - Swivel - Blue/Gray |
| 13 | 073518-07-R26 | EA | Chair Asm w/Pillow Back - Swivel - Navy/Beige |
| 13 | 073518-07-R27 | EA | Chair Asm w/Pillow Back - Swivel - Rust |
| | 075174-02-R25 | EA | Skirt Asm - Swivel Chair - Blue/Gray |
| | 075174-02-R26 | EA | Skirt Asm - Swivel Chair - Navy/Beige |
| | 075174-02-R27 | EA | Skirt Asm - Swivel Chair - Rust |
| | 035036-01-000 | EA | Plate - Tilt and Swivel - Swivel Chair |
| | 035036-02-000 | EA | Base w/Leg - Swivel Chair |

CURTAIN HARDWARE

| Key | Part Number | U/M | Description |
|-----|---------------|-----|---|
| | 052327-05-000 | EA | Track - Curtain - Beige Alum - 76" w/Holes |
| | 056116-01-000 | EA | Track - Curtain - Brown Plastic |
| | 059430-05-000 | EA | Track - Curtain - Front Wraparound (2 per unit) - 43 75" x 36" - Beige |
| | 059430-07-000 | EA | Track - Curtain - Front Wraparound - 32 8" x 89 1" (Drivers Door) Beige |
| | 056001-01-000 | EA | Bracket - Shade - Left |
| | 056002-01-000 | EA | Bracket - Shade - Right |
| | 056003-01-000 | EA | Bracket - Drapery Retainer - Right |
| | 056003-02-000 | EA | Bracket - Drapery Retainer - Left |
| | 056003-03-000 | EA | Bracket - Drapery Retainer - Universal |
| | 075477-19-000 | EA | Bracket - Blinds Top |
| | 075477-20-000 | EA | Bracket - Blinds Top Center |
| | 075477-21-000 | EA | Bracket - Blinds Bottom |
| | 009107-01-000 | EA | Guide - Nylon Snap - Curtain |
| | 056784-01-000 | EA | Pull - Window Shade - Antique Brass |
| | 039175-01-000 | EA | Curtain Rod - Ext. 48" x 84" |
| | 039175-03-000 | EA | Curtain Rod - Ext 28" x 48" |
| | 039175-04-000 | EA | Curtain Rod - Ext 16" x 28" |
| | 039175-02-000 | EA | Bracket - Curtain Rod |
| | 056115-01-000 | YD | Tape - Clear Plastic - w/Guides |
| | 048394-01-000 | YD | Tape Hook - 1" x 25 YD - Beige |
| | 048395-01-000 | YD | Tape Loop - 1" x 25 YD - Beige |

CURTAIN, CUSHION & PAD GROUP (CONTINUED)

BUCKET SEATS

| Key | Part Number | U/M | Description |
|-----|---------------|-----|--|
| | 075966-02-R25 | EA | Seat Asm - Single Bucket w/Armrests (Blue/Gray) |
| | 075966-02-R26 | EA | Seat Asm - Single Bucket w/Armrests (Navy/Beige) |
| | 075966-02-R27 | EA | Seat Asm - Single Bucket w/Armrests (Rust) |
| | M00784-13-R25 | EA | Cover - Back - Single Bucket (Blue/Gray) |
| | M00784-13-R26 | EA | Cover - Back - Single Bucket (Navy/Beige) |
| | M00784-13-R27 | EA | Cover - Back - Single Bucket (Rust) |
| | M00784-14-R25 | EA | Cover - Bottom - Single Bucket (Blue/Gray) |
| | M00784-14-R26 | EA | Cover - Bottom - Single Bucket (Navy/Beige) |
| | M00784-14-R27 | EA | Cover - Bottom - Single Bucket (Rust) |
| | 075174-02-R25 | EA | Skirt - Single Bucket (Blue/Gray) |
| | 075174-02-R26 | EA | Skirt - Single Bucket (Navy/Beige) |
| | 075174-02-R27 | EA | Skirt - Single Bucket (Rust) |
| | 075967-02-R25 | EA | Seat Asm - Double Bucket w/Armrests (Blue/Gray) |
| | 075967-02-R26 | EA | Seat Asm - Double Bucket w/Armrests (Navy/Beige) |
| | 075967-02-R27 | EA | Seat Asm - Double Bucket w/Armrests (Rust) |
| | M00784-15-R25 | EA | Cover - Back - Double Bucket (Blue/Gray) |
| | M00784-15-R26 | EA | Cover - Back - Double Bucket (Navy/Beige) |
| | M00784-15-R27 | EA | Cover - Back - Double Bucket (Rust) |
| | M00784-16-R25 | EA | Cover - Bottom - Double Bucket (Blue/Gray) |
| | M00784-16-R26 | EA | Cover - Bottom - Double Bucket (Navy/Beige) |
| | M00784-16-R27 | EA | Cover - Bottom - Double Bucket (Rust) |
| | 071690-02-R25 | EA | Skirt - Double Bucket (Blue/Gray) |
| | 071690-02-R26 | EA | Skirt - Double Bucket (Navy/Beige) |
| | 071690-02-R27 | EA | Skirt - Double Bucket (Rust) |
| | 071122-11-R25 | EA | Armrest Asm - Right (Blue/Gray) |
| | 071122-11-R26 | EA | Armrest Asm - Right (Navy/Beige) |
| | 071122-11-R27 | EA | Armrest Asm - Right (Rust) |
| | 071122-12-R25 | EA | Armrest Asm - Left (Blue/Gray) |
| | 071122-12-R26 | EA | Armrest Asm - Left (Navy/Beige) |
| | 071122-12-R27 | EA | Armrest Asm - Left (Rust) |
| | 071123-06-R25 | EA | Cover - Armrest - Right or Left (Blue/Gray) |
| | 071123-06-R26 | EA | Cover - Armrest - Right or Left (Navy/Beige) |
| | 071123-06-R27 | EA | Cover - Armrest - Right or Left (Rust) |

OVERHEAD BUNK CUSHIONS

| Key | Part Number | U/M | Description |
|-----|---------------|-----|--|
| | 073467-03-R25 | EA | Cushion Asm - Front Bunk - 47" x 76" x 4" (Blue/Gray) |
| | 073467-03-R26 | EA | Cushion Asm - Front Bunk - 47" x 76" x 4" (Navy/Beige) |
| | 073467-03-R27 | EA | Cushion Asm - Front Bunk - 47" x 76" x 4" (Rust) |
| | M73467-03-R25 | EA | Cover - Front Bunk Cushion - 47" x 76" x 4" (Blue/Gray) |
| | M73467-03-R26 | EA | Cover - Front Bunk Cushion - 47" x 76" x 4" (Navy/Beige) |
| | M73467-03-R27 | EA | Cover - Front Bunk Cushion - 47" x 76" x 4" (Rust) |

**1984 ITASCA
TABLE OF CONTENTS**

| | |
|---------|-------------|
| IC420RG | A-01 - C-06 |
| IC424RC | C-07 - E-18 |
| ICN23RG | E-19 - H-06 |
| ICN30RT | H-07 - J-20 |

1984 ICN30RT INDEX

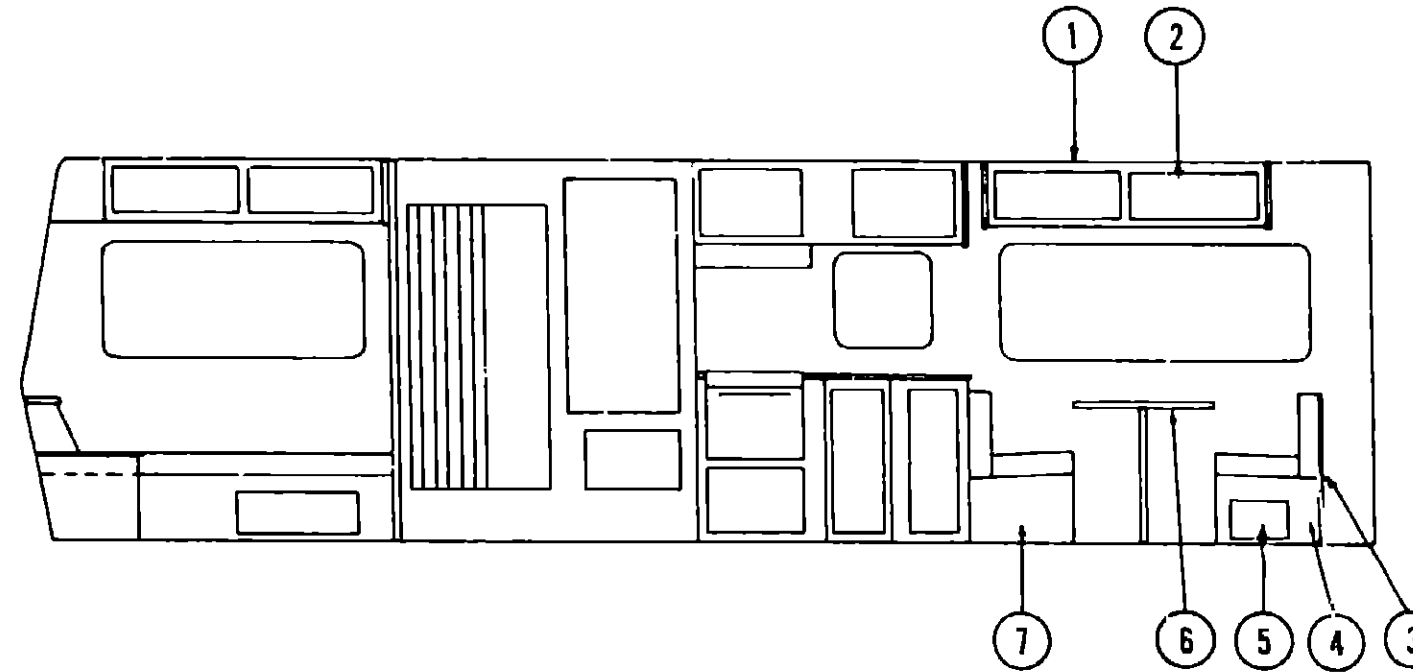
| | |
|-----------------------------------|-------------|
| Floor Plan | H-07 - H-08 |
| Accessories Group | H-09 - H-11 |
| Bath Group | H-12 - H-13 |
| Chassis Group | H-14 - H-15 |
| Curtain Cushion & Pad Group | H-16 - H-23 |
| Dinette Group | H-24 |
| Driver's Compartment Group | I-01 - I-03 |
| Electrical Group | I-04 - I-06 |
| Exterior Body Group | I-07 - I-14 |
| Galley Group | I-15 - I-17 |
| Heating & Air Conditioning Group | I-18 - I-19 |
| Interior Finish Group | I-20 - I-22 |
| LP Group | I-23 |
| Lounge Group | I-24 - J-02 |
| Water & Sewage Group | J-03 - J-04 |
| Window, Vent, Exterior Door Group | J-05 - J-20 |

CURTAIN, CUSHION & PAD GROUP (CONTINUED)

FABRICS, TRIMS & PADS

| Key | Part Number | U/M | Description |
|-----|---------------|-----|---|
| | 072333-09-000 | YD | Fabric - Drapery - Beige (Wraparound) |
| | 072333-08-000 | YD | Fabric - Drapery - Sheers |
| | 074495-23-000 | YD | Fabric - Upholstery/Accent - Blue/Gray (R25) |
| | 074495-21-000 | YD | Fabric - Upholstery/Accent - Navy/Beige (R26) |
| | 074495-22-000 | YD | Fabric - Upholstery/Accent - Rust (R27) |
| | 074495-50-000 | YD | Fabric w/Pattern - Upholstery - Blue/Gray (R25) |
| | 074495-48-000 | YD | Fabric w/Pattern - Upholstery - Navy/Beige (R26) |
| | 074495-49-000 | YD | Fabric w/Pattern - Upholstery Rust (R27) |
| | 069729-06-000 | YD | Fabric - Bedspread - Blue/Gray (R25) |
| | 069729-08-000 | YD | Fabric - Bedspread - Navy/Beige (R26) |
| | 069729-05-000 | YD | Fabric - Bedspread - Rust (R26) |
| | 038421-01-000 | YD | Fabric - Mattress Ticking |
| | 070502-01-000 | YD | Vinyl - Non Expanded - 12 Gauge Film |
| | 057550-03-N07 | EA | Button Asm - Nail - #36 - 7/8" Shank - Vinyl |
| | 057550-05-N07 | EA | Button Asm - Nail - #36 - 3/8" Shank - Vinyl |
| | 057093-01-N07 | EA | Button Asm - Covered #60 - Nail - Vinyl |
| | 071127-03-R25 | EA | Button Asm - Square #65 |
| | 071127-03-R26 | EA | Button Asm - Square #65 |
| | 071127-03-R27 | EA | Button Asm - Square #65 |
| | 075269-02-R25 | EA | Button Asm - Square #65 - w/3/4" Stud |
| | 075269-02-R26 | EA | Button Asm - Square #65 - w/3/4" Stud |
| | 075269-02-R27 | EA | Button Asm - Square #65 - w/3/4" Stud |
| | 071847-07-R10 | EA | Pad Asm - End Cap - Swivel Chair Overhead Vinyl - Left |
| | 059414-03-000 | EA | Pad - Sidewall Trim - Drivers - Vinyl |
| | 059414-04-000 | EA | Pad - Sidewall Trim - Passenger - Vinyl |
| | 059467-03-N07 | EA | Pad - Map Pocket - Drivers - Vinyl |
| | 059467-04-N07 | EA | Pad - Map Pocket - Passenger - Vinyl |
| | 074210-03-P01 | EA | Pad Asm - Front Side Overhead - Right - Vinyl |
| | 074210-02-P01 | EA | Pad Asm - Front Side Overhead - Left - Vinyl |
| | 074210-01-P01 | EA | Pad Asm - Front Side Overhead - Left w/Drivers Door - Vinyl |
| | 074549-01-R25 | EA | Pad Asm - Dinette - Right - Blue/Gray |
| | 074549-01-R26 | EA | Pad Asm - Dinette - Right - Navy/Beige |
| | 074549-01-R27 | EA | Pad Asm - Dinette - Right - Rust |
| | 074549-02-R25 | EA | Pad Asm - Dinette - Left - Blue/Gray |
| | 074549-02-R26 | EA | Pad Asm - Dinette - Left - Navy/Beige |
| | 074549-02-R27 | EA | Pad Asm - Dinette - Left - Rust |
| | 076188-01-R25 | EA | Pad Asm - Dinette Wall - 12" x 12" - Blue/Gray |
| | 076188-01-R26 | EA | Pad Asm - Dinette Wall - 12" x 12" - Navy/Beige |
| | 076188-01-R27 | EA | Pad Asm - Dinette Wall - 12" x 12" - Rust |
| | 076188-02-R25 | EA | Pad Asm - Dinette Wall - 3.5" x 30" - Blue/Gray |
| | 076188-02-R26 | EA | Pad Asm - Dinette Wall - 3.5" x 30" - Navy/Beige |
| | 076188-02-R27 | EA | Pad Asm - Dinette Wall - 3.5" x 30" - Rust |
| | 076188-03-R25 | EA | Pad Asm - Wall - 3.5" x 36" - Blue/Gray |
| | 076188-03-R26 | EA | Pad Asm - Wall - 3.5" x 36" - Navy/Beige |
| | 076188-03-R27 | EA | Pad Asm - Wall - 3.5" x 36" - Rust |
| | 076188-04-R25 | EA | Pad Asm - Wall - 12" x 16" - Blue/Gray |
| | 076188-04-R26 | EA | Pad Asm - Wall - 12" x 16" - Navy/Beige |
| | 076188-04-R27 | EA | Pad Asm - Wall - 12" x 16" - Rust |

DINETTE GROUP



CONVENTIONAL DINETTE AND OVERHEAD CABINERY

| Key | Part Number | U/M | Description |
|-----|---------------|-----|---|
| 1 | 070670-04-R25 | EA | Cabinet Asm - Dinette Overhead - w/o Doors or Hardware |
| 2 | 069852-05-R10 | EA | Door Asm - Dinette Overhead Cabinets - 11 3" x 28" - w/o Hardware |
| 3 | M01140-01-R25 | EA | Cabinet Asm - Dinette Seat Back - Right |
| 4 | M01139-01-R25 | EA | Cabinet Asm - Dinette Seat - Right |
| 5 | 069852-62-R10 | EA | Door Asm - Dinette Seat - Right |
| 6 | M75195-01-R10 | EA | Table Asm - Dinette - w/o Hardware |
| 7 | M01139-02-R25 | EA | Cabinet Asm - Dinette Seat - Left |
| * | M01140-02-R25 | EA | Cabinet Asm - Dinette Seat Back - Left |
| ** | 053200-05-000 | EA | Bracket - Upper Wall Mount - 23 5" - Beige |
| ** | 053201-03-000 | EA | Bracket - Table Mount - 23" |
| * | 024275-05-000 | EA | Rod - Table Lift - 8" x 23 5" - Beige |
| * | 024281-07-000 | EA | Bracket - Lower Wall Mount - 22 12" - Beige |
| * | 024276-08-000 | EA | Leg Asm - Table - 29 5" - Beige |
| * | 064050-01-000 | EA | Hinge - Table Leg |
| ** | 024282-01-000 | EA | Brace - Table Leg |
| ** | 024283-01-000 | EA | Clip - 1" O D Tube |
| * | 049493-03-000 | EA | Catch - Table Leg - Mounts on Floor - Beige |
| * | | | Not illustrated |
| ** | | | The illustrated parts breakdown for this item is provided on the Common Items Fiche |

SPRUNG COUCH AND PEDESTAL TABLE

| Key | Part Number | U/M | Description |
|-----|---------------|-----|--|
| | M70672-01-R25 | EA | Cabinet Face - Sprung Couch - w/o Door or Hardware |
| | 057618-01-R25 | EA | Panel End - Sprung Couch - Right or Left |
| | 069852-15-R10 | EA | Door Asm - Couch Cabinet - 11 7" x 37 2" - w/o Hardware |
| | 057468-02-000 | EA | Frame Asm - Sprung Couch - Right |
| | 057468-03-000 | EA | Frame Asm - Sprung Couch - Left |
| | 057468-04-000 | EA | Frame Rail - Sprung Couch (2 per couch) |
| | 057469-01-000 | EA | Leg Asm - Sprung Couch (2 per couch) |
| | 053248-02-R10 | EA | Table Asm - Pedestal - w/o Hardware - Almond Butcher Block |
| | 009040-02-000 | EA | Leg - Pedestal Table - 27.5" x 2.25" O D - Chrome |
| | 009040-03-000 | EA | Base - Table Leg - Mounts on Table |
| | 041194-01-000 | EA | Base - Table Leg - Mounts in Floor |
| | 062046-01-000 | EA | Clip - Pedestal Leg |

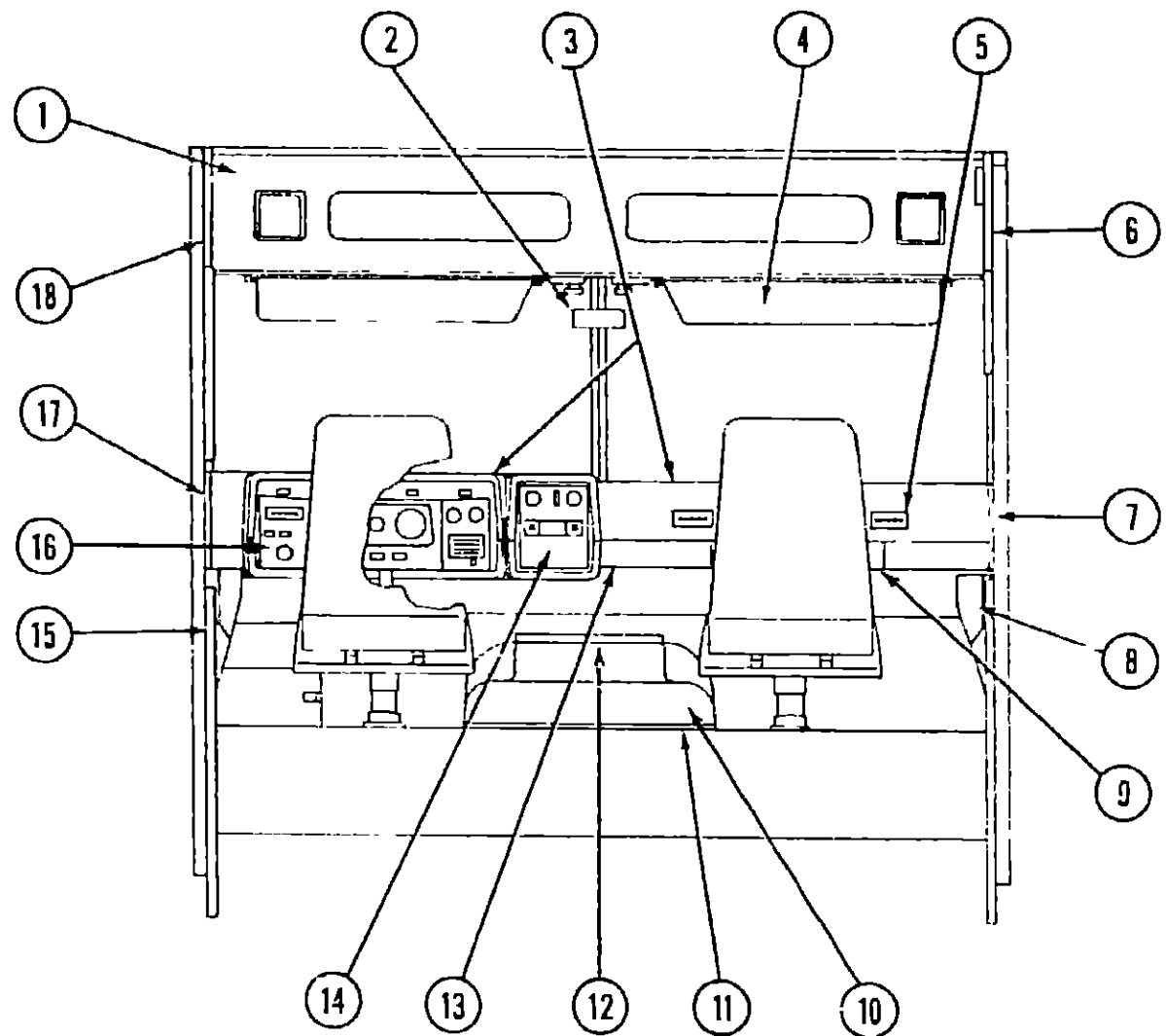
1984 ITASCA TABLE OF CONTENTS

| | |
|---------|-------------|
| IC420RG | A-01 - C-06 |
| IC424RC | C-07 - E-18 |
| ICN23RG | E-19 - H-06 |
| ICN30RT | H-07 - J-20 |

1984 ICN30RT INDEX

| | |
|------------------------------------|-------------|
| Floor Plan | H-07 - H-08 |
| Accessories Group | H-09 - H-11 |
| Bath Group | H-12 - H-13 |
| Chassis Group | H-14 - H-15 |
| Curtain, Cushion & Pad Group | H-16 - H-23 |
| Dinette Group | H-24 |
| Driver's Compartment Group | I-01 - I-03 |
| Electrical Group | I-04 - I-06 |
| Exterior Body Group | I-07 - I-14 |
| Galley Group | I-15 - I-17 |
| Heating & Air Conditioning Group | I-18 - I-19 |
| Interior Finish Group | I-20 - I-22 |
| LP Group | I-23 |
| Lounge Group | I-24 - J-02 |
| Water & Sewage Group | J-03 - J-04 |
| Window, Vent & Exterior Door Group | J-05 - J-20 |

DRIVER'S COMPARTMENT GROUP



MISCELLANEOUS DRIVER'S COMPARTMENT COMPONENTS

| Key | Part Number | U/M | Description |
|-----|---------------|-----|---|
| 1 | 074637-01-R25 | EA | Cabinet Asm - Front Overhead |
| 2 | 040714-01-000 | EA | Mirror - Inside - Rear View - Glare Proof |
| | 067490-01-000 | EA | Button - Mirror - Rear View - Support |
| 3 | M01113-08-000 | EA | Dash Asm - Complete w/Gauges and Switches |
| | 022548-04-000 | EA | Pad - Dash - Right - Dark Brown |
| | 023242-06-000 | EA | Pad - Dash - Left - Dark Brown |
| | 024990-02-000 | EA | Outlet - Defroster w/Swivel - 2" Dark Brown |
| 4 | 075588-01-P01 | EA | Sunvisor Asm - Right & Left - Vinyl - w/o Mirror |
| | 040695-02-000 | EA | Clip - Sunvisor |
| | 061350-03-000 | EA | Windshield Trim - Interior - "A" Post - Light Oak Plastic - Right |
| | 061350-04-000 | EA | Windshield Trim - Interior - "A" Post - Light Oak Plastic - Left |
| 5 | 039044-01-000 | EA | Louver Asm - A/C Adjustable |
| 6 | 074210-03-P01 | EA | Pad Asm - Front Side Overhead - Right - Vinyl |
| 7 | 059414-04-000 | EA | Pad - Sidewall Trim - Passenger - Vinyl |

DRIVER'S COMPARTMENT GROUP (CONTINUED)

MISCELLANEOUS DRIVER'S COMPARTMENT COMPONENTS (CONT.)

| Key | Part Number | U/M | Description |
|-----|---------------|-----|--|
| 8 | 072811-01-000 | EA | Panel - Side - Passenger - Light Oak Plastic |
| | 059467-04-N07 | EA | Pad - Map Pocket - Passenger - Vinyl |
| 9 | 022219-01-000 | EA | Glove Compartment Door |
| | 023892-01-000 | EA | Glove Compartment Box - Black Fiberboard |
| | 009188-01-000 | EA | Glove Compartment Twist Lock |
| | 024598-01-000 | EA | Glove Compartment Hinge - 1 1/16" x 19" |
| | 034309-01-000 | EA | Glove Compartment Chain - Door |
| 10 | 067213-03-000 | EA | Motor Cover - Fiberglass |
| 11 | 035368-05-000 | EA | Seal - Motor Cover - Alum - Beige |
| | 039623-01-000 | FT | Seal - Cover - Engine - Neoprene |
| | 052783-04-000 | EA | Seal - Cover - Motor - Upper - Beige |
| | 039857-01-000 | EA | Latch - Rubber - Draw Handle - 5 3/4" w/Strike |
| | 039856-01-000 | EA | Latch - Rubber - Draw Handle - 3" w/Strike |
| 12 | 071714-04-000 | EA | Overhead Tray Asm - Oak |
| 13 | 023834-01-000 | EA | Panel - Knee Kick - Bottom of Dash |
| 14 | 076006-03-000 | EA | Bezel - Entertainment Center No 3 - w/Cut Out for Radio, Hourmeter and Generator Start/Stop Switch |
| | 007308-01-000 | EA | Dash Clock |
| 15 | 059198-05-000 | EA | Panel - Side - Drivers - Light Oak Plastic |
| 15 | 064499-02-000 | EA | Panel - Drivers Door - Light Oak Plastic |
| | 059467-03-N07 | EA | Pad - Map Pocket - Drivers - Vinyl |
| | 050796-01-000 | EA | Pocket - Ash Tray - Plastic |
| | 050797-01-000 | EA | Ash Tray - Plastic |
| | 046886-03-000 | EA | Ash Tray Asm - Flush Mount - Chrome |
| 16 | 071668-01-000 | EA | Bezel - Control Panel |
| | 052367-01-000 | EA | Cigarette Lighter Asm - 12 Volt |
| | 007041-01-000 | EA | Bezel - Cigarette Lighter |
| | 061424-01-000 | EA | Lamp Asm - Map/Gauge |
| | 061400-03-000 | EA | Assist Strap - 12" - Vinyl |
| 17 | 059414-03-000 | EA | Pad - Sidewall Trim - Drivers - Vinyl |
| 18 | 074210-02-P01 | EA | Pad Asm - Front Overhead Cabinet - Left - Vinyl |
| 18 | 074210-01-P01 | EA | Pad Asm - Front Overhead Cabinet - Driver Door - Vinyl |
| | 063886-03-000 | EA | Assist Handle - Drivers Door - Beige |
| | 040519-01-000 | EA | Rubber Boot - Steering Column |
| | 040520-01-000 | EA | Retainer Boot - Steering Column |
| | 054250-01-000 | EA | Support - Dimmer Switch |
| | 024849-01-000 | EA | Damper Asm - Fresh Air |
| | | | Not illustrated |

** NOTE: To Be Special Ordered Only

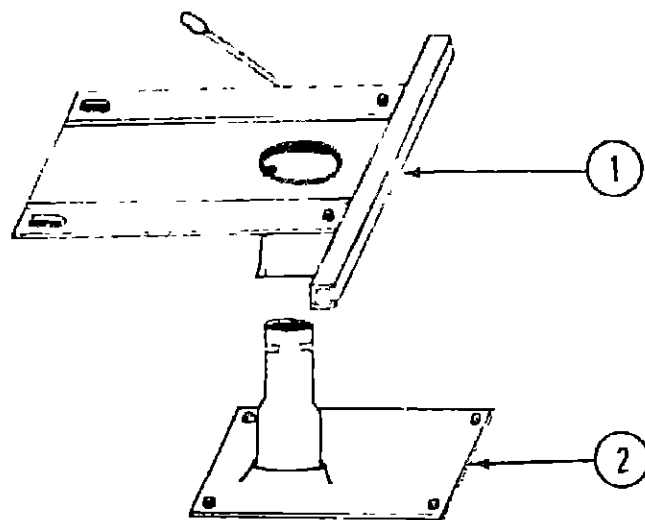
1984 ITASCA TABLE OF CONTENTS

| | |
|---------|-------------|
| IC420RG | A-01 - C-06 |
| IC424RC | C-07 - E-18 |
| ICN23RG | E-19 - H-06 |
| ICN30RT | H-07 - J-20 |

1984 ICN30RT INDEX

| | |
|------------------------------------|-------------|
| Floor Plan | H-07 - H-08 |
| Accessories Group | H-09 - H-11 |
| Bath Group | H-12 - H-13 |
| Chassis Group | H-14 - H-15 |
| Curtain, Cushion & Pad Group | H-16 - H-23 |
| Dinette Group | H-24 |
| Driver's Compartment Group | I-01 - I-03 |
| Electrical Group | I-04 - I-06 |
| Exterior Body Group | I-07 - I-14 |
| Galley Group | I-15 - I-17 |
| Heating & Air Conditioning Group | I-18 - I-19 |
| Interior Finish Group | I-20 - I-22 |
| LP Group | I-23 |
| Lounge Group | I-24 - J-02 |
| Water & Sewage Group | J-03 - J-04 |
| Window, Vent & Exterior Door Group | J-05 - J-20 |

DRIVER'S COMPARTMENT GROUP (CONTINUED)



BUCKET SEAT PEDESTAL AND SEAT BELTS

| Key | Part Number | U/M | Description |
|-----|---------------|-----|---|
| 1 | 069585-04-000 | EA | Plate - Top - Pedestal Asm - Single Bucket Seat |
| 1 | 069585-10-000 | EA | Plate - Top - Pedestal Asm - Double Bucket Seat |
| 2 | 069585-08-000 | EA | Plate - Sub - Pedestal Asm - Bucket Seat |
| . | 069585-05-000 | EA | Hardware Kit - Bolt/Acorn Nut - 4 ea - Pedestal Asm |
| . | 056271-02-000 | EA | Belt Asm - Seat - 2" x 72" - Black |
| . | 041322-01-000 | EA | Washer - Flat 15/32" I D x 2 3/8" O D - Seat Belt |
| . | 007021-01-000 | EA | Belt Asm - Seat - 2" x 90" - Black |
| . | 007222-01-000 | EA | Belt Asm - Seat - 2" x 60" - Black |
| . | 043910-01-000 | EA | Bracket Asm - Seat Belt |
| . | 058375-01-000 | EA | Bracket - Seat Belt - Washer |
| . | 069246-01-000 | EA | Adjuster Asm - Seat w/Lock |
| . | 069246-02-000 | EA | Adjuster Asm - Seat w/o Lock |
| . | 068601-06-000 | EA | Recliner Drive - Left Hand |
| . | 068601-07-000 | EA | Recliner Drive - Right Hand |
| . | 068601-05-700 | EA | Hand Wheel Kit - Recliner Drive |
| . | | | Not illustrated |

FRONT BUNK AND HARDWARE

| Key | Part Number | U/M | Description |
|-----|---------------|-----|---|
| | 058844-04-R10 | EA | Bunk Board Asm - Front Overhead - w/Beige Rails |
| | 053773-01-000 | EA | Support - Overhead Bunk - Brown - Right |
| | 053773-02-000 | EA | Support - Overhead Bunk - Brown - Left |
| | 039516-04-000 | EA | Catch - Bunk - Beige |
| | 023812-28-000 | EA | Rail - Bunk - 77 1" - Beige |
| | 053774-04-000 | EA | Torsion Rod - Overhead Bunk - Brown |
| | 041322-01-000 | EA | Washer - Flat - 15/32" I D x 2 3/8" O D - Seat Belt |
| | 048394-01-000 | YD | Tape Hook - 1" x 25 YD - Beige |
| | 048395-01-000 | YD | Tape Loop - 1" x 25 YD - Beige |
| | 007021-01-000 | EA | Belt Asm - Seat - 2" x 90" - Black |
| | 040071-02-000 | EA | Belt Asm - 2" x 6" - Bunk Support |

DASH SWITCHES AND GAUGES

| Key | Part Number | U/M | Description |
|-----|---------------|-----|--|
| | 024461-01-000 | EA | Switch - Battery |
| | 024462-01-000 | EA | Switch - Battery Condition |
| | 024464-02-000 | EA | Switch - Battery - Dual Boost |
| | 024464-01-000 | EA | Switch - Washer |
| | 065963-02-000 | EA | Switch - Fuel |
| | 024467-01-000 | EA | Switch - Wiper |
| | 024976-01-000 | EA | Switch - Generator w/o Circuit Board |
| | 024459-03-000 | EA | Gauge - Voltmeter |
| | 024460-03-000 | EA | Gauge - Vacuum |
| | 031035-01-000 | EA | Gauge - Generator Hourmeter |
| | 074007-01-000 | EA | Switch - Intermittent - Windshield Wiper |

ELECTRICAL GROUP

WIRE, SWITCHES AND RECEPTACLES

| Key | Part Number | U/M | Description |
|-----|---------------|-----|--|
| | 008024-01-000 | FT | Wire - 18 5 Bonded - Orange/White/Yellow/Blue/Brown |
| | 008025-01-000 | FT | Wire - 18 5 Bonded - Orange/White/Yellow/Blue/Green |
| | 008028-01-000 | FT | Wire - 18 5 Bonded - Blue/Red/Yellow/Orange/White |
| | 008030-01-000 | FT | Wire - 18 4 Bonded - Red/Blue/Orange/Green |
| | 008025-01-000 | FT | Wire - w Ground - Romex - 12/2 |
| | 008277-01-000 | EA | Holder - Fuse - Black - Panel Mount |
| | 008195-01-000 | EA | Switch - Push Button - 12 Volt |
| | 006077-01-000 | EA | Plaque - Compressor Switch |
| | 008054-01-000 | EA | Cord - Power - 10-3 30 Amp - 25' LP |
| | 008052-01-000 | EA | Cord - Power - 10-3 30 Amp - 25' CSA |
| | 024571-04-000 | EA | Cover Plate - Receptacle - Jumbo Plastic - Ivory |
| | 058028-01-000 | EA | Connector - Pigtail - Clear - Nylon |
| | 008162-01-000 | EA | Switch - Double Toggle - Spade Brown |
| | 008163-01-000 | EA | Switch - Toggle - Brown |
| | 056264-01-000 | EA | Switch - Leaf Actuator |
| | 008195-01-000 | EA | Switch - Push Button - 12 Volt |
| | 041250-01-000 | EA | Switch - Push Button - Door |
| | 073937-01-000 | EA | Switch - Rotary - A/C |
| | 063912-01-000 | EA | Relay - Canister Spot w Ground |
| | 008164-01-000 | EA | Cover Plate - Switch - Brown |
| | 024924-02-000 | EA | Receptacle - Power Cord |
| | 069238-01-000 | EA | Cover - Electrical - 4 x 4 Box |
| | 038058-01-000 | EA | Adaptor - Power Cord |
| | 075736-03-000 | EA | Receptacle - Exterior - w/Cover - Beige |
| | 053126-01-000 | EA | Receptacle - Ground Fault Interrupter - 125 Volt - Ivory |
| | 053126-02-000 | EA | Receptacle - Ground Fault Interrupter - 125 Volt - Brown |
| | 058707-01-000 | EA | Receptacle - Single - Brown |
| | 058708-01-000 | EA | Receptacle - Duplex - Brown |
| | 008157-010-00 | EA | Receptacle - Duplex - Brown (Exterior Backwall) |
| | 058048-01-000 | EA | Cover - Electrical Box - 4 5' x 2 75' - Rain Tight (Exterior Backwall) |
| | 008294-02-000 | EA | Cover - Steel - Flat Blank - 4" x 4 |
| | 008288-01-000 | EA | Box - Electrical - Plastic - 3' x 3 5' |
| | 008289-01-000 | EA | Box - Electrical - Steel - 4 x 4 - 1/2 & 3/4 UL |
| | 064398-01-000 | EA | Housing Asm - Trailer Receptacle |
| | 064399-01-000 | EA | Housing Asm - Trailer Pin |
| | 064450-01-000 | EA | Housing Asm - Trailer Plug |
| | 035417-01-000 | EA | Terminal - Pin Receptacle 125 Dia |
| | 054532-01-000 | EA | Housing - Pin - 6 Position |
| | 031968-01-000 | EA | Contact - Plug - Brass - Tin Plated |
| | 035290-17-000 | EA | Cable Asm - Battery - 1 AWG Strand - 282" |
| | 054865-01-000 | EA | Wire Asm - Generator Switch |
| | 058708-02-000 | EA | Receptacle - Duplex - Ivory |
| | 075736-03-000 | EA | Receptacle - Cover Extension - Beige |
| | 008162-02-000 | EA | Switch - Double Toggle - Spade - Ivory |
| | 008174-01-000 | EA | Cover Plate - Single Switch - Ivory |
| | 008160-01-000 | EA | Cover Plate - Receptacle - Ivory |

BULBS

| Key | Part Number | U/M | Description |
|-----|---------------|-----|------------------------------|
| | 037935-01-000 | EA | Bulb - 1157 |
| | 063914-01-000 | EA | Bulb - 1139 |
| | 008103-01-000 | EA | Bulb - 53 |
| | 008213-01-000 | EA | Bulb - 57 |
| | 008214-01-000 | EA | Bulb - 67 |
| | 008215-01-000 | EA | Bulb - 1003 |
| | 008216-01-000 | EA | Bulb - 1034 |
| | 008217-01-000 | EA | Bulb - 1073 |
| | 008218-01-000 | EA | Bulb - 1141 |
| | 008220-01-000 | EA | Bulb - 12V - 25W |
| | 036136-01-000 | EA | Bulb - 194 |
| | 067479-01-000 | EA | Bulb - 1076 - 12V - 1 80 Amp |

**1984 ITASCA
TABLE OF CONTENTS**

| | |
|---------|-------------|
| IC420RG | A-01 - C-06 |
| IC424RC | C-07 - E-18 |
| ICN23RG | E-19 - H-06 |
| ICN30RT | H-07 - J-20 |

1984 ICN30RT INDEX

| | |
|------------------------------------|-------------|
| Floor Plan | H-07 - H-08 |
| Accessories Group | H-09 - H-11 |
| Bath Group | H-12 - H-13 |
| Chassis Group | H-14 - H-15 |
| Curtain, Cushion & Pad Group | H-16 - H-23 |
| Dinette Group | H-24 |
| Driver's Compartment Group | I-01 - I-03 |
| Electrical Group | I-04 - I-06 |
| Exterior Body Group | I-07 - I-14 |
| Galley Group | I-15 - I-17 |
| Heating & Air Conditioning Group | I-18 - I-19 |
| Interior Finish Group | I-20 - I-22 |
| LP Group | I-23 |
| Lounge Group | I-24 - J-02 |
| Water & Sewage Group | J-03 - J-04 |
| Window, Vent & Exterior Door Group | J-05 - J-20 |

ELECTRICAL GROUP (CONTINUED)

FUSE & CIRCUIT BREAKER

| Key | Part Number | U/M | Description |
|-----|---------------|-----|---|
| | 056473-02-000 | EA | Fuse - Slow Blow - 5 Amp - 32 Volt Capacity |
| | 056473-01-000 | EA | Fuse - Slow Blow - 6 1/4 Amp |
| | 008233-01-000 | EA | Fuse - 12 Volt - 6 Amp |
| | 008234-01-000 | EA | Fuse - 12 Volt - 10 Amp |
| | 046893-01-000 | EA | Fuse - 12 Volt - 13 Amp |
| | 008235-01-000 | EA | Fuse - 12 Volt - 15 Amp |
| | 008236-01-000 | EA | Fuse - 12 Volt - 20 Amp |
| | 008248-01-000 | EA | Fuse - 110 Volt - 30 Amp - AGU |
| | 008252-01-000 | EA | Fuse - 110 Volt - 50 Amp |
| | 008208-01-000 | EA | Circuit Breaker - 12 Volt - 40 Amp |
| | 008211-01-000 | EA | Circuit Breaker - 12 Volt - 6 Amp |
| | 008268-01-000 | EA | Circuit Breaker - 12 Volt - 30 Amp w/Mount |
| | 033573-02-000 | EA | Circuit Breaker - 12 Volt - 15 Amp w/Mount |
| | 033573-01-000 | EA | Circuit Breaker - 12 Volt - 20 Amp w/Mount |
| | 040051-01-000 | EA | Circuit Breaker - 110 Volt - 20 Amp TQL |
| | 071279-01-000 | EA | Circuit Breaker - 120 Volt - 30/15 Amp |
| | 071279-02-000 | EA | Circuit Breaker - 120 Volt - 15/15 Amp |
| | 071279-03-000 | EA | Circuit Breaker - 120 Volt - 15/20 Amp |
| | 071279-04-000 | EA | Circuit Breaker - 120 Volt - 30 Amp |
| | 072179-05-000 | EA | Circuit Breaker - 120 Volt - 20 Amp |
| | 071279-06-000 | EA | Circuit Breaker - 120 Volt - 30/15 Amp |
| | 008299-01-000 | EA | Circuit Breaker - 115 Amp TQL |
| | 008297-01-000 | EA | Circuit Breaker - 120 Amp TQL |
| | 008293-01-000 | EA | Circuit Breaker - 130 Amp TQL |
| | 071280-01-000 | EA | Circuit Breaker Blank |
| | 075735-02-000 | EA | Circuit Breaker - 120 Volt - 15 Amp |

MISCELLANEOUS ELECTRICAL COMPONENTS

| Key | Part Number | U/M | Description |
|-----|---------------|-----|---|
| | 047338-01-000 | EA | Isolator - Dual Battery |
| | 063739-01-000 | EA | Battery - 12 Volt - 80 Amp - Gould |
| | 008188-01-000 | EA | Solenoid - Dual Battery - Relay |
| | 071278-01-000 | EA | Control Center - 32 Amp |
| | 071278-02-000 | EA | Control Center - 45 Amp |
| | 031720-01-000 | EA | Spacer - Receptacle - Brown Plastic - CSA |
| | 039950-01-702 | EA | Circuit Board - Control Center |
| | 024459-01-000 | EA | Gauge - Voltmeter |
| | 024462-01-000 | EA | Switch - Battery Condition |
| | 031035-01-000 | EA | Gauge - Hourmeter - Generator |
| | 024976-01-000 | EA | Switch - Generator w/o Circuit Board |
| | 024460-03-000 | EA | Gauge - Vacuum |
| | 039861-01-000 | EA | Sending Unit Kit - Wemac |
| | 071278-01-700 | EA | Door - Control Center - w/Catch - Brown |
| | 071278-01-701 | EA | Converter Module |
| | 071278-01-702 | EA | Label - 45 Amp |
| | 071278-01-703 | EA | Catch - Control Center Door |
| | 052367-01-000 | EA | Lighter Asm - Cigarette |

ELECTRICAL GROUP (CONTINUED)

EXTERIOR LIGHTS

| Key | Part Number | U/M | Description |
|-----|---------------|-----|---|
| | 058030-01-000 | EA | Tail Lamp Asm - 3 Bulb - Chrome - Right |
| | 058030-02-000 | EA | Tail Lamp Asm - 3 Bulb - Chrome - Left |
| | 058031-01-700 | EA | Lens - Tail Lamp - Amber |
| | 058031-01-701 | EA | Lens - Tail Lamp - Red |
| | 058031-01-702 | EA | Lens - Tail Lamp - Back Up |
| | 042405-03-000 | EA | Base - Rectangular Clearance Light |
| | 042405-01-000 | EA | Lens - Clearance Light - Red w/Reflex |
| | 042405-04-000 | EA | Lens - Clearance Light - Red w/o Reflex |
| | 042405-02-000 | EA | Lens - Clearance Light - Amber w/Reflex |
| | 042405-05-000 | EA | Lens - Clearance Light - Amber w/o Reflex |
| | 008089-01-000 | EA | Light - Porch - Recessed |
| | 058330-01-000 | EA | Parking Lamp Asm |

INTERIOR LIGHTS

| Key | Part Number | U/M | Description |
|-----|---------------|-----|--|
| | 033508-02-000 | EA | Light - Dome - Ivory - 1 Bulb - US |
| | 033508-03-000 | EA | Light - Dome - Ivory - 1 Bulb - CSA |
| | 033509-02-000 | EA | Light - Dome - Ivory - 2 Bulb - US |
| | 033509-03-000 | EA | Light - Dome - Ivory - 2 Bulb - CSA |
| | 061424-01-000 | EA | Light - 12V Receptacle - Aisle - IP |
| | 024418-01-000 | EA | Lamp Asm - Map/Gauge/Aisle |
| | 072353-03-000 | EA | Light - Reading - 360° Swivel - Almond |
| | 072353-04-000 | EA | Light - Reading - 360° Double Swivel |
| | 007309-01-000 | EA | Light - Step Well |
| | 065202-01-000 | EA | Lamp - Wall - Brass - 2 Bulb |
| | 065201-02-000 | EA | Lamp Shade - Fabric - Parchment |

WINDSHIELD WIPER AND WASHER

| Key | Part Number | U/M | Description |
|-----|---|-----|--|
| | 057474-01-000 | EA | Wiper Asm |
| ** | 056000-02-000 | EA | Washer Asm - Windshield |
| ** | 057653-01-000 | EA | Arm - Windshield Wiper - 18" - Black |
| | 067191-02-000 | EA | Motor Asm - Windshield Wiper - 2 Speed |
| | 067192-01-000 | EA | Link Asm - Connecting - Left |
| | 067193-01-000 | EA | Link Asm - Connecting - Right |
| ** | 049464-03-000 | EA | Blade - Windshield Wiper - 20" - Black |
| ** | 067190-01-000 | EA | Shaft and Pivot Asm |
| ** | 074007-01-000 | EA | Switch - Wiper Delay |
| ** | The illustrated parts breakdown for this item is provided on the Common Items Fiche | | |

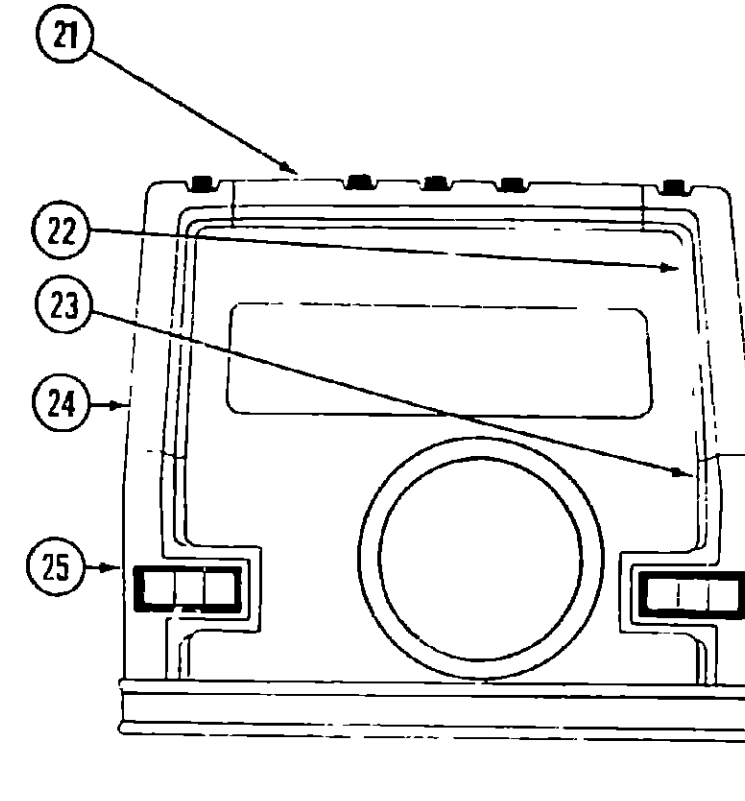
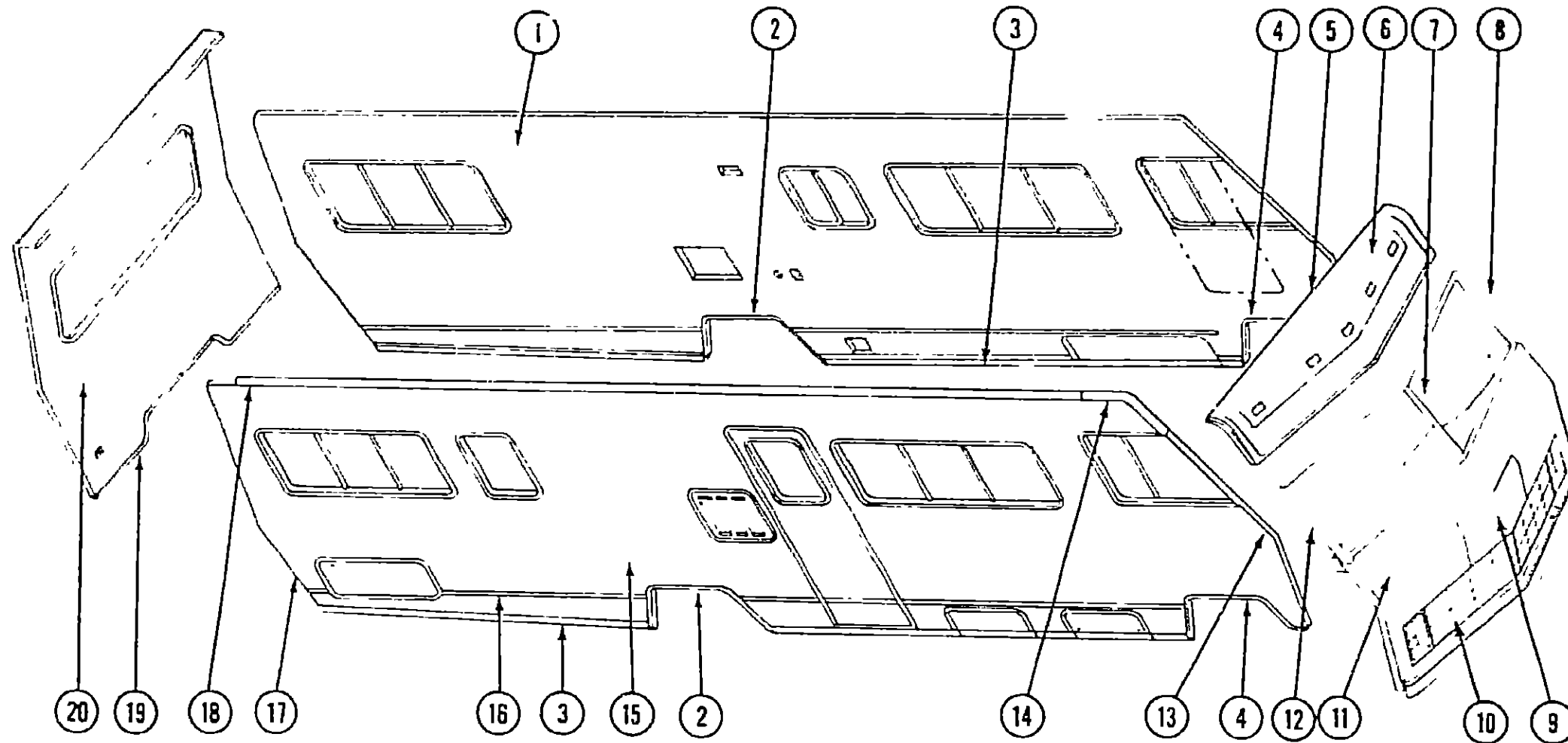
**1984 ITASCA
TABLE OF CONTENTS**

| | |
|---------|-------------|
| IC420RG | A-01 - C-05 |
| IC424RC | C-07 - E-18 |
| ICN23RG | E-19 - H-05 |
| ICN30RT | H-07 - J-20 |

1984 ICN30RT INDEX

| | |
|------------------------------------|-------------|
| Floor Plan | H-07 - H-05 |
| Accessories Group | H-09 - H-11 |
| Bath Group | H-12 - H-13 |
| Chassis Group | H-14 - H-15 |
| Curtain, Cushion & Pad Group | H-16 - H-23 |
| Dinette Group | H-24 |
| Driver's Compartment Group | I-01 - I-03 |
| Electrical Group | I-04 - I-06 |
| Exterior Body Group | I-07 - I-14 |
| Galley Group | I-15 - I-17 |
| Heating & Air Conditioning Group | I-18 - I-19 |
| Interior Finish Group | I-20 - I-22 |
| LP Group | I-23 |
| Lounge Group | I-24 - J-02 |
| Water & Sewage Group | J-03 - J-04 |
| Window, Vent & Exterior Door Group | J-05 - J-20 |

EXTERIOR BODY GROUP
EXTERIOR BODY PANELS AND SHEET ALUMINUM



| Key | Part Number | U/M | Description |
|-----|---------------|-----|---|
| 1 | M73388-02-R25 | EA | Sidewall Asm - Left |
| 1 | M73388-02-R26 | EA | Sidewall Asm - Left |
| 1 | M73388-02-R27 | EA | Sidewall Asm - Left |
| 2 | 058487-03-000 | EA | Trim - Wheel Well - Rear - U Channel - Left or Right |
| | 075070-02-000 | EA | Trim - Wheel Well - Rear - Plastic - Passenger Side |
| | 075070-04-000 | EA | Trim - Wheel Well - Rear - Plastic - Driver Side |
| 3 | 072639-01-001 | EA | Extr - Rocker Panel |
| 4 | 070647-01-000 | EA | Trim - Wheel Well - Front - U Channel - Left or Right |
| | 075069-02-000 | EA | Trim - Wheel Well - Front - Plastic - Passenger Side |
| | 075069-04-000 | EA | Trim - Wheel Well - Front - Plastic - Drivers Side |
| 5 | 062396-01-000 | EA | Trim - Roof/Front Cap |
| 6 | 055400-04-000 | EA | Cap - Over Windshield - Gray |
| 7 | 058288-01-000 | EA | Trim - Molding - Windshield - Center |
| 8 | 058289-01-000 | EA | Trim - Contour - Windshield - Left |
| | 058287-01-000 | EA | Trim - Molding - Windshield - Upper/Lower |
| | 070817-03-000 | EA | Headlamp Bezel - Left |
| 9 | 073064-03-000 | EA | Access Panel - w/Hardware |
| 10 | 074635-01-000 | EA | Grille Asm |
| | 073817-01-000 | EA | Mesh Asm - Grille |
| | 070817-04-000 | EA | Headlamp Bezel - Right |
| 11 | 073065-02-000 | EA | Panel Asm - Front Shroud (includes access panel) |
| 12 | 058289-02-000 | EA | Trim - Contour - Windshield - Right |
| | 042743-01-000 | EA | Corner Support - Windshield - Lower - Steel |
| | 042743-02-000 | EA | Corner Support - Windshield - Upper - Steel |
| 13 | 073861-05-000 | EA | Trim - Fiberglass Panel - Right - Gray |
| | 073861-06-000 | EA | Trim - Fiberglass Panel - Left - Gray |
| 14 | 058284-06-000 | EA | Trim - Contour - Right Front Upper - Gray |
| | 058284-05-000 | EA | Trim - Contour - Left Front Upper - Gray |
| 15 | M73387-02-R25 | EA | Sidewall Asm - Right |
| 15 | M73387-02-R26 | EA | Sidewall Asm - Right |
| 15 | M73387-02-R27 | EA | Sidewall Asm - Right |

| Key | Part Number | U/M | Description |
|-----|---------------|-----|--|
| 16 | 059576-04-000 | EA | Feature Strip - Extr. - 14' - w/o Insert |
| | 009731-01-000 | EA | End Cap - Feature Strip Insert |
| | 001030-11-100 | EA | Insert - Feature Strip - Gray - 17' |
| 17 | 073502-05-000 | EA | Trim - Right Rear - Gray |
| | 073502-06-000 | EA | Trim - Left Rear - Gray |
| 18 | 034922-27-000 | EA | Trim - Sidewall - Upper - Left or Right - Gray |
| 19 | 063799-01-000 | EA | Trim - Backwall - Lower - Left or Right |
| | 073667-01-R25 | EA | Roof Asm |
| 20 | M01159-01-R25 | EA | Backwall Asm |
| | 072917-02-000 | EA | Rod - Hood Prop |
| | 072010-01-000 | EA | Cable - Release (Access Panel) |
| | 073611-01-000 | EA | Striker - Hood Latch |
| | 074178-01-000 | EA | Bracket - Cable Release - Inside |
| | 074202-01-000 | EA | Latch - Hood |
| | 072013-01-000 | EA | Spring - Hood Release |
| | 072011-01-000 | EA | Cable Sheath |
| 21 | M01229-02-000 | EA | Trim - Rear - Center Upper - Plastic - Gray |
| 22 | 073654-02-000 | EA | Trim - Rear - Upper Right - Plastic - Gray |
| 23 | 073570-02-000 | EA | Trim - Rear - Lower Right - Plastic - Gray |
| 24 | 073654-04-000 | EA | Trim - Rear - Upper Left - Plastic - Gray |
| 25 | M73570-04-000 | EA | Trim - Rear - Lower Left - Plastic - Gray |
| | 039155-36-004 | EA | Alum - Gray - Mesa II - 024" x 48" x 384" |
| | 039155-36-005 | EA | Alum - Gray - Mesa II - 024" x 36" x 384" |
| | 039155-36-006 | EA | Alum - Gray - Mesa II - 024" x 12" x 384" |
| | 001054-03-003 | EA | Alum - Gray - No Design - 48" x 96" |
| | 044487-01-001 | EA | Alum - Mill Finish - No Design (Roof) - 96" x 360" |
| | 000868-01-000 | SF | Styrofoam - 3/4" x 24" x 96" |
| | 000870-01-000 | SF | Styrofoam - 1 1/2" x 24" x 96" |
| | | | Not illustrated |

1984 ITASCA
TABLE OF CONTENTS

IC420RG
IC424RC
ICN23RG
ICN30RT

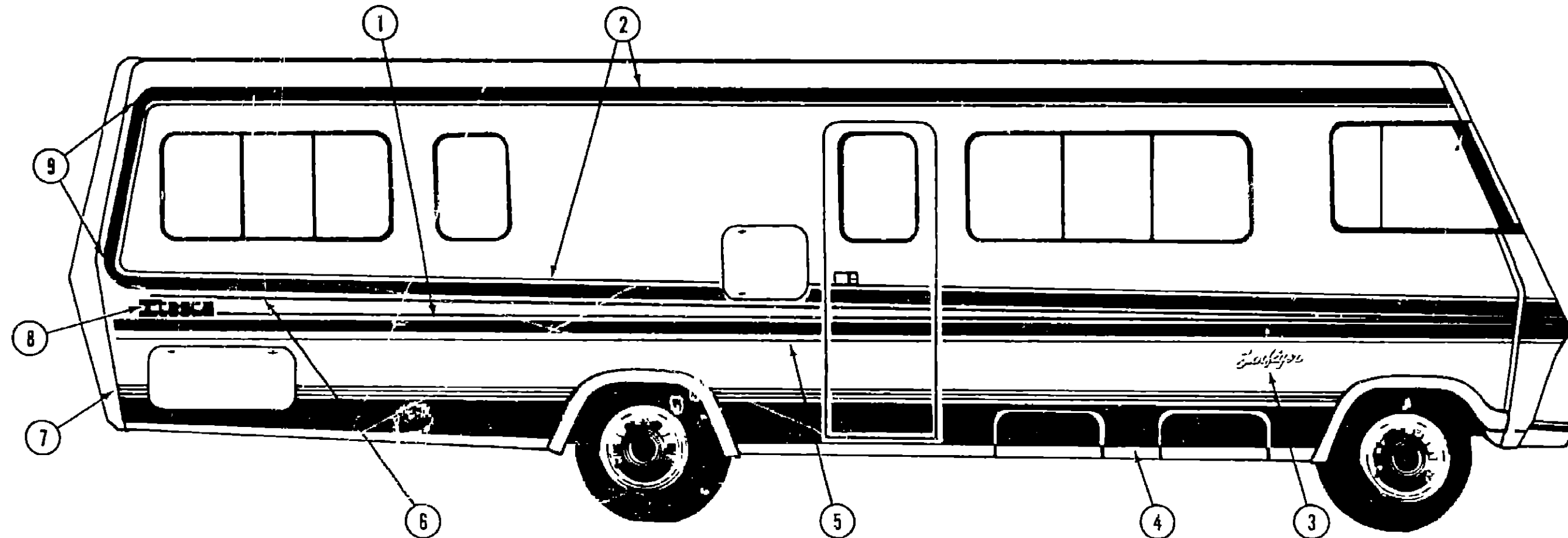
A-01 - C-06
C-07 - E-18
E-19 - H-06
H-07 - J-20

1984 ICN30RT INDEX

| | |
|------------------------------------|-------------|
| Floor Plan | H-07 - H-08 |
| Accessories Group | H-09 - H-11 |
| Bath Group | H-12 - H-13 |
| Chassis Group | H-14 - H-15 |
| Curtain, Cushion & Pad Group | H-16 - H-23 |
| Dinette Group | H-24 |
| Driver's Compartment Group | I-01 - I-03 |
| Electrical Group | I-04 - I-06 |
| Exterior Body Group | I-07 - I-14 |
| Galley Group | I-15 - I-17 |
| Heating & Air Conditioning Group | I-18 - I-19 |
| Interior Finish Group | I-20 - I-22 |
| LP Group | I-23 |
| Lounge Group | I-24 - J-02 |
| Water & Sewage Group | J-03 - J-04 |
| Window, Vent & Exterior Door Group | J-05 - J-20 |

EXTERIOR BODY GROUP (CONTINUED)

DECALS



1984 ITASCA TABLE OF CONTENTS

IC420RG
IC424RC
ICN23RG
ICN30RT

A-01 - C-06
C-07 - E-18
E-19 - H-06
H-07 - J-20

LABELS & EXTERIOR PAINT

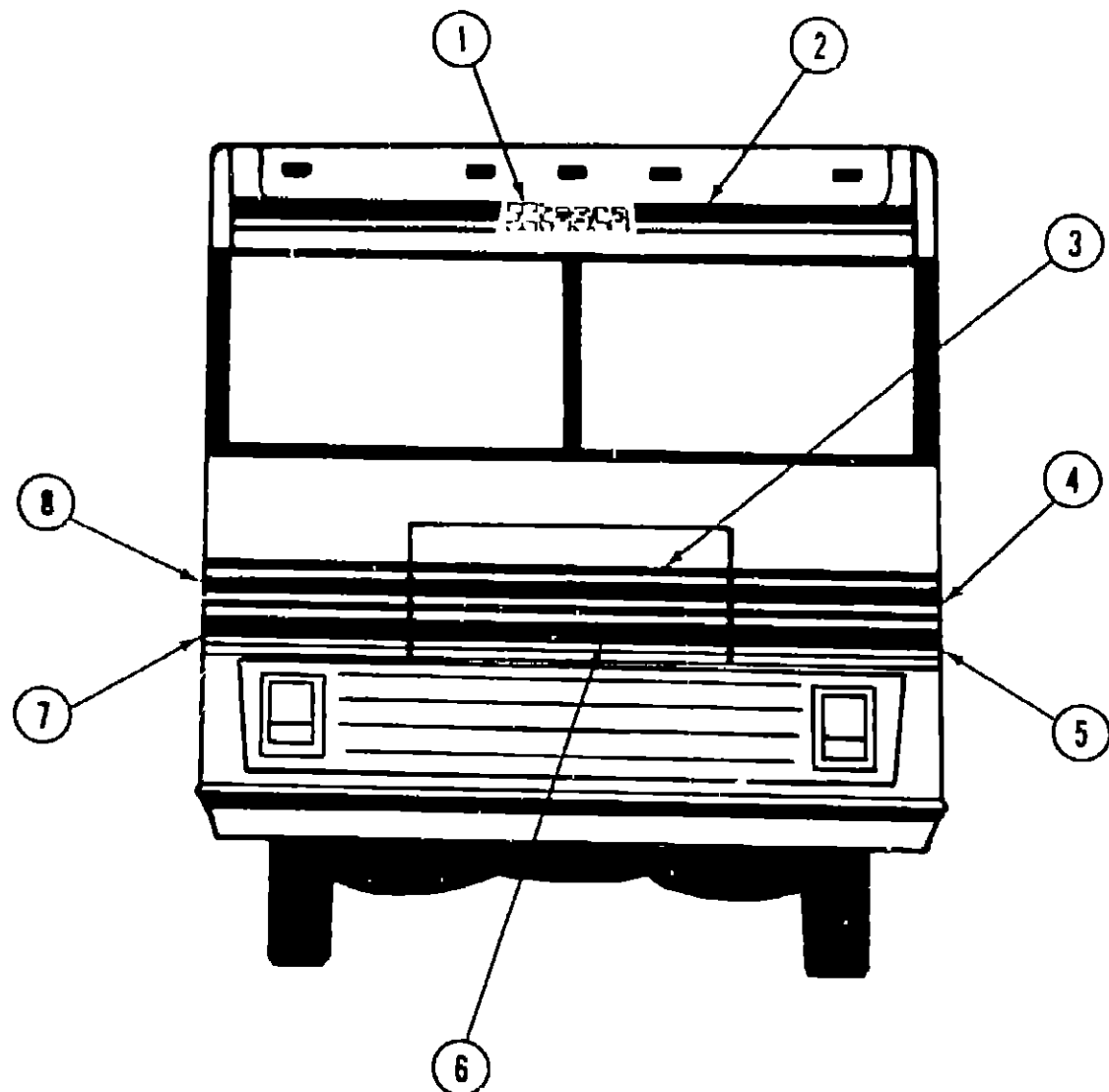
| Key | Part Number | U/M | Description |
|-----|---------------|-----|---|
| 1 | 041273-77-000 | FT | Decal - Striping - 1 5" - Light Gray Metallic |
| 2 | 065217-22-000 | FT | Film - Multi-Stripe - 3 7" x 150' - Light Blue Metallic |
| 2 | 065217-27-000 | FT | Film - Multi-Stripe - 3 7" x 150' - Dark Blue Metallic |
| 2 | 065217-26-000 | FT | Film - Multi-Stripe - 3 7" x 150' - Light Brown Metallic |
| 3 | 058718-02-000 | EA | Decal - "Sunflyer" - Chrome |
| 4 | 041273-78-000 | FT | Decal - Striping - 11" - Dark Gray Metallic |
| 5 | 069245-15-000 | FT | Film - Multi-Stripe - 4 26" x 150' - Gray Metallic |
| 6 | 041273-79-000 | FT | Decal - Striping - 75" - Light Gray Metallic |
| 7 | 055217-19-000 | FT | Film - Multi-Stripe - 1 19" x 150' - Light Blue Metallic |
| 7 | 065217-29-000 | FT | Film - Multi-Stripe - 1 19" x 150' - Dark Blue Metallic |
| 7 | 065217-28-000 | FT | Film - Multi-Stripe - 1 19" x 150' - Light Brown Metallic |
| 8 | 046400-09-000 | EA | Decal - Logo - "Itasca" - 4" x 24" - Chrome/Black |
| 9 | 073732-01-000 | EA | Decal - 180° Turn - Light Blue Metallic |
| 9 | 073732-05-000 | EA | Decal - 180° Turn - Dark Blue Metallic |
| 9 | 073732-04-000 | EA | Decal - 180° Turn - Dark Brown Metallic |

| Key | Part Number | U/M | Description |
|-----|---------------|-----|--|
| | 068383-01-000 | EA | Label - Diesel Fuel |
| | 006195-01-000 | EA | Label - Electrical Test |
| | 047731-01-000 | EA | Label - Emergency Exit |
| | 006199-01-000 | EA | Label - Exit - Escape Window |
| | 057467-04-000 | EA | Label - Exterior Loading Limit |
| | 064378-01-000 | EA | Label - Flying "W" w/Thermo Panel |
| | 061417-01-000 | EA | Label - Fuel |
| | 006196-01-000 | EA | Label - Gas Test |
| | 054531-01-000 | EA | Label - LP Gas Only |
| | 040944-01-000 | EA | Label - Open - Entrance Door |
| | 006015-01-000 | EA | Label - Patent Motor Home |
| | 056259-01-000 | EA | Label - Safety Check List |
| | 006064-01-000 | EA | Label - Seat - w/o Seat Belts |
| | 006187-01-000 | EA | Label - Sewage |
| | 006006-01-000 | EA | Label - Thermo Panel - 2 1/4' x 2 1/4" |
| | 075221-01-000 | EA | Label - Trailer Hitch Capacity |
| | 075220-01-000 | EA | Label - Warning - Exterior Load Limit |
| | 050225-01-000 | EA | Label - Warning - Stove Vent - US |
| | 006188-01-000 | EA | Label - Waste Water |
| | 006197-01-000 | EA | Label - Water Test |
| | 072863-01-000 | EA | Nameplate - Diesel - 6 2L |
| | 006062-01-000 | EA | Tag - Electrical - 110 Volt Connection |
| | 006040-01-000 | EA | Tag - Gas - Refueling Warning |
| | 044486-03-000 | EA | Paint - Beige Acrylic Enamel - 16 oz Aerosol (7633A Dupont) |
| | 045681-03-000 | EA | Paint - Gloss Black - Acrylic Enamel - 16 oz Aerosol (99 Dupont) |
| | 058637-05-000 | EA | Paint - Gray Acrylic Enamel - 16 oz Aerosol (71537 Dupont) |
| | 041561-03-000 | EA | Paint - Off White Acrylic Enamel - 16 oz Aerosol (45396A Dupont) |
| | 074559-01-000 | EA | Label "LPG" - 3 3" x 1.75" - (Calif Code) |

1984 ICN30RT INDEX

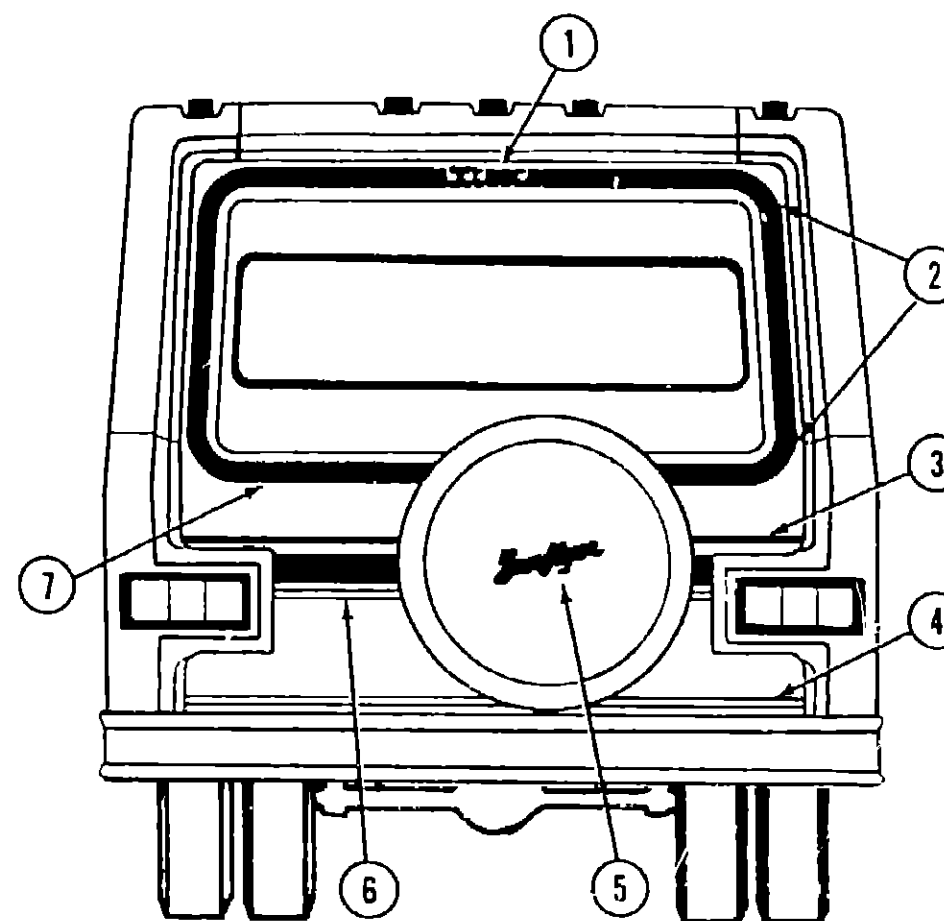
| | |
|------------------------------------|-------------|
| Floor Plan | H-07 - H-09 |
| Accessories Group | H-09 - H-11 |
| Bath Group | H-12 - H-13 |
| Chassis Group | H-14 - H-15 |
| Curtain, Cushion & Pad Group | H-16 - H-23 |
| Dinette Group | H-24 |
| Driver's Compartment Group | I-01 - I-03 |
| Electrical Group | I-04 - I-06 |
| Exterior Body Group | I-07 - I-14 |
| Galley Group | I-15 - I-17 |
| Heating & Air Conditioning Group | I-18 - I-19 |
| Interior Finish Group | I-20 - I-22 |
| LP Group | I-23 |
| Lounge Group | I-24 - J-02 |
| Water & Sewage Group | J-03 - J-04 |
| Window, Vent & Exterior Door Group | J-05 - J-20 |

EXTERIOR BODY GROUP (CONTINUED)



| Key | Part Number | U/M | Description |
|-----|-----------------|-----|--|
| 1 | 069227-07-000 | EA | Decal - Logo - "Itasca" - 3 7" x 15 82" |
| 2 | 065217-22-000 | FT | Film - Multi-Stripe - 3 7" x 150' - Light Blue Metallic |
| 2 | 065217-27-000 | FT | Film - Multi-Stripe - 3 7" x 150' - Dark Blue Metallic |
| 2 | 065217-26-000 | FT | Film - Multi-Stripe - 3 7" x 150' - Light Brown Metallic |
| 3 | 075468-04-000 | EA | Decal - Hood - Light Blue Metallic/Light Gray Metallic |
| 3 | 075468-06-000 | EA | Decal - Hood - Dark Blue Metallic/Light Gray Metallic |
| 3 | 075466-05-000 | EA | Decal - Hood - Light Brown Metallic/Light Gray Metallic |
| 4 | 075469-08-000 | EA | Decal - Corner - Left - Light Blue Metallic/Light Gray Metallic |
| 4 | 075469-12-000 | EA | Decal - Corner - Left - Dark Blue Metallic/Light Gray Metallic |
| 4 | 075469-10-000 | EA | Decal - Corner - Left - Light Brown Metallic/Light Gray Metallic |
| 5 | 073734-04-000 | EA | Decal - Corner - Bottom Stripe - Left - Gray Metallic |
| 6 | 073733-02-000 | EA | Decal - Hood - Lower - Gray Metallic |
| 7 | 073734-03-000 | EA | Decal - Corner - Bottom Stripe - Right - Gray Metallic |
| 8 | 075469-07-000 | EA | Decal - Corner - Top Stripe - Right - Light Blue Metallic/Light Gray Metallic |
| 8 | 075469-11-000 | EA | Decal - Corner - Top Stripe - Right - Dark Blue Metallic/Light Gray Metallic |
| 8 | 075469-09-000 | EA | Decal - Corner - Top Stripe - Right - Light Brown Metallic/Light Gray Metallic |
| * | 041273-76-000 | RS | Decal - Striping - 19" - Chrome |
| * | Not illustrated | | |

EXTERIOR BODY GROUP (CONTINUED)



| Key | Part Number | U/M | Description |
|-----|-----------------|-----|---|
| 1 | 069227-07-000 | EA | Decal - Logo - "Itasca" - 3 7" x 15 82" |
| 2 | 073732-01-000 | EA | Decal - 180° Turn - Light Blue Metallic |
| 2 | 073732-05-000 | EA | Decal - 180° Turn - Dark Blue Metallic |
| 2 | 073732-04-000 | EA | Decal - 180° Turn - Light Brown Metallic |
| 3 | 041273-77-000 | FT | Decal - Striping - 1 5" - Light Gray Metallic |
| 4 | 065217-19-000 | FT | Film - Multi-Stripe - 1 19" x 150' - Light Blue Metallic |
| 4 | 065217-29-000 | FT | Film - Multi-Stripe - 1 19" x 150' - Dark Blue Metallic |
| 4 | 065217-28-000 | FT | Film - Multi-Stripe - 1 19" x 150' - Light Brown Metallic |
| 5 | 058718-02-000 | EA | Decal - Sunflyer |
| 6 | 069245-15-000 | FT | Film - Multi-Stripe - 4 26" x 150' - Gray Metallic |
| 7 | 065217-22-000 | FT | Film - Multi-Stripe - 3 7" x 150' - Light Blue Metallic |
| 7 | 065217-27 000 | FT | Film - Multi-Stripe - 3 7" x 150' - Dark Blue Metallic |
| 7 | 065217-26-000 | FT | Film - Multi-Stripe - 3 7" x 150' - Light Brown Metallic |
| * | 041273-78-000 | FT | Decal - Stripe - 11" - Gray Metallic |
| * | Not illustrated | | |

**1984 ITASCA
TABLE OF CONTENTS**

| | |
|---------|-------------|
| IC420RG | A-01 - C-06 |
| IC424RC | C-07 - E-18 |
| ICN23RG | E-19 - H-06 |
| ICN30RT | H-07 - J-20 |

1984 ICN30RT INDEX

| | |
|------------------------------------|-------------|
| Floor Plan | H-07 - H-08 |
| Accessories Group | H-09 - H-11 |
| Bath Group | H-12 - H-13 |
| Chassis Group | H-14 - H-15 |
| Curtain, Cushion & Pad Group | H-16 - H-23 |
| Dinette Group | H-24 |
| Driver's Compartment Group | I-01 - I-03 |
| Electrical Group | I-04 - I-06 |
| Exterior Body Group | I-07 - I-14 |
| Galley Group | I-15 - I-17 |
| Heating & Air Conditioning Group | I-18 - I-19 |
| Interior Finish Group | I-20 - I-22 |
| LP Group | I-23 |
| Lounge Group | I-24 - J-02 |
| Water & Sewage Group | J-03 - J-04 |
| Window, Vent & Exterior Door Group | J-05 - J-20 |

EXTERIOR BODY GROUP (CONTINUED)

MISCELLANEOUS EXTERNALLY MOUNTED PARTS

| Key | Part Number | U/M | Description |
|-----|---------------|-----|--|
| ** | 011129-01-000 | EA | Plumbing Seal - Roof Vent - 1 5" |
| | 009126-01-000 | EA | Assist Handle - Chrome |
| | 010230-04-000 | EA | Fill - City Water - Recessed - Gray |
| | 058808-03-000 | EA | Water Fill - Lockable - Gray |
| | 072447-01-000 | EA | Shroud - Fuel Fill |
| | 063303-04-000 | EA | Shroud - Fuel Fill - Lower |
| | 072309-02-000 | EA | Shroud - Fill Neck |
| | 054530-01-000 | EA | Exterior Door Holder |
| | 076054-15-000 | EA | Fiberglass Sidewall Skin - 45 75" x 382" - Greyhound |
| | 077517-15-000 | EA | Fiberglass Sidewall Skin - 46 12" x 378" - Mesa |
| | 077517-15-002 | EA | Fiberglass Sidewall Skin - 46 12" x 60" - Mesa |
| | 039155-36-004 | EA | Alum. - Gray - Mesa II - .024" x 48" x 384" |
| | 039155-36-005 | EA | Alum. - Gray - Mesa II - .024" x 36" x 384" |
| | 039155-36-006 | EA | Alum. - Gray - Mesa II - .024" x 12" x 384" |
| | 039155-33-001 | EA | Alum. - Gray - Greyhound Design - 48" x 96" |
| | 001054-03-003 | EA | Alum. - Gray - No Design - 48" x 96" |
| | 044487-01-001 | EA | Alum. - Mill Finish - No Design (Roof) - 96" x 360" |
| | 000868-01-000 | SF | Styrofoam - 3/4" x 24" x 96" |
| | 000870-01-000 | SF | Styrofoam - 1 1/2" x 24" x 96" |
| | 000870-02-000 | SF | Styrofoam - 1 1/2" x 48" x 96" |

** The illustrated parts breakdown for this item is provided on the Common Items Fiche

SEALANTS & ADHESIVES

| Key | Part Number | U/M | Description |
|-----|---------------|-----|---|
| | 004020-01-000 | QT | Adhesive - ABS Cement (Plastic Fittings) |
| | 002337-01-000 | EA | Adhesive - 1300 Tube - 3M (Windows) |
| | 004005-02-000 | GL | Adhesive - Swifts - Glue (Sidewalls) |
| | 053766-07-000 | EA | Bedding Compound - Tube - Beige (Exterior) |
| | 053766-06-000 | EA | Bedding Compound - Tube - Clear (Window) |
| | 053766-08-000 | EA | Bedding Compound - Tube - Gray (Exterior) |
| | 053766-05-000 | EA | Bedding Compound - Tube - Gray (Sidewalls to Floor) |
| | 053766-02-000 | EA | Bedding Compound - Tube - Off White (Exterior) |
| | 002328-02-000 | EA | Block - Rubber Spacer (Windshield) |
| | 004336-01-000 | EA | Caulk - Latex - Golden Walnut (Sidewalls) |
| | 072891-02-000 | QT | Primer - Glass - Black |
| | 072891-01-000 | QT | Primer - Glass - Clear |
| | 035024-01-000 | EA | Primer - Glass - Clear - Windshield |
| | 072890-01-000 | QT | Primer - Metal - Black |
| | 035023-01-000 | GL | Primer - Metal - Windshield |
| | 077967-01-000 | EA | Sealant - Acrylic Latex - Tube - Off White (Interior Sealant) |
| | 034552-04-000 | EA | Sealant - Silicone - Beige |
| | 034552-02-000 | EA | Sealant - Silicone - Clear |
| | 034552-07-000 | EA | Sealant - Silicone - Dark Gray |
| | 034552-06-000 | EA | Sealant - Silicone - Off White |
| | 069637-01-000 | EA | Sealant - Weatherban 404 - Tube - White (Door Caulk) |
| | 072889-01-000 | EA | Sealant - Urethane - Black (Windshield) |
| | 069640-01-000 | FT | Sealer Ribbon - 25" Bead x 20' |
| | 069640-02-000 | FT | Sealer Ribbon - 5" x 125" x 30' |
| | 069640-03-000 | FT | Sealer Ribbon - 75" x 125" x 30' |
| | 069640-04-000 | FT | Sealer Ribbon - 2' x 09" x 45' (P Series) |
| | 069640-05-000 | FT | Sealer Ribbon - 2 5" x 09" x 50' |
| | 069640-06-000 | FT | Sealer Ribbon - 5/16" Bead x 15' |
| | 069640-07-000 | FT | Sealer Ribbon - 2" x 3/32" x 30' |
| | 002316-01-000 | FT | Sealer Tape - 3/32" x 3/8" - White (Window) |
| | 002707-01-000 | FT | Sealer Tape - 5/16" x 3/4" |
| | 002707-02-000 | FT | Sealer Tape - 5/16" x 1/2" |
| | 040545-01-000 | GL | Sealer - Seam Weld |
| | 050752-04-000 | EA | Seam Sealer - Tube - Aluminum (Roof) |
| | 063642-01-000 | FT | Tape - Adhesive - 10 mm x 1 5" Wide |
| | 033886-01-000 | EA | Tape - Butyl - 31" x 31" x 148" (Windshield) |
| | 076322-01-000 | FT | Tape - Foam - Double Coated - .025 x 1" (Fiberglass Sidewall Seams) |
| | 076322-02-000 | FT | Tape - Foam - Double Coated - .045 x 1" (Fiberglass Sidewall Seams) |
| | 009200-01-000 | EA | Tape - Furnace - 1 5" |
| | 002825-01-000 | FT | Weather Striping (Roof Vent) |

EXTERIOR BODY GROUP (CONTINUED)

INTERIOR/EXTERIOR SCREWS & FASTENERS

| Key | Part Number | U/M | Description |
|-----|---------------|-----|---|
| | 005200-01-000 | EA | Bolt - Round Head - Square Neck w/SST Cap - 7/16" - 14 x 1 1/4" |
| | 058279-01-000 | EA | Clip - Mounting - Front Panel |
| | 035628-01-000 | EA | Fastener - Blind Well Nut - 1 05' x 38" |
| | 000D15-06-00B | EA | Nut - Hex - 3/8" x 24 - Zinc |
| | 005081-01-000 | EA | Nut - Speed - C Type - #8 Screw |
| | 000G54-04-20B | EA | Screw 1/4 - 20 x 1 1/4" PTH - Zinc |
| | 000G54-04-22B | EA | Screw 1/4 - 20 x 1 3/8" PTH - Zinc |
| | 000G53-04-06B | EA | Screw 1/4 - Machine - 20 x 3/8" PTH - Zinc |
| | 000G13-06-12P | EA | Screw #6 - 20 x 3/4" PPH - Dark Brown |
| | 000G13-06-28X | EA | Screw #6 - 20 x 3/4" PFH - Gray |
| | 000G13-06-16R | EA | Screw #6 - 20 x 1" PFH - Beige |
| | 000G11-07-08B | EA | Screw #7 - 19 x 1/2" PPH - Zinc |
| | 000G12-08-12M | EA | Screw #8 - 18 x 3/4" POH - Gray |
| | 000G11-08-12R | EA | Screw #8 - 18 x 3/4" PPH - Beige |
| | 000G11-08-12X | EA | Screw #8 - 18 x 3/4" PPH - Gray |
| | 000G11-08-12B | EA | Screw #8 - 18 x 3/4" PPH - Zinc |
| | 000G39-08-12R | EA | Screw #8 - 18 x 3/4" SDPH - Beige |
| | 000G66-08-12M | EA | Screw #8 - 18 x 3/4" SDPH - Gray |
| | 000G11-08-16R | EA | Screw #8 - 18 x 1" PFH - Gray |
| | 000G66-08-16R | EA | Screw #8 - 18 x 1" SDPH - Beige |
| | 000G12-08-28R | EA | Screw #8 - 18 x 1 3/4" POH - Beige |
| | 000G36-08-08E | EA | Screw #8 - 32 x 1/2" PFH - Chrome |
| | 000G39-08-08B | EA | Screw #8 - Self Drilling - 18 x 1/2" PPH - Zinc |
| | 000G39-08-12B | EA | Screw #8 - Self Drilling - 18 x 3/4" PPH - Zinc |
| | 000G39-08-12R | EA | Screw #8 - Self Drilling - 18 x 3/4" PPH - Beige |
| | 000G39-08-16R | EA | Screw #8 - Self Drilling - 18 x 1" PPH - Beige |
| | 000G39-08-16T | EA | Screw #8 - Self Drilling - 18 x 1" PPH - Black |
| | 000G39-08-16P | EA | Screw #8 - Self Drilling - 18 x 1" PPH - Dark Brown |
| | 000G39-08-16X | EA | Screw #8 - Self Drilling - 18 x 1" PPH - Gray |
| | 000G39-08-16E | EA | Screw #8 - Self Drilling - 18 x 1" PPH - Chrome |
| | 000G64-08-16M | EA | Screw #8 - Self Drilling - 18 x 1" SDPH - Gray |
| | 000G67-10-08B | EA | Screw #10 - 12 x 1/2" PPH - Zinc |
| | 000G67-10-10R | EA | Screw #10 - 12 x 5/8" PPH - Beige |
| | 000G67-10-16P | EA | Screw #10 - 12 x 1" PPH - Dark Brown |
| | 000G67-10-16B | EA | Screw #10 - 12 x 1" PPH - Zinc |
| | 000G67-10-20B | EA | Screw #10 - 12 x 1 1/4" PPH - Zinc |
| | 000G67-10-24B | EA | Screw #10 - 12 x 1 1/2" PPH - Zinc |
| | 049465-04-000 | EA | Screw #10 - 16 x 1" POH - w/Washer - Beige |
| | 049465-05-000 | EA | Screw #10 - 16 x 1" POH - w/Washer - Gray |
| | 000G12-10-24E | EA | Screw #10 - 16 x 1 1/2" POH - Chrome |
| | 000G11-10-08D | EA | Screw #10 - 16 x 1/2" PPH - Dark Brown |
| | 000G11-10-12R | EA | Screw #10 - 16 x 3/4" PPH - Beige |
| | 000G11-10-12S | EA | Screw #10 - 16 x 3/4" PPH - Off White |
| | 000G11-10-12B | EA | Screw #10 - 16 x 3/4" PPH - Zinc |
| | 000G11-10-16B | EA | Screw #10 - 16 x 1" PPH - Zinc |
| | 000G11-10-40B | EA | Screw #10 - 16 x 2 1/2" PPH - CAD |
| | 000G19-10-12B | EA | Screw #10 - Machine - 32 TPI x 3/4" |
| | 075908-01-000 | EA | Screw #10 - Machine - 32 x 56" PTH - Zinc |
| | 000G19-10-20B | EA | Screw #10 - Machine - 32 x 1 1/4" PPH - Zinc |
| | 000G39-12-12E | EA | Screw #10 - Self Drilling - 14 x 3/4" PPH - Chrome |
| | 000G39-10-10R | EA | Screw #10 - Self Drilling - 16 x 62' PPH - Beige |
| | 000G39-10-12R | EA | Screw #10 - Self Drilling - 16 x 3/4" PPH - Beige |
| | 000G39-10-12P | EA | Screw #10 - Self Drilling - 16 x 3/4" PPH - Dark Brown |
| | 000G50-12-48C | EA | Screw #12 - Wood - 11 x 3" POH - CAD |

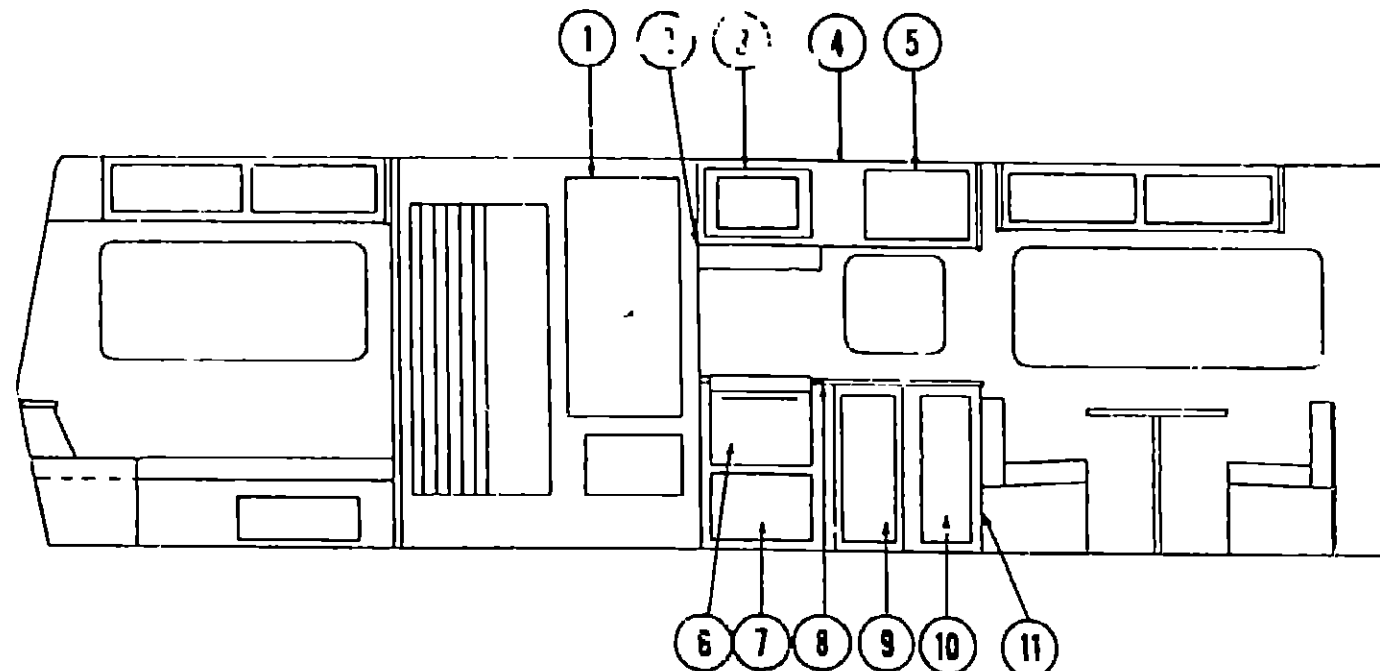
1984 ITASCA TABLE OF CONTENTS

| | |
|---------|-------------|
| IC420RG | A-01 - C-06 |
| IC424RC | C-07 - E-18 |
| ICN23RG | E-19 - H-06 |
| ICN30RT | H-07 - J-20 |

1984 ICN30RT INDEX

| | |
|------------------------------------|-------------|
| Floor Plan | H-07 - H-08 |
| Accessories Group | H-09 - H-11 |
| Bath Group | H-12 - H-13 |
| Chassis Group | H-14 - H-15 |
| Curtain, Cushion & Pad Group | H-16 - H-23 |
| Dinette Group | H-24 |
| Driver's Compartment Group | I-01 - I-03 |
| Electrical Group | I-04 - I-06 |
| Exterior Body Group | I-07 - I-14 |
| Galley Group | I-15 - I-17 |
| Heating & Air Conditioning Group | I-18 - I-19 |
| Interior Finish Group | I-20 - I-22 |
| LP Group | I-23 |
| Lounge Group | I-24 - J-02 |
| Water & Sewage Group | J-03 - J-04 |
| Window, Vent & Exterior Door Group | J-05 - J-20 |

GALLEY GROUP



GALLEY CABINETRY AND APPLIANCES

| Key | Part Number | U/M | Description |
|-----|---------------|-----|---|
| 1 | 069859-03-R10 | EA | Door Asm - Wardrobe w/Mirror - 46 1" x 16 1" - w/o Hardware |
| 2 | 046954-03-000 | EA | Hood - Stove - w/Black Face - U S |
| 2 | 046954-04-000 | EA | Hood - Stove - w/Black Face - C S A |
| 3 | 075922-01-000 | EA | Microwave Oven - Litton - 1450 |
| 4 | 076481-01-R25 | EA | Cabinet Asm - Galley Overhead - w/o Doors or Hardware |
| 5 | 069852-07-R10 | EA | Door Asm - Galley Overhead Cabinet - 15 7" x 23 2" - w/o Hardware |
| 6 | 064762-01-000 | EA | Range - 4 Burner - Black Chrome Top |
| 7 | 069852-16-R10 | EA | Door Asm - Galley Cabinet - 12" x 21 6" - w/o Hardware |
| 8 | M00768-01-R10 | EA | Countertop Asm - Galley Cabinet - Almond Loom |
| 9 | 069852-18-R10 | EA | Door Asm - Galley Cabinet - 16 3" x 29 2" - w/o Hardware |
| 10 | 069852-17-R10 | EA | Door Asm - Galley Cabinet - 11 6" x 29 2" - w/o Hardware |
| 11 | M70659-01-R25 | EA | Cabinet Asm - Galley - w/o Doors, Drawers, Countertop or Hardware |
| . | 059915-01-R25 | EA | Drawer Asm - Galley Cabinet - 10 1" x 5" x 20" Deep |
| . | 059915-02-R25 | EA | Drawer Asm - Galley Cabinet - 10 1" x 5" x 14" Deep |
| . | 075217-01-000 | EA | Refrigerator - AC/DC/Gas - 8 Cubic Feet - Norcold |
| . | 075218-01-000 | EA | Refrigerator - AC/DC/Gas - 10 Cubic Feet - Norcold |
| . | 069852-27-R10 | EA | Door Asm - Wardrobe Cabinet - 16 7" x 47 1" - w/o Hardware |
| . | 069852-26-R10 | EA | Door Asm - Wardrobe Cabinet - 13 6" x 25 1" - w/o Hardware |
| . | M69856-03-R10 | EA | Door Asm - Furnace - w/Mesh Insert - 17 6" x 13 2" - w/o Hardware |
| . | 072369-01-000 | EA | Insert - Furnace Door - 14 5" x 10" - Brass Mesh |
| . | 039873-01-000 | EA | Catch and Strike - Furnace Door |
| . | 042488-03-000 | EA | Folding Door - Maple - 37" x 77 1/8" |
| . | | | Not illustrated |

GALLEY HARDWARE

| Key | Part Number | U/M | Description |
|-----|---------------|-----|--|
| | 068615-01-000 | EA | Sink - Stainless Steel - Double w/Bolts |
| .. | 011053-01-000 | EA | Faucet - 8" - Swing Spout - US |
| .. | 011053-02-000 | EA | Faucet - 8" - Swing Spout - C S A |
| .. | 011053-01-700 | EA | Aerator - Swing Spout Faucet |
| .. | 066437-01-000 | EA | Strainer - Sink - w/Pasket |
| | 053424-04-P07 | EA | Cover - Sink - Almond Loom |
| | 058334-01-000 | EA | Wastebasket - 9 3/4" x 7" x 10" - White - Rubbermaid |
| | 058841-01-R10 | EA | Cover - Wastebasket - Almond Loom |
| | 059877-01-000 | EA | Support - Wastebasket - White Plastic |
| | 749045-01-740 | EA | Cover - Bifold - Burner - Chrome |
| | 054450-01-000 | EA | Level - Refrigerator |
| | 037688-01-000 | EA | Rail - Drawer Guide V-Steel |
| | 074490-02-R10 | EA | Spice Rack - Oak |
| | 074981-01-000 | EA | Cutting Board - Maple |
| | 059753-01-000 | EA | Drawer Slide - Left |
| | 059753-02-000 | EA | Drawer Slide - Right |

.. The illustrated parts breakdown for this item is provided on the Common Items Fiche

GALLEY GROUP (CONTINUED)

GALLEY APPLIANCES

| Key | Part Number | U/M | Description |
|-----|---------------|-----|---|
| | 053333-04-000 | EA | Hood - Stove - Non Powered - Almond - CSA |
| | 053333-05-000 | EA | Hood - Stove - Non Powered - Almond - US |
| | 075470-02-000 | EA | Hood - Stove - w/Monitor - Almond - CSA |
| | 075470-01-000 | EA | Hood - Stove - w/Monitor - Almond - US |
| | 075470-03-000 | EA | Spacer - Stove Hood |
| | 075470-04-000 | EA | Duct Extension - Stove Hood |
| | 075470-01-700 | EA | Monitor Panel |
| | 075470-01-701 | EA | Clock - Digital - Jensen |
| | 072351-02-700 | EA | Clock - Digital - LVS |
| | 075470-01-702 | EA | Switch - On/Off |
| | 075470-01-703 | EA | Switch - On - Momentary |
| | 075740-01-704 | EA | Switch - On/Off/On - Fan Motor |
| | 075470-01-705 | EA | Switch - On/Off/On - Momentary |
| | 075470-01-706 | EA | Rivets - Plastic |
| | 075470-01-707 | EA | Bulb - #912 |
| | 075470-01-708 | EA | Panel Asm - Complete |
| | 075470-01-709 | EA | Fan Blade - Stove Hood - LVS |
| | 075470-01-710 | EA | Filter & Lens - Stove Hood - LVS |
| | 075470-01-711 | EA | Motor - Stove Hood - LVS |
| | 048649-01-000 | EA | Fan Blade - Stove Hood - Jensen |
| | 049930-01-700 | EA | Filter - Stove Hood - Jensen |
| | 048648-01-000 | EA | Motor - Stove Hood - Jensen |
| | 049930-01-701 | EA | Lens - Stove Hood - Jensen |
| | 064782-02-000 | EA | Range - 4 Burner - Almond Top |
| | 064782-01-700 | EA | Frame - Upper Glass |
| | 064782-01-701 | EA | Glass - Outside |
| | 064782-01-702 | EA | Panel - Door - Black |
| | 064782-01-703 | EA | Trim - Cabinet - Right |
| | 064782-01-704 | EA | Trim - Cabinet - Left |
| | 064782-01-705 | EA | Washer - Door Handle |
| | 064782-02-700 | EA | Top - 1 Burner - Almond |
| | 064782-02-701 | EA | Deflector - Plate - Black |
| | 064782-02-702 | EA | Trim - Cabinet - Right - Black |
| | 064782-02-703 | EA | Trim - Cabinet - Left - Black |
| | 064782-02-704 | EA | Trim - Glass - Lower Outside - Black |
| | 064782-02-705 | EA | Handle - Oven Door - Black |
| | 064782-02-706 | EA | Trim - Vertical - Black |
| | 064782-02-707 | EA | Panel - Manifold |
| | 064782-02-708 | EA | Valve - Mercury |
| | 749045-01-740 | EA | Cover - Stovetop Bifold - Magic Chef |
| | 075922-01-000 | EA | Microwave |
| | 075922-03-000 | EA | Trim Ring - Microwave |
| | 075922-04-000 | EA | Exhaust Duct - Microwave |
| | 075930-02-000 | EA | Bracket - Microwave - Left |
| | 075930-01-000 | EA | Bracket - Microwave - Right |
| | 076253-02-000 | EA | Bracket - 6" - Microwave |
| | 075218-01-000 | EA | Refrigerator - 3 Way - 10' Norcold 8310-EG3 |
| | 075218-01-700 | EA | Gasket - Freezer Door - 10' only |
| | 075218-01-701 | EA | Gasket - Refrigerator Door - 10' only |
| | 075218-01-702 | EA | Connector Rod - 10' only |
| | 075218-01-703 | EA | Frame Asm - Door 10' only |
| | 075218-01-704 | EA | Cabinet - Urethane - 10' only |
| | 075218-01-705 | EA | Breaker Strip - Bottom - 10' only |
| | 075218-01-707 | EA | Divider - Front - 10' only |
| | 075218-01-708 | EA | Cable - Wiring |
| | 075218-01-709 | EA | Door Liner Asm. - Formed 10' only |
| | 075218-01-710 | EA | Door Liner Asm - Formed - Lower 10' only |
| | 054450-01-000 | EA | Leveler - Refrigerator |

**1984 ITASCA
TABLE OF CONTENTS**

| | |
|---------|-------------|
| IC420RG | A-01 - C-06 |
| IC424RC | C-07 - E-18 |
| ICN23RG | E-19 - H-06 |
| ICN30RT | H-07 - J-20 |

1984 ICN30RT INDEX

| | |
|------------------------------------|-------------|
| Floor Plan | H-07 - H-08 |
| Accessories Group | H-09 - H-11 |
| Bath Group | H-12 - H-13 |
| Chassis Group | H-14 - H-15 |
| Curtain, Cushion & Pad Group | H-16 - H-23 |
| Dinette Group | H-24 |
| Driver's Compartment Group | I-01 - I-03 |
| Electrical Group | I-04 - I-06 |
| Exterior Body Group | I-07 - I-14 |
| Galley Group | I-15 - I-17 |
| Heating & Air Conditioning Group | I-18 - I-19 |
| Interior Finish Group | I-20 - I-22 |
| LP Group | I-23 |
| Lounge Group | I-24 - J-02 |
| Water & Sewage Group | J-03 - J-04 |
| Window, Vent & Exterior Door Group | J-05 - J-20 |

GALLEY GROUP (CONTINUED)

GALLEY APPLIANCES (CONT.)

| Key | Part Number | U/M | Description |
|-----|---------------|-----|---|
| | 064473-02-000 | EA | Refrigerator - AC/DC/Gas - Norcold 6' - 776-EG3 |
| | 064473-02-700 | EA | Cooling Unit (Service Pak) |
| | 064473-02-701 | EA | Door Frame |
| | 064473-02-707 | EA | Breaker Strip - Left - Bronze |
| | 064473-02-703 | EA | Breaker Strip - Right - Bronze |
| | 064473-02-704 | EA | Breaker Strip - Top - Bronze |
| | 075217-01-000 | EA | Refrigerator - AC/DC/Gas - Norcold 8' 838-EG3 |
| | 075217-01-700 | EA | Shelf Asm - Door - w/Trim |
| | 075217-01-701 | EA | Gasket - Door - Freezer |
| | 075217-01-702 | EA | Frame Asm - Door |
| | 075217-01-703 | EA | Decor Trim - Top & Bottom |
| | 075217-01-704 | EA | Gasket - Door - Refrigerator |
| | 075217-01-706 | EA | Cabinet Asm - Urethane |
| | 075217-01-707 | EA | Bulb - Light - DC |
| | 075217-01-708 | EA | Lamp Socket |
| | 075217-01-710 | EA | Eyebrow Asm |
| | 075217-01-711 | EA | Breaker Strip - Top |
| | 075217-01-713 | EA | Crisper Drawer |
| | 075217-01-714 | EA | Thermostat Asm |
| | 075217-01-715 | EA | Knob - Thermostat |
| | 075217-01-716 | EA | Front Divider Asm |
| | 075217-01-717 | EA | Humidity Switch |
| | 075217-01-718 | EA | Light Switch |
| | 075217-01-719 | EA | Eyebrow Board |
| | 075217-01-720 | EA | Eyebrow |
| | 075217-01-721 | EA | Lamp - Indicator - Amber |
| | 075217-01-722 | EA | Lamp - Indicator - Green |
| | 075217-01-723 | EA | Lamp - Indicator - Red |
| | 075217-01-724 | EA | Lamp - Indicator - Blue |
| | 075217-01-725 | EA | Rocker Switch - #615258 |
| | 075217-01-726 | EA | Interface Board |
| | R77005-81-129 | EA | Relay - Glow Plug |
| | 075217-01-728 | EA | Cover - Interface Board |
| | 075217-01-729 | EA | Fitting - Outlet |
| | 075217-01-730 | EA | Gas Valve |
| | 075217-01-731 | EA | Nipple |
| | 075217-01-732 | EA | Fitting - Inlet |
| | 075217-01-733 | EA | Shut-Off Cock |
| | 075217-01-734 | EA | Fuse - 3 Amp |
| | 075217-01-735 | EA | Ignition Electrode |
| | 075217-01-736 | EA | Sensing Electrode |
| | 075217-01-737 | EA | Control Module |
| | 075217-01-738 | EA | Rocker Switch - #615259 |
| | 075217-01-739 | EA | Heater |
| | 075217-01-740 | EA | Screw #6 - 32" x 2 3/8" |
| | 075217-01-741 | EA | Wing - Nut #6 - 32 |
| | 075217-01-742 | EA | Hex Nut |
| | 075217-01-743 | EA | Elbow - 90° |
| | 075217-01-744 | EA | Cable - Wiring |
| | 075217-01-745 | EA | Liner Asm - Foamed - Door |
| | 075217-01-746 | EA | Baffle Asm |
| | 075217-01-747 | EA | Liner Asm - Foamed - Lower - Door |

HEATING & AIR CONDITIONING GROUP

AUTOMOTIVE HEATER & AIR CONDITIONER

| Key | Part Number | U/M | Description |
|-----|---------------|-----|--|
| | 039044-01-000 | EA | Louver Asm - A/C Adjustable |
| | 024990-02-000 | EA | Defroster Outlet - w/Swivel - 2" |
| | 072342-01-000 | EA | Condenser Asm |
| | 072343-01-000 | EA | Compressor & Clutch |
| | 072344-01-000 | EA | Package - Compressor Mount 454 C I D |
| | 072341-01-000 | EA | Wheel - Blower |
| | 072341-01-701 | EA | Heater Core |
| | 072341-01-702 | EA | Evaporator Coil |
| | 072341-01-703 | EA | Expansion Valve |
| | 072341-01-704 | EA | Valve - Suction Service - 5/8" |
| | 072341-01-705 | EA | Switch - Pressure Low Cut Out |
| | 072341-01-706 | EA | Resistor |
| | 072341-01-707 | EA | Thermostat |
| | 074013-02-712 | EA | Motor - Blower |
| | 072341-01-708 | EA | Motor - Vacuum |
| | 072341-01-709 | EA | Relay - w/Tab - Bosh |
| | 072341-01-710 | EA | Control Head Asm |
| | 072341-01-711 | EA | Cable - 72" |
| | 072341-01-712 | EA | Switch - Vacuum |
| | 072341-01-713 | EA | Switch - Jumper Control |
| | 072341-01-714 | EA | Valve - Heater Control |
| | 072341-01-715 | EA | Louver Adapter Asm |
| | 072341-01-716 | EA | Valve - Discharge - 1/2" |
| | 072341-04-000 | EA | Heater & Evaporator - w/o Duct Control |
| | 072341-06-000 | EA | Kit - Duct & Control |
| | 072342-02-700 | EA | Receiver Drier |
| | 007076-01-000 | FT | Hose - Flexible PVC - 2' I D |
| | 007108-01-000 | FT | Hose - Heater - 5/8" I D SAE 20R3 |
| | 007281-01-000 | FT | Hose - Flexible PVC - 2 1/2" I D |
| | 007140-01-000 | EA | Clamp - Hose - 2' - 3" Dia |
| | 033258-01-000 | EA | Hose - Refrigerant - 50" I D x 34 50" |
| | 034222-01-000 | EA | Hose - Refrigerant - 31" I D x 26" |
| | 034222-02-000 | EA | Hose - Refrigerant - 31" I D x 32" |
| | 031960-01-000 | EA | Hose - Refrigerant - 34" I D x 30" |
| | 031961-01-000 | EA | Hose - Refrigerant - 31" I D x 14 75' |
| | 031961-02-000 | EA | Hose - Refrigerant - 31" I D x 19" |
| | 049401-01-000 | EA | Heater Asm - Rear - Auxiliary |
| | 049401-01-700 | EA | Valve - Water Control (Aux Heater) |
| | 049401-01-701 | EA | Control Cable (Aux Heater) |
| | 049401-01-702 | EA | Motor Asm (Aux Heater) |
| | 049401-01-703 | EA | Heater Core (Aux Heater) |
| | 049401-01-704 | EA | Switch (Aux Heater) |
| | 058906-01-000 | EA | Control Panel (Auxiliary Rear Heater) |
| | 010227-01-000 | EA | Tee - Plastic - 1/8" or 3/4" Hose |

1984 ITASCA TABLE OF CONTENTS

| | |
|---------|-------------|
| IC420RG | A-01 - C-06 |
| IC424RC | C-07 - E-18 |
| ICN23RG | E-19 - H-06 |
| ICN30RT | H-07 - J-20 |

1984 ICN30RT INDEX

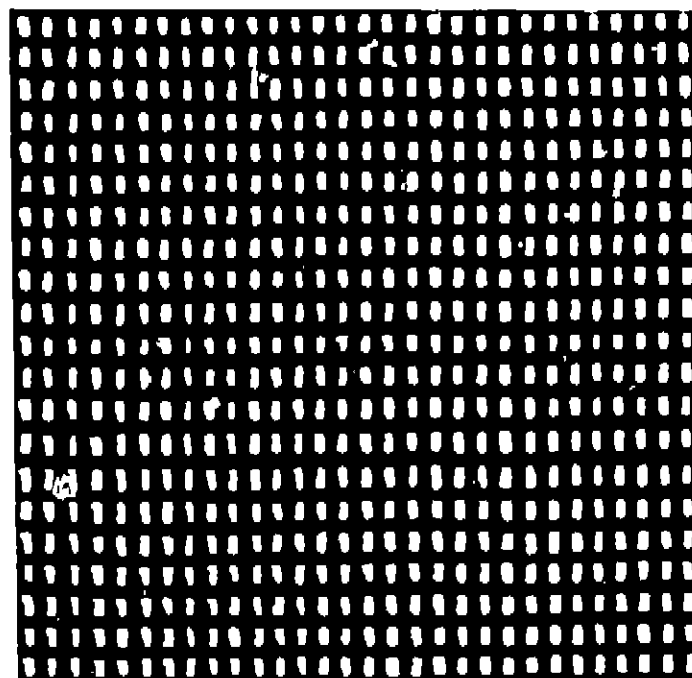
| | |
|------------------------------------|-------------|
| Floor Plan | H-07 - H-08 |
| Accessories Group | H-09 - H-11 |
| Bath Group | H-12 - H-13 |
| Chassis Group | H-14 - H-15 |
| Curtain, Cushion & Pad Group | H-16 - H-23 |
| Dinette Group | H-24 |
| Driver's Compartment Group | I-01 - I-03 |
| Electrical Group | I-04 - I-06 |
| Exterior Body Group | I-07 - I-14 |
| Galley Group | I-15 - I-17 |
| Heating & Air Conditioning Group | I-18 - I-19 |
| Interior Finish Group | I-20 - I-22 |
| LP Group | I-23 |
| Lounge Group | I-24 - J-02 |
| Water & Sewage Group | J-03 - J-04 |
| Window, Vent & Exterior Door Group | J-05 - J-20 |

HEATING & AIR CONDITIONING GROUP (CONTINUED)

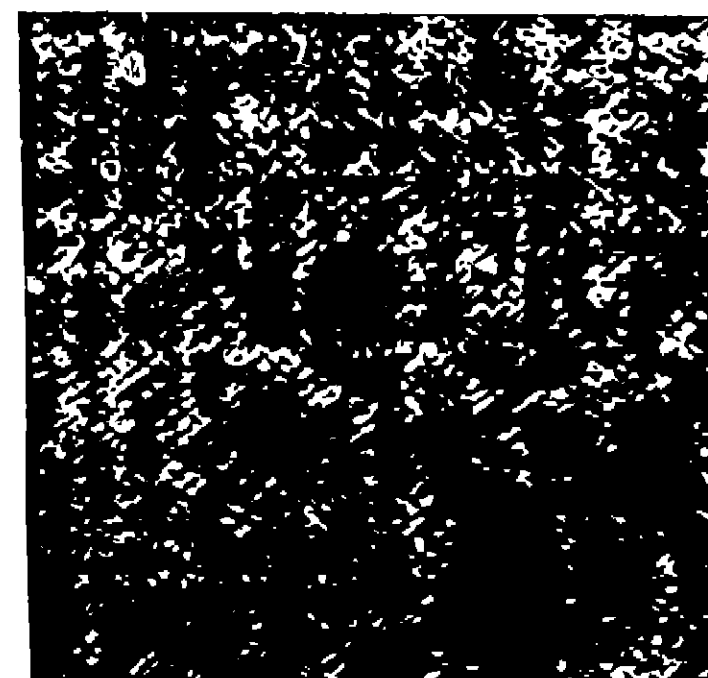
FURNACE & ROOF AIR CONDITIONERS

| Key | Part Number | U/M | Description |
|-----|---------------|-----|--|
| | 075696-01-000 | EA | Furnace - 34,000 BTU - w/Direct Ignition |
| | 069634-01-716 | EA | Valve - L P Shut Off - Manual |
| | 069633-01-701 | EA | Orifice - Main Burner |
| | 069633-01-700 | EA | Limit Switch |
| | 069634-01-709 | EA | Elbow - 90° Black Iron |
| | 069634-01-705 | EA | Basket - Electrode |
| | 069634-01-706 | EA | Module Board |
| | 009198-01-000 | EA | Duct - Flexible - 4" I D x 25' |
| | 009200-01-000 | EA | Tape - Furnace - 1 1/2" |
| | 023146-01-000 | EA | Clamp - Screw Type - 4" |
| | 056464-02-000 | EA | Heat Register - 4" - w/o Damper |
| | 069633-01-705 | EA | Vent Package - Furnace - 3-6" Wall |
| | 073743-01-000 | EA | Shroud Asm - Ceiling - Inside - Roof Air Cool Only - 13,500 BTU - Coleman |
| | 073744-01-000 | EA | Shroud Asm - Ceiling - Inside - Roof Air Heat and Cool Only - 13,500 BTU - Coleman |
| | 073742-01-000 | EA | Air Conditioner - 110 Volt - Roof Mount - 13,500 BTU Rotary |
| | 073742-01-700 | EA | Decal Package - Mack 3 - Left & Right |
| | 073742-01-701 | EA | Switch - Selector - 5 Terminal |
| | 073742-01-702 | EA | Decal - Cool Only |
| | 073742-01-703 | EA | Decal - Heat & Cool |
| | 073742-01-704 | EA | Decal - Thermostat |

INTERIOR FINISH GROUP



Wicker Weave Pattern



Jamaica Weave Pattern

1984 ITASCA TABLE OF CONTENTS

| | |
|---------|-------------|
| IC420RG | A-01 - C-06 |
| IC424RC | C-07 - E-18 |
| ICN23RG | E-19 - H-06 |
| ICN30RT | H-07 - J-20 |

PANELING & COUNTERTOP MATERIALS

| Key | Part Number | U/M | Description |
|-----|---------------|-----|--|
| | 058344-05-000 | SF | Paneling - 159 Elm - 48' x 96" |
| | 072336-20-000 | SF | Paneling - Jakarta Burlap - 48" x 96" (Wall Ceiling) |
| | 074496-06-000 | SF | Paneling - Decor - Galley and Bath - 48" x 84" (R25 R27) |
| | 074496-07-000 | SF | Paneling - Decor - Galley and Bath - 48" x 84" (R26) |
| | 072336-19-000 | SF | Paneling - Wicker Weave - 48" x 84" (Refrigerator Door) |
| | 057880-05-000 | SF | Paneling - Wicker Weave - 48" x 84" (Style & Rail Door) |
| | 057880-05-700 | SF | Paneling - Jamaica Weave - 48" x 84" (Style & Rail Door) |
| | 074498-01-000 | SF | Plastic Laminate - Harbor Oak - Table & Countertops - 48' x 96" |
| | 074498-01-019 | EA | Plastic Laminate - Harbor Oak - Table & Countertop - 1 19' x 96" |
| | 072337-03-000 | SF | Plastic Laminate - Almond Loom - Galley - 48' x 96" |
| | 072337-03-019 | EA | Plastic Laminate - Almond Loom - Galley - 1 19" x 96" |
| | 072337-02-000 | SF | Plastic Laminate - Travertine - Bath - 48" x 96" |
| | 072337-02-019 | EA | Plastic Laminate - Travertine - Bath - 1 19" x 96" |

Reference above illustration

INTERIOR MOLDINGS & TRIM

| Key | Part Number | U/M | Description |
|-----|---------------|-----|---|
| | 009809-08-000 | FT | Molding - F - 1" |
| | 009812-08-000 | FT | Molding - F - 50" |
| | 024700-17-000 | EA | Cover - Sidewall Roll Bar - Beige |
| | 009812-08-000 | FT | Molding - Outside Corner - 50" |
| | 009767-06-000 | FT | Welling - Beige |
| | 009815-03-000 | FT | T-Molding - 75" - Light Brown |
| | 022992-08-000 | FT | Molding - Reverse Cove - Champagne White |
| | 042357-09-000 | EA | Molding - Radius Corner - 159 Elm - 7' |
| | 045375-52-000 | EA | Molding Retainer - Alum - 16 |
| | 076325-01-000 | FT | Molding - Edge (Table, Countertop) Harbor Oak |
| | 070504-02-000 | FT | U-Channel - 82" - Light Brown |
| | 009778-03-000 | FT | U-Channel - 1" - Light Brown |
| | 070504-01-000 | FT | U-Channel - 065" - Light Brown |
| | 052659-01-N01 | FT | Accent Trim - Medium Almond Vinyl (Beige) |
| | 059352-01-000 | FT | Insert - Vinyl - Style and Rail Door |
| | 069733-33-000 | EA | Batt Strip - Galley and Bath (R25, R27) |
| | 069733-34-000 | EA | Batt Strip - Galley and Bath (R26) |
| | 069733-23-000 | EA | Batt Strip - Jakarta Burlap - 8' (Ceiling & Wall) |
| | 058204-01-000 | EA | Batt Strip - 159 Elm - 8' |
| | 064382-01-000 | FT | Extrusion - Plastic Trim - Rolled Door |
| | 042356-01-000 | EA | Plug - Button - Mahogany - 3/8" Diameter |

1984 ICN30RT INDEX

| | |
|------------------------------------|-------------|
| Floor Plan | H-07 - H-08 |
| Accessories Group | H-09 - H-11 |
| Bath Group | H-12 - H-13 |
| Chassis Group | H-14 - H-15 |
| Curtain, Cushion & Pad Group | H-16 - H-23 |
| Dinette Group | H-24 |
| Driver's Compartment Group | I-01 - I-03 |
| Electrical Group | I-04 - I-06 |
| Exterior Body Group | I-07 - I-14 |
| Galley Group | I-15 - I-17 |
| Heating & Air Conditioning Group | I-18 - I-19 |
| Interior Finish Group | I-20 - I-22 |
| LP Group | I-23 |
| Lounge Group | I-24 - J-02 |
| Water & Sewage Group | J-03 - J-04 |
| Window, Vent & Exterior Door Group | J-05 - J-20 |

INTERIOR FINISH GROUP (CONTINUED)

FABRICS & CARPET

| Key | Part Number | U/M | Description |
|-----|---------------|-----|---|
| | 070502-01-000 | YD | Fabric - Vinyl - Non-Expanded - Almond |
| | 072333-09-000 | YD | Fabric - Drapery - Wraparound (R10, R11, R12) |
| | 072333-08-000 | YD | Fabric - Drapery - Sheers (R10, R11, R12) |
| | 074495-23-000 | YD | Fabric - Upholstery - Accent - Blue/Gray (R25) |
| | 074495-21-000 | YD | Fabric - Upholstery - Accent - Navy/Beige (R26) |
| | 074495-22-000 | YD | Fabric - Upholstery - Accent - Rust (R27) |
| | 074495-50-000 | YD | Fabric - Upholstery - Blue/Gray (R25) |
| | 074495-48-000 | YD | Fabric - Upholstery - Navy/Beige (R26) |
| | 074495-49-000 | YD | Fabric - Upholstery - Rust (R27) |
| | 069729-06-000 | YD | Fabric - Drapery - Bedspread - Blue/Gray (R25) |
| | 069729-08-000 | YD | Fabric - Drapery - Bedspread - Navy/Beige (R26) |
| | 069729-05-000 | YD | Fabric - Drapery - Bedspread - Rust (R27) |
| | 038421-01-000 | YD | Ticking - Mattress - Gold |
| | 072860-05-000 | SY | Carpet - Blue/Gray (R25) |
| | 072860-16-000 | SY | Carpet - Navy/Beige (R26) |
| | 072860-15-000 | SY | Carpet - Rust (R27) |
| | 075233-01-000 | SY | Carpet Pad - 375 x 6" |

CURTAIN HARDWARE

| Key | Part Number | U/M | Description |
|-----|---------------|-----|---|
| | 053272-01-001 | EA | Track - Curtain - Alum - 16' - w/Holes |
| | 056116-01-000 | EA | Track - Curtain - Brown Plastic |
| | 059430-05-000 | EA | Track - Curtain - Front Wraparound (2 per unit) - 36" x 43 75" Beige |
| | 059430-07-000 | EA | Track - Curtain - Front Wraparound - 36" x 86 2' (w/Drivers Door) - Beige |
| | 056001-01-000 | EA | Bracket - Shade - Left |
| | 056002-01-000 | EA | Bracket - Shade - Right |
| | 009107-01-000 | EA | Guide - Nylon Snap - Curtain |
| | 018031-48-000 | EA | Track - Curtain - L' Rod - Alum Extr - 16' |
| | 009701-01-000 | EA | Carrier - L' Rod - Curtain |
| | 009702-01-000 | EA | End Stop - L' Rod - Curtain |
| | 056784-01-000 | EA | Pull - Window Shade - Antique Brass |
| | 039175-01-000 | EA | Curtain Rod - Ext 48" - 1/4" |
| | 039175-02-000 | EA | Bracket - Curtain Rod |
| | 056115-02-000 | YD | Tape - Clear Plastic - w/Guides |
| | 048394-01-000 | YD | Tape - Hook - 1" x 25 YD - Beige |
| | 048395-01-000 | YD | Tape - Loop - 1" x 25 YD - Beige |
| | 056003-01-000 | EA | Bracket - Drapery Retainer - Right |
| | 056003-02-000 | EA | Bracket - Drapery Retainer - Left |
| | 056003-03-000 | EA | Bracket - Drapery Retainer - Universal |

INTERIOR FINISH GROUP (CONTINUED)

MISCELLANEOUS PARTS

| Key | Part Number | U/M | Description |
|-----|---------------|-----|--|
| | 053552-01-R10 | EA | Handle Asm - Interior Assist - Medium Almond Vinyl |
| | 041944-03-000 | EA | Fire Extinguisher - w/Bracket - 5BC |
| | 054185-20-000 | EA | Owner's Manual - Itasca - Winnebago |
| | 040069-01-000 | EA | Door Mat - Black Rubber - 10 1/2" x 26" |
| | 065201-02-000 | EA | Lamp Shade - Fabric - Parchment |
| | 065202-01-000 | EA | Lamp - Brass Wall - 2 Bulb |
| | 073419-03-000 | EA | Door - Folding (Wood) - 35 x 75 - LH |
| | 075188-02-000 | EA | Track - Folding Door |

CABINERY & TABLE HARDWARE

| Key | Part Number | U/M | Description |
|-----|---------------|-----|---|
| | 053200-05-000 | EA | Bracket - Upper Wall Mount - Beige - 23 5" |
| ** | 053201-03-000 | EA | Bracket - Table Mount - 23" |
| | 024275-05-000 | EA | Rod - Table Lift - 8" x 23 5" - Beige |
| | 024281-07-000 | EA | Bracket - Lower Wall Mount - Beige - 22 12' |
| | 024276-14-000 | EA | Leg Asm - Table - 29 5" |
| ** | 024282-01-000 | EA | Brace - Table Leg |
| ** | 024283-01-000 | EA | Clip - 1" O D Tube |
| | 049493-02-000 | EA | Catch - Table Leg - Mounts on Floor |
| ** | 057898-01-000 | EA | Latch - Hidden - Cabinet Door |
| ** | 057898-02-000 | EA | Strike - Hidden Latch - Cabinet Door |
| | 009112-01-000 | EA | Flange - 1" - Chrome - Closet Rod |
| | 074493-01-000 | EA | Door Prop - Overhead |
| | 072393-01-000 | EA | Slide - Drawer |
| | 057671-01-000 | EA | Screw Cover - #8 |
| | 072369-03-000 | EA | Mesh - Grill - Brass - 17 9' x 6 7' |
| | 009021-01-000 | EA | Catch - Nylon |
| | 009021-02-000 | EA | Strike - Nylon Catch |
| | 053331-01-000 | EA | Hinge - Offset Side Mount |
| | 064781-03-000 | EA | Cup Holder - Plastic |
| | 041389-02-000 | EA | Hinge - Table - Wall Mount |
| | 024276-15-000 | EA | Leg - Fold Up |
| | 064050-01-000 | EA | Hinge - Table Leg |
| | 024282-01-000 | EA | Brace - Table Leg |
| | 024283-01-000 | EA | Clip - Table Leg |
| | 049493-02-000 | EA | Catch - Table Leg - Floor |

** The illustrated parts breakdown for this item is provided on the Common Items Fiche

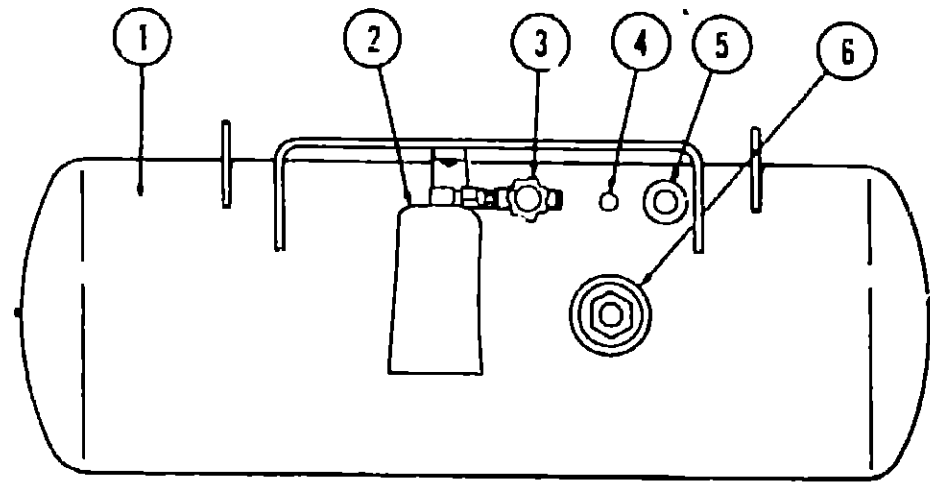
**1984 ITASCA
TABLE OF CONTENTS**

| | |
|---------|-------------|
| IC420RG | A-01 - C-06 |
| IC424RC | C-07 - E-18 |
| ICN23RG | E-19 - H-06 |
| ICN30RT | H-07 - J-20 |

1984 ICN30RT INDEX

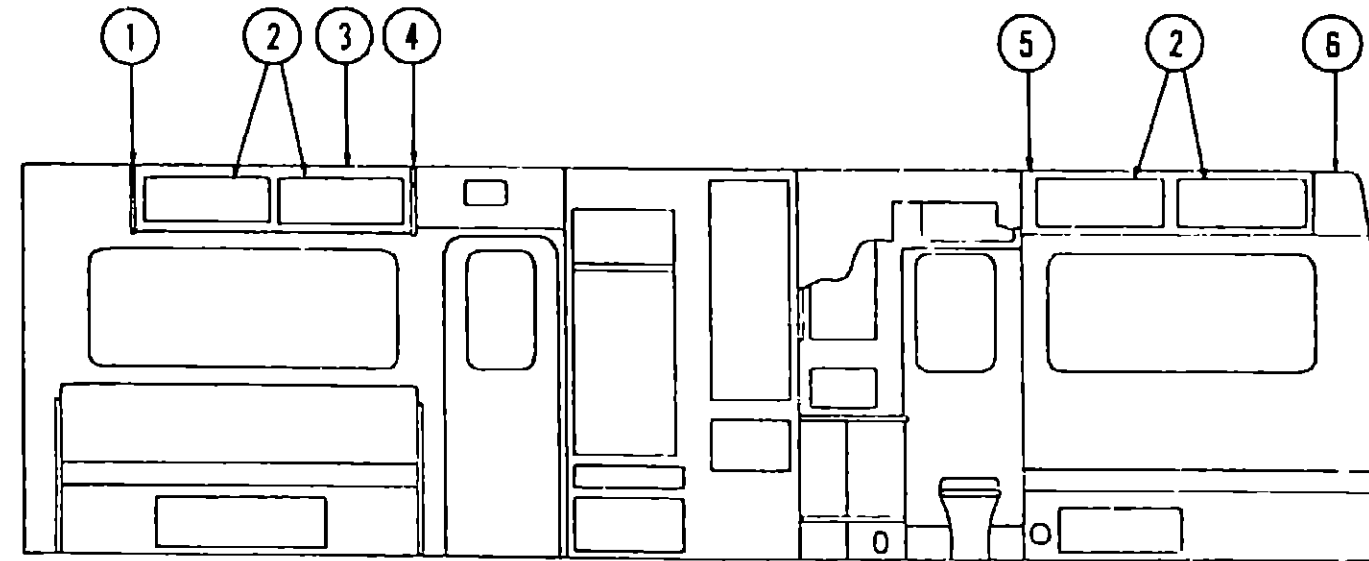
| | |
|-----------------------------------|-------------|
| Floor Plan | H-07 - H-08 |
| Accessories Group | H-09 - H-11 |
| Bath Group | H-12 - H-13 |
| Chassis Group | H-14 - H-15 |
| Curtain, Cushion & Pad Group | H-16 - H-23 |
| Dinette Group | I-24 |
| Driver's Compartment Group | I-01 - I-03 |
| Electrical Group | I-04 - I-06 |
| Exterior Body Group | I-07 - I-14 |
| Galley Group | I-15 - I-17 |
| Heating & Air Conditioning Group | I-18 - I-19 |
| Interior Finish Group | I-20 - I-22 |
| LP Group | I-23 |
| Lounge Group | I-24 - J-02 |
| Water & Sewage Group | J-03 - J-04 |
| Window Vent & Exterior Door Group | J-05 - J-20 |

LP GROUP



| Key | Part Number | U/M | Description |
|-----|---------------|-----|---|
| 1 | 074142-01-000 | EA | Tank Asm - LP - Frame Mount - 80 Pound |
| 2 | 076277-01-000 | EA | Compartment - LP Regulator - Front |
| 2 | 076278-01-000 | EA | Compartment - LP Regulator - Back |
| . | 076301-01-000 | EA | Regular - Two Stage - LP Gas |
| 3 | 040421-01-703 | EA | Valve - Vapor Relief |
| 4 | 040421-01-700 | EA | Gauge - Liquid Level - 20% LP |
| 5 | 040421-01-701 | EA | Valve - Filler - LP |
| . | 040421-01-702 | EA | Cap - Plastic Fill Valve |
| 6 | 040421-01-707 | EA | Gauge - Float w/Visible Dial - 80 Pound Tank |
| . | 040421-01-706 | EA | Dial - Visible Face - Float Gauge (Tank w/o Electric Transmitter) |
| . | 040440-01-000 | EA | Dial - Transmitter - 0 - 90 Ohm (Float Gauge) |
| . | 045703-03-000 | EA | Hose Asm - LP - 3/8" I D x 18" - US |
| . | 045703-04-000 | EA | Hose Asm - LP - 3/8" I D x 14" - CSA |
| . | | | Not illustrated |

LOUNGE GROUP



LOUNGE OVERHEAD CABINETRY

| Key | Part Number | U/M | Description |
|-----|---------------|-----|--|
| 1 | 071846-02-R10 | EA | Pad Asm - End Cap - Front Lounge Overhead - Beige Vinyl |
| 2 | 069852-05-R10 | EA | Door Asm - Overhead Cabinet - 11 3" x 28" - w/o Hardware |
| 3 | 070670-03-R25 | EA | Cabinet Asm - Front Lounge Overhead - w/o Doors or Hardware |
| 4 | 071846-03-R10 | EA | Pad Asm - End Cap - Front Lounge Overhead - Beige Vinyl |
| 5 | M72397-01-R25 | EA | Cabinet Asm - Rear Overhead - Right Sidewall - w/o Doors or Hardware |
| . | M72395-01-R25 | EA | Cabinet Asm - Rear Overhead - Left Sidewall - w/o Doors or Hardware |
| 6 | 072396-01-R25 | EA | Cabinet Asm - Rear Overhead - Backwall - w/o Doors or Hardware |
| . | | | Not illustrated |

DOUBLE BED W/NIGHT STAND (OPTION)

| Key | Part Number | U/M | Description |
|-----|---------------|-----|--|
| | M70673-01-R25 | EA | Cabinet Asm - Nightstand - w/o Countertop |
| | M00767-01-R10 | EA | Countertop Asm - Nightstand Cabinet - Almond Butcher Block |
| | 063446-01-R25 | EA | Cabinet Asm - Hamper Cabinet - w/o Countertop |
| | M63447-01-R10 | EA | Countertop Asm - Hamper Cabinet - Almond Butcher Block |
| | M70671-01-R25 | EA | Cabinet Asm - Double Bed Base - w/o Door or Hardware |
| | M70667-01-R25 | EA | Cabinet Asm - Double Bed Base - w/o Door or Hardware (w/Auto Heater Cut Out) |
| | M59913-04-R10 | EA | Drawer - Nightstand Cabinet - 10" x 19 1/8" |
| | 072969-01-R10 | EA | Headboard Asm |
| | 059913-04-R10 | EA | Drawer - Nightstand Cabinet - 12 1/4" x 10 1/2" |
| | 069852-25-R10 | EA | Door Asm - Double Bed Base - 18 9" x 10 7" - w/o Hardware |

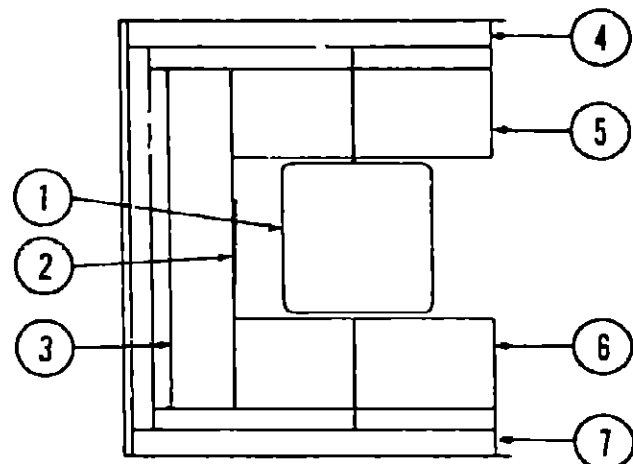
1984 ITASCA TABLE OF CONTENTS

| | |
|---------|-------------|
| IC420RG | A-01 - C-06 |
| IC424RC | C-07 - E-18 |
| ICN23RG | E-19 - H-06 |
| ICN36RT | H-07 - J-20 |

1984 ICN30RT INDEX

| | |
|------------------------------------|-------------|
| Floor Plan | H-07 - H-08 |
| Accessories Group | H-09 - H-11 |
| Bath Group | H-12 - H-13 |
| Chassis Group | H-14 - H-15 |
| Curtain, Cushion & Pad Group | H-16 - H-23 |
| Dinette Group | H-24 |
| Driver's Compartment Group | I-01 - I-03 |
| Electrical Group | I-04 - I-06 |
| Exterior Body Group | I-07 - I-14 |
| Galley Group | I-15 - I-17 |
| Heating & Air Conditioning Group | I-18 - I-19 |
| Interior Finish Group | I-20 - I-22 |
| LP Group | I-23 |
| Lounge Group | I-24 - J-02 |
| Water & Sewage Group | J-03 - J-04 |
| Window, Vent & Exterior Door Group | J-05 - J-20 |

LOUNGE GROUP (CONTINUED)



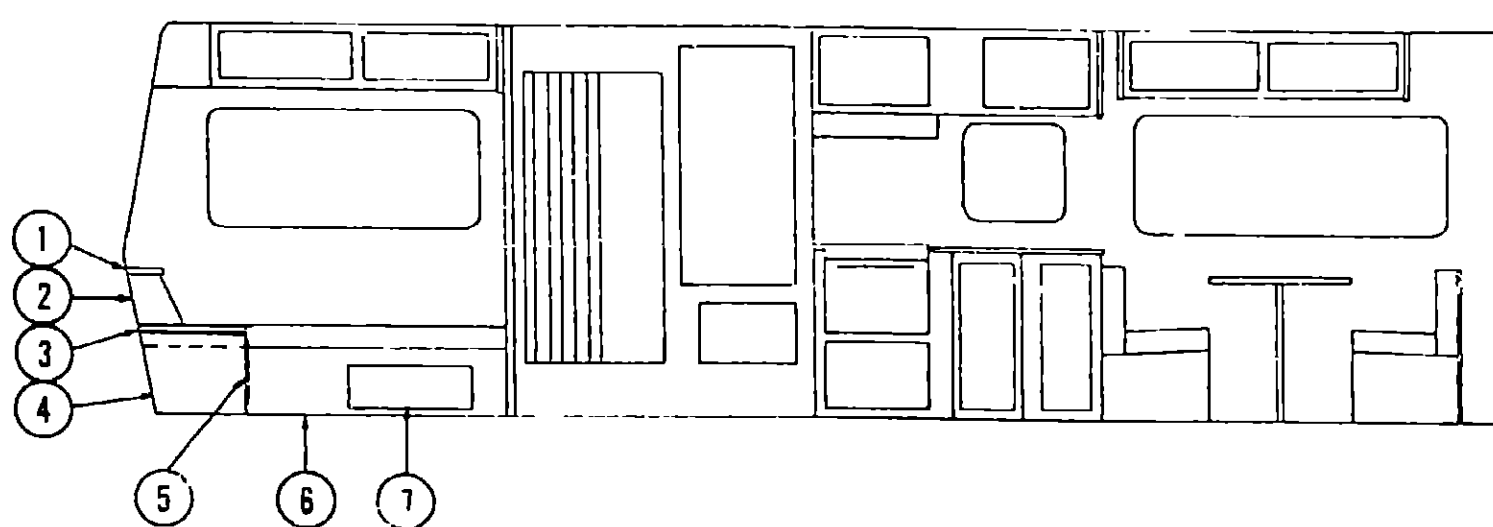
HORSESHOE LOUNGE W/PEDESTAL TABLE (OPTION)

| Key | Part Number | U/M | Description |
|-----|---------------|-----|--|
| 1 | 053248-04-R10 | EA | Table Asm - Pedestal - 31 8" x 31 8" - w/o Hardware - Almond Butcher Block |
| 2 | 069852-20-R10 | EA | Door Asm - Center Gaucho - 10 1" x 26" - w/o Hardware |
| 3 | M70663-01-R25 | EA | Cabinet Asm - Center Gaucho |
| 4 | 063239-02-R25 | EA | Cabinet Asm - Hamper - Left |
| 5 | M70664-01-R25 | EA | Cabinet Asm - Gaucho - Left |
| 6 | M70693-01-R25 | EA | Cabinet Asm - Gaucho - Right |
| 6 | 064650-01-R25 | EA | Cabinet Asm - Gaucho - Right - w/Auto Heater |
| 7 | 063239-01-R25 | EA | Cabinet Asm - Hamper - Right |
| . | 009040-03-000 | EA | Base - Pedestal Table - Table Mount |
| . | 041194-01-000 | EA | Base - Pedestal Table - Floor Mount |
| . | 009040-02-000 | EA | Leg - Pedestal Table - 2 25" O D x 27.5" - Chrome |
| . | 062046-01-000 | EA | Clip - Pedestal Leg |
| . | | | Not illustrated |

SPRUNG COUCH AND PEDESTAL TABLE

| Key | Part Number | U/M | Description |
|-----|---------------|-----|--|
| | M70672-01-R25 | EA | Cabinet Face - Sprung Couch - w/o Door or Hardware |
| | 057618-01-R25 | EA | Panel End - Sprung Couch - Right or Left |
| | 069852-15-R10 | EA | Door Asm - Couch Cabinet - 11 7" x 37 2" - w/o Hardware |
| | 057468-02-000 | EA | Frame Asm - Sprung Couch - Right |
| | 057468-03-000 | EA | Frame Asm - Sprung Couch - Left |
| | 057468-04-000 | EA | Frame Rail - Sprung Couch (2 per couch) |
| | 057469-01-000 | EA | Leg Asm - Sprung Couch (2 per couch) |
| | 053248-02-R10 | EA | Table Asm - Pedestal - w/o Hardware - Almond Butcher Block |
| | 009040-02-000 | EA | Leg - Pedestal Table - 27 5" x 2 25" O D - Chrome |
| | 009040-03-000 | EA | Base - Table Leg - Mounts on Table |
| | 041194-01-000 | EA | Base - Table Leg - Mounts in Floor |
| | 062046-01-000 | EA | Clip - Pedestal Leg |

LOUNGE GROUP (CONTINUED)



TWIN BED CABINETRY

| Key | Part Number | U/M | Description |
|-----|---------------|-----|--|
| 1 | 053999-01-R10 | EA | Countertop Asm - Nightstand Top - 23 1/2" x 8 1/2" - Almond Loom |
| 2 | M53976-01-R25 | EA | Cabinet Asm - Nightstand Top - w/o Roll Up Door & Countertop |
| . | 043255-01-000 | EA | Track - Roll Up Door - Brown Plastic |
| . | 043256-01-000 | EA | Spiral - Roll Up Door - Plastic - Right |
| . | 043256-02-000 | EA | Spiral - Roll Up Door - Plastic - Left |
| . | 063224-23-R10 | EA | Door Asm - Rolled - 19' x 12" |
| 3 | M00764-01-R10 | EA | Countertop Asm - Nightstand Base - 24 1/2" x 23 3/8" - Almond Loom |
| 4 | M70658-01-R25 | EA | Cabinet Asm - Nightstand Base - w/o Countertop, Doors or Hardware |
| 5 | 069852-14-R10 | EA | Door Asm - Nightstand Cabinet - 20" x 16 2" - w/o Hardware |
| 6 | M70665-01-R25 | EA | Cabinet Asm - Twin Bed - Left - w/o Door or Hardware |
| . | M70666-01-R25 | EA | Cabinet Asm - Twin Bed - Right - w/o Door or Hardware |
| 7 | 069852-24-R10 | EA | Door Asm - Twin Bed Cabinet - 10 10" x 27 05" - w/o Hardware |
| . | | | Not illustrated |

SWIVEL CHAIRS W/PULLOUT TABLE (OPTION)

| Key | Part Number | U/M | Description |
|-----|---------------|-----|---|
| | M75171-01-R10 | EA | Table Asm. - Foldout - Almond Butcher Block |
| | M01270-01-R10 | EA | Countertop Asm - Foldout Table Cabinet - Almond Butcher Block |
| | 035036-01-000 | EA | Plate - Tilt and Swivel - Swivel Chair |
| | 035036-02-000 | EA | Base w/Leg - Swivel Chair |
| | 035036-04-000 | EA | Base w/Leg - Swivel Chair - Low Base |
| | 035036-05-000 | EA | Extension - 7" - Swivel Chair - Low Base |
| | 024276-11-000 | EA | Table Leg - Beige |
| | 024282-01-000 | EA | Brace - Table Leg |
| | 024283-01-000 | EA | Clip - Table Leg |
| | 064050-01-000 | EA | Hinge - Table Leg |
| | 049493-03-000 | EA | Catch - Table Leg - Mounts on Floor - Beige |
| ** | NOTE | EA | Swivel Chairs |
| ** | 074489-02-R10 | EA | Beverage Holder w/Tray - Oak |
| ** | | | See Curtain, Cushion & Pad Group |

**1984 ITASCA
TABLE OF CONTENTS**

| | |
|---------|-------------|
| IC420RG | A-01 - C-06 |
| IC424RC | C-07 - E-18 |
| ICN23RG | E-19 - H-06 |
| ICN30RT | H-07 - J-20 |

1984 ICN30RT INDEX

| | |
|------------------------------------|-------------|
| Floor Plan | H-07 - H-08 |
| Accessories Group | H-09 - H-11 |
| Bath Group | H-12 - H-13 |
| Chassis Group | H-14 - H-15 |
| Curtain, Cushion & Pad Group | H-16 - H-23 |
| Dinette Group | H-24 |
| Driver's Compartment Group | I-01 - I-03 |
| Electrical Group | I-04 - I-06 |
| Exterior Body Group | I-07 - I-14 |
| Galley Group | I-15 - I-17 |
| Heating & Air Conditioning Group | I-18 - I-19 |
| Interior Finish Group | I-20 - I-22 |
| LP Group | I-23 |
| Lounge Group | I-24 - J-02 |
| Water & Sewage Group | J-03 - J-04 |
| Window, Vent & Exterior Door Group | J-05 - J-20 |

WATER & SEWAGE GROUP

PLUMBING AND REPAIR PARTS

| Key | Part Number | U/M | Description |
|-----|---------------|-----|---|
| | 045729-01-000 | EA | Pump - Water Flow - 2 8 G P M US |
| | 045729-02-000 | EA | Pump - Water Flow - 2 8 G P M - CSA |
| | 039647-03-000 | EA | Filter - Water Pump - 1/2" Flare |
| | 052952-01-000 | EA | Nut - Plastic - 1/2 F |
| | 052953-01-000 | EA | Nut Faucet - 1/2 Tube x 1/2 FPT |
| | 052954-01-000 | EA | Adapter - Hose Cone - 3/8" or 1/2" |
| | 052955-01-000 | EA | Tee - Plastic - 1/2 F x 1/2 F x 1/2 MPT |
| | 052957-01-000 | EA | Elbow - Plastic - 1/2 F x 3/8 MPT |
| | 052958-01-000 | EA | Tee - Plastic - 1/2 F x 1/2 F x 1/2 F |
| | 052959-03-000 | EA | Connector - 1/2 F x 3/8 MPT - Plastic |
| | 052960-01-000 | EA | Drain Valve - 1/2 F x 1/2 F - Plastic |
| | 052961-01-000 | EA | Header - 1/2 F x 1/2 F x 1/2 F x 1/2 F |
| ** | 046524-02-000 | EA | Kit - Water Tank Fittings - Blank Tank |
| ** | 046524-01-000 | EA | Kit - Holding Tank Fittings - Blank Tank |
| ** | 010079-01-000 | EA | Tee - Plastic - 1 1/2 H x 1 1/2 H x 1 1/4 H |
| ** | 010091-01-000 | EA | Wye - Plastic - 3" x 45° H x H x H |
| ** | 010121-01-000 | EA | Bushing - Plastic - 1 1/2 S x 1 1/4 H |
| | 010006-01-000 | EA | Elbow - Plastic - 1 1/2 x 45° H x H |
| ** | 010133-01-000 | EA | Trap Adaptor - Plastic - 1 1/2 H x MPT |
| | 010134-01-000 | EA | Adapter - Plastic - 1 1/2 M x MPT |
| | 062422-01-000 | EA | Adapter - Offset Reducer - 3" x 1 1/2" |
| | 010224-01-000 | EA | Adapter - Plastic - 3/8 MPT x 3/8 Barb |
| | 010000-01-000 | EA | Elbow - Plastic - 1 1/4 x 45° H x H |
| | 010197-01-000 | EA | Pipe - Plastic - 3" x 240" |
| | 031111-01-000 | EA | Elbow - Plastic - 1 1/4 x 90° - Long Turn H x H |
| | 056134-01-000 | EA | Holder - Ring - Pipe Support |
| | 062632-01-000 | EA | Wye - 3" x 3" x 1 1/2" Slip |
| ** | 010201-01-000 | EA | Sewer Hose - 3" x 8' w/Clamp |
| | 062415-01-000 | EA | Sewage Cap - 3" |
| | 065979-01-000 | EA | Compartment Asm - Sewer Hose |
| | 062416-01-000 | EA | Hose Adapter - 3" |
| | 062417-01-000 | EA | Termination Adapter - 3" |
| | 062418-01-000 | EA | Valve - 3" - w/Handle |
| | 062418-02-000 | EA | Valve - 3" - w/o Handle |
| | 052962-01-000 | EA | Valve - Stool - 90° 1/2 F x 3/8 MPT |
| | 062419-01-000 | EA | Handle - 35" Extension - w/6" Adapter |
| | 062419-02-000 | EA | Handle - 53" Extension - w/6" Adapter |
| | 063641-01-000 | EA | Flange - Closet - 4" x 3" Sigot 2 7/8" |
| | 010219-01-000 | EA | Elbow - 1 1/4 Barb x 1 1/4 MPT 90° |
| | 023441-01-000 | EA | Tee - Plastic - 3/8 Barb |
| | 035539-01-000 | EA | Elbow - Plastic 3/8 MPT x 3/8 Barb |
| | 054535-01-000 | EA | Vent - Mechanical Trap Arm |
| | 044928-01-000 | EA | Tubing - Flex - 1 1/4 I D x 10' |
| | 062421-01-000 | EA | Valve - 1 1/2" - w/Handle |
| | 061607-01-000 | EA | Grommet - Holding Tank Coupler - 1 1/2" |
| | 061607-02-000 | EA | Grommet - Holding Tank Coupler - 3" |
| | 053335-01-000 | EA | P-Trap - Plastic - 1 1/4 H x H - w/Union |
| ** | 011066-01-000 | EA | P-Trap - 1 1/4" - Plastic |
| ** | 011091-01-000 | EA | Waste - Continuous - Double Sink - 11 7/8" |
| | 031126-02-000 | EA | Elbow - 3" x 90° x Long Turn - CSA |
| ** | 050780-01-000 | EA | Rubber Coupler - 3" x 3" |
| | 004020-01-000 | QT | Adhesive - ABS Cement |
| | 037845-01-000 | FT | Tape - Butyl - 3/16" - Bead - Black |

** The illustrated parts breakdown for this item is provided on the Common Items Fiche

WATER & SEWAGE GROUP (CONTINUED)

HOLDING TANKS AND WATER HEATERS

| Key | Part Number | U/M | Description |
|-----|---------------|-----|---|
| | 061804-01-000 | EA | Tank Asm - Holding - 36 Gallon - w/o Fittings - Waste Water |
| | 061805-01-000 | EA | Tank Asm - Holding - 40 Gallon - w/o Fittings - Sewage |
| | 071811-02-000 | EA | Tank Asm - Water - Plastic - 63 Gallon - w/Fittings |
| | 071811-01-000 | EA | Tank Asm - Water - Plastic - 63 Gallon - w/o Fittings |
| | 051391-01-000 | EA | Water Heater (G6A - 3) w/o Motor Aid |
| | 071289-01-000 | EA | Water Heater - Gas/Electric - w/o Motor Aid |
| | 051393-01-000 | EA | Water Heater - Motor Aid - Direct Ignition - GH6-3E |
| | 024860-01-000 | EA | Panel - Front Heater - A/C |

1984 ITASCA TABLE OF CONTENTS

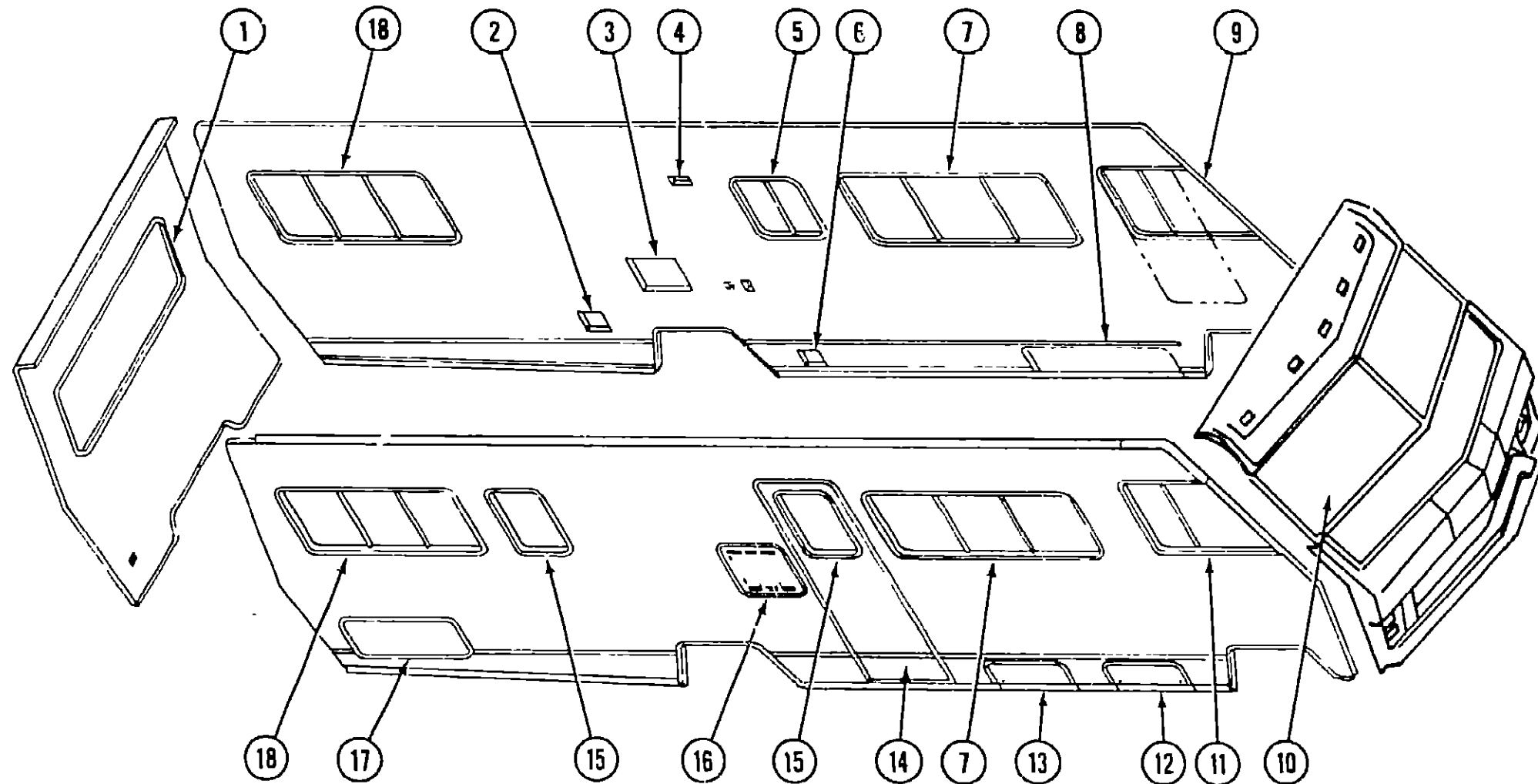
| | |
|---------|-------------|
| IC420RG | A-01 - C-06 |
| IC424RC | C-07 - E-18 |
| ICN23RG | E-19 - H-06 |
| ICN30RT | H-07 - J-20 |

1984 ICN30RT INDEX

| | |
|------------------------------------|-------------|
| Floor Plan | H-07 - H-08 |
| Accessories Group | H-09 - H-11 |
| Bath Group | H-12 - H-13 |
| Chassis Group | H-14 - H-15 |
| Curtain, Cushion & Pad Group | H-16 - H-23 |
| Dinette Group | H-24 |
| Driver's Compartment Group | I-01 - I-03 |
| Electrical Group | I-04 - I-06 |
| Exterior Body Group | I-07 - I-14 |
| Galley Group | I-15 - I-17 |
| Heating & Air Conditioning Group | I-18 - I-19 |
| Interior Finish Group | I-20 - I-22 |
| LP Group | I-23 |
| Lounge Group | I-24 - J-02 |
| Water & Sewage Group | J-03 - J-04 |
| Window, Vent & Exterior Door Group | J-05 - J-20 |

WINDOW, VENT & EXTERIOR DOOR GROUP

WINDOWS AND ACCESS DOORS



| Key | Part Number | U/M | Description |
|-----|---------------|-----|--|
| 1 | 020754-03-000 | EA | Window Asm - Escape - 23" x 68" Black (w/o inside frame) |
| 2 | NOTE | EA | Door Asm - Fuel Fill (See Access Doors) |
| 3 | 052009-03-000 | EA | Door Asm. - Water Heater - Gray |
| 4 | 049352-03-000 | EA | Vent - Stovehood - Outside - Gray |
| 5 | 048631-04-000 | EA | Window Asm - Left - Single Slider - 20" x 25" - Black (w/o inside frame) |
| 6 | NOTE | EA | Door Asm - Power Cord (See Access Doors) |
| 7 | 066785-03-000 | EA | Window Asm - Single Slider - 25" x 65" - Black (w/o inside frame) |
| 8 | 073925-02-000 | EA | Door Asm - Luggage - 9" x 48" - Gray w/Key Lock |
| 9 | 059046-02-000 | EA | Window Asm - Left Front Slant Slider - 23" x 39" (w/o inside frame) |
| 10 | 057459-01-000 | EA | Glass - Windshield - Right or Left |

| Key | Part Number | U/M | Description |
|-----|---------------|-----|--|
| 11 | 059046-01-000 | EA | Window Asm - Right Front Slant Slider - 23" x 39" (w/o inside frame) |
| 12 | 073925-06-000 | EA | Access Door - 25 3/4" x 9" - Gray w/Key Type Lock (Battery) |
| 13 | 073925-04-000 | EA | Door Asm - w/Sewer Hose Compartment |
| 14 | M01414-02-R10 | EA | Door Asm - Radius Entry w/Screen Door |
| 15 | 011875-09-000 | EA | Window Asm - Picture - 17" x 25" - Black (w/o inside frame) |
| 16 | 069762-05-000 | EA | Door Asm - Refrigerator Access - Gray w/Twist Type Lock |
| 17 | M00685-09-000 | EA | Door Asm - Generator - Gray w/Twist Type Lock |
| 17 | 047233-03-000 | EA | Door Asm - Luggage - Gray w/Key Type Lock |
| 18 | 066785-02-000 | EA | Window Asm - Single Slider - 25" x 56" - Black (w/o inside frame) |

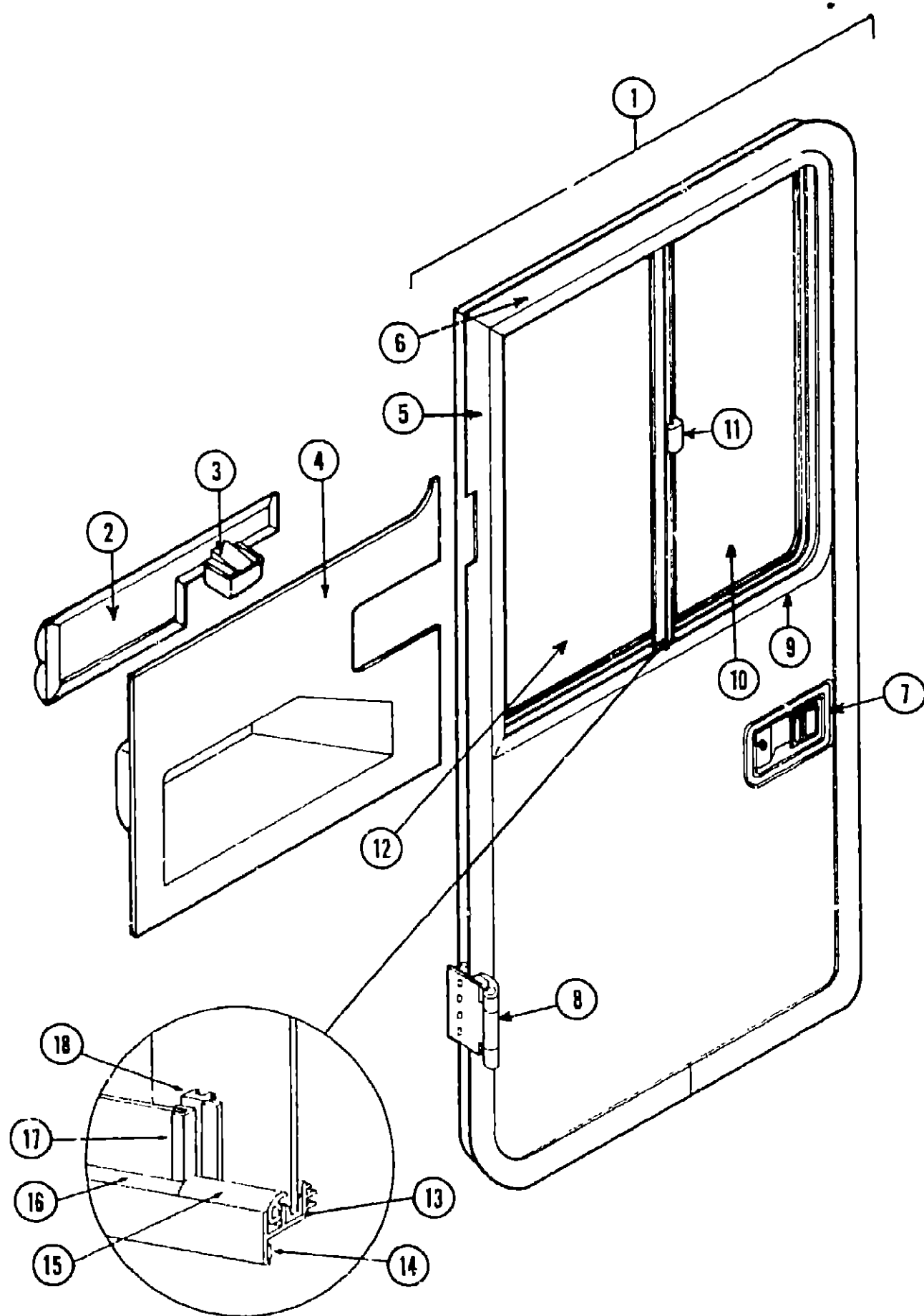
1984 ITASCA TABLE OF CONTENTS

| | |
|---------|-------------|
| IC420RG | A-01 - C-06 |
| IC424RC | C-07 - E-18 |
| ICN23RG | E-19 - H-06 |
| ICN30RT | H-07 - J-20 |

1984 ICN30RT INDEX

| | |
|------------------------------------|-------------|
| Floor Plan | H-07 - H-08 |
| Accessories Group | H-09 - H-11 |
| Bath Group | H-12 - H-13 |
| Chassis Group | H-14 - H-15 |
| Curtain, Cushion & Pad Group | H-16 - H-23 |
| Dinette Group | H-24 |
| Driver's Compartment Group | I-01 - I-03 |
| Electrical Group | I-04 - I-06 |
| Exterior Body Group | I-07 - I-14 |
| Galley Group | I-15 - I-17 |
| Heating & Air Conditioning Group | I-18 - I-19 |
| Interior Finish Group | I-20 - I-22 |
| LP Group | I-23 |
| Lounge Group | I-24 - J-02 |
| Water & Sewage Group | J-03 - J-04 |
| Window, Vent & Exterior Door Group | J-05 - J-20 |

WINDOW, VENT & EXTERIOR DOOR GROUP (CONTINUED)



DRIVER DOOR

| Key | Part Number | U/M | Description |
|-----|---------------|-----|---|
| 1 | 063991-06-R10 | EA | Door Asm - Driver - Inner Panel - Gray |
| 2 | 064088-02-000 | EA | Pad Asm - Trim - Upper - Light Oak |
| | 061400-01-000 | EA | Assist Strap - 12" - Light Brown |
| 3 | 046886-01-000 | EA | Ash Tray Asm - Flush Mount - Chrome |
| 4 | 064499-02-000 | EA | Panel - Driver Door - Inner - Light Oak |
| 5 | 063350-03-000 | EA | Trim - Door Frame - Front - Gray |
| 6 | 063351-03-000 | EA | Trim - Door Frame - Rear - Gray |
| 7 | 045017-03-000 | EA | Paddle - Door Lock - Exterior |
| | 045017-05-700 | EA | Lock Cylinder w/Keys - Lynor |
| | 039979-02-000 | EA | Inside Plate - Door Lock - w/Inside Handle |
| | 039540-02-000 | EA | Latch Claw - Entry Door Lock |
| | 039738-01-000 | EA | Deadbolt - Entrance Door Lock |
| | 039539-01-000 | EA | Strike Bolt - Entrance Door (Jamb Mount) |
| | 063124-02-000 | EA | Plate - Striker - 8 1/4" x 1" - Black |
| | 062879-01-000 | EA | Jamb - Driver Door - Black Steel |
| | 064199-06-000 | EA | Trim - Door Jamb - Rear - w/Drip Cap - Gray |
| | 064184-01-000 | EA | Drip Cap - Driver Door |
| | 063358-06-000 | EA | Trim - Door Jamb - Front - Gray |
| | 063768-01-000 | EA | Sill Plate - Driver Door |
| 8 | 063993-03-000 | EA | Hinge Asm - Driver Door - Gray |
| | 064580-01-000 | EA | Check Strap - Driver Door - Seal Belt Webbing |
| | 064219-01-000 | EA | Retainer - Driver Door Check Strap |
| | 063886-03-000 | EA | Assist Handle - Driver Door - Beige Steel Tube (2 required per door) |
| | 064075-01-000 | EA | Bulb Seal - Driver Door - 145" |
| 9 | 062982-01-000 | EA | Window Asm - Driver Door - Single Slider - 23" x 25 5/8" (w/o inside frame) |
| 10 | 057657-02-000 | EA | Glass - 3/16" x 24 88" x 12" - Sliding |
| 11 | 047369-01-700 | EA | Latch - Window - Plastic w/Fastener |
| 12 | 002188-04-000 | EA | Glass - 3/16" x 24 88" x 12" - Stationary |
| 13 | 002324-02-000 | FT | Channel - Weatherstrip - Glass Run - 1/8" Glass |
| 14 | 069640-01-000 | FT | Tape - 1/4" Bead x 20' - Gray - 3M |
| 15 | 024096-02-000 | FT | Seal - Window Channel - Black |
| 16 | 002309-02-000 | FT | Spline - Glass - Black |
| 17 | 002389-03-204 | EA | Holder - Glass Seal - Anod Black - 25 1/4" |
| | 002288-01-000 | FT | Weatherstrip - Glass Seal |
| 18 | 057644-04-000 | EA | Mullion - Slider Window - Black Anod |
| | 063422-02-000 | EA | Inside Frame - Driver Door Window - Beige |
| | 023713-02-000 | EA | Cover - Weephole - Black Plastic |
| | 055164-06-000 | EA | Screen Asm - Slider |
| | 002292-01-000 | SF | Screen - Window - 20" - Gray |
| | 002298-01-000 | FT | Spline - Gray - Screen - 130" Dia |
| | 016310-03-000 | EA | Screen Handle |
| | 043485-02-000 | FT | Screen Seal - Extr Vinyl |
| | | | Not illustrated |

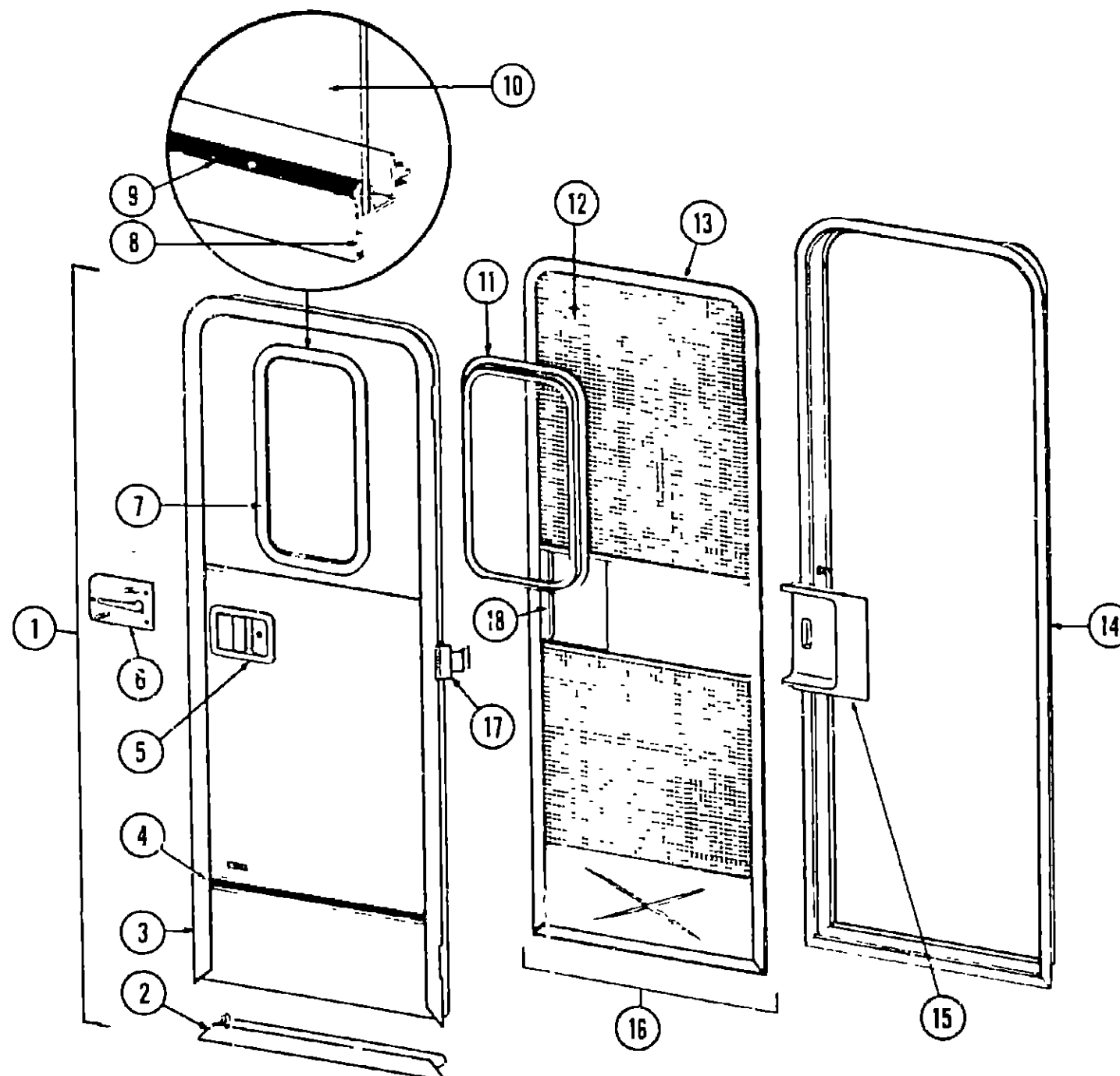
1984 ITASCA TABLE OF CONTENTS

| | |
|---------|-------------|
| IC420RG | A-01 - C-06 |
| IC424RC | C-07 - E-18 |
| ICN23RG | E-19 - H-06 |
| ICN30RT | H-07 - J-20 |

1984 ICN30RT INDEX

| | |
|------------------------------------|-------------|
| Floor Plan | H-07 - H-03 |
| Accessories Group | H-09 - H-11 |
| Bath Group | H-12 - H-13 |
| Chassis Group | H-14 - H-15 |
| Curtain, Cushion & Pad Group | H-16 - H-23 |
| Dinette Group | H-24 |
| Driver's Compartment Group | I-01 - I-03 |
| Electrical Group | I-04 - I-06 |
| Exterior Body Group | I-07 - I-14 |
| Galley Group | I-15 - I-17 |
| Heating & Air Conditioning Group | I-18 - I-19 |
| Interior Finish Group | I-20 - I-22 |
| LP Group | I-23 |
| Lounge Group | I-24 - J-02 |
| Water & Sewage Group | J-03 - J-04 |
| Window, Vent & Exterior Door Group | J-05 - J-20 |

WINDOW, VENT & EXTERIOR DOOR GROUP (CONTINUED)



| Key | Part Number | U/M | Description |
|-----|---------------|-----|---|
| 1 | M01414-02-R10 | EA | Door Asm - Radius Entry w/Screen Door |
| 2 | 039737-06-000 | EA | Frame - Entry Door (Bottom Portion Only) |
| 3 | 039736-05-000 | EA | Frame - Entry Door (Except Bottom Portion) |
| 4 | 054530-01-000 | EA | Holder - Entry Door - Mounts on Sidewall |
| 5 | 045017-05-000 | EA | Paddle Asm - Door Lock - Exterior |
| | 045017-01-700 | FA | Lock Cylinder w/Keys |
| | 039539-01-000 | EA | Striker Bolt - Entry Door |
| | 039540-01-000 | EA | Latch Claw - Entry Door |
| 6 | 039979-01-000 | EA | Plate - Lock - Interior - Including Inside Handle |
| | 052186-01-000 | EA | Lock Asm - Complete - Lynor |
| 7 | 041875-09-000 | EA | Window Asm - Picture - 17" x 25" - Black (w/o inside frame) |
| 8 | 069640-01-000 | FT | Tape - 1/4" Bead x 20' - Gray - 3M |
| 9 | 002309-02-000 | EA | Spline - Glass - 1/8" Black |
| | 044582-06-000 | EA | Cap - Drip Jamb - Mounted - Gray |
| 10 | 002181-02-000 | EA | Glass - Picture Window - 1/8" x 12" x 24" - Gray |
| 11 | 067609-03-000 | EA | Frame - Window - Inside - 17" x 25" - Beige |
| 12 | 002293-01-000 | SF | Screen - Window - 26" - Gray |

1984 ITASCA TABLE OF CONTENTS

| | |
|---------|-------------|
| IC420RG | A-01 - C-06 |
| IC424RC | C-07 - E-18 |
| ICN23RG | E-19 - H-06 |
| ICN30RT | H-07 - J-20 |

1984 ICN30RT INDEX

| | |
|------------------------------------|-------------|
| Floor Plan | H-07 - H-08 |
| Accessories Group | H-09 - H-11 |
| Bath Group | H-12 - H-13 |
| Chassis Group | H-14 - H-15 |
| Curtain, Cushion & Pad Group | H-16 - H-23 |
| Dinette Group | H-24 |
| Driver's Compartment Group | I-01 - I-03 |
| Electrical Group | I-04 - I-06 |
| Exterior Body Group | I-07 - I-14 |
| Galley Group | I-15 - I-17 |
| Heating & Air Conditioning Group | I-18 - I-19 |
| Interior Finish Group | I-20 - I-22 |
| LP Group | I-23 |
| Lounge Group | I-24 - J-02 |
| Water & Sewage Group | J-03 - J-04 |
| Window, Vent & Exterior Door Group | J-05 - J-20 |

| Key | Part Number | U/M | Description |
|-----|---------------|-----|--|
| 13 | 056795-01-000 | FT | Seal Tape - 1/8" x 3/8" - Press On |
| 14 | 075636-03-000 | EA | Jamb Asm - Entry Door |
| 15 | 015580-02-000 | EA | Slider - Screen Door - Plastic |
| 16 | 053170-08-000 | EA | Door Asm - Screen |
| | 002294-01-000 | FT | Spline - 135' x .138" - Black |
| 17 | 039520-01-000 | EA | Hinge - Entry Door (3 used per door) |
| 18 | 015581-02-000 | EA | Cap - Screen Door - Plastic |
| | 053552-01-R10 | EA | Assist Handle - Almond (Beige) Vinyl |
| | 063638-01-000 | EA | Striker - Screen Door |
| | 039863-01-000 | EA | Catch Asm - Single Roller w/Strike - Screen Door |
| | 051390-01-000 | FT | Seal - Jamb - Entry Door - Bulb Seal |
| | 039800-01-000 | FT | Tubing - Polybutyl - 1/2" O D - Jamb |
| | 009016-01-000 | EA | Catch - Elbow - Spring Loaded - Zinc |
| | 009018-01-000 | EA | Catch Asm - Single Roller |
| | 075639-01-000 | EA | Garnish - Radius Entrance Door |
| | | | Not illustrated |

WINDOW, VENT & EXTERIOR DOOR GROUP (CONTINUED)

ACCESS DOORS

| Key | Part Number | U/M | Description |
|-----|---------------|-----|---|
| | 047233-03-000 | EA | Door Asm. - Luggage - Gray w/Key Type Lock |
| | 073925-02-000 | EA | Door Asm - Luggage - 9" x 48" - Gray w/Key Type Lock |
| | 069762-05-000 | EA | Door Asm - Refrigerator Access - Gray w/Twist Type Lock |
| | 042441-01-000 | EA | Lock Asm - Key Type - Gas Fill |
| | 047305-01-000 | EA | Lock Asm - Key Type - w/Clip - Luggage |
| | M00685-09-000 | EA | Door Asm - Generator - w/Twist Type Lock - Gray |
| | 052181-02-000 | EA | Baffle - Generator Door |
| | 042442-01-000 | EA | Lock Asm - Twist Type |
| | 052009-03-000 | EA | Door Asm. - Water Heater - Gray |
| | 041312-01-000 | FT | Door Seal - Bulb - e Section |
| | 052423-03-000 | EA | Door Asm - Fuel Fill - Gray |
| | 052424-03-000 | EA | Jamb - Fuel Fill/Power Cord - Gray |
| | 063946-03-000 | EA | Door - Power Cord - Gray |
| | 054543-03-000 | EA | Hatch - Power Cord Door |
| | 073925-06-000 | EA | Door Asm - 25 3" x 9" - Gray w/Key Type Lock (Battery) |
| | 054530-01-000 | EA | Door Stop and Holder |
| | 073925-04-000 | EA | Door Asm - w/Sewer Hose Compartment |

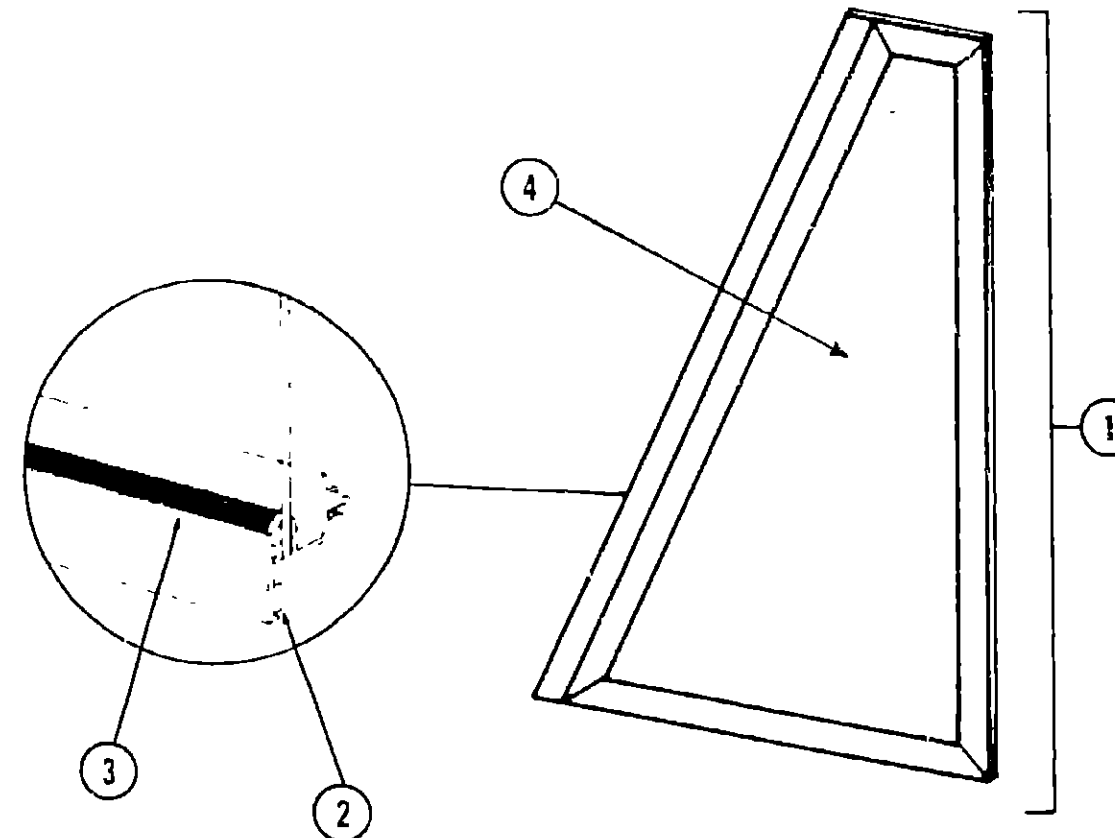
WINDSHIELD

| Key | Part Number | U/M | Description |
|-----|---------------|-----|------------------------------------|
| | 058272-02-000 | EA | Frame Asm - Windshield w/o Glass |
| | 057459-01-000 | EA | Glass - Windshield - Right or Left |
| | 038886-01-000 | EA | Tape - Butyl - 31" x 31" x 148" |
| | 042743-01-000 | EA | Corner - Windshield - Lower |
| | 042743-02-000 | EA | Corner - Windshield - Upper |

VENTS

| Key | Part Number | U/M | Description |
|-----|---|-----|--|
| | 049352-03-000 | EA | Vent - Stovehood - Outside - Gray |
| ** | 048789-01-000 | EA | Vent Asm - Roof - Powered - w/o Screen - Alum |
| ** | 048835-01-000 | EA | Vent Asm - Roof - Non Powered - w/o Screen - Alum |
| ** | 056119-01-000 | EA | Vent Asm - Roof - Powered/Lighted - Jensen - White |
| | 071290-01-000 | EA | Base - Refrigerator Roof Vent |
| | 071290-02-000 | EA | Cap - Refrigerator Roof Vent - Plastic |
| ** | The illustrated parts breakdown for this item is provided on the Common Items Fiche | | |

WINDOW, VENT & EXTERIOR DOOR GROUP (CONTINUED)



| Key | Part Number | U/M | Description |
|-----|-----------------|-----|---|
| 1 | 062896-01-000 | EA | Window Asm - Stationary - Drivers Slant - 14" x 25 32" Black (w/o inside frame) |
| 2 | 069640-01-000 | FT | Tape - 1/4" Bead x 20' - Gray - 3M |
| 3 | 002309-02-000 | FT | Spline - Glass - 1/8" - Black |
| 4 | 057656-02-000 | EA | Glass - 3/16" x 24 88" |
| * | 063420-02-000 | EA | Inside Frame - Front Slant Window - Beige (not included in assembly) |
| * | Not illustrated | | |

**1984 ITASCA
TABLE OF CONTENTS**

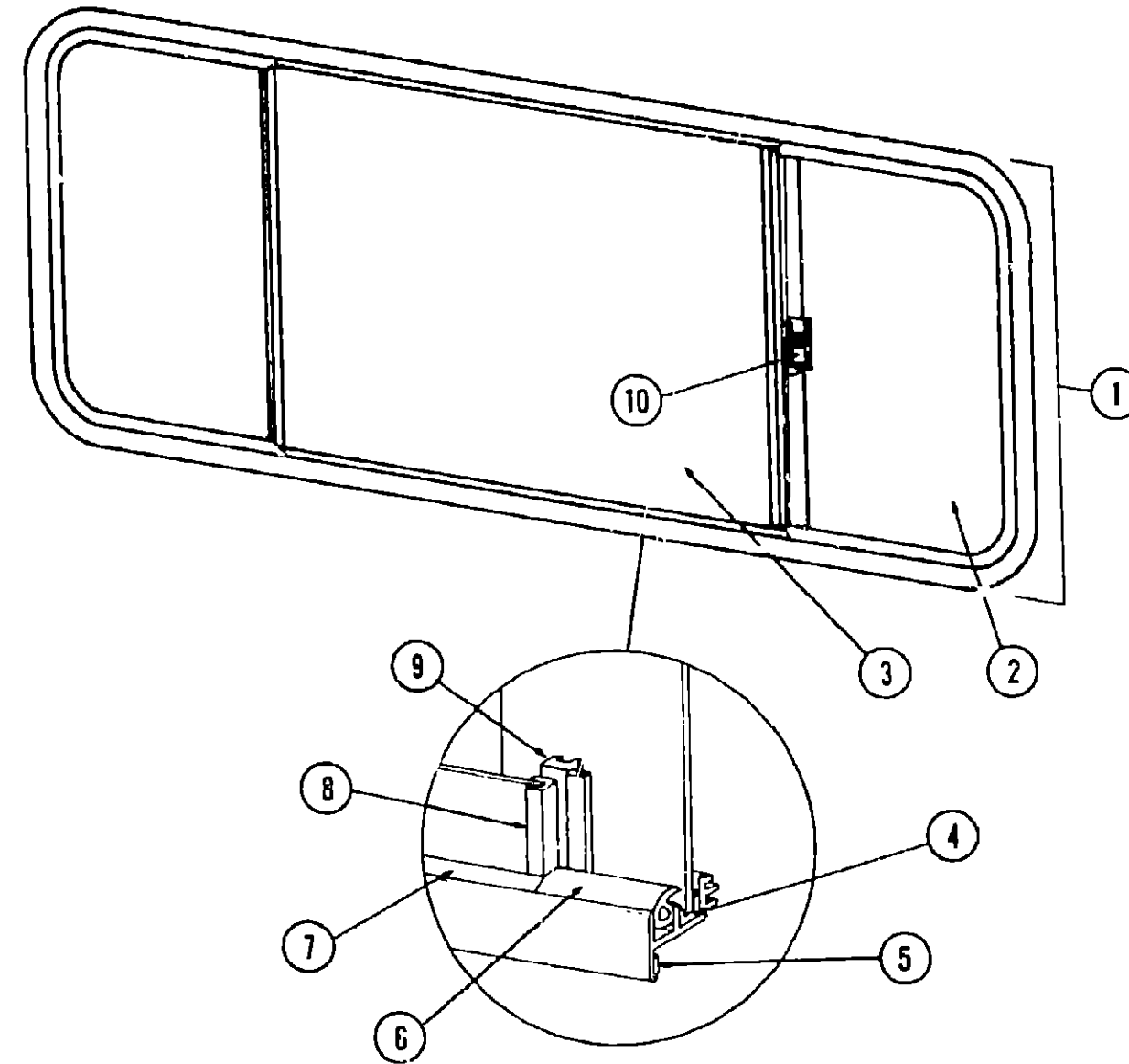
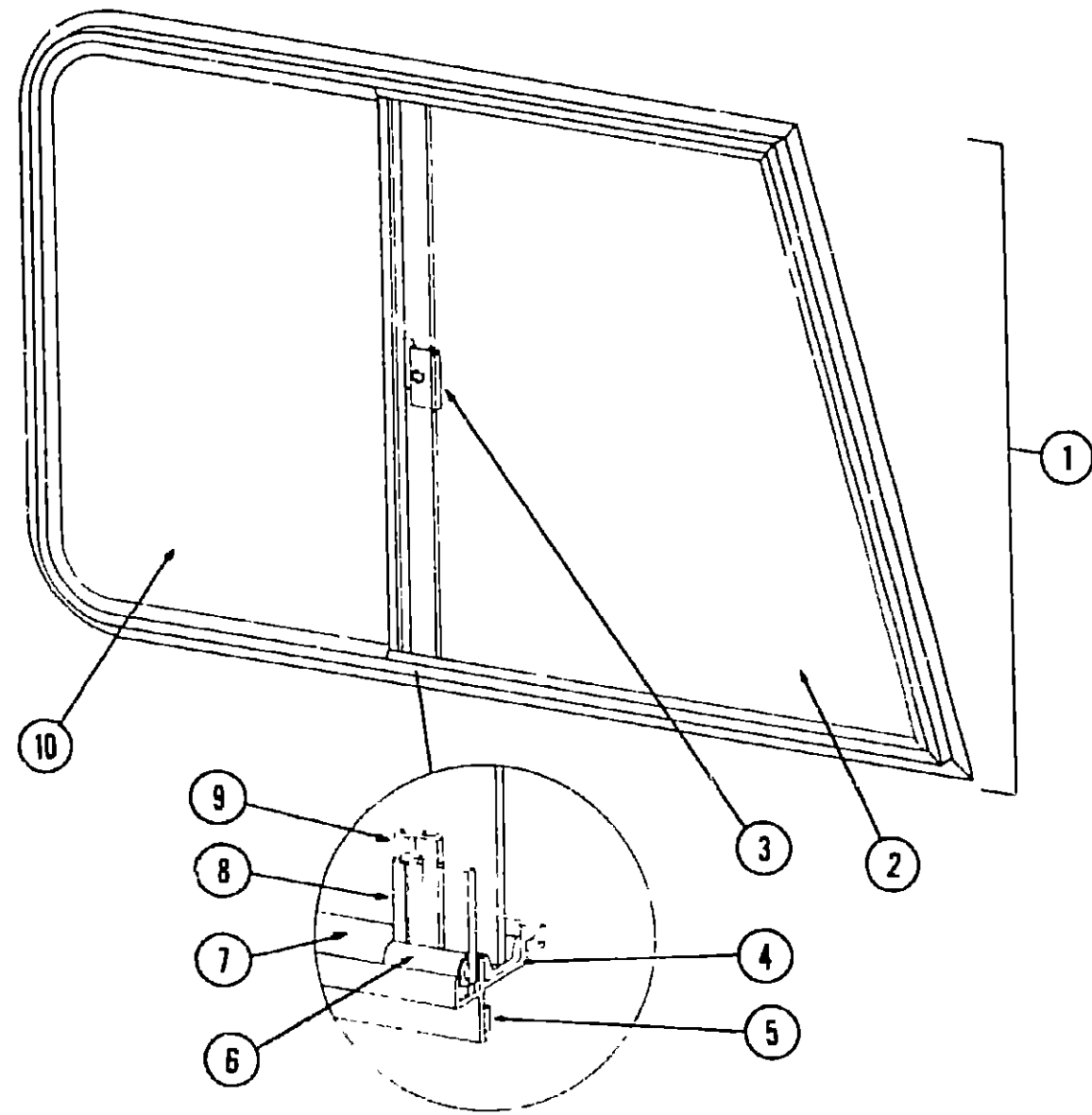
| | |
|---------|-------------|
| IC420RG | A-01 - C-06 |
| IC424RC | C-07 - E-18 |
| ICN23RG | E-19 - H-06 |
| ICN30RT | H-07 - J-20 |

1984 ICN30RT INDEX

| | |
|-----------------------------------|-------------|
| Floor Plan | H-07 - H-08 |
| Accessories Group | H-09 - H-11 |
| Bath Group | H-12 - H-13 |
| Chassis Group | H-14 - H-15 |
| Curtain, Cushion & Pad Group | H-16 - H-23 |
| Dinette Group | H-24 |
| Driver's Compartment Group | I-01 - I-03 |
| Electrical Group | I-04 - I-06 |
| Exterior Body Group | I-07 - I-14 |
| Galley Group | I-15 - I-17 |
| Heating & Air Conditioning Group | I-18 - I-19 |
| Interior Finish Group | I-20 - I-22 |
| LP Group | I-23 |
| Lounge Group | I-24 - J-02 |
| Water & Sewage Group | J-03 - J-04 |
| Window Vent & Exterior Door Group | J-05 - J-20 |

WINDOW, VENT & EXTERIOR DOOR GROUP (CONTINUED)

WINDOW, VENT & EXTERIOR DOOR GROUP (CONTINUED)



| Key | Part Number | U/M | Description |
|-----|-----------------|-----|--|
| 1 | 059046-01-000 | EA | Window Asm - Right Front Slant Slider - 23" x 39" (w/o inside frame) |
| 1 | 059046-02-000 | EA | Window Asm - Left Front Slant Slider - 23" x 39" (w/o inside frame) |
| 2 | 057656-01-000 | EA | Glass - 19" x 24 88" x 25 3 - Stationary |
| 3 | 047369-01-700 | EA | Latch - Window - Plastic w/l astener |
| * | 023320-01-000 | EA | Foam Pad - 3/8" Dia (used with plastic latch) |
| 4 | 042077-01-000 | FT | Channel - Weatherstrip - Glass Run - 3/16" Glass |
| 5 | 069640-01-000 | FT | Tape - 1/2" x 1/8" x 20' - Gray - 3M |
| 6 | 050216-02-000 | FT | Spline - 3/16" Glass |
| 7 | 041928-02-000 | FT | Extr Vinyl - Window Seal - Black |
| 8 | 002389-03-206 | EA | Holder - Glass Seal - Black Anod - 24 13" |
| 9 | 057644-04-000 | EA | Mullion - Window - Slant Slider |
| 10 | 057657-01-000 | EA | Glass - 19" x 24 88" x 14 70" - Sliding |
| * | 059042-03-000 | EA | Inside Frame - Right Front Slant Slider - Beige (not included in assembly) |
| * | 059042-04-000 | EA | Inside Frame - Left Front Slant Slider - Beige (not included in assembly) |
| * | 023713-02-000 | EA | Cover - Weephole - Black |
| * | 055164-05-000 | EA | Slider Screen Asm - Right or Left - Black |
| * | 016310-03-000 | EA | Handle - Slider Screen - Black |
| * | 002297-01-000 | SF | Screen - Window - 20" - Gray |
| * | 002298-01-000 | FT | Spline - Gray - 130" Dia |
| * | Not illustrated | | |

| Key | Part Number | U/M | Description |
|-----|-----------------|-----|---|
| 1 | 066785-03-000 | EA | Window Asm - Single Slider - 25" x 65" - Black (w/o inside frame) |
| * | 067609-06-000 | EA | Inside Frame - Beige (not included in assembly) |
| 2 | 066726-02-000 | EA | Glass - Stationary - 1/8" x 21 3" x 24" |
| 3 | 066727-02-000 | EA | Glass - Stationary - 1/8" x 25 5" x 24" |
| 4 | 002324-02-000 | FT | Channel - Weatherstrip - Glass |
| 5 | 069640-01-000 | FT | Tape - 1/4" Bead x 20' - Gray - 3M |
| 6 | 057374-02-000 | FT | Extr Vinyl - Window Seal - Black |
| 7 | 002309-02-000 | FT | Spline - Glass - 1/8" Material - Black |
| 8 | 069886-03-003 | EA | Extr - Holder - Glass Seal - 23 19" - Black |
| 9 | 069896-02-000 | EA | Mullion - Slider Window - Black |
| 10 | 047369-01-700 | EA | Latch - Window - Plastic - w/Fastener |
| * | 002293-01-000 | SF | Screen - Window - 26" - Gray |
| * | 002298-01-000 | FT | Spline - 130" Dia - Gray (Screen) |
| * | 042076-01-000 | FT | Seal - Fin - Pile 3/4" |
| * | Not illustrated | | |

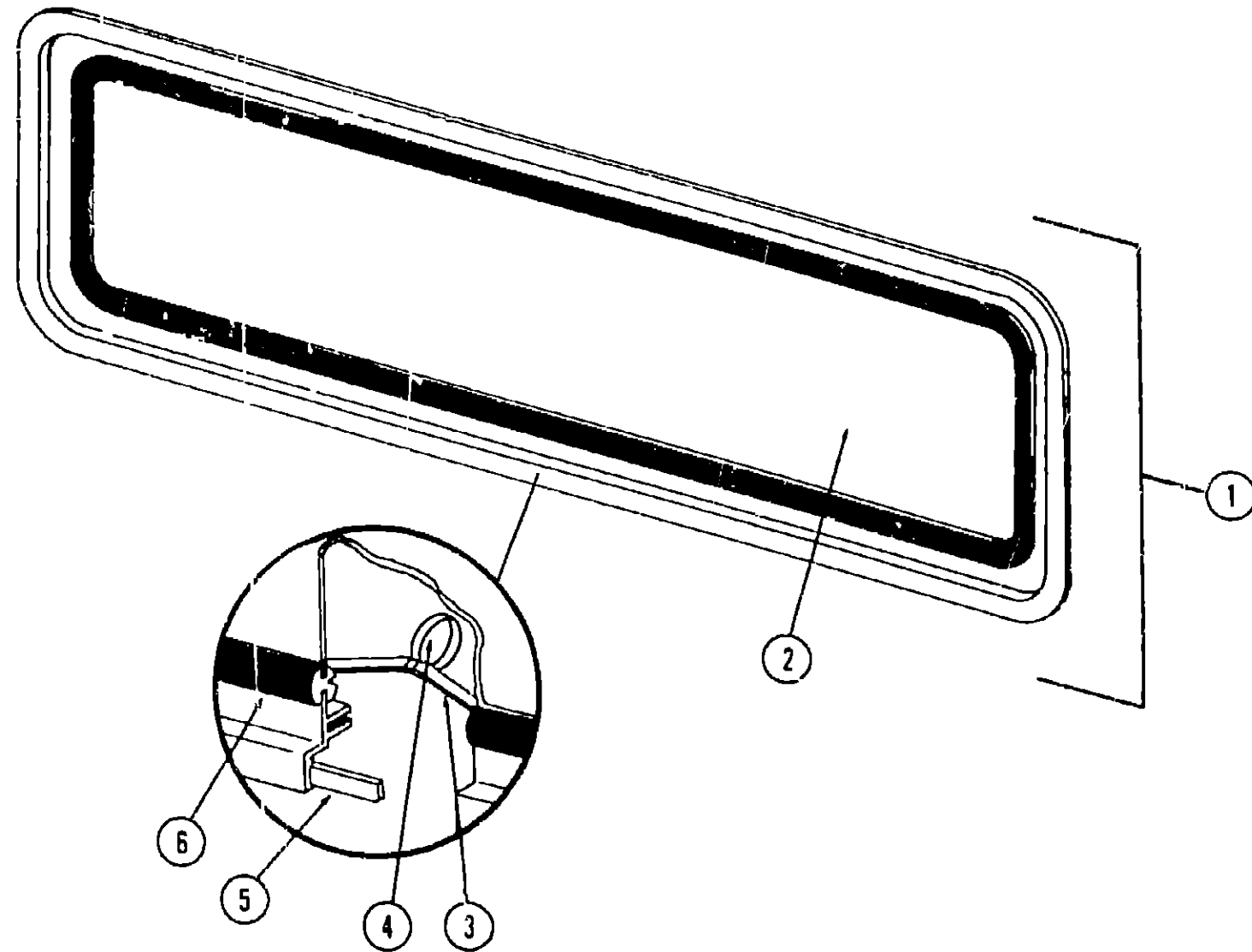
1984 ITASCA
TABLE OF CONTENTS

| | |
|---------|-------------|
| IC420RG | A-01 - C-06 |
| IC424RC | C-07 - E-18 |
| ICN23RG | E-19 - H-06 |
| ICN30RT | H-07 - J-20 |

1984 ICN30RT INDEX

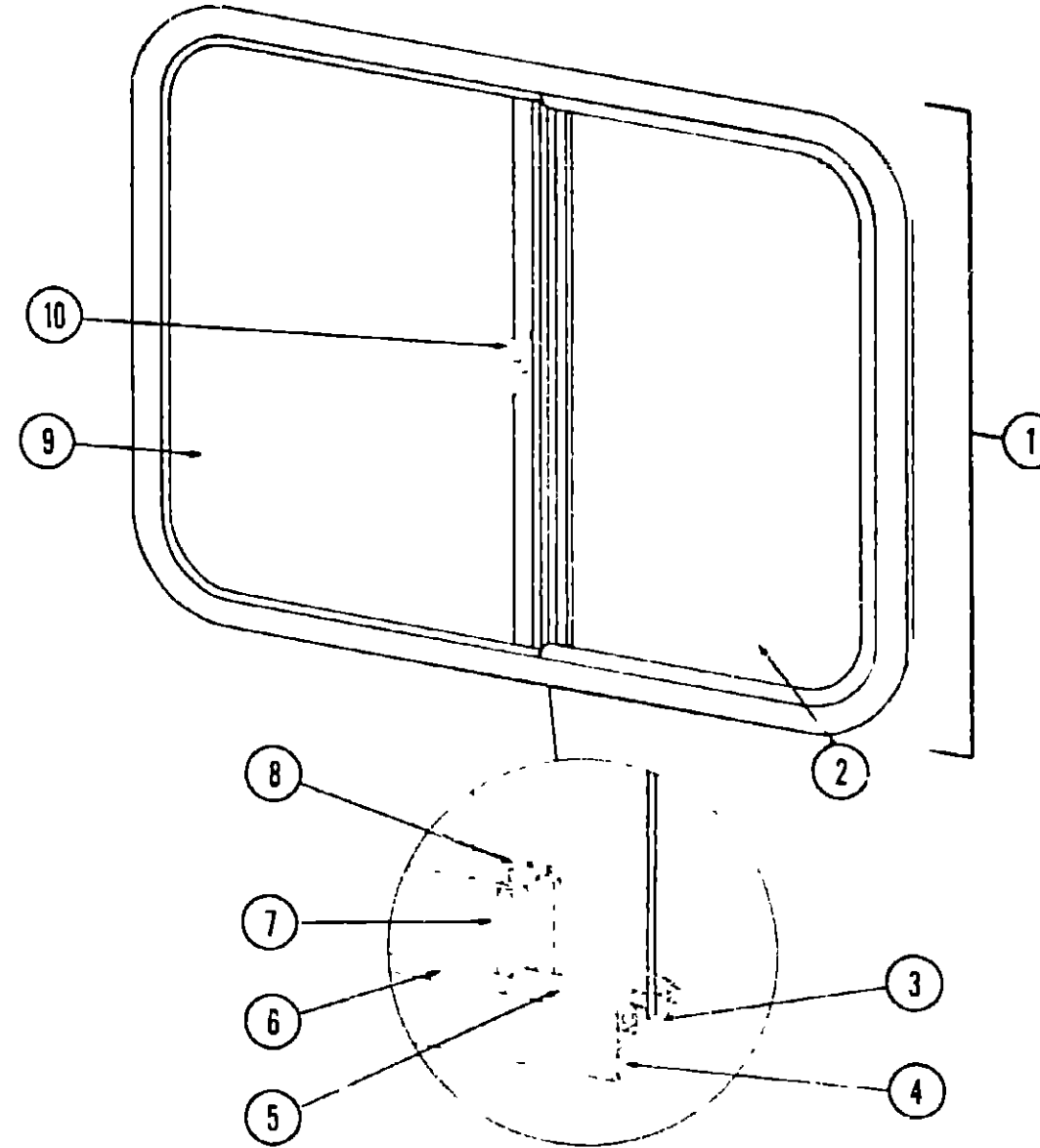
| | |
|------------------------------------|-------------|
| Floor Plan | H-07 - H-08 |
| Accessories Group | H-09 - H-11 |
| Bath Group | H-12 - H-13 |
| Chassis Group | H-14 - H-15 |
| Curtain, Cushion & Pad Group | H-16 - H-23 |
| Dinette Group | H-24 |
| Driver's Compartment Group | I-01 - I-03 |
| Electrical Group | I-04 - I-06 |
| Exterior Body Group | I-07 - I-14 |
| Galley Group | I-15 - I-17 |
| Heating & Air Conditioning Group | I-18 - I-19 |
| Interior Finish Group | I-20 - I-22 |
| LP Group | I-23 |
| Lounge Group | I-24 - J-02 |
| Water & Sewage Group | J-03 - J-04 |
| Window, Vent & Exterior Door Group | J-05 - J-20 |

WINDOW, VENT & EXTERIOR DOOR GROUP (CONTINUED)



| Key | Part Number | U/M | Description |
|-----|---------------|-----|---|
| 1 | 020754-03-000 | EA | Window Asm - Escape - 23' x 68" - Black (w/o inside frame) |
| 2 | 002178-01-000 | EA | Glass - 1/8" x 19 61" x 64 80" |
| 3 | 002285-01-000 | FT | Weatherstrip - Filler - Black |
| 4 | 020395-01-000 | EA | Slip Ring - Pull |
| 5 | 069640-01-000 | FT | Tape - 1/4" Bead x 20' - Gray - 3M |
| 6 | 002282-01-000 | FT | Weatherstrip - Window - .125" Black |
| . | 042027-05-000 | EA | Inside Frame - Window - Escape - Beige (not included in assembly) |
| . | 006199-01-000 | EA | Label - Exit - Escape Window |
| . | | | Not illustrated |

WINDOW, VENT & EXTERIOR DOOR GROUP (CONTINUED)



| Key | Part Number | U/M | Description |
|-----|---------------|-----|---|
| 1 | 066785-02-000 | EA | Window Asm - Single Slider - 25" x 56" - Black (w/o inside frame) |
| . | 067609-07-000 | EA | Inside Frame - Beige (not included in assembly) |
| 2 | 066726-01-000 | EA | Glass - Stationary - 1/8" x 16 5" x 24" |
| 3 | 066727-02-000 | EA | Glass - Sliding - 1/8" x 25 5" x 24" |
| 4 | 002324-02-000 | FT | Channel - Weatherstrip - Glass |
| 5 | 069640-01-000 | FT | Tape - 1/4" Bead x 20' - Gray - 3M |
| 6 | 057374-02-000 | FT | Extr. Vinyl - Window Seal - Black |
| 7 | 002309-02-000 | FT | Spline - Glass - 1/8" Material - Black |
| 8 | 069886-03-003 | EA | Extr. Holder - Glass Seal - 23 19" - Black |
| 9 | 069596-02-000 | EA | Mullion - Slider Window - Black |
| 10 | 047369-01-700 | EA | Latch - Window - Plastic w/Fastener |
| . | 002293-01-000 | SF | Screen - Window - 26" - Gray |
| . | 002298-01-000 | FT | Spline - 130 Dia - Gray (Screen) |
| . | 042076-01-000 | FT | Seal - Fin - Pile - 34" |
| . | | | Not illustrated |

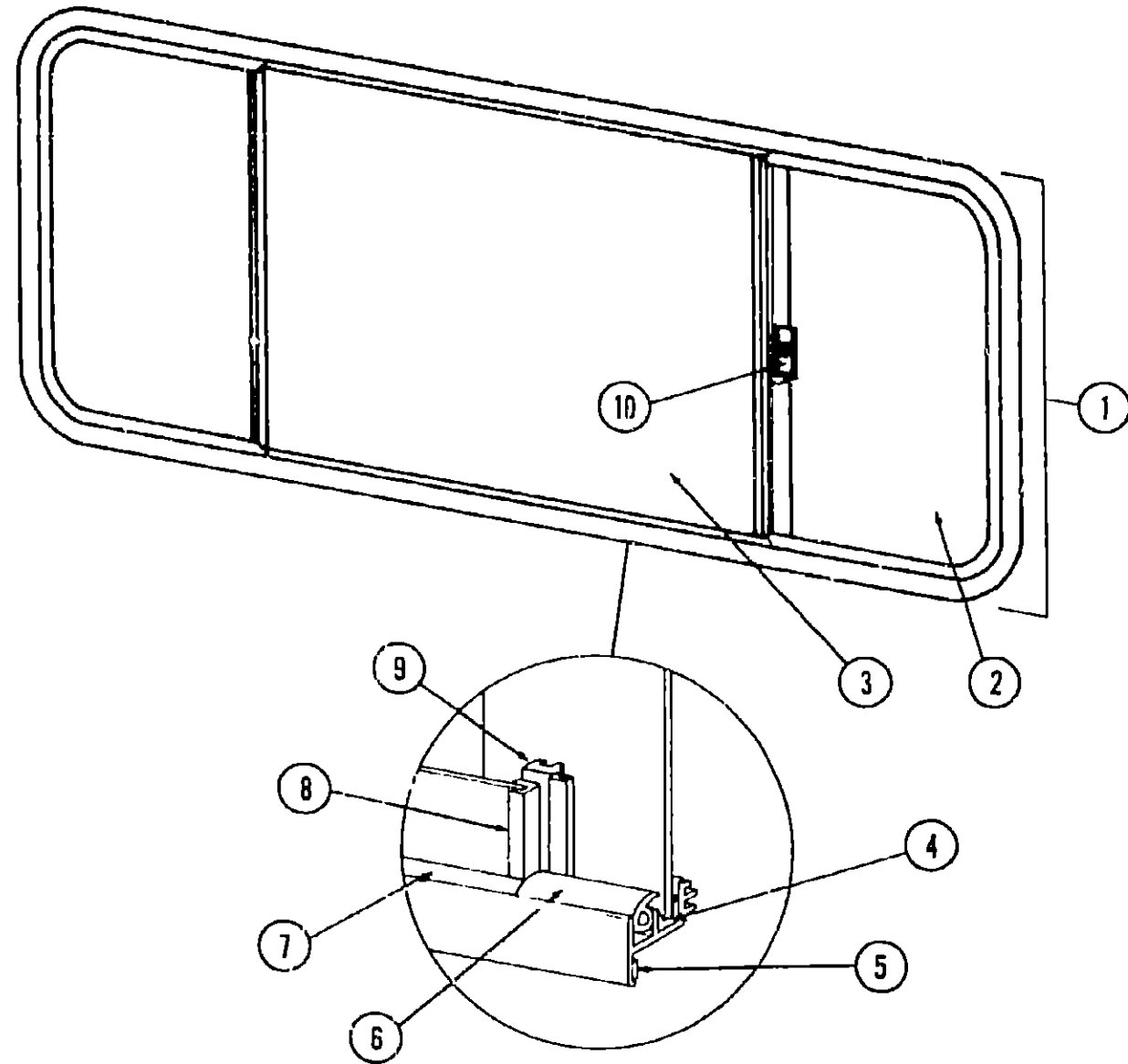
1984 ITASCA
TABLE OF CONTENTS

| | |
|---------|-------------|
| IC420RG | A-01 - C-06 |
| IC424RC | C-07 - E-18 |
| ICN23RG | E-19 - H-06 |
| ICN30RT | H-07 - J-20 |

1984 ICN30RT INDEX

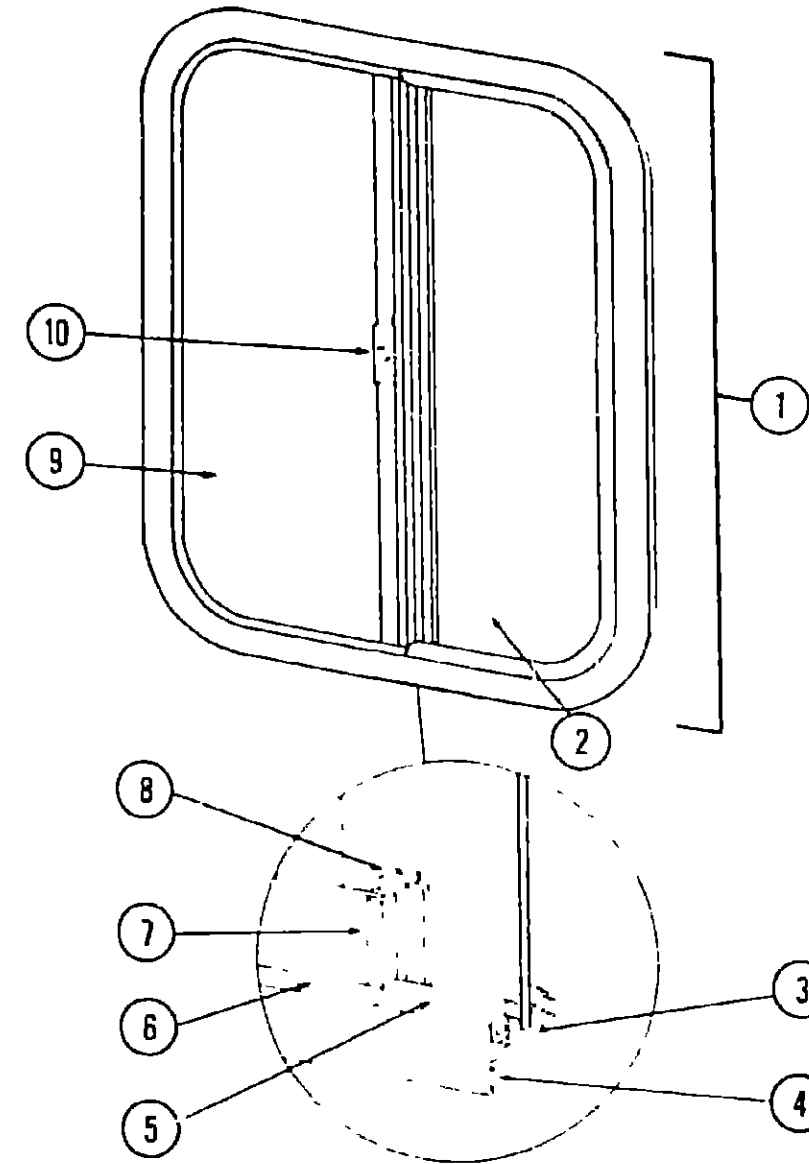
| | |
|------------------------------------|-------------|
| Floor Plan | H-07 - H-08 |
| Accessories Group | H-09 - H-11 |
| Bath Group | H-12 - H-13 |
| Chassis Group | H-14 - H-15 |
| Curtain, Cushion & Pad Group | H-16 - H-23 |
| Dinette Group | H-24 |
| Driver's Compartment Group | I-01 - I-03 |
| Electrical Group | I-04 - I-06 |
| Exterior Body Group | I-07 - I-14 |
| Galley Group | I-15 - I-17 |
| Heating & Air Conditioning Group | I-18 - I-19 |
| Interior Finish Group | I-20 - I-22 |
| LF Group | I-23 |
| Lounge Group | I-24 - J-02 |
| Water & Sewage Group | J-03 - J-04 |
| Window, Vent & Exterior Door Group | J-05 - J-20 |

WINDOW, VENT & EXTERIOR DOOR GROUP (CONTINUED)



| Key | Part Number | U/M | Description |
|-----|---------------|-----|---|
| 1 | 066785-02-000 | EA | Window Asm - Single Slider - 25" x 56" - Black (w/o inside frame) |
| . | 067609-07-000 | EA | Inside Frame - Beige (not included in assembly) |
| 2 | 066726-01-000 | EA | Glass - Stationary - 1/8" x 16 5" x 24" |
| 3 | 086727-02-000 | EA | Glass - Sliding - 1/8" x 25 5" x 24" |
| 4 | 002324-02-000 | FT | Channel - Weatherstrip - Glass |
| 5 | 069640-01-000 | FT | Tape - 1/4" Bead x 20' - Gray - 3M |
| 6 | 057374-02-000 | FT | Extr. Vinyl - Window Seal - Black |
| 7 | 002309-02-000 | FT | Spline - Glass - 1/8" Material - Black |
| 8 | 069886-03-003 | EA | Extr. Holder - Glass Seal - 23 19" - Black |
| 9 | 069896-02-000 | EA | Mullion - Slider Window - Black |
| 10 | 047369-01-700 | EA | Latch - Window - Plastic w/Fastener |
| . | 002293-01-000 | SF | Screen - Window - 26" - Gray |
| . | 002298-01-000 | FT | Spline - 130 Dia. - Gray (Screen) |
| . | 042078-01-000 | FT | Seal - Fin - Pile - 34" |
| . | | | Not illustrated |

WINDOW, VENT & EXTERIOR DOOR GROUP (CONTINUED)



| Key | Part Number | U/M | Description |
|-----|---------------|-----|--|
| 1 | 048631-04-000 | EA | Window Asm - Left - Single Slider - 20" x 25" - Black (w/o inside frame) |
| . | 042147-12-000 | EA | Inside Frame - Beige (not included in assembly) |
| 2 | 047820-01-000 | EA | Glass - Sliding - w/Hole - 1/8" x 13 68" x 19" |
| 3 | 002324-02-000 | FT | Channel - Weatherstrip - Glass |
| 4 | 069640-01-000 | FT | Tape - 1/4" Bead x 20' - Gray - 3M |
| 5 | 057374-02-000 | FT | Extr. Vinyl - Window Seal - Black |
| 6 | 002309-02-000 | FT | Spline - Glass - 1/8" Material - Black |
| 7 | M69886-03-011 | EA | Extr. Holder - Glass Seal - 18 19" - Black |
| 8 | 041891-12-000 | EA | Mullion - Slider Window - Black |
| 9 | 002241-02-000 | EA | Glass - Stationary - 1/8" x 12 3" x 19" |
| 10 | 047369-01-700 | EA | Latch - Window - Plastic - w/Fastener |
| . | 002293-01-000 | SF | Screen - Window - 26" - Gray |
| . | 002298-01-000 | FT | Spline - 130" Dia - Gray (Screen) |
| . | 073740-01-000 | FT | Seal - Fin - Pile - 460" |
| . | | | Not illustrated |

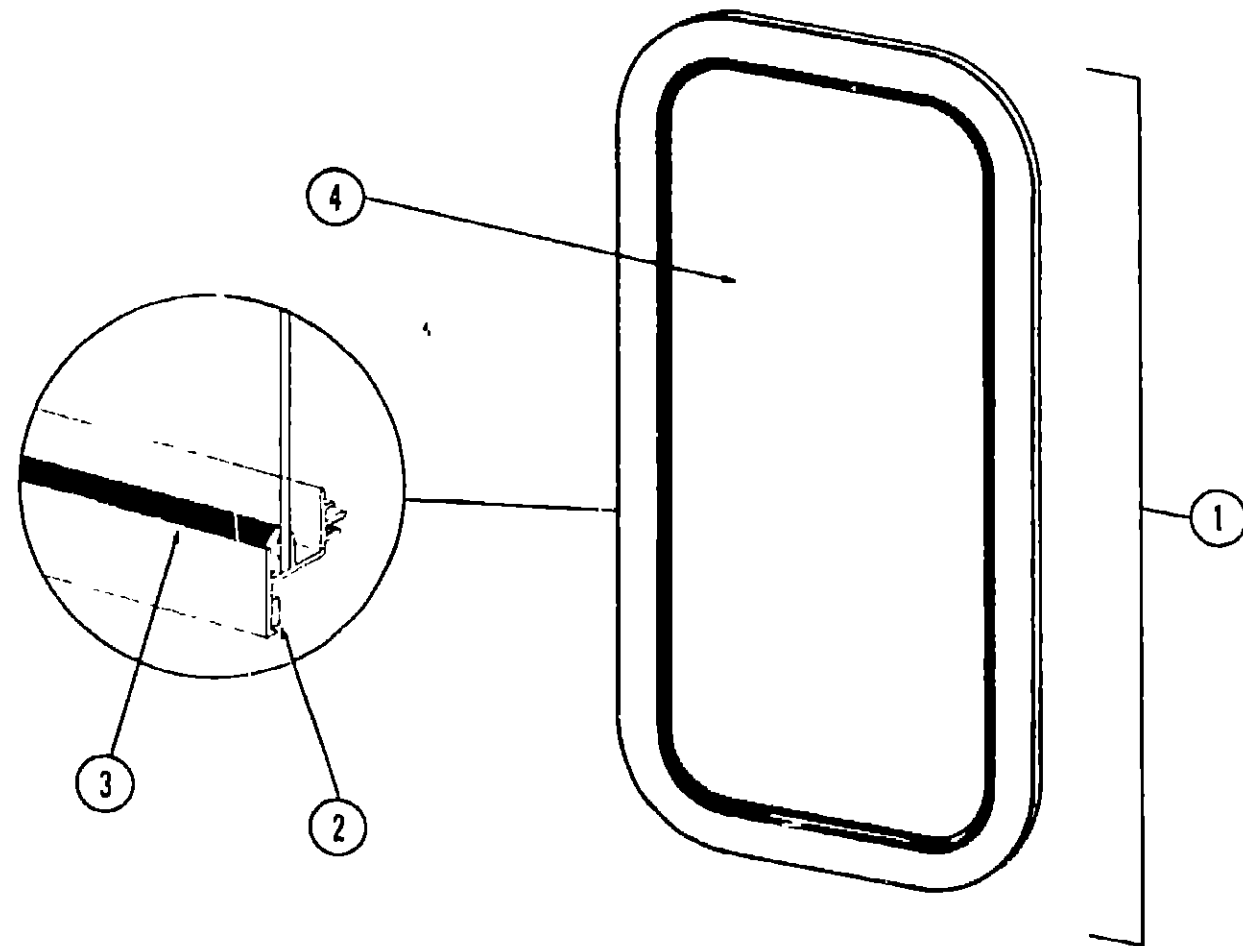
1984 ITASCA
TABLE OF CONTENTS

| | |
|---------|-------------|
| IC420RG | A-01 - C-06 |
| IC424RC | C-07 - E-18 |
| ICN23RG | E-19 - H-06 |
| ICN30RT | H-07 - J-20 |

1984 ICN30RT INDEX

| | |
|------------------------------------|-------------|
| Floor Plan | H-07 - H-08 |
| Accessories Group | H-09 - H-11 |
| Bath Group | H-12 - H-13 |
| Chassis Group | H-14 - H-15 |
| Curtain, Cushion & Pad Group | H-16 - H-23 |
| Dinette Group | H-24 |
| Driver's Compartment Group | I-01 - I-03 |
| Electrical Group | I-04 - I-06 |
| Exterior Body Group | I-07 - I-14 |
| Galley Group | I-15 - I-17 |
| Heating & Air Conditioning Group | I-18 - I-19 |
| Interior Finish Group | I-20 - I-22 |
| LP Group | I-23 |
| Lounge Group | I-24 - J-02 |
| Water & Sewage Group | J-03 - J-04 |
| Window, Vent & Exterior Door Group | J-05 - J-20 |

WINDOW, VENT & EXTERIOR DOOR GROUP (CONTINUED)



| Key | Part Number | U/M | Description |
|-----|---------------|-----|---|
| 1 | 041875-09-000 | EA | Window Asm - Picture - 17" x 25" (w/o inside frame) |
| 2 | 069640-01-000 | FT | Tape - 1/4" Bead x 20' - Gray - 3M |
| 3 | 002318-02-000 | FT | Spline - Glass - 1/8" Black |
| 4 | 002181-06-000 | EA | Glass - TP - 115" x 16 25" x 24" |
| | 067609-03-000 | EA | Inside Frame - Beige (not included in assembly) |
| | | | Not illustrated |

1984 ITASCA TABLE OF CONTENTS

| | |
|---------|-------------|
| IC420RG | A-01 - C-06 |
| IC424RC | C-07 - E-18 |
| ICN23RG | E-19 - H-06 |
| ICN30RT | H-07 - J-20 |

1984 ICN30RT INDEX

| | |
|------------------------------------|-------------|
| Floor Plan | H-07 - H-08 |
| Accessories Group | H-09 - H-11 |
| Bath Group | H-12 - H-13 |
| Chassis Group | H-14 - H-15 |
| Curtain, Cushion & Pad Group | H-16 - H-23 |
| Dinette Group | H-24 |
| Driver's Compartment Group | I-01 - I-03 |
| Electrical Group | I-04 - I-06 |
| Exterior Body Group | I-07 - I-14 |
| Galley Group | I-15 - I-17 |
| Heating & Air Conditioning Group | I-18 - I-19 |
| Interior Finish Group | I-20 - I-22 |
| LP Group | I-23 |
| Lounge Group | I-24 - J-02 |
| Water & Sewage Group | J-03 - J-04 |
| Window, Vent & Exterior Door Group | J-05 - J-20 |