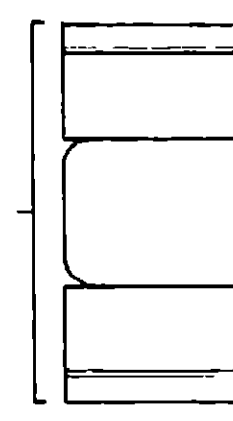
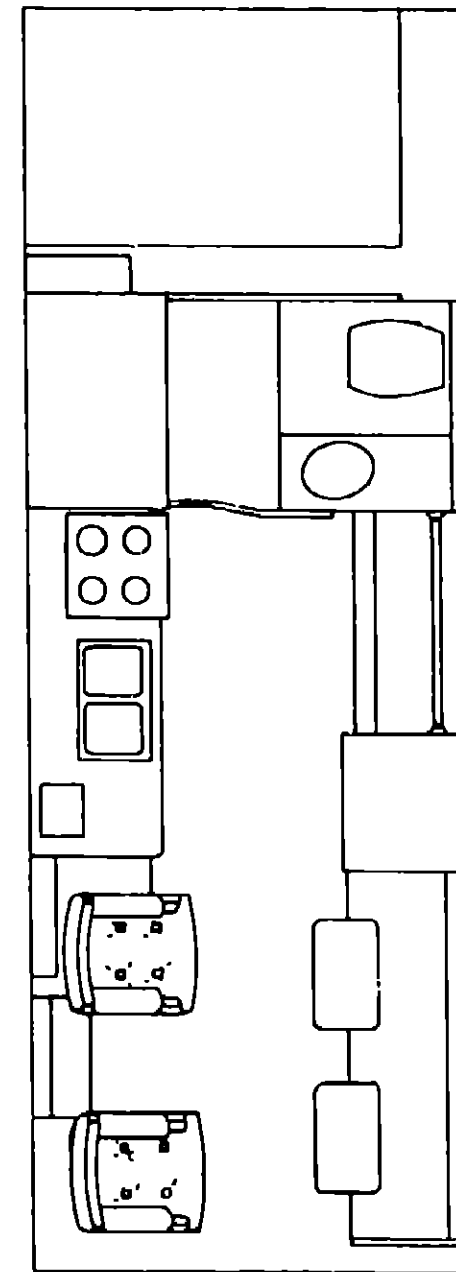
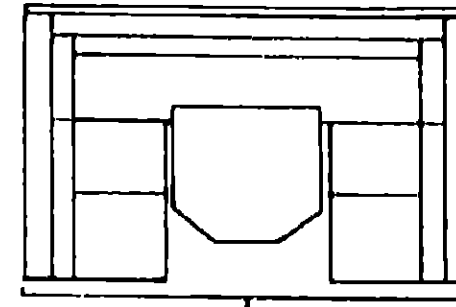


1984 ICN27RU



1984 ITASCA TABLE OF CONTENTS

Introduction	A-01
Abbreviations	A-01
Alphabetical Index	A-02 - A-04
ICN22RC	A-05 - C-20
ICN27RU	C-21 - F-10
ICN33RU	F-11 - H-22
ICP31FT	H-23 - J-24

1984 ICN27RU INDEX

Floor Plan	C-21 - C-22
Accessories Group	C-23 - C-24
Bath Group	D-01
Chassis Group	D-02 - D-03
Curtain, Cushion & Pad Group	D-04 - D-10
Dinette Group	D-11
Driver's Compartment Group	D-12 - D-14
Electrical Group	D-15 - D-17
Exterior Body Group	D-18 - E-04
Galley Group	E-05 - E-08
Heating & Air Conditioning Group	E-09 - E-10
Interior Finish Group	E-11 - E-13
LP Group	E-14
Lounge Group	E-15 - E-16
Water & Sewage Group	E-17 - E-18
Window, Vent & Exterior Door Group	E-19 - F-10

ACCESSORIES GROUP

MISCELLANEOUS ACCESSORIES

Key	Part Number	U/M	Description
	054185-20-000	EA	Owner's Manual - 1984 - Itasca & Winnebago
	065116-01-000	EA	Mirror - West Coast - Double - Passenger
	065116-02-000	EA	Mirror - West Coast - Double - Driver
	706053-02-000	EA	Antenna - TV - Skyliner w/6" Shalt - Braund Delux
	076319-01-000	EA	Antenna - TV - Roof Mount - w/44 5" Mast
	076319-03-000	EA	Cable - Coaxial - Roof Mount TV Antenna
	076319-04-000	EA	Connector & Ferrule - Roof Mount TV Antenna
	076319-05-000	EA	Wallplate/Power Supply - Ivory - Roof Mount TV Antenna
	076319-06-000	EA	Adapter - Cable Roof Plate - Roof Mount TV Antenna
	006050-01-000	EA	Jack - TV - Ivory (Antenna)
	017516-01-000	EA	Mud Flap w/Holes - 14" x 18" - Black
	064089-01-000	EA	Splash Guard - Black Rubber
	041944-03-000	EA	Fire Extinguisher w/Bracket - 5 BC
	044982-01-000	EA	Pouch - Home Owner's Plan - Plastic
	075922-01-000	EA	Microwave Oven - Litton - 1450
	075930-01-000	EA	Bracket Asm - Microwave - Right
	075930-02-000	EA	Bracket Asm - Microwave - Left
	076253-02-000	EA	Bracket Asm - Microwave - Bottom (2 required)
	075922-03-000	EA	Trim Ring - Microwave Oven
	075922-04-000	EA	Air Exhaust Duct - Microwave Oven
	072366-01-000	EA	Speed Control Package - Electric - Diesel - Dana
	072366-01-700	EA	Hex Fitting - Speed Control - Diesel
	072366-01-701	EA	Cable Only - Speed Control - Diesel
	072366-01-702	EA	Vacuum Regulator - Speed Control - Diesel
	072366-01-703	EA	Control Switch & Lever Asm - Speed Control - Diesel
	069629-01-000	EA	Speed Control Package - Electric - Dana
	069629-01-700	EA	Regulator Asm. - Electronic - Speed Control
	069629-01-701	EA	Vacuum Valve & Electric Switch - Speed Control
	069629-01-702	EA	Control Switch & Lever Asm - Speed Control
	069629-01-703	EA	Harness Asm (Main Wiring) - Speed Control
	069629-01-704	EA	Generator Signal - Speed Control
	069629-01-705	EA	Adapter Key - Speed Control
	074481-01-000	EA	Valve Asm - Switch - Speed Control
	074483-01-000	EA	Retainer Nut - Snap In - Speed Control
	055285-01-000	EA	Vacuum Cleaner - Built In - Tevis Campbell
	055285-01-700	EA	Accessories Kit - Standard - Tevis Campbell
	055285-01-701	EA	Filter - 10 per Consumer Package - Tevis Campbell
	072852-01-000	EA	Smoke Detector w/9 Volt Battery
	072373-01-000	EA	Weather Center - 7" x 7" x 2"
	072374-01-000	EA	Clock - 7" x 7" x 2"
	006069-01-000	EA	Key Case - Leather
	040069-01-000	EA	Door Mat - 10 5" x 26" - Black Rubber
	069580-01-000	EA	Lug Wrench - 1" x 1 25" x 16 3"
	069580-02-000	EA	Leverage Bar - 22" - Lug Wrench
	006113-01-000	EA	Jack - Hydraulic - 6 Ton - w/Handle
	063708-01-000	EA	Cover - Roof Air Conditioner - Vinyl

ELECTRIC STEP ASSEMBLY

Key	Part Number	U/M	Description
	075461-01-000	EA	Electric Step Asm w/Light
	075461-01-700	EA	Motor
	041250-01-000	EA	Switch - Door - Electric Step
	075461-01-701	EA	Control Unit - Understeps
	075461-01-705	EA	4 Way Plug (Dash End)
	075461-01-706	EA	Kill Switch
	075461-01-707	EA	Step Light
	075461-01-708	EA	4-Way Plug (Control Box End)
	075461-01-709	EA	90° Plug
	075461-01-710	EA	Gear
	075461-01-711	EA	Drive Link
	076241-01-000	EA	Support Asm

C-23

ACCESSORIES GROUP (CONTINUED)

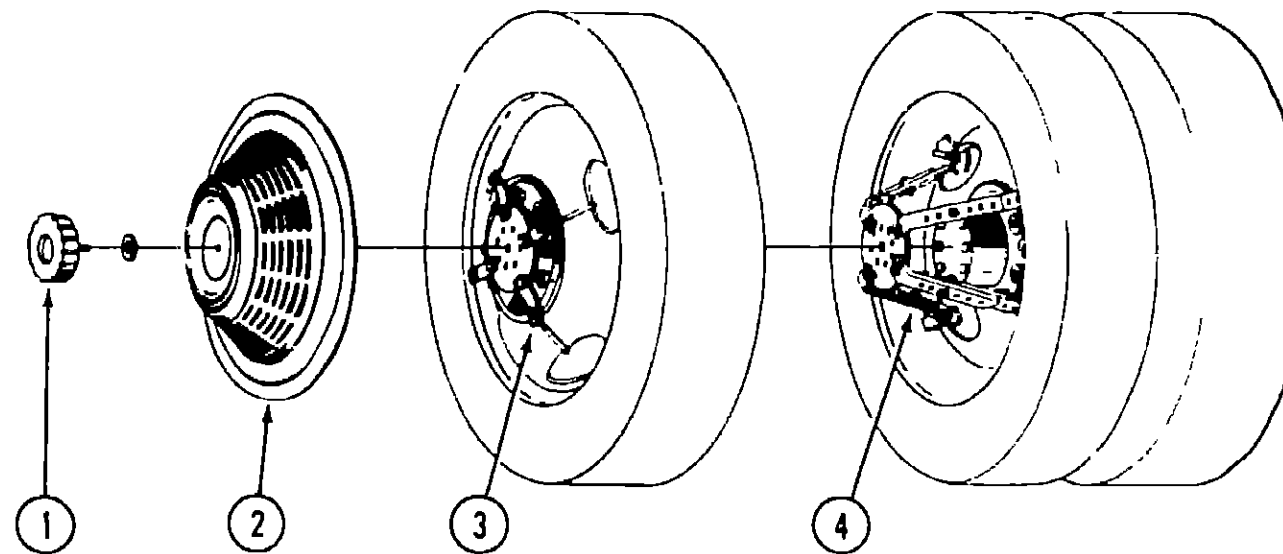
GENERATORS & COMPONENTS

Key	Part Number	U/M	Description
**	054429-01-000	EA	Generator - Onan - 4.0 kw
	052168-01-000	EA	Generator - Onan - 4.25 kw
	068046-01-000	EA	Conversion Kit - LP - Onan Generator
	024732-01-016	EA	Tailpipe - 1.5" O.D. x 43 50"
	067753-01-000	EA	Muffler - Generator - w/Spark Arrestor - Nelson
	740313-56-000	EA	Tray - Generator - 4.0 kw
	007067-01-000	SF	Insulation - 1" - Fiberglass
	701629-02-000	EA	Installation Package
	069229-01-000	EA	Generator - Kohler - 4.5 kw - UL
	069229-02-000	EA	Generator - Kohler - 4.5 kw - CSA
	072332-01-000	EA	Generator - LP - Kohler - 4.5 kw

** The illustrated parts breakdown for this item is provided on the Common Items Fiche.

RADIO & RELATED COMPONENTS

Key	Part Number	U/M	Description
	007004-01-000	EA	Antenna - Radio - Cap Mount
	031105-01-000	EA	Antenna - Radio - Side Mount
	031105-01-700	EA	Holder - Antenna - Radio - Upper
	064791-01-000	EA	Speaker - Recessed - 5 25"
	073431-01-000	EA	Speaker - 5 25" - 3/Way (Pair)
	073741-01-000	EA	Speaker - 4" x 6" - Oval
	074979-01-000	EA	Speaker Cover Protector - Plastic
	064792-01-000	EA	Grille - Speaker - 5 25" - w/Mesh - Brown
	073430-01-000	EA	Radio - AM/FM MPX - w/Cassette - Electronic Tune - Audiovox - HCC1200
	075903-01-000	EA	Radio - AM/FM Stereo - w/Cassette - Audiovox - GMJSPG
	075904-01-000	EA	Radio - AM/FM Stereo - w/Cassette - Electronic Tune - Audiovox - GMJDGQ



WHEEL COVER & MOUNTING HARDWARE

Key	Part Number	U/M	Description
1	064082-02-000	EA	Retaining Nut - Delmet - Wheel Cover
2	073426-01-700	EA	Wheel Cover - Bolt On - 16" or 16 5" - Delmet (1)
3	073426-04-700	EA	Retention Bracket Asm - Wheel Cover Support - Heavy Duty - Front (1)
4	073426-04-701	EA	Retention Bracket Asm - Wheel Cover Support - Heavy Duty - Rear (1)
*	073426-04-000	EA	Retention Bracket Asm - Wheel Cover Support - Heavy Duty (Set/4)
**	031396-04-000	EA	Wheel Cover - 16" - Clip On

** The illustrated parts breakdown for this item is provided on the Common Items Fiche

C-24

1984 ITASCA TABLE OF CONTENTS

Introduction	A-01
Abbreviations	A-01
Alphabetical Index	A-02 - A-04
ICN22RC	A-05 - C-20
ICN27RU	C-21 - F-10
ICN33RU	F-11 - H-22
ICP31RT	H-23 - J-24

1984 ICN27RU INDEX

Floor Plan	C-21 - C-22
Accessories Group	C-23 - C-24
Bath Group	D-01
Chassis Group	D-02 - D-03
Curtain, Cushion & Pad Group	D-04 - D-10
Dinette Group	D-11
Driver's Compartment Group	D-12 - D-14
Electrical Group	D-15 - D-17
Exterior Body Group	D-18 - E-04
Galley Group	E-05 - E-08
Heating & Air Conditioning Group	E-09 - E-10
Interior Finish Group	E-11 - E-13
LP Group	E-14
Lounge Group	E-15 - E-16
Water & Sewage Group	E-17 - E-18
Window, Vent & Exterior Door Group	E-19 - F-10

BATH GROUP

BATH CABINETS & HARDWARE

Key	Part Number	U/M	Description
	M77587-02-R10	EA	Cabinet Asm - Vanity (Style & Rail Door) w/o Countertop & Doors
	M01635-01-R10	EA	Countertop Asm - Vanity Cabinet - Travertine
	069852-58-R10	EA	Door Asm. - Vanity Cabinet - 12 1" x 24 1" - w/o Hardware
	077251-01-000	EA	Drawer - Tiltout - Vanity Cabinet - Plastic
	M01448-02-R10	EA	Cabinet Asm - Vanity (Rolled Door) w/o Countertop & Doors
	M01190-01-R10	EA	Countertop Asm - Vanity Cabinet - Travertine
	063224-01-700	EA	Door - Rolled - Universal - 30" x 48" - Vanity Cabinet
	M01192-01-R10	EA	Countertop Asm - Pipe Cover - Travertine
	076073-01-000	EA	Cabinet Asm - Medicine - 15 4" x 29 4" - Almond
	076353-01-R07	EA	Door Asm - Medicine Cabinet - w/Mirror - 16 1" x 30 1" - w/o Hardware
	069859-04-R10	EA	Door Asm - Fixed Wall Mirror - 23 1" x 30 1"
	M74533-02-R10	EA	Door Asm - Sliding - 28" x 72 5" - w/o Latch
	062906-02-000	EA	Door Asm - Shower Folding - 28 8" x 60" - Plastic
	073419-03-000	EA	Door Asm - Folding Door - 35" x 75" - Walnut
	M75578-01-R10	EA	Door Asm - Bath - 19 2" x 73" - w/o Hardware
	069852-63-P07	EA	Door Asm - Wardrobe Cabinet - 47" x 20 6" - w/o Hardware
	M01421-01-R10	EA	Countertop Asm - Wardrobe - Harbor Oak
	059915-07-R10	EA	Drawer Asm - Wardrobe Cabinet - 14" x 20 8"
	M69856-01-R10	EA	Door Asm - Furnace - 14 2" x 18 6" - w/Gold Mesh - Wardrobe Cabinet
	072369-01-000	EA	Gold Mesh - 10 1" x 14.3" - Furnace Grille
	M01407-01-000	EA	Bathtub Asm w/Strainer
	075242-02-000	EA	Faucet - Tub & Shower - Antique Brass
**	011048-02-000	EA	Shower Head - w/60" Hose
	011048-04-000	EA	Vacuum Breaker - 1/8 MPT - Nylon - Shower Head
	072650-01-000	EA	Shower Panel w/Soap Dish - Plastic
	075606-01-000	EA	Shower Panel - Faucet - Plastic
	076177-01-000	EA	Trim - Jamb - Bathtub Asm
**	066729-01-000	EA	Strainer - Bathtub Asm
	066435-01-000	EA	Nut - Strainer - Plastic - Bathtub Asm
	06436-01-000	EA	Slip Nut - 1 5" Tail Piece - Bathtub Asm
	069735-01-000	EA	Washer - Tail Piece - 1 5" - Plastic - Bathtub Asm
	011069-02-000	EA	Tail Piece - 1 5" x 1 25" x 4" - Brass - Bathtub Asm
	M01465-01-000	EA	Shroud w/Reinforcement - Bathtub Asm
	058713-01-000	EA	Sink - Oval - Ivory Plastic
	075240-02-000	EA	Faucet - Lavatory - Antique Brass
	011083-01-000	EA	Tail Piece w/Stopper - 1 25" x 5" - Plastic - Sink
	039341-02-000	EA	Toilet - Thetford - Aqua Magic - Ivory - 8420 SH
	075452-01-000	EA	Tissue Holder - Antique Brass
	075453-01-000	EA	Towel Bar - 18" - Antique Brass
	075454-01-000	EA	Towel Ring - Antique Brass
	073419-05-000	EA	Track - Folding Door - 30 5" - Double Curve
	064467-01-000	EA	Guide - Sliding Door - Mounts on Wall
	009156-01-000	EA	Hanger - Sliding Door
	075153-01-000	EA	Cover - End Cap - Sliding - Door Track - Beige
	071817-02-000	EA	Track - Sliding Door - 46 2"
	058034-02-000	EA	Latch - Sliding Door - w/o Lock
	075687-01-000	EA	Latch Asm - Bathroom Door - Privacy
	009112-01-000	EA	Flange - 1" Closet Rod
	009150-01-000	EA	Warp Guard - 64"
	058331-01-000	EA	Mirror - Tempered Glass - 19" x 26"
	058331-05-000	EA	Mirror - Tempered Glass - 12" x 26"
	057671-01-000	EA	Screw Cover - #8 - Antique White
	066433-01-000	EA	Cup Hook - Bright
	071632-01-000	EA	Hamper Bag - 49" - w/Elastic
	M75569-02-R10	EA	Pantry Asm - w/o Storage Rack
	076097-01-000	EA	Bracket - Catch - Pantry
	076098-01-000	EA	Bracket - Slide - Pantry
	074316-01-000	EA	Slide Asm - Extension - Pantry (Pair)
	075451-01-000	EA	Storage Rack - Canned Goods
	075451-02-000	EA	Clip - Storage Rack - White
	051604-01-000	EA	Slide Roll - Antique Brass - Storage Rack

** The illustrated parts breakdown for this item is provided on the Common Items Fiche

CHASSIS GROUP

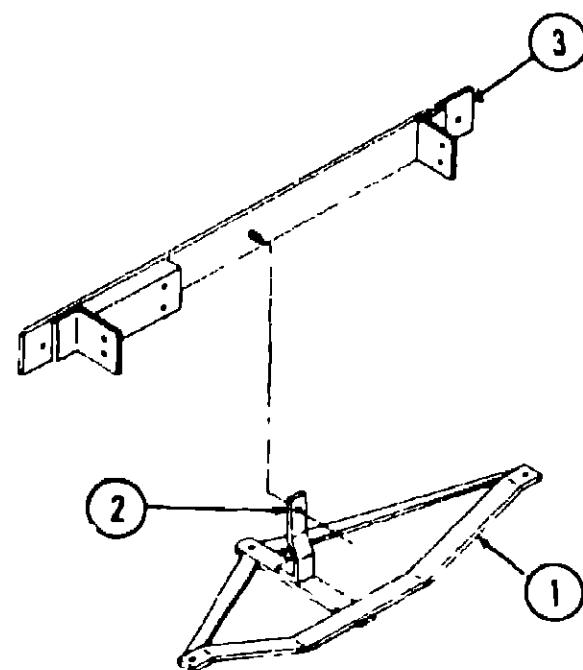
Key	Part Number	U/M	Description
	048594-01-000	EA	Battery Tray Asm
	047441-01-000	EA	Battery Terminal - Horizontal Lug
	005200-01-000	EA	Bolt - Round Head w/Square Neck - 7/16 - 14 x 1 1/4 - Stainless Steel Cap
	075231-01-000	EA	Bracket Asm - Fuel Tank Hanger
	051697-04-000	EA	Bracket - Battery Tie Down - 9"
	058425-01-000	EA	Bracket - Bumper Front - Left
	058425-02-000	EA	Bracket - Bumper Front - Right
	064053-01-000	EA	Bracket - Bumper Front - Reinforcement
	058439-01-000	EA	Bracket - Bumper Front - Mounts Bumper to Frame
	022150-01-000	EA	Bracket - Bumper Rear
	073352-01-000	EA	Bracket - License Plate - Front
	072850-01-000	EA	Bumper - Front - Chrome
	048474-01-000	EA	Bumper - Rear - Chrome
	072850-01-700	EA	Bumper Kit Asm - Rubber
	073220-03-000	EA	Cap - Diesel - Non-Lock
	073220-02-000	EA	Cap - Gas - Non-Lock
	007125-05-000	EA	Clamp Asm - Muffler - 2"
	007125-06-000	EA	Clamp Asm - Muffler - 2 25" Dia
	010499-01-000	EA	Clamp - Closed - 3/8" ID
	010497-01-000	EA	Clamp - Closed - 5/8" ID
	007161-01-000	EA	Clamp - Hose - Spring Type 112
	062401-01-000	EA	Clamp - Hose - Wormgear 22" ID - 1" ID
	062401-03-000	EA	Clamp - Hose - Wormgear 25" ID - 1" ID
	062401-04-000	EA	Clamp - Hose - Wormgear 69" ID - 1 25" ID
	062401-02-000	EA	Clamp - Hose - Wormgear 1 56" ID - 2 5" ID
	062401-05-000	EA	Clamp - Hose - Wormgear 2" ID - 3" ID
	062401-09-000	EA	Clamp - Hose - Wormgear 2 8" ID - 3 75" ID
	072359-01-000	EA	Coolant Expansion Bottle
	071656-01-000	EA	Cover - Radiator - Rear
	071657-01-000	EA	Cover - Radiator - Rear Back (Fan Shroud)
	020167-03-000	EA	Dirt Guard - Mud Flap
	061411-03-000	EA	Extension - Exhaust - 2 25" O D x 10 5" (454 Engine)
	022655-02-000	EA	Extension - Exhaust - 2 25" O D x 8" (Diesel Engine)
	064225-02-000	EA	Hold Down - Spare Tire Carrier
	071654-01-000	EA	Hood Board - Upper - Right - Steel
	058404-01-000	EA	Hood Board - Upper - Left - Steel
	064080-01-000	EA	Hook Bolt - Spare Tire Carrier
	024138-01-000	EA	Hose - Fuel - 5/16" ID SAE 30RI
	044317-01-000	FT	Hose - Fuel - 3/8" ID
	007111-02-000	FT	Hose - Fuel - 2" ID SAE 30RI (3')
	024141-01-000	FT	Hose - Rubber - 1/2" ID
	007067-01-000	SF	Insulation - 1" - Fiberglass
	006117-01-000	EA	Jack - Hydraulic - 6 Ton - w/Handle
	069580-02-000	EA	Leverage Bar - 22" - Lug Wrench
	069580-01-000	EA	Lug Wrench - 1" x 1 25" x 16 3"
	017516-01-000	EA	Mud Flap w/Holes - 14" x 18" - Black
	075228-01-000	EA	Neck Asm - Lower Fuel Fill
	075227-01-000	EA	Neck Asm - Upper Fuel Fill - Gas
	075227-02-000	EA	Neck Asm - Upper Fuel Fill - Diesel
	034701-01-000	EA	Nut Handle - Spare Tire Carrier
	024490-01-000	EA	Power Cord Box - Plastic
	072361-01-000	EA	Reducer - 3/4 Barb to 5/8 Barb - Diesel
	064962-02-000	EA	Rim - Wheel - 16 x 6 00
	041791-01-000	FT	Seal - U-Channel - Flex - 156" x 375" - Brown Vinyl
	057038-06-000	EA	Sending Unit - Fuel - 90 Ohm
	063977-03-000	EA	Step Asm - Driver's Door
	024652-01-700	EA	Step Asm - Entry
	075232-01-000	EA	Strap Asm - Two - "T" - Bolt End
	076241-01-000	EA	Support Asm - Electric Step
	075230-01-000	EA	Tank - Fuel - 60 Gallon
	050273-02-000	EA	Tire - 7 50 x 16 x CA T8 - Tubeless
	040546-03-000	EA	Tire - 7 50 x 16 - 8 Ply Poly
	052431-01-000	EA	Tray - Luggage
	051377-01-000	EA	Valve Stem Asm - TR500
	057724-01-000	EA	Wheel Well - Plastic
	008343-01-000	EA	Wire Tie - 6"

1984 ITASCA TABLE OF CONTENTS

Introduction	A-01
Abbreviations	A-01
Alphabetical Index	A-02 - A-04
ICN22RC	A-05 - C-20
ICN27RU	C-21 - F-10
ICN33RU	F-11 - H-22
ICP31RT	H-23 - J-24

1984 ICN27RU INDEX

Floor Plan	C-21 - C-22
Accessories Group	C-23 - C-24
Bath Group	D-01
Chassis Group	D-02 - D-03
Curtain, Cushion & Pad Group	D-04 - D-10
Dinette Group	D-11
Driver's Compartment Group	D-12 - D-14
Electrical Group	D-15 - D-17
Exterior Body Group	D-18 - E-04
Galley Group	E-05 - E-08
Heating & Air Conditioning Group	E-09 - E-10
Interior Finish Group	E-11 - E-13
LP Group	E-14
Lounge Group	E-15 - E-16
Water & Sewage Group	E-17 - E-18
Window Vent & Exterior Door Group	E-19 - F-10

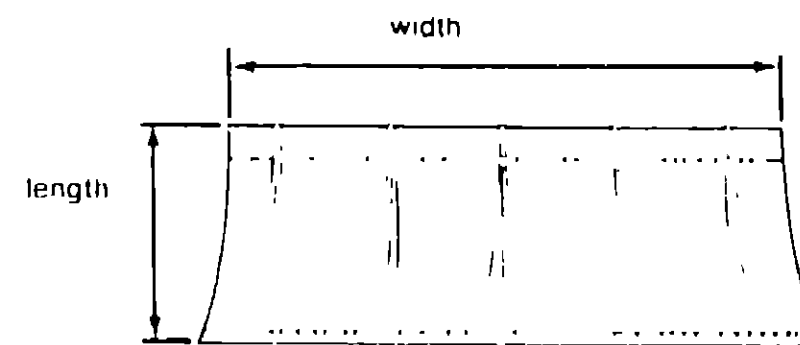


Key	Part Number	U/M	Description
1	064833-01-000	EA	Trailer Hitch Asm.
2	064824-02-000	EA	Support - Trailer Hitch
3	064601-02-000	EA	Bracket - Bumper Mount

NOTICE

In order to assist our Parts Sales Dept in providing interior software items, please include the serial number and the color code number from the vehicle certification label when ordering. This label is located on the left sidewall at the end of the dash (A-Body), or on the driver's door latch plate (C-Body).

An example of a color code number is P31, which designates an overall color scheme of a particular unit. The color listed after the item description on the microfiche indicates the overall unit color. Order the item you desire according to unit color code.



NOTE

Use this illustration when determining length and width measurements for curtains. You will note the width measurement is taken on the top of the curtain with the curtain fully extended. The length measurement is taken from top to bottom.

**1984 ITASCA
TABLE OF CONTENTS**

Introduction	A-01
Abbreviations	A-01
Alphabetical Index	A-02 - A-04
ICN22RC	A-05 - C-20
ICN27RU	C-21 - F-10
ICN33RU	F-11 - H-22
ICP31RT	H-23 - J-24

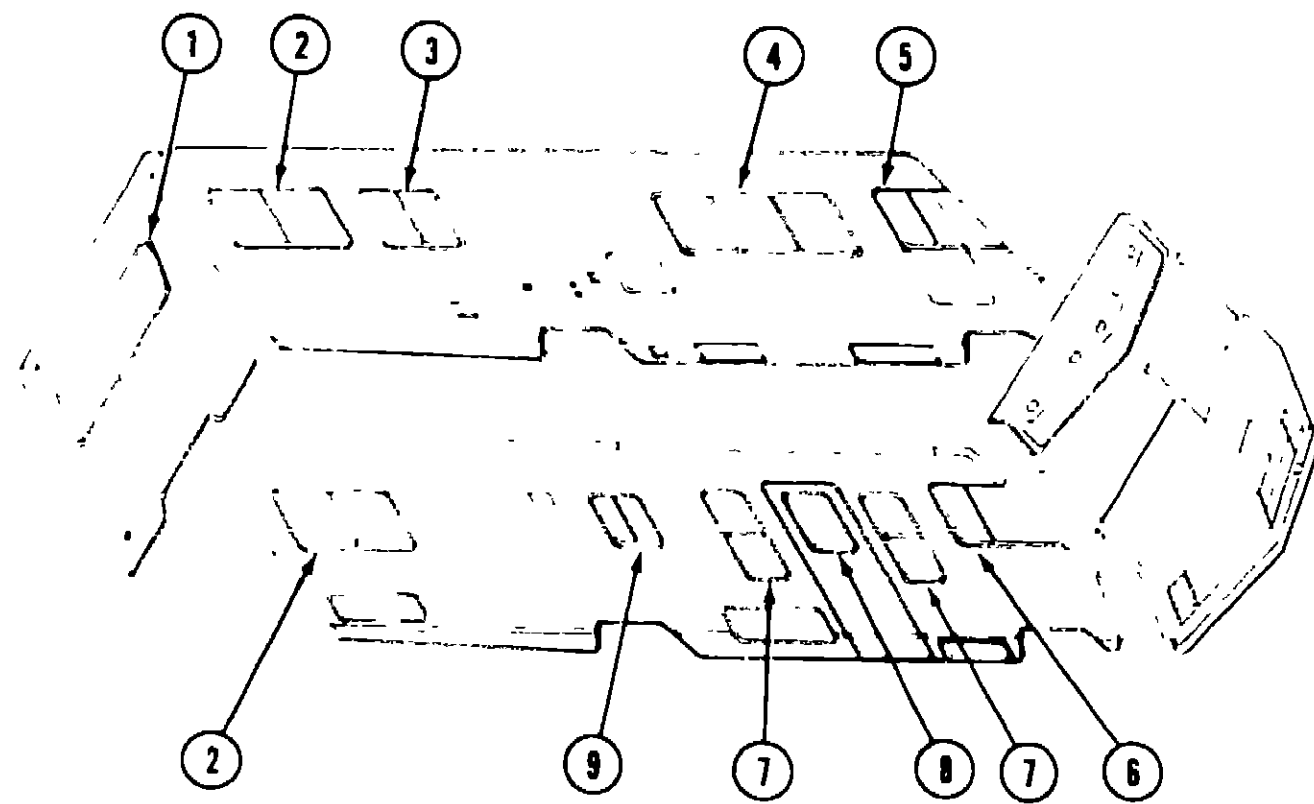
CURTAIN & CUSHION HARDWARE

Key	Part Number	U/M	Description
	056116-01-000	EA	Track - Curtain - Brown Plastic
	053272-05-009	EA	Track - Curtain - 89" - Beige
	075075-02-000	EA	Track - Curtain - 75 1" - Front Bunk - Beige
	059430-05-000	EA	Track - Front Wraparound (2 per unit) - 43 75" x 36" - Beige
	059430-07-000	EA	Track - Front Wraparound (Driver's Door) - 86 2" x 36" - Beige
	056001-01-000	EA	Bracket - Shade - Left
	056002-01-000	EA	Bracket - Shade - Right
	056003-01-000	EA	Bracket - Drapery Retainer - Right
	056003-02-000	EA	Bracket - Drapery Retainer - Left
	009107-01-000	EA	Guide - Nylon Snap - Curtain
	056784-01-000	EA	Pull - Window Shade - Antique Brass
	039175-01-000	EA	Curtain Rod - Extension 48" - 84"
	039175-03-000	EA	Curtain Rod - Extension 28" - 48"
	039175-04-000	EA	Curtain Rod - Extension 16" - 28"
	039175-02-000	EA	Bracket - Curtain Rod
	056115-01-000	YD	Tape - Clear Plastic - w/Guides
	048394-01-000	YD	Tape Hook - 1" x 25 YD - Beige
	048395-01-000	YD	Tape Loop - 1" x 25 YD - Beige
	036658-03-000	EA	Shoulder Screw - 1/2 x 1 3/4 Hex Socket - Armrest Asm
	069106-01-000	EA	Frame Asm - Bottom - Single Bucket - w/Recliner Plate Mount
	069759-01-000	EA	Frame Asm - Back - Single Bucket - w/Recliner Drive
	069759-05-000	EA	Frame Asm - Back - Double Bucket - w/Recliner Drive
	070573-01-000	EA	Frame Asm - Bottom - Double Bucket - w/Recliner Plate Mount

1984 ICN27RU INDEX

Floor Plan	C-21 - C-22
Accessories Group	C-23 - C-24
Bath Group	D-01
Chassis Group	D-02 - D-03
Curtain, Cushion & Pad Group	D-04 - D-10
Dinette Group	D-11
Driver's Compartment Group	D-12 - D-14
Electrical Group	D-15 - D-17
Exterior Body Group	D-18 - E-04
Galley Group	E-05 - E-08
Heating & Air Conditioning Group	E-09 - E-10
Interior Finish Group	E-11 - E-13
LP Group	E-14
Lounge Group	E-15 - E-16
Water & Sewage Group	E-17 - E-18
Window Vent & Exterior Door Group	E-19 - F-10

CURTAIN, CUSHION & PAD GROUP (CONTINUED)



CURTAINS, VALANCES, SHADES & TIEBACKS

Key	Part Number	U/M	Description
1	070652-12-R25	EA	Curtain w/Darts - 29" x 15" - Bedspread - Blue/Gray
1	070652-12-R26	EA	Curtain w/Darts - 29" x 15" - Bedspread - Navy/Beige
1	070652-12-R27	EA	Curtain w/Darts - 29" x 15" - Bedspread - Rust
1	070652-18-R25	EA	Curtain w/Darts - 29" x 15" - Horseshoe Lounge - Blue/Gray
1	070652-18-R26	EA	Curtain w/Darts - 29" x 15" - Horseshoe Lounge - Navy/Beige
1	070652-18-R27	EA	Curtain w/Darts - 29" x 15" - Horseshoe Lounge - Rust
1	073323-02-R10	EA	Curtain w/Rod Top - Sheer - 27 5" x 66"
1	070651-20-R25	EA	Valance Asm - 6" x 82" - Pleated - Bedspread - Blue/Gray
1	070651-20-R26	EA	Valance Asm - 6" x 82" - Pleated - Bedspread - Navy/Beige
1	070651-20-R27	EA	Valance Asm - 6" x 82" - Pleated - Rust
1	070651-24-R25	EA	Valance Asm - 6" x 82" - Pleated - Horseshoe Lounge - Blue/Gray
1	070651-24-R26	EA	Valance Asm - 6" x 82" - Pleated - Horseshoe Lounge - Navy/Beige
1	070651-24-R27	EA	Valance Asm - 6" x 82" - Pleated - Horseshoe Lounge - Rust
1	065522-13-000	EA	Shade Asm - Vinyl - 72 25" x 38"
2	070652-12-R25	EA	Curtain w/Darts - 29" x 15" - Bedspread - Blue/Gray
2	070652-12-R26	EA	Curtain w/Darts - 29" x 15" - Bedspread - Navy/Beige
2	070652-12-R27	EA	Curtain w/Darts - 29" x 15" - Bedspread - Rust
2	070652-18-R25	EA	Curtain w/Darts - 29" x 15" - Horseshoe Lounge - Blue/Gray
2	070652-18-R26	EA	Curtain w/Darts - 29" x 15" - Horseshoe Lounge - Navy/Beige
2	070652-18-R27	EA	Curtain w/Darts - 29" x 15" - Horseshoe Lounge - Rust
2	073323-08-R10	EA	Curtain w/Rod Top - Sheer - 27 5" x 45"
2	070651-34-R25	EA	Valance Asm - 6" x 58" - Pleated - Bedspread - Blue/Gray
2	070651-34-R26	EA	Valance Asm - 6" x 58" - Pleated - Bedspread - Navy/Beige
2	070651-34-R27	EA	Valance Asm - 6" x 58" - Pleated - Bedspread - Rust
2	070651-37-R25	EA	Valance Asm - 6" x 58" - Pleated - Horseshoe Lounge - Blue/Gray
2	070651-37-R26	EA	Valance Asm - 6" x 58" - Pleated - Horseshoe Lounge - Navy/Beige
2	070651-37-R27	EA	Valance Asm - 6" x 58" - Pleated - Horseshoe Lounge - Rust
2	065522-14-000	EA	Shade Asm - Vinyl - 47 25" x 38"
3	073251-20-R25	EA	Curtain w/Tape Top - 25 5" x 12" - Blue/Gray
3	073251-20-R26	EA	Curtain w/Tape Top - 25 5" x 12" - Navy/Beige
3	073251-20-R27	EA	Curtain w/Tape Top - 25 5" x 12" - Rust
3	070651-32-R25	EA	Valance Asm - 6" x 42" - Pleated - Blue/Gray
3	070651-32-R26	EA	Valance Asm - 6" x 42" - Pleated - Navy/Beige
3	070651-32-R27	EA	Valance Asm - 6" x 42" - Pleated - Rust
3	070651-52-R22	EA	Valance Asm - 6" x 39" - Pleated (Woven Wood) Blue/Gray (R25)
3	070651-52-R23	EA	Valance Asm - 6" x 39" - Pleated (Woven Wood) Navy/Beige (R26)
3	070651-52-R24	EA	Valance Asm - 6" x 39" - Pleated (Woven Wood) Rust (R27)

CURTAINS, CUSHION & PAD GROUP (CONTINUED)

CURTAINS, VALANCES, SHADES & TIEBACKS (CONT.)

Key	Part Number	U/M	Description
3	065522-06-000	EA	Shade Asm - Vinyl - 33 25" x 38"
3	075474-18-000	EA	Shade Asm - Woven Wood - 32" x 26" Drop - Blue/Gray (R25)
3	075474-16-000	EA	Shade Asm - Woven Wood - 32" x 26" Drop - Navy/Beige (R26)
3	075474-17-000	EA	Shade Asm - Woven Wood - 32" x 26" Drop - Rust (R27)
4	070652-18-R25	EA	Curtain w/Darts - 29" x 15" - Blue/Gray
4	070652-18-R26	EA	Curtain w/Darts - 29" x 15" - Navy/Beige
4	070652-18-R27	EA	Curtain w/Darts - 29" x 15" - Rust
4	073323-02-R10	EA	Curtain w/Rod Top - Sheer - 27 5" x 66"
4	070651-25-R25	EA	Valance Asm - 6" x 80" - Pleated - Blue/Gray
4	070651-25-R26	EA	Valance Asm - 6" x 80" - Pleated - Navy/Beige
4	070651-25-R27	EA	Valance Asm - 6" x 80" - Pleated - Rust
4	065522-12-000	EA	Shade Asm - Vinyl - 69 25" x 38"
4	070651-49-R22	EA	Valance Asm - 6" x 76" - Pleated (Woven Wood) Blue/Gray (R25)
4	070651-49-R23	EA	Valance Asm - 6" x 76" - Pleated (Woven Wood) Navy/Beige (R26)
4	070651-49-R24	EA	Valance Asm - 6" x 76" - Pleated (Woven Wood) Rust (R27)
4	075474-15-000	EA	Shade Asm - Woven Wood - 69" x 29" Drop - Blue/Gray (R25)
4	075474-13-000	EA	Shade Asm - Woven Wood - 69" x 29" Drop - Navy/Beige (R26)
4	075474-14-000	EA	Shade Asm - Woven Wood - 69" x 29" Drop - Rust (R27)
5	059900-05-R10	EA	Curtain w/Snaps - Driver's Door - 29" x 35"
6	073304-07-R10	EA	Curtain w/Snaps - Front Wraparound - 27 5" x 81" (2 required)
6	073304-03-R10	EA	Curtain w/Snaps - Front Wraparound - Driver's Door - 27 5" x 125"
6	073304-25-R10	EA	Curtain w/Snaps - Privacy - 30" x 86"
7	073251-22-R25	EA	Curtain w/Tape Top - 39" x 9" - Blue/Gray
7	073251-22-R26	EA	Curtain w/Tape Top - 39" x 9" - Navy/Beige
7	073251-22-R27	EA	Curtain w/Tape Top - 39" x 9" - Rust
7	073323-09-R10	EA	Curtain w/Rod Top - Sheer - 39" x 15"
7	070651-23-R25	EA	Valance Asm - 6" x 31" - Pleated - Blue/Gray
7	070651-23-R26	EA	Valance Asm - 6" x 31" - Pleated - Navy/Beige
7	070651-23-R27	EA	Valance Asm - 6" x 31" - Pleated - Rust
7	065522-15-000	EA	Shade Asm - Vinyl - 19" x 52"
7	070651-48-R22	EA	Valance Asm - 6" x 27" - Pleated (Woven Wood) Blue/Gray (R25)
7	070651-48-R23	EA	Valance Asm - 6" x 27" - Pleated (Woven Wood) Navy/Beige (R26)
7	070651-48-R24	EA	Valance Asm - 6" x 27" - Pleated (Woven Wood) Rust (R27)
7	075474-21-000	EA	Shade Asm - Woven Wood - 19" x 41" Drop - Blue/Gray (R25)
7	075474-19-000	EA	Shade Asm - Woven Wood - 19" x 41" Drop - Navy/Beige (R26)
7	075474-20-000	EA	Shade Asm - Woven Wood - 19" x 41" Drop - Rust (R27)
8	075694-02-R25	EA	Valance Asm - 4 8" x 4 2" x 29 6" - Blue/Gray
8	075694-02-R26	EA	Valance Asm - 4 8" x 4 2" x 29 6" - Navy/Beige
8	075694-02-R27	EA	Valance Asm - 4 8" x 4 2" x 29 6" - Rust
8	065522-02-000	EA	Shade Asm - Vinyl - 21 25" x 38"
9	073251-21-R25	EA	Curtain w/Tape Top - 21 5" x 9" - Blue/Gray
9	073251-21-R26	EA	Curtain w/Tape Top - 21 5" x 9" - Navy/Beige
9	073251-21-R27	EA	Curtain w/Tape Top - 21 5" x 9" - Rust
9	070651-35-R25	EA	Valance Asm - 6" x 38 5" - Pleated - Blue/Gray
9	070651-35-R26	EA	Valance Asm - 6" x 38 5" - Pleated - Navy/Beige
9	070651-35-R27	EA	Valance Asm - 6" x 38 5" - Pleated - Rust
9	065522-16-000	EA	Shade Asm - Vinyl - 28 5" x 30"
9	070651-50-R22	EA	Valance Asm - 6" x 35" - Pleated (Woven Wood) Blue/Gray (R25)
9	070651-50-R23	EA	Valance Asm - 6" x 35" - Pleated (Woven Wood) Navy/Beige (R26)
9	070651-50-R24	EA	Valance Asm - 6" x 35" - Pleated (Woven Wood) Rust (R27)
9	075474-27-000	EA	Shade Asm - Woven Wood - 28" x 23" Drop - Blue/Gray (R25)
9	075474-25-000	EA	Shade Asm - Woven Wood - 28" x 23" Drop - Navy/Beige (R26)
9	075474-26-000	EA	Shade Asm - Woven Wood - 28" x 23" Drop - Rust (R27)
9	073304-23-R10	EA	Curtain w/Snaps - Front Bunk Privacy - 40" x 85"
9	073304-02-R10	EA	Curtain w/Snap Top - Bunk Privacy - 22" x 96"
9	073260-10-R25	EA	Tie Back Asm - 3" x 16" - Blue/Gray
9	073260-10-R26	EA	Tie Back Asm - 3" x 16" - Navy/Beige
9	073260-10-R27	EA	Tie Back Asm - 3" x 16" - Rust
9	073260-12-R25	EA	Tie Back Asm - 3" x 16" - Bedroom - Blue/Gray
9	073260-12-R26	EA	Tie Back Asm - 3" x 16" - Bedroom - Navy/Beige
9	073260-12-R27	EA	Tie Back Asm - 3" x 16" - Bedroom - Rust
9	057534-01-000	EA	Tie Back - Clear Plastic - 6"
9	057534-03-000	EA	Tie Back - Clear Plastic - 7 5"
9	057534-04-000	EA	Tie Back - Clear Plastic - 20"
9			Not illustrated

**1984 ITASCA
TABLE OF CONTENTS**

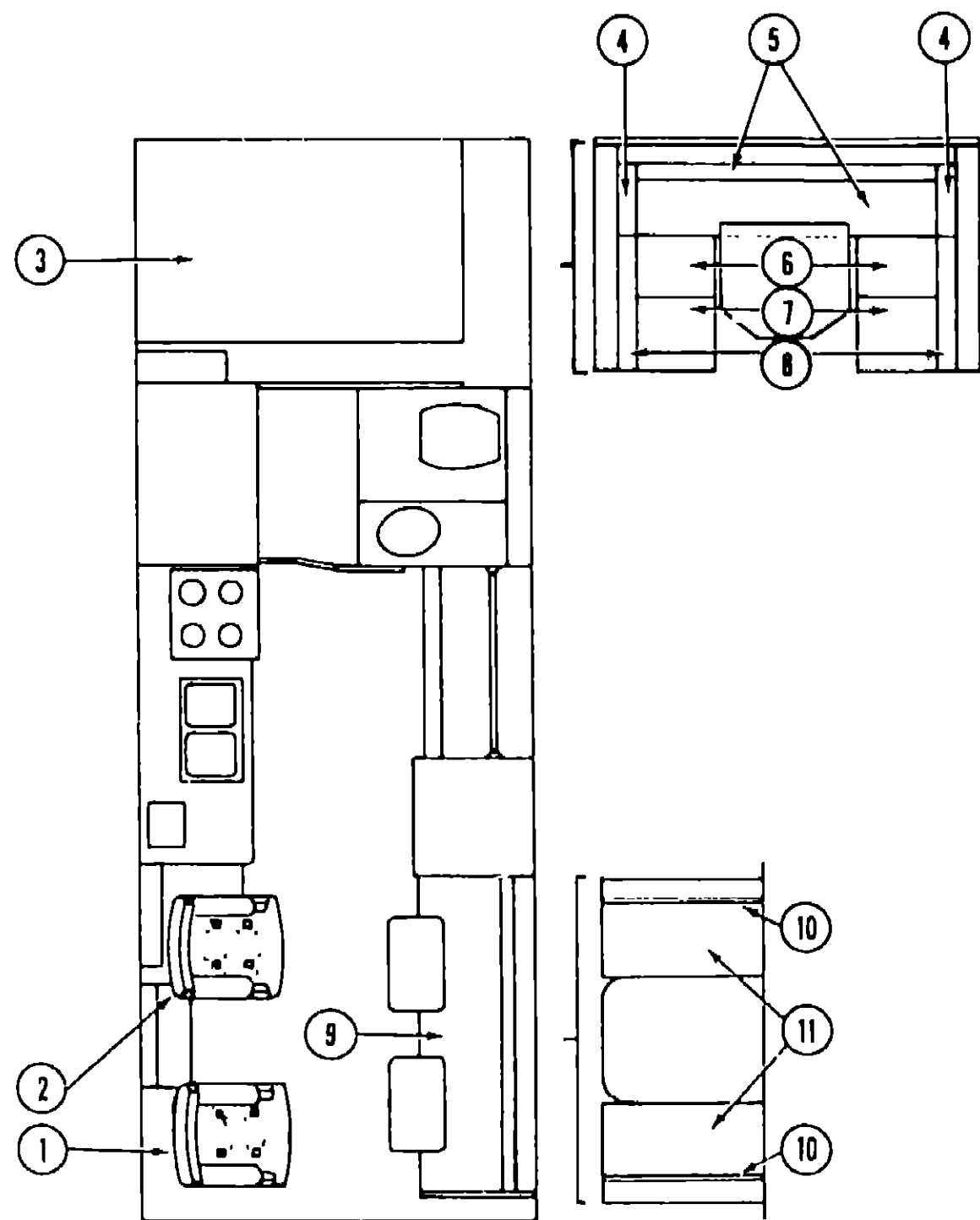
Introduction	A-01
Abbreviations	A-01
Alphabetical Index	A-02 - A-04
ICN22RC	A-05 - C-20
ICN27RU	C-21 - F-10
ICN33RU	F-11 - H-22
ICP31RT	H-23 - J-24

1984 ICN27RU INDEX

Floor Plan	C-21 - C-22
Accessories Group	C-23 - C-24
Bath Group	D-01
Chassis Group	D-02 - D-03
Curtain Cushion & Pad Group	D-04 - D-10
Dinette Group	D-11
Driver's Compartment Group	D-12 - D-14
Electrical Group	D-15 - D-17
Exterior Body Group	D-18 - E-04
Galley Group	E-05 - E-08
Heating & Air Conditioning Group	E-09 - E-10
Interior Finish Group	E-11 - E-13
LP Group	E-14
Lounge Group	E-15 - E-16
Water & Sewage Group	E-17 - E-18
Window, Vent & Exterior Door Group	E-19 - F-10

CURTAIN, CUSHION & PAD GROUP (CONTINUED)

CURTAIN, CUSHION & PAD GROUP (CONTINUED)



SWIVEL CHAIRS

Key	Part Number	U/M	Description
1	073518-07-R25	EA	Chair Asm w/Pillow Back - Swivel - Blue/Gray
1	073518-07-R26	EA	Chair Asm w/Pillow Back - Swivel - Navy/Beige
1	073518-07-R27	EA	Chair Asm w/Pillow Back - Swivel - Rust
	075174-02-R25	EA	Skirt Asm - Swivel Chair - Blue/Gray
	075174-02-R26	EA	Skirt Asm - Swivel Chair - Navy/Beige
	075174-02-R27	EA	Skirt Asm - Swivel Chair - Rust
2	073518-08-R25	EA	Chair Asm w/Pillow Back - Generator Box - Blue/Gray
2	073518-08-R26	EA	Chair Asm w/Pillow Back - Generator Box - Navy/Beige
2	073518-08-R27	EA	Chair Asm w/Pillow Back - Generator Box - Rust

DOUBLE BED MATTRESS

Key	Part Number	U/M	Description
3	058709-03-000	EA	Mattress - Innerspring - 48" x 75"
	070653-02-R25	EA	Bedsread - Double Fitted - Blue/Gray
	070653-02-R26	EA	Bedsread - Double Fitted - Navy/Beige
	070653-02-R27	EA	Bedsread - Double Fitted - Rust
	070654-01-R25	EA	Pillow Sham - 20" x 26" - Blue/Gray
	070654-01-R26	EA	Pillow Sham - 20" x 26" - Navy/Beige
	070654-01-R27	EA	Pillow Sham - 20" x 26" - Rust

HORSESHOE LOUNGE CUSHIONS

Key	Part Number	U/M	Description
4	072430-19-R25	EA	Cushion - Lounge Back - 20" x 10" x 5" - Blue/Gray
4	072430-19-R26	EA	Cushion - Lounge Back - 20" x 10" x 5" - Navy/Beige
4	072430-19-R27	EA	Cushion - Lounge Back - 20" x 10" x 5" - Rust
	M72430-19-R25	EA	Cover - Cushion - 20" x 10" x 5" - Blue/Gray
	M72430-19-R26	EA	Cover - Cushion - 20" x 10" x 5" - Navy/Beige
	M72430-19-R27	EA	Cover - Cushion - 20" x 10" x 5" - Rust
5	073900-03-R25	EA	Cushion Asm - Lester Lounge - Back & Bottom - 80" - Blue/Gray
5	073900-03-R26	EA	Cushion Asm - Lester Lounge - Back & Bottom - 80" - Navy/Beige
5	073900-03-R27	EA	Cushion Asm - Lester Lounge - Back & Bottom - 80" - Rust
	M73900-03-R25	EA	Cover - Lester Lounge - Back & Bottom - 80" - Blue/Gray
	M73900-03-R26	EA	Cover - Lester Lounge - Back & Bottom - 80" - Navy/Beige
	M73900-03-R27	EA	Cover - Lester Lounge - Back & Bottom - 80" - Rust
6	072430-16-R25	EA	Cushion - Lounge Seat - 24" x 13" x 6" - Blue/Gray
6	072430-16-R26	EA	Cushion - Lounge Seat - 24" x 13" x 6" - Navy/Beige
6	072430-16-R27	EA	Cushion - Lounge Seat - 24" x 13" x 6" - Rust
	M72430-16-R25	EA	Cover - Cushion - 24" x 13" x 6" - Blue/Gray
	M72430-16-R26	EA	Cover - Cushion - 24" x 13" x 6" - Navy/Beige
	M72430-16-R27	EA	Cover - Cushion - 24" x 13" x 6" - Rust
7	072430-17-R25	EA	Cushion - Lounge Seat - 24" x 15" x 6" - Blue/Gray
7	072430-17-R26	EA	Cushion - Lounge Seat - 24" x 15" x 6" - Navy/Beige
7	072430-17-R27	EA	Cushion - Lounge Seat - 24" x 15" x 6" - Rust
	M72430-17-R25	EA	Cover - Cushion - 24" x 15" x 6" - Blue/Gray
	M72430-17-R26	EA	Cover - Cushion - 24" x 15" x 6" - Navy/Beige
	M72430-17-R27	EA	Cover - Cushion - 24" x 15" x 6" - Rust
8	072430-18-R25	EA	Cushion - Lounge Back - 28" x 10" x 5" - Blue/Gray
8	072430-18-R26	EA	Cushion - Lounge Back - 28" x 10" x 5" - Navy/Beige
8	072430-18-R27	EA	Cushion - Lounge Back - 28" x 10" x 5" - Rust
	M72430-18-R25	EA	Cover - Cushion - 28" x 10" x 5" - Blue/Gray
	M72430-18-R26	EA	Cover - Cushion - 28" x 10" x 5" - Navy/Beige
	M72430-18-R27	EA	Cover - Cushion - 28" x 10" x 5" - Rust

MAGIC BED

Key	Part Number	U/M	Description
9	075475-15-000	EA	Magic Bed - Complete - Blue/Gray (R25)
9	075475-13-000	EA	Magic Bed - Complete - Navy/Beige (R26)
9	075475-14-000	EA	Magic Bed - Complete - Rust (R27)

DINETTE CUSHIONS

Key	Part Number	U/M	Description
10	072430-14-R25	EA	Cushion - Dinette Back - 19 2" x 38" x 5" - Blue/Gray
10	072430-14-R26	EA	Cushion - Dinette Back - 19 2" x 38" x 5" - Navy/Beige
10	072430-14-R27	EA	Cushion - Dinette Back - 19 2" x 38" x 5" - Rust
	M72430-14-R25	EA	Cover - Dinette Back Cushion - 19 2" x 38" x 5" - Blue/Gray
	M72430-14-R26	EA	Cover - Dinette Back Cushion - 19 2" x 38" x 5" - Navy/Beige
	M72430-14-R27	EA	Cover - Dinette Back Cushion - 19 2" x 38" x 5" - Rust
11	072430-15-R25	EA	Cushion - Dinette Bottom - 17 5" x 38" x 5" - Blue/Gray
11	072430-15-R26	EA	Cushion - Dinette Bottom - 17 5" x 38" x 5" - Navy/Beige
11	072430-15-R27	EA	Cushion - Dinette Bottom - 17 5" x 38" x 5" - Rust
	M72430-15-R25	EA	Cover - Dinette Bottom Cushion - 17 5" x 38" x 5" - Blue/Gray
	M72430-15-R26	EA	Cover - Dinette Bottom Cushion - 17 5" x 38" x 5" - Navy/Beige
	M72430-15-R27	EA	Cover - Dinette Bottom Cushion - 17 5" x 38" x 5" - Rust

**1984 ITASCA
TABLE OF CONTENTS**

Introduction	A-01
Abbreviations	A-01
Alphabetical Index	A-02 - A-04
ICN22RC	A-05 - C-20
ICN27RU	C-21 - F-10
ICN33RU	F-11 - H-22
ICP31RT	H-23 - J-24

1984 ICN27RU INDEX

Floor Plan	C-21 - C-22
Accessories Group	C-23 - C-24
Bath Group	D-01
Chassis Group	D-02 - D-03
Curtain, Cushion & Pad Group	D-04 - D-10
Dinette Group	D-11
Driver's Compartment Group	D-12 - D-14
Electrical Group	D-15 - D-17
Exterior Body Group	D-18 - E-04
Galley Group	E-05 - E-08
Heating & Air Conditioning Group	E-09 - E-10
Interior Finish Group	E-11 - E-13
LP Group	E-14
Lounge Group	E-15 - E-16
Water & Sewage Group	E-17 - E-18
Window, Vent & Exterior Door Group	E-19 - F-10

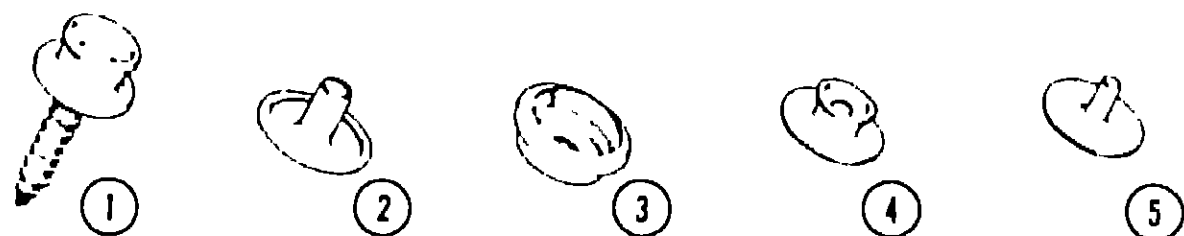
CURTAIN, CUSHION & PAD GROUP (CONTINUED)

FRONT OVERHEAD BUNK CUSHIONS

Key	Part Number	U/R	Description
	073467-05-R25	FA	Cushion Asm - Front Bunk - 41 5" x 76" x 4" - Blue/Gray
	073467-05-R26	EA	Cushion Asm - Front Bunk - 41 5" x 76" x 4" - Navy/Beige
	073467-05-R27	EA	Cushion Asm - Front Bunk - 41 5" x 76" x 4" - Rust
	M73467-05-R25	EA	Cover - Front Bunk Cushion - 41.5" x 76" x 4" - Blue/Gray
	M73467-05-R26	EA	Cover - Front Bunk Cushion - 41 5" x 76" x 4" - Navy/Beige
	M73467-05-R27	EA	Cover - Front Bunk Cushion - 41 5" x 76" x 4" - Rust

BUCKET SEATS

Key	Part Number	U/M	Description
	075966-02-R25	EA	Seat Asm - Single Bucket - w/Armrests - Blue/Gray
	075966-02-R26	EA	Seat Asm - Single Bucket - w/Armrests - Navy/Beige
	075966-02-R27	EA	Seat Asm - Single Bucket - w/Armrests - Rust
	M00784-13-R25	EA	Cover - Back - Single Bucket - Blue/Gray
	M00784-13-R26	EA	Cover - Back - Single Bucket - Navy/Beige
	M00784-13-R27	EA	Cover - Back - Single Bucket - Rust
	M00784-14-R25	EA	Cover - Bottom - Single Bucket - Blue/Gray
	M00784-14-R26	EA	Cover - Bottom - Single Bucket - Navy/Beige
	M00784-14-R27	EA	Cover - Bottom - Single Bucket - Rust
	071126-04-R25	EA	Skirt - Single Bucket - Blue/Gray
	071126-04-R26	EA	Skirt - Single Bucket - Navy/Beige
	071126-04-R27	EA	Skirt - Single Bucket - Rust
	075967-02-R25	EA	Seat Asm - Double Bucket - w/Armrests - Blue/Gray
	075967-02-R26	EA	Seat Asm - Double Bucket - w/Armrests - Navy/Beige
	075967-02-R27	EA	Seat Asm - Double Bucket - w/Armrests - Rust
	M00784-15-R25	EA	Cover - Back - Double Bucket - Blue/Gray
	M00784-15-R26	EA	Cover - Back - Double Bucket - Navy/Beige
	M00784-15-R27	EA	Cover - Back - Double Bucket - Rust
	M00784-16-R25	EA	Cover - Bottom - Double Bucket - Blue/Gray
	M00784-16-R26	EA	Cover - Bottom - Double Bucket - Navy/Beige
	M00784-16-R27	EA	Cover - Bottom - Double Bucket - Rust
	071690-02-R25	EA	Skirt - Double Bucket - Blue/Gray
	071690-02-R26	EA	Skirt - Double Bucket - Navy/Beige
	071690-02-R27	EA	Skirt - Double Bucket - Rust
	071122-11-R25	EA	Armrest Asm - Right - Blue/Gray
	071122-11-R26	EA	Armrest Asm - Right - Navy/Beige
	071122-11-R27	EA	Armrest Asm - Right - Rust
	071122-12-R25	EA	Armrest Asm - Left - Blue/Gray
	071122-12-R26	EA	Armrest Asm - Left - Navy/Beige
	071122-12-R27	EA	Armrest Asm - Left - Rust
	071123-06-R25	EA	Cover - Armrest - Right or Left - Blue/Gray
	071123-06-R26	EA	Cover - Armrest - Right or Left - Navy/Beige
	071123-06-R27	EA	Cover - Armrest - Right or Left - Rust



Key	Part Number	U/M	Description
1	029130-01-000	EA	Socket - Snap Fastener
2	029155-01-000	EA	Cap - Snap - 156" Dia x 17" Barrel
3	029156-01-000	EA	Socket - Snap Fastener
4	029092-01-000	EA	Stud - Nickel Finish
5	029093-01-000	EA	Eyelet - Nickel Finish

CURTAIN, CUSHION & PAD GROUP (CONTINUED)

FABRICS, TRIMS & PADS

Key	Part Number	U/M	Description
	072333-09-000	YD	Fabric - Drapery
	072333-08-000	YD	Fabric - Drapery - Sheers
	074495-23-000	YD	Fabric - Drapery/Accent - Blue/Gray (R25)
	074495-21-000	YD	Fabric - Drapery/Accent - Navy/Beige (R26)
	074495-22-000	YD	Fabric - Drapery/Accent - Rust (R27)
	074495-50-000	YD	Fabric w/Pattern - Upholstery - Blue/Gray (R25)
	074495-48-000	YD	Fabric w/Pattern - Upholstery - Navy/Beige (R26)
	074495-49-000	YD	Fabric w/Pattern - Upholstery - Rust (R27)
	069729-06-000	YD	Fabric - Bedspread - Blue/Gray (R25)
	069729-08-000	YD	Fabric - Bedspread - Navy/Beige (R26)
	069729-05-000	YD	Fabric - Bedspread - Rust (R27)
	038421-01-000	YD	Fabric - Mattress Ticking
	029012-01-000	BF	Foam - Rolled - 3/8"
	052859-01-R13	FT	Trim Asm - Accent
	070502-01-000	YD	Vinyl - Non-Expanded - 12 Gauge Film
	057550-03-P07	EA	Button Asm - Nail - #36 - 7/8" Shank - Vinyl
	057550-05-N07	EA	Button Asm - #36 - 3/8" Shank - Vinyl
	070578-04-R25	EA	Button Asm - Screw Stud - #30 - Blue/Gray
	070578-04-R26	EA	Button Asm - Screw Stud - #30 - Navy/Beige
	070578-04-R27	EA	Button Asm - Screw Stud - #30 - Rust
	075269-02-R25	EA	Button Asm - #36 Round - 3/4" Stud - Blue/Gray
	075269-02-R26	EA	Button Asm - #36 Round - 3/4" Stud - Navy/Beige
	075269-02-R27	EA	Button Asm - #36 Round - 3/4" Stud - Rust
	071127-06-R25	EA	Button Asm - #36 Round Hook Back - Blue/Gray
	071127-06-R26	EA	Button Asm - #36 Round Hook Back - Navy/Beige
	071127-06-R27	EA	Button Asm - #36 Round Hook Back - Rust
	071847-07-R10	EA	Pad Asm - End Cap - Swivel Chair Overhead - Left - Vinyl
	059414-03-000	EA	Pad - Sidewall Trim - Driver - Vinyl
	059414-04-000	EA	Pad - Sidewall Trim - Passenger - Vinyl
	059467-03-N07	EA	Pad - Map Pocket - Driver - Vinyl
	059467-04-N07	EA	Pad - Map Pocket - Passenger - Vinyl
	074210-03-P01	EA	Pad Asm - Front Side Overhead - Passenger - Vinyl
	074210-02-P01	EA	Pad Asm - Front Side Overhead - Driver - Vinyl
	074210-01-P01	EA	Pad Asm - Front Side Overhead - Driver's Door - Vinyl
	074549-01-R25	EA	Pad Asm - Dinette - Right - Blue/Gray
	074549-01-R26	EA	Pad Asm - Dinette - Right - Navy/Beige
	074549-01-R27	EA	Pad Asm - Dinette - Right - Rust
	074549-02-R25	EA	Pad Asm - Dinette - Left - Blue/Gray
	074549-02-R26	EA	Pad Asm - Dinette - Left - Navy/Beige
	074549-02-R27	EA	Pad Asm - Dinette - Left - Rust
	076188-01-R25	EA	Pad Asm - Dinette Wall - 12" x 12" - Blue/Gray
	076188-01-R26	EA	Pad Asm - Dinette Wall - 12" x 12" - Navy/Beige
	076188-01-R27	EA	Pad Asm - Dinette Wall - 12" x 12" - Rust
	076188-02-R25	EA	Pad Asm - Dinette Wall - 3 5" x 30" - Blue/Gray
	076188-02-R26	EA	Pad Asm - Dinette Wall - 3 5" x 30" - Navy/Beige
	076188-02-R27	EA	Pad Asm - Dinette Wall - 3 5" x 30" - Rust
	077641-21-000	EA	Pad Asm w/Quilting - Dinette Wall - 12" x 12" - Blue/Gray (R25)
	077641-17-000	EA	Pad Asm w/Quilting - Dinette Wall - 12" x 12" - Navy/Beige (R26)
	077641-19-000	EA	Pad Asm w/Quilting - Dinette Wall - 12" x 12" - Rust (R27)
	077642-09-000	EA	Pad Asm w/Quilting - Dinette Wall - 3 5" x 30" - Blue/Gray (R25)
	077642-05-000	EA	Pad Asm w/Quilting - Dinette Wall - 3 5" x 30" - Navy/Beige (R26)
	077642-07-000	EA	Pad Asm w/Quilting - Dinette Wall - 3 5" x 30" - Rust (R27)

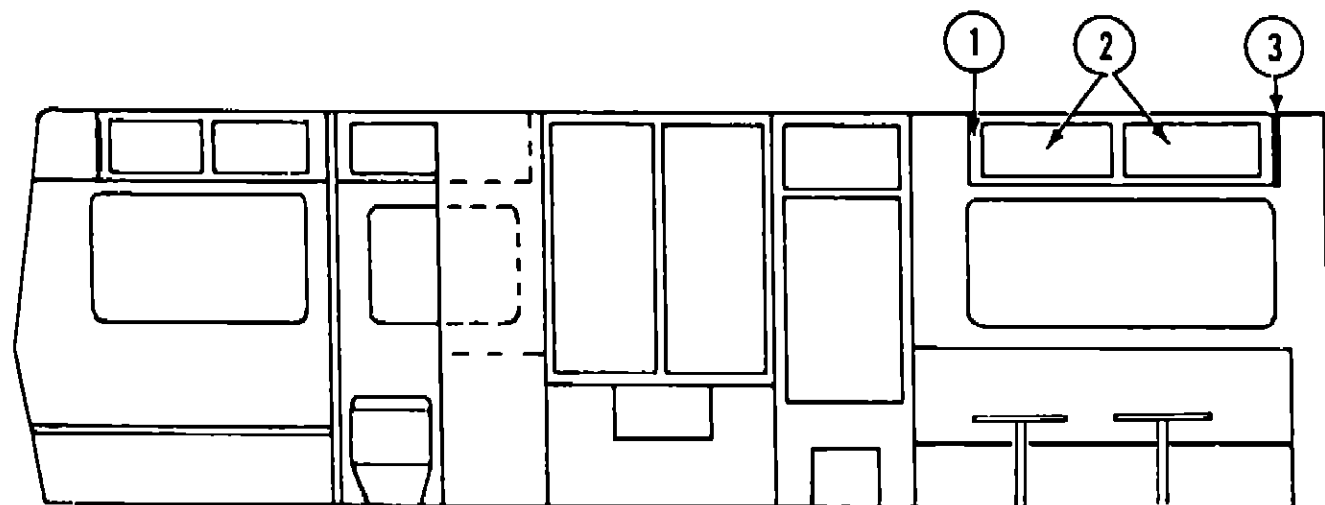
**1984 ITASCA
TABLE OF CONTENTS**

Introduction	A-01
Abbreviations	A-01
Alphabetical Index	A-02 - A-04
ICN22RC	A-05 - C-20
ICN27RU	C-21 - F-10
ICN33RU	F-11 - H-22
ICP31RT	H-23 - J-24

1984 ICN27RU INDEX

Floor Plan	C-21 - C-22
Accessories Group	C-23 - C-24
Bath Group	D-01
Chassis Group	D-02 - D-03
Curtain, Cushion & Pad Group	D-04 - D-10
Dinette Group	D-11
Driver's Compartment Group	D-12 - D-14
Electrical Group	D-15 - D-17
Exterior Body Group	D-18 - E-04
Galley Group	E-05 - E-08
Heating & Air Conditioning Group	E-09 - E-10
Interior Finish Group	E-11 - E-13
LP Group	E-14
Lounge Group	E-15 - E-16
Water & Sewage Group	E-17 - E-18
Window, Vent & Exterior Door Group	E-19 - F-10

DINETTE GROUP



MAGIC BED & OVERHEAD CABINERY

Key	Part Number	U/M	Description
1	M75775-10-R10	EA	Cabinet Asm - Magic Bed Overhead - w/o Doors or Hardware
2	069852-72-R10	EA	Door Asm - Magic Bed Overhead - 28 1" x 11 4" - w/o Hardware
3	071846-01-R10	EA	Pad Asm - End Cap - Magic Bed Overhead - Right - Beige Vinyl
.	071846-04-R10	EA	End Cap Asm - Magic Bed Overhead - Left
.	M00684-43-F110	EA	Table Asm w/o Hardware - Harbor Oak
.	009040-04-000	EA	Leg - Pedestal Table - 27 5" x 2 25" O D.
.	009040-03-000	EA	Base - Table Leg - Mounts on Table
.	041194-01-000	EA	Base - Table Leg - Mounts in Floor
.	062046-01-000	EA	Clip - Pedestal Leg
.			Not illustrated

DINETTE (OPTION)

Key	Part Number	U/M	Description
	069852-70-R10	EA	Door Asm. - Dinette Seat Cabinet - Right - 10 1" x 19 1" - w/o Hardware
	M01430-01-R10	EA	Cabinet Asm - Dinette Seat - Right
	M01430-04-R10	EA	Cabinet Asm - Dinette Seat - Left
	M01431-01-R10	EA	Cabinet Asm - Dinette Seat Back - Right - w/o Door or Hardware
	M01431-04-R10	EA	Cabinet Asm - Dinette Seat Back - Left - w/o Door or Hardware
	M01291-50-R10	EA	Table Asm - Dinette - w/o Hardware - Harbor Oak
	053200-05-000	EA	Bracket - Upper Wall Mount - 23 5" - Beige
	053201-03-000	EA	Bracket - Table Mount - 23"
	024275-05-000	EA	Rod - Table Lift - 8" x 23 5" - Beige
	024276-14-000	EA	Leg Asm - Table - 26 75" - Brown
	024281-07-000	EA	Bracket - Lower Wall Mount - 22 12" - Beige
	024282-01-000	EA	Brace - Table Leg
	024283-01-000	EA	Clip - 1" O D Tube
	049493-02-000	EA	Catch - Table Leg - Mounts on Floor - Brown
	064050-01-000	EA	Hinge - Table Leg
	064781-03-000	EA	Cup Holder - 3 47" O D x 2 75" I D x 1 5" - Brown

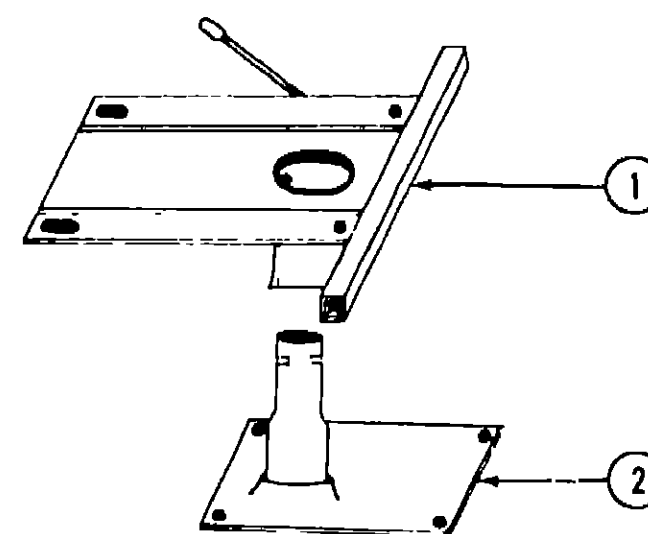
DRIVER'S COMPARTMENT GROUP

DASH SWITCHES & GAUGES

Key	Part Number	U/M	Description
	024461-01-000	EA	Switch - Battery
	024462-01-000	EA	Switch - Battery Condition
	024464-01-000	EA	Switch - Washer
	024467-01-000	EA	Switch - Wiper
	024976-01-000	EA	Switch - Generator w/o Circuit Board
	074007-01-000	EA	Switch - Intermittent - Windshield Wiper
	024459-03-000	EA	Gauge - Voltmeter
	024460-03-000	EA	Gauge - Vacuum
	024460-02-000	EA	Bracket - Mounting - Vacuum Gauge
	031035-01-000	EA	Gauge - Generator/Hourmeter
	072363-01-000	EA	Water Detector Probe - Fuel Line

1984 ITASCA TABLE OF CONTENTS

Introduction	A-01
Abbreviations	A-01
Alphabetical Index	A-02 - A-04
ICN22RC	A-05 - C-20
ICN27RU	C-21 - F-10
ICN33RU	F-11 - H-22
ICP31RT	H-23 - J-24



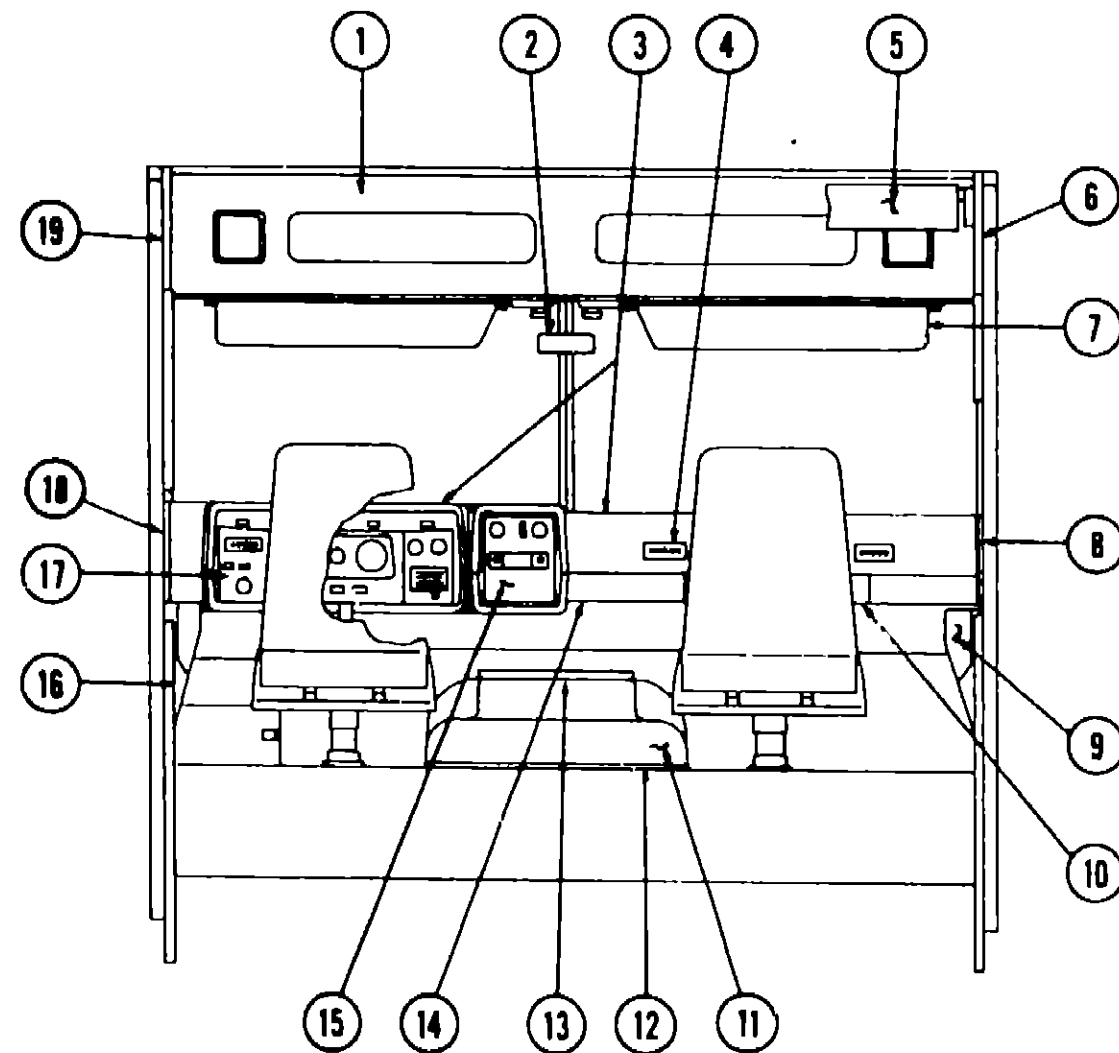
BUCKET SEAT PEDFSTAL & SEAT BELTS

Key	Part Number	U/M	Description
1	069585-06-000	EA	Plate - Top - Pedestal Asm - Single Bucket Seat
1	069585-10-000	EA	Plate - Top - Pedestal Asm. - Double Bucket Seat
2	069585-08-000	EA	Plate - Sub - Pedestal Asm - Bucket Seat
.	069585-05-000	EA	Hardware Kit - Bolt/Acorn Nut - 4 ea. - Pedestal Asm.
.	056271-02-000	EA	Belt Asm - Seat - 2" x 72" - Black
.	007019-01-000	EA	Belt Asm - Seat - 2" x 84" - Black
.	007021-01-000	EA	Belt Asm - Seat - 2" x 90" - Black
.	041322-01-000	EA	Washer - Flat 15/32" I D. x 2 3/8" O D - Seat Belt
.	069246-01-000	EA	Adjuster Asm. - Seat - w/Lock
.	069246-02-000	EA	Adjuster Asm. - Seat - w/o Lock
.	068601-06-000	EA	Recliner Drive - Single or Double Bucket - Driver
.	068601-07-000	EA	Recliner Drive - Single or Double Bucket - Passenger
.	068601-05-700	EA	Hand Wheel Kit - Recliner Drive
.			Not illustrated

1984 ICN27RU INDEX

Floor Plan	C-21 - C-22
Accessories Group	C-23 - C-24
Bath Group	D-01
Chassis Group	D-02 - D-03
Curtain, Cushion & Pad Group	D-04 - D-10
Dinette Group	D-11
Driver's Compartment Group	D-12 - D-14
Electrical Group	D-15 - D-17
Exterior Body Group	D-18 - E-04
Galley Group	E-05 - E-08
Heating & Air Conditioning Group	E-09 - E-10
Interior Finish Group	E-11 - E-13
LP Group	E-14
Lounge Group	E-15 - E-16
Water & Sewage Group	E-17 - E-18
Window, Vent & Exterior Door Group	E-19 - F-10

DRIVER'S COMPARTMENT GROUP (CONTINUED)



MISCELLANEOUS DRIVER'S COMPARTMENT COMPONENTS

Key	Part Number	U/M	Description
1	076473-01-R10	EA	Cabinet Asm - Front Overhead
2	040714-01-700	EA	Mirror - Inside - Rear View - Glare Proof - w/Button Support
**3	M01113-10-000	EA	Dash Asm - Complete - w/Gauges & Switches (w/o Clock)
**3	M01113-11-000	EA	Dash Asm - Complete - w/Gauges & Switches (w/o Clock) Diesel
.	038846-01-000	EA	Retainer - Dash - 1" x 5" x .188" Dia
.	038846-02-000	EA	Retainer - Dash - 3" x 5" x .140" Dia.
.	022548-04-000	EA	Pad - Dash - Right - Dark Brown
.	023242-06-000	EA	Pad - Dash - Left - Dark Brown
.	024990-02-000	EA	Outlet - Defroster w/Swivel - 2" - Dark Brown
4	039044-01-000	EA	Louver Asm. - A/C Adjustable
5	076184-02-R10	EA	Bunk Board Asm - Front Overhead - w/Beige Rails
6	074210-03-P01	EA	Pad Asm. - Front Side Overhead - Passenger - Beige Vinyl
7	075588-01-P01	EA	Sunvisor Asm. - Driver & Passenger - Beige Vinyl
.	046099-01-000	EA	Arm Asm - Sunvisor
.	007211-01-000	EA	Hinge - Sunvisor
.	040695-02-000	EA	Clip - Sunvisor & Support Asm
.	074012-01-000	EA	Clip - Sunvisor - Square - Pinch On
.	061350-03-000	EA	Windshield Trim - Interior - "A" Post - Light Oak Plastic - Passenger
.	061350-04-000	EA	Windshield Trim - Interior - "A" Post - Light Oak Plastic - Driver
8	059414-04-000	EA	Pad - Sidewall Trim - Passenger - Beige Vinyl
9	072811-01-000	EA	Panel - Side - Passenger - Light Oak Plastic
.	059467-04-N07	EA	Pad - Map Pocket - Passenger - Beige Vinyl
10	022219-01-000	EA	Glove Compartment Door
.	023892-01-000	EA	Glove Compartment Box - Black Fiberboard
.	009118-01-000	EA	Glove Compartment Twist Lock
.	024598-01-000	EA	Glove Compartment Hinge - 1 1/16" x 19"
.	034309-01-000	EA	Glove Compartment Chain - Door
11	067213-03-000	EA	Engine Cover - Fiberglass

DRIVER'S COMPARTMENT GROUP (CONTINUED)

MISCELLANEOUS DRIVER'S COMPARTMENT COMPONENTS (CONT)

Key	Part Number	U/M	Description
12	077570-01-000	EA	Seal - Engine Cover - Beige
.	039623-01-000	FT	Seal - Cover - Engine - Neoprene
.	052783-04-000	EA	Seal - Cover - Engine - Upper - Beige
.	039857-01-000	EA	Latch - Rubber - Draw Handle 5 3/4" w/Strike
.	042541-01-000	EA	Latch Asm - w/Strike - Chrome
13	071714-04-000	EA	Beverage Tray Asm Oak
14	023834-01-000	EA	Panel - Knee Kick - Bottom of Dash
.	Not illustrated		
15	076006-01-000	EA	Bezel - Entertainment Center - Blank
.	007308-01-000	EA	Dash Clock
16	059198-05-000	EA	Panel - Side - Driver - Light Oak Plastic
16	064499-02-000	EA	Panel - Driver's Door - Inner - Light Oak Plastic
.	059467-03-N07	EA	Pad - Map Pocket - Driver - Beige Vinyl
.	046886-03-000	EA	Ash Tray Asm - Flush Mount - Chrome
17	071668-01-000	EA	Bezel - Control Panel
17	071668-02-000	EA	Bezel - Control Panel - Diesel
17	071668-03-000	EA	Bezel - Control Panel w/Auxiliary Fuel
.	077307-01-000	EA	Access Panel - Lower - Control Panel - Black Plastic
.	052361-01-000	EA	Cigarette Lighter Asm - 12 Volt
.	007041-01-000	EA	Bezel - Cigarette Lighter
.	011124-01-000	EA	Lamp Asm - Map/Gauge
.	001400-03-000	EA	Assist Strap - 12" - Beige Vinyl
18	059414-03-000	EA	Pad - Sidewall Trim - Driver - Beige Vinyl
19	074210-02-P01	EA	Pad Asm - Front Overhead Cabinet - Driver - Beige Vinyl
19	074210-01-P01	EA	Pad Asm - Front Overhead Cabinet - Driver's Door - Beige Vinyl
.	040519-01-000	EA	Boot - Rubber Steering Column
.	040520-01-000	EA	Boot Retainer - Steering Column
.	054250-01-000	EA	Support - Dimmer Switch - w/o Holes
.	005081-01-000	EA	Speed Nut - "C" Type - #8 Screw
.	058279-01-000	EA	Clip - Mounting - Front Panel
.	Not illustrated		
**	Note To be special ordered only		

FRONT BUNK & HARDWARE

Key	Part Number	U/M	Description
	076473-01-R10	EA	Cabinet Asm - Front Overhead
	076184-02-R10	EA	Bunk Board Asm. - Front Overhead - w/Beige Rails
	053773-01-000	EA	Support - Overhead Bunk - Right - Brown
	053773-02-000	EA	Support - Overhead Bunk - Left - Brown
	040071-02-000	EA	Support - Bunk - Seat Belt
	039516-04-000	EA	Catch - Bunk - Beige
	023812-28-000	EA	Rail - Bunk - 77 1" - Beige
	053774-04-000	EA	Torsion Rod - Overhead Bunk - Brown
	041322-01-000	EA	Washer - Flat - 15/32" I D x 2 3/8" O D - Seat Belt
	074210-03-P01	EA	Pad Asm. - Front Side Overhead - Passenger - Beige Vinyl
	074210-02-P01	EA	Pad Asm - Front Side Overhead - Driver - Beige Vinyl
	074210-01-P01	EA	Pad Asm - Front Side Overhead - Driver's Door - Beige Vinyl
	048394-01-000	YD	Tape Hook - 1" x 25 YD - Beige
	048395-01-000	YD	Tape Loop - 1" x 25 YD - Beige
	007021-01-000	EA	Belt Asm - Seat - 2" x 90" - Black

**1984 ITASCA
TABLE OF CONTENTS**

Introduction	A-01
Abbreviations	A-01
Alphabetical Index	A-02 - A-04
ICN22RC	A-05 - C-20
ICN27RU	C-21 - F-10
ICN33RU	F-11 - H-22
ICP31RT	H-23 - J-24

1984 ICN27RU INDEX

Floor Plan	C-21 - C-22
Accessories Group	C-23 - C-24
Bath Group	D-01
Chassis Group	D-02 - D-03
Curtain, Cushion & Pad Group	D-04 - D-10
Dinette Group	D-11
Driver's Compartment Group	D-12 - D-14
Electrical Group	D-15 - D-17
Exterior Body Group	D-18 - E-04
Galley Group	E-05 - E-08
Heating & Air Conditioning Group	E-09 - E-10
Interior Finish Group	E-11 - E-13
LP Group	E-14
Lounge Group	E-15 - E-16
Water & Sewage Group	E-17 - E-18
Window, Vent & Exterior Door Group	E-19 - F-10

ELECTRICAL GROUP

BULBS

Key	Part Number	U/M	Description
	008220-01-000	EA	Bulb - 12V - 25W
	008103-01-000	EA	Bulb - 53
	008213-01-000	EA	Bulb - 57
	008214-01-000	EA	Bulb - 67
	036196-01-000	EA	Bulb - 194
	008215-01-000	EA	Bulb - 1003
	067479-01-000	EA	Bulb - 1076
	063914-01-000	EA	Bulb - 1139
	008218-01-000	EA	Bulb - 1141
	037935-01-000	EA	Bulb - 1157

FUSES & CIRCUIT BREAKER

Key	Part Number	U/M	Description
	008233-01-000	EA	Fuse - 6 Amp - 12 Volt
	008234-01-000	EA	Fuse - 10 Amp - 12 Volt
	046893-01-000	EA	Fuse - 13 Amp - 12 Volt
	008235-01-000	EA	Fuse - 15 Amp - 12 Volt
	008236-01-000	EA	Fuse - 20 Amp - 12 Volt
	008248-01-000	EA	Fuse - 30 Amp - 110 Volt - AGU
	008252-01-000	EA	Fuse - 50 Amp - 110 Volt
	056473-02-000	EA	Fuse - 5 Amp - Slow Blow
	056473-01-000	EA	Fuse - 6 1/4 Amp - Slow Blow
	062901-02-000	EA	Fuse - 5 Amp - Automotive
	062901-05-000	EA	Fuse - 15 Amp - Automotive
	008211-01-000	EA	Circuit Breaker - 6 Amp - 12 Volt
	008208-01-000	EA	Circuit Breaker - 40 Amp - 12 Volt
	033573-02-000	EA	Circuit Breaker - 15 Amp - 12 Volt - w/Mount
	033573-01-000	EA	Circuit Breaker - 20 Amp - 12 Volt - w/Mount
	008268-01-000	EA	Circuit Breaker - 30 Amp - 12 Volt - w/Mount
	040051-01-000	EA	Circuit Breaker - 20 Amp - 110 Volt - TQL
	008297-01-000	EA	Circuit Breaker - 120 Amp - TQL
	008293-01-000	EA	Circuit Breaker - 130 Amp - TQL
	075735-02-000	EA	Circuit Breaker - 15 Amp - 120 Volt (Ground Fault Interrupter)
	071279-05-000	EA	Circuit Breaker - 20 Amp - 120 Volt
	071279-04-000	EA	Circuit Breaker - 30 Amp - 120 Volt
	071279-02-000	EA	Circuit Breaker - 15/15 Amp - 120 Volt
	071279-03-000	EA	Circuit Breaker - 15/20 Amp - 120 Volt
	071279-01-000	EA	Circuit Breaker - 15/30 Amp - 120 Volt
	071279-06-000	EA	Circuit Breaker - 30/15 Amp - 120 Volt
	071280-01-000	EA	Circuit Breaker Blank

WINDSHIELD WIPER & WASHER

Key	Part Number	U/M	Description
**	056000-02-000	EA	Washer Asm - Windshield - w/o Nozzles
**	057653-01-000	EA	Arm - Windshield Wiper - 18" - Black
	067191-02-000	EA	Motor Asm - Windshield Wiper - 2 Speed
	067192-01-000	EA	Link Asm - Connecting - Left
	067193-01-000	EA	Link Asm - Connecting - Right
**	049464-03-000	EA	Blade - Windshield Wiper - 20" - Black
**	067190-01-000	EA	Shaft & Pivot Asm
**	057474-01-000	EA	Wiper Asm
**	The illustrated parts breakdown for this item is provided on the Common Items Fiche		

ELECTRICAL GROUP (CONTINUED)

WIRE, SWITCHES & RECEPTACLES

Key	Part Number	U/M	Description
	008058-01-000	EA	Adapter - Power Cord
	008288-01-000	EA	Box - Electrical - 3" x 3 5/8" - Plastic
	008289-01-000	EA	Box - Electrical - 4" x 4" - 1/2 & 3/4 - Steel - UL
	008289-02-000	EA	Box - Electrical - 4" x 4" - 1/2 & 3/4 - Steel - CSA
	058049-01-000	EA	Box - Electrical - 2" x 3" x 2 25" - Steel
	041953-01-000	EA	Conduit - Convoluted Silt - 5" I D
	008353-01-000	EA	Connector - Clamping - 3/8 Cable - UL & CSA
	058028-01-000	EA	Connector - Pigtail - Clear Nylon
	008314-01-000	EA	Connector - Wire Nut - Gray
	008311-01-000	EA	Connector - Wire Nut - Red
	031968-01-000	EA	Contact Plug - Brass - Tin Plated
	031967-01-000	EA	Contact - Receptacle
	008054-01-000	EA	Cord - Power - 10-3 30 Amp - 25' - UL
	008052-01-000	EA	Cord - Power - 10-3 30 Amp - 25' - CSA
	069238-01-000	EA	Cover - Electrical Box - 4" x 4"
	058048-01-000	EA	Cover - Electrical Box - 4 5/8" x 2 7/8" - Rain Tight (Exterior)
	024571-03-000	EA	Cover Plate - Receptacle - Jumbo - Brown Plastic
	024571-04-000	EA	Cover Plate - Receptacle - Jumbo - Ivory Plastic
	008164-01-000	EA	Cover Plate - Switch - Brown
	008294-01-000	EA	Cover - Flat Blank - 4" x 4" - Steel - US
	008294-02-000	EA	Cover - Flat Blank - 4" x 4" - Steel - CSA
	008250-01-000	EA	Fuse Holder - In Line - 10 Amp
	008250-02-000	EA	Fuse Holder - In Line - 15 Amp
	008277-01-000	EA	Fuse Holder - Panel Mount - Black
	064399-01-000	EA	Housing Asm - Trailer Pin
	064450-01-000	EA	Housing Asm - Trailer Plug
	064398-01-000	EA	Housing Asm - Trailer Receptacle
	054532-01-000	EA	Housing Pin - 6 Position
	046885-01-000	EA	Plaque - Mounting Switch
	075736-01-000	EA	Receptacle/Cover Asm. - Gray (Exterior)
	058708-01-000	EA	Receptacle - Duplex - Brown
	008157-01-000	EA	Receptacle - Duplex - Brown (Exterior Backwall)
	058708-02-000	EA	Receptacle - Duplex - Ivory
	053126-01-000	EA	Receptacle - Ground Fault Interrupter - 125 Volt - Ivory
	024924-02-000	EA	Receptacle - Power Cord
	058707-01-000	EA	Receptacle - Single - Brown
	063912-01-000	EA	Relay - Canister SPDT w/Ground
	008162-01-000	EA	Switch - Double Toggle - Brown
	056264-01-000	EA	Switch - Leaf Actuator
	008195-01-000	EA	Switch - Push Button - 12 Volt
	041250-01-000	EA	Switch - Push Button - On/Off
	008163-01-000	EA	Switch - Toggle - Brown
	006050-01-000	EA	TV Jack - Ivory
	047443-02-000	EA	Terminal - 250 Receptacle - 12-10 AWG
	035417-01-000	EA	Terminal - Pin Receptacle - 125 Dia
	008348-01-000	EA	Terminal Ring - 2 - 3/8" Stud
	008331-01-000	EA	Terminal Ring - 4 - 3/8" Stud
	008328-01-000	EA	Terminal Ring - 12/10 Wire
	008028-01-000	FT	Wire - 18 5 Bonded - Blue/Red/Yellow/Orange/White
	008024-01-000	FT	Wire - 18 5 Bonded - Orange/White/Yellow/Blue/Brown
	008025-01-000	FT	Wire - 18 5 Bonded - Orange/White/Yellow/Blue/Green
	008026-01-000	FT	Wire w/Ground - Romex - 12/2

1984 ITASCA TABLE OF CONTENTS

Introduction	A-01
Abbreviations	A-01
Alphabetical Index	A-02 - A-04
ICN22RC	A-05 - C-20
ICN27RU	C-21 - F-10
ICN33RU	F-11 - H-22
ICP31RT	H-23 - J-24

1984 ICN27RU INDEX

Floor Plan	C-21 - C-22
Accessories Group	C-23 - C-24
Bath Group	D-01
Chassis Group	D-02 - D-03
Curtain, Cushion & Pad Group	D-04 - D-10
Dinette Group	D-11
Driver's Compartment Group	D-12 - D-14
Electrical Group	D-15 - D-17
Exterior Body Group	D-18 - E-04
Galley Group	E-05 - E-08
Heating & Air Conditioning Group	E-09 - E-10
Interior Finish Group	E-11 - E-13
LP Group	E-14
Lounge Group	E-15 - E-16
Water & Sewage Group	E-17 - E-18
Window Vent & Exterior Door Group	E-19 - F-10

ELECTRICAL GROUP (CONTINUED)

EXTERIOR LIGHTS

Key	Part Number	U/M	Description
	058030-01-000	EA	Tail Lamp Asm - 3 Bulb - Chrome - Passenger
	058030-02-000	EA	Tail Lamp Asm - 3 Bulb - Chrome - Driver
	059036-01-000	EA	Bracket - Tail Lamp
	059540-01-000	EA	Bracket - License Plate
	042405-03-000	EA	Base - Rectangular - Clearance Light
	042405-01-000	EA	Lens - Clearance Light - Red w/Reflex
	042405-04-000	EA	Lens - Clearance Light - Red w/o Reflex
	042405-02-000	EA	Lens - Clearance Light - Amber w/Reflex
	042405-05-000	EA	Lens - Clearance Light - Amber w/o Reflex
	008089-01-000	EA	Light - Porch - Recessed
	058330-01-000	EA	Lamp Asm - Parking
	058330-02-000	EA	Socket Asm - Parking Lamp - w/Wire

INTERIOR LIGHTS

Key	Part Number	U/M	Description
	033508-02-000	EA	Light - Dome - Ivory - 1 Bulb - US
	033508-03-000	EA	Light - Dome - Ivory - 1 Bulb - CSA
	033509-02-000	EA	Light - Dome - Ivory - 2 Bulb - US
	033509-03-000	EA	Light - Dome - Ivory - 2 Bulb - CSA
	061424-01-000	EA	Light - 12 V Receptacle - Aisle - IP
	007309-01-000	EA	Light - Step Well
	072353-03-000	EA	Light - Reading - Single - 360° Swivel - Almond
	072353-04-000	EA	Light - Reading - Dbl - 360° Swivel - w/Aux Remote Control Switch - Silver
	065202-01-000	EA	Wall Lamp - Decor - 2 Bulb - Brass
	065201-02-000	EA	Lamp Shade - Fabric - Parchment - Wall Lamp

MISCELLANEOUS ELECTRICAL COMPONENTS

Key	Part Number	U/M	Description
	047338-03-000	EA	Isolator - Dual Battery - 70 Amp
	008188-01-000	EA	Solenoid - Dual Battery - Relay
	039861-01-000	EA	Sending Unit Kit - Wemac
	048812-12-000	EA	Refrigerator Sensor - Refrigerator Alarm
	022755-01-000	EA	Cover - Control Panel - Plastic
	067762-01-000	EA	Convertor - 40 Amp. w/Charger
	071278-02-000	EA	Control Center - 45 Amp
	052367-01-000	EA	Lighter Asm - Cigarette

EXTERIOR BODY GROUP

EXTERIOR ALUMINUM & FIBERGLASS SKINS

Key	Part Number	U/M	Description
	039155-36-001	EA	Alum - Mesa II - 024" x 48" x 360" - Gray
	039155-36-002	EA	Alum - Mesa II - 024" x 36" - 360" - Gray
	039155-36-003	EA	Alum - Mesa II - 024" x 12" x 360" - Gray
	039155-33-001	EA	Alum - Greyhound Design - 48" x 96" - Gray
	044487-01-001	EA	Alum - Mill Finish - No Design (Roof) 96" x 360"
	076054-15-003	EA	Fiberglass Sheet - Greyhound - 45 75" x 382" - Gray
	077517-15-001	EA	Fiberglass Sheet - Mesa - 46 12" x 378" - Gray
	077517-15-002	EA	Fiberglass Sheet - Mesa - 46 12" x 60" - Gray
	000868-01-000	SF	Styrofoam - 75" x 24" x 96"
	000870-01-000	SF	Styrofoam - 1 5" x 24" x 96"
	000870-03-000	SF	Styrofoam - 1 34" x 48" x 96"

ACCESS PANEL HARDWARE

Key	Part Number	U/M	Description
	072917-02-000	EA	Rod - Hood Prop
	062628-01-000	EA	Clip - Prop Rod
	058833-01-000	EA	Bracket - Prop Rod
	073340-01-000	EA	Hinge - Access Panel - Passenger
	073340-02-000	EA	Hinge - Access Panel - Driver
	058960-01-000	EA	Bracket - Hinge Asm - Hood - Driver
	058960-02-000	EA	Bracket - Hinge Asm - Hood - Passenger
	R77006-68-721	EA	Cable - Release (Access Panel)
	074178-01-000	EA	Bracket - Cable Release - Inside
	R77007-01-950	EA	Striker - Hood Latch
	R77006-59-931	EA	Latch - Hood
	R77006-38-499	EA	Spring
	R77006-19-765	EA	Cable Sheath
	073333-01-000	EA	Bracket - Latch Support
	073337-01-000	EA	Brace Latch - Hood
	073341-01-000	EA	Bracket - Hood Latch
	058786-02-000	EA	Bolt - Hood Adjusting - 5/16" x 18 x 1 1/4"

MISCELLANEOUS EXTERNALLY MOUNTED PARTS

Key	Part Number	U/M	Description
**	011129-01-000	EA	Plumbing Seal - Roof Vent - 1 5"
	009126 01-000	EA	Assist Handle - Chrome
	010230-04-000	EA	Fill - City Water - Recessed - Gray
	058808-03-000	EA	Water Fill - Lockable - Gray
	072309-02-000	EA	Shroud - Fill Neck
**	The illustrated parts breakdown for this item is provided on the Common Items Fiche		

1984 ITASCA TABLE OF CONTENTS

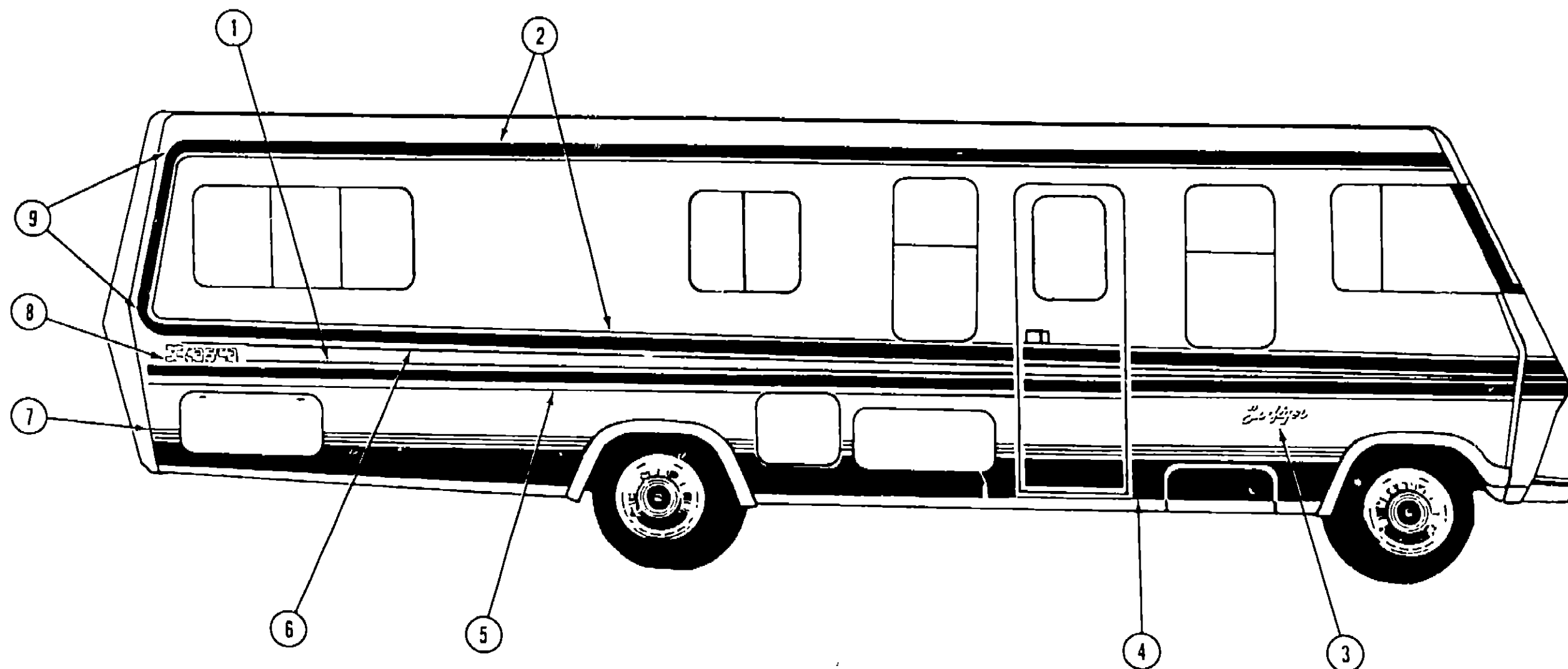
Introduction	A-01
Abbreviations	A-01
Alphabetical Index	A-02 - A-04
ICN22RC	A-05 - C-20
ICN27RU	C-21 - F-10
ICN33RU	F-11 - H-22
ICP31RT	H-23 - J-24

1984 ICN27RU INDEX

Floor Plan	C-21 - C-22
Accessories Group	C-23 - C-24
Bath Group	D-01
Chassis Group	D-02 - D-03
Curtain, Cushion & Pad Group	D-04 - D-10
Dinette Group	D-11
Driver's Compartment Group	D-12 - D-14
Electrical Group	D-15 - D-17
Exterior Body Group	D-18 - E-04
Galley Group	E-05 - E-08
Heating & Air Conditioning Group	E-09 - E-10
Interior Finish Group	E-11 - E-13
LP Group	E-14
Lounge Group	E-15 - E-16
Water & Sewage Group	E-17 - E-18
Window, Vent & Exterior Door Group	E-19 - F-10

EXTERIOR BODY GROUP (CONTINUED)

LABELS, DECALS & EXTERIOR PAINT



Key	Part Number	U/M	Description
1	041273-77-000	FT	Decal - Striping - 1 50" - Light Gray Metallic
2	065217-22-000	FT	Film - Multi-Stripe - 3 7" x 150' - Light Blue Metallic (R25)
2	065217-27-000	FT	Film - Multi-Stripe - 3 7" x 150' - Dark Blue Metallic (R26)
2	065217-26-000	FT	Film - Multi-Stripe - 3 7" x 150' - Light Brown Metallic (R27)
3	058718-02-000	EA	Decal - "Sunflyer" - Chrome
4	041273-78-000	FT	Decal - Stripe - 11" - Dark Gray Metallic
5	069245-15-000	FT	Film - Multi-Stripe - 4 26" x 150' - Dark Gray Metallic
6	041273-79-000	FT	Decal - Striping - .75" - Light Gray Metallic
7	065217-19-000	FT	Film - Multi-Stripe - 1 19" x 150' - Light Blue Metallic (R25)
7	065217-29-000	FT	Film - Multi-Stripe - 1 19" x 150' - Dark Blue Metallic (R26)
7	065217-28-000	FT	Film - Multi-Stripe - 1 19" x 150' - Light Brown Metallic (R27)
8	046400-09-000	EA	Decal - Logo "Itasca" - Chrome/Black
9	073732-01-000	EA	Decal - 180° Turn - Light Blue Metallic (R25)
9	073732-05-000	EA	Decal - 180° Turn - Dark Blue Metallic (R26)
9	073732-04-000	EA	Decal - 180° Turn - Light Brown Metallic (R27)
.	044486-03-000	EA	Paint - Belge Acrylic Enamel - 16 oz. Aerosol (7633A Dupont)
.	045681-03-000	EA	Paint - Gloss Black - Acrylic Enamel - 16 oz. Aerosol (99 Dupont)
.	058637-05-000	EA	Paint - Gray Acrylic Enamel - 16 oz. Aerosol (71537 Dupont)
.	041561-03-000	EA	Paint - Off White Acrylic Enamel - 16 oz. Aerosol (45396A Dupont)
.	006062-01-000	EA	Tag - Electrical - 110 Volt Connection
.	006040-01-000	EA	Tag - Gas - Refueling Warning

Key	Part Number	U/M	Description
.	068383-01-000	EA	Label - Diesel Fuel
.	006195-01-000	EA	Label - Electrical Test
.	047731-01-000	EA	Label - Emergency Exit
.	006199-01-000	EA	Label - Exit - Escape Window
.	057467-04-000	EA	Label - Exterior Loading Limit
.	064378-01-000	EA	Label - Flying "W" w/Thermo Panel
.	061417-01-000	EA	Label - Fuel
.	006196-01-000	EA	Label - Gas Test
.	054531-01-000	EA	Label - LP Gas Only
.	040944-01-000	EA	Label - Open - Entrance Door
.	006015-01-000	EA	Label - Patent Motor Home
.	056259-01-000	EA	Label - Safety Check List
.	006064-01-000	EA	Label - Seat - w/o Seat Belts
.	006187-01-000	EA	Label - Sewage
.	006006-01-000	EA	Label - Thermo Panel - 2 1/4" x 2 1/4"
.	075221-01-000	EA	Label - Trailer Hitch Capacity
.	075220-01-000	EA	Label - Warning - Exterior Load Limit
.	050225-01-000	EA	Label - Warning - Stove Vent - US
.	006188-01-000	EA	Label - Waste Water
.	006197-01-000	EA	Label - Water Test
.	072863-01-000	EA	Nameplate - Diesel - 6 2L
.			Not Illustrated

1984 ITASCA TABLE OF CONTENTS

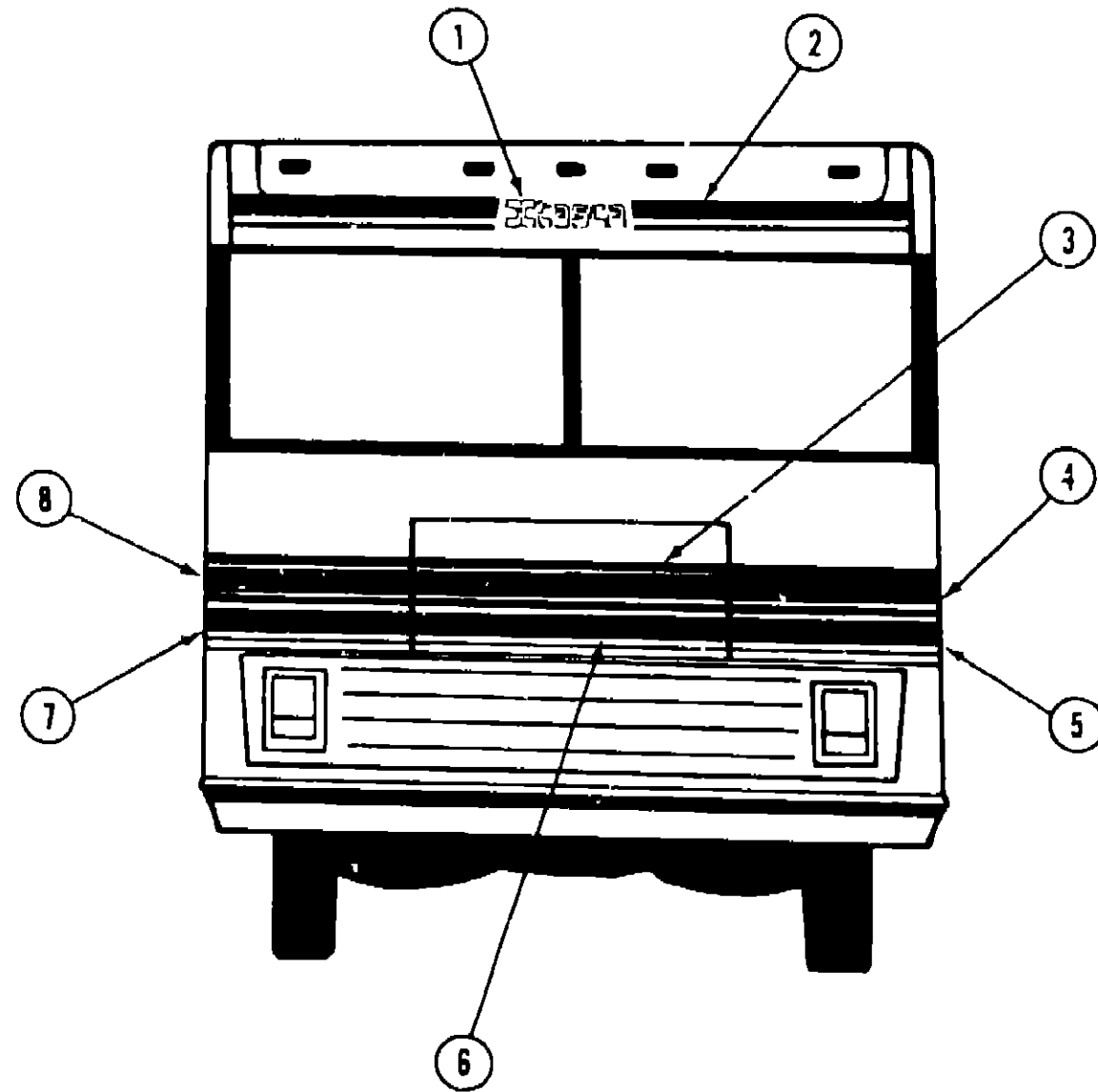
Introduction	A-01
Abbreviations	A-01
Alphabetical Index	A-02 - A-04
ICN22RC	A-05 - C-20
ICN27RU	C-21 - F-10
ICN33RU	F-11 - H-22
ICP31RT	H-23 - J-24

1984 ICN27RU INDEX

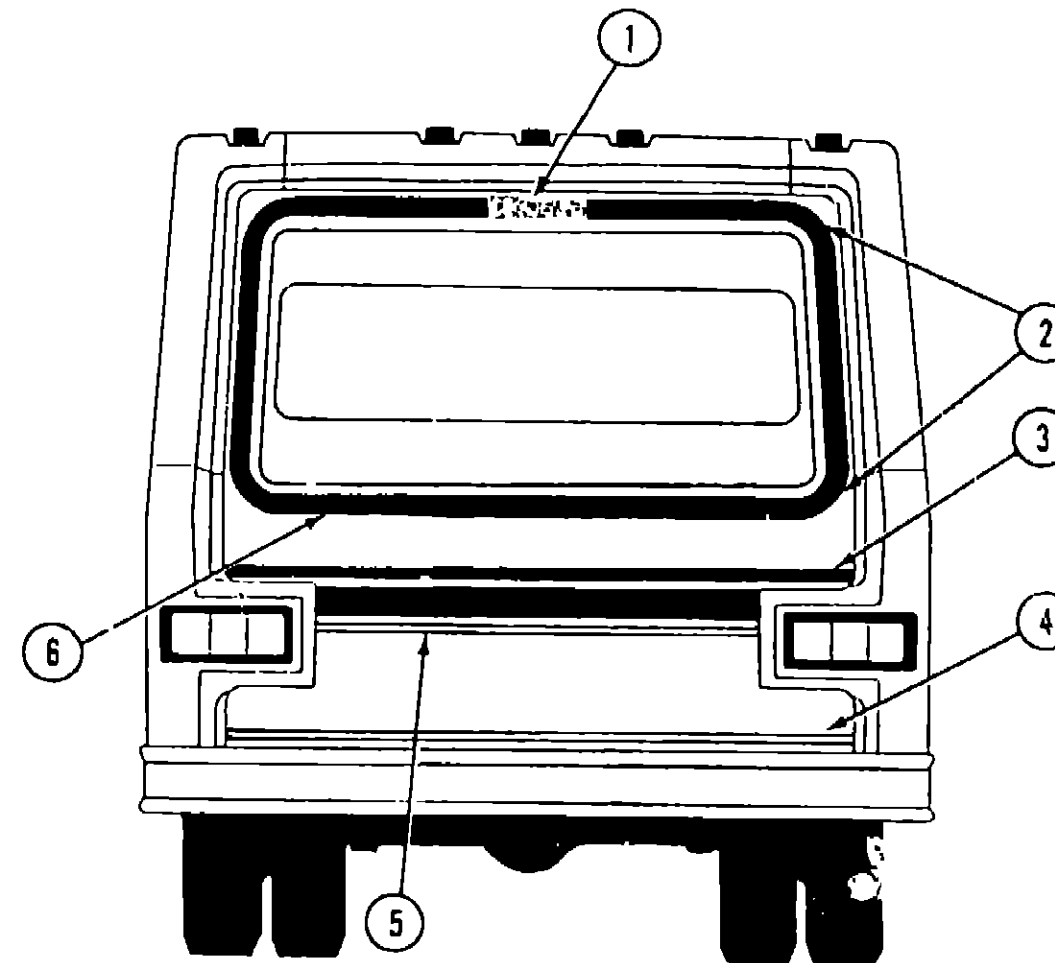
Floor Plan	C-21 - C-22
Accessories Group	C-23 - C-24
Bath Group	D-01
Chassis Group	D-02 - D-03
Curtain, Cushion & Pad Group	D-04 - D-10
Dinette Group	D-11
Driver's Compartment Group	D-12 - D-14
Electrical Group	D-15 - D-17
Exterior Body Group	D-18 - E-04
Galley Group	E-05 - E-08
Heating & Air Conditioning Group	E-09 - E-10
Interior Finish Group	E-11 - E-13
LP Group	E-14
Lounge Group	E-15 - E-16
Water & Sewage Group	E-17 - E-18
Window, Vent & Exterior Door Group	E-19 - F-10

EXTERIOR BODY GROUP (CONTINUED)

EXTERIOR BODY GROUP (CONTINUED)



FRONT DECALS



REAR DECALS

Key	Part Number	U/M	Description
1	069277-07-000	EA	Decal - Logo - "Itasca" - 3 7" x 15 82" - Chrome
2	065217-22-000	FT	Film - Multi-Stripe - 3 7" x 150' - Light Blue Metallic (R25)
2	065217-27-000	FT	Film - Multi-Stripe - 3 7" x 150' - Dark Blue Metallic (R26)
2	065217-26-000	FT	Film - Multi-Stripe - 3 7" x 150' - Light Brown Metallic (R27)
3	073735-04-000	EA	Decal - Hood - Top Stripe - Light Blue Metallic/Light Gray Metallic (R25)
3	073735-06-000	EA	Decal - Hood - Top Stripe - Dark Blue Metallic/Light Gray Metallic (R26)
3	073735-05-000	EA	Decal - Hood - Top Stripe - Light Brown Metallic/Light Gray Metallic (R27)
4	073736-08-000	EA	Decal - Corner - Top Stripe - Driver - Light Blue Metallic/Light Gray Metallic (R25)
4	073736-12-000	EA	Decal - Corner - Top Stripe - Driver - Dark Blue Metallic/Light Gray Metallic (R26)
4	073736-10-000	EA	Decal - Corner - Top Stripe - Driver - Light Brown Metallic/Light Gray Metallic (R27)
5	073734-04-000	EA	Decal - Corner - Bottom Stripe - Driver - Dark Gray Metallic
6	073733-02-000	EA	Decal - Hood - Lower - Dark Gray Metallic
7	073734-03-000	EA	Decal - Corner - Bottom Stripe - Passenger - Dark Gray Metallic
8	073736-07-000	EA	Decal - Corner - Top Stripe - Passenger - Light Blue Metallic/Light Gray Metallic (R25)
8	073736-11-000	EA	Decal - Corner - Top Stripe - Passenger - Dark Blue Metallic/Light Gray Metallic (R26)
8	073736-09-000	EA	Decal - Corner - Top Stripe - Passenger - Light Brown Metallic/Light Gray Metallic (R27)
*	041273-76-000	FT	Decal - Striping - 19" - Aluminum
*	Not illustrated		

**1984 ITASCA
TABLE OF CONTENTS**

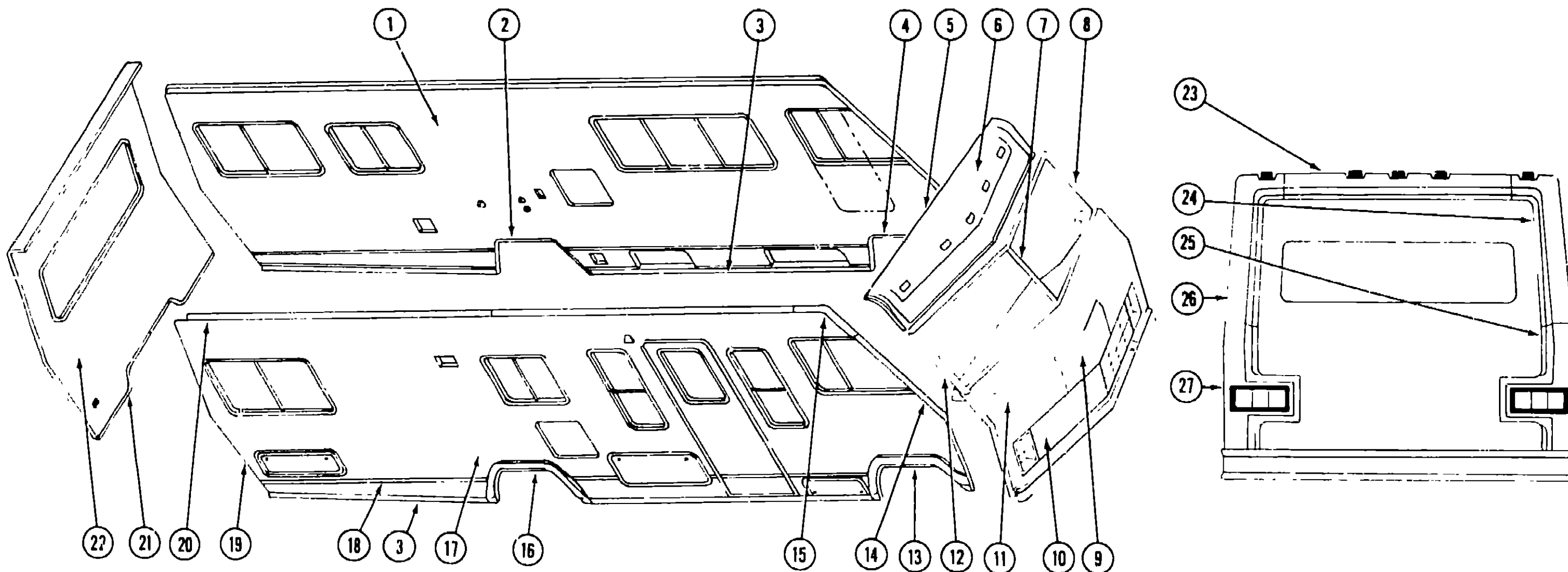
Introduction	A-01
Abbreviations	A-01
Alphabetical Index	A-02 - A-04
ICN22RC	A-05 - C-20
ICN27RU	C-21 - F-10
ICN33RU	F-11 - H-22
ICP31RT	H-23 - J-24

1984 ICN27RU INDEX

Floor Plan	C-21 - C-22
Accessories Group	C-23 - C-24
Bath Group	D-01
Chassis Group	D-02 - D-03
Curtain, Cushion & Pad Group	D-04 - D-10
Dinette Group	D-11
Driver's Compartment Group	D-12 - D-14
Electrical Group	D-15 - D-17
Exterior Body Group	D-18 - E-04
Galley Group	E-05 - E-08
Heating & Air Conditioning Group	E-09 - E-10
Interior Finish Group	E-11 - E-13
LP Group	E-14
Lounge Group	E-15 - E-16
Water & Sewage Group	E-17 - E-18
Window, Vent & Exterior Door Group	E-19 - F-10

EXTERIOR BODY GROUP (CONTINUED)

ALUMINUM EXTERIOR BODY PANELS



1984 ITASCA TABLE OF CONTENTS

Introduction	A-01
Abbreviations	A-01
Alphabetical Index	A-02 - A-04
ICN22RC	A-05 - C-20
ICN27RU	C-21 - F-10
ICN33RU	F-11 - H-22
ICP31RT	H-23 - J-24

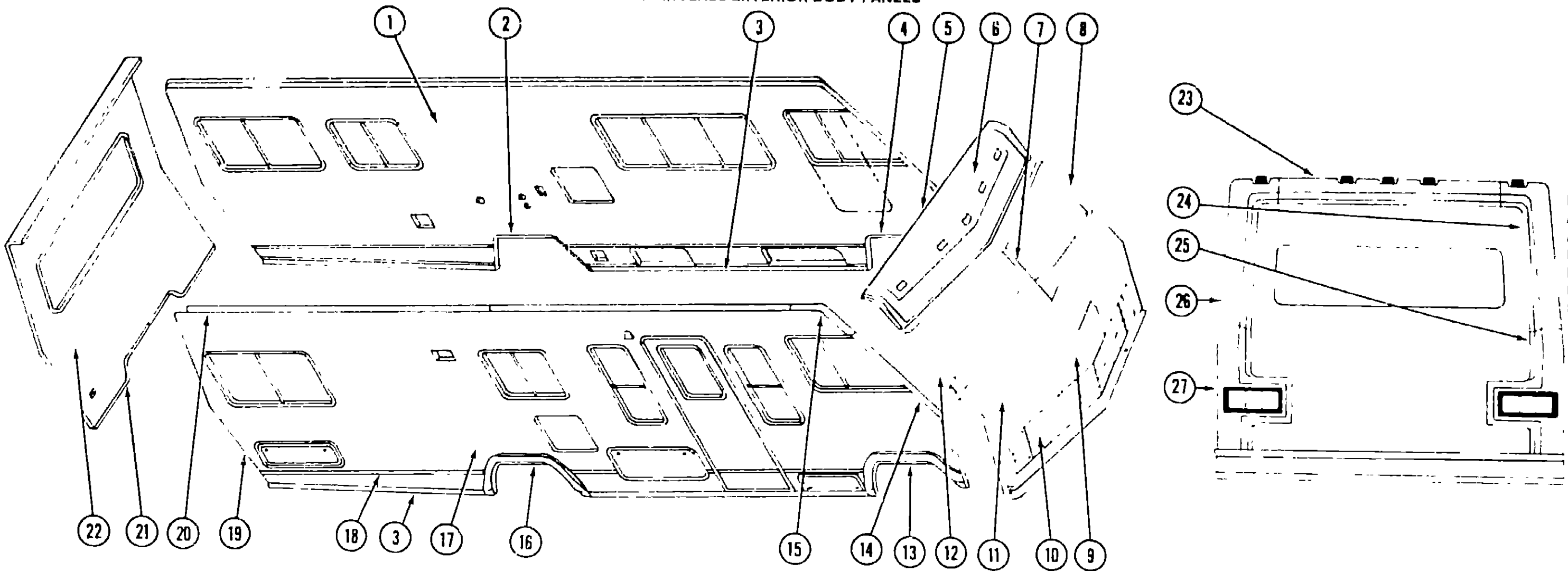
Key	Part Number	U/M	Description
1	M75520-02-R25	EA	Sidewall Asm - Driver
1	M75520-02-R26	EA	Sidewall Asm - Driver
1	M75520-02-R27	EA	Sidewall Asm. - Driver
2	058487-03-000	EA	Trim - Wheel Well - Rear - Driver or Passenger
3	072639-01-001	EA	Rocker Panels - 216"
•	076163-05-000	EA	Trim - Rocker Panel - 91 3" - Gray
4	073647-01-000	EA	Trim - Wheel Well - Front - Driver or Passenger
5	062396-01-000	EA	Trim - Roof/Front Cap
6	055400-02-000	EA	Cap - Front - Over Windshield - Gray
7	058288-01-000	EA	Trim - Molding - Windshield - Center
8	058289-01-000	EA	Trim - Contour - Windshield - Driver
•	058287-01-000	EA	Trim - Molding - Windshield - Upper/Lower
•	058291-01-000	FT	Molding Edge - Windshield
9	073064-03-000	EA	Access Panel w/o Hardware - Gray
10	074635-01-000	EA	Grille Asm.
•	074588-01-000	EA	Mesh Asm. - Grille
•	070817-03-000	EA	Headlamp Bezel - Driver
•	070817-04-000	EA	Headlamp Bezel - Passenger
•	062207-01-000	EA	Guard - Headlamp
•	049359-01-000	EA	Spring - Headlamp Retainer
11	M01115-06-000	EA	Panel Asm - Front Shroud - Gray
12	058289-02-000	EA	Trim - Contour - Windshield - Passenger
•	042743-01-000	EA	Corner Support - Windshield - Lower - Steel
•	042743-02-000	EA	Corner Support - Windshield - Upper - Steel

Key	Part Number	U/M	Description
13	075069-02-000	EA	Trim - Wheel Well - Front Passenger - Gray Plastic
•	075069-04-000	EA	Trim - Wheel Well - Front Driver - Gray Plastic
14	073861-05-000	EA	Trim - Fiberglass Panel - Passenger - Gray
•	073861-06-000	EA	Trim - Fiberglass Panel - Driver - Gray
15	058284-06-000	EA	Trim - Contour - Front Upper - Passenger - Gray
•	058284-05-000	EA	Trim - Contour - Front Upper - Driver - Gray
16	075070-02-000	EA	Trim - Wheel Well - Rear Passenger - Gray Plastic
•	075070-04-000	EA	Trim - Wheel Well - Rear Driver - Gray Plastic
17	M75519-02-R25	EA	Sidewall Asm. - Passenger
17	M75519-02-R26	EA	Sidewall Asm - Passenger
17	M75519-02-R27	EA	Sidewall Asm - Passenger
18	059576-07-000	EA	Feature Strip - Extr. Alum. - 14' - w./o Insert - Dark Gray Metallic
•	009731-01-000	EA	End Cap - Feature Strip Insert
•	001030-11-001	EA	Insert - Feature Strip - 17' - Gray
19	073502-05-000	EA	Trim - Contour - Passenger Rear - Gray
•	073502-06-000	EA	Trim - Contour - Driver Rear - Gray
20	034922-27-000	EA	Trim - Sidewall - Upper - Driver or Passenger - Gray
21	050406-05-000	EA	Trim - Backwall - Lower - Driver or Passenger - Gray
•	075643-01-R10	EA	Roof Asm.
22	M75507-02-R25	EA	Backwall Asm
•	002365-01-001	EA	U-Channel - Extrusion - 1" x 216"
23	M01229-02-000	EA	Trim - Rear - Center Upper - Gray Plastic
24	073654-02-000	EA	Trim - Rear - Upper Passenger - Gray Plastic
25	073570-02-000	EA	Trim - Rear - Lower Passenger - Gray Plastic
26	073654-04-000	EA	Trim - Rear - Upper Driver - Gray Plastic
27	M73570-04-000	EA	Trim - Rear - w/License Plate Bracket - Lower Driver - Gray Plastic
•			Not illustrated

1984 ICN27RU INDEX

Floor Plan	C-21 - C-22
Accessories Group	C-23 - C-24
Bath Group	D-01
Chassis Group	D-02 - D-03
Curtain, Cushion & Pad Group	D-04 - D-10
Dinette Group	D-11
Driver's Compartment Group	D-12 - D-14
Electrical Group	D-15 - D-17
Exterior Body Group	D-18 - E-04
Galley Group	E-05 - E-08
Heating & Air Conditioning Group	E-09 - E-10
Interior Finish Group	E-11 - E-13
LP Group	E-14
Lounge Group	E-15 - E-18
Water & Sewage Group	E-17 - E-18
Window, Vent & Exterior Door Group	E-19 - F-10

**EXTERIOR BODY GROUP (CONTINUED)
FIBERGLASS EXTERIOR BODY PANELS**



Key	Part Number	U/M	Description
1	M76641-02-R25	EA	Sidewall Asm - Driver - Greyhound
1	M76641-02-R26	EA	Sidewall Asm - Driver - Greyhound
1	M76641-02-R27	EA	Sidewall Asm - Driver - Greyhound
1	M77774-02-R25	EA	Sidewall Asm - Driver - Mesa
1	M77774-02-R26	EA	Sidewall Asm - Driver - Mesa
1	M77774-02-R27	EA	Sidewall Asm - Driver - Mesa
2	058487-03-000	EA	Trim - Wheel Well - Rear - Driver or Passenger
3	072639-01-001	EA	Rocker Panels - 216"
	076163-05-000	EA	Trim - Rocker Panel - 91 3" - Gray
4	073647-01-000	EA	Trim - Wheel Well - Front - Driver or Passenger
5	062396-01-000	EA	Trim - Roof/Front Cap
6	055400-02-000	EA	Cap - Front - Over Windshield - Gray
7	058288-01-000	EA	Trim - Molding - Windshield - Center
8	058289-01-000	EA	Trim - Contour - Windshield - Driver
	058287-01-000	EA	Trim - Molding - Windshield - Upper/Lower
	058291-01-000	FT	Molding Edge - Windshield
9	073064-03-000	EA	Access Panel w/o Hardware - Gray
10	074635-01-000	EA	Grille Asm
	074588-01-000	EA	Mesh Asm - Grille
	070817-03-000	EA	Headlamp Bezel - Driver
	070817-04-000	EA	Headlamp Bezel - Passenger
	062207-01-000	EA	Guard - Headlamp
	049359-01-000	EA	Spring - Headlamp Retainer
11	M01115-06-000	EA	Panel Asm - Front Shroud - Gray
12	058289-02-000	EA	Trim - Contour - Windshield - Passenger
	042743-01-000	EA	Corner Support - Windshield - Lower - Steel
	042743-02-000	EA	Corner Support - Windshield - Upper - Steel
13	075069-02-000	EA	Trim - Wheel Well - Front Passenger - Gray Plastic
	075069-04-000	EA	Trim - Wheel Well - Front Driver - Gray Plastic

Key	Part Number	U/M	Description
14	073861-05-000	EA	Trim - Fiberglass Panel - Passenger - Gray
	073861-06-000	EA	Trim - Fiberglass Panel - Driver - Gray
15	076598-03-000	EA	Trim - Contour - Passenger - Front Upper - Gray
	076598-04-000	EA	Trim - Contour - Driver - Front Upper - Gray
16	075070-02-000	EA	Trim - Wheel Well - Rear Passenger - Gray - Plastic
	075070-04-000	EA	Trim - Wheel Well - Rear Driver - Gray Plastic
17	M76640-02-R25	EA	Sidewall Asm - Passenger - Greyhound
17	M76640-02-R26	EA	Sidewall Asm - Passenger - Greyhound
17	M76640-02-R27	EA	Sidewall Asm - Passenger - Greyhound
17	M77774-02-R25	EA	Sidewall Asm - Passenger - Mesa
17	M77774-02-R26	EA	Sidewall Asm - Passenger - Mesa
17	M77774-02-R27	EA	Sidewall Asm - Passenger - Mesa
18	059576-07-000	EA	Feature Strip - Extr Alum - 14 - w/o Insert - Dark Gray Metallic
	009731-01-000	EA	End Cap - Feature Strip Insert
	001030-11-001	EA	Insert - Feature Strip - Gray - 17'
19	073502-05-000	EA	Trim - Contour - Passenger Rear - Gray
	073502-06-000	EA	Trim - Contour - Driver Rear - Gray
20	076610-04-000	EA	Trim - Sidewall - Upper - Driver or Passenger - Gray
21	050406-05-000	EA	Trim - Backwall - Lower - Driver or Passenger - Gray
	076704-01-R10	EA	Roof Asm - Greyhound
	077802-01-R10	EA	Roof Asm - Mesa
22	M75507-02-R25	EA	Backwall Asm - Greyhound
22	M77827-02-R10	EA	Backwall Asm - Mesa
	002365-01-001	EA	U-Channel - Extension - 1" x 216"
23	M01229-02-000	EA	Trim - Rear - Center Upper - Gray Plastic
24	073654-02-000	EA	Trim - Rear - Upper Passenger - Gray Plastic
25	073570-02-000	EA	Trim - Rear - Lower Passenger - Gray Plastic
26	073654-04-000	EA	Trim - Rear - Upper Driver - Gray Plastic
27	M73570-04-000	EA	Trim - Rear - w/License Plate Bracket - Lower Driver - Gray Plastic
			Not illustrated

**1984 ITASCA
TABLE OF CONTENTS**

Introduction	A-01
Abbreviations	A-01
Alphabetical Index	A-02 - A-04
ICN22RC	A-05 - C-20
ICN27RU	C-21 - F-10
ICN33RU	F-11 - H-22
ICP31RT	H-23 - J-24

1984 ICN27RU INDEX

Floor Plan	C-21 - C-22
Accessories Group	C-23 - C-24
Bath Group	D-01
Chassis Group	D-02 - D-03
Curtain Cushion & Pad Group	D-04 - D-10
Dinette Group	D-11
Driver's Compartment Group	D-12 - D-14
Electrical Group	D-15 - D-17
Exterior Body Group	D-18 - E-04
Galley Group	E-05 - E-08
Heating & Air Conditioning Group	E-09 - E-10
Interior Finish Group	E-11 - E-13
LP Group	E-14
Lounge Group	E-15 - E-16
Water & Sewage Group	E-17 - E-18
Window Vent & Exterior Door Group	E-19 - F-10

EXTERIOR BODY GROUP (CONTINUED)

INTERIOR/EXTERIOR SCREWS & FASTENERS

Key	Part Number	U/M	Description
	005200-01-000	EA	Bolt - Round Head - Square Neck w/SST Cap - 7/16" - 14 x 1 1/4"
	058279-01-000	EA	Clip - Mounting - Front Panel
	035628-01-000	EA	Fastener - Blind Well Nut - 1.05" x .38"
	000D15-06-00B	EA	Nut - Hex - 3/8" x 24 - Zinc
	005081-01-000	EA	Nut - Speed - C Type - #8 Screw
	000G54-04-20B	EA	Screw 1/4 - 20 x 1 1/4" PTH - Zinc
	000G54-04-22B	EA	Screw 1/4 - 20 x 1 3/8" PTH - Zinc
	000G53-04-06B	EA	Screw 1/4 - Machine - 20 x 3/8" PTH - Zinc
	000G13-06-12P	EA	Screw #6 - 20 x 3/4" PFH - Dark Brown
	000G13-06-28X	EA	Screw #6 - 20 x 3/4" PFH - Gray
	000G13-06-16R	EA	Screw #6 - 20 x 1" PFH - Beige
	000G11-07-08B	EA	Screw #7 - 19 x 1/2" PPH - Zinc
	000G12-08-12M	EA	Screw #8 - 18 x 3/4" POH - Gray
	000G11-08-12R	EA	Screw #8 - 18 x 3/4" PPH - Beige
	000G11-08-12X	EA	Screw #8 - 18 x 3/4" PPH - Gray
	000G11-08-12B	EA	Screw #8 - 18 x 3/4" PPH - Zinc
	000G39-08-12R	EA	Screw #8 - 18 x 3/4" SDPH - Beige
	000G66-08-12M	EA	Screw #8 - 18 x 3/4" SDPH - Gray
	000G11-08-16R	EA	Screw #8 - 18 x 1" PFH - Gray
	000G66-08-16R	EA	Screw #8 - 18 x 1" SDPH - Beige
	000G12-08-28R	EA	Screw #8 - 18 x 1 3/4" POH - Beige
	000G36-08-08E	EA	Screw #8 - 32 x 1/2" PFH - Chrome
	000G39-08-08B	EA	Screw #8 - Self Drilling - 18 x 1/2" PPH - Zinc
	000G39-08-12B	EA	Screw #8 - Self Drilling - 18 x 3/4" PPH - Zinc
	000G39-08-12R	EA	Screw #8 - Self Drilling - 18 x 3/4" PPH - Beige
	000G39-08-16R	EA	Screw #8 - Self Drilling - 18 x 1" PPH - Beige
	000G39-08-16T	EA	Screw #8 - Self Drilling - 18 x 1" PPH - Black
	000G39-08-16P	EA	Screw #8 - Self Drilling - 18 x 1" PPH - Dark Brown
	000G39-08-16X	EA	Screw #8 - Self Drilling - 18 x 1" PPH - Gray
	000G39-08-16E	EA	Screw #8 - Self Drilling - 18 x 1" PPH - Chrome
	000G64-08-16M	EA	Screw #8 - Self Drilling - 18 x 1" SDPH - Gray
	000G67-10-08B	EA	Screw #10 - 12 x 1/2" PPH - Zinc
	000G67-10-10R	EA	Screw #10 - 12 x 5/8" PPH - Beige
	000G67-10-16P	EA	Screw #10 - 12 x 1" PPH - Dark Brown
	000G67-10-16B	EA	Screw #10 - 12 x 1" PPH - Zinc
	000G67-10-20B	EA	Screw #10 - 12 x 1 1/4" - PPH - Zinc
	000G67-10-24B	EA	Screw #10 - 12 x 1 1/2" PPH - Zinc
	049465-04-000	EA	Screw #10 - 16 x 1" POH - w/Washer - Beige
	049465-05-000	EA	Screw #10 - 16 x 1" POH - w/Washer - Gray
	000G12-10-24E	EA	Screw #10 - 16 x 1 1/2" POH - Chrome
	000G11-10-08D	EA	Screw #10 - 16 x 1/2" PPH - Dark Brown
	000G11-10-12R	EA	Screw #10 - 16 x 3/4" PPH - Beige
	000G11-10-12S	EA	Screw #10 - 16 x 3/4" PPH - Off White
	000G11-10-12B	EA	Screw #10 - 16 x 3/4" PPH - Zinc
	000G11-10-16B	EA	Screw #10 - 16 x 1" PPH - Zinc
	000G11-10-40B	EA	Screw #10 - 16 x 2 1/2" PPH - CAD
	000G19-10-12B	EA	Screw #10 - Machine - 32 TPI x 3/4"
	075908-01-000	EA	Screw #10 - Machine - 32 x 56" PTH - Zinc
	000G19-10-20B	EA	Screw #10 - Machine - 32 x 1 1/4" PPH - Zinc
	000G39-12-12E	EA	Screw #10 - Self Drilling - 14 x 3/4" PPH - Chrome
	000G39-10-10R	EA	Screw #10 - Self Drilling - 16 x 62" PPH - Beige
	000G39-10-12R	EA	Screw #10 - Self Drilling - 16 x 3/4" PPH - Beige
	000G39-10-12P	EA	Screw #10 - Self Drilling - 16 x 3/4" PPH - Dark Brown
	000G56-12-48C	EA	Screw #12 - Wood - 11 x 3" POH - CAD

EXTERIOR BODY GROUP (CONTINUED)

SEALANTS & ADHESIVES

Key	Part Number	U/M	Description
	004020-01-000	QT	Adhesive - ABS Cement (Plastic Fittings)
	002337-01-000	EA	Adhesive - 1300 Tube - 3M (Windows)
	004005-02-000	GL	Adhesive - Swifts - Glue (Sidewalls)
	053766-07-000	EA	Bedding Compound - Tube - Beige (Exterior)
	053766-06-000	EA	Bedding Compound - Tube - Clear (Window)
	053766-08-000	EA	Bedding Compound - Tube - Gray (Exterior)
	053766-05-000	EA	Bedding Compound - Tube - Gray (Sidewalls to Floor)
	053766-02-000	EA	Bedding Compound - Tube - Off White (Exterior)
	002328-02-000	EA	Block - Rubber Spacer (Windshield)
	004336-01-000	EA	Caulk - Latex - Golden Walnut (Sidewalls)
	072891-02-000	QT	Primer - Glass - Black
	072891-01-000	QT	Primer - Glass - Clear
	035024-01-000	EA	Primer - Glass - Clear - Windshield
	072890-01-000	QT	Primer - Metal - Black
	035023-01-000	GL	Primer - Metal - Windshield
	077967-01-000	EA	Sealant - Acrylic Latex - Tube - Off White (Interior Sealant)
	034552-04-000	EA	Sealant - Silicone - Beige
	034552-02-000	EA	Sealant - Silicone - Clear
	034552-07-000	EA	Sealant - Silicone - Dark Gray
	034552-06-000	EA	Sealant - Silicone - Off White
	069637-01-000	EA	Sealant - Weatherban 404 - Tube - White (Door Caulk)
	072889-01-000	EA	Sealant - Urethane - Black (Windshield)
	069640-01-000	FT	Sealer Ribbon - 25" Bead x 20'
	069640-02-000	FT	Sealer Ribbon - 5' x 125" x 30'
	069640-03-000	FT	Sealer Ribbon - 75" x 125" x 30'
	069640-04-000	FT	Sealer Ribbon - 2" x 09" x 45' (P Series)
	069640-05-000	FT	Sealer Ribbon - 2 5" x 09" x 50'
	069640-06-000	FT	Sealer Ribbon - 5/16" Bead x 15'
	069640-07-000	FT	Sealer Ribbon - 2" x 3/32" x 30'
	002316-01-000	FT	Sealer Tape - 3/32" x 3/8" - White (Window)
	002707-01-000	FT	Sealer Tape - 5/16" x 3/4"
	002707-02-000	FT	Sealer Tape - 5/16" x 1/2"
	040545-01-000	GL	Sealer - Seam Weld
	053752-04-000	EA	Seam Sealer - Tube - Aluminum (Roof)
	063642-01-000	FT	Tape - Adhesive - 10 mm x 1 5" Wide
	038886-01-000	EA	Tape - Butyl - 31" x 31" x 148" (Windshield)
	076322-01-000	FT	Tape - Foam - Double Coated - 025 x 1" (Fiberglass Sidewall Seams)
	076322-02-000	FT	Tape - Foam - Double Coated - 045 x 1" (Fiberglass Sidewall Seams)
	009200-01-000	EA	Tape - Furnace - 1 5'
	002825-01-000	FT	Weather Striping (Roof Vent)

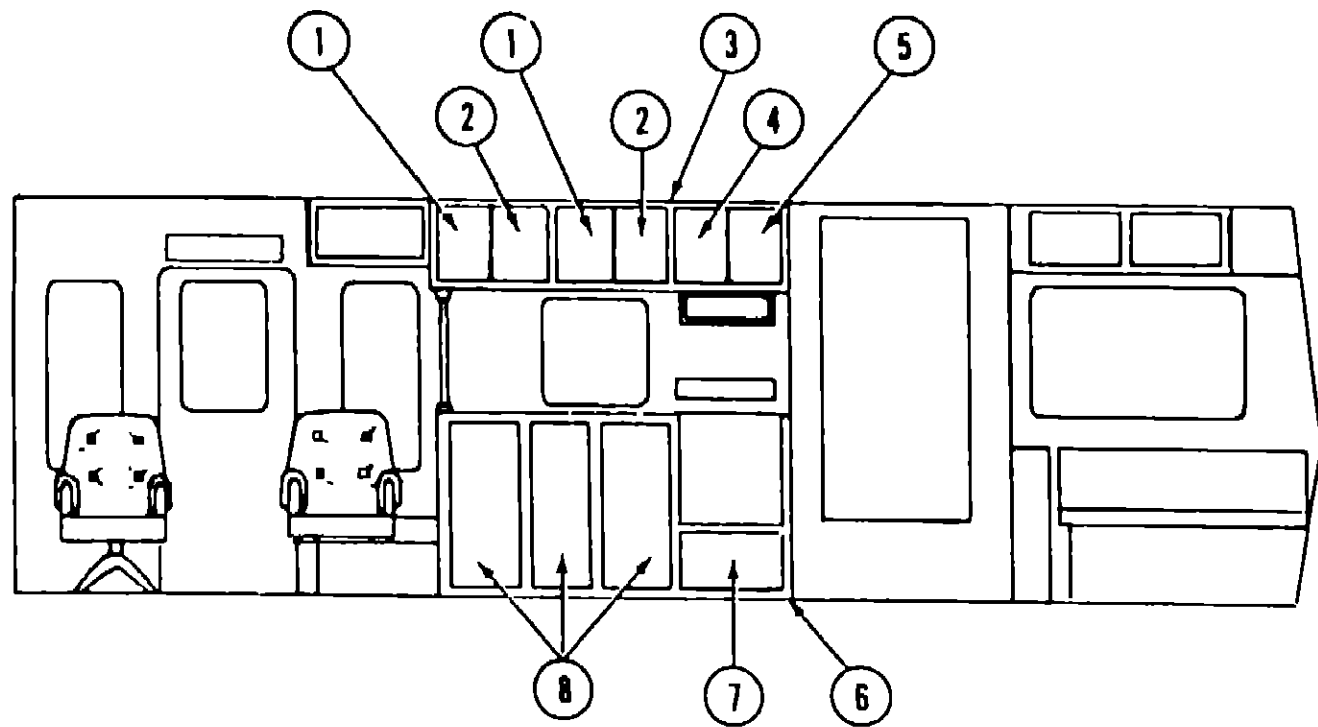
**1984 ITASCA
TABLE OF CONTENTS**

Introduction	A-01
Abbreviations	A-01
Alphabetical Index	A-02 - A-04
ICN22RC	A-05 - C-20
ICN27RU	C-21 - F-10
ICN33RU	F-11 - H-22
ICP31RT	H-23 - J-24

1984 ICN27RU INDEX

Floor Plan	C-21 - C-22
Accessories Group	C-23 - C-24
Bath Group	D-01
Chassis Group	D-02 - D-03
Curtain Cushion & Pad Group	D-04 - D-10
Dinette Group	D-11
Driver's Compartment Group	D-12 - D-14
Electrical Group	D-15 - D-17
Exterior Body Group	D-18 - E-04
Galley Group	E-05 - E-08
Heating & Air Conditioning Group	E-09 - E-10
Interior Finish Group	E-11 - E-13
LP Group	E-14
Lounge Group	E-15 - E-16
Water & Sewage Group	E-17 - E-18
Window Vent & Exterior Door Group	E-19 - F-10

GALLEY GROUP



GALLEY CABINETRY

Key	Part Number	U/M	Description
1	073521-04-R10	EA	Door Asm - Galley Overhead - 15 8" x 10 7" - w/o Hardware
2	073521-03-R10	EA	Door Asm - Galley Overhead - 15 8" x 10 7" - w/o Hardware
3	M75275-01-R10	EA	Cabinet Asm - Galley Overhead - w/o Doors or Hardware
•	071847-06-R10	EA	End Cap Asm - Galley Overhead - Left
4	073521-06-R10	EA	Door Asm - Galley Overhead - 15 8" x 11 6" - w/o Hardware
5	073521-05-R10	EA	Door Asm - Galley Overhead - 15 8" x 11 6" - w/o Hardware
6	M75278-01-R10	EA	Cabinet Asm - Galley - w/o Doors, Drawers, Countertop, or Hardware
•	M01294-01-R10	EA	Countertop Asm - Galley Cabinet - Almond Loom
•	077404-01-000	EA	Drawer - Plastic - 20" x 12 7"
7	073521-18-R10	EA	Door Asm - Galley Cabinet - 16 2" x 22" - w/o Hardware
8	069852-40-R10	EA	Door Asm - Galley Cabinet - 33 4" x 14 3" - w/o Hardware
•	045586-02-000	EA	Wood Spindle - 1 75" x 24"
•	074967-01-000	EA	Block - Spindle Support
•			Not illustrated

GALLEY GROUP (CONTINUED)

GALLEY APPLIANCES

Key	Part Number	U/M	Description
•	075217-01-000	EA	Refrigerator - AC/DC/Gas - Norcold 8' - 838-EG3
•	075217-01-700	EA	Shelf Asm - Door - w/Trim
•	075217-01-701	EA	Gasket - Door - Freezer
•	075217-01-702	EA	Frame Asm - Door
•	075217-01-703	EA	Decor Trim - Top & Bottom
•	075217-01-704	EA	Gasket - Door - Refrigerator
•	075217-01-706	EA	Cabinet Asm - Urethane
•	075217-01-707	EA	Bulb - Light - DC
•	075217-01-708	EA	Lamp Socket
•	075217-01-710	EA	Eyebrow Asm
•	075217-01-711	EA	Breaker Strip - Top
•	075217-01-713	EA	Crisper Drawer
•	075217-01-714	EA	Thermostat Asm
•	075217-01-715	EA	Knob - Thermostat
•	075217-01-716	EA	Front Divider Asm
•	075217-01-717	EA	Humidity Switch
•	075217-01-718	EA	Light Switch
•	075217-01-719	EA	Eyebrow Board
•	075217-01-720	EA	Eyebrow
•	075217-01-721	EA	Lamp - Indicator - Amber
•	075217-01-722	EA	Lamp - Indicator - Green
•	075217-01-723	EA	Lamp - Indicator - Red
•	075217-02-724	EA	Lamp - Indicator - Blue
•	075217-01-725	EA	Rocker Switch - DPST
•	075217-01-726	EA	Interface Board
•	R77005-81-129	EA	Relay - Glow Plug
•	075217-01-728	EA	Cover - Interface Board
•	075217-01-729	EA	Fitting - Outlet
•	075217-01-730	EA	Gas, Valve
•	075217-01-731	EA	Nipple
•	075217-01-732	EA	Fitting - Inlet
•	075217-01-733	EA	Shut-Off Clock
•	075217-01-734	EA	Fuse - 3 Amp
•	075217-01-735	EA	Ignition Electrode
•	075217-01-736	EA	Sensing Electrode
•	075217-01-737	EA	Control Module
•	075217-01-738	EA	Rocker Switch - DPDT
•	075217-01-739	EA	Heater
•	075217-01-740	EA	Screw #6 - 32 x 2 3/8"
•	075217-01-741	EA	Wing - Nut #6 - 32
•	075217-01-742	EA	Hex Nut
•	075217-01-743	EA	Elbow - 90°
•	075217-01-744	EA	Cable - Wiring
•	075217-01-745	EA	Liner Asm - Foamed - Door
•	075217-01-746	EA	Baffle Asm
•	075217-01-747	EA	Liner Asm - Foamed - Lower - Door

• Items are interchangeable between Norcold Model #838-EG3 & #8310-EG

**1984 ITASCA
TABLE OF CONTENTS**

Introduction	A-01
Abbreviations	A-01
Alphabetical Index	A-02 - A-04
ICN22RC	A-05 - C-20
ICN27RU	C-21 - F-10
ICN33RU	F-11 - H-22
ICP31RT	H-23 - J-24

1984 ICN27RU INDEX

Floor Plan	C-21 - C-22
Accessories Group	C-23 - C-24
Bath Group	D-01
Chassis Group	D-02 - D-03
Curtain, Cushion & Pad Group	D-04 - D-10
Dinette Group	D-11
Driver's Compartment Group	D-12 - D-14
Electrical Group	D-15 - D-17
Exterior Body Group	D-18 - E-04
Galley Group	E-05 - E-08
Heating & Air Conditioning Group	E-09 - E-10
Interior Finish Group	E-11 - E-13
LP Group	E-14
Lounge Group	E-15 - E-16
Water & Sewage Group	E-17 - E-18
Window, Vent & Exterior Door Group	E-19 - F-10

GALLEY GROUP (CONTINUED)

GALLEY APPLIANCES (CONT.)

Key	Part Number	U/M	Description
	075218-01-000	EA	Refrigerator - AC/DC/Gas - Norcold 10' - 8310-EG
	075218-01-700	EA	Gasket - Door - Freezer
	075218-01-701	EA	Gasket - Door - Refrigerator
	075218-01-702	EA	Connector Rod
	075218-01-703	EA	Frame Asm - Door
	075218-01-704	EA	Cabinet Asm - Urethane
	075218-01-705	EA	Breaker Strip - Bottom
	075218-01-707	EA	Front Divider Asm
	075218-01-708	EA	Cable - Wiring
	075218-01-709	EA	Liner Asm - Foamed - Door
	075218-01-710	EA	Liner Asm - Foamed - Lower - Door
	075922-01-000	EA	Microwave Oven - Litton - 1450
	064782-02-000	EA	Range - 4 Burner - w/Almond Top - Magic Chef - BT1B
	064782-02-700	EA	Top - Main - 4 Burner - Almond
	064782-02-701	EA	Deflector Plate - Black
	064782-02-702	EA	Trim - Cabinet - Right - Black
	064782-02-703	EA	Trim - Cabinet - Left - Black
	064782-02-704	EA	Trim - Lower - Outside Glass - Black
	064782-02-705	EA	Handle - Oven Door - Black
	064782-02-706	EA	Trim - Vertical - Black
	064782-02-707	EA	Panel - Manifold
	064782-02-708	EA	Mercury Valve
**	053333-04-000	EA	Hood - Range - Non-Powered - Almond - CSA
**	053333-05-000	EA	Hood - Range - Non-Powered - Almond - US
	075470-01-000	EA	Hood - Range - w/Monitor - Almond - US
	075470-02-000	EA	Hood - Range - w/Monitor - Almond - CSA
	075470-01-700	EA	Monitor Panel - Sub Asm
	075470-01-701	EA	Digital Clock - Sub Asm
	075470-01-702	EA	Switch - On/Off
	075470-01-703	EA	Switch - On - Momentary
	075470-01-704	EA	Switch - On/Off/On - Fan Motor
	075470-01-705	EA	Switch - On/Off/On - Momentary
	075470-01-706	EA	Rivets - Plastic
	075470-01-707	EA	Bulb - #912
	075470-01-708	EA	Panel Asm - Complete

** The illustrated parts breakdown for this item is provided on the Common Items Fiche

GALLEY GROUP (CONTINUED)

GALLEY HARDWARE

Key	Part Number	U/M	Description
	053424-04-R07	EA	Sink Cover - Large - Almond Loom
	068615-01-000	EA	Sink - Stainless Steel - Double w/Bolts
**	011053-01-000	EA	Faucet - Swing Spout - 8" - US
**	011053-01-700	EA	Aerator - Swing Spout Faucet
**	011053-02-000	EA	Faucet - Swing Spout - 8" - CSA
	066437-01-000	EA	Strainer w/Basket - Sink
	058334-01-000	EA	Wastebasket - 9 3/4" x 7" x 10" - White Rubbermaid
	058477-01-000	EA	Support - Wastebasket - Metal - Galley Mount
	054450-01-000	EA	Level Refrigerator
	075930-01-000	EA	Bracket Asm - Microwave - Right
	075930-02-000	EA	Bracket Asm - Microwave - Left
	076253-02-000	EA	Bracket Asm - Microwave - Bottom (2 required)
	075922-03-000	EA	Trim - Ring - Microwave
	075922-04-000	EA	Duct - Air - Exhaust - Microwave
	075470-03-000	EA	Spacer - Range Hood
	075470-04-000	EA	Duct Extension - Range Hood
	074490-02-R10	EA	Spice Rack - Oak
	074491-02-R10	EA	Magazine Rack - Oak
	074981-01-000	EA	Cutting Board - Maple
	M75569-01-R10	EA	Pantry Asm w/o Racks
	075451-01-000	EA	Rack - Storage - Canned Goods
	075451-02-000	EA	Clip - Storage - Rack - White
	061604-01-000	EA	Slide Bolt Pantry - Antique Brass
	076097-01-000	EA	Bracket - Catch - Pantry
	076098-01-000	EA	Bracket - Slide - Pantry
	074316-01-000	EA	Slide Asm - Full Extension - Pantry (Pair)
	009049-01-000	EA	Table - Support - Drop Leaf
	009059-01-000	EA	Hinge - 2" - Gold
**	052932-01-M10	EA	Hinge Kit - Cabinet Door - Antique Brass
**	057898-01-000	EA	Hidden Latch w/Strike - Cabinet Door
	047744-01-000	EA	Kit - Drawer Guide - Plastic
	072394-01-000	EA	Slide - Drawer - w/Tab - Left
	072394-02-000	EA	Slide - Drawer - w/o Tab - Right
	077409-01-000	EA	Slide - Drawer - 20 75' - Plastic

** The illustrated parts breakdown for this item is provided on the Common Items Fiche

**1984 ITASCA
TABLE OF CONTENTS**

Introduction	A-01
Abbreviations	A-01
Alphabetical Index	A-02 - A-04
ICN22RC	A-05 - C-20
ICN27RU	C-21 - F-10
ICN33RU	F-11 - H-22
ICP31RT	H-23 - J-24

1984 ICN27RU INDEX

Floor Plan	C-21 - C-22
Accessories Group	C-23 - C-24
Bath Group	D-01
Chassis Group	D-02 - D-03
Curtain, Cushion & Pad Group	D-04 - D-10
Dinette Group	D-11
Driver's Compartment Group	D-12 - D-14
Electrical Group	D-15 - D-17
Exterior Body Group	D-18 - E-04
Galley Group	E-05 - E-08
Heating & Air Conditioning Group	E-09 - E-10
Interior Finish Group	E-11 - E-13
LP Group	E-14
Lounge Group	E-15 - E-16
Water & Sewage Group	E-17 - E-18
Window, Vent & Exterior Door Group	E-19 - F-10

HEATING & AIR CONDITIONING GROUP

HEATING & AIR CONDITIONING GROUP (CONTINUED)

AUTOMOTIVE HEATER & AIR CONDITIONER

Key	Part Number	U/M	Description
	072341-04-000	EA	Heater/Evaporator Asm - A R A
	072341-01-700	EA	Wheel - w/Retainer & Index Clip
	072341-01-701	EA	Core - Heater - A R A
	072341-01-702	EA	Coil - Evaporator - A R A
	072341-01-703	EA	Valve - Expansion - A R A
	072341-01-704	EA	Valve - Suction - A R A
	072341-01-705	FA	Switch - Pressure - Low Cut Out
	072341-01-706	EA	Resistor - A R A
	072341-01-707	EA	Thermostat - A R A
	072341-01-708	EA	Motor - Vacuum - A R A
	R77005-P1-129	EA	Relay - Glow Plug
	072341-01-710	EA	Control Asm - Heater A/C - A R A
	072341-01-711	EA	Cable - Bowden - 72" - A R A
	072341-01-712	EA	Switch - Vacuum - A R A
	072341-01-713	EA	Switch - Jumper Control - A R A
	072341-01-714	EA	Valve - Heater - Water Flow Control - A R A
	072341-01-715	EA	Escape & Louver Adapter Asm
	072341-01-716	EA	Discharge Valve - 1/2"
	072341-06-000	EA	Duct & Control Kit
	072342-01-000	EA	Condensor Asm - A R A
	072342-02-700	EA	Receiver Drier - Condenser Asm
	072343-01-000	EA	Compressor/Clutch - A R A
	072344-01-000	EA	Package - Compressor Mount
	074026-01-000	EA	Package - Compressor Mount - 6 2 L Diesel
	039044-01-000	EA	Louver Asm - A/C Adjustable
	007076-01-700	FT	Hose - Flexible PVC - 2" I D
	007281-01-700	FT	Hose - Flexible PVC - 2 1/2" I D
	007108-01-000	FT	Hose - Heater - 5/8" I D SAE 20R3
	062401-04-000	EA	Clamp - Worm Drive - 69" - 1 25" I D
	010227-01-000	EA	Tee - Plastic - Barb 5/8" or 3/4" Hose

FURNACE & ROOF AIR CONDITIONER

Key	Part Number	U/M	Description
	075696-01-000	EA	Furnace - 34,000 BTU - w/Direct Ignition - NT-34S
	069634-01-723	EA	Thermostat - Furnace
	075695-01-701	EA	Electrode Asm - Furnace
	075695-01-702	EA	Vent Cap Asm - Furnace
	075695-01-703	EA	Gas Inlet Pipe - Furnace
	075695-01-704	EA	Manifold Asm - Furnace
	075695-01-705	EA	Burner Asm - Furnace
	075695-01-707	EA	Motor - NT-34S - Furnace
	075695-01-709	EA	Micro Switch Asm - 34 000 BTU Furnace
	075695-01-710	EA	Cabinet - Front - Furnace
	075695-01-711	EA	Cabinet Asm - Furnace
	069633-01-705	EA	Vent Package - Furnace
	069636-01-000	EA	Connector - 4" Duct
	009198-01-000	FT	Duct - Flexible - 4" I D x 25
	056464-01-000	EA	Register - 4" Dia - Plastic - w/Damper
	056464-02-000	EA	Register - 4" Dia - Plastic - w/o Damper
	009200-01-000	EA	Tape - Furnace - 1 1/2"
	023146-01-000	EA	Clamp - Screw Type - 4"
	073743-01-000	EA	Shroud Asm - Ceiling - Inside - Roof Air 13,500 BTU - Cool Only
	073744-01-000	EA	Shroud Asm - Ceiling - Inside - Roof Air 13 500 BTU - Heat & Cool
	073742-01-000	EA	Air Conditioner - 110 Volt - Roof Mount - 13 500 BTU Rotary
	073742-01-700	EA	Decal Package - Left & Right (Exterior)
	073742-01-701	EA	Selector Switch (5 Terminal)
	073742-01-702	EA	Decal - Cool Only
	073742-01-703	EA	Decal - Heat & Cool
	073742-01-704	EA	Decal - Thermostat - TSR

AUXILIARY HEATER ASSEMBLY

Key	Part Number	U/M	Description
	049401-01-000	EA	Heater Asm - Rear - Auxiliary
	049401-01-700	EA	Valve - Water Control
	049401-01-701	EA	Control Cable
	049401-01-702	EA	Motor Asm
	049401-01-703	EA	Heater Core
	049401-01-704	EA	Switch
	058906-01-000	EA	Control Panel - Brown
	058893-01-000	EA	Bracket - Side Mount - Motor Aid
	076312-01-000	EA	Mesh - Grille - 7 38" x 6 75" - Gold Aluminum

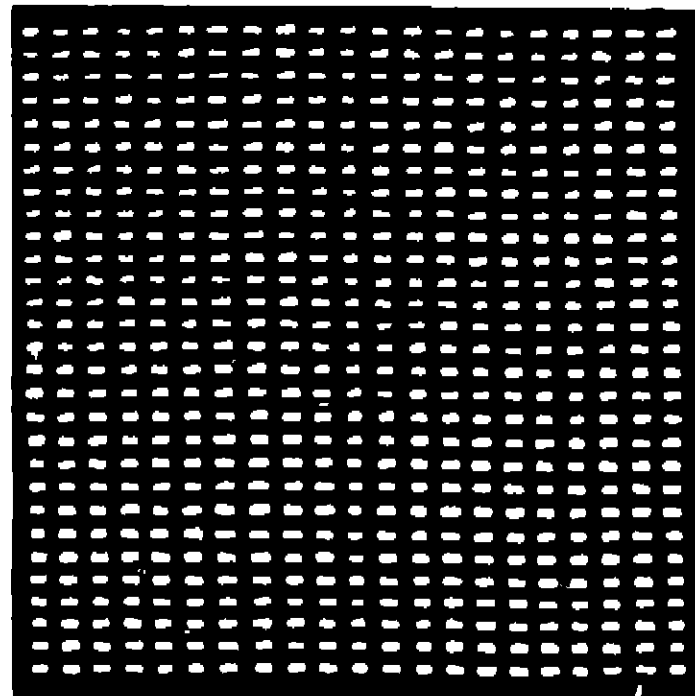
1984 ITASCA TABLE OF CONTENTS

Introduction	A-01
Abbreviations	A-01
Alphabetical Index	A-02 - A-04
ICN22RC	A-05 - C-20
ICN27RU	C-21 - F-10
ICN33RU	F-11 - H-22
ICP31RT	H-23 - J-24

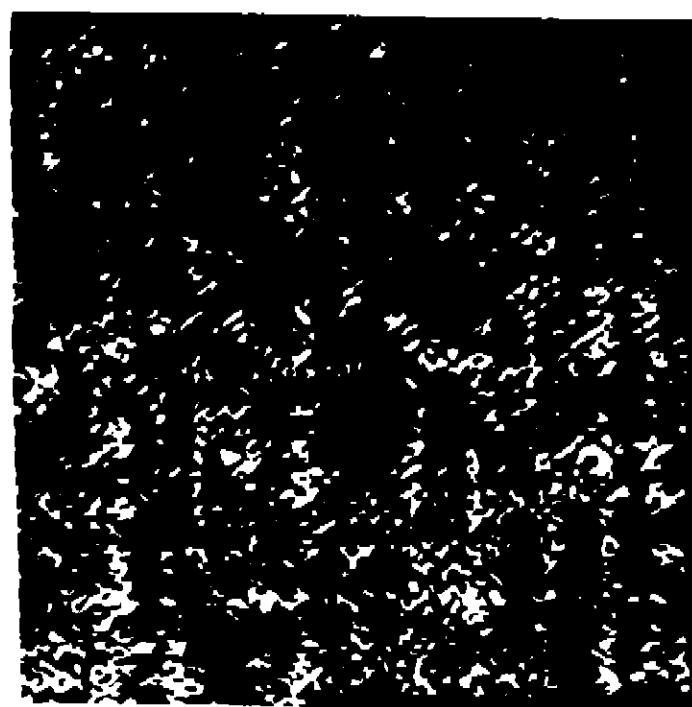
1984 ICN27RU INDEX

Floor Plan	C-21 - C-22
Accessories Group	C-23 - C-24
Bath Group	D-01
Chassis Group	D-02 - D-03
Curtain Cushion & Pad Group	D-04 - D-10
Dinette Group	D-11
Driver's Compartment Group	D-12 - D-14
Electrical Group	D-15 - D-17
Exterior Body Group	D-18 - E-04
Galley Group	E-05 - E-08
Heating & Air Conditioning Group	E-09 - E-10
Interior Finish Group	E-11 - E-13
LP Group	E-14
Lounge Group	E-15 - E-16
Water & Sewage Group	E-17 - E-18
Window Vent & Exterior Door Group	E-19 - F-10

INTERIOR FINISH GROUP



Wicker Weave Pattern



Jamaica Weave Pattern

PANELING & COUNTERTOP MATERIALS

Key	Part Number	U/M	Description
	068344-05-000	SF	Paneling - 159 Elm - 48" x 84" (28 SF) (Wall)
	072336-20-000	SF	Paneling - Decor - Jakarta Burlap - 48" x 96" (32 SF) (Ceiling)
	074496-06-000	SF	Paneling - Decor - Stained Glass - 48" x 84" (28SF) (Galley & Bath) (R25 R27)
	074496-07-000	SF	Paneling - Decor - Stained Glass - 48" x 84" (28SF) (Galley & Bath) (R26)
	072336-19-000	SF	Paneling - Decor - Wicker Weave - 48" x 84" (28 SF) (Refrigerator)
	072336-19-700	SF	Paneling - Decor - Jamaica Weave - 48" x 84" (28SF) (Refrigerator)
	057880-05-000	SF	Pluswood Board - Wicker Weave/Elm (Headboard & Door Asm)
	057880-05-700	SF	Pluswood Board - Jamaica Weave/Elm (Headboard & Door Asm)
	072337-03-000	SF	Plastic Laminate - Almond Loom - 48" x 96" (32 SF) (Galley)
	072337-03-019	EA	Plastic Laminate - Almond Loom - 1 19" x 96"
	072337-02-000	SF	Plastic Laminate - Travertine - 48" x 96" (32 SF) (Bath)
	072337-02-019	EA	Plastic Laminate - Travertine - 1 19" x 96"
	074498-01-000	SF	Plastic Laminate - Harbor Oak - 48" x 96" (32 SF) (Table)
	074498-01-019	EA	Plastic Laminate - Harbor Oak - 1 19" x 96"

Reference above illustration

INTERIOR FINISH GROUP (CONTINUED)

INTERIOR MOLDING & TRIMS

Key	Part Number	U/M	Description
	024700-18-000	EA	Cover - Sidewall Roll Bar - 85 5/8" - Beige
	042375-09-000	EA	Molding w/Holes - Corner - 77"
	076325-01-000	FT	Molding - Edge Band - 1 5/16" x .030" - Harbor Oak
	042357-09-000	FT	Molding - Radius Corner - 7" - Elm
	022992-01-000	FT	Molding - Reverse Cove - White
	022992-08-000	FT	Molding - Reverse Cove - Champagne White
	058204-01-000	EA	Batt Strip - Elm - 8' (Wall)
	069733-23-000	EA	Batt Strip - Jakarta Burlap - 8' (Ceiling)
	069733-33-000	EA	Batt Strip - Stained Glass - 8' (Galley & Bath) - (R25, R27)
	069733-34-000	EA	Batt Strip - Stained Glass - 8' (Galley & Bath) - (R26)
	070504-01-000	FT	U-Channel - .065" - Light Brown
	070504-02-000	FT	U-Channel - .815" - Light Brown
	009778-03-000	FT	U-Channel - 1" - Light Brown
	009815-03-000	FT	T-Molding - 75" - Light Brown
	064675-06-000	EA	Angle - Steel Roof Joint - 96" - Beige
	054382-01-000	FT	Extrusion - Rolled Door Trim - 8" - Plastic
	052859-01-R13	FT	Accent Trim - Medium Almond Vinyl (Beige)
	059352-01-000	FT	Insert - Vinyl - Style & Rail Door
	009767-06-000	FT	Welling - Beige

FABRICS & CARPET

Key	Part Number	U/M	Description
	072333-09-000	YD	Fabric - Drapery - Beige
	072333-08-000	YD	Fabric - Drapery - Cream (Sheers)
	074495-23-000	YD	Fabric - Drapery/Accent - Indigo (Blue/Gray) (R25)
	074495-21-000	YD	Fabric - Drapery/Accent - Cocoa (Navy/Beige) (R26)
	074495-22-000	YD	Fabric - Drapery/Accent - Cinnamon (Rust) (R27)
	074495-50-000	YD	Fabric w/Pattern - Upholstery - Aztec (Blue/Gray) (R25)
	074495-48-000	YD	Fabric w/Pattern - Upholstery - Darube (Navy/Beige) (R26)
	074495-49-000	YD	Fabric w/Pattern - Upholstery - Bisque (Rust) (R27)
	069729-06-000	YD	Fabric - Bedspread - Peach (Blue/Gray) (R25)
	069729-08-000	YD	Fabric - Bedspread - Navy (Navy/Beige) (R26)
	069729-05-000	YD	Fabric - Bedspread - Mocha (Rust) (R27)
	038421-01-000	YD	Fabric - Mattress Ticking
	029012-01-000	BF	Foam - Rolled - 3/8"
	070502-01-000	YD	Vinyl - Non-Expanded - 12 Gauge Film - Medium Almond (Beige)
	072860-05-000	SY	Carpet - Steel Blue (R25)
	072860-16-000	SY	Carpet - Formality (Light Brown) (R26)
	072860-15-000	SY	Carpet - Golden Anniversary (Golden Brown) (R27)

CURTAIN HARDWARE

Key	Part Number	U/M	Description
	056116-01-000	EA	Track - Curtain - Brown Plastic
	053272-05-009	EA	Track - Curtain - 89" - Beige
	075075-02-000	EA	Track - Curtain - 75 1" - Front Bunk - Beige
	059430-05-000	EA	Track - Front Wraparound (2 per unit) 43 75" x 36" - Beige
	059430-07-000	EA	Track - Front Wraparound (Driver's Door) 86 2" x 36" - Beige
	056001-01-000	EA	Bracket - Shade - Left
	056002-01-000	EA	Bracket - Shade - Right
	056003-01-000	EA	Bracket - Drapery Retainer - Right
	056003-02-000	EA	Bracket - Drapery Retainer - Left
	009107-01-000	EA	Guide - Nylon Snap - Curtain
	056784-01-000	EA	Pull - Window Shade - Antique Brass
	039175-01-000	EA	Curtain Rod - Extension 48" - 84"
	039175-03-000	EA	Curtain Rod - Extension 28" - 48"
	039175-04-000	EA	Curtain Rod - Extension 16" - 28"
	039175-02-000	EA	Bracket - Curtain Rod
	056115-01-000	YD	Tape - Clear Plastic - w/Guides
	048394-01-000	YD	Tape Hook - 1" x 25 YD - Beige
	048395-01-000	YD	Tape Loop - 1" x 25 YD - Beige

**1984 MASCA
TABLE OF CONTENTS**

Introduction	A-01
Abbreviations	A-01
Alphabetical Index	A-02 - A-04
ICN22RC	A-05 - C-20
ICN27RU	C-21 - F-10
ICN33RU	F-11 - H-22
ICP31RT	H-23 - J-24

1984 ICN27RU INDEX

Floor Plan	C-21 - C-22
Accessories Group	C-23 - C-24
Bath Group	D-01
Chassis Group	D-02 - D-03
Curtain, Cushion & Pad Group	D-04 - D-10
Dinette Group	D-11
Driver's Compartment Group	D-12 - D-14
Electrical Group	D-15 - D-17
Exterior Body Group	D-18 - E-04
Galley Group	E-05 - E-08
Heating & Air Conditioning Group	E-09 - E-10
Interior Finish Group	E-11 - E-13
LP Group	E-14
Lounge Group	E-15 - E-16
Water & Sewage Group	E-17 - E-18
Window Vent & Exterior Door Group	E-19 - F-10

INTERIOR FINISH GROUP (CONTINUED)

CABINETS & TABLE HARDWARE

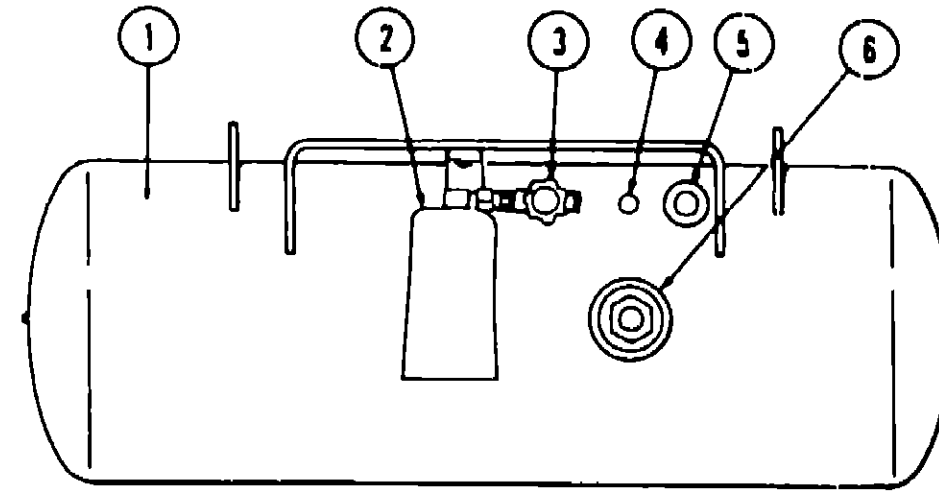
Key	Part Number	U/M	Description
..	053200-05-000	EA	Bracket - Upper Wall Mount - 23 5" - Beige
..	053201-03-000	EA	Bracket - Table Mount - 23"
..	024275-05-000	EA	Rod - Table Lift - 8" x 23 5" - Beige
..	024281-07-000	EA	Bracket - Lower Wall Mount - 22 12" - Beige
..	024276-14-000	EA	Leg Asm - Table - 26 75" - Brown
..	064050-01-000	EA	Hinge - Table Leg
..	024282-01-000	EA	Brace - Table Leg
..	024283-01-000	EA	Clip - 1" O D Tube
..	049493-02-000	EA	Catch - Table Leg - Mounts on Floor - Brown
..	009040-04-000	EA	Leg - Pedestal Table - 27 5" x 2 25" O D
..	009040-03-000	EA	Base - Table Leg - Mounts on Table
..	041194-01-000	EA	Base - Table Leg - Mounts in Floor
..	062046-01-000	EA	Clip - Pedestal Leg
..	023320-01-000	EA	Pad - Foam - 3/8" Dia
..	057898-01-000	EA	Latch - Hidden - Cabinet Door w/Strike
..	009112-01-000	EA	Flange - 1" - Chrome - Closet Rod
..	072394-01-000	EA	Slide - Drawer - Left - w/Tab
..	072394-02-000	EA	Slide - Drawer - Right - w/o Tab
..	077409-01-000	EA	Slide - Drawer - Plastic - 20 75"
..	009049-01-000	EA	Table Support - Drop Leaf
..	009059-01-000	EA	Hinge - 2" - Gold
..	037688-01-000	FT	Rail - Drawer - V Guide
..	047744-01-000	EA	Kit - Drawer Glide
..	057671-01-000	EA	Screw Cover - #8 - Antique White
..	072369-03-000	EA	Mesh - Grille - 17 9" x 6 7" - Gold Aluminum
..	009050-01-000	EA	Warp Guard - 64"
..	009021-01-000	EA	Catch - Nylon - Furnace Door
..	009021-02-000	EA	Strike - Nylon Catch - Furnace Door
..	052932-01-M10	EA	Hinge Kit - Cabinet Door - Antique Brass
..	041939-01-000	EA	Hinge Kit - Double Action - Overhead Door
..	074493-01-000	EA	Support - Sprung - Door

.. The illustrated parts breakdown for this item is provided on the Common Items Fiche

MISCELLANEOUS PARTS

Key	Part Number	U/M	Description
..	053552-01-P01	EA	Handle Asm - Interior Assist - Medium Almond Vinyl
..	041944-03-000	EA	Fire Extinguisher w/Bracket - 5BC
..	054185-20-000	EA	Owner's Manual - 1984 Itasca & Winnebago
..	044982-01-000	EA	Pouch - Home Owner's Plan - Plastic
..	040069-01-000	EA	Door Mat - 10 1/2" x 26" - Black Rubber
..	075907-01-000	EA	Picture - Decor - Assorted Grasses
..	065201-02-000	EA	Lamp Shade - Fabric - Parcha. ient - Wall Lamp
..	065202-01-000	EA	Wall Lamp - Decor - 2 Bulb - Brass
..	045586-02-000	EA	Wood Spindle - Galley - 1 75" x 24"
..	074967-01-000	EA	Block - Spindle Support

LP GROUP



Key	Part Number	U/M	Description
1	074142-01-000	EA	Tank Asm - LP - Frame Mount - 80 Pound - 13" x 44"
*	065741-01-000	EA	Detector - LP Gas Leak - Marshalltown Instruments
2	076277-01-000	EA	Cover - LP Regulator - Front
*	076278-01-000	EA	Cover - LP Regulator - Back
*	076301-01-000	EA	Regulator - Two Stage - US
*	076301-02-000	EA	Regulator - Two Stage - CSA
3	040421-01-703	EA	Valve - Vapor Relief
4	040421-01-700	EA	Gauge - Liquid Level - 20% LP
5	040421-01-701	EA	Valve - Filler - LP
*	040421-01-702	EA	Cap - Plastic Fill Valve
6	040421-01-707	EA	Gauge - Float - w/Visible Dial
*	040421-01-706	EA	Dial - Visible Face - Float Gauge (Tank w/o Electric Transmitter)
*	040440-01-000	EA	Dial - Transmitter - 0 - 90 Ohm (Float Gauge)
*	045703-01-000	EA	Hose Asm - LP - 3/8" I D. x 24" - US
*	045703-02-000	EA	Hose Asm - LP - 3/8" I D x 24" - CSA
*	045703-03-000	EA	Hose Asm - LP - 3/8" I D x 18" - US
*	045703-04-000	EA	Hose Asm - LP - 3/8" I D x 14" - CSA
*	065959-01-000	EA	Housing - LP Gauge
*	065742-01-000	EA	Tee - 38 F x 39 F x 25 FPT
*	068046-01-000	EA	Conversion Kit - LP - Onan Generator
*	Not illustrated		

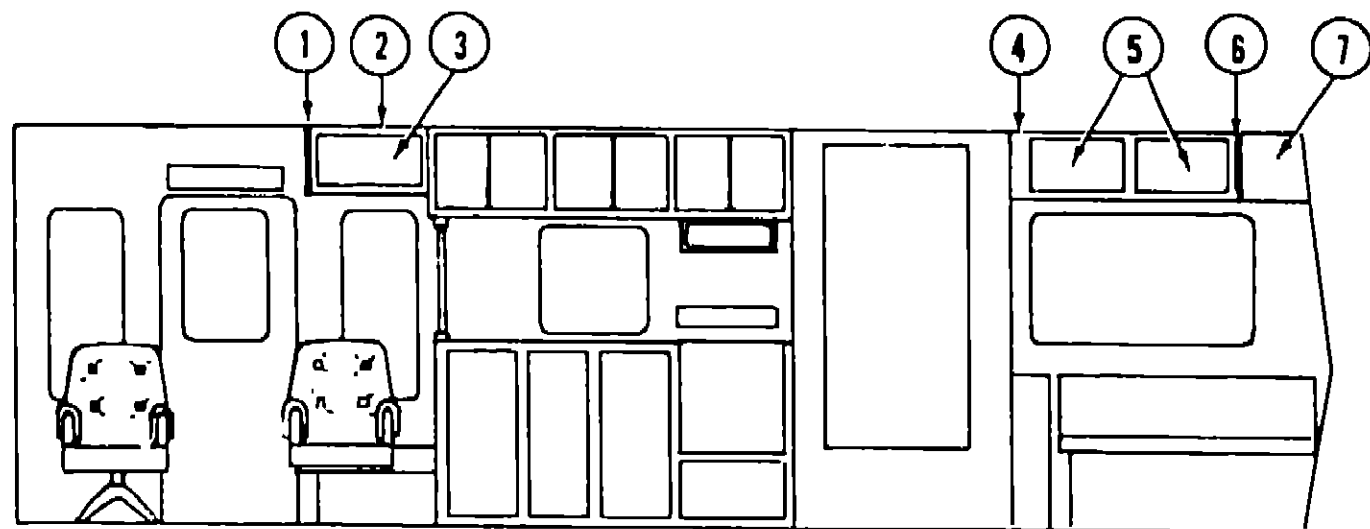
1984 ITASCA TABLE OF CONTENTS

Introduction	A-01
Abbreviations	A-01
Alphabetical Index	A-02 - A-04
ICN22RC	A-05 - C-20
ICN27RU	C-21 - F-10
ICN33RU	F-11 - H-22
ICP31RT	H-23 - J-24

1984 ICN27RU INDEX

Floor Plan	C-21 - C-22
Accessories Group	C-23 - C-24
Bath Group	D-01
Chassis Group	D-02 - D-03
Curtain, Cushion & Pad Group	D-04 - D-10
Dinette Group	D-11
Driver's Compartment Group	D-12 - D-14
Electrical Group	D-15 - D-17
Exterior Body Group	D-18 - E-04
Galley Group	E-05 - E-08
Heating & Air Conditioning Group	E-09 - E-10
Interior Finish Group	E-11 - E-13
LP Group	E-14
Lounge Group	E-15 - E-16
Water & Sewage Group	E-17 - E-18
Window, Vent & Exterior Door Group	E-19 - F-10

LOUNGE GROUP



LOUNGE OVERHEAD CABINETRY

Key	Part Number	U/M	Description
1	071847-07-R10	EA	Pad Asm - End Cap - Front Lounge Overhead - Beige Vinyl
2	M75272-01-R10	EA	Cabinet Asm - Front Lounge Overhead - w/o Doors or Hardware
3	072718-02-R10	EA	Door Asm - Overhead Cabinet - w/Wire Mesh - 11.8" x 10.3" - w/o Hardware
*	072369-04-000	EA	Gold Mesh - Expanded Aluminum - 7.7" x 6.2"
4	M75276-01-R10	EA	Cabinet Asm - Rear Overhead - Right Sidewall - w/o Doors or Hardware
5	069852-74-R10	EA	Door Asm - Rear Overhead Cabinet - Right or Left Sidewall - 18.7" x 11.4" - w/o Hardware
6	069852-72-R10	EA	Door Asm - Rear Overhead Cabinet - Backwall - 28.1" x 11.4" - w/o Hardware
7	075273-01-R10	EA	Cabinet Asm - Rear Overhead - Backwall - w/o Doors or Hardware
*	M75277-01-R10	EA	Cabinet Asm - Rear Overhead - Left Sidewall - w/o Doors or Hardware
*			Not illustrated

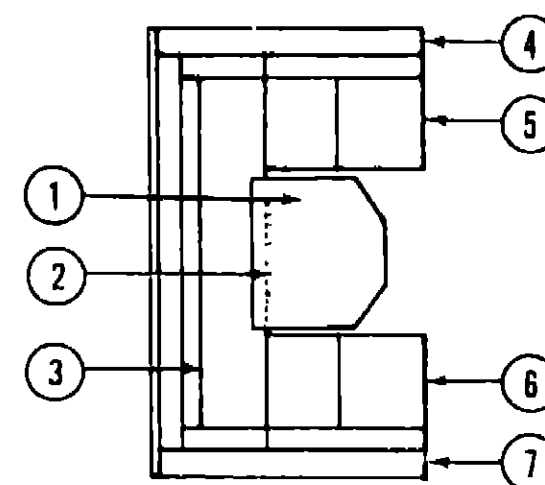
SWIVEL CHAIRS

Key	Part Number	U/M	Description
	035036-01-000	EA	Plate - Tilt & Swivel - Swivel Chair
	035036-04-000	EA	Base w/Legs - Swivel Chair
	035036-05-000	EA	Extension - 7" - Swivel Chair
	074376-01-000	EA	Base - Swivel - Ball Bearing - 6" x 6" (Generator Box)

DOUBLE BED W/NIGHT STAND

Key	Part Number	U/M	Description
	075280-01-R10	EA	Cabinet Asm - Nightstand - w/o Countertop
	M01413-01-R10	EA	Countertop Asm - Nightstand Cabinet - Harbor Oak
	069852-71-R07	EA	Door Asm - Double Bed Base - 25.1" x 10" - w/o Hardware
	072969-01-R10	EA	Headboard Asm - Elm
	076312-01-000	EA	Mesh - Grille - Auxiliary Heater - 7.38" x 6.75" - Gold Aluminum

LOUNGE GROUP (CONTINUED)



HORSESHOE LOUNGE W/PEDESTAL TABLE (OPTION)

Key	Part Number	U/M	Description
1	M01102-89-R10	EA	Table Asm - Pedestal - Harbor Oak - w/o Hardware
2	069852-20-R10	EA	Door Asm - Center Gaucho - 10.1" x 26" - w/o Hardware
3	M70663-01-R10	EA	Cabinet Asm - Center Gaucho
4	075397-01-R10	EA	Cabinet Asm - Hamper - Left
5	M75399-01-R10	EA	Cabinet Asm - Gaucho - Left
*	069852-68-R10	EA	Door Asm - Left Gaucho Cabinet - 10.1" x 20.2" - w/o Hardware
6	M75398-01-R10	EA	Cabinet Asm - Gaucho - Right
7	075397-02-R10	EA	Cabinet Asm - Hamper - Right
*	009040-03-000	EA	Base - Pedestal Table - Mounts on Table
*	041194-01-000	EA	Base - Pedestal Table - Mounts in Floor
*	009040-02-000	EA	Leg - Pedestal Table - 2.25" O D x 27.5"
*	062046-01-000	EA	Clip Pedestal Leg
*	053163-01-000	EA	Couch Slide Bracket
*	054398-01-000	EA	Couch Bracket - Brown
*	053347-01-000	EA	Hitch Pin - 3/32" - Wire
*	053348-01-000	EA	Steel Pin w/Hole - 1/4" x 4"
*	064781-02-000	EA	Cup Holder - 3.47" O D x 2.75" I D x 1.5" - Beige
*			Not illustrated

1984 ITASCA TABLE OF CONTENTS

Introduction	A-01
Abbreviations	A-01
Alphabetical Index	A-02 - A-04
ICN22RC	A-05 - C-20
ICN27RU	C-21 - F-10
ICN33RU	F-11 - H-22
ICP31RT	H-23 - J-24

1984 ICN27RU INDEX

Floor Plan	C-21 - C-22
Accessories Group	C-23 - C-24
Bath Group	D-01
Chassis Group	D-02 - D-03
Curtain, Cushion & Pad Group	D-04 - D-10
Dinette Group	D-11
Driver's Compartment Group	D-12 - D-14
Electrical Group	D-15 - D-17
Exterior Body Group	D-18 - E-04
Galley Group	E-05 - E-08
Heating & Air Conditioning Group	E-09 - E-10
Interior Finish Group	E-11 - E-13
LP Group	E-14
Lounge Group	E-15 - E-16
Water & Sewage Group	E-17 - E-18
Window, Vent & Exterior Door Group	E-19 - F-10

WATER & SEWAGE GROUP

PLUMBING & REPAIR PARTS

Key	Part Number	U/M	Description
	033302-02-000	EA	Adapter Asm. - SWVC Strain - 1 1/2"
	062422-01-000	EA	Adapter - Hose Offset - Reducer - 3" x 1 1/2"
	052954-01-000	EA	Adapter - Nose Cone - 3/8 or 1/2 - Plastic
	010224-01-000	EA	Adapter - Plastic - 3/8 MPT x 3/8 Barb
	062417-01-000	EA	Adapter - Termination - 3"
	004020-01-000	QT	Adhesive - ABS Cement
**	010121-01-000	EA	Bushing - Plastic - 1 1/2 S x 1 1/4 H
	010123-01-000	EA	Bushing - Plastic - 2S x 1 1/2 H
	062415-01-000	EA	Cap - Sewer - 3"
	052959-02-000	EA	Connector - 1/2 F x 1/2 MPT - Plastic (In Tank Filter)
	052959-03-000	EA	Connector - 1/2 F x 3/8 MPT - Plastic
**	011091-01-000	EA	Continuous Waste - Double Sink - 11 7/8" - US
**	053874-01-000	EA	Continuous Waste Asm. - Double Sink - CSA
**	050780-01-000	EA	Coupler Rubber - 3" x 3"
	052960-01-000	EA	Drain Valve - 1/2 F x 1/2 F - Plastic
	010000-01-000	EA	Elbow - Plastic - 1/8 BD x 1 1/4 x 45° H x H
	010006-01-000	EA	Elbow - Plastic - 1/8 BD x 1 1/2 x 45° H x H
	010008-01-000	EA	Elbow - Plastic - 1/4 BD x 1 1/2 x 90° Left
	010051-01-000	EA	Elbow - ST - Plastic - 1/8 BD x 1 1/2 x 45°
	010219-01-000	EA	Elbow - 1 1/4 Barb x 1 1/4 MPT x 90°
	034250-01-000	EA	Elbow - Plastic - 1/4 BD x 1 1/2 x 90° x H x H
	052957-01-000	EA	Elbow - Plastic - 1/2 F x 3/8 MPT
	052957-02-000	EA	Elbow - Plastic - 1/2 F x 1/2 MPT
	065120-01-000	EA	Elbow - Plastic - Swivel - 50°
	070924-01-000	EA	Elbow - Plastic - Swivel - 1/2 MPT x 1/2 FPT
	077954-01-000	EA	Filter/Screen (In Water Tank)
	039647-02-000	EA	Filter - Water Pump - 1/2" MPT
	039647-03-000	EA	Filter - Water Pump - 1/2" Flare
	010147-01-000	EA	Flange - Closet - 4" F x 3" FPT - US
	010147-02-000	EA	Flange - Closet - 4" F x 3" FPT - CSA
	044928-01-000	FT	Flexible Tubing - 1 1/4 I.D. x 10'
	061607-01-000	EA	Grommet - Holding Tank Coupler - 1 1/2"
	061607-02-000	EA	Grommet - Holding Tank Coupler - 3"
	062419-02-000	EA	Handle - Extension - w/6" Adapter
	052961-01-000	EA	Header - 1/2 F x 1/2 F x 1/2 F x 1/2 F
**	046524-01-000	EA	Kit - Holding Tank Fittings - Blank Tank
**	046524-02-000	EA	Kit - Water Tank Fittings - Blank Tank
	052953-01-000	EA	Nut - Faucet - 1/2 Tube x 1/2 FPT
	052952-01-000	EA	Nut - 1/2 F - Plastic
**	011066-01-000	EA	P-Trap - 1 1/4" - Plastic - US
**	011066-02-000	EA	P-Trap - 1 1/4" - Plastic - CSA
	053335-01-000	EA	P-Trap - 1 1/4 H x H - w/Union - Plastic - CSA
	075666-01-000	EA	Pipe - PVC - DWV - 4" I.D. x 10'
	045729-01-000	EA	Pump - Water - 2 8 G P M - Direct Drive - Shurflo - US
	045729-02-000	EA	Pump - Water - 2 8 G P M - Direct Drive - Shurflo - CSA
**	010201-01-000	EA	Sewer Hose - 3" x 8' - w/Clamp
	042989-02-000	EA	Spinweld Fittings - Plastic - 1/2 NPT (In Tank Filter)
	010071-01-000	EA	Tee - Plastic - 1 1/2 x H x H x H
	010072-01-000	EA	Tee - Plastic - 1 1/2 H x 1 1/4 H x 1 1/2 H
	010079-01-000	EA	Tee - Plastic - 1 1/2 H x 1 1/2 H x 1 1/4 H
	052956-01-000	EA	Tee - Plastic - 1/2 F x 1/2 MPT x 1/2 F
	052958-01-000	EA	Tee - Plastic - 1/2 F x 1/2 F x 1/2 F
**	010133-01-000	EA	Trap Adapter - Plastic - 1 1/2 H x MPT
	039300-01-000	FT	Tubing - Polybutyl - 1/2 O.D. (Water Line)
	072346-01-000	EA	Valve Asm. - 3" Ell - w/2" Socket
	062421-01-000	EA	Valve - 1 1/2" - w/Handle
	062418-02-000	EA	Valve - 3" - w/o Handle
**	052962-01-000	EA	Valve - Stool - 90° x 1/2 F x 3/8 MPT

** The illustrated parts breakdown for this item is provided on the Common Items Fiche

WATER & SEWAGE GROUP (CONTINUED)

HOLDING TANKS & WATER HEATERS

Key	Part Number	U/M	Description
	M01275-09-000	EA	Tank Asm. - Water - 45 Gallon - w/Fittings
	075186-01-000	EA	Tank - Water - 45 Gallon - w/o Fittings
	M01275-13-000	EA	Tank Asm. - Waste Water - 40 Gallon - w/Fittings
	061805-01-000	EA	Tank - Waste Water - 40 Gallon - w/o Fittings
	M01275-11-000	EA	Tank Asm. - Sewage - 44 Gallon - w/Fittings
	074175-01-000	EA	Tank - Sewage - 44 Gallon - w/o Fittings
**	051391-03-000	EA	Water Heater - w/Electric Ignition - G6A-3E
**	051393-01-000	EA	Water Heater - w/Motor Aid - GH6-3E
**	The illustrated parts breakdown for this item is provided on the Common Items Fiche		

1984 ITASCA TABLE OF CONTENTS

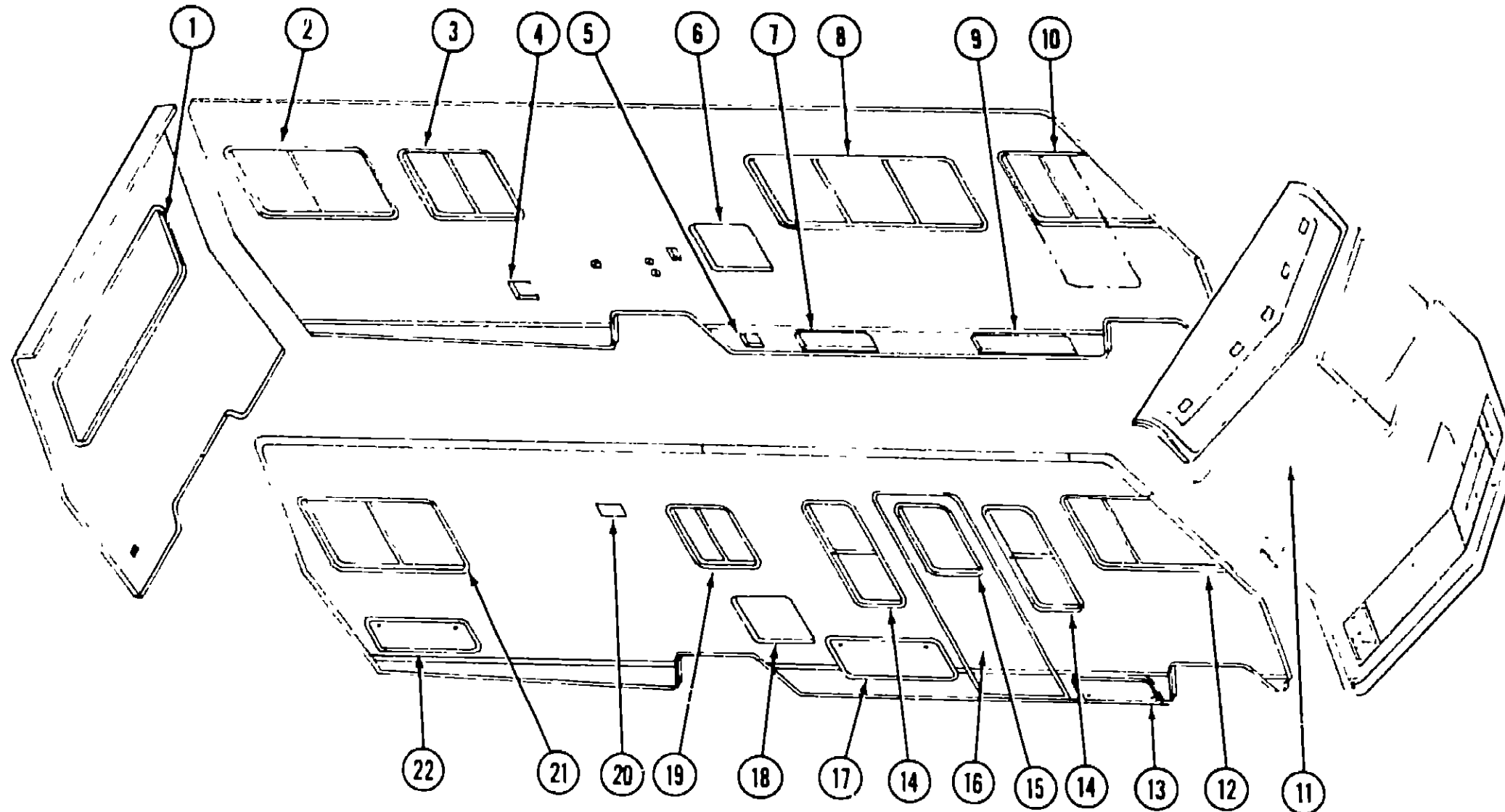
Introduction	A-01
Abbreviations	A-01
Alphabetical Index	A-02 - A-04
ICN22RC	A-05 - C-20
ICN27RU	C-21 - F-10
ICN33RU	F-11 - H-22
ICP31RT	H-23 - J-24

1984 ICN27RU INDEX

Floor Plan	C-21 - C-22
Accessories Group	C-23 - C-24
Bath Group	D-01
Chassis Group	D-02 - D-03
Curtain, Cushion & Pad Group	D-04 - D-10
Dinette Group	D-11
Driver's Compartment Group	D-12 - D-14
Electrical Group	D-15 - D-17
Exterior Body Group	D-18 - E-04
Galley Group	E-05 - E-08
Heating & Air Conditioning Group	E-09 - E-10
Interior Finish Group	E-11 - E-13
LP Group	E-14
Lounge Group	E-15 - E-16
Water & Sewage Group	E-17 - E-18
Window, Vent & Exterior Door Group	E-19 - F-10

WINDOW, VENT & EXTERIOR DOOR GROUP

WINDOWS & ACCESS DOORS



Key	Part Number	U/M	Description
1	020754-03-000	EA	Window Asm - Rear Escape - 23" x 68" - Black (w/o inside frame)
2	048631-20-000	EA	Window Asm - Left Single Slider - 25" x 44" - Black (w/o inside frame)
3	048631-08-000	EA	Window Asm - Left Single Slider - 23" x 29" - Black (w/o inside frame)
4	NOTE	EA	Door Asm - Fuel Fill (See Access Doors)
5	NOTE	EA	Door Asm - Power Cord (See Access Doors)
6	069762-06-000	EA	Door Asm - Refrigerator Access - w/Twist Lock - Gray
7	M73925-04-R10	EA	Door Asm w/Sewer Hose Compartment - w/Twist Lock - Aluminum Sidewalls
7	M76852-04-R10	EA	Door Asm w/Sewer Hose Compartment - w/Twist Lock - Fiberglass Sidewalls
8	075738-01-000	EA	Window Asm - Double Slider - Black (w/o inside frame)
9	M73925-09-R10	EA	Door Asm - Spare Tire Compartment - Aluminum Sidewalls
9	M76852-09-R10	EA	Door Asm - Spare Tire Compartment - Fiberglass Sidewalls
10	059046-02-000	EA	Window Asm - Left Front Slant Slider - 23" x 39" - Black (w/o inside frame)
	062896-01-000	EA	Window Asm - Stationary - Driver's Slant - 14" x 25 3/2" - Black (w/o inside frame)
11	057459-01-000	EA	Glass - Windshield - Flat
12	059046-01-000	EA	Window Asm - Right Front Slant Slider - 23" x 39" - Black (w/o inside frame)

Key	Part Number	U/M	Description
13	M73925-06-R10	EA	Door Asm. - LP - w/Key Lock - Aluminum Sidewalls
13	M76852-06-R10	EA	Door Asm. - LP - w/Key Lock - Fiberglass Sidewalls
14	074348-01-000	EA	Window Asm - Vertical Slider - Black (w/o inside frame)
15	041875-09-000	EA	Window Asm - Picture - 17" x 25" - Black (w/o inside frame)
16	M01414-02-R10	EA	Door Asm - Radius Entry w/Screen Door - Aluminum
16	M01414-06-R10	EA	Door Asm - Radius Entry w/Screen Door - Greyhound Fiberglass
16	M01414-12-R25	EA	Door Asm - Radius Entry w/Screen Door - Mesa Fiberglass
17	047233-03-000	EA	Door Asm. - Luggage - 35 5" x 13" - w/Key Lock - Aluminum Sidewalls
17	M00685-09-000	EA	Door Asm. - Luggage - 35 5" x 13" - w/o Baffle - Aluminum Sidewalls
17	076854-01-000	EA	Door Asm - Luggage - 35 5" x 13" - w/Key Lock - Fiberglass Sidewalls
17	M01552-02-000	EA	Door Asm - Generator - 35 5" x 13" - w/o Baffle - Fiberglass Sidewalls
18	052009-03-000	EA	Door Asm - Water Heater - Gray
19	048631-03-000	EA	Window Asm - Right Single Slider - 20" x 25" - Black (w/o inside frame)
20	049352-03-000	EA	Vent - Stovehood - Outside - Gray
21	048631-19-000	EA	Window Asm - Right Single Slider - 25" x 44" - Black (w/o inside frame)
22	059727-03-000	EA	Door Asm - Storage - Insulated - 29 9" x 10 3/6" - w/Key Lock - Aluminum Sidewalls
22	076855-02-000	EA	Door Asm - Storage - Insulated - 29 9" x 10 3/6" - w/Key Lock - Fiberglass Sidewalls

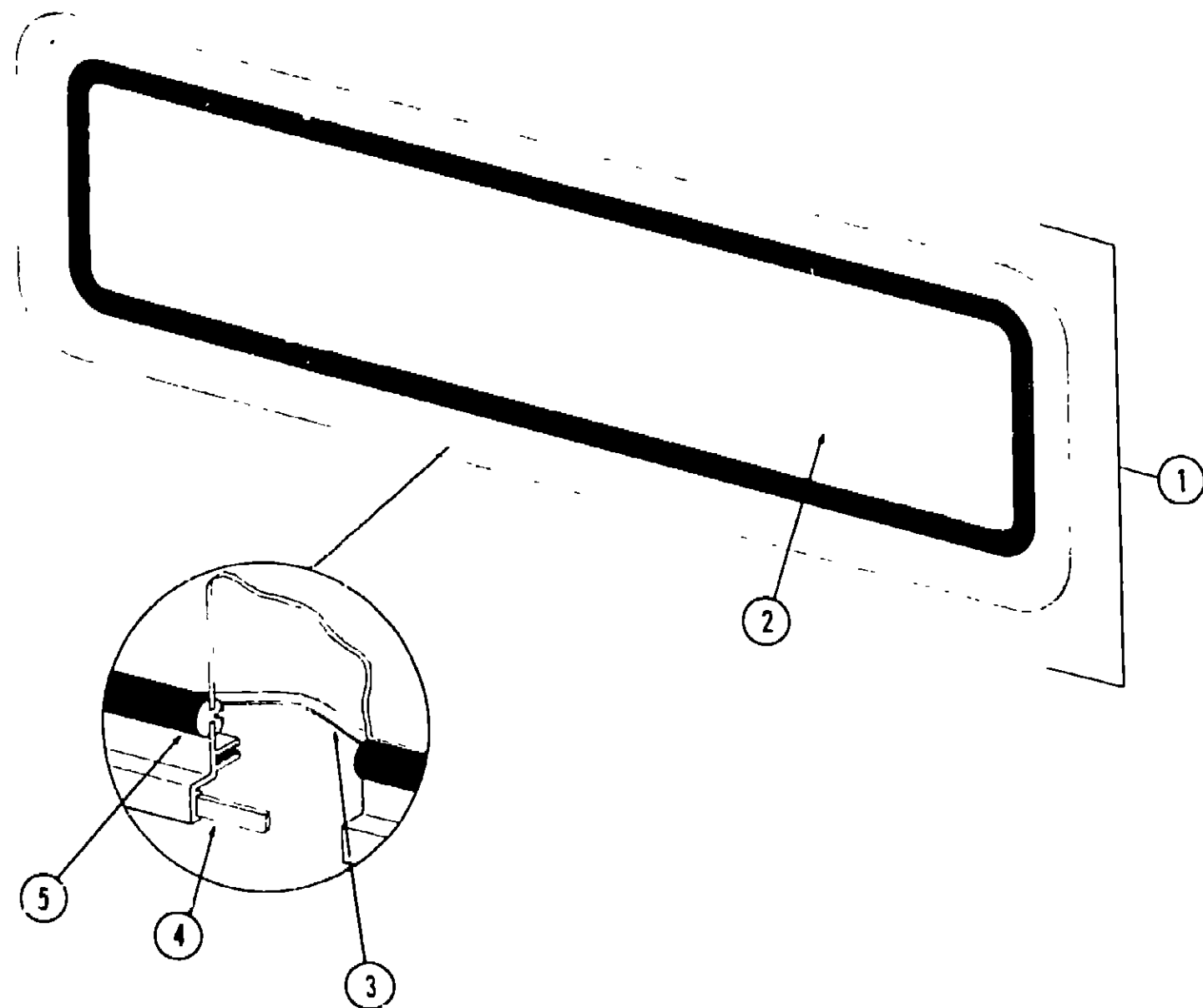
* Not illustrated

1984 ITASCA TABLE OF CONTENTS

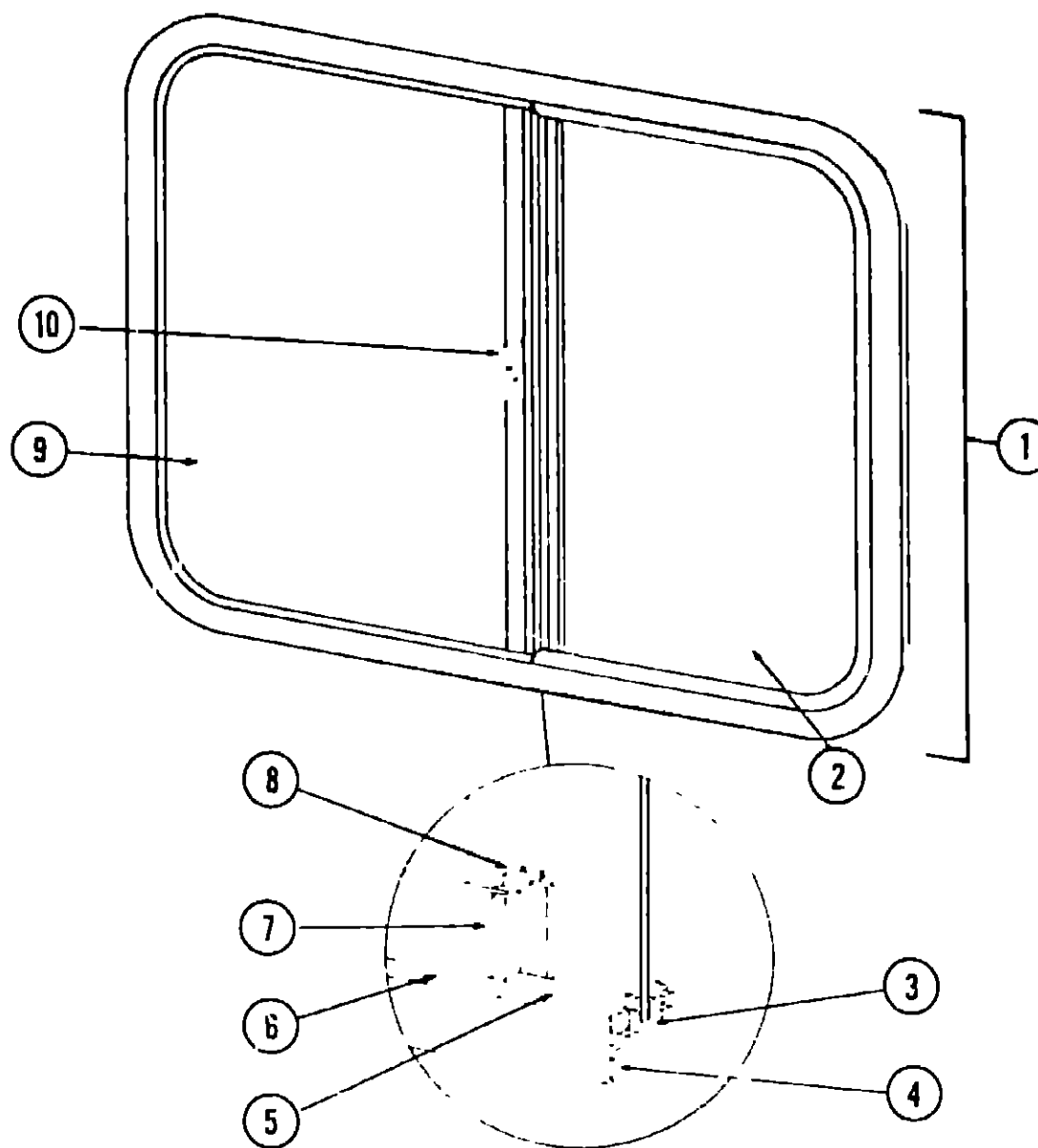
Introduction	A-01
Abbreviations	A-01
Alphabetical Index	A-02 - A-04
ICN22RC	A-05 - C-20
ICN27RU	C-21 - F-10
ICN33RU	F-11 - H-22
ICP31RT	H-23 - J-24

1984 ICN27RU INDEX

Floor Plan	C-21 - C-22
Accessories Group	C-23 - C-24
Bath Group	D-01
Chassis Group	D-02 - D-03
Curtain Cushion & Pad Group	D-04 - D-10
Dinette Group	D-11
Driver's Compartment Group	D-12 - D-14
Electrical Group	D-15 - D-17
Exterior Body Group	D-18 - E-04
Galley Group	E-05 - E-08
Heating & Air Conditioning Group	E-09 - E-10
Interior Finish Group	E-11 - E-13
LP Group	E-14
Lounge Group	E-15 - E-16
Water & Sewage Group	E-17 - E-18
Window Vent & Exterior Door Group	E-19 - F-10



Key	Part Number	U/M	Description
1	020754-03-000	EA	Window Asm - Escape - 23" x 68" Black (w/o inside frame)
.	042027-05-000	EA	Inside Frame - Window - Escape - Beige (not included in assembly)
2	002178-01-000	EA	Glass - 1/8" x 19 61" - 64 80"
3	002285-01-000	FT	Weatherstrip - Filter - Black
4	069640-06-000	FT	Ribbon Sealer - 5/16" Bead x 15'
5	002282-01-000	FT	Weatherstrip - Window - 125" - Black
.	047731-01-000	EA	Label - Emergency Exit
.	023713-02-000	EA	Weephole Cover - Black Plastic
.			Not illustrated



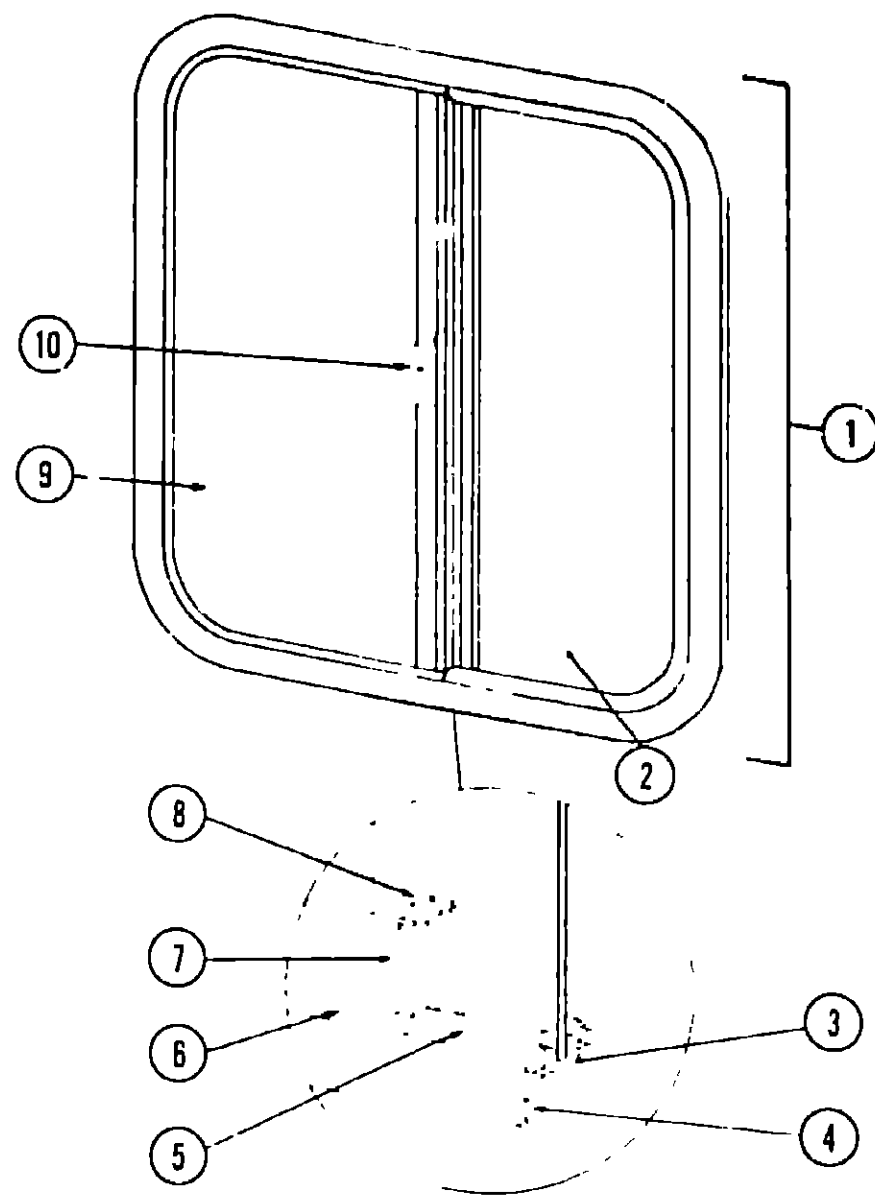
Key	Part Number	U/M	Description
1	048631-19-000	EA	Window Asm - Right Single Slider - 25" x 44" - Black (w/o inside frame)
1	048631-20-000	EA	Window Asm - Left Single Slider - 25" x 44" - Black (w/o inside frame)
.	067609-13-000	EA	Inside Frame - Single Slider - Right or Left - Beige (not included in assembly)
2	047822-04-000	EA	Glass - Sliding - 1/8" x 24" x 21 03" - Gray
3	002324-02-000	FT	Channel - Weatherstrip - Glass
4	069640-06-000	FT	Ribbon Sealer - 5/16" Bead x 15'
5	057374-02-000	FT	Extr Vinyl - Window Seal - Black
6	002309-02-000	FT	Spline - Glass - 1/8" - Black
7	M69886-03-003	EA	Seal Holder w/Fin Seal - 23 19" - Black
.	073740-01-000	FT	Seal - Fin - Pile - 460"
8	069896-02-000	EA	Mullion - Black
.	042076-01-000	FT	Weatherstrip - Mullion
9	002183-03-000	EA	Glass - Stationary - 1/8" x 24" x 23 49" - Gray
10	047369-01-700	EA	Latch Kit - Window - Plastic - w/Fastener
.	023713-02-000	EA	Weephole Cover - Black Plastic
.	002293-01-000	SF	Screen - Window - 26" - Gray
.	002298-01-000	FT	Spline - Screen - 130" Dia - Gray
.			Not illustrated

1984 ITASCA
TABLE OF CONTENTS

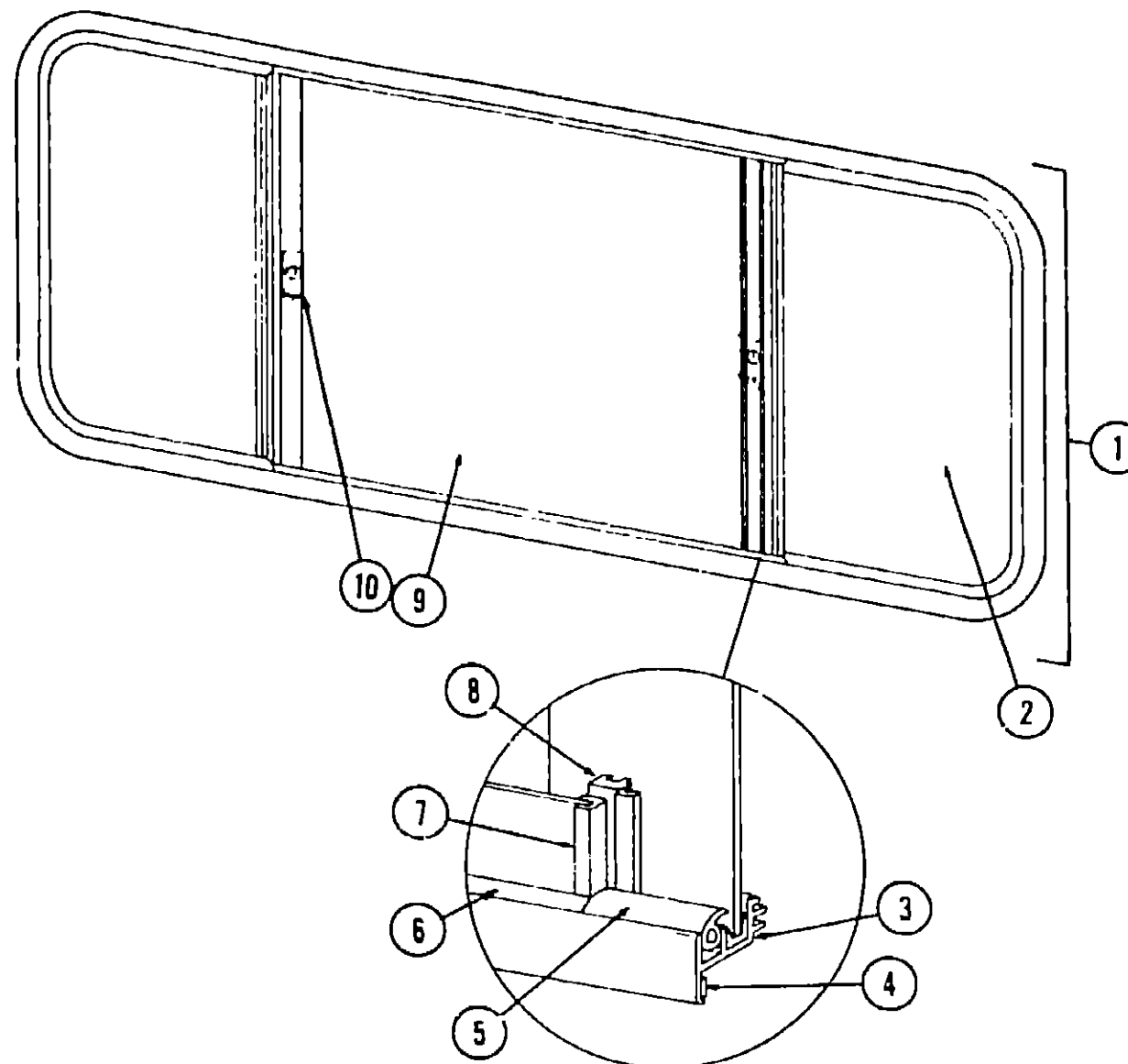
Introduction	A-01
Abbreviations	A-01
Alphabetical Index	A-02 - A-04
ICN22RC	A-05 - C-20
ICN27RU	C-21 - F-10
ICN33RU	F-11 - H-22
ICP31RT	H-23 - J-24

1984 ICN27RU INDEX

Floor Plan	C-21 - C-22
Accessories Group	C-23 - C-24
Bath Group	D-01
Chassis Group	D-02 - D-03
Curtain Cushion & Pad Group	D-04 - D-10
Dinette Group	D-11
Driver's Compartment Group	D-12 - D-14
Electrical Group	D-15 - D-17
Exterior Body Group	D-18 - E-04
Galley Group	E-05 - E-08
Heating & Air Conditioning Group	E-09 - E-10
Interior Finish Group	E-11 - E-13
LP Group	E-14
Lounge Group	E-15 - E-16
Water & Sewage Group	E-17 - E-18
Window, Vent & Exterior Door Group	E-19 - F-10



Key	Part Number	U/M	Description
1	048631-08-000	EA	Window Asm - Left Single Slider - 23" x 29" - Black (w/o inside frame)
•	067609-14-000	EA	Inside Frame - Beige (not included in assembly)
2	047813-01-000	EA	Glass - Sliding - w/Hole - 1/8" x 22" x 13 68"
3	002324-02-000	FT	Channel - Weatherstrip - Glass
4	069640-06-000	FT	Ribbon Sealer - 5/16" Bead x 15'
5	057374-02-000	FT	Extr Vinyl - Window Seal - Black
6	002309-02-000	FT	Spline - Glass - 1/8" Material - Black
7	M18025-03-000	EA	Seal Holder w/Fin Seal - 21" - Black
8	069896-01-000	EA	Mullion - Slider Window - Black
9	002184-01-000	EA	Glass - Stationary - 1/8" x 16 5" x 22"
10	047369-01-700	EA	Latch Kit - Window - Plastic - w/Fastener
•	002293-01-000	SF	Screen - Window - 26" - Gray
•	002298-01-000	FT	Spline - Screen - 130" Dia - Gray
•	073740-01-000	FT	Seal - Fin - Pile - 460"
•			Not illustrated



Key	Part Number	U/M	Description
1	075738-01-000	EA	Window Asm - Double Slider - Black (w/o inside frame)
•	067609-06-000	EA	Inside Frame - Beige (not included in assembly)
2	047822-04-000	EA	Glass - Sliding - 1/8" x 24" x 21 03"
3	002324-02-000	FT	Channel - Weatherstrip - Glass
4	069640-06-000	FT	Ribbon Sealer - 5/16" Bead x 15'
5	057374-02-000	FT	Extr Vinyl - Window Seal - Black
6	002309-02-000	FT	Spline - Glass - 1/8" Material - Black
7	M69886-03-003	EA	Seal Holder w/Fin Seal - 23 19" - Black
8	069896-02-000	EA	Mullion - Slider Window - Black
9	002188-05-000	EA	Glass - Stationary - 1/8" x 24" x 25 5"
10	047369-01-700	EA	Latch Kit - Window - Plastic - w/Fastener
•	002293-01-000	SF	Screen - Window - 26" - Gray
•	002298-01-000	FT	Spline - Screen - 130" Dia - Gray
•	073740-01-000	FT	Seal - Fin - Pile - 460"
•			Not illustrated

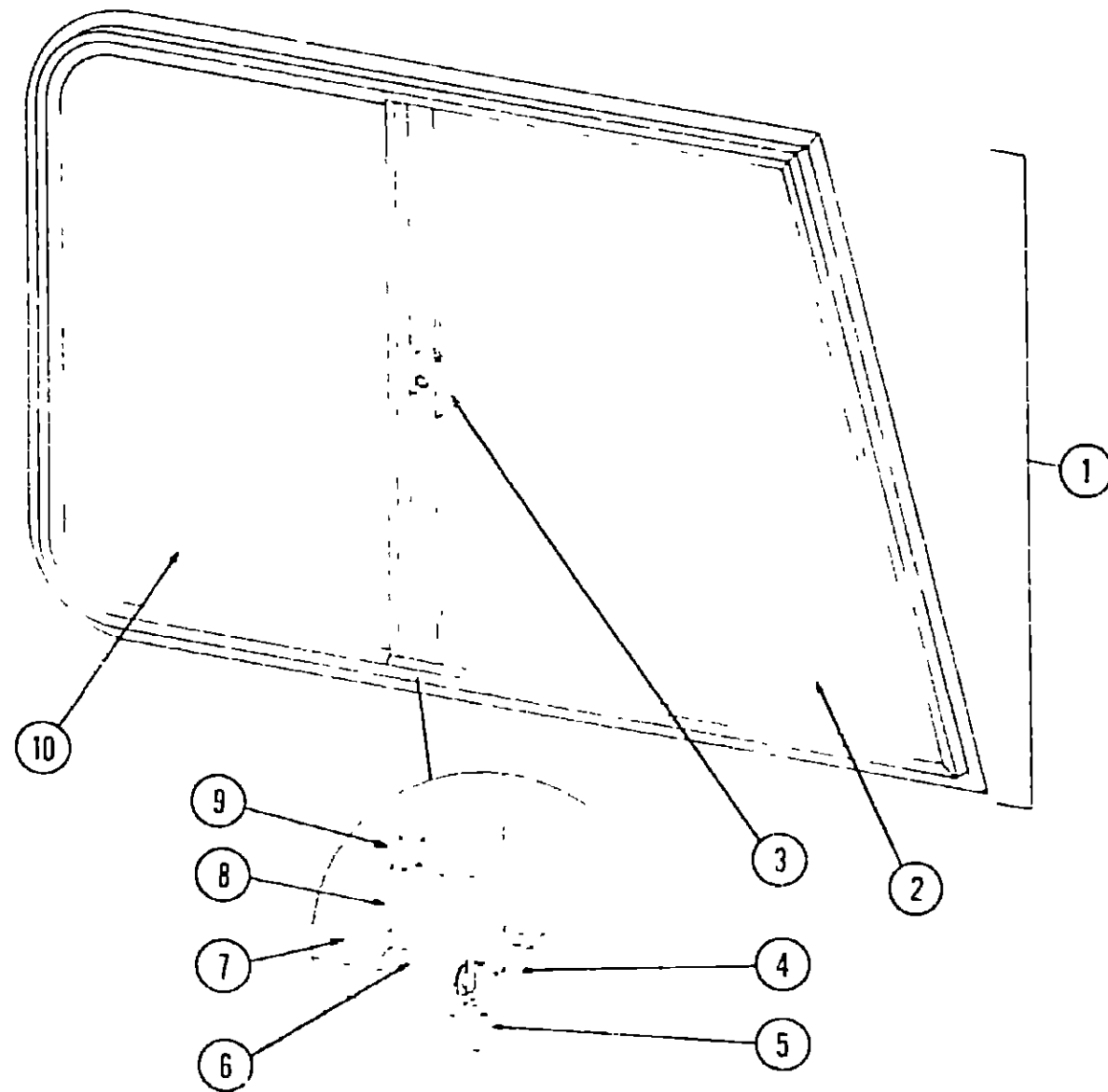
1984 ITASCA
TABLE OF CONTENTS

Introduction	A-01
Abbreviations	A-01
Alphabetical Index	A-02 - A-04
ICN22RC	A-05 - C-20
ICN27RU	C-21 - F-10
ICN33RU	F-11 - H-22
ICP31RT	H-23 - J-24

1984 ICN27RU INDEX

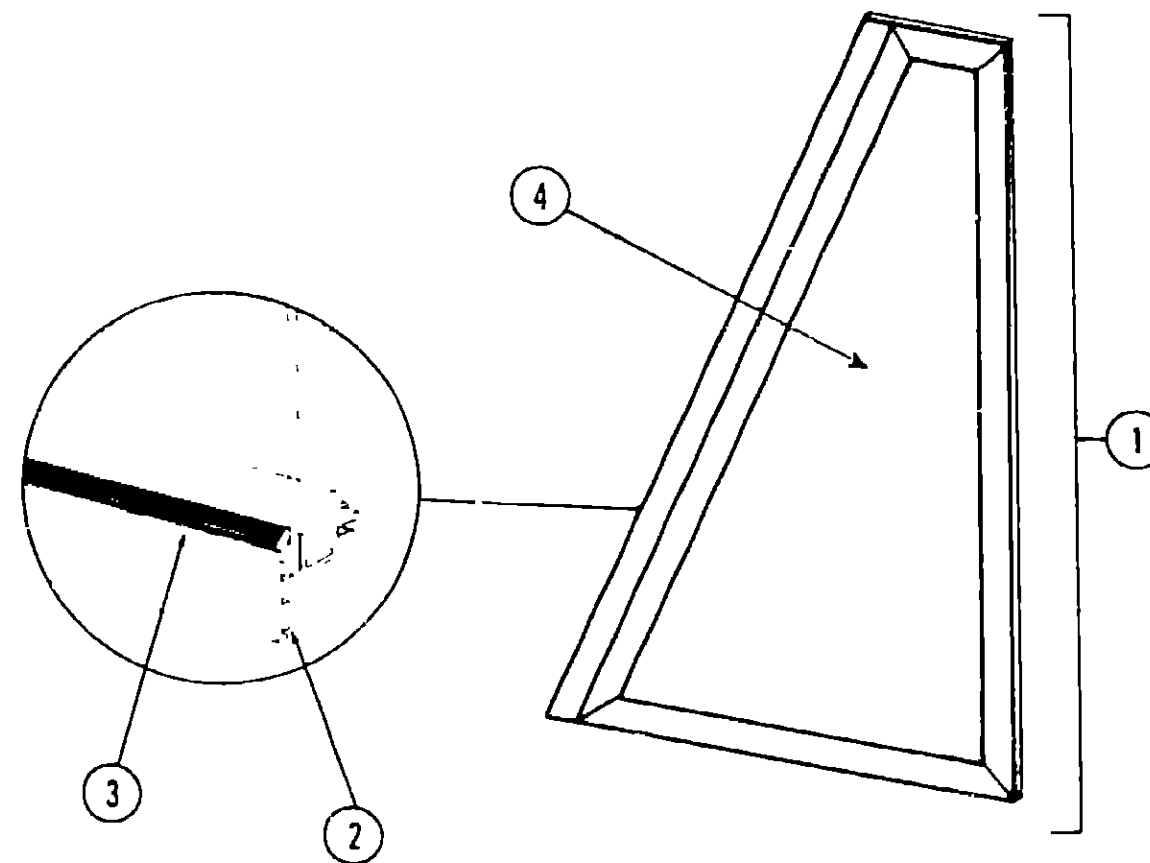
Floor Plan	C-21 - C-22
Accessories Group	C-23 - C-24
Bath Group	D-01
Chassis Group	D-02 - D-03
Curtain, Cushion & Pad Group	D-04 - D-10
Dinette Group	D-11
Driver's Compartment Group	D-12 - D-14
Electrical Group	D-15 - D-17
Exterior Body Group	D-18 - E-04
Galley Group	E-05 - E-08
Heating & Air Conditioning Group	E-09 - E-10
Interior Finish Group	E-11 - E-13
LP Group	E-14
Lounge Group	E-15 - E-16
Water & Sewage Group	E-17 - E-18
Window, Vent & Exterior Door Group	E-19 - F-10

WINDOW, VENT & EXTERIOR DOOR GROUP (CONTINUED)



Key	Part Number	U/M	Description
1	059046-01-000	EA	Window Asm - Right Front Slant Slider - 23' x 39" - Black (w/o inside frame)
1	059046-02-000	EA	Window Asm - Left Front Slant Slider - 23' x 39" - Black (w/o inside frame)
*	059042-03-000	EA	Inside Frame - Right Front Slant Slider - Beige (not included in assembly)
*	059042-04-000	EA	Inside Frame - Left Front Slant Slider - Beige (not included in assembly)
2	057656-01-000	EA	Glass - 3/16" x 24 88" x 25 30" - Stationary
3	047369-01-700	EA	Latch Kit - Window - Plastic - w/Fastener
4	042077-01-000	FT	Channel - Weatherstrip - Glass
5	069640-06-000	FT	Ribbon Sealer - 5/16" Bead x 15'
6	050216-02-000	FT	Spline - 3/16" Glass
7	057374-02-000	FT	Extr Vinyl - Window Seal - Black
8	002389-03-206	EA	Sealer Holder w/Fin Seal - 24 13" - Black
9	057644-04-000	EA	Mullion - Window - Slant Slider
10	057657-01-000	EA	Glass - 3/16" x 24 88" x 14 70" - Sliding
*	023713-02-000	EA	Weephole Cover - Black Plastic
*	055164-05-000	EA	Slider Screen Asm - Right or Left - Black
*	016310-03-000	EA	Handle - Slider Screen - Black
*	002291-01-000	SF	Screen - Window - 16" - Gray
*	002298-01-000	FT	Spline - Screen - 130 Dia - Black
*	073740-01-000	FT	Seal - Fin - Pipe - 460'
*	Not illustrated		

WINDOW, VENT & EXTERIOR DOOR GROUP (CONTINUED)



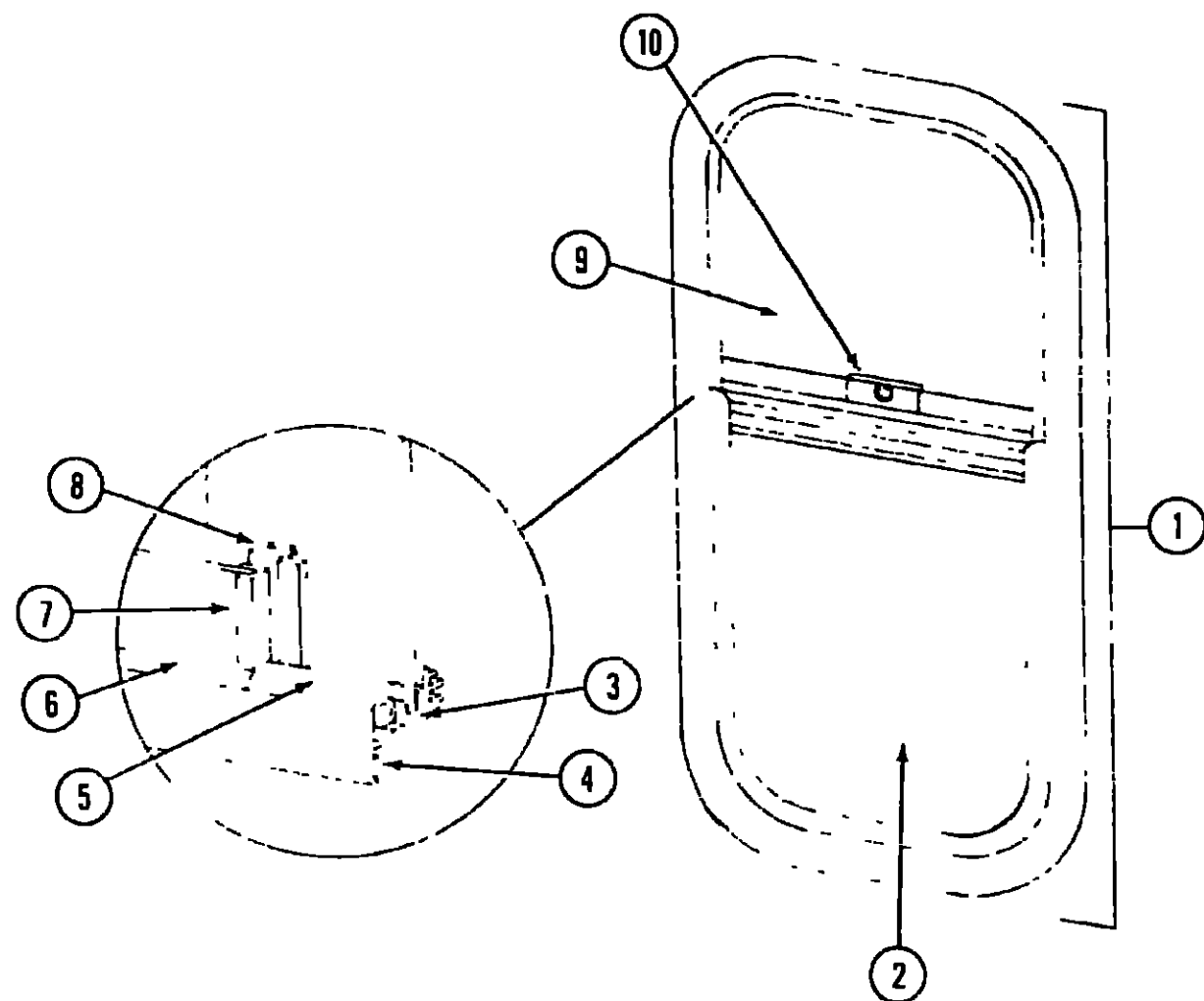
Key	Part Number	U/M	Description
1	062896-01-000	EA	Window Asm - Stationary - Driver's Slant - 14' x 25 32' Black (w/o inside frame)
*	063420-02-000	EA	Inside Frame - Front Slant Window - Beige (not included in assembly)
2	069640-06-000	FT	Ribbon Sealer - 5/16" Bead x 15'
3	002309-02-000	FT	Spline - Glass - 1/8" - Black
4	057656-02-000	EA	Glass - 19" x 24 88" x 13 66"
*	Not illustrated		

**1984 ITASCA
TABLE OF CONTENTS**

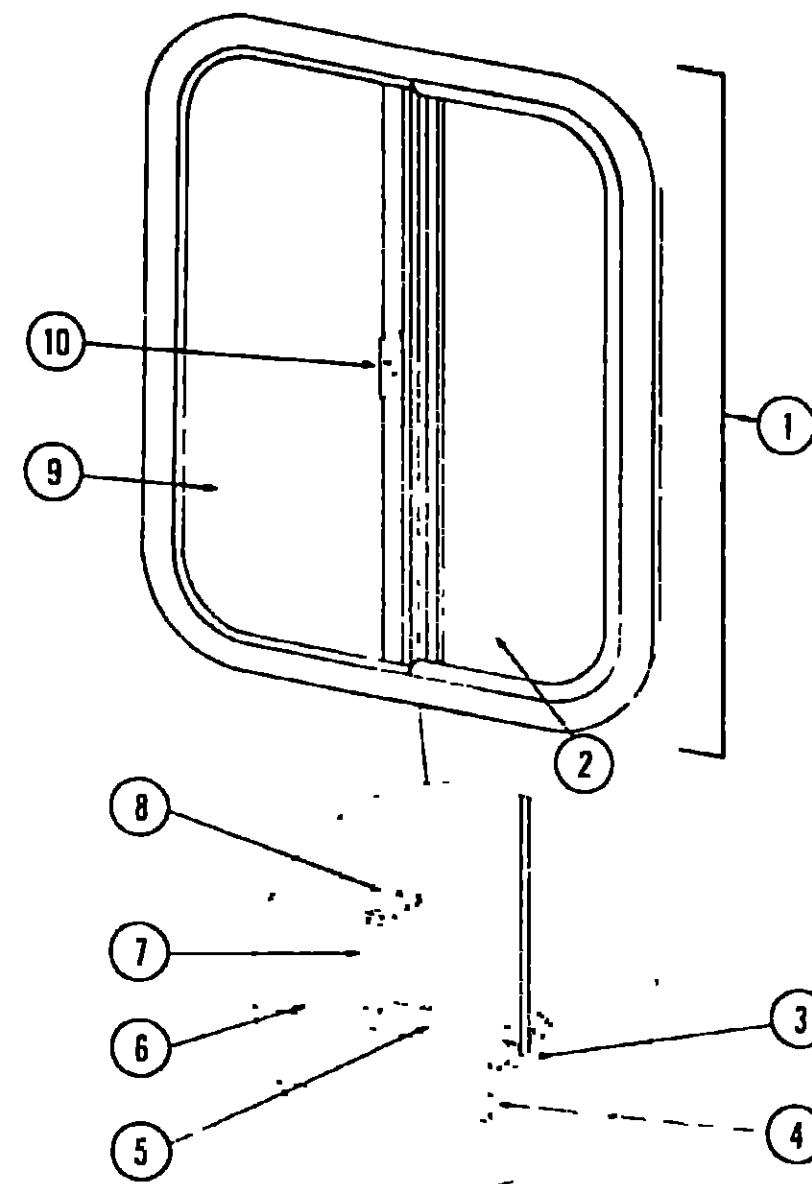
Introduction	A-01
Abbreviations	A-01
Alphabetical Index	A-02 - A-04
ICN22RC	A-05 - C-20
ICN27RU	C-21 - F-10
ICN33RU	F-11 - H-22
ICP31RT	H-23 - J-24

1984 ICN27RU INDEX

Floor Plan	C-21 - C-22
Accessories Group	C-23 - C-24
Bath Group	D-01
Chassis Group	D-02 - D-03
Curtain Cushion & Pad Group	D-04 - D-10
Dinette Group	D-11
Driver's Compartment Group	D-12 - D-14
Electrical Group	D-15 - D-17
Exterior Body Group	D-18 - E-04
Galley Group	E-05 - E-08
Heating & Air Conditioning Group	E-09 - E-10
Interior Finish Group	E-11 - E-13
LP Group	E-14
Lounge Group	E-15 - E-16
Water & Sewage Group	E-17 - E-18
Window Vent & Exterior Door Group	F-19 - F-10



Key	Part Number	U/M	Description
1	074348-01-000	EA	Window Asm - Vertical Slider - Black (w/o inside frame)
•	067609-10-000	EA	Inside Frame - Beige (not included in assembly)
2	002208-02-000	EA	Glass - Sliding - 1/8" x 14 4" x 19"
3	002324-02-000	FT	Channel - Weatherstrip - Glass
4	069640-06-000	FT	Ribbon Sealer - 5/16" Bead x 15'
5	057374-02-000	FT	Extr Vinyl - Window Seal - Black
6	002309-02-000	FT	Spline - Glass - 1/8" Material - Black
7	M69886-03-007	EA	Seal Holder w/Fin Seal - 13 60 - Black
8	069886-06-000	EA	Mullion - Slider Window - Black
9	048324-02-000	EA	Glass - Stationary - 1/8" x 14 4" x 19"
10	017369-01-700	EA	Latch Kit - Window - Plastic - w/Fastener
•	002291-01-000	SF	Screen - Window - 16" - Gray
•	002298-01-000	FT	Spline - Screen - 130' Dia - Gray
•	073740-01-000	FT	Seal - Fin - Pile - 460"
•			Not illustrated



Key	Part Number	U/M	Description
1	048631-03-000	EA	Window Asm - Right Single Slider - 20" x 25' - Black (w/o inside frame)
•	042147-12-000	EA	Inside Frame - Beige (not included in assembly)
2	047820-01-000	EA	Glass - Sliding - w/Hole - 1/8" x 13 68" x 19"
3	041894-12-000	EA	Mullion - Slider Window - Black
4	002324-02-000	FT	Channel - Weatherstrip - Glass
5	069640-06-000	FT	Ribbon Sealer - 5/16" Bead x 15'
6	057374-02-000	FT	Extr Vinyl - Window Seal - Black
7	002309-02-000	FT	Spline - Glass - 1/8" Material - Black
8	M69886-03-011	EA	Seal Holder w Fin Seal - 18 19 - Black
9	002241-02-000	EA	Glass - Stationary - 1 8" x 12 3' x 19"
10	047369-01-700	EA	Latch Kit - Window - Plastic - w Fastener
•	041928-02-000	FT	Seal - Window Channel
•	002293-01-000	SF	Screen - Window - 26" - Gray
•	002298-01-000	FT	Spline - Screen - 130' Dia - Gray
•	073740-01-000	FT	Seal - Fin - Pile - 460"
•			Not illustrated

1984 ITASCA
TABLE OF CONTENTS

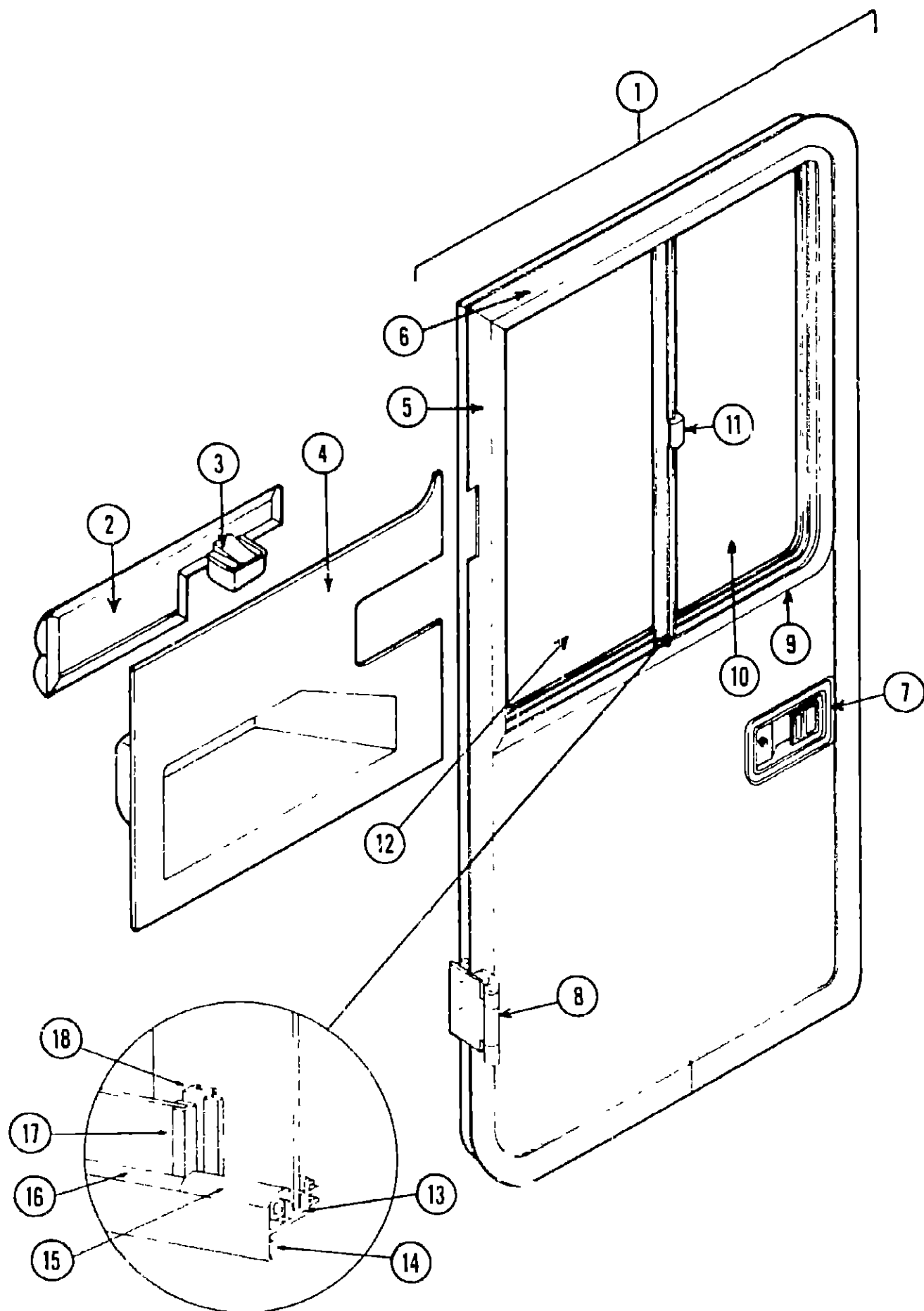
Introduction	A-01
Abbreviations	A-01
Alphabetical Index	A-02 - A-04
ICN22RC	A-05 - C-20
ICN27RU	C-21 - F-10
ICN33RU	F-11 - H-22
ICP31RT	H-23 - J-24

1984 ICN27RU INDEX

Floor Plan	C-21 - C-22
Accessories Group	C-23 - C-24
Bath Group	D-01
Chassis Group	D-02 - D-03
Curtain Cushion & Pad Group	D-04 - D-10
Dinette Group	D-11
Driver's Compartment Group	D-12 - D-14
Electrical Group	D-15 - D-17
Exterior Body Group	D-18 - E-04
Galley Group	E-05 - E-08
Heating & Air Conditioning Group	E-09 - E-10
Interior Finish Group	E-11 - E-13
LP Group	E-14
Lounge Group	E-15 - E-16
Water & Sewage Group	E-17 - E-18
Window Vent & Exterior Door Group	E-19 - F-10

WINDOW, VENT & EXTERIOR DOOR GROUP (CONTINUED)

DRIVER'S DOOR



Key	Part Number	U/M	Description
1	063991-06-R10	EA	Door Asm - Driver's - Aluminum - Gray
1	063991-09-R25	EA	Door Asm - Driver's - Fiberglass - Gray
2	064088-02-000	EA	Pad Asm - Trim - Upper - Beige Vinyl - Driver's Door
.	061400-03-000	EA	Assist Strap - 12" - Beige Vinyl
3	046886-01-000	EA	Ash Tray Asm - Flush Mount - Chrome
4	064499-02-000	EA	Panel - Driver's Door - Inner - Light Oak Plastic
5	063350-03-000	EA	Trim - Door Frame - Front - Gray - Aluminum Sidewalls
5	076862-03-000	EA	Trim - Door Frame - Front - Gray - Fiberglass Sidewalls
6	063351-03-000	EA	Trim - Door Frame - Rear - Gray - Aluminum Sidewalls
6	076861-03-000	EA	Trim - Door Frame - Rear - Gray - Fiberglass Sidewalls
7	045017-06-000	EA	Paddle Asm - Door Lock - Exterior
.	045017-05-700	EA	Lock Cylinder w/Keys - Lynor
.	039979-02-000	EA	Inside Plate - Door Lock - w/Inside Handle
.	039540-02-000	EA	Latch Claw - Entry Door Lock
.	039738-01-000	EA	Deadbolt - Entrance Door Lock
.	039539-01-000	EA	Strike Bolt - Entrance Door (Jamb Mount)
.	063124-02-000	EA	Plate - Striker - 8 1/4" x 1" - Black
.	062879-01-000	EA	Jamb - Driver's Door
.	064199-06-000	EA	Trim - Door Jamb - Rear - w/Drip Cap - Gray
.	064184-01-000	EA	Drip Cap - Driver's Door
.	063358-06-000	EA	Trim - Door Jamb - Gray
.	063768-01-000	EA	Sill Plate - Driver's Door
8	063993-03-000	EA	Hinge Asm - Driver's Door - Gray
.	064580-01-000	EA	Check Strap - Driver's Door - Seat Belt Webbing
.	064219-01-000	EA	Retainer - Driver's Door Check Strap
.	053886-03-000	EA	Assist Handle - Driver's Door - Beige Steel Tube (2 required per door)
.	064075-01-000	EA	Bulb Seal - Driver's Door - 145"
9	062982-01-000	EA	Window Asm - Driver's Door - Single Slider
.	063422-02-000	EA	Black (w/o inside frame)
10	057657-02-000	EA	Inside Frame - Driver's Door Window - Beige (Not included in assembly)
11	047369-01-700	EA	Glass - 19' x 24 88" x 12'
12	002188-04-000	EA	Latch Kit - Window - Plastic - w/Fastener
13	042077-01-000	EA	Glass - 19' x 24 88" x 12' - Stationary
14	069640-06-000	FT	Channel - Weatherstrip - Glass
15	041928-02-000	FT	Ribbon Sealer - 5/16" Bead x 15 - Gray
16	050216-02-000	FT	Seal - Window Channel - Black
17	M02389-03-206	FT	Spline - Glass - Black
.	002288-01-000	EA	Seal Holder w/Fin Seal - 24 13" - Black
18	M01621-01-000	EA	Weatherstrip - Glass Seal
.	023713-02-000	EA	Mullion - Slider Window - Black
.	063977-03-000	EA	Weephole Cover - Black Plastic
.	063729-01-000	EA	Step Asm - Single - Door
.	063730-01-000	EA	Rivnut - 1/4 x 20 UNC - 030 - 125
.	041250-01-000	EA	J Nut - 438 - 14
.	Not illustrated	EA	Switch - Push Button - On/Off - Door

1984 ITASCA TABLE OF CONTENTS

Introduction	A-01
Abbreviations	A-01
Alphabetical Index	A-02 - A-04
ICN22RC	A-05 - C-20
ICN27RU	C-21 - F-10
ICN33RU	F-11 - H-22
ICP31RT	H-23 - J-24

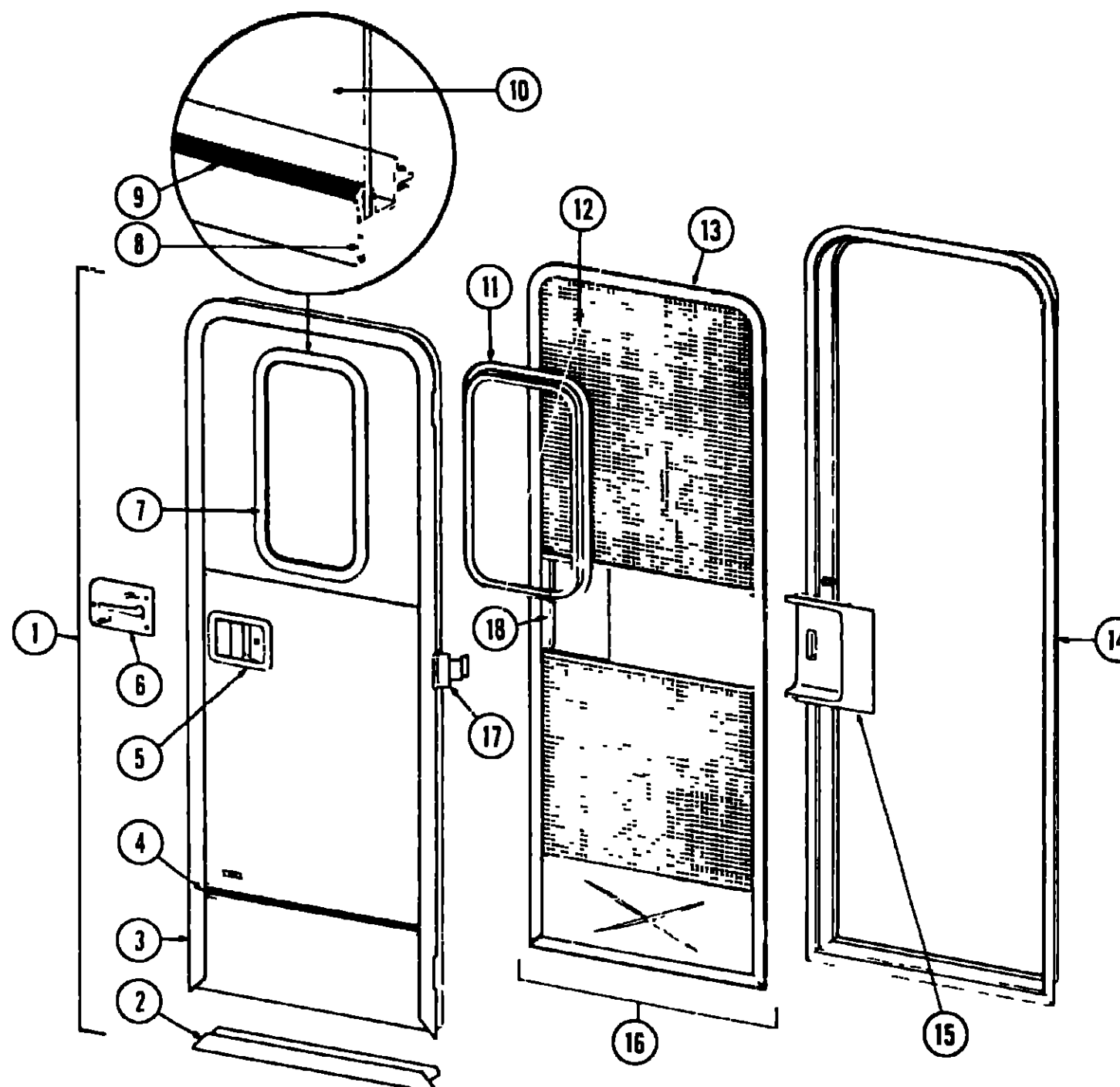
1984 ICN27RU INDEX

Floor Plan	C-21 - C-22
Accessories Group	C-23 - C-24
Bath Group	D-01
Chassis Group	D-02 - D-03
Curtain Cushion & Pad Group	D-04 - D-10
Dinette Group	D-11
Driver's Compartment Group	D-12 - D-14
Electrical Group	D-15 - D-17
Exterior Body Group	D-18 - E-04
Galley Group	E-05 - E-08
Heating & Air Conditioning Group	E-09 - E-10
Interior Finish Group	E-11 - E-13
LP Group	E-14
Lounge Group	E-15 - E-16
Water & Sewage Group	E-17 - E-18
Window Vent & Exterior Door Group	E-19 - F-10

WINDOW, VENT & EXTERIOR DOOR GROUP (CONTINUED)

ENTRANCE & SCREEN DOOR

Key	Part Number	U/M	Description
1	M01414-02-R10	EA	Door Asm - Radius Entry w/Screen Door - Aluminum
1	M01414-06-R10	EA	Door Asm - Radius Entry w/Screen Door - Greyhound Fiberglass
1	M01414-12-R25	EA	Door Asm - Radius Entry w/Screen Door - Mesa Fiberglass
2	039737-06-000	EA	Frame - Entry Door (Bottom Portion Only) Aluminum
2	076878-03-000	EA	Frame - Entry Door (Bottom Portion Only) Fiberglass
3	039736-05-000	EA	Frame - Entry Door (Except Bottom Portion) Aluminum
3	076863-03-000	EA	Frame - Entry Door (Except Bottom Portion) Greyhound Fiberglass
3	077998-03-000	EA	Frame - Entry Door (Except Bottom Portion) Mesa Fiberglass
4	059576-07-000	EA	Feature Strip w/o Insert - Extr - 14' - Gray
.	001030-11-001	EA	Insert - Feature Strip - 17' - Gray
.	009731-01-000	EA	End Cap - Feature Strip
5	045017-05-000	EA	Paddle Asm. - Door Lock - Exterior
.	045017-05-700	EA	Lock Cylinder w/Keys - Lynor
.	039539-01-000	EA	Striker Bolt - Entry Door
.	039540-J1-000	EA	Latch Claw - Entry Door
.	039738-01-000	EA	Dead Bolt - Entry Door
6	039979-01-000	EA	Plate - Lock - Inside - Including Inside Handle
.	052186-01-000	EA	Lock Asm - Complete - Lynor
7	041875-09-000	EA	Window Asm - Picture - 17" x 25" - Black (w/o inside frame)
8	069640-06-000	FT	Ribbon Sealer - 5/16" Bead x 15'
9	002309-02-000	FT	Spline- Glass - 1/8" Black
10	002181-06-000	EA	Glass - Picture Window - 1/8" x 16 25" x 24" - Gray
11	067609-03-000	EA	Inside Frame - Window - Beige (not included in assembly)
12	002293-01-000	SF	Screen - Window - 26" - Gray
13	075673-01-000	FT	Seal Tape - Adhesive Back
14	075636-03-000	EA	Jamb Asm - Entry Door
15	015580-02-000	EA	Slider - Screen Door - Light Oak Plastic
16	053170-08-000	EA	Door Asm - Screen w/Light Oak Trim
17	039520-01-000	EA	Hinge - Entry Door (3 used per door)
18	015581-02-000	EA	Cap - Screen Door - Light Oak Plastic
.	009016-01-000	EA	Catch - Elbow - Spring Loaded - Screen Door
.	039863-01-000	EA	Catch Asm - Single Roller w/Strike - Screen Door
.	076231-01-000	EA	Spacer - Latch - Screen Door
.	039800-03-000	FT	Tubing - Polybutyl - 3/8" O D - Jamb
.	077437-02-000	EA	Strike - Roller Catch
.	058025-02-000	EA	Clip - Roller Latch Catch
.	044582-06-000	EA	Drip Cap - Gray
.	075802-01-000	EA	Seal - Mocket - Entrance
.	075739-03-000	EA	Stiffener - Entrance Door - Gray
.	075671-01-000	FT	Seal - Sponge - Lazy 'T' Shaped
.	002294-01-000	FT	Spline - 135 x 138 - Screen Door - Black
.	063638-01-000	EA	Strike - Screen Door
.	063729-04-000	EA	Rivnut - 10 - 32 UNF - 010 - 080
.	063729-01-000	EA	Rivnut - 1/4 x 20 UNC - 030 - 125
.	075639-01-000	EA	Garnish - Radius - Entrance Door
.	Not illustrated		



1984 ITASCA TABLE OF CONTENTS

Introduction	A-01
Abbreviations	A-01
Alphabetical Index	A-02 - A-04
ICN22RC	A-05 - C-20
ICN27RU	C-21 - F-10
ICN33RU	F-11 - H-22
ICP31RT	H-23 - J-24

1984 ICN27RU INDEX

Floor Plan	C-21 - C-22
Accessories Group	C-23 - C-24
Bath Group	D-01
Chassis Group	D-02 - D-03
Curtain Cushion & Pad Group	D-04 - D-10
Dinette Group	D-11
Driver's Compartment Group	D-12 - D-14
Electrical Group	D-15 - D-17
Exterior Body Group	D-18 - E-04
Galley Group	E-05 - E-08
Heating & Air Conditioning Group	E-09 - E-10
Interior Finish Group	E-11 - E-13
LP Group	E-14
Lounge Group	E-15 - E-16
Water & Sewage Group	E-17 - E-18
Window Vent & Exterior Door Group	E-19 - F-10

WINDOW, VENT & EXTERIOR DOOR GROUP (CONTINUED)

ACCESS DOOR

Key	Part Number	U/M	Description
	M00685-09-000	EA	Door Asm - Generator - 13 5" x 35 5" - w/o Baffle - Aluminum Sidewalls
	M01552-02-000	EA	Door Asm - Generator - 13 5" x 35 5" - w/o Baffle - Fiberglass Sidewalls
	M73925-06-R10	EA	Door Asm - LP - w/Key Lock - Aluminum Sidewalls
	M76852-06-R10	EA	Door Asm - LP - w/Key Lock - Fiberglass Sidewalls
	047233-03-000	EA	Door Asm - Luggage - 13 5" x 35 5" - w/Key Lock - Aluminum Sidewalls
	076854-01-000	EA	Door Asm - Luggage - 13 5" x 35 5" - w/Key Lock - Fiberglass Sidewalls
	069762-06-000	EA	Door Asm - Refrigerator Access - w/Twist Lock - Gray
	M73925-09-R10	EA	Door Asm - Spare Tire Compartment - Aluminum Sidewalls
	M76852-09-R10	EA	Door Asm - Spare Tire Compartment - Fiberglass Sidewalls
	059727-03-000	EA	Door Asm - Storage - Insulated - 29 9" x 10 36" - w/Key Lock - Aluminum Sidewalls
	076855-02-000	EA	Door Asm - Storage - Insulated - 29 9" x 10 36" - w/Key Lock - Fiberglass Sidewalls
	M73925-04-R10	EA	Door Asm w/Sewer Hose Compartment - w/Twist Lock - Aluminum Sidewalls
	M76852-04-R10	EA	Door Asm w/Sewer Hose Compartment - w/Twist Lock - Fiberglass Sidewalls
	052009-03-000	EA	Door Asm - Water Heater - Gray
	052423-03-000	EA	Door - Fuel Fill - Gray
	063742-03-000	EA	Door - Power Cord - Gray
	052424-03-000	EA	Jamb - Power Cord/Fuel Fill Door - Gray
	054543-03-000	EA	Hatch - Power Cord Door
	052181-02-000	EA	Baffle - Generator Door - Gray
	054530-01-000	EA	Door Holder
	041312-01-000	FT	Seal - Bulb - e Section
	042441-01-000	EA	Lock - Asm - Key Type - Gas Fill
	042442-01-000	EA	Lock Asm - Twist Type
	009003-01-000	EA	Lock Asm - Twist Type - w/Clip (Generator Door)
	047305-01-000	EA	Lock Asm - Key Type w/Clip - Metal (LP)
	052950-01-700	EA	Lock Asm - Kit - Twist Type w/Clip - White Plastic
	052950-03-700	EA	Lock Asm Kit - Twist Type - Straight Cam (Power Cord Door)

WINDSHIELD

Key	Part Number	U/M	Description
	057459-01-000	EA	Glass - Windshield - Flat
	058272-02-000	EA	Frame Asm - Windshield
	038886-01-000	EA	Tape - Butyl - 31" x 31" x 148"

VENTS

Key	Part Number	U/M	Description
	065103-02-000	EA	Cover - Refrigerator Vent - 9 88" x 20 5" - Plastic
	065103-01-000	EA	Frame Asm - Refrigerator Vent - 8 17" x 22 94" - Plastic
	071290-02-000	EA	Cover - Refrigerator Vent - 11 5/8" x 24 3/4" - Galv Steel
	071290-01-000	EA	Frame Asm - Refrigerator Vent - 7 5" x 26 5" - Galv Steel
	049352-03-000	EA	Vent - Stovehood - Outside - Gray
**	048789-01-000	EA	Vent Asm - Roof - Powered - w/o Screen - Alum
**	048835-01-000	EA	Vent Asm - Roof - Non Powered - Screen - Alum
**	064469-02-000	EA	Vent Asm - Roof - Powered - w/o Screen - 14' x 14" - CSA

** The illustrated parts breakdown for this fiche is provided on the Common Items Fiche

1984 ITASCA TABLE OF CONTENTS

Introduction	A-01
Abbreviations	A-01
Alphabetical Index	A-02 - A-04
ICN22RC	A-05 - C-20
ICN27RU	C-21 - F-10
ICN33RU	F-11 - H-22
ICP31RT	H-23 - J-24

1984 ICN27RU INDEX

Floor Plan	C-21 - C-22
Accessories Group	C-23 - C-24
Bath Group	D-01
Chassis Group	D-02 - D-03
Curtain Cushion & Pan Group	D-04 - D-10
Dinette Group	D-11
Driver's Compartment Group	D-12 - D-14
Electrical Group	D-15 - D-17
Exterior Body Group	D-18 - E-04
Galley Group	E-05 - E-08
Heating & Air Conditioning Group	E-09 - E-10
Interior Finish Group	E-11 - E-13
LP Group	E-14
Lounge Group	E-15 - E-16
Water & Sewage Group	E-17 - E-18
Window Vent & Exterior Door Group	E-19 - F-10