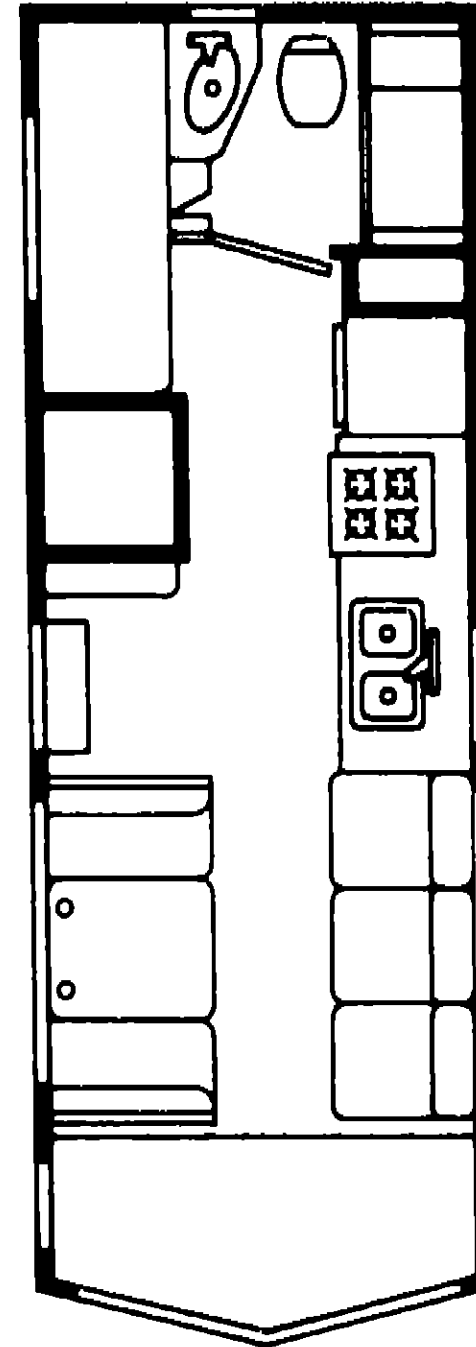
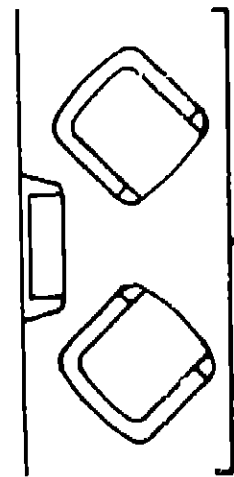


# 1984 ICN26RH



## 1984 ITASCA TABLE OF CONTENTS

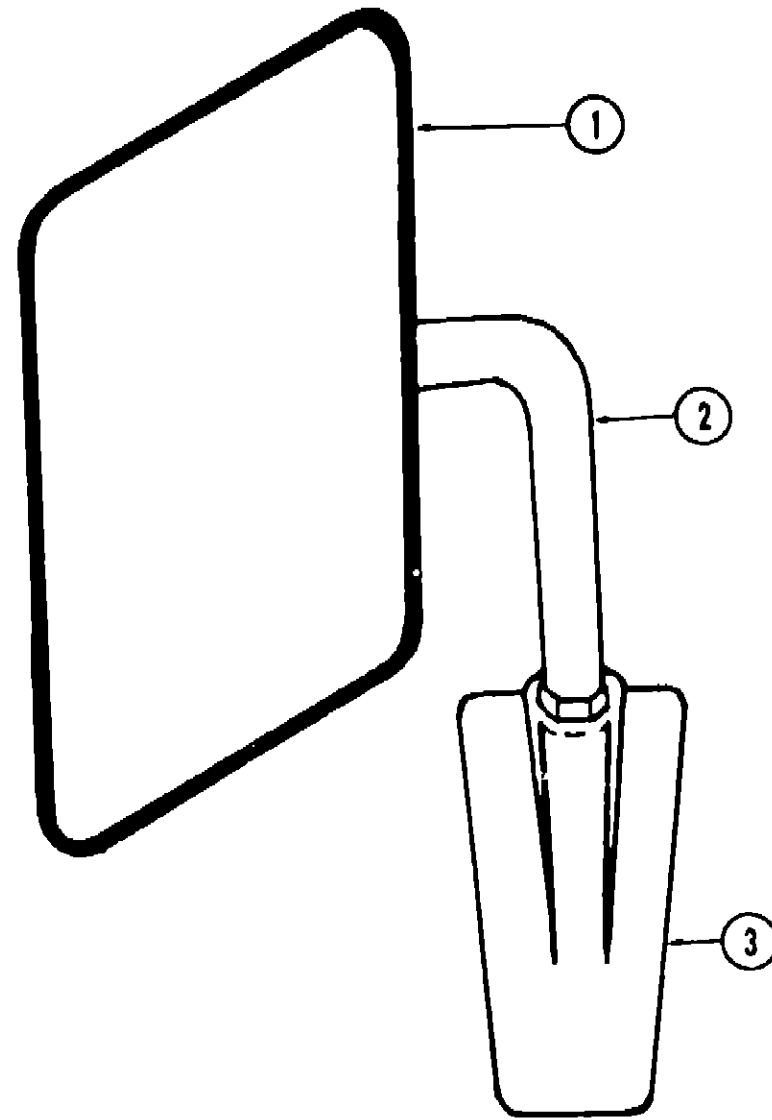
ICN26RB  
ICN26RH

A-01 - C-12  
C-13 - E-24

### 1984 ICN26RH INDEX

Floor Plan	C-13 - C-14
Accessories Group	C-15 - C-17
Bath Group	C-18
Chassis Group	C-19 - C-20
Curtain Cushion & Pad Group	C-21 - D-03
Dinette Group	D-04 - D-05
Driver's Compartment Group	D-06 - D-08
Electrical Group	D-09 - D-11
Exterior Body Group	D-12 - D-22
Galley Group	D-23 - E-01
Heating & Air Conditioning Group	E-02 - E-03
Interior Finish Group	E-04 - E-06
LP Group	E-07
Lounge Group	E-08 - E-09
Water & Sewage Group	E-10 - E-11
Window, Vent & Exterior Door Group	E-12 - E-24

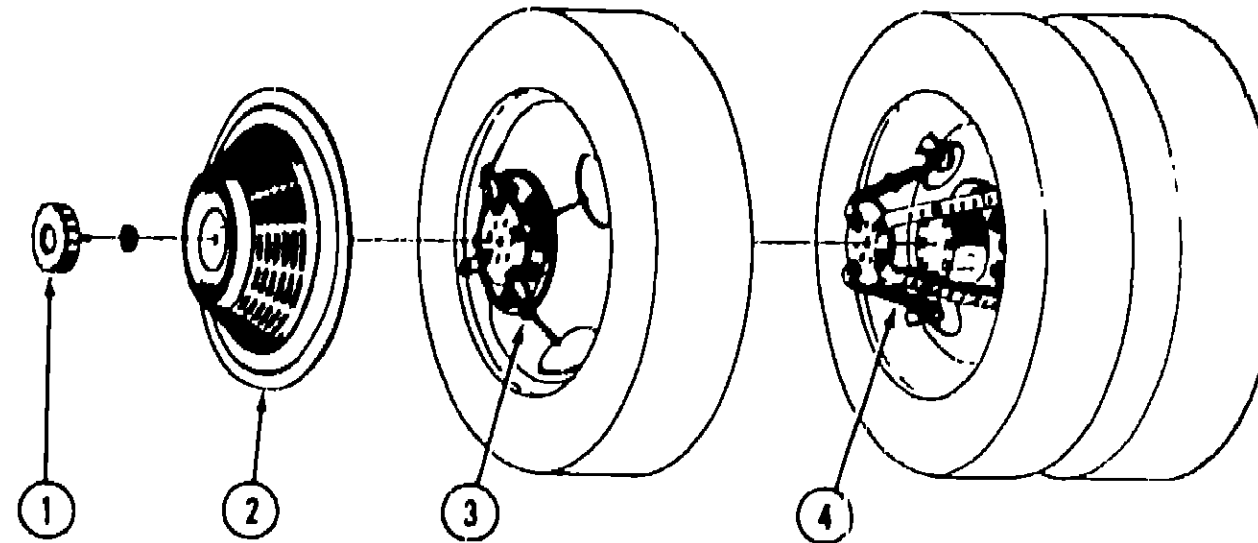
**ACCESSORIES GROUP**



**EXTERIOR MIRRORS**

Key	Part Number	U/M	Description
1	049347-01-000	EA	Mirror Head - 7 1/2" x 10 1/2"
2	049348-03-000	EA	Arm - Low Mount Mirror - Black
3	049944-04-000	EA	Bracket - Mirror - Outside - Black
.	065116-01-000	EA	Mirror - West Coast - Double - Passenger
.	065116-02-000	EA	Mirror - West Coast - Double - Driver
.	006043-01-000	EA	Mirror - Convex - Adhesive Back
.			Not illustrated

**ACCESSORIES GROUP (CONTINUED)**



**WHEEL COVER & MOUNTING HARDWARE**

Key	Part Number	U/M	Description
1	064082-02-000	EA	Retaining Nut - Delmet - Wheel Cover
2	073426-01-700	EA	Wheel Cover - Bolt On - 16" or 16 5" - Delmet (1)
3	073426-04-700	EA	Retention Bracket Asm - Wheel Cover Support - Heavy Duty - Front (1)
4	073426-04-701	EA	Retention Bracket Asm - Wheel Cover Support - Heavy Duty - Rear (1)
.	073426-04-000	EA	Retention Bracket Asm - Wheel Cover Support - Heavy Duty (Set/4)
**	031396-04-000	EA	Wheel Cover - 16" - Clip On
.			Not illustrated
**			The illustrated parts breakdown for this item is provided on the Common Items Fiche.

**GENERATORS & COMPONENTS**

Key	Part Number	U/M	Description
**	054429-01-000	EA	Generator - Onan - 4 0 kw
	052168-01-000	EA	Generator - Onan - 4 25 kw
	068046-01-000	EA	Conversion Kit - LP - Onan Generator
	024732-01-016	EA	Tailpipe - 1.5" O D x 43 5"
	067753-01-000	EA	Muffler - Generator - w/Spark Arrestor - Nelson
	007067-01-000	SF	Insulation - 1" - Fiberglass
	701629-02-000	EA	Installation Package
**			The illustrated parts breakdown for this item is provided on the Common Items Fiche

**RADIO & RELATED COMPONENTS**

Key	Part Number	U/M	Description
	031105-01-000	EA	Antenna - Radio - Side Mount
	031105-01-700	EA	Holder - Antenna - Radio - Upper
	064791-01-000	EA	Speaker - Recessed - 5 25"
	073431-01-000	EA	Speaker - 5 25" - 3/Way (Pair)
	074979-01-000	EA	Speaker Cover Protector - Plastic
	064792-01-000	EA	Grille - Speaker - 5 25" - w/Mesh - Brown
	075903-01-000	EA	Radio - AM/FM Stereo - w/Cassette - Audiovox - GMJSPG
	075904-01-000	EA	Radio - AM/FM Stereo - w/Cassette - Electronic Tune - Audiovox

**1984 ITASCA  
TABLE OF CONTENTS**

ICN26RB  
ICN26RH

/ 01 - C-12  
C-13 - E-24

**1984 ICN26RH INDEX**

Floor Plan	C-13 - C-14
Accessories Group	C-15 - C-17
Bath Group	C-18
Chassis Group	C-19 - C-20
Curtain, Cushion & Pad Group	C-21 - D-03
Dinette Group	D-04 - D-05
Driver's Compartment Group	D-06 - D-08
Electrical Group	D-09 - D-11
Exterior Body Group	D-12 - D-22
Galley Group	D-23 - E-01
Heating & Air Conditioning Group	E-02 - E-03
Interior Finish Group	E-04 - E-06
LP Group	E-07
Lounge Group	E-08 - E-09
Water & Sewage Group	E-10 - E-11
Window, Vent & Exterior Door Group	E-12 - E-24

# ACCESSORIES GROUP (CONTINUED)

## MISCELLANEOUS ACCESSORIES

Key	Part Number	U/M	Description
	054185-20-000	EA	Owner's Manual - 1984 - Itasca & Winnebago
	076319-01-000	EA	Antenna - TV - Roof Mount - w/4.5" Mast
	076319-03-000	EA	Cable - Coaxial - Roof Mount TV Antenna
	076319-04-000	EA	Connector & Ferrule - Roof Mount TV Antenna
	076319-05-000	EA	Wallplate/Power Supply - Ivory - Roof Mount TV Antenna
	076319-06-000	EA	Adapter - Cable Roof Plate - Roof Mount TV Antenna
	017518-01-000	EA	Mud Flap w/Holes - 14" x 18" - Black
	064089-01-000	EA	Splash Guard - Black Rubber
	041944-03-000	EA	Fire Extinguisher w/Bracket - 5 BC
	044982-01-000	EA	Pouch - Home Owner's Plan - Plastic
	075922-01-000	EA	Microwave Oven - Litton - 1450
	075930-01-000	EA	Bracket Asm. - Microwave - Right
	075930-02-000	EA	Bracket Asm. - Microwave - Left
	076253-02-000	EA	Bracket Asm. - Microwave - Bottom (2 required)
	075922-03-000	EA	Trim Ring - Microwave Oven
	075922-04-000	EA	Air Exhaust Duct - Microwave Oven
	067203-01-000	EA	Ladder Asm.
	067130-01-000	EA	Ladder Step
	076980-01-000	EA	End Cap - Ladder Step
	067125-01-000	EA	Stand Off - Rack & Ladder Asm.
	067203-02-000	EA	Luggage Rack Asm
	064093-01-000	EA	Luggage Carrier Assembly - 14" x 30" x 60"
	072366-01-000	EA	Speed Control Package - Electric - Dana: - Diesel
	072366-01-701	EA	Cable Only - Speed Control - Diesel
	072366-01-702	EA	Vacuum Regulator - Speed Control - Diesel
	072366-01-703	EA	Control Switch & Lever Asm - Speed Control - Diesel
	069629-01-000	EA	Speed Control Package - Electric - Dana - Gas
	069629-01-700	EA	Regulator Asm - Electronic - Speed Control
	069629-01-701	EA	Vacuum Valve & Electric Switch - Speed Control
	069629-01-702	EA	Control Switch & Lever Asm - Speed Control
	069629-01-703	EA	Harness Asm (Main Wiring) - Speed Control
	069629-01-704	EA	Generator Signal - Speed Control
	069629-01-705	EA	Adapter Key - Speed Control
	072852-01-000	EA	Smoke Detector w/9 Volt Battery
	072373-01-000	EA	Weather Center - 7" x 7" x 2"
	072374-01-000	EA	Clock - 7" x 7" x 2"
	006069-01-000	EA	Key Case - Leather
	040069-01-000	EA	Door Mat - 10 5" x 26" - Black Rubber
	069530-01-000	EA	Lug Wrench - 1" x 1.25" x 16 3"
	069580-02-000	EA	Leverage Bar - 22" - Lug Wrench
	006113-01-000	EA	Jack - Hydraulic - 6 Ton - w/Handle
	063708-01-000	EA	Cover - Roof Air Conditioner - Vinyl
	075068-02-R22	EA	Tile Cover - Beige Plastic

## ELECTRIC STEP ASSEMBLY

Key	Part Number	U/M	Description
	075461-01-000	EA	Electric Step Asm w/Light
	075461-01-700	EA	Motor
	041250-01-000	EA	Switch - Door - Electric Step
	075461-01-704	EA	Control Unit - Understeps
	075461-01-705	EA	4-Way Plug (Dash End)
	075461-01-706	EA	Kill Switch
	075461-01-707	EA	Step Light
	075461-01-708	EA	4-Way Plug (Control Box End)
	075461-01-709	EA	90° Plug
	075461-01-710	EA	Gear
	075461-01-711	EA	Drive Link
	076241-02-000	EA	Support Asm

# BATH GROUP

## BATH CABINETS

Key	Part Number	U/M	Description
	M75348-01-R07	EA	Cabinet Asm. - Vanity - w/o Countertop & Doors
	063224-24-R07	EA	Door Asm. - Rolled - 12 4" x 20" - Lower
	063224-25-R07	EA	Door Asm. - Rolled - 18 1" x 20" - Upper
	M01489-01-R07	EA	Countertop Asm - Vanity Cabinet - Travertine
	076073-01-000	EA	Cabinet Asm - Medicine - w/o Door or Hardware
	076353-01-R07	EA	Door Asm - Medicine Cabinet w/Mirror - 16 1" x 30 1" - w/o Hardware
	M65889-01-R07	EA	Door Asm - Sliding - 74 1" x 28" - w/o Hardware
	069852-04-R07	EA	Door Asm. - Wardrobe Cabinet - 39 6" x 12 9" - w/o Hardware
	069859 01-R07	EA	Door Asm. - Wardrobe Cabinet - 59.1" x 16 2" - w/o Hardware

## BATH HARDWARE

Key	Part Number	U/M	Description
	M01407-01-000	EA	Bathtub Asm w/Strainer
	075242-02-000	EA	Faucet - Tub & Shower - Antique Brass
	031558-01-000	EA	Faucet - Tub & Shower - CSA
	031558-01-700	EA	Adapter - Shower Hose/Faucet
**	011048-02-000	EA	Shower Head - w/60" Hose
	011048-04-000	EA	Vacuum Breaker - 1/8 MPT - Nylon - Shower Head
	072650-01-000	EA	Shower Panel w/Soap Dish - Plastic
	075606-01-000	EA	Shower Panel - Faucet - Plastic
	076137-01-000	EA	Trim - Jamb - Bathtub Asm
**	066729-01-000	EA	Strainer - Bathtub Asm
	066435-01-000	EA	Nut - Strainer - Plastic - Bathtub Asm.
	066436-01-000	EA	Slip Nut - 1 5" Tail Piece - Bathtub Asm
	069735-01-000	EA	Washer - Tail Piece - 1 5" - Plastic - Bathtub Asm
	011069-02-000	EA	Tail Piece - 1.5" x 1 25" x 4" - Brass - Bathtub Asm.
	M01465-01-000	EA	Shroud w/Reinforcement - Bathtub Asm
	058713-01-000	EA	Sink - Oval - Ivory Plastic
	075240-01-000	EA	Faucet - Lavatory - Antique Brass
	011056-02-000	EA	Faucet - Lavatory - CSA
	011083-01-000	EA	Tail Piece w/Stopper - 1 25" x 5" - Plastic - Sink
	039341-02-000	EA	Toilet - Thetford - Aqua Magic - Ivory - 84 20 SH
	075452-01-000	EA	Tissue Holder - Antique Brass
	075453-01-000	EA	Towel Bar - 18" - Antique Brass
	075454-01-000	EA	Towel Ring - Antique Brass
	064467-01-000	EA	Guide - Sliding Door - Mounts on Wall
	009156-01-000	EA	Hanger - Sliding Door
	075145-06-000	EA	Cover - Sliding Door Track - 54 2"
	075153-01-000	EA	Cover - End Cap - Sliding Door Track - Beige
	075149-04-000	EA	Track - Sliding Door - 54 2"
	058034-02-000	EA	Latch - Sliding Door - w/o Lock
	075687-01-000	EA	Latch Asm. - Bathroom Door - Privacy
	009112-01-000	EA	Flange - 1" Closet Rod
	075680-01-000	EA	Closet Rod - Adjustable
	009150-01-000	EA	Warp Guard - 64"
	058331-05-000	EA	Mirror - Tempered Glass - 12" x 26"
	057671-01-000	EA	Screw Cover - #8 - Antique White
	066433-01-000	EA	Cup Hook - Bright
	071632-01-000	EA	Hamper Bag - 49" - w/Elastic

\*\* The illustrate J parts breakdown for this item is provided on the Common Items Fiche

## 1984 ITASCA TABLE OF CONTENTS

ICN26REI	A-01 - C-12
ICN26RH	C-13 - E-24

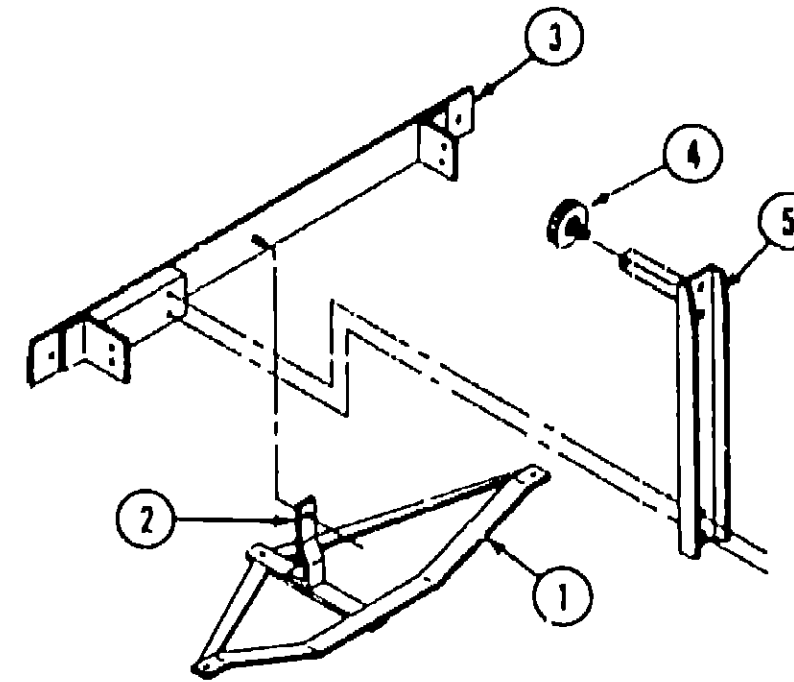
## 1984 ICN26RH INDEX

Floor Plan	C-13 - C-14
Accessories Group	C-15 - C-17
Bath Group	C-18
Chassis Group	C-19 - C-20
Curtain, Cushion & Pad Group	C-21 - D-03
Dinette Group	D-04 - D-05
Driver's Compartment Group	D-06 - D-08
Electrical Group	D-09 - D-11
Exterior Body Group	D-12 - D-22
Galley Group	D-23 - E-01
Heating & Air Conditioning Group	E-02 - E-03
Interior Finish Group	E-04 - E-06
LP Group	E-07
Lounge Group	E-08 - E-09
Water & Sewage Group	E-10 - E-11
Window, Vent & Exterior Door Group	E-12 - E-24

## CHASSIS GROUP

Key	Part Number	U/M	Description
	047441-01-000	EA	Battery Terminal - Horizontal Lug
	006200-01-000	EA	Bolt - 7/16 - 14 x 1 1/4 - Carriage Stainless Steel Cap (Bumper)
	051697-04-000	EA	Bracket - Battery Tie Down - 9"
	051697-02-000	EA	Bracket - Battery Tie Down - 12"
	058425-01-000	EA	Bracket - Bumper Front
	064053-01-000	EA	Bracket - Bumper Front - Reinforcement
	058439-01-000	EA	Bracket - Bumper Front - Mounts Bumper to Frame
	022160-01-000	EA	Bracket - Bumper Rear
	073352-01-000	EA	Bracket - License Plate - Front
	072850-01-000	EA	Bumper - Front - Chrome
	072850-07-000	EA	Bumper - Front - Primed
	048474-01-000	EA	Bumper - Rear - Chrome
	070858-01-700	EA	Bumper - Rear - Primed
	072850-01-700	EA	Bumper Kit Asm. - Front - Rubber
	007125-06-000	EA	Clamp Asm. - Muffler - 2 25" Dia.
	010499-01-000	EA	Clamp - Closed - 3/8" I.D.
	010497-01-000	EA	Clamp - Closed - 5/8" I.D.
	007181-01-000	EA	Clamp - Hose - Spring Type 112
	062401-01-000	EA	Clamp - Hose - Wormgear 22" I.D. - 1" I.D.
	062401-03-000	EA	Clamp - Hose - Wormgear .25" I.D. - 1" I.D.
	062401-04-000	EA	Clamp - Hose - Wormgear 69" I.D. - 1 25" I.D.
	062401-02-000	EA	Clamp - Hose - Wormgear 1 56" I.D. - 2.5" I.D.
	062401-05-000	EA	Clamp - Hose - Wormgear 2" I.D. - 3" I.D.
	062401-09-000	EA	Clamp - Hose - Wormgear 2 8" I.D. - 3 75" I.D.
	072359-01-000	EA	Coolant Expansion Bottle
	071656-01-000	EA	Cover - Radiator - Rear
	071657-01-000	EA	Cover - Radiator - Rear Back (Fan Shroud)
	020167-03-000	EA	Dirt Guard - Mud Flap
	061411-03-000	EA	Extension - Exhaust - 2 25" O.D. x 10 5" (454 Engine)
	022655-02-000	EA	Extension - Exhaust - 2 25" O.D. x 8" (Diesel Engine)
	071654-01-000	EA	Hood Board - Upper - Right - Steel
	058404-01-000	EA	Hood Board - Upper - Left - Steel
	024138-01-000	EA	Hose - Fuel - 5/16" I.D. SAE 30RI
	007067-01-000	SF	Insulation - 1" - Fiberglass
	006113-01-000	EA	Jack - Hydraulic - 6 Ton - w/Handle
	069580-02-000	EA	Leverage Bar - 22" - Lug Wrench
	069580-01-000	EA	Lug Wrench - 1" x 1 25" x 16 3"
	017516-01-000	EA	Mud Flap w/Holes - 14" x 18" - Black
	024490-01-000	EA	Power Cord Box - Plastic
	072361-01-000	EA	Reducer - 3/4 Barb to 5/8 Barb - Diesel
	064962-02-000	EA	Rim - Wheel - 16 x 6 00
	041791-01-000	FT	Seal - U-Channel - Flex - 156" x 375" - Brown Vinyl
	063977-03-0	EA	Step Asm - Driver's Door
	024652-01-700	EA	Step Asm - Entry
	076241-02-000	EA	Support Asm - Electric Step
	050273-02-000	EA	Tire - 7 50 x 16 x CA T8 - Tubeless
	040546-01-000	EA	Tire - 7 50 x 16 - 8 Ply Poly
	052431-01-000	EA	Tray - Luggage
	051377-01-000	EA	Valve Stem Asm - TR500
	055080-01-000	EA	Wheel Well - Plastic
	006343-01-000	EA	Wire Tie - 6"

## CHASSIS GROUP (CONTINUED)



Key	Part Number	U/M	Description
1	064833-01-000	EA	Trailer Hitch Asm
2	064824-02-000	EA	Support - Trailer Hitch
3	064601-02-000	EA	Bracket - Bumper Mount
4	064082-02-000	EA	Retaining Nut - Tire Cover
5	075286-01-000	EA	Bracket Asm - Spare Tire Cover
*	075068-02-R22	EA	Tire Cover Asm - Beige Plastic
*			Not illustrated

## FUEL SYSTEM

Key	Part Number	U/M	Description
	075830-01-000	EA	Shroud - Fuel Fill - Interior - Aux
	064576-01-000	EA	Shroud - Fuel Fill - Interior - Main
	072309-02-000	EA	Shroud - Fuel Fill - Backwall Exterior - Aux
	076025-01-000	EA	Shroud - Fuel Fill - Backwall Exterior - Main
	063303-05-000	EA	Shroud - Fuel Fill - Floor - Aux.
	075230-01-000	EA	Tank Asm - Fuel - 60 Gal - Main
	075686-01-000	EA	Tank Asm - Fuel - 30 Gal - Aux
	075232-01-000	EA	Strap - Fuel Tank - T-Bolts - Main
	075232-02-000	EA	Strap - Fuel Tank - T-Bolts - Aux
	075685-01-000	EA	Bracket - Fuel Tank - Aux
	057038-06-000	EA	Sending Unit - Main
	057038-08-000	EA	Sending Unit - Aux
	073220-02-000	EA	Gas Cap - 454
	073220-03-000	EA	Gas Cap - Diesel
	075227-01-000	EA	Fuel Fill Neck - 454 - Main
	075227-02-000	EA	Fuel Fill Neck - Diesel - Main
	075914-01-000	EA	Fuel Fill Neck - Aux
	075684-01-000	EA	Hose - 45° - Fuel Fill Neck - Aux
	043477-02-000	EA	Valve - Fuel Select - 6 Port

## 1984 ITASCA TABLE OF CONTENTS

ICN26RB  
ICN26RH

A-01 - C-12  
C-13 - E-24

## 1984 ICN26RH INDEX

Floor Plan	C-13 - C-14
Accessories Group	C-15 - C-17
Bath Group	C-18
Chassis Group	C-19 - C-20
Curtain, Cushion & Pad Group	C-21 - D-03
Dinette Group	D-04 - D-05
Driver's Compartment Group	D-06 - D-08
Electrical Group	D-09 - D-11
Exterior Body Group	D-12 - D-22
Galley Group	D-23 - E-01
Heating & Air Conditioning Group	E-02 - E-03
Interior Finish Group	E-04 - E-06
LP Group	E-07
Lounge Group	E-08 - E-09
Water & Sewage Group	E-10 - E-11
Window, Vent & Exterior Door Group	E-12 - E-24

## CURTAIN, CUSHION & PAD GROUP

### CURTAIN & CUSHION HARDWARE

Key	Part Number	U/M	Description
	056116-01-000	EA	Track - Curtain - Brown Plastic
	059430-05-000	EA	Track - Front Wraparound (2 per unit) - 43 75" x 36" - Beige
	059430-07-000	EA	Track - Front Wraparound (Driver's Door) - 86 2" x 36" - Beige
	056001-01-000	EA	Bracket - Shade - Left
	056002-01-000	EA	Bracket - Shade - Right
	056003-01-000	EA	Bracket - Drapery Retainer - Right
	056003-02-000	EA	Bracket - Drapery Retainer - Left
	056003-03-000	EA	Bracket - Drapery Retainer - Universal
	075477-21-000	EA	Bracket - Hold Down - Blinds
	075477-36-000	EA	Bracket - Installation - Blinds - Left or Right
	009107-01-000	EA	Guide - Nylon Snap - Curtain
	056784-01-000	EA	Pull - Window Shade - Antique Brass
	039175-01-000	EA	Curtain Rod - Extension 48" - 84"
	039175-03-000	EA	Curtain Rod - Extension 28" - 48"
	039175-04-000	EA	Curtain Rod - Extension 18" - 28"
	039175-02-000	EA	Bracket - Curtain Rod
	056115-02-000	YD	Tape - Clear Plastic - w/Guides
	048394-01-000	YD	Tape Hook - 1" x 25 YD - Beige
	048395-01-000	YD	Tape Loop - 1" x 25 YD - Beige
	036658-03-000	EA	Screw - Shoulder - 1/2 x 1 3/4 - Hex Armrest Asm



Key	Part Number	U/M	Description
1	029130-01-000	EA	Socket - Snap Fastener
2	029155-01-000	EA	Cap - Snap - 156" Dia x 17" Barrel
3	029156-01-000	EA	Socket - Snap Fastener
4	029092-01-000	EA	Stud - Nickel Finish
5	029093-01-000	EA	Eyelet - Nickel Finish

## CURTAIN, CUSHION & PAD GROUP (CONTINUED)

### BUCKET SEATS

Key	Part Number	U/M	Description
	075966-02-R22	EA	Seat Asm - Single Bucket - w/Armrests - Blue/Gray
	075966-02-R23	EA	Seat Asm - Single Bucket - w/Armrests - Navy/Beige
	075966-02-R24	EA	Seat Asm - Single Bucket - w/Armrests - Rust
	M00784-13-R22	EA	Cover Asm - Back - Single Bucket - Blue/Gray
	M00784-13-R23	EA	Cover Asm - Back - Single Bucket - Navy/Beige
	M00784-13-R24	EA	Cover Asm - Back - Single Bucket - Rust
	M00784-14-R22	EA	Cover Asm - Bottom - Single Bucket - Blue/Gray
	M00784-14-R23	EA	Cover Asm - Bottom - Single Bucket - Navy/Beige
	M00784-14-R24	EA	Cover Asm - Bottom - Single Bucket - Rust
	071126-04-R22	EA	Skirt Asm - Single Bucket - Blue/Gray
	071126-04-R23	EA	Skirt Asm - Single Bucket - Navy/Beige
	071126-04-R24	EA	Skirt Asm - Single Bucket - Rust
	075967-02-R22	EA	Seat Asm - Double Bucket - w/Armrests - Blue/Gray
	075967-02-R23	EA	Seat Asm - Double Bucket - w/Armrests - Navy/Beige
	075967-02-R24	EA	Seat Asm - Double Bucket - w/Armrests - Rust
	M00784-15-R22	EA	Cover Asm - Back - Double Bucket - Blue/Gray
	M00784-15-R23	EA	Cover Asm - Back - Double Bucket - Navy/Beige
	M00784-15-R24	EA	Cover Asm - Back - Double Bucket - Rust
	M00784-16-R22	EA	Cover Asm - Bottom - Double Bucket - Blue/Gray
	M00784-16-R23	EA	Cover Asm - Bottom - Double Bucket - Navy/Beige
	M00784-16-R24	EA	Cover Asm - Bottom - Double Bucket - Rust
	071690-02-R22	EA	Skirt Asm - Double Bucket - Blue/Gray
	071690-02-R23	EA	Skirt Asm - Double Bucket - Navy/Beige
	071690-02-R24	EA	Skirt Asm - Double Bucket - Rust
	071122-11-R22	EA	Armrest Asm - Right - Blue/Gray
	071122-11-R23	EA	Armrest Asm - Right - Navy/Beige
	071122-11-R24	EA	Armrest Asm - Right - Rust
	071122-12-R22	EA	Armrest Asm - Left - Blue/Gray
	071122-12-R23	EA	Armrest Asm - Left - Navy/Beige
	071122-12-R24	EA	Armrest Asm - Left - Rust
	071123-06-R22	EA	Cover Asm - Armrest - Right or Left - Blue/Gray
	071123-06-R23	EA	Cover Asm - Armrest - Right or Left - Navy/Beige
	071123-06-R24	EA	Cover Asm - Armrest - Right or Left - Rust

## 1984 ITASCA TABLE OF CONTENTS

ICN26RB	A-01 - C-12
ICN26RH	C-13 - E-24

## 1984 ICN26RH INDEX

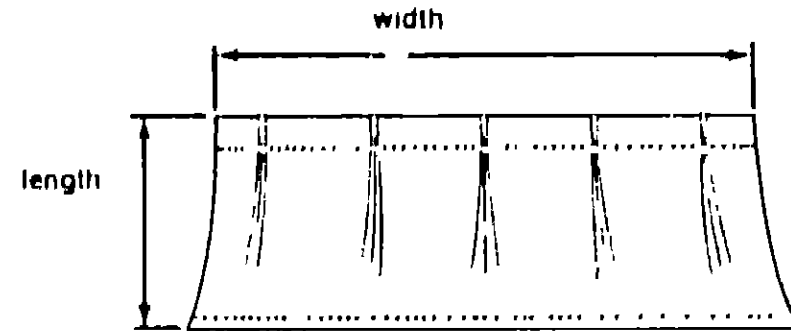
Floor Plan	C-13 - C-14
Accessories Group	C-15 - C-17
Bath Group	C-18
Chassis Group	C-19 - C-20
Curtain, Cushion & Pad Group	C-21 - D-03
Dinette Group	D-04 - D-05
Driver's Compartment Group	D-06 - D-08
Electrical Group	D-09 - D-11
Exterior Body Group	D-12 - D-22
Galley Group	D-23 - E-01
Heating & Air Conditioning Group	E-02 - E-03
Interior Finish Group	E-04 - E-06
LP Group	E-07
Lounge Group	E-08 - E-09
Water & Sewage Group	E-10 - E-11
Window, Vent & Exterior Door Group	E-12 - E-24

**CURTAIN, CUSHION & PAD GROUP (CONTINUED)**

**NOTICE**

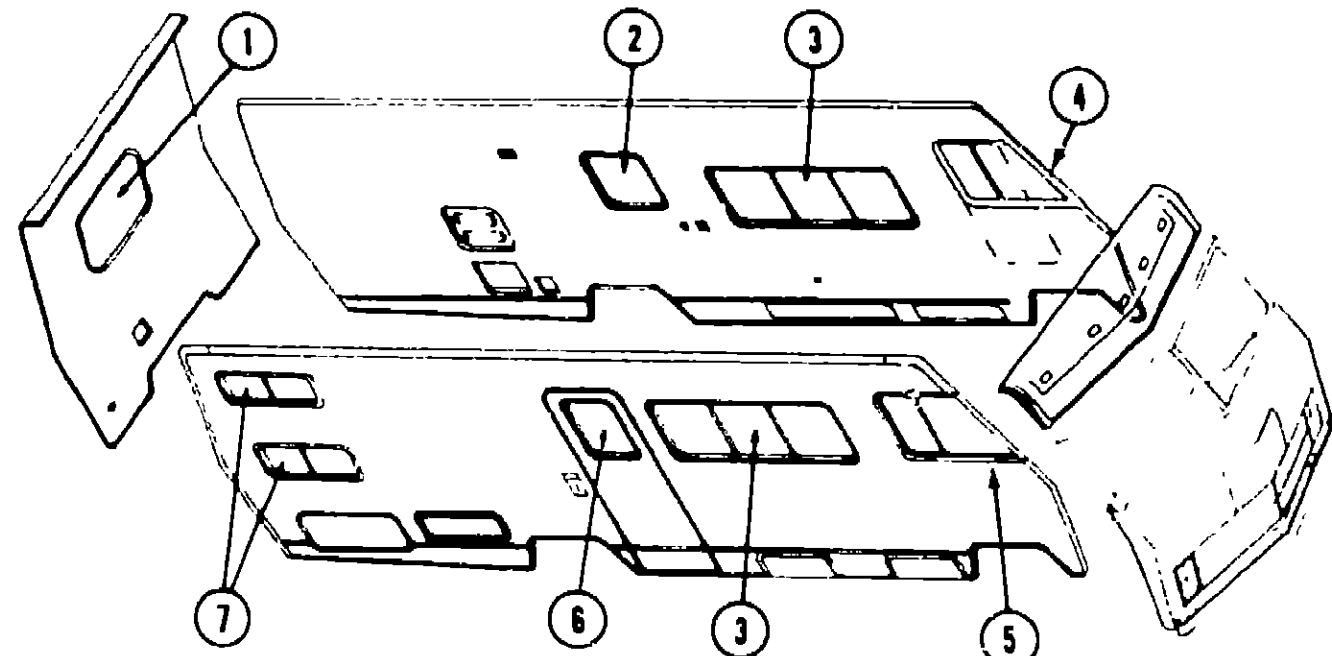
In order to assist our Parts Sales Dept in providing interior software items, please include the serial number and the color code number from the vehicle certification label when ordering. This label is located on the left sidewall at the end of the dash (A-Body), or on the driver's door latch plate (C-Body).

An example of a color code number is P31, which designates an overall color scheme of a particular unit. The color listed after the item description on the microfiche, indicates the overall unit color. Order the item you desire according to unit color code.



**NOTE.**

Use this illustration when determining length and width measurements for curtains. You will note the width measurement is taken on the top of the curtain with the curtain fully extended. The length measurement is taken from top to bottom.



**CURTAINS, SHADES, VALANCES & TIEBACKS**

Key	Part Number	U/M	Description
1	073251-20-R22	EA	Curtain w/Tape Top - 25" x 12" - Blue/Gray
1	073251-20-R23	EA	Curtain w/Tape Top - 25" x 12" - Navy/Beige
1	073251-20-R24	EA	Curtain w/Tape Top - 25" x 12" - Rust
1	070651-35-R22	EA	Valance Asm - 4 5" x 35 2" - Blue/Gray
1	070651-35-R23	EA	Valance Asm - 4 5" x 35 2" - Navy/Brown
1	070651-35-R24	EA	Valance Asm - 4 5" x 35 2" - Rust
1	070651-52-R22	EA	Valance Asm - 6" x 39" (Woven Wood) Blue/Gray
1	070651-52-R23	EA	Valance Asm - 6" x 39" (Woven Wood) Navy/Beige
1	070651-52-R24	EA	Valance Asm - 6" x 39" (Woven Wood) Rust
1	075474-18-000	EA	Shade Asm - Woven Wood - 32" Wide x 26" - Blue/Gray (R22)
1	075474-16-000	EA	Shade Asm - Woven Wood - 32" Wide x 26" - Navy/Beige (R23)
1	075474-17-000	EA	Shade Asm - Woven Wood - 32" Wide x 26" - Rust (R24)
1	065522-12-000	EA	Shade Asm - Vinyl - 33 25" x 38"

**CURTAIN, CUSHION & PAD GROUP (CONTINUED)**

**CURTAINS, SHADES, VALANCES & TIE BACKS**

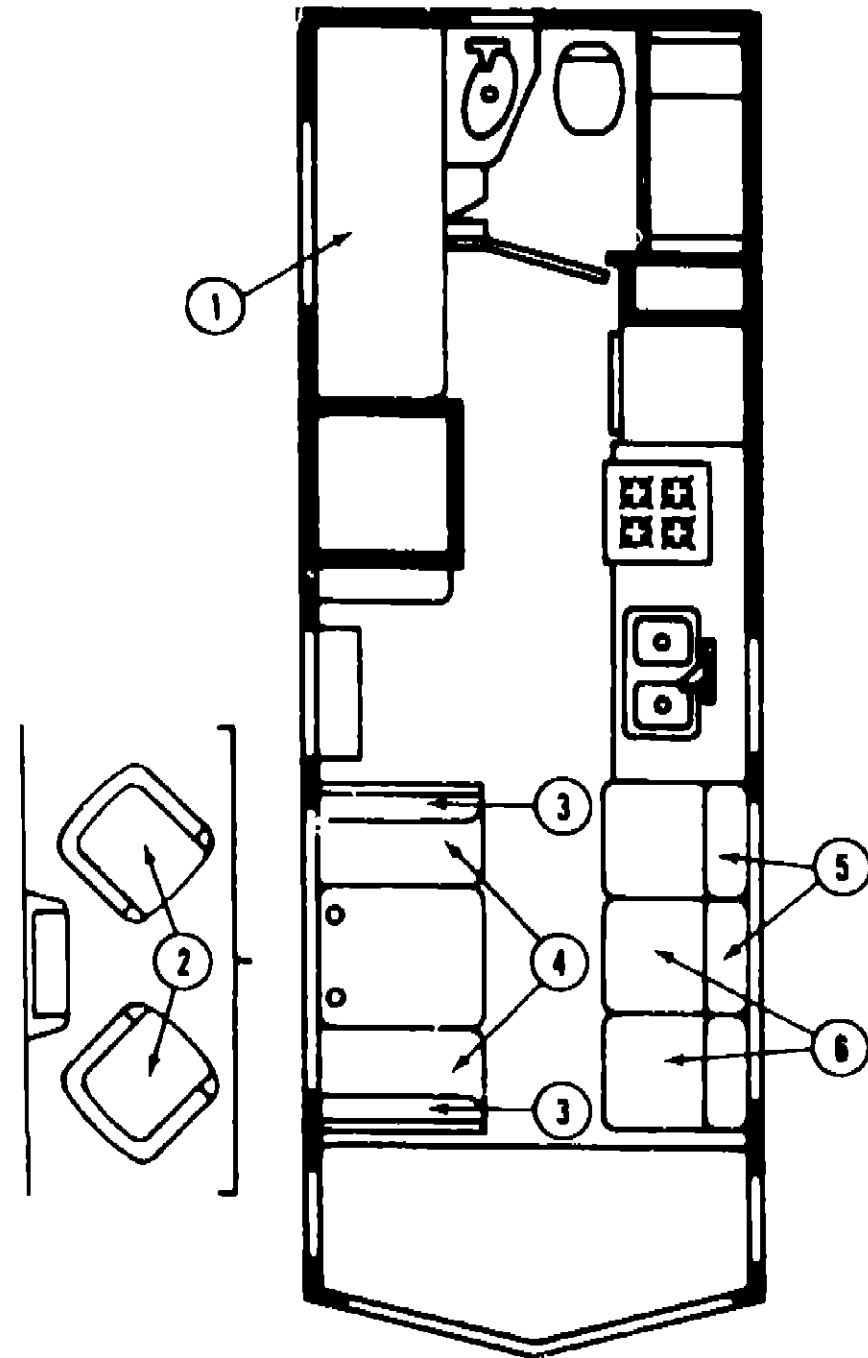
Key	Part Number	U/M	Description
2	073251-21-R22	EA	Curtain w/Tape Top - 21.5" x 9" - Blue/Gray
2	073251-21-R23	EA	Curtain w/Tape Top - 21.5" x 9" - Navy/Beige
2	073251-21-R24	EA	Curtain w/Tape Top - 21 5" x 9" - Rust
2	070651-35-R22	EA	Valance Asm - 4.5" x 31 7" - Blue/Gray
2	070651-35-R23	EA	Valance Asm - 4 5" x 31.7" - Navy/Beige
2	070651-35-R24	EA	Valance Asm - 4 5" x 31 7" - Rust
2	070651-50-R22	EA	Valance Asm - 6" x 35" (Woven Wood) - Blue/Gray
2	070651-50-R23	EA	Valance Asm - 6" x 35" (Woven Wood) - Navy/Beige
2	070651-50-R24	EA	Valance Asm - 6" x 35" (Woven Wood) - Rust
2	075474-27-000	EA	Shade Asm - Woven Wood - 28" Wide x 23" - Blue/Gray (R22)
2	075474-25-000	EA	Shade Asm - Woven Wood - 28" Wide x 23" - Navy/Beige (R23)
2	075474-26-000	EA	Shade Asm - Woven Wood - 28" x 23" Rust (R24)
2	065522-16-000	EA	Shade Asm - Vinyl - 28 5" x 30"
3	070652-18-R22	EA	Curtain Asm - 29" x 15" - Blue/Gray
3	070652-18-R23	EA	Curtain Asm - 29" x 15" - Navy/Beige
3	070652-18-R24	EA	Curtain Asm - 29" x 15" - Rust
3	073323-18-R07	EA	Curtain Asm - Sheers
3	070652-18-R22	EA	Curtain Asm - 29" x 15" (Woven Wood) - Blue/Gray
3	070652-18-R23	EA	Curtain Asm - 29" x 15" (Woven Wood) - Navy/Beige
3	070652-18-R24	EA	Curtain Asm - 29" x 15" (Woven Wood) - Rust
3	070651-25-R22	EA	Valance Asm - 4 5" x 71 2" - Blue/Gray
3	075753-25-R23	EA	Valance Asm - 4.5" x 71 2" - Navy/Beige
3	075753-25-R24	EA	Valance Asm - 4 5" x 71 2" - Rust
3	070651-49-R22	EA	Valance Asm - 6" x 76" (Woven Wood) Blue/Gray
3	070651-49-R23	EA	Valance Asm - 6" x 76" (Woven Wood) Navy/Beige
3	070651-49-R24	EA	Valance Asm - 6" x 76" (Woven Wood) Rust
3	075474-15-000	EA	Shade Asm - Woven Wood - 69" Wide x 29" Blue/Gray
3	075474-13-000	EA	Shade Asm - Woven Wood - 68" Wide x 29" Navy/Beige
3	075474-14-000	EA	Shade Asm - Woven Wood - 68" Wide x 29" Rust
3	065522-12-000	EA	Shade Asm - Vinyl - 69 25" x 38"
4	059900-05-R22	EA	Curtain w/Snaps - Driver's Door - 29" x 35"
5	073304-03-R22	EA	Curtain w/Snaps - Front Wraparound - Driver's Door - 27 5" x 125"
*	073304-07-R22	EA	Curtain w/Snaps - Front Wraparound (2 required) - 27 5" x 81"
*	073304-02-R22	EA	Curtain w/Snaps - Bunk Top - 33" x 96"
*	073304-23-R22	EA	Curtain w/Snaps - Privacy - 40" x 85"
*	073304-25-R22	EA	Curtain w/Snaps - Bunk Privacy - 60" x 86"
6	075694-02-R22	EA	Valance Asm - 4 8" x 4 2" x 29 6" - Blue/Gray
6	075694-02-R23	EA	Valance Asm - 4 8" x 4 2" x 29 6" - Navy/Beige
6	075694-02-R24	EA	Valance Asm - 4 8" x 4 2" x 29 6" - Rust
6	065522-02-000	EA	Shade Asm - Vinyl - 21 25" x 9"
*	073260-10-R22	EA	Tie Back Asm - 3" x 16" Blue/Gray
*	073260-10-R23	EA	Tie Back Asm - 3" x 16" Navy/Beige
*	073260-10-R24	EA	Tie Back Asm - 3" x 16" Rust
*	057534-01-000	EA	Tie Back Asm - 6" - Clear Plastic
*	057534-03-000	EA	Tie Back Asm - 7 5" - Clear Plastic
*	057534-04-000	EA	Tie Back Asm - 20" - Clear Plastic
7	070652-21-R22	EA	Curtain Asm - Darter - 21" x 15" - Blue/Gray
7	070652-21-R23	EA	Curtain Asm - Darter - 21" x 15" - Navy/Beige
7	070652-21-R24	EA	Curtain Asm - Darter - 21" x 15" - Rust
7	073323-03-R07	EA	Curtain Asm - Sheer w/Rod Top - 20" x 42"
7	070651-38-R22	EA	Valance Asm - 50" x 6" - Blue/Gray
7	070651-38-R23	EA	Valance Asm - 50" x 6" - Navy/Beige
7	070651-38-R24	EA	Valance Asm - 50" x 6" - Rust
7	065522-09-000	EA	Shade Asm - 40 25" x 38"
*			Not illustrated

**1984 ITASCA  
TABLE OF CONTENTS**

ICN26RB	A-01 - C-12
ICN26RH	C-13 - E-24

**1984 ICN26RH INDEX**

Floor Plan	C-13 - C-14
Accessories Group	C-15 - C-17
Bath Group	C-18
Chassis Group	C-19 - C-20
Curtain, Cushion & Pad Group	C-21 - D-03
Dinette Group	D-04 - D-05
Driver's Compartment Group	D-06 - D-08
Electrical Group	D-09 - D-11
Exterior Body Group	D-12 - D-22
Galley Group	D-23 - E-01
Heating & Air Conditioning Group	E-02 - E-03
Interior Finish Group	E-04 - E-06
LP Group	E-C7
Lounge Group	E-08 - E-09
Water & Sewage Group	E-10 - E-11
Window, Vent & Exterior Door Group	E-12 - E-24



REAR BUNK CUSHIONS

Key	Part Number	U/M	Description
1	073519-01-R22	EA	Cushion - Rear Bunk - 29" x 75 5" x 4 5" - Blue/Gray
1	073519-01-R23	EA	Cushion - Rear Bunk - 29" x 75 5" x 4 5" - Navy/Beige
1	073519-01-R24	EA	Cushion - Rear Bunk - 29" x 75 5" x 4 5" - Rust
	M73519-01-R22	EA	Cover - Rear Bunk Cushion - 29" x 75 5" x 4 5" - Blue/Gray
	M73519-01-R23	EA	Cover - Rear Bunk Cushion - 29" x 75 5" x 4 5" - Navy/Beige
	M73519-01-R24	EA	Cover - Rear Bunk Cushion - 29" x 75 5" x 4 5" - Rust

FRONT OVERHEAD BUNK CUSHIONS

Key	Part Number	U/M	Description
	073467-05-R22	EA	Cushion Asm - Front Bunk - 41 5" x 76" - 4" - Blue/Gray
	073467-05-R23	EA	Cushion Asm - Front Bunk - 41 5" x 76" - 4" - Navy/Beige
	073467-05-R24	EA	Cushion Asm - Front Bunk - 41 5" x 76" - 4" - Rust
	M73467-05-R22	EA	Cover Asm - Front Bunk Cushion - 41 5" x 76" x 4" - Blue/Gray
	M73467-05-R23	EA	Cover Asm - Front Bunk Cushion - 41 5" x 76" x 4" - Navy/Beige
	M73467-05-R24	EA	Cover Asm - Front Bunk Cushion - 41 5" x 76" x 4" - Rust

SWIVEL CHAIR OPTION

Key	Part Number	U/M	Description
2	073518-07-R22	EA	Chair Asm w/Pillow Back - Swivel - Blue/Gray
2	073518-07-R23	EA	Chair Asm w/Pillow Back - Swivel - Navy/Beige
2	073518-07-R24	EA	Chair Asm w/Pillow Back - Swivel - Rust
	075174-02-R22	EA	Skirt Asm - Swivel Chair - Blue/Gray
	075174-02-R23	EA	Skirt Asm - Swivel Chair - Navy/Beige
	075174-02-R24	EA	Skirt Asm - Swivel Chair - Rust

DINETTE CUSHIONS

Key	Part Number	U/M	Description
3	072430-14-R22	EA	Cushion Asm - Dinette Back - 19 25" x 38" x 5" - Blue/Gray
3	072430-14-R23	EA	Cushion Asm - Dinette Back - 19 25" x 38" x 5" - Navy/Beige
3	072430-14-R24	EA	Cushion Asm - Dinette Back - 19 25" x 38" x 5" - Rust
	M72430-14-R22	EA	Cover Asm - Dinette Back - 19 25" x 38" x 5" - Blue/Gray
	M72430-14-R23	EA	Cover Asm - Dinette Back - 19 25" x 38" x 5" - Navy/Beige
	M72430-14-R24	EA	Cover Asm - Dinette Back - 19 25" x 38" x 5" - Rust
4	072430-15-R22	EA	Cushion Asm - Dinette Bottom - 17 5" x 38" x 5" - Blue/Gray
4	072430-15-R23	EA	Cushion Asm - Dinette Bottom - 17 5" x 38" x 5" - Navy/Beige
4	072430-15-R24	EA	Cushion Asm - Dinette Bottom - 17 5" x 38" x 5" - Rust
	M72430-15-R22	EA	Cover Asm - Dinette Bottom - 17 5" x 38" x 5" - Blue/Gray
	M72430-15-R23	EA	Cover Asm - Dinette Bottom - 17 5" x 38" x 5" - Navy/Beige
	M72430-15-R24	EA	Cover Asm - Dinette Bottom - 17 5" x 38" x 5" - Rust

SPRUNG COUCH CUSHIONS

Key	Part Number	U/M	Description
5	073630-03-R22	EA	Cushion Asm - 3 Pillow Back - 15" x 76" x 5" - Blue/Gray
5	073630-03-R23	EA	Cushion Asm - 3 Pillow Back - 15" x 76" x 5" - Navy/Beige
5	073630-03-R24	EA	Cushion Asm - 3 Pillow Back - 15" x 76" x 5" - Rust
	M73630-03-R22	EA	Cover Asm - 3 Pillow Back - 15" x 76" x 5" - Blue/Gray
	M73630-03-R23	EA	Cover Asm - 3 Pillow Back - 15" x 76" x 5" - Navy/Beige
	M73630-03-R24	EA	Cover Asm - 3 Pillow Back - 15" x 76" x 5" - Rust
6	073631-04-R22	EA	Cushion Asm - 3 Pillow Seat - 23 5" x 76" x 5" - Blue/Gray
6	073631-04-R23	EA	Cushion Asm - 3 Pillow Seat - 23 5" x 76" x 5" - Navy/Beige
6	073631-04-R24	EA	Cushion Asm - 3 Pillow Seat - 23 5" x 76" x 5" - Rust
	M73631-04-R22	EA	Cover Asm - 3 Pillow Seat - 23 5" x 76" x 5" - Blue/Gray
	M73631-04-R23	EA	Cover Asm - 3 Pillow Seat - 23 5" x 76" x 5" - Navy/Beige
	M73631-04-R24	EA	Cover Asm - 3 Pillow Seat - 23 5" x 76" x 5" - Rust

1984 ITASCA  
TABLE OF CONTENTS

ICN26RB	A-01 - C-12
ICN26RH	C-13 - E-24

1984 ICN26RH INDEX

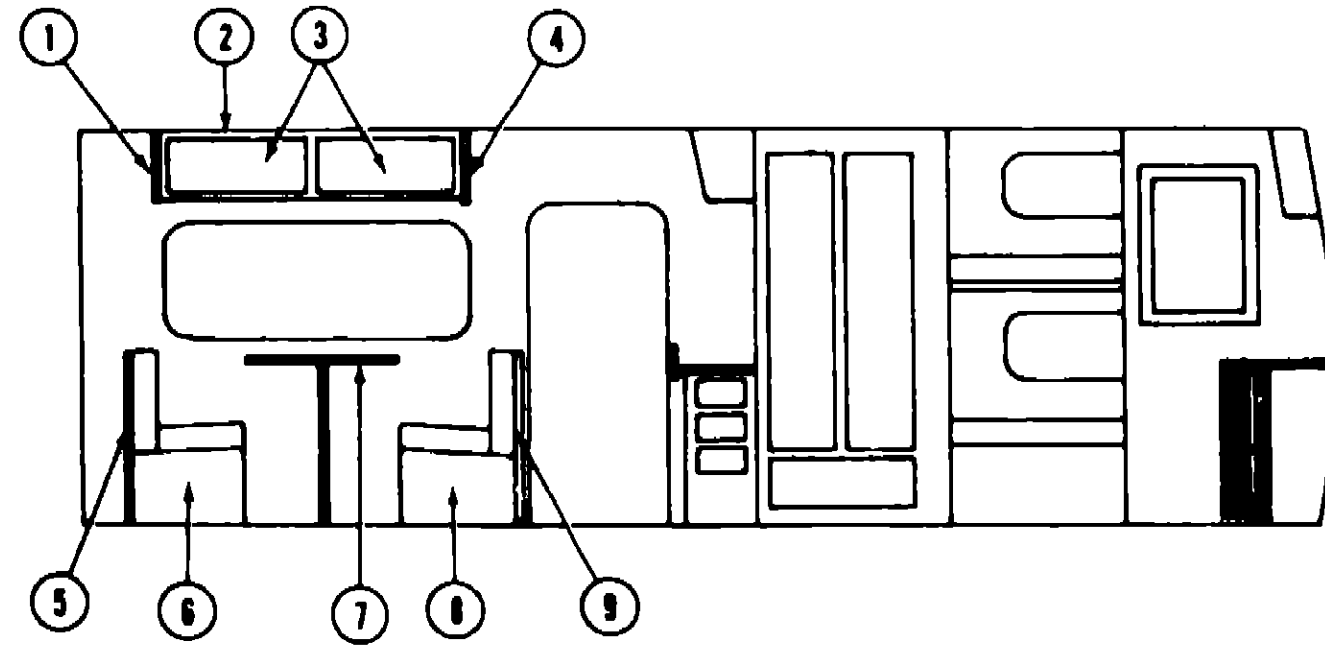
Floor Plan	C-13 - C-14
Accessories Group	C-15 - C-17
Bath Group	C-18
Chassis Group	C-19 - C-20
Curtain, Cushion & Pad Group	C-21 - D-03
Dinette Group	D-04 - D-05
Driver's Compartment Group	D-06 - D-08
Electrical Group	D-09 - D-11
Exterior Body Group	D-12 - D-22
Galley Group	D-23 - E-01
Heating & Air Conditioning Group	E-02 - E-03
Interior Finish Group	E-04 - E-06
LP Group	E-07
Lounge Group	E-08 - E-09
Water & Sewage Group	E-10 - E-11
Window, Vent & Exterior Door Group	E-12 - E-24

**CURTAIN, CUSHION & PAD GROUP (CONTINUED)**

**FABRICS, TRIMS & PADS**

Key	Part Number	U/M	Description
	072333-09-000	YD	Fabric - Drapery - Beige (Wraparound)
	074495-23-000	YD	Fabric - Upholstery/Accent - Blue/Gray (R22)
	074495-21-000	YD	Fabric - Upholstery/Accent - Navy/Beige (R23)
	074495-22-000	YD	Fabric - Upholstery/Accent - Rust (R24)
	074495-50-000	YD	Fabric w/Pattern - Upholstery - Blue/Gray (R22)
	074495-48-000	YD	Fabric w/Pattern - Upholstery - Navy/Beige (R23)
	074495-49-000	YD	Fabric w/Pattern - Upholstery Rust (R24)
	038421-01-000	YD	Fabric - Mattress Ticking
	070502-01-000	YD	Vinyl - Nn Expanded - 12 Gauge Film
	057550-03-N07	EA	Button Asm - Nail - #36 - 7/8" Shank - Vinyl
	057550-05-N07	EA	Button Asm - Nail - #36 - 3/8" Shank - Vinyl
	057093-01-N07	EA	Button Asm - Covered #60 - Nail - Vinyl
	071127-03-R25	EA	Button Asm - Square #65
	071127-03-R26	EA	Button Asm - Square #65
	071127-03-R27	EA	Button Asm - Square #65
	075269-02-R25	EA	Button Asm - Square #65 - w/3/4" Stud
	075269-02-R26	EA	Button Asm - Square #65 - w/3/4" Stud
	075269-02-R27	EA	Button Asm - Square #65 - w/3/4" Stud
	071847-07-R10	EA	Pad Asm - End Cap - Swivel Chair Overhead Vinyl - Left
	059414-03-000	EA	Pad - Sidewall Trim - Drivers - Vinyl
	059414-04-000	EA	Pad - Sidewall Trim - Passenger - Vinyl
	059467-03-N07	EA	Pad - Map Pocket - Drivers - Vinyl
	059467-04-N07	EA	Pad - Map Pocket - Passenger - Vinyl
	074210-03-P01	EA	Pad Asm - Front Side Overhead - Right - Vinyl
	074210-02-P01	EA	Pad Asm - Front Side Overhead - Left - Vinyl
	074210-01-P01	EA	Pad Asm - Front Side Overhead - Left w/Drivers Door - Vinyl
	074549-01-R25	EA	Pad Asm - Dinette - Right - Blue/Gray
	074549-01-R26	EA	Pad Asm - Dinette - Right - Navy/Beige
	074549-01-R27	EA	Pad Asm - Dinette - Right - Rust
	074549-02-R25	EA	Pad Asm - Dinette - Left - Blue/Gray
	074549-02-R26	EA	Pad Asm - Dinette - Left - Navy/Beige
	074549-02-R27	EA	Pad Asm - Dinette - Left - Rust
	076188-01-R25	EA	Pad Asm - Dinette Wall - 12" x 12" - Blue/Gray
	076188-01-R26	EA	Pad Asm - Dinette Wall - 12" x 12" - Navy/Beige
	076188-01-R27	EA	Pad Asm - Dinette Wall - 12" x 12" - Rust
	076188-02-R25	EA	Pad Asm - Dinette Wall - 3 5" x 30" - Blue/Gray
	076188-02-R26	EA	Pad Asm - Dinette Wall - 3 5" x 30" - Navy/Beige
	076188-02-R27	EA	Pad Asm - Dinette Wall - 3 5" x 30" - Rust
	076188-03-R25	EA	Pad Asm - Wall - 3 5" x 36" - Blue/Gray
	076188-03-R26	EA	Pad Asm - Wall - 3 5" x 36" - Navy/Beige
	076188-03-R27	EA	Pad Asm - Wall - 3 5" x 36" - Rust
	076188-04-R25	EA	Pad Asm - Wall - 12" x 16" - Blue/Gray
	076188-04-R26	EA	Pad Asm - Wall - 12" x 16" - Navy/Beige
	076188-04-R27	EA	Pad Asm - Wall - 12" x 16" - Rust

**DINETTE GROUP**



**DINETTE CABINETRY**

Key	Part Number	U/M	Description
1	071846-02-R07	EA	Pad - End - Dinette Overhead Cabinet - Left - Beige Vinyl
2	075775-07-R07	EA	Cabinet Asm - Dinette Overhead - w/o Doors or Hardware
3	069852-72-R10	EA	Door Asm - Dinette Overhead Cabinet - 11 5" x 28 2" - w/o Hardware
4	071846-01-R07	EA	Pad - End - Dinette Overhead Cabinet - Right - Beige Vinyl
5	M01431-03-R07	EA	Cabinet Asm - Dinette Back - Left
6	M01430-03-R07	EA	Cabinet Asm - Dinette Seat - Left
*	069852-70-R07	EA	Door Asm - Dinette Cabinet
7	M01291-50-R07	EA	Table Asm - Dinette - w/o Hardware - Harbor Oak
8	M01430-02-R07	EA	Cabinet Asm - Dinette Seat - Right - w/o Door or Hardware
*	069852-71-R07	EA	Door Asm - Dinette Seat - 25 2" x 10" - w/o Hardware
9	M01431-02-R07	EA	Cabinet Asm - Dinette Back - Right - w/o Door or Hardware
*	053200-05-000	EA	Bracket - Upper Wall Mount - 23 5" - Beige
**	053201-03-000	EA	Bracket - Table Mount - 23" - Anod
*	024275-05-000	EA	Rod - Table Lift - 8" x 23 5" - Beige
*	024281-07-000	EA	Bracket - Lower Wall Mount - Beige - 22 12"
*	024276-08-000	EA	Leg Asm - Table - Beige - 29 5"
**	064050-01-000	EA	Hinge - Table Leg
**	024282-01-000	EA	Brace - Table Leg
**	024283-01-000	EA	Clip - 1" O D Tube
*	049493-04-000	EA	Catch - Table Leg - Mounts on Floor - Brown
*	064781-03-000	EA	Cup Holder - 3 47" O D x 2 75" I D x 1 5"
*			Not illustrated
**			The illustrated parts breakdown for this item is provided on the Common Items Fiche

**1984 ITASCA  
TABLE OF CONTENTS**

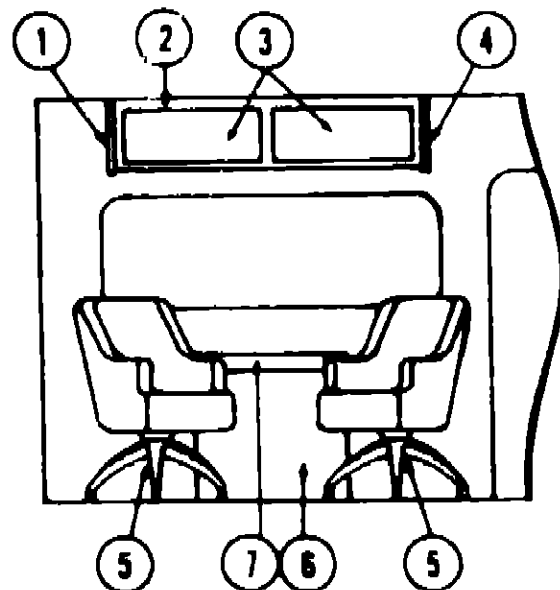
ICN26RB	A-01 - C-12
ICN26RH	C-13 - E-24

**1984 ICN26RH INDEX**

Floor Plan	C-13 - C-14
Accessories Group	C-15 - C-17
Bath Group	C-18
Chassis Group	C-19 - C-20
Curtain, Cushion & Pad Group	C-21 - D-03
Dinette Group	D-04 - D-05
Driver's Compartment Group	D-06 - D-08
Electrical Group	D-09 - D-11
Exterior Body Group	D-12 - D-22
Galley Group	D-23 - E-01
Heating & Air Conditioning Group	E-02 - E-03
Interior Finish Group	E-04 - E-06
LP Group	E-07
Lounge Group	E-08 - E-09
Water & Sewage Group	E-10 - E-11
Window, Vent & Exterior Door Group	E-12 - E-24



## DINETTE GROUP (CONTINUED)



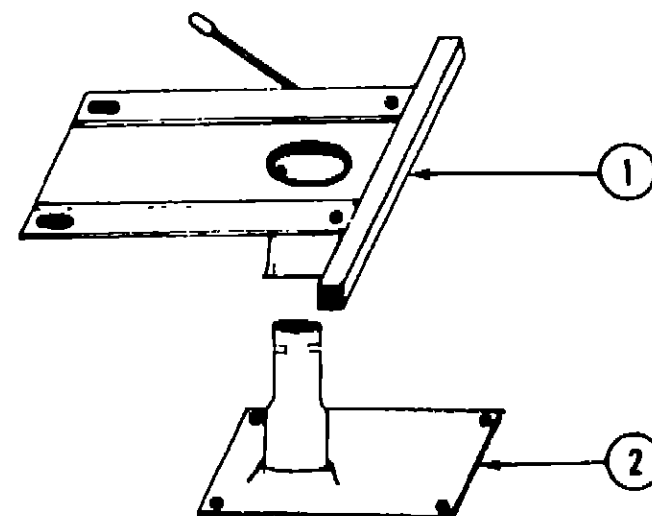
### SWIVEL CHAIRS W/FOLD OUT TABLE AND OVERHEAD CABINTRY (OPTION)

Key	Part Number	U/M	Description
1	071846-02-R07	EA	Pad End - Dinette Overhead Cabinet - Left - Beige Vinyl
2	075775-07-R07	EA	Cabinet Asm - Dinette Overhead - w/o Doors or Hardware
3	069852-72-R10	EA	Door Asm - Dinette Overhead Cabinet - 11 5" x 28 2" - w/o Hardware
4	071846-01-R07	EA	Pad - End - Dinette Overhead Cabinet - Right - Beige Vinyl
5	035036-04-000	EA	Base - w/Leg - Swivel Chair
*	035036-01-000	EA	Plate - Tilt and Swivel - Swivel Chair
*	035036-05-000	EA	Extension - 7" TT Chair
6	M00759-01-R07	EA	Table Asm - Foldout - Harbor Oak
7	M01270-01-R07	EA	Countertop Asm. - Fold Out Table - Harbor Oak
*	024276-15-000	EA	Leg Asm - Table - Brown - 25 18"
**	064050-01-000	EA	Hinge - Table Leg
**	024282-01-000	EA	Brace - Table Leg
**	024283-01-000	EA	Clip - 1" O D Tube
*	049493-02-000	EA	Catch - Table Leg - Mounts on Floor - Beige
*	048394-01-000	YD	Tape Hook - 1" x 25 YD - Beige
*	048395-01-000	YD	Tape Loop - 1" x 25 YD - Beige
*	063224-26-R07	EA	Door Asm - Rolled - 26 10" x 9 50"
*	074489-02-R10	EA	Beverage Tray Holder - Oak
*			Not Illustrated
**	The illustrated parts breakdown for this item is provided on the Common Items Fiche		

### ENTERTAINMENT CENTER & ICEMAKER

Key	Part Number	U/M	Description
	077808-01-R04	EA	Cabinet Asm - Ice Maker - w/o Countertop
	M01646-01-R04	EA	Countertop Asm - Ice Maker - Harbor Oak
	M01647-01-R04	EA	Countertop Asm - Ice Maker Pullout - Harbor Oak
	074489-01-000	EA	Beverage Holder - w/Tray - Oak
	076799-01-000	EA	Ice Maker - Black Glass
	077841-01-000	EA	Bracket - Tie Down - Ice Maker - Right
	077841-02-000	EA	Bracket - Tie Down - Ice Maker - Left
	M77807-01-R04	EA	Cabinet Asm - Entertainment Center - w/o Countertop & Hardware
	M01649-01-R04	EA	Countertop Asm - Entertainment Center - Harbor Oak
	M01648-01-R04	EA	TV Stand - Entertainment Center
	077773-01-R04	EA	Guide - Wine Glass - Entertainment Center
	M77447-01-R04	EA	Door Asm - Entertainment Center - Right
	M77447-02-R04	EA	Door Asm - Entertainment Center - Left

## DRIVER'S COMPARTMENT GROUP



### BUCKET SEAT PEDESTAL & SEAT BELTS

Key	Part Number	U/M	Description
1	069585-04-000	EA	Plate - Top - Pedestal Asm - Single Bucket Seat
1	069585-10-000	EA	Plate - Top - Pedestal Asm - Double Bucket Seat
2	069585-08-000	EA	Plate - Sub - Pedestal Asm - Bucket Seat
*	069585-05-000	EA	Hardware Kit - Bolt/Acorn Nut - 4 ea - Pedestal Asm
*	056271-02-000	EA	Belt Asm - Seat - 2" x 72" - Black
*	007019-01-000	EA	Belt Asm - Seat - 2" x 84" - Black
*	007021-01-000	EA	Belt Asm - Seat - 2" x 90" - Black
*	041322-01-000	EA	Washer - Flat 15/32" I D x 2 3/8" O D - Seat Belt
*	069246-01-000	EA	Adjuster Asm - Seat - w/Lock
*	069246-02-000	EA	Adjuster Asm - Seat - w/o Lock
*	068601-06-000	EA	Recliner Drive - Single or Double Bucket - Driver
*	068601-07-000	EA	Recliner Drive - Single or Double Bucket - Passenger
*	068601-05-700	EA	Hand Wheel Kit - Recliner Drive
*			Not illustrated

### DASH SWITCHES & GAUGES

Key	Part Number	U/M	Description
	024461-01-000	EA	Switch - Battery
	024462-01-000	EA	Switch - Battery Condition
	024464-01-000	EA	Switch - Washer
	024467-01-000	EA	Switch - Wiper
	024978-01-000	EA	Switch - Generator w/o Circuit Board
	024459-03-000	EA	Gauge - Voltmeter
	024460-03-000	EA	Gauge - Vacuum
	024460-02-000	EA	Bracket - Mounting - Vacuum Gauge
	031035-01-000	EA	Gauge - Generator/Hourmeter
	074007-01-000	EA	Switch - Intermittent - Windshield Wiper

## 1984 ITASCA TABLE OF CONTENTS

ICN26RB  
ICN26RH

A-01 - C-12  
C-13 - E-24

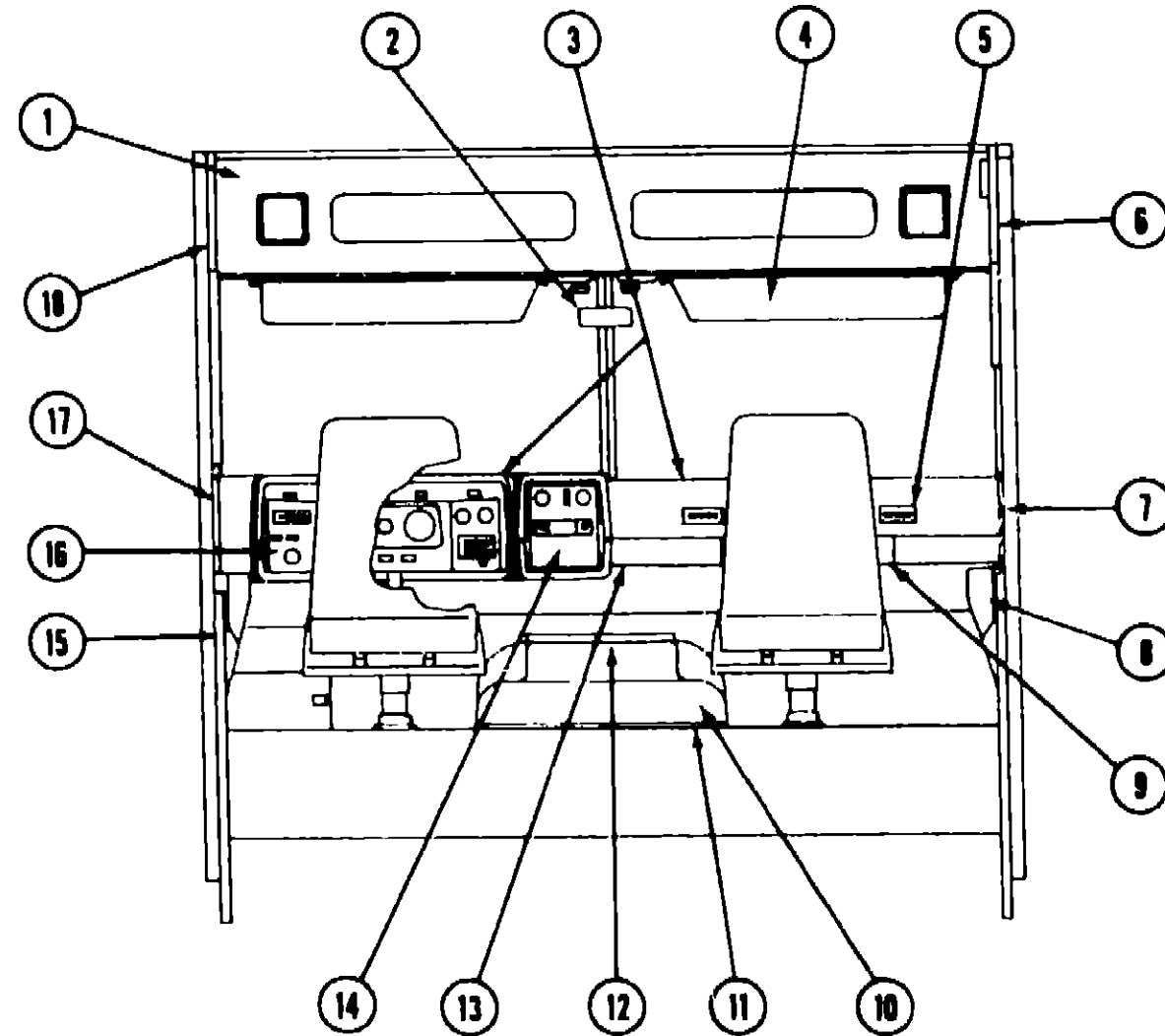
### 1984 ICN26RH INDEX

Floor Plan	C-13 - C-14
Accessories Group	C-15 - C-17
Bath Group	C-18
Chassis Group	C-19 - C-20
Curtain, Cushion & Pad Group	C-21 - D-03
Dinette Group	D-04 - D-05
Driver's Compartment Group	D-06 - D-08
Electrical Group	D-09 - D-11
Exterior Body Group	D-12 - D-22
Galley Group	D-23 - E-01
Heating & Air Conditioning Group	E-02 - E-03
Interior Finish Group	E-04 - E-06
LP Group	E-07
Lounge Group	E-08 - E-09
Water & Sewage Group	E-10 - E-11
Window, Vent & Exterior Door Group	E-12 - E-24

**DRIVER'S COMPARTMENT GROUP (CONTINUED)**

**DRIVER'S COMPARTMENT GROUP (CONTINUED)**

**MISCELLANEOUS DRIVER'S COMPARTMENT COMPONENTS (CONT)**



**MISCELLANEOUS DRIVER'S COMPARTMENT COMPONENTS**

Key	Part Number	U/M	Description
1	076437-01-R10	EA	Cabinet Asm - Front Overhead
2	040714-01-700	EA	Mirror Kit/Rear View - w/Button Support
**3	M01113-08-000	EA	Dash Asm - Complete - w/Gauges & Switches (w/o Clock)
**3	M01113-09-000	EA	Dash Asm - Complete - w/Gauges & Switches (w/o Clock) - Diesel
.	007308-01-000	EA	Dash Clock
.	038C46-01-000	EA	Retainer - Dash - 1" x 25" - w/ 188" Dia Hole
.	038A46-02-000	EA	Retainer - Dash - 3" x 17" - w/ 140" Dia Hole
.	022548-04-000	EA	Dash Pad - Passenger - Dark Brown
.	023242-06-000	EA	Dash Pad - Driver - Dark Brown
.	065810-01-000	EA	Plate - Mounting - Fuse Block
.	024990-02-000	EA	Outlet - Defroster w/Swivel Dark Brown
4	075588-01-P01	EA	Sunvisor Asm - Passenger or Driver - Almond Vinyl - w/o Mirror
.	040895-02-000	EA	Clip - Sunvisor & Support Asm
.	074012-01-000	EA	Clip - Sunvisor - Square - Pinch On
.	042341-11-000	EA	Windshield Trim - Interior - "A" Post - Passenger - Light Oak Plastic
.	042341-12-000	EA	Windshield Trim - Interior - "A" Post - Driver - Light Oak Plastic
5	039044-01-000	EA	Louver Asm - A/C Adjustable
6	074211-01-P01	EA	Pad Asm - Front Side Overhead - Passenger - Beige Vinyl
7	059414-04-000	EA	Pad - Sidewall Trim - Passenger - Beige Vinyl
8	072811-01-000	EA	Panel - Side - Passenger - Light Oak Plastic
.	059467-04-N07	EA	Pad - Map Pocket - Passenger - Beige Vinyl
9	022219-01-000	EA	Glove Compartment Door
.	023892-01-000	EA	Glove Compartment Box - Black Fiberboard
.	009118-01-000	EA	Glove Compartment Twist Lock
.	024598-01-000	EA	Glove Compartment Hinge - 1 1/16" x 19"
.	034309-01-000	EA	Glove Compartment Chain - Door
10	067213-03-000	EA	Engine Cover - Fiberglass

Key	Part Number	U/M	Description
11	077570-01-000	EA	Seal - Engine Cover - 34 17"
.	039623-01-000	FT	Seal - Engine Cover - Neoprene
.	052783-04-000	EA	Seal - Engine Cover - Upper - Beige
.	042541-01-000	EA	Latch Asm - w/Strike - Chrome
12	071714-04-000	EA	Beverage Tray Asm
13	023834-01-000	EA	Panel - Knee Kick - Bottom of Dash
14	076006-02-000	EA	Bezel - Entertainment Center - w/Cut Out for Radio
14	076006-03-000	EA	Bezel - Entertainment Center - w/Cut Out for Radio, Generator & Start/Stop Switch
15	059198-05-000	EA	Panel - Side - Driver - Light Oak Plastic
15	064499-02-000	EA	Panel - Side - Driver's Door - Inner - Light Oak Plastic
.	059467-03-N07	EA	Pad - Map Pocket - Driver - Beige Vinyl
.	050796-01-000	EA	Pocket - Ash Tray - Plastic
.	046886-03-000	EA	Ash Tray Asm - Flush Mount - Chrome
16	039847-08-000	EA	Bezel - Control Panel
.	071668-01-000	EA	Bezel - Instrument Panel
.	077389-01-000	EA	Access Panel - Instrument Panel - Lower - Black
.	052367-01-000	EA	Cigarette Lighter Asm - 12 Volt
.	007041-01-000	EA	Bezel - Cigarette Lighter
.	061424-01-000	EA	Lamp Asm. - Map/Gauge
.	061400-03-000	EA	Assist Strap - 12" - Medium Almond
17	059414-03-000	EA	Pad - Sidewall Trim - Driver - Beige Vinyl
18	074210-02-P01	EA	Pad Asm - Front Overhead Cabinet - Driver - Beige Vinyl
18	074210-01-P01	EA	Pad Asm - Front Overhead Cabinet - Driver's Door - Beige Vinyl
.	040519-01-000	EA	Boot - Rubber Steering Column
.	040520-01-000	EA	Boot Retainer - Steering Column
.	054250-01-000	EA	Support - Dimmer Switch - w/o Holes
.	024849-01-000	EA	Damper Asm - Fresh Air
.			Not illustrated

\*\*NOTE To be special ordered only

**FRONT BUNK & HARDWARE**

Key	Part Number	U/M	Description
	074637-01-R10	EA	Cabinet Asm - Front Overhead
	076184-01-R07	EA	Bunk Board Asm - Front Overhead - w/Beige Rails
	053773-01-000	EA	Support - Overhead Bunk - Passenger - Brown
	053773-02-000	EA	Support - Overhead Bunk - Driver - Brown
	040071-02-000	EA	Support - Bunk - Seat Belt
	039516-04-000	EA	Catch - Bunk - Beige
	023812-28-000	EA	Rail - Bunk - 77 1' - Beige
	053774-04-000	EA	Torsion Rod - Overhead Bunk - Brown
	074211-01-P01	EA	Pad Asm - Front Side Overhead - Passenger - Beige Vinyl
	074210-02-P01	EA	Pad Asm - Front Side Overhead - Driver - Beige Vinyl
	074210-01-P01	EA	Pad Asm - Front Side Overhead - Driver's Door - Beige Vinyl
	048394-01-000	YD	Tape Hook - 1" x 25 YD - Beige
	048395-01-000	YD	Tape Loop - 1" x 25 YD - Beige
	007021-01-000	EA	Belt Asm - Seat - 2" x 90" - Black
	041322-01-000	EA	Washer - Flat - 15/32" I D x 2 3/8" O D - Seat Belt

**1984 ITASCA  
TABLE OF CONTENTS**

A-01 - C-12  
C-13 - E-24

**1984 ICN26RH INDEX**

Floor Plan	C-13 - C-14
Accessories Group	C-15 - C-17
Bath Group	C-18
Chassis Group	C-19 - C-20
Curtain, Cushion & Pad Group	C-21 - D-03
Dinette Group	D-04 - D-05
Driver's Compartment Group	D-06 - D-08
Electrical Group	D-09 - D-11
Exterior Body Group	D-12 - D-22
Galley Group	D-23 - E-01
Heating & Air Conditioning Group	E-02 - E-03
Interior Finish Group	E-04 - E-06
LP Group	E-07
Lounge Group	E-08 - E-09
Water & Sewage Group	E-10 - E-11
Window, Vent & Exterior Door Group	E-12 - E-24

## ELECTRICAL GROUP

### BULBS

Key	Part Number	U/M	Description
	008220-01-000	EA	Bulb - 12V - 25W
	008103-01-000	EA	Bulb - 53
	008213-01-000	EA	Bulb - 57
	008214-01-000	EA	Bulb - 67
	036196-01-000	EA	Bulb - 194
	008215-01-000	EA	Bulb - 1003
	067479-01-000	EA	Bulb - 1076
	063914-01-000	EA	Bulb - 1139
	008218-01-000	EA	Bulb - 1141
	037935-01-000	EA	Bulb - 1157

### FUSES & CIRCUIT BREAKER

Key	Part Number	U/M	Description
	008234-01-000	EA	Fuse - 10 Amp - 12 Volt
	062901-02-000	EA	Fuse - 5 Amp - Automotive
	062901-05-000	EA	Fuse - 15 Amp - Automotive
	008211-01-000	EA	Circuit Breaker - 6 Amp - 12 Volt
	008208-01-000	EA	Circuit Breaker - 40 Amp - 12 Volt
	033573-02-000	EA	Circuit Breaker - 15 Amp - 12 Volt - w/Mount
	033573-01-000	EA	Circuit Breaker - 20 Amp - 12 Volt - w/Mount
	008268-01-000	EA	Circuit Breaker - 30 Amp - 12 Volt - w/Mount
	075735-02-000	EA	Circuit Breaker - 15 Amp - 120 Volt (Ground Fault Interrupter)
	071279-05-000	EA	Circuit Breaker - 20 Amp - 120 Volt
	071279-03-000	EA	Circuit Breaker - 15/20 Amp - 120 Volt
	071279-01-000	EA	Circuit Breaker - 15/30 Amp - 120 Volt
	071279-06-000	EA	Circuit Breaker - 30/15 Amp - 120 Volt
	071280-01-000	EA	Circuit Breaker Blank

### WINDSHIELD WIPER & WASHER

Key	Part Number	U/M	Description
**	056000-02-000	EA	Washer Asm - Windshield - w/o Nozzels
**	057653-01-000	EA	Arm - Windshield Wiper - 18" - Black
	067191-02-000	EA	Motor Asm - Windshield Wiper - 2 Speed
	067192-01-000	EA	Link Asm - Connecting - Left
	067193-01-000	EA	Link Asm - Connecting - Right
	049464-03-000	EA	Blade - Windshield Wiper - 20" - Black
	067190-01-000	EA	Shaft & Pivot Asm
	057474-01-000	EA	Wiper Asm
**	The illustrated parts breakdown for this item is provided on the Common Items Fiche		

### EXTERIOR LIGHTS

Key	Part Number	U/M	Description
	058030-01-000	EA	Tail Lamp Asm - 3 Bulb - Chrome - Passenger
	058030-02-000	EA	Tail Lamp Asm - 3 Bulb - Chrome - Driver
	059540-01-000	EA	Bracket - License Plate
	042405-03-000	EA	Base - Rectangular - Clearance Light
	042405-01-000	EA	Lens - Clearance Light - Red w/Reflex
	042405-04-000	EA	Lens - Clearance Light - Red w/o Reflex
	042405-02-000	EA	Lens - Clearance Light - Amber w/Reflex
	042405-05-000	EA	Lens - Clearance Light - Amber w/o Reflex
	058330-01-000	EA	Lamp Asm - Parking
	058330-02-000	EA	Socket Asm - Parking Lamp - w/Wire

## ELECTRICAL GROUP (CONTINUED)

### WIRE, SWITCHES & RECEPTACLES

Key	Part Number	U/M	Description
	008058-01-000	EA	Adapter - Power Cord
	008288-01-000	EA	Box - Electrical - 3" x 3 5/8" - Plastic
	008289-01-000	EA	Box - Electrical - 4" x 4" - 1/2 & 3/4 - Steel - UL
	008289-02-000	EA	Box - Electrical - 4" x 4" - 1/2 & 3/4 - Steel - CSA
	058049-01-000	EA	Box - Electrical - 2" x 3" x 2 25/32" - Steel
	024490-01-000	EA	Compartment - Power Cord - Black Plastic
	041953-01-000	EA	Conduit - Convolute Slit - 5" I D
	008353-01-000	EA	Connector - Clamping - 3/8 Cable - UL & CSA
	058028-01-000	EA	Connector - Pigtail - Clear Nylon
	008311-01-000	EA	Connector - Wire Nut - Red
	031968-01-000	EA	Contact Plug - Brass - Tin Plated
	031967-01-000	EA	Contact - Receptacle
	008054-01-000	EA	Cord - Power - 10-3 30 Amp - 25' - UL
	008052-01-000	EA	Cord - Power - 10-3 30 Amp - 25' - CSA
	069238-01-000	EA	Cover - Electrical Box - 4" x 4"
	058048-01-000	EA	Cover - Electrical Box - 4 5/8" x 2 7/8" - Rain Tight (Exterior)
	024571-03-000	EA	Cover Plate - Receptacle - Jumbo - Brown Plastic
	008164-01-000	EA	Cover Plate - Switch - Brown
	008294-01-000	EA	Cover - Flat Blank - 4" x 4" - Steel - US
	008294-02-000	EA	Cover - Flat Blank - 4" x 4" - Steel - CSA
	008250-01-000	EA	Fuse Holder - In Line - 10 Amp
	064399-01-000	EA	Housing Asm - Trailer Pin
	064398-01-000	EA	Housing Asm - Trailer Receptacle
	054532-01-000	EA	Housing Pin - 6 Position
	065610-01-000	EA	Plate - Mounting - Fuse Block
	075736-01-000	EA	Receptacle/Cover Asm - Gray (Exterior)
	058708-01-000	EA	Receptacle - Duplex - Brown
	008157-01-000	EA	Receptacle - Duplex - Brown (Exterior Backwall)
	058708-02-000	EA	Receptacle - Duplex - Ivory
	024924-02-000	EA	Receptacle - Power Cord
	058707-01-000	EA	Receptacle - Single - Brown
	063912-01-000	EA	Relay - Canister SPDT w/Ground
	008162-01-000	EA	Switch - Double Toggle - Brown
	056264-01-000	EA	Switch - Leaf Actuator
	008195-01-000	EA	Switch - Push Button - 12 Volt
	041250-01-000	EA	Switch - Push Button - On/Off
	008163-01-000	EA	Switch - Toggle - Brown
	008173-01-000	EA	Switch - Toggle - Ivory
	047443-02-000	EA	Terminal - 250 Receptacle - 12-10 AWG
	008348-01-000	EA	Terminal Ring - 2 - 3/8" Stud
	008331-01-000	EA	Terminal Ring - 4 - 3/8" Stud
	008328-01-000	EA	Terminal Ring - 12/10 Wire
	008028-01-000	FT	Wire - 18 5 Bonded - Blue/Red/Yellow/Orange/White
	008024-01-000	FT	Wire - 18 5 Bonded - Orange/White/Yellow/Blue/Brown
	008025-01-000	FT	Wire - 18 5 Bonded - Orange/White/Yellow/Blue/Green
	008026-01-000	FT	Wire w/Ground - Romex - 12/2

## 1984 ITASCA TABLE OF CONTENTS

ICN26RB	A-01 - C-12
ICN26RH	C-13 - E-24

## 1984 ICN26RH INDEX

Floor Plan	C-13 - C-14
Accessories Group	C-15 - C-17
Bath Group	C-18
Chassis Group	C-19 - C-20
Curtain, Cushion & Pad Group	C-21 - D-03
Dinette Group	D-04 - D-05
Driver's Compartment Group	D-06 - D-08
Electrical Group	D-09 - D-11
Exterior Body Group	D-12 - D-22
Galley Group	D-23 - E-01
Heating & Air Conditioning Group	E-02 - E-03
Interior Finish Group	E-04 - E-06
LP Group	E-07
Lounge Group	E-08 - E-09
Water & Sewage Group	E-10 - E-11
Window, Vent & Exterior Door Group	E-12 - E-24

## ELECTRICAL GROUP (CONTINUED)

### INTERIOR LIGHTS

Key	Part Number	U/M	Description
	033508-02-000	EA	Light - Dome - Ivory - 1 Bulb - US
	033508-03-000	EA	Light - Dome - Ivory - 1 Bulb - CSA
	033509-02-000	EA	Light - Dome - Ivory - 2 Bulb - US
	033509-03-000	EA	Light - Dome - Ivory - 2 Bulb - CSA
	061424-01-000	EA	Light - 12 V Receptacle - Aisle - IP
	007309-01-000	EA	Light - Step Well
	072353-01-000	EA	Light - Reading - Single - 360° Swivel - Silver
	072353-03-000	EA	Light - Reading - Single - 360° Swivel - Almond
	072353-04-000	EA	Light - Reading - Dbl - 360° Swivel - w/Aux Remote Control Switch - Silver
	065202-01-000	EA	Wall Lamp - Decor - 2 Bulb - Brass
	065201-02-000	EA	Lamp Shade - Fabric - Parchment - Wall Lamp

### MISCELLANEOUS ELECTRICAL COMPONENTS

Key	Part Number	U/M	Description
	047338-03-000	EA	Isolator - Dual Battery - 70 Amp
	008188-01-000	EA	Solenoid - Dual Battery - Relay
	039861-01-000	EA	Sending Unit Kit - Wemac
	067762-01-000	EA	Convertor - 40 Amp w/Charger
	071278-01-000	EA	Control Center - 32 Amp
	071278-01-700	EA	Door w/Catch - Brown (Control Center)
	071278-01-701	EA	Converter Module (Control Center)
	071278-01-703	EA	Catch - Door (Control Center)
	022755-01-000	EA	Cover - Control Panel - Plastic
	052367-01-000	EA	Lighter Asm - Cigarette

## EXTERIOR BODY GROUP

### SEALANTS & ADHESIVES

Key	Part Number	U/M	Description
	004020-01-000	QT	Adhesive - ABS Cement (Plastic Fittings)
	002337-01-000	EA	Adhesive - 1300 Tube - 3M (Windows)
	004005-02-000	GL	Adhesive - Swifts - Glue (Sidewalls)
	053766-07-000	EA	Bedding Compound - Tube - Beige (Exterior)
	053766-06-000	EA	Bedding Compound - Tube - Clear (Window)
	053766-08-000	EA	Bedding Compound - Tube - Gray (Exterior)
	053766-05-000	EA	Bedding Compound - Tube - Gray (Sidewalls to Floor)
	053766-02-000	EA	Bedding Compound - Tube - Off White (Exterior)
	002328-02-000	EA	Block - Rubber Spacer (Windshield)
	004336-01-000	EA	Caulk - Latex - Golden Walnut (Sidewalls)
	072891-02-000	QT	Primer - Glass - Black
	072891-01-000	QT	Primer - Glass - Clear
	035024-01-000	EA	Primer - Glass - Clear - Windshield
	072890-01-000	QT	Primer - Metal - Black
	035023-01-000	GL	Primer - Metal - Windshield
	077967-01-000	EA	Sealant - Acrylic Latex - Tube - Off White (Interior Sealant)
	034552-04-000	EA	Sealant - Silicone - Beige
	034552-02-000	EA	Sealant - Silicone - Clear
	034552-07-000	EA	Sealant - Silicone - Dark Gray
	034552-06-000	EA	Sealant - Silicone - Off White
	069637-01-000	EA	Sealant - Weatherban 404 - Tube - White (Door Caulk)
	072889-01-000	EA	Sealant - Urethane - Black (Windshield)
	069640-01-000	FT	Sealer Ribbon - 25" Bead x 20'
	069640-02-000	FT	Sealer Ribbon - 5" x 125" x 30'
	069640-03-000	FT	Sealer Ribbon - 75" x 125" x 30'
	069640-04-000	FT	Sealer Ribbon - 2" x 09" x 45' (P Series)
	069640-05-000	FT	Sealer Ribbon - 2 5" x 09" x 50'
	069640-06-000	FT	Sealer Ribbon - 5/16" Bead x 15'
	069640-07-000	FT	Sealer Ribbon - 2" x 3/32" x 30'
	002316-01-000	FT	Sealer Tape - 3/32" x 3/8" - White (Window)
	002707-01-000	FT	Sealer Tape - 5/16" x 3/4"
	002707-02-000	FT	Sealer Tape - 5/16" x 1/2"
	040545-01-000	GL	Sealer - Seam Weld
	053752-04-000	EA	Seam Sealer - Tube - Aluminum (Roof)
	063642-01-000	FT	Tape - Adhesive - 10 mm x 1 5" Wide
	038886-01-000	EA	Tape - Butyl - 31" x 31" x 148' (Windshield)
	076322-01-000	FT	Tape - Foam - Double Coated - 025 x 1" (Fiberglass Sidewall Seams)
	076322-02-000	FT	Tape - Foam - Double Coated - 045 x 1" (Fiberglass Sidewall Seams)
	009200-01-000	EA	Tape - Furnace - 1 5"
	002825-01-000	FT	Weather Striping (Roof Vent)

### MISCELLANEOUS EXTERNALLY MOUNTED PARTS

Key	Part Number	U/M	Description
	011129-01-000	EA	Plumbing Seal - Roof Vent - 1.5"
	048817-01-000	EA	Assist Handle - w/Light
	010230-04-000	EA	Fill - City Water - Recessed - Gray
	058808-03-000	EA	Water Fill - Lockable - Gray

## 1984 ITASCA TABLE OF CONTENTS

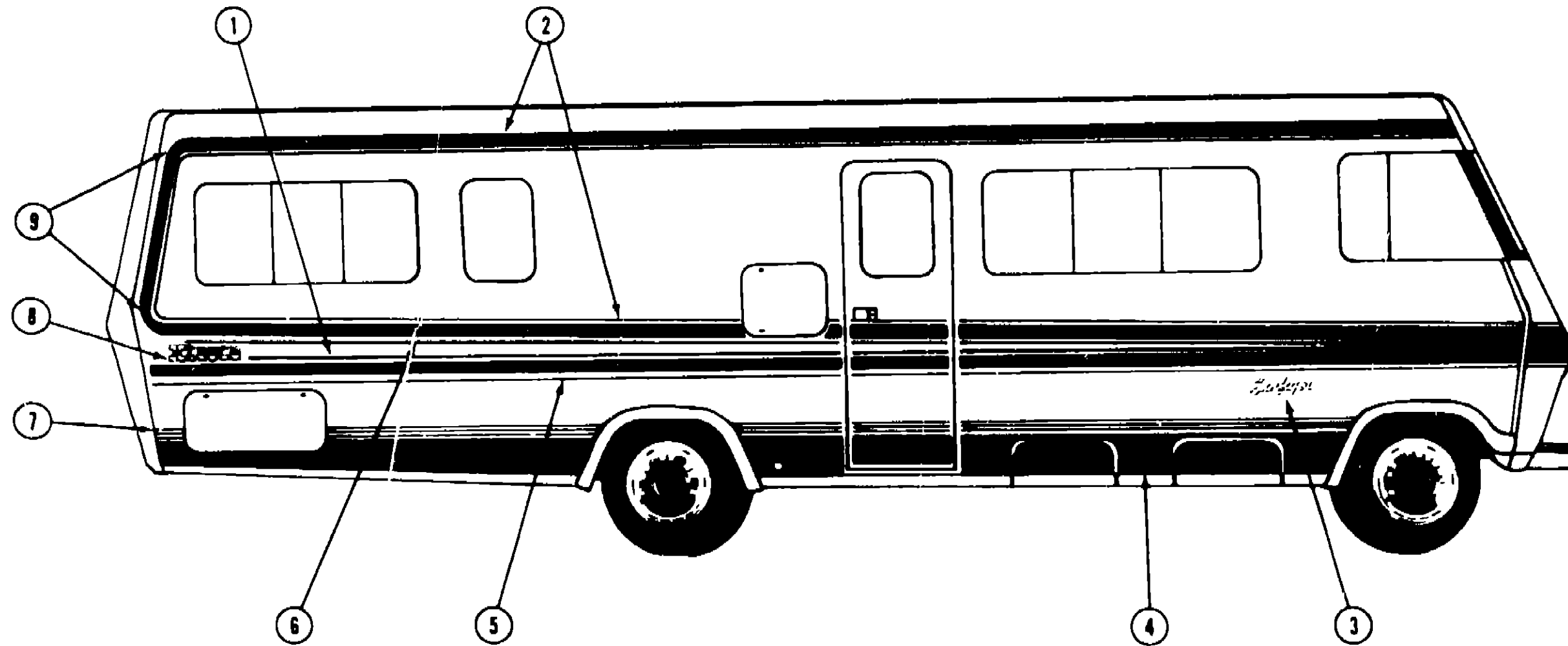
ICN26RB	A-01 - C-12
ICN26RH	C-13 - E-24

## 1984 ICN26RH INDEX

Floor Plan	C-13 - C-14
Accessories Group	C-15 - C-17
Bath Group	C-18
Chassis Group	C-19 - C-20
Curtain, Cushion & Pad Group	C-21 - D-03
Dinette Group	D-04 - D-05
Driver's Compartment Group	D-06 - D-08
Electrical Group	D-09 - D-11
Exterior Body Group	D-12 - D-22
Galley Group	D-23 - E-01
Heating & Air Conditioning Group	E-02 - E-03
Interior Finish Group	E-04 - E-06
LP Group	E-07
Lounge Group	E-08 - E-09
Water & Sewage Group	E-10 - E-11
Window, Vent & Exterior Door Group	E-12 - E-24

EXTERIOR BODY GROUP (CONTINUED)

DECALS



Key	Part Number	U/M	Description
1	041273-77-000	FT	Decal - Striping - 1 5" - Light Gray Metallic
2	065217-22-000	FT	Film - Multi-Stripe - 3.7" x 150' - Light Blue Metallic
2	065217-27-000	FT	Film - Multi-Stripe - 3.7" x 150' - Dark Blue Metallic
2	065217-26-000	FT	Film - Multi-Stripe - 3.7" x 150' - Light Brown Metallic
3	058718-02-000	EA	Decal - "Sunflyer" - Chrome
4	041273-78-000	FT	Decal - Stripe - 11" - Dark Gray Metallic
5	069245-15-000	FT	Film - Multi-Stripe - 4.26" x 150' - Gray Metallic
6	041273-79-000	FT	Decal - Striping - 75" - Light Gray Metallic
7	065217-19-000	FT	Film - Multi-Stripe - 1.19" x 150' - Light Blue Metallic
7	065217-29-000	FT	Film - Multi-Stripe - 1.19" x 150' - Dark Blue Metallic
7	065217-28-000	FT	Film - Multi-Stripe - 1.19" x 150' - Light Brown Metallic
8	046400-09-000	EA	Decal - Logo - "Itasca" - 4" x 24" - Chrome/Black
9	073732-01-000	EA	Decal - 180° Turn - Light Blue Metallic
9	073732-05-000	EA	Decal - 180° Turn - Dark Blue Metallic
9	073732-04-000	EA	Decal - 180° Turn - Dark Brown Metallic

1984 ITASCA  
TABLE OF CONTENTS

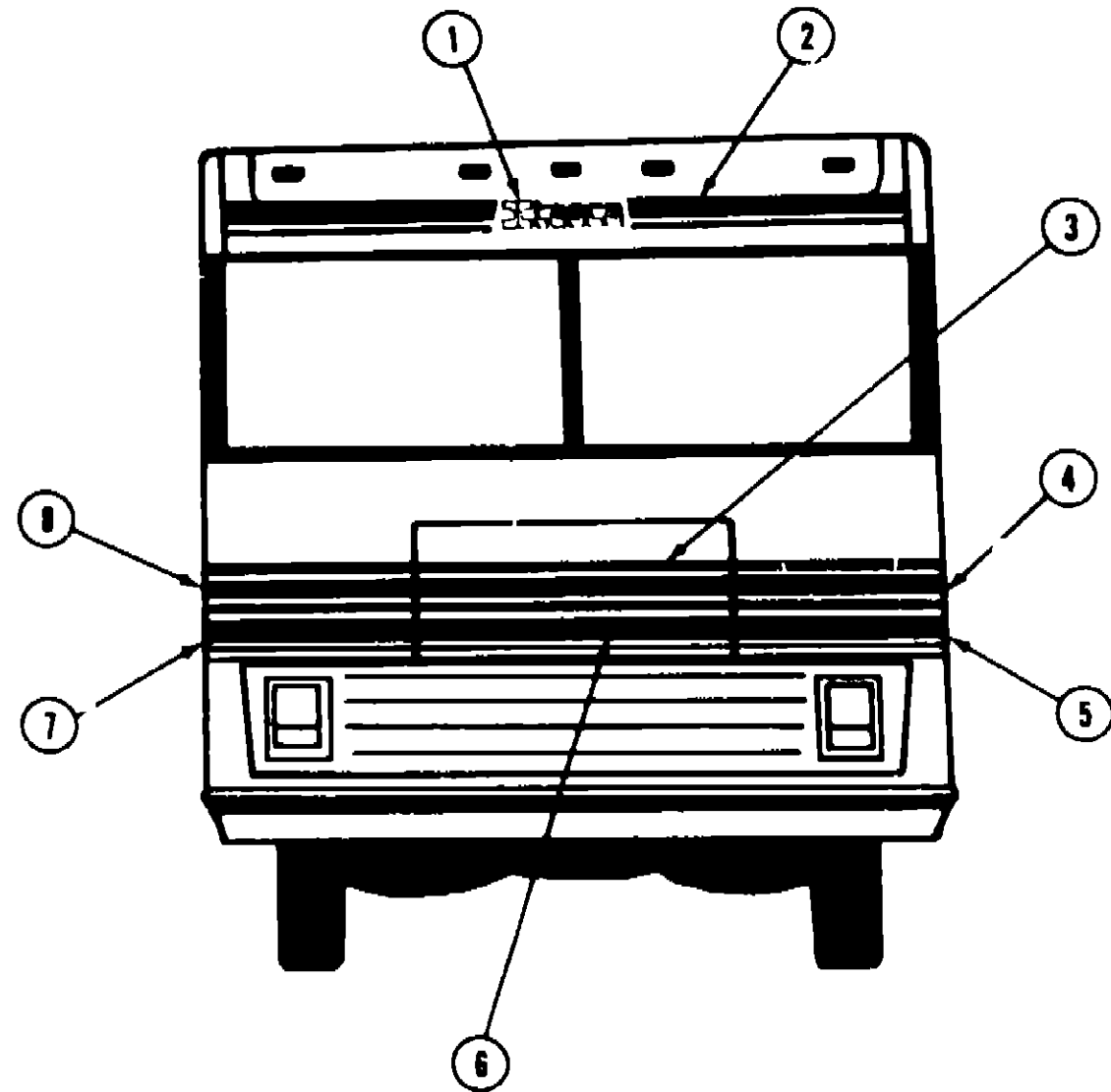
ICN26RB  
ICN26RH

A-01 - C-12  
C-13 - E-24

1984 ICN26RH INDEX

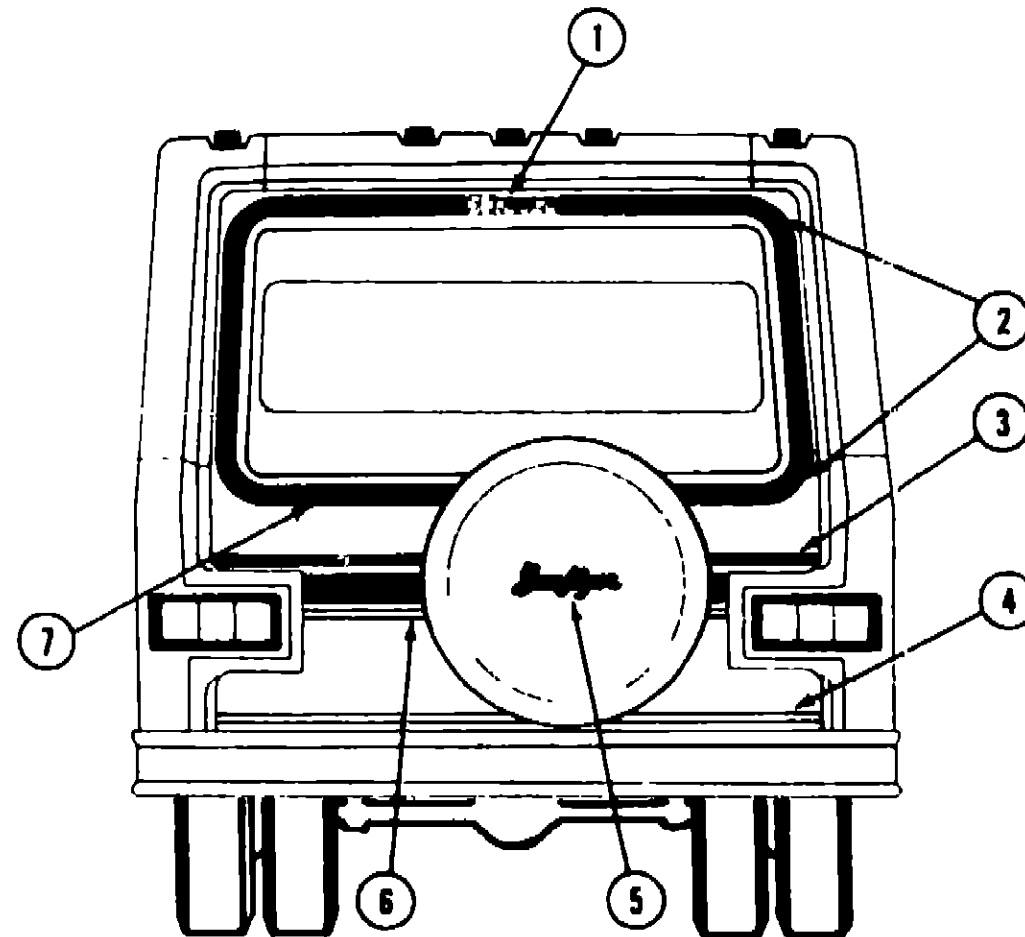
Floor Plan	C-13 - C-14
Accessories Group	C-15 - C-17
Bath Group	C-18
Chassis Group	C-19 - C-20
Curtain Cushion & Pad Group	C-21 - D-03
Dinette Group	D-04 - D-05
Driver's Compartment Group	D-06 - D-08
Electrical Group	D-09 - D-11
Exterior Body Group	D-12 - D-22
Galley Group	D-23 - E-01
Heating & Air Conditioning Group	E-02 - E-03
Interior Finish Group	E-04 - E-06
LP Group	E-07
Lounge Group	E-08 - E-09
Water & Sewage Group	E-10 - E-11
Window, Vent & Exterior Door Group	E-12 - E-24

**EXTERIOR BODY GROUP (CONTINUED)**



Key	Part Number	U/M	Description
1	069227-07-000	EA	Decal - Logo - "Itasca" - 3.7" x 15.82"
2	065217-22-000	FT	Film - Multi-Stripe - 3.7" x 150' - Light Blue Metallic
2	065217-27-000	FT	Film - Multi-Stripe - 3.7" x 150' - Dark Blue Metallic
2	065217-26-000	FT	Film - Multi-Stripe - 3.7" x 150' - Light Brown Metallic
3	075468-04-000	EA	Decal - Hood - Light Blue Metallic/Light Gray Metallic
3	075468-06-000	EA	Decal - Hood - Dark Blue Metallic/Light Gray Metallic
3	075468-05-000	EA	Decal - Hood - Light Brown Metallic/Light Gray Metallic
4	075469-08-000	EA	Decal - Corner - Left - Light Blue Metallic/Light Gray Metallic
4	075469-12-000	EA	Decal - Corner - Left - Dark Blue Metallic/Light Gray Metallic
4	075469-10-000	EA	Decal - Corner - Left - Light Brown Metallic/Light Gray Metallic
5	073734-04-000	EA	Decal - Corner - Bottom Stripe - Left - Gray Metallic
6	073733-02-000	EA	Decal - Hood - Lower - Gray Metallic
7	073734-03-000	EA	Decal - Corner - Bottom Stripe - Right - Gray Metallic
8	075469-07-000	EA	Decal - Corner - Top Stripe - Right - Light Blue Metallic/Light Gray Metallic
8	075469-11-000	EA	Decal - Corner - Top Stripe - Right - Dark Blue Metallic/Light Gray Metallic
8	075469-09-000	EA	Decal - Corner - Top Stripe - Right - Light Brown Metallic/Light Gray Metallic
*	041273-76-000	FT	Decal - Striping - 19" - Chrome
*	Not illustrated		

**EXTERIOR BODY GROUP (CONTINUED)**



Key	Part Number	U/M	Description
1	069227-07-000	EA	Decal - Logo - "Itasca" - 3.7" x 15.82"
2	073732-01-000	EA	Decal - 180° Turn - Light Blue Metallic
2	073732-05-000	EA	Decal - 180° Turn - Dark Blue Metallic
2	073732-04-000	EA	Decal - 180° Turn - Light Brown Metallic
3	041273-77-000	FT	Decal - Striping - 1.5" - Light Gray Metallic
4	065217-19-000	FT	Film - Multi-Stripe - 1.19" x 150' - Light Blue Metallic
4	065217-29-000	FT	Film - Multi-Stripe - 1.19" x 150' - Dark Blue Metallic
4	065217-28-000	FT	Film - Multi-Stripe - 1.19" x 150' - Light Brown Metallic
5	058718-02-000	EA	Decal - Sunflyer
6	069245-15-000	FT	Film - Multi-Stripe - 4.26" x 150' - Gray Metallic
7	065217-22-000	FT	Film - Multi-Stripe - 3.7" x 150' - Light Blue Metallic
7	065217-27-000	FT	Film - Multi-Stripe - 3.7" x 150' - Dark Blue Metallic
7	065217-26-000	FT	Film - Multi-Stripe - 3.7" x 150' - Light Brown Metallic
*	041273-78-000	FT	Decal - Stripe - 11" - Gray Metallic
*	Not illustrated		

**1984 ITASCA  
TABLE OF CONTENTS**

ICN26RB  
ICN26RH

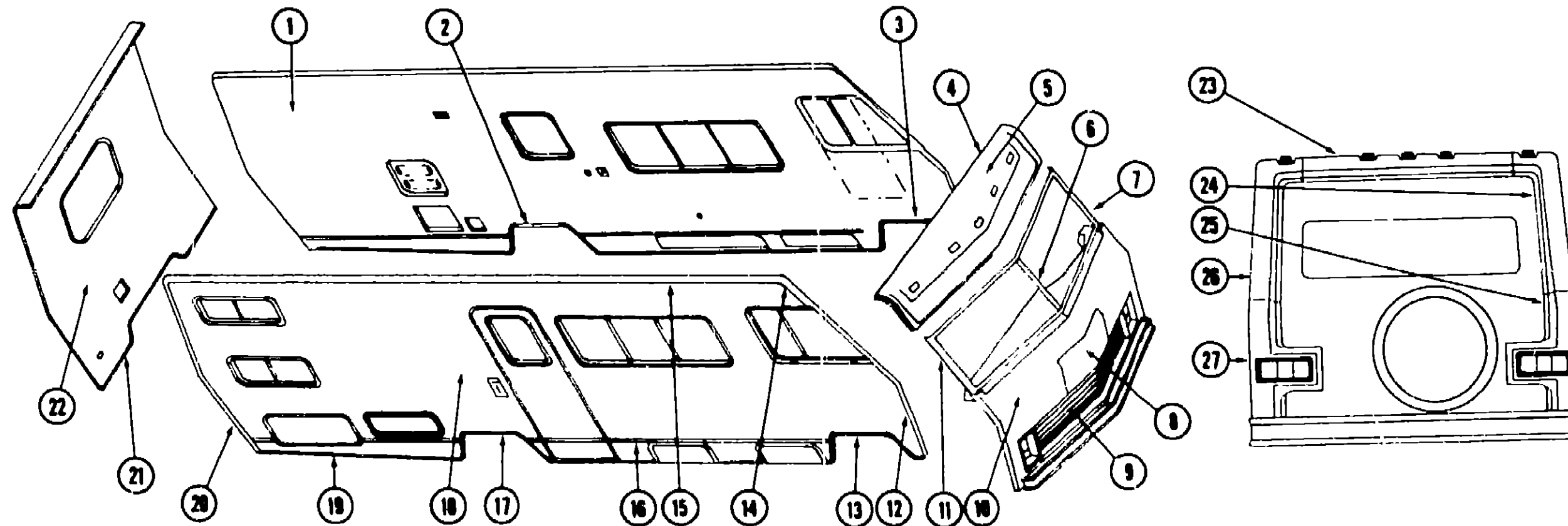
A-01 - C-12  
C-13 - E-24

**1984 ICN26RH INDEX**

Floor Plan	C-13 - C-14
Accessories Group	C-15 - C-17
Bath Group	C-18
Chassis Group	C-19 - C-20
Curtain, Cushion & Pad Group	C-21 - D-03
Dinette Group	D-04 - D-05
Driver's Compartment Group	D-06 - D-08
Electrical Group	D-09 - D-11
Exterior Body Group	D-12 - D-22
Galley Group	D-23 - E-01
Heating & Air Conditioning Group	E-02 - E-03
Interior Finish Group	E-04 - E-06
LP Group	E-07
Lounge Group	E-08 - E-09
Water & Sewage Group	E-10 - E-11
Window, Vent & Exterior Door Group	E-12 - E-24

## EXTERIOR BODY GROUP (CONTINUED)

### ALUMINUM EXTERIOR BODY PANELS



Key	Part Number	U/M	Description
1	M75357-02-R22	EA	Sidewall Asm - Left
1	M75357-02-R23	EA	Sidewall Asm - Left
1	M75357-02-R24	EA	Sidewall Asm - Left
2	058487-03-000	EA	Trim - Wheel Well - Rear - Right or Left
3	073847-01-000	EA	Trim - Wheel Well - Front - Right or Left
4	062396-01-000	EA	Trim - Roof/Front Cap
5	055400-04-000	EA	Cap Asm. - Over Windshield - Gray
6	058288-01-000	EA	Trim - Molding - Windshield - Center
7	058289-01-000	EA	Trim - Contour - Windshield - Left
	058287-01-000	EA	Trim - Molding - Windshield - Upper & Lower
	058291-01-000	FT	Molding Edge - Windshield
8	073084-03-000	EA	Access Panel - w/o Hardware - Gray
9	074635-01-000	EA	Grille Asm
	070817-03-000	EA	Headlamp Bezel - Driver
	070817-04-000	EA	Headlamp Bezel - Passenger
	073651-01-000	EA	Trim - Corner - Grille - Right
	073651-01-000	EA	Trim - Corner - Grille - Left
10	M01115-08-000	EA	Panel Asm - Front Shroud - Gray
11	058289-02-000	EA	Trim - Contour - Windshield - Right
	042743-01-000	EA	Corner Support - Windshield - Lower - Steel
	042743-02-000	EA	Corner Support - Windshield - Upper - Steel
12	073861-05-000	EA	Trim - Fiberglass Panel - Right - Gray
	073861-06-000	EA	Trim - Fiberglass Panel - Left - Gray
13	075089-02-000	EA	Trim - Wheel Well - Front Right - Gray Plastic
	075089-04-000	EA	Trim - Wheel Well - Front Left - Gray Plastic
14	058284-06-000	EA	Trim - Contour - Right - Front Upper - Gray
	058284-05-000	EA	Trim - Contour - Left - Front Upper - Gray
15	034922-32-000	EA	Trim - Sidewall - Upper - Left or Right - Gray
16	059576-04-000	EA	Feature Strip - Extr Alum - 14' - w/o Insert - Dark Gray
	009731-01-000	EA	End Cap - Feature Strip Insert
	001030-11-000	EA	Insert - Feature Strip - 17' - Gray
17	075070-02-000	EA	Trim - Wheel Well - Rear Right - Gray Plastic
	075070-04-000	EA	Trim - Wheel Well - Rear Left - Gray Plastic

## 1984 ITASCA TABLE OF CONTENTS

ICN26RB  
ICN26RH

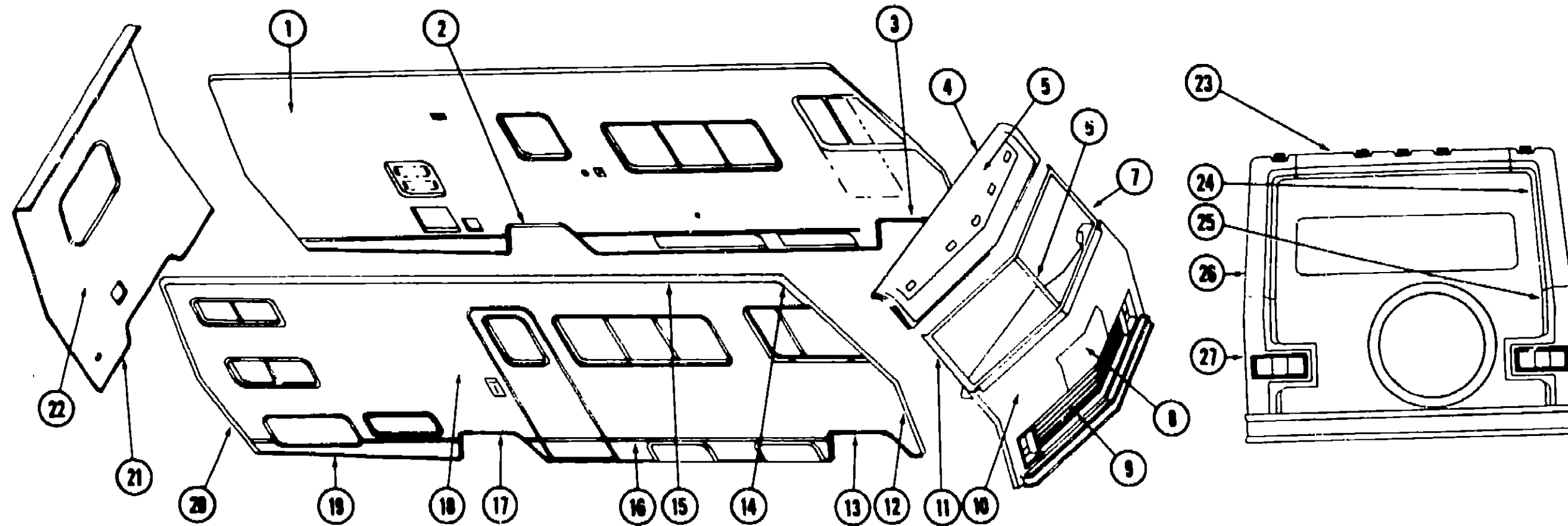
A-01 - C-12  
C-13 - E-24

### 1984 ICN26RH INDEX

Floor Plan	C-13 - C-14
Accessories Group	C-15 - C-17
Bath Group	C-18
Chassis Group	C-19 - C-20
Curtain, Cushion & Pad Group	C-21 - D-03
Dinette Group	D-04 - D-05
Driver's Compartment Group	D-06 - D-08
Electrical Group	D-09 - D-11
Exterior Body Group	D-12 - D-22
Galley Group	D-23 - E-01
Heating & Air Conditioning Group	E-02 - E-03
Interior Finish Group	E-04 - E-06
LP Group	E-07
Lounge Group	E-08 - E-09
Water & Sewage Group	E-10 - E-11
Window, Vent & Exterior Door Group	E-12 - E-24

## EXTERIOR BODY GROUP (CONTINUED)

### EXTERIOR BODY PANELS FIBERGLASS



## 1984 ITASCA TABLE OF CONTENTS

ICN26RB  
ICN26RH

A-01 - C-12  
C-13 - E-24

Key	Part Number	U/M	Description
1	M76534-02-R22	EA	Sidewall Asm - Greyhound - Left
1	M76534-02-R23	EA	Sidewall Asm - Greyhound - Left
1	M76534-02-R24	EA	Sidewall Asm - Greyhound - Left
1	M77765-02-R22	EA	Sidewall Asm - Mesa - Left
1	M77765-02-R23	EA	Sidewall Asm - Mesa - Left
1	M77765-02-R24	EA	Sidewall Asm - Mesa - Left
2	058487-03-000	EA	Trim - Wheel Well - Rear - Right or Left
3	073647-01-000	EA	Trim - Wheel Well - Front - Right or Left
4	062396-01-000	EA	Trim - Roof/Front Cap
5	055400-04-000	EA	Cap Asm - Over Windshield - Gray
6	058288-01-000	EA	Trim Molding - Windshield - Center
7	058289-01-000	EA	Trim - Contour - Windshield - Left
•	058287-01-000	EA	Trim - Molding - Windshield - Upper & Lower
•	058291-01-000	FT	Molding Edge - Windshield
8	073064-03-000	EA	Access Panel - w/o Hardware - Gray
9	074635-01-000	EA	Grille Asm
•	073817-01-000	EA	Mesh Asm. - Grille
•	070817-03-000	EA	Headlamp Bezel - Driver
•	070817-04-000	EA	Headlamp Bezel - Passenger
•	049359-01-000	EA	Spring - Headlight Retainer
•	062207-01-000	EA	Guard - Headlamp
•	073651-01-000	EA	Trim - Corner - Grille - Right
•	073651-02-000	EA	Trim - Corner - Grille - Left
10	M01115-06-000	EA	Panel Asm - Front Shroud - Gray
11	058289-02-000	EA	Trim - Contour - Windshield - Right
•	042743-01-000	EA	Corner Support - Windshield - Lower - Steel
•	042743-02-000	EA	Corner Support - Windshield - Upper - Steel
12	073861-05-000	EA	Trim - Fiberglass Panel - Right - Gray
•	073861-06-000	EA	Trim - Fiberglass Panel - Left - Gray
13	075089-02-000	EA	Trim - Wheel Well - Front Right - Gray Plastic
•	075089-04-000	EA	Trim - Wheel Well - Front Left - Gray Plastic

Key	Part Number	U/M	Description
14	078598-03-000	EA	Trim - Contour - Front Upper Right - Gray
•	078598-04-000	EA	Trim - Contour - Front Upper Left - Gray
15	076610-13-000	EA	Trim - Sidewall - Upper - 109 5" - Left or Right - Gray
16	059576-07-000	EA	Feature Strip - Extr Alum - 14' - w/o Insert - Dark Gray
•	009731-01-000	EA	End Cap - Feature Strip Insert
•	001030-11-100	EA	Insert - Feature Strip - 17' - Gray
17	075070-02-000	EA	Trim - Wheel Well - Rear Right - Gray Plastic
•	075070-04-000	EA	Trim - Wheel Well - Rear Left - Gray Plastic
18	M78533-02-R22	EA	Sidewall Asm - Greyhound - Right
18	M77764-02-R22	EA	Sidewall Asm - Mesa - Right
19	072639-01-001	EA	Rocker Panel - 218"
20	073502-05-000	EA	Trim - Right Rear - Gray
•	073502-06-000	EA	Trim - Left Rear - Gray
21	050406-06-000	EA	Trim - Backwall - Lower
22	M76186-02-R22	EA	Backwall Asm - Greyhound
22	M76186-02-R23	EA	Backwall Asm - Greyhound
22	M76186-02-R24	EA	Backwall Asm - Greyhound
22	M77831-02-R22	EA	Backwall Asm - Mesa
22	M77831-02-R23	EA	Backwall Asm - Mesa
22	M77831-02-R24	EA	Backwall Asm - Mesa
•	076621-01-R07	EA	Roof Asm - Greyhound
•	077798-01-R07	EA	Roof Asm. - Mesa
23	M01229-02-000	EA	Trim - Rear - Center Upper - Gray Plastic
24	073654-02-000	EA	Trim - Rear - Upper Right - Gray Plastic
25	073570-02-000	EA	Trim - Rear - Lower Right - Gray Plastic
26	073654-04-000	EA	Trim - Rear - Upper Left - Gray Plastic
27	M73570-04-000	EA	Trim - Rear - w/License Plate Bracket - Lower Left - Gray Plastic
•			Not Illustrated

## 1984 ICN26RH INDEX

Floor Plan	C-13 - C-14
Accessories Group	C-15 - C-17
Bath Group	C-18
Chassis Group	C-19 - C-20
Curtain, Cushion & Pad Group	C-21 - D-03
Dinette Group	D-04 - D-05
Driver's Compartment Group	D-06 - D-08
Electrical Group	D-09 - D-11
Exterior Body Group	D-12 - D-22
Galley Group	D-23 - E-01
Heating & Air Conditioning Group	E-02 - E-03
Interior Finish Group	E-04 - E-06
LP Group	E-07
Lounge Group	E-08 - E-09
Water & Sewage Group	E-10 - E-11
Window, Vent & Exterior Door Group	E-12 - E-24



**EXTERIOR BODY GROUP (CONTINUED)**

**INTERIOR/EXTERIOR SCREWS & FASTENERS**

Key	Part Number	U/M	Description
	005200-01-0C0	EA	Bolt - Round Head - Square Neck w/SST Cap - 7/16" - 14 x 1 1/4"
	058279-01-0C0	EA	Clip - Mounting - Front Panel
	035628-01-0C0	EA	Fastener - Blind Well Nut - 1.05" x .38"
	000D15-06-0XB	EA	Nut - Hex - 3/8" x 24 - Zinc
	005081-01-0C0	EA	Nut - Speed - C Type - #8 Screw
	000G54-04-2XB	EA	Screw 1/4 - 20 x 1 1/4" PTH - Zinc
	000G54-04-27B	EA	Screw 1/4 - 20 x 1 3/8" PTH - Zinc
	000G53-04-0XB	EA	Screw 1/4 - Machine - 20 x 3/8" PTH - Zinc
	000G13-06-12P	EA	Screw #6 - 20 x 3/4" PFH - Dark Brown
	000G13-06-21X	EA	Screw #6 - 20 x 3/4" PFH - Gray
	000G13-06-16R	EA	Screw #6 - 20 x 1" PFH - Beige
	000G11-07-01B	EA	Screw #7 - 19 x 1/2" PPH - Zinc
	000G12-08-12M	EA	Screw #8 - 18 x 3/4" POH - Gray
	000G11-08-12R	EA	Screw #8 - 18 x 3/4" PPH - Beige
	000C11-08-12X	EA	Screw #8 - 18 x 3/4" PPH - Gray
	000G11-08-12B	EA	Screw #8 - 18 x 3/4" PPH - Zinc
	000G39-08-12R	EA	Screw #8 - 18 x 3/4" SDPH - Beige
	000G66-08-12M	EA	Screw #8 - 18 x 3/4" SDPH - Gray
	000G11-08-15R	EA	Screw #8 - 18 x 1" PFH - Gray
	000G66-08-15R	EA	Screw #8 - 18 x 1" SDPH - Beige
	000G12-08-28R	EA	Screw #8 - 18 x 1 3/4" POH - Beige
	000G38-08-08F	EA	Screw #8 - 32 x 1/2" PFH - Chrome
	000G39-08-08B	EA	Screw #8 - Self Drilling - 18 x 1/2" PPH - Zinc
	000G39-08-12B	EA	Screw #8 - Self Drilling - 18 x 3/4" PPH - Zinc
	000G39-08-12R	EA	Screw #8 - Self Drilling - 18 x 3/4" PPH - Beige
	000G39-08-16R	EA	Screw #8 - Self Drilling - 18 x 1" PPH - Beige
	000G39-08-16T	EA	Screw #8 - Self Drilling - 18 x 1" PPH - Black
	000G39-08-16P	EA	Screw #8 - Self Drilling - 18 x 1" PPH - Dark Brown
	000G39-08-16X	EA	Screw #8 - Self Drilling - 18 x 1" PPH - Gray
	000G39-08-16E	EA	Screw #8 - Self Drilling - 18 x 1" PPH - Chrome
	000G64-08-16M	EA	Screw #8 - Self Drilling - 18 x 1" SDPH - Gray
	000G67-10-08B	EA	Screw #10 - 12 x 1/2" PPH - Zinc
	000G67-10-10R	EA	Screw #10 - 12 x 5/8" PPH - Beige
	000G67-10-16P	EA	Screw #10 - 12 x 1" PPH - Dark Brown
	000G67-10-16B	EA	Screw #10 - 12 x 1" PPH - Zinc
	000G67-10-20B	EA	Screw #10 - 12 x 1 1/4" PPH - Zinc
	000G67-10-24B	EA	Screw #10 - 12 x 1 1/2" PPH - Zinc
	049465-04-000	EA	Screw #10 - 16 x 1" POH - w/Washer - Beige
	049465-05-000	EA	Screw #10 - 16 x 1" POH - w/Washer - Gray
	000G12-10-24E	EA	Screw #10 - 16 x 1 1/2" POH - Chrome
	000G11-10-08D	EA	Screw #10 - 16 x 1/2" PPH - Dark Brown
	000G11-10-12R	EA	Screw #10 - 16 x 3/4" PPH - Beige
	000G11-10-12S	EA	Screw #10 - 16 x 3/4" PPH - Off White
	000G11-10-12B	EA	Screw #10 - 16 x 3/4" PPH - Zinc
	000G11-10-16B	EA	Screw #10 - 16 x 1" PPH - Zinc
	000G11-10-40B	EA	Screw #10 - 16 x 2 1/2" PPH - CAD
	000G19-10-12B	EA	Screw #10 - Machine - 32 TPI x 3/4"
	075908-01-000	EA	Screw #10 - Machine - 32 x .56" PTH - Zinc
	000G19-10-20B	EA	Screw #10 - Machine - 32 x 1 1/4" PPH - Zinc
	000G39-12-12E	EA	Screw #10 - Self Drilling - 14 x 3/4" PPH - Chrome
	000G39-10-10R	EA	Screw #10 - Self Drilling - 16 x 62" PPH - Beige
	000G39-10-12R	EA	Screw #10 - Self Drilling - 16 x 3/4" PPH - Beige
	000G39-10-12P	EA	Screw #10 - Self Drilling - 16 x 3/4" PPH - Dark Brown
	000G56-12-48C	EA	Screw #12 - Wood - 11 x 3" POH - CAD

**EXTERIOR BODY GROUP (CONTINUED)**

**LABELS & EXTERIOR PAINT**

Key	Part Number	U/M	Description
	068383-01-000	EA	Label - Diesel Fuel
	006195-01-000	EA	Label - Electrical Test
	047731-01-000	EA	Label - Emergency Exit
	006199-01-000	EA	Label - Exit - Escape Window
	057467-04-000	EA	Label - Exterior Loading Limit
	064378-01-000	EA	Label - Flying 'W' w/Thermo Panel
	061417-01-000	EA	Label - Fuel
	006196-01-000	EA	Label - Gas Test
	054531-01-000	EA	Label - LP Gas Only
	040944-01-000	EA	Label - Open - Entrance Door
	006015-01-000	EA	Label - Patent Motor Home
	056259-01-000	EA	Label - Safety Check List
	006064-01-000	EA	Label - Seat - w/o Seat Belts
	006187-01-000	EA	Label - Sewage
	006006-01-000	EA	Label - Thermo Panel - 2 1/4" x 2 1/4"
	075221-01-000	EA	Label - Trailer Hitch Capacity
	075220-01-000	EA	Label - Warning - Exterior Load Limit
	050225-01-000	EA	Label - Warning - Stove Vent - US
	006188-01-000	EA	Label - Waste Water
	006197-01-000	EA	Label - Water Test
	072863-01-000	EA	Nameplate - Diesel - 6 2L
	006082-01-000	EA	Tag - Electrical - 110 Volt Connection
	006040-01-000	EA	Tag - Gas - Refueling Warning
	044486-03-000	EA	Paint - Beige Acrylic Enamel - 16 oz. Aerosol (7633A Dupont)
	045681-03-000	EA	Paint - Gloss Black - Acrylic Enamel - 16 oz. Aerosol (99 Dupont)
	058637-05-000	EA	Paint - Gray Acrylic Enamel - 16 oz. Aerosol (71537 Dupont)
	041561-03-000	EA	Paint - Off White Acrylic Enamel - 16 oz. Aerosol (45396A Dupont)
	074559-01-000	EA	Label - LPG" - 3 3" x 1 75" - (Calif. Code)

**EXTERIOR ALUMINUM & FIBERGLASS SKINS**

Key	Part Number	U/M	Description
	001018-01-024	EA	Alum. - No Design - 48" x 96" - Beige
	044487-01-001	EA	Alum. - No Design (Roof) - 96" x 360" - Mill Finish
	076054-10-003	EA	Fiberglass - Sheet - 45 75" x 382" - Greyhound - Beige
	077517-10-001	EA	Fiberglass - Sheet - 46.12" x 378" - Mesa - Beige
	077517-10-002	EA	Fiberglass - Sheet - 46.12" x 68" - Mesa - Beige
	000868-01-000	SF	Styrofoam - 75" x 24" - 96"
	000870-01-000	SF	Styrofoam - 1.5" x 24" - 96"
	000870-02-000	SF	Styrofoam - 1.5" x 48" x 96"
	000870-03-000	SF	Styrofoam - 1 34" x 48" x 96"

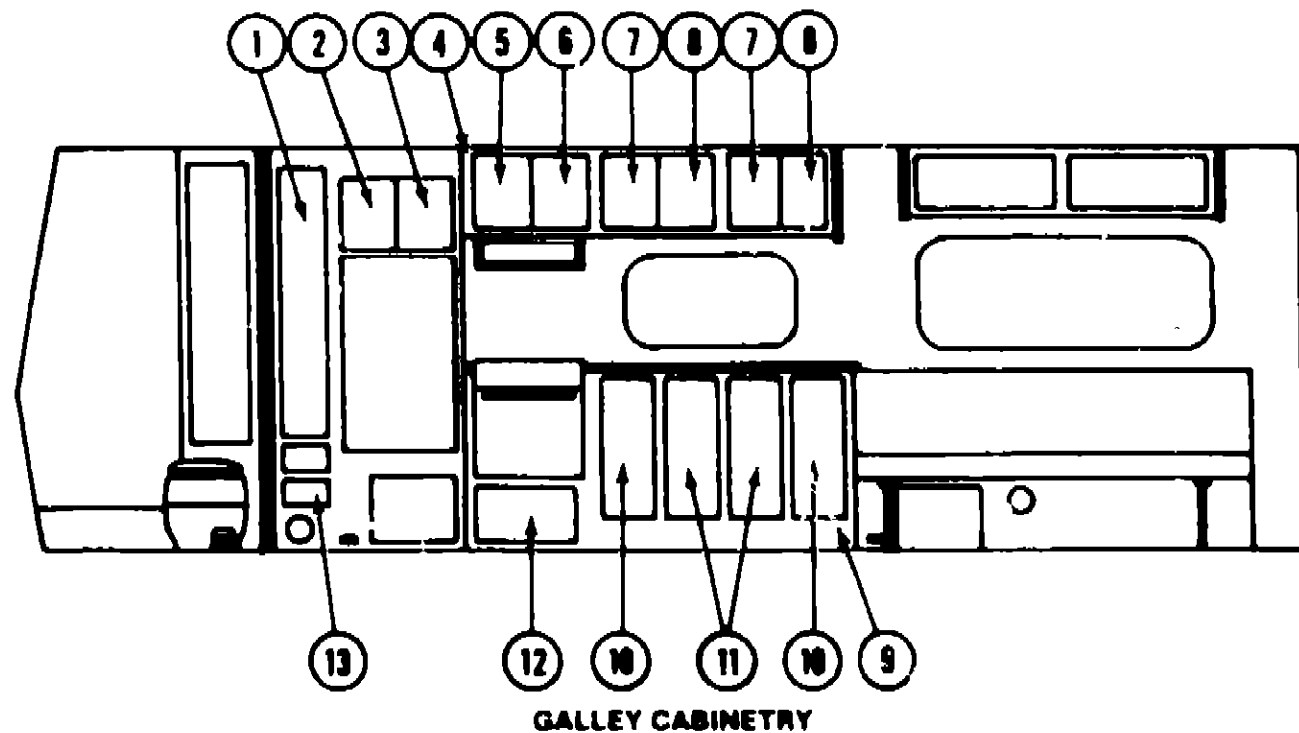
**1984 ITASCA  
TABLE OF CONTENTS**

ICN26RB	A-01 - C-12
ICN26RH	C-13 - E-24

**1984 ICN26RH INDEX**

Floor Plan	C-13 - C-14
Accessories Group	C-15 - C-17
Bath Group	C-18
Chassis Group	C-19 - C-20
Curtain, Cushion & Pad Group	C-21 - D-03
Dinette Group	D-04 - D-05
Driver's Compartment Group	D-06 - D-08
Electrical Group	D-09 - D-11
Exterior Body Group	D-12 - D-22
Galley Group	D-23 - E-01
Heating & Air Conditioning Group	E-02 - E-03
Interior Finish Group	E-04 - E-06
LP Group	E-07
Lounge Group	E-08 - E-09
Water & Sewage Group	E-10 - E-11
Window, Vent & Exterior Door Group	E-12 - E-24

## GALLEY GROUP



GALLEY CABINETRY

Key	Part Number	U/M	Description
1	069652-69-R07	EA	Door Asm - Refrigerator Cabinet - 52 5" x 10" - w/o Hardware
2	073521-06-R07	EA	Door Asm - Refrigerator Cabinet - 17 6" x 12 5" - w/o Hardware - Left
3	073521-07-R07	EA	Door Asm - Refrigerator Cabinet - 17 8" x 12 5" - w/o Hardware - Right
4	M75346-01-R07	EA	Cabinet Asm - Galley Overhead - w/o Doors or Hardware
5	073521-05-R10	EA	Door Asm - Galley Overhead - 15 8" x 11 6" - w/o Hardware - Left
6	073521-06-R07	EA	Door Asm - Galley Overhead - 15 8" x 11 6" - w/o hardware - Right
7	073521-04-R10	EA	Door Asm - Galley Overhead - 16" x 10 6" - w/o Hardware - Left
8	073521-03-R10	EA	Door Asm - Galley Overhead - 16" x 10 6" - w/o Hardware - Right
9	M75337-01-R07	EA	Cabinet Asm - Galley - w/o Counterlop, Doors, Drawers or Hardware
*	MD1472-01-R07	EA	Countertop Asm - Galley - Almond Loom
10	069652-02-R07	EA	Door Asm - Galley Cabinet - 28" x 11 8" - w/o Hardware
11	069652-03-R07	EA	Door Asm - Galley Cabinet - 28" x 10 9" - w/o Hardware
12	073521-19-R10	EA	Door Asm - Galley Cabinet - 16" x 22" - w/o Hardware
13	M59913-13-R07	EA	Drawer Asm - Refrigerator Cabinet - 5" x 8 7" x 17 2" Deep - w/o Hardware
*	067195-01-000	EA	Drawer - Plastic - 10 5" x 17 5" x 5"
*			Not Illustrated

## GALLEY HARDWARE

Key	Part Number	U/M	Description
	053424-04-R07	EA	Sink Cover - large - Almond Loom
	068615-01-000	EA	Sink - Stainless Steel - Double w/Bolts
**	011053-01-000	EA	Faucet - Swing Spout - 8" - US
**	011053-02-000	EA	Faucet - Swing Spout - 8" - CSA
	068437-01-000	EA	Strainer - Sink
**	011053-01-700	EA	Aerator - Swing Spout Faucet
	058334-01-000	EA	Wastebasket - 9 3/4" x 7" x 10" - White Rubbermaid
	059077-01-000	EA	Support - Wastebasket - Plastic - Galley Mount
	058478-01-000	EA	Support - Wastebasket - Metal - Door Mount
	058841-01-N16	EA	Cover - Wastebasket - Almond
	052932-01-M10	EA	Hinge Kit - Cabinet Door - Antique Brass
**	041939-01-000	EA	Hinge Kit - Double Acting - Overhead Door
**	057898-01-000	EA	Latch - Hidden - Cabinet Door
**	057898-02-000	EA	Strike - Hidden Latch - Cabinet Door
	037686-01-000	FT	Rail - Drawer Guide - Steel
	047744-01-000	EA	Kit - Drawer Guide - Plastic
	054450-01-000	EA	Level - Refrigerator
	074490-02-R10	EA	Spice Rack - Oak
	074981-01-000	EA	Cutting Board - Maple

\*\* The illustrated parts breakdown for this item is provided on the Common Items Fiche

## GALLEY GROUP (CONTINUED)

### GALLEY APPLIANCES

Key	Part Number	U/M	Description
	075470-02-000	EA	Hood - Stove - w/Monitor - Almond - CSA
	075470-01-000	EA	Hood - Stove - w/Monitor - Almond - US
	075470-05-000	EA	Spacer - Stove Hood
	075470-04-000	EA	Duct Extension - Stove Hood
	075470-01-700	EA	Monitor Panel
	075470-01-701	EA	Clock - Digital - Jensen
	072351-02-700	EA	Clock - Digital - LVS
	075470-01-702	EA	Switch - On/Off
	075470-01-703	EA	Switch - On - Momentary
	075470-01-704	EA	Switch - On/Off/On - Fan Motor
	075470-01-705	EA	Switch - On/Off/On - Momentary
	075470-01-706	EA	Rivets - Plastic
	075470-01-707	EA	Bulb - #912
	075470-01-708	EA	Panel Asm - Complete
	075470-01-709	EA	Fan Blade - Stove Hood - LVS
	075470-01-710	EA	Filter & Lens - Stove Hood - LVS
	075470-01-711	EA	Motor - Stove Hood - LVS
	048649-01-000	EA	Fan Blade - Stove Hood - Jensen
	049930-01-700	EA	Filter - Stove Hood - Jensen
	048648-01-000	EA	Motor - Stove Hood - Jensen
	049930-01-701	EA	Lens - Stove Hood - Jensen
	075217-01-000	EA	Refrigerator - AC/DC/Gas - Norcold 8' - 838-EG3
	075217-01-700	EA	Shelf Asm - Door - w/Trim
	075217-01-701	EA	Gasket - Door - Freezer
	075217-01-702	EA	Frame Asm - Door
	075217-01-703	EA	Decor Trim - Top & Bottom
	075217-01-704	EA	Gasket - Door - Refrigerator
	075217-01-706	EA	Cabinet Asm - Urethane
	075217-01-707	EA	Bulb - Light - DC
	075217-01-708	EA	Lamp Socket
	075217-01-710	EA	Eyebrow Asm.
	075217-01-711	EA	Breaker Strip - Top
	075217-01-713	EA	Crisper Drawer
	075217-01-714	EA	Thermostat Asm
	075217-01-715	EA	Knob - Thermostat
	075217-01-716	EA	Front Divider Asm.
	075217-01-717	EA	Humidity Switch
	075217-01-718	EA	Light Switch
	075217-01-719	EA	Eyebrow Board
	075217-01-720	EA	Eyebrow
	075217-01-721	EA	Lamp - Indicator - Amber
	075217-01-722	EA	Lamp - indicator - Green
	075217-01-723	EA	Lamp - Indicator - Red
	075217-01-724	EA	Lamp - Indicator - Blue
	075217-01-725	EA	Rocker Switch - #615258
	075217-01-726	FA	Interface Board
	075217-01-728	EA	Cover - Interface Board
	075217-01-729	EA	Fitting - Outlet
	075217-01-730	EA	Gas, Valve
	075217-01-731	EA	Nipple
	075217-01-732	EA	Fitting - Inlet
	075217-01-733	EA	Shut-Off Cock
	075217-01-734	EA	Fuse - 3 Amp.
	075217-01-735	EA	Ingrition Electrode
	075217-01-736	EA	Sensing Electrode
	075217-01-737	EA	Control Module
	075217-01-738	EA	Rocker Switch - #615259
	075217-01-739	EA	Heater
	075217-01-740	EA	Screw #6 - 32" x 2 3/8"
	075217-01-741	EA	Wing - Nut #6 - 32
	075217-01-742	EA	Hex Nut
	075217-01-743	EA	Elbow - 90°

## 1984 ITASCA TABLE OF CONTENTS

ICN26RB	A-01 - C-12
ICN26RH	C-13 - E-24

## 1984 ICN26RH INDEX

Floor Plan	C-13 - C-14
Accessories Group	C-15 - C-17
Bath Group	C-18
Chassis Group	C-19 - C-20
Curtain, Cushion & Pad Group	C-21 - D-03
Dinette Group	D-04 - D-05
Driver's Compartment Group	D-06 - D-08
Electrical Group	D-09 - D-11
Exterior Body Group	D-12 - D-22
Galley Group	D-23 - E-01
Heating & Air Conditioning Group	E-02 - E-03
Interior Finish Group	E-04 - E-06
LP Group	E-07
Lounge Group	E-08 - E-09
Water & Sewage Group	E-10 - E-11
Window, Vent & Exterior Door Group	E-12 - E-24

## GALLEY GROUP (CONTINUED)

### GALLEY HARDWARE & APPLIANCES (CONT.)

Key	Part Number	U/M	Description
	075217-01-744	EA	Cable - Wiring
	075217-01-745	EA	Liner Asm. - Foamed - Door
	075217-01-746	EA	Baffle Asm
	075217-01-747	EA	Liner Asm - Foamed - Lower - Door
	075218-01-000	EA	Refrigerator - 3-Way - 10' Norcold
	075218-01-700	EA	Gasket - Freezer Door
	075218-01-701	EA	Gasket - Refrigerator Door
	075218-01-702	EA	Connector Rod
	075218-01-703	EA	Frame Asm
	075218-01-704	EA	Cabinet - Urethane
	075218-01-705	EA	Breaker Strip - Bottom
	075218-01-707	EA	Divider - Front
	075218-01-708	EA	Cable - Wiring
	075218-01-709	EA	Door Liner Asm - Foamed
	075218-01-710	EA	Door Liner Asm - Foamed - Lower
	064782-02-000	EA	Range - 4 Burner - Almond Top
	064782-01-700	EA	Frame - Upper Glass
	064782-01-701	EA	Glass - Outside
	064782-01-702	EA	Panel - Door - Black
	064782-01-703	EA	Trim - Cabinet - Right
	064782-01-704	EA	Trim - Cabinet - Left
	064782-01-705	EA	Washer - Door Handle
	064782-02-700	EA	Top - 4 Burner - Almond
	064782-02-701	EA	Deflector - Plate - Black
	064782-02-702	EA	Trim - Cabinet - Right - Black
	064782-02-703	EA	Trim - Cabinet - Left - Black
	064782-02-704	EA	Trim - Glass - Lower Outside - Black
	064782-02-705	EA	Handle - Oven Door - Black
	064782-02-706	EA	Trim - Vertical - Black
	064782-02-707	EA	Panel - Manifold
	064782-02-708	EA	Mercury Valve
	749045-01-740	EA	Cover - Stovetop Bifold - Magic Chef
	075922-01-000	EA	Microwave
	075922-03-000	EA	Trim Ring - Microwave
	075922-04-000	EA	Exhaust Duct - Microwave
	075930-02-000	EA	Bracket - Microwave - Left
	075930-01-000	EA	Bracket - Microwave - Right
	076253-02-000	EA	Bracket - 6" - Microwave

## HEATING & AIR CONDITIONING GROUP

### FURNACES & ROOF AIR CONDITIONER

Key	Part Number	U/M	Description
	075696-01-000	EA	Furnace - 34,000 BTU - w/Direct Ignition - NT-34S
	075695-01-000	EA	Furnace - 24,000 BTU - w/Direct Ignition - NT-24S
	069834-01-723	EA	Thermostat - Furnace
	075695-01-701	EA	Electrode Asm - Furnace
	075695-01-702	EA	Vent Cap Asm - Furnace
	075695-01-703	EA	Gas Inlet Pipe - Furnace
	075695-01-704	EA	Manifold Asm - Furnace
	075695-01-705	EA	Burner Asm. - Furnace
	075695-01-707	EA	Motor Furnace - 34,000 BTU
	075695-01-708	EA	Micro Switch Asm - 24,000 BTU Furnace
	075695-01-709	EA	Micro Switch Asm - 34,000 BTU Furnace
	075695-01-710	EA	Cabinet - Front
	075695-01-711	EA	Cabinet Asm
	069633-01-705	EA	Vent Package - Furnace - Suburban
	069636-01-000	EA	Connector - 4' Duct
	009198-01-000	FT	Duct - Flexible - 4" I D x 25'
	056464-01-000	EA	Register - 4" Dia - Plastic - w/Damper
	056464-02-000	EA	Register - 4" Dia - Plastic - w/o Damper
	009200-01-000	EA	Tape - Furnace - 1 1/2"
	023146-01-000	EA	Clamp - Screw Type - 4"
	073743-01-000	EA	Shroud Asm - Ceiling - Inside - Roof Air - 13,500 BTU - Cool Only
	073744-01-000	EA	Shroud Asm - Ceiling - Inside - Roof Air - 13,500 BTU - Heat & Cool
	073742-01-000	EA	Air Conditioner - 110 Volt - Roof Mount - 13,500 BTU Rotary
	073742-01-700	EA	Decal Package - Left & Right (Exterior)
	073742-01-701	EA	Selector Switch (5 Terminal)
	073742-01-702	EA	Decal - Cool Only
	073742-01-703	EA	Decal - Heat & Cool
	073742-01-704	EA	Decal - Thermostat - TSR

### AUXILIARY HEATER ASSEMBLY

Key	Part Number	U/M	Description
	049401-01-000	EA	Heater Asm. - Rear - Auxiliary
	049401-01-700	EA	Valve - Water Control
	049401-01-701	EA	Control Cable
	049401-01-702	EA	Motor Asm
	049401-01-703	EA	Heater Core
	049401-01-704	EA	Switch
	058906-02-000	EA	Control Panel - Beige
	058893-01-000	EA	Bracket - Side Mount - Motor Aid
	076312-01-000	EA	Mesh - Grille - 7 3/8" x 6 7/8" - Gold Aluminum

## 1984 ITASCA TABLE OF CONTENTS

ICN26RB	A-01 - C-12
ICN26RH	C-13 - E-24

## 1984 ICN26RH INDEX

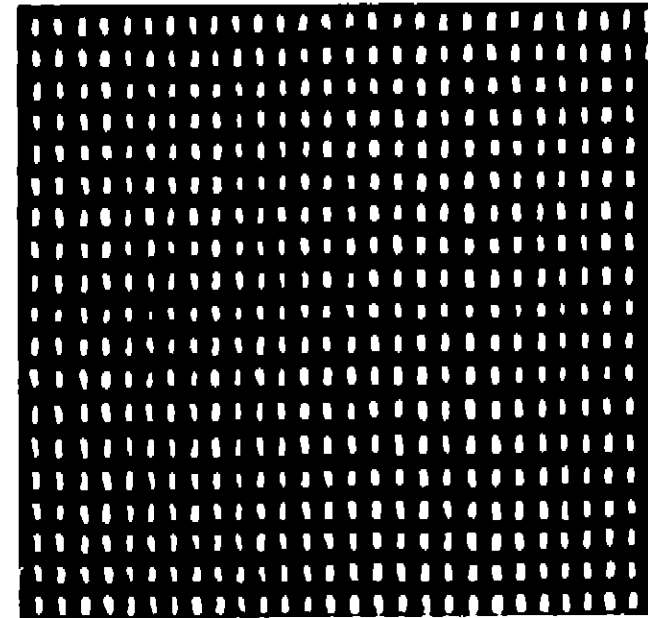
Floor Plan	C-13 - C-14
Accessories Group	C-15 - C-17
Bath Group	C-18
Chassis Group	C-19 - C-20
Curtain, Cushion & Pad Group	C-21 - D-03
Dinette Group	D-04 - D-05
Driver's Compartment Group	D-06 - D-08
Electrical Group	D-09 - D-11
Exterior Body Group	D-12 - D-22
Galley Group	D-23 - E-01
Heating & Air Conditioning Group	E-02 - E-03
Interior Finish Group	E-04 - E-06
LP Group	E-07
Lounge Group	E-08 - E-09
Water & Sewage Group	E-10 - E-11
Window, Vent & Exterior Door Group	E-12 - E-24

## HEATING & AIR CONDITIONING GROUP (CONTINUED)

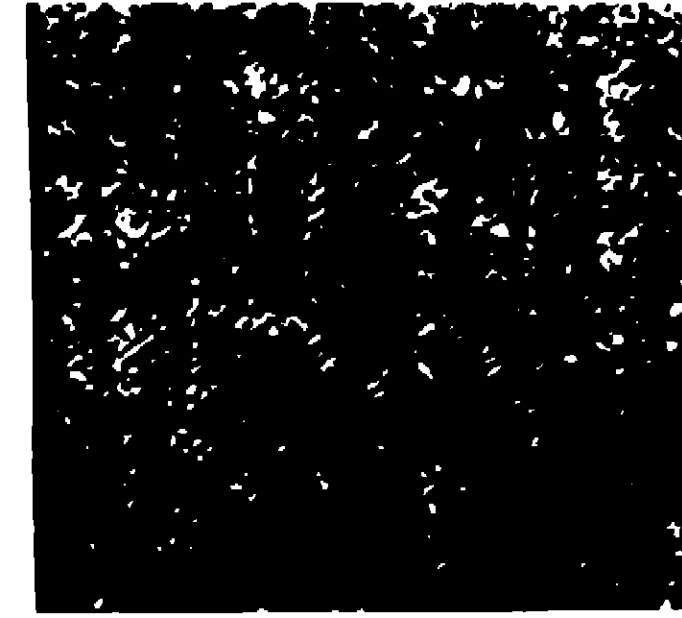
### AUTOMOTIVE HEATER & AIR CONDITIONER

Key	Part Number	U/M	Description
	072341-04-000	EA	Heater/Evaporator Asm - A R A
	072341-01-700	EA	Wheel - w/Retainer & Index Clip
	072341-01-701	EA	Core - Heater - A R A
	072341-01-702	EA	Coil - Evaporator - A R A
	072341-01-703	EA	Valve - Expansion - A R A
	072341-01-704	EA	Valve - Suction - A R A
	072341-01-705	EA	Switch - Pressure - Low Cut Out
	072341-01-706	EA	Resistor - A R A
	072341-01-707	EA	Thermostat - A R A
	072341-01-708	EA	Motor - Vacuum - A R A
	056455-01-702	EA	Blower - Evaporator Motor
	R77005 81-129	EA	Relay - Glow Plug
	072341-01-710	EA	Control Asm - Heater A/C - A R A
	072341-01-711	EA	Cable - Bowden - 72" - A R A
	072341-01-712	EA	Switch - Vacuum - A R A
	072341-01-713	EA	Switch - Jumper Control - A R A
	072341-01-714	EA	Valve - Heater - Water Flow Control - A R A
	072341-01-715	EA	Escape & Louver Adapter Asm
	072341-01-716	EA	Discharge Valve - 1/2"
	072341-06-000	EA	Duct & Control Kit
	072342-01-000	EA	Condenser Asm - A R A
	072342-02-700	EA	Receiver Drier - Condenser Asm
	072343-01-000	EA	Compressor/Clutch - A R A
	072344-01-000	EA	Package - Compressor Mount
	074026-01-000	EA	Package - Compressor Mount - 6 2 L Diesel
	039044-01-000	EA	Louver Asm - A/C Adjustable
	007076-01-700	FT	Hose - Flexible PVC - 2' I D
	007281-01-700	FT	Hose - Flexible PVC - 2 1/2" I D
	007108-01-000	FT	Hose - Heater - 5/8" I D SAE 20R3
	062401-04-000	EA	Clamp - Worm Drive - 69' - 1 25" I D
	010227-01-000	EA	Tee - Plastic - Barb 5/8" or 3/4" Hose

## INTERIOR FINISH GROUP



Wicker Weave Pattern



Jamaica Weave Pattern

### 1984 ITASCA TABLE OF CONTENTS

ICN26RB  
ICN26RH

A-01 - C-12  
C-13 - E-24

### PANELING & COUNTERTOP MATERIALS

Key	Part Number	U/M	Description
	068344-05-000	SF	Paneling - Elm - 48" x 84" (23 SF) (Wall)
	072336-20-000	SF	Paneling - Decor - Jakarta Burlap - 48' x 96" (32 SF) (Ceiling)
*	072336-19-000	SF	Paneling - Decor - Wicker Weave - 48" x 84" (28 SF) (Refrigerator)
*	072336-19-700	SF	Paneling - Decor - Jamaica Weave - 48" x 84" (28 SF) (Refrigerator)
	074496-06-000	SF	Paneling - Decor - Stained Glass - 48" x 84" (28 SF) (Galley & Bath) (R22, R24)
	074496-07-000	SF	Paneling - Decor - Stained Glass - 48" x 84" (28 SF) (Galley & Bath) (R23)
*	057880-05-000	SF	Pluswood Board - Wicker Weave/Elm (Headboard Asm )
*	057880-05-700	SF	Pluswood Board - Jamaica Weave/Elm (Headboard Asm )
	072337-03-000	SF	Plastic Laminate - Almond Loom - 48' x 96" (32 SF) (Galley)
	072337-03-019	EA	Plastic Laminate - Almond Loom - 1 19" x 96"
	074498-01-000	SF	Plastic Laminate - Harbor Oak - 48' x 96" (32 SF) (Dinette Table)
	074498-01-019	EA	Plastic Laminate - Harbor Oak - 1 19" x 96"
	072337-02-000	SF	Plastic Laminate - Travertine - 48" x 96" (32 SF) (Bath)
	072337-02-019	EA	Plastic Laminate - Travertine - 1 19" x 96"
*			Reference above illustration

### 1984 ICN26RH INDEX

Floor Plan	C-13 - C-14
Accessories Group	C-15 - C-17
Bath Group	C-18
Chassis Group	C-19 - C-20
Curtain, Cushion & Pad Group	C-21 - D-03
Dinette Group	D-04 - D-05
Driver's Compartment Group	D-06 - D-08
Electrical Group	D-09 - D-11
Exterior Body Group	D-12 - D-22
Galley Group	D-23 - E-01
Heating & Air Conditioning Group	E-02 - E-03
Interior Finish Group	E-04 - E-06
LP Group	E-07
Lounge Group	E-08 - E-09
Water & Sewage Group	E-10 - E-11
Window, Vent & Exterior Door Group	E-12 - E-24

**INTERIOR FINISH GROUP (CONTINUED)**

**INTERIOR MOLDINGS & TRIMS**

Key	Part Number	U/M	Description
	024700-18-000	EA	Cover - Sidewall Roll Bar - 85 5/8" - Beige
	042430-02-R07	EA	Molding - Shelf - Wood
	009812-08-000	FT	Molding - Outside Corner - 50" - Teak
	042357-09-000	FT	Molding - Corner - Radius - 7" - Elm
	075325-01-000	FT	Molding - Edge Band - 1 5/16" x .030" - Harbor Oak
	045375-09-000	FT	Molding - Corner - w/Holes - 77"
	045753-01-000	EA	Molding - Corner Cap - Hear Dinette - Dark Brown
	077065-01-000	EA	Molding - 2" Cove - Plastic
	022992-08-000	FT	Molding - Reverse Cove - Champagne White
	009815-03-000	FT	T-Molding - 75" - Light Brown
	070504-01-000	FT	U-Channel - 065" - Light Brown
	070504-02-000	FT	U-Channel - 815" - Light Brown
	009767-06-000	FT	Welling - Beige
	052859-01-R13	FT	Accent Trim - Medium Almond Vinyl (Beige)
	059352-01-000	FT	Insert - Vinyl - Style & Rail Door
	075249-01-000	EA	Rail Asm - 72" Plain - Oak
	075250-01-000	EA	Corner Post - 1" x 1" x 2 5/8" - Oak
	042356-01-000	EA	Plug - Button - 3/8" Dia - Mahogany
	058204-01-000	EA	Batt Strip - Elm - 9' (Wall)
	069733-23-000	EA	Batt Strip - Jakarta Burlap - 8' (Ceiling)
	069733-33-000	EA	Batt Strip - Stained Glass - 8' (Galley & Bath) (R22, R24)
	069733-34-000	EA	Batt Strip - Stained Glass - 8" (Galley & Bath) (R23)
	064675-06-000	EA	Angle - Steel Roof Joint - 96' - Beige

**FABRICS & CARPET**

Key	Part Number	U/M	Description
	072333-09-000	YD	Fabric - Drapery - Beige
	072333-13-000	YD	Fabric - Drapery - Cream (Sheers)
	074495-23-000	YD	Fabric - Upholstery/Accent - Indigo (Blue/Gray) (R22)
	074495-21-000	YD	Fabric - Upholstery/Accent - Cocoa (Navy/Beige) (R23)
	074495-22-000	YD	Fabric - Upholstery/Accent - Cinnamon (Rust) (R24)
	074495-50-000	YD	Fabric w/Pattern - Upholstery - Aztec (Blue/Gray) (R22)
	074495-48-000	YD	Fabric w/Pattern - Upholstery - Danube (Navy/Beige) (R23)
	074495-49-000	YD	Fabric w/Pattern - Upholstery - Bisque (Rust) (R24)
	038421-01-000	YD	Fabric - Mattress Ticking
	029012-01-000	BF	Foam - Rolled - 3/8"
	070502-01-000	YD	Vinyl - Non-Expanded - 12 Gauge Film - Medium Almond (Beige)
	072860-05-000	SY	Carpet - Steel Blue (R22)
	072860-16-000	SY	Carpet - Formality (Light Brown) (R23)
	072860-15-000	SY	Carpet - Golden Anniversary (Golden Brown) (R24)

**CURTAIN HARDWARE**

Key	Part Number	U/M	Description
	056116-01-000	EA	Track - Curtain - Brown Plastic
	059430-05-000	EA	Track - Curtain - Front Wraparound - 43 75" x 36" - Beige (2 per unit)
	059430-07-000	EA	Track - Curtain - Front Wraparound - 32 8" x 89 1" (Driver's Door) Beige
	056001-01-000	EA	Bracket - Shade - Left
	056002-01-000	EA	Bracket - Shade - Right
	056003-01-000	EA	Bracket - Drapery Retainer - Right
	056003-02-000	EA	Bracket - Drapery Retainer - Left
	056003-03-000	EA	Bracket - Drapery Retainer - Universal
	075477-21-000	EA	Bracket - Hold Down - Blinds
	075477-36-000	EA	Bracket - Installation - Blinds - Left or Right
	009107-01-000	EA	Guide - Nylon Snap - Curtain
	056784-01-000	EA	Pull - Window Shade - Antique Brass
	039175-01-000	EA	Curtain Rod - Ext 48" - 84"
	039175-03-000	EA	Curtain Rod - Ext 28" - 48"
	039175-04-000	EA	Curtain Rod - Ext 16" - 28"
	039175-02-000	EA	Bracket - Curtain Rod
	056115-01-000	YD	Tape - Clear Plastic - w/Guides
	048394-01-000	YD	Tape Hook - 1" x 25 YD - Beige
	048395-01-000	YD	Tape Loop - 1" x 25 YD - Beige

**INTERIOR FINISH GROUP (CONTINUED)**

**CABINETS & TABLE HARDWARE**

Key	Part Number	U/M	Description
	053200-05-000	EA	Bracket - Upper Wall Mount - 23 5"
**	053201-03-000	EA	Bracket - Table Mount - 23"
	024275-05-000	EA	Rod - Table Lift - 8" x 23 5"
	024281-07-000	EA	Bracket - Lower Wall Mount - 22 12"
	024276-14-000	EA	Leg Asm - Table - 29 5" - Brown (Dinette)
**	064050-01-000	EA	Hinge - Table Leg
**	024282-01-000	EA	Brace - Table Leg
**	024283-01-000	EA	Clip - 1" O D Tube
	049493-02-000	EA	Catch - Table Leg - Mounts on Floor - Brown
	009040-04-000	EA	Leg - Pedestal Table - 27 5" x 2 25" O D
	009040-03-000	EA	Base - Pedestal Table - Mounts on Table
	041194-01-000	EA	Base - Pedestal Table - Mounts in Floor
	062046-01-000	EA	Clip - Pedestal Leg
	023320-01-000	EA	Foam Pad - 3/8" Dia - Cabinet Doors
**	057898-01-000	EA	Hidden Latch w/Strike - Cabinet Door
	009112-01-000	EA	Flange - 1" - Chrome - Closet Rod
	072394-01-000	EA	Slide - Drawer - Left - w/Tab
	072394-01-000	EA	Slide - Drawer - Right - w/o Tab
**	077409-01-000	EA	Slide - Drawer - 20 75" - Plastic
**	037688-01-000	FT	Rail - Drawer
**	047744-01-000	EA	Kit - Drawer Glide
	074493-01-000	EA	Support - Sprung - Door Prop
	009049-01-000	EA	Table Support - Drop Leaf
	009059-01-000	EA	Hinge - 2" - Gold
	057671-01-000	EA	Screw Cover - #8 - Off White
	075687-01-000	EA	Latch Asm - Bathroom Door - Privacy
	058034-02-000	EA	Latch - Sliding Door - w/o Lock
	064467-01-000	EA	Guide - Sliding Door - Mounts on Wall
	009156-01-000	EA	Hanger - Sliding Door
	075145-06-000	EA	Cover - Sliding Door Track - 54 2"
	075153-01-000	EA	Cover - End Cap - Sliding Door Track - Beige
	075149-04-000	EA	Track - Sliding Door - 54 2"
	009150-01-000	EA	Warp Guard - 64"
	009021-01-000	EA	Catch - Nylon - Furnace Door
	009021-02-000	EA	Strike - Nylon Catch - Furnace Door
**	052932-01-M10	EA	Hinge Kit - Cabinet Door - Antique Brass
**	041939-01-000	EA	Hinge - Double Acting - Overhead Door
**			The illustrated parts breakdown for this item is provided on the Common Items Fiche

**MISCELLANEOUS PARTS**

Key	Part Number	U/M	Description
	053552-01-R07	EA	Handle Asm - Interior Assist - Medium Almond Vinyl
	041944-03-000	EA	Fire Extinguisher w/Bracket - 5BC
	054185-20-000	EA	Owner's Manual - 1964 - Itasca & Winnebago
	040069-01-000	EA	Door Mat - 10 1/2' x 26" - Black Rubber
	063951-01-000	EA	Door Asm - Battery - w/o Carpet
	042541-01-000	EA	Latch Asm - w/Strike Chrome (Battery Door)
	065201-02-000	EA	Shade Wall - Lamp - Fabric - Parchment
	065202-01-000	EA	Lamp - Decor - Wall - Brass - 2 Bulb
	075907-01-000	EA	Picture - Decor - Assorted Grasses

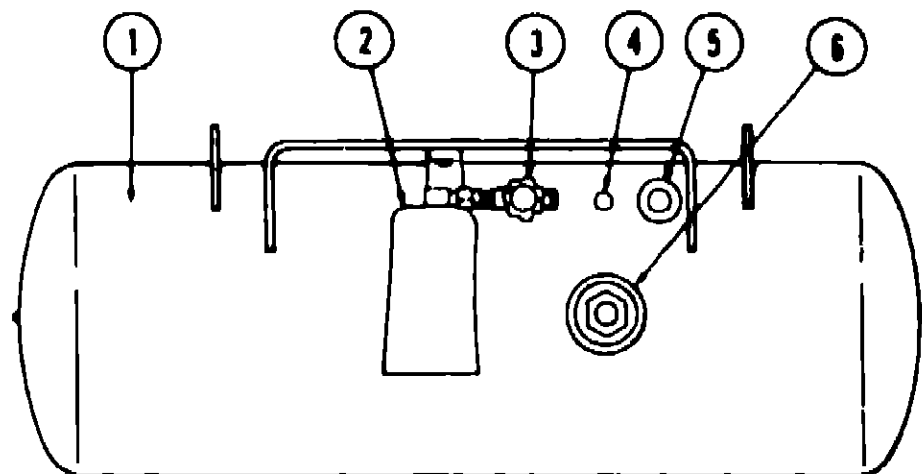
**1984 ITASCA  
TABLE OF CONTENTS**

ICN26RB	A-01 - C-12
ICN26RH	C-13 - E-24

**1984 ICN26RH INDEX**

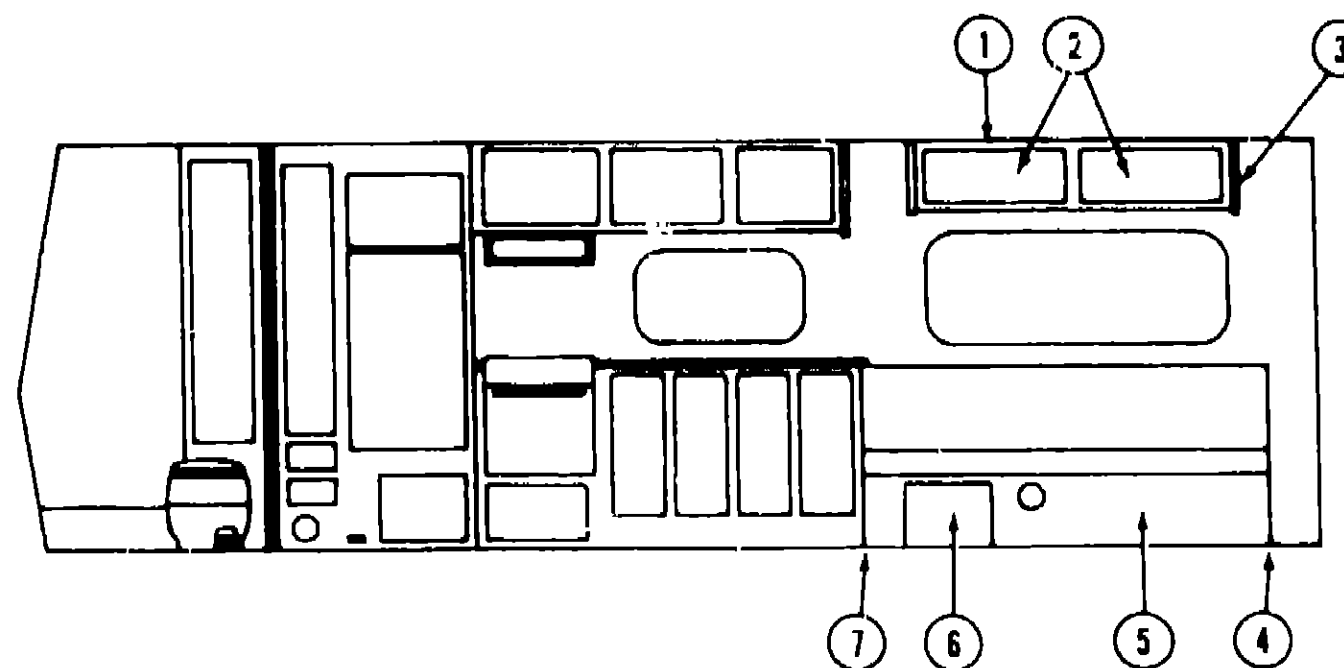
Floor Plan	C-13 - C-14
Accessories Group	C-15 - C-17
Bath Group	C-18
Chassis Group	C-19 - C-20
Curtain, Cushion & Pad Group	C-21 - D-03
Dinette Group	D-04 - D-05
Driver's Compartment Group	D-06 - D-08
Electrical Group	D-09 - D-11
Exterior Body Group	D-12 - D-22
Galley Group	D-23 - E-01
Heating & Air Conditioning Group	E-02 - E-03
Interior Finish Group	E-04 - E-06
LP Group	E-07
Lounge Group	E-08 - E-09
Water & Sewage Group	E-10 - E-11
Window Vent & Exterior Door Group	E-12 - E-24

## LP GROUP



Key	Part Number	U/M	Description
1	074142-01-000	EA	Tank Asm - LP - Frame Mount - 80 Pound - 13" x 44"
1	074141-01-000	EA	Tank Asm - LP - Frame Mount - 42 Pound - 12" x 28"
*	065741-01-000	EA	Detector - LP Gas Leak - Marshalltown Instruments
2	076277-01-000	EA	Cover - Regulator - Two Stage - Front
2	076278-01-000	EA	Cover - Regulator - Two Stage - Back
*	076301-01-000	EA	Regulator - Two Stage - US
*	076301-02-000	EA	Regulator - Two Stage - CSA
3	040421-01-703	EA	Valve - Vapor Relief
4	040421-01-700	EA	Gauge - Liquid Level - 20% LP
5	040421-01-701	EA	Valve - Filler - LP
*	040421-01-702	EA	Cap - Plastic Fill Valve
6	040421-01-707	EA	Gauge - Float - w/Visible Dial
*	040421-01-706	EA	Dial - Visible Face - Float Gauge (Tank w/o Electric Transmitter)
*	040440-01-000	EA	Dial - Transmitter - 0 - 90 Ohm (Float Gauge)
*	045703-01-000	EA	Hose Asm - LP - 3/8" I D x 24' - US
*	045703-02-000	EA	Hose Asm - LP - 3/8" I D x 24' - CSA
*	045703-03-000	EA	Hose Asm - LP - 3/8" I D x 18' - US
*	045703-04-000	EA	Hose Asm - LP - 3/8" I D x 14' - CSA
*	068046-01-000	EA	Conversion Kit - LP - Onan Generator
*			Not illustrated

## LOUNGE GROUP



## SPRUNG COUCH

Key	Part Number	U/M	Description
1	075775-09-R07	EA	Cabinet Asm - Overhead - Lounge - w/o Doors or Hardware
2	069852-72-R10	EA	Door Asm - Overhead Cabinet - 11 5" x 28 2" - w/o Hardware
3	071846-01-R07	EA	Pad - End - Lounge Overhead Cabinet - Right - Beige Vinyl
4	076576-01-R07	EA	End Panel - Sprung Couch - Right
5	070633-01-R07	EA	Front Panel Asm - Sprung Couch - w/o Door or Hardware
6	M69856-04-R07	EA	Door Asm - Furnace - w/Mesh Insert - 13 4" x 14 4" - w/o Hardware
7	059750-01-R07	EA	End Panel - Sprung Couch - Left
*	072369-02-000	EA	Gold Mesh - 13 8' x 8 8' - Furnace Grill
*	057468-02-000	EA	Base Asm - Sprung Couch - Right
*	057468-03-000	EA	Base Asm - Sprung Couch - Left
*	057468-04-000	EA	Base Asm - Spacers - Sprung Couch - 2 per Couch
*	057469-01-000	EA	Leg Asm - Sprung Couch - 2 per Couch
*	053248-02-R07	EA	Table Asm - Pedestal - w/o Hardware
*	009040-02-000	EA	Leg - Pedestal Table - 27 5" x 2 25" O D - Chrome
*	009040-03-000	EA	Base - Table - Mounts on Table
*	041194-01-000	EA	Base - Table - Mounts in Floor
*	062046-01-000	EA	Clip - Pedestal Leg
*			Not illustrated

## 1984 ITASCA TABLE OF CONTENTS

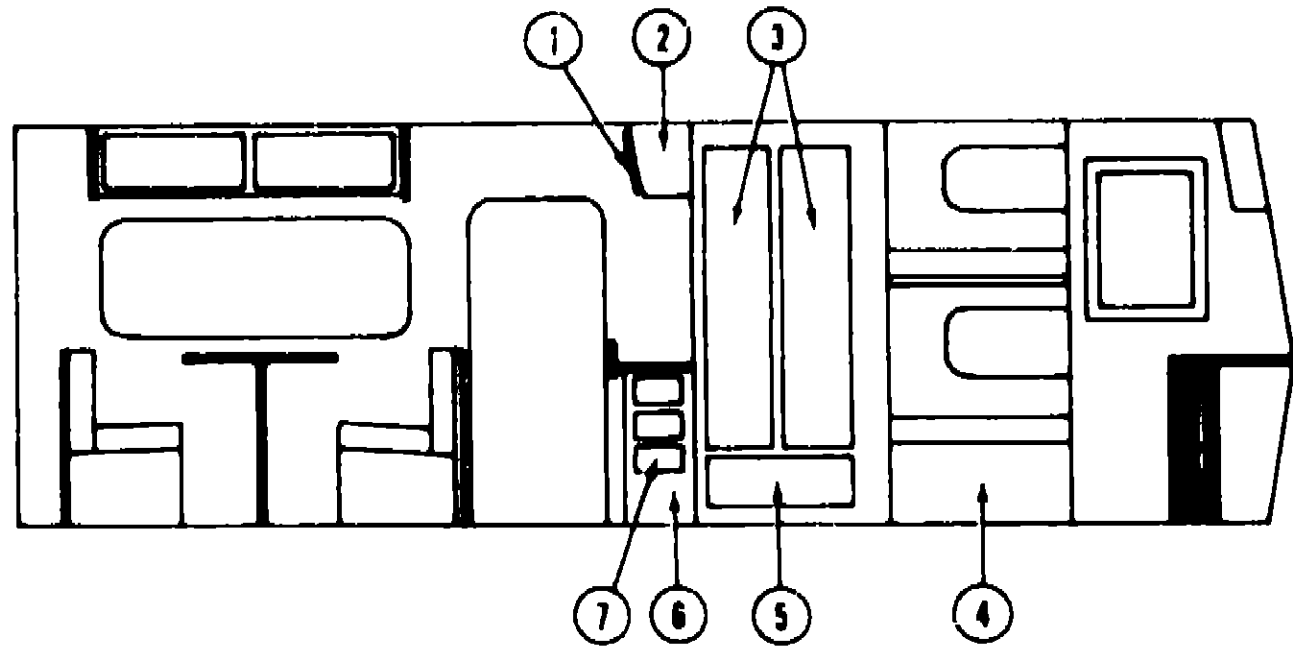
ICN26RB  
ICN26RH

A-01 - C-12  
C-13 - E-24

## 1984 ICN26RH INDEX

Floor Plan	C-13 - C-14
Accessories Group	C-15 - C-17
Bath Group	C-18
Chassis Group	C-19 - C-20
Curtain, Cushion & Pad Group	C-21 - D-03
Dinette Group	D-04 - D-05
Driver's Compartment Group	D-06 - D-08
Electrical Group	D-09 - D-11
Exterior Body Group	D-12 - D-22
Galley Group	D-23 - E-01
Heating & Air Conditioning Group	E-02 - E-03
Interior Finish Group	E-04 - E-06
LP Group	E-07
Lounge Group	E-08 - E-09
Water & Sewage Group	E-10 - E-11
Window, Vent & Exterior Door Group	E-12 - E-24

## LOUNGE GROUP (CONTINUED)



### NIGHTSTAND & WARDROBE CABINETS

Key	Part Number	U/M	Description
*	075363-01-R07	EA	Cabinet Asm - Nightstand Overhead - w/o Door or Hardware
1	069852-73-R10	EA	Door Asm - Nightstand Overhead Cabinet - 20 7" x 11 5" - w/o Hardware
2	072234-01-R07	EA	Pad - End - Nightstand Overhead - Beige Vinyl
3	069852-37-R07	EA	Door Asm - Wardrobe Cabinet - 58 2" x 14 5" - w/o Hardware
4	076166-01-R07	EA	Cabinet Asm - Rear Bunk - w/o Heater Vent Hole
5	069852-38-R07	EA	Door Asm - Wardrobe Cabinet - 12 1" x 29 7" - w/o Hardware
*	059915-04-R07	EA	Drawer Asm - Wardrobe Cabinet - 5" x 12 7" x 26" Deep - w/o Hardware
*	0753-04-000	EA	Slide - Drawer - Left
*	059753-05-000	EA	Slide - Drawer - Right
*	009112-01-000	EA	Flange - 1 - Closet Rod
6	M75361-01-R07	EA	Cabinet Asm - Nightstand - w/o Countertop Drawers or Hardware
*	M01470-01-R07	EA	Countertop Asm - Nightstand Cabinet - Harbor Oak
7	M59913-14-R07	EA	Drawer Asm - Nightstand Cabinet - 5" x 11 3" x 24 4" Deep - w/o Hardware
*			Not illustrated

## WATER & SEWAGE GROUP

### PLUMBING & REPAIR PARTS

Key	Part Number	U/M	Description
	033302-02-000	EA	Adapter Asm - SWVC Strain - 1 1/2"
	062422-01-000	EA	Adapter - Hose Offset - Reducer - 3" x 1 1/2"
	062416-01-000	EA	Adapter - Hose - 3"
	052954-01-000	EA	Adapter - Nose Cone - 3/8 or 1/2 - Plastic
	010224-01-000	EA	Adapter - Plastic - 3/8 MPT x 3/8 Barb
	031802-02-000	EA	Adapter - Plastic - 1 1/2 H x FPT
	010134-01-000	EA	Adapter - Plastic - 1 1/2 Male x MPT
	004020-01-000	QT	Adhesive - ABS Cement
**	010121-01-000	EA	Bushing - Plastic - 1 1/2 S x 1 1/4 H
	010123-01-000	EA	Bushing - Plastic - 2S x 1 1/2 H
	036522-02-000	EA	Cap - 1/2 Flare - Brass
	075730-01-000	EA	Cap - End - Sewer Hose
	062415-01-000	EA	Cap - Sewer - 3"
	052959-02-000	EA	Connector - 1/2 F x 1/2 MPT - Plastic (In Tank Filter)
	052959-03-000	EA	Connector - 1/2 F x 3/8 MPT - Plastic
**	011091-01-000	EA	Continuous Waste - Double Sink - 11 7/8" - US
**	053874-01-000	EA	Continuous Waste Asm - Double Sink - CSA
**	050780-01-000	EA	Coupler Rubber - 3" x 3"
	052960-01-000	EA	Drain Valve - 1/2 F x 1/2 F - Plastic
	010005-01-000	EA	Elbow - Plastic - 1/16 BD x 1 1/2"
	010006-01-000	EA	Elbow - Plastic - 1/8 BD x 1 1/2 x 45° H x H
	010008-01-000	EA	Elbow - Plastic - 1/4 BD x 1 1/2 x 90° Left
	010051-01-000	EA	Elbow - ST - Plastic - 1/8 BD x 1 1/2 x 45°
	010219-01-000	EA	Elbow - 1 1/4 Barb x 1 1/4 MPT x 90°
	034250-01-000	EA	Elbow - Plastic - 1/4 BD x 1 1/2 x 90° x H x H
	035539-01-000	EA	Elbow - Plastic - 3/8 MPT x 3/8 Barb
	052957-01-000	EA	Elbow - Plastic - 1/2 F x 3/8 MPT
	052957-02-000	EA	Elbow - Plastic - 1/2 F x 1/2 MPT
	065120-01-000	EA	Elbow - Plastic - Swivel - 50°
	070924-01-000	EA	Elbow - Plastic - Swivel - 1/2 MPT x 1/2 F-P
	075726-01-000	EA	Extension - Outlet - Sewer Hose
	010147-01-000	EA	Flange - Closet - 4" F x 3" FPT - US
	010147-02-000	EA	Flange - Closet - 4" F x 3" FPT - CSA
	077954-01-000	EA	Filter/Screen (In Water Tank)
	044928-01-000	FT	Flexible Tubing - 1 1/4 I D x 10'
	061607-01-000	EA	Grommet - Holding Tank Coupler - 1 1/2"
	061607-02-000	EA	Grommet - Holding Tank Coupler - 3"
	052961-01-000	EA	Header - 1/2 F x 1/2 F x 1/2 F x 1/2 F
**	046524-01-000	EA	Kit - Holding Tank Fittings - Blank Tank
**	046524-02-000	EA	Kit - Water Tank Fittings - Blank Tank
	052953-01-000	EA	Nut - Faucet - 1/2 Tube x 1/2 FPT
	052952-01-000	EA	Nut - 1/2 F - Plastic
**	011066-01-000	EA	P-Trap - 1 1/4" - Plastic - US
**	011066-02-000	EA	P-Trap - 1 1/4" - Plastic - CSA
	053335-01-000	EA	P-Trap - Plastic - 1 1/4 H x H - w/Union - CSA
	075666-01-000	EA	Pipe - PVC - DWV - 4" I D x 10'
	045729-01-000	EA	Pump - Water - 2 8 G P M - Direct Drive - Shurflo - US
	045729-02-000	EA	Pump - Water - 2 8 G P M - Direct Drive - Shurflo - CSA
**	010201-01-000	EA	Sewer Hose - 3" x 8' w/Clamp
	042989-04-000	EA	Spinweld Fittings - Plastic - 3/8 FPT
	042989-02-000	EA	Spinweld Fittings - Plastic - 1/2 FPT (In Tank Filter)
	042989-03-000	EA	Spinweld Fittings - Plastic - 1 1/4" NPT
	010071-01-000	EA	Tee - Plastic - 1 1/2 x H x H x H
	010072-01-000	EA	Tee - Plastic - 1 1/2 H x 1 1/4 H x 1 1/2 H
**	010079-01-000	EA	Tee - Plastic - 1 1/2 H x 1 1/2 H x 1 1/4 H
	046172-01-000	EA	Tee - Plastic - 3/8 B x 3/8 B x 3/8 MPT
	052955-01-000	EA	Tee - Plastic - 1/2 F x 1/2 F x 1/2 MPT
	052956-01-000	EA	Tee - Plastic - 1/2 F x 1/2 MPT x 1/2 F
	039800-01-000	FT	Tubing - Polybutyl - 1/2 O D (Water Line)
	074462-02-000	FT	Tubing - Vinyl - 3/8" I D

\*\* The illustrated parts breakdown for this item is provided on the Common Items Fiche

## 1984 ITASCA TABLE OF CONTENTS

ICN26RB	A-01 - C-12
ICN26RH	C-13 - E-24

## 1984 ICN26RH INDEX

Floor Plan	C-13 - C-14
Accessories Group	C-15 - C-17
Bath Group	C-18
Chassis Group	C-19 - C-20
Curtain, Cushion & Pad Group	C-21 - D-03
Dinette Group	D-04 - D-05
Driver's Compartment Group	D-06 - D-08
Electrical Group	D-09 - D-11
Exterior Body Group	D-12 - D-22
Galley Group	D-23 - E-01
Heating & Air Conditioning Group	E-02 - E-03
Interior Finish Group	E-04 - E-06
LP Group	E-07
Lounge Group	E-08 - E-09
Water & Sewage Group	E-10 - E-11
Window Vent & Exterior Door Group	E-12 - E-24

**WATER & SEWAGE GROUP (CONTINUED)**

**HOLDING TANKS & WATER HEATERS**

Key	Part Number	U/M	Description
	067333-02-000	EA	Tank Asm - Water - 51 Gallon - w/Fittings
	067333-01-000	EA	Tank Asm - Water - 51 Gallon - w/o Fittings
	M75589-01-000	EA	Tank Asm - Holding - 33 Gallon - w/o Fittings - Waste Water
	M01275-32-000	EA	Tank Asm - Holding - 37 Gallon - w/o Fittings - Sewage
**	051391-01-000	EA	Water Heater - w/o Motor Aid - G6A3
**	051393-01-000	EA	Water Heater - w/Motor Aid - GH6-3E
**	The illustrated parts breakdown for this item is provided on the Common Items Fiche		

**WINDOW, VENT & EXTERIOR DOOR GROUP**

**ACCESS DOOR**

Key	Part Number	U/M	Description
	047233-03-000	EA	Door Asm. - Luggage - Gray - w/Key Lock
*	076854-01-000	EA	Door Asm. - Luggage - Gray - w/Key Lock
	M73925-02-R07	EA	Door Asm - 47.44" x 9" - Luggage
*	M76852-02-R10	EA	Door Asm - 47.44" x 9" - Luggage
	076854-01-000	EA	Door Asm - Storage - Insulated - Gray - w/Key Lock
*	076855-02-000	EA	Door Asm - Storage - Insulated - Gray - w/Key Lock
	069762-06-000	EA	Door Asm. - Refrigerator Access - Gray - w/Twist Lock
*	M76852-10-R10	EA	Door Asm - Spare Tire Compartment - Gray - w/Key Lock
	M73925-04-R07	EA	Door Asm - LP w/Twist Type Lock
*	M76852-04-R10	EA	Door Asm - LP w/Twist Type Lock
	073925-06-R10	EA	Door Asm - Access - Gray - w/Key Lock (Battery)
*	076852-06-R10	EA	Door Asm - Access - Gray - w/Key Lock (Battery)
	M00685-09-000	EA	Door Asm - Generator - Gray - w/Twist Lock
*	M01552-02-000	EA	Door Asm - Generator - Gray - w/Twist Lock
	052009-03-000	EA	Door Asm - Water Heater - Gray
	052181-01-000	EA	Baffle - Generator Door
	052423-03-000	EA	Door - Fuel Fill - Gray
	052424-03-000	EA	Jamb - Power Cord/Fuel Fill Door - Gray
	063742-03-000	EA	Door - Power Cord - Gray
	054543-03-000	EA	Hatch - Power Cord Door - Gray
	054530-01-000	EA	Door Holder
	042441-01-000	EA	Lock Asm - Key Type - Gas Fill
	047305-01-000	EA	Lock Asm - Key Type w/Clip - Luggage
	052950-01-700	EA	Lock Kit - Twist Type - w/Clip - Power Cord
*	Parts used on fiberglass sidewalls		

**WINDSHIELD**

Key	Part Number	U/M	Description
	057459-01-000	EA	Glass - Windshield - Flat
	058272-02-000	EA	Frame Asm - Windshield
	038886-01-000	EA	Tape - Butyl - 31" x 31" x 148"
	042743-01-000	EA	Corner - Windshield Frame - Lower
	042743-02-000	EA	Corner - Windshield Frame - Upper
	058291-01-000	FT	Edge - Molding

**VENTS**

Key	Part Number	U/M	Description
	065103-02-000	EA	Cover - Refrigerator Vent - 9.88" x 20.5" - Plastic
	065103-01-000	EA	Frame Asm - Refrigerator Vent - 8.17" x 22.94" - Plastic
	071290-02-000	EA	Cover - Refrigerator Vent - 11.63" x 24.75" - Galvanized Steel
	071290-01-000	EA	Frame Asm - Refrigerator Vent - 7.5" x 26.5" - Galvanized Steel
**	049352-03-000	EA	Vent - Stovehood - Outside - Gray
**	048789-01-000	EA	Vent Asm - Roof - Powered - w/o Screen - Alum
	048695-03-000	EA	Gray Screen Asm - Powered Roof Vent Asm.
**	048695-06-000	EA	Charcoal Screen Asm - Powered Roof Vent Asm
**	048835-01-000	EA	Vent Asm - Roof - Non-Powered - w/o Screen - Alum.
	016335-03-000	EA	Gray Screen Asm - Non-Powered Roof Vent Asm
	016335-07-000	EA	Charcoal Screen Asm - Non-Powered Roof Vent Asm
	064469-02-000	EA	Vent Asm - Roof - Powered - 14" x 14"
**	The illustrated parts breakdown for this item is provided on the Common Items Fiche		

**1984 ITASCA  
TABLE OF CONTENTS**

ICN26RB	A-01 - C-12
ICN26RH	C-13 - E-24

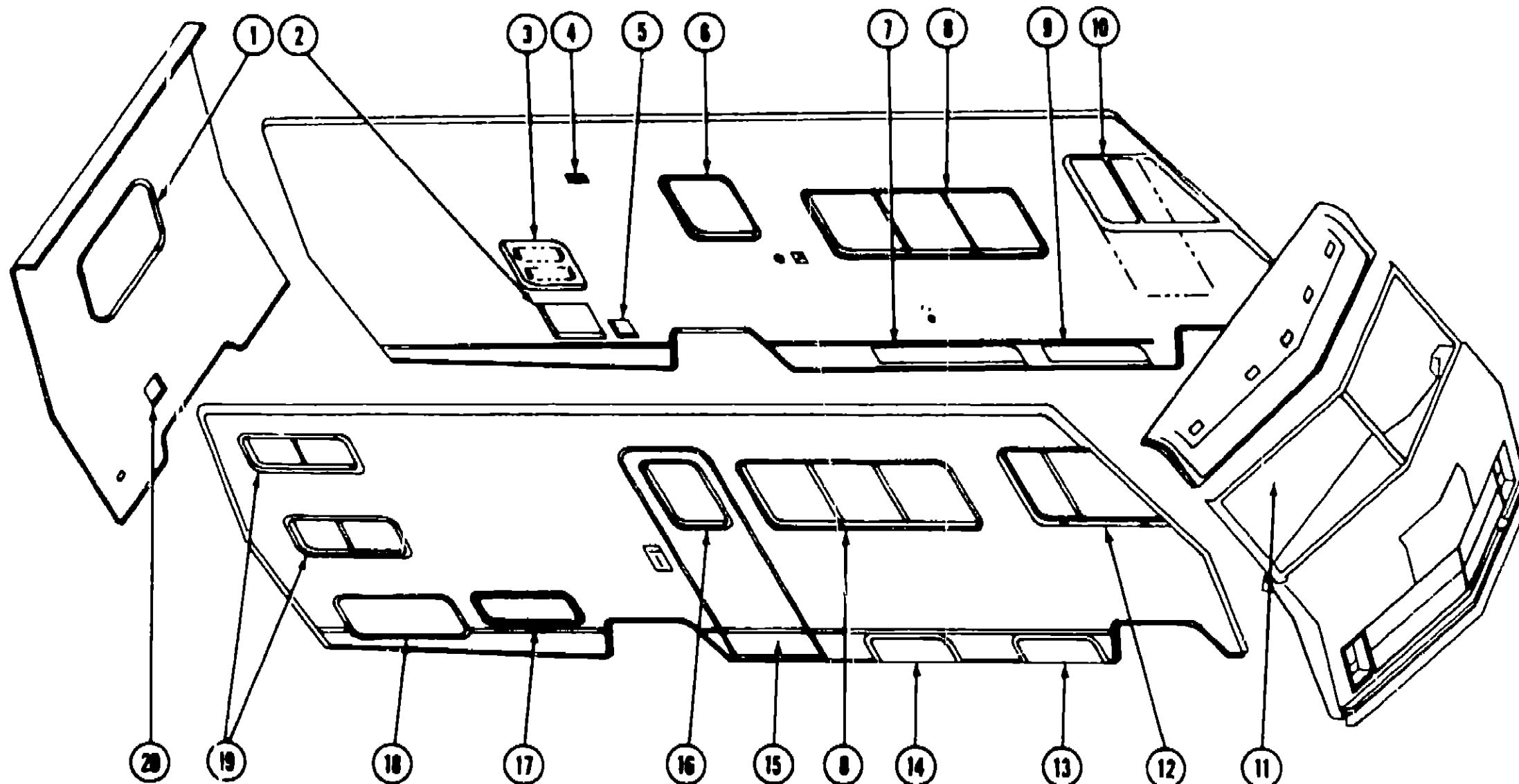
**1984 ICN26RH INDEX**

Floor Plan	C-13 - C-14
Accessories Group	C-15 - C-17
Bath Group	C-18
Chassis Group	C-19 - C-20
Curtain, Cushion & Pad Group	C-21 - D-03
Dinette Group	D-04 - D-05
Driver's Compartment Group	D-06 - D-08
Electrical Group	D-09 - D-11
Exterior Body Group	D-12 - D-22
Galley Group	D-23 - E-01
Heating & Air Conditioning Group	E-02 - E-03
Interior Finish Group	E-04 - E-06
LP Group	E-07
Lounge Group	E-08 - E-09
Water & Sewage Group	E-10 - E-11
Window, Vent & Exterior Door Group	E-12 - E-24



## WINDOW, VENT & EXTERIOR DOOR GROUP (CONTINUED)

### WINDOWS & ACCESS DOORS



## 1984 ITASCA TABLE OF CONTENTS

ICN26PB  
ICN26RH

A-01 - C-12  
C-13 - E-24

## 1984 ICN26RH INDEX

Floor Plan	C-13 - C-14
Accessories Group	C-15 - C-17
Bath Group	C-18
Chassis Group	C-19 - C-20
Curtain, Cushion & Pad Group	C-21 - D-03
Dinette Group	D-04 - D-05
Driver's Compartment Group	D-06 - D-08
Electrical Group	D-09 - D-11
Exterior Body Group	D-12 - D-22
Galley Group	D-23 - E-01
Heating & Air Conditioning Group	E-02 - E-03
Interior Finish Group	E-04 - E-06
LP Group	E-07
Lounge Group	E-08 - E-09
Water & Sewage Group	E-10 - E-11
Window, Vent & Exterior Door Group	E-12 - E-24

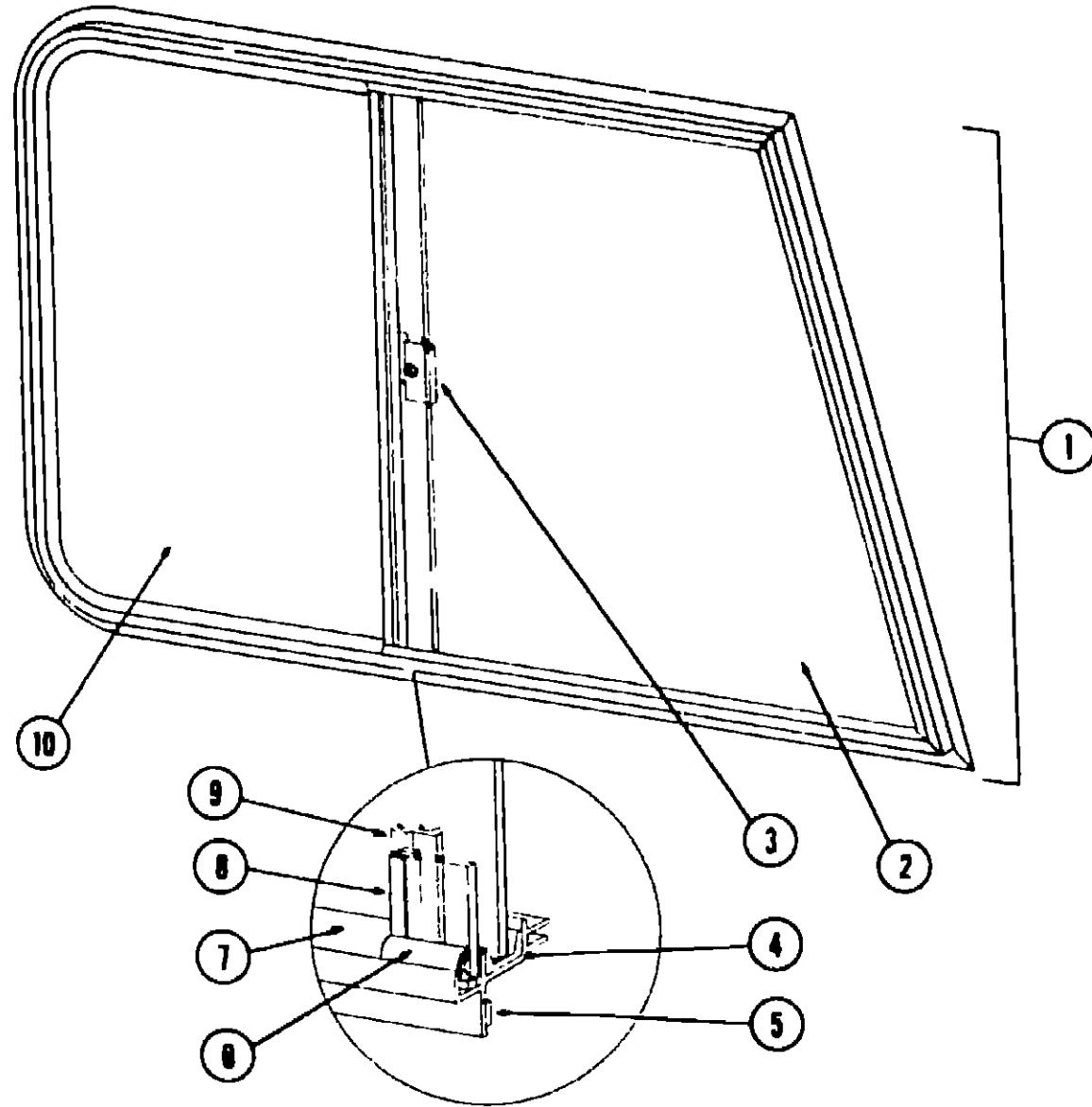
Key	Part Number	U/M	Description
1	020751-03-000	EA	Window Asm - Rear Escape - 23" x 29"
2	052009-03-000	EA	Door Asm - Water Heater
3	069762-06-000	EA	Door Asm - Refrigerator Access - w/Twist Lock
4	049352-03-000	EA	Vent - Stove Hood - Outside
5	NOTE	EA	Door Asm - Lower Cold (See Access Door)
6	048631-04-000	EA	Window Asm w/Gray Screen - Left Single Slider
6	048631-34-000	EA	Window Asm w/Charcoal Screen - Left - Single Slider
7	M73925-02-R07	EA	Door Asm - Luggage - Aluminum Sidewall
*7	M76852-02-R10	EA	Door Asm - Luggage - Fiberglass Sidewall
8	075738-02-000	EA	Window Asm - w/Charcoal Screen
8	075738-01-000	EA	Window Asm - w/Gray Screen
9	M73925-06-R10	EA	Door Asm - Access - 25 3" x 9" w/Key Lock
*9	M76852-10-R10	EA	Door Asm - Spare Tire Compartment
10	059046-02-000	EA	Window Asm - Left Front Slant Slider - 23" x 39"

Key	Part Number	U/M	Description
11	057459-C1-000	EA	Glass - Windshield - Flat
12	059046-01-000	EA	Window Asm - Right Front Slant Slider - 23" x 39"
13	M73925-06-R10	EA	Door Asm - Access - 25 3" x 9" w/Key Lock
*13	M76852-06-R10	EA	Door Asm - Access - 25 3" x 9" w/Key Lock
14	M73925-04-R07	EA	Door Asm - Access - 25 3" x 9" w/Twist Lock
*14	M76852-04-R10	EA	Door Asm - Access - 25.3" x 9" w/Twist Lock
15	M01414-02-R07	EA	Door Asm - Radius Entry w/Screen Door
*15	M01414-06-R07	EA	Door Asm - Radius Entry w/Screen Door
16	041875-09-000	EA	Window Asm - Picture - 17" x 25"
17	076854-01-000	EA	Door Asm - Insulated Storage
*17	076855-02-000	EA	Door Asm - Insulated Storage
*18	M01552-02-000	EA	Door Asm - Generator - w/o Baffle
18	M00685-09-000	EA	Door Asm - Generator - w/o Baffle
*18	076854-01-000	EA	Door Asm - Luggage - Gray
18	047233-03-000	EA	Door Asm - Luggage - Gray
19	045556-06-000	EA	Window Asm - 15" x 37" - w/Gray Screen
19	045556-07-000	EA	Window Asm - 15" x 37" - w/Charcoal Screen
20	NOTE	EA	Door Asm - Fuel Fill (See Access Doors)

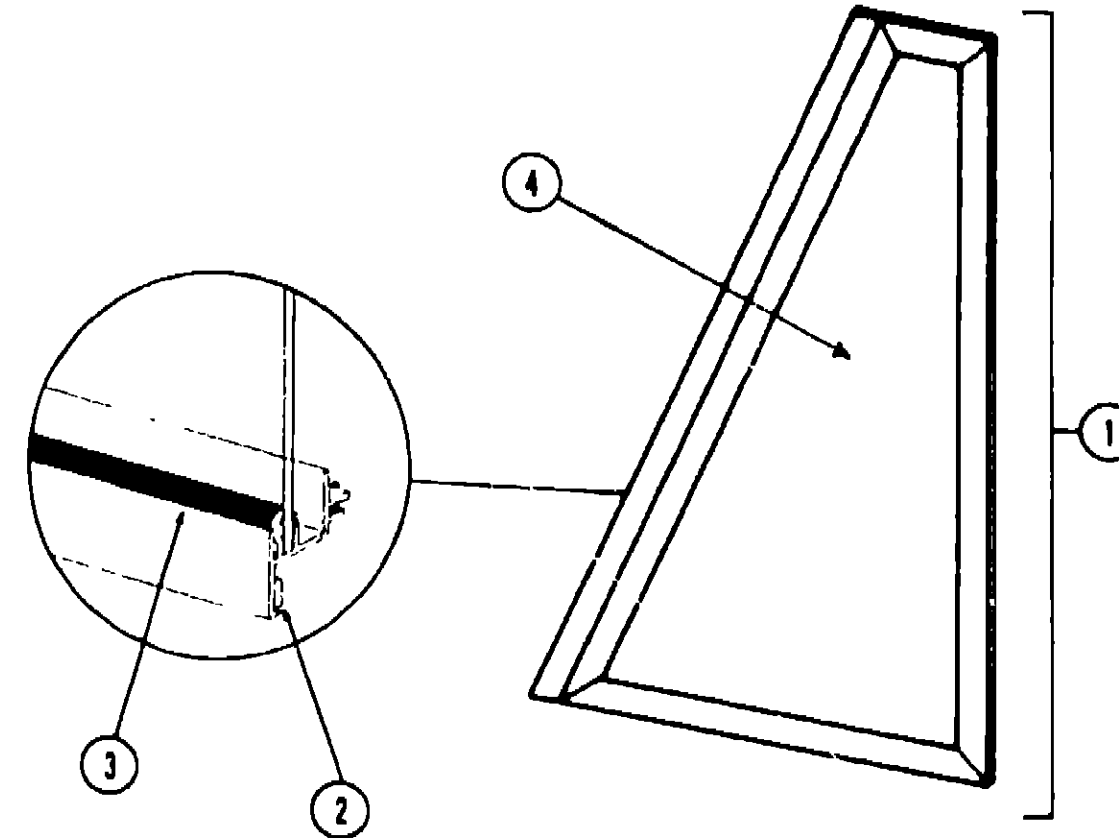
\* Parts used on fiberglass sidewalls

**WINDOW, VENT & EXTERIOR DOOR GROUP (CONTINUED)**

**WINDOW, VENT & EXTERIOR DOOR GROUP (CONTINUED)**



Key	Part Number	U/M	Description
1	059046-01-000	EA	Window Asm - Passenger Front Slant Slider - 23" x 39" - Black (w/o inside frame)
1	059046-02-000	EA	Window Asm. - Driver Front Slant Slider - 23" x 39" - Black (w/o inside frame)
*	059042-03-000	EA	Inside Frame - Passenger Front Slant Slider - Beige (not included in assembly)
*	059042-04-000	EA	Inside Frame - Driver Front Slant Slider - Beige (not included in assembly)
2	057656-01-000	EA	Glass - 3/16" x 24.88" x 25.3" - Stationary
3	047369-01-700	EA	Latch Kit - Window - Plastic - w/Fastener
4	042077-01-000	FT	Channel - Weatherstrip - Glass Run - 3/16" Glass
5	069640-06-000	FT	Ribbon Sealer - 5/16" Bead x 15'
6	050216-02-000	FT	Spline - Glass - 1/8" Material - Black
7	041928-02-000	FT	Seal - Window Channel - 3/16" Glass - Black
8	M02389-03-206	EA	Seal Holder w/Fin Seal - 24.13" - Black
9	M01621-01-000	EA	Mullion - Window - Slant Slider
10	057657-01-000	EA	Glass - 3/16" x 24.88" x 14.7" - Sliding
*	073740-01-000	FT	Seal - Fin - Pile - 46"
*	023713-02-000	EA	Weephole Cover - Black
*	055164-07-000	EA	Charcoal Slider Screen Asm - Passenger or Driver - Black
*	055164-05-000	EA	Gray Slider Screen Asm. - Passenger or Driver - Black
*	016310-03-000	EA	Handle - Slider Screen - Black
*	002292-02-000	SF	Screen - 20" - Charcoal
*	002291-01-000	SF	Screen - 16" - Gray
*	002298-02-000	FT	Spline - Screen - .13" Dia - Charcoal
*	002298-01-000	FT	Spline - Screen - .13" Dia - Gray
*	053085-01-000	EA	Corner Key - Slider Screen
*	Not illustrated		



Key	Part Number	U/M	Description
1	062896-01-000	EA	Window Asm - Stationary - Drivers Slant - 14" x 25.32" Black (w/o inside frame)
2	069640-01-000	FT	Tape - 1/4" Bead x 20' - Gray - 3M
3	002309-02-000	FT	Spline - Glass - 1/8" - Black
4	057656-02-000	EA	Glass - 19" x 24.88" x 13.66"
*	063420-02-000	EA	Inside Frame - Front Slant Window - Beige (not included in assembly)
*	Not illustrated		

**1984 ITASCA  
TABLE OF CONTENTS**

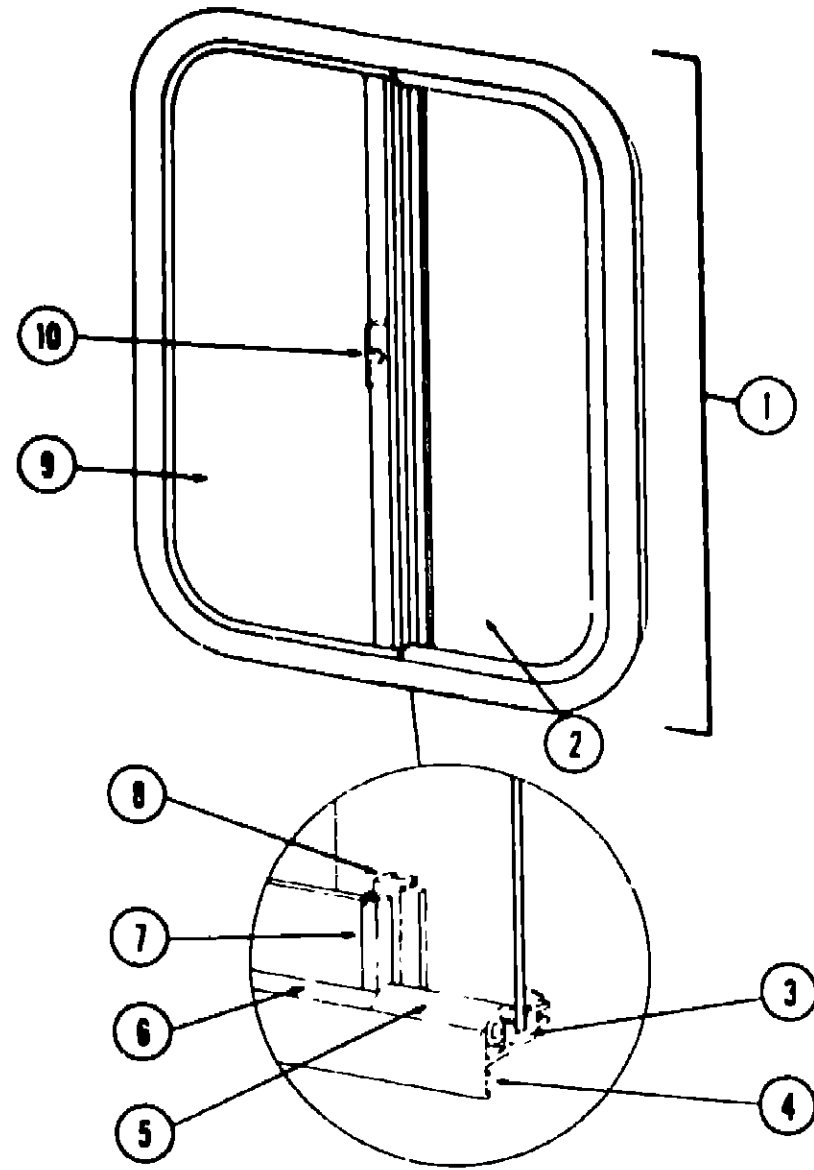
ICN26RB  
ICN26RH

A-01 - C-12  
C-13 - E-24

**1984 ICN26RH INDEX**

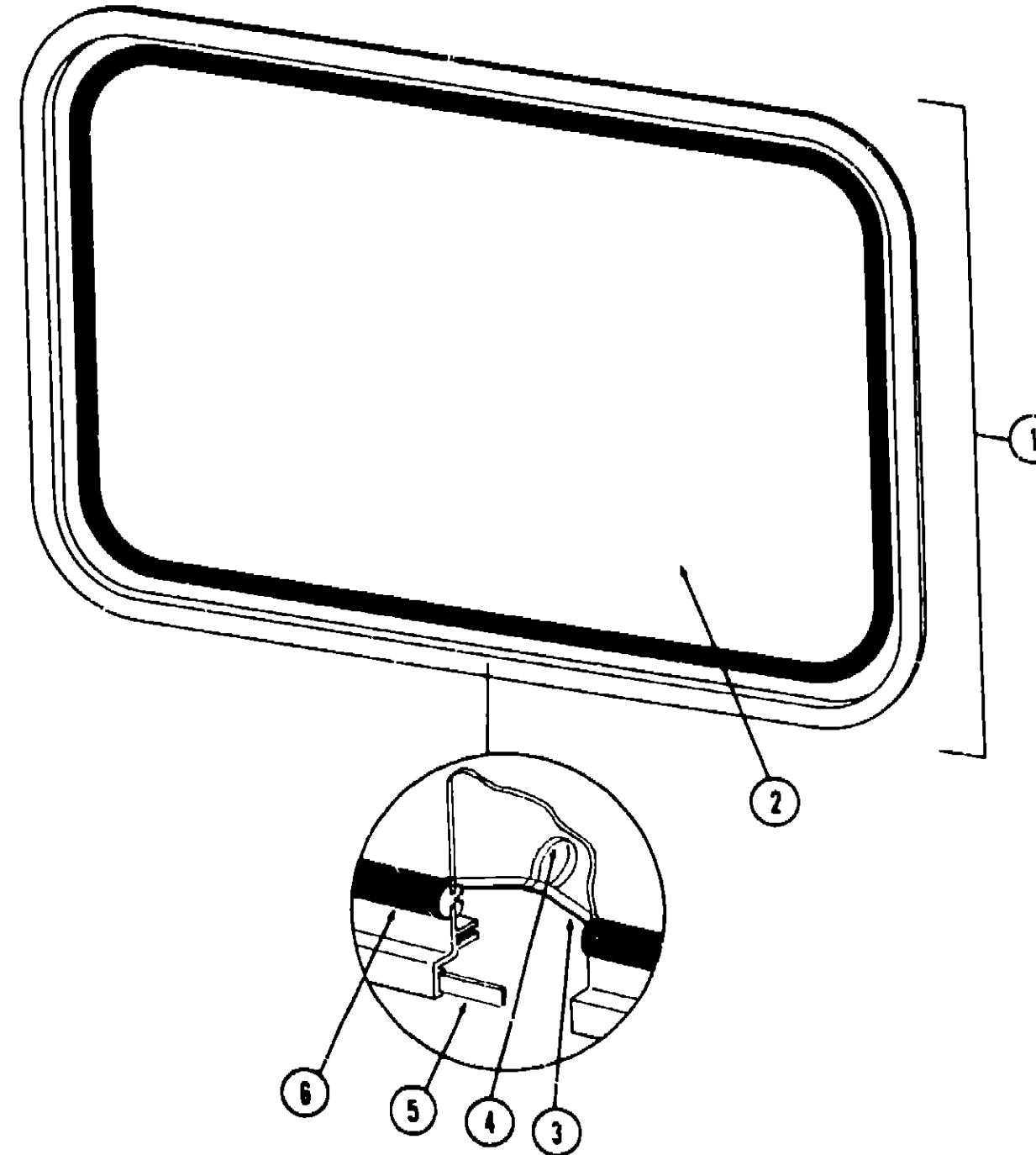
Floor Plan	C-13 - C-14
Accessories Group	C-15 - C-17
Bath Group	C-18
Chassis Group	C-19 - C-20
Curtain, Cushion & Pad Group	C-21 - D-03
Dinette Group	D-04 - D-05
Driver's Compartment Group	D-06 - D-08
Electrical Group	D-09 - D-11
Exterior Body Group	D-12 - D-22
Galley Group	D-23 - E-01
Heating & Air Conditioning Group	E-02 - E-03
Interior Finish Group	E-04 - E-06
LP Group	E-07
Lounge Group	E-08 - E-09
Water & Sewage Group	E-10 - E-11
Window, Vent & Exterior Door Group	E-12 - E-24

**WINDOW, VENT & EXTERIOR DOOR GROUP (CONTINUED)**



Key	Part Number	U/M	Description
1	075738-02-000	EA	Window Asm w/Charcoal Screen - Double Slider (w/o inside frame)
1	075738-01-000	EA	Window Asm. w/Gray Screen - Double Slider (w/o inside frame)
*	067609-06-000	EA	Inside Frame - Beige (not included in assembly)
2	047822-04-000	EA	Glass - Sliding - 1/8" x 24" x 21 03"
3	002324-02-000	FT	Channel - Weatherstrip - Glass
4	069640-06-000	FT	Ribbon Sealer - 5/16" Bead x 15'
5	057374-02-000	FT	Extr Vinyl - Window Seal - Black
6	002309-02-000	FT	Spline - Glass - 1/8" Material - Black
7	M69886-03-003	EA	Seal Holder - w/Fin Seal - 23 19" - Black
8	069896-02-000	EA	Mullion - Slider Window - Black
9	002188-05-000	EA	Glass - Stationary - 125" x 24" x 25 5"
10	047369-01-700	EA	Latch Kit - Window - Plastic w/Fastener
*	002293-02-000	SF	Screen - Window - 26" - Charcoal
*	002293-01-000	SF	Screen - Window - 26" - Gray
*	002298-02-000	FT	Spline - Screen - 13" Dia - Charcoal
*	002298-01-000	FT	Spline - Screen - 13" Dia. - Gray
*	073740-01-000	FT	Seal - Fin - Pile - 46"
*			Not illustrated

**WINDOW, VENT & EXTERIOR DOOR GROUP (CONTINUED)**



Key	Part Number	U/M	Description
1	020751-03-000	EA	Window Asm - Rear Escape - 23" x 29" - Black (w/o inside frame)
2	002174-01-000	EA	Glass - 1/8" x 19 6" x 25 92"
3	002285-01-000	FT	Filler - Weatherstrip - Black
4	020395-01-000	EA	Pull Ring - Escape Window
5	053767-02-000	FT	Tape - 3/16" Bead x 25' - Gray
6	002282-01-000	FT	Weatherstrip - 125" - Window
*	020749-05-000	EA	Inside Frame - Escape Window - Beige (not included in assembly)
*	006199-01-000	EA	Label - Exit - Escape Window
*			Not illustrated

**1984 ITASCA  
TABLE OF CONTENTS**

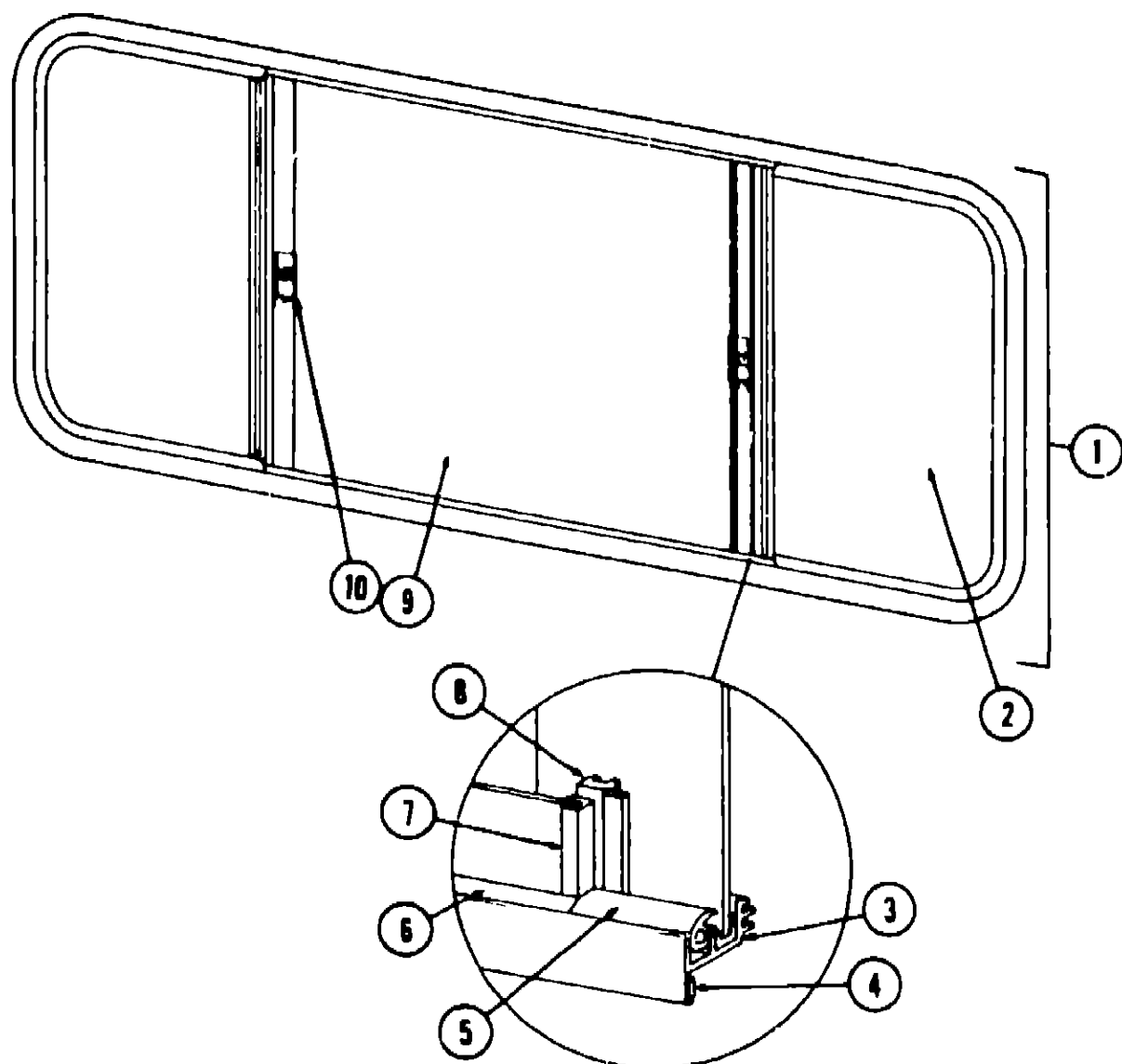
ICN26RB  
ICN26RH

A-01 - C-12  
C-13 - E-24

**1984 ICN26RH INDEX**

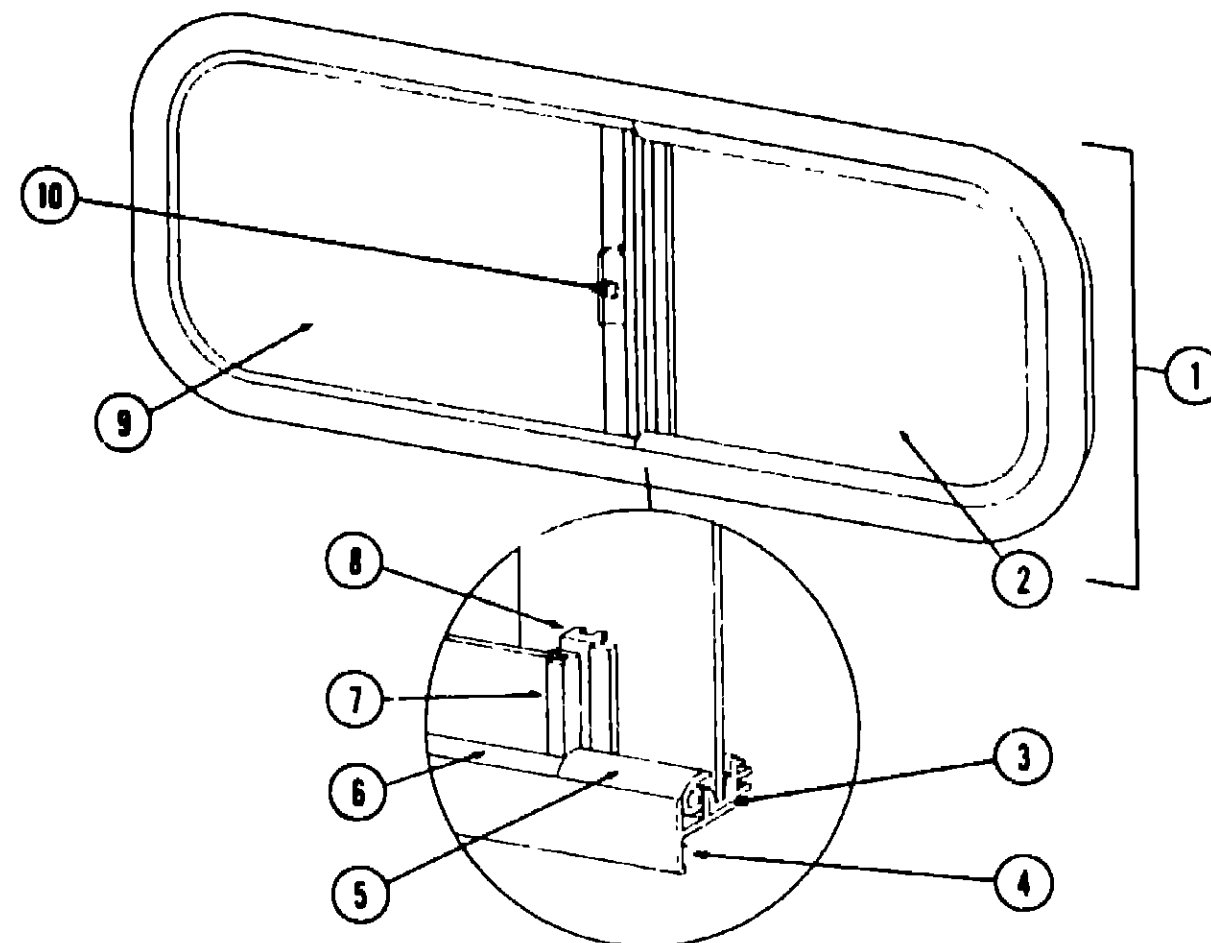
Floor Plan	C-13 - C-14
Accessories Group	C-15 - C-17
Bath Group	C-18
Chassis Group	C-19 - C-20
Curtain, Cushion & Pad Group	C-21 - D-03
Dinette Group	D-04 - D-05
Driver's Compartment Group	D-06 - D-08
Electrical Group	D-09 - D-11
Exterior Body Group	D-12 - D-22
Galley Group	D-23 - E-01
Heating & Air Conditioning Group	E-02 - E-03
Interior Finish Group	E-04 - E-06
LP Group	E-07
Lounge Group	E-08 - E-09
Water & Sewage Group	E-10 - E-11
Window Vent & Exterior Door Group	E-12 - E-24

**WINDOW, VENT & EXTERIOR DOOR GROUP (CONTINUED)**



Key	Part Number	U/M	Description
1	048631-04-000	EA	Window Asm w/Gray Screen - Left Single Slider (w/o inside frame)
1	048631-34-000	EA	Window Asm w/Charcoal Screen - Left Single Slider (w/o inside frame)
*	042147-12-000	EA	Inside Frame - Beige (not included in assembly)
2	002241-02-000	EA	Glass - Stationary - 1/8" x 12 3" x 19"
3	002324-02-000	FT	Channel - Weatherstrip - Glass
4	069640-01-000	FT	Tape - 1/4" Bead x 20' - Gray - 3M
5	057374-02-000	FT	Extr Vinyl - Window Seal - Black
6	002309-02-000	FT	Spline - Glass - 1/8" Material - Black
7	M69886-03-011	EA	Extr. Holder - Glass Seal - 18 19" - Black
8	041894-12-000	EA	Mullion - Slider Window - 20" - Black
9	047820-01-000	EA	Glass - Sliding - w/Hole - 1/8" x 13 68" x 19"
10	047369-01-000	EA	Latch - Window - Plastic - w/Fastener
*	002293-01-000	SF	Screen - Window - 26" - Gray
*	002298-01-000	FT	Spline - .130" Dia. - Gray (Screen)
*	073740-01-000	FT	Seal - Fin - Pile - .460"
*			Not illustrated

**WINDOW, VENT & EXTERIOR DOOR GROUP (CONTINUED)**



Key	Part Number	U/M	Description
1	045556-06-000	EA	Window Asm - w/Gray Screen - 15" x 37" - Black Anod (w/o inside frame)
1	045556-07-000	EA	Window Asm - w/Charcoal Screen - 15" x 37" - Black Anod (w/o inside frame)
2	002207-02-000	EA	Glass - Sliding - 1/8" x 14 4" x 21 3" - Gray
3	002324-01-000	EA	Channel - Weatherstrip - Glass Run - 1/8" Glass
4	069640-01-000	FT	Tape - 1/4" Bead x 20' - Gray - 3M
5	057374-02-000	FT	Seal - Window Channel - 1/8" Glass - Black
6	002309-02-000	FT	Spline - Glass - 1/8" - Black
7	002390-03-205	EA	Holder - Glass Seal - 13 60" - Black
8	041894-25-000	EA	Mullion - Slider Window - Black Anod
9	002207-01-000	EA	Glass - Stationary - 1/8" x 14 4" x 21 32"
10	047369-01-700	EA	Latch - Window - Plastic w/Fastener
*	023320-01-000	EA	Pad - Foam - 3/8" Dia (used with plastic latch)
*	067609-10-000	EA	Inside Frame - Single Slider Window - Beige - 15" x 37" (not included in assembly)
*	023713-02-000	EA	Cover - Plastic Weephole - Black
*	002293-02-000	SF	Screen - Window - 26" - Charcoal
*	002293-01-000	SF	Screen - Window - 26" - Gray
*	002298-02-000	FT	Spline - Screen - .13" Dia - Charcoal
*	002298-01-000	FT	Spline - Screen - .13" Dia - Gray
*			Not illustrated

**1984 ITASCA  
TABLE OF CONTENTS**

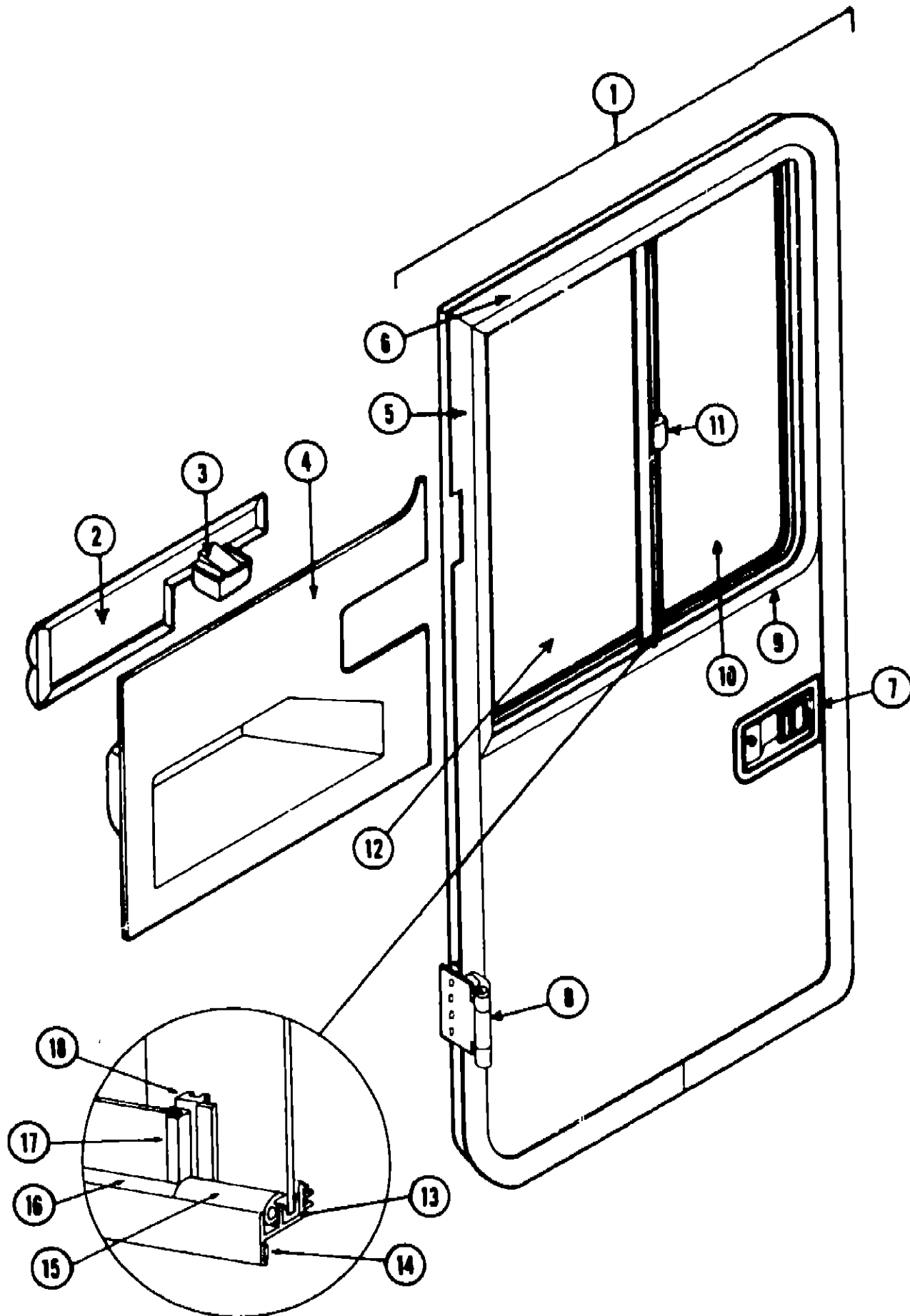
ICN26RB  
ICN26RH

A-01 - C-12  
C-13 - E-24

**1984 ICN26RH INDEX**

Floor Plan	C-13 - C-14
Accessories Group	C-15 - C-17
Bath Group	C-18
Chassis Group	C-19 - C-20
Curtain, Cushion & Pad Group	C-21 - D-03
Dinette Group	D-04 - D-05
Driver's Compartment Group	D-06 - D-08
Electrical Group	D-09 - D-11
Exterior Body Group	D-12 - D-22
Galley Group	D-23 - E-01
Heating & Air Conditioning Group	E-02 - E-03
Interior Finish Group	E-04 - E-06
LP Group	E-07
Lounge Group	E-08 - E-09
Water & Sewage Group	E-10 - E-11
Window, Vent & Exterior Door Group	E-12 - E-24

# WINDOW, VENT & EXTERIOR DOOR GROUP (CONTINUED)



## DRIVER DOOR

Key	Part Number	U/M	Description
1	063991-06-R07	EA	Door Asm. - Driver - Beige (Metal Sidewall)
1	063991-09-R25	EA	Door Asm. - Driver - Beige (Fiberglass Sidewall)
2	064088-02-000	EA	Pad Asm - Trim - Upper - Beige Vinyl - Drivers Door
	061400-03-000	EA	Assist Strap - 12" - Beige Vinyl
3	046886-01-000	EA	Ash Tray Asm. - Flush Mount - Chrome
4	064499-02-000	EA	Panel - Driver Door - Inner - Light Oak Plastic
5	063350-03-000	EA	Trim - Door Frame - Front - Gray - Metal Insert
5	076862-03-000	EA	Trim - Door Frame - Front - Gray - Fiberglass Insert
6	063351-03-000	EA	Trim - Door Frame - Rear - Gray - Metal Insert
6	076861-03-000	EA	Trim - Door Frame - Rear - Gray - Fiberglass Insert
7	045017-06-000	EA	Paddle Asm. - Door Lock - Exterior
	045017-05-700	EA	Lock Cylinder w/Keys - Lynor
	039979-02-000	EA	Inside Plate - Door Lock - w/Inside Handle
	039540-02-000	EA	Latch Claw - Entry Door Lock
	039738-01-000	EA	Deadbolt - Entrance Door Lock
	039539-01-000	EA	Strike Boll - Entrance Door (Jamb Mount)
	063124-02-000	EA	Plate - Striker - 8 1/4" x 1" - Black
	063358-06-000	EA	Jamb - Driver Door - Rear - Gray
	064199-06-000	EA	Trim - Door Jamb - Rear - w/Drip Cap - Gray
	064184-01-000	EA	Drip Cap - Driver Door
	063768-01-000	EA	Sill Plate - Driver Door
8	063993-03-000	EA	Hinge Asm - Driver Door - Gray
	064580-01-000	EA	Check Strap - Driver Door - Seat Belt Webbing
	064219-01-000	EA	Retainer - Driver Door Check Strap
	063886-04-000	EA	Assist Handle - Driver Door - Gray Steel Tube (2 required per door)
	064075-01-000	EA	Bulb Seal - Driver Door - 145"
9	062982-01-000	EA	Window Asm. - Driver Door - Single Slider Black (w/o inside frame)
10	057657-02-000	EA	Glass - 19" x 24 88" x 12"
11	047369-01-700	EA	Latch - Window - Plastic w/Fastener
12	002188-04-000	EA	Glass - 19" x 24 88" x 12" - Stationary
13	042077-01-000	FT	Channel - Weatherstrip - Glass Run - 19" Glass
14	069640-01-000	FT	Tape - 1/4" Bead x 20' - Gray - 3M
15	041928-02-000	FT	Seal - Window Channel - Black
16	050216-02-000	FT	Spline - Glass - Black
17	M02389-03-206	EA	Holder - Glass Seal - Black - 24 13"
	002288-01-000	FT	Weatherstrip - Glass Seal
18	057644-05-000	EA	Mullion - Slider Window - Black
	063422-02-000	EA	Inside Frame - Driver Door Window - Beige (not included in assembly)
	023713-02-000	EA	Weep Hole Cover - Black Plastic
	055164-05-000	EA	Screen Asm - Slider
	002292-01-000	SF	Screen - Window - 16" - Gray
	002298-01-000	FT	Spline - Gray - Screen - 130" Dia
	016310-03-000	EA	Screen Handle - Black
	043485-02-000	FT	Screen Seal - Extr Vinyl
	063977-03-000	EA	Step Asm - Single - Door
			Not illustrated

## 1984 ITASCA TABLE OF CONTENTS

ICN26RB  
ICN26RH

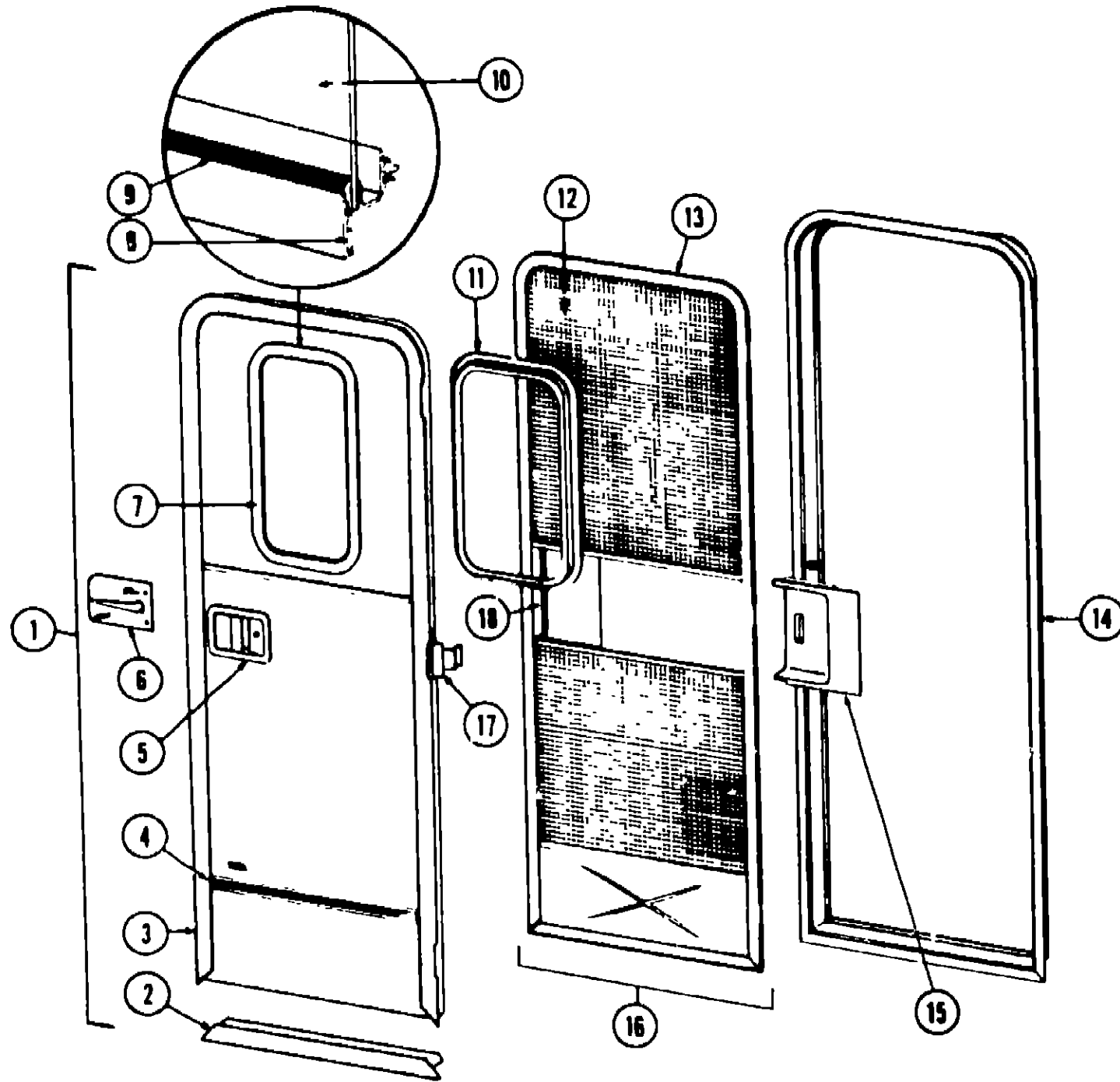
A-01 - C-12  
C-13 - E-24

## 1984 ICN26RH INDEX

Floor Plan	C-13 - C-14
Accessories Group	C-15 - C-17
Bath Group	C-18
Chassis Group	C-19 - C-20
Curtain, Cushion & Pad Group	C-21 - D-03
Dinette Group	D-04 - D-05
Driver's Compartment Group	D-06 - D-08
Electrical Group	D-09 - D-11
Exterior Body Group	D-12 - D-22
Galley Group	D-23 - E-01
Heating & Air Conditioning Group	E-02 - E-03
Interior Finish Group	E-04 - E-06
LP Group	E-07
Lounge Group	E-08 - E-09
Water & Sewage Group	E-10 - E-11
Window, Vent & Exterior Door Group	E-12 - E-24

# WINDOW, VENT & EXTERIOR DOOR GROUP (CONTINUED)

## ENTRANCE & SCREEN DOOR



Key	Part Number	U/M	Description
1	M01414-02-R07	EA	Door Asm. - Radius Entry w/Screen Door - Aluminum
1	M01414-06-R07	EA	Door Asm. - Radius Entry w/Screen Door - Greyhound Fiberglass
1	M01414-12-R10	EA	Door Asm. - Radius Entry w/Screen Door - Mesa Fiberglass
2	039737-06-000	EA	Frame - Entry Door (Bottom Portion Only) Aluminum
2	076878-03-000	EA	Frame - Entry Door (Bottom Portion Only) Greyhound Fiberglass
2	077998-03-000	EA	Frame - Entry Door (Bottom Portion Only) Mesa Fiberglass
3	039736-05-000	EA	Frame - Entry Door (Except Bottom Portion) Aluminum
3	076863-03-000	EA	Frame - Entry Door (Except Bottom Portion) Fiberglass
4	059576-03-000	EA	Feature Strip w/o Insert - Extr. - 14' - Brown
*	001030-09-100	EA	Insert - Feature Strip - 17' - Beige
*	009731-01-000	EA	End Cap - Feature Strip
5	045017-05-000	EA	Paddle Asm. - Door Lock - Exterior
*	045017-05-700	EA	Lock Cylinder w/Keys - Lynor
*	039539-01-000	EA	Striker Bolt - Entry Door
*	039540-01-000	EA	Latch Claw - Entry Door
*	039738-01-000	EA	Dead Bolt - Entry Door
6	039979-01-000	EA	Plate - Lock - Inside - Including Inside Handle
*	052186-01-000	EA	Lock Asm. - Complete - Lynor
7	041875-09-000	EA	Window Asm. - Picture - 17" x 25" - Black (w/o inside frame)
8	069640-06-000	FT	Ribbon Sealer - 5/16" Bead x 15'
9	002309-02-000	FT	Spline - Glass - 1/8" Black
10	002181-06-000	EA	Glass - Picture Window - 1/8" x 16 25" x 24" - Gray
11	067609-03-000	EA	Inside Frame - Window - Beige (not included in assembly)
12	002293-01-000	SF	Screen - Window - 26" - Gray
13	056795-01-000	FT	Seal Tape - 1/8" x 3/8" - Press On
14	075636-01-000	EA	Jamb Asm. - Entry Door
15	015580-02-000	EA	Slider - Screen Door - Light Oak Plastic
16	053170-08-000	EA	Door Asm. - Screen w/Light Oak Trim
17	039520-01-000	EA	Hinge - Entry Door (3 used per door)
18	015581-02-000	EA	Cap - Screen Door - Light Oak Plastic
*	049176-01-000	EA	Hedlock II - 3/4" Diameter - Screw Mount (Retains screen door to entry door)
*	009016-01-000	EA	Catch - Elbow - Spring Loaded - Screen Door
*	039863-01-000	EA	Catch Asm. - Single Roller w/Strike - Screen Door
*	076231-01-000	EA	Spacer - Latch - Screen Door
*	039800-03-000	FT	Tubing - Polybutyl - 3/8" O D Jamb
*	077437-02-000	EA	Strike - Roller Catch
*	058025-02-000	EA	Clip - Roller Latch Catch
*	044582-06-000	EA	Drip Cap - Gray
*	075802-01-000	EA	Seal - Mocket - Entrance
*	075739-03-000	EA	Stiffener - Entrance Door - Gray
*	075673-01-000	FT	Seal - Plic - Adhesive Back
*	075671-01-000	FT	Seal - Sponge - Lazy "T" Shaped
*	002294-01-000	FT	Spline - Black - 135" x 138" (Screen Door)
*	063638-01-000	EA	Strike - Screen Door
*	063729-04-000	EA	Rivnut - 10 - 32 UNF - 010- 080
*	075639-01-000	EA	Garnish - Radius - Entrance
*			Not illustrated

## 1984 ITASCA TABLE OF CONTENTS

ICN26RB  
ICN26RH

A-01 - C-12  
C-13 - E-24

## 1984 ICN26RH INDEX

Floor Plan	C-13 - C-14
Accessories Group	C-15 - C-17
Bath Group	C-18
Chassis Group	C-19 - C-20
Curtain, Cushion & Pad Group	C-21 - D-03
Dinette Group	D-04 - D-05
Driver's Compartment Group	D-06 - D-08
Electrical Group	D-09 - D-11
Exterior Body Group	D-12 - D-22
Galley Group	D-23 - E-01
Heating & Air Conditioning Group	E-02 - E-03
Interior Finish Group	E-04 - E-06
LP Group	E-07
Lounge Group	E-08 - E-09
Water & Sewage Group	E-10 - E-11
Window, Vent & Exterior Door Group	E-12 - E-24