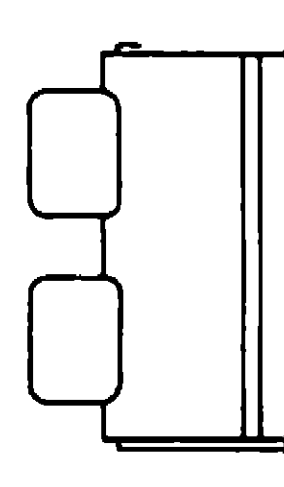
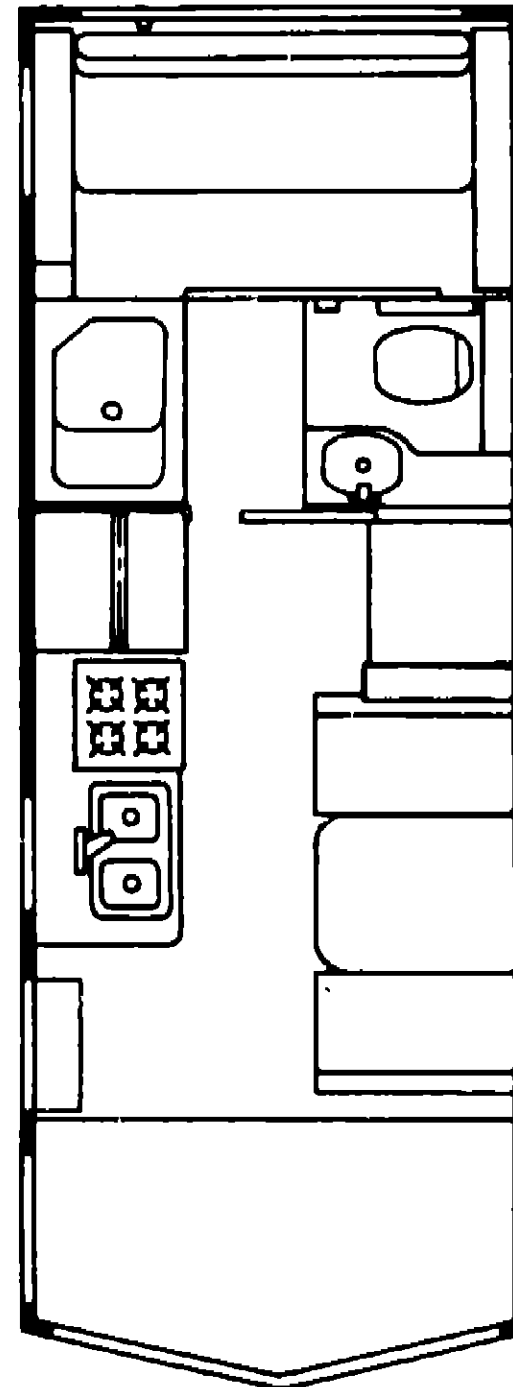
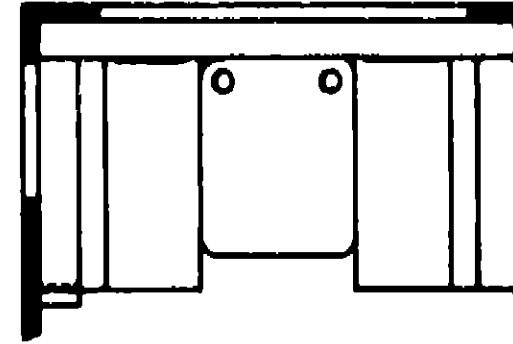


1984 ICN23RG



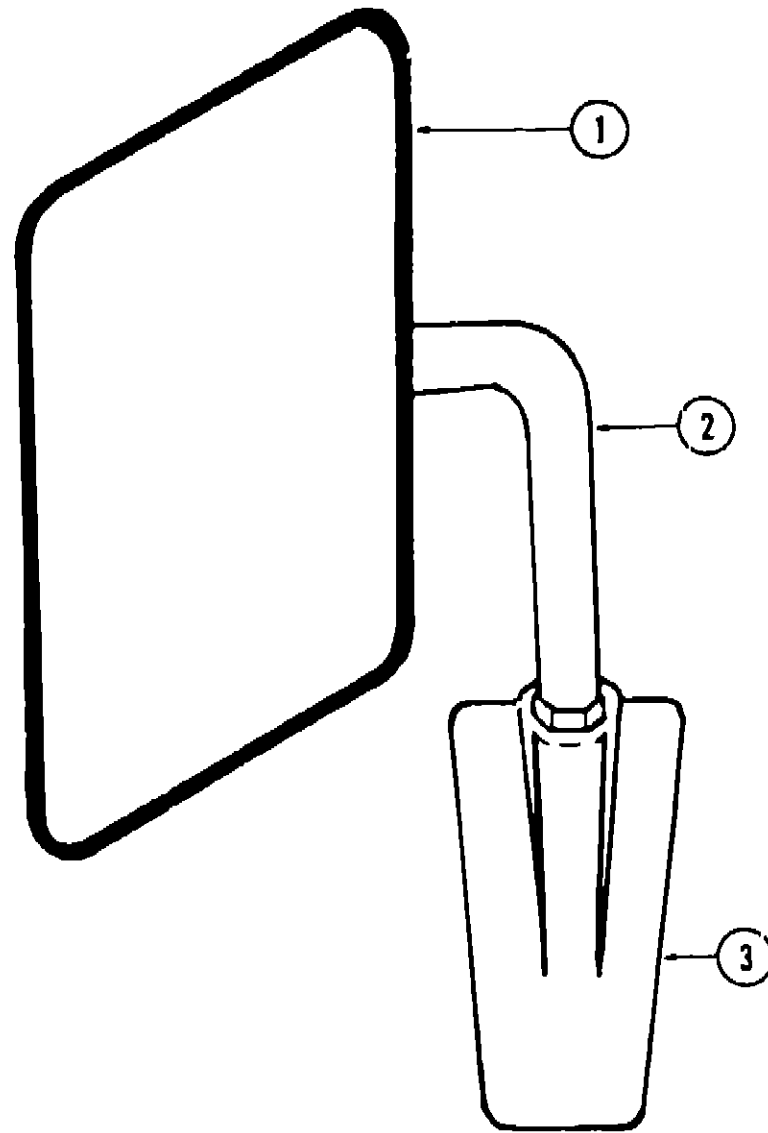
1984 ITASCA TABLE OF CONTENTS

IC420RG	A-01 - C-06
IC424RC	C-07 - E-18
ICN23RG	E-19 - H-06
ICN30RT	H-07 - J-20

1984 ICN23RG INDEX

Floor Plan	E-19 - E-20
Accessories Group	E-21 - E-23
Bath Group	E-24
Chassis Group	F-01 - F-02
Curtain, Cushion & Pad Group	F-03 - F-10
Dinette Group	F-11
Driver's Compartment Group	F-12 - F-14
Electrical Group	F-15 - F-17
Exterior Body Group	F-18 - G-02
Galley Group	G-03 - G-06
Heating & Air Conditioning Group	G-07 - G-08
Interior Finish Group	G-09 - G-11
LP Group	G-12
Lounge Group	G-13 - G-14
Water & Sewage Group	G-15 - G-16
Window, Vent & Exterior Door Group	G-17 - H-06

ACCESSORIES GROUP



EXTERIOR MIRRORS

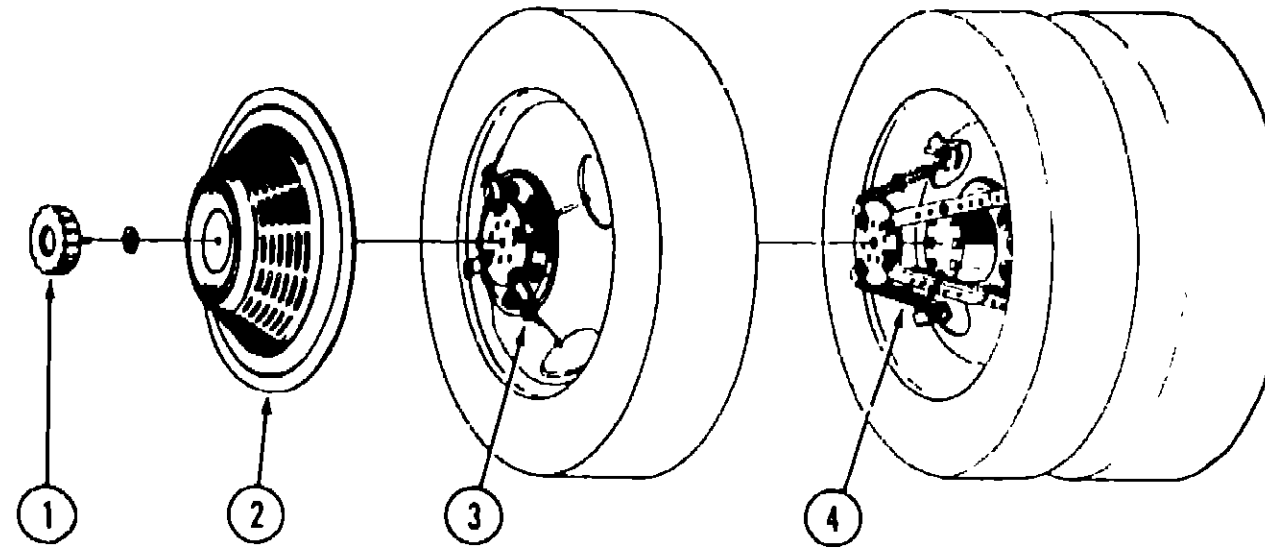
Key	Part Number	U/M	Description
1	049347-01-000	EA	Mirror Head - 7 5" x 10 5" - Stainless Steel
1	049347-02-000	EA	Mirror Head - 7 5" x 10 5" - Off White
2	049348-03-000	EA	Arm - Low Mount Mirror - Black
3	049944-04-000	EA	Bracket - Mirror - Outside - Black
.	065116-01-000	EA	Mirror - West Coast - Double - Passenger
.	065116-02-000	EA	Mirror - West Coast - Double - Driver
.	006043-01-000	EA	Mirror - Convex - Adhesive Back
.			Not illustrated

GENERATORS & COMPONENTS

Key	Part Number	U/M	Description
**	054429-01-000	EA	Generator - Onan - 4.0 kw
	052168-01-000	EA	Generator - Onan - 4.25 kw
	068046-01-000	EA	Conversion Kit - LP - Onan Generator
	024732-01-016	EA	Tailpipe - 1 5" O.D x 43 5"
	067753-01-000	EA	Muffler - Generator - w/Spark Arrestor - Nelson
	007067-01-000	SF	Insulation - 1" - Fiberglass
	701629-02-000	EA	Installation Package
	069229-01-000	EA	Generator - Kohler - 4.5 kw - UL
	069229-02-000	EA	Generator - Kohler - 4.5 kw - CSA
	072332-01-000	EA	Generator - LP - Kohler - 4.5 kw

** The illustrated parts breakdown for this item is provided on the Common Items Fiche

ACCESSORIES GROUP (CONTINUED)



WHEEL COVER & MOUNTING HARDWARE

Key	Part Number	U/M	Description
1	064082-02-000	EA	Retaining Nut - Delmet - Wheel Cover
2	073426-01-700	EA	Wheel Cover - Bolt On - 16" or 16 5" - Delmet (1)
3	073426-04-700	EA	Retention Bracket Asm - Wheel Cover Support - Heavy Duty - Front (1)
4	073426-04-701	EA	Retention Bracket Asm - Wheel Cover Support - Heavy Duty - Rear (1)
.	073426-04-000	EA	Retention Bracket Asm - Wheel Cover Support - Heavy Duty (Set/4)
**	031396-04-000	EA	Wheel Cover - 16" - Clip On
.			Not illustrated
**			The illustrated parts breakdown for this item is provided on the Common Items Fiche

RADIO & RELATED COMPONENTS

Key	Part Number	U/M	Description
	031105-01-000	EA	Antenna - Radio - Side Mount
	031105-01-700	EA	Holder - Antenna - Radio - Upper
	064791-01-000	EA	Speaker - Recessed - 5 25"
	073431-01-000	EA	Speaker - 5 25" - 3/Way (Pair)
	074979-01-000	EA	Speaker Cover Protector - Plastic
	064792-01-000	EA	Grille - Speaker - 5 25" - w/Mesh - Brown
	075903-01-000	EA	Radio - AM/FM Stereo - w/Cassette - Audiovox - GMJSPG
	075904-01-000	EA	Radio - AM/FM Stereo - w/Cassette - Electronic Tune - Audiovox - GMJDGO

ELECTRIC STEP ASSEMBLY

Key	Part Number	U/M	Description
	075461-01-000	EA	Electric Step Asm w/Light
	075461-01-700	EA	Motor
	041250-01-000	EA	Switch - Door - Electric Step
	075461-01-704	EA	Control Unit - Understeps
	075461-01-705	EA	4-Way Plug (Dash End)
	075461-01-706	EA	Kill Switch
	075461-01-707	EA	Step Light
	075461-01-708	EA	4-Way Plug (Control Box End)
	075461-01-709	EA	90° Plug
	075461-01-710	EA	Gear
	075461-01-711	EA	Drive Link
	076241-02-000	EA	Support Asm

**1984 ITASCA
TABLE OF CONTENTS**

IC420RG	A-01 - C-06
IC424RC	C-07 - E-18
ICN23RG	E-19 - H-06
ICN30RT	H-07 - J-20

1984 ICN23RG INDEX

Floor Plan	E-19 - E-20
Accessories Group	E-21 - E-23
Bath Group	E-24
Chassis Group	F-01 - F-02
Curtain, Cushion & Pad Group	F-03 - F-10
Dinette Group	F-11
Driver's Compartment Group	F-12 - F-14
Electrical Group	F-15 - F-17
Exterior Body Group	F-18 - G-02
Galley Group	G-03 - G-06
Heating & Air Conditioning Group	G-07 - G-08
Interior Finish Group	G-09 - G-11
LP Group	G-12
Lounge Group	G-13 - G-14
Water & Sewage Group	G-15 - G-16
Window, Vent & Exterior Door Group	G-17 - H-06

ACCESSORIES GROUP (CONTINUED)

MISCELLANEOUS ACCESSORIES

Key	Part Number	U/M	Description
	054185-20-000	EA	Owner's Manual - 1984 - Itasca & Winnebago
	076319-01-000	EA	Antenna - TV - Roof Mount - w/4 5" Mast
	076319-03-000	EA	Cable - Coaxial - Roof Mount TV Antenna
	076319-04-000	EA	Connector & Ferrule - Roof Mount TV Antenna
	076319-05-000	EA	Wallplate/Power Supply - Ivory - Roof Mount TV Antenna
	076319-06-000	EA	Adapter - Cable Roof Plate - Roof Mount TV Antenna
	017516-01-000	EA	Mud Flap w/Holes - 14" x 18" - Black
	064089-01-000	EA	Splash Guard - Black Rubber
	041944-03-000	EA	Fire Extinguisher w/Bracket - 5 BC
	044982-01-000	EA	Pouch - Home Owner's Plan - Plastic
	075922-01-000	EA	Microwave Oven - Litton - 1450
	075930-01-000	EA	Bracket Asm. - Microwave - Right
	075930-02-000	EA	Bracket Asm. - Microwave - Left
	076253-02-000	EA	Bracket Asm. - Microwave - Bottom (2 required)
	075922-03-000	EA	Trim Ring - Microwave Oven
	075922-04-000	EA	Air Exhaust Duct - Microwave Oven
	067203-01-000	EA	Ladder Asm.
	067130-01-000	EA	Ladder Step
	076980-01-000	EA	End Cap - Ladder Step
	067125-01-000	EA	Stand Off - Rack & Ladder Asm.
	067203-02-000	EA	Luggage Rack Asm.
	064093-01-000	EA	Luggage Carrier Assembly - 14" x 30" x 60"
	072366-01-000	EA	Speed Control Package - Electric - Diesel - Dana
	072366-01-700	EA	Hex Fitting - Speed Control - Diesel
	072366-01-701	EA	Cable Only - Speed Control - Diesel
	072366-01-702	EA	Vacuum Regulator - Speed Control - Diesel
	072366-01-703	EA	Control Switch & Lever Asm - Speed Control - Diesel
	069629-01-000	EA	Speed Control Package - Electric - Dana
	069629-01-700	EA	Regulator Asm - Electronic - Speed Control
	069629-01-701	EA	Vacuum Valve & Electric Switch - Speed Control
	069629-01-702	EA	Control Switch & Lever Asm - Speed Control
	069629-01-703	EA	Harness Asm (Main Wiring) - Speed Control
	069629-01-704	EA	Generator Signal - Speed Control
	069629-01-705	EA	Adapter Key - Speed Control
	072852-01-000	EA	Smoke Detector w/9 Volt Battery
	072373-01-000	EA	Weather Center - 7" x 7" x 2"
	072374-01-000	EA	Clock - 7" x 7" x 2"
	000069-01-000	EA	Key Case - Leather
	040069-01-000	EA	Door Mat - 10 5" x 26" - Black Rubber
	069580-01-000	EA	Lug Wrench - 1" x 1 25" x 16 3"
	069580-02-000	EA	Leverage Bar - 22" - Lug Wrench
	006113-01-000	EA	Jack - Hydraulic - 6 Ton - w/Handle
	063708-01-000	EA	Cover - Roof Air Conditioner - Vinyl
	075068-02-R07	EA	Tire Cover - Gray Plastic

BATH GROUP

BATH/WARDROBE CABINETRY & HARDWARE

Key	Part Number	U/M	Description
	M77227-01-R07	EA	Cabinet Asm - Lavatory - w/o Countertop & Doors
	M01601-01-R07	EA	Countertop Asm - Lavatory Cabinet - Travertine
	069852-58-R10	EA	Door Asm - Lavatory Cabinet - 24 7" x 12 1" - w/o Hardware
	069852-8J-R07	EA	Door Asm - Lavatory Cabinet - 16 1" x 12 6" - w/o Hardware
	077358-01-R07	EA	Drawer Asm - Lavatory Cabinet
	076073-01-000	EA	Cabinet Asm - Medicine - 15.4" x 29 4" - w/o Door - Almond
	076353-01-R07	EA	Door Asm. - Medicine Cabinet - w/Mirror - 16.1" x 30.1" - w/o Hardware
	069859-04-R07	EA	Door Asm. - Fixed Wall Mirror - 23 1" x 30 1"
	M01579-01-R07	EA	Countertop Asm - Pipe Cover - Travertine
	M75578-01-R07	EA	Door Asm - Bath - 19 2" x 73" - w/o Hardware
	M74533-02-R10	EA	Door Asm - Sliding - 28' x 72 5" - w/o Hardware
	M77143-01-R07	EA	Door Asm - Sliding - 26" x 66 5" - w/o Hardware
	062906-02-000	EA	Door Asm - Folding - Shower - 28 8" x 60" - Plastic
	059915-08-R07	EA	Drawer Asm - Wardrobe - 19 1" x 20 8"
	069852-63-R10	EA	Door Asm - Wardrobe - 47 9' x 20 6" - w/o Hardware
	M69856-03-R07	EA	Door Asm - Furnace - Wardrobe Cabinet - w/o Hardware
	M01407-01-000	EA	Bathtub Asm w/Strainer
	075242-02-000	EA	Faucet - Tub & Shower - Antique Brass - US
	031558-01-000	EA	Faucet - Tub & Shower - CSA
	031558-01-700	EA	Adapter - Shower Hose/Faucet
**	011048-02-000	EA	Shower Head - w/60" Hose
	011048-04-000	EA	Vacuum Breaker - 1/8 MPT - Nylon - Shower Head
	072650-01-000	EA	Shower Panel w/Soap Dish - Plastic
	075606-01-000	EA	Shower Panel - Faucet - Plastic
	076137-01-000	EA	Trim - Jamb - Bathtub Asm
**	066729-01-000	EA	Strainer - Bathtub Asm
	066435-C1-000	EA	Nut - Strainer - Plastic - Bathtub Asm
	066436-01-000	EA	Slip Nut - 1 5" Tail Piece - Bathtub Asm
	069735-01-000	EA	Washer - Tail Piece - 1 5" - Plastic - Bathtub Asm
	011069-02-000	EA	Tail Piece - 1 5" x 1 25" x 4" - Brass - Bathtub Asm
	M01465-01-000	EA	Shroud w/Reinforcement - Bathtub Asm
	058713-01-000	EA	Sink - Oval - Ivory Plastic
	075240-02-000	EA	Faucet - Lavatory - Antique Brass
	011056-02-000	EA	Faucet - Lavatory - CSA
	011083-01-000	EA	Tail Piece w/Stopper - 1 25" x 5" - Plastic - Sink
	039341-02-000	EA	Toilet - Thetford - Aqua Magic - Ivory - 8420 SH
	075452-01-000	EA	Tissue Holder - Antique Brass
	075453-01-000	EA	Towel Bar - 18" - Antique Brass
	075454-01-000	EA	Towel Ring - Antique Brass
	064467-01-000	EA	Guide - Sliding Door - Mounts on Wall
	009156-01-000	EA	Hanger - Sliding Door
	075145-06-000	EA	Cover - Sliding Door Track - 54 2"
	075153-01-000	EA	Cover - End Cap - Sliding Door Track - Berge
	075149-04-000	EA	Track - Sliding Door - 54 2"
	058034-02-000	EA	Latch - Sliding Door - w/o Lock
	075687-01-000	EA	Latch Asm - Bathroom Door - Privacy
	009112-01-000	EA	Flange - 1" Closet Rod
	075680-01-000	EA	Closet Rod - Adjustable
	009150-01-000	EA	Warp Guard - 64"
	058331-01-000	EA	Mirror - Tempered Glass - 19" x 26"
	058331-05-000	EA	Mirror - Tempered Glass - 12" x 26"
	057671-01-000	EA	Screw Cover - #8 - Antique White
	066433-01-000	EA	Cup Hook - Bright
	071632-01-000	EA	Hamper Bag - 49" - w/Elastic

** The illustrated parts breakdown for this item is provided on the Common Items Fiche

1984 ITASCA TABLE OF CONTENTS

IC420RG	A-01 - C-06
IC424FC	C-07 - E-18
ICN23RG	E-19 - H-06
ICN30FIT	H-07 - J-20

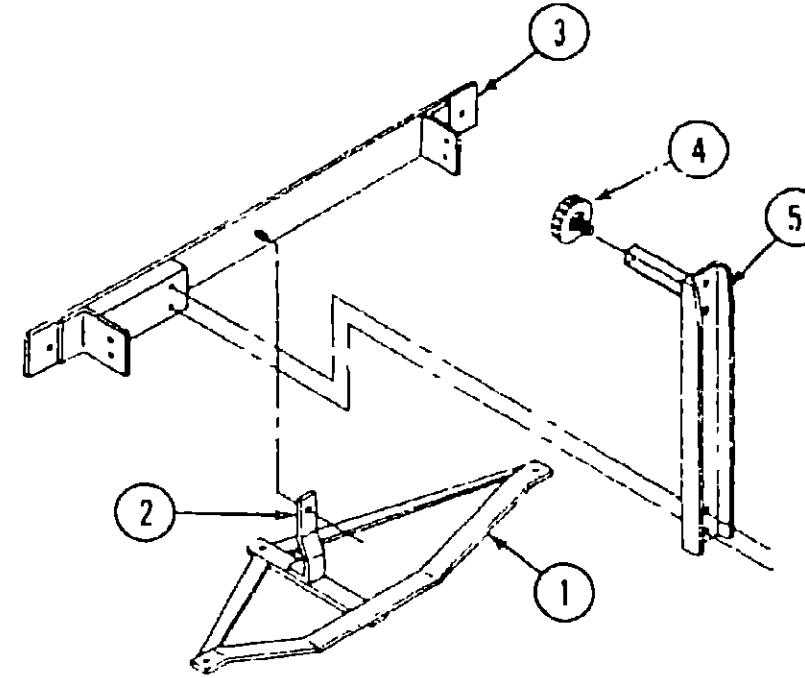
1984 ICN23RG INDEX

Floor Plan	E-19 - E-20
Accessories Group	E-21 - E-23
Bath Group	E-24
Chassis Group	F-01 - F-02
Curtain, Cushion & Pad Group	F-03 - F-10
Dinette Group	F-11
Driver's Compartment Group	F-12 - F-14
Electrical Group	F-15 - F-17
Exterior Body Group	F-18 - G-02
Galley Group	G-03 - G-06
Heating & Air Conditioning Group	G-07 - G-08
Interior Finish Group	G-09 - G-11
LP Group	G-12
Lounge Group	G-13 - G-14
Water & Sewage Group	G-15 - G-16
Window, Vent & Exterior Door Group	G-17 - H-06

CHASSIS GROUP

Key	Part Number	U/M	Description
	047441-01-000	EA	Battery Terminal - Horizontal Lug
	005200-01-000	EA	Bolt - Round Head w/Square Neck - 7/16 - 14 x 1 1/4 - Stainless Steel Cap
	051697-04-000	EA	Bracket - Battery Tie Down - 9"
	051697-02-000	EA	Bracket - Battery Tie Down - 12"
	058425-01-000	EA	Bracket - Bumper Front
	064053-01-000	EA	Bracket - Bumper Front - Reinforcement
	058439-01-000	EA	Bracket - Bumper Front - Mounts Bumper to Frame
	022150-01-000	EA	Bracket - Bumper Rear
	073352-01-000	EA	Bracket - License Plate - Front
	J72850-01-000	EA	Bumper - Front - Chrome
	072850-07-000	EA	Bumper - Front - Primed
	048474-01-000	EA	Bumper - Rear - Chrome
	020858-01-700	EA	Bumper - Rear - Primed
	072850-01-700	EA	Bumper Kit Asm - Front - Rubber
	007125-06-000	EA	Clamp Asm - Muffler - 2 25' Dia
	010499-01-000	EA	Clamp - Closed - 3/8' I D
	010497-01-000	EA	Clamp - Closed - 5/8' I D
	007161-01-000	EA	Clamp - Hose - Spring Type 112
	062401-01-000	EA	Clamp - Hose - Wormgear 22' I D - 1' I D
	062401-03-000	EA	Clamp - Hose - Wormgear 25' I D - 1' I D
	062401-04-000	EA	Clamp - Hose - Wormgear 69' I D - 1 25' I D
	062401-02-000	EA	Clamp - Hose - Wormgear 1 56' I D - 2 5' I D
	062401-05-000	EA	Clamp - Hose - Wormgear 2' I D - 3' I D
	062401-09-000	EA	Clamp - Hose - Wormgear 2 8' I D - 3 75' I D
	072359-01-000	EA	Coolant Expansion Bottle
	071656-01-000	EA	Cover - Radiator - Rear
	071657-01-000	EA	Cover - Radiator - Rear Back (Fan Shroud)
	020167-03-000	EA	Dirt Guard - Mud Flap
	061411-03-000	EA	Extension - Exhaust - 2 25" O D x 10 5' (454 Engine)
	022655-02-000	EA	Extension - Exhaust - 2 25' O D x 8" (Diesel Engine)
	071654-01-000	EA	Hood Board - Upper - Right - Steel
	058404-01-000	EA	Hood Board - Upper - Left - Steel
	024138-01-000	EA	Hose - Fuel - 5/16" I D SAE 30RI
	007067-01-000	SF	Insulation - 1" - Fiberglass
	006113-01-000	EA	Jack - Hydraulic - 6 Ton - w. Handle
	069580-02-000	EA	Leverage Bar - 22" - Lug Wrench
	069580-01-000	EA	Lug Wrench - 1" x 1 25" x 16 3
	017516-01-000	EA	Mud Flap w/Holes - 14" x 18" - Black
	024490-01-000	EA	Power Cord Box - Plastic
	072361-01-000	EA	Reducer - 3/4 Barb to 5/8 Barb - Diesel
	064962-02-000	EA	Rim - Wheel - 16 x 6 00
	041791-01-000	FT	Seal - U-Channel - Flex - 156' x 375" - Brown Vinyl
	063977-03-000	EA	Step Asm - Driver's Door
	024652-01-700	EA	Step Asm - Entry
	076241-02-000	EA	Support Asm - Electric Step
	050273-02-000	EA	Tire - 7 50 x 16 x CA TB - Tubeless
	040546-01-000	EA	Tire - 7 50 x 16 - 8 Ply Poly
	052431-01-000	EA	Tray - Luggage
	051377-01-000	EA	Valve Stem Asm - TR500
	055010-01-000	EA	Wheel Well - Plastic
	008343-01-000	EA	Wire Tie - 6'

CHASSIS GROUP (CONTINUED)



Key	Part Number	U/M	Description
1	064833-01-000	EA	Trailer Hitch Asm
2	064824-02-000	EA	Support - Trailer Hitch
3	064601-02-000	EA	Bracket - Bumper Mount
4	064082-02-000	EA	Retaining Nut - Tire Cover
5	075226-01-000	EA	Bracket Asm - Spare Tire Cover
*	075068-02-R07	EA	Tire Cover Asm - Gray Plastic
.			Not illustrated

1984 ITASCA TABLE OF CONTENTS

IC420RG	A-01 - C-06
IC424RC	C-07 - E-18
ICN23RG	E-19 - H-06
ICN30RT	H-07 - J-20

1984 ICN23RG INDEX

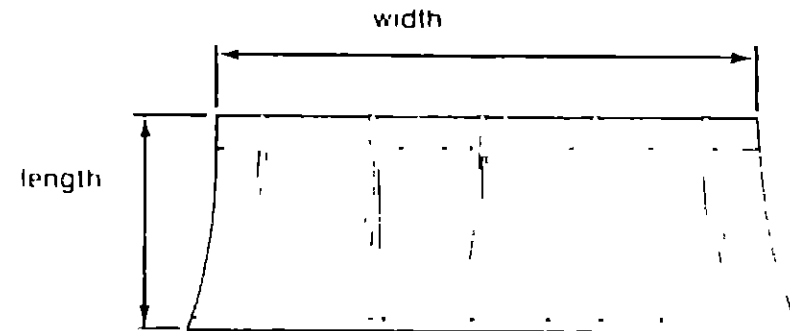
Floor Plan	E-19 - E-20
Accessories Group	E-21 - E-23
Bath Group	E-24
Chassis Group	F-01 - F-02
Curtain Cushion & Pad Group	F-03 - F-10
Dinette Group	F-11
Driver's Compartment Group	F-12 - F-14
Electrical Group	F-15 - F-17
Exterior Body Group	F-18 - G-02
Galley Group	G-03 - G-06
Heating & Air Conditioning Group	G-07 - G-08
Interior Finish Group	G-09 - G-11
LP Group	G-12
Lounge Group	G-13 - G-14
Water & Sewage Group	G-15 - G-16
Window, Vent & Exterior Door Group	G-17 - H-06

CURTAIN, CUSHION & PAD GROUP

NOTICE

In order to assist our Parts Sales Dept. in providing interior software items, please include the serial number and the color code number from the vehicle certification label when ordering. This label is located on the left sidewall at the end of the dash (A-Body), or on the driver's door latch plate (C-Body).

An example of a color code number is P31, which designates an overall color scheme of a particular unit. The color listed after the item description on the microfiche, indicates the overall unit color. Order the item you desire according to unit color code.



NOTE

Use this illustration when determining length and width measurements for curtains. You will note the width measurement is taken on the top of the curtain with the curtain fully extended. The length measurement is taken from top to bottom.

CURTAIN, CUSHION & PAD GROUP (CONTINUED)

CURTAIN & CUSHION HARDWARE

Key	Part Number	U/M	Description
	056116-01-000	EA	Track - Curtain - Brown Plastic
	059430-05-000	EA	Track - Front Wraparound (2 per unit) - 43 75" x 36" - Beige
	059430-07-000	EA	Track - Front Wraparound (Driver's Door) - 86 2" x 36" - Beige
	056001-01-000	EA	Bracket - Shade - Left
	056002-01-000	EA	Bracket - Shade - Right
	056003-01-000	EA	Bracket - Drapery Retainer - Right
	056003-02-000	EA	Bracket - Drapery Retainer - Left
	056003-03-000	EA	Bracket - Drapery Retainer - Universal
	075477-21-000	EA	Bracket - Hold Down - Blinds
	075477-36-000	EA	Bracket - Installation - Blinds - Left or Right
	009107-01-000	EA	Guide - Nylon Snap - Curtain
	056784-01-000	EA	Pull - Window Shade - Antique Brass
	039175-01-000	EA	Curtain Rod - Extension 48" - 84"
	039175-03-000	EA	Curtain Rod - Extension 28" - 48"
	039175-04-000	EA	Curtain Rod - Extension 16" - 28"
	039175-02-000	EA	Bracket - Curtain Rod
	056115-02-000	YD	Tape - Clear Plastic - w/Guides
	048394-01-000	YD	Tape Hook - 1" x 25 YD - Beige
	048395-01-000	YD	Tape Loop - 1" x 25 YD - Beige
	069759-01-000	EA	Frame Asm - Single Bucket Back - w/Recliner Drive
	069106-01-000	EA	Frame Asm - Single Bucket Bottom - w/Recliner Mounting Plate (Armrests)
	069759-05-000	EA	Frame Asm - Double Bucket Back w/Recliner Drive
	070573-01-000	EA	Frame Asm - Double Bucket Bottom w/Recliner Mounting Plate
	036658-03-000	EA	Screw - Shoulder - 1/2 x 1 3/4 - Hex Armrest Asm
	029050-01-000	EA	Silicone Spray

1984 ITASCA TABLE OF CONTENTS

IC420RG	A-01 - C-06
IC424RC	C-07 - E-18
ICN23RG	E-19 - H-06
ICN30RT	H-07 - J-20



Key	Part Number	U/M	Description
1	029130-01-000	EA	Socket - Snap Fastener
2	029155-01-000	EA	Cap - Snap - 156 Dia x 17" Barrel
3	029156-01-000	EA	Socket - Snap Fastener
4	029092-01-000	EA	Stud - Nickel Finish
5	029093-01-000	EA	Eyelet - Nickel Finish

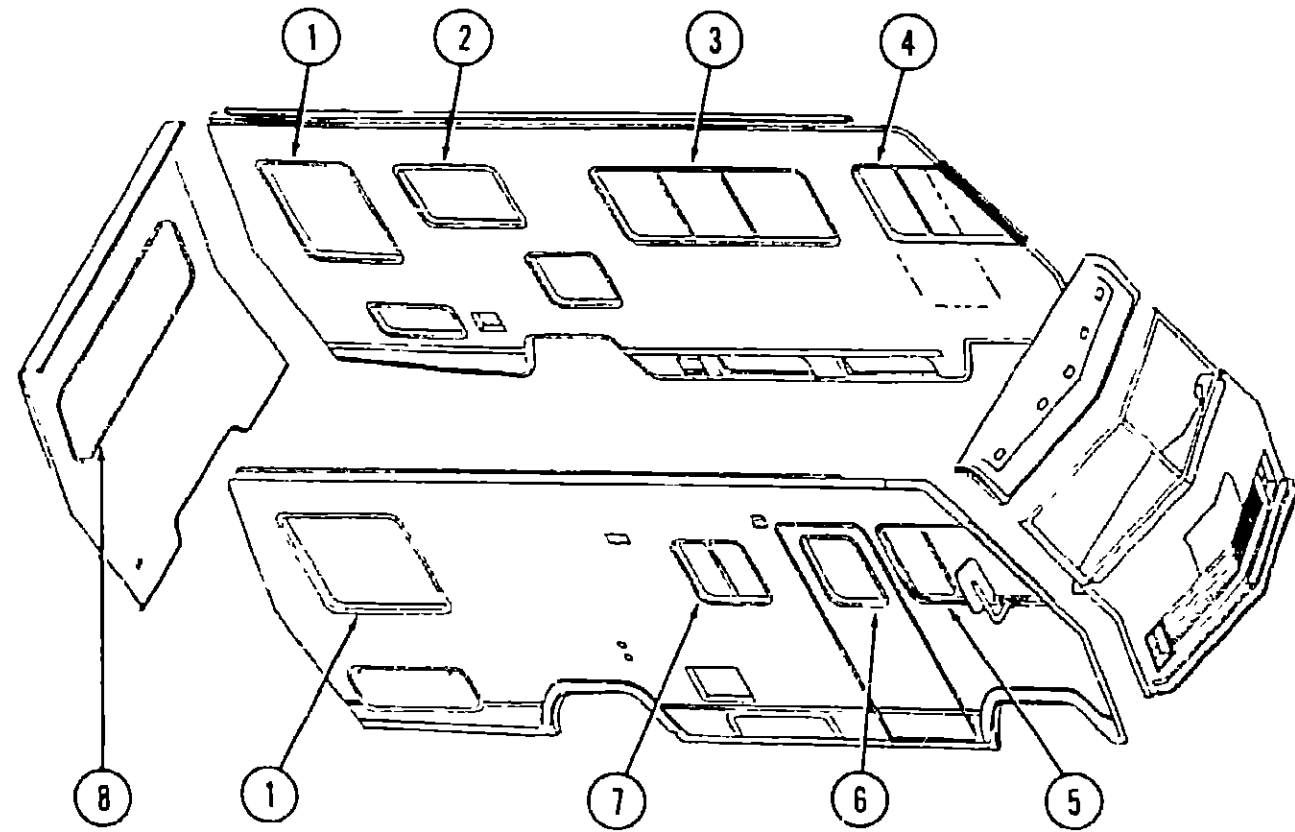
1984 ICN23RG INDEX

Floor Plan	E-19 - E-20
Accessories Group	E-21 - E-23
Bath Group	E-24
Chassis Group	F-01 - F-02
Curtain, Cushion & Pad Group	F-03 - F-10
Dinette Group	F-11
Driver's Compartment Group	F-12 - F-14
Electrical Group	F-15 - F-17
Exterior Body Group	F-18 - G-02
Galley Group	G-03 - G-06
Heating & Air Conditioning Group	G-07 - G-08
Interior Finish Group	G-09 - G-11
LP Group	G-12
Lounge Group	G-13 - G-14
Water & Sewage Group	G-15 - G-16
Window, Vent & Exterior Door Group	G-17 - H-06

CURTAIN, CUSHION & PAD GROUP (CONTINUED)

CURTAIN, CUSHION & PAD GROUP (CONTINUED)

CURTAINS, SHADES, VALANCES & TIEBACKS (CONT.)



CURTAINS, SHADES, VALANCES & TIEBACKS

Key	Part Number	U/M	Description
1	070652-27-R22	EA	Curtain w/Darts - 37 5" x 15" - Blue/Gray
1	070652-27-R23	EA	Curtain w/Darts - 37 5" x 15" - Navy/Beige
1	070652-27-R24	EA	Curtain w/Darts - 37 5" x 15" - Rust
1	073323-20-R07	EA	Curtain w/Rod Top - Sheers - 38 25" x 30"
1	M01612-01-R22	EA	Valance Asm - Top - 36 5" - Blue/Gray
1	M01612-01-R23	EA	Valance Asm - Top - 36 5" - Navy/Beige
1	M01612-01-R24	EA	Valance Asm - Top - 36 5" - Rust
1	070651-55-R22	EA	Valance Asm - 6" x 45 5" - Pleated - Blue/Gray
1	070651-55-R23	EA	Valance Asm - 6" x 45 5" - Pleated - Navy/Beige
1	070651-55-R24	EA	Valance Asm - 6" x 45 5" - Pleated - Rust
1	065522-07-000	EA	Shade Asm - Vinyl - 33 25" x 50"
1	075474-57-000	EA	Shade Asm - Woven Wood - 31" x 40" - Blue/Gray (R22)
1	075474-56-000	EA	Shade Asm - Woven Wood - 31" x 40" - Navy/Beige (R23)
1	075474-53-000	EA	Shade Asm - Woven Wood - 31" x 40" - Rust (R24)
1	070651-42-R22	EA	Valance Asm - 6 5" x 39" - Pleated (Woven Wood) Blue/Gray
1	070651-42-R23	EA	Valance Asm - 6 5" x 39" - Pleated (Woven Wood) Navy/Beige
1	070651-42-R24	EA	Valance Asm - 6 5" x 39" - Pleated (Woven Wood) Rust
2	073251-20-R22	EA	Curtain w/Tape Top - 25 5" x 12" - Blue/Gray
2	073251-20-R23	EA	Curtain w/Tape Top - 25 5" x 12" - Navy/Beige
2	073251-20-R24	EA	Curtain w/Tape Top - 25 5" x 12" - Rust
2	070651-32-R22	EA	Valance Asm - 6" x 42" - Pleated - Blue/Gray
2	070651-32-R23	EA	Valance Asm - 6" x 42" - Pleated - Navy/Beige
2	070651-32-R24	EA	Valance Asm - 6" x 42" - Pleated - Rust
2	065522-06-000	EA	Shade Asm - Vinyl - 33 25" x 38"
2	075474-18-000	EA	Shade Asm - Woven Wood - 32" x 26" Drop - Blue/Gray (R22)
2	075474-16-000	EA	Shade Asm - Woven Wood - 32" x 26" Drop - Navy/Beige (R23)
2	075474-17-000	EA	Shade Asm - Woven Wood - 32" x 26" Drop - Rust (R24)
2	070651-52-R22	EA	Valance Asm - 6" x 39" - Pleated (Woven Wood) Blue/Gray
2	070651-52-R23	EA	Valance Asm - 6" x 39" - Pleated (Woven Wood) Navy/Beige
2	070651-52-R24	EA	Valance Asm - 6" x 39" - Pleated (Woven Wood) Rust

Key	Part Number	U/M	Description
3	070652-18-R22	EA	Curtain w/Darts - 29" x 15" - Blue/Gray
3	070652-18-R23	EA	Curtain w/Darts - 29" x 15" - Navy/Beige
3	070652-18-R24	EA	Curtain w/Darts - 29" x 15" - Rust
3	073323-18-R07	EA	Curtain w/Rod Top - Sheer - 27 5" x 66"
3	070651-25-R22	EA	Valance Asm - 6" x 80" - Pleated - Blue/Gray
3	070651-25-R23	EA	Valance Asm - 6" x 80" - Pleated - Navy/Beige
3	070651-25-R24	EA	Valance Asm - 6" x 80" - Pleated - Rust
3	065522-12-000	EA	Shade Asm - Vinyl - 69 25" x 38"
3	075474-15-000	EA	Shade Asm - Woven Wood - 69" x 29" Drop - Blue/Gray (R22)
3	075474-13-000	EA	Shade Asm - Woven Wood - 69" x 29" Drop - Navy/Beige (R23)
3	075474-14-000	EA	Shade Asm - Woven Wood - 69" x 29" Drop - Rust (R24)
3	070651-49-R22	EA	Valance Asm - 6" x 76" - Pleated (Woven Wood) Blue/Gray
3	070651-49-R23	EA	Valance Asm - 6" x 76" - Pleated (Woven Wood) Navy/Beige
3	070651-49-R24	EA	Valance Asm - 6" x 76" - Pleated (Woven Wood) Rust
4	059900-05-R10	EA	Curtain w/Snaps - Driver's Door - 29" x 35"
5	073304-07-R10	EA	Curtain w/Snaps - Front Wraparound - 27 5" x 81" (2 required)
*	073304-03-R22	EA	Curtain w/Snaps - Front Wraparound - Driver's Door - 27 5" x 125"
*	073304-25-R10	EA	Curtain w/Snaps - Privacy - 60" x 86"
6	075694-02-R22	EA	Valance Asm - 4 8" x 4 2" x 29 6" - Blue/Gray
6	075694-02-R23	EA	Valance Asm - 4 8" x 4 2" x 29 6" - Navy/Beige
6	075694-02-R24	EA	Valance Asm - 4 8" x 4 2" x 29 6" - Rust
6	065522-02-000	EA	Shade Asm - Vinyl - 21 25" x 38"
7	073251-21-R22	EA	Curtain w/Tape Top - 21 5" x 9" - Blue/Gray
7	073251-21-R23	EA	Curtain w/Tape Top - 21 5" x 9" - Navy/Beige
7	073251-21-R24	EA	Curtain w/Tape Top - 21 5" x 9" - Rust
7	070651-35-R22	EA	Valance Asm - 6" x 38 5" - Pleated - Blue/Gray
7	070651-35-R23	EA	Valance Asm - 6" x 38 5" - Pleated - Navy/Beige
7	070651-35-R24	EA	Valance Asm - 6" x 38 5" - Pleated - Rust
7	065522-16-000	EA	Shade Asm - Vinyl - 28 5" x 30"
7	075474-27-000	EA	Shade Asm - Woven Wood - 28" x 23" Drop - Blue/Gray (R22)
7	075474-25-000	EA	Shade Asm - Woven Wood - 28" x 23" Drop - Navy/Beige (R23)
7	075474-26-000	EA	Shade Asm - Woven Wood - 28" x 23" Drop - Rust (R24)
7	070651-50-R22	EA	Valance Asm - 6" x 35" - Pleated (Woven Wood) Blue/Gray
7	070651-50-R23	EA	Valance Asm - 6" x 35" - Pleated (Woven Wood) Navy/Beige
7	070651-50-R24	EA	Valance Asm - 6" x 35" - Pleated (Woven Wood) Rust
8	070652-18-R22	EA	Curtain w/Darts - 29" x 15" - Blue/Gray
8	070652-18-R23	EA	Curtain w/Darts - 29" x 15" - Navy/Beige
8	070652-18-R24	EA	Curtain w/Darts - 29" x 15" - Rust
8	073323-18-R07	EA	Curtain w/Rod Top - Sheer - 27 5" x 66"
8	070651-46-R22	EA	Valance Asm - 6 5" x 83" - Pleated - Blue/Gray
8	070651-46-R23	EA	Valance Asm - 6 5" x 83" - Pleated - Navy/Beige
8	070651-46-R24	EA	Valance Asm - 6 5" x 83" - Pleated - Rust
8	065522-13-000	EA	Shade Asm - Vinyl - 72 25" x 38"
8	075474-33-000	EA	Shade Asm - Woven Wood - 71" x 31" Drop - Blue/Gray (R22)
8	075474-31-000	EA	Shade Asm - Woven Wood - 71" x 31" Drop - Navy/Beige (R23)
8	075474-32-000	EA	Shade Asm - Woven Wood - 71" x 31" Drop - Rust (R24)
8	070651-41-R22	EA	Valance Asm - 6 5" x 78" - Pleated (Woven Wood) Blue/Gray
8	070651-41-R23	EA	Valance Asm - 6 5" x 78" - Pleated (Woven Wood) Navy/Beige
8	070651-41-R24	EA	Valance Asm - 6 5" x 78" - Pleated (Woven Wood) Rust
*	073260-10-R22	EA	Tie Back Asm - 3' x 16" - Blue/Gray
*	073260-10-R26	EA	Tie Back Asm - 3' x 16" - Navy/Beige
*	073260-10-R24	EA	Tie Back Asm - 3' x 16" - Rust
*	057534-01-000	EA	Tie Back - Clear Plastic - 6'
*	057534-03-000	EA	Tie Back - Clear Plastic - 7 5'
*	057534-04-000	EA	Tie Back - Clear Plastic - 20'
*			Not illustrated

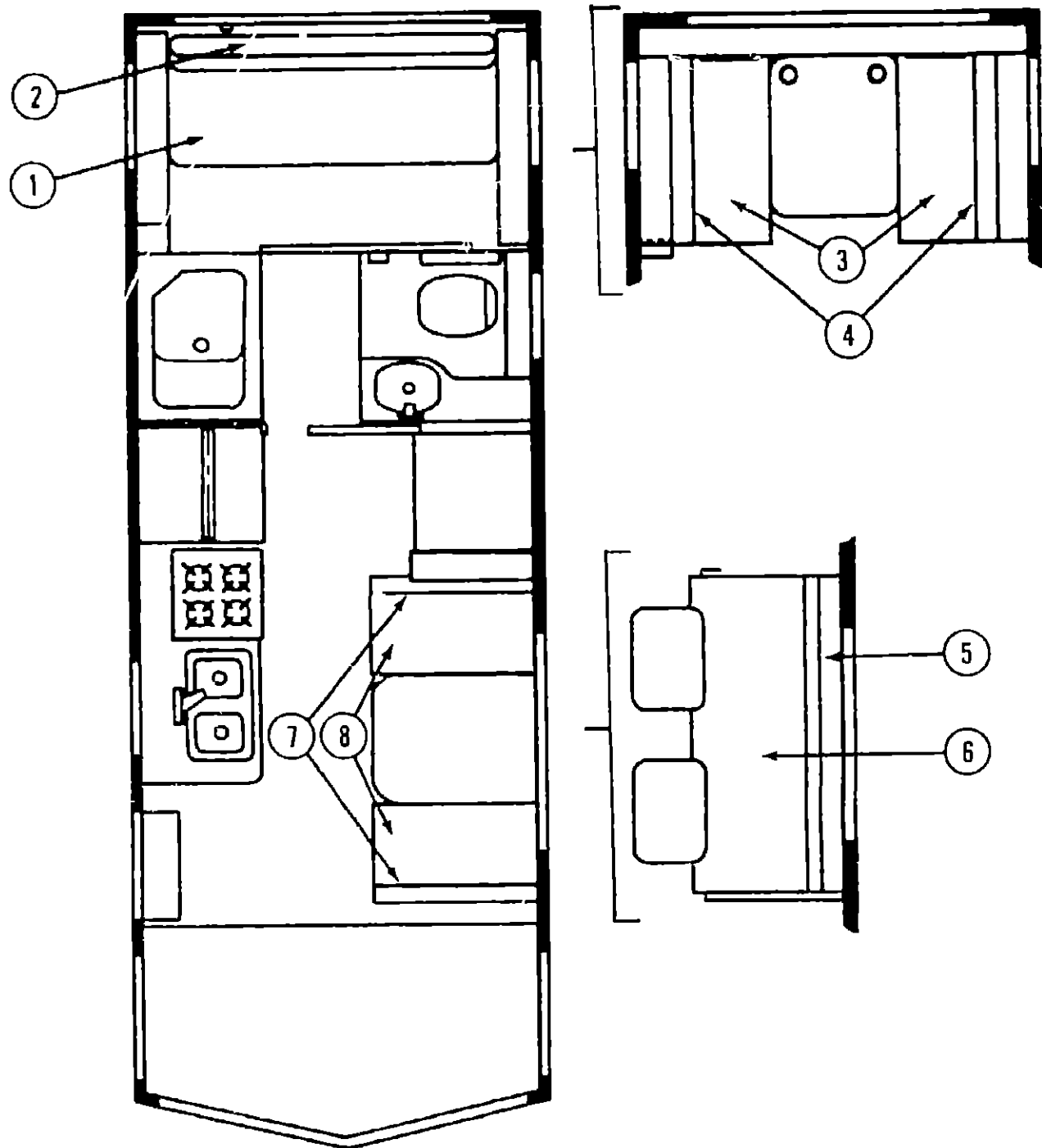
**1984 ITASCA
TABLE OF CONTENTS**

IC420RG	A-01 - C-06
IC424RC	C-07 - E-18
ICN23RG	E-19 - H-06
ICN30RT	H-07 - J-20

1984 ICN23RG INDEX

Floor Plan	E-19 - E-20
Accessories Group	E-21 - E-23
Bath Group	E-24
Chassis Group	F-01 - F-02
Curtain, Cushion & Pad Group	F-03 - F-10
Dinette Group	F-11
Driver's Compartment Group	F-12 - F-14
Electrical Group	F-15 - F-17
Exterior Body Group	F-18 - G-02
Galley Group	G-03 - G-06
Heating & Air Conditioning Group	G-07 - G-08
Interior Finish Group	G-09 - G-11
LP Group	G-12
Lounge Group	G-13 - G-14
Water & Sewage Group	G-15 - G-16
Window Vent & Exterior Door Group	G-17 - H-06

CURTAIN, CUSHION & PAD GROUP (CONTINUED)



REAR COUCH CUSHIONS

Key	Part Number	U/M	Description
1	072431-07-R22	EA	Cushion Asm - 3 Pillow Seat - 23 5" x 76" x 5" - Blue/Gray
1	072431-07-R23	EA	Cushion Asm - 3 Pillow Seat - 23 5" x 76" x 5" - Navy/Beige
1	072431-07-R24	EA	Cushion Asm - 3 Pillow Seat - 23 5" x 76" x 5" - Rust
	M72431-07-R22	EA	Cover Asm - 3 Pillow Seat - 23 5" x 76" x 5" - Blue/Gray
	M72431-07-R23	EA	Cover Asm - 3 Pillow Seat - 23 5" x 76" x 5" - Navy/Beige
	M72431-07-R24	EA	Cover Asm - 3 Pillow Seat - 23 5" x 76" x 5" - Rust
2	072432-07-R22	EA	Cushion Asm - 3 Pillow Back - 15" x 76" x 5" - Blue/Gray
2	072432-07-R23	EA	Cushion Asm - 3 Pillow Back - 15" x 76" x 5" - Navy/Beige
2	072432-07-R24	EA	Cushion Asm - 3 Pillow Back - 15" x 76" x 5" - Rust
	M72432-07-R22	EA	Cover Asm - 3 Pillow Back - 15" x 76" x 5" - Blue/Gray
	M72432-07-R23	EA	Cover Asm - 3 Pillow Back - 15" x 76" x 5" - Navy/Beige
	M72432-07-R24	EA	Cover Asm - 3 Pillow Back - 15" x 76" x 5" - Rust

REAR DINETTE CUSHIONS (OPTION)

Key	Part Number	U/M	Description
3	072430-39-R22	EA	Cushion Asm - Rear Dinette Bottom - 17 5" x 45" x 5" - Blue/Gray
3	072430-39-R23	EA	Cushion Asm - Rear Dinette Bottom - 17 5" x 45" x 5" - Navy/Beige
3	072430-39-R24	EA	Cushion Asm - Rear Dinette Bottom - 17 5" x 45" x 5" - Rust
	M72430-39-R22	EA	Cover Asm - Rear Dinette Bottom - 17 5" x 45" x 5" - Blue/Gray
	M72430-39-R23	EA	Cover Asm - Rear Dinette Bottom - 17 5" x 45" x 5" - Navy/Beige
	M72430-39-R24	EA	Cover Asm - Rear Dinette Bottom - 17 5" x 45" x 5" - Rust
4	072430-40-R22	EA	Cushion Asm - Rear Dinette Back - 19 25" x 45" x 5" - Blue/Gray
4	072430-40-R23	EA	Cushion Asm - Rear Dinette Back - 19 25" x 45" x 5" - Navy/Beige
4	072430-40-R24	EA	Cushion Asm - Rear Dinette Back - 19 25" x 45" x 5" - Rust
	M72430-40-R22	EA	Cover Asm - Rear Dinette Back - 19 25" x 45" x 5" - Blue/Gray
	M72430-40-R23	EA	Cover Asm - Rear Dinette Back - 19 25" x 45" x 5" - Navy/Beige
	M72430-40-R24	EA	Cover Asm - Rear Dinette Back - 19 25" x 45" x 5" - Rust

SIDE COUCH CUSHION (OPTION)

Key	Part Number	U/M	Description
5	073630-03-R22	EA	Cushion Asm - 3 Pillow Back - 15" x 76" x 5" - Blue/Gray
5	073630-03-R23	EA	Cushion Asm - 3 Pillow Back - 15" x 76" x 5" - Navy/Beige
5	073630-03-R24	EA	Cushion Asm - 3 Pillow Back - 15" x 76" x 5" - Rust
	M73630-03-R22	EA	Cover Asm - 3 Pillow Back - 15" x 76" x 5" - Blue/Gray
	M73630-03-R23	EA	Cover Asm - 3 Pillow Back - 15" x 76" x 5" - Navy/Beige
	M73630-03-R24	EA	Cover Asm - 3 Pillow Back - 15" x 76" x 5" - Rust
6	073631-04-R22	EA	Cushion Asm - 3 Pillow Seat - 23 5" x 76" x 5" - Blue/Gray
6	073631-04-R23	EA	Cushion Asm - 3 Pillow Seat - 23 5" x 76" x 5" - Navy/Beige
6	073631-04-R24	EA	Cushion Asm - 3 Pillow Seat - 23 5" x 76" x 5" - Rust
	M73631-04-R22	EA	Cover Asm - 3 Pillow Seat - 23 5" x 76" x 5" - Blue/Gray
	M73631-04-R23	EA	Cover Asm - 3 Pillow Seat - 23 5" x 76" x 5" - Navy/Beige
	M73631-04-R24	EA	Cover Asm - 3 Pillow Seat - 23 5" x 76" x 5" - Rust

DINETTE CUSHIONS

Key	Part Number	U/M	Description
7	072430-14-R22	EA	Cushion Asm - Dinette Back - 19 2" x 38" x 5" - Blue/Gray
7	072430-14-R23	EA	Cushion Asm - Dinette Back - 19 2" x 38" x 5" - Navy/Beige
7	072430-14-R24	EA	Cushion Asm - Dinette Back - 19 2" x 38" x 5" - Rust
	M72430-14-R22	EA	Cover Asm - Dinette Back - 19 2" x 38" x 5" - Blue/Gray
	M72430-14-R23	EA	Cover Asm - Dinette Back - 19 2" x 38" x 5" - Navy/Beige
	M72430-14-R24	EA	Cover Asm - Dinette Back - 19 2" x 38" x 5" - Rust
8	072430-15-R22	EA	Cushion Asm - Dinette Bottom - 17 5" x 38" x 5" - Blue/Gray
8	072430-15-R23	EA	Cushion Asm - Dinette Bottom - 17 5" x 38" x 5" - Navy/Beige
8	072430-15-R24	EA	Cushion Asm - Dinette Bottom - 17 5" x 38" x 5" - Rust
	M72430-15-R22	EA	Cover Asm - Dinette Bottom - 17 5" x 38" x 5" - Blue/Gray
	M72430-15-R23	EA	Cover Asm - Dinette Bottom - 17 5" x 38" x 5" - Navy/Beige
	M72430-15-R24	EA	Cover Asm - Dinette Bottom - 17 5" x 38" x 5" - Rust

**1984 ITASCA
TABLE OF CONTENTS**

IC420RG	A-01 - C-06
IC424RC	C-07 - E-18
ICN23RG	E-19 - H-06
ICN30RT	H-07 - J-20

1984 ICN23RG INDEX

Floor Plan	E-19 - E-20
Accessories Group	E-21 - E-23
Bath Group	E-24
Chassis Group	F-01 - F-02
Curtain Cushion & Pad Group	F-03 - F-10
Dinette Group	F-11
Driver's Compartment Group	F-12 - F-14
Electrical Group	F-15 - F-17
Exterior Body Group	F-18 - G-02
Galley Group	G-03 - G-06
Heating & Air Conditioning Group	G-07 - G-08
Interior Finish Group	G-09 - G-11
LP Group	G-12
Lounge Group	G-13 - G-14
Water & Sewage Group	G-15 - G-16
Window, Vent & Exterior Door Group	G-17 - H-06

CURTAIN, CUSHION & PAD GROUP (CONTINUED)

PUCKET SEATS

Key	Part Number	U/M	Description
	075966-02-R22	EA	Seat Asm - Single Bucket - w/Armrests - Blue/Gray
	075966-02-R23	EA	Seat Asm - Single Bucket - w/Armrests - Navy/Beige
	075966-02-R24	EA	Seat Asm - Single Bucket - w/Armrests - Rust
	M00784-13-R22	EA	Cover Asm - Back - Single Bucket - Blue/Gray
	M00784-13-R23	EA	Cover Asm - Back - Single Bucket - Navy/Beige
	M00784-13-R24	EA	Cover Asm - Back - Single Bucket - Rust
	M00784-14-R22	EA	Cover Asm - Bottom - Single Bucket - Blue/Gray
	M00784-14-R23	EA	Cover Asm - Bottom - Single Bucket - Navy/Beige
	M00784-14-R24	EA	Cover Asm - Bottom - Single Bucket - Rust
	071126-04-R22	EA	Skirt Asm - Single Bucket - Blue/Gray
	071126-04-R23	EA	Skirt Asm - Single Bucket - Navy/Beige
	071126-04-R24	EA	Skirt Asm - Single Bucket - Rust
	075967-02-R22	EA	Seat Asm - Double Bucket - w/Armrests - Blue/Gray
	075967-02-R23	EA	Seat Asm - Double Bucket - w/Armrests - Navy/Beige
	075967-02-R24	EA	Seat Asm - Double Bucket - w/Armrests - Rust
	M00784-15-R22	EA	Cover Asm - Back - Double Bucket - Blue/Gray
	M00784-15-R23	EA	Cover Asm - Back - Double Bucket - Navy/Beige
	M00784-15-R24	EA	Cover Asm - Back - Double Bucket - Rust
	M00784-16-R22	EA	Cover Asm - Bottom - Double Bucket - Blue/Gray
	M00784-16-R23	EA	Cover Asm - Bottom - Double Bucket - Navy/Beige
	M00784-16-R24	EA	Cover Asm - Bottom - Double Bucket - Rust
	071690-02-R22	EA	Skirt Asm - Double Bucket - Blue/Gray
	071690-02-R23	EA	Skirt Asm - Double Bucket - Navy/Beige
	071690-02-R24	EA	Skirt Asm - Double Bucket - Rust
	071122-11-R22	EA	Armrest Asm - Right - Blue/Gray
	071122-11-R23	EA	Armrest Asm - Right - Navy/Beige
	071122-11-R24	EA	Armrest Asm - Right - Rust
	071122-12-R22	EA	Armrest Asm - Left - Blue/Gray
	071122-12-R23	EA	Armrest Asm - Left - Navy/Beige
	071122-12-R24	EA	Armrest Asm - Left - Rust
	071123-06-R22	EA	Cover Asm - Armrest - Right or Left - Blue/Gray
	071123-06-R23	EA	Cover Asm - Armrest - Right or Left - Navy/Beige
	071123-06-R24	EA	Cover Asm - Armrest - Right or Left - Rust
	069005-02-R22	EA	Seat Asm - Single Bucket - Blue/Gray
	069005-02-R23	EA	Seat Asm - Single Bucket - Navy/Beige
	069005-02-R24	EA	Seat Asm - Single Bucket - Rust
	M00435-03-R22	EA	Cover Asm - Back - Single Bucket - Blue/Gray
	M00435-03-R23	EA	Cover Asm - Back - Single Bucket - Navy/Beige
	M00435-03-R24	EA	Cover Asm - Back - Single Bucket - Rust
	M00435-04-R22	EA	Cover Asm - Bottom - Single Bucket - Blue/Gray
	M00435-04-R23	EA	Cover Asm - Bottom - Single Bucket - Navy/Beige
	M00435-04-R24	EA	Cover Asm - Bottom - Single Bucket - Rust

FRONT OVERHEAD BUNK CUSHIONS

Key	Part Number	U/M	Description
	073467-04-R22	EA	Cushion Asm - Front Bunk - 31 5" x 76" - 4" - Blue/Gray
	073467-04-R23	EA	Cushion Asm - Front Bunk - 31 5" x 76" - 4" - Navy/Beige
	073467-04-R24	EA	Cushion Asm - Front Bunk - 31 5" x 76" - 4" - Rust
	M73467-04-R22	EA	Cover Asm - Front Bunk Cushion - 31 5" x 76" x 4" - Blue/Gray
	M73467-04-R23	EA	Cover Asm - Front Bunk Cushion - 31 5" x 76" x 4" - Navy/Beige
	M73467-04-R24	EA	Cover Asm - Front Bunk Cushion - 31 5" x 76" x 4" - Rust

CURTAIN, CUSHION & PAD GROUP (CONTINUED)

FABRICS, TRIMS & PADS

Key	Part Number	U/M	Description
	072333-09-000	YD	Fabric - Drapery
	072333-13-000	YD	Fabric - Drapery - Sheers
	074495-23-000	YD	Fabric - Drapery/Accent - Blue/Gray (R22)
	074495-21-000	YD	Fabric - Drapery/Accent - Navy/Beige (R23)
	074495-22-000	YD	Fabric - Drapery/Accent - Rust (R24)
	074495-50-000	YD	Fabric w/Pattern - Upholstery - Blue/Gray (R22)
	074495-48-000	YD	Fabric w/Pattern - Upholstery - Navy/Beige (R23)
	074495-49-000	YD	Fabric w/Pattern - Upholstery - Rust (R24)
	038421-01-000	YD	Fabric - Mattress Ticking
	029012-01-000	BF	Foam - Rolled - 3/8"
	070502-01-000	YD	Vinyl - Non-Expanded - 12 Gauge Film
	057550-03-P07	EA	Button Asm - Nail - #36 - 7/8" Shank - Vinyl
	057093-05-P07	EA	Button Asm - #60 - Nail Vinyl
	070578-04-R25	EA	Button Asm - Screw Stud - #30 - Blue/Gray (R22)
	070578-04-R26	EA	Button Asm - Screw Stud - #30 - Navy/Beige (R23)
	070578-04-R27	EA	Button Asm - Screw Stud - #30 - Rust (R24)
	075269-02-R22	EA	Button Asm - #36 Round - 3/4" Stud - Blue/Gray
	075269-02-R23	EA	Button Asm - #36 Round - 3/4" Stud - Navy/Beige
	075269-02-R24	EA	Button Asm - #36 Round - 3/4" Stud - Rust
	071127-06-R25	EA	Button Asm - #36 Round Hook Back - Blue/Gray (R22)
	071127-06-R26	EA	Button Asm - #36 Round Hook Back - Navy/Beige (R23)
	071127-06-R27	EA	Button Asm - #36 Round Hook Back - Rust (R24)
	071846-01-R07	EA	Pad Asm - End Cap - Dinette Overhead - Right - Vinyl
	071847-05-R07	EA	Pad Asm - End Cap - Galley Overhead - Left - Vinyl
	059414-03-000	EA	Pad - Sidewall Trim - Driver - Vinyl
	059414-04-000	EA	Pad - Sidewall Trim - Passenger - Vinyl
	059467-03-N07	EA	Pad - Map Pocket - Driver - Vinyl
	059467-04-N07	EA	Pad - Map Pocket - Passenger - Vinyl
	074211-01-P01	EA	Pad Asm - Front Side Overhead - Passenger - Vinyl
	074210-02-P01	EA	Pad Asm - Front Side Overhead - Driver - Vinyl
	074210-01-P01	EA	Pad Asm - Front Side Overhead - Driver's Door - Vinyl
	074549-01-R22	EA	Pad Asm - Dinette - Right - Blue/Gray
	074549-01-R23	EA	Pad Asm - Dinette - Right - Navy/Beige
	074549-01-R24	EA	Pad Asm - Dinette - Right - Rust
	074549-02-R22	EA	Pad Asm - Dinette - Left - Blue/Gray
	074549-02-R23	EA	Pad Asm - Dinette - Left - Navy/Beige
	074549-02-R24	EA	Pad Asm - Dinette - Left - Rust
	074549-08-R22	EA	Pad Asm - Rear Dinette - Right - Blue/Gray
	074549-08-R23	EA	Pad Asm - Rear Dinette - Right - Navy/Beige
	074549-08-R24	EA	Pad Asm - Rear Dinette - Right - Rust
	074549-09-R22	EA	Pad Asm - Rear Dinette - Left - Blue/Gray
	074549-09-R23	EA	Pad Asm - Rear Dinette - Left - Navy/Beige
	074549-09-R24	EA	Pad Asm - Rear Dinette - Left - Rust
	076188-01-R22	EA	Pad Asm - Dinette Wall - 12" x 12" - Blue/Gray
	076188-01-R23	EA	Pad Asm - Dinette Wall - 12" x 12" - Navy/Beige
	076188-01-R24	EA	Pad Asm - Dinette Wall - 12" x 12" - Rust
	076188-02-R22	EA	Pad Asm - Dinette Wall - 3 5" x 30" - Blue/Gray
	076188-02-R23	EA	Pad Asm - Dinette Wall - 3 5" x 30" - Navy/Beige
	076188-02-R24	EA	Pad Asm - Dinette Wall - 3 5" x 30" - Rust
	076188-05-R22	EA	Wall Pad Asm - Rear Dinette - 15" x 9" - Blue/Gray
	076188-05-R23	EA	Wall Pad Asm - Rear Dinette - 15" x 9" - Navy/Beige
	076188-05-R24	EA	Wall Pad Asm - Rear Dinette - 15" x 9" - Rust
	077641-21-000	EA	Pad Asm w/Quilting - Dinette Wall - 12" x 12" - Blue/Gray (R22)
	077641-17-000	EA	Pad Asm w/Quilting - Dinette Wall - 12" x 12" - Navy/Beige (R23)
	077641-19-000	EA	Pad Asm w/Quilting - Dinette Wall - 12" x 12" - Rust (R24)
	077642-09-000	EA	Pad Asm w/Quilting - Dinette Wall - 3 5" x 30" - Blue/Gray (R22)
	077642-05-000	EA	Pad Asm w/Quilting - Dinette Wall - 3 5" x 30" - Navy/Beige
	077642-07-000	EA	Pad Asm w/Quilting - Dinette Wall - 3 5" x 30" - Rust
	077641-27-000	EA	Pad Asm w/Quilting - Rear Dinette Wall - 15" x 19" - Blue/Gray (R22)
	077641-25-000	EA	Pad Asm w/Quilting - Rear Dinette Wall - 15" x 19" - Navy/Beige (R23)
	077641-26-000	EA	Pad Asm w/Quilting - Rear Dinette Wall - 15" x 19" - Rust (R24)
	077171-01-R22	EA	Pad Asm - Armrest - Side Couch - Blue/Gray
	077171-01-R23	EA	Pad Asm - Armrest - Side Couch - Navy/Beige
	077171-01-R24	EA	Pad Asm - Armrest - Side Couch - Rust

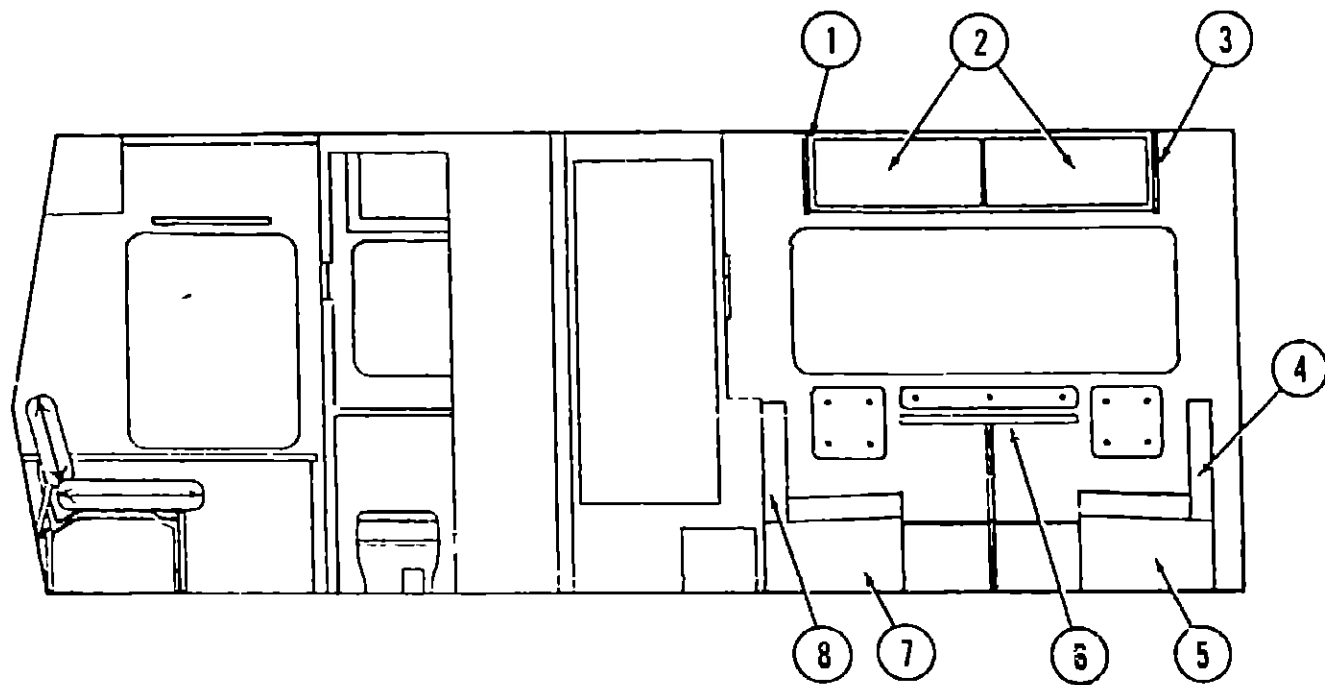
**1984 ITASCA
TABLE OF CONTENTS**

IC420RG	A-01 - C-06
IC424RC	C-07 - E-18
ICN23RG	E-19 - H-06
ICN30RT	H-07 - J-20

1984 ICN23RG INDEX

Floor Plan	E-19 - E-20
Accessories Group	E-21 - E-23
Bath Group	E-24
Chassis Group	F-01 - F-02
Curtain, Cushion & Pad Group	F-03 - F-10
Dinette Group	F-11
Driver's Compartment Group	F-12 - F-14
Electrical Group	F-15 - F-17
Exterior Body Group	F-18 - G-02
Galley Group	G-03 - G-06
Heating & Air Conditioning Group	G-07 - G-08
Interior Finish Group	G-09 - G-11
LP Group	G-12
Lounge Group	G-13 - G-14
Water & Sewage Group	G-15 - G-16
Window, Vent & Exterior Door Group	G-17 - H-06

DINETTE GROUP



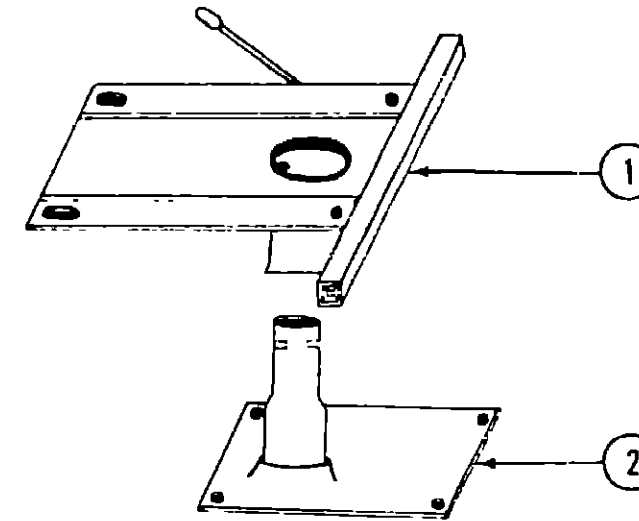
CONVENTIONAL DINETTE & OVERHEAD CABINERY

Key	Part Number	U/M	Description
1	075775-11-R07	EA	Cabinet Asm - Dinette Overhead - w/o Doors or Hardware
2	069852-72-R10	EA	Door Asm - Dinette Overhead - 28 1" x 11 4" - w/o Hardware
3	071846-01-R07	EA	Pad Asm - End Cap - Dinette Overhead - Right - Almond Vinyl
4	M01481-01-R07	EA	Cabinet Asm - Dinette Back - Right
5	M01482-01-R07	EA	Cabinet Asm - Dinette Seat - Right
6	M01291-50-R07	EA	Table Asm - Dinette - w/o Hardware - Harbor Oak
7	M01482-02-R07	EA	Cabinet Asm - Dinette Seat - Left
8	M01481-02-R07	EA	Cabinet Asm - Dinette Back - Left
	M01581-01-R07	EA	Countertop Asm - Refrigerator - Harbor Oak
	053200-05-000	EA	Bracket - Upper Wall Mount - 23 5"
	057201-03-000	EA	Bracket - Table Mount - 23"
	024275-05-000	EA	Rod - Table Lift - 8" x 23 5"
	024281-07-000	EA	Bracket - Lower Wall Mount - 22 12"
	024276-14-000	EA	Leg Asm - Table - 29 5" - Brown
	064050-01-000	EA	Hinge - Table Leg
	024282-01-000	EA	Brace - Table Leg
	024283-01-000	EA	Clip - 1" O D Tube
	049493-02-000	EA	Catch - Table Leg - Mounts on Floor - Brown
	064781-03-000	EA	Cup Holder - 3 47" O D x 2 75" I D x 1 5"
			Not illustrated
			The illustrated parts breakdown for this item is provided on the Common Items Fiche

SIDE COUCH W/TABLES (OPTION)

Key	Part Number	U/M	Description
	M00684-43-R07	EA	Table Asm - Pedestal - w/o Hardware - Harbor Oak
	009040-04-000	EA	Leg - Pedestal Table - 27 5" x 2 25" O D
	009040-03-000	EA	Base - Table - Mounts on Table
	011194-01-000	EA	Base - Table - Mounts in Floor
	062046-01-000	EA	Clip - Pedestal Leg
	057468-02-000	EA	Base Asm - Couch - Right
	057468-03-000	EA	Base Asm - Couch - Left
	057468-04-000	EA	Base Asm - Couch - Spacers
	057469-05-000	EA	Leg Asm - Couch
	057472-01-000	EA	Panel Clip

DRIVER'S COMPARTMENT GROUP



BUCKET SEAT PEDESTAL & SEAT BELTS

Key	Part Number	U/M	Description
1	069585-04-000	EA	Plate - Top - Pedestal Asm - Single Bucket Seat
1	069585-10-000	EA	Plate - Top - Pedestal Asm - Double Bucket Seat
2	069585-08-000	EA	Plate - Sub - Pedestal Asm - Bucket Seat
	069585-05-000	EA	Hardware Kit - Bolt/Acorn Nut - 4 ea - Pedestal Asm
	056271-02-000	EA	Belt Asm - Seat - 2' x 72' - Black
	007019-01-000	EA	Belt Asm - Seat - 2' x 84' - Black
	007021-01-000	EA	Belt Asm - Seat - 2' x 90' - Black
	041322-01-000	EA	Washer - Flat 15/32" I D x 2 3/8" O D - Seat Belt
	069246-01-000	EA	Adjuster Asm - Seat - w/ Lock
	069246-02-000	EA	Adjuster Asm - Seat - w/o Lock
	068601-06-000	EA	Recliner Drive - Single or Double Bucket - Driver
	068601-07-000	EA	Recliner Drive - Single or Double Bucket - Passenger
	068601-05-700	EA	Hand Wheel Kit - Recliner Drive
			Not illustrated

FRONT BUNK & HARDWARE

Key	Part Number	U/M	Description
	076473-01-R10	EA	Cabinet Asm - Front Overhead
	076184-01-R07	EA	Bunk Board Asm - Front Overhead - w/Beige Rails
	053773-01-000	EA	Support - Overhead Bunk - Passenger - Brown
	053773-02-000	EA	Support - Overhead Bunk - Driver - Brown
	040071-02-000	EA	Support - Bunk - Seat Belt
	039516-04-000	EA	Catch - Bunk - Beige
	023812-28-000	EA	Rail - Bunk - 77 1" - Beige
	053774-04-000	EA	Torsion Rod - Overhead Bunk - Brown
	074211-01-P01	EA	Pad Asm - Front Side Overhead - Passenger - Beige Vinyl
	074210-02-P01	EA	Pad Asm - Front Side Overhead - Driver - Beige Vinyl
	074210-01-P01	EA	Pad Asm - Front Side Overhead - Driver's Door - Beige Vinyl
	048394-01-000	YD	Tape Hook - 1' x 25 YD - Beige
	048395-01-000	YD	Tape Loop - 1' x 25 YD - Beige
	007021-01-000	EA	Belt Asm - Seat - 2' x 90" - Black
	041322-01-000	EA	Washer - Flat - 15/32" I D x 2 3/8" O D - Seat Belt

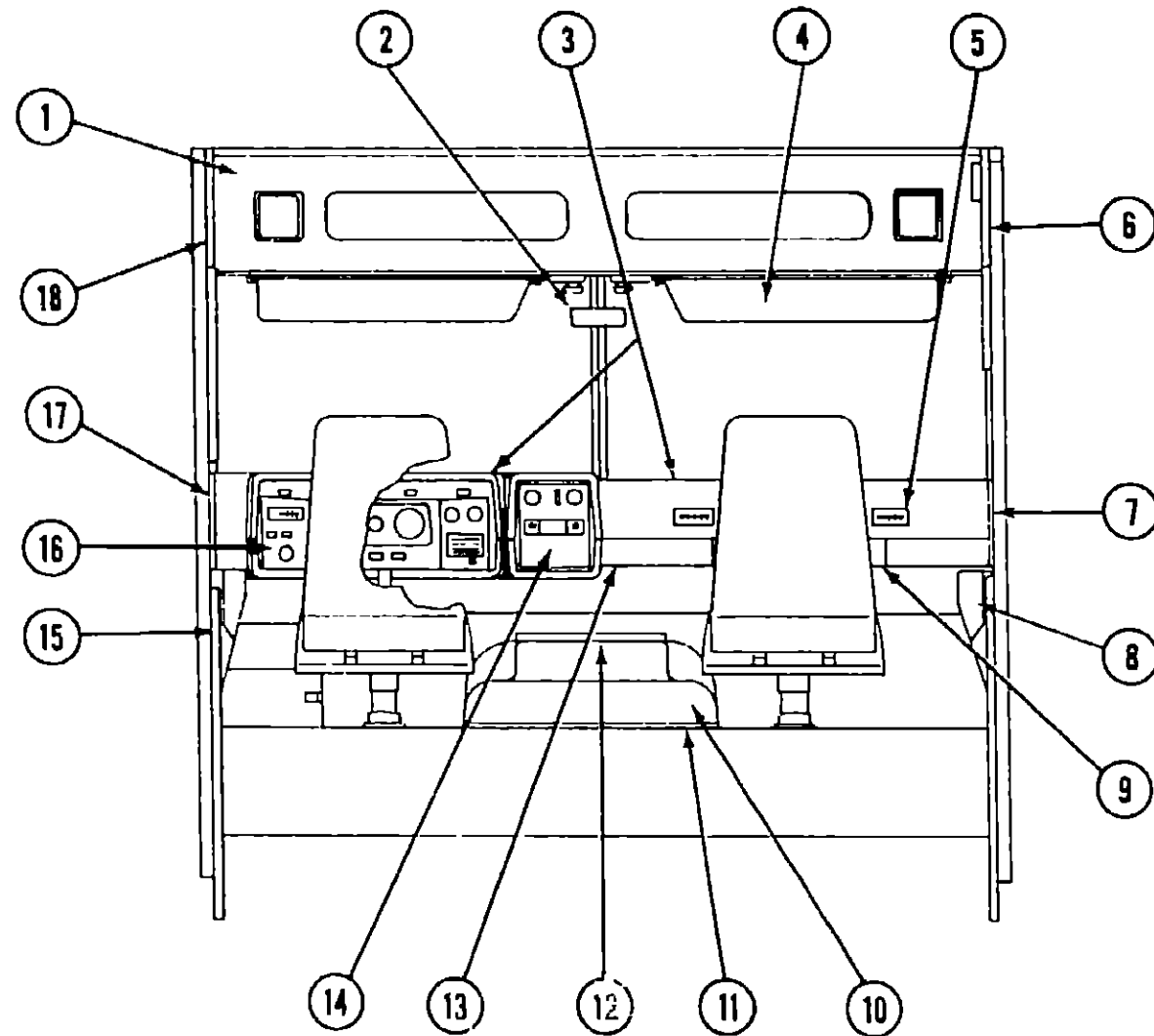
1984 ITASCA TABLE OF CONTENTS

IC420RG	A-01 - C-06
IC424RC	C-07 - E-18
ICN23RG	E-19 - H-06
ICN30RT	H-07 - J-20

1984 ICN23RG INDEX

Floor Plan	E-19 - E-20
Accessories Group	E-21 - E-23
Bath Group	E-24
Chassis Group	F-01 - F-02
Curtain, Cushion & Pad Group	F-03 - F-10
Dinette Group	F-11
Driver's Compartment Group	F-12 - F-14
Electrical Group	F-15 - F-17
Exterior Body Group	F-18 - G-02
Galley Group	G-03 - G-06
Heating & Air Conditioning Group	G-07 - G-08
Interior Finish Group	G-09 - G-11
LP Group	G-12
Lounge Group	G-13 - G-14
Water & Sewage Group	G-15 - G-16
Window, Vent & Exterior Door Group	G-17 - H-06

DRIVER'S COMPARTMENT GROUP (CONTINUED)



MISCELLANEOUS DRIVER'S COMPARTMENT COMPONENTS

Key	Part Number	U/M	Description
1	076473-01-R10	EA	Cabinet Asm - Front Overhead
2	040714-01-700	EA	Mirror Kit/Rear View - w/Button Support
**3	M01113-08-000	EA	Dash Asm - Complete - w/Gauges & Switches (w/o Clock)
**3	M01113-09-000	EA	Dash Asm - Complete - w/Gauges & Switches (w/o Clock) - Diesel
.	007308-01-000	EA	Dash Clock
.	038846-01-000	EA	Retainer - Dash - 1" x 25" - w/ 188" Dia Hole
.	038846-02-000	EA	Retainer - Dash - 3" x 17" - w/ 140" Dia Hole
.	022548-04-000	EA	Dash Pad - Passenger - Dark Brown
.	023242-06-000	EA	Dash Pad - Driver - Dark Brown
.	065610-01-000	EA	Plate - Mounting - Fuse Block
.	024990-02-000	EA	Outlet - Defroster w/Swivel Dark Brown
4	075588-01-P01	EA	Sunvisor Asm - Passenger or Driver - Almond Vinyl - w/o Mirror
.	040695-02-000	EA	Clip - Sunvisor & Support Asm
.	074012-01-000	EA	Clip - Sunvisor - Square - Pinch On
.	061350-03-000	EA	Windshield Trim - Interior - 'A' Post - Passenger - Light Oak Plastic
.	061350-04-000	EA	Windshield Trim - Interior - 'A' Post - Driver - Light Oak Plastic
5	039044-01-000	EA	Louver Asm - A/C Adjustable
6	074211-01-P01	EA	Pad Asm - Front Side Overhead - Passenger - Beige Vinyl
7	059414-04-000	EA	Pad - Sidewall Trim - Passenger - Beige Vinyl
8	072811-01-000	EA	Panel - Side - Passenger - Light Oak Plastic
.	059467-04-N07	EA	Pad - Map Pocket - Passenger - Beige Vinyl
9	022219-01-000	EA	Glove Compartment Door
.	023892-01-000	EA	Glove Compartment Box - Black Fiberboard
.	009118-01-000	EA	Glove Compartment Twist Lock
.	024598-01-000	EA	Glove Compartment Hinge - 1 1/16" x 19"
.	034309-01-000	EA	Glove Compartment Chain - Door
10	067213-03-000	EA	Engine Cover - Fiberglass

DRIVER'S COMPARTMENT GROUP (CONTINUED)

MISCELLANEOUS DRIVER'S COMPARTMENT COMPONENTS (CON'T)

Key	Part Number	U/M	Description
11	077570-01-000	EA	Seal - Engine Cover - 34 19
.	039623-01-000	FT	Seal - Engine Cover - Neoprene
.	052783-04-000	EA	Seal - Engine Cover - Upper - Beige
.	042541-01-000	EA	Latch Asm - w/Strike - Chrome
12	071714-04-000	EA	Beverage Tray Asm
13	023834-01-000	EA	Panel - Knee Kick - Bottom of Dash
14	076006-02-000	EA	Bezel - Entertainment Center - w/Cut Out for Radio
14	076006-03-000	EA	Bezel - Entertainment Center - w/Cut Out for Radio
15	059198-05-000	EA	Panel - Side - Driver - Light Oak Plastic
15	064459-02-000	EA	Panel - Side - Driver's Door - Inner - Light Oak Plastic
.	059467-03-N07	EA	Pad - Map Pocket - Driver - Beige Vinyl
.	050796-01-000	EA	Pocket - Ash Tray - Plastic
.	046886-03-000	EA	Ash Tray Asm - Flush Mount - Chrome
16	039847-08-000	EA	Bezel - Control Panel
.	071668-01-000	EA	Bezel - Instrument Panel
.	077369-01-000	EA	Access Panel - Instrument Panel - Lower - Black
.	052367-01-000	EA	Cigarette Lighter Asm - 12 Volt
.	007041-01-000	EA	Bezel - Cigarette Lighter
.	061424-01-000	EA	Lamp Asm - Map/Gauge
.	061400-03-000	EA	Assist Strap - 12" - Medium Almond
17	059414-03-000	EA	Pad - Sidewall Trim - Driver - Beige Vinyl
18	074210-02-P01	EA	Pad Asm - Front Overhead Cabinet - Driver - Beige Vinyl
18	074210-01-P01	EA	Pad Asm - Front Overhead Cabinet - Driver's Door - Beige Vinyl
.	040519-01-000	EA	Boot - Rubber Steering Column
.	040520-01-000	EA	Boot Retainer - Steering Column
.	054250-01-000	EA	Support - Dimmer Switch - w/o Holes
.	G24849-01-000	EA	Damper Asm - Fresh Air
.			Not illustrated

**NOTE To be special ordered only

1984 ITASCA TABLE OF CONTENTS

IC420RG	A-01 - C-06
IC424RC	C-07 - E-18
ICN23RG	E-19 - H-06
ICN30RT	H-07 - J-20

DASH SWITCHES & GAUGES

Key	Part Number	U/M	Description
	024461-01-000	EA	Switch - Battery
	024462-01-000	EA	Switch - Battery Condition
	024464-01-000	EA	Switch - Washer
	024467-01-000	EA	Switch - Wiper
	024976-01-000	EA	Switch - Generator w/o Circuit Board
	024459-03-000	EA	Gauge - Voltmeter
	024460-03-000	EA	Gauge - Vacuum
	024460-02-000	EA	Bracket - Mounting - Vacuum Gauge
	031035-01-000	EA	Gauge - Generator/Hourmeter
	074007-01-000	EA	Switch - Intermittent - Windshield Wiper

1984 ICN23RG INDEX

Floor Plan	E-19 - E-20
Accessories Group	E-21 - E-23
Bath Group	E-24
Chassis Group	F-01 - F-02
Curtain, Cushion & Pad Group	F-03 - F-10
Dinette Group	F-11
Driver's Compartment Group	F-12 - F-14
Electrical Group	F-15 - F-17
Exterior Body Group	F-18 - G-02
Galley Group	G-03 - G-06
Heating & Air Conditioning Group	G-07 - G-08
Interior Finish Group	G-09 - G-11
LP Group	G-12
Lounge Group	G-13 - G-14
Water & Sewage Group	G-15 - G-16
Window, Vent & Exterior Door Group	G-17 - H-06

ELECTRICAL GROUP

BULBS

Key	Part Number	U/M	Description
	008220-01-000	EA	Bulb - 12V - 25W
	008103-01-000	EA	Bulb - 53
	003213-01-000	EA	Bulb - 57
	008214-01-000	EA	Bulb - 67
	036196-01-000	EA	Bulb - 194
	008215-01-000	EA	Bulb - 1003
	067479-01-000	EA	Bulb - 1076
	063914-01-000	EA	Bulb - 1139
	008218-01-000	EA	Bulb - 1141
	037935-01-000	EA	Bulb - 1157

FUSES & CIRCUIT BREAKER

Key	Part Number	U/M	Description
	008234-01-000	EA	Fuse - 10 Amp - 12 Volt
	062901-02-000	EA	Fuse - 5 Amp - Automotive
	062901-05-000	EA	Fuse - 15 Amp - Automotive
	008211-01-000	EA	Circuit Breaker - 6 Amp - 12 Volt
	008208-01-000	EA	Circuit Breaker - 40 Amp - 12 Volt
	033573-02-000	EA	Circuit Breaker - 15 Amp - 12 Volt - w/Mount
	033573-01-000	EA	Circuit Breaker - 20 Amp - 12 Volt - w/Mount
	008268-01-000	EA	Circuit Breaker - 30 Amp - 12 Volt - w/Mount
	075735-02-000	EA	Circuit Breaker - 15 Amp - 120 Volt (Ground Fault Interrupter)
	071279-05-000	EA	Circuit Breaker - 20 Amp - 120 Volt
	071279-03-000	EA	Circuit Breaker - 15/20 Amp - 120 Volt
	071279-01-000	EA	Circuit Breaker - 15/30 Amp - 120 Volt
	071279-06-000	EA	Circuit Breaker - 30/15 Amp - 120 Volt
	071280-01-000	EA	Circuit Breaker Blank

WINDSHIELD WIPER & WASHER

Key	Part Number	U/M	Description
**	056000-02-000	EA	Washer Asm - Windshield - w/o Nozzels
**	057653-01-000	EA	Arm - Windshield Wiper - 18" - Black
	067191-02-000	EA	Motor Asm - Windshield Wiper - 2 Speed
	067192-01-000	EA	Link Asm - Connecting - Left
	067193-01-000	EA	Link Asm - Connecting - Right
**	049464-03-000	EA	Blade - Windshield Wiper - 20" - Black
**	067190-01-000	EA	Shaft & Pivot Asm
**	057474-01-000	EA	Wiper Asm

The illustrated parts breakdown for this item is provided on the Common Items Fiche

ELECTRICAL GROUP (CONTINUED)

WIRE, SWITCHES & RECEPTACLES

Key	Part Number	U/M	Description
	008058-01-000	EA	Adapter - Power Cord
	008288-01-000	EA	Box - Electrical - 3" x 3 5" - Plastic
	008289-01-000	EA	Box - Electrical - 4" x 4" - 1/2 & 3/4 - Steel - UL
	008289-02-000	EA	Box - Electrical - 4" x 4" - 1/2 & 3/4 - Steel - CSA
	058049-01-000	EA	Box - Electrical - 2" x 3" x 2 25" - Steel
	024490-01-000	EA	Compartment - Power Cord - Black Plastic
	041953-01-000	EA	Conduit - Convoluted Slit - 5" I D
	008353-01-000	EA	Connector - Clamping - 3/8 Cable - UL & CSA
	058028-01-000	EA	Connector - Pigtail - Clear Nylon
	008311-01-000	EA	Connector - Wire Nut - Red
	031968-01-000	EA	Contact Plug - Brass - Tin Plated
	031967-01-000	EA	Contact - Receptacle
	008054-01-000	EA	Cord - Power - 10-3 30 Amp - 25' - UL
	008052-01-000	EA	Cord - Power - 10-3 30 Amp - 25' - CSA
	069238-01-000	EA	Cover - Electrical Box - 4" x 4"
	058048-01-000	EA	Cover - Electrical Box - 4 5" x 2 75" - Rain Tight (Exterior)
	024571-03-000	EA	Cover Plate - Receptacle - Jumbo - Brown Plastic
	008164-01-000	EA	Cover Plate - Switch - Brown
	008294-01-000	EA	Cover - Flat Blank - 4" x 4" - Steel - US
	008294-02-000	EA	Cover - Flat Blank - 4" x 4" - Steel - CSA
	008250-01-000	EA	Fuse Holder - In Line - 10 Amp
	064399-01-000	EA	Housing Asm. - Trailer Pin
	064398-01-000	EA	Housing Asm - Trailer Receptacle
	054532-01-000	EA	Housing Pin - 6 Position
	065610-01-000	EA	Plate - Mounting - Fuse Block
	075736-01-000	EA	Receptacle/Cover Asm - Gray (Exterior)
	058708-01-000	EA	Receptacle - Duplex - Brown
	008157-01-000	EA	Receptacle - Duplex - Brown (Exterior Backwall)
	058708-02-000	EA	Receptacle - Duplex - Ivory
	024924-02-000	EA	Receptacle - Power Cord
	058707-01-000	EA	Receptacle - Single - Brown
	063912-01-000	EA	Relay - Canister SPDT w/Ground
	008162-01-000	EA	Switch - Double Toggle - Brown
	056264-01-000	EA	Switch - Leaf Actuator
	008195-01-000	EA	Switch - Push Button - 12 Volt
	041250-01-000	EA	Switch - Push Button - On/Off
	008163-01-000	EA	Switch - Toggle - Brown
	008173-01-000	EA	Switch - Toggle - Ivory
	047443-02-000	EA	Terminal - 250 Receptacle - 12-10 AWG
	008348-01-000	EA	Terminal Ring - 2 - 3/8" Stud
	008331-01-000	EA	Terminal Ring - 4 - 3/8" Stud
	008328-01-000	EA	Terminal Ring - 12/10 Wire
	008028-01-000	FT	Wire - 18 5 Bonded - Blue/Red/Yellow/Orange/White
	008024-01-000	FT	Wire - 18 5 Bonded - Orange/White/Yellow/Blue/Brown
	008025-01-000	FT	Wire - 18 5 Bonded - Orange/White/Yellow/Blue/Green
	008026-01-000	FT	Wire w/Ground - Romex - 12/2

1984 ITASCA TABLE OF CONTENTS

IC420RG	A-01 - C-06
IC424RC	C-07 - E-18
ICN23RG	E-19 - H-06
ICN30RT	H-07 - J-20

1984 ICN23RG INDEX

Floor Plan	E-19 - E-20
Accessories Group	E-21 - E-23
Bath Group	E-24
Chassis Group	F-01 - F-02
Curtain, Cushion & Pad Group	F-03 - F-10
Dinette Group	F-11
Driver's Compartment Group	F-12 - F-14
Electrical Group	F-15 - F-17
Exterior Body Group	F-18 - G-02
Galley Group	G-03 - G-06
Heating & Air Conditioning Group	G-07 - G-08
Interior Finish Group	G-09 - G-11
LP Group	G-12
Lounge Group	G-13 - G-14
Water & Sewage Group	G-15 - G-16
Window, Vent & Exterior Door Group	G-17 - H-06

ELECTRICAL GROUP (CONTINUED)

EXTERIOR LIGHTS

Key	Part Number	U/M	Description
	058030-01-000	EA	Tail Lamp Asm - 3 Bulb - Chrome - Passenger
	058030-02-000	EA	Tail Lamp Asm - 3 Bulb - Chrome - Driver
	059540-01-000	EA	Bracket - License Plate
	042405-03-000	EA	Base - Rectangular - Clearance Light
	042405-01-000	EA	Lens - Clearance Light - Red w/Reflex
	042405-04-000	EA	Lens - Clearance Light - Red w/o Reflex
	042405-02-000	EA	Lens - Clearance Light - Amber w/Reflex
	042405-05-000	EA	Lens - Clearance Light - Amber w/o Reflex
	008089-01-000	EA	Light - Porch - Recessed
	058330-01-000	EA	Lamp Asm - Parking
	058330-02-000	EA	Socket Asm - Parking Lamp - w/Wire

INTERIOR LIGHTS

Key	Part Number	U/M	Description
	033508-02-000	EA	Light - Dome - Ivory - 1 Bulb - US
	033508-03-000	EA	Light - Dome - Ivory - 1 Bulb - CSA
	033509-02-000	EA	Light - Dome - Ivory - 2 Bulb - US
	033509-03-000	EA	Light - Dome - Ivory - 2 Bulb - CSA
	061424-01-000	EA	Light - 12 V Receptacle - Aisle - IP
	007309-01-000	EA	Light - Step Well
	072353-01-000	EA	Light - Reading - Single - 360° Swivel - Silver
	072353-03-000	EA	Light - Reading - Single - 360° Swivel - Almond
	072353-04-000	EA	Light - Reading - Dbl - 360° Swivel - w/Aux Remote Control Switch - Silver
	065202-01-000	EA	Wall Lamp - Decor - 2 Bulb - Brass
	065201-02-000	EA	Lamp Shade - Fabric - Parchment - Wall Lamp

MISCELLANEOUS ELECTRICAL COMPONENTS

Key	Part Number	U/M	Description
	047338-03-000	EA	Isolator - Dual Battery - 70 Amp
	008188-01-000	EA	Solenoid - Dual Battery - Relay
	039861-01-000	EA	Sending Unit Kit - Wamac
	048812-12-000	EA	Refrigerator Sensor - Refrigerator Alarm
	067762-01-000	EA	Converter - 40 Amp w/Charger
	071278-01-000	EA	Control Center - 32 Amp
	071278-01-700	EA	Door w/Catch - Brown
	071278-01-701	EA	Converter Module
	071278-01-703	EA	Catch - Door
	022755-01-000	EA	Cover - Control Panel - Plastic
	052367-01-000	EA	Lighter Asm - Cigarette

EXTERIOR BODY GROUP

ACCESS PANEL HARDWARE

Key	Part Number	U/M	Description
	072917-02-000	EA	Rod - Hood Prcp
	062628-01-000	EA	Clip - Prop Rod
	058833-01-000	EA	Bracket - Prop Rod
	073340-01-000	EA	Hinge - Access Panel - Passenger
	073340-02-000	EA	Hinge - Access Panel - Drivers
	058960-01-000	EA	Bracket - Hinge Asm - Hood - Drivers
	058960-02-000	EA	Bracket - Hinge Asm - Hood - Passenger
	R77006-68-721	EA	Cable - Release (Access Panel)
	074178-01-000	EA	Bracket - Cable Release - Inside
	R77007-01-950	EA	Striker - Hood Latch
	R77006-59-931	EA	Latch - Hood
	R77006-38-499	EA	Spring
	R77006-19-765	EA	Cable Sheath
	073333-01-000	EA	Bracket - Latch Support
	073337-01-000	EA	Brace Latch - Hood
	073341-01-000	EA	Bracket - Hood Latch
	058716-02-000	EA	Bolt - Hood Adjusting - 5/16" x 18 x 1 1/4"

EXTERIOR ALUMINUM & FIBERGLASS SKINS

Key	Part Number	U/M	Description
	039155-36-001	EA	Alum - Mesa II - 024" x 48" x 360" - Gray
	039155-36-002	EA	Alum - Mesa II - 024" x 36" x 360" - Gray
	039155-36-003	EA	Alum - Mesa II - 024" x 12" x 360" - Gray
	039155-33-001	EA	Alum - Greyhound Design - 48" x 96" - Gray
	044487-01-001	EA	Alum - Mill Finish - No Design (Roof) 96" x 360"
	076054-15-003	EA	Fiberglass Sheet - Greyhound - 45 75" x 382" - Gray
	077517-15-001	EA	Fiberglass Sheet - Mesa - 46 12" x 378" - Gray
	077517-15-002	EA	Fiberglass Sheet - Mesa - 46 12" x 60" - Gray
	000868-01-000	SF	Styrofoam - 75" x 24" x 96"
	000870-01-000	SF	Styrofoam - 1 5" x 24" x 96"
	000870-03-000	SF	Styrofoam - 1 34" x 48" x 96"

MISCELLANEOUS EXTERNALLY MOUNTED PARTS

Key	Part Number	U/M	Description
	011129-01-000	EA	Plumbing Seal - Roof Vent - 1 5"
	009126-01-000	EA	Assist Handle - Chrome
	010230-03-000	EA	Fill - City Water - Recessed - Beige
	058808-02-000	EA	Water Fill - Lockable - Beige
	072447-01-000	EA	Shroud - Fuel Fill
	063303-04-000	EA	Shroud - Fuel Fill - Lower
	072309-02-000	EA	Shroud - Fill Neck

1984 ITASCA TABLE OF CONTENTS

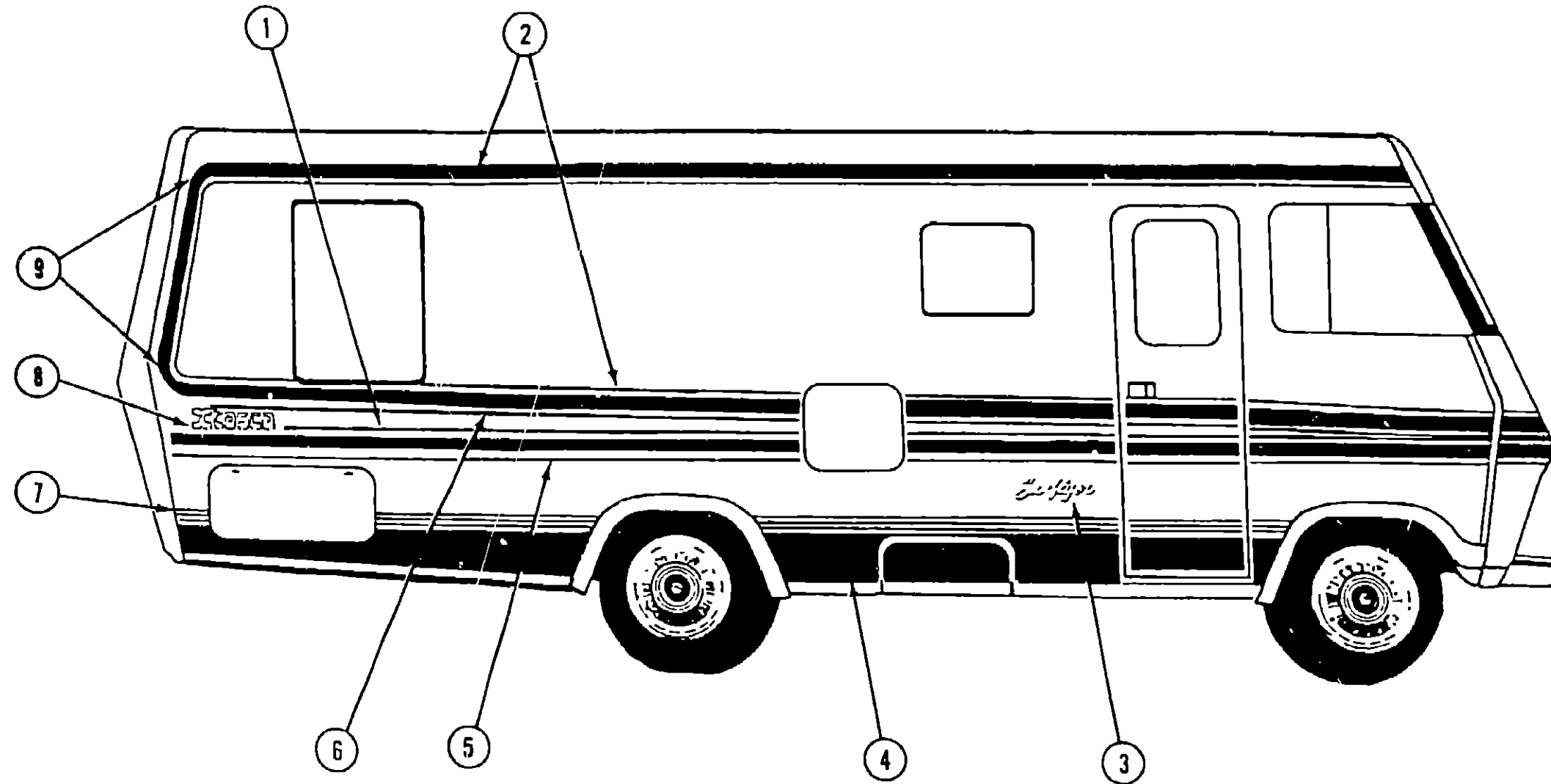
IC420RG	A-01 - C-06
IC424RC	C-07 - E-18
ICN23RG	E-19 - H-06
ICN30RT	H-07 - J-20

1984 ICN23RG INDEX

Floor Plan	E-19 - E-20
Accessories Group	E-21 - E-23
Bath Group	E-24
Chassis Group	F-01 - F-02
Curtain Cushion & Pad Group	F-03 - F-10
Dinette Group	F-11
Drivers Compartment Group	F-12 - F-14
Electrical Group	F-15 - F-17
Exterior Body Group	F-18 - G-02
Galley Group	G-03 - G-06
Heating & Air Conditioning Group	G-07 - G-08
Interior Finish Group	G-09 - G-11
LP Group	G-12
Lounge Group	G-13 - G-14
Water & Sewage Group	G-15 - G-16
Window, Vent & Exterior Door Group	G-17 - H-06

EXTERIOR BODY GROUP (CONTINUED)

LABELS, DECALS & EXTERIOR PAINT



Key	Part Number	U/M	Description
1	041273-77-000	FT	Decal - Striping - 1 50" - Light Gray Metallic
2	065217-22-000	FT	Film - Multi-Stripe - 3 7" x 150' - Light Blue Metallic (R22)
2	065217-27-000	FT	Film - Multi-Stripe - 3 7" x 150' - Dark Blue Metallic (R23)
2	065217-26-000	FT	Film - Multi-Stripe - 3 7" x 150' - Light Brown Metallic (R24)
3	058718-02-000	EA	Decal - "Sunflyer" - Chrome
4	041273-78-000	FT	Decal - Stripe - 11" - Dark Gray Metallic
5	069245-15-000	FT	Film - Multi-Stripe - 4 26" x 150' - Dark Gray Metallic
6	041273-79-000	FT	Decal - Striping - 75" - Light Gray Metallic
7	065217-19-000	FT	Film - Multi-Stripe - 1 19" x 150' - Light Blue Metallic (R22)
7	065217-29-000	FT	Film - Multi-Stripe - 1 19" x 150' - Dark Blue Metallic (R23)
7	065217-28-000	FT	Film - Multi-Stripe - 1 19" x 150' - Light Brown Metallic (R24)
8	046400-09-000	EA	Decal - Logo "Itasca" - Chrome/Black
9	073732-01-000	EA	Decal - 180° Turn - Light Blue Metallic (R22)
9	073732-05-000	EA	Decal - 180° Turn - Dark Blue Metallic (R23)
9	073732-04-000	EA	Decal - 180° Turn - Light Brown Metallic (R24)
.	044486-03-000	EA	Paint - Beige Acrylic Enamel - 16 oz Aerosol (7633A Dupont)
.	045681-03-000	EA	Paint - Gloss Black - Acrylic Enamel - 16 oz Aerosol (99 Dupont)
.	058637-05-000	EA	Paint - Gray Acrylic Enamel - 16 oz Aerosol (71537 Dupont)
.	041561-03-000	EA	Paint - Off White Acrylic Enamel - 16 oz Aerosol (45396A Dupont)
.	068383-01-000	EA	Label - Diesel Fuel
.	006195-01-000	EA	Label - Electrical Test

1984 ITASCA TABLE OF CONTENTS

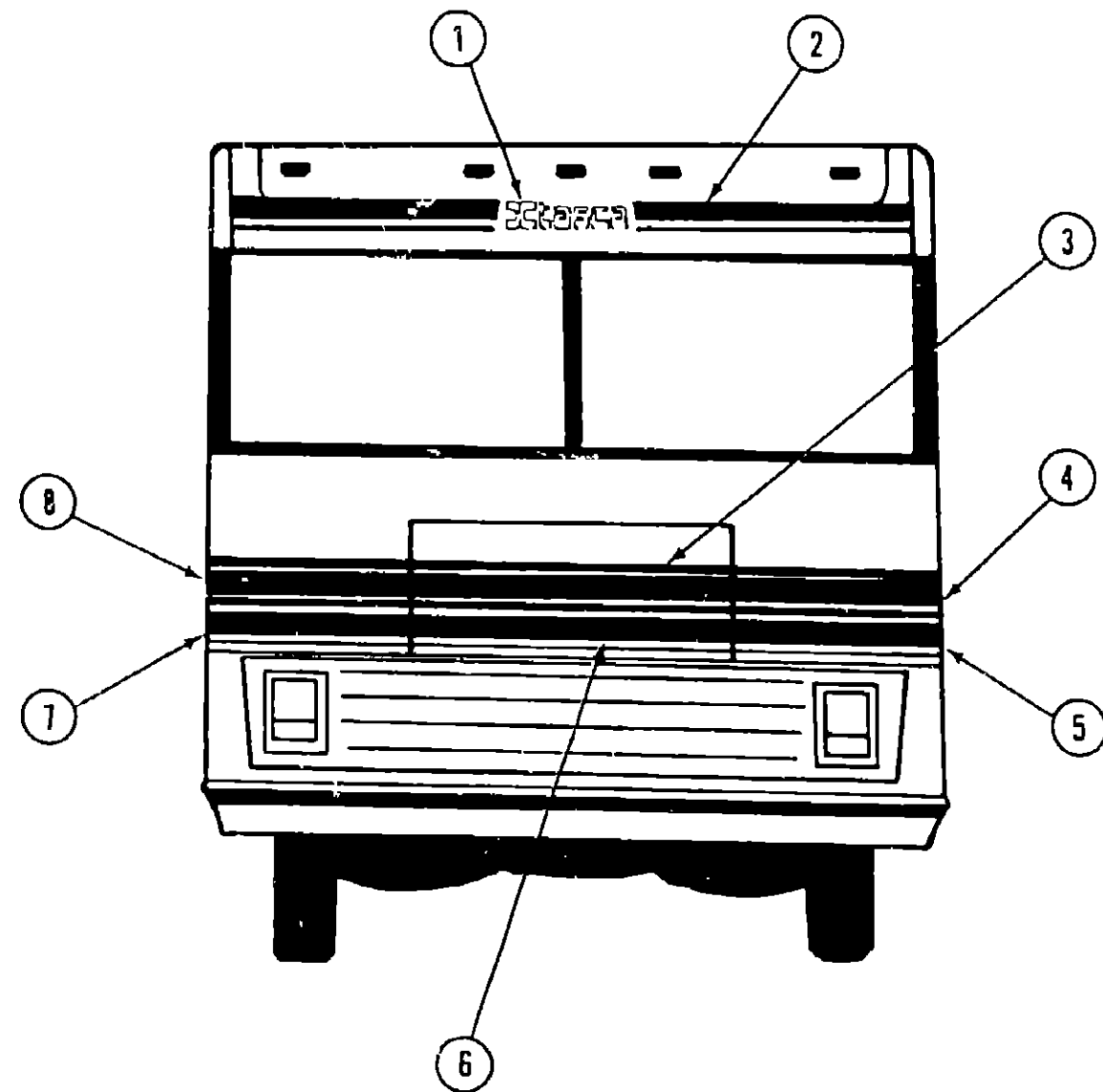
IC420RG	A-01 - C-06
IC424RC	C-07 - E-18
ICN23RG	E-19 - H-06
ICN39RT	H-07 - J-20

1984 ICN23RG INDEX

Floor Plan	E-19 - E-20
Accessories Group	E-21 - E-23
Bath Group	E-24
Chassis Group	F-01 - F-02
Curtain, Cushion & Pad Group	F-03 - F-10
Dinette Group	F-11
Driver's Compartment Group	F-12 - F-14
Electrical Group	F-15 - F-17
Exterior Body Group	F-18 - G-02
Galley Group	G-03 - G-06
Heating & Air Conditioning Group	G-07 - G-08
Interior Finish Group	G-09 - G-11
LP Group	G-12
Lounge Group	G-13 - G-14
Water & Sewage Group	G-15 - G-16
Window, Vent & Exterior Door Group	G-17 - H-06

Key	Part Number	U/M	Description
.	047731-01-000	EA	Label - Emergency Exit
.	006199-01-000	EA	Label - Exit - Escape Window
.	057467-04-000	EA	Label - Exterior Loading Limit
.	064378-01-000	EA	Label - Flying "W" w/Thermo Panel
.	061417-01-000	EA	Label - Fuel
.	006196-01-000	EA	Label - Gas Test
.	054531-01-000	EA	Label - LP Gas Only
.	074559-01-000	EA	Label "LPG" - 3 3" x 1.75" - (Calif Code)
.	040944-01-000	EA	Label - Open - Entrance Door
.	006015-01-000	EA	Label - Patent Motor Home
.	056259-01-000	EA	Label - Safety Check List
.	006064-01-000	EA	Label - Seat - w/o Seat Belts
.	006187-01-000	EA	Label - Sewage
.	006006-01-000	EA	Label - Thermo Panel - 2 1/4" x 2 1/4"
.	075221-01-000	EA	Label - Trailer Hitch Capacity
.	075220-01-000	EA	Label - Warning - Exterior Load Limit
.	050225-01-000	EA	Label - Warning - Stove Vent - US
.	006188-01-000	EA	Label - Waste Water
.	006197-01-000	EA	Label - Water Test
.	072863-01-000	EA	Nameplate - Diesel - 6 2L
.	Not illustrated		

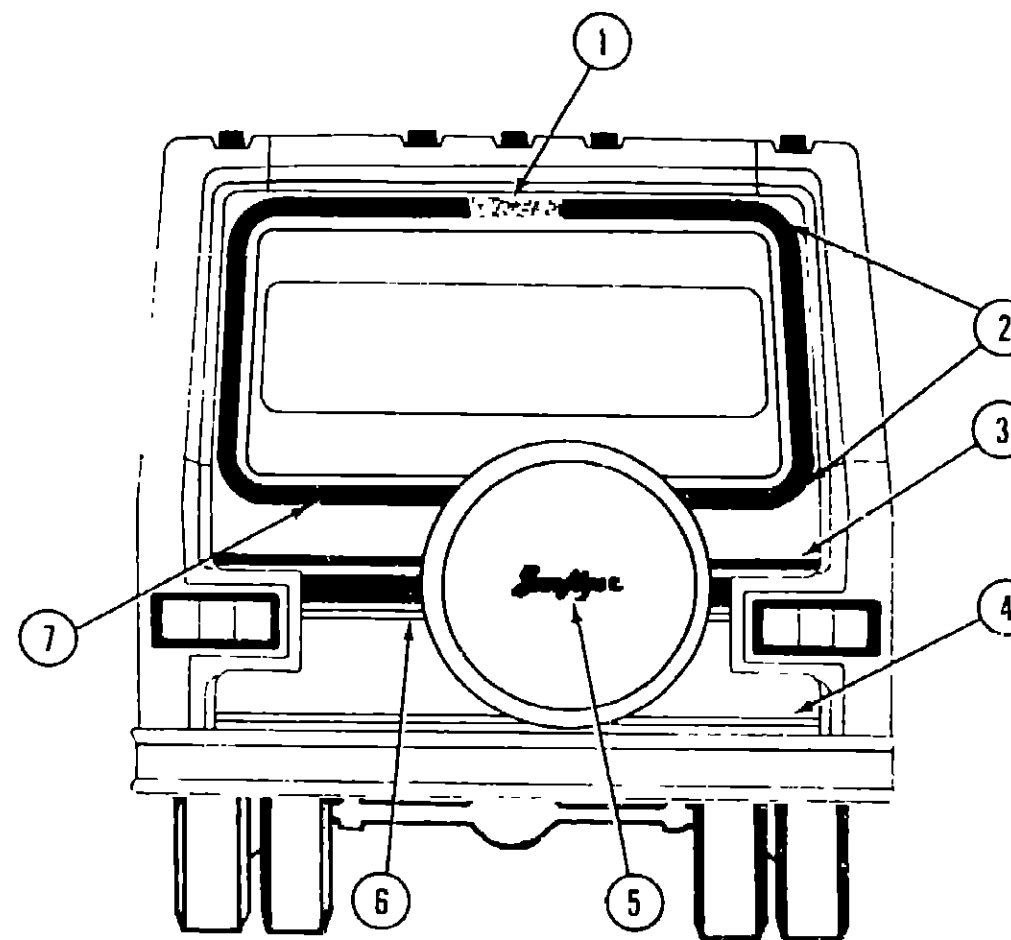
EXTERIOR BODY GROUP (CONTINUED)



FRONT DECALS

Key	Part Number	U/M	Description
1	069227-07-000	EA	Decal - Logo - "Itasca" - 3 7" x 15 82" - Chrome
2	065217-22-000	FT	Film - Multi-Stripe - 3 7" x 150' - Light Blue Metallic
2	065217-27-000	FT	Film - Multi-Stripe - 3 7" x 150' - Dark Blue Metallic
2	065217-26-000	FT	Film - Multi-Stripe - 3 7" x 150' - Light Brown Metallic
3	073735-04-000	EA	Decal - Hood - Light Blue Metallic/Light Gray Metallic
3	073735-06-000	EA	Decal - Hood - Dark Blue Metallic/Light Gray Metallic
3	073735-05-000	EA	Decal - Hood - Light Brown Metallic/Light Gray Metallic
4	073736-08-000	EA	Decal - Corner - Light Blue Metallic/Light Gray Metallic
4	073736-12-000	EA	Decal - Corner - Dark Blue Metallic/Light Gray Metallic
4	073736-10-000	EA	Decal - Corner - Light Brown Metallic/Light Gray Metallic
5	073734-04-000	EA	Decal - Corner - Bottom Stripe - Dark Gray Metallic
6	073733-02-000	EA	Decal - Hood - Lower - Dark Gray Metallic
7	073734-03-000	EA	Decal - Corner - Bottom Stripe - Dark Gray Metallic
8	073736-07-000	EA	Decal - Corner - Light Blue Metallic/Light Gray Metallic
8	073736-11-000	EA	Decal - Corner - Dark Blue Metallic/Light Gray Metallic
8	073736-09-000	EA	Decal - Corner - Light Brown Metallic/Light Gray Metallic
*	041273-76-000	FT	Decal Striping - 19" x 150' - Aluminum
*			Not illustrated

EXTERIOR BODY GROUP (CONTINUED)



REAR DECALS

Key	Part Number	U/M	Description
1	069227-07-000	EA	Decal - Logo - "Itasca" - 3 7" x 15 82" - Chrome
2	073732-01-000	EA	Decal - 180° Turn - Light Blue Metallic
2	073732-05-000	EA	Decal - 180° Turn - Dark Blue Metallic
2	073732-04-000	EA	Decal - 180° Turn - Light Brown Metallic
3	041273-77-000	FT	Decal - Striping - 1 5" x 150' - Light Gray Metallic
4	065217-19-000	FT	Film - Multi-Stripe - 1 19" x 150' - Light Blue Metallic
4	065217-29-000	FT	Film - Multi-Stripe - 1 19" x 150' - Dark Blue Metallic
4	065217-28-000	FT	Film - Multi-Stripe - 1 19" x 150' - Light Brown Metallic
5	058718-02-000	EA	Decal - "Sunflyer" - Chrome
6	069245-15-000	FT	Film - Multi-Stripe - 4 26" x 150' - Dark Gray Metallic
7	065217-22-000	FT	Film - Multi-Stripe - 3 7" x 150' - Light Blue Metallic
7	065217-27-000	FT	Film - Multi-Stripe - 3 7" x 150' - Dark Blue Metallic
7	065217-26-000	FT	Film - Multi-Stripe - 3 7" x 150' - Light Brown Metallic
*	041273-78-000	EA	Decal Striping - 11" x 150' - Dark Gray Metallic
*			Not illustrated

**1984 ITASCA
TABLE OF CONTENTS**

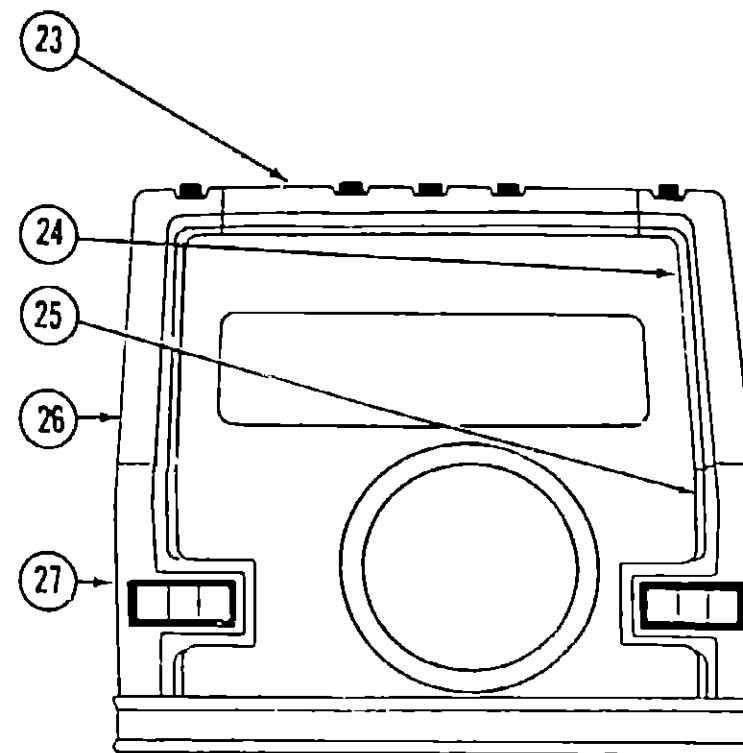
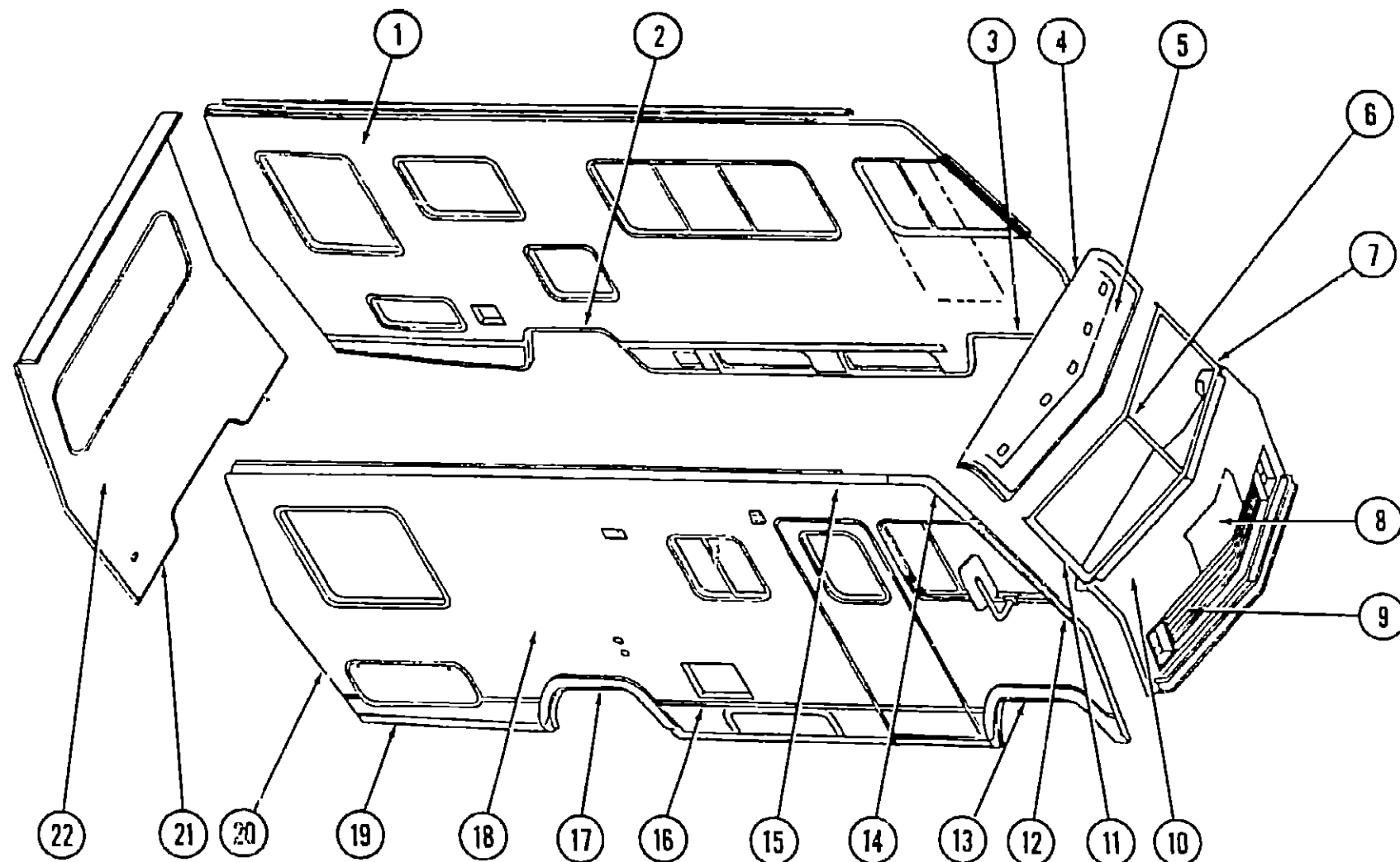
IC420RG	A-01 - C-06
IC424RC	C-07 - E-18
ICN23RG	E-19 - H-06
ICN30RT	H-07 - J-20

1984 ICN23RG INDEX

Floor Plan	E-19 - E-20
Accessories Group	E-21 - E-23
Bath Group	E-24
Chassis Group	F-01 - F-02
Curtain, Cushion & Pad Group	F-03 - F-10
Dinette Group	F-11
Driver's Compartment Group	F-12 - F-14
Electrical Group	F-15 - F-17
Exterior Body Group	F-18 - G-02
Galley Group	G-03 - G-06
Heating & Air Conditioning Group	G-07 - G-08
Interior Finish Group	G-09 - G-11
LP Group	G-12
Lounge Group	G-13 - G-14
Water & Sewage Group	G-15 - G-16
Window, Vent & Exterior Door Group	G-17 - H-06

EXTERIOR BODY GROUP (CONTINUED)

FIBERGLASS EXTERIOR BODY PANELS



Key	Part Number	U/M	Description
1	M76970-02-R22	EA	Sidewall Asm - Greyhound - Driver
1	M76970-02-R23	EA	Sidewall Asm - Greyhound - Driver
1	M76970-02-R24	EA	Sidewall Asm - Greyhound - Driver
1	M77835-02-R22	EA	Sidewall Asm. - Mesa - Driver
1	M77835-02-R23	EA	Sidewall Asm - Mesa - Driver
1	M77835-02-R24	EA	Sidewall Asm - Mesa - Driver
2	058487-03-000	EA	Trim - Wheel Well - Rear - Passenger or Driver
3	073647-01-000	EA	Trim - Wheel Well - Front - Passenger or Driver
4	062396-01-000	EA	Trim - Roof/Front Cap
5	055401-04-000	EA	Cap Asm - Over Windshield - Gray
6	058288-01-000	EA	Trim Molding - Windshield - Center
7	058289-01-000	EA	Trim - Contour - Windshield - Driver
•	058287-01-000	EA	Trim - Molding - Windshield - Upper & Lower
•	058291-01-000	FT	Molding Edge - Windshield
8	073054-03-000	EA	Access Panel - w/o Hardware - Gray
•	074636-01-000	EA	Grille Asm
•	074588-01-000	EA	Mesh Asm - Grille
•	070817-03-000	EA	Headlamp Bezel - Driver
•	070817-04-000	EA	Headlamp Bezel - Passenger
•	049359-01-000	EA	Spring - Headlight Retainer
•	062207-01-000	EA	Guard - Headlamp
•	073651-01-000	EA	Trim - Corner - Grille - Passenger
•	073651-02-000	EA	Trim - Corner - Grille - Driver
10	M01115-06-000	EA	Panel Asm - Front Shroud - Gray
11	058289-02-000	EA	Trim - Contour - Windshield - Passenger
•	012743-01-000	EA	Corner Support - Windshield - Lower - Steel
•	042743-02-000	EA	Corner Support - Windshield - Upper - Steel
12	073861-05-000	EA	Trim - Fiberglass Panel - Passenger - Gray
•	073861-06-000	EA	Trim - Fiberglass Panel - Driver - Gray
13	075069-02-000	EA	Trim - Wheel Well - Front Passenger - Gray Plastic
•	075069-04-000	EA	Trim - Wheel Well - Front Driver - Gray Plastic

Key	Part Number	U/M	Description
14	076598-03-000	EA	Trim - Contour - Front Upper Passenger - Gray
•	076598-04-000	EA	Trim - Contour - Front Upper Driver - Gray
15	076610-13-000	EA	Trim - Sidewall - Upper - 109 5' - Driver or Passenger - Gray
16	059576-04-000	EA	Feature Strip - Extr Alum - 14' - w/o Ins - Dark Gray Metalic
•	009731-01-000	EA	End Cap - Feature Strip Insert
•	001030-11-100	EA	Insert - Feature Strip - 17' - Gray
17	075070-02-000	EA	Trim - Wheel Well - Rear Passenger - Gray Plastic
•	075070-04-000	EA	Trim - Wheel Well - Rear Driver - Gray Plastic
18	M76969-02-R22	EA	Sidewall Asm - Greyhound - Passenger
18	M76969-02-R23	EA	Sidewall Asm - Greyhound - Passenger
18	M76969-02-R24	EA	Sidewall Asm - Greyhound - Passenger
18	M77834-02-R22	EA	Sidewall Asm - Mesa - Passenger
18	M77834-02-R23	EA	Sidewall Asm - Mesa - Passenger
18	M77834-02-R24	EA	Sidewall Asm - Mesa - Passenger
19	072639-01-001	EA	Rocker Panel - 216"
20	073502-05-000	EA	Trim - Passenger Rear - Gray
•	073502-06-000	EA	Trim - Driver Rear - Gray
21	050406-05-000	EA	Trim - Backwall - Lower
22	M75507-02-R22	EA	Backwall Asm - Greyhound
•	M77027-02-R10	EA	Backwall Asm - Mesa
•	077009-01-R07	EA	Roof Asm - Greyhound
•	077836-01-R07	EA	Roof Asm - Mesa
23	M01229-02-000	EA	Trim - Rear - Center Upper - Gray Plastic
24	073654-02-000	EA	Trim - Rear - Upper Passenger - Gray Plastic
25	073570-02-000	EA	Trim - Rear - Lower Passenger - Gray Plastic
26	073654-04-000	EA	Trim - Rear - Upper Driver - Gray Plastic
27	M73570-04-000	EA	Trim - Rear - w/L License Plate Bracket - Lower Driver - Gray Plastic
•	•	•	Not illustrated

1984 ITASCA TABLE OF CONTENTS

IC420RG	A-01 - C-06
IC424RC	C-07 - E-18
ICN23RG	E-19 - H-06
ICN30RT	H-07 - J-20

1984 ICN23RG INDEX

Floor Plan	E-19 - E-20
Accessories Group	E-21 - E-23
Bath Group	E-24
Chassis Group	F-01 - F-02
Curtain, Cushion & Pad Group	F-03 - F-10
Dinette Group	F-11
Driver's Compartment Group	F-12 - F-14
Electrical Group	F-15 - F-17
Exterior Body Group	F-18 - G-02
Galley Group	G-03 - G-06
Heating & Air Conditioning Group	G-07 - G-08
Interior Finish Group	G-09 - G-11
LP Group	G-12
Lounge Group	G-13 - G-14
Water & Sewage Group	G-15 - G-16
Window, Vent & Exterior Door Group	G-17 - H-06

EXTERIOR BODY GROUP (CONTINUED)

SEALANTS & ADHESIVES

Key	Part Number	U/M	Description
	004020-01-000	QT	Adhesive - ABS Cement (Plastic Fittings)
	002377-01-000	EA	Adhesive - 1300 Tube - 3M (Windows)
	004075-02-000	GL	Adhesive - Swifts - Glue (Sidewalls)
	053766-01-000	EA	Bedding Compound - Tube - Beige (Exterior)
	053766-06-000	EA	Bedding Compound - Tube - Clear (Window)
	053766-08-000	EA	Bedding Compound - Tube - Gray (Exterior)
	053766-05-000	EA	Bedding Compound - Tube - Gray (Sidewalls to Floor)
	053766-02-000	EA	Bedding Compound - Tube - Off White (Exterior)
	002328-02-000	EA	Block - Rubber Spacer (Windshield)
	004336-01-000	EA	Caulk - Latex - Golden Walnut (Sidewalls)
	072891-02-000	QT	Primer - Glass - Black
	072891-01-000	QT	Primer - Glass - Clear
	035024-01-000	EA	Primer - Glass - Clear - Windshield
	072890-01-000	QT	Primer - Metal - Black
	035023-01-000	GL	Primer - Metal - Windshield
	077967-01-000	EA	Sealant - Acrylic Latex - Tube - Off White (Interior Sealant)
	034552-04-000	EA	Sealant - Silicone - Beige
	034552-02-000	EA	Sealant - Silicone - Clear
	034552-07-000	EA	Sealant - Silicone - Dark Gray
	034552-06-000	EA	Sealant - Silicone - Off White
	069637-01-000	EA	Sealant - Weatherban 404 - Tube - White (Door Caulk)
	072889-01-000	EA	Sealant - Urethane - Black (Windshield)
	069640-01-000	FT	Sealer Ribbon - 25" Bead x 20'
	069640-02-000	FT	Sealer Ribbon - 5' x 125" x 30'
	069640-03-000	FT	Sealer Ribbon - 75' x 125' x 30'
	069640-04-000	FT	Sealer Ribbon - 2" x 09' x 45' (P Series)
	069640-05-000	FT	Sealer Ribbon - 2.5" x 09" x 50'
	069640-06-000	FT	Sealer Ribbon - 5/16" Bead x 15'
	069640-07-000	FT	Sealer Ribbon - 2" x 3/32" x 30'
	002316-01-000	FT	Sealer Tape - 3/32" x 3/8" - White (Window)
	002707-01-000	FT	Sealer Tape - 5/16" x 3/4'
	002707-02-000	FT	Sealer Tape - 5/16" x 1/2"
	040545-01-000	GL	Sealer - Seam Weld
	053752-04-000	EA	Seam Sealer - Tube - Aluminum (Roof)
	063642-01-000	FT	Tape - Adhesive - 10 mm x 1.5' Wide
	038886-01-000	EA	Tape - Butyl - 31" x 31" x 148" (Windshield)
	076322-01-000	FT	Tape - Foam - Double Coated - 025 x 1" (Fiberglass Sidewall Seams)
	076322-02-000	FT	Tape - Foam - Double Coated - 045 x 1" (Fiberglass Sidewall Seams)
	009200-01-000	EA	Tape - Furnace - 1.5"
	002825-01-000	FT	Weather Striping (Roof Vent)

EXTERIOR BODY GROUP (CONTINUED)

INTERIOR/EXTERIOR SCREWS & FASTENERS

Key	Part Number	U/M	Description
	005200-01-000	EA	Bolt - Round Head - Square Neck w SST Cap - 7.16 - 14 x 1.14
	058279-01-000	EA	Clip - Mounting - Front Panel
	035628-01-000	EA	Fastener - Blind Well Nut - 1.05 x .38
	000D15-06-00B	EA	Nut - Hex - 3/8" x 24 - Zinc
	005081-01-000	EA	Nut - Speed - C Type - #8 Screw
	000G54-04-20B	EA	Screw 1/4 - 20 x 1.14 PTH - Zinc
	000G54-04-22B	EA	Screw 1/4 - 20 x 1.38 PTH - Zinc
	000G53-01-06B	EA	Screw 1/4 - Machine - 20 x 3/8 PTH - Zinc
	000G13-06-12P	EA	Screw #6 - 20 x 3/4 PFH - Dark Brown
	000G13-06-28X	EA	Screw #6 - 20 x 3/4 PFH - Gray
	000G13-06-16R	EA	Screw #6 - 20 x 1 PFH - Beige
	000G11-07-08B	EA	Screw #7 - 19 x 1.2" PPH - Zinc
	000G12-08-12M	EA	Screw #6 - 18 x 3.4 POH - Gray
	000G11-08-12R	EA	Screw #8 - 18 x 3.4" PPH - Beige
	000G11-09-12X	EA	Screw #8 - 18 x 3.4 PPH - Gray
	000G11-08-12B	EA	Screw #8 - 18 x 3/4 PPH - Zinc
	000G39-08-12R	EA	Screw #8 - 18 x 3/4 SDPH - Beige
	000G66-08-12M	EA	Screw #8 - 18 x 3.4 SDPH - Gray
	000G11-08-16R	EA	Screw #8 - 18 x 1 PFH - Gray
	000G66-08-16R	EA	Screw #8 - 18 x 1 SDPH - Beige
	000G12-08-28R	EA	Screw #6 - 18 x 1.34" POH - Beige
	000G36-08-08E	EA	Screw #8 - 32 x 1/2" PFH - Chrome
	000G39-08-08B	EA	Screw #8 - Self Drilling - 18 x 1/2" PPH - Zinc
	000G39-08-12B	EA	Screw #8 - Self Drilling - 18 x 3/4" PPH - Zinc
	000G39-08-12R	EA	Screw #8 - Self Drilling - 18 x 3/4" PPH - Beige
	000G39-08-16R	EA	Screw #8 - Self Drilling - 18 x 1" PPH - Beige
	000G39-08-16T	EA	Screw #8 - Self Drilling - 18 x 1" PPH - Black
	000G39-08-16P	EA	Screw #8 - Self Drilling - 18 x 1" PPH - Dark Brown
	000G39-08-16X	EA	Screw #8 - Self Drilling - 18 x 1" PPH - Gray
	000G39-08-16E	EA	Screw #8 - Self Drilling - 18 x 1" PFH - Chrome
	000G64-08-16M	EA	Screw #8 - Self Drilling - 18 x 1" SDPH - Gray
	000G67-10-08B	EA	Screw #10 - 12 x 1/2" PPH - Zinc
	000G67-10-10R	EA	Screw #10 - 12 x 5/8" PPH - Beige
	000G67-10-16P	EA	Screw #10 - 12 x 1" PPH - Dark Brown
	000G67-10-16B	EA	Screw #10 - 12 x 1" PPH - Zinc
	000G67-10-20B	EA	Screw #10 - 12 x 1 1/4" - PPH - Zinc
	000G67-10-24B	EA	Screw #10 - 12 x 1 1/2" PPH - Zinc
	049465-04-000	EA	Screw #10 - 16 x 1" POH - w/Washer - Beige
	049465-05-000	EA	Screw #10 - 16 x 1" POH - w/Washer - Gray
	000G12-10-24E	EA	Screw #10 - 16 x 1 1/2" POH - Chrome
	000G11-10-08D	EA	Screw #10 - 16 x 1/2" PPH - Dark Brown
	000G11-10-12R	EA	Screw #10 - 16 x 3/4" PPH - Beige
	000G11-10-12S	EA	Screw #10 - 16 x 3/4" PPH - Off White
	000G11-10-12B	EA	Screw #10 - 16 x 3/4" PPH - Zinc
	000G11-10-16B	EA	Screw #10 - 16 x 1" PPH - Zinc
	000G11-10-40B	EA	Screw #10 - 16 x 2 1/2" PPH - CAD
	000G19-10-12B	EA	Screw #10 - Machine - 32 TPI x 3/4"
	075908-01-000	EA	Screw #10 - Machine - 32 x .56" PTH - Zinc
	000G19-10-20B	EA	Screw #10 - Machine - 32 x 1 1/4" PPH - Zinc
	000G39-12-12E	EA	Screw #10 - Self Drilling - 14 x 3/4" PPH - Chrome
	000G39-10-10R	EA	Screw #10 - Self Drilling - 16 x .62" PPH - Beige
	000G39-10-12R	EA	Screw #10 - Self Drilling - 16 x 3/4" PPH - Beige
	000G39-10-12P	EA	Screw #10 - Self Drilling - 16 x 3/4" PPH - Dark Brown
	000G56-12-48C	EA	Screw #12 - Wood - 11 x 3" POH - CAD

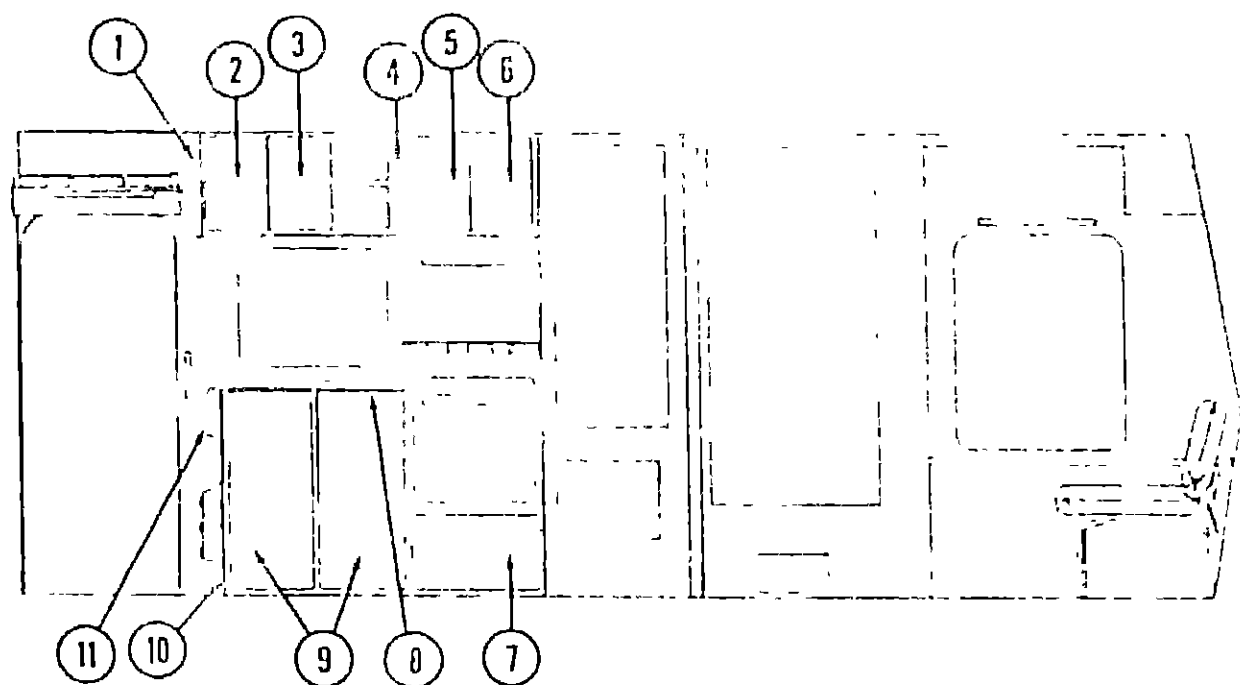
**1984 ITASCA
TABLE OF CONTENTS**

IC420RG	A-01 - C-06
IC424RC	C-07 - E-18
ICN23RG	E-19 - H-06
ICN30RT	H-07 - J-20

1984 ICN23RG INDEX

Floor Plan	E-19 - E-20
Accessories Group	E-21 - E-23
Bath Group	E-24
Chassis Group	F-01 - F-02
Curtain, Cushion & Pad Group	F-03 - F-10
Dinette Group	F-11
Driver's Compartment Group	F-12 - F-14
Electrical Group	F-15 - F-17
Exterior Body Group	F-18 - G-02
Galley Group	G-03 - G-06
Heating & Air Conditioning Group	G-07 - G-08
Interior Finish Group	G-09 - G-11
LP Group	G-12
Lounge Group	G-13 - G-14
Water & Sewage Group	G-15 - G-16
Window, Vent & Exterior Door Group	G-17 - H-06

GALLEY GROUP



GALLEY CABINETRY

Key	Part Number	U/M	Description
1	071847-05-R07	EA	Pad Asm - End Cap - Galley Overhead - Almond Vinyl
2	073521-04-R10	EA	Door Asm - Galley Overhead - 15 8" x 10 7" - w/o Hardware - Left
J	073521-03-R10	EA	Door Asm - Galley Overhead - 15 8" x 10 7" - w/o Hardware - Right
4	M76185-01-R07	EA	Cabinet Asm - Galley Overhead - w/o Doors or Hardware
5	073521-06-R07	EA	Door Asm - Galley Overhead - 15 8" x 11 6" - w/o Hardware - Left
6	073521-05-R10	EA	Door Asm - Galley Overhead - 15 8" x 11 6" - w/o Hardware - Right
7	073521-18-R10	EA	Door Asm - Galley Cabinet - 16" x 22" - w/o Hardware
8	M01577-01-R07	EA	Countertop Asm - Galley - Almond Loom
9	069852-40-R10	EA	Door Asm - Galley Cabinet - 33 4" x 14 3" - w/o Hardware
10	M77156-01-R07	EA	Cabinet Asm - Galley - w/o Countertop, Doors, Drawers or Hardware
*	077404-01-000	EA	Drawer - 20" x 12 7" - Plastic
11	066529-01-R10	EA	Extension Asm - Galley - Almond Loom
*	073521-08-R10	EA	Door Asm - Refrigerator Cabinet - 17 6" x 12 5" - w/o Hardware - Left
*	073521-07-R10	EA	Door Asm - Refrigerator Cabinet - 17 6" x 12 5" - w/o Hardware - Right
*			Not illustrated

GALLEY GROUP (CONTINUED)

GALLEY HARDWARE

Key	Part Number	U/M	Description
	053124-04-R07	EA	Sink Cover - Large - Almond Loom
	068615-01-000	EA	Sink - Stainless Steel - Double w Bolts
**	01105-01-000	EA	Faucet - Swing Spout - 8" - US
	01105-01-700	EA	Aerator - Swing Spout Faucet
	011053-02-000	EA	Faucet - Swing Spout - 8" - CSA
	066437-01-000	EA	Strainer w/Basket - Sink
	058334-01-000	EA	Wastebasket - 9 3/4" x 7" x 10" - White Rubbermaid
	058478-01-000	EA	Support - Waste basket - Metal - Door Mount
	054150-01-000	EA	Level Refrigerator
	075930-01-000	EA	Bracket / m - Microwave - Right
	075930-02-000	EA	Bracket / m - Microwave - Left
	076251-02-000	EA	Bracket Asm - Microwave - Bottom (2 required)
	075922-03-000	EA	Trim - Ring - Microwave
	075922-04-000	EA	Duct - Air - Exhaust - Microwave
	075470-03-000	EA	Spacer - Range Hood
	075470-04-000	EA	Duct Extension - Range Hood
	074490-02-R10	EA	Spice Rack - Oak
	074491-02-R10	EA	Magazine Rack - Oak
	074981-01-000	EA	Cutting Board - Maple
	009019-01-000	EA	Table - Support - Drop Leaf
	009059-01-000	EA	Hinge - 2" - Gold
*	052932-01-M10	EA	Hinge Kit - Cabinet Door - Antique Brass
**	057898-01-000	EA	Hidden Latch w Strike - Cabinet Door
	047741-01-000	EA	Kit - Drawer Guide - Plastic
	072394-01-000	EA	Slide - Drawer - w Tab - Left
	072394-02-000	EA	Slide - Drawer - w Tab - Right
	077409-01-000	EA	Slide - Drawer - 20 75" - Plastic

* The illustrated parts breakdown for this item is provided on the Common Items Fiche.

1984 IASCA TABLE OF CONTENTS

IC420RG	A-01 - G-06
IC424RC	C-07 - E-18
ICN23RG	E-19 - H-06
ICN30RT	H-07 - J-20

1984 ICN23RG INDEX

Floor Plan	E-19 - E-20
Accessories Group	E-21 - E-23
Bath Group	E-24
Chassis Group	F-01 - F-02
Curtain, Cushion & Pad Group	F-03 - F-10
Dinette Group	F-11
Driver's Compartment Group	F-12 - F-14
Electrical Group	F-15 - F-17
Exterior Body Group	F-18 - G-02
Galley Group	G-03 - G-06
Heating & Air Conditioning Group	G-07 - G-08
Interior Finish Group	G-09 - G-11
LP Group	G-12
Lounge Group	G-13 - G-14
Water & Sewage Group	G-15 - G-16
Window, Vent & Exterior Door Group	G-17 - H-06

GALLEY GROUP (CONTINUED)

GALLEY APPLIANCES

Key	Part Number	U/M	Description
	064473-02-000	EA	Refrigerator - AC/DC/Gas - Norcold G' - 776-EG3
	064473-02-700	EA	Cooling Unit (Service Pak)
	064473-02-701	EA	Door Frame
	064473-02-702	EA	Breaker Strip - Left - Bronze
	064473-02-703	EA	Breaker Strip - Right - Bronze
	064473-02-704	EA	Breaker Strip - Top - Bronze
	075217-01-000	EA	Refrigerator - AC/DC Gas - Norcold B' - 838-EG3
	075217-01-700	EA	Shelf Asm - Door - w/Trim
	075217-01-701	EA	Gasket - Door - Freezer
	075217-01-702	EA	Frame Asm - Door
	075217-01-703	EA	Decor Trim - Top & Bottom
	075217-01-704	EA	Gasket - Door - Refrigerator
	075217-01-705	EA	Cabinet Asm - Urethane
	075217-01-707	EA	Bulb - Light - DC
	075217-01-708	EA	Lamp Socket
	075217-01-710	EA	Eyebrow Asm
	075217-01-711	EA	Breaker Strip - Top
	075217-01-713	EA	Crisper Drawer
	075217-01-714	EA	Thermostat Asm
	075217-01-715	EA	Knob - Thermostat
	075217-01-716	EA	Front Divider Asm
	075217-01-717	EA	Humidity Switch
	075217-01-718	EA	Light Switch
	075217-01-719	EA	Eyebrow Board
	075217-01-720	EA	Eyebrow
	075217-01-721	EA	Lamp - Indicator - Amber
	075217-01-722	EA	Lamp - Indicator - Green
	075217-01-723	EA	Lamp - Indicator - Red
	075217-02-724	EA	Lamp - Indicator - Blue
	075217-01-725	EA	Rocker Switch - DPST
	075217-01-726	EA	Interface Board
	R77005-81-129	EA	Relay - Glow Plug
	075217-01-728	EA	Cover - Interface Board
	075217-01-729	EA	Fitting - Outlet
	075217-01-730	EA	Gas Valve
	075217-01-731	EA	Nipple
	075217-01-732	EA	Fitting - Inlet
	075217-01-733	EA	Shut-Off Clock
	075217-01-734	EA	Fuse - 3 Amp
	075217-01-735	EA	Ignition Electrode
	075217-01-736	EA	Sensing Electrode
	075217-01-737	EA	Control Module
	075217-01-738	EA	Rocker Switch - DPDT
	075217-01-739	EA	Heater
	075217-01-740	EA	Screw #6 - 32" x 2 3/8"
	075217-01-741	EA	Wing - Nut #6 - 32
	075217-01-742	EA	Hex Nut
	075217-01-743	EA	Elbow - 90°
	075217-01-744	EA	Cable - Wiring
	075217-01-745	EA	Liner Asm - Foamed - Door
	075217-01-746	EA	Baffle Asm
	075217-01-747	EA	Liner Asm - Foamed - Lower - Door

GALLEY GROUP (CONTINUED)

GALLEY APPLIANCES (CONT.)

Key	Part Number	U/M	Description
	075218-01-000	EA	Refrigerator - AC DC Gas - Norcold 10 - 8310-EG
	075218-01-700	EA	Gasket - Door - Freezer
	075218-01-701	EA	Gasket - Door - Refrigerator
	075218-01-702	EA	Connector Rod
	075218-01-703	EA	Frame Asm - Door
	075218-01-704	EA	Cabinet Asm - Urethane
	075218-01-705	EA	Breaker Strip - Bottom
	075218-01-707	EA	Front Divider Asm
	075218-01-708	EA	Cable - Wiring
	075218-01-709	EA	Liner Asm - Foamed - Door
	075218-01-710	EA	Liner Asm - Foamed - Lower - Door
	075922-01-000	EA	Microwave Oven - Litton - 1450
	064782-02-000	EA	Range - 4 Burner - w'Almond Top - Magic Chef - BT18KA4Z
	064782-02-700	EA	Top - Main - 4 Burner - Almond
	064782-02-701	EA	Deflector Plate - Black
	064782-02-702	EA	Trim - Cabinet - Right - Black
	064782-02-703	EA	Trim - Cabinet - Left - Black
	064782-02-704	EA	Trim - Lower - Outside Glass - Black
	064782-02-705	EA	Handle - Oven Door - Black
	064782-02-706	EA	Trim - Vertical - Black
	064782-02-707	EA	Panel - Manifold
	064782-02-708	EA	Mercury Valve
**	053333-04-000	EA	Hood - Range - Non-Powered - Almond - CSA
**	053333-05-000	EA	Hood - Range - Non-Powered - Almond - US
	075470-01-000	EA	Hood - Range - w Monitor - Almond - US
	075470-02-000	EA	Hood - Range - w/Monitor - Almond - CSA
	075470-01-700	EA	Monitor Panel - Sub Asm
	075470-01-701	EA	Digital Clock - Sub Asm
	075370-01-702	EA	Switch - On/Off
	075470-01-703	EA	Switch - On - Momentary
	075470-01-704	EA	Switch - On/Off/On - Fan Motor
	075470-01-705	EA	Switch - On Off/On - Momentary
	075470-01-706	EA	Rivets - Plastic
	075470-01-707	EA	Bulb - #912
	075470-01-708	EA	Panel Asm - Complete
*	Items are interchangeable between Norcold Model #838-EG3 & #8310-EG		
**	The illustrated parts breakdown for this item is provided on the Common Items Fiche		

**1984 ITASCA
TABLE OF CONTENTS**

IC420RG	A-01 - C-06
IC424RC	C-07 - E-18
ICN23RG	E-19 - H-06
ICN30RT	H-07 - J-20

1984 ICN23RG INDEX

Floor Plan	E-19 - E-20
Accessories Group	E-21 - E-23
Bath Group	E-24
Chassis Group	F-01 - F-02
Curtain, Cushion & Pad Group	F-03 - F-10
Dinette Group	F-11
Driver's Compartment Group	F-12 - F-14
Electricity Group	F-15 - F-17
Exterior Body Group	F-18 - G-02
Galley Group	G-03 - G-06
Heating & Air Conditioning Group	G-07 - G-08
Interior Finish Group	G-09 - G-11
LP Group	G-12
Lounge Group	G-13 - G-14
Water & Sewage Group	G-15 - G-16
Window, Vent & Exterior Door Group	G-17 - H-06

HEATING & AIR CONDITIONING GROUP

AUTOMOTIVE HEATER & AIR CONDITIONER

Key	Part Number	U/M	Description
	072341-04-000	EA	Heater/Evaporator Asm - A R A
	072341-01-700	EA	Wheel - w Retainer & Index Clip
	072341-01-701	EA	Core - Heater - A R A
	072341-01-702	EA	Coil - Evaporator - A R A
	072341-01-703	EA	Valve - Expansion - A R A
	072341-01-704	EA	Valve - Suction - A R A
	072341-01-705	EA	Switch - Pressure - Low Cut Out
	072341-01-706	EA	Resistor - A R A
	072341-01-707	EA	Thermostat - A R A
	072341-01-708	EA	Motor - Vacuum - A R A
	056455-01-702	EA	Blower - Evaporator Motor
	R77005-81-129	EA	Relay - Glow Plug
	072341-01-710	EA	Control Asm - Heater A C - A R A
	072341-01-711	EA	Cable - Bowden - 72' - A R A
	072341-01-712	EA	Switch - Vacuum - A R A
	072341-01-713	EA	Switch - Jumper Control - A R A
	072341-01-714	EA	Valve - Heater - Water Flow Control - A R A
	072341-01-715	EA	Escape & Louver Adapter Asm
	072341-01-716	EA	Discharge Valve - 1/2'
	072341-06-000	EA	Duct & Control Kit
	072342-01-000	EA	Condenser Asm - A R A
	072342-02-700	EA	Receiver Drier - Condenser Asm
	072343-01-000	EA	Compressor/Clutch - A R A
	072344-01-000	EA	Package - Compressor Mount
	071026-01-000	EA	Package - Compressor Mount - 6.2 L Diesel
	039044-01-000	EA	Louver Asm - A/C Adjustable
	007076-01-700	FT	Hose - Flexible PVC - 2" I D
	007281-01-700	FT	Hose - Flexible PVC - 2 1/2" I D
	007108-01-000	FT	Hose - Heater - 5/8" I D SAE 20R3
	062401-04-000	EA	Clamp - Worm Drive - 69" - 1.25" I D
	010227-01-000	EA	Tee - Plastic - Barb 5/8" or 3/4" Hose

AUXILIARY HEATER ASSEMBLY

Key	Part Number	U/M	Description
	049401-01-000	EA	Heater Asm - Rear - Auxiliary
	049401-01-700	EA	Valve - Water Control
	049401-01-701	EA	Control Cable
	049401-01-702	EA	Motor Asm
	049401-01-703	EA	Heater Core
	049401-01-704	EA	Switch
	058906-02-000	EA	Control Panel - Beige
	058893-01-000	EA	Bracket - Side Mount - Motor Aid
	076312-01-000	EA	Mesh - Grille - 7 3/8" x 6 7/8" - Gold Aluminum

HEATING & AIR CONDITIONING GROUP (CONTINUED)

FURNACES & ROOF AIR CONDITIONER

Key	Part Number	U/M	Description
	075696-01-000	EA	Furnace - 31 000 BTU - w Direct Ignition - NT-34S
	075695-01-000	EA	Furnace - 24 000 BTU - w Direct Ignition - NT 24S
	069634-01-723	EA	Thermostat - Furnace
	075695-01-701	EA	Electrode Asm - Furnace
	075695-01-702	EA	Vent Cap Asm - Furnace
	075695-01-703	EA	Gas Inlet Pipe - Furnace
	075695-01-704	EA	Manifold Asm - Furnace
	075695-01-705	EA	Burner Asm - Furnace
	075695-01-707	EA	Motor Furnace - 34 000 BTU
	075695-01-708	EA	Micro Switch Asm - 24 000 BTU Furnace
	075695-01-709	EA	Micro Switch Asm - 31 000 BTU Furnace
	075695-01-710	EA	Cabinet - Front
	075695-01-711	EA	Cabinet Asm
	069633-01-705	EA	Vent Package - Furnace - Suburban
	069636-02-000	EA	Connector - 4' Duct
	009198-01-000	FT	Duct - Flexible - 4" I D x 25
	056464-01-000	EA	Register - 4' Dia - Plastic - w Damper
	056464-02-000	EA	Register - 4' Dia - Plastic - w Damper
	009200-01-000	EA	Tape - Furnace - 1 1/2'
	023146-01-000	EA	Clamp - Screw Type - 4
	073743-01-000	EA	Shroud Asm - Ceiling - Inside - Roof Air - 13 500 BTU - Cool Only
	073744-01-000	EA	Shroud Asm - Ceiling - Inside - Roof Air - 13 500 BTU - Heat & Cool
	073742-01-000	EA	Air Conditioner - 110 Volt - Roof Mount - 13 500 BTU - Rotary
	073742-01-700	EA	Decal Package - Left & Right (Exterior)
	073742-01-701	EA	Selector Switch (5 Terminal)
	073742-01-702	EA	Decal - Cool Only
	073742-01-703	EA	Decal - Heat & Cool
	073742-01-704	EA	Decal - Thermostat - TSR

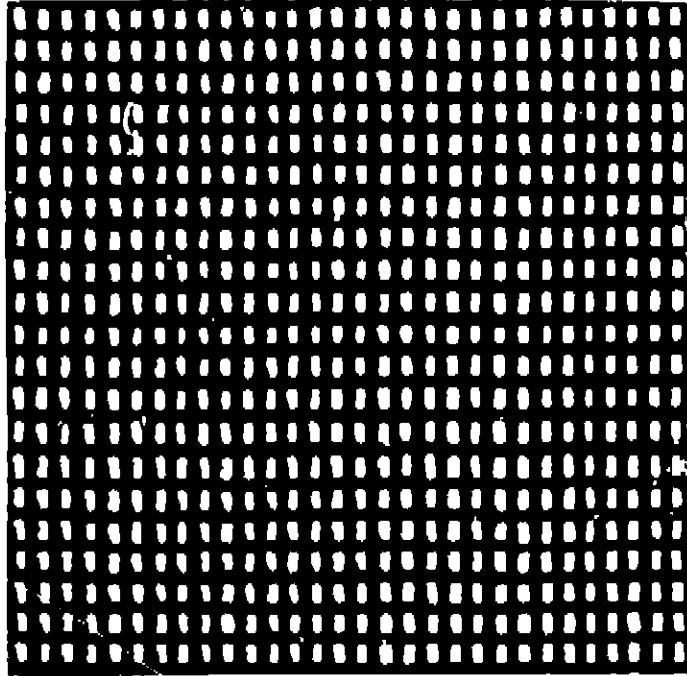
1984 ITASCA TABLE OF CONTENTS

IC420RG	A-01 - C-06
IC424RC	C-07 - E-18
ICN23RG	E-19 - H-06
ICN30RT	H-07 - J-20

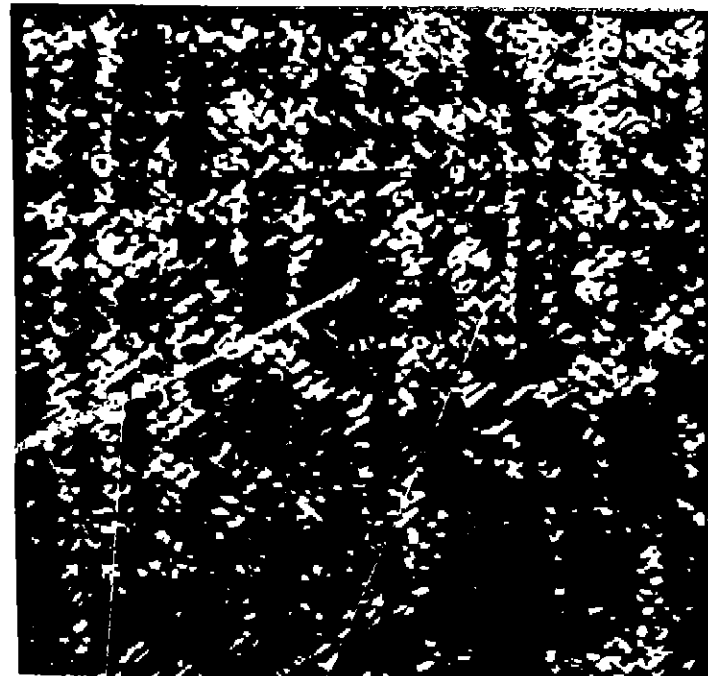
1984 ICN23RG INDEX

Floor Plan	E-19 - E-20
Accessories Group	E-21 - E-23
Bath Group	E-24
Chassis Group	F-01 - F-02
Curtain, Cushion & Pad Group	F-03 - F-10
Dinette Group	F-11
Driver's Compartment Group	F-12 - F-14
Electrical Group	F-15 - F-17
Exterior Body Group	F-18 - G-02
Galley Group	G-03 - G-06
Heating & Air Conditioning Group	G-07 - G-08
Interior Finish Group	G-09 - G-11
LP Group	G-12
Lounge Group	G-13 - G-14
Water & Sewage Group	G-15 - G-16
Window, Vent & Exterior Door Group	G-17 - H-06

INTERIOR FINISH GROUP



Wicker Weave Pattern



Jamaica Weave Pattern

PANELING & COUNTERTOP MATERIALS

Key	Part Number	U/M	Description
	068344-05-000	SF	Paneling - Elm - 48" x 84" (23 SF) (Wall)
	0723 6-20-000	SF	Paneling - Decor - Jakarta Burlap - 48" x 96" (32 SF) (Ceiling)
	072336-19-000	SF	Paneling - Decor - Wicker Weave - 48" x 84" (28 SF) (Refrigerator)
	072336-19-700	SF	Paneling - Decor - Jamaica Weave - 48" x 84" (28 SF) (Refrigerator)
	074496-06-000	SF	Paneling - Decor - Stained Glass - 48" x 84" (28 SF) (Galley & Bath) (R22, R24)
	074496-07-000	SF	Paneling - Decor - Stained Glass - 48" x 84" (28 SF) (Galley & Bath) (R23)
	057880-05-000	SF	Pluswood Board - Wicker Weave/Elm (Headboard Asm)
	057880-05-700	SF	Pluswood Board - Jamaica Weave/Elm (Headboard Asm)
	072337-03-000	SF	Plastic Laminate - Almond Loom - 48" x 96" (32 SF) (Galley)
	072337-03-019	EA	Plastic Laminate - Almond Loom - 1 19" x 96"
	074498-01-000	SF	Plastic Laminate - Harbor Oak - 48" x 96" (32 SF) (Dinette Table)
	074498-01-019	EA	Plastic Laminate - Harbor Oak - 1 19" x 96"
	072337-02-000	SF	Plastic Laminate - Travertine - 48" x 96" (32 SF) (Bath)
	072337-02-019	EA	Plastic Laminate - Travertine - 1 19" x 96"
	Reference above illustration		

INTERIOR FINISH GROUP (CONTINUED)

INTERIOR MOLDINGS & TRIMS

Key	Part Number	U/M	Description
	024700 18-000	EA	Cover - Sidewall Roll Bar - 85 5/8" - Beige
	042430-02-R07	EA	Molding - Shelf - Wood
	009812-08-000	FT	Molding - Outside Corner - 50" - Teak
	042357-09-000	FT	Molding - Corner - Radius - 7" - Elm
	076325-01-000	FT	Molding - Edge Band - 1 5/16" x .030" - Harbor Oak
	045375-09-000	FT	Molding - Corner - w/Holes - 77"
	045753-01-000	EA	Molding - Corner Cap - Rear Dinette - Dark Brown
	077065-01-000	EA	Molding - 2' Cove - Plastic
	022992-08-000	FT	Molding - Reverse Cove - Champagne White
	009815-03-000	FT	T-Molding - 75" - Light Brown
	070504-01-000	FT	U-Channel - .065" - Light Brown
	070504-02-000	FT	U-Channel - .815" - Light Brown
	009767-06-000	FT	Wetting - Beige
	052859-01-R13	FT	Accent Trim - Medium Almond Vinyl (Beige)
	059352-01-000	FT	Insert - Vinyl - Style & Rail Door
	075249-01-000	EA	Pail Asm - 72" Plain - Oak
	075250-01-000	EA	Corner Post - 1" x 1" x 2.5" - Oak
	042356-01-000	EA	Plug - Button - 3/8" Dia - Mahogany
	058204-01-000	EA	Batt Strip - Elm - 8" (Wall)
	069733-23-000	EA	Batt Strip - Jakarta Burlap - 8" (Ceiling)
	069733-33-000	EA	Batt Strip - Stained Glass - 8" (Galley & Bath) (R22, R24)
	069733-34-000	EA	Batt Strip - Stained Glass - 8" (Galley & Bath) (R23)
	064675-06-000	EA	Angle - Steel Roof Joint - 96" - Beige

FABRICS & CARPET

Key	Part Number	U/M	Description
	072333-09-000	YD	Fabric - Drapery - Beige
	072333-13-000	YD	Fabric - Drapery - Cream (Sheers)
	074495-23-000	YD	Fabric - Upholstery/Accent - Indigo (Blue/Gray) (R22)
	074495-21-000	YD	Fabric - Upholstery/Accent - Cocoa (Navy Beige) (R23)
	074495-22-000	YD	Fabric - Upholstery/Accent - Cinnamon (Rust) (R24)
	074495-50-000	YD	Fabric w/Pattern - Upholstery - Aztec (Blue/Gray) (R22)
	074495-48-000	YD	Fabric w/Pattern - Upholstery - Danube (Navy/Beige) (R23)
	074495-49-000	YD	Fabric w/Pattern - Upholstery - Bisque (Rust) (R24)
	038421-01-000	YD	Fabric - Mattress Ticking
	029012-01-000	BF	Foam - Rolled - 3/8"
	070502-01-000	YD	Vinyl - Non-Expanded - 12 Gauge Film - Medium Almond (Beige)
	072860-05-000	SY	Carpet - Steel Blue (R22)
	072860-16-000	SY	Carpet - Formality (Light Brown) (R23)
	072860-15-000	SY	Carpet - Golden Anniversary (Golden Brown) (R24)

MISCELLANEOUS PARTS

Key	Part Number	U/M	Description
	053552-01-R07	EA	Handle Asm - Interior Assist - Medium Almond Vinyl
	041944-03-000	EA	Fire Extinguisher w/Bracket - 5BC
	054185-20-000	EA	Owner's Manual - 1984 - Itasca & Winnebago
	040069-01-000	EA	Door Mat - 10 1/2" x 26" - Black Rubber
	063951-01-000	EA	Door Asm - Battery - w/o Carpet
	042541-01-000	EA	Latch Asm w/Strike Chrome (Battery Door)
	065201-02-000	EA	Shade Wall - Lamp - Fabric - Parchment
	065202-01-000	EA	Lamp - Decor - Wall - Brass - 2 Bulb
	075907-01-000	EA	Picture - Decor - Assorted Grasses

**1984 ITASCA
TABLE OF CONTENTS**

IC420RG	A-01 - C-06
IC424RC	C-07 - E-18
ICN23RG	E-19 - H-06
ICN30RT	H-07 - J-20

1984 ICN23RG INDEX

Floor Plan	E-19 - E-20
Accessories Group	E-21 - E-23
Bath Group	E-24
Chassis Group	F-01 - F-02
Curtain, Cushion & Pad Group	F-03 - F-10
Dinette Group	F-11
Driver's Compartment Group	F-12 - F-14
Electrical Group	F-15 - F-17
Exterior Body Group	F-18 - G-02
Galley Group	G-03 - G-06
Heating & Air Conditioning Group	G-07 - G-08
Interior Finish Group	G-09 - G-11
LP Group	G-12
Lounge Group	G-13 - G-14
Water & Sewage Group	G-15 - G-16
Window, Vent & Exterior Door Group	G-17 - H-06

INTERIOR FINISH GROUP (CONTINUED)

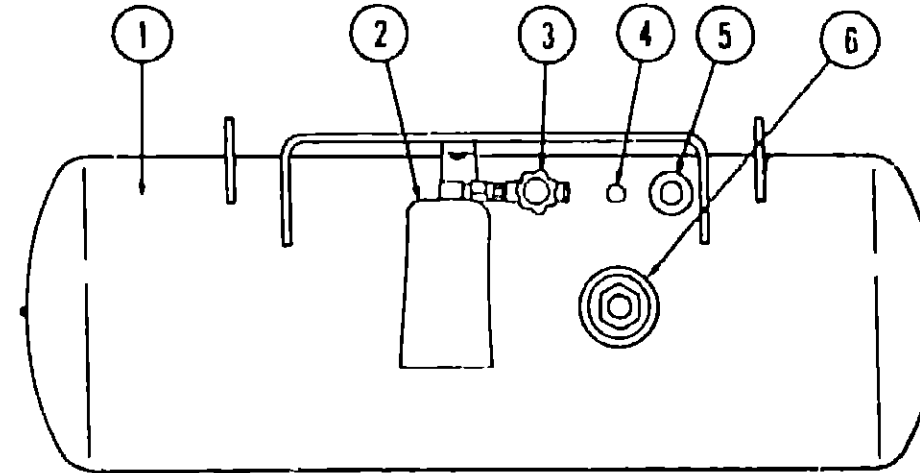
CABINETRY & TABLE HARDWARE

Key	Part Number	U/M	Description
**	053200-05-000	EA	Bracket - Upper Wall Mount - 23 5"
**	053201-03-000	EA	Bracket - Table Mount - 23"
**	024275-05-000	EA	Rod - Table Lift - 8" x 23 5"
**	024281-07-000	EA	Bracket - Lower Wall Mount - 22 12"
**	024276-14-000	EA	Leg Asm - Table - 29 5" - Brown (Dinette)
**	064050-01-000	EA	Hinge - Table Leg
**	024282-01-000	EA	Brace - Table Leg
**	024283-01-000	EA	Clip - 1" O D Tube
**	049493-02-000	EA	Catch - Table Leg - Mounts on Floor - Brown
**	009040-04-000	EA	Leg - Pedestal Table - 27 5" x 2 25" O D
**	009040-03-000	EA	Base - Pedestal Table - Mounts on Table
**	041194-01-000	EA	Base - Pedestal Table - Mounts in Floor
**	062046-01-000	EA	Clip - Pedestal Leg
**	023320-01-000	EA	Foam Pad - 3/8" Dia - Cabinet Doors
**	057898-01-000	EA	Hidden Latch w/Strike - Cabinet Door
**	009112-01-000	EA	Flange - 1" - Chrome - Closet Rod
**	072394-01-000	EA	Slide - Drawer - Left - w/Tab
**	072394-01-000	EA	Slide - Drawer - Right w/o Tab
**	077409-01-000	EA	Slide - Drawer - 20 75 - Plastic
**	037688-01-000	FT	Rail - Drawer
**	047741-01-000	EA	Kit - Drawer Glide
**	074493-01-000	EA	Support - Sprung - Door Prop
**	009049-01-000	EA	Table Support - Drop Leaf
**	009059-01-000	EA	Hinge - 2' - Gold
**	057671-01-000	EA	Screw Cover - #8 - Off White
**	075687-01-000	EA	Latch Asm - Bathroom Door - Privacy
**	058034-02-000	EA	Latch - Sliding Door - w/o Lock
**	064467-01-000	EA	Guide - Sliding Door - Mounts on Wall
**	009156-01-000	EA	Hanger - Sliding Door
**	075145-06-000	EA	Cover - Sliding Door Track - 54 2"
**	075153-01-000	EA	Cover - End Cap - Sliding Door Track - Beige
**	075149-04-000	EA	Track - Sliding Door - 54 2"
**	009150-01-000	EA	Warp Guard - 64"
**	009021-01-000	EA	Catch - Nylon - Furnace Door
**	009021-02-000	EA	Strike - Nylon Catch - Furnace Door
**	052932-01-M10	EA	Hinge Kit - Cabinet Door - Antique Brass
**	041939-01-000	EA	Hinge - Double Acting - Overhead Door
**	The illustrated parts breakdown for this item is provided on the Common Items Fiche		

CURTAIN HARDWARE

Key	Part Number	U/M	Description
**	056116-01-000	EA	Track - Curtain - Brown Plastic
**	059430-05-000	EA	Track - Curtain - Front Wraparound - 43 75" x 36' - Beige (2 per unit)
**	059430-07-000	EA	Track - Curtain - Front Wraparound - 32 8" x 89 1" (Driver's Door) Beige
**	056001-01-000	EA	Bracket - Shade - Left
**	056002-01-000	EA	Bracket - Shade - Right
**	056003-01-000	EA	Bracket - Drapery Retainer - Right
**	056003-02-000	EA	Bracket - Drapery Retainer - Left
**	056003-03-000	EA	Bracket - Drapery Retainer - Universal
**	075477-21-000	EA	Bracket - Hold Down - Blinds
**	075477-36-000	EA	Bracket - Installation - Blinds - Left or Right
**	009107-01-000	EA	Guide - Nylon Snap - Curtain
**	056784-01-000	EA	Pull - Window Shade - Antique Brass
**	039175-01-000	EA	Curtain Rod - Ext 48" - 84"
**	039175-03-000	EA	Curtain Rod - Ext 28" - 48"
**	039175-04-000	EA	Curtain Rod - Ext 16" - 28"
**	039175-02-000	EA	Bracket - Curtain Rod
**	056115-01-000	YD	Tape - Clear Plastic - w/Guides
**	048394-01-000	YD	Tape Hook - 1" x 25 YD - Beige
**	048395-01-000	YD	Tape Loop - 1" x 25 YD - Beige

LP GROUP



Key	Part Number	U/M	Description
1	074142-01-000	EA	Tank Asm - LP - Frame Mount - 80 Pound - 13' x 44"
1	074141-01-000	EA	Tank Asm - LP - Frame Mount - 42 Pound 12 x 28'
*	065741-01-000	EA	Detector LP Gas Leak - Marshalltown Instruments
2	076277-01-000	EA	Cover - Regulator - Two Stage - Front
2	076278-01-000	EA	Cover - Regulator - Two Stage - Back
*	076301-01-000	EA	Regulator - Two Stage - US
*	076301-02-000	EA	Regulator - Two Stage - CSA
3	040421-01-703	EA	Valve - Vapor Relief
4	040421-01-700	EA	Gauge - Liquid Level - 20% LP
5	040421-01-701	EA	Valve - Filler - LP
*	040421-01-702	EA	Cap - Plastic Fill Valve
6	040421-01-707	EA	Gauge - Float - w/Visible Dial
*	040421-01-706	EA	Dial - Visible Face - Float Gauge (Tank w/o Electric Transmitter)
*	040440-01-000	EA	Dial - Transmitter - 0 - 90 Ohm (Float Gauge)
*	045703-01-000	EA	Hose Asm - LP - 3/8" I.D x 24" - US
*	045703-02-000	EA	Hose Asm - LP - 3/8" I.D x 24 - CSA
*	045703-03-000	EA	Hose Asm - LP - 3/8" I.D x 18" - US
*	045703-04-000	EA	Hose Asm - LP - 3/8" I.D x 14" - CSA
*	068046-01-000	EA	Conversion Kit - LP - Onan Generator
*	Not illustrated		

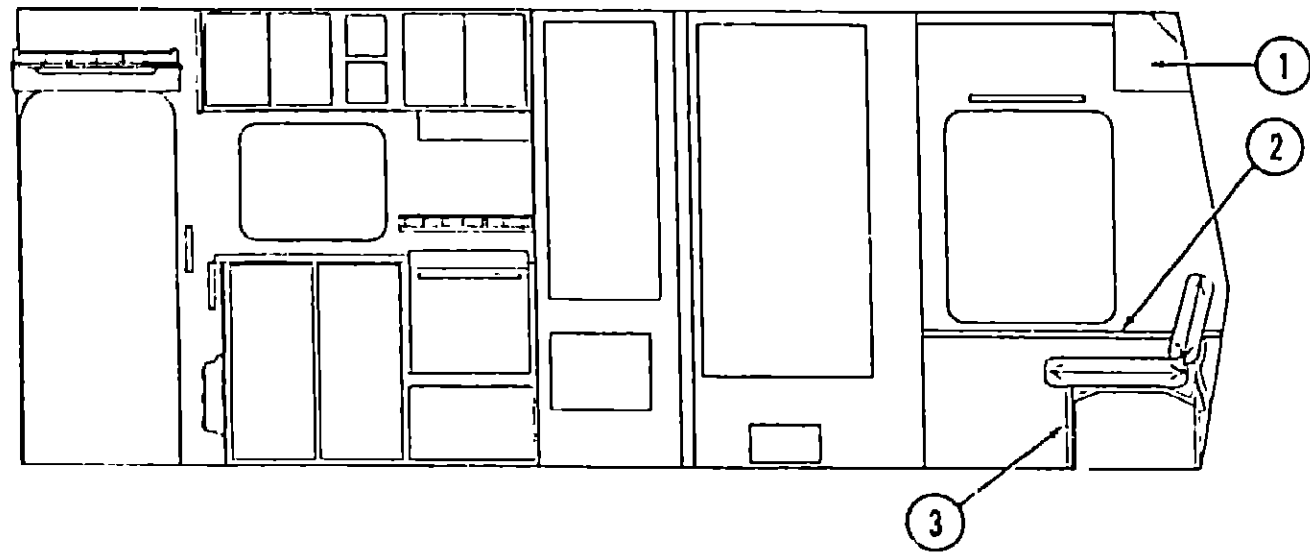
1984 ITASCA TABLE OF CONTENTS

IC420RG	A-01 - C-06
IC424RC	C-07 - E-18
ICN23RG	E-19 - H-06
ICN30RT	H-07 - J-20

1984 ICN23RG INDEX

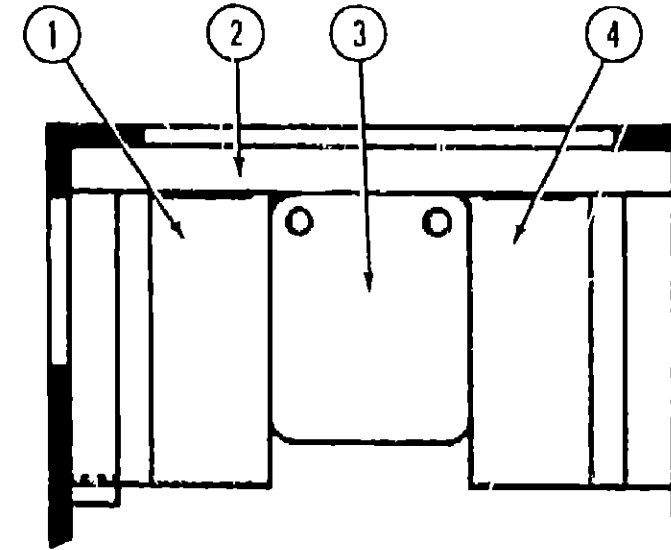
Floor Plan	E-19 - E-20
Accessories Group	E-21 - E-23
Bath Group	E-24
Chassis Group	F-01 - F-02
Curtain, Cushion & Pad Group	F-03 - F-10
Dinette Group	F-11
Driver's Compartment Group	F-12 - F-14
Electrical Group	F-15 - F-17
Exterior Body Group	F-18 - G-02
Galley Group	G-03 - G-06
Heating & Air Conditioning Group	G-07 - G-08
Interior Finish Group	G-09 - G-11
LP Group	G-12
Lounge Group	G-13 - G-14
Water & Sewage Group	G-15 - G-16
Window, Vent & Exterior Door Group	G-17 - H-06

LOUNGE GROUP



Key	Part Number	U/M	Description
1	076966-01-R07	EA	Cabinet Asm - Overhead - w/o Doors or Hardware
•	069852-72-R10	EA	Door Asm - Overhead Cabinet - 28 1" x 11 4" - w/o Hardware
2	077363-02-R07	EA	Countertop Asm - Hamper - Passenger - Harbor Oak
•	M01606-01-R07	EA	Countertop Asm - Stationary - Hamper - Passenger - Harbor Oak
•	M77360-01-R07	EA	Cabinet Asm - Hamper - Passenger - w/o Countertops
•	077359-01-R07	EA	Cabinet Asm - Hamper - Driver - w/o Countertop
•	077363-01-R07	EA	Countertop Asm - Hamper - Driver - Harbor Oak
3	M77361-01-R07	EA	Cabinet Asm - Couch - w/o Door or Hardware
•	069852-53-R07	EA	Door Asm - Couch - 37 1" x 11 7" - w/o Hardware
•			Not illustrated

LOUNGE GROUP (CONTINUED)



REAR DINETTE (OPTION)

Key	Part Number	U/M	Description
1	M01589-02-R07	EA	Cabinet Asm - Dinette Seat - Left
•	M01588-02-R07	EA	Cabinet Asm - Dinette Back - Left
2	M01614-01-R07	EA	Countertop Asm - Rear Dinette Shelf - Harbor Oak
3	M01557-28-R07	EA	Table Asm - Dinette - w/o Hardware - Harbor Oak
•	077793-01-R07	EA	Spacer - Dinette Bed - Harbor Oak
•	024276-14-000	EA	Leg Asm - Table - 29 5" - Brown
•	024282-01-000	EA	Brace - Table Leg
•	024283-01-000	EA	Clip - 1" O.D - 1.125" O.D. Tube
•	053201-03-000	EA	Bracket - Table Mount - 23"
•	064050-01-000	EA	Hinge - Table Leg
•	024275-05-000	EA	Rod - Table Lift - 8" x 3 5"
•	024281-07-000	EA	Bracket - Lower Wall Mount - 22 12"
•	049493-02-000	EA	Catch - Table Leg - Mounts on Floor
•	053200-05-000	EA	Bracket - Upper Wall Mount - 23 5"
•	064781-03-000	EA	Cup Holder - 3 47" O.D x 2 75" I.D x 1 5"
4	M01589-01-R07	EA	Cabinet Asm - Dinette Seat - Right
•	M01588-01-R07	EA	Cabinet Asm - Dinette Back - Right
•			Not illustrated

1984 ITASCA TABLE OF CONTENTS

IC420RG	A-01 - C-06
IC421RC	C-07 - E-18
ICN23RG	E-19 - H-06
ICN30RT	H-07 - J-20

1984 ICN23RG INDEX

Floor Plan	E-19 - E-20
Accessories Group	E-21 - E-23
Bath Group	E-24
Chassis Group	F-01 - F-02
Curtain, Cushion & Pad Group	F-03 - F-10
Dinette Group	F-11
Driver's Compartment Group	F-12 - F-14
Electrical Group	F-15 - F-17
Exterior Body Group	F-18 - G-02
Galley Group	G-03 - G-06
Heating & Air Conditioning Group	G-07 - G-08
Interior Finish Group	G-09 - G-11
LP Group	G-12
Lounge Group	G-13 - G-14
Water & Sewage Group	G-15 - G-16
Window, Vent & Exterior Door Group	G-17 - H-06

WATER & SEWAGE GROUP

PLUMBING & REPAIR PARTS

Key	Part Number	U/M	Description
	033302-02-000	EA	Adapter Asm - SWVC Strain - 1 1/2
	062422-01-000	EA	Adapter - Hose Offset - Reducer - 3" x 1 1/2"
	062416-01-000	EA	Adapter - Hose - 3"
	052954-01-000	EA	Adapter - Nose Cone - 3/8 or 1/2 - Plastic
	010224-01-000	EA	Adapter - Plastic - 3/8 MPT x 3/8 Barb
	031602-02-000	EA	Adapter - Plastic - 1 1/2 H x FPT
	010134-01-000	EA	Adapter - Plastic - 1 1/2 Male x MPT
	004020-01-000	QT	Adhesive - ABS Cement
**	010121-01-000	EA	Bushing - Plastic - 1 1/2 S x 1 1/4 H
	010123-01-000	EA	Bushing - Plastic - 2S x 1 1/2 H
	036522-02-000	EA	Cap - 1/2 Flare - Brass
	075730-01-000	EA	Cap - End - Sewer Hose
	062415-01-000	EA	Cap - Sewer - 3"
	052959-02-000	EA	Connector - 1/2 F x 1/2 MPT - Plastic (In Tank Filter)
	052959-03-000	EA	Connector - 1/2 F x 3/8 MPT - Plastic
**	011091-01-000	EA	Continuous Waste - Double Sink - 11 7/8" - US
	053874-01-000	EA	Continuous Waste Asm - Double Sink - CSA
**	050780-01-000	EA	Coupler Rubber - 3" x 3"
	052960-01-000	EA	Drain Valve - 1/2 F x 1/2 F - Plastic
	010005-01-000	EA	Elbow - Plastic - 1/16 BD x 1 1/2
	010006-01-000	EA	Elbow - Plastic - 1/8 BD x 1 1/2 x 45° H x H
	010008-01-000	EA	Elbow - Plastic - 1/4 BD x 1 1/2 x 90° Left
	010051-01-000	EA	Elbow - ST - Plastic - 1/8 BD x 1 1/2 x 45°
	010219-01-000	EA	Elbow - 1 1/4 Barb x 1 1/4 MPT x 90°
	034250-01-000	EA	Elbow - Plastic - 1/4 BD x 1 1/2 x 90° x H x H
	035539-01-000	EA	Elbow - Plastic - 3/8 MPT x 3/8 Barb
	052957-01-000	EA	Elbow - Plastic - 1/2 F x 3/8 MPT
	052957-02-000	EA	Elbow - Plastic - 1/2 F x 1/2 MPT
	065120-01-000	EA	Elbow - Plastic - Swivel - 50"
	070924-01-000	EA	Elbow - Plastic - Swivel - 1/2 MPT x 1/2 FP
	075726-01-000	EA	Extension - Outlet - Sewer Hose
	010147-01-000	EA	Flange - Closet - 4" F x 3" FPT - US
	010147-02-000	EA	Flange - Closet - 4" F x 3" FPT - CSA
	077954-01-000	EA	Filter/Screen (In Water Tank)
	044928-01-000	FT	Flexible Tubing - 1 1/4 I D x 10'
	061607-01-000	EA	Grommet - Holding Tank Coupler - 1 1/2"
	061607-02-000	EA	Grommet - Holding Tank Coupler - 3"
	052961-01-000	EA	Header - 1/2 F x 1/2 F x 1/2 F x 1/2 F
**	046524-01-000	EA	Kit - Holding Tank Fittings - Blank Tank
**	046524-02-000	EA	Kit - Water Tank Fittings - Blank Tank
	052953-01-000	EA	Nut - Faucet - 1/2 Tube x 1/2 FPT
	052952-01-000	EA	Nut - 1/2 F - Plastic
**	011066-03-000	EA	P-Trap - 1 1/4" & 1 1/2" - Plastic - US
**	011066-02-000	EA	P-Trap - 1 1/4" - Plastic - CSA
	053335-01-000	EA	P-Trap - Plastic - 1 1/4 H x H - w/Union - CSA
	075666-01-000	EA	Pipe - PVC - DWV - 4" i D x 10'
	045729-01-000	EA	Pump - Water - 2 8 G P M - Direct Drive - Shurflo - US
	045729-02-000	EA	Pump - Water - 2 8 G P M - Direct Drive - Shurflo - CSA
**	010201-01-000	EA	Sewer Hose - 3" x 8' w/Clamp
	042989-04-000	EA	Spinweld Fittings - Plastic - 3/8 FPT
	042989-02-000	EA	Spinweld Fittings - Plastic - 1/2 FPT (In Tank Filter)
	042989-03-000	EA	Spinweld Fittings - Plastic - 1 1/4" NPT
	010071-01-000	EA	Tee - Plastic - 1 1/2 x H x H x H
	010072-01-000	EA	Tee - Plastic - 1 1/2 H x 1 1/4 H x 1 1/2 H
**	010079-01-000	EA	Tee - Plastic - 1 1/2 H x 1 1/2 H x 1 1/4 H
	046172-01-000	EA	Tee - Plastic - 3/8 B x 3/8 B x 3/8 MPT
	052955-01-000	EA	Tee - Plastic - 1/2 F x 1/2 F x 1/2 MPT
	052956-01-000	EA	Tee - Plastic - 1/2 F x 1/2 MPT x 1/2 F

WATER & SEWAGE GROUP (CONTINUED)

PLUMBING & REPAIR PARTS (CONT)

Key	Part Number	U/M	Description
	039800-01-000	FT	Tubing - Polybutyl - 1/2 O D (Water Line)
	074462-02-000	FT	Tubing - Vinyl - 3/8" I D
	072346-01-000	EA	Valve Asm - 3" Ell - w/2" Socket
	062421-01-000	EA	Valve - 1 1/2' - w/Handle
	062419-02-000	EA	Valve - 3" - w/o Handle
	052962-01-000	EA	Valve - Stool - 90° x 1/2 F x 3/8 MPT
**	The illustrated parts breakdown for this item is provided on the Common Items Fiche		

HOLDING TANKS & WATER HEATERS

Key	Part Number	U/M	Description
	M01275-41-000	EA	Tank Asm - Water - 16 Gallon - w/Fittings (Dinette)
	M01275-43-000	EA	Tank Asm - Water - 16 Gallon - w/Fittings (Couch)
	074510-01-000	EA	Tank - Water - 16 Gallon - w/o Fittings
	M01275-40-000	EA	Tank Asm - Water - 20 Gallon - w/Fittings (Dinette)
	M01275-42-000	EA	Tank Asm - Water - 20 Gallon - w/Fittings (Couch)
	053520-01-000	EA	Tank - Water - 20 Gallon - w/o Fittings
	M01275-36-000	EA	Tank Asm - Waste Water - 20 Gallon - w/Fittings
	076845-01-000	EA	Tank - Waste Water - 20 Gallon - w/o Fittings
	M01275-34-000	EA	Tank Asm - Sewage - 40 Gallon - w/Fittings
	076834-01-000	EA	Tank - Sewage - 40 Gallon - w/o Fittings
**	051391-01-000	EA	Water Heater - w/o Motor Aid - G6A3
**	051391-03-000	EA	Water Heater - w/Electronic Ignition - G6A-3E
**	051393-01-000	EA	Water Heater - w/Motor Aid - GH6-3E
**	The illustrated parts breakdown for this item is provided on the Common Items Fiche		

**1984 ITASCA
TABLE OF CONTENTS**

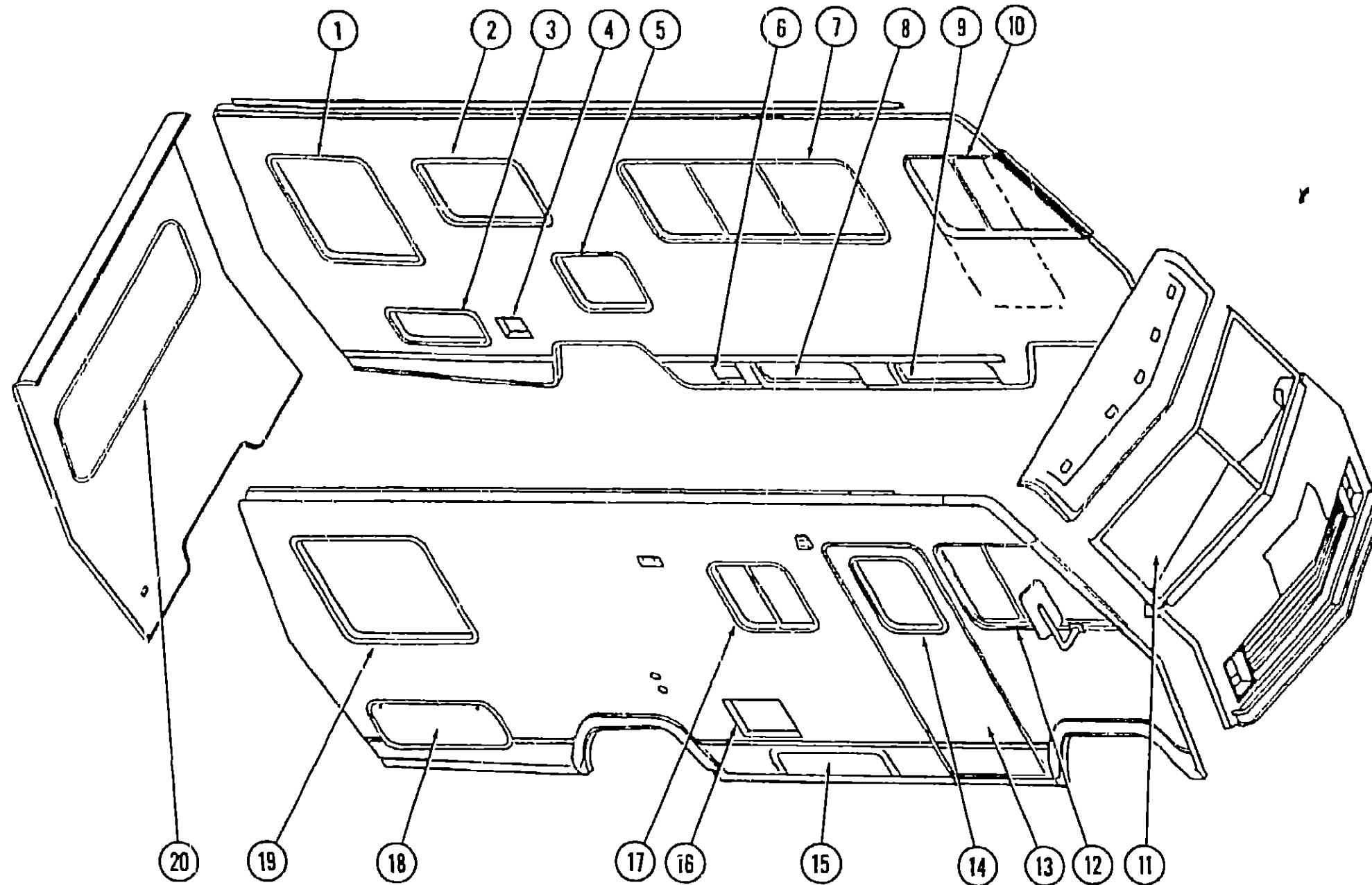
IC420RG	A-01 - C-06
IC424RC	C-07 - E-18
ICN23RG	E-19 - H-06
ICN30RT	H-07 - J-20

1984 ICN23RG INDEX

Floor Plan	E-19 - E-20
Accessories Group	E-21 - E-23
Bath Group	E-24
Chassis Group	F-01 - F-02
Curtain, Cushion & Pad Group	F-03 - F-10
Dinette Group	F-11
Driver's Compartment Group	F-12 - F-14
Electrical Group	F-15 - F-17
Exterior Body Group	F-18 - G-02
Galley Group	G-03 - G-06
Heating & Air Conditioning Group	G-07 - G-08
Interior Finish Group	G-09 - G-11
LP Group	G-12
Lounge Group	G-13 - G-14
Water & Sewage Group	G-15 - G-16
Window, Vent & Exterior Door Group	G-17 - H-06

WINDOW, VENT & EXTERIOR DOOR GROUP

WINDOW & ACCESS DOORS



1984 ITASCA TABLE OF CONTENTS

IC420RG	A-01 - C-08
IC424RC	C-07 - E-18
ICN23RG	E-19 - H-06
ICN30RT	H-07 - J-20

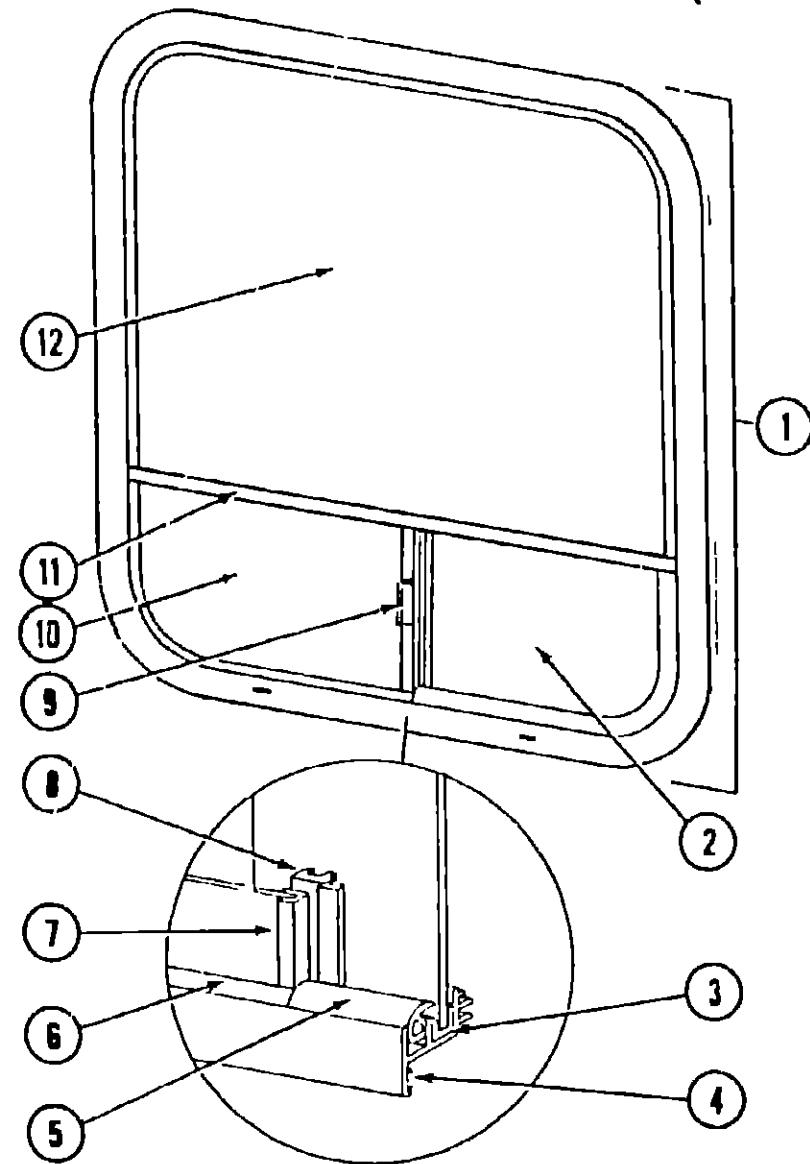
1984 ICN23RG INDEX

Floor Plan	E-19 - E-20
Accessories Group	E-21 - E-23
Bath Group	E-24
Chassis Group	F-01 - F-02
Curtain, Cushion & Pad Group	F-03 - F-10
Dinette Group	F-11
Driver's Compartment Group	F-12 - F-14
Electrical Group	F-15 - F-17
Exterior Body Group	F-18 - G-02
Galley Group	G-03 - G-06
Heating & Air Conditioning Group	G-07 - G-08
Interior Finish Group	G-09 - G-11
LP Group	G-12
Lounge Group	G-13 - G-14
Water & Sewage Group	G-15 - G-16
Window, Vent & Exterior Door Group	G-17 - H-06

Key	Part Number	U/M	Description
1	064236-03-000	EA	Window Asm w/Charcoal Screen - Lower Slider - 29" x 36" - Driver (w/o inside frame)
1	064236-01-000	EA	Window Asm w/Gray Screen - Lower Slider - 29" x 36" - Driver (w/o inside frame)
2	048631-35-000	EA	Window Asm w/Charcoal Screen - Left - Single Slider - 23" x 29" - Black (w/o inside frame)
2	048631-08-000	EA	Window Asm w/Gray Screen - Left Single Slider - 23" x 29" - Black (w/o inside frame)
3	076855-02-000	EA	Door Asm - Insulated Storage - w/Key Lock - Gray
4	NOTE	EA	Door Asm - Fuel Fill (See Access Doors)
5	069762-06-000	EA	Door Asm - Refrigerator Access - w/Twist Lock - Gray
6	NOTE	EA	Door Asm - Power Cord (See Access Doors)
7	075738-02-000	EA	Window Asm w/Charcoal Screen - Double Slider (w/o inside frame)
7	075738-01-000	EA	Window Asm w/Gray Screen - Double Slider (w/o inside frame)
8	M76852-04-R10	EA	Door Asm - LP - 25 3" x 9" - w/Twist Lock - Gray
9	M76852-06-R10	EA	Door Asm - Access - 25 3" x 9" - w/Key Lock - Gray
10	059046-02-000	EA	Window Asm - Driver Front Slant Slider - 23" x 29" - Black (w/o inside frame)
	062896-01-000	EA	Window Asm - Stationary - Driver's Slant - 14" x 25 32" - Black (w/o inside frame)
11	057459-01-000	EA	Glass - Windshield - Flat

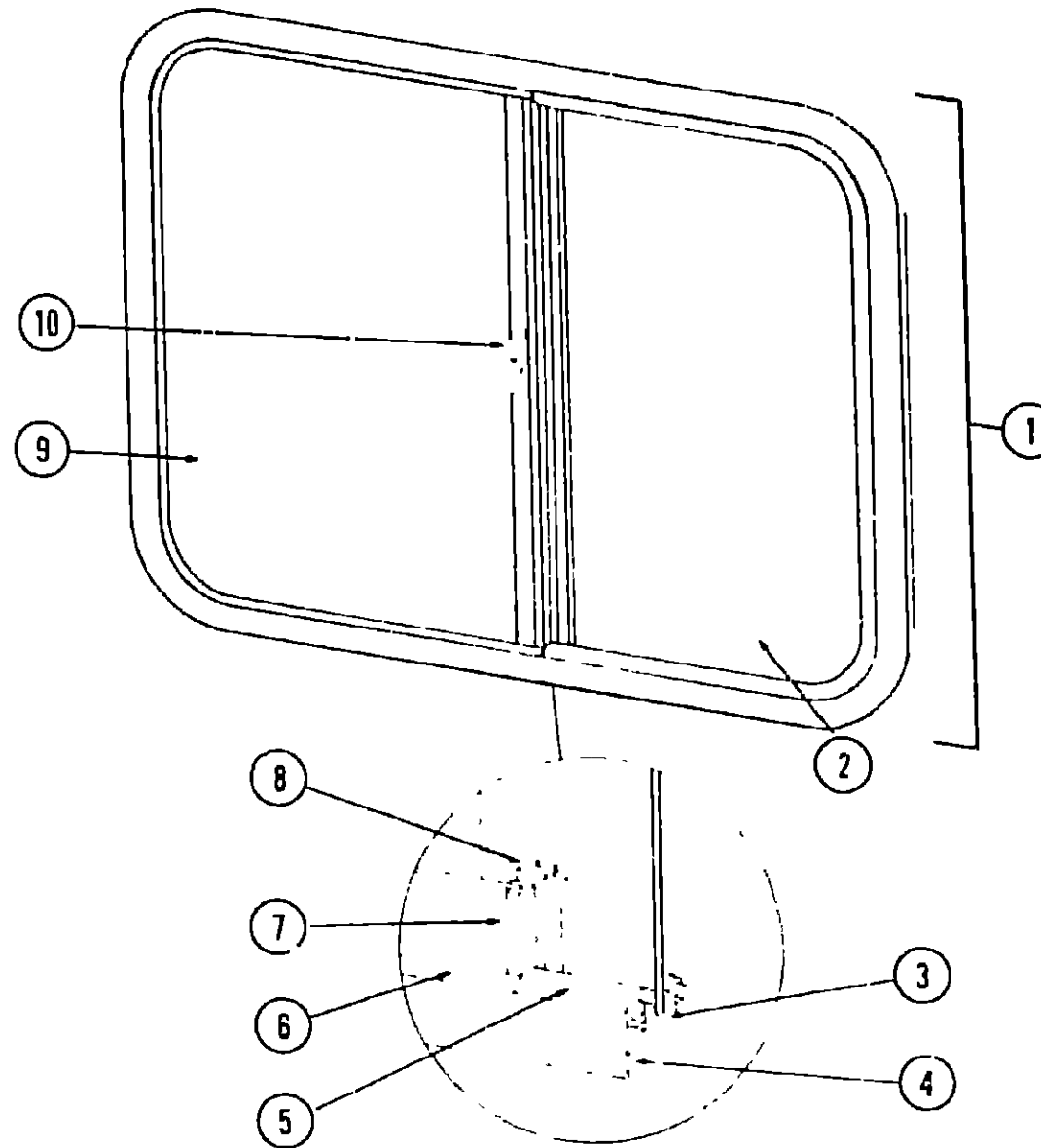
Key	Part Number	U/M	Description
12	059046-01-000	EA	Window Asm - Passenger Front Slant Slider - 23" x 29" - Black (w/o inside frame)
13	M01414-06-R07	EA	Door Asm - Radius Entry w/Screen Door - Greyhound
13	M01414-12-R22	EA	Door Asm - Radius Entry w/Screen Door - Mesa
14	041875-09-000	EA	Window Asm - Picture - 17" x 25" - Black (w/o inside frame)
15	M76852-09-R10	EA	Door Asm - Storage - 34 5" x 9" - w/Key Lock - Gray
16	052009-03-000	EA	Door Asm - Water Heater - Gray
17	048631-33-000	EA	Window Asm w/Charcoal Screen - Right Single Slider - 20" x 25" - Black (w/o inside frame)
17	048631-03-000	EA	Window Asm w/Gray Screen - Right Single Slider - 20" x 25" - Black (w/o inside frame)
18	M01552-02-000	EA	Door Asm - Generator - 13 5" x 35 5" - w/o Battie
18	076854-01-000	EA	Door Asm - Luggage - 13 5" x 35 5" - w/Key Lock - Gray
19	064236-04-000	EA	Window Asm w/Charcoal Screen - Lower Slider - 29" x 36" - Passenger (w/o inside frame)
19	064236-02-000	EA	Window Asm w/Gray Screen - Lower Slider - 29" x 36" - Passenger (w/o inside frame)
20	020754-03-000	EA	Window Asm - Escape - 23" x 68" - Black (w/o inside frame)
	Not illustrated		

WINDOW, VENT & EXTERIOR DOOR GROUP (CONTINUED)



Key	Part Number	U/M	Description
1	064236-03-000	EA	Window Asm w/Charcoal Screen - Lower Slider - 29" x 36" - Driver (w/o inside frame)
1	064236-04-000	EA	Window Asm w/Charcoal Screen - Lower Slider - 29" x 36" - Passenger (w/o inside frame)
1	064236-01-000	EA	Window Asm w/Gray Screen - Lower Slider - 29" x 36" - Driver (w/o inside frame)
1	064236-02-000	EA	Window Asm w/Gray Screen - Lower Slider - 29" x 36" - Passenger (w/o inside frame)
*	067609-08-000	EA	Inside Frame - Beige (not included in assembly)
2	064568-01-000	EA	Glass - Lower - Slider - 12" x 14 8" x 8 9"
3	002324-02-000	EA	Channel - Weatherstrip - Glass Run 3/16" Glass
4	069640-06-000	EA	Ribbon Sealer - 5/16" Bead x 15'
5	041928-02-000	FT	Seal - Window Channel - Black
6	002309-02-000	FT	Spline - Glass
7	M69886-03-002	EA	Holder - Glass Seal - Black
8	064235-01-000	EA	Mullion - Vertical - Slider Window - Driver
8	064235-02-000	EA	Mullion - Vertical - Slider Window - Passenger
9	047369-01-700	EA	Latch Kit - Window - Plastic - w/Fastener
10	064568-02-000	EA	Glass - Lower - Stationary - 12" x 14 8" x 8 9"
11	064234-01-000	EA	Mullion - Horizontal - Driver
11	064234-02-000	EA	Mullion - Horizontal - Passenger
12	002184-03-000	EA	Glass - Upper - Stationary - 115" x 28 25" x 26 04"
*	073740-01-000	FT	Seal - Fin - Pile - 46" - Mullion
*	023713-02-000	EA	Weephole Cover - Black Plastic
*	002298-02-000	FT	Spline - Screen - 13" Dia. - Charcoal
*	002298-01-000	FT	Spline - Screen - .13" Dia - Gray
*	002291-02-000	SF	Screen - Window - 16" - Charcoal
*	002291-01-000	SF	Screen - Window - 16" - Gray
*			Not illustrated

WINDOW, VENT & EXTERIOR DOOR GROUP (CONTINUED)



Key	Part Number	U/M	Description
1	048631-35-000	EA	Window Asm w/Charcoal Screen - Left Single Slider - 23" x 29" - Black (w/o inside frame)
1	048631-08-000	EA	Window Asm w/Gray Screen - Left Single Slider - 23" x 29" - Black (w/o inside frame)
*	067609-14-000	EA	Inside Frame - Beige (not included in assembly)
2	047813-01-000	EA	Glass - Sliding - w/Hole - 1/8" x 22" x 13 68"
3	002324-02-000	FT	Channel - Weatherstrip - Glass
4	069640-06-000	FT	Ribbon Tape - 5/16" Bead x 15'
5	057374-02-000	FT	Extr Vinyl - Window Seal - Black
6	002309-02-000	FT	Spline - Glass - 1/8" Material - Black
7	M18025-03-000	EA	Extr. - Holder - Glass Seal - 21" - Black
8	069896-01-000	EA	Mullion - Slider Window - Black
9	002184-01-000	EA	Glass - Stationary - 1/8" x 16 5" x 22"
10	047369-01-700	EA	Latch Kit - Window - Plastic - w/Fastener
*	002293-02-000	SF	Screen - Window - 26" - Charcoal
*	002293-01-000	SF	Screen - Window - 16" - Gray
*	002298-02-000	FT	Spline - Screen - .13" Dia - Charcoal
*	002298-01-000	FT	Spline - Screen - 13" Dia - Gray
*	073740-01-000	FT	Seal - Fin - Pile - 46"
*			Not illustrated

**1984 ITASCA
TABLE OF CONTENTS**

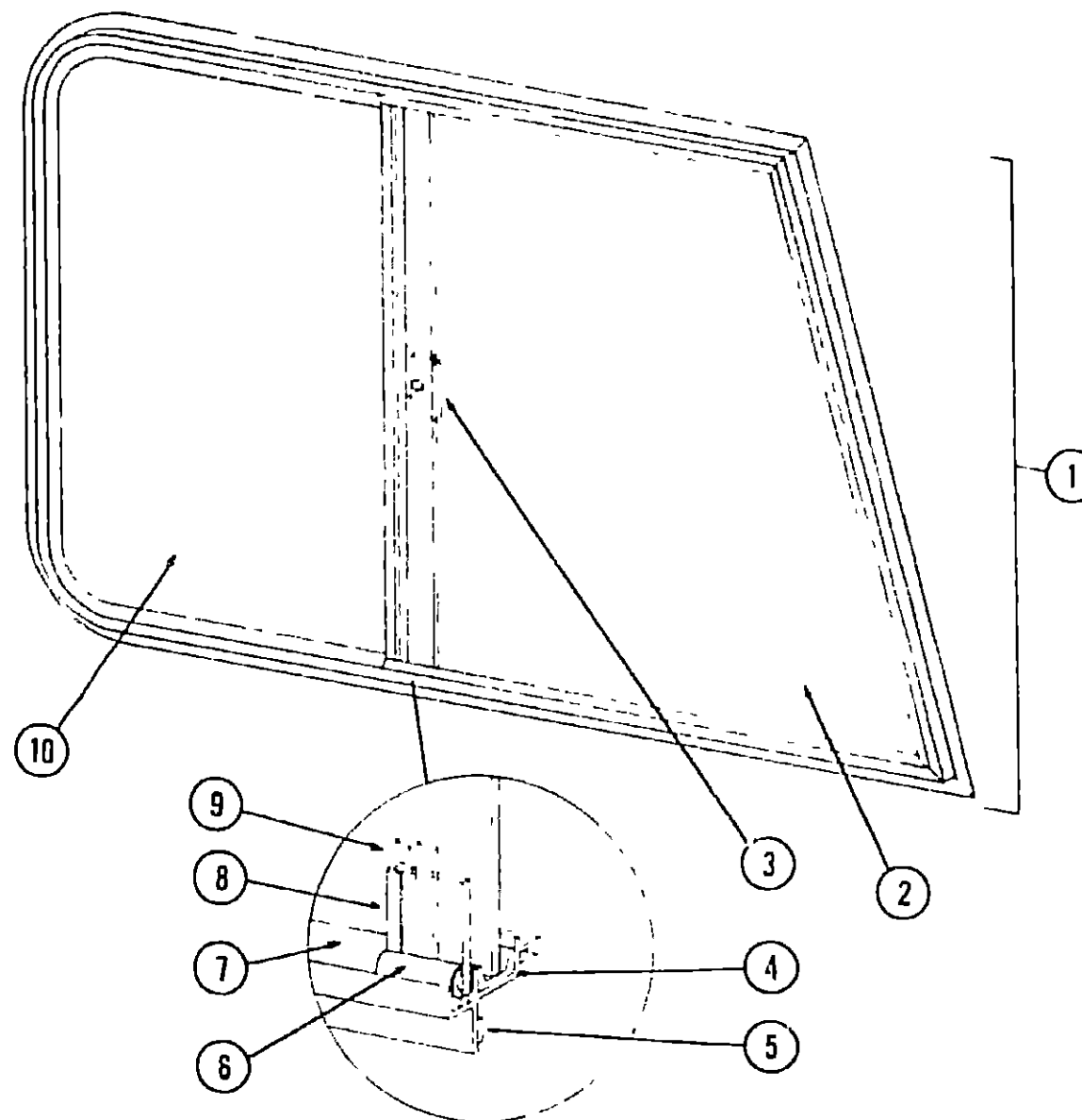
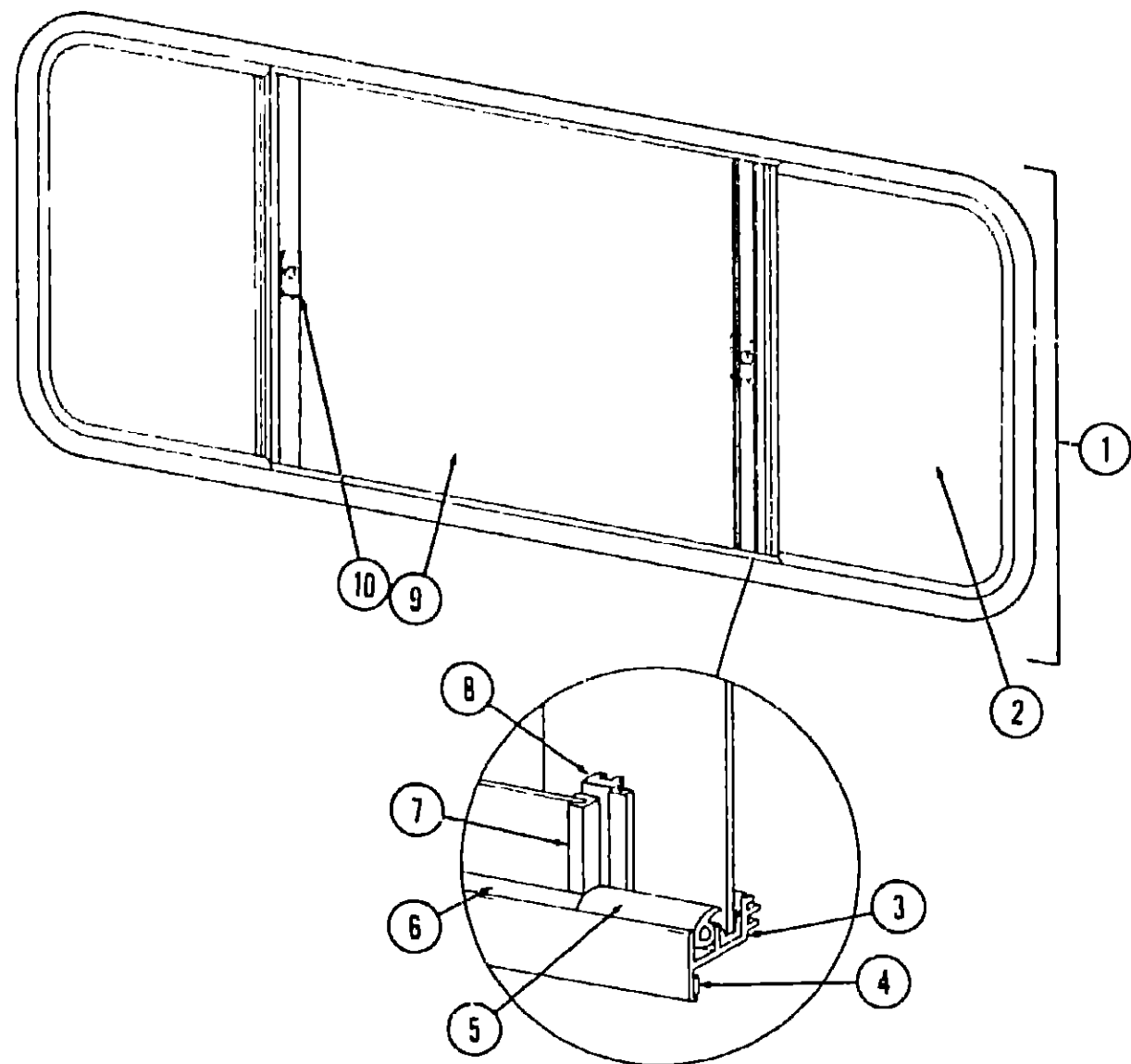
IC420RG	A-01 - C-06
IC424RC	C-07 - E-18
ICN23RG	E-19 - H-06
ICN30RT	H-07 - J-20

1984 ICN23RG INDEX

Floor Plan	E-19 - E-20
Accessories Group	E-21 - E-23
Bath Group	E-24
Chassis Group	F-01 - F-02
Curtain, Cushion & Pad Group	F-03 - F-10
Dinette Group	F-11
Driver's Compartment Group	F-12 - F-14
Electrical Group	F-15 - F-17
Exterior Body Group	F-18 - G-02
Galley Group	G-03 - G-06
Heating & Air Conditioning Group	G-07 - G-08
Interior Finish Group	G-09 - G-11
LP Group	G-12
Lounge Group	G-13 - G-14
Water & Sewage Group	G-15 - G-16
Window, Vent & Exterior Door Group	G-17 - H-06

WINDOW, VENT & EXTERIOR DOOR GROUP (CONTINUED)

WINDOW, VENT & EXTERIOR DOOR GROUP (CONTINUED)



1984 ITASCA
TABLE OF CONTENTS

IC420RG	A-01 - C-06
IC424RC	C-07 - E-18
ICN23RG	E-19 - H-06
ICN30RT	H-07 - J-20

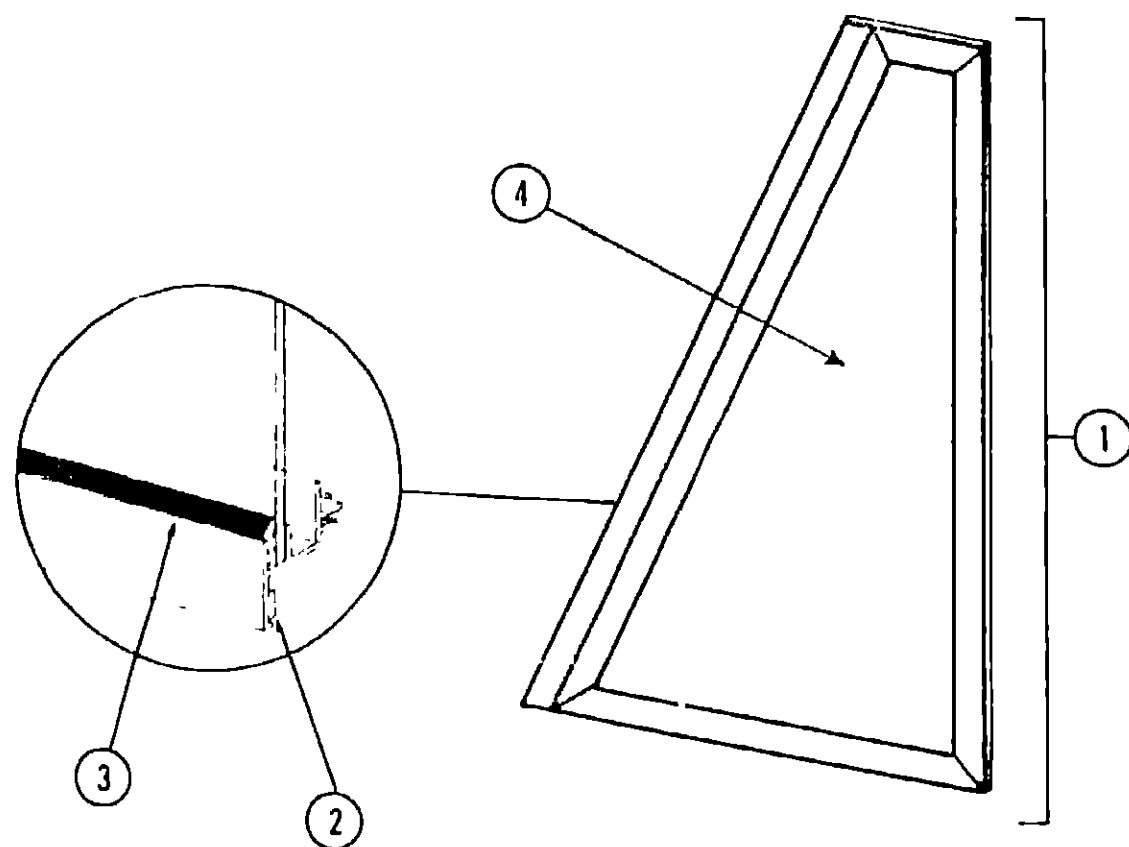
Key	Part Number	U/M	Description
1	075738-02-000	EA	Window Asm w/Charcoal Screen - Double Slider (w/o inside frame)
1	075738-01-000	EA	Window Asm w/Gray Screen - Double Slider (w/o inside frame)
.	067609-06-000	EA	Inside Frame - Beige (not included in assembly)
2	047822-04-000	EA	Glass - Sliding - 1/8" x 24" x 21 03"
3	002324-02-000	FT	Channel - Weatherstrip - Glass
4	069640-06-000	FT	Ribbon Sealer - 5/16" Bead x 15'
5	057374-02-000	FT	Extr. Vinyl - Window Seal - Black
6	002309-02-000	FT	Spline - Glass - 1/8" Material - Black
7	M69886-03-003	EA	Seal Holder - w/Fin Seal - 23 19" - Black
8	069896-02-000	EA	Mullion - Slider Window - Black
9	002188-05-000	EA	Glass - Stationary - 125" x 24" x 25 5"
10	047369-01-700	EA	Latch Kit - Window - Plastic w/Fastener
.	002293-02-000	SF	Screen - Window - 26" - Charcoal
.	002293-01-000	SF	Screen - Window - 26" - Gray
.	002298-02-000	FT	Spline - Screen - 13" Dia - Charcoal
.	002298-01-000	FT	Spline - Screen - 13" Dia - Gray
.	073740-01-000	FT	Seal - Fin - Pile - 46"
.			Not illustrated

Key	Part Number	U/M	Description
1	059046-01-000	EA	Window Asm - Passenger Front Slant Slider - 23" x 39" - Black (w/o inside frame)
1	059046-02-000	EA	Window Asm - Driver Front Slant Slider - 23" x 39" - Black (w/o inside frame)
.	059042-03-000	EA	Inside Frame - Passenger Front Slant Slider - Beige (not included in assembly)
.	059042-04-000	EA	Inside Frame - Driver Front Slant Slider - Beige (not included in assembly)
2	057656-01-000	EA	Glass - 3/16" x 24 88" x 25 3' - Stationary
3	047369-01-700	EA	Latch Kit - Window - Plastic - w/Fastener
4	042077-01-000	FT	Channel - Weatherstrip - Glass Run - 3/16" Glass
5	069640-06-000	FT	Ribbon Sealer - 5/16" Bead x 15'
6	050216-02-000	FT	Spline - Glass - 1/8" Material - Black
7	041928-02-000	FT	Seal - Window Channel - 3/16" Glass - Black
8	M02389-03-206	EA	Seal Holder w/Fin Seal - 24 13" - Black
9	M01621-01-000	EA	Mullion - Window - Slant Slider
10	057657-01-000	EA	Glass - 3/16" x 24 88" x 14 7" - Sliding
.	073740-01-000	FT	Seal - Fin - Pile - 46"
.	023713-02-000	EA	Weephole Cover - Black
.	055164-07-000	EA	Charcoal Slider Screen Asm - Passenger or Driver - Black
.	055164-05-000	EA	Gray Slider Screen Asm - Passenger or Driver - Black
.	016310-03-000	EA	Handle - Slider Screen - Black
.	002292-02-000	SF	Screen - 20" - Charcoal
.	002291-01-000	SF	Screen - 16" - Gray
.	002298-02-000	FT	Spline - Screen - 13" Dia - Charcoal
.	002298-01-000	FT	Spline - Screen - 13" Dia - Gray
.	053085-01-000	EA	Corner Key - Slider Screen
.			Not illustrated

1984 ICN23RG INDEX

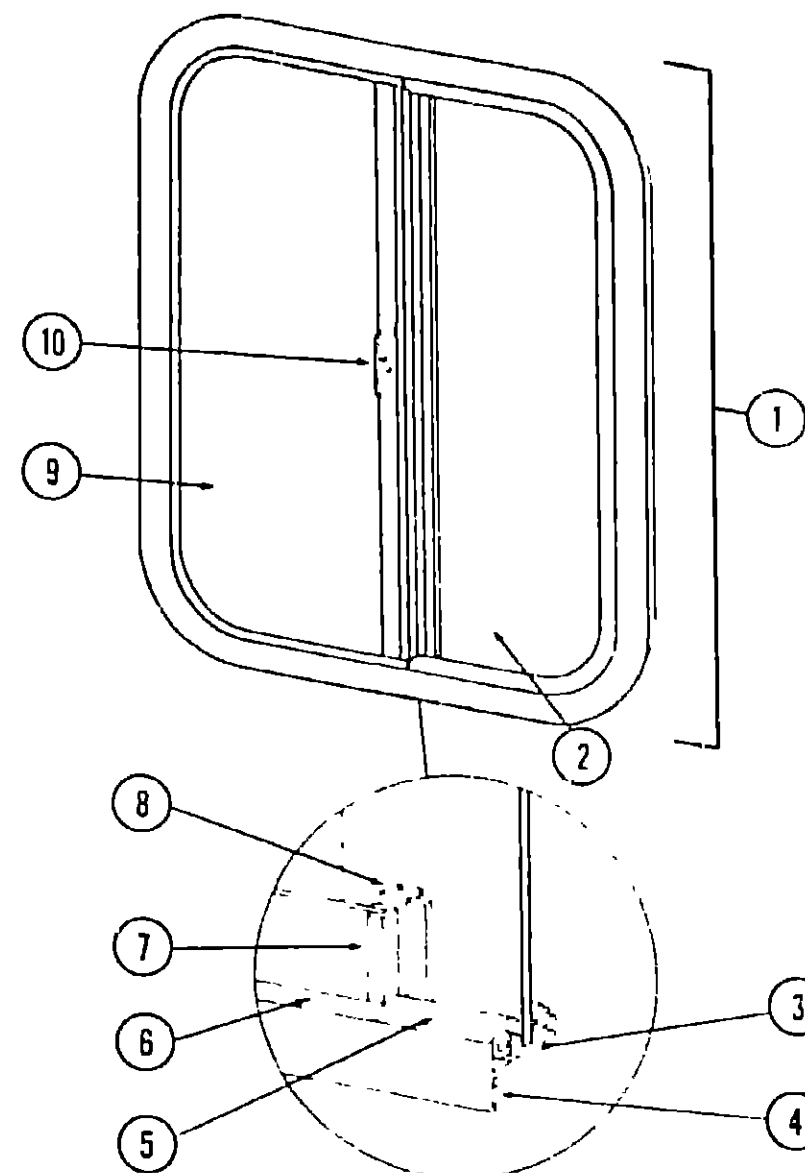
Floor Plan	E-19 - E-20
Accessories Group	E-21 - E-23
Bath Group	E-24
Chassis Group	F-01 - F-02
Curtain, Cushion & Pad Group	F-03 - F-10
Dinette Group	F-11
Driver's Compartment Group	F-12 - F-14
Electrical Group	F-15 - F-17
Exterior Body Group	F-18 - G-02
Galley Group	G-03 - G-06
Heating & Air Conditioning Group	G-07 - G-08
Interior Finish Group	G-09 - G-11
LP Group	G-12
Lounge Group	G-13 - G-14
Water & Sewage Group	G-15 - G-16
Window, Vent & Exterior Door Group	G-17 - H-06

WINDOW, VENT & EXTERIOR DOOR GROUP (CONTINUED)



Key	Part Number	U/M	Description
1	062896-01-000	EA	Window Asm - Stationary - Driver's Slant - 14" x 25 32" Black (w/o inside frame)
*	063420-02-000	EA	Inside Frame - Front Slant Window - Beige (not included in assembly)
2	069640-06-000	FT	Ribbon Sealer - 5/16" Bead x 15'
3	002309-02-000	FT	Spline - Glass - 1/8" - Black
4	057656-02-000	EA	Glass - 19" x 24 88" x 13 66"
*			Not illustrated

WINDOW, VENT & EXTERIOR DOOR GROUP (CONTINUED)



Key	Part Number	U/M	Description
1	048631-33-000	EA	Window Asm w/Charcoal Screen - Right Single Slider - 20" x 25" - Black (w/o inside frame)
*	048631-03-000	EA	Window Asm w/Gray Screen - Right Single Slider - 20" x 25" - Black (w/o inside frame)
*	042147-12-000	EA	Inside Frame - Beige (not included in assembly)
2	047820-01-000	EA	Glass - Sliding - w/Hole - 1/8" x 13 68" x 19"
3	002324-02-000	EA	Channel - Weatherstrip Glass
4	069640-06-000	FT	Ribbon Sealer - 5/16" Bead x 15'
5	057374-02-000	FT	Extr Vinyl - Window Seal - Black
6	002309-02-000	FT	Spline - Glass - 1/8" Material - Black
7	M69896-03-011	EA	Seal Holder w/Fin Seal - 18 19" - Black
8	041894-12-000	EA	Mullion - Slider Window - Black
9	002241-02-000	EA	Glass - Stationary - 1/8" x 12 3" x 19"
10	047369-01-700	EA	Latch Kit - Window - Plastic - w/Fastener
*	041928-02-000	FT	Seal - Window - Channel - 3/16"
*	002293-02-000	SF	Screen - Window - 26" - Charcoal
*	002293-01-000	SF	Screen - Window - 25" - Gray
*	002298-02-000	FT	Spline - Screen - 13" Dia - Charcoal
*	002298-01-000	FT	Spline - Screen - 13" Dia - Gray
*	073740-01-000	FT	Seal - Fin - Pile - 46"
*			Not illustrated

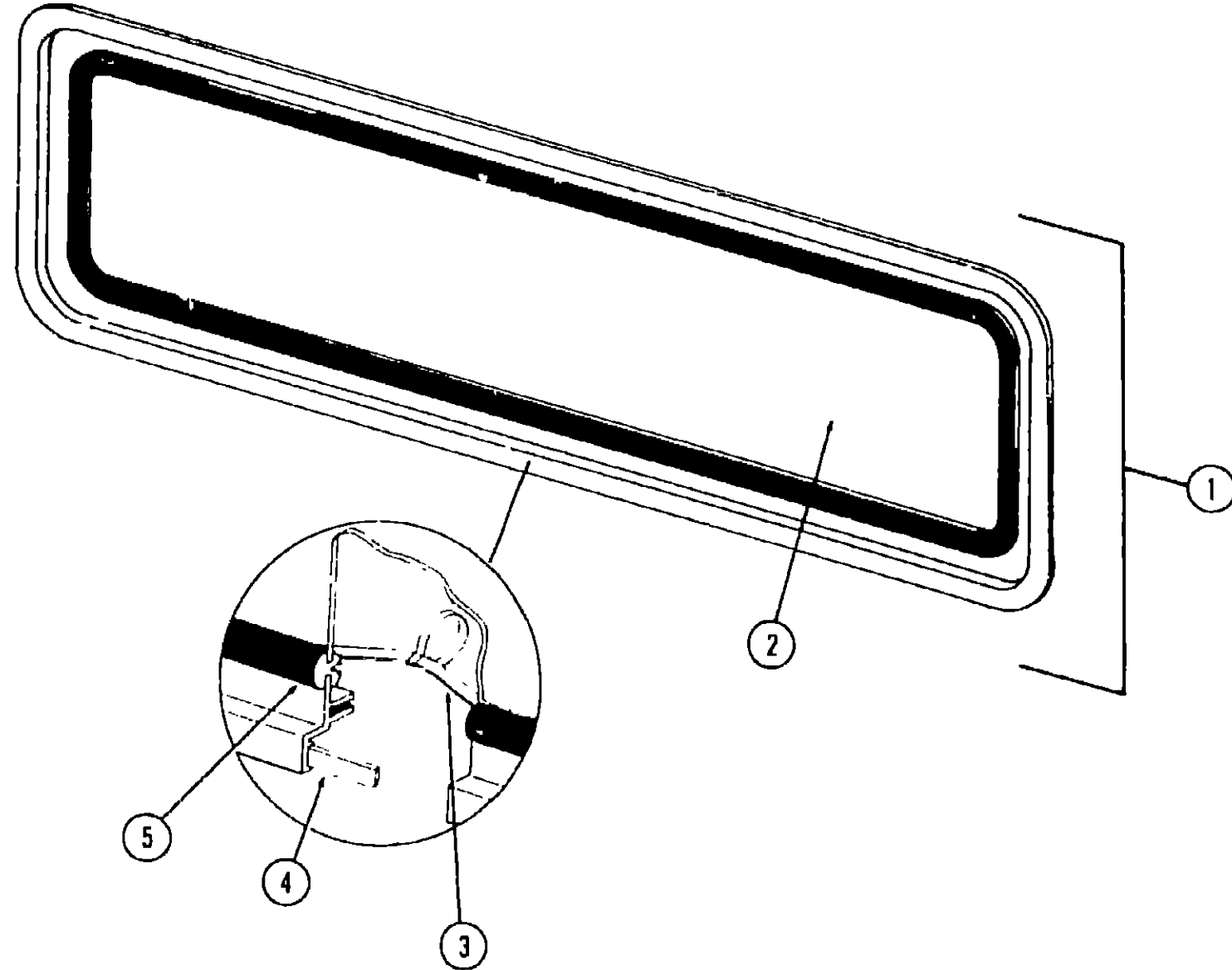
1984 ITASCA
TABLE OF CONTENTS

IC420RG	A-01 - C-06
IC424RC	C-07 - E-18
ICN23RG	E-19 - H-06
ICN30RT	H-07 - J-20

1984 ICN23RG INDEX

Floor Plan	E-19 - E-20
Accessories Group	E-21 - E-23
Bath Group	E-24
Chassis Group	F-01 - F-02
Curtain, Cushion & Pad Group	F-03 - F-10
Dinette Group	F-11
Driver's Compartment Group	F-12 - F-14
Electrical Group	F-15 - F-17
Exterior Body Group	F-18 - G-02
Galley Group	G-03 - G-06
Heating & Air Conditioning Group	G-07 - G-08
Interior Finish Group	G-09 - G-11
LP Group	G-12
Lounge Group	G-13 - G-14
Water & Sewage Group	G-15 - G-16
Window, Vent & Exterior Door Group	G-17 - H-06

WINDOW, VENT & EXTERIOR DOOR GROUP (CONTINUED)



Key	Part Number	U/M	Description
1	020754-03-000	EA	Window Asm - Escape - 23" x 68" - Black (w/o inside frame)
.	042027-05-000	EA	Inside Frame - Beige (not included in assembly)
2	002178-01-000	EA	Glass - 1/8" x 19 61" x 64 80"
3	002285-01-000	FT	Weatherstrip - Filler - Black
4	069640-06-000	FT	Ribbon Sealer - 5/16" Bead x 15'
5	002282-01-000	FT	Weatherstrip - Window - 125" - Black
.	047731-01-000	EA	Label - Emergency Exit
.	023713-02-000	EA	Weephole Cover - Black Plastic
.			Not illustrated

WINDOW, VENT & EXTERIOR DOOR GROUP (CONTINUED)

ACCESS DOORS

Key	Part Number	U/M	Description
	M76852-06-R10	EA	Door Asm - Access - 25 3' x 9' - w/Key Lock - Gray
	M01552-02-000	EA	Door Asm - Generator - 13 5" x 35 5' - w/o Baffle - Gray
	076855-02-000	EA	Door Asm - Insulated Storage - w/Key Lock - Gray
	M76852-04-R10	EA	Door Asm - LP - 25 3" x 9' - w/Twist Lock - Gray
	076854-01-000	EA	Door Asm - Luggage - 13 5" x 35 5' - w/Key Lock - Gray
	069762-06-000	EA	Door Asm - Refrigerator Access - w/Twist Lock - Gray
	M76852-09-R10	EA	Door Asm - Storage - 34 5" x 9" - w/Key Lock - Gray
	052009-03-000	EA	Door Asm - Water Heater - Gray
	052423-03-000	EA	Door - Fuel Fill - Gray
	063742-03-000	EA	Door - Power Cord - Gray
	052424-03-000	EA	Jamb - Fuel Fill/Power Cord Door - Gray
	054543-03-000	EA	Hatch - Power Cord Door - Gray
	052181-02-000	EA	Baffle - Generator Door - Gray
	054530-01-000	EA	Door Holder
	041312-01-000	FT	Seal - Bulb - e Section
	042441-01-000	EA	Lock Asm - Key Type - Gas Fill
	042442-01-000	EA	Lock Asm - Twist Type
	009003-01-000	EA	Lock Asm - Twist Type - w/Clip (Generator Door)
	047305-01-000	EA	Lock Asm - Key Type w/Clip - Metal (LP)
	052950-01-700	EA	Lock Asm Kit - Twist Type w/Clip - White Plastic
	052950-03-700	EA	Lock Asm Kit - Twist Type - Straight Cam (Power Cord Door)
	009118-01-000	EA	Lock - Twist - w/Nut

WINDSHIELD

Key	Part Number	U/M	Description
	057459-01-000	EA	Glass - Windshield - Flat
	058272-02-000	EA	Frame Asm - Windshield
	038886-01-000	EA	Tape - Butyl - 31" x 31" x 148"
	042743-01-000	EA	Corner - Windshield Frame - Lower
	042743-02-000	EA	Corner - Windshield Frame - Upper
	058291-01-000	FT	Edge - Molding

VENTS

Key	Part Number	U/M	Description
	065103-02-000	EA	Cover - Refrigerator Vent - 9 88" x 20 5' - Plastic
	065103-01-000	EA	Frame Asm - Refrigerator Vent - 8 17" x 22 94" - Plastic
	071290-02-000	EA	Cover - Refrigerator Vent - 11 63" x 24 75" - Galvanized Steel
	071290-01-000	EA	Frame Asm - Refrigerator Vent - 7 5' x 26 5" - Galvanized Steel
	049352-02-000	EA	Vent - Stovehood - Outside - Beige
**	048789-01-000	EA	Vent Asm - Roof - Powered - w/o Screen - Alum
	048695-03-000	EA	Gray Screen Asm - Powered Roof Vent Asm
	048695-06-000	EA	Charcoal Screen Asm - Powered Roof Vent Asm
**	048835-01-000	EA	Vent Asm - Roof - Non-Powered - w/o Screen - Alum
	016335-03-000	EA	Gray Screen Asm - Non-Powered Roof Vent Asm
	016335-07-000	EA	Charcoal Screen Asm - Non-Powered Roof Vent Asm
	061469-02-000	EA	Vent Asm - Roof - Powered - 14" x 14

** The illustrated parts breakdown for this item is provided on the Common Items Fiche

**1984 ITASCA
TABLE OF CONTENTS**

IC420RG	A-01 - C-06
IC424RC	C-07 - E-18
ICN23RG	E-19 - H-06
ICN30RT	H-07 - J-20

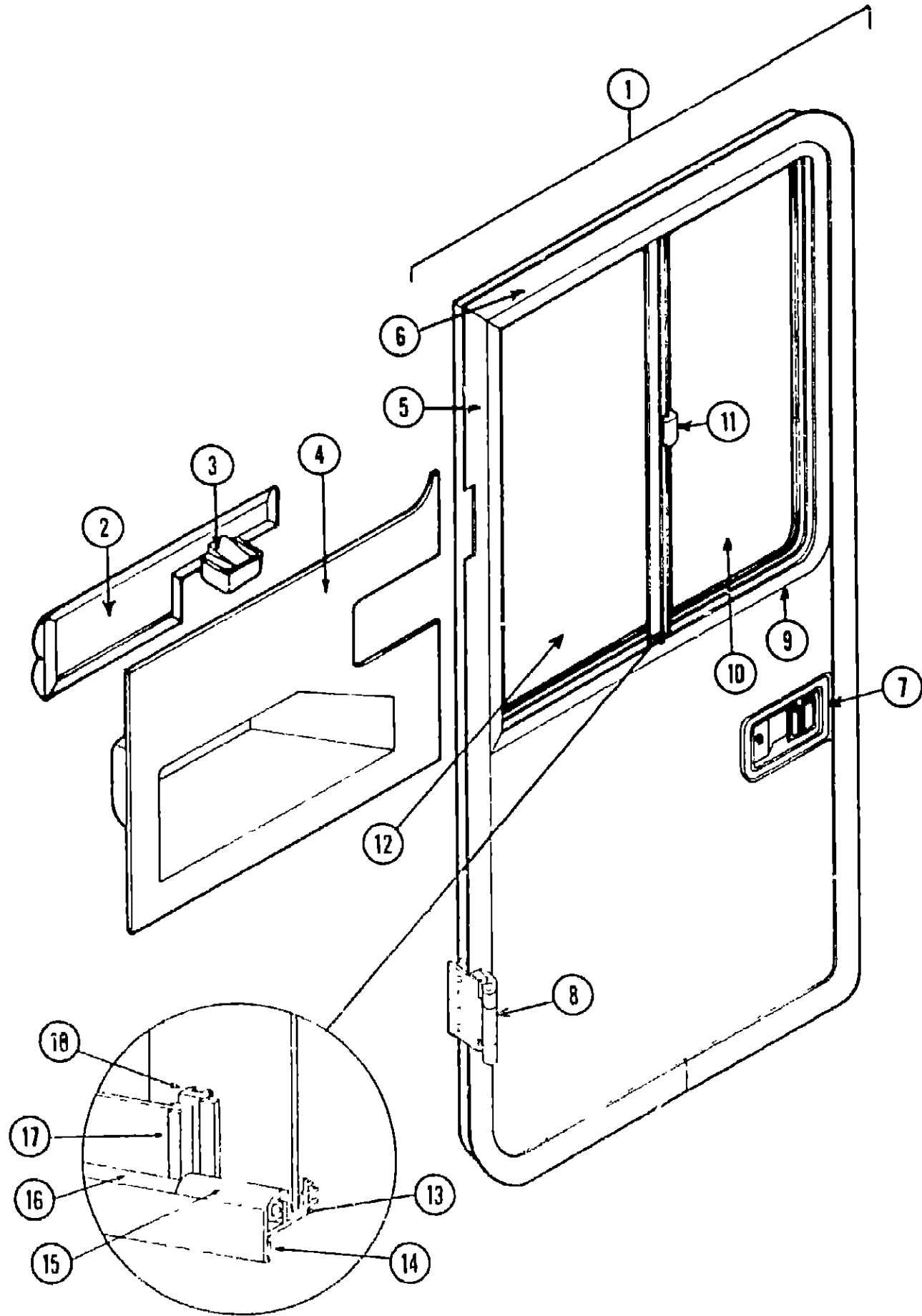
1984 ICN23RG INDEX

Floor Plan	E-19 - E-20
Accessories Group	E-21 - E-23
Bath Group	E-24
Chassis Group	F-01 - F-02
Curtain, Cushion & Pad Group	F-03 - F-10
Dinette Group	F-11
Driver's Compartment Group	F-12 - F-14
Electrical Group	F-15 - F-17
Exterior Body Group	F-18 - G-02
Galley Group	G-03 - G-06
Heating & Air Conditioning Group	G-07 - G-08
Interior Finish Group	G-09 - G-11
LP Group	G-12
Lounge Group	G-13 - G-14
Water & Sewage Group	G-15 - G-16
Window, Vent & Exterior Door Group	G-17 - H-06

WINDOW, VENT & EXTERIOR DOOR GROUP (CONTINUED)

DRIVER'S DOOR

Key	Part Number	U/M	Description
1	063991-09-R25	EA	Door Asm - Driver's - Gray
2	064088-02-000	EA	Pad Asm - Trim - Upper - Driver's Door - Beige Vinyl
3	061400-03-000	EA	Assist Strap - 12" - Beige Vinyl
4	046886-03-000	EA	Ash Tray Asm - Flush Mount - Chrome
5	064499-02-000	EA	Panel - Driver's Door - Inner - Light Oak Plastic
6	076862-03-000	EA	Trim - Door Frame - Front - Gray
7	076861-03-000	EA	Trim - Door Frame - Rear - Gray
8	062878-01-000	EA	Frame Asm - Inner - Driver's Door
9	045017-06-000	EA	Paddle Asm - Door Lock - Exterior
10	045017-05-700	EA	Lock Cylinder w/Keys - Lynor
11	039979-02-000	EA	Inside Plate - Door Lock - w/Inside Handle
12	039540-02-000	EA	Latch Claw - Entrance Door Lock
13	039738-01-000	EA	Deadbolt - Entrance Door Lock
14	039539-01-000	EA	Strike Bolt - Entrance Door (Jamb Mount)
15	063124-02-000	EA	Plate - Striker - 8 25" x 1" - Black
16	077768-01-000	EA	Jamb - Driver's Door
17	064199-04-000	EA	Trim - Door Jamb - Rear - w/Drip Cap - Gray
18	064184-01-000	EA	Drip Cap - Driver's Door
19	063358-06-000	EA	Trim - Door Jamb - Gray
20	063768-01-000	EA	Sill Plate - Driver's Door
21	063993-03-000	EA	Hinge Asm - Driver's Door - Gray
22	063731-01-000	EA	Cap - Push On - Zinc
23	064580-01-000	EA	Check Strap - Driver's Door - Seat Belt Webbing
24	064219-01-000	EA	Retainer - Driver's Door Check Strap
25	063886-03-000	EA	Assist Handle - Driver's Door - Beige Steel Tube (2 required per door)
26	064075-01-000	EA	Bulb Seal - Driver's Door - 145'
27	062982-01-000	EA	Window Asm - Driver's Door - Single Slider Black (w/o inside frame)
28	063422-02-000	EA	Inside Frame - Driver's Door Window - Beige (not included in assembly)
29	057657-02-000	EA	Glass - 19" x 24 88" x 12"
30	047369-01-700	EA	Latch Kit - Window - Plastic - w/Fastener
31	002188-04-000	EA	Glass - 19" x 24 88" x 12' - Stationary
32	042077-01-000	FT	Channel - Weatherstrip - Glass
33	069640-06-000	FT	Ribbon Sealer - 5/16" Bead x 15'
34	041928-02-000	FT	Seal - Window Channel - Black
35	050216-02-000	FT	Spline - Glass - Black
36	M02389-03-206	EA	Seal Holder w/Fin Seal - 24 13 - Black
37	M01621-01-000	EA	Mullion - Slider Window - Black
38	073740-01-000	FT	Seal Fin - Pile - 460"
39	023713-02-000	EA	Weephole Cover - Black Plastic
40	063977-03-000	EA	Step Asm - Single - Door
41	063729-01-000	EA	Rivnut - 1/4 x 20 UNC - 030" - 125
42	063730-01-000	EA	J Nut - 438 - 14
43	041250-01-000	EA	Switch - Push Button - On/Off - Door
44	075722-01-000	EA	Block - Switch Spacer
45	066109-02-000	EA	Strap - Driver's Door
46			Not illustrated



1984 ITASCA TABLE OF CONTENTS

IC420RG	A-01 - C-06
IC424RC	C-07 - E-18
ICN23RG	E-19 - H-06
ICN30RT	H-07 - J-20

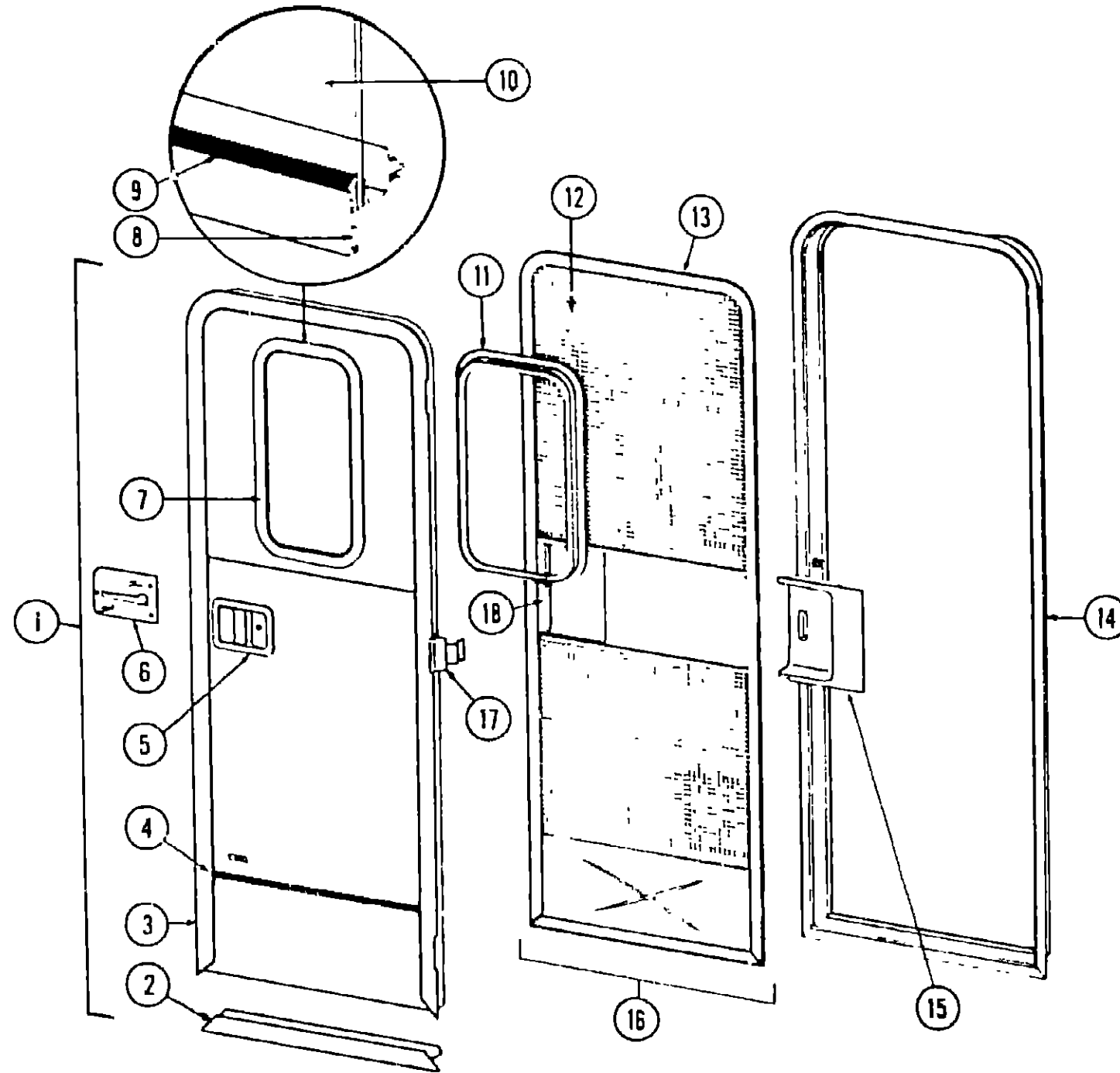
1984 ICN23RG INDEX

Floor Plan	E-19 - E-20
Accessories Group	E-21 - E-23
Bath Group	E-24
Chassis Group	F-01 - F-02
Curtain, Cushion & Pad Group	F-03 - F-10
Dinette Group	F-11
Driver's Compartment Group	F-12 - F-14
Electrical Group	F-15 - F-17
Exterior Body Group	F-18 - G-02
Galley Group	G-03 - G-06
Heating & Air Conditioning Group	G-07 - G-08
Interior Finish Group	G-09 - G-11
LP Group	G-12
Lounge Group	G-13 - G-14
Water & Sewage Group	G-15 - G-16
Window, Vent & Exterior Door Group	G-17 - H-06

WINDOW, VENT & EXTERIOR DOOR GROUP (CONTINUED)

ENTRANCE & SCREEN DOOR

Key	Part Number	U/M	Description
1	M01414-06-R07	EA	Door Asm - Radius Entry w/ Screen Door - Greyhound
1	M01414-12-R22	EA	Door Asm - Radius Entry w/ Screen Door - Mesa
2	076878-02-000	EA	Frame - Entry Door (Bottom Portion Only) Greyhound
2	077998-02-000	EA	Frame - Entry Door (Bottom Portion Only) Mesa
3	076863-02-000	EA	Frame - Entry Door (Except Bottom Portion)
4	059576-04-000	EA	Feature Strip w/o Insert - Extr - 1 1/2" - Dark Gray Metallic
	001030-11-100	EA	Insert - Feature Strip - 1 1/2" - Dark Gray
	009731-01-000	EA	End Cap - Feature Strip
5	045017-05-000	EA	Paddle Asm - Door Lock - Extension
	045017-05-700	EA	Lock Cylinder w/Keys - Lynor
	039539-01-000	EA	Striker Bolt - Entry Door
	039540-01-000	EA	Latch Claw - Entry Door
	039738-01-000	EA	Dead Bolt - Entry Door
6	039979-01-000	EA	Plate - Lock - Inside - Including Inside Handle
	052186-01-000	EA	Lock Asm - Complete - Lynor
7	041875-09-000	EA	Window Asm - Picture - 17" x 25" - Black (w/o inside frame)
8	069640-06-000	FT	Ribbon Sealer - 5/16" Bead x 15'
9	002309-02-000	FT	Spline - Glass - 1/8" Black
10	002181-06-000	EA	Glass - Picture Window - 1/8" x 16 25" x 24" - Gray
11	067609-03-000	EA	Inside Frame - Window - Beige (not included in assembly)
12	002293-02-000	SF	Screen - Window - 26" - Charcoal
13	056795-01-000	FT	Seal Tape - 1/8" x 3/8" - Press On
14	075636-03-000	EA	Jamb Asm - Entrance Door
	051049-01-000	EA	Jamb - Bottom - Entrance Door
15	015580-02-000	EA	Slider - Screen Door - Light Oak Plastic
16	053170-10-000	EA	Door Asm - Screen w/ Light Oak Trim
17	039520-01-000	EA	Hinge - Entry Door (3 used per door)
18	015581-02-000	EA	Cap - Screen Door - Light Oak Plastic
	009016-01-000	EA	Catch - Elbow - Spring Loaded - Screen Door
	039863-01-000	EA	Catch Asm - Sing Roller w/Strike - Screen Door
	076231-01-000	EA	Spacer - Latch - Screen Door
	077437-02-000	EA	Strike - Roller Catch
	058025-02-000	EA	Clip - Roller Latch Catch
	044582-06-000	EA	Drip Cap - Gray
	075802-01-000	EA	Seal - Mocket - Entrance
	075739-03-000	EA	Stiffener - Entrance Door - Gray
	075673-01-000	FT	Seal - Pile - Adhesive Back
	075671-01-000	FT	Seal - Sponge - Lazy "T" Shaped
	002294-01-000	FT	Spline - 135" x 138" - Black (Screen Door)
	063638-01-000	EA	Strike - Screen Door
	063729-04-000	EA	Rivnut - 10 - 32 UNF - 010- 080
	075639-01-000	EA	Garnish - Radius - Entrance
	069739-01-000	EA	Bumper - 25" x 5" Dia
			Not illustrated



1984 ITASCA TABLE OF CONTENTS

IC420RG	A-01 - C-06
IC424RC	C-07 - E-18
ICN23RG	E-19 - H-06
ICN30RT	H-07 - J-20

1984 ICN23RG INDEX

Floor Plan	E-19 - E-20
Accessories Group	E-21 - E-23
Bath Group	E-24
Chassis Group	F-01 - F-02
Curtain, Cushion & Pad Group	F-03 - F-10
Dinette Group	F-11
Driver's Compartment Group	F-12 - F-14
Electrical Group	F-15 - F-17
Exterior Body Group	F-18 - G-02
Galley Group	G-03 - G-06
Heating & Air Conditioning Group	G-07 - G-08
Interior Finish Group	G-09 - G-11
LP Group	G-12
Lounge Group	G-13 - G-14
Water & Sewage Group	G-15 - G-16
Window, Vent & Exterior Door Group	G-17 - H-06