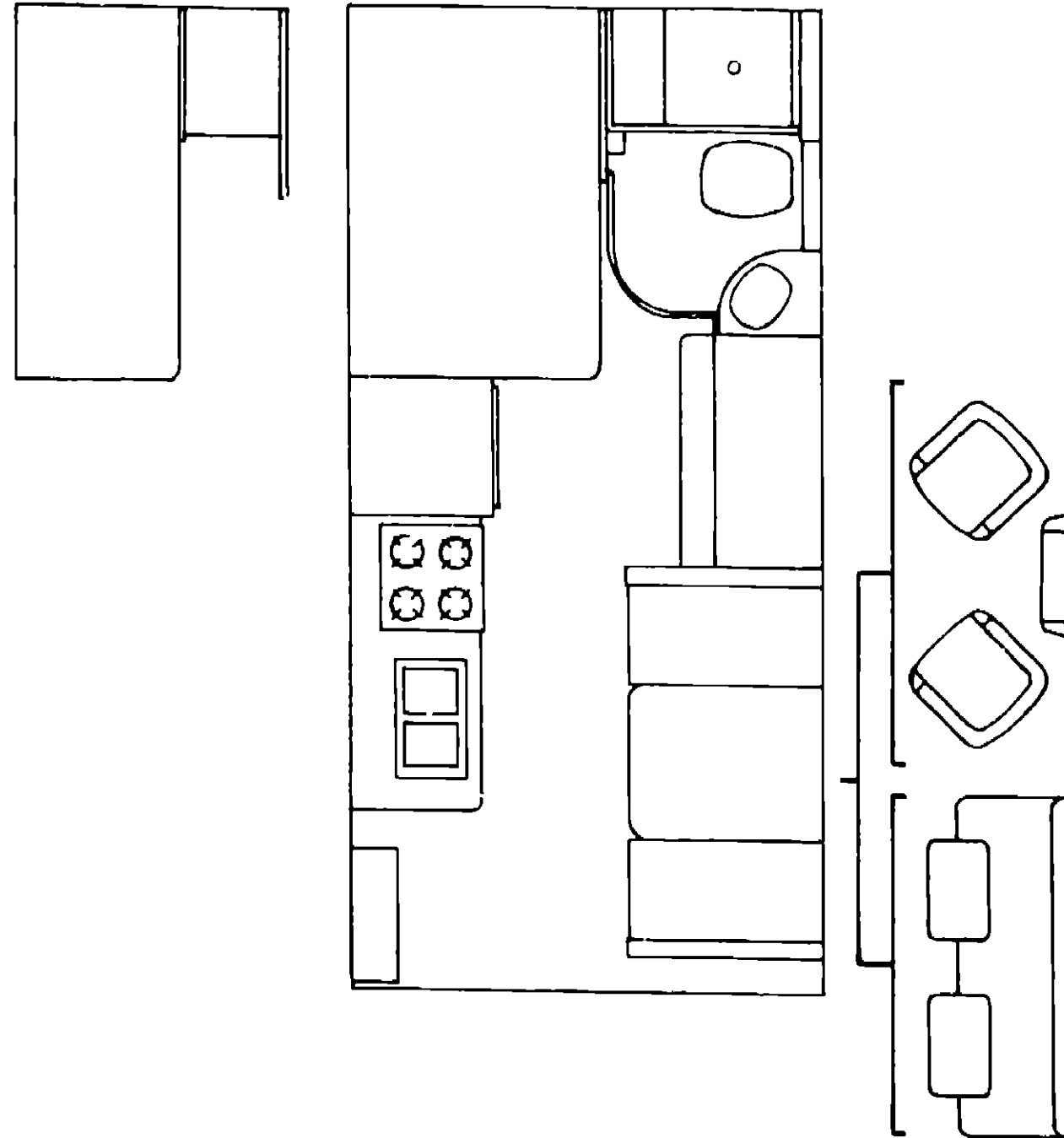


# 1984 ICN22RC



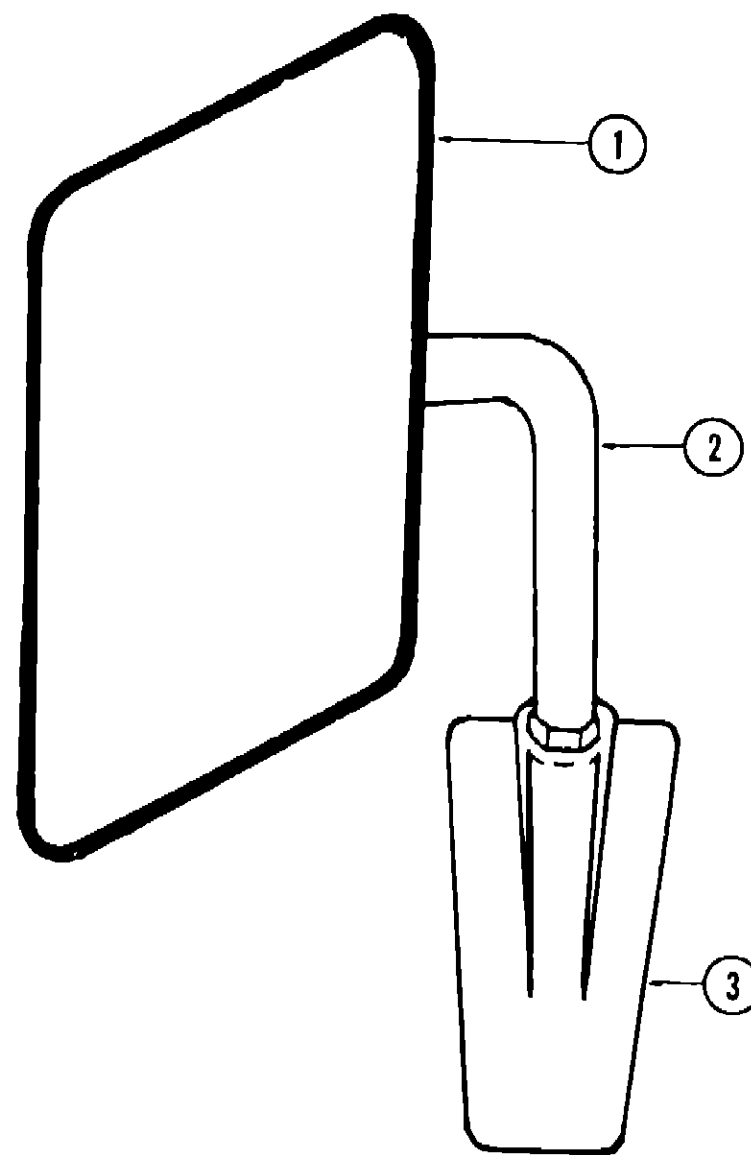
## 1984 ITASCA TABLE OF CONTENTS

Introduction	A-01
Abbreviations	A-01
Alphabetical Index	A-02 - A-04
ICN22RC	A-05 - C-20
ICN27RU	C-21 - F-10
ICN33RU	F-11 - H-22
ICP31RT	H-23 - J-24

## 1984 ICN22RC INDEX

Floor Plan	A-05 - A-06
Accessories Group	A-07 - A-09
Bath Group	A-10 - A-11
Chassis Group	A-12 - A-13
Curtain, Cushion & Pad Group	A-14 - A-20
Dinette Group	A-21 - A-22
Driver's Compartment Group	A-23 - B-01
Electrical Group	B-02 - B-04
Exterior Body Group	B-05 - B-15
Galley Group	B-16 - B-18
Heating & Air Conditioning Group	B-19 - B-20
Interior Finish Group	B-21 - B-23
LP Group	B-24
Lounge Group	C-01
Water & Sewage Group	C-02 - C-03
Window, Vent & Exterior Door Group	C-04 - C-20

**ACCESSORIES GROUP**



**EXTERIOR MIRRORS**

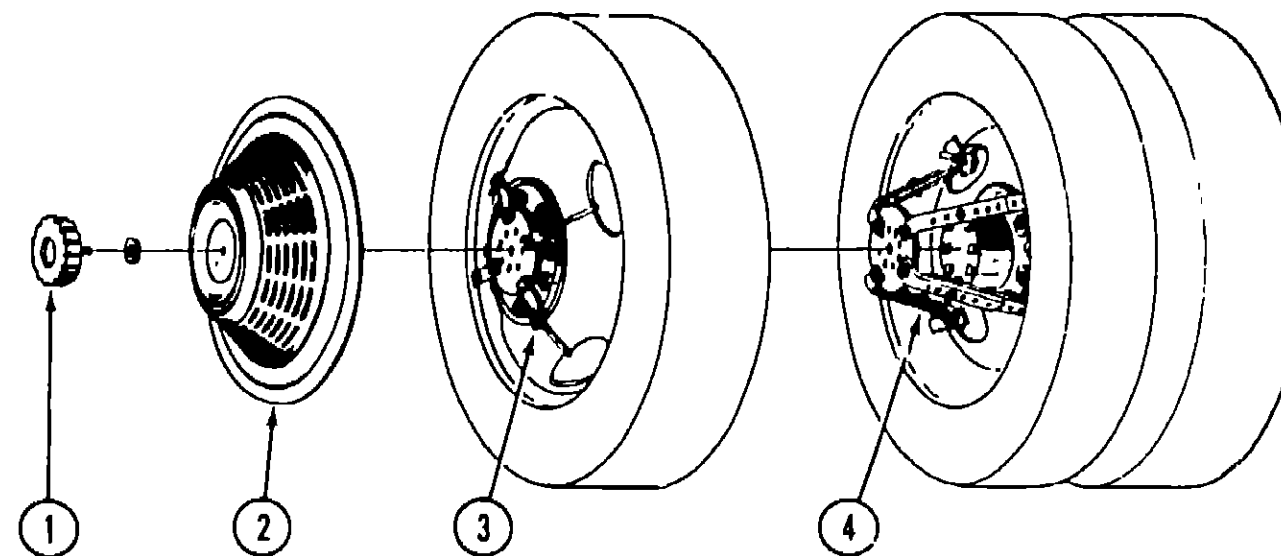
Key	Part Number	U/M	Description
1	049347-01-000	EA	Mirror Head - 7 1/2" x 10 1/2"
2	049348-03-000	EA	Arm - Low Mount Mirror - Black
3	049944-04-000	EA	Bracket - Mirror - Outside - Black
*	065116-01-000	EA	Mirror - West Coast - Double - Passenger
*	065116-02-000	EA	Mirror - West Coast - Double - Driver
*	006043-01-000	EA	Mirror - Convex - Adhesive Back
*			Not illustrated

**GENERATOR & COMPONENTS**

Key	Part Number	U/M	Description
**	054429-01-000	EA	Generator - Onan - 4.0 kw
	052168-01-000	EA	Generator - Onan - 4.25 kw - CSA
	072332-01-000	EA	Generator - Kohler - LP - 4.5 kw
	069229-01-000	EA	Generator - Kohler - 4.5 kw
	069229-02-000	EA	Generator - Kohler - 4.5 kw - CSA
	701629-02-000	EA	Installation Package
	024732-01-016	EA	Tailpipe - 1 5" O D x 43.50"
	067753-01-000	EA	Muffler - Generator - w/Spark Arrestor - Nelson
	007067-01-000	SF	Insulation - 1" - Fiberglass
	068046-01-000	EA	Conversion Kit - LP - Onan Generator

\*\* The illustrated parts breakdown for this item is provided on the Common Items Fiche

**ACCESSORIES GROUP (CONTINUED)**



**WHEEL COVER & MOUNTING HARDWARE**

Key	Part Number	U/M	Description
1	064082-02-000	EA	Retaining Nut - Delmet - Wheel Cover
2	073426-01-700	EA	Wheel Cover - Bolt On - 16" or 16 5" - Delmet (1)
3	073426-04-700	EA	Retention Bracket Asm - Wheel Cover Support - Heavy Duty - Front (1)
4	073426-04-701	EA	Retention Bracket Asm - Wheel Cover Support - Heavy Duty - Rear (1)
*	073426-04-000	EA	Retention Bracket Asm - Wheel Cover Support - Heavy Duty (Set/4)
*	031396-04-000	EA	Wheel Cover - 16" - Clip On
*			Not illustrated

**RADIOS & RELATED COMPONENTS**

Key	Part Number	U/M	Description
	031105-01-000	EA	Antenna - Radio - Side Mount
	031105-01-700	EA	Holder - Antenna - Radio - Upper
	064791-01-000	EA	Speaker - Recessed - 5 25"
	064792-01-000	EA	Grille - Speaker - 5 25" - w/Mesh - Brown
	074979-01-000	EA	Speaker Cover Protector - Plastic
	073431-01-000	EA	Speaker - 5 25" - 3 Way
	075903-01-000	EA	Radio - AM/FM Stereo w/Cassette - Mechanical Tune
	075904-01-000	EA	Radio - AM/FM Stereo w/Cassette - Electrical Tune

**ELECTRIC STEP ASSEMBLY**

Key	Part Number	U/M	Description
	075461-01-000	EA	Electric Step Asm w/Light
	076241-02-000	EA	Support Asm
	075461-01-700	EA	Motor
	041250-01-000	EA	Door Switch
	075461-01-704	EA	Under Step Control Unit
	075461-01-705	EA	4-Way Plug (Dash End)
	075461-01-706	EA	Kill Switch
	075461-01-707	EA	Step Light
	075461-01-708	EA	4-Way Plug (Control Box End)
	075461-01-709	EA	90° Plug
	075461-01-710	EA	Gear
	075461-01-711	EA	Drive Link

**1984 ITASCA  
TABLE OF CONTENTS**

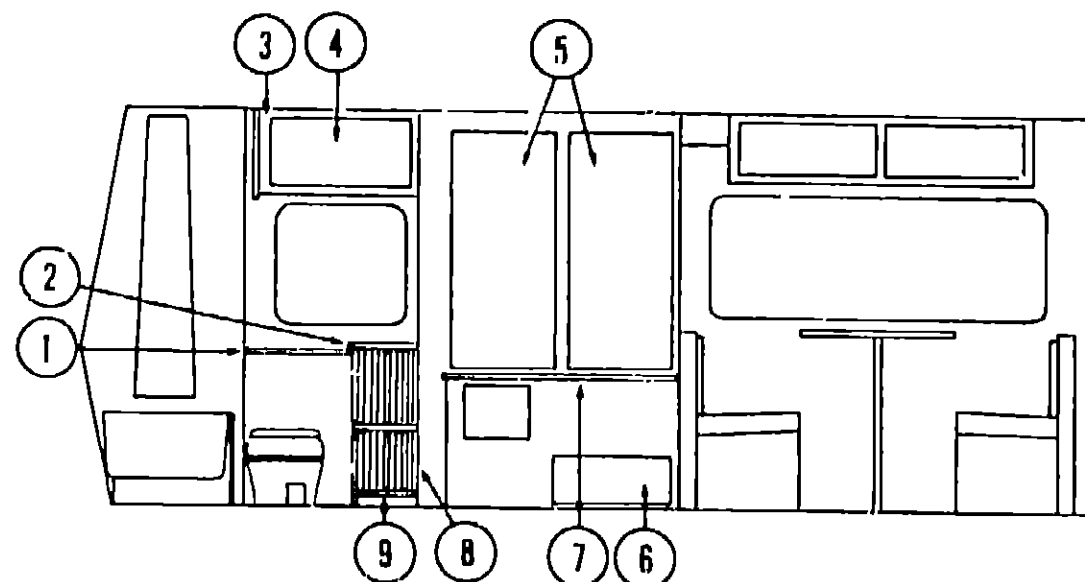
Introduction	A-01
Abbreviations	A-01
Alphabetical Index	A-02 - A-04
ICN22RC	A-05 - C-20
ICN27RU	C-21 - F-10
ICN33RU	F-11 - H-22
ICP31RT	H-23 - J-24

**1984 ICN22RC INDEX**

Floor Plan	A-05 - A-06
Accessories Group	A-07 - A-09
Bath Group	A-10 - A-11
Chassis Group	A-12 - A-13
Curtain, Cushion & Pad Group	A-14 - A-20
Dinette Group	A-21 - A-22
Driver's Compartment Group	A-23 - B-01
Electrical Group	B-02 - B-04
Exterior Body Group	B-05 - B-15
Galley Group	B-16 - B-18
Heating & Air Conditioning Group	B-19 - B-20
Interior Finish Group	B-21 - B-23
LP Group	B-24
Lounge Group	C-01
Water & Sewage Group	C-02 - C-03
Window, Vent & Exterior Door Group	C-04 - C-20

**MISCELLANEOUS ACCESSORIES**

Key	Part Number	U/M	Description
	054185-20-000	EA	Owner's Manual - 1984 - Itasca & Winnebago
	044982-01-000	EA	Pouch - Home Owner's Plans - Plastic
	706053-02-000	EA	Antenna - TV Skyliner - w/6" Shaft - Braund Delux
	006050-01-000	EA	Jack - TV - Ivory (Antenna)
	076319-01-000	EA	Antenna - TV - Roof Mount - 44.5"
	076319-03-000	FT	Cable - Coaxial - 1000' - 75 OHM
	076319-04-000	EA	Connector & Ferrule
	076319-05-000	EA	Wall Plate - Power Supply - Ivory
	076319-06-000	EA	Adapter - Cable Roof Plate
	017516-01-000	EA	Mud Flap - 14" x 18" - w/Holes - Black
	041944-03-000	EA	Fire Extinguisher - w/Bracket - 5 BC
	075922-01-000	EA	Microwave Oven - Litton - 1450
	075930-01-000	EA	Bracket Asm - Microwave - Right
	075930-02-000	FA	Bracket Asm. - Microwave - Left
	076253-02-000	EA	Bracket Asm. - Microwave - Bottom (2 required)
	075922-03-000	EA	Trim Ring - Microwave Oven
	075922-04-000	EA	Air Exhaust Duct - Microwave Oven
	067203-01-000	EA	Ladder Asm.
	067130-01-000	EA	Ladder Step
	076980-01-000	EA	End Cap - Ladder Step
	067125-01-000	EA	Stand Off - Rack & Ladder Asm
	067203-02-000	EA	Luggage Rack Asm
	064093-01-000	EA	Luggage Carrier Assembly - 14" x 30" x 60"
	039881-01-000	EA	Catch & Strike - Luggage Carrier
	069629-01-000	EA	Speed Control Package - Electric - Dana
	069629-01-700	EA	Regulator Asm - Electronic
	069629-01-701	EA	Vacuum Valve & Electronic Switch
	069629-01-702	EA	Control Switch & Lever Asm
	069629-01-703	EA	Harness Asm.
	069629-01-704	EA	Signal Generator
	069629-01-705	EA	Key - Adapter
	072366-01-000	EA	Speed Control Package - Electric - Diesel - Dana
	072366-01-700	EA	Hex Fitting
	072366-01-701	EA	Cable Only
	072366-01-702	EA	Vacuum Regulator
	072366-01-703	EA	Control Switch & Lever Asm
	072852-01-000	EA	Smoke Detector w/9 Volt Battery
	072373-01-000	EA	Weather Center - 7" x 7" x 2"
	072374-01-000	EA	Clock - 7" x 7" x 2"
	006069-01-000	EA	Key Case - Leather
	040069-01-000	EA	Door Mat - 10 5" x 26" - Black Rubber
	069580-01-000	EA	Lug Wrench - 1" x 1 25" x 16 3"
	069580-02-000	EA	Leverage Bar - 22" - Lug Wrench
	006113-01-000	EA	Jack - Hydraulic - 6 Ton - w/Handle
	063708-01-000	EA	Cover - Roof Air Conditioner - Vinyl
	075068-02-R22	EA	Tire Cover - Plastic



**BATH CABINETRY**

Key	Part Number	U/M	Description
1	M01461-01-R07	EA	Countertop Asm - Pipe Cover - Travertine
2	M00917-01-R07	EA	Countertop Asm - Lavatory Cabinet - Travertine
3	076073-01-000	EA	Cabinet Asm - Medicine - w/o Doors or Hardware
4	076353-01-R07	EA	Door Asm - Medicine Cabinet w/Mirror - 16 1" x 30 1" - w/o Hardware
5	069852-63-R10	EA	Door Asm - Wardrobe - 47.9" x 20.6" - w/o Hardware
6	069852-71-R07	EA	Door Asm - Wardrobe - 25 1" x 10 0" - w/o Hardware
*	072718-04-R10	EA	Door Asm - Furnace - Wardrobe - w/o Hardware
*	059915-08-R07	EA	Drawer Asm. - Wardrobe - 19 1" x 20 8"
*	072369-03-000	EA	Mesh Insert - Furnace Door - 6 7" x 17 9" - Gold Aluminum
7	M01485-01-R07	EA	Countertop Asm - Wardrobe (used w/Conventional Dinette)
7	M01486-01-R07	EA	Countertop Asm - Wardrobe (used w/Couch or Swivel Chairs)
8	063244-01-700	EA	Door - Rolled - 30" x 48" - Universal
9	M72641-01-R07	EA	Cabinet Asm - Lavatory - w/o Countertop & Doors
*	073419-01-000	EA	Door Asm - Folding - 46" x 75" - Walnut
*			Not illustrated

**1984 ITASCA  
TABLE OF CONTENTS**

Introduction	A-01
Abbreviations	A-01
Alphabetical Index	A-02 - A-04
ICN22RC	A-05 - C-20
ICN27RU	C-21 - F-10
ICN33RU	F-11 - H-22
ICP31RT	H-23 - J-24

**1984 ICN22RC INDEX**

Floor Plan	A-05 - A-06
Accessories Group	A-07 - A-09
Bath Group	A-10 - A-11
Chassis Group	A-12 - A-13
Curtain, Cushion & Pad Group	A-14 - A-20
Dinette Group	A-21 - A-22
Driver's Compartment Group	A-23 - B-01
Electrical Group	B-02 - B-04
Exterior Body Group	B-05 - B-15
Galley Group	B-16 - B-18
Heating & Air Conditioning Group	B-19 - B-20
Interior Finish Group	B-21 - B-23
LP Group	B-24
Lounge Group	C-01
Water & Sewage Group	C-02 - C-03
Window, Vent & Exterior Door Group	C-04 - C-20

## BATH GROUP (CONTINUED)

### BATH & WARDROBE HARDWARE

Key	Part Number	U/M	Description
	075240-02-000	EA	Faucet - Lavatory - Antique Brass
	075242-02-000	EA	Faucet - Tub & Shower - Antique Brass
	075606-01-000	EA	Shower Panel - Faucet - Plastic
	058713-01-000	EA	Sink Oval - Ivory Plastic
	M01407-01-000	EA	Bathtub Asm.
	M01485-01-000	EA	Shroud - Bathtub w/Reinforcement
	011083-01-000	EA	Tail Piece 1.25" x 5" - w/Stopper - Plastic
**	011048-02-000	EA	Shower Head - w/60" Hose
**	066729-01-000	EA	Strainer - Shower Pan & Tub
	066436-01-000	EA	Slip Nut - 1.5" Tail Piece - Bathtub
	011069-02-000	EA	Tail Piece - 1.5" x 1.25" x 4" - Brass
	069735-01-000	EA	Washer - Tail Piece - 1.5" - Plastic
	066435-01-000	EA	Nut - Strainer - Plastic
	011048-04-000	EA	Vacuum Breaker - 1/8 MPT - Nylon
	075452-01-000	EA	Tissue Holder - Antique Brass
	075453-01-000	EA	Towel Bar - 18" - Antique Brass
	075454-01-000	EA	Towel Ring - Antique Brass
	009150-01-000	EA	Warp Guard - 64"
	058335-02-000	EA	Latch - Bathroom Door - w/o Lock
	072650-01-000	EA	Shower Panel w/Soap Dish - Plastic
	062906-02-000	EA	Door Panel Asm - Shower
	073689-03-000	EA	Track - Folding Door - 30.5" - Belge
	009112-01-000	EA	Flange - 1" Closet Rod
	075680-01-000	EA	Closet Rod - Adjustable
	057671-01-000	EA	Screw Cover (No 8)
	039341-02-000	EA	Toilet - Thetford - Aqua Magic - Ivory - 8420 SH
	076137-01-000	EA	Trim - Jamb - Bath
	058331-05-000	EA	Mirror - Safety Glass - 12" x 26"
	M75569-01-R10	EA	Pantry Asm - w/o Racks
	074316-01-000	EA	Slide Asm - Full Extension - Pantry (Pair)
	075451-01-000	EA	Storage Rack - Canned Goods
	075451-02-000	EA	Clip - Storage Rack - White
	061604-01-000	EA	Slide Bolt - Storage Rack - Antique Brass
	076097-01-000	EA	Bracket - Catch - Pantry
**	076098-01-000	EA	Bracket - Slide - Pantry

\*\* The illustrated parts breakdown for this item is provided on the Common Items Fiche

## CHASSIS GROUP

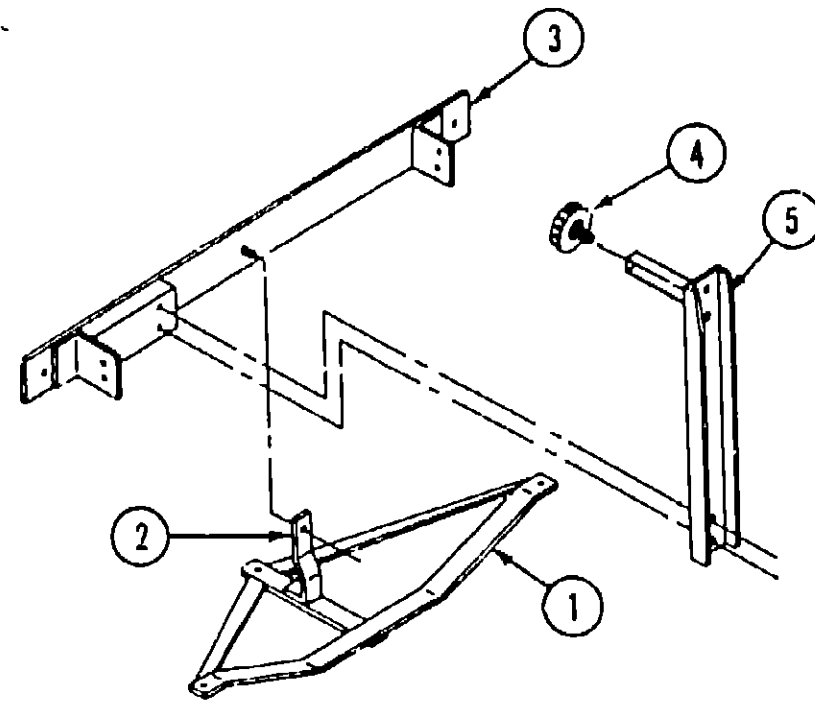
Key	Part Number	U/M	Description
	047441-01-000	EA	Battery Terminal - Horizontal Lug
	005200-01-000	EA	Bolt - Round Head w/Square Neck - 7/16 - 14 x 1 1/4 - Stainless Steel Cap
	051097-04-000	EA	Bracket - Battery Tie Down - 9"
	058425-01-000	EA	Bracket - Bumper Front - Left
	058425-02-000	EA	Bracket - Bumper Front - Right
	064053-01-000	EA	Bracket - Bumper Front - Reinforcement
	058439-01-000	EA	Bracket - Bumper Front - Mounts Bumper to Frame
	022150-01-000	EA	Bracket - Bumper Rear
	051697-02-000	EA	Bracket Battery Tie Down - 12"
	073352-01-000	EA	Bracket - License Plate - Front
	072850-01-000	EA	Bumper - Front - Chrome
	072850-01-700	EA	Bumper Kit - Rubber (Front)
	048474-01-000	EA	Bumper - Rear - Chrome
	020858-01-700	EA	Bumper - Rear - Primed
	007125-05-000	EA	Clamp Asm. - Muffler - 2"
	007125-06-000	EA	Clamp Asm - Muffler - 2 25" Dia
	010499-01-000	EA	Clamp - Closed - 3/8" I D
	010497-01-000	EA	Clamp - Closed - 5/8" I D
	007161-01-000	EA	Clamp Hose - Spring Type 112
	062401-01-000	EA	Clamp - Hose - Wormgear 22" I D - 1" I D
	062401-03-000	EA	Clamp - Hose - Wormgear 25" I D - 1" I D
	062401-04-000	EA	Clamp - Hose - Wormgear 69" I D. - 1 25" I D.
	062401-02-000	EA	Clamp - Hose - Wormgear 1 56" I D. - 2 5" I D
	062401-05-000	EA	Clamp - Hose - Wormgear 2" I D. - 3" I D
	062401-09-000	EA	Clamp - Hose - Wormgear 2.8" I.D. - 3 75" I D
	072359-01-000	EA	Coolant Expansion Bottle
	071656-01-000	EA	Cover - Radiator - Rear
	071557-01-000	EA	Cover - Radiator - Rear Back (Fan Shroud)
	020167-03-000	EA	Dirt Guard - Mud Flap
	061411-03-000	EA	Extension - Exhaust - 2 25" O D x 10 5" (454 Engine)
	022655-02-000	EA	Extension - Exhaust - 2 25" O D x 8" (Diesel Engine)
	071654-01-000	EA	Hood Board - Upper - Right - Steel
	058404-01-000	EA	Hood Board - Upper - Left - Steel
	024138-01-000	EA	Hose - Fuel - 5/16" I.D SAE 30RI
	007111-02-000	FT	Hose - Fuel - 2" I D SAE 30RI (3')
	064091-01-000	EA	Hose - Fuel - 2" I D x 90° Bend
	024141-01-000	FT	Hose - Rubber - 1/2" I D
	007067-01-000	SF	Insulation - 1" - Fiberglass
	006113-01-000	EA	Jack - Hydraulic - 6 Ton - w/Handle
	069580-02-000	EA	Leverage Bar - 22" - Lug Wrench
	069580-01-000	EA	Lug Wrench - 1" x 1 25" x 16.3"
	017516-01-000	EA	Mud Flap w/Holes - 14" x 18" - Black
	024490-01-000	EA	Power Cord Box - Plastic
	072361-01-000	EA	Reducer - 3/4 Barb to 5/8 Barb - Diesel
	064962-02-000	EA	Rim - Wheel - 16 x 6 00
	041791-01-000	FT	Seal - U-Channel - Flex - 156" x 375" - Brown Vinyl
	057038-06-000	EA	Sending Unit - Fuel - 90 Ohm
	047743-01-000	EA	Spacer - Rear Spring/Axle Stop
	063977-03-000	EA	Step Asm - Driver's Door
	024652-01-700	EA	Step Asm - Entry
	076241-01-000	EA	Support Asm - Electric Step
	050273-02-000	EA	Tire - 7 50 x 16 x CA T8 - Tubeless
	040546-03-000	EA	Tire - 7 50 x 16 - 8 Ply Poly
	052431-01-000	EA	Tray - Luggage
	051377-01-000	EA	Valve Stem Asm - TR500
	057724-01-000	EA	Wheel Well - Plastic
	008343-01-000	EA	Wire Tie - 6"

## 1984 ITASCA TABLE OF CONTENTS

Introduction	A-01
Abbreviations	A-01
Alphabetical Index	A-02 - A-04
ICN22RC	A-05 - C-20
ICN27RU	C-21 - F-10
ICN33RU	F-11 - H-22
ICP31RT	H-23 - J-24

## 1984 ICN22RC INDEX

Floor Plan	A-05 - A-06
Accessories Group	A-07 - A-09
Bath Group	A-10 - A-11
Chassis Group	A-12 - A-13
Curtain, Cushion & Pad Group	A-14 - A-20
Dinette Group	A-21 - A-22
Driver's Compartment Group	A-23 - B-01
Electrical Group	B-02 - B-04
Exterior Body Group	B-05 - B-15
Galley Group	B-16 - B-18
Heating & Air Conditioning Group	B-19 - B-20
Interior Finish Group	B-21 - B-23
LP Group	B-24
Lounge Group	C-01
Water & Sewage Group	C-02 - C-03
Window, Vent & Exterior Door Group	C-04 - C-20

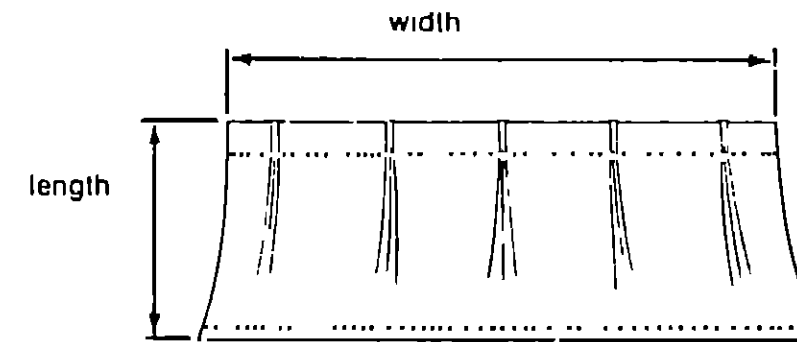


Key	Part Number	U/M	Description
1	064833-01-000	EA	Trailer Hitch Asm
2	064824-02-000	EA	Support - Trailer Hitch
3	064601-02-000	EA	Bracket - Bumper Mount
4	074082-02-000	EA	Retaining Nut - Tire Cover
5	075286-02-000	EA	Bracket Asm - Spare Tire Carrier
*	075068-02-R22	EA	Tire Cover - Plastic
			Not illustrated

**NOTICE**

In order to assist our Parts Sales Dept. in providing interior software items, please include the serial number and the color code number from the vehicle certification label when ordering. This label is located on the left sidewall at the end of the dash (A-Body), or on the driver's door latch plate (C-Body).

An example of a color code number is P31, which designates an overall color scheme of a particular unit. The color listed after the item description on the microfiche, indicates the overall unit color. Order the item you desire according to unit color code.



**NOTE**

Use this illustration when determining length and width measurements for curtains. You will note the width measurement is taken on the top of the curtain with the curtain fully extended. The length measurement is taken from top to bottom.

**CURTAIN & CUSHION HARDWARE**

Key	Part Number	U/M	Description
	039175-02-000	EA	Bracket - Curtain Rod
	056003-02-000	EA	Bracket - Drapery Retainer - Left
	056003-01-000	EA	Bracket - Drapery Retainer - Right
	056001-01-000	EA	Bracket - Shade - Left
	056002-01-000	EA	Bracket - Shade - Right
	039175-01-000	EA	Curtain Rod - Extension 48" - 84"
	039175-03-000	EA	Curtain Rod - Extension 28" - 48"
	069759-05-000	EA	Frame Asm. - Double Back w/Recliner Drive
	070573-01-000	EA	Frame Asm. - Double Bottom w/Recliner Mounting Plate
	069759-01-000	EA	Frame Asm. - Single Back w/Recliner Drive
	069106-01-000	EA	Frame Asm. - Single Bottom w/Recliner Mounting Plate (Armrests)
	009107-01-000	EA	Guide - Nylon Snap - Curtain
	069748-02-000	EA	Hook Back - #36 Nylon
	056784-01-000	EA	Pull - Window Shade - Antique Brass
	036658-03-000	EA	Screw - Shoulder - 1/2 x 1 3/4" Hex - Armrest Asm
	029050-01-000	EA	Spray - Silicone
	056115-02-000	YD	Tape - Clear Plastic - w/Guides
	048394-01-000	YD	Tape Hook - 1" x 25 YD - Beige
	048395-01-000	YD	Tape Loop - 1" x 25 YD - Beige
	056116-01-000	EA	Track - Curtain - Brown Plastic
	053272-05-009	EA	Track - Curtain - 89" - Beige
	059430-05-000	EA	Track - Front Wraparound (2 per unit) - 43 7/8" x 36" - Beige
	059430-07-000	EA	Track - Front Wraparound (Driver's Door) - 86 2" x 36" - Beige

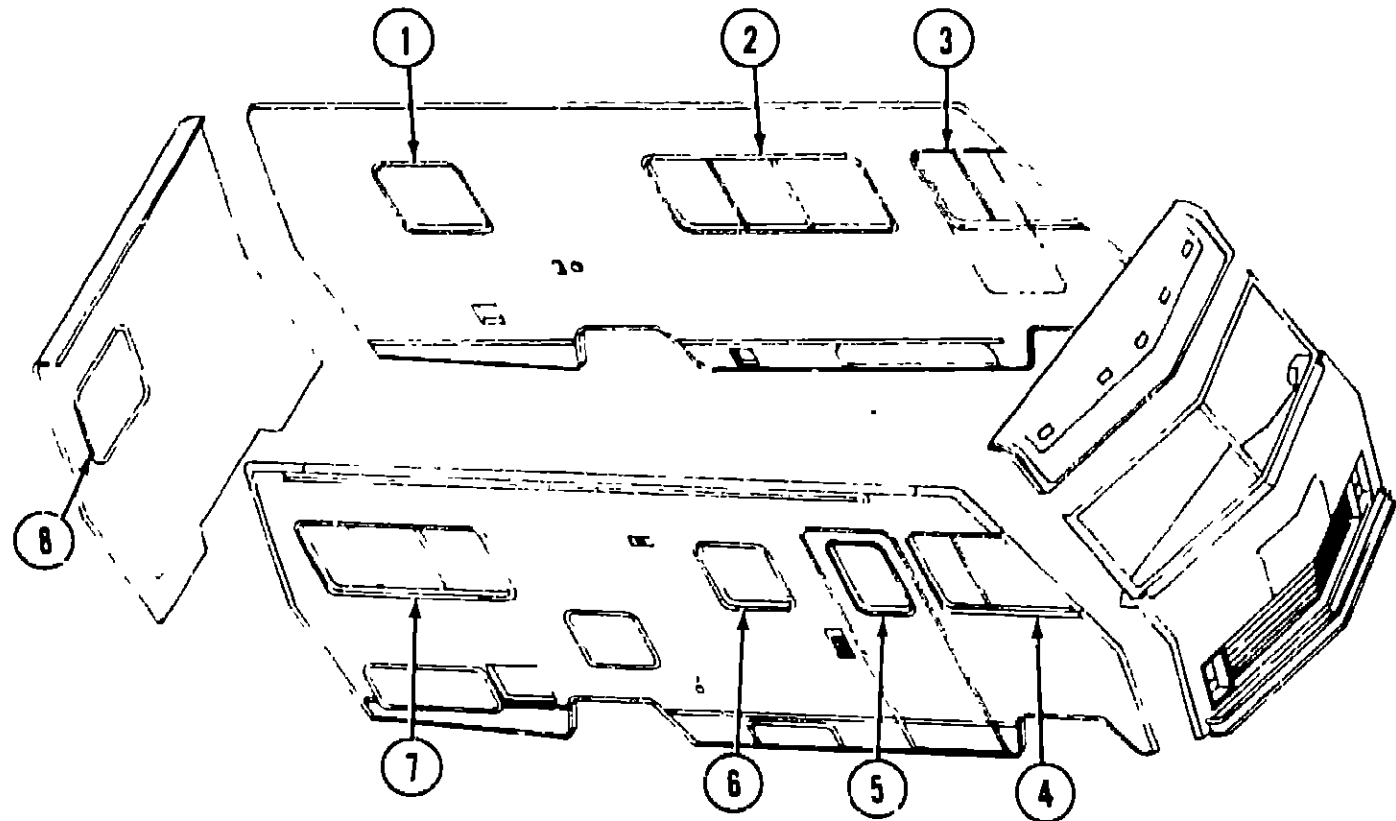
**1984 ITASCA  
TABLE OF CONTENTS**

Introduction	A-01
Abbreviations	A-01
Alphabetical Index	A-02 - A-04
ICN22RC	A-05 - C-00
ICN27RU	C-21 - F-10
ICN33RU	F-11 - H-22
ICP31RT	H-23 - J-24

**1984 ICN22RC INDEX**

Floor Plan	A-05 - A-06
Accessories Group	A-07 - A-09
Bath Group	A-10 - A-11
Chassis Group	A-12 - A-13
Curtain, Cushion & Pad Group	A-14 - A-20
Dinette Group	A-21 - A-22
Driver's Compartment Group	A-23 - B-01
Electrical Group	B-02 - B-04
Exterior Body Group	B-05 - B-15
Galley Group	B-16 - B-18
Heating & Air Conditioning Group	B-19 - B-20
Interior Finish Group	B-21 - B-23
LP Group	B-24
Lounge Group	C-01
Water & Sewage Group	C-02 - C-03
Window, Vent & Exterior Door Group	C-04 - C-20

**CURTAIN, CUSHION & PAD GROUP (CONTINUED)**



**CURTAINS, SHADES, VALANCES & TIEBACKS**

Key	Part Number	U/M	Description
1	073251-20-R22	EA	Curtain w/Tape Top - 25.5" x 12" - Blue/Gray
1	073251-20-R23	EA	Curtain w/Tape Top - 25.5" x 12" - Navy/Beige
1	073251-20-R24	EA	Curtain w/Tape Top - 25.5" x 12" - Rust
1	070651-36-R22	EA	Valance Asm - 6" x 34" - Pleated - Blue/Gray
1	070651-36-R23	EA	Valance Asm - 6" x 34" - Pleated - Navy/Beige
1	070651-36-R24	EA	Valance Asm - 6" x 34" - Pleated - Rust
1	065522-04-000	EA	Shade Asm Vinyl - 27.25" x 38"
1	075474-30-000	EA	Shade Asm - Woven Wood - 28" x 25.5" Drop - Blue/Gray (R22)
1	075474-28-000	EA	Shade Asm - Woven Wood - 28" x 25.5" Drop - Navy/Beige (R23)
1	075474-29-000	EA	Shade Asm - Woven Wood - 28" x 25.5" Drop - Rust (R24)
1	070651-50-R22	EA	Valance Asm - 6" x 35" - Pleated (Woven Wood) Blue/Gray
1	070651-50-R23	EA	Valance Asm - 6" x 35" - Pleated (Woven Wood) Navy/Beige
1	070651-50-R24	EA	Valance Asm - 6" x 35" - Pleated (Woven Wood) Rust
2	070652-18-R22	EA	Curtain w/Darts - 29" x 15" - Blue/Gray
2	070652-18-R23	EA	Curtain w/Darts - 29" x 15" - Navy/Beige
2	070652-18-R24	EA	Curtain w/Darts - 29" x 15" - Rust
2	073323-02-R07	EA	Curtain w/Rod Top - Sheer - 27.6" x 66"
2	070651-25-R22	EA	Valance Asm. - 6" x 80" - Pleated - Blue/Gray
2	070651-25-R23	EA	Valance Asm. - 6" x 80" - Pleated - Navy/Beige
2	070651-25-R24	EA	Valance Asm - 6" x 80" - Pleated - Rust
2	065522-12-000	EA	Shade Asm - Vinyl - 69.25" x 38"
2	075474-15-000	EA	Shade Asm. - Woven Wood - 69" x 29" Drop - Blue/Gray (R22)
2	075474-13-000	EA	Shade Asm. - Woven Wood - 69" x 29" Drop - Navy/Beige (R23)
2	075474-14-000	EA	Shade Asm - Woven Wood - 69" x 29" Drop - Rust (R24)
2	070651-49-R22	EA	Valance Asm - 6" x 76" - Pleated (Woven Wood) Blue/Gray
2	070651-49-R23	EA	Valance Asm - 6" x 76" - Pleated (Woven Wood) Navy/Beige
2	070651-49-R24	EA	Valance Asm - 6" x 76" - Pleated (Woven Wood) Rust
3	059900-05-R10	EA	Curtain w/Snaps - Drivers Door
4	073304-03-R22	EA	Curtain w/Snaps - Front Wraparound - Driver's Door - 27.5" x 125"
4	073304-07-R10	EA	Curtain w/Snaps - Front Wraparound (2 required) 27.5" x 81"
4	073304-25-R10	EA	Curtain w/Snaps - Bunk Privacy - 60" x 86"
5	075694-02-R22	EA	Valance Asm - 4.8" x 4.2" x 29.6" - Blue/Gray
5	075694-02-R23	EA	Valance Asm - 4.8" x 4.2" x 29.6" - Navy/Beige
5	075694-02-R24	EA	Valance Asm - 4.8" x 4.2" x 29.6" - Rust
5	065522-02-000	EA	Shade Asm - Vinyl - 21.25" x 38"

**CURTAIN, CUSHION & PAD GROUP (CONTINUED)**

**CURTAINS, SHADES, VALANCES & TIEBACKS (CONT)**

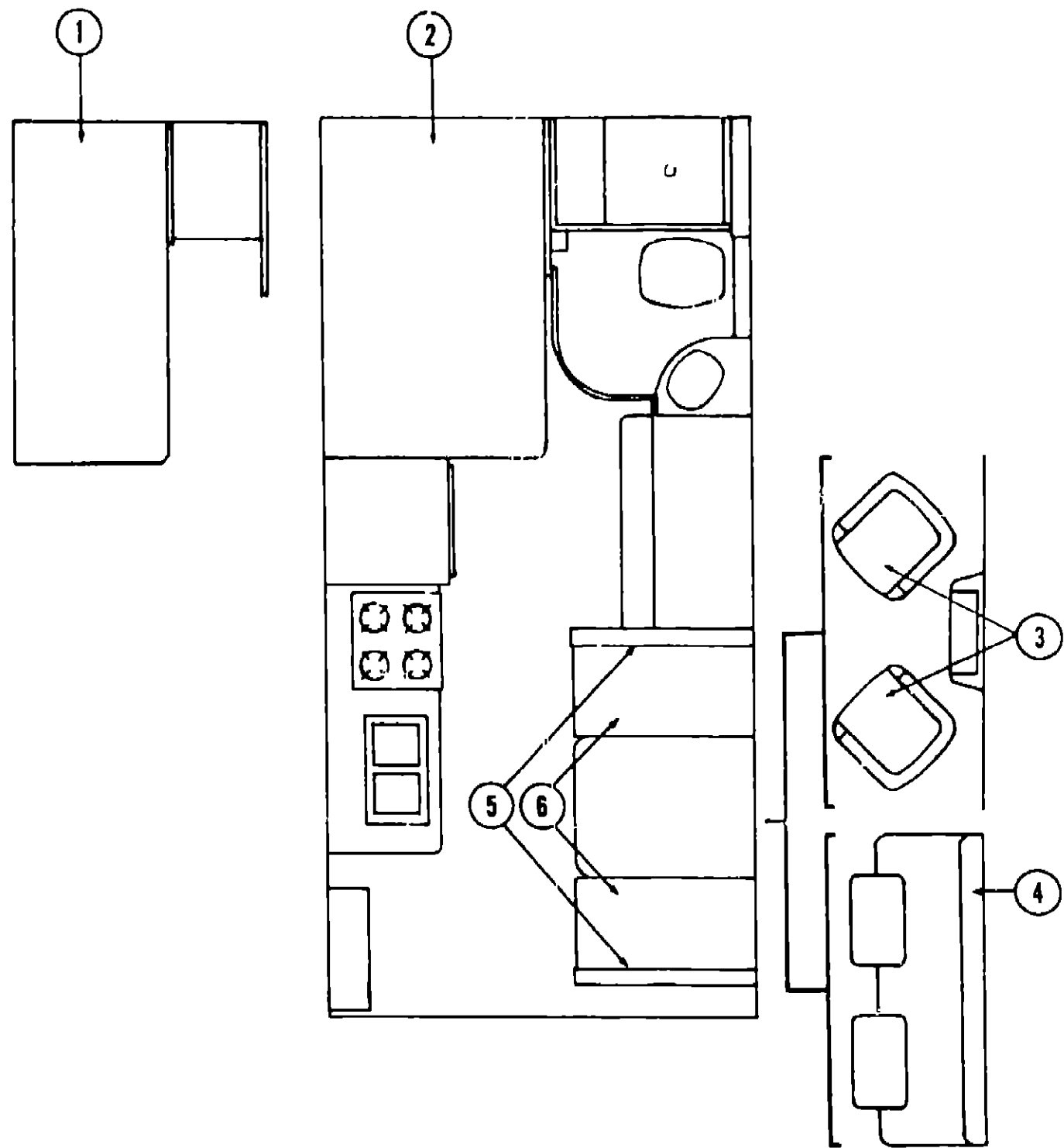
Key	Part Number	U/M	Description
8	073251-21-R22	EA	Curtain w/Tape Top - 21.5" x 9" - Blue/Gray
8	073251-21-R23	EA	Curtain w/Tape Top - 21.5" x 9" - Navy/Beige
8	073251-21-R24	EA	Curtain w/Tape Top - 21.5" x 9" - Rust
8	070651-35-R22	EA	Valance Asm. - 6" x 38.5" - Pleated - Blue/Gray
8	070651-35-R23	EA	Valance Asm. - 6" x 38.5" - Pleated - Navy/Beige
8	070651-35-R24	EA	Valance Asm. - 6" x 38.5" - Pleated - Rust
8	065522-16-000	EA	Shade Asm. - Vinyl - 28.5" x 30"
6	075474-27-000	EA	Shade Asm. - Woven Wood - 28" x 23" Drop - Blue/Gray (R22)
6	075474-25-000	EA	Shade Asm - Woven Wood - 28" x 23" Drop - Navy/Beige (R23)
6	075474-26-000	EA	Shade Asm - Woven Wood - 28" x 23" Drop - Rust (R24)
6	070651-52-R22	EA	Valance Asm - 6" x 39" - Pleated (Woven Wood) - Blue/Gray
6	070651-52-R23	EA	Valance Asm. - 6" x 39" - Pleated (Woven Wood) - Navy/Beige
6	070651-52-R24	EA	Valance Asm. - 6" x 39" - Pleated (Woven Wood) - Rust
7	070652-16-R22	EA	Curtain w/Darts - 28" x 15" - Bedspread - Blue/Gray
7	070652-16-R23	EA	Curtain w/Darts - 28" x 15" - Bedspread - Navy/Beige
7	070652-16-R24	EA	Curtain w/Darts - 28" x 15" - Bedspread - Rust
7	073323-02-R07	EA	Curtain w/Rod Top - Sheer - 27.5" x 66"
7	070651-18-R22	EA	Valance Asm. - 6.5" x 70" - Pleated - Bedspread - Blue/Gray
7	070651-18-R23	EA	Valance Asm. - 6.5" x 70" - Pleated - Bedspread - Navy/Beige
7	070651-18-R24	EA	Valance Asm - 6.5" x 70" - Pleated - Bedspread - Rust
7	065522-11-000	EA	Shade Asm. Vinyl - 60.25" x 38"
**	070652-21-R22	EA	Curtain w/Darts - 21" x 15" - Blue/Gray
**	070652-21-R23	EA	Curtain w/Darts - 21" x 15" - Navy/Beige
**	070652-21-R24	EA	Curtain w/Darts - 21" x 15" - Rust
**	073323-03-R07	EA	Curtain w/Rod Top - Sheer - 20" x 42"
**	070651-38-R22	EA	Valance Asm - 6" x 50" - Pleated - Blue/Gray
**	070651-38-R23	EA	Valance Asm - 6" x 50" - Pleated - Navy/Beige
**	070651-38-R24	EA	Valance Asm - 6" x 50" - Pleated - Rust
**	065522-09-000	EA	Shade Asm. - Vinyl - 40.25" x 38"
8	070652-06-R22	EA	Curtain w/Darts - 27" x 19" - Bedspread - Blue/Gray
8	070652-06-R23	EA	Curtain w/Darts - 27" x 19" - Bedspread - Navy/Beige
8	070652-06-R24	EA	Curtain w/Darts - 27" x 19" - Bedspread - Rust
8	073323-01-R07	EA	Curtain w/Rod Top - Sheer - 27.5" x 30"
8	070651-19-R22	EA	Valance Asm - 6" x 44" - Pleated - Bedspread - Blue/Gray
8	070651-19-R23	EA	Valance Asm - 6" x 44" - Pleated - Bedspread - Navy/Beige
8	070651-19-R24	EA	Valance Asm - 6" x 44" - Pleated - Bedspread - Rust
8	065522-06-000	EA	Shade Asm - Vinyl - 33.25" x 38"
**	073251-09-R22	EA	Curtain w/Tape Top - 26" x 8" - Blue/Gray
**	073251-09-R23	EA	Curtain w/Tape Top - 26" x 8" - Navy/Beige
**	073251-09-R24	EA	Curtain w/Tape Top - 26" x 8" - Rust
**	073323-11-R07	EA	Curtain w/Rod Top & Bottom - Sheer - 27.5" x 30"
**	070651-39-R22	EA	Valance Asm - 6" x 25" - Pleated - Blue/Gray
**	070651-39-R23	EA	Valance Asm - 6" x 25" - Pleated - Navy/Beige
**	070651-39-R24	EA	Valance Asm - 6" x 25" - Pleated - Rust
**	065522-01-000	EA	Shade Asm. - Vinyl - 15.5" x 38"
•	073304-04-R10	EA	Curtain w/Snaps - Room Divider - 64" x 53"
•	073260-12-R22	EA	Tie Back Asm - 3" x 16" - Bedspread - Blue/Gray
•	073260-12-R23	EA	Tie Back Asm. - 3" x 16" - Bedspread - Navy/Beige
•	073260-12-R24	EA	Tie Back Asm - 3" x 16" - Bedspread - Rust
•	073260-10-R22	EA	Tie Back Asm - 3" x 16" - Blue/Gray
•	073260-10-R26	EA	Tie Back Asm - 3" x 16" - Navy/Beige
•	073260-10-R24	EA	Tie Back Asm - 3" x 16" - Rust
•	057534-01-000	EA	Tie Back Asm - 6" - Clear Plastic
•	057534-03-000	EA	Tie Back Asm - 7.5" - Clear Plastic
•	057534-04-000	EA	Tie Back Asm - 20" - Clear Plastic
•	Not illustrated		
**	Parts for bunkhouse option (Not illustrated)		

**1984 ITASCA  
TABLE OF CONTENT'S**

Introduction	A-01
Abbreviations	A-01
Alphabetical Index	A-02 - A-04
ICN22RC	A-05 - C-20
ICN27RU	C-21 - F-10
ICN33RIJ	F-11 - H-22
ICP31RT	H-23 - J-24

**1984 ICN22RC INDEX**

Floor Plan	A-05 - A-06
Accessories Group	A-07 - A-09
Bath Group	A-10 - A-11
Chassis Group	A-12 - A-13
Curtain, Cushion & Pad Group	A-14 - A-20
Dinette Group	A-21 - A-22
Driver's Compartment Group	A-23 - B-01
Electrical Group	B-02 - B-04
Exterior Body Group	B-05 - B-15
Galley Group	B-16 - B-18
Heating & Air Conditioning Group	B-19 - B-20
Interior Finish Group	B-21 - B-23
LP Group	B-24
Lounge Group	C-01
Water & Sewage Group	C-02 - C-03
Window, Vent & Exterior Door Group	C-04 - C-20



**REAR BUNK CUSHIONS**

Key	Part Number	U/M	Description
1	073519-01-R22	EA	Cushion - Rear Bunk - 29" x 75.5" x 4.5" - Blue/Gray
1	073519-01-R23	EA	Cushion - Rear Bunk - 29" x 75.5" x 4.5" - Navy/Beige
1	073519-01-R24	EA	Cushion - Rear Bunk - 29" x 75.5" x 4.5" - Rust
	M73519-01-R22	EA	Cover - Rear Bunk Cushion - 29" x 75.5" x 4.5" - Blue/Gray
	M73519-01-R23	EA	Cover - Rear Bunk Cushion - 29" x 75.5" x 4.5" - Navy/Beige
	M73519-01-R24	EA	Cover - Rear Bunk Cushion - 29" x 75.5" x 4.5" - Rust

**DOUBLE RED MATTRESS**

Key	Part Number	U/M	Description
2	058709-03-000	EA	Mattress - Innerspring - 48" x 75"
	070653-02-R22	EA	Bedspread - Double Fitted - Blue/Gray
	070653-02-R23	EA	Bedspread - Double Fitted - Navy/Beige
	070653-02-R24	EA	Bedspread - Double Fitted - Rust
	070654-01-R22	EA	Pillow Sham - 20" x 26" - Blue/Gray
	070654-01-R23	EA	Pillow Sham - 20" x 26" - Navy/Beige
	070654-01-R24	EA	Pillow Sham - 20" x 26" - Rust

**SWIVEL CHAIRS**

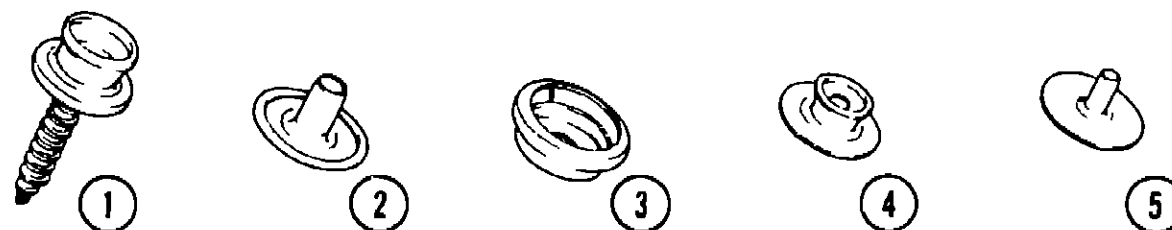
Key	Part Number	U/M	Description
3	073518-03-R22	EA	Chair Asm. w/Pillow Back - Swivel - Blue/Gray
3	073518-03-R23	EA	Chair Asm. w/Pillow Back - Swivel - Navy/Beige
3	073518-03-R24	EA	Chair Asm. w/Pillow Back - Swivel - Rust
	075174-02-R22	EA	Skirt Asm. - Swivel Chair - Blue/Gray
	075174-02-R23	EA	Skirt Asm. - Swivel Chair - Navy/Beige
	075174-02-R24	EA	Skirt Asm. - Swivel Chair - Rust

**MAGIC BED**

Key	Part Number	U/M	Description
4	075475-15-000	EA	Magic Bed - Complete - Blue/Gray
4	075475-13-000	EA	Magic Bed - Complete - Navy/Beige
4	075475-14-000	EA	Magic Bed - Complete - Rust

**DINETTE CUSHIONS**

Key	Part Number	U/M	Description
5	072430-14-R22	EA	Cushion - Dinette Back - 19.2" x 38" x 5" - Blue/Gray
5	072430-14-R23	EA	Cushion - Dinette Back - 19.2" x 38" x 5" - Navy/Beige
5	072430-14-R24	EA	Cushion - Dinette Back - 19.2" x 38" x 5" - Rust
	M72430-14-R22	EA	Cover - Dinette Back Cushion - 19.2" x 38" x 5" - Blue/Gray
	M72430-14-R23	EA	Cover - Dinette Back Cushion - 19.2" x 38" x 5" - Navy/Beige
	M72430-14-R24	EA	Cover - Dinette Back Cushion - 19.2" x 38" x 5" - Rust
6	072430-15-R22	EA	Cushion - Dinette Bottom - 17.5" x 38" x 5" - Blue/Gray
6	072430-15-R23	EA	Cushion - Dinette Bottom - 17.5" x 38" x 5" - Navy/Beige
6	072430-15-R24	EA	Cushion - Dinette Bottom - 17.5" x 38" x 5" - Rust
	M72430-15-R22	EA	Cover - Dinette Bottom Cushion - 17.5" x 38" x 5" - Blue/Gray
	M72430-15-R23	EA	Cover - Dinette Bottom Cushion - 17.5" x 33" x 5" - Navy/Beige
	M72430-15-R24	EA	Cover - Dinette Bottom Cushion - 17.5" x 38" x 5" - Rust



Key	Part Number	U/M	Description
1	029130-01-000	EA	Socket - Snap Fastener
2	029155-01-000	EA	Cap - Socket - 156" Dia x 17" Barrel
3	029156-01-000	EA	Socket - Snap Fastener
4	029092-01-000	EA	Stud - Nickel Finish
5	029093-01-000	EA	Eyelet - Nickel Finish

**1984 ITASCA  
TABLE OF CONTENTS**

Introduction	A-01
Abbreviations	A-01
Alphabetical Index	A-02 - A-04
ICN22RC	A-05 - C-20
ICN27RU	C-21 - F-10
ICN33RU	F-11 - H-22
ICP31RT	H-23 - J-24

**1984 ICN22RC INDEX**

Floor Plan	A-05 - A-06
Accessories Group	A-07 - A-09
Bath Group	A-10 - A-11
Chassis Group	A-12 - A-13
Curtain, Cushion & Pad Group	A-14 - A-20
Dinette Group	A-21 - A-22
Driver's Compartment Group	A-23 - B-01
Electrical Group	B-02 - B-04
Exterior Body Group	B-05 - B-15
Galley Group	B-16 - B-18
Heating & Air Conditioning Group	B-19 - B-20
Interior Finish Group	B-21 - B-23
LP Group	B-24
Lounge Group	C-01
Water & Sewage Group	C-02 - C-03
Window, Vent & Exterior Door Group	C-04 - C-20

**CURTAIN, CUSHION & PAD GROUP (CONTINUED)**

**FRONT OVERHEAD BUNK CUSHIONS**

Key	Part Number	U/M	Description
	073467-04-R22	EA	Cushion Asm. - Front Bunk - 31 5" x 76" x 4" - Blue/Gray
	073467-04-R23	EA	Cushion Asm. - Front Bunk - 31 5" x 76" x 4" - Navy/Beige
	073467-04-R24	EA	Cushion Asm. - Front Bunk - 31.5" x 76" x 4" - Rust
	M73467-04-R22	EA	Cover - Front Bunk Cushion - 31 5" x 76" x 4" - Blue/Gray
	M73467-04-R23	EA	Cover - Front Bunk Cushion - 31.5" x 76" x 4" - Navy/Beige
	M73467-04-R24	EA	Cover - Front Bunk Cushion - 31.5" x 76" x 4" - Rust

**BUCKET SEATS**

Key	Part Number	U/M	Description
	075966-02-R22	EA	Seat Asm. - Single Bucket - w/Armrests - Blue/Gray
	075966-02-R23	EA	Seat Asm. - Single Bucket - w/Armrests - Navy/Beige
	075966-02-R24	EA	Seat Asm. - Single Bucket - w/Armrests - Rust
	M00784-13-R22	EA	Cover - Back - Single Bucket - Blue/Gray
	M00784-13-R23	EA	Cover - Back - Single Bucket - Navy/Beige
	M00784-13-R24	EA	Cover - Back - Single Bucket - Rust
	M00784-14-R22	EA	Cover - Bottom - Single Bucket - Blue/Gray
	M00784-14-R23	EA	Cover - Bottom - Single Bucket - Navy/Beige
	M00784-14-R24	EA	Cover - Bottom - Single Bucket - Rust
	071126-04-R22	EA	Skirt - Single Bucket - Blue/Gray
	071126-04-R23	EA	Skirt - Single Bucket - Navy/Beige
	071126-04-R24	EA	Skirt - Single Bucket - Rust
	075967-02-R22	EA	Seat Asm. - Double Bucket - w/Armrests - Blue/Gray
	075967-02-R23	EA	Seat Asm. - Double Bucket - w/Armrests - Navy/Beige
	075967-02-R24	EA	Seat Asm. - Double Bucket - w/Armrests - Rust
	M00784-15-R22	EA	Cover - Back - Double Bucket - Blue/Gray
	M00784-15-R23	EA	Cover - Back - Double Bucket - Navy/Beige
	M00784-15-R24	EA	Cover - Back - Double Bucket - Rust
	M00784-16-R22	EA	Cover - Bottom - Double Bucket - Blue/Gray
	M00784-16-R23	EA	Cover - Bottom - Double Bucket - Navy/Beige
	M00784-16-R24	EA	Cover - Bottom - Double Bucket - Rust
	071690-02-R22	EA	Skirt - Double Bucket - Blue/Gray
	071690-02-R23	EA	Skirt - Double Bucket - Navy/Beige
	071690-02-R24	EA	Skirt - Double Bucket - Rust
	071122-11-R22	EA	Armrest Asm. - Right - Blue/Gray
	071122-11-R23	EA	Armrest Asm. - Right - Navy/Beige
	071122-11-R24	EA	Armrest Asm. - Right - Rust
	071122-12-R22	EA	Armrest Asm. - Left - Blue/Gray
	071122-12-R23	EA	Armrest Asm. - Left - Navy/Beige
	071122-12-R24	EA	Armrest Asm. - Left - Rust
	071123-06-R22	EA	Cover - Armrest - Right or Left - Blue/Gray
	071123-06-R23	EA	Cover - Armrest - Right or Left - Navy/Beige
	071123-06-R24	EA	Cover - Armrest - Right or Left - Rust
	069005-02-R22	EA	Seat Asm. - Single Bucket - Blue/Gray
	069005-02-R23	EA	Seat Asm. - Single Bucket - Navy/Beige
	069005-02-R24	EA	Seat Asm. - Single Bucket - Rust
	M00435-03-R22	EA	Cover - Back - Single Bucket - Blue/Gray
	M00435-03-R23	EA	Cover - Back - Single Bucket - Navy/Beige
	M00435-03-R24	EA	Cover - Back - Single Bucket - Rust
	M00435-04-R22	EA	Cover - Bottom - Single Bucket - Blue/Gray
	M00435-04-R23	EA	Cover - Bottom - Single Bucket - Navy/Beige
	M00435-04-R24	EA	Cover - Bottom - Single Bucket - Rust

**FABRICS, TRIMS & PADS**

Key	Part Number	U/M	Description
	072333-07-000	YD	Fabric - Drapery
	072333-08-000	YD	Fabric - Drapery - Sheers
	074495-23-000	YD	Fabric - Drapery/Accent - Blue/Gray (R22)
	074495-21-000	YD	Fabric - Drapery/Accent - Navy/Beige (R23)
	074495-22-000	YD	Fabric - Drapery/Accent - Rust (R24)

**CURTAIN, CUSHION & PAD GROUP (CONTINUED)**

**FABRICS, TRIMS & PADS (CONT.)**

Key	Part Number	U/M	Description
	074495-50-000	YD	Fabric w/Pattern - Upholstery - Blue/Gray (R22)
	074495-48-000	YD	Fabric w/Pattern - Upholstery - Navy/Beige (R23)
	074495-49-000	YD	Fabric w/Pattern - Upholstery - Rust (R24)
	069729-06-000	YD	Fabric - Bedspread - Blue/Gray (R22)
	069729-08-000	YD	Fabric - Bedspread - Navy/Beige (R23)
	069729-05-000	YD	Fabric - Bedspread - Rust (R24)
	029012-01-000	BF	Foam - 3/8" - Rolled
	070502-01-000	YD	Vinyl - Non-Expanded - 12 Gauge Film
	057550-03-P07	EA	Button Asm. - Nail #36 - 7/8" Shank - Vinyl
	057093-01-P07	EA	Button Asm. - Nail #60 - Vinyl
	071127-06-R22	EA	Button Asm. - Round #36 - Blue/Gray
	071127-06-R23	EA	Button Asm. - Round #36 - Navy/Beige
	071127-06-R24	EA	Button Asm. - Round #36 - Rust
	071127-03-R10	EA	Button Asm. - Square #65 - Blue/Gray
	071127-03-R26	EA	Button Asm. - Square #65 - Navy/Beige
	071127-03-R12	EA	Button Asm. - Square #65 - Rust
	075269-02-R22	EA	Button Asm. - Square #65 - w/3/4" Stud - Blue/Gray
	075269-02-R23	EA	Button Asm. - Square #65 - w/3/4" Stud - Navy/Beige
	075269-02-R24	EA	Button Asm. - Square #65 - w/3/4" Stud - Rust
	070578-04-R25	EA	Button Asm. - Screw Stud - #30 - Blue/Gray
	070578-04-R26	EA	Button Asm. - Screw Stud - #30 - Navy/Beige
	070578-04-R27	EA	Button Asm. - Screw Stud - #30 - Rust
	071846-01-R07	EA	Pad Asm. - End Cap - Dinette Overhead - Right - Vinyl
	071847-05-R07	EA	Pad Asm. - End Cap - Galley Overhead - Left - Vinyl
	074549-01-R22	EA	Pad Asm. - Dinette - Right - Blue/Gray
	074549-01-R23	EA	Pad Asm. - Dinette - Right - Navy/Beige
	074549-01-R24	EA	Pad Asm. - Dinette - Right - Rust
	074549-02-R22	EA	Pad Asm. - Dinette - Left - Blue/Gray
	074549-02-R23	EA	Pad Asm. - Dinette - Left - Navy/Beige
	074549-02-R24	EA	Pad Asm. - Dinette - Left - Rust
	059414-03-000	EA	Pad - Sidewall Trim - Driver - Vinyl
	059414-04-000	EA	Pad - Sidewall Trim - Passenger - Vinyl
	059467-03-N07	EA	Pad - Map Pocket - Driver - Vinyl
	059467-04-N07	EA	Pad - Map Pocket - Passenger - Vinyl
	074211-01-P01	EA	Pad Asm. - Front Side Overhead - Passenger - Vinyl
	074210-02-P01	EA	Pad Asm. - Front Side Overhead - Driver - Vinyl
	074210-01-P01	EA	Pad Asm. - Front Side Overhead - w/Driver's Door - Vinyl
	076188-01-R22	EA	Wall Pad Asm. - Dinette - 12" x 12" - Blue/Gray
	076188-01-R23	EA	Wall Pad Asm. - Dinette - 12" x 12" - Navy/Beige
	076188-01-R24	EA	Wall Pad Asm. - Dinette - 12" x 12" - Rust
	076188-02-R22	EA	Wall Pad Asm. - Dinette - 3 5" x 30" - Blue/Gray
	076188-02-R23	EA	Wall Pad Asm. - Dinette - 3 5" x 30" - Navy/Beige
	076188-02-R24	EA	Wall Pad Asm. - Dinette - 3 5" x 30" - Rust
	076188-04-R22	EA	Wall Pad Asm. - Swivel Chairs - 12" x 16" - Blue/Gray
	076188-04-R23	EA	Wall Pad Asm. - Swivel Chairs - 12" x 16" - Navy/Beige
	076188-04-R24	EA	Wall Pad Asm. - Swivel Chairs - 12" x 16" - Rust
	076188-03-R22	EA	Wall Pad Asm. - Swivel Chairs - 3 5" x 36" - Blue/Gray
	076188-03-R23	EA	Wall Pad Asm. - Swivel Chairs - 3 5" x 36" - Navy/Beige
	076188-03-R24	EA	Wall Pad Asm. - Swivel Chairs - 3 5" x 36" - Rust
	077641-21-000	EA	Wall Pad Asm. w/Quilting - Dinette - 12" x 12" - Blue/Gray (R22)
	077641-17-000	EA	Wall Pad Asm. w/Quilting - Dinette - 12" x 12" - Navy/Beige (R23)
	077641-19-000	EA	Wall Pad Asm. w/Quilting - Dinette - 12" x 12" - Rust (R24)
	077642-09-000	EA	Wall Pad Asm. w/Quilting - Dinette - 3 5" x 30" - Blue/Gray (R22)
	077642-05-000	EA	Wall Pad Asm. w/Quilting - Dinette - 3 5" x 30" - Navy/Beige (R23)
	077642-07-000	EA	Wall Pad Asm. w/Quilting - Dinette - 3 5" x 30" - Rust (R24)
	077641-22-000	EA	Wall Pad Asm. w/Quilting - Swivel Chairs - 12" x 16" - Blue/Gray (R22)
	077641-18-000	EA	Wall Pad Asm. w/Quilting - Swivel Chairs - 12" x 16" - Navy/Beige (R23)
	077641-20-000	EA	Wall Pad Asm. w/Quilting - Swivel Chairs - 12" x 16" - Rust (R24)
	077642-10-000	EA	Wall Pad Asm. w/Quilting - Swivel Chairs - 3 5" x 36" - Blue/Gray (R22)
	077642-06-000	EA	Wall Pad Asm. w/Quilting - Swivel Chairs - 3 5" x 36" - Navy/Beige (R23)
	077642-08-000	EA	Wall Pad Asm. w/Quilting - Swivel Chairs - 3 5" x 36" - Rust (R24)

**1984 ITASCA  
TABLE OF CONTENTS**

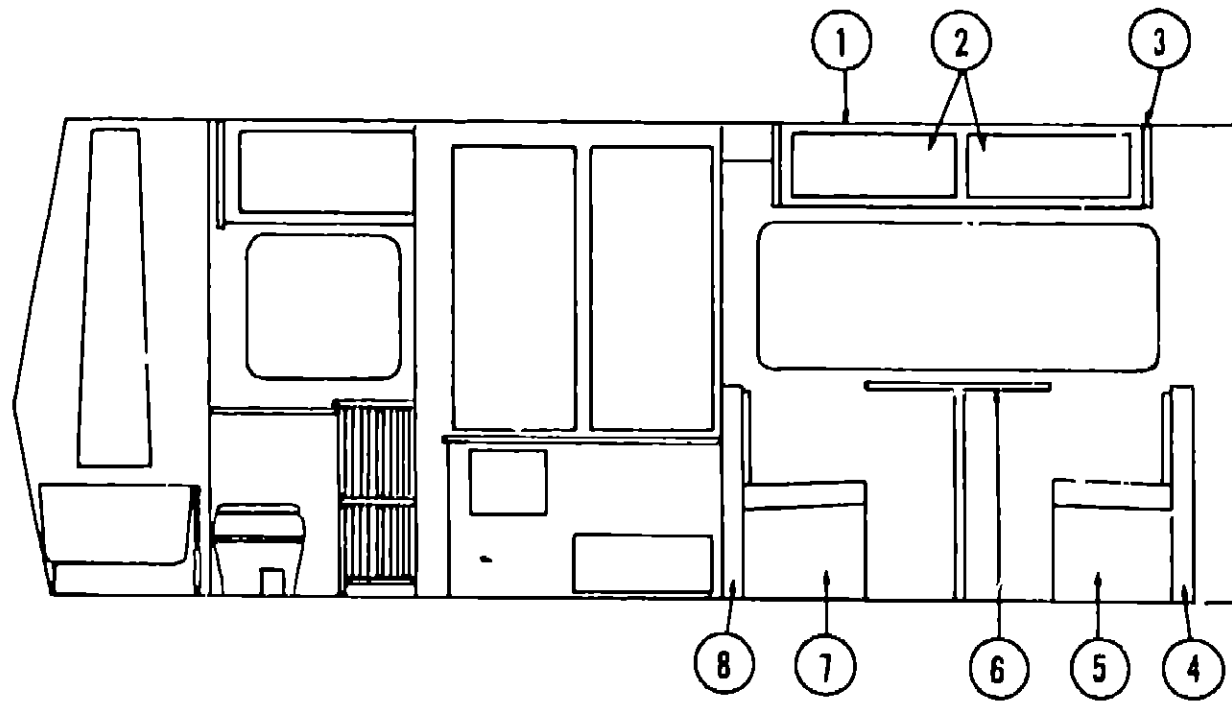
Introduction	A-01
Abbreviations	A-01
Alphabetical Index	A-02 - A-04
ICN22RC	A-05 - C-20
ICN27RU	C-21 - F-10
ICN33RU	F-11 - H-22
ICP31RT	H-23 - J-24

**1984 ICN22RC INDEX**

Floor Plan	A-05 - A-06
Accessories Group	A-07 - A-09
Bath Group	A-10 - A-11
Chassis Group	A-12 - A-13
Curtain, Cushion & Pad Group	A-14 - A-20
Dinette Group	A-21 - A-22
Driver's Compartment Group	A-23 - B-01
Electrical Group	B-02 - B-04
Exterior Body Group	B-05 - B-15
Galley Group	B-16 - B-18
Heating & Air Conditioning Group	B-19 - B-20
Interior Finish Group	B-21 - B-23
LP Group	B-24
Lounge Group	C-01
Water & Sewage Group	C-02 - C-03
Window, Vent & Exterior Door Group	C-04 - C-20



## DINETTE GROUP



### CONVENTIONAL DINETTE & OVERHEAD CABINETRY

Key	Part Number	U/M	Description
1	075775-06-R07	EA	Cabinet Asm - Dinette Overhead - w/o Doors or Hardware
2	069852-72-R10	EA	Door Asm. - Dinette Overhead - w/o Hardware
3	U71846-01-R07	EA	Pad Asm. - End Cap - Dinette Overhead - Right - Almond Vinyl
4	M01431-01-R10	EA	Cabinet Asm - Dinette Back - Right
5	M01430-01-R10	EA	Cabinet Asm - Dinette Seat - Right - w/o Doors or Hardware
*	069852-70-R10	EA	Door Asm - Dinette Seat - Right or Left - w/o Hardware
6	M01291-50-R07	EA	Table Asm - Dinette - w/o Hardware - Harbor Oak
7	M01430-03-R07	EA	Cabinet Asm - Dinette Seat - Left - w/o Doors or Hardware
8	M01431-03-R07	EA	Cabinet Asm - Dinette Back - Left
*	053200-05-000	EA	Bracket - Upper Wall Mount - 23.5"
**	053201-03-000	EA	Bracket - Table Mount - 23"
*	024275-05-000	EA	Rod - Table Lift - 8" x 23.5"
*	024261-07-000	EA	Bracket - Lower Wall Mount - 22.12"
**	024276-14-000	EA	Leg Asm - Table - 29.5"
**	064050-01-000	EA	Hinge - Table Leg
**	024282-01-000	EA	Brace - Table Leg
**	024283-01-000	EA	Clip - 1" O.D. Tube
*	049493-02-000	EA	Catch - Table Leg - Mounts on Floor
*	064781-03-000	EA	Cup Holder - 3.47" O.D. x 2.75" I.D. x 1.5"
*			Not illustrated
**	The illustrated parts breakdown for this item is provided on the Common Items Fiche		

## DINETTE GROUP (CONTINUED)

### SWIVEL CHAIRS W/FOLD OUT TABLE (OPTION)

Key	Part Number	U/M	Description
	M00675-35-R07	EA	Table Asm. - Fold Out - Harbor Oak
	M01270-01-R07	EA	Countertop Asm. - Fold Out Table - Harbor Oak
	024276-15-000	EA	Leg Asm. - Table - 25.18"
**	064050-01-000	EA	Hinge - Table Leg
**	024282-01-000	EA	Brace - Table Leg
**	024283-01-000	EA	Clip - 1" O.D. Tube
	049493-03-000	EA	Catch - Table Leg - Mounts on Floor
	035036-05-000	EA	Extension - 7" - Swivel Chair
	035036-01-000	EA	Plate - Swivel Chair
	035036-04-000	EA	Base - w/Leg - Swivel Chair
	063224-01-700	EA	Door - Rolled - 30" x 48" - Universal
	074489-02-R10	EA	Holder - Beverage - w/Tray - Oak
**	The illustrated parts breakdown for this item is provided on the Common Items Fiche		

### MAGIC BED W/TABLE (OPTION)

Key	Part Number	U/M	Description
	M00684-43-R07	EA	Table Asm - Pedestal - w/o Hardware - Harbor Oak
	009040-04-000	EA	Leg - Pedestal Table - 27.5" x 2.25" O.D.
	009040-03-000	EA	Base - Table Leg - Mounts on Table
	041194-01-000	EA	Base - Table Leg - Mounts In Floor
	062046-01-000	EA	Clip - Pedestal Leg

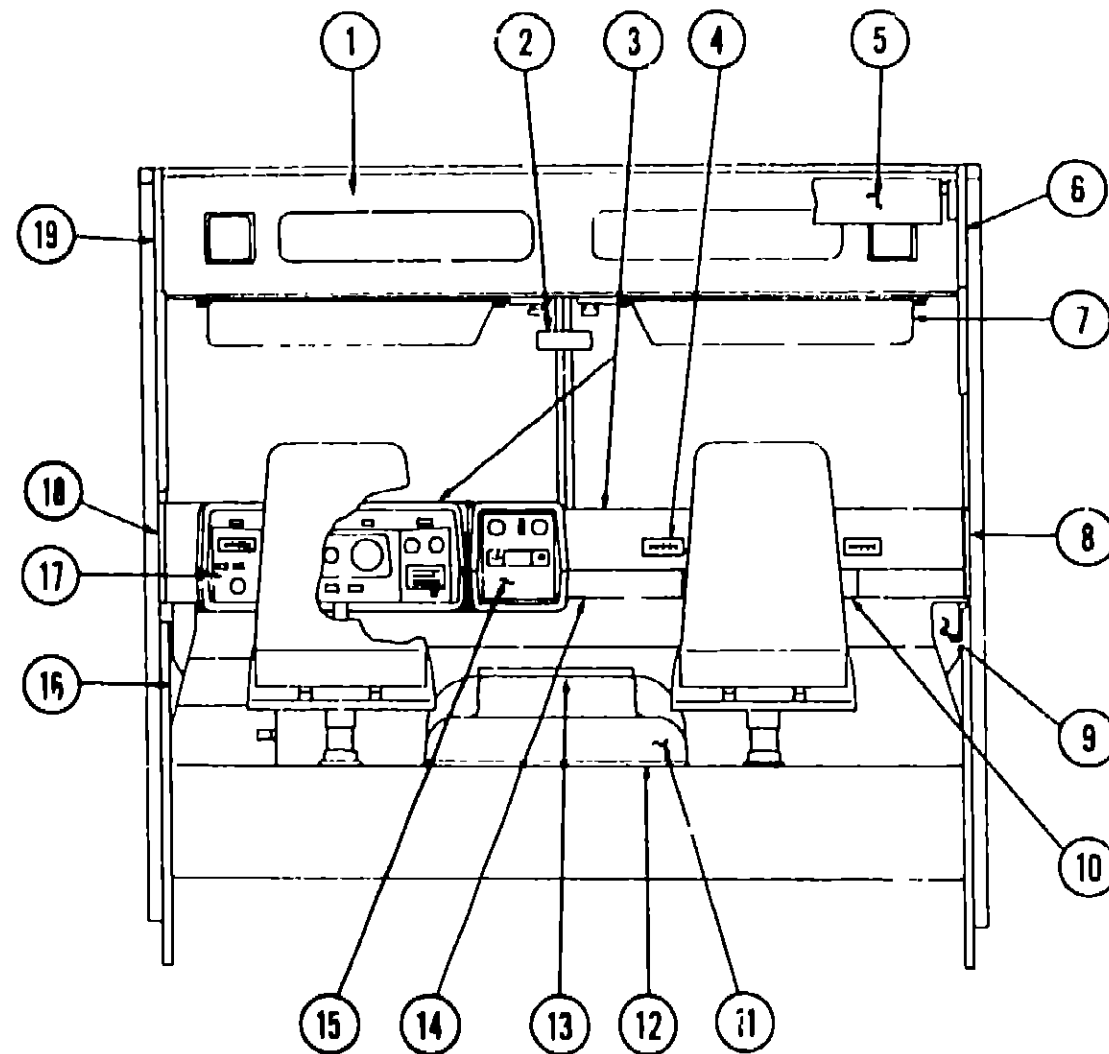
## 1984 ITASCA TABLE OF CONTENTS

Introduction	A-01
Abbreviations	A-01
Alphabetical Index	A-02 - A-04
ICN22RC	A-05 - C-20
ICN27RU	C-21 - F-10
ICN33RU	F-11 - H-22
ICP31RT	H-23 - J-24

## 1984 ICN22RC INDEX

Floor Plan	A-05 - A-06
Accessories Group	A-07 - A-09
Bath Group	A-10 - A-11
Chassis Group	A-12 - A-13
Curtain, Cushion & Pad Group	A-14 - A-20
Dinette Group	A-21 - A-22
Driver's Compartment Group	A-23 - B-01
Electrical Group	B-02 - B-04
Exterior Body Group	B-05 - B-15
Galley Group	B-16 - B-18
Heating & Air Conditioning Group	B-19 - B-20
Interior Finish Group	B-21 - B-23
LP Group	B-24
Lounge Group	C-01
Water & Sewage Group	C-02 - C-03
Window, Vent & Exterior Door Group	C-04 - C-20

## DRIVER'S COMPARTMENT GROUP



MISCELLANEOUS DRIVER'S COMPARTMENT COMPONENTS

Key	Part Number	U/M	Description
1	076473-01-R10	EA	Cabinet Asm - Front Overhead
2	040714-01-700	EA	Mirror Kit/Rear View - w/Button Support
**3	M01113-07-000	EA	Dash Asm - Complete - w/Gauges & Switches (w/o Clock)
**3	M01113-09-000	EA	Dash Asm - Complete - w/Gauges & Switches (w/o Clock) - Diesel
.	038846-01-000	EA	Retainer - Dash - 1" x .25" - 188" Dia Hole
.	038846-02-000	EA	Retainer - Dash - 3" x 17" - .140" Dia Hole
.	022548-04-000	EA	Dash Pad - Right - Dark Brown
.	023242-06-000	EA	Dash Pad - Left - Dark Brown
.	024990-02-000	EA	Outlet - Defroster w/Swivel - 2" Dark Brown
4	039044-01-000	EA	Louver Asm - A/C Adjustable
5	076184-01-R07	EA	Bunk Board Asm. - Front Overhead - w/Beige Rails
6	074211-01-P01	EA	Pad Asm - Front Side Overhead - Right - Beige Vinyl
7	075588-01-P01	EA	Sunvisor Asm - Right & Left - Almond Vinyl
.	046099-01-000	EA	Arm Asm - Sunvisor
.	040695-02-000	EA	Clip - Sunvisor
.	074012-01-000	EA	Clip - Sunvisor - Square - Pinch On
.	007211-01-000	EA	Hinge - Sunvisor
.	061350-03-000	EA	Windshield Trim - Interior - "A" Post - Light Oak Plastic - Passenger
.	061350-04-000	EA	Windshield Trim - Interior - "A" Post - Light Oak Plastic - Driver
8	059414-04-000	EA	Pad - Sidewall Trim - Passenger - Beige Vinyl
9	072811-01-000	EA	Panel - Side - Passenger - Light Oak Plastic
.	059467-04-N07	EA	Pad - Map Pocket - Passenger - Beige Vinyl
10	022219-01-000	EA	Glove Compartment Door
.	023892-01-000	EA	Glove Compartment Box - Black Fiberboard
.	009118-01-000	EA	Glove Compartment Twist Lock
.	024598-01-000	EA	Glove Compartment Hinge - 1 1/16" x 19"
.	034309-01-000	EA	Glove Compartment Chain - Door
11	067213-03-000	EA	Engine Cover - Fiberglass

## DRIVER'S COMPARTMENT GROUP (CONTINUED)

### MISCELLANEOUS DRIVER'S COMPARTMENT COMPONENTS (CONT)

Key	Part Number	U/M	Description
12	035388-05-000	EA	Seal - Engine Cover - Alum. - Beige
.	039623-01-000	FT	Seal - Cover - Engine - Neoprene
.	052783-04-000	EA	Seal - Cover - Engine - Upper - Beige
.	039857-01-000	EA	Latch - Rubber - Draw Handle - 5 3/4" w/Strike
.	042541-01-000	EA	Latch Asm. - w/Strike - Chrome
13	071714-04-000	EA	Beverage Tray Asm.
14	023834-01-000	EA	Panel - Knee Kick - Bottom of Dash
15	076006-01-000	EA	Bezel - Entertainment Center - Blank
15	071668-01-000	EA	Bezel - Instrument Panel
15	077369-01-000	EA	Panel Access - Lower - Instrument Panel - Black
.	007308-01-000	EA	Dash Clock
16	059198-05-000	EA	Panel - Side - Driver - Light Oak Plastic
16	054499-02-000	EA	Panel - Side - Driver's Door - Light Oak Plastic
.	059467-03-N07	EA	Pad - Map Pocket - Driver - Beige Vinyl
.	050796-01-000	EA	Pocket - Ash Tray - Plastic
17	039847-08-000	EA	Bezel - Control Panel
.	052367-01-000	EA	Cigarette Lighter Asm - 12 Volt
.	007041-01-000	EA	Bezel - Cigarette Lighter
.	061424-01-000	EA	Lamp Asm - Map/Gauge
.	061400-03-000	EA	Assist Strap - 12" - Medium Almond
18	059414-03-000	EA	Pad - Sidewall Trim - Driver - Beige Vinyl
19	074210-02-P01	EA	Pad Asm. - Front Overhead Cabinet - Driver - Beige Vinyl
19	074210-01-P01	EA	Pad Asm - Front Overhead Cabinet - Driver's Door - Beige Vinyl
.	040519-01-000	EA	Boot - Rubber Steering Column
.	040520-01-000	EA	Boot Retainer - Steering Column
.	054250-01-000	EA	Support - Dimmer Switch - w/o Holes
.	024849-01-000	EA	Damper Asm - Fresh Air
.	.	.	Not illustrated
**	NOTE: To be special ordered only		

### FRONT BUNK & HARDWARE

Key	Part Number	U/M	Description
	076473-01-P10	EA	Cabinet Asm - Front Overhead
	076184-01-R07	EA	Bunk Board Asm - Front Overhead - w/Beige Rails
	053773-01-000	EA	Support - Overhead Bunk - Passenger - Brown
	053773-02-000	EA	Support - Overhead Bunk - Driver - Brown
	040071-02-000	EA	Support - Bunk - Seat Belt
	039516-04-000	EA	Catch - Bunk - Beige
	023812-28-000	EA	Rail - Bunk - 77 1" - Beige
	053774-04-000	EA	Torsion Rod - Overhead Bunk - Brown
	074211-01-P01	EA	Pad Asm - Front Side Overhead - Passenger - Beige Vinyl
	074210-02-P01	EA	Pad Asm - Front Side Overhead - Driver - Beige Vinyl
	074210-01-P01	EA	Pad Asm - Front Side Overhead - Driver's Door - Beige Vinyl
	048394-01-000	YD	Tape Hook - 1" x 25 YD - Beige
	048395-01-000	YD	Tape Loop - 1" x 25 YD - Beige
	007021-01-000	EA	Belt Asm - Seat - 2" x 90" - Black
	041322-01-000	EA	Washer - Flat - 15/32" I D x 2 3/8" O D - Seat Belt

### DASH SWITCHES & GAUGES

Key	Part Number	U/M	Description
	024461-01-000	EA	Switch - Battery
	024462-01-000	EA	Switch - Battery Condition
	024464-01-000	EA	Switch - Washer
	024467-01-000	EA	Switch - Wiper
	024976-01-000	EA	Switch - Generator w/o Circuit Board
	024459-03-000	EA	Gauge - Voltmeter
	024460-03-000	EA	Gauge - Vacuum
	024460-02-000	EA	Bracket - Mounting - Vacuum Gauge
	031035-01-000	EA	Gauge - Generator/Hourmeter
	074007-01-000	EA	Switch - Intermittent - Windshield Wiper
	072363-01-000	EA	Water Detector Probe - Fuel Line (Diesel)

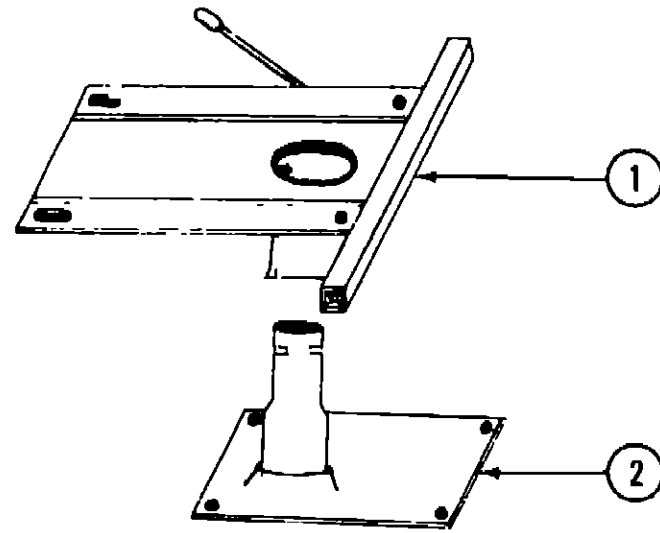
## 1984 ITASCA TABLE OF CONTENTS

Introduction	A-01
Abbreviations	A-01
Alphabetical Index	A-02 - A-04
ICN22RC	A-05 - C-20
ICN27RU	C-21 - F-10
ICN33RU	F-11 - H-22
ICP31RT	H-23 - J-24

## 1984 ICN22RC INDEX

Floor Plan	A-05 - A-06
Accessories Group	A-07 - A-09
Bath Group	A-10 - A-11
Chassis Group	A-12 - A-13
Curtain, Cushion & Pad Group	A-14 - A-20
Dinette Group	A-21 - A-22
Driver's Compartment Group	A-23 - B-01
Electrical Group	B-02 - B-04
Exterior Body Group	B-05 - B-15
Galley Group	B-16 - B-18
Heating & Air Conditioning Group	B-19 - B-20
Interior Finish Group	B-21 - B-23
LP Group	B-24
Lounge Group	C-01
Water & Sewage Group	C-02 - C-03
Window, Vent & Exterior Door Group	C-04 - C-20

**DRIVER'S COMPARTMENT GROUP (CONTINUED)**



**BUCKET SEAT PEDESTAL & SEAT BELTS**

Key	Part Number	U/M	Description
1	069585-04-000	EA	Plate - Top - Pedestal Asm - Single Bucket Seat
1	069585-10-000	EA	Plate - Top - Pedestal Asm - Double Bucket Seat
2	069585-08-000	EA	Plate - Sub - Pedestal Asm - Bucket Seat
.	069585-05-000	EA	Hardware Kit - Bolt/Acorn Nut - 4 ea. - Pedestal Asm
.	056271-02-000	EA	Belt Asm - Seat - 2" x 72" - Black
.	007019-01-000	EA	Belt Asm - Seat - 2" x 84" - Black
.	007021-01-000	EA	Belt Asm - Seat - 2" x 90" - Black
.	041322-01-000	EA	Washer - Flat 15/32" I D x 2 3/8" O.D - Seat Belt
.	069246-01-000	EA	Adjuster Asm - Seat - w/Lock
.	069246-02-000	EA	Adjuster Asm - Seat - w/o Lock
.	068601-06-000	EA	Recliner Drive - Single or Double Bucket - Driver
.	068601-07-000	EA	Recliner Drive - Single or Double Bucket - Passenger
.	068601-05-700	EA	Hand Wheel Kit - Recliner Drive
.			Not illustrated

**ELECTRICAL GROUP**

**BULBS**

Key	Part Number	U/M	Description
	008220-01-000	EA	Bulb - 12V - 25W
	008103-01-000	EA	Bulb - 53
	008213-01-000	EA	Bulb - 57
	008214-01-000	EA	Bulb - 67
	036196-01-000	EA	Bulb - 194
	008215-01-000	EA	Bulb - 1003
	067479-01-000	EA	Bulb - 1076 - 12V - 1 80 Amp.
	063914-01-000	EA	Bulb - 1139
	008218-01-000	EA	Bulb - 1141
	037935-01-000	EA	Bulb - 1157

**FUSES & CIRCUIT BREAKER**

Key	Part Number	U/M	Description
	056473-02-000	EA	Fuse - Slow Blow - 5 Amp. - 32 Volt Capacity
	056473-01-000	EA	Fuse - Slow Blow - 6 1/4 Amp
	008233-01-000	EA	Fuse - 6 Amp - 12 Volt
	008234-01-000	EA	Fuse - 10 Amp - 12 Volt
	046893-01-000	EA	Fuse - 13 Amp - 12 Volt
	008235-01-000	EA	Fuse - 15 Amp. - 12 Volt
	008236-01-000	EA	Fuse - 20 Amp. - 12 Volt
	008248-01-000	EA	Fuse - 30 Amp - 110 Volt - AGU
	008252-01-000	EA	Fuse - 50 Amp - 110 Volt
	062901-02-000	EA	Fuse - 5 Amp - Automotive
	062901-05-000	EA	Fuse - 15 Amp - Automotive
	008211-01-000	EA	Circuit Breaker - 6 Amp - 12 Volt
	008208-01-000	EA	Circuit Breaker - 40 Amp - 12 Volt
	033573-02-000	EA	Circuit Breaker - 15 Amp. - 12 Volt - w/Mount
	033573-01-000	EA	Circuit Breaker - 20 Amp - 12 Volt - w/Mount
	008268-01-000	EA	Circuit Breaker - 30 Amp. - 12 Volt - w/Mount
	040051-01-000	EA	Circuit Breaker - 20 Amp. - 110 Volt - TQL
	008297-01-000	EA	Circuit Breaker - 120 Amp. - TQL
	008293-01-000	EA	Circuit Breaker - 130 Amp - TQL
	075735-02-000	EA	Circuit Breaker - 15 Amp. - 120 Volt (Ground Fault Interrupter)
	071279-05-000	EA	Circuit Breaker - 20 Amp - 120 Volt
	071279-04-000	EA	Circuit Breaker - 30 Amp - 120 Volt
	071279 J2-000	EA	Circuit Breaker - 15/15 Amp - 120 Volt
	071279-03-000	EA	Circuit Breaker - 15/20 Amp - 120 Volt
	071279-01-000	EA	Circuit Breaker - 15/30 Amp - 120 Volt
	071279-06-000	EA	Circuit Breaker - 30/15 Amp - 120 Volt
	071280-01-000	EA	Circuit Breaker Blank

**EXTERIOR LIGHTS**

Key	Part Number	U/M	Description
	058030-01-000	EA	Tail Lamp Asm. - 3 Bulb - Chrome - Right
	058030-02-000	EA	Tail Lamp Asm. - 3 Bulb - Chrome - Left
	059036-01-000	EA	Bracket - Tail Lamp
	059540-01-000	EA	Bracket - License Plate
	062742-04-000	EA	Wedge - Tail Lamp w/License Plate - Off White - Left
	062740-04-000	EA	Wedge - Tail Lamp - Off White - Right
	042405-03-000	EA	Base - Rectangular Clearance Light
	042405-01-000	EA	Lens - Clearance Light - Red w/Reflex
	042405-04-000	EA	Lens - Clearance Light - Red w/o Reflex
	042405-02-000	EA	Lens - Clearance Light - Amber w/Reflex
	042405-05-000	EA	Lens - Clearance Light - Amber w/o Reflex
	008089-01-000	EA	Light - Porch - Recessed
	058330-01-000	EA	Lamp Asm - Parking
	058330-02-000	EA	Socket Asm. - Parking Lamp w/Wire
	048817-01-000	EA	Handle Asm. - Assist w/Light

**1984 ITASCA  
TABLE OF CONTENTS**

Introduction	A-01
Abbreviations	A-01
Alphabetical Index	A-02 - A-04
ICN22RC	A-05 - C-20
ICN27RU	C-21 - F-10
ICN33RU	F-11 - H-22
ICP31RT	H-23 - J-24

**1984 ICN22RC INDEX**

Floor Plan	A-05 - A-06
Accessories Group	A-07 - A-09
Bath Group	A-10 - A-11
Chassis Group	A-12 - A-13
Curtain, Cushion & Pad Group	A-14 - A-20
Dinette Group	A-21 - A-22
Driver's Compartment Group	A-23 - B-01
Electrical Group	B-02 - B-04
Exterior Body Group	B-05 - B-15
Galley Group	B-16 - B-18
Heating & Air Conditioning Group	D-19 - B-20
Interior Finish Group	B-21 - B-23
LP Group	B-24
Lounge Group	C-01
Water & Sewage Group	C-02 - C-03
Window, Vent & Exterior Door Group	C-04 - C-20

**ELECTRICAL GROUP (CONTINUED)**

**WIRE, SWITCHES & RECEPTACLES**

Key	Part Number	U/M	Description
	008058-01-000	EA	Adapter - Power Cord
	008288-01-000	EA	Box - Electrical - 3" x 3 5" - Plastic
	008289-01-000	EA	Box - Electrical - 4" x 4" - 1/2 & 3/4 - Steel - UL
	008289-02-000	EA	Box - Electrical - 4" x 4" - 1/2 & 3/4 - Steel - CSA
	058049-01-000	EA	Box - Electrical - 2" x 3" x 2 25" - Steel
	041953-01-000	EA	Conduit - Convoluted Slit - 5" I D
	008353-01-000	EA	Connector - Clamping - 3/8 Cable - UL & CSA
	058028-01-000	EA	Connector - Pigtail - Clear Nylon
	008314-01-000	EA	Connector - Wire Nut - Gray
	008311-01-000	EA	Connector - Wire Nut - Red
	031968-01-000	EA	Contact Plug - Brass - Tin Plated
	008054-01-000	EA	Cord - Power - 10-3 30 Amp - 25' - UL
	008052-01-000	EA	Cord - Power - 10-3 30 Amp - 25' - CSA
	069238-01-000	EA	Cover - Electrical Box - 4" x 4"
	058048-01-000	EA	Cover - Electrical Box - 4 5" x 2 75" - Rain Tight (Exterior)
	024571-03-000	EA	Cover Plate - Receptacle - Jumbo - Brown Plastic
	024571-04-000	EA	Cover Plate - Receptacle - Jumbo - Ivory Plastic
	008164-01-000	EA	Cover Plate - Switch - Brown
	008294-01-000	EA	Cover - Flat Blank - 4" x 4" - Steel - US
	008294-02-000	EA	Cover - Flat Blank - 4" x 4" - Steel - CSA
	008250-01-000	EA	Fuse Holder - In Line - 10 Amp
	008250-02-000	EA	Fuse Holder - In Line - 15 Amp
	008277-01-000	EA	Fuse Holder - Panel Mount - Black
	064399-01-000	EA	Housing Asm. - Trailer Pin
	064450-01-000	EA	Housing Asm. - Trailer Plug
	064398-01-000	EA	Housing Asm. - Trailer Receptacle
	054532-01-000	EA	Housing Pin - 6 Position
	046885-01-000	EA	Plaque - Mounting Switch
	065610-01-000	EA	Plate - Mounting - Fuse Block
	031967-01-000	EA	Receptacle - Contact
	075726-01-000	EA	Receptacle/Cover Asm - Gray (Exterior)
	058708-01-000	EA	Receptacle - Duplex - Brown
	008157-01-000	EA	Receptacle - Duplex - Brown (Exterior Backwall)
	058708-02-000	EA	Receptacle - Duplex - Ivory
	053126-01-000	EA	Receptacle - Ground Fault Interrupter - 125 Volt - Ivory
	024924-02-000	EA	Receptacle - Power Cord
	058707-01-000	EA	Receptacle - Single - Brown
	063912-01-000	EA	Relay - Canister SPDT - w/Ground
	008162-01-000	EA	Switch - Double Toggle - Brown
	056264-01-000	EA	Switch - Leaf Actuator
	008195-01-000	EA	Switch - Push Button - 12 Volt
	041250-01-000	EA	Switch - Push Button - Door - On/Off
	008163-01-000	EA	Switch - Toggle - Brown
	006050-01-000	EA	TV Jack - Ivory
	047443-02-000	EA	Terminal - 250 Receptacle - 12-10 AWG
	035417-01-000	EA	Terminal - Pin Receptacle - 125 Dia
	008348-01-000	EA	Terminal Ring - 2 - w/3/8" Stud
	008331-01-000	EA	Terminal Ring - 4 - w/3/8" Stud
	008328-01-000	EA	Terminal Ring - 12/10 Wire
	008028-01-000	FT	Wire - 18 5 Bonded - Blue/Red/Yellow/Orange/White
	008024-01-000	FT	Wire - 18.5 Bonded - Orange/White/Yellow/Blue/Brown
	008025-01-000	FT	Wire - 18 5 Bonded - Orange/White/Yellow/Blue/Green
	008026-01-000	FT	Wire w/Ground - Romex - 12/2

**ELECTRICAL GROUP (CONTINUED)**

**INTERIOR LIGHTS**

Key	Part Number	U/M	Description
	033508-02-000	EA	Light - Dome - Ivory - 1 Bulb - US
	033508-03-000	EA	Light - Dome - Ivory - 1 Bulb - CSA
	033509-02-000	EA	Light - Dome - Ivory - 2 Bulb - US
	033509-03-000	EA	Light - Dome - Ivory - 2 Bulb - CSA
	061424-01-000	EA	Light - 12 V Receptacle - Aisle - IP
	007309-01-000	EA	Light - Step Well
	072353-01-000	EA	Light - Reading - Single - 360° Swivel - Silver
	072353-04-000	EA	Light - Reading - Dbl - 360° Swivel - w/Aux Remote Control Switch - Silver

**WINDSHIELD WIPER & WASHER**

Key	Part Number	U/M	Description
**	056000-02-000	EA	Washer Asm - Windshield - w/o Nozzels
**	057474-01-000	EA	Wiper Asm
**	057653-01-000	EA	Arm - Windshield Wiper - 18" - Black
**	067191-02-000	EA	Motor Asm. - Windshield Wiper - 2 Speed
**	067192-01-000	EA	Link Asm - Connecting - Left
**	067193-01-000	EA	Link Asm - Connecting - Right
**	049464-03-000	EA	Blade - Windshield Wiper - 20" Black
**	067190-01-000	EA	Shaft & Pivot Asm
**	The illustrated parts breakdown for this item is provided on the Common Items Fiche		

**MISCELLANEOUS ELECTRICAL COMPONENTS**

Key	Part Number	U/M	Description
	047338-03-000	EA	Isolator - Dual Battery - 70 Amp.
	008188-01-000	EA	Solenoid - Dual Battery - Relay
	071278-01-000	EA	Control Center - 32 Amp.
	071278-01-700	EA	Door w/Catch - Brown
	071278-01-701	EA	Converter Module
	071278-01-702	EA	Label - 45 Amp
	071278-01-703	EA	Catch - Door
	039950-01-702	EA	Circuit Board - Control Center
	052367-01-000	EA	Lighter Asm - Cigarette

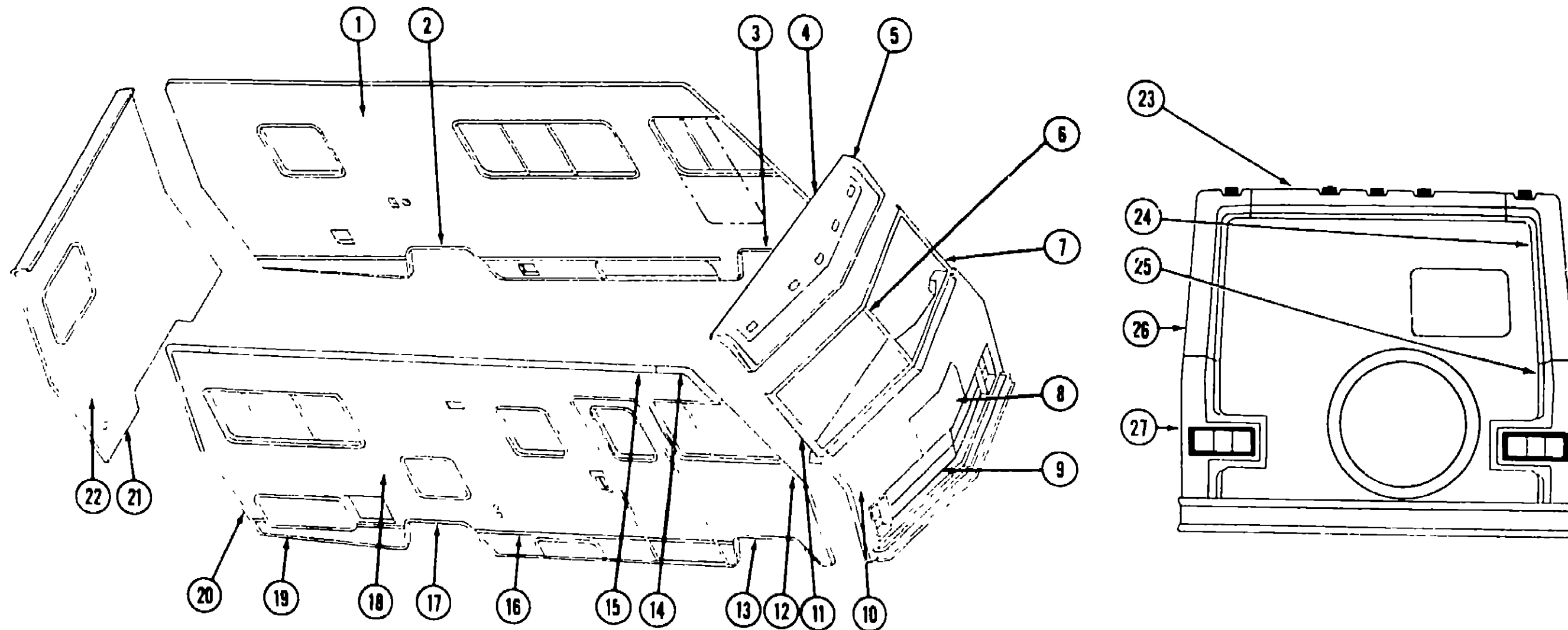
**1984 ITASCA  
TABLE OF CONTENTS**

Introduction	A-01
Abbreviations	A-01
Alphabetical Index	A-02 - A-04
ICN22RC	A-05 - C-20
ICN27RU	C-21 - F-10
ICN33RU	F-11 - H-22
ICP31RT	H-23 - J-24

**1984 ICN22RC INDEX**

Floor Plan	A-05 - A-06
Accessories Group	A-07 - A-09
Bath Group	A-10 - A-11
Chassis Group	A-12 - A-13
Curtain, Cushion & Pad Group	A-14 - A-20
Dinette Group	A-21 - A-22
Driver's Compartment Group	A-23 - B-01
Electrical Group	B-02 - B-04
Exterior Body Group	B-05 - B-15
Galley Group	B-16 - B-18
Heating & Air Conditioning Group	B-19 - B-20
Interior Finish Group	B-21 - B-23
LP Group	B-24
Lounge Group	C-01
Water & Sewage Group	C-02 - C-03
Window, Vent & Exterior Door Group	C-04 - C-20

**EXTERIOR BODY GROUP**  
**ALUMINUM EXTERIOR BODY PANELS**



Key	Part Number	U/M	Description
1	M76021-02-R22	EA	Sidewall Asm - Driver
1	M76021-02-R23	EA	Sidewall Asm - Driver
1	M76021-02-R24	EA	Sidewall Asm - Driver
2	058487-03-000	EA	Wheel Well Trim - Rear - Passenger or Driver
3	073647-01-000	EA	Wheel Well Trim - Front - Passenger or Driver
4	062396-01-000	EA	Trim - Roof/Front Cap
5	055400-02-000	EA	Cap Asm - Over Windshield - Gray
6	058288-01-000	EA	Trim Molding - Windshield - Center
7	058289-01-000	EA	Contour Trim - Windshield - Left
•	058287-01-000	EA	Trim Molding - Windshield - Upper & Lower
•	058291-01-000	FT	Molding Edge - Windshield
8	073064-03-000	EA	Access Panel - w/o Hardware - Gray
9	074636-01-000	EA	Grille Asm
•	074588-01-000	EA	Mesh Asm - Grille
•	070817-03-000	EA	Headlamp Bezel - Driver
•	070817-04-000	EA	Headlamp Bezel - Passenger
•	062207-01-000	EA	Guard - Headlamp
•	049359-01-000	EA	Spring Retainer - Headlamp
10	M01115-06-000	EA	Panel Asm - Front Shroud - Gray
11	058289-02-000	EA	Contour Trim - Windshield - Passenger
•	042743-01-000	EA	Corner Support - Windshield - Lower - Steel
•	042743-02-000	EA	Corner Support - Windshield - Upper - Steel
12	073861-05-000	EA	Trim - Fiberglass Panel - Passenger - Gray
•	073861-06-000	EA	Trim - Fiberglass Panel - Driver - Gray
13	075069-02-000	EA	Wheel Well Trim - Front - Passenger - Gray Plastic
•	075069-04-000	EA	Wheel Well Trim - Front - Driver - Gray Plastic

Key	Part Number	U/M	Description
14	058284-06-000	EA	Contour Trim - Passenger - Front Upper - Gray
•	058284-05-000	EA	Contour Trim - Driver - Front Upper - Gray
15	034922-34-000	EA	Sidewall Trim - Upper - Passenger or Driver - Gray
16	059576-04-000	EA	Feature Strip - Extr. Alum - 14' - w/o Insert - Dark Gray
•	009731-01-000	EA	End Cap - Feature Strip Insert
•	001030-11-100	EA	Insert - Feature Strip - 17' - Gray
17	075070-02-000	EA	Wheel Well Trim - Rear - Passenger - Gray Plastic
•	075070-04-000	EA	Wheel Well Trim - Rear - Driver - Gray Plastic
18	M76020-02-R22	EA	Sidewall Asm - Passenger
18	M76020-02-R23	EA	Sidewall Asm - Passenger
18	M76020-02-R24	EA	Sidewall Asm - Passenger
•	M76020-04-R22	EA	Sidewall Asm - Bunk House - Passenger
•	M76020-04-R23	EA	Sidewall Asm - Bunk House - Passenger
•	M76020-04-R24	EA	Sidewall Asm - Bunk House - Passenger
19	072639-05-001	EA	Rocker Panels - 216"
20	073502-06-000	EA	Rear Trim - Passenger - Gray
•	073502-05-000	EA	Rear Trim - Driver - Gray
21	050406-06-000	EA	Backwall Trim - Lower
22	M75601-02-R22	EA	Backwall Asm - w/Double Bed
•	M75601-04-R22	EA	Backwall Asm - w/Bunk Bed
•	M75601-01-R07	EA	Roof Asm
23	M01229-02-000	EA	Rear Trim - Center Upper - Gray Plastic
24	073654-02-000	EA	Rear Trim - Upper Passenger - Gray Plastic
25	073570-02-000	EA	Rear Trim - Lower Passenger - Gray Plastic
26	073654-04-000	EA	Rear Trim - Upper Driver - Gray Plastic
27	M73570-04-000	EA	Rear Trim - w/License Plate Bracket - Lower Driver - Gray Plastic
•			Not illustrated

**1984 ITASCA**  
**TABLE OF CONTENTS**

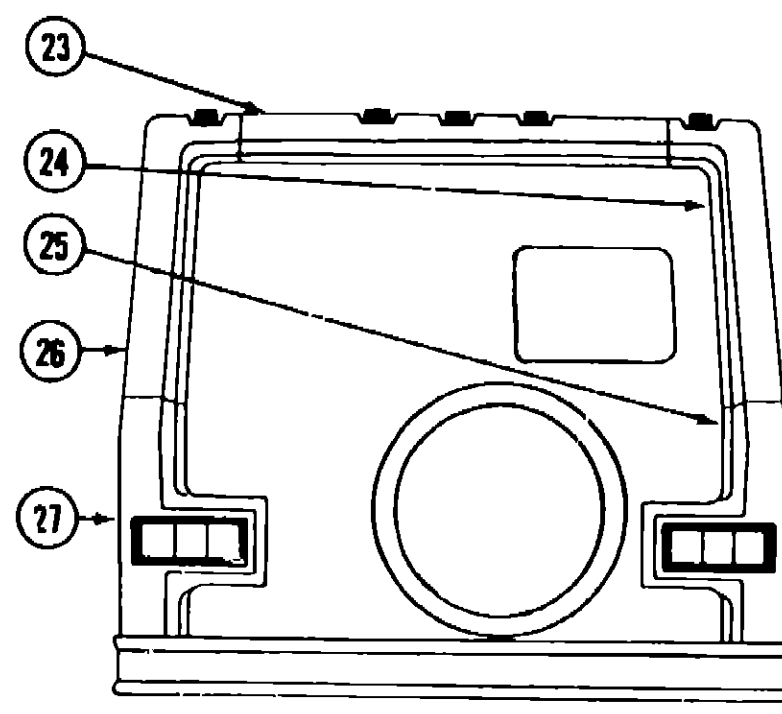
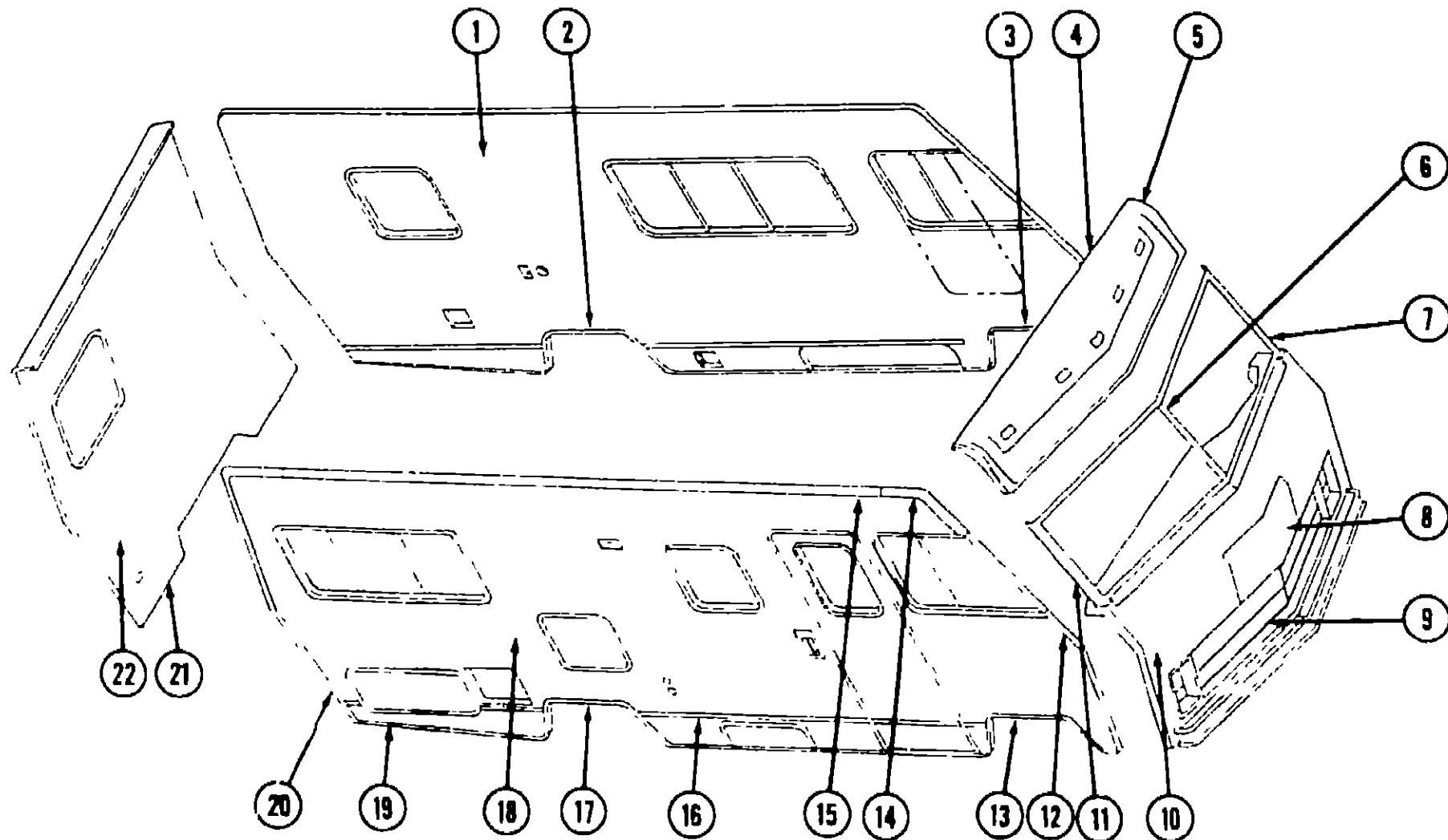
Introduction	A-01
Abbreviations	A-01
Alphabetical Index	A-02 - A-04
ICN22RC	A-05 - C-20
ICN27RU	C-21 - F-10
ICN33RU	F-11 - H-22
ICP31RT	H-23 - J-24

**1984 ICN22RC INDEX**

Floor Plan	A-05 - A-06
Accessories Group	A-07 - A-09
Bath Group	A-10 - A-11
Chassis Group	A-12 - A-13
Curtain, Cushion & Pad Group	A-14 - A-20
Dinette Group	A-21 - A-22
Driver's Compartment Group	A-23 - B-01
Electrical Group	B-02 - B-04
Exterior Body Group	B-05 - B-15
Galley Group	B-16 - B-18
Heating & Air Conditioning Group	B-19 - B-20
Interior Finish Group	B-21 - B-23
LP Group	B-24
Lounge Group	C-01
Water & Sewage Group	C-02 - C-03
Window, Vent & Exterior Door Group	C-04 - C-20

# EXTERIOR BODY GROUP (CONTINUED)

## FIBERGLASS EXTERIOR BODY PANELS



Key	Part Number	U/M	Description
1	M76655-02-R22	EA	Sidewall Asm - Greyhound - Driver
1	M76555-02-R23	EA	Sidewall Asm - Greyhound - Driver
1	M76655-02-R24	EA	Sidewall Asm - Greyhound - Driver
1	M77783-02-R22	EA	Sidewall Asm - Mesa - Driver
1	M77783-02-R23	EA	Sidewall Asm - Mesa - Driver
1	M77783-02-R24	EA	Sidewall Asm - Mesa - Driver
2	058487-03-000	EA	Wheel Well Trim - Rear - Passenger or Driver
3	073547-01-000	EA	Wheel Well Trim - Front - Passenger or Driver
4	062396-01-000	EA	Trim - Roof/Front Cap
5	055400-02-000	EA	Cap Asm. - Over Windshield - Gray
6	058288-01-000	EA	Trim Molding - Windshield - Center
7	058289-01-000	EA	Contour Trim - Windshield - Left
.	058287-01-000	EA	Trim Molding - Windshield - Upper & Lower
.	058291-01-000	FT	Molding Edge - Windshield
8	073064-03-000	EA	Access Panel - w/o Hardware - Gray
9	074636-01-000	EA	Grille Asm
.	074588-01-000	EA	Mesh Asm. - Grille
.	070817-03-000	EA	Headlamp Bezel - Driver
.	070817-04-000	EA	Headlamp Bezel - Passenger
.	062207-01-000	EA	Guard Headlamp
.	049359-01-000	EA	Spring Retainer Headlamp
10	M01115-06-000	EA	Panel Asm. - Front Shroud - Gray
11	058289-02-000	EA	Contour Trim - Windshield - Passenger
.	042743-01-000	EA	Corner Support - Windshield - Lower - Steel
.	042743-02-000	EA	Corner Support - Windshield - Upper - Steel
12	073861-05-000	EA	Trim - Fiberglass Panel - Passenger - Gray
.	073861-06-000	EA	Trim - Fiberglass Panel - Driver - Gray
13	075069-02-000	EA	Wheel Well Trim - Front Passenger - Gray - Plastic
.	075069-04-000	EA	Wheel Well Trim - Front Driver - Gray - Plastic
14	076598-06-000	EA	Contour Trim - Passenger - Front Upper - Gray
.	076598-05-000	EA	Contour Trim - Driver - Front Upper - Gray

Key	Part Number	U/M	Description
15	076610-09-000	EA	Sidewall Trim - Upper - Passenger or Driver - Gray
16	059576-04-000	EA	Feature Strip - Extr. Alum - 14' - w/o Insert - Dark Gray
.	009731-01-000	EA	End Cap - Feature Strip Insert
.	001030-11-100	EA	Insert - Feature Strip - 17' - Gray
17	075070-02-000	EA	Wheel Well Trim - Rear - Passenger - Gray Plastic
.	075070-04-000	EA	Wheel Well Trim - Rear - Driver - Gray Plastic
18	M76654-02-R22	EA	Sidewall Asm - Greyhound - Passenger
18	M76654-02-R23	EA	Sidewall Asm - Greyhound - Passenger
18	M76654-02-R24	EA	Sidewall Asm - Greyhound - Passenger
18	M77782-02-R22	EA	Sidewall Asm - Mesa - Passenger
18	M77782-02-R23	EA	Sidewall Asm - Mesa - Passenger
18	M77783-03-R24	EA	Sidewall Asm. - Mesa - Passenger
.	M76654-04-R22	EA	Sidewall Asm. - Bunk House - Greyhound - Passenger
.	M76654-04-R23	EA	Sidewall Asm. - Bunk House - Greyhound - Passenger
.	M76654-04-R24	EA	Sidewall Asm. - Bunk House - Greyhound - Passenger
.	M77782-04-R22	EA	Sidewall Asm. - Bunk House - Mesa - Passenger
.	M77782-04-R23	EA	Sidewall Asm. - Bunk House - Mesa - Passenger
.	M77782-04-R24	EA	Sidewall Asm. - Bunk House - Mesa - Passenger
19	072639-01-001	EA	Rocker Panel - 216"
20	073502-05-000	EA	Rear Trim - Passenger - Gray
.	073502-06-000	EA	Rear Trim - Driver - Gray
21	050406-05-000	EA	Backwall Trim - Lower
22	M77829-02-R22	EA	Backwall Asm - w/Double Bed
.	M77829-04-R22	EA	Backwall Asm - w/Bunk Bed
.	076818-01-R22	EA	Roof Asm
23	M01229-02-000	EA	Rear Trim - Center Upper - Gray Plastic
24	073654-02-000	EA	Rear Trim - Upper Passenger - Gray Plastic
25	073570-02-000	EA	Rear Trim - Lower Driver - Gray Plastic
26	073654-02-000	EA	Rear Trim - Upper Driver - Gray Plastic
27	M73570-02-000	EA	Rear Trim - w/License Plate Bracket - Lower Driver - Gray Plastic
.			Not Illustrated

## 1984 ITASCA TABLE OF CONTENTS

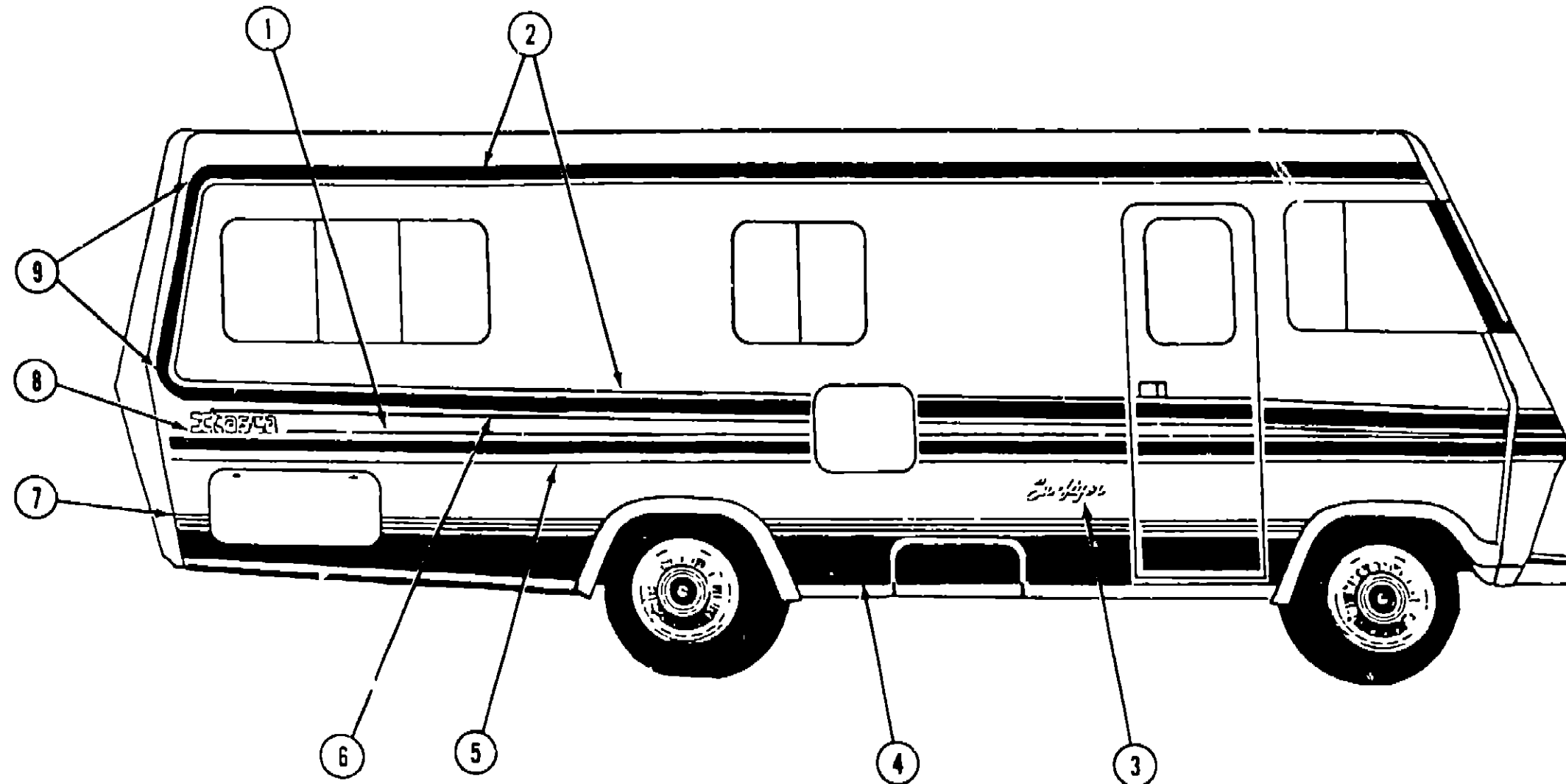
Introduction	A-01
Abbreviations	A-01
Alphabetical Index	A-02 - A-04
ICN22RC	A-05 - C-20
ICN27RU	C-21 - F-10
ICN33RU	F-11 - H-22
ICP31RT	H-23 - J-24

## 1984 ICN22RC INDEX

Floor Plan	A-05 - A-06
Accessories Group	A-07 - A-09
Bath Group	A-10 - A-11
Chassis Group	A-12 - A-13
Curtain, Cushion & Pad Group	A-14 - A-20
Dinette Group	A-21 - A-22
Driver's Compartment Group	A-23 - B-01
Electrical Group	B-02 - B-04
Exterior Body Group	B-05 - B-15
Galley Group	B-16 - B-18
Heating & Air Conditioning Group	B-19 - B-20
Interior Finish Group	B-21 - B-23
LP Group	B-24
Lounge Group	C-01
Water & Sewage Group	C-02 - C-03
Window, Vent & Exterior Door Group	C-04 - C-20

# EXTERIOR BODY GROUP (CONTINUED)

## LABELS, DECALS & EXTERIOR PAINT



Key	Part Number	U/M	Description
1	041273-77-000	FT	Decal - Striping - 1.5" x 150' - Light Gray Metallic
2	065217-22-000	FT	Film - Multi-Stripe - 3.7" x 150' - Light Blue Metallic
2	065217-27-000	FT	Film - Multi-Stripe - 3.7" x 150' - Dark Blue Metallic
2	065217-26-000	FT	Film - Multi-Stripe - 3.7" x 150' - Light Brown Metallic
3	058718-02-000	EA	Decal - "Sunflyer" - Chrome
4	041273-78-000	FT	Decal - Striping - 1" x 150' - Dark Gray Metallic
5	069245-15-000	FT	Film - Multi-Stripe - 4.26" x 150' - Dark Gray Metallic
6	041273-79-000	FT	Decal - Striping - .75" - Light Gray Metallic
7	065217-19-000	FT	Film - Multi Stripe - 1.19" x 150' - Light Blue Metallic
7	065217-29-000	FT	Film - Multi Stripe - 1.19" x 150' - Dark Blue Metallic
7	065217-28-000	FT	Film - Multi Stripe - 1.19" x 150' - Light Brown Metallic
8	046400-09-000	EA	Decal - Logo - "Itasca" - Chrome
9	073732-01-000	EA	Decal - 180° Turn - Light Blue Metallic
9	073732-05-000	EA	Decal - 180° Turn - Dark Blue Metallic
9	073732-04-000	EA	Decal - 180° Turn - Light Brown Metallic
.	068383-01-000	EA	Label - Diesel Fuel
.	006195-01-000	EA	Label - Electrical Test
.	047731-01-000	EA	Label - Emergency Exit
.	006199-01-000	EA	Label - Exit - Escape Window
.	057467-04-000	EA	Label - Exterior Loading Limit
.	064378-01-000	EA	Label - Flying "W" w/Thermo Panel

Key	Part Number	U/M	Description
.	061417-01-000	EA	Label - Fuel
.	006196-01-000	EA	Label - Gas Test
.	054531-01-000	EA	Label - LP Gas Only
.	040944-01-000	EA	Label - Open - Entrance Door
.	006015-01-000	EA	Label - Patent Motor Home
.	056259-01-000	EA	Label - Safety Check List
.	006064-01-000	EA	Label - Seat - w/o Seat Belts
.	006187-01-000	EA	Label - Sewage
.	006006-01-000	EA	Label - Thermo Panel - 2 1/4" x 2 1/4"
.	075221-01-000	EA	Label - Trailer Hitch Capacity
.	075220-01-000	EA	Label - Warning - Exterior Load Limit
.	050225-01-000	EA	Label - Warning - Stove Vent - US
.	006188-01-000	EA	Label - Waste Water
.	006197-01-000	EA	Label - Water Test
.	072863-01-000	EA	Nameplate - Diesel - 6.2L
.	006062-01-000	EA	Tag - Electrical - 110 Volt Connection
.	006040-01-000	EA	Tag - Gas - Refueling Warning
.	044486-03-000	EA	Paint - Beige Acrylic Enamel - 16 oz. Aerosol (7633A Dupont)
.	045681-03-000	EA	Paint - Gloss Black - Acrylic Enamel - 16 oz. Aerosol (99 Dupont)
.	058637-05-000	EA	Paint - Gray Acrylic Enamel - 16 oz. Aerosol (71537 Dupont)
.	041561-03-000	EA	Paint - Off White Acrylic Enamel - 16 oz. Aerosol (45396A Dupont)
.			Not illustrated

## 1984 ITASCA TABLE OF CONTENTS

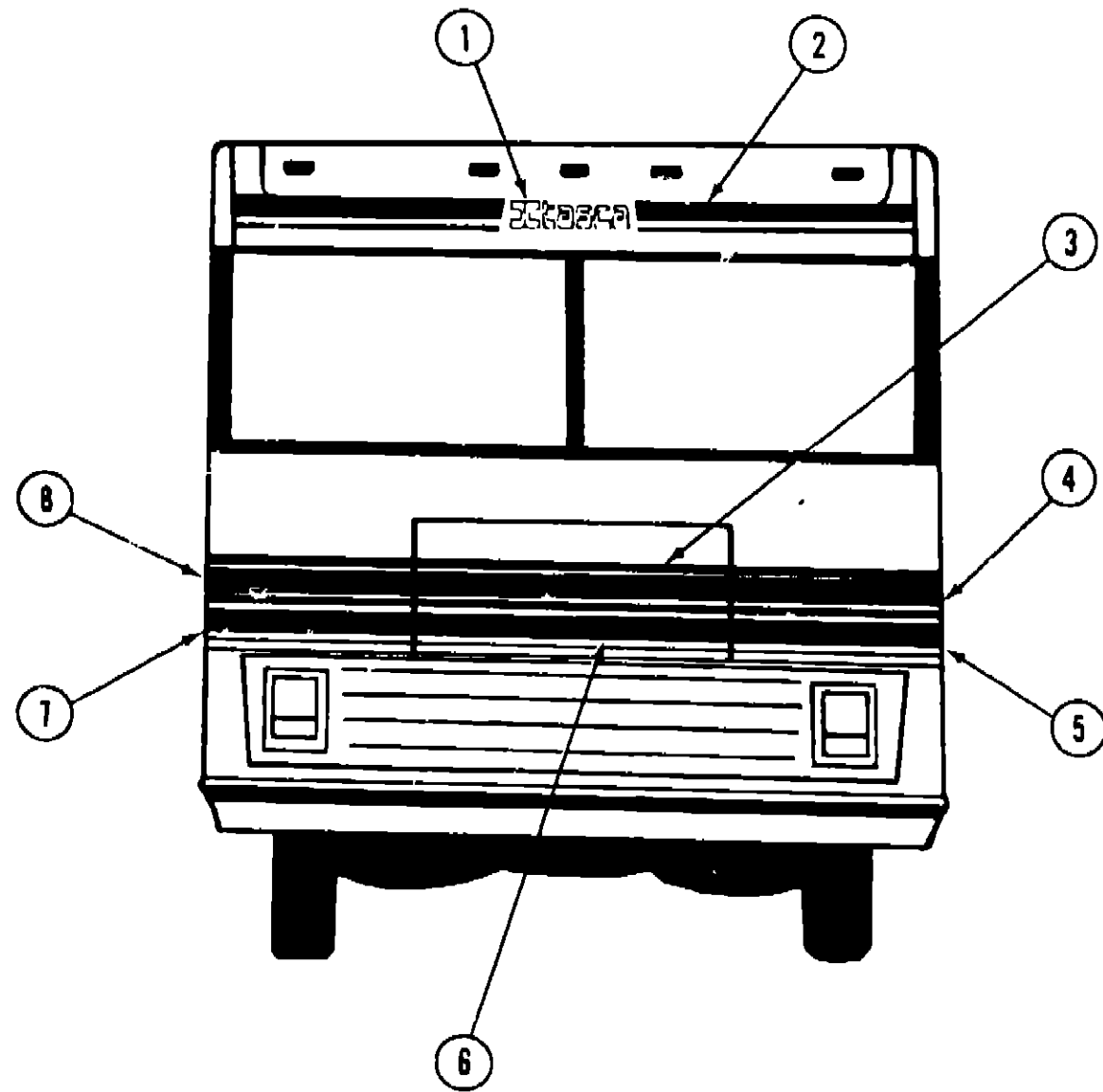
Introduction	A-01
Abbreviations	A-01
Alphabetical Index	A-02 - A-04
ICN22RC	A-05 - C-20
ICN27RU	C-21 - F-10
ICN33RU	F-11 - H-22
ICP31RT	H-23 - J-24

## 1984 ICN22RC INDEX

Floor Plan	A-05 - A-06
Accessories Group	A-07 - A-09
Bath Group	A-10 - A-11
Chassis Group	A-12 - A-13
Curtain, Cushion & Pad Group	A-14 - A-20
Dinette Group	A-21 - A-22
Driver's Compartment Group	A-23 - B-01
Electrical Group	B-02 - B-04
Exterior Body Group	B-05 - B-15
Galley Group	B-16 - B-18
Heating & Air Conditioning Group	B-19 - B-20
Interior Finish Group	B-21 - B-23
LP Group	B-24
Lounge Group	C-01
Water & Sewage Group	C-02 - C-03
Window, Vent & Exterior Door Group	C-04 - C-20

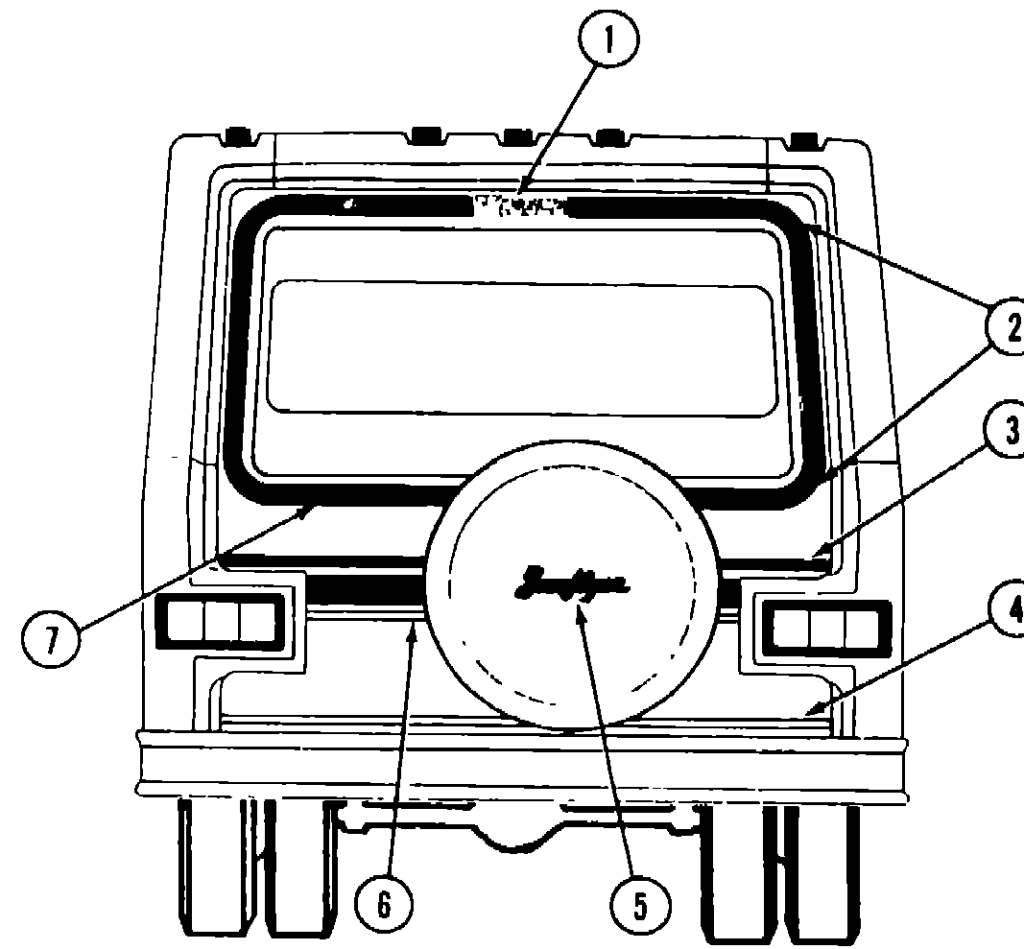
**EXTERIOR BODY GROUP (CONTINUED)**

**EXTERIOR BODY GROUP (CONTINUED)**



**FRONT DECALS**

Key	Part Number	U/M	Description
1	069227-07-000	EA	Decal - Logo - "Itasca" - 3.7" x 15.82" - Chrome
2	065217-22-000	FT	Film - Multi-Stripe - 3.7" x 150' - Light Blue Metallic
2	065217-27-000	FT	Film - Multi-Stripe - 3.7" x 150' - Dark Blue Metallic
2	065217-26-000	FT	Film - Multi-Stripe - 3.7" x 150' - Light Brown Metallic
3	073735-04-000	EA	Decal - Hood - Light Blue Metallic/Light Gray Metallic
3	073735-06-000	EA	Decal - Hood - Dark Blue Metallic/Light Gray Metallic
3	073735-05-000	EA	Decal - Hood - Light Brown Metallic/Light Gray Metallic
4	073736-08-000	EA	Decal - Corner - Light Blue Metallic/Light Gray Metallic
4	073736-12-000	EA	Decal - Corner - Dark Blue Metallic/Light Gray Metallic
4	073736-10-000	EA	Decal - Corner - Light Brown Metallic/Light Gray Metallic
5	073734-04-000	EA	Decal - Corner - Bottom Stripe - Dark Gray Metallic
6	073733-02-000	EA	Decal - Hood - Lower - Dark Gray Metallic
7	073734-03-000	EA	Decal - Corner - Bottom Stripe - Dark Gray Metallic
8	073736-07-000	EA	Decal - Corner - Light Blue Metallic/Light Gray Metallic
8	073736-11-000	EA	Decal - Corner - Dark Blue Metallic/Light Gray Metallic
8	073736-09-000	EA	Decal - Corner - Light Brown Metallic/Light Gray Metallic
*	041273-76-000	FT	Decal Striping - 1.19" x 150' - Aluminum
*			Not illustrated



**REAR DECALS**

Key	Part Number	U/M	Description
1	069227-07-000	EA	Decal - Logo - "Itasca" - 3.7" x 15.82" - Chrome
2	073732-01-000	EA	Decal - 180° Turn - Light Blue Metallic
2	073732-05-000	EA	Decal - 180° Turn - Dark Blue Metallic
2	073732-04-000	EA	Decal - 180° Turn - Light Brown Metallic
3	041273-77-000	FT	Decal - Striping - 1.5" x 150' - Light Gray Metallic
4	065217-19-000	FT	Film - Multi-Stripe - 1.19" x 150' - Light Blue Metallic
4	065217-29-000	FT	Film - Multi-Stripe - 1.19" x 150' - Dark Blue Metallic
4	065217-28-000	FT	Film - Multi-Stripe - 1.19" x 150' - Light Brown Metallic
5	058718-02-000	EA	Decal - "Sunflyer" - Chrome
6	069245-15-000	FT	Film - Multi-Stripe - 4.26" x 150' - Dark Gray Metallic
7	065217-22-000	FT	Film - Multi-Stripe - 3.7" x 150' - Light Blue Metallic
7	065217-27-000	FT	Film - Multi-Stripe - 3.7" x 150' - Dark Blue Metallic
7	065217-26-000	FT	Film - Multi-Stripe - 3.7" x 150' - Light Brown Metallic
*	041273-78-000	EA	Decal Striping - 1.1" x 150' - Dark Gray Metallic
*			Not illustrated

**1984 ITASCA  
TABLE OF CONTENTS**

Introduction	A-01
Abbreviations	A-01
Alphabetical Index	A-02 - A-04
ICN22RC	A-05 - C-20
ICN27RU	C-21 - F-10
ICN33RU	F-11 - H-22
ICP31RT	H-23 - J-24

**1984 ICN22RC INDEX**

Floor Plan	A-05 - A-06
Accessories Group	A-07 - A-09
Bath Group	A-10 - A-11
Chassis Group	A-12 - A-13
Curtain, Cushion & Pad Group	A-14 - A-20
Dinette Group	A-21 - A-22
Driver's Compartment Group	A-23 - B-01
Electrical Group	B-02 - B-04
Exterior Body Group	B-05 - B-15
Galley Group	B-16 - B-18
Heating & Air Conditioning Group	B-19 - B-20
Interior Finish Group	B-21 - B-23
LP Group	B-24
Lounge Group	C-01
Water & Sewage Group	C-02 - C-03
Window, Vent & Exterior Door Group	C-04 - C-20



**EXTERIOR BODY GROUP (CONTINUED)**

**MISCELLANEOUS EXTERNALLY MOUNTED PARTS**

Key	Part Number	U/M	Description
**	011129-01-000	EA	Plumbing Seal - Roof Vent - 1.5"
	048817-01-000	EA	Assist Handle - w/Light
	048817-01-700	EA	Lens - Assist Handle
	010230-04-000	EA	Fill - City Water - Recessed - Gray
	058808-03-000	EA	Water Fill - Lockable - Gray
	072447-01-000	EA	Shroud - Fuel Fill
	063303-04-000	EA	Shroud - Fuel Fill - Lower
	072309-02-000	EA	Shroud - Fill Neck
**	The illustrated parts breakdown for this item is provided on the Common Items Fiche		

**EXTERIOR ALUMINUM & FIBERGLASS SKINS**

Key	Part Number	U/M	Description
	039155-36-001	EA	Alum - Mesa II - .024" x 48" x 360" - Gray
	039155-36-002	EA	Alum - Mesa II - .024" x 36" x 360" - Gray
	039155-36-003	EA	Alum - Mesa II - .024" x 12" x 360" - Gray
	001054-03-003	EA	Alum. No Design - 48" x 96" - Gray
	044487-01-001	EA	Alum. - No Design (Roof) - 96" x 360" - Mill Finish
	076054-15-003	EA	Fiberglass Sheet - Grayhound - 45.75" x 382" - Gray
	077517-15-001	EA	Fiberglass Sheet - Mesa - 46 12" x 378" - Gray
	077517-15-002	EA	Fiberglass Sheet - Mesa - 46 12" x 60" - Gray
	000868-01-000	SF	Styrofoam - 75" x 24" x 96"
	000870-01-000	SF	Styrofoam - 1 5" x 24" x 96"
	000870-03-000	SF	Styrofoam - 1 34" x 48" x 96"

**ACCESS PANEL HARDWARE**

Key	Part Number	U/M	Description
	072917-02-000	EA	Rod - Hood Prop
	062028-01-000	EA	Clip - Prop Rod
	058833-01-000	EA	Bracket - Prop Rod
	073340-01-000	EA	Hinge - Access Panel - Passenger
	073340-02-000	EA	Hinge - Access Panel - Drivers
	058960-01-000	EA	Bracket - Hinge Asm. - Hood - Drivers
	058960-02-000	EA	Bracket - Hinge Asm. - Hood - Passenger
	R77006-68-721	EA	Cable - Release (Access Panel)
	074178-01-000	EA	Bracket - Cable Release - Inside
	R77007-01-950	EA	Striker - Hood Latch
	R77006-59-931	EA	Latch - Hood
	R77006-38-499	EA	Spring
	R77006-19-765	EA	Cable Sheath
	073333-01-000	EA	Bracket - Latch Support
	073337-01-000	EA	Brace Latch - Hood
	073341-01-000	EA	Bracket - Hood Latch
	058786-02-000	EA	Bolt - Hood Adjusting - 5/16" x 18 x 1 1/4"

**EXTERIOR BODY GROUP (CONTINUED)**

**INTERIOR/EXTERIOR SCREWS & FASTENERS**

Key	Part Number	U/M	Description
	005200-01-000	EA	Bolt - Round Head - Square Neck w/SST Cap - 7/16" - 14 x 1 1/4"
	058279-01-000	EA	Clip - Mounting - Front Panel
	035828-01-000	EA	Fastener - Blind Well Nut - 1 05" x .38"
	000D15-06-00B	EA	Nut - Hex - 3/8" x 24 - Zinc
	005081-01-000	EA	Nut - Speed - C Type - #8 Screw
	000G54-04-20B	EA	Screw 1/4 - 20 x 1 1/4" PTH - Zinc
	000G54-04-22B	EA	Screw 1/4 - 20 x 1 3/8" PTH - Zinc
	000G53-04-06B	EA	Screw 1/4 - Machine - 20 x 3/8" PTH - Zinc
	000G13-06-12P	EA	Screw #6 - 20 x 3/4" PFH - Dark Brown
	000G13-06-28X	EA	Screw #6 - 20 x 3/4" PFH - Gray
	000G13-06-16R	EA	Screw #6 - 20 x 1" PFH - Beige
	000G11-07-08B	EA	Screw #7 - 19 x 1/2" PPH - Zinc
	000G12-08-12M	EA	Screw #8 - 18 x 3/4" POH - Gray
	000G11-08-12R	EA	Screw #8 - 18 x 3/4" PPH - Beige
	000G11-08-12X	EA	Screw #8 - 18 x 3/4" PPH - Gray
	000G11-08-12E	EA	Screw #8 - 18 x 3/4" PPH - Zinc
	000G39-08-12R	EA	Screw #8 - 18 x 3/4" SDPH - Beige
	000G66-08-12M	EA	Screw #8 - 18 x 3/4" SDPH - Gray
	000G11-08-16R	EA	Screw #8 - 18 x 1" PFH - Gray
	000G66-08-16R	EA	Screw #8 - 18 x 1" SDPH - Beige
	000G12-08-28R	EA	Screw #8 - 18 x 1 3/4" POH - Beige
	000G36-08-08E	EA	Screw #8 - 32 x 1/2" PFH - Chrome
	000G39-08-08B	EA	Screw #8 - Self Drilling - 18 x 1/2" PPH - Zinc
	000G39-08-12B	EA	Screw #8 - Self Drilling - 18 x 3/4" PPH - Zinc
	000G39-08-12R	EA	Screw #8 - Self Drilling - 18 x 3/4" PPH - Beige
	000G39-08-16R	EA	Screw #8 - Self Drilling - 18 x 1" PPH - Beige
	000G39-08-16T	EA	Screw #8 - Self Drilling - 18 x 1" PPH - Black
	000G39-08-16P	EA	Screw #8 - Self Drilling - 18 x 1" PPH - Dark Brown
	000G39-08-16X	EA	Screw #8 - Self Drilling - 18 x 1" PPH - Gray
	000G39-08-16E	EA	Screw #8 - Self Drilling - 18 x 1" PPH - Chrome
	000G64-08-16M	EA	Screw #8 - Self Drilling - 18 x 1" SDPH - Gray
	000G67-10-08B	EA	Screw #10 - 12 x 1/2" PPH - Zinc
	000G67-10-10R	EA	Screw #10 - 12 x 5/8" PPH - Beige
	000G67-10-16P	EA	Screw #10 - 12 x 1" PPH - Dark Brown
	000G67-10-16B	EA	Screw #10 - 12 x 1" PPH - Zinc
	000G67-10-20B	EA	Screw #10 - 12 x 1 1/4" - PPH - Zinc
	000G67-10-24B	EA	Screw #10 - 12 x 1 1/2" PPH - Zinc
	049465-04-000	EA	Screw #10 - 16 x 1" POH - w/Washer - Beige
	049465-05-000	EA	Screw #10 - 16 x 1" POH - w/Washer - Gray
	000G12-10-24E	EA	Screw #10 - 16 x 1 1/2" POH - Chrome
	000G11-10-08D	EA	Screw #10 - 16 x 1/2" PPH - Dark Brown
	000G11-10-12R	EA	Screw #10 - 16 x 3/4" PPH - Beige
	000G11-10-12S	EA	Screw #10 - 16 x 3/4" PPH - Off White
	000G11-10-12B	EA	Screw #10 - 16 x 3/4" PPH - Zinc
	000G11-10-16B	EA	Screw #10 - 16 x 1" PPH - Zinc
	000G11-10-40B	EA	Screw #10 - 16 x 2 1/2" PPH - CAD
	000G19-10-12B	EA	Screw #10 - Machine - 32 TPI x 3/4"
	075908-01-000	EA	Screw #10 - Machine - 32 x 56" PTH - Zinc
	000G19-10-20B	EA	Screw #10 - Machine - 32 x 1 1/4" PPH - Zinc
	000G39-12-12E	EA	Screw #10 - Self Drilling - 14 x 3/4" PPH - Chrome
	000G39-10-10R	EA	Screw #10 - Self Drilling - 16 x .62" PPH - Beige
	000G39-10-12R	EA	Screw #10 - Self Drilling - 16 x 3/4" PPH - Beige
	000G39-10-12P	EA	Screw #10 - Self Drilling - 16 x 3/4" PPH - Dark Brown
	000G58-12-48C	EA	Screw #12 - Wood - 11 x 3" POH - CAD

**1984 ITASCA  
TABLE OF CONTENTS**

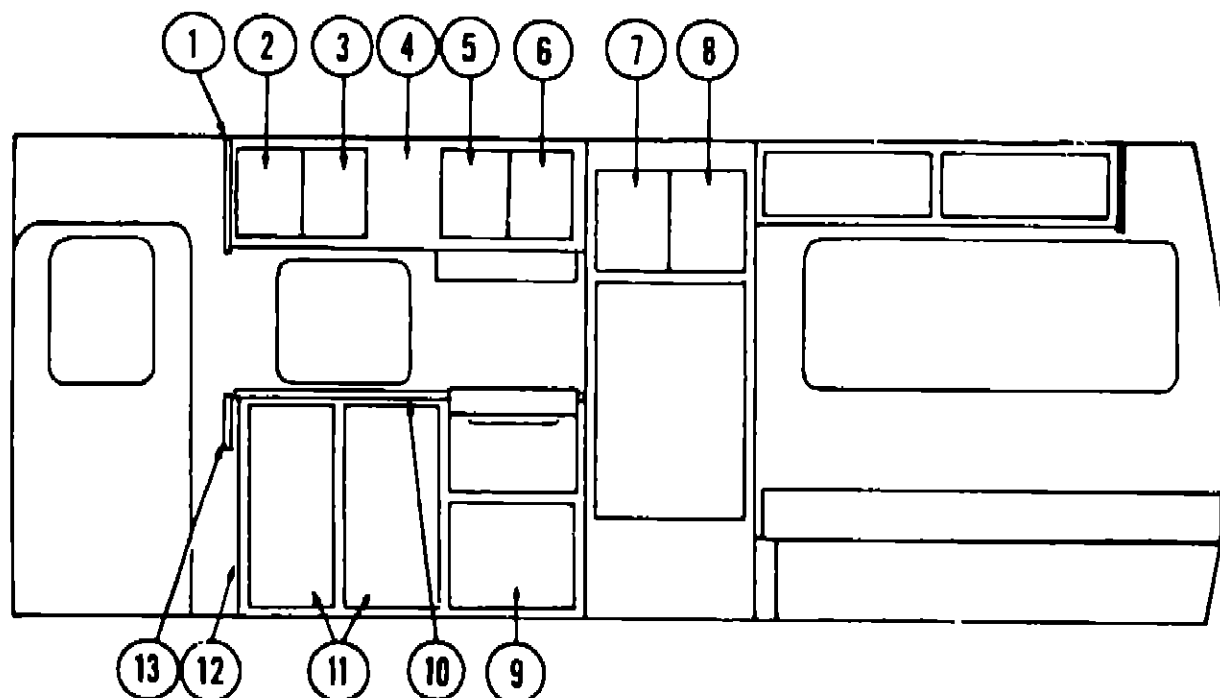
Introduction	A-01
Abbreviations	A-01
Alphabetical Index	A-02 - A-04
ICN22RC	A-05 - C-20
ICN27RU	C-21 - F-10
ICN33RU	F-11 - H-22
ICP31RT	H-23 - J-24

**1984 ICN22RC INDEX**

Floor Plan	A-05 - A-06
Accessories Group	A-07 - A-09
Bath Group	A-10 - A-11
Chassis Group	A-12 - A-13
Curtain, Cushion & Pad Group	A-14 - A-20
Dinette Group	A-21 - A-22
Driver's Compartment Group	A-23 - B-01
Electrical Group	B-02 - B-04
Exterior Body Group	B-05 - B-15
Galley Group	B-10 - B-18
Heating & Air Conditioning Group	B-19 - B-20
Interior Finish Group	B-21 - B-23
LP Group	B-24
Lounge Group	C-01
Water & Sewage Group	C-02 - C-03
Window, Vent & Exterior Door Group	C-04 - C-20

**SEALANTS & ADHESIVES**

Key	Part Number	U/M	Description
	004020-01-000	QT	Adhesive - ABS Cement (Plastic Fittings)
	002337-01-000	EA	Adhesive - 1300 Tube - 3M (Windows)
	004005-02-000	GL	Adhesive - Swifts - Glue (Sidewalls)
	053786-07-000	EA	Bedding Compound - Tube - Beige (Exterior)
	053786-06-000	EA	Bedding Compound - Tube - Clear (Window)
	053786-08-000	EA	Bedding Compound - Tube - Gray (Exterior)
	053786-05-000	EA	Bedding Compound - Tube - Gray (Sidewalls to Floor)
	053786-02-000	EA	Bedding Compound - Tube - Off White (Exterior)
	002328-02-000	EA	Block - Rubber Spacer (Windshield)
	004338-01-000	EA	Caulk - Latex - Golden Walnut (Sidewalls)
	072891-02-000	QT	Primer - Glass - Black
	072891-01-000	QT	Primer - Glass - Clear
	035024-01-000	EA	Primer - Glass - Clear - Windshield
	072890-01-000	QT	Primer - Metal - Black
	035023-01-000	GL	Primer - Metal - Windshield
	077987-01-000	EA	Sealant - Acrylic Latex - Tube - Off White (Interior Sealant)
	034552-04-000	EA	Sealant - Silicone - Beige
	034552-02-000	EA	Sealant - Silicone - Clear
	034552-07-000	EA	Sealant - Silicone - Dark Gray
	034552-06-000	EA	Sealant - Silicone - Off White
	069637-01-000	EA	Sealant - Weatherban 404 - Tube - White (Door Caulk)
	072889-01-000	EA	Sealant - Urethane - Black (Windshield)
	069640-01-000	FT	Sealer Ribbon - 25" Bead x 20'
	069640-02-000	FT	Sealer Ribbon - .5" x .125" x 30'
	069640-03-000	FT	Sealer Ribbon - 75" x .125" x 30'
	069640-04-000	FT	Sealer Ribbon - 2" x .09" x 45' (P Series)
	069640-05-000	FT	Sealer Ribbon - 2.5" x .09" x 50'
	069640-06-000	FT	Sealer Ribbon - 5/16" Bead x 15'
	069640-07-000	FT	Sealer Ribbon - 2" x 3/32" x 30'
	002316-01-000	FT	Sealer Tape - 3/32" x 3/8" - White (Window)
	002707-01-000	FT	Sealer Tape - 5/16" x 3/4"
	002707-02-000	FT	Sealer Tape - 5/16" x 1/2"
	040545-01-000	GL	Sealer - Seam Weld
	053752-04-000	EA	Seam Sealer - Tube - Aluminum (Roof)
	063642-01-000	FT	Tape - Adhesive - .10 mm. x 1.5" Wide
	038886-01-000	EA	Tape - Butyl - 3 1/2" x .31" x 148" (Windshield)
	076322-01-000	FT	Tape - Foam - Double Coated - .025 x 1.0" (Fiberglass Sidewall Seams)
	076322-02-000	FT	Tape - Foam - Double Coated - .045 x 1" (Fiberglass Sidewall Seams)
	009200-01-000	EA	Tape - Furnace - 1 5"
	002825-01-000	FT	Weather Striping (Roof Vent)



**GALLEY CABINETRY**

Key	Part Number	U/M	Description
1	071847-05-R07	EA	Pad Asm - End Cap - Galley Overhead - Almond Vinyl
2	073521-04-R10	EA	Door Asm. - Galley Overhead - 15.8" x 10.7" - w/o Hardware
3	073521-03-R10	EA	Door Asm. - Galley Overhead - 15.8" x 10.7" - w/o Hardware
4	M76185-01-R07	EA	Cabinet Asm. - Galley Overhead - w/o Doors or Hardware
5	073521-06-R07	EA	Door Asm. - Galley Overhead - 15.8" x 11.6" - w/o Hardware
6	073521-05-R10	EA	Door Asm. - Galley Overhead - 15.8" x 11.6" - w/o Hardware
7	073521-08-R10	EA	Door Asm. - Refrigerator Cabinet - 17.6" x 12.5" - w/o Hardware
8	073521-07-R10	EA	Door Asm. - Refrigerator Cabinet - 17.6" x 12.5" - w/o Hardware
9	072718-04-R10	EA	Door Asm. - Furnace - Galley Cabinet - 15.9" x 22" - w/Gold Mesh
*	072369-03-000	EA	Mesh - Furnace Grille - 17.9" x 6.7" - Gold Aluminum
10	M01462-01-R07	EA	Counter/Op Asm. - Galley - Almond Loom
11	069852-40-R10	EA	Door Asm - Galley Cabinet - 14.3" x 33.4" - w/o Hardware
12	M76085-01-R07	EA	Cabinet Asm - Galley - w/o Countertop, Doors, Drawers or Hardware
13	066529-01-R07	EA	Extension Asm. - Galley - Almond Loom
*	077404-01-000	EA	Drawer - Plastic - 20" x 12.7"
*			Not Illustrated

**1984 ITASCA  
TABLE OF CONTENTS**

Introduction	A-01
Abbreviations	A-01
Alphabetical Index	A-02 - A-04
ICN22RC	A-05 - C-20
ICN27RU	C-21 - F-10
ICN33RU	F-11 - H-22
ICP31RT	H-23 - J-24

**1984 ICN22RC INDEX**

Floor Plan	A-05 - A-06
Accessories Group	A-07 - A-09
Bath Group	A-10 - A-11
Chassis Group	A-12 - A-13
Curtain, Cushion & Pad Group	A-14 - A-20
Dinette Group	A-21 - A-22
Driver's Compartment Group	A-23 - B-01
Electrical Group	B-02 - B-04
Exterior Body Group	B-05 - B-15
Galley Group	B-16 - B-18
Heating & Air Conditioning Group	B-19 - B-20
Interior Finish Group	B-21 - B-23
LP Group	B-24
Lounge Group	C-01
Water & Sewage Group	C-02 - C-03
Window, Vent & Exterior Door Group	C-04 - C-20

**GALLEY GROUP (CONTINUED)**

**GALLEY APPLIANCES**

Key	Part Number	U/M	Description
	064473-02-000	EA	Refrigerator - AC/DC/Gas - Norcold 6' - 776-EG3
	064473-02-700	EA	Cooling Unit (Service Pak)
	064473-02-701	EA	Door Frame
	064473-02-702	EA	Breaker Strip - Left - Bronze
	064473-02-703	EA	Breaker Strip - Right - Bronze
	064473-02-704	EA	Breaker Strip - Top - Bronze
	075217-01-000	EA	Refrigerator - AC/DC/Gas - Norcold 8' - 838-EG3
	075217-01-700	EA	Shelf Asm - Door - w/Trim
	075217-01-701	EA	Gasket - Door - Freezer
	075217-01-702	EA	Frame Asm - Door
	075217-01-703	EA	Decor Trim - Top & Bottom
	075217-01-704	EA	Gasket - Door - Refrigerator
	075217-01-706	EA	Cabinet Asm. - Urethane
	075217-01-707	EA	Bulb - Light - DC
	075217-01-708	EA	Lamp Socket
	075217-01-710	EA	Eyebrow Asm.
	075217-01-711	EA	Breaker Strip - Top
	075217-01-713	EA	Crisper Drawer
	075217-01-714	EA	Thermostat Asm.
	075217-01-715	EA	Knob - Thermostat
	075217-01-716	EA	Front Divider Asm.
	075217-01-717	EA	Humidity Switch
	075217-01-718	EA	Light Switch
	075217-01-719	EA	Lighting Board
	075217-01-720	EA	Eyebrow
	075217-01-721	EA	Lamp Indicator - Amber
	075217-01-722	EA	Lamp - Indicator - Green
	075217-01-723	EA	Lamp - Indicator - Red
	075217-02-724	EA	Lamp - Indicator - Blue
	075217-01-725	EA	Rocker Switch - DPST
	075217-01-726	EA	Interface Board
	R77005-81-129	EA	Relay - Glow Plug
	075217-01-728	EA	Cover - Interface Board
	075217-01-729	EA	Fitting - Outlet
	075217-01-730	EA	Gas, Valve
	075217-01-731	EA	Nipple
	075217-01-732	EA	Fitting - Inlet
	075217-01-733	EA	Shut-Off Clock
	075217-01-734	EA	Fuse - 3 Amp.
	075217-01-735	EA	Ignition Electrode
	075217-01-736	EA	Sensing Electrode
	075217-01-737	EA	Control Module
	075217-01-738	EA	Rocker Switch - #DPDT
	075217-01-739	EA	Heater
	075217-01-740	EA	Screw #6 - 32" x 2 3/8"
	075217-01-741	EA	Wing - Nut #6 - 32
	075217-01-742	EA	Hex Nut
	075217-01-743	EA	Elbow - 90°
	075217-01-744	EA	Cable Wiring
	075217-01-745	EA	Liner Asm - Foamed - Door
	075217-01-746	EA	Baffle Asm.
	075217-01-747	EA	Liner Asm. - Foamed - Lower - Door
	075218-01-000	EA	Refrigerator - AC/DC/Gas - Norcold 10' - 8310-EG
	075218-01-700	EA	Gasket - Door - Freezer
	075218-01-701	EA	Gasket - Door - Refrigerator
	075218-01-702	EA	Connector Rod
	075218-01-703	EA	Frame Asm. - Door
	075218-01-704	EA	Cabinet Asm - Urethane
	075218-01-705	EA	Breaker Strip - Bottom
	075218-01-707	EA	Front Divider Asm
	075218-01-708	EA	Cable - Wiring
	075218-01-709	EA	Liner Asm - Foamed - Door
	075218-01-710	EA	Liner Asm. - Foamed - Lower - Door

\* Items are interchangeable between Norcold Model #838-EG3 & #8310-EG

**GALLEY GROUP (CONTINUED)**

**GALLEY APPLIANCES (CONT.)**

Key	Part Number	U/M	Description
	075922-01-000	EA	Microwave Oven - Litton - 1450
	064782-02-000	EA	Range - 4 Burner - w/Almond Top - Magic Chef - BT18
	064782-02-700	EA	Top - Main - 4 Burner - Almond
	064782-02-701	EA	Deflector Plate - Black
	064782-02-702	EA	Trim - Cabinet - Right - Black
	064782-02-703	EA	Trim - Cabinet - Left - Black
	064782-02-704	EA	Trim - Lower - Outside Glass - Black
	064782-02-705	EA	Handle - Oven Door - Black
	064782-02-706	EA	Trim - Vertical - Black
	064782-02-707	EA	Panel - Manifold
	064782-02-708	EA	Mercury Valve
**	053333-04-000	EA	Hood - Range - Non-Powered - Almond - CSA
**	053333-05-000	EA	Hood - Range - Non-Powered - Almond - US
	075470-01-000	EA	Hood - Range - w/Monitor - Almond - US
	075470-02-000	EA	Hood - Range - w/Monitor - Almond - CSA
	075470-01-700	EA	Monitor Panel - Sub Asm
	075470-01-701	EA	Digital Clock - Sub Asm.
	075370-01-702	EA	Switch - On/Off
	075470-01-703	EA	Switch - On - Momentary
	075470-01-704	EA	Switch - On/Off/On - Fan Motor
	075470-01-705	EA	Switch - On/Off/On - Momentary
	075470-01-706	EA	Rivets - Plastic
	075470-01-707	EA	Bulb - #912
	075470-01-708	EA	Panel Asm - Complete

\*\* The illustrated parts breakdown for this item is provided on the Common Items Fiche.

**GALLEY HARDWARE**

Key	Part Number	U/M	Description
	053424-04-R07	EA	Sink Cover - Large - Almond Loom
	068615-01-000	EA	Sink - Stainless Steel - Double w/Bolts
**	011053-01-000	EA	Faucet - Swing Spout - 8" - US
**	011053-01-700	EA	Aerator - Swing Spout Faucet
**	011053-02-000	EA	Faucet - Swing Spout - 8" - CSA
	066437-01-000	EA	Strainer w/Basket - Sink
	058334-01-000	EA	Wastebasket - 9 3/4" x 7" x 10" - White Rubbermaid
	058478-01-000	EA	Support - Wastebasket - Metal - Door Mount
	054450-01-000	EA	Level Refrigerator
	075930-01-000	EA	Bracket Asm - Microwave - Right
	075930-02-000	EA	Bracket Asm - Microwave - Left
	076253-02-000	EA	Bracket Asm. - Microwave - Bottom (2 required)
	075922-03-000	EA	Trim - Ring - Microwave
	075922-04-000	EA	Duct - Air - Exhaust - Microwave
	075470-03-000	EA	Spacer - Range Hood
	075470-04-000	EA	Duct Extension - Range Hood
	074490-02-R10	EA	Spice Rack - Oak
	074491-02-R10	EA	Magazine Rack - Oak
	074981-01-000	EA	Cutting Board - Maple
	M75569-01-R10	EA	Pantry Asm w/o Racks
	075451-01-000	EA	Rack - Storage - Canned Goods
	075451-02-000	EA	Clip - Storage - Rack - White
	061604-01-000	EA	Slide Bolt Pantry - Antique Brass
	076097-01-000	EA	Bracket - Catch - Pantry
	076098-01-000	EA	Bracket - Slide - Pantry
	074316-01-000	EA	Slide Asm - Full Extension - Pantry (Pair)
	009049-01-000	EA	Table - Support - Drop Leaf
	009059-01-000	EA	Hinge - 2" - Gold - Drop Leaf Table
**	052932-01-M10	EA	Hinge Kit - Cabinet Door - Antique Brass
**	057898-01-000	EA	Hidden Latch w/Strike - Cabinet Door
	047744-01-000	EA	Kit - Drawer Guide - Plastic
	0723J4-01-000	EA	Slide - Drawer - w/Tab - Left
	072394-02-000	EA	Slide - Drawer - w/o Tab - Right
	077409-01-000	EA	Slide - Drawer - 20.75" - Plastic

\*\* The illustrated parts breakdown for this item is provided on the Common Items Fiche.

**1984 ITASCA  
TABLE OF CONTENTS**

Introduction	A-01
Abbreviations	A-01
Alphabetical Index	A-02 - A-04
ICN22RC	A-05 - C-20
ICN27RU	C-21 - F-10
ICN33RU	F-11 - H-22
ICP31RT	H-23 - J-24

**1984 ICN22RC INDEX**

Floor Plan	A-05 - A-06
Accessories Group	A-07 - A-09
Bath Group	A-10 - A-11
Chassis Group	A-12 - A-13
Curtain, Cushion & Pad Group	A-14 - A-20
Dinette Group	A-21 - A-22
Driver's Compartment Group	A-23 - B-01
Electrical Group	B-02 - B-04
Exterior Body Group	B-05 - B-15
Galley Group	B-16 - B-18
Heating & Air Conditioning Group	B-19 - B-20
Interior Finish Group	B-21 - B-23
LP Group	B-24
Lounge Group	C-01
Water & Sewage Group	C-02 - C-03
Window, Vent & Exterior Door Group	C-04 - C-20

# HEATING & AIR CONDITIONING GROUP

# HEATING & AIR CONDITIONING GROUP (CONTINUED)

## AUTOMOTIVE HEATER & AIR CONDITIONER

Key	Part Number	U/M	Description
	072341-04-000	EA	Heater/Evaporator Asm
	072341-01-700	EA	Wheel - w/Retainer & Index Clip
	072341-01-701	EA	Core - Heater
	072341-01-702	EA	Coil - Evaporator
	072341-01-703	EA	Valve - Expansion
	072341-01-704	EA	Valve - Suction
	072341-01-705	EA	Switch - Pressure - Low Cut Out
	072341-01-706	EA	Resistor
	072341-01-707	EA	Thermostat
	072341-01-708	EA	Motor - Vacuum
	R77005-81-129	EA	Relay - Glow Plug
	072341-01-710	EA	Control Asm - Heater A C
	072341-01-711	EA	Cable - Bowden - 72"
	072341-01-712	EA	Switch - Vacuum
	072341-01-713	EA	Switch - Jumper Control
	072341-01-714	EA	Valve - Heater - Water Flow Control
	072341-01-715	EA	Escape & Lower Adapter Asm.
	072341-01-716	EA	Discharge Valve - 1/2"
	072341-06-000	EA	Duct & Control Kit
	072342-01-000	EA	Condenser Asm.
	072342-02-700	EA	Receiver Drier - Condenser Asm
	072343-01-000	EA	Compressor/Clutch
	072344-01-000	EA	Package - Compressor Mount & Drive
	074026-01-000	EA	Package - Compressor Mount - 6 2L Diesel
	039044-01-000	EA	Louver Asm. - A/C Adjustable
	007076-01-700	FT	Hose - Flexible PVC - 2" I D
	007108-01-000	FT	Hose - Heater - 5/8" I D SAE 20R3
	007281-01-700	FT	Hose - Flexible PVC - 2 1/2" I D
	023146-01-000	EA	Clamp - Screw Type 4"
	062401-04-000	EA	Clamp - Worm Drive - 69" - 1 25" I D.
	010227-01-000	EA	Tee - Plastic - Barb 5/8" or 3/4" Hose

## AUXILIARY HEATER ASSEMBLY

Key	Part Number	U/M	Description
	058893-01-000	EA	Bracket - Side Mount - Motor Aid
	007108-01-000	FT	Hose - Heater - 5/8" I D SAE 20R3
	062401-04-000	EA	Clamp - Worm Drive - 69" - 1 25" I D.
	049041-01-000	EA	Heater Asm - Rear - Auxiliary
	049401-01-700	EA	Valve - Water Control
	049401-01-701	EA	Control Cable
	040401-01-702	EA	Motor Asm.
	019401-01-703	EA	Heater Core
	049401-01-704	EA	Switch
	058906-01-000	EA	Control Panel - Brown
	076312-01-000	EA	Mesh - Auxiliary Heater - 7 38" x 6 25" - Gold Aluminum

## FURNACES & ROOF AIR CONDITIONER

Key	Part Number	U/M	Description
	075696-01-000	EA	Furnace - 34,000 BTU - w/Direct Ignition - NT-34S
	075695-01-000	EA	Furnace - 24,000 BTU - w/Direct Ignition - NT-24S
	069634-01-723	EA	Thermostat - Furnace
	075695-01-701	EA	Electrode Asm. - Furnace
	075695-01-702	EA	Vent Cap Asm. - Furnace
	075695-01-703	EA	Gas Inlet Pipe - Furnace
	075695-01-704	EA	Manifold Asm. - Furnace
	075695-01-705	EA	Burner Asm. - Furnace
	075695-01-707	EA	Motor - 34,000 BTU - Furnace
	075695-01-708	EA	Micro Switch Asm - 24,000 BTU Furnace
	075695-01-709	EA	Micro Switch Asm - 34,000 BTU Furnace
	075695-01-710	EA	Cabinet - Front - Furnace
	075695-01-711	EA	Cabinet Asm - Furnace
	069633-01-705	EA	Vent Package - Furnace - Suburban
	069636-01-000	EA	Connector - 4" Duct
	009198-01-000	FT	Duct - Flexible - 4" I D x 25'
	056464-01-000	EA	Register - 4" Dia - Plastic w/Damper
	056464-02-000	EA	Register - 4" Dia - Plastic w/o Damper
	009200-01-000	EA	Tape - Furnace - 1 1/2"
	023146-01-000	EA	Clamp - Screw Type - 4"
	073743-01-000	EA	Shroud Asm. - Ceiling - Inside - Roof Air Cool Only - 13,500 BTU
	073744-01-000	EA	Shroud Asm - Ceiling - Inside - Roof Air Heat & Cool - 13,500 BTU
	073742-01-000	EA	Air Conditioner 110 Volt - Roof Mount - 13,500 BTU Rotary
	073742-01-700	EA	Decal Package - Left & Right (Exterior)
	073742-01-701	EA	Selector Switch (5 Terminal)
	073742-01-702	EA	Decal - Cool Only
	073742-01-703	EA	Decal - Heat & Cool
	073742-01-704	EA	Decal - Thermostat - TSR

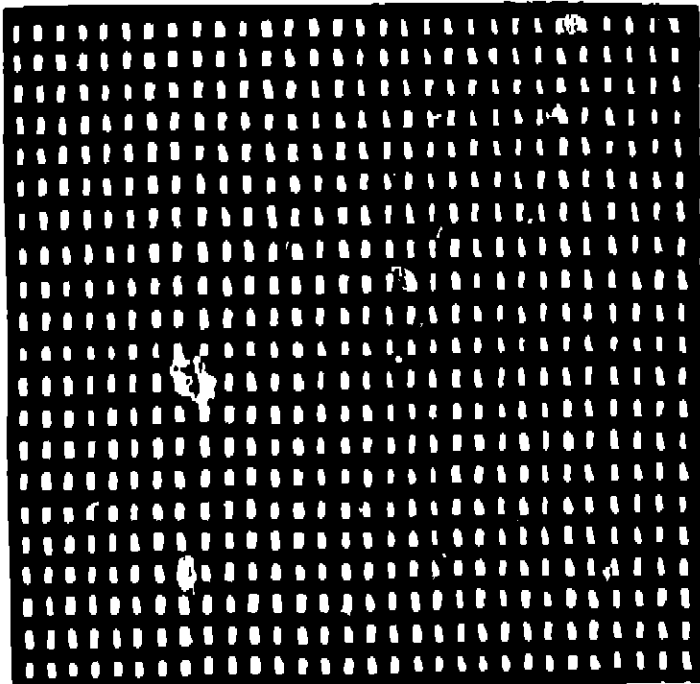
## 1984 ITASCA TABLE OF CONTENTS

Introduction	A-01
Abbreviations	A-01
Alphabetical Index	A-02 - A-04
ICN22RC	A-05 - C-20
ICN27RU	C-21 - F-10
ICN33RU	F-11 - H-22
ICP31RT	H-23 - J-24

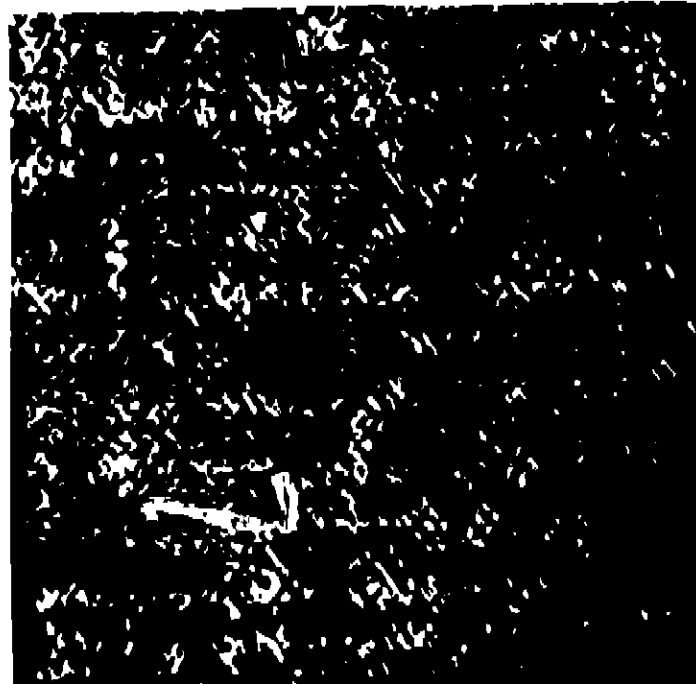
## 1984 ICN22RC INDEX

Floor Plan	A-05 - A-06
Accessories Group	A-07 - A-09
Bath Group	A-10 - A-11
Chassis Group	A-12 - A-13
Curtain, Cushion & Pad Group	A-14 - A-20
Dinette Group	A-21 - A-22
Driver's Compartment Group	A-23 - B-01
Electrical Group	B-02 - B-04
Exterior Body Group	B-05 - B-15
Galley Group	B-16 - B-18
Heating & Air Conditioning Group	B-19 - B-20
Interior Finish Group	B-21 - B-23
LP Group	B-24
Lounge Group	C-01
Water & Sewage Group	C-02 - C-03
Window, Vent & Exterior Door Group	C-04 - C-20

**INTERIOR FINISH GROUP**



**Wicker Weave Pattern**



**Jamaica Weave Pattern**

**PANELING & COUNTERTOP MATERIALS**

Key	Part Number	U/M	Description
	068344-05-000	SF	Paneling - Elm - 48" x 84" (28 SF) (Wall)
	072336-19-700	SF	Paneling - Decor - Jamaica Weave - 48" x 84" (28 SF) (Refrigerator)
	072336-20-000	SF	Paneling - Decor - Jakarta Burlap - 48" x 96" (32 SF) (Ceiling)
	074496-06-000	SF	Paneling - Decor - Stained Glass - 48" x 84" (28 SF) (Galley & Bath)
	074496-07-000	SF	Paneling - Decor - Stained Glass - 48" x 84" (28 SF) (Galley & Bath) (R23)
	072336-19-000	SF	Paneling - Decor - Wicker Weave - 48" x 84" (28 SF) Refrigerator
	072337-03-000	SF	Plastic Laminate - Almond Loom - 48" x 96" (32 SF) (Galley)
	072337-03-019	EA	Plastic Laminate - Almond Loom - 1 19" x 96"
	074498-01-000	SF	Plastic Laminate - Harbor Oak - 48" x 96" (32 SF) (Dinette Table)
	074498-01-019	EA	Plastic Laminate - Harbor Oak - 1 19" x 96"
	072337-02-000	SF	Plastic Laminate - Travertine - 48" x 96" (32 SF) (Bath)
	072337-02-019	EA	Plastic Laminate - Travertine - 1 19" x 96"
	057880-05-000	SF	Pluswood Board - Wicker Weave/Elm - (Headboard & Door Asm.)
	057880-05-700	SF	Pluswood Board - Jamaica Weave/Elm (Headboard & Door Asm.)
	Reference above Illustration		

**INTERIOR FINISH GROUP (CONTINUED)**

**INTERIOR MOLDINGS & TRIMS**

Key	Part Number	U/M	Description
	024700-18-000	EA	Cover - Sidewall Roll Bar - 85 5" - Beige
	042430-02-R07	EA	Molding - Shelf - Wood
	009812-08-000	FT	Molding - Outside Corner - 50" - Teak
	009809-08-000	FT	Molding - Outside - 1" - Teak
	042357-09-000	FT	Molding - Corner - Radius - 7" - Elm
	076325-01-000	FT	Molding - Edge Band - 1 5/16" x .030" - Harbor Oak
	045375-09-000	FT	Molding - Corner - w/Holes - 77"
	022992-08-000	FT	Molding - Reverse Cove - Champagne White
	009815-03-000	FT	T-Molding - .75" - Light Brown
	070504-01-000	FT	U-Channel - .065 Light Brown
	070504-02-000	FT	U-Channel - .815" - Light Brown
	009779-03-000	FT	U-Channel - 1 125" - Light Brown
	009767-06-000	FT	Welling - Beige
	052859-01-N01	FT	Accent Trim - Medium Almond Vinyl (Beige)
	059352-01-000	FT	Insert - Vinyl - Style and Rail Door
	064382-01-000	FT	Extrusion - Plastic Trim - Rolled Door
	058204-01-000	EA	Batt Strip - Elm - 8' (Wall)
	069733-23-000	EA	Batt Strip - Jakarta Burlap - 8' (Ceiling)
	069733-33-000	EA	Batt Strip - Stained Glass - 8' (Galley) (R22, R23)
	069733-34-000	EA	Batt Strip - Stained Glass - 8' (Galley) (R23)
	064675-06-000	EA	Angle - Steel Roof Joint - 96" - Beige

**CABINETS & TABLE HARDWARE**

Key	Part Number	U/M	Description
	053200-05-000	EA	Bracket - Upper Wall Mount - 23 5"
**	053201-03-000	EA	Bracket - Table Mount - 23"
	024275-05-000	EA	Rod - Table Lift - 8" x 23 5"
	024281-07-000	EA	Bracket - Lower Wall Mount - 22 12"
	024276-14-000	EA	Leg Asm. - Table - 29 5" - Brown (Dinette)
	024276-15-000	EA	Leg Asm. - Table - 25.18" - Brown (Fold Out Table)
	064050-01-000	EA	Hinge - Table Leg
**	024282-01-000	EA	Brace - Table Leg
**	024283-01-000	EA	Clip - 1" O.D. Tube
**	049493-02-000	EA	Catch - Table Leg - Mounts on Floor - Brown
**	057898-01-000	EA	Hidden Latch w/Strike - Cabinet Door
	009112-01-000	EA	Flange - 1" - Chrome - Closet Rod
	072394-01-000	EA	Slide - Drawer - Left - w/Tab
	072394-02-000	EA	Slide - Drawer - Right - w/o Tab
	077409-01-000	EA	Slide - Drawer - 20 75" - Plastic
**	037688-01-000	FT	Rail - Drawer
**	047744-01-000	EA	Kit - Drawer Glide
	074493-01-000	EA	Support - Sprung - Door Prop
	009049-01-000	EA	Table Support - Drop Leaf
	009059-01-000	EA	Hinge - 2" - Gold
	057671-01-000	EA	Screw Cover - #8 - Off White
	072369-01-000	EA	Mesh - Furnace Grille - 17 9" x 6 7" - Gold Aluminum
	058335-02-000	EA	Latch - Bathroom Door w/o Lock
	009050-01-000	EA	Warp Guard - 64"
	009021-01-000	EA	Catch - Nylon - Furnace Door
	009021-02-000	EA	Strike - Nylon Catch - Furnace Door
**	052932-01-M10	EA	Hinge Kit - Cabinet Door - Antique Brass
**	041939-01-000	EA	Hinge Kit - Double Action - Overhead Door
**	The illustrated parts breakdown for this item is provided on the Common Items Fiche		

**1984 ITASCA  
TABLE OF CONTENTS**

Introduction	A-01
Abbreviations	A-01
Alphabetical Index	A-02 - A-C-1
ICN22RC	A-05 - C-20
ICN27RU	C-21 - F-10
ICN33RU	F-11 - H-22
ICP31RT	H-23 - J-24

**1984 ICN22RC INDEX**

Floor Plan	A-05 - A-06
Accessories Group	A-07 - A-09
Bath Group	A-10 - A-11
Chassis Group	A-12 - A-13
Curtain, Cushion & Pad Group	A-14 - A-20
Dinette Group	A-21 - A-22
Driver's Compartment Group	A-23 - B-01
Electrical Group	B-02 - B-04
Exterior Body Group	B-05 - B-15
Galley Group	B-16 - B-18
Heating & Air Conditioning Group	B-19 - B-20
Interior Finish Group	B-21 - B-23
LP Group	B-24
Lounge Group	C-01
Water & Sewage Group	C-02 - C-03
Window, Vent & Exterior Door Group	C-04 - C-20

## INTERIOR FINISH GROUP (CONTINUED)

### MISCELLANEOUS PARTS

Key	Part Number	U/M	Description
	053552-01-R07	EA	Handle Asm - Interior Assist - Medium Almond Vinyl
	041944-03-000	EA	Fire Extinguisher - w/Bracket - 5BC
	054185-20-000	EA	Owner's Manual - 1984 - Itasca & Winnebago
	040069-01-000	EA	Door Mat - 10 1/2" x 26" - Black Rubber
	063951-01-000	EA	Door Asm. - Battery - w/o Carpet
	042541-01-000	EA	Latch Asm - w/Strike Chrome (Battery Door)
	065201-02-000	EA	Shade Lamp - Fabric - Parchment
	065202-01-000	EA	Lamp - Decor - Wall - Brass - 2 Bulb
	075907-01-000	EA	Picture - Decor Assorted Grasses

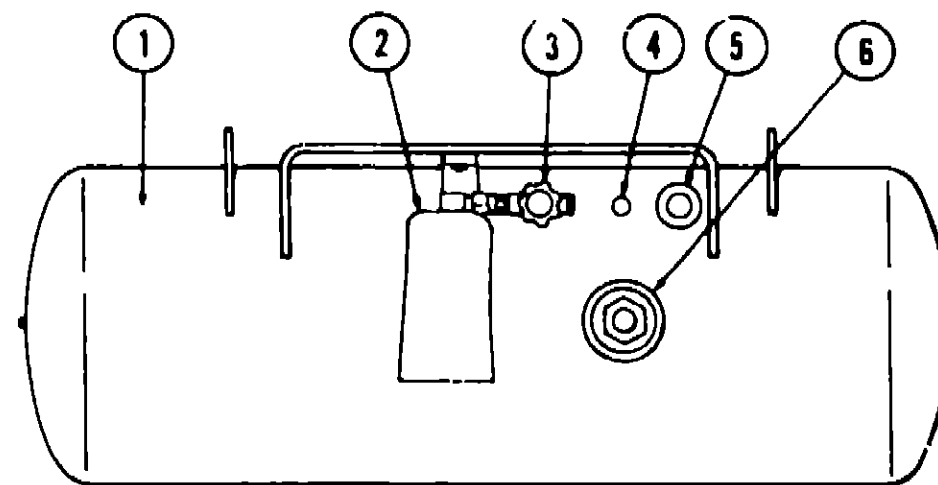
### CURTAIN HARDWARE

Key	Part Number	U/M	Description
	039175-02-000	EA	Bracket - Curtain Rod
	056003-02-000	EA	Bracket - Drapery Retainer - Left
	056003-01-000	EA	Bracket - Drapery Retainer - Right
	056001-01-000	EA	Bracket - Shade - Left
	056002-01-000	EA	Bracket - Shade - Right
	039175-01-000	EA	Curtain Rod - Extension - 48" - 84"
	039175-03-000	EA	Curtain Rod - Extension - 28" - 48"
	009107-01-000	EA	Guide - Nylon Snap - Curtain
	069748-02-000	EA	Hook Back - #36 Nylon
	056784-01-000	EA	Pull - Window Shade - Antique Brass
	056115-01-000	YD	Tape - Clear Plastic - w/Guides
	048394-01-000	YD	Tape Hook - 1" x 25 YD - Beige
	048395-01-000	YD	Tape Loop - 1" x 25 YD - Beige
	056116-01-000	EA	Track - Curtain - Brown Plastic
	053275-05-009	EA	Track - Curtain - 89" - Beige
	059430-05-000	EA	Track - Curtain - Front Wraparound - 43 7/8" x 36" - Beige (2 per unit)
	059430-07-000	EA	Track - Curtain - Front Wraparound - 32 8" x 89 1" (Driver's Door) Beige

### FABRICS & CARPETS

Key	Part Number	U/M	Description
	072333-07-000	YD	Fabric - Drapery - Ivory
	072333-08-000	YD	Fabric - Drapery - Cream (Sheers)
	074495-23-000	YD	Fabric - Upholstery/Accent - Indigo (Blue/Gray) (R22)
	074495-21-000	YD	Fabric - Upholstery/Accent - Cocoa (Navy/Beige) (R23)
	074495-22-000	YD	Fabric - Upholstery/Accent - Cinnamon (Rust) (R24)
	074495-50-000	YD	Fabric w/Pattern - Upholstery - Aztec (Blue/Gray) (R22)
	074495-48-000	YD	Fabric w/Pattern - Upholstery - Danube (Navy/Beige) (R23)
	074495-49-000	YD	Fabric w/Pattern - Upholstery - Bisque (Rust) (R24)
	069729-06-000	YD	Fabric - Bedspread - Peach (Blue/Gray) (R22)
	069729-08-000	YD	Fabric - Bedspread - Navy (Navy/Beige) (R23)
	069729-05-000	YD	Fabric - Bedspread - Mocha (Rust) (R24)
	038421-01-000	YD	Fabric - Mattress Ticking
	029017-01-000	EA	Foam - Rolled - 3/8"
	070502-01-000	YD	Vinyl - Non-Expanded - 12 Gauge Film - Medium Almond Vinyl (Beige)
	072860-05-000	SY	Carpet - Steel Blue (R22)
	072860-16-000	SY	Carpet - Formality (Light Brown) (R23)
	072860-15-000	SY	Carpet - Golden Anniversary (Gold_n Brown) (R24)

## LP GROUP



Key	Part Number	U/M	Description
	074142-01-000	EA	Tank Asm. - LP - Frame Mount - 80 Pound - 13" x 44"
	074141-01-000	EA	Tank Asm - LP - Frame Mount - 42 Pound - 12" x 28"
	065741-01-000	EA	Detector - LP Gas Leak - Marshalltown Instruments
	076277-01-000	EA	Cover - Regulator - Two Stage - Front
	076278-01-000	EA	Cover - Regulator - Two Stage - Back
	076301-01-000	EA	Regulator - Two Stage - LPG US
	076301-02-000	EA	Regulator - Two Stage - LPG CSA
	040421-01-703	EA	Valve - Vapor Relief
	040421-01-700	EA	Gauge - Liquid Level - 20% LP
	040421-01-701	EA	Valve - Filler - LP
	040421-01-702	EA	Cap - Plastic Fill Valve
	040421-01-707	EA	Gauge - Float - w/Visible Dial
	040421-01-706	EA	Dial - Visible Face - Float Gauge (Tank w/o Electric Transmitter)
	040440-01-000	EA	Dial - Transmitter - 0 - 90 Ohm (Float Gauge)
	045703-01-000	EA	Hose Asm - LP - 3/8" I D x 24" - US
	045703-02-000	EA	Hose Asm - LP - 3/8" I D x 24" - CSA
	045703-03-000	EA	Hose Asm - LP - 3/8" I D x 18" - US
	045703-04-000	EA	Hose Asm - LP - 3/8" I D x 14" - CSA
	068046-01-000	EA	Conversion Kit - LP - Onan Generator
			Not illustrated

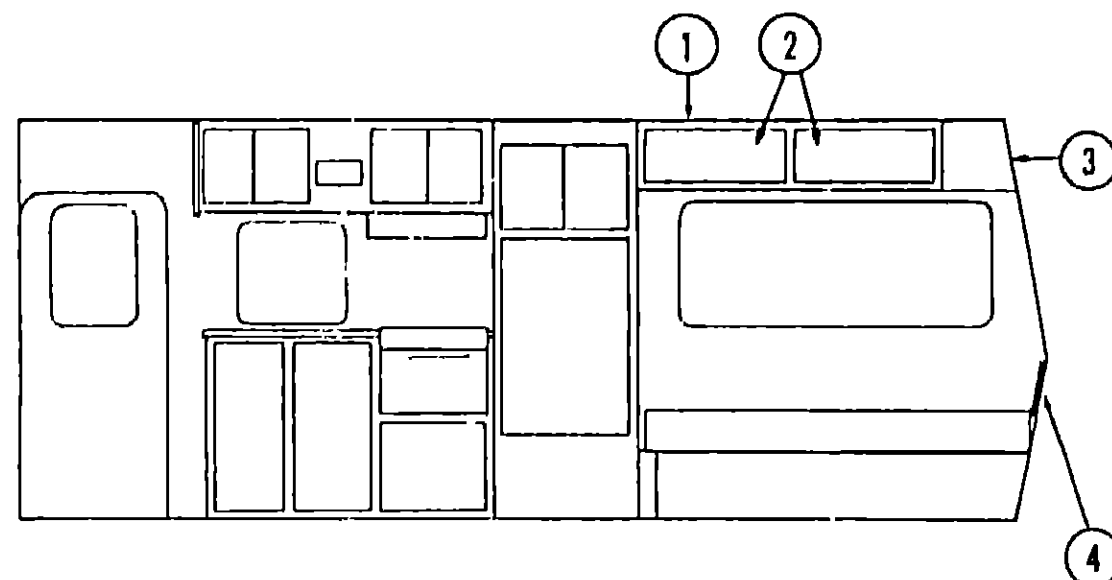
## 1984 ITASCA TABLE OF CONTENTS

Introduction	A-01
Abbreviations	A-01
Alphabetical Index	A-02 - A-04
ICN22RC	A-05 - C-20
ICN27RU	C-21 - F-10
ICN33RU	F-11 - H-22
ICP31RT	H-23 - J-24

## 1984 ICN22RC INDEX

Floor Plan	A-05 - A-06
Accessories Group	A-07 - A-09
Bath Group	A-10 - A-11
Chassis Group	A-12 - A-13
Curtain, Cushion & Pad Group	A-14 - A-20
Dinette Group	A-21 - A-22
Driver's Compartment Group	A-23 - B-01
Electrical Group	B-02 - B-04
Exterior Body Group	B-05 - B-15
Galley Group	B-16 - B-18
Heating & Air Conditioning Group	B-19 - B-20
Interior Finish Group	B-21 - B-23
LP Group	B-24
Lounge Group	C-01
Water & Sewage Group	C-02 - C-03
Window, Vent & Exterior Door Group	C-04 - C-20

## LOUNGE GROUP



### DOUBLE BED & SIDE BUNKS

Key	Part Number	U/M	Description
1	075745-01-R07	EA	Cabinet Asm. - Overhead - Lounge - w/o Doors or Hardware
2	069852-76-R10	EA	Door Asm - Overhead Cabinet - 11 4" x 25 9" - w/o Hardware
3	075725-01-R10	EA	Cabinet Asm - Overhead - Lounge Rear - w/o Doors or Hardware
*	069852-72-R10	EA	Door Asm - Rear Lounge Overhead - 28.1" x 11 4" - w/o Hardware
4	072969-01-R07	EA	Headboard Asm - Double Bed
*	076312-01-000	EA	Mesh - Auxiliary Heater - 7 38" x 6 75" - Gold Aluminum
*	069852-59-R10	EA	Door Asm - 19 8" x 10.7" - Double Bed
*	076086-01-R07	EA	Cabinet Asm - Side Bunk Base
*	M73124-01-R07	EA	Cabinet Asm - Nightstand - w/o Countertop (Bunk House)
*	M00972-01-R07	EA	Countertop Asm - Nightstand Cabinet - Harbor Oak
*	M59913-12-R07	EA	Drawer - Nightstand Cabinet - 13 3" x 19 8" - w/o Hardware
*			Not illustrated

## WATER & SEWAGE GROUP

### PLUMBING & REPAIR PARTS

Key	Part Number	U/M	Description
	033302-02-000	EA	Adapter Asm. - SWVC Strain - 1 1/2"
	052416-01-000	EA	Adnpter - Hose - 3"
	062422-01-000	EA	Adapter - Hose Offset - Reducer - 3" x 1 1/2"
	052954-01-000	EA	Adapter - Nose Cone - 3/8 or 1/2 - Plastic
	010224-01-000	EA	Adapter - Plastic - 3/8 MPT x 3/8 Barb
	031602-02-000	EA	Adapter - Plastic - 1 1/2 H x FPT
	044927-01-000	EA	Adapter - Plastic - 1 1/4 MPT x 1 1/4 Barb
	062417-01-000	EA	Adapter - Termination - 3"
	004020-01-000	QT	Adhesive - ABS Cement
**	010121-01-000	EA	Bushing - Plastic - 1 1/2 S x 1 1/4 H
	010123-01-000	EA	Bushing - Plastic - 2S x 1 1/2 H
	062415-01-000	EA	Cap - Sewer - 3"
	052059-02-000	EA	Connector - 1/2 F x 1/2 MPT - Plastic
	052959-03-000	EA	Connector - 1/2 F x 3/8 MPT - Plastic
**	011091-01-000	EA	Continuous Waste - Double Sink - 11 7/8" - US
	053874-01-000	EA	Continuous Waste Asm - Double Sink - CSA
**	050780-01-000	EA	Coupler Rubber - 3" x 3"
	052960-01-000	EA	Drain Valve - 1/2 F x 1/2 F - Plastic
	010000-01-000	EA	Elbow - Plastic - 1/8 BD x 1 1/4 x 45° H x H
	010005-01-000	EA	Elbow - Plastic - 1/16 BD x 1 1/2
	010006-01-000	EA	Elbow - Plastic - 1/8 BD x 1 1/2 x 45° H x H
	010008-01-000	EA	Elbow - Plastic - 1/4 BD x 1 1/2 x 90° Left
	010009-01-000	EA	Elbow - ST - Plastic - 1/4 BD x 1 1/2 x 90°
	010051-01-000	EA	Elbow - ST - Plastic - 1/8 BD x 1 1/2 x 45°
	010219-01-000	EA	Elbow - 1 1/4 Barb x 1 1/4 MPT x 90°
	031111-01-000	EA	Elbow - Plastic - 1/4 BD x 1 1/4 x 90° Left
	034250-01-000	EA	Elbow - Plastic - 1/4 BD x 1 1/2 x 90° x H x H
	035539-01-000	EA	Elbow - Plastic - 3/8 MPT x 3/8 Barb
	052957-01-000	EA	Elbow - Plastic - 1/2 F x 3/8 MPT
	052957-02-000	EA	Elbow - Plastic - 1/2 F x 1/2 MPT (In Tank Filter)
	059536-01-000	EA	Elbow - 1 1/4 - Slip Joint Ends
	065120-01-000	EA	Elbow - Plastic - Swivel - 50°
	070924-01-000	EA	Elbow - Plastic - Swivel - 1/2 MPT x 1/2 FP
	077954-01-000	EA	Filter/Screen (In Water Tank)
	039647-02-000	EA	Filter - Water Pump - 1/8" MPT
	039647-03-000	EA	Filter - Water Pump - 1/2" Flare
	010147-01-000	EA	Flange - Closet - 4" F x 3" FPT - US
	010147-02-000	EA	Flange - Closet - 4" F x 3" FPT - CSA
	044928-01-000	FT	Flexible Tubing - 1 1/4 I D x 10'
	061607-01-000	EA	Grommet - Holding Tank Coupler - 1 1/2"
	061607-02-000	EA	Grommet - Holding Tank Coupler - 3"
	062413-02-000	EA	Handle - Extension - w/6" Adapter
	052961-01-000	EA	Header - 1/2 F x 1/2 F x 1/2 F x 1/2 F
**	046524-01-000	EA	Kit - Holding Tank Fittings - Blank Tank
**	046524-02-000	EA	Kit - Water Tank Fittings - Blank Tank
	052953-01-000	EA	Nut - Faucet - 1/2 Tube x 1/2 FPT
	052952-01-000	EA	Nut - 1/2 F - Plastic
**	011066-01-000	EA	P-Trap - 1 1/4" - Plastic - US
**	011066-02-000	EA	P-Trap - 1 1/4" - Plastic - CSA
	053335-01-000	EA	P-Trap - Plastic - 1 1/4 H x H - w/Union - CSA
	075666-01-000	FT	Pipe - PVC - 4" I D x 10'
	045729-01-000	EA	Pump - Water - 2 8 G P M - Direct Drive - Shurflo - US
	045729-02-000	EA	Pump - Water - 2 8 G P M - Direct Drive - Shurflo - CSA
**	010201-01-000	EA	Sewer Hose - 3" x 8' w/Clamp
	042989-02-000	EA	Spinweld Fittings - Plastic - 1/2 FPT (In Tank Filter)
	010071-01-000	EA	Tee - Plastic - 1 1/2 x H x H x H
	010072-01-000	EA	Tee - Plastic - 1 1/2 H x 1 1/4 H x 1 1/2 H
**	010079-01-000	EA	Tee - Plastic - 1 1/2 H x 1 1/2 H x 1 1/4 H
	046172-01-000	EA	Tee - Plastic - 3/8 B x 3/8 B x 3/8 MPT
	052955-01-000	EA	Tee - Plastic - 1/2 F x 1/2 F x 1/2 MPT
	052956-01-000	EA	Tee - Plastic - 1/2 F x 1/2 MPT x 1/2 F
	052958-01-000	EA	Tee - Plastic - 1/2 F x 1/2 F x 1/2 F

## 1984 ITASCA TABLE OF CONTENTS

Introduction	A-01
Abbreviations	A-01
Alphabetical Index	A-02 - A-04
ICN22RC	A-05 - C-20
ICN27RU	C-21 - F-10
ICN33RU	F-11 - H-22
ICP31RT	H-23 - J-24

## 1984 ICN22RC INDEX

Floor Plan	A-05 - A-06
Accessories Group	A-07 - A-09
Bath Group	A-10 - A-11
Chassis Group	A-12 - A-13
Curtain, Cushion & Pad Group	A-14 - A-20
Dinette Group	A-21 - A-22
Driver's Compartment Group	A-23 - B-01
Electrical Group	B-02 - B-04
Exterior Body Group	B-05 - B-15
Galley Group	B-16 - B-18
Heating & Air Conditioning Group	B-19 - B-20
Interior Finish Group	B-21 - B-23
LP Group	B-24
Lounge Group	C-01
Water & Sewage Group	C-02 - C-03
Window, Vent & Exterior Door Group	C-04 - C-20



**WATER & SEWAGE GROUP (CONTINUED)**

**PLUMBING & REPAIR PARTS (CONT.)**

Key	Part Number	U/M	Description
**	010133-01-000	EA	Trap Adapter - Plastic - 1 1/2 H x MPT
	044928-01-000	FT	Tubing - Flex - 1 1/4 I.D. NOM x 10'
	039800-01-000	FT	Tubing - Polybutyl - 1/2 O.D. (Water Line)
	072346-01-000	EA	Valve Asm - 3" Ell - w/2" Socket
	062421-01-000	EA	Valve - 1 1/2" - w/Handle
	062418-02-000	EA	Valve - 3" - w/o Handle
	052960-01-000	EA	Valve - Line Drain - 1/2 F x 1/2 F
	052962-01-000	EA	Valve - Stool - 90° x 1/2 F x 3/8 MPT
	010073-01-000	EA	Wye - Plastic - 1 1/2 x 45 H x H x H
**	The illustrated parts breakdown for this item is provided on the Common Items Fiche.		

**HOLDING TANKS & WATER HEATERS**

Key	Part Number	U/M	Description
	M00070-75-000	EA	Tank Asm - Water - 47 Gallon - w/Fittings
	072444-01-000	EA	Tank - Water - 47 Gallon - w/o Fittings
	M00070-73-000	EA	Tank Asm - Waste Water - 25 Gallon - w/Fittings
	064592-01-000	EA	Tank - Waste Water - 25 Gallon - w/o Fittings
	M01275-20-000	EA	Tank Asm. - Sewage - 32 Gallon - w/Fittings
	072388-01-000	EA	Tank - Sewage - 32 Gallon - w/o Fittings
**	051391-01-000	EA	Water Heater - w/o Motor Aid - G6A3
**	051391-03-000	EA	Water Heater - w/Electronic Ignition - G6A-3E
**	051393-01-000	EA	Water Heater - w/Motor Aid - GH6-3E
**	The illustrated parts breakdown for this item is provided on the Common Items Fiche		

**WINDOW, VENT & EXTERIOR DOOR GROUP**

**ACCESS DOOR**

Key	Part Number	U/M	Description
	047233-03-000	EA	Door Asm. - Luggage - 13.5" x 35.5" - w/Key Lock - Aluminum Sidewall
	076854-01-000	EA	Door Asm. - Luggage - 13 5" x 35.5" - w/Key Lock - Fiberglass Sidewall
	052009-03-000	EA	Door Asm. - Water Heater - Gray
	069762-05-000	EA	Door Asm - Refrigerator Access - w/Twist Lock - Gray
	M73925-02-R10	EA	Door Asm. - LP - 48" x 9" - w/Twist Lock - Aluminum Sidewall
	M76852-02-R10	EA	Door Asm. - LP - 48" x 9" - w/Twist Lock - Fiberglass Sidewall
	M73925-04-R10	EA	Door Asm. - Access - 25 3" x 9" - w/Twist Lock - Aluminum Sidewall
	M76852-04-R10	EA	Door Asm. - Access - 25.3" x 9" - w/Twist Lock - Fiberglass Sidewall
	M00685-09-000	EA	Door Asm. - Generator - 13.5" x 35.5" - w/o Baffle - Aluminum Sidewall
	M01552-02-000	EA	Door Asm. - Generator - 13.5" x 35.5" - w/o Baffle - Fiberglass Sidewall
	NOTE		
	052423-03-000	EA	Door - Fuel Fill - Gray
	063742-03-000	EA	Door - Power Cord - Gray
	052424-03-000	EA	Jamb - Fuel Fill/Power Cord Door - Gray
	054543-03-000	EA	Hatch - Power Cord Door - Gray
	052181-02-000	EA	Baffle - Generator Door - Gray
	054530-01-000	EA	Door Holder
	042441-01-000	EA	Lock Asm. - Key Type - Gas Fill
	042442-01-000	EA	Lock Asm - Twist Type
	052950-03-700	EA	Lock Asm - Twist Type - Straight Cam (Power Cord Door)
	047305-01-000	EA	Lock Asm. - Key Type w/Clip - Metal (Luggage)
	052950-01-700	EA	Lock Asm - Twist Type w/Clip - White Plastic
	009003-01-000	EA	Lock Asm. - Twist Type - w/Clip - (LP Door)
	009118-01-000	EA	Lock - Twist - w/Nut
	052951-01-000	EA	Clip - Twist - Lock Retainer

**WINDSHIELD**

Key	Part Number	U/M	Description
	057459-01-000	EA	Glass - Windshield - Flat
	058272-02-000	EA	Frame Asm - Windshield
	038886-01-000	EA	Tape - Butyl - 31" x 31" x 148'
	042743-01-000	EA	Corner - Windshield Frame - Lower
	042743-02-000	EA	Corner - Windshield Frame - Upper
	058291-01-000	FT	Edge - Molding

**VENTS**

Key	Part Number	U/M	Description
	065103-02-000	EA	Cover - Refrigerator Vent - 9 88" x 20 5" - Plastic
	065103-01-000	EA	Frame Asm - Refrigerator Vent - 8 17" x 22 94" - Plastic
	071290-02-000	EA	Cover - Refrigerator Vent - 11 5/8" x 24 3/4" - Galvanized Steel
	071290-01-000	EA	Frame Asm - Refrigerator Vent - 7 5" x 26 5' - Galvanized Steel
	049352-03-000	EA	Vent - Stovehood - Outside - Gray
**	048789-01-000	EA	Vent Asm - Roof - Powered - w/o Screen - Alum
	064469-02-000	EA	Vent - Roof - Powered - 14' x 14' - CSA
**	048835-01-000	EA	Vent Asm - Roof - Non-Powered - w/o Screen - Alum
**	The illustrated parts breakdown for this item is provided on the Common Items Fiche		

**1984 ITASCA  
TABLE OF CONTENTS**

Introduction	A-01
Abbreviations	A-01
Alphabetical Index	A-02 - A-04
ICN22RC	A-05 - C-20
ICN27RU	C-21 - F-10
ICN33RU	F-11 - H-22
ICP31RT	H-23 - J-24

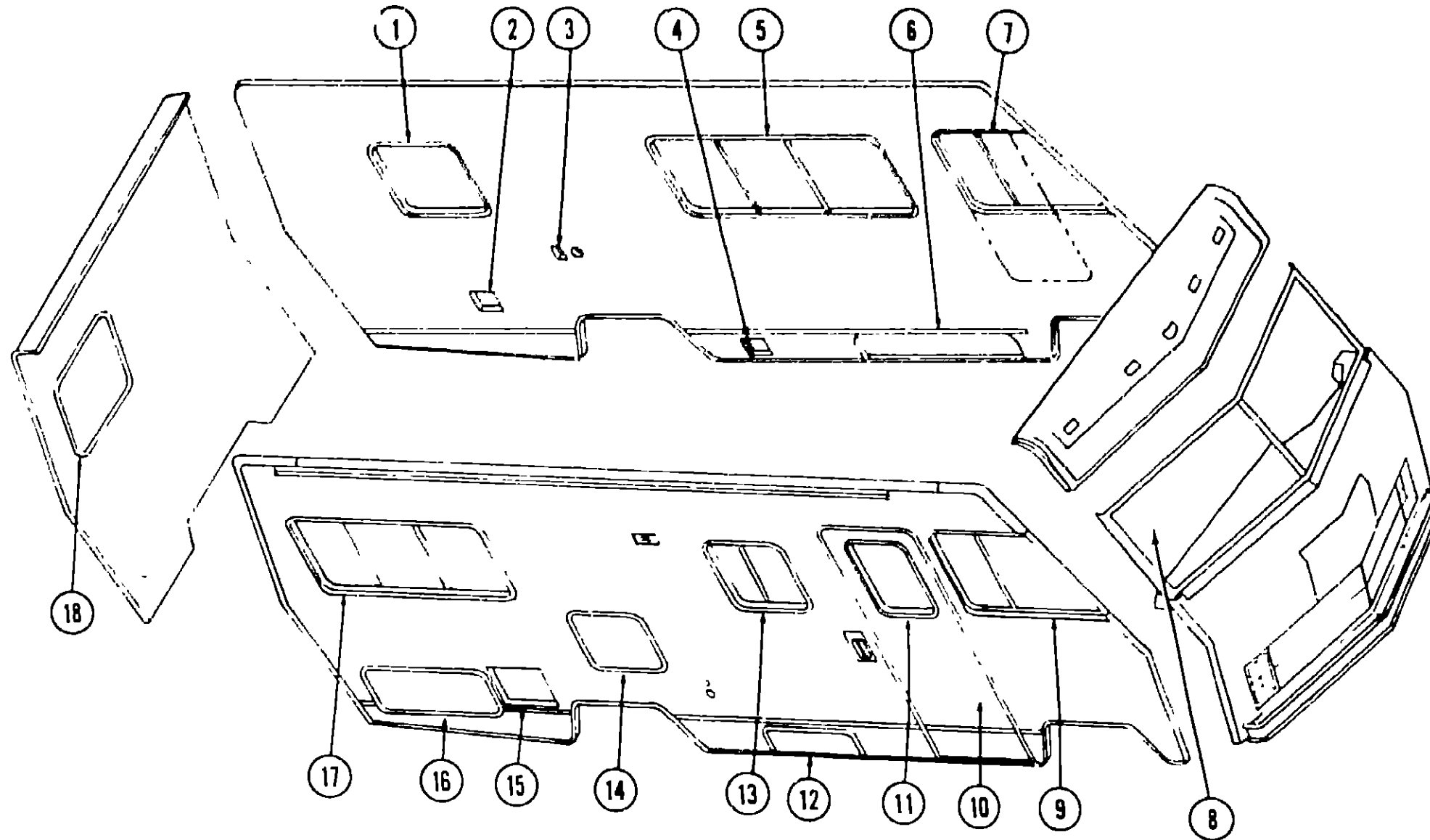
**1984 ICN22RC INDEX**

Floor Plan	A-05 - A-06
Accessories Group	A-07 - A-09
Bath Group	A-10 - A-11
Chassis Group	A-12 - A-13
Curtain Cushion & Pad Group	A-14 - A-20
Dinette Group	A-21 - A-22
Driver's Compartment Group	A-23 - B-01
Electrical Group	B-02 - B-04
Exterior Body Group	B-05 - B-15
Galley Group	B-16 - B-18
Heating & Air Conditioning Group	B-19 - B-20
Interior Finish Group	B-21 - B-23
LP Group	B-24
Lounge Group	C-01
Water & Sewage Group	C-02 - C-03
Window, Vent & Exterior Door Group	C-04 - C-20



# WINDOW, VENT & EXTERIOR DOOR GROUP (CONTINUED)

## WINDOWS & ACCESS DOORS



Key	Part Number	U/M	Description
1	042959-03-000	EA	Window Asm - Rear Escape - 22 5" x 24 5" - Black (w/o inside frame)
2	NOTE	EA	Door Asm - Fuel Fill (See Access Doors)
3	058808-03-000	EA	Water Fill - Lockable
4	NOTE	EA	Door Asm - Power Cord (See Access Doors)
5	075738-01-000	EA	Window Asm - Double Slider (w/o inside frame)
6	M73925-02-R10	EA	Door Asm - LP - 48" x 9" - w/Twist Lock - Aluminum Sidewalls
6	M76852-02-R10	EA	Door Asm - LP - 48" x 9" - w/Twist Lock - Fiberglass Sidewalls
7	059046-02-000	EA	Window Asm - Left Front Slant Slider - 23 x 39 - Black (w/o inside frame)
8	057459-01-000	EA	Glass - Windshield - Flat
9	059046-01-000	EA	Window Asm - Right Front Slant Slider - 23" x 39" - Black (w/o inside frame)
10	M01414-02-R07	EA	Door Asm - Radius Entry - w/Screen Door - Aluminum Sidewall
10	M01414-06-R07	EA	Door Asm - Radius Entry - w/Screen Door - Greyhound Sidewall
10	M01414-12-R10	EA	Door Asm - Radius Entry - w/Screen Door - Mesa Sidewall
11	041875-09-000	EA	Window Asm - Picture - 17" x 25" - Black (w/o inside frame)

Key	Part Number	U/M	Description
12	M73925-04-R10	EA	Door Asm - Access - 25 3" x 9" - w/Twist Lock - Aluminum Sidewalls
12	M76852-04-R10	EA	Door Asm - Access - 25 3" x 9" - w/Twist Lock - Fiberglass Sidewalls
13	048631-03-000	EA	Window Asm - Right Single Slider - 20" x 25" - Black (w/o inside frame)
14	069762-05-000	EA	Door Asm - Refrigerator Access - w/Twist Lock - Gray
15	052009-03-000	EA	Door Asm - Water Heater - Gray
16	047233-03-000	EA	Door Asm - Luggage - 13 5" x 35 5" - w/Key Lock - Aluminum Sidewalls
16	M00685-09-000	EA	Door Asm - Generator - 13 5" x 35 5" - w/o Baffle - Aluminum Sidewalls
16	076854-01-000	EA	Door Asm - Luggage - 13 5" x 35 5" - w/Key Lock - Fiberglass Sidewalls
16	M01552-02-000	EA	Door Asm - Generator - 13 5" x 35 5" - w/o Baffle - Fiberglass Sidewalls
17	066785-02-000	EA	Window Asm - Single Slider - 25" x 56" - Black (w/o inside frame)
**	045556-06-000	EA	Window Asm - Right Single Slider - 15" x 37" - Black (w/o inside frame)
18	020751-03-000	EA	Window Asm - Rear Escape - 23" x 29" - Black (w/o inside frame)
**	041875-02-000	EA	Window Asm - Picture - 13" x 23" - Black (w/o inside frame)
*	062896-01-000	EA	Window Asm - Stationary - Driver's Slant - 14" x 25 32" - Black (w/o inside frame)

\* Not illustrated  
 \*\* Parts for bunkhouse option (Not illustrated)

## 1984 ITASCA TABLE OF CONTENTS

Introduction	A-01
Abbreviations	A-01
Alphabetical Index	A-02 - A-04
ICN22RC	A-05 - C-20
ICN27RU	C-21 - F-10
ICN33RU	F-11 - H-22
ICP31RT	H-23 - J-24

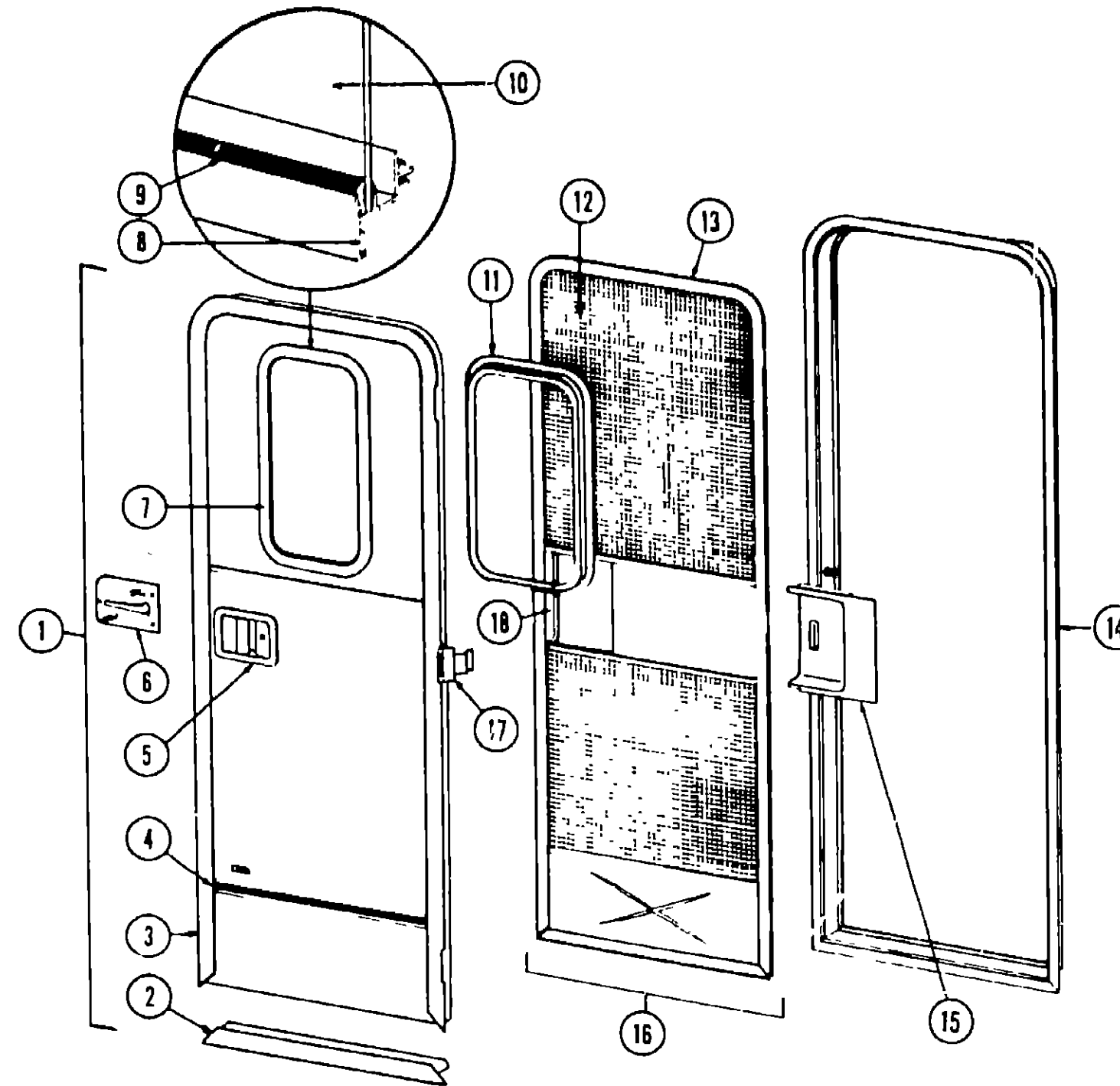
## 1984 ICN22RC INDEX

Floor Plan	A-05 - A-06
Accessories Group	A-07 - A-09
Bath Group	A-10 - A-11
Chassis Group	A-12 - A-13
Curtain, Cushion & Pad Group	A-14 - A-20
Dinette Group	A-21 - A-22
Driver's Compartment Group	A-23 - B-01
Electrical Group	B-02 - B-04
Exterior Body Group	B-05 - B-15
Galley Group	B-16 - B-18
Heating & Air Conditioning Group	B-19 - B-20
Interior Finish Group	B-21 - B-23
LP Group	B-24
Lounge Group	C-01
Water & Sewage Group	C-02 - C-03
Window, Vent & Exterior Door Group	C-04 - C-20

# WINDOW, VENT & EXTERIOR DOOR GROUP (CONTINUED)

## ENTRANCE & SCREEN DOOR

Key	Part Number	U/M	Description
1	M01414-02-R07	EA	Door Asm. - Radius Entry w/Screen Door - Aluminum
1	M01414-06-R07	EA	Door Asm. - Radius Entry w/Screen Door - Greyhound Fiberglass
1	M01414-12-R10	EA	Door Asm. - Radius Entry w/Screen Door - Mesa Fiberglass
2	039737-06-000	EA	Frame - Entry Door (Bottom Portion Only) Aluminum
2	076878-03-000	EA	Frame - Entry Door (Bottom Portion Only) Greyhound Fiberglass
2	077998-03-000	EA	Frame - Entry Door (Bottom Portion Only) Mesa Fiberglass
3	039736-05-000	EA	Frame - Entry Door (Except Bottom Portion) Aluminum
3	076863-03-000	EA	Frame - Entry Door (Except Bottom Portion) Fiberglass
4	059578-03-000	EA	Feature Strip w/o Insert - Extr. - 14' - Brown
*	001030-09-100	EA	Insert - Feature Strip - 17' - Beige
*	009731-01-000	EA	End Cap - Feature Strip
5	045017-05-000	EA	Paddle Asm. - Door Lock - Exterior
*	045017-05-700	EA	Lock Cylinder w/Keys - Lynor
*	039539-01-000	EA	Striker Bolt - Entry Door
*	039540-01-000	EA	Latch Claw - Entry Door
*	039738-01-000	EA	Dead Bolt - Entry Door
6	039979-01-000	EA	Plate - Lock - Inside - Including Inside Handle
*	052186-01-000	EA	Lock Asm. - Complete - Lynor
7	041875-09-000	EA	Window Asm. - Picture - 17" x 25" - Black (w/o inside frame)
8	069640-06-000	FT	Ribbon Sealer - 5/16" Bead x 15'
9	002309-02-000	FT	Spline - Glass - 1/8" Black
10	002181-06-000	EA	Glass - Picture Window - 1/8" x 16 25" x 24" - Gray
11	067609-03-000	EA	Inside Frame - Window - Beige (not included in assembly)
12	002293-01-000	SF	Screen - Window - 26" - Gray
13	056795-01-000	FT	Seal Tape - 1/8" x 3/8" - Press On
14	075636-01-000	EA	Jamb Asm. - Entry Door
15	015580-02-000	EA	Slider - Screen Door - Light Oak Plastic
16	053170-08-000	EA	Door Asm. - Screen w/Light Oak Trim
17	039520-01-000	EA	Hinge - Entry Door (3 used per door)
18	015581-02-000	EA	Cap - Screen Door - Light Oak Plastic
*	049176-01-000	EA	Hedlock II - 3/4" Diameter - Screw Mount (Retains screen door to entry door)
*	009016-01-000	EA	Catch - Elbow - Spring Loaded - Screen Door
*	039863-01-000	EA	Catch Asm. - Single Roller w/Strike - Screen Door
*	076231-01-000	EA	Spacer - Latch - Screen Door
*	039800-03-000	FT	Tubing - Polybutyl - 3/8" O D Jamb
*	077437-02-000	EA	Strike - Roller Catch
*	058025-02-000	EA	Clip - Roller Latch Catch
*	044582-06-000	EA	Drip Cap - Gray
*	075802-01-000	EA	Seal - Mocket - Entrance
*	075739-03-000	EA	Stiffener - Entrance Door - Gray
*	075673-01-000	FT	Seal - Pile - Adhesive Back
*	075671-01-000	FT	Seal - Sponge - Lazy "T" Shaped
*	002294-01-000	FT	Spline - Black - 135" x 138" (Screen Door)
*	063638-01-000	EA	Strike - Screen Door
*	063729-04-000	EA	Rivnut - 10 - 32 UNF - 010-080
*	075639-01-000	EA	Garnish - Radius - Entrance
*			Not illustrated



### 1984 ITASCA TABLE OF CONTENTS

Introduction	A-01
Abbreviations	A-01
Alphabetical Index	A-02 - A-04
ICN22RC	A-05 - C-20
ICN27RU	C-21 - F-10
ICN33RU	F-11 - H-22
ICP31RT	H-23 - J-24

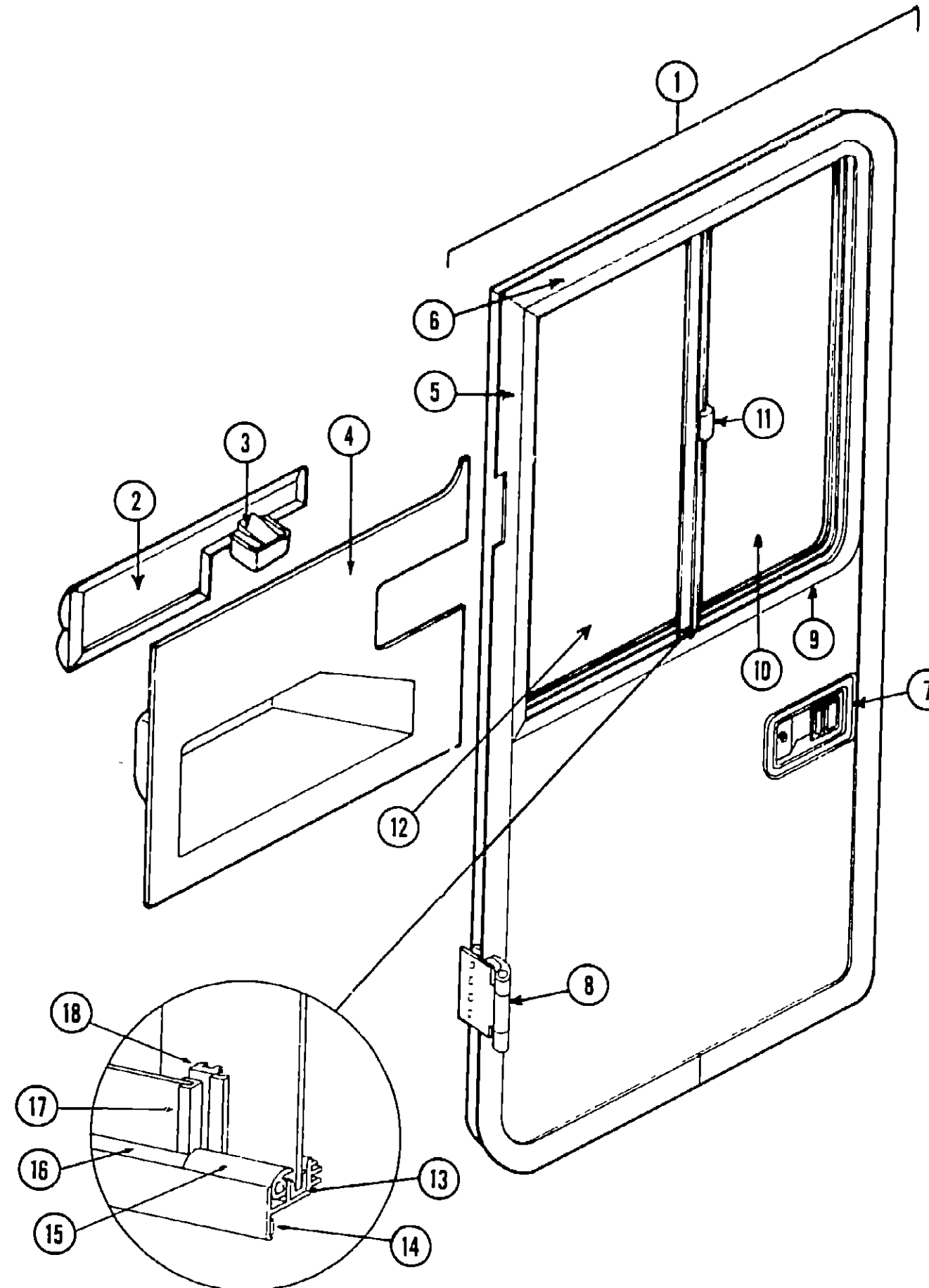
### 1984 ICN22RC INDEX

Floor Plan	A-05 - A-06
Accessories Group	A-07 - A-09
Bath Group	A-10 - A-11
Chassis Group	A-12 - A-13
Curtain, Cushion & Pad Group	A-14 - A-20
Dinette Group	A-21 - A-22
Driver's Compartment Group	A-23 - B-01
Electrical Group	B-02 - B-04
Exterior Body Group	B-05 - B-15
Galley Group	B-16 - B-18
Heating & Air Conditioning Group	B-19 - B-20
Interior Finish Group	B-21 - B-23
LP Group	B-24
Lounge Group	C-01
Water & Sewage Group	C-02 - C-03
Window, Vent & Exterior Door Group	C-04 - C-20

# WINDOW, VENT & EXTERIOR DOOR GROUP (CONTINUED)

## DRIVER'S DOOR

Key	Part Number	U/M	Description
1	063591-06-R07	EA	Door Asm - Driver's - Aluminum - Gray
1	063991-09-R07	EA	Door Asm - Driver's - Fiberglass - Gray
2	064088-02-000	EA	Pad Asm. - Trim - Upper - Beige Vinyl - Driver's Door
*	061400-03-000	EA	Assist Strap - 12" - Beige Vinyl
3	046888-03-000	EA	Ash Tray Asm. - Flush Mount - Chrome
4	064490-02-000	EA	Panel - Driver's Door - Inner - Light Oak Plastic
5	063350-03-000	EA	Trim - Door Frame - Front - Aluminum - Gray
5	076862-03-000	EA	Trim - Door Frame - Front - Fiberglass - Gray
6	063351-03-000	EA	Trim - Door Frame - Aluminum - Gray
6	076861-03-000	EA	Trim - Door Frame - Fiberglass - Gray
*	062878-01-000	EA	Frame Asm - Inner - Driver's Door
7	J45017-06-000	EA	Paddle - Door Lock - Exterior
*	045017-05-700	EA	Lock Cylinder w/Keys - Lynor
*	039979-02-000	EA	Inside Plate - Door Lock - w/Inside Handle
*	039549-02-000	EA	Latch Claw - Entry Door Lock
*	039738-01-000	EA	Deadbolt - Entrance Door Lock
*	039539-01-000	EA	Strike Bolt - Entrance Door (Jamb Mount)
*	063124-02-000	EA	Plate - Striker - 8 1/4" x 1" - Black
*	062879-01-000	EA	Jamb - Driver's Door
*	064199-06-000	EA	Trim - Door Jamb - Rear - w/Drip Cap - Gray
*	064184-01-000	EA	Drip Cap - Driver's Door
*	063358-06-000	EA	Trim - Door Jamb - Front - Gray
*	063768-01-000	EA	Sill Plate - Driver's Door
8	063993-03-000	EA	Hinge Asm - Driver's Door - Gray
*	063731-01-000	EA	Cap - Push On - Zinc
*	064580-01-000	EA	Check Strap - Driver's Door - Seat Belt Webbing
*	064219-01-000	EA	Retainer - Driver's Door Check Strap
*	063886-03-000	EA	Assist Handle - Driver's Door - Beige - Steel Tube (2 required per door)
*	064075-01-000	EA	Bulb Seal - Driver's Door - 145"
9	062982-01-000	EA	Window Asm - Driver's Door - Single Slider - 23" x 25.5" - Black (w/o inside frame)
*	063422-02-000	EA	Inside Frame - Driver's Door Window - Beige (not included in assembly)
10	057657-02-000	EA	Glass - 3/16" x 24 88" x 12" - Sliding
11	047369-01-700	EA	Latch - Window - Plastic w/Fastener
12	002188-04-000	EA	Glass - 3/16" x 24 88" x 12" - Stationary
13	042077-01-000	FT	Channel - Weatherstrip - Glass Run - 1/8" Glass
14	069640-06-000	FT	Ribbon Sealer - 5/16" Bead x 15'
15	041928-02-000	FT	Seal - Window Channel - Black
16	050216-02-000	FT	Spline - Glass - Black
17	M02389-03-206	EA	Seal Holder w/Fin Seal - Black - 24 13"
*	M01621-01-000	EA	Mullion - Slider Window - Black
*	073740-01-000	FT	Seal Fin - 460 Pile
*	023713-02-000	EA	Weephole Cover - Black Plastic
*	039543-02-000	EA	Latch Asm - Hook - Inside - Left
*	063977-03-000	EA	Step Asm - Upper - Door
*	063729-01-000	EA	Rivnut - 1/4 x 20 UNC
*	066109-02-000	EA	Strap - Driver's Door
*			Not illustrated

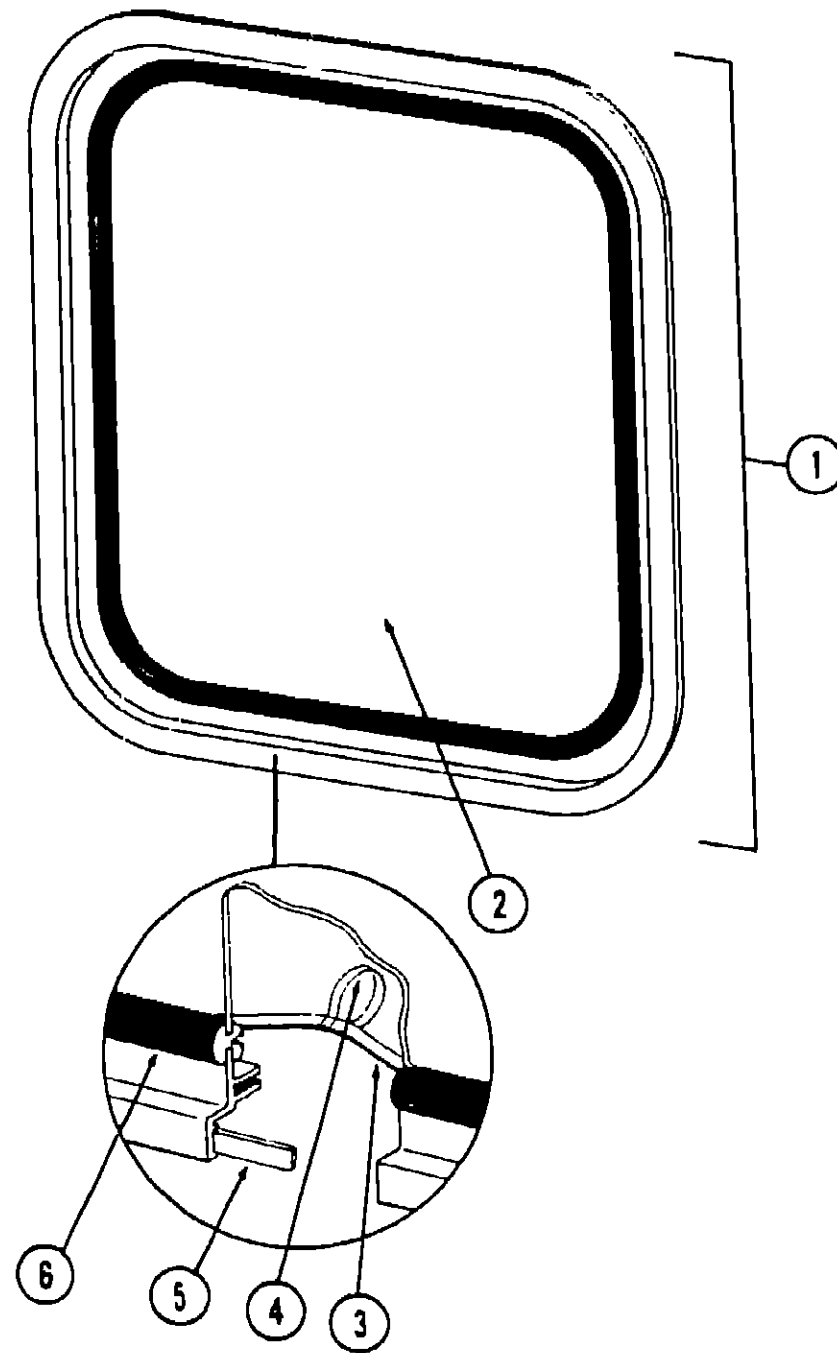


## 1984 ITASCA TABLE OF CONTENTS

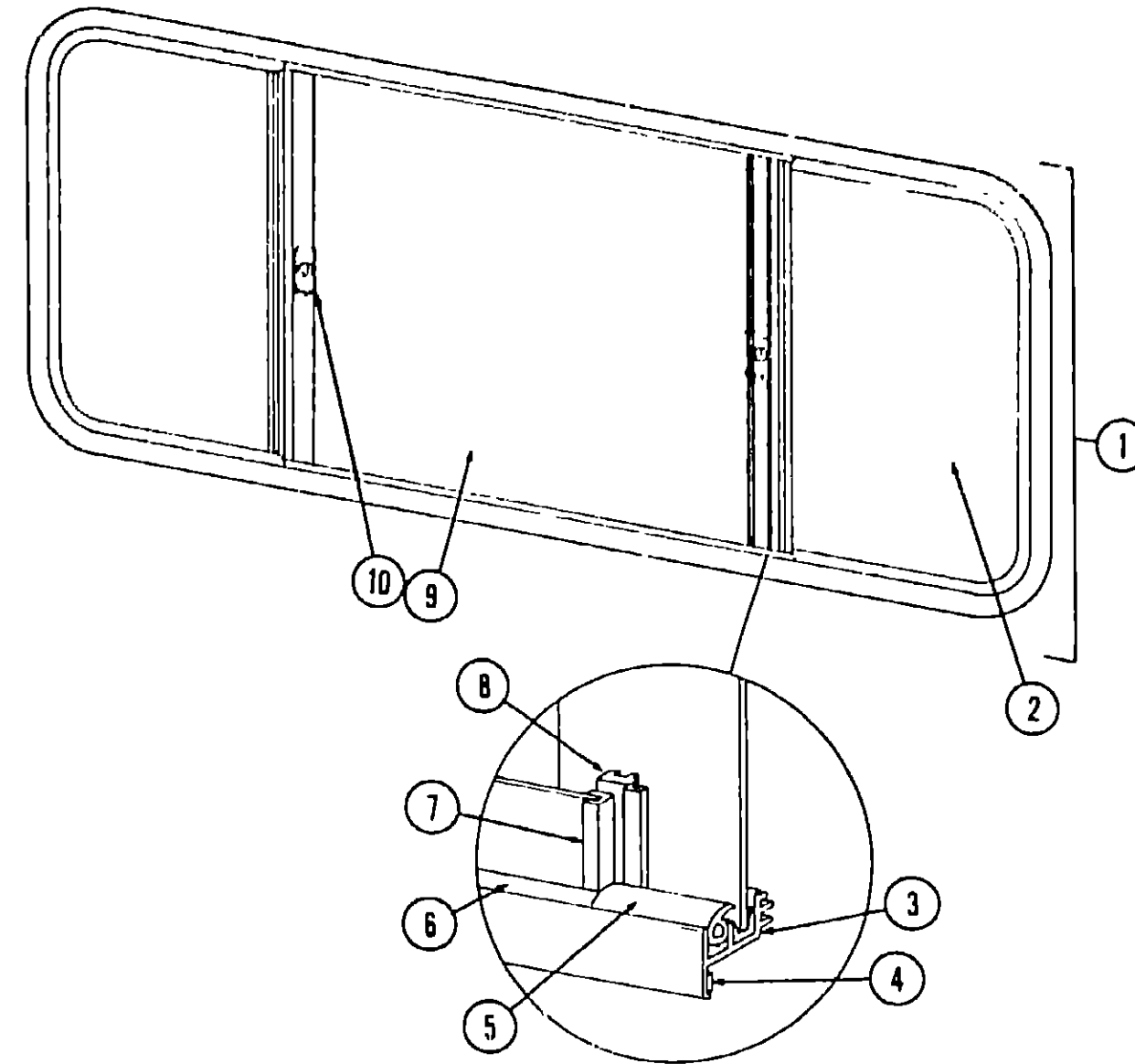
Introduction	A-01
Abbreviations	A-01
Alphabetical Index	A-02 - A-04
ICN22RC	A-05 - C-20
ICN27RU	C-21 - F-10
ICN33RU	F-11 - H-22
ICP31RT	H-23 - J-24

## 1984 ICN22RC INDEX

Floor Plan	A-05 - A-06
Accessories Group	A-07 - A-09
Bath Group	A-10 - A-11
Chassis Group	A-12 - A-13
Curtain, Cushion & Pad Group	A-14 - A-20
Dinette Group	A-21 - A-22
Driver's Compartment Group	A-23 - B-01
Electrical Group	B-02 - B-04
Exterior Body Group	B-05 - B-15
Galley Group	B-16 - B-18
Heating & Air Conditioning Group	B-19 - B-20
Interior Finish Group	B-21 - B-23
LP Group	B-24
Lounge Group	C-01
Water & Sewage Group	C-02 - C-03
Window Vent & Exterior Door Group	C-04 - C-20



Key	Part Number	U/M	Description
1	042959-03-000	EA	Window Asm - Rear Escape - 22 5" x 24 5" - Black (w/o inside frame)
*	072842-01-000	EA	Inside Frame - Escape Window - Beige (not included in assembly)
2	041392-03-000	EA	Glass - 1/8" x 19 6" x 21 65"
3	002285-01-000	FT	Filler - Weatherstrip - Black
4	069640-06-000	FT	Ribbon Sealer - 5/16" Bead x 15'
5	002282-01-000	FT	Weatherstrip - 125" Window
*	047731 01-000	EA	Label - Emergency Exit
*			Not illustrated



Key	Part Number	U/M	Description
1	075738-01-000	EA	Window Asm - Double Slider (w/o inside frame)
*	067609-06-000	EA	Inside Frame - Beige (not included in assembly)
2	047822-04-000	EA	Glass - Sliding - 1/8" x 24" x 21 03"
3	002324-02-000	FT	Channel - Weatherstrip - Glass
4	069640-06-000	FT	Ribbon Sealer - 1/4" Bead x 15'
5	057374-02-000	FT	Extr Vinyl - Window Seal - Black
6	002309-02-000	FT	Spline - Glass - 1/8" Material - Black
7	M69886-03-003	EA	Seal Holder w/Fin Seal - 23 19" - Black
8	069896-02-000	EA	Mullion - Slider Window - Black
9	002188-05-000	EA	Glass - Stationary - 125" x 24" x 25 5"
10	047369-01-700	EA	Latch Kit - Window - Plastic w/Fastener
*	002293-01-000	SF	Screen - Window - 26" - Gray
*	002298-01-000	FT	Spline - 130" Dia - Gray (Screen)
*	073740-01-000	FT	Seal - Fin - Pile - 463"
*			Not illustrated

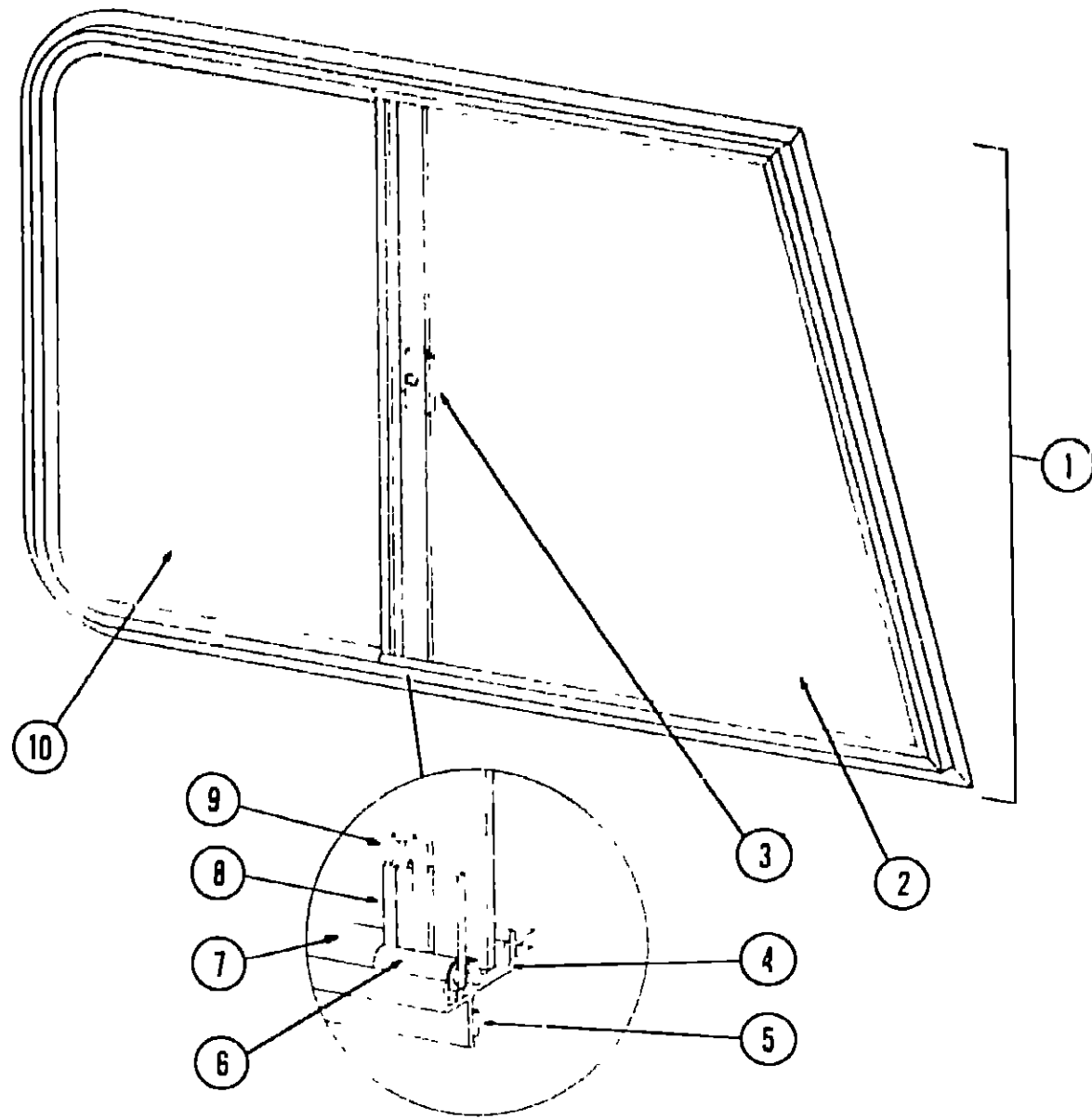
1984 ITASCA  
TABLE OF CONTENTS

Introduction	A-01
Abbreviations	A-01
Alphabetical Index	A-02 - A-04
ICN22RC	A-05 - C-20
ICN27RU	C-21 - F-10
ICN33RU	F-11 - H-22
ICP31RT	H-23 - J-24

1984 ICN22RC INDEX

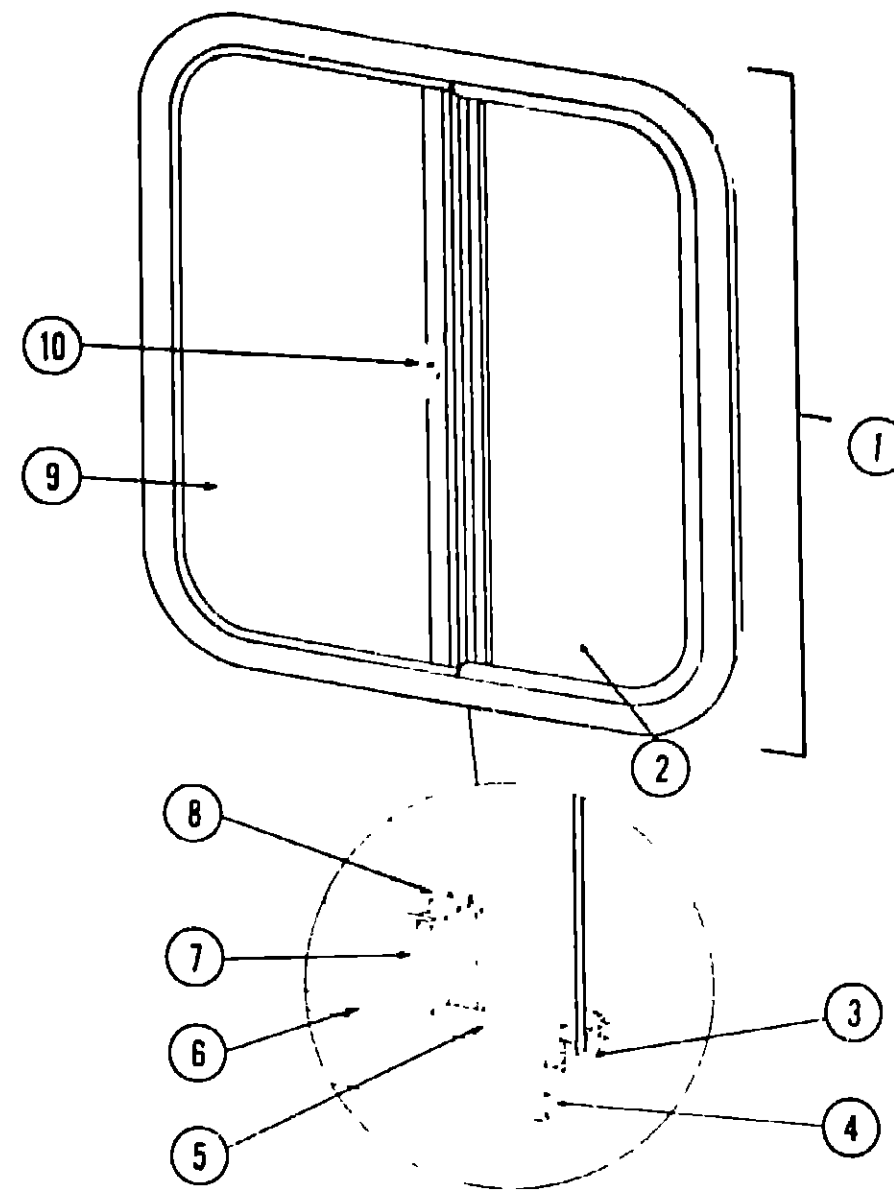
Floor Plan	A-05 - A-06
Accessories Group	A-07 - A-09
Bath Group	A-10 - A-11
Chassis Group	A-12 - A-13
Curtain, Cushion & Pad Group	A-14 - A-20
Dinette Group	A-21 - A-22
Driver's Compartment Group	A-23 - B-01
Electrical Group	B-02 - B-04
Exterior Body Group	B-05 - B-15
Galley Group	B-16 - B-18
Heating & Air Conditioning Group	B-19 - B-20
Interior Finish Group	B-21 - B-23
LP Group	B-24
Lounge Group	C-01
Water & Sewage Group	C-02 - C-03
Window, Vent & Exterior Door Group	C-04 - C-20

**WINDOW, VENT & EXTERIOR DOOR GROUP (CONTINUED)**



Key	Part Number	U/M	Description
1	059046-01-000	EA	Window Asm - Right Front Slant Slider - 23" x 39" - Black (w/o inside frame)
1	059046-02-000	EA	Window Asm - Left Front Slant Slider - 23" x 39" - Black (w/o inside frame)
*	059042-03-000	EA	Inside Frame - Right Front Slant Slider - Beige (not included in assembly)
*	059042-04-000	EA	Inside Frame - Left Front Slant Slider - Beige (not included in assembly)
2	057656-01-000	EA	Glass - 3/16" x 24.88" x 25.30" - Stationary
3	047369-01-700	EA	Latch Kit - Window - Plastic w/Fastener
4	042077-01-000	FT	Channel - Weatherstrip - Glass Run - 3/16" Glass
5	069640-06-000	FT	Ribbon Sealer - 5/16" Bead x 15'
6	050216-02-000	FT	Spline - Glass - 1/8" Material - Black
7	041928-02-000	FT	Seal - Window Channel - 3/16" Glass - Black
8	M02389-03-206	EA	Seal Holder w/Fin Seal - 24 13" - Black
9	057644-04-000	EA	Mullion - Window - Slant Slider
10	057657-01-000	EA	Glass - 3/16" x 24.88" x 14.70" - Sliding
*	073740-01-000	FT	Seal - Fin - Pile - 460"
*	023713-02-000	EA	Weephole Cover - Black
*	055164-05-000	EA	Slider Screen Asm - Right or Left - Black
*	016310-03-000	EA	Handle - Slider Screen - Black
*	002291-01-000	SF	Screen - Window - 16" - Gray
*	002293-01-000	FT	Spline - Gray - 130" Dia
*			Not illustrated

**WINDOW, VENT & EXTERIOR DOOR GROUP (CONTINUED)**



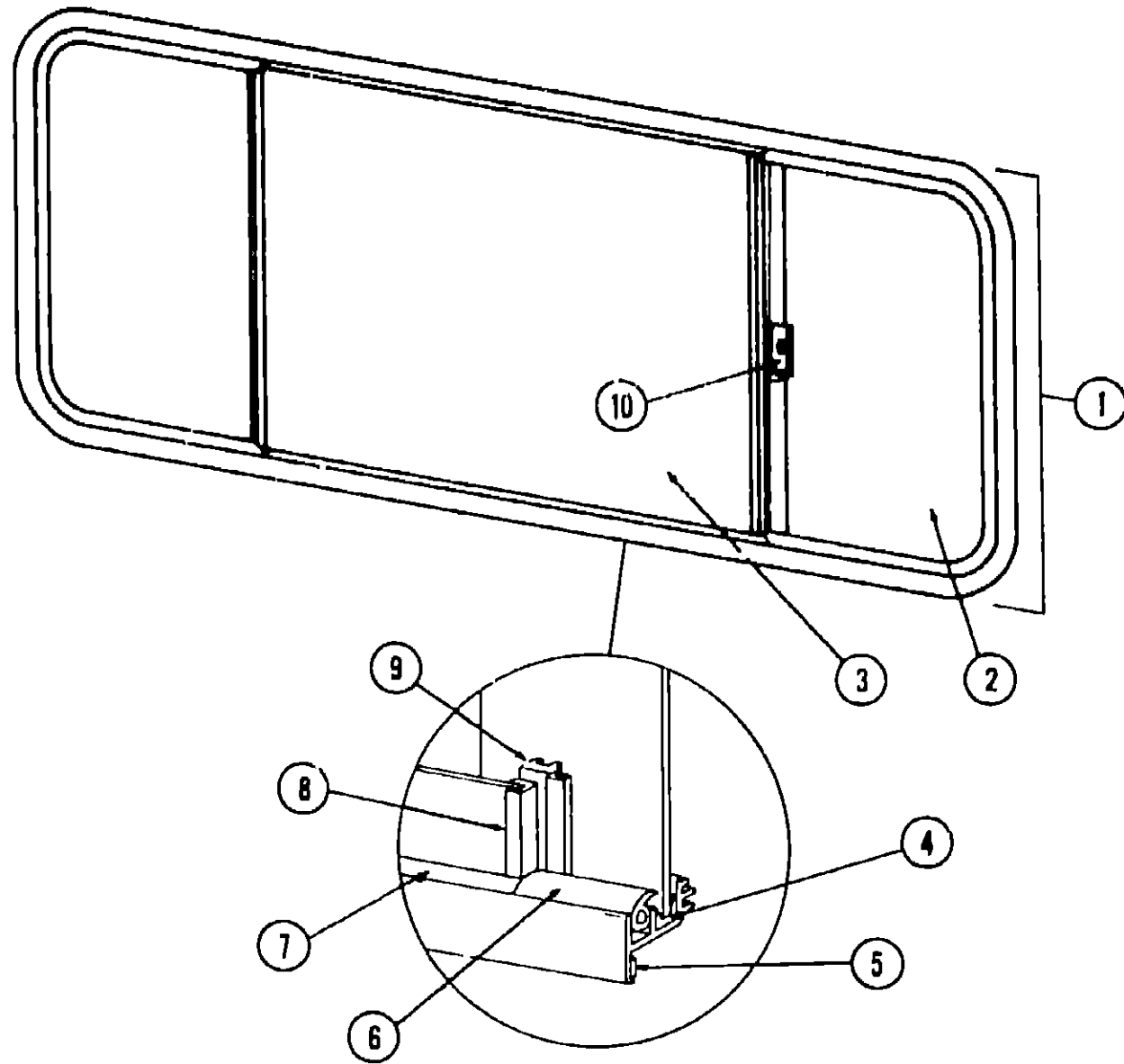
Key	Part Number	U/M	Description
1	048631-03-000	EA	Window asm - Right Single Slider - 20" x 25" - Black (w/o inside frame)
*	042147-12-000	EA	Inside Frame - Beige (not included in assembly)
2	047820-01-000	EA	Glass - Sliding - w/Hole - 1/8" x 13.68" x 19"
3	002324-02-000	EA	Channel - Weatherstrip - Glass
4	069640-06-000	FT	Ribbon Sealer - 5/16" Bead x 15'
5	057374-02-000	FT	Extr Vinyl - Window Seal - Black
6	002309-02-000	FT	Spline - Glass - 1/8" Material - Black
7	M69886-03-011	EA	Seal Holder w/Fin Seal - 18 19" - Black
8	041894-12-000	EA	Mullion - Slider Window - Black
9	002241-02-000	EA	Glass - Stationary - 1/8" x 12.3" x 19"
10	047369-01-700	EA	Latch Kit - Window - Plastic - w/Fastener
*	041928-02-000	FT	Seal - Window - Channel - 3/16"
*	002293-01-000	SF	Screen - Window - 26" - Gray
*	002298-01-000	FT	Spline - 130" Dia - Gray (Screen)
*	073740-01-000	FT	Seal - Fin - Pile - 460"
*			Not illustrated

**1984 ITASCA  
TABLE OF CONTENTS**

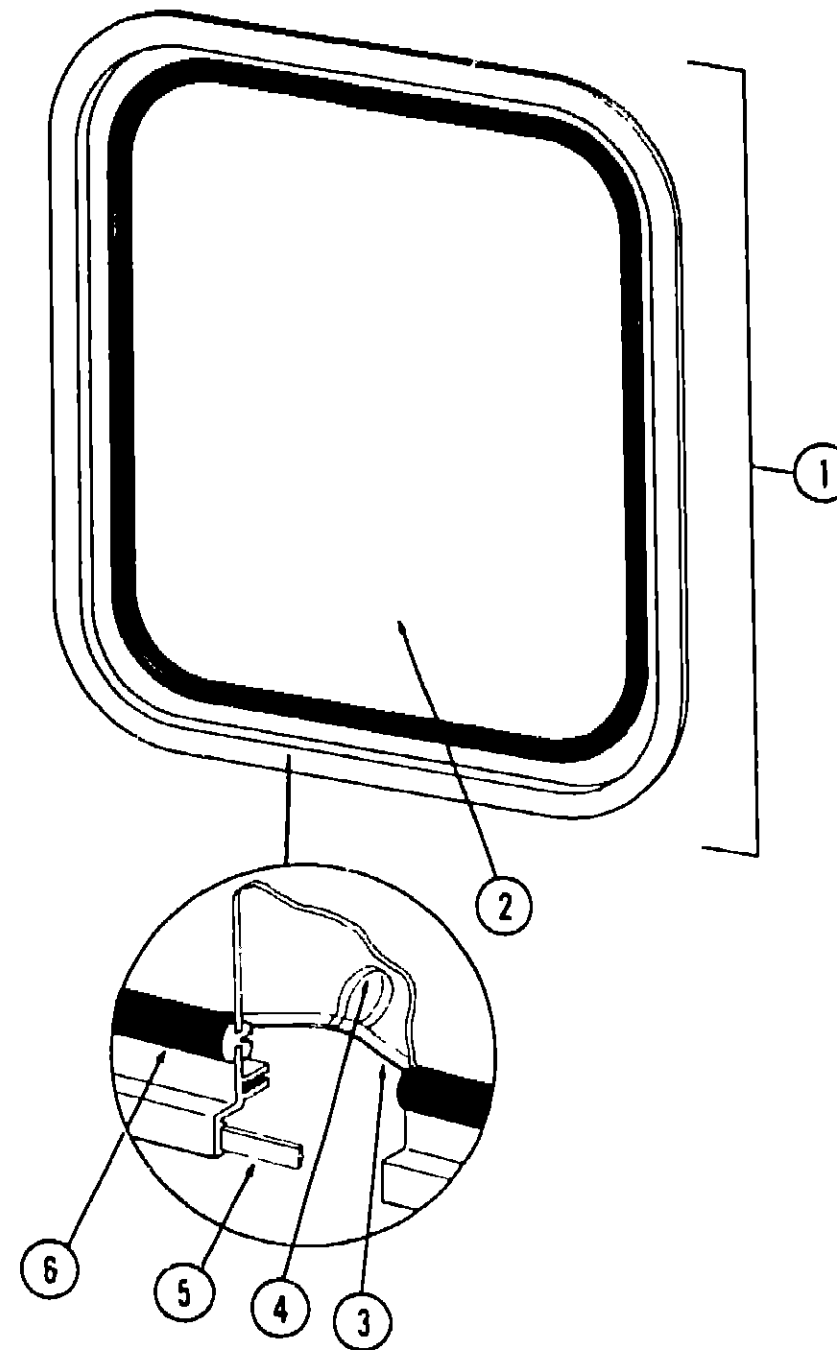
Introduction	A-01
Abbreviations	A-01
Alphabetical Index	A-02 - A-04
ICN22RC	A-05 - C-20
ICN27RU	C-21 - F-10
ICN33RU	F-11 - H-22
ICP31RT	H-23 - J-24

**1984 ICN22RC INDEX**

Floor Plan	A-05 - A-06
Accessories Group	A-07 - A-09
Bath Group	A-10 - A-11
Chassis Group	A-12 - A-13
Curtain, Cushion & Pad Group	A-14 - A-20
Dinette Group	A-21 - A-22
Driver's Compartment Group	A-23 - B-01
Electrical Group	B-02 - B-04
Exterior Body Group	B-05 - B-15
Galley Group	B-16 - B-18
Heating & Air Conditioning Group	B-19 - B-20
Interior Finish Group	B-21 - B-23
LP Group	B-24
Lounge Group	C-01
Water & Sewage Group	C-02 - C-03
Window, Vent & Exterior Door Group	C-04 - C-20



Key	Part Number	U/M	Description
1	066785-02-000	EA	Window Asm - Single Slider - 25" x 56" - Black (w/o inside frame)
•	067609-07-000	EA	Inside Frame - Beige (not included in assembly)
2	066726-01-000	EA	Glass - Stationary - 1/8" x 16 5" x 24"
3	066727-02-000	EA	Glass - Sliding - 1/8" x 25 5" x 24"
4	002324-02-000	FT	Channel - Weatherstrip - Glass
5	069640-06-000	FT	Ribbon Sealer - 5/16" Bead x 15'
6	057374-02-000	FT	Extr Vinyl - Window Seal - Black
7	002309-02-000	FT	Spline - Glass - 1/8" Material - Black
8	M69886-03-003	EA	Seal Holder w/Fin Seal - 23 19" - Black
9	069896-02-000	EA	Mullion - Slider Window - Black
10	047369-01-700	EA	Latch Kit - Window - Plastic w/Fastener
•	002293-01-000	SF	Screen - Window - 26" - Gray
•	002298-01-000	FT	Spline - 139" Dia - Gray (Screen)
•	073740-01-000	FT	Seal - Fin - Pile - 460"
•			Not illustrated



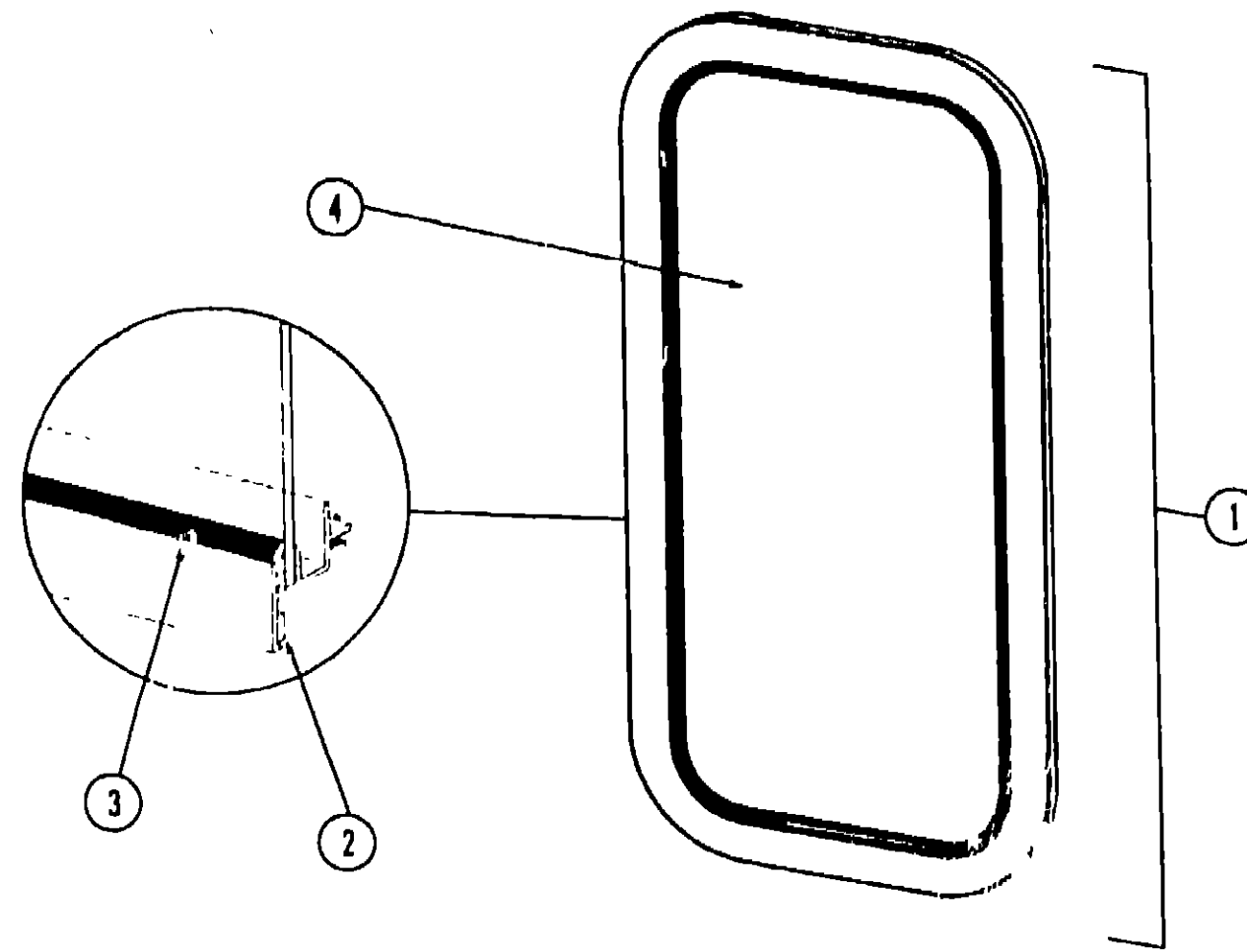
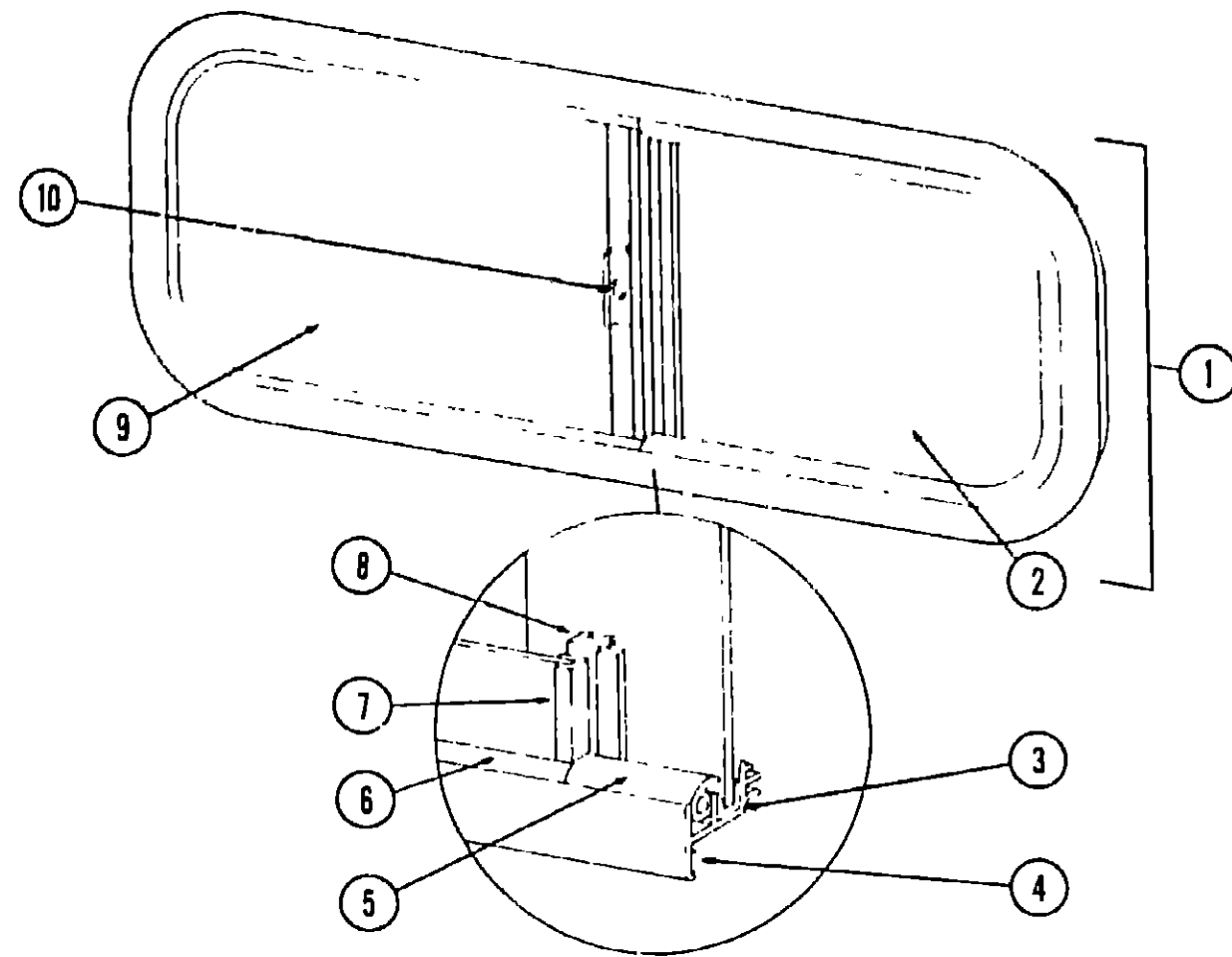
Key	Part Number	U/M	Description
1	020751-03-000	EA	Window Asm - Rear Escape - 23" x 29" - Black (w/o inside frame)
•	020749-05-000	EA	Inside Frame - Escape Window - Beige (not included in assembly)
2	002174-01-000	EA	Glass - 1/8" x 19 6" x 25.92"
3	002285-01-000	FT	Filler - Weatherstrip - Black
4	069640-06-000	FT	Ribbon Sealer - 5/16" Bead x 15'
5	002282-01-000	FT	Weatherstrip - 125" Window
•	023713-02-000	EA	Weephole Cover - Black Plastic
•	006199-01-000	EA	Label - Exit - Escape Window
•			Not illustrated

1984 ITASCA  
TABLE OF CONTENTS

Introduction	A-01
Abbreviations	A-01
Alphabetical Index	A-02 - A-04
ICN22RC	A-05 - C-20
ICN27RU	C-21 - F-10
ICN33RU	F-11 - H-22
ICP31RT	H-23 - J-24

1984 ICN22RC INDEX

Floor Plan	A-05 - A-06
Accessories Group	A-07 - A-09
Bath Group	A-10 - A-11
Chassis Group	A-12 - A-13
Curtain, Cushion & Pad Group	A-14 - A-20
Dinette Group	A-21 - A-22
Driver's Compartment Group	A-23 - B-01
Electrical Group	B-02 - B-04
Exterior Body Group	B-05 - B-15
Galley Group	B-16 - B-18
Heating & Air Conditioning Group	B-19 - B-20
Interior Finish Group	B-21 - B-23
LP Group	B-24
Lounge Group	C-01
Water & Sewage Group	C-02 - C-03
Window, Vent & Exterior Door Group	C-04 - C-20



Key	Part Number	U/M	Description
1	045556-06-000	EA	Window Asm - Right Single Slider - 15" x 37" - Black (w/o inside frame)
*	067609-10-000	EA	Inside Frame - Single Slider Window - Beige - 15" x 37" (w/o inside frame)
2	048324-02-000	EA	Glass - Sliding - 1/8" x 14 4" x 19" - Gray
3	002324-02-000	FT	Channel - Weatherstrip - Glass Run - 1/8" Glass
4	069640-06-000	FT	Ribbon Sealer - 5/16" Bead x 15'
5	057374-02-000	FT	Seal - Window Channel - 1/8" Glass - Black
6	002309-02-000	FT	Spline - Glass - 1/8" - Black
7	M69886-03-007	EA	Seal Holder w/Fin Seal - 13 60" - Black
8	069896-06-000	EA	Mullion - Slider Window - Black
9	002208-02-000	EA	Glass - Stationary - 1/8" x 14 4" x 19" - Gray
10	047369-01-700	EA	Latch Kit - Window Plastic w/Fastener
*	023813-02-000	EA	Weephole Cover - Black Plastic
*	002298-01-000	FT	Spline - Gray - 130" Dia. (Screen)
*	002291-01-000	FT	Screen - Window - 16" - Gray
*	073740-01-000	FT	Seal Fin - Pile 460"
*			Not illustrated

Key	Part Number	U/M	Description
1	041875-02-000	EA	Window Asm - Picture - 13" x 23" - Black (w/o inside frame)
*	041696-15-000	EA	Inside Frame - Window - Beige (not included in assembly)
2	069637-01-000	EA	Sealant - 404 Weatherbar - 3M
3	002309-02-000	EA	Spline - Glass - 1/8" - Black
4	002181-01 000	EA	Glass - 115' x 12" x 22"
*	023713-02-000	EA	Weephole Cover - Black Plastic
*			Not illustrated

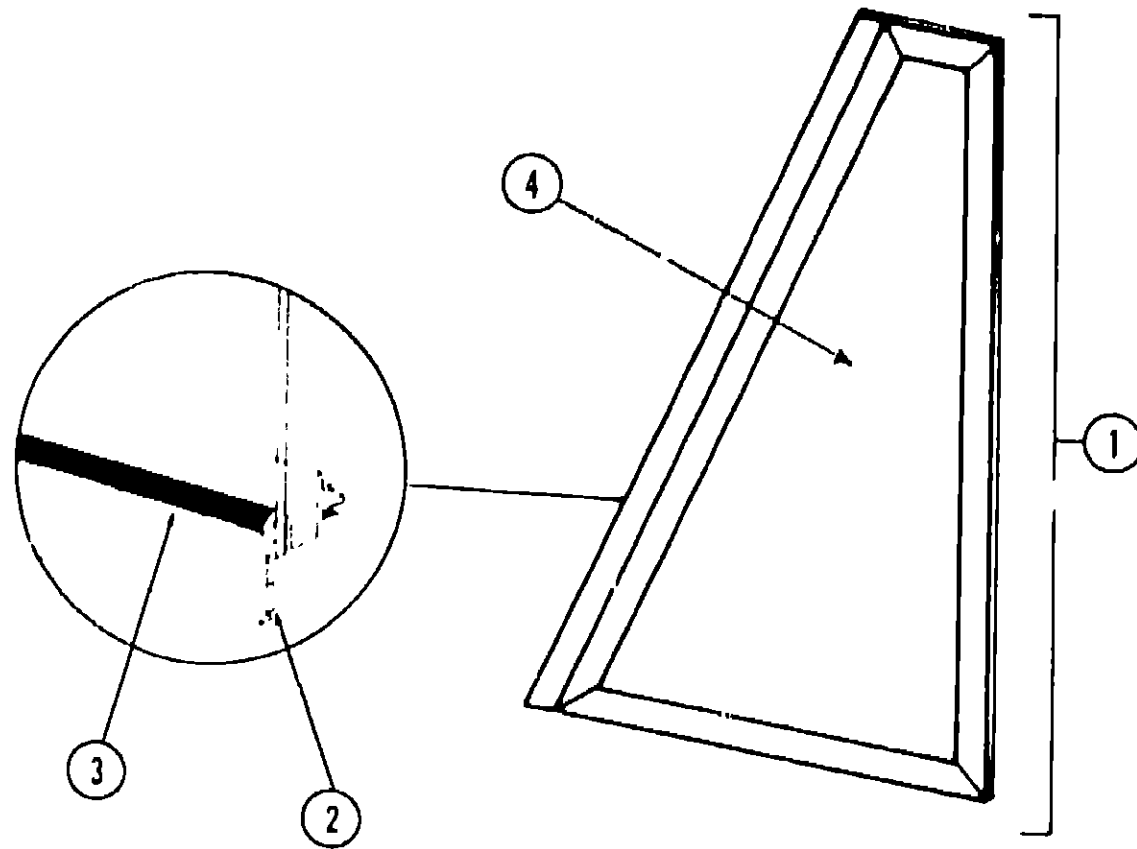
1984 ITASCA  
TABLE OF CONTENTS

Introduction	A-01
Abbreviations	A-01
Alphabetical Index	A-02 - A-04
ICN22RC	A-05 - C-20
ICN27RU	C-21 - F-10
ICN33RU	F-11 - H-22
ICP31RT	H-23 - J-24

1984 ICN22RC INDEX

Floor Plan	A-05 - A-06
Accessories Group	A-07 - A-09
Bath Group	A-10 - A-11
Chassis Group	A-12 - A-13
Curtain, Cushion & Pad Group	A-14 - A-20
Dinette Group	A-21 - A-22
Driver's Compartment Group	A-23 - B-01
Electrical Group	B-02 - B-04
Exterior Body Group	B-05 - B-15
Galley Group	B-16 - B-18
Heating & Air Conditioning Group	B-19 - B-20
Interior Finish Group	B-21 - B-23
LP Group	B-24
Lounge Group	C-01
Water & Sewage Group	C-02 - C-03
Window, Vent & Exterior Door Group	C-04 - C-20

**WINDOW, VENT & EXTERIOR DOOR GROUP (CONTINUED)**



Key	Part Number	U/M	Description
1	062896-01-000	EA	Window Asm - Stationary - Driver's Slant - 14" x 25 3/2" Black (w/o inside frame)
2	063420-02-000	EA	Inside Frame - Front Slant Window - Beige (not included in assembly)
3	069640-03-000	FT	Ribbon Sealer - 5/16" Bead x 15'
4	002309-02 000	FT	Spline - Glass - 1/8" - Black
	057656-02-000	EA	Glass - 19" x 24 8/8" x 13 6/6"
	Not illustrated		

**1984 ITASCA  
TABLE OF CONTENTS**

Introduction	A-01
Abbreviations	A-01
Alphabetical Index	A-02 - A-04
ICN22RC	A-05 - C-20
ICN27RU	C-21 - F-10
ICN33RU	F-11 - H-22
ICP31RT	H-23 - J-24

**1984 ICN22RC INDEX**

Floor Plan	A-05 - A-06
Accessories Group	A-07 - A-09
Bath Group	A-10 - A-11
Chassis Group	A-12 - A-13
Curtain, Cushion & Pad Group	A-14 - A-20
Dinette Group	A-21 - A-22
Driver's Compartment Group	A-23 - B-01
Electrical Group	B-02 - B-04
Exterior Body Group	B-05 - B-15
Galley Group	B-16 - B-18
Heating & Air Conditioning Group	B-19 - B-20
Interior Finish Group	B-21 - B-23
LP Group	B-24
Lounge Group	C-01
Water & Sewage Group	C-02 - C-03
Window Vent & Exterior Door Group	C-04 - C-20