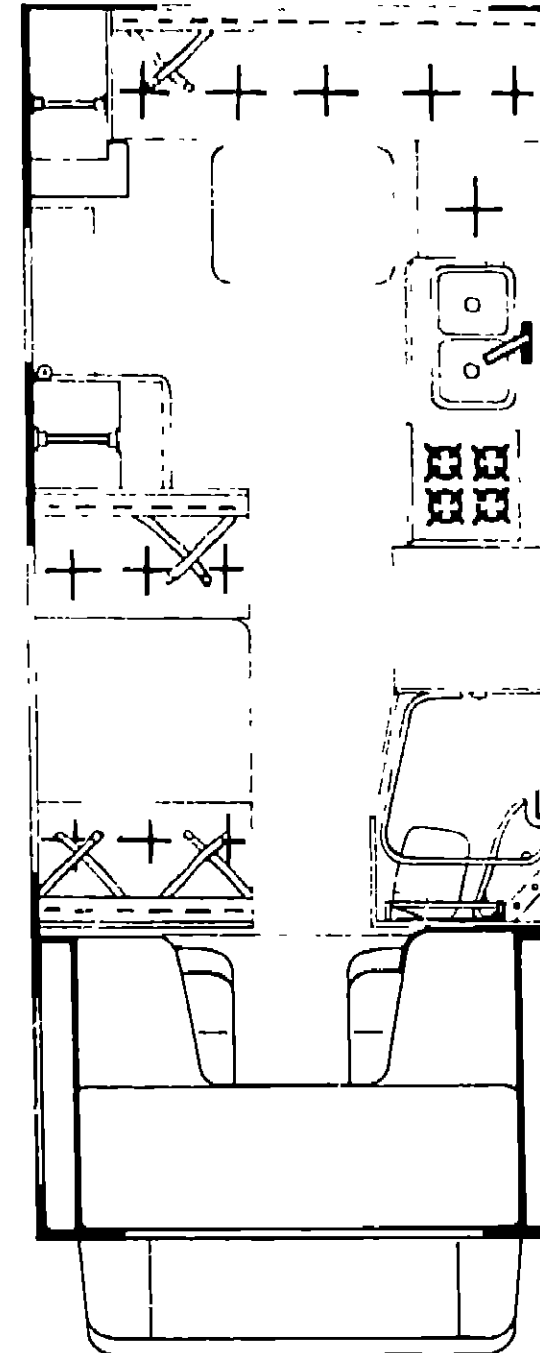


# 1984 IC420RG



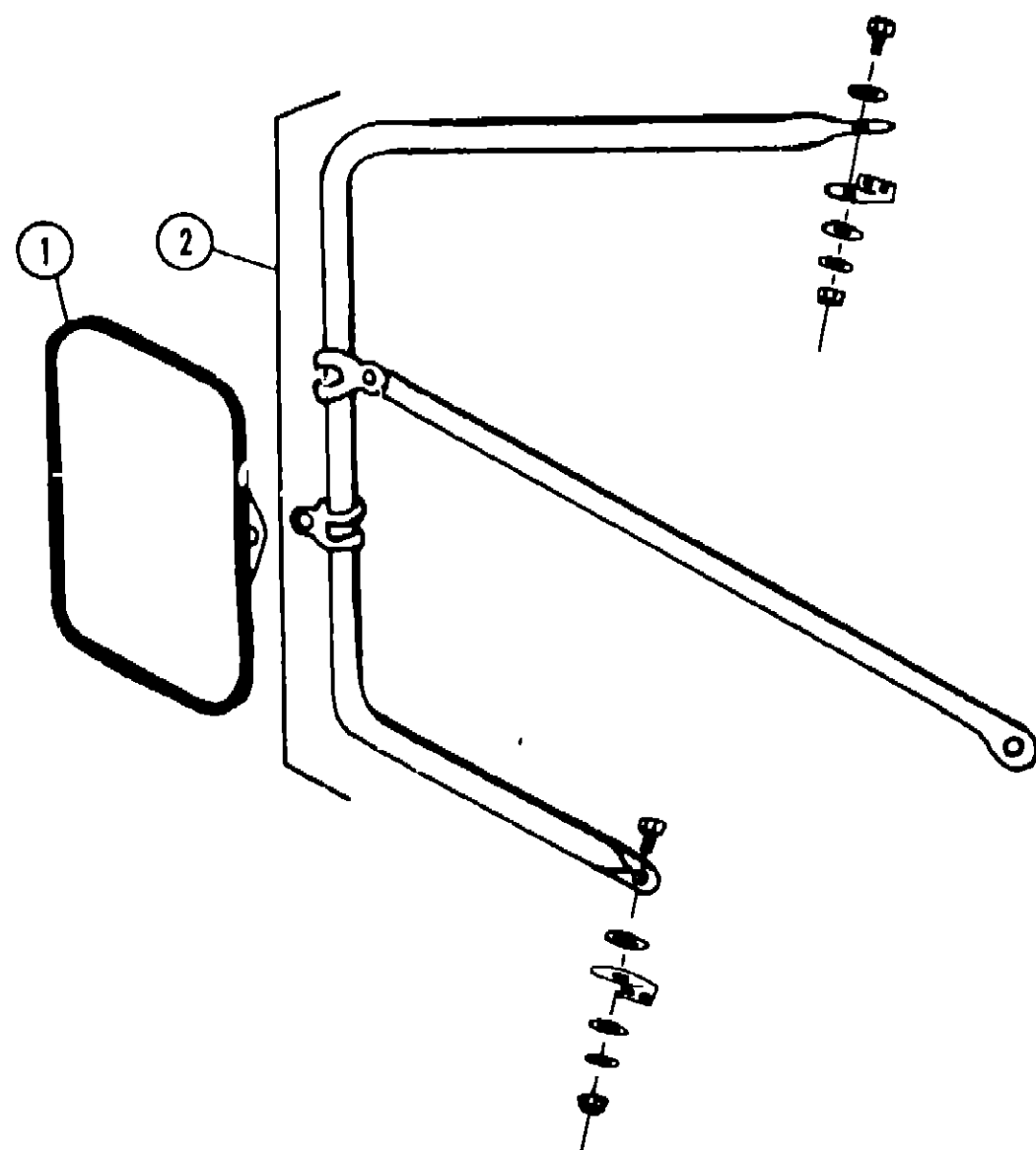
## 1984 ITASCA TABLE OF CONTENTS

IC420RG	A-01 - C-06
IC424RC	C-07 - E-18
ICN23RG	E-19 - H-06
ICN30RT	H-07 - J-20

## 1984 IC420RG INDEX

Floor Plan	A-01 - A-02
Accessories Group	A-03 - A-05
Bath Group	A-06
Chassis Group	A-07 - A-08
Curtain, Cushion & Pad Group	A-09 - A-14
Dinette Group	A-15
Driver's Compartment Group	A-16 - A-17
Electrical Group	A-18 - A-20
Exterior Body Group	A-21 - B-08
Galley Group	B-09 - B-10
Heating & Air Conditioning Group	B-11
Interior Finish Group	B-12 - B-14
LP Group	B-15
Lounge Group	B-16
Water & Sewage Group	B-17 - B-18
Window, Vent & Exterior Door Group	B-19 - C-06

## ACCESSORIES GROUP



EXTERIOR MIRRORS

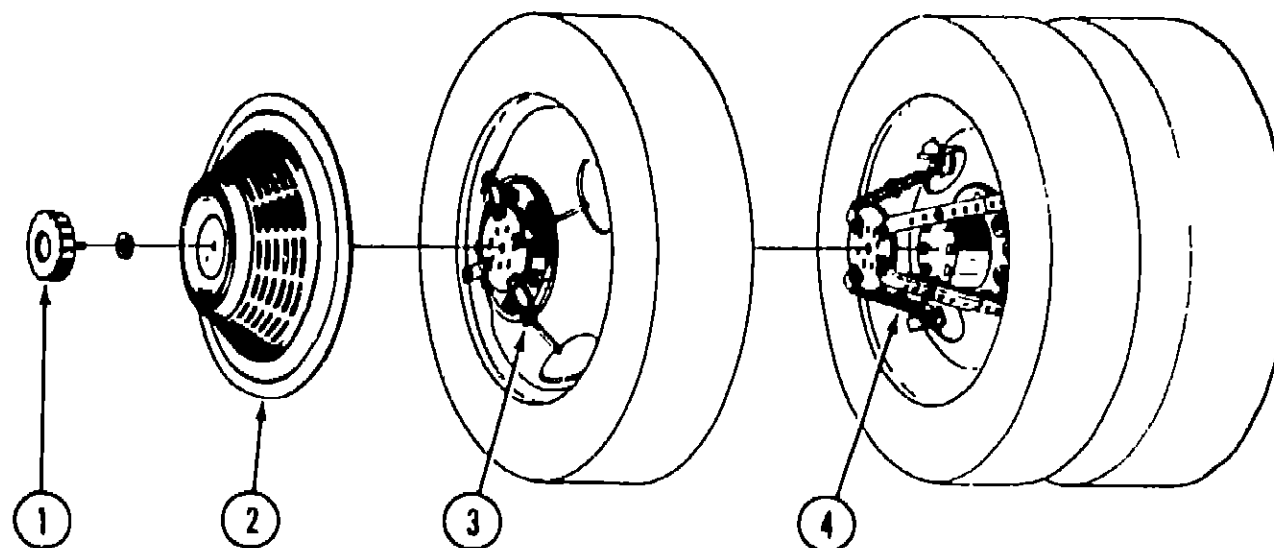
Key	Part Number	U/M	Description
1	049347-01-000	EA	Mirror Head - 7.5" x 10.5" - Stainless Steel
2	062047-02-000	EA	Arm - West Coast Mirror - Off White
*	006043-01-000	EA	Mirror - Convex - Adhesive Back
*			Not illustrated

## GENERATORS & COMPONENTS

Key	Part Number	U/M	Description
**	051908-01-000	EA	Generator - Kohler - 3.5 kw
	053753-01-000	EA	Generator - Kohler - 3.5 kw - CSA
	074008-01-000	EA	Conversion Kit - LP - Kohler Generator
**	054427-01-000	EA	Generator - Onan - 3.0 kw
	052168-01-000	EA	Generator - Onan - 4.25 kw
	057852-01-000	EA	Muffler - Generator - 3.0 AJ
	068046-01-000	EA	Conversion Kit - LP - Onan Generator
	067753-01-000	EA	Muffler - Generator - w/Spark Arrestor - Nelson
	701629-02-000	EA	Installation Package
	024732-01-016	EA	Tailpipe - 1 1/2" O D x 43.5"
	057049-01-000	EA	Insulation - Sound Deadening - 18.12" x 14.25"
	057049-02-000	EA	Insulation - Sound Deadening - 26.75" x 14.25"
	057049-03-000	EA	Insulation - Sound Deadening - 26.75" x 18.25"
	057049-04-000	EA	Insulation - Sound Deadening - 11" x 12"

\*\* The illustrated parts breakdown for this item is provided on the Common Items Fiche

## ACCESSORIES GROUP (CONTINUED)



WHEEL COVER & MOUNTING HARDWARE

Key	Part Number	U/M	Description
1	064082-02-000	EA	Retaining Nut - Delmet - Wheel Cover
2	073426-01-700	EA	Wheel Cover - Bolt On - 16" or 16.5" - Delmet (1)
3	073426-04-700	EA	Retention Bracket Asm - Wheel Cover Support - Heavy Duty - Front (1)
4	073426-04-701	EA	Retention Bracket Asm - Wheel Cover Support - Heavy Duty - Rear (1)
*	073426-04-000	EA	Retention Bracket Asm - Wheel Cover Support - Heavy Duty (Set/4)
*			Not illustrated

## RADIO & RELATED COMPONENTS

Key	Part Number	U/M	Description
	007004-01-000	EA	Antenna - Radio - Cab Mount
	064791-01-000	EA	Speaker - Recessed - 5.25"
	073431-01-000	EA	Speaker - 5.25" - 3/Way (Pair)
	073741-01-000	EA	Speaker - 4" x 6" - Oval
	074979-01-000	EA	Speaker Cover Protector - Plastic
	064792-01-000	EA	Grille - Speaker - 5.25" - w/Mesh - Brown
	073430-01-000	EA	Radio - AM/FM MPX - w/Cassette - Electronic Tune - Audiovox - HCC1150
	074482-01-000	EA	Radio - AM/FM MPX - w/Cassette - Audiovox - HCC565

## 1984 ITASCA TABLE OF CONTENTS

IC420RG	A-01 - C-06
IC424RC	C-07 - E-18
ICN23RG	E-19 - H-06
ICN30RT	H-07 - J-20

## 1984 IC420RG INDEX

Floor Plan	A-01 - A-02
Accessories Group	A-03 - A-05
Bath Group	A-06
Chassis Group	A-07 - A-08
Curtain, Cushion & Pad Group	A-09 - A-14
Dinette Group	A-15
Driver's Compartment Group	A-16 - A-17
Electrical Group	A-18 - A-20
Exterior Body Group	A-21 - B-08
Galley Group	B-09 - B-10
Heating & Air Conditioning Group	B-11
Interior Finish Group	B-12 - B-14
LP Group	B-15
Lounge Group	B-16
Water & Sewage Group	B-17 - B-18
Window, Vent & Exterior Door Group	B-19 - C-06

## ACCESSORIES GROUP (CONTINUED)

### MISCELLANEOUS ACCESSORIES

Key	Part Number	U/M	Description
	054185-20-000	EA	Owner's Manual - 1984 - Itasca & Winnebago
	044982-01-000	EA	Pouch - Home Owner's Plan - Plastic
	708053-02-000	EA	Antenna - TV Skyliner w/6" Shaft - Braund Delux
	006050-01-000	EA	Jack - TV - Ivory (Antenna)
	076319-01-000	EA	Antenna - TV - Roof Mount - 44.5"
	076319-03-000	FT	Cable - Coaxial - 1000' - 75 OHM
	076319-04-000	EA	Connector & Ferrule
	076319-05-000	EA	Wall Plate - Power Supply - Ivory
	076319-06-000	EA	Adapter - Cable Roof Plate
	017518-01-000	EA	Mud Flap w/Holes - 14" x 18" - Black
	064089-01-000	EA	Splash Guard - Black Rubber
	041944-03-000	EA	Fire Extinguisher - w/Bracket - 5 BC
	075922-01-000	EA	Microwave Oven - Litton - 1450
	075930-01-000	EA	Bracket Asm. - Microwave - Right
	075930-02-000	EA	Bracket Asm. - Microwave - Left
	076253-02-000	EA	Bracket Asm. - Microwave - Bottom (2 required)
	075922-03-000	EA	Trim Ring - Microwave Oven
	075922-04-000	EA	Air Exhaust Duct - Microwave Oven
	067203-01-000	EA	Ladder Asm.
	067130-01-000	EA	Ladder Step
	076980-01-000	EA	End Cap - Ladder Step
	067125-01-000	EA	Stand Off - Rack & Ladder Asm
	067203-02-000	EA	Luggage Rack Asm.
	072366-01-000	EA	Speed Control Package - Electric - Diesel - Dana
	072366-01-700	EA	Hex Fitting
	072366-01-701	EA	Cable Only
	072366-01-702	EA	Vacuum Regulator
	072366-01-703	EA	Control Switch & Lever Asm.
	069629-01-000	EA	Speed Control Package - Electric - Dana
	069629-01-700	EA	Regulator Asm. - Electronic
	069629-01-701	EA	Vacuum Valve & Electric Switch
	069629-01-702	EA	Control Switch & Lever Asm
	069629-01-703	EA	Harness Asm (Main Wiring)
	069629-01-704	EA	Generator Signal
	069629-01-705	EA	Adapter Key
	074481-01-000	EA	Valve Asm. - Switch - Speed Control
	074483-01-000	EA	Retainer Nut - Snap In - Speed Control
	072852-01-000	EA	Smoke Detector w/9 Volt Battery
	072373-01-000	EA	Weather Center - 7" x 7" x 2"
	072374-01-000	EA	Clock - 7" x 7" x 2"
	006069-01-000	EA	Key Case - Leather
	040069-01-000	EA	Door Mat - 10 5" x 26" - Black Rubber
	069580-01-000	EA	Lug Wrench - 1" x 1.25" x 16 3"
	069580-02-000	EA	Leverage Bar - 22" - Lug Wrench
	006113-01-000	EA	Jack - Hydraulic - 6 Ton - w/Handle
	075068-05-000	EA	Tire Cover Asm. - 29.5" - Off White Plastic

## BATH GROUP

Key	Part Number	U/M	Description
	M00823-01-R07	EA	Door Asm - Bathroom - 21.5" x 69.8" - w/o Hardware
	058335-02-000	EA	Latch - Bathroom Door - w/o Lock
	075240-02-000	EA	Faucet - Lavatory - US - Antique Brass
	011056-02-000	EA	Faucet - Lavatory - CSA
	075241-02-000	EA	Faucet - Shower - US - Antique Brass
	011059-01-000	EA	Faucet - Shower - CSA
	075452-01-000	EA	Holder - Tissue - Antique Brass
	009252-01-000	EA	Medicine Cabinet w/Light - White
	046112-02-000	EA	Mirror - 1/8" x 24" x 30" - Plastic
	066435-01-000	EA	Nut - Strainer - Plastic
	057671-01-000	EA	Screw Cover (No. 8)
	011048-02-000	EA	Shower Head w/60" Hose
	M01402-01-000	EA	Shower Pan
	064595-01-000	EA	Sink - Lavatory - Bath
	066436-01-000	EA	Slip Nut - 1.5" Tallpiece - Bathtub
	066440-01-000	EA	Strainer - Shower Pan - w/Rubber Washer
	011083-01-000	EA	Tall Piece - 1 25" x 5" - Plastic - w/Stopper
	064076-01-000	EA	Toilet - Thetford - Aqua Magic - Ivory - Model 50
	075453-01-000	EA	Towel Bar Rack - 18" - Antique Brass
	053272-01-001	EA	Track - Shower Curtain - 16'
	009150-01-000	EA	Warp Guard - 64"

## 1984 ITASCA TABLE OF CONTENTS

IC420RG	A-01 - C-06
IC424RC	C-07 - E-18
ICN23RG	E-19 - H-06
ICN30RT	H-07 - J-20

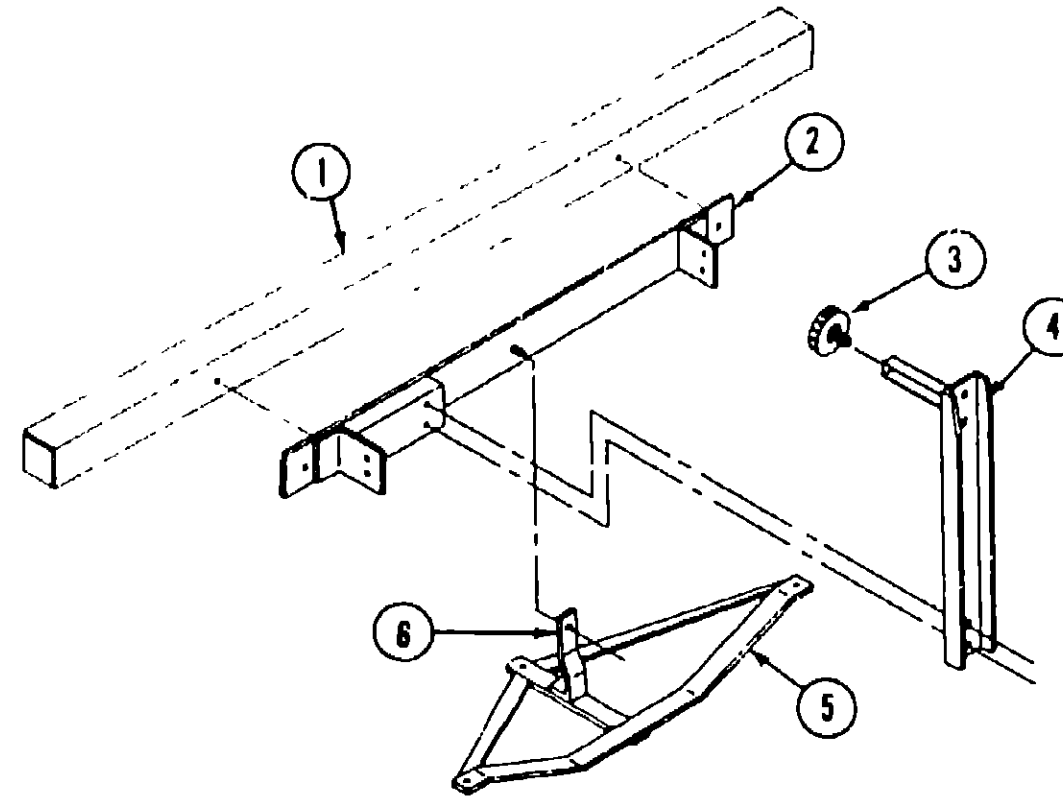
## 1984 IC420RG INDEX

Floor Plan	A-01 - A-02
Accessories Group	A-03 - A-05
Bath Group	A-06
Chassis Group	A-07 - A-08
Curtain, Cushion & Pad Group	A-09 - A-14
Dinette Group	A-15
Driver's Compartment Group	A-16 - A-17
Electrical Group	A-18 - A-20
Exterior Body Group	A-21 - B-08
Galley Group	B-09 - B-10
Heating & Air Conditioning Group	B-11
Interior Finish Group	B-12 - B-14
LP Group	B-15
Lounge Group	B-16
Water & Sewage Group	B-17 - B-18
Window, Vent & Exterior Door Group	B-19 - C-06

## CHASSIS GROUP

Key	Part Number	U/M	Description
	057822-01-000	EA	Battery Tray Asm.
	047441-01-000	EA	Battery Terminal - Horizontal Lug
	065451-02-000	EA	Bracket - Battery Tie Down - 10 8"
	065451-03-000	EA	Bracket - Battery Tie Down - 14"
	064601-01-000	EA	Bracket - Bumper Mount
	022150-01-000	EA	Bracket - Bumper Rear
	010497-01-000	EA	Clamp - Closed - 5/8" I.D.
	010499-01-000	EA	Clamp - Closed - 3/8" I.D.
	007161-01-000	EA	Clamp - Hose - Spring Type 112
	062401-01-000	EA	Clamp - Hose - Wormgear .22" I.D. - 1" I.D.
	062401-03-000	EA	Clamp - Hose - Wormgear .25" I.D. - 1" I.D.
	062401-04-000	EA	Clamp - Hose - Wormgear .69" I.D. - 1.25" I.D.
	062401-09-000	EA	Clamp - Hose - Wormgear - 2 8" x 3 75"
	023146-01-000	EA	Clamp - Screw Type 4
	041953-01-000	FT	Conduit - Convolute Silt - 50" I.D.
	007131-01-000	EA	Hanger - Tall Pipe
	058488-01-000	EA	Heat Shield - Muffler
	024138-01-000	EA	Hose - Fuel - 5/16" I.D. SAE 30RI
	044317-01-000	FT	Hose - Fuel - 3/8" I.D.
	006113-01-000	EA	Jack - Hydraulic - 6 Ton - w/Handle
	069580-02-000	EA	Leverage Bar - 22" - Lug Wrench
	069580-01-000	EA	Lug Wrench - 1" x 1.25" x 16 3"
	017516-01-000	EA	Mud Flap w/Holes - 14" x 18" - Black
	074483-01-000	EA	Retainer Nut - Snap In - Speed Control
	062400-02-000	EA	Rim - Wheel - 10 5 x 6 00 - 8 Hole
	064089-01-000	EA	Splash Guard - Black Rubber
	024652-01-700	EA	Step Asm - Entry
	037291-01-000	EA	Tire - 8 00 x 16 5 - 8 Ply Poly
	074481-01-000	EA	Valve Asm - Switch - Speed Control
	051377-01-000	EA	Valve Stem Asm. - TR500
	057724-01-000	EA	Wheel Well - Plastic
	008343-01-000	EA	Wire Tie - 6"

## CHASSIS GROUP (CONTINUED)



Key	Part Number	U/M	Description
1	064602-05-000	EA	Bumper Asm - Square - 92" - Primed
*	039779-01-000	EA	Cap - Rubber - 4" x 4" - Square Bumper
2	064601-01-000	EA	Bracket - Bumper Mount
3	064082-02-000	EA	Retaining Nut - Tire Cover
4	075286-02-000	EA	Bracket Asm. - Spare Tire Cover
*	075068-05-000	EA	Tire Cover Asm. - 29.5" - Off White Plastic
*	015365-01-000	EA	Pin - Tire Carrier
5	064833-02-000	EA	Trailer Hitch Asm.
6	064824-02-000	EA	Support - Trailer Hitch
*	041332-02-000	EA	Reflector - 6 5" x 75" - Bumper Cover
*	041332-03-000	EA	Bumper Cover - Aluminum Fits 4" Square Bumper
*			Not illustrated

## 1984 ITASCA TABLE OF CONTENTS

IC420RG	A-01 - C-06
IC424RC	C-07 - E-18
ICN23RG	E-19 - H-06
ICN30RT	H-07 - J-20

## 1984 IC420RG INDEX

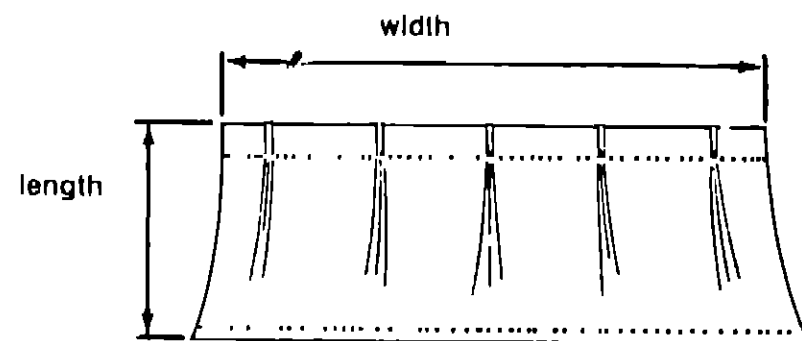
Floor Plan	A-01 - A-02
Accessories Group	A-03 - A-05
Bath Group	A-06
Chassis Group	A-07 - A-08
Curtain, Cushion & Pad Group	A-09 - A-14
Dinette Group	A-15
Driver's Compartment Group	A-16 - A-17
Electrical Group	A-18 - A-20
Exterior Body Group	A-21 - B-08
Galley Group	B-09 - B-10
Heating & Air Conditioning Group	B-11
Interior Finish Group	B-12 - B-14
LP Group	B-15
Lounge Group	B-16
Water & Sewage Group	B-17 - B-18
Window, Vent & Exterior Door Group	B-19 - C-06

**CURTAIN, CUSHION & PAD GROUP**

**NOTICE**

In order to assist our Parts Sales Dept. in providing interior software items, please include the serial number and the color code number from the vehicle certification label when ordering. This label is located on the left sidewall at the end of the dash (A-Body), or on the driver's door latch plate (C-Body).

An example of a color code number is P31, which designates an overall color scheme of a particular unit. The color listed after the item description on the microfiche, indicates the overall unit color. Order the item you desire according to unit color code.



**NOTE:**

Use this illustration when determining length and width measurements for curtains. You will note the width measurement is taken on the top of the curtain with the curtain fully extended. The length measurement is taken from top to bottom.

**CURTAIN & CUSHION HARDWARE**

Key	Part Number	U/M	Description
	039175-02-000	EA	Bracket - Curtain Rod
	056003-02-000	EA	Bracket - Drapery Retainer - Left
	056003-01-000	EA	Bracket - Drapery Retainer - Right
	056001-01-000	EA	Bracket - Shade - Left
	056002-01-000	EA	Bracket - Shade - Right
	009701-01-000	EA	Carrier - Curtain - "L" Rod
	039175-01-000	EA	Curtain Rod - Extension 48" - 84"
	039175-03-000	EA	Curtain Rod - Extension 28" - 48"
	009702-01-000	EA	End Stop - Curtain - "L" Rod
	069759-04-000	EA	Frame Asm - Single Bucket Back w/Recliner Drive (Armrest)
	069106-02-000	EA	Frame Asm - Single Bucket Bottom w/Recliner Mounting Plate (Armrest)
	069106-01-000	EA	Frame Asm - Single Bucket Bottom w/Recliner Mounting Plate
	009107-01-000	EA	Guide - Nylon Snap - Curtain
	056784-01-000	EA	Pull - Window Shade - Antique Brass
	036658-03-000	EA	Screw - Shoulder - 1/2 x 1 3/4" Hex - Armrest Asm
	029050-01-000	EA	Spray - Silicone
	056115-02-000	YD	Tape - Clear Plastic - w/Guides
	048394-01-000	YD	Tape Hook - 1" x 25 YD - Beige
	048395-01-000	YD	Tape Loop - 1" x 25 YD - Beige
	056116-01-000	EA	Track - Curtain - Brown Plastic
	052327-05-009	EA	Track - Curtain - 76" - Beige
	053272-05-009	EA	Track - Curtain - 89" - Beige

**CURTAIN, CUSHION & PAD GROUP (CONTINUED)**



Key	Part Number	U/M	Description
1	029130-01-000	EA	Socket - Snap Fastener
2	029155-01-000	EA	Cap - Snap - .156" Dia. x .17" Barrel
3	029158-01-000	EA	Socket - Snap Fastener
4	029092-01-000	EA	Stud - Nickel Finish
5	029093-01-000	EA	Eyelet - Nickel Finish

**FABRICS, TRIMS & PADS**

Key	Part Number	U/M	Description
	072333-09-000	YD	Fabric - Drapery
	072333-13-000	YD	Fabric - Drapery - Sheers
	074495-23-000	YD	Fabric - Drapery/Accent - Blue/Gray (R22)
	074495-21-000	YD	Fabric - Drapery/Accent - Navy/Beige (R23)
	074495-22-000	YD	Fabric - Drapery/Accent - Rust (R24)
	074495-50-000	YD	Fabric w/Pattern - Upholstery - Blue/Gray (R22)
	074495-48-000	YD	Fabric w/Pattern - Upholstery - Navy/Beige (R23)
	074495-49-000	YD	Fabric w/Pattern - Upholstery - Rust (R24)
	038421-01-000	YD	Fabric - Mattress Ticking
	029012-01-000	BF	Foam - Rolled - 3/8"
	070502-01-000	YD	Vinyl - Non-Expanded - 12 Gauge Film
	057550-03-P07	EA	Button Asm. - Nail - #36 - 7/8" Shank - Vinyl
	057093-05-P07	EA	Button Asm. - #60 - Nail Vinyl
	070578-04-R25	EA	Button Asm. - Screw Stud - #30 - Blue/Gray (R22)
	070578-04-R26	EA	Button Asm. - Screw Stud - #30 - Navy/Beige (R23)
	070578-04-R27	EA	Button Asm. - Screw Stud - #30 - Rust (R24)
	075269-02-R22	EA	Button Asm. - #36 Round - 3/4" Stud - Blue/Gray
	075269-02-R23	EA	Button Asm. - #36 Round - 3/4" Stud - Navy/Beige
	075269-02-R24	EA	Button Asm. - #36 Round - 3/4" Stud - Rust
	071127-06-R25	EA	Button Asm. - #36 Round Hook Back - Blue/Gray (R22)
	071127-06-R26	EA	Button Asm. - #36 Round Hook Back - Navy/Beige (R23)
	071127-06-R27	EA	Button Asm. - #36 Round Hook Back - Rust (R24)
	071846-09-R07	EA	Pad Asm. - End Cap - Dinette Overhead - Left - Vinyl
	074549-01-R22	EA	Pad Asm. - Dinette - Right - Blue/Gray
	074549-01-R23	EA	Pad Asm. - Dinette - Right - Navy/Beige
	074549-01-R24	EA	Pad Asm. - Dinette - Right - Rust
	074549-02-R22	EA	Pad Asm. - Dinette - Left - Blue/Gray
	074549-02-R23	EA	Pad Asm. - Dinette - Left - Navy/Beige
	074549-02-R24	EA	Pad Asm. - Dinette - Left - Rust
	076188-01-R22	EA	Pad Asm. - Dinette Wall - 12" x 12" - Blue/Gray
	076188-01-R23	EA	Pad Asm. - Dinette Wall - 12" x 12" - Navy/Beige
	076188-01-R24	EA	Pad Asm. - Dinette Wall - 12" x 12" - Rust
	076188-02-R22	EA	Pad Asm. - Dinette Wall - 3 5" x 30" - Blue/Gray
	076188-02-R23	EA	Pad Asm. - Dinette Wall - 3 5" x 30" - Navy/Beige
	076188-02-R24	EA	Pad Asm. - Dinette Wall - 3 5" x 30" - Rust
	077641-21-000	EA	Pad Asm. w/Quilting - Dinette Wall - 12" x 12" - Blue/Gray (R22)
	077641-17-000	EA	Pad Asm w/Quilting - Dinette Wall - 12" x 12" - Navy/Beige (R23)
	077641-19-000	EA	Pad Asm. w/Quilting - Dinette Wall - 12" x 12" - Rust (R24)
	077642-09-000	EA	Pad Asm w/Quilting - Dinette Wall - 3 5" x 30" - Blue/Gray (R22)
	077642-05-000	EA	Pad Asm w/Quilting - Dinette Wall - 3.5" x 30" - Navy/Beige
	077642-07-000	EA	Pad Asm w/Quilting - Dinette Wall - 3.5" x 30" - Rust

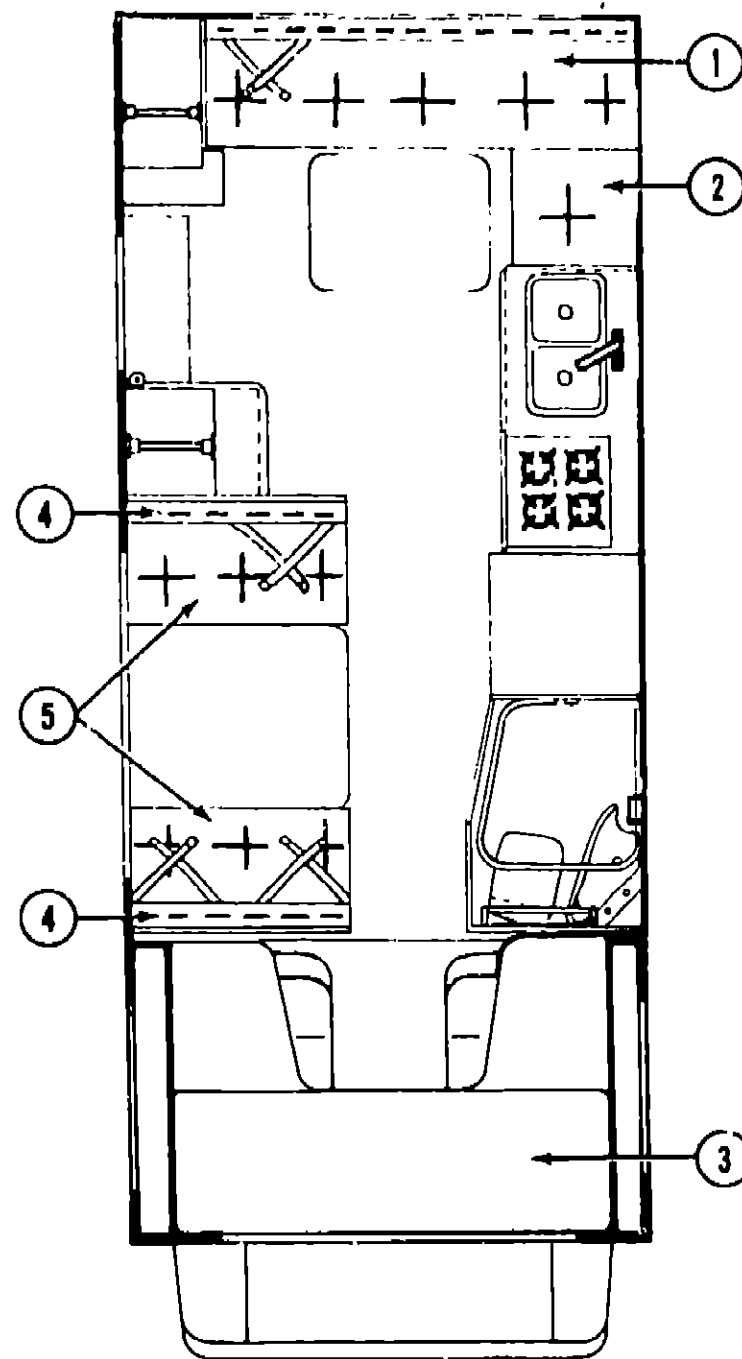
**1984 ITASCA  
TABLE OF CONTENTS**

IC420RG	A-01 - C-06
IC424RC	C-07 - E-18
ICN23RG	E-19 - H-06
ICN30RT	H-07 - J-20

**1984 IC420RG INDEX**

Floor Plan	A-01 - A-02
Accessories Group	A-03 - A-05
Bath Group	A-06
Chassis Group	A-07 - A-08
Curtain, Cushion & Pad Group	A-09 - A-14
Dinette Group	A-15
Driver's Compartment Group	A-16 - A-17
Electrical Group	A-18 - A-20
Exterior Body Group	A-21 - B-08
Galley Group	B-09 - B-10
Heating & Air Conditioning Group	B-11
Interior Finish Group	B-12 - B-14
LP Group	B-15
Lounge Group	B-16
Water & Sewage Group	B-17 - B-18
Window, Vent & Exterior Door Group	B-19 - C-06

**CURTAIN, CUSHION & PAD GROUP (CONTINUED)**



**REAR LOUNGE CUSHIONS**

Key	Part Number	U/M	Description
1	073900-06-R22	EA	Cushion - Lester Lounge - Back & Bottom - 76" - Blue/Gray
1	073900-06-R23	EA	Cushion - Lester Lounge - Back & Bottom - 76" - Navy/Beige
1	073900-06-R24	EA	Cushion - Lester Lounge - Back & Bottom - 76" - Rust
	M73900-06-R22	EA	Cover - Lester Lounge - Back & Bottom - 76" - Blue/Gray
	M73900-05-R23	EA	Cover - Lester Lounge - Back & Bottom - 76" - Navy/Beige
	M73900-05-R24	EA	Cover - Lester Lounge - Back and Bottom - 76" - Rust
2	072430-31-R22	EA	Cushion - Lounge Bottom - 22.5" x 15" x 5" - Blue/Gray
2	072430-31-R23	EA	Cushion - Lounge Bottom - 22.5" x 15" x 5" - Navy/Beige
2	072430-31-R24	EA	Cushion - Lounge Bottom - 22.5" x 15" x 5" - Rust
	M72430-31-R22	EA	Cover - Lounge Bottom Cushion - 22.5" x 15" x 5" - Blue/Gray
	M72430-31-R23	EA	Cover - Lounge Bottom Cushion - 22.5" x 15" x 5" - Navy/Beige
	M72430-31-R24	EA	Cover - Lounge Bottom Cushion - 22.5" x 15" x 5" - Rust

**CURTAIN, CUSHION & PAD GROUP (CONTINUED)**

**FRONT OVERHEAD BUNK CUSHIONS**

Key	Part Number	U/M	Description
3	073310-03-R22	EA	Mattress Cushion Asm. - Two Fold - 24.5" x 29.5" x 76" x 4" - Blue/Gray
3	073310-03-R23	EA	Mattress Cushion Asm. - Two Fold - 24.5" x 29.5" x 76" x 4" - Navy/Beige
3	073310-03-R24	EA	Mattress Cushion Asm. - Two Fold - 24.5" x 29.5" x 76" x 4" - Rust
	M73310-03-R22	EA	Cover - Front Bunk Cushion - Two Fold - 24.5" x 29.5" x 76" x 4" - Blue/Gray
	M73310-03-R23	EA	Cover - Front Bunk Cushion - Two Fold - 24.5" x 29.5" x 76" x 4" - Navy/Beige
	M73310-03-R24	EA	Cover - Front Bunk Cushion - Two Fold - 24.5" x 29.5" x 76" x 4" - Rust

**DINETTE CUSHIONS**

Key	Part Number	U/M	Description
4	072430-14-R22	EA	Cushion - Dinette Back - 19.2" x 38" x 5" - Blue/Gray
4	072430-14-R23	EA	Cushion - Dinette Back - 19.2" x 38" x 5" - Navy/Beige
4	072430-14-R24	EA	Cushion - Dinette Back - 19.2" x 38" x 5" - Rust
	M72430-14-R22	EA	Cover - Dinette Back Cushion - 19.2" x 38" x 5" - Blue/Gray
	M72430-14-R23	EA	Cover - Dinette Back Cushion - 19.2" x 38" x 5" - Navy/Beige
	M72430-14-R24	EA	Cover - Dinette Back Cushion - 19.2" x 38" x 5" - Rust
5	072430-15-R22	EA	Cushion - Dinette Bottom - 17.5" x 38" x 5" - Blue/Gray
5	072430-15-R23	EA	Cushion - Dinette Bottom - 17.5" x 38" x 5" - Navy/Beige
5	072430-15-R24	EA	Cushion - Dinette Bottom - 17.5" x 38" x 5" - Rust
	M72430-15-R22	EA	Cover - Dinette Bottom Cushion - 17.5" x 38" x 5" - Blue/Gray
	M72430-15-R23	EA	Cover - Dinette Bottom Cushion - 17.5" x 38" x 5" - Navy/Beige
	M72430-15-R24	EA	Cover - Dinette Bottom Cushion - 17.5" x 38" x 5" - Rust

**BUCKET SEAT'S**

Key	Part Number	U/M	Description
	075966-07-R22	EA	Seat Asm - Youth Bed w/Left Armrest - Blue/Gray
	075966-07-R23	EA	Seat Asm - Youth Bed w/Left Armrest - Navy/Beige
	075966-07-R24	EA	Seat Asm - Youth Bed w/Left Armrest - Rust
	075966-06-R22	EA	Seat Asm - Youth Bed w/Right Armrest - Blue/Gray
	075966-06-R23	EA	Seat Asm - Youth Bed w/Right Armrest - Navy/Beige
	075966-06-R24	EA	Seat Asm - Youth Bed w/Right Armrest - Rust
	070553-02-R22	EA	Cushion - Youth Bed Wedge - Blue/Gray
	070553-02-R23	EA	Cushion - Youth Bed Wedge - Navy/Beige
	070553-02-R24	EA	Cushion - Youth Bed Wedge - Rust
	M00784-05-R22	EA	Cover - Seat Asm - Bottom - Right or Left - Blue/Gray
	M00784-05-R23	EA	Cover - Seat Asm - Bottom - Right or Left - Navy/Beige
	M00784-05-R24	EA	Cover - Seat Asm - Bottom - Right or Left - Rust
	M00784-06-R22	EA	Cover - Seat Asm - Back - Right or Left - Blue/Gray
	M00784-06-R23	EA	Cover - Seat Asm - Back - Right or Left - Navy/Beige
	M00784-06-R24	EA	Cover - Seat Asm - Back - Right or Left - Rust
	071122-11-R22	EA	Armrest Asm - Right - Blue/Gray
	071122-11-R23	EA	Armrest Asm - Right - Navy/Beige
	071122-11-R24	EA	Armrest Asm - Right - Rust
	071122-12-R22	EA	Armrest Asm - Left - Blue/Gray
	071122-12-R23	EA	Armrest Asm - Left - Navy/Beige
	071122-12-R24	EA	Armrest Asm - Left - Rust
	071123-06-R22	EA	Cover - Armrest - Right or Left - Blue/Gray
	071123-06-R23	EA	Cover - Armrest - Right or Left - Navy/Beige
	071123-06-R24	EA	Cover - Armrest - Right or Left - Rust
	069005-02-R22	EA	Seat Asm - Single Bucket - Low Back - Blue/Gray
	069005-02-R23	EA	Seat Asm - Single Bucket - Low Back - Navy/Beige
	069005-02-R24	EA	Seat Asm - Single Bucket - Low Back - Rust
	M00435-03-R22	EA	Cover - Back - Single Bucket - Low Back - Blue/Gray
	M00435-03-R23	EA	Cover - Back - Single Bucket - Low Back - Navy/Beige
	M00435-03-R24	EA	Cover - Back - Single Bucket - Low Back - Rust
	M00435-04-R22	EA	Cover - Bottom - Single Bucket - Low Back - Blue/Gray
	M00435-04-R23	EA	Cover - Bottom - Single Bucket - Low Back - Navy/Beige
	M00435-04-R24	EA	Cover - Bottom - Single Bucket - Low Back - Rust

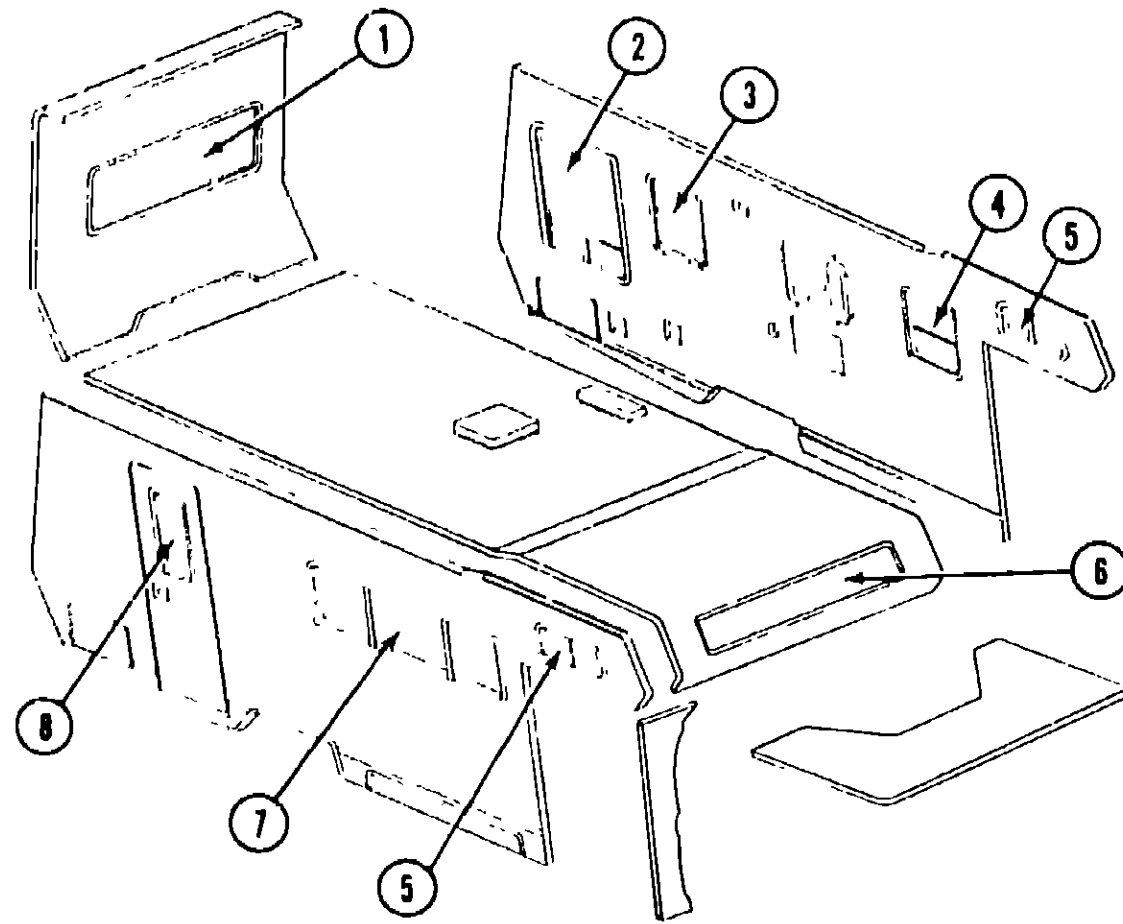
**1984 ITASCA  
TABLE OF CONTENTS**

IC420RG	A-01 - C-06
IC424RC	C-07 - E-18
ICN23RG	E-19 - H-06
ICN30RT	H-07 - J-20

**1984 IC420RG INDEX**

Floor Plan	A-01 - A-02
Accessories Group	A-03 - A-05
Bath Group	A-06
Chassis Group	A-07 - A-08
Curtain, Cushion & Pad Group	A-09 - A-14
Dinette Group	A-15
Driver's Compartment Group	A-16 - A-17
Electrical Group	A-18 - A-20
Exterior Body Group	A-21 - B-08
Galley Group	B-09 - B-10
Heating & Air Conditioning Group	B-11
Interior Finish Group	B-12 - B-14
LP Group	B-15
Lounge Group	B-16
Water & Sewage Group	B-17 - B-18
Window, Vent & Exterior Door Group	B-19 - C-06

**CURTAIN, CUSHION & PAD GROUP (CONTINUED)**



**CURTAINS, VALANCES, SHADES & TIEBACKS**

Key	Part Number	U/M	Description
1	070652-25-R22	EA	Curtain w/Darts - 30 5" x 15" - Blue/Gray
1	070652-25-R23	EA	Curtain w/Darts - 30 5" x 15" - Navy/Beige
1	070652-25-R24	EA	Curtain w/Darts - 30 5" x 15" - Rust
1	073323-17-R07	EA	Curtain /Rod Top - Sheer - 29" x 66"
1	070651-46-R22	EA	Valance Asm - 6 5" x 83" - Pleated - Blue/Gray
1	070651-46-R23	EA	Valance Asm - 6 5" x 83" - Pleated - Navy/Beige
1	070651-46-R24	EA	Valance Asm - 6 5" x 83" - Pleated - Rust
1	065522-13-000	EA	Shade Asm - Vinyl - 72 25" x 38"
1	075474-33-000	EA	Shade Asm - Woven Wood - 71" x 31" Drop - Blue/Gray (R22)
1	075474-31-000	EA	Shade Asm - Woven Wood - 71" x 31" Drop - Navy/Beige (R23)
1	075474-32-000	EA	Shade Asm - Woven Wood - 71" x 31" Drop - Rust (R24)
1	070651-41-R22	EA	Valance Asm - 6 5" x 78" - Pleated (Woven Wood) Blue/Gray
1	070651-41-R23	EA	Valance Asm - 6 5" x 78" - Pleated (Woven Wood) Navy/Beige
1	070651-41-R24	EA	Valance Asm - 6 5" x 78" - Pleated (Woven Wood) Rust
2	070652-24-R22	EA	Curtain w/Darts - 42" x 15" - Blue/Gray
2	070652-24-R23	EA	Curtain w/Darts - 42" x 15" - Navy/Beige
2	070652-24-R24	EA	Curtain w/Darts - 42" x 15" - Rust
2	073323-16-R07	EA	Curtain w/Rod Top - Sheer - 41 5" x 30"
2	070651-54-R22	EA	Valance Asm - 6 5" x 69" - Pleated - Blue/Gray
2	070651-54-R23	EA	Valance Asm - 6 5" x 69" - Pleated - Navy/Beige
2	070651-54-R24	EA	Valance Asm - 6 5" x 69" - Pleated - Rust
2	065522-07-000	EA	Shade Asm - Vinyl - 33 25" x 50"
2	075474-36-000	EA	Shade Asm - Woven Wood - 32" x 44" Drop - Blue/Gray (R22)
2	075474-37-000	EA	Shade Asm - Woven Wood - 32" x 44" Drop - Navy/Beige (R23)
2	075474-35-000	EA	Shade Asm - Woven Wood - 32" x 44" Drop - Rust (R24)
2	070651-42-R22	EA	Valance Asm - 6 5" x 39" - Pleated (Woven Wood) Blue/Gray
2	070651-42-R23	EA	Valance Asm - 6 5" x 39" - Pleated (Woven Wood) Navy/Beige
2	070651-42-R24	EA	Valance Asm - 6 5" x 39" - Pleated (Woven Wood) Rust

**CURTAIN, CUSHION & PAD GROUP (CONTINUED)**

**CURTAIN, VALANCES, SHADES & TIEBACKS (CONT.)**

Key	Part Number	U/M	Description
3	073251-26-R22	EA	Curtain w/Darts - 29" x 9" - Blue/Gray
3	073251-26-R23	EA	Curtain w/Darts - 29" x 9" - Navy/Beige
3	073251-26-R24	EA	Curtain w/Darts - 29" x 9" - Rust
3	065522-02-000	EA	Shade Asm - Vinyl - 21.25" x 38"
3	075474-39-000	EA	Shade Asm - Woven Wood - 21" x 31.5" Drop - Blue/Gray (R22)
3	075474-37-000	EA	Shade Asm - Woven Wood - 21" x 31.5" Drop - Navy/Beige (R23)
3	075474-38-000	EA	Shade Asm - Woven Wood - 21" x 31.5" Drop - Rust (R24)
3	070651-47-R22	EA	Valance Asm - 6.5" x 28" - Pleated (Woven Wood) Blue/Gray
3	070651-47-R23	EA	Valance Asm - 6.5" x 28" - Pleated (Woven Wood) Navy/Beige
3	070651-47-R24	EA	Valance Asm - 6 5" x 28" - Pleated (Woven Wood) Rust
4	069777-02-000	EA	Valance - Plastic - Light Oak
4	065522-02-000	EA	Shade Asm - Vinyl - 21.25" x 36"
5	073304-27-R22	EA	Curtain w/Snap Top - 15.5" x 42" - Blue/Gray
5	073304-27-R23	EA	Curtain w/Snap Top - 15 5" x 42" - Navy/Beige
5	073304-27-R24	EA	Curtain w/Snap Top - 15.5" x 42" - Rust
6	073226-12-R22	EA	Curtain w/Snap Top & Bottom - 17.5" x 42" - Blue/Gray
6	073226-12-R23	EA	Curtain w/Snap Top & Bottom - 17 5" x 42" - Navy/Beige
6	073226-12-R24	EA	Curtain w/Snap Top & Bottom - 17.5" x 42" - Rust
*	073295-02-R22	EA	Curtain w/Snap Top - Front Wraparound - 23" x 64"
7	070652-25-R22	EA	Curtain w/Darts - 30 5" x 15" - Blue/Gray
7	070652-25-R23	EA	Curtain w/Darts - 30 5" x 15" - Navy/Beige
7	070652-25-R24	EA	Curtain w/Darts - 30 5" x 15" - Rust
7	073323-15-R07	EA	Curtain w/Rod Top - Sheer - 30.5" x 66"
7	070651-45-R22	EA	Valance Asm - 6 5" x 80" - Pleated - Blue/Gray
7	070651-45-R23	EA	Valance Asm - 6 5" x 80" - Pleated - Navy/Beige
7	070651-45-R24	EA	Valance Asm - 6 5" x 80" - Pleated - Rust
7	065522-12-000	EA	Shade Asm - Vinyl - 69 25" x 38"
7	075474-15-000	EA	Shade Asm - Woven Wood - 69" x 29" Drop - Blue/Gray (R22)
7	075474-13-000	EA	Shade Asm - Woven Wood - 69" x 29" Drop - Navy/Beige (R23)
7	075474-14-000	EA	Shade Asm - Woven Wood - 69" x 29" Drop - Rust (R24)
7	070651-43-R22	EA	Valance Asm - 6 5" x 76" - Pleated (Woven Wood) Blue/Gray
7	070651-43-R23	EA	Valance Asm - 6 5" x 76" - Pleated (Woven Wood) Navy/Beige
7	070651-43-R24	EA	Valance Asm - 6 5" x 76" - Pleated (Woven Wood) Rust
8	073304-30-R22	EA	Curtain w/Snap Top - 34" x 37" - Blue/Gray
8	073304-30-R23	EA	Curtain w/Snap Top - 34" x 37" - Navy/Beige
8	073304-30-R24	EA	Curtain w/Snap Top - 34" x 37" - Rust
*	073304-24-R22	EA	Curtain w/Snap Top - Bunk - 70" x 96"
*	073260-10-R22	EA	Tie Back Asm - 3" x 16" - Blue/Gray
*	073260-10-R26	EA	Tie Back Asm - 3" x 16" - Navy/Beige (R23)
*	073260-10-R24	EA	Tie Back Asm - 3" x 16" - Rust
*	Not illustrated		

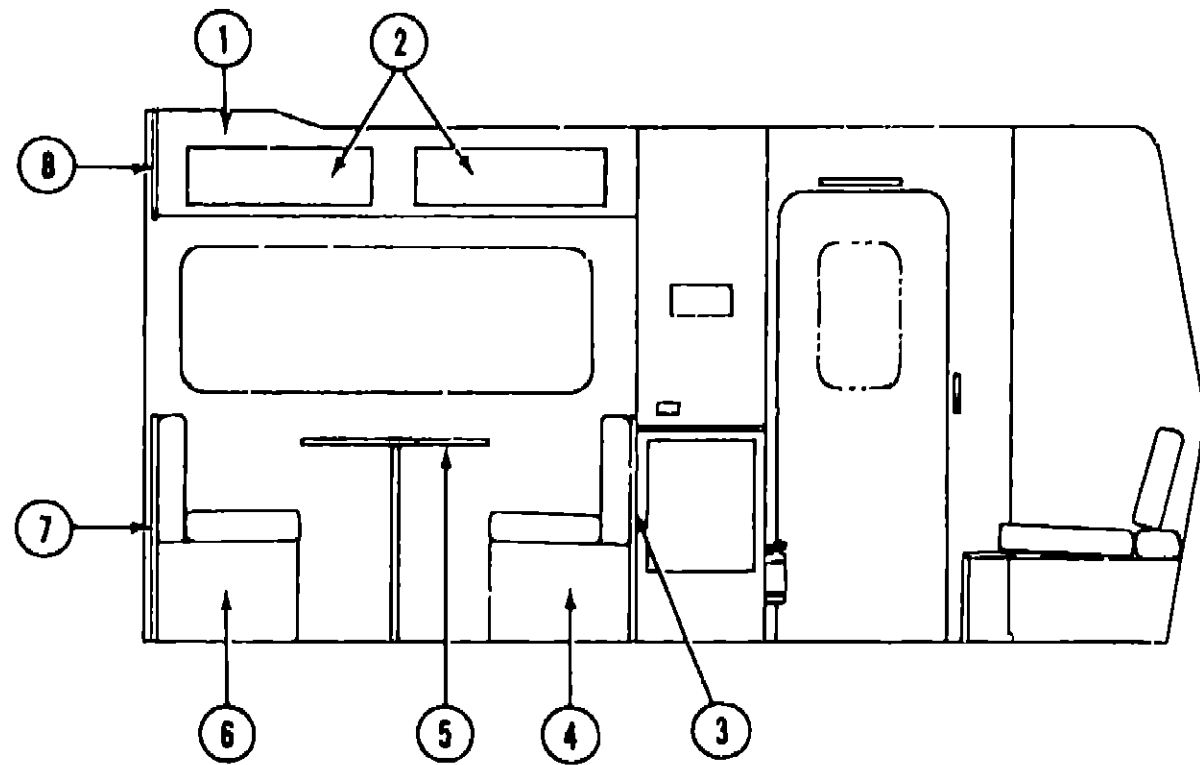
**1984 ITASCA  
TABLE OF CONTENTS**

IC420RG	A-01 - C-06
IC424RC	C-07 - E-18
ICN23RG	E-19 - H-06
ICN30RT	H-07 - J-20

**1984 IC420RG INDEX**

Floor Plan	A-01 - A-02
Accessories Group	A-03 - A-05
Bath Group	A-06
Chassis Group	A-07 - A-08
Curtain, Cushion & Pad Group	A-09 - A-14
Dinette Group	A-15
Driver's Compartment Group	A-16 - A-17
Electrical Group	A-18 - A-20
Exterior Body Group	A-21 - B-08
Galley Group	B-09 - B-10
Heating & Air Conditioning Group	B-11
Interior Finish Group	B-12 - B-14
LP Group	B-15
Lounge Group	B-16
Water & Sewage Group	B-17 - B-18
Window, Vent & Exterior Door Group	B-19 - C-06

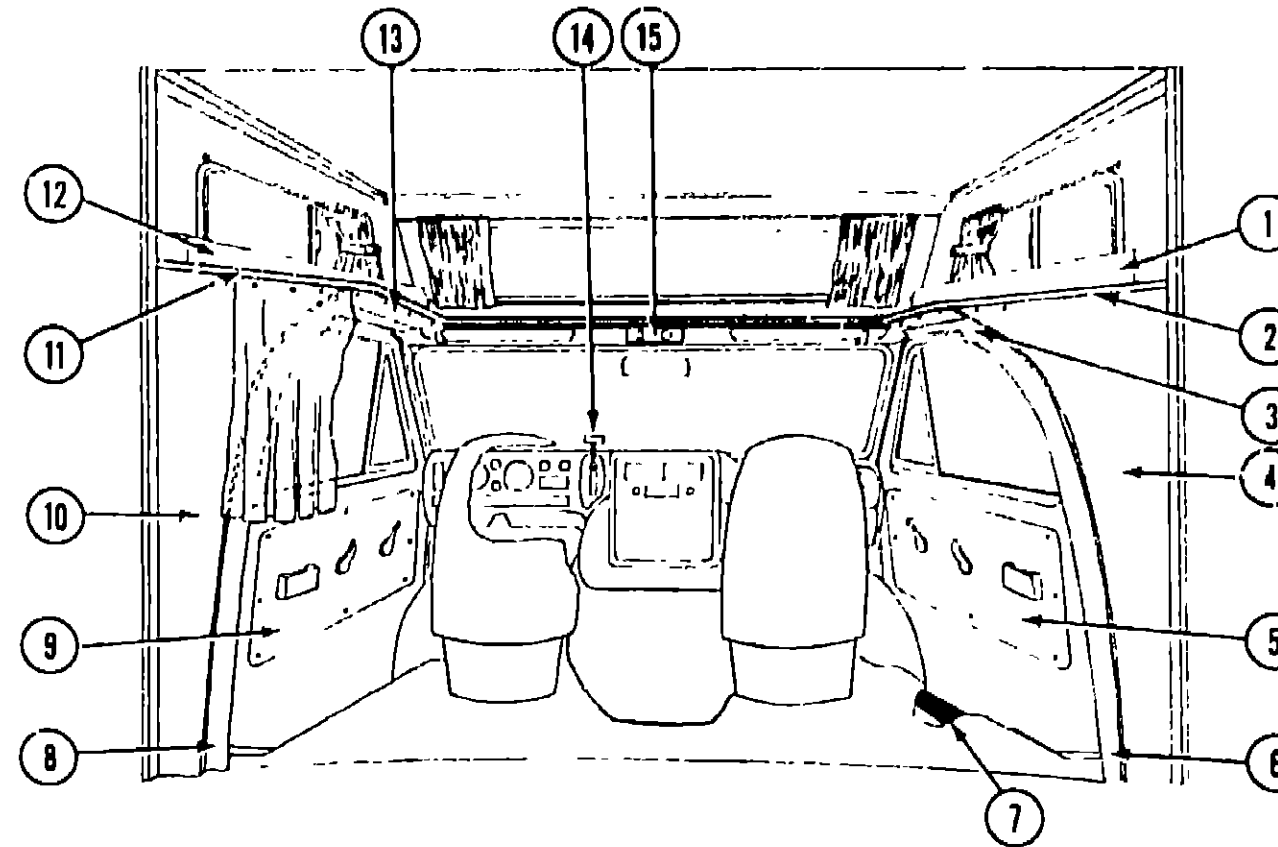
## DINETTE GROUP



### CONVENTIONAL DINETTE & OVERHEAD CABINERY

Key	Part Number	U/M	Description
1	076239-01-R07	EA	Cabinet Asm. - Dinette Overhead - w/o Doors or Hardware
2	069852-78-R07	EA	Door Asm. - Dinette Overhead Cabinet - 10 2" x 35 1" - w/o Hardware
3	M01518-01-R07	EA	Cabinet Asm. - Dinette Back - Right
4	M01517-01-R07	EA	Cabinet Asm. - Dinette Seat - Right
5	M01291-50-R07	EA	Table Asm. - Dinette - w/o Hardware - Harbor Oak
6	M01430-03-R07	EA	Cabinet Asm. - Dinette Seat - Left - w/o Door or Hardware
7	M01431-03-R07	EA	Cabinet Asm. - Dinette Back - Left
8	071846-09-R07	EA	End Cap - Dinette Overhead Cabinet - Left - Vinyl
•	053200-05-000	EA	Bracket - Upper Wall Mount - 23 5"
**	053201-03-000	EA	Bracket - Table Mount - 23"
•	024275-05-000	EA	Rod - Table Lift - 8" x 23 5"
•	024281-07-000	EA	Bracket - Lower Wall Mount - 22 12"
•	024276-14-000	EA	Leg Asm. - Table - 23 5"
**	064050-01-000	EA	Hinge - Table Leg
**	024282-01-000	EA	Brace - Table Leg
**	024283-01-000	EA	Clip - 1" - 1 25" O D Tube
•	049493-02-000	EA	Catch - Table Leg - Mounts on Floor
•	064781-03-000	EA	Cup Holder - 3 47" O D x 2 75" I D x 1 5"
•			Not Illustrated
**	The illustrated parts breakdown for this item is provided on the Common Items Fiche		

## DRIVER'S COMPARTMENT GROUP



### MISCELLANEOUS DRIVER'S COMPARTMENT COMPONENTS

Key	Part Number	U/M	Description
1	076193-01-R07	EA	Cabinet Asm. - Head Board - Passenger
2	M56379-02-R07	EA	Panel Asm. - Sleeper Board - Aluminum Sidewalls
2	M77837-01-R07	EA	Panel Asm. - Sleeper Board - Fiberglass Sidewalls
3	054015-02-R07	EA	Trim Asm. - Over Door - Passenger - Vinyl
•	054015-01-R07	EA	Trim Asm. - Over Door - Driver - Vinyl
4	075766-01-R07	EA	Panel Asm. - Wingwall Transition - Inner Passenger
5	059491-01-R22	EA	Side Panel - Cab Door - Passenger - Blue/Gray
5	059491-01-R23	EA	Side Panel - Cab Door - Passenger - Navy/Beige
5	059491-01-R24	EA	Side Panel - Cab Door - Passenger - Rust
6	076823-02-R07	EA	Panel Asm. - Side - Passenger
7	044860-02-000	EA	Door Step Mat - Passenger - Black Rubber
•	044860-01-000	EA	Door Step Mat - Driver - Black Rubber
8	076823-01-R07	EA	Panel Asm. - Side - Gas - Driver
•	076823-03-R07	EA	Panel Asm. - Side - Diesel - Driver
9	059492-01-R22	EA	Side Panel - Cab Door - Driver - Blue/Gray
9	059492-01-R23	EA	Side Panel - Cab Door - Driver - Navy/Beige
9	059492-01-R24	EA	Side Panel - Cab Door - Driver - Rust
10	075766-02-R07	EA	Panel Asm. - Wingwall Transition - Inner Driver
11	052859-01-R13	FT	Accent Trim - Beige Vinyl
12	076193-02-R07	EA	Cabinet Asm. - Head Board - Driver
13	076822-01-R07	EA	Headliner Asm. - 3 6" x 29 8" x 57.75" - Vinyl
14	701631-01-000	EA	Shifting Knob & Button - Transmission Control
•	701632-01-000	EA	Retainer - Shifting Knob - Transmission Control
15	M01298-03-000	EA	Console - Overhead - 7 5" x 6.14" - Blank
•	056288-01-000	EA	Dome Light Asm
•	056288-04-000	EA	Lens - Dome Light Asm
•	024461-01-000	EA	Switch - Battery
•	024462-01-000	EA	Switch - Battery Condition
•	024976-01-000	EA	Switch - Generator w/o Circuit Board
•	031035-01-000	EA	Gauge - Generator/Hourmeter
•	024459-03-000	EA	Gauge - Voltmeter
•			Not Illustrated

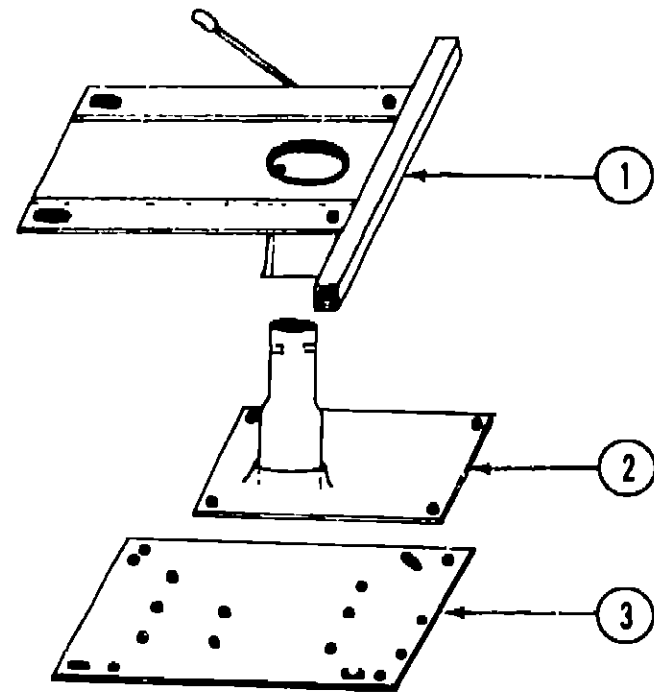
## 1984 ITASCA TABLE OF CONTENTS

IC420RG	A-01 - C-08
IC424RC	C-07 - E-18
ICN23RG	E-19 - H-06
ICN30RT	H-07 - J-20

## 1984 IC420RG INDEX

Floor Plan	A-01 - A-02
Accessories Group	A-03 - A-05
Bath Group	A-06
Chassis Group	A-07 - A-08
Curtain, Cushion & Pad Group	A-09 - A-14
Dinette Group	A-15
Driver's Compartment Group	A-16 - A-17
Electrical Group	A-18 - A-20
Exterior Body Group	A-21 - B-08
Galley Group	B-09 - B-10
Heating & Air Conditioning Group	B-11
Interior Finish Group	B-12 - B-14
LP Group	B-15
Lounge Group	B-16
Water & Sewage Group	B-17 - B-18
Window, Vent & Exterior Door Group	B-19 - C-06





**BUCKET SEAT PEDESTAL & SEAT BELTS**

Key	Part Number	U/M	Description
1	069585-06-000	EA	Plate - Top - Pedestal Asm - Bucket Seat
2	069585-03-000	EA	Plate - Sub - Pedestal Asm - Bucket Seat
3	069585-02-000	EA	Plate - Base - Pedestal Asm - Bucket Seat
.	069585-05-000	EA	Hardware Kit - Bolt/Acorn Nut - Pedestal Asm
.	058271-02-000	EA	Seat Belt Asm - 2" x 72" - Black
.	007021-01-000	EA	Seat Belt Asm. - 2" x 90" - Black
.	041322-01-000	EA	Washer - Flat 15/32" ; D x 2 3/8" O D - Seat Belt
.	069246-01-000	EA	Adjuster Asm - Seat - w/Lock
.	069246-02-000	EA	Adjuster Asm - Seat - w/o Lock
.	068601-07-000	EA	Recliner Drive - Bucket Seat - Driver
.	068601-06-000	EA	Recliner Drive - Bucket Seat - Passenger
.	068601-05-700	EA	Hand Wheel Kit - Recliner Drive
.	Not illustrated		

**BULBS**

Key	Part Number	U/M	Description
	008220-01-000	EA	Bulb - 12V - 25W
	008103-01-000	EA	Bulb - 53
	008213-01-000	EA	Bulb - 57
	008214-01-000	EA	Bulb - 67
	036196-01-000	EA	Bulb - 194
	075470-01-707	EA	Bulb - 912
	008215-01-000	EA	Bulb - 1003
	067479-01-000	EA	Bulb - 1076
	063914-01-000	EA	Bulb - 1139
	008218-01-000	EA	Bulb - 1141
	037935-01-000	EA	Bulb - 1157
	058288-02-000	EA	Bulb - 9431808

**FUSES & CIRCUIT BREAKER**

Key	Part Number	U/M	Description
	008233-01-000	EA	Fuse - 6 Amp. - 12 Volt
	008234-01-000	EA	Fuse - 10 Amp - 12 Volt
	008235-01-000	EA	Fuse - 15 Amp - 12 Volt
	008236-01-000	EA	Fuse - 20 Amp - 12 Volt
	062901-02-000	EA	Fuse - 5 Amp - Automotive
	062901-05-000	EA	Fuse - 15 Amp. - Automotive
	008211-01-000	EA	Circuit Breaker - 6 Amp. - 12 Volt
	008208-01-000	EA	Circuit Breaker - 40 Amp - 12 Volt
	033573-02-000	EA	Circuit Breaker - 15 Amp. - 12 Volt - w/Mount
	033573-01-000	EA	Circuit Breaker - 20 Amp - 12 Volt - w/Mount
	008268-01-000	EA	Circuit Breaker - 30 Amp - 12 Volt - w/Mount
	075735-02-000	EA	Circuit Breaker - 15 Amp - 120 Volt (Ground Fault Interrupter)
	071279-05-000	EA	Circuit Breaker - 20 Amp. - 120 Volt
	071279-04-000	EA	Circuit Breaker - 30 Amp - 120 Volt
	071279-02-000	EA	Circuit Breaker - 15/15 Amp - 120 Volt
	071279-03-000	EA	Circuit Breaker - 15/20 Amp - 120 Volt
	071279-01-000	EA	Circuit Breaker - 15/30 Amp - 120 Volt
	071279-06-000	EA	Circuit Breaker - 30/15 Amp - 120 Volt
	071280-01-000	EA	Circuit Breaker Blank

**MISCELLANEOUS ELECTRICAL COMPONENTS**

Key	Part Number	U/M	Description
	047338-03-000	EA	Isolator - Dual Battery - 70 Amp
	008188-01-000	EA	Solenoid - Dual Battery - Relay
	039861-01-000	EA	Sending Unit Kit - Wemac
	048812-12-000	EA	Refrigerator Sensor - Refrigerator Alarm
	022755-01-000	EA	Cover - Control Panel - Plastic
	067762-01-000	EA	Convertor - 40 Amp w/Charger
	071278-01-000	EA	Control Center - 32 Amp
	071278-01-700	EA	Door w/Catch - Brown
	071278-01-701	EA	Converter Module
	071278-01-703	EA	Catch - Door
	052367-01-000	EA	Lighter Asm. - Cigarette

**1984 ITASCA  
TABLE OF CONTENTS**

IC420RG	A-01 - C-06
IC424RC	C-07 - E-18
ICN23RG	E-19 - H-06
ICN30RT	H-07 - J-20

**1984 IC420RG INDEX**

Floor Plan	A-01 - A-02
Accessories Group	A-03 - A-05
Bath Group	A-06
Chassis Group	A-07 - A-08
Curtain, Cushion & Pad Group	A-09 - A-14
Dinette Group	A-15
Driver's Compartment Group	A-16 - A-17
Electrical Group	A-18 - A-20
Exterior Body Group	A-21 - B-08
Galley Group	B-09 - B-10
Heating & Air Conditioning Group	B-11
Interior Finish Group	B-12 - B-14
LP Group	B-15
Lounge Group	B-16
Water & Sewage Group	B-17 - B-18
Window, Vent & Exterior Door Group	B-19 - C-06

**ELECTRICAL GROUP (CONTINUED)**

**WIRE, SWITCHES & RECEPTACLES**

Key	Part Number	U/M	Description
	008058-01-000	EA	Adapter - Power Cord
	008288-01-000	EA	Box - Electrical - 3" x 3.5" - Plastic
	008289-01-000	EA	Box - Electrical - 4" x 4" - 1/2 & 3/4 - Steel - UL
	008289-02-000	EA	Box - Electrical - 4" x 4" - 1/2 & 3/4 - Steel - CSA
	031141-01-000	EA	Box - Electrical - 4 11/16" x 4 11/16" - Steel
	058049-01-000	EA	Box - Electrical - 2" x 3" x 2.25" - Steel
	041953-01-000	EA	Conduit - Convoluted Slit - .5" I.D
	008353-01-000	EA	Connector - Clamping - 3/8 Cable - UL & CSA
	058028-01-000	EA	Connector - Pigtail - Clear Nylon
	008314-01-000	EA	Connector - Wire Nut - Gray
	008311-01-000	EA	Connector - Wire Nut - Red
	031988-01-000	EA	Contact Plug - Brass - Tin Plated
	039187-01-000	EA	Contact - Receptacle
	008054-01-000	EA	Cord - Power - 10-3 30 Amp. - 25' - UL
	008052-01-000	EA	Cord - Power - 10-3 30 Amp. - 25' - CSA
	069238-01-000	EA	Cover - Electrical Box - 4" x 4"
	058048-01-000	EA	Cover - Electrical Box - 4.5" x 2.75" - Rain Tight (Exterior)
	031142-01-000	EA	Cover - Electrical Box - 4 3/4" Raised
	031143-01-000	EA	Cover Plate - Brass - Single
	024571-03-000	EA	Cover Plate - Receptacle - Jumbo - Brown Plastic
	024571-04-000	EA	Cover Plate - Receptacle - Jumbo - Ivory Plastic
	008164-01-000	EA	Cover Plate - Switch - Brown
	008294-01-000	EA	Cover - Flat Blank - 4" x 4" - Steel - US
	008294-02-000	EA	Cover - Flat Blank - 4" x 4" - Steel - CSA
	008250-02-000	EA	Fuse Holder - In Line - 15 Amp.
	008277-01-000	EA	Fuse Holder - Panel Mount - Black
	064399-01-000	EA	Housing Asm - Trailer Pin
	064398-01-000	EA	Housing Asm - Trailer Receptacle
	054532-01-000	EA	Housing Pin - 6 Position
	046885-01-000	EA	Plaque - Mounting Switch
	058708-01-000	EA	Receptacle - Duplex - Brown
	008157-01-000	EA	Receptacle - Duplex - Brown (Exterior Backwall)
	058708-02-000	EA	Receptacle - Duplex - Ivory
	053126-01-000	EA	Receptacle - Ground Fault Interrupter - 125 Volt - Ivory
	024924-02-000	EA	Receptacle - Power Cord
	058707-01-000	EA	Receptacle - Single - Brown
	063912-01-000	EA	Relay - Canister SPDT w/Ground
	008188-01-000	EA	Relay Solenoid - 3 Terminal
	031144-01-000	EA	Switch - Control Off - DPDT - Black
	008162-01-000	EA	Switch - Double Toggle - Brown
	058264-01-000	EA	Switch - Leaf Actuator
	008195-01-000	EA	Switch - Push Button - 12 Volt
	008163-01-000	EA	Switch - Toggle - Brown
	008050-01-000	EA	TV Jack - Ivory
	047443-02-000	EA	Terminal - 250 Receptacle - 12-10 AWG
	008348-01-000	EA	Terminal Ring - 2 - w/3/8 Stud
	008331-01-000	EA	Terminal Ring - 4 - w/3/8 Stud
	008328-01-000	EA	Terminal Ring - 12/10 Wire
	008028-01-000	FT	Wire - 18.5 Bonded - Blue/Red/Yellow/Orange/White
	008024-01-000	FT	Wire - 18.5 Bonded - Orange/White/Yellow/Blue/Brown
	008025-01-000	FT	Wire - 18.5 Bonded - Orange/White/Yellow/Blue/Green
	008026-01-000	FT	Wire w/Ground - Romex - 12/2

**ELECTRICAL GROUP (CONTINUED)**

**EXTERIOR LIGHTS**

Key	Part Number	U/M	Description
	058032-01-000	EA	Tail Lamp Asm - 2 Bulb - Chrome - Driver/Passenger
	059540-01-000	EA	Bracket - License Plate
	062742-04-000	EA	Wedge - Tail Lamp w/License Plate - Left - Off White
	062740-04-000	EA	Wedge - Tail Lamp - Right - Off White
	042405-03-000	EA	Base - Rectangular Clearance Light
	042405-01-000	EA	Lens - Clearance Light - Red w/Reflex
	042405-04-000	EA	Lens - Clearance Light - Red w/o Reflex
	042405-02-000	EA	Lens - Clearance Light - Amber w/Reflex
	042405-05-000	EA	Lens - Clearance Light - Amber w/o Reflex
	048817-01-000	EA	Assist Handle Asm. w/Light

**INTERIOR LIGHTS**

Key	Part Number	U/M	Description
	033508-02-000	EA	Light - Dome - Ivory - 1 Bulb - US
	033508-03-000	EA	Light - Dome - Ivory - 1 Bulb - CSA
	033509-02-000	EA	Light - Dome - Ivory - 2 Bulb - US
	033509-03-000	EA	Light - Dome - Ivory - 2 Bulb - CSA
	061724-01-000	EA	Light - 12 V Receptacle - Aisle - IP
	007309-01-000	EA	Light - Step Well
	072353-01-000	EA	Light - Reading - Single - 360° Swivel - Almond
	058288-01-000	EA	Light - Dome (Driver's Compartment)
	058288-04-000	EA	Lens - Dome Light (Driver's Compartment)

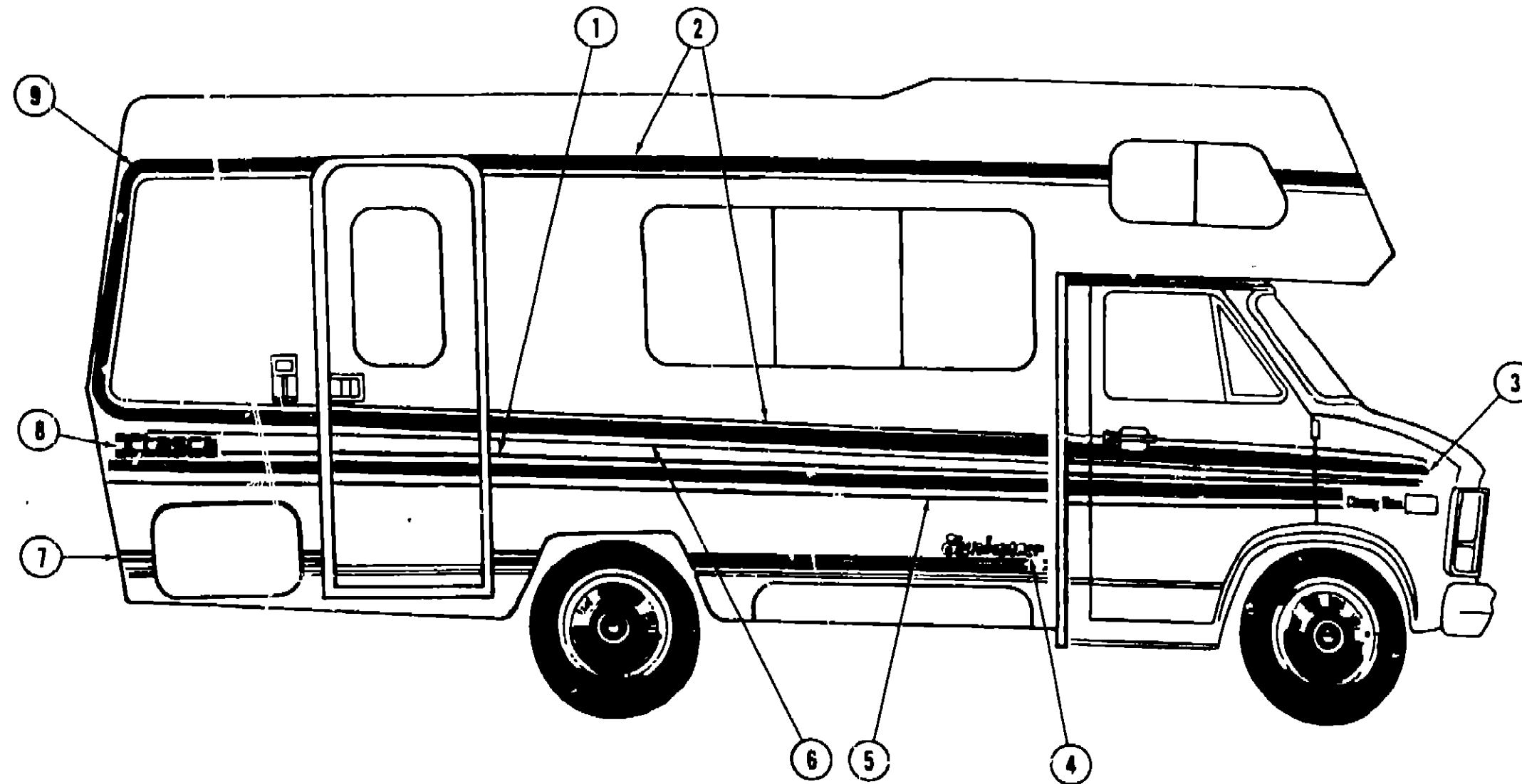
**1984 ITASCA  
TABLE OF CONTENTS**

IC420RG	A-01 - C-08
IC424RC	C-07 - E-18
ICN23RG	E-19 - H-06
ICN30RT	H-07 - J-20

**1984 IC420RG INDEX**

Floor Plan	A-01 - A-02
Accessories Group	A-03 - A-05
Bath Group	A-06
Chassis Group	A-07 - A-08
Curtain, Cushion & Pad Group	A-09 - A-14
Dinette Group	A-15
Driver's Compartment Group	A-16 - A-17
Electrical Group	A-18 - A-20
Exterior Body Group	A-21 - B-08
Galley Group	B-09 - B-10
Heating & Air Conditioning Group	B-11
Interior Finish Group	B-12 - B-14
LP Group	B-15
Lounge Group	B-16
Water & Sewage Group	B-17 - B-18
Window, Vent & Exterior Door Group	B-19 - C-06

**EXTERIOR BODY GROUP  
DECALS**



**1984 ITASCA  
TABLE OF CONTENTS**

IC420RG	A-01 - C-06
IC424RC	C-07 - E-18
ICN23RG	E-19 - H-06
ICN30RT	H-07 - J-20

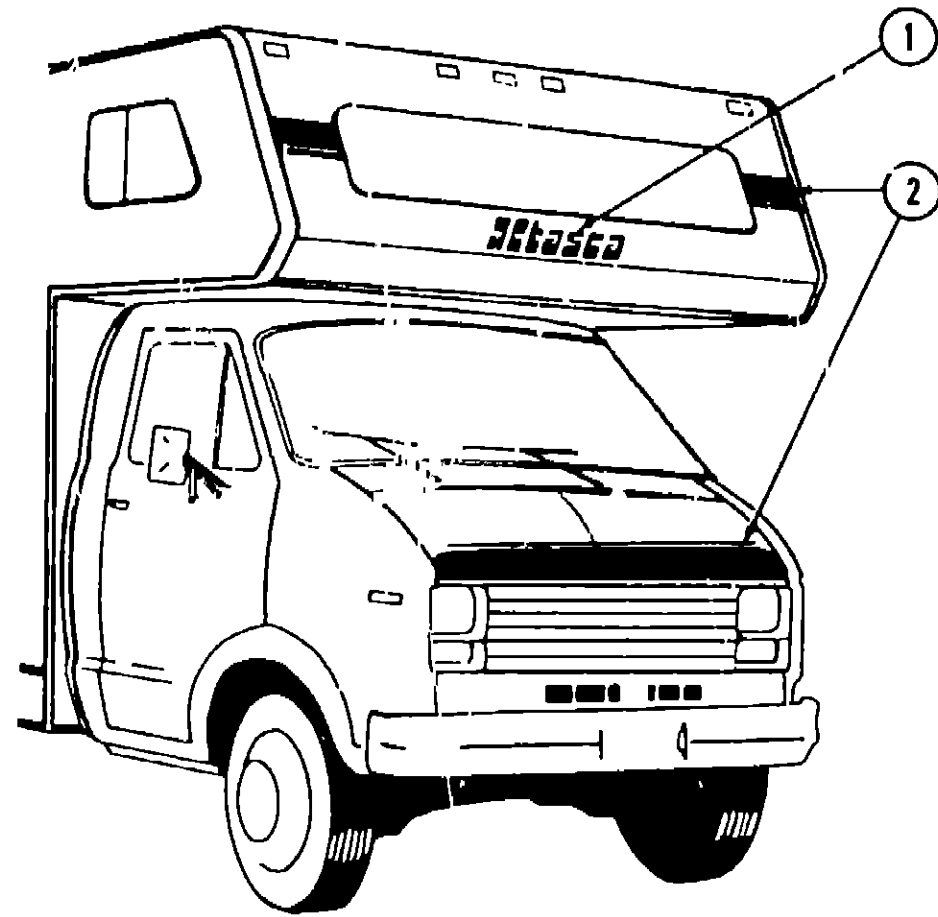
Key	Part Number	U/M	Description
1	041273-77-000	FT	Decal - Striping - 1 50" - Light Gray Metallic
2	065217-22-000	FT	Film - Multi-Stripe - 3 7" x 150' - Light Blue Metallic (R22)
2	065217-27-000	FT	Film - Multi-Stripe - 3 7" x 150' - Dark Blue Metallic (R23)
2	065217-26-000	FT	Film - Multi-Stripe - 2 7" x 150' - Light Brown Metallic (R24)
3	075659-01-000	EA	Decal - Fender - Passenger - Light Blue Metallic (R22)
3	075659-05-000	EA	Decal - Fender - Passenger - Dark Blue Metallic (R23)
3	075659-03-000	EA	Decal - Fender - Passenger - Light Brown Metallic (R24)
.	075659-02-000	EA	Decal - Fender - Driver - Light Blue Metallic (R22)
.	075659-06-000	EA	Decal - Fender - Driver - Dark Blue Metallic (R23)
.	075659-04-000	EA	Decal - Fender - Driver - Light Brown Metallic (R24)

Key	Part Number	U/M	Description
4	059526-03-000	EA	Decal - "Sundancer" - 4"
5	069245-15-000	FT	Film - Multi-Stripe - 4 26" x 150' - Dark Gray Metallic
6	041273-79-000	FT	Decal - Striping - 75" - Light Gray Metallic
7	065217-19-000	FT	Film - Multi-Stripe - 1 19" x 150' - Light Blue Metallic (R22)
7	065217-29-000	FT	Film - Multi-Stripe - 1 19" x 150' - Dark Blue Metallic (R23)
7	065217-28-000	FT	Film - Multi-Stripe - 1 19" x 150' - Light Brown Metallic (R24)
8	046400-09-000	EA	Decal - Logo "Itasca" - Chrome/Black
9	073732-01-000	EA	Decal - 180° Turn - Light Blue Metallic (R22)
9	073732-05-000	EA	Decal - 180° Turn - Dark Blue Metallic (R23)
9	073732-04-000	EA	Decal - 180° Turn - Light Brown Metallic (R24)
.			Not illustrated

**1984 IC420RG INDEX**

Floor Plan	A-01 - A-02
Accessories Group	A-03 - A-05
Bath Group	A-06
Chassis Group	A-07 - A-08
Curtain, Cushion & Pad Group	A-09 - A-14
Dinette Group	A-15
Driver's Compartment Group	A-16 - A-17
Electrical Group	A-18 - A-20
Exterior Body Group	A-21 - B-08
Galley Group	B-09 - B-10
Heating & Air Conditioning Group	B-11
Interior Finish Group	B-12 - B-14
LP Group	B-15
Lounge Group	B-16
Water & Sewage Group	B-17 - B-18
Window, Vent & Exterior Door Group	B-19 - C-06

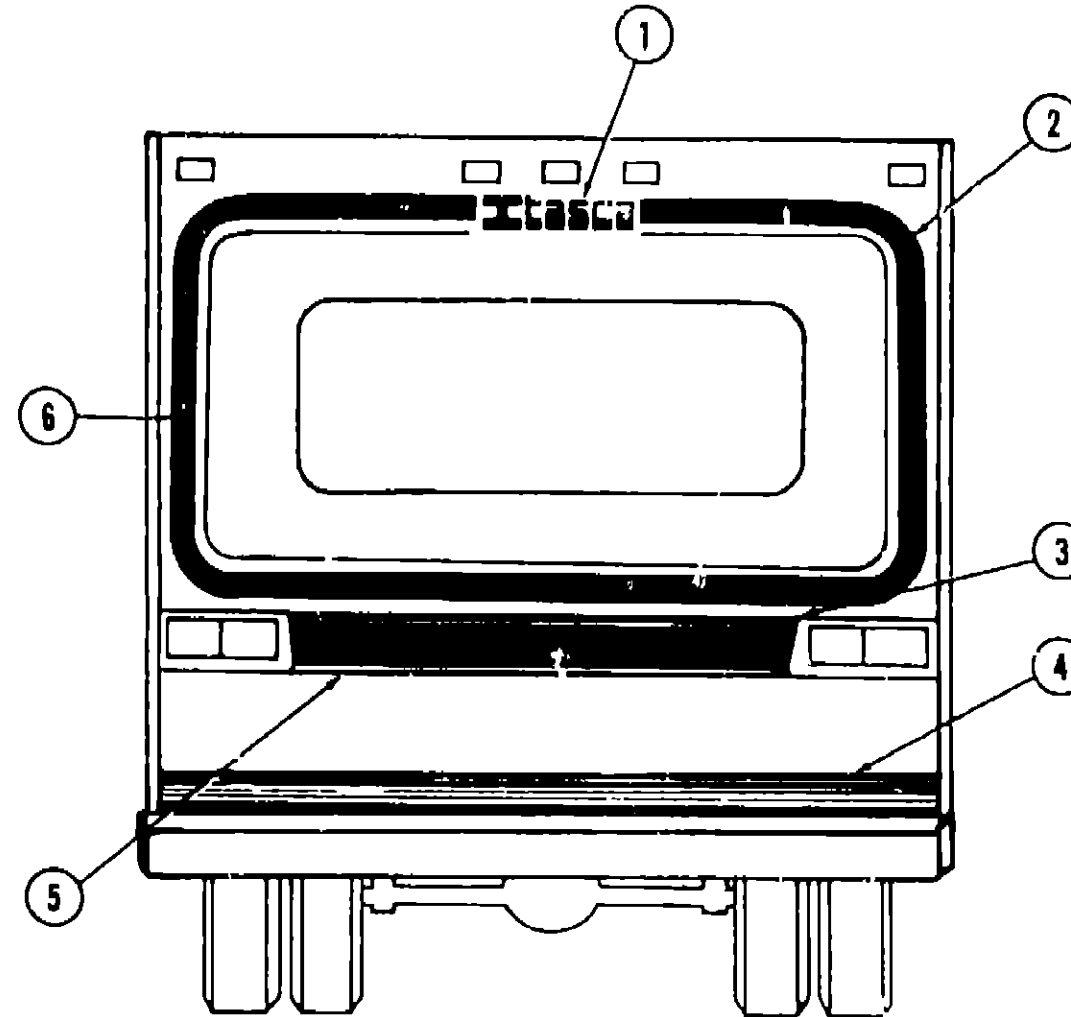
**EXTERIOR BODY GROUP (CONTINUED)**



**FRONT DECALS**

Key	Part Number	U/M	Description
1	046400-09-000	EA	Decal - Logo - "Itasca" - Chrome/Black
2	065217-22-000	FT	Film - Multi-Stripe - 3 7" x 150' - Light Blue Metallic (R22)
2	065217-27-000	FT	Film - Multi-Stripe - 3 7" x 150' - Dark Blue Metallic (R23)
2	065217-26-000	FT	Film - Multi-Stripe - 3 7" x 150' - Light Brown Metallic (R24)

**EXTERIOR BODY GROUP (CONTINUED)**



**REAR DECALS**

Key	Part Number	U/M	Description
1	069227-07-000	EA	Decal - Logo - "Itasca" - 3 7" x 15 82" - Chrome/Black
2	073732-01-000	EA	Decal - 180° Turn - Light Blue Metallic (R22)
2	073732-05-000	EA	Decal - 180° Turn - Dark Blue Metallic (R23)
2	073732-04-000	EA	Decal - 180° Turn - Light Brown Metallic (R24)
3	041273-77 000	FT	Decal - Striping - 1.5" x 150' - Light Gray Metallic
4	065217-19-000	FT	Film - Multi-Stripe - 1 19" x 150' - Light Blue Metallic (R22)
4	065217-29-000	FT	Film - Multi-Stripe - 1 19" x 150' - Dark Blue Metallic (R23)
4	065217-28-000	FT	Film - Multi-Stripe - 1.19" x 150' - Light Brown Metallic (R24)
5	065217-15-000	FT	Film - Multi-Stripe - 4 26" x 150' - Dark Gray Metallic
6	065217-22-000	FT	Film - Multi-Stripe - 3 7" x 150' - Light Blue Metallic (R22)
6	065217-27-000	FT	Film - Multi-Stripe - 3 7" x 150' - Dark Blue Metallic (R23)
6	065217-26-000	FT	Film - Multi-Stripe - 3 7" x 150' - Light Brown Metallic (R24)

**1984 ITASCA  
TABLE OF CONTENTS**

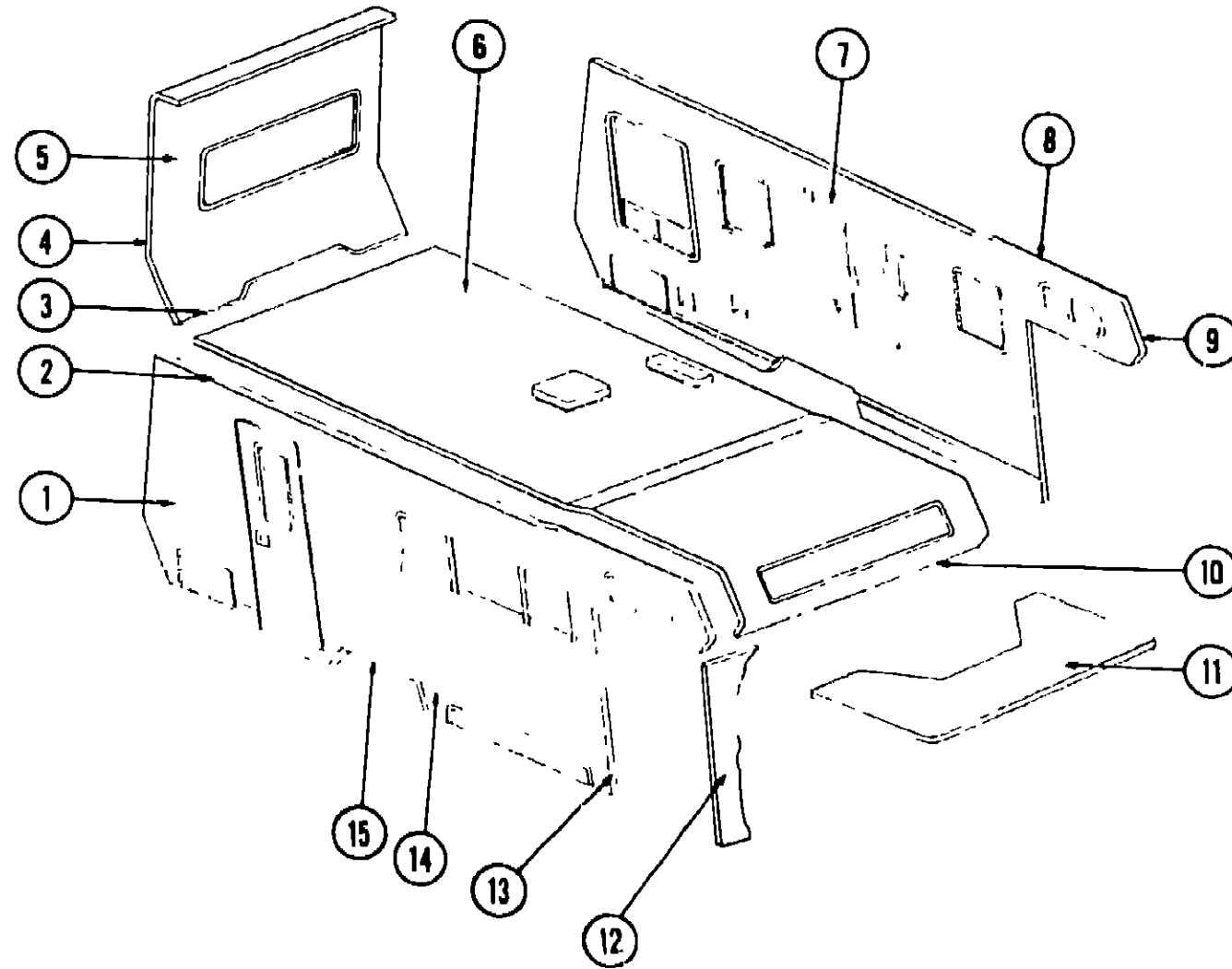
IC420RG	A-01 - C-06
IC424RC	C-07 - E-18
ICN23RG	E-19 - H-06
ICN30RT	H-07 - J-20

**1984 IC420RG INDEX**

Floor Plan	A-01 - A-02
Accessories Group	A-03 - A-05
Bath Group	A-06
Chassis Group	A-07 - A-08
Curtain, Cushion & Pad Group	A-09 - A-14
Dinette Group	A-15
Driver's Compartment Group	A-16 - A-17
Electrical Group	A-18 - A-20
Exterior Body Group	A-21 - B-08
Galley Group	B-09 - B-10
Heating & Air Conditioning Group	B-11
Interior Finish Group	B-12 - B-14
LP Group	B-15
Lounge Group	B-16
Water & Sewage Group	B-17 - B-18
Window, Vent & Exterior Door Group	B-19 - C-06

# EXTERIOR BODY GROUP (CONTINUED)

## ALUMINUM EXTERIOR BODY PANELS



Key	Part Number	U/M	Description
1	M76260-01-R07	EA	Sidewall Asm - Passenger
2	042170-03-000	EA	Contour Trim - Upper Rear Passenger - Off White
	042170-04-000	EA	Contour Trim - Upper Rear Driver - Off White
3	050630-03-000	EA	Backwall Trim - Lower - Driver or Passenger
4	039964-01-000	EA	Contour Trim - Backwall - Passenger - Off White
	039964-02-000	EA	Contour Trim - Backwall - Driver - Off White
5	M76249-01-R07	EA	Backwall Asm
6	M76251-01-R07	EA	Roof Asm
	M76251-01-700	EA	Roof Section - Cab Over to First Seam
7	M76627-01-R22	EA	Sidewall Asm - Driver
7	M76627-01-R23	EA	Sidewall Asm. - Driver
7	M76627-01-R24	EA	Sidewall Asm. - Driver
8	056240-02-000	EA	Contour Trim - Upper Front Driver - Off White
	056240-01-000	EA	Contour Trim - Upper Front Passenger - Off White
9	052799-02-000	EA	Contour Trim - Sleeper - Driver - Off White
	052799-01-000	EA	Contour Trim - Sleeper - Passenger - Off White

Key	Part Number	U/M	Description
10	039644-05-000	EA	Trim - Sleeper Board - Front - 90.62"
11	M56379-02-R07	EA	Sleeper Board Asm
12	M58729-03-R07	EA	Wingwall Asm - Passenger
	M58729-04-R07	EA	Wingwall Asm. - Driver
13	036476-09-000	EA	Trim - Wingwall Transition - Passenger - Off White
	036476-10-000	EA	Trim - Wingwall Transition - Driver - Off White
14	059576-07-000	EA	Feature Strip - Extr. Aluminum - 14' - Dark Gray
	001030-02-003	EA	Insert - Feature Strip - 17' - Stucco - Off White
	009731-01-000	EA	End Cap - Feature Strip
	041748-01-000	FT	Extr. Vinyl - Bubble Seal - Wingwall
15	052671-04-000	EA	Rear Trim - Wheel Well - Driver or Passenger
	002365-03-003	EA	U-Channel - Extrusion - 1" x 18" - Off White
	002776-02-001	EA	U-Channel - Extrusion - 1.75" x 16"
			Not illustrated

## 1984 ITASCA TABLE OF CONTENTS

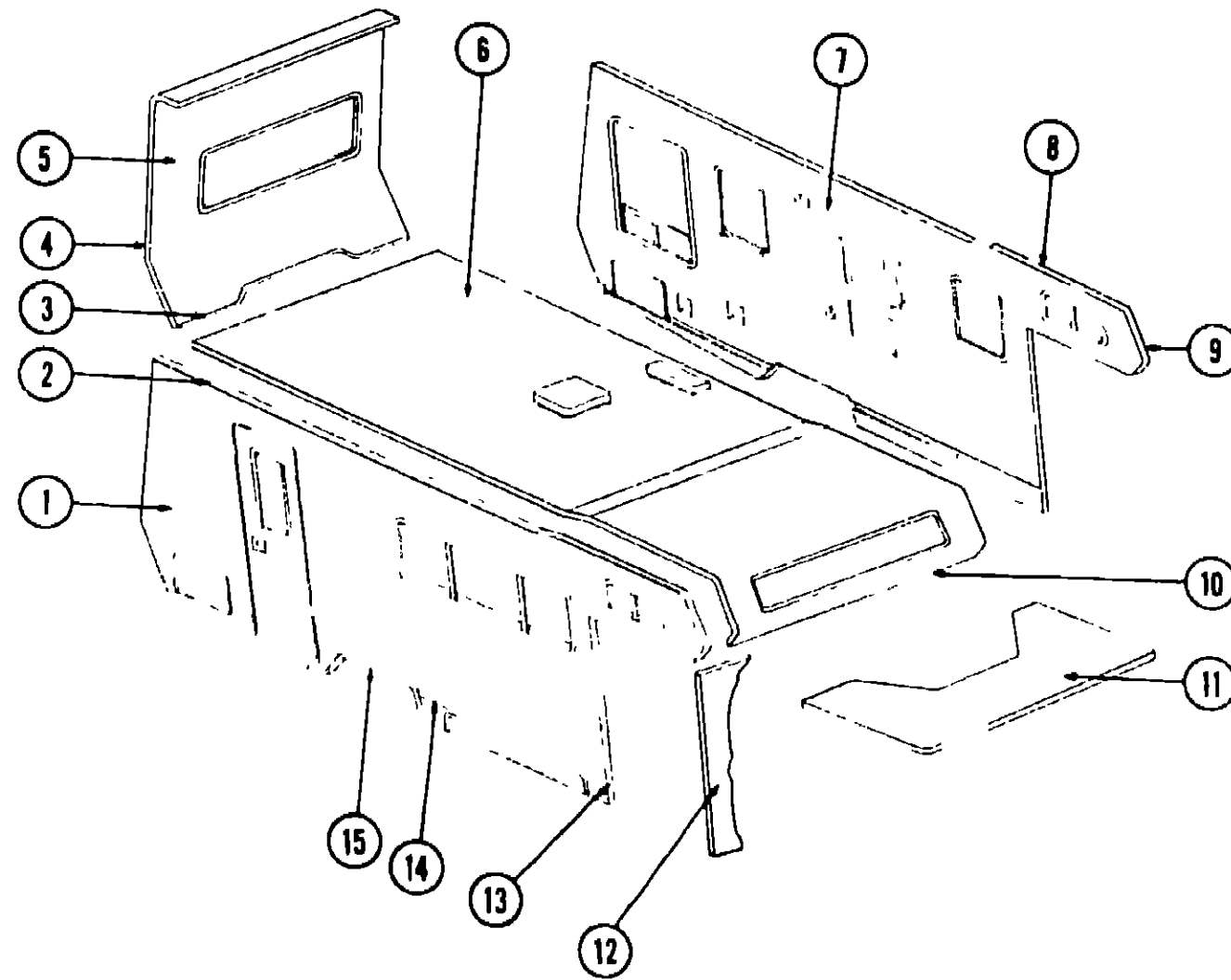
IC420RG	A-01 - C-06
IC424RC	C-07 - E-18
ICN23RG	E-19 - H-06
ICN30RT	H-07 - J-20

## 1984 IC420RG INDEX

Floor Plan	A-01 - A-02
Accessories Group	A-03 - A-05
Bath Group	A-06
Chassis Group	A-07 - A-08
Curtain, Cushion & Pad Group	A-09 - A-14
Dinette Group	A-15
Driver's Compartment Group	A-16 - A-17
Electrical Group	A-18 - A-20
Exterior Body Group	A-21 - B-08
Galley Group	B-09 - B-10
Heating & Air Conditioning Group	B-11
Interior Finish Group	B-12 - B-14
LP Group	B-15
Lounge Group	B-16
Water & Sewage Group	B-17 - B-18
Window, Vent & Exterior Door Group	B-19 - C-06

# EXTERIOR BODY GROUP (CONTINUED)

## FIBERGLASS EXTERIOR BODY PANELS



Key	Part Number	U/M	Description
1	M76849-01-R07	EA	Sidewall Asm - Passenger - Greyhound
1	M77803-01-1, 7	EA	Sidewall Asm. - Passenger - Mesa
2	077339-01-000	EA	Contour Trim - Upper Rear Passenger - Off White
	077339-02-000	EA	Contour Trim - Upper Rear Driver - Off White
3	050630-05-000	EA	Backwall Trim - Lower - Driver or Passenger
4	076805-01-000	EA	Contour Trim - Backwall - Passenger - Off White
	076805-02-000	EA	Contour Trim - Backwall - Driver - Off White
5	M77828-01-R07	EA	Backwall Asm
6	M76850-01-R07	EA	Roof Asm - Greyhound
6	M77820-01-R07	EA	Roof Asm. - Mesa
	M76850-01-700	EA	Roof Section - Cab Over to First Seam - Greyhound
	M77820-01-700	EA	Roof Section - Cab Over to First Seam - Mesa
7	M76848-01-R22	EA	Sidewall Asm - Driver - Greyhound
7	M76848-01-R23	EA	Sidewall Asm - Driver - Greyhound
7	M76848-01-R24	EA	Sidewall Asm. - Driver - Greyhound
7	M77804-01-R22	EA	Sidewall Asm. - Driver - Mesa
7	M77804-01-R23	EA	Sidewall Asm. - Driver - Mesa
7	M77804-01-R24	EA	Sidewall Asm - Driver - Mesa

Key	Part Number	U/M	Description
8	076802-02-000	EA	Contour Trim - Upper Front Driver - Off White
	076802-01-000	EA	Contour Trim - Upper Front Passenger - Off White
9	076804-02-000	EA	Contour Trim - Sleeper - Driver - Off White
	076804-01-000	EA	Contour Trim - Sleeper - Passenger - Off White
10	039644-08-000	EA	Trim - Sleeper Board - Front - 88.9"
11	M77837-01-R07	EA	Sleeper Board Asm.
12	M77838-01-R07	EA	Wingwall Asm. - Passenger
	M77838-02-R07	EA	Wingwall Asm - Driver
13	076975-01-000	EA	Trim - Wingwall Transition - Passenger - Off White
	076975-02-000	EA	Trim - Wingwall Transition - Driver - Off White
14	059576-07-000	EA	Feature Strip - Extr. Aluminum - 14' - Dark Gray
	001030-02-003	EA	Insert - Feature Strip - 17' - Stucco - Off White
	009731-01-000	EA	End Cap - Feature Strip
	041746-01-000	FT	Extr. Vinyl - Bubble Seal - Wingwall
15	052671-06-000	EA	Rear Trim - Wheel Well - Driver or Passenger
	002365-03-003	EA	U-Channel - Extrusion - 1" x 18' - Off White
	002776-02-001	EA	U-Channel - Extrusion - 1.75" x 16'
			Not Illustrated

## 1984 ITASCA TABLE OF CONTENTS

IC420RG	A-01 - C-06
IC424RC	C-07 - E-18
ICN23RG	E-19 - H-06
ICN30RC	H-07 - J-20

## 1984 IC420RG INDEX

Floor Plan	A-01 - A-02
Accessories Group	A-03 - A-05
Bath Group	A-06
Chassis Group	A-07 - A-08
Curtain, Cushion & Pad Group	A-09 - A-14
Dinette Group	A-15
Driver's Compartment Group	A-16 - A-17
Electrical Group	A-18 - A-20
Exterior Body Group	A-21 - B-08
Galley Group	B-09 - B-10
Heating & Air Conditioning Group	B-11
Interior Finish Group	B-12 - B-14
LP Group	B-15
Lounge Group	B-16
Water & Sewage Group	B-17 - B-18
Window, Vent & Exterior Door Group	B-19 - C-06

**EXTERIOR BODY GROUP (CONTINUED)**

**LABELS & EXTERIOR PAINT**

Key	Part Number	U/M	Description
	068383-01-000	EA	Label - Diesel Fuel
	006195-01-000	EA	Label - Electrical Test
	047731-01-000	EA	Label - Emergency Exit
	006199-01-000	EA	Label - Exit - Escape Window
	057487-04-000	EA	Label - Exterior Loading Limit
	064378-01-000	EA	Label - Flying "W" w/Thermo Panel
	061417-01-000	EA	Label - Fuel
	006196-01-000	EA	Label - Gas Test
	054531-01-000	EA	Label - LP Gas Only
	040944-01-000	EA	Label - Open - Entrance Door
	006015-01-000	EA	Label - Patent Motor Home
	056259-01-000	EA	Label - Safety Check List
	006064-01-000	EA	Label - Seat - w/o Seat Belts
	006187-01-000	EA	Label - Sewage
	006006-01-000	EA	Label - Thermo Panel - 2 1/4" x 2 1/4"
	075221-01-000	EA	Label - Trailer Hitch Capacity
	075220-01-000	EA	Label - Warning - Exterior Load Limit
	050225-01-000	EA	Label - Warning - Stove Vent - US
	006188-01-000	EA	Label - Waste Water
	006197-01-000	EA	Label - Water Test
	072863-01-000	EA	Nameplate - Diesel - 6 2L
	006062-01-000	EA	Tag - Electrical - 110 Volt Connection
	006040-01-000	EA	Tag - Gas - Refuelling Warning
	044486-03-000	EA	Paint - Beige Acrylic Enamel - 16 oz. Aerosol (7633A Dupont)
	045681-03-000	EA	Paint - Gloss Black - Acrylic Enamel - 16 oz. Aerosol (99 Dupont)
	058677-05-000	EA	Paint - Gray Acrylic Enamel - 16 oz. Aerosol (71537 Dupont)
	041511-03-000	EA	Paint - Off White Acrylic Enamel - 16 oz. Aerosol (45396A Dupont)
	074559-01-000	EA	Label - LPG" - 3.3" x 1.75" - (Calif. Code)

**EXTERIOR BODY GROUP (CONTINUED)**

**MISCELLANEOUS EXTERNALLY MOUNTED PARTS**

Key	Part Number	U/M	Description
	011129-01-000	EA	Plumbing Seal - Roof Vent - 1.5"
	048817-01-000	EA	Assist Handle - w/Light
	048817-01-700	EA	Lens - Assist Handle
	010230-02-000	EA	Fill - City Water - Recessed - Off White
	058808-01-000	EA	Water Fill - Lockable - White
	063303-03-000	EA	Shroud - Fuel Fill - Lower
	078040-01-000	EA	Shroud - Fuel Fill - Upper
	072309-02-000	EA	Shroud - Fill Neck

**EXTERIOR ALUMINUM & FIBERGLASS SKINS**

Key	Part Number	U/M	Description
	039155-28-006	EA	Alum - Mesa II - 024" x 48" x 360" - Off White
	039155-28-003	EA	Alum. - Mesa II - 024" x 36" x 360" - Off White
	039155-28-007	EA	Alum - Mesa II - 024" x 12" x 360" - Off White
	076054-04-003	EA	Fiberglass Sheets - 47 25" x 260" - Greyhound - Off White
	077517-04-001	EA	Fiberglass Sheets - 48 08" x 259" - Mesa - Off White
	001054-01-011	EA	Alum. - No Design - 48" x 96" - Off White
	000868-01-000	SF	Styrofoam - 75" x 24" x 96"
	000870-01-000	SF	Styrofoam - 1 5" x 24" x 96"
	000870-03-000	SF	Styrofoam - 1 34" x 48" x 96"

**1984 ITASCA  
TABLE OF CONTENTS**

IC420RG	A-01 - C-06
IC424RC	C-07 - E-18
ICN23RG	E-19 - H-06
ICN30RT	H-07 - J-20

**1984 IC420RG INDEX**

Floor Plan	A-01 - A-02
Accessories Group	A-03 - A-05
Bath Group	A-06
Chassis Group	A-07 - A-08
Curtain, Cushion & Pad Group	A-09 - A-14
Dinette Group	A-15
Driver's Compartment Group	A-16 - A-17
Electrical Group	A-18 - A-20
Exterior Body Group	A-21 - B-08
Galley Group	B-09 - B-10
Heating & Air Conditioning Group	B-11
Interior Finish Group	B-12 - B-14
LP Group	B-15
Lounge Group	B-16
Water & Sewage Group	B-17 - B-18
Window, Vent & Exterior Door Group	B-19 - C-06

**EXTERIOR BODY GROUP (CONTINUED)**

**SEALANTS & ADHESIVES**

Key	Part Number	U/M	Description
	004020-01-000	QT	Adhesive - ABS Cement (Plastic Fittings)
	002337-01-000	EA	Adhesive - 1300 Tube - 3M (Windows)
	004005-02-000	GL	Adhesive - Swifts - Glue (Sidewalls)
	053766-07-000	EA	Bedding Compound - Tube - Beige (Exterior)
	053766-08-000	EA	Bedding Compound - Tube - Clear (Window)
	053766-09-000	EA	Bedding Compound - Tube - Gray (Exterior)
	053766-05-000	EA	Bedding Compound - Tube - Gray (Sidewalls to Floor)
	053766-02-000	EA	Bedding Compound - Tube - Off White (Exterior)
	002328-02-000	EA	Block - Rubber Spacer (Windshield)
	004336-01-000	EA	Caulk - Latex - Golden Walnut (Sidewalls)
	072891-02-000	QT	Primer - Glass - Black
	072891-01-000	QT	Primer - Glass - Clear
	035024-01-000	EA	Primer - Glass - Clear - Windshield
	072890-01-000	QT	Primer - Metal - Black
	035023-01-000	GL	Primer - Metal - Windshield
	077967-01-000	EA	Sealant - Acrylic Latex - Tube - Off White (Interior Sealant)
	034552-04-000	EA	Sealant - Silicone - Beige
	034552-02-000	EA	Sealant - Silicone - Clear
	034552-07-000	EA	Sealant - Silicone - Dark Gray
	034552-06-000	EA	Sealant - Silicone - Off White
	069637-01-000	EA	Sealant - Weatherban 404 - Tube - White (Door Caulk)
	072889-01-000	EA	Sealant - Urethane - Black (Windshield)
	069640-01-000	FT	Sealer Ribbon - .25" Bead x 20'
	069640-02-000	FT	Sealer Ribbon - 5" x 125" x 30'
	069640-03-000	FT	Sealer Ribbon - 75" x 125" x 30'
	069640-04-000	FT	Sealer Ribbon - 2" x .09" x 45' (P Series)
	069640-05-000	FT	Sealer Ribbon - 2.5" x .09" x 50'
	069640-06-000	FT	Sealer Ribbon - 5/16" Bead x 15'
	069640-07-000	FT	Sealer Ribbon - 2" x 3/32" x 30'
	002316-01-000	FT	Sealer Tape - 3/32" x 3/8" - White (Window)
	002707-01-000	FT	Sealer Tape - 5/16" x 3/4"
	002707-02-000	FT	Sealer Tape - 5/16" x 1/2"
	040545-01-000	GL	Sealer - Seam Weld
	053752-04-000	EA	Seam Sealer - Tube - Aluminum (Roof)
	063642-01-000	FT	Tape - Adhesive - .10 mm x 1.5" Wide
	038886-01-000	EA	Tape - Butyl - 31" x 31" x 148" (Windshield)
	076322-01-000	FT	Tape - Foam - Double Coated - .025 x 1" (Fiberglass Sidewall Seams)
	076322-02-000	FT	Tape - Foam - Double Coated - .045 x 1" (Fiberglass Sidewall Seams)
	009200-01-000	EA	Tape - Furnace - 1.5"
	002825-01-000	FT	Weather Striping (Roof Vent)

**EXTERIOR BODY GROUP (CONTINUED)**

**INTERIOR/EXTERIOR SCREWS & FASTENERS**

Key	Part Number	U/M	Description
	005200-01-000	EA	Bolt - Round Head - Square Neck w/SST Cap - 7/16" - 14 x 1 1/4"
	058279-01-000	EA	Clip - Mounting - Front Panel
	035628-01-000	EA	Fastener - Blind Well Nut - 1.05" x .38"
	000D15-06-00B	EA	Nut - Hex - 3/8" x 24 - Zinc
	005081-01-000	EA	Nut - Speed - C Type - #8 Screw
	000G54-04-20B	EA	Screw 1/4 - 20 x 1 1/4" PTH - Zinc
	000G54-04-22B	EA	Screw 1/4 - 20 x 1 3/8" PTH - Zinc
	000G53-04-06B	EA	Screw 1/4 - Machine - 20 x 3/8" PTH - Zinc
	000G13-06-12P	EA	Screw #6 - 20 x 3/4" PFH - Dark Brown
	000G13-06-28X	EA	Screw #6 - 20 x 3/4" PFH - Gray
	000G13-06-16R	EA	Screw #6 - 20 x 1" PFH - Beige
	000G11-07-08B	EA	Screw #7 - 19 x 1/2" PPH - Zinc
	000G12-08-12M	EA	Screw #8 - 18 x 3/4" POH - Gray
	000G11-08-12R	EA	Screw #8 - 18 x 3/4" PPH - Beige
	000G11-08-12X	EA	Screw #8 - 18 x 3/4" PPH - Gray
	000G11-08-12B	EA	Screw #8 - 18 x 3/4" PPH - Zinc
	000G39-08-12R	EA	Screw #8 - 18 x 3/4" SDPH - Beige
	000G66-08-12M	EA	Screw #8 - 18 x 3/4" SDPH - Gray
	000G11-08-16R	EA	Screw #8 - 18 x 1" PFH - Gray
	000G66-08-16R	EA	Screw #8 - 18 x 1" SDPH - Beige
	000G12-08-28R	EA	Screw #8 - 18 x 1 3/4" POH - Beige
	000G36-08-08E	EA	Screw #8 - 32 x 1/2" PFH - Chrome
	000G39-08-08B	EA	Screw #8 - Self Drilling - 18 x 1/2" PPH - Zinc
	000G39-08-12B	EA	Screw #8 - Self Drilling - 18 x 3/4" PPH - Zinc
	000G39-08-12R	EA	Screw #8 - Self Drilling - 18 x 3/4" PPH - Beige
	000G39-08-16R	EA	Screw #8 - Self Drilling - 18 x 1" PPH - Beige
	000G39-08-16T	EA	Screw #8 - Self Drilling - 18 x 1" PPH - Black
	000G39-08-16P	EA	Screw #8 - Self Drilling - 18 x 1" PPH - Dark Brown
	000G39-08-16X	EA	Screw #8 - Self Drilling - 18 x 1" PPH - Gray
	000G39-08-16E	EA	Screw #8 - Self Drilling - 18 x 1" PPH - Chrome
	000G64-08-16M	EA	Screw #8 - Self Drilling - 18 x 1" SDPH - Gray
	000G67-10-08B	EA	Screw #10 - 12 x 1/2" PPH - Zinc
	000G67-10-10R	EA	Screw #10 - 12 x 5/8" PPH - Beige
	000G67-10-16P	EA	Screw #10 - 12 x 1" PPH - Dark Brown
	000G67-10-16B	EA	Screw #10 - 12 x 1" PPH - Zinc
	000G67-10-20B	EA	Screw #10 - 12 x 1 1/4" - PPH - Zinc
	000G67-10-24B	EA	Screw #10 - 12 x 1 1/2" PPH - Zinc
	049465-04-000	EA	Screw #10 - 16 x 1" POH - w/Washer - Beige
	049465-05-000	EA	Screw #10 - 16 x 1" POH - w/Washer - Gray
	000G12-10-24E	EA	Screw #10 - 16 x 1 1/2" POH - Chrome
	000G11-10-08D	EA	Screw #10 - 16 x 1/2" PPH - Dark Brown
	000G11-10-12R	EA	Screw #10 - 16 x 3/4" PPH - Beige
	000G11-10-12S	EA	Screw #10 - 16 x 3/4" PPH - Off White
	000G11-10-12B	EA	Screw #10 - 16 x 3/4" PPH - Zinc
	000G11-10-16B	EA	Screw #10 - 16 x 1" PPH - Zinc
	000G11-10-40B	EA	Screw #10 - 16 x 2 1/2" PPH - CAD
	000G19-10-12B	EA	Screw #10 - Machine - 32 TPI x 3/4"
	075908-01-000	EA	Screw #10 - Machine - 32 x 56" PTH - Zinc
	000G19-10-20B	EA	Screw #10 - Machine - 32 x 1 1/4" PPH - Zinc
	000G39-12-12E	EA	Screw #10 - Self Drilling - 14 x 3/4" PPH - Chrome
	000G39-10-10R	EA	Screw #10 - Self Drilling - 16 x 62" PPH - Beige
	000G39-10-12R	EA	Screw #10 - Self Drilling - 16 x 3/4" PPH - Beige
	000G39-10-12P	EA	Screw #10 - Self Drilling - 16 x 3/4" PPH - Dark Brown
	000G56-12-48C	EA	Screw #12 - Wood - 11 x 3" POH - CAD

**1984 ITASCA  
TABLE OF CONTENTS**

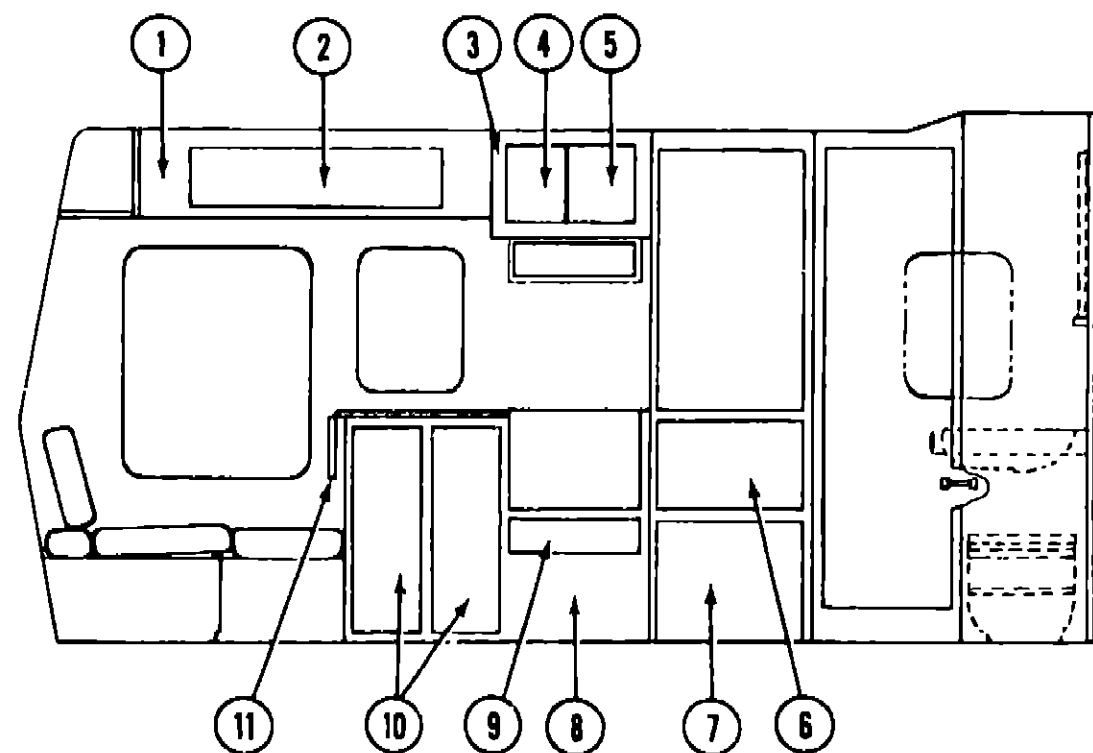
IC420RG	A-01 - C-06
IC424RC	C-07 - E-18
ICN23RG	E-19 - H-06
ICN30RT	H-07 - J-20

**1984 IC420RG INDEX**

Floor Plan	A-01 - A-02
Accessories Group	A-03 - A-05
Bath Group	A-06
Chassis Group	A-07 - A-08
Curtain, Cushion & Pad Group	A-09 - A-14
Dinette Group	A-15
Driver's Compartment Group	A-16 - A-17
Electrical Group	A-18 - A-20
Exterior Body Group	A-21 - B-08
Galley Group	B-09 - B-10
Heating & Air Conditioning Group	B-11
Interior Finish Group	B-12 - B-14
LP Group	B-15
Lounge Group	B-16
Water & Sewage Group	B-17 - B-18
Window, Vent & Exterior Door Group	B-19 - C-06



## GALLEY GROUP



### GALLEY CABINETRY

Key	Part Number	U/M	Description
1	076230-01-R07	EA	Cabinet Asm. - Galley Overhead - w/o Doors or Hardware
2	069852-78-R07	EA	Door Asm - Galley Overhead Cabinet - 10.2" x 35.1" - w/o Hardware
3	M76274-01-R07	EA	Cabinet Asm. - Microwave - w/o Doors or Hardware
4	073521-05-R10	EA	Door Asm. - Microwave Cabinet - 11.6" x 15.8" - Left - w/o Hardware
5	073521-06-R07	EA	Door Asm. - Microwave Cabinet - 11.6" x 15.8" - Right - w/o Hardware
6	069852-44-R07	EA	Door Asm. - Refrigerator Cabinet - 14.6" x 23.3" - w/o Hardware
7	M73918-01-R07	EA	Access Panel - Refrigerator Cabinet - 19.9" x 23.3" - w/o Hardware
8	M76243-01-R07	EA	Cabinet Asm. - Galley - w/o Countertop, Doors, Drawers or Hardware
*	M01512-01-R07	EA	Countertop Asm. - Galley Cabinet - Almond Loom
9	069852-48-R07	EA	Door Asm. - Galley Cabinet - 15.3" x 21.9" - w/o Hardware
10	069852-45-R07	EA	Door Asm - Galley Cabinet - 11.7" x 31.5" - w/o Hardware
11	066529-01-R07	EA	Extension Asm. - Galley Countertop - w/o Hardware - Almond Loom
*	059915-01-R07	EA	Drawer Asm. - Galley Cabinet - 10" x 20"
*	059915-02-R07	EA	Drawer Asm - Galley Cabinet - 10" x 14"
*	059915-05-R07	EA	Drawer Asm - Galley Cabinet - 10" x 12"
*			Not illustrated

## GALLEY GROUP (CONTINUED)

### GALLEY APPLIANCES

Key	Part Number	U/M	Description
	053333-04-000	EA	Hood - Range - Non-Powered - Almond CSA
	053333-05-000	EA	Hood - Range - Non-Powered - Almond - US
	075470-01-000	EA	Hood - Range - w/Monitor - Almond - US
	075470-02-000	EA	Hood - Range - w/Monitor - Almond - CSA
	075470-01-700	EA	Monitor Panel - Sub Asm.
	075470-01-701	EA	Digital Clock - Sub Asm
	075370-01-702	EA	Switch - On/Off
	075470-01-703	EA	Switch - On - Momentary
	075470-01-704	EA	Switch - On/Off/On - Fan Motor
	075470-01-705	EA	Switch - On/Off/On - Momentary
	075470-01-706	EA	Rivets - Plastic
	075470-01-707	EA	Bulb - #912
	075470-01-708	EA	Panel Asm - Complete
	075922-01-000	EA	Microwave Oven - Litton - 1450
	055282-02-000	EA	Range - 4 Burner - Small Oven - Magic Chef - Almond
	055282-02-700	EA	Top - Main - Almond
	064473-02-000	EA	Refrigerator - AC/DC/Gas - Norcold 6' - 766-EG3
	064473-02-700	EA	Cooling Unit (Service Pak)
	064473-02-701	CA	Door Frame
	064473-02-702	EA	Breaker Strip - Left - Bronze
	064473-02-703	EA	Breaker Strip - Right - Bronze
	064473-02-704	EA	Breaker Strip - Top - Bronze

### GALLEY HARDWARE

Key	Part Number	U/M	Description
	053424-04-R07	EA	Sink Cover - Large - Almond Loom
	068615-01-000	EA	Sink - Stainless Steel - Double w/Bolts
**	011053-01-000	EA	Faucet - Swing Spout - 8" - US
**	011053-01-700	EA	Aerator - Swing Spout Faucet
**	011053-02-000	EA	Faucet - Swing Spout - 8" - CSA
	066437-01-000	EA	Strainer w/Basket - Sink
	058334-01-000	EA	Wastebasket - 9.75" x 7" x 10" - White Rubbermaid
	058478-01-000	EA	Support - Wastebasket - Metal - Door Mount
	054450-01-000	EA	Level Refrigerator
	075930-01-000	EA	Bracket Asm - Microwave - Right
	075930-02-000	EA	Bracket Asm - Microwave - Left
	076253-02-000	EA	Bracket Asm - Microwave - Bottom (2 required)
	075922-03-000	EA	Trim - Ring - Microwave
	075922-04-000	E/	Duct - Air - Exhaust - Microwave
	075470-03-000	E/	Spacer - Range Hood
	075470-04-000	EA	Duct Extension - Range Hood
	074490-02-R10	EA	Spice Rack - Oak
	074491-02-R10	EA	Magazine Rack - Oak
	074981-01-000	EA	Cutting Board - Maple
	009049-01-000	EA	Table - Support - Drop Leaf
	009059-01-000	EA	Hinge - 2" - Gold
**	052932-01-M10	EA	Hinge Kit - Cabinet Door - Antique Brass
**	057898-01-000	EA	Hidden Latch w/Strike - Cabinet Door
	037688-01-000	EA	Rail - Drawer Guide - Steel
	059753-01-000	EA	Slide - Drawer - Left
	059753-02-000	EA	Slide - Drawer - Right
**			The illustrated parts breakdown for this item is provided on the Common Items Fiche

## 1984 ITASCA TABLE OF CONTENTS

IC420RG	A-01 - C-06
IC424RC	C-07 - E-18
ICN23RG	E-19 - H-06
ICN30RT	H-07 - J-20

## 1984 IC420RG INDEX

Floor Plan	A-01 - A-02
Accessories Group	A-03 - A-05
Bath Group	A-06
Chassis Group	A-07 - A-08
Curtain, Cushion & Pad Group	A-09 - A-14
DINETTE Group	A-15
Driver's Compartment Group	A-16 - A-17
Electrical Group	A-18 - A-20
Exterior Body Group	A-21 - B-08
Galley Group	B-09 - B-10
Heating & Air Conditioning Group	B-11
Interior Finish Group	B-12 - B-14
LP Group	B-15
Lounge Group	B-16
Water & Sewage Group	B-17 - B-18
Window, Vent & Exterior Door Group	B-19 - C-06

## HEATING & AIR CONDITIONING GROUP

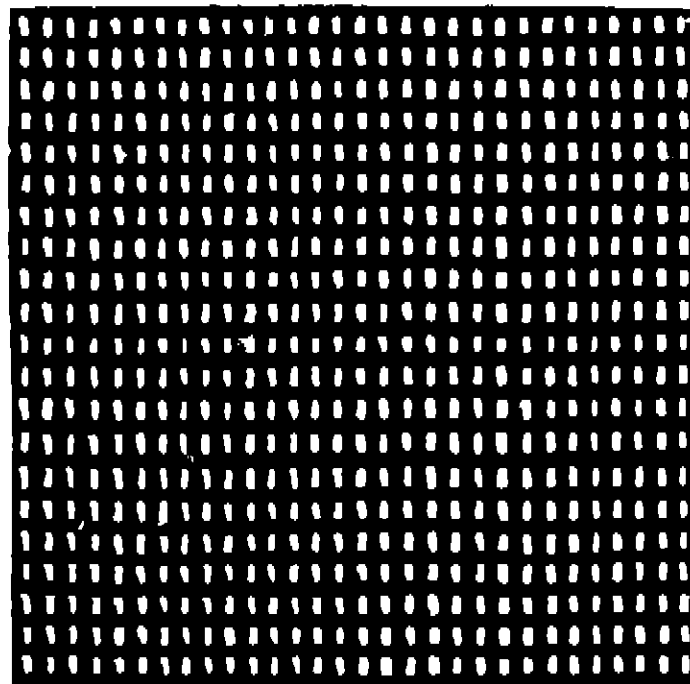
### FURNACES & ROOF AIR CONDITIONER

Key	Part Number	U/M	Description
	075695-01-000	EA	Furnace - 24,000 BTU - w/Direct Ignition - NT-24S
	069634-01-723	EA	Thermostat - Furnace
	075695-01-701	EA	Electrode Asm. - Furnace
	075695-01-702	EA	Vent Cap Asm. - Furnace
	075695-01-703	EA	Gas Inlet Pipe - Furnace
	075695-01-704	EA	Manifold Asm. - Furnace
	075695-01-705	EA	Burner Asm. - Furnace
	075695-01-706	EA	Micro Switch Asm. - 24,000 BTU Furnace
	075695-01-710	EA	Cabinet - Front - Furnace
	075695-01-711	EA	Cabinet Asm. - Furnace
	069633-01-705	EA	Vent Package - Furnace
	009198-01-000	FT	Duct - Flexible - 4" I.D. x 25'
	056464-01-000	EA	Register - 4" Dia. - Plastic w/Damper
	056464-02-000	EA	Register - 4" Dia. - Plastic w/o Damper
	009200-01-000	EA	Tape - Furnace - 1 1/2"
	023146-01-000	EA	Clamp - Screw Type - 4"
	073743-01-000	EA	Shroud Asm. - Ceiling - Inside - Roof Air - 13,500 BTU - Cool Only
	073744-01-000	EA	Shroud Asm. - Ceiling - Inside - Roof Air - 13,500 BTU - Heat & Cool
	073742-01-000	EA	Air Conditioner - 110 Volt - Roof Mount - 13,500 BTU Rotary
	073742-01-700	EA	Decal Package - Left & Right (Exterior)
	073742-01-701	EA	Selector Switch (5 Terminal)
	073742-01-702	EA	Decal - Cool Only
	073742-01-703	EA	Decal - Heat & Cool
	073742-01-704	EA	Decal - Thermostat - TSI

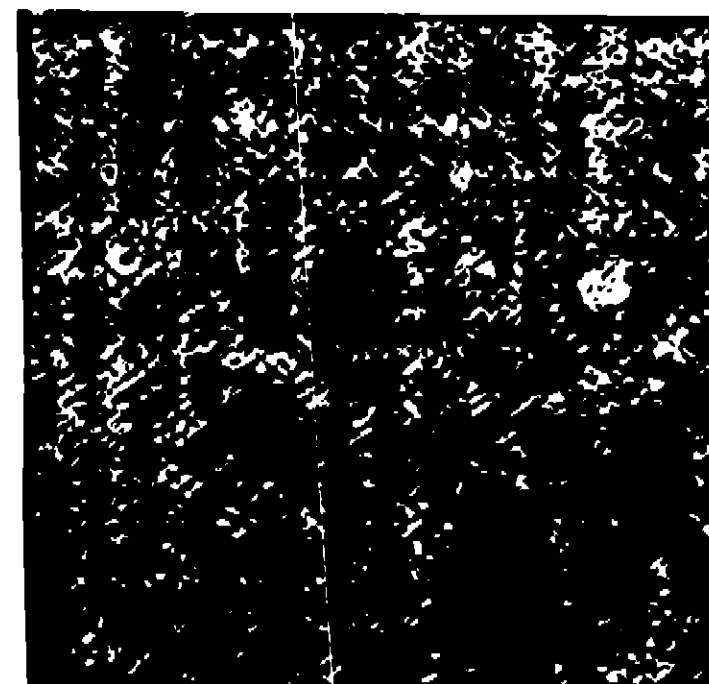
### AUTOMOTIVE HEATER & AIR CONDITIONER

Key	Part Number	U/M	Description
	074025-01-000	EA	A/C - Compressor Mount Package - 350 C.I.D.
	072343-01-000	EA	A/C - Compressor/Clutch - Sankyo 510
	073716-01-000	EA	A/C - Condensor Asm. - "C" - Tube O
	074027-01-000	EA	A/C - Evaporator Asm. - Cutaway
	007108-01-000	FT	Hose - Heater - 5/8" I.D. SAE20R3
	062401-04-000	EA	Clamp - Worm Drive - .69" - 1 25" I.D.

## INTERIOR FINISH GROUP



Wicker Weave Pattern



Jamaica Weave Pattern

### PANELING & COUNTERTOP MATERIALS

Key	Part Number	U/M	Description
	074496-08-000	SF	Paneling - Decor - Design Tile - 48" x 84" (28 SF) (Bath)
	072336-20-000	SF	Paneling - Decor - Jakarta Burlap - 48" x 96" (32 SF) (Ceiling)
*	072336-19-700	SF	Paneling - Decor - Jamaica Weave - 48" x 84" (28 SF) (Refrigerator)
	074496-06-000	SF	Paneling - Decor - Stained Glass - 48" x 84" (28 SF) (Galley & Bath) (R22, R24)
	074496-07-000	SF	Paneling - Decor - Stained Glass - 48" x 84" (28 SF) (Galley & Bath) (R23)
*	072336-19-000	SF	Paneling - Decor - Wicker Weave - 48" x 84" (28 SF) (Refrigerator)
	068344-05-000	SF	Paneling - Elm - 48" x 84" (28 SF) (Wall)
	072337-03-000	SF	Plastic Laminate - Almond Loom - 48" x 96" (32 SF) (Galley)
	072337-03-019	EA	Plastic Laminate - Almond Loom - 1.19" x 96"
	074498-01-000	SF	Plastic Laminate - Harbor Oak - 48" x 96" (32 SF) (Dinette Table)
	074498-01-019	EA	Plastic Laminate - Harbor Oak - 1.19" x 96"
	072337-02-000	SF	Plastic Laminate - Travertine - 48" x 96" (32 SF) (Bath)
	072337-02-019	EA	Plastic Laminate - Travertine - 1.19" x 96"
*	057880-05-700	SF	Pluswood Board - Jamaica Weave/Elm (Headboard & Door Asm.)
*	057880-05-000	SF	Pluswood Board - Wicker Weave/Elm (Headboard & Door Asm.)
*			Reference above illustration

### 1984 ITASCA TABLE OF CONTENTS

IC420RG	A-01 - C-06
IC424RC	C-07 - E-18
ICN23RG	E-19 - H-06
ICN30RT	H-07 - J-20

### 1984 IC420RG INDEX

Floor Plan	A-01 - A-02
Accessories Group	A-03 - A-05
Bath Group	A-06
Chassis Group	A-07 - A-08
Curtain, Cushion & Pad Group	A-09 - A-14
Dinette Group	A-15
Driver's Compartment Group	A-16 - A-17
Electrical Group	A-18 - A-20
Exterior Body Group	A-21 - B-08
Galley Group	B-09 - B-10
Heating & Air Conditioning Group	B-11
Interior Finish Group	B-12 - B-14
LP Group	B-15
Lounge Group	B-16
Water & Sewage Group	B-17 - B-18
Window, Vent & Exterior Door Group	B-19 - C-06

**INTERIOR FINISH GROUP (CONTINUED)**

**INTERIOR MOLDING & TRIMS**

Key	Part Number	U/M	Description
	024700-17-000	EA	Cover - Sidewall Roll Bar - Beige
	042430-02-R07	EA	Molding - Shelf - Wood
	045375-09-000	EA	Molding w/Holes - Corner - 77"
	076325-01-000	FT	Molding - Edge Band - 1 5/16" x .03" x 60' - Harbor Oak
	009812-08-000	FT	Molding - Outside Corner - .5" - Teak
	042357-09-000	FT	Molding - Radius Corner - 7' - Elm
	022992-01-000	FT	Molding - Reverse Cove - White
	022992-08-000	FT	Molding - Reverse Cove - Champagne White
	058204-01-000	EA	Batt Strip - Elm - 8' (Wall)
	069733-23-000	EA	Batt Strip - Jakarta Burlap - 8' (Ceiling)
	069733-33-000	EA	Batt Strip - Stained Glass - 8' (Galley & Bath) (R22, R24)
	069733-34-000	EA	Batt Strip - Stained Glass - 8' (Galley & Bath) (R23)
	069733-35-000	EA	Batt Strip - Design Tile - 8' (Bath)
	017768-01-000	FT	U-Channel - .188" - Brown
	070504-01-000	FT	U-Channel - .065" - Light Brown
	070504-02-000	FT	U-Channel - .815" - Light Brown
	009778-03-000	FT	U-Channel - 1" - Light Brown
	009815-03-000	FT	T-Molding - 75" - Light Brown
	002774-02-001	EA	Trim - Carpet - 192"
	064675-06-000	EA	Angle - Steel Roof Joint - 96" - Beige
	052859-01-R13	FT	Accent Trim - Medium Almond Vinyl (Beige)
	059352-01-000	FT	Insert - Vinyl - Style & Rail Door
	009767-06-000	FT	Welling - Beige

**FABRICS & CARPET**

Key	Part Number	U/M	Description
	072333-09-000	YD	Fabric - Drapery - Beige
	072333-13-000	YD	Fabric - Drapery - Cream (Sheers)
	074495-23-000	YD	Fabric - Upholstery/Accent - Indigo (Blue/Gray) (R22)
	074495-21-000	YD	Fabric - Upholstery/Accent - Cocoa (Navy/Beige) (R23)
	074495-22-000	YD	Fabric - Upholstery/Accent - Cinnamon (Rust) (R24)
	074495-50-000	YD	Fabric w/Pattern - Upholstery - Aztec (Blue/Gray) (R22)
	074495-48-000	YD	Fabric w/Pattern - Upholstery - Danube (Navy/Beige) (R23)
	074495-49-000	YD	Fabric w/Pattern - Upholstery - Bisque (Rust) (R24)
	038421-01-000	YD	Fabric - Mattress Ticking
	029012-01-000	BF	Foam - Rolled - 3/8"
	070502-01-000	YD	Vinyl - Non-Expanded - 12 Gauge Film - Medium Almond (Beige)
	072860-05-000	SY	Carpet - Steel Blue (R22)
	072860-16-000	SY	Carpet - Formality (Light Brown) (R23)
	072860-15-000	SY	Carpet - Golden Anniversary (Golden Brown) (R24)

**MISCELLANEOUS PARTS**

Key	Part Number	U/M	Description
	03552-01-R07	EA	Handle Asm. - Interior Assist - Medium Almond Vinyl
	041944-03-000	EA	Fire Extinguisher w/Bracket - 5BC
	054165-20-000	EA	Owner's Manual - 1984 Itasca & Winnebago
	007038-01-000	EA	Door Mat - 10.5" x 26" - Black Rubber
	075907-01-000	EA	Picture - Decor - Assorted Grasses
	051983-02-000	EA	Shroud - Fuel Fill - Plastic

**INTERIOR FINISH GROUP (CONTINUED)**

**CURTAIN HARDWARE**

Key	Part Number	U/M	Description
	052327-05-009	EA	Track - Curtain - 76" - Beige
	056116-01-000	EA	Track - Curtain - Brown Plastic
	053272-05-009	EA	Track - Curtain - 89" - Beige
	056001-01-000	EA	Bracket - Shade - Left
	056002-01-000	EA	Bracket - Shade - Right
	056003-01-000	EA	Bracket - Drapery Retainer - Right
	056003-02-000	EA	Bracket - Drapery Retainer - Left
	009107-01-000	EA	Guide - Nylon Snap - Curtain
	056784-01-000	EA	Pull - Window Shade - Antique Brass
	039175-01-000	EA	Curtain Rod - Extension 48" - 84"
	039175-03-000	EA	Curtain Rod - Extension 28" x 48"
	039175-04-000	EA	Curtain Rod - Extension 16" x 28"
	039175-02-000	EA	Bracket - Curtain Rod
	009701-01-000	EA	Carrier - Curtain - "L" Rod
	009702-01-000	EA	End Stop - Curtain - "L" Rod
	056115-01-000	YD	Tape - Clear Plastic - w/Guides
	048394-01-000	YD	Tape Hook - 1" x 25 YD - Beige
	048395-01-000	YD	Tape Loop - 1" x 25 YD - Beige

**CABINETS & TABLE HARDWARE**

Key	Part Number	U/M	Description
	053200-05-000	EA	Bracket - Upper Wall Mount - 23 5"
**	053201-03-000	EA	Bracket - Table Mount - 23"
	024275-05-000	EA	Rod - Table Lift - 8" x 23 5"
	024281-07-000	EA	Bracket - Lower Wall Mount - 22 12"
	024276-14-000	EA	Leg Asm - Table - 26 5"
	064050-01-000	EA	Hinge - Table Leg
**	024282-01-000	EA	Brace - Table Leg
**	024283-01-000	EA	Clip - 1" O.D Tube
	049493-02-000	EA	Catch - Table Leg - Mounts on Floor
	009040-02-000	EA	Leg - Pedestal Table - 2 25" O.D x 27 5" - Chrome
	009040-03-000	EA	Base - Table Leg - Mounts on Table
	041194-01-000	EA	Base - Table Leg - Mounts in Floor
	062046-01-000	EA	Clip - Pedestal Leg
	056875-02-000	EA	Leg Asm. - Couch
	022517-01-000	EA	End Cap - 1" x 1" - Leg Asm
	053163-01-000	EA	Bracket Couch Slide
	053347-01-000	EA	Wire - Pin - Spring - 3/32"
	053348-01-000	EA	Steel Pin - 1/4" x 4" x 3/32" Hole
	054398-01-000	EA	Bracket - Center Support - Lester Lounge - Brown
**	066740-01-000	EA	Pull - Drawer - Brass
**	057898-01-000	EA	Latch - Hidden - Cabinet Door w/Strike
	009112-01-000	EA	Flange - 1" - Chrome - Closet Rod
	059753-01-000	EA	Slide - Drawer - Left
	059753-02-000	EA	Slide - Drawer - Right
	009049-01-000	EA	Table Support - Drop Leaf
	009059-01-000	EA	Hinge - 2" - Gold
**	037688-01-000	FT	Rail - Drawer - V Guide
**	047744-01-000	EA	Kit - Drawer Glide
	057671-01-000	EA	Screw Cover - #8 - Off White
	009150-01-000	EA	Warp Guard - 84"
	009021-01-000	EA	Catch - Nylon - Furnace Door
	009021-02-000	EA	Strike - Nylon Catch - Furnace Door
**	052932-01-M10	EA	Hinge Kit - Cabinet Door - Antique Brass
**	041939-01-000	EA	Hinge Kit - Double Action - Overhead Door
	074493-01-000	EA	Support - Sprung - Door Prop
**	058335-02-000	EA	Latch - Bathroom Door - w/o Lock

\*\* The illustrated parts breakdown for this item is provided on the Common Items Fiche.

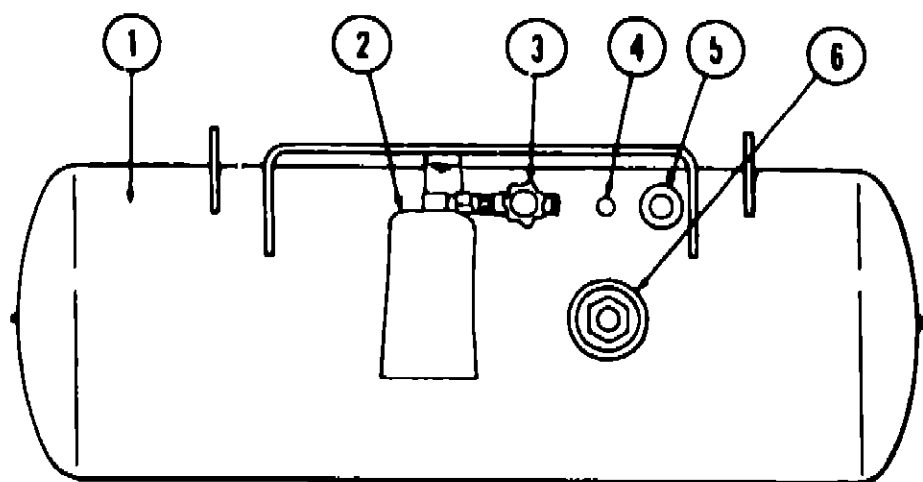
**1984 ITASCA  
TABLE OF CONTENTS**

IC420RG	A-01 - C-06
IC424FC	C-07 - E-18
ICN23RG	E-19 - H-06
ICN30RT	H-07 - J-20

**1984 IC420RG INDEX**

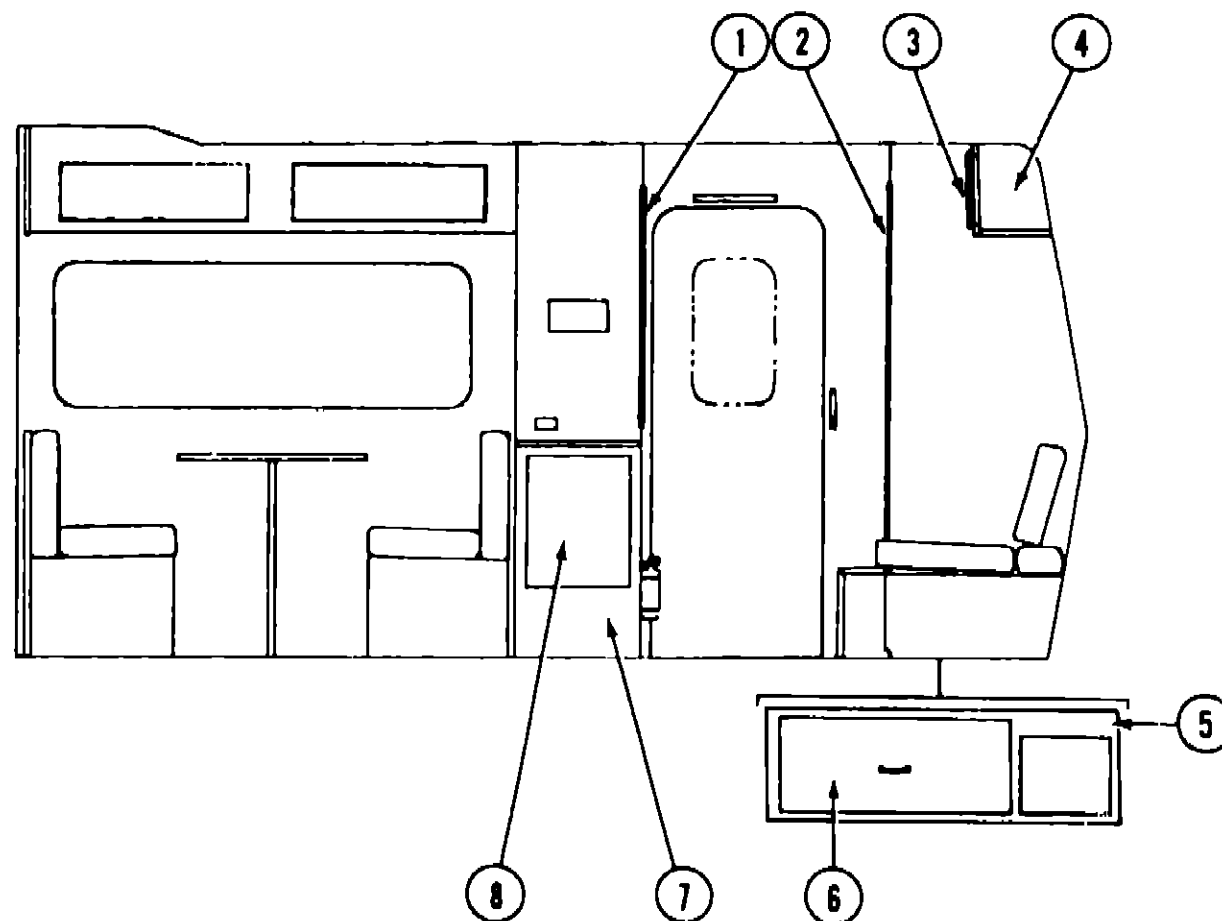
Floor Plan	A-01 - A-02
Accessories Group	A-03 - A-05
Bath Group	A-06
Chassis Group	A-07 - A-08
Curtain, Cushion & Pad Group	A-09 - A-14
Dinette Group	A-15
Driver's Compartment Group	A-16 - A-17
Electrical Group	A-18 - A-20
Exterior Body Group	A-21 - B-08
Galley Group	B-09 - B-10
Heating & Air Conditioning Group	B-11
Interior Finish Group	B-12 - B-14
LP Group	B-15
Lounge Group	B-16
Water & Sewage Group	B-17 - B-18
Window, Vent & Exterior Door Group	B-19 - C-06

### LP GROUP



Key	Part Number	U/M	Description
1	074143-02-000	EA	Tank Asm. - LP - Frame Mount - 85 Pound - 14" x 40"
1	074141-01-000	EA	Tank Asm. - LP Frame Mount - 42 Pound - 12" x 28"
.	065741-01-000	EA	Detector - LP Gas Leak - Marshalltown Instruments
2	076277-01-000	EA	Cover - Regulator - Two Stage - Front
2	076278-01-000	EA	Cover - Regulator - Two Stage - Back
.	076301-01-000	EA	Regulator - Two Stage - LPG - US
.	076301-02-000	EA	Regulator - Two Stage - LPG - CSA
3	040421-01-703	EA	Valve - Vapor Relief
4	040421-01-700	EA	Gauge - Liquid Level - 20% LP
5	040421-01-701	EA	Valve - Filler - LP
.	040421-01-702	EA	Cap - Plastic Fill Valve
6	040421-01-707	EA	Gauge - Float - w/Visible Dial
.	040421-01-708	EA	Dial - Visible Face - Float Gauge (Tank w/o Electric Transmitter)
.	040440-01-000	EA	Dial - Transmitter - 0 - 90 Ohm (Float Gauge)
.	045703-01-000	EA	Hose Asm. - LP - 3/8" I.D. x 24" - US
.	045703-02-000	EA	Hose Asm. - LP - 3/8" I.D. x 24" - CSA
.	045703-03-000	EA	Hose Asm. - LP - 3/8" I.D. x 18" - US
.	045703-04-000	EA	Hose Asm. - LP - 3/8" I.D. x 14" - CSA
.	065742-01-000	EA	Tee - .38 F x .38 F x .25 FPT
.	074008-01-000	EA	Conversion Kit - LP - Kohler Generator
.	068046-01-000	EA	Conversion Kit - LP - Onan Generator
.			Not illustrated

### LOUNGE GROUP



#### LESTER LOUNGE, OVERHEAD & WARDROBE

Key	Part Number	U/M	Description
1	069852-79-R07	EA	Door Asm. - Wardrobe Cabinet - 11 9" x 43 9" - w/o Hardware
2	069852-43-R07	EA	Door Asm. - Wardrobe Cabinet - 11 7" x 60.9" - w/o Hardware
3	069852-78-R07	EA	Door Asm. - Rear Overhead Cabinet - 10 2" x 35.1" - w/o Hardware
4	076228-01-R07	EA	Cabinet Asm. - Rear Overhead - w/o Doors or Hardware
5	M72629-01-R07	EA	Cabinet Asm. - Couch - w/o Drawers, Doors or Hardware
6	M71149-01-R07	EA	Drawer Asm. - Blanket - 29 72" x 10.72" x 19 62" - Deep w/o Hardware
.	M00684-43-R07	EA	Table Asm. - Harbor Oak
7	M76212-01-R07	EA	Cabinet Asm. - Furnace - w/o Countertop Door or Hardware
.	M01516-01-R07	EA	Countertop Asm. - Furnace Cabinet - Harbor Oak
8	M69856-03-R07	EA	Door Asm. - Furnace w/Mesh Insert - 15.1" x 22.6" - w/o Hardware
.			Not illustrated

#### LOUNGE HARDWARE

Key	Part Number	U/M	Description
	009040-02-000	EA	Leg - Pedestal Table - 2 25" O.D. x 27.5" - Chrome
	009040-03-000	EA	Base - Table Leg - Mounts on Table
	041194-01-000	EA	Base - Table Leg - Mounts in Floor
	056875-02-000	EA	Leg Asm. - Couch
	022517-01-000	EA	End Cap - 1" x 1" - Brown
	053163-01-000	EA	Bracket Couch Slide
	053347-01-000	EA	Wire - Pin - Spring - 3/32"
	053348-01-000	EA	Steel Pin - 1/4" x 4" x 3/32" Hole
	054398-01-000	EA	Bracket - Center Support - Lester Lounge - Brown
	009150-01-000	EA	Warp Guard - 84"
	009112-01-000	EA	Flange - 1" Closet Rod - Chrome
	062046-01-000	EA	Clip - Pedestal Leg
	009049-01-000	EA	Table Support - Drop Leaf
	009059-01-000	EA	Hinge - 2" - Gold
	066740-01-000	EA	Pull - Drawer - Brass
	009021-01-000	EA	Catch - Nylon - Furnace Door
	009021-02-000	EA	Strike - Nylon Catch - Furnace Door

### 1984 ITASCA TABLE OF CONTENTS

IC420RG	A-01 - C-06
IC424RC	C-07 - E-18
ICN23RG	E-19 - H-06
ICN30RT	H-07 - J-20

### 1984 IC420RG INDEX

Floor Plan	A-01 - A-02
Accessories Group	A-03 - A-05
Bath Group	A-06
Chassis Group	A-07 - A-08
Curtain, Cushion & Pad Group	A-09 - A-14
Dinette Group	A-15
Driver's Compartment Group	A-16 - A-17
Electrical Group	A-18 - A-20
Exterior Body Group	A-21 - B-08
Galley Group	B-09 - B-10
Heating & Air Conditioning Group	B-11
Interior Finish Group	B-12 - B-14
LP Group	B-15
Lounge Group	B-16
Water & Sewage Group	B-17 - B-18
Window, Vent & Exterior Door Group	B-19 - C-06

**WATER & SEWAGE GROUP**

**WATER & SEWAGE GROUP (CONTINUED)**

**PLUMBING & REPAIR PARTS**

Key	Part Number	U/M	Description
	033302-02-000	EA	Adapter Asm. - SWVC Strain - 1 1/2" - CSA
	062416-01-000	EA	Adapter - Hose - 3"
	062422-01-000	EA	Adapter - Hose Offset - Reducer - 3" x 1 1/2"
	052954-01-000	EA	Adapter - Nose Cone - 3/8 or 1/2 - Plastic
	010224-01-000	EA	Adapter - Plastic - 3/8 MPT x 3/8 Barb
	031602-02-000	EA	Adapter - Plastic - 1 1/2 H x FPT
	044927-01-000	EA	Adapter - Plastic - 1 1/4 MPT x 1 1/4 Barb
	004020-01-000	QT	Adhesive - ABS Cement
	010121-01-000	EA	Bushing - Plastic - 1 1/2 S x 1 1/4 H
	036522-02-000	EA	Cap - 1/2 Flare - Brass
	062415-01-000	EA	Cap - Sewer - 3"
**	011091-01-000	EA	Continuous Waste - Double Sink - 11 7/8" - US
**	053874-01-000	EA	Continuous Waste Asm. - Double Sink - CSA
**	050780-01-000	EA	Coupler Rubber - 3" x 3"
	052960-01-000	EA	Drain Valve - 1/2 F x 1/2 F - Plastic
	010006-01-000	EA	Elbow - Plastic - 1/8 BD x 1 1/2 x 45° H x H
	010001-01-000	EA	Elbow - Plastic - 1/4 BD x 1 1/4 x 90° H x H
	031111-01-000	EA	Elbow - Plastic - 1/4 BD x 1 1/4 x 90° Left
	010008-01-000	EA	Elbow - Plastic - 1/4 BD x 1 1/2 x 90° Left
	052957-01-000	EA	Elbow - Plastic - 1/2 F x 3/8 MPT
	052957-02-000	EA	Elbow - Plastic - 1/2 F x 1/2 MPT (In Tank Filter)
	065120-01-000	EA	Elbow - Plastic - Swivel - 50"
	070924-01-000	EA	Elbow - Plastic - Swivel - 1/2 MPT x 1/2 FP
	010051-01-000	EA	Elbow - ST - Plastic - 1/8 BD x 1 1/2 x 45°
	010061-01-000	EA	Elbow - ST - Plastic - 1/8 BD x 1 1/2 x 45° S x H
	077954-01-000	EA	Filter/Screen (In Tank Filter)
	03964-01-000	EA	Filter - Water Pump - 1/2" Flare
	044928-01-000	FT	Flexible Tubing - 1 1/4 I.D. x 10'
	061607-01-000	EA	Grommet - Holding Tank Coupler - 1 1/2"
	061607-02-000	EA	Grommet - Holding Tank Coupler - 3"
**	046524-01-000	EA	Kit - Holding Tank Fittings - Blank Tank
**	046524-02-000	EA	Kit - Water Tank Fittings - Blank Tank
	052953-01-000	EA	Nut - Faucet - 1/2 Tube x 1/2 FPT
	052952-01-000	EA	Nut - 1/2 F - Plastic
**	011066-03-000	EA	P-Trap - 1 1/4 x 1 1/2 - Plastic - US
**	011066-02-000	EA	P-Trap - 1 1/4 - Plastic - US
	053335-01-000	EA	P-Trap - 1 1/4 H x H - w/Union - CSA
	010197-01-000	FT	Pipe - Black Plastic - 3" I.D. x 20'
	045729-01-000	EA	Pump - Water - 2.8 G.P.M. - Direct Drive - Shurflo - US
	045729-02-000	EA	Pump - Water - 2.8 G.P.M. - Direct Drive - Shurflo - CSA
**	010201-01-000	EA	Sewer Hose - 3" x 8' w/Clamp
	042989-02-000	EA	Spinweld Fittings - Plastic - 1/2 FPT (In Tank Filter)
	042989-03-000	EA	Spinweld Fittings - Plastic - 1 1/4 NPT
	042989-04-000	EA	Spinweld Fittings - Plastic - 3/8 FPT
	010071-01-000	EA	Tee - Plastic - 1 1/2 x H x H x H
**	010079-01-000	EA	Tee - Plastic - 1 1/2 H x 1 1/2 H x 1 1/4 H
	049910-01-000	EA	Tee - Plastic - 1 1/4 x H x H x H
	052955-01-000	EA	Tee - Plastic - 1 1/2 F x 1 1/2 F x 1/2 MPT
	052958-01-000	EA	Tee - Plastic - 1 1/2 F x 1/2 F x 1/2 F
	044926-01-000	FT	Tubing - Flex - 1 1/4 I.D. NOM x 10'
	039800-01-000	FT	Tubing - Polybutyl - 1/2 O.D. (Water Line)
	039800-02-000	FT	Tubing - Polybutyl - 5/8 O.D. (Water Line)
	070916-01-000	EA	Valve - Dual - 3" & 1.5"
	052960-01-000	EA	Valve - Line Drain - 1/2 F x 1/2 F
	052962-01-000	EA	Valve - Stool - 90° x 1/2 F x 3/8 MPT
**	The illustrated parts breakdown for this item is provided on the Common Items Fiche.		

**HOLDING TANKS & WATER HEATERS**

Key	Part Number	U/M	Description
	M00070-19-000	EA	Tank Asm. - Water - 28 Gallon - w/Fittings
	057063-01-000	EA	Tank - Water - 28 Gallon - w/o Fittings
	M00070-22-000	EA	Tank Asm. - Holding - 12 Gallon - w/Fittings - Waste Water
	064370-01-000	EA	Tank - Holding - 12 Gallon - w/o Fittings - Waste Water
	M00070-20-000	EA	Tank Asm. - Holding - 12 Gallon - w/Fittings - Sewage
	064368-01-000	EA	Tank - Holding - 12 Gallon - w/o Fittings - Sewage
**	051391-01-000	EA	Water Heater - w/o Motor Aid - G6A3
**	051391-03-000	EA	Water Heater - w/Electronic Ignition - G6A-3E
**	051393-01-000	EA	Water Heater - w/Motor Aid - G6A-3
**	The illustrated parts breakdown for this item is provided on the Common Items Fiche.		

**1984 ITASCA  
TABLE OF CONTENTS**

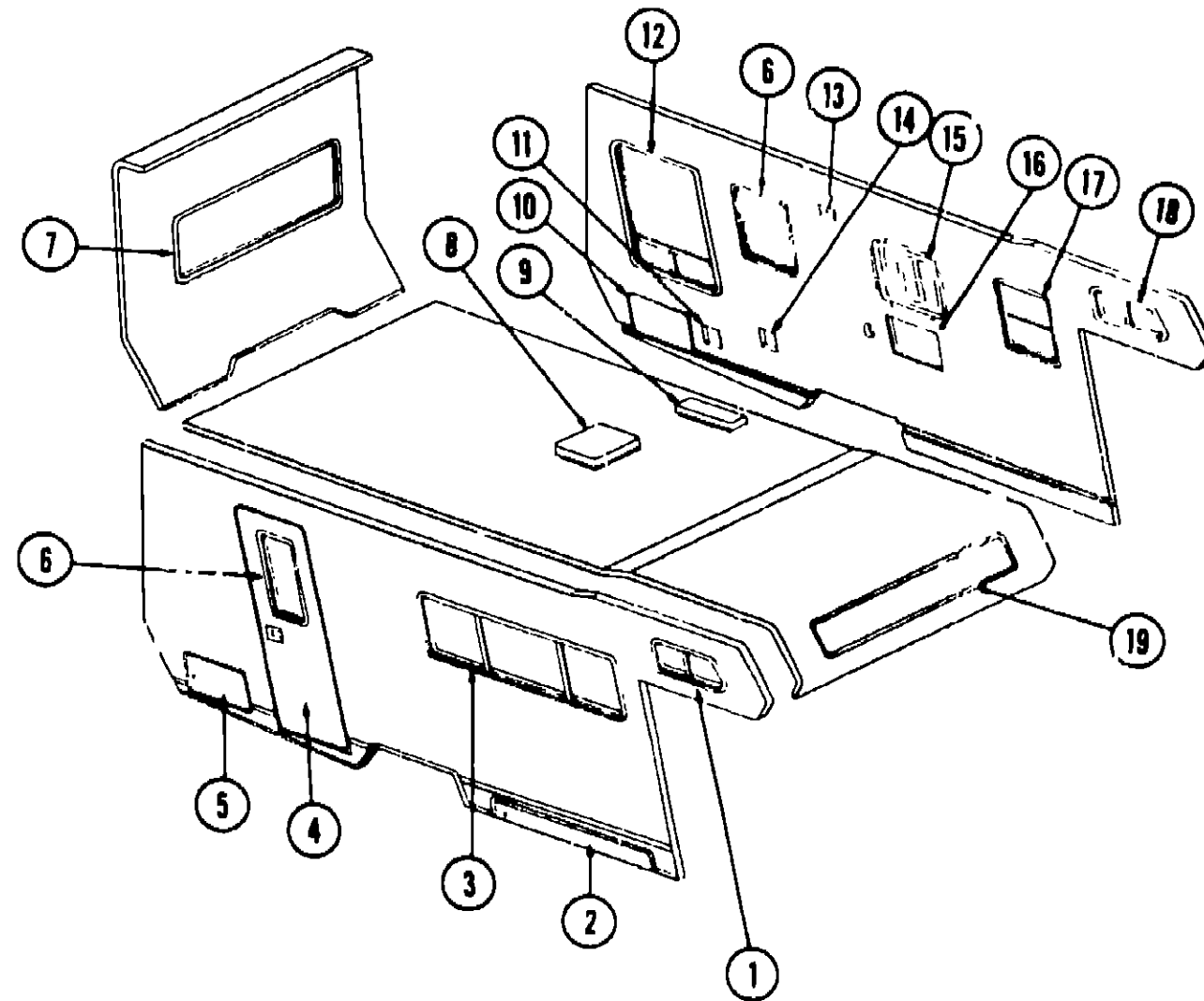
IC420RG	A-01 - C-06
IC424RC	C-07 - E-18
ICN23RG	E-19 - H-06
ICN30RT	H-07 - J-20

**1984 IC420RG INDEX**

Floor Plan	A-01 - A-02
Accessories Group	A-03 - A-05
Bath Group	A-06
Chassis Group	A-07 - A-08
Curtain, Cushion & Pad Group	A-09 - A-14
Dinette Group	A-15
Driver's Compartment Group	A-16 - A-17
Electrical Group	A-18 - A-20
Exterior Body Group	A-21 - B-08
Galley Group	B-09 - B-10
Heating & Air Conditioning Group	B-11
Interior Finish Group	B-12 - B-14
LP Group	B-15
Lounge Group	B-16
Water & Sewage Group	B-17 - B-18
Window, Vent & Exterior Door Group	B-19 - C-06

# WINDOW, VENT & EXTERIOR DOOR GROUP

## WINDOWS & ACCESS DOORS



### 1984 ITASCA TABLE OF CONTENTS

IC420RG  
IC424RC  
ICN23RG  
ICN30RT

A-01 - C-06  
C-07 - E-18  
E-19 - H-08  
H-07 - J-20

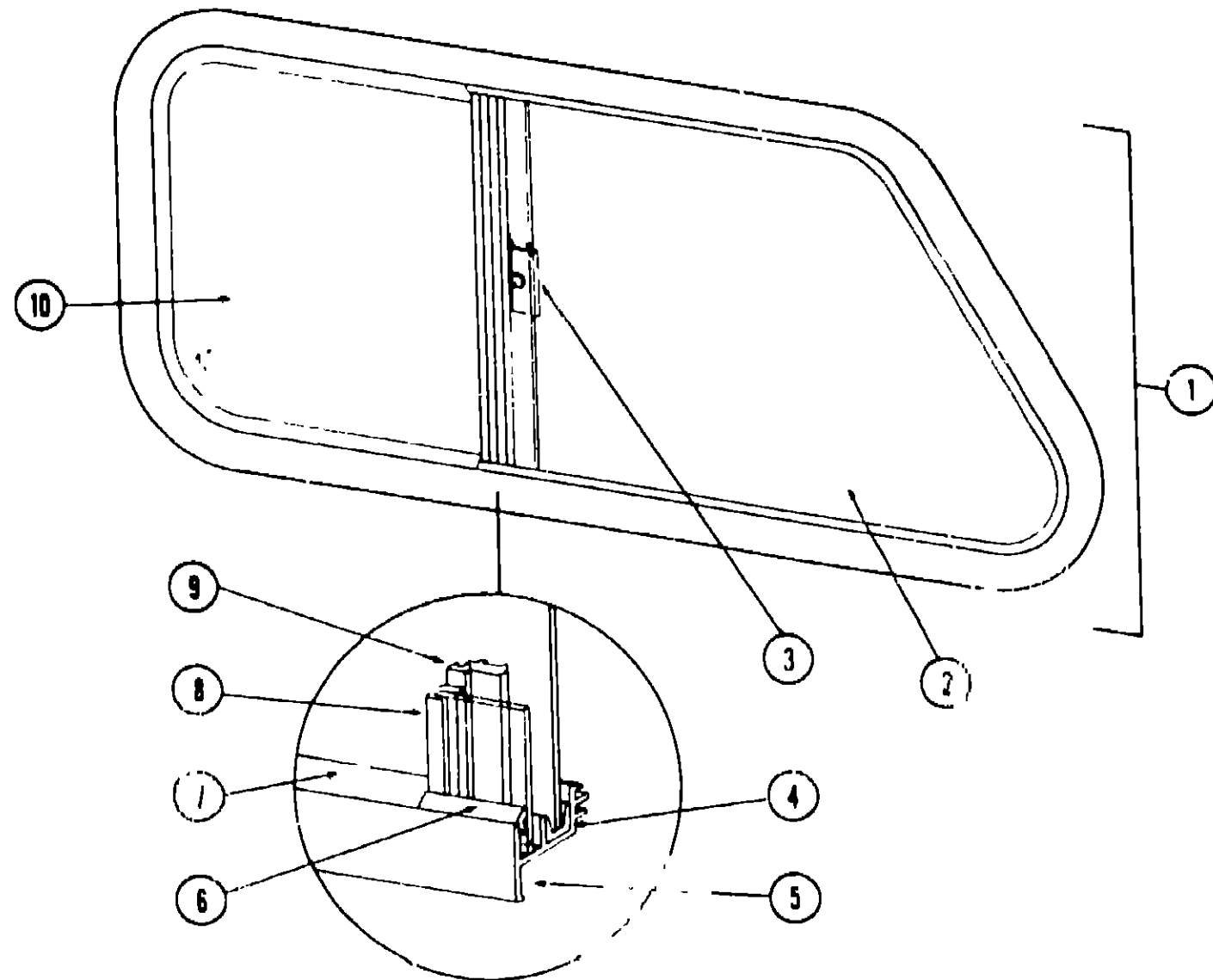
Key	Part Number	U/M	Description
1	048632-05-000	EA	Window Asm. w/Charcoal Screen - Right Bunk Slant Slider (w/o inside frame)
1	048632-03-000	EA	Window Asm. w/Gray Screen - Right Bunk Slant Slider (w/o inside frame)
2	033333-23-000	EA	Door Asm. - Battery - Aluminum Sidewalls
2	076906-03-000	EA	Door Asm. - Battery - Fiberglass Sidewalls
3	075738-02-000	EA	Window Asm. w/Charcoal Screen - Double Slider - 25" x 65" - Black (w/o inside frame)
3	075738-01-000	EA	Window Asm. w/Gray Screen - Double Slider - 25" x 65" - Black (w/o inside frame)
4	M01414-04-000	EA	Door Asm. - Radius Entry w/Screen Door - Aluminum
4	M01414-08-000	EA	Door Asm. - Radius Entry w/Screen Door - Grayhound Fiberglass
4	M01414-10-000	EA	Door Asm. - Radius Entry w/Screen Door - Mesa Fiberglass
5	052776-01-000	EA	Door Asm. - Luggage - Aluminum Sidewalls
5	076905-01-000	EA	Door Asm. - Luggage - Fiberglass Sidewalls
5	052775-01-000	EA	Door Asm. - Generator - Aluminum Sidewalls
5	076904-01-000	EA	Door Asm. - Generator - Fiberglass Sidewalls
6	041875-09-000	EA	Window Asm. - Picture - 17" x 25" - Black (w/o inside frame)
7	020754-03-000	EA	Window Asm. - Escape - 23" x 68" - Black (w/o inside frame)
8	048835-01-000	EA	Vent Asm. - Roof - Non-Powered

Key	Part Number	U/M	Description
9	065103-02-000	EA	Cover - Refrigerator Vent
10	052776-01-000	EA	Door Asm. - Luggage - Aluminum Sidewalls
10	076905-01-000	EA	Door Asm. - Luggage - Fiberglass Sidewalls
11	NOTE	EA	Door Asm. - Power Cord (See Access Doors)
12	064236-03-000	EA	Window Asm. w/Charcoal Screen - Lower Slider - 29" x 36" - Black (w/o inside frame)
12	064236-01-000	EA	Window Asm. w/Gray Screen - Lower Slider - 29" x 36" - Black (w/o inside frame)
13	049352-01-000	EA	Vent - Stove Hood - Outside
14	NOTE	EA	Door Asm. - Fuel Fill (See Access Doors)
15	069762-02-000	EA	Door Asm. - Refrigerator Access - Off White
16	052009-01-000	EA	Door Asm. - Water Heater Access - Off White
17	069383-03-000	EA	Window Asm. w/Charcoal Screen - Vertical Slider - 17" x 25" - Black (w/o inside frame)
17	069383-01-000	EA	Window Asm. w/Gray Screen - Vertical Slider - 17" x 25" - Black (w/o inside frame)
18	048632-06-000	EA	Window Asm. w/Charcoal Screen - Left Bunk Slant Slider - (w/o inside frame)
18	048632-04-000	EA	Window Asm. w/Gray/Screen - Left Bunk Slant Slider (w/o inside frame)
19	041936-01-000	EA	Window Asm. - Front Picture - 14" x 69" - Black (w/o inside frame)

### 1984 IC420RG INDEX

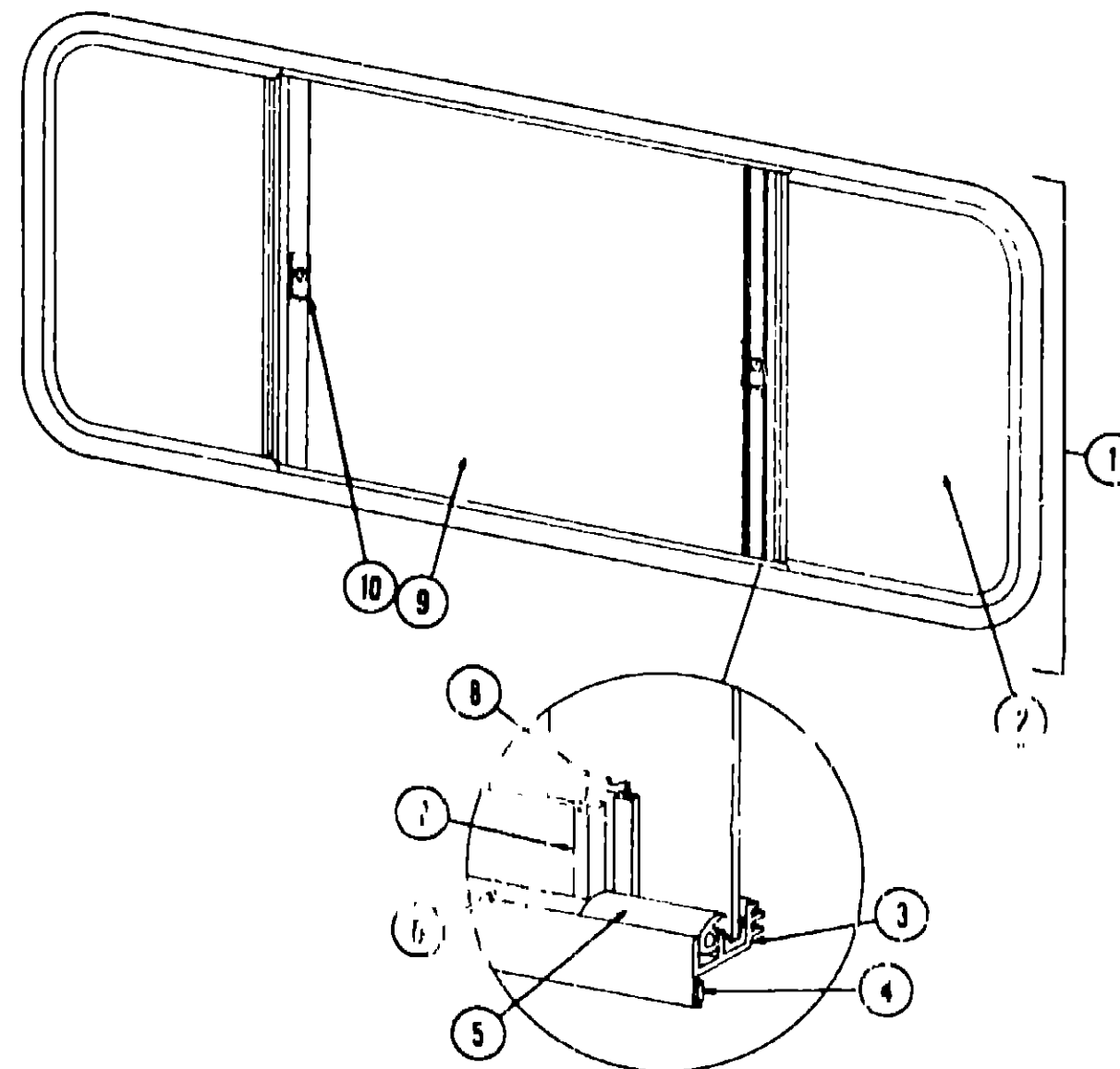
Floor Plan	A-01 - A-02
Accessories Group	A-03 - A-05
Bath Group	A-06
Chassis Group	A-07 - A-08
Curtain, Cushion & Pad Group	A-09 - A-14
Dinette Group	A-15
Driver's Compartment Group	A-16 - A-17
Electrical Group	A-18 - A-20
Exterior Body Group	A-21 - B-08
Galley Group	B-09 - R-10
Heating & Air Conditioning Group	B-11
Interior Finish Group	B-12 - B-14
LP Group	B-15
Lounge Group	B-16
Water & Sewage Group	B-17 - B-18
Window, Vent & Exterior Door Group	B-19 - C-06

**WINDOW, VENT & EXTERIOR DOOR GROUP (CONTINUED)**



Key	Part Number	U/M	Description
1	048632-06-000	EA	Window Asm. w/Charcoal Screen - Left Bunk Slant Slider - Black (w/o inside frame)
1	048632-05-000	EA	Window Asm. w/Charcoal Screen - Right Bunk Slant Slider - Black (w/o inside frame)
1	048632-04-000	EA	Window Asm. w/Gray Screen - Left Bunk Slant Slider - Black (w/o inside frame)
1	048632-03-000	EA	Window Asm. w/Gray Screen - Right Bunk Slant Slider - Black (w/o inside frame)
*	040916-05-000	EA	Inside Frame - Beige (not included in assembly)
*	040916-06-000	EA	Inside Frame - Beige (not included in assembly)
2	040915-01-000	EA	Glass - 1/8" x 11.98" x 19.42" - Gray - Stationary
3	047369-01-700	EA	Latch Kit - Window - Plastic w/Fastener
4	002324-02-000	FT	Channel - Weatherstrip - Glass Run - 3/16" Glass
5	069640-06-000	FT	Ribbon Sealer - 5/16" Bead x 15'
6	002309-02-000	FT	Spline - Glass - 1/8" Material - Black
7	041928-02-000	FT	Seal - Window Channel - Black
8	M69886-03-005	EA	Seal Holder w/Fin Seal - 11.23" - Black
9	069896-04-000	EA	Mullion - Black
10	047815-01-000	EA	Glass - Sliding - 1/8" x 11.98" x 11.81" - Gray
*	023713-02-000	EA	Weep-hole Cover - Black
*	002298-02-000	FT	Spline - .13" Dia. - Charcoal (Screen)
*	002298-01-000	FT	Spline - .13" Dia. - Gray (Screen)
*	002291-02-000	SF	Screen - 16" - Charcoal
*	002291-01-000	SF	Screen - 16" - Gray
*	073740-01-000	FT	Seal - Fin - Pile - 46"
*	Not illustrated		

**WINDOW, VENT & EXTERIOR DOOR GROUP (CONTINUED)**



Key	Part Number	U/M	Description
1	075738-02-000	EA	Window Asm. w/Charcoal Screen - Double Slider (w/o inside frame)
1	075738-01-000	EA	Window Asm. w/Gray Screen - Double Slider (w/o inside frame)
*	067609-06-000	EA	Inside Frame - Beige (not included in assembly)
2	047822-04-000	EA	Glass - Sliding - 125" x 24" ± 21.03"
3	002324-02-000	FT	Channel - Weatherstrip - Glass
4	069640-06-000	FT	Ribbon Sealer - 1/4" Bead x 15'
5	057374-02-000	FT	Extr Vinyl - Window Seal - Black
6	002309-02-000	FT	Spline - Glass - 1/8" Material - Black
7	M69886-03-003	EA	Seal Holder w/Fin Seal - 23.19" - Black
8	069896-02-000	EA	Mullion - Slider Window - Black
9	002188-05-000	EA	Glass - Stationary - .125" x 24" x 25.5"
10	047369-01-700	EA	Latch Kit - Window - Plastic - w/Fastener
*	002293-02-000	SF	Screen - 26" Charcoal
*	002293-01-000	SF	Screen - 26" Gray
*	002298-02-000	FT	Spline - .13" Dia. - Charcoal (Screen)
*	002298-01-000	FT	Spline - .13" Dia. - Gray (Screen)
*	073740-01-000	FT	Seal - Fin - Pile - 46"
*	Not illustrated		

**1984 ITASCA  
TABLE OF CONTENTS**

IC420RG	A-01 - C-06
IC424RC	C-07 - E-18
ICN23RG	E-19 - H-06
ICN30RT	H-07 - J-20

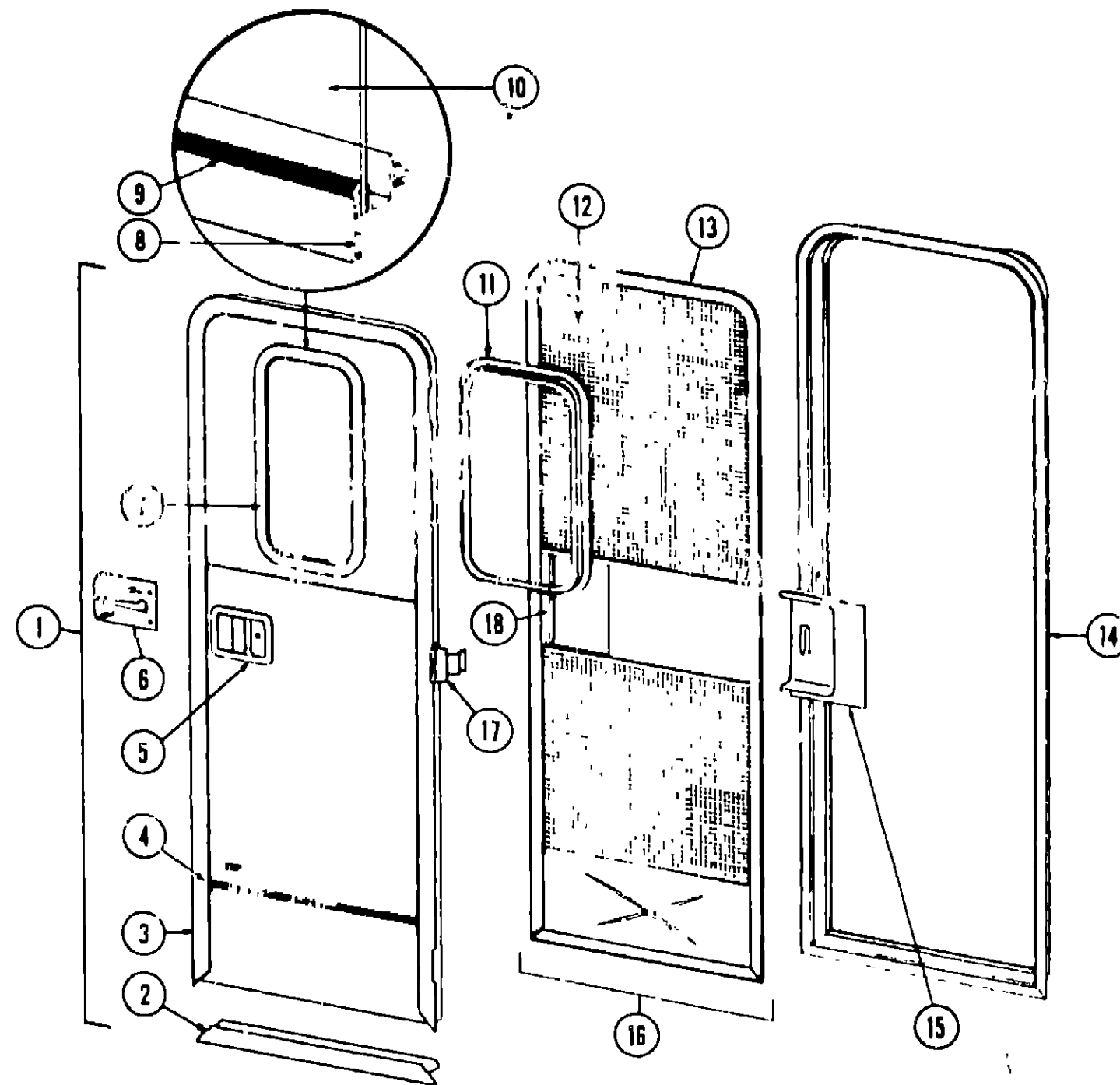
**1984 IC420RG INDEX**

Floor Plan	A-01 - A-02
Accessories Group	A-03 - A-05
Bath Group	A-06
Chassis Group	A-07 - A-08
Curtain, Cushion & Pill Group	A-09 - A-14
Dinette Group	A-15
Driver's Compartment Group	A-16 - A-17
Electrical Group	A-18 - A-20
Exterior Body Group	A-21 - B-08
Galley Group	B-09 - B-10
Heating & Air Conditioning Group	B-11
Interior Finish Group	B-12 - B-14
LP Group	B-15
Lounge Group	B-16
Water & Sewage Group	B-17 - B-18
Window Vent & Exterior Door Group	B-19 - C-06

# WINDOW, VENT & EXTERIOR DOOR GROUP (CONTINUED)

## ENTRANCE & SCREEN DOOR

Key	Part Number	U/M	Description
1	M01414-04-000	EA	Door Asm - Radius Entry w/Screen Door - Aluminum
1	M01414-06-000	EA	Door Asm - Radius Entry w/Screen Door - Greyhound Fiberglass
1	M01414-10-000	EA	Door Asm - Radius Entry w/Screen Door - Mesa Fiberglass
2	039737-01-000	EA	Frame - Entry Door (Bottom Portion Only) Aluminum
2	076678-01-000	EA	Frame - Entry Door (Bottom Portion Only) Greyhound Fiberglass
2	077998-01-000	EA	Frame - Entry Door (Bottom Portion Only) Mesa Fiberglass
3	039736-01-000	EA	Frame - Entry Door (Except Bottom Portion) Aluminum
3	076663-01-000	EA	Frame - Entry Door (Except Bottom Portion) Fiberglass
4	059576-07-000	EA	Feature Strip w/o Insert - Extr. - 14' - Dark Gray
.	001030-02-003	EA	Insert - Feature Strip - 17' - Stucco - Off White
.	009731-01-000	EA	End Cap - Feature Strip
5	045017-05-000	EA	Paddle Asm. - Door Lock - Exterior
.	045017-05-700	EA	Lock Cylinder w/Keys - Lynor
.	039539-01-000	EA	Striker Bolt - Entry Door
.	039540-01-000	EA	Latch Claw - Entry Door
.	039738-01-000	EA	Dead Bolt - Entry Door
6	039979-01-000	EA	Plate - Lock Inside - Including Inside Handle
.	052186-01-000	EA	Lock Asm - Complete - Lynor
7	041875-09-000	EA	Window Asm. - Picture - 17" x 25" - Black (w/o inside frame)
8	069640-06-000	FT	Ribbon Sealer - 5/16" Bead x 15'
9	002309-02-000	FT	Spine - Glass - 1/8" Black
10	002181-06-000	EA	Glass - Picture Window - 125" x 18 25" x 24" - Gray
11	067709-03-000	EA	Inside Frame - Didge (not included in assembly)
12	002193-02-000	SF	Screen - 26" - Charcoal
13	056795-01-000	FT	Seal - Type - 1/8" x 3/8" - Press Cr.
14	075636-02-000	EA	Jamb Asm. - Entry Door
.	051049-01-000	EA	Jamb - Bottom - Entry Door
15	015580-02-000	EA	Slider - Screen Door - Light Oak Plastic
16	053170-10-000	EA	Door Asm. - Screen w/Light Oak Trim
17	039520-01-000	EA	Hinge - Entry Door (3 used per door)
18	015581-02-000	EA	Cap - Screen Door - Light Oak Plastic
.	009016-01-000	EA	Catch - Elbow - Spring Loaded - Screen Door
.	039663-01-000	EA	Catch Asm - Single Roller w/Strike - Screen Door
.	076231-01-000	EA	Spacer - Latch - Screen Door
.	077437-02-000	EA	Strike - Roller Catch
.	058025-02-000	EA	Clip - Roller Latch Catch
.	044582-02-000	EA	Drip Cap - Off White
.	075802-01-000	EA	Seal - Mocket - Entrance Door
.	075739-01-000	EA	Stiffener - Entrance Door - Off White
.	075673-01-000	FT	Seal - File - Adhesive Back
.	075671-01-000	FT	Seal - Sponge - Lazy "T" Shaped
.	002294-01-000	FT	Spine - 135" x 138" - Black (Screen Door)
.	063638-01-000	EA	Strike - Screen Door
.	063729-04-000	EA	Rivnut - 10 - 32 UNF - .01 - 08
.	075639-01-000	EA	Garnish - Radius - Entrance
.	Not Illustrated		



### 1984 ITASCA TABLE OF CONTENTS

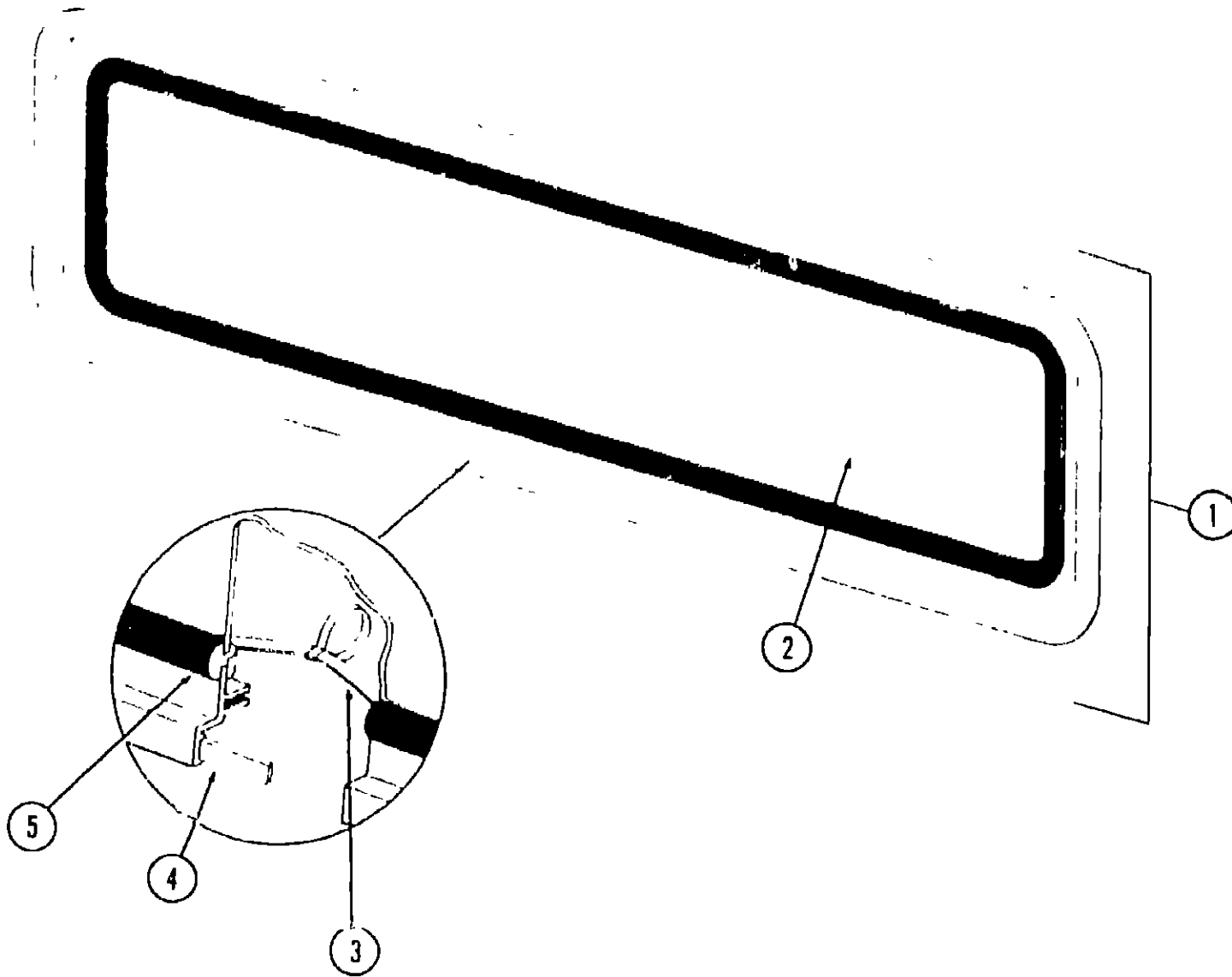
IC420RG	A-01 - C-06
IC424RC	C-07 - E-18
ICN23RG	E-19 - H-06
ICN30RT	H-07 - J-20

### 1984 IC420RG INDEX

Floor Plan	A-01 - A-02
Accessories Group	A-03 - A-05
Bath Group	A-06
Chassis Group	A-07 - A-08
Curtain, Cushion & Pad Group	A-09 - A-14
Dinette Group	A-15
Driver's Compartment Group	A-16 - A-17
Electrical Group	A-18 - A-20
Exterior Body Group	A-21 - B-08
Galley Group	B-09 - B-10
Heating & Air Conditioning Group	B-11
Interior Finish Group	B-12 - B-14
LP Group	B-15
Lounge Group	B-16
Water & Sewage Group	B-17 - B-18
Window, Vent & Exterior Door Group	B-19 - C-06

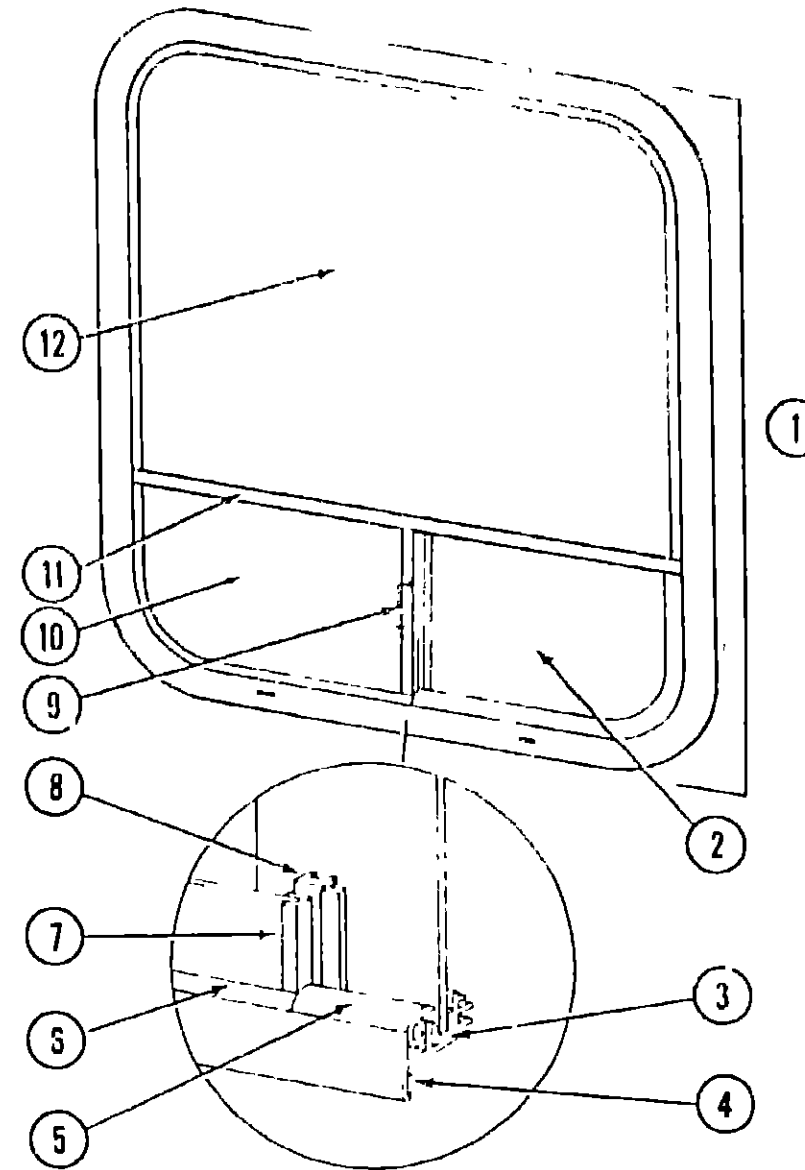


WINDOW, VENT & EXTERIOR DOOR GROUP (CONTINUED)



Key	Part Number	U/M	Description
1	020754-03-000	EA	Window Asm - Escape - 23" x 68" - Black (w/o inside frame)
*	042027-05-000	EA	Inside Frame - Beige (not included in assembly)
2	002178-01-000	EA	Glass - 125" x 19 6" x 64 8"
3	002285-01-000	FT	Weatherstrip - Filler - Black
4	059640-06-000	FT	Ribbon Sealer - 5/16" Bead x 15'
5	002282-01-000	FT	Weatherstrip - Window - 125" - Black
*	006199-01-000	EA	Label - Exit - Escape Window
*			Not illustrated

WINDOW, VENT & EXTERIOR DOOR GROUP (CONTINUED)



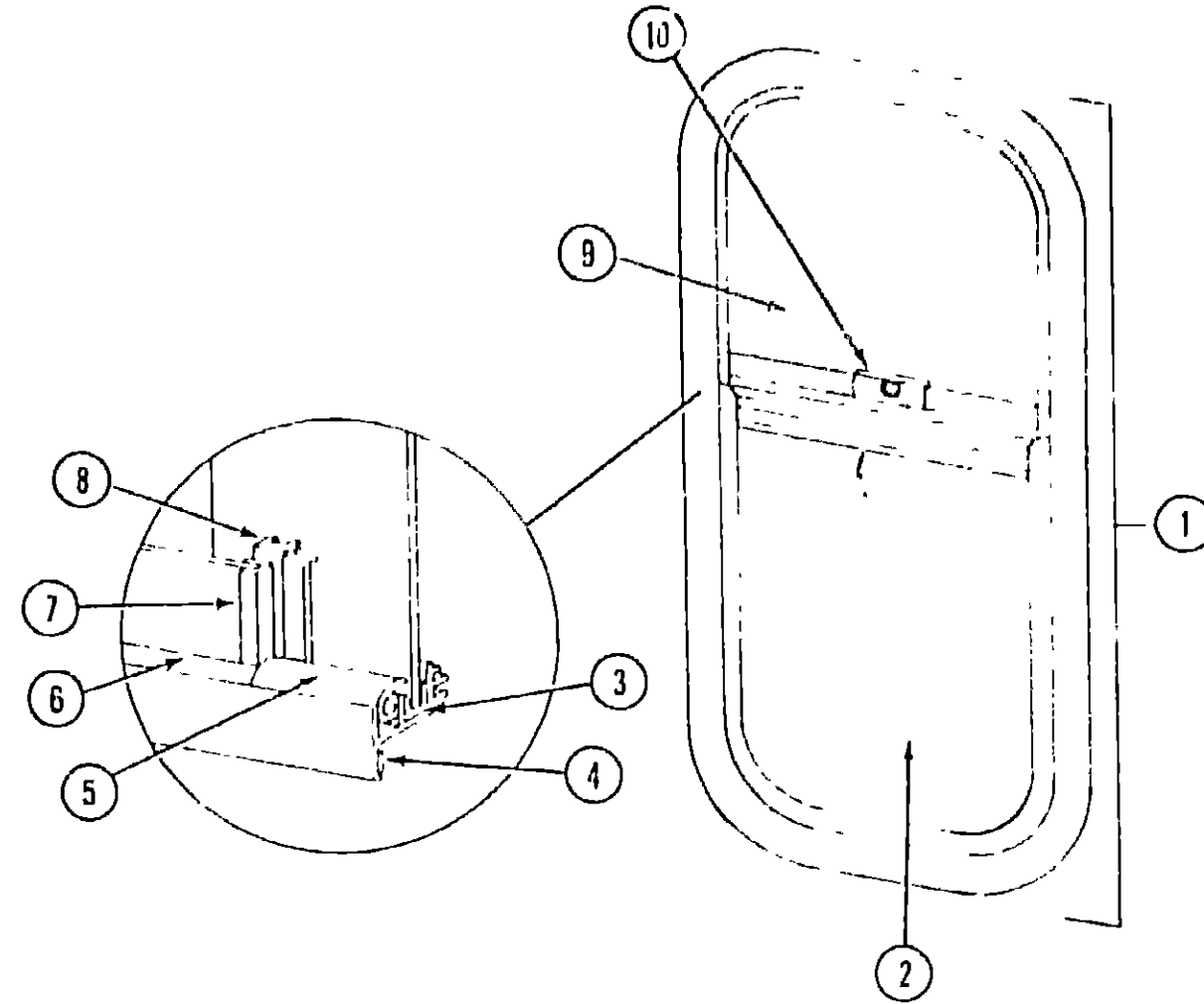
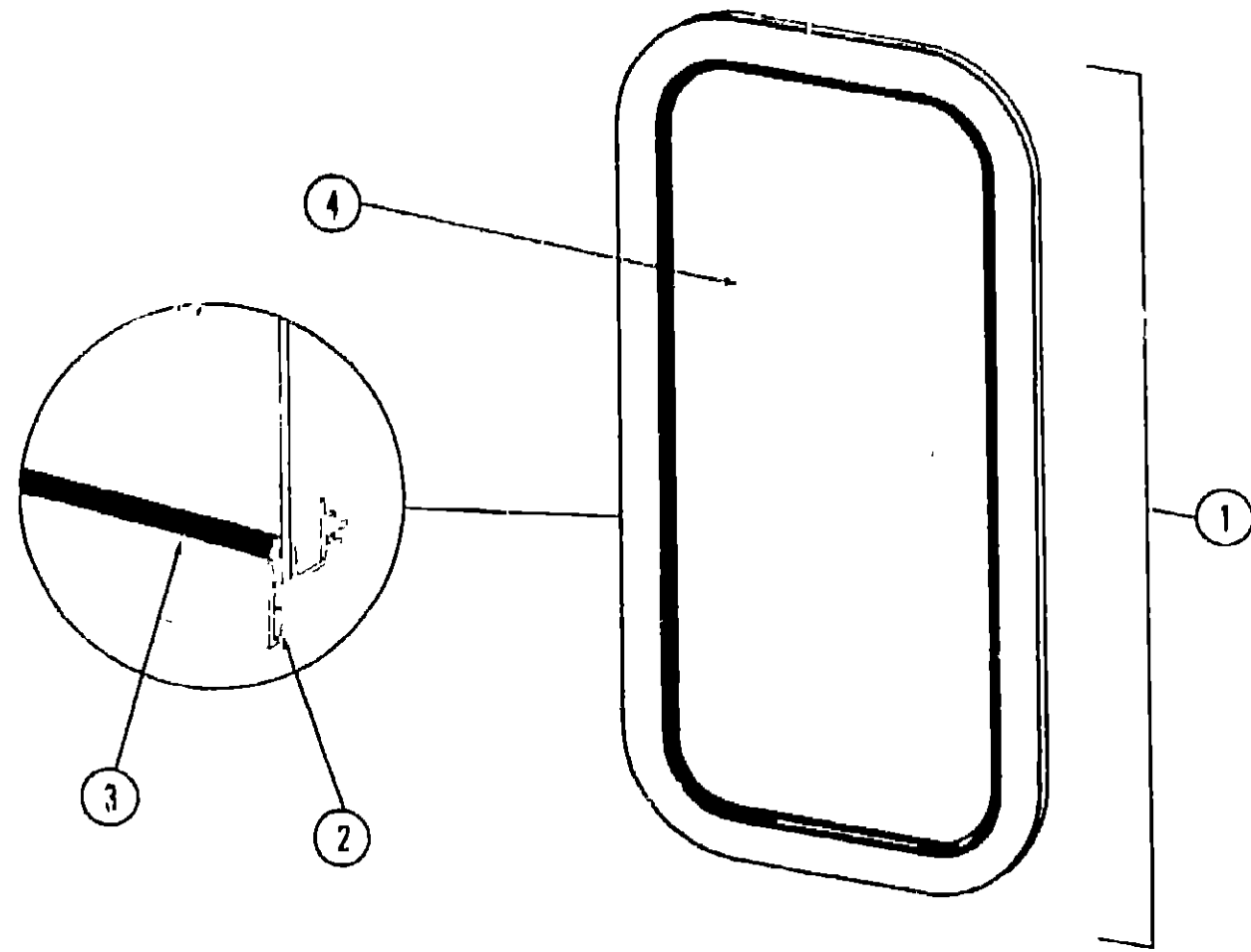
Key	Part Number	U/M	Description
1	064236-03-000	EA	Window Asm w/Charcoal Screen - Lower Slider - 29" x 36" - Black (w/o inside frame)
1	064236-01-000	EA	Window Asm w/Gray Screen - Lower Slider - 29" x 36" - Black (w/o inside frame)
*	067609-08-000	EA	Inside Frame - Beige (not included in assembly)
2	064568-01-000	EA	Glass - Lower Slider - 12" x 14 8" x 8 9"
3	002324-02-000	FT	Channel - Weatherstrip - Glass Run - 3/16" Glass
4	069640-06-000	FT	Ribbon Sealer - 5/16" Bead x 15'
5	041928-02-000	FT	Seal - Window Channel - Black
6	002309-02-000	FT	Spline - Glass - Black
7	M69886-03-002	EA	Seal Holder w/Fin Seal - 8 1" - Black
8	064235-01-000	EA	Mullion - Vertical - Slider Window
9	047369-01-700	EA	Latch Kit - Window - Plastic - w/Fastener
10	064568-02-000	EA	Glass - Lower Stationary - 12" x 14 8" x 8 9"
11	064234-01-000	EA	Mullion - Horizontal
12	002184-03-000	EA	Glass - Upper Stationary - 115" x 28 25" x 26 04"
*	073740-01-000	FT	Seal - Fin - Pile - 46"
*	002298-02-000	FT	Spline - 13" Dia. - Charcoal (Screen)
*	002298-01-000	FT	Spline - 13" Dia. - Gray (Screen)
*	002291-02-000	SF	Screen - 16" - Charcoal
*	002291-01-000	SF	Screen - 16" - Gray
*			Not illustrated

1984 ITASCA  
TABLE OF CONTENTS

IC420RG	A-01 - C-06
IC424RC	C-07 - E-18
ICN23HG	E-19 - H-06
ICN30RT	H-07 - J-20

1984 IC420RG INDEX

Floor Plan	A-01 - A-02
Accessories Group	A-03 - A-05
Bath Group	A-06
Chassis Group	A-07 - A-08
Curtain, Cushion & Pad Group	A-09 - A-14
Dinette Group	A-15
Driver's Compartment Group	A-16 - A-17
Electrical Group	A-18 - A-20
Exterior Body Group	A-21 - B-08
Galley Group	B-09 - B-10
Heating & Air Conditioning Group	B-11
Interior Finish Group	B-12 - B-14
LP Group	B-15
Lounge Group	B-16
Water & Sewage Group	B-17 - B-18
Window, Vent & Exterior Door Group	B-19 - C-06



1984 ITASCA  
TABLE OF CONTENTS

IC420RG	A-01 - C-06
IC424RC	C-07 - E-1b
ICN23RG	E-19 - H-06
ICN30RT	H-07 - J-20

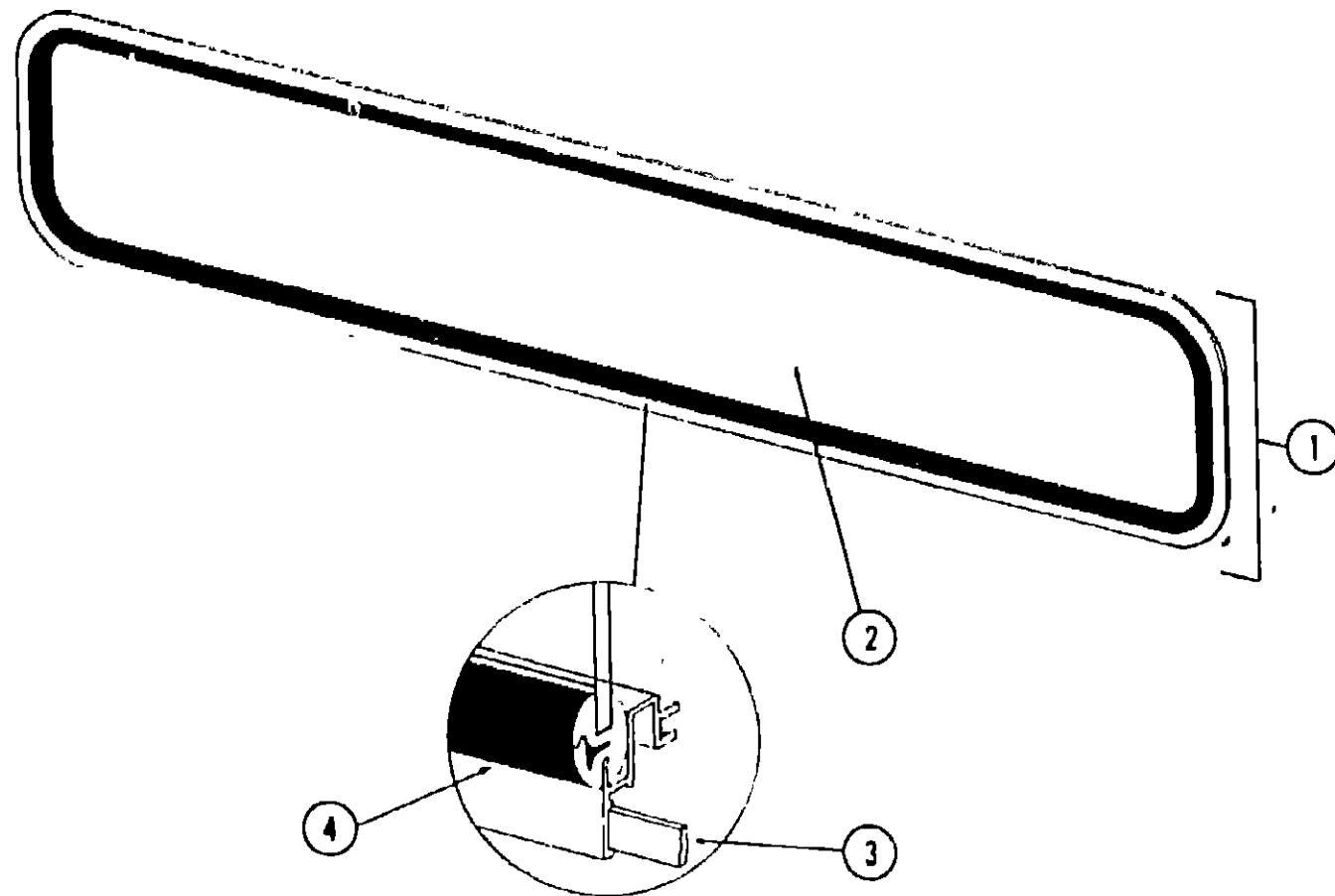
Key	Part Number	U/M	Description
1	041875-09-000	CA	Window Asm - Picture - 17" x 25" (w/o inside frame)
•	067609-03-000	EA	Inside Frame - Beige (not included in assembly)
2	069640-06-000	FT	Ribbon Sealer - 5/16" Bead x 15'
3	002309-02-000	FT	Spline - Glass - 1/8" Black
4	002181-06-000	EA	Glass - TP - 115" x 16 25" x 24"
•			Not illustrated

Key	Part Number	U/M	Description
1	069383-03-000	EA	Window Asm w/Charcoal Screen - Vertical Slider - 17" x 25" - Black (w/o inside frame)
1	069383-01-000	EA	Window Asm w/Gray Screen - Vertical Slider - 17" x 25" - Black (w/o inside frame)
•	068752-01-000	EA	Inside Frame - Window - Beige (not included in assembly)
2	068743-01-000	EA	Glass - Sliding - 125" x 17 5" x 12 6"
3	002324-02-000	FT	Channel - Weatherstrip - Glass Run - 3/16" Glass
4	069640-06-000	FT	Ribbon Sealer - 5/16" Bead x 15'
5	057374-02-000	FT	Seal - Window Channel - Black
6	002309-02-000	FT	Spline - Glass - Black
7	M18025-04-000	EA	Seal Holder w/Fin Seal - 1/8" - Black
8	069896-07-000	EA	Mullion - Vertical Slider
9	068742-01-000	EA	Glass - Stationary - 125" x 17 4" x 11 5"
10	047369-01-700	EA	Latch Kit - Window - Plastic - w/Fastener
•	073740-01-000	FT	Seal - Fin - Pile - 46"
•	002298-02-000	FT	Spline - 13' Dia - Charcoal (Screen)
•	002298-01-000	FT	Spline - 13" Dia - Gray (Screen)
•	023713-02-000	EA	Weephole Cover - Plastic - Black
•	002292-02-000	SF	Screen - 20" - Charcoal
•	002292-01-000	SF	Screen - 20" - Gray
•			Not illustrated

1984 IC420RG INDEX

Floor Plan	A-01 - A-02
Accessories Group	A-03 - A-05
Bath Group	A-06
Chassis Group	A-07 - A-08
Curtain Cushion & Pad Group	A-09 - A-14
Dinette Group	A-15
Driver's Compartment Group	A-16 - A-17
Electrical Group	A-18 - A-20
Exterior Body Group	A-21 - B-08
Galley Group	B-09 - B-10
Heating & Air Conditioning Group	B-11
Interior Finish Group	B-12 - B-14
LP Group	B-15
Lounge Group	B-16
Water & Sewage Group	B-17 - B-18
Window, Vent & Exterior Door Group	B-19 - C-06

**WINDOW, VENT & EXTERIOR DOOR GROUP (CONTINUED)**



Key	Part Number	U/M	Description
1	041936-01-000	EA	Window Asm - Front Picture - 14" x 69" - Black (w/o inside frame)
*	041938-03-000	EA	Inside Frame - Picture Window - Beige (not included in assembly)
2	002200-02-000	EA	Glass - TP - Picture Window
3	069640-06-000	FT	Ribbon Sealer - 5/16" Bead x 15'
4	002281-01-000	FT	Weatherstrip - Self Seal - 06" Panel x 3/16" - Black
*			Not illustrated

**WINDOW, VENT & EXTERIOR DOOR GROUP (CONTINUED)**

**ACCESS DOORS**

Key	Part Number	U/M	Description
	033333-23-000	EA	Door Asm. - Battery - Aluminum Sidewalls
	076906-03-000	EA	Door Asm - Battery - Fiberglass Sidewalls
	052775-01-000	EA	Door Asm - Generator - w/o Baffle - Aluminum Sidewalls
	076904-01-000	EA	Door Asm. - Generator - w/o Baffle - Fiberglass Sidewalls
	052778-01-000	EA	Door Asm - Luggage - w/Key Lock - Aluminum Sidewalls
	076905-01-000	EA	Door Asm - Luggage - w/Key Lock - Fiberglass Sidewalls
	069762-02-000	EA	Door Asm. - Refrigerator Access - w/Twist Lock - Off White
	052009-01-000	EA	Door Asm - Water Heater Access - Off White
	052423-01-000	EA	Door - Fuel Fill - Off White
	063742-01-000	EA	Door - Power Cord - Off White
	052424-01-000	EA	Jamb - Power Cord/Fuel Fill Door - Off White
	052543-01-000	EA	Hulch - Power Cord Door
	052743-01-000	EA	Baffle - Generator Door
	054530-01-000	EA	Door Holder
	042441-01-000	EA	Lock Asm - Key Type - Gas Fill
	042442-01-000	EA	Lock Asm - Twist Type
	047305-01-000	EA	Lock Asm - Key Type w/Clip
	052950-01-700	EA	Lock Asm Kit - Twist Type w/Clip - White Plastic
	052951-01-000	EA	Clip - Twist - Lock Retainer
	041312-01-000	FT	Seal - Bulb - e Suction

**VENTS**

Key	Part Number	U/M	Description
	065103-02-000	EA	Cover - Refrigerator Vent - 9 88" x 20 5" - Plastic
	065103-01-000	EA	Frame Asm - Refrigerator Vent - 8 17" x 22 94" - Plastic
	071290-02-000	EA	Cover - Refrigerator Vent - 24 75" x 11 63" - Galvanized Steel
	071290-01-000	EA	Frame Asm - Refrigerator Vent - 7 5" x 26 5" - Galvanized Steel
	049352-01-000	EA	Vent - Stovehood - Outside - Off White
	052586-01-000	EA	Ventilator - Round Skylight - Non-Powered
	063257-01-000	EA	Vent Asm - 6" Dia - Roof - Powered
**	048835-01-000	EA	Vent Asm - Roof - Non Powered - w/o Screen - Alum
	016335-04-000	EA	Gray Screen Asm - Non-Powered Roof Vent
	016335-08-000	EA	Charcoal Screen Asm - Non-Powered Roof Vent
	064469-02-000	EA	Vent Asm - Roof - Powered - 14" x 14" - CSA
**	The illustrated parts breakdown for this item is provided on the Common Items Fiche		

**1984 ITASCA  
TABLE OF CONTENTS**

IC420RG	A-01 - C-06
IC424RC	C-07 - E-18
ICN23RG	E-19 - H-06
ICN30RT	H-07 - J-20

**1984 IC420RG INDEX**

Floor Plan	A-01 - A-02
Accessories Group	A-03 - A-05
Bath Group	A-06
Chassis Group	A-07 - A-08
Curtain, Cushion & Pad Group	A-09 - A-14
Dinette Group	A-15
Driver's Compartment Group	A-16 - A-17
Electrical Group	A-18 - A-20
Exterior Body Group	A-21 - B-08
Galley Group	B-09 - B-10
Heating & Air Conditioning Group	B-11
Interior Finish Group	B-12 - B-14
LP Group	B-15
Lounge Group	B-16
Water & Sewage Group	B-17 - B-18
Window, Vent & Exterior Door Group	B-19 - C-06